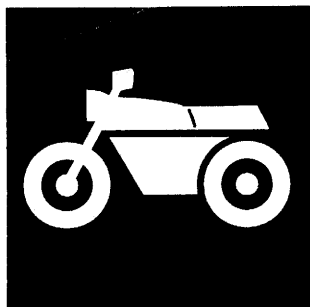


YAMAHA

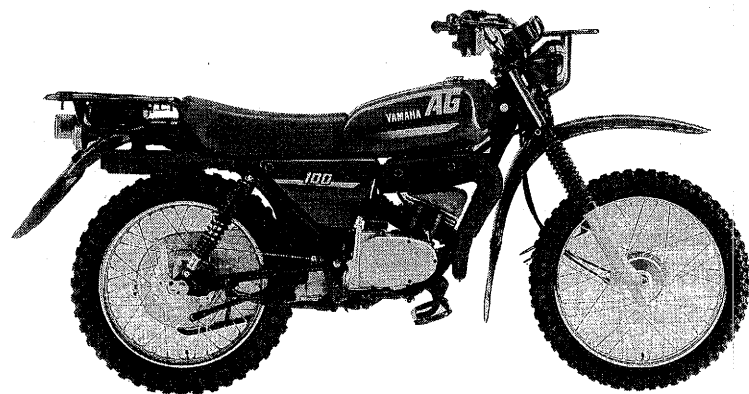


**PARTS
CATALOGUE**

AG100J(3HAA) ALL

173HA-700E1

YAMAHA
GENUINE
Parts & Accessories



A3

FOREWORD

This Parts Catalogue is related to the parts for the model(s) in the below frame. When you are ordering replacement parts, please refer to this Parts Catalogue and quote both part numbers and part names correctly.

AG100J(3HAA)

1. Modifications or additions which have been made after issue of the Parts Catalogue will be announced in the Yamaha Parts News.
It is advisable that you make necessary corrections to the Parts Catalogue according to the Yamaha Parts News.

2. Abbreviations
The following abbreviations are used in this Parts Catalogue.

"UR" Use specified parts number.
 "UN" Use as many as needed.
 "AP" Alternate Parts
 "LM" Local Made (Parts need to be ordered locally)
 "F#" Frame No. (Applicable machine No.)

3. Parts, which are to be supplied in an assembly, are listed with a dot (.) in front of the part name as shown below.

EXAMPLE
 CARBURETOR ASSY
 . JET, PILOT
 . NOZZLE, MAIN

4. Number of component for assembly
The numeral appearing to the right of each component part indicates the quantity of parts for each assembly unit.

EXAMPLE

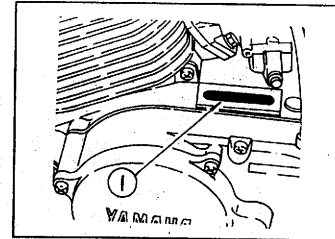
PART NO.	DESCRIPTION	Q'TY	REMARKS
2F5-83310-60	FRONT FLASHER LIGHT ASSY	2	
115-83311-60	. BULB (6V-18W)	1	

5. Applicable colors of graphics are represented in the "REMARKS" as shown below.

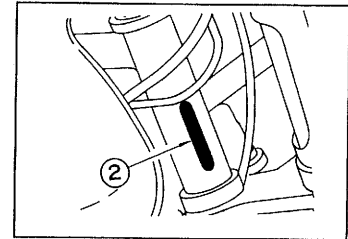
PART NO.	DESCRIPTION	Q'TY	REMARKS
2N4-24110-00-X5	FUEL TANK COMP.	1	MAXIM RED
3J1-24240-10	. GRAPHIC, FUEL TANK	1	for MXR

6. Applicable Serial No.

① Engine Serial No.



② Frame Serial No.

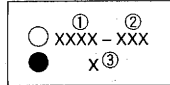


7. Note that the illustrations are for reference in finding parts numbers, not to be used for assembling. When assembling, please use the applicable service manual.
8. The asterisk (*) before a reference number indicates modification items after the first edition.

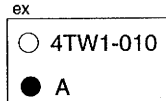
MODEL LABEL

(1) A label called "Model Label" is affixed in the location as indicated in (3) below. When using this parts catalogue, please be sure to cross-refer the "model code - production code No." in the catalogue to the "model code - production code No." indicated on the Model Label affixed onto the product concerned.

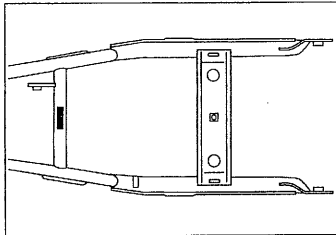
(2) "Model Label" Indication



- ① Model Type Code
- ② Production Code No.
- ③ Colouring Type



(3) Model Label Affixing Location



(4) Model Code - Production Code Number of Model Listed in This Parts Catalog

Model code	Production code No.	Country (destination)	Model code	Production code No.	Country (destination)
3HAA	010	AUSTRALIA	3HAA	050	EL SALVADOR
	020	E. CAMEROUN			
		GUINEA			
		RWANDA			
	030	GHANA			
		GAMBIA			
		KENYA			
		MALAWI			
		PAPUA NEW GUINEA			
		UGANDA			
		S. AFRICA			
	040	LIBERIA			
		SIERRA LEONE			
	050	PERU			
		PARAGUAY			

(5) Colouring Information

Colouring type code	Colour code	Colour Name	Abbreviation
A	0402	YELLOWISH GRAY SOLID 3	YNS3
B	00EY	HEAT RED	HTR

CONTENTS

ENGINE

Cylinder	B2
Crankshaft. Piston	B3
Oil Pump	B4
Intake	B5
Carburetor	B6~B7
Exhaust	B8
Crankcase	B9
Crankcase Cover 1	B10
Starter	B11
Clutch	B12
Transmission	B13
Shift Cam. Fork	B14
Shift Shaft	B15

Generator	D6
Flasher Light	D7
Meter	D8
Headlight	D9
Taillight	D10
Handle Switch. Lever	D11
Electrical 1	D12~D13

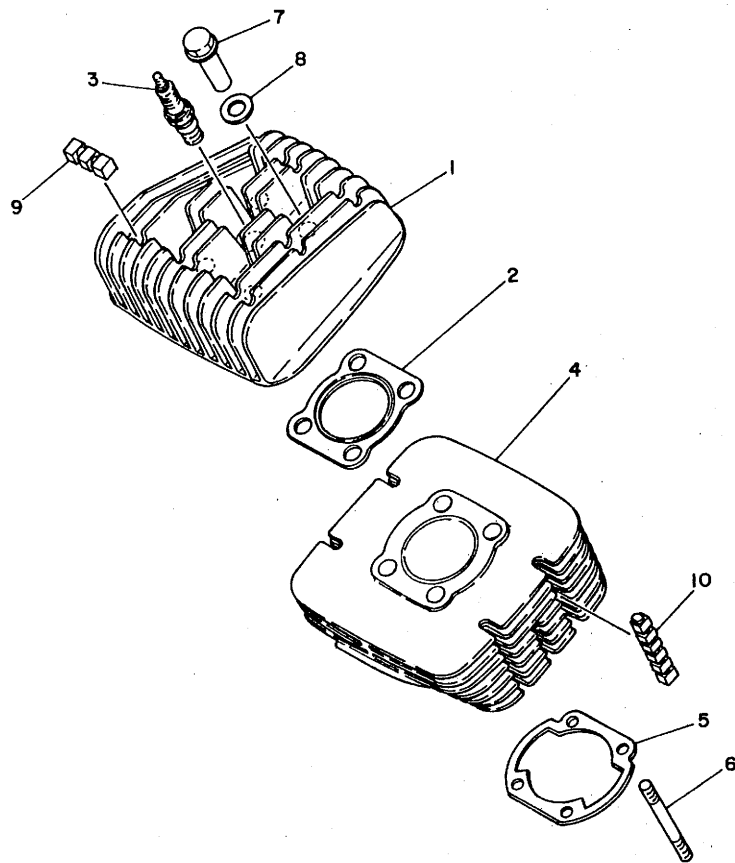
INDEX

Numerical Index	M1~M3
-----------------------	-------

CHASSIS

Frame	C2
Fender	C3
Side Cover	C4
Oil Tank	C5
Rear Arm	C6~C7
Rear Suspension	C8
Steering	C9
Front Fork	C10~C11
Fuel Tank	C12
Seat	C13
Front Wheel	C14~C15
Rear Wheel	D2~D3
Steering Handle. Cable	D4
Stand. Footrest	D5

FIG. 1 CYLINDER



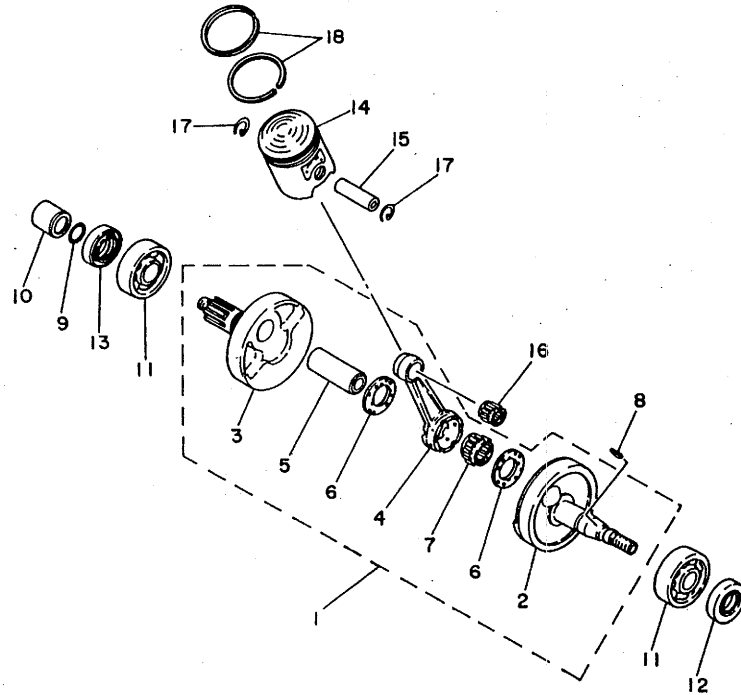
REF. NO.	PART NO.	DESCRIPTION	QUANTITY	UNIT	REMARKS
1	3V6-11111-00	HEAD, CYLINDER 1	1	1	
2	3A3-11181-00	GASKET, CYLINDER HEAD 1	1	1	
3	94701-00044	PLUG, SPARK (NGK B-7ES)	1	1	
4	3V6-11311-00	CYLINDER 1	1	1	
5	3UL-11351-00	GASKET, CYLINDER	1	1	
6	90116-08064	BOLT, STUD	4	4	
7	90179-08303	NUT	4	4	
8	90201-12362	WASHER, PLATE	4	4	
9	3V6-11128-00	ABSORBER 4	6	6	
10	3V6-11161-00	ABSORBER 1	4	4	



3V6700-2010

B2

FIG. 2 CRANKSHAFT. PISTON



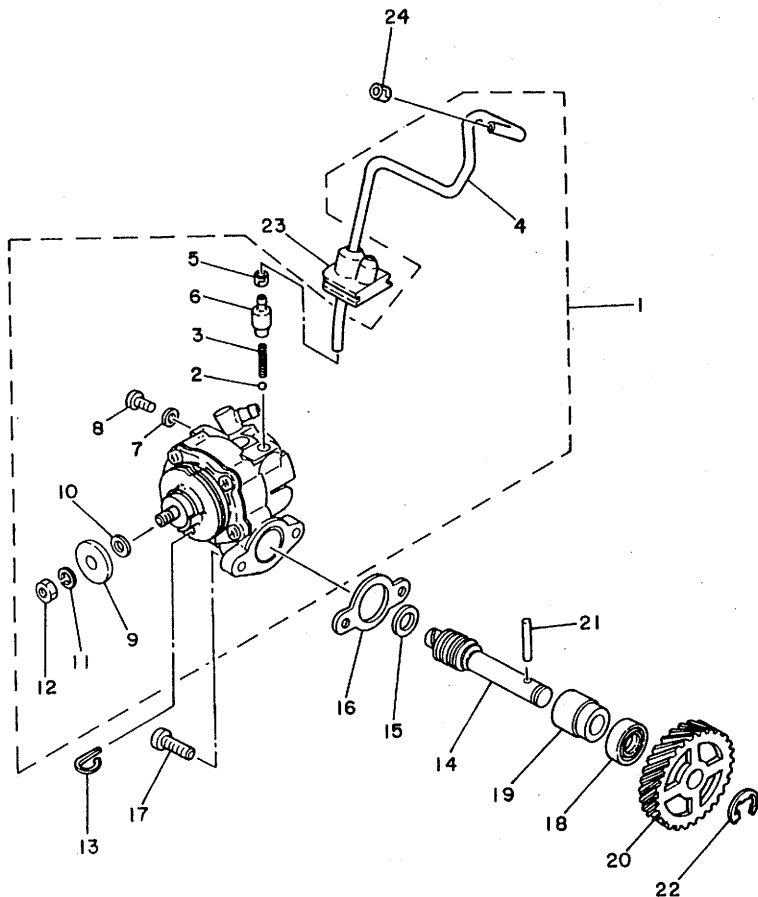
REF. NO.	PART NO.	DESCRIPTION	OCE	OTH			REMARKS
1	382-11400-00	CRANKSHAFT ASSY	1	1			
2	558-11412-00	.CRANK 1	1	1			
3	382-11422-00	.CRANK 2	1	1			
4	558-11651-01	.ROD, CONNECTING	1	1			
5	5E2-11681-00	.PIN, CRANK 1	1	1			
6	90209-22071	.WASHER	2	2			
7	93310-422E7	.BEARING	1	1			
8	90280-03017	KEY, WOODRUFF	1	1			
9	93210-18023	O-RING	1	1			
10	90387-20175	COLLAR	1	1			
11	93306-30405	BEARING (B6304C3)	2	2			
12	93102-20010	OIL SEAL	1	1			
13	93103-28011	OIL SEAL	1	1			
14	3V6-11631-00-96	PISTON (STD)	1	1			
	3V6-11635-00	PISTON (0.25MM O/S)	1	1			AP
	3V6-11636-00	PISTON (0.50MM O/S)	1	1			AP
	3V6-11637-00	PISTON (0.75MM O/S)	1	1			AP
	3V6-11638-00	PISTON (1.00MM O/S)	1	1			AP
15	131-11633-00	PIN, PISTON	1	1			
16	93310-21403	BEARING	1	1			
17	93450-15023	CIRCLIP	2	2			
18	335-11601-00	PISTON RING SET (STD)	2	2			
	335-11601-10	PISTON RING SET (0.25MM O/S)	1	1			AP
	335-11601-20	PISTON RING SET (0.50MM O/S)	1	1			AP
	335-11601-30	PISTON RING SET (0.75MM O/S)	1	1			AP
	335-11601-40	PISTON RING SET (1.00MM O/S)	1	1			AP



3V6700-2020

B3

FIG. 3 OIL PUMP



REF. NO.	PART NO.	DESCRIPTION	QTY	OTH	REMARKS
1	3V6-13101-00	OIL PUMP ASSY	1	1	
2	93505-32002	.BALL	1	1	
3	90501-02217	.SPRING, COMPRESSION	1	1	
4	90445-05278	.HOSE	1	1	
5	90468-02033	.CLIP	1	1	
6	402-13552-00	.NOZZLE	1	1	
7	90430-04004	.GASKET	1	1	
8	98907-04008	.SCREW, BIND	1	1	
9	137-13138-01	.PLATE, ADJUSTING	1	1	
10	137-13137-00-03	.SHIM (0.3T)	1	1	UN
	137-13137-00-05	.SHIM (0.5T)	1	1	UN
	137-13137-00-10	.SHIM (1.0T)	1	1	UN
11	92907-05100	.WASHER, SPRING	1	1	
12	95307-05600	.NUT	1	1	
13	367-13146-01	CLIP	1	1	
14	3V6-13175-00	SHAFT, WORM	1	1	
15	90201-08624	WASHER, PLATE	1	1	
16	126-13116-01	GASKET, PUMP CASE	1	1	
17	98507-05014	SCREW, PAN HEAD	2	2	
18	93101-10002	OIL SEAL	1	1	
19	137-13176-00	METAL, WORM SHAFT OUTER	1	1	
20	382-13178-60	GEAR, PUMP DRIVE (30T)	1	1	
21	93603-22028	PIN, DOWEL	1	1	
22	99001-08600	CIRCLIP	1	1	
23	525-13174-00	HOLDER, OIL PIPE	1	1	
24	90468-02033	CLIP	1	1	



3V6700-2040

B4

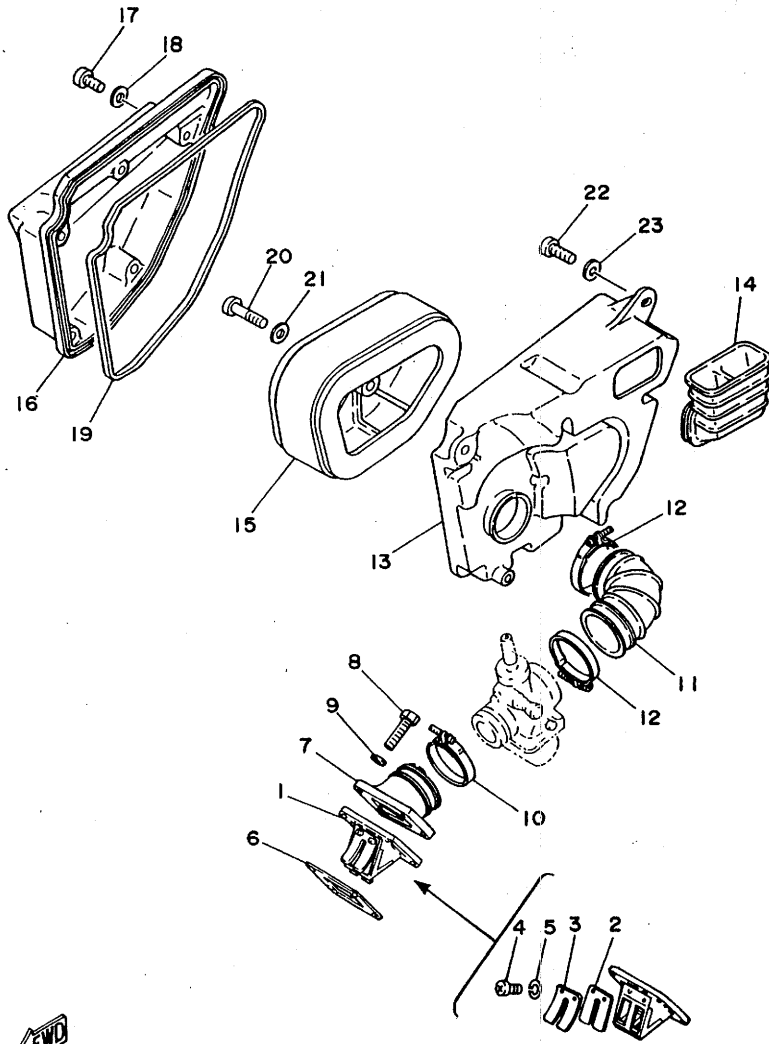


FIG. 4 INTAKE

REF. NO.	PART NO.	DESCRIPTION	OCE	OTH	REMARKS
1	314-13610-01	REED VALVE ASSY	1	1	
2	314-13613-01	.REED, VALVE	2	2	
3	314-13616-01	.STOPPER, REED VALVE	2	2	
4	98507-03008	.SCREW, PAN HEAD	4	4	
5	92907-03100	.WASHER	4	4	
6	87A-13621-00	GASKET, VALVE SEAT	1	1	
7	560-13565-00	JOINT, CARBURETOR	1	1	
8	97007-06025	BOLT	4	4	
9	92907-06600	WASHER, PLATE	4	4	
10	90460-43053	CLAMP, HOSE	1	1	
11	3A3-14453-01	JOINT, AIR CLEANER 1	1	1	
12	90460-51059	CLAMP, HOSE	2	2	
13	3V6-14411-00	CASE, AIR CLEANER 1	1	1	
14	1V1-14437-00	DUCT	1	1	
15	3V6-14451-00	ELEMENT, AIR CLEANER	1	1	
16	3V6-14412-00	CAP, CLEANER CASE 1	1	1	
17	98507-06016	SCREW, PAN HEAD	5	5	
18	92907-06600	WASHER, PLATE	5	5	
19	3V6-14416-00	GASKET, AIR CLEANER	1	1	
20	98507-06035	SCREW, PAN HEAD	1	1	
21	90201-06067	WASHER, PLATE	1	1	
22	98507-06020	SCREW, PAN HEAD	2	2	
23	90201-06067	WASHER, PLATE	2	2	

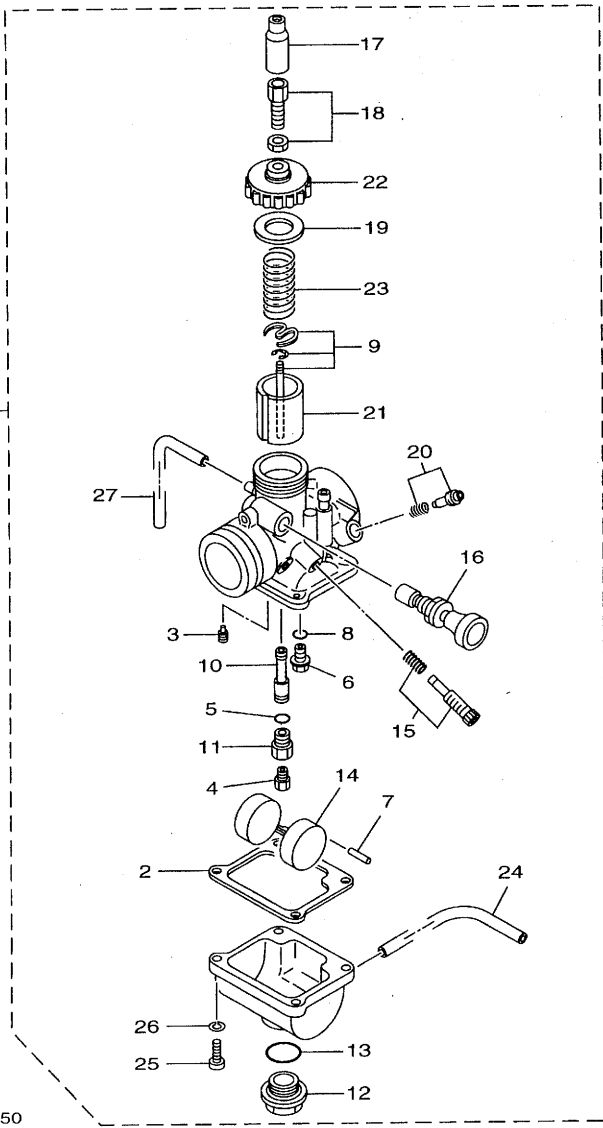


3HA5700-2040

B5

FIG. 5 CARBURETOR

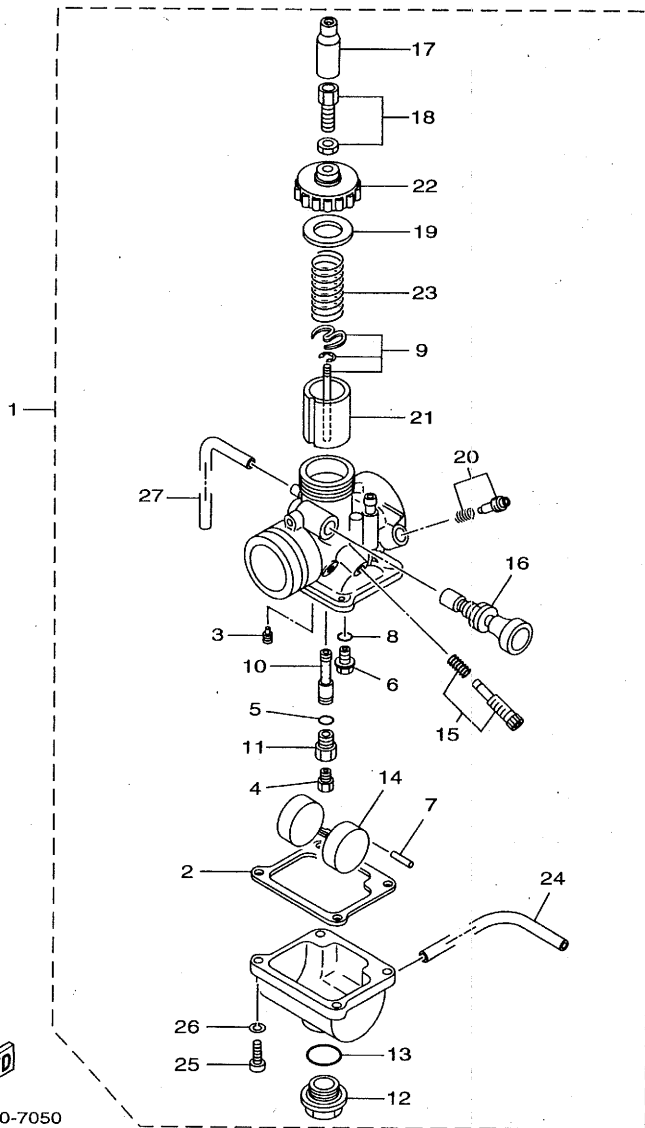
REF. NO.	PART NO.	DESCRIPTION	OCE	OTH	REMARKS
1	3V6-14101-01	CARBURETOR ASSY 1	1	1	
2	304-14184-00	.GASKET, FLOAT CHAMBER	1	1	
3	260-14142-17	.JET, PILOT (#17.5)	1	1	
4	137-14143-28	.JET, MAIN (#140)	1	1	STD
	137-14143-26-A0	.JET, MAIN (#130)	1	1	UR
	137-14143-30	.JET, MAIN (#150)	1	1	UR
5	214-14147-00	.O-RING	1	1	
6	353-14190-15	.NEEDLE VALVE ASSY	1	1	
7	127-14186-00	.PIN, FLOAT	1	1	
8	127-14195-00	.WASHER, NEEDLE VALVE	1	1	
9	18L-1490J-00	.NEEDLE SET	1	1	
10	2F5-14141-36	.NOZZLE, MAIN	1	1	
11	2N4-14145-00	.HOLDER	1	1	
12	500-14115-00	.PLUG, SCREW	1	1	
13	558-14147-00	.O-RING	1	1	
14	4NR-14185-00	.FLOAT	1	1	
15	23L-14103-00	.THROTTLE SCREW SET	1	1	
16	4U5-14171-00	.PLUNGER, STARTER	1	1	
17	307-14169-01	.CAP	1	1	
18	12G-14106-00	.CABLE ADJUST SCREW SET	1	1	
19	193-14126-00	.GASKET	1	1	
20	10W-14104-00	.AIR SCREW SET	1	1	
21	304-14112-20	.VALVE, THROTTLE 1	1	1	
22	193-14158-00	.TOP, MIXING CHAMBER	1	1	
23	276-14131-00	.SPRING, THROTTLE VALVE	1	1	
24	183-14196-00	.PIPE	1	1	
25	98502-04016	.SCREW, PAN HEAD	4	4	



3HAA700-7050

B6

FIG. 5 CARBURETOR

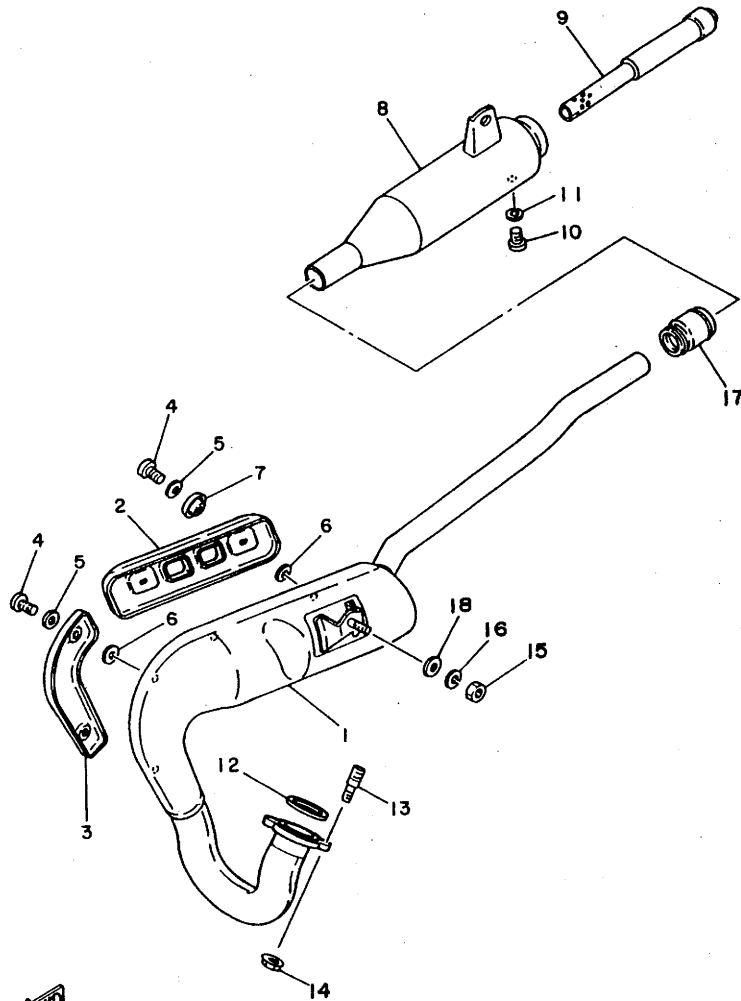


3HAA700-7050

REF. NO.	PART NO.	DESCRIPTION	OCE	OTH	REMARKS
26	92902-04100	.WASHER, SPRING	4	4	
27	183-14197-00	.PIPE	1	1	

B7

FIG. 6 EXHAUST

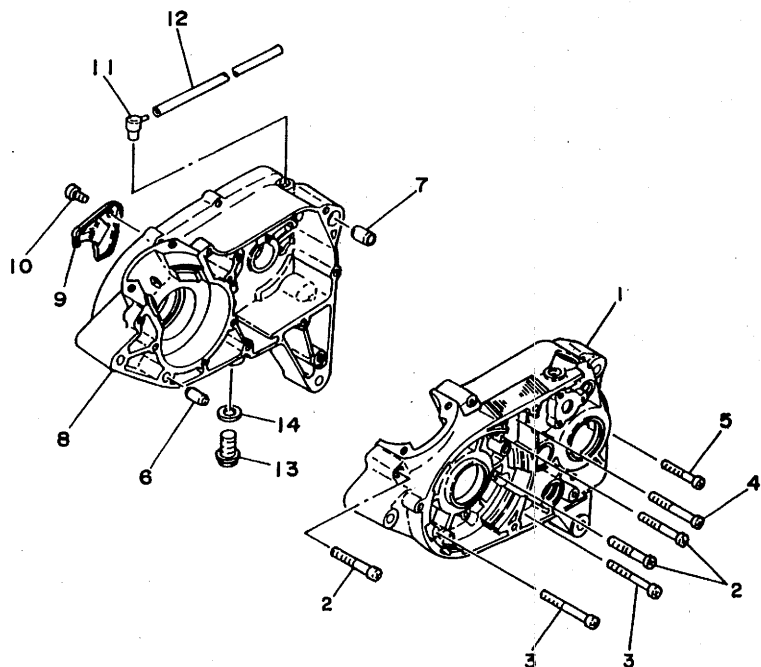
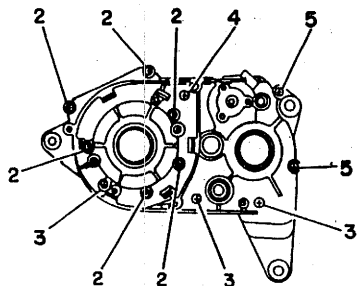


3HA9700-6060

REF. NO.	PART NO.	DESCRIPTION	OCE	OTH	REMARKS
1	3V6-14610-00	EXHAUST PIPE ASSY 1	1	1	
2	3V6-14718-00	PROTECTOR, MUFFLER 1	1	1	
3	3V6-14728-00	PROTECTOR, MUFFLER 2	1	1	
4	98907-06012	SCREW, BIND	4	4	
5	90202-05187	WASHER, PLATE	4	4	
6	90202-05188	WASHER, PLATE	4	4	
7	90209-06194	WASHER	2	2	
8	3V6-14753-00	SILENCER, EXHAUST	1	1	
9	3T2-14752-00	PIPE, OUTLET	1	1	
10	98507-05008	SCREW, PAN HEAD	1	1	
11	92907-05100	WASHER, SPRING	1	1	
12	3PA-14613-10	GASKET, EXHAUST PIPE	1	1	
13	90116-06320	BOLT, STUD	2	2	
14	95707-06500	NUT, FLANGE	2	2	
15	95307-08600	NUT	1	1	
16	92907-08100	WASHER, SPRING	1	1	
17	3M7-14615-00	JOINT, EXHAUST 1	1	1	
18	90201-08753	WASHER, PLATE	1	1	

B8

FIG. 7 CRANKCASE



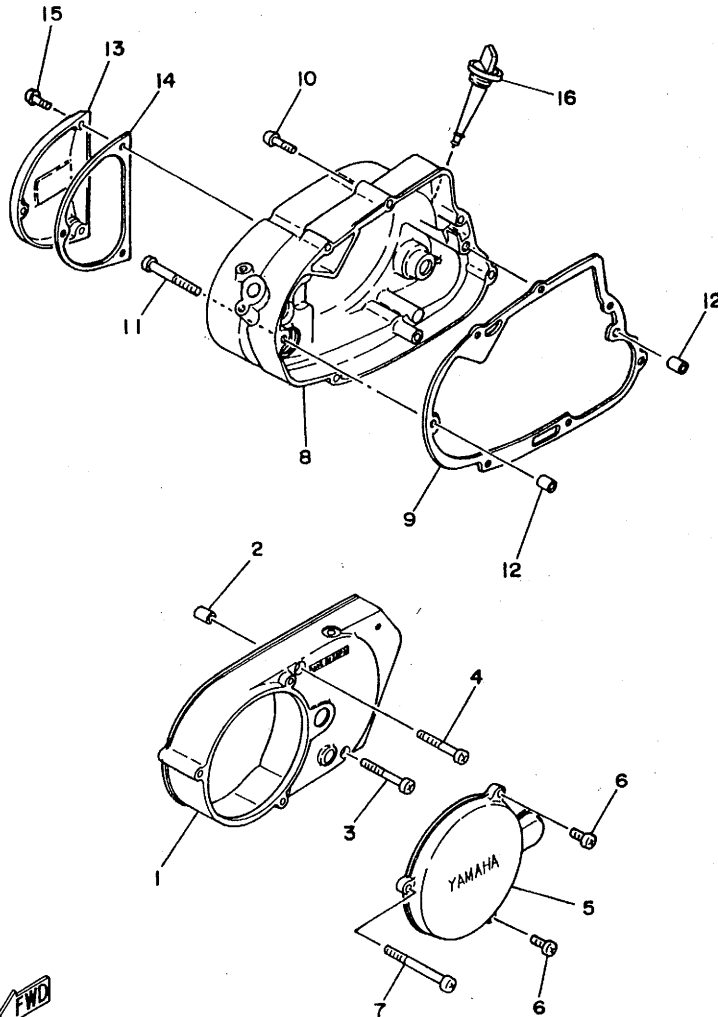
REF. NO.	PART NO.	DESCRIPTION	OCE	OTH	REMARKS
1	276-15111-01	CRANKCASE 1	1	1	
2	98507-06045	SCREW, PAN HEAD	6	6	
3	98507-06055	SCREW, PAN HEAD	3	3	
4	90157-06125	SCREW, PAN HEAD	1	1	
5	98507-06040	SCREW, PAN HEAD	2	2	
6	99530-12016	PIN, DOWEL	1	1	
7	99530-14016	PIN, DOWEL	1	1	
8	276-15121-04	CRANKCASE 2	1	1	
9	304-15128-00	HOLDER	1	1	
10	98507-08010	SCREW, PAN HEAD	1	1	
11	120-15371-00	BREATHER	1	1	
12	90446-07009	HOSE	1	1	
13	90340-12005	PLUG, STRAIGHT SCREW	1	1	
14	90430-12207	GASKET	1	1	



3HA9700-6070

B9

FIG. 8 CRANKCASE COVER 1

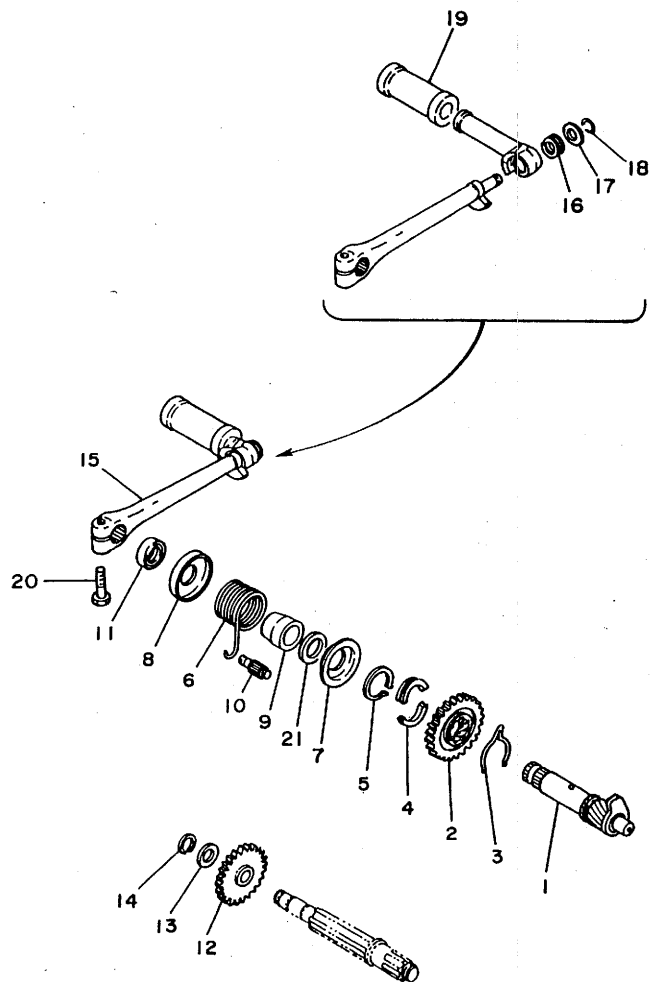


REF. NO.	PART NO.	DESCRIPTION	QTY	UNIT	REMARKS
1	382-W1541-60	CRANKCASE COVER ASSY 1	1	1	
2	99530-10014	PIN, DOWEL	2	2	
3	98507-06050	SCREW, PAN HEAD	2	2	
4	98507-06045	SCREW, PAN HEAD	1	1	
5	276-15415-00	COVER, GENERATOR	1	1	
6	98507-06020	SCREW, PAN HEAD	2	2	
7	98507-06060	SCREW, PAN HEAD	1	1	
8	3V6-15421-02	COVER, CRANKCASE 2	1	1	
9	3GY-15451-00	GASKET, CRANKCASE COVER 1	1	1	
10	98507-06035	SCREW, PAN HEAD	6	6	
11	98507-06060	SCREW, PAN HEAD	1	1	
12	99530-10014	PIN, DOWEL	2	2	
13	314-15416-00-35	COVER, OIL PUMP	1	1	SL
14	3GY-15456-00	GASKET, OIL PUMP COVER 1	1	1	
15	98507-06020	SCREW, PAN HEAD	3	3	
16	315-15362-01	PLUG, OIL LEVEL	1	1	

FWD
3V6700-2090

B10

FIG. 9 STARTER



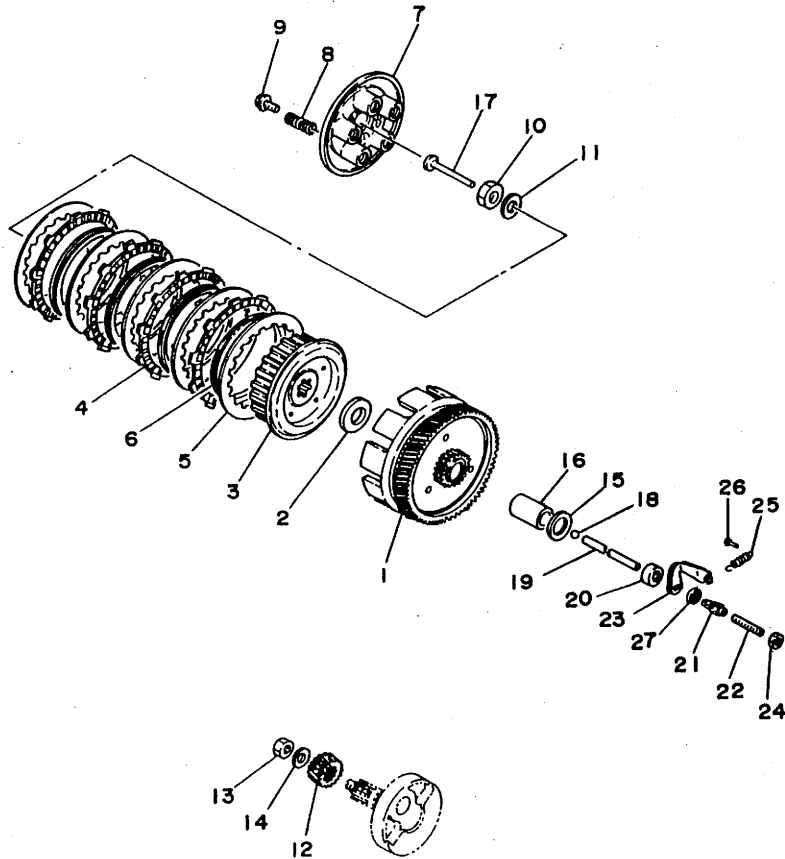
REF. NO.	PART NO.	DESCRIPTION	OCE	OTH	REMARKS
1	3V6-15660-02	KICK AXLE ASSY	1	1	
2	305-15641-00	GEAR, KICK (26T)	1	1	
3	90468-26048	CLIP	1	1	
4	248-15654-00	HOLDER, KICK GEAR	2	2	
5	99009-30400	CIRCLIP	1	1	
6	90508-26441	SPRING, TORSION	1	1	
7	3V6-15664-00	GUIDE, SPRING	1	1	
8	3V6-15676-00	COVER, SPRING	1	1	
9	3V6-15666-01	SPACER	1	1	
10	248-15668-00	STOPPER	1	1	
11	93104-20017	OIL SEAL	1	1	
12	403-15651-00	GEAR, KICK IDLE (26T)	1	1	
13	90201-13200	WASHER, PLATE	1	1	
14	99009-13400	CIRCLIP	1	1	
15	3V6-15620-00	KICK CRANK ASSY	1	1	
16	90504-18009	.SPRING, COMPRESSION	1	1	
17	214-15616-00	.WASHER, KICK LEVER	1	1	
18	93440-11029	.CIRCLIP	1	1	
19	214-15618-00	.COVER, KICK LEVER	1	1	
20	97027-08030	BOLT	1	1	
21	90201-206E5	WASHER, PLATE (0.9T)	1	1	



3HA5700-2090

B11

FIG. 10 CLUTCH



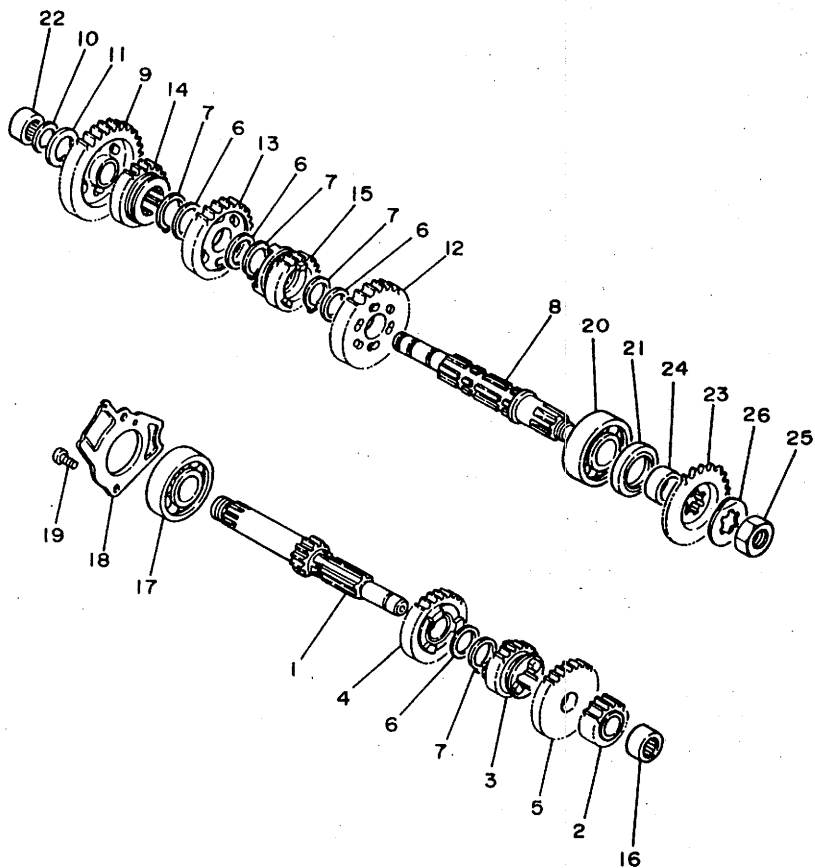
REF. NO.	PART NO.	DESCRIPTION	QCE	QTH	REMARKS
1	3V6-16150-00	PRIMARY DRIVEN GEAR COMP.	1	1	
2	276-16154-00	PLATE, THRUST 1	1	1	
3	1E7-16371-00	BOSS, CLUTCH	1	1	
4	3HA-16321-00	PLATE, FRICTION	4	4	
5	137-16324-00	PLATE, CLUTCH 1	5	5	
6	137-16367-00	RING, CUSHION	4	4	
7	132-16351-00	PLATE, PRESSURE 1	1	1	
8	90501-20124	SPRING, COMPRESSION	5	5	
9	90119-05001	BOLT, WITH WASHER	5	5	
10	90170-12060	NUT	1	1	
11	90208-12015	WASHER, CONICAL SPRING	1	1	
12	382-16111-62	GEAR, PRIMARY DRIVE (17T)	1	1	
13	90170-12060	NUT	1	1	
14	90208-12015	WASHER, CONICAL SPRING	1	1	
15	122-16164-00	PLATE, THRUST 2	1	1	
16	90560-17124	SPACER	1	1	
17	137-16356-00	ROD, PUSH 1	1	1	
18	93501-04011	BALL	1	1	
19	276-16357-00	ROD, PUSH 2	1	1	
20	93109-06060	OIL SEAL	1	1	
21	241-16341-01	SCREW, PUSH	1	1	
22	90113-06013	BOLT, SET	1	1	
23	382-16342-61	LEVER, PUSH	1	1	
24	95307-06700	NUT	1	1	
25	90506-10019	SPRING, TENSION	1	1	
26	132-16346-00	HOOK, SPRING	1	1	
27	93104-11028	OIL SEAL	1	1	



3HA9700-6100

B12

FIG. 11 TRANSMISSION



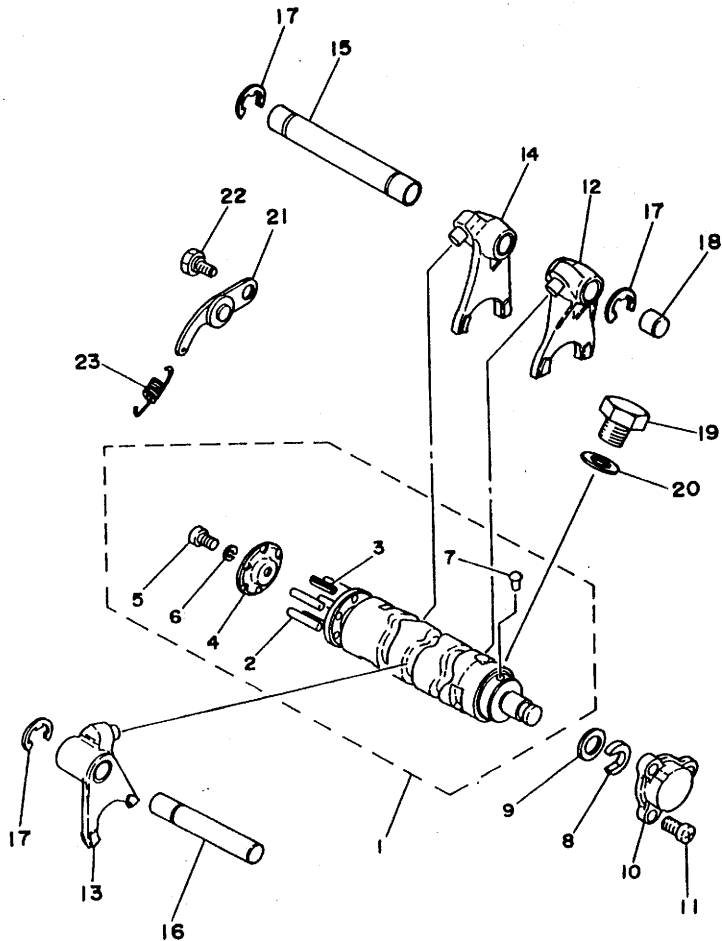
REF. NO.	PART NO.	DESCRIPTION	OCE	OTH	REMARKS
1	437-17411-01	AXLE, MAIN (11T)	1	1	
2	427-17121-01	GEAR, 2ND PINION (16T)	1	1	
3	3V6-17131-00	GEAR, 3RD PINION (20T)	1	1	
4	482-17141-00	GEAR, 4TH PINION (24T)	1	1	
5	482-17151-00	GEAR, 5TH PINION (27T)	1	1	
6	90201-20266	WASHER, PLATE (1.0T)	4	4	
7	93410-20038	CIRCLIP	4	4	
8	315-17421-01	AXLE, DRIVE	1	1	
9	248-17211-00	GEAR, 1ST WHEEL (35T)	1	1	
10	93440-15012	CIRCLIP	1	1	
11	164-17427-00	SHIM 1	1	1	
12	427-17221-00	GEAR, 2ND WHEEL (30T)	1	1	
13	3V6-17231-00	GEAR, 3RD WHEEL (25T)	1	1	
14	382-17241-60	GEAR, 4TH WHEEL (21T)	1	1	
15	482-17251-00	GEAR, 5TH WHEEL (18T)	1	1	
16	93315-31502	BEARING	1	1	
17	93306-30304	BEARING (B6303Z)	1	1	
18	403-17471-00	PLATE, COVER	1	1	
19	98507-06012	SCREW, PAN HEAD	2	2	
20	93306-30401	BEARING (B6304)	1	1	
21	93102-26042	OIL SEAL	1	1	
22	93311-31515	BEARING	1	1	
23	93822-14039	SPROCKET, DRIVE 14T(3821746141)	1	1	
24	90387-20491	COLLAR	1	1	
25	90179-16018	NUT	1	1	
26	382-17464-60	WASHER, LOCK	1	1	



3HA9700-6110

B13

FIG. 12 SHIFT CAM. FORK

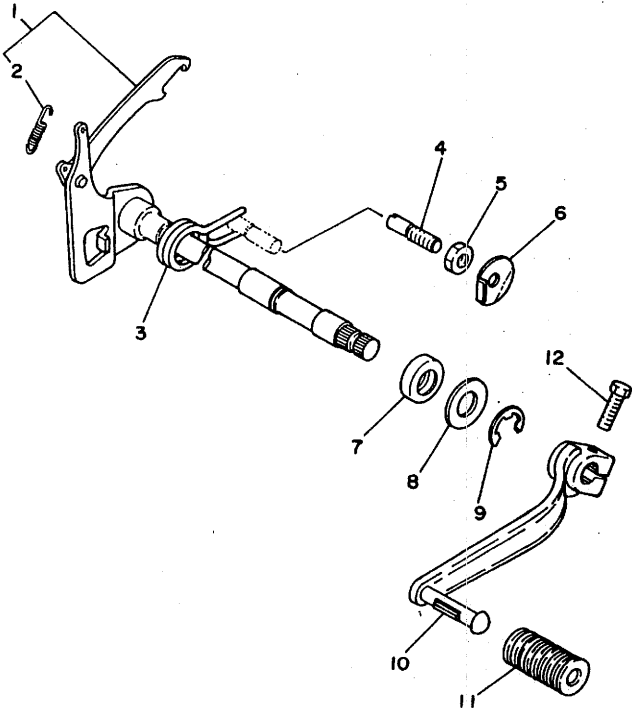


REF. NO.	PART NO.	DESCRIPTION	QTY	QTY	REMARKS
1	3V6-18540-00	SHIFT CAM ASSY	1	1	
2	93604-22050	.PIN, DOWEL	5	5	
3	91609-40016	.PIN, SPRING	1	1	
4	382-18561-60	.PLATE, SIDE 1	1	1	
5	98507-05012	.SCREW, PAN HEAD	1	1	
6	92907-05100	.WASHER, SPRING	1	1	
7	136-18542-00	.POINT, NEUTRAL	1	1	
8	164-18571-01	HOLDER, SHIFT CAM	1	1	
9	90201-12166	WASHER, PLATE	1	1	
10	164-18589-00	PLUG, BLIND	1	1	
11	98507-06010	SCREW, PAN HEAD	3	3	
12	463-18511-00	FORK, SHIFT 1	1	1	
13	463-18512-00	FORK, SHIFT 2	1	1	
14	463-18513-00	FORK, SHIFT 3	1	1	
15	214-18531-00	BAR, SHIFT FORK GUIDE 1	1	1	
16	248-18531-00	BAR, SHIFT FORK GUIDE 1	1	1	
17	99001-10600	CIRCLIP	3	3	
18	214-15385-00	PLUG, BLIND	1	1	
19	90101-14259	BOLT	1	1	
20	4EG-15353-00	GASKET, DRAIN	1	1	
21	4M3-18140-00	STOPPER LEVER ASSY	1	1	
22	90109-063F6	BOLT	1	1	
23	90506-09112	SPRING, TENSION	1	1	

3HA9700-6120

B14

FIG. 13 SHIFT SHAFT



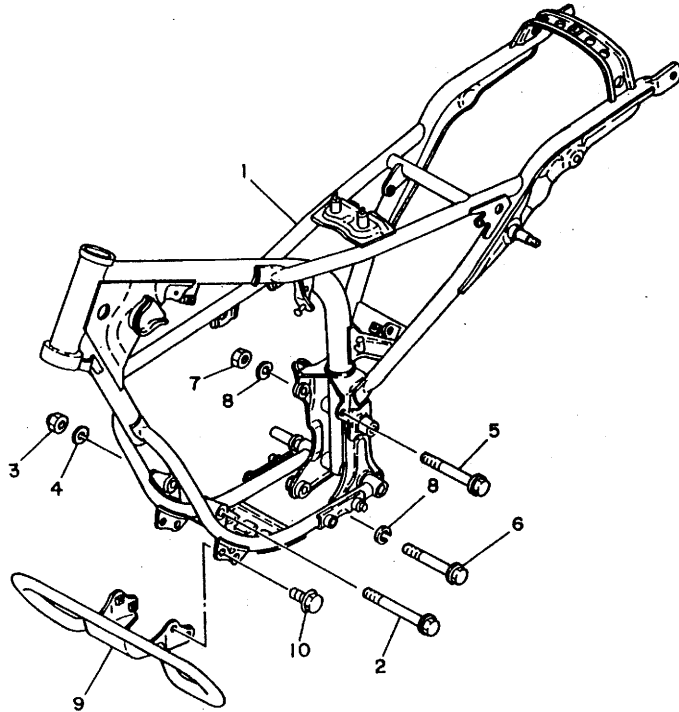
REF. NO.	PART NO.	DESCRIPTION	OCE	OTH	REMARKS
1	3V6-18101-03	SHIFT SHAFT ASSY	1	1	
2	90506-09009	.SPRING, TENSION	1	1	
3	90508-32437	SPRING, TORSION	1	1	
4	90149-08094	SCREW	1	1	
5	90170-08029	NUT	1	1	
6	90215-08014	WASHER, LOCK	1	1	
7	93109-14005	OIL SEAL	1	1	
8	90201-14586	WASHER, PLATE	1	1	
9	99001-12600	CIRCLIP	1	1	
10	367-18111-00	PEDAL, SHIFT	1	1	
11	132-18113-01	COVER, SHIFT PEDAL	1	1	
12	97027-06020	BOLT	1	1	



3V6700-2140

B15

FIG. 14 FRAME



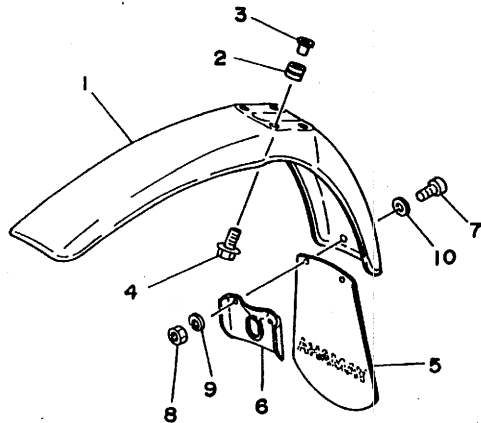
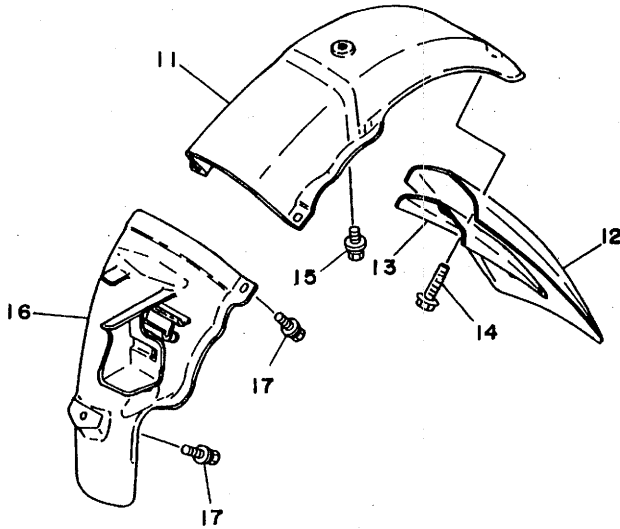
REF. NO.	PART NO.	DESCRIPTION	OCE	OTH	REMARKS
1	3V6-21110-11-33	FRAME COMP.	1	1	YB
2	95827-08120	BOLT, FLANGE	1	1	
3	90185-08054	NUT, SELF-LOCKING	1	1	
4	92907-08100	WASHER, SPRING	1	1	
5	95827-10105	BOLT, FLANGE	1	1	
6	95827-10090	BOLT, FLANGE	1	1	
7	90185-10091	NUT, SELF-LOCKING	1	1	
8	92907-10100	WASHER, SPRING	2	2	
9	3V6-21473-01	PROTECTOR, PEDAL	1	1	
10	95807-08016	BOLT, FLANGE	4	4	



3HA9700-6140

C2

FIG. 15 FENDER



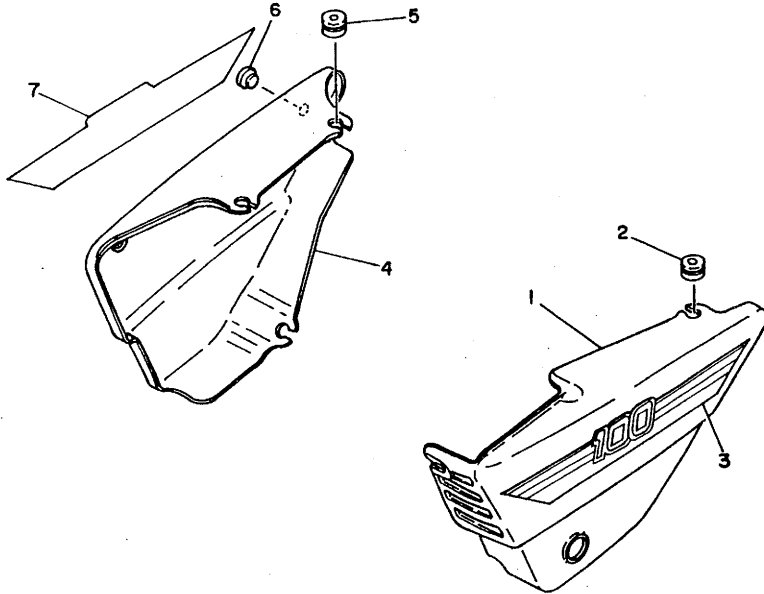
REF. NO.	PART NO.	DESCRIPTION	QCE	OTH	REMARKS
1	3V6-21511-60	FENDER, FRONT	1	1	PASTEL DARK GRAY
	3V6-21511-30	FENDER, FRONT	1	1	HEAT RED
2	90480-14198	GROMMET	4	4	
3	90387-06388	COLLAR	4	4	
4	90119-06097	BOLT, WITH WASHER	4	4	
5	482-21521-00	FLAP, FRONT FENDER	1	1	
6	482-21522-00	BAND, FLAP	1	1	
7	98507-06018	SCREW, PAN HEAD	2	2	
8	95307-06600	NUT	2	2	
9	92907-06100	WASHER, SPRING	2	2	
10	90201-06380	WASHER, PLATE	2	2	
11	3V6-21611-60	FENDER, REAR	1	1	PASTEL DARK GRAY
	3V6-21611-30	FENDER, REAR	1	1	HEAT RED
12	4M3-21621-00	FLAP	1	1	
13	482-21622-01	BAND, FLAP	1	1	
14	90119-06097	BOLT, WITH WASHER	2	2	
15	90119-06056	BOLT, WITH WASHER	1	1	
16	3V6-21629-01	GUARD, MUD	1	1	
17	90119-06063	BOLT, WITH WASHER	3	3	



3HA9700-6150

C3

FIG. 16 SIDE COVER



REF. NO.	PART NO.	DESCRIPTION	OCE	OTH	REMARKS
1	3V6-21711-60	COVER, SIDE 1	1	1	PASTEL DARK GRAY
	3V6-21711-30	COVER, SIDE 1	1	1	HEAT RED
2	90480-12053	GROMMET	3	3	
3	3HA-2173E-20	GRAPHIC 1	1	1	UR FOR PDG
	3HA-2173E-10	GRAPHIC 1	1	1	UR FOR HTR
4	3V6-21721-60	COVER, SIDE 2	1	1	PASTEL DARK GRAY
	3V6-21721-30	COVER, SIDE 2	1	1	HEAT RED
5	90480-12053	GROMMET	3	3	
6	431-24181-00	DAMPER, LOCATING 1	2	2	
7	3HA-2173F-20	GRAPHIC 2	1	1	UR FOR PDG
	3HA-2173F-10	GRAPHIC 2	1	1	UR FOR HTR


3HA9700-6160

C4

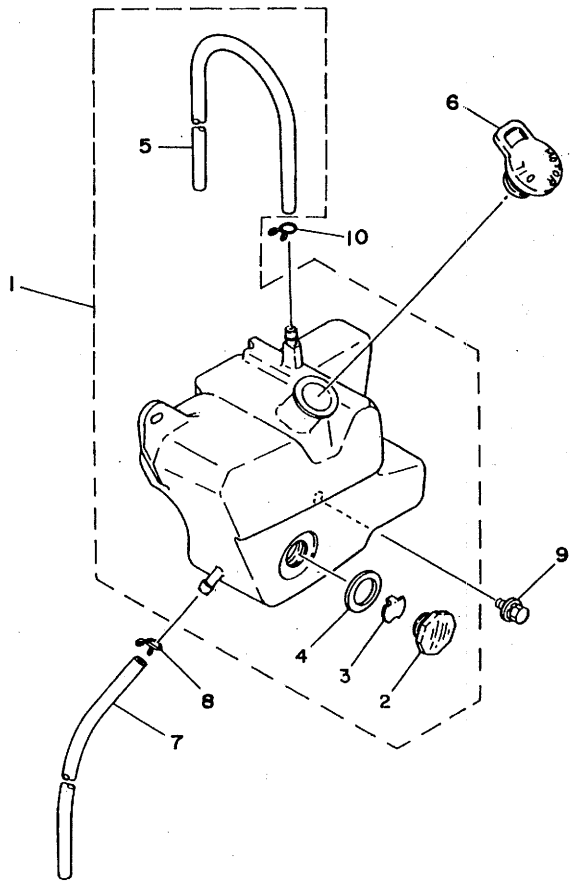


FIG. 17 OIL TANK

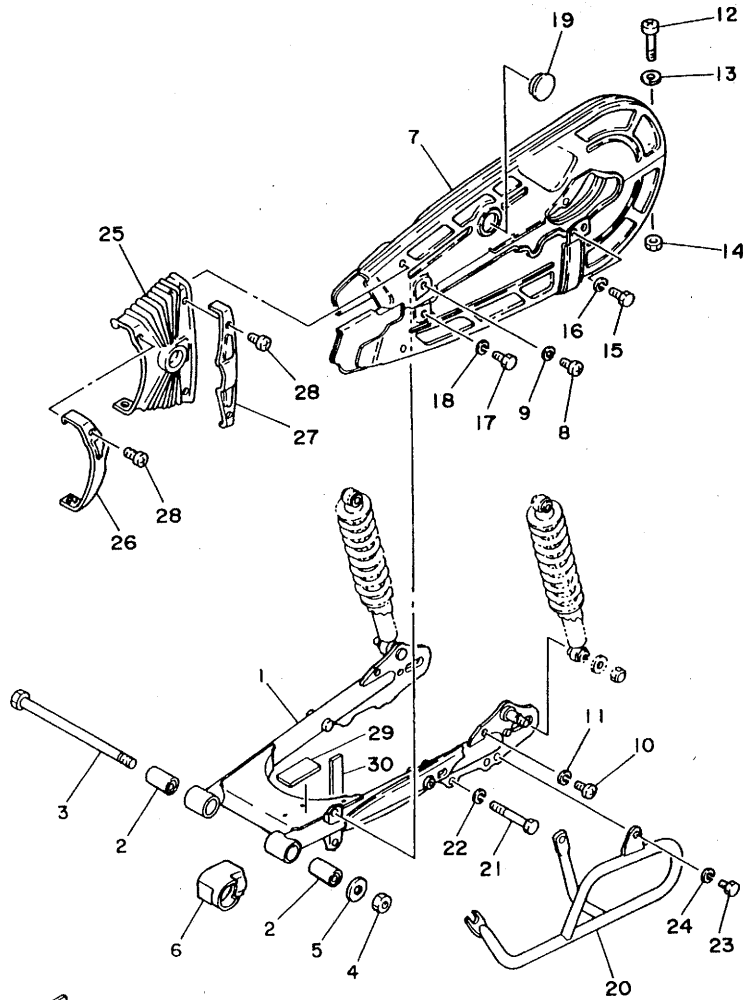
REF. NO.	PART NO.	DESCRIPTION	QTY	OTH	REMARKS
1	3V6-21750-00	OIL TANK ASSY	1	1	
2	1Y1-21764-00	.LENS, LEVEL GAUGE	1	1	
3	1Y1-2176A-00	.REFLECTOR, LEVEL GAUGE	1	1	
4	1Y1-21763-00	.GASKET, LEVEL GAUGE	1	1	
5	3V6-21745-01	.PIPE, OIL TANK BREATHER	1	1	
6	1T9-21771-00	BODY, CAP	1	1	
7	90445-083J4	HOSE	1	1	
8	90467-08075	CLIP	1	1	
9	90119-06056	BOLT, WITH WASHER	2	2	
10	90467-08003	CLIP	1	1	



3HA9700-6170

C5

FIG. 18 REAR ARM

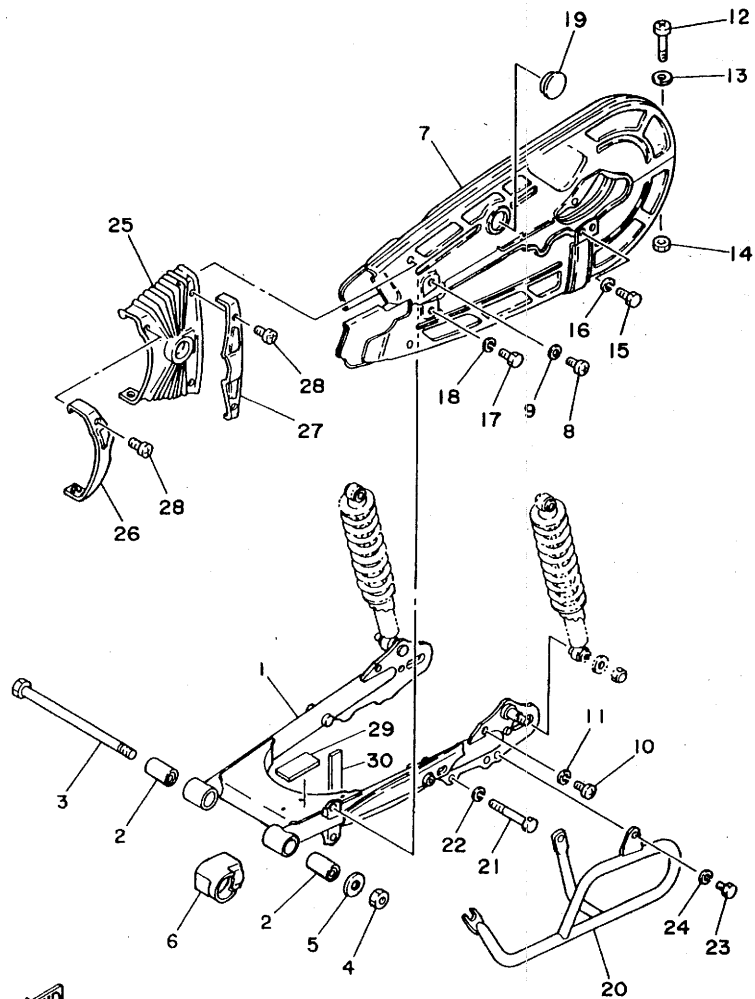


REF. NO.	PART NO.	DESCRIPTION	OGE	OTH	REMARKS
1	3V6-22110-01-33	REAR ARM COMP.	1	1	YB
2	276-22123-00	BUSH 1	2	2	
3	276-22141-01	SHAFT, PIVOT	1	1	
4	95607-12100	NUT, U	1	1	
5	90201-123A7	WASHER, PLATE	1	1	
6	3V6-22151-00	SEAL, GUARD	1	1	
7	3V6-22310-02-35	CHAIN CASE ASSY	1	1	SL
8	98507-06012	SCREW, PAN HEAD	1	1	
9	92907-06600	WASHER, PLATE	1	1	
10	98507-06014	SCREW, PAN HEAD	1	1	
11	92907-06600	WASHER, PLATE	1	1	
12	98507-06045	SCREW, PAN HEAD	1	1	
13	92907-06600	WASHER, PLATE	1	1	
14	95607-06200	NUT, SELF U-FLANGE	1	1	
15	97007-08020	BOLT	1	1	
16	92907-08600	WASHER, PLATE	1	1	
17	97007-08016	BOLT	1	1	
18	92907-08600	WASHER, PLATE	1	1	
19	148-22315-00	CAP	1	1	
20	3V6-22318-01	GUARD, CHAIN	1	1	
21	90101-08439	BOLT	1	1	
22	92907-08100	WASHER, SPRING	1	1	
23	97007-08016	BOLT	1	1	
24	92907-08600	WASHER, PLATE	1	1	
25	3V6-22325-00	COVER, DUST	1	1	
26	3V6-22324-00	STAY, DUST COVER	1	1	
27	382-22322-00	STAY, CHAIN CASE 2	1	1	

FWD
3HA4700-1180

C6

FIG. 18 REAR ARM



REF. NO.	PART NO.	DESCRIPTION	OCE	OTH	REMARKS
28	98507-05008	SCREW, PAN HEAD	4	4	
29	3V6-22358-00	SEAL 1	1	1	
30	3V6-22359-00	SEAL 2	1	1	

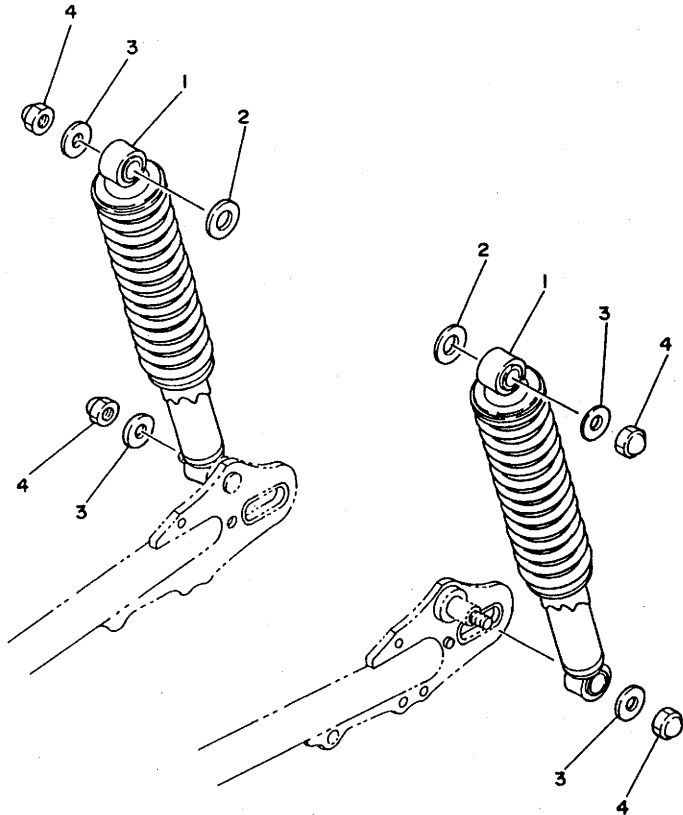


3HA4700-1180

C7

FIG. 19 REAR SUSPENSION

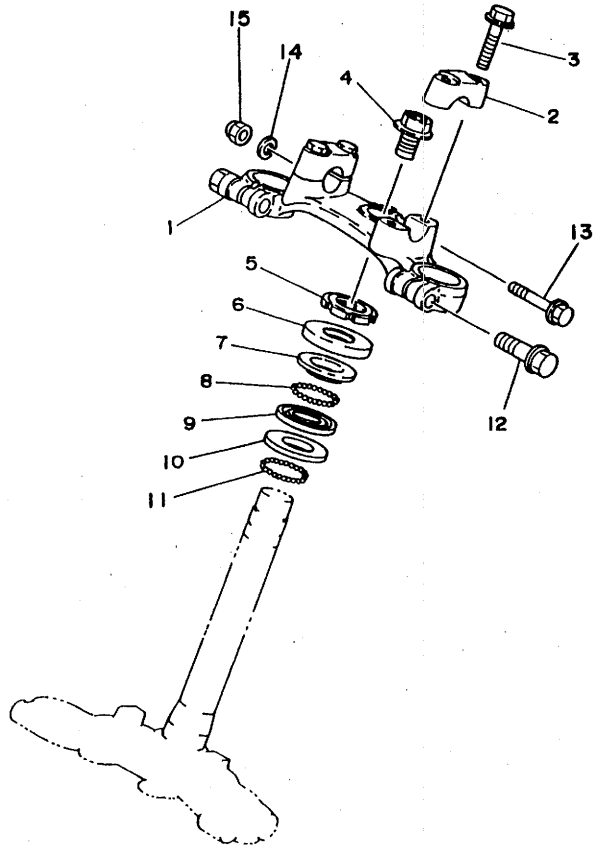
REF. NO.	PART NO.	DESCRIPTION	QCE	OTH	REMARKS
1	3V6-22210-00-33	SHOCK ABSORBER ASSY, REAR	2	2	YB
2	90201-14215	WASHER, PLATE	2	2	
3	90201-10140	WASHER, PLATE	4	4	
4	90176-10073	NUT, CROWN	4	4	



3V6700-2200

C8

FIG. 20 STEERING



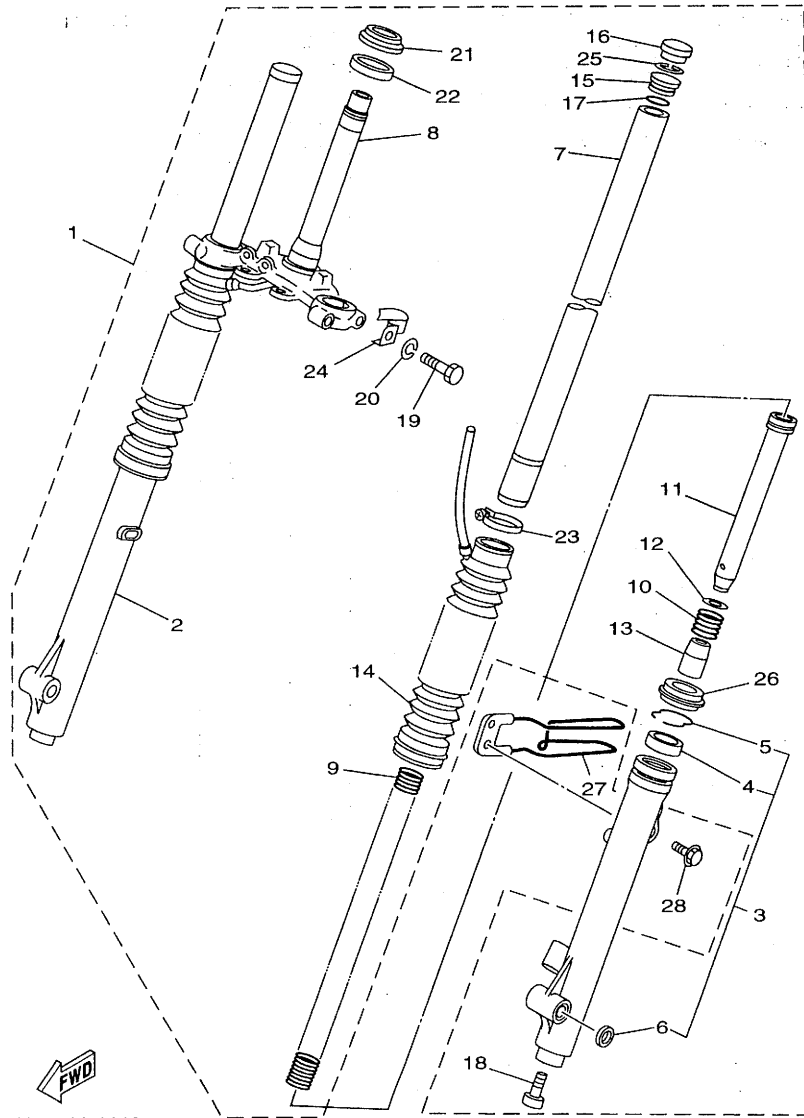
REF. NO.	PART NO.	DESCRIPTION	OCE	OTH	REMARKS
1	3V6-23435-00-33	CROWN, HANDLE	1	1	YB
2	1E6-23441-10-33	HOLDER, HANDLE UPPER	2	2	YB
3	95827-08035	BOLT, FLANGE	4	4	
4	90105-14060	BOLT, WASHER BASED	1	1	
5	90179-25033	NUT	1	1	
6	122-23416-00	COVER, BALL RACE 2	1	1	
7	22F-23411-01	RACE, BALL 1	1	1	
8	93503-16003	BALL	22	22	
9	22F-23412-01	RACE, BALL 2	1	1	
10	156-23412-00	RACE, BALL 2	1	1	
11	93501-04011	BALL	19	19	
12	95807-10035	BOLT, FLANGE	2	2	
13	95027-08045	BOLT, FLANGE	1	1	
14	92907-08100	WASHER, SPRING	1	1	
15	95307-08800	NUT	1	1	



3HA9700-6200

C9

FIG. 21 FRONT FORK



3HA9700-6210

C10

REF. NO.	PART NO.	DESCRIPTION	OCE	OTH	REMARKS
1	3V6-23100-10-35	FRONT FORK ASSY	1	1	UR SL FOR PDG
	3V6-23100-02-35	FRONT FORK ASSY	1	1	UR SL FOR HTR
2	3V6-23140-01-35	.FORK UNIT ASSY 2	1	1	SL
3	3V6-23130-01-35	.FORK UNIT ASSY	1	1	SL
4	3R1-23145-00	..OIL SEAL	2	2	
5	1E7-23156-00	..CLIP, OIL SEAL	2	2	
6	462-23392-00	..WASHER, SPECIAL	2	2	
7	3V6-23110-00	.INNER TUBE COMP.1	2	2	
8	3V6-23340-00	.UNDER BRACKET COMP.	1	1	
9	3V6-23351-01	.SPRING	2	2	
10	2X6-23151-00	.SPRING, REBOUND	2	2	
11	3V6-23143-00	.SEAT, SPRING LOWER	2	2	
12	1E7-23157-00	.RING, PISTON	2	2	
13	1L9-23166-00	.TAPER, SPINDLE	2	2	
14	3V6-23191-10	.BOOT	2	2	UR BLUE FOR PDG
	3V6-23191-00	.BOOT	2	2	UR BLACK FOR HTR
15	1L9-23111-00	.SEAT, SPRING	2	2	
16	3V2-23154-00	.PLUG, INNER TUBE	2	2	
17	1L9-23114-00	.GASKET	2	2	
18	3M7-23181-00	.BOLT, HEXAGON SOCKET HEAD	2	2	WITH WASHER
19	451-23346-01	.BOLT 1	2	2	
20	92901-10100	.WASHER, SPRING	2	2	
21	156-23411-00	.RACE, BALL 1	1	1	
22	164-23462-00	.SEAL, STEERING	1	1	
23	3AJ-23192-00	.BAND	2	2	
24	3V6-23317-00	.HOLDER, CABLE	1	1	
25	1L9-23183-00	.RING, STOPPER	2	2	

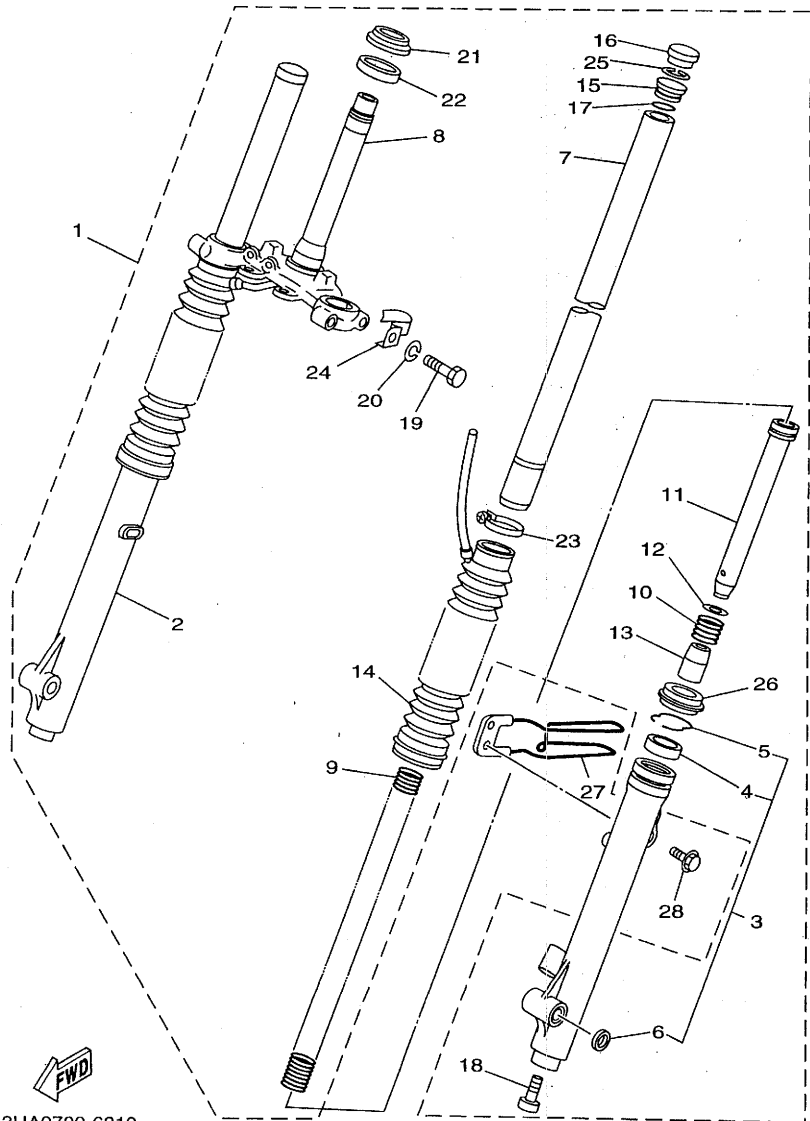


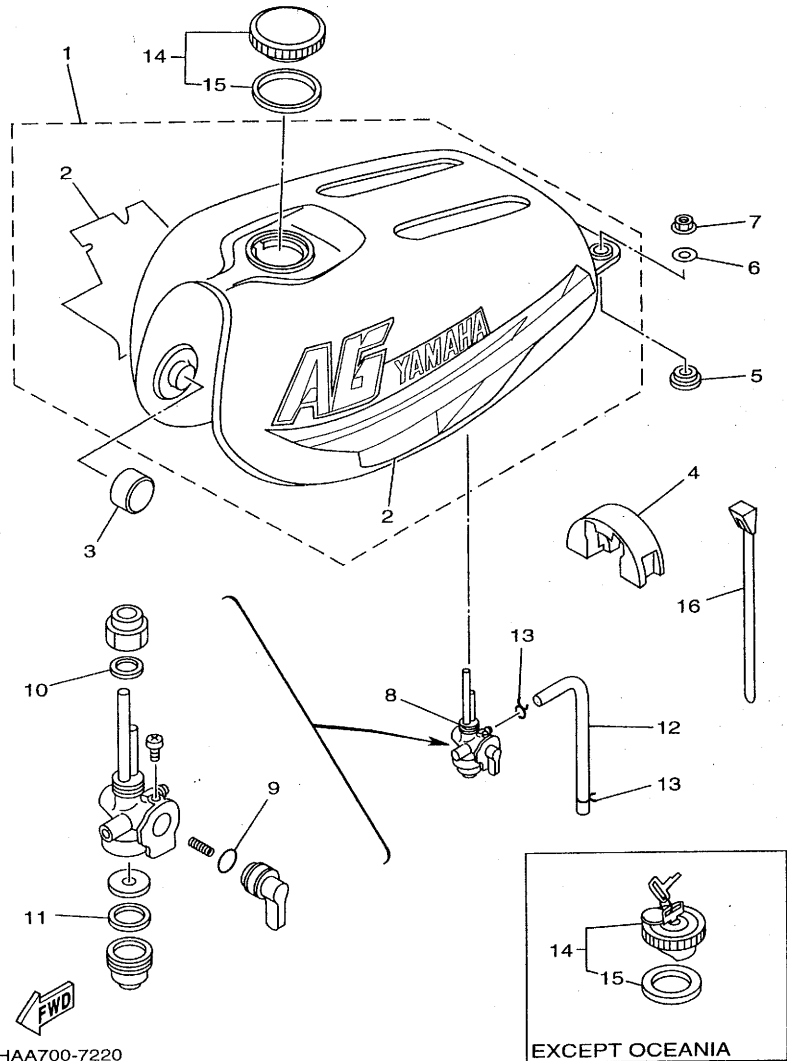
FIG. 21 FRONT FORK

REF. NO.	PART NO.	DESCRIPTION	QTY	OTH	REMARKS
26	3V6-23144-00	.SEAL, DUST	2	2	
27	3V6-23318-00	HOLDER, CABLE 1	1	1	
28	95807-06016	BOLT, FLANGE	1	1	

3HA9700-6210

C11

FIG. 22 FUEL TANK

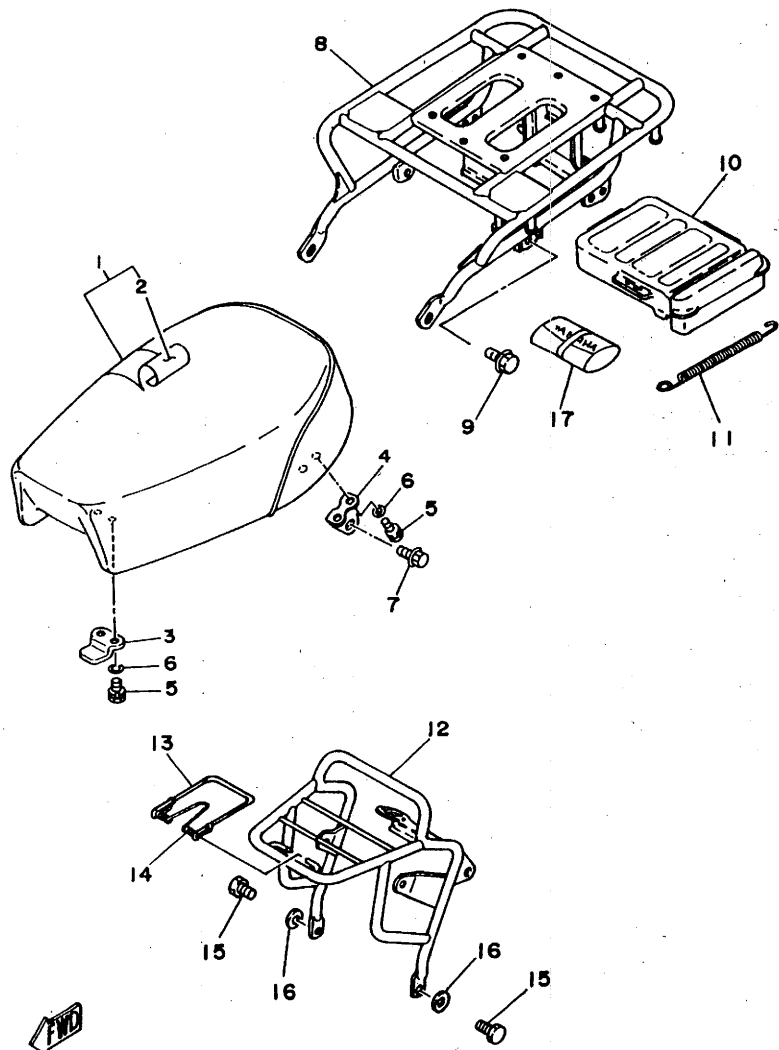


3HAA700-7220

REF. NO.	PART NO.	DESCRIPTION	OCE	OTH	REMARKS
1	3V6-24110-00-X4	FUEL TANK COMP.	1	1	PDG
	3V6-24110-00-X3	FUEL TANK COMP.	1	1	HTR
2	3HA-24240-30	.GRAPHIC SET	1	1	UR FOR PDG
	3HA-24240-20	.GRAPHIC SET	1	1	UR FOR HTR
3	3TB-24181-00	DAMPER, LOCATING 1	2	2	
4	353-24182-00	DAMPER, LOCATING 2	1	1	
5	1A8-24181-00	DAMPER, LOCATING 1	2	2	
6	90201-06071	WASHER, PLATE	2	2	
7	95707-06500	NUT, FLANGE	2	2	
8	357-24500-11	FUEL COCK ASSY 1	1	1	
9	2N3-24528-00	.O-RING	1	1	
10	357-24532-10	.GASKET	1	1	
11	4X8-24565-00	.GASKET	1	1	
12	90445-09082	HOSE	1	1	
13	90467-08003	CLIP	2	2	
14	122-24610-01	CAP ASSY	1		
	127-24650-02	CAP ASSY		1	
15	122-24612-01	.GASKET, CAP	1	1	
16	90465-13275	CLAMP	1	1	

C12

FIG. 23 SEAT



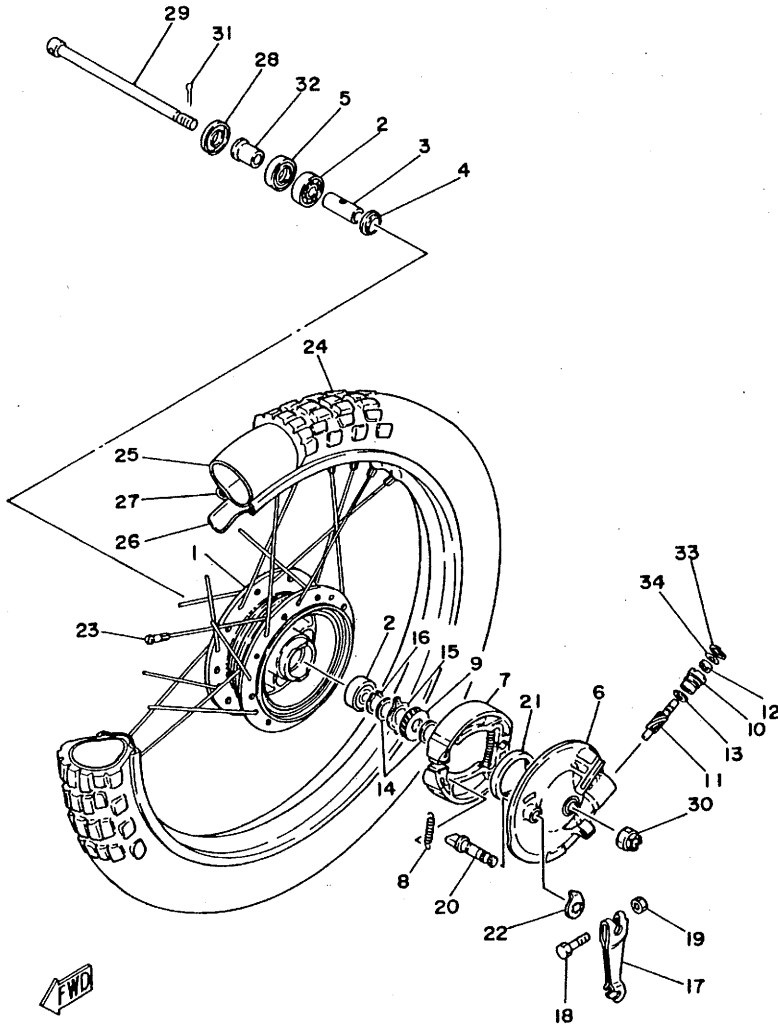
REF. NO.	PART NO.	DESCRIPTION	QTY	OTH	REMARKS
1	3V6-24710-20	SINGLE SEAT ASSY	1	1	UR INK BLUE
	3V6-24710-01	SINGLE SEAT ASSY	1	1	UR YAMAHA BLACK
2	3V6-24711-20	.COVER, SINGLE SEAT	1	1	UR INK BLUE
	3V6-24711-00	.COVER, SINGLE SEAT	1	1	UR YAMAHA BLACK
3	2Y0-24748-00	BRACKET, SEAT	1	1	
4	2A6-24738-00	BRACKET, SEAT	2	2	
5	97007-06016	BOLT	6	6	
6	92907-06100	WASHER, SPRING	6	6	
7	95817-08020	BOLT, FLANGE	2	2	
8	3HA-24810-00	CARRIER ASSY	1		
	3V6-24810-01	CARRIER ASSY		1	
9	95817-08020	BOLT, FLANGE	2	2	
10	3V6-21107-01	TOOL BOX COMP.	1	1	
11	3V6-24758-01	SPRING	1	1	
12	3V6-24860-01-98	FRONT CARRIER ASSY	1	1	LGB
13	3V6-24862-00	CLAMP, CARRIER	1	1	
14	296-24861-00	SPRING, FRONT CARRIER	1	1	
15	97007-08016	BOLT	2	2	
16	92907-08600	WASHER, PLATE	2	2	
17	3V6-28100-00	TOOL KIT	1	1	

 3HA9700-6230

C13

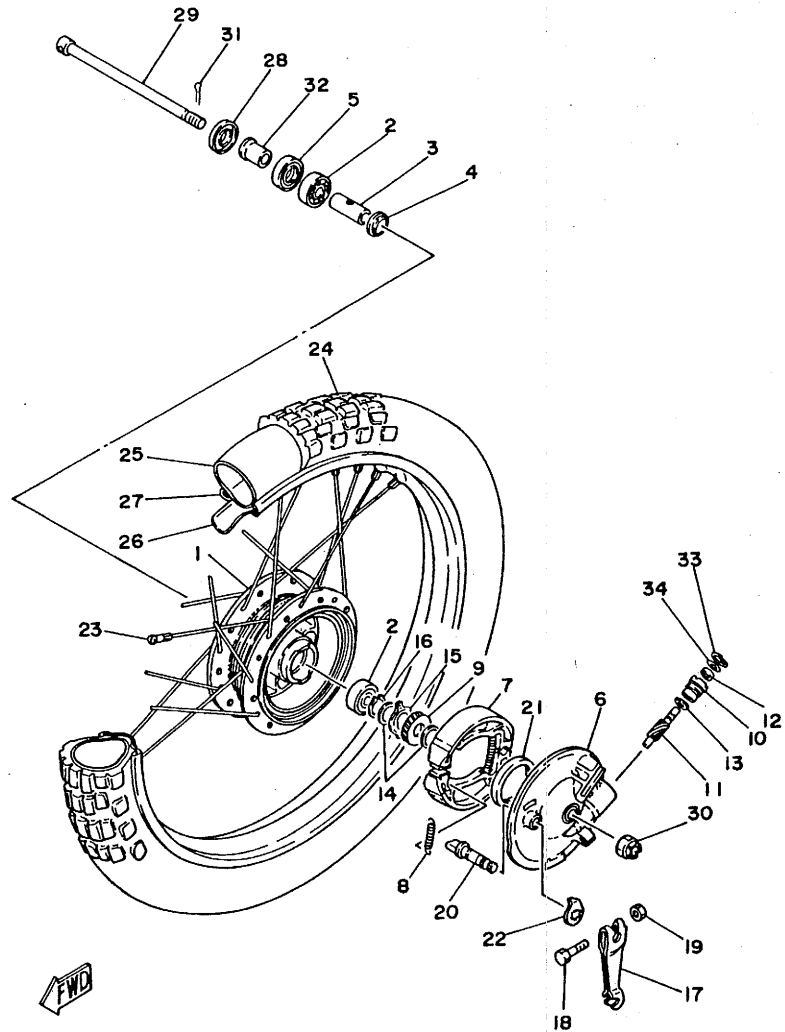
FIG. 24 FRONT WHEEL

REF. NO.	PART NO.	DESCRIPTION	QCE	OTH	REMARKS
1	248-25111-00-35	HUB, FRONT	1	1	SL
2	93306-30103	BEARING (B6301Z)	2	2	
3	90560-12138	SPACER	1	1	
4	109-25315-00	FLANGE, SPACER	1	1	
5	93102-18008	OIL SEAL	1	1	
6	3V6-25121-00-35	PLATE, BRAKE SHOE	1	1	SL
7	4BE-W2536-00	BRAKE SHOE SET	1	1	
8	90506-15260	SPRING, TENSION	2	2	
9	301-25135-00	GEAR, DRIVE (26T)	1	1	
10	109-25136-00	BUSH	1	1	
11	301-25138-00	GEAR, METER (9T)	1	1	
12	93104-07003	OIL SEAL	1	1	
13	90201-07076	WASHER, PLATE	1	1	
14	90201-20269	WASHER, PLATE	2	2	
15	183-25149-00	CLUTCH, METER	1	1	
16	99009-20400	CIRCLIP	1	1	
17	558-25155-00	LEVER, CAMSHAFT 1	1	1	
18	90101-06278	BOLT	1	1	
19	95307-06600	NUT	1	1	
20	3Y6-25351-00	CAMSHAFT	1	1	
21	93102-47297	OIL SEAL	1	1	
22	3E1-2513A-10	PLATE, INDICATOR	1	1	
23	3V6-25104-00	SPOKE SET, FRONT	1	1	
24	94127-19595	TIRE (2.75-19)	1	1	INOUE
25	94227-19292	TUBE (2.75-19)	1	1	INOUE
26	94327-19111	BAND, RIM (2.75-19)	1	1	INOUE
27	94414-19569	RIM (1.40-19)	1	1	



3V6700-2250

C14



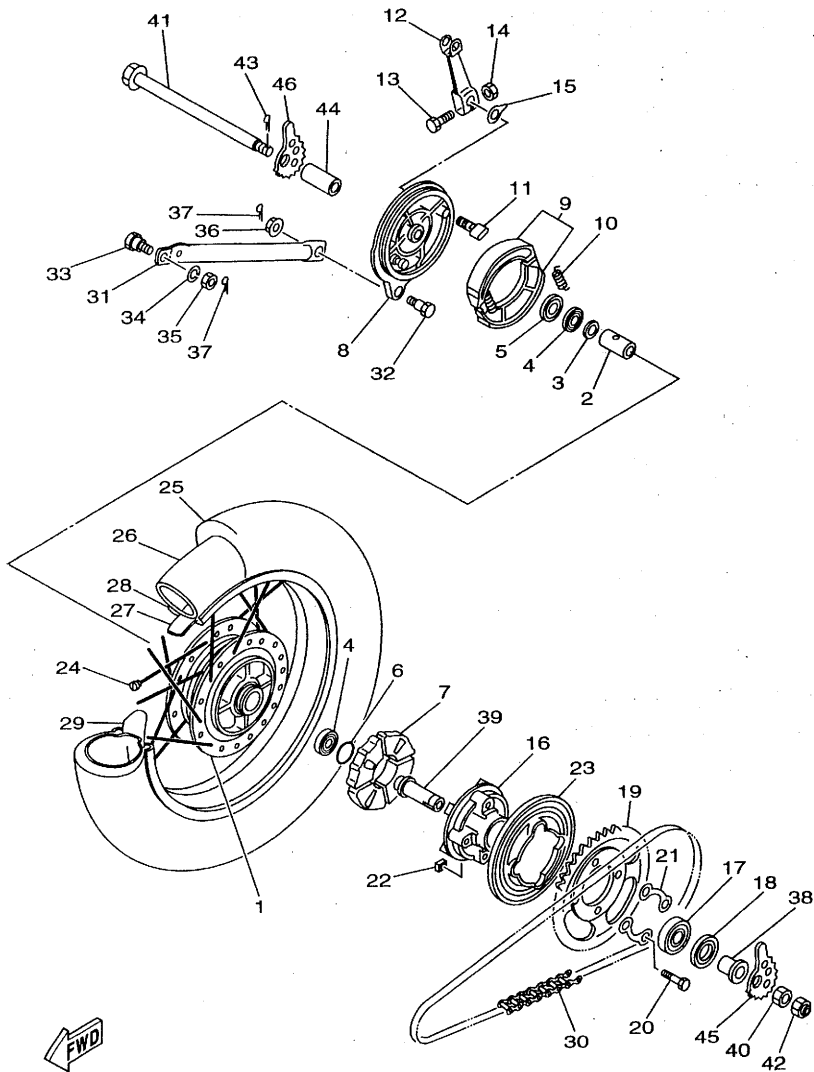
3V6700-2250

FIG. 24 FRONT WHEEL

REF. NO.	PART NO.	DESCRIPTION	OCE	OTH	REMARKS
28	2K5-25118-00	COVER, HUB DUST	1	1	
29	353-25381-00	AXLE, WHEEL	1	1	
30	90171-10004	NUT, CASTLE	1	1	
31	91401-20020	PIN, COTTER	1	1	
32	90387-12265	COLLAR	1	1	
33	102-25137-00	RING, STOP	1	1	
34	93210-14104	O-RING	1	1	

C15

FIG. 25 REAR WHEEL

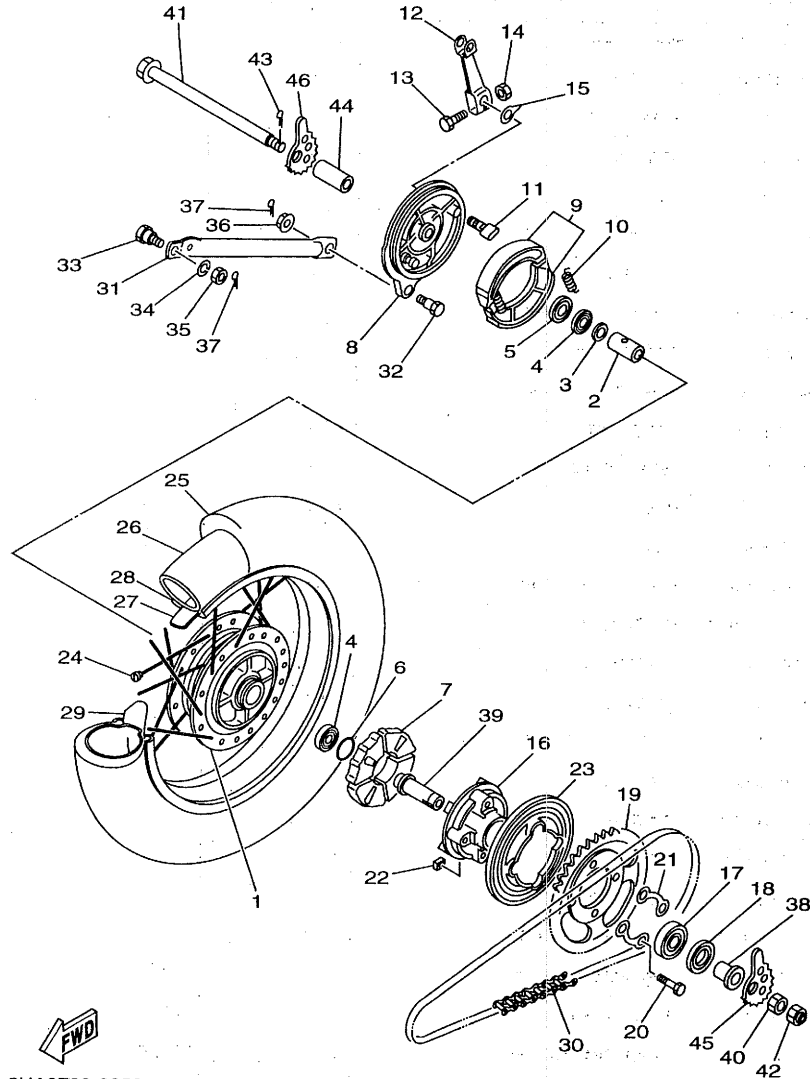


REF. NO.	PART NO.	DESCRIPTION	OCE	OTH	REMARKS
1	391-25311-00-35	HUB, REAR	1	1	SL
2	90560-15136	SPACER	1	1	
3	183-25315-00	FLANGE, SPACER	1	1	
4	93306-20227	BEARING	2	2	
5	93104-22018	OIL SEAL	1	1	
6	93210-42101	O-RING	1	1	
7	304-25364-01	DAMPER	4	4	
8	248-25321-00-35	PLATE, BRAKE SHOE	1	1	SL
9	3FA-W2536-00	BRAKE SHOE SET	1	1	
10	90506-15260	SPRING, TENSION	2	2	
11	248-25351-10	CAMSHAFT	1	1	
12	1E7-25355-00	LEVER, CAMSHAFT	1	1	
13	90101-06278	BOLT	1	1	
14	95307-06600	NUT	1	1	
15	5T9-2533A-00	PLATE, INDICATOR	1	1	
16	183-25366-10-35	CLUTCH, HUB	1	1	SL
17	93306-00406	BEARING (B6004Z)	1	1	NTN
18	93106-26005	OIL SEAL	1	1	
19	3V6-25451-11	SPROCKET, DRIVEN (51T)	1	1	
20	90109-08361	BOLT	4	4	
21	482-25412-00	WASHER	2	2	
22	90179-08168	NUT	4	4	
23	3V6-25327-01	COVER, PLATE	1	1	
24	3V6-25304-00	SPOKE SET, REAR	1	1	
25	94135-18596	TIRE (3.50-18)	1	1	INOUE
26	94232-18113	TUBE (3.25-18)	1	1	INOUE
27	94325-18081	BAND, RIM (2.50-18)	1	1	INOUE



3HA9700-6250

D2



3HA9700-6250

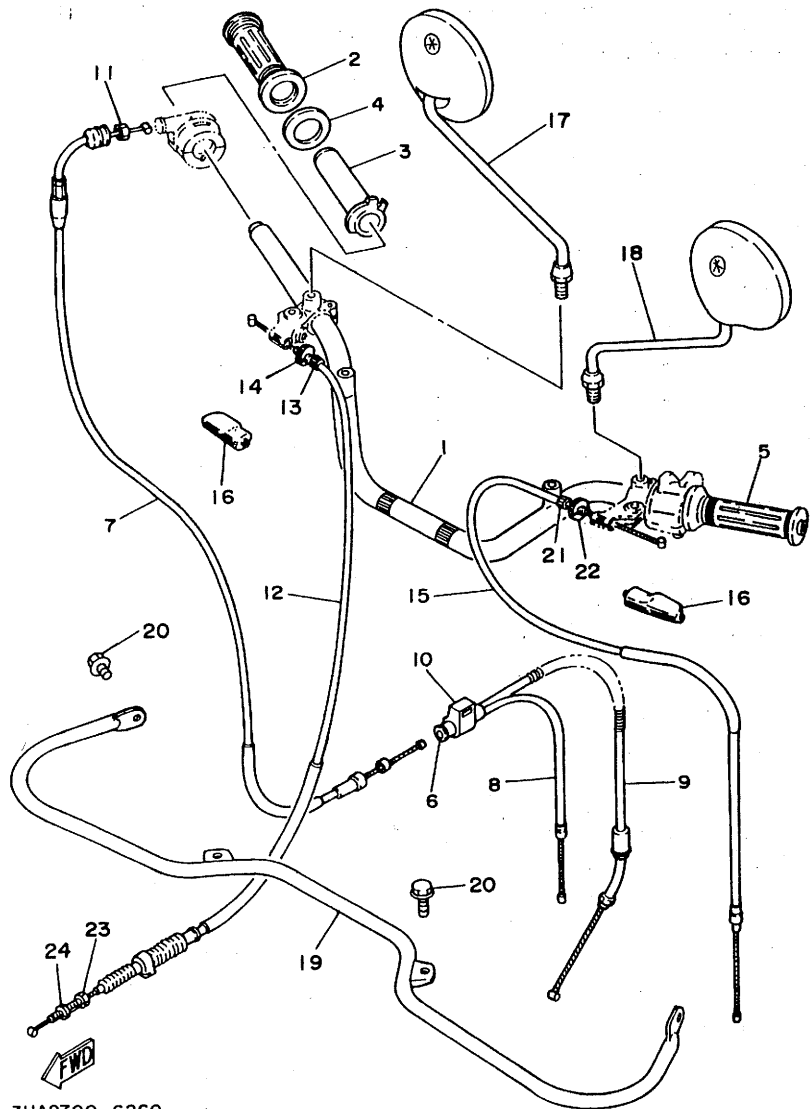
D3

FIG. 25 REAR WHEEL

REF. NO.	PART NO.	DESCRIPTION	OCE	OTH	REMARKS
28	94418-18246	RIM (1.85-18)	1	1	
29	1T2-25394-00	SPACER, BEAD	1	1	
30	94581-54116	CHAIN(DID428V2-116LE)	1	1	
31	3V6-25371-00	BAR, TENSION	1	1	
32	90109-08063	BOLT	1	1	
33	90109-08368	BOLT	1	1	
34	92907-08600	WASHER, PLATE	1	1	
35	95307-08700	NUT	1	1	
36	95707-08500	NUT, FLANGE	1	1	
37	91401-20015	PIN, COTTER	2	2	
38	90387-204A3	COLLAR	1	1	
39	3V6-25387-00	AXLE, SPROCKET	1	1	
40	90170-20224	NUT	1	1	
41	2A6-25381-00	AXLE, WHEEL	1	1	
42	90171-14020	NUT, CASTLE	1	1	
43	91401-30030	PIN, COTTER	1	1	
44	90387-154A2	COLLAR	1	1	
45	3V6-25388-00	PULLER, CHAIN 1	1	1	
46	3V6-25389-00	PULLER, CHAIN 2	1	1	

FIG. 26 STEERING HANDLE. CABLE

REF. NO.	PART NO.	DESCRIPTION	OCE	OTH	REMARKS
1	3V6-26111-00	HANDLEBAR	1	1	
2	3V6-26242-00	GRIP (RIGHT)	1	1	
3	434-26243-00	TUBE, THROTTLE GUIDE	1	1	
4	1M1-26249-01	RING, LEAF	1	1	
5	3V6-26241-00	GRIP (LEFT)	1	1	
6	214-26261-00	CONNECTOR, CABLE	1	1	
7	3V6-26311-00	CABLE, THROTTLE 1	1	1	
8	3V6-26312-00	CABLE, THROTTLE 2	1	1	
9	3V6-26321-02	CABLE, PUMP	1	1	
10	4G3-26339-00	BOOT	1	1	
11	90170-10038	NUT	1	1	
12	3V6-26341-00	CABLE, BRAKE	1	1	
13	90123-06010	BOLT	1	1	
14	90179-06143	NUT	1	1	
15	497-26335-00	CABLE, CLUTCH	1	1	
16	498-26372-00	COVER, HANDLE LEVER 1	1	1	
17	1Y1-26290-60	BACK MIRROR ASSY (R.H)	1		
	1Y1-26290-00	REAR VIEWMIRROR ASSY (R.H)		1	
18	1Y1-26290-50	BACK MIRROR ASSY (L.H)	1		
	1Y1-26290-10	BACK MIRROR ASSY (L.H)		1	
19	3V6-26123-00	GUARD, LEVER	1	1	
20	95807-08016	BOLT, FLANGE	4	4	
21	90123-08046	BOLT	1	1	
22	90179-08148	NUT	1	1	
23	90123-08046	BOLT	1	1	
24	90179-08148	NUT	1	1	

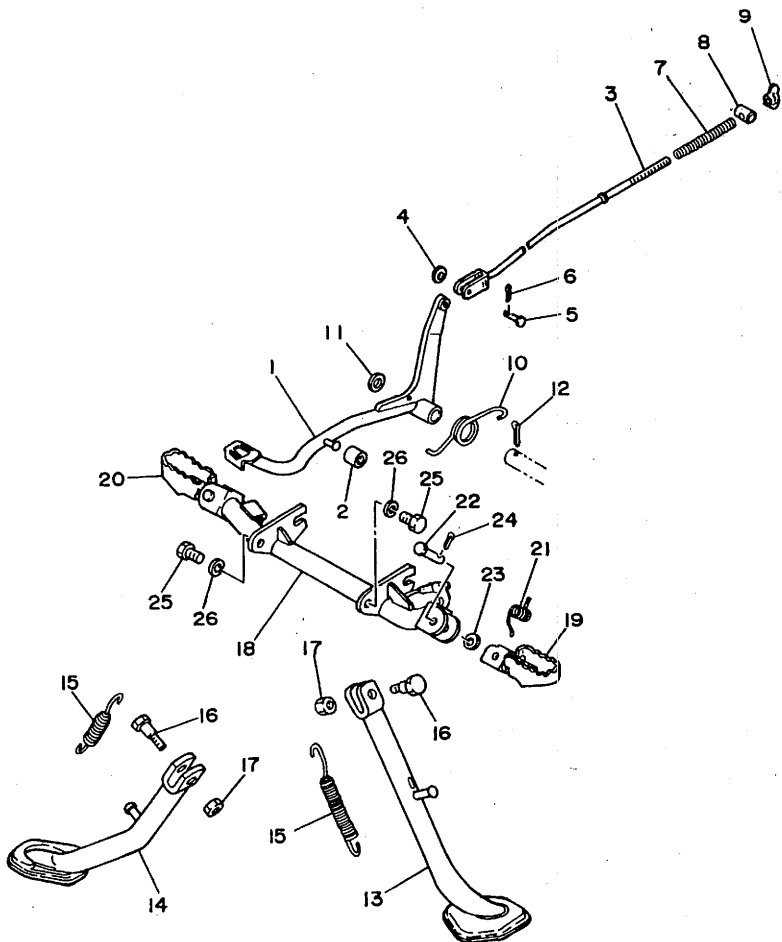


3HA9700-6260

D4

FIG. 27 STAND, FOOTREST

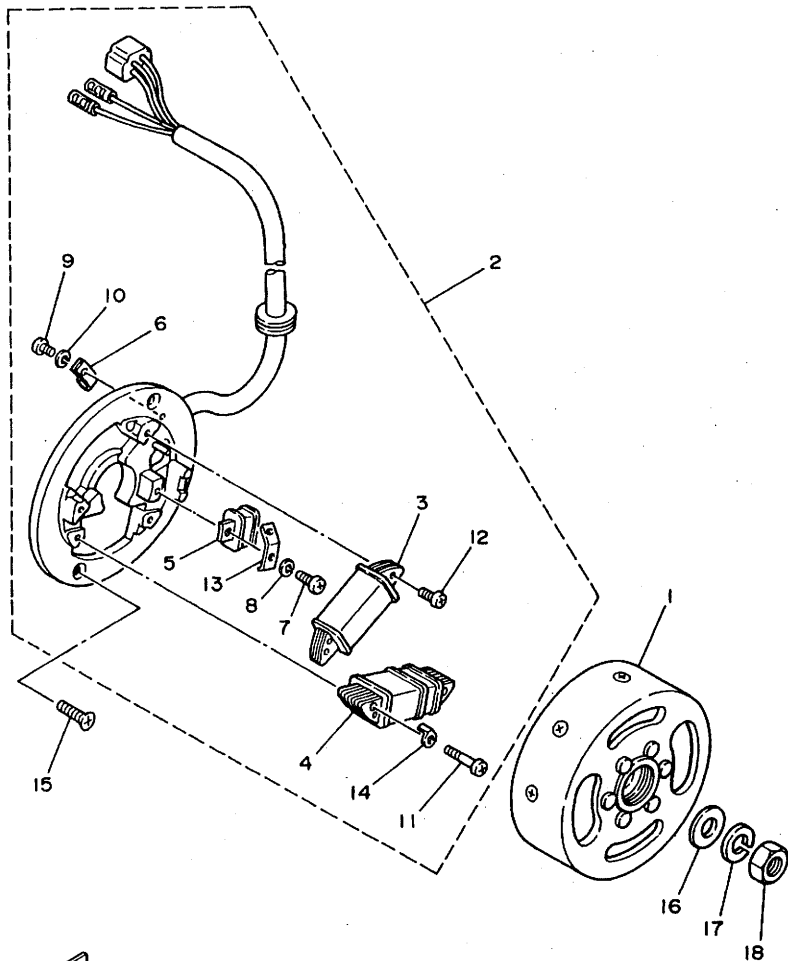
REF. NO.	PART NO.	DESCRIPTION	OCE	OTH	REMARKS
1	3V6-27211-01	PEDAL, BRAKE	1	1	
2	90387-065X4	COLLAR	1	1	
3	3V6-27231-01	ROD, BRAKE	1	1	
4	92907-06200	WASHER	1	1	
5	91701-06018	PIN, CLEVIS	1	1	
6	91401-20012	PIN, COTTER	1	1	
7	90501-10245	SPRING, COMPRESSION	1	1	
8	90249-12008	PIN	1	1	
9	90175-06013	NUT, WING	1	1	
10	90508-35442	SPRING, TORSION	1	1	
11	90201-15564	WASHER, PLATE (1.5T)	1	1	
12	91401-30025	PIN, COTTER	1	1	
13	3V6-27311-01	STAND, SIDE	1	1	
14	3V6-27311-11	STAND, SIDE	1	1	
15	90506-28100	SPRING, TENSION	2	2	
16	90109-10473	BOLT	2	2	
17	90185-10037	NUT, SELF-LOCKING	2	2	
18	3V6-27451-00-33	FOOTREST	1	1	YB
19	3R1-27411-00-90	FOOTREST 1	1	1	ZK
20	3R1-27421-00-90	FOOTREST 2	1	1	ZK
21	90508-20023	SPRING, TORSION	2	2	
22	90240-08084	PIN, CLEVIS	2	2	
23	92907-08600	WASHER, PLATE	2	2	
24	91401-25012	PIN, COTTER	2	2	
25	97007-10016	BOLT	2	2	
26	92907-10600	WASHER, PLATE	2	2	



3V6700-2280

D5

FIG. 28 GENERATOR

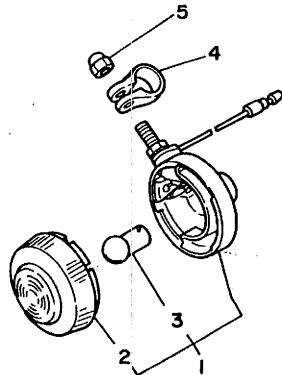
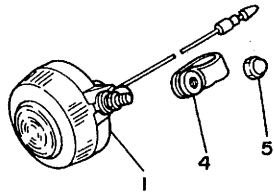
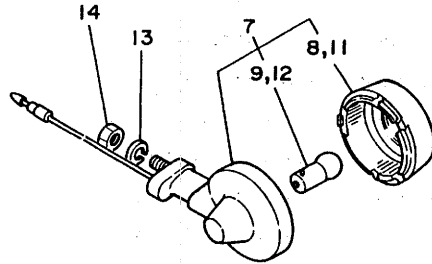
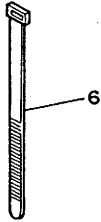
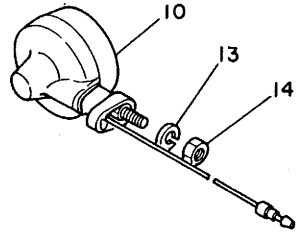


REF. NO.	PART NO.	DESCRIPTION	QTY	UOM	REMARKS
1	3V6-85550-M1	ROTOR ASSY	1	1	
2	3V6-85560-M2	BASE ASSY	1	1	
3	3T5-85520-M1	.COIL, CHARGE	1	1	
4	3V6-81313-M1	.COIL, LIGHTING 1	1	1	
5	4U5-85580-M0	.COIL, PULSER	1	1	
6	90461-05036	.CLAMP	1	1	
7	98501-04010	.SCREW, PAN HEAD	1	1	
8	92901-04100	.WASHER, SPRING	1	1	
9	98501-04006	.SCREW, PAN HEAD	1	1	
10	92901-04100	.WASHER, SPRING	1	1	
11	98511-04025	.SCREW, PAN HEAD	2	2	
12	98511-04012	.SCREW, PAN HEAD	2	2	
13	2T4-85568-M1	.TERMINAL, EARTH 1	1	1	
14	2T4-85569-M1	.TERMINAL, EARTH 2	1	1	
15	98707-05016	SCREW, FLAT HEAD	2	2	
16	90201-12178	WASHER, PLATE	1	1	
17	92907-12100	WASHER	1	1	
18	90170-12175	NUT	1	1	

← FWD
3HA700-8280

D6

FIG. 29 FLASHER LIGHT

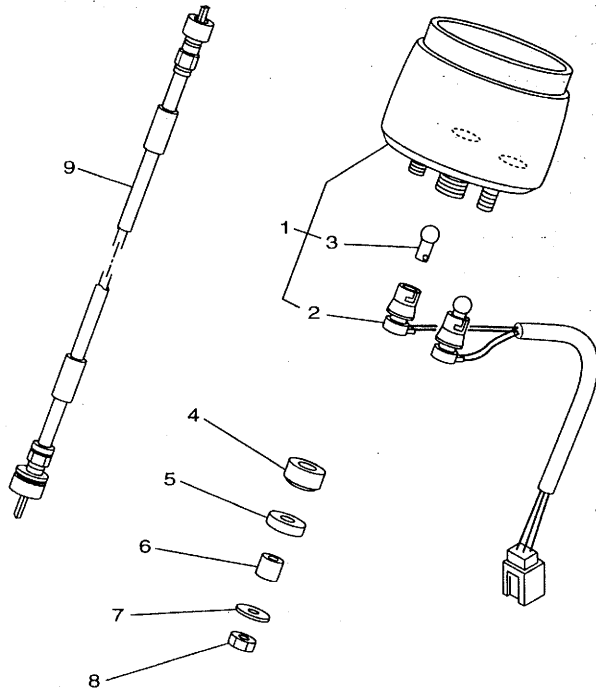


REF. NO.	PART NO.	DESCRIPTION	OCE	OTH	REMARKS
1	3T2-83310-10	FRONT FLASHER LIGHT ASSY 1	2	2	
2	3M7-83312-10	.LENS, FLASHER	1	1	
3	1M3-83311-10	.BULB, FLASHER	1	1	
4	1M1-83318-00	STAY, FLASHER 1	2	2	
5	95304-08800	NUT, CROWN	2	2	
6	437-83936-01	BAND, SWITCH CORD	2	2	
7	3T2-83330-10	REAR FLASHER LIGHT ASSY 1	1	1	
8	3M7-83312-10	.LENS, FLASHER	1	1	
9	1M3-83311-10	.BULB, FLASHER	1	1	
10	4G3-83340-10	FLASHER LIGHT ASSY 2	1	1	
11	3M7-83312-10	.LENS, FLASHER	1	1	
12	1M3-83311-10	.BULB, FLASHER	1	1	
13	92907-08100	WASHER, SPRING	2	2	
14	95307-08600	NUT	2	2	

FWD
3HA700-8290

D7

FIG. 30 METER



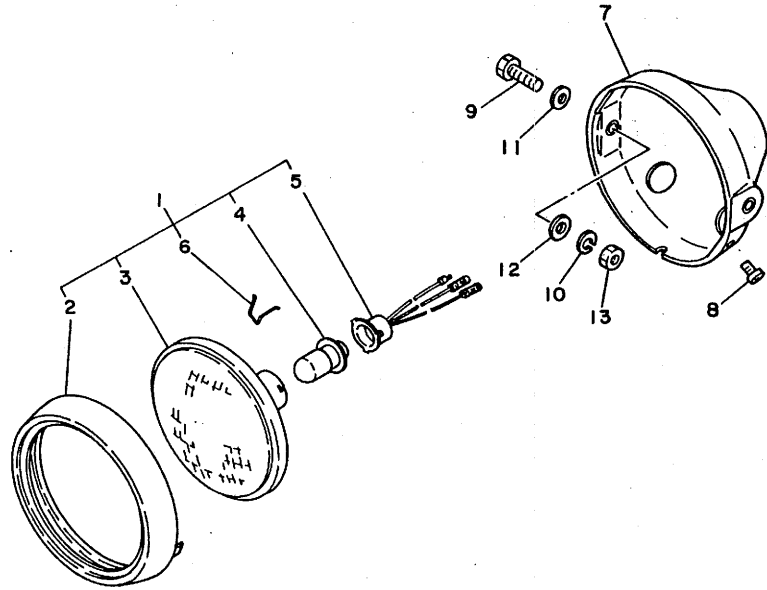
REF. NO.	PART NO.	DESCRIPTION	OCE	OTH	REMARKS
1	3F4-83510-F0	SPEEDOMETER ASSY	1	1	KM/H
	3F6-83510-G0	SPEEDOMETER ASSY		1	MILE/H
2	2W0-83520-00	.SOCKET CORD ASSY	1	1	
3	4N0-83516-00	.BULB (6V-3W)	2	2	FOR KM/H
	122-83516-10	.BULB (6V-3W)		2	FOR MILE/H
4	1M3-83513-00	DAMPER	2	2	
5	355-83526-00	DAMPER 2	2	2	
6	355-83522-00	COLLAR	2	2	
7	355-83524-00	WASHER, SPECIAL	2	2	
8	95307-06600	.NUT	2	2	
9	438-83550-01	SPEEDOMETER CABLE ASSY	1	1	



3HAA700-7300

D8

FIG. 31 HEADLIGHT



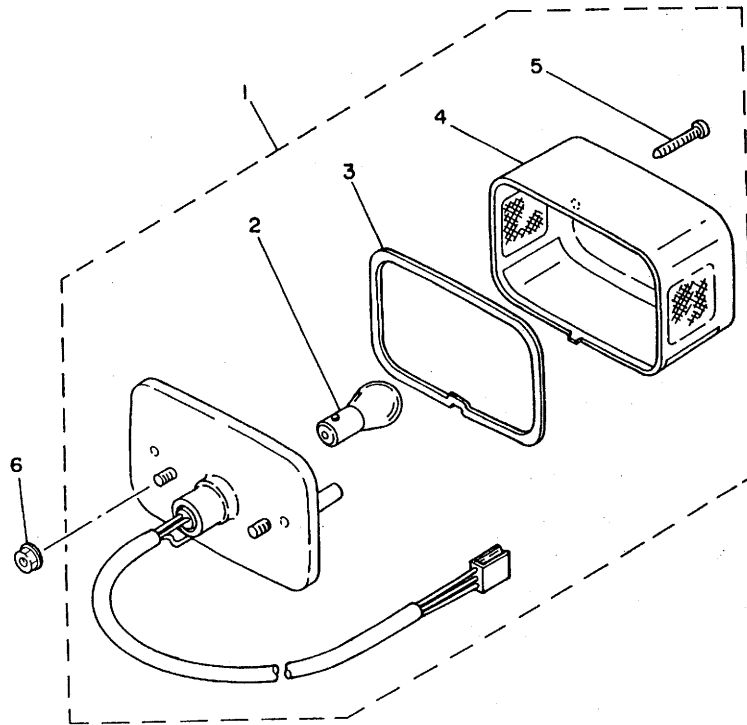
REF. NO.	PART NO.	DESCRIPTION	OCE	OTH	REMARKS
1	3M7-84110-00	HEADLIGHT UNIT ASSY	1	1	
2	202-84315-00	.RIM, HEADLIGHT	1	1	
3	276-84120-00	.LENS ASSY	1	1	
4	248-84114-00	.BULB, HADLIGHT (6V-25/25W)	1	1	YELLOW
5	317-84112-30	.SOCKET	1	1	
6	195-84324-00	.SPRING, REFLECTOR	3	3	
7	3M7-84130-00	BODY ASSY, HEADLIGHT	1	1	
8	98506-05012	SCREW, PAN HEAD	1	1	
9	97007-08025	BOLT	2	2	
10	92907-08100	WASHER, SPRING	2	2	
11	92907-08600	WASHER, PLATE	2	2	
12	92907-08200	WASHER	2	2	
13	95307-08600	NUT	2	2	



3V6700-2310

D9

FIG. 32 TAILLIGHT



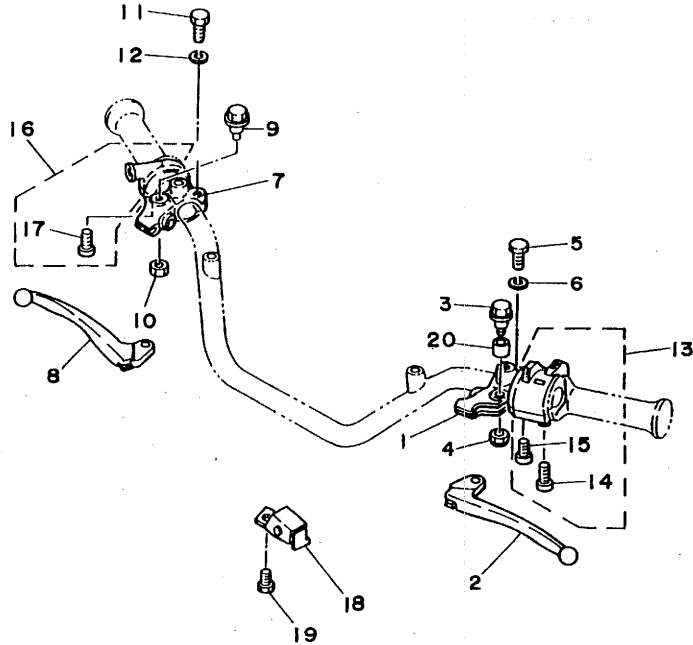
REF. NO.	PART NO.	DESCRIPTION	QTY	OTH	REMARKS
1	3T2-84510-00	TAILLIGHT UNIT ASSY	1	1	
2	122-84514-30	.BULB (6V-17/5.3W)	1	1	
3	1K8-84523-00	.GASKET, LENS	1	1	
4	1K8-84521-00	.LENS, TAILLIGHT	1	1	
5	2E9-84524-00	.SCREW, LENS FITTING	2	2	
6	95707-06500	NUT, FLANGE	2	2	



3HA700-8320

D10

FIG. 33 HANDLE SWITCH. LEVER



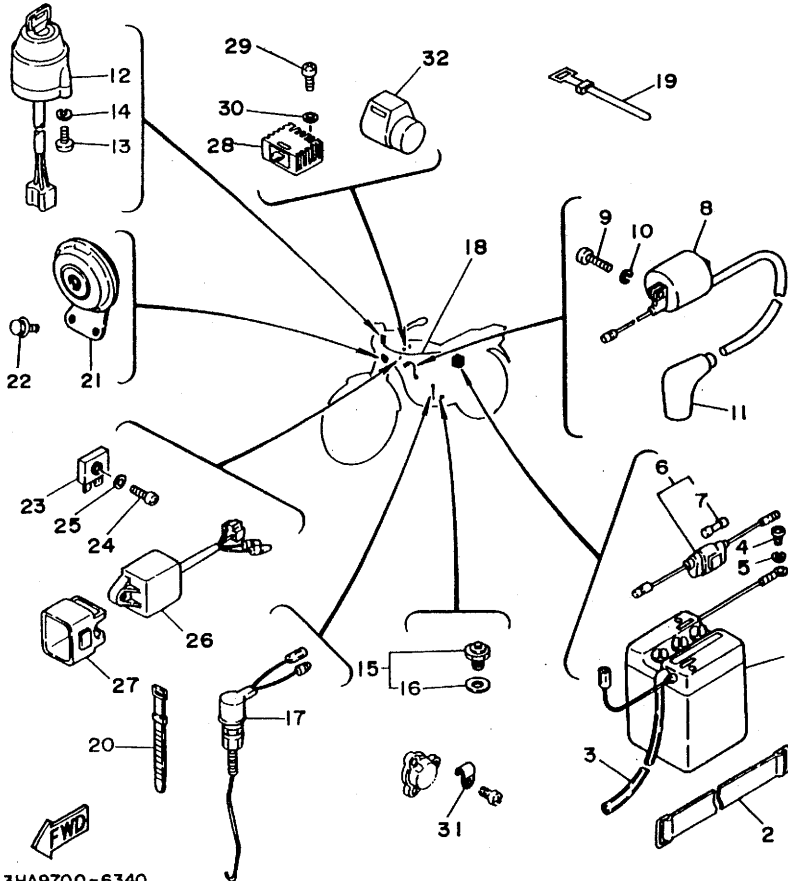
REF. NO.	PART NO.	DESCRIPTION	QTY	OTH	REMARKS
1	2HV-82911-00	HOLDER, LEVER 1	1	1	
2	214-83912-00	LEVER 1	1	1	
3	90109-06798	BOLT	1	1	
4	95607-06100	NUT, U	1	1	
5	97007-06022	BOLT	1	1	
6	92907-06100	WASHER, SPRING	1	1	
7	463-82921-30	HOLDER, LEVER 2	1	1	
8	233-83922-30	LEVER 2	1	1	
9	90109-06798	BOLT	1	1	
10	95607-06100	NUT, U	1	1	
11	97007-06022	BOLT	1	1	
12	92907-06100	WASHER, SPRING	1	1	
13	3V6-83972-00	SWITCH, HANDLE 4	1	1	
14	98501-05030	.SCREW, PAN HEAD	1	1	
15	98501-05022	.SCREW, PAN HEAD	1	1	
16	437-83976-03	SWITCH, HANDLE 1	1	1	
17	98501-05022	.SCREW, PAN HEAD	2	2	
18	3X3-83965-00	LEVER, LOCK	1	1	
19	97007-06025	BOLT	1	1	
20	3X3-83913-00	COLLAR, LEVER 1	1	1	


3HA9700-6330

D11

FIG. 34 ELECTRICAL 1

REF. NO.	PART NO.	DESCRIPTION	QTY	OTH	REMARKS
1	120-82110-14	BATTERY ASSY	1	1	
2	3V6-82131-00	BAND, BATTERY	1	1	
3	90445-08338	HOSE	1	1	
4	98507-06012	SCREW, PAN HEAD	1	1	
5	92907-06600	WASHER, PLATE	1	1	
6	55K-82150-01	FUSE HOLDER ASSY	1	1	
7	116-82151-00	FUSE (10A)	2	2	
8	3V6-82310-M0	IGNITION COIL ASSY	1	1	
9	97007-06025	BOLT	2	2	
10	92907-06600	WASHER, PLATE	2	2	
11	56J-82370-00	PLUG CAP ASSY	1	1	
12	2F5-82510-50	MAIN SWITCH ASSY	1	1	
13	98507-05010	SCREW, PAN HEAD	2	2	
14	92907-05600	WASHER, PLATE	2	2	
15	136-82540-03	NEUTRAL SWITCH ASSY	1	1	
16	136-82543-00	GASKET	1	1	
17	3V6-82530-02	STOP SWITCH ASSY	1	1	
18	3V6-82590-22	WIRE HARNESS ASSY	1	1	
19	437-83936-01	BAND, SWITCH CORD	1	1	
20	25G-83936-01	BAND, SWITCH CORD	1	1	
21	18G-83371-10	HORN	1	1	
22	95807-06012	BOLT, FLANGE	2	2	
23	353-81970-63	RECTIFIER ASSY	1	1	STANLEY
24	98507-05020	SCREW, PAN HEAD	1	1	
25	92907-05600	WASHER, PLATE	1	1	
26	3M5-85540-M1	C.D.I. UNIT ASSY	1	1	
27	2A7-85546-00	BAND	1	1	

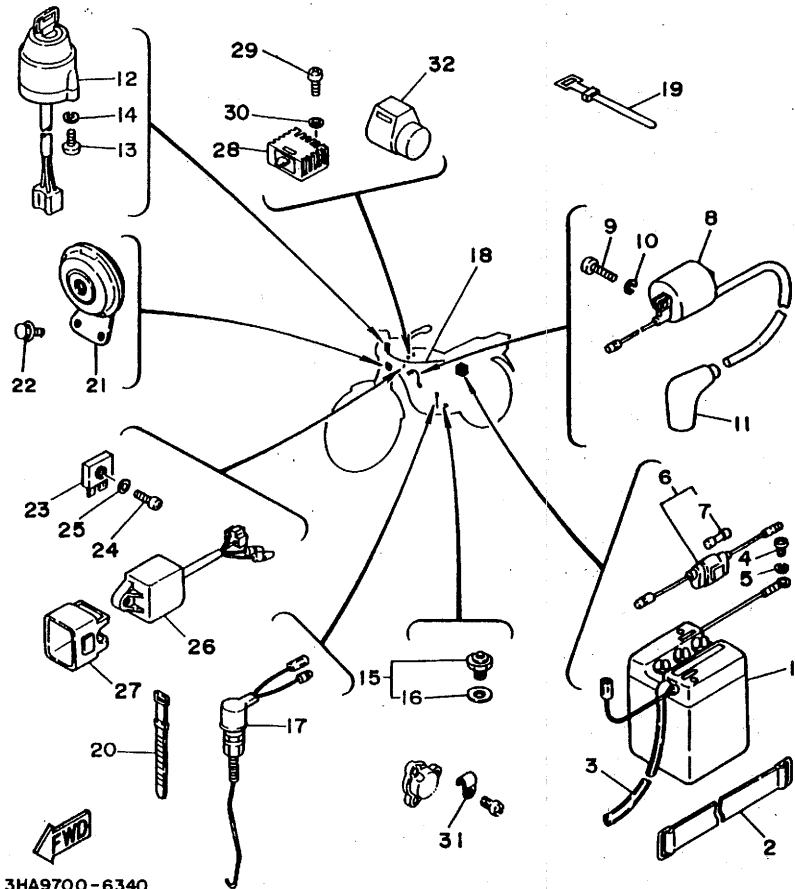


3HA9700-6340

D12

FIG. 34 ELECTRICAL 1

REF. NO.	PART NO.	DESCRIPTION	OCE	OTH	REMARKS
28	4F4-81910-60	VOLTAGE REGULATOR ASSY	1	1	STANLEY
29	98507-06016	SCREW, PAN HEAD	1	1	
30	92907-06600	WASHER, PLATE	1	1	
31	90462-05012	CLAMP	1	1	
32	3E1-83350-12	FLASHER RELAY ASSY	1	1	



3HA9700-6340

D13

INDEX

NUMERICAL INDEX

PART NO.	GRID NO.	PART NO.	GRID NO.	PART NO.	GRID NO.	PART NO.	GRID NO.	PART NO.	GRID NO.	PART NO.	GRID NO.
382-W1541-60	B- 10	193-14126-00	B- 6	3V6-15620-00	B- 11	382-18561-60	B- 14	3V6-23140-01-35	C- 10	2Y0-24748-00	C- 13
3FA-W2536-00	D- 2	276-14131-00	B- 6	305-15641-00	B- 11	164-18571-01	B- 14	3V6-23143-00	C- 10	3V6-24758-01	C- 13
4BE-W2536-00	C- 14	2F5-14141-36	B- 6	403-15651-00	B- 11	164-18589-00	B- 14	3V6-23144-00	C- 11	3HA-24810-00	C- 13
3V6-11111-00	B- 2	260-14142-17	B- 6	248-15654-00	B- 11	3V6-21107-01	C- 13	3R1-23145-00	C- 10	3V6-24810-01	C- 13
3V6-11128-00	B- 2	137-14143-26-A0	B- 6	3V6-15660-02	B- 11	3V6-21110-11-33	C- 2	2X6-23151-00	C- 10	3V6-24860-01-98	C- 13
3V6-11161-00	B- 2	137-14143-28	B- 6	3V6-15664-00	B- 11	3V6-21473-01	C- 2	3V2-23154-00	C- 10	296-24861-00	C- 13
3A3-11181-00	B- 2	137-14143-30	B- 6	3V6-15666-01	B- 11	3V6-21511-30	C- 3	1E7-23156-00	C- 10	3V6-24862-00	C- 13
3V6-11311-00	B- 2	2N4-14145-00	B- 6	248-15668-00	B- 11	3V6-21511-60	C- 3	1E7-23157-00	C- 10	3V6-25104-00	C- 14
3UL-11351-00	B- 2	214-14147-00	B- 6	3V6-15676-00	B- 11	482-21521-00	C- 3	1L9-23166-00	C- 10	248-25111-00-35	C- 14
382-11400-00	B- 3	558-14147-00	B- 6	382-16111-62	B- 12	482-21522-00	C- 3	3M7-23181-00	C- 10	2K5-25118-00	C- 15
558-11412-00	B- 3	193-14158-00	B- 6	3V6-16150-00	B- 12	3V6-21611-30	C- 3	1L9-23183-00	C- 10	3V6-25121-00-35	C- 14
382-11422-00	B- 3	307-14169-01	B- 6	276-16154-00	B- 12	3V6-21611-60	C- 3	3V6-23191-00	C- 10	3E1-2513A-10	C- 14
335-11601-00	B- 3	4U5-14171-00	B- 6	122-16164-00	B- 12	4M3-21621-00	C- 3	3V6-23191-10	C- 10	301-25135-00	C- 14
335-11601-10	B- 3	304-14184-00	B- 6	3HA-16321-00	B- 12	482-21622-01	C- 3	3AJ-23192-00	C- 10	109-25136-00	C- 14
335-11601-20	B- 3	4NR-14185-00	B- 6	137-16324-00	B- 12	3V6-21629-01	C- 3	3V6-23317-00	C- 10	102-25137-00	C- 15
335-11601-30	B- 3	127-14186-00	B- 6	241-16341-01	B- 12	3V6-21711-30	C- 4	3V6-23318-00	C- 11	301-25138-00	C- 14
335-11601-40	B- 3	353-14190-15	B- 6	382-16342-61	B- 12	3V6-21711-60	C- 4	3V6-23340-00	C- 10	183-25149-00	C- 14
3V6-11631-00-96	B- 3	127-14195-00	B- 6	132-16346-00	B- 12	3V6-21721-30	C- 4	451-23346-01	C- 10	558-25155-00	C- 14
131-11633-00	B- 3	183-14196-00	B- 6	132-16351-00	B- 12	3V6-21721-60	C- 4	3V6-23351-01	C- 10	3V6-25304-00	D- 2
3V6-11635-00	B- 3	183-14197-00	B- 7	137-16356-00	B- 12	3HA-2173E-10	C- 4	462-23392-00	C- 10	391-25311-00-35	D- 2
3V6-11636-00	B- 3	3V6-14411-00	B- 5	276-16357-00	B- 12	3HA-2173E-20	C- 4	156-23411-00	C- 10	109-25315-00	C- 14
3V6-11637-00	B- 3	3V6-14412-00	B- 5	137-16367-00	B- 12	3HA-2173F-10	C- 4	22F-23411-01	C- 9	183-25315-00	D- 2
3V6-11638-00	B- 3	3V6-14416-00	B- 5	1E7-16371-00	B- 12	3HA-2173F-20	C- 4	156-23412-00	C- 9	248-25321-00-35	D- 2
558-11651-01	B- 3	1V1-14437-00	B- 5	427-17121-01	B- 13	3V6-21745-01	C- 5	22F-23412-01	C- 9	3V6-25327-01	D- 2
5E2-11681-00	B- 3	3V6-14451-00	B- 5	3V6-17131-00	B- 13	3V6-21750-00	C- 5	122-23416-00	C- 9	5T9-2533A-00	D- 2
3V6-13101-00	B- 4	3A3-14453-01	B- 5	482-17141-00	B- 13	1Y1-2176A-00	C- 5	3V6-23435-00-33	C- 9	248-25351-10	D- 2
126-13116-01	B- 4	3V6-14610-00	B- 8	482-17151-00	B- 13	1Y1-21763-00	C- 5	1E6-23441-10-33	C- 9	3Y6-25351-00	C- 14
137-13137-00-03	B- 4	3PA-14613-10	B- 8	248-17211-00	B- 13	1Y1-21764-00	C- 5	164-23462-00	C- 10	1E7-25355-00	D- 2
137-13137-00-05	B- 4	3M7-14615-00	B- 8	427-17221-00	B- 13	1T9-21771-00	C- 5	3V6-24110-00-X3	C- 12	304-25364-01	D- 2
137-13137-00-10	B- 4	3V6-14718-00	B- 8	3V6-17231-00	B- 13	3V6-22110-01-33	C- 6	3V6-24110-00-X4	C- 12	183-25366-10-35	D- 2
137-13138-01	B- 4	3V6-14728-00	B- 8	382-17241-60	B- 13	276-22123-00	C- 6	1A8-24181-00	C- 12	3V6-25371-00	D- 3
367-13146-01	B- 4	3T2-14752-00	B- 8	482-17251-00	B- 13	276-22141-01	C- 6	3TB-24181-00	C- 12	2A6-25381-00	D- 3
525-13174-00	B- 4	3V6-14753-00	B- 8	437-17411-01	B- 13	3V6-22151-00	C- 6	431-24181-00	C- 4	353-25381-00	C- 15
3V6-13175-00	B- 4	18L-1490J-00	B- 6	315-17421-01	B- 13	3V6-22210-00-33	C- 8	353-24182-00	C- 12	3V6-25387-00	D- 3
137-13176-00	B- 4	276-15111-01	B- 9	164-17427-00	B- 13	3V6-22310-02-35	C- 6	3HA-24240-20	C- 12	3V6-25388-00	D- 3
382-13178-60	B- 4	276-15121-04	B- 9	382-17464-60	B- 13	148-22315-00	C- 6	3HA-24240-30	C- 12	3V6-25389-00	D- 3
402-13552-00	B- 4	304-15128-00	B- 9	403-17471-00	B- 13	3V6-22318-01	C- 6	357-24500-11	C- 12	1T2-25394-00	D- 3
560-13565-00	B- 5	4E6-15353-00	B- 14	3V6-18101-03	B- 15	382-22322-00	C- 6	2N3-24528-00	C- 12	482-25412-00	D- 2
314-13610-01	B- 5	315-15362-01	B- 10	367-18111-00	B- 15	3V6-22324-00	C- 6	357-24532-10	C- 12	3V6-25451-11	D- 2
314-13613-01	B- 5	120-15371-00	B- 9	132-18113-01	B- 15	3V6-22325-00	C- 6	4X8-24565-00	C- 12	3V6-26111-00	D- 4
314-13616-01	B- 5	214-15385-00	B- 14	4M3-18140-00	B- 14	3V6-22358-00	C- 7	122-24610-01	C- 12	3V6-26123-00	D- 4
87A-13621-00	B- 5	276-15415-00	B- 10	463-18511-00	B- 14	3V6-22359-00	C- 7	122-24612-01	C- 12	3V6-26241-00	D- 4
3V6-14101-01	B- 6	314-15416-00-35	B- 10	463-18512-00	B- 14	3V6-23100-02-35	C- 10	127-24650-02	C- 12	3V6-26242-00	D- 4
23L-14103-00	B- 6	3V6-15421-02	B- 10	463-18513-00	B- 14	3V6-23100-10-35	C- 10	3V6-24710-01	C- 13	434-26243-00	D- 4
10W-14104-00	B- 6	3GY-15451-00	B- 10	214-18531-00	B- 14	3V6-23110-00	C- 10	3V6-24710-20	C- 13	1M1-26249-01	D- 4
126-14106-00	B- 6	3GY-15456-00	B- 10	248-18531-00	B- 14	1L9-23111-00	C- 10	3V6-24711-00	C- 13	214-26261-00	D- 4
304-14112-20	B- 6	214-15616-00	B- 11	3V6-18540-00	B- 14	1L9-23114-00	C- 10	3V6-24711-20	C- 13	1Y1-26290-00	D- 4
500-14115-00	B- 6	214-15618-00	B- 11	136-18542-00	B- 14	3V6-23130-01-35	C- 10	2A6-24738-00	C- 13	1Y1-26290-10	D- 4

NUMERICAL INDEX

PART NO.	GRID NO.	PART NO.	GRID NO.	PART NO.	GRID NO.	PART NO.	GRID NO.	PART NO.	GRID NO.	PART NO.	GRID NO.
1Y1-26290-50	D- 4	122-83516-10	D- 8	90113-06013	B- 12	90201-14586	B- 15	90506-09009	B- 15	92907-08100	D- 7
1Y1-26290-60	D- 4	4N0-83516-00	D- 8	90116-06320	B- 8	90201-15564	D- 5	90506-09112	B- 14		D- 9
3V6-26311-00	D- 4	2W0-83520-00	D- 8	90116-08064	B- 2	90201-20266	B- 13	90506-10019	B- 12	92907-08200	D- 9
3V6-26312-00	D- 4	355-83522-00	D- 8	90119-05001	B- 12	90201-20269	C- 14	90506-15260	C- 14	92907-08600	C- 6
3V6-26321-02	D- 4	355-83524-00	D- 8	90119-06056	C- 3	90201-206E5	B- 11		D- 2		C- 6
497-26335-00	D- 4	355-83526-00	D- 8		C- 5	90202-05187	B- 8	90506-28100	D- 5		C- 6
4G3-26339-00	D- 4	438-83550-01	D- 8	90119-06063	C- 3	90202-05188	B- 8	90508-20023	D- 5		C- 13
3V6-26341-00	D- 4	214-83912-00	D- 11	90119-06097	C- 3	90208-12015	B- 12	90508-26441	B- 11		D- 3
498-26372-00	D- 4	3X3-83913-00	D- 11		C- 3		B- 12	90508-32437	B- 15		D- 5
3V6-27211-01	D- 5	233-83922-30	D- 11	90123-06010	D- 4	90209-06194	B- 8	90508-35442	D- 5		D- 9
3V6-27231-01	D- 5	256-83936-01	D- 12	90123-08046	D- 4	90209-22071	B- 3	90560-12138	C- 14	92907-10100	C- 2
3V6-27311-01	D- 5	437-83936-01	D- 7		D- 4	90215-08014	B- 15	90560-15136	D- 2	92907-10600	D- 5
3V6-27311-11	D- 5		D- 12	90149-08094	B- 15	90240-08084	D- 5	90560-17124	B- 12	92907-12100	D- 6
3R1-27411-00-90	D- 5	3X3-83965-00	D- 11	90157-06125	B- 9	90249-12008	D- 5	91401-20012	D- 5	93101-10002	B- 4
3R1-27421-00-90	D- 5	3V6-83972-00	D- 11	90170-08029	B- 15	90280-03017	B- 3	91401-20015	D- 3	93102-18008	C- 14
3V6-27451-00-33	D- 5	437-83976-03	D- 11	90170-10038	D- 4	90340-12005	B- 9	91401-20020	C- 15	93102-20010	B- 3
3V6-28100-00	C- 13	3M7-84110-00	D- 9	90170-12060	B- 12	90387-06388	C- 3	91401-25012	D- 5	93102-26042	B- 13
3V6-81313-M1	D- 6	317-84112-30	D- 9		B- 12	90387-065X4	D- 5	91401-30025	D- 5	93102-47297	C- 14
4F4-81910-60	D- 13	248-84114-00	D- 9	90170-12175	D- 6	90387-12265	C- 15	91401-30030	D- 3	93103-28011	B- 3
353-81970-63	D- 12	276-84120-00	D- 9	90170-20224	D- 3	90387-154A2	D- 3	91609-40016	B- 14	93104-07003	C- 14
120-82110-14	D- 12	3M7-84130-00	D- 9	90171-10004	C- 15	90387-20175	B- 3	91701-06018	D- 5	93104-11028	B- 12
3V6-82131-00	D- 12	202-84315-00	D- 9	90171-14020	D- 3	90387-204A3	D- 3	92901-04100	D- 6	93104-20017	B- 11
55K-82150-01	D- 12	195-84324-00	D- 9	90175-06013	D- 5	90387-20491	B- 13		D- 6	93104-22018	D- 2
116-82151-00	D- 12	3T2-84510-00	D- 10	90176-10073	C- 8	90430-04004	B- 4	92901-10100	C- 10	93106-26005	D- 2
3V6-82310-M0	D- 12	122-84514-30	D- 10	90179-06143	D- 4	90430-12207	B- 9	92902-04100	B- 7	93109-06060	B- 12
56J-82370-00	D- 12	1K8-84521-00	D- 10	90179-08148	D- 4	90445-05278	B- 4	92907-03100	B- 5	93109-14005	B- 15
2F5-82510-50	D- 12	1K8-84523-00	D- 10		D- 4	90445-083J4	C- 5	92907-05100	B- 4	93210-14104	C- 15
3V6-82530-02	D- 12	2E9-84524-00	D- 10	90179-08168	D- 2	90445-08338	D- 12		B- 8	93210-18023	B- 3
136-82540-03	D- 12	3T5-85520-M1	D- 6	90179-08303	B- 2	90445-09082	C- 12		B- 14	93210-42101	D- 2
136-82543-00	D- 12	3M5-85540-M1	D- 12	90179-16018	B- 13	90446-07009	B- 9	92907-05600	D- 12	93306-00406	D- 2
3V6-82590-22	D- 12	2A7-85546-00	D- 12	90179-25033	C- 9	90460-43053	B- 5		D- 12	93306-20227	D- 2
2HV-82911-00	D- 11	3V6-85550-M1	D- 6	90185-08054	C- 2	90460-51059	B- 5	92907-06100	C- 3	93306-30103	C- 14
463-82921-30	D- 11	3V6-85560-M2	D- 6	90185-10037	D- 5	90461-05036	D- 6		C- 13	93306-30304	B- 13
3T2-83310-10	D- 7	2T4-85568-M1	D- 6	90185-10091	C- 2	90462-05012	D- 13		D- 11	93306-30401	B- 13
1M3-83311-10	D- 7	2T4-85569-M1	D- 6	90201-06067	B- 5	90465-13275	C- 12		D- 11	93306-30405	B- 3
	D- 7	4U5-85580-M0	D- 6		B- 5	90467-08003	C- 5	92907-06200	D- 5	93310-21403	B- 3
	D- 7	90101-06278	C- 14	90201-06071	C- 12		C- 12	92907-06600	B- 5	93310-422E7	B- 3
3M7-83312-10	D- 7		D- 2	90201-06380	C- 3	90467-08075	C- 5		B- 5	93311-31515	B- 13
	D- 7	90101-08439	C- 6	90201-07076	C- 14	90468-02033	B- 4		C- 6	93315-31502	B- 13
	D- 7	90101-14259	B- 14	90201-08624	B- 4		B- 4		C- 6	93410-20038	B- 13
1M1-83318-00	D- 7	90105-14060	C- 9	90201-08753	B- 8	90468-26048	B- 11		C- 6	93440-11029	B- 11
3T2-83330-10	D- 7	90109-063F6	B- 14	90201-10140	C- 8	90480-12053	C- 4		D- 12	93440-15012	B- 13
4G3-83340-10	D- 7	90109-06798	D- 11	90201-12166	B- 14		C- 4		D- 12	93450-15023	B- 3
3E1-83350-12	D- 13		D- 11	90201-12178	D- 6	90480-14198	C- 3		D- 13	93501-04011	B- 12
18G-83371-10	D- 12	90109-08063	D- 3	90201-12347	C- 6	90501-02217	B- 4	92907-08100	B- 8		C- 9
3F4-83510-F0	D- 8	90109-08361	D- 2	90201-12362	B- 2	90501-10245	D- 5		C- 2	93503-16003	C- 9
3F6-83510-G0	D- 8	90109-08368	D- 3	90201-13200	B- 11	90501-20124	B- 12		C- 6	93505-32002	B- 4
1M3-83513-00	D- 8	90109-10473	D- 5	90201-14215	C- 8	90504-18009	B- 11		C- 9	93603-22028	B- 4

NUMERICAL INDEX

PART NO.	GRID NO.	PART NO.	GRID NO.	PART NO.	GRID NO.	PART NO.	GRID NO.	PART NO.	GRID NO.	PART NO.	GRID NO.
93604-22050	B- 14	97007-06025	D- 11	98707-05016	D- 6						
93822-14039	B- 13			98907-04008	B- 4						
94127-19595	C- 14	97007-08016	C- 6	98907-06012	B- 8						
94135-18596	D- 2			99001-08600	B- 4						
94227-19292	C- 14			99001-10600	B- 14						
94232-18113	D- 2	97007-08020	C- 6	99001-12600	B- 15						
94325-18081	D- 2	97007-08025	D- 9	99009-13400	B- 11						
94327-19111	C- 14	97007-10016	D- 5	99009-20400	C- 14						
94414-19569	C- 14	97027-06020	B- 15	99009-30400	B- 11						
94418-18246	D- 3	97027-08030	B- 11	99530-10014	B- 10						
94581-54116	D- 3	98501-04006	D- 6		B- 10						
94701-00044	B- 2	98501-04010	D- 6	99530-12016	B- 9						
95027-08045	C- 9	98501-05022	D- 11	99530-14016	B- 9						
95304-08800	D- 7										
95307-05600	B- 4	98501-05030	D- 11								
95307-06600	C- 3	98502-04016	B- 6								
	C- 14	98506-05012	D- 9								
	D- 2	98507-03008	B- 5								
	D- 8	98507-05008	B- 8								
95307-06700	B- 12										
95307-08600	B- 8	98507-05010	D- 12								
	D- 7	98507-05012	B- 14								
	D- 9	98507-05014	B- 4								
95307-08700	D- 3	98507-05020	D- 12								
95307-08800	C- 9	98507-06010	B- 14								
95607-06100	D- 11	98507-06012	B- 13								
	D- 11		C- 6								
95607-06200	C- 6		D- 12								
95607-12100	C- 6	98507-06014	C- 6								
95707-06500	B- 8	98507-06016	B- 5								
	C- 12		D- 13								
	D- 10	98507-06018	C- 3								
95707-08500	D- 3	98507-06020	B- 5								
95807-06012	D- 12		B- 10								
95807-06016	C- 11		B- 10								
95807-08016	C- 2	98507-06035	B- 5								
	D- 4		B- 10								
95807-10035	C- 9	98507-06040	B- 9								
95817-08020	C- 13	98507-06045	B- 9								
	C- 13		B- 10								
95827-08035	C- 9		C- 6								
95827-08120	C- 2	98507-06050	B- 10								
95827-10090	C- 2	98507-06055	B- 9								
95827-10105	C- 2	98507-06060	B- 10								
97007-06016	C- 13		B- 10								
97007-06022	D- 11	98507-08010	B- 9								
	D- 11	98511-04012	D- 6								
97007-06025	B- 5	98511-04025	D- 6								