

**YAMAHA**



**PARTS  
CATALOGUE**

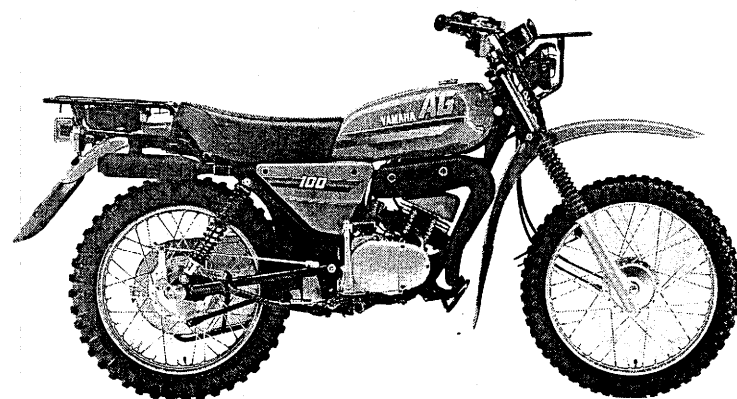
**AG100H (3HA9)** OCEANIA  
OTHER COUNTRIES

---

163HA-700E1

**YAMAHA**  
**GENUINE**  
Parts & Accessories

**A2**



A3

# FOREWORD

This Parts Catalogue is related to the parts for the model(s) in the below frame. When you are ordering replacement parts, please refer to this Parts Catalogue and quote both part numbers and part names correctly.

AG100H(3HA9)

1. Modifications or additions which have been made after issue of the Parts Catalogue will be announced in the Yamaha Parts News.  
It is advisable that you make necessary corrections to the Parts Catalogue according to the Yamaha Parts News.

2. Abbreviations

The following abbreviations are used in this Parts Catalogue.

- "UR" Use specified parts number.
- "UN" Use as many as needed.
- "AP" Alternate Parts
- "LM" Local Made (Parts need to be ordered locally)
- "F#" Frame No. (Applicable machine No.)

3. Parts, which are to be supplied in an assembly, are listed with a dot (.) in front of the part name as shown below.

EXAMPLE  
 CARBURETOR ASSY  
 . JET, PILOT  
 . NOZZLE, MAIN

4. Number of component for assembly

The numeral appearing to the right of each component part indicates the quantity of parts for each assembly unit.

EXAMPLE

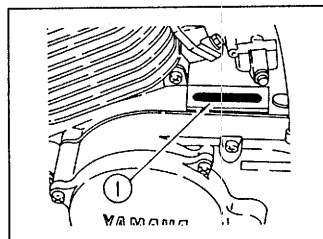
| PART NO.     | DESCRIPTION              | Q'TY | REMARKS |
|--------------|--------------------------|------|---------|
| 2F5-83310-60 | FRONT FLASHER LIGHT ASSY | 2    |         |
| 115-83311-60 | . BULB (6V-18W)          | 1    |         |

5. Applicable colors of graphics are represented in the "REMARKS" as shown below.

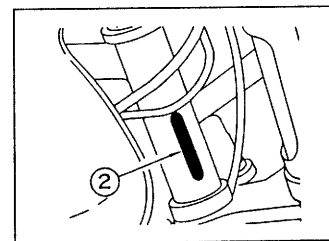
| PART NO.        | DESCRIPTION          | Q'TY | REMARKS   |
|-----------------|----------------------|------|-----------|
| 2N4-24110-00-X5 | FUEL TANK COMP.      | 1    | MAXIM RED |
| 3J1-24240-10    | . GRAPHIC, FUEL TANK | 1    | for MXR   |

6. Applicable Serial No.

① Engine Serial No.



② Frame Serial No.

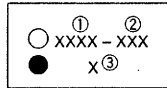


7. Note that the illustrations are for reference in finding parts numbers, not to be used for assembling. When assembling, please use the applicable service manual.
8. The asterisk (\*) before a reference number indicates modification items after the first edition.

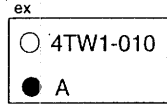
# MODEL LABEL

(1) A label called "Model Label" is affixed in the location as indicated in (3) below. When using this parts catalogue, please be sure to cross-refer the "model code - production code No." in the catalogue to the "model code - production code No." indicated on the Model Label affixed onto the product concerned.

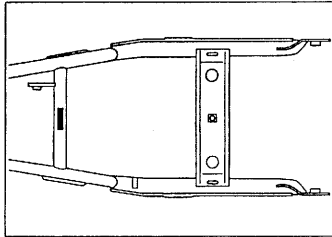
(2) "Model Label" Indication



- ① Model Type Code
- ② Production Code No.
- ③ Colouring Type



(3) Model Label Affixing Location



(4) Model Code - Production Code Number of Model Listed in This Parts Catalog

| Model code  | Production code No. | Country (destination) | Model code | Production code No. | Country (destination) |
|-------------|---------------------|-----------------------|------------|---------------------|-----------------------|
| 3HA9        | 010                 | AUSTRALIA             |            |                     |                       |
|             |                     | E. CAMEROUN           |            |                     |                       |
|             | 020                 | GUINEA                |            |                     |                       |
|             |                     | RWANDA                |            |                     |                       |
|             |                     | GHANA                 |            |                     |                       |
|             | 030                 | GAMBIA                |            |                     |                       |
|             |                     | LIBERIA               |            |                     |                       |
|             | 040                 | SIERRA LEONE          |            |                     |                       |
|             |                     | PERU                  |            |                     |                       |
|             | 050                 | PARAGUAY              |            |                     |                       |
| EL SALVADOR |                     |                       |            |                     |                       |
|             |                     |                       |            |                     |                       |
|             |                     |                       |            |                     |                       |
|             |                     |                       |            |                     |                       |
|             |                     |                       |            |                     |                       |

(5) Colouring Information

| Colouring type code | Colour code | Colour Name            | Abbreviation |
|---------------------|-------------|------------------------|--------------|
| A                   | 0402        | YELLOWISH GRAY SOLID 3 | YNS3         |
| B                   | 00EY        | HEAT RED               | HTR          |

# CONTENTS

## ENGINE

|                          |       |
|--------------------------|-------|
| Cylinder .....           | B2    |
| Crankshaft. Piston ..... | B3    |
| Oil Pump .....           | B4    |
| Intake .....             | B5    |
| Carburetor .....         | B6~B7 |
| Exhaust .....            | B8    |
| Crankcase .....          | B9    |
| Crankcase Cover 1 .....  | B10   |
| Starter .....            | B11   |
| Clutch .....             | B12   |
| Transmission .....       | B13   |
| Shift Cam. Fork .....    | B14   |
| Shifter .....            | B15   |

## CHASSIS

|                              |         |
|------------------------------|---------|
| Frame .....                  | C2      |
| Fender .....                 | C3      |
| Side Cover .....             | C4      |
| Oil Tank .....               | C5      |
| Rear Arm .....               | C6~C7   |
| Rear Suspension .....        | C8      |
| Steering .....               | C9      |
| Front Fork .....             | C10~C11 |
| Fuel Tank .....              | C12     |
| Seat .....                   | C13     |
| Front Wheel .....            | C14~C15 |
| Rear Wheel .....             | D2~D3   |
| Steering Handle. Cable ..... | D4      |
| Stand. Footrest .....        | D5      |

|                            |         |
|----------------------------|---------|
| Generator .....            | D6      |
| Flasher Light .....        | D7      |
| Meter .....                | D8      |
| Headlight .....            | D9      |
| Taillight .....            | D10     |
| Handle Switch. Lever ..... | D11     |
| Electrical 1 .....         | D12~D13 |

## INDEX

|                       |       |
|-----------------------|-------|
| Numerical Index ..... | M1~M3 |
|-----------------------|-------|

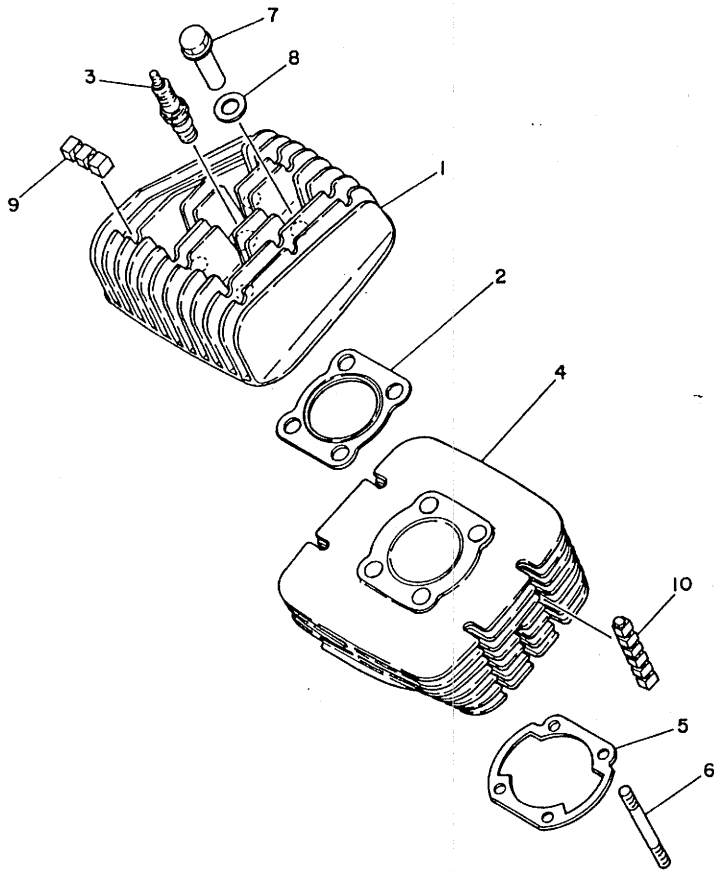


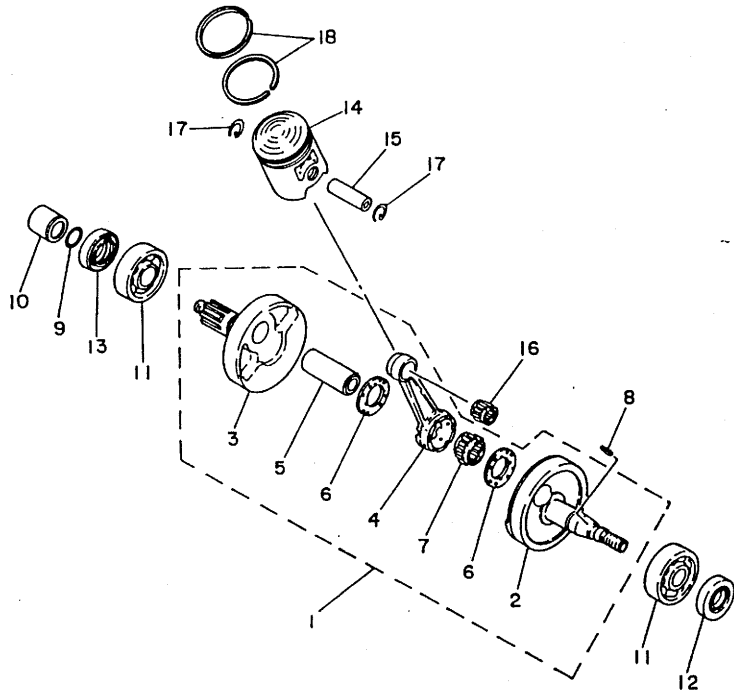
FIG. 1 CYLINDER

| REF. NO. | PART NO.     | DESCRIPTION             | Q'TY | REMARKS |
|----------|--------------|-------------------------|------|---------|
| 1        | 3V6-11111-00 | HEAD, CYLINDER 1        | 1    |         |
| 2        | 276-11181-01 | GASKET, CYLINDER HEAD 1 | 1    |         |
| 3        | 94701-00044  | PLUG, SPARK (NGK B-7ES) | 1    |         |
| 4        | 3V6-11311-00 | CYLINDER 1              | 1    |         |
| 5        | 3UL-11351-00 | GASKET, CYLINDER        | 1    |         |
| 6        | 90116-08064  | BOLT, STUD              | 4    |         |
| 7        | 90179-08303  | NUT                     | 4    |         |
| 8        | 90201-12362  | WASHER, PLATE           | 4    |         |
| 9        | 3V6-11128-00 | ABSORBER 4              | 6    |         |
| 10       | 3V6-11161-00 | ABSORBER 1              | 4    |         |



3V6700-2010

FIG. 2 CRANKSHAFT, PISTON



| REF. NO. | PART NO.        | DESCRIPTION                  | Q'TY | REMARKS |
|----------|-----------------|------------------------------|------|---------|
| 1        | 382-11400-00    | CRANKSHAFT ASSY              | 1    |         |
| 2        | 558-11412-00    | .CRANK 1                     | 1    |         |
| 3        | 382-11422-00    | .CRANK 2                     | 1    |         |
| 4        | 1M7-11651-00    | .ROD, CONNECTING             | 1    |         |
| 5        | 5E2-11681-00    | .PIN, CRANK 1                | 1    |         |
| 6        | 90209-22248     | .WASHER                      | 2    |         |
| 7        | 93310-422E7     | .BEARING, CYLINDRICAL        | 1    |         |
| 8        | 90280-03017     | KEY, WOODRUFF                | 1    |         |
| 9        | 93210-180A6     | O-RING                       | 1    |         |
| 10       | 90387-20175     | COLLAR                       | 1    |         |
| 11       | 93306-30439     | BEARING                      | 2    |         |
| 12       | 93102-20447     | OIL SEAL                     | 1    |         |
| 13       | 93103-28011     | OIL SEAL                     | 1    |         |
| 14       | 3V6-11631-00-96 | PISTON (STD)                 | 1    |         |
|          | 3V6-11635-00    | PISTON (0.25MM O/S)          | 1    | AP      |
|          | 3V6-11636-00    | PISTON (0.50MM O/S)          | 1    | AP      |
|          | 3V6-11637-00    | PISTON (0.75MM O/S)          | 1    | AP      |
|          | 3V6-11638-00    | PISTON (1.00MM O/S)          | 1    | AP      |
| 15       | 131-11633-00    | PIN, PISTON                  | 1    |         |
| 16       | 93310-21403     | BEARING, CYLINDRICAL         | 1    |         |
| 17       | 93450-15023     | CIRCLIP                      | 2    |         |
| 18       | 335-11601-00    | PISTON RING SET (STD)        | 1    |         |
|          | 335-11601-10    | PISTON RING SET (0.25MM O/S) | 1    | AP      |
|          | 335-11601-20    | PISTON RING SET (0.50MM O/S) | 1    | AP      |
|          | 335-11601-30    | PISTON RING SET (0.75MM O/S) | 1    | AP      |
|          | 335-11601-40    | PISTON RING SET (1.00MM O/S) | 1    | AP      |



3V6700-2020

B3

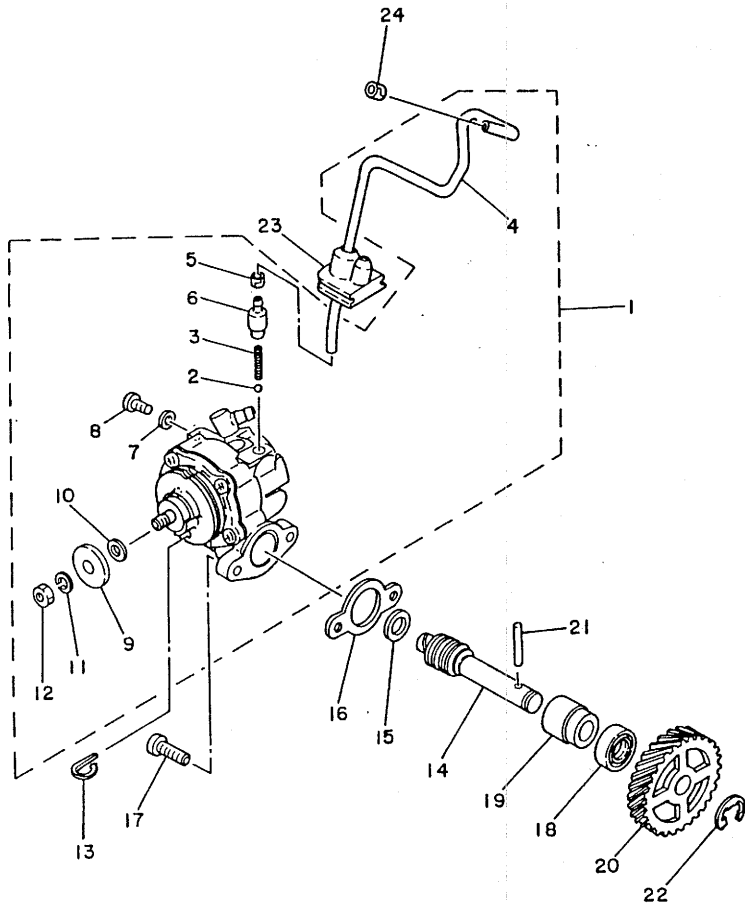


FIG. 3 OIL PUMP

| REF. NO. | PART NO.        | DESCRIPTION             | Q'TY | REMARKS |
|----------|-----------------|-------------------------|------|---------|
| 1        | 3V6-13101-00    | OIL PUMP ASSY           | 1    |         |
| 2        | 93505-32002     | .BALL                   | 1    |         |
| 3        | 90501-02217     | .SPRING, COMPRESSION    | 1    |         |
| 4        | 90445-05278     | .HOSE                   | 1    |         |
| 5        | 90468-02033     | .CLIP                   | 1    |         |
| 6        | 402-13552-00    | .NOZZLE                 | 1    |         |
| 7        | 90430-04004     | .GASKET                 | 1    |         |
| 8        | 98907-04008     | .SCREW, BIND            | 1    |         |
| 9        | 137-13138-01    | .PLATE, ADJUSTING       | 1    |         |
| 10       | 137-13137-00-10 | .SHIM (1.0T)            | 1    | UN      |
| 11       | 92907-05100     | .WASHER, SPRING         | 1    |         |
| 12       | 95307-05600     | .NUT                    | 1    |         |
| 13       | 367-13146-01    | CLIP                    | 1    |         |
| 14       | 3V6-13175-00    | SHAFT, WORM             | 1    |         |
| 15       | 90201-08624     | WASHER, PLATE           | 1    |         |
| 16       | 126-13116-01    | GASKET, PUMP CASE       | 1    |         |
| 17       | 98507-05014     | SCREW, PAN HEAD         | 2    |         |
| 18       | 93101-10002     | OIL SEAL                | 1    |         |
| 19       | 137-13176-00    | METAL, WORM SHAFT OUTER | 1    |         |
| 20       | 382-13178-60    | GEAR, PUMP DRIVE (30T)  | 1    |         |
| 21       | 93603-22028     | PIN, DOWEL              | 1    |         |
| 22       | 99001-08600     | CIRCLIP                 | 1    |         |
| 23       | 525-13174-00    | HOLDER, OIL PIPE        | 1    |         |
| 24       | 90468-02033     | CLIP                    | 1    |         |



3V6700-2040

B4

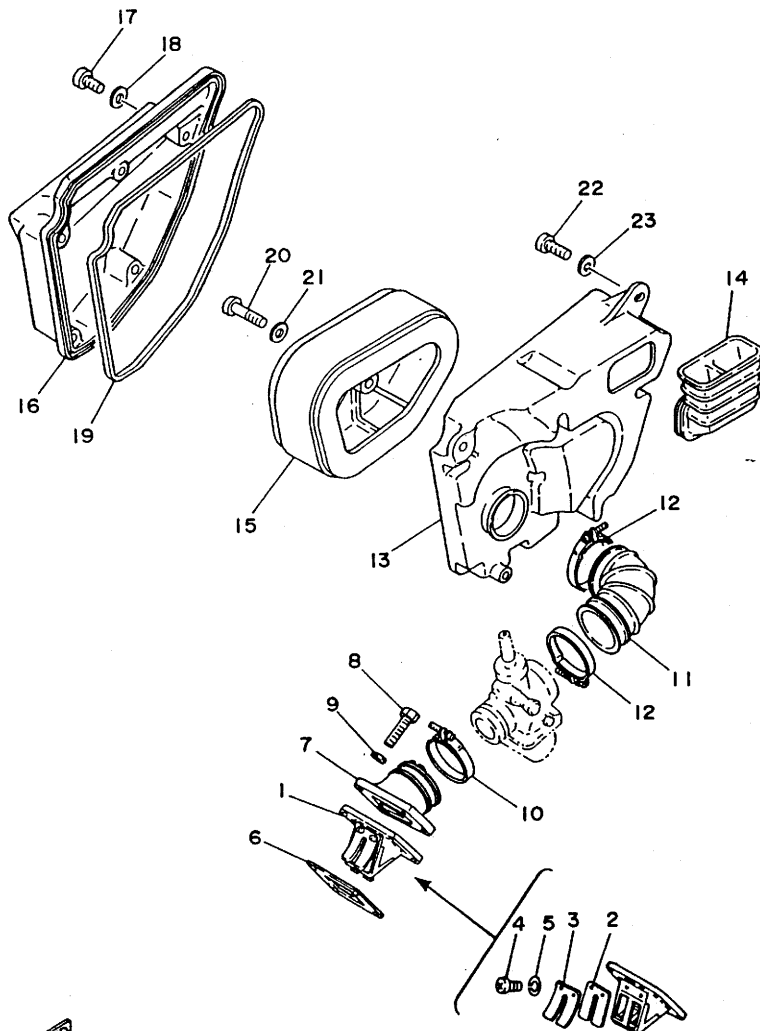


FIG. 4 INTAKE

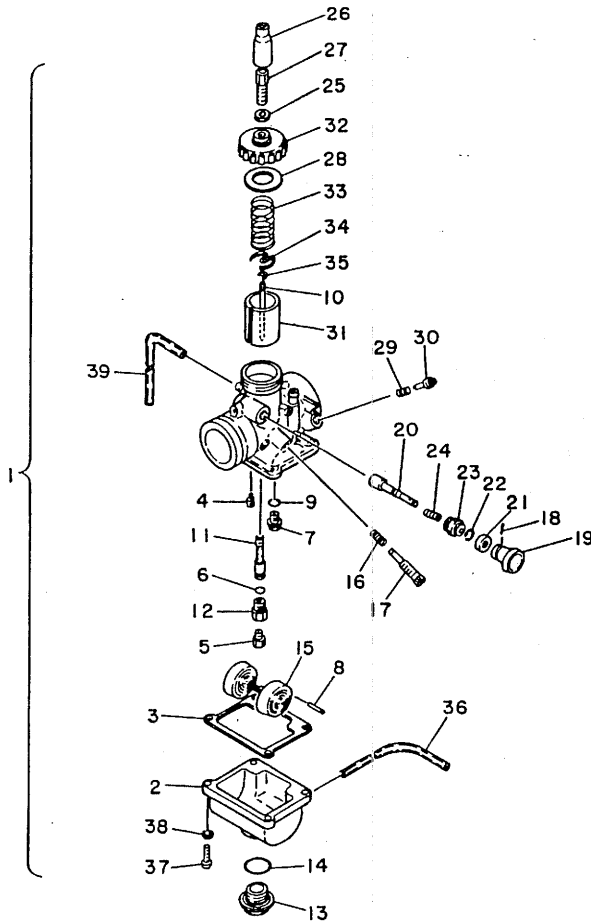
| REF. NO. | PART NO.     | DESCRIPTION          | Q'TY | REMARKS |
|----------|--------------|----------------------|------|---------|
| 1        | 53V-13610-00 | REED VALVE ASSY      | 1    |         |
| 2        | 314-13613-01 | .REED, VALVE         | 2    |         |
| 3        | 314-13616-01 | .STOPPER, REED VALVE | 2    |         |
| 4        | 98507-03008  | .SCREW, PAN HEAD     | 4    |         |
| 5        | 92990-03100  | .WASHER, SPRING      | 4    |         |
| 6        | 87A-13621-00 | GASKET, VALVE SEAT   | 1    |         |
| 7        | 560-13565-00 | JOINT, CARBURETOR    | 1    |         |
| 8        | 97017-06025  | BOLT                 | 4    |         |
| 9        | 92907-06600  | WASHER, PLATE        | 4    |         |
| 10       | 90460-43053  | CLAMP, HOSE          | 1    |         |
| 11       | 3A3-14453-01 | JOINT, AIR CLEANER 1 | 1    |         |
| 12       | 90460-51059  | CLAMP, HOSE          | 2    |         |
| 13       | 3V6-14411-00 | CASE, AIR CLEANER 1  | 1    |         |
| 14       | 1V1-14437-00 | DUCT                 | 1    |         |
| 15       | 3V6-14451-00 | ELEMENT, AIR CLEANER | 1    |         |
| 16       | 3V6-14412-00 | CAP, CLEANER CASE 1  | 1    |         |
| 17       | 98507-06016  | SCREW, PAN HEAD      | 5    |         |
| 18       | 92907-06600  | WASHER, PLATE        | 5    |         |
| 19       | 3V6-14416-00 | GASKET, AIR CLEANER  | 1    |         |
| 20       | 98507-06035  | SCREW, PAN HEAD      | 1    |         |
| 21       | 90201-065F3  | WASHER, PLATE        | 1    |         |
| 22       | 98517-06020  | SCREW, PAN HEAD      | 2    |         |
| 23       | 90201-065F3  | WASHER, PLATE        | 2    |         |



3HA5700-2040

B5

FIG. 5 CARBURETOR



| REF. NO. | PART NO.        | DESCRIPTION            | QTY | REMARKS |
|----------|-----------------|------------------------|-----|---------|
| 1        | 3V6-14101-01    | CARBURETOR ASSY 1      | 1   |         |
| 2        | 539-14181-06    | .BODY, FLOAT CHAMBER 1 | 1   |         |
| 3        | 304-14184-00    | .GASKET, FLOAT CHAMBER | 1   |         |
| 4        | 260-14142-17    | .JET, PILOT (#17.5)    | 1   |         |
| 5        | 137-14143-28-A0 | .JET, MAIN (#140)      | 1   | UR STD  |
|          | 137-14143-26-A0 | .JET, MAIN (#130)      | 1   | UR      |
|          | 137-14143-30    | .JET, MAIN (#150)      | 1   | UR      |
| 6        | 214-14147-00    | .O-RING                | 1   |         |
| 7        | 353-14190-15    | .NEEDLE VALVE ASSY     | 1   |         |
| 8        | 127-14186-00    | .PIN, FLOAT            | 1   |         |
| 9        | 127-14195-00    | .WASHER, NEEDLE VALVE  | 1   |         |
| 10       | 18L-1490J-00    | .NEEDLE SET            | 1   |         |
| 11       | 2F5-14141-36    | .NOZZLE, MAIN          | 1   |         |
| 12       | 2N4-14145-00    | .HOLDER                | 1   |         |
| 13       | 500-14115-00    | .PLUG, SCREW           | 1   |         |
| 14       | 558-14147-00    | .O-RING                | 1   |         |
| 15       | 4NR-14185-00    | .FLOAT                 | 1   |         |
| 16       | 493-14133-00    | .SPRING, THROTTLE STOP | 1   |         |
| 17       | 23L-14103-00    | .THROTTLE SCREW SET    | 1   |         |
| 18       | 91490-16020     | .PIN, COTTER           | 1   |         |
| 19       | 304-14261-00    | .HOLDER                | 1   |         |
| 20       | 304-14171-00    | .PLUNGER, STARTER      | 1   |         |
| 21       | 3A3-14173-00    | .COVER, PLUNGER CAP    | 1   |         |
| 22       | 152-14138-00    | .CLIP, PLUNGER         | 1   |         |
| 23       | 152-14174-00    | .CAP, PLUNGER          | 1   |         |
| 24       | 156-14135-00    | .SPRING, PLUNGER       | 1   |         |
| 25       | 802-14161-00    | .NUT, CABLE ADJUSTING  | 1   |         |
| 26       | 307-14169-10    | .CAP                   | 1   |         |



3V6700-2060

B6

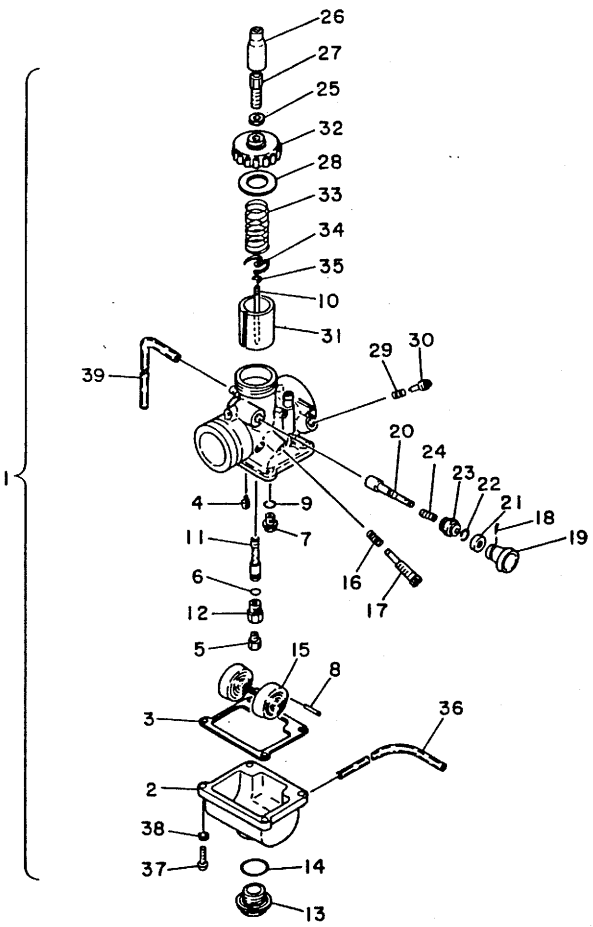


FIG. 5 CARBURETOR

| REF. NO. | PART NO.     | DESCRIPTION             | QTY | REMARKS |
|----------|--------------|-------------------------|-----|---------|
| 27       | 12G-14106-00 | .CABLE ADJUST SCREW SET | 1   |         |
| 28       | 193-14126-00 | .GASKET                 | 1   |         |
| 29       | 174-14134-00 | .SPRING, AIR ADJUSTING  | 1   |         |
| 30       | 10W-14104-00 | .AIR SCREW SET          | 1   |         |
| 31       | 304-14112-20 | .VALVE, THROTTLE 1      | 1   |         |
| 32       | 193-14158-00 | .TOP, MIXING CHAMBER    | 1   |         |
| 33       | 3X3-14131-00 | .SPRING, THROTTLE VALVE | 1   |         |
| 34       | 137-14136-00 | .SEAT, SPRING           | 1   |         |
| 35       | 164-14137-00 | .CLIP                   | 1   |         |
| 36       | 23F-14197-00 | .PIPE                   | 1   |         |
| 37       | 98511-04016  | .SCREW, PAN HEAD        | 4   |         |
| 38       | 92990-04100  | .WASHER, SPRING         | 4   |         |
| 39       | 183-14197-01 | .PIPE                   | 1   |         |



3V6700-2060

B7



3HA9700-6060

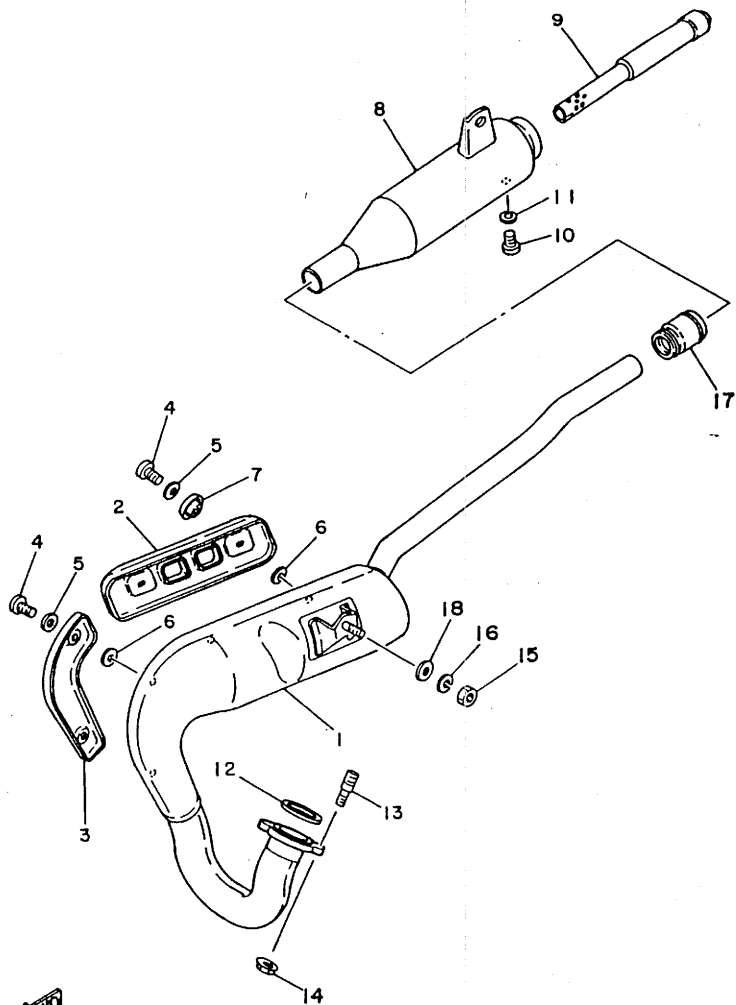


FIG. 6 EXHAUST

| REF. NO. | PART NO.     | DESCRIPTION          | QTY | REMARKS |
|----------|--------------|----------------------|-----|---------|
| 1        | 3V6-14610-00 | EXHAUST PIPE ASSY 1  | 1   |         |
| 2        | 3V6-14718-00 | PROTECTOR, MUFFLER 1 | 1   |         |
| 3        | 3V6-14728-00 | PROTECTOR, MUFFLER 2 | 1   |         |
| 4        | 98907-06012  | SCREW, BIND          | 4   |         |
| 5        | 90202-05187  | WASHER, PLATE        | 4   |         |
| 6        | 90202-05188  | WASHER, PLATE        | 4   |         |
| 7        | 90209-06194  | WASHER               | 2   |         |
| 8        | 3V6-14753-00 | SILENCER, EXHAUST    | 1   |         |
| 9        | 3T2-14752-00 | PIPE, OUTLET         | 1   |         |
| 10       | 98507-05008  | SCREW, PAN HEAD      | 1   |         |
| 11       | 92907-05100  | WASHER, SPRING       | 1   |         |
| 12       | 3PA-14613-10 | GASKET, EXHAUST PIPE | 1   |         |
| 13       | 90116-06320  | BOLT, STUD           | 2   |         |
| 14       | 95707-06500  | NUT, FLANGE          | 2   |         |
| 15       | 95337-08600  | NUT                  | 1   |         |
| 16       | 92907-08100  | WASHER, SPRING       | 1   |         |
| 17       | 3M7-14615-00 | JOINT, EXHAUST 1     | 1   |         |
| 18       | 90201-081R9  | WASHER, PLATE        | 1   |         |

B8

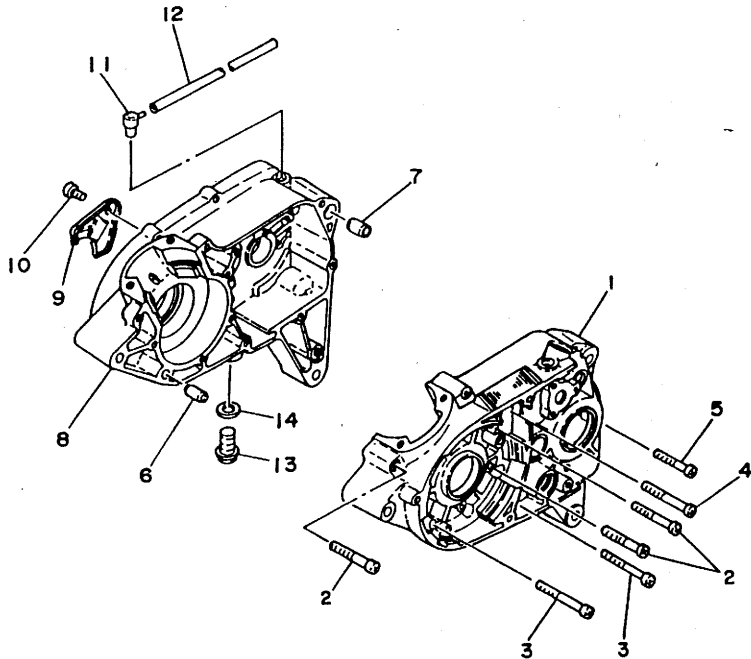
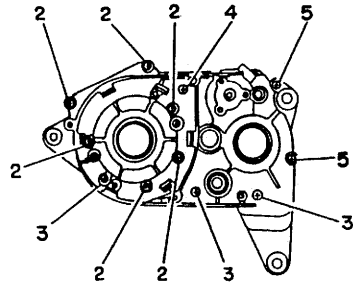


FIG. 7 CRANKCASE

| REF. NO. | PART NO.     | DESCRIPTION          | Q'TY | REMARKS |
|----------|--------------|----------------------|------|---------|
| 1        | 276-15111-01 | CRANKCASE 1          | 1    |         |
| 2        | 98507-06045  | SCREW, PAN HEAD      | 6    |         |
| 3        | 98507-06055  | SCREW, PAN HEAD      | 3    |         |
| 4        | 90157-06125  | SCREW, PAN HEAD      | 1    |         |
| 5        | 98507-06040  | SCREW, PAN HEAD      | 2    |         |
| 6        | 99510-12016  | PIN, DOWEL           | 1    |         |
| 7        | 99530-14016  | PIN, DOWEL           | 1    |         |
| 8        | 276-15121-04 | CRANKCASE 2          | 1    |         |
| 9        | 304-15128-00 | HOLDER               | 1    |         |
| 10       | 98507-08010  | SCREW, PAN HEAD      | 1    |         |
| 11       | 583-15371-00 | BREATHER             | 1    |         |
| 12       | 90446-07228  | HOSE                 | 1    |         |
| 13       | 90340-12005  | PLUG, STRAIGHT SCREW | 1    |         |
| 14       | 90430-12207  | GASKET               | 1    |         |



3HA9700-6070

B9

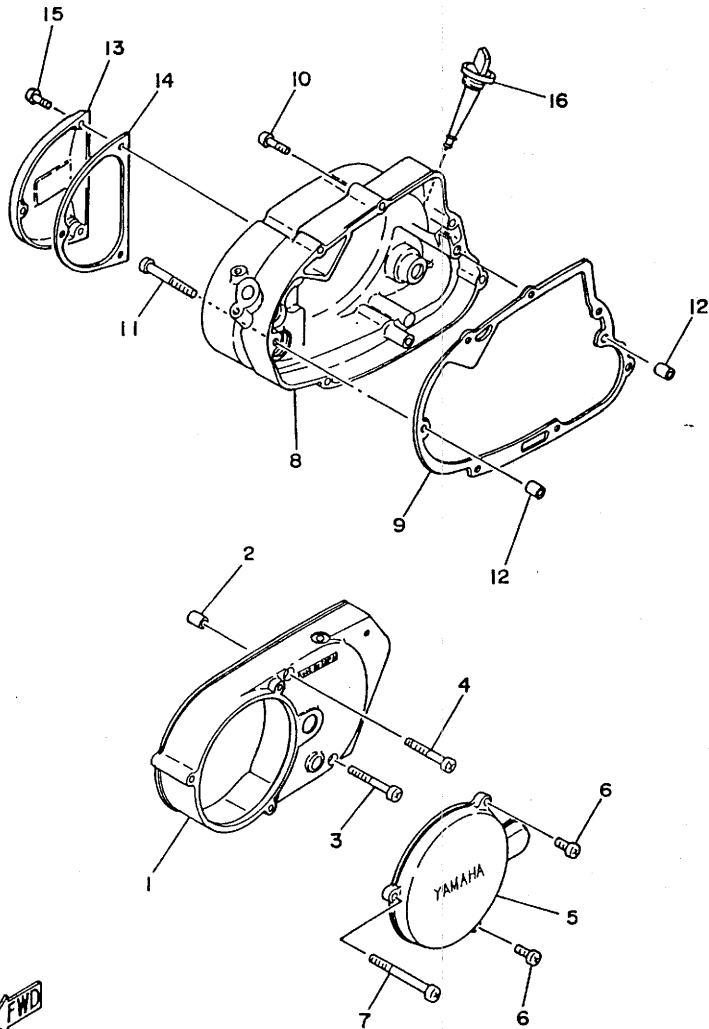


FIG. 8 CRANKCASE COVER 1

| REF. NO. | PART NO.        | DESCRIPTION               | QTY | REMARKS |
|----------|-----------------|---------------------------|-----|---------|
| 1        | 382-W1541-60    | CRANKCASE COVER ASSY 1    | 1   |         |
| 2        | 99530-10014     | PIN, DOWEL                | 2   |         |
| 3        | 98507-06050     | SCREW, PAN HEAD           | 2   |         |
| 4        | 98507-06045     | SCREW, PAN HEAD           | 1   |         |
| 5        | 276-15415-00    | COVER, GENERATOR          | 1   |         |
| 6        | 98517-06020     | SCREW, PAN HEAD           | 2   |         |
| 7        | 98507-06060     | SCREW, PAN HEAD           | 1   |         |
| 8        | 3V6-15421-02    | COVER, CRANKCASE 2        | 1   |         |
| 9        | 3GY-15451-00    | GASKET, CRANKCASE COVER 1 | 1   |         |
| 10       | 98507-06035     | SCREW, PAN HEAD           | 6   |         |
| 11       | 98507-06060     | SCREW, PAN HEAD           | 1   |         |
| 12       | 99530-10014     | PIN, DOWEL                | 2   |         |
| 13       | 314-15416-00-35 | COVER, OIL PUMP           | 1   | SILVER  |
| 14       | 3GY-15456-00    | GASKET, OIL PUMP COVER 1  | 1   |         |
| 15       | 98517-06020     | SCREW, PAN HEAD           | 3   |         |
| 16       | 315-15362-01    | PLUG, OIL LEVEL           | 1   |         |



3V6700-2090

B10

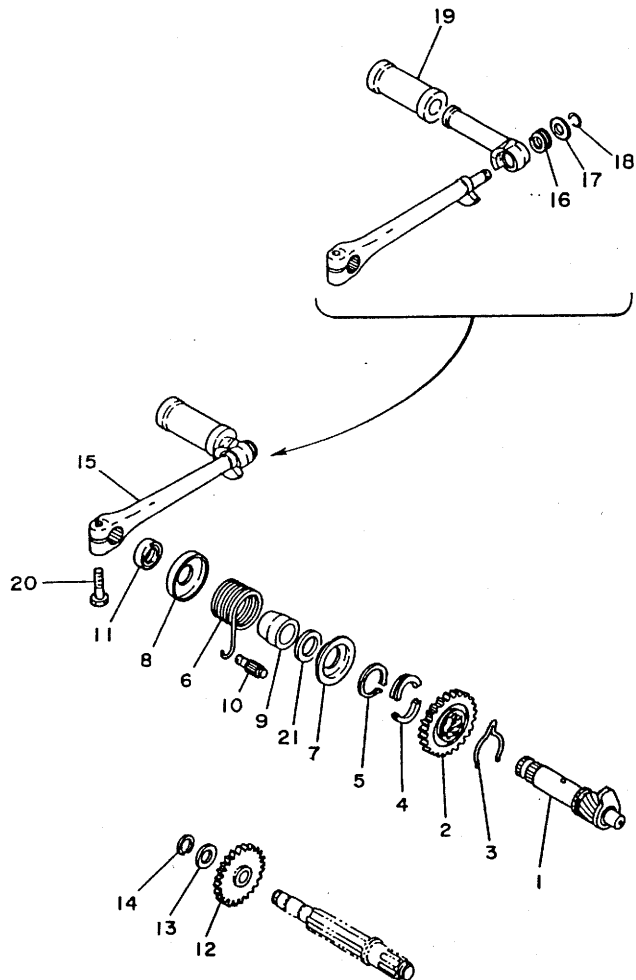


FIG. 9 STARTER

| REF. NO. | PART NO.        | DESCRIPTION           | Q'TY | REMARKS |
|----------|-----------------|-----------------------|------|---------|
| 1        | 3V6-15660-02    | KICK AXLE ASSY        | 1    |         |
| 2        | 305-15641-00    | GEAR, KICK (26T)      | 1    |         |
| 3        | 90468-26048     | CLIP                  | 1    |         |
| 4        | 248-15654-00    | HOLDER, KICK GEAR     | 2    |         |
| 5        | 99009-30400     | CIRCLIP               | 1    |         |
| 6        | 90508-26441     | SPRING, TORSION       | 1    |         |
| 7        | 3V6-15664-00    | GUIDE, SPRING         | 1    |         |
| 8        | 3V6-15676-00    | COVER, SPRING         | 1    |         |
| 9        | 3V6-15666-01    | SPACER                | 1    |         |
| 10       | 248-15668-00    | STOPPER               | 1    |         |
| 11       | 93104-20017     | OIL SEAL              | 1    |         |
| 12       | 403-15651-00    | GEAR, KICK IDLE (26T) | 1    |         |
| 13       | 132-15653-00-10 | WASHER                | 1    |         |
| 14       | 99009-13400     | CIRCLIP               | 1    |         |
| 15       | 3V6-15620-00    | KICK CRANK ASSY       | 1    |         |
| 16       | 90504-18009     | SPRING, COMPRESSION   | 1    |         |
| 17       | 214-15616-00    | WASHER, KICK LEVER    | 1    |         |
| 18       | 93440-11029     | CIRCLIP               | 1    |         |
| 19       | 214-15618-00    | COVER, KICK LEVER     | 1    |         |
| 20       | 97017-08030     | BOLT                  | 1    |         |
| 21       | 90201-206E5     | WASHER, PLATE (0.9T)  | 1    |         |



3HA5700-2090

B11

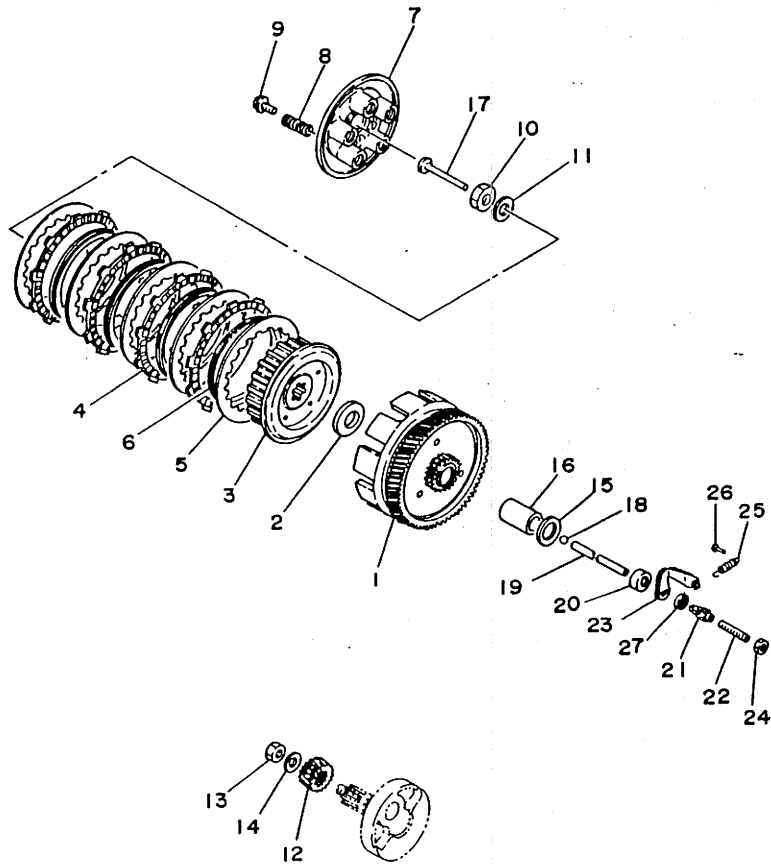


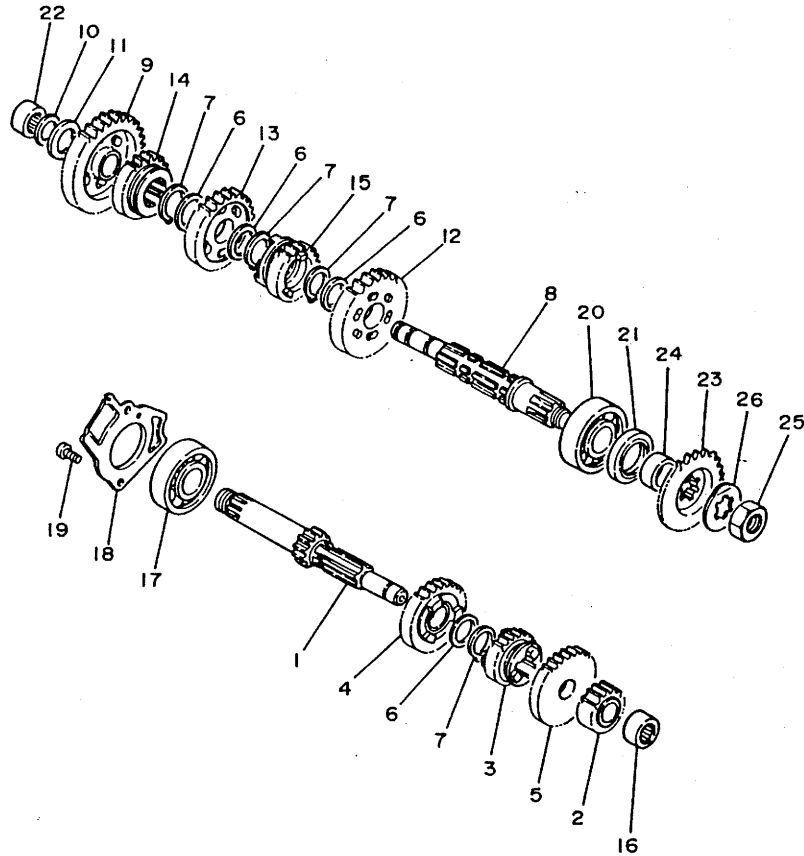
FIG. 10 CLUTCH

| REF. NO. | PART NO.     | DESCRIPTION               | Q'TY | REMARKS |
|----------|--------------|---------------------------|------|---------|
| 1        | 3V6-16150-00 | PRIMARY DRIVEN GEAR COMP. | 1    |         |
| 2        | 276-16154-00 | PLATE, THRUST 1           | 1    |         |
| 3        | 1E7-16371-00 | BOSS, CLUTCH              | 1    |         |
| 4        | 3HA-16321-00 | PLATE, FRICTION           | 4    |         |
| 5        | 137-16324-00 | PLATE, CLUTCH 1           | 5    |         |
| 6        | 137-16367-00 | RING, CUSHION             | 4    |         |
| 7        | 132-16351-00 | PLATE, PRESSURE 1         | 1    |         |
| 8        | 90501-20124  | SPRING, COMPRESSION       | 5    |         |
| 9        | 90119-05001  | BOLT, WITH WASHER         | 5    |         |
| 10       | 90170-12060  | NUT                       | 1    |         |
| 11       | 90208-12015  | WASHER, CONICAL SPRING    | 1    |         |
| 12       | 382-16111-62 | GEAR, PRIMARY DRIVE (17T) | 1    |         |
| 13       | 90170-12060  | NUT                       | 1    |         |
| 14       | 90208-12015  | WASHER, CONICAL SPRING    | 1    |         |
| 15       | 122-16164-00 | PLATE, THRUST 2           | 1    |         |
| 16       | 90560-17146  | SPACER                    | 1    |         |
| 17       | 137-16356-00 | ROD, PUSH 1               | 1    |         |
| 18       | 93501-04011  | BALL                      | 1    |         |
| 19       | 276-16357-00 | ROD, PUSH 2               | 1    |         |
| 20       | 93109-06060  | OIL SEAL                  | 1    |         |
| 21       | 241-16341-01 | SCREW, PUSH               | 1    |         |
| 22       | 90113-06013  | BOLT, SET                 | 1    |         |
| 23       | 382-16342-61 | LEVER, PUSH               | 1    |         |
| 24       | 95317-06700  | NUT                       | 1    |         |
| 25       | 90506-10019  | SPRING, TENSION           | 1    |         |
| 26       | 132-16346-00 | HOOK, SPRING              | 1    |         |
| 27       | 93104-10085  | OIL SEAL                  | 1    |         |



3HA9700-6100

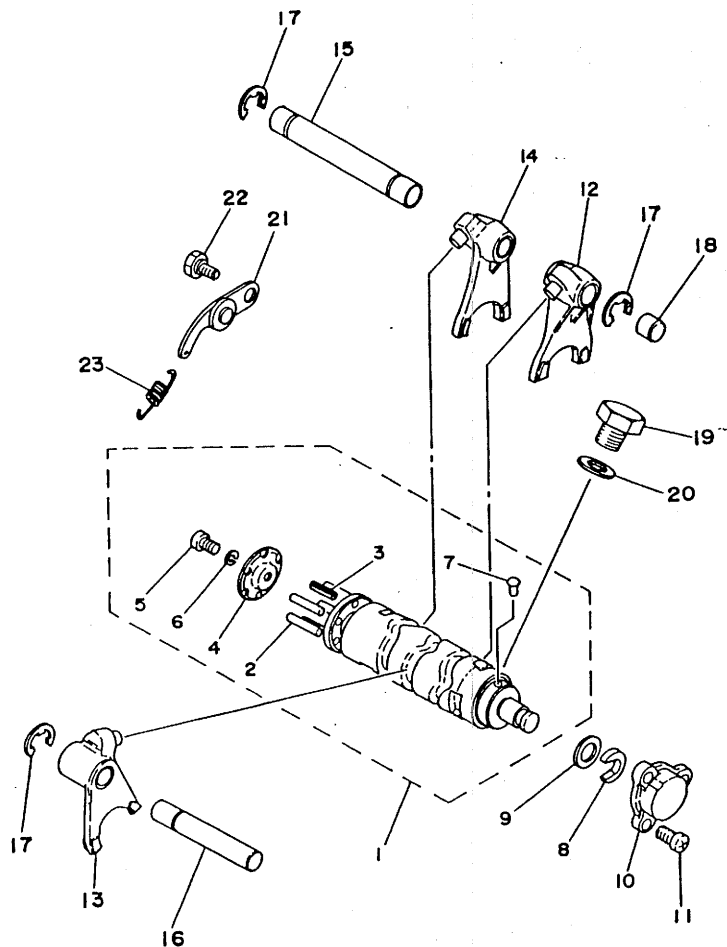
FIG. 11 TRANSMISSION



| REF. NO. | PART NO.        | DESCRIPTION                      | QTY | REMARKS |
|----------|-----------------|----------------------------------|-----|---------|
| 1        | 437-17411-01    | AXLE, MAIN (11T)                 | 1   |         |
| 2        | 427-17121-01    | GEAR, 2ND PINION (16T)           | 1   |         |
| 3        | 3V6-17131-00    | GEAR, 3RD PINION (20T)           | 1   |         |
| 4        | 482-17141-00    | GEAR, 4TH PINION (24T)           | 1   |         |
| 5        | 482-17151-00    | GEAR, 5TH PINION (27T)           | 1   |         |
| 6        | 90201-20266     | WASHER, PLATE (1.0T)             | 4   |         |
| 7        | 93410-20038     | CIRCLIP                          | 4   |         |
| 8        | 315-17421-01    | AXLE, DRIVE                      | 1   |         |
| 9        | 248-17211-00    | GEAR, 1ST WHEEL (35T)            | 1   |         |
| 10       | 93440-15012     | CIRCLIP                          | 1   |         |
| 11       | 164-17427-00-10 | SHIM 1 (1.0T)                    | 1   |         |
| 12       | 427-17221-00    | GEAR, 2ND WHEEL (30T)            | 1   |         |
| 13       | 3V6-17231-00    | GEAR, 3RD WHEEL (25T)            | 1   |         |
| 14       | 382-17241-60    | GEAR, 4TH WHEEL (21T)            | 1   |         |
| 15       | 482-17251-00    | GEAR, 5TH WHEEL (18T)            | 1   |         |
| 16       | 93315-31502     | BEARING, CYLINDRICAL             | 1   |         |
| 17       | 93306-30317     | BEARING                          | 1   |         |
| 18       | 1G8-17471-00    | PLATE, COVER                     | 1   |         |
| 19       | 98517-06012     | SCREW, PAN HEAD                  | 2   |         |
| 20       | 93306-30439     | BEARING                          | 1   |         |
| 21       | 93102-26042     | OIL SEAL                         | 1   |         |
| 22       | 93311-31567     | BEARING, CYLINDRICAL             | 1   |         |
| 23       | 93822-14039     | SPROCKET, DRIVE 14T (3821746141) | 1   |         |
| 24       | 90387-20491     | COLLAR                           | 1   |         |
| 25       | 90179-16018     | NUT                              | 1   |         |
| 26       | 382-17464-60    | WASHER, LOCK                     | 1   |         |

  
3HA9700-6110

FIG. 12 SHIFT CAM. FORK



| REF. NO. | PART NO.     | DESCRIPTION             | Q'TY | REMARKS |
|----------|--------------|-------------------------|------|---------|
| 1        | 3V6-18540-00 | SHIFT CAM ASSY          | 1    |         |
| 2        | 93604-22050  | .PIN, DOWEL             | 5    |         |
| 3        | 91609-40016  | .PIN, SPRING            | 1    |         |
| 4        | 382-18561-60 | .PLATE, SIDE 1          | 1    |         |
| 5        | 98517-05012  | .SCREW, PAN HEAD        | 1    |         |
| 6        | 92907-05100  | .WASHER, SPRING         | 1    |         |
| 7        | 136-18542-00 | .POINT, NEUTRAL         | 1    |         |
| 8        | 164-18571-01 | HOLDER, SHIFT CAM       | 1    |         |
| 9        | 90201-12166  | WASHER, PLATE           | 1    |         |
| 10       | 164-18589-00 | PLUG, BLIND             | 1    |         |
| 11       | 98507-06010  | SCREW, PAN HEAD         | 3    |         |
| 12       | 463-18511-00 | FORK, SHIFT 1           | 1    |         |
| 13       | 463-18512-00 | FORK, SHIFT 2           | 1    |         |
| 14       | 463-18513-00 | FORK, SHIFT 3           | 1    |         |
| 15       | 214-18531-00 | BAR, SHIFT FORK GUIDE 1 | 1    |         |
| 16       | 248-18531-00 | BAR, SHIFT FORK GUIDE 1 | 1    |         |
| 17       | 99006-10600  | CIRCLIP                 | 3    |         |
| 18       | 214-15385-00 | PLUG, BLIND             | 1    |         |
| 19       | 90101-14259  | BOLT                    | 1    |         |
| 20       | 4EG-15353-00 | GASKET, DRAIN           | 1    |         |
| 21       | 4M3-18140-00 | STOPPER LEVER ASSY      | 1    |         |
| 22       | 90109-063F6  | BOLT                    | 1    |         |
| 23       | 90506-09112  | SPRING, TENSION         | 1    |         |

3HA9700-6120

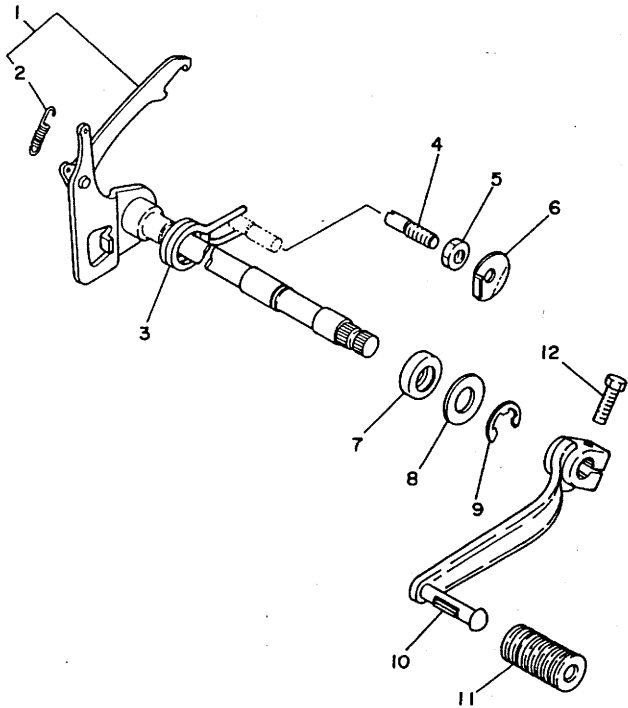


FIG. 13 SHIFTER

| REF. NO. | PART NO.     | DESCRIPTION        | Q'TY | REMARKS |
|----------|--------------|--------------------|------|---------|
| 1        | 3V6-18101-03 | SHIFT SHAFT ASSY   | 1    |         |
| 2        | 90506-09009  | .SPRING, TENSION   | 1    |         |
| 3        | 90508-32437  | SPRING, TORSION    | 1    |         |
| 4        | 90149-08094  | SCREW              | 1    |         |
| 5        | 90170-08029  | NUT                | 1    |         |
| 6        | 90215-08014  | WASHER, LOCK       | 1    |         |
| 7        | 93109-14010  | OIL SEAL           | 1    |         |
| 8        | 90201-14586  | WASHER, PLATE      | 1    |         |
| 9        | 99001-12600  | CIRCLIP            | 1    |         |
| 10       | 367-18111-00 | PEDAL, SHIFT       | 1    |         |
| 11       | 132-18113-01 | COVER, SHIFT PEDAL | 1    |         |
| 12       | 97017-06020  | BOLT               | 1    |         |



3V6700-2140

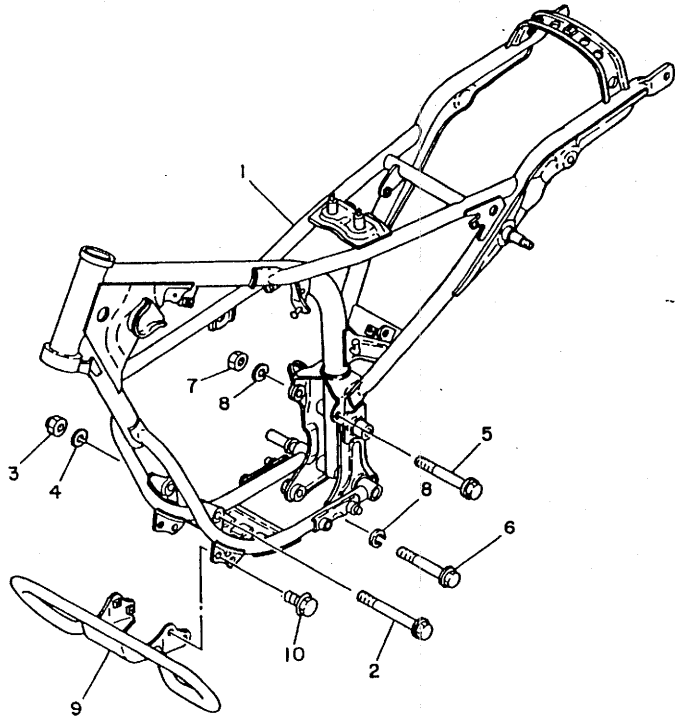


FIG. 14 FRAME

| REF. NO. | PART NO.        | DESCRIPTION       | Q'TY | REMARKS      |
|----------|-----------------|-------------------|------|--------------|
| 1        | 3V6-21110-11-33 | FRAME COMP.       | 1    | YAMAHA BLACK |
| 2        | 95827-08120     | BOLT, FLANGE      | 1    |              |
| 3        | 90185-08089     | NUT, SELF-LOCKING | 1    |              |
| 4        | 92907-08100     | WASHER, SPRING    | 1    |              |
| 5        | 95827-10105     | BOLT, FLANGE      | 1    |              |
| 6        | 95827-10090     | BOLT, FLANGE      | 1    |              |
| 7        | 90185-10060     | NUT, SELF-LOCKING | 1    |              |
| 8        | 92907-10100     | WASHER, SPRING    | 2    |              |
| 9        | 3V6-21473-01    | PROTECTOR, PEDAL  | 1    |              |
| 10       | 95817-08016     | BOLT, FLANGE      | 4    |              |



3HA9700-6140

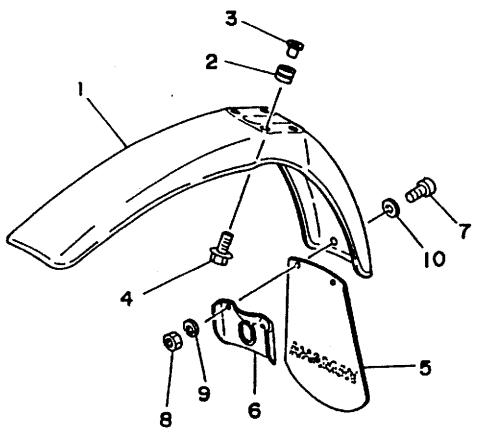
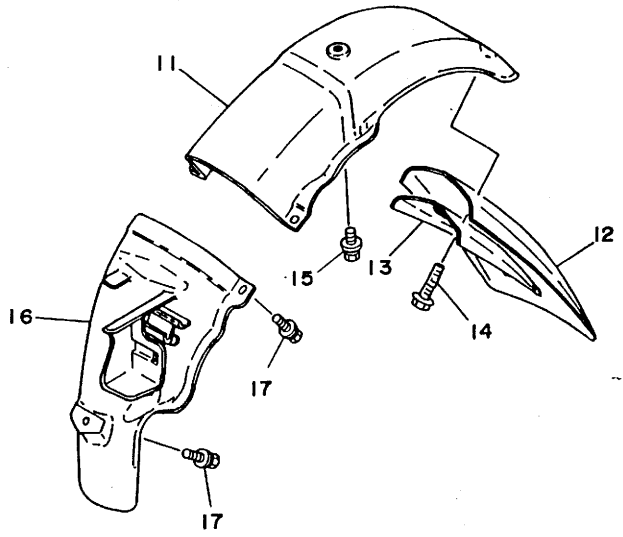


FIG. 15 FENDER

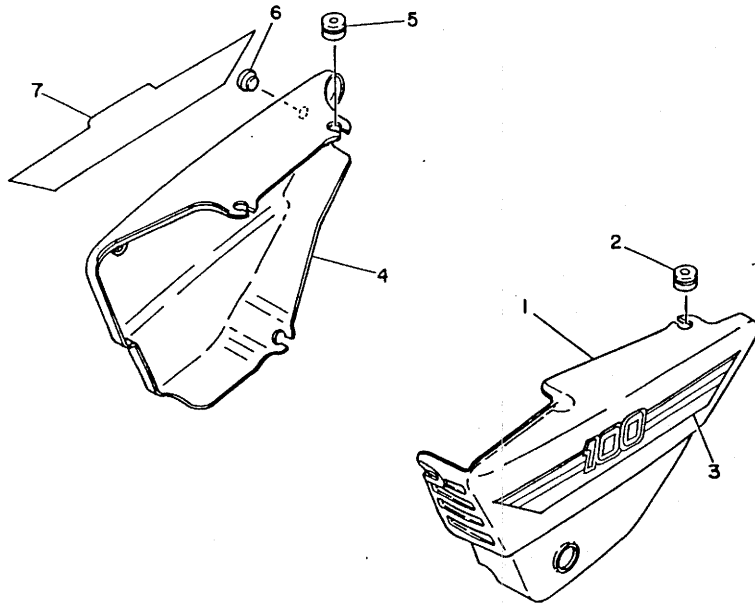
| REF. NO. | PART NO.     | DESCRIPTION        | Q'TY | REMARKS                   |
|----------|--------------|--------------------|------|---------------------------|
| 1        | 3V6-21511-50 | FENDER, FRONT      | 1    | UR YELLOWISH GRAY SOLID 3 |
|          | 3V6-21511-30 | FENDER, FRONT      | 1    | UR HEAT RED               |
| 2        | 90480-14198  | GROMMET            | 4    |                           |
| 3        | 90387-06388  | COLLAR             | 4    |                           |
| 4        | 90119-06097  | BOLT, WITH WASHER  | 4    |                           |
| 5        | 482-21521-00 | FLAP, FRONT FENDER | 1    |                           |
| 6        | 482-21522-00 | BAND, FLAP         | 1    |                           |
| 7        | 98507-06018  | SCREW, PAN HEAD    | 2    |                           |
| 8        | 95317-06600  | NUT                | 2    |                           |
| 9        | 92907-06100  | WASHER, SPRING     | 2    |                           |
| 10       | 90201-065F3  | WASHER, PLATE      | 2    |                           |
| 11       | 3V6-21611-30 | FENDER, REAR       | 1    | UR HEAT RED               |
|          | 3V6-21611-50 | FENDER, REAR       | 1    | UR YELLOWISH GRAY SOLID 3 |
| 12       | 36X-21521-00 | FLAP, FRONT FENDER | 1    |                           |
| 13       | 482-21622-01 | BAND, FLAP         | 1    |                           |
| 14       | 90119-06097  | BOLT, WITH WASHER  | 2    |                           |
| 15       | 90119-06056  | BOLT, WITH WASHER  | 1    |                           |
| 16       | 3V6-21629-01 | GUARD, MUD         | 1    |                           |
| 17       | 90119-06063  | BOLT, WITH WASHER  | 3    |                           |

  
3HA9700-6150

**C3**

FIG. 16 SIDE COVER

| REF. NO. | PART NO.     | DESCRIPTION        | Q'TY | REMARKS                   |
|----------|--------------|--------------------|------|---------------------------|
| 1        | 3V6-21711-30 | COVER, SIDE 1      | 1    | UR HEAT RED               |
|          | 3V6-21711-50 | COVER, SIDE 1      | 1    | UR YELLOWISH GRAY SOLID 3 |
| 2        | 90480-12053  | GROMMET            | 3    |                           |
| 3        | 3HA-2173E-00 | GRAPHIC 1          | 1    | UR FOR YNS3               |
|          | 3HA-2173E-10 | GRAPHIC 1          | 1    | UR FOR HTR                |
| 4        | 3V6-21721-30 | COVER, SIDE 2      | 1    | UR HEAT RED               |
|          | 3V6-21721-50 | COVER, SIDE 2      | 1    | UR YELLOWISH GRAY SOLID 3 |
| 5        | 90480-12053  | GROMMET            | 3    |                           |
| 6        | 22W-24181-00 | DAMPER, LOCATING 1 | 2    |                           |
| 7        | 3HA-2173F-00 | GRAPHIC 2          | 1    | UR FOR YNS3               |
|          | 3HA-2173F-10 | GRAPHIC 2          | 1    | UR FOR HTR                |



3HA9700-6160

C4

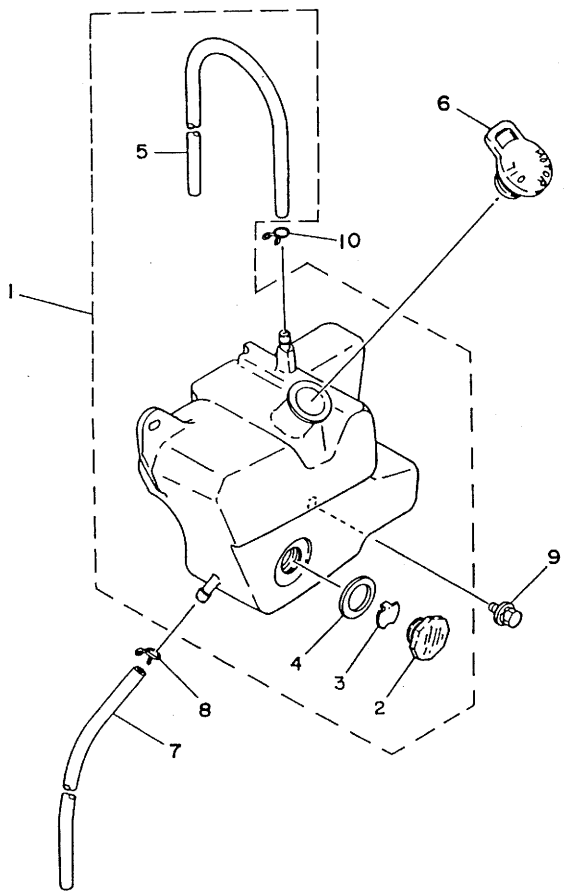


FIG. 17 OIL TANK

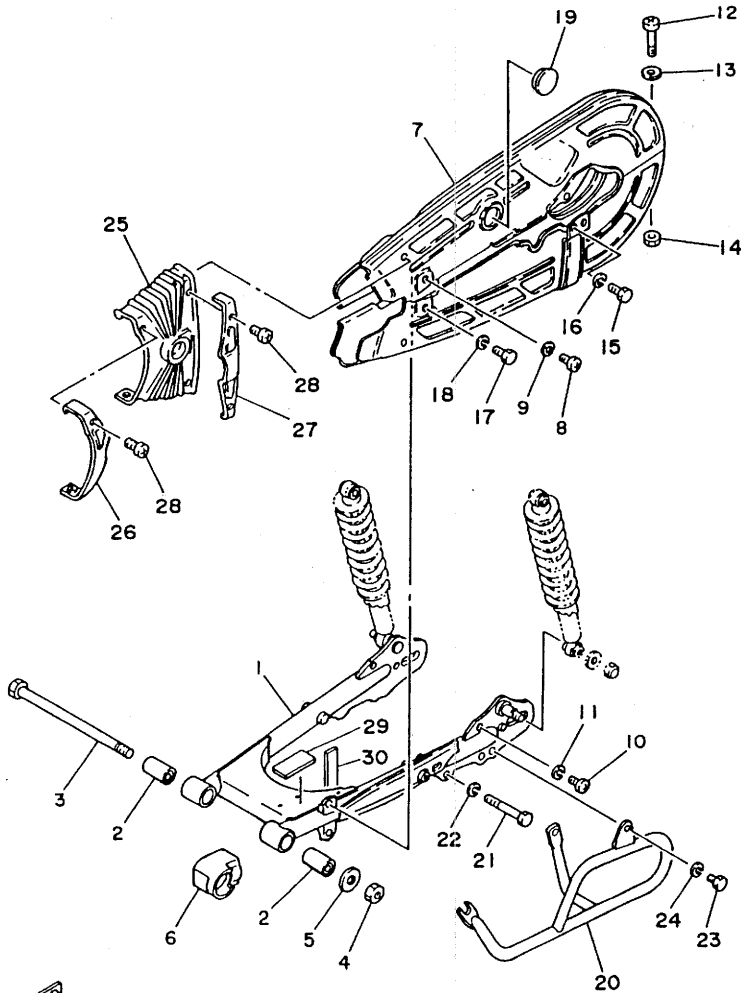
| REF. NO. | PART NO.     | DESCRIPTION              | QTY | REMARKS |
|----------|--------------|--------------------------|-----|---------|
| 1        | 3V6-21750-00 | OIL TANK ASSY            | 1   |         |
| 2        | 1Y1-21764-00 | .LENS, LEVEL GAUGE       | 1   |         |
| 3        | 1Y1-2176A-00 | .REFLECTOR, LEVEL GAUGE  | 1   |         |
| 4        | 1Y1-21763-00 | .GASKET, LEVEL GAUGE     | 1   |         |
| 5        | 3V6-21745-01 | .PIPE, OIL TANK BREATHER | 1   |         |
| 6        | 1T9-21771-00 | BODY, CAP                | 1   |         |
| 7        | 90445-083J4  | HOSE                     | 1   |         |
| 8        | 90467-08021  | CLIP                     | 1   |         |
| 9        | 90119-06056  | BOLT, WITH WASHER        | 2   |         |
| 10       | 90467-08003  | CLIP                     | 1   |         |



3HA9700-6170

C5

FIG. 18 REAR ARM



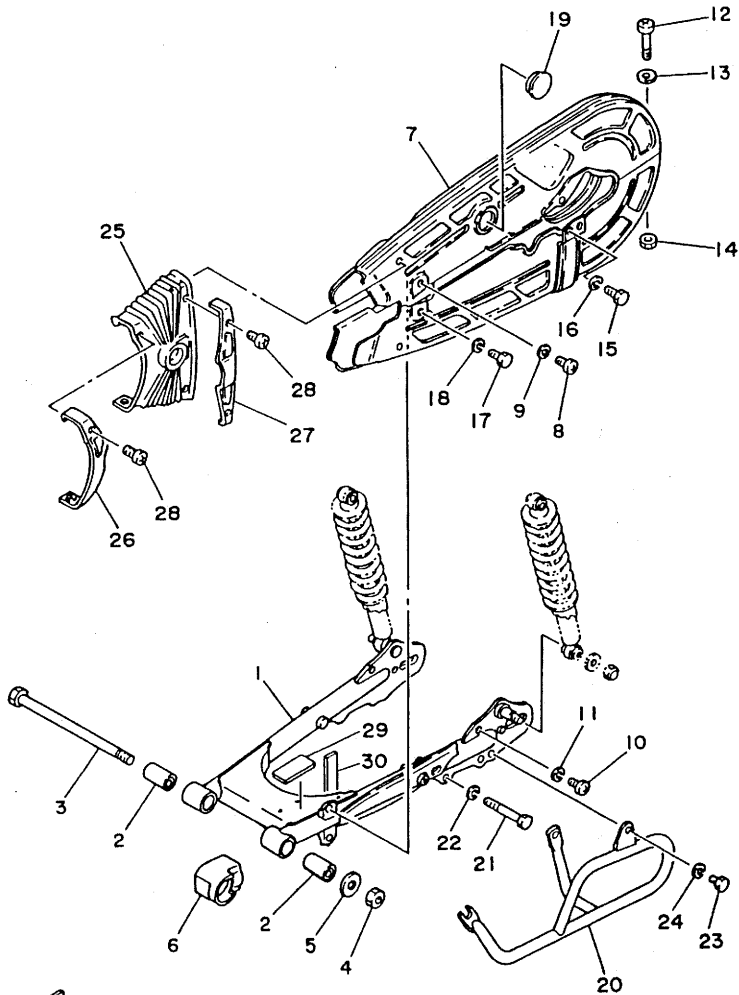
3HA4700-1180

| REF. NO. | PART NO.        | DESCRIPTION        | QTY | REMARKS      |
|----------|-----------------|--------------------|-----|--------------|
| 1        | 3V6-22110-01-33 | REAR ARM COMP.     | 1   | YAMAHA BLACK |
| 2        | 276-22123-00    | BUSH 1             | 2   |              |
| 3        | 276-22141-01    | SHAFT, PIVOT       | 1   |              |
| 4        | 95617-12100     | NUT, U             | 1   |              |
| 5        | 90201-123A7     | WASHER, PLATE      | 1   |              |
| 6        | 3V6-22151-00    | SEAL, GUARD        | 1   |              |
| 7        | 3V6-22310-02    | CHAIN CASE ASSY    | 1   |              |
| 8        | 98517-06012     | SCREW, PAN HEAD    | 1   |              |
| 9        | 92907-06600     | WASHER, PLATE      | 1   |              |
| 10       | 98507-06014     | SCREW, PAN HEAD    | 1   |              |
| 11       | 92907-06600     | WASHER, PLATE      | 1   |              |
| 12       | 98507-06045     | SCREW, PAN HEAD    | 1   |              |
| 13       | 92907-06600     | WASHER, PLATE      | 1   |              |
| 14       | 95607-06200     | NUT, SELF-LOCKING  | 1   |              |
| 15       | 97017-08020     | BOLT               | 1   |              |
| 16       | 92907-08600     | WASHER, PLATE      | 1   |              |
| 17       | 97017-08016     | BOLT               | 1   |              |
| 18       | 92907-08600     | WASHER, PLATE      | 1   |              |
| 19       | 148-22315-00    | CAP                | 1   |              |
| 20       | 3V6-22318-01    | GUARD, CHAIN       | 1   |              |
| 21       | 90101-08439     | BOLT               | 1   |              |
| 22       | 92907-08100     | WASHER, SPRING     | 1   |              |
| 23       | 97017-08016     | BOLT               | 1   |              |
| 24       | 92907-08600     | WASHER, PLATE      | 1   |              |
| 25       | 3V6-22325-00    | COVER, DUST        | 1   |              |
| 26       | 3V6-22324-00    | STAY, DUST COVER   | 1   |              |
| 27       | 382-22322-00    | STAY, CHAIN CASE 2 | 1   |              |
| 28       | 98507-05008     | SCREW, PAN HEAD    | 4   |              |

C6

FIG. 18 REAR ARM

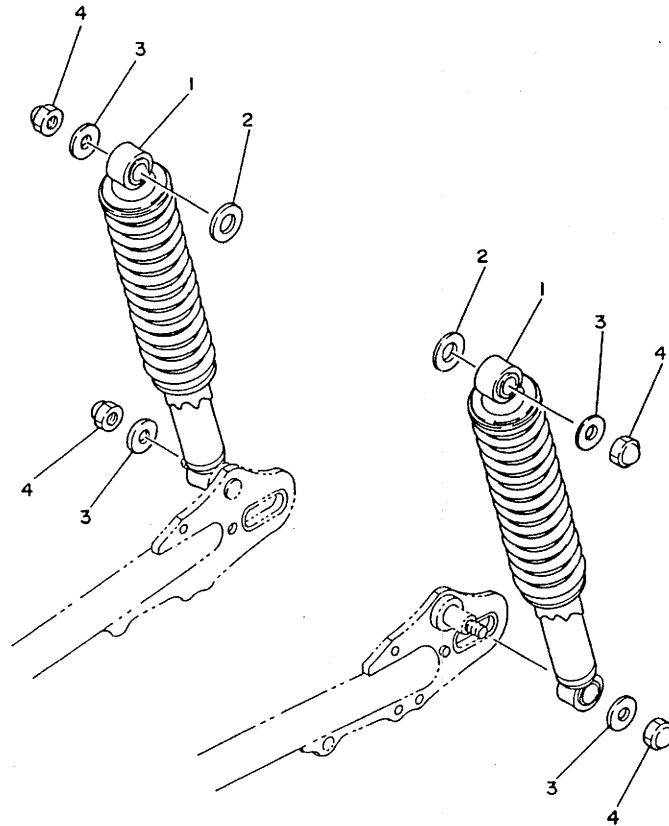
| REF. NO. | PART NO.     | DESCRIPTION | Q'TY | REMARKS |
|----------|--------------|-------------|------|---------|
| 29       | 1UY-21638-00 | DAMPER 1    | 1    |         |
| 30       | 3V6-22359-00 | SEAL 2      | 1    |         |



  
3HA4700-1180

FIG. 19 REAR SUSPENSION

| REF. NO. | PART NO.        | DESCRIPTION               | Q'TY | REMARKS      |
|----------|-----------------|---------------------------|------|--------------|
| 1        | 3V6-22210-00-33 | SHOCK ABSORBER ASSY, REAR | 2    | YAMAHA BLACK |
| 2        | 90201-14218     | WASHER, PLATE             | 2    |              |
| 3        | 90201-10437     | WASHER, PLATE             | 4    |              |
| 4        | 90176-10073     | NUT, CROWN                | 4    |              |



3V6700-2200

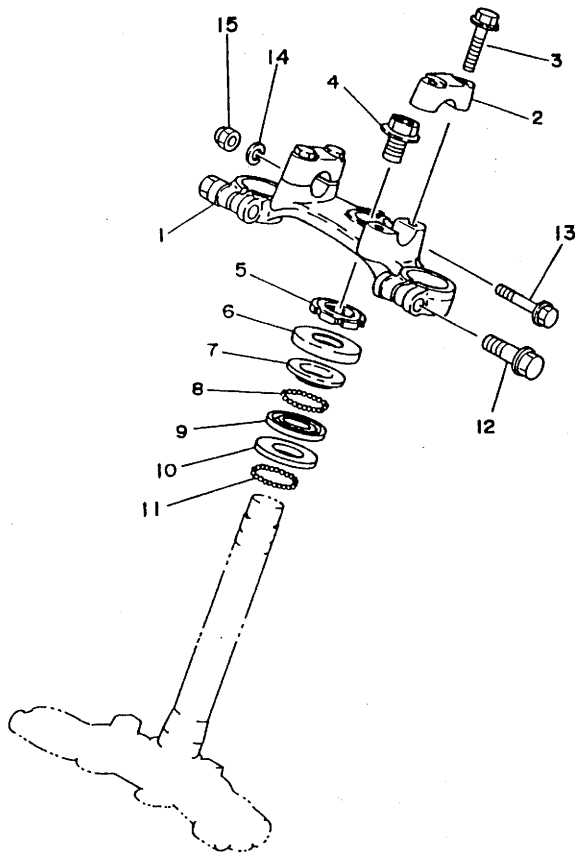
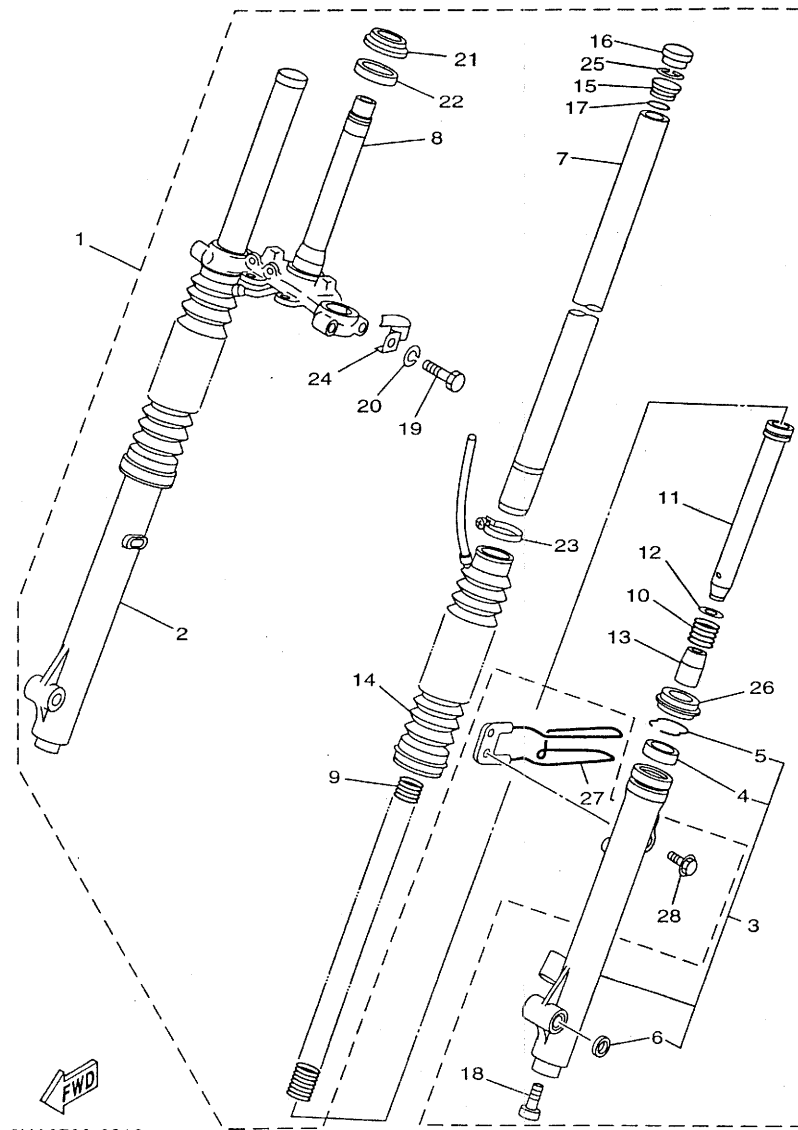


FIG. 20 STEERING

| REF. NO. | PART NO.        | DESCRIPTION          | Q'TY | REMARKS      |
|----------|-----------------|----------------------|------|--------------|
| 1        | 3V6-23435-00-33 | CROWN, HANDLE        | 1    | YAMAHA BLACK |
| 2        | 1E6-23441-10-33 | HOLDER, HANDLE UPPER | 2    | YAMAHA BLACK |
| 3        | 95817-08035     | BOLT, FLANGE         | 4    |              |
| 4        | 90105-14136     | BOLT, WASHER BASED   | 1    |              |
| 5        | 90179-25033     | NUT                  | 1    |              |
| 6        | 122-23416-00    | COVER, BALL RACE 2   | 1    |              |
| 7        | 22F-23411-01    | RACE, BALL 1         | 1    |              |
| 8        | 93503-16003     | BALL                 | 22   |              |
| 9        | 22F-23412-01    | RACE, BALL 2         | 1    |              |
| 10       | 156-23412-00    | RACE, BALL 2         | 1    |              |
| 11       | 93501-04011     | BALL                 | 19   |              |
| 12       | 95817-10035     | BOLT, FLANGE         | 2    |              |
| 13       | 95027-08045     | BOLT, FLANGE         | 1    |              |
| 14       | 92907-08100     | WASHER, SPRING       | 1    |              |
| 15       | 95307-08800     | NUT                  | 1    |              |



3HA9700-6200

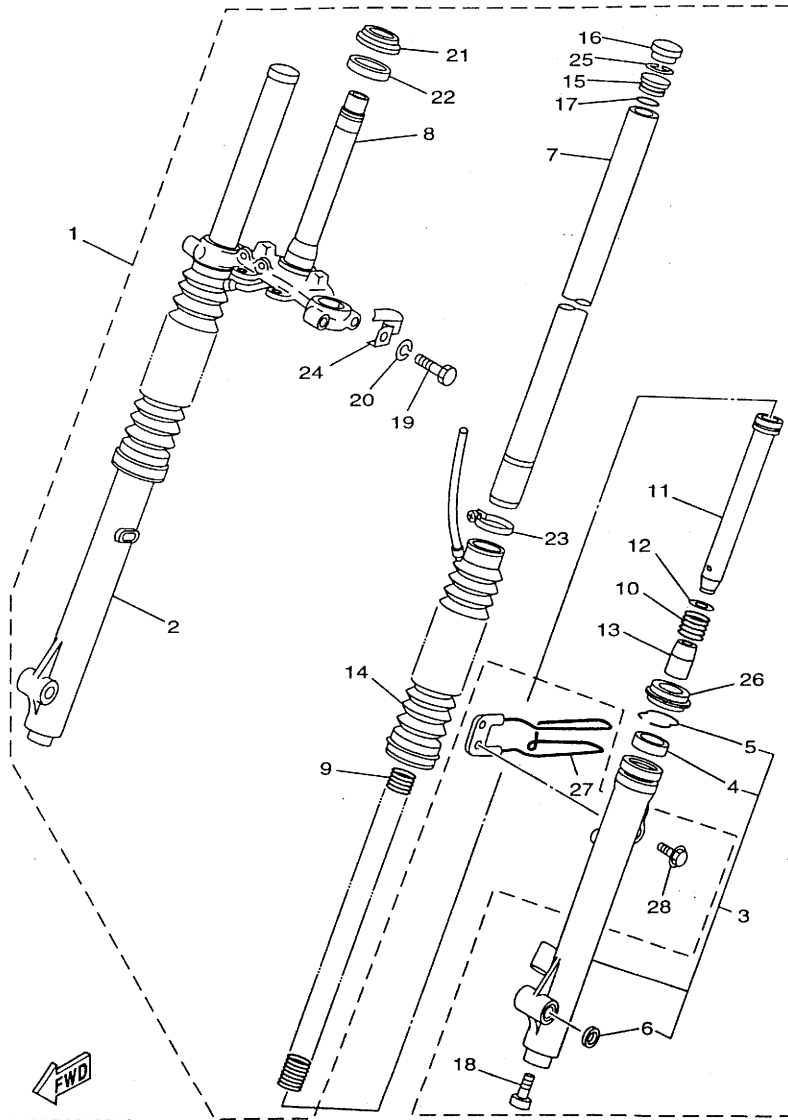


3HA9700-6210

FIG. 21 FRONT FORK

| REF. NO. | PART NO.        | DESCRIPTION                | QTY | REMARKS                     |
|----------|-----------------|----------------------------|-----|-----------------------------|
| 1        | 3V6-23100-02-35 | FRONT FORK ASSY            | 1   | UR SILVER FOR HTR           |
|          | 3V6-23100-10-35 | FRONT FORK ASSY            | 1   | UR SILVER FOR YNS 3         |
| 2        | 3V6-23140-01-35 | .FORK UNIT ASSY 2          | 1   | SILVER                      |
| 3        | 3V6-23130-01-35 | .FORK UNIT ASSY            | 1   | SILVER                      |
| 4        | 4V1-23145-L0    | ..OIL SEAL                 | 2   |                             |
| 5        | 1E7-23156-00    | ..CLIP, OIL SEAL           | 2   |                             |
| 6        | 462-23392-02    | ..WASHER, SPECIAL          | 2   |                             |
| 7        | 3V6-23110-00    | .INNER TUBE COMP.1         | 2   |                             |
| 8        | 3V6-23340-00-90 | .UNDER BRACKET COMP.       | 1   | UNI-CHROME (BLACK CHROMATE) |
| 9        | 3V6-23351-01    | .SPRING                    | 2   |                             |
| 10       | 2X6-23151-00    | .SPRING, REBOUND           | 2   |                             |
| 11       | 3V6-23143-00    | .SEAT, SPRING LOWER        | 2   |                             |
| 12       | 1E7-23157-00    | .RING, PISTON              | 2   |                             |
| 13       | 1L9-23166-00    | .TAPER, SPINDLE            | 2   |                             |
| 14       | 3V6-23191-00    | .BOOT                      | 2   | UR BLACK FOR HTR            |
|          | 3V6-23191-10    | .BOOT                      | 2   | UR INK BLUE FOR YNS 3       |
| 15       | 1L9-23111-00    | .SEAT, SPRING              | 2   |                             |
| 16       | 3V2-23154-00    | .PLUG, INNER TUBE          | 2   |                             |
| 17       | 1L9-23114-00    | .GASKET                    | 2   |                             |
| 18       | 3M7-23181-00    | .BOLT, HEXAGON SOCKET HEAD | 2   | WITH WASHER                 |
| 19       | 451-23346-01    | .BOLT 1                    | 2   |                             |
| 20       | 92901-10100     | .WASHER, SPRING            | 2   |                             |
| 21       | 156-23411-00    | .RACE, BALL 1              | 1   |                             |
| 22       | 164-23462-00    | .SEAL, STEERING            | 1   |                             |
| 23       | 3AJ-23192-00    | .BAND                      | 2   |                             |
| 24       | 3V6-23317-00    | .HOLDER, CABLE             | 1   |                             |
| 25       | 1L9-23183-00    | .RING, STOPPER             | 2   |                             |
| 26       | 3V6-23144-00    | .SEAL, DUST                | 2   |                             |

FIG. 21 FRONT FORK

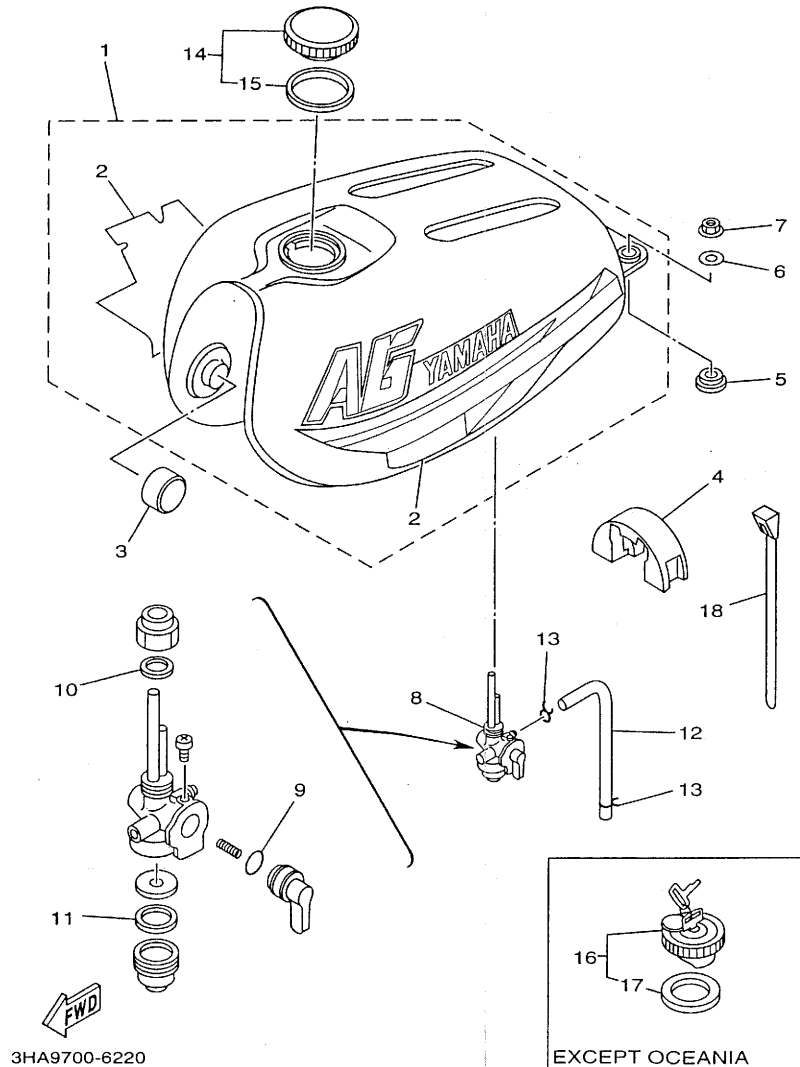


3HA9700-6210

| REF. NO. | PART NO.     | DESCRIPTION     | QTY | REMARKS |
|----------|--------------|-----------------|-----|---------|
| 27       | 3V6-23318-00 | HOLDER, CABLE 1 | 1   |         |
| 28       | 95817-06016  | BOLT, FLANGE    | 1   |         |

C11

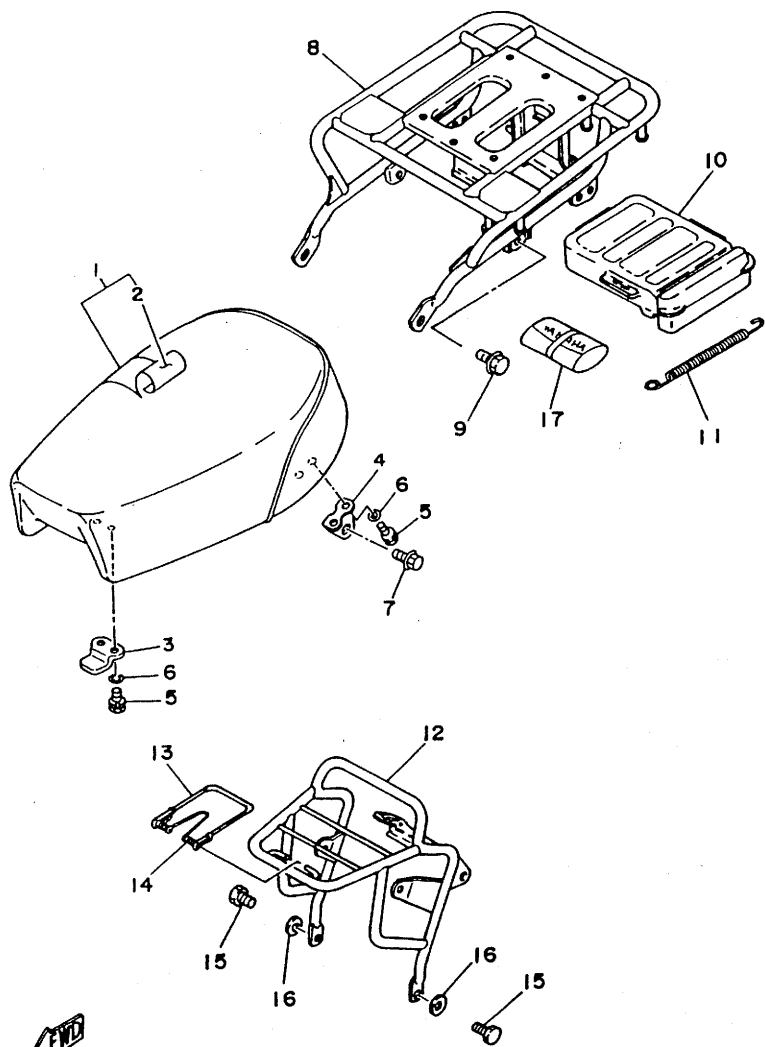
FIG. 22 FUEL TANK



| REF. NO. | PART NO.        | DESCRIPTION        | Q'TY | REMARKS                   |
|----------|-----------------|--------------------|------|---------------------------|
| 1        | 3V6-24110-00-X2 | FUEL TANK COMP.    | 1    | UR YELLOWISH GRAY SOLID 3 |
|          | 3V6-24110-00-X3 | FUEL TANK COMP.    | 1    | UR HEAT RED               |
| 2        | 3HA-24240-10    | .GRAPHIC SET       | 1    | UR FOR YNS3               |
|          | 3HA-24240-20    | .GRAPHIC SET       | 1    | UR FOR HTR                |
| 3        | 3TB-24181-00    | DAMPER, LOCATING 1 | 2    |                           |
| 4        | 353-24182-00    | DAMPER, LOCATING 2 | 1    |                           |
| 5        | 1A8-24181-00    | DAMPER, LOCATING 1 | 2    |                           |
| 6        | 90201-06697     | WASHER, PLATE      | 2    |                           |
| 7        | 95707-06500     | NUT, FLANGE        | 2    |                           |
| 8        | 357-24500-11    | FUEL COCK ASSY 1   | 1    |                           |
| 9        | 2N3-24528-00    | .O-RING            | 1    |                           |
| 10       | 2N3-24532-00    | .GASKET            | 1    |                           |
| 11       | 4X8-24565-00    | .GASKET            | 1    |                           |
| 12       | 90445-09083     | HOSE               | 1    |                           |
| 13       | 90467-08003     | CLIP               | 2    |                           |
| 14       | 122-24610-01    | CAP ASSY           | 1    |                           |
| 15       | 122-24612-01    | .GASKET, CAP       | 1    |                           |
| 16       | 127-24650-02    | CAP ASSY           | 1    |                           |
| 17       | 122-24612-01    | .GASKET, CAP       | 1    |                           |
| 18       | 90464-14117     | CLAMP              | 1    |                           |

3HA9700-6220

EXCEPT OCEANIA

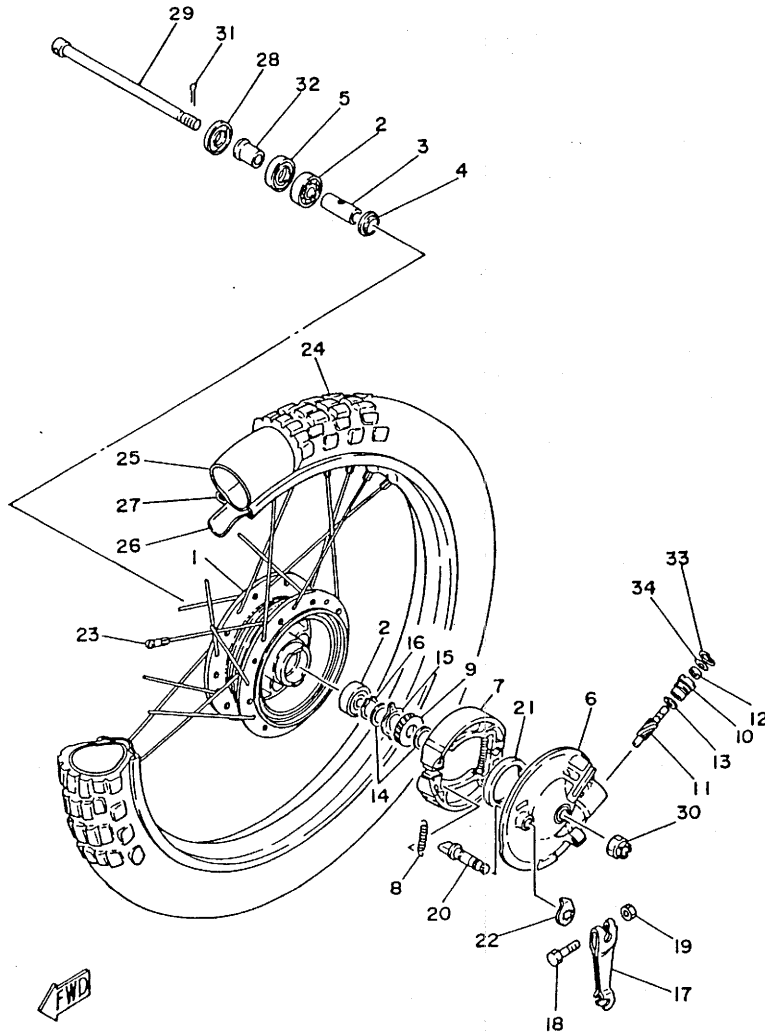


3HA9700-6230

FIG. 23 SEAT

| REF. NO. | PART NO.        | DESCRIPTION           | Q'TY | REMARKS         |
|----------|-----------------|-----------------------|------|-----------------|
| 1        | 3V6-W2471-01    | SINGLE SEAT ASSY      | 1    | UR YAMAHA BLACK |
|          | 3V6-24710-20    | SINGLE SEAT ASSY      | 1    | UR INK BLUE     |
| 2        | 3V6-24711-00    | .COVER, SINGLE SEAT   | 1    | UR YAMAHA BLACK |
|          | 3V6-24711-20    | .COVER, SINGLE SEAT   | 1    | UR INK BLUE     |
| 3        | 2Y0-24748-00    | BRACKET, SEAT         | 1    |                 |
| 4        | 2A6-24738-00    | BRACKET, SEAT         | 2    |                 |
| 5        | 97017-06016     | BOLT                  | 6    |                 |
| 6        | 92907-06100     | WASHER, SPRING        | 6    |                 |
| 7        | 95817-08020     | BOLT, FLANGE          | 2    |                 |
| 8        | 3HA-24810-00    | CARRIER ASSY          | 1    |                 |
| 9        | 95817-08020     | BOLT, FLANGE          | 2    |                 |
| 10       | 3V6-21107-01    | TOOL BOX COMP.        | 1    |                 |
| 11       | 3V6-24758-01    | SPRING                | 1    |                 |
| 12       | 3V6-24860-01-98 | FRONT CARRIER ASSY    | 1    | LOW GLOSS BLACK |
| 13       | 36X-24862-00    | CLAMP, CARRIER        | 1    |                 |
| 14       | 296-24861-00    | SPRING, FRONT CARRIER | 1    |                 |
| 15       | 97017-08016     | BOLT                  | 2    |                 |
| 16       | 92907-08600     | WASHER, PLATE         | 2    |                 |
| 17       | 3V6-28100-00    | TOOL KIT              | 1    |                 |

FIG. 24 FRONT WHEEL



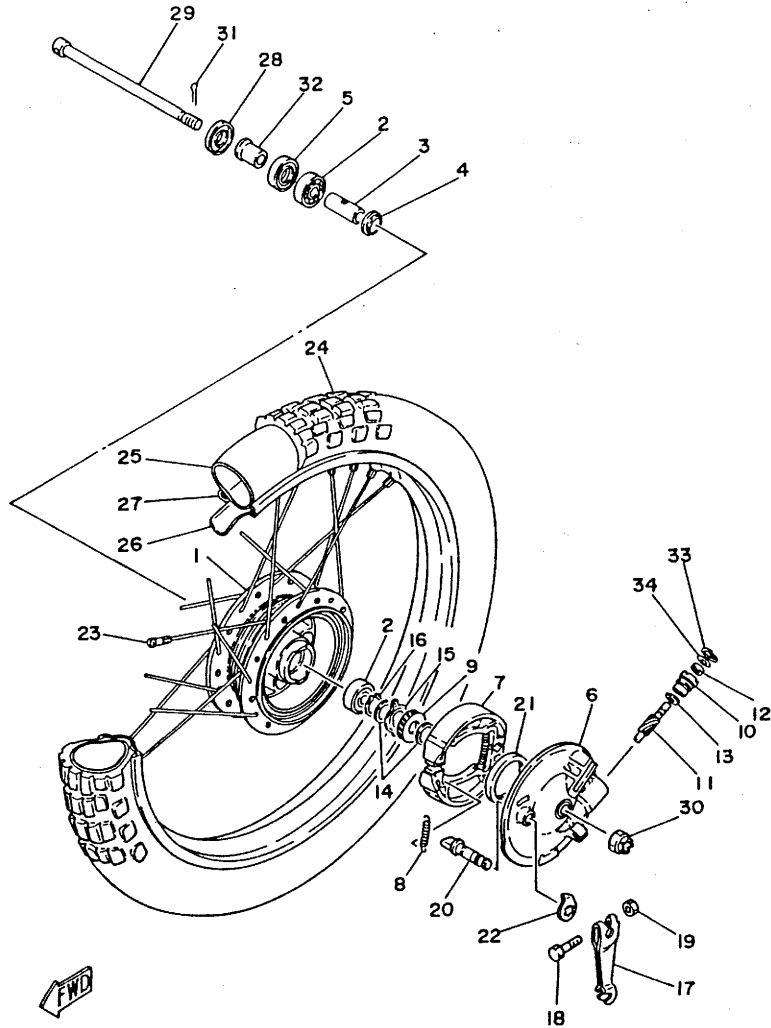
| REF. NO. | PART NO.        | DESCRIPTION         | Q'TY | REMARKS  |
|----------|-----------------|---------------------|------|----------|
| 1        | 248-25111-00-Y8 | HUB, FRONT          | 1    | SILVER 2 |
| 2        | 93306-30103     | BEARING (B6301Z)    | 2    |          |
| 3        | 90560-12138     | SPACER              | 1    |          |
| 4        | 109-25315-00    | FLANGE, SPACER      | 1    |          |
| 5        | 93102-18008     | OIL SEAL            | 1    |          |
| 6        | 3V6-25121-00-35 | PLATE, BRAKE SHOE   | 1    | SILVER   |
| 7        | 4BE-W2536-00    | BRAKE SHOE SET      | 1    |          |
| 8        | 90506-15260     | SPRING, TENSION     | 2    |          |
| 9        | 301-25135-00    | GEAR, DRIVE (26T)   | 1    |          |
| 10       | 109-25136-00    | BUSH                | 1    |          |
| 11       | 301-25138-00    | GEAR, METER (9T)    | 1    |          |
| 12       | 93104-07003     | OIL SEAL            | 1    |          |
| 13       | 90201-07076     | WASHER, PLATE       | 1    |          |
| 14       | 90201-20269     | WASHER, PLATE       | 2    |          |
| 15       | 183-25149-00    | CLUTCH, METER       | 1    |          |
| 16       | 99009-20400     | CIRCLIP             | 1    |          |
| 17       | 5H0-25155-00    | LEVER, CAMSHAFT 1   | 1    |          |
| 18       | 90101-06278     | BOLT                | 1    |          |
| 19       | 95317-06600     | NUT                 | 1    |          |
| 20       | 4GL-25351-00    | CAMSHAFT            | 1    |          |
| 21       | 93102-47297     | OIL SEAL            | 1    |          |
| 22       | 3Y6-2533A-01    | PLATE, INDICATOR    | 1    |          |
| 23       | 3V6-25104-00    | SPOKE SET, FRONT    | 1    |          |
| 24       | 94127-19595     | TIRE (2.75-19)      | 1    | INOUE    |
| 25       | 94227-19292     | TUBE (2.75-19)      | 1    | INOUE    |
| 26       | 94327-19111     | BAND, RIM (2.75-19) | 1    | INOUE    |
| 27       | 94414-19056     | RIM (1.40-19)       | 1    |          |
| 28       | 2K5-25118-00    | COVER, HUB DUST     | 1    |          |



3V6700-2250

FIG. 24 FRONT WHEEL

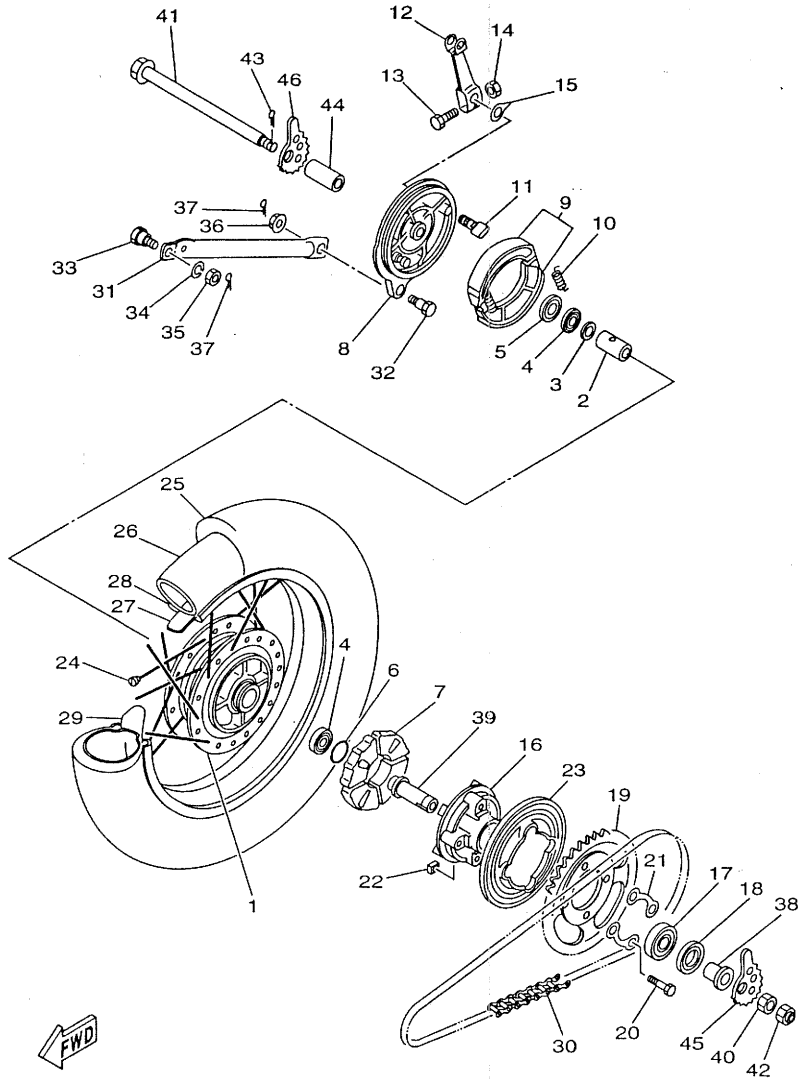
| REF. NO. | PART NO.     | DESCRIPTION | Q'TY | REMARKS |
|----------|--------------|-------------|------|---------|
| 29       | 353-25381-00 | AXLE, WHEEL | 1    |         |
| 30       | 90171-10004  | NUT, CASTLE | 1    |         |
| 31       | 91490-20025  | PIN, COTTER | 1    |         |
| 32       | 90387-12265  | COLLAR      | 1    |         |
| 33       | 102-25137-00 | RING, STOP  | 1    |         |
| 34       | 93210-14104  | O-RING      | 1    |         |



3V6700-2250

C15

FIG. 25 REAR WHEEL

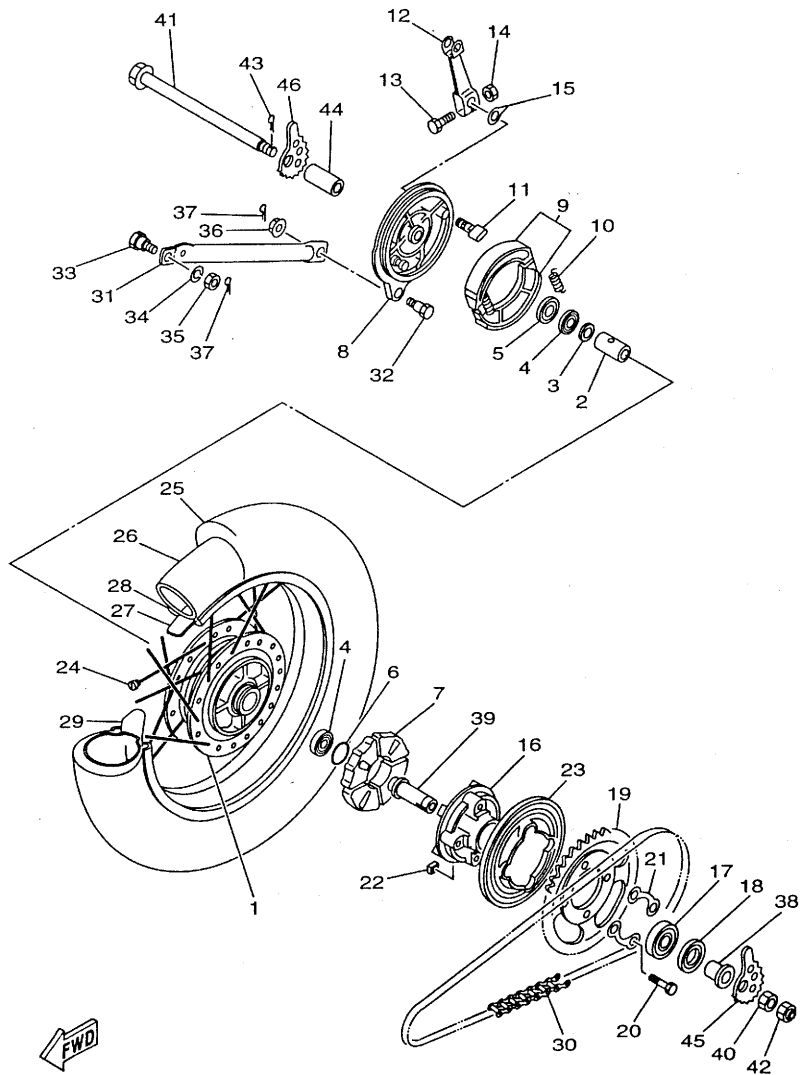


| REF. NO. | PART NO.        | DESCRIPTION            | Q'TY | REMARKS           |
|----------|-----------------|------------------------|------|-------------------|
| 1        | 391-25311-00-38 | HUB, REAR              | 1    | CLEAR (WITH BUFF) |
| 2        | 90560-15136     | SPACER                 | 1    |                   |
| 3        | 146-25116-00    | FLANGE, SPACER 2       | 1    |                   |
| 4        | 93306-20204     | BEARING (B6202Z)       | 2    |                   |
| 5        | 93104-22018     | OIL SEAL               | 1    |                   |
| 6        | 93210-42101     | O-RING                 | 1    |                   |
| 7        | 304-25364-01    | DAMPER                 | 4    |                   |
| 8        | 437-25026-10-35 | BRAKE SHOE PLATE ASSY  | 1    | SILVER            |
| 9        | 3FA-W2536-00    | BRAKE SHOE SET         | 1    |                   |
| 10       | 90506-15260     | SPRING, TENSION        | 2    |                   |
| 11       | 2RH-25351-00    | CAMSHAFT               | 1    |                   |
| 12       | 1E7-25355-00    | LEVER, CAMSHAFT        | 1    |                   |
| 13       | 90101-06278     | BOLT                   | 1    |                   |
| 14       | 95317-06600     | NUT                    | 1    |                   |
| 15       | 5T9-2533A-00    | PLATE, INDICATOR       | 1    |                   |
| 16       | 183-25366-10-35 | CLUTCH, HUB            | 1    | SILVER            |
| 17       | 93306-00438     | BEARING                | 1    |                   |
| 18       | 93106-26005     | OIL SEAL               | 1    |                   |
| 19       | 3V6-25451-11    | SPROCKET, DRIVEN (51T) | 1    |                   |
| 20       | 90109-08361     | BOLT                   | 4    |                   |
| 21       | 482-25412-00    | WASHER                 | 2    |                   |
| 22       | 90179-08639     | NUT                    | 4    |                   |
| 23       | 3V6-25327-01    | COVER, PLATE           | 1    |                   |
| 24       | 3V6-25304-00    | SPOKE SET, REAR        | 1    |                   |
| 25       | 94135-18596     | TIRE (3.50-18)         | 1    | INOUE             |
| 26       | 94232-18113     | TUBE (3.25-18)         | 1    | INOUE             |
| 27       | 94325-18081     | BAND, RIM (2.50-18)    | 1    | INOUE             |
| 28       | 94418-18246     | RIM (1.85-18)          | 1    |                   |

3HA9700-6250

D2

FIG. 25 REAR WHEEL

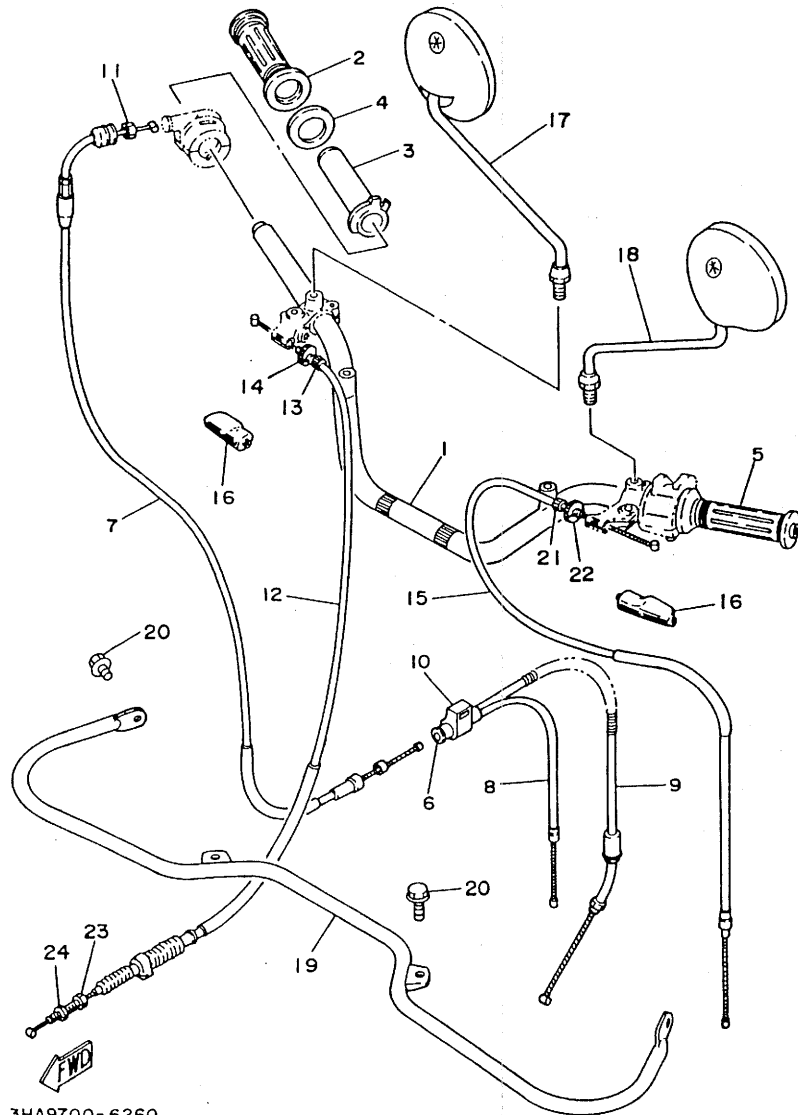


| REF. NO. | PART NO.     | DESCRIPTION            | Q'TY | REMARKS |
|----------|--------------|------------------------|------|---------|
| 29       | 1T2-25394-00 | SPACER, BEAD           | 1    |         |
| 30       | 94581-54116  | CHAIN (DID428V2-116LE) | 1    |         |
| 31       | 3V6-25371-00 | BAR, TENSION           | 1    |         |
| 32       | 90109-08063  | BOLT                   | 1    |         |
| 33       | 90109-08368  | BOLT                   | 1    |         |
| 34       | 92907-08600  | WASHER, PLATE          | 1    |         |
| 35       | 95317-08700  | NUT                    | 1    |         |
| 36       | 95707-08500  | NUT, FLANGE            | 1    |         |
| 37       | 91401-20015  | PIN, COTTER            | 2    |         |
| 38       | 90387-204A3  | COLLAR                 | 1    |         |
| 39       | 3V6-25387-00 | AXLE, SPROCKET         | 1    |         |
| 40       | 90170-20167  | NUT                    | 1    |         |
| 41       | 5X3-25381-00 | AXLE, WHEEL            | 1    |         |
| 42       | 90171-14056  | NUT, CASTLE            | 1    |         |
| 43       | 91490-30030  | PIN, COTTER            | 1    |         |
| 44       | 90387-154A2  | COLLAR                 | 1    |         |
| 45       | 3V6-25388-00 | PULLER, CHAIN 1        | 1    |         |
| 46       | 3V6-25389-00 | PULLER, CHAIN 2        | 1    |         |

3HA9700-6250

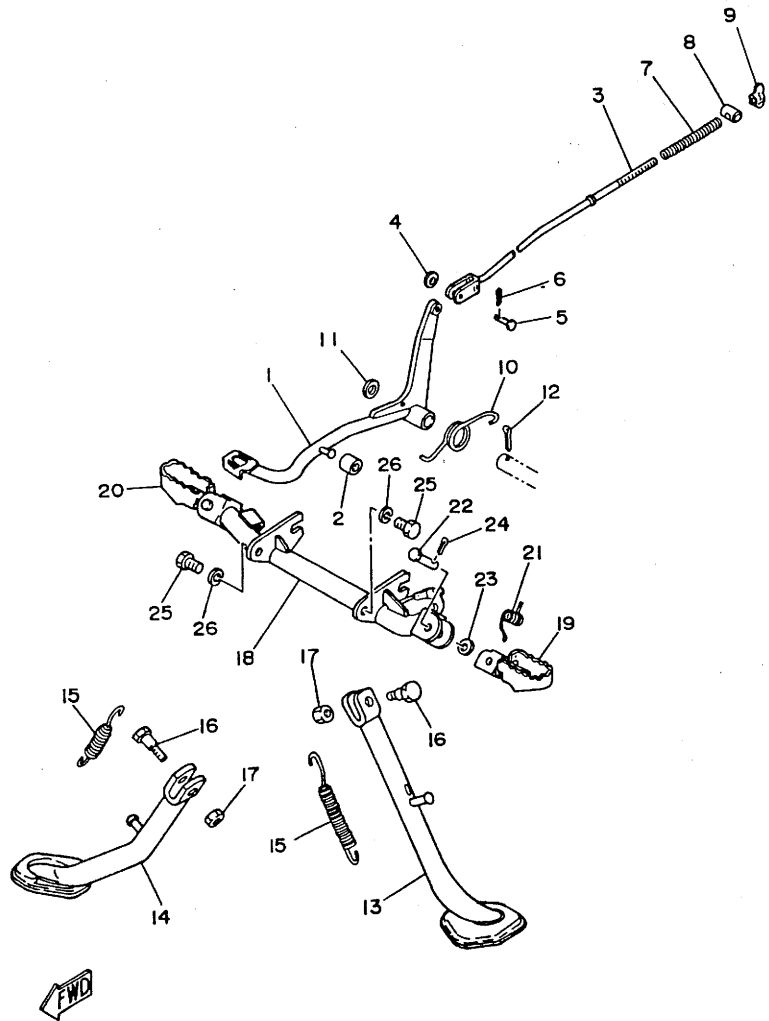
D3

FIG. 26 STEERING HANDLE. CABLE



3HA9700-6260

| REF. NO. | PART NO.     | DESCRIPTION                | Q'TY | REMARKS               |
|----------|--------------|----------------------------|------|-----------------------|
| 1        | 4M3-26111-00 | HANDLEBAR                  | 1    |                       |
| 2        | 2N3-26242-00 | GRIP (RIGHT)               | 1    | BLACK                 |
| 3        | 434-26243-00 | TUBE, THROTTLE GUIDE       | 1    |                       |
| 4        | 1M1-26249-01 | RING, LEAF                 | 1    |                       |
| 5        | 2N3-26241-00 | GRIP (LEFT)                | 1    | BLACK                 |
| 6        | 214-26261-00 | CONNECTOR, CABLE           | 1    |                       |
| 7        | 3V6-26311-00 | CABLE, THROTTLE 1          | 1    |                       |
| 8        | 3V6-26312-00 | CABLE, THROTTLE 2          | 1    |                       |
| 9        | 3V6-26321-00 | CABLE, PUMP                | 1    |                       |
| 10       | 4G3-26339-00 | BOOT                       | 1    |                       |
| 11       | 90170-10038  | NUT                        | 1    |                       |
| 12       | 3V6-26341-00 | CABLE, BRAKE               | 1    |                       |
| 13       | 90123-06010  | BOLT                       | 1    |                       |
| 14       | 90179-06143  | NUT                        | 1    |                       |
| 15       | 497-26335-00 | CABLE, CLUTCH              | 1    |                       |
| 16       | 498-26372-00 | COVER, HANDLE LEVER 1      | 1    |                       |
| 17       | 1Y1-26290-60 | BACK MIRROR ASSY (R.H)     | 1    | UR FOR OCEANIA        |
|          | 1Y1-26290-10 | BACK MIRROR ASSY (L.H)     | 1    | UR EXCEPT FOR OCEANIA |
| 18       | 1Y1-26290-50 | BACK MIRROR ASSY (L.H)     | 1    | UR FOR OCEANIA        |
|          | 1Y1-26290-00 | REAR VIEWMIRROR ASSY (R.H) | 1    | UR EXCEPT FOR OCEANIA |
| 19       | 3V6-26123-00 | GUARD, LEVER               | 1    |                       |
| 20       | 95817-08016  | BOLT, FLANGE               | 4    |                       |
| 21       | 90123-08046  | BOLT                       | 1    |                       |
| 22       | 90179-08148  | NUT                        | 1    |                       |
| 23       | 90123-08046  | BOLT                       | 1    |                       |
| 24       | 90179-08148  | NUT                        | 1    |                       |

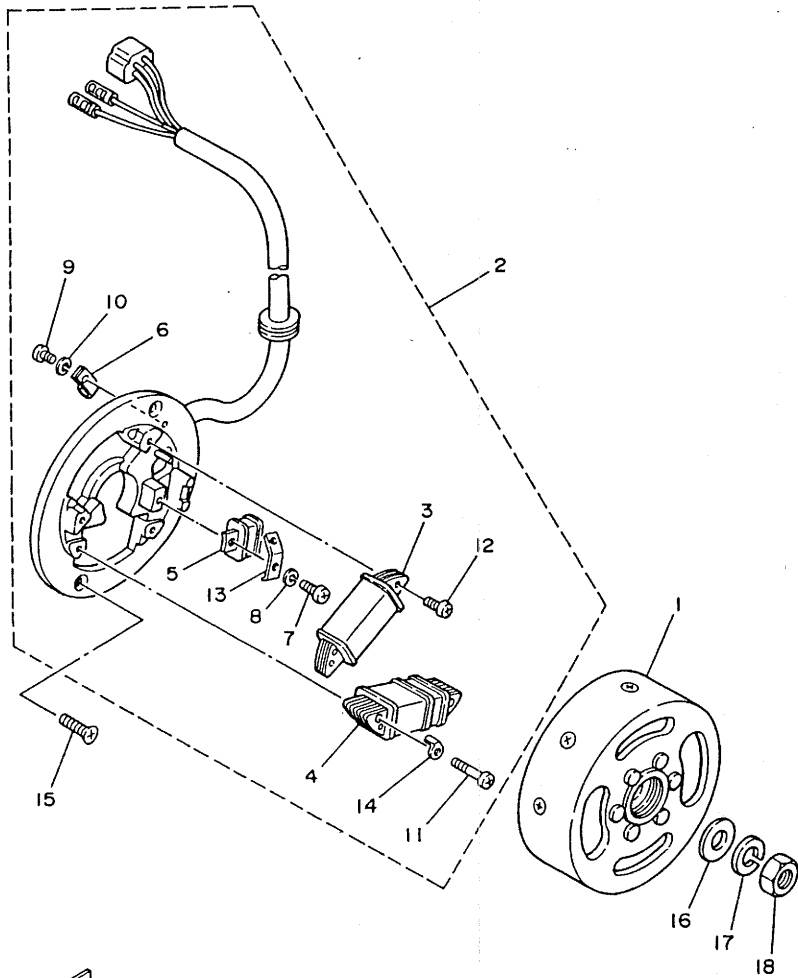


3V6700-2280

FIG. 27 STAND, FOOTREST

| REF. NO. | PART NO.        | DESCRIPTION          | QTY | REMARKS                     |
|----------|-----------------|----------------------|-----|-----------------------------|
| 1        | 3V6-27211-01    | PEDAL, BRAKE         | 1   |                             |
| 2        | 90387-064A4     | COLLAR               | 1   |                             |
| 3        | 3V6-27231-01    | ROD, BRAKE           | 1   |                             |
| 4        | 92907-06200     | WASHER               | 1   |                             |
| 5        | 91701-06018     | PIN, CLEVIS          | 1   |                             |
| 6        | 91401-20015     | PIN, COTTER          | 1   |                             |
| 7        | 90501-10245     | SPRING, COMPRESSION  | 1   |                             |
| 8        | 90249-12008     | PIN                  | 1   |                             |
| 9        | 90175-06013     | NUT, WING            | 1   |                             |
| 10       | 90508-35442     | SPRING, TORSION      | 1   |                             |
| 11       | 90201-15564     | WASHER, PLATE (1.5T) | 1   |                             |
| 12       | 91490-30030     | PIN, COTTER          | 1   |                             |
| 13       | 36X-27311-01    | STAND, SIDE          | 1   |                             |
| 14       | 3V6-27311-11    | STAND, SIDE          | 1   |                             |
| 15       | 90506-26270     | SPRING, TENSION      | 2   |                             |
| 16       | 90109-103A1     | BOLT                 | 2   |                             |
| 17       | 90185-10037     | NUT, SELF-LOCKING    | 2   |                             |
| 18       | 3V6-27451-00-33 | FOOTREST             | 1   | YAMAHA BLACK                |
| 19       | 22W-27411-01-90 | FOOTREST 1           | 1   | UNI-CHROME (BLACK CHROMATE) |
| 20       | 22W-27421-01-90 | FOOTREST 2           | 1   | UNI-CHROME (BLACK CHROMATE) |
| 21       | 90508-20023     | SPRING, TORSION      | 2   |                             |
| 22       | 91701-08038     | PIN, CLEVIS          | 2   |                             |
| 23       | 92907-08600     | WASHER, PLATE        | 2   |                             |
| 24       | 91401-25020     | PIN, COTTER          | 2   |                             |
| 25       | 97007-10016     | BOLT                 | 2   |                             |
| 26       | 92907-10600     | WASHER, PLATE        | 2   |                             |

FIG. 28 GENERATOR



| REF. NO. | PART NO.     | DESCRIPTION        | Q'TY | REMARKS |
|----------|--------------|--------------------|------|---------|
| 1        | 3V6-85550-M1 | ROTOR ASSY         | 1    |         |
| 2        | 3V6-85560-M2 | BASE ASSY          | 1    |         |
| 3        | 3T5-85520-M1 | .COIL, CHARGE      | 1    |         |
| 4        | 3V6-81313-M1 | .COIL, LIGHTING 1  | 1    |         |
| 5        | 4U5-85580-M0 | .COIL, PULSER      | 1    |         |
| 6        | 90461-05036  | .CLAMP             | 1    |         |
| 7        | 98580-04010  | .SCREW, PAN HEAD   | 1    |         |
| 8        | 92901-04100  | .WASHER, SPRING    | 1    |         |
| 9        | 98507-04006  | .SCREW, PAN HEAD   | 1    |         |
| 10       | 92901-04100  | .WASHER, SPRING    | 1    |         |
| 11       | 98517-04025  | .SCREW, PAN HEAD   | 2    |         |
| 12       | 98517-04012  | .SCREW, PAN HEAD   | 2    |         |
| 13       | 2T4-85568-M1 | .TERMINAL, EARTH 1 | 1    |         |
| 14       | 2T4-85569-M1 | .TERMINAL, EARTH 2 | 1    |         |
| 15       | 98707-05016  | SCREW, FLAT HEAD   | 2    |         |
| 16       | 90201-12535  | WASHER, PLATE      | 1    |         |
| 17       | 92907-12100  | WASHER             | 1    |         |
| 18       | 90170-12175  | NUT                | 1    |         |

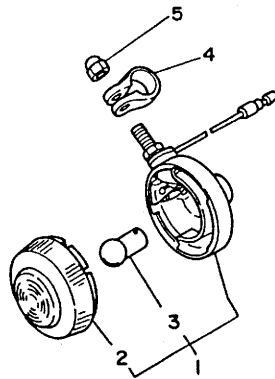
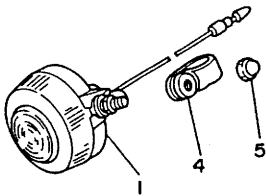
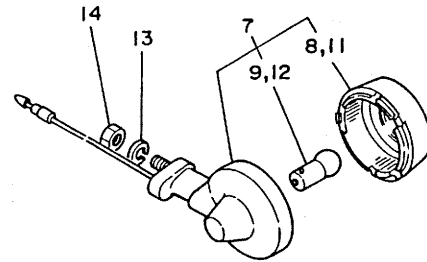
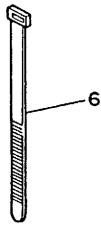
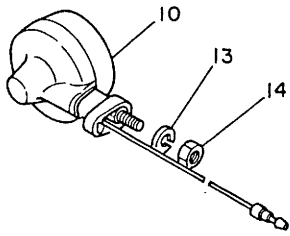


3HA700-8280

D6

FIG. 29 FLASHER LIGHT

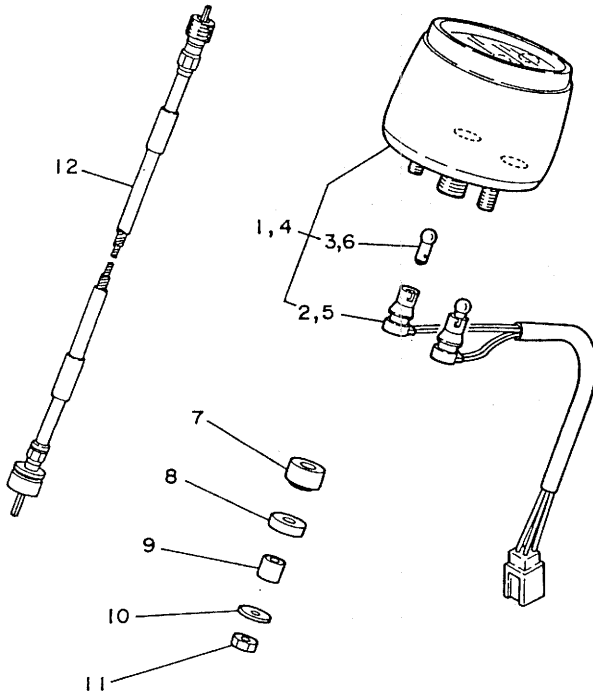
| REF. NO. | PART NO.     | DESCRIPTION                | QTY | REMARKS |
|----------|--------------|----------------------------|-----|---------|
| 1        | 5A1-83310-10 | FRONT FLASHER LIGHT ASSY 1 | 2   |         |
| 2        | 3M7-83312-10 | .LENS, FLASHER             | 1   |         |
| 3        | 152-83311-10 | .BULB (6V-10W)             | 1   |         |
| 4        | 1M1-83318-00 | STAY, FLASHER 1            | 2   |         |
| 5        | 95303-08800  | NUT, CROWN                 | 2   |         |
| 6        | 437-83936-01 | BAND, SWITCH CORD          | 2   |         |
| 7        | 4G3-83330-10 | REAR FLASHER LIGHT ASSY 1  | 1   |         |
| 8        | 3M7-83312-10 | .LENS, FLASHER             | 1   |         |
| 9        | 152-83311-10 | .BULB (6V-10W)             | 1   |         |
| 10       | 4G3-83330-10 | REAR FLASHER LIGHT ASSY 1  | 1   |         |
| 11       | 3M7-83312-10 | .LENS, FLASHER             | 1   |         |
| 12       | 152-83311-10 | .BULB (6V-10W)             | 1   |         |
| 13       | 92907-08100  | WASHER, SPRING             | 2   |         |
| 14       | 95337-08600  | NUT                        | 2   |         |



3HA700-8290

D7

FIG. 30 METER



| REF. NO. | PART NO.     | DESCRIPTION            | Q'TY | REMARKS |
|----------|--------------|------------------------|------|---------|
| 1        | 3F4-83510-F0 | SPEEDOMETER ASSY       | 1    | KM/H    |
| 2        | 4A7-83520-00 | .SOCKET CORD ASSY      | 1    |         |
| 3        | 4N0-83516-00 | .BULB (6V-3W)          | 2    |         |
| 4        | 3F6-83510-G0 | SPEEDOMETER ASSY       | 1    | MILE/H  |
| 5        | 4A7-83520-00 | .SOCKET CORD ASSY      | 1    |         |
| 6        | 122-83516-10 | .BULB (6V-3W)          | 2    |         |
| 7        | 1M3-83513-00 | DAMPER                 | 2    |         |
| 8        | 355-83526-00 | DAMPER 2               | 2    |         |
| 9        | 355-83522-00 | COLLAR                 | 2    |         |
| 10       | 90201-06412  | WASHER, PLATE          | 2    |         |
| 11       | 95317-06600  | NUT                    | 2    |         |
| 12       | 1JN-83550-01 | SPEEDOMETER CABLE ASSY | 1    |         |



3V6700-2300

D8



3V6700-2310

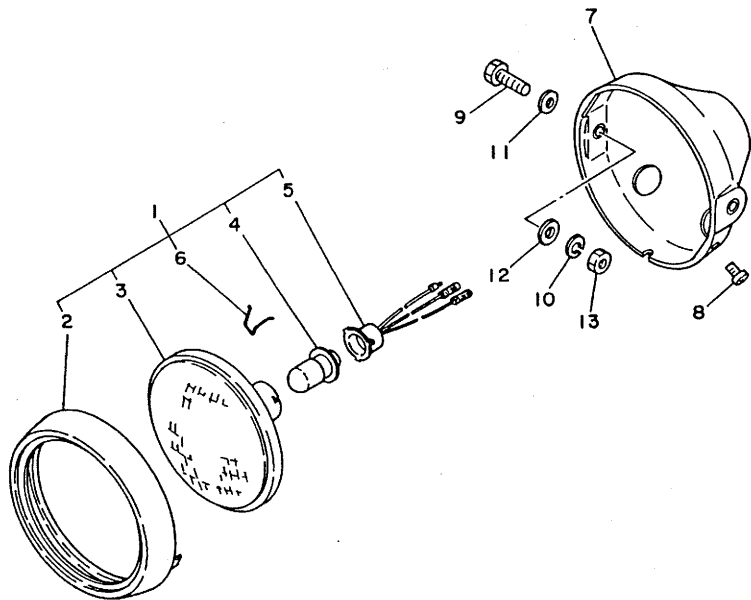
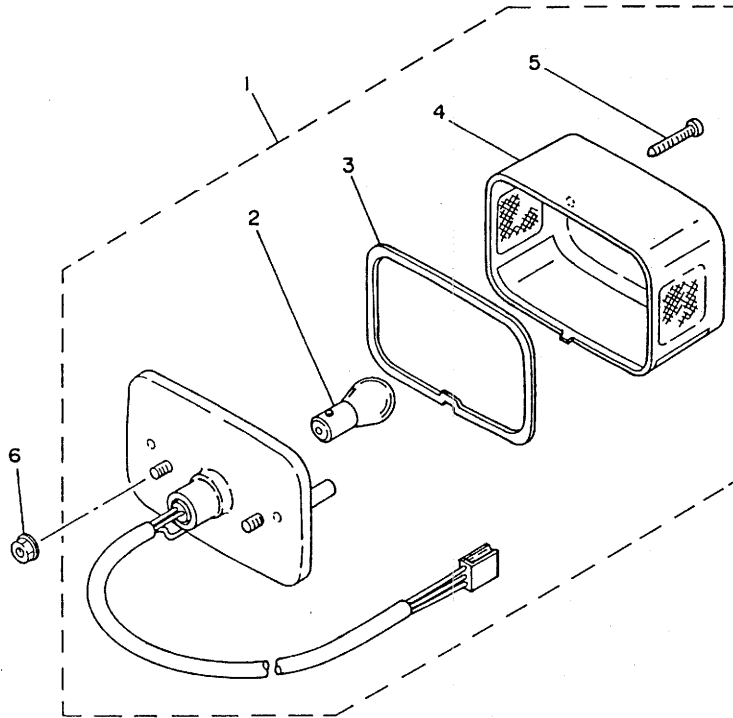


FIG. 31 HEADLIGHT

| REF. NO. | PART NO.     | DESCRIPTION          | Q'TY | REMARKS |
|----------|--------------|----------------------|------|---------|
| 1        | 3M7-84110-00 | HEADLIGHT UNIT ASSY  | 1    |         |
| 2        | 202-84315-00 | .RIM, HEADLIGHT      | 1    |         |
| 3        | 195-84320-00 | .LENS ASSY           | 1    |         |
| 4        | 206-84114-60 | .BULB (6V-25/25W)    | 1    |         |
| 5        | 452-84112-00 | .SOCKET              | 1    |         |
| 6        | 195-84324-00 | .SPRING, REFLECTOR   | 3    |         |
| 7        | 3M7-84130-00 | BODY ASSY, HEADLIGHT | 1    |         |
| 8        | 98516-05012  | SCREW, PAN HEAD      | 1    |         |
| 9        | 97017-08025  | BOLT                 | 2    |         |
| 10       | 92907-08100  | WASHER, SPRING       | 2    |         |
| 11       | 92907-08600  | WASHER, PLATE        | 2    |         |
| 12       | 92907-08200  | WASHER               | 2    |         |
| 13       | 95337-08600  | NUT                  | 2    |         |

FIG. 32 TAILLIGHT

| REF. NO. | PART NO.     | DESCRIPTION         | Q'TY | REMARKS |
|----------|--------------|---------------------|------|---------|
| 1        | 2T5-84510-00 | TAILLIGHT UNIT ASSY | 1    |         |
| 2        | 122-84514-30 | .BULB (6V-17/5.3W)  | 1    |         |
| 3        | 1K8-84523-00 | .GASKET, LENS       | 1    |         |
| 4        | 1K8-84521-00 | .LENS, TAILLIGHT    | 1    |         |
| 5        | 97780-40130  | .SCREW, TAPPING     | 2    |         |
| 6        | 95707-06500  | NUT, FLANGE         | 2    |         |



3HA700-8320

D10

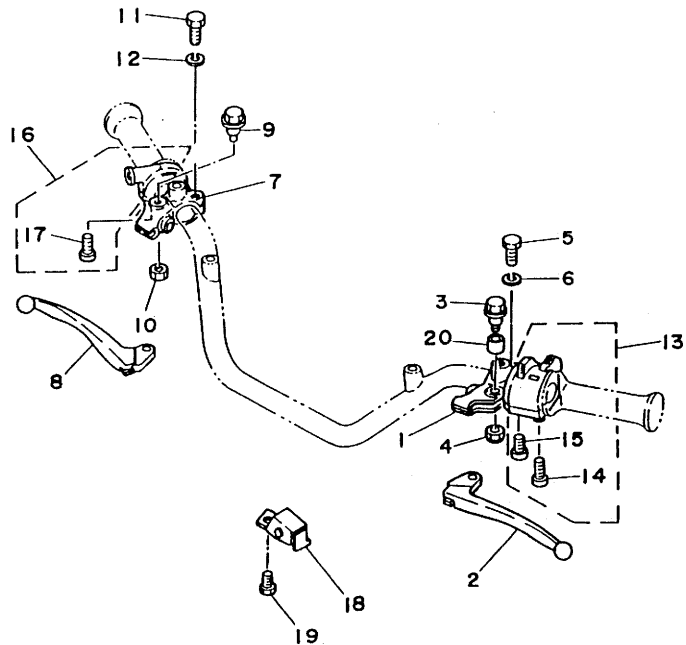
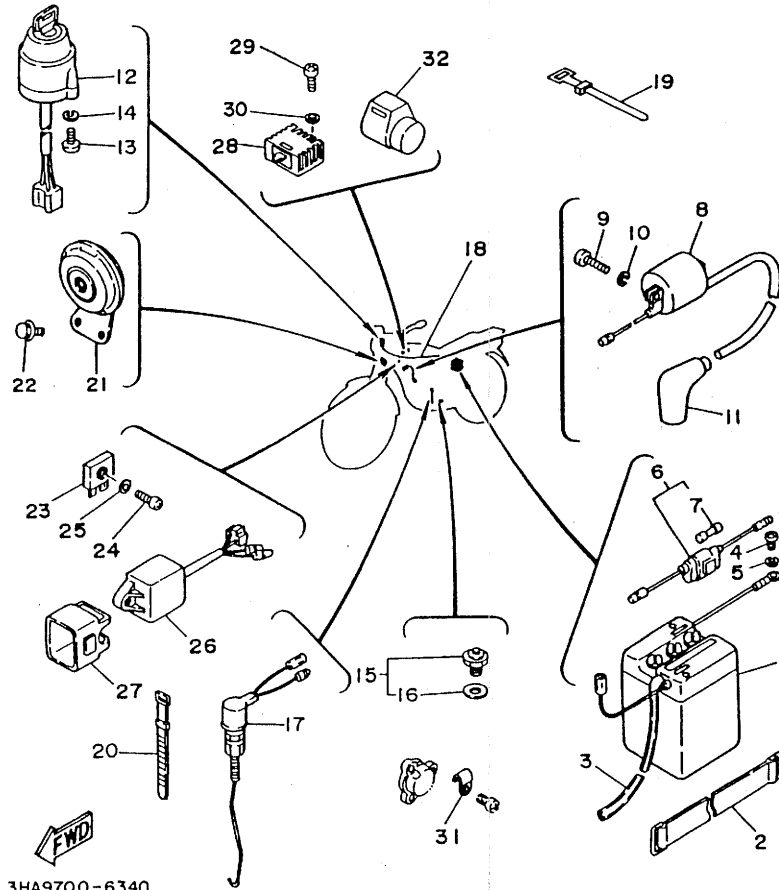


FIG. 33 HANDLE SWITCH. LEVER

| REF. NO. | PART NO.     | DESCRIPTION      | Q'TY | REMARKS |
|----------|--------------|------------------|------|---------|
| 1        | 2HV-82911-00 | HOLDER, LEVER 1  | 1    |         |
| 2        | 214-83912-00 | LEVER 1          | 1    |         |
| 3        | 90109-06798  | BOLT             | 1    |         |
| 4        | 95617-06100  | NUT, U           | 1    |         |
| 5        | 97007-06022  | BOLT             | 1    |         |
| 6        | 92907-06100  | WASHER, SPRING   | 1    |         |
| 7        | 463-82921-30 | HOLDER, LEVER 2  | 1    |         |
| 8        | 233-83922-30 | LEVER 2          | 1    |         |
| 9        | 90109-06798  | BOLT             | 1    |         |
| 10       | 95617-06100  | NUT, U           | 1    |         |
| 11       | 97007-06022  | BOLT             | 1    |         |
| 12       | 92907-06100  | WASHER, SPRING   | 1    |         |
| 13       | 3V6-83972-00 | SWITCH, HANDLE 4 | 1    |         |
| 14       | 98507-05030  | .SCREW, PAN HEAD | 1    |         |
| 15       | 90157-05027  | .SCREW, PAN HEAD | 1    |         |
| 16       | 1R6-83976-01 | SWITCH, HANDLE 1 | 1    |         |
| 17       | 90157-05027  | .SCREW, PAN HEAD | 2    |         |
| 18       | 3X3-83965-00 | LEVER, LOCK      | 1    |         |
| 19       | 97017-06025  | BOLT             | 1    |         |
| 20       | 3X3-83913-00 | COLLAR, LEVER 1  | 1    |         |

  
3HA9700-6330

FIG. 34 ELECTRICAL 1



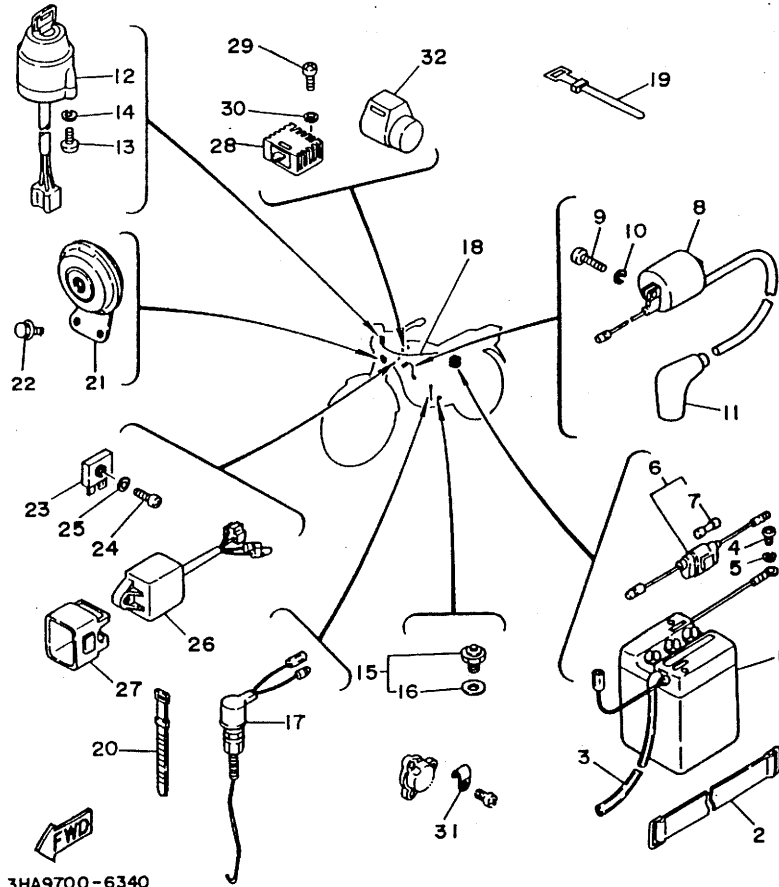
3HA9700-6340

| REF. NO. | PART NO.     | DESCRIPTION            | QTY | REMARKS |
|----------|--------------|------------------------|-----|---------|
| 1        | 120-82110-19 | BATTERY ASSY           | 1   |         |
| 2        | 561-24173-00 | BAND, TANK FITTING 1   | 1   |         |
| 3        | 90445-08338  | HOSE                   | 1   |         |
| 4        | 98517-06012  | SCREW, PAN HEAD        | 1   |         |
| 5        | 92907-06600  | WASHER, PLATE          | 1   |         |
| 6        | 55K-82150-01 | FUSE HOLDER ASSY       | 1   |         |
| 7        | 116-82151-00 | .FUSE (10A)            | 2   |         |
| 8        | 3V6-82310-M0 | IGNITION COIL ASSY     | 1   |         |
| 9        | 97017-06025  | BOLT                   | 2   |         |
| 10       | 92907-06600  | WASHER, PLATE          | 2   |         |
| 11       | 56J-82370-00 | PLUG CAP ASSY          | 1   |         |
| 12       | 2F5-82510-50 | MAIN SWITCH ASSY       | 1   |         |
| 13       | 98507-05010  | SCREW, PAN HEAD        | 2   |         |
| 14       | 92907-05600  | WASHER, PLATE          | 2   |         |
| 15       | 136-82540-03 | NEUTRAL SWITCH ASSY    | 1   |         |
| 16       | 90201-12790  | .WASHER, PLATE         | 1   |         |
| 17       | 3V6-82530-02 | STOP SWITCH ASSY       | 1   |         |
| 18       | 3V6-82590-22 | WIRE HARNESS ASSY      | 1   |         |
| 19       | 437-83936-01 | BAND, SWITCH CORD      | 1   |         |
| 20       | 25G-83936-01 | BAND, SWITCH CORD      | 1   |         |
| 21       | 18G-83371-10 | HORN                   | 1   |         |
| 22       | 95817-06012  | BOLT, FLANGE           | 2   |         |
| 23       | 353-81970-63 | RECTIFIER ASSY         | 1   | STANLEY |
| 24       | 98507-05020  | SCREW, PAN HEAD        | 1   |         |
| 25       | 92907-05600  | WASHER, PLATE          | 1   |         |
| 26       | 3M5-85540-M1 | C.D.I. UNIT ASSY       | 1   |         |
| 27       | 2A7-85546-00 | BAND                   | 1   |         |
| 28       | 4F4-81910-60 | VOLTAGE REGULATOR ASSY | 1   | STANLEY |

D12

FIG. 34 ELECTRICAL 1

| REF. NO. | PART NO.     | DESCRIPTION        | QTY | REMARKS |
|----------|--------------|--------------------|-----|---------|
| 29       | 98507-06016  | SCREW, PAN HEAD    | 1   |         |
| 30       | 92907-06600  | WASHER, PLATE      | 1   |         |
| 31       | 90462-05012  | CLAMP              | 1   |         |
| 32       | 3E1-83350-12 | FLASHER RELAY ASSY | 1   |         |



3HA9700-6340

NUMERICAL INDEX

| PART NO.        | GRID NO. | PART NO.        | GRID NO. | PART NO.        | GRID NO. | PART NO.        | GRID NO. | PART NO.        | GRID NO. | PART NO.        | GRID NO. |
|-----------------|----------|-----------------|----------|-----------------|----------|-----------------|----------|-----------------|----------|-----------------|----------|
| 382-W1541-60    | B- 10    | 3X3-14131-00    | B- 7     | 315-15362-01    | B- 10    | 3V6-18101-03    | B- 15    | 3V6-22318-01    | C- 6     | 357-24500-11    | C- 12    |
| 3V6-W2471-01    | C- 13    | 493-14133-00    | B- 6     | 583-15371-00    | B- 9     | 367-18111-00    | B- 15    | 382-22322-00    | C- 6     | 2N3-24528-00    | C- 12    |
| 3FA-W2536-00    | D- 2     | 174-14134-00    | B- 7     | 214-15385-00    | B- 14    | 132-18113-01    | B- 15    | 3V6-22324-00    | C- 6     | 2N3-24532-00    | C- 12    |
| 4BE-W2536-00    | C- 14    | 156-14135-00    | B- 6     | 276-15415-00    | B- 10    | 4M3-18140-00    | B- 14    | 3V6-22325-00    | C- 6     | 4X8-24565-00    | C- 12    |
| 3V6-11111-00    | B- 2     | 137-14136-00    | B- 7     | 314-15416-00-35 | B- 10    | 463-18511-00    | B- 14    | 3V6-22359-00    | C- 7     | 122-24610-01    | C- 12    |
| 3V6-11128-00    | B- 2     | 164-14137-00    | B- 7     | 3V6-15421-02    | B- 10    | 463-18512-00    | B- 14    | 3V6-23100-02-35 | C- 10    | 122-24612-01    | C- 12    |
| 3V6-11161-00    | B- 2     | 152-14138-00    | B- 6     | 36Y-15451-00    | B- 10    | 463-18513-00    | B- 14    | 3V6-23100-10-35 | C- 10    |                 |          |
| 276-11181-01    | B- 2     | 2F5-14141-36    | B- 6     | 36Y-15456-00    | B- 10    | 214-18531-00    | B- 14    | 3V6-23110-00    | C- 10    | 127-24650-02    | C- 12    |
| 3V6-11311-00    | B- 2     | 260-14142-17    | B- 6     | 214-15616-00    | B- 11    | 248-18531-00    | B- 14    | 1L9-23111-00    | C- 10    | 3V6-24710-20    | C- 13    |
| 3UL-11351-00    | B- 2     | 137-14143-26-A0 | B- 6     | 214-15618-00    | B- 11    | 3V6-18540-00    | B- 14    | 1L9-23114-00    | C- 10    | 3V6-24711-00    | C- 13    |
| 382-11400-00    | B- 3     | 137-14143-28-A0 | B- 6     | 3V6-15620-00    | B- 11    | 136-18542-00    | B- 14    | 3V6-23130-01-35 | C- 10    | 3V6-24711-20    | C- 13    |
| 558-11412-00    | B- 3     | 137-14143-30    | B- 6     | 305-15641-00    | B- 11    | 382-18561-60    | B- 14    | 3V6-23140-01-35 | C- 10    | 2A6-24738-00    | C- 13    |
| 382-11422-00    | B- 3     | 2N4-14145-00    | B- 6     | 403-15651-00    | B- 11    | 164-18571-01    | B- 14    | 3V6-23143-00    | C- 10    | 2Y0-24748-00    | C- 13    |
| 335-11601-00    | B- 3     | 214-14147-00    | B- 6     | 132-15653-00-10 | B- 11    | 164-18589-00    | B- 14    | 3V6-23144-00    | C- 10    | 3V6-24758-01    | C- 13    |
| 335-11601-10    | B- 3     | 558-14147-00    | B- 6     | 248-15654-00    | B- 11    | 3V6-21107-01    | C- 13    | 4V1-23145-L0    | C- 10    | 3HA-24810-00    | C- 13    |
| 335-11601-20    | B- 3     | 193-14158-00    | B- 7     | 3V6-15660-02    | B- 11    | 3V6-21110-11-33 | C- 2     | 2X6-23151-00    | C- 10    | 3V6-24860-01-98 | C- 13    |
| 335-11601-30    | B- 3     | 802-14161-00    | B- 6     | 3V6-15664-00    | B- 11    | 3V6-21473-01    | C- 2     | 3V2-23154-00    | C- 10    | 296-24861-00    | C- 13    |
| 335-11601-40    | B- 3     | 307-14169-10    | B- 6     | 3V6-15666-01    | B- 11    | 3V6-21511-30    | C- 3     | 1E7-23156-00    | C- 10    | 36X-24862-00    | C- 13    |
| 3V6-11631-00-96 | B- 3     | 304-14171-00    | B- 6     | 248-15668-00    | B- 11    | 3V6-21511-50    | C- 3     | 1E7-23157-00    | C- 10    | 437-25026-10-35 | D- 2     |
| 131-11633-00    | B- 3     | 3A3-14173-00    | B- 6     | 3V6-15676-00    | B- 11    | 36X-21521-00    | C- 3     | 1L9-23166-00    | C- 10    | 3V6-25104-00    | C- 14    |
| 3V6-11635-00    | B- 3     | 152-14174-00    | B- 6     | 382-16111-62    | B- 12    | 482-21521-00    | C- 3     | 3M7-23181-00    | C- 10    | 248-25111-00-Y8 | C- 14    |
| 3V6-11636-00    | B- 3     | 539-14181-06    | B- 6     | 3V6-16150-00    | B- 12    | 482-21522-00    | C- 3     | 1L9-23183-00    | C- 10    | 146-25116-00    | D- 2     |
| 3V6-11637-00    | B- 3     | 304-14184-00    | B- 6     | 276-16154-00    | B- 12    | 3V6-21611-30    | C- 3     | 3V6-23191-00    | C- 10    | 2K5-25118-00    | C- 14    |
| 3V6-11638-00    | B- 3     | 4NR-14185-00    | B- 6     | 122-16164-00    | B- 12    | 3V6-21611-50    | C- 3     | 3V6-23191-10    | C- 10    | 3V6-25121-00-35 | C- 14    |
| 1M7-11651-00    | B- 3     | 127-14186-00    | B- 6     | 3HA-16321-00    | B- 12    | 482-21622-01    | C- 3     | 3AJ-23192-00    | C- 10    | 301-25135-00    | C- 14    |
| 5E2-11681-00    | B- 3     | 353-14190-15    | B- 6     | 137-16324-00    | B- 12    | 3V6-21629-01    | C- 3     | 3V6-23317-00    | C- 10    | 109-25136-00    | C- 14    |
| 3V6-13101-00    | B- 4     | 127-14195-00    | B- 6     | 241-16341-01    | B- 12    | 1UY-21638-00    | C- 7     | 3V6-23318-00    | C- 11    | 102-25137-00    | C- 14    |
| 126-13116-01    | B- 4     | 183-14197-01    | B- 7     | 382-16342-61    | B- 12    | 3V6-21711-30    | C- 4     | 3V6-23340-00-90 | C- 10    | 301-25138-00    | C- 15    |
| 137-13137-00-10 | B- 4     | 23F-14197-00    | B- 7     | 132-16346-00    | B- 12    | 3V6-21711-50    | C- 4     | 451-23346-01    | C- 10    | 183-25149-00    | C- 14    |
| 137-13138-01    | B- 4     | 304-14261-00    | B- 6     | 132-16351-00    | B- 12    | 3V6-21721-30    | C- 4     | 3V6-23351-01    | C- 10    | 5H0-25155-00    | C- 14    |
| 367-13146-01    | B- 4     | 3V6-14411-00    | B- 5     | 137-16356-00    | B- 12    | 3V6-21721-50    | C- 4     | 462-23392-02    | C- 10    | 3V6-25304-00    | D- 2     |
| 525-13174-00    | B- 4     | 3V6-14412-00    | B- 5     | 276-16357-00    | B- 12    | 3HA-2173E-00    | C- 4     | 156-23411-00    | C- 10    | 391-25311-00-38 | D- 2     |
| 3V6-13175-00    | B- 4     | 3V6-14416-00    | B- 5     | 137-16367-00    | B- 12    | 3HA-2173E-10    | C- 4     | 22F-23411-01    | C- 9     | 109-25315-00    | C- 14    |
| 137-13176-00    | B- 4     | 1V1-14437-00    | B- 5     | 1E7-16371-00    | B- 12    | 3HA-2173F-00    | C- 4     | 156-23412-00    | C- 9     | 3V6-25327-01    | D- 2     |
| 382-13178-60    | B- 4     | 3V6-14451-00    | B- 5     | 427-17121-01    | B- 13    | 3HA-2173F-10    | C- 4     | 22F-23412-01    | C- 9     | 3V6-2533A-01    | C- 14    |
| 402-13552-00    | B- 4     | 3A3-14453-01    | B- 5     | 3V6-17131-00    | B- 13    | 3V6-21745-01    | C- 5     | 122-23416-00    | C- 9     | 579-2533A-00    | D- 2     |
| 560-13565-00    | B- 5     | 3V6-14610-00    | B- 8     | 482-17141-00    | B- 13    | 3V6-21750-00    | C- 5     | 3V6-23435-00-33 | C- 9     | 2RH-25351-00    | D- 2     |
| 53V-13610-00    | B- 5     | 3PA-14613-10    | B- 8     | 482-17151-00    | B- 13    | 1Y1-2176A-00    | C- 5     | 1E6-23441-10-33 | C- 9     | 4GL-25351-00    | C- 14    |
| 314-13613-01    | B- 5     | 3M7-14615-00    | B- 8     | 248-17211-00    | B- 13    | 1Y1-21763-00    | C- 5     | 164-23462-00    | C- 10    | 1E7-25355-00    | D- 2     |
| 314-13616-01    | B- 5     | 3V6-14718-00    | B- 8     | 427-17221-00    | B- 13    | 1Y1-21764-00    | C- 5     | 3V6-24110-00-X2 | C- 12    | 304-25364-01    | D- 2     |
| 87A-13621-00    | B- 5     | 3V6-14728-00    | B- 8     | 3V6-17231-00    | B- 13    | 1T9-21771-00    | C- 5     | 3V6-24110-00-X3 | C- 12    | 183-25366-10-35 | D- 2     |
| 3V6-14101-01    | B- 6     | 3T2-14752-00    | B- 8     | 382-17241-60    | B- 13    | 3V6-22110-01-33 | C- 6     | 561-24173-00    | D- 12    | 3V6-25371-00    | D- 3     |
| 23L-14103-00    | B- 6     | 3V6-14753-00    | B- 8     | 482-17251-00    | B- 13    | 276-22123-00    | C- 6     | 1A8-24181-00    | C- 12    | 353-25381-00    | C- 15    |
| 10W-14104-00    | B- 7     | 18L-1490J-00    | B- 6     | 437-17211-01    | B- 13    | 276-22141-01    | C- 6     | 22W-24181-00    | C- 4     | 5X3-25381-00    | D- 3     |
| 12G-14106-00    | B- 7     | 276-15111-01    | B- 9     | 315-17421-01    | B- 13    | 3V6-22151-00    | C- 6     | 3TB-24181-00    | C- 12    | 3V6-25387-00    | D- 3     |
| 304-14112-20    | B- 7     | 276-15121-04    | B- 9     | 164-17427-00-10 | B- 13    | 3V6-22210-00-33 | C- 8     | 353-24182-00    | C- 12    | 3V6-25388-00    | D- 3     |
| 500-14115-00    | B- 6     | 304-15128-00    | B- 9     | 382-17464-60    | B- 13    | 3V6-22310-02    | C- 6     | 3HA-24240-10    | C- 12    | 3V6-25389-00    | D- 3     |
| 193-14126-00    | B- 7     | 4EG-15353-00    | B- 14    | 168-17471-00    | B- 13    | 148-22315-00    | C- 6     | 3HA-24240-20    | C- 12    | 1T2-25394-00    | D- 3     |

NUMERICAL INDEX

| PART NO.        | GRID NO. | PART NO.     | GRID NO. | PART NO.    | GRID NO. | PART NO.    | GRID NO. | PART NO.    | GRID NO. | PART NO.    | GRID NO. |
|-----------------|----------|--------------|----------|-------------|----------|-------------|----------|-------------|----------|-------------|----------|
| 482-25412-00    | D- 2     | 3M7-83312-10 | D- 7     | 90105-14136 | C- 9     | 90201-06697 | C- 12    | 90468-02033 | B- 4     | 92907-06600 | C- 6     |
| 3V6-25451-11    | D- 2     | 1M1-83318-00 | D- 7     | 90109-063F6 | B- 14    | 90201-07076 | C- 14    |             | B- 4     |             | C- 6     |
| 4M3-26111-00    | D- 4     | 4G3-83330-10 | D- 7     | 90109-06798 | D- 11    | 90201-081R9 | B- 8     | 90468-26048 | B- 11    |             | C- 6     |
| 3V6-26123-00    | D- 4     |              | D- 7     |             | D- 11    | 90201-08624 | B- 4     | 90480-12053 | C- 4     |             | D- 12    |
| 2N3-26241-00    | D- 4     | 3E1-83350-12 | D- 13    | 90109-08063 | D- 3     | 90201-10437 | C- 8     |             | C- 4     |             | D- 12    |
| 2N3-26242-00    | D- 4     | 18G-83371-10 | D- 12    | 90109-08361 | D- 2     | 90201-12166 | B- 14    | 90480-14198 | C- 3     |             | D- 13    |
| 434-26243-00    | D- 4     | 3F4-83510-F0 | D- 8     | 90109-08368 | D- 3     | 90201-123A7 | C- 6     | 90501-02217 | B- 4     | 92907-08100 | B- 8     |
| 1M1-26249-01    | D- 4     | 3F6-83510-G0 | D- 8     | 90109-103A1 | D- 5     | 90201-12362 | B- 2     | 90501-10245 | D- 5     |             | C- 2     |
| 214-26261-00    | D- 4     | 1M3-83513-00 | D- 8     | 90113-06013 | B- 12    | 90201-12535 | D- 6     | 90501-20124 | B- 12    |             | C- 6     |
| 1Y1-26290-00    | D- 4     | 122-83516-10 | D- 8     | 90116-06320 | B- 8     | 90201-12790 | D- 12    | 90504-18009 | B- 11    |             | C- 9     |
| 1Y1-26290-10    | D- 4     | 4N0-83516-00 | D- 8     | 90116-08064 | B- 2     | 90201-14218 | C- 8     | 90506-09009 | B- 15    |             | D- 7     |
| 1Y1-26290-50    | D- 4     | 4A7-83520-00 | D- 8     | 90119-05001 | B- 12    | 90201-14586 | B- 15    | 90506-09112 | B- 14    |             | D- 9     |
| 1Y1-26290-60    | D- 4     |              | D- 8     | 90119-06056 | C- 3     | 90201-15564 | D- 5     | 90506-10019 | B- 12    | 92907-08200 | D- 9     |
| 3V6-26311-00    | D- 4     | 355-83522-00 | D- 8     |             | C- 5     | 90201-20266 | B- 13    | 90506-15260 | C- 14    | 92907-08600 | C- 6     |
| 3V6-26312-00    | D- 4     | 355-83526-00 | D- 8     | 90119-06063 | C- 3     | 90201-20269 | C- 14    |             | D- 2     |             | C- 6     |
| 3V6-26321-00    | D- 4     | 1JN-83550-01 | D- 8     | 90119-06097 | C- 3     | 90201-206E5 | B- 11    | 90506-26270 | D- 5     |             | C- 6     |
| 497-26335-00    | D- 4     | 214-83912-00 | D- 11    |             | C- 3     | 90202-05187 | B- 8     | 90508-20023 | D- 5     |             | C- 13    |
| 4G3-26339-00    | D- 4     | 3X3-83913-00 | D- 11    | 90123-06010 | D- 4     | 90202-05188 | B- 8     | 90508-26441 | B- 11    |             | D- 3     |
| 3V6-26341-00    | D- 4     | 233-83922-30 | D- 11    | 90123-08046 | D- 4     | 90208-12015 | B- 12    | 90508-32437 | B- 15    |             | D- 5     |
| 498-26372-00    | D- 4     | 25G-83936-01 | D- 12    |             | D- 4     |             | B- 12    | 90508-35442 | D- 5     |             | D- 9     |
| 3V6-27211-01    | D- 5     | 437-83936-01 | D- 7     | 90149-08094 | B- 15    | 90209-06194 | B- 8     | 90560-12138 | C- 14    | 92907-10100 | C- 2     |
| 3V6-27231-01    | D- 5     |              | D- 12    | 90157-05027 | D- 11    | 90209-22248 | B- 3     | 90560-15136 | D- 2     | 92907-10600 | D- 5     |
| 3V6-27311-11    | D- 5     | 3X3-83965-00 | D- 11    |             | D- 11    | 90215-08014 | B- 15    | 90560-17146 | B- 12    | 92907-12100 | D- 6     |
| 36X-27311-01    | D- 5     | 3V6-83972-00 | D- 11    | 90157-06125 | B- 9     | 90249-12008 | D- 5     | 91401-20015 | D- 3     | 92990-03100 | B- 5     |
| 22W-27411-01-90 | D- 5     | 1R6-83976-01 | D- 11    | 90170-08029 | B- 15    | 90280-03017 | B- 3     |             | D- 5     | 92990-04100 | B- 7     |
| 22W-27421-01-90 | D- 5     | 3M7-84110-00 | D- 9     | 90170-10038 | D- 4     | 90340-12005 | B- 9     | 91401-25020 | D- 5     | 93101-10002 | B- 4     |
| 3V6-27451-00-33 | D- 5     | 452-84112-00 | D- 9     | 90170-12060 | B- 12    | 90387-06388 | C- 3     | 91490-16020 | B- 6     | 93102-18008 | C- 14    |
| 3V6-28100-00    | C- 13    | 206-84114-60 | D- 9     |             | B- 12    | 90387-06444 | D- 5     | 91490-20025 | C- 15    | 93102-20447 | B- 3     |
| 3V6-81313-M1    | D- 6     | 3M7-84130-00 | D- 9     | 90170-12175 | D- 6     | 90387-12265 | C- 15    | 91490-30030 | D- 3     | 93102-26042 | B- 13    |
| 4F4-81910-60    | D- 12    | 202-84315-00 | D- 9     | 90170-20167 | D- 3     | 90387-15442 | D- 3     |             | D- 5     | 93102-47297 | C- 14    |
| 353-81970-63    | D- 12    | 195-84320-00 | D- 9     | 90171-10004 | C- 15    | 90387-20175 | B- 3     | 91609-40016 | B- 14    | 93103-28011 | B- 3     |
| 120-82110-19    | D- 12    | 195-84324-00 | D- 9     | 90171-14056 | D- 3     | 90387-204A3 | D- 3     | 91701-06018 | D- 5     | 93104-07003 | C- 14    |
| 55K-82150-01    | D- 12    | 2T5-84510-00 | D- 10    | 90175-06013 | D- 5     | 90387-20491 | B- 13    | 91701-08038 | D- 5     | 93104-10085 | B- 12    |
| 116-82151-00    | D- 12    | 122-84514-30 | D- 10    | 90176-10073 | C- 8     | 90430-04004 | B- 4     | 92901-04100 | D- 6     | 93104-20017 | B- 11    |
| 3V6-82310-M0    | D- 12    | 1K8-84521-00 | D- 10    | 90179-06143 | D- 4     | 90430-12207 | B- 9     |             | D- 6     | 93104-22018 | D- 2     |
| 56J-82370-00    | D- 12    | 1K8-84523-00 | D- 10    | 90179-08148 | D- 4     | 90445-05278 | B- 4     | 92901-10100 | C- 10    | 93106-26005 | D- 2     |
| 2F5-82510-50    | D- 12    | 3T5-85520-M1 | D- 6     |             | D- 4     | 90445-083J4 | C- 5     | 92907-05100 | C- 10    | 93109-06060 | B- 12    |
| 3V6-82530-02    | D- 12    | 3M5-85540-M1 | D- 12    | 90179-08303 | B- 2     | 90445-08338 | D- 12    |             | B- 8     | 93109-14010 | B- 15    |
| 136-82540-03    | D- 12    | 2A7-85546-00 | D- 12    | 90179-08639 | D- 2     | 90445-09083 | C- 12    |             | B- 14    | 93210-14104 | C- 15    |
| 3V6-82590-22    | D- 12    | 3V6-85550-M1 | D- 6     | 90179-16018 | B- 13    | 90446-07228 | B- 9     | 92907-05600 | D- 12    | 93210-180A6 | B- 3     |
| 2HV-82911-00    | D- 11    | 3V6-85560-M2 | D- 6     | 90179-25033 | C- 9     | 90460-43053 | B- 5     |             | D- 12    | 93210-42101 | D- 2     |
| 463-82921-30    | D- 11    | 2T4-85568-M1 | D- 6     | 90185-08089 | C- 2     | 90460-51059 | B- 5     | 92907-06100 | C- 3     | 93306-00438 | D- 2     |
| 5A1-83310-10    | D- 7     | 2T4-85569-M1 | D- 6     | 90185-10037 | D- 5     | 90461-05036 | D- 6     |             | C- 13    | 93306-20204 | D- 2     |
| 152-83311-10    | D- 7     | 4U5-85580-M0 | D- 6     | 90185-10060 | C- 2     | 90462-05012 | D- 13    |             | D- 11    | 93306-30103 | C- 14    |
|                 | D- 7     | 90101-06278  | C- 14    | 90201-06412 | D- 8     | 90464-14117 | C- 12    |             | D- 11    | 93306-30317 | B- 13    |
|                 | D- 7     |              | D- 2     | 90201-065F3 | B- 5     | 90467-08003 | C- 5     | 92907-06200 | D- 5     | 93306-30439 | B- 3     |
|                 | D- 7     |              | C- 6     |             | B- 5     |             | C- 12    | 92907-06600 | B- 5     |             | B- 13    |
| 3M7-83312-10    | D- 7     | 90101-08439  | C- 6     |             | B- 5     |             | C- 5     |             | B- 5     |             | B- 3     |
|                 | D- 7     | 90101-14259  | B- 14    |             | C- 3     | 90467-08021 | C- 5     |             | B- 5     | 93310-21403 | B- 3     |

NUMERICAL INDEX

| PART NO.    | GRID NO. | PART NO.    | GRID NO. | PART NO.    | GRID NO. | PART NO. | GRID NO. | PART NO. | GRID NO. | PART NO. | GRID NO. |
|-------------|----------|-------------|----------|-------------|----------|----------|----------|----------|----------|----------|----------|
| 93310-422E7 | B- 3     | 95817-08016 | D- 4     | 98516-05012 | D- 9     |          |          |          |          |          |          |
| 93311-31567 | B- 13    | 95817-08020 | C- 13    | 98517-04012 | D- 6     |          |          |          |          |          |          |
| 93315-31502 | B- 13    |             | C- 13    | 98517-04025 | D- 6     |          |          |          |          |          |          |
| 93410-20038 | B- 13    | 95817-08035 | C- 9     | 98517-05012 | B- 14    |          |          |          |          |          |          |
| 93440-11029 | B- 11    | 95817-10035 | C- 9     | 98517-06012 | B- 13    |          |          |          |          |          |          |
| 93440-15012 | B- 13    | 95827-08120 | C- 2     |             | C- 6     |          |          |          |          |          |          |
| 93450-15023 | B- 3     | 95827-10090 | C- 2     |             | D- 12    |          |          |          |          |          |          |
| 93501-04011 | B- 12    | 95827-10105 | C- 2     | 98517-06020 | B- 5     |          |          |          |          |          |          |
|             | C- 9     | 97007-06022 | D- 11    |             | B- 10    |          |          |          |          |          |          |
|             |          |             | D- 11    |             | B- 10    |          |          |          |          |          |          |
| 93503-16003 | C- 9     |             |          |             | D- 6     |          |          |          |          |          |          |
| 93505-32002 | B- 4     | 97007-10016 | D- 5     | 98580-04010 | D- 6     |          |          |          |          |          |          |
| 93603-22028 | B- 4     | 97017-06016 | C- 13    | 98707-05016 | D- 6     |          |          |          |          |          |          |
| 93604-22050 | B- 14    | 97017-06020 | B- 15    | 98907-04008 | B- 4     |          |          |          |          |          |          |
| 93822-14039 | B- 13    | 97017-06025 | B- 5     | 98907-06012 | B- 8     |          |          |          |          |          |          |
| 94127-19595 | C- 14    |             | D- 11    | 99001-08600 | B- 4     |          |          |          |          |          |          |
| 94135-18596 | D- 2     |             | D- 12    | 99001-12600 | B- 15    |          |          |          |          |          |          |
| 94227-19292 | C- 14    | 97017-08016 | C- 6     | 99006-10600 | B- 14    |          |          |          |          |          |          |
| 94232-18113 | D- 2     |             | C- 6     | 99009-13400 | B- 11    |          |          |          |          |          |          |
| 94325-18081 | D- 2     |             | C- 13    | 99009-20400 | C- 14    |          |          |          |          |          |          |
| 94327-19111 | C- 14    | 97017-08020 | C- 6     | 99009-30400 | B- 11    |          |          |          |          |          |          |
| 94414-19056 | C- 14    | 97017-08025 | D- 9     | 99510-12016 | B- 9     |          |          |          |          |          |          |
| 94418-18246 | D- 2     | 97017-08030 | B- 11    | 99530-10014 | B- 10    |          |          |          |          |          |          |
| 94581-54116 | D- 3     | 97780-40130 | D- 10    |             | B- 10    |          |          |          |          |          |          |
| 94701-00044 | B- 2     | 98507-03008 | B- 5     | 99530-14016 | B- 9     |          |          |          |          |          |          |
| 95027-08045 | C- 9     | 98507-04006 | D- 6     |             |          |          |          |          |          |          |          |
| 95303-08800 | D- 7     | 98507-05008 | B- 8     |             |          |          |          |          |          |          |          |
| 95307-05600 | B- 4     |             | C- 6     |             |          |          |          |          |          |          |          |
| 95307-08800 | C- 9     | 98507-05010 | D- 12    |             |          |          |          |          |          |          |          |
| 95317-06600 | C- 3     | 98507-05014 | B- 4     |             |          |          |          |          |          |          |          |
|             | C- 14    | 98507-05020 | D- 12    |             |          |          |          |          |          |          |          |
|             | D- 2     | 98507-05030 | D- 11    |             |          |          |          |          |          |          |          |
|             | D- 8     | 98507-06010 | B- 14    |             |          |          |          |          |          |          |          |
| 95317-06700 | B- 12    | 98507-06014 | C- 6     |             |          |          |          |          |          |          |          |
| 95317-08700 | D- 3     | 98507-06016 | B- 5     |             |          |          |          |          |          |          |          |
| 95337-08600 | B- 8     |             | D- 13    |             |          |          |          |          |          |          |          |
|             | D- 7     | 98507-06018 | C- 3     |             |          |          |          |          |          |          |          |
|             | D- 9     | 98507-06035 | B- 5     |             |          |          |          |          |          |          |          |
| 95607-06200 | C- 6     |             | B- 10    |             |          |          |          |          |          |          |          |
| 95617-06100 | D- 11    | 98507-06040 | B- 9     |             |          |          |          |          |          |          |          |
|             | D- 11    | 98507-06045 | B- 9     |             |          |          |          |          |          |          |          |
| 95617-12100 | C- 6     |             | B- 10    |             |          |          |          |          |          |          |          |
| 95707-06500 | B- 8     |             | C- 6     |             |          |          |          |          |          |          |          |
|             | C- 12    | 98507-06050 | B- 10    |             |          |          |          |          |          |          |          |
|             | D- 10    | 98507-06055 | B- 9     |             |          |          |          |          |          |          |          |
| 95707-08500 | D- 3     | 98507-06060 | B- 10    |             |          |          |          |          |          |          |          |
| 95817-06012 | D- 12    |             | B- 10    |             |          |          |          |          |          |          |          |
| 95817-06016 | C- 11    | 98507-08010 | B- 9     |             |          |          |          |          |          |          |          |
| 95817-08016 | C- 2     | 98511-04016 | B- 7     |             |          |          |          |          |          |          |          |