

**YAMAHA**

**PARTS CATALOGUE**

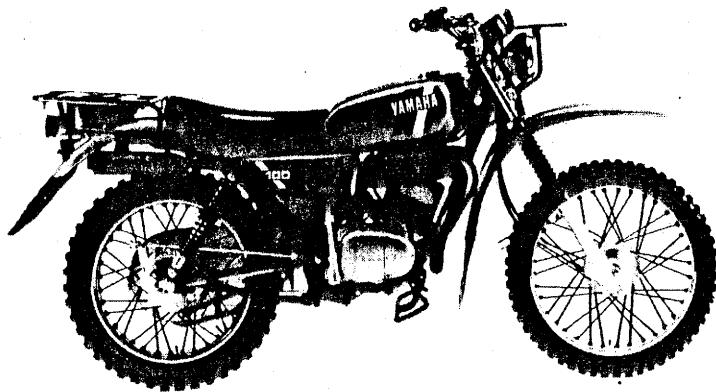
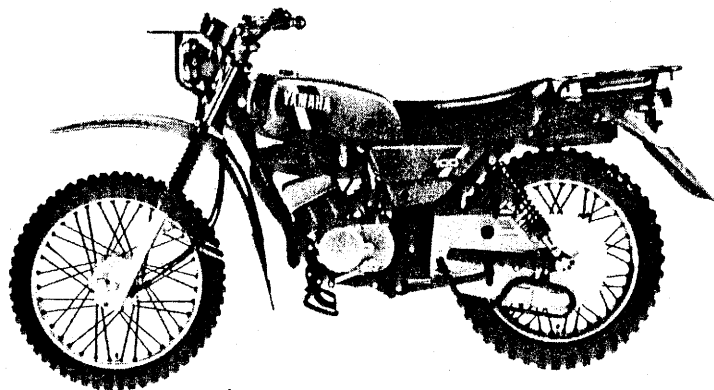
**AG100J (3V6)**

**OCEANIA**

**123V6-700E1**

**A2**





A3



# FOREWORD

This Parts Catalogue is related to the parts in use for the Yamaha AG 100J (3V6).  
When you are ordering replacement parts for the AG 100J (3V6), refer to this Parts Catalogue and quote both part numbers and part names correctly.

1. Modifications or additions which have been made after issue of the Parts Catalogue will be announced in the Yamaha Parts News.  
It is advisable that according to the Yamaha Parts News you make necessary corrections to the Parts Catalogue on hand to keep it up-to-date.

## 2. Abbreviations

The following abbreviations are used in this Parts Catalogue.

- U.R. Use size (thickness) and/or number as required.
- U.N. Use as many as you need.
- A.P. Alternate Parts
- L.M. Local Made
- F# Frame No. (Applicable machine No.)

3. The parts marked with (\*) in the parts number column of this Catalogue are not supplied with by Yamaha, those have to be found locally.
4. Parts, which are to be supplied in the form of assemblies, are listed with an indention of one letter's space, and a dot ( . ) is put against the name of each part.

**EXAMPLE** CARBURETOR ASS'Y  
     . JET, pilot  
     . NOZZLE, main

## 5. Indication of No. of constituent parts for assembly

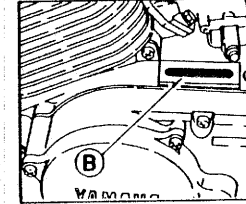
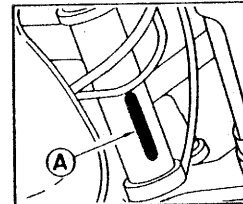
The numeral appearing to the right of each constituent part under the description indicates the quantity of such parts for each individual assembly unit.

**EXAMPLE**

Part No.	Description	Q'ty	Remarks
2F5-83310-60	FRONT FLASHER LIGHT ASS'Y	2	
115-83311-60	. BULB (6V-18W)	1	
1M1-83309-60	. REFLECTOR	1	

## 6. Initial Serial No. and Color Code

(A) Frame Serial No.	3V6-020101 and following
(B) Engine Serial No.	3V6-020101 and following



Color Code	Color Name	Abbreviate
66	Sunshine Red	SR

7. Applicable colors of graphics are represented in the "Remarks" column by the letter(s) appropriately picked out of the full word(s) showing such colors.

**EXAMPLE**

Part No.	Description	Q'ty	Remarks
2N4-24110-00-X5	FUEL TANK COMP.	1	MAXIM RED
3J1-24240-10	. GRAPHIC, fuel tank set	1	for MXR

# CONTENTS

## ENGINE

Cylinder .....	B2
Crankshaft · Piston .....	B3
C.D.I. Magneto .....	B4 ~ B5
Oil Pump .....	B6
Intake .....	B7
Carburetor .....	B8 ~ B9
Exhaust .....	B10
Crankcase .....	B11
Crankcase Cover .....	B12
Kick Starter .....	B13
Clutch .....	B14 ~ B15
Transmission .....	C2 ~ C3
Shift Cam · Fork .....	C4
Shift Shaft · Pedal .....	C5

## CHASSIS

Frame · Tool .....	C6
Front Fender · Rear Fender .....	C7
Side Cover .....	C8
Oil Tank .....	C9
Rear Arm .....	C10 ~ C11
Rear Suspension .....	C12
Steering .....	C13
Front Fork .....	C14 ~ C15
Fuel Tank .....	D2
Seat .....	D3
Front Wheel .....	D4 ~ D5
Rear Wheel .....	D6 ~ D7
Handlebar · Cable .....	D8

Stand · Footrest .....	D9
Flasher Light .....	D10
Speedometer .....	D11
Headlight .....	D12
Taillight .....	D13
Electrical 1 .....	D14
Handle Switch · Lever .....	D15

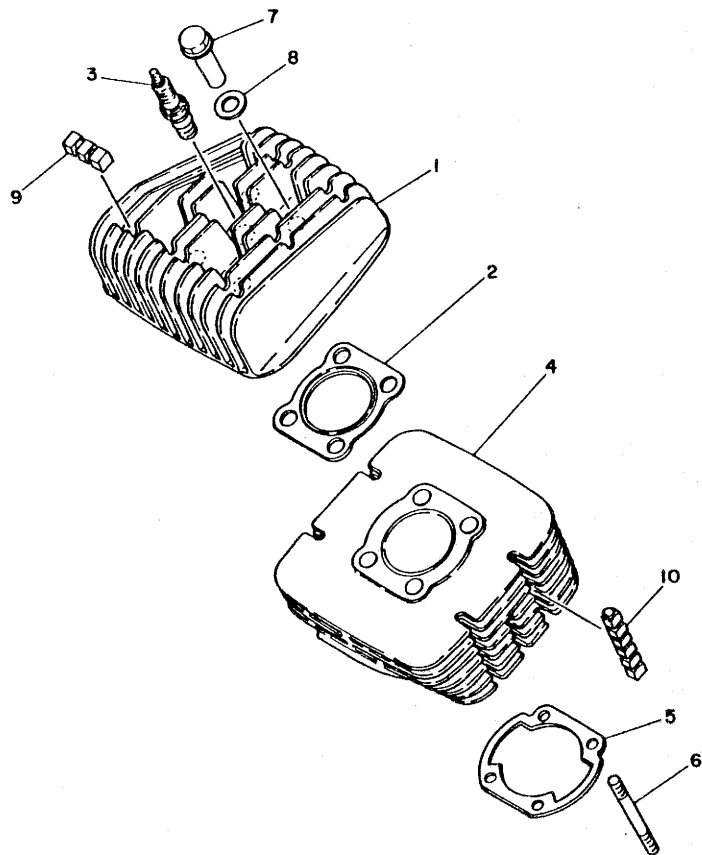
## REPAIR KIT

Repair Kit .....	E2 ~ E3
------------------	---------

## INDEX

Numerical Index .....	M1 ~ M3
Parts Name Index .....	M11 ~ M16

FIG. 1 CYLINDER



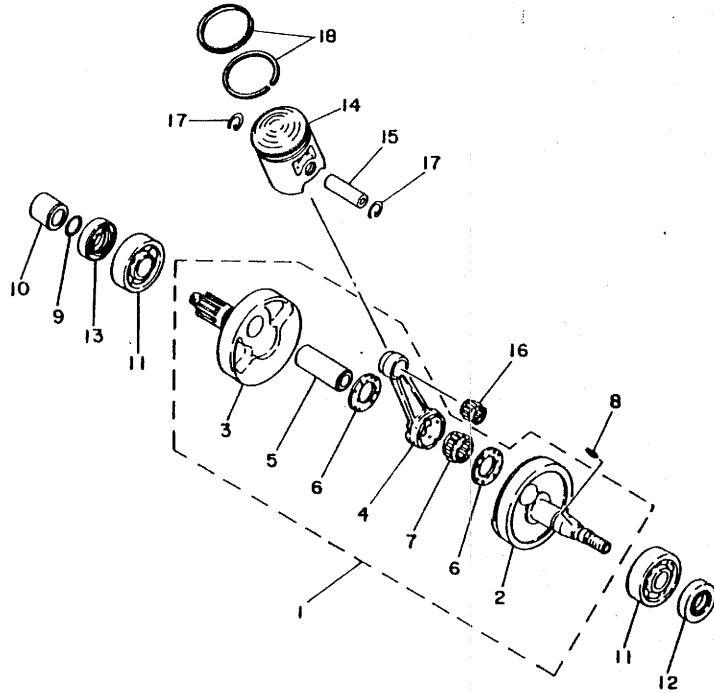
REF. NO.	PART NO.	DESCRIPTION	Q'TY	REMARKS
1	3V6-11111-00	HEAD, cylinder 1	1	
2	3A3-11181-00	GASKET, cylinder head 1	1	
3	94701-00044	PLUG, sPark (NGK B-7ES)	1	
4	3V6-11311-00	CYLINDER 1	1	
5	276-11351-00	GASKET, cylinder	1	
6	90116-08064	BOLT, stud	4	
7	90179-08303	NUT	4	
8	90201-12362	WASHER, Plate	4	
9	3V6-11128-00	ABSORBER 4	6	
10	3V6-11161-00	ABSORBER 1	4	



3V6700-2010

**B2**

FIG. 2 CRANKSHAFT-PISTON



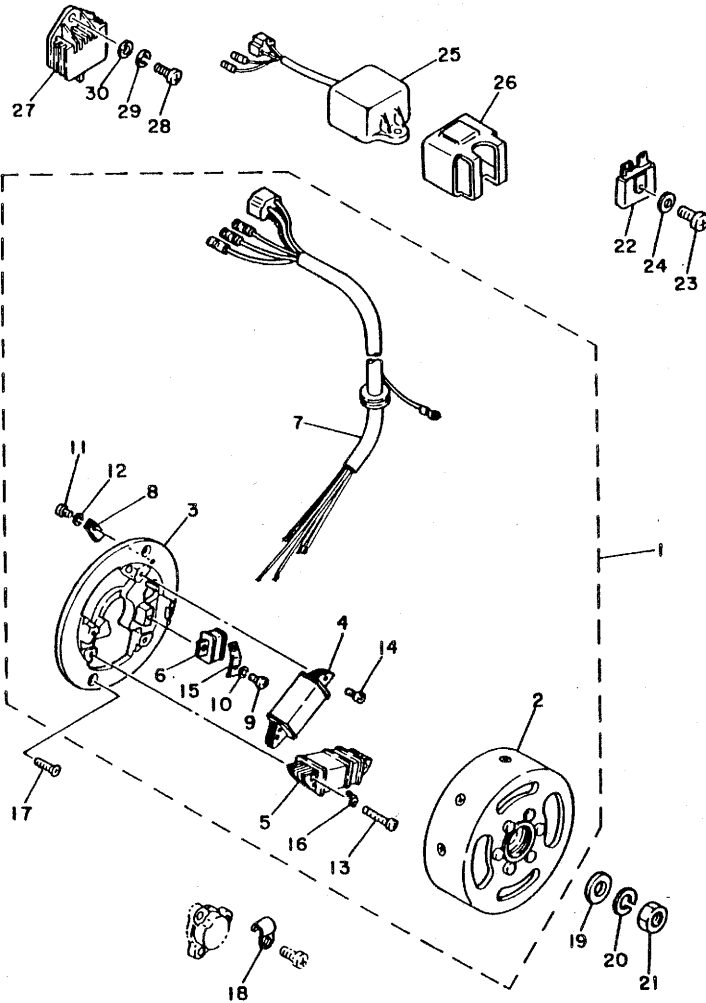
REF. NO.	PART NO.	DESCRIPTION	Q'TY	REMARKS
1	382-11400-02	CRANKSHAFT ASSY	1	
2	558-11412-00	.CRANK 1	1	
3	382-11422-00	.CRANK 2	1	
4	558-11651-00	.ROD, connecting	1	
5	5E2-11681-00	.PIN, crank 1	1	
6	90209-22071	.WASHER	2	
7	93310-422E7	.BEARING, cylindrical	1	
8	90280-03017	KEY, woodruff	1	
9	93210-18023	O-RING	1	
10	90387-20175	COLLAR	1	
11	93306-30405	BEARING (B6304C3)	2	
12	93102-20010	OIL SEAL	1	
13	93103-28011	OIL SEAL	1	
14	3V6-11631-00-96	PISTON (STD)	1	UR
	3V6-11631-00-98	PISTON (STD)	1	UR
	3V6-11635-00	PISTON (1ST O/S 0.25MM)	1	AP
	3V6-11636-00	PISTON (2ND O/S 0.50MM)	1	AP
	3V6-11637-00	PISTON (3RD O/S 0.75MM)	1	AP
	3V6-11638-00	PISTON (4TH O/S 1.00MM)	1	AP
15	131-11633-00	PIN, Piston	1	
16	93310-21403	BEARING, cylindrical	1	
17	93450-15023	CIRCLIP	2	
18	335-11601-00	PISTON RING SET (STD)	1	
	335-11601-10	PISTON RING SET (1ST O/S)	1	AP
	335-11601-20	PISTON RING SET (2ND O/S)	1	AP
	335-11601-30	PISTON RING SET (3RD O/S)	1	AP
	335-11601-40	PISTON RING SET (4TH O/S)	1	AP



3V6700-2020

**B3**

FIG. 3 C.D.I MAGNETO

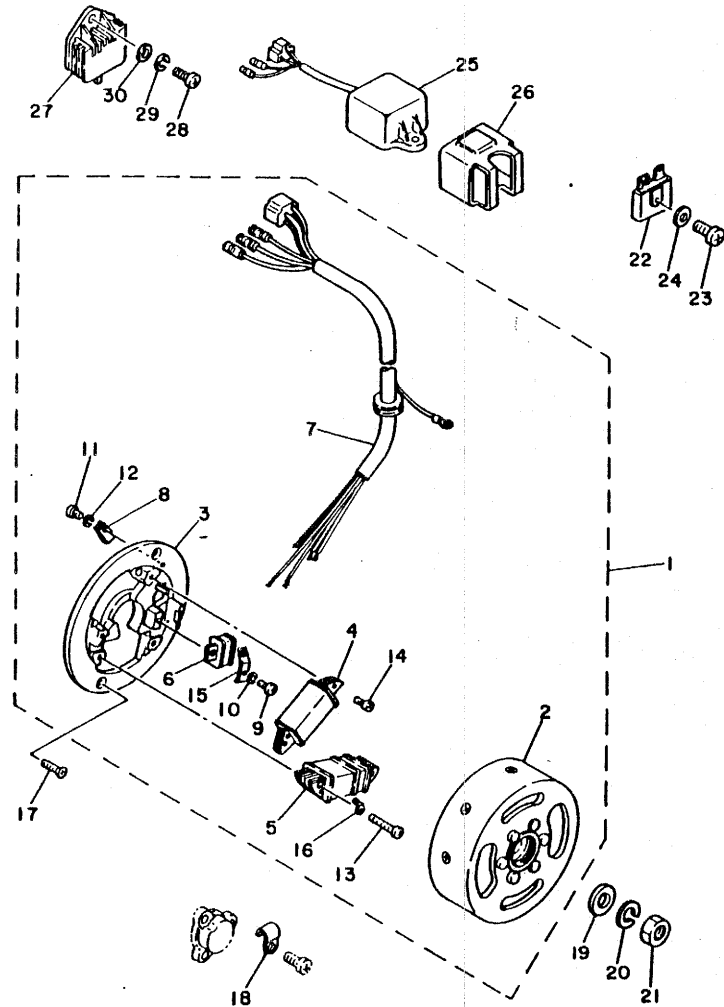


REF. NO.	PART NO.	DESCRIPTION	Q'TY	REMARKS
1	3V6-85500-M1	C.D.I. MAGNETO ASSY	1	
2	3V6-85550-M1	.ROTOR ASSY	1	
3	3E5-85561-M1	.BASE, magneto	1	
4	3T5-85520-M1	.COIL, charge	1	
5	3V6-81313-M1	.COIL, lighting i	1	
6	4U5-85580-M0	.COIL, Pulser	1	
7	3V6-8131X-M1	.CORD ASSY	1	
8	90461-05036	.CLAMP	1	
9	98503-04010	.SCREW, Pan head	1	
10	92901-04100	.WASHER, sPrinE	1	
11	98501-04006	.SCREW, Pan head	1	
12	92901-04100	.WASHER, sPrinE	1	
13	98511-04025	.SCREW, Pan head	2	
14	98501-04012	.SCREW, Pan head	2	
15	2T4-85568-M1	.TERMINAL, earth 1	1	
16	2T4-85569-M1	.TERMINAL, earth 2	1	
17	98701-05016	SCREW, flat head	2	
18	90462-05012	CLAMP	1	
19	90201-12535	WASHER, Plate	1	
20	92901-12100	WASHER, sPrinE	1	
21	90170-12175	NUT	1	
22	353-81970-50	RECTIFIER ASSY	1	UR
	353-81970-63	RECTIFIER ASSY	1	UR
23	98501-05020	SCREW, Pan head	1	
24	92901-05600	WASHER, Plate	1	
25	3M5-85540-M1	C.D.I. UNIT ASSY	1	
26	2A7-85546-00	BAND	1	
27	4F4-81910-60	VOLTAGE REGULATOR ASSY	1	

3V6700-2030

**B4**

FIG. 3 C.D.I MAGNETO

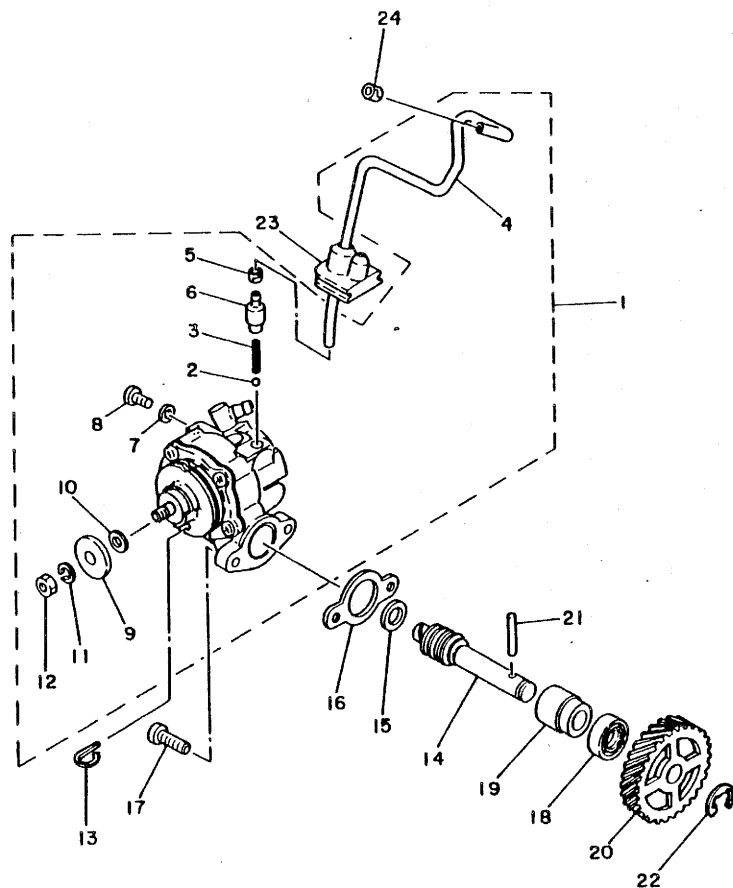


REF. NO.	PART NO.	DESCRIPTION	Q'TY	REMARKS
28	92502-06016	SCREW, Pan head	1	
29	92902-06100	WASHER, sPring	1	
30	92902-06600	WASHER	1	

  
3V6700-2030

**B5**

FIG. 4 OIL PUMP



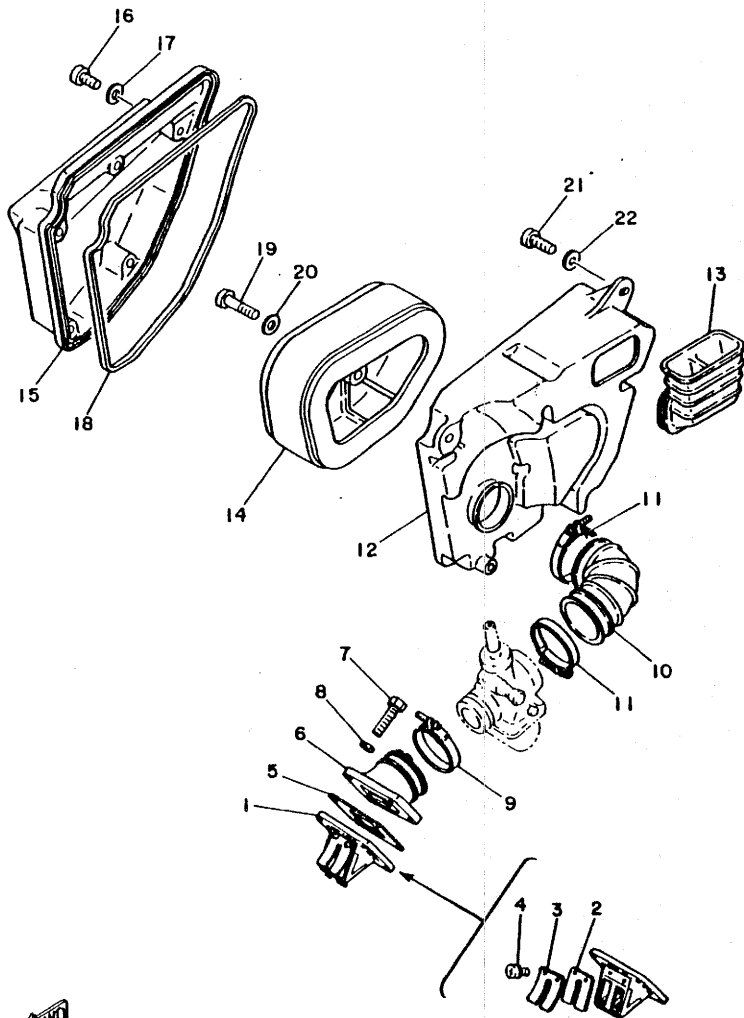
REF. NO.	PART NO.	DESCRIPTION	Q'TY	REMARKS
1	3V6-13101-00	OIL PUMP ASSY	1	
2	93505-32002	.BALL	1	
3	278-13169-00	.SPRING, check ball	1	
4	90445-05278	.HOSE	1	
5	90468-02033	.CLIP	1	
6	402-13552-00	.NOZZLE	1	
7	90430-04004	.GASKET	1	
8	98901-04008	.SCREW, bind	1	
9	137-13138-01	.PLATE, adjustin&	1	
10	137-13137-00-03	.SHIM (0.3T)	1	UN
	137-13137-00-05	.SHIM (0.5T)	1	UN
	137-13137-00-10	.SHIM (1.0T)	1	UN
11	92901-05100	.WASHER, sPrin&	1	
12	95301-05600	.NUT	1	
13	367-13146-01	COVER, adjust Pulley	1	
14	3V6-13175-00	SHAFT, worm	1	
15	90201-08624	WASHER, Plate	1	
16	126-13116-00	GASKET, PumP case	1	
17	98501-05016	SCREW, Pan head	2	
18	93101-10002	OIL SEAL	1	
19	137-13176-00	METAL, worm shaft outer	1	
20	382-13178-60	GEAR, PumP drive (30T)	1	
21	93603-22028	PIN, dowel	1	
22	93430-08006	CIRCLIP	1	
23	525-13174-00	HOLDER, oil Pipe	1	
24	90468-02033	CLIP	1	



3V6700-2040

B6

FIG. 5 INTAKE

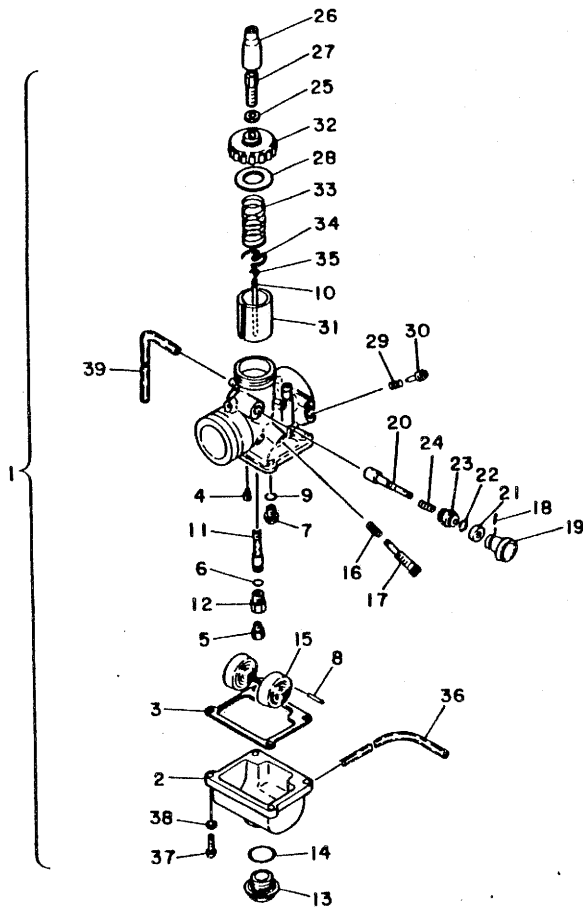


REF. NO.	PART NO.	DESCRIPTION	Q'TY	REMARKS
1	314-13610-01	REED VALVE ASSY	1	
2	314-13613-01	.REED, valve	2	
3	314-13616-01	.STOPPER, reed valve	2	
4	97602-03108	.SCREW, Pan head with washer	4	
5	314-13621-02	GASKET, valve seat	1	
6	560-13565-00	JOINT, carburetor	1	
7	97301-06025	BOLT	4	
8	92901-06600	WASHER, Plate	4	
9	90460-43053	CLAMP, hose	1	
10	3A3-14453-00	JOINT, air cleaner I	1	
11	90460-51059	CLAMP, hose	2	
12	3V6-14411-00	CASE, air cleaner I	1	
13	1V1-14437-00	DUCT	1	
14	3V6-14451-00	ELEMENT, air cleaner	1	
15	3V6-14412-00	CAP, cleaner case I	1	
16	92501-06015	SCREW, Pan head	5	
17	92901-06600	WASHER, Plate	5	
18	3V6-14416-00	GASKET, air cleaner	1	
19	92501-06035	SCREW, Pan head	1	
20	90201-06067	WASHER, Plate	1	
21	92501-06020	SCREW, Pan head	2	
22	90201-06067	WASHER, Plate	2	

3V6700-2050

**B7**

FIG. 6 CARBURETOR

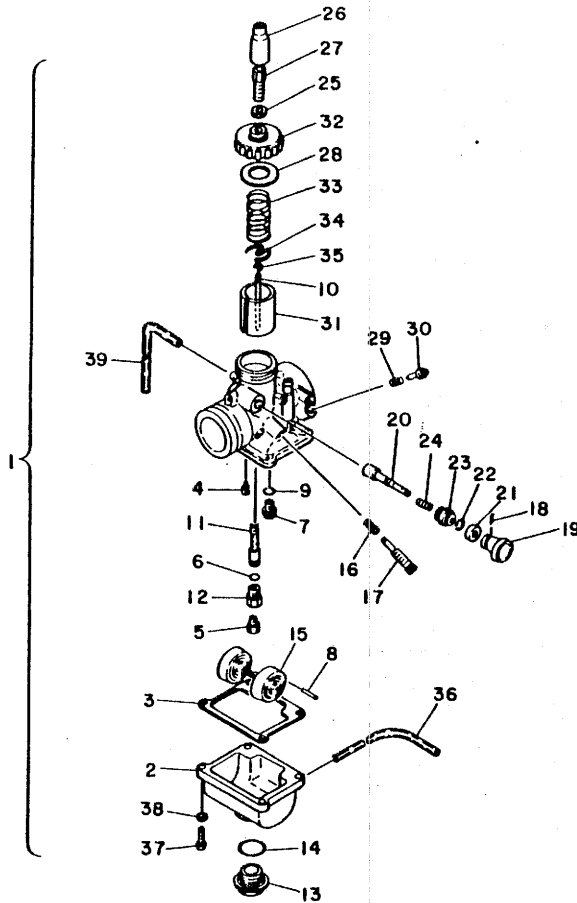


REF. NO.	PART NO.	DESCRIPTION	Q'TY	REMARKS
1	3V6-14101-00	CARBURETOR ASSY 1	1	
2	539-14181-06	.BODY, float chamber 1	1	
3	304-14184-00	.GASKET, float chamber	1	
4	260-14142-17	.JET, Pilot (#17.5)	1	
5	137-14143-28	.JET, main (#140)	1	UR STD
	137-14143-26	.JET, main (#130)	1	UR
	137-14143-30	.JET, main (#150)	1	UR
6	214-14147-00	.O-RING	1	
7	353-14190-15	.NEEDLE VALVE ASSY	1	
8	127-14186-00	.PIN, float	1	
9	127-14195-00	.WASHER, needle valve	1	
10	164-14116-06	.NEEDLE	1	
11	2F5-14141-36	.NOZZLE, main	1	
12	2N4-14145-00	.HOLDER	1	
13	500-14115-00	.PLUG, screw	1	
14	558-14147-00	.O-RING	1	
15	304-14185-00	.FLOAT	1	
16	493-14133-00	.SPRING, throttle stop	1	
17	443-14122-00	.SCREW, throttle	1	
18	91401-16015	.PIN, cotter	1	
19	304-14261-00	.HOLDER	1	
20	304-14171-00	.PLUNGER, starter	1	
21	3A3-14173-00	.COVER, Plunger cap	1	
22	152-14138-00	.CLIP, Plunger	1	
23	152-14174-00	.CAP, Plunger	1	
24	156-14135-00	.SPRING, Plunger	1	
25	802-14161-00	.NUT, cable adjusting	1	
26	307-14169-10	.CAP	1	

FWD  
3V6700-2060

B8

FIG. 6 CARBURETOR



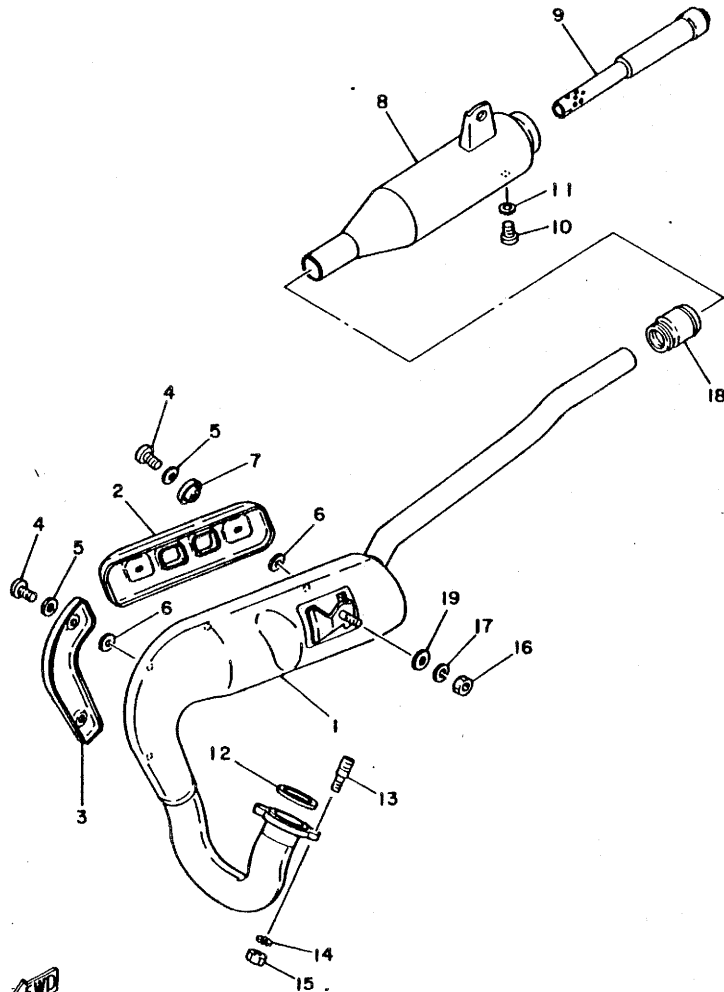
REF. NO.	PART NO.	DESCRIPTION	Q'TY	REMARKS
27	127-14124-20	•SCREW, cable adjusting	1	
28	193-14126-00	•GASKET	1	
29	174-14134-00	•SPRING, air adjusting	1	
30	525-14123-00	•SCREW, air adjusting	1	
31	304-14112-20	•VALVE, throttle	1	
32	193-14158-00	•TOP, mixing chamber	1	
33	3X3-14131-00	•SPRING, throttle valve	1	
34	137-14136-00	•SEAT, spring	1	
35	164-14137-00	•CLIP	1	
36	183-14196-00	•PIPE	1	
37	98501-04016	•SCREW, Pan head	4	
38	92902-04100	•WASHER, spring	4	
39	183-14197-01	•PIPE	1	



3V6700-2060

B9

FIG. 7 EXHAUST

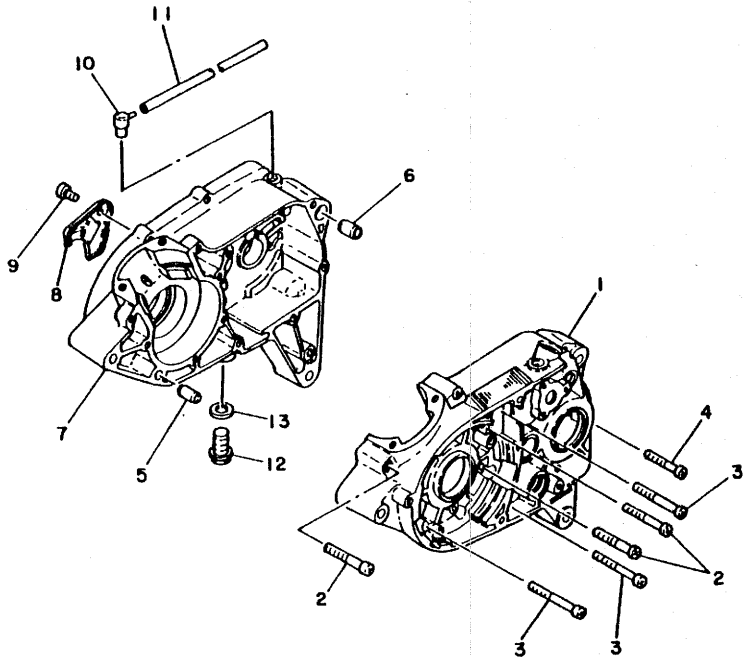
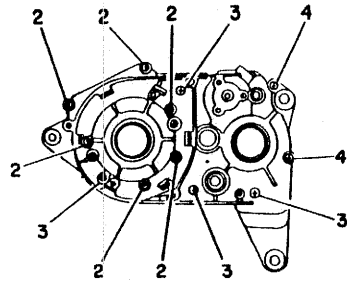


REF. NO.	PART NO.	DESCRIPTION	Q'TY	REMARKS
1	3V6-14610-00	EXHAUST PIPE ASSY 1	1	
2	3V6-14718-00	PROTECTOR, muffler 1	1	
3	3V6-14728-00	PROTECTOR, muffler 2	1	
4	98906-06012	SCREW, blind	4	
5	90202-06010	WASHER, Plate	4	
6	90202-05005	WASHER, Plate	4	
7	90209-06194	WASHER	2	
8	3V6-14753-00	SILENCER, exhaust	1	
9	3T2-14752-00	PIPE, outlet	1	
10	98501-05008	SCREW, Pan head	1	
11	92901-05100	WASHER, sPrinG	1	
12	152-14613-00	GASKET, exhaust Pipe	1	
13	90116-06320	BOLT, stud	2	
14	92901-06100	WASHER, sPrinG	2	
15	95301-06600	NUT	2	
16	95301-08600	NUT	1	
17	92901-08100	WASHER, sPrinG	1	
18	3M7-14615-00	JOINT, exhaust 1	1	
19	90201-08753	WASHER, Plate	1	

3V6700-2070

**B10**

FIG. 8 CRANKCASE



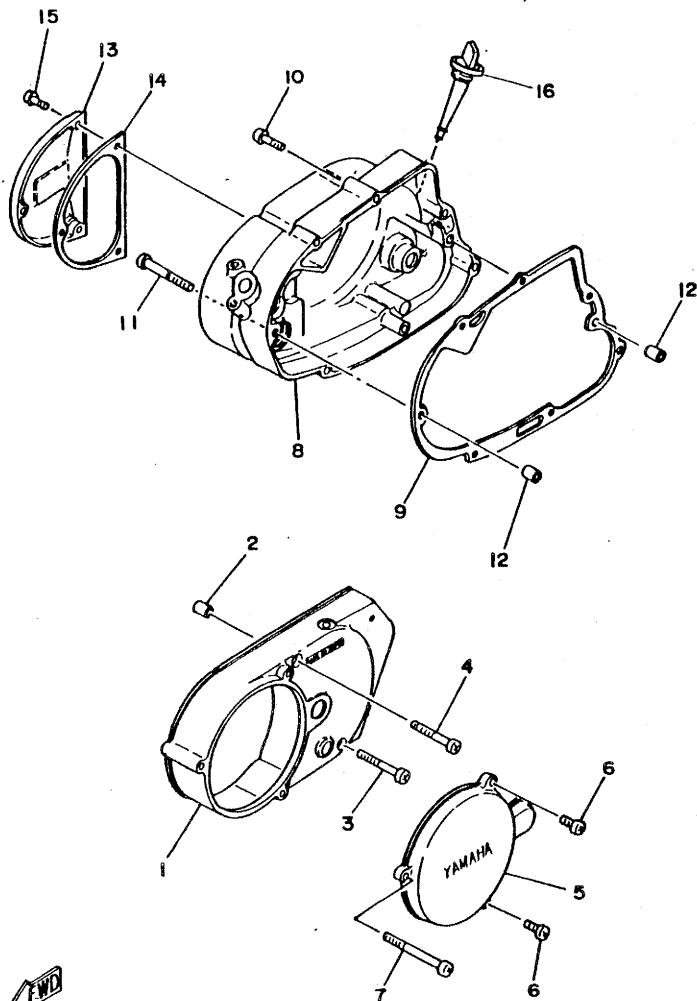
REF. NO.	PART NO.	DESCRIPTION	Q'TY	REMARKS
1	276-15111-01	CRANKCASE 1	1	
2	92501-06045	SCREW, Pan head	6	
3	92501-06055	SCREW, Pan head	4	
4	92501-06040	SCREW, Pan head	2	
5	91810-05016	PIN, dowel	1	
6	91830-24016	PIN, dowel	1	
7	276-15121-04	CRANKCASE 2	1	
8	304-15128-00	HOLDER	1	
9	92501-08010	SCREW, Pan head	1	
10	498-15371-00	BREATHER	1	
11	90446-07009	HOSE	1	
12	90340-12005	PLUG, straight screw	1	
13	90430-12038	GASKET	1	



3V6700-2080

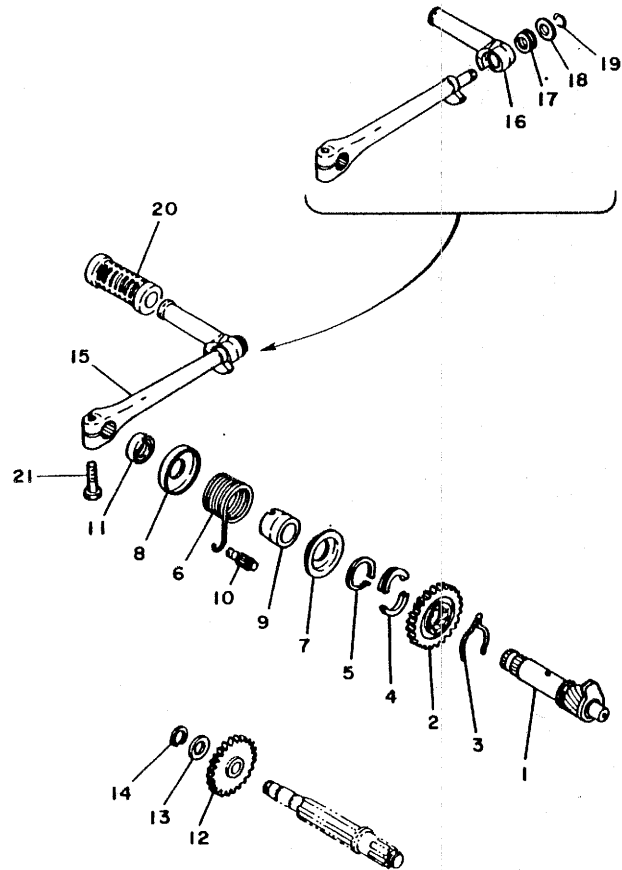
**B11**

FIG. 9 CRANKCASE COVER



REF. NO.	PART NO.	DESCRIPTION	Q'TY	REMARKS
1	382-W1541-60	CRANKCASE COVER ASSY 1	1	
2	91830-21014	PIN, dowel	2	
3	92501-06050	SCREW, Pan head	2	
4	92501-06045	SCREW, Pan head	1	
5	276-15415-00	COVER, Generator	1	
6	92501-06020	SCREW, Pan head	2	
7	92501-06060	SCREW, Pan head	1	
8	3V6-15421-00	COVER, crankcase 2	1	
9	4Y2-15451-00	GASKET, crankcase cover	1	
10	92501-06035	SCREW, Pan head	6	
11	92501-06060	SCREW, Pan head	1	
12	91810-02014	PIN, dowel	2	
13	3V6-15416-00	COVER, oil Pump	1	
14	444-15456-00	GASKET, oil Pump cover 1	1	
15	92501-06020	SCREW, Pan head	3	
16	315-15362-01	PLUG, oil level	1	

FIG. 10 KICK STARTER

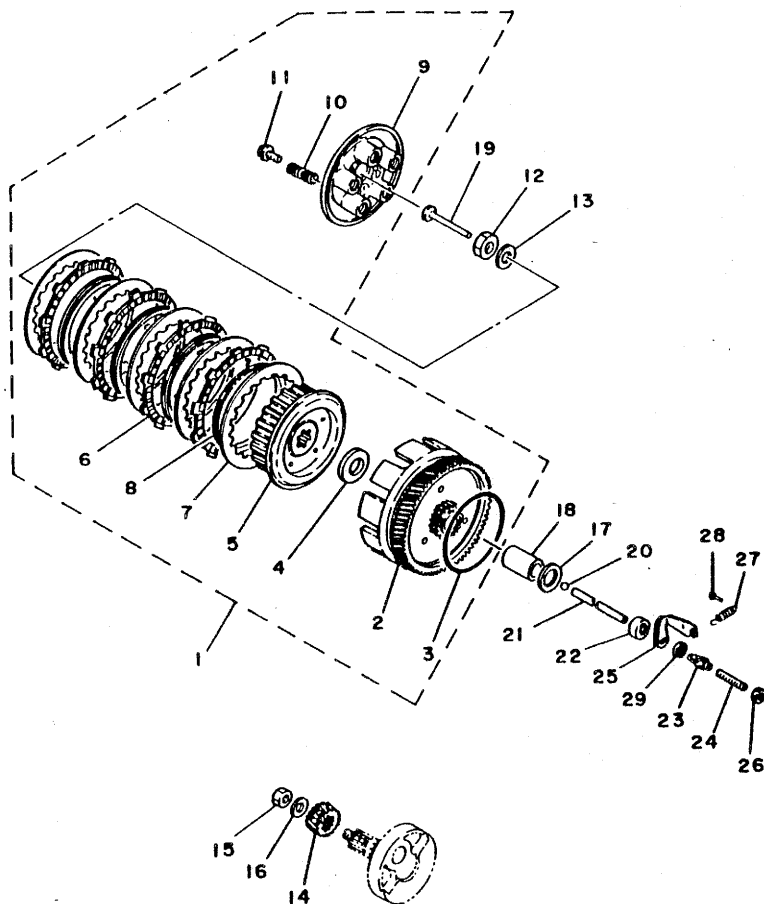


REF. NO.	PART NO.	DESCRIPTION	Q'TY	REMARKS
1	3V6-15660-00	KICK AXLE ASSY	1	
2	305-15641-00	GEAR, kick (26T)	1	
3	90468-26048	CLIP	1	
4	248-15654-00	HOLDER, kick gear	2	
5	93410-30012	CIRCLIP	1	
6	90508-26441	SPRING, torsion	1	
7	3V6-15664-00	GUIDE, spring	1	
8	3V6-15676-00	COVER, spring	1	
9	3V6-15666-00	SPACER	1	
10	248-15668-00	STOPPER	1	
11	93104-20017	OIL SEAL	1	
12	403-15651-00	GEAR, kick idle (26T)	1	
13	132-15653-00-10	WASHER	1	
14	93410-13004	CIRCLIP	1	
15	3V6-15610-00	KICK CRANK ASSY	1	
16	214-15612-01	LEVER, kick	1	
17	90504-18009	SPRING, compression	1	
18	214-15616-00	WASHER, kick lever	1	
19	93440-11029	CIRCLIP	1	
20	214-15618-00	COVER, kick lever	1	
21	97321-08030	BOLT	1	

FWD  
3V6700-2100

**B13**

FIG. 11 CLUTCH



REF. NO.	PART NO.	DESCRIPTION	Q'TY	REMARKS
1	3V6-16300-00	CLUTCH ASSY	1	
2	3V6-16150-00	•PRIMARY DRIVEN GEAR COMP.	1	
3	132-16369-00	•RING, friction	1	
4	276-16154-00	•PLATE, thrust 1	1	
5	1E7-16371-00	•BOSS, clutch	1	
6	132-16321-00	•PLATE, friction	4	
7	137-16324-00	•PLATE, clutch 1	5	
8	137-16367-00	•RING, cushion	4	
9	132-16351-00	•PLATE, Pressure 1	1	
10	90501-20124	•SPRING, compression	5	
11	90119-05001	•BOLT, with washer	5	
12	90170-12060	NUT	1	
13	90208-12015	WASHER, conical spring	1	
14	382-16111-62	GEAR, Primary drive (19T)	1	
15	90170-12060	NUT	1	
16	90208-12015	WASHER, conical spring	1	
17	122-16164-00	PLATE, thrust 2	1	
18	90560-17124	SPACER	1	
19	137-16356-00	ROD, Push 1	1	
20	93501-04011	BALL	1	
21	276-16357-00	ROD, Push 2	1	
22	132-15389-00	SEAL, Push rod	1	
23	241-16341-01	SCREW, Push	1	
24	90113-06013	BOLT, set	1	
25	382-16342-60	LEVER, Push	1	
26	95301-06700	NUT	1	
27	90506-10019	SPRING, tension	1	
28	132-16346-00	HOOK, spring	1	

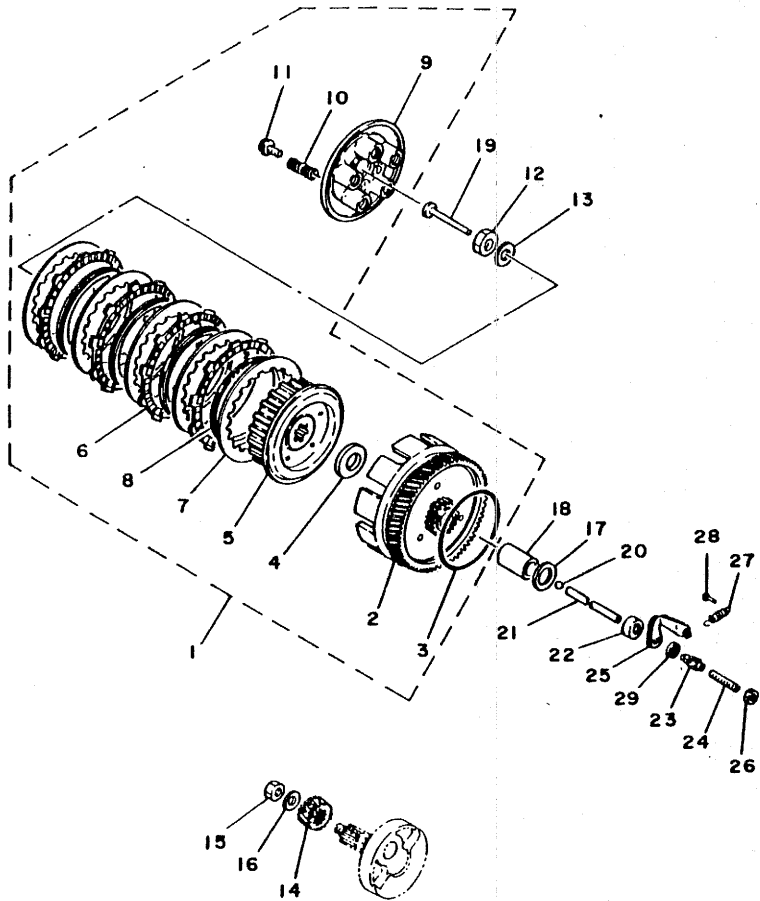


3V6700-2110

**B14**

FIG. 11 CLUTCH

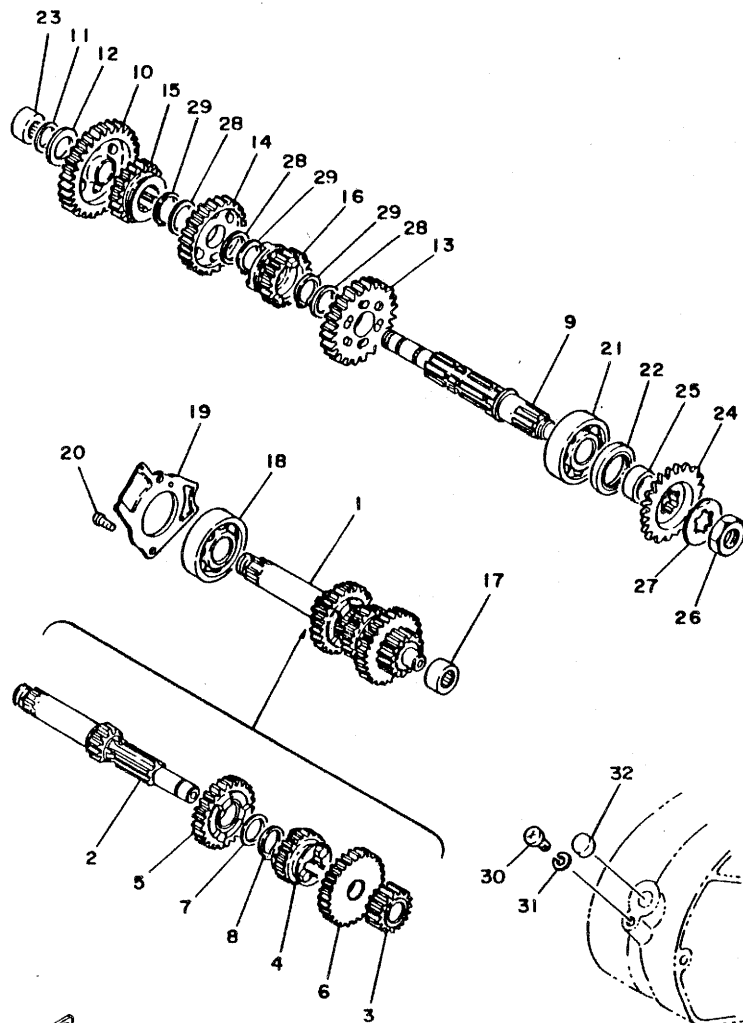
REF. NO.	PART NO.	DESCRIPTION	Q'TY	REMARKS
29	93104-11028	OIL SEAL	1	



3V6700-2110

**B15**

FIG. 12 TRANSMISSION

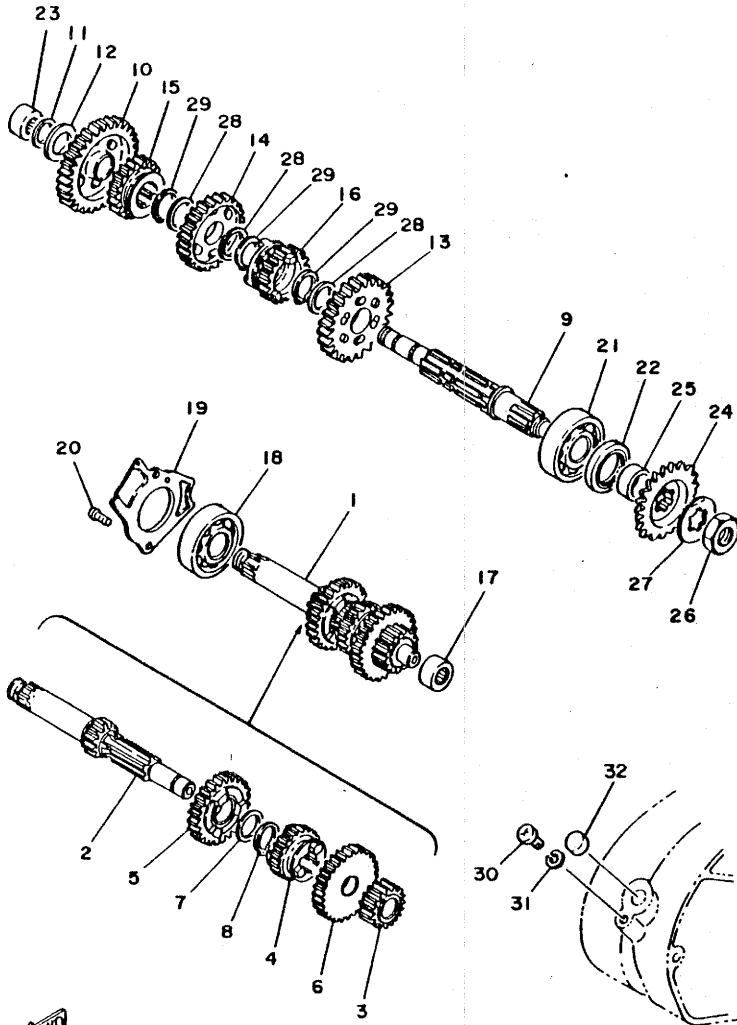


REF. NO.	PART NO.	DESCRIPTION	Q'TY	REMARKS
1	3V6-17410-00	MAIN AXLE COMP.	1	
2	437-17411-01	.AXLE, main (11T)	1	
3	427-17121-01	.GEAR, 2nd Pinion (16T)	1	
4	3V6-17131-00	.GEAR, 3rd Pinion (20T)	1	
5	482-17141-00	.GEAR, 4th Pinion (24T)	1	
6	482-17151-00	.GEAR, 5th Pinion (27T)	1	
7	90201-20266	.WASHER, Plate	1	
8	93410-20038	.CIRCLIP	1	
9	315-17421-01	AXLE, drive	1	
10	248-17211-00	GEAR, 1st wheel (35T)	1	
11	93440-15012	CIRCLIP	1	
12	164-17427-00-10	SHIM 1 (1.0T)	1	
13	427-17221-00	GEAR, 2nd wheel (30T)	1	
14	3V6-17231-00	GEAR, 3rd wheel (25T)	1	
15	382-17241-60	GEAR, 4th wheel (21T)	1	
16	482-17251-00	GEAR, 5th wheel (18T)	1	
17	93315-31502	BEARING, cylindrical	1	
18	93306-30303	BEARING (B6303Z)	1	
19	1G8-17471-00	PLATE, cover	1	
20	92501-06012	SCREW, Pan head	2	
21	93306-30401	BEARING (B6304)	1	
22	93102-26042	OIL SEAL	1	
23	93311-31515	BEARING, cylindrical	1	
24	382-17461-41	SPROCKET, drive (14T)	1	
25	90387-20491	COLLAR	1	
26	90179-16018	NUT	1	
27	382-17464-60	WASHER, lock	1	
28	90201-20266	WASHER, Plate	3	

3V6700-2120

C2

FIG. 12 TRANSMISSION



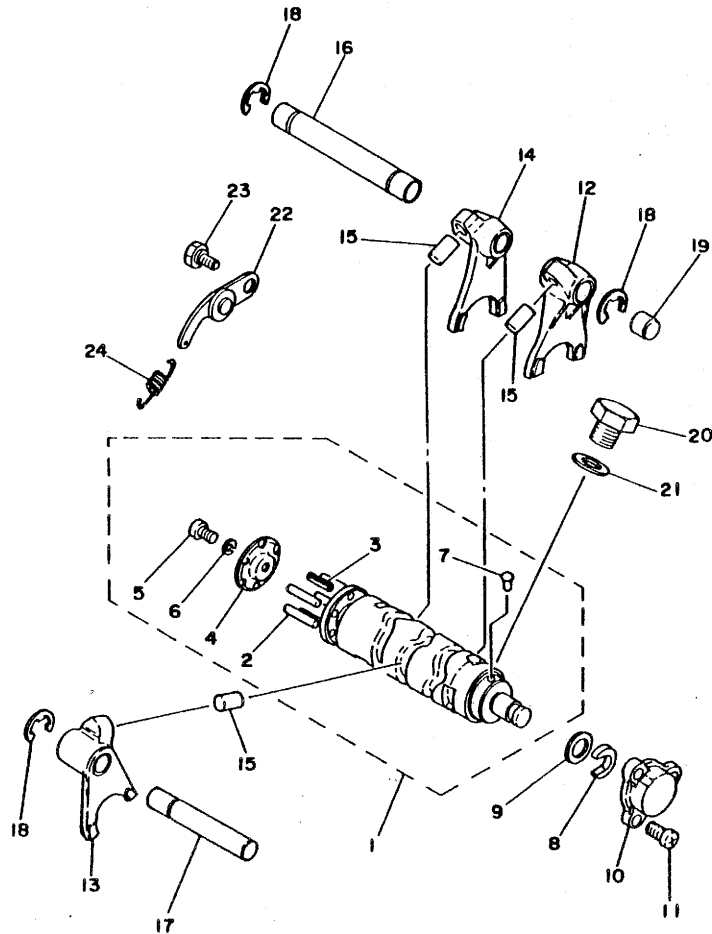
REF. NO.	PART NO.	DESCRIPTION	Q'TY	REMARKS
29	93410-20038	CIRCLIP	3	
30	92501-06010	SCREW, Pan head	1	
31	92901-06100	WASHER, sPring	1	
32	90338-16015	PLUG	1	



3V6700-2120

C3

FIG. 13 SHIFT CAM.FORK

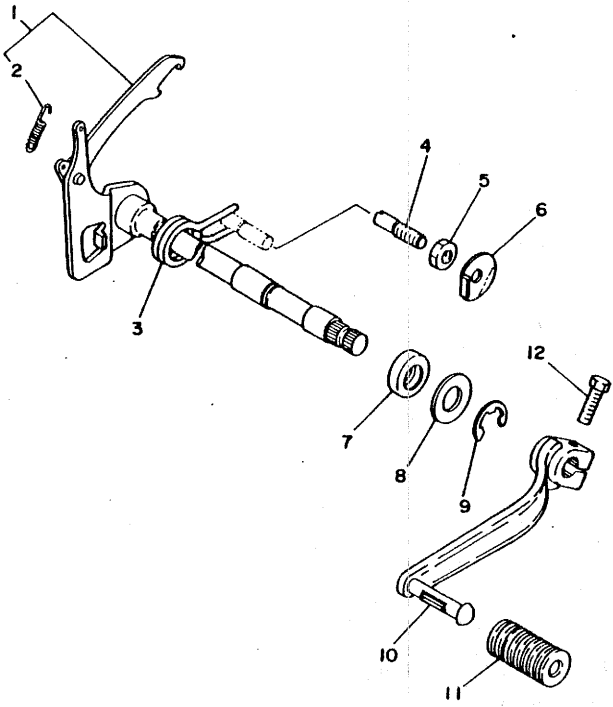


REF. NO.	PART NO.	DESCRIPTION	Q'TY	REMARKS
1	3V6-18540-00	SHIFT CAM ASSY	1	
2	93604-22050	.PIN, dowel	5	
3	91609-40016	.PIN, sPrinG	1	
4	382-18561-60	.PLATE, side 1	1	
5	98501-05012	.SCREW, Pan head	1	
6	92901-05100	.WASHER, sPrinG	1	
7	136-18542-00	.POINT, neutral	1	
8	164-18571-01	HOLDER, shift cam	1	
9	90201-12166	WASHER, Plate	1	
10	164-18589-00	PLUG, blind	1	
11	92501-06010	SCREW, Pan head	3	
12	248-18511-02	FORK, shift 1	1	
13	248-18512-01	FORK, shift 2	1	
14	248-18513-01	FORK, shift 3	1	
15	90250-08017	PIN, straight	3	
16	214-18531-00	BAR, shift fork Guide 1	1	
17	248-18531-00	BAR, shift fork Guide 1	1	
18	93430-10017	CIRCLIP	3	
19	214-15385-00	PLUG, blind	1	
20	90101-14259	BOLT	1	
21	137-15353-00	GASKET, drain	1	
22	4M3-18140-00	STOPPER LEVER ASSY	1	
23	90109-06001	BOLT	1	
24	90506-09112	SPRING, tension	1	

3V6700-2130

C4

FIG. 14 SHIFT SHAFT-PEDAL



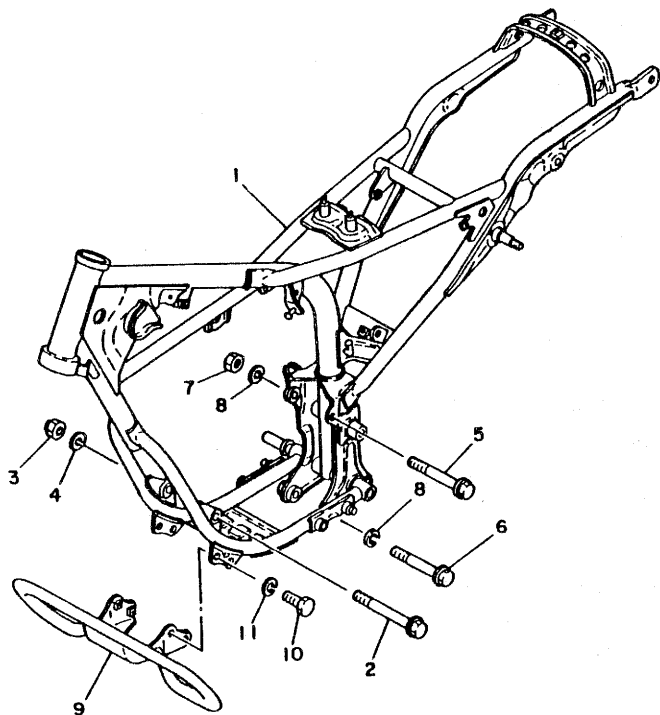
REF. NO.	PART NO.	DESCRIPTION	Q'TY	REMARKS
1	3V6-18101-02	SHIFT SHAFT ASSY	1	
2	90506-09009	.SPRING, tension	1	
3	90508-32437	SPRING, torsion	1	
4	90149-08094	SCREW	1	
5	90170-08029	NUT	1	
6	90215-08014	WASHER, lock	1	
7	93109-14005	DIL SEAL	1	
8	90201-14586	WASHER, Plate	1	
9	93430-12009	CIRCLIP	1	
10	367-18111-00-91	PEDAL, shift	1	uni chrome
11	132-18113-01	COVER, shift Pedal	1	
12	97321-06020	BOLT	1	



3V6700-2140

C5

FIG. 15 FRAME. TOOL



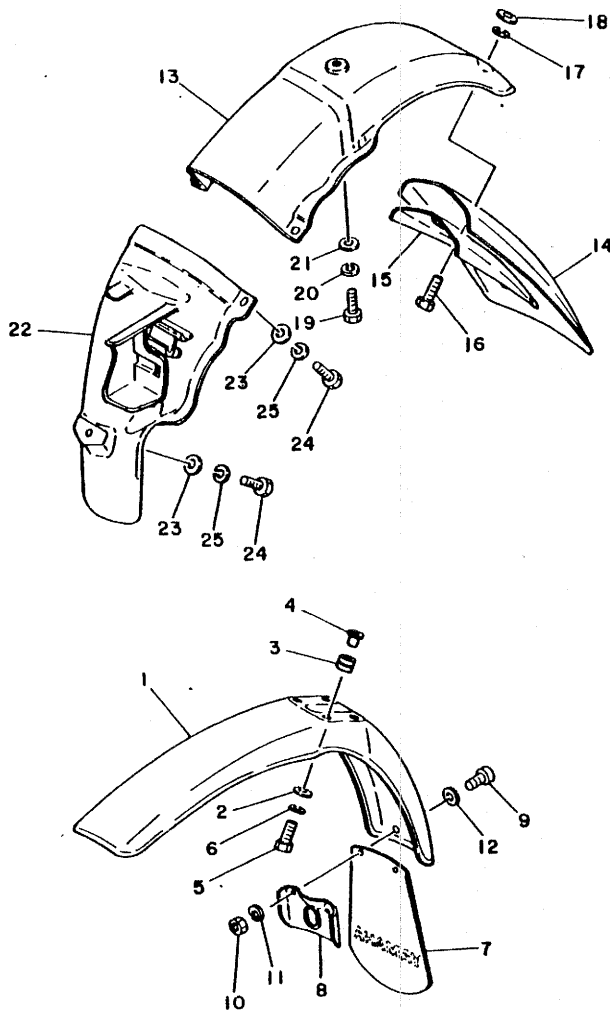
REF. NO.	PART NO.	DESCRIPTION	Q'TY	REMARKS
1	3V6-21110-01-33	FRAME COMP.	1	UR yamaha black for oceania
	3V6-21110-10-33	FRAME COMP.	1	UR yamaha black except oceania
2	95821-08115	BOLT, flange	1	
3	90185-08089	NUT, self-locking	1	
4	92901-08100	WASHER, spring	1	
5	95821-10105	BOLT, flange	1	
6	95821-10090	BOLT, flange	1	
7	90185-10035	NUT, self-locking	1	
8	92901-10100	WASHER, spring	2	
9	3V6-21473-01	PROTECTOR, Pedal	1	
10	97301-08020	BOLT	4	
11	92901-08100	WASHER, spring	4	



3V6700-2150

C6

FIG. 16 FRONT FENDER-REAR FENDER



REF. NO.	PART NO.	DESCRIPTION	Q'TY	REMARKS
1	3V6-21511-10	FENDER, front	1	sunshine red
2	90201-06067	WASHER, Plate	4	
3	90480-14198	GROMMET	4	
4	90387-06388	COLLAR	4	
5	97301-06025	BOLT	4	
6	92901-06100	WASHER, sPrin&	4	
7	482-21521-00	FLAP, front fender	1	
8	482-21522-00	BAND, flap	1	
9	92501-06018	SCREW, Pan head	2	
10	95301-06600	NUT	2	
11	92901-06100	WASHER, sPrin&	2	
12	90201-06067	WASHER, Plate	2	
13	3V6-21611-10	FENDER, rear	1	sunshine red
14	4M3-21621-00	FLAP	1	
15	482-21622-01	BAND, flap	1	
16	97301-06025	BOLT	2	
17	92901-06100	WASHER, sPrin&	2	
18	92901-06600	WASHER, Plate	2	
19	97301-06016	BOLT	1	
20	92901-06100	WASHER, sPrin&	1	
21	90201-06067	WASHER, Plate	1	
22	3V6-21629-01	GUARD, mud	1	
23	90201-06067	WASHER, Plate	3	
24	97301-06020	BOLT	3	
25	92901-06100	WASHER, sPrin&	3	

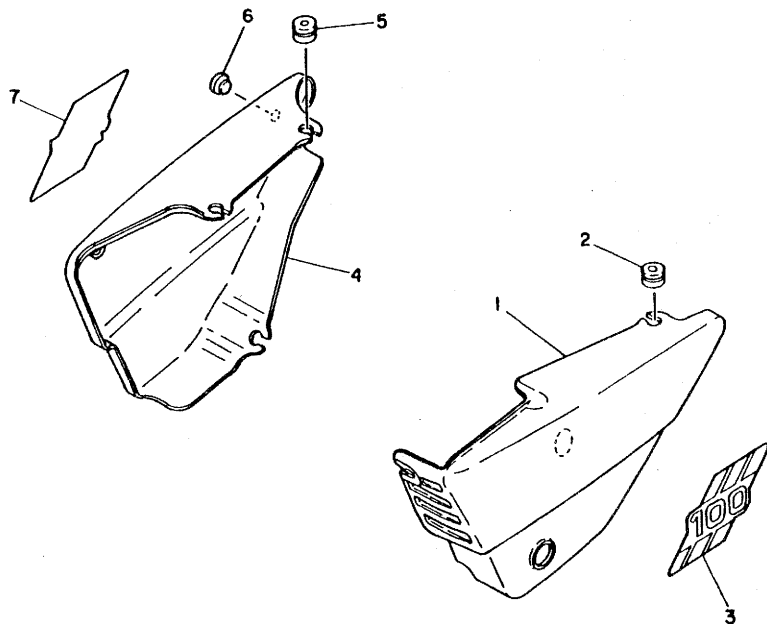


3V6700-2160

C7

FIG. 17 SIDE COVER

REF. NO.	PART NO.	DESCRIPTION	Q'TY	REMARKS
1	3V6-21711-10	COVER, side 1	1	sunshine red
2	90480-12053	GROMMET	3	
3	3V6-21781-20	EMBLEM 1	1	
4	3V6-21721-10	COVER, side 2	1	sunshine red
5	90480-12053	GROMMET	3	
6	431-24181-00	DAMPER, locatin& 1	2	
7	3V6-21782-20	EMBLEM 2	1	

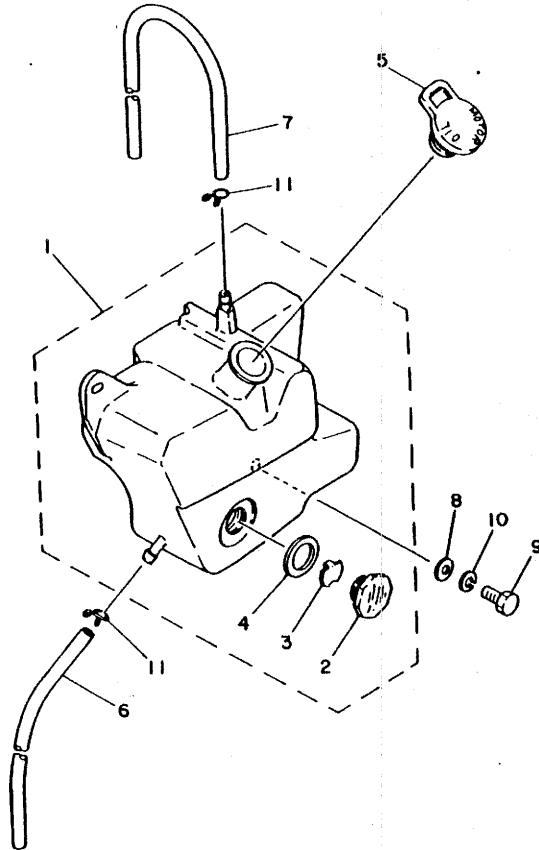


3V6700-2170

C8

FIG. 18 OIL TANK

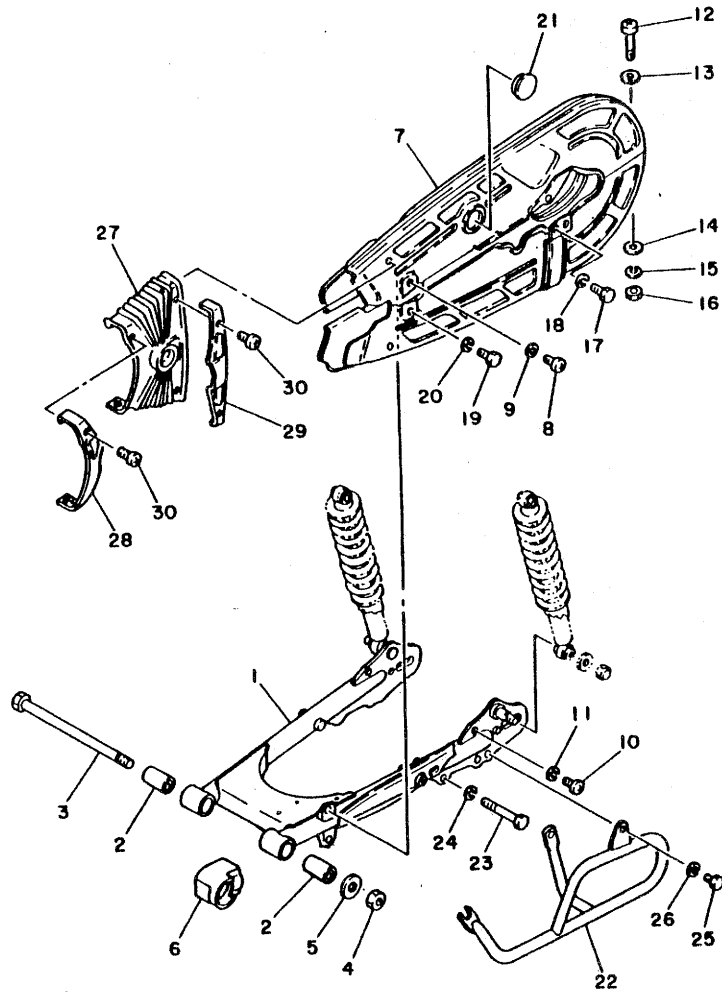
REF. NO.	PART NO.	DESCRIPTION	Q'TY	REMARKS
1	3V6-21750-00	OIL TANK ASSY	1	
2	1Y1-21764-00	•LENS, level gauge	1	
3	1Y1-2176A-00	•REFLECTOR, level gauge	1	
4	1Y1-21763-00	•GASKET, level gauge	1	
5	1T9-21771-00	BODY, cap	1	
6	90445-09225	HOSE	1	
7	3V6-21745-00	PIPE, oil tank breather	1	
8	90201-06067	WASHER, Plate	2	
9	97301-06016	BOLT	2	
10	92901-06100	WASHER, spring	2	
11	90467-08003	CLIP	2	



3V6700-2180

C9

FIG. 19 REAR ARM



REF. NO.	PART NO.	DESCRIPTION	Q'TY	REMARKS
1	3V6-22110-01-33	REAR ARM COMP.	1	yamaha black
2	276-22123-00	BUSH 1	2	
3	276-22141-00	SHAFT, Pivot	1	
4	95601-12100	NUT, u	1	
5	90201-123A7	WASHER, Plate	1	
6	3V6-22151-00	SEAL, Guard	1	
7	3V6-22310-02	CHAIN CASE ASSY	1	
8	92501-06012	SCREW, Pan head	1	
9	92901-06100	WASHER, sPrinG	1	
10	92501-06015	SCREW, Pan head	1	
11	92901-06100	WASHER, sPrinG	1	
12	92501-06045	SCREW, Pan head	1	
13	92901-06600	WASHER, Plate	1	
14	92901-06200	WASHER, Plain	1	
15	92901-06100	WASHER, sPrinG	1	
16	95301-06600	NUT	1	
17	97301-08020	BOLT	1	
18	92901-08100	WASHER, sPrinG	1	
19	97301-08016	BOLT	1	
20	92901-08100	WASHER, sPrinG	1	
21	148-22315-00	CAP	1	
22	3V6-22318-01	GUARD, chain	1	
23	90101-08439	BOLT	1	
24	92901-08100	WASHER, sPrinG	1	
25	97301-08016	BOLT	1	
26	92901-08100	WASHER, sPrinG	1	
27	3V6-22325-00	COVER, dust	1	
28	3V6-22324-00	STAY, dust cover	1	

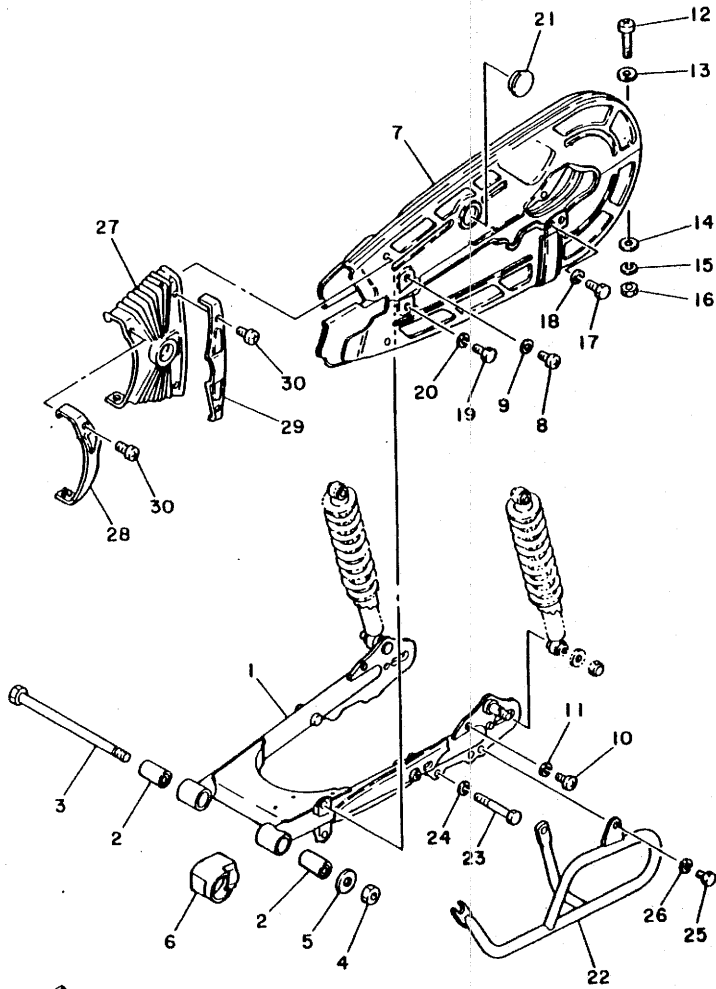


3V6700-2190

C10

FIG. 19 REAR ARM

REF. NO.	PART NO.	DESCRIPTION	Q'TY	REMARKS
29	382-22322-00	STAY, chain case 2	1	
30	98501-05008	SCREW, Pan head	4	

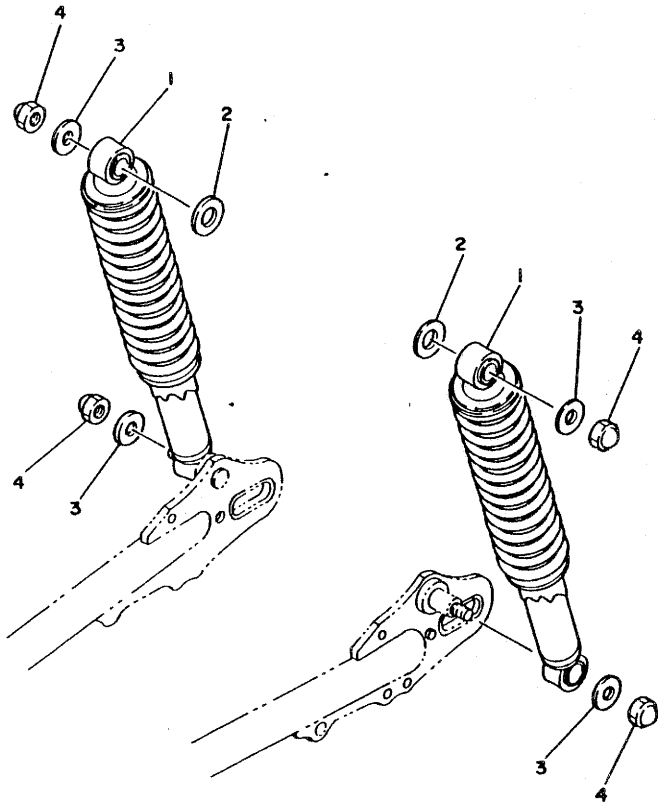


3V6700-2190

C11

FIG. 20 REAR SUSPENSION

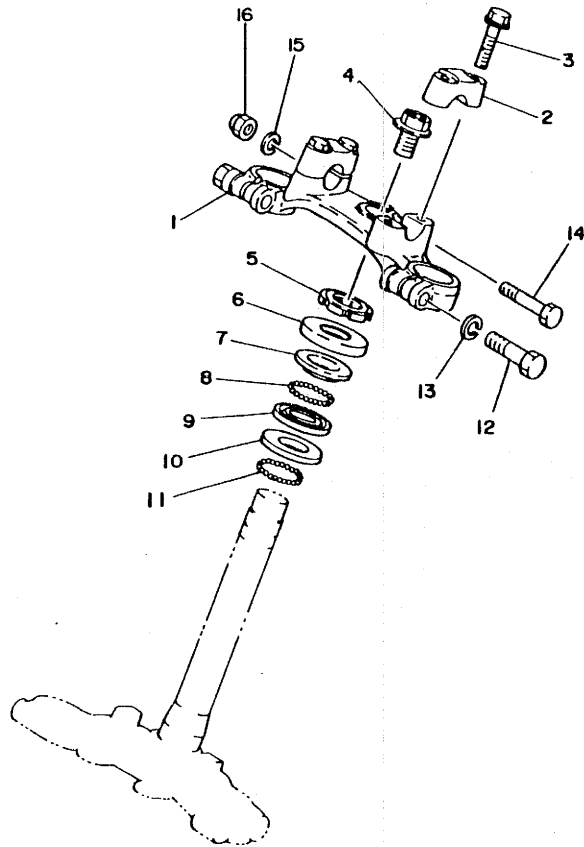
REF. NO.	PART NO.	DESCRIPTION	Q'TY	REMARKS
1	3V6-22210-00	SHOCK ABSORBER ASSY, rear	2	
2	90201-14218	WASHER, Plate	2	
3	90201-10140	WASHER, Plate	4	
4	90176-10013	NUT, crown	4	



3V6700-2200

**C12**

FIG. 21 STEERING



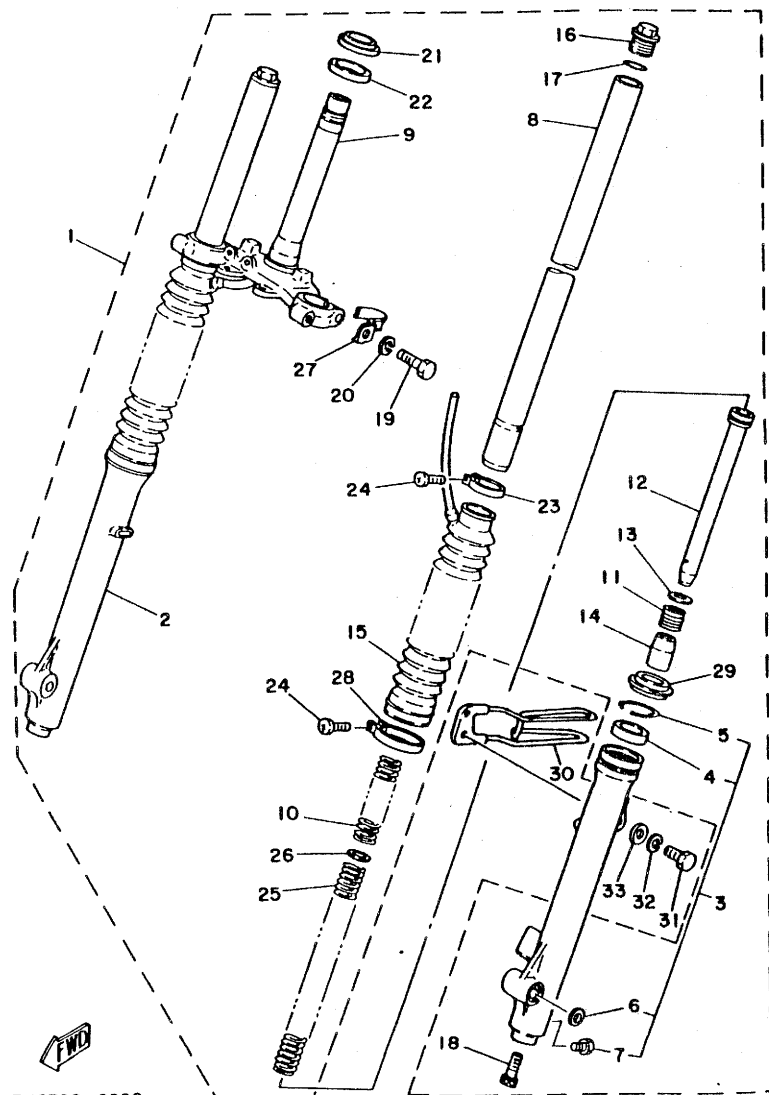
REF. NO.	PART NO.	DESCRIPTION	Q'TY	REMARKS
1	3V6-23435-00-33	CROWN, handle	1	yamaha black
2	1E6-23441-00-98	HOLDER, handle upper	2	
3	95821-08035	BOLT, flange	4	
4	90105-14136	BOLT, washer based	1	
5	90179-25033	NUT	1	
6	122-23416-00	COVER, ball race 2	1	
7	122-23411-00	RACE, ball 1	1	
8	93503-16010	BALL	22	
9	122-23412-00	RACE, ball 2	1	
10	156-23412-00	RACE, ball 2	1	
11	93501-04011	BALL	19	
12	97301-10040	BOLT	2	
13	92901-10100	WASHER, spring	2	
14	97301-08045	BOLT	1	
15	92901-08100	WASHER, spring	1	
16	95301-08800	NUT, crown	1	



3V6700-2210

C13

FIG. 22 FRONT FORK

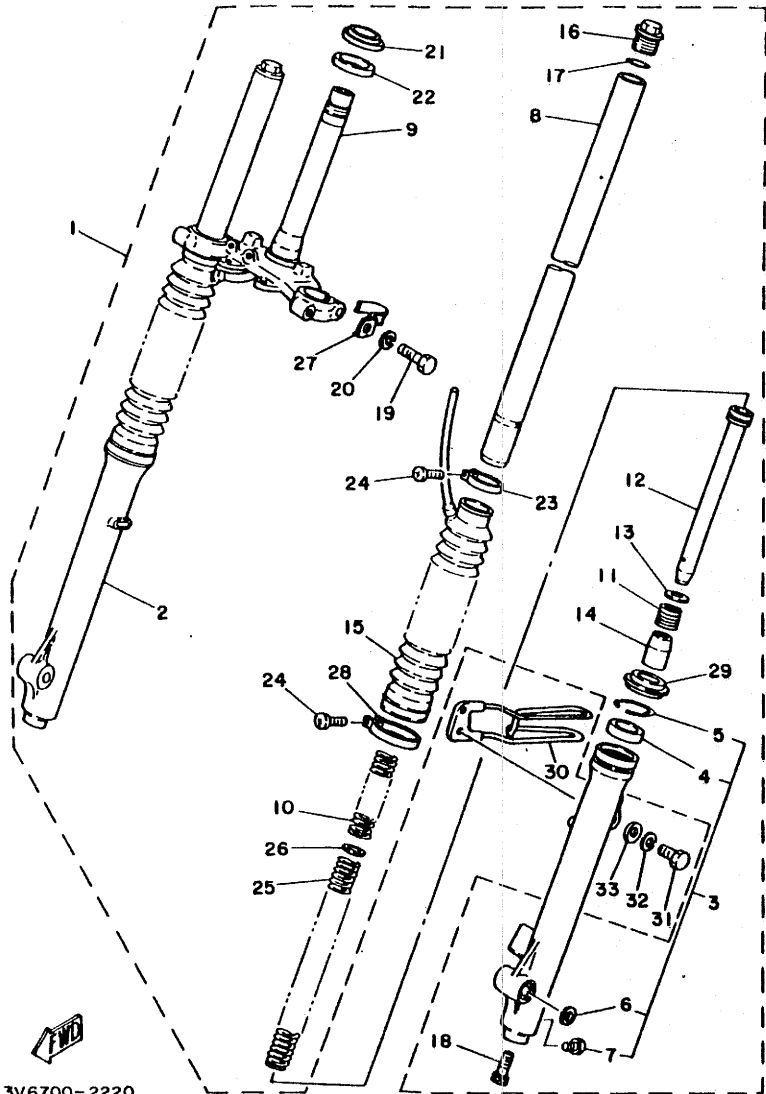


3V6700-2220

REF. NO.	PART NO.	DESCRIPTION	Q'TY	REMARKS
1	3V6-23100-00	FRONT FORK ASSY	1	
2	3V6-23140-00-35	•FORK UNIT ASSY 2	1	silver
3	3V6-23130-00-35	•FORK UNIT ASSY 1	1	silver
4	1E7-23145-00	••OIL SEAL	2	
5	1E7-23156-00	••CLIP, oil seal	2	
6	462-23392-02	••WASHER, sPecial	2	
7	2A6-23119-00	••PLUG, drain	2	
8	3V6-23110-00	•INNER TUBE COMP.1	2	
9	3V6-23340-00-90	•UNDER BRACKET COMP.	1	uni chrome (black)
10	3V6-23351-00	•SPRING	2	
11	2X6-23151-00	•SPRING, rebound	2	
12	3V6-23143-00	•SEAT, sPring lower	2	
13	1E7-23157-00	•RING, Piston	2	
14	1L9-23166-00	•TAPER, sPindle	2	
15	3V6-23191-00	•BOOT	2	
16	1E7-23111-00	•BOLT, caP	2	
17	1E7-23114-00	•GASKET	2	
18	3M7-23181-00	•BOLT, hexagon socket head	2	
19	451-23346-01	•BOLT 1	2	
20	92901-10100	•WASHER, sPring	2	
21	156-23411-00	•RACE, ball 1	1	
22	164-23462-00	•SEAL, steering	1	
23	3V6-23192-01	•BAND	2	
24	98506-04020	•SCREW, Pan head	4	
25	3V6-23141-00	•SPRING, front fork	2	
26	2X6-23142-00	•SEAT, sPring upper	2	
27	3V6-23317-00	•HOLDER, cable	1	
28	3V6-23489-01	•BAND	2	

C14

FIG. 22 FRONT FORK

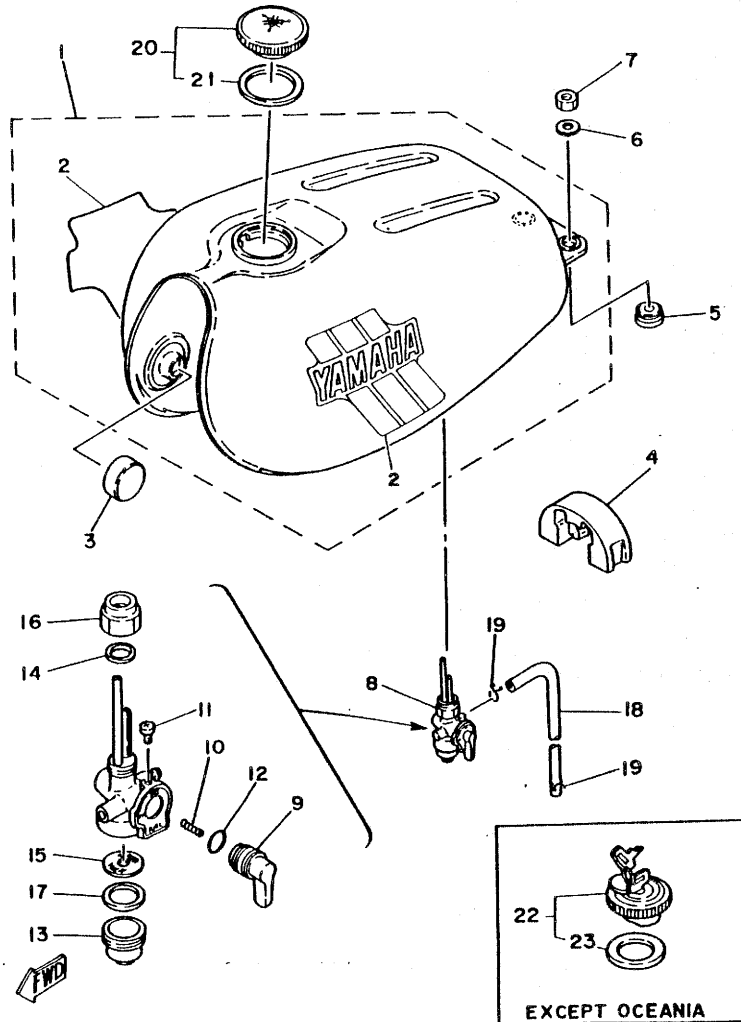


3V6700-2220

**C15**

REF. NO.	PART NO.	DESCRIPTION	Q'TY	REMARKS
29	3V6-23144-00	SEAL, dust	2	
30	3V6-23318-00	HOLDER, cable	1	
31	97301-06020	BOLT	1	
32	92901-06100	WASHER, spring	1	
33	92901-06600	WASHER, Plate	1	

FIG. 23 FUEL TANK



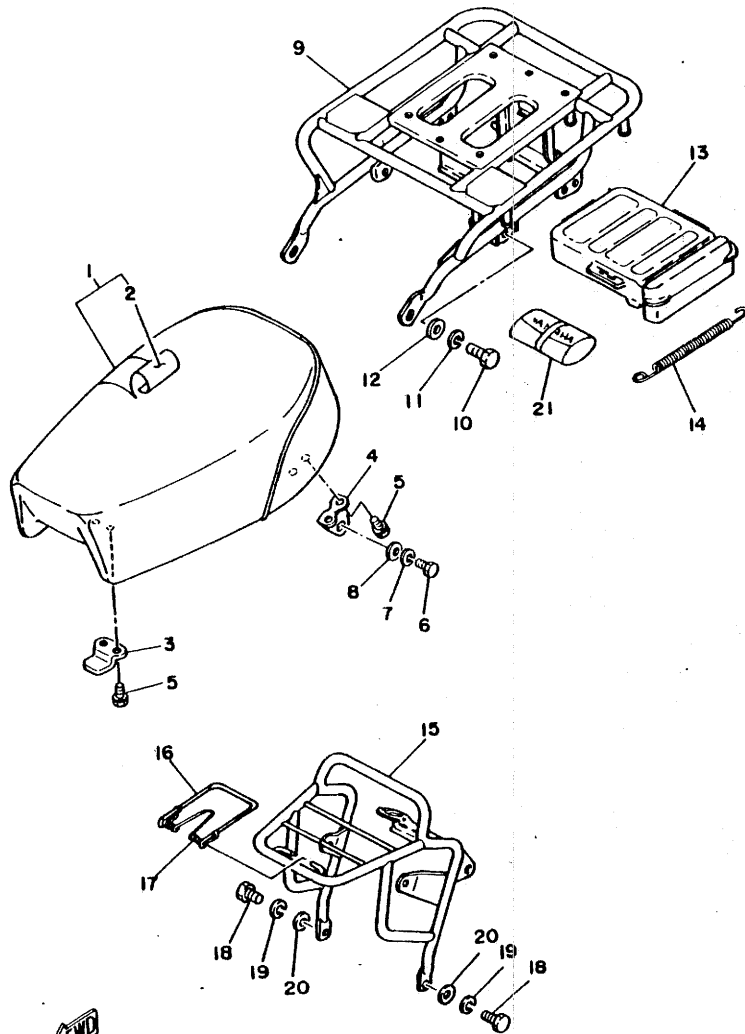
REF. NO.	PART NO.	DESCRIPTION	Q'TY	REMARKS
1	3V6-24110-00-04	FUEL TANK COMP.	1	sunshine red
2	3V6-24240-20	.GRAPHIC SET	1	
3	156-24181-00	DAMPER, locatin# 1	2	
4	353-24182-00	DAMPER, locatin# 2	1	
5	1A8-24181-00	DAMPER, locatin# 1	2	
6	90201-06069	WASHER, Plate	2	
7	95701-06100	NUT, flange	2	
8	357-24500-10	FUEL COCK ASSY 1	1	
9	357-24524-10	.LEVER, cock	1	
10	357-24529-10	.SPRING	1	
11	2N3-24535-00	.SCREW, lever fitting	1	
12	2N3-24528-00	.O-RING	1	
13	357-24521-10	.CUP, filter	1	
14	357-24522-10	.GASKET	1	
15	357-24515-10	.NET, filter 2	1	
16	2N3-24531-00	.NUT	1	
17	357-24532-10	.GASKET	1	
18	90445-09082	HOSE	1	
19	90467-08003	CLIP	2	
20	122-24610-01	CAP ASSY	1	
21	122-24612-01	.GASKET, cap	1	
22	127-24650-02	CAP ASSY	1	
23	122-24612-01	.GASKET, cap	1	with lock key

3V6700-2230

EXCEPT OCEANIA

D2

FIG. 24 SEAT



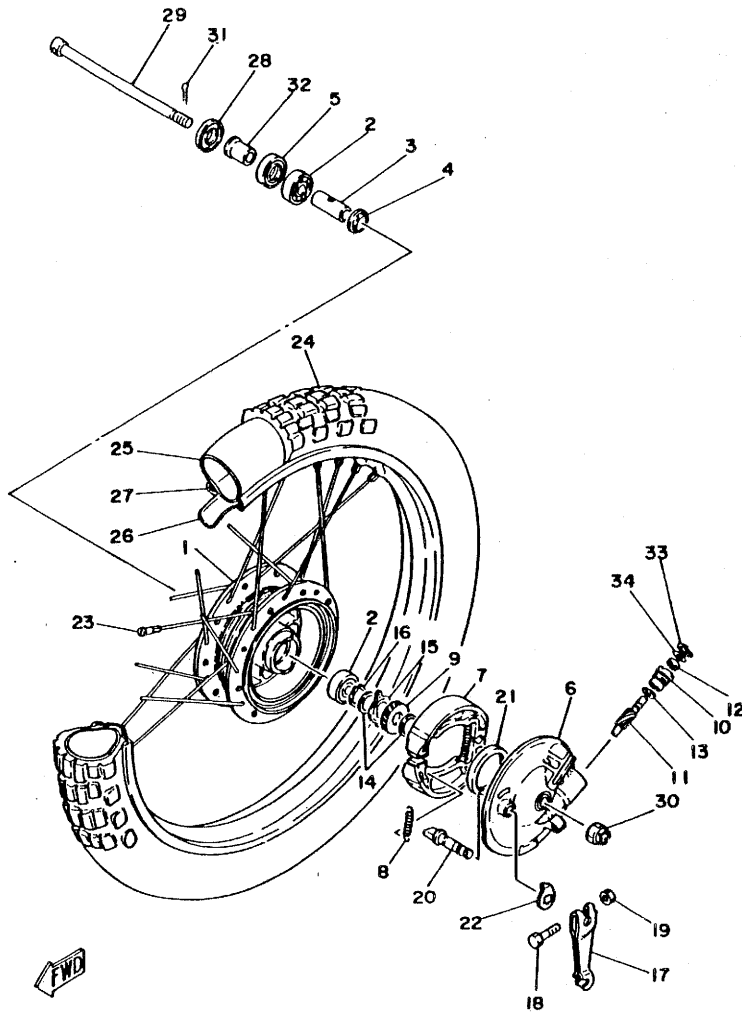
REF. NO.	PART NO.	DESCRIPTION	Q'TY	REMARKS
1	3V6-W2471-01	SINGLE SEAT ASSY	1	
2	3V6-24711-00	COVER, single seat	1	
3	2Y0-24748-00	BRACKET, seat	1	
4	2A6-24738-00	BRACKET, seat	2	
5	90101-06304	BOLT	6	
6	97301-08025	BOLT	2	
7	92901-08100	WASHER, sPring	2	
8	92901-08600	WASHER, Plate	2	
9	3V6-24810-01	CARRIER ASSY	1	
10	97301-08025	BOLT	2	
11	92901-08100	WASHER, sPring	2	
12	92901-08600	WASHER, Plate	2	
13	3V6-21107-01	TOOL BOX COMP.	1	
14	3V6-24758-01	SPRING	1	
15	3V6-24860-01-98	FRONT CARRIER ASSY	1	low Gloss black
16	3V6-24862-00	CLAMP, carrier	1	
17	296-24861-00	SPRING, front carrier	1	
18	97301-08016	BOLT	2	
19	92901-08100	WASHER, sPring	2	
20	92901-08600	WASHER, Plate	2	
21	3V6-28100-10	TOOL KIT.	1	

FWD  
3V6700-2240

D3

FIG. 25 FRONT WHEEL

REF. NO.	PART NO.	DESCRIPTION	Q'TY	REMARKS
1	248-25111-00-35	HUB, front	1	silver
2	93306-30103	BEARING (B63012)	2	
3	90560-12138	SPACER	1	
4	109-25315-00	FLANGE, sPacer	1	
5	93102-18008	OIL SEAL	1	
6	3V6-25121-00-35	PLATE, brake shoe	1	silver
7	437-25130-00	BRAKE SHOE COMP.	2	
8	90506-16150	SPRING, tension	2	
9	301-25135-00	GEAR, drive (26T)	1	
10	109-25136-00	BUSH	1	
11	301-25138-00	GEAR, meter (9T)	1	
12	93104-07003	OIL SEAL	1	
13	90201-07076	WASHER, Plate	1	
14	90201-20269	WASHER, Plate	2	
15	183-25149-00	CLUTCH, meter	1	
16	93410-20009	CIRCLIP	1	
17	558-25155-00	LEVER, camshaft 1	1	
18	90101-06278	BOLT	1	
19	95301-06600	NUT	1	
20	3V6-25351-00	CAMSHAFT	1	
21	93105-47007	OIL SEAL	1	
22	3E1-2513A-10	PLATE, indicator	1	
23	3V6-25104-00	SPOKE SET, front	1	
24	94127-19595	TIRE (2.75-19)	1	
25	94227-19161	TUBE (2.75-19)	1	
26	94327-19111	BAND, rim (2.75-19)	1	
27	94414-19056	RIM (1.40-19)	1	
28	2K5-25118-00	COVER, hub dust	1	

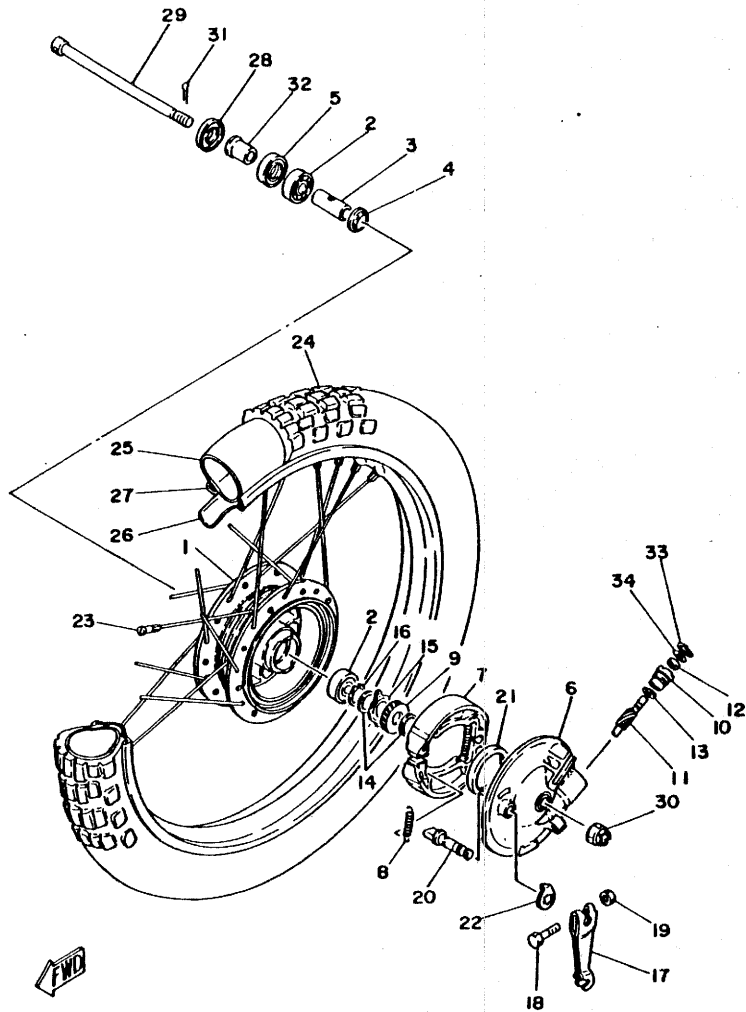


3V6700-2250

D4

FIG. 25 FRONT WHEEL

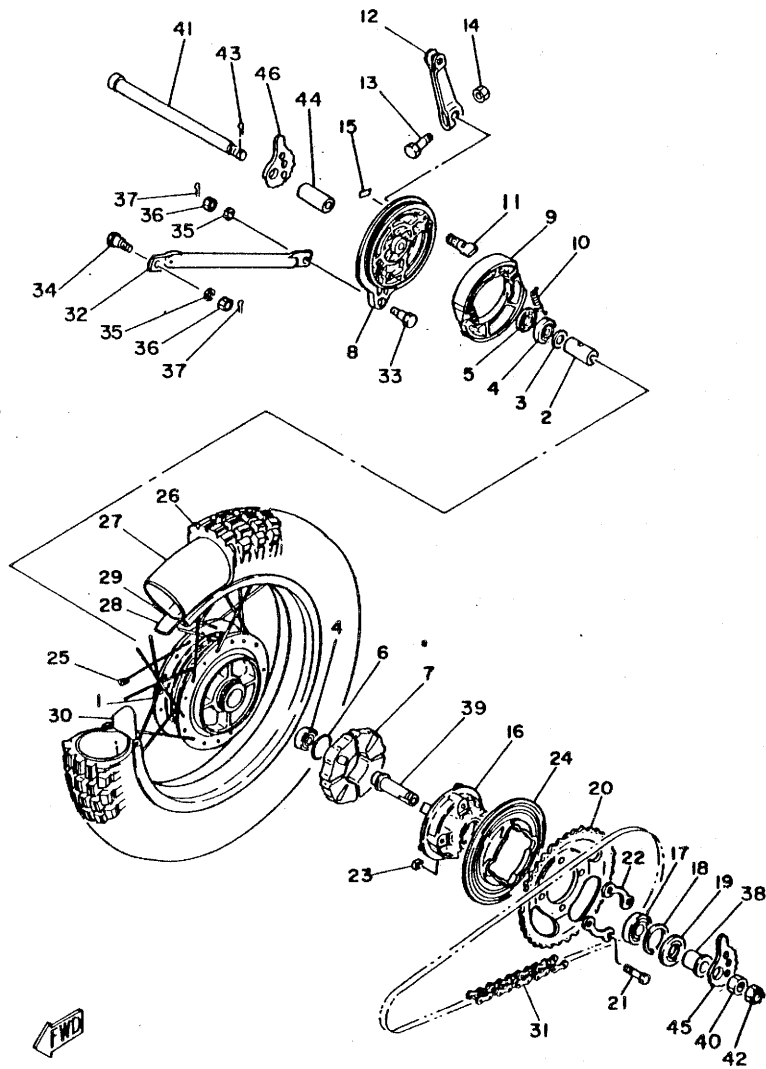
REF. NO.	PART NO.	DESCRIPTION	Q'TY	REMARKS
29	353-25381-00	AXLE, wheel	1	
30	90171-10004	NUT, castle	1	
31	91401-20020	PIN, cotter	1	
32	90387-12265	COLLAR	1	
33	102-25137-00	RING, stop	1	
34	93210-14104	O-RING	1	



3V6700-2250

**D5**

FIG. 26 REAR WHEEL

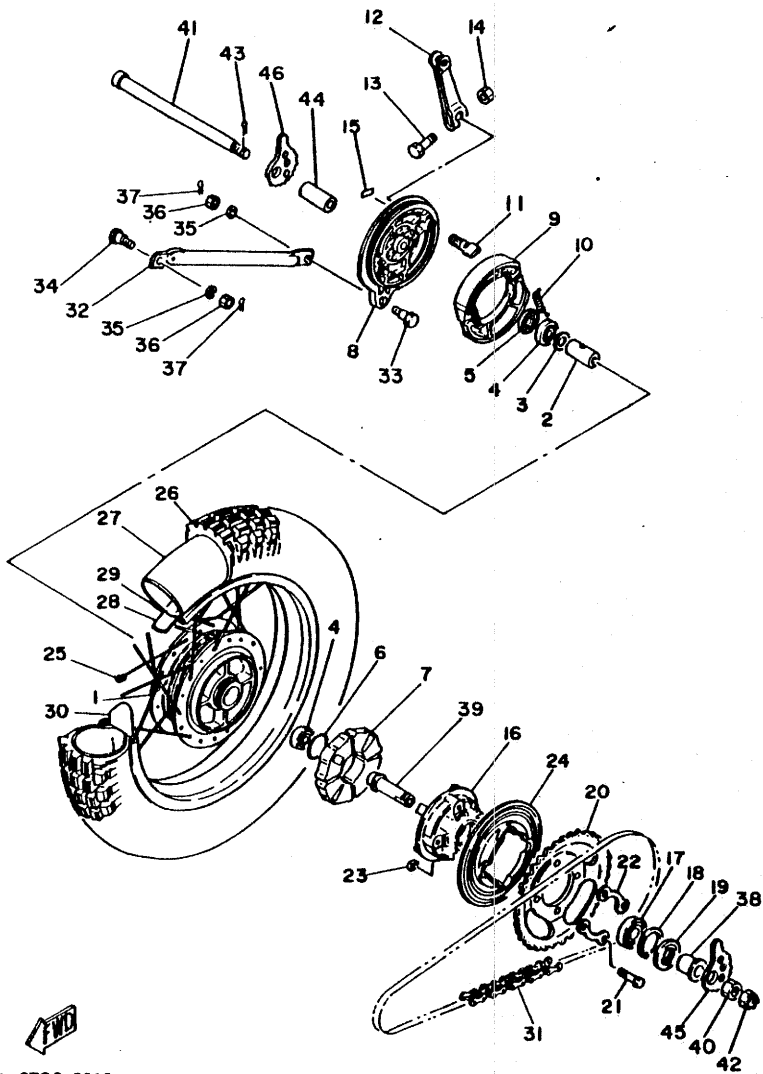


REF. NO.	PART NO.	DESCRIPTION	Q'TY	REMARKS
1	391-25311-00-35	HUB, rear	1	silver
2	90560-15136	SPACER	1	
3	183-25315-00	FLANGE, sPacer	1	
4	93306-20204	BEARING (B6202Z)	2	
5	93104-22018	OIL SEAL	1	
6	93210-42101	O-RING	1	
7	304-25364-01	DAMPER	4	
8	437-25026-10-35	BRAKE SHOE PLATE ASSY	1	silver
9	437-25330-01	BRAKE SHOE COMP.	2	
10	90506-16036	SPRING, tension	2	
11	248-25351-00	CAMSHAFT	1	
12	1E7-25355-00	LEVER, camshaft	1	
13	90101-06278	BOLT	1	
14	95301-06600	NUT	1	
15	437-25134-00	LABEL, indicator	1	
16	183-25366-01	CLUTCH, hub	1	
17	93306-00406	BEARING (B6004Z)	1	
18	93420-42007	CIRCLIP	1	
19	93106-26005	OIL SEAL	1	
20	3V6-25451-11	SPROCKET, driven (51T)	1	
21	90109-08361	BOLT	4	
22	482-25412-00	WASHER	2	
23	90179-08168	NUT	4	
24	3V6-25327-00	COVER, Plate	1	
25	3V6-25304-00	SPDKE SET, rear	1	
26	94135-18596	TIRE (3.50-18)	1	
27	94235-18085	TUBE (3.50-18)	1	
28	94325-18043	BAND, rim (2.50-18)	1	

3V6700-2260

**D6**

FIG. 26 REAR WHEEL

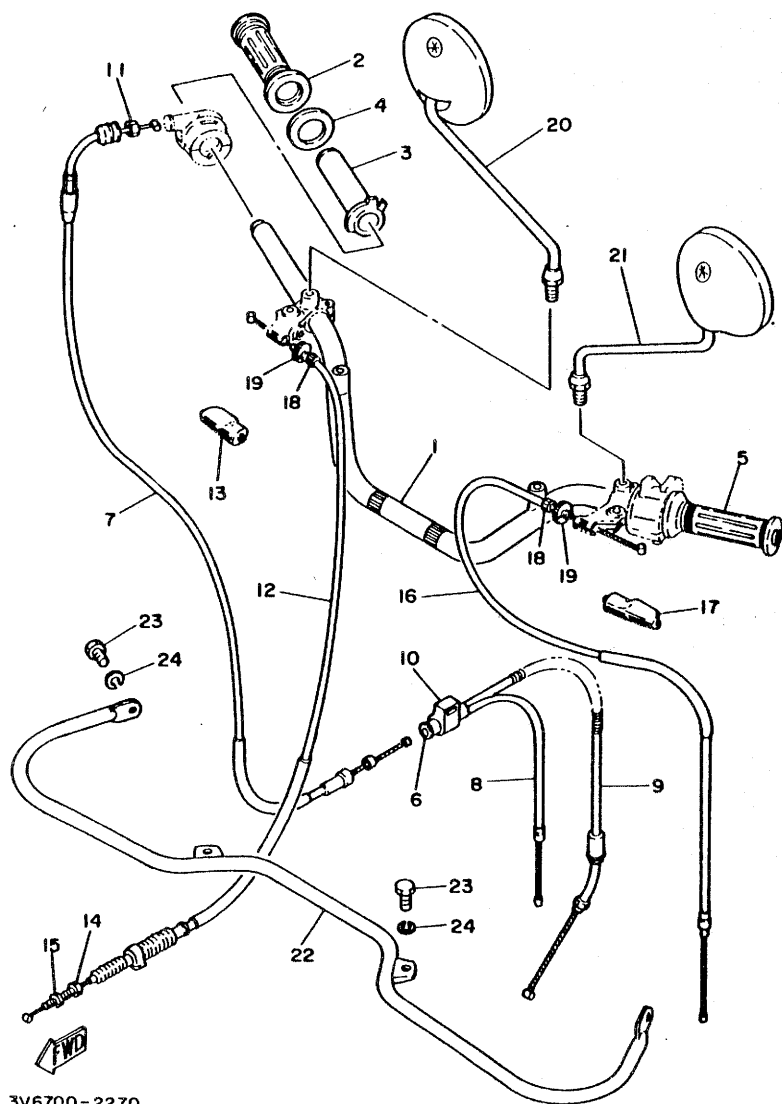


REF. NO.	PART NO.	DESCRIPTION	Q'TY	REMARKS
29	94418-18246	RIM (1.85-18)	1	
30	1T2-25394-00	SPACER, bead	1	
31	94580-35116	CHAIN	1	
32	3V6-25371-00	BAR, tension	1	
33	90109-08063	BOLT	1	
34	90109-08368	BOLT	1	
35	92901-08100	WASHER, sPring	2	
36	95301-08700	NUT	2	
37	91401-20015	PIN, cotter	2	
38	90387-204A3	COLLAR	1	
39	3V6-25387-00	AXLE, sProcket	1	
40	90170-20224	NUT	1	
41	2A6-25381-00	AXLE, wheel	1	
42	90171-14020	NUT, castle	1	
43	91401-30030	PIN, cotter	1	
44	90387-154A2	COLLAR	1	
45	3V6-25388-00	PULLER, chain 1	1	
46	3V6-25389-00	PULLER, chain 2	1	

  
3V6700-2260

**D7**

FIG. 27 HANDLEBAR-CABLE

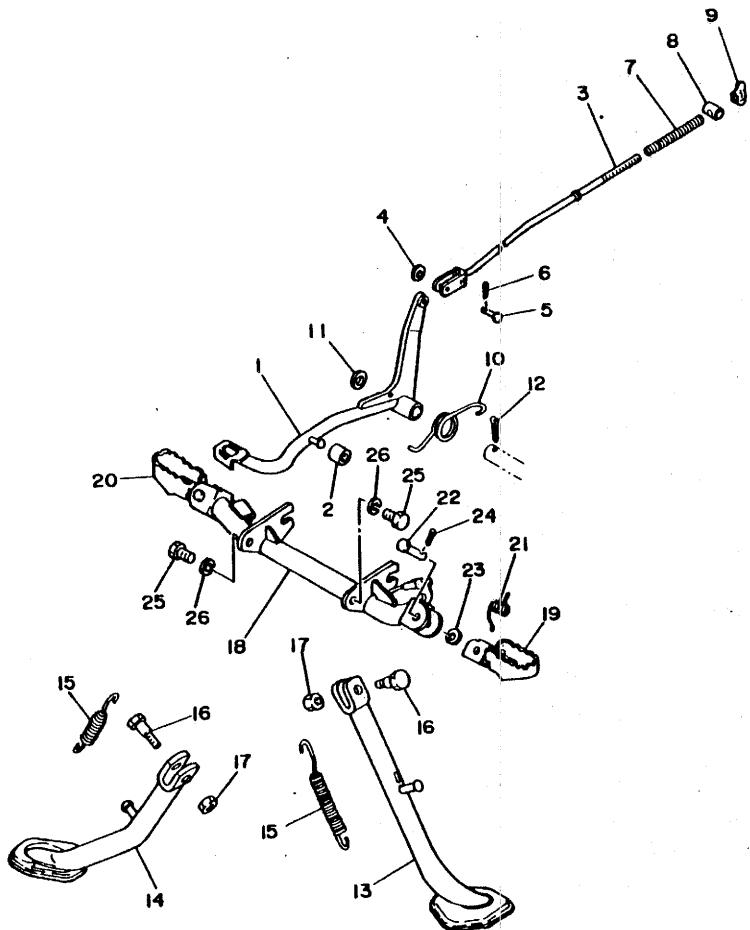


REF. NO.	PART NO.	DESCRIPTION	Q'TY	REMARKS
1	3V6-26111-00	HANDLEBAR	1	
2	3V6-26242-00	GRIP (R.H)	1	
3	434-26243-00	TUBE, throttle Guide	1	
4	1M1-26249-01	RING, leaf	1	
5	3V6-26241-00	GRIP (L.H)	1	
6	214-26261-00	CONNECTOR, cable	1	
7	3V6-26311-00	CABLE, throttle 1	1	
8	3V6-26312-00	CABLE, throttle 2	1	
9	3V6-26321-00	CABLE, Pump	1	
10	4G3-26339-00	BOOT	1	
11	90170-10038	NUT	1	
12	3V6-26341-00	CABLE, brake	1	
13	382-26372-01	COVER, handle lever 1	1	
14	90123-06010	BOLT	1	
15	90179-06143	NUT	1	
16	497-26335-00	CABLE, clutch	1	
17	382-26372-01	COVER, handle lever 1	1	
18	90123-08046	BOLT	2	
19	90179-08148	NUT	2	
20	1Y1-26290-40	BACK MIRROR ASSY (R.H)	1	UR for oceania
	1Y1-26290-10	BACK MIRROR ASSY (L.H)	1	UR except oceania
21	1Y1-26290-30	BACK MIRROR ASSY (L.H)	1	UR for oceania
	1Y1-26290-00	BACK MIRROR ASSY (R.H)	1	UR except oceania
22	3V6-26123-00	GUARD, lever	1	
23	97301-08016	BOLT	4	
24	92901-08100	WASHER, spring	4	

3V6700-2270

**D8**

FIG. 28 STAND.FOOTREST



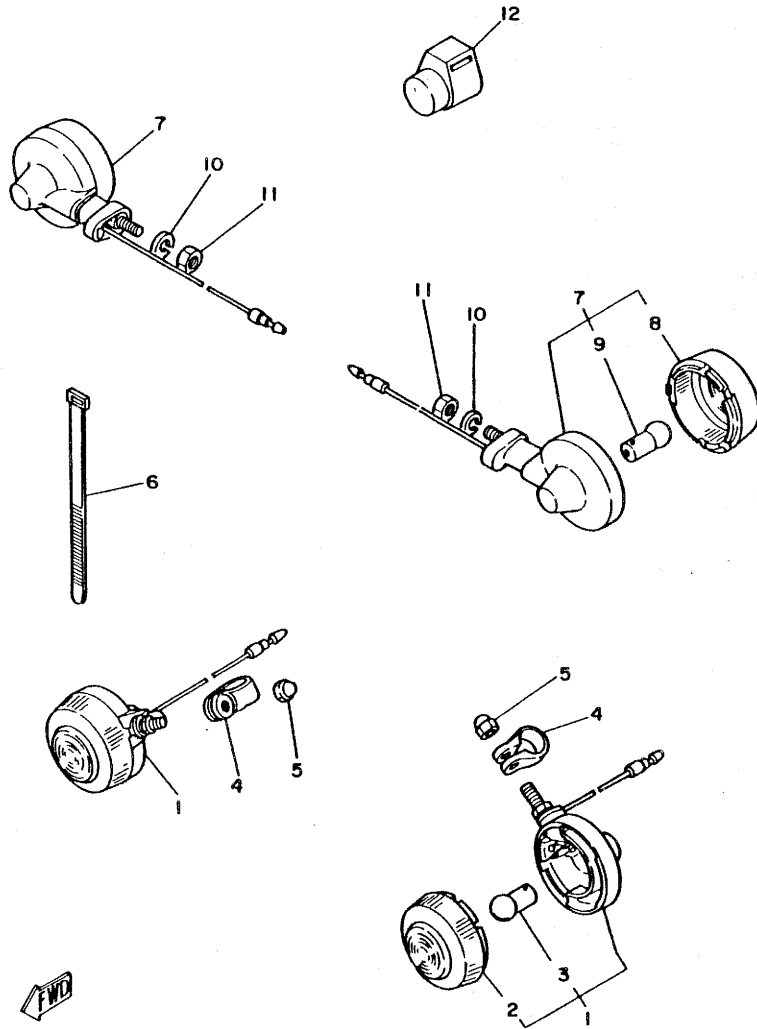
REF. NO.	PART NO.	DESCRIPTION	Q'TY	REMARKS
1	3V6-27211-00-33	PEDAL, brake	1	yamaha black
2	90387-064A4	COLLAR	1	
3	3V6-27231-01	ROD, brake	1	
4	92901-06200	WASHER, Plain	1	
5	90240-06006	PIN, clevis	1	
6	91401-25015	PIN, cotter	1	
7	90501-10245	SPRING, comPression	1	
8	90249-12008	PIN	1	
9	90175-06013	NUT, wing	1	
10	90508-35442	SPRING, torsion	1	
11	90201-15564	WASHER, Plate (1.5T)	1	
12	91401-30025	PIN, cotter	1	
13	3V6-27311-00-33	STAND, side	1	yamaha black
14	3V6-27311-10-33	STAND, side	1	yamaha black
15	90506-26270	SPRING, tension	2	
16	90109-10473	BOLT	2	
17	90185-10037	NUT, self-locking	2	
18	3V6-27451-00-33	FOOTREST	1	yamaha black
19	3R1-27411-00	FOOTREST 1	1	uni chrome (bi-ack)
20	3R1-27421-00	FOOTREST 2	1	uni chrome (bi-ack)
21	90508-20023	SPRING, torsion	2	
22	90240-08084	PIN, clevis	2	
23	92901-08600	WASHER, Plate	2	
24	91401-25015	PIN, cotter	2	
25	97301-10016	BOLT	2	
26	92901-10100	WASHER, sPring	2	

3V6700-2280

D9

FIG. 29 FLASHER LIGHT

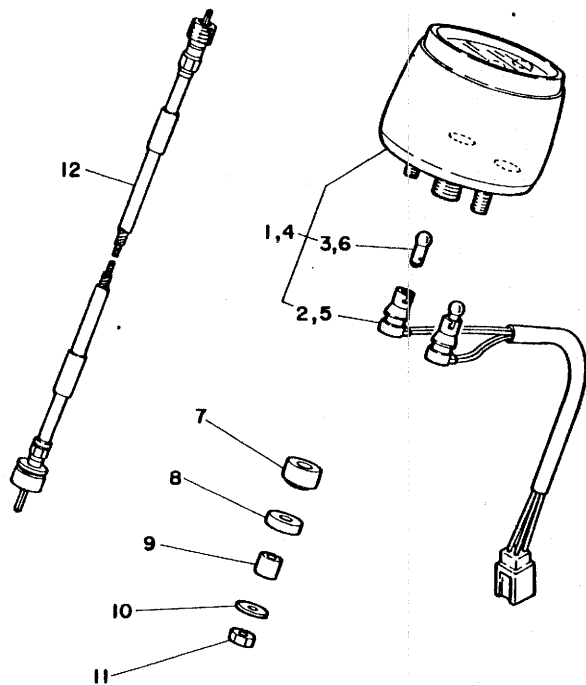
REF. NO.	PART NO.	DESCRIPTION	Q'TY	REMARKS
1	3T2-83310-10	FRONT FLASHER LIGHT ASSY 1	2	
2	3M7-83312-10	•LENS, flasher	1	
3	152-83311-10	•BULB (6V-10W)	1	
4	1M1-83318-00	STAY, flasher 1	2	
5	95303-08800	NUT, crown	2	
6	437-83936-00	BAND, switch cord	1	
7	4G3-83330-10	REAR FLASHER LIGHT ASSY 1	2	
8	3M7-83312-10	•LENS, flasher	1	
9	152-83311-10	•BULB (6V-10W)	1	
10	92901-08100	WASHER, sPrinE	2	
11	95301-08600	NUT	2	
12	3E1-83350-11	FLASHER RELAY ASSY	1	



3V6700-2290

D10

FIG. 30 SPEEDOMETER



REF. NO.	PART NO.	DESCRIPTION	Q'TY	REMARKS
1	3F4-83510-F0	SPEEDOMETER ASSY	1	km/h
2	2W0-83520-00	.SOCKET CORD ASSY	1	
3	122-83516-10	.BULB (6V-3W)	2	
4	3F6-83510-G0	SPEEDOMETER ASSY	1	mile/h
5	2W0-83520-00	.SOCKET CORD ASSY	1	
6	122-83516-10	.BULB (6V-3W)	2	
7	1M3-83513-00	DAMPER	2	
8	355-83526-00	DAMPER 2	2	
9	355-83522-00	COLLAR	2	
10	90201-06412	WASHER, Plate	2	
11	95301-06600	NUT	2	
12	438-83550-01	SPEEDOMETER CABLE ASSY	1	

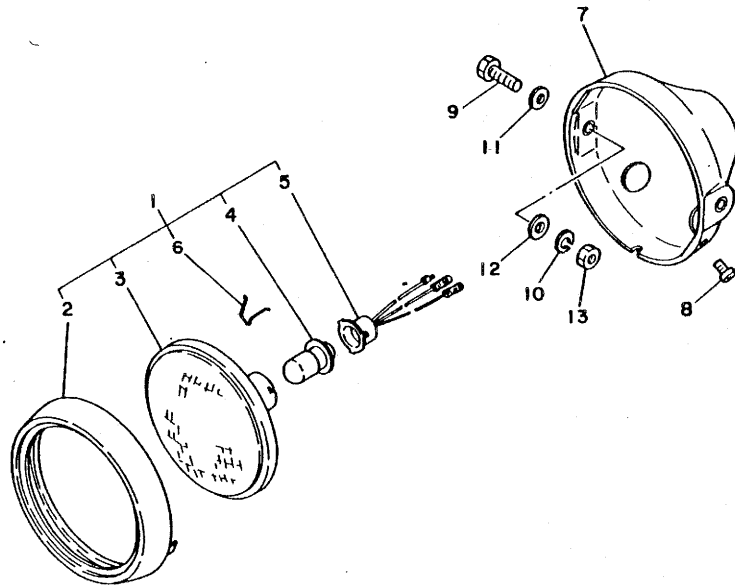


3V6700-2300

D11

FIG. 31 HEADLIGHT

REF. NO.	PART NO.	DESCRIPTION	Q'TY	REMARKS
1	3M7-84110-00	HEADLIGHT UNIT ASSY	1	
2	202-84315-00	.RIM, headlight	1	
3	195-84320-00	.LENS ASSY	1	
4	206-84114-60	.BULB (6V-25/25W)	1	
5	317-84112-30	.SOCKET	1	
6	195-84324-00	.SPRING, reflector	3	
7	3M7-84130-00	BODY ASSY, headlight	1	
8	98506-05012	SCREW, Pan head	1	
9	97301-08025	BOLT	2	
10	92901-08100	WASHER, sPrin8	2	
11	92901-08600	WASHER, Plate	2	
12	92902-08200	WASHER	2	
13	95301-08600	NUT	2	

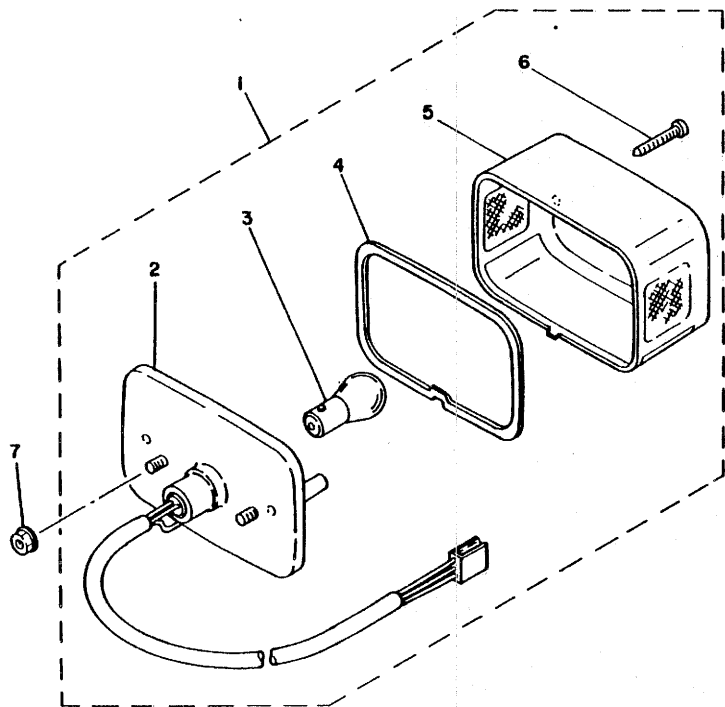


3V6700-2310

D12

FIG. 32 TAILLIGHT

REF. NO.	PART NO.	DESCRIPTION	Q'TY	REMARKS
1	3T2-84510-00	TAILLIGHT UNIT ASSY	1	
2	3T2-84520-00	•TAILLIGHT BASE ASSY	1	
3	122-84514-30	•BULB (6V-17/5.3W)	1	
4	1K8-84523-00	•GASKET, lens	1	
5	1K8-84521-00	•LENS, taillight	1	
6	2E9-84524-00	•SCREW, lens fitting	2	
7	95701-06100	NUT, flange	2	

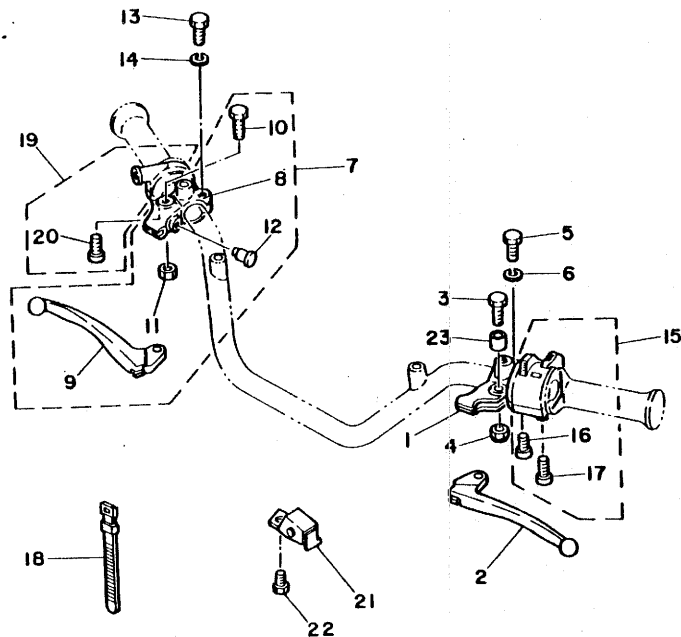


3V6700-2320

D13



FIG. 34 HANDLE SWITCH-LEVER



REF. NO.	PART NO.	DESCRIPTION	Q'TY	REMARKS
1	3V6-82911-00	HOLDER, lever 1	1	
2	214-83912-00	LEVER 1	1	
3	90109-06410	BOLT	1	
4	95601-06100	NUT, u	1	
5	97301-06022	BOLT	1	
6	92901-06100	WASHER, sPrin8	1	
7	3V6-82920-00	LEVER HOLDER ASSY 2	1	
8	463-82921-30	.HOLDER, lever 2	1	
9	233-83922-30	.LEVER 2	1	
10	90109-06410	.BOLT	1	
11	95601-06100	.NUT, u	1	
12	503-83956-10	.CAP 1	1	
13	97301-06022	BOLT	1	
14	92901-06100	WASHER, sPrin8	1	
15	3V6-83972-00	SWITCH, handle 4	1	
16	90157-05027	.SCREW, Pan head	1	
17	98501-05030	.SCREW, Pan head	1	
18	437-83936-00	BAND, switch cord	1	
19	437-83976-03	SWITCH, handle 1	1	
20	90157-05027	.SCREW, Pan head	2	
21	3X3-83965-00	LEVER, lock	1	
22	97301-06025	BOLT	1	
23	3X3-83913-00	COLLAR, lever 1	1	



3V6700-2340

D15

FIG. 35 REPAIR KIT

REF. NO.	PART NO.	DESCRIPTION	Q'TY	REMARKS
1	3V6-11630-00	PISTON ASSY (STD)	1	
2	3V6-11631-00-96	.PISTON (STD)	1	
3	131-11633-00	.PIN, Piston	1	
4	93450-15023	.CIRCLIP	2	
5	335-11601-00	.PISTON RING SET (STD)	1	
6	3V6-11630-10	PISTON ASSY (1ST O/S)	1	
7	3V6-11635-00	.PISTON (1ST O/S 0.25MM)	1	
8	131-11633-00	.PIN, Piston	1	
9	93450-15023	.CIRCLIP	2	
10	335-11601-10	.PISTON RING SET (1ST O/S)	1	
11	3V6-11630-20	PISTON ASSY (2ND O/S)	1	
12	3V6-11636-00	.PISTON (2ND O/S 0.50MM)	1	
13	131-11633-00	.PIN, Piston	1	
14	93450-15023	.CIRCLIP	2	
15	335-11601-20	.PISTON RING SET (2ND O/S)	1	
16	3V6-11630-30	PISTON ASSY (3RD O/S)	1	
17	3V6-11637-00	.PISTON (3RD O/S 0.75MM)	1	
18	131-11633-00	.PIN, Piston	1	
19	93450-15023	.CIRCLIP	2	
20	335-11601-30	.PISTON RING SET (3RD O/S)	1	
21	3V6-11630-40	PISTON ASSY (4TH O/S)	1	
22	3V6-11638-00	.PISTON (4TH O/S 1.00MM)	1	
23	131-11633-00	.PIN, Piston	1	
24	93450-15023	.CIRCLIP	2	
25	335-11601-40	.PISTON RING SET (4TH O/S)	1	
26	558-11650-01	CONNECTING ROD ASSY	1	
27	558-11651-00	.ROD, connecting	1	
28	5E2-11681-00	.PIN, crank 1	1	

FIG. 35 REPAIR KIT

REF. NO.	PART NO.	DESCRIPTION	Q'TY	REMARKS
29	93310-422E7	•BEARING, cylindrical	1	
30	90209-22071	•WASHER	2	
31	93310-21403	•BEARING, cylindrical	1	

E3

NUMERICAL INDEX

PART NO.	GRID NO.	PART NO.	GRID NO.	PART NO.	GRID NO.
382-W1541-60	B12	137-13137-00-05	B 6	353-14190-15	B 8
3V6-W2471-01	D 3	137-13137-00-10	B 6	127-14195-00	B 8
3V6-11111-00	B 2	137-13138-01	B 6	183-14196-00	B 9
3V6-11128-00	B 2	367-13146-01	B 6	183-14197-01	B 6
3V6-11161-00	B 2	278-13169-00	B 6	304-14261-00	B 8
3A3-11181-00	B 2	525-13174-00	B 6	3V6-14411-00	B 7
3V6-11311-00	B 2	3V6-13175-00	B 6	3V6-14412-00	B 7
276-11351-00	B 2	137-13176-00	B 6	3V6-14416-00	B 7
382-11400-02	B 3	382-13178-60	B 6	1V1-14437-00	B 7
558-11412-00	B 3	402-13552-00	B 6	3V6-14451-00	B 7
382-11422-00	B 3	560-13565-00	B 7	3A3-14453-00	B 7
335-11601-00	B 3	314-13610-01	B 7	3V6-14610-00	B10
	E 2	314-13613-01	B 7	152-14613-00	B10
335-11601-10	B 3	314-13616-01	B 7	3M7-14615-00	B10
	E 2	314-13621-02	B 7	3V6-14718-00	B10
335-11601-20	B 3	3V6-14101-00	B 8	3V6-14728-00	B10
	E 2	304-14112-20	B 9	3T2-14752-00	B10
335-11601-30	B 3	500-14115-00	B 8	3V6-14753-00	B10
	E 2	164-14116-06	B 8	276-15111-01	B11
335-11601-40	B 3	443-14122-00	B 8	276-15121-04	B11
	E 2	525-14123-00	B 9	304-15128-00	B11
3V6-11630-00	E 2	127-14124-20	B 9	137-15353-00	C 4
3V6-11630-10	E 2	193-14126-00	B 9	315-15362-01	B12
3V6-11630-20	E 2	3X3-14131-00	B 9	498-15371-00	B11
3V6-11630-30	E 2	493-14133-00	B 8	214-15385-00	C 4
3V6-11630-40	E 2	174-14134-00	B 9	132-15389-00	B14
3V6-11631-00-96	B 3	156-14135-00	B 8	276-15415-00	B12
	E 2	137-14136-00	B 9	3V6-15416-00	B12
3V6-11631-00-98	B 3	164-14137-00	B 9	3V6-15421-00	B12
		152-14138-00	B 8	4Y2-15451-00	B12
		2F5-14141-36	B 8	444-15456-00	B12
131-11633-00	B 3	260-14142-17	B 8	3V6-15610-00	B13
	E 2	137-14143-26	B 8	214-15612-01	B13
3V6-11635-00	B 3	137-14143-28	B 8	214-15616-00	B13
	E 2	137-14143-30	B 8	214-15618-00	B13
3V6-11636-00	B 3	2N4-14145-00	B 8	305-15641-00	B13
	E 2	214-14147-00	B 8	403-15651-00	B13
3V6-11637-00	B 3	558-14147-00	B 8	132-15653-00-10	B13
	E 2	193-14158-00	B 9	248-15654-00	B13
3V6-11638-00	B 3	802-14161-00	B 8	3V6-15660-00	B13
	E 2	307-14169-10	B 8	3V6-15664-00	B13
558-11650-01	E 2	304-14171-00	B 8	3V6-15666-00	B13
558-11651-00	B 3	3A3-14173-00	B 8	248-15668-00	B13
	E 2	152-14174-00	B 8	3V6-15676-00	B13
5E2-11681-00	B 3	539-14181-06	B 8	382-16111-62	B14
	E 3	304-14184-00	B 8	3V6-16150-00	B14
3V6-13101-00	B 6	304-14185-00	B 8	276-16154-00	B14
126-13116-00	B 6	127-14186-00	B 8	122-16164-00	B14
137-13137-00-03	B 6				

NUMERICAL INDEX

PART NO.	GRID NO.	PART NO.	GRID NO.	PART NO.	GRID NO.
482-21522-00	C 7	451-23346-01	C14	3V6-16300-00	B14
3V6-21611-10	C 7	3V6-23351-00	C14	132-16321-00	B14
4M3-21621-00	C 7	462-23392-02	C14	137-16324-00	B14
482-21622-01	C 7	122-23411-00	C13	241-16341-01	B 9
3V6-21629-01	C 7	156-23411-00	C14	382-16342-60	B 8
3V6-21711-10	C 8	122-23412-00	C13	132-16346-00	B 7
3V6-21721-10	C 8	156-23412-00	C13	132-16351-00	B 7
3V6-21745-00	C 9	122-23416-00	C13	137-16356-00	B 7
3V6-21750-00	C 9	3V6-23435-00-33	C13	276-16357-00	B 7
1Y1-2176A-00	C 9	1E6-23441-00-98	C13	137-16367-00	B 7
1Y1-21763-00	C 9	164-23462-00	C14	132-16369-00	B 7
1Y1-21764-00	C 9	3V6-23489-01	C14	1E7-16371-00	B10
1T9-21771-00	C 9	3V6-24110-00-04	D 2	427-17121-01	C 2
3V6-21781-20	C 8	1A8-24181-00	D 2	3V6-17131-00	C 2
3V6-21782-20	C 8	156-24181-00	D 2	482-17141-00	C 2
3V6-22110-01-33	C10	431-24181-00	C 8	482-17151-00	C 2
276-22123-00	C10	353-24182-00	D 2	248-17211-00	C 2
276-22141-00	C10	3V6-24240-20	D 2	427-17221-00	C 2
3V6-22151-00	C10	357-24500-10	D 2	3V6-17231-00	C 2
3V6-22210-00	C12	357-24515-10	D 2	382-17241-60	C 2
3V6-22310-02	C10	357-24521-10	D 2	482-17251-00	B11
148-22315-00	C10	357-24522-10	D 2	3V6-17410-00	C 2
3V6-22318-01	C10	357-24524-10	D 2	437-17411-01	C 2
382-22322-00	C11	2N3-24528-00	D 2	315-17421-01	B11
3V6-22324-00	C10	357-24529-10	D 2	164-17427-00-10	C 2
3V6-22325-00	C10	2N3-24531-00	D 2	382-17461-41	C 2
3V6-23100-00	C14	357-24532-10	D 2	382-17464-60	C 2
3V6-23110-00	C14	2N3-24535-00	D 2	1G8-17471-00	C 2
1E7-23111-00	C14	122-24610-01	D 2	3V6-18101-02	C 5
1E7-23114-00	C14	122-24612-01	D 2	367-18111-00-91	C 5
2A6-23119-00	C14	127-24650-02	D 2	132-18113-01	B12
3V6-23130-00-35	C14	3V6-24711-00	D 3	4M3-18140-00	C 4
3V6-23140-00-35	C14	2A6-24738-00	D 3	248-18511-02	C 4
3V6-23141-00	C14	2Y0-24748-00	D 3	248-18512-01	C 4
2X6-23142-00	C14	3V6-24758-01	D 3	248-18513-01	C 4
3V6-23143-00	C14	3V6-24810-01	D 3	214-18531-00	B13
3V6-23144-00	C15	3V6-24860-01-98	D 3	248-18531-00	B13
1E7-23145-00	C14	296-24861-00	D 3	3V6-18540-00	C 4
2X6-23151-00	C14	3V6-24862-00	D 3	136-18542-00	C 4
1E7-23156-00	C14	437-25026-10-35	D 6	382-18561-60	C 4
1E7-23157-00	C14	3V6-25104-00	D 4	164-18571-01	B13
1L9-23166-00	C14	248-25111-00-35	D 4	164-18589-00	B13
3M7-23181-00	C14	2K5-25118-00	D 4	3V6-21107-01	D 3
3V6-23191-00	C14	3V6-25121-00-35	D 4	3V6-21110-01-33	C 6
3V6-23192-01	C14	3E1-2513A-10	D 4	3V6-21110-10-33	C 6
3V6-23317-00	C14	437-25130-00	D 4	3V6-21473-01	B14
3V6-23318-00	C15	437-2513A-00	D 6	3V6-21511-10	C 7
3V6-23340-00-90	C14	301-25135-00	D 4	482-21521-00	C 7

NUMERICAL INDEX

PART NO.	GRID NO.	PART NO.	GRID NO.
109-25136-00	D 4	3R1-27421-00	D 9
102-25137-00	D 5	3V6-27451-00-33	D 9
301-25138-00	D 4	3V6-28100-10	D 3
183-25149-00	D 4	3V6-8131X-M1	B 4
558-25155-00	D 4	3V6-81313-M1	B 4
3V6-25304-00	D 6	4F4-81910-60	B 4
391-25311-00-35	D 6	353-81970-50	B 4
109-25315-00	D 4	353-81970-63	B 4
183-25315-00	D 6	120-82110-29	D14
3V6-25327-00	D 6	3V6-82131-00	D14
437-25330-01	D 6	353-82150-00	D14
248-25351-00	D 6	116-82151-00	D14
3V6-25351-00	D 4	3V6-82310-M0	D14
1E7-25355-00	D 6	437-82370-21	D14
304-25364-01	D 6	512-82370-10	D14
183-25366-01	D 6	2F5-82508-50	D14
3V6-25371-00	D 7	3V6-82530-00	D14
2A6-25381-00	D 7	136-82540-00	D14
353-25381-00	D 5	3V6-82590-22	D14
3V6-25387-00	D 7	3V6-82911-00	D15
3V6-25388-00	D 7	3V6-82920-00	D15
3V6-25389-00	D 7	463-82921-30	D15
1T2-25394-00	D 7	3T2-83310-10	D10
482-25412-00	D 6	152-83311-10	D10
3V6-25451-11	D 6	3M7-83312-10	D10
3V6-26111-00	D 8	1M1-83318-00	D10
3V6-26123-00	D 8	4G3-83330-10	D10
3V6-26241-00	D 8	3E1-83350-11	D10
3V6-26242-00	D 8	2A7-83371-10	D14
434-26243-00	D 8	3F4-83510-F0	D11
1M1-26249-01	D 8	3F6-83510-G0	D11
214-26261-00	D 8	1M3-83513-00	D11
1Y1-26290-00	D 8	122-83516-10	D11
1Y1-26290-10	D 8	2W0-83520-00	D11
1Y1-26290-30	D 8	355-83522-00	D11
1Y1-26290-40	D 8	355-83526-00	D11
3V6-26311-00	D 8	438-83550-01	D11
3V6-26312-00	D 8	214-83912-00	D15
3V6-26321-00	D 8	3X3-83913-00	D15
497-26335-00	D 8	233-83922-30	D15
4G3-26339-00	D 8	256-83936-00	D14
3V6-26341-00	D 8	437-83936-00	D10
382-26372-01	D 8		D14
3V6-27211-00-33	D 9		D15
3V6-27231-01	D 9	503-83956-10	D15
3V6-27311-00-33	D 9	3X3-83965-00	D15
3V6-27311-10-33	D 9	3V6-83972-00	D15
3R1-27411-00	D 9	437-83976-03	D15

PART NO.	GRID NO.	PART NO.	GRID NO.
3M7-84110-00	D12	90171-14020	D 7
317-84112-30	D12	90175-06013	D 9
206-84114-60	D12	90176-10013	C12
3M7-84130-00	B 4	90179-06143	D 8
202-84315-00	D12	90179-08148	D 8
195-84320-00	D12	90179-08168	D 6
195-84324-00	D12	90179-08303	B 2
3T2-84510-00	D13	90179-16018	C 2
122-84514-30	D13	90179-25033	D13
3T2-84520-00	D13	90185-08089	C 6
1K8-84521-00	D13	90185-10035	C 6
1K8-84523-00	D13	90185-10037	D 9
2E9-84524-00	D13	90201-06067	B 7
3V6-85500-M1	B 4		C 7
3T5-85520-M1	B 4		C 9
3M5-85540-M1	B 4	90201-06069	D 2
2A7-85546-00	B 4	90201-06412	D11
3V6-85550-M1	B 4	90201-07076	D 4
3E5-85561-M1	B 4	90201-08624	B 6
2T4-85568-M1	B 4	90201-08753	B10
2T4-85569-M1	B 4	90201-10140	C12
4U5-85580-M0	B 4	90201-12166	C 4
90101-06278	D 4	90201-123A7	C10
	D 6	90201-12362	B 2
	D 3	90201-12535	B 4
90101-06304	C10	90201-14218	C12
90101-08439	C 4	90201-14586	C 5
90101-14259	C13	90201-15564	D 9
90105-14136	C 2	90201-20266	C 2
90109-06001	D15	90201-20269	D 4
90109-06410	D 7	90202-05005	B10
90109-08063	D 6	90202-06010	B10
90109-08361	D 7	90208-12015	B14
90109-08368	D 9	90209-06194	B10
90109-10473	B14	90209-22071	B 3
90113-06013	B10		E 3
90116-06320	B 2	90215-08014	C 5
90119-05001	B14	90240-06006	D 9
90123-06010	D 8	90240-08084	D 9
90123-08046	D 8	90249-12008	D 9
90149-08094	C 5	90250-08017	C 4
90157-05027	D15	90280-03017	B 3
90170-08029	C 5	90338-16015	C 3
90170-10038	D 8	90340-12005	B11
90170-12060	B14	90387-06388	C 7
90170-12175	B 4	90387-064A4	D 9
90170-20224	D 7	90387-12265	D 5
90171-10004	D 5	90387-154A2	D 7

NUMERICAL INDEX

PART NO.	GRID NO.	PART NO.	GRID NO.
90387-20175	B 3	91830-24016	B11
90387-204A3	D 7	92501-06010	C 3
90387-20491	C 2		C 4
90430-04004	B 6	92501-06012	C 2
90430-11034	D14		C10
90430-12038	B11		D14
90445-05278	B 6	92501-06015	B 7
90445-08338	D14		C10
90445-09082	D 2	92501-06018	C 7
90445-09225	C 9	92501-06020	B 7
90446-07009	B11		B12
90460-43053	B 7	92501-06035	B 7
90460-51059	B 7		B12
90461-05036	B 4	92501-06040	B11
90462-05012	B 4	92501-06045	B11
90464-20031	D14		B12
90467-08003	C 9		C10
	D 2	92501-06050	B12
90468-02033	B 6	92501-06055	B11
90468-26048	B13	92501-06060	B12
90480-12053	C 8	92501-08010	B11
90480-14198	C 7	92502-06016	B 5
90501-10245	D 9	92502-06025	D14
90501-20124	B14	92901-04100	B 4
90504-18009	B13	92901-05100	B 6
90506-09009	C 5		B10
90506-09112	C 4		C 4
90506-10019	B14		D14
90506-16036	D 6	92901-05600	B 4
90506-16150	D 4	92901-06100	B10
90506-26270	D 9		C 3
90508-20023	D 9		C 7
90508-26441	B13		C 9
90508-32437	C 5		C10
90508-35442	D 9		C15
90560-12138	D 4		D14
90560-15136	D 6		D15
90560-17124	B14	92901-06200	C10
91401-16015	B 8		D 9
91401-20015	D 7	92901-06600	B 7
91401-20020	D 5		C 7
91401-25015	D 9		C10
91401-30025	D 9		C15
91401-30030	D 7	92901-08100	B10
91609-40016	C 4		C 6
91810-02014	B12		C10
91810-05016	B11		C13
91830-21014	B12		D 3

NUMERICAL INDEX

PART NO.	GRID NO.	PART NO.	GRID NO.	PART NO.	GRID NO.
92901-08100	D 7	93420-42007	D 6	97301-06016	C 9
	D 8	93430-08006	B 6	97301-06020	C 7
	D10	93430-10017	C 4		C15
	D12	93430-12009	C 5	97301-06022	D15
92901-08600	D 3	93440-11029	B13	97301-06025	B 7
	D 9	93440-15012	C 2		C 7
	D12	93450-15023	B 3		D15
92901-10100	C 6		E 2	97301-08016	C10
	C13	93501-04011	B14		D 3
	C14		C13		D 8
	D 9	93503-16010	C13	97301-08020	C 6
92901-12100	B 4	93505-32002	B 6		C10
92902-04100	B 9	93603-22028	B 6	97301-08025	D 3
92902-06100	B 5	93604-22050	C 4		D12
	D14	94127-19595	D 4	97301-08045	C13
92902-06600	B 5	94135-18596	D 6	97301-10016	D 9
92902-08200	D12	94227-19161	D 4	97301-10040	C13
93101-10002	B 6	94235-18085	D 6	97321-06020	C 5
93102-18008	D 4	94325-18043	D 6	97321-08030	B13
93102-20010	B 3	94327-19111	D 4	97602-03108	B 7
93102-26042	C 2	94414-19056	D 4	98501-04006	B 4
93103-28011	B 3	94418-18246	D 7	98501-04012	B 4
93104-07003	D 4	94580-35116	D 7	98501-04016	B 9
93104-11028	B15	94701-00044	B 2	98501-05008	B10
93104-20017	B13	95301-05600	B 6		C11
93104-22018	D 6	95301-06600	B10	98501-05010	D14
93105-47007	D 4		C 7	98501-05012	C 4
93106-26005	D 6		C10	98501-05016	B 6
93109-14005	C 5		D 4	98501-05020	B 4
93210-14104	D 5		D 6	98501-05030	D15
93210-18023	B 3		D11	98503-04010	B 4
93210-42101	D 6	95301-06700	B14	98506-04020	C14
93306-00406	D 6	95301-08600	B10	98506-05012	D12
93306-20204	D 6		D10	98511-04025	B 4
93306-30103	D 4		D12	98701-05016	B 4
93306-30303	C 2	95301-08700	D 7	98901-04008	B 6
93306-30401	C 2	95301-08800	C13	98906-06012	B10
93306-30405	B 3	95303-08800	D10		
93310-21403	B 3	95601-06100	D15		
	E 3	95601-12100	C10		
93310-422E7	B 3	95701-06100	D 2		
	E 3		D13		
93311-31515	C 2	95821-08035	C13		
93315-31502	C 2	95821-08115	C 6		
93410-13004	B13	95821-10090	C 6		
93410-20009	D 4	95821-10105	C 6		
93410-20038	C 2	97301-06012	D14		
	C 3	97301-06016	C 7		
93410-30012	B13				

## PARTS NAME INDEX

DESCRIPTION	GRID NO.
ABSORBER 1	B 2
ABSORBER 4	B 2
AXLE, drive	C 2
AXLE, main (IIT)	C 2
AXLE, sprocket	D 7
AXLE, wheel	D 5
*	D 7
BACK MIRROR ASSY (L.H.)	D 8
*	D 8
BACK MIRROR ASSY (R.H.)	D 8
*	D 8
BALL	B 6
*	B14
*	C13
*	C13
BAND	B 4
*	C14
*	C14
BAND, battery	D14
BAND, flap	C 7
*	C 7
BAND, rim (2.50-18)	D 6
BAND, rim (2.75-19)	D 4
BAND, switch cord	D10
*	D14
*	D14
*	D15
BAR, shift fork guide 1	C 4
*	C 4
BAR, tension	D 7
BASE, magnet	B 4
BATTERY ASSY (6N4-2A-2)	D14
BEARING (B6004Z)	D 6
BEARING (B6202Z)	D 6
BEARING (B6301Z)	D 4
BEARING (B6303Z)	C 2
BEARING (B6304)	C 2
BEARING (B6304C3)	B 3
BEARING, cylindrical	B 3
*	B 3
*	C 2
*	C 2
*	E 3
*	E 3
BODY ASSY, headlight	D12
BODY, cap	C 9
BODY, float chamber 1	B 8
BOLT	B 7

## PARTS NAME INDEX

DESCRIPTION	GRID NO.
BOLT	B13
*	C 4
*	C 4
*	C 5
*	C 6
*	C 7
*	C 7
*	C 7
*	C 9
*	C10
*	C10
*	C13
*	C13
*	C15
*	D 3
*	D 3
*	D 3
*	D 3
*	D 4
*	D 6
*	D 6
*	D 7
*	D 7
*	D 8
*	D 8
*	D 9
*	D 9
*	D12
*	D14
*	D15
*	D15
*	D15
*	D15
BOLT 1	C14
BOLT, cap	C14
BOLT, flange	C 6
*	C 6
*	C 6
*	C13
*	C13
BOLT, hexagon socket head	C14
BOLT, set	B14
BOLT, stud	B 2
*	B10

## PARTS NAME INDEX

DESCRIPTION	GRID NO.
BOLT, washer based	C13
BOLT, with washer	B14
BOOT	C14
*	D 8
BOSS, clutch	B14
BRACKET, seat	D 3
*	D 3
BRAKE SHOE COMP.	D 4
*	D 6
BRAKE SHOE PLATE ASSY	D 6
BREATHER	B11
BULB (6V-10W)	D10
*	D10
BULB (6V-17/5.3W)	D13
BULB (6V-25/25W)	D12
BULB (6V-3W)	D11
*	D11
BUSH	D 4
BUSH 1	C10
C.D.I. MAGNETO ASSY	B 4
C.D.I. UNIT ASSY	B 4
CABLE, brake	D 8
CABLE, clutch	D 8
CABLE, pump	D 8
CABLE, throttle 1	D 8
CABLE, throttle 2	D 8
CAMSHAFT	O 4
*	D 6
CAP	B 8
*	C10
CAP ASSY	D 2
*	D 2
CAP 1	D15
CAP, cleaner case 1	B 7
CAP, plunger	B 8
CARBURETOR ASSY 1	B 8
CARRIER ASSY	D 3
CASE, air cleaner 1	B 7
CHAIN	D 7
CHAIN CASE ASSY	C10
CIRCLIP	B 3
*	B 6
*	B13
*	B13
*	B13
*	C 2
*	C 2
*	C 2
*	C 4

## PARTS NAME INDEX

DESCRIPTION	GRID NO.
CIRCLIP	C 5
*	D 4
*	D 6
*	E 2
*	E 2
*	E 2
*	E 2
*	E 2
CLAMP	B 4
*	B 4
*	D14
CLAMP, carrier	D 3
CLAMP, hose	B 7
*	B 7
CLIP	B 6
*	B 6
*	B 9
*	B13
*	C 9
*	D 2
CLIP, oil seal	C14
CLIP, Plunger	B 8
CLUTCH ASSY	B14
CLUTCH, hub	D 6
CLUTCH, meter	D 4
COIL, charge	B 4
COIL, lighting 1	B 4
COIL, Pulser	B 4
COLLAR	B 3
*	C 2
*	C 7
*	D 5
*	D 7
*	D 7
*	D 9
*	D11
COLLAR, lever 1	D15
CONNECTING ROD ASSY	E 2
CONNECTOR, cable	D 8
CORD ASSY	B 4
COVER, adjust Pulley	B 6
COVER, ball race 2	C13
COVER, crankcase 2	B12
COVER, dust	C10
COVER, Generator	B12
COVER, handle lever 1	D 8
*	D 8
COVER, hub dust	D 4

## PARTS NAME INDEX

DESCRIPTION	GRID NO.
COVER, kick lever	B13
COVER, oil Pump	B12
COVER, Plate	D 6
COVER, Plunger cap	B 8
COVER, shift Pedal	C 5
COVER, side 1	C 8
COVER, side 2	C 8
COVER, single seat	D 3
COVER, spring	B13
CRANK 1	B 3
CRANK 2	B 3
CRANKCASE COVER ASSY 1	B12
CRANKCASE 1	B11
CRANKCASE 2	B11
CRANKSHAFT ASSY	B 3
CROWN, handle	C13
CUP, filter	D 2
CYLINDER 1	B 2
DAMPER	D 6
*	D11
DAMPER 2	D11
DAMPER, locating 1	C 8
*	D 2
DAMPER, locating 2	D 2
DUCT	B 7
ELEMENT, air cleaner	B 7
EMBLEM 1	C 8
EMBLEM 2	C 8
EXHAUST PIPE ASSY 1	B10
FENDER, front	C 7
FENDER, rear	C 7
FLANGE, spacer	D 4
*	D 6
FLAP	C 7
FLAP, front fender	C 7
FLASHER RELAY ASSY	D10
FLOAT	B 8
FOOTREST	D 9
FOOTREST 1	D 9
FOOTREST 2	D 9
FORK UNIT ASSY	C14
FORK UNIT ASSY 2	C14
FORK, shift 1	C 4
FORK, shift 2	C 4
FORK, shift 3	C 4
FRAME COMP	C 6
*	C 6

## PARTS NAME INDEX

DESCRIPTION	GRID NO.
FRONT CARRIER ASSY	D 3
FRONT FLASHER LIGHT ASSY 1	D10
FRONT FORK ASSY	C14
FUEL COCK ASSY 1	D 2
FUEL TANK COMP.	D 2
FUSE (6V-10A)	D14
FUSE HOLDER ASSY	D14
GASKET	B 6
*	B 9
*	B11
*	C14
*	D 2
*	D 2
*	D14
GASKET, air cleaner	B 7
GASKET, cap	D 2
*	D 2
GASKET, crankcase cover	B12
GASKET, cylinder	B 2
GASKET, cylinder head 1	B 2
GASKET, drain	C 4
GASKET, exhaust Pipe	B10
GASKET, float chamber	B 8
GASKET, lens	D13
GASKET, level gauge	C 9
GASKET, oil Pump cover 1	B12
GASKET, Pump case	B 6
GASKET, valve seat	B 7
GEAR, drive (26T)	D 4
GEAR, kick (26T)	B13
GEAR, kick idle (26T)	B13
GEAR, meter (9T)	D 4
GEAR, Primary drive (19T)	B14
GEAR, Pump drive (30T)	B 6
GEAR, 1st wheel (35T)	C 2
GEAR, 2nd Pinion (16T)	C 2
GEAR, 2nd wheel (30T)	C 2
GEAR, 3rd Pinion (20T)	C 2
GEAR, 3rd wheel (25T)	C 2
GEAR, 4th Pinion (24T)	C 2
GEAR, 4th wheel (21T)	C 2
GEAR, 5th Pinion (27T)	C 2
GEAR, 5th wheel (18T)	C 2
GRAPHIC SET	D 2
GRIP (L.H)	D 8
GRIP (R.H)	D 8
GROMMET	C 7
*	C 8

## PARTS NAME INDEX

DESCRIPTION	GRID NO.
GROMMET	C 8
GUARD, chain	C10
GUARD, lever	D 8
GUARD, mud	C 7
GUIDE, sPring	B13
HANDLEBAR	D 8
HEAD, cylinder 1	B 2
HEADLIGHT UNIT ASSY	D12
HOLDER	B 8
*	B 8
*	B11
HOLDER, cable	C14
HOLDER, cable 1	C15
HOLDER, handle upper	C13
HOLDER, kick Bear	B13
HOLDER, lever 1	D15
HOLDER, lever 2	D15
HOLDER, oil Pipe	B 6
HOLDER, shift cam	C 4
HOOK, sPring	B14
HORN	D14
HOSE	B 6
*	B11
*	C 9
*	D 2
*	D14
HUB, front	D 4
HUB, rear	D 6
IGNITION COIL ASSY	D14
INNER TUBE COMP.1	C14
JET, main (#130)	B 8
JET, main (#140)	B 8
JET, main (#150)	B 8
JET, Pilot (#17.5)	B 8
JOINT, air cleaner 1	B 7
JOINT, carburetor	B 7
JOINT, exhaust 1	B10
KEY, woodruff	B 3
KICK AXLE ASSY	B13
KICK CRANK ASSY	B13
LABEL, indicator	D 6
LENS ASSY	D12
LENS, flasher	D10
*	D10
LENS, level gauge	C 9
LENS, taillight	D13
LEVER HOLDER ASSY 2	D15
LEVER 1	D15

## PARTS NAME INDEX

DESCRIPTION	GRID NO.
LEVER 2	D15
LEVER, camshaft	D 6
LEVER, camshaft 1	D 4
LEVER, cock	D 2
LEVER, kick	B13
LEVER, lock	D15
LEVER, Push	B14
MAIN AXLE COMP.	C 2
MAIN SWITCH ASSY	D14
METAL, worm shaft outer	B 6
NEEDLE	B 8
NEEDLE VALVE ASSY	B 8
NET, filter 2	D 2
NEUTRAL SWITCH ASSY	D14
NOZZLE	B 6
NOZZLE, main	B 8
NUT	B 2
*	B 4
*	B 6
*	B10
*	B10
*	B14
*	B14
*	B14
*	C 2
*	C 5
*	C 7
*	C10
*	C13
*	D 2
*	D 4
*	D 6
*	D 6
*	D 7
*	D 7
*	D 8
*	D 8
*	D 8
*	D10
*	D11
*	D12
NUT, cable adjusting	B 8
NUT, castle	D 5
*	D 7
NUT, crown	C12
*	C13
*	D10
NUT, flange	D 2

## PARTS NAME INDEX

DESCRIPTION	GRID NO.
NUT, flange	D13
NUT, self-locking	C 6
*	C 6
*	D 9
NUT, u	C10
*	D15
*	D15
NUT, wing	D 9
O-RING	B 3
*	B 8
*	B 8
*	D 2
*	D 5
*	D 6
OIL PUMP ASSY	B 6
OIL SEAL	B 3
*	B 3
*	B 6
*	B13
*	B15
*	C 2
*	C 5
*	C14
*	D 4
*	D 4
*	D 4
*	D 6
*	D 6
OIL TANK ASSY	C 9
PEDAL, brake	D 9
PEDAL, shift	C 5
PIN	D 9
PIN, clevis	D 9
*	D 9
PIN, cotter	B 8
*	D 5
*	D 7
*	D 7
*	D 9
*	D 9
*	D 9
PIN, crank 1	B 3
*	E 3
PIN, dowel	B 6
*	B11
*	B11
*	B12
*	B12

## PARTS NAME INDEX

DESCRIPTION	GRID NO.
PIN, dowel	C 4
PIN, float	B 8
PIN, Piston	B 3
*	E 2
*	E 2
*	E 2
*	E 2
PIN, sPring	C 4
PIN, straight	C 4
PIPE	B 9
*	B 9
PIPE, oil tank breather	C 9
PIPE, outlet	B10
PISTON (STD)	B 3
*	B 3
*	E 2
PISTON (1ST O/S 0.25MM)	B 3
*	E 2
PISTON (2ND O/S 0.50MM)	B 3
*	E 2
PISTON (3RD O/S 0.75MM)	B 3
*	E 2
PISTON (4TH O/S 1.00MM)	B 3
*	E 2
PISTON ASSY (STD)	E 2
PISTON ASSY (1ST O/S)	E 2
PISTON ASSY (2ND O/S)	E 2
PISTON ASSY (3RD O/S)	E 2
PISTON ASSY (4TH O/S)	E 2
PISTON RING SET (STD)	B 3
*	E 2
PISTON RING SET (1ST O/S)	B 3
*	E 2
PISTON RING SET (2ND O/S)	B 3
*	E 2
PISTON RING SET (3RD O/S)	B 3
*	E 2
PISTON RING SET (4TH O/S)	B 3
*	E 2
PLATE, adjusting	B 6
PLATE, brake shoe	D 4
PLATE, clutch 1	B14
PLATE, cover	C 2
PLATE, friction	B14
PLATE, indicator	D 4
PLATE, Pressure 1	B14

## PARTS NAME INDEX

DESCRIPTION	GRID NO.
PLATE, side 1	C 4
PLATE, thrust 1	B14
PLATE, thrust 2	B14
PLUG	C 3
PLUG CAP ASSY	D14
*	D14
PLUG, blind	C 4
*	C 4
PLUG, drain	C14
PLUG, oil level	B12
PLUG, screw	B 8
PLUG, sPark (NGK B-7E5)	B 2
PLUG, straight screw	B11
PLUNGER, starter	B 8
POINT, neutral	C 4
PRIMARY DRIVEN GEAR COMP.	B14
PROTECTOR, muffler 2	B10
PROTECTOR, muffler 1	B10
PROTECTOR, Pedal	C 6
PULLER, chain 1	D 7
PULLER, chain 2	D 7
RACE, ball 1	C13
*	C14
RACE, ball 2	C13
*	C13
REAR ARM COMP.	C10
REAR FLASHER LIGHT ASSY 1	D10
RECTIFIER ASSY	B 4
*	B 4
REED VALVE ASSY	B 7
REED, valve	B 7
REFLECTOR, level gauge	C 9
RIM (1.40-19)	D 4
RIM (1.85-18)	D 7
RIM, headlight	D12
RING, cushion	B14
RING, friction	B14
RING, leaf	D 8
RING, Piston	C14
RING, stop	D 5
ROD, brake	D 9
ROD, connecting	B 3
*	E 2
ROD, Push 1	B14
ROD, Push 2	B14
ROTOR ASSY	B 4
SCREW	C 5
SCREW, air adjusting	B 9

## PARTS NAME INDEX

DESCRIPTION	GRID NO.
SCREW, bind	B 6
*	B10
SCREW, cable adjusting	B 9
SCREW, flat head	B 4
SCREW, lens fitting	D13
SCREW, lever fitting	D 2
SCREW, Pan head	B 4
*	B 4
*	B 4
*	B 4
*	B 4
*	B 5
*	B 6
*	B 7
*	B 7
*	B 7
*	B 9
*	B10
PROTECTOR, Pedal	C 6
PULLER, chain 1	D 7
PULLER, chain 2	D 7
RACE, ball 1	C13
*	C14
RACE, ball 2	C13
*	C13
REAR ARM COMP.	C10
REAR FLASHER LIGHT ASSY 1	D10
RECTIFIER ASSY	B 4
*	B 4
REED VALVE ASSY	B 7
REED, valve	B 7
REFLECTOR, level gauge	C 9
RIM (1.40-19)	D 4
RIM (1.85-18)	D 7
RIM, headlight	D12
RING, cushion	B14
RING, friction	B14
RING, leaf	D 8
RING, Piston	C14
RING, stop	D 5
ROD, brake	D 9
ROD, connecting	B 3
*	E 2
ROD, Push 1	B14
ROD, Push 2	B14
ROTOR ASSY	B 4
SCREW	C 5
*	D15
SCREW, Pan head with washer	B 7
SCREW, Push	B14

## PARTS NAME INDEX

DESCRIPTION	GRID NO.
SCREW, throttle	B 8
SEAL, dust	C15
SEAL, Guard	C10
SEAL, Push rod	B14
SEAL, steering	C14
SEAT, sPring	B 9
SEAT, sPring lower	C14
SEAT, sPring upper	C14
SHAFT, Pivot	C10
SHAFT, worm	B 6
SHIFT CAM ASSY	C 4
SHIFT SHAFT ASSY	C 5
SHIM (0.3T)	B 6
SHIM (0.5T)	B 6
SHIM (1.0T)	B 6
SHIM 1 (1.0T)	C 2
SHOCK ABSORBER ASSY, rear	C12
SILENCER, exhaust	B10
SINGLE SEAT ASSY	D 3
SOCKET	D12
SOCKET CORD ASSY	D11
*	D11
SPACER	B13
*	B14
*	D 4
*	D 6
SPACER, bead	D 7
SPEEDOMETER ASSY	D11
*	D11
SPEEDOMETER CABLE ASSY	D11
SPOKE SET, front	D 4
SPOKE SET, rear	D 6
SPRING	C14
*	D 2
*	D 3
SPRING, air adjusting	B 9
SPRING, check ball	B 6
SPRING, compression	B13
*	B14
*	D 9
SPRING, front carrier	D 3
SPRING, front fork	C14
SPRING, Plunger	B 8
SPRING, rebound	C14
SPRING, reflector	D12
SPRING, tension	B14
*	C 4
*	C 5

## PARTS NAME INDEX

DESCRIPTION	GRID NO.
SPRING, tension	D 4
*	D 6
*	D 9
SPRING, throttle stop	B 8
SPRING, throttle valve	B 9
SPRING, torsion	B13
*	C 5
*	D 9
*	D 9
SPROCKET, drive (14T)	C 2
SPROCKET, driven (51T)	D 6
STAND, side	D 9
*	D 9
STAY, chain case 2	C11
STAY, dust cover	C10
STAY, flasher 1	D10
STOP SWITCH ASSY	D14
STOPPER	B13
STOPPER LEVER ASSY	C 4
STOPPER, reed valve	B 7
SWITCH, handle 1	D15
SWITCH, handle 4	D15
TAILLIGHT BASE ASSY	D13
TAILLIGHT UNIT ASSY	D13
TAPER, spindle	C14
TERMINAL, earth 1	B 4
TERMINAL, earth 2	B 4
TIRE (2.75-19)	D 4
TIRE (3.50-18)	D 6
TOOL BOX COMP.	D 3
TOOL KIT	D 3
TOP, mixing chamber	B 9
TUBE (2.75-19)	D 4
TUBE (3.50-18)	D 6
TUBE, throttle Guide	D 8
UNDER BRACKET COMP.	C14
VALVE, throttle 1	B 9
VOLTAGE REGULATOR ASSY	B 4
WASHER	B 3
*	B 5
*	B10
*	B13
*	D 6
*	D12
*	E 3
WASHER, conical spring	B14
*	B14
WASHER, kick lever	B13

## PARTS NAME INDEX

DESCRIPTION	GRID NO.
WASHER, lock	C 2
*	C 5
WASHER, needle valve	B 8
WASHER, Plain	C10
*	D 9
WASHER, Plate	B 2
*	B 4
*	B 4
*	B 6
*	B 7
*	B 7
*	B 7
*	B10
*	B10
*	C 2
*	C 2
*	C 4
*	C 5
*	C 7
*	C 7
*	C 7
*	C 7
*	C 9
*	C10
*	C10
*	C12
*	C12
*	C15
*	D 2
*	D 3
*	D 3
*	D 3
*	D 4
*	D 4
*	D 9
*	D11
*	D12
WASHER, Plate (1.5T)	D 9
WASHER, special	C14
WASHER, spring	B 4
*	B 4
*	B 4
*	B 5
*	B 6
*	B 9
*	B10

PARTS NAME INDEX

DESCRIPTION	GRID NO.
WASHER, sPrin8 .....	B10
•	B10
•	C 3
•	C 4
•	C 6
•	C 6
•	C 6
•	C 7
•	C 7
•	C 7
•	C 7
•	C 7
•	C 9
•	C10
•	C10
•	C10
•	C10
•	C10
•	C10
•	C13
•	C13
•	C14
•	C15
•	D 3
•	D 3
•	D 3
•	D 7
•	D 8
•	D 9
•	D10
•	D12
•	D14
•	D14
•	D14
•	D14
•	D15
•	D15
WIRE HARNESS ASSY .....	D14

M16

4

8

9

10