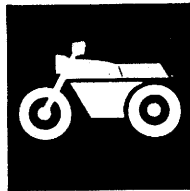


**YAMAHA**



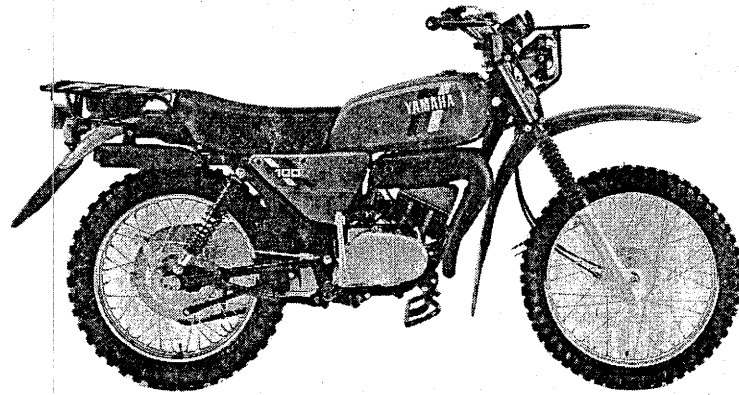
**PARTS  
CATALOGUE**

**AG100E (3HA6)**

OCEANIA  
OTHER COUNTRIES

**YAMAHA**  
**GENUINE**  
Parts & Accessories

|33HA-700E1



A3

# FOREWORD

This Parts Catalogue is related to the parts in use for the Yamaha AG100E(3HA6). When you are ordering replacement parts for the AG100E(3HA6), refer to this Parts Catalogue and quote both part numbers and part names correctly.

1. Modifications or additions which have been made after issue of the Parts Catalogue will be announced in the Yamaha Parts News.

It is advisable that according to the Yamaha Parts News you make necessary corrections to the Parts Catalogue on hand to keep it up-to-date.

2. Abbreviations

The following abbreviations are used in this Parts Catalogue.

- U.R. Use size (thickness) and/or number as required.
- U.N. Use as many as you need.
- A.P. Alternate Parts
- L.M. Local Made
- F# Frame No. (Applicable machine No.)

3. The parts marked with (\*) in the parts number column of this Catalogue are not supplied with by Yamaha, those have to be found locally.
4. Parts, which are to be supplied in the form of assemblies, are listed with an indention of one letter's space, and a dot (.) is put against the name of each part.

**EXAMPLE** CARBURETOR ASS'Y  
 . JET, pilot  
 . NOZZLE, main

5. Indication of No. of constituent parts for assembly

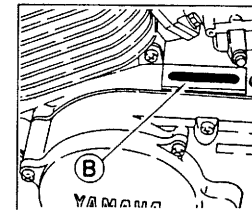
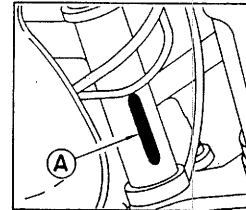
The numeral appearing to the right of each constituent part under the description indicates the quantity of such parts for each individual assembly unit.

**EXAMPLE**

Part No.	Description	Q'ty	Remarks
2F5-83310-60	FRONT FLASHER LIGHT ASS'Y	2	
115-83311-60	. BULB (6V-18W)	1	
1M1-83309-60	. REFLECTOR	1	

6. Initial Serial No. and Color Code.

(A) Frame Serial No.	3HA-025101 and following
(B) Engine Serial No.	3HA-025101 and following



Color Code	Color Name	Abbreviate
00EY	HEAT RED	HTR
00TL	CERAMIC IVORY	CRI

7. Applicable colors of graphics are represented in the "Remarks" column by the letter(s) appropriately picked out of the full word(s) showing such colors.

**EXAMPLE**

Part No.	Description	Q'ty	Remarks
2N4-24110-00-X5	FUEL TANK COMP.	1	MAXIM RED
3J1-24240-10	. GRAPHIC, fuel tank set	1	for MXR

# CONTENTS

## ENGINE

Cylinder .....	B2
Crankshaft. Piston .....	B3
Oil Pump .....	B4
Intake .....	B5
Carburetor .....	B6 ~ B7
Exhaust .....	B8
Crankcase .....	B9
Crankcase Cover 1 .....	B10
Starter .....	B11
Clutch .....	B12
Transmission .....	B13 ~ B14
Shift Cam. Fork .....	B15
Shifter .....	C2

## CHASSIS

Frame .....	C3
Fender .....	C4
Side Cover .....	C5
Oil Tank .....	C6
Rear Arm .....	C7 ~ C8
Rear Suspension .....	C9
Steering .....	C10
Front Fork .....	C11 ~ C12
Fuel Tank .....	C13
Seat .....	C14
Front Wheel .....	C15 ~ D2
Rear Wheel .....	D3 ~ D4
Steering Handle. Cable .....	D5
Stand. Footrest .....	D6

Generator .....	D7
Flasher Light .....	D8
Meter .....	D9
Headlight .....	D10
Taillight .....	D11
Handle Switch. Lever .....	D12
Electrical 1 .....	D13 ~ D14

## REPAIR KIT

Repair Kit .....	D15
------------------	-----

## INDEX

Numerical Index .....	M1 ~ M3
-----------------------	---------

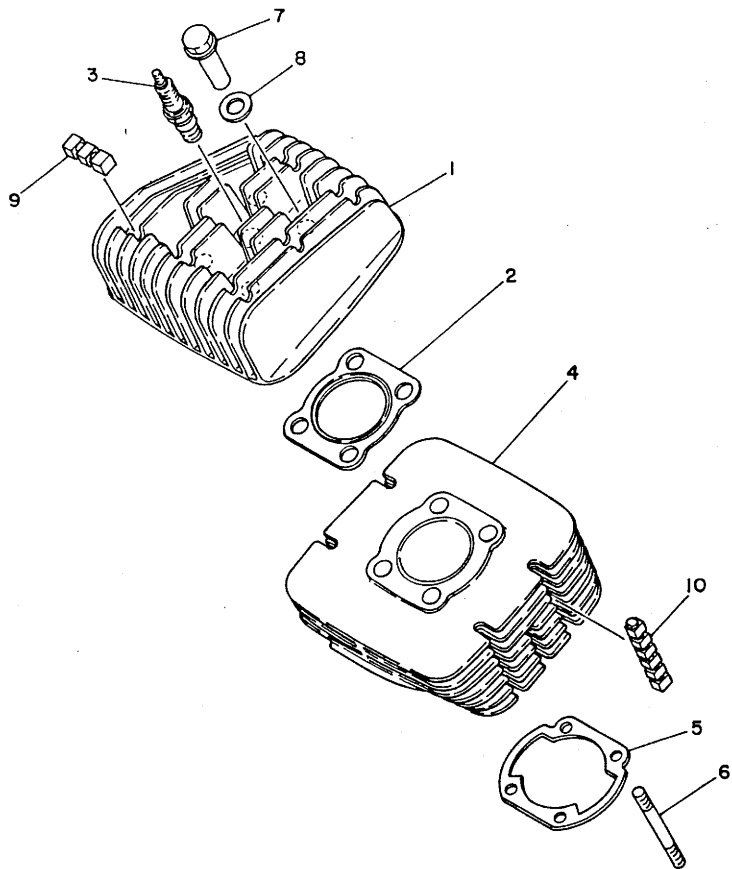


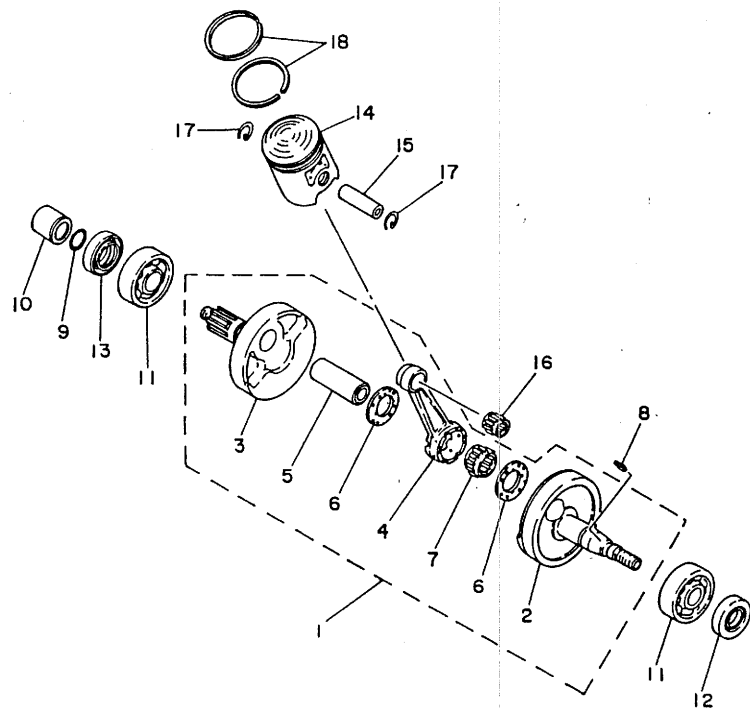
FIG. 1 CYLINDER

REF. NO.	PART NO.	DESCRIPTION	Q'TY	REMARKS
1	3V6-11111-00	HEAD, cylinder 1	1	
2	3A3-11181-00	GASKET, cylinder head 1	1	
3	94701-00044	PLUG, spark (NGK B-7ES)	1	
4	3V6-111311-00	CYLINDER 1	1	
5	3UL-11351-00	GASKET, cylinder	1	
6	90116-08064	BOLT, stud	4	
7	90179-08303	NUT	4	
8	90201-12362	WASHER, plate	4	
9	3V6-11128-00	ABSORBER 4	6	
10	3V6-11161-00	ABSORBER 1	4	



3V6700-2010

FIG. 2 CRANKSHAFT. PISTON



REF. NO.	PART NO.	DESCRIPTION	Q'TY	REMARKS
1	382-11400-00	CRANKSHAFT ASSY	1	
2	558-11412-00	.CRANK 1	1	
3	382-11422-00	.CRANK 2	1	
4	1M7-11651-00	.ROD, connecting	1	
5	5E2-11681-00	.PIN, crank 1	1	
6	90209-22248	.WASHER	2	
7	93310-422E7	.BEARING, cylindrical	1	
8	90280-03017	KEY, woodruff	1	
9	93210-18023	O-RING	1	
10	90387-20175	COLLAR	1	
11	93306-30421	BEARING (B6304C3)	2	
12	93102-20231	OIL SEAL	1	
13	93103-28011	OIL SEAL	1	
14	3V6-11631-00-96	PISTON (STD)	1	
	3V6-11635-00	PISTON (0.25MM O/S)	1	AP
	3V6-11636-00	PISTON (0.50MM O/S)	1	AP
	3V6-11637-00	PISTON (0.75MM O/S)	1	AP
	3V6-11638-00	PISTON (1.00MM O/S)	1	AP
15	131-11633-00	PIN, piston	1	
16	93310-21403	BEARING, cylindrical	1	
17	93450-15023	CIRCLIP	2	
18	335-11601-00	PISTON RING SET (STD)	1	
	335-11601-10	PISTON RING SET (1ST O/S)	1	AP
	335-11601-20	PISTON RING SET (2ND O/S)	1	AP
	335-11601-30	PISTON RING SET (3RD O/S)	1	AP
	335-11601-40	PISTON RING SET (4TH O/S)	1	AP

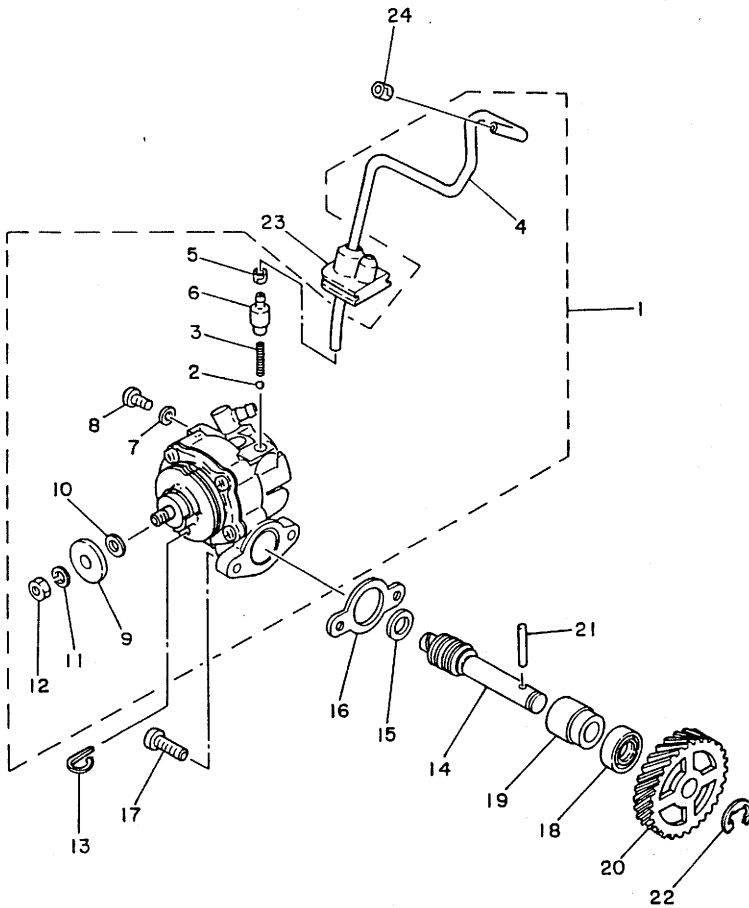


3V6700-2020

B3

FIG. 3 OIL PUMP

REF. NO.	PART NO.	DESCRIPTION	Q'TY	REMARKS
1	3V6-13101-00	OIL PUMP ASSY	1	
2	93505-32002	.BALL	1	
3	90501-02217	.SPRING, compression	1	
4	90445-05278	.HOSE	1	
5	90468-02033	.CLIP	1	
6	402-13552-00	.NOZZLE	1	
7	90430-04004	.GASKET	1	
8	98901-04008	.SCREW, bind	1	
9	137-13138-01	.PLATE, adjusting	1	
10	137-13137-00-10	.SHIM (1.0T)	1 UN	
11	92901-05100	.WASHER, spring	1	
12	95303-05600	.NUT	1	
13	367-13146-01	CLIP	1	
14	3V6-13175-00	SHAFT, worm	1	
15	90201-08624	WASHER, plate	1	
16	3MT-13116-00	GASKET, pump case	1	
17	98506-05014	SCREW, pan head	2	
18	93101-10002	OIL SEAL	1	
19	1E7-13176-00	METAL, worm shaft outer	1	
20	382-13178-60	GEAR, pump drive (30T)	1	
21	93603-22028	PIN, dowel	1	
22	99001-08600	CIRCLIP	1	
23	525-13174-00	HOLDER, oil pipe	1	
24	90468-02033	CLIP	1	



3V6700-2040

B4

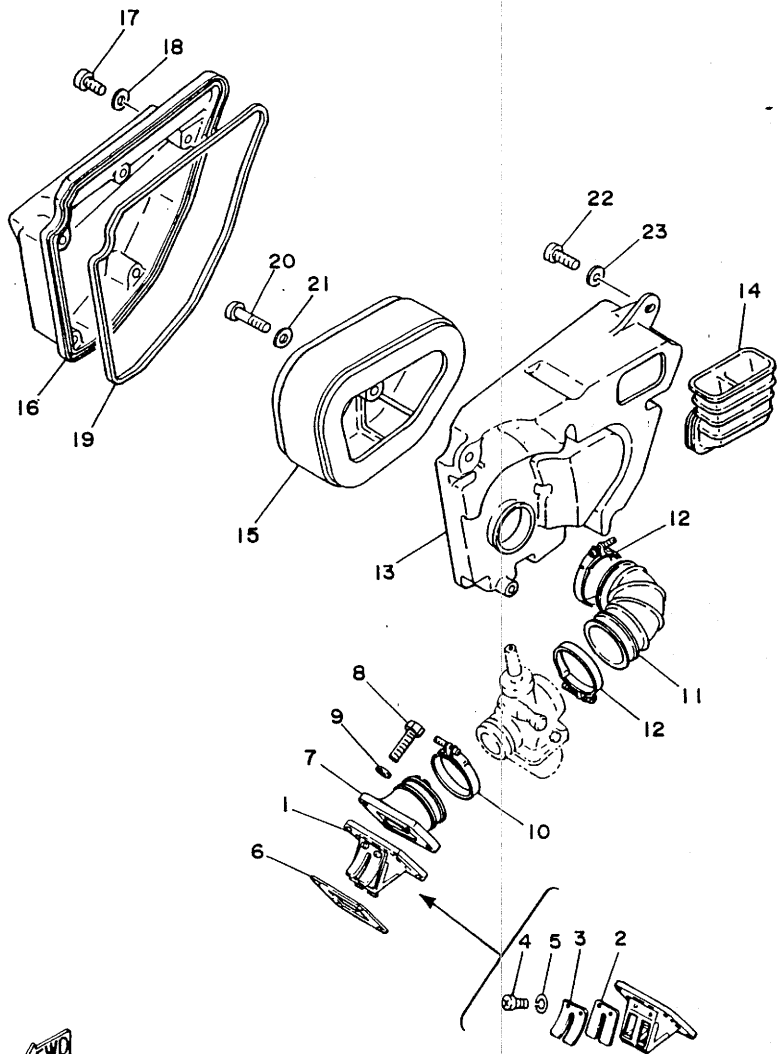
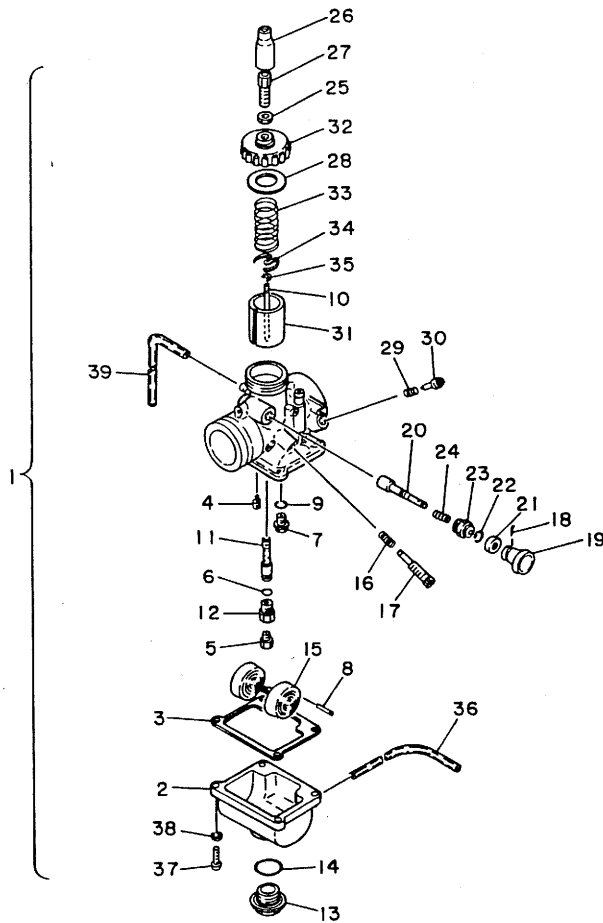


FIG. 4 INTAKE

REF. NO.	PART NO.	DESCRIPTION	Q'TY	REMARKS
1	53V-13610-00	REED VALVE ASSY	1	
2	314-13613-01	.REED, valve	2	
3	314-13616-01	.STOPPER, reed valve	2	
4	98501-03008	.SCREW, pan head	4	
5	92990-03100	.WASHER, spring	4	
6	87A-13621-00	GASKET, valve seat	1	
7	560-13565-00	JOINT, carburetor	1	
8	97001-06025	BOLT	4	
9	92901-06600	WASHER, plate	4	
10	90460-43053	CLAMP, hose	1	
11	3A3-14453-01	JOINT, air cleaner 1	1	
12	90460-51059	CLAMP, hose	2	
13	3V6-14411-00	CASE, air cleaner 1	1	
14	1V1-14437-00	DUCT	1	
15	3V6-14451-00	ELEMENT, air cleaner	1	
16	3V6-14412-00	CAP, cleaner case 1	1	
17	98502-06016	SCREW, pan head	5	
18	92901-06600	WASHER, plate	5	
19	3V6-14416-00	GASKET, air cleaner	1	
20	98501-06035	SCREW, pan head	1	
21	90201-06067	WASHER, plate	1	
22	98501-06020	SCREW, pan head	2	
23	90201-06067	WASHER, plate	2	

  
 3HA5700-2040

FIG. 5 CARBURETOR

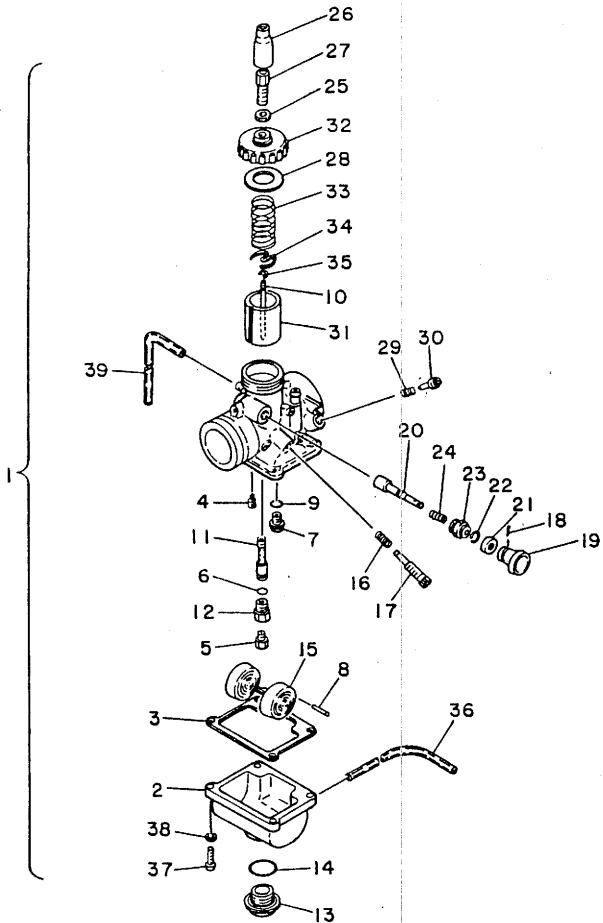


REF. NO.	PART NO.	DESCRIPTION	Q'TY	REMARKS
1	3V6-14101-00	CARBURETOR ASSY 1	1	
2	539-14181-06	.BODY, float chamber 1	1	
3	304-14184-00	.GASKET, float chamber	1	
4	260-14142-17	.JET, pilot (#17.5)	1	
5	137-14143-28-A0	.JET, main (#140)	1	UR STD
	137-14143-26-A0	.JET, main (#130)	1	UR
	137-14143-30	.JET, main (#150)	1	UR
6	214-14147-00	.O-RING	1	
7	353-14190-15	.NEEDLE VALVE ASSY	1	
8	127-14186-00	.PIN, float	1	
9	127-14195-00	.WASHER, needle valve	1	
10	18L-1490J-00	.NEEDLE SET	1	
11	2F5-14141-36	.NOZZLE, main	1	
12	2N4-14145-00	.HOLDER	1	
13	500-14115-00	.PLUG, screw	1	
14	558-14147-00	.O-RING	1	
15	304-14185-00	.FLOAT	1	
16	493-14133-00	.SPRING, throttle stop	1	
17	10W-14103-00	.THROTTLE SCREW SET	1	
18	91401-16015	.PIN, cotter	1	
19	304-14261-00	.HOLDER	1	
20	304-14171-00	.PLUNGER, starter	1	
21	3A3-14173-00	.COVER, plunger cap	1	
22	152-14138-00	.CLIP, plunger	1	
23	152-14174-00	.CAP, plunger	1	
24	156-14135-00	.SPRING, plunger	1	
25	802-14161-00	.NUT, cable adjusting	1	
26	307-14169-10	.CAP	1	

  
3V6700-2060

**B6**

FIG. 5 CARBURETOR



REF. NO.	PART NO.	DESCRIPTION	Q'TY	REMARKS
27	12G-14106-00	.CABLE ADJUST SCREW SET	1	
28	193-14126-00	.GASKET	1	
29	174-14134-00	.SPRING, air adjusting	1	
30	10W-14104-00	.AIR SCREW SET	1	
31	304-14112-20	.VALVE, throttle 1	1	
32	193-14158-00	.TOP, mixing chamber	1	
33	3X3-14131-00	.SPRING, throttle valve	1	
34	137-14136-00	.SEAT, spring	1	
35	164-14137-00	.CLIP	1	
36	183-14196-00	.PIPE	1	
37	98511-04016	.SCREW, pan head	4	
38	92902-04100	.WASHER, spring	4	
39	183-14197-01	.PIPE	1	

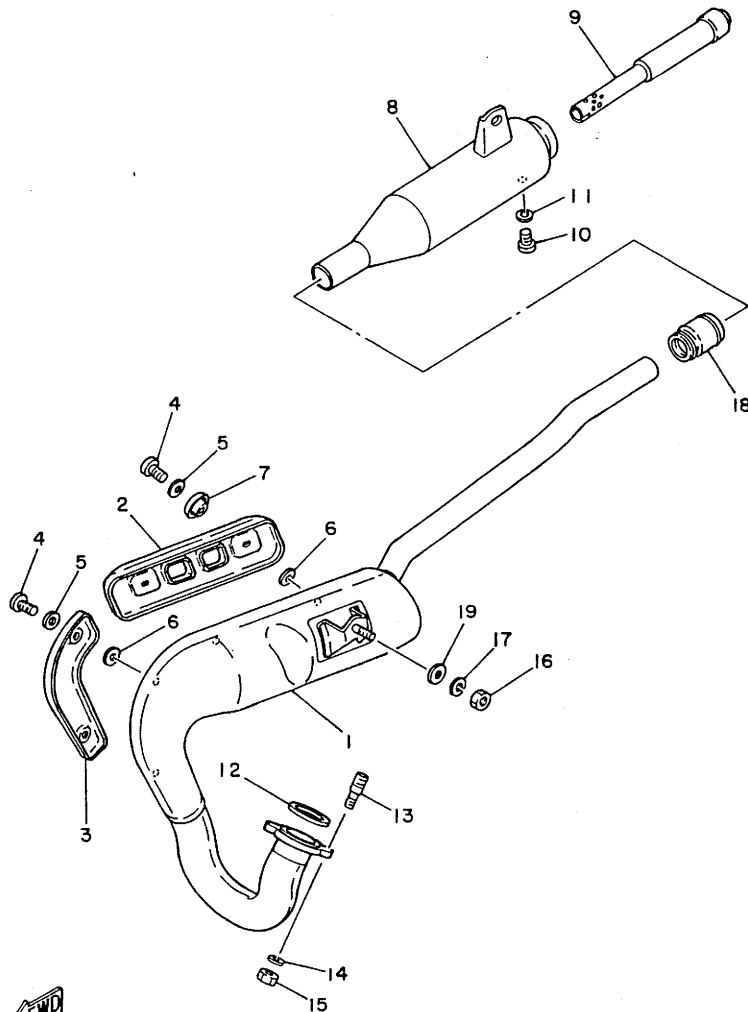


3V6700-2060

**B7**

FIG. 6 EXHAUST

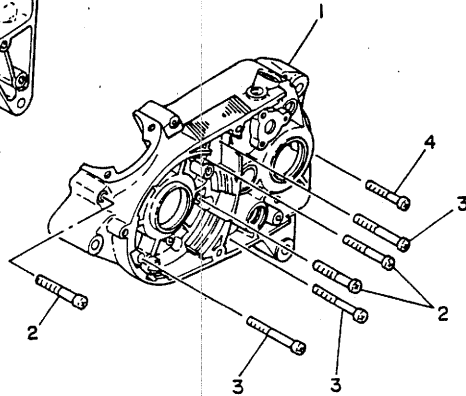
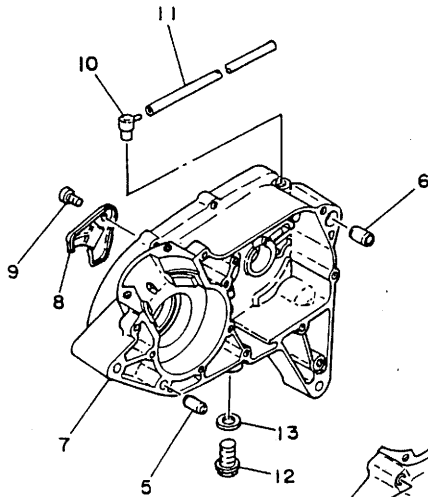
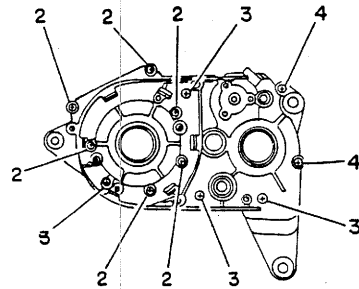
REF. NO.	PART NO.	DESCRIPTION	Q'TY	REMARKS
1	3V6-14610-00	EXHAUST PIPE ASSY 1	1	
2	3V6-14718-00	PROTECTOR, muffler 1	1	
3	3V6-14728-00	PROTECTOR, muffler 2	1	
4	98906-06012	SCREW, bind	4	
5	90202-05187	WASHER, plate	4	
6	90202-05188	WASHER, plate	4	
7	90209-06194	WASHER	2	
8	3V6-14753-00	SILENCER, exhaust	1	
9	3T2-14752-00	PIPE, outlet	1	
10	98501-05008	SCREW, pan head	1	
11	92901-05100	WASHER, spring	1	
12	3PA-14613-10	GASKET, exhaust pipe	1	
13	90116-06320	BOLT, stud	2	
14	92990-06100	WASHER, spring	2	
15	95303-06600	NUT	2	
16	95303-08600	NUT	1	
17	92990-08100	WASHER, spring	1	
18	3M7-14615-00	JOINT, exhaust 1	1	
19	90201-08753	WASHER, plate	1	



3V6700-2070

B8

FIG. 7 CRANKCASE



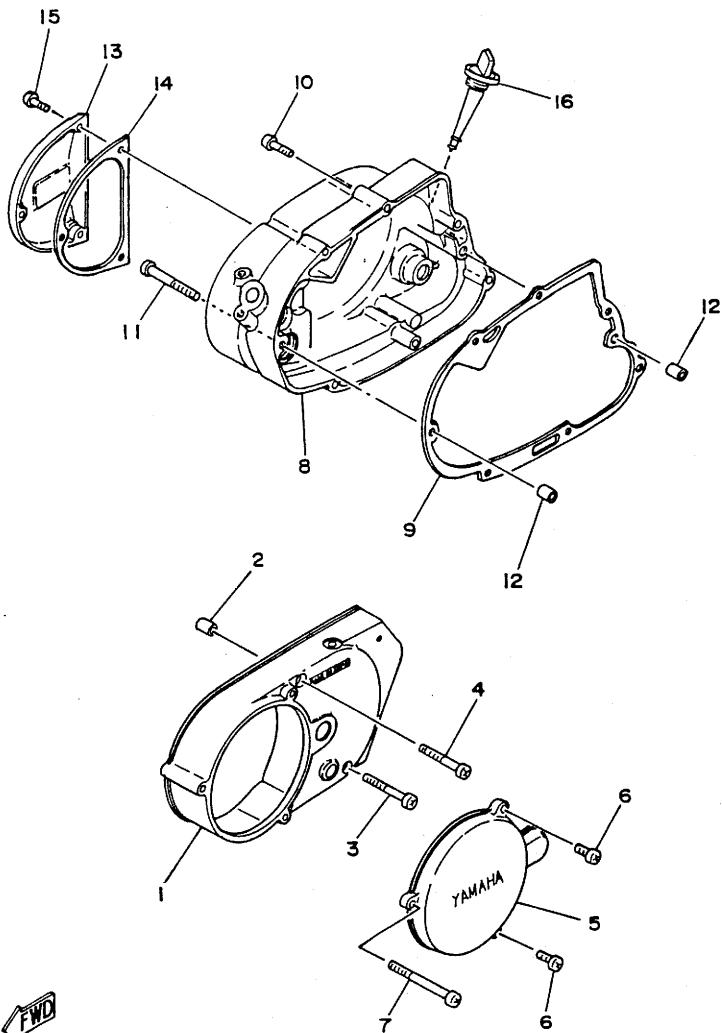
REF. NO.	PART NO.	DESCRIPTION	Q'TY	REMARKS
1	276-15111-01	CRANKCASE 1	1	
2	98503-06045	SCREW, pan head	6	
3	98501-06055	SCREW, pan head	4	
4	98501-06040	SCREW, pan head	2	
5	99510-12016	PIN, dowel	1	
6	99530-14016	PIN, dowel	1	
7	276-15121-04	CRANKCASE 2	1	
8	304-15128-00	HOLDER	1	
9	98511-08010	SCREW, pan head	1	
10	583-15371-00	BREATHER	1	
11	90446-07009	HOSE	1	
12	90340-12005	PLUG, straight screw	1	
13	90430-12207	GASKET	1	



3V6700-2080

**B9**

FIG. 8 CRANKCASE COVER 1



REF. NO.	PART NO.	DESCRIPTION	Q'TY	REMARKS
1	382-W1541-60	CRANKCASE COVER ASSY 1	1	
2	99530-10014	PIN, dowel	2	
3	98501-06050	SCREW, pan head	2	
4	98503-06045	SCREW, pan head	1	
5	276-15415-00	COVER, generator	1	
6	98501-06020	SCREW, pan head	2	
7	98501-06060	SCREW, pan head	1	
8	3V6-15421-01	COVER, crankcase 2	1	
9	3GY-15451-00	GASKET, crankcase cover 1	1	
10	98501-06035	SCREW, pan head	6	
11	98501-06060	SCREW, pan head	1	
12	99530-10014	PIN, dowel	2	
13	3V6-15416-00	COVER, oil pump	1	
14	3GY-15456-00	GASKET, oil pump cover 1	1	
15	98501-06020	SCREW, pan head	3	
16	315-15362-01	PLUG, oil level	1	



3V6700-2090

B10



3HA5700-2090

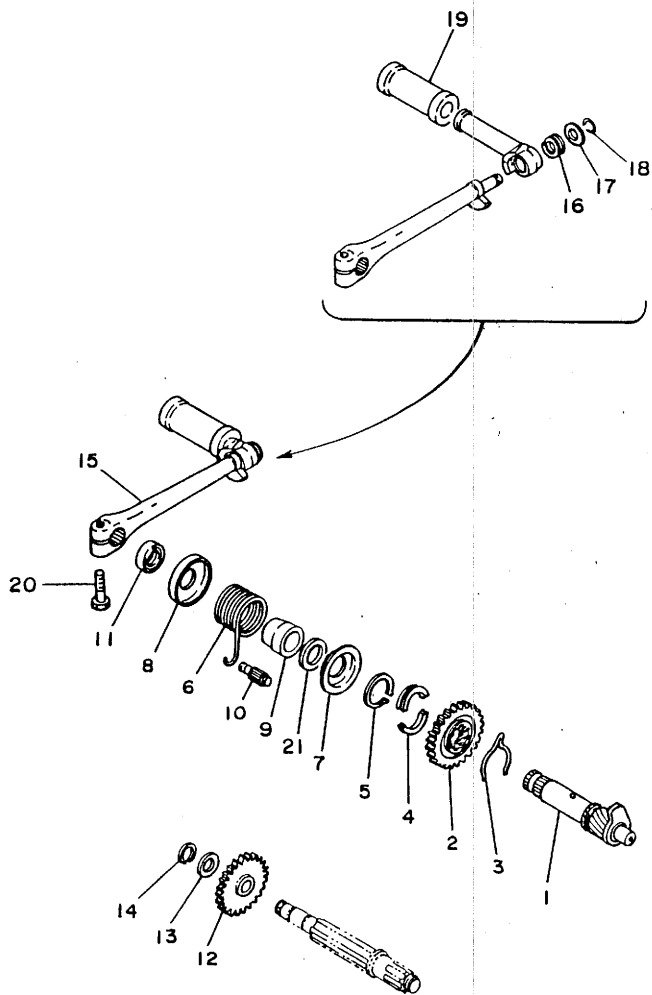


FIG. 9 STARTER

REF. NO.	PART NO.	DESCRIPTION	Q'TY	REMARKS
1	3V6-15660-02	KICK AXLE ASSY	1	
2	305-15641-00	GEAR, kick (26T)	1	
3	90468-26048	CLIP	1	
4	248-15654-00	HOLDER, kick gear	2	
5	99009-30400	CIRCLIP	1	
6	90508-26441	SPRING, torsion	1	
7	3V6-15664-00	GUIDE, spring	1	
8	3V6-15676-00	COVER, spring	1	
9	3V6-15666-01	SPACER	1	
10	248-15668-00	STOPPER	1	
11	93104-20017	OIL SEAL	1	
12	403-15651-00	GEAR, kick idle (26T)	1	
13	132-15653-00-10	WASHER	1	RADISH RED
14	99009-13400	CIRCLIP	1	
15	3V6-15620-00	KICK CRANK ASSY	1	
16	90504-18009	.SPRING, compression	1	
17	214-15616-00	.WASHER, kick lever	1	
18	93440-11029	.CIRCLIP	1	
19	214-15618-00	.COVER, kick lever	1	
20	97021-08030	BOLT	1	
21	90201-206E5	WASHER, plate (0.9T)	1	

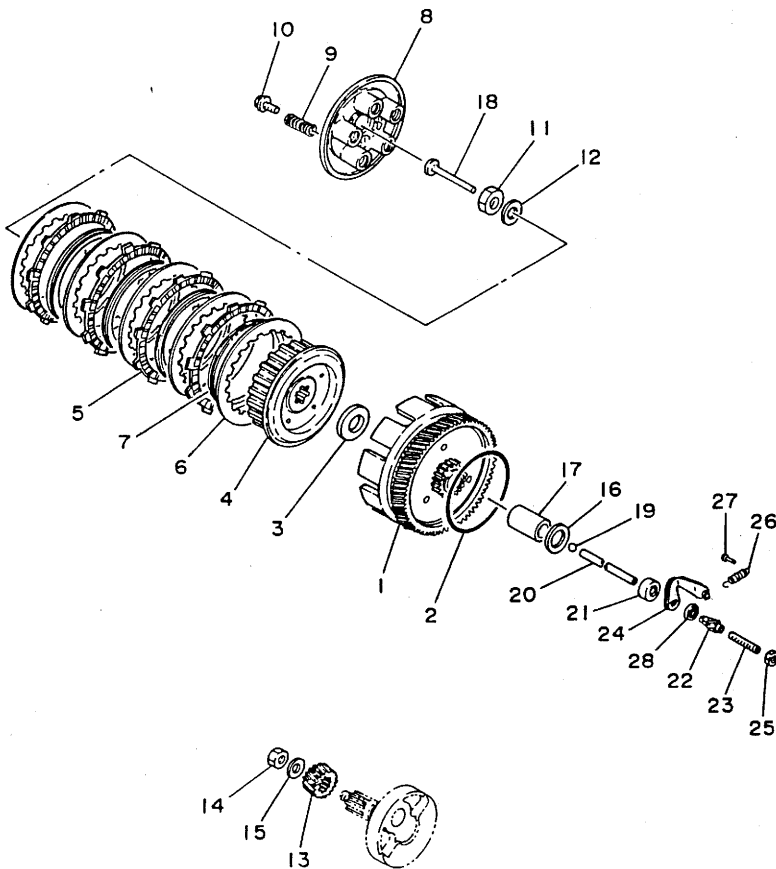


FIG. 10 CLUTCH

REF. NO.	PART NO.	DESCRIPTION	Q'TY	REMARKS
1	3V6-16150-00	PRIMARY DRIVEN GEAR COMP.	1	
2	132-16369-00	RING, friction	1	
3	276-16154-00	PLATE, thrust 1	1	
4	1E7-16371-00	BOSS, clutch	1	
5	132-16321-01	PLATE, friction	4	
6	137-16324-00	PLATE, clutch 1	5	
7	137-16367-00	RING, cushion	4	
8	132-16351-00	PLATE, pressure 1	1	
9	90501-20124	SPRING, compression	5	
10	90119-05001	BOLT, with washer	5	
11	90170-12060	NUT	1	
12	90208-12015	WASHER, conical spring	1	
13	382-16111-62	GEAR, primary drive (19T)	1	
14	90170-12060	NUT	1	
15	90208-12015	WASHER, conical spring	1	
16	122-16164-00	PLATE, thrust 2	1	
17	90560-17146	SPACER	1	
18	137-16356-00	ROD, push 1	1	
19	93501-04011	BALL	1	
20	276-16357-00	ROD, push 2	1	
21	93109-06060	OIL SEAL	1	
22	241-16341-01	SCREW, push	1	
23	90113-06013	BOLT, set	1	
24	382-16342-60	LEVER, push	1	
25	95303-06700	NUT	1	
26	90506-10019	SPRING, tension	1	
27	132-16346-00	HOOK, spring	1	
28	93104-10085	OIL SEAL	1	

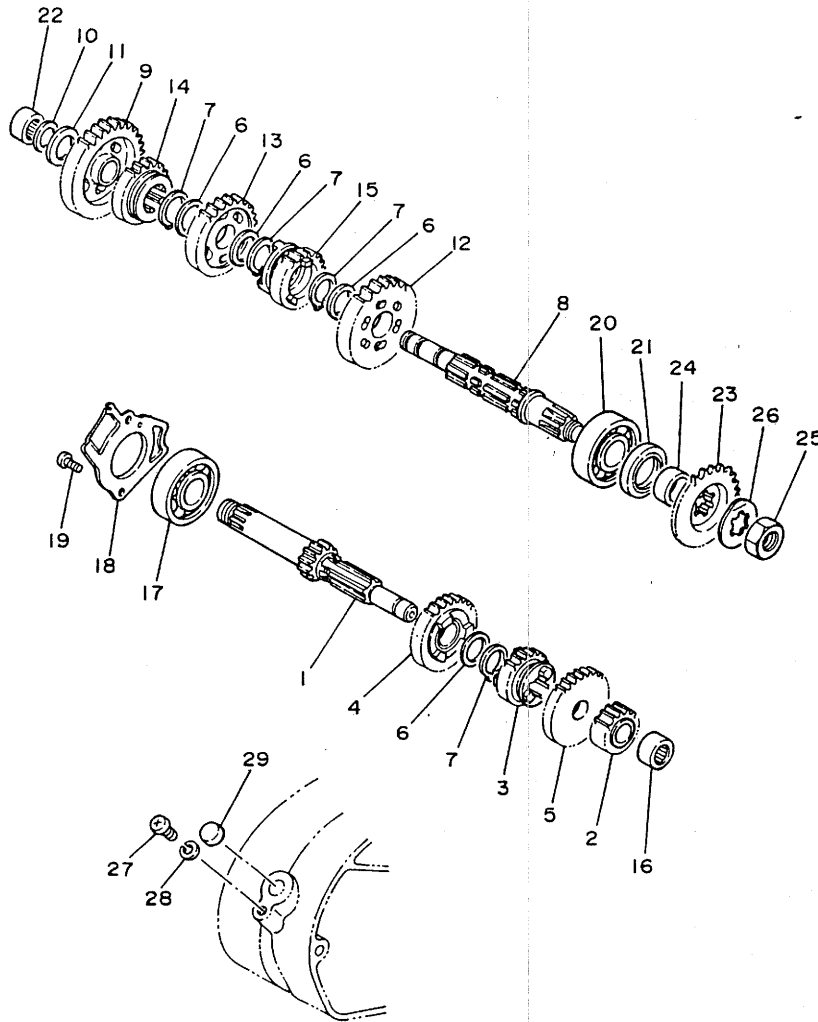


3HA700-8100

**B12**

FIG. 11 TRANSMISSION

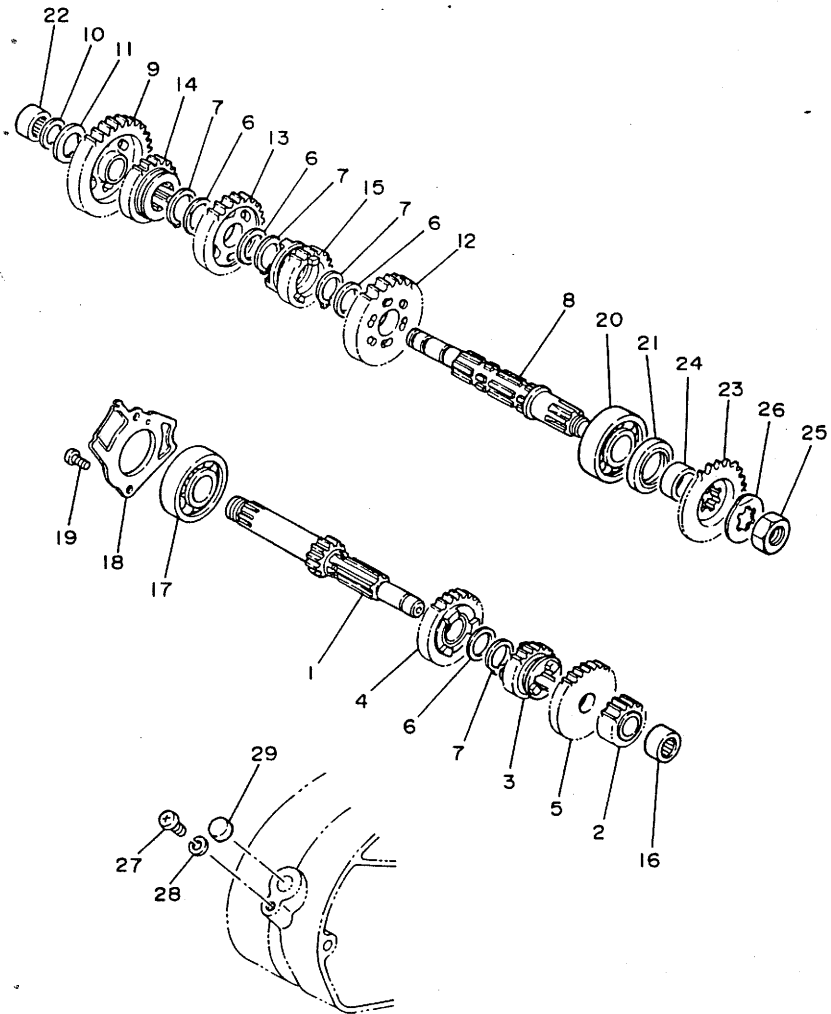
REF. NO.	PART NO.	DESCRIPTION	Q'TY	REMARKS
1	437-17411-01	AXLE, main (11T)	1	
2	427-17121-01	GEAR, 2nd pinion (16T)	1	
3	3V6-17131-00	GEAR, 3rd pinion (20T)	1	
4	482-17141-00	GEAR, 4th pinion (24T)	1	
5	482-17151-00	GEAR, 5th pinion (27T)	1	
6	90201-20266	WASHER, plate (1.0T)	4	
7	93410-20038	CIRCLIP	4	
8	315-17421-01	AXLE, drive	1	
9	248-17211-00	GEAR, 1st wheel (35T)	1	
10	93440-15012	CIRCLIP	1	
11	164-17427-00-10	SHIM 1 (1.0T)	1	UN
12	427-17221-00	GEAR, 2nd wheel (30T)	1	
13	3V6-17231-00	GEAR, 3rd wheel (25T)	1	
14	382-17241-60	GEAR, 4th wheel (21T)	1	
15	482-17251-00	GEAR, 5th wheel (18T)	1	
16	93315-31502	BEARING, cylindrical	1	
17	93306-30309	BEARING (B6303ZZ)	1	
18	168-17471-00	PLATE, cover	1	
19	92501-06012	SCREW, pan head	2	
20	93306-30435	BEARING	1	
21	93102-26042	OIL SEAL	1	
22	93311-31567	BEARING, cylindrical	1	
23	93822-14039	SPROCKET, drive 14T (3821746141)	1	
24	90387-20491	COLLAR	1	
25	90179-16018	NUT	1	
26	382-17464-60	WASHER, lock	1	
27	92501-06010	SCREW, pan head	1	
28	92990-06100	WASHER, spring	1	



3HA700-8110

FIG. 11 TRANSMISSION

REF. NO.	PART NO.	DESCRIPTION	Q'TY	REMARKS
29	90338-16029	PLUG	1	

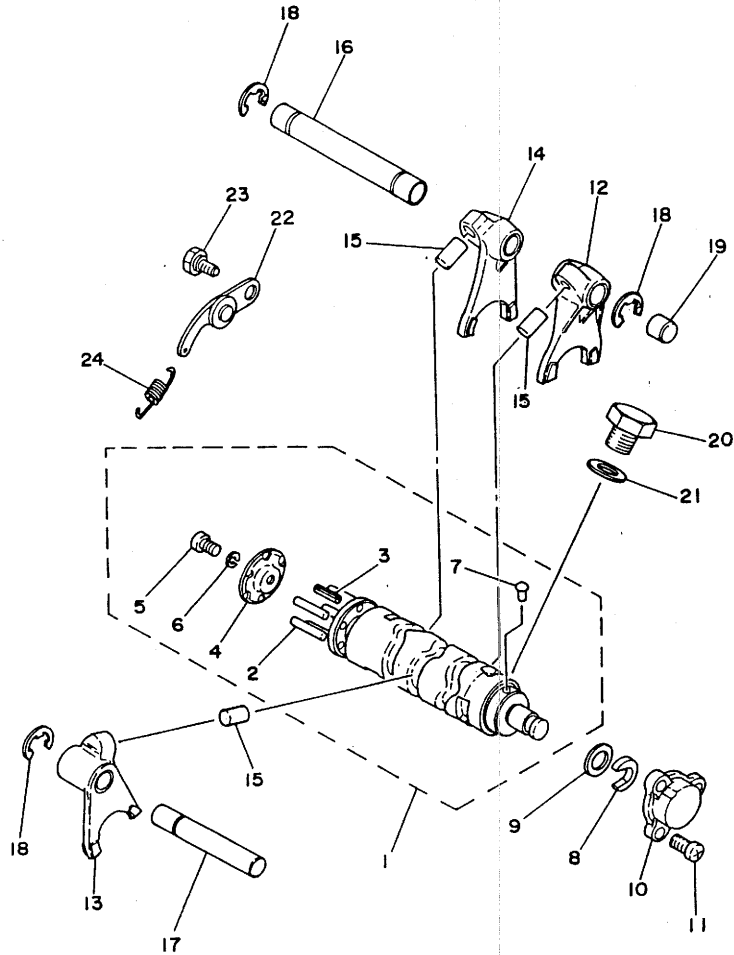


FWD

3HA700-8110

B14

FIG. 12 SHIFT CAM. FORK

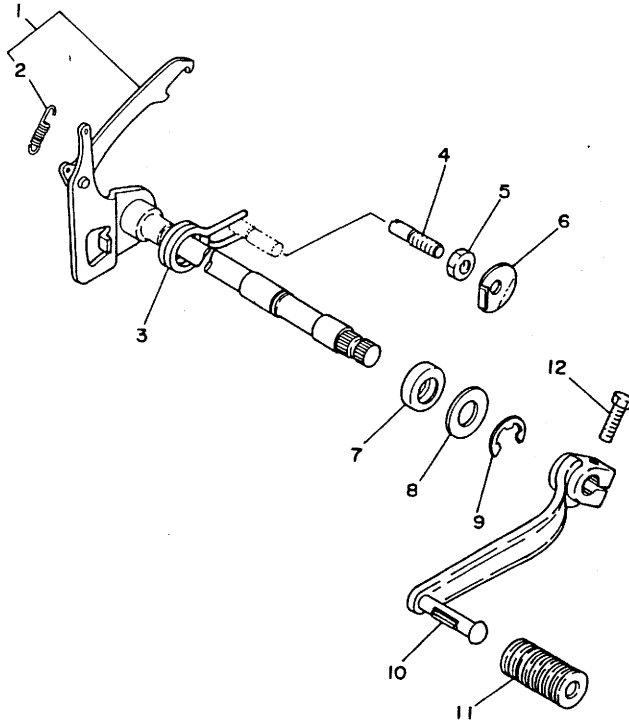


REF. NO.	PART NO.	DESCRIPTION	Q'TY	REMARKS
1	3V6-18540-00	SHIFT CAM ASSY	1	
2	93604-22050	.PIN, dowel	5	
3	91609-40016	.PIN, spring	1	
4	382-18561-60	.PLATE, side 1	1	
5	98501-05012	.SCREW, pan head	1	
6	92901-05100	.WASHER, spring	1	
7	136-18542-00	.POINT, neutral	1	
8	164-18571-01	HOLDER, shift cam	1	
9	90201-12166	WASHER, plate	1	
10	164-18589-00	PLUG, blind	1	
11	92501-06010	SCREW, pan head	3	
12	248-18511-02	FORK, shift 1	1	
13	248-18512-01	FORK, shift 2	1	
14	248-18513-01	FORK, shift 3	1	
15	90250-08017	PIN, straight	3	
16	214-18531-00	BAR, shift fork guide 1	1	
17	248-18531-00	BAR, shift fork guide 1	1	
18	93430-10017	CIRCLIP	3	
19	214-15385-00	PLUG, blind	1	
20	90101-14259	BOLT	1	
21	137-15353-00	GASKET, drain	1	
22	4M3-18140-00	STOPPER LEVER ASSY	1	
23	90109-063F6	BOLT	1	
24	90506-09112	SPRING, tension	1	

FWD  
3V6700-2130

FIG. 13 SHIFTER

REF. NO.	PART NO.	DESCRIPTION	Q'TY	REMARKS
1	3V6-18101-03	SHIFT SHAFT ASSY	1	
2	90506-09009	.SPRING, tension	1	
3	90508-32437	SPRING, torsion	1	
4	90149-08094	SCREW	1	
5	90170-08029	NUT	1	
6	90215-08014	WASHER, lock	1	
7	93109-14005	OIL SEAL	1	
8	90201-14586	WASHER, plate	1	
9	99001-12600	CIRCLIP	1	
10	367-18111-00	PEDAL, shift	1	
11	132-18113-01	COVER, shift pedal	1	
12	97011-06020	BOLT	1	



3V6700-2140

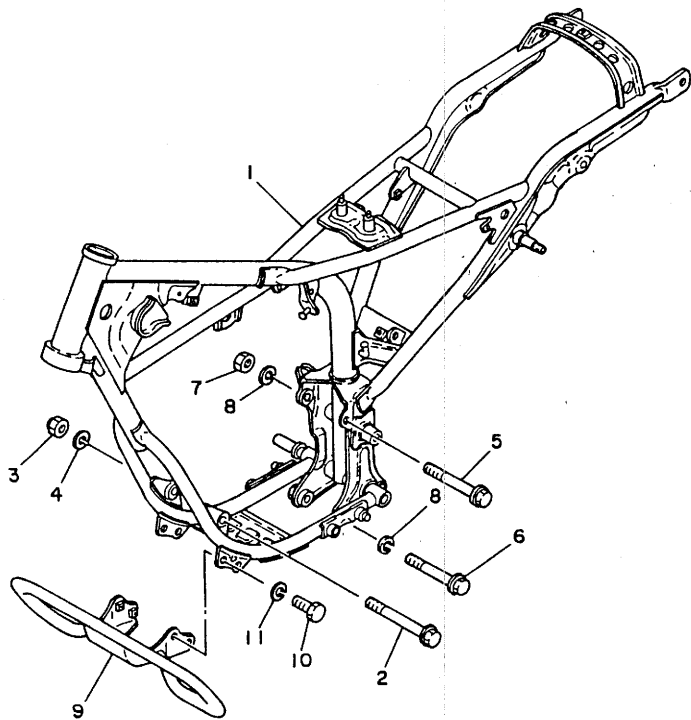


FIG. 14 FRAME

REF. NO.	PART NO.	DESCRIPTION	Q'TY	REMARKS
1	3V6-21110-10-33	FRAME COMP.	1	YAMAHA BLACK
2	95821-08115	BOLT, flange	1	
3	90185-08054	NUT, self-locking	1	
4	92990-08100	WASHER, spring	1	
5	95821-10105	BOLT, flange	1	
6	95821-10090	BOLT, flange	1	
7	90185-10060	NUT, self-locking	1	
8	92901-10100	WASHER, spring	2	
9	3V6-21473-01	PROTECTOR, pedal	1	
10	97001-08020	BOLT	4	
11	92990-08100	WASHER, spring	4	



3V6700-2150

C3

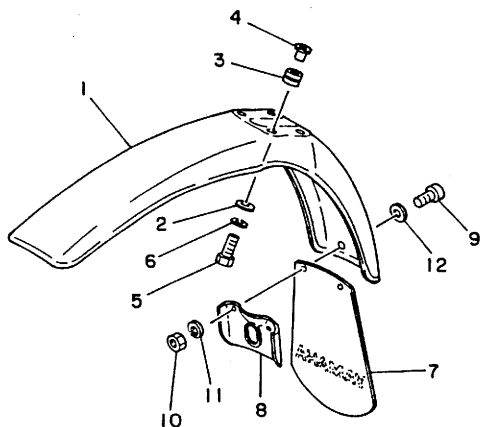
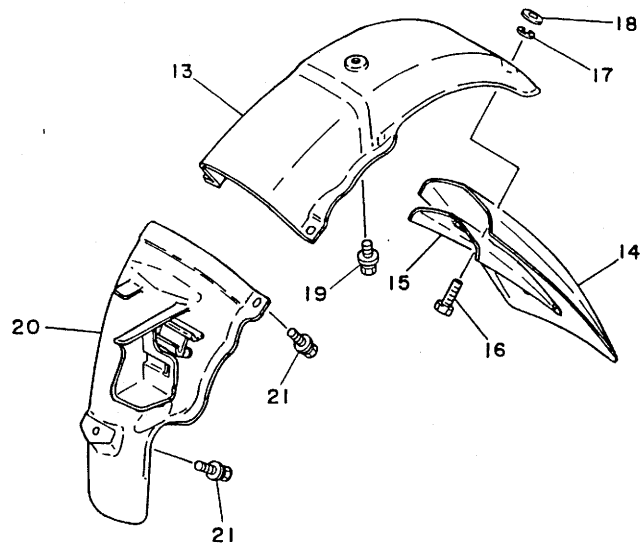


FIG. 15 FENDER

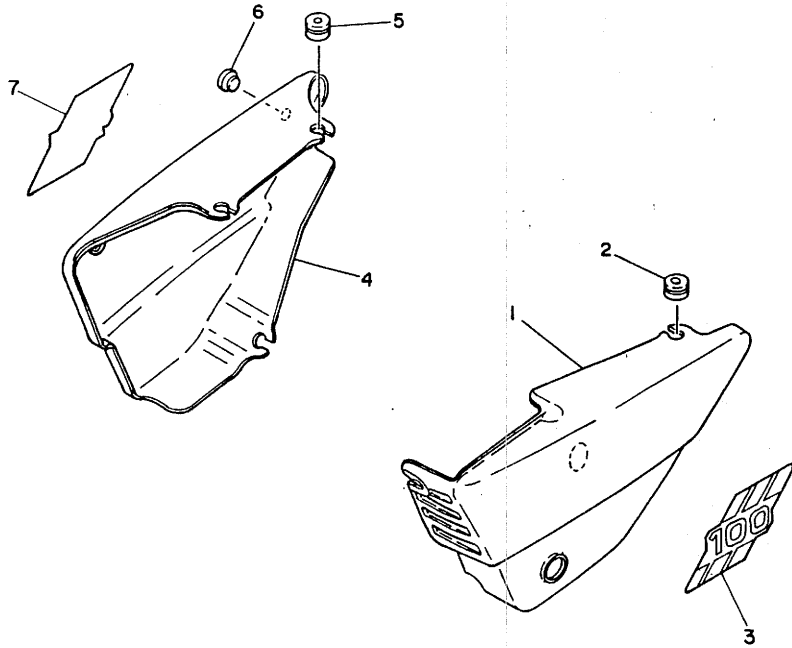
REF. NO.	PART NO.	DESCRIPTION	Q'TY.	REMARKS
1	3V6-21511-30	FENDER, front	1	UR SUNSHINE RED
	3V6-21511-20	FENDER, front	1	UR BEIGE
2	90201-06067	WASHER, plate	4	
3	90480-14198	GROMMET	4	
4	90387-06388	COLLAR	4	
5	97001-06025	BOLT	4	
6	92990-06100	WASHER, spring	4	
7	482-21521-00	FLAP, front fender	1	
8	482-21522-00	BAND, flap	1	
9	92503-06018	SCREW, pan head	2	
10	95303-06600	NUT	2	
11	92990-06100	WASHER, spring	2	
12	90201-06067	WASHER, plate	2	
13	3V6-21611-30	FENDER, rear	1	UR SUNSHINE RED
	3V6-21611-20	FENDER, rear	1	UR BEIGE
14	4M3-21621-00	FLAP	1	
15	482-21622-01	BAND, flap	1	
16	97001-06025	BOLT	2	
17	92990-06100	WASHER, spring	2	
18	92901-06600	WASHER, plate	2	
19	90119-06056	BOLT, with washer	1	
20	3V6-21629-01	GUARD, mud	1	
21	90119-06061	BOLT, with washer	3	



3HA700-8150

FIG. 16 SIDE COVER

REF. NO.	PART NO.	DESCRIPTION	Q'TY	REMARKS
1	3V6-21711-30	COVER, side 1	1	UR SUNSHINE RED
	3V6-21711-20	COVER, side 1	1	UR BEIGE
2	90480-12053	GROMMET	3	
3	3HA-21781-10	EMBLEM 1	1	UR FOR SR
	3HA-21781-30	EMBLEM 1	1	UR FOR CRI
4	3V6-21721-30	COVER, side 2	1	UR SUNSHINE RED
	3V6-21721-20	COVER, side 2	1	UR BEIGE
5	90480-12053	GROMMET	3	
6	22W-24181-00	DAMPER, locating 1	2	
7	3HA-21782-10	EMBLEM 2	1	UR FOR SR
	3HA-21782-30	EMBLEM 2	1	UR FOR CRI



3V6700-2170

C5

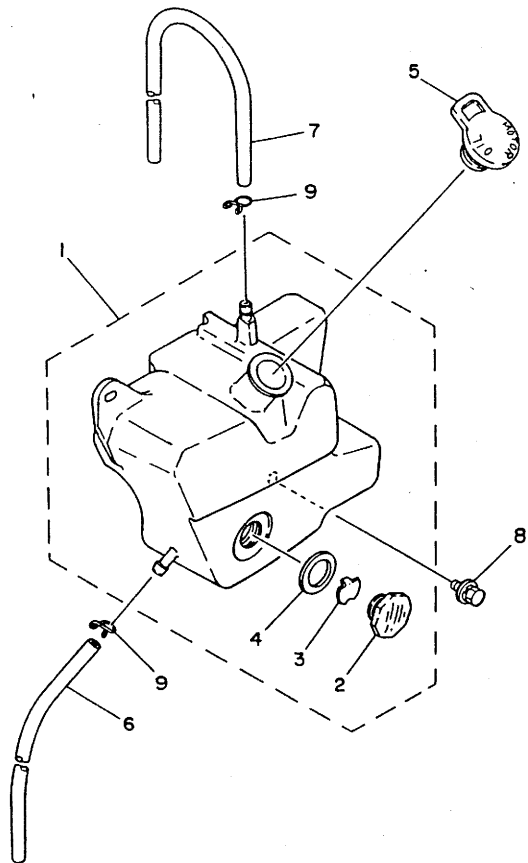


FIG. 17 OIL TANK

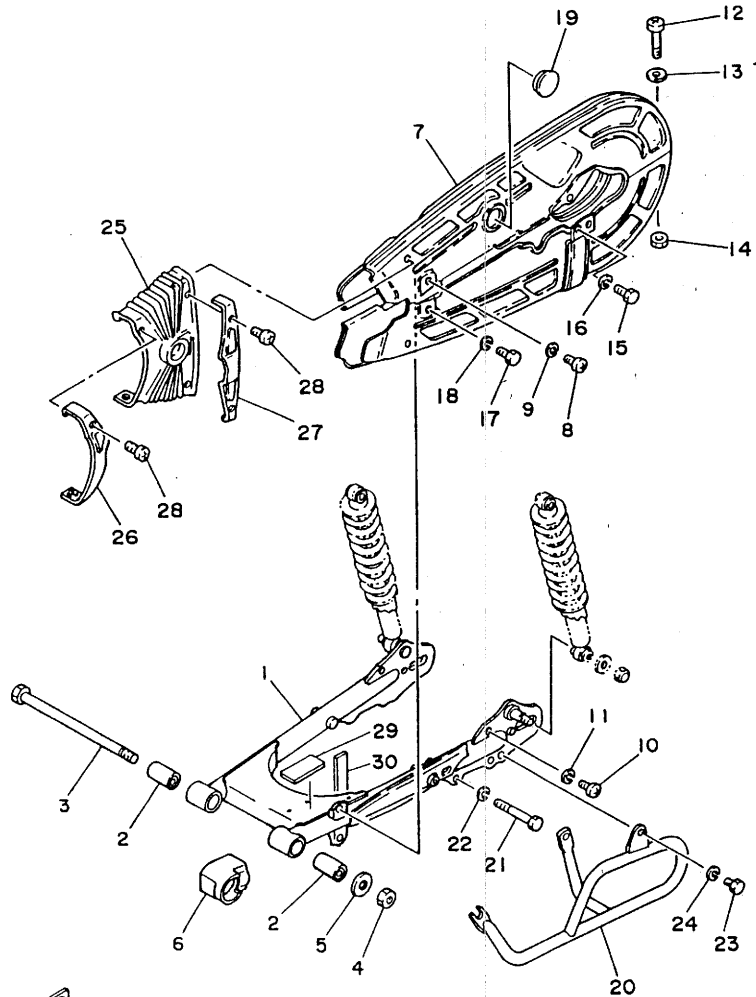
REF. NO.	PART NO.	DESCRIPTION	Q'TY	REMARKS
1	3V6-21750-00	OIL TANK ASSY	1	
2	1Y1-21764-00	.LENS, level gauge	1	
3	1Y1-2176A-00	.REFLECTOR, level gauge	1	
4	1Y1-21763-00	.GASKET, level gauge	1	
5	1T9-21771-00	BODY, cap	1	
6	90445-09225	HOSE	1	
7	3V6-21745-00	.PIPE, oil tank breather	1	
8	90119-06056	BOLT, with washer	2	
9	90467-08003	CLIP	2	



3HA700-8170

C6

FIG. 18 REAR ARM



REF. NO.	PART NO.	DESCRIPTION	Q'TY	REMARKS
1	3V6-22110-01-33	REAR ARM COMP.	1	YAMAHA BLACK
2	276-22123-00	BUSH 1	2	
3	276-22141-00	SHAFT, pivot	1	
4	95601-12100	NUT, u	1	
5	90201-123A7	WASHER, plate	1	
6	3V6-22151-00	SEAL, guard	1	
7	3V6-22310-02	CHAIN CASE ASSY	1	
8	92501-06012	SCREW, pan head	1	
9	92990-06100	WASHER, spring	1	
10	98502-06016	SCREW, pan head	1	
11	92990-06100	WASHER, spring	1	
12	92503-06045	SCREW, pan head	1	
13	92901-06600	WASHER, plate	1	
14	95601-06200	NUT, self-locking	1	
15	97001-08020	BOLT	1	
16	92990-08100	WASHER, spring	1	
17	97313-08016	BOLT	1	
18	92990-08100	WASHER, spring	1	
19	148-22315-00	CAP	1	
20	3V6-22318-01	GUARD, chain	1	
21	90101-08439	BOLT	1	
22	92990-08100	WASHER, spring	1	
23	97313-08016	BOLT	1	
24	92990-08100	WASHER, spring	1	
25	3V6-22325-00	COVER, dust	1	
26	3V6-22324-00	STAY, dust cover	1	
27	382-22322-00	STAY, chain case 2	1	
28	98501-05008	SCREW, pan head	4	

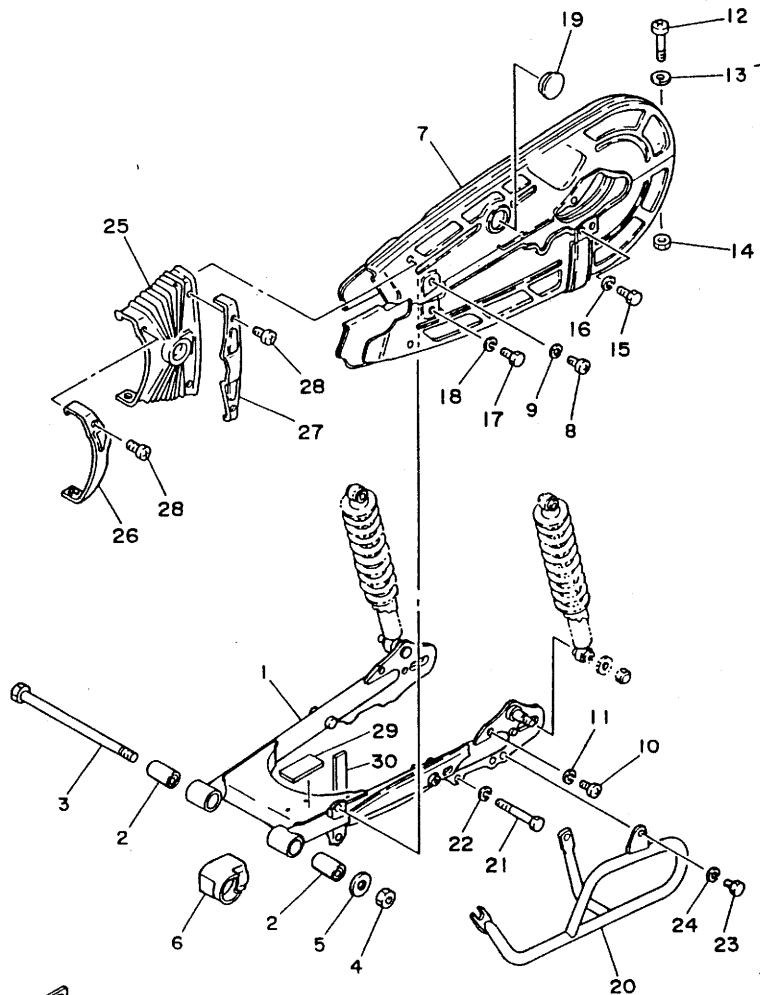
3HA4700-1180

C7

FIG. 18 REAR ARM

REF. NO.	PART NO.	DESCRIPTION	Q'TY	REMARKS
----------	----------	-------------	------	---------

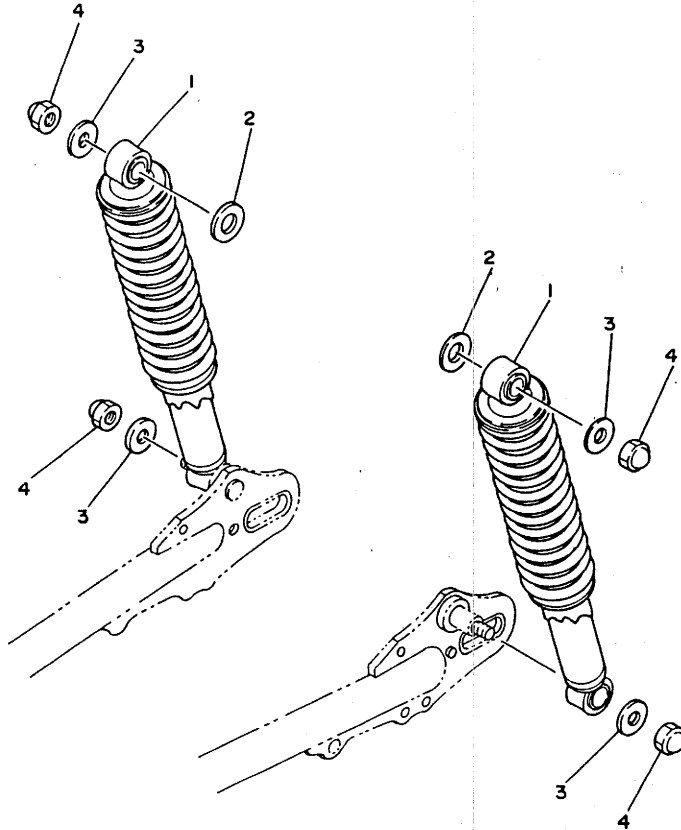
29	3V6-22358-00	SEAL 1	1	
30	3V6-22359-00	SEAL 2	1	



3HA4700-1180

FIG. 19 REAR SUSPENSION

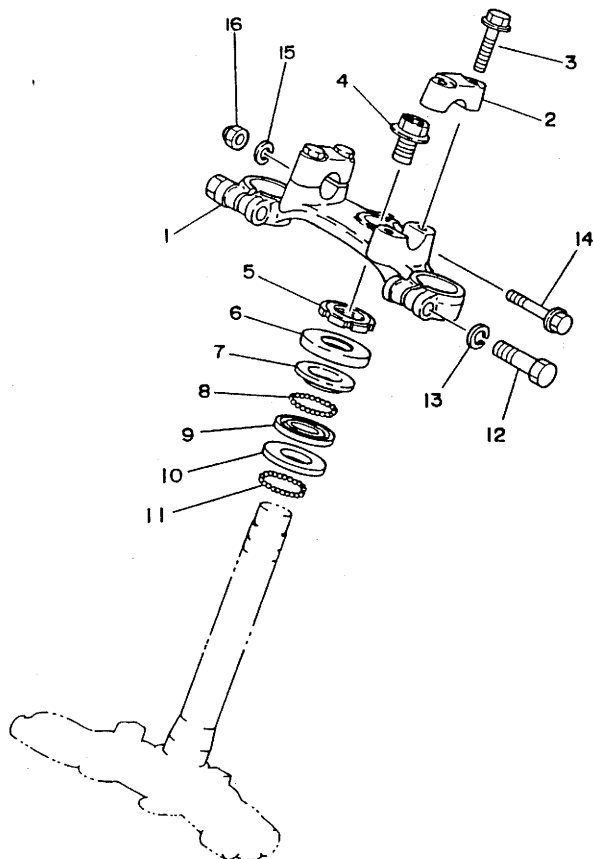
REF. NO.	PART NO.	DESCRIPTION	Q'TY	REMARKS
1	3V6-22210-00-33	SHOCK ABSORBER ASSY, rear	2	YAMAHA BLACK
2	90201-14218	WASHER, plate	2	
3	90201-10437	WASHER, plate	4	
4	90176-10013	NUT, crown	4	



3V6700-2200

C9

FIG. 20 STEERING



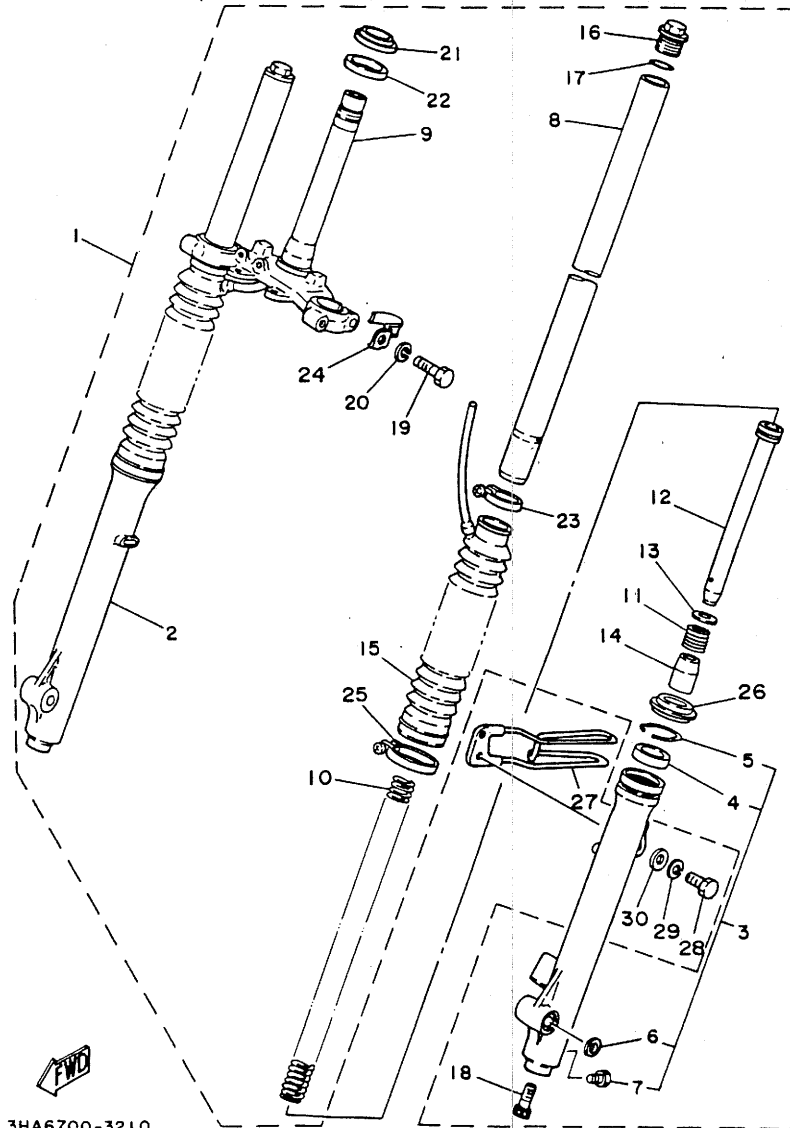
REF. NO.	PART NO.	DESCRIPTION	Q'TY	REMARKS
1	3V6-23435-00-33	CROWN, handle	1	YAMAHA BLACK
2	1E6-23441-00	HOLDER, handle upper	2	
3	95811-08035	BOLT, flange	4	
4	90105-14136	BOLT, washer based	1	
5	90179-25033	NUT	1	
6	122-23416-00	COVER, ball race 2	1	
7	22F-23411-01	RACE, ball 1	1	
8	93503-16010	BALL	22	
9	22F-23412-01	RACE, ball 2	1	
10	156-23412-00	RACE, ball 2	1	
11	93501-04011	BALL	19	
12	97013-10040	BOLT	2	
13	92901-10100	WASHER, spring	2	
14	95026-08045	BOLT, flange	1	
15	92906-08100	WASHER, spring	1	
16	95306-08800	NUT, crown	1	



3HA4700-1200

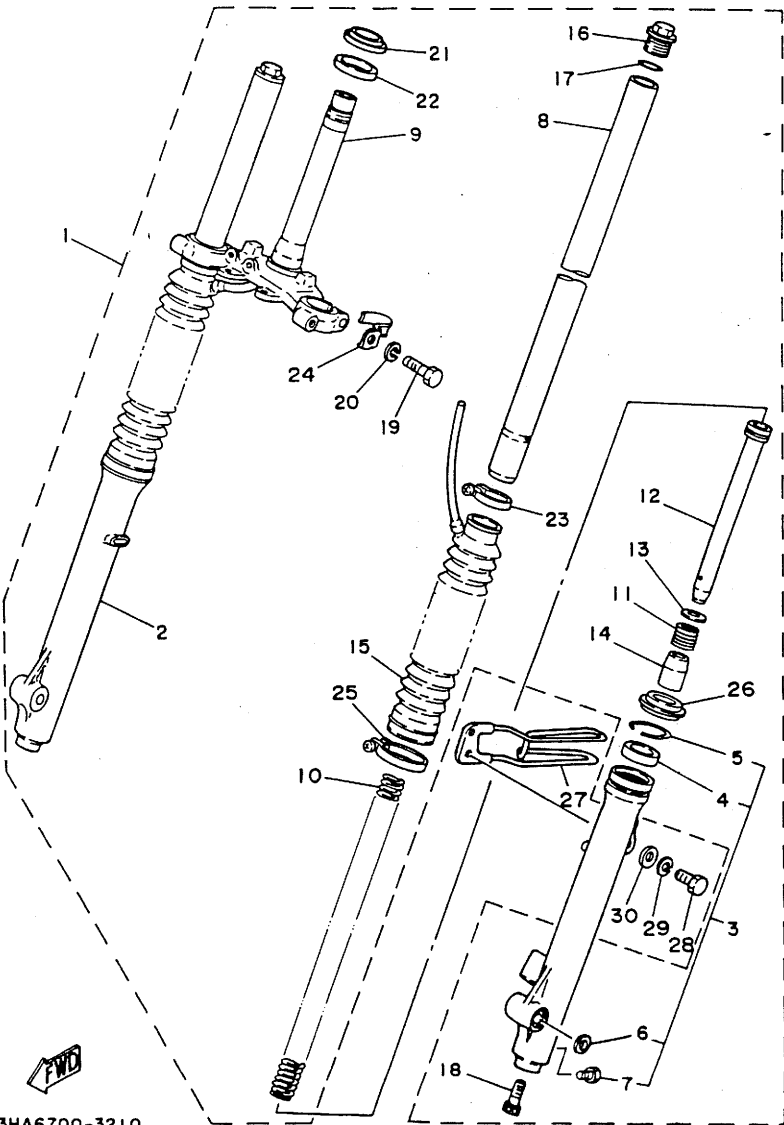
C10

FIG. 21 FRONT FORK



REF. NO.	PART NO.	DESCRIPTION	Q'TY	REMARKS
1	3V6-23100-01-35	FRONT FORK ASSY	1	SILVER
2	3V6-23140-00-35	.FORK UNIT ASSY 2	1	SILVER
3	3V6-23130-00-35	.FORK UNIT ASSY	1	SILVER
4	4V1-23145-L0	..OIL SEAL	2	
5	1E7-23156-00	..CLIP, oil seal	2	
6	462-23392-02	..WASHER, special	2	
7	2A6-23119-00	..PLUG, drain	2	WITH WASHER
8	3V6-23110-00	.INNER TUBE COMP.1	2	
9	3V6-23340-00	.UNDER BRACKET COMP.	1	
10	3V6-23351-01	.SPRING	2	
11	2X6-23151-00	.SPRING, rebound	2	
12	3V6-23143-00	.SEAT, spring lower	2	
13	1E7-23157-00	.RING, piston	2	
14	1L9-23166-00	.TAPER, spindle	2	
15	3V6-23191-00	.BOOT	2	
16	1E7-23111-00	.BOLT, cap	2	
17	1E7-23114-00	.GASKET	2	
18	3M7-23181-00	.BOLT, hexagon socket head	2	WITH WASHER
19	451-23346-01	.BOLT 1	2	
20	92901-10100	.WASHER, spring	2	
21	156-23411-00	.RACE, ball 1	1	
22	164-23462-00	.SEAL, steering	1	
23	3V6-23192-01	.BAND	2	
24	3V6-23317-00	.HOLDER, cable	1	
25	3RW-23192-00	.BAND	2	
26	3V6-23144-00	.SEAL, dust	2	
27	3V6-23318-00	HOLDER, cable 1	1	
28	97001-06020	BOLT	1	

C11

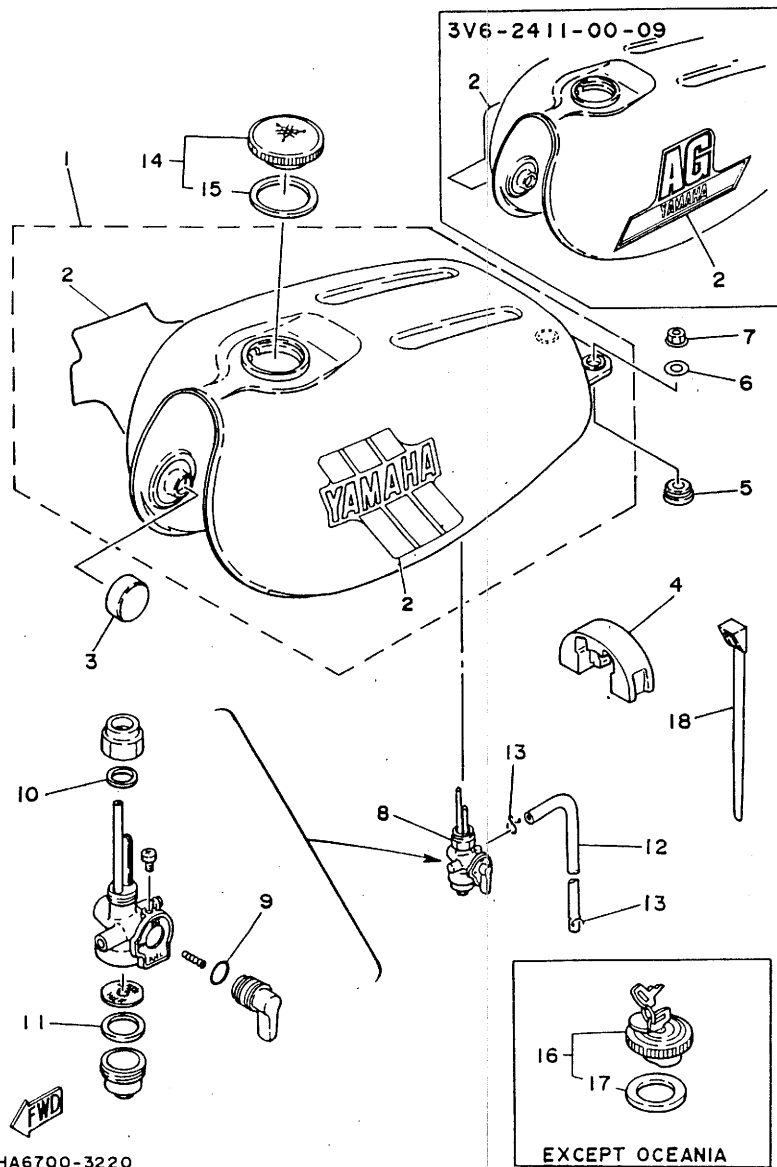


3HA6700-3210

FIG. 21 FRONT FORK

REF. NO.	PART NO.	DESCRIPTION	Q'TY	REMARKS
29	92990-06100	WASHER, spring	1	
30	92901-06600	WASHER, plate	1	

C12



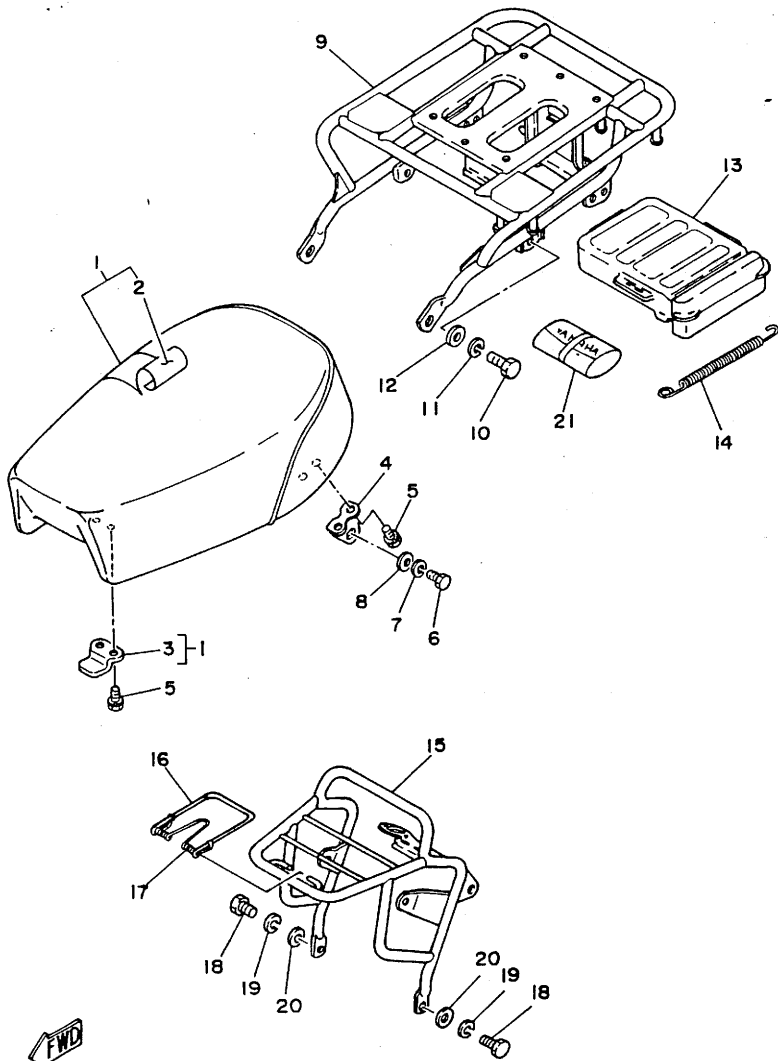
3HA6700-3220

FIG. 22 FUEL TANK

REF. NO.	PART NO.	DESCRIPTION	Q'TY	REMARKS
1	3V6-24110-00-X1	FUEL TANK COMP.	1	UR HEAT RED
	3V6-24110-00-09	FUEL TANK COMP.	1	UR CERAMIC IVORY
2	3HA-24240-01	.GRAPHIC SET	1	UR FOR HTR
	3GX-24244-10	.GRAPHIC, fuel tank 1	2	UR FOR CRI
3	278-24181-00	DAMPER, locating 1	2	
4	353-24182-00	DAMPER, locating 2	1	
5	1A8-24181-00	DAMPER, locating 1	2	
6	90201-06070	WASHER, plate	2	
7	95701-06500	NUT, flange	2	
8	357-24500-11	FUEL COCK ASSY 1	1	
9	2N3-24528-00	.O-RING	1	
10	2N3-24532-00	.GASKET	1	
11	4X8-24565-00	.GASKET	1	
12	90445-09083	HOSE	1	
13	90467-08003	CLIP	2	
14	122-24610-01	CAP ASSY	1	
15	122-24612-01	.GASKET, cap	1	
16	127-24650-02	CAP ASSY	1	
17	122-24612-01	.GASKET, cap	1	
18	90464-14117	CLAMP	1	

FIG. 23 SEAT

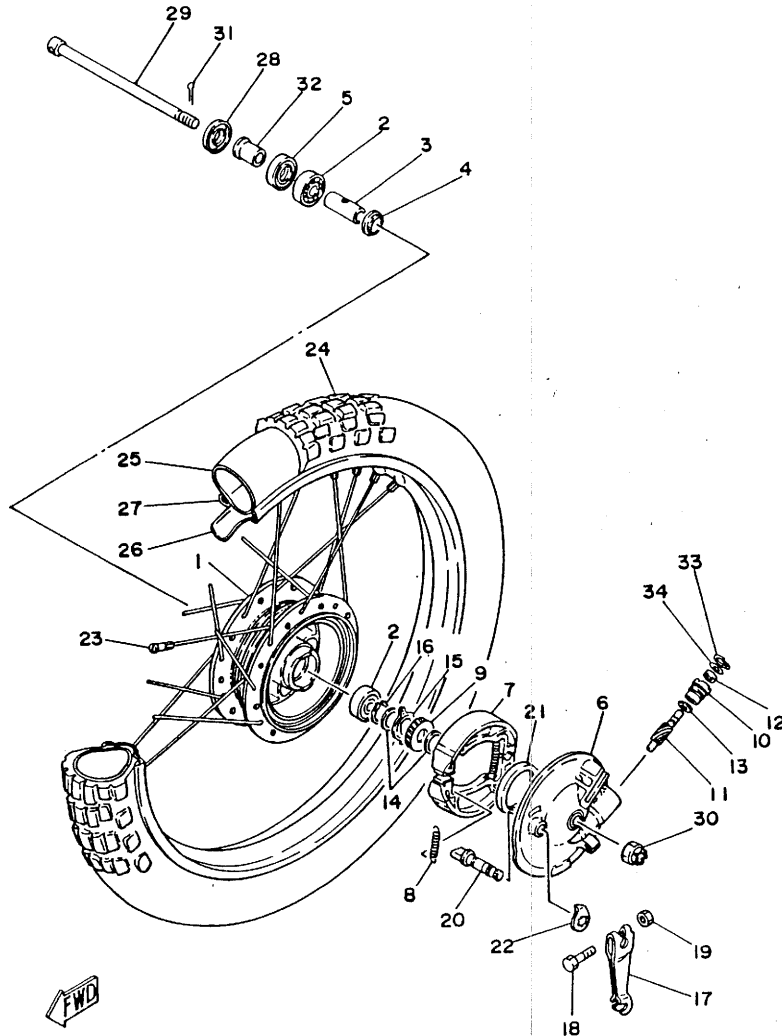
REF. NO.	PART NO.	DESCRIPTION	Q'TY	REMARKS
1	3V6-W2471-01	SINGLE SEAT ASSY	1	UR BLACK FOR HTR
	3V6-24710-10	SINGLE SEAT ASSY	1	UR RED FOR CRI
2	3V6-24711-00	.COVER, single seat	1	UR FOR HTR
	3V6-24711-10	.COVER, single seat	1	UR FOR CRI
3	2Y0-24748-00	.BRACKET, seat	1	
4	2A6-24738-00	BRACKET, seat	1	
5	90101-06304	BOLT	6	
6	97001-08025	BOLT	2	
7	92990-08100	WASHER, spring	2	
8	92901-08600	WASHER, plate	2	
9	3HA-24810-00	CARRIER ASSY	1	UR FOR OCEANIA
	3V6-24810-01	CARRIER ASSY	1	UR FOR OTHER COUNTRIES
10	97001-08025	BOLT	2	
11	92990-08100	WASHER, spring	2	
12	92901-08600	WASHER, plate	2	
13	3V6-21107-01	TOOL BOX COMP.	1	
14	3V6-24758-01	SPRING	1	
15	3V6-24860-01-98	FRONT CARRIER ASSY	1	LOW GLOSS BLACK
16	3V6-24862-00	CLAMP, carrier	1	
17	296-24861-00	SPRING, front carrier	1	
18	97313-08016	BOLT	2	
19	92990-08100	WASHER, spring	2	
20	92901-08600	WASHER, plate	2	
21	3V6-28100-00	TOOL KIT	1	



3V6700-2240

FIG. 24 FRONT WHEEL

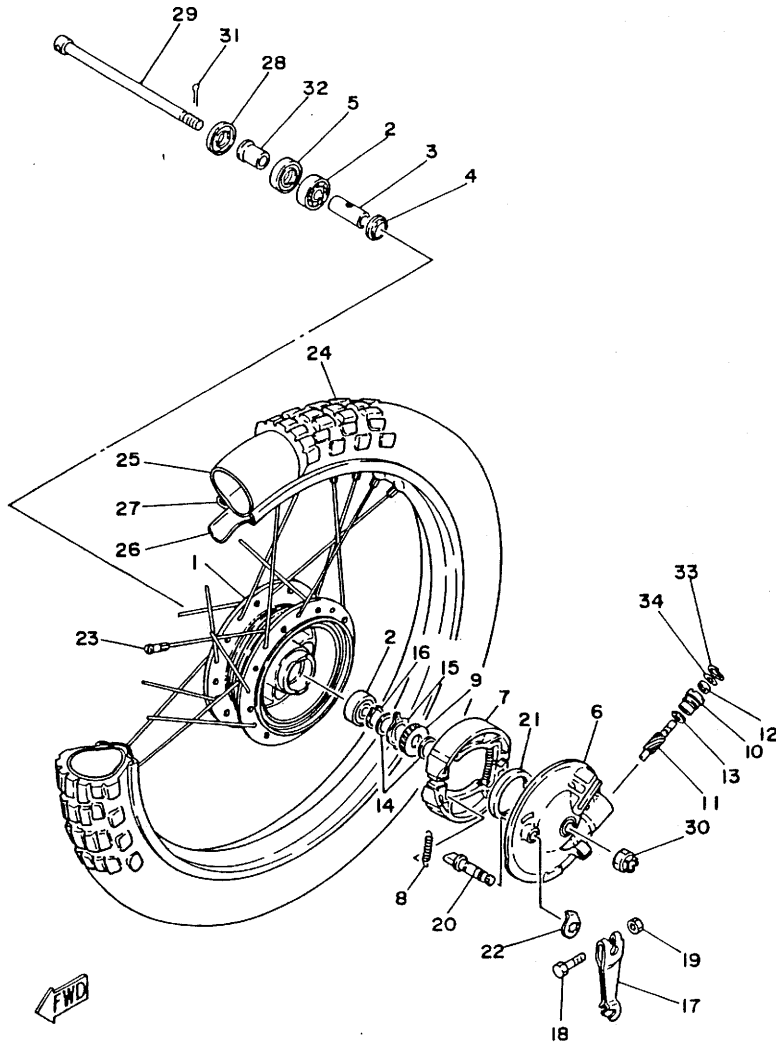
REF. NO.	PART NO.	DESCRIPTION	Q'TY	REMARKS
1	248-25111-00-Y8	HUB, front	1	SILVER
2	93306-30103	BEARING	2	
3	90560-12138	SPACER	1	
4	109-25315-00	FLANGE, spacer	1	
5	93102-18008	OIL SEAL	1	
6	3V6-25121-00-35	PLATE, brake shoe	1	SILVER
7	4BE-W2536-00	BRAKE SHOE KIT 2	1	
8	90506-15260	SPRING, tension	2	
9	301-25135-00	GEAR, drive (26T)	1	
10	109-25136-00	BUSH	1	
11	301-25138-00	GEAR, meter (9T)	1	
12	93104-07003	OIL SEAL	1	
13	90201-07076	WASHER, plate	1	
14	90201-20269	WASHER, plate	2	
15	183-25149-00	CLUTCH, meter	1	
16	99009-20400	CIRCLIP	1	
17	5H0-25155-00	LEVER, camshaft 1	1	
18	90101-06278	BOLT	1	
19	95303-06600	NUT	1	
20	3V6-25351-00	CAMSHAFT	1	
21	93105-47007	OIL SEAL	1	
22	3E1-2513A-10	PLATE, indicator	1	
23	3V6-25104-00	SPOKE SET, front	1	
24	94127-19595	TIRE (2.75-19)	1	INOUE
25	94227-19177	TUBE (2.75-19)	1	DUNLOP
26	94327-19111	BAND, rim (2.75-19)	1	INOUE
27	94414-19056	RIM (1.40-19)	1	
28	2K5-25118-00	COVER, hub dust	1	



3V6700-2250

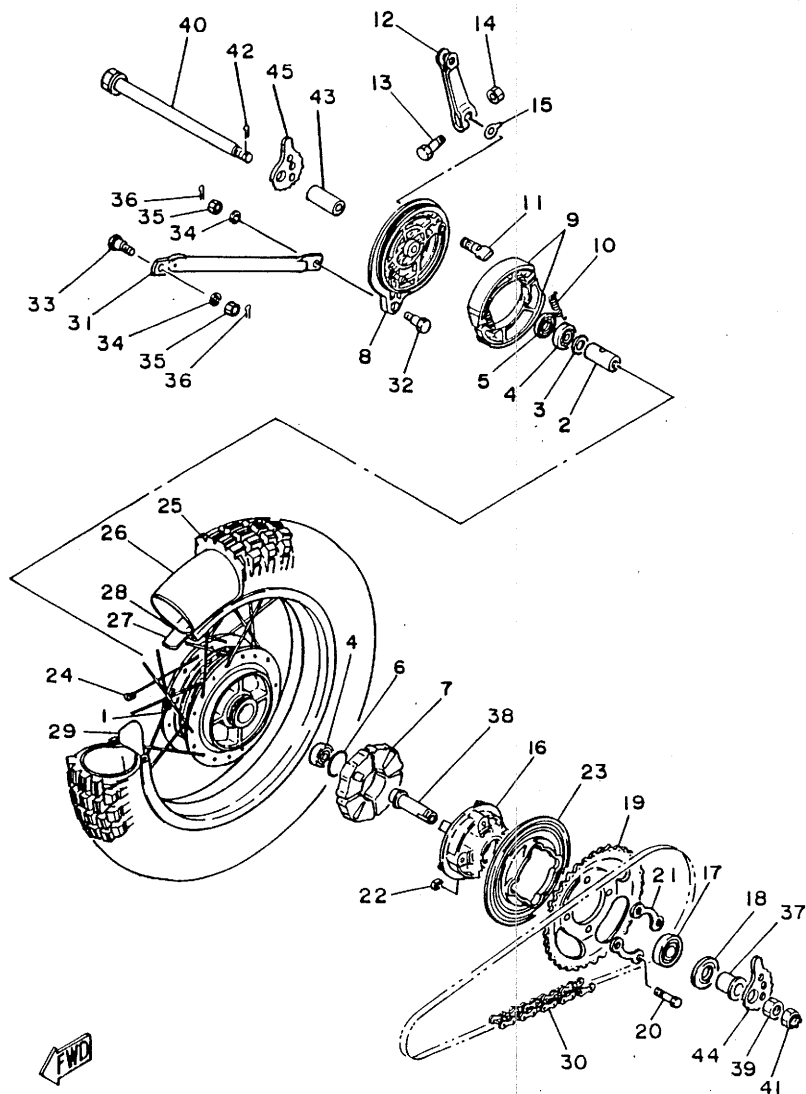
FIG. 24 FRONT WHEEL

REF. NO.	PART NO.	DESCRIPTION	Q'TY	REMARKS
29	353-25381-00	AXLE, wheel	1	
30	90171-10004	NUT, castle	1	
31	91401-20020	PIN, cotter	1	
32	90387-12265	COLLAR	1	
33	102-25137-00	RING, stop	1	
34	93210-14104	O-RING	1	



3V6700-2250

D2



3HA5700-2250

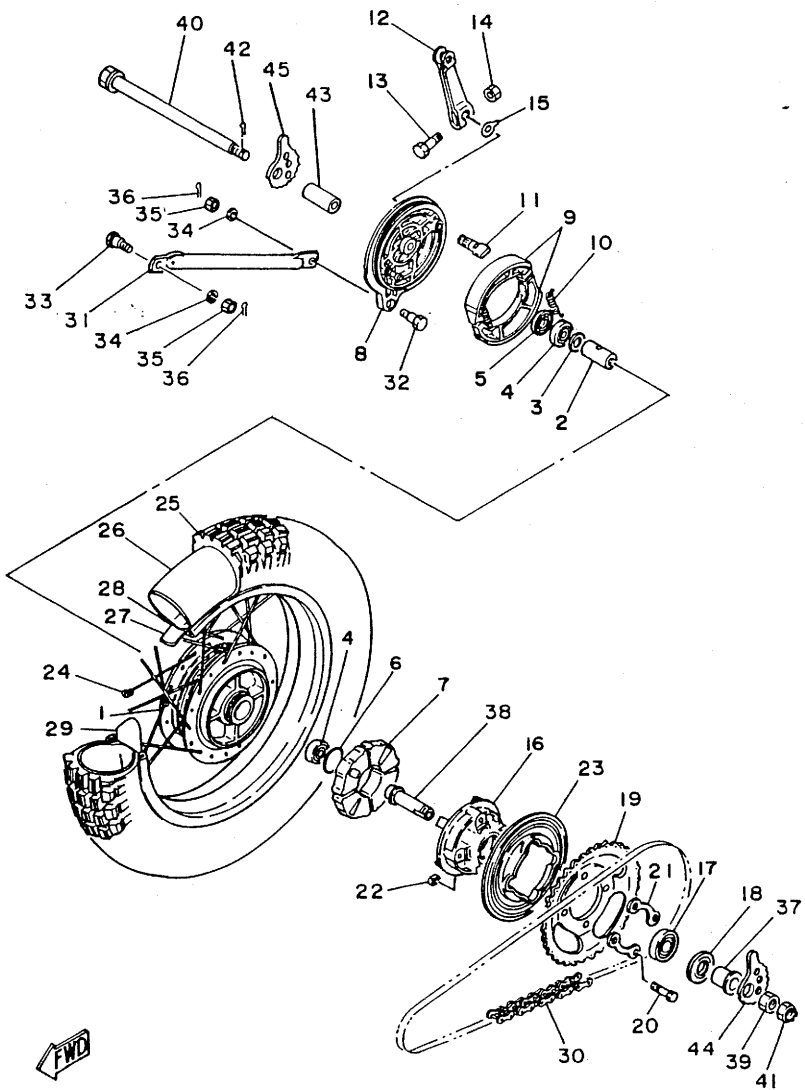
FIG. 25 REAR WHEEL

REF. NO.	PART NO.	DESCRIPTION	Q'TY	REMARKS
1	391-25311-00-38	HUB, rear	1	CLEAR (WITH BUFF)
2	90560-15136	SPACER	1	
3	146-25116-00	FLANGE, spacer 2	1	
4	93306-20204	BEARING (B6202Z)	2	
5	93104-22018	OIL SEAL	1	
6	93210-42101	O-RING	1	
7	304-25364-01	DAMPER	4	
8	248-25321-00-35	PLATE, brake shoe	1	SILVER
9	3FA-W2536-00	BRAKE SHOE KIT	1	
10	90506-16447	SPRING, tension	2	
11	2RH-25351-00	CAMSHAFT	1	
12	1E7-25355-00	LEVER, camshaft	1	
13	90101-06278	BOLT	1	
14	95303-06600	NUT	1	
15	5T9-2533A-00	PLATE, indicator	1	
16	183-25366-10-35	CLUTCH, hub	1	SILVER
17	93306-00406	BEARING (B6004Z)	1	
18	93106-26005	OIL SEAL	1	
19	3V6-25451-11	SPROCKET, driven (51T)	1	
20	90109-08361	BOLT	4	
21	482-25412-00	WASHER	2	
22	90179-08168	NUT	4	
23	3V6-25327-01	COVER, plate	1	
24	3V6-25304-00	SPOKE SET, rear	1	
25	94135-18596	TIRE (3.50-18)	1	INOUE
26	94235-18085	TUBE (3.50-18)	1	YOKOHAMA
27	94325-18043	BAND, rim (2.50-18)	1	INOUE
28	94418-18246	RIM (1.85-18)	1	

D3

FIG. 25. REAR WHEEL.

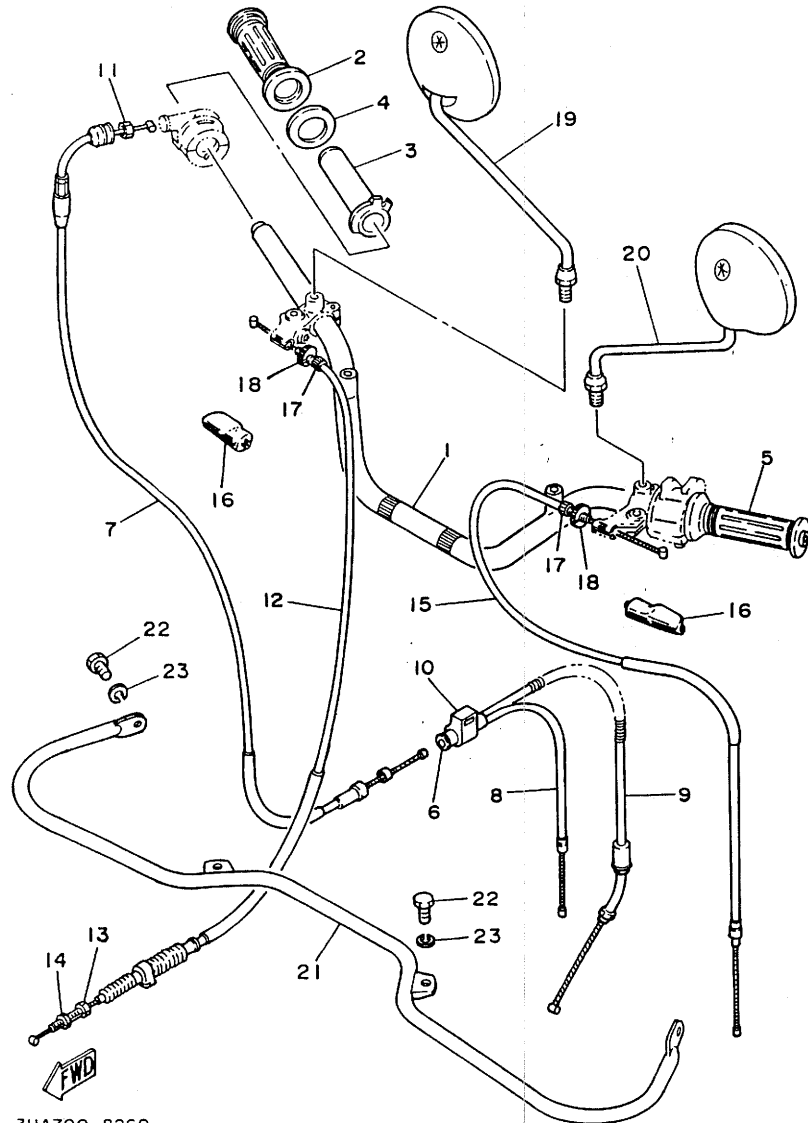
REF. NO.	PART NO.	DESCRIPTION	Q'TY	REMARKS
29	1T2-25394-00	SPACER, bead	1	
30	94580-35116	CHAIN	1	
31	3V6-25371-00	BAR, tension	1	
32	90109-08063	BOLT	1	
33	90109-08368	BOLT	1	
34	92990-08100	WASHER, spring	2	
35	95303-08700	NUT	2	
36	91401-20015	PIN, cotter	2	
37	90387-204A3	COLLAR	1	
38	3V6-25387-00	AXLE, sprocket	1	
39	90170-20167	NUT	1	
40	5X3-25381-00	AXLE, wheel	1	
41	90171-14020	NUT, castle	1	
42	91401-30030	PIN, cotter	1	
43	90387-154A2	COLLAR	1	
44	3V6-25388-00	PULLER, chain 1	1	
45	3V6-25389-00	PULLER, chain 2	1	



**FWD**  
3HA5700-2250

**D4**

FIG. 26 STEERING HANDLE. CABLE



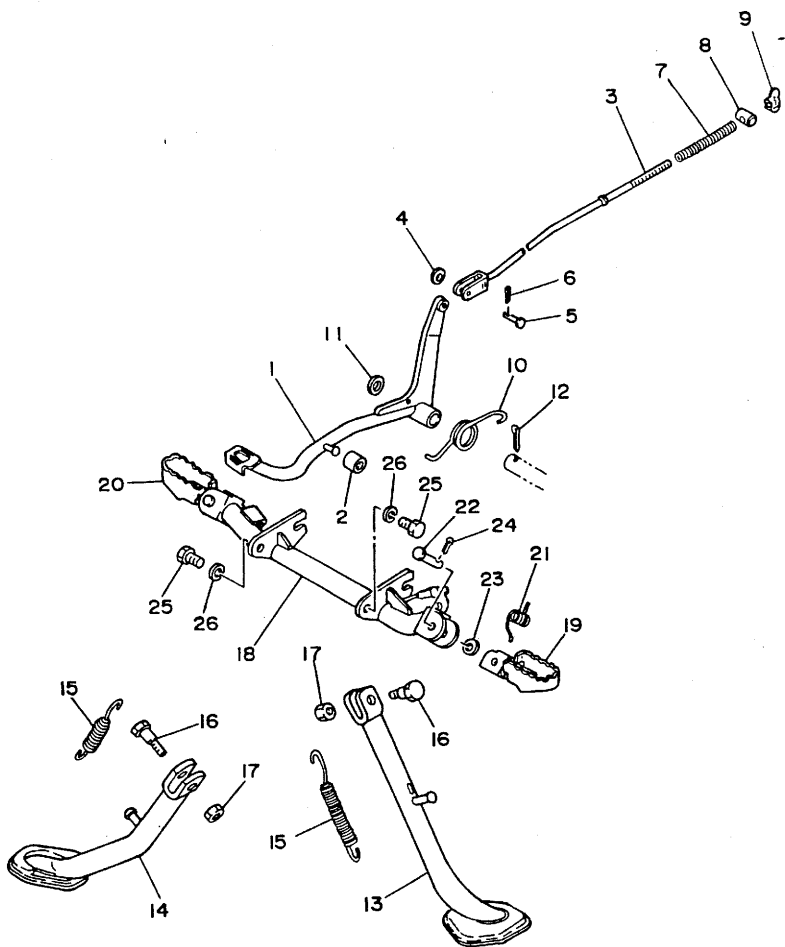
3HA700-8260

REF. NO.	PART NO.	DESCRIPTION	Q'TY	REMARKS
1	4M3-26111-00	HANDLEBAR	1	
2	2N3-26242-00	GRIP (R.H)	1	BLACK
3	434-26243-00	TUBE, throttle guide	1	
4	1M1-26249-01	RING, leaf	1	
5	2N3-26241-00	GRIP (L.H)	1	BLACK
6	214-26261-00	CONNECTOR, cable	1	
7	3V6-26311-00	CABLE, throttle 1	1	
8	3V6-26312-00	CABLE, throttle 2	1	
9	3V6-26321-00	CABLE, pump	1	
10	4G3-26339-00	BOOT	1	
11	90170-10038	NUT	1	
12	3V6-26341-00	CABLE, brake	1	
13	90123-06010	BOLT	1	
14	90179-06143	NUT	1	
15	497-26335-00	CABLE, clutch	1	
16	382-26372-01	COVER, handle lever 1	2	
17	90123-08046	BOLT	2	
18	90179-08148	NUT	2	
19	1Y1-26290-60	BACK MIRROR ASSY (R.H)	1	UR FOR OCEANIA
	1Y1-26290-10	BACK MIRROR ASSY (R.H)	1	UR FOR OTHER COUNTRIES
20	1Y1-26290-50	BACK MIRROR ASSY (L.H)	1	UR FOR OCEANIA
	1Y1-26290-00	BACK MIRROR ASSY (L.H)	1	UR FOR OTHER COUNTRIES
21	3V6-26123-00	GUARD, lever	1	
22	97313-08016	BOLT	4	
23	92990-08100	WASHER, spring	4	

D5

FIG. 27 STAND. FOOTREST

REF. NO.	PART NO.	DESCRIPTION	Q'TY	REMARKS
1	3V6-27211-01	PEDAL, brake	1	YAMAHA BLACK
2	90387-064A4	COLLAR	1	
3	3V6-27231-01	ROD, brake	1	
4	92901-06200	WASHER, plain	1	
5	90240-06006	PIN, clevis	1	
6	91401-25015	PIN, cotter	1	
7	90501-10245	SPRING, compression	1	
8	90249-12008	PIN	1	
9	90175-06013	NUT, wing	1	
10	90508-35442	SPRING, torsion	1	
11	90201-15564	WASHER, plate (1.5T)	1	
12	91401-30025	PIN, cotter	1	
13	36X-27311-00-R4	STAND, side	1	BLACK
14	3V6-27311-10-R4	STAND, side	1	BLACK
15	90506-26270	SPRING, tension	2	
16	90109-103A1	BOLT	2	
17	90185-10037	NUT, self-locking	2	
18	3V6-27451-00-33	FOOTREST	1	YAMAHA BLACK
19	22W-27411-01-90	FOOTREST 1	1	UNI CHROME (BLACK)
20	22W-27421-01-90	FOOTREST 2	1	UNI CHROME (BLACK)
21	90508-20023	SPRING, torsion	2	
22	91701-08038	PIN, clevis	2	
23	92901-08600	WASHER, plate	2	
24	91401-25015	PIN, cotter	2	
25	97001-10016	BOLT	2	
26	92901-10100	WASHER, spring	2	



3V6700-2280

D6

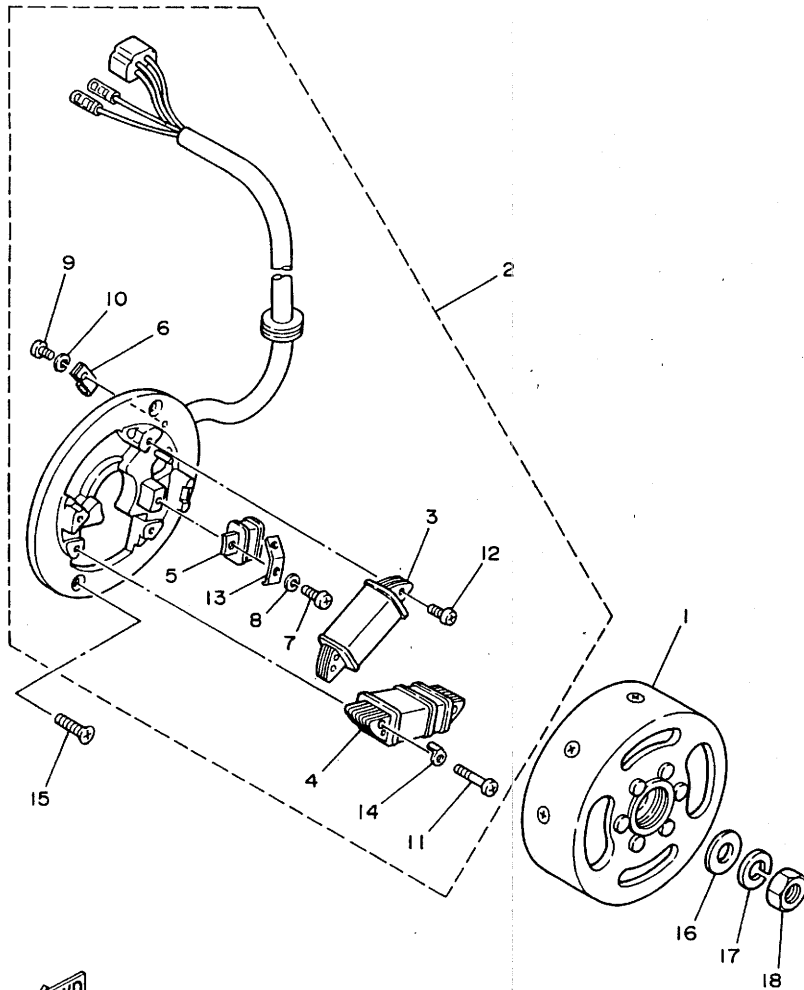


FIG. 28 GENERATOR

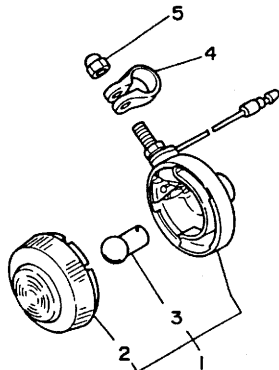
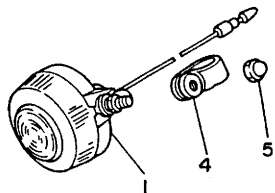
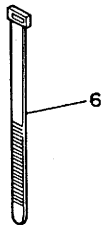
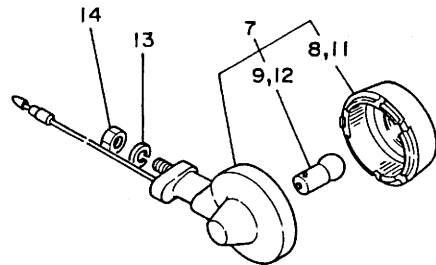
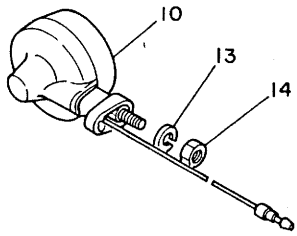
REF. NO.	PART NO.	DESCRIPTION	Q'TY	REMARKS
1	3V6-85550-M1	ROTOR ASSY	1	
2	3V6-85560-M1	BASE ASSY	1	
3	3T5-85520-M1	.COIL, charge	1	
4	3V6-81313-M1	.COIL, lighting 1	1	
5	4U5-85580-M0	.COIL, pulser	1	
6	90461-05036	.CLAMP	1	
7	98580-04010	.SCREW, pan head	1	
8	92901-04100	.WASHER, spring	1	
9	98501-04006	.SCREW, pan head	1	
10	92901-04100	.WASHER, spring	1	
11	98511-04025	.SCREW, pan head	2	
12	98511-04012	.SCREW, pan head	2	
13	2T4-85568-M1	.TERMINAL, earth 1	1	
14	2T4-85569-M1	.TERMINAL, earth 2	1	
15	98701-05016	SCREW, flat head	2	
16	90201-12535	WASHER, plate	1	
17	92901-12100	WASHER, spring	1	
18	90170-12175	NUT	1	

3HA700-8280

D7

FIG. 29 FLASHER LIGHT

REF. NO.	PART NO.	DESCRIPTION	Q'TY	REMARKS
1	5A1-83310-10	FRONT FLASHER LIGHT ASSY 1	2	
2	3M7-83312-10	.LENS, flasher	1	
3	152-83311-10	.BULB (6V-10W)	1	
4	1M1-83318-00	STAY, flasher 1	2	
5	95303-08800	NUT, crown	2	
6	437-83936-01	BAND, switch cord	2	
7	4G3-83330-10	REAR FLASHER LIGHT ASSY 1	1	
8	3M7-83312-10	.LENS, flasher	1	
9	152-83311-10	.BULB (6V-10W)	1	
10	4G3-83340-10	REAR FLASHER LIGHT ASSY 2	1	
11	3M7-83312-10	.LENS, flasher	1	
12	152-83311-10	.BULB (6V-10W)	1	
13	92990-08100	WASHER, spring	2	
14	95303-08600	NUT	2	

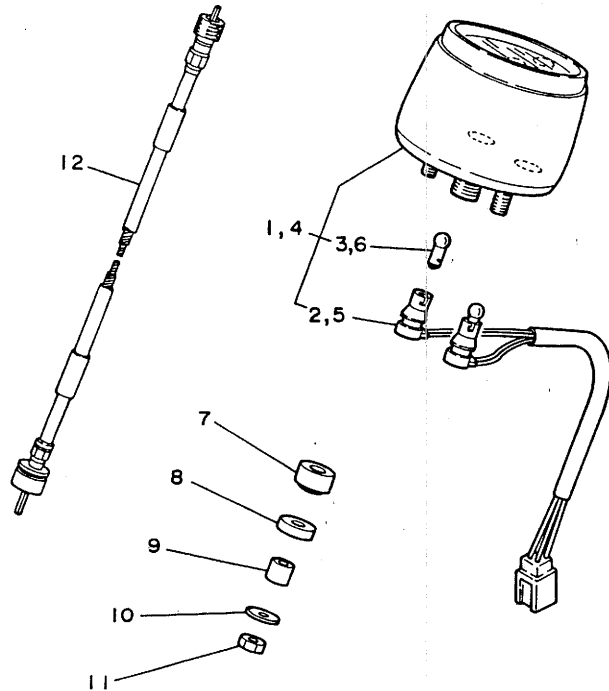


3HA700-8290

D8

FIG. 30 METER

REF. NO.	PART NO.	DESCRIPTION	Q'TY	REMARKS
1	3F4-83510-F0	SPEEDOMETER ASSY	1	KM/H
2	4A7-83520-00	.SOCKET CORD ASSY	1	
3	4N0-83516-00	.BULB (6V-3W)	2	
4	3F6-83510-G0	SPEEDOMETER ASSY	1	MELE/H
5	4A7-83520-00	.SOCKET CORD ASSY	1	
6	122-83516-10	.BULB (6V-3W)	2	
7	1M3-83513-00	DAMPER	2	
8	355-83526-00	DAMPER 2	2	
9	355-83522-00	COLLAR	2	
10	90201-06412	WASHER, plate	2	
11	95303-06600	NUT	2	
12	1JN-83550-01	SPEEDOMETER CABLE ASSY	1	

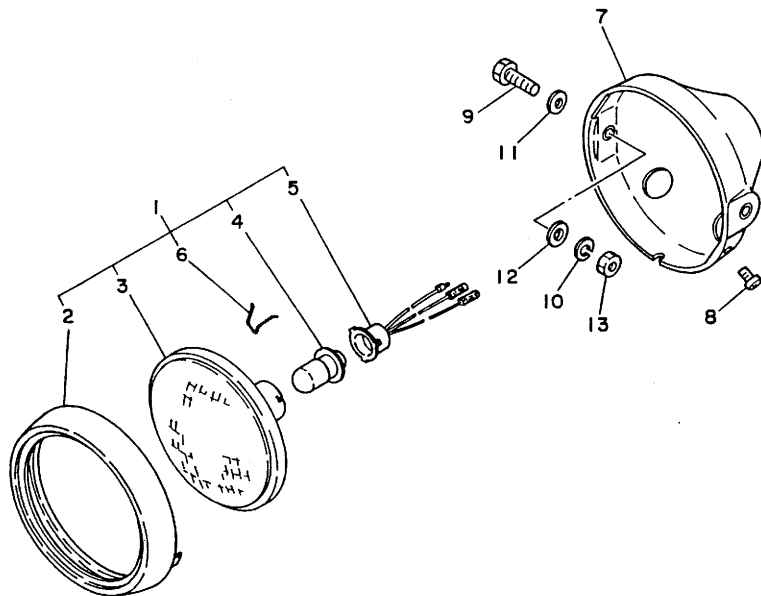


3V6700-2300

D9

FIG. 31 HEADLIGHT

REF. NO.	PART NO.	DESCRIPTION	Q'TY	REMARKS
1	3M7-84110-00	HEADLIGHT UNIT ASSY	1	
2	202-84315-00	.RIM, headlight	1	
3	195-84320-00	.LENS ASSY	1	
4	206-84114-60	.BULB (6V-25/25W)	1	
5	452-84112-00	.SOCKET	1	
6	195-84324-00	.SPRING, reflector	3	
7	3M7-84130-00	BODY ASSY, headlight	1	
8	98506-05012	SCREW, pan head	1	
9	97001-08025	BOLT	2	
10	92990-08100	WASHER, spring	2	
11	92901-08600	WASHER, plate	2	
12	92990-08200	WASHER, plain	2	
13	95303-08600	NUT	2	

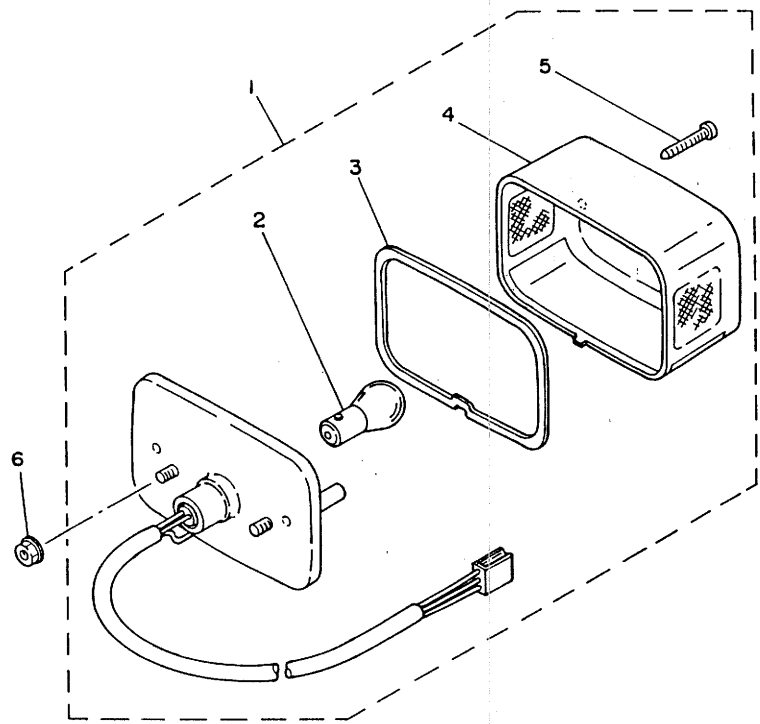


3V6700-2310

D10

FIG. 32 TAILLIGHT

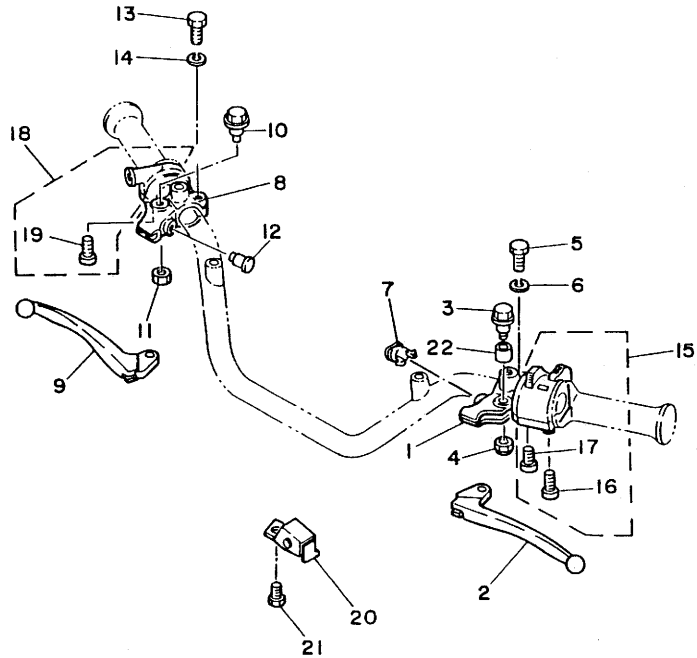
REF. NO.	PART NO.	DESCRIPTION	Q'TY	REMARKS
1	2T5-84510-00	TAILLIGHT UNIT ASSY	1	
2	122-84514-30	.BULB (6V-17/5.3W)	1	
3	1K8-84523-00	.GASKET, lens	1	
4	1K8-84521-00	.LENS, taillight	1	
5	2E9-84524-00	.SCREW, lens fitting	2	
6	95701-06500	NUT, flange	2	



3HA700-8320

D11

FIG. 33 HANDLE SWITCH. LEVER

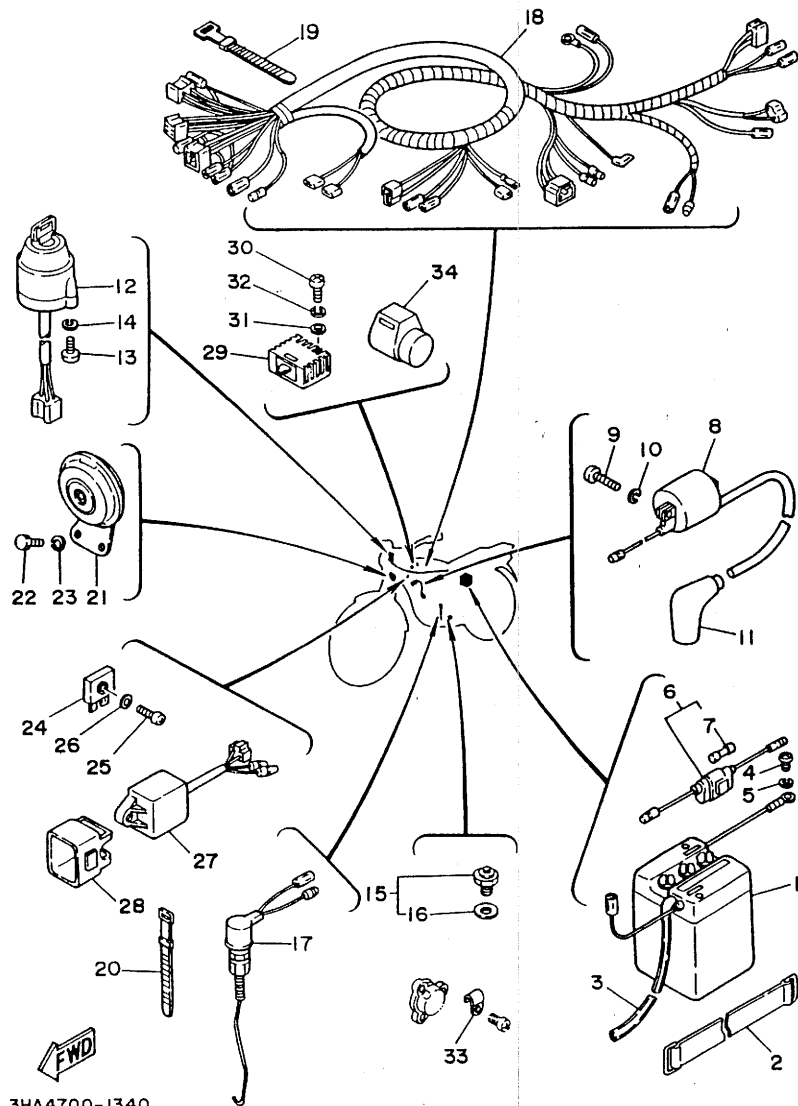


REF. NO.	PART NO.	DESCRIPTION	Q'TY	REMARKS
1	2HV-82911-00	HOLDER, lever 1	1	
2	214-83912-00	LEVER 1	1	
3	90109-06798	BOLT	1	
4	95601-06100	NUT, u	1	
5	97001-06022	BOLT	1	
6	92990-06100	WASHER, spring	1	
7	503-83956-00	CAP 1	1	
8	463-82921-30	HOLDER, lever 2	1	
9	233-83922-30	LEVER 2	1	
10	90109-06798	BOLT	1	
11	95601-06100	NUT, u	1	
12	503-83956-00	CAP 1	1	
13	97001-06022	BOLT	1	
14	92990-06100	WASHER, spring	1	
15	3V6-83972-00	SWITCH, handle 4	1	
16	98501-05030	.SCREW, pan head	1	
17	90157-05027	.SCREW, pan head	1	
18	1R6-83976-01	SWITCH, handle 1	1	
19	90157-05027	.SCREW, pan head	2	
20	3X3-83965-00	LEVER, lock	1	
21	97001-06025	BOLT	1	
22	3X3-83913-00	COLLAR, lever 1	1	



3HA5700-2330

D12

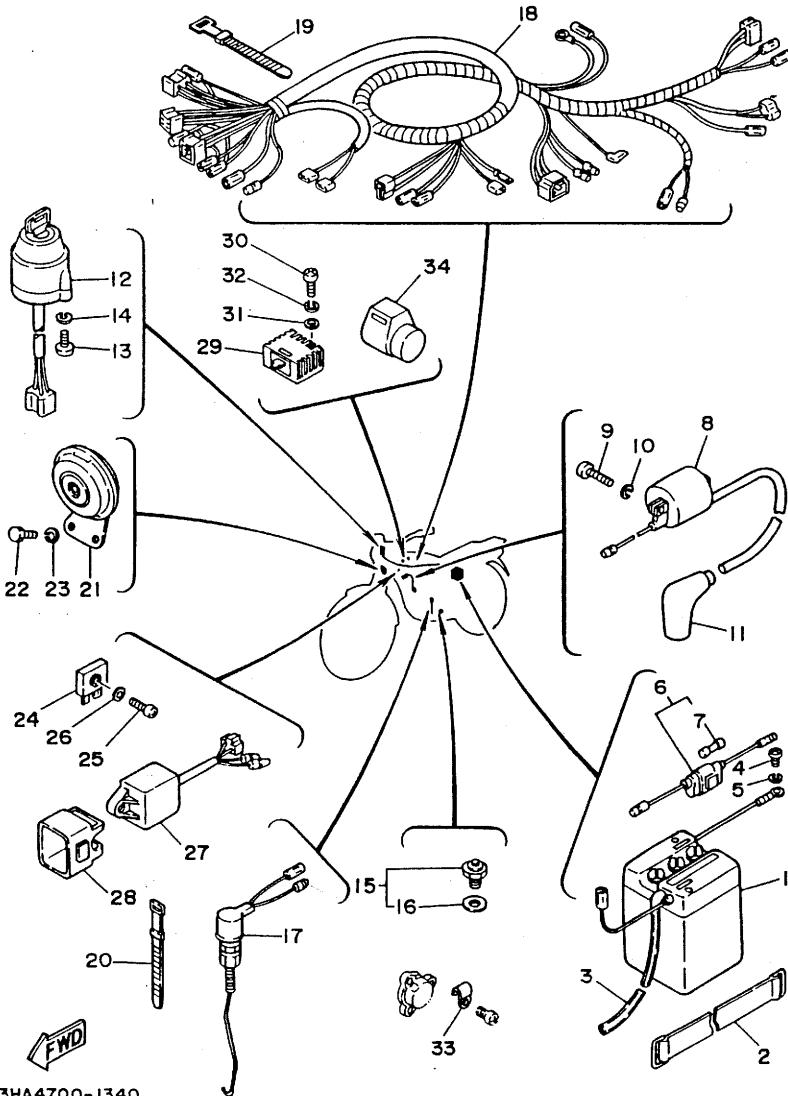


3HA4700-1340

FIG. 34 ELECTRICAL 1

REF. NO.	PART NO.	DESCRIPTION	Q'TY	REMARKS
1	120-82110-29	BATTERY ASSY (6N4-2A-2)	1	
2	3V6-82131-00	BAND, battery	1	
3	90445-08338	HOSE	1	
4	92501-06012	SCREW, pan head	1	
5	92990-06100	WASHER, spring	1	
6	55K-82150-01	FUSE HOLDER ASSY	1	
7	116-82151-00	.FUSE (10A)	2	
8	3V6-82310-M0	IGNITION COIL ASSY	1	
9	97011-06025	BOLT	2	
10	92990-06100	WASHER, spring	2	
11	437-82370-21	PLUG CAP ASSY	1	UR
	512-82370-10	PLUG CAP ASSY	1	UR WITH NOISE SUPPRESSOR
12	2F5-82510-50	MAIN SWITCH ASSY	1	
13	98501-05010	SCREW, pan head	2	
14	92901-05100	WASHER, spring	2	
15	136-82540-00	NEUTRAL SWITCH ASSY	1	
16	90430-11034	.GASKET	1	
17	3V6-82530-02	STOP SWITCH ASSY	1	
18	3V6-82590-22	WIRE HARNESS ASSY	1	
19	437-83936-01	BAND, switch cord	1	
20	25G-83936-01	BAND, switch cord	1	
21	2A7-83371-10	HORN	1	
22	97001-06012	BOLT	2	
23	92990-06100	WASHER, spring	2	
24	353-81970-63	RECTIFIER ASSY	1	STANLEY
25	98501-05020	SCREW, pan head	1	
26	92901-05600	WASHER, plate	1	
27	3M5-85540-M1	C.D.I. UNIT ASSY	1	

D13



3HA4700-1340

FIG. 34 ELECTRICAL 1

REF. NO.	PART NO.	DESCRIPTION	Q'TY	REMARKS
28	2A7-85546-00	BAND	1	
29	4F4-81910-60	VOLTAGE REGULATOR ASSY	1	STANLEY
30	92502-06016	SCREW, pan head	1	
31	92990-06600	WASHER, plate	1	
32	92990-06100	WASHER, spring	1	
33	90462-05012	CLAMP	1	
34	3E1-83350-11	FLASHER RELAY ASSY	1	

D14

FIG. 35 REPAIR KIT

REF. NO.	PART NO.	DESCRIPTION	Q'TY	REMARKS
1	3V6-11630-00	PISTON ASSY (STD)	1	
2	3V6-11631-00-96	.PISTON (STD)	1	
3	131-11633-00	.PIN, piston	1	
4	93450-15023	.CIRCLIP	2	
5	335-11601-00	.PISTON RING SET (STD)	1	
6	3V6-11630-10	PISTON ASSY (1ST O/S)	1	
7	3V6-11635-00	.PISTON (0.25MM O/S)	1	
8	131-11633-00	.PIN, piston	1	
9	93450-15023	.CIRCLIP	2	
10	335-11601-10	.PISTON RING SET (1ST O/S)	1	
11	3V6-11630-20	PISTON ASSY (2ND O/S)	1	
12	3V6-11636-00	.PISTON (0.50MM O/S)	1	
13	131-11633-00	.PIN, piston	1	
14	93450-15023	.CIRCLIP	2	
15	335-11601-20	.PISTON RING SET (2ND O/S)	1	
16	1M7-11650-00	CONNECTING ROD ASSY	1	
17	1M7-11651-00	.ROD, connecting	1	
18	5E2-11681-00	.PIN, crank 1	1	
19	93310-422E7	.BEARING, cylindrical	1	
20	90209-22248	.WASHER	2	
21	93310-21403	.BEARING, cylindrical	1	

NUMERICAL INDEX

PART NO.	GRID NO.	PART NO.	GRID NO.	PART NO.	GRID NO.	PART NO.	GRID NO.	PART NO.	GRID NO.	PART NO.	GRID NO.
382-W1541-60	B-10	1E7-13176-00	B- 4	1V1-14437-00	B- 5	132-16369-00	B-12	1Y1-2176A-00	C- 6	22F-23412-01	C-10
3V6-W2471-01	C-14	382-13178-60	B- 4	3V6-14451-00	B- 5	1E7-16371-00	B-12	1Y1-21763-00	C- 6	122-23416-00	C-10
3FA-W2536-00	D- 3	402-13552-00	B- 4	3A3-14453-01	B- 5	427-17121-01	B-13	1Y1-21764-00	C- 6	3V6-23435-00-33	C-10
48E-W2536-00	C-15	560-13565-00	B- 5	3V6-14610-00	B- 8	3V6-17131-00	B-13	1T9-21771-00	C- 6	1E6-23441-00	C-10
3V6-11111-00	B- 2	53V-13610-00	B- 5	3PA-14613-10	B- 8	482-17141-00	B-13	3HA-21781-10	C- 5	164-23462-00	C-11
3V6-11128-00	B- 2	314-13613-01	B- 5	3M7-14615-00	B- 8	482-17151-00	B-13	3HA-21781-30	C- 5	3V6-24110-00-X1	C-13
3V6-11161-00	B- 2	314-13616-01	B- 5	3V6-14718-00	B- 8	248-17211-00	B-13	3HA-21782-10	C- 5	3V6-24110-00-09	C-13
3A3-11181-00	B- 2	87A-13621-00	B- 5	3V6-14728-00	B- 8	427-17221-00	B-13	3HA-21782-30	C- 5	1A8-24181-00	C-13
3V6-11311-00	B- 2	3V6-14101-00	B- 6	3T2-14752-00	B- 8	3V6-17231-00	B-13	3V6-22110-01-33	C- 7	22W-24181-00	C- 5
3UL-11351-00	B- 2	10W-14103-00	B- 6	3V6-14753-00	B- 8	382-17241-60	B-13	276-22123-00	C- 7	278-24181-00	C-13
382-11400-00	B- 3	10W-14104-00	B- 7	18L-1490J-00	B- 6	482-17251-00	B-13	276-22141-00	C- 7	353-24182-00	C-13
558-11412-00	B- 3	12G-14106-00	B- 7	276-15111-01	B- 9	437-17411-01	B-13	3V6-22151-00	C- 7	3HA-24240-01	C-13
382-11422-00	B- 3	304-14112-20	B- 7	276-15121-04	B- 9	315-17421-01	B-13	3V6-22210-00-33	C- 9	3GX-24244-10	C-13
335-11601-00	B- 3	500-14115-00	B- 6	304-15128-00	B- 9	164-17427-00-10	B-13	3V6-22310-02	C- 7	357-24500-11	C-13
	D-15	193-14126-00	B- 7	137-15353-00	B-15	382-17464-60	B-13	148-22315-00	C- 7	2N3-24528-00	C-13
335-11601-10	B- 3	3X3-14131-00	B- 7	315-15362-01	B-10	168-17471-00	B-13	3V6-22318-01	C- 7	2N3-24532-00	C-13
	D-15	493-14133-00	B- 6	583-15371-00	B- 9	3V6-18101-03	C- 2	382-22322-00	C- 7	4X8-24565-00	C-13
335-11601-20	B- 3	174-14134-00	B- 7	214-15385-00	B-15	367-18111-00	C- 2	3V6-22324-00	C- 7	122-24610-01	C-13
	D-15	156-14135-00	B- 6	276-15415-00	B-10	132-18113-01	C- 2	3V6-22325-00	C- 7	122-24612-01	C-13
335-11601-30	B- 3	137-14136-00	B- 7	3V6-15416-00	B-10	4M3-18140-00	B-15	3V6-22358-00	C- 8		C-13
335-11601-40	B- 3	164-14137-00	B- 7	3V6-15421-01	B-10	248-18511-02	B-15	3V6-22359-00	C- 8	127-24650-02	C-13
3V6-11630-00	D-15	152-14138-00	B- 6	3GY-15451-00	B-10	248-18512-01	B-15	3V6-23100-01-35	C-11	3V6-24710-10	C-14
3V6-11630-10	D-15	2F5-14141-36	B- 6	3Y4-15456-00	B-10	248-18513-01	B-15	3V6-23110-00	C-11	3V6-24711-00	C-14
3V6-11630-20	D-15	260-14142-17	B- 6	214-15616-00	B-11	214-18531-00	B-15	1E7-23111-00	C-11	3V6-24711-10	C-14
3V6-11631-00-96	B- 3	137-14143-26-AO	B- 6	214-15618-00	B-11	248-18531-00	B-15	1E7-23114-00	C-11	2A6-24738-00	C-14
	D-15	137-14143-28-AO	B- 6	3V6-15620-00	B-11	3V6-18540-00	B-15	2A6-23119-00	C-11	2Y0-24748-00	C-14
131-11633-00	B- 3	137-14143-30	B- 6	305-15641-00	B-11	136-18542-00	B-15	3V6-23130-00-35	C-11	3V6-24758-01	C-14
	D-15	2N4-14145-00	B- 6	403-15651-00	B-11	382-18561-60	B-15	3V6-23140-00-35	C-11	3HA-24810-00	C-14
	D-15	214-14147-00	B- 6	132-15653-00-10	B-11	164-18571-01	B-15	3V6-23143-00	C-11	3V6-24810-01	C-14
	D-15	558-14147-00	B- 6	248-15654-00	B-11	164-18589-00	B-15	3V6-23144-00	C-11	3V6-24860-01-98	C-14
3V6-11635-00	B- 3	193-14158-00	B- 7	3V6-15660-02	B-11	3V6-21107-01	C-14	4V1-23145-LO	C-11	296-24861-00	C-14
	D-15	802-14161-00	B- 6	3V6-15664-00	B-11	3V6-21110-10-33	C- 3	2X6-23151-00	C-11	3V6-24862-00	C-14
3V6-11636-00	B- 3	307-14169-10	B- 6	3V6-15666-01	B-11	3V6-21473-01	C- 3	1E7-23156-00	C-11	3V6-25104-00	C-15
	D-15	304-14171-00	B- 6	248-15668-00	B-11	3V6-21511-10	C- 4	1E7-23157-00	C-11	248-25111-00-Y8	C-15
3V6-11637-00	B- 3	3A3-14173-00	B- 6	3V6-15676-00	B-11	3V6-21511-20	C- 4	1L9-23166-00	C-11	146-25116-00	D- 3
3V6-11638-00	B- 3	152-14174-00	B- 6	382-16111-62	B-12	482-21521-00	C- 4	3M7-23181-00	C-11	2K5-25118-00	C-15
1M7-11650-00	D-15	539-14181-06	B- 6	3V6-16150-00	B-12	482-21522-00	C- 4	3V6-23191-00	C-11	3V6-25121-00-35	C-15
1M7-11651-00	B- 3	304-14184-00	B- 6	276-16154-00	B-12	3V6-21611-10	C- 4	3RW-23192-00	C-11	3E1-2513A-10	C-15
	D-15	304-14185-00	B- 6	122-16164-00	B-12	3V6-21611-20	C- 4	3V6-23192-01	C-11	301-25135-00	C-15
5E2-11681-00	B- 3	127-14186-00	B- 6	132-16321-01	B-12	4M3-21621-00	C- 4	3V6-23317-00	C-11	109-25136-00	C-15
	D-15	353-14190-15	B- 6	137-16324-00	B-12	482-21622-01	C- 4	3V6-23318-00	C-11	102-25137-00	D- 2
3V6-13101-00	B- 4	127-14195-00	B- 6	241-16341-01	B-12	3V6-21629-01	C- 4	3V6-23340-00	C-11	301-25138-00	C-15
3MT-13116-00	B- 4	183-14196-00	B- 7	382-16342-60	B-12	3V6-21711-10	C- 5	451-23346-01	C-11	183-25149-00	C-15
137-13137-00-10	B- 4	183-14197-01	B- 7	132-16346-00	B-12	3V6-21711-20	C- 5	3V6-23351-01	C-11	5H0-25155-00	C-15
137-13138-01	B- 4	304-14261-00	B- 6	132-16351-00	B-12	3V6-21721-10	C- 5	462-23392-02	C-11	3V6-25304-00	D- 3
367-13146-01	B- 4	3V6-14411-00	B- 5	137-16356-00	B-12	3V6-21721-20	C- 5	156-23411-00	C-11	391-25311-00-38	D- 3
525-13174-00	B- 4	3V6-14412-00	B- 5	276-16357-00	B-12	3V6-21745-00	C- 6	22F-23411-01	C-10	109-25315-00	C-15
3V6-13175-00	B- 4	3V6-14416-00	B- 5	137-16367-00	B-12	3V6-21750-00	C- 6	156-23412-00	C-10	248-25321-00-35	D- 3

NUMERICAL INDEX

PART NO.	GRID NO.	PART NO.	GRID NO.	PART NO.	GRID NO.	PART NO.	GRID NO.	PART NO.	GRID NO.	PART NO.	GRID NO.
3V6-25327-01	D- 3	116-82151-00	D-13	195-84320-00	D-10	90175-06013	D- 6	90387-154A2	D- 4	91401-30030	D- 4
5T9-2533A-00	D- 3	3V6-82310-M0	D-13	195-84324-00	D-10	90176-10013	C- 9	90387-20175	B- 3	91609-40016	B-15
2RH-25351-00	D- 3	437-82370-21	D-13	2T5-84510-00	D-11	90179-06143	D- 5	90387-204A3	D- 4	91701-08038	D- 6
3Y6-25351-00	C-15	512-82370-10	D-13	122-84514-30	D-11	90179-08148	D- 5	90387-20491	B-13	92501-06010	B-13
1E7-25355-00	D- 3	2F5-82510-50	D-13	1K8-84521-00	D-11	90179-08168	D- 3	90430-04004	B- 4		B-15
304-25364-01	D- 3	3V6-82530-02	D-13	1K8-84523-00	D-11	90179-08303	B- 2	90430-11034	D-13	92501-06012	B-13
183-25366-10-35	D- 3	136-82540-00	D-13	2E9-84524-00	D-11	90179-16018	B-13	90430-12207	B- 9		C- 7
3V6-25371-00	D- 4	3V6-82590-22	D-13	3T5-85520-M1	D- 7	90179-25033	C-10	90445-05278	B- 4		D-13
353-25381-00	D- 2	2HV-82911-00	D-12	3M5-85540-M1	D-13	90185-08054	C- 3	90445-08338	D-13	92502-06016	D-14
5X3-25381-00	D- 4	463-82921-30	D-12	2A7-85546-00	D-14	90185-10037	D- 6	90445-09083	C-13	92503-06018	C- 4
3V6-25387-00	D- 4	5A1-83310-10	D- 8	3V6-85550-M1	D- 7	90185-10060	C- 3	90445-09225	C- 6	92503-06045	C- 7
3V6-25388-00	D- 4	152-83311-10	D- 8	3V6-85560-M1	D- 7	90201-06067	B- 5	90446-07009	B- 9	92901-04100	D- 7
3V6-25389-00	D- 4		D- 8	2T4-85568-M1	D- 7		B- 5	90460-43053	B- 5		D- 7
1T2-25394-00	D- 4		D- 8	2T4-85569-M1	D- 7		C- 4	90460-51059	B- 5	92901-05100	B- 4
482-25412-00	D- 3	3M7-83312-10	D- 8	4U5-85580-M0	D- 7		C- 4	90461-05036	D- 7		B- 8
3V6-25451-11	D- 3		D- 8	90101-06278	C-15	90201-06070	C-13	90462-05012	D-14		B-15
4M3-26111-00	D- 5		D- 8		D- 3	90201-06412	D- 9	90464-14117	C-13		D-13
3V6-26123-00	D- 5	1M1-83318-00	D- 8	90101-06304	C-14	90201-07076	C-15	90467-08003	C- 6	92901-05600	D-13
2N3-26241-00	D- 5	4G3-83330-10	D- 8	90101-08439	C- 7	90201-08624	B- 4		C-13	92901-06200	D- 6
2N3-26242-00	D- 5	4G3-83340-10	D- 8	90101-14259	B-15	90201-08753	B- 8	90468-02033	B- 4	92901-06600	B- 5
434-26243-00	D- 5	3E1-83350-11	D-14	90105-14136	C-10	90201-10437	C- 9		B- 4		B- 5
1M1-26249-01	D- 5	2A7-83371-10	D-13	90109-063F6	B-15	90201-12166	B-15	90468-26048	B-11		C- 4
214-26261-00	D- 5	3F4-83510-F0	D- 9	90109-06798	D-12	90201-123A7	C- 7	90480-12053	C- 5		C- 7
1Y1-26290-00	D- 5	3F6-83510-G0	D- 9		D-12	90201-12362	B- 2		C- 5		C-12
1Y1-26290-10	D- 5	1M3-83513-00	D- 9	90109-08063	D- 4	90201-12535	D- 7	90480-14198	C- 4	92901-08600	C-14
1Y1-26290-50	D- 5	122-83516-10	D- 9	90109-08361	D- 3	90201-14218	C- 9	90501-02217	B- 4		C-14
1Y1-26290-60	D- 5	4N0-83516-00	D- 9	90109-08368	D- 4	90201-14586	C- 2	90501-10245	D- 6		C-14
3V6-26311-00	D- 5	4A7-83520-00	D- 9	90109-103A1	D- 6	90201-15564	D- 6	90501-20124	B-12		D- 6
3V6-26312-00	D- 5		D- 9	90113-06013	B-12	90201-20266	B-13	90504-18009	B-11		D-10
3V6-26321-00	D- 5	355-83522-00	D- 9	90116-06320	B- 8	90201-20269	C-15	90506-09009	C- 2	92901-10100	C- 3
497-26335-00	D- 5	355-83526-00	D- 9	90116-08064	B- 2	90201-206E5	B-11	90506-09112	B-15		C-10
4G3-26339-00	D- 5	1JN-83550-01	D- 9	90119-05001	B-12	90202-05187	B- 8	90506-10019	B-12		C-11
3V6-26341-00	D- 5	214-83912-00	D-12	90119-06056	C- 4	90202-05188	B- 8	90506-15260	C-15		D- 6
382-26372-01	D- 5	3X3-83913-00	D-12		C- 6	90208-12015	B-12	90506-16447	D- 3	92901-12100	D- 7
3V6-27211-01	D- 6	233-83922-30	D-12	90119-06061	C- 4		B-12	90506-26270	D- 6	92902-04100	B- 7
3V6-27231-01	D- 6	25G-83936-01	D-13	90123-06010	D- 5	90209-06194	B- 8	90508-20023	D- 6	92906-08100	C-10
3V6-27311-10-R4	D- 6	437-83936-01	D- 8	90123-08046	D- 5	90209-22248	B- 3	90508-26441	B-11	92990-03100	B- 5
36X-27311-00-R4	D- 6		D-13	90149-08094	C- 2		D-15	90508-32437	C- 2	92990-06100	B- 8
22W-27411-01-90	D- 6	503-83956-00	D-12	90157-05027	D-12	90215-08014	C- 2	90508-35442	D- 6		B-13
22W-27421-01-90	D- 6		D-12		D-12	90240-06006	D- 6	90560-12138	C-15		C- 4
3V6-27451-00-33	D- 6	3X3-83965-00	D-12	90170-08029	C- 2	90249-12008	D- 6	90560-15136	D- 3		C- 4
3V6-28100-00	C-14	3V6-83972-00	D-12	90170-10038	D- 5	90250-08017	B-15	90560-17146	B-12		C- 4
3V6-81313-M1	D- 7	1R6-83976-01	D-12	90170-12060	B-12	90280-03017	B- 3	91401-16015	B- 6		C- 7
4F4-81910-60	D-14	3M7-84110-00	D-10		B-12	90338-16029	B-14	91401-20015	D- 4		C- 7
353-81970-63	D-13	452-84112-00	D-10	90170-12175	D- 7	90340-12005	B- 9	91401-20020	D- 2		C-12
120-82110-29	D-13	206-84114-60	D-10	90170-20167	D- 4	90387-06388	C- 4	91401-25015	D- 6		D-12
3V6-82131-00	D-13	3M7-84130-00	D-10	90171-10004	D- 2	90387-064A4	D- 6		D- 6		D-12
55K-82150-01	D-13	202-84315-00	D-10	90171-14020	D- 4	90387-12265	D- 2	91401-30025	D- 6		D-13

NUMERICAL INDEX

PART NO.	GRID NO.	PART NO.	GRID NO.	PART NO.	GRID NO.	PART NO.	GRID NO.	PART NO.	GRID NO.	PART NO.	GRID NO.
92990-06100	D-13	93430-10017	B-15	97001-06012	D-13	98511-04025	D- 7				
	D-13	93440-11029	B-11	97001-06020	C-11	98511-08010	B- 9				
	D-14	93440-15012	B-13	97001-06022	D-12	98580-04010	D- 7				
92990-06600	D-14	93450-15023	B- 3		D-12	98701-05016	D- 7				
92990-08100	B- 8		D-15	97001-06025	B- 5	98901-04008	B- 4				
	C- 3		D-15		C- 4	98906-06012	B- 8				
	C- 3		D-15		C- 4	99001-08600	B- 4				
	C- 7	93501-04011	B-12		D-12	99001-12600	C- 2				
	C- 7		C-10	97001-08020	C- 3	99009-13400	B-11				
	C- 7	93503-16010	C-10		C- 7	99009-20400	C-15				
	C- 7	93505-32002	B- 4	97001-08025	C-14	99009-30400	B-11				
	C-14	93603-22028	B- 4		C-14	99510-12016	B- 9				
	C-14	93604-22050	B-15		D-10	99530-10014	B-10				
	C-14	93822-14039	B-13	97001-10016	D- 6		B-10				
	D- 4	94127-19595	C-15	97011-06020	C- 2	99530-14016	B- 9				
	D- 5	94135-18596	D- 3	97011-06025	D-13						
	D- 8	94227-19177	C-15	97013-10040	C-10						
	D-10	94235-18085	D- 3	97021-08030	B-11						
92990-08200	D-10	94325-18043	D- 3	97313-08016	C- 7						
93101-10002	B- 4	94327-19111	C-15		C- 7						
93102-18008	C-15	94414-19056	C-15		C-14						
93102-20231	B- 3	94418-18246	D- 3		D- 5						
93102-26042	B-13	94580-35116	D- 4	98501-03008	B- 5						
93103-28011	B- 3	94701-00044	B- 2	98501-04006	D- 7						
93104-07003	C-15	95026-08045	C-10	98501-05008	B- 8						
93104-10085	B-12	95303-05600	B- 4		C- 7						
93104-20017	B-11	95303-06600	B- 8	98501-05010	D-13						
93104-22018	D- 3		C- 4	98501-05012	B-15						
93105-47007	C-15		C-15	98501-05020	D-13						
93106-26005	D- 3		D- 3	98501-05030	D-12						
93109-06060	B-12		D- 9	98501-06020	B- 5						
93109-14005	C- 2	95303-06700	B-12		B-10						
93210-14104	D- 2	95303-08600	B- 8		B-10						
93210-18023	B- 3		D- 8	98501-06035	B- 5						
93210-42101	D- 3		D-10		B-10						
93306-00406	D- 3	95303-08700	D- 4	98501-06040	B- 9						
93306-20204	D- 3	95303-08800	D- 8	98501-06050	B-10						
93306-30103	C-15	95306-08800	C-10	98501-06055	B- 9						
93306-30309	B-13	95601-06100	D-12	98501-06060	B-10						
93306-30421	B- 3		D-12		B-10						
93306-30435	B-13	95601-06200	C- 7	98502-06016	B- 5						
93310-21403	B- 3	95601-12100	C- 7		C- 7						
	D-15	95701-06500	C-13	98503-06045	B- 9						
93310-422E7	B- 3		D-11		B-10						
	D-15	95811-08035	C-10	98506-05012	D-10						
93311-31567	B-13	95821-08115	C- 3	98506-05014	B- 4						
93315-31502	B-13	95821-10090	C- 3	98511-04012	D- 7						
93410-20038	B-13	95821-10105	C- 3	98511-04016	B- 7						

