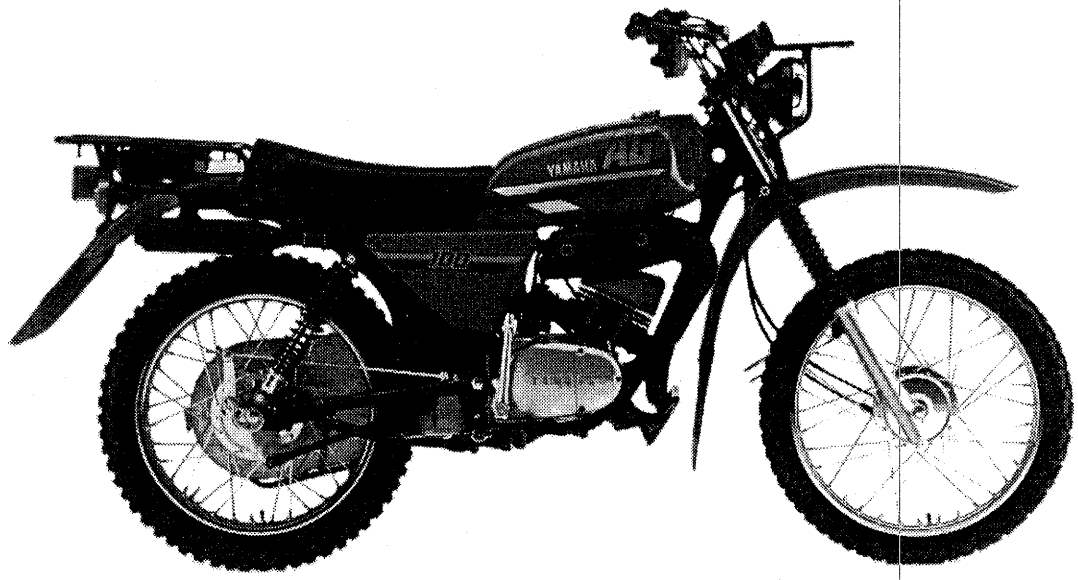


PARTS CATALOGUE

AG100'99(5HS1)~~GHANA~~

YAMAHA
GENUINE
Parts & Accessories

195HS-645E1



FOREWORD

This Parts Catalogue is related to the parts for the model(s) in the below frame. When you are ordering replacement parts, please refer to this Parts Catalogue and quote both part numbers and part names correctly.

AG100'99(5HS1)

1. Modifications or additions which have been made after issue of the Parts Catalogue will be announced in the Yamaha Parts News. It is advisable that you make necessary corrections to the Parts Catalogue according to the Yamaha Parts News.

2. Abbreviations

The Following abbreviations are used in this Parts Catalogue.

- "UR" Use specified parts number.
- "UN" Use as many as needed.
- "AP" Alternate Parts
- "LM" Local Made (Parts need to be ordered locally)
- "F#" Frame No. (Applicable machine No.)

3. Parts, which are to be supplied in an assembly, are listed with a dot(.) in front of the part name as shown below.

EXAMPLE

CARBURETOR ASSY
 .JET, PILOT
 .NOZZLE, MAIN

4. Number of component for assembly
 The numeral appearing to the right of each component part indicates the quantity of parts for each assembly unit.

EXAMPLE

PART NO.	DESCRIPTION	Q'TY	REMARKS
2F5-83310-60	FRONT FLASHER LIGHT ASSY	2	
115-83311-60	.BULB (6V-18W)	1	
1M1-83309-60	.REFLECTOR	1	

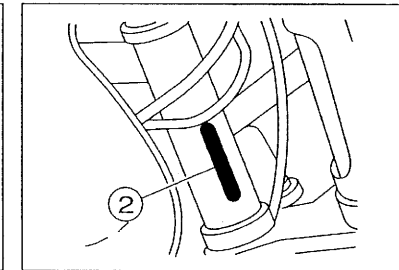
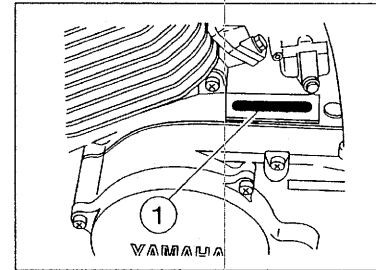
5. Applicable colors of graphics are represented in the "REMARKS" as shown below.

PART NO.	DESCRIPTION	Q'TY	REMARKS
2N4-24110-00-X5	.FUEL TANK COMP.	2	MXR
3J1-24240-10	.GRAPHIC, FUEL TANK	1	for MXR

6. Applicable Serial No.

① Engine Serial No.

② Frame Serial No.



7. Note that the illustrations for reference in finding parts numbers, not to be used for assembling. When assembling, please use the applicable service manual.
8. The asterisk (*) before a reference number indicates modification items after the first edition.

CONTENTS

ENGINE

CYLINDER	1
CRANKSHAFT. PISTON	2
OIL PUMP	3
INTAKE	4
CARBURETOR	5
EXHAUST	7
CRANKCASE	8
CRANKCASE COVER 1	9
STARTER	10
CLUTCH	11
TRANSMISSION	12
SHIFT CAM. FORK	13
SHIFT SHAFT	14

CHASSIS

FRAME	15
FENDER	16
SIDE COVER	17
OIL TANK	18
REAR ARM	19
REAR SUSPENSION	21
STEERING	22
FRONT FORK	23
FUEL TANK	25
SEAT	26
FRONT WHEEL	27
REAR WHEEL	29
STEERING HANDLE. CABLE	31
STAND. FOOTREST	32
GENERATOR	33
FLASHER LIGHT	34
METER	35

HEADLIGHT	36
TAILLIGHT	37
HANDLE SWITCH. LEVER	38
ELECTRICAL 1	39

INDEX

NUMERICAL INDEX	41
-----------------------	----

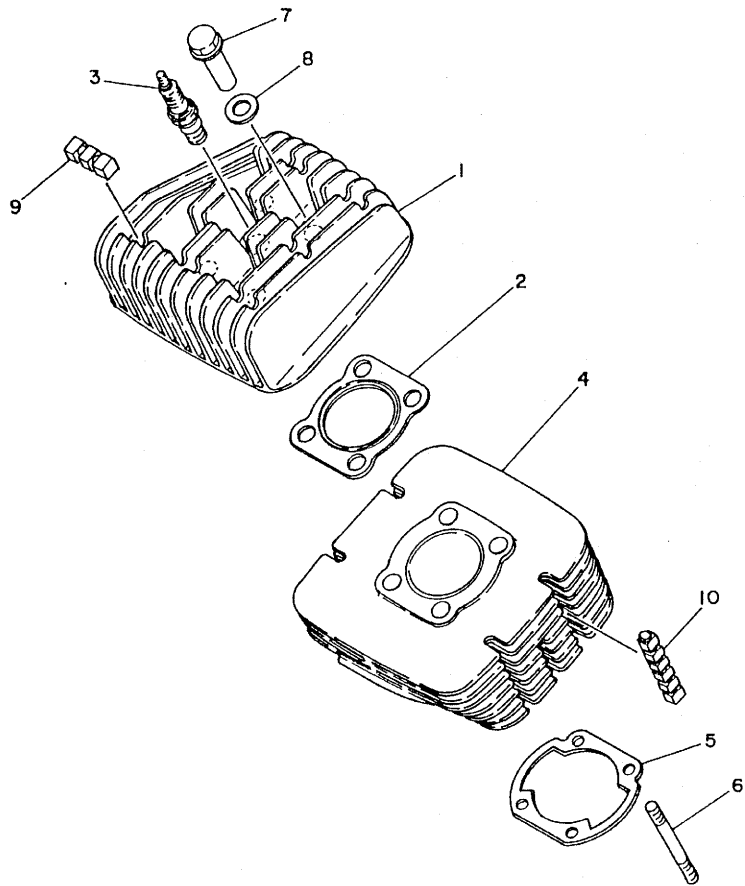


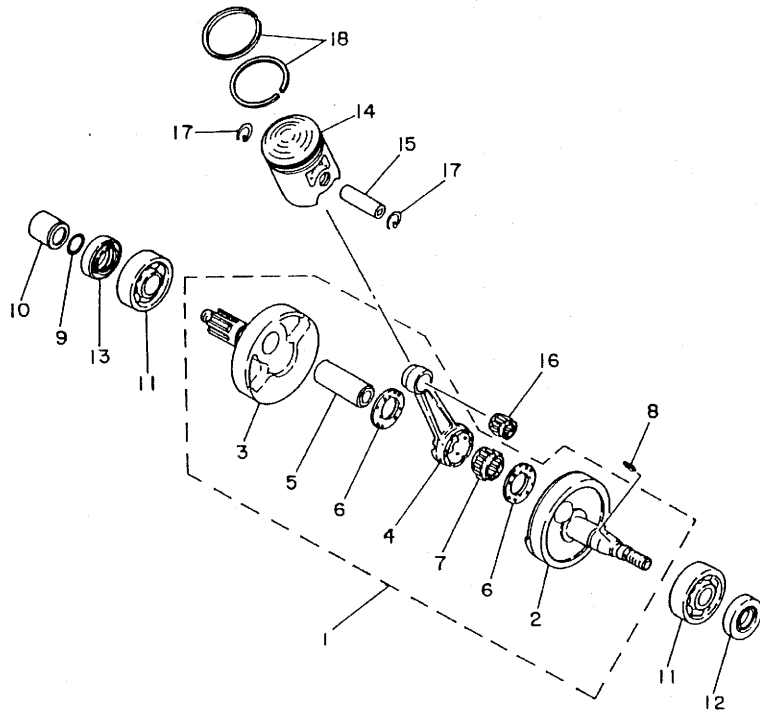
FIG. 1 CYLINDER

REF. NO.	PART NO.	DESCRIPTION	QTY				REMARKS
1	3V6-11111-00	HEAD, CYLINDER 1	1				
2	3A3-11181-00	GASKET, CYLINDER HEAD 1	1				
3	94701-00044	PLUG, SPARK (NGK B-7ES)	1				
4	3V6-11311-00	CYLINDER 1	1				
5	3UL-11351-00	GASKET, CYLINDER	1				
6	90116-08064	BOLT, STUD	4				
7	90179-08303	NUT	4				
8	90201-12362	WASHER, PLATE	4				
9	3V6-11128-00	ABSORBER 4	6				
10	3V6-11161-00	ABSORBER 1	4				



3V6700-2010

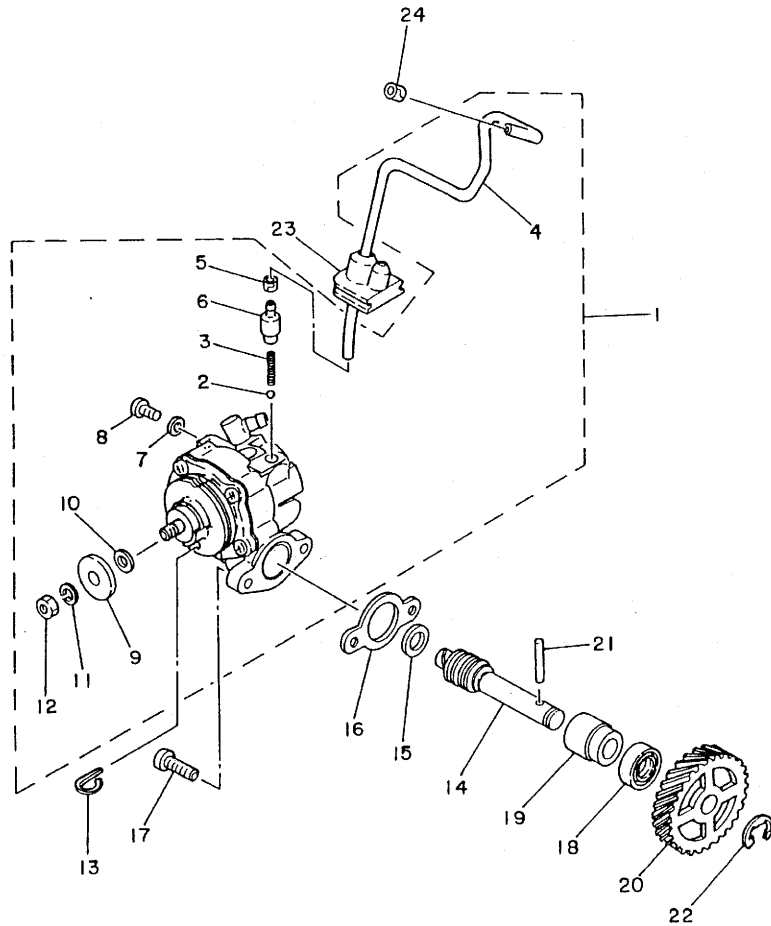
FIG. 2 CRANKSHAFT. PISTON



REF. NO.	PART NO.	DESCRIPTION	SHS1				REMARKS
1	382-11400-00	CRANKSHAFT ASSY	1				
2	558-11412-00	.CRANK 1	1				
3	382-11422-00	.CRANK 2	1				
4	558-11651-01	.ROD, CONNECTING	1				
5	5E2-11681-00	.PIN, CRANK 1	1				
6	90209-22071	.WASHER	2				
7	93310-422E7	.BEARING	1				
8	90280-03017	KEY, WOODRUFF	1				
9	93210-18023	O-RING	1				
10	90387-20175	COLLAR	1				
11	93306-30405	BEARING (B6304C3)	2				
12	93102-20010	OIL SEAL	1				
13	93103-28011	OIL SEAL	1				
14	3V6-11631-00-96	PISTON (STD)	1				
	3V6-11635-00	PISTON (0.25MM O/S)	1				AP
	3V6-11636-00	PISTON (0.50MM O/S)	1				AP
	3V6-11637-00	PISTON (0.75MM O/S)	1				AP
	3V6-11638-00	PISTON (1.00MM O/S)	1				AP
15	131-11633-00	PIN, PISTON	1				
16	93310-21403	BEARING	1				UR
	93310-214F8	BEARING	1				UR KOYO
17	93450-15023	CIRCLIP	2				
18	335-11601-00	PISTON RING SET (STD)	2				
	335-11601-10	PISTON RING SET (0.25MM O/S)	1				AP
	335-11601-20	PISTON RING SET (0.50MM O/S)	1				AP
	335-11601-30	PISTON RING SET (0.75MM O/S)	1				AP
	335-11601-40	PISTON RING SET (1.00MM O/S)	1				AP



3V6700-2020



3V6700-2040

FIG. 3 OIL PUMP

REF. NO.	PART NO.	DESCRIPTION	SHS1				REMARKS
1	3V6-13101-00	OIL PUMP ASSY	1				
2	93505-32002	.BALL	1				
3	90501-02217	.SPRING, COMPRESSION	1				
4	90445-05278	.HOSE	1				
5	90468-02033	.CLIP	1				
6	402-13552-00	.NOZZLE	1				
7	90430-04004	.GASKET	1				
8	98907-04008	.SCREW, BIND	1				
9	137-13138-01	.PLATE, ADJUSTING	1				
10	137-13137-00-03	.SHIM (0.3T)	1				UN
	137-13137-00-05	.SHIM (0.5T)	1				UN
	137-13137-00-10	.SHIM (1.0T)	1				UN
11	92907-05100	.WASHER, SPRING	1				
12	95307-05600	.NUT	1				
13	367-13146-01	CLIP	1				
14	3V6-13175-00	SHAFT, WORM	1				
15	90201-08624	WASHER, PLATE	1				
16	126-13116-01	GASKET, PUMP CASE	1				
17	98507-05014	SCREW, PAN HEAD	2				
18	93101-10002	OIL SEAL	1				
19	137-13176-00	METAL, WORM SHAFT OUTER	1				
20	382-13178-60	GEAR, PUMP DRIVE (30T)	1				
21	93603-22028	PIN, DOWEL	1				
22	99001-08600	CIRCLIP	1				
23	525-13174-00	HOLDER, OIL PIPE	1				
24	90468-02033	CLIP	1				

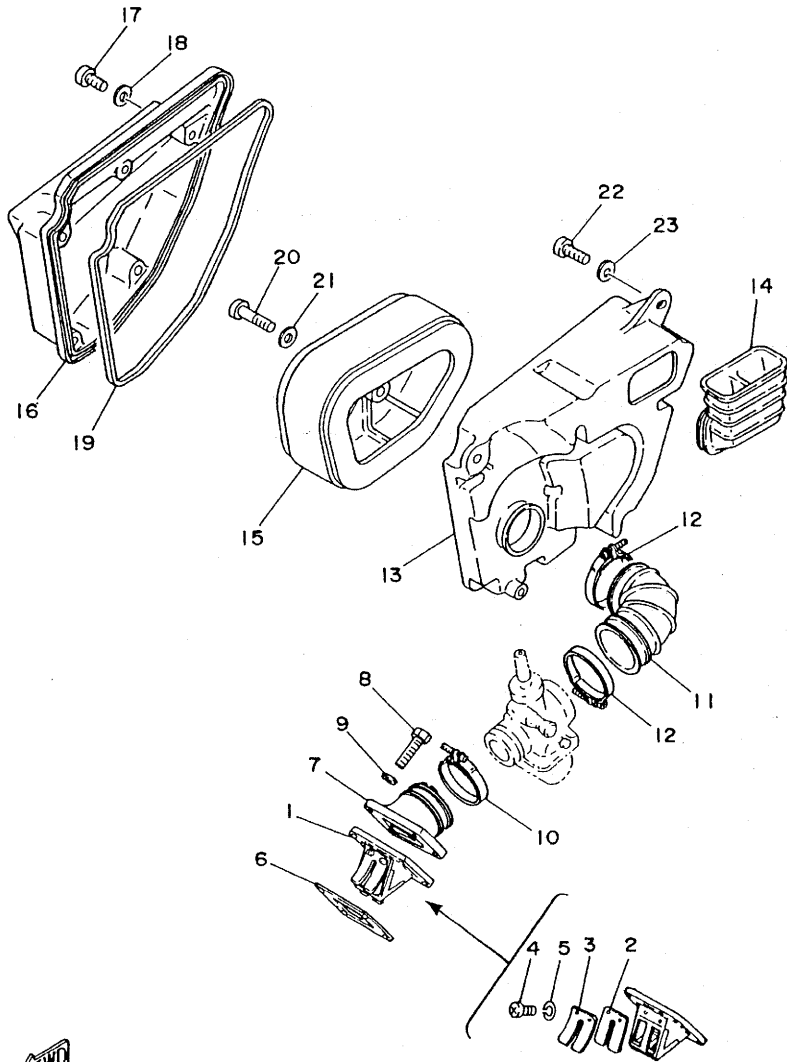


FIG. 4 INTAKE

REF. NO.	PART NO.	DESCRIPTION	5HS1				REMARKS
1	314-13610-01	REED VALVE ASSY	1				
2	314-13613-01	.REED, VALVE	2				
3	314-13616-01	.STOPPER, REED VALVE	2				
4	98507-03008	.SCREW, PAN HEAD	4				
5	92907-03100	.WASHER	4				
6	87A-13621-00	GASKET, VALVE SEAT	1				
7	560-13565-00	JOINT, CARBURETOR	1				
8	97007-06025	BOLT	4				
9	92907-06600	WASHER, PLATE	4				
10	90460-43053	CLAMP, HOSE	1				
11	3A3-14453-01	JOINT, AIR CLEANER 1	1				
12	90460-51059	CLAMP, HOSE	2				
13	3V6-14411-00	CASE, AIR CLEANER 1	1				
14	1V1-14437-00	DUCT	1				
15	3V6-14451-00	ELEMENT, AIR CLEANER	1				
16	3V6-14412-00	CAP, CLEANER CASE 1	1				
17	98507-06016	SCREW, PAN HEAD	5				
18	92907-06600	WASHER, PLATE	5				
19	3V6-14416-00	GASKET, AIR CLEANER	1				
20	98507-06035	SCREW, PAN HEAD	1				
21	90201-06067	WASHER, PLATE	1				
22	98507-06020	SCREW, PAN HEAD	2				
23	90201-06067	WASHER, PLATE	2				



3HA5700-2040

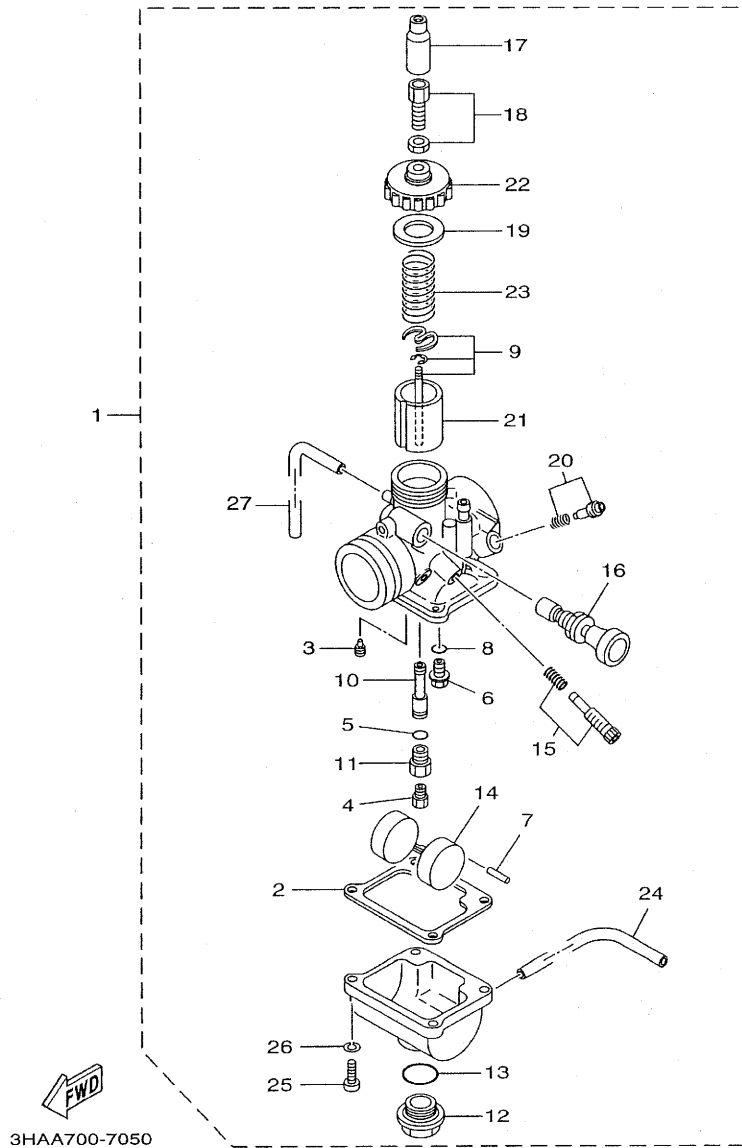
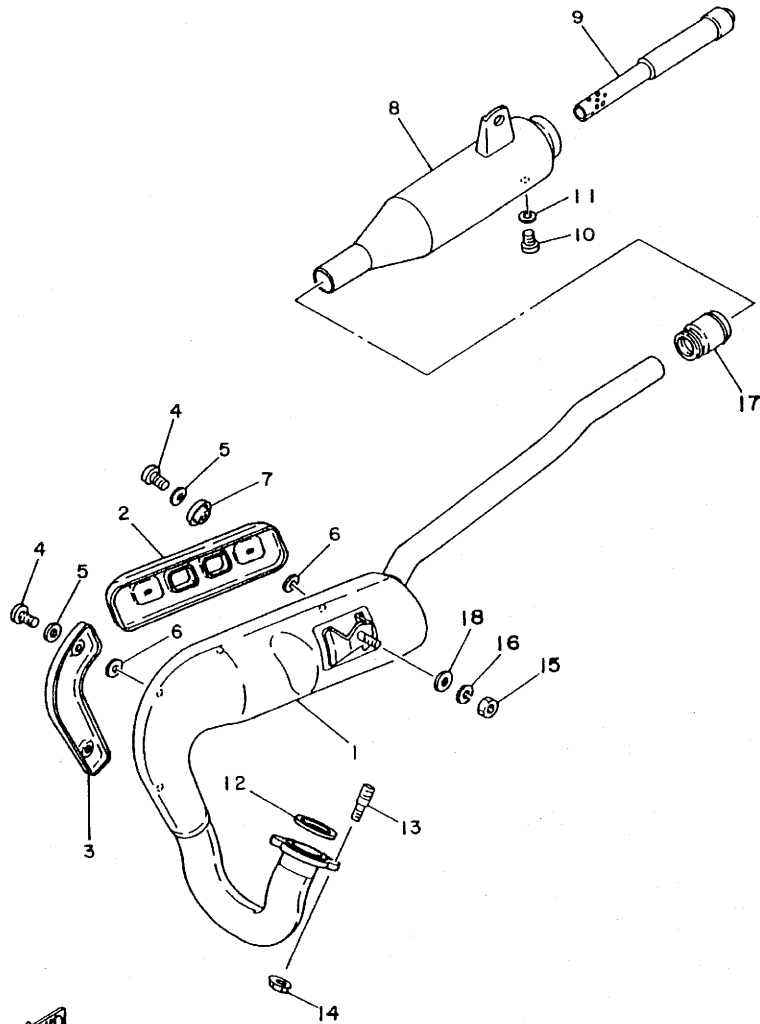


FIG. 5 CARBURETOR

REF. NO.	PART NO.	DESCRIPTION	QTY	REMARKS
1	3V6-14101-01	CARBURETOR ASSY 1	1	
2	304-14184-00	.GASKET, FLOAT CHAMBER	1	
3	260-14142-17	.JET, PILOT (#17.5)	1	
4	137-14143-28	.JET, MAIN (#140)	1	STD
	137-14143-26-A0	.JET, MAIN (#130)	1	UR
	137-14143-30	.JET, MAIN (#150)	1	UR
5	214-14147-00	.O-RING	1	
6	353-14190-15	.NEEDLE VALVE ASSY	1	
7	127-14186-00	.PIN, FLOAT	1	
8	127-14195-00	.WASHER, NEEDLE VALVE	1	
9	18L-1490J-00	.NEEDLE SET	1	
10	2F5-14141-36	.NOZZLE, MAIN	1	
11	2N4-14145-00	.HOLDER	1	
12	500-14115-00	.PLUG, SCREW	1	
13	558-14147-00	.O-RING	1	
14	4NR-14185-00	.FLOAT	1	
15	23L-14103-00	.THROTTLE SCREW SET	1	
16	4U5-14171-00	.PLUNGER, STARTER	1	
17	307-14169-01	.CAP	1	
18	12G-14106-00	.CABLE ADJUST SCREW SET	1	
19	193-14126-00	.GASKET	1	
20	10W-14104-00	.AIR SCREW SET	1	
21	304-14112-20	.VALVE, THROTTLE 1	1	
22	193-14158-00	.TOP, MIXING CHAMBER	1	
23	276-14131-00	.SPRING, THROTTLE VALVE	1	
24	183-14196-00	.PIPE	1	
25	98502-04016	.SCREW, PAN HEAD	4	

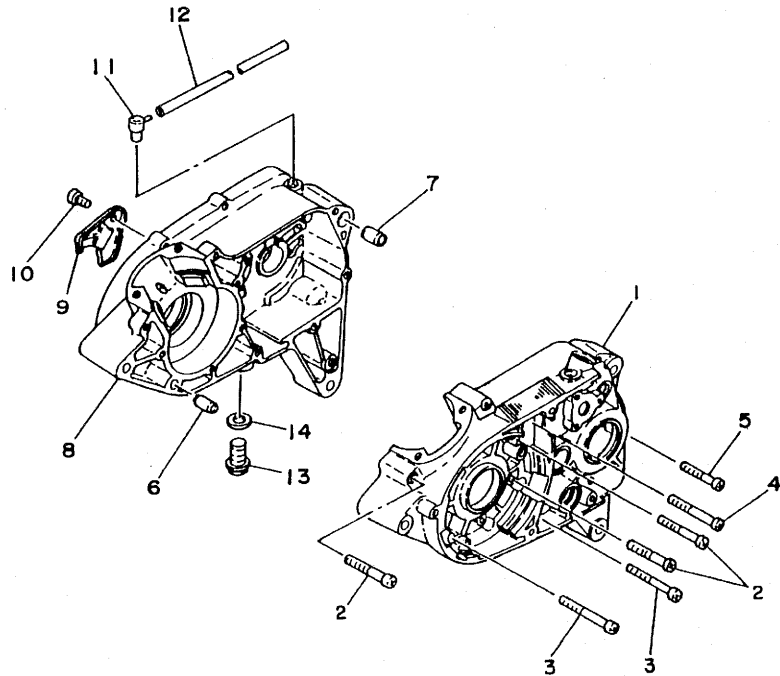
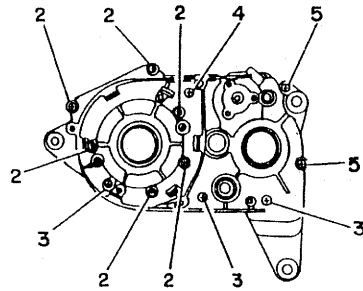


3HA9700-6060

FIG. 6 EXHAUST

REF. NO.	PART NO.	DESCRIPTION	QTY	REMARKS
1	3V6-14610-00	EXHAUST PIPE ASSY 1	1	
2	3V6-14718-00	PROTECTOR, MUFFLER 1	1	
3	3V6-14728-00	PROTECTOR, MUFFLER 2	1	
4	98907-06012	SCREW, BIND	4	
5	90202-05187	WASHER, PLATE	4	
6	90202-05188	WASHER, PLATE	4	
7	90209-06194	WASHER	2	
8	3V6-14753-00	SILENCER, EXHAUST	1	
9	3T2-14752-00	PIPE, OUTLET	1	
10	98507-05008	SCREW, PAN HEAD	1	
11	92907-05100	WASHER, SPRING	1	
12	3PA-14613-10	GASKET, EXHAUST PIPE	1	
13	90116-06320	BOLT, STUD	2	
14	95707-06500	NUT, FLANGE	2	
15	95307-08600	NUT	1	
16	92907-08100	WASHER, SPRING	1	
17	3M7-14615-00	JOINT, EXHAUST 1	1	
18	90201-08753	WASHER, PLATE	1	

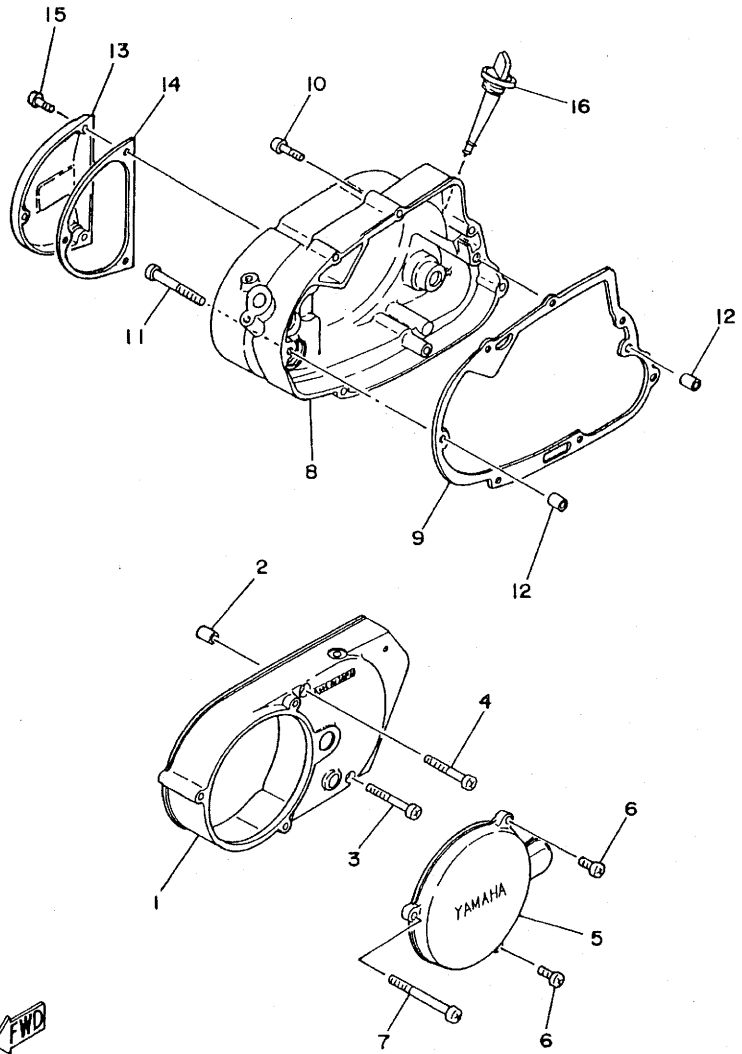
FIG. 7 CRANKCASE



3HA9700-6070

REF. NO.	PART NO.	DESCRIPTION	QTY	REMARKS
1	276-15111-01	CRANKCASE 1	1	
2	98507-06045	SCREW, PAN HEAD	6	
3	98507-06055	SCREW, PAN HEAD	3	
4	90157-06125	SCREW, PAN HEAD	1	
5	98507-06040	SCREW, PAN HEAD	2	
6	99530-12016	PIN, DOWEL	1	
7	99530-14016	PIN, DOWEL	1	
8	276-15121-04	CRANKCASE 2	1	
9	304-15128-00	HOLDER	1	
10	98507-08010	SCREW, PAN HEAD	1	
11	120-15371-00	BREATHER	1	
12	90446-07009	HOSE	1	
13	90340-12005	PLUG, STRAIGHT SCREW	1	
14	90430-12227	GASKET	1	

FIG. 8 CRANKCASE COVER 1

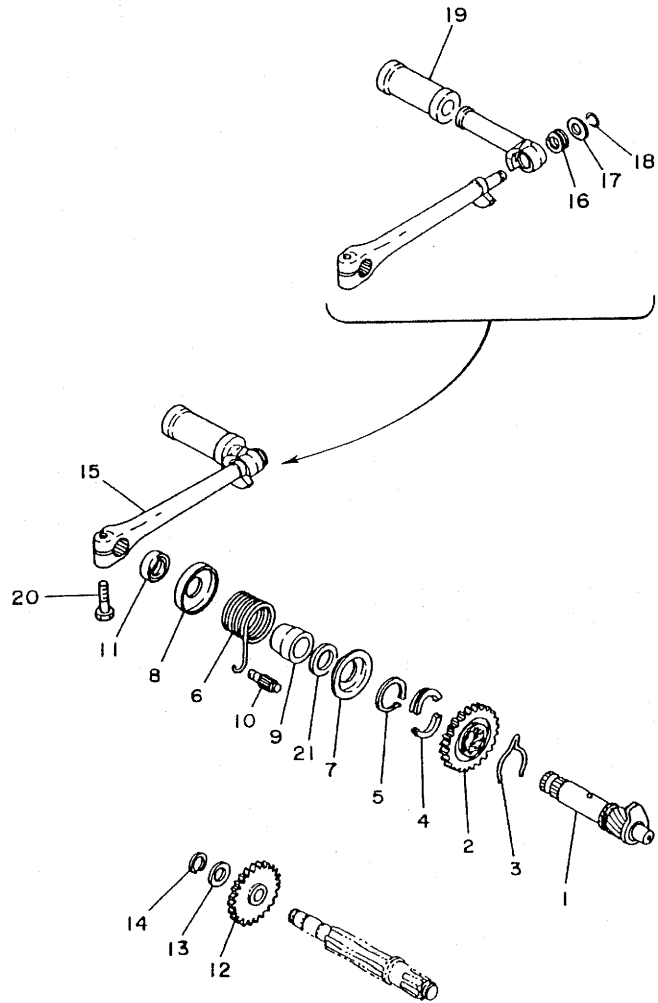


REF. NO.	PART NO.	DESCRIPTION	QTY	REMARKS
1	382-W1541-60	CRANKCASE COVER ASSY 1	1	
2	99530-10014	PIN, DOWEL	2	
3	98507-06050	SCREW, PAN HEAD	2	
4	98507-06045	SCREW, PAN HEAD	1	
5	276-15415-00	COVER, GENERATOR	1	
6	98507-06020	SCREW, PAN HEAD	2	
7	98507-06060	SCREW, PAN HEAD	1	
8	3V6-15421-02	COVER, CRANKCASE 2	1	
9	3GY-15451-00	GASKET, CRANKCASE COVER 1	1	
10	98507-06035	SCREW, PAN HEAD	6	
11	98507-06060	SCREW, PAN HEAD	1	
12	99530-10014	PIN, DOWEL	2	
13	314-15416-00-35	COVER, OIL PUMP	1	SL
14	3GY-15456-00	GASKET, OIL PUMP COVER 1	1	
15	98507-06020	SCREW, PAN HEAD	3	
16	315-15362-01	PLUG, OIL LEVEL	1	



3V6700-2090

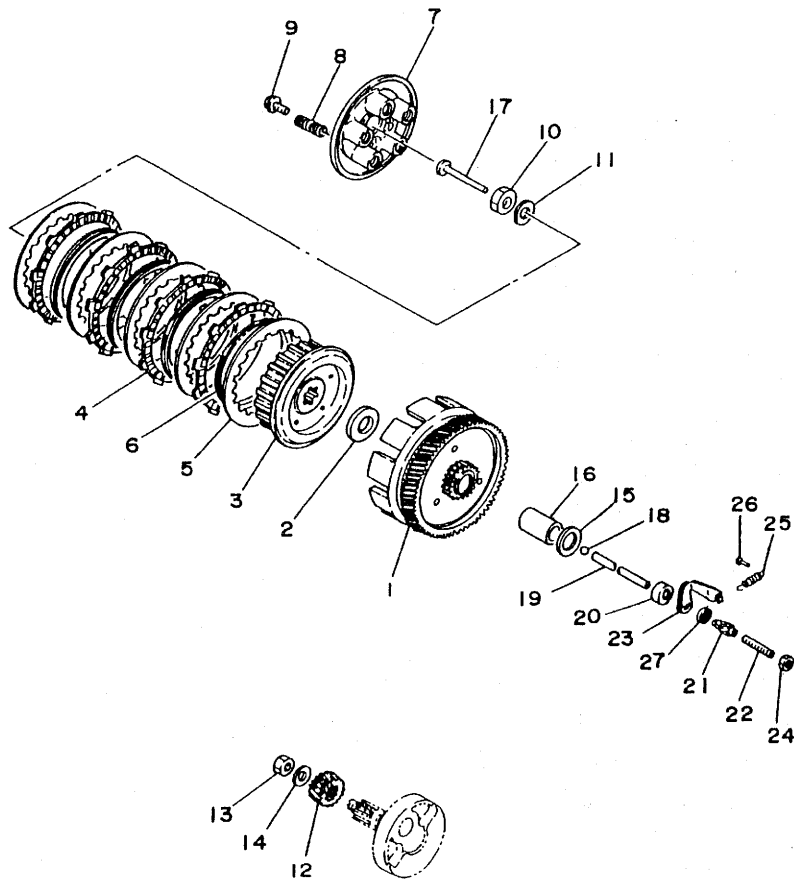
FIG. 9 STARTER



 3HA5700-2090

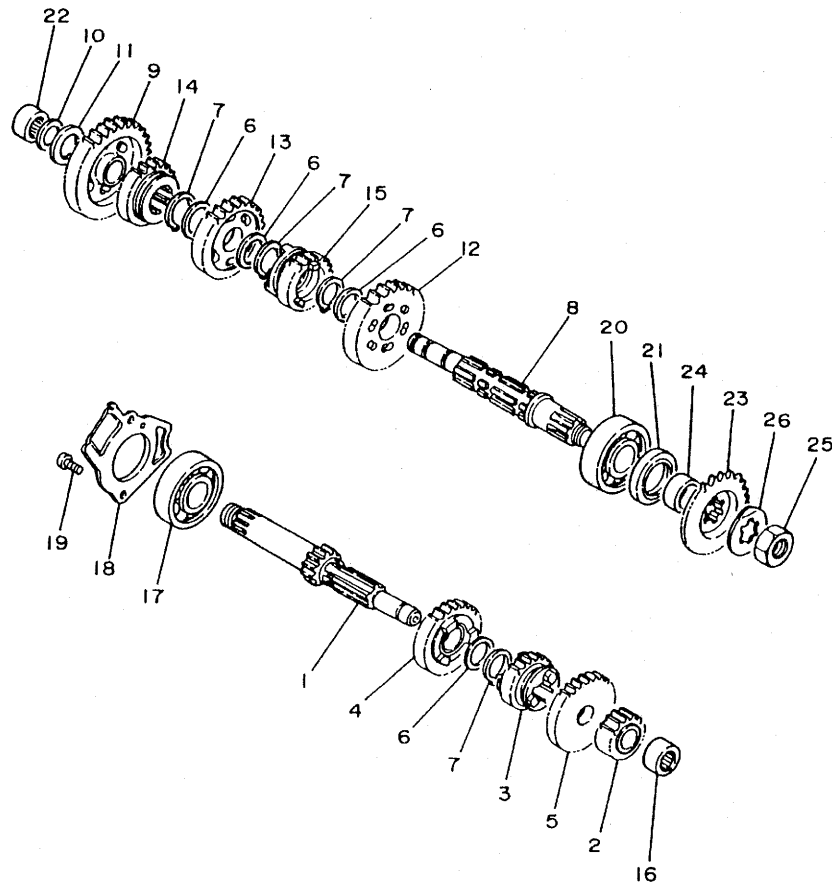
REF. NO.	PART NO.	DESCRIPTION	QTY	REMARKS
1	3V6-15660-02	KICK AXLE ASSY	1	
2	305-15641-00	GEAR, KICK (26T)	1	
3	90468-26048	CLIP	1	
4	248-15654-00	HOLDER, KICK GEAR	2	
5	99009-30400	CIRCLIP	1	
6	90508-26441	SPRING, TORSION	1	
7	3V6-15664-00	GUIDE, SPRING	1	
8	3V6-15676-00	COVER, SPRING	1	
9	3V6-15666-01	SPACER	1	
10	248-15668-00	STOPPER	1	
11	93104-20017	OIL SEAL	1	
12	403-15651-00	GEAR, KICK IDLE (26T)	1	
13	90201-13200	WASHER, PLATE	1	
14	99009-13400	CIRCLIP	1	
15	3V6-15620-00	KICK CRANK ASSY	1	
16	90504-18009	SPRING, COMPRESSION	1	
17	214-15616-00	WASHER, KICK LEVER	1	
18	93440-11029	CIRCLIP	1	
19	214-15618-00	COVER, KICK LEVER	1	
20	97027-08030	BOLT	1	
21	90201-206E5	WASHER, PLATE (0.9T)	1	

FIG. 10 CLUTCH




3HA9700-6100

REF. NO.	PART NO.	DESCRIPTION	QHS1				REMARKS
1	3V6-16150-00	PRIMARY DRIVEN GEAR COMP.	1				
2	276-16154-00	PLATE, THRUST 1	1				
3	1E7-16371-00	BOSS, CLUTCH	1				
4	3HA-16321-00	PLATE, FRICTION	4				
5	137-16324-00	PLATE, CLUTCH 1	5				
6	137-16367-00	RING, CUSHION	4				
7	132-16351-00	PLATE, PRESSURE 1	1				
8	90501-20124	SPRING, COMPRESSION	5				
9	90119-05001	BOLT, WITH WASHER	5				
10	90170-12060	NUT	1				
11	90208-12015	WASHER, CONICAL SPRING	1				
12	382-16111-62	GEAR, PRIMARY DRIVE (17T)	1				
13	90170-12060	NUT	1				
14	90208-12015	WASHER, CONICAL SPRING	1				
15	122-16164-00	PLATE, THRUST 2	1				
16	90560-17124	SPACER	1				
17	137-16356-00	ROD, PUSH 1	1				
18	93501-04011	BALL	1				
19	276-16357-00	ROD, PUSH 2	1				
20	93109-06060	OIL SEAL	1				
21	241-16341-01	SCREW, PUSH	1				
22	90113-06013	BOLT, SET	1				
23	382-16342-61	LEVER, PUSH	1				
24	95307-06700	NUT	1				
25	90506-10019	SPRING, TENSION	1				
26	132-16346-00	HOOK, SPRING	1				
27	93104-11028	OIL SEAL	1				

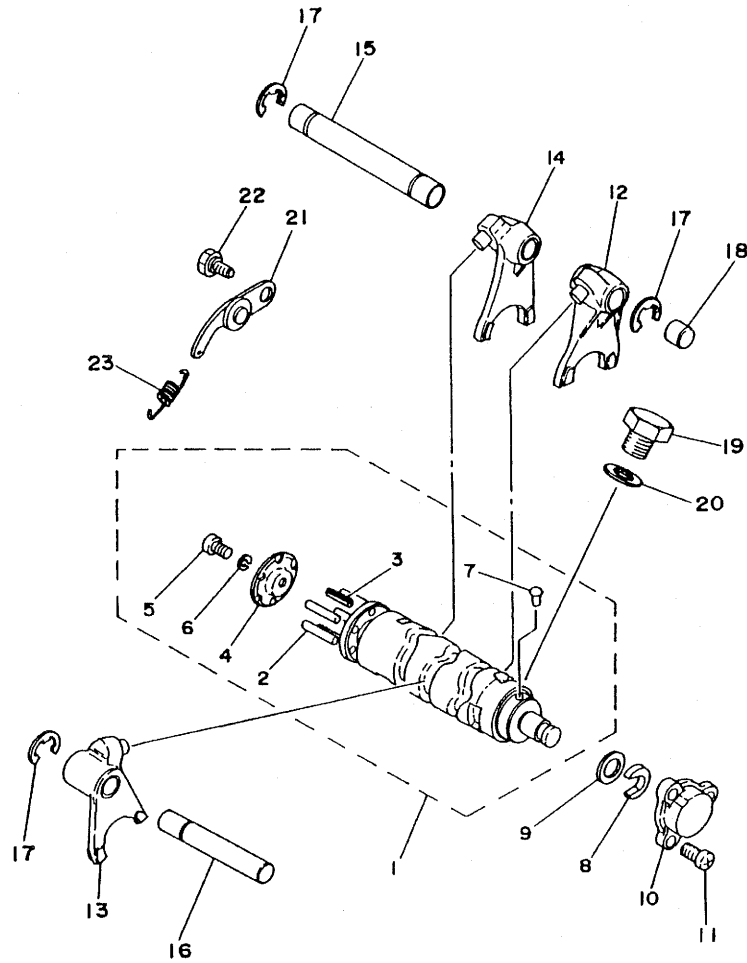


3HA9700-6110

FIG. 11 TRANSMISSION

REF. NO.	PART NO.	DESCRIPTION	SHS1				REMARKS
1	437-17411-01	AXLE, MAIN (11T)	1				
2	427-17121-01	GEAR, 2ND PINION (16T)	1				
3	3V6-17131-00	GEAR, 3RD PINION (20T)	1				
4	482-17141-00	GEAR, 4TH PINION (24T)	1				
5	482-17151-00	GEAR, 5TH PINION (27T)	1				
6	90201-20266	WASHER, PLATE (1.0T)	4				
7	93410-20038	CIRCLIP	4				
8	315-17421-01	AXLE, DRIVE	1				
9	248-17211-00	GEAR, 1ST WHEEL (35T)	1				
10	93440-15012	CIRCLIP	1				
11	164-17427-00	SHIM 1	1				
12	427-17221-00	GEAR, 2ND WHEEL (30T)	1				
13	3V6-17231-00	GEAR, 3RD WHEEL (25T)	1				
14	382-17241-60	GEAR, 4TH WHEEL (21T)	1				
15	482-17251-00	GEAR, 5TH WHEEL (18T)	1				
16	93315-31502	BEARING	1				
17	93306-30304	BEARING (B6303Z)	1				
18	403-17471-00	PLATE, COVER	1				
19	98507-06012	SCREW, PAN HEAD	2				
20	93306-30401	BEARING (B6304)	1				
21	93102-26042	OIL SEAL	1				
22	93311-31515	BEARING	1				
23	93822-14039	SPROCKET, DRIVE 14T(3821746141)	1				
24	90387-20491	COLLAR	1				
25	90179-16018	NUT	1				
26	382-17464-60	WASHER, LOCK	1				

FIG. 12 SHIFT CAM. FORK




3HA9700-6120

REF. NO.	PART NO.	DESCRIPTION	QTY	REMARKS
1	3V6-18540-00	SHIFT CAM ASSY	1	
2	93604-22050	.PIN, DOWEL	5	
3	91609-40016	.PIN, SPRING	1	
4	382-18561-60	.PLATE, SIDE 1	1	
5	98507-05012	.SCREW, PAN HEAD	1	
6	92907-05100	.WASHER, SPRING	1	
7	136-18542-00	.POINT, NEUTRAL	1	
8	164-18571-01	HOLDER, SHIFT CAM	1	
9	90201-12166	WASHER, PLATE	1	
10	164-18589-00	PLUG, BLIND	1	
11	98507-06010	SCREW, PAN HEAD	3	
12	463-18511-00	FORK, SHIFT 1	1	
13	463-18512-00	FORK, SHIFT 2	1	
14	463-18513-00	FORK, SHIFT 3	1	
15	214-18531-00	BAR, SHIFT FORK GUIDE 1	1	
16	248-18531-00	BAR, SHIFT FORK GUIDE 1	1	
17	99001-10600	CIRCLIP	3	
18	214-15385-00	PLUG, BLIND	1	
19	90101-14259	BOLT	1	
20	4EG-15353-00	GASKET, DRAIN	1	
21	4M3-18140-00	STOPPER LEVER ASSY	1	
22	90109-063F6	BOLT	1	
23	90506-09112	SPRING, TENSION	1	

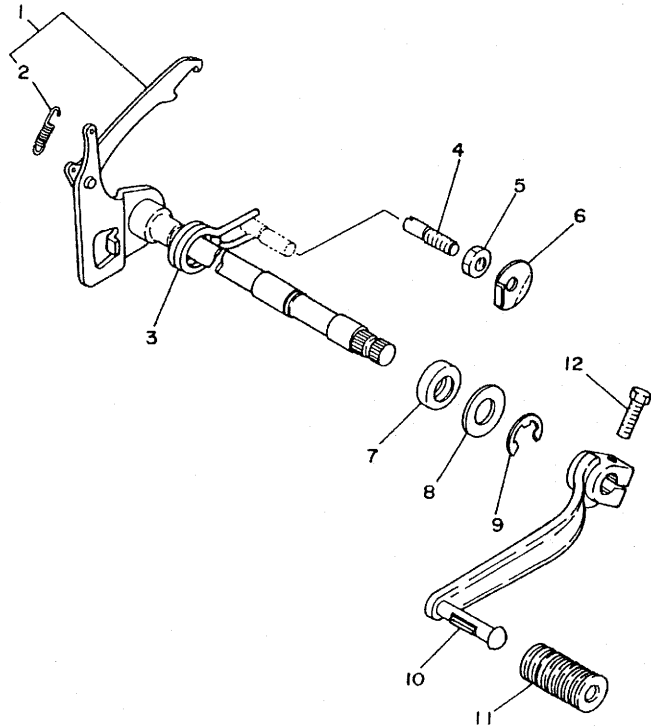


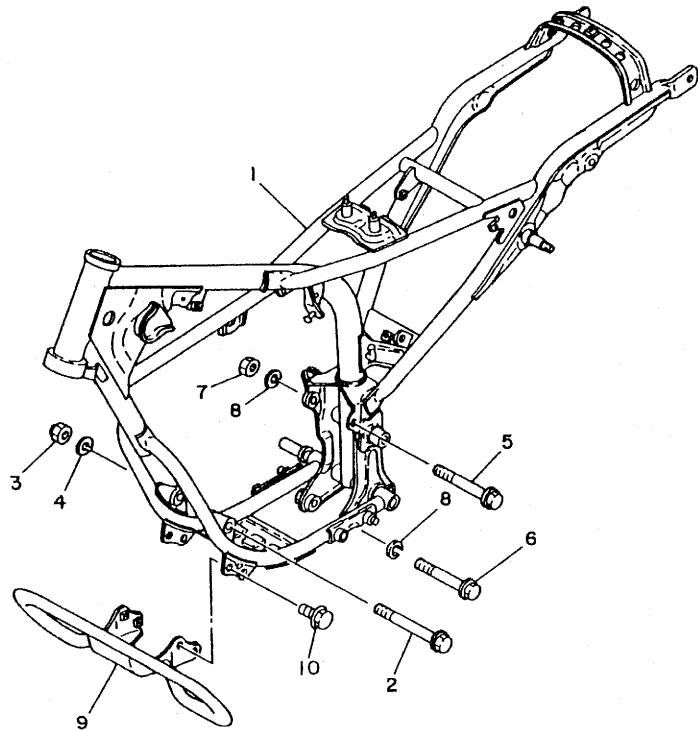
FIG. 13 SHIFT SHAFT

REF. NO.	PART NO.	DESCRIPTION	QTY	REMARKS
1	3V6-18101-03	SHIFT SHAFT ASSY	1	
2	90506-09009	.SPRING, TENSION	1	
3	90508-32437	SPRING, TORSION	1	
4	90149-08094	SCREW	1	
5	90170-08029	NUT	1	
6	90215-08014	WASHER, LOCK	1	
7	93109-14005	OIL SEAL	1	
8	90201-14586	WASHER, PLATE	1	
9	99001-12600	CIRCLIP	1	
10	367-18111-00	PEDAL, SHIFT	1	
11	132-18113-01	COVER, SHIFT PEDAL	1	
12	97027-06020	BOLT	1	



3V6700-2140

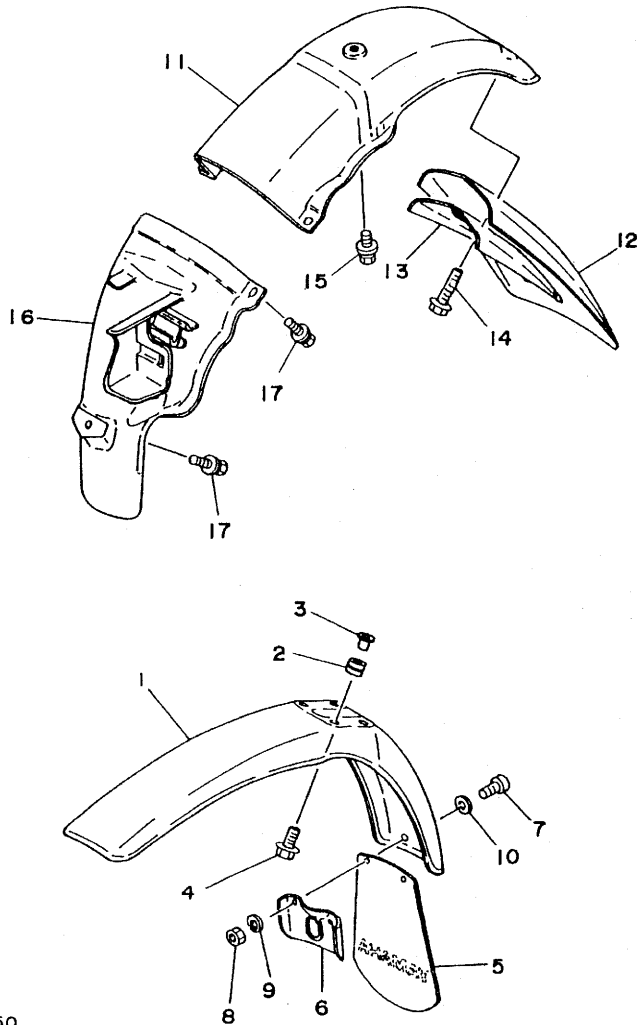
FIG. 14 FRAME



REF. NO.	PART NO.	DESCRIPTION	SHS1				REMARKS
1	3V6-21110-11-33	FRAME COMP.	1				YB
2	95827-08120	BOLT, FLANGE	1				
3	90185-08054	NUT, SELF-LOCKING	1				
4	92907-08100	WASHER, SPRING	1				
5	95827-10105	BOLT, FLANGE	1				
6	95827-10090	BOLT, FLANGE	1				
7	90185-10091	NUT, SELF-LOCKING	1				
8	92907-10100	WASHER, SPRING	2				
9	3V6-21473-01	PROTECTOR, PEDAL	1				
10	95807-08016	BOLT, FLANGE	4				



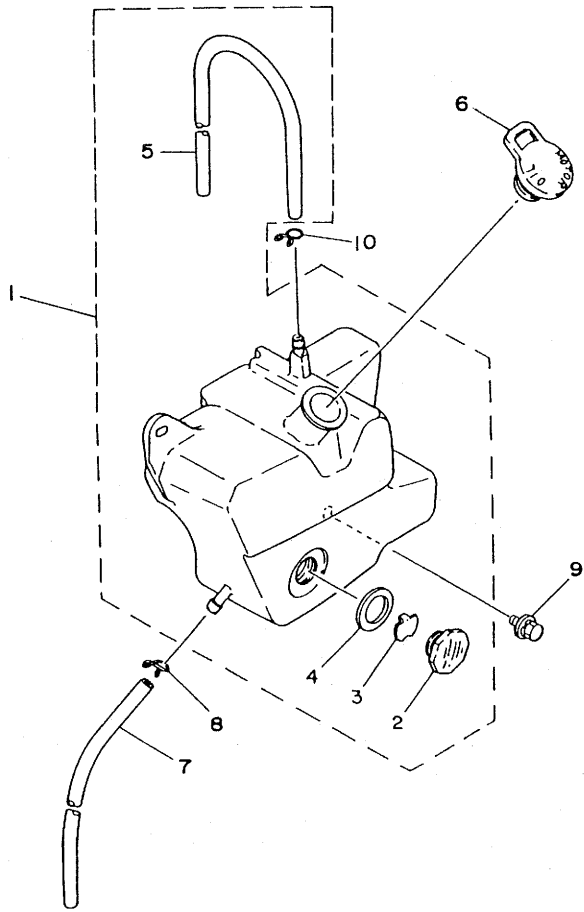
3HA9700-6140



FWD
3HA9700-6150

FIG. 15 FENDER

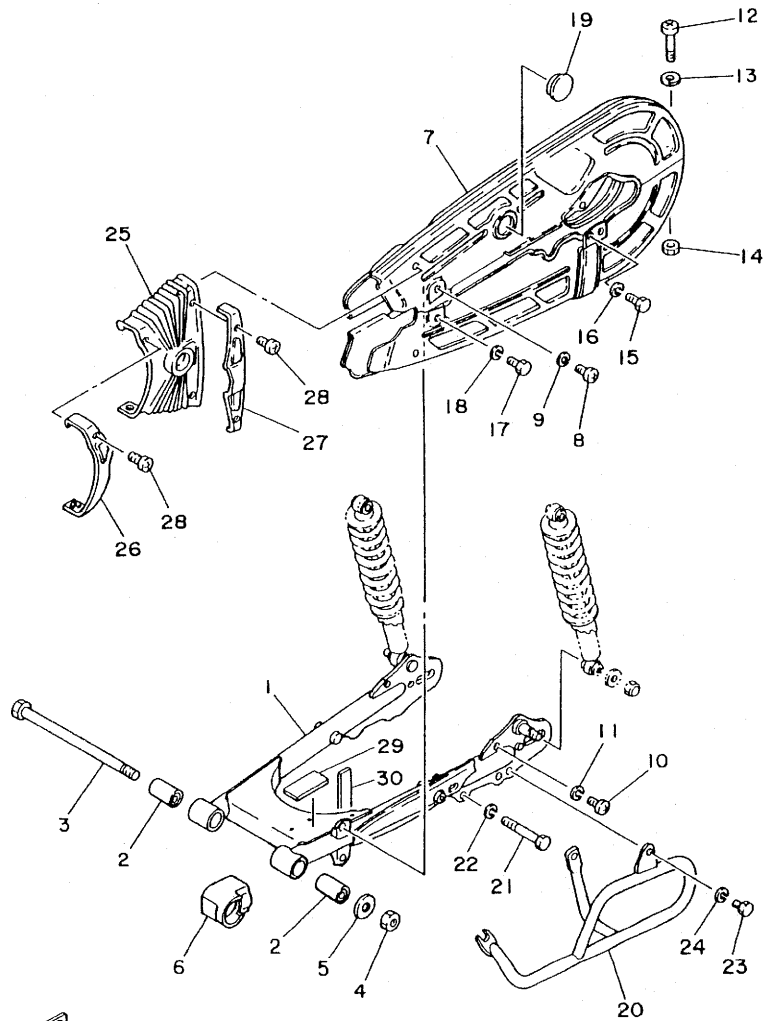
REF. NO.	PART NO.	DESCRIPTION	QTY				REMARKS
1	3V6-21511-30	FENDER, FRONT	1				HTR
2	90480-14198	GROMMET	4				
3	90387-063E6	COLLAR	4				
4	90119-06097	BOLT, WITH WASHER	4				
5	482-21521-00	FLAP, FRONT FENDER	1				
6	482-21522-00	BAND, FLAP	1				
7	98507-06018	SCREW, PAN HEAD	2				
8	95307-06600	NUT	2				
9	92907-06100	WASHER, SPRING	2				
10	90201-06380	WASHER, PLATE	2				
11	3V6-21611-30	FENDER, REAR	1				HTR
12	4M3-21621-00	FLAP	1				
13	482-21622-01	BAND, FLAP	1				
14	90119-06097	BOLT, WITH WASHER	2				
15	90119-06056	BOLT, WITH WASHER	1				
16	3V6-21629-01	GUARD, MUD	1				
17	90119-06063	BOLT, WITH WASHER	3				



3HA9700-6170

FIG. 17 OIL TANK

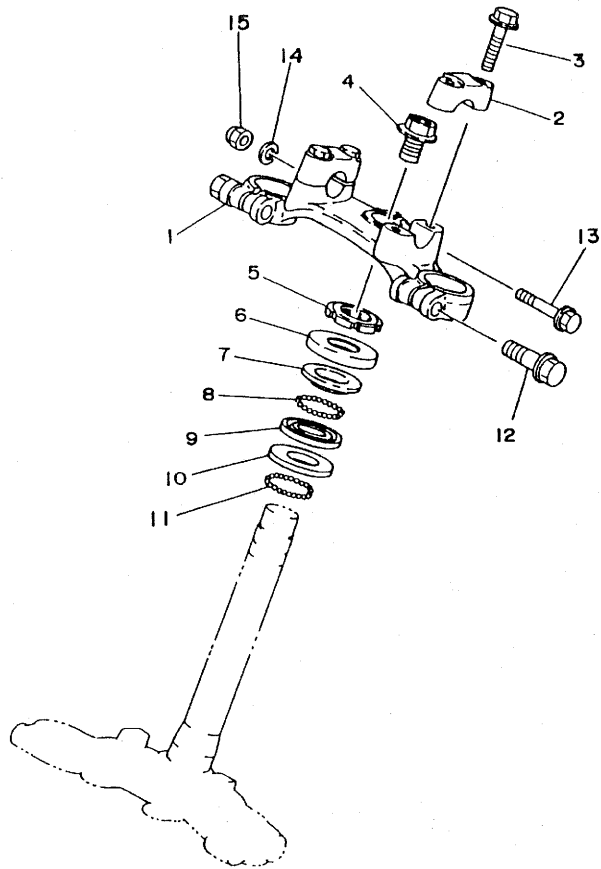
REF. NO.	PART NO.	DESCRIPTION	SHS1				REMARKS
1	3V6-21750-00	OIL TANK ASSY	1				
2	1Y1-21764-00	.LENS, LEVEL GAUGE	1				
3	1Y1-2176A-00	.REFLECTOR, LEVEL GAUGE	1				
4	1Y1-21763-00	.GASKET, LEVEL GAUGE	1				
5	3V6-21745-01	.PIPE, OIL TANK BREATHER	1				
6	1T9-21771-00	BODY, CAP	1				
7	90445-083J4	HOSE	1				
8	90467-08075	CLIP	1				
9	90119-06056	BOLT, WITH WASHER	2				
10	90467-08003	CLIP	1				



3HA4700-1180

FIG. 18 REAR ARM

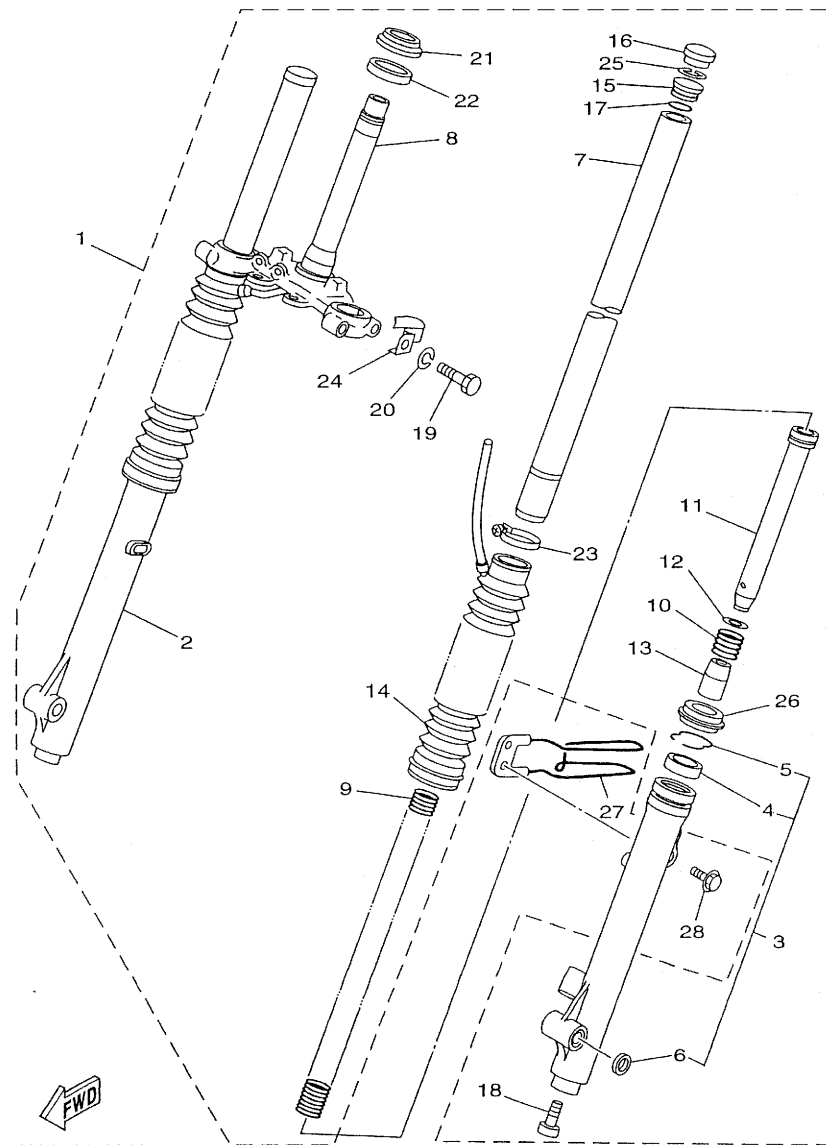
REF. NO.	PART NO.	DESCRIPTION	QTY	REMARKS
1	3V6-22110-01-33	REAR ARM COMP.	1	YB
2	276-22123-00	BUSH 1	2	
3	276-22141-01	SHAFT, PIVOT	1	
4	95607-12100	NUT, U	1	
5	90201-123A7	WASHER, PLATE	1	
6	3V6-22151-00	SEAL, GUARD	1	
7	3V6-22310-02-35	CHAIN CASE ASSY	1	SL
8	98507-06012	SCREW, PAN HEAD	1	
9	92907-06600	WASHER, PLATE	1	
10	98507-06014	SCREW, PAN HEAD	1	
11	92907-06600	WASHER, PLATE	1	
12	98507-06045	SCREW, PAN HEAD	1	
13	92907-06600	WASHER, PLATE	1	
14	95607-06200	NUT, SELF U-FLANGE	1	
15	97007-08020	BOLT	1	
16	92907-08600	WASHER, PLATE	1	
17	97007-08016	BOLT	1	
18	92907-08600	WASHER, PLATE	1	
19	148-22315-00	CAP	1	
20	3V6-22318-01	GUARD, CHAIN	1	
21	90101-08439	BOLT	1	
22	92907-08100	WASHER, SPRING	1	
23	97007-08016	BOLT	1	
24	92907-08600	WASHER, PLATE	1	
25	3V6-22325-00	COVER, DUST	1	
26	3V6-22324-00	STAY, DUST COVER	1	
27	382-22322-00	STAY, CHAIN CASE 2	1	



3HA9700-6200

FIG. 20 STEERING

REF. NO.	PART NO.	DESCRIPTION	QTY	REMARKS
1	3V6-23435-00-33	CROWN, HANDLE	1	YB
2	1E6-23441-10-33	HOLDER, HANDLE UPPER	2	YB
3	95827-08035	BOLT, FLANGE	4	
4	90105-14060	BOLT, WASHER BASED	1	
5	90179-25033	NUT	1	
6	122-23416-00	COVER, BALL RACE 2	1	
7	22F-23411-01	RACE, BALL 1	1	
8	93503-16003	BALL	22	
9	22F-23412-01	RACE, BALL 2	1	
10	156-23412-00	RACE, BALL 2	1	
11	93501-04011	BALL	19	
12	95807-10035	BOLT, FLANGE	2	
13	95027-08045	BOLT, FLANGE	1	
14	92907-08100	WASHER, SPRING	1	
15	95307-08800	NUT	1	

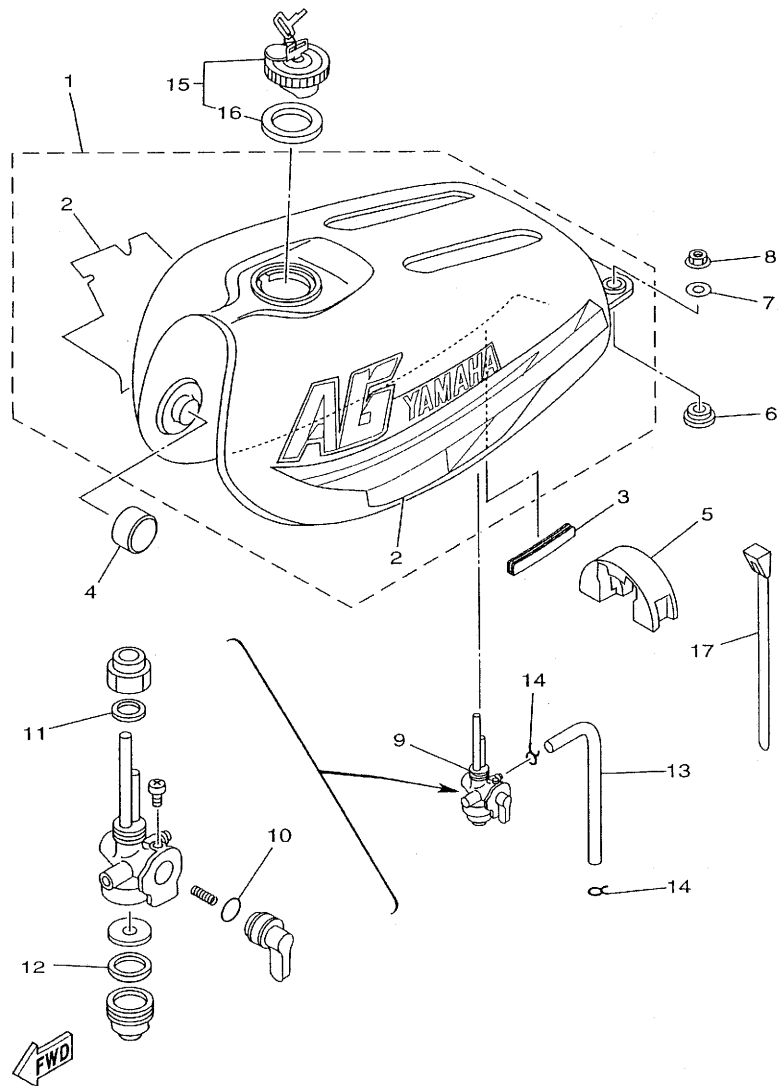


3HA9700-6210

FIG. 21 FRONT FORK

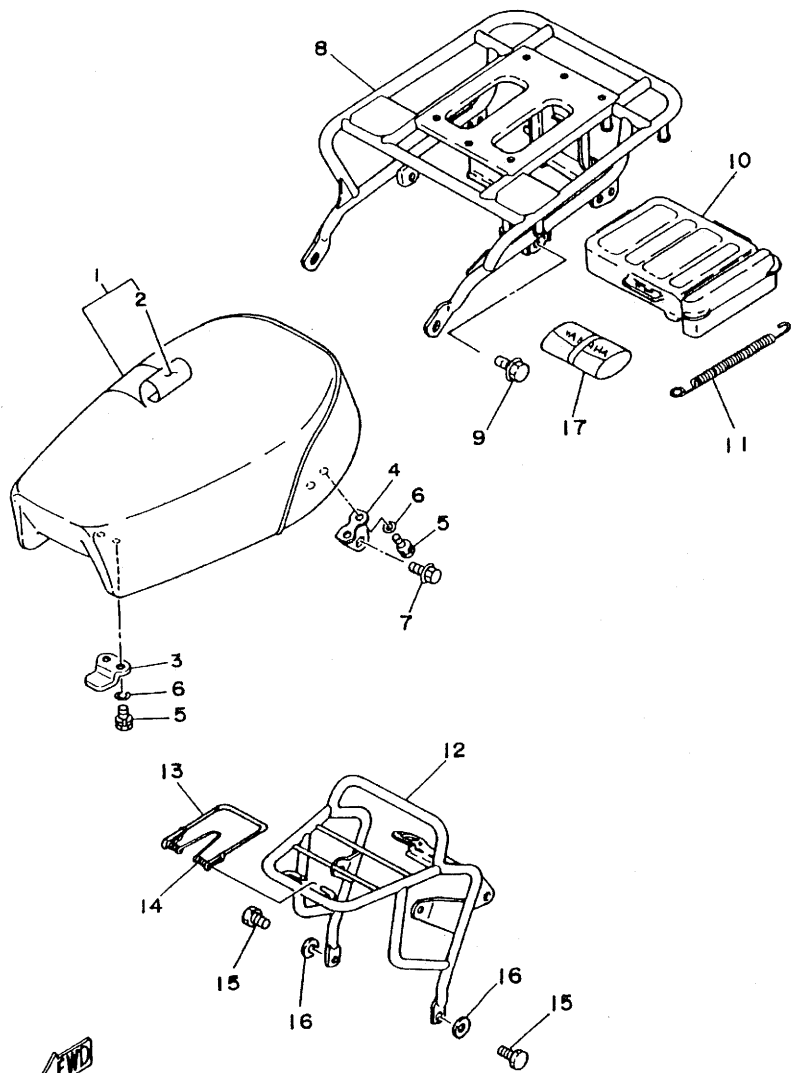
REF. NO.	PART NO.	DESCRIPTION	QTY	REMARKS
1	3V6-23100-02-35	FRONT FORK ASSY	1	SL
2	3V6-23140-01-35	.FORK UNIT ASSY 2	1	SL
3	3V6-23130-01-35	.FORK UNIT ASSY	1	SL
4	3R1-23145-00	..OIL SEAL	2	
5	1E7-23156-00	..CLIP, OIL SEAL	2	
6	462-23392-00	..WASHER, SPECIAL	2	
7	3V6-23110-00	.INNER TUBE COMP.1	2	
8	3V6-23340-00	.UNDER BRACKET COMP.	1	
9	3V6-23351-01	.SPRING	2	
10	2X6-23151-00	.SPRING, REBOUND	2	
11	3V6-23143-00	.SEAT, SPRING LOWER	2	
12	1E7-23157-00	.RING, PISTON	2	
13	1L9-23166-00	.TAPER, SPINDLE	2	
14	3V6-23191-00	.BOOT	2	BLACK
15	1L9-23111-00	.SEAT, SPRING	2	
16	3V2-23154-00	.PLUG, INNER TUBE	2	
17	1L9-23114-00	.GASKET	2	
18	3M7-23181-00	.BOLT, HEXAGON SOCKET HEAD	2	WITH WASHER
19	451-23346-01	.BOLT 1	2	
20	92901-10100	.WASHER, SPRING	2	
21	156-23411-00	.RACE, BALL 1	1	
22	164-23462-00	.SEAL, STEERING	1	
23	3AJ-23192-00	.BAND	2	
24	3V6-23317-00	.HOLDER, CABLE	1	
25	1L9-23183-00	.RING, STOPPER	2	
26	3V6-23144-00	.SEAL, DUST	2	
27	3V6-23318-00	HOLDER, CABLE 1	1	

FIG. 22 FUEL TANK



5HS1645-9220

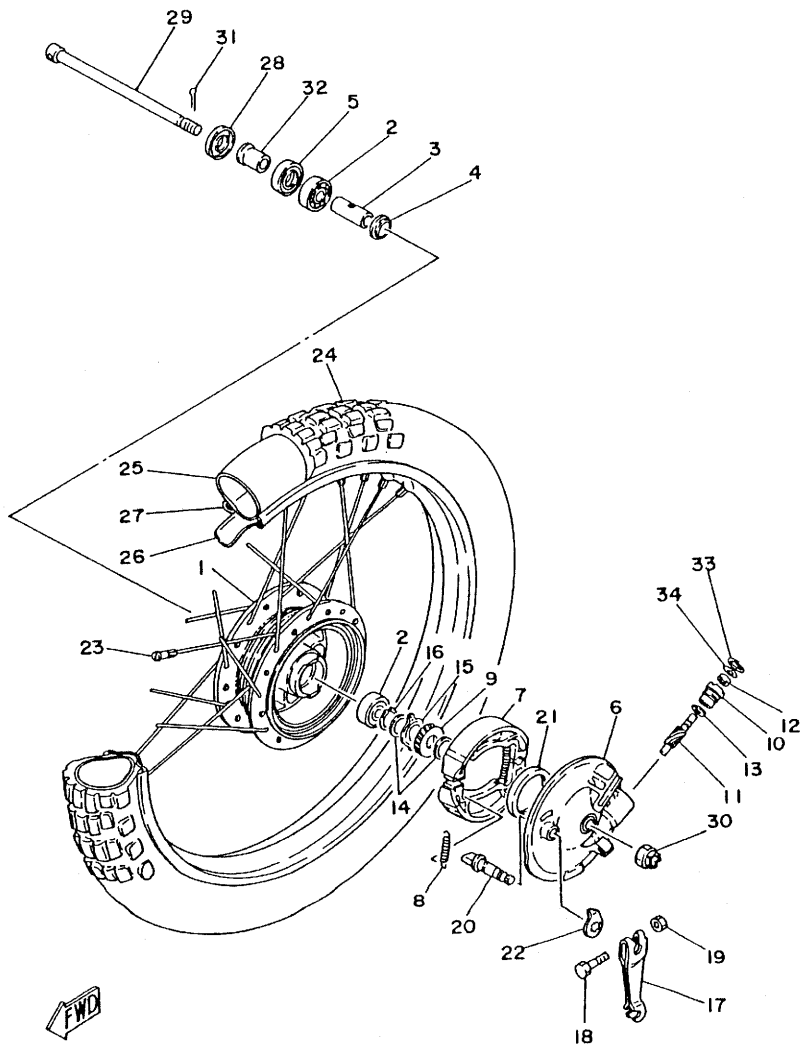
REF. NO.	PART NO.	DESCRIPTION	5HS1	REMARKS
1	3V6-24110-00-X3	FUEL TANK COMP.	1	HTR
2	3HA-24240-20	.GRAPHIC SET	1	FOR HTR
3	3HA-24141-00	PROTECTOR, FUEL TANK	1	
4	3TB-24181-00	DAMPER, LOCATING 1	2	
5	353-24182-00	DAMPER, LOCATING 2	1	
6	1A8-24181-00	DAMPER, LOCATING 1	2	
7	90201-06071	WASHER, PLATE	2	
8	95707-06500	NUT, FLANGE	2	
9	357-24500-11	FUEL COCK ASSY 1	1	
10	2N3-24528-00	.O-RING	1	
11	357-24532-10	.GASKET	1	
12	4X8-24565-00	.GASKET	1	
13	90445-09082	HOSE	1	
14	90467-08003	CLIP	2	
15	127-24650-02	CAP ASSY	1	
16	122-24612-01	.GASKET, CAP	1	
17	90465-13275	CLAMP	1	



FWD
3HA9700-6230

FIG. 23 SEAT

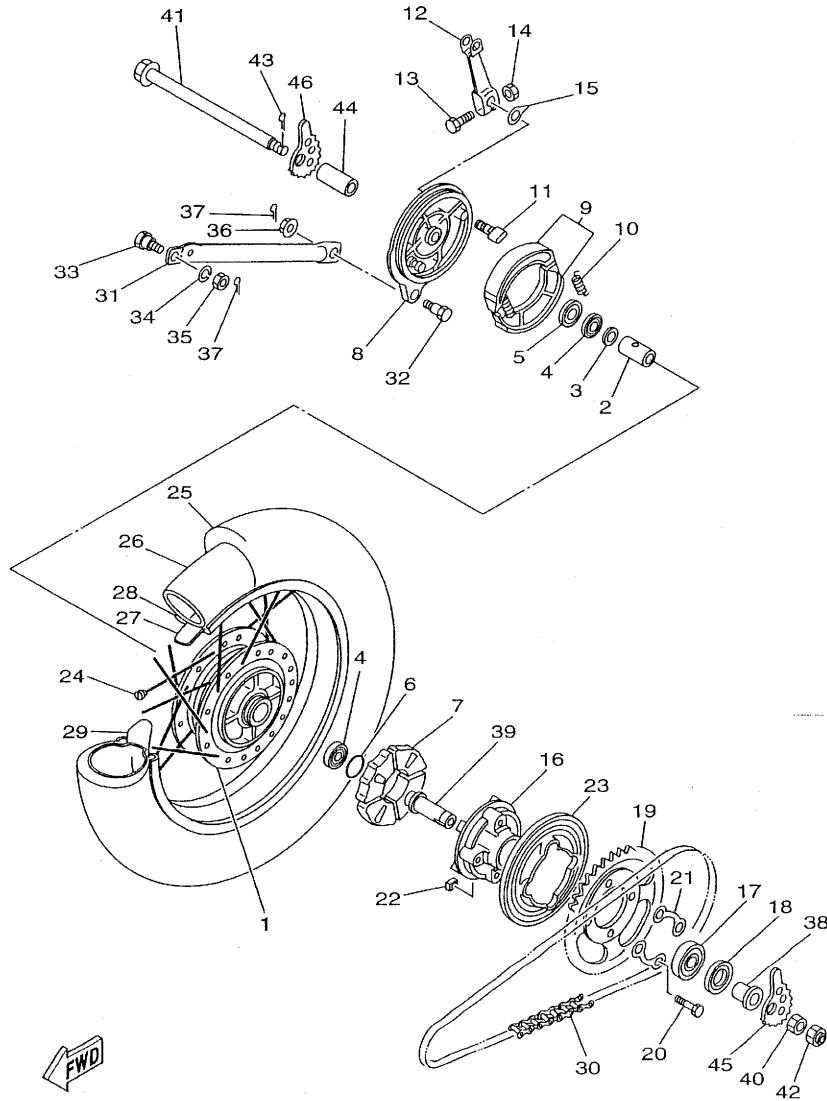
REF. NO.	PART NO.	DESCRIPTION	QTY	REMARKS
1	3V6-24710-01	SINGLE SEAT ASSY	1	YB
2	3V6-24711-00	.COVER, SINGLE SEAT	1	YB
3	3V6-24748-00	BRACKET, SEAT	1	
4	2A6-24738-00	BRACKET, SEAT	2	
5	97007-06016	BOLT	6	
6	92907-06100	WASHER, SPRING	6	
7	95817-08020	BOLT, FLANGE	2	
8	3V6-24810-01	CARRIER ASSY	1	
9	95817-08020	BOLT, FLANGE	2	
10	3V6-21107-01	TOOL BOX COMP.	1	
11	3V6-24758-01	SPRING	1	
12	3V6-24860-01-98	FRONT CARRIER ASSY	1	LGB
13	3V6-24862-00	CLAMP, CARRIER	1	
14	296-24861-00	SPRING, FRONT CARRIER	1	
15	97007-08016	BOLT	2	
16	92907-08600	WASHER, PLATE	2	
17	3V6-28100-00	TOOL KIT	1	



3V6700-2250

FIG. 24 FRONT WHEEL

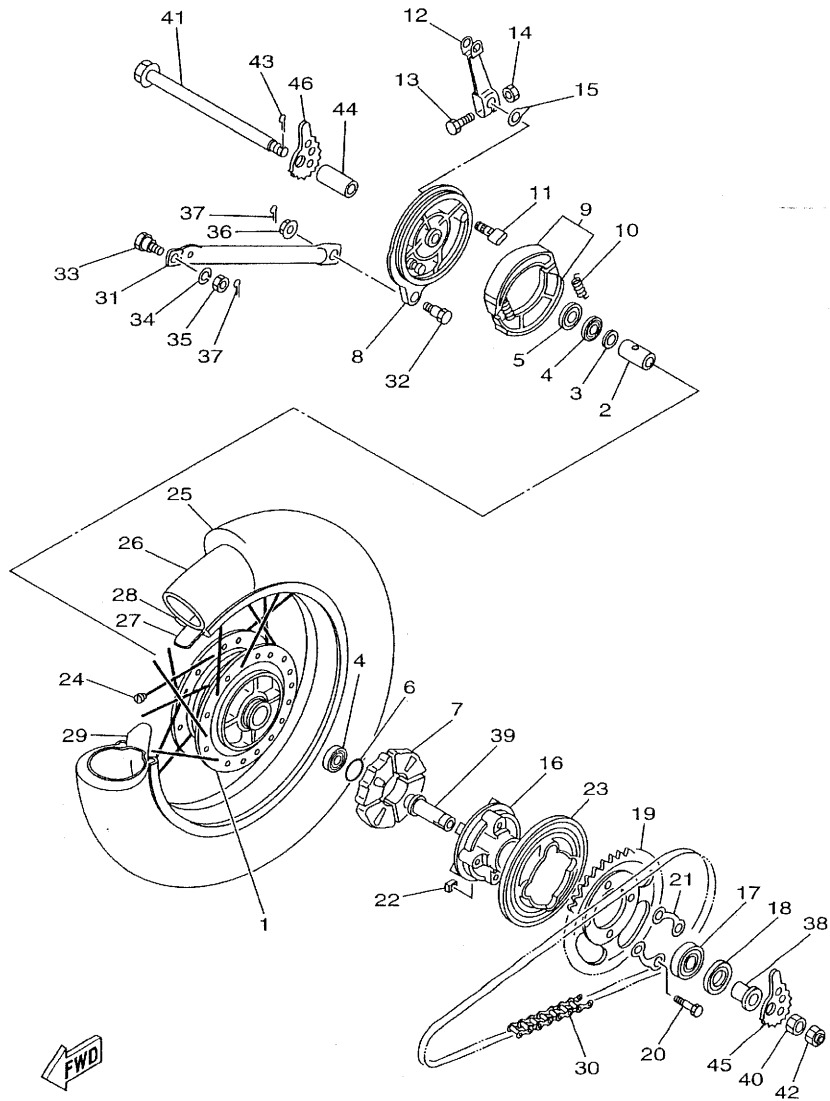
REF. NO.	PART NO.	DESCRIPTION	QTY		REMARKS
1	248-25111-00-35	HUB, FRONT	1		SL
2	93306-30103	BEARING (B6301Z)	2		
3	90560-12138	SPACER	1		
4	109-25315-00	FLANGE, SPACER	1		
5	93102-18008	OIL SEAL	1		
6	3V6-25121-00-35	PLATE, BRAKE SHOE	1		SL
7	4BE-W2536-00	BRAKE SHOE SET	1		
8	90506-15260	SPRING, TENSION	2		
9	301-25135-00	GEAR, DRIVE (26T)	1		
10	109-25136-00	BUSH	1		
11	301-25138-00	GEAR, METER (9T)	1		
12	93104-07003	OIL SEAL	1		
13	90201-07076	WASHER, PLATE	1		
14	90201-20269	WASHER, PLATE	2		
15	183-25149-00	CLUTCH, METER	1		
16	99009-20400	CIRCLIP	1		
17	558-25155-00	LEVER, CAMSHAFT 1	1		
18	90101-06278	BOLT	1		
19	95307-06600	NUT	1		
20	3Y6-25351-00	CAMSHAFT	1		
21	93102-47297	OIL SEAL	1		
22	3E1-2513A-10	PLATE, INDICATOR	1		
23	3V6-25104-00	SPOKE SET, FRONT	1		
24	94127-1912J	TIRE (2.75-19 43P TW15)	1		BRIDGESTONE
25	94227-19206	TUBE (2.75-19)	1		BRIDGESTONE
26	94335-19026	BAND, RIM (3.50-19)	1		BRIDGESTONE
27	94414-19056	RIM (1.40-19)	1		



3HA9700-6250

FIG. 25 REAR WHEEL

REF. NO.	PART NO.	DESCRIPTION	QTY	REMARKS
1	391-25311-00-35	HUB, REAR	1	SL
2	90560-15136	SPACER	1	
3	183-25315-00	FLANGE, SPACER	1	
4	93306-20227	BEARING	2	
5	93104-22018	OIL SEAL	1	
6	93210-42101	O-RING	1	
7	304-25364-01	DAMPER	4	
8	248-25321-00-35	PLATE, BRAKE SHOE	1	SL
9	3FA-W2536-00	BRAKE SHOE SET	1	
10	90506-15260	SPRING, TENSION	2	
11	248-25351-10	CAMSHAFT	1	
12	1E7-25355-00	LEVER, CAMSHAFT	1	
13	90101-06278	BOLT	1	
14	95307-06600	NUT	1	
15	5T9-2533A-00	PLATE, INDICATOR	1	
16	183-25366-10-35	CLUTCH, HUB	1	SL
17	93306-00406	BEARING (B6004Z)	1	NTN
18	93106-26005	OIL SEAL	1	
19	3V6-25451-11	SPROCKET, DRIVEN (51T)	1	
20	90109-08361	BOLT	4	
21	482-25412-00	WASHER	2	
22	90179-08168	NUT	4	
23	3V6-25327-01	COVER, PLATE	1	
24	3V6-25304-00	SPOKE SET, REAR	1	
25	94141-18780	TIRE(4.10-18 59P TW12)	1	BRIDGESTONE
26	94241-18153	TUBE (4.10-18)	1	BRIDGESTONE
27	94330-18087	BAND, RIM (3.00-18)	1	BRIDGESTONE

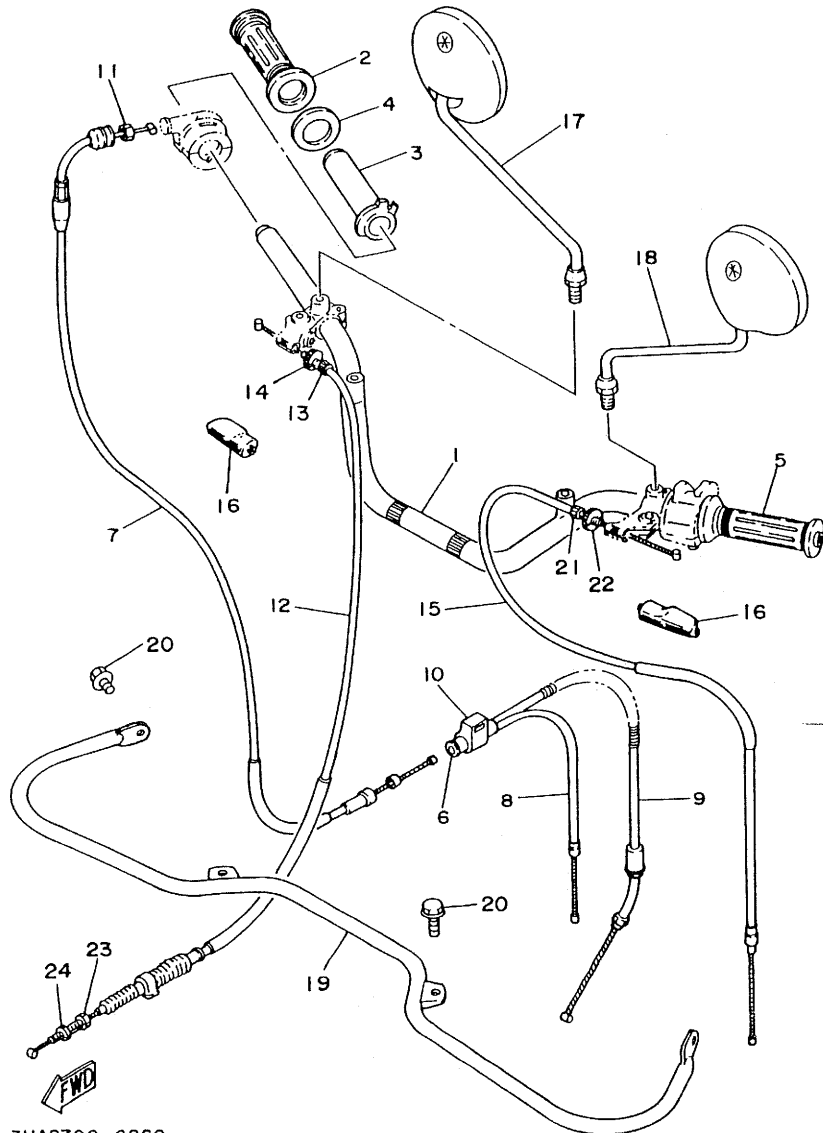


3HA9700-6250

FIG. 25 REAR WHEEL

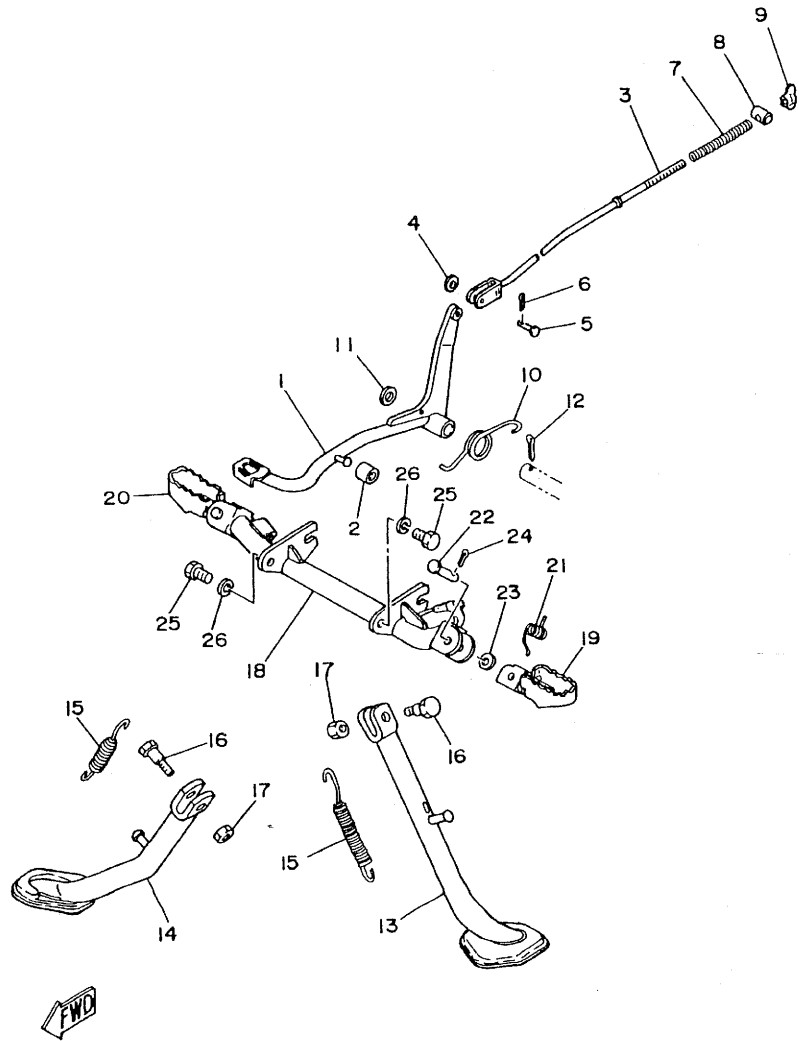
REF. NO.	PART NO.	DESCRIPTION	QTY	REMARKS
28	94418-18246	RIM (1.85-18)	1	
29	1T2-25394-00	SPACER, BEAD	1	
30	94581-54116	CHAIN(DID428V2-116LE)	1	
31	3V6-25371-00	BAR, TENSION	1	
32	90109-08063	BOLT	1	
33	90109-08368	BOLT	1	
34	92907-08600	WASHER, PLATE	1	
35	95307-08700	NUT	1	
36	95707-08500	NUT, FLANGE	1	
37	91401-20015	PIN, COTTER	2	
38	90387-204A3	COLLAR	1	
39	3V6-25387-00	AXLE, SPROCKET	1	
40	90170-20224	NUT	1	
41	2A6-25381-00	AXLE, WHEEL	1	
42	90171-14020	NUT, CASTLE	1	
43	91401-30030	PIN, COTTER	1	
44	90387-154A2	COLLAR	1	
45	3V6-25388-00	PULLER, CHAIN 1	1	
46	3V6-25389-00	PULLER, CHAIN 2	1	

FIG. 26 STEERING HANDLE. CABLE



3HA9700-6260

REF. NO.	PART NO.	DESCRIPTION	SHS1				REMARKS
1	3V6-26111-00	HANDLEBAR	1				
2	3V6-26242-00	GRIP (RIGHT)	1				
3	434-26243-00	TUBE, THROTTLE GUIDE	1				
4	1M1-26249-01	RING, LEAF	1				
5	3V6-26241-00	GRIP (LEFT)	1				
6	214-26261-00	CONNECTOR, CABLE	1				
7	5HS-26311-00	CABLE, THROTTLE 1	1				
8	5HS-26312-00	CABLE, THROTTLE 2	1				
9	5HS-26321-00	CABLE, PUMP	1				
10	4G3-26339-00	BOOT	1				
11	90170-10038	NUT	1				
12	3V6-26341-00	CABLE, BRAKE	1				
13	90123-06010	BOLT	1				
14	90179-06143	NUT	1				
15	497-26335-00	CABLE, CLUTCH	1				
16	498-26372-00	COVER, HANDLE LEVER 1	1				
17	1Y1-26290-00	REAR VIEW MIRROR ASSY (R.H)	1				
18	1Y1-26290-10	REAR VIEW MIRROR ASSY (L.H)	1				
19	3V6-26123-00	GUARD, LEVER	1				
20	95807-08016	BOLT, FLANGE	4				
21	90123-08046	BOLT	1				
22	90179-08148	NUT	1				
23	90123-08046	BOLT	1				
24	90179-08148	NUT	1				

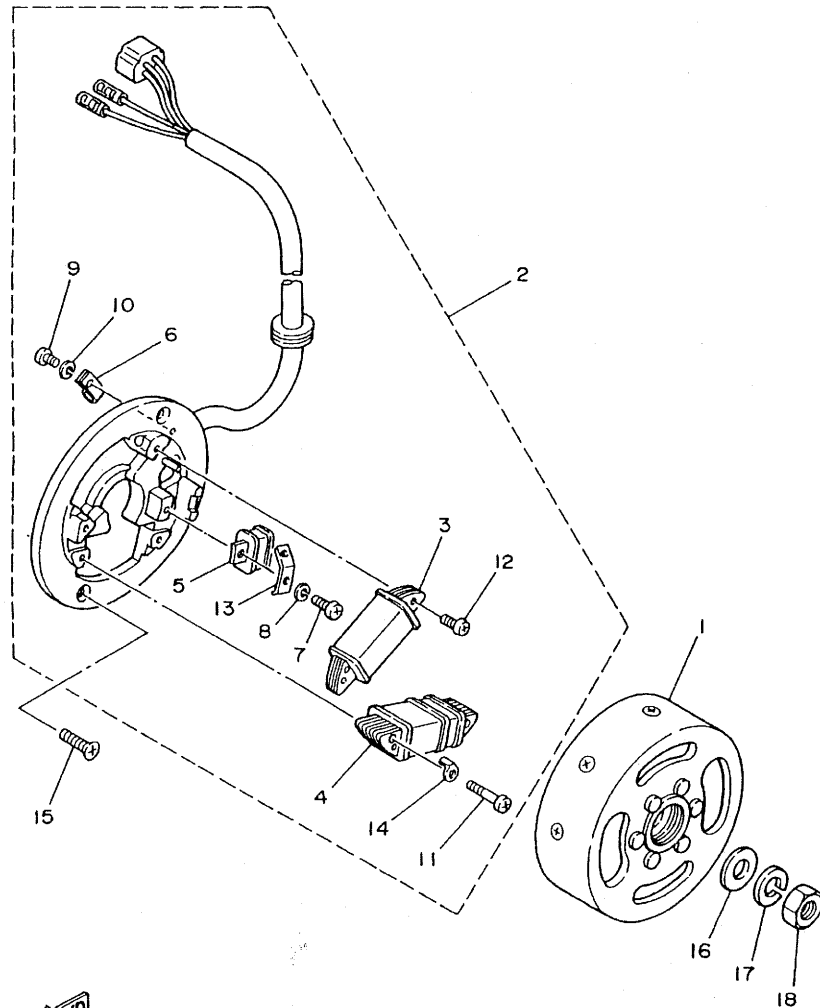


3V6700-2280

FIG. 27 STAND. FOOTREST

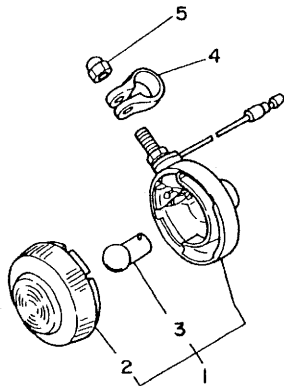
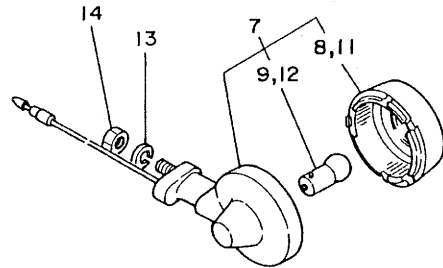
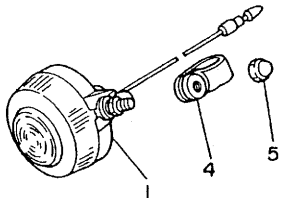
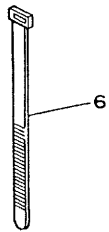
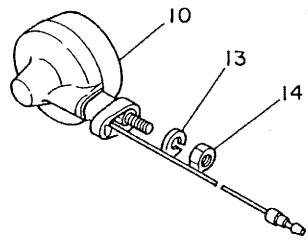
REF. NO.	PART NO.	DESCRIPTION	QTY		REMARKS
1	3V6-27211-01	PEDAL, BRAKE	1		
2	90387-065X4	COLLAR	1		
3	3V6-27231-01	ROD, BRAKE	1		
4	92907-06200	WASHER	1		
5	90240-06076	PIN, CLEVIS	1		
6	91401-20012	PIN, COTTER	1		
7	90501-10245	SPRING, COMPRESSION	1		
8	90249-12008	PIN	1		
9	90175-06013	NUT, WING	1		
10	90508-35442	SPRING, TORSION	1		
11	90201-15564	WASHER, PLATE (1.5T)	1		
12	91401-30025	PIN, COTTER	1		
13	3V6-27311-01	STAND, SIDE	1		
14	3V6-27311-11	STAND, SIDE	1		
15	90506-28100	SPRING, TENSION	2		
16	90109-10473	BOLT	2		
17	90185-10037	NUT, SELF-LOCKING	2		
18	3V6-27451-00-33	FOOTREST	1		YB
19	3R1-27411-00-90	FOOTREST 1	1		ZK
20	3R1-27421-00-90	FOOTREST 2	1		ZK
21	90508-20023	SPRING, TORSION	2		
22	90240-08084	PIN, CLEVIS	2		
23	92907-08600	WASHER, PLATE	2		
24	91401-25015	PIN, COTTER	2		
25	97007-10016	BOLT	2		
26	92907-10600	WASHER, PLATE	2		

FIG. 28 GENERATOR



3HA700-8280

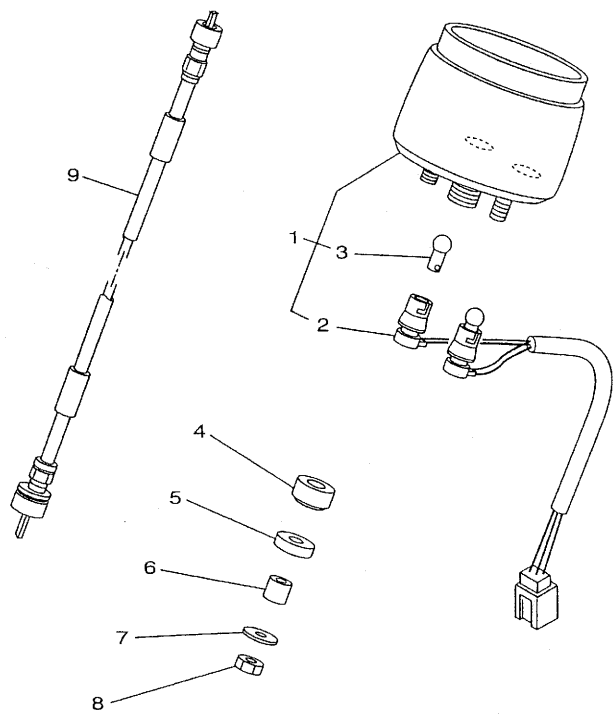
REF. NO.	PART NO.	DESCRIPTION	5HS1			REMARKS
1	3V6-85550-M1	ROTOR ASSY	1			
2	3V6-85560-M2	BASE ASSY	1			
3	3T5-85520-M1	.COIL, CHARGE	1			
4	3V6-81313-M1	.COIL, LIGHTING 1	1			
5	4U5-85580-M0	.COIL, PULSER	1			
6	90461-05036	.CLAMP	1			
7	98501-04010	.SCREW, PAN HEAD	1			
8	92901-04100	.WASHER, SPRING	1			
9	98501-04006	.SCREW, PAN HEAD	1			
10	92901-04100	.WASHER, SPRING	1			
11	98511-04025	.SCREW, PAN HEAD	2			
12	98511-04012	.SCREW, PAN HEAD	2			
13	2T4-85568-M1	.TERMINAL, EARTH 1	1			
14	2T4-85569-M1	.TERMINAL, EARTH 2	1			
15	98707-05016	SCREW, FLAT HEAD	2			
16	90201-12178	WASHER, PLATE	1			
17	92907-12100	WASHER	1			
18	90170-12175	NUT	1			



3HA700-8290

FIG. 29 FLASHER LIGHT

REF. NO.	PART NO.	DESCRIPTION	SHS1				REMARKS
1	3T2-83310-10	FRONT FLASHER LIGHT ASSY 1	2				
2	3M7-83312-10	.LENS, FLASHER	1				
3	1M3-83311-10	.BULB, FLASHER	1				
4	1M1-83318-00	STAY, FLASHER 1	2				
5	95304-08800	NUT, CROWN	2				
6	437-83936-01	BAND, SWITCH CORD	2				
7	3T2-83330-10	REAR FLASHER LIGHT ASSY 1	1				
8	3M7-83312-10	.LENS, FLASHER	1				
9	1M3-83311-10	.BULB, FLASHER	1				
10	4G3-83340-10	FLASHER LIGHT ASSY 2	1				
11	3M7-83312-10	.LENS, FLASHER	1				
12	1M3-83311-10	.BULB, FLASHER	1				
13	92907-08100	WASHER, SPRING	2				
14	95307-08600	NUT	2				

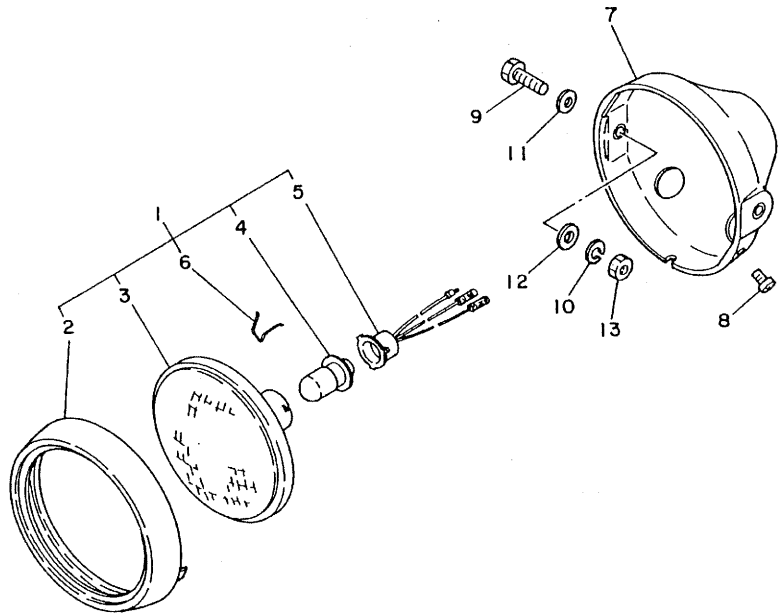


3HAA700-7300

FIG. 30 METER

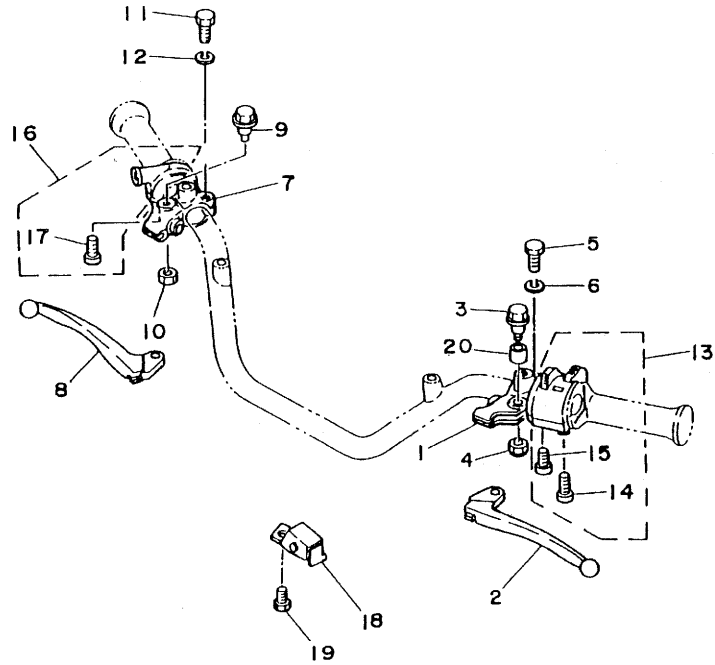
REF. NO.	PART NO.	DESCRIPTION	QTY	REMARKS
1	3F4-83510-F0	SPEEDOMETER ASSY	1	KM/H
2	2W0-83520-00	.SOCKET CORD ASSY	1	
3	4N0-83516-00	.BULB (6V-3W)	2	
4	1M3-83513-00	DAMPER	2	
5	355-83526-00	DAMPER 2	2	
6	90387-067V1	COLLAR	2	
7	355-83524-00	WASHER, SPECIAL	2	
8	95307-06600	NUT	2	
9	438-83550-01	SPEEDOMETER CABLE ASSY	1	

FIG. 31 HEADLIGHT



REF. NO.	PART NO.	DESCRIPTION	SHS1		REMARKS
1	3M7-84110-00	HEADLIGHT UNIT ASSY	1		
2	202-84315-00	.RIM, HEADLIGHT	1		
3	276-84120-00	.LENS ASSY	1		
4	248-84114-00	.BULB, HADLIGHT (6V-25/25W)	1		YELLOW
5	317-84112-30	.SOCKET	1		
6	195-84324-00	.SPRING, REFLECTOR	3		
7	3M7-84130-00	BODY ASSY, HEADLIGHT	1		
8	98506-05012	SCREW, PAN HEAD	1		
9	97007-08025	BOLT	2		
10	92907-08100	WASHER, SPRING	2		
11	92907-08600	WASHER, PLATE	2		
12	92907-08200	WASHER	2		
13	95307-08600	NUT	2		

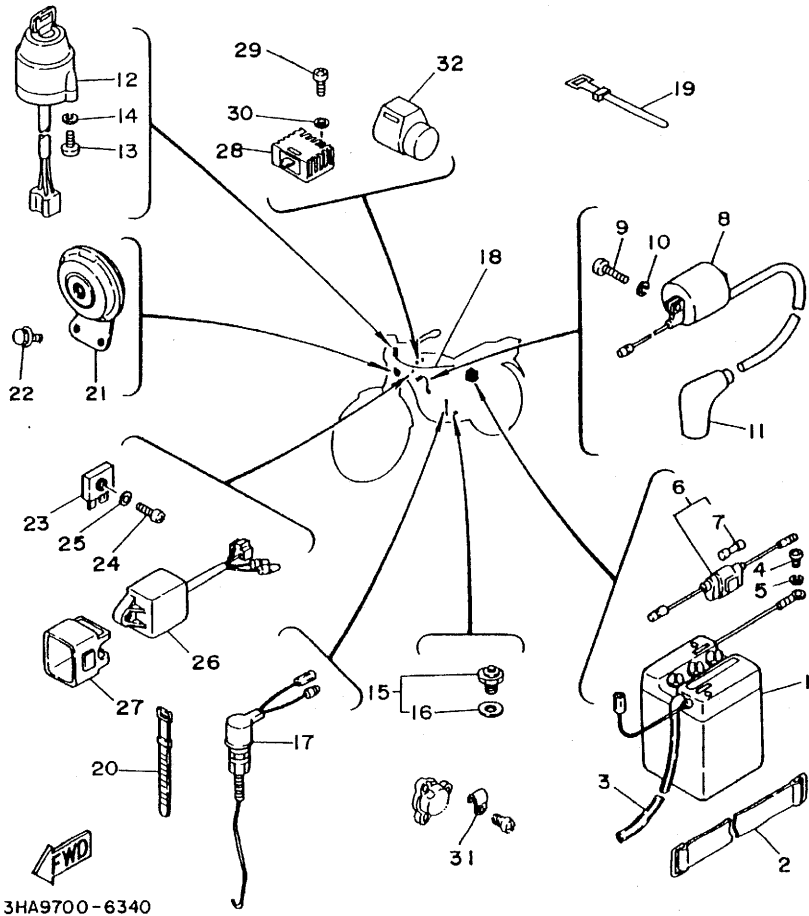
FIG. 33 HANDLE SWITCH. LEVER



REF. NO.	PART NO.	DESCRIPTION	QTY	REMARKS
1	2HV-82911-00	HOLDER, LEVER 1	1	
2	214-83912-00	LEVER 1	1	
3	90109-06798	BOLT	1	
4	95607-06100	NUT, U	1	
5	97007-06022	BOLT	1	
6	92907-06100	WASHER, SPRING	1	
7	463-82921-30	HOLDER, LEVER 2	1	
8	233-83922-30	LEVER 2	1	
9	90109-06798	BOLT	1	
10	95607-06100	NUT, U	1	
11	97007-06022	BOLT	1	
12	92907-06100	WASHER, SPRING	1	
13	3V6-83972-01	SWITCH, HANDLE 4	1	
14	98507-05025	.SCREW, PAN HEAD	1	
15	98507-05030	.SCREW, PAN HEAD	1	
16	437-83976-03	SWITCH, HANDLE 1	1	
17	98501-05022	.SCREW, PAN HEAD	2	
18	3X3-83965-00	LEVER, LOCK	1	
19	97007-06025	BOLT	1	
20	3X3-83913-00	COLLAR, LEVER 1	1	


3HA9700-6330

FIG. 34 ELECTRICAL 1



REF. NO.	PART NO.	DESCRIPTION	QTY				REMARKS
1	120-82110-15	BATTERY ASSY	1				
2	3V6-82131-00	BAND, BATTERY	1				
3	90445-08338	HOSE	1				
4	98507-06012	SCREW, PAN HEAD	1				
5	92907-06600	WASHER, PLATE	1				
6	55K-82150-01	FUSE HOLDER ASSY	1				
7	116-82151-00	.FUSE (10A)	2				
8	3V6-82310-M0	IGNITION COIL ASSY	1				
9	97007-06025	BOLT	2				
10	92907-06600	WASHER, PLATE	2				
11	56J-82370-00	PLUG CAP ASSY	1				
12	2F5-82510-51	MAIN SWITCH ASSY	1				
13	98507-05010	SCREW, PAN HEAD	2				
14	92907-05600	WASHER, PLATE	2				
15	136-82540-03	NEUTRAL SWITCH ASSY	1				
16	136-82543-00	GASKET	1				
17	3V6-82530-02	STOP SWITCH ASSY	1				
18	3V6-82590-22	WIRE HARNESS ASSY	1				
19	437-83936-01	BAND, SWITCH CORD	1				
20	25G-83936-01	BAND, SWITCH CORD	1				
21	18G-83371-10	HORN	1				
22	95807-06012	BOLT, FLANGE	2				
23	353-81970-63	RECTIFIER ASSY	1				STANLEY
24	98507-05020	SCREW, PAN HEAD	1				
25	92907-05600	WASHER, PLATE	1				
26	3M5-85540-M1	C.D.I. UNIT ASSY	1				
27	2A7-85546-00	BAND	1				

NUMERICAL INDEX

PARTNO.	REF. NO.	PARTNO.	REF. NO.	PARTNO.	REF. NO.	PARTNO.	REF. NO.	PARTNO.	REF. NO.	PARTNO.	REF. NO.
382-W1541-60	8-1	193-14126-00	5-19	3V6-15620-00	9-15	382-18561-60	12-4	1E7-23157-00	21-12	109-25136-00	24-10
3FA-W2536-00	25-9	276-14131-00	5-23	305-15641-00	9-2	164-18571-01	12-8	1L9-23166-00	21-13	102-25137-00	24-33
4BE-W2536-00	24-7	2F5-14141-36	5-10	403-15651-00	9-12	164-18589-00	12-10	3M7-23181-00	21-18	301-25138-00	24-11
3V6-11111-00	1-1	260-14142-17	5-3	248-15654-00	9-4	3V6-21107-01	23-10	1L9-23183-00	21-25	183-25149-00	24-15
3V6-11128-00	1-9	137-14143-26-A0	5-4	3V6-15660-02	9-1	3V6-21110-11-33	14-1	3V6-23191-00	21-14	558-25155-00	24-17
3V6-11161-00	1-10	137-14143-28	5-4	3V6-15664-00	9-7	3V6-21473-01	14-9	3AJ-23192-00	21-23	3V6-25304-00	25-24
3A3-11181-00	1-2	137-14143-30	5-4	3V6-15666-01	9-7	3V6-21511-30	15-1	3V6-23317-00	21-24	391-25311-00-35	25-1
3V6-11311-00	1-4	2N4-14145-00	5-11	248-15668-00	9-10	482-21521-00	15-5	3V6-23318-00	21-27	109-25315-00	24-4
3UL-11351-00	1-5	214-14147-00	5-5	3V6-15676-00	9-8	482-21522-00	15-6	3V6-23340-00	21-8	183-25315-00	25-3
382-11400-00	2-1	558-14147-00	5-13	382-16111-62	10-12	3V6-21611-30	15-11	451-23346-01	21-19	248-25321-00-35	25-8
558-11412-00	2-2	193-14158-00	5-22	3V6-16150-00	10-1	4M3-21621-00	15-12	3V6-23318-00	21-9	3V6-25327-01	25-23
382-11422-00	2-3	307-14169-01	5-17	276-16154-00	10-2	482-21622-01	15-13	462-23392-00	21-6	5T9-2533A-00	25-15
335-11601-00	2-18	4U5-14171-00	5-16	122-16164-00	10-15	3V6-21629-01	15-16	156-23411-00	21-21	248-25351-10	25-11
335-11601-10	2-18	304-14184-00	5-2	3HA-16321-00	10-4	3V6-21711-30	16-1	22F-23411-01	20-7	3V6-25351-00	24-20
335-11601-20	2-18	4NR-14185-00	5-14	137-16324-00	10-5	3V6-21721-30	16-4	156-23412-00	20-10	1E7-25355-00	25-12
335-11601-30	2-18	127-14186-00	5-7	241-16341-01	10-21	3HA-2173E-10	16-3	22F-23412-01	20-9	304-25364-01	25-7
335-11601-40	2-18	353-14190-15	5-6	382-16342-61	10-23	3HA-2173F-10	16-7	122-23416-00	20-6	183-25366-10-35	25-16
3V6-11631-00-96	2-14	127-14195-00	5-8	132-16346-00	10-26	3V6-21745-01	17-5	3V6-23435-00-33	20-1	3V6-25371-00	25-31
131-11633-00	2-15	183-14196-00	5-24	132-16351-00	10-7	3V6-21750-00	17-1	1E6-23441-10-33	20-2	2A6-25381-00	25-41
3V6-11635-00	2-14	183-14197-00	5-27	137-16356-00	10-17	1Y1-2176A-00	17-3	164-23462-00	21-22	353-25381-00	24-29
3V6-11636-00	2-14	3V6-14411-00	4-13	276-16357-00	10-19	1Y1-21763-00	17-4	3V6-24110-00-X3	22-1	3V6-25387-00	25-39
3V6-11637-00	2-14	3V6-14412-00	4-16	137-16367-00	10-6	1Y1-21764-00	17-2	3HA-24141-00	22-3	3V6-25388-00	25-45
3V6-11638-00	2-14	3V6-14416-00	4-19	1E7-16371-00	10-3	1T9-21771-00	17-6	1A8-24181-00	22-6	3V6-25389-00	25-46
558-11651-01	2-4	1V1-14437-00	4-14	427-17121-01	11-2	3V6-22110-01-33	18-1	3TB-24181-00	22-4	1T2-25394-00	25-29
5E2-11681-00	2-5	3V6-14451-00	4-15	3V6-17131-00	11-3	276-22123-00	18-2	431-24181-00	16-6	482-25412-00	25-21
3V6-13101-00	3-1	3A3-14453-01	4-11	482-17141-00	11-4	276-22141-01	18-3	353-24182-00	22-5	3V6-25451-11	25-19
126-13116-01	3-16	3V6-14610-00	6-1	482-17151-00	11-5	3V6-22151-00	18-6	3HA-24240-20	22-2	3V6-26111-00	26-1
137-13137-00-03	3-10	3PA-14613-10	6-12	248-17211-00	11-9	3V6-22210-00-33	19-1	357-24500-11	22-9	3V6-26123-00	26-19
137-13137-00-05	3-10	3M7-14615-00	6-17	427-17221-00	11-12	3V6-22310-02-35	18-7	2N3-24528-00	22-10	3V6-26241-00	26-5
137-13137-00-10	3-10	3V6-14718-00	6-2	3V6-17231-00	11-13	148-22315-00	18-19	357-24532-10	22-11	3V6-26242-00	26-2
137-13138-01	3-9	3V6-14728-00	6-3	382-17241-60	11-14	3V6-22318-01	18-20	4X8-24565-00	22-12	434-26243-00	26-3
367-13146-01	3-13	3T2-14752-00	6-9	482-17251-00	11-15	382-22322-00	18-27	122-24612-01	22-16	1M1-26249-01	26-4
525-13174-00	3-23	3V6-14753-00	6-8	437-17411-01	11-1	3V6-22324-00	18-26	127-24650-02	22-15	214-26261-00	26-6
3V6-13175-00	3-14	18L-1490J-00	5-9	315-17421-01	11-8	3V6-22325-00	18-25	3V6-24710-01	23-1	1Y1-26290-00	26-17
137-13176-00	3-19	276-15111-01	7-1	164-17427-00	11-11	3V6-22358-00	18-29	3V6-24711-00	23-2	1Y1-26290-10	26-18
382-13178-60	3-20	276-15121-04	7-8	382-17464-60	11-26	3V6-22359-00	18-30	2A6-24738-00	23-4	5HS-26311-00	26-7
402-13552-00	3-6	304-15128-00	7-9	403-17471-00	11-18	3V6-23100-02-35	21-1	3V6-24748-00	23-3	5HS-26312-00	26-8
560-13565-00	4-7	4EG-15353-00	12-20	3V6-18101-03	13-1	3V6-23110-00	21-7	3V6-24758-01	23-11	5HS-26321-00	26-9
314-13610-01	4-1	315-15362-01	8-16	367-18111-00	13-10	1L9-23111-00	21-15	3V6-24810-01	23-8	497-26335-00	26-15
314-13613-01	4-2	120-15371-00	7-11	132-18113-01	13-11	1L9-23114-00	21-17	3V6-24860-01-98	23-12	4G3-26339-00	26-10
314-13616-01	4-3	214-15385-00	12-18	4M3-18140-00	12-21	3V6-23130-01-35	21-1	296-24861-00	23-14	3V6-26341-00	26-12
87A-13621-00	4-6	276-15415-00	8-5	463-18511-00	12-12	3V6-23140-01-35	21-2	3V6-24862-00	23-13	498-26372-00	26-16
3V6-14101-01	5-1	314-15416-00-35	8-13	463-18512-00	12-13	3V6-23143-00	21-11	3V6-25104-00	24-23	3V6-27211-01	27-1
23L-14103-00	5-15	3V6-15421-02	8-8	463-18513-00	12-14	3V6-23144-00	21-26	248-25111-00-35	24-1	3V6-27231-01	27-3
10W-14104-00	5-20	3GY-15451-00	8-9	214-18531-00	12-15	3R1-23145-00	21-4	2K5-25118-00	24-28	3V6-27311-01	27-13
12G-14106-00	5-18	3GY-15456-00	8-14	248-18531-00	12-16	2X6-23151-00	21-10	3V6-25121-00-35	24-6	3V6-27311-11	27-14
304-14112-20	5-21	214-15616-00	9-17	3V6-18540-00	12-1	3V2-23154-00	21-16	3E1-2513A-10	24-22	3R1-27411-00-90	27-19
500-14115-00	5-12	214-15618-00	9-19	136-18542-00	12-7	1E7-23156-00	21-5	301-25135-00	24-9	3R1-27421-00-90	27-20

NUMERICAL INDEX

PARTNO.	REF. NO.	PARTNO.	REF. NO.	PARTNO.	REF. NO.	PARTNO.	REF. NO.	PARTNO.	REF. NO.	PARTNO.	REF. NO.
3V6-27451-00-33	27 - 18	248-84114-00	31 - 4	90170-12175	28 - 18	90387-065X4	27 - 2	91401-25015	27 - 24	93102-47297	24 - 21
3V6-28100-00	23 - 17	276-84120-00	31 - 3	90170-20224	25 - 40	90387-067V1	30 - 6	91401-30025	27 - 12	93103-28011	2 - 13
3V6-81313-M1	28 - 4	3M7-84130-00	31 - 7	90171-10004	24 - 30	90387-12265	24 - 32	91401-30030	25 - 43	93104-07003	24 - 12
4F4-81910-60	34 - 28	202-84315-00	31 - 2	90171-14020	25 - 42	90387-154A2	25 - 44	91609-40016	12 - 3	93104-11028	10 - 27
353-81970-63	34 - 23	195-84324-00	31 - 6	90175-06013	27 - 9	90387-20175	2 - 10	92901-04100	28 - 8	93104-20017	9 - 11
120-82110-15	34 - 1	3T2-84510-00	32 - 1	90176-10073	19 - 4	90387-204A3	25 - 38		28 - 10	93104-22018	25 - 5
3V6-82131-00	34 - 2	122-84514-30	32 - 2	90179-06143	26 - 14	90387-20491	11 - 24	92901-10100	21 - 20	93106-26005	25 - 18
55K-82150-01	34 - 6	1K8-84521-00	32 - 4	90179-08148	26 - 22	90430-04004	3 - 7	92902-04100	5 - 26	93109-06060	10 - 20
116-82151-00	34 - 7	1K8-84523-00	32 - 3		26 - 24	90430-12227	7 - 14	92907-03100	4 - 5	93109-14005	13 - 7
3V6-82310-M0	34 - 8	2E9-84524-00	32 - 5	90179-08168	25 - 22	90445-05278	3 - 4	92907-05100	3 - 11	93210-14104	24 - 34
56J-82370-00	34 - 11	3T5-85520-M1	28 - 3	90179-08303	1 - 7	90445-083J4	17 - 7		6 - 11	93210-18023	2 - 9
2F5-82510-51	34 - 12	3M5-85540-M1	34 - 26	90179-16018	11 - 25	90445-08338	34 - 3		12 - 6	93210-42101	25 - 6
3V6-82530-02	34 - 17	2A7-85546-00	34 - 27	90179-25033	20 - 5	90445-09082	22 - 13	92907-05600	34 - 14	93306-00406	25 - 17
136-82540-03	34 - 15	3V6-85550-M1	28 - 1	90185-08054	14 - 3	90446-07009	7 - 12		34 - 25	93306-20227	25 - 4
136-82543-00	34 - 16	3V6-85560-M2	28 - 2	90185-10037	27 - 17	90460-43053	4 - 10	92907-06100	15 - 9	93306-30103	24 - 2
3V6-82590-22	34 - 18	2T4-85568-M1	28 - 13	90185-10091	14 - 7	90460-51059	4 - 12		23 - 6	93306-30304	11 - 17
2HV-82911-00	33 - 1	2T4-85569-M1	28 - 14	90201-06067	4 - 21	90461-05036	28 - 6		33 - 6	93306-30401	11 - 20
463-82921-30	33 - 7	4U5-85580-M0	28 - 5		4 - 23	90462-05012	34 - 31		33 - 12	93306-30405	2 - 11
3T2-83310-10	29 - 1	90101-06278	24 - 18	90201-06071	22 - 7	90465-13275	22 - 17	92907-06200	27 - 4	93310-214F8	2 - 16
1M3-83311-10	29 - 3		25 - 13	90201-06380	15 - 10	90467-08003	17 - 10	92907-06600	4 - 9	93310-21403	2 - 16
	29 - 9	90101-08439	18 - 21	90201-07076	24 - 13		22 - 14		4 - 18	93310-422E7	2 - 7
	29 - 12	90101-14259	12 - 19	90201-08624	3 - 15	90467-08075	17 - 8		18 - 9	93311-31515	11 - 22
3M7-83312-10	29 - 2	90105-14060	20 - 4	90201-08753	6 - 18	90468-02033	3 - 5		18 - 11	93315-31502	11 - 16
	29 - 8	90109-063F6	12 - 22	90201-10140	19 - 3		3 - 24		18 - 13	93410-20038	11 - 7
	29 - 11	90109-06798	33 - 3	90201-12166	12 - 9	90468-26048	9 - 3		34 - 5	93440-11029	9 - 18
1M1-83318-00	29 - 4		33 - 9	90201-12178	28 - 16	90480-12053	16 - 2		34 - 10	93440-15012	11 - 10
3T2-83330-10	29 - 7	90109-08063	25 - 32	90201-123A7	18 - 5		16 - 5		34 - 30	93450-15023	2 - 17
4G3-83340-10	29 - 10	90109-08361	25 - 20	90201-12362	1 - 8	90480-14198	15 - 2	92907-08100	6 - 16	93501-04011	10 - 18
3E1-83350-12	34 - 32	90109-08368	25 - 33	90201-13200	9 - 13	90501-02217	3 - 3		14 - 4		20 - 11
18G-83371-10	34 - 21	90109-10473	27 - 16	90201-14215	19 - 2	90501-10245	27 - 7		18 - 22	93503-16003	20 - 8
3F4-83510-F0	30 - 1	90113-06013	10 - 22	90201-14586	13 - 8	90501-20124	10 - 8		20 - 14	93505-32002	3 - 2
1M3-83513-00	30 - 4	90116-06320	6 - 13	90201-15564	27 - 11	90504-18009	9 - 16		29 - 13	93603-22028	3 - 21
4N0-83516-00	30 - 3	90116-08064	1 - 6	90201-20266	11 - 6	90506-09009	13 - 2		31 - 10	93604-22050	12 - 2
2W0-83520-00	30 - 2	90119-05001	10 - 9	90201-20269	24 - 14	90506-09112	12 - 23	92907-08200	31 - 12	93822-14039	11 - 23
355-83524-00	30 - 7	90119-06056	15 - 15	90201-206E5	9 - 21	90506-10019	10 - 25	92907-08600	18 - 16	94127-1912J	24 - 24
355-83526-00	30 - 5		17 - 9	90202-05187	6 - 5	90506-15260	24 - 8		18 - 18	94141-18780	25 - 25
438-83550-01	30 - 9	90119-06063	15 - 17	90202-05188	6 - 6		25 - 10		18 - 24	94227-19206	24 - 25
214-83912-00	33 - 2	90119-06097	15 - 4	90208-12015	10 - 11	90506-28100	27 - 15		23 - 16	94241-18153	25 - 26
3X3-83913-00	33 - 20		15 - 14		10 - 14	90508-20023	27 - 21		25 - 34	94330-18087	25 - 27
233-83922-30	33 - 8	90123-06010	26 - 13	90209-06194	6 - 7	90508-26441	9 - 6		27 - 23	94335-19026	24 - 26
25G-83936-01	34 - 20	90123-08046	26 - 21	90209-22071	2 - 6	90508-32437	13 - 3		31 - 11	94414-19056	24 - 27
437-83936-01	29 - 6		26 - 23	90215-08014	13 - 6	90508-35442	27 - 10	92907-10100	14 - 8	94418-18246	25 - 28
	34 - 19	90149-08094	13 - 4	90240-06076	27 - 5	90560-12138	24 - 3	92907-10600	27 - 26	94581-54116	25 - 30
3X3-83965-00	33 - 18	90157-06125	7 - 4	90240-08084	27 - 22	90560-15136	25 - 2	92907-12100	28 - 17	94701-00044	1 - 3
3V6-83972-01	33 - 13	90170-08029	13 - 5	90249-12008	27 - 8	90560-17124	10 - 16	93101-10002	3 - 18	95027-08045	20 - 13
437-83976-03	33 - 16	90170-10038	26 - 11	90280-03017	2 - 8	91401-20012	27 - 6	93102-18008	24 - 5	95304-08800	29 - 5
3M7-84110-00	31 - 1	90170-12060	10 - 10	90340-12005	7 - 13	91401-20015	25 - 37	93102-20010	2 - 12	95307-05600	3 - 12
317-84112-30	31 - 5		10 - 13	90387-063E6	15 - 3	91401-20020	24 - 31	93102-26042	11 - 21	95307-06600	15 - 8

NUMERICAL INDEX

PARTNO.	REF. NO.	PARTNO.	REF. NO.	PARTNO.	REF. NO.	PARTNO.	REF. NO.	PARTNO.	REF. NO.
95307-06600	24 - 19	98507-05008	6 - 10						
	25 - 14		18 - 28						
	30 - 8	98507-05010	34 - 13						
95307-06700	10 - 24	98507-05012	12 - 5						
95307-08600	6 - 15	98507-05014	3 - 17						
	29 - 14	98507-05020	34 - 24						
	31 - 13	98507-05025	33 - 14						
95307-08700	25 - 35	98507-05030	33 - 15						
95307-08800	20 - 15	98507-06010	12 - 11						
95607-06100	33 - 4	98507-06012	11 - 19						
	33 - 10		18 - 8						
95607-06200	18 - 14		34 - 4						
95607-12100	18 - 4	98507-06014	18 - 10						
95707-06500	6 - 14	98507-06016	4 - 17						
	22 - 8		34 - 29						
	32 - 6	98507-06018	15 - 7						
95707-08500	25 - 36	98507-06020	4 - 22						
95807-06012	34 - 22		8 - 6						
95807-06016	21 - 28		8 - 15						
95807-08016	14 - 10	98507-06035	4 - 20						
	26 - 20		8 - 10						
95807-10035	20 - 12	98507-06040	7 - 5						
95817-08020	23 - 7	98507-06045	7 - 2						
	23 - 9		8 - 4						
95827-08035	20 - 3		18 - 12						
95827-08120	14 - 2	98507-06050	8 - 3						
95827-10090	14 - 6	98507-06055	7 - 3						
95827-10105	14 - 5	98507-06060	8 - 7						
97007-06016	23 - 5		8 - 11						
97007-06022	33 - 5	98507-08010	7 - 10						
	33 - 11	98511-04012	28 - 12						
97007-06025	4 - 8	98511-04025	28 - 11						
	33 - 19	98707-05016	28 - 15						
	34 - 9	98907-04008	3 - 8						
97007-08016	18 - 17	98907-06012	6 - 4						
	18 - 23	99001-08600	3 - 22						
	23 - 15	99001-10600	12 - 17						
97007-08020	18 - 15	99001-12600	13 - 9						
97007-08025	31 - 9	99009-13400	9 - 14						
97007-10016	27 - 25	99009-20400	24 - 16						
97027-06020	13 - 12	99009-30400	9 - 5						
97027-08030	9 - 20	99530-10014	8 - 2						
98501-04006	28 - 9		8 - 12						
98501-04010	28 - 7	99530-12016	7 - 6						
98501-05022	33 - 17	99530-14016	7 - 7						
98502-04016	5 - 25								
98506-05012	31 - 8								
98507-03008	4 - 4								