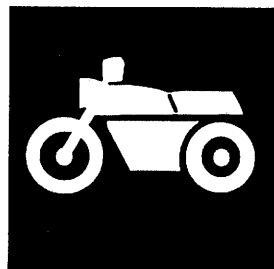


YAMAHA

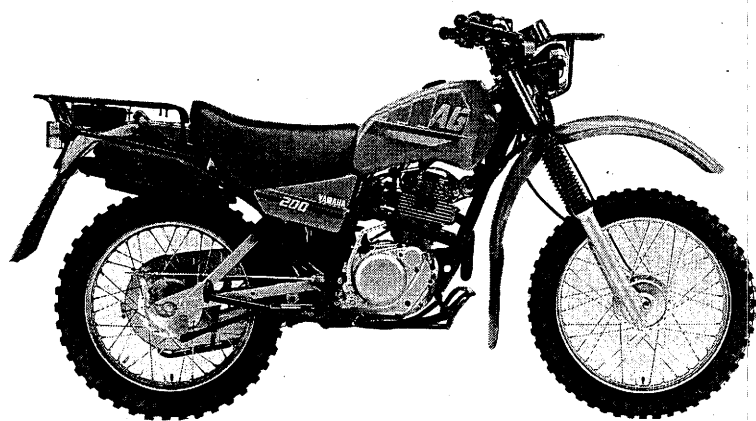


**PARTS
CATALOGUE**

AG200'97 (3GXB)

YAMAHA
GENUINE
Parts & Accessories

173GX-200E1



FOREWORD

This Parts Catalogue is related to the parts for the model(s) in the below frame. When you are ordering replacement parts, please refer to this Parts Catalogue and quote both part numbers and part names correctly.

AG200'97(3GXB)

1. Modifications or additions which have been made after issue of the Parts Catalogue will be announced in the Yamaha Parts News.
It is advisable that you make necessary corrections to the Parts Catalogue according to the Yamaha Parts News.

2. Abbreviations

The following abbreviations are used in this Parts Catalogue.

- "UR" Use specified parts number.
- "UN" Use as many as needed.
- "AP" Alternate Parts
- "LM" Local Made (Parts need to be ordered locally)
- "F#" Frame No. (Applicable machine No.)

3. Parts, which are to be supplied in an assembly, are listed with a dot (.) in front of the part name as shown below.

EXAMPLE

- CARBURETOR ASSY
- . JET, PILOT
- . NOZZLE, MAIN

4. Number of component for assembly

The numeral appearing to the right of each component part indicates the quantity of parts for each assembly unit.

EXAMPLE

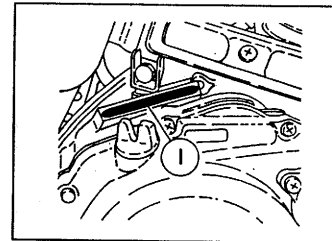
PART NO.	DESCRIPTION	Q'TY	REMARKS
2F5-83310-60	FRONT FLASHER LIGHT ASSY	2	
115-83311-60	. BULB (6V-18W)	1	

5. Applicable colors of graphics are represented in the "REMARKS" as shown below.

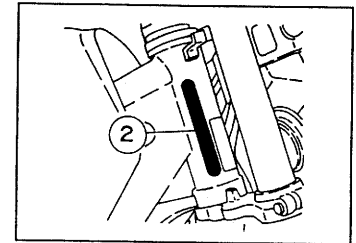
PART NO.	DESCRIPTION	Q'TY	REMARKS
2N4-24110-00-X5	FUEL TANK COMP.	1	MAXIM RED
3J1-24240-10	. GRAPHIC, FUEL TANK	1	for MXR

6. Applicable Serial No.

① Engine Serial No.



② Frame Serial No.



7. Note that the illustrations are for reference in finding parts numbers, not to be used for assembling. When assembling, please use the applicable service manual.

8. The asterisk (*) before a reference number indicates modification items after the first edition.

CONTENTS

ENGINE

Fig. 1	Cylinder Head	1
Fig. 2	Cylinder	2
Fig. 3	Crankshaft. Piston	3
Fig. 4	Valve	5
Fig. 5	Camshaft. Chain	6
Fig. 6	Oil Pump	7
Fig. 7	Intake	8
Fig. 8	Carburetor	9
Fig. 9	Exhaust	11
Fig. 10	Crankcase	12
Fig. 11	Crankcase Cover 1	13
Fig. 12	Starter	14
Fig. 13	Clutch	16
Fig. 14	Transmission	18
Fig. 15	Shift Cam. Fork	19
Fig. 16	Shift Shaft	20

Fig. 28	Steering Handle. Cable	36
Fig. 29	Stand. Footrest	37
Fig. 30	Generator	38
Fig. 31	Flasher Light	39
Fig. 32	Meter	40
Fig. 33	Headlight	41
Fig. 34	Taillight	42
Fig. 35	Handle Switch. Lever	43
Fig. 36	Electrical 1	44

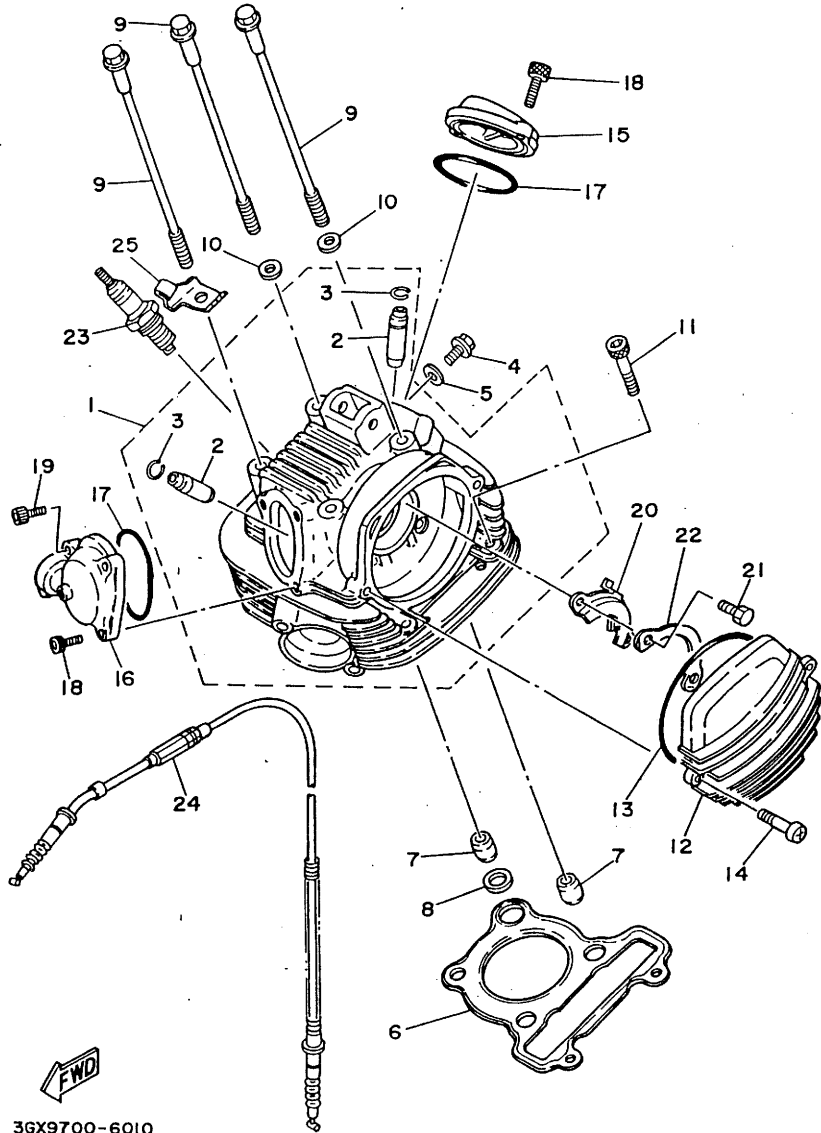
INDEX

Numerical Index

CHASSIS

Fig. 17	Frame	21
Fig. 18	Fender	22
Fig. 19	Side Cover	23
Fig. 20	Rear Arm	24
Fig. 21	Rear Arm. Suspension	26
Fig. 22	Steering	27
Fig. 23	Front Fork	28
Fig. 24	Fuel Tank	30
Fig. 25	Seat	31
Fig. 26	Front Wheel	32
Fig. 27	Rear Wheel	34

FIG. 1 CYLINDER HEAD



REF. NO.	PART NO.	DESCRIPTION	3GXB				REMARKS
1	36X-11102-03	CYLINDER HEAD ASSY	1				
2	5H0-11133-11	.GUIDE, INTAKE VALVE	2				
3	93440-10085	.CIRCLIP	2				
4	90153-06029	SCREW, HEXAGON	1				
5	90430-06014	GASKET	1				
6	1NU-11181-00	GASKET, CYLINDER HEAD 1	1				
7	99530-14016	PIN, DOWEL	3				
8	90430-14131	GASKET	1				
9	90105-08195	BOLT, WASHER BASED	4				
10	90201-08609	WASHER, PLATE	3				
11	91317-08045	BOLT	2				
12	3RW-11185-00	COVER, CYLINDER HEAD SIDE 1	1				
13	93211-05471	O-RING	1				
14	98507-06020	SCREW, PAN HEAD	2				
15	5H0-11186-00	COVER, CYLINDER HEAD SIDE 2	1				
16	36X-11187-00	COVER, CYLINDER HEAD SIDE 3	1				
17	93210-57634	O-RING	2				
18	91317-06018	BOLT	4				
19	90110-06064	BOLT, HEXAGON SOCKET HEAD	1				
20	5H0-1111F-00	PLATE	1				
21	97007-06012	BOLT	2				
22	90215-06184	WASHER, LOCK	1				
23	94701-00157	PLUG, SPARK (NGK D8EA)	1				UR
	94701-00181	PLUG, SPARK (ND X24ES-U)	1				UR
24	36X-12292-00	CABLE, DECOMPRESSION	1				
25	36X-12283-00	BRACKET, DECOMPRESSION	1				

36X9700-6010

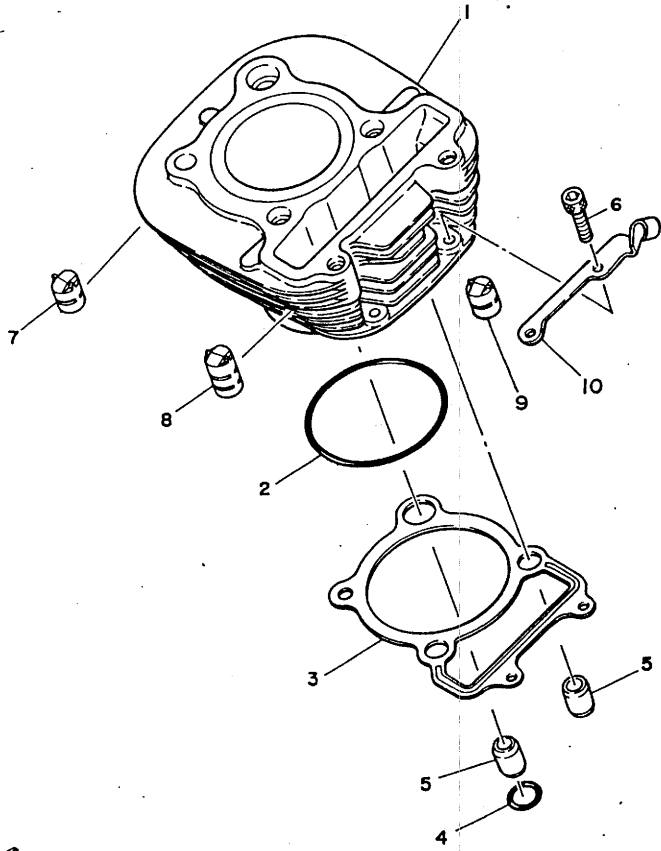


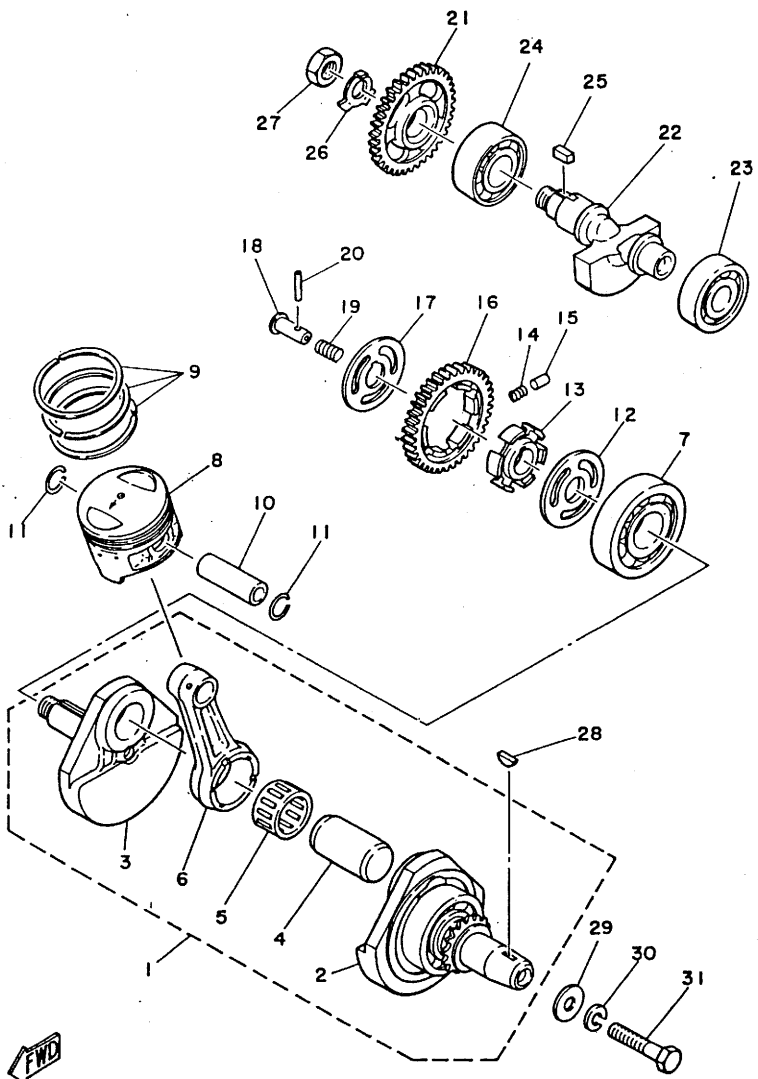
FIG. 2 CYLINDER

REF. NO.	PART NO.	DESCRIPTION	3GX/B				REMARKS
1	36X-11310-00	CYLINDER	1				
2	93210-72529	O-RING	1				
3	4BD-11351-00	GASKET, CYLINDER	1				
4	93210-13361	O-RING	1				
5	99530-14016	PIN, DOWEL	2				
6	91317-06030	BOLT	2				
7	15A-11162-00	ABSORBER 2	2				
8	5H0-11162-00	ABSORBER 2	2				
9	15A-11161-01	ABSORBER 1	1				
10	36X-15441-00	HOLDER, CLUTCH CABLE	1				



36X700-3020

FIG. 3 CRANKSHAFT. PISTON

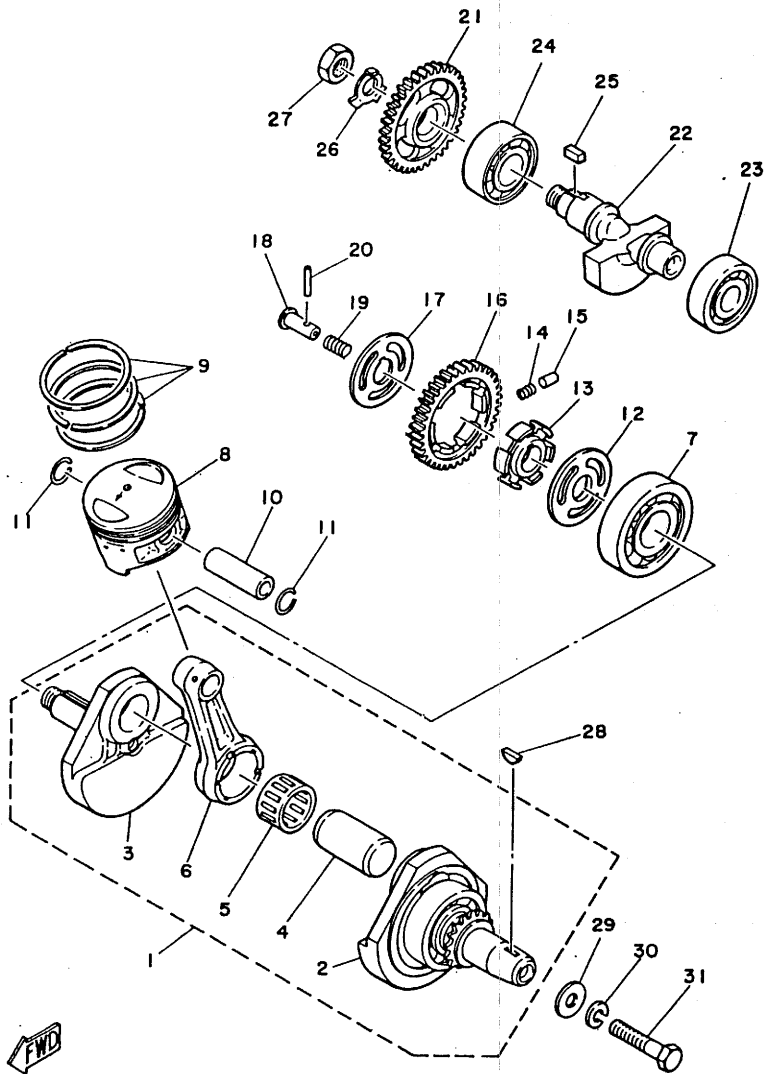


REF. NO.	PART NO.	DESCRIPTION	3GXB				REMARKS
1	15A-11400-00	CRANKSHAFT ASSY	1				
2	15A-11412-09	.CRANK 1	1				
3	5H0-11422-00	.CRANK 2	1				
4	5H0-11681-00	.PIN, CRANK 1	1				
5	93310-530J3	.BEARING	1				
6	15A-11651-00	.ROD, CONNECTING	1				
7	93306-30611	BEARING	1				
8	36X-11631-00-A0	PISTON (STD)	1				
	36X-11636-00	PISTON (0.50MM O/S)	1				AP
	36X-11638-00	PISTON (1.00MM O/S)	1				AP
9	15A-11603-00	PISTON RING SET (STD)	1				
	15A-11605-00	PISTON RING SET (0.50MM O/S)	1				AP
	15A-11607-00	PISTON RING SET (1.00MM O/S)	1				AP
10	15A-11633-00	PIN, PISTON	1				
11	93450-17044	CIRCLIP	2				
12	90201-201E4	WASHER, PLATE	1				
13	5H0-11496-00	BOSS, BUFFER	1				
14	90501-21133	SPRING, COMPRESSION	6				
15	93605-10090	PIN, DOWEL	3				
16	5H0-11536-00	GEAR, DRIVE (38T)	1				
17	90214-20023	WASHER, CLAW	1				
18	90240-07083	PIN, CLEVIS	1				
19	90501-07629	SPRING, COMPRESSION	1				
20	93602-13177	PIN, DOWEL	1				
21	5H0-11531-00	GEAR, BALANCE WEIGHT (38T)	1				
22	15A-11454-00	WEIGHT 1	1				
23	93306-30427	BEARING	1				

FWD
36X700-3030

X

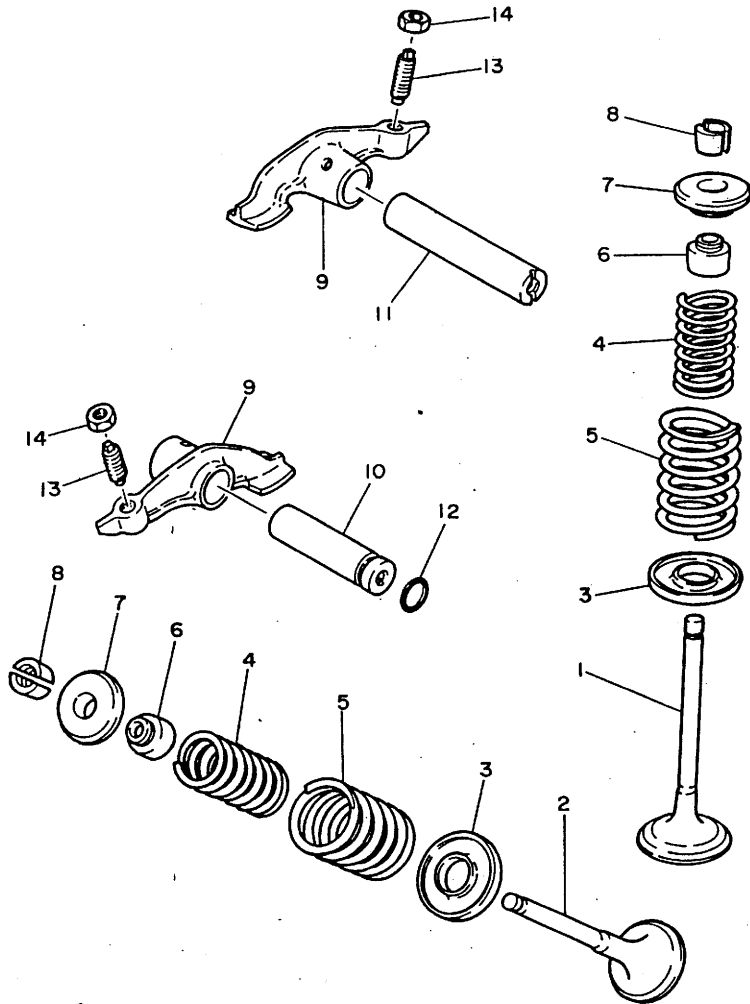
FIG. 3 CRANKSHAFT. PISTON



REF. NO.	PART NO.	DESCRIPTION	3GXB				REMARKS
24	93306-30427	BEARING	1				
25	90282-05013	KEY, STRAIGHT	1				
26	90215-14205	WASHER, LOCK	1				
27	90170-14284	NUT	1				
28	90280-05013	KEY, WOODRUFF	1				
29	90201-10508	WASHER, PLATE	1				
30	92901-10100	WASHER, SPRING	1				
31	90101-10188	BOLT	1				

36X700-3030

FIG. 4 VALVE



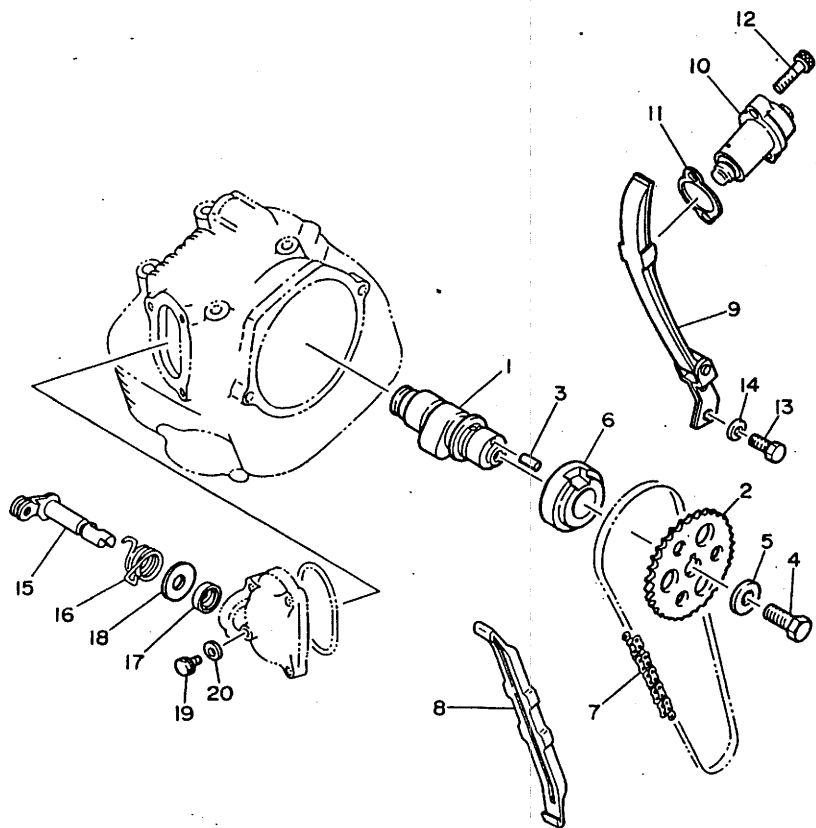
REF. NO.	PART NO.	DESCRIPTION	3GXB				REMARKS
1	5H0-12111-00	VALVE, INTAKE	1				
2	5H0-12121-00	VALVE, EXHAUST	1				
3	4G0-12116-01	SEAT, VALVE SPRING	2				
4	4G0-12113-01	SPRING, VALVE INNER	2				YELLOW
5	4G0-12114-01	SPRING, VALVE OUTER	2				YELLOW
6	5H0-12119-00	SEAL, VALVE STEM	2				
7	4G0-12117-00	RETAINER, VALVE SPRING	2				
8	4G0-12118-00	COTTER, VALVE	4				
9	36X-12151-00	ARM, VALVE ROCKER	2				
10	5H0-12156-00	SHAFT, ROCKER 2	1				
11	5H0-12146-00	SHAFT, ROCKER	1				
12	93210-09165	O-RING	1				
13	2NX-12159-00	SCREW, VALVE ADJUSTING	2				
14	90170-06128	NUT	2				



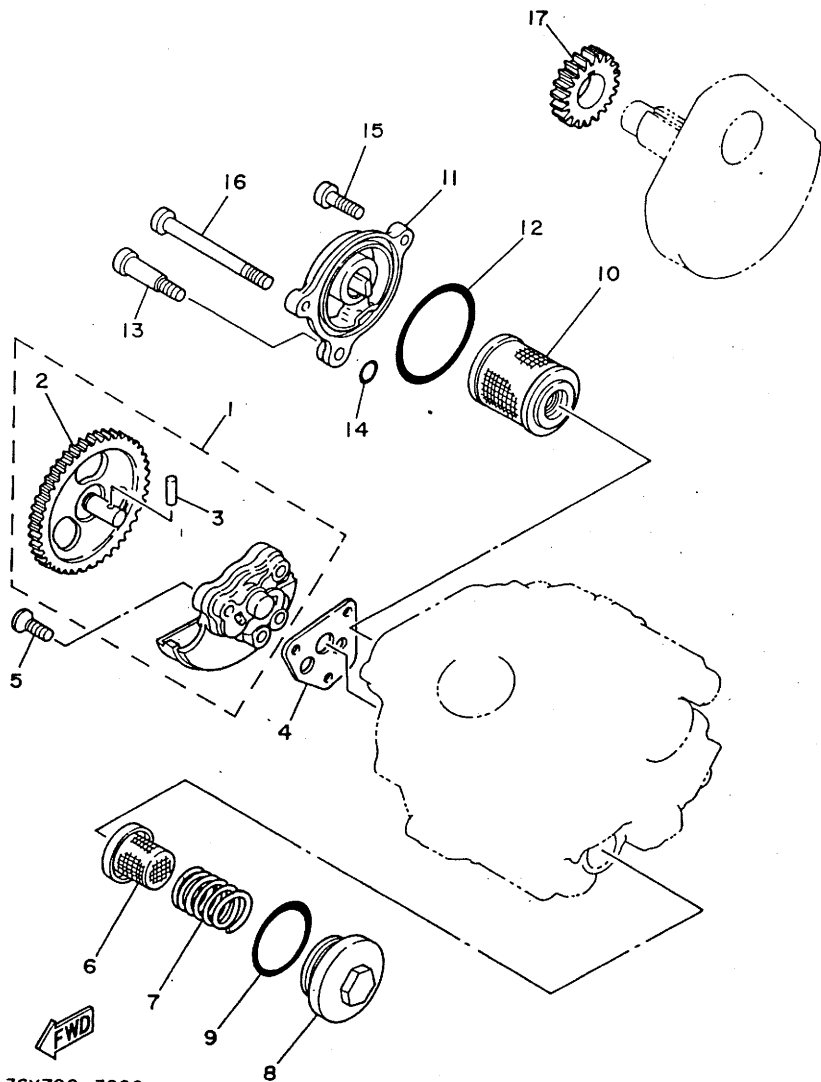
36X700-3040

FIG. 5 CAMSHAFT. CHAIN

REF. NO.	PART NO.	DESCRIPTION	3GX8				REMARKS
1	36X-12171-00	CAMSHAFT 1	1				
2	5H0-12176-00	SPROCKET, CAM CHAIN (40T)	1				
3	93604-10011	PIN, DOWEL	1				
4	90101-10303	BOLT	1				
5	90201-10591	WASHER, PLATE	1				
6	90387-255F3	COLLAR	1				
7	94580-41104	CHAIN	1				
8	5H0-12231-00	GUIDE, STOPPER 1	1				
9	5N0-12241-00	GUIDE, STOPPER 2	1				
10	3GC-12210-10	TENSIONER ASSY, CAM CHAIN	1				
11	4BE-12213-00	GASKET, TENSIONER CASE	1				
12	91317-06025	BOLT	2				
13	97027-06016	BOLT	2				
14	92907-06600	WASHER, PLATE	2				
15	36X-12288-00	CAM, DECOMPRESSION	1				
16	90508-16428	SPRING, TORSION	1				
17	93102-12106	OIL SEAL (SD 12-22-5 HS)	1				
18	90201-12588	WASHER, PLATE	1				
19	90109-06418	BOLT	1				
20	90430-06014	GASKET	1				



3GX700-8050



36X700-3060

FIG. 6 OIL PUMP

REF. NO.	PART NO.	DESCRIPTION	3GXB				REMARKS
1	5H0-13300-00	OIL PUMP ASSY	1				
2	5H0-13326-00	.GEAR, PUMP DRIVEN 2 (45T)	1				
3	93603-12030	.PIN, DOWEL	1				
4	4BE-13329-00	GASKET, PUMP COVER	1				
5	98707-06030	SCREW, FLAT HEAD	3				
6	51Y-13411-00	STRAINER, OIL	1				
7	90501-18576	SPRING, COMPRESSION	1				
8	5H0-15351-00	PLUG, DRAIN	1				
9	93210-35389	O-RING	1				
10	5H0-13440-00	ELEMENT ASSY, OIL CLEANER	1				
11	3GX-13447-00	COVER, OIL ELEMENT	1				
12	93210-54175	O-RING	1				
13	90109-06419	BOLT	1				
14	93210-07135	O-RING	1				
15	98507-06025	SCREW, PAN HEAD	1				
16	98507-06075	SCREW, PAN HEAD	1				
17	36X-13324-00	GEAR, PUMP DRIVE	1				

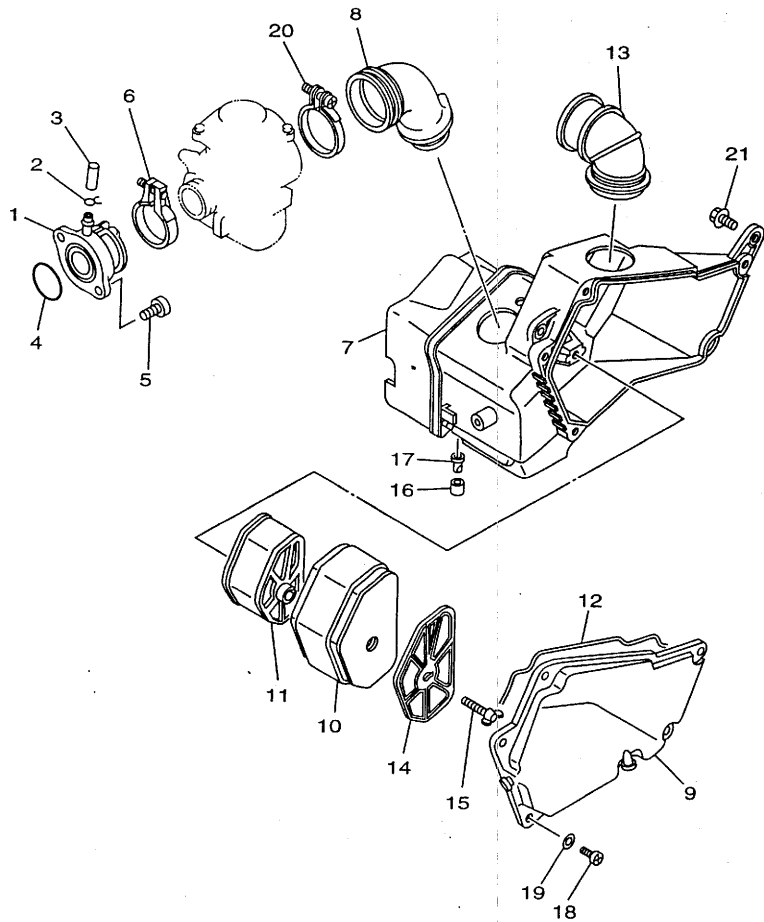


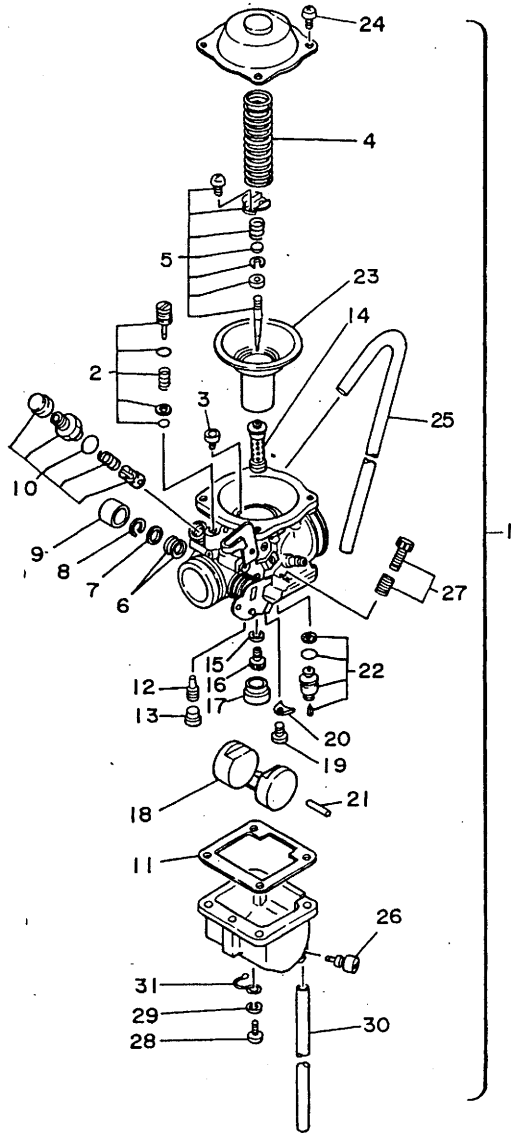
FIG. 7 INTAKE

REF. NO.	PART NO.	DESCRIPTION	3GXB				REMARKS
1	36X-13586-01	JOINT, CARBURETOR 1	1				
2	90467-10035	CLIP	1				
3	16G-13569-00	PLUG, BLIND	1				
4	93210-35537	O-RING	1				
5	91317-06020	BOLT	2				
6	1HX-13575-00	BAND	1				
7	36X-14401-00	AIR CLEANER CASE ASSY	1				
8	36X-14453-01	JOINT, AIR CLEANER 1	1				
9	36X-14412-00	CAP, CLEANER CASE 1	1				
10	36X-14451-00	ELEMENT, AIR CLEANER	1				
11	36X-14458-00	GUIDE	1				
12	36X-14452-00	SEAL	1				
13	36X-14437-00	DUCT	1				
14	36X-14468-00	PLATE, ELEMENT FITTING	1				
15	90122-06012	BOLT, WING	1				
16	90387-051K7	COLLAR	1				
17	24W-13512-00	VALVE, ROTARY	1				
18	98507-05016	SCREW, PAN HEAD	5				
19	92907-05600	WASHER, PLATE	5				
20	90460-56105	CLAMP, HOSE	1				
21	95807-06016	BOLT, FLANGE	2				



3GXB200-7070

FIG. 8 CARBURETOR



REF. NO.	PART NO.	DESCRIPTION	3GXB	REMARKS
1	36X-14901-01	CARBURETOR ASSY 1	1	
2	36X-14105-00	.PILOT SCREW SET	1	
3	3G2-14231-25	.JET, MAIN (#125)	1	
4	36X-14933-01	.SPRING, DIAPHRAGM	1	
5	36X-1490J-00	.NEEDLE SET	1	
6	256-14997-00	.SEAL	2	
7	22F-14126-00	.GASKET	1	
8	812-14137-00	.CLIP	1	
9	36X-14169-00	.CAP	1	
10	36X-1410A-00	.STARTER SET	1	
11	46X-14984-00	.GASKET, FLOAT CHAMBER	1	
12	4G0-14142-35	.JET, PILOT (# 35)	1	
13	3F7-14991-00	.SCREW	1	
14	36X-14941-42	.NOZZLE, MAIN	1	
15	137-14153-00	.WASHER, MAIN JET	1	
16	620-14231-74	.JET, MAIN (#117.5)	1	
17	36X-14153-00	.WASHER, MAIN JET	1	
18	4G0-14985-00	.FLOAT	1	
19	97802-04006	.SCREW, PAN HEAD	1	
20	36X-14146-00	.PLATE	1	
21	537-14186-00	.PIN, FLOAT	1	
22	25G-14107-20	.NEEDLE VALVE SET	1	
23	36X-14940-00	.DIAPHRAGM ASSY	1	
24	97802-05008	.SCREW, PAN HEAD	4	
25	36X-14197-00	.PIPE	1	
26	36X-14191-00	.PLUG, DRAIN	1	
27	36X-1490K-00	.STOP SCREW SET	1	



36X700-3080

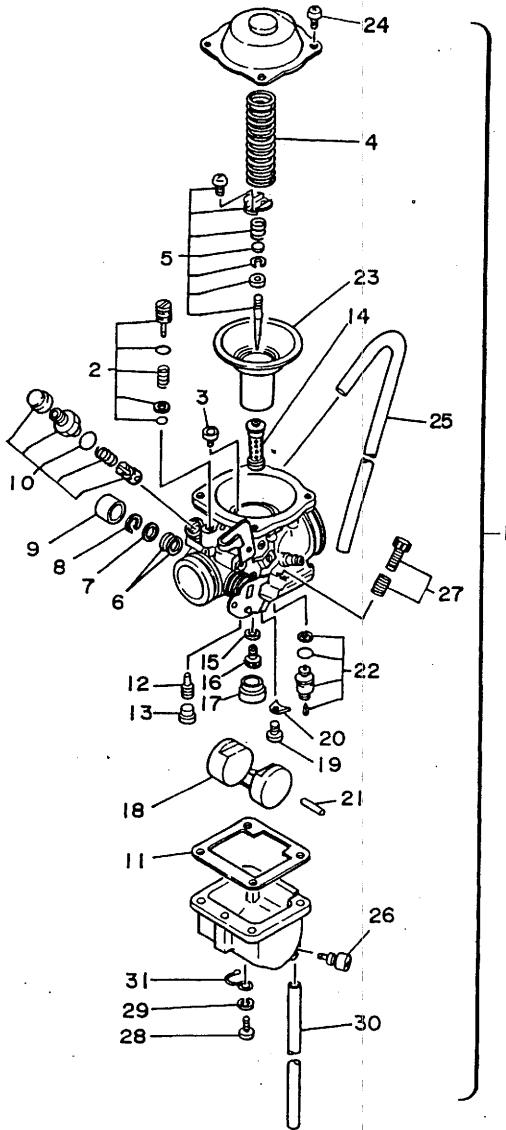


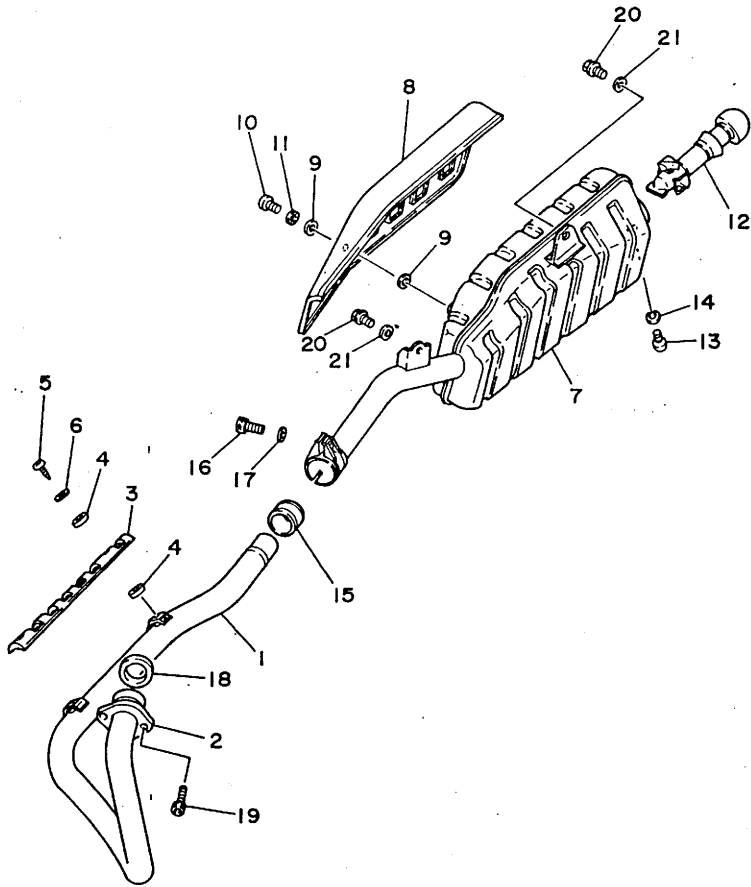
FIG. 8 CARBURETOR

REF. NO.	PART NO.	DESCRIPTION	3GXB				REMARKS
28	98502-04014	.SCREW, PAN HEAD	4				
29	92902-04100	.WASHER, SPRING	4				
30	21V-14196-00	.PIPE	1				
31	25G-14937-00	.CLIP	1				



36X700-3080

FIG. 9 EXHAUST



REF. NO.	PART NO.	DESCRIPTION	3GXB				REMARKS
1	36X-14611-01	PIPE, EXHAUST 1	1				
2	5H0-14612-00	NUT, RING	1				
3	36X-14628-01	PROTECTOR, EXHAUST PIPE	1				
4	4BD-14766-00	WASHER, PROTECTOR	4				
5	98907-06010	SCREW, BIND	2				
6	90206-06090	WASHER, WAVE	2				
7	36X-14711-01	MUFFLER 1	1				
8	36X-14728-00	PROTECTOR, MUFFLER 2	1				
9	4BD-14766-00	WASHER, PROTECTOR	4				
10	98907-06010	SCREW, BIND	2				
11	90206-06090	WASHER, WAVE	2				
12	36X-14752-02	PIPE, OUTLET	1				
13	98507-06010	SCREW, PAN HEAD	1				
14	92907-06600	WASHER, PLATE	1				
15	3YF-14714-00	GASKET, MUFFLER	1				
16	91317-08025	BOLT	1				
17	92907-08600	WASHER, PLATE	1				
18	4BE-14613-00	GASKET, EXHAUST PIPE	1				
19	91317-06020	BOLT	2				
20	90105-08141	BOLT, WASHER BASED	2				
21	90201-08326	WASHER, PLATE	2				



3GX700-8090

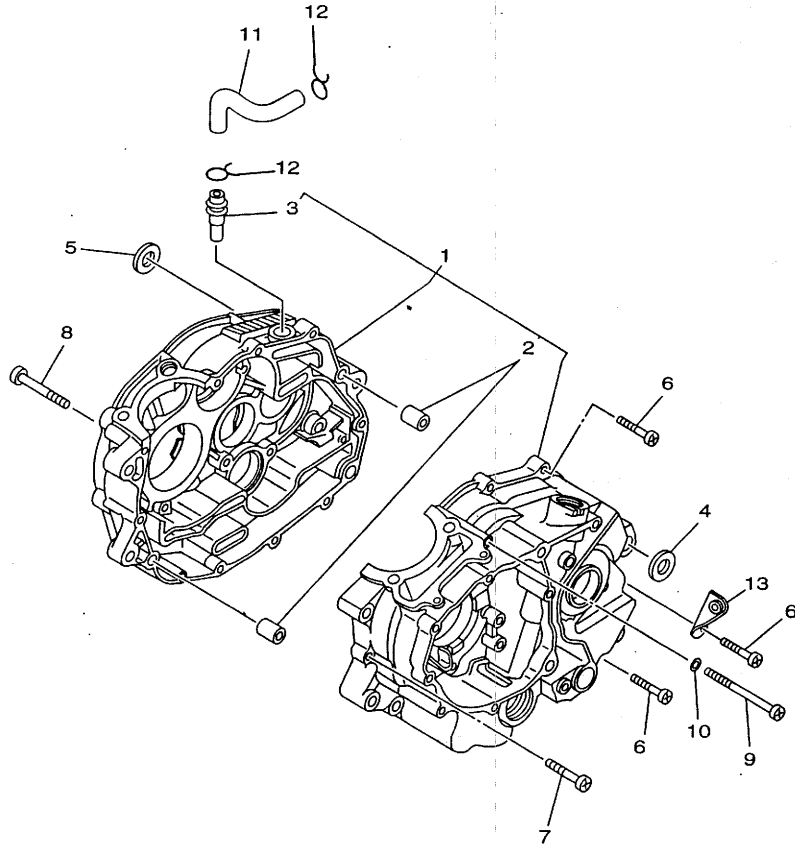


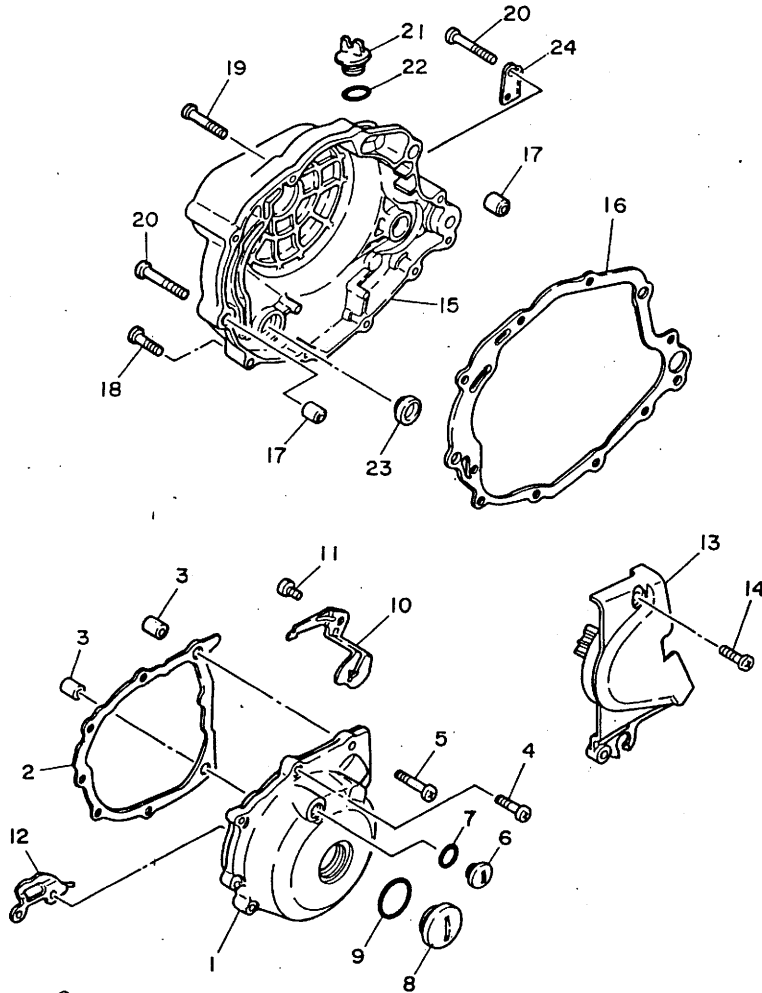
FIG. 10 CRANKCASE

REF. NO.	PART NO.	DESCRIPTION	3GXB				REMARKS
1	36X-15100-02	CRANKCASE ASSY	1				
2	99530-12016	.PIN, DOWEL	2				
3	371-11167-01	.PIPE, BREATHER 2	1				
4	90387-125F1	COLLAR	1				
5	90387-125F1	COLLAR	1				
6	98507-06030	SCREW, PAN HEAD	7				
7	98507-06040	SCREW, PAN HEAD	2				
8	98507-06080	SCREW, PAN HEAD	2				
9	98507-06085	SCREW, PAN HEAD	1				
10	90430-06014	GASKET	1				
11	36X-11166-00	PIPE, BREATHER 1	1				
12	90467-14015	CLIP	2				
13	90465-08200	CLAMP	1				



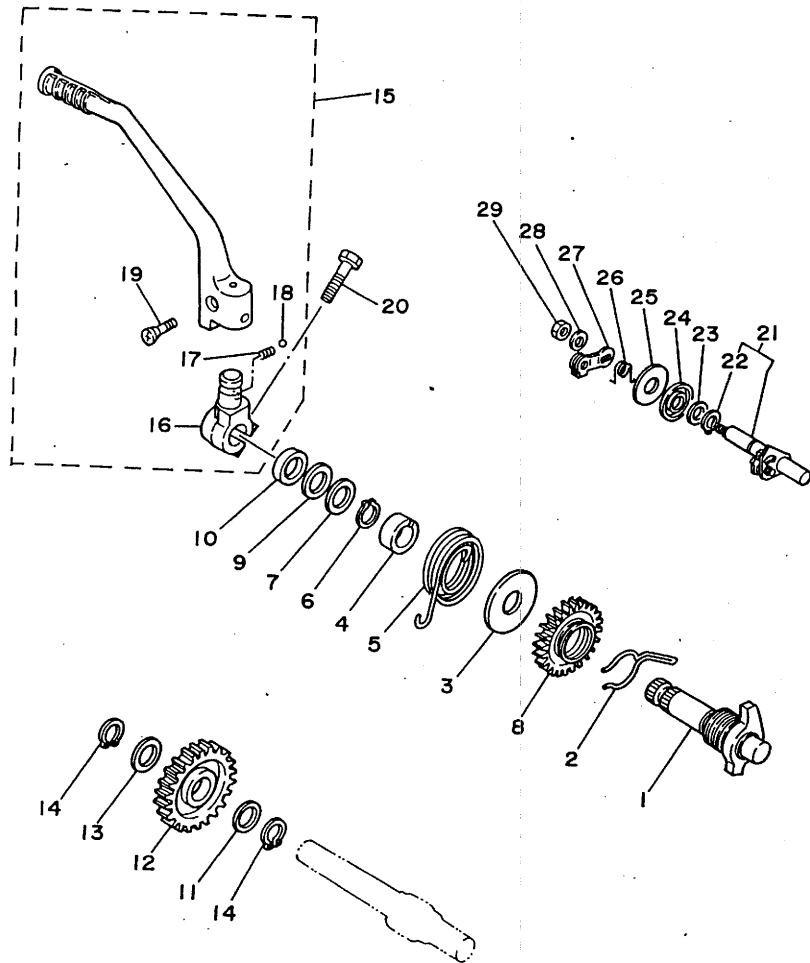
3GXB200-7100

FIG. 11 CRANKCASE COVER 1



36X700-3110

REF. NO.	PART NO.	DESCRIPTION	3GXB				REMARKS
1	36X-15411-00	COVER, CRANKCASE 1	1				
2	15A-15451-01	GASKET, CRANKCASE COVER 1	1				
3	99530-12016	PIN, DOWEL	2				
4	98507-06025	SCREW, PAN HEAD	6				
5	98507-06035	SCREW, PAN HEAD	2				
6	90340-14068	PLUG, STRAIGHT SCREW	1				
7	93210-14369	O-RING	1				
8	90340-32116	PLUG, STRAIGHT SCREW	1				
9	93210-32172	O-RING	1				
10	90465-08188	CLAMP	1				
11	98507-06010	SCREW, PAN HEAD	1				
12	90465-16187	CLAMP	1				
13	36X-15421-01	COVER, CRANKCASE 2	1				
14	98507-06025	SCREW, PAN HEAD	2				
15	36X-15431-01	COVER, CRANKCASE 3	1				
16	4BE-15462-00	GASKET, CRANKCASE COVER 3	1				
17	99530-12016	PIN, DOWEL	2				
18	98507-06025	SCREW, PAN HEAD	5				
19	98507-06035	SCREW, PAN HEAD	3				
20	98507-06045	SCREW, PAN HEAD	2				
21	3Y1-15363-00	PLUG, OIL	1				
22	93210-19123	O-RING	1				
23	3Y1-15361-00	GAUGE, LEVEL	1				
24	36X-15378-00	HOLDER	1				

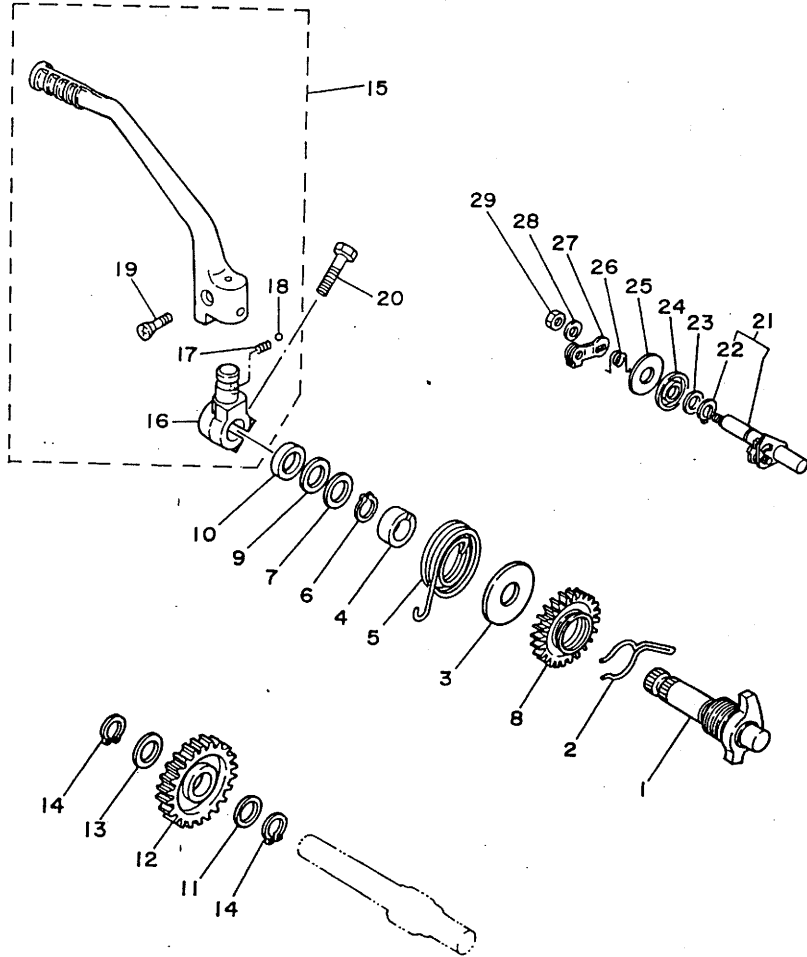


36X700-3120

FIG. 12 STARTER

REF. NO.	PART NO.	DESCRIPTION	3GXB				REMARKS
1	36X-15660-01	KICK AXLE ASSY	1				
2	90468-26122	CLIP	1				
3	401-15676-00	COVER, SPRING	1				
4	15A-15666-00	SPACER	1				
5	90508-26538	SPRING, TORSION	1				
6	99009-17400	CIRCLIP	1				
7	90201-175F6	WASHER, PLATE	1				
8	36X-15641-00	GEAR, KICK	1				
9	90209-17226	WASHER	1				
10	93102-17263	OIL SEAL	1				
11	90201-173F4	WASHER, PLATE	1				
12	15A-15651-01	GEAR, KICK IDLE (28T)	1				
13	90214-17028	WASHER, CLAW	1				
14	99009-17400	CIRCLIP	2				
15	36X-15620-01	KICK CRANK ASSY	1				
16	36X-15621-01	.BOSS, KICK CRANK	1				
17	90501-12081	.SPRING, COMPRESSION	1				
18	93507-32009	.BALL	1				
19	90157-06048	.SCREW, PAN HEAD	1				
20	97027-08030	BOLT	1				
21	36X-1561A-00	DECOMP. LEVER ASSY	1				
22	99009-10400	.CIRCLIP	1				
23	90201-10644	WASHER, PLATE	1				
24	93102-10207	OIL SEAL (SD 10-21-5 HS)	1				
25	90201-10135	WASHER, PLATE	1				
26	90508-14620	SPRING, TORSION	1				
27	36X-1561G-00	LEVER, CABLE	1				

FIG. 12 STARTER



REF. NO.	PART NO.	DESCRIPTION	3GXB				REMARKS
28	92907-06600	WASHER, PLATE	1				
29	95317-06700	NUT	1				



36X700-3120

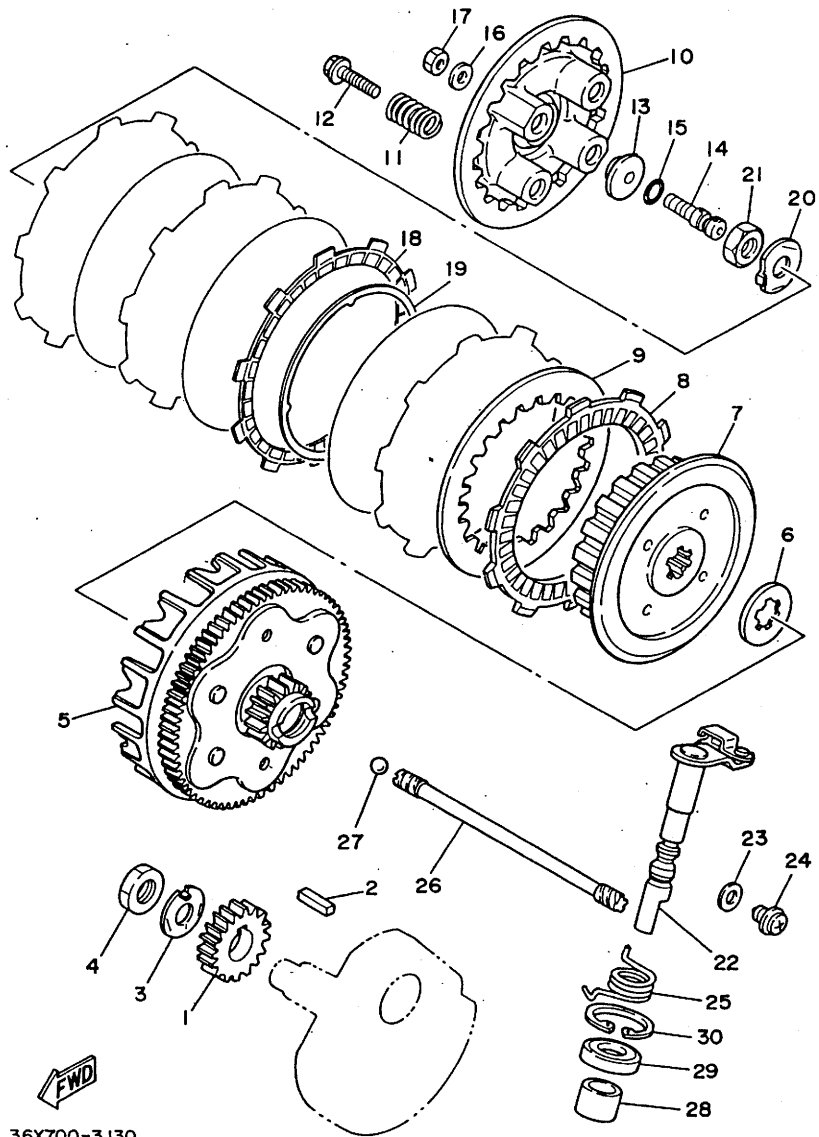


FIG. 13 CLUTCH

REF. NO.	PART NO.	DESCRIPTION	3GXB	REMARKS
28	90386-14103	BUSH	1	
29	93102-14209	OIL SEAL	1	
30	93420-28055	CIRCLIP	1	

FWD

36X700-3130

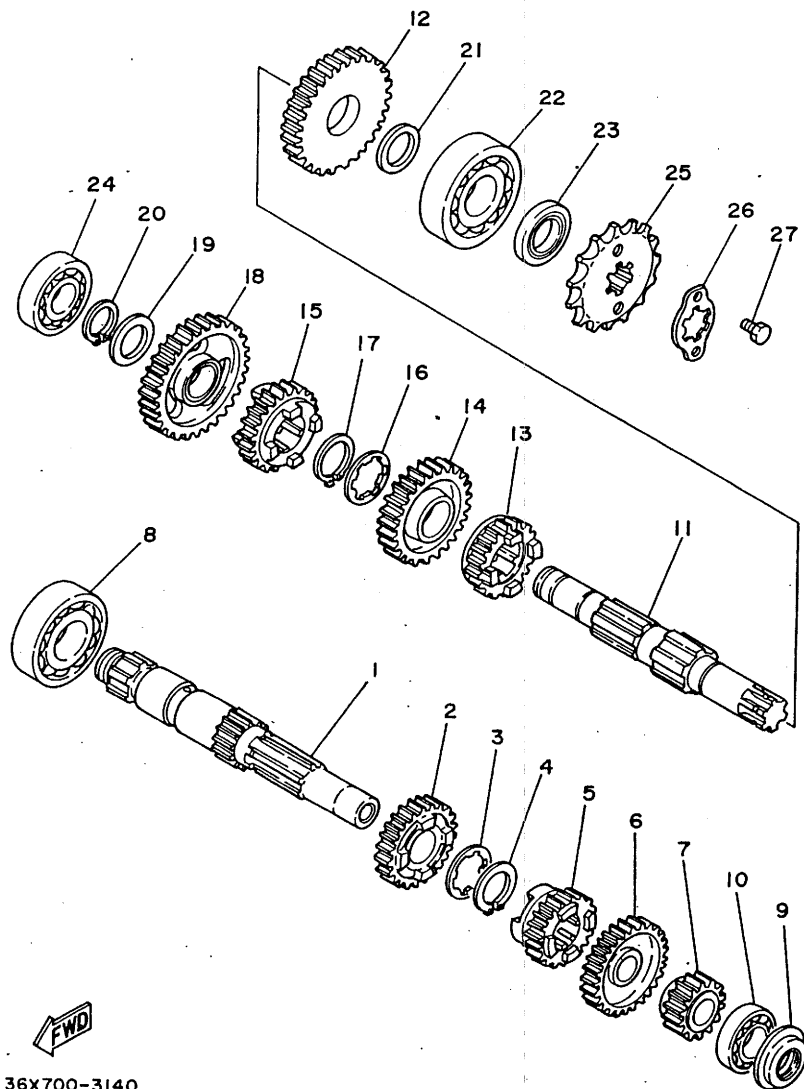
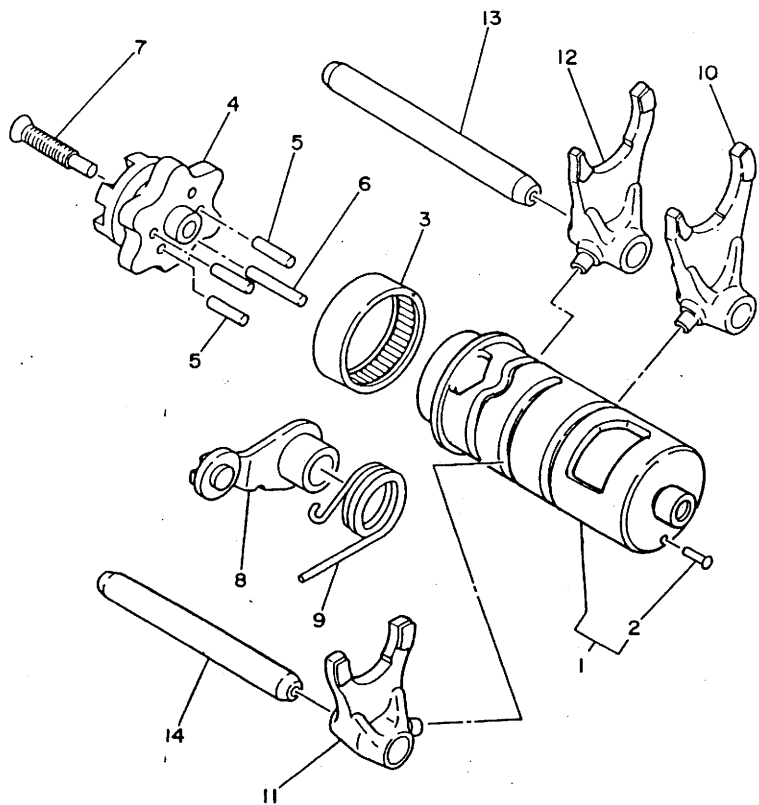


FIG. 14 TRANSMISSION

REF. NO.	PART NO.	DESCRIPTION	3GXB	REMARKS
1	36X-17411-00	AXLE, MAIN	1	
2	36X-17141-01	GEAR, 4TH PINION	1	
3	90209-16209	WASHER	1	
4	93410-20038	CIRCLIP	1	
5	24W-17131-00	GEAR, 3RD PINION (21T)	1	
6	36X-17151-00	GEAR, 5TH PINION	1	
7	24W-17121-00	GEAR, 2ND PINION (15T)	1	
8	93306-20401	BEARING (B6204)	1	
9	93101-15101	OIL SEAL	1	
10	93306-20201	BEARING (B6202)	1	
11	15A-17402-01	DRIVE AXLE ASSY	1	
12	36X-17221-00	GEAR, 2ND WHEEL	1	
13	36X-17251-00	GEAR, 5TH WHEEL	1	
14	24W-17231-00	GEAR, 3RD WHEEL (30T)	1	
15	36X-17241-01	GEAR, 4TH WHEEL	1	
16	90209-18208	WASHER	1	
17	93410-22039	CIRCLIP	1	
18	36X-17211-00	GEAR, 1ST WHEEL	1	
19	90201-17257	WASHER, PLATE	1	
20	99009-17400	CIRCLIP	1	
21	90201-203E7	WASHER, PLATE	1	
22	93306-30424	BEARING (B6304A3)	1	
23	93102-20242	OIL SEAL	1	
24	93306-20332	BEARING	1	
25	93822-14043	SPROCKET,DRIVE 14T (5N01746141)	1	
26	5H0-17456-00	HOLDER, SPROCKET	1	
27	97027-06010	BOLT	2	

36X700-3140

FIG. 15 SHIFT CAM. FORK



REF. NO.	PART NO.	DESCRIPTION	3GXB	REMARKS
1	36X-18540-00	SHIFT CAM ASSY	1	
2	136-18542-00	.POINT, NEUTRAL	1	
3	93315-23607	BEARING	1	
4	5H0-18185-01	SEGMENT	1	
5	93604-16092	PIN, DOWEL	4	
6	93604-20156	PIN, DOWEL	1	
7	90151-06013	SCREW, COUNTERSUNK	1	
8	4G0-18140-00	STOPPER LEVER ASSY	1	
9	90508-26539	SPRING, TORSION	1	
10	36X-18513-00	FORK, SHIFT 3	1	
11	4JG-18511-00	FORK, SHIFT 1	1	
12	4JG-18512-01	FORK, SHIFT 2	1	
13	3GX-18531-00	BAR, SHIFT FORK GUIDE 1	1	
14	3GX-18535-00	BAR, SHIFT FORK GUIDE 2	1	



36X700-3150

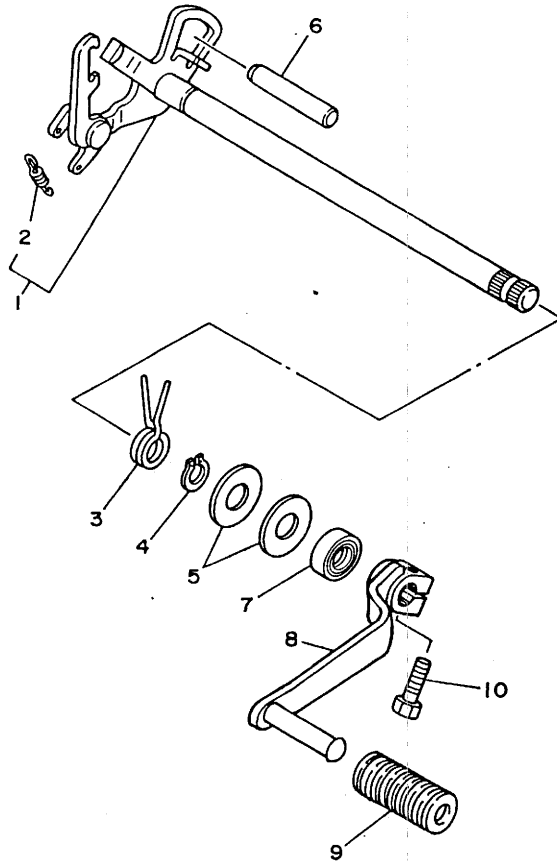


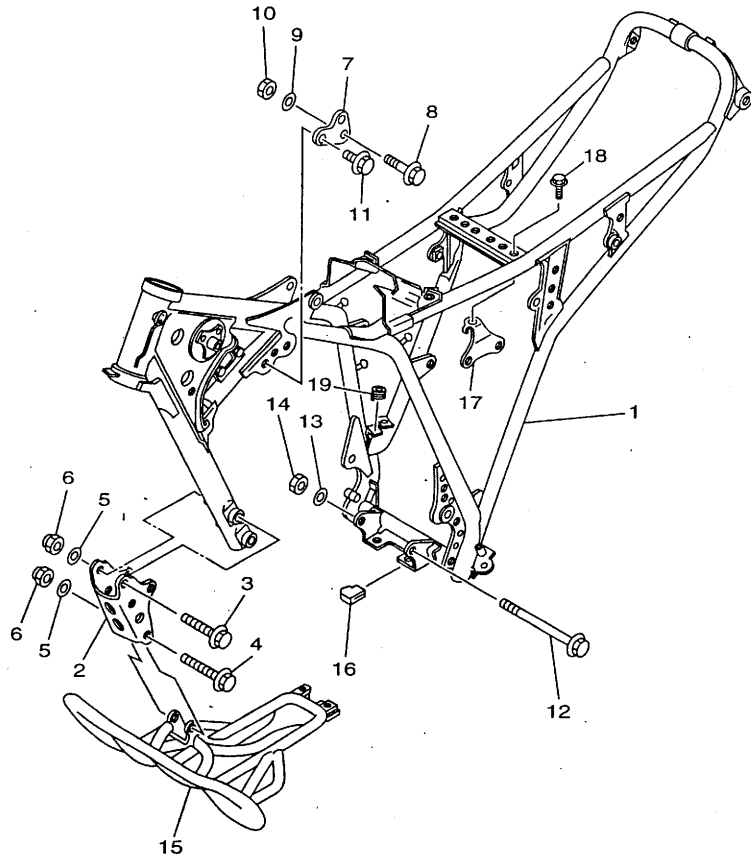
FIG. 16 SHIFT SHAFT

REF. NO.	PART NO.	DESCRIPTION	3GX8					REMARKS
1	5H0-18120-02	SHIFT LEVER ASSY	1					
2	90506-08227	.SPRING, TENSION	1					
3	90508-29540	SPRING, TORSION	1					
4	99001-10600	CIRCLIP	1					
5	90201-12588	WASHER, PLATE	2					
6	93608-50158	PIN, DOWEL	1					
7	93102-12106	OIL SEAL (SD 12-22-5 HS)	1					
8	36X-18111-00	PEDAL, SHIFT	1					
9	132-18113-01	COVER, SHIFT PEDAL	1					
10	97027-06020	BOLT	1					



3GX700-8160

FIG. 17 FRAME

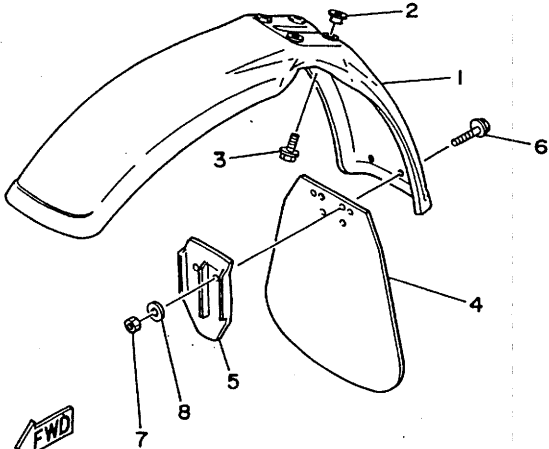
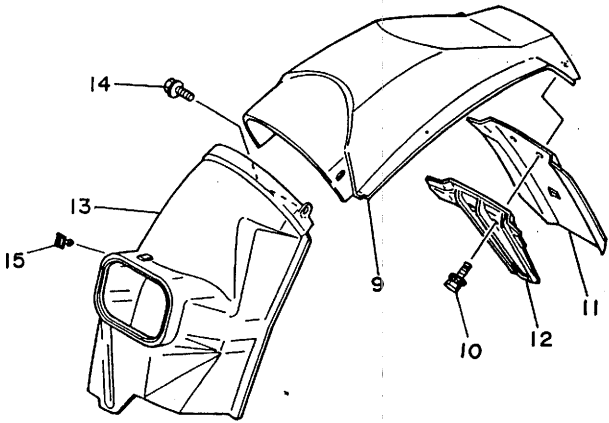


REF. NO.	PART NO.	DESCRIPTION	3GXB	REMARKS
1	3GX-21110-00-33	FRAME COMP.	1	YB
2	36X-21316-00	STAY, ENGINE 3	1	
3	95817-08065	BOLT, FLANGE	3	
4	95817-08070	BOLT, FLANGE	1	
5	90201-08366	WASHER, PLATE	4	
6	90185-08089	NUT, SELF-LOCKING	4	
7	36X-21315-00	STAY, ENGINE 2	1	
8	95817-08050	BOLT, FLANGE	1	
9	90201-08366	WASHER, PLATE	1	
10	90185-08089	NUT, SELF-LOCKING	1	
11	90105-08066	BOLT, WASHER BASED	2	
12	95827-08120	BOLT, FLANGE	1	
13	90201-08366	WASHER, PLATE	1	
14	90185-08089	NUT, SELF-LOCKING	1	
15	36X-21471-00	PROTECTOR, ENGINE	1	
16	36X-21485-00	DAMPER, RUBBER 1	2	
17	36X-21287-00	BRACKET, REGULATOR	1	
18	95807-06008	BOLT, FLANGE	1	
19	90480-14229	GROMMET	1	



3GXB200-7170

FIG. 18 FENDER

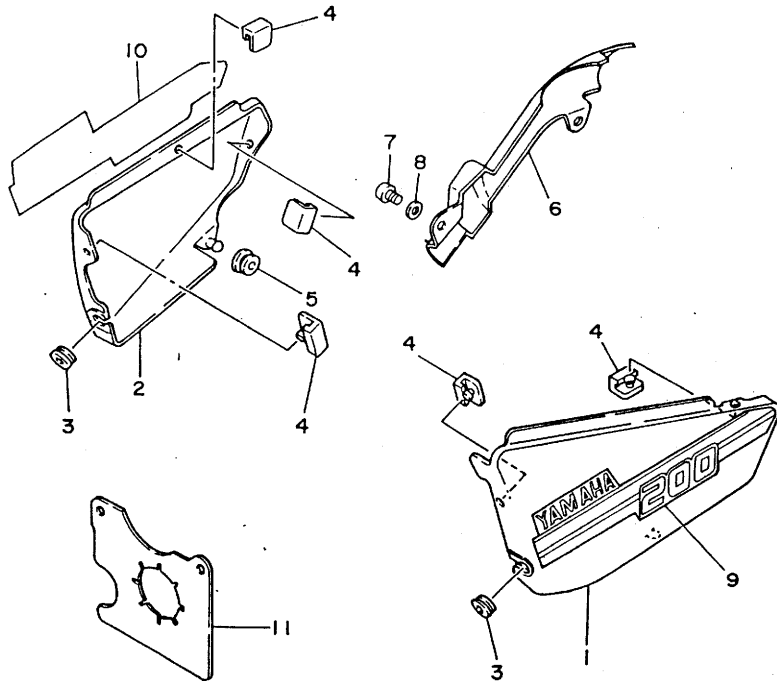


REF. NO.	PART NO.	DESCRIPTION	3GXB				REMARKS
1	36X-21511-40	FENDER, FRONT	1				
2	90387-062V8	COLLAR	4				
3	90119-06063	BOLT, WITH WASHER	4				
4	36X-21521-00	FLAP, FRONT FENDER	1				
5	36X-21522-00	BAND, FLAP	1				
6	90159-06085	SCREW, WITH WASHER	2				
7	95307-06700	NUT	2				
8	90201-06557	WASHER, PLATE	2				
9	36X-21611-20	FENDER, REAR	1				
10	90119-06097	BOLT, WITH WASHER	2				
11	36X-21621-00	FLAP	1				
12	36X-21622-00	BAND, FLAP	1				
13	36X-21629-01	GUARD, MUD	1				
14	90119-06063	BOLT, WITH WASHER	2				
15	90464-13249	CLAMP	2				

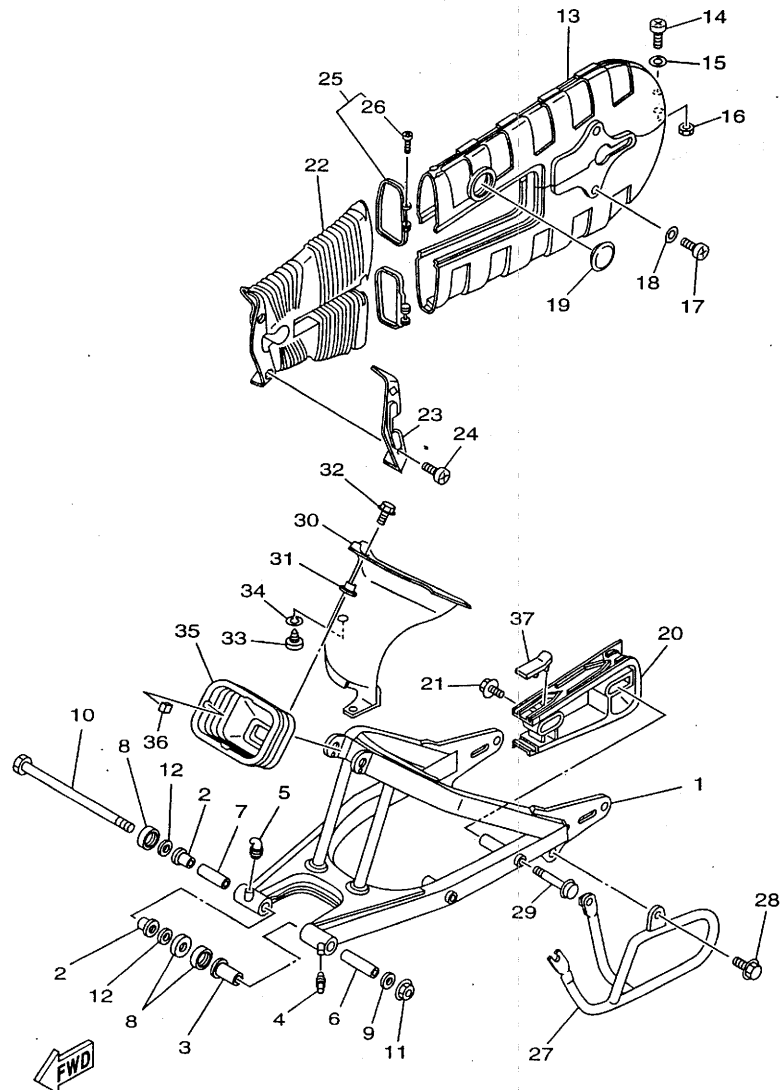
36X700-3180

FIG. 19 SIDE COVER

REF. NO.	PART NO.	DESCRIPTION	3GXB	REMARKS
1	36X-21711-20	COVER, SIDE 1	1	
2	36X-21721-20	COVER, SIDE 2	1	
3	90480-12320	GROMMET	3	
4	3M7-21746-00	DAMPER	5	
5	90480-01141	GROMMET	1	
6	36X-2172A-00	PANEL 1	1	
7	98507-06012	SCREW, PAN HEAD	2	
8	92907-06600	WASHER, PLATE	2	
9	3GX-2173E-10	GRAPHIC 1	1	
10	3GX-2173F-10	GRAPHIC 2	1	
11	36X-2177F-00	COVER	1	



3GX9700-6190

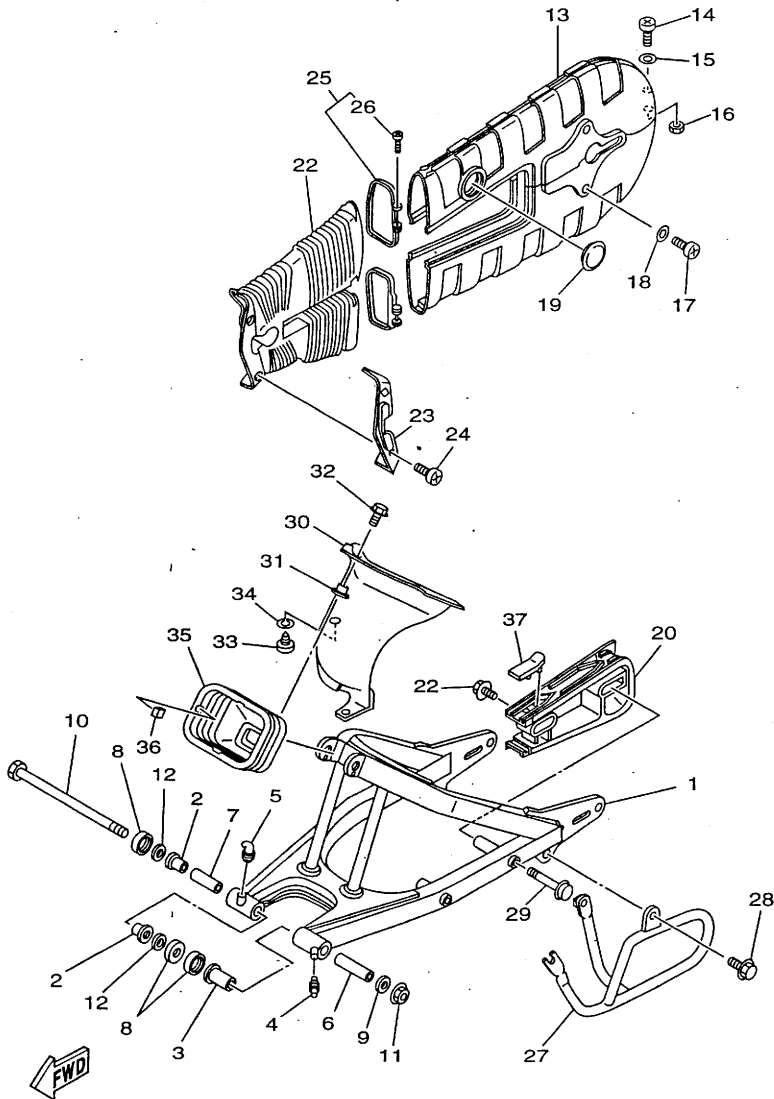


3GXB200-7200

FIG. 20 REAR ARM

REF. NO.	PART NO.	DESCRIPTION	3GXB				REMARKS
1	36X-22110-00-35	REAR ARM COMP.	1				SL
2	15A-22123-00	BUSH 1	2				
3	90386-18028	BUSH	1				
4	93700-06004	NIPPLE, GREASE	1				
5	93700-06009	NIPPLE, GREASE	1				
6	36X-22126-00	COLLAR, DISTANCE	1				
7	36X-22126-10	COLLAR, DISTANCE	1				
8	401-22128-01	SEAL, GUARD	3				
9	93109-18020	OIL SEAL	1				
10	36X-22141-01	SHAFT, PIVOT	1				
11	90185-12072	NUT, SELF-LOCKING	1				
12	401-22127-00	SHIM	1				UN
13	36X-22310-00-35	CHAIN CASE ASSY	1				SL
14	98507-06045	SCREW, PAN HEAD	1				
15	92907-06600	WASHER, PLATE	1				
16	95607-06200	NUT, SELF U-FLANGE	1				
17	98507-06016	SCREW, PAN HEAD	2				
18	92907-06600	WASHER, PLATE	2				
19	148-22315-00	CAP	1				
20	36X-22358-00	SEAL 1	1				
21	90119-06074	BOLT, WITH WASHER	1				
22	36X-22325-00	COVER, DUST	1				
23	36X-22324-00	STAY, DUST COVER	1				
24	98507-05008	SCREW, PAN HEAD	2				
25	36X-22323-00	STAY, CHAIN CASE 3	2				
26	98507-04030	SCREW, PAN HEAD	1				
27	36X-22318-00	GUARD, CHAIN	1				

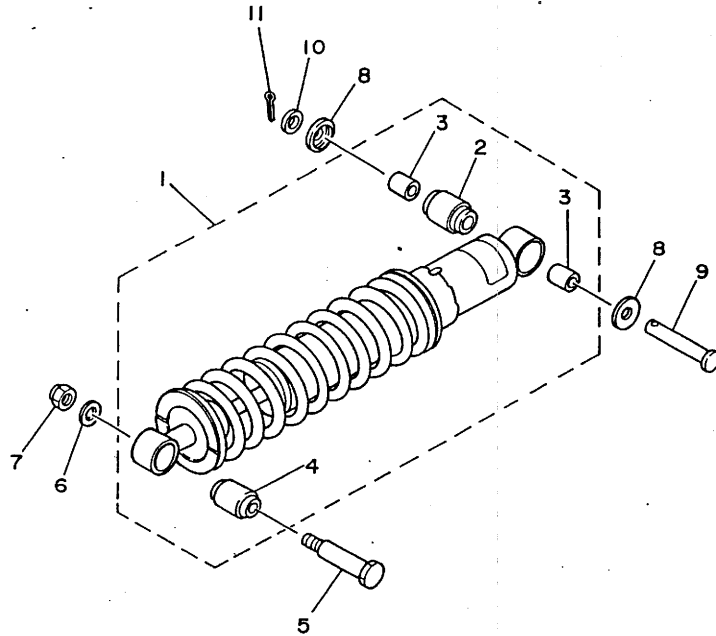
FIG. 20 REAR ARM



REF. NO.	PART NO.	DESCRIPTION	3GXB	REMARKS
28	95807-08012	BOLT, FLANGE	2	
29	95827-08090	BOLT, FLANGE	1	
30	36X-22327-00	MUD GUARD 1	1	
31	90387-06681	COLLAR	1	
32	95807-06016	BOLT, FLANGE	1	
33	97707-50512	SCREW, TAPPING	2	
34	90201-05032	WASHER, PLATE	2	
35	36X-22189-00	BOOT, RUBBER	1	
36	90468-06134	CLIP	4	
37	36X-22151-00	SEAL, GUARD	1	

3GXB200-7200

FIG. 21 REAR SUSPENSION

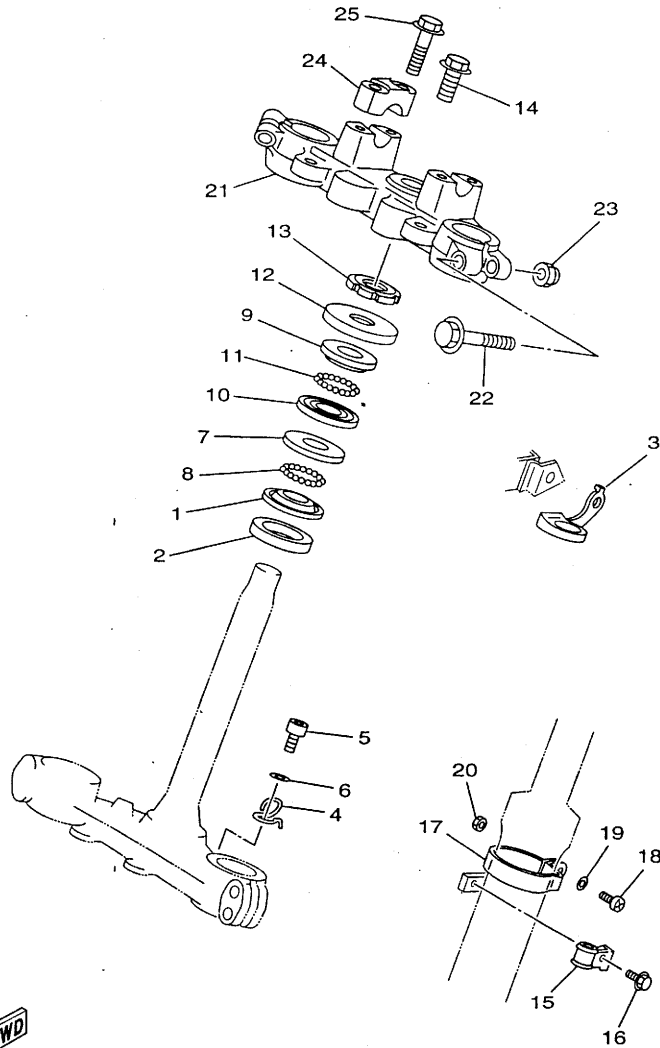


REF. NO.	PART NO.	DESCRIPTION	3GXB				REMARKS
1	36X-22210-10	SHOCK ABSORBER ASSY, REAR	1				
2	3R4-22226-00	.BUSH, SHOCK ABSORBER LOWER	1				
3	90380-12051	.BUSH, SOLID	2				
4	1YW-22216-00	.BUSH, REAR SHOCK ABSORBER	1				
5	90109-10554	BOLT	1				
6	90201-10126	WASHER, PLATE	1				
7	95607-10100	NUT, U	1				
8	1W1-22128-00	COVER, THRUST 1	2				
9	90240-12092	PIN, CLEVIS	1				
10	92907-12600	WASHER	1				
11	91401-25020	PIN, COTTER	1				



36X700-3210

FIG. 22 STEERING

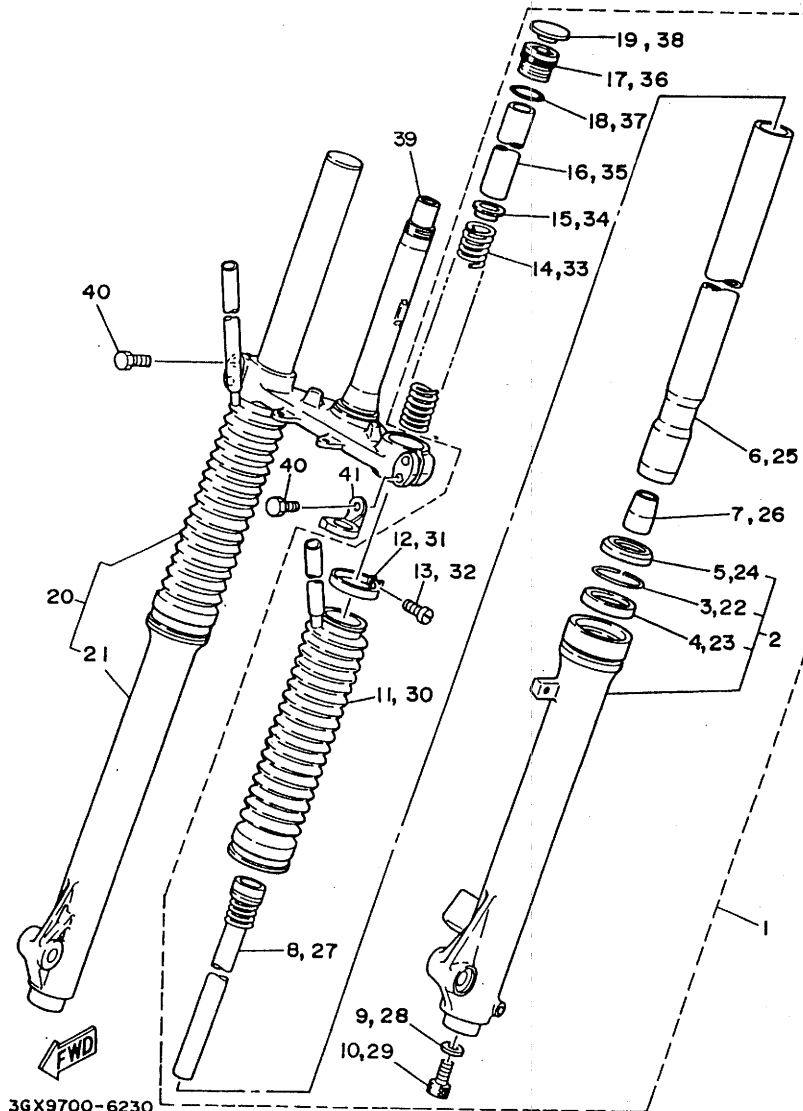


REF. NO.	PART NO.	DESCRIPTION	3GXB				REMARKS
1	156-23411-00	RACE, BALL 1	1				
2	164-23462-00	SEAL, STEERING	1				
3	36X-23389-00	GUIDE, CABLE	1				
4	36X-2331E-00	GUIDE, CABLE	1				
5	98507-06012	SCREW, PAN HEAD	1				
6	92907-06600	WASHER, PLATE	1				
7	156-23412-00	RACE, BALL 2	1				
8	93501-04011	BALL	19				
9	22F-23411-01	RACE, BALL 1	1				
10	22F-23412-01	RACE, BALL 2	1				
11	93503-16003	BALL	22				
12	36X-23416-00	COVER, BALL RACE 2	1				
13	90179-25033	NUT	1				
14	90105-14102	BOLT, WASHER BASED	1				
15	3Y1-23319-00	HOLDER, CABLE 2	1				
16	95807-06012	BOLT, FLANGE	1				
17	3R9-23318-00	HOLDER, CABLE 1	1				
18	98507-05016	SCREW, PAN HEAD	1				
19	92907-05600	WASHER, PLATE	1				
20	95307-05600	NUT	1				
21	36X-23435-00	CROWN, HANDLE	1				
22	95827-10060	BOLT, FLANGE	2				
23	90185-10091	NUT, SELF-LOCKING	2				
24	1E6-23441-10-98	HOLDER, HANDLE UPPER	2				LGB
25	95827-08035	BOLT, FLANGE	4				



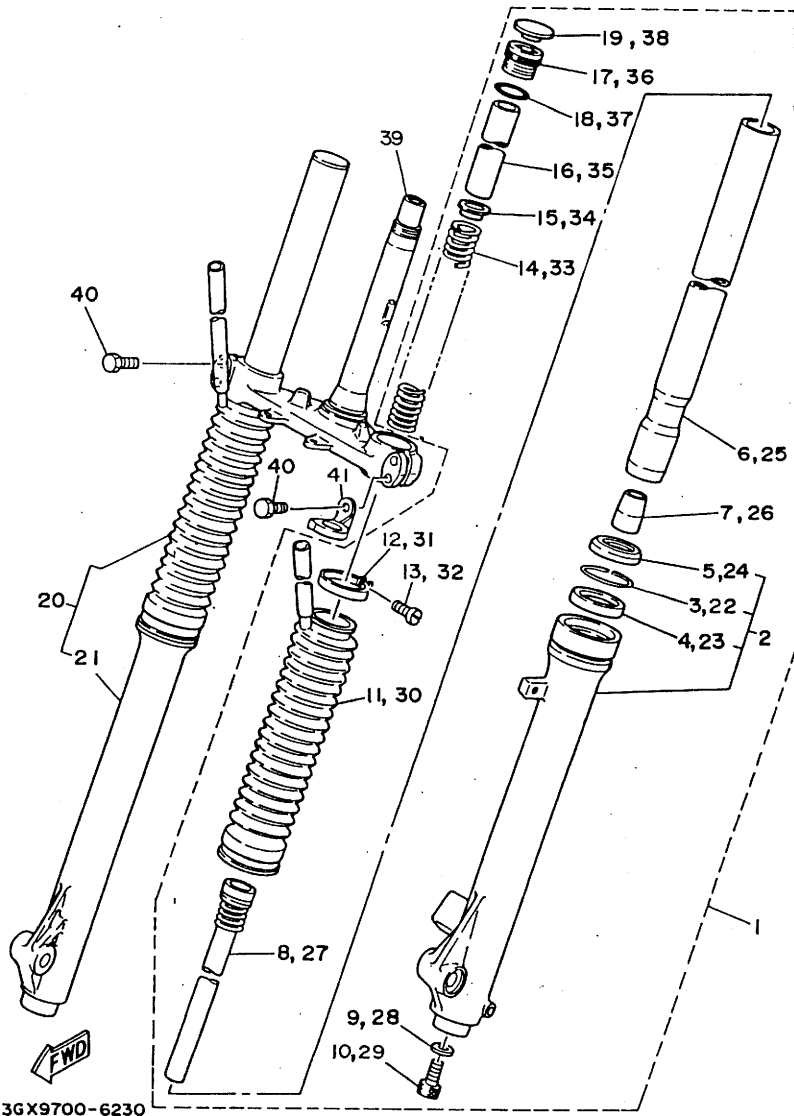
3GXB200-7220

FIG. 23 FRONT FORK

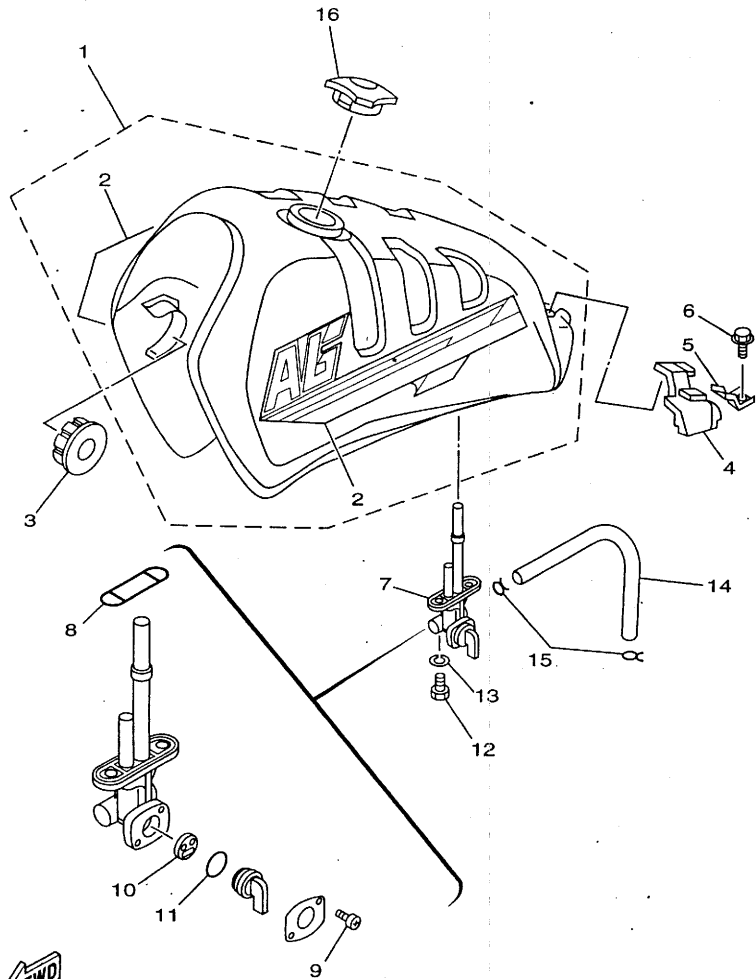


REF. NO.	PART NO.	DESCRIPTION	3GXB	REMARKS
1	36X-23102-10	FRONT FORK ASSY (L.H)	1	
2	36X-23107-00-35	.OUTER TUBE COMP. (R.H)	1	SL
3	4A1-23156-00	.CLIP, OIL SEAL	1	
4	1T3-23145-00	.OIL SEAL	1	
5	3R2-23144-00	.SEAL, DUST	1	
6	36X-23110-00	.INNER TUBE COMP.1	1	
7	1W1-23173-L0	.SPINDLE, TAPER	1	
8	36X-23170-00	.CYLINDER COMP., FRONT FORK	1	
9	509-23158-L0	.GASKET	1	
10	278-23181-50	.BOLT, HEXAGON SOCKET HEAD	1	
11	36X-23191-10	.BOOT	1	
12	36X-23192-00	.BAND	1	
13	4V2-23194-L0	.SCREW, BOOT BAND	1	
14	36X-23141-00	.SPRING, FRONT FORK	1	
15	3DM-23149-10	.WASHER, SPRING UPPER	1	
16	36X-23118-00	.SPACER	1	
17	1U6-23111-M1	.BOLT, CAP	1	
18	240-23114-00	.GASKET	1	
19	1U6-23168-M0	.CAP, FRONT FORK	1	
20	36X-23103-10	FRONT FORK ASSY (R.H)	1	
21	36X-23106-00-35	.OUTER TUBE COMP. (L.H)	1	SL
22	4A1-23156-00	.CLIP, OIL SEAL	1	
23	1T3-23145-00	.OIL SEAL	1	
24	3R2-23144-00	.SEAL, DUST	1	
25	36X-23110-00	.INNER TUBE COMP.1	1	
26	1W1-23173-L0	.SPINDLE, TAPER	1	
27	36X-23170-00	.CYLINDER COMP., FRONT FORK	1	

FIG. 23 FRONT FORK



REF. NO.	PART NO.	DESCRIPTION	3GXB	REMARKS
28	509-23158-L0	.GASKET	1	
29	278-23181-50	.BOLT, HEXAGON SOCKET HEAD	1	
30	36X-23191-10	.BOOT	1	
31	36X-23192-00	.BAND	1	
32	4V2-23194-L0	.SCREW, BOOT BAND	1	
33	36X-23141-00	.SPRING, FRONT FORK	1	
34	3DM-23149-10	.WASHER, SPRING UPPER	1	
35	36X-23118-00	.SPACER	1	
36	1U6-23111-M1	.BOLT, CAP	1	
37	240-23114-00	.GASKET	1	
38	1U6-23168-M0	.CAP, FRONT FORK	1	
39	36X-23340-00-33	UNDER BRACKET COMP.	1	YB
40	3YF-23181-00	BOLT, HEXAGON SOCKET HEAD	4	
41	3R4-23389-00	GUIDE, CABLE	1	

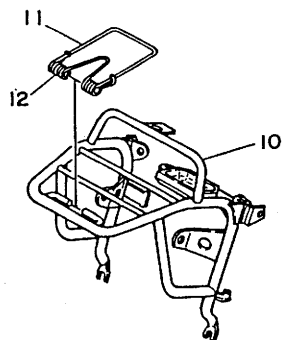
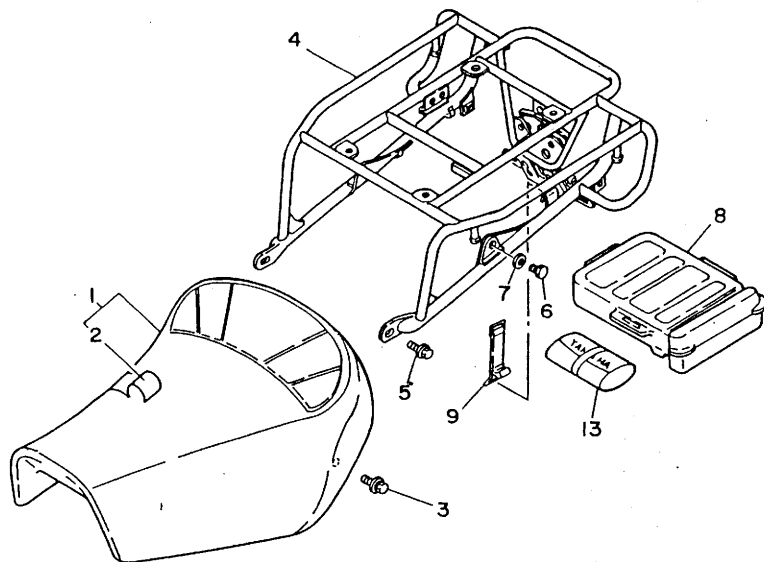


3GXB200-7240

FIG. 24 FUEL TANK

REF. NO.	PART NO.	DESCRIPTION	3GXB				REMARKS
1	36X-24110-10-02	FUEL TANK COMP.	1				YNS3
2	3GX-24240-10	.GRAPHIC SET	1				
3	4H7-24181-00	DAMPER, LOCATING 1	2				
4	36X-24182-00	DAMPER, LOCATING 2	1				
5	36X-24186-00	WASHER, SPECIAL	2				
6	95807-06016	BOLT, FLANGE	2				
7	23F-24500-01	FUEL COCK ASSY 1	1				
8	4X8-24512-00	.O-RING	1				
9	97801-03008	.SCREW, PAN HEAD	2				
10	3AJ-24523-00	.VALVE PACKING	1				
11	3AJ-24534-00	.SEAL, COCK	1				
12	90149-06011	SCREW	2				
13	90202-05193	WASHER, PLATE	2				
14	90445-10638	HOSE	1				
15	90467-09006	CLIP	2				
16	36X-24610-00	CAP ASSY	1				

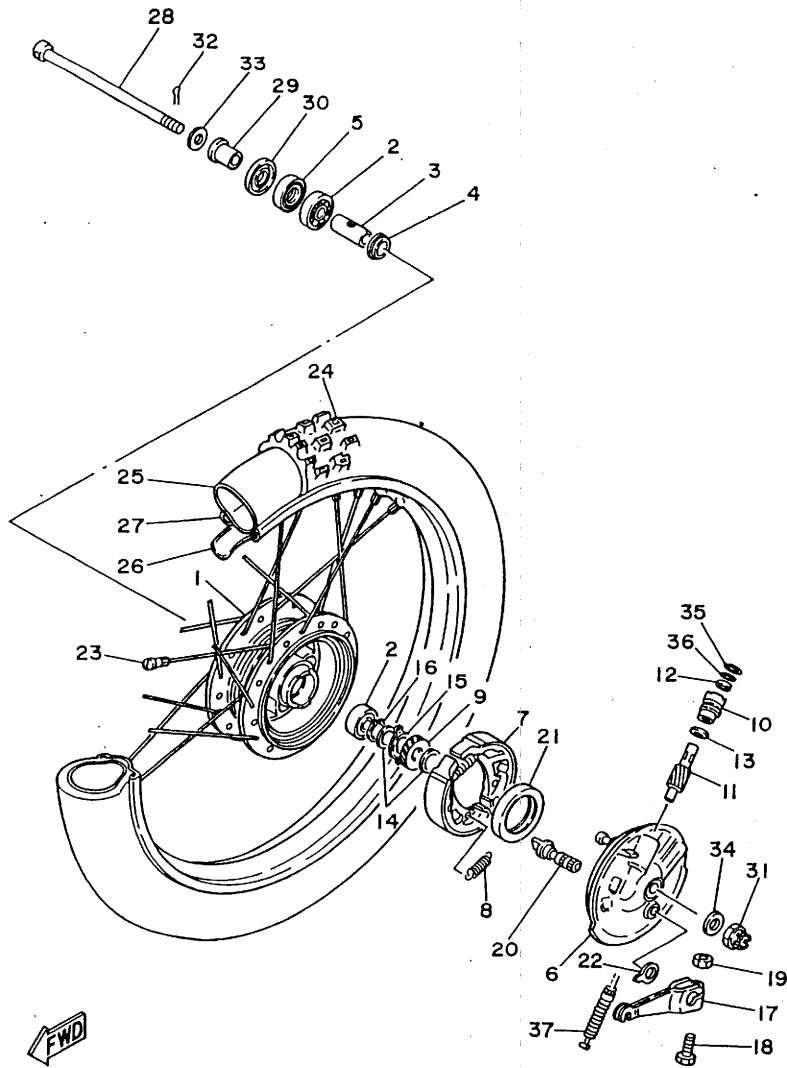
FIG. 25 SEAT



REF. NO.	PART NO.	DESCRIPTION	3GXB				REMARKS
1	3GX-24710-31	SINGLE SEAT ASSY	1				
2	3GX-24711-31	.COVER, SINGLE SEAT	1				
3	90119-06063	BOLT, WITH WASHER	2				
4	36X-24810-00-98	CARRIER ASSY	1				LGB
5	95817-08012	BOLT, FLANGE	2				
6	90105-08141	BOLT, WASHER BASED	1				
7	90201-08326	WASHER, PLATE	1				
8	36X-21107-00	TOOL BOX COMP.	1				
9	36X-2811G-00	BAND	1				
10	36X-24860-00-98	FRONT CARRIER ASSY	1				LGB
11	36X-24862-00	CLAMP, CARRIER	1				
12	36X-24861-00	SPRING, FRONT CARRIER	1				
13	36X-28100-00	TOOL KIT	1				



36X700-3250



3GX5700-2260

FIG. 26 FRONT WHEEL

REF. NO.	PART NO.	DESCRIPTION	3GX				REMARKS
1	248-25111-00-35	HUB, FRONT	1				SL
2	93306-30103	BEARING (B6301Z)	2				
3	90560-12138	SPACER	1				
4	109-25315-00	FLANGE, SPACER	1				
5	93102-18008	OIL SEAL	1				
6	23F-25121-00-35	PLATE, BRAKE SHOE	1				SL
7	4BE-W2536-00	BRAKE SHOE SET	1				
8	90506-15260	SPRING, TENSION	2				
9	36X-25135-00	GEAR, DRIVE	1				
10	109-25136-00	BUSH	1				
11	36X-25138-00	GEAR, METER	1				
12	93104-07003	OIL SEAL	1				
13	90201-07076	WASHER, PLATE	1				
14	90201-20269	WASHER, PLATE	2				
15	183-25149-00	CLUTCH, METER	1				
16	99009-20400	CIRCLIP	1				
17	558-25155-00	LEVER, CAMSHAFT 1	1				
18	90101-06278	BOLT	1				
19	95307-06600	NUT	1				
20	3Y6-25351-00	CAMSHAFT	1				
21	93102-47297	OIL SEAL	1				
22	23F-2533A-00	PLATE, INDICATOR	1				
23	3V6-25104-00	SPOKE SET, FRONT	1				
24	94130-195E9	TIRE (3.00-19)	1				INOUE
25	94227-19292	TUBE (2.75-19)	1				INOUE
26	94327-19111	BAND, RIM (2.75-19)	1				INOUE
27	94416-19263	RIM (1.60-19)	1				

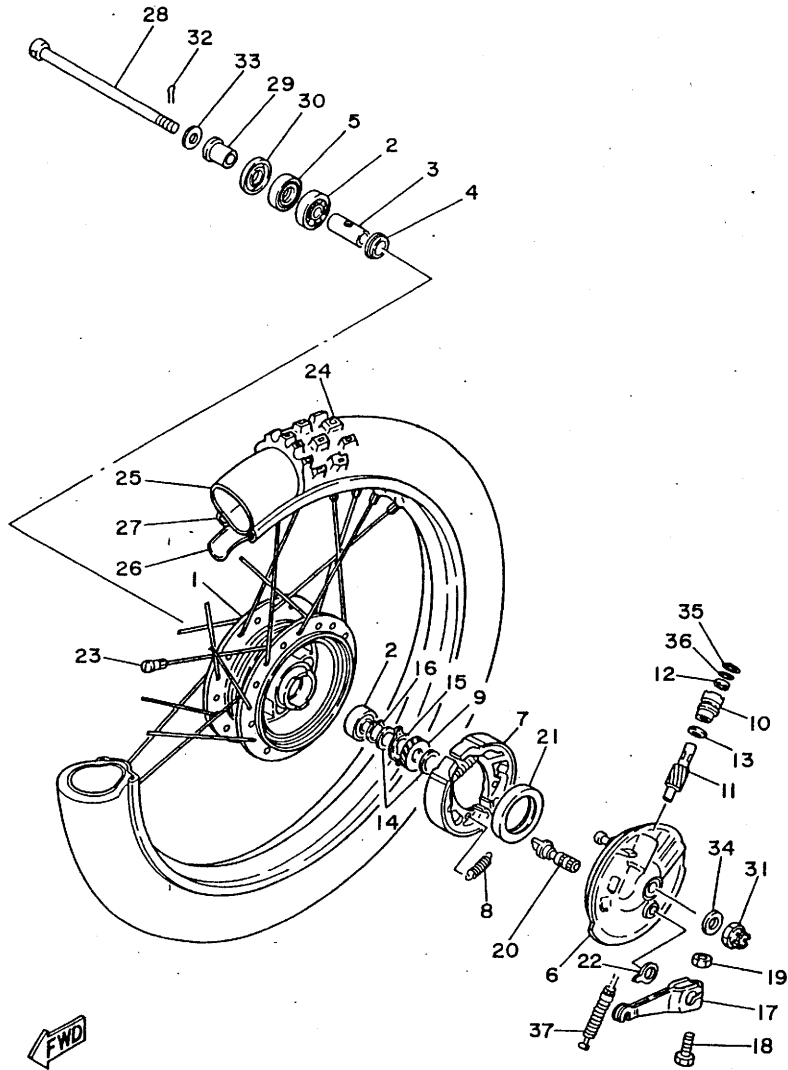


FIG. 26 FRONT WHEEL

REF. NO.	PART NO.	DESCRIPTION	3GXB				REMARKS
28	353-25381-00	AXLE, WHEEL	1				
29	90387-12265	COLLAR	1				
30	2K5-25118-00	COVER, HUB DUST	1				
31	90171-10004	NUT, CASTLE	1				
32	91401-20020	PIN, COTTER	1				
33	90201-12749	WASHER, PLATE	1				
34	92907-10200	WASHER, PLAIN	1				
35	102-25137-00	RING, STOP	1				
36	93210-14104	O-RING	1				
37	90501-12792	SPRING, COMPRESSION	1				

3GX5700-2260

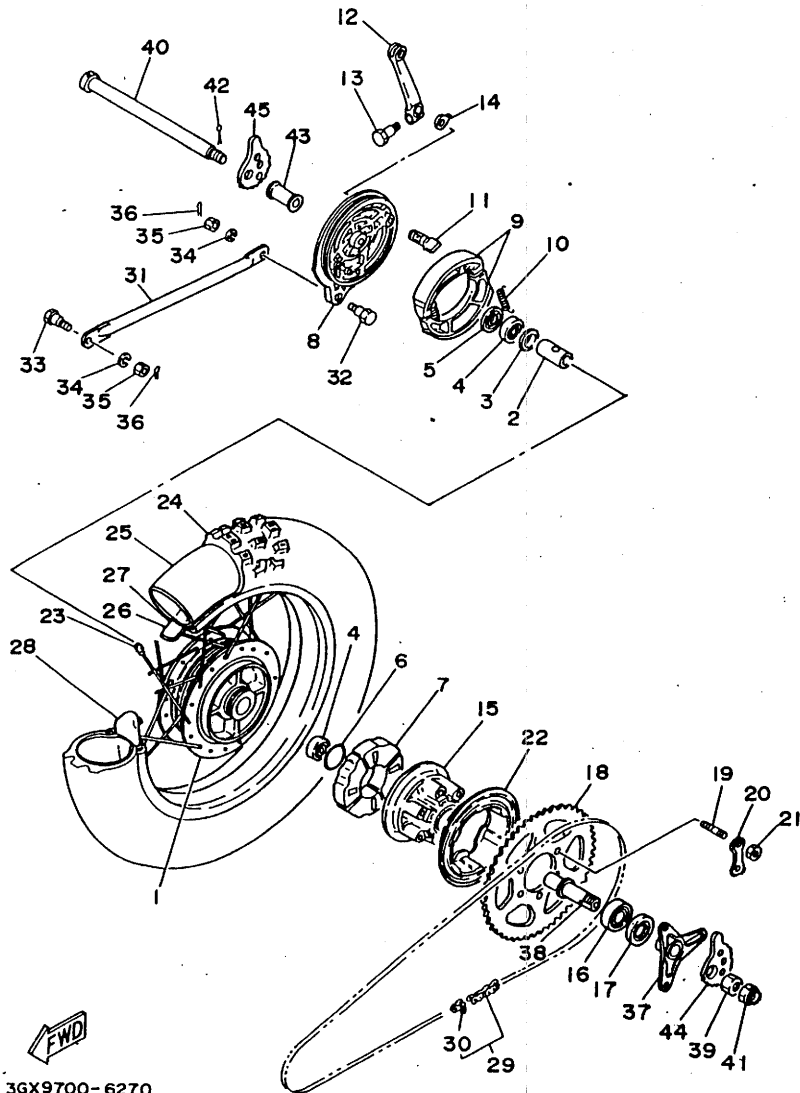
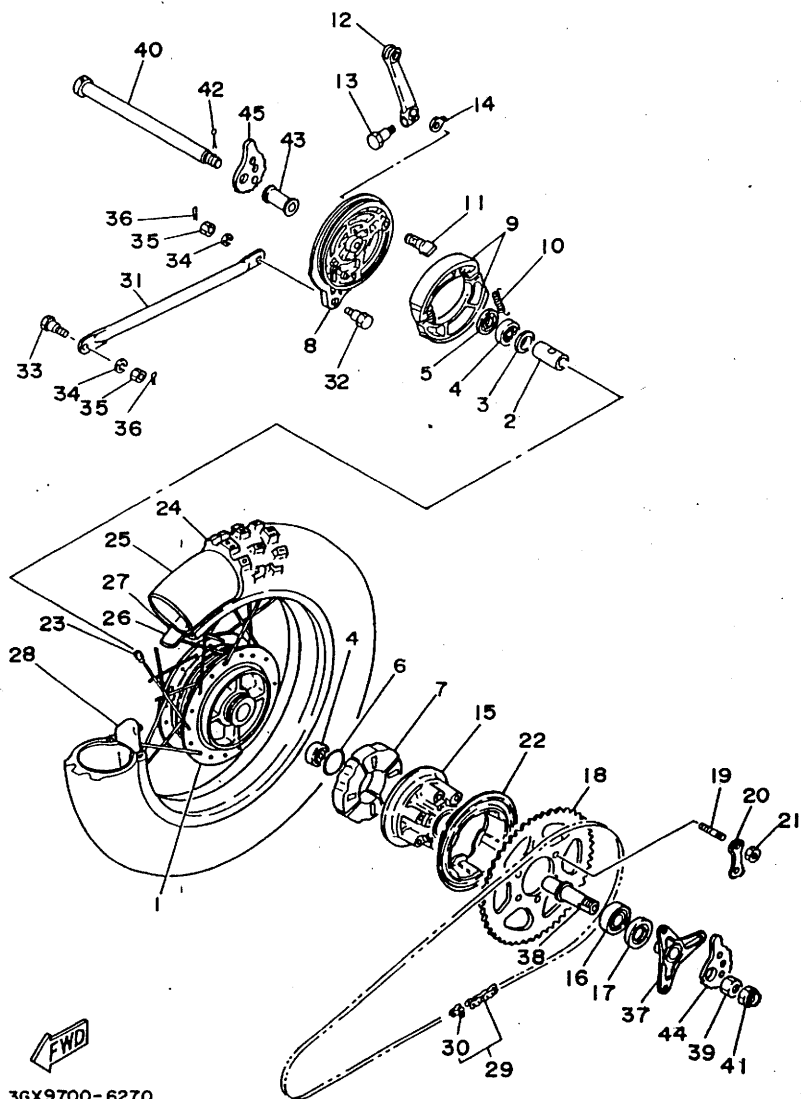


FIG. 27 REAR WHEEL

REF. NO.	PART NO.	DESCRIPTION	3GX#	REMARKS
1	391-25311-00-35	HUB, REAR	1	SL
2	90560-15136	SPACER	1	
3	183-25315-00	FLANGE, SPACER	1	
4	93306-20227	BEARING	2	
5	93104-22018	OIL SEAL	1	
6	93210-42101	O-RING	1	
7	36X-25364-00	DAMPER	4	
8	248-25321-00-35	PLATE, BRAKE SHOE	1	SL
9	3FA-W2536-00	BRAKE SHOE SET	1	
10	90506-15260	SPRING, TENSION	2	
11	248-25351-10	CAMSHAFT	1	
12	4V8-25355-00	LEVER, CAMSHAFT	1	
13	90101-06291	BOLT	1	
14	5T9-2533A-00	PLATE, INDICATOR	1	
15	31G-25366-00	CLUTCH, HUB	1	
16	93306-00406	BEARING (B6004Z)	1	NTN
17	93106-26005	OIL SEAL	1	
18	15A-25454-10	SPROCKET, DRIVEN (54T)	1	
19	90116-08425	BOLT, STUD	6	
20	90215-08160	WASHER, LOCK	3	
21	90170-08258	NUT	6	
22	36X-25327-00	COVER, PLATE	1	
23	3V6-25304-00	SPOKE SET, REAR	1	
24	94141-185E8	TIRE (4.10-18)	1	INOUE
25	94232-18113	TUBE (3.25-18)	1	INOUE
26	94325-18081	BAND, RIM (2.50-18)	1	INOUE
27	94418-18246	RIM (1.85-18)	1	

3GX9700-6270

FIG. 27 REAR WHEEL

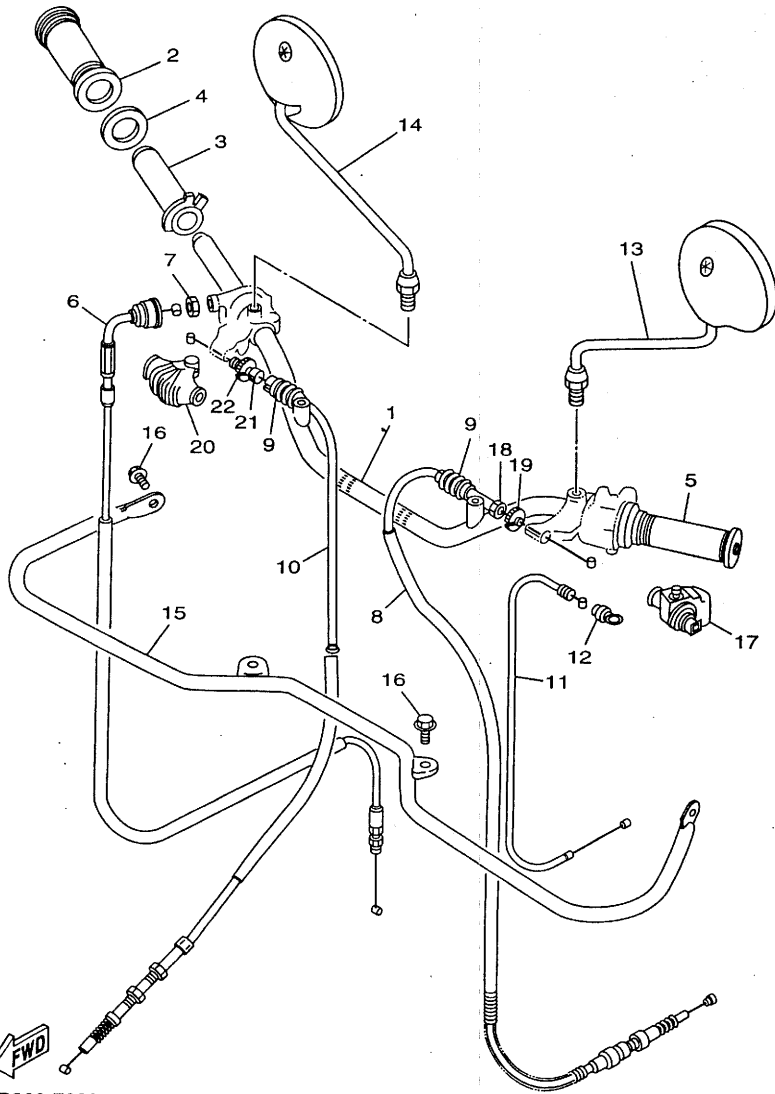


3GX9700-6270

REF. NO.	PART NO.	DESCRIPTION	3GXB				REMARKS
28	1T2-25394-00	SPACER, BEAD	1				
29	94580-88122	CHAIN (DID 428HG-122L)	1				
30	94680-88001	JOINT, CHAIN (DID 428HG)	1				
31	3V6-25371-00	BAR, TENSION	1				
32	90109-08063	BOLT	1				
33	90109-08368	BOLT	1				
34	92907-08100	WASHER, SPRING	2				
35	95307-08700	NUT	2				
36	91401-20012	PIN, COTTER	2				
37	36X-25386-00	COLLAR, SPROCKET AXLE	1				
38	36X-25387-00	AXLE, SPROCKET	1				
39	90170-20224	NUT	1				
40	2K6-25381-00	AXLE, WHEEL	1				
41	90171-14020	NUT, CASTLE	1				
42	91401-30030	PIN, COTTER	1				
43	90387-155J5	COLLAR	1				
44	3V6-25388-00	PULLER, CHAIN 1	1				
45	3V6-25389-00	PULLER, CHAIN 2	1				

FIG. 28 STEERING HANDLE. CABLE

REF. NO.	PART NO.	DESCRIPTION	3GXB					REMARKS
1	36X-26111-01	HANDLEBAR	1					
2	3V6-26242-00	GRIP (RIGHT)	1					
3	434-26243-00	TUBE, THROTTLE GUIDE	1					
4	1M1-26249-01	RING, LEAF	1					
5	3V6-26241-00	GRIP (LEFT)	1					
6	36X-26311-00	CABLE, THROTTLE 1	1					
7	90170-10038	NUT	1					
8	1RH-26335-00	CABLE, CLUTCH	1					
9	1E6-26342-00	BOOT, CABLE	2					
10	36X-26341-00	CABLE, BRAKE	1					
11	36X-26331-00	CABLE, STARTER 1	1					
12	5Y1-26339-00	BOOT	1					
13	1Y1-26290-50	BACK MIRROR ASSY (L.H)	1					
14	1Y1-26290-60	BACK MIRROR ASSY (R.H)	1					
15	36X-26123-01	GUARD, LEVER	1					
16	95807-08016	BOLT, FLANGE	4					
17	36X-26372-00	COVER, HANDLE LEVER 1	1					
18	90123-08046	BOLT	1					
19	90179-08148	NUT	1					
20	1E6-26372-00	COVER, HANDLE LEVER 1	1					
21	90123-08046	BOLT	1					
22	90179-08148	NUT	1					



3GXB200-7280

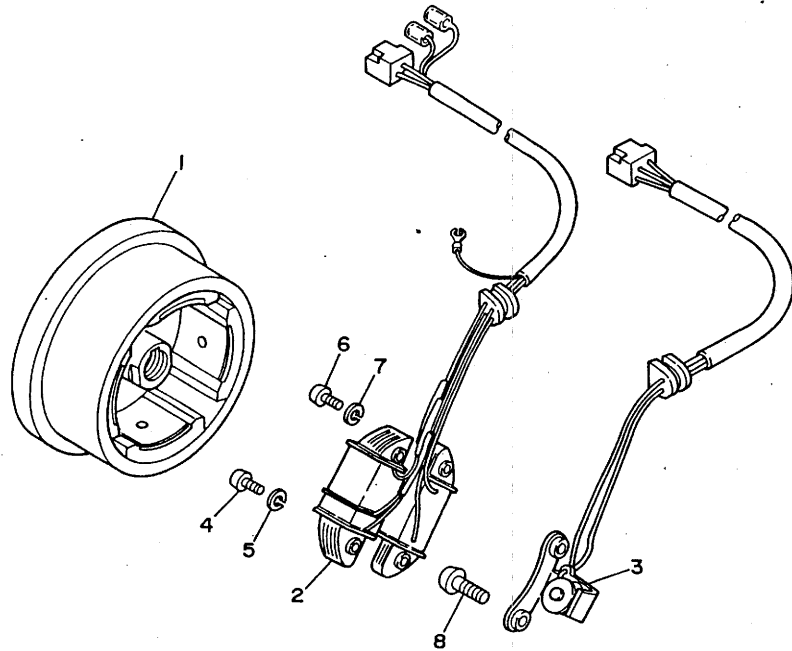


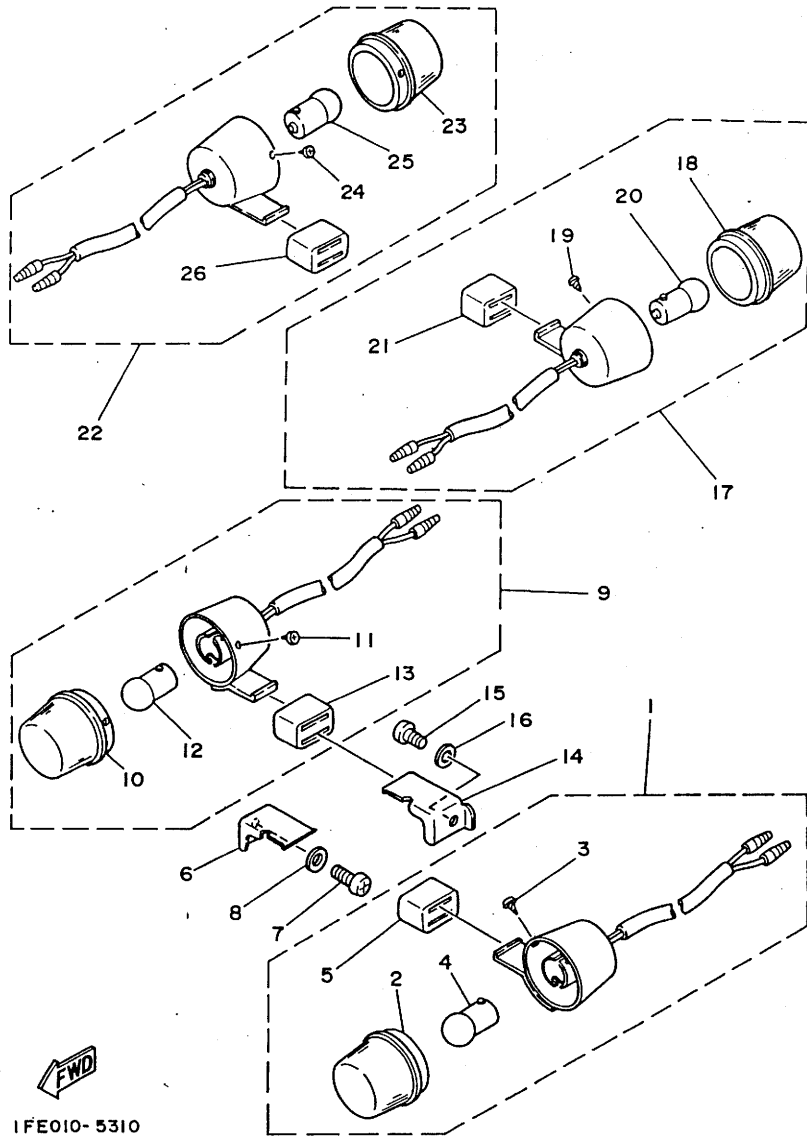
FIG. 30 GENERATOR

REF. NO.	PART NO.	DESCRIPTION	36XB				REMARKS
1	36X-85550-M0	ROTOR ASSY	1				
2	36X-81410-M0	STATOR ASSY	1				
3	15A-85580-M0	COIL, PULSER	1				
4	98507-05030	SCREW, PAN HEAD	2				
5	92907-05100	WASHER, SPRING	2				
6	98507-05025	SCREW, PAN HEAD	2				
7	92907-05100	WASHER, SPRING	2				
8	98507-06020	SCREW, PAN HEAD	2				



36X700-3301

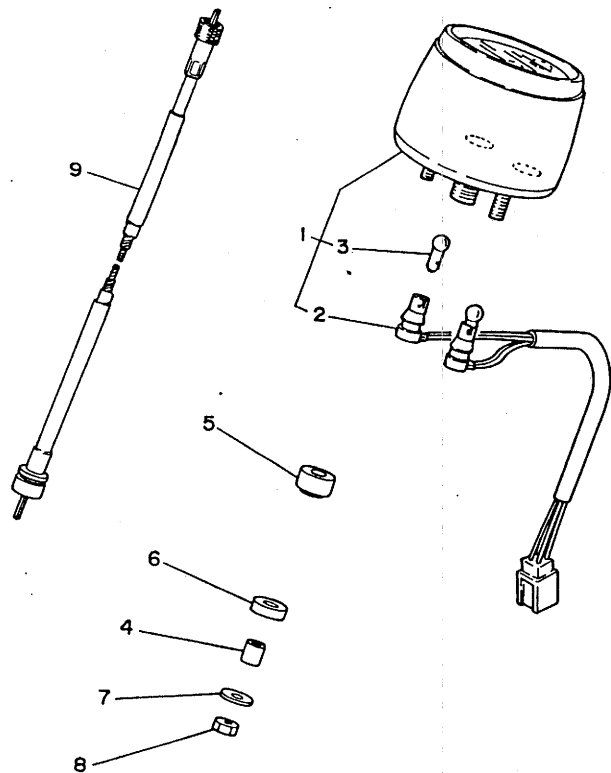
FIG. 31 FLASHER LIGHT



REF. NO.	PART NO.	DESCRIPTION	QTY	REMARKS
1	36X-83310-10	FRONT FLASHER LIGHT ASSY 1	1	
2	36X-83312-00	.LENS, FLASHER	1	
3	97706-30108	.SCREW, TAPPING	1	
4	185-83311-10	.BULB (6V-8W)	1	
5	36X-83321-00	.DAMPER, FLASHER 1	1	
6	36X-83318-00	STAY, FLASHER 1	1	
7	98507-06016	SCREW, PAN HEAD	1	
8	92907-06600	WASHER, PLATE	1	
9	36X-83320-10	FRONT FLASHER LIGHT ASSY 2	1	
10	36X-83312-00	.LENS, FLASHER	1	
11	97706-30108	.SCREW, TAPPING	1	
12	185-83311-10	.BULB (6V-8W)	1	
13	36X-83321-00	.DAMPER, FLASHER 1	1	
14	36X-83328-00	STAY, FLASHER 2	1	
15	98507-06016	SCREW, PAN HEAD	1	
16	92907-06600	WASHER, PLATE	1	
17	36X-83330-10	REAR FLASHER LIGHT ASSY 1	1	
18	36X-83312-00	.LENS, FLASHER	1	
19	97706-30108	.SCREW, TAPPING	1	
20	185-83311-10	.BULB (6V-8W)	1	
21	36X-83321-00	.DAMPER, FLASHER 1	1	
22	36X-83340-10	FLASHER LIGHT ASSY 2	1	
23	36X-83312-00	.LENS, FLASHER	1	
24	97706-30108	.SCREW, TAPPING	1	
25	185-83311-10	.BULB (6V-8W)	1	
26	36X-83321-00	.DAMPER, FLASHER 1	1	

FWD
1FE010-5310

FIG. 32 METER



REF. NO.	PART NO.	DESCRIPTION	3GXB				REMARKS
1	3F4-83510-F0	SPEEDOMETER ASSY	1				KM/H
2	2W0-83520-00	.SOCKET CORD ASSY	1				
3	4N0-83516-00	.BULB (6V-3W)	2				
4	355-83522-00	COLLAR	2				
5	1M3-83513-00	DAMPER	2				
6	355-83526-00	DAMPER 2	2				
7	355-83524-00	WASHER, SPECIAL	2				
8	95307-06600	NUT	2				
9	36X-83550-00	SPEEDOMETER CABLE ASSY	1				



3G700-8320



3GXB200-7330

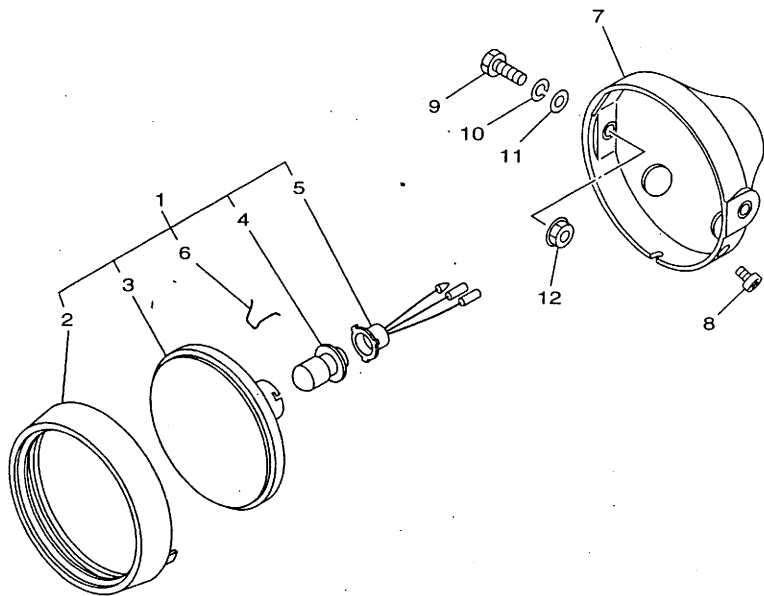
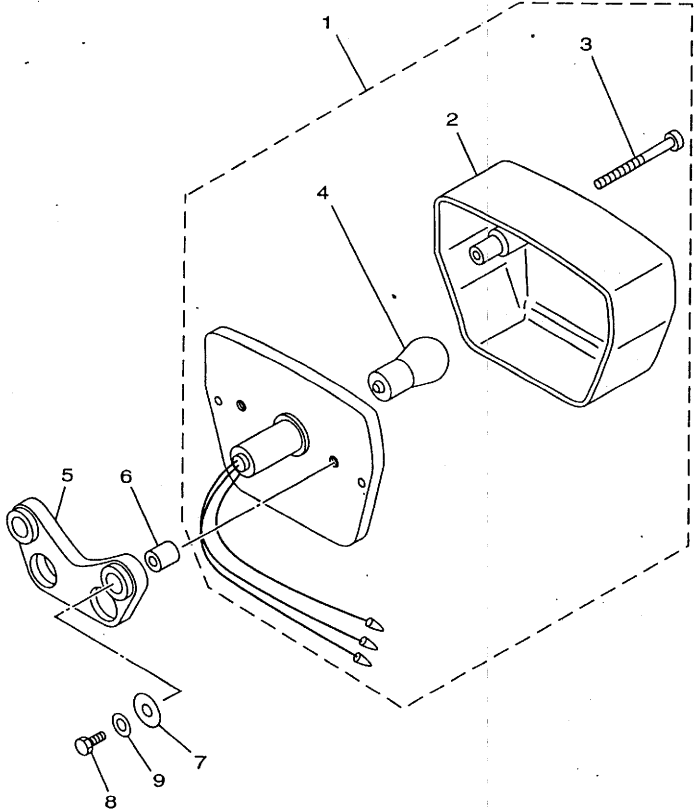


FIG. 33 HEADLIGHT

REF. NO.	PART NO.	DESCRIPTION	3GXB				REMARKS
1	3M7-84110-00	HEADLIGHT UNIT ASSY	1				
2	202-84315-00	.RIM, HEADLIGHT	1				
3	276-84120-00	.LENS ASSY	1				
4	248-84114-00	.BULB, HADLIGHT (6V-25/25W)	1				YELLOW
5	317-84112-30	.SOCKET	1				
6	195-84324-00	.SPRING, REFLECTOR	3				
7	3M7-84130-00	BODY ASSY, HEADLIGHT	1				
8	98506-05012	SCREW, PAN HEAD	1				
9	97007-08025	BOLT	2				
10	92907-08100	WASHER, SPRING	2				
11	92907-08600	WASHER, PLATE	2				
12	95707-08500	NUT, FLANGE	2				

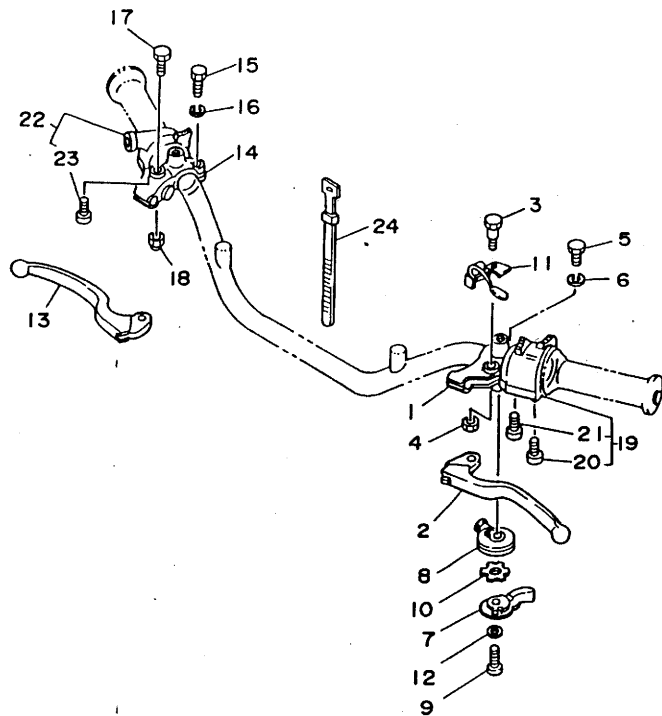
FIG. 34 TAILLIGHT



REF. NO.	PART NO.	DESCRIPTION	3GXB					REMARKS
1	36X-84510-00	TAILLIGHT UNIT ASSY	1					
2	1Y1-84521-00	.LENS, TAILLIGHT	1					
3	98511-03045	.SCREW, PAN HEAD	2					
4	122-84514-30	.BULB (6V-17/5.3W)	1					
5	36X-84527-00	DAMPER	1					
6	90387-05563	COLLAR	2					
7	90201-054K4	WASHER, PLATE	2					
8	97007-05020	BOLT	2					
9	92907-05600	WASHER, PLATE	2					


3GXB200-7340

FIG. 35 HANDLE SWITCH. LEVER

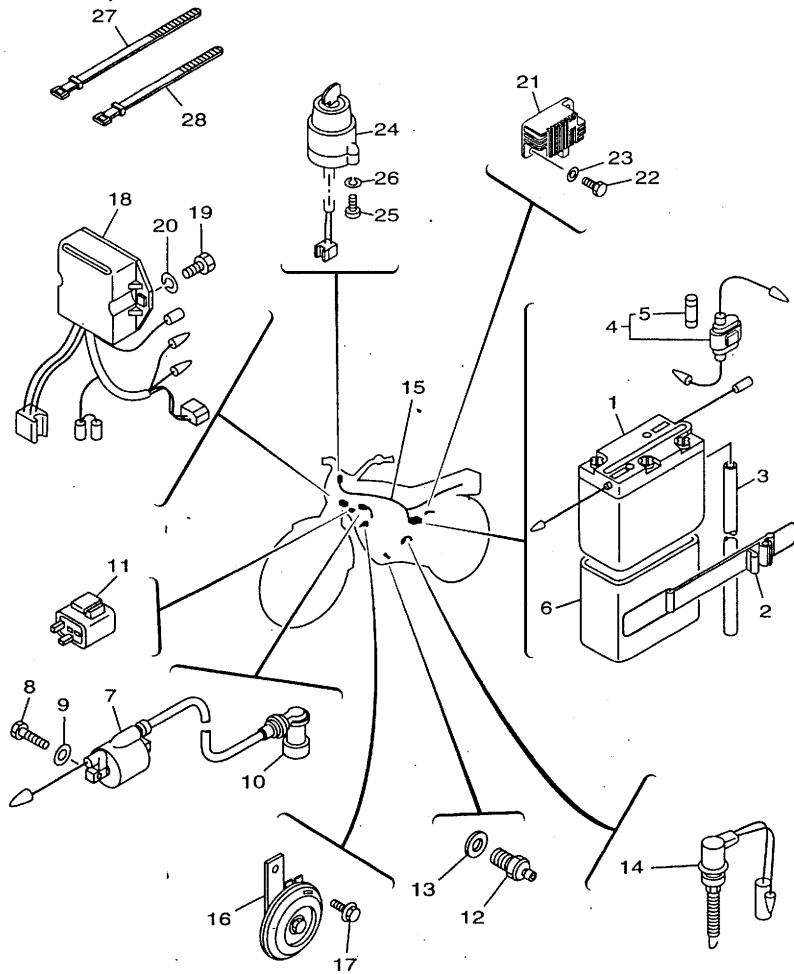


REF. NO.	PART NO.	DESCRIPTION	3GXB				REMARKS
1	5Y1-82911-01	HOLDER, LEVER 1	1				
2	4GY-83912-00	LEVER 1	1				
3	90109-06799	BOLT	1				
4	95607-06100	NUT, U	1				
5	97007-06022	BOLT	1				
6	92907-06100	WASHER, SPRING	1				
7	5Y1-83941-00	LEVER, STARTER	1				
8	5Y1-83942-00	COVER, STARTER	1				
9	98507-06035	SCREW, PAN HEAD	1				
10	90209-10131	WASHER	1				
11	36X-83965-00	LEVER, LOCK	1				
12	92907-06200	WASHER	1				
13	23X-83922-00	LEVER 2	1				
14	361-82921-31	HOLDER, LEVER 2	1				
15	97007-06022	BOLT	1				
16	92907-06100	WASHER, SPRING	1				
17	90109-06799	BOLT	1				
18	95607-06100	NUT, U	1				
19	36X-83972-01	SWITCH, HANDLE 4	1				
20	98506-05025	.SCREW, PAN HEAD	1				
21	98506-05030	.SCREW, PAN HEAD	1				
22	18G-83976-00	SWITCH, HANDLE 1	1				
23	90157-05027	.SCREW, PAN HEAD	2				
24	437-83936-01	BAND, SWITCH CORD	4				



36X9700-6350

FIG. 36 ELECTRICAL 1




3GXB200-7360

REF. NO.	PART NO.	DESCRIPTION	3GXB	REMARKS
28	3TB-83936-00	BAND, SWITCH CORD	3	

NUMERICAL INDEX

PART NO.	REF NO.	PART NO.	REF NO.	PART NO.	REF NO.	PART NO.	REF NO.	PART NO.	REF NO.	PART NO.	REF NO.
3FA-W2536-00	27- 9	5HO-12231-00	5- 8	4BD-14766-00	9- 4	36X-17141-01	14- 2	1W1-22128-00	21- 8	3YF-23181-00	23-40
4BE-W2536-00	26- 7	5NO-12241-00	5- 9		9- 9	36X-17151-00	14- 6	401-22128-01	20- 8	36X-23191-10	23-11
36X-11102-03	1- 1	36X-12283-00	1-25	36X-1490J-00	8- 5	36X-17211-00	14-18	36X-22141-01	20-10		23-30
5HO-1111F-00	1-20	36X-12288-00	5-15	36X-1490K-00	8-27	36X-17221-00	14-12	36X-22151-00	20-37	36X-23192-00	23-12
5HO-11133-11	1- 2	36X-12292-00	1-24	36X-14901-01	8- 1	24W-17231-00	14-14	36X-22189-00	20-35		23-31
15A-11161-01	2- 9	5HO-13300-00	6- 1	36X-14933-01	8- 4	36X-17241-01	14-15	36X-22210-10	21- 1	4V2-23194-L0	23-13
15A-11162-00	2- 7	36X-13324-00	6-17	25G-14937-00	8-31	36X-17251-00	14-13	1YW-22216-00	21- 4		23-32
5HO-11162-00	2- 8	5HO-13326-00	6- 2	36X-14940-00	8-23	15A-17402-01	14-11	3R4-22226-00	21- 2	36X-2331E-00	22- 4
36X-11166-00	10-11	4BE-13329-00	6- 4	36X-14941-42	8-14	36X-17411-00	14- 1	36X-22310-00-35	20-13	3R9-23318-00	22-17
371-11167-01	10- 3	51Y-13411-00	6- 6	46X-14984-00	8-11	5HO-17456-00	14-26	148-22315-00	20-19	3Y1-23319-00	22-15
1NU-11181-00	1- 6	5HO-13440-00	6-10	4G0-14985-00	8-18	36X-18111-00	16- 8	36X-22318-00	20-27	36X-23340-00-33	23-39
3RW-11185-00	1-12	36X-13447-00	6-11	3F7-14991-00	8-13	132-18113-01	16- 9	36X-22323-00	20-25	3R4-23389-00	23-41
5HO-11186-00	1-15	24W-13512-00	7-17	256-14997-00	8- 6	5HO-18120-02	16- 1	36X-22324-00	20-23	36X-23389-00	22- 3
36X-11187-00	1-16	16G-13569-00	7- 3	36X-15100-02	10- 1	4G0-18140-00	15- 8	36X-22325-00	20-22	156-23411-00	22- 1
36X-11310-00	2- 1	1HX-13575-00	7- 6	5HO-15351-00	6- 8	5HO-18185-01	15- 4	36X-22327-00	20-30	22F-23411-01	22- 9
4BD-11351-00	2- 3	36X-13586-01	7- 1	3Y1-15361-00	11-23	4JG-18511-00	15-11	36X-22358-00	20-20	156-23412-00	22- 7
15A-11400-00	3- 1	36X-1410A-00	8-10	3Y1-15363-00	11-21	4JG-18512-01	15-12	36X-23102-10	23- 1	22F-23412-01	22-10
15A-11412-09	3- 2	36X-14105-00	8- 2	36X-15378-00	11-24	36X-18513-00	15-10	36X-23103-10	23-20	36X-23416-00	22-12
5HO-11422-00	3- 3	25G-14107-20	8-22	36X-15411-00	11- 1	36X-18531-00	15-13	36X-23106-00-35	23-21	36X-23435-00	22-21
15A-11454-00	3-22	22F-14126-00	8- 7	36X-15421-01	11-13	36X-18535-00	15-14	36X-23107-00-35	23- 2	1E6-23441-10-98	22-24
5HO-11496-00	3-13	812-14137-00	8- 8	36X-15431-01	11-15	36X-18540-00	15- 1	36X-23110-00	23- 6	164-23462-00	22- 2
5HO-11531-00	3-21	4G0-14142-35	8-12	36X-15441-00	2-10	136-18542-00	15- 2		23-25	36X-24110-10-02	24- 1
5HO-11536-00	3-16	36X-14146-00	8-20	15A-15451-01	11- 2	36X-21107-00	25- 8	1U6-23111-M1	23-17	4H7-24181-00	24- 3
15A-11603-00	3- 9	137-14153-00	8-15	4BE-15462-00	11-16	36X-21110-00-33	17- 1		23-36	36X-24182-00	24- 4
15A-11605-00	3- 9	36X-14153-00	8-17	36X-1561A-00	12-21	36X-21287-00	17-17	240-23114-00	23-18	36X-24186-00	24- 5
15A-11607-00	3- 9	36X-14169-00	8- 9	36X-1561G-00	12-27	36X-21315-00	17- 7		23-37	36X-24240-10	24- 2
36X-11631-00-AD	3- 8	537-14186-00	8-21	36X-15620-01	12-15	36X-21316-00	17- 2	36X-23118-00	23-16	23F-24500-01	24- 7
15A-11633-00	3-10	36X-14191-00	8-26	36X-15621-01	12-16	36X-21471-00	17-15		23-35	4X8-24512-00	24- 8
36X-11636-00	3- 8	21V-14196-00	8-30	36X-15641-00	12- 8	36X-21485-00	17-16	36X-23141-00	23-14	3AJ-24523-00	24-10
36X-11638-00	3- 8	36X-14197-00	8-25	15A-15651-01	12-12	36X-21511-40	18- 1		23-33	3AJ-24534-00	24-11
15A-11651-00	3- 6	3G2-14231-25	8- 3	36X-15660-01	12- 1	36X-21521-00	18- 4	3R2-23144-00	23- 5	36X-24610-00	24-16
5HO-11681-00	3- 4	620-14231-74	8-16	15A-15666-00	12- 4	36X-21522-00	18- 5		23-24	36X-24710-31	25- 1
5HO-12111-00	4- 1	36X-14401-00	7- 7	401-15676-00	12- 3	36X-21611-20	18- 9	1T3-23145-00	23- 4	36X-24711-31	25- 2
4G0-12113-01	4- 4	36X-14412-00	7- 9	36X-16111-00	13- 1	36X-21621-00	18-11		23-23	36X-24810-00-98	25- 4
4G0-12114-01	4- 5	36X-14437-00	7-13	36X-16150-00	13- 5	36X-21622-00	18-12	3DM-23149-10	23-15	36X-24860-00-98	25-10
4G0-12116-01	4- 3	36X-14451-00	7-10	5HO-16154-00	13- 6	36X-21629-01	18-13		23-34	36X-24861-00	25-12
4G0-12117-00	4- 7	36X-14452-00	7-12	36X-16321-00	13-18	36X-21711-20	19- 1	4A1-23156-00	23- 3	36X-24862-00	25-11
4G0-12118-00	4- 8	36X-14453-01	7- 8	537-16321-00	13- 8	36X-2172A-00	19- 6		23-22	3V6-25104-00	26-23
5HO-12119-00	4- 6	36X-14458-00	7-11	137-16324-00	13- 9	36X-21721-20	19- 2	509-23158-L0	23- 9	248-25111-00-35	26- 1
5HO-12121-00	4- 2	36X-14468-00	7-14	5HO-16351-00	13-10	36X-2173E-10	19- 9		23-28	2K5-25118-00	26-30
5HO-12146-00	4-11	36X-14611-01	9- 1	5HO-16356-01	13-14	36X-2173F-10	19-10	1U6-23168-M0	23-19	23F-25121-00-35	26- 6
36X-12151-00	4- 9	5HO-14612-00	9- 2	5HO-16357-00	13-26	3M7-21746-00	19- 4		23-38	36X-25135-00	26- 9
5HO-12156-00	4-10	4BE-14613-00	9-18	1W1-16358-01	13-13	36X-2177F-00	19-11	36X-23170-00	23- 8	109-25136-00	26-10
2NX-12159-00	4-13	36X-14628-01	9- 3	36X-16371-00	13- 7	36X-22110-00-35	20- 1		23-27	102-25137-00	26-35
36X-12171-00	5- 1	36X-14711-01	9- 7	15A-16380-00	13-22	15A-22123-00	20- 2	1W1-23173-L0	23- 7	36X-25138-00	26-11
5HO-12176-00	5- 2	3YF-14714-00	9-15	1KH-16383-00	13-19	36X-22126-00	20- 6		23-26	183-25149-00	26-15
36C-12210-10	5-10	36X-14728-00	9- 8	24W-17121-00	14- 7	36X-22126-10	20- 7	278-23181-50	23-10	558-25155-00	26-17
4BE-12213-00	5-11	36X-14752-02	9-12	24W-17131-00	14- 5	401-22127-00	20-12		23-29	3V6-25304-00	27-23

NUMERICAL INDEX

PART NO.	REF NO.	PART NO.	REF NO.	PART NO.	REF NO.	PART NO.	REF NO.	PART NO.	REF NO.	PART NO.	REF NO.
391-25311-00-35	27- 1	36X-82122-00	36- 6	36X-83972-01	35-19	90157-05027	35-23	90206-06090	9- 6	90467-10035	7- 2
109-25315-00	26- 4	36X-82131-00	36- 2	18G-83976-00	35-22	90157-06048	12-19		9-11	90467-14015	10-12
183-25315-00	27- 3	55K-82150-01	36- 4	3M7-84110-00	33- 1	90159-05011	13-12	90209-10131	35-10	90468-06134	20-36
248-25321-00-35	27- 8	116-82151-00	36- 5	317-84112-30	33- 5	90159-06085	18- 6	90209-16209	14- 3	90468-26122	12- 2
36X-25327-00	27-22	15A-82310-M0	36- 7	248-84114-00	33- 4	90170-06128	4-14	90209-17226	12- 9	90480-01141	19- 5
23F-2533A-00	26-22	55X-82370-00	36-10	276-84120-00	33- 3	90170-08258	27-21	90209-18208	14-16	90480-12320	19- 3
579-2533A-00	27-14	36X-82510-01	36-24	3M7-84130-00	33- 7	90170-10038	28- 7	90214-17028	12-13	90480-14229	17-19
248-25351-10	27-11	2F1-82530-02	36-14	202-84315-00	33- 2	90170-14284	3-27	90214-20023	3-17	90501-07629	3-19
3Y6-25351-00	26-20	4KM-82540-00	36-12	195-84324-00	33- 6		13- 4	90215-06184	1-22	90501-10245	29- 9
4V8-25355-00	27-12	36X-82590-01	36-15	36X-84510-00	34- 1		13-21	90215-08160	27-20	90501-12081	12-17
36X-25364-00	27- 7	5Y1-82911-01	35- 1	122-84514-30	34- 4	90170-20224	27-39	90215-14186	13-20	90501-12792	26-37
31G-25366-00	27-15	361-82921-31	35-14	1Y1-84521-00	34- 2	90171-10004	26-31	90215-14205	3-26	90501-18576	6- 7
3V6-25371-00	27-31	36X-83310-10	31- 1	36X-84527-00	34- 5	90171-14020	27-41		13- 3	90501-21133	3-14
2K6-25381-00	27-40	185-83311-10	31- 4	12V-85540-M0	36-18	90175-06013	29-11	90240-06076	29- 5	90501-23700	13-11
353-25381-00	26-28		31-12	36X-85550-M0	30- 1	90179-08148	28-19	90240-07083	3-18	90506-08227	16- 2
36X-25386-00	27-37		31-20	15A-85580-M0	30- 3		28-22	90240-12092	21- 9	90506-14343	29- 8
36X-25387-00	27-38		31-25	90101-06278	26-18	90179-25033	22-13	90249-12008	29-10	90506-15260	26- 8
3V6-25388-00	27-44	36X-83312-00	31- 2	90101-06291	27-13	90185-08089	17- 6	90280-05013	3-28		27-10
3V6-25389-00	27-45		31-10	90101-10188	3-31		17-10	90282-05013	3-25	90506-28100	29-24
1T2-25394-00	27-28		31-18	90101-10303	5- 4		17-14	90282-05043	13- 2	90508-14620	12-26
15A-25454-10	27-18		31-23	90105-08066	17-11	90185-10037	29-26	90340-14068	11- 6	90508-16428	5-16
36X-26111-01	28- 1	36X-83318-00	31- 6	90105-08141	9-20	90185-10091	22-23	90340-32116	11- 8	90508-18537	13-25
36X-26123-01	28-15	36X-83320-10	31- 9		25- 6	90185-12072	20-11	90380-12051	21- 3	90508-20023	29-13
3V6-26241-00	28- 5	36X-83321-00	31- 5	90105-08195	1- 9	90201-05032	20-34	90386-14103	13-28		29-17
3V6-26242-00	28- 2		31-13	90105-10058	29-21	90201-054K4	34- 7	90386-18028	20- 3	90508-26538	12- 5
434-26243-00	28- 3		31-21	90105-14102	22-14	90201-06557	18- 8	90387-051K7	7-16	90508-26539	15- 9
1M1-26249-01	28- 4		31-26	90109-06418	5-19	90201-07076	26-13	90387-05563	34- 6	90508-29540	16- 3
1Y1-26290-50	28-13	36X-83328-00	31-14	90109-06419	6-13	90201-08326	9-21	90387-062V8	18- 2	90560-12138	26- 3
1Y1-26290-60	28-14	36X-83330-10	31-17	90109-06799	35- 3		25- 7	90387-06681	20-31	90560-15136	27- 2
36X-26311-00	28- 6	36X-83340-10	31-22		35-17	90201-08366	17- 5	90387-12265	26-29	91317-06018	1-18
36X-26331-00	28-11	36X-83350-10	36-11	90109-08063	27-32		17- 9	90387-125F1	10- 4	91317-06020	7- 5
1RH-26335-00	28- 8	36X-83371-11	36-16	90109-08368	27-33		17-13		10- 5		9-19
5Y1-26339-00	28-12	3F4-83510-F0	32- 1	90109-10473	29-25	90201-08609	1-10	90387-155J5	27-43	91317-06025	5-12
36X-26341-00	28-10	1M3-83513-00	32- 5	90109-10554	21- 5	90201-10126	21- 6	90387-255F3	5- 6	91317-06030	2- 6
1E6-26342-00	28- 9	4N0-83516-00	32- 3	90110-06064	1-19	90201-10135	12-25	90430-06014	1- 5	91317-08025	9-16
1E6-26372-00	28-20	2W0-83520-00	32- 2	90116-08425	27-19	90201-10508	3-29		5-20	91317-08045	1-11
36X-26372-00	28-17	355-83522-00	32- 4	90119-06063	18- 3	90201-10591	5- 5		10-10	91401-20012	27-36
36X-27211-00-90	29- 1	355-83524-00	32- 7		18-14	90201-10644	12-23	90430-08119	13-23		29- 7
36X-27231-00	29- 4	355-83526-00	32- 6		25- 3	90201-12588	5-18	90430-10148	36-13	91401-20020	26- 32
36X-27311-01	29-22	36X-83550-00	32- 9	90119-06074	20-21		16- 5	90430-14131	1- 8	91401-25012	29-15
36X-27311-11	29-23	4GY-83912-00	35- 2	90119-06097	18-10	90201-12749	26-33	90445-08171	36- 3		29-19
36X-27410-00-90	29-12	23X-83922-00	35-13	90122-06012	7-15	90201-17257	14-19	90445-10638	24-14	91401-25020	21-11
36X-27420-00-90	29-16	3TB-83936-00	36-28	90123-08046	35-24	90201-173F4	12-11	90460-56105	7-20	91401-30030	27-42
36X-28100-00	25-13	437-83936-01	35-24		36-27	90201-175F6	12- 7	90464-13249	18-15	91701-08038	29-14
36X-2811G-00	25- 9	437-83936-11	36-27	90149-06011	35- 7	90201-201E4	3-12	90465-08188	11-10		29-18
36X-81410-M0	30- 2	5Y1-83941-00	35- 7	90149-08067	13-24	90201-20269	26-14	90465-08200	10-13	92901-10100	3-30
18A-81960-60	36-21	5Y1-83942-00	35- 8	90151-06013	15- 7	90201-203E7	14-21	90465-16187	11-12	92902-04100	8-29
558-82110-11	36- 1	36X-83965-00	35-11	90153-06029	1- 4	90202-05193	24-13	90467-09006	24-15	92907-05100	30- 5

NUMERICAL INDEX

PART NO.	REF NO.	PART NO.	REF NO.	PART NO.	REF NO.	PART NO.	REF NO.	PART NO.	REF NO.	PART NO.	REF NO.
92907-05100	30- 7	93210-35389	6- 9	94580-88122	27-29	97706-30108	31-11	99009-17400	12-14		
92907-05600	7-19	93210-35537	7- 4	94680-88001	27-30		31-19		14-20		
	22-19	93210-42101	27- 6	94701-00157	1-23		31-24	99009-20400	26-16		
	34- 9	93210-48364	13-15	94701-00181	1-23	97707-50512	20-33	99530-12016	10- 2		
	36-23	93210-54175	6-12	95307-05600	22-20	97801-03008	24- 9		11- 3		
	36-26	93210-57634	1-17	95307-06600	13-17	97802-04006	8-19		11-17		
92907-06100	35- 6	93210-72529	2- 2		26-19	97802-05008	8-24	99530-14016	1- 7		
	35-16	93211-05471	1-13		32- 8	98502-04014	8-28		2- 5		
	36-20	93306-00406	27-16	95307-06700	18- 7	98506-05012	33- 8				
92907-06200	13-16	93306-20201	14-10		29- 3	98506-05025	35-20				
	29- 6	93306-20227	27- 4	95307-08700	27-35	98506-05030	35-21				
	35-12	93306-20332	14-24	95317-06700	12-29	98507-04030	20-26				
92907-06600	5-14	93306-20401	14- 8	95607-06100	35- 4	98507-05008	20-24				
	9-14	93306-30103	26- 2		35-18	98507-05012	36-25				
	12-28	93306-30424	14-22	95607-06200	20-16	98507-05016	7-18				
	19- 8	93306-30427	3-23	95607-10100	21- 7		22-18				
	20-15		3-24	95707-08500	33-12	98507-05025	30- 6				
	20-18	93306-30611	3- 7	95807-06008	17-18	98507-05030	30- 4				
	22- 6	93310-530J3	3- 5	95807-06012	22-16	98507-06010	9-13				
	31- 8	93315-23607	15- 3		36-17		11-11				
	31-16	93410-20038	14- 4	95807-06016	7-21	98507-06012	19- 7				
	36- 9	93410-22039	14-17		20-32		22- 5				
92907-08100	27-34	93420-28055	13-30		24- 6	98507-06016	20-17				
	33-10	93440-10085	1- 3	95807-08012	20-28		31- 7				
92907-08600	9-17	93450-17044	3-11	95807-08016	28-16		31-15				
	33-11	93501-04011	22- 8	95817-08012	25- 5	98507-06020	1-14				
92907-10200	26-34	93503-16003	22-11	95817-08050	17- 8		30- 8				
92907-12600	21-10	93505-16006	13-27	95817-08065	17- 3	98507-06025	6-15				
93101-15101	14- 9	93507-32009	12-18	95817-08070	17- 4		11- 4				
93102-10207	12-24	93602-13177	3-20	95827-08035	22-25		11-14				
93102-12106	5-17	93603-12030	6- 3	95827-08090	20-29		11-18				
	16- 7	93604-10011	5- 3	95827-08120	17-12	98507-06030	10- 6				
93102-14209	13-29	93604-16092	15- 5	95827-10060	22-22	98507-06035	11- 5				
93102-17263	12-10	93604-20156	15- 6	95827-12025	29-20		11-19				
93102-18008	26- 5	93605-10090	3-15	97007-05012	36-22		35- 9				
93102-20242	14-23	93608-50158	16- 6	97007-05020	34- 8	98507-06040	10- 7				
93102-47297	26-21	93700-06004	20- 4	97007-06012	1-21	98507-06045	11-20				
93104-07003	26-12	93700-06009	20- 5	97007-06016	36-19		20-14				
93104-22018	27- 5	93822-14043	14-25	97007-06020	29- 2	98507-06075	6-16				
93106-26005	27-17	94130-195E9	26-24		36- 8	98507-06080	10- 8				
93109-18020	20- 9	94141-185E8	27-24	97007-06022	35- 5	98507-06085	10- 9				
93210-07135	6-14	94227-19292	26-25		35-15	98511-03045	34- 3				
93210-09165	4-12	94232-18113	27-25	97007-08025	33- 9	98707-06030	6- 5				
93210-13361	2- 4	94325-18081	27-26	97027-06010	14-27	98907-06010	9- 5				
93210-14104	26-36	94327-19111	26-26	97027-06016	5-13		9-10				
93210-14369	11- 7	94416-19263	26-27	97027-06020	16-10	99001-10600	16- 4				
93210-19123	11-22	94418-18246	27-27	97027-08030	12-20	99009-10400	12-22				
93210-32172	11- 9	94580-41104	5- 7	97706-30108	31- 3	99009-17400	12- 6				





*COPYRIGHT: All rights reserved. No part of this publication
may be reproduced without permission.*

YAMAHA

YAMAHA MOTOR CO., LTD.

2500 SHINGA I IWATA SHIZUOKA JAPAN
SERVICE INFORMATION DIV.

Printed in Japan
First edition MAR., 1997