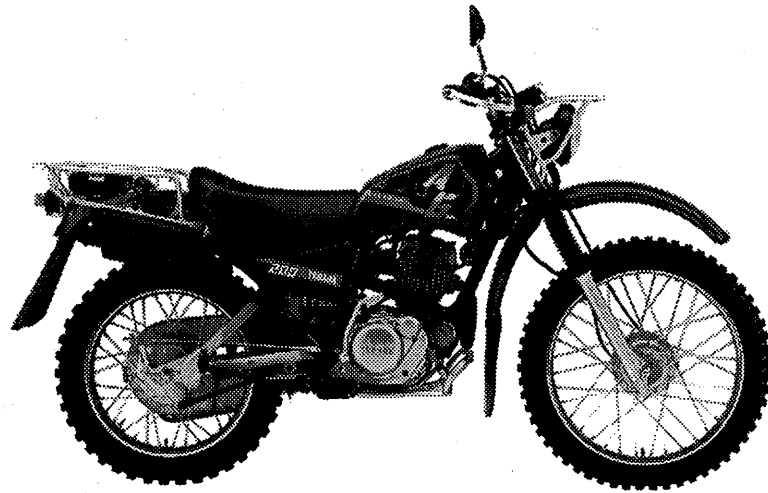
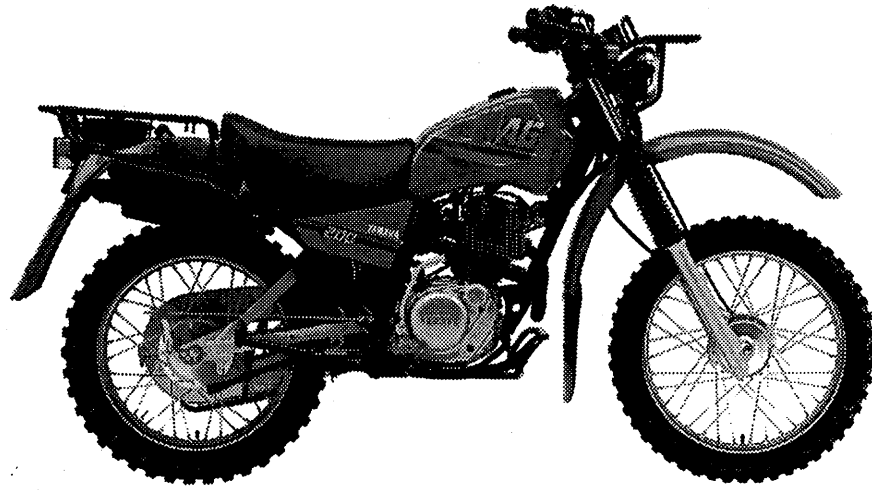


PARTS CATALOGUE

AG200'99(3GXE)

193GX-200E1

YAMAHA
GENUINE
Parts & Accessories



A3

FOREWORD

This Parts Catalogue is related to the parts for the model(s) in the below frame. When you are ordering replacement parts, please refer to this Parts Catalogue and quote both part numbers and part names correctly.

AG200'99(3GXE)

1. Modifications or additions which have been made after issue of the Parts Catalogue will be announced in the Yamaha Parts News. It is advisable that you make necessary corrections to the Parts Catalogue according to the Yamaha Parts News.

2. Abbreviations

The Following abbreviations are used in this Parts Catalogue.

"UR" Use specified parts number.

"UN" Use as many as needed.

"AP" Alternate Parts

"LM" Local Made (Parts need to be ordered locally)

"F#" Frame No. (Applicable machine No.)

3. Parts, which are to be supplied in an assembly, are listed with a dot(.) in front of the part name as shown below.

EXAMPLE

CARBURETOR ASSY

.JET, PILOT

.NOZZLE, MAIN

4. Number of component for assembly

The numeral appearing to the right of each component part indicates the quantity of parts for each assembly unit.

EXAMPLE

PART NO.	DESCRIPTION	Q'TY	REMARKS
2F5-83310-60	FRONT FLASHER LIGHT ASSY	2	
115-83311-60	.BULB (6V-18W)	1	
1M1-83309-60	.REFLECTOR	1	

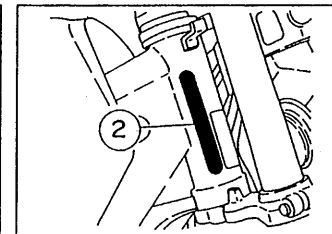
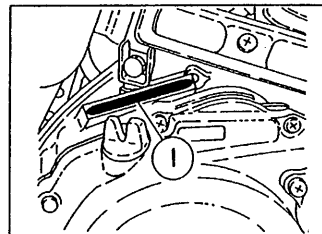
5. Applicable colors of graphics are represented in the "REMARKS" as shown below.

PART NO.	DESCRIPTION	Q'TY	REMARKS
2N4-24110-00-X5	.FUEL TANK COMP.	2	MXR
3J1-24240-10	.GRAPHIC, FUEL TANK	1	for MXR

6. Applicable Serial No.

① Engine Serial No.

② Frame Serial No.



7. Note that the illustrations for reference in funding parts numbers, not to be used for assembling. When assembling, please use the applicable service manual.

8. The asterisk (*) before a reference number indicates modification items after the first edition.

CONTENTS

ENGINE

CYLINDER HEAD	B2
CYLINDER	B3
CRANKSHAFT, PISTON	B4
VALVE	B6
CAMSHAFT, CHAIN	B7
OIL PUMP	B8
INTAKE	B9
CARBURETOR	B10
EXHAUST	B12
CRANKCASE	B13
CRANKCASE COVER 1	B14
STARTER	B15
CLUTCH	C3
TRANSMISSION	C5
SHIFT CAM, FORK	C6
SHIFT SHAFT	C7

CHASSIS

FRAME	C8
FENDER	C9
SIDE COVER	C10
REAR ARM	C11
REAR SUSPENSION	C13
STEERING	C14
FRONT FORK	C15
FUEL TANK	D3
SEAT	D4
FRONT WHEEL	D5
REAR WHEEL	D7
STEERING HANDLE, CABLE	D9
STAND, FOOTREST	D10
GENERATOR	D11

FLASHER LIGHT	D12
METER	D13
HEADLIGHT	D14
TAILLIGHT	D15
HANDLE SWITCH, LEVER	E2
ELECTRICAL 1	E3

INDEX

NUMERICAL INDEX	M1
-----------------------	----

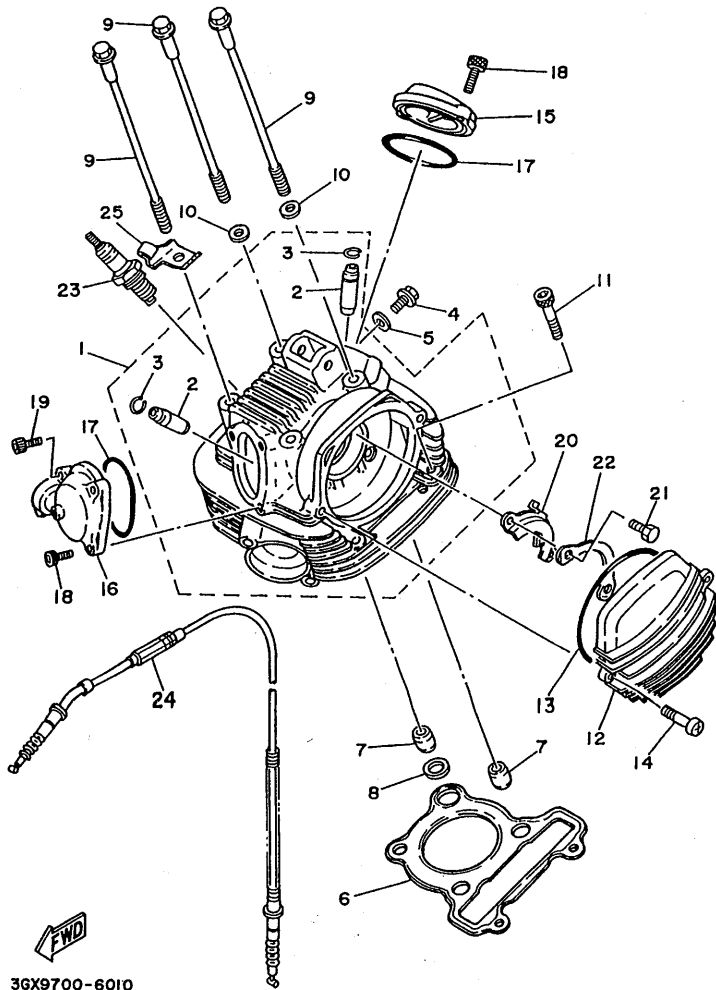
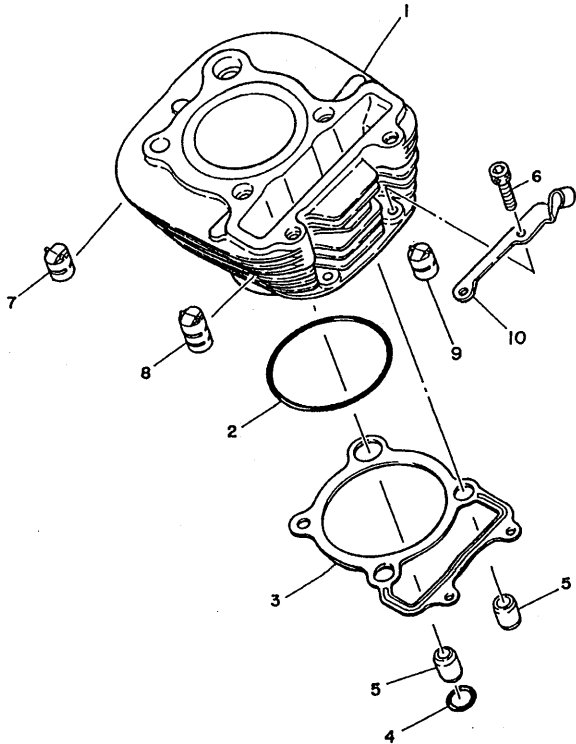


FIG. 1 CYLINDER HEAD

REF. NO.	PART NO.	DESCRIPTION	QTY	REMARKS
1	36X-11102-03	CYLINDER HEAD ASSY	1	
2	5H0-11133-11	.GUIDE, INTAKE VALVE	2	
3	93440-10085	.CIRCLIP	2	
4	90153-06029	SCREW, HEXAGON	1	
5	90430-06014	GASKET	1	
6	1NU-11181-00	GASKET, CYLINDER HEAD 1	1	
7	99530-14016	PIN, DOWEL	3	
8	90430-14131	GASKET	1	
9	90105-08195	BOLT, WASHER BASED	4	
10	90201-08609	WASHER, PLATE	3	
11	91317-08045	BOLT	2	
12	3RW-11185-00	COVER, CYLINDER HEAD SIDE 1	1	
13	93211-05471	O-RING	1	
14	98507-06020	SCREW, PAN HEAD	2	
15	5H0-11186-00	COVER, CYLINDER HEAD SIDE 2	1	
16	36X-11187-00	COVER, CYLINDER HEAD SIDE 3	1	
17	93210-57634	O-RING	2	
18	91317-06018	BOLT	4	
19	90110-06064	BOLT, HEXAGON SOCKET HEAD	1	
20	5H0-1111F-00	PLATE	1	
21	97007-06012	BOLT	2	
22	90215-06184	WASHER, LOCK	1	
23	94701-00157	PLUG, SPARK (NGK D8EA)	1	UR
	94701-00181	PLUG, SPARK (ND X24ES-U)	1	UR
24	36X-12292-00	CABLE, DECOMPRESSION	1	
25	36X-12283-00	BRACKET, DECOMPRESSION	1	

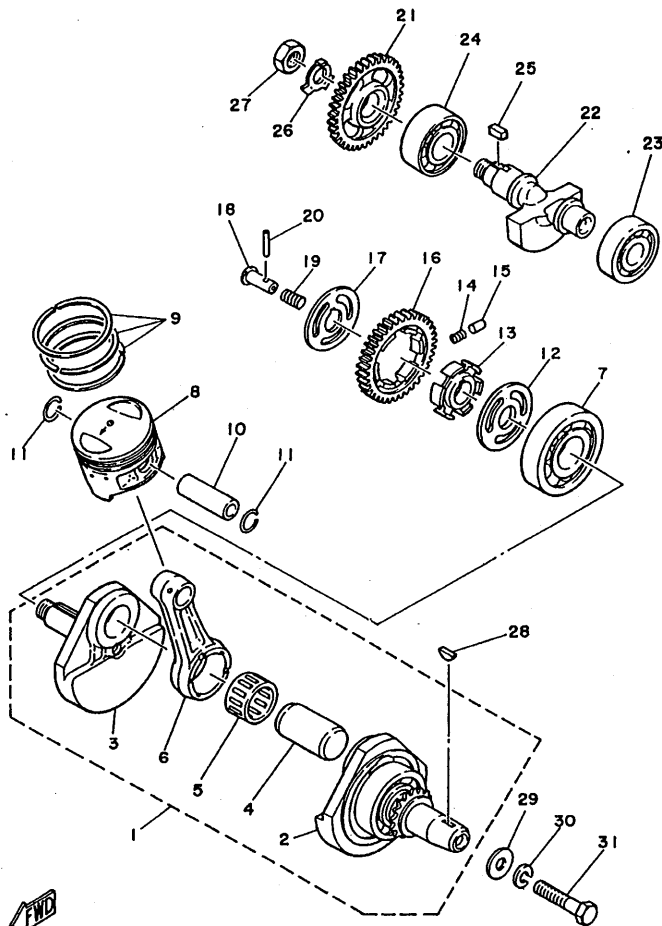
FIG. 2 CYLINDER



REF. NO.	PART NO.	DESCRIPTION	QTY	REMARKS
1	36X-11310-00	CYLINDER	1	
2	93210-72529	O-RING	1	
3	4BD-11351-00	GASKET, CYLINDER	1	
4	93210-13361	O-RING	1	
5	99530-14016	PIN, DOWEL	2	
6	91317-06030	BOLT	2	
7	15A-11162-00	ABSORBER 2	2	
8	5H0-11162-00	ABSORBER 2	2	
9	15A-11161-01	ABSORBER 1	1	
10	36X-15441-00	HOLDER, CLUTCH CABLE	1	



36X700-3020

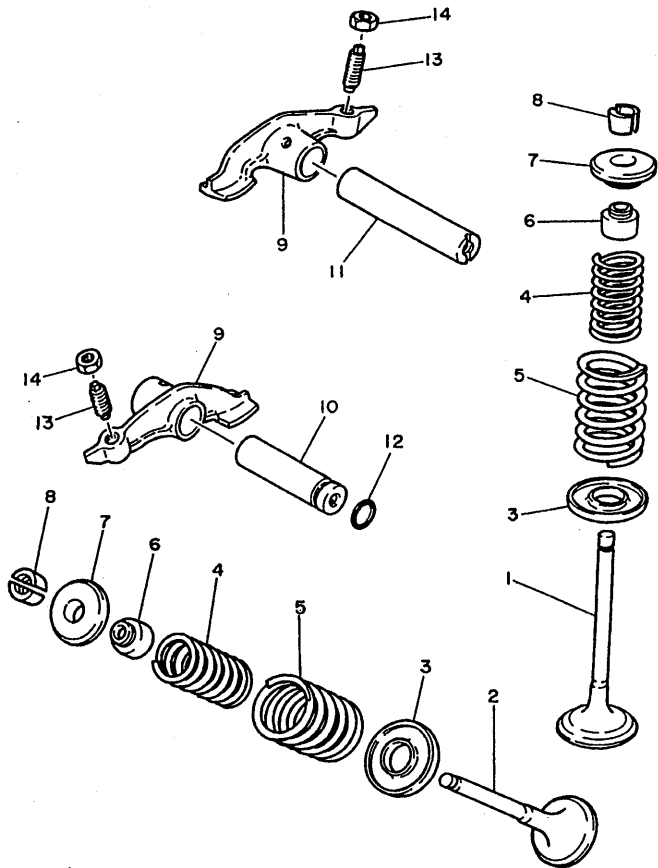


36X700-3030

FIG. 3 CRANKSHAFT. PISTON

REF. NO.	PART NO.	DESCRIPTION	3GXE			REMARKS
1	15A-11400-00	CRANKSHAFT ASSY	1			
2	15A-11412-09	.CRANK 1	1			
3	5H0-11422-00	.CRANK 2	1			
4	5H0-11681-00	.PIN, CRANK 1	1			
5	93310-530J3	.BEARING	1			
6	15A-11651-00	.ROD, CONNECTING	1			
7	93306-30611	BEARING	1			
8	36X-11631-00-A0	PISTON (STD)	1			
	36X-11636-00	PISTON (0.50MM O/S)	1			AP
	36X-11638-00	PISTON (1.00MM O/S)	1			AP
9	15A-11603-00	PISTON RING SET (STD)	1			
	15A-11605-00	PISTON RING SET (0.50MM O/S)	1			AP
	15A-11607-00	PISTON RING SET (1.00MM O/S)	1			AP
10	15A-11633-00	PIN, PISTON	1			
11	93450-17044	CIRCLIP	2			
12	90201-201E4	WASHER, PLATE	1			
13	5H0-11496-00	BOSS, BUFFER	1			
14	90501-21133	SPRING, COMPRESSION	6			
15	93605-10090	PIN, DOWEL	3			
16	5H0-11536-00	GEAR, DRIVE (38T)	1			
17	90214-20023	WASHER, CLAW	1			
18	90240-07083	PIN, CLEVIS	1			
19	90501-07629	SPRING, COMPRESSION	1			
20	93602-13177	PIN, DOWEL	1			
21	5H0-11531-00	GEAR, BALANCE WEIGHT (38T)	1			
22	15A-11454-00	WEIGHT 1	1			
23	93306-30427	BEARING	1			

FIG. 4 VALVE



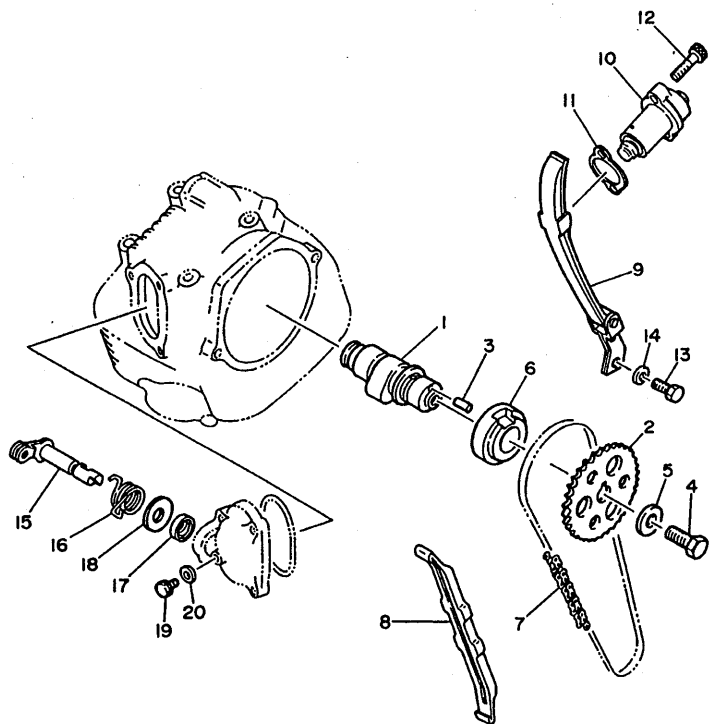
REF. NO.	PART NO.	DESCRIPTION	QTY	REMARKS
1	5H0-12111-01	VALVE, INTAKE	1	
2	5H0-12121-01	VALVE, EXHAUST	1	
3	4G0-12116-01	SEAT, VALVE SPRING	2	
4	4G0-12113-01	SPRING, VALVE INNER	2	YELLOW
5	4G0-12114-01	SPRING, VALVE OUTER	2	YELLOW
6	5H0-12119-00	SEAL, VALVE STEM	2	
7	4G0-12117-00	RETAINER, VALVE SPRING	2	
8	4G0-12118-00	COTTER, VALVE	4	
9	36X-12151-00	ARM, VALVE ROCKER	2	
10	5H0-12156-00	SHAFT, ROCKER 2	1	
11	5H0-12146-00	SHAFT, ROCKER	1	
12	93210-09165	O-RING	1	
13	2NX-12159-00	SCREW, VALVE ADJUSTING	2	
14	90170-06128	NUT	2	



36X700-3040

FIG. 5 CAMSHAFT. CHAIN

REF. NO.	PART NO.	DESCRIPTION	3GXE				REMARKS
1	36X-12171-00	CAMSHAFT 1	1				
2	5H0-12176-00	SPROCKET, CAM CHAIN (40T)	1				
3	93604-10011	PIN, DOWEL	1				
4	90101-10303	BOLT	1				
5	90201-10591	WASHER, PLATE	1				
6	90387-255F3	COLLAR	1				
7	94580-41104	CHAIN	1				
8	5H0-12231-00	GUIDE, STOPPER 1	1				
9	5N0-12241-00	GUIDE, STOPPER 2	1				
10	3GC-12210-10	TENSIONER ASSY, CAM CHAIN	1				
11	4FM-12213-00	GASKET, TENSIONER CASE	1				
12	91317-06025	BOLT	2				
13	97027-06016	BOLT	2				
14	92907-06600	WASHER, PLATE	2				
15	36X-12288-00	CAM, DECOMPRESSION	1				
16	90508-16428	SPRING, TORSION	1				
17	93102-12106	OIL SEAL (SD 12-22-5 HS)	1				
18	90201-12588	WASHER, PLATE	1				
19	90109-06418	BOLT	1				
20	90430-06014	GASKET	1				



3GX700-8050

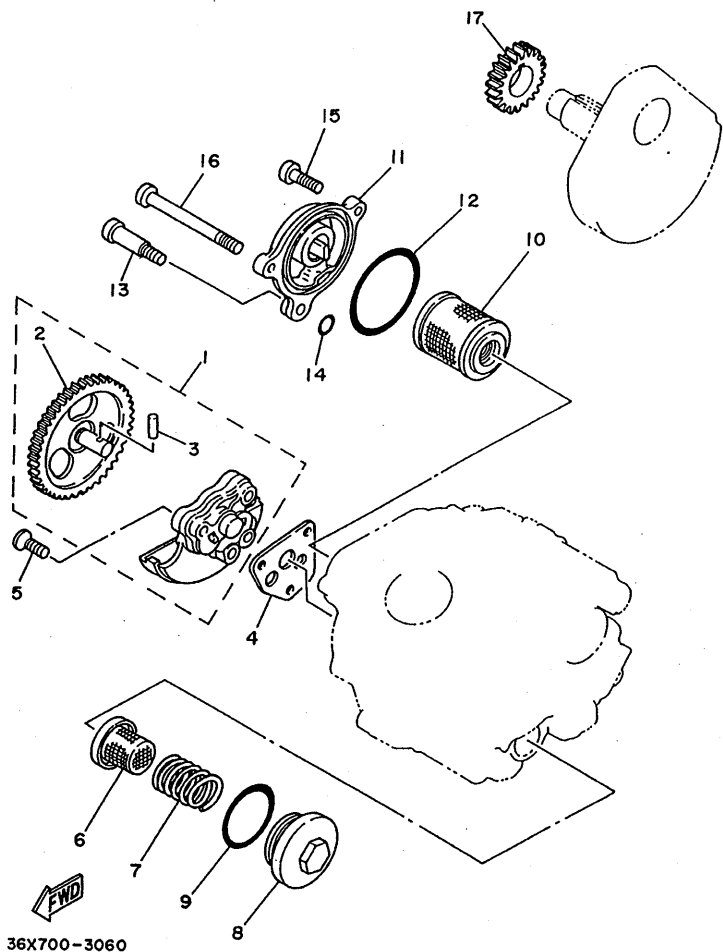
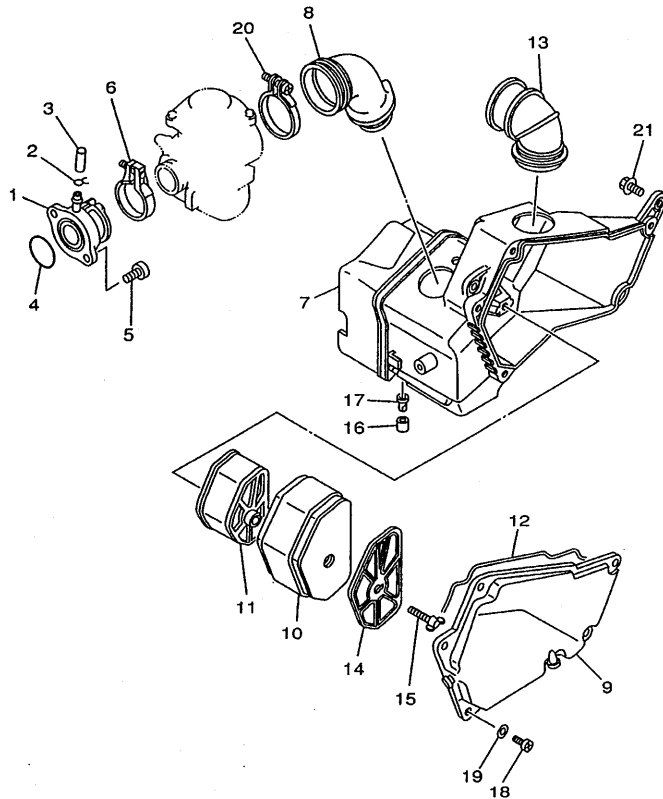


FIG. 6 OIL PUMP

REF. NO.	PART NO.	DESCRIPTION	3GX				REMARKS
1	5H0-13300-02	OIL PUMP ASSY	1				
2	5H0-13326-01	.GEAR, PUMP DRIVEN 2 (45T)	1				
3	93603-12030	.PIN, DOWEL	1				
4	4BE-13329-00	GASKET, PUMP COVER	1				
5	98707-06030	SCREW, FLAT HEAD	3				
6	51Y-13411-00	STRAINER, OIL	1				
7	90501-18576	SPRING, COMPRESSION	1				
8	5H0-15351-00	PLUG, DRAIN	1				
9	93210-347A1	O-RING	1				
10	5H0-13440-00	ELEMENT ASSY, OIL CLEANER	1				
11	3GX-13447-00	COVER, OIL ELEMENT	1				
12	93210-54175	O-RING	1				
13	90109-06419	BOLT	1				
14	93210-07135	O-RING	1				
15	98507-06025	SCREW, PAN HEAD	1				
16	98507-06075	SCREW, PAN HEAD	1				
17	36X-13324-00	GEAR, PUMP DRIVE	1				

FIG. 7 INTAKE

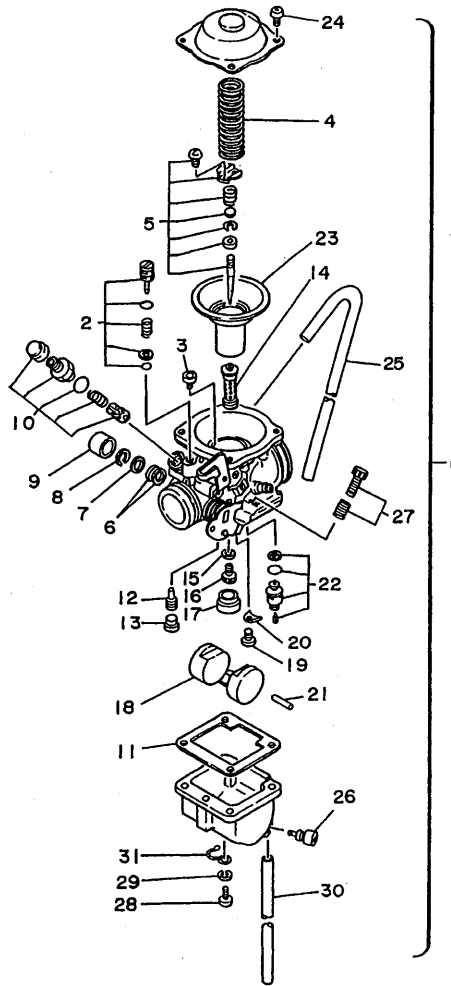


REF. NO.	PART NO.	DESCRIPTION	3GXE				REMARKS
1	36X-13586-01	JOINT, CARBURETOR 1	1				
2	90467-10035	CLIP	1				
3	16G-13569-00	PLUG, BLIND	1				
4	93210-35537	O-RING	1				
5	91317-06020	BOLT	2				
6	1HX-13575-00	BAND	1				
7	36X-14401-00	AIR CLEANER CASE ASSY	1				
8	36X-14453-01	JOINT, AIR CLEANER 1	1				
9	36X-14412-00	CAP, CLEANER CASE 1	1				
10	36X-14451-00	ELEMENT, AIR CLEANER	1				
11	36X-14458-00	GUIDE	1				
12	36X-14452-00	SEAL	1				
13	36X-14437-00	DUCT	1				
14	36X-14468-00	PLATE, ELEMENT FITTING	1				
15	90122-06012	BOLT, WING	1				
16	90387-051K7	COLLAR	1				
17	24W-13512-00	VALVE, ROTARY	1				
18	98507-05016	SCREW, PAN HEAD	5				
19	92907-05600	WASHER, PLATE	5				
20	90460-56105	CLAMP, HOSE	1				
21	95807-06016	BOLT, FLANGE	2				



3GXB200-7070

FIG. 8 CARBURETOR

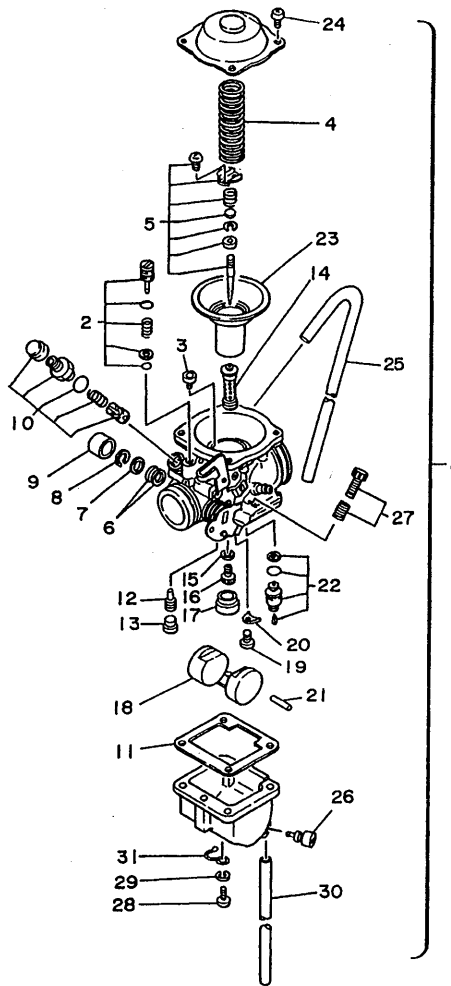


REF. NO.	PART NO.	DESCRIPTION	QTY	REMARKS
1	36X-14901-01	CARBURETOR ASSY 1	1	
2	36X-14105-00	.PILOT SCREW SET	1	
3	3G2-14231-25	.JET, MAIN (#125)	1	
4	36X-14933-01	.SPRING, DIAPHRAGM	1	
5	36X-1490J-00	.NEEDLE SET	1	
6	256-14997-00	.SEAL	2	
7	22F-14126-00	.GASKET	1	
8	812-14137-00	.CLIP	1	
9	36X-14169-00	.CAP	1	
10	36X-1410A-00	.STARTER SET	1	
11	46X-14984-00	.GASKET, FLOAT CHAMBER	1	
12	4G0-14142-35	.JET, PILOT (# 35)	1	
13	3F7-14991-00	.SCREW	1	
14	36X-14941-42	.NOZZLE, MAIN	1	
15	137-14153-00	.WASHER, MAIN JET	1	
16	620-14231-74	.JET, MAIN (#117.5)	1	
17	36X-14153-00	.WASHER, MAIN JET	1	
18	4G0-14985-00	.FLOAT	1	
19	97802-04006	.SCREW, PAN HEAD	1	
20	36X-14146-00	.PLATE	1	
21	537-14186-00	.PIN, FLOAT	1	
22	25G-14107-20	.NEEDLE VALVE SET	1	
23	36X-14940-00	.DIAPHRAGM ASSY	1	
24	97802-05008	.SCREW, PAN HEAD	4	
25	36X-14197-00	.PIPE	1	
26	36X-14191-00	.PLUG, DRAIN	1	
27	36X-1490K-00	.STOP SCREW SET	1	



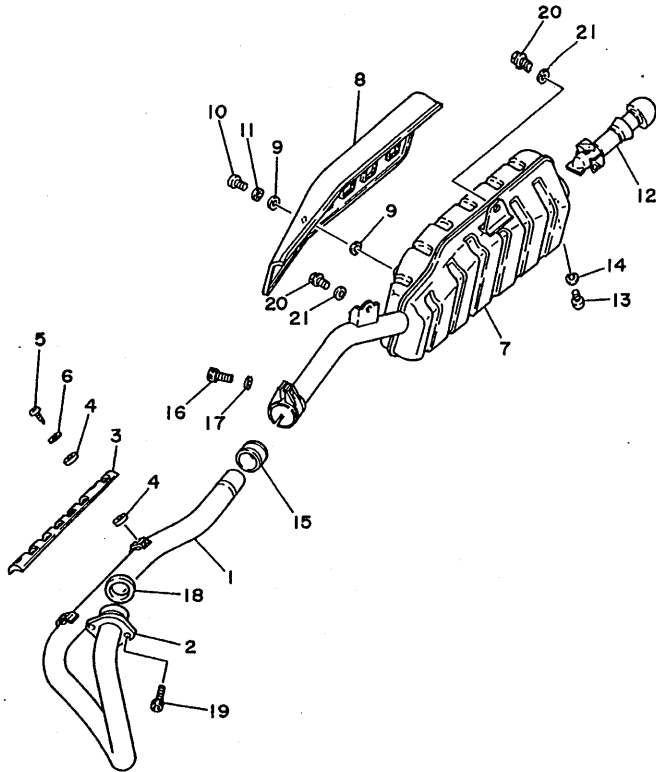
36X700-3080

FIG. 8 CARBURETOR



REF. NO.	PART NO.	DESCRIPTION	QTY	REMARKS
28	98502-04014	.SCREW, PAN HEAD	4	
29	92902-04100	.WASHER, SPRING	4	
30	21V-14196-00	.PIPE	1	
31	25G-14937-00	.CLIP	1	


36X700-3080

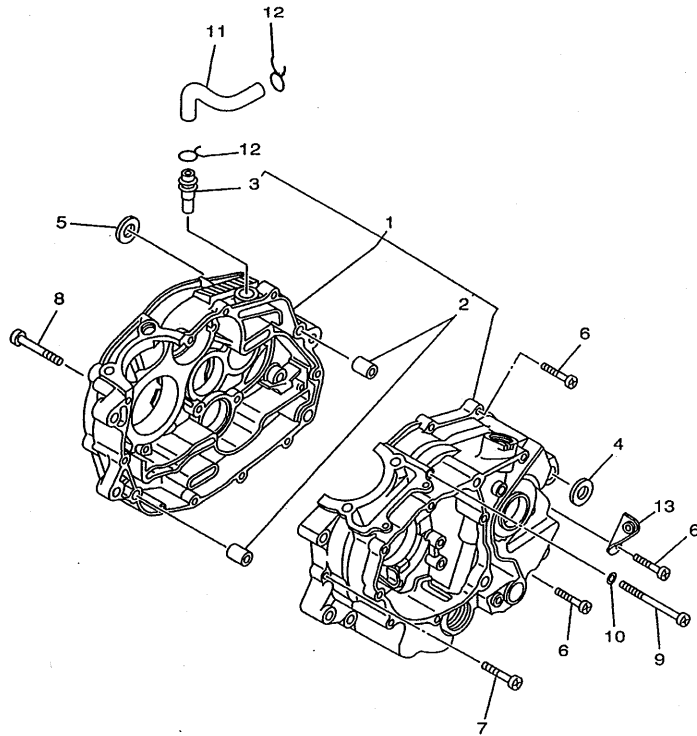


FWD
3GX700-8090

FIG. 9 EXHAUST

REF. NO.	PART NO.	DESCRIPTION	3GXE				REMARKS
1	36X-14611-01	PIPE, EXHAUST 1	1				
2	5H0-14612-00	NUT, RING	1				
3	36X-14628-01	PROTECTOR, EXHAUST PIPE	1				
4	4BD-14766-00	WASHER, PROTECTOR	4				
5	98907-06010	SCREW, BIND	2				
6	90206-06090	WASHER, WAVE	2				
7	36X-14711-01	MUFFLER 1	1				
8	36X-14728-00	PROTECTOR, MUFFLER 2	1				
9	4BD-14766-00	WASHER, PROTECTOR	4				
10	98907-06010	SCREW, BIND	2				
11	90206-06090	WASHER, WAVE	2				
12	36X-14752-02	PIPE, OUTLET	1				
13	98507-06010	SCREW, PAN HEAD	1				
14	92907-06600	WASHER, PLATE	1				
15	3YF-14714-00	GASKET, MUFFLER	1				
16	91317-08025	BOLT	1				
17	92907-08600	WASHER, PLATE	1				
18	4BE-14613-00	GASKET, EXHAUST PIPE	1				
19	91317-06020	BOLT	2				
20	90105-08141	BOLT, WASHER BASED	2				
21	90201-08326	WASHER, PLATE	2				

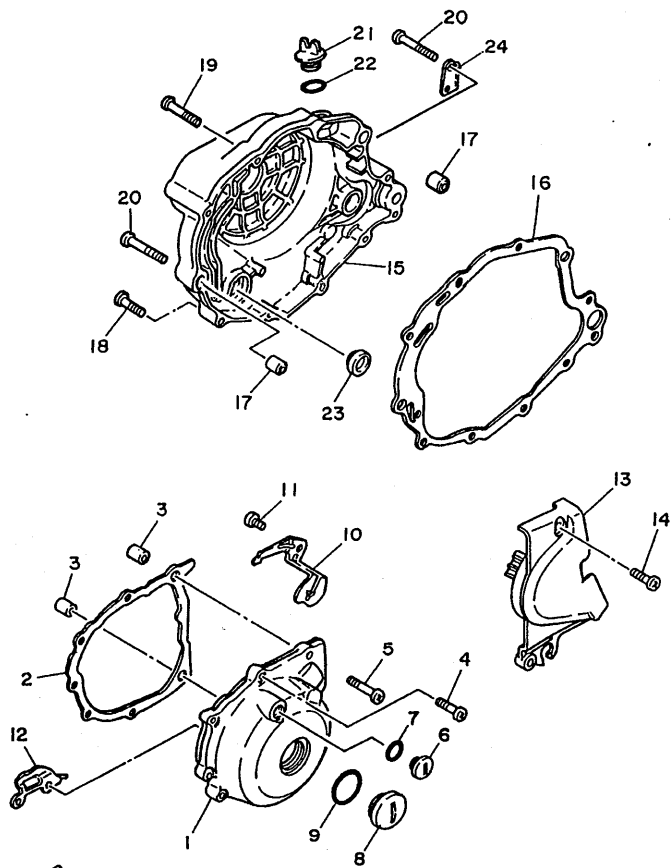
FIG. 10 CRANKCASE



REF. NO.	PART NO.	DESCRIPTION	3GXE				REMARKS
1	36X-15100-03	CRANKCASE ASSY	1				
2	99530-12016	.PIN, DOWEL	2				
3	371-11167-01	.PIPE, BREATHER 2	1				
4	90387-125F1	COLLAR	1				
5	90387-125F1	COLLAR	1				
6	98507-06030	SCREW, PAN HEAD	7				
7	98507-06040	SCREW, PAN HEAD	2				
8	98507-06080	SCREW, PAN HEAD	2				
9	98507-06085	SCREW, PAN HEAD	1				
10	90430-06014	GASKET	1				
11	36X-11166-00	PIPE, BREATHER 1	1				
12	90467-14015	CLIP	2				
13	90465-08200	CLAMP	1				



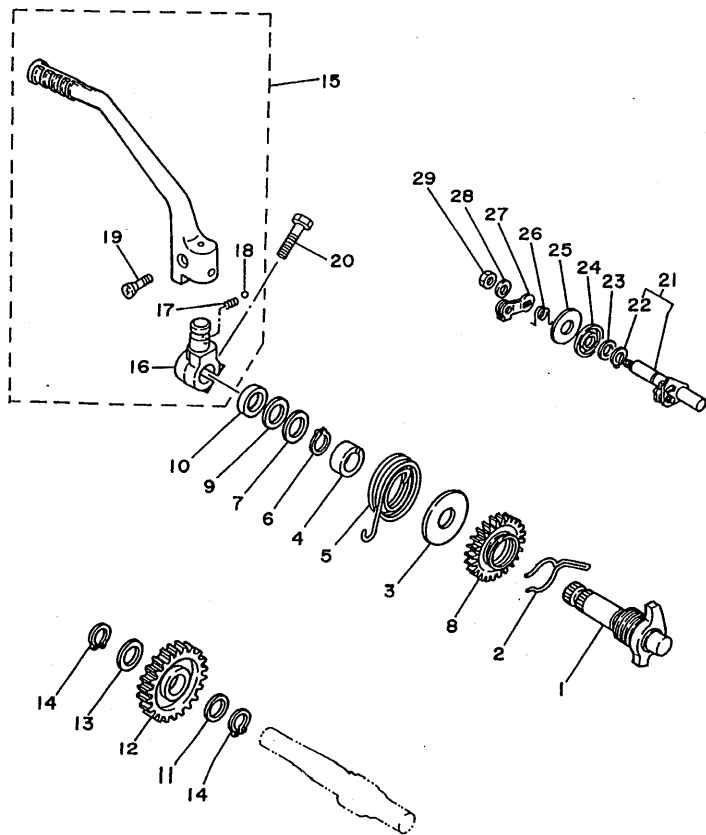
3GXB200-7100



36X700-3110

FIG. 11 CRANKCASE COVER 1

REF. NO.	PART NO.	DESCRIPTION	QTY	REMARKS
1	36X-15411-00	COVER, CRANKCASE 1	1	
2	15A-15451-02	GASKET, CRANKCASE COVER 1	1	
3	99530-12016	PIN, DOWEL	2	
4	98507-06025	SCREW, PAN HEAD	6	
5	98507-06035	SCREW, PAN HEAD	2	
6	90340-14068	PLUG, STRAIGHT SCREW	1	
7	93210-14369	O-RING	1	
8	90340-32116	PLUG, STRAIGHT SCREW	1	
9	93210-32172	O-RING	1	
10	90465-08188	CLAMP	1	
11	98507-06010	SCREW, PAN HEAD	1	
12	90465-16187	CLAMP	1	
13	36X-15421-01	COVER, CRANKCASE 2	1	
14	98507-06025	SCREW, PAN HEAD	2	
15	36X-15431-01	COVER, CRANKCASE 3	1	
16	4BE-15462-00	GASKET, CRANKCASE COVER 3	1	
17	99530-12016	PIN, DOWEL	2	
18	98507-06025	SCREW, PAN HEAD	5	
19	98507-06035	SCREW, PAN HEAD	3	
20	98507-06045	SCREW, PAN HEAD	2	
21	3Y1-15363-00	PLUG, OIL	1	
22	93210-19123	O-RING	1	
23	3Y1-15361-00	GAUGE, LEVEL	1	
24	36X-15378-00	HOLDER	1	



36X700-3120

FIG. 12 STARTER

REF. NO.	PART NO.	DESCRIPTION	QTY	REMARKS
1	36X-15660-01	KICK AXLE ASSY	1	
2	90468-26122	CLIP	1	
3	401-15676-00	COVER, SPRING	1	
4	15A-15666-00	SPACER	1	
5	90508-26538	SPRING, TORSION	1	
6	99009-17400	CIRCLIP	1	
7	90201-175F6	WASHER, PLATE	1	
8	36X-15641-00	GEAR, KICK	1	
9	90209-17226	WASHER	1	
10	93102-17263	OIL SEAL	1	
11	90201-173F4	WASHER, PLATE	1	
12	15A-15651-01	GEAR, KICK IDLE (28T)	1	
13	90214-17028	WASHER, CLAW	1	
14	99009-17400	CIRCLIP	2	
15	36X-15620-01	KICK CRANK ASSY	1	
16	36X-15621-01	BOSS, KICK CRANK	1	
17	90501-12081	SPRING, COMPRESSION	1	
18	93507-32009	BALL	1	
19	90157-06048	SCREW, PAN HEAD	1	
20	97027-08030	BOLT	1	
21	36X-1561A-00	DECOMP. LEVER ASSY	1	
22	99009-10400	CIRCLIP	1	
23	90201-10644	WASHER, PLATE	1	
24	93102-10207	OIL SEAL (SD 10-21-5 HS)	1	
25	90201-10135	WASHER, PLATE	1	
26	90508-14620	SPRING, TORSION	1	
27	36X-1561G-00	LEVER, CABLE	1	

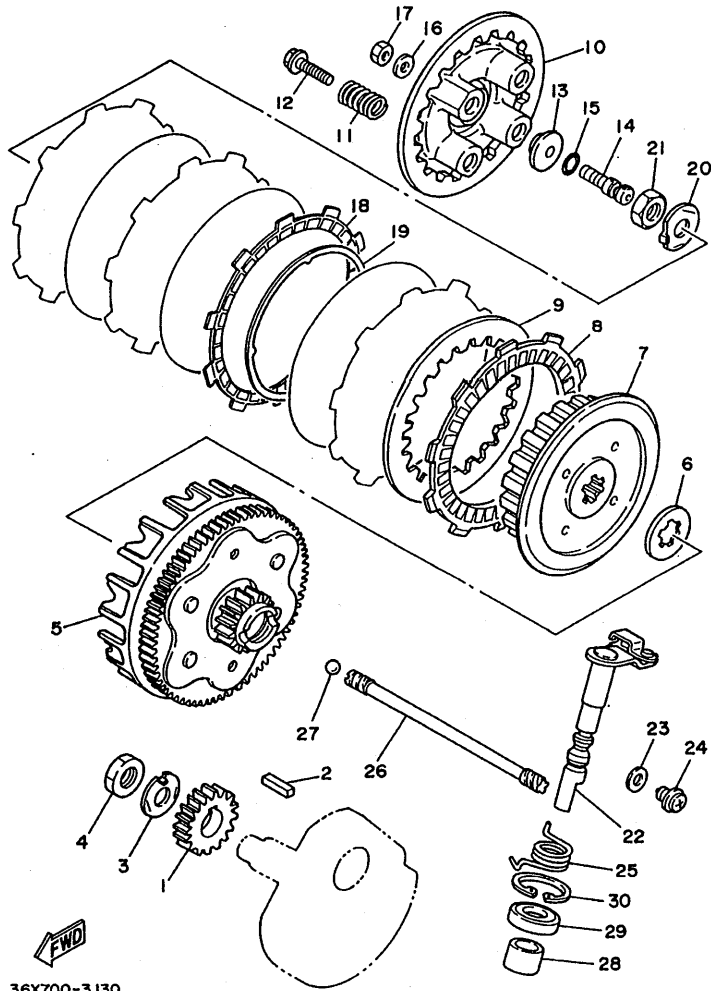


FIG. 13 CLUTCH

REF. NO.	PART NO.	DESCRIPTION	3GXE			REMARKS
1	36X-16111-00	GEAR, PRIMARY DRIVE	1			
2	90282-05043	KEY, STRAIGHT	1			
3	90215-14205	WASHER, LOCK	1			
4	90170-14284	NUT	1			
5	36X-16150-00	PRIMARY DRIVEN GEAR COMP.	1			
6	5H0-16154-00	PLATE, THRUST 1	1			
7	36X-16371-00	BOSS, CLUTCH	1			
8	537-16321-00	PLATE, FRICTION	4			
9	137-16324-00	PLATE, CLUTCH 1	4			
10	5H0-16351-00	PLATE, PRESSURE 1	1			
11	90501-23700	SPRING, COMPRESSION	4			
12	90159-05011	SCREW, WITH WASHER	4			
13	1W1-16358-01	PLATE, PUSH	1			
14	5H0-16356-01	ROD, PUSH 1	1			
15	93210-48364	O-RING	1			
16	92907-06200	WASHER	1			
17	95307-06600	NUT	1			
18	36X-16321-00	PLATE, FRICTION	1			
19	1KH-16383-00	SPRING, CLUTCH BOSS	1			
20	90215-14186	WASHER, LOCK	1			
21	90170-14284	NUT	1			
22	15A-16380-00	PUSH LEVER ASSY	1			
23	90430-08119	GASKET	1			
24	90149-08067	SCREW	1			
25	90508-18537	SPRING, TORSION	1			
26	5H0-16357-00	ROD, PUSH 2	1			
27	93505-16006	BALL	1			

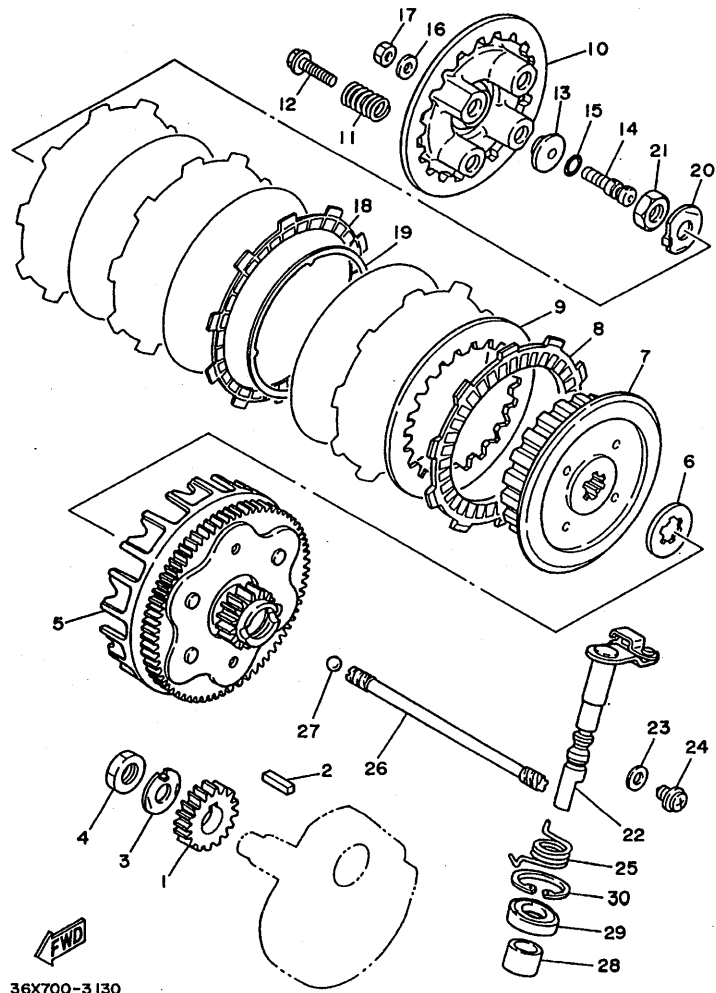
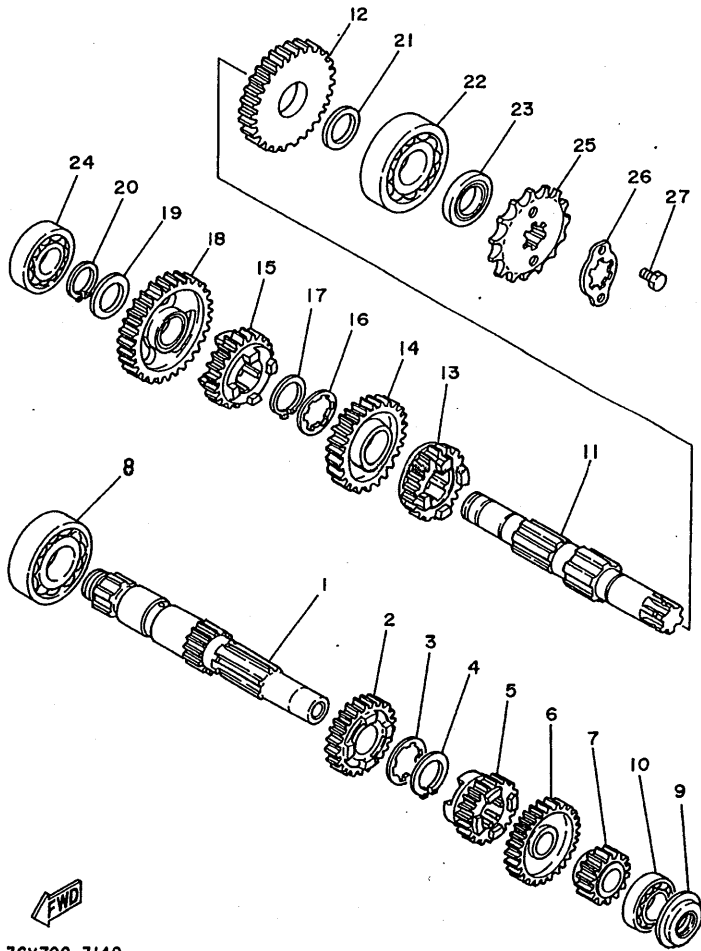


FIG. 13 CLUTCH

REF. NO.	PART NO.	DESCRIPTION	36XE				REMARKS
28	90386-14103	BUSH	1				
29	93102-14209	OIL SEAL	1				
30	93420-28055	CIRCLIP	1				

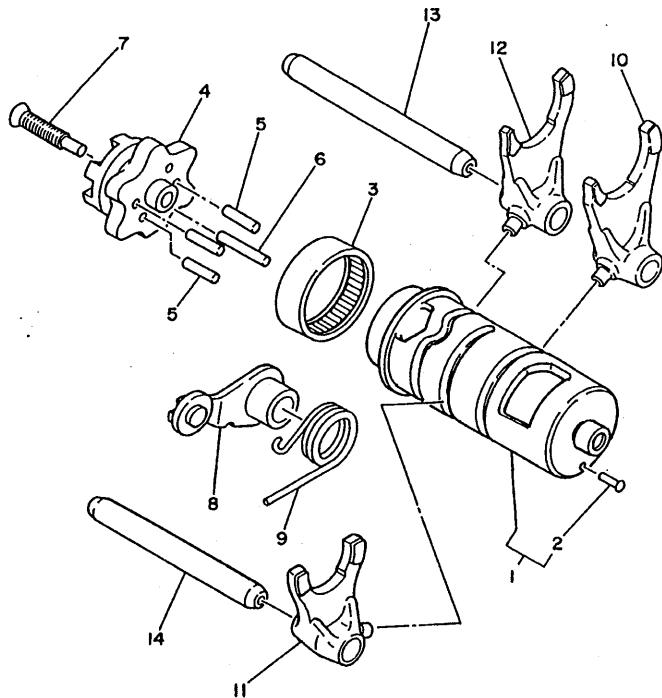


36X700-3140

FIG. 14 TRANSMISSION

REF. NO.	PART NO.	DESCRIPTION	3GXE				REMARKS
1	36X-17411-00	AXLE, MAIN	1				
2	36X-17141-01	GEAR, 4TH PINION	1				
3	90209-16209	WASHER	1				
4	93410-20038	CIRCLIP	1				
5	24W-17131-00	GEAR, 3RD PINION (21T)	1				
6	36X-17151-00	GEAR, 5TH PINION	1				
7	24W-17121-00	GEAR, 2ND PINION (15T)	1				
8	93306-20401	BEARING (B6204)	1				
9	93101-15101	OIL SEAL	1				
10	93306-20201	BEARING (B6202)	1				
11	15A-17402-01	DRIVE AXLE ASSY	1				
12	36X-17221-00	GEAR, 2ND WHEEL	1				
13	36X-17251-00	GEAR, 5TH WHEEL	1				
14	24W-17231-00	GEAR, 3RD WHEEL (30T)	1				
15	36X-17241-01	GEAR, 4TH WHEEL	1				
16	90209-18208	WASHER	1				
17	93410-22039	CIRCLIP	1				
18	36X-17211-00	GEAR, 1ST WHEEL	1				
19	90201-17257	WASHER, PLATE	1				
20	99009-17400	CIRCLIP	1				
21	90201-203E7	WASHER, PLATE	1				
22	93306-30424	BEARING (B6304A3)	1				
23	93102-20242	OIL SEAL	1				
24	93306-20332	BEARING	1				
25	93822-14043	SPROCKET, DRIVE 14T(5N01746141)	1				
26	5H0-17456-00	HOLDER, SPROCKET	1				
27	97027-06010	BOLT	2				

FIG. 15 SHIFT CAM. FORK



REF. NO.	PART NO.	DESCRIPTION	3GXE				REMARKS
1	36X-18540-00	SHIFT CAM ASSY	1				
2	136-18542-00	.POINT, NEUTRAL	1				
3	93315-23607	BEARING	1				
4	5H0-18185-01	SEGMENT	1				
5	93604-16092	PIN, DOWEL	4				
6	93604-20156	PIN, DOWEL	1				
7	90151-06013	SCREW, COUNTERSUNK	1				
8	4G0-18140-00	STOPPER LEVER ASSY	1				
9	90508-26539	SPRING, TORSION	1				
10	36X-18513-00	FORK, SHIFT 3	1				
11	4JG-18511-00	FORK, SHIFT 1	1				
12	4JG-18512-01	FORK, SHIFT 2	1				
13	3GX-18531-00	BAR, SHIFT FORK GUIDE 1	1				
14	3GX-18535-00	BAR, SHIFT FORK GUIDE 2	1				



36X700-3150

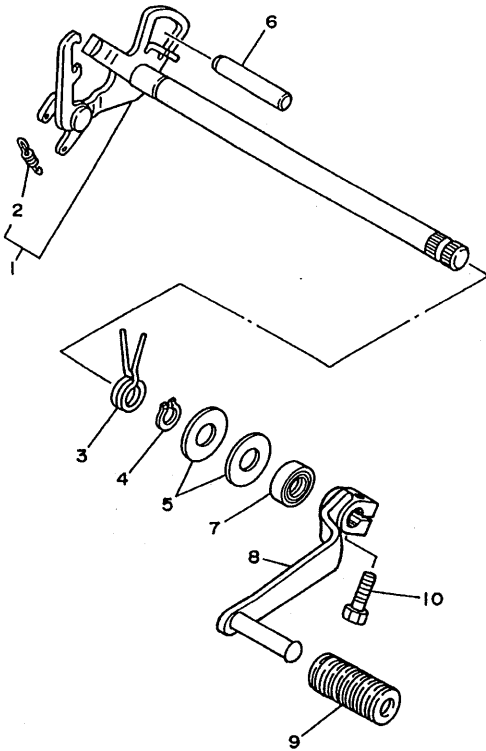


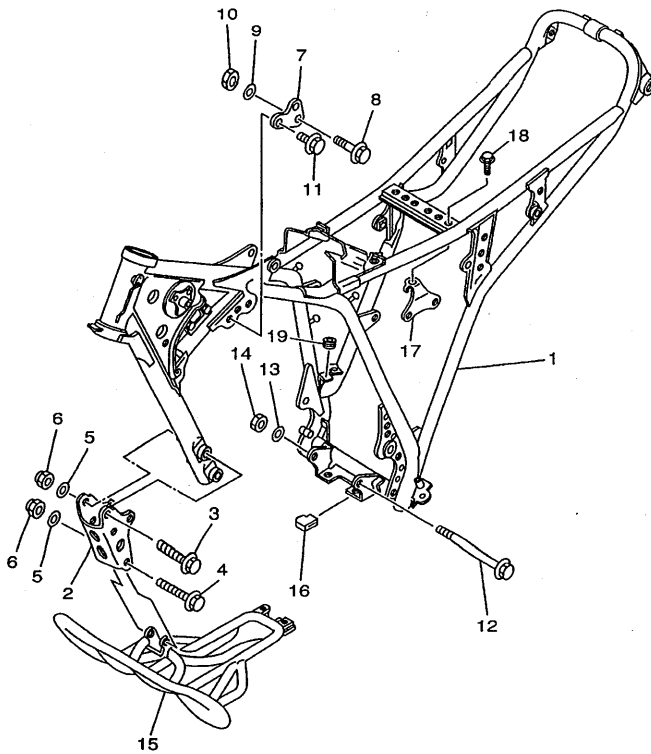
FIG. 16 SHIFT SHAFT

REF. NO.	PART NO.	DESCRIPTION	QTY	REMARKS
1	5H0-18120-02	SHIFT LEVER ASSY	1	
2	90506-08227	.SPRING, TENSION	1	
3	90508-29540	SPRING, TORSION	1	
4	99001-10600	CIRCLIP	1	
5	90201-12588	WASHER, PLATE	2	
6	93608-50158	PIN, DOWEL	1	
7	93102-12106	OIL SEAL (SD 12-22-5 HS)	1	
8	36X-18111-00	PEDAL, SHIFT	1	
9	132-18113-01	COVER, SHIFT PEDAL	1	
10	97027-06020	BOLT	1	



36X700-8160

FIG. 17 FRAME

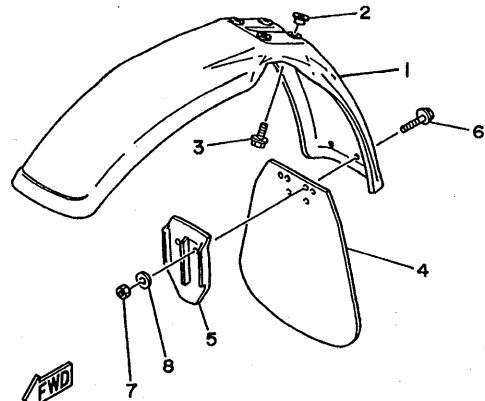
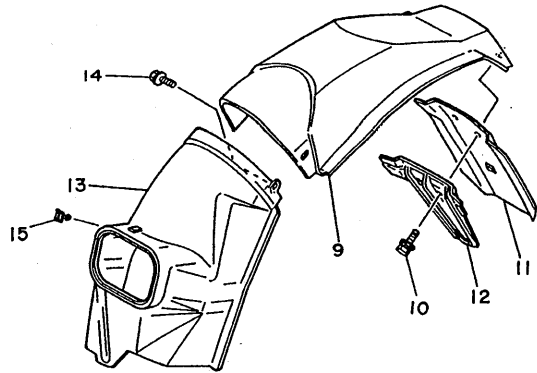


REF. NO.	PART NO.	DESCRIPTION	QTY	REMARKS
1	3GX-21110-00-33	FRAME COMP.	1	YB
2	36X-21316-00	STAY, ENGINE 3	1	
3	95817-08065	BOLT, FLANGE	3	
4	95817-08070	BOLT, FLANGE	1	
5	90201-08366	WASHER, PLATE	4	
6	90185-08089	NUT, SELF-LOCKING	4	
7	36X-21315-00	STAY, ENGINE 2	1	
8	95817-08050	BOLT, FLANGE	1	
9	90201-08366	WASHER, PLATE	1	
10	90185-08089	NUT, SELF-LOCKING	1	
11	90105-08066	BOLT, WASHER BASED	2	
12	95827-08120	BOLT, FLANGE	1	
13	90201-08366	WASHER, PLATE	1	
14	90185-08089	NUT, SELF-LOCKING	1	
15	36X-21471-00	PROTECTOR, ENGINE	1	UR YB FOR YNS3
	36X-21471-20	PROTECTOR, ENGINE	1	UR SL FOR SBE
16	36X-21485-00	DAMPER, RUBBER 1	2	
17	36X-21287-00	BRACKET, REGULATOR	1	
18	95807-06008	BOLT, FLANGE	1	
19	90480-14229	GROMMET	1	



3GXB200-7170

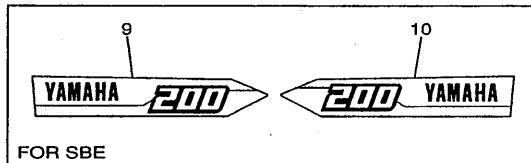
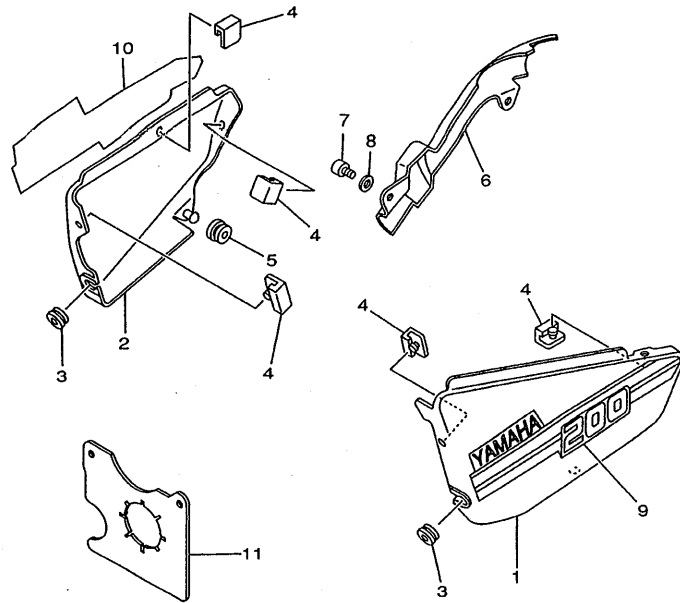
FIG. 18 FENDER



36X700-3180

REF. NO.	PART NO.	DESCRIPTION	3GXE				REMARKS
1	36X-21511-40	FENDER, FRONT	1				UR YNS3
	36X-21511-60	FENDER, FRONT	1				UR SBE
2	90387-062V8	COLLAR	4				
3	90119-06063	BOLT, WITH WASHER	4				
4	36X-21521-00	FLAP, FRONT FENDER	1				
5	36X-21522-00	BAND, FLAP	1				
6	90159-06085	SCREW, WITH WASHER	2				
7	95307-06700	NUT	2				
8	90201-06557	WASHER, PLATE	2				
9	36X-21611-20	FENDER, REAR	1				UR YNS3
	36X-21611-40	FENDER, REAR	1				UR SBE
10	90119-06097	BOLT, WITH WASHER	2				
11	36X-21621-00	FLAP	1				
12	36X-21622-00	BAND, FLAP	1				
13	36X-21629-01	GUARD, MUD	1				
14	90119-06063	BOLT, WITH WASHER	2				
15	90464-13249	CLAMP	2				

FIG. 19 SIDE COVER

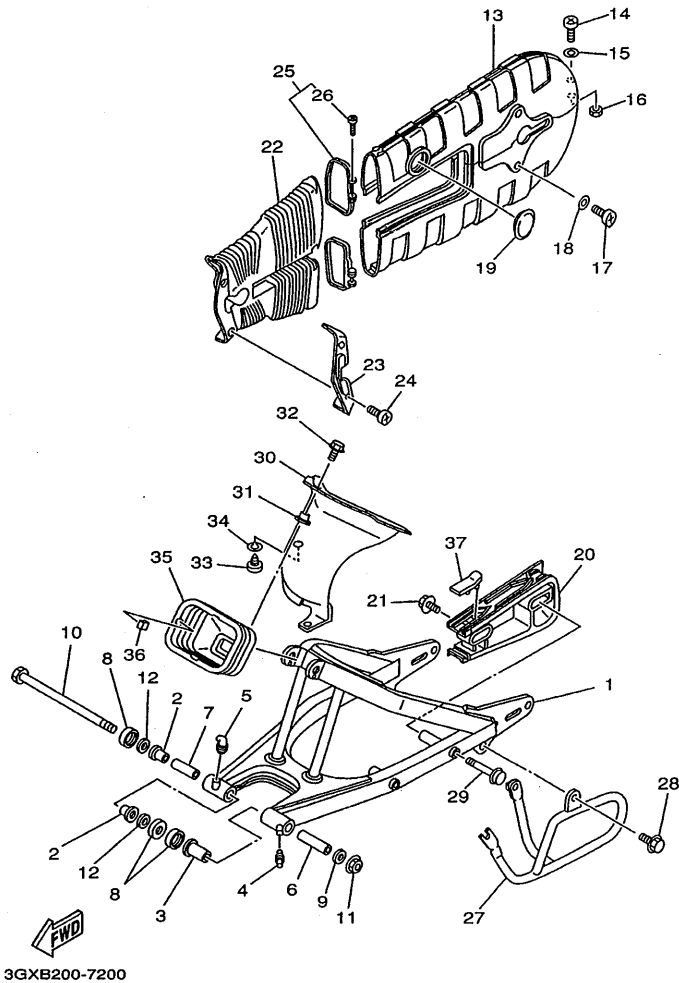


REF. NO.	PART NO.	DESCRIPTION	3GXE		REMARKS
1	36X-21711-20	COVER, SIDE 1	1		UR YNS3
	36X-21711-40	COVER, SIDE 1	1		UR SBE
2	36X-21721-20	COVER, SIDE 2	1		UR YNS3
	36X-21721-40	COVER, SIDE 2	1		UR SBE
3	90480-12320	GROMMET	3		
4	3M7-21746-00	DAMPER	5		
5	90480-01141	GROMMET	1		
6	36X-2172A-00	PANEL 1	1		
7	98507-06012	SCREW, PAN HEAD	2		
8	92907-06600	WASHER, PLATE	2		
9	3GX-2173E-10	GRAPHIC 1	1		UR FOR YNS3
	3GX-2173E-30	GRAPHIC 1	1		UR FOR SBE
10	3GX-2173F-10	GRAPHIC 2	1		UR FOR YNS3
	3GX-2173F-30	GRAPHIC 2	1		UR FOR SBE
11	36X-2177F-00	COVER	1		



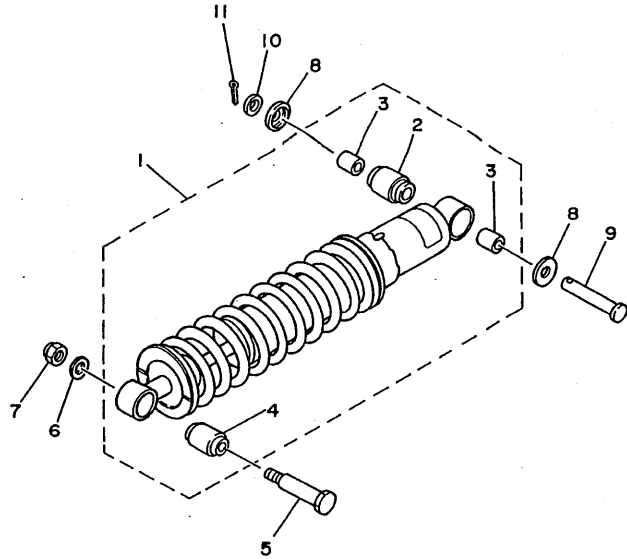
3GXE200-9190

FIG. 20 REAR ARM



REF. NO.	PART NO.	DESCRIPTION	QTY	REMARKS
1	36X-22110-00-35	REAR ARM COMP.	1	SL
2	15A-22123-00	BUSH 1	2	
3	90386-18028	BUSH	1	
4	93700-06004	NIPPLE, GREASE	1	
5	93700-06009	NIPPLE, GREASE	1	
6	36X-22126-00	COLLAR, DISTANCE	1	
7	36X-22126-10	COLLAR, DISTANCE	1	
8	401-22128-01	SEAL, GUARD	3	
9	93109-18020	OIL SEAL	1	
10	36X-22141-01	SHAFT, PIVOT	1	
11	90185-12072	NUT, SELF-LOCKING	1	
12	401-22127-00	SHIM	1	UN
13	36X-22310-00-35	CHAIN CASE ASSY	1	SL
14	98507-06045	SCREW, PAN HEAD	1	
15	92907-06600	WASHER, PLATE	1	
16	95607-06200	NUT, SELF U-FLANGE	1	
17	98507-06016	SCREW, PAN HEAD	2	
18	92907-06600	WASHER, PLATE	2	
19	148-22315-00	CAP	1	
20	36X-22358-00	SEAL 1	1	
21	90119-06074	BOLT, WITH WASHER	1	
22	36X-22325-00	COVER, DUST	1	
23	36X-22324-00	STAY, DUST COVER	1	
24	98507-05008	SCREW, PAN HEAD	2	
25	36X-22323-00	STAY, CHAIN CASE 3	2	
26	98507-04030	SCREW, PAN HEAD	1	
27	36X-22318-00	GUARD, CHAIN	1	

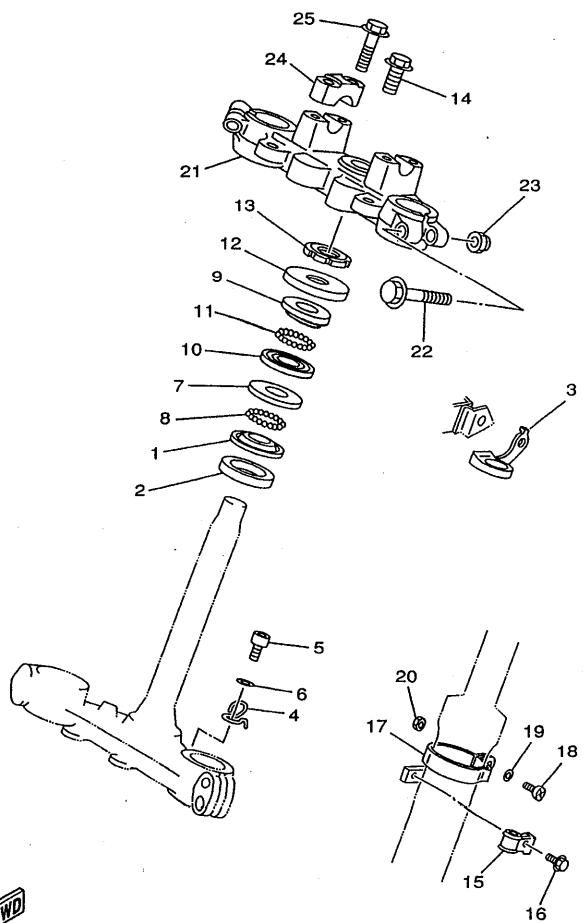
FIG. 21 REAR SUSPENSION



REF. NO.	PART NO.	DESCRIPTION	QTY				REMARKS
1	36X-22210-20	SHOCK ABSORBER ASSY, REAR	1				
2	3R4-22226-00	.BUSH, SHOCK ABSORBER LOWER	1				
3	90380-12051	.BUSH, SOLID	2				
4	1YW-22216-00	.BUSH, REAR SHOCK ABSORBER	1				
5	90109-10554	BOLT	1				
6	90201-10126	WASHER, PLATE	1				
7	95607-10100	NUT, U	1				
8	1W1-22128-00	COVER, THRUST 1	2				
9	90240-12092	PIN, CLEVIS	1				
10	92907-12600	WASHER	1				
11	91401-25020	PIN, COTTER	1				



36X700-3210

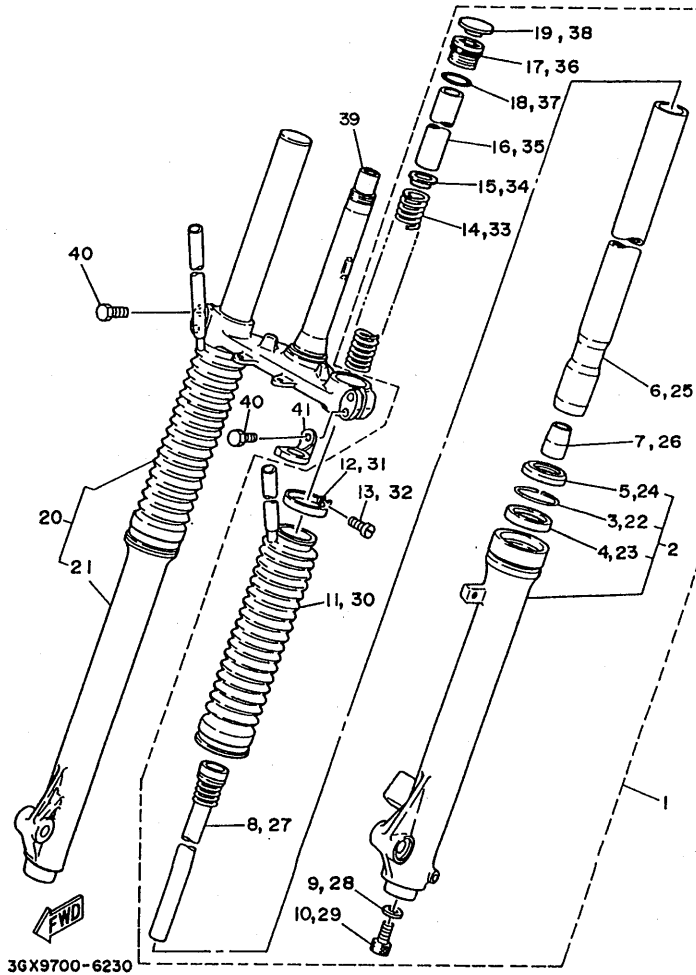


3GXB200-7220

FIG. 22 STEERING

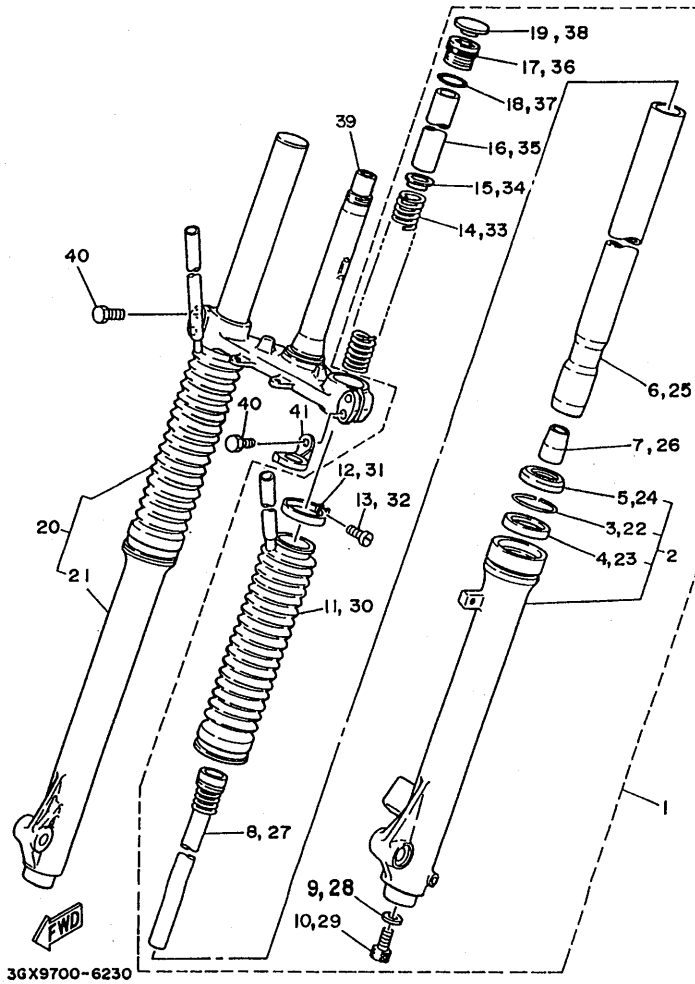
REF. NO.	PART NO.	DESCRIPTION	3GXE			REMARKS
1	156-23411-00	RACE, BALL 1	1			
2	164-23462-00	SEAL, STEERING	1			
3	36X-23389-00	GUIDE, CABLE	1			
4	36X-2331E-00	GUIDE, CABLE	1			
5	98507-06012	SCREW, PAN HEAD	1			
6	92907-06600	WASHER, PLATE	1			
7	156-23412-00	RACE, BALL 2	1			
8	93501-04011	BALL	19			
9	22F-23411-01	RACE, BALL 1	1			
10	22F-23412-01	RACE, BALL 2	1			
11	93503-16003	BALL	22			
12	36X-23416-00	COVER, BALL RACE 2	1			
13	90179-25033	NUT	1			
14	90105-14102	BOLT, WASHER BASED	1			
15	3Y1-23319-00	HOLDER, CABLE 2	1			
16	95807-06012	BOLT, FLANGE	1			
17	3R9-23318-00	HOLDER, CABLE 1	1			
18	98507-05016	SCREW, PAN HEAD	1			
19	92907-05600	WASHER, PLATE	1			
20	95307-05600	NUT	1			
21	36X-23435-00	CROWN, HANDLE	1			
22	95827-10060	BOLT, FLANGE	2			
23	90185-10091	NUT, SELF-LOCKING	2			
24	1E6-23441-10-98	HOLDER, HANDLE UPPER	2			LGB
25	95827-08035	BOLT, FLANGE	4			

FIG. 23 FRONT FORK

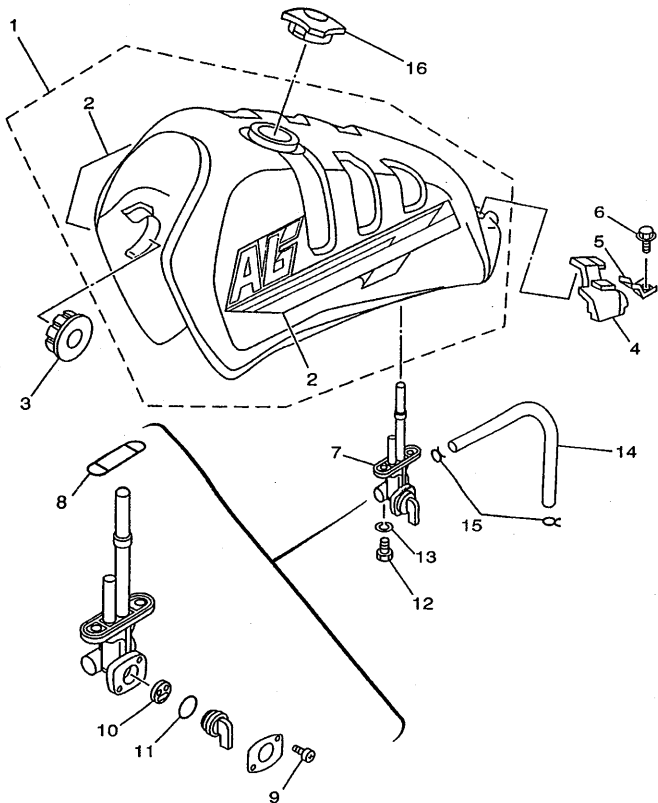


REF. NO.	PART NO.	DESCRIPTION	3GXE		REMARKS
1	36X-23102-10	FRONT FORK ASSY (L.H)	1		
2	36X-23107-00-35	..OUTER TUBE COMP. (R.H)	1		SL
3	4A1-23156-00	..CLIP, OIL SEAL	1		
4	1T3-23145-00	..OIL SEAL	1		
5	3R2-23144-00	..SEAL, DUST	1		
6	36X-23110-00	..INNER TUBE COMP.1	1		
7	1W1-23173-L0	..SPINDLE, TAPER	1		
8	36X-23170-00	..CYLINDER COMP., FRONT FORK	1		
9	509-23158-L0	..GASKET	1		
10	278-23181-50	..BOLT, HEXAGON SOCKET HEAD	1		
11	36X-23191-10	..BOOT	1		
12	36X-23192-00	..BAND	1		
13	4V2-23194-L0	..SCREW, BOOT BAND	1		
14	36X-23141-00	..SPRING, FRONT FORK	1		
15	3DM-23149-10	..WASHER, SPRING UPPER	1		
16	36X-23118-00	..SPACER	1		
17	1U6-23111-M1	..BOLT, CAP	1		
18	240-23114-00	..GASKET	1		
19	1U6-23168-M0	..CAP, FRONT FORK	1		
20	36X-23103-10	FRONT FORK ASSY (R.H)	1		
21	36X-23106-00-35	..OUTER TUBE COMP. (L.H)	1		SL
22	4A1-23156-00	..CLIP, OIL SEAL	1		
23	1T3-23145-00	..OIL SEAL	1		
24	3R2-23144-00	..SEAL, DUST	1		
25	36X-23110-00	..INNER TUBE COMP.1	1		
26	1W1-23173-L0	..SPINDLE, TAPER	1		
27	36X-23170-00	..CYLINDER COMP., FRONT FORK	1		

FIG. 23 FRONT FORK



REF. NO.	PART NO.	DESCRIPTION	3GXE			REMARKS
28	509-23158-L0	.GASKET	1			
29	278-23181-50	.BOLT, HEXAGON SOCKET HEAD	1			
30	36X-23191-10	.BOOT	1			
31	36X-23192-00	.BAND	1			
32	4V2-23194-L0	.SCREW, BOOT BAND	1			
33	36X-23141-00	.SPRING, FRONT FORK	1			
34	3DM-23149-10	.WASHER, SPRING UPPER	1			
35	36X-23118-00	.SPACER	1			
36	1U6-23111-M1	.BOLT, CAP	1			
37	240-23114-00	.GASKET	1			
38	1U6-23168-M0	.CAP, FRONT FORK	1			
39	36X-23340-00-33	UNDER BRACKET COMP.	1			YB
40	3YF-23181-00	BOLT, HEXAGON SOCKET HEAD	4			
41	3R4-23389-00	GUIDE, CABLE	1			



3GXE200-9240

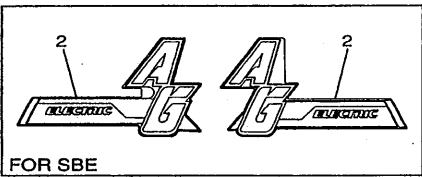
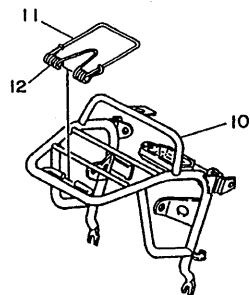
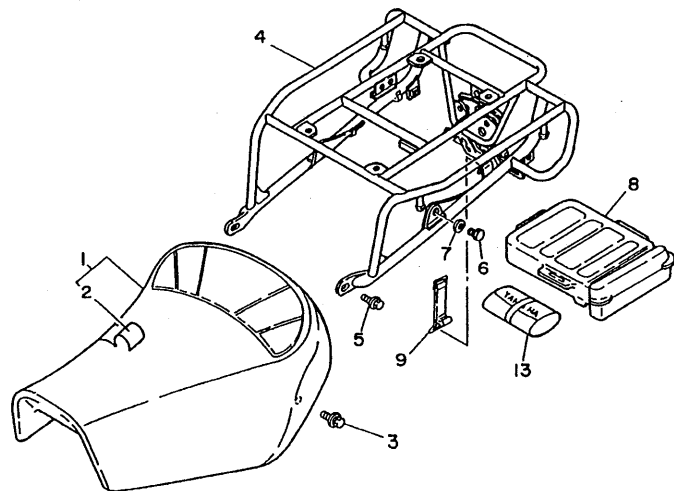


FIG. 24 FUEL TANK

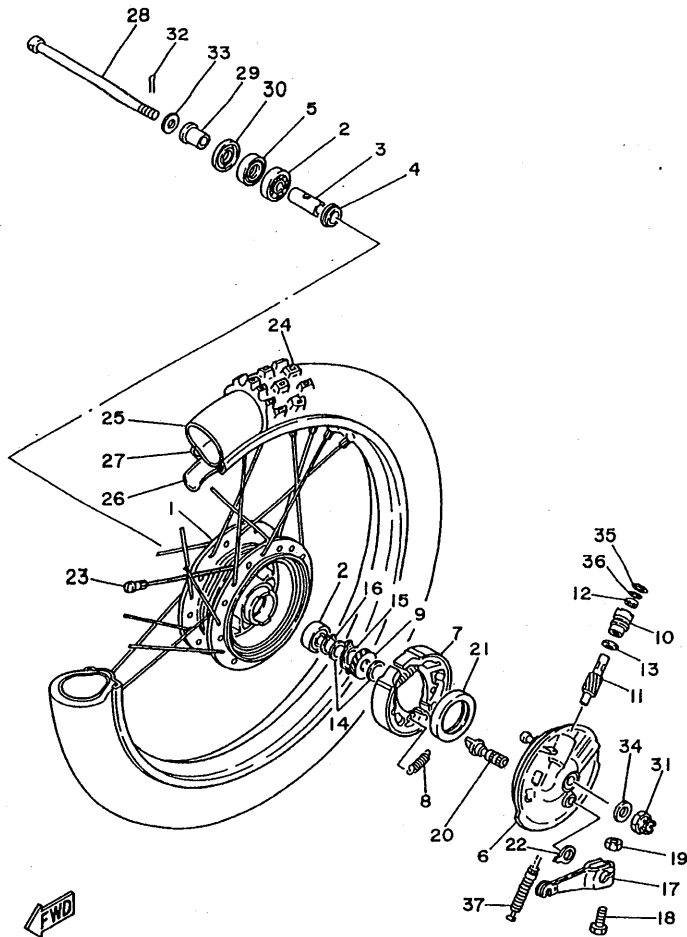
REF. NO.	PART NO.	DESCRIPTION	3GXE		REMARKS
1	36X-24110-10-02	FUEL TANK COMP.	1		UR YNS3
	36X-Y2410-10-01	FUEL TANK COMP.	1		UR SBE
2	3GX-24240-10	.GRAPHIC SET	1		UR FOR YNS3
	3GX-24240-30	.GRAPHIC SET	1		UR FOR SBE
3	4H7-24181-00	DAMPER, LOCATING 1	2		
4	36X-24182-00	DAMPER, LOCATING 2	1		
5	36X-24186-00	WASHER, SPECIAL	2		
6	95807-06016	BOLT, FLANGE	2		
7	23F-24500-01	FUEL COCK ASSY 1	1		
8	4X8-24512-00	.O-RING	1		
9	97801-03008	.SCREW, PAN HEAD	2		
10	3AJ-24523-00	.VALVE PACKING	1		
11	3AJ-24534-00	.SEAL, COCK	1		
12	90149-06011	SCREW	2		
13	90202-05193	WASHER, PLATE	2		
14	90445-10638	HOSE	1		
15	90467-09006	CLIP	2		
16	36X-24610-00	CAP ASSY	1		

FIG. 25 SEAT




36X700-3250

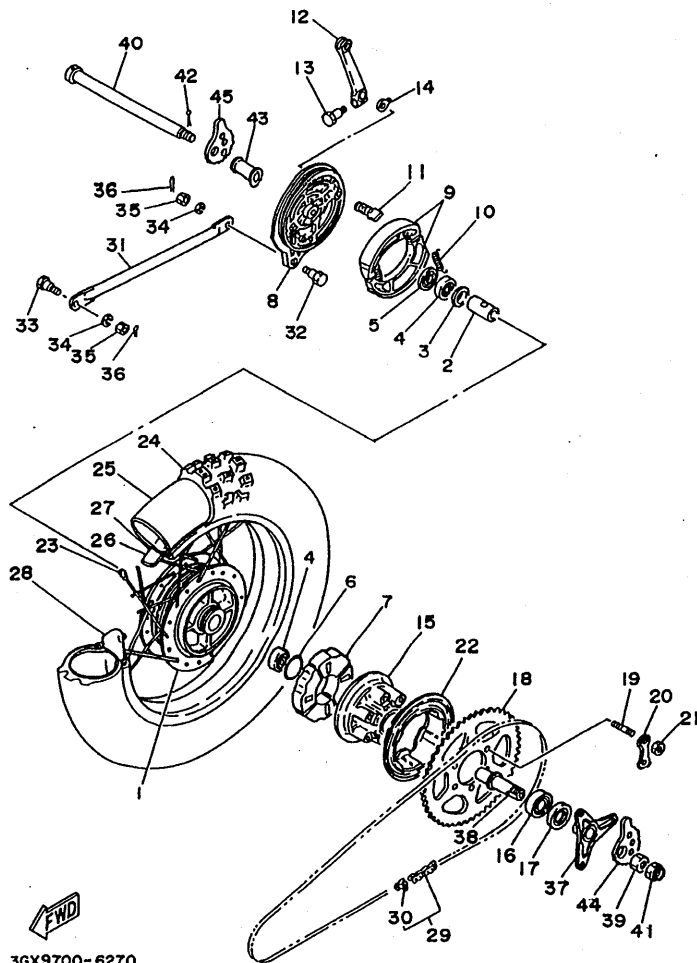
REF. NO.	PART NO.	DESCRIPTION	QTY	REMARKS
1	3GX-24710-31	SINGLE SEAT ASSY	1	
2	3GX-24711-31	.COVER, SINGLE SEAT	1	
3	90119-06063	BOLT, WITH WASHER	2	
4	36X-24810-00-98	CARRIER ASSY	1	LGB FOR YNS3
	36X-24810-00-35	CARRIER ASSY	1	SL FOR SBE
5	95817-08012	BOLT, FLANGE	2	
6	90105-08141	BOLT, WASHER BASED	1	
7	90201-08326	WASHER, PLATE	1	
8	36X-21107-00	TOOL BOX COMP.	1	
9	36X-2811G-00	BAND	1	
10	36X-24860-00-98	FRONT CARRIER ASSY	1	LGB FOR YNS3
	36X-24860-00-35	FRONT CARRIER ASSY	1	SL FOR SBE
11	36X-24862-00	CLAMP, CARRIER	1	
12	36X-24861-00	SPRING, FRONT CARRIER	1	
13	36X-28100-00	TOOL KIT	1	



FWD
3GX5700-2260

FIG. 26 FRONT WHEEL

REF. NO.	PART NO.	DESCRIPTION	3GXE			REMARKS
1	248-25111-00-35	HUB, FRONT	1			SL
2	93306-30103	BEARING (B6301Z)	2			
3	90560-12138	SPACER	1			
4	109-25315-00	FLANGE, SPACER	1			
5	93102-18008	OIL SEAL	1			
6	23F-25121-00-35	PLATE, BRAKE SHOE	1			SL
7	4BE-W2536-00	BRAKE SHOE SET	1			
8	90506-15260	SPRING, TENSION	2			
9	36X-25135-00	GEAR, DRIVE	1			
10	109-25136-00	BUSH	1			
11	36X-25138-00	GEAR, METER	1			
12	93104-07003	OIL SEAL	1			
13	90201-07076	WASHER, PLATE	1			
14	90201-20269	WASHER, PLATE	2			
15	183-25149-00	CLUTCH, METER	1			
16	99009-20400	CIRCLIP	1			
17	558-25155-00	LEVER, CAMSHAFT 1	1			
18	90101-06278	BOLT	1			
19	95307-06600	NUT	1			
20	3Y6-25351-00	CAMSHAFT	1			
21	93102-47297	OIL SEAL	1			
22	23F-2533A-00	PLATE, INDICATOR	1			
23	3V6-25104-00	SPOKE SET, FRONT	1			
24	94130-195E9	TIRE (3.00-19)	1			INOUE
25	94227-19292	TUBE (2.75-19)	1			INOUE
26	94327-19111	BAND, RIM (2.75-19)	1			INOUE
27	94416-19263	RIM (1.60-19)	1			



3GX9700-6270

FIG. 27 REAR WHEEL

REF. NO.	PART NO.	DESCRIPTION	3GXE			REMARKS
1	391-25311-00-35	HUB, REAR	1			SL
2	90560-15136	SPACER	1			
3	183-25315-00	FLANGE, SPACER	1			
4	93306-20227	BEARING	2			
5	93104-22018	OIL SEAL	1			
6	93210-42101	O-RING	1			
7	36X-25364-00	DAMPER	4			
8	248-25321-00-35	PLATE, BRAKE SHOE	1			SL
9	3FA-W2536-00	BRAKE SHOE SET	1			
10	90506-15260	SPRING, TENSION	2			
11	248-25351-10	CAMSHAFT	1			
12	4V8-25355-00	LEVER, CAMSHAFT	1			
13	90101-06291	BOLT	1			
14	5T9-2533A-00	PLATE, INDICATOR	1			
15	31G-25366-00	CLUTCH, HUB	1			
16	93306-00406	BEARING (B6004Z)	1			NTN
17	93106-26005	OIL SEAL	1			
18	15A-25454-10	SPROCKET, DRIVEN (54T)	1			
19	90116-08425	BOLT, STUD	6			
20	90215-08160	WASHER, LOCK	3			
21	90170-08258	NUT	6			
22	36X-25327-00	COVER, PLATE	1			
23	3V6-25304-00	SPOKE SET, REAR	1			
24	94141-185E8	TIRE (4.10-18)	1			INOUE
25	94232-18113	TUBE (3.25-18)	1			INOUE
26	94325-18081	BAND, RIM (2.50-18)	1			INOUE
27	94418-18246	RIM (1.85-18)	1			

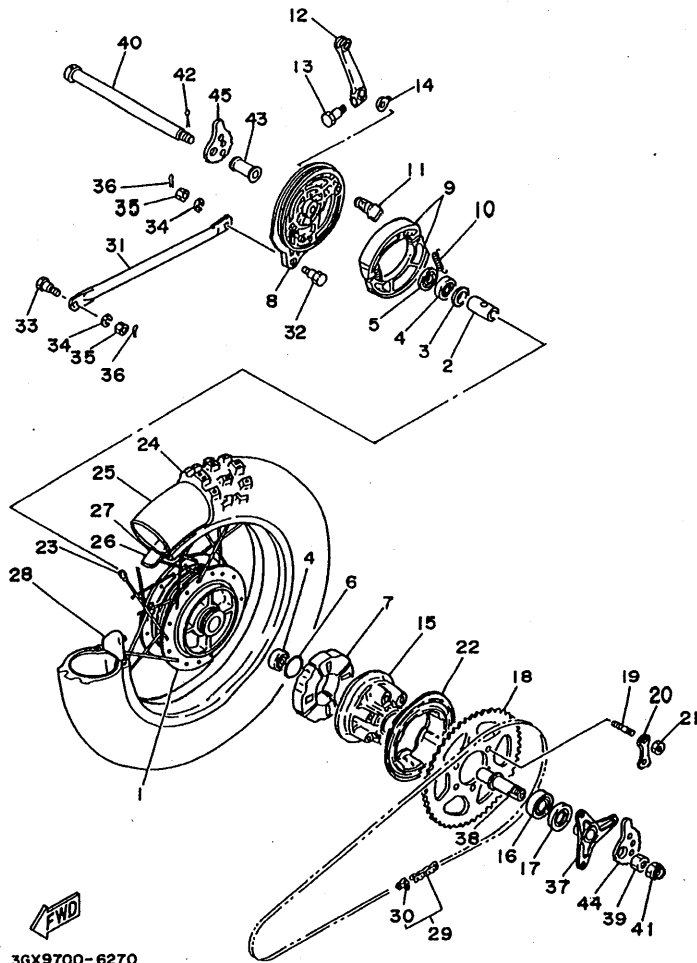
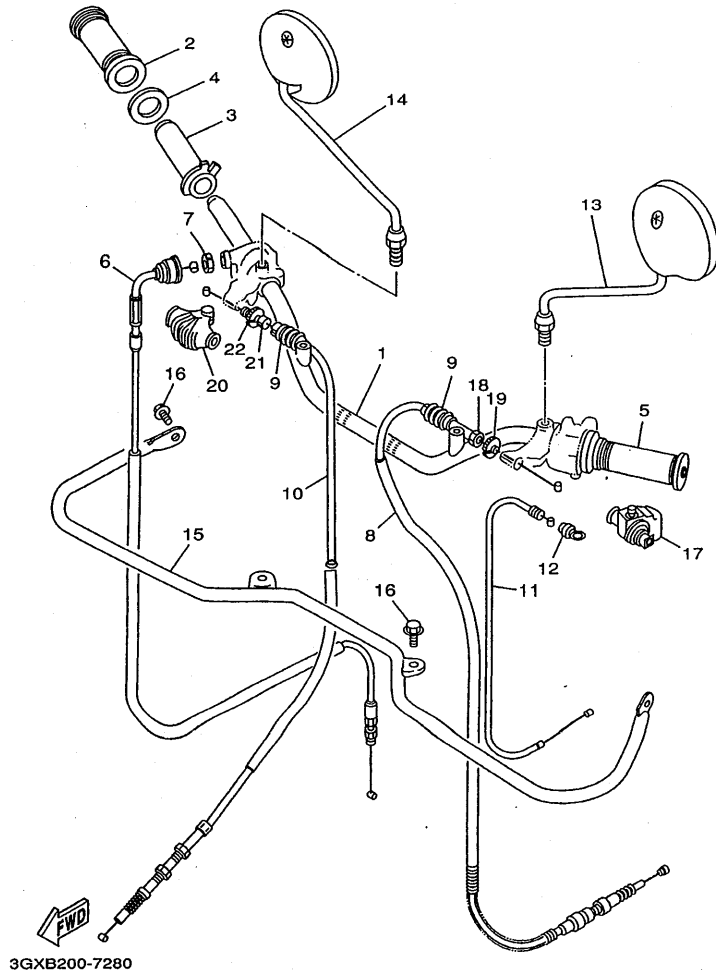


FIG. 27 REAR WHEEL

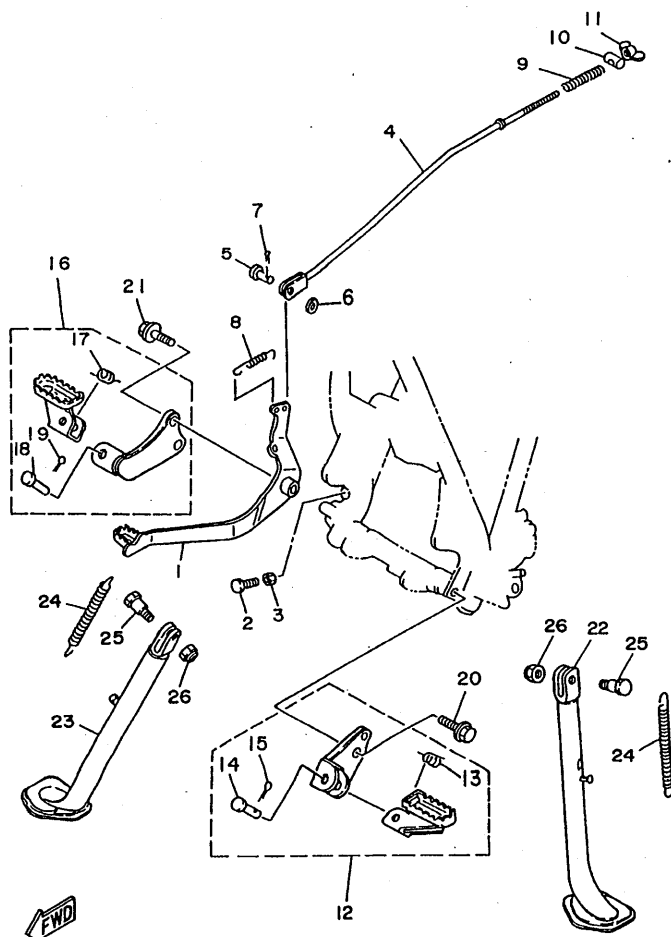
REF. NO.	PART NO.	DESCRIPTION	3GXE			REMARKS
28	1T2-25394-00	SPACER, BEAD	1			
29	94580-88122	CHAIN (DID 428HG-122L)	1			
30	94680-88001	JOINT, CHAIN (DID 428HG)	1			
31	3V6-25371-00	BAR, TENSION	1			
32	90109-08063	BOLT	1			
33	90109-08368	BOLT	1			
34	92907-08100	WASHER, SPRING	2			
35	95307-08700	NUT	2			
36	91401-20012	PIN, COTTER	2			
37	36X-25386-00	COLLAR, SPROCKET AXLE	1			
38	36X-25387-00	AXLE, SPROCKET	1			
39	90170-20224	NUT	1			
40	2K6-25381-00	AXLE, WHEEL	1			
41	90171-14020	NUT, CASTLE	1			
42	91401-30030	PIN, COTTER	1			
43	90387-155J5	COLLAR	1			
44	3V6-25388-00	PULLER, CHAIN 1	1			
45	3V6-25389-00	PULLER, CHAIN 2	1			

FIG. 28 STEERING HANDLE. CABLE



REF. NO.	PART NO.	DESCRIPTION	3GXE	REMARKS
1	36X-26111-01	HANDLEBAR	1	UR YB FOR YNS3
	36X-26111-11	HANDLEBAR	1	UR SL FOR SBE
2	3V6-26242-00	GRIP (RIGHT)	1	
3	434-26243-00	TUBE, THROTTLE GUIDE	1	
4	1M1-26249-01	RING, LEAF	1	
5	3V6-26241-00	GRIP (LEFT)	1	
6	36X-26311-01	CABLE, THROTTLE 1	1	
7	90170-10038	NUT	1	
8	1RH-26335-00	CABLE, CLUTCH	1	
9	1E6-26342-00	BOOT, CABLE	2	
10	36X-26341-00	CABLE, BRAKE	1	
11	36X-26331-00	CABLE, STARTER 1	1	
12	5Y1-26339-00	BOOT	1	
13	1Y1-26290-50	BACK MIRROR ASSY (L.H)	1	
14	1Y1-26290-60	BACK MIRROR ASSY (R.H)	1	
15	36X-26123-01	GUARD, LEVER	1	UR LGB FOR YNS3
	36X-26123-11	GUARD, LEVER	1	UR SL FOR SBE
16	95807-08016	BOLT, FLANGE	4	
17	36X-26372-00	COVER, HANDLE LEVER 1	1	
18	90123-08046	BOLT	1	
19	90179-08148	NUT	1	
20	1E6-26372-00	COVER, HANDLE LEVER 1	1	
21	90123-08046	BOLT	1	
22	90179-08148	NUT	1	

FIG. 29 STAND. FOOTREST



36X700-3290

REF. NO.	PART NO.	DESCRIPTION	QTY	REMARKS
1	36X-27211-00-90	PEDAL, BRAKE	1	ZK
2	97007-06020	BOLT	1	
3	95307-06700	NUT	1	
4	36X-27231-00	ROD, BRAKE	1	
5	90240-06076	PIN, CLEVIS	1	
6	92907-06200	WASHER	1	
7	91401-20012	PIN, COTTER	1	
8	90506-14343	SPRING, TENSION	1	
9	90501-10245	SPRING, COMPRESSION	1	
10	90249-12008	PIN	1	
11	90175-06013	NUT, WING	1	
12	36X-27410-00-90	FRONT FOOTREST ASSY (LEFT)	1	ZK
13	90508-20023	.SPRING, TORSION	1	
14	91701-08038	.PIN, CLEVIS	1	
15	91401-25015	.PIN, COTTER	1	
16	36X-27420-00-90	FRONT FOOTREST ASSY (RIGHT)	1	ZK
17	90508-20023	.SPRING, TORSION	1	
18	91701-08038	.PIN, CLEVIS	1	
19	91401-25015	.PIN, COTTER	1	
20	95827-12025	BOLT, FLANGE	1	
21	90105-10058	BOLT, WASHER BASED	2	
22	36X-27311-01	STAND, SIDE	1	
23	36X-27311-11	STAND, SIDE	1	
24	90506-28100	SPRING, TENSION	2	
25	90109-10473	BOLT	2	
26	90185-10037	NUT, SELF-LOCKING	2	

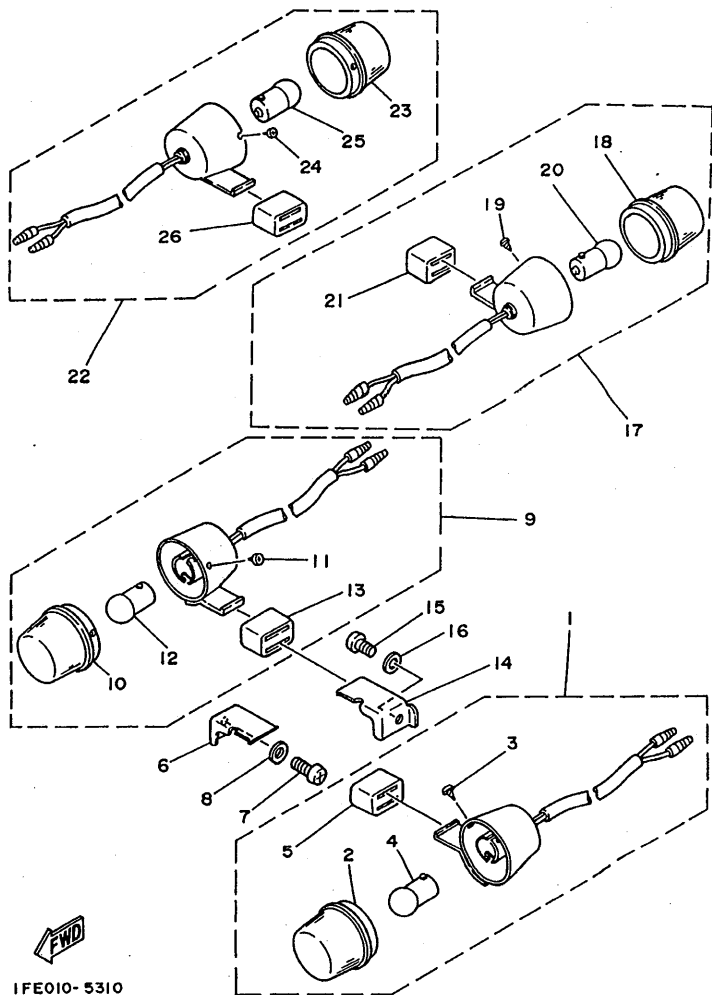
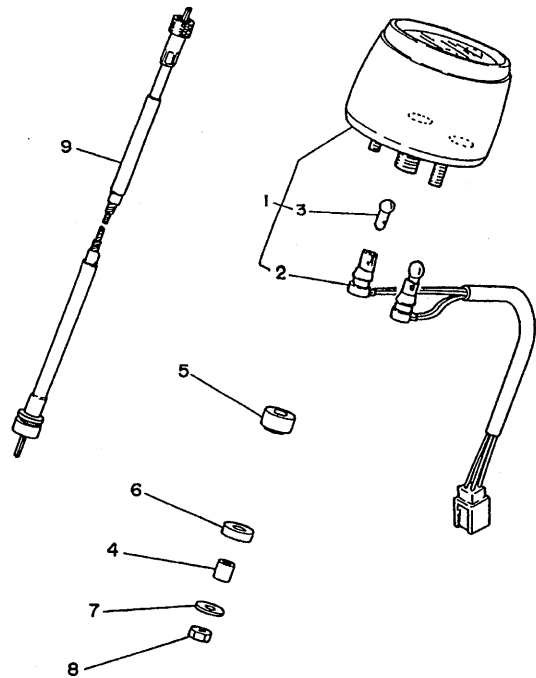


FIG. 31 FLASHER LIGHT

REF. NO.	PART NO.	DESCRIPTION	QTY	REMARKS
1	36X-83310-10	FRONT FLASHER LIGHT ASSY 1	1	
2	36X-83312-00	.LENS, FLASHER	1	
3	97706-30108	.SCREW, TAPPING	1	
4	185-83311-10	.BULB (6V-8W)	1	
5	36X-83321-00	.DAMPER, FLASHER 1	1	
6	36X-83318-00	STAY, FLASHER 1	1	
7	98507-06016	SCREW, PAN HEAD	1	
8	92907-06600	WASHER, PLATE	1	
9	36X-83320-10	FRONT FLASHER LIGHT ASSY 2	1	
10	36X-83312-00	.LENS, FLASHER	1	
11	97706-30108	.SCREW, TAPPING	1	
12	185-83311-10	.BULB (6V-8W)	1	
13	36X-83321-00	.DAMPER, FLASHER 1	1	
14	36X-83328-00	STAY, FLASHER 2	1	
15	98507-06016	SCREW, PAN HEAD	1	
16	92907-06600	WASHER, PLATE	1	
17	36X-83330-10	REAR FLASHER LIGHT ASSY 1	1	
18	36X-83312-00	.LENS, FLASHER	1	
19	97706-30108	.SCREW, TAPPING	1	
20	185-83311-10	.BULB (6V-8W)	1	
21	36X-83321-00	.DAMPER, FLASHER 1	1	
22	36X-83340-10	FLASHER LIGHT ASSY 2	1	
23	36X-83312-00	.LENS, FLASHER	1	
24	97706-30108	.SCREW, TAPPING	1	
25	185-83311-10	.BULB (6V-8W)	1	
26	36X-83321-00	.DAMPER, FLASHER 1	1	

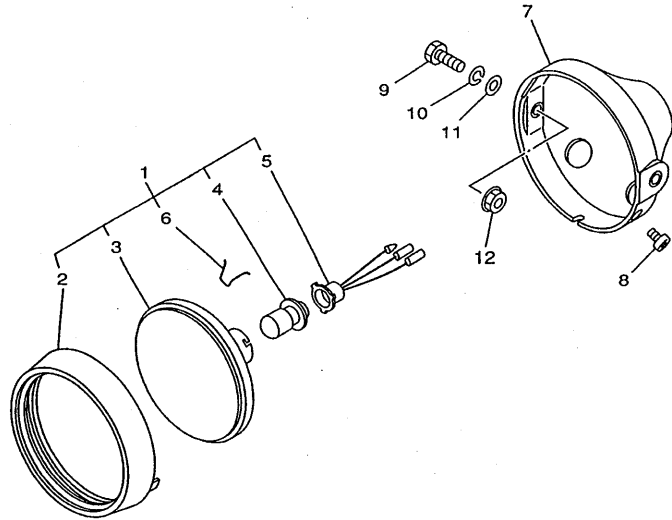
FIG. 32 METER



REF. NO.	PART NO.	DESCRIPTION	3GXE			REMARKS
1	3HA-83510-00	SPEEDOMETER ASSY	1			
2	2W0-83520-00	.SOCKET CORD ASSY	1			
3	4N0-83516-00	.BULB (6V-3W)	2			
4	90387-067V1	COLLAR	2			
5	1M3-83513-00	DAMPER	2			
6	355-83526-00	DAMPER 2	2			
7	355-83524-00	WASHER, SPECIAL	2			
8	95307-06600	NUT	2			
9	36X-83550-00	SPEEDOMETER CABLE ASSY	1			


3GX700-8320

FIG. 33 HEADLIGHT

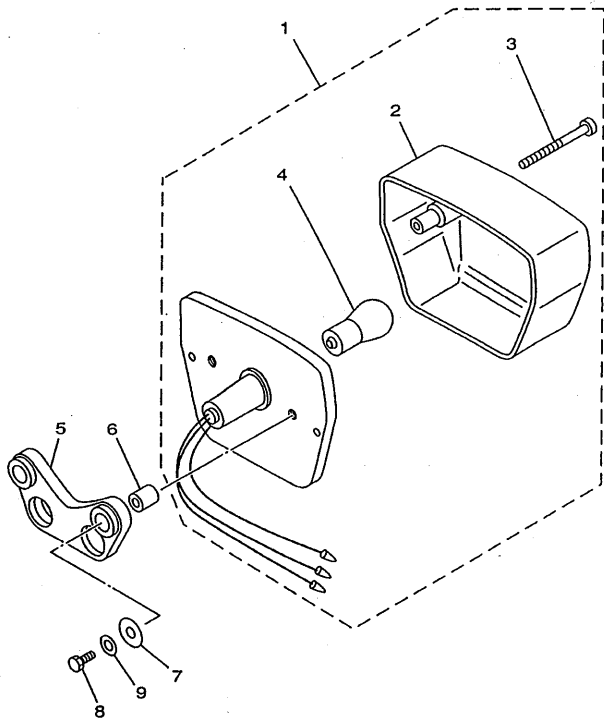


REF. NO.	PART NO.	DESCRIPTION	3GXE				REMARKS
1	3M7-84110-00	HEADLIGHT UNIT ASSY	1				
2	202-84315-00	.RIM, HEADLIGHT	1				
3	276-84120-00	.LENS ASSY	1				
4	248-84114-00	.BULB, HADLIGHT (6V-25/25W)	1				YELLOW
5	317-84112-30	.SOCKET	1				
6	195-84324-00	.SPRING, REFLECTOR	3				
7	3M7-84130-00	BODY ASSY, HEADLIGHT	1				
8	98506-05012	SCREW, PAN HEAD	1				
9	97007-08025	BOLT	2				
10	92907-08100	WASHER, SPRING	2				
11	92907-08600	WASHER, PLATE	2				
12	95707-08500	NUT, FLANGE	2				



3GXB200-7330

FIG. 34 TAILLIGHT

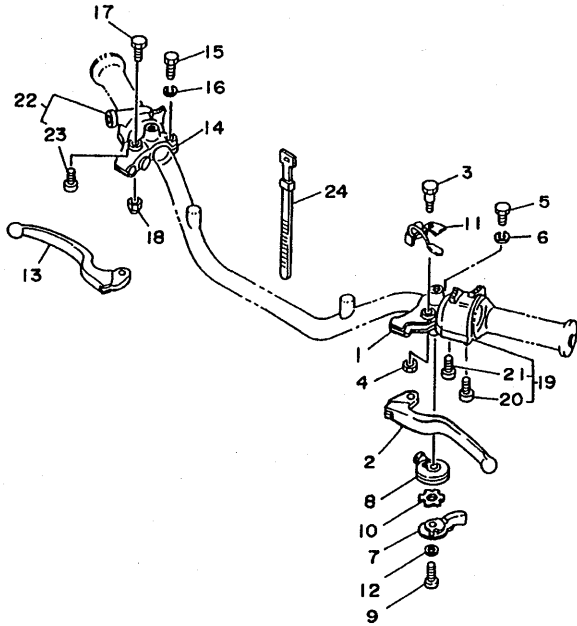


REF. NO.	PART NO.	DESCRIPTION	QTY	REMARKS
1	36X-84510-00	TAILLIGHT UNIT ASSY	1	
2	1Y1-84521-00	.LENS, TAILLIGHT	1	
3	98511-03045	.SCREW, PAN HEAD	2	
4	122-84514-30	.BULB (6V-17/5.3W)	1	
5	36X-84527-00	DAMPER	1	
6	90387-05563	COLLAR	2	
7	90201-054K4	WASHER, PLATE	2	
8	97007-05020	BOLT	2	
9	92907-05600	WASHER, PLATE	2	



3GXB200-7340

FIG. 35 HANDLE SWITCH. LEVER

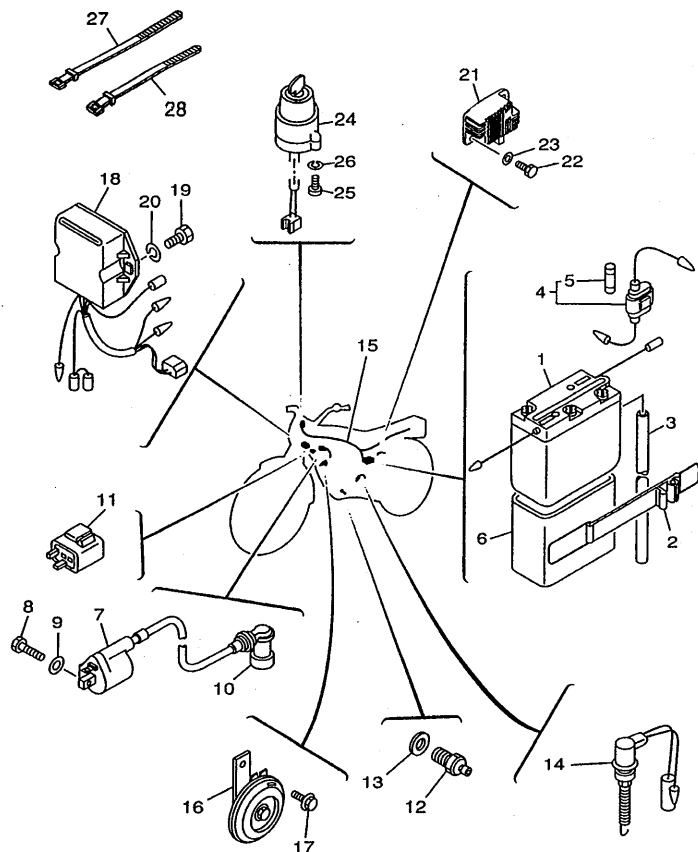


REF. NO.	PART NO.	DESCRIPTION	3GX				REMARKS
1	5Y1-82911-01	HOLDER, LEVER 1	1				
2	4GY-83912-00	LEVER 1	1				
3	90109-06799	BOLT	1				
4	95607-06100	NUT, U	1				
5	97007-06022	BOLT	1				
6	92907-06100	WASHER, SPRING	1				
7	5Y1-83941-00	LEVER, STARTER	1				
8	5Y1-83942-00	COVER, STARTER	1				
9	98507-06035	SCREW, PAN HEAD	1				
10	90209-10131	WASHER	1				
11	36X-83965-00	LEVER, LOCK	1				
12	92907-06200	WASHER	1				
13	23X-83922-00	LEVER 2	1				
14	361-82921-31	HOLDER, LEVER 2	1				
15	97007-06022	BOLT	1				
16	92907-06100	WASHER, SPRING	1				
17	90109-06799	BOLT	1				
18	95607-06100	NUT, U	1				
19	36X-83972-01	SWITCH, HANDLE 4	1				
20	98506-05025	.SCREW, PAN HEAD	1				
21	98506-05030	.SCREW, PAN HEAD	1				
22	18G-83976-00	SWITCH, HANDLE 1	1				
23	90157-05027	.SCREW, PAN HEAD	2				
24	437-83936-01	BAND, SWITCH CORD	4				



3GX9700-6350

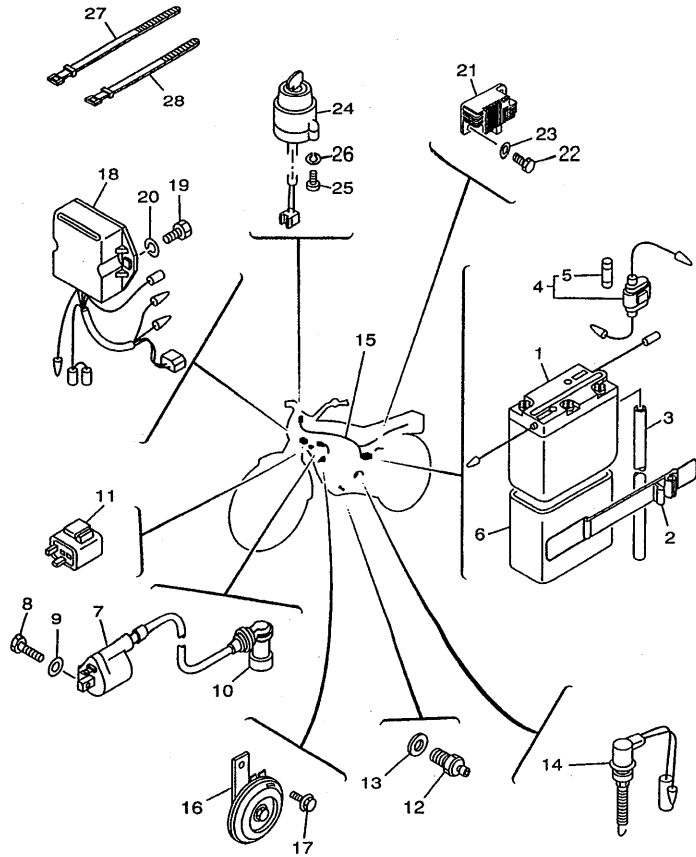
FIG. 36 ELECTRICAL 1



REF. NO.	PART NO.	DESCRIPTION	3GXE			REMARKS
1	558-82110-12	BATTERY ASSY	1			
2	36X-82131-00	BAND, BATTERY	1			
3	90445-08171	HOSE	1			
4	55K-82150-01	FUSE HOLDER ASSY	1			
5	116-82151-00	.FUSE (10A)	2			
6	36X-82122-00	SEAT, BATTERY	1			
7	3KJ-82310-10	IGNITION COIL ASSY	1			
8	97007-06020	BOLT	2			
9	92907-06600	WASHER, PLATE	2			
10	55X-82370-00	PLUG CAP ASSY	1			
11	36X-83350-10	FLASHER RELAY ASSY	1			
12	4KM-82540-00	NEUTRAL SWITCH ASSY	1			
13	90430-10148	GASKET	1			
14	2F1-82530-02	STOP SWITCH ASSY	1			
15	36X-82590-01	WIRE HARNESS ASSY	1			
16	36X-83371-11	HORN	1			
17	95807-06012	BOLT, FLANGE	1			
18	12V-85540-10	C.D.I. UNIT ASSY	1			
19	97007-06016	BOLT	2			
20	92907-06100	WASHER, SPRING	2			
21	18A-81960-60	RECTIFIER & REGULATOR ASSY	1			STANLEY
22	97007-05012	BOLT	2			
23	92907-05600	WASHER, PLATE	2			
24	36X-82510-01	MAIN SWITCH ASSY	1			
25	98507-05012	SCREW, PAN HEAD	2			
26	92907-05600	WASHER, PLATE	2			
27	437-83936-11	BAND, SWITCH CORD	1			

FWD
3GXE200-9360

FIG. 36 ELECTRICAL 1



REF. NO.	PART NO.	DESCRIPTION	3GXE				REMARKS
28	3TB-83936-00	BAND, SWITCH CORD	3				



3GXE200-9360

NUMERICAL INDEX

PARTNO.	GRID NO.	PARTNO.	GRID NO.	PARTNO.	GRID NO.	PARTNO.	GRID NO.	PARTNO.	GRID NO.	PARTNO.	GRID NO.
3FA-W2536-00	D - 7	4FM-12213-00	B - 7	36X-14752-02	B - 12	36X-17141-01	C - 5	3M7-21746-00	C - 10	278-23181-50	D - 2
4BE-W2536-00	D - 5	5H0-12231-00	B - 7	4BD-14766-00	B - 12	36X-17151-00	C - 5	36X-21777-00	C - 10	3YF-23181-00	D - 2
36X-Y2410-01	D - 3	5N0-12241-00	B - 7	36X-1490J-00	B - 10	36X-17211-00	C - 5	36X-22110-00-35	C - 11	36X-23191-10	C - 15
36X-11102-03	B - 2	36X-12283-00	B - 2	36X-1490K-00	B - 10	36X-17221-00	C - 5	15A-22123-00	C - 11		D - 2
5H0-1111F-00	B - 2	36X-12288-00	B - 7	36X-14901-01	B - 10	24W-17231-00	C - 5	36X-22126-00	C - 11	36X-23192-00	C - 15
5H0-11133-11	B - 2	36X-12292-00	B - 2	36X-14933-01	B - 10	36X-17241-01	C - 5	36X-22126-10	C - 11		D - 2
15A-11161-01	B - 3	5H0-13300-02	B - 8	25G-14937-00	B - 11	36X-17251-00	C - 5	401-22127-00	C - 11	4V2-23194-LO	C - 15
15A-11162-00	B - 3	36X-13324-00	B - 8	36X-14940-00	B - 10	15A-17402-01	C - 5	1W1-22128-00	C - 13		D - 2
5H0-11162-00	B - 3	5H0-13326-01	B - 8	36X-14941-42	B - 10	36X-17411-00	C - 5	401-22128-01	C - 11	36X-2331E-00	C - 14
36X-11166-00	B - 13	4BE-13329-00	B - 8	46X-14984-00	B - 10	5H0-17456-00	C - 5	36X-22141-01	C - 11	3R9-23318-00	C - 14
371-11167-01	B - 13	51Y-13411-00	B - 8	4G0-14985-00	B - 10	36X-18111-00	C - 7	36X-22151-00	C - 12	3Y1-23319-00	C - 14
1NU-11181-00	B - 2	5H0-13440-00	B - 8	3F7-14991-00	B - 10	132-18113-01	C - 7	36X-22189-00	C - 12	36X-23340-00-33	D - 2
3RW-11185-00	B - 2	3GX-13447-00	B - 8	256-14997-00	B - 10	5H0-18120-02	C - 7	36X-22210-20	C - 13	3R4-23389-00	D - 2
5H0-11186-00	B - 2	24W-13512-00	B - 9	36X-15100-03	B - 13	36X-18140-00	C - 6	1YW-22216-00	C - 13	36X-23389-00	C - 14
36X-11187-00	B - 2	16G-13569-00	B - 9	5H0-15351-00	B - 8	5H0-18185-01	C - 6	3R4-22226-00	C - 13	156-23411-00	C - 14
36X-11310-00	B - 3	1HX-13575-00	B - 9	3Y1-15361-00	B - 14	4JG-18511-00	C - 6	36X-22310-00-35	C - 11	22F-23411-01	C - 14
4BD-11351-00	B - 3	36X-13586-01	B - 9	3Y1-15363-00	B - 14	4JG-18512-01	C - 6	148-22315-00	C - 11	156-23412-00	C - 14
15A-11400-00	B - 4	36X-1410A-00	B - 10	36X-15378-00	B - 14	36X-18513-00	C - 6	36X-22318-00	C - 11	22F-23412-01	C - 14
15A-11412-09	B - 4	36X-14105-00	B - 10	36X-15411-00	B - 14	3GX-18531-00	C - 6	36X-22323-00	C - 11	36X-23416-00	C - 14
5H0-11422-00	B - 4	25G-14107-20	B - 10	36X-15421-01	B - 14	3GX-18535-00	C - 6	36X-22324-00	C - 11	36X-23435-00	C - 14
15A-11454-00	B - 4	22F-14126-00	B - 10	36X-15431-01	B - 14	36X-18540-00	C - 6	36X-22325-00	C - 11	1E6-23441-10-98	C - 14
5H0-11496-00	B - 4	812-14137-00	B - 10	36X-15441-00	B - 3	136-18542-00	C - 6	36X-22327-00	C - 12	164-23462-00	C - 14
5H0-11531-00	B - 4	4G0-14142-35	B - 10	15A-15451-02	B - 14	36X-21107-00	D - 4	36X-22358-00	C - 11	36X-24110-10-02	D - 3
5H0-11536-00	B - 4	36X-14146-00	B - 10	4BE-15462-00	B - 14	3GX-21110-00-33	C - 8	36X-23102-10	C - 15	4H7-24181-00	D - 3
15A-11603-00	B - 4	137-14153-00	B - 10	36X-1561A-00	B - 15	36X-21287-00	C - 8	36X-23103-10	C - 15	36X-24182-00	D - 3
15A-11605-00	B - 4	36X-14153-00	B - 10	36X-1561G-00	B - 15	36X-21315-00	C - 8	36X-23106-00-35	C - 15	36X-24186-00	D - 3
15A-11607-00	B - 4	36X-14169-00	B - 10	36X-15620-01	B - 15	36X-21316-00	C - 8	36X-23107-00-35	C - 15	3GX-24240-10	D - 3
36X-11631-00-A0	B - 4	537-14186-00	B - 10	36X-15621-01	B - 15	36X-21471-00	C - 8	36X-23110-00	C - 15	3GX-24240-30	D - 3
15A-11633-00	B - 4	36X-14191-00	B - 10	36X-15641-00	B - 15	36X-21471-20	C - 8	1U6-23111-M1	C - 15	23F-24500-01	D - 3
36X-11636-00	B - 4	21V-14196-00	B - 11	15A-15651-01	B - 15	36X-21485-00	C - 8		D - 2	4X8-24512-00	D - 3
36X-11638-00	B - 4	36X-14197-00	B - 10	36X-15660-01	B - 15	36X-21511-40	C - 9	240-23114-00	C - 15	3AJ-24523-00	D - 3
15A-11651-00	B - 4	3G2-14231-25	B - 10	15A-15666-00	B - 15	36X-21511-60	C - 9		D - 2	3AJ-24534-00	D - 3
5H0-11681-00	B - 4	620-14231-74	B - 10	401-15676-00	B - 15	36X-21521-00	C - 9	36X-23118-00	C - 15	36X-24610-00	D - 3
5H0-12111-01	B - 6	36X-14401-00	B - 9	36X-16111-00	C - 3	36X-21522-00	C - 9		D - 2	3GX-24710-31	D - 4
4G0-12113-01	B - 6	36X-14412-00	B - 9	36X-16150-00	C - 3	36X-21611-20	C - 9	36X-23141-00	C - 15	3GX-24711-31	D - 4
4G0-12114-01	B - 6	36X-14437-00	B - 9	5H0-16154-00	C - 3	36X-21611-40	C - 9		D - 2	36X-24810-00-35	D - 4
4G0-12116-01	B - 6	36X-14451-00	B - 9	36X-16321-00	C - 3	36X-21621-00	C - 9	3R2-23144-00	C - 15	36X-24810-00-98	D - 4
4G0-12117-00	B - 6	36X-14452-00	B - 9	537-16321-00	C - 3	36X-21622-00	C - 9	1T3-23145-00	C - 15	36X-24860-00-35	D - 4
4G0-12118-00	B - 6	36X-14453-01	B - 9	137-16324-00	C - 3	36X-21629-01	C - 9	3DM-23149-10	C - 15	36X-24860-00-98	D - 4
5H0-12119-00	B - 6	36X-14458-00	B - 9	5H0-16351-00	C - 3	36X-21711-20	C - 10		D - 2	36X-24861-00	D - 4
5H0-12121-01	B - 6	36X-14468-00	B - 9	5H0-16356-01	C - 3	36X-21711-40	C - 10	4A1-23156-00	C - 15	36X-24862-00	D - 4
5H0-12146-00	B - 6	36X-14611-01	B - 12	5H0-16357-00	C - 3	36X-2172A-00	C - 10	509-23158-LO	C - 15	3V6-25104-00	D - 5
36X-12151-00	B - 6	5H0-14612-00	B - 12	1W1-16358-01	C - 3	36X-21721-20	C - 10		D - 2	248-25111-00-35	D - 5
5H0-12156-00	B - 6	4BE-14613-00	B - 12	36X-16371-00	C - 3	36X-21721-40	C - 10	1U6-23168-M0	C - 15	2K5-25118-00	D - 6
2NX-12159-00	B - 6	36X-14628-01	B - 12	36X-16380-00	C - 3	3GX-2173E-10	C - 10		D - 2	23F-25121-00-35	D - 5
36X-12171-00	B - 7	36X-14711-01	B - 12	1KH-16383-00	C - 3	3GX-2173E-30	C - 10	36X-23170-00	C - 15	36X-25135-00	D - 5
5H0-12176-00	B - 7	3YF-14714-00	B - 12	24W-17121-00	C - 5	3GX-2173F-10	C - 10	1W1-23173-LO	C - 15	109-25136-00	D - 5
3GC-12210-10	B - 7	36X-14728-00	B - 12	24W-17131-00	C - 5	3GX-2173F-30	C - 10	278-23181-50	C - 15	102-25137-00	D - 6

NUMERICAL INDEX

PARTNO.	GRID NO.	PARTNO.	GRID NO.	PARTNO.	GRID NO.	PARTNO.	GRID NO.	PARTNO.	GRID NO.	PARTNO.	GRID NO.
36X-25138-00	D-5	36X-27420-00-90	D-10	248-84114-00	D-14	90170-14284	B-5	90240-07083	B-4	90506-08227	C-7
183-25149-00	D-5	36X-28100-00	D-4	276-84120-00	D-14	276-84120-00	C-3	90240-12092	C-13	90506-14343	D-10
558-25155-00	D-5	36X-2811G-00	D-4	3M7-84130-00	D-14	90170-20224	D-8	90249-12008	D-10	90506-15260	D-5
3V6-25304-00	D-7	36X-81410-M0	D-11	202-84315-00	D-14	90171-10004	D-6	90280-05013	B-5	90506-15260	D-7
391-25311-00-35	D-7	18A-81960-60	E-3	195-84324-00	D-14	90171-14020	D-8	90282-05013	B-5	90506-28100	D-10
109-25315-00	D-5	558-82110-12	E-3	36X-84510-00	D-15	90175-06013	D-10	90282-05043	C-3	90508-14620	B-15
183-25315-00	D-7	36X-82122-00	E-3	122-84514-30	D-15	90179-08148	D-9	90340-14068	B-14	90508-14628	B-7
248-25321-00-35	D-7	36X-82131-00	E-3	1Y1-84521-00	D-15	90179-25033	C-14	90340-32116	B-14	90508-18537	C-3
36X-25327-00	D-7	55K-82150-01	E-3	36X-84527-00	D-15	90185-08089	C-8	90380-12051	C-13	90508-20023	D-10
23F-2533A-00	D-5	116-82151-00	E-3	12V-85540-10	E-3	90185-10037	D-10	90386-14103	C-4	90508-26538	B-15
579-2533A-00	D-7	3KJ-82310-10	E-3	36X-85550-M0	D-11	90185-10091	C-14	90386-18028	C-11	90508-26539	C-6
248-25351-10	D-7	55X-82370-00	E-3	15A-85580-M0	D-11	90185-12072	C-11	90387-051K7	B-9	90508-29540	C-7
3V6-25351-00	D-5	36X-82510-01	E-3	90101-06278	D-5	90201-05032	C-12	90387-05563	D-15	90560-12138	D-5
4V8-25355-00	D-7	2F1-82530-02	E-3	90101-06291	D-7	90201-054K4	D-15	90387-062V8	C-9	90560-15136	D-7
36X-25364-00	D-7	4KM-82540-00	E-3	90101-10188	B-5	90201-06557	C-9	90387-06681	C-12	91317-06018	B-2
31G-25366-00	D-7	36X-82590-01	E-3	90101-10303	B-7	90201-07076	D-5	90387-067V1	D-13	91317-06020	B-12
3V6-25371-00	D-8	5Y1-82911-01	E-2	90105-08066	C-8	90201-08326	B-12	90387-12265	D-6	91317-06020	B-9
2K6-25381-00	D-8	361-82921-31	E-2	90105-08141	B-12	90201-08366	D-4	90387-125F1	B-13	91317-06025	B-7
353-25381-00	D-6	36X-83310-10	D-12			90201-08609	B-2	90387-155J5	D-8	91317-06030	B-3
36X-25386-00	D-8	185-83311-10	D-12	90105-08195	B-2	90201-10126	C-13	90387-255F3	B-7	91317-08025	B-12
36X-25387-00	D-8	36X-83312-00	D-12	90105-10058	D-10	90201-10135	B-15	90430-06014	B-13	91317-08045	B-2
3V6-25388-00	D-8	36X-83318-00	D-12	90105-14102	C-14	90201-10135	B-15		B-2	91401-20012	D-10
3V6-25389-00	D-8	36X-83320-10	D-12	90109-06418	B-7	90201-10508	B-5		B-7	91401-20020	D-8
1T2-25394-00	D-8	36X-83321-00	D-12	90109-06419	B-8	90201-10591	B-7	90430-08119	C-3	91401-20020	D-6
15A-25454-10	D-7	36X-83328-00	D-12	90109-06799	E-2	90201-10644	B-15	90430-10148	E-3	91401-25015	D-10
36X-26111-01	D-9	36X-83330-10	D-12	90109-08063	D-8	90201-12588	B-7	90430-14131	B-2	91401-25020	C-13
36X-26111-11	D-9	36X-83340-10	D-12	90109-08368	D-8		C-7	90445-08171	E-3	91401-30030	D-8
36X-26123-01	D-9	36X-83350-10	E-3	90109-10473	D-10	90201-12749	D-6	90445-10638	D-3	91701-08038	D-10
36X-26123-11	D-9	36X-83371-11	E-3	90109-10554	C-13	90201-17257	C-5	90460-56105	B-9	92901-10100	B-5
3V6-26241-00	D-9	3HA-83510-00	D-13	90110-08064	B-2	90201-173F4	B-15	90464-13249	C-9	92902-04100	B-11
3V6-26242-00	D-9	1M3-83513-00	D-13	90116-08425	D-7	90201-175F6	B-15	90465-08188	B-14	92907-05100	D-11
434-26243-00	D-9	4N0-83516-00	D-13	90119-08063	C-9	90201-201E4	B-4	90465-08200	B-13	92907-05600	B-9
1M1-26249-01	D-9	2W0-83520-00	D-13		D-4	90201-20269	D-5	90465-16187	B-14		C-14
1Y1-26290-50	D-9	355-83524-00	D-13	90119-08074	C-11	90201-203E7	C-5	90467-09006	D-3		D-15
1Y1-26290-60	D-9	355-83526-00	D-13	90119-08097	C-9	90202-05193	D-3	90467-10035	B-9		E-3
36X-26311-01	D-9	36X-83550-00	D-13	90122-06012	B-9	90206-06090	B-12	90467-14015	B-13	92907-06100	E-2
36X-26331-00	D-9	4GY-83912-00	E-2	90123-08046	D-9	90209-10131	E-2	90468-06134	C-12		E-3
1RH-26335-00	D-9	23X-83922-00	E-2	90149-06011	D-3	90209-18209	C-5	90468-26122	B-15	92907-06200	C-3
5Y1-26339-00	D-9	3TB-83936-00	E-4	90149-08067	C-3	90209-17226	B-15	90480-01141	C-10		D-10
36X-26341-00	D-9	437-83936-01	E-2	90151-06013	C-6	90209-18208	C-5	90480-12320	C-10		E-2
1E6-26342-00	D-9	437-83936-11	E-3	90153-06029	B-2	90214-17028	B-15	90480-14229	C-8	92907-06600	B-12
1E6-26372-00	D-9	5Y1-83941-00	E-2	90157-05027	E-2	90214-20023	B-4	90501-07629	B-4		B-7
36X-26372-00	D-9	5Y1-83942-00	E-2	90157-06048	B-15	90215-06184	B-2	90501-10245	D-10		C-10
36X-27211-00-90	D-10	36X-83965-00	E-2	90159-05011	C-3	90215-08160	D-7	90501-12091	B-15		C-11
36X-27231-00	D-10	36X-83972-01	E-2	90159-06085	C-9	90215-14186	C-3	90501-12792	D-6		C-14
36X-27311-01	D-10	18G-83976-00	E-2	90170-06128	B-6	90215-14205	B-5	90501-18576	B-8		C-2
36X-27311-11	D-10	3M7-84110-00	D-14	90170-08258	D-7		C-3	90501-21133	B-4		D-12
36X-27410-00-90	D-10	317-84112-30	D-14	90170-10038	D-9	90240-06076	D-10	90501-23700	C-3		E-3

NUMERICAL INDEX

PARTNO.	GRID NO.	PARTNO.	GRID NO.	PARTNO.	GRID NO.	PARTNO.	GRID NO.	PARTNO.	GRID NO.	PARTNO.	GRID NO.
92907-08100	D- 14	93420-28055	C- 4	95807-08012	C- 12	98507-06025	B- 8				
	D- 8	93440-10085	B- 2	95807-08016	D- 9	98507-06030	B- 13				
92907-08600	B- 12	93450-17044	B- 4	95817-08012	D- 4	98507-06035	B- 14				
	D- 14	93501-04011	C- 14	95817-08050	C- 8		E- 2				
92907-10200	D- 6	93503-16003	C- 14	95817-08065	C- 8	98507-06040	B- 13				
92907-12600	C- 13	93505-16006	C- 3	95817-08070	C- 8	98507-06045	B- 14				
93101-15101	C- 5	93507-32009	B- 15	95827-08035	C- 14		C- 11				
93102-10207	B- 15	93602-13177	B- 4	95827-08090	C- 12	98507-06075	B- 8				
93102-12106	B- 7	93603-12030	B- 8	95827-08120	C- 8	98507-06080	B- 13				
	C- 7	93604-10011	B- 7	95827-10060	C- 14	98507-06085	B- 13				
93102-14209	C- 4	93604-16092	C- 6	95827-12025	D- 10	98511-03045	D- 15				
93102-17263	B- 15	93604-20156	C- 6	97007-05012	E- 3	98707-06030	B- 8				
93102-18008	D- 5	93605-10090	B- 4	97007-05020	D- 15	98907-06010	B- 12				
93102-20242	C- 5	93608-50158	C- 7	97007-06012	B- 2	99001-10600	C- 7				
93102-47297	D- 5	93700-06004	C- 11	97007-06016	E- 3	99009-10400	B- 15				
93104-07003	D- 5	93700-06009	C- 11	97007-06020	D- 10	99009-17400	B- 15				
93104-22018	D- 7	93822-14043	C- 5		E- 3		C- 5				
93106-26005	D- 7	94130-195E9	D- 5	97007-06022	E- 2	99009-20400	D- 5				
93109-18020	C- 11	94141-185E8	D- 7	97007-08025	D- 14	99530-12016	B- 13				
93210-07135	B- 8	94227-19292	D- 5	97027-06010	C- 5		B- 14				
93210-09165	B- 6	94232-18113	D- 7	97027-06016	B- 7	99530-14016	B- 2				
93210-13361	B- 3	94325-18081	D- 7	97027-06020	C- 7		B- 3				
93210-14104	D- 6	94327-19111	D- 5	97027-08030	B- 15						
93210-14369	B- 14	94416-19263	D- 5	97706-30108	D- 12						
93210-19123	B- 14	94418-18246	D- 7	97707-50512	C- 12						
93210-32172	B- 14	94580-41104	B- 7	97801-03008	D- 3						
93210-347A1	B- 8	94580-88122	D- 8	97802-04006	B- 10						
93210-35537	B- 9	94680-88001	D- 8	97802-05008	B- 10						
93210-42101	D- 7	94701-00157	B- 2	98502-04014	B- 11						
93210-48364	C- 3	94701-00181	B- 2	98506-05012	D- 14						
93210-54175	B- 8	95307-05600	C- 14	98506-05025	E- 2						
93210-57634	B- 2	95307-06600	C- 3	98506-05030	E- 2						
93210-72529	B- 3		D- 13	98507-04030	C- 11						
93211-05471	B- 2		D- 5	98507-05008	C- 11						
93306-00406	D- 7	95307-06700	C- 9	98507-05012	E- 3						
93306-20201	C- 5		D- 10	98507-05016	B- 9						
93306-20227	D- 7	95307-08700	D- 8		C- 14						
93306-20332	C- 5	95317-06700	C- 2	98507-05025	D- 11						
93306-20401	C- 5	95607-06100	E- 2	98507-05030	D- 11						
93306-30103	D- 5	95607-06200	C- 11	98507-06010	B- 12						
93306-30424	C- 5	95607-10100	C- 13		B- 14						
93306-30427	B- 4	95707-08500	D- 14	98507-06012	C- 10						
	B- 5	95807-06008	C- 8		C- 14						
93306-30611	B- 4	95807-06012	C- 14	98507-06016	C- 11						
93310-530J3	B- 4		E- 3		D- 12						
93315-23607	C- 6	95807-06016	B- 9	98507-06020	B- 2						
93410-20036	C- 5		C- 12		D- 11						
93410-22039	C- 5		D- 3	98507-06025	B- 14						

