



PARTS CATALOGUE

AG200L(3GXD)_{AUSTRALIA, CHILE}

YAMAHA
GENUINE
Parts & Accessories

293GX-700E1



A3

FOREWORD

This Parts Catalogue is related to the parts for the model(s) in the below frame. When you are ordering replacement parts, please refer to this Parts Catalogue and quote both part numbers and part names correctly.

AG200L(3GXD)

1. Modifications or additions which have been made after issue of the Parts Catalogue will be announced in the Yamaha Parts News.
It is advisable that you make necessary corrections to the Parts Catalogue according to the Yamaha Parts News.

2. Abbreviations
The Following abbreviations are used in this Parts Catalogue.

"UR" Use specified parts number.

"UN" Use as many as needed.

"AP" Alternate Parts

"LM" Local Made (Parts need to be ordered locally)

"F#" Frame No. (Applicable machine No.)

3. Parts, which are to be supplied in an assembly, are listed with a dot(.) in front of the part name as shown below.

EXAMPLE

CARBURETOR ASSY

.JET, PILOT

.NOZZLE, MAIN

4. Number of component for assembly
The numeral appearing to the right of each component part indicates the quantity of parts for each assembly unit.

EXAMPLE

PART NO.	DESCRIPTION	Q'TY	REMARKS
2F5-83310-60	FRONT FLASHER LIGHT ASSY	2	
115-83311-60	.BULB (6V-18W)	1	
1M1-83309-60	.REFLECTOR	1	

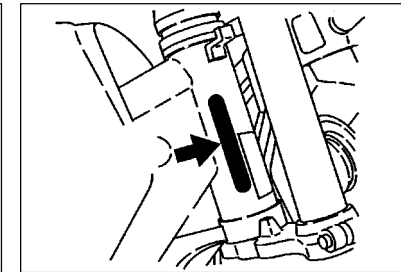
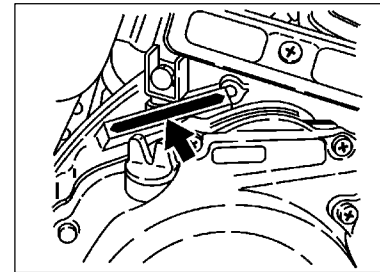
5. Applicable colors of graphics are represented in the "REMARKS" as shown below.

PART NO.	DESCRIPTION	Q'TY	REMARKS
2N4-24110-00-X5	FUEL TANK COMP.	1	MXR
3J1-24240-10	.GRAPHIC, FUEL TANK	1	FOR MXR

6. Applicable Serial No.

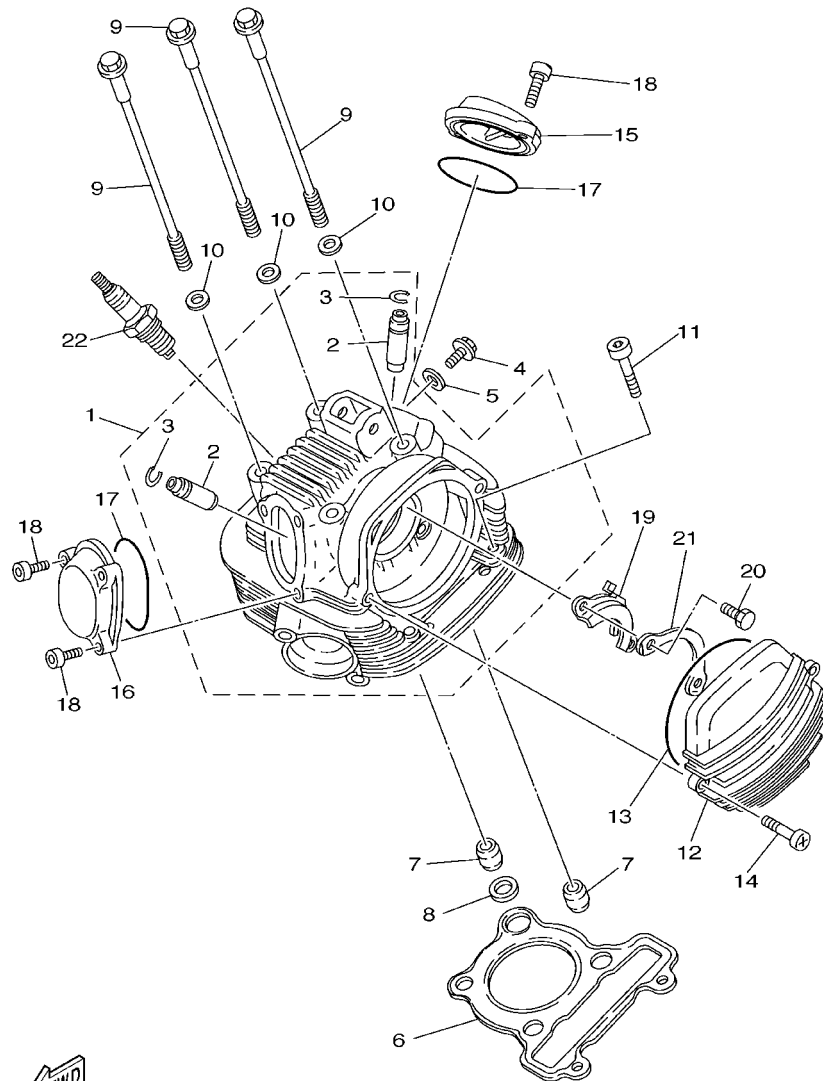
Engine Serial No.

Frame Serial No.



7. Note that the illustrations for reference in finding parts numbers, not to be used for assembling. When assembling, please use the applicable service manual.
8. The asterisk (*) before a reference number indicates modification items after the first edition.

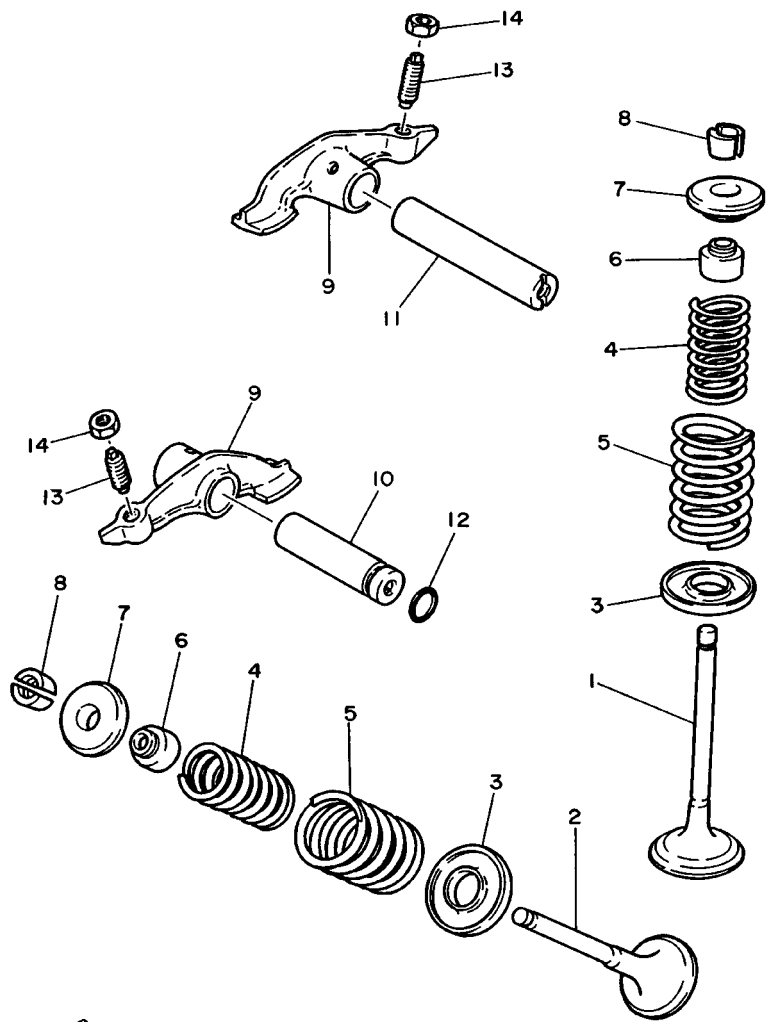
FIG. 1 CYLINDER HEAD



REF. NO.	PART NO.	DESCRIPTION	3GXD				REMARKS
1	36X-11102-03	CYLINDER HEAD ASSY	1				
2	5H0-11133-11	.GUIDE, INTAKE VALVE	2				
3	93440-10085	.CIRCLIP	2				
4	90153-06029	SCREW, HEXAGON	1				
5	90430-06014	GASKET	1				
6	1NU-11181-00	GASKET, CYLINDER HEAD 1	1				
7	99530-14016	PIN, DOWEL	3				
8	90430-14131	GASKET	1				
9	90105-08195	BOLT, WASHER BASED	4				
10	90201-08609	WASHER, PLATE	4				
11	91317-08045	BOLT	2				
12	4BD-11185-00	COVER, CYLINDER HEAD SIDE 1	1				
13	93211-05471	O-RING	1				
14	98507-06020	SCREW, PAN HEAD	2				
15	3GC-11186-00	COVER, CYLINDER HEAD SIDE 2	1				
16	3GC-11187-00	COVER, CYLINDER HEAD SIDE 3	1				
17	93210-57634	O-RING	2				
18	91317-06018	BOLT	5				
19	5H0-1111F-00	PLATE	1				
20	97007-06012	BOLT	2				
21	90215-06184	WASHER, LOCK	1				
22	94701-00157	PLUG, SPARK (NGK D8EA)	1				UR
	94701-00181	PLUG, SPARK (ND X24ES-U)	1				UR


3GXA700-7010

FIG. 4 VALVE

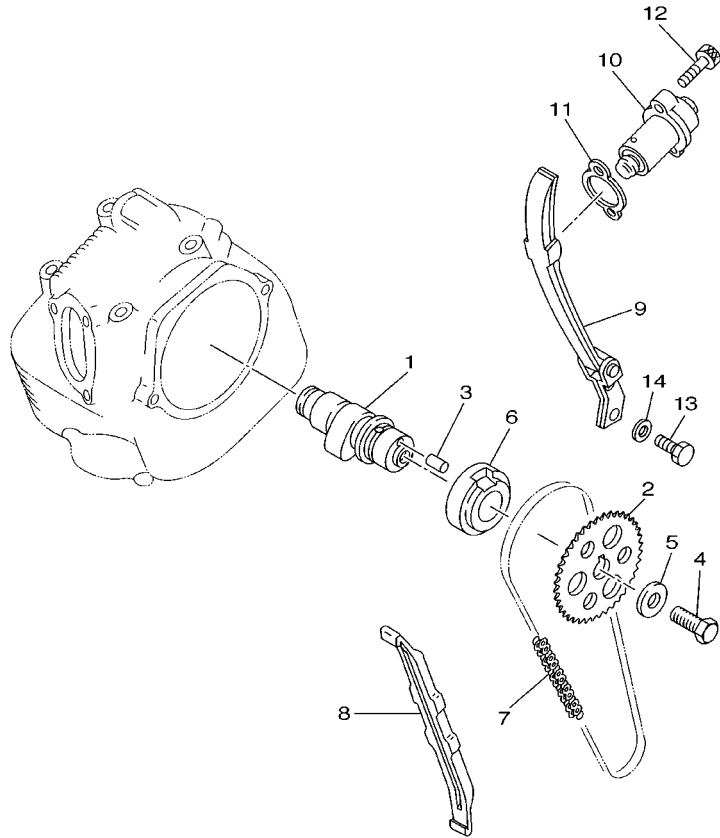


REF. NO.	PART NO.	DESCRIPTION	3GXD				REMARKS
1	5H0-12111-01	VALVE, INTAKE	1				
2	5H0-12121-01	VALVE, EXHAUST	1				
3	4G0-12116-01	SEAT, VALVE SPRING	2				
4	4G0-12113-01	SPRING, VALVE INNER	2				YELLOW
5	4G0-12114-01	SPRING, VALVE OUTER	2				YELLOW
6	5H0-12119-00	SEAL, VALVE STEM	2				
7	4G0-12117-00	RETAINER, VALVE SPRING	2				
8	4G0-12118-00	COTTER, VALVE	4				
9	36X-12151-00	ARM, VALVE ROCKER	2				
10	5H0-12156-00	SHAFT, ROCKER 2	1				
11	5H0-12146-00	SHAFT, ROCKER	1				
12	93210-09165	O-RING	1				
13	2NX-12159-00	SCREW, VALVE ADJUSTING	2				
14	90170-06128	NUT	2				



36X700-3040

FIG. 5 CAMSHAFT. CHAIN

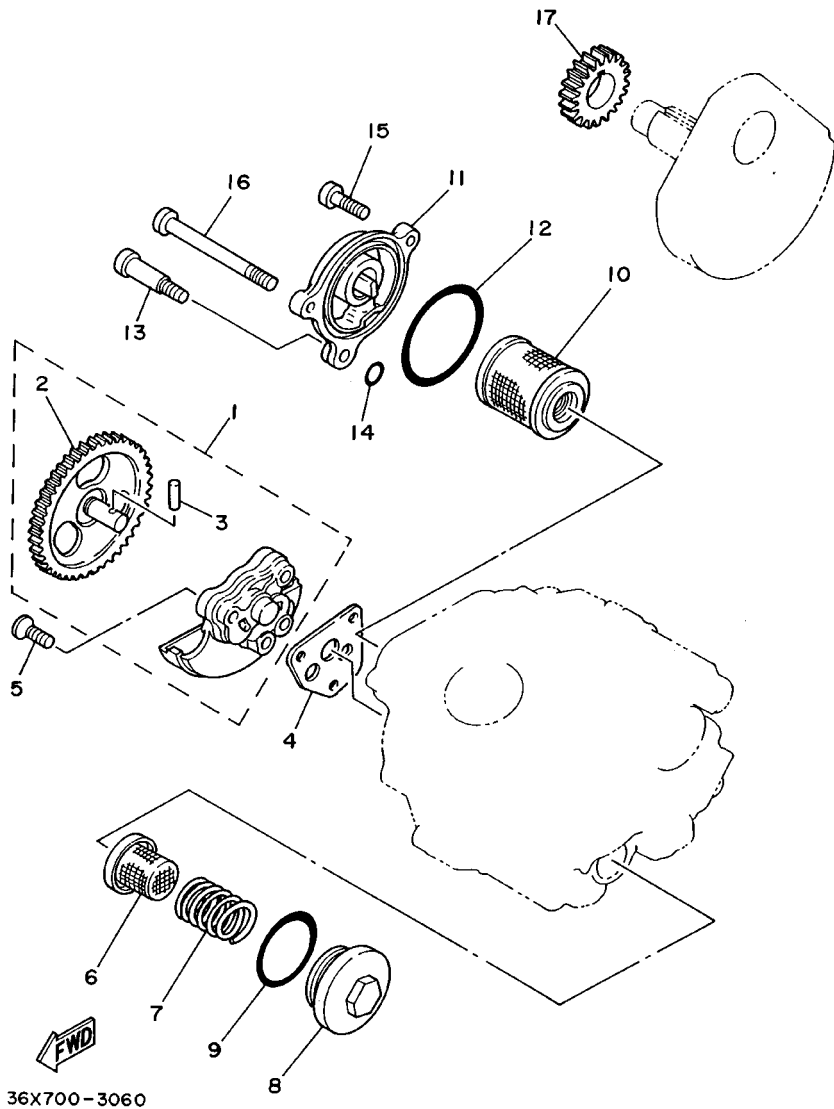


REF. NO.	PART NO.	DESCRIPTION	3GXD				REMARKS
1	36X-12171-00	CAMSHAFT 1	1				
2	5H0-12176-00	SPROCKET, CAM CHAIN (40T)	1				
3	93604-10011	PIN, DOWEL	1				
4	90101-10303	BOLT	1				
5	90201-10591	WASHER, PLATE	1				
6	90387-255F3	COLLAR	1				
7	94580-41104	CHAIN	1				
8	5H0-12231-00	GUIDE, STOPPER 1	1				
9	5N0-12241-00	GUIDE, STOPPER 2	1				
10	3GC-12210-10	TENSIONER ASSY, CAM CHAIN	1				
11	4FM-12213-00	GASKET, TENSIONER CASE	1				
12	91317-06025	BOLT	2				
13	97027-06016	BOLT	2				
14	92907-06600	WASHER, PLATE	2				



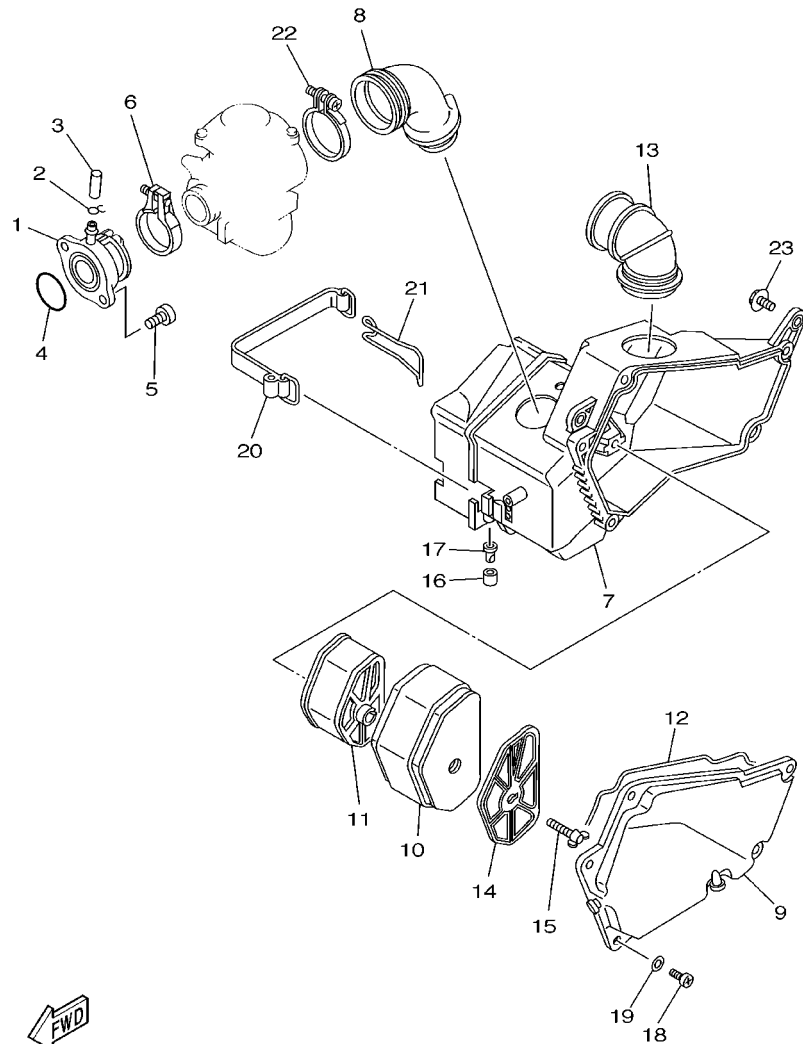
3GXA700-7050

FIG. 6 OIL PUMP



REF. NO.	PART NO.	DESCRIPTION	3GXD				REMARKS
1	5H0-13300-02	OIL PUMP ASSY	1				
2	5H0-13326-01	.GEAR, PUMP DRIVEN 2 (45T)	1				
3	93603-12030	.PIN, DOWEL	1				
4	4BE-13329-00	GASKET, PUMP COVER	1				
5	98707-06030	SCREW, FLAT HEAD	3				
6	51Y-13411-00	STRAINER, OIL	1				
7	90501-18576	SPRING, COMPRESSION	1				
8	5H0-15351-00	PLUG, DRAIN	1				
9	93210-347A1	O-RING	1				
10	5H0-13440-00	ELEMENT ASSY, OIL CLEANER	1				
11	3GX-13447-00	COVER, OIL ELEMENT	1				
12	93210-54175	O-RING	1				
13	90109-06419	BOLT	1				
14	93210-07135	O-RING	1				
15	98507-06025	SCREW, PAN HEAD	1				
16	98507-06075	SCREW, PAN HEAD	1				
17	36X-13324-00	GEAR, PUMP DRIVE	1				

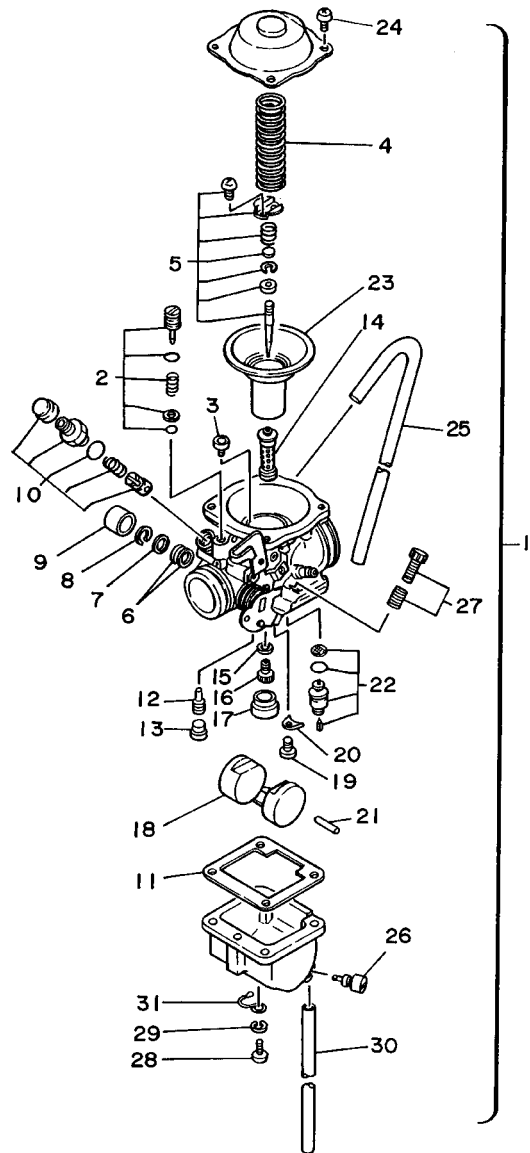
FIG. 7 INTAKE



3GXA700-7070

REF. NO.	PART NO.	DESCRIPTION	3GXD				REMARKS
1	36X-13586-01	JOINT, CARBURETOR 1	1				
2	90467-10039	CLIP	1				
3	16G-13569-00	PLUG, BLIND	1				
4	93210-35537	O-RING	1				
5	91317-06020	BOLT	2				
6	1HX-13575-00	BAND	1				
7	3GX-14401-00	AIR CLEANER CASE ASSY	1				
8	36X-14453-01	JOINT, AIR CLEANER 1	1				
9	36X-14412-00	CAP, CLEANER CASE 1	1				
10	36X-14451-00	ELEMENT, AIR CLEANER	1				
11	36X-14458-00	GUIDE	1				
12	36X-14452-00	SEAL	1				
13	36X-14437-00	DUCT	1				
14	36X-14468-00	PLATE, ELEMENT FITTING	1				
15	90122-06012	BOLT, WING	1				
16	90387-051K7	COLLAR	1				
17	24W-13512-00	VALVE, ROTARY	1				
18	98507-05016	SCREW, PAN HEAD	5				
19	92907-05600	WASHER, PLATE	5				
20	3GX-82131-00	BAND, BATTERY	1				
21	3GX-82124-00	BAND, BATTERY	1				
22	90460-56105	CLAMP, HOSE	1				
23	95807-06016	BOLT, FLANGE	2				

FIG. 8 CARBURETOR

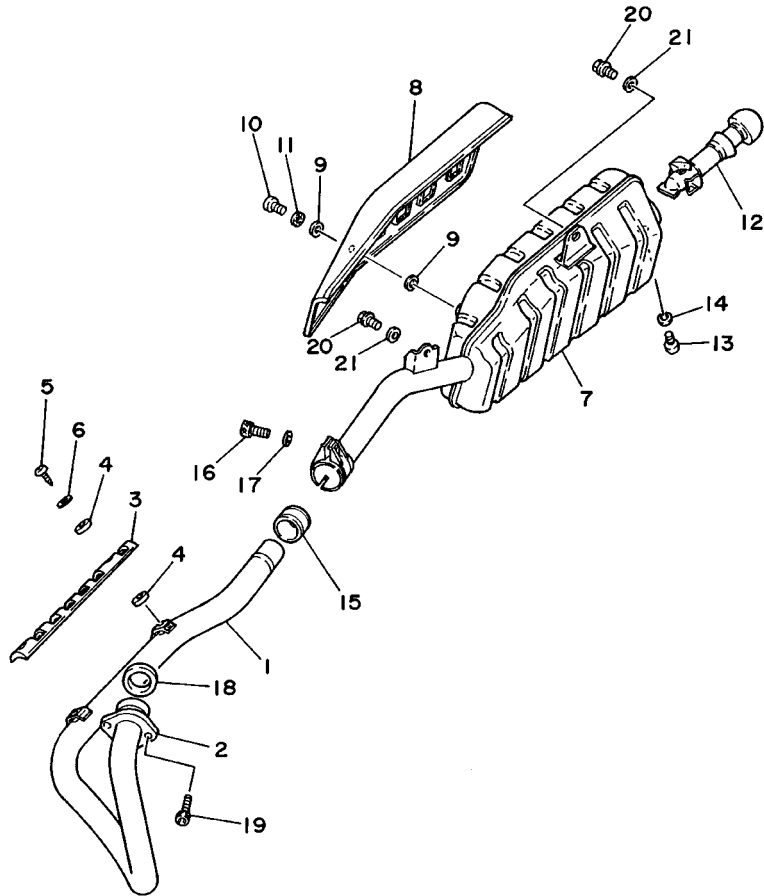


REF. NO.	PART NO.	DESCRIPTION	3GXD				REMARKS
1	36X-14901-01	CARBURETOR ASSY 1	1				
2	36X-14105-00	.PILOT SCREW SET	1				
3	3G2-14231-25	.JET, MAIN (#125)	1				
4	36X-14933-01	.SPRING, DIAPHRAGM	1				
5	36X-1490J-00	.NEEDLE SET	1				
6	256-14997-00	.SEAL	2				
7	22F-14126-00	.GASKET	1				
8	812-14137-00	.CLIP	1				
9	36X-14169-00	.CAP	1				
10	36X-1410A-00	.STARTER SET	1				
11	46X-14984-00	.GASKET, FLOAT CHAMBER	1				
12	4G0-14142-35	.JET, PILOT (# 35)	1				
13	3F7-14991-00	.SCREW	1				
14	36X-14941-42	.NOZZLE, MAIN	1				
15	137-14153-00	.WASHER, MAIN JET	1				
16	620-14231-74	.JET, MAIN (#117.5)	1				
17	36X-14153-00	.WASHER, MAIN JET	1				
18	4G0-14985-00	.FLOAT	1				
19	97802-04006	.SCREW, PAN HEAD	1				
20	36X-14146-00	.PLATE	1				
21	537-14186-00	.PIN, FLOAT	1				
22	25G-14107-20	.NEEDLE VALVE SET	1				
23	36X-14940-00	.DIAPHRAGM ASSY	1				
24	97802-05008	.SCREW, PAN HEAD	4				
25	36X-14197-00	.PIPE	1				
26	36X-14191-00	.PLUG, DRAIN	1				
27	36X-1490K-00	.STOP SCREW SET	1				



36X700-3080

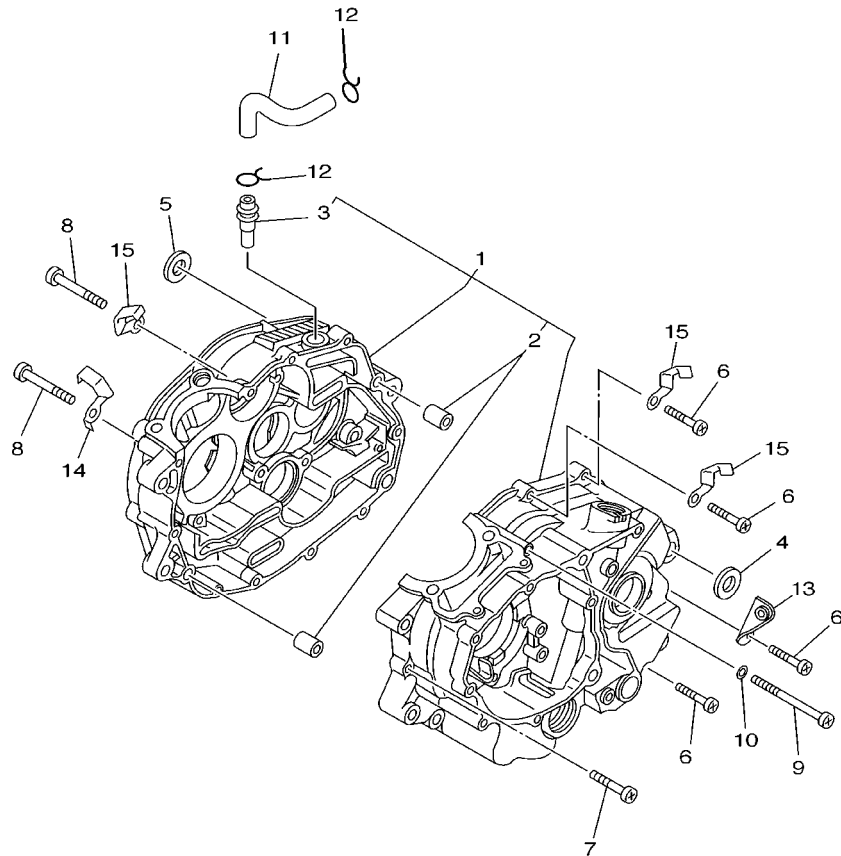
FIG. 9 EXHAUST



3GX700-8090

REF. NO.	PART NO.	DESCRIPTION	3GXD				REMARKS
1	3GX-14611-00	PIPE, EXHAUST 1	1				
2	5H0-14612-00	NUT, RING	1				
3	36X-14628-01	PROTECTOR, EXHAUST PIPE	1				
4	4BD-14766-00	WASHER, PROTECTOR	4				
5	98907-06010	SCREW, BIND	2				
6	90206-06090	WASHER, WAVE	2				
7	36X-14711-01	MUFFLER 1	1				
8	36X-14728-00	PROTECTOR, MUFFLER 2	1				
9	4BD-14766-00	WASHER, PROTECTOR	4				
10	98907-06010	SCREW, BIND	2				
11	90206-06090	WASHER, WAVE	2				
12	36X-14752-02	PIPE, OUTLET	1				
13	98507-06010	SCREW, PAN HEAD	1				
14	92907-06600	WASHER, PLATE	1				
15	3YF-14714-00	GASKET, MUFFLER	1				
16	91317-08025	BOLT	1				
17	92907-08600	WASHER, PLATE	1				
18	4BE-14613-00	GASKET, EXHAUST PIPE	1				
19	91317-06020	BOLT	2				
20	90105-08141	BOLT, WASHER BASED	2				
21	90201-08326	WASHER, PLATE	2				

FIG. 10 CRANKCASE

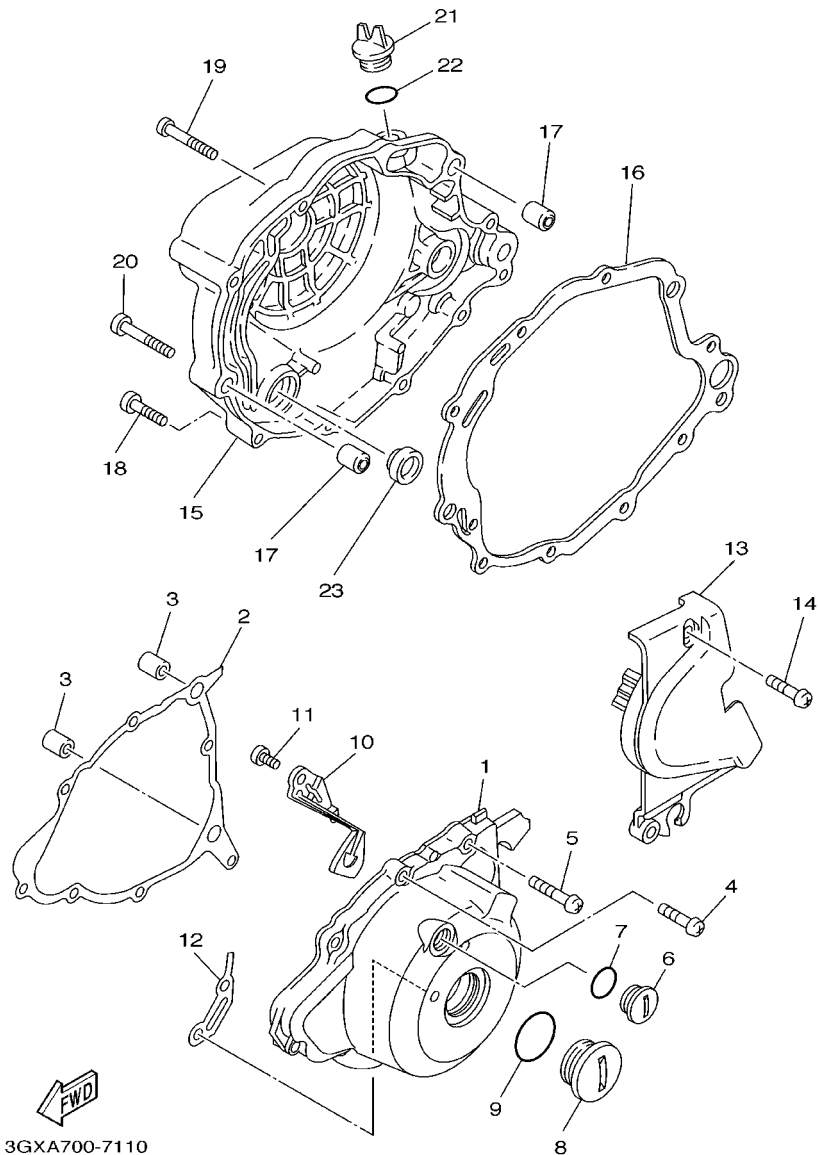


REF. NO.	PART NO.	DESCRIPTION	3GXD				REMARKS
1	3GX-15100-01	CRANKCASE ASSY	1				
2	99530-12016	.PIN, DOWEL	2				
3	371-11167-01	.PIPE, BREATHER 2	1				
4	90387-125F1	COLLAR	1				
5	90387-125F1	COLLAR	1				
6	98507-06030	SCREW, PAN HEAD	7				
7	98507-06040	SCREW, PAN HEAD	2				
8	98507-06090	SCREW, PAN HEAD	2				
9	98507-06085	SCREW, PAN HEAD	1				
10	90430-06014	GASKET	1				
11	36X-11166-00	PIPE, BREATHER 1	1				
12	90467-14015	CLIP	2				
13	90465-08200	CLAMP	1				
14	90462-08224	CLAMP	1				
15	90462-08225	CLAMP	3				



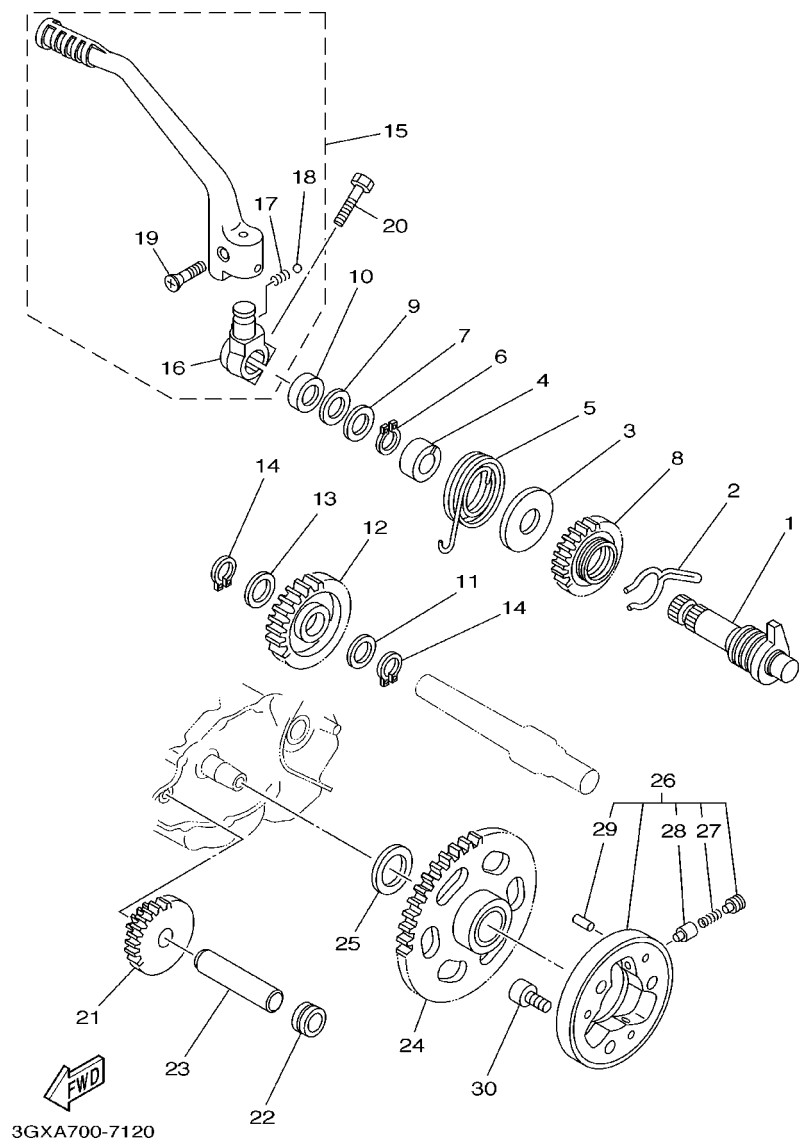
3GXA700-7100

FIG. 11 CRANKCASE COVER 1



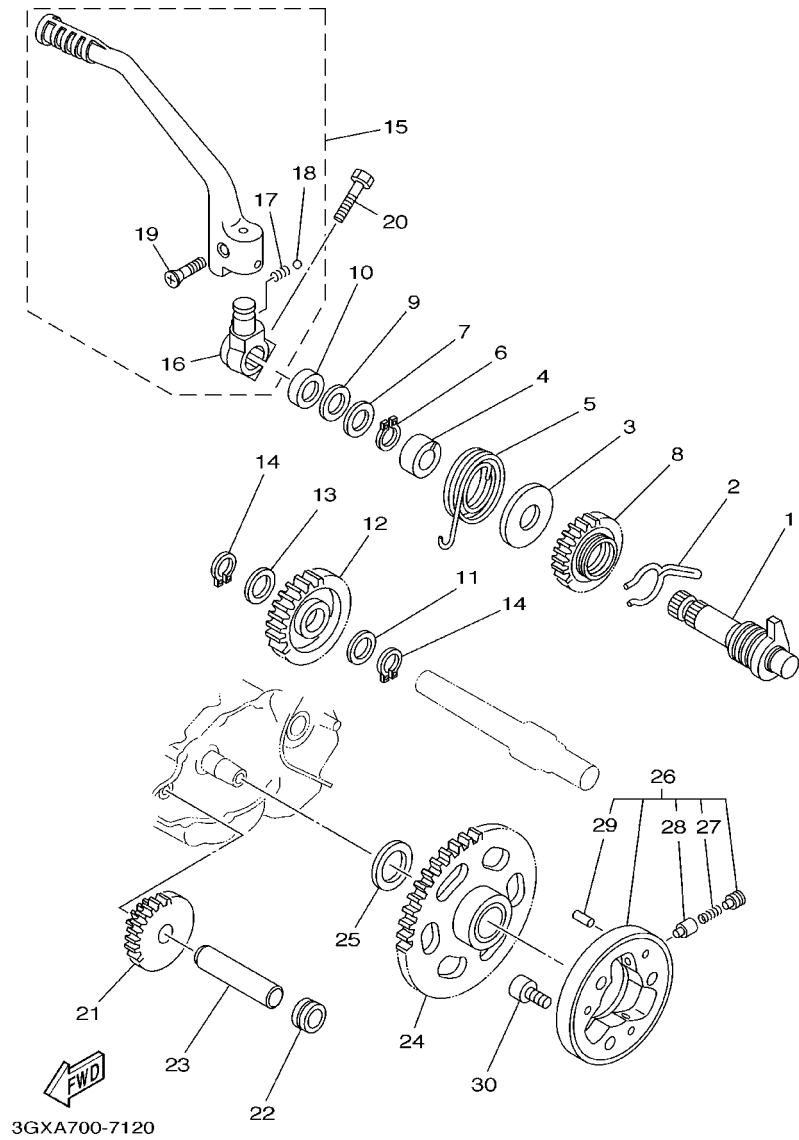
REF. NO.	PART NO.	DESCRIPTION	3GXD				REMARKS
1	4WP-15411-01	COVER, CRANKCASE 1	1				
2	4BE-15451-03	GASKET, CRANKCASE COVER 1	1				
3	99530-12016	PIN, DOWEL	2				
4	98507-06025	SCREW, PAN HEAD	6				
5	98507-06035	SCREW, PAN HEAD	2				
6	90340-14068	PLUG, STRAIGHT SCREW	1				
7	93210-14369	O-RING	1				
8	90340-32116	PLUG, STRAIGHT SCREW	1				
9	93210-32172	O-RING	1				
10	90465-08364	CLAMP	1				
11	98507-06010	SCREW, PAN HEAD	1				
12	90462-16213	CLAMP	1				
13	36X-15421-01	COVER, CRANKCASE 2	1				
14	98507-06025	SCREW, PAN HEAD	2				
15	3GX-15431-00	COVER, CRANKCASE 3	1				
16	4BE-15462-00	GASKET, CRANKCASE COVER 3	1				
17	99530-12016	PIN, DOWEL	2				
18	98507-06025	SCREW, PAN HEAD	5				
19	98507-06035	SCREW, PAN HEAD	3				
20	98507-06045	SCREW, PAN HEAD	2				
21	3Y1-15363-00	PLUG, OIL	1				
22	93210-19123	O-RING	1				
23	3Y1-15361-00	GAUGE, LEVEL	1				

FIG. 12 STARTER

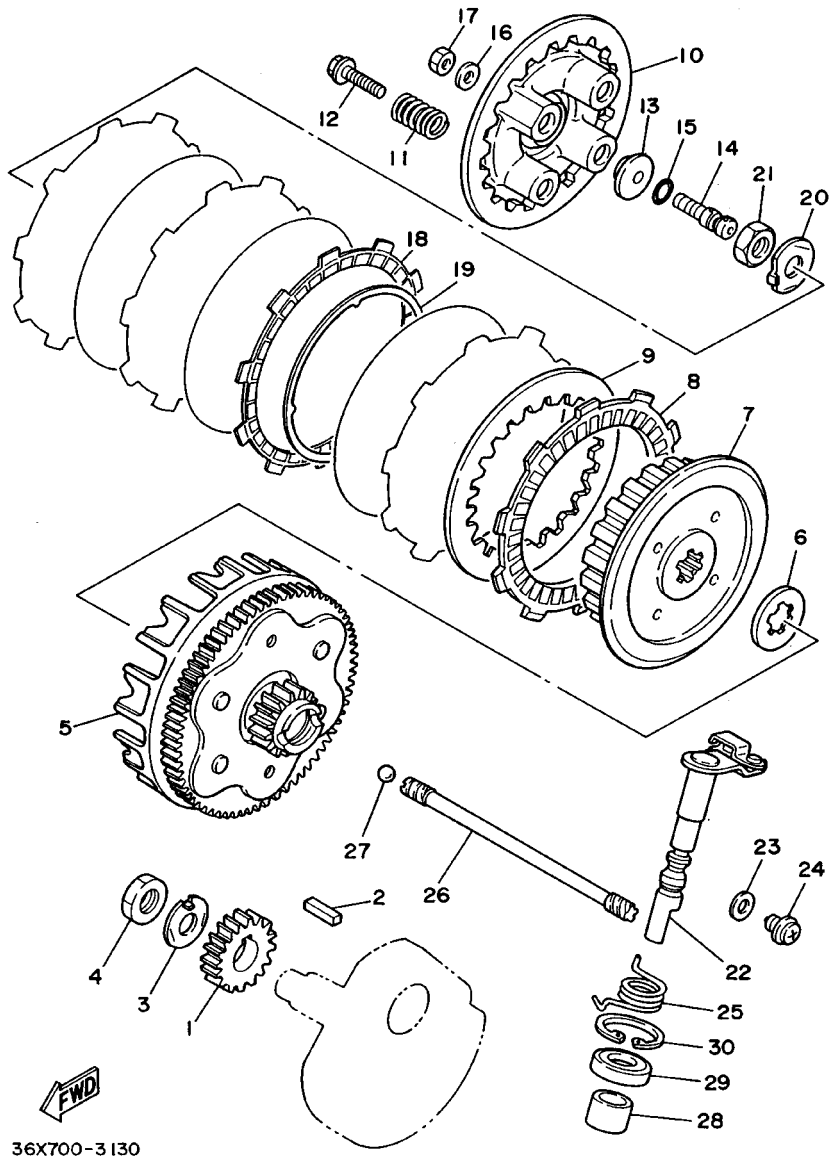


REF. NO.	PART NO.	DESCRIPTION	3GXD				REMARKS
1	36X-15660-01	KICK AXLE ASSY	1				
2	90468-26122	CLIP	1				
3	401-15676-00	COVER, SPRING	1				
4	15A-15666-00	SPACER	1				
5	90508-26538	SPRING, TORSION	1				
6	99009-17400	CIRCLIP	1				
7	90201-175F6	WASHER, PLATE	1				
8	36X-15641-00	GEAR, KICK	1				
9	90209-17226	WASHER	1				
10	93102-17263	OIL SEAL	1				
11	90201-173F4	WASHER, PLATE	1				
12	15A-15651-01	GEAR, KICK IDLE (28T)	1				
13	90214-17028	WASHER, CLAW	1				
14	99009-17400	CIRCLIP	2				
15	36X-15620-01	KICK CRANK ASSY	1				
16	36X-15621-01	BOSS, KICK CRANK	1				
17	90501-12081	SPRING, COMPRESSION	1				
18	93507-32009	BALL	1				
19	90157-06048	SCREW, PAN HEAD	1				
20	97027-08030	BOLT	1				
21	2HT-15512-00	GEAR, IDLER 1	1				
22	90387-125Y0	COLLAR	1				
23	5H0-15521-00	SHAFT 1	1				
24	5H0-15517-00	GEAR, IDLER 2 (56T)	1				
25	90201-25290	WASHER, PLATE	1				
26	4H7-15580-10	STARTER CLUTCH OUTER ASSY	1				
27	90501-04596	SPRING, COMPRESSION	3				

FIG. 12 STARTER



REF. NO.	PART NO.	DESCRIPTION	3GXD				REMARKS
28	1J7-15583-01	.CAP, STARTER CLUTCH SPRING	3				
29	93615-12088	.PIN, DOWEL	3				
30	91317-08020	BOLT	3				

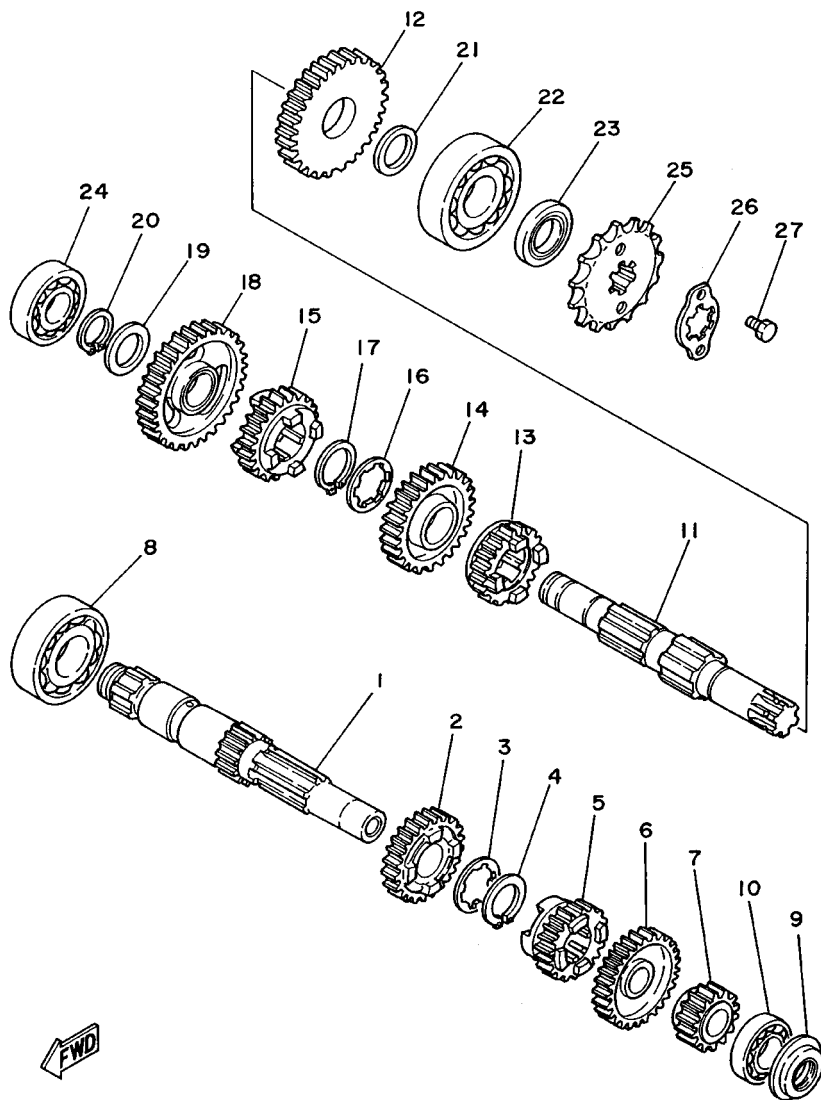


36X700-3130

FIG. 13 CLUTCH

REF. NO.	PART NO.	DESCRIPTION	3GXD				REMARKS
1	36X-16111-00	GEAR, PRIMARY DRIVE	1				
2	90282-05043	KEY, STRAIGHT	1				
3	90215-14205	WASHER, LOCK	1				
4	90170-14284	NUT	1				
5	36X-16150-00	PRIMARY DRIVEN GEAR COMP.	1				
6	5H0-16154-00	PLATE, THRUST 1	1				
7	36X-16371-00	BOSS, CLUTCH	1				
8	537-16321-00	PLATE, FRICTION	4				
9	137-16324-00	PLATE, CLUTCH 1	4				
10	5H0-16351-00	PLATE, PRESSURE 1	1				
11	90501-23700	SPRING, COMPRESSION	4				
12	90159-05011	SCREW, WITH WASHER	4				
13	1W1-16358-01	PLATE, PUSH	1				
14	5H0-16356-01	ROD, PUSH 1	1				
15	93210-48364	O-RING	1				
16	92907-06200	WASHER	1				
17	95307-06600	NUT	1				
18	36X-16321-00	PLATE, FRICTION	1				
19	1KH-16383-00	SPRING, CLUTCH BOSS	1				
20	90215-14186	WASHER, LOCK	1				
21	90170-14284	NUT	1				
22	15A-16380-00	PUSH LEVER ASSY	1				
23	90430-08119	GASKET	1				
24	90149-08067	SCREW	1				
25	90508-18537	SPRING, TORSION	1				
26	5H0-16357-00	ROD, PUSH 2	1				
27	93505-16006	BALL	1				

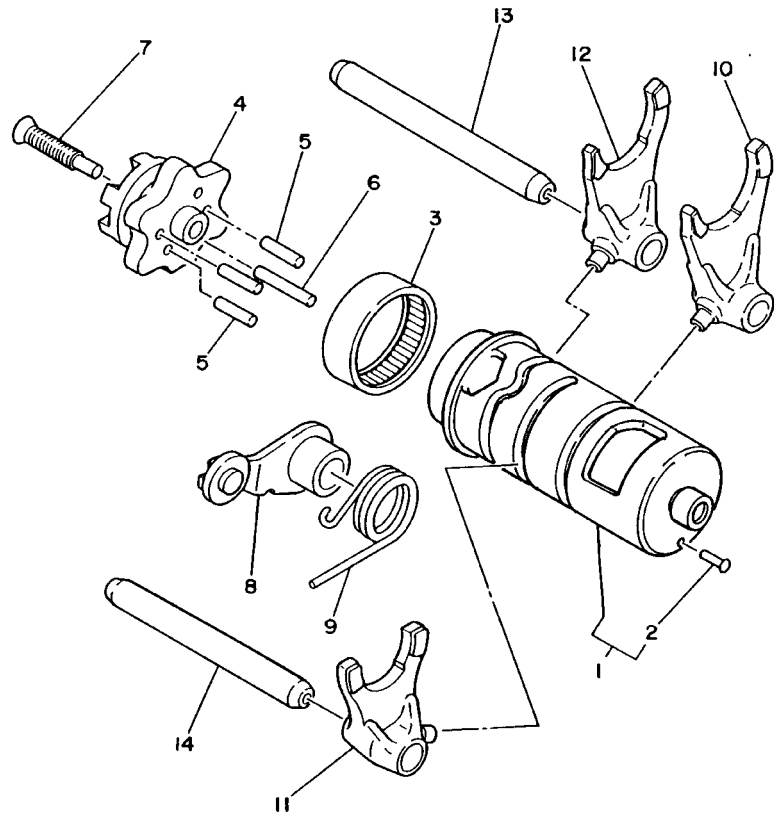
FIG. 14 TRANSMISSION



36X700-3140

REF. NO.	PART NO.	DESCRIPTION	3GXD				REMARKS
1	36X-17411-00	AXLE, MAIN	1				
2	36X-17141-01	GEAR, 4TH PINION	1				
3	90209-16209	WASHER	1				
4	93410-20038	CIRCLIP	1				
5	24W-17131-00	GEAR, 3RD PINION (21T)	1				
6	36X-17151-00	GEAR, 5TH PINION	1				
7	24W-17121-00	GEAR, 2ND PINION (15T)	1				
8	93306-20401	BEARING (B6204)	1				
9	93101-15101	OIL SEAL	1				
10	93306-20201	BEARING (B6202)	1				
11	15A-17402-01	DRIVE AXLE ASSY	1				
12	36X-17221-00	GEAR, 2ND WHEEL	1				
13	36X-17251-00	GEAR, 5TH WHEEL	1				
14	24W-17231-00	GEAR, 3RD WHEEL (30T)	1				
15	36X-17241-01	GEAR, 4TH WHEEL	1				
16	90209-18208	WASHER	1				
17	93410-22039	CIRCLIP	1				
18	36X-17211-00	GEAR, 1ST WHEEL	1				
19	90201-17257	WASHER, PLATE	1				
20	99009-17400	CIRCLIP	1				
21	90201-203E7	WASHER, PLATE	1				
22	93306-30424	BEARING (B6304A3)	1				
23	93102-20242	OIL SEAL	1				
24	93306-20332	BEARING	1				
25	93822-14043	SPROCKET,DRIVE 14T(5N01746141)	1				
26	5H0-17456-00	HOLDER, SPROCKET	1				
27	97027-06010	BOLT	2				

FIG. 15 SHIFT CAM. FORK

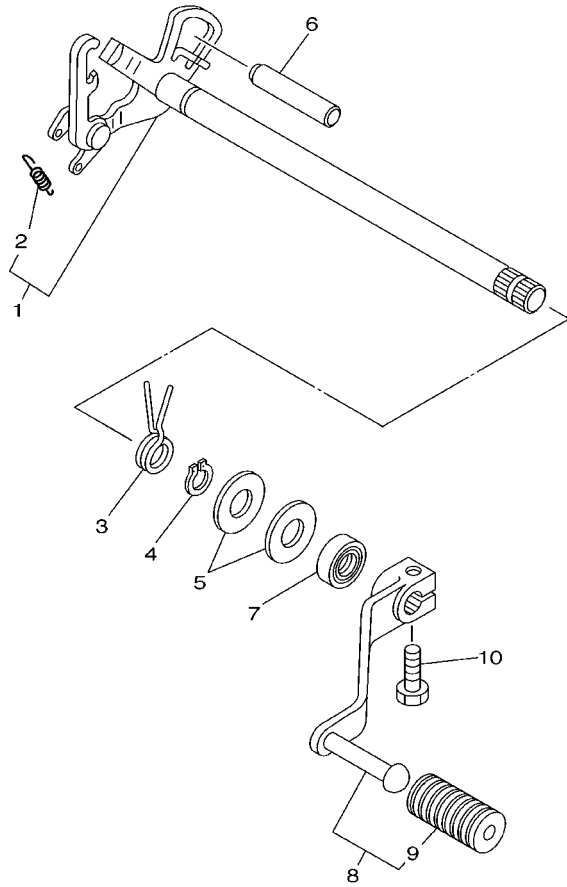


REF. NO.	PART NO.	DESCRIPTION	3GXD				REMARKS
1	36X-18540-00	SHIFT CAM ASSY	1				
2	136-18542-00	.POINT, NEUTRAL	1				
3	93315-23607	BEARING	1				
4	5H0-18185-01	SEGMENT	1				
5	93604-16092	PIN, DOWEL	4				
6	93604-20156	PIN, DOWEL	1				
7	90151-06013	SCREW, COUNTERSUNK	1				
8	4G0-18140-00	STOPPER LEVER ASSY	1				
9	90508-26539	SPRING, TORSION	1				
10	36X-18513-00	FORK, SHIFT 3	1				
11	4JG-18511-00	FORK, SHIFT 1	1				
12	4JG-18512-01	FORK, SHIFT 2	1				
13	3GX-18531-00	BAR, SHIFT FORK GUIDE 1	1				
14	3GX-18535-00	BAR, SHIFT FORK GUIDE 2	1				



36X700-3150

FIG. 16 SHIFT SHAFT

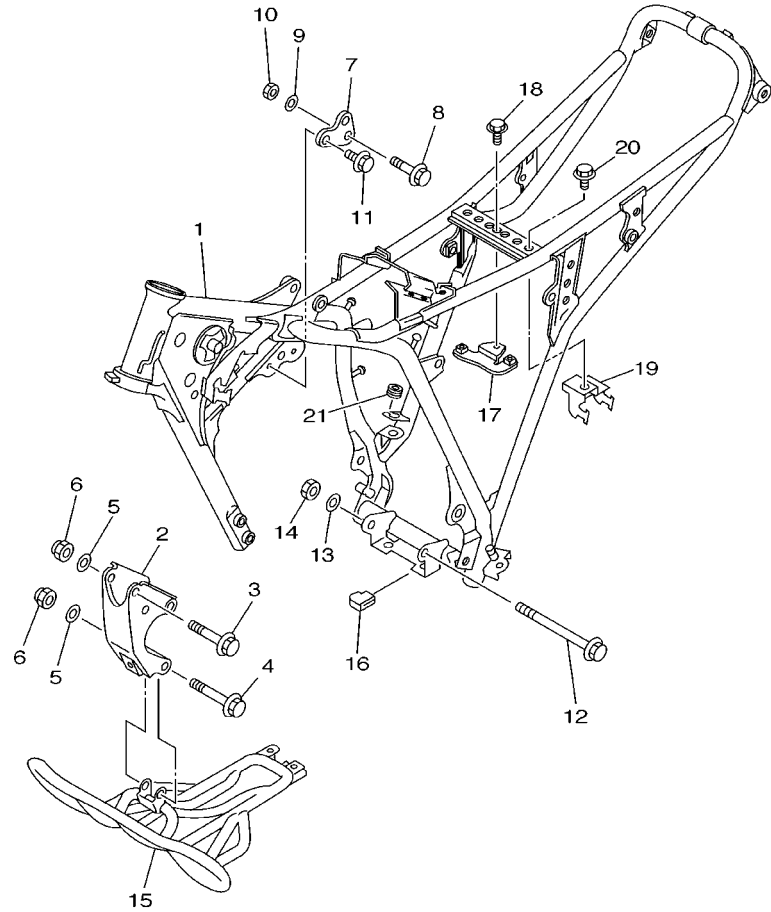


REF. NO.	PART NO.	DESCRIPTION	3GXD				REMARKS
1	5H0-18120-02	SHIFT LEVER ASSY	1				
2	90506-08227	.SPRING, TENSION	1				
3	90508-29540	SPRING, TORSION	1				
4	99001-10600	CIRCLIP	1				
5	90201-12588	WASHER, PLATE	2				
6	93608-50158	PIN, DOWEL	1				
7	93102-12106	OIL SEAL (SD 12-22-5 HS)	1				
8	1RL-18110-00	SHIFT PEDAL ASSY	1				
9	132-18113-01	.COVER, SHIFT PEDAL	1				
10	97027-06020	BOLT	1				



3GXA700-7160

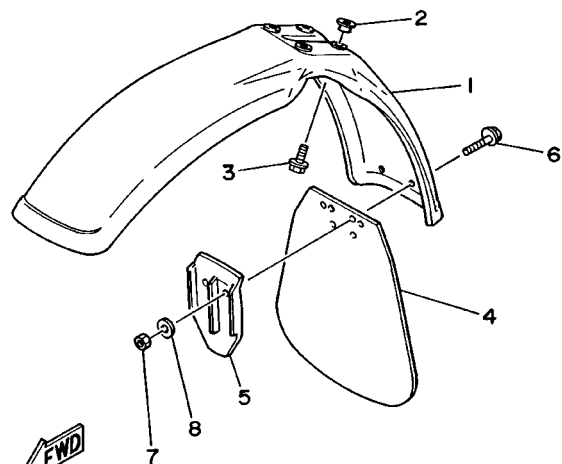
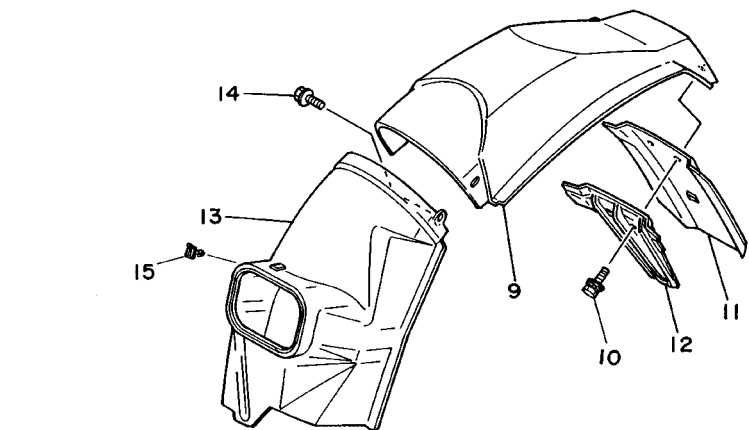
FIG. 17 FRAME



3GXA700-7170

REF. NO.	PART NO.	DESCRIPTION	3GXD				REMARKS
1	3GX-21110-10-33	FRAME COMP.	1				YB
2	1RL-21316-00-33	STAY, ENGINE 3	1				YB
3	95817-08065	BOLT, FLANGE	3				
4	95817-08070	BOLT, FLANGE	1				
5	90201-08366	WASHER, PLATE	4				
6	90185-08089	NUT, SELF-LOCKING	4				
7	36X-21315-00	STAY, ENGINE 2	1				
8	95817-08050	BOLT, FLANGE	1				
9	90201-08366	WASHER, PLATE	1				
10	90185-08089	NUT, SELF-LOCKING	1				
11	90105-08066	BOLT, WASHER BASED	2				
12	95827-08120	BOLT, FLANGE	1				
13	90201-08366	WASHER, PLATE	1				
14	90185-08089	NUT, SELF-LOCKING	1				
15	36X-21471-10-35	PROTECTOR, ENGINE	1				SL
16	36X-21485-00	DAMPER, RUBBER 1	2				
17	3GX-21287-00	BRACKET, REGULATOR	1				
18	95807-06008	BOLT, FLANGE	1				
19	3GX-2134E-00	BRACKET, RELAY	1				
20	95807-06008	BOLT, FLANGE	1				
21	90480-14229	GROMMET	1				

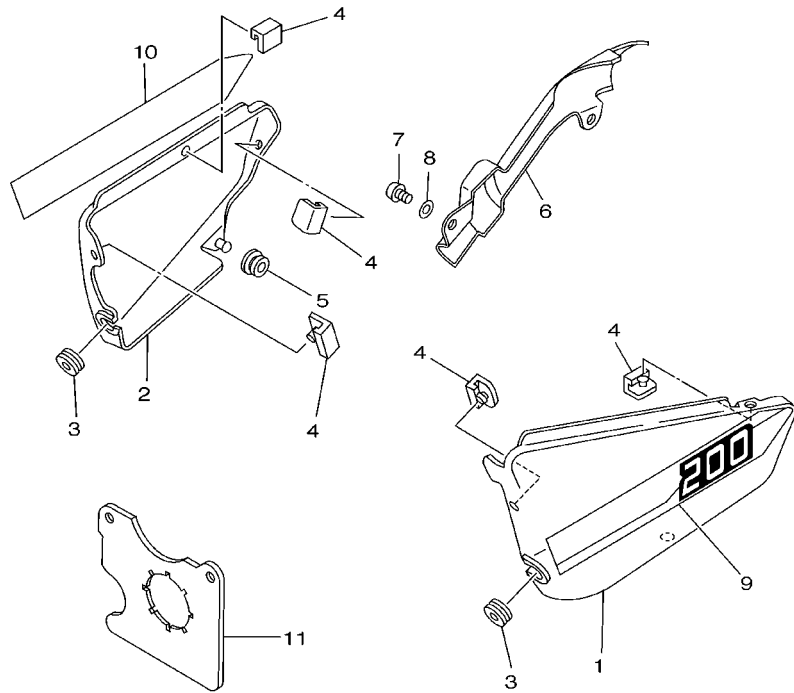
FIG. 18 FENDER



36X700-3180

REF. NO.	PART NO.	DESCRIPTION	3GXD	REMARKS
1	36X-21511-60	FENDER, FRONT	1	SBE
2	90387-062V8	COLLAR	4	
3	90119-06063	BOLT, WITH WASHER	4	
4	36X-21521-00	FLAP, FRONT FENDER	1	
5	36X-21522-00	BAND, FLAP	1	
6	90159-06085	SCREW, WITH WASHER	2	
7	95307-06700	NUT	2	
8	90201-06557	WASHER, PLATE	2	
9	36X-21611-40	FENDER, REAR	1	SBE
10	90119-06097	BOLT, WITH WASHER	2	
11	36X-21621-00	FLAP	1	
12	36X-21622-00	BAND, FLAP	1	
13	36X-21629-01	GUARD, MUD	1	
14	90119-06063	BOLT, WITH WASHER	2	
15	90464-13249	CLAMP	2	

FIG. 19 SIDE COVER

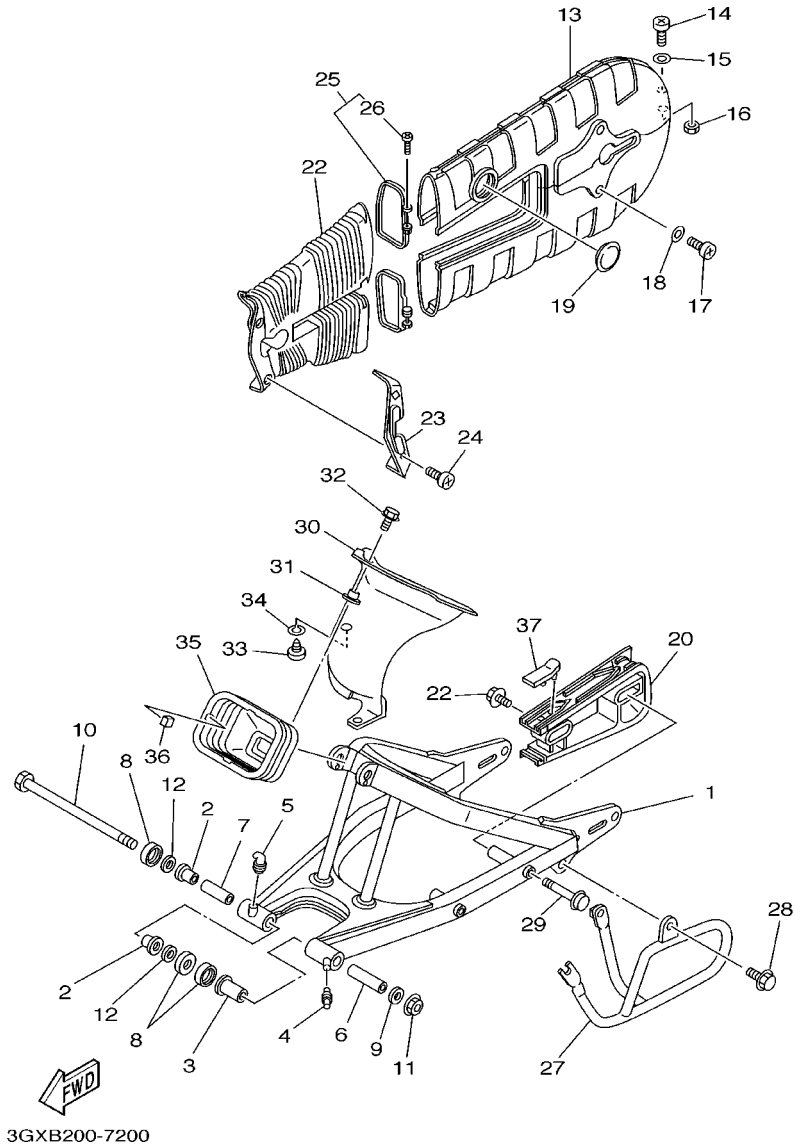


REF. NO.	PART NO.	DESCRIPTION	3GXD				REMARKS
1	36X-21711-40	COVER, SIDE 1	1				SBE
2	36X-21721-40	COVER, SIDE 2	1				SBE
3	90480-12320	GROMMET	3				
4	3M7-21746-00	DAMPER	5				
5	90480-01558	GROMMET	1				
6	36X-2172A-00	PANEL 1	1				
7	98507-06012	SCREW, PAN HEAD	2				
8	92907-06600	WASHER, PLATE	2				
9	3GX-2173E-30	GRAPHIC 1	1				
10	3GX-2173F-30	GRAPHIC 2	1				
11	36X-2177F-00	COVER	1				



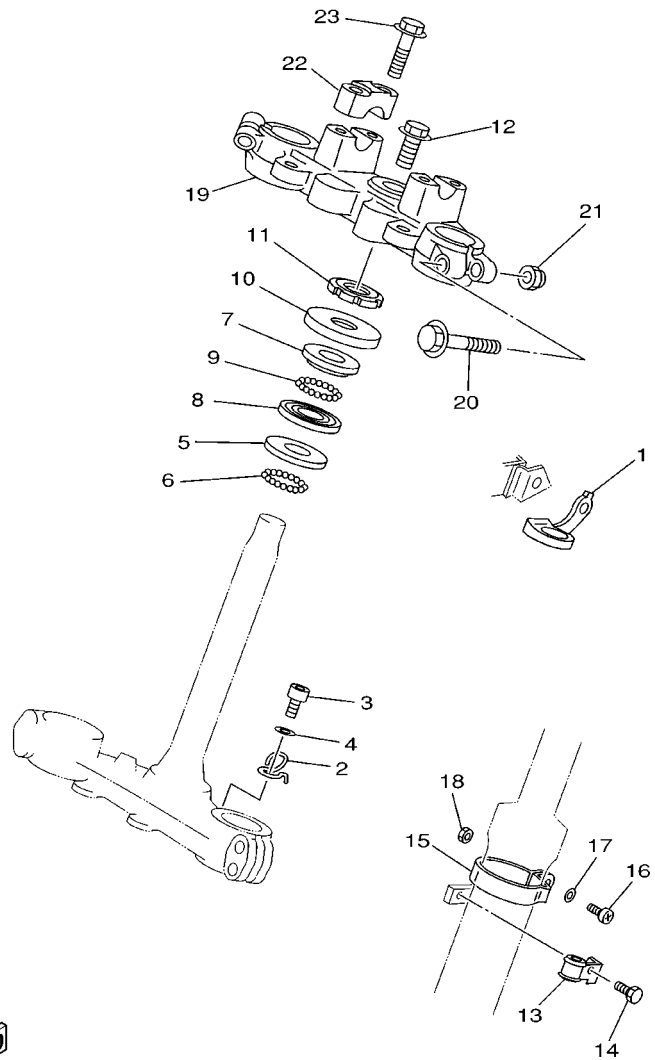
3GXA700-7190

FIG. 20 REAR ARM



REF. NO.	PART NO.	DESCRIPTION	3GXD				REMARKS
1	36X-22110-00-35	REAR ARM COMP.	1				SL
2	15A-22123-00	BUSH 1	2				
3	90386-18028	BUSH	1				
4	93700-06004	NIPPLE, GREASE	1				
5	93700-06009	NIPPLE, GREASE	1				
6	36X-22126-00	COLLAR, DISTANCE	1				
7	36X-22126-10	COLLAR, DISTANCE	1				
8	401-22128-01	SEAL, GUARD	3				
9	93109-18020	OIL SEAL	1				
10	36X-22141-01	SHAFT, PIVOT	1				
11	90185-12072	NUT, SELF-LOCKING	1				
12	401-22127-00	SHIM	1				UN
13	36X-22310-00-35	CHAIN CASE ASSY	1				SL
14	98507-06045	SCREW, PAN HEAD	1				
15	92907-06600	WASHER, PLATE	1				
16	95607-06200	NUT, SELF U-FLANGE	1				
17	98507-06016	SCREW, PAN HEAD	2				
18	92907-06600	WASHER, PLATE	2				
19	148-22315-00	CAP	1				
20	36X-22358-00	SEAL 1	1				
21	90119-06074	BOLT, WITH WASHER	1				
22	36X-22325-00	COVER, DUST	1				
23	36X-22324-00	STAY, DUST COVER	1				
24	98507-05008	SCREW, PAN HEAD	2				
25	36X-22323-00	STAY, CHAIN CASE 3	2				
26	98507-04030	SCREW, PAN HEAD	1				
27	36X-22318-00	GUARD, CHAIN	1				

FIG. 22 STEERING

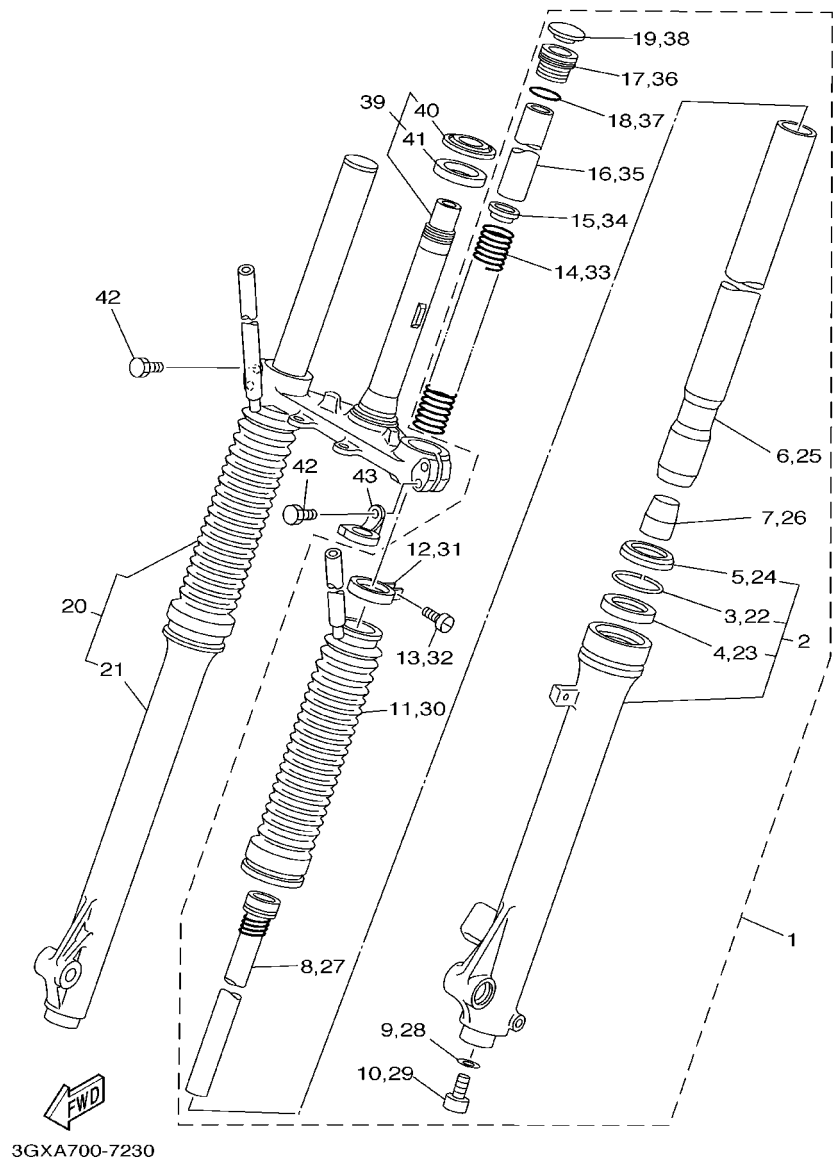


REF. NO.	PART NO.	DESCRIPTION	3GXD				REMARKS
1	36X-23389-00	GUIDE, CABLE	1				
2	36X-2331E-00	GUIDE, CABLE	1				
3	98507-06012	SCREW, PAN HEAD	1				
4	92907-06600	WASHER, PLATE	1				
5	156-23412-00	RACE, BALL 2	1				
6	93501-04011	BALL	19				
7	22F-23411-01	RACE, BALL 1	1				
8	22F-23412-01	RACE, BALL 2	1				
9	93503-16003	BALL	22				
10	36X-23416-00	COVER, BALL RACE 2	1				
11	90179-25033	NUT	1				
12	90105-14102	BOLT, WASHER BASED	1				
13	3Y1-23319-00	HOLDER, CABLE 2	1				
14	95807-06012	BOLT, FLANGE	1				
15	3R9-23318-00	HOLDER, CABLE 1	1				
16	98507-05016	SCREW, PAN HEAD	1				
17	92907-05600	WASHER, PLATE	1				
18	95307-05600	NUT	1				
19	36X-23435-00	CROWN, HANDLE	1				
20	95827-10060	BOLT, FLANGE	2				
21	90185-10091	NUT, SELF-LOCKING	2				
22	1E6-23441-10-98	HOLDER, HANDLE UPPER	2				LGB
23	95827-08035	BOLT, FLANGE	4				



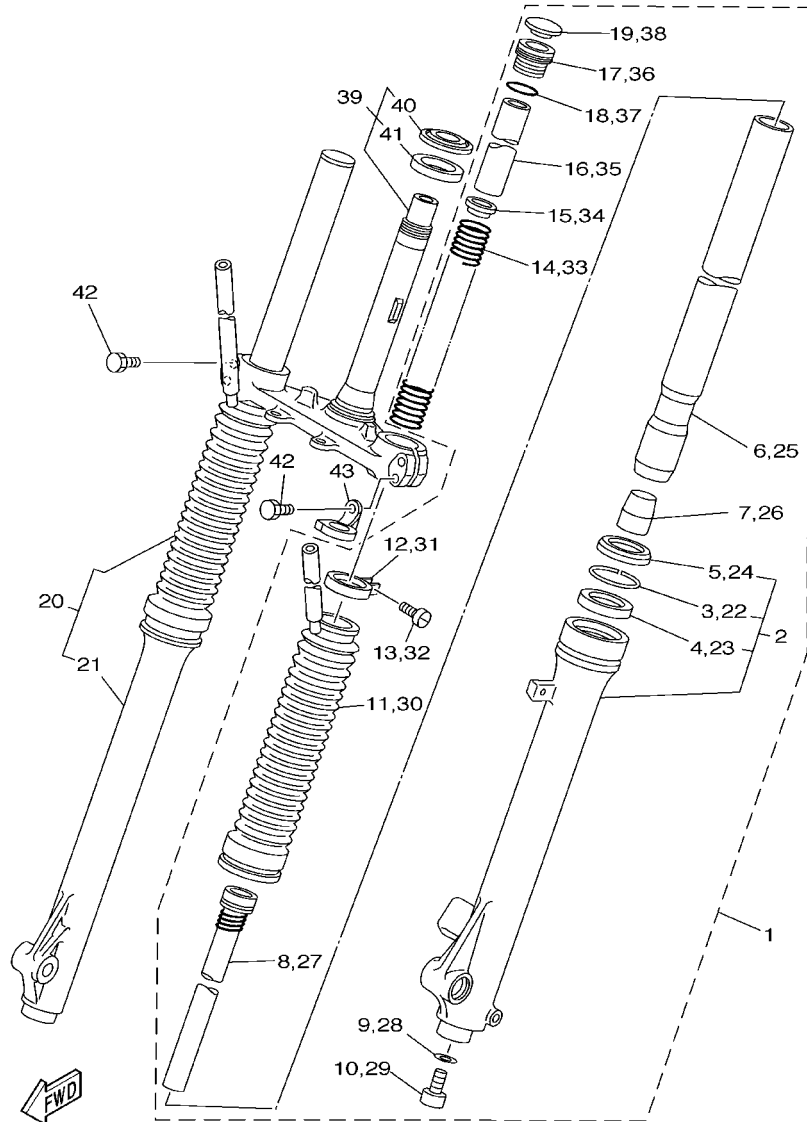
3GXD700-9220

FIG. 23 FRONT FORK



REF. NO.	PART NO.	DESCRIPTION	3GXD				REMARKS
1	36X-23102-20	FRONT FORK ASSY (L.H)	1				
2	36X-23107-00-35	.OUTER TUBE COMP. (R.H)	1				SL
3	4A1-23156-00	..CLIP, OIL SEAL	1				
4	1T3-23145-00	..OIL SEAL	1				
5	3R2-23144-00	..SEAL, DUST	1				
6	36X-23110-00	.INNER TUBE COMP.1	1				
7	1W1-23173-L0	.SPINDLE, TAPER	1				
8	36X-23170-00	.CYLINDER COMP., FRONT FORK	1				
9	509-23158-L0	.GASKET	1				
10	278-23181-50	.BOLT, HEXAGON SOCKET HEAD	1				
11	36X-23191-10	.BOOT	1				
12	36X-23192-00	.BAND	1				
13	4V2-23194-L0	.SCREW, BOOT BAND	1				
14	36X-23141-00	.SPRING, FRONT FORK	1				
15	3DM-23149-10	.WASHER, SPRING UPPER	1				
16	2JL-23118-00	.SPACER	1				
17	1U6-23111-M1	.BOLT, CAP	1				
18	240-23114-00	.GASKET	1				
19	1U6-23168-M0	.CAP, FRONT FORK	1				
20	36X-23103-20	FRONT FORK ASSY (R.H)	1				
21	36X-23106-00-35	.OUTER TUBE COMP. (L.H)	1				SL
22	4A1-23156-00	..CLIP, OIL SEAL	1				
23	1T3-23145-00	..OIL SEAL	1				
24	3R2-23144-00	..SEAL, DUST	1				
25	36X-23110-00	.INNER TUBE COMP.1	1				
26	1W1-23173-L0	.SPINDLE, TAPER	1				
27	36X-23170-00	.CYLINDER COMP., FRONT FORK	1				

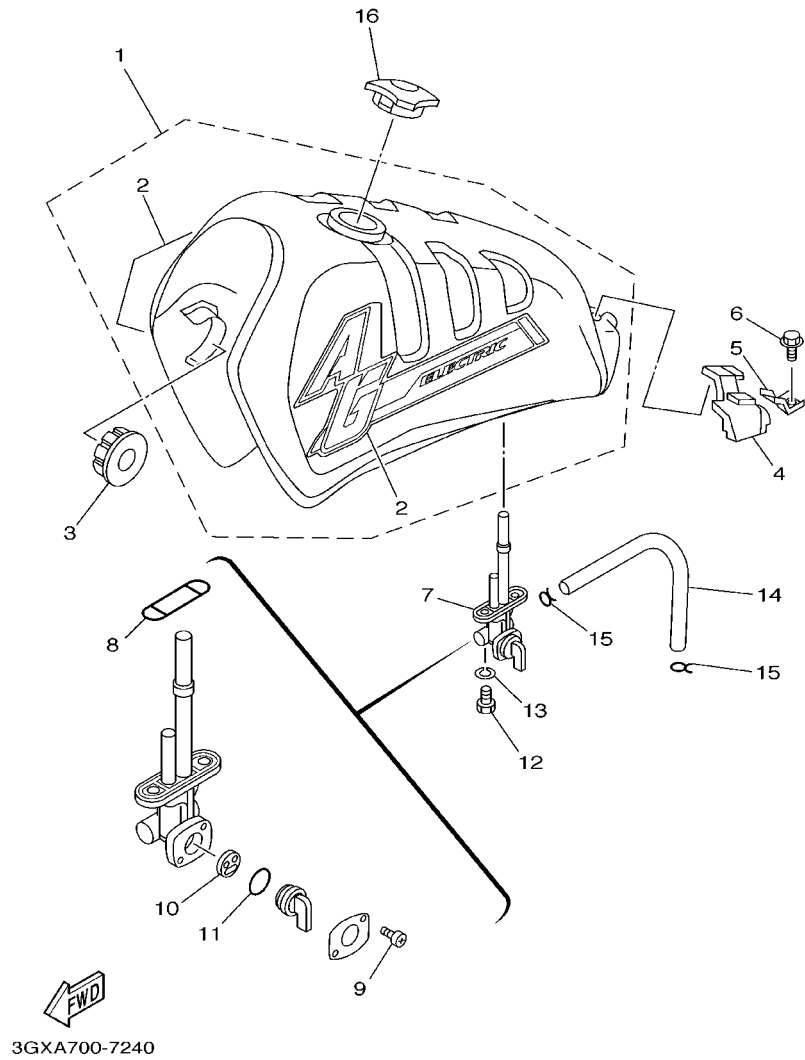
FIG. 23 FRONT FORK



3GXA700-7230

REF. NO.	PART NO.	DESCRIPTION	3GXD				REMARKS
28	509-23158-L0	.GASKET	1				
29	278-23181-50	.BOLT, HEXAGON SOCKET HEAD	1				
30	36X-23191-10	.BOOT	1				
31	36X-23192-00	.BAND	1				
32	4V2-23194-L0	.SCREW, BOOT BAND	1				
33	36X-23141-00	.SPRING, FRONT FORK	1				
34	3DM-23149-10	.WASHER, SPRING UPPER	1				
35	2JL-23118-00	.SPACER	1				
36	1U6-23111-M1	.BOLT, CAP	1				
37	240-23114-00	.GASKET	1				
38	1U6-23168-M0	.CAP, FRONT FORK	1				
39	36X-23340-01	UNDER BRACKET COMP.	1				
40	156-23411-00	.RACE, BALL 1	1				
41	164-23462-00	.SEAL, STEERING	1				
42	3YF-23181-00	BOLT, HEXAGON SOCKET HEAD	4				
43	3R4-23389-00	GUIDE, CABLE	1				

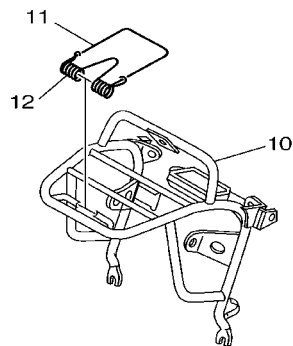
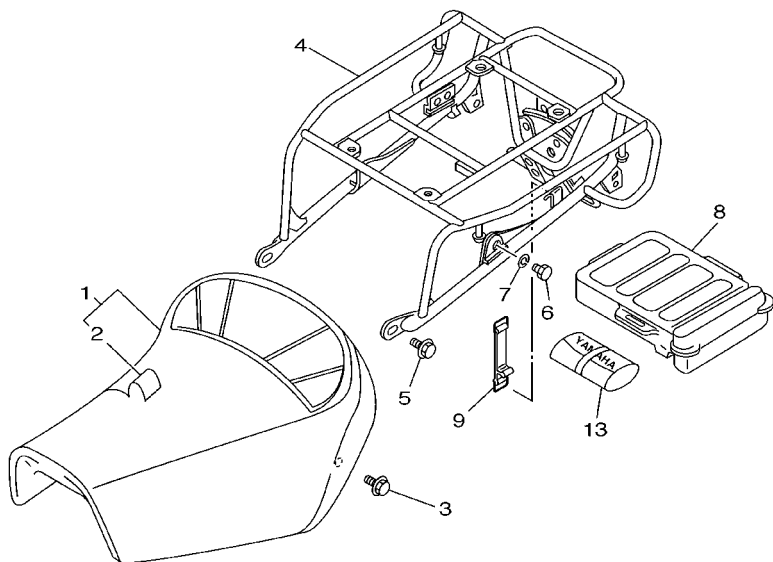
FIG. 24 FUEL TANK



REF. NO.	PART NO.	DESCRIPTION	3GXD				REMARKS
1	36X-Y2410-10-01	FUEL TANK COMP.	1				SBE
2	3GX-24240-30	.GRAPHIC SET	1				
3	4H7-24181-00	DAMPER, LOCATING 1	2				
4	36X-24182-00	DAMPER, LOCATING 2	1				
5	36X-24186-00	WASHER, SPECIAL	2				
6	95807-06016	BOLT, FLANGE	2				
7	23F-24500-01	FUEL COCK ASSY 1	1				
8	4X8-24512-00	.O-RING	1				
9	97801-03008	.SCREW, PAN HEAD	2				
10	3AJ-24523-00	.VALVE PACKING	1				
11	3AJ-24534-00	.SEAL, COCK	1				
12	90149-06011	SCREW	2				
13	90202-05193	WASHER, PLATE	2				
14	90445-10638	HOSE	1				
15	90467-09006	CLIP	2				
16	36X-24610-00	CAP ASSY	1				

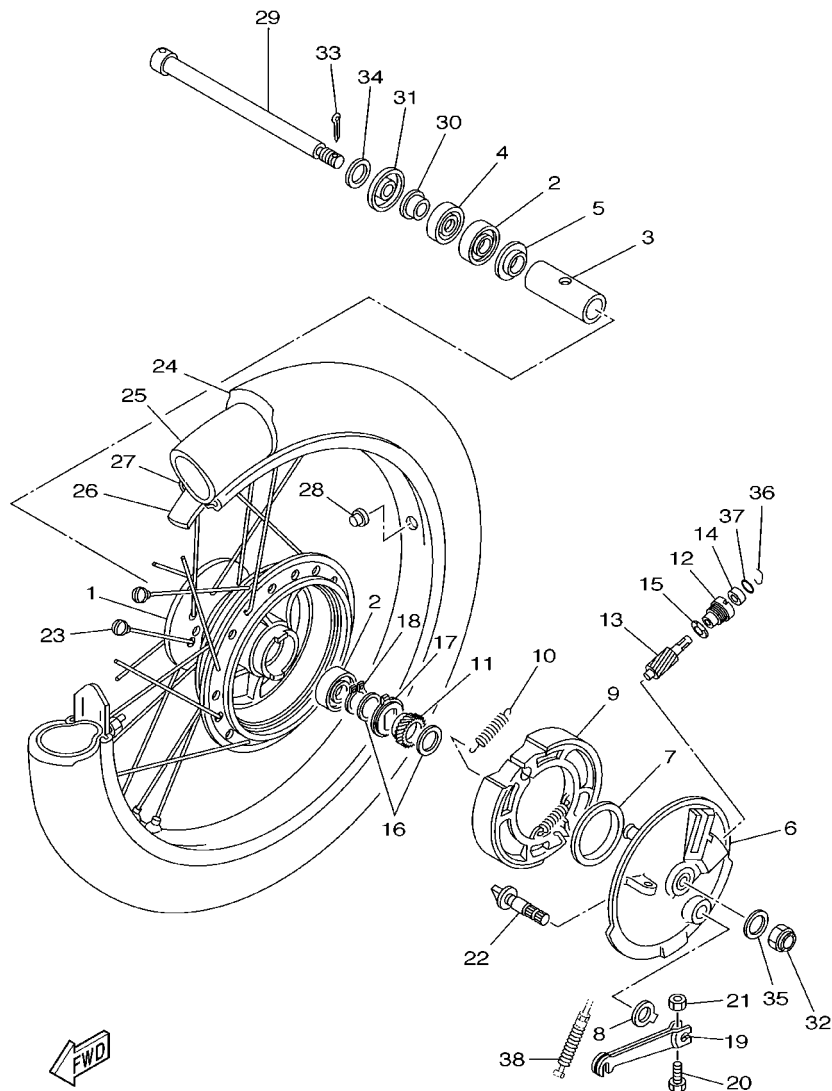
FIG. 25 SEAT

REF. NO.	PART NO.	DESCRIPTION	3GXD				REMARKS
1	3GX-24710-31	SINGLE SEAT ASSY	1				
2	3GX-24711-31	.COVER, SINGLE SEAT	1				
3	90119-06063	BOLT, WITH WASHER	2				
4	36X-24810-10-35	CARRIER ASSY	1				SL
5	95817-08012	BOLT, FLANGE	2				
6	90105-08141	BOLT, WASHER BASED	1				
7	90201-08326	WASHER, PLATE	1				
8	36X-21107-00	TOOL BOX COMP.	1				
9	36X-2811G-00	BAND	1				
10	36X-24860-10-35	FRONT CARRIER ASSY	1				SL
11	36X-24862-00	CLAMP, CARRIER	1				
12	36X-24861-00	SPRING, FRONT CARRIER	1				
13	36X-28100-00	TOOL KIT	1				



3GXA700-7250

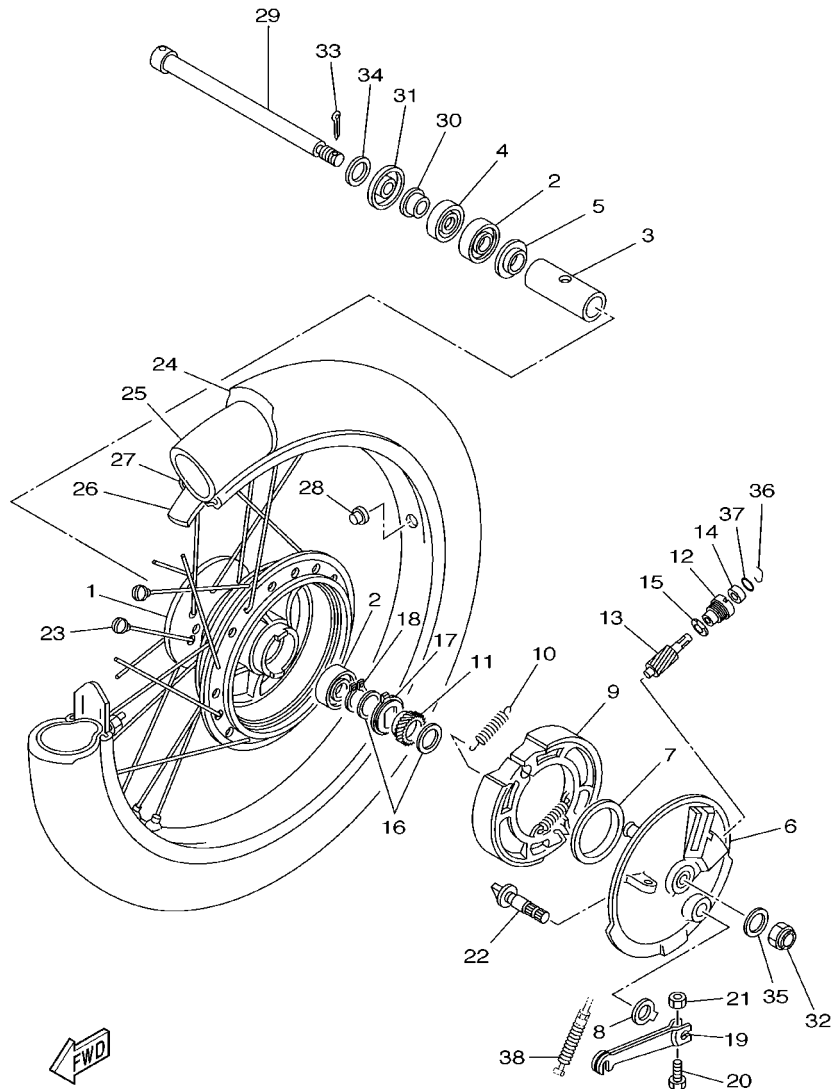
FIG. 26 FRONT WHEEL




3GXA700-7260

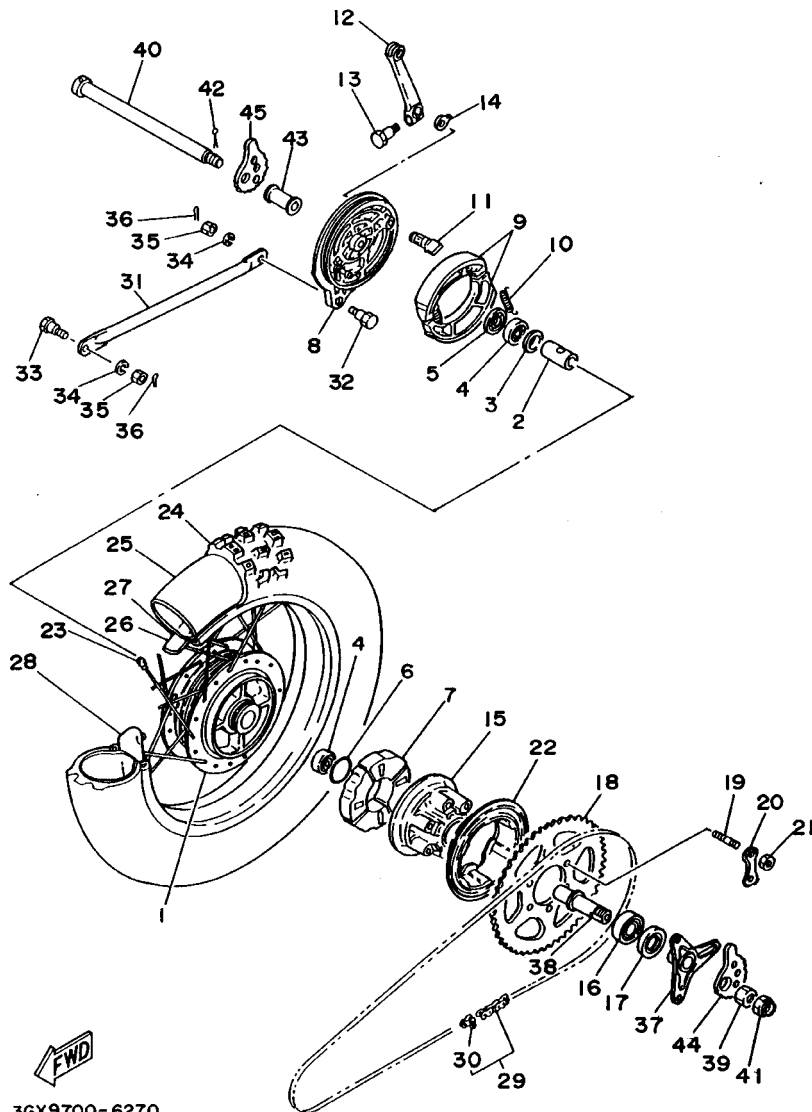
REF. NO.	PART NO.	DESCRIPTION	3GXD				REMARKS
1	2A6-25111-00-35	HUB, FRONT	1				SL
2	93306-30101	BEARING (B6301)	2				
3	90560-12138	SPACER	1				
4	93102-18008	OIL SEAL	1				
5	109-25315-00	FLANGE, SPACER	1				
6	3TL-25121-00-35	PLATE, BRAKE SHOE	1				SL
7	93105-47007	OIL SEAL	1				
8	3Y6-2533A-01	PLATE, INDICATOR	1				
9	3KG-W2536-00	BRAKE SHOE SET	1				
10	90506-15260	SPRING, TENSION	2				
11	5J0-25135-00	GEAR, DRIVE	1				
12	109-25136-00	BUSH	1				
13	5J0-25138-00	GEAR, METER	1				
14	93104-07003	OIL SEAL	1				
15	90201-07076	WASHER, PLATE	1				
16	90201-20269	WASHER, PLATE	2				
17	183-25149-00	CLUTCH, METER	1				
18	99009-20400	CIRCLIP	1				
19	2N4-25155-00	LEVER, CAMSHAFT 1	1				
20	90101-06278	BOLT	1				
21	95307-06600	NUT	1				
22	248-25351-10	CAMSHAFT	1				
23	2A6-25104-01	SPOKE SET, FRONT	1				
24	94108-2111T	TIRE (80/100-21 51M VE32)	1				INOUE
25	94227-21293	TUBE (2.75-21)	1				INOUE
26	94330-21088	BAND, RIM (3.00-21)	1				INOUE
27	94416-21206	RIM (1.60-21)	1				

FIG. 26 FRONT WHEEL



REF. NO.	PART NO.	DESCRIPTION	3GXD				REMARKS
28	90338-09130	PLUG	1				
29	353-25381-00	AXLE, WHEEL	1				
30	90387-12265	COLLAR	1				
31	2K5-25118-00	COVER, HUB DUST	1				
32	90171-10004	NUT, CASTLE	1				
33	91401-20020	PIN, COTTER	1				
34	90201-12749	WASHER, PLATE	1				
35	92907-10200	WASHER, PLAIN	1				
36	102-25137-00	RING, STOP	1				
37	93210-14104	O-RING	1				
38	90501-12792	SPRING, COMPRESSION	1				

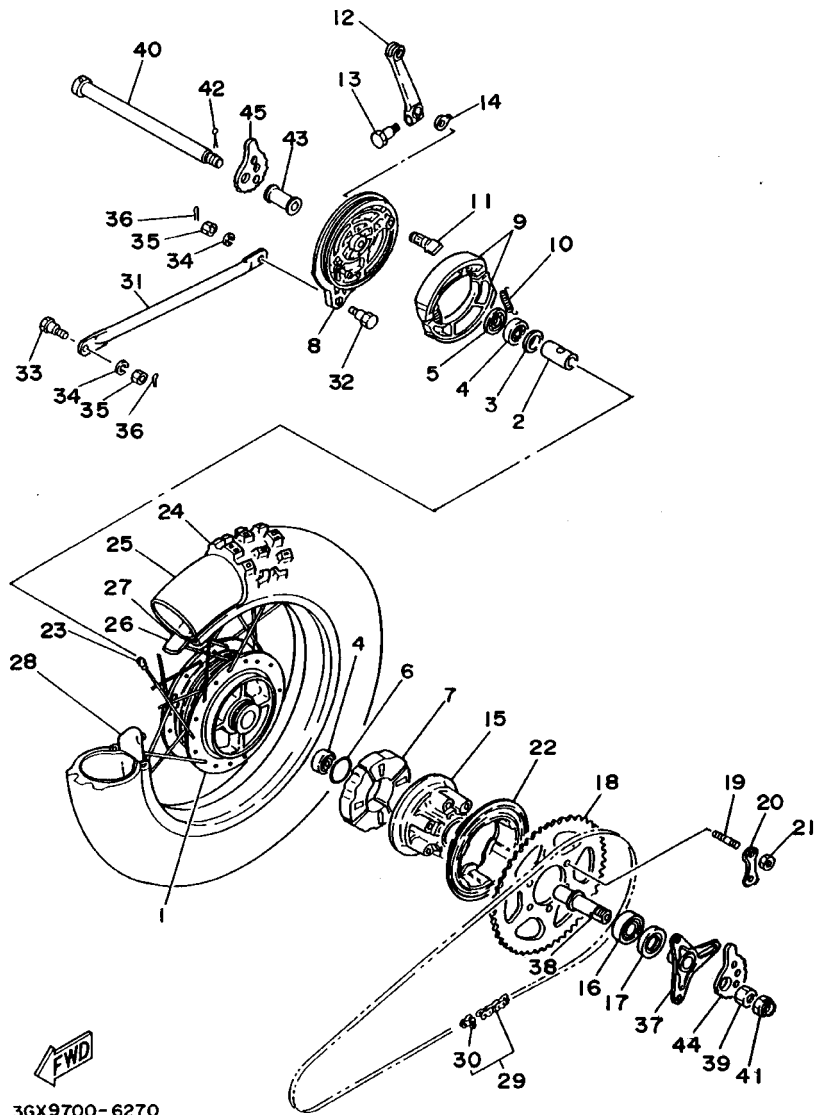
FIG. 27 REAR WHEEL



3GX9700-6270

REF. NO.	PART NO.	DESCRIPTION	3GXD				REMARKS
1	391-25311-00-35	HUB, REAR	1				SL
2	90560-15136	SPACER	1				
3	183-25315-00	FLANGE, SPACER	1				
4	93306-20227	BEARING	2				
5	93104-22018	OIL SEAL	1				
6	93210-42101	O-RING	1				
7	36X-25364-00	DAMPER	4				
8	248-25321-00-35	PLATE, BRAKE SHOE	1				SL
9	3FA-W2536-00	BRAKE SHOE SET	1				
10	90506-15260	SPRING, TENSION	2				
11	248-25351-10	CAMSHAFT	1				
12	4V8-25355-00	LEVER, CAMSHAFT	1				
13	90101-06291	BOLT	1				
14	5T9-2533A-00	PLATE, INDICATOR	1				
15	31G-25366-00	CLUTCH, HUB	1				
16	93306-00406	BEARING (B6004Z)	1				NTN
17	93106-26005	OIL SEAL	1				
18	15A-25454-10	SPROCKET, DRIVEN (54T)	1				
19	90116-08425	BOLT, STUD	6				
20	90215-08160	WASHER, LOCK	3				
21	90170-08258	NUT	6				
22	36X-25327-00	COVER, PLATE	1				
23	3V6-25304-00	SPOKE SET, REAR	1				
24	94141-185E8	TIRE (4.10-18)	1				INOUE
25	94232-18113	TUBE (3.25-18)	1				INOUE
26	94325-18081	BAND, RIM (2.50-18)	1				INOUE
27	94418-18246	RIM (1.85-18)	1				

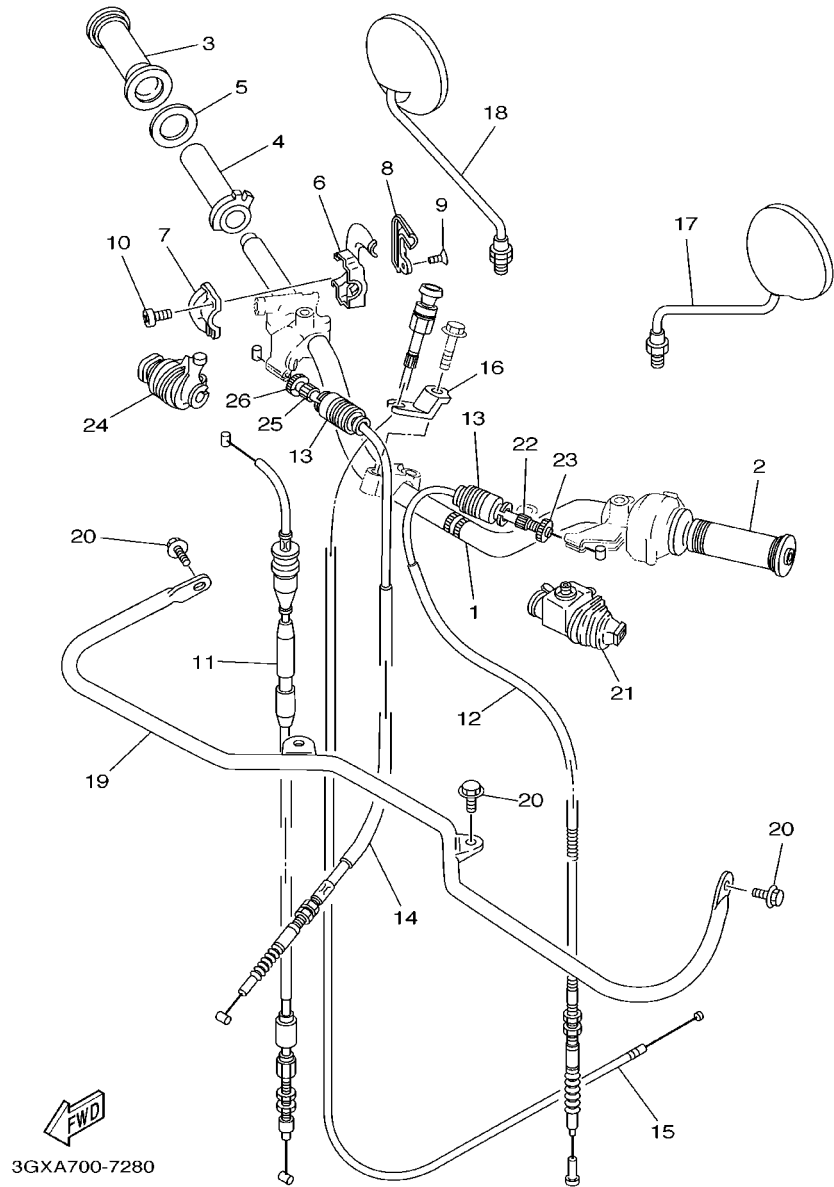
FIG. 27 REAR WHEEL



3GX9700-6270

REF. NO.	PART NO.	DESCRIPTION	3GXD				REMARKS
28	1T2-25394-00	SPACER, BEAD	1				
29	94580-88122	CHAIN (DID 428HG-122L)	1				
30	94680-88001	.JOINT, CHAIN (DID 428HG)	1				
31	3V6-25371-00	BAR, TENSION	1				
32	90109-08063	BOLT	1				
33	90109-08368	BOLT	1				
34	92907-08100	WASHER, SPRING	2				
35	95307-08700	NUT	2				
36	91401-20012	PIN, COTTER	2				
37	36X-25386-00	COLLAR, SPROCKET AXLE	1				
38	36X-25387-00	AXLE, SPROCKET	1				
39	90170-20224	NUT	1				
40	2K6-25381-00	AXLE, WHEEL	1				
41	90171-14020	NUT, CASTLE	1				
42	91401-30030	PIN, COTTER	1				
43	90387-155J5	COLLAR	1				
44	3V6-25388-00	PULLER, CHAIN 1	1				
45	3V6-25389-00	PULLER, CHAIN 2	1				

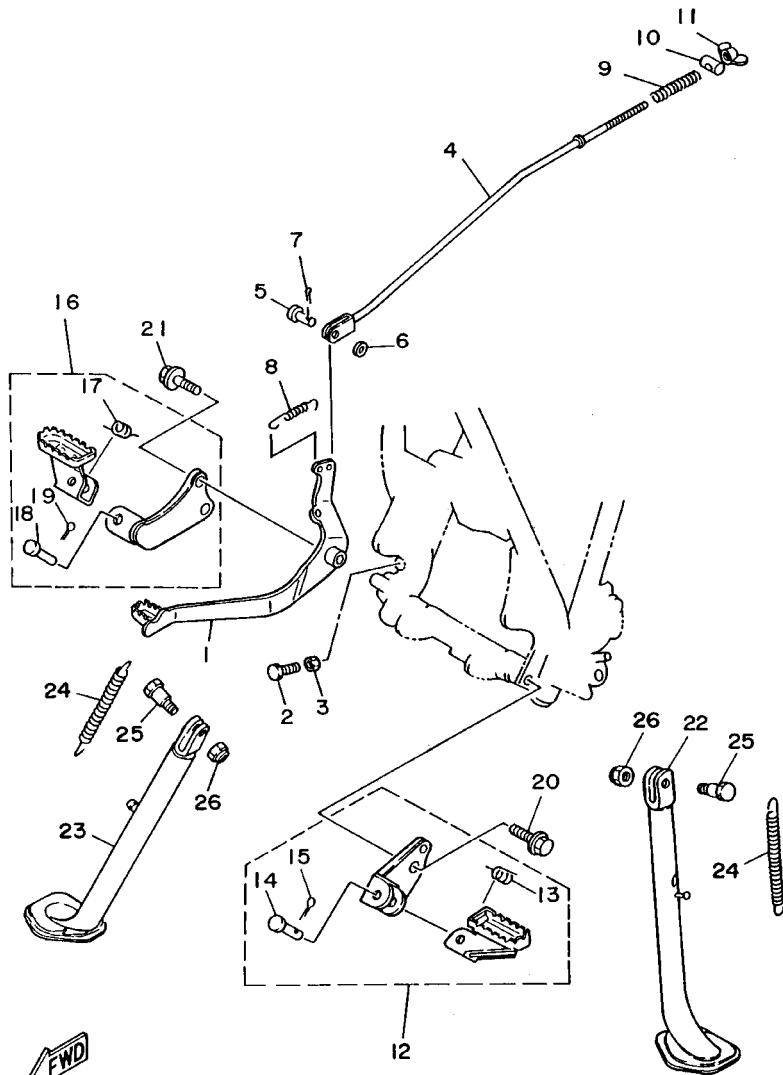
FIG. 28 STEERING HANDLE. CABLE



3GXA700-7280

REF. NO.	PART NO.	DESCRIPTION	3GXD				REMARKS
1	36X-26111-11	HANDLEBAR	1				SL
2	3V6-26241-00	GRIP (LEFT)	1				
3	3V6-26242-00	GRIP (RIGHT)	1				
4	3GX-26243-00	TUBE, THROTTLE GUIDE	1				
5	1M1-26249-01	RING, LEAF	1				
6	38V-26281-00-98	CAP, GRIP UPPER	1				LGB
7	493-26282-00-98	CAP, GRIP LOWER	1				LGB
8	38V-2628H-00	CAP, WIRE	1				
9	98707-04012	SCREW, FLAT HEAD	2				
10	98507-05016	SCREW, PAN HEAD	2				
11	36X-26311-11	CABLE, THROTTLE 1	1				
12	1RH-26335-00	CABLE, CLUTCH	1				
13	1E6-26342-00	BOOT, CABLE	2				
14	36X-26341-10	CABLE, BRAKE	1				
15	36X-26331-10	CABLE, STARTER 1	1				
16	4BE-2637G-00	HOLDER, WIRE	1				
17	1Y1-26290-50	BACK MIRROR ASSY (L.H)	1				
18	1Y1-26290-60	BACK MIRROR ASSY (R.H)	1				
19	36X-26123-11	GUARD, LEVER	1				SL
20	95807-08016	BOLT, FLANGE	4				
21	36X-26372-00	COVER, HANDLE LEVER 1	1				
22	90123-08046	BOLT	1				
23	90179-08148	NUT	1				
24	1E6-26372-00	COVER, HANDLE LEVER 1	1				
25	90123-08046	BOLT	1				
26	90179-08148	NUT	1				

FIG. 29 STAND, FOOTREST



36X700-3290

REF. NO.	PART NO.	DESCRIPTION	3GXD				REMARKS
1	36X-27211-00-90	PEDAL, BRAKE	1				ZK
2	97007-06020	BOLT	1				
3	95307-06700	NUT	1				
4	36X-27231-00	ROD, BRAKE	1				
5	90240-06076	PIN, CLEVIS	1				
6	92907-06200	WASHER	1				
7	91401-20012	PIN, COTTER	1				
8	90506-14343	SPRING, TENSION	1				
9	90501-10245	SPRING, COMPRESSION	1				
10	90249-12008	PIN	1				
11	90175-06013	NUT, WING	1				
12	36X-27410-00-90	FRONT FOOTREST ASSY (LEFT)	1				ZK
13	90508-20023	.SPRING, TORSION	1				
14	91701-08038	.PIN, CLEVIS	1				
15	91401-25015	.PIN, COTTER	1				
16	36X-27420-00-90	FRONT FOOTREST ASSY (RIGHT)	1				ZK
17	90508-20023	.SPRING, TORSION	1				
18	91701-08038	.PIN, CLEVIS	1				
19	91401-25015	.PIN, COTTER	1				
20	95827-12025	BOLT, FLANGE	1				
21	90105-10058	BOLT, WASHER BASED	2				
22	36X-27311-01	STAND, SIDE	1				
23	36X-27311-11	STAND, SIDE	1				
24	90506-28100	SPRING, TENSION	2				
25	90109-10473	BOLT	2				
26	90185-10037	NUT, SELF-LOCKING	2				

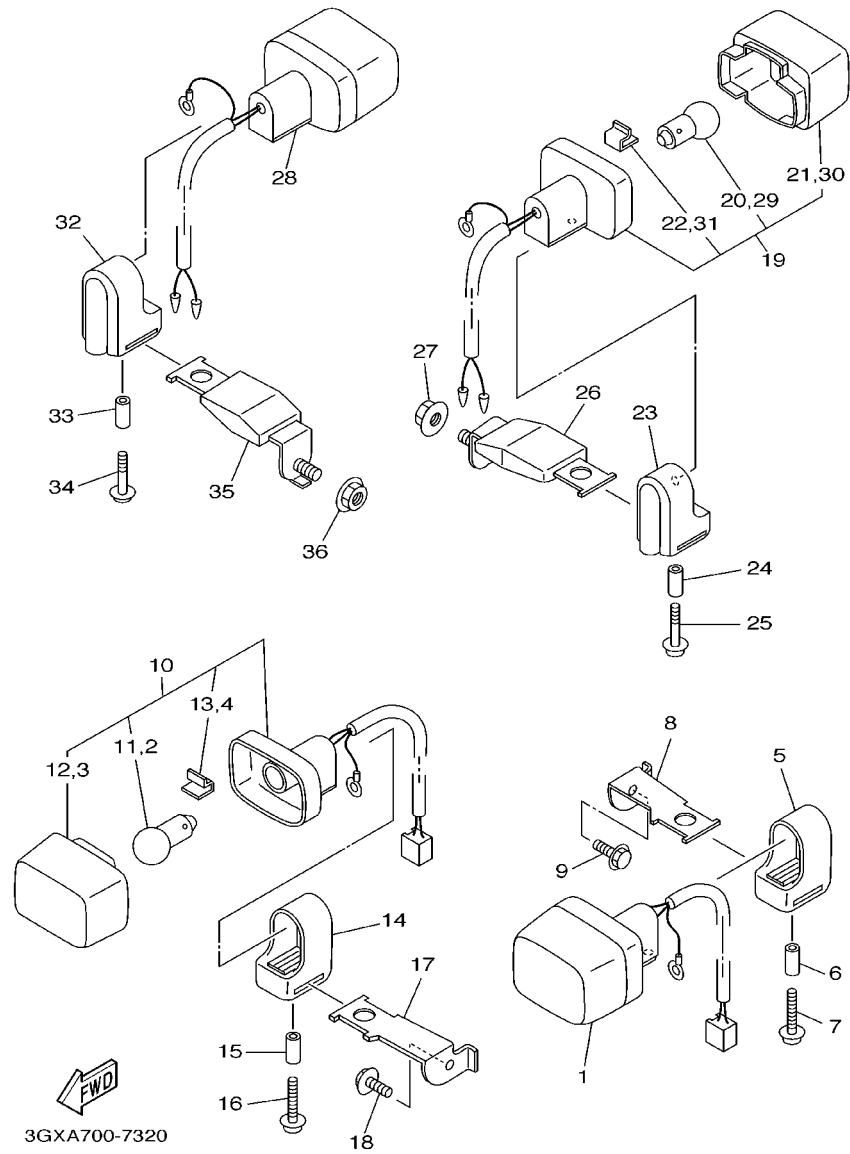
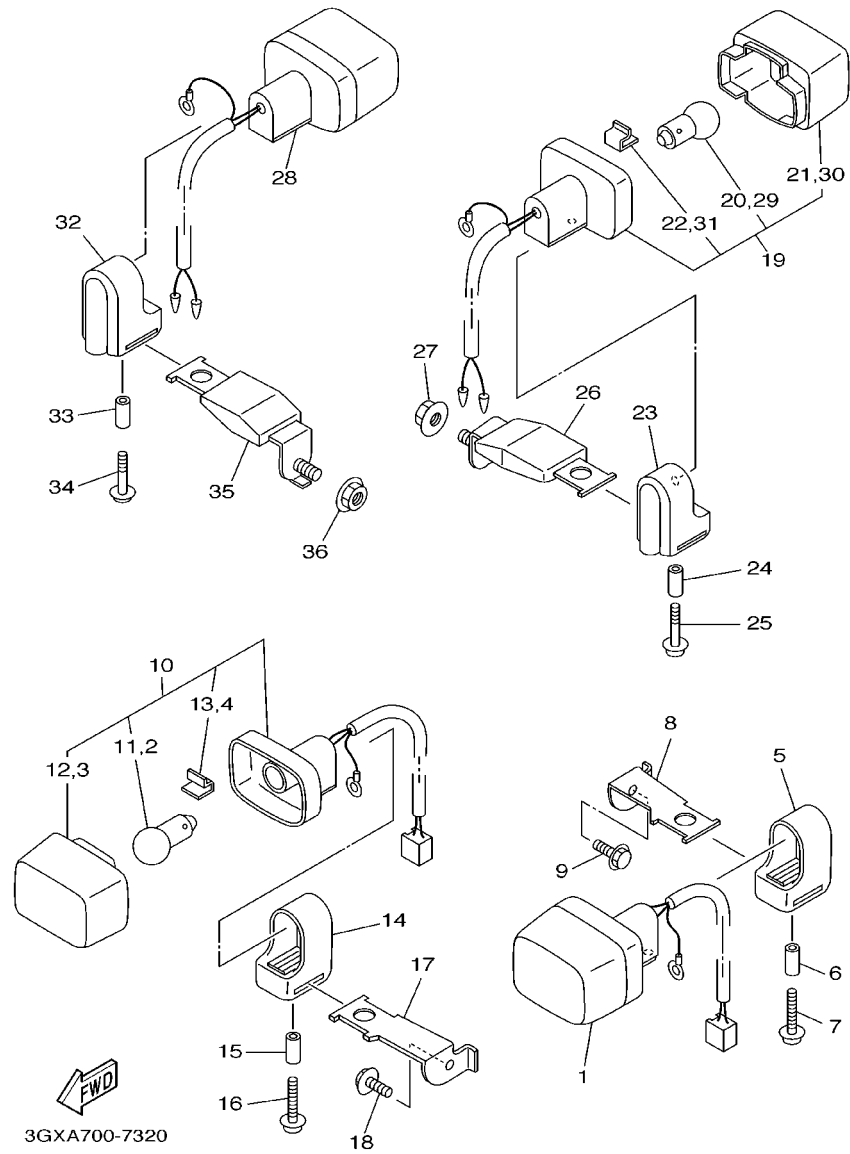


FIG. 32 FLASHER LIGHT

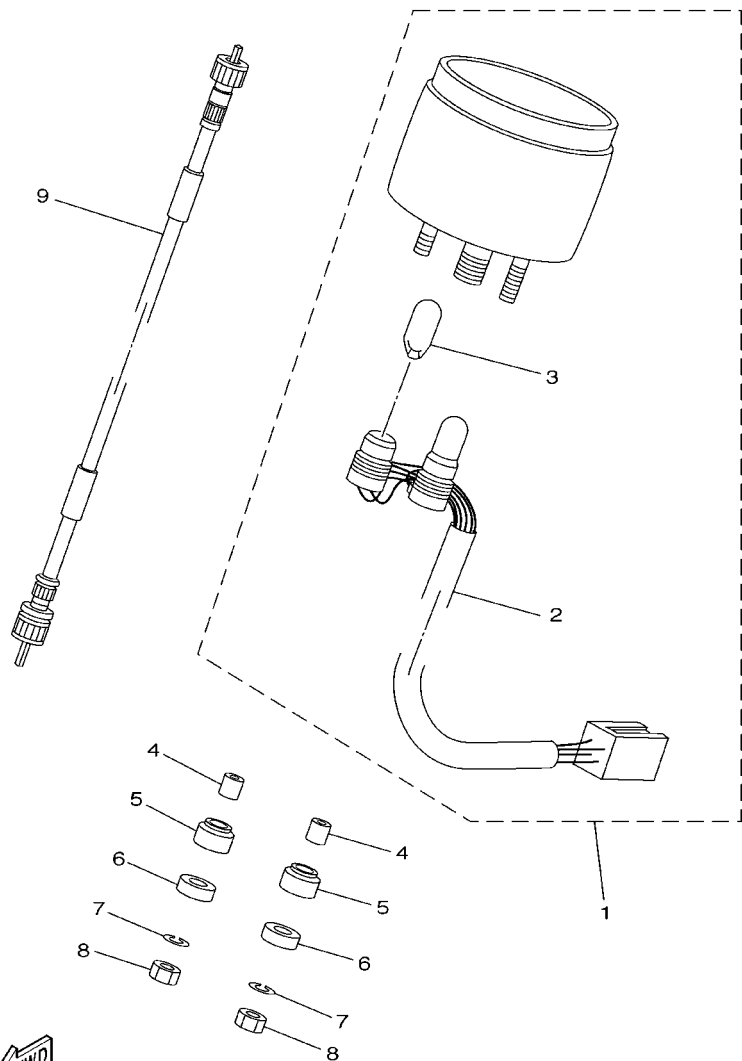
REF. NO.	PART NO.	DESCRIPTION	3GXD				REMARKS
1	1KH-83310-10	FRONT FLASHER LIGHT ASSY 1	1				
2	1KH-83311-00	.BULB (12V-10W)	1				
3	2T4-83312-00	.LENS, FLASHER	1				
4	1KH-83345-00	.PLUG, BLIND	1				
5	1KH-83321-00	DAMPER, FLASHER 1	1				
6	90387-05285	COLLAR	1				
7	90159-05011	SCREW, WITH WASHER	1				
8	3GX-83318-00	STAY, FLASHER 1	1				
9	95807-06010	BOLT, FLANGE	1				
10	1KH-83320-10	FRONT FLASHER LIGHT ASSY 2	1				
11	1KH-83311-00	.BULB (12V-10W)	1				
12	2T4-83312-00	.LENS, FLASHER	1				
14	1KH-83321-00	DAMPER, FLASHER 1	1				
15	90387-05285	COLLAR	1				
16	90159-05011	SCREW, WITH WASHER	1				
17	3GX-83328-00	STAY, FLASHER 2	1				
18	95807-06010	BOLT, FLANGE	1				
19	3XP-83310-10	FRONT FLASHER LIGHT ASSY 1	1				
20	1KH-83311-00	.BULB (12V-10W)	1				
21	2T4-83312-00	.LENS, FLASHER	1				
22	1KH-83345-00	.PLUG, BLIND	1				
23	1KH-83321-00	DAMPER, FLASHER 1	1				
24	90387-05285	COLLAR	1				
25	90159-05011	SCREW, WITH WASHER	1				
26	4GY-83368-00	STAY, FLASHER 1	1				
27	95707-08500	NUT, FLANGE	1				
28	3XP-83320-10	FRONT FLASHER LIGHT ASSY 2	1				

FIG. 32 FLASHER LIGHT



REF. NO.	PART NO.	DESCRIPTION	3GXD				REMARKS
29	1KH-83311-00	.BULB (12V-10W)	1				
30	2T4-83312-00	.LENS, FLASHER	1				
31	1KH-83345-00	.PLUG, BLIND	1				
32	1KH-83321-00	DAMPER, FLASHER 1	1				
33	90387-05285	COLLAR	1				
34	90159-05011	SCREW, WITH WASHER	1				
35	4GY-83368-00	STAY, FLASHER 1	1				
36	95707-08500	NUT, FLANGE	1				

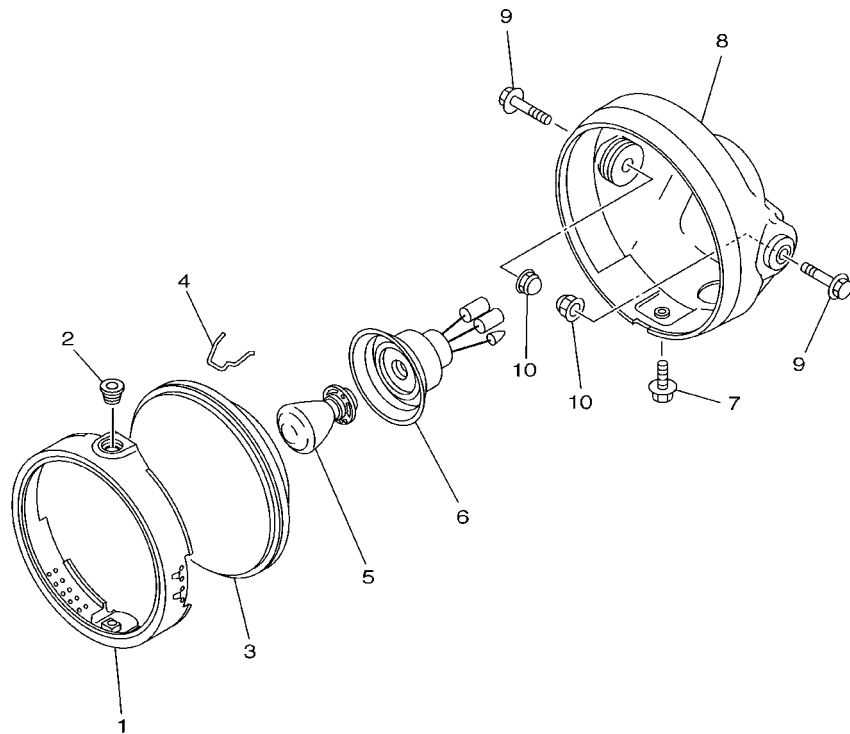
FIG. 33 METER



3GXA700-7330

REF. NO.	PART NO.	DESCRIPTION	3GXD				REMARKS
1	3GX-83510-00	SPEEDOMETER ASSY	1				
2	3GX-83520-00	.SOCKET CORD ASSY	1				
3	1YT-83517-00	.BULB (12V-1.7W, T10)	2				
4	90387-067V1	COLLAR	2				
5	1M3-83513-00	DAMPER	2				
6	355-83526-00	DAMPER 2	2				
7	355-83524-00	WASHER, SPECIAL	2				
8	95307-06600	NUT	2				
9	47J-83550-00	SPEEDOMETER CABLE ASSY	1				

FIG. 34 HEADLIGHT

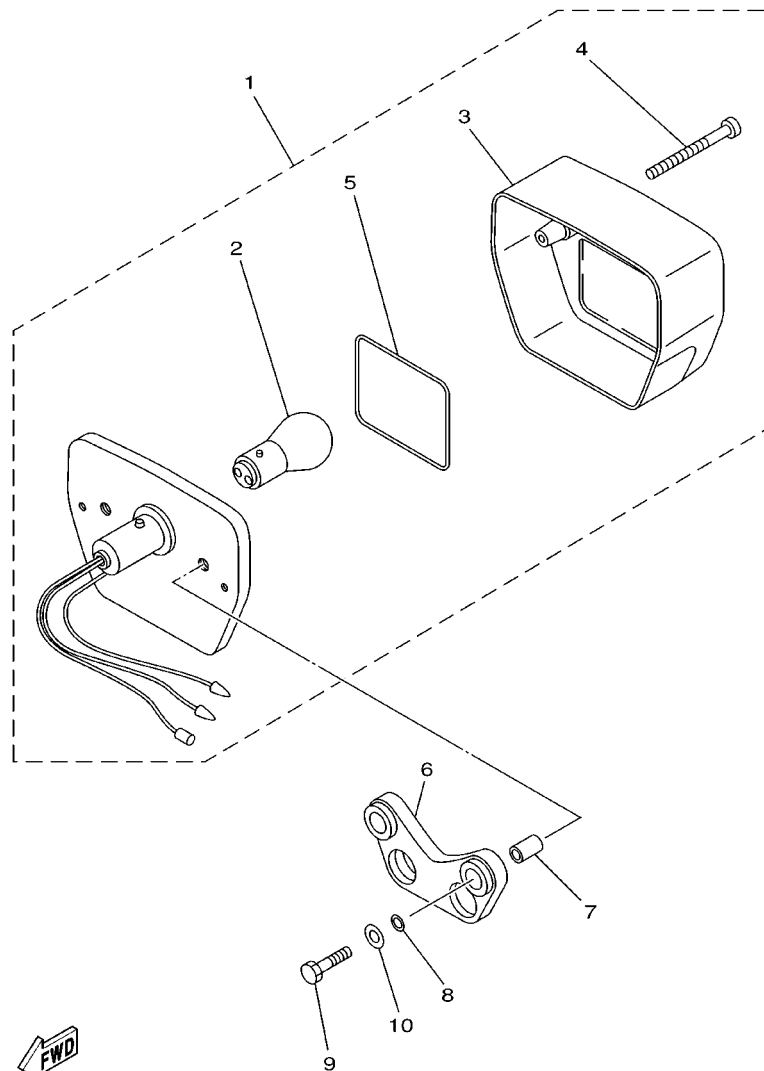


REF. NO.	PART NO.	DESCRIPTION	3GXD				REMARKS
1	3J0-84195-60	RING, RETAINING	1				
2	1M1-84133-60	COLLAR, SCREW	1				
3	4F2-84120-00	LENS ASSY	1				
4	148-84324-00	SPRING, REFLECTOR	3				
5	1A0-84314-01	BULB (12V-45/45W)	1				
6	3GX-84112-00	SOCKET	1				
7	1M1-84137-60	BOLT, SPECIAL	1				
8	3J0-84130-60	BODY ASSY, HEADLIGHT	1				BLACK
9	95807-08030	BOLT, FLANGE	2				
10	90176-08068	NUT, CROWN	2				



3GXA700-7340

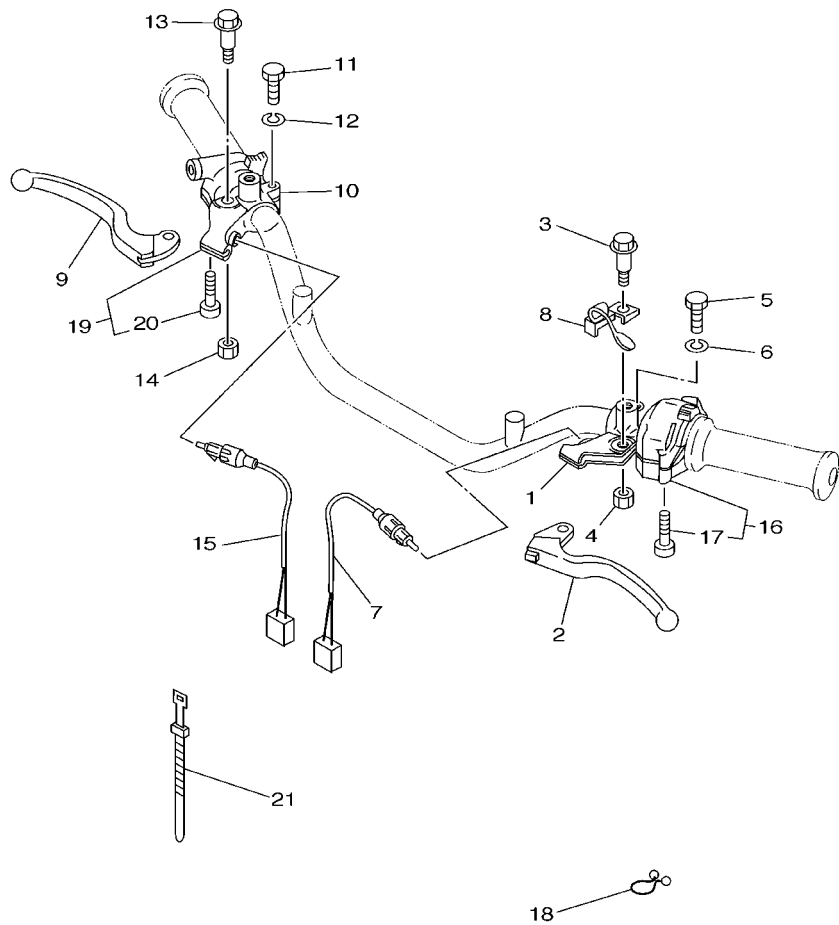
FIG. 35 TAILLIGHT




3GXA700-7350

REF. NO.	PART NO.	DESCRIPTION	3GXD				REMARKS
1	1KH-84710-00	TAILLIGHT UNIT ASSY	1				
2	34X-84714-00	.BULB (12V 21/5W)	1				
3	1FE-84521-00	.LENS, TAILLIGHT	1				
4	98511-03045	.SCREW, PAN HEAD	2				
5	1KH-84723-00	.GASKET, TAIL LENS	1				
6	36X-84527-00	DAMPER	1				
7	90387-05563	COLLAR	2				
8	90201-054K4	WASHER, PLATE	2				
9	97007-05020	BOLT	2				
10	92907-05600	WASHER, PLATE	2				

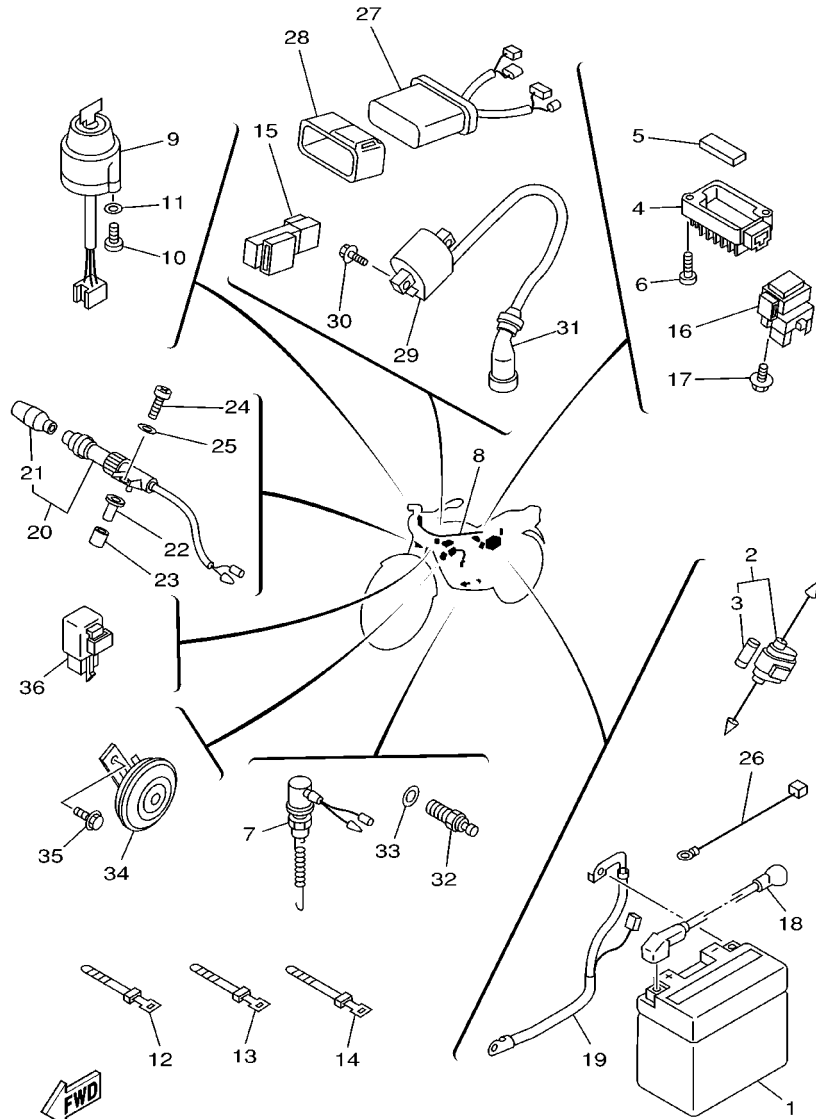
FIG. 36 HANDLE SWITCH. LEVER



3GXA700-7360

REF. NO.	PART NO.	DESCRIPTION	3GXD				REMARKS
1	3Y6-82911-00	HOLDER, LEVER 1	1				
2	4GY-83912-00	LEVER 1	1				
3	90109-06799	BOLT	1				
4	95607-06100	NUT, U	1				
5	97007-06022	BOLT	1				
6	92907-06100	WASHER, SPRING	1				
7	3MW-82917-00	SWITCH	1				
8	36X-83965-00	LEVER, LOCK	1				
9	23X-83922-00	LEVER 2	1				
10	1JN-82921-00	HOLDER, LEVER 2	1				
11	97007-06022	BOLT	1				
12	92907-06100	WASHER, SPRING	1				
13	90109-06799	BOLT	1				
14	95607-06100	NUT, U	1				
15	3AB-83980-00	FRONT STOP SWITCH ASSY	1				
16	3GX-83972-00	SWITCH, HANDLE 4	1				
17	98507-05030	.SCREW, PAN HEAD	2				
18	90464-23041	CLAMP	2				
19	4DW-83975-00	SWITCH, HANDLE 2	1				
20	98507-05018	.SCREW, PAN HEAD	2				
21	437-83936-01	BAND, SWITCH CORD	4				

FIG. 37 ELECTRICAL 1



3GXA700-7370

REF. NO.	PART NO.	DESCRIPTION	3GXD				REMARKS
1	4TP-82100-00	BATTERY ASSY	1				
2	55K-82150-01	FUSE HOLDER ASSY	1				
3	116-82151-00	.FUSE (10A)	2				
4	3TJ-81960-02	RECTIFIER & REGULATOR ASSY	1				
5	8U9-77162-00	STRIP, WEATHER 2	1				
6	98507-06025	SCREW, PAN HEAD	2				
7	2F1-82530-02	STOP SWITCH ASSY	1				
8	3GX-82590-00	WIRE HARNESS ASSY	1				
9	36X-82510-01	MAIN SWITCH ASSY	1				
10	98507-05012	SCREW, PAN HEAD	2				
11	92907-05600	WASHER, PLATE	2				
12	437-83936-11	BAND, SWITCH CORD	5				
13	437-83936-01	BAND, SWITCH CORD	1				
14	3TB-83936-00	BAND, SWITCH CORD	2				
15	1RL-81950-92	RELAY ASSY	1				
16	4FU-81940-00	STARTER RELAY ASSY	1				
17	95027-06008	BOLT, FLANGE	2				
18	3GX-82115-00	WIRE, PLUS LEAD	1				
19	3GX-82116-00	WIRE, MINUS LEAD	1				
20	59V-81920-00	TERMINAL ASSY	1				
21	59V-81942-00	.COVER	1				
22	90179-05271	NUT	1				
23	90445-070K7	HOSE	1				
24	97880-05020	SCREW, PAN HEAD	1				
25	92990-05600	WASHER, PLATE	1				
26	3GX-82509-00	WIRE, SUB LEAD	1				
27	3GX-85540-00	C.D.I. UNIT ASSY	1				

NUMERICAL INDEX

PARTNO.	GRID NO.	PARTNO.	GRID NO.	PARTNO.	GRID NO.	PARTNO.	GRID NO.	PARTNO.	GRID NO.	PARTNO.	GRID NO.
3FA-W2536-00	D - 7	5H0-13300-02	B - 8	25G-14937-00	B - 11	24W-17231-00	C - 5	36X-22151-00	C - 12	3Y1-23319-00	C - 14
3KG-W2536-00	D - 5	36X-13324-00	B - 8	36X-14940-00	B - 10	36X-17241-01	C - 5	36X-22189-00	C - 12	36X-23340-01	D - 2
36X-Y2410-10-01	D - 3	5H0-13326-01	B - 8	36X-14941-42	B - 10	36X-17251-00	C - 5	36X-22210-20	C - 13	3R4-23389-00	D - 2
36X-11102-03	B - 2	4BE-13329-00	B - 8	46X-14984-00	B - 10	15A-17402-01	C - 5	1YW-22216-00	C - 13	36X-23389-00	C - 14
5H0-1111F-00	B - 2	51Y-13411-00	B - 8	4G0-14985-00	B - 10	36X-17411-00	C - 5	3R4-22226-00	C - 13	156-23411-00	D - 2
5H0-11133-11	B - 2	5H0-13440-00	B - 8	3F7-14991-00	B - 10	5H0-17456-00	C - 5	36X-22310-00-35	C - 11	22F-23411-01	C - 14
36X-11166-00	B - 13	3GX-13447-00	B - 8	256-14997-00	B - 10	1RL-18110-00	C - 7	148-22315-00	C - 11	156-23412-00	C - 14
371-11167-01	B - 13	24W-13512-00	B - 9	3GX-15100-01	B - 13	132-18113-01	C - 7	36X-22318-00	C - 11	22F-23412-01	C - 14
1NU-11181-00	B - 2	16G-13569-00	B - 9	5H0-15351-00	B - 8	5H0-18120-02	C - 7	36X-22323-00	C - 11	36X-23416-00	C - 14
4BD-11185-00	B - 2	1HX-13575-00	B - 9	3Y1-15361-00	B - 14	4G0-18140-00	C - 6	36X-22324-00	C - 11	36X-23435-00	C - 14
3GC-11186-00	B - 2	36X-13586-01	B - 9	3Y1-15363-00	B - 14	5H0-18185-01	C - 6	36X-22325-00	C - 11	1E6-23441-10-98	C - 14
3GC-11187-00	B - 2	36X-1410A-00	B - 10	4WP-15411-01	B - 14	4JG-18511-00	C - 6	36X-22327-00	C - 12	164-23462-00	D - 2
36X-11310-00	B - 3	36X-14105-00	B - 10	36X-15421-01	B - 14	4JG-18512-01	C - 6	36X-22358-00	C - 11	4H7-24181-00	D - 3
4BD-11351-00	B - 3	25G-14107-20	B - 10	3GX-15431-00	B - 14	36X-18513-00	C - 6	36X-23102-20	C - 15	36X-24182-00	D - 3
5H0-11400-01	B - 4	22F-14126-00	B - 10	3GX-15441-00	B - 3	3GX-18531-00	C - 6	36X-23103-20	C - 15	36X-24186-00	D - 3
5H0-11412-09	B - 4	812-14137-00	B - 10	4BE-15451-03	B - 14	3GX-18535-00	C - 6	36X-23106-00-35	C - 15	3GX-24240-30	D - 3
5H0-11422-00	B - 4	4G0-14142-35	B - 10	4BE-15462-00	B - 14	36X-18540-00	C - 6	36X-23107-00-35	C - 15	23F-24500-01	D - 3
15A-11454-00	B - 4	36X-14146-00	B - 10	2HT-15512-00	B - 15	136-18542-00	C - 6	36X-23110-00	C - 15	4X8-24512-00	D - 3
5H0-11496-00	B - 4	137-14153-00	B - 10	5H0-15517-00	B - 15	36X-21107-00	D - 4	1U6-23111-M1	C - 15	3AJ-24523-00	D - 3
5H0-11531-00	B - 4	36X-14153-00	B - 10	5H0-15521-00	B - 15	3GX-21110-10-33	C - 8		D - 2	3AJ-24534-00	D - 3
5H0-11536-00	B - 4	36X-14169-00	B - 10	4H7-15580-10	B - 15	3GX-21287-00	C - 8	240-23114-00	C - 15	36X-24610-00	D - 3
15A-11603-00	B - 4	537-14186-00	B - 10	1J7-15583-01	C - 2	36X-21315-00	C - 8		D - 2	3GX-24710-31	D - 4
15A-11605-00	B - 4	36X-14191-00	B - 10	36X-15620-01	B - 15	1RL-21316-00-33	C - 8	2JL-23118-00	C - 15	3GX-24711-31	D - 4
15A-11607-00	B - 4	21V-14196-00	B - 11	36X-15621-01	B - 15	3GX-2134E-00	C - 8		D - 2	36X-24810-10-35	D - 4
36X-11631-00-A0	B - 4	36X-14197-00	B - 10	36X-15641-00	B - 15	36X-21471-10-35	C - 8	36X-23141-00	C - 15	36X-24860-10-35	D - 4
15A-11633-00	B - 4	3G2-14231-25	B - 10	15A-15651-01	B - 15	36X-21485-00	C - 8		D - 2	36X-24861-00	D - 4
36X-11636-00	B - 4	620-14231-74	B - 10	36X-15660-01	B - 15	36X-21511-60	C - 9	3R2-23144-00	C - 15	36X-24862-00	D - 4
36X-11638-00	B - 4	3GX-14401-00	B - 9	15A-15666-00	B - 15	36X-21521-00	C - 9	1T3-23145-00	C - 15	2A6-25104-01	D - 5
15A-11651-00	B - 4	36X-14412-00	B - 9	401-15676-00	B - 15	36X-21522-00	C - 9	3DM-23149-10	C - 15	2A6-25111-00-35	D - 5
5H0-11681-00	B - 4	36X-14437-00	B - 9	36X-16111-00	C - 3	36X-21611-40	C - 9		D - 2	2K5-25118-00	D - 6
5H0-12111-01	B - 6	36X-14451-00	B - 9	36X-16150-00	C - 3	36X-21621-00	C - 9	4A1-23156-00	C - 15	3TL-25121-00-35	D - 5
4G0-12113-01	B - 6	36X-14452-00	B - 9	5H0-16154-00	C - 3	36X-21622-00	C - 9	509-23158-L0	C - 15	5J0-25135-00	D - 5
4G0-12114-01	B - 6	36X-14453-01	B - 9	36X-16321-00	C - 3	36X-21629-01	C - 9		D - 2	109-25136-00	D - 5
4G0-12116-01	B - 6	36X-14458-00	B - 9	537-16321-00	C - 3	36X-21711-40	C - 10	1U6-23168-M0	C - 15	102-25137-00	D - 6
4G0-12117-00	B - 6	36X-14468-00	B - 9	137-16324-00	C - 3	36X-2172A-00	C - 10		D - 2	5J0-25138-00	D - 5
4G0-12118-00	B - 6	3GX-14611-00	B - 12	5H0-16351-00	C - 3	36X-21721-40	C - 10	36X-23170-00	C - 15	183-25149-00	D - 5
5H0-12119-00	B - 6	5H0-14612-00	B - 12	5H0-16356-01	C - 3	3GX-2173E-30	C - 10	1W1-23173-L0	C - 15	2N4-25155-00	D - 5
5H0-12121-01	B - 6	4BE-14613-00	B - 12	5H0-16357-00	C - 3	3GX-2173F-30	C - 10	278-23181-50	C - 15	3V6-25304-00	D - 7
5H0-12146-00	B - 6	36X-14628-01	B - 12	1W1-16358-01	C - 3	3M7-21746-00	C - 10		D - 2	391-25311-00-35	D - 7
36X-12151-00	B - 6	36X-14711-01	B - 12	36X-16371-00	C - 3	36X-2177F-00	C - 10	3YF-23181-00	D - 2	109-25315-00	D - 5
5H0-12156-00	B - 6	3YF-14714-00	B - 12	15A-16380-00	C - 3	36X-22110-00-35	C - 11	36X-23191-10	C - 15	183-25315-00	D - 7
2NX-12159-00	B - 6	36X-14728-00	B - 12	1KH-16383-00	C - 3	15A-22123-00	C - 11		D - 2	248-25321-00-35	D - 7
36X-12171-00	B - 7	36X-14752-02	B - 12	24W-17121-00	C - 5	36X-22126-00	C - 11	36X-23192-00	C - 15	36X-25327-00	D - 7
5H0-12176-00	B - 7	4BD-14766-00	B - 12	24W-17131-00	C - 5	36X-22126-10	C - 11		D - 2	3Y6-2533A-01	D - 5
3GC-12210-10	B - 7	36X-1490J-00	B - 10	36X-17141-01	C - 5	401-22127-00	C - 11	4V2-23194-L0	C - 15	5T9-2533A-01	D - 7
4FM-12213-00	B - 7	36X-1490K-00	B - 10	36X-17151-00	C - 5	1W1-22128-00	C - 13		D - 2	248-25351-10	D - 5
5H0-12231-00	B - 7	36X-14901-01	B - 10	36X-17211-00	C - 5	401-22128-01	C - 11	36X-2331E-00	C - 14		D - 7
5N0-12241-00	B - 7	36X-14933-01	B - 10	36X-17221-00	C - 5	36X-22141-01	C - 11	3R9-23318-00	C - 14	4V8-25355-00	D - 7

NUMERICAL INDEX

PARTNO.	GRID NO.	PARTNO.	GRID NO.	PARTNO.	GRID NO.	PARTNO.	GRID NO.	PARTNO.	GRID NO.	PARTNO.	GRID NO.
36X-25364-00	D - 7	4TP-82100-00	E - 5	36X-83965-00	E - 4	90153-06029	B - 2	90214-20023	B - 4	90467-14015	B - 13
31G-25366-00	D - 7	3GX-82115-00	E - 5	3GX-83972-00	E - 4	90157-06048	B - 15	90215-06184	B - 2	90468-06134	C - 12
3V6-25371-00	D - 8	3GX-82116-00	E - 5	4DW-83975-00	E - 4	90159-05011	C - 3	90215-08160	D - 7	90468-26122	B - 15
2K6-25381-00	D - 8	3GX-82124-00	B - 9	3AB-83980-00	E - 4		D - 13	90215-14186	C - 3	90480-01558	C - 10
353-25381-00	D - 8	3GX-82131-00	B - 9	3GX-84112-00	E - 2		D - 14	90215-14205	B - 5	90480-12320	C - 10
36X-25386-00	D - 6	55K-82150-01	E - 5	4F2-84120-00	E - 2	90159-06085	C - 9		C - 3	90480-14229	C - 8
36X-25387-00	D - 8	116-82151-00	E - 5	3J0-84130-60	E - 2	90170-06128	B - 6	90240-06076	D - 10	90501-04596	B - 15
3V6-25388-00	D - 8	4JG-82310-00	E - 6	1M1-84133-60	E - 2	90170-08258	D - 7	90240-07083	B - 4	90501-07629	B - 4
3V6-25389-00	D - 8	3NS-82370-00	E - 6	1M1-84137-60	E - 2	90170-14284	B - 5	90240-12092	C - 13	90501-10245	D - 10
1T2-25394-00	D - 8	3GX-82509-00	E - 5	3J0-84195-60	E - 2		C - 3	90249-12008	D - 10	90501-12081	B - 15
15A-25454-10	D - 7	36X-82510-01	E - 5	1A0-84314-01	E - 2	90170-20224	D - 8	90280-05013	B - 5	90501-12792	D - 6
36X-26111-11	D - 9	2F1-82530-02	E - 5	148-84324-00	E - 2	90171-10004	D - 6	90282-05013	B - 5	90501-18576	B - 8
36X-26123-11	D - 9	4KM-82540-00	E - 6	1FE-84521-00	E - 3	90171-14020	D - 8	90282-05043	C - 3	90501-21133	B - 4
3V6-26241-00	D - 9	3GX-82590-00	E - 5	36X-84527-00	E - 3	90175-06013	D - 10	90338-09130	D - 6	90501-23700	C - 3
3V6-26242-00	D - 9	3Y6-82911-00	E - 4	1KH-84710-00	E - 3	90176-08068	E - 2	90340-14068	B - 14	90506-08227	C - 7
3GX-26243-00	D - 9	3MW-82917-00	E - 4	34X-84714-00	E - 3	90179-05271	E - 5	90340-32116	B - 14	90506-14343	D - 10
1M1-26249-01	D - 9	1JN-82921-00	E - 4	1KH-84723-00	E - 3	90179-08148	D - 9	90380-12051	C - 13	90506-15260	D - 5
38V-2628H-00	D - 9	1KH-83310-10	D - 13	4JG-85510-01	D - 11	90179-25033	C - 14	90386-14103	C - 4		D - 7
38V-26281-00-98	D - 9	3XP-83310-10	D - 13	3GX-85540-00	E - 5	90185-08089	C - 8	90386-18028	C - 11	90506-28100	D - 10
493-26282-00-98	D - 9	1KH-83311-00	D - 13	3MB-85546-00	E - 6	90185-10037	D - 10	90387-051K7	B - 9	90508-18537	C - 3
1Y1-26290-50	D - 9		D - 14	3GX-85550-00	D - 11	90185-10091	C - 14	90387-05285	D - 13	90508-20023	D - 10
1Y1-26290-60	D - 9	2T4-83312-00	D - 13	4JG-85580-01	D - 11	90185-12072	C - 11		D - 14	90508-26538	B - 15
36X-26311-11	D - 9		D - 14	90101-06278	D - 5	90201-05032	C - 12	90387-05563	E - 3	90508-26539	C - 6
36X-26331-10	D - 9	3GX-83318-00	D - 13	90101-06291	D - 7	90201-054K4	E - 3	90387-062V8	C - 9	90508-29540	C - 7
1RH-26335-00	D - 9	1KH-83320-10	D - 13	90101-10188	B - 5	90201-06557	C - 9	90387-06681	C - 12	90560-12138	D - 5
36X-26341-10	D - 9	3XP-83320-10	D - 13	90101-10303	B - 7	90201-07076	D - 5	90387-067V1	D - 15	90560-15136	D - 7
1E6-26342-00	D - 9	1KH-83321-00	D - 13	90105-08066	C - 8	90201-08326	B - 12	90387-12265	D - 6	91317-06018	B - 2
4BE-2637G-00	D - 9		D - 14	90105-08141	B - 12		D - 4	90387-125F1	B - 13	91317-06020	B - 12
1E6-26372-00	D - 9	3GX-83328-00	D - 13		D - 4	90201-08366	C - 8	90387-125Y0	B - 15		B - 9
36X-26372-00	D - 9	1KH-83345-00	D - 13	90105-08195	B - 2	90201-08609	B - 2	90387-155J5	D - 8	91317-06025	B - 7
36X-27211-00-90	D - 10		D - 14	90105-10058	D - 10	90201-10126	C - 13	90387-255F3	B - 7	91317-06030	B - 3
36X-27231-00	D - 10	4GY-83350-00	E - 6	90105-14102	C - 14	90201-10508	B - 5	90430-06014	B - 13	91317-08020	C - 2
36X-27311-01	D - 10	4GY-83368-00	D - 13	90109-06419	B - 8	90201-10591	B - 7		B - 2	91317-08025	B - 12
36X-27311-11	D - 10		D - 14	90109-06799	E - 4	90201-12588	C - 7	90430-08119	C - 3	91317-08045	B - 2
36X-27410-00-90	D - 10	3TY-83371-00	E - 6	90109-08063	D - 8	90201-12749	D - 6	90430-10148	E - 6	91401-20012	D - 10
36X-27420-00-90	D - 10	3GX-83510-00	D - 15	90109-08368	D - 8	90201-17257	C - 5	90430-14131	B - 2		D - 8
36X-28100-00	D - 4	1M3-83513-00	D - 15	90109-10473	D - 10	90201-173F4	B - 15	90445-070K7	E - 5	91401-20020	D - 6
36X-2811G-00	D - 4	1YT-83517-00	D - 15	90109-10554	C - 13	90201-175F6	B - 15	90445-10638	D - 3	91401-25015	D - 10
8U9-77162-00	E - 5	3GX-83520-00	D - 15	90116-08425	D - 7	90201-201E4	B - 4	90460-56105	B - 9	91401-25020	C - 13
4JG-81800-00	D - 12	355-83524-00	D - 15	90119-06063	C - 9	90201-20269	D - 5	90462-08224	B - 13	91401-30030	D - 8
50M-81801-M0	D - 12	355-83526-00	D - 15		D - 4	90201-203E7	C - 5	90462-08225	B - 13	91701-08038	D - 10
59V-81828-M0	D - 12	47J-83550-00	D - 15	90119-06074	C - 11	90201-25290	B - 15	90462-16213	B - 14	92902-04100	B - 11
3RW-8183G-00	D - 12	4GY-83912-00	E - 4	90119-06097	C - 9	90202-05193	D - 3	90464-13249	C - 9	92907-05600	B - 9
59V-81920-00	E - 5	23X-83922-00	E - 4	90122-06012	B - 9	90206-06090	B - 12	90464-23041	E - 4		C - 14
4FU-81940-00	E - 5	3TB-83936-00	E - 5	90123-08046	D - 9	90209-16209	C - 5	90465-08200	B - 13		E - 3
59V-81942-00	E - 5	437-83936-01	E - 4	90149-06011	D - 3	90209-17226	B - 15	90465-08364	B - 14		E - 5
1RL-81950-92	E - 5		E - 5	90149-08067	C - 3	90209-18208	C - 5	90467-09006	D - 3	92907-06100	E - 4
3TJ-81960-02	E - 5	437-83936-11	E - 5	90151-06013	C - 6	90214-17028	B - 15	90467-10039	B - 9	92907-06200	C - 3

NUMERICAL INDEX

PARTNO.	GRID NO.	PARTNO.	GRID NO.	PARTNO.	GRID NO.	PARTNO.	GRID NO.	PARTNO.	GRID NO.	PARTNO.	GRID NO.
92907-06200	D - 10	93306-30427	B - 4	95607-06200	C - 11	98507-06012	C - 14				
92907-06600	B - 12		B - 5	95607-10100	C - 13	98507-06016	C - 11				
	B - 7	93306-30611	B - 4	95707-08500	D - 13	98507-06020	B - 2				
	C - 10	93310-530J3	B - 4		D - 14		D - 11				
	C - 11	93315-23607	C - 6	95807-06008	C - 8	98507-06025	B - 14				
	C - 14	93410-20038	C - 5	95807-06010	D - 13		B - 8				
	D - 11	93410-22039	C - 5	95807-06012	C - 14		D - 11				
92907-08100	D - 8	93420-28055	C - 4		E - 6		E - 5				
92907-08600	B - 12	93440-10085	B - 2	95807-06016	B - 9	98507-06030	B - 13				
92907-10100	B - 5	93450-17044	B - 4		C - 12	98507-06035	B - 14				
92907-10200	D - 6	93501-04011	C - 14		D - 3	98507-06040	B - 13				
92907-12600	C - 13	93503-16003	C - 14	95807-08012	C - 12	98507-06045	B - 14				
92990-05600	E - 5	93505-16006	C - 3	95807-08016	D - 9		C - 11				
93101-15101	C - 5	93507-32009	B - 15	95807-08030	E - 2	98507-06075	B - 8				
93102-12106	C - 7	93602-13177	B - 4	95817-08012	D - 4	98507-06085	B - 13				
93102-14209	C - 4	93603-12030	B - 8	95817-08050	C - 8	98507-06090	B - 13				
93102-17263	B - 15	93604-10011	B - 7	95817-08065	C - 8	98511-03045	E - 3				
93102-18008	D - 5	93604-16092	C - 6	95817-08070	C - 8	98707-04012	D - 9				
93102-20242	C - 5	93604-20156	C - 6	95827-08035	C - 14	98707-06030	B - 8				
93104-07003	D - 5	93605-10090	B - 4	95827-08090	C - 12	98907-06010	B - 12				
93104-22018	D - 7	93608-50158	C - 7	95827-08120	C - 8	99001-10600	C - 7				
93105-47007	D - 5	93615-12088	C - 2	95827-10060	C - 14	99009-17400	B - 15				
93106-26005	D - 7	93700-06004	C - 11	95827-12025	D - 10		C - 5				
93109-18020	C - 11	93700-06009	C - 11	97007-05020	E - 3	99009-20400	D - 5				
93210-07135	B - 8	93822-14043	C - 5	97007-06012	B - 2	99530-12016	B - 13				
93210-09165	B - 6	94108-2111T	D - 5	97007-06020	D - 10		B - 14				
93210-13361	B - 3	94141-185E8	D - 7	97007-06022	E - 4	99530-14016	B - 2				
93210-14104	D - 6	94227-21293	D - 5	97027-06010	C - 5		B - 3				
93210-14369	B - 14	94232-18113	D - 7	97027-06016	B - 7						
93210-19123	B - 14	94325-18081	D - 7	97027-06020	C - 7						
93210-25711	D - 12	94330-21088	D - 5	97027-08030	B - 15						
93210-32172	B - 14	94416-21206	D - 5	97707-50512	C - 12						
93210-347A1	B - 8	94418-18246	D - 7	97801-03008	D - 3						
93210-35537	B - 9	94580-41104	B - 7	97802-04006	B - 10						
93210-42101	D - 7	94580-88122	D - 8	97802-05008	B - 10						
93210-48364	C - 3	94680-88001	D - 8	97880-05020	E - 5						
93210-54175	B - 8	94701-00157	B - 2	98502-04014	B - 11						
93210-55669	D - 12	94701-00181	B - 2	98507-04030	C - 11						
93210-57634	B - 2	95027-06008	E - 5	98507-05008	C - 11						
93210-72529	B - 3	95027-06016	E - 6	98507-05012	E - 5						
93211-05471	B - 2	95307-05600	C - 14	98507-05016	B - 9						
93306-00406	D - 7	95307-06600	C - 3		C - 14						
93306-20201	C - 5		D - 15		D - 9						
93306-20227	D - 7		D - 5	98507-05018	E - 4						
93306-20332	C - 5	95307-06700	C - 9	98507-05030	E - 4						
93306-20401	C - 5		D - 10	98507-06010	B - 12						
93306-30101	D - 5	95307-08700	D - 8		B - 14						
93306-30424	C - 5	95607-06100	E - 4	98507-06012	C - 10						

CONTENTS

ENGINE

CYLINDER HEAD	B2
CYLINDER	B3
CRANKSHAFT. PISTON	B4
VALVE	B6
CAMSHAFT. CHAIN	B7
OIL PUMP	B8
INTAKE	B9
CARBURETOR	B10
EXHAUST	B12
CRANKCASE	B13
CRANKCASE COVER 1	B14
STARTER	B15
CLUTCH	C3
TRANSMISSION	C5
SHIFT CAM. FORK	C6
SHIFT SHAFT	C7

CHASSIS

FRAME	C8
FENDER	C9
SIDE COVER	C10
REAR ARM	C11
REAR SUSPENSION	C13
STEERING	C14
FRONT FORK	C15
FUEL TANK	D3
SEAT	D4
FRONT WHEEL	D5
REAR WHEEL	D7
STEERING HANDLE. CABLE	D9
STAND. FOOTREST	D10
GENERATOR	D11

STARTING MOTOR	D12
FLASHER LIGHT	D13
METER	D15
HEADLIGHT	E2
TAILLIGHT	E3
HANDLE SWITCH. LEVER	E4
ELECTRICAL 1	E5

INDEX

NUMERICAL INDEX	M1
-----------------------	----