

YAMAHA

PARTS LIST

MODEL DT125F

(MODEL CODE 3G8)

MODEL DT175F

(MODEL CODE 3G6)

**COPY RIGHT: ALL RIGHTS RESERVED
NO PART OF THIS PUBLICATION MAY BE REPRODUCED WITHOUT PERMISSION.**

3G6-28198-05



DT125F



DT175F

FOREWORD

This Parts List is related to the parts in use for the Yamaha DT125F/DT175F. When you are ordering replacement parts for the DT125F/DT175F, refer to this Parts List and quote both part numbers and part names correctly.

1. Modifications or additions which have been made after issue of the Parts List will be announced in the Yamaha Parts News.
It is advisable that according to the Yamaha Parts News you make necessary corrections to the Parts List on hand to keep it up-to-date.

2. Abbreviations

The following abbreviations are used in this Parts List.

- U.R. Use size (thickness) and/or number as required.
- U.N. Use as many as you need.
- F# Frame No. (Applicable machine No.)

3. Parts, which are to be supplied in the form of assemblies, are listed with an indention of one letter's space, and a dot (.) is put against the name of each part.

EXAMPLE CARBURETOR ASS'Y
 . JET, pilot
 . NOZZLE, main

4. Initial Serial No. and Color Code

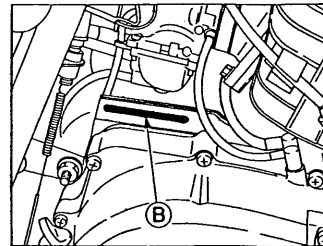
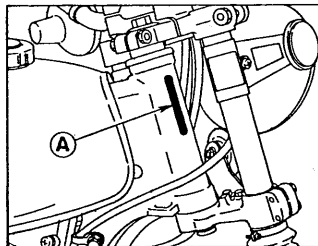
DT125F

(A) Frame Serial No.	3G8-000101 and following
(B) Engine Serial No.	3G8-000101 and following

DT175F

(A) Frame Serial No.	3G6-000101 and following
(B) Engine Serial No.	3G6-000101 and following

Color Code	Color Name	Color Code	Color Name
33	Yamaha Black	G3	French Blue
91	Uni-Chrome Plated	36	Clean White
93	Chrome Plated	66	Sunshine Red
98	Low Gloss Black		
R4	Heat Proof Black		



CONTENTS

ENGINE

Fig. 1	Crankcase - Cylinder	1
Fig. 2	Crankcase Cover	3
Fig. 3	Crank - Piston	4
Fig. 4	Clutch	6
Fig. 5	Transmission	7
Fig. 6	Shifter 1	9
Fig. 7	Shifter 2	10
Fig. 8	Kick Starter	11
Fig. 9	Tachometer Gear	12
Fig. 10	Intake	13
Fig. 11	Carburetor	14
Fig. 12	Exhaust	16
Fig. 13	Oil Pump	17
Fig. 14	Flywheel Magneto (DT125)	19
Fig. 15	C.D.I. Magneto (DT175)	20

CHASSIS

Fig. 16	Frame - Side Cover	21
Fig. 17	Rear Arm - Chain Case	23
Fig. 18	Rear Cushion	25
Fig. 19	Stand - Footrest - Brake Pedal	26
Fig. 20	Front Fender - Rear Fender	27
Fig. 21	Front Fork	28
Fig. 22	Steering	30
Fig. 23	Handle - Wire	31
Fig. 24	Fuel Tank	33
Fig. 25	Oil Tank	34
Fig. 26	Seat	35
Fig. 27	Front Wheel	36
Fig. 28	Rear Wheel	38
Fig. 29	Head Lamp	40
Fig. 30	Speedometer - Tachometer	41

Fig. 31	Tail Lamp	42
Fig. 32	Flasher Lamp	43
Fig. 33	Electrical	44

EXCLUSIVE PARTS

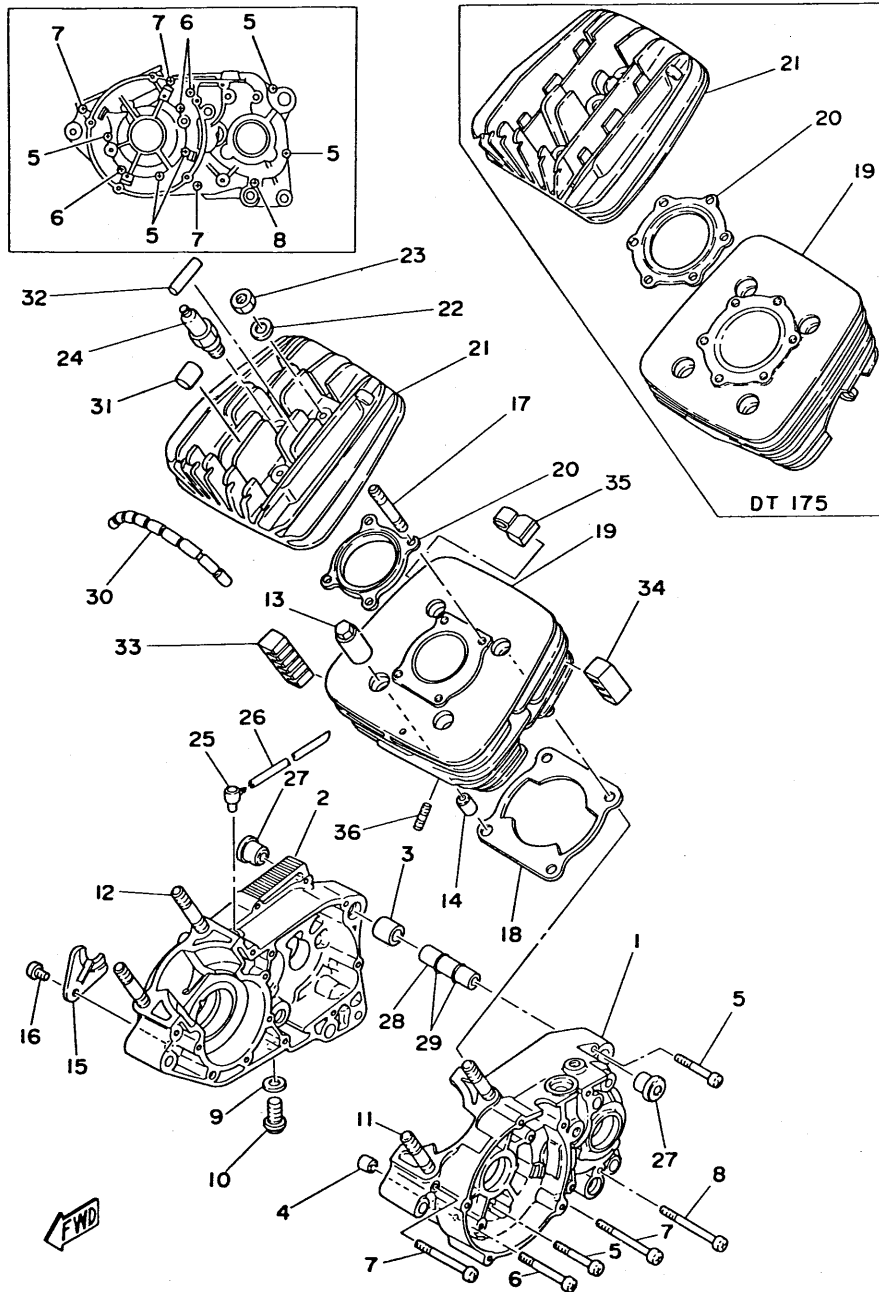
Fig. 34	Head Lamp	48
---------	-----------	----

REPAIR KIT

Fig. 35	Repair Kit	50
---------	------------	----

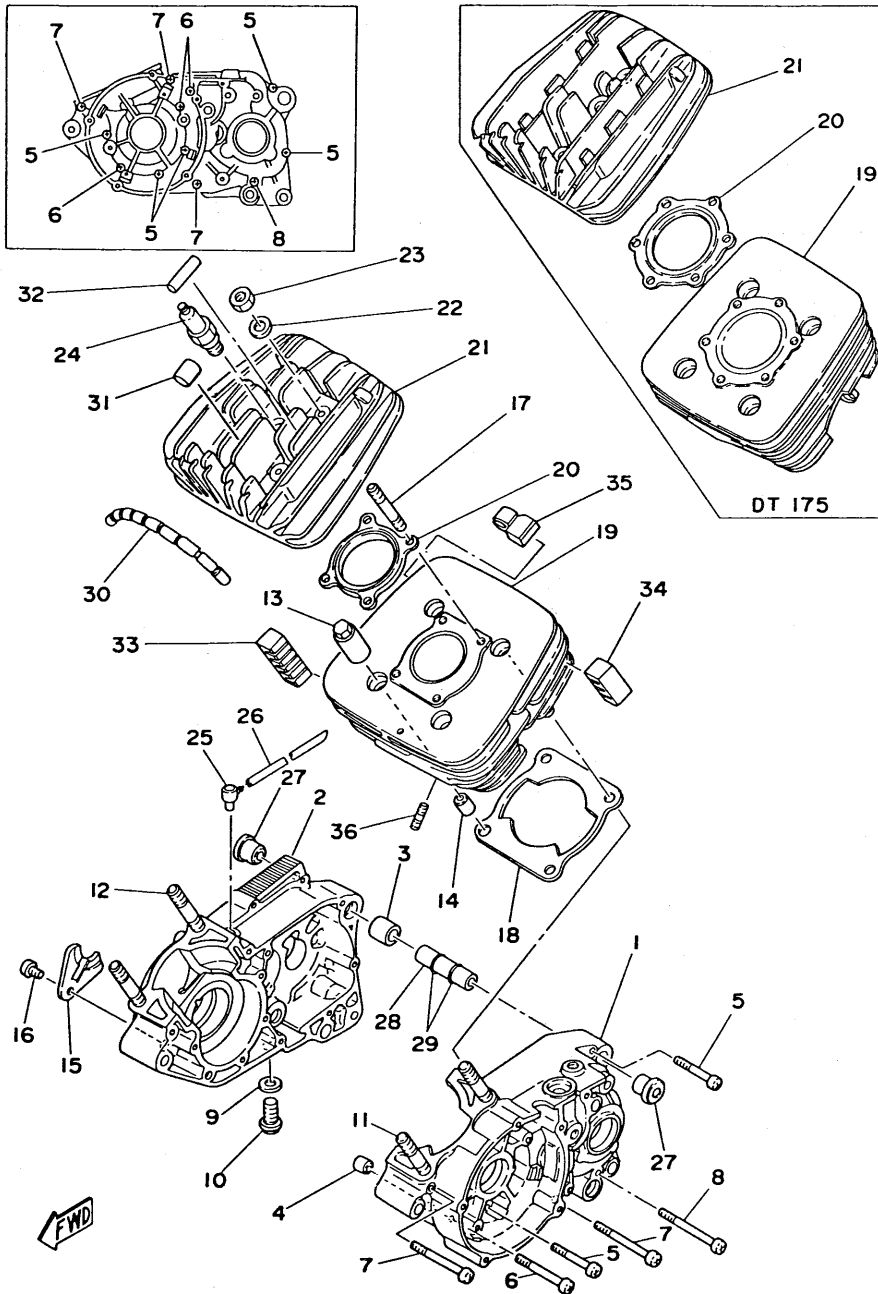
NUMERICAL INDEX

Fig. 1 CRANKCASE · CYLINDER



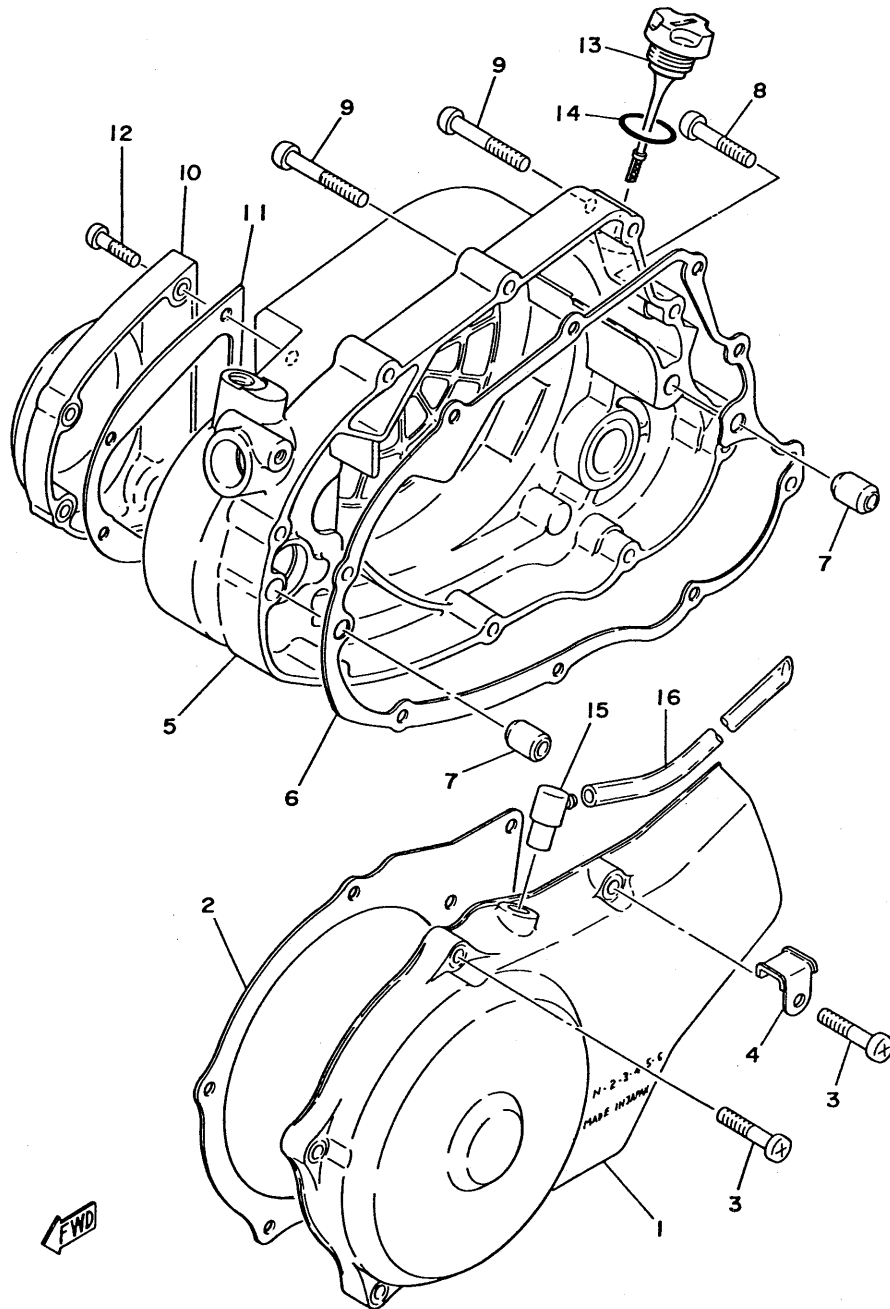
Ref.No.	Part No.	Description	Q'ty		Remarks
			125	175	
1- 1	2A6-15111-02	CASE, crank left	1	1	
2	2A6-15121-01	CASE, crank right	1	1	
3	91810-19020	PIN, dowel (16.5-20-20)	1	1	
4	91830-21014	PIN, dowel (6.4-10-14)	1	1	
5	92501-06050	SCREW, panhead	5	5	
6	92501-06060	SCREW, panhead	3	3	
7	92501-06070	SCREW, panhead	3	3	
8	92501-06075	SCREW, panhead	1	1	
9	90430-12038	GASKET (132-15353-00)	1	1	
10	90340-12005	PLUG, straight screw (132-15351-00)	1	1	
11	95611-10630	BOLT, stud	2	2	
12	95611-10640	BOLT, stud	2	2	
13	90179-10201	NUT	4	4	
14	91810-16016	PIN, dowel (10.5-14-16)	2	2	
15	304-15128-00	HOLDER, right	1	1	
16	92501-08010	SCREW, panhead	1	1	
17	90116-08262	BOLT, stud	4	6	
18	1W1-11351-00	GASKET, cylinder	1	1	
19	2A6-11311-00	CYLINDER	1		
	2A7-11311-00	CYLINDER		1	
20	1W1-11181-00	GASKET, cylinder head	1		
	2A7-11181-10	GASKET, cylinder head		1	
21	2A6-11111-00	HEAD, cylinder	1		
	2A7-11111-00	HEAD, cylinder		1	
22	90201-08100	WASHER, plate	4	6	
23	95301-08600	NUT, hexagon	4	6	
24	94701-00045	PLUG, spark (B-8ES)	1	1	
25	2N4-15371-00	BREATHER	1	1	
26	90445-07340	HOSE (4.2-310)	1	1	
27	328-15316-00	DAMPER	2	2	
28	401-15317-00	SPACER, engine mount	1	1	
29	93210-11073	O-RING (2.4-10.8)	2	2	
30	2A6-11161-00	ABSORBER 1	1	1	

Fig. 1 CRANKCASE · CYLINDER



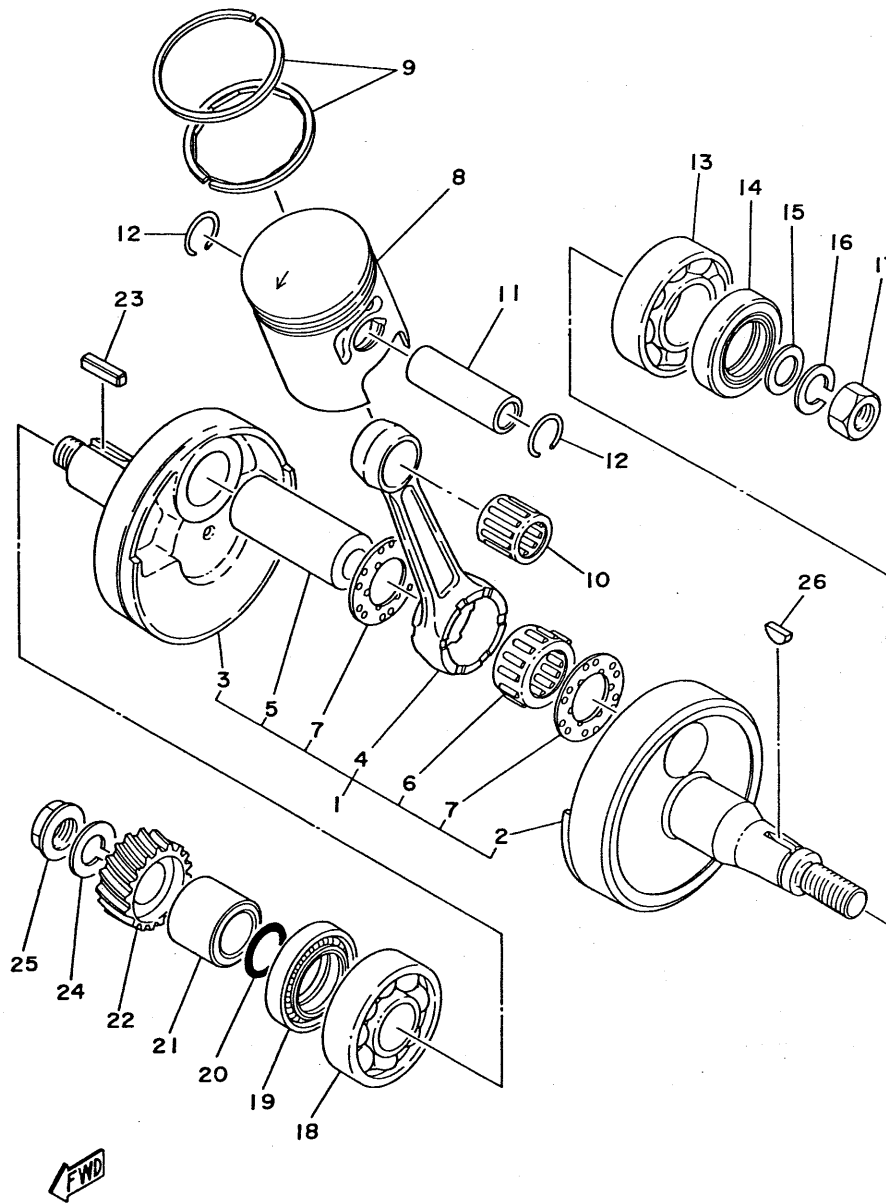
Ref.No.	Part No.	Description	Q'ty		Remarks
			125	175	
1-31	2A6-11162-00	ABSORBER 2	1	1	
32	579-11162-00	ABSORBER 2	2	2	
33	2A6-11127-00	ABSORBER 3	2	2	
34	2A6-11128-00	ABSORBER 4	2	2	
35	2A6-11129-00	ABSORBER 5	1	1	
36	90116-06016	BOLT, stud (306-11179-00)	2	2	

Fig. 2 CRANKCASE COVER



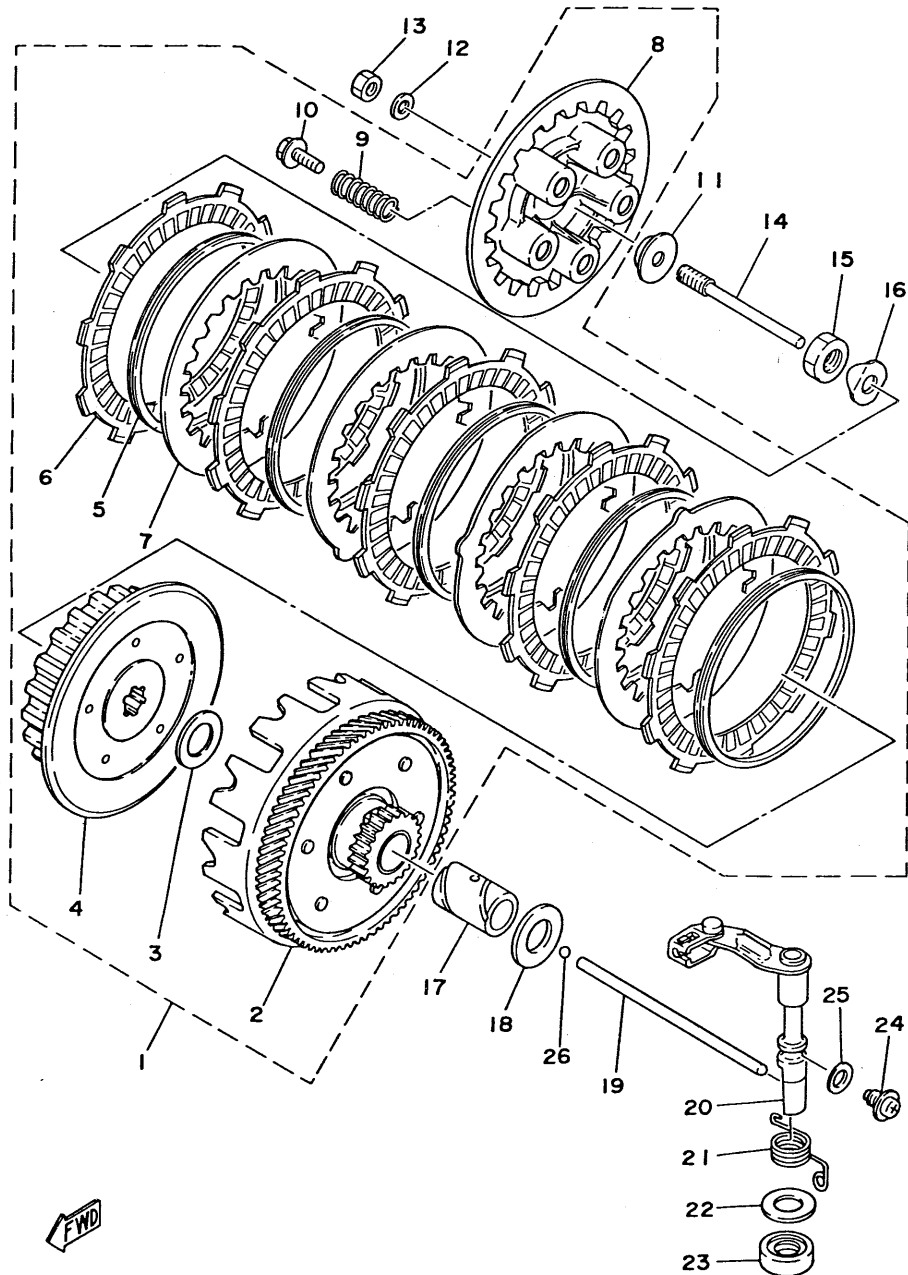
Ref.No.	Part No.	Description	Q'ty		Remarks
			125	175	
2-1	2A6-15411-01	COVER, crankcase left 1	1		
	2A7-15411-01	COVER, crankcase left 1		1	
2	2A6-15455-00	GASKET, generator cover	1	1	
3	92501-06025	SCREW, panhead	6	6	
4	2A6-15484-00	CLAMP 2	1	1	
5	2A6-15431-00	COVER, crankcase right	1	1	
6	1W1-15451-00	GASKET, crankcase cover right	1	1	
7	91810-02014	PIN, dowel (6.4-10-14)	2	2	
8	92501-06030	SCREW, panhead	3	3	
9	92501-06040	SCREW, panhead	6	6	
10	2A6-15416-00	COVER, oil pump	1	1	
11	2A6-15456-00	GASKET, oil pump cover	1	1	
12	92501-06025	SCREW, panhead	4	4	
13	520-15362-01	PLUG, oil level	1	1	
14	93210-19123	O-RING (2.4-19)	1	1	
15	498-15371-00	BREATHER	1		
16	90445-07371	HOSE (4.2-700)	1		

Fig. 3 CRANK · PISTON



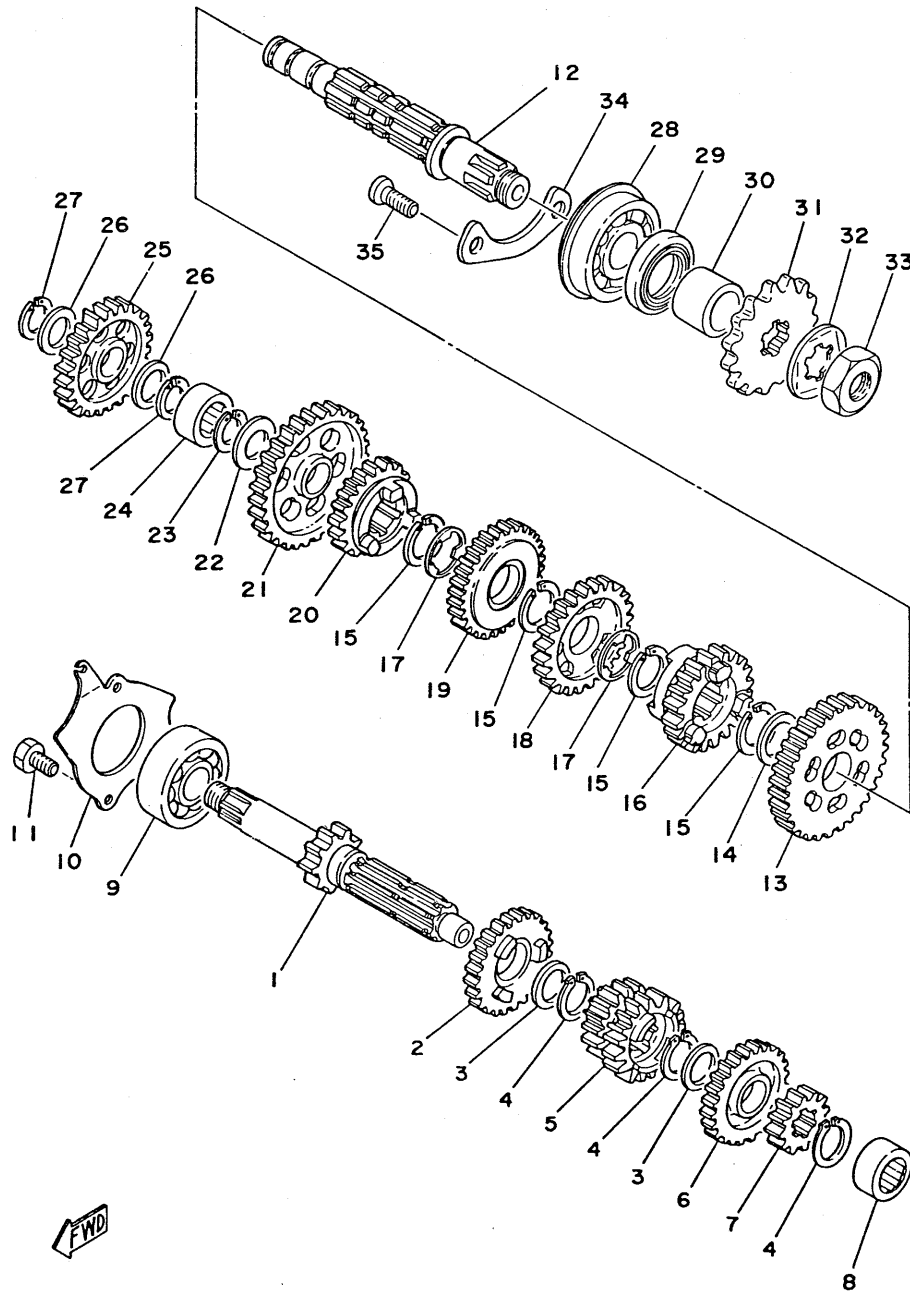
Ref.No.	Part No.	Description	Q'ty		Remarks
			125	175	
3-12	93450-17044	CIRCLIP	2	2	
13	93306-20517	BEARING (B6205)	1	1	
14	93102-25061	OIL SEAL (SD-25-40-8)	1	1	
15	90201-12593	WASHER, plate	1	1	
16	92901-12100	WASHER, spring	1	1	
17	90170-12067	NUT, hexagon (214-11555-01)	1	1	
18	93306-30405	BEARING (B6304)	1	1	
19	93103-28011	OIL SEAL (SW-28-40-8)	1	1	
20	93210-18023	O-RING (1.2-17.6)	1	1	
21	90387-20488	COLLAR, distance (20-28-18.5)	1	1	
22	2A6-16111-00	GEAR, primary drive (22T)	1	1	
23	90282-05005	KEY, straight (353-11546-00)	1	1	
24	90204-12007	WASHER, spring	1	1	
25	90179-12244	NUT (353-16144-00)	1	1	
26	90280-03017	KEY, woodruff (146-11545-00)	1	1	

Fig. 4 CLUTCH



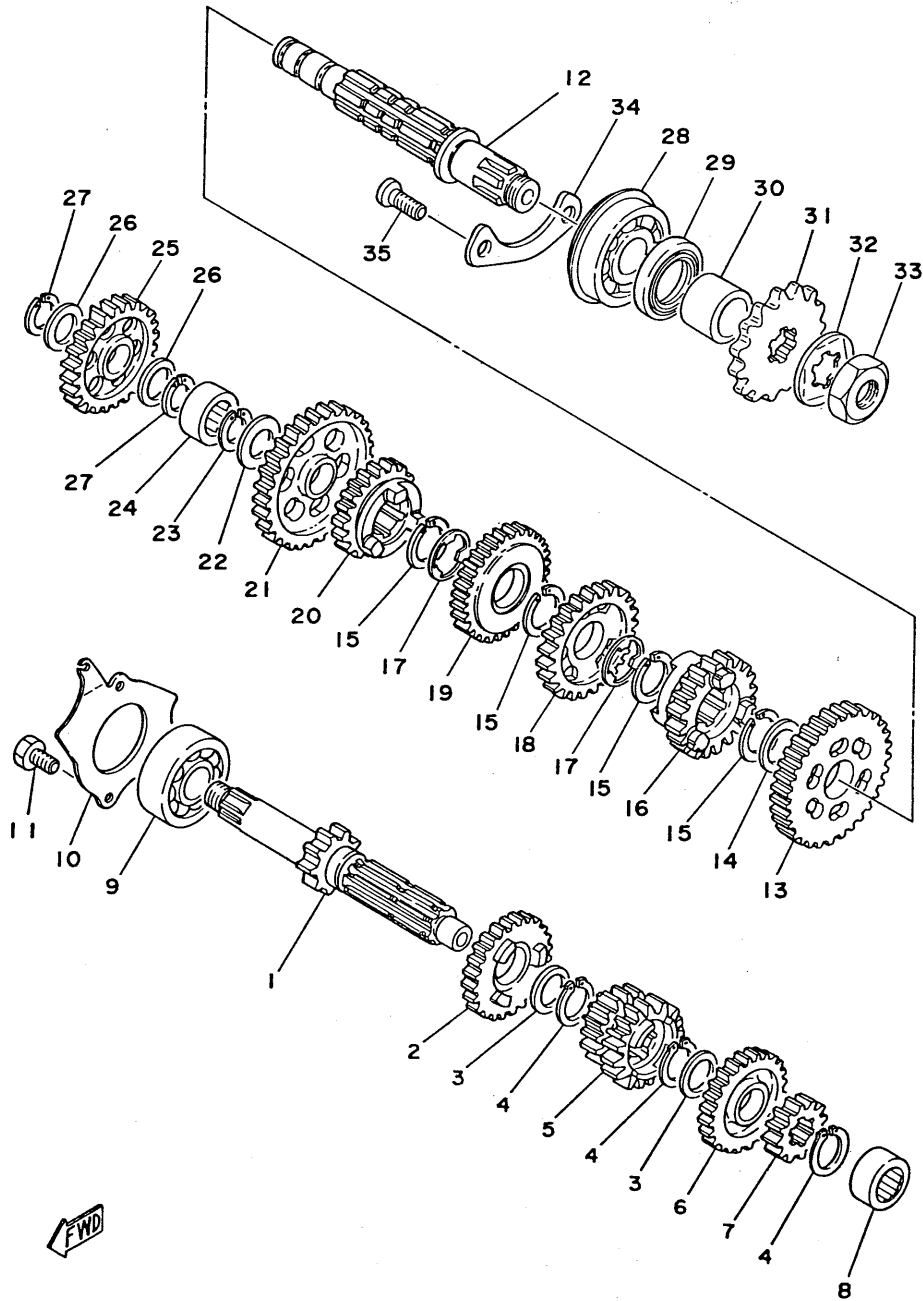
Ref.No.	Part No.	Description	Q'ty		Remarks
			125	175	
4	1	2A6-16301-00	1		CLUTCH ASS'Y
		2A7-16301-00		1	CLUTCH ASS'Y
2		2A6-16150-00	1		. PRIMARY DRIVEN GEAR COMP. (71T)
		2A7-16150-00		1	. PRIMARY DRIVEN GEAR COMP. (71T)
3		90201-17543	1	1	. WASHER, plate
4		1J4-16371-00	1		. BOSS, clutch
		1G8-16371-00		1	. BOSS, clutch
5		307-16367-00	5	6	. RING, cushion
6		559-16321-01	5	6	. PLATE, friction
7		2A6-16324-00	4	5	. PLATE, clutch 1
8		2A6-16351-00	1		. PLATE, pressure
		1W1-16351-00		1	. PLATE, pressure
9		90501-20474	5	5	. SPRING, compression
10		90159-05011	5	5	. SCREW, with washer
11		1W1-16358-00	1	1	PLATE, push
12		92901-06200	1	1	WASHER, plain
13		95301-06600	1	1	NUT, hexagon
14		1W1-16356-00	1	1	ROD, push 1
15		90170-14171	1	1	NUT, hexagon
16		90215-14122	1	1	WASHER, lock
17		90560-17147	1	1	SPACER
18		90201-17550	1	1	WASHER, plate
19		1W1-16357-00	1	1	ROD, push 2
20		1W1-16380-00	1	1	PUSH LEVER ASS'Y
21		90508-20345	1	1	SPRING, torsion
22		90201-14217	1	1	WASHER, plate (150-25153-00)
23		93104-14004	1	1	OIL SEAL (SO-14-25-5)
24		90149-08108	1	1	SCREW
25		90430-08069	1	1	GASKET (452-16387-00)
26		93503-16010	1	1	BALL (3/16 inch)

Fig. 5 TRANSMISSION



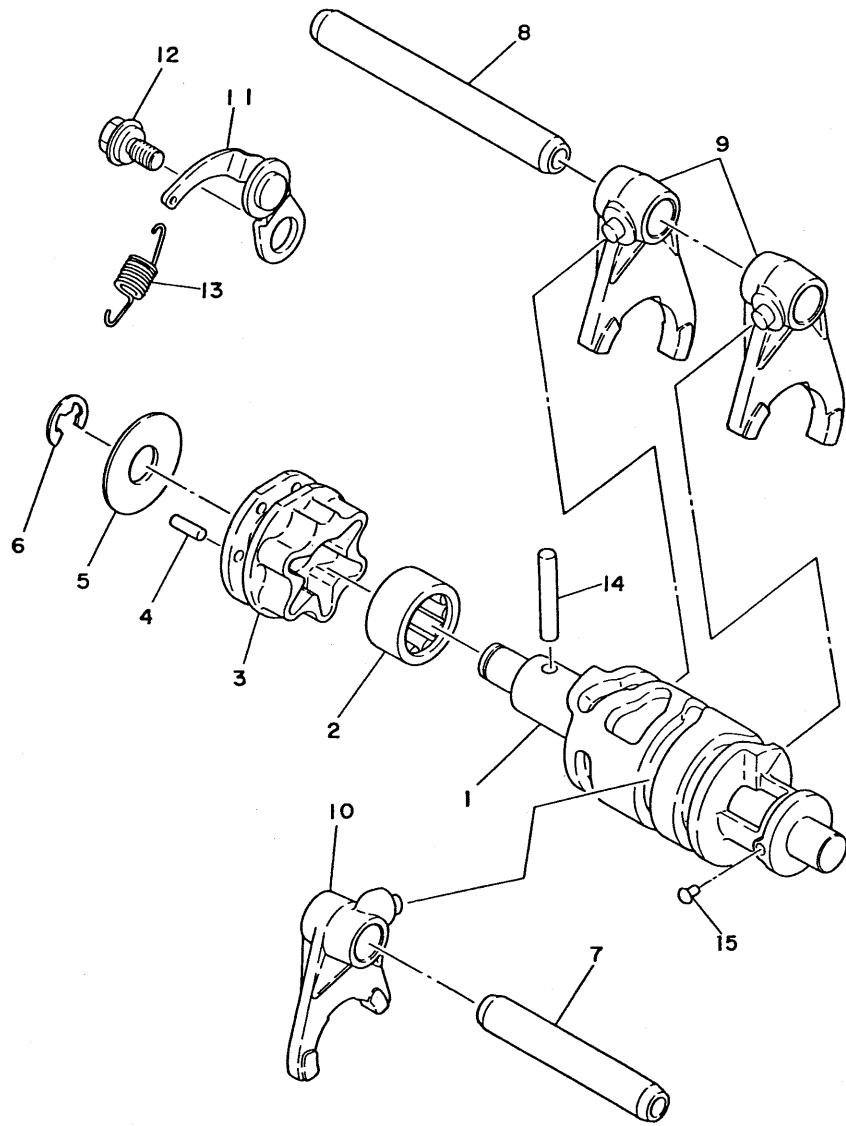
Ref.No.	Part No.	Description	Q'ty		Remarks
			125	175	
5-1	2A6-17411-00	AXLE, main (10T)	1	1	
2	1W2-17151-00	GEAR, 5th pinion (23T)	1	1	
3	90201-20266	WASHER, plate (132-17216-00)	2	2	
4	93410-20038	CIRCLIP (S-20)	3	3	
5	2A6-17131-00	GEAR, 3rd/4th pinion (18T, 21T)	1	1	
6	1W2-17161-00	GEAR, 6th pinion (25T)	1	1	
7	2A6-17121-00	GEAR, 2nd pinion (14T)	1	1	
8	93311-41530	BEARING	1	1	
9	93306-30304	BEARING (B6303Z)	1	1	
10	1W1-17471-01	PLATE, bearing cover	1	1	
11	97321-06012	BOLT, hexagon	2	2	
12	2A6-17421-00	AXLE, drive	1	1	
13	2A6-17221-01	GEAR, 2nd wheel (31T)	1	1	
14	90201-22555	WASHER, plate	1	1	
15	93410-22039	CIRCLIP (S-22)	4	4	
16	2A6-17261-00	GEAR, 6th wheel (20T)	1	1	
17	90201-18135	WASHER	2	2	
18	1W2-17241-00	GEAR, 4th wheel (25T)	1	1	
19	2A6-17231-00	GEAR, 3rd wheel (28T)	1	1	
20	2A6-17251-00	GEAR, 5th wheel (22T)	1	1	
21	2A6-17211-01	GEAR, 1st wheel (35T)	1	1	
22	90201-15701	WASHER, plate	1	1	
23	93440-15012	CIRCLIP (15φ special)	1	1	
24	93311-31515	BEARING	1	1	
25	525-15651-00	GEAR, kick idle (25T)	1	1	
26	137-17417-00-05	SHIM, main axle (15.5-22-0.5)	2	2	
27	93440-15012	CIRCLIP (15φ special)	2	2	
28	93306-30411	BEARING (B6304)	1	1	
29	93102-26042	OIL SEAL (SD-26-38-5)	1	1	
30	90387-20503	COLLAR (20-26-11.3)	1	1	
31	174-17461-50	SPROCKET, drive (15T)	1		
	174-17461-60	SPROCKET, drive (16T)		1	
32	90215-16127	WASHER, lock	1	1	

Fig. 5 TRANSMISSION



Ref.No.	Part No.	Description	Q'ty		Remarks
			125	175	
5-33	90179-16226	NUT	1	1	
34	1W1-15381-00	PLATE, bearing cover	1	1	
35	92701-06012	SCREW, flathead	2	2	

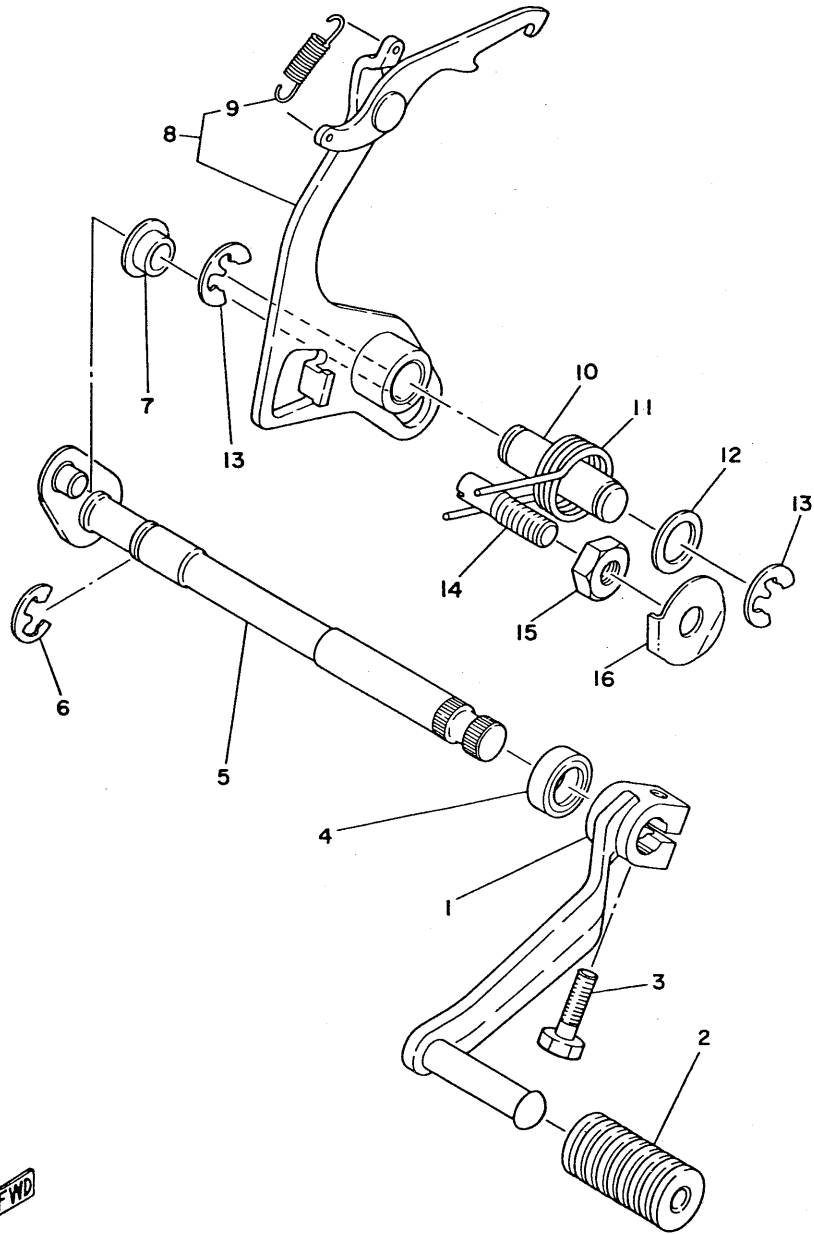
Fig.6 SHIFTER 1



Ref.No.	Part No.	Description	Qty		Remarks
			125	175	
6- 1	1W1-18541-00	CAM, shift	1	1	
2	93315-21813	BEARING	1	1	
3	1W1-18185-00	SEGMENT	1	1	
4	93604-12037	PIN, dowel (4-11.8)	6	6	
5	1W1-18561-00	PLATE, side	1	1	
6	93430-08006	CIRCLIP (E-8)	1	1	
7	2A6-18531-00	BAR, shift fork guide 1	1	1	
8	2A6-18535-00	BAR, shift fork guide 2	1	1	
9	2A6-18511-00	FORK, shift 1	2	2	
10	2A6-18512-00	FORK, shift 2	1	1	
11	1W1-18140-00	STOPPER LEVER ASS'Y	1	1	
12	1W1-18177-00	BOLT, stopper 2	1	1	
13	90506-09156	SPRING, tension	1	1	
14	93604-30018	PIN, dowel (4-29.8)	1	1	
15	136-18542-00	POINT, neutral	1	1	

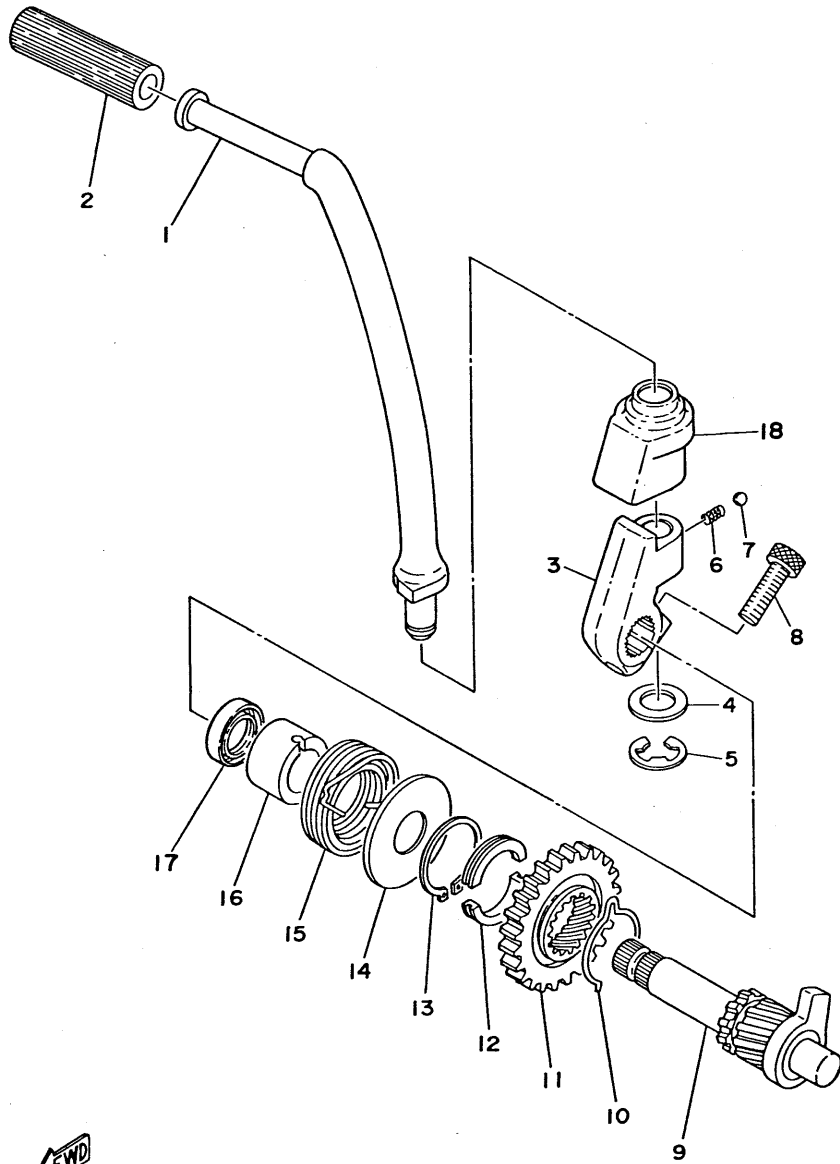
FWD

Fig. 7 SHIFTER 2



Ref.No.	Part No.	Description	Q'ty		Remarks
			125	175	
7- 1	2A6-18111-00	PEDAL, change	1	1	
2	132-18113-01	COVER, change pedal	1	1	
3	97321-06020	BOLT	1	1	
4	93101-12060	OIL SEAL (S-12-21-4)	1	1	
5	1W1-18101-02	CHANGE SHAFT ASS'Y	1	1	
6	93430-10016	CIRCLIP	1	1	
7	401-18178-00	ROLLER, change lever	1	1	
8	2A6-18120-01	CHANGE LEVER ASS'Y	1	1	
9	90506-08155	SPRING, tension	1	1	
10	1W1-18197-01	SHAFT	1	1	
11	90508-32349	SPRING, torsion	1	1	
12	102-18137-00-10	WASHER	1	1	
13	93430-10016	CIRCLIP (E-10)	2	2	
14	90149-08111	SCREW	1	1	
15	90170-08029	NUT, hexagon (248-18134-00)	1	1	
16	90215-08014	WASHER, lock (248-18139-00)	1	1	

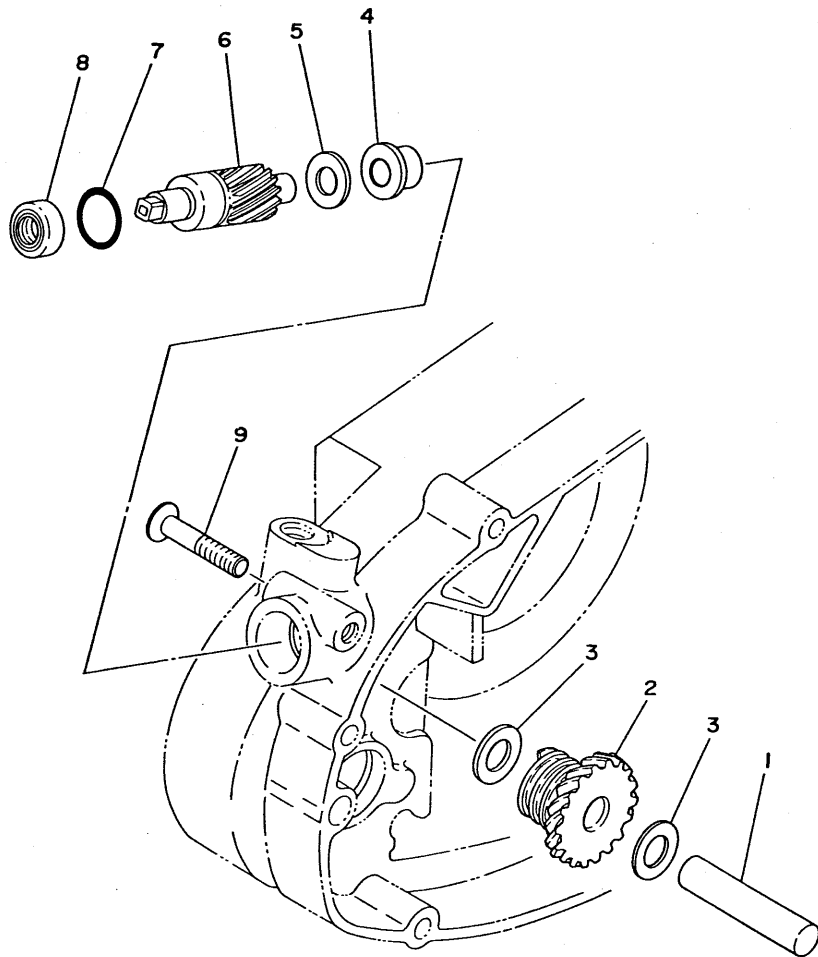
Fig. 8 KICK STARTER



Ref.No.	Part No.	Description	Q'ty		Remarks
			125	175	
8- 1	2A6-15611-01	CRANK, kick	1	1	
2	156-15618-01	COVER, kick lever	1	1	
3	1W1-15621-01	BOSS, kick crank	1	1	
4	90201-12541	WASHER, plate	1	1	
5	93430-08007	CIRCLIP (E-8)	1	1	
6	90501-10459	SPRING, compression	1	1	
7	93503-16010	BALL (3/16 inch)	1	1	
8	91316-08025	BOLT, hexagon socket head	1	1	
9	2A6-15660-00	KICK AXLE ASS'Y	1	1	
10	90468-26048	CLIP (315-15687-00)	1	1	
11	1W1-15641-00	GEAR, kick (27T)	1	1	
12	248-15654-00	HOLDER, kick gear	2	2	
13	93410-30012	CIRCLIP (S-30)	1	1	
14	401-15676-00	COVER, spring	1	1	
15	90508-26346	SPRING, torsion	1	1	
16	1W1-15666-00	SPACER	1	1	
17	93101-17062	OIL SEAL (S-17-25-4)	1	1	
18	1W1-15618-01	COVER, kick crank boss	1	1	

FWD

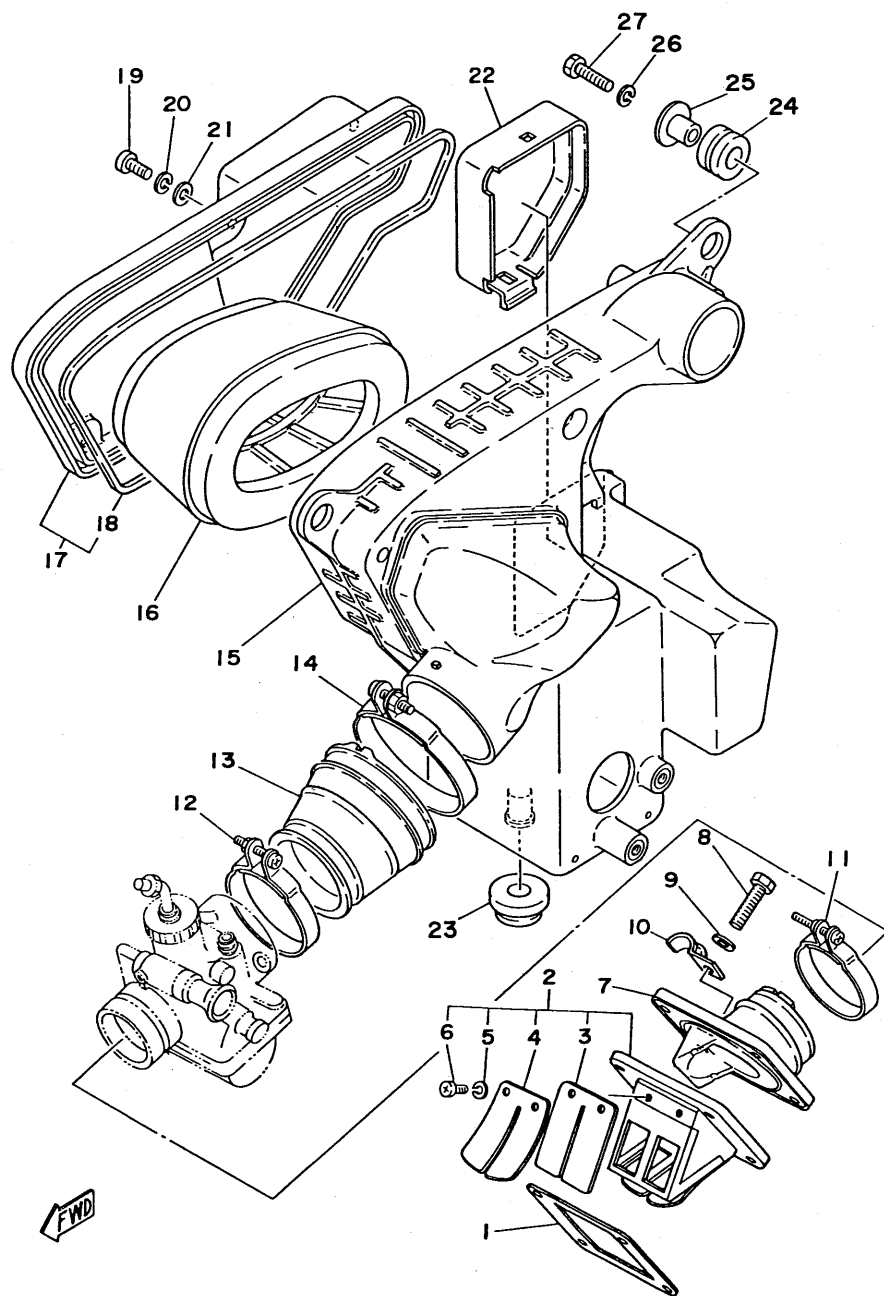
Fig. 9 TACHOMETER GEAR



Ref.No.	Part No.	Description	Q'ty		Remarks
			125	175	
9- 1	248-17861-00	AXLE, drive gear	1	1	
2	2A6-17831-00	GEAR, drive (16T, 2T)	1	1	
3	90201-10123	WASHER, plate (256-21715-01)	2	2	
4	90381-08002	BUSHING (214-17843-00)	1	1	
5	90201-12163	WASHER, plate	1	1	
6	2A6-17841-00	GEAR, driven (13T)	1	1	
7	93210-14104	O-RING (2.4-13.8)	1	1	
8	93109-08017	OIL SEAL (SDO-8-18-5)	1	1	
9	92601-06030	SCREW, ovalhead	1	1	

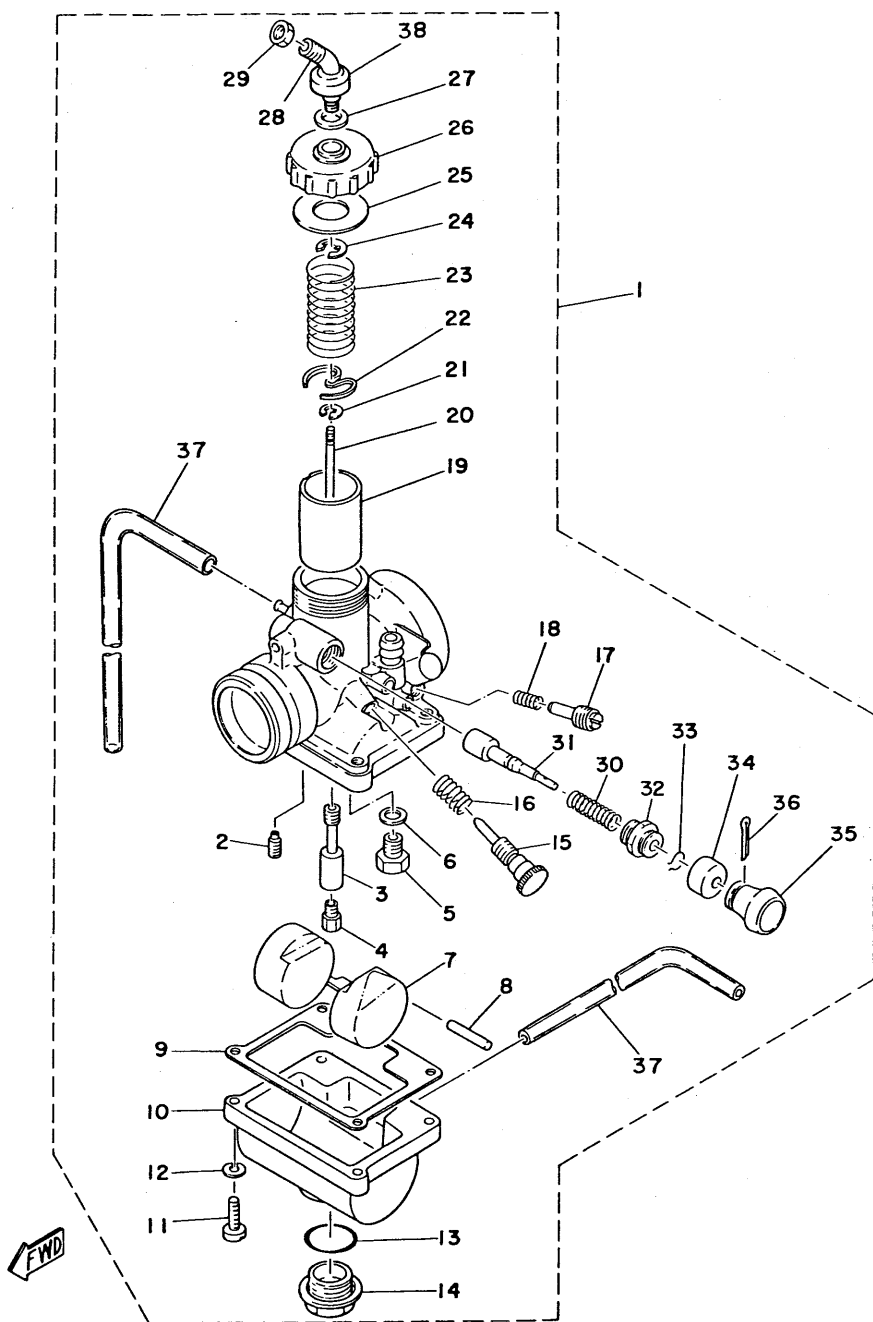
FWD

Fig. 10 INTAKE



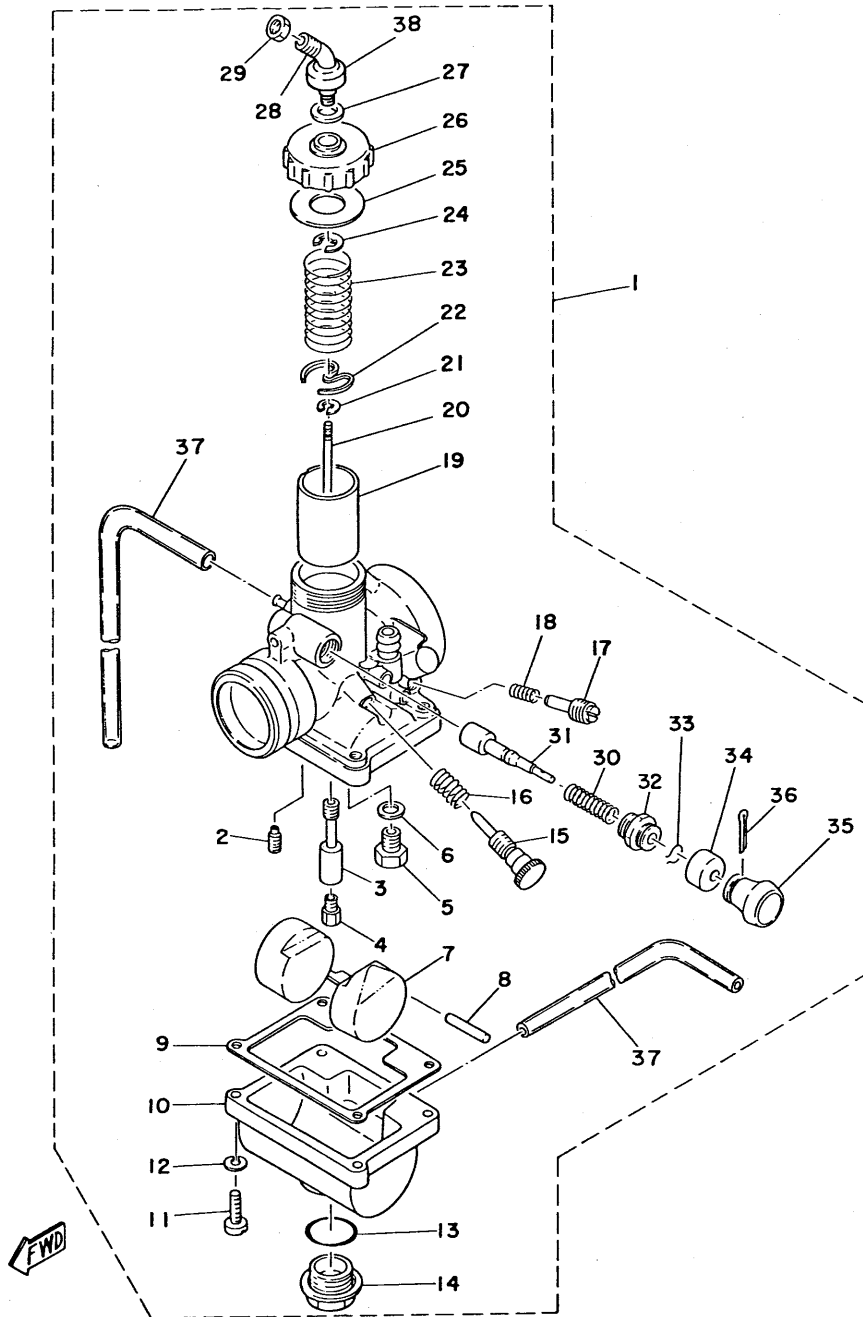
Ref.No.	Part No.	Description	Q'ty		Remarks
			125	175	
10- 1	314-13621-02	PACKING, valve seat	1	1	
2	345-13610-70	REED VALVE ASS'Y	1	1	
3	345-13613-70	. VALVE, reed	2	2	
4	345-13616-70	. STOPPER, reed valve	2	2	
5	92901-03100	. WASHER, spring	4	4	
6	98512-03008	. SCREW, panhead	4	4	
7	401-13565-01	JOINT, carburetor	1	1	
8	97301-06025	BOLT	4	4	
9	92901-06600	WASHER, plate	4	4	
10	90462-05005	CLAMP (363-15485-01)	1	1	
11	90460-43053	CLAMP, hose (304-14455-70)	1	1	
12	90460-49058	CLAMP, hose (278-14455-00)	1	1	
13	2A6-14453-00	JOINT, air cleaner	1		
	2A7-14453-00	JOINT, air cleaner		1	
14	90460-64065	CLAMP, hose	1	1	
15	2A6-14411-01	CASE, air cleaner	1	1	
16	2A6-14450-00	ELEMENT ASS'Y	1	1	
17	2A6-14412-00	CAP, case	1	1	
18	2A6-14452-00	. SEAL	1	1	
19	98501-05012	SCREW, panhead	5	5	
20	92901-05100	WASHER, spring	5	5	
21	92901-05600	WASHER, plate	5	5	
22	2A6-14417-00	COVER	1	1	
23	90480-18171	GROMMET	1	1	
24	90480-14102	GROMMET	2	2	
25	90387-07391	COLLAR, fender (437-21633-00)	2	2	
26	92901-06100	WASHER, spring	2	2	
27	97301-06025	BOLT, hexagon	2	2	

Fig. 11 CARBURETOR



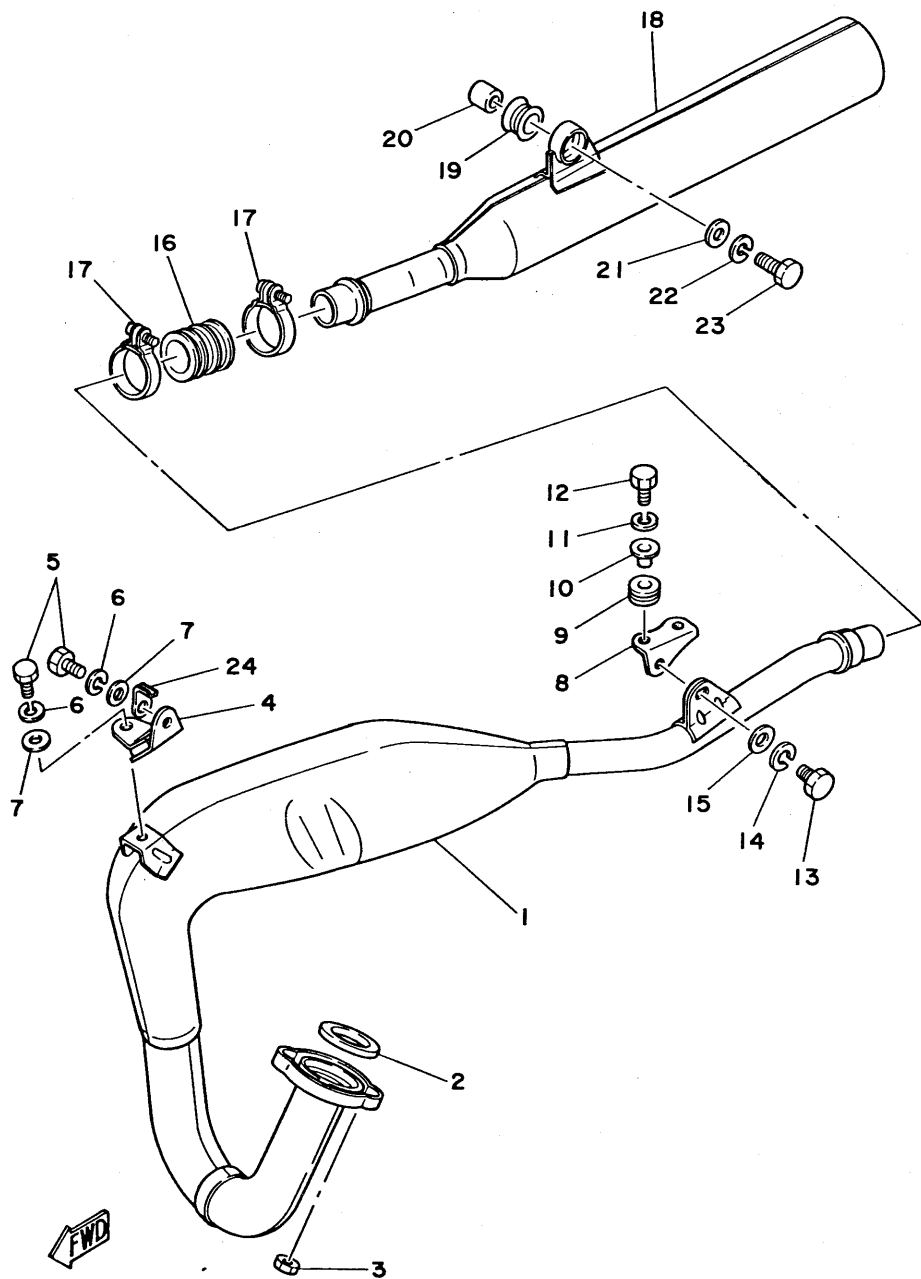
Ref.No.	Part No.	Description	Q'ty		Remarks		
			125	175			
11- 1	3G8-14101-00	CARBURETOR ASS'Y	1				
	2A7-14101-10	CARBURETOR ASS'Y		1			
2	260-14142-22	. JET, pilot (#22.5)	1	1			
3	558-14141-26	. NOZZLE, main (N-6)	1				
	558-14141-32	. NOZZLE, main (O-2)		1			
4	137-14143-27	. JET, main (#135)	} U.R.	} U.R.	STD		
	137-14143-28	. JET, main (#140)				1	1
	137-14143-29	. JET, main (#145)					
5	1V0-14190-25	. VALVE SEAT ASS'Y (#2.5)	1	1			
6	214-14195-00	. WASHER, valve seat	1	1			
7	314-14185-00	. FLOAT	1	1			
8	137-14186-01	. PIN, float	1	1			
9	304-14184-00	. GASKET, float chamber	1	1			
10	539-14181-04	. BODY, float chamber	1	1			
11	98502-04016	. SCREW, panhead	4	4			
12	92901-04100	. WASHER, spring	4	4			
13	558-14147-00	. O-RING	1	1			
14	500-14115-00	. PLUG, screw	1	1			
15	493-14122-00	. SCREW, throttle	1	1			
16	493-14133-00	. SPRING, throttle stop	1	1			
17	174-14123-00	. SCREW, air adjusting	1	1			
18	174-14134-00	. SPRING, air adjusting	1	1			
19	314-14112-10	. VALVE, throttle (#1.0)	1				
	314-14112-25	. VALVE, throttle (#2.5)		1			
20	164-14116-06	. NEEDLE (4L6-3)	1				
	166-14116-13	. NEEDLE (4J13-4)		1			
21	164-14137-00	. CLIP	1	1			
22	246-14132-00	. STOPPER, cable	1	1			
23	248-14131-00	. SPRING, throttle valve	1	1			
24	363-14137-00	. CLIP	1	1			
25	2A6-14126-00	. PACKING	1	1			
26	2A6-14158-00	. TOP, mixing chamber	1	1			

Fig. 11 CARBURETOR



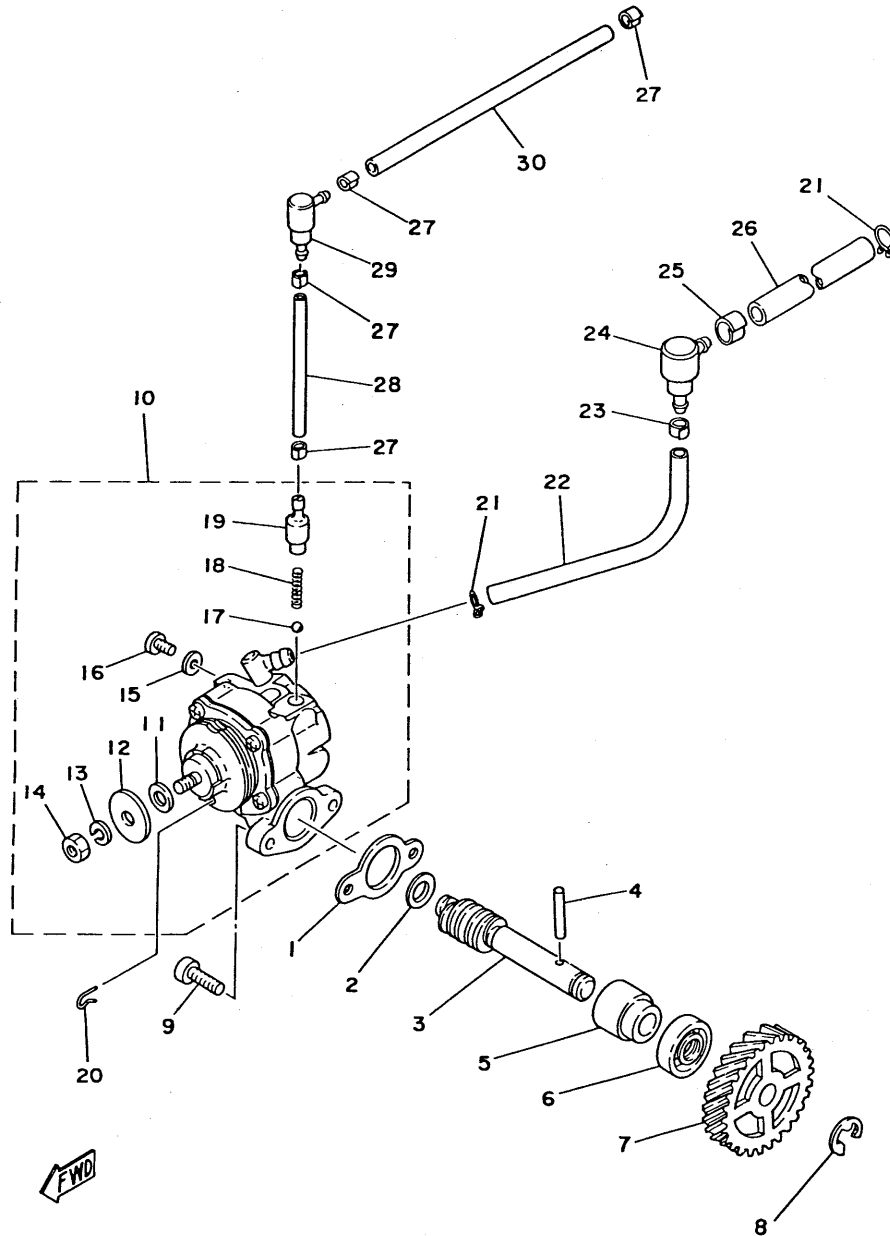
Ref.No.	Part No.	Description	Q'ty		Remarks
			125	175	
11-27	509-14198-00	. PACKING	1	1	
28	1T9-14155-00	. TUBE, guide wire	1	1	
29	127-14161-00	. NUT, wire adjusting	1	1	
30	156-14135-00	. SPRING, plunger	1	1	
31	304-14171-00	. PLUNGER, starter	1	1	
32	152-14174-00	. CAP, plunger	1	1	
33	353-14138-00	. CLIP, plunger	1	1	
34	132-14173-00	. COVER, plunger cap	1	1	
35	304-14261-00	. HOLDER	1	1	
36	91401-16015	. PIN, cotter	1	1	
37	183-14196-00	. PIPE, over flow (5-160)	2	2	
38	1M1-14169-00	. CAP	1	1	

Fig. 12 EXHAUST



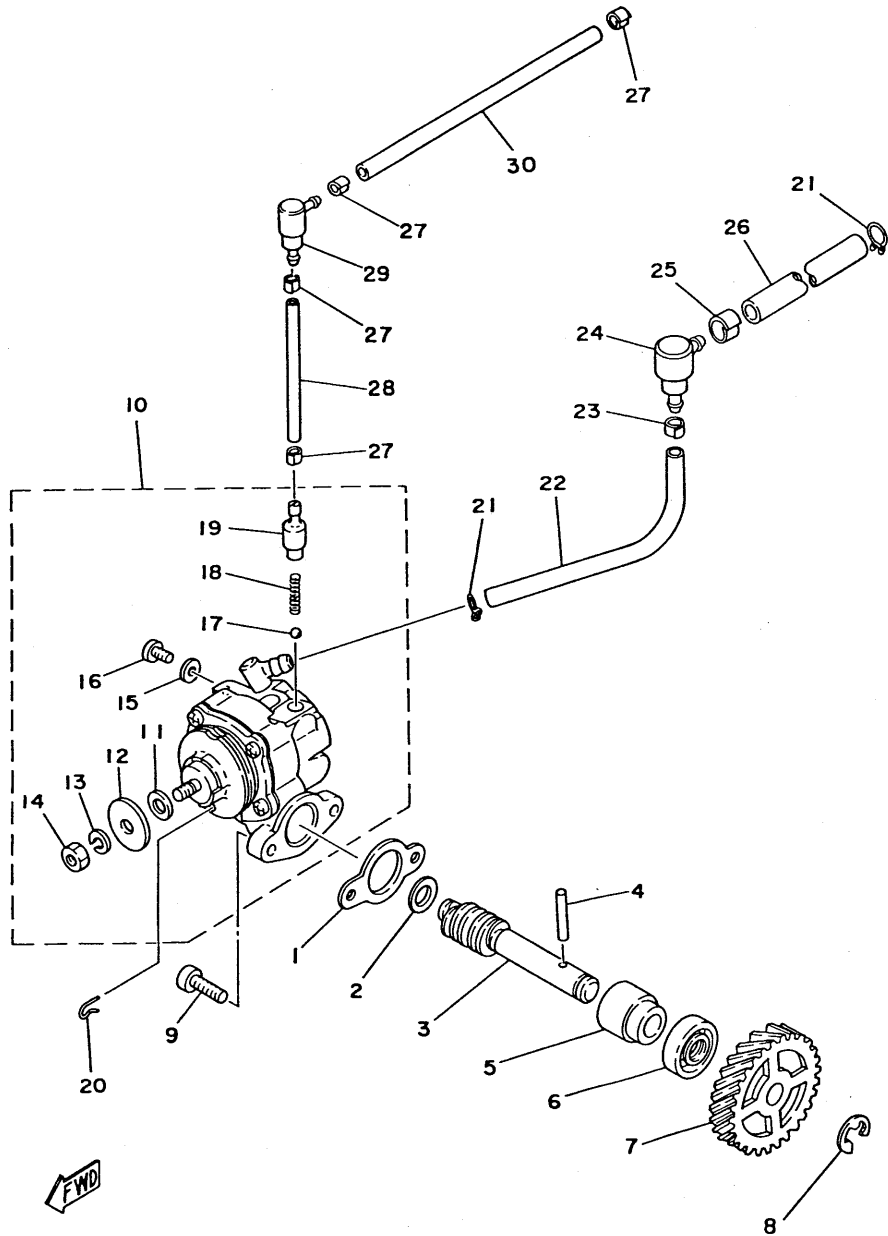
Ref.No.	Part No.	Description	Q'ty		Remarks
			125	175	
12- 1	2A8-14610-01	EXHAUST PIPE ASS'Y	1		
	2A6-14610-00	EXHAUST PIPE ASS'Y		1	
2	152-14613-00	GASKET, exhaust pipe	1	1	
3	95301-06600	NUT, hexagon	2	2	
4	2A6-14772-00	STAY, muffler 1-2	1	1	
5	97301-08016	BOLT, hexagon	2	2	
6	92901-08100	WASHER, spring	2	2	
7	92901-08600	WASHER, plate	2	2	
8	1W2-14771-00	STAY, muffler 1-1	1	1	
9	90480-14101	GROMMET (214-21638-00)	2	2	
10	90387-06388	COLLAR (322-21544-00)	2	2	
11	92901-06100	WASHER, spring	2	2	
12	97301-06025	BOLT, hexagon	2	2	
13	97301-08016	BOLT, hexagon	1	1	
14	92901-08100	WASHER, spring	1	1	
15	92901-08600	WASHER, plate	1	1	
16	1W2-14714-00	GASKET, muffler joint	1	1	
17	90460-37026	CLAMP, hose (396-14456-00)	2	2	
18	2A6-14753-10	SILENCER	1	1	
19	565-14747-00	DAMPER, muffler	1	1	
20	90387-08258	COLLAR (8.3-15-15)	1	1	
21	90201-08113	WASHER, plate (611-48556-30)	1	1	
22	92901-08100	WASHER, spring	1	1	
23	97301-08030	BOLT, hexagon	1	1	
24	2A6-83596-00	CLAMP	1	1	

Fig. 13 OIL PUMP



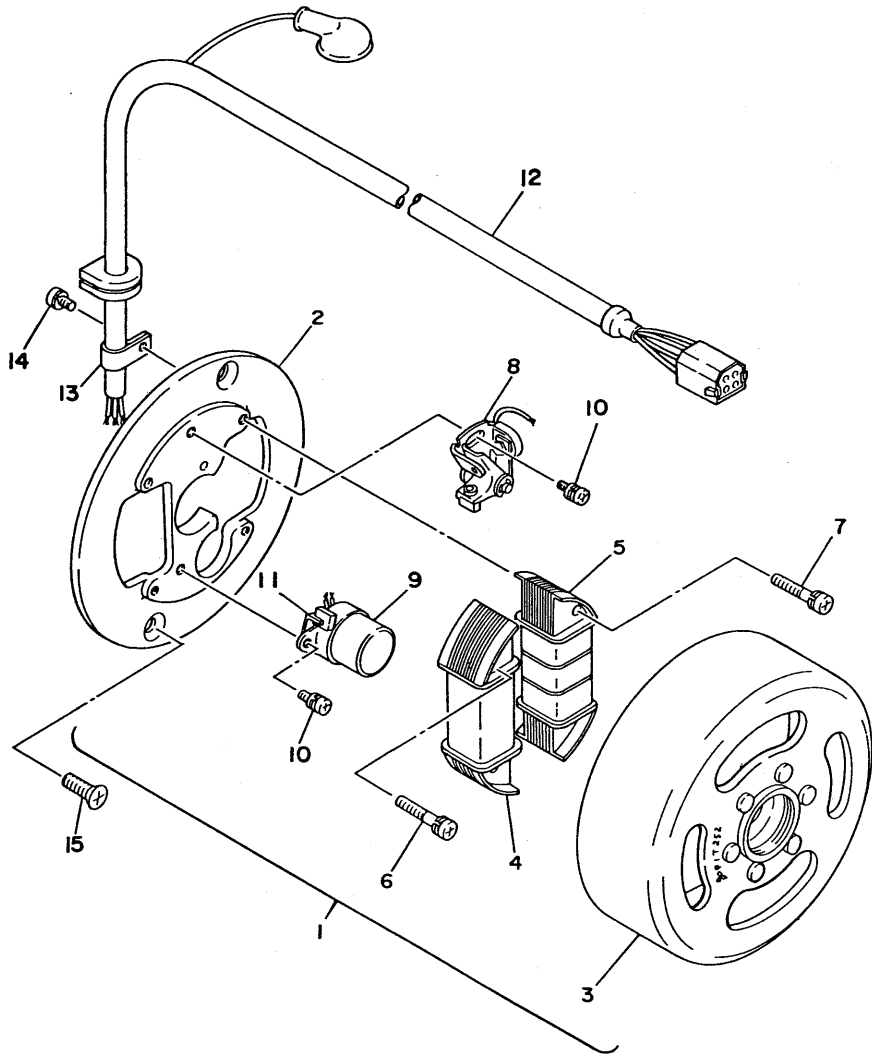
Ref.No.	Part No.	Description	Q'ty		Remarks		
			125	175			
13- 1	126-13116-00	GASKET, pump case	1	1			
	2	90201-08624	WASHER, plate	1	1		
	3	522-13175-01	SHAFT, worm	1			
		275-13175-01	SHAFT, worm		1		
	4	93603-22028	PIN, dowel (3-21.8)	1	1		
	5	137-13176-00	METAL, worm shaft outer	1	1		
	6	93101-10002	OIL SEAL (S-10-22-7)	1	1		
	7	2A6-13178-00	GEAR, drive (24T)	1	1		
	8	93430-08006	CIRCLIP (E-8)	1	1		
	9	98501-05016	SCREW, panhead	2	2		
	10	2N0-13101-00	OIL PUMP ASS'Y	1			
		2A6-13101-00	OIL PUMP ASS'Y		1		
	11	137-13137-00-03	. SHIM, plunger (5.8-10-0.3)	} U.R.	} U.R.		
		137-13137-00-05	. SHIM, plunger (5.8-10-0.5)			1	1
		137-13137-00-10	. SHIM, plunger (5.8-10-1.0)			1	1
	12	137-13138-01	. PLATE, adjusting	1	1		
	13	92901-05100	. WASHER, spring	1	1		
	14	95301-05600	. NUT, hexagon	1	1		
	15	90430-04004	. GASKET (137-13187-00)	1	1		
	16	98901-04008	. SCREW, bind	1	1		
	17	93505-32002	. BALL (5/32 inch)	1	1		
	18	90501-02018	. SPRING (278-13169-00)	1	1		
	19	402-13552-00	. NOZZLE	1	1		
	20	363-13133-01	CLIP, plunger	1	1		
	21	90467-08003	CLIP (101-23560-00)	2	2		
	22	90445-07219	HOSE (4.2-100)	1	1		
	23	90468-02025	CLIP	1	1		
	24	2A6-13115-01	CONNECTOR, suction pipe	1	1		
	25	90468-02078	CLIP	1	1		
	26	90445-09100	HOSE (5-260)	1	1		
	27	90468-02033	CLIP (215-13164-00)	4	4		
	28	90445-05018	HOSE (3-65)	1	1		

Fig. 13 OIL PUMP



Ref.No.	Part No.	Description	Q'ty		Remarks
			125	175	
13-29	2A6-13164-01	CONNECTOR, delivery pipe	1	1	
30	90445-05023	HOSE (3-110)	1	1	

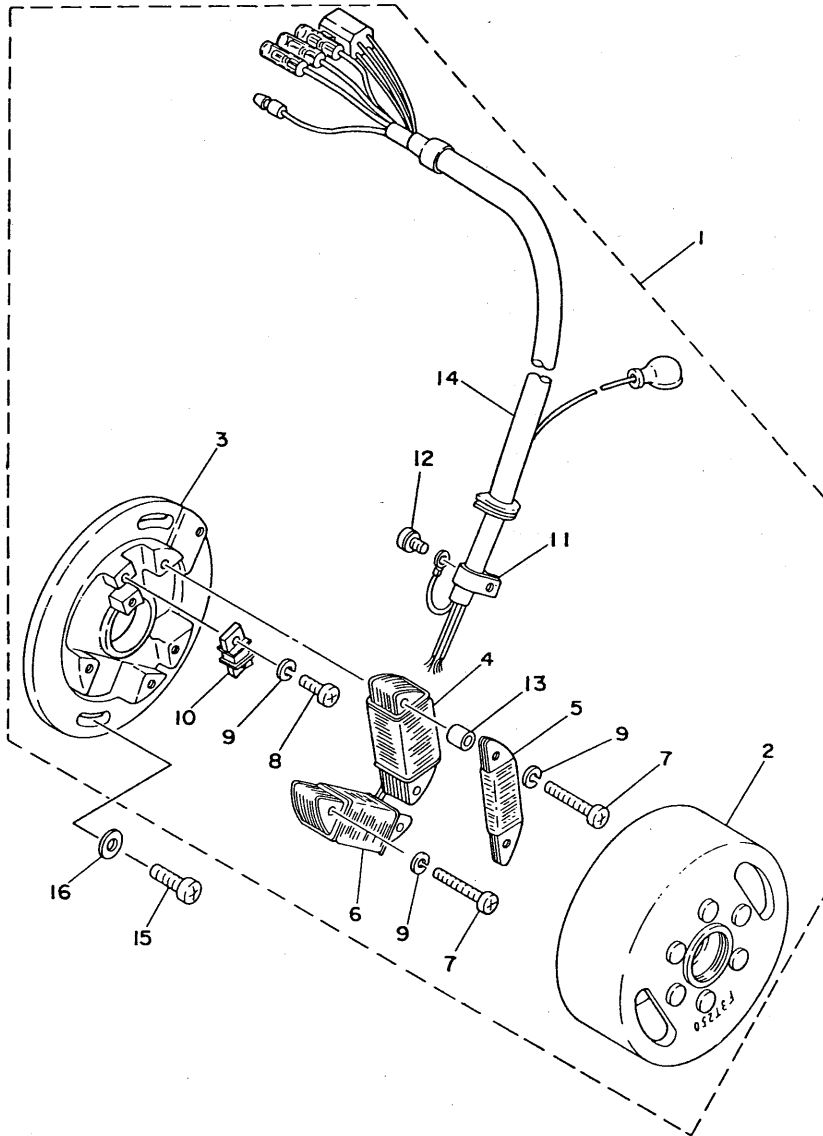
Fig. 14 FLYWHEEL MAGNETO (DT125)



Ref.No.	Part No.	Description	Q'ty		Remarks
			125	175	
14	1	2A6-81300-20	FLYWHEEL MAGNETO ASS'Y	1	
	2	2A6-81309-20	. BASE, magneto	1	
	3	2A6-81350-20	. ROTOR ASS'Y	1	
	4	2A6-81312-20	. COIL, source	1	
	5	2A6-81313-20	. LIGHTING COIL ASS'Y	1	
	6	110-81348-21	. SCREW, panhead (4-25)	2	
	7	1Y8-81348-21	. SCREW, panhead	2	
	8	2A6-81321-20	. CONTACT BREAKER ASS'Y	1	
	9	1K8-81325-20	. CONDENSER	1	
	10	110-81347-21	. SCREW, panhead (4-10)	2	
	11	116-81331-20	. LUBRICATOR	1	
	12	2A6-81315-20	. LEAD WIRE ASS'Y	1	
	13	104-81328-20	. CLAMP, lead	1	
	14	110-81345-21	. SCREW, panhead (4-6)	1	
	15	92701-06012	SCREW, flathead	2	

FWD

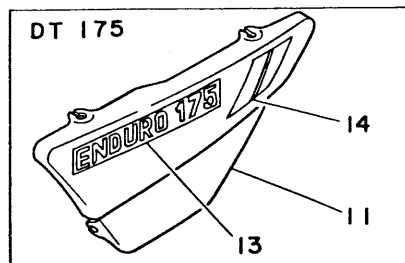
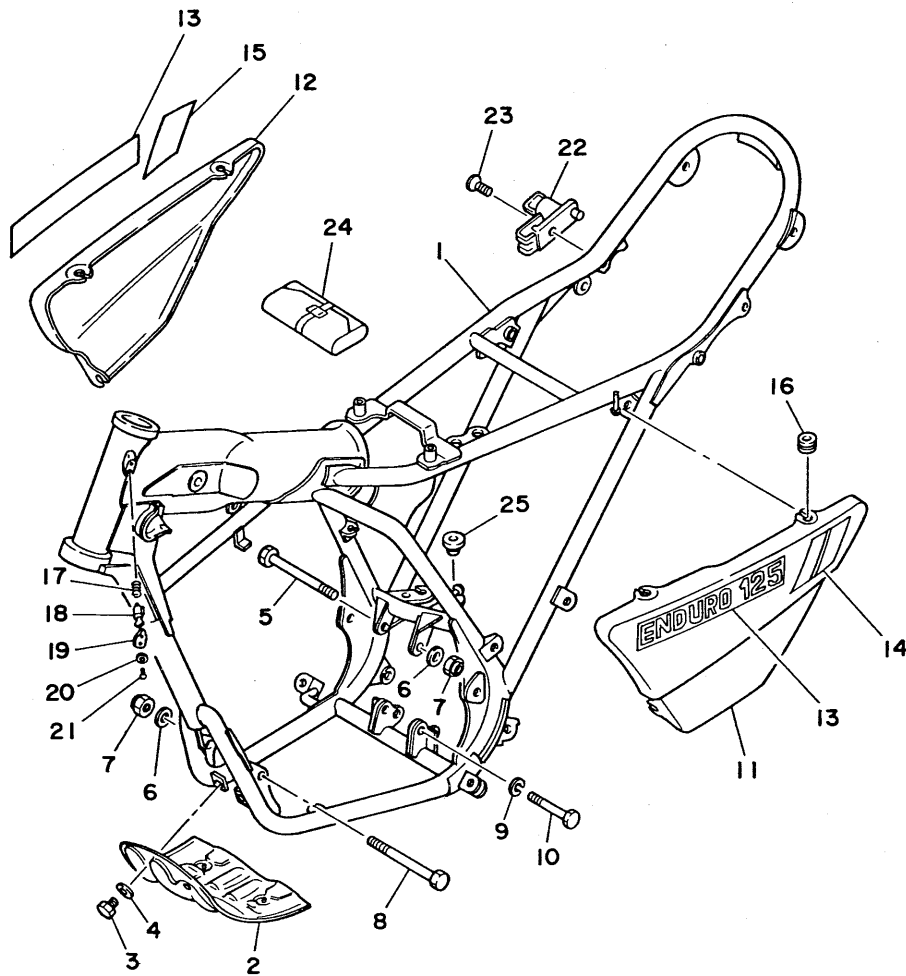
Fig. 15 C. D. I. MAGNETO (DT175)



Ref.No.	Part No.	Description	Q'ty		Remarks
			125	175	
15- 1	2A7-85500-20	C.D.I. MAGNETO ASS'Y		1	
2	2A7-85550-20	. ROTOR ASS'Y		1	
3	1W2-85509-20	. BASE, magneto		1	
4	2A7-85511-20	. COIL, source 1		1	
5	2A7-85512-20	. COIL, source 2		1	
6	2A7-85513-20	. COIL, lighting		1	
7	98501-04032	. SCREW, panhead		4	
8	98501-04014	. SCREW, panhead		2	
9	92901-04100	. WASHER, spring		6	
10	2A7-85580-20	. PULSER ASS'Y		1	
11	445-81328-20	. CLAMP		1	
12	110-81345-21	. SCREW		1	
13	1W2-85519-20	. SPACER		2	
14	2A7-85515-20	. LEAD WIRE ASS'Y		1	
15	92501-06012	SCREW, panhead		2	
16	92901-06600	WASHER, plate		2	

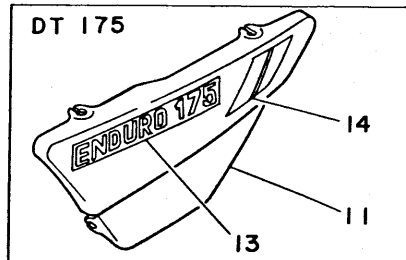
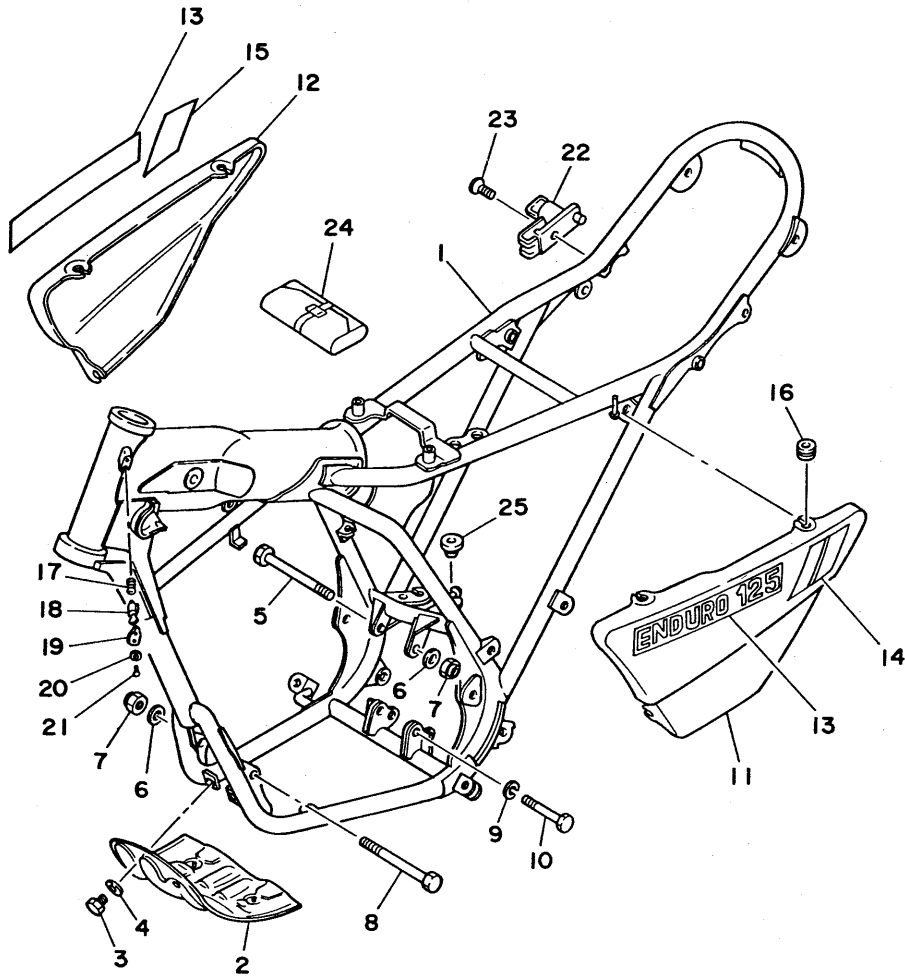
FWD

Fig. 16 FRAME · SIDE COVER



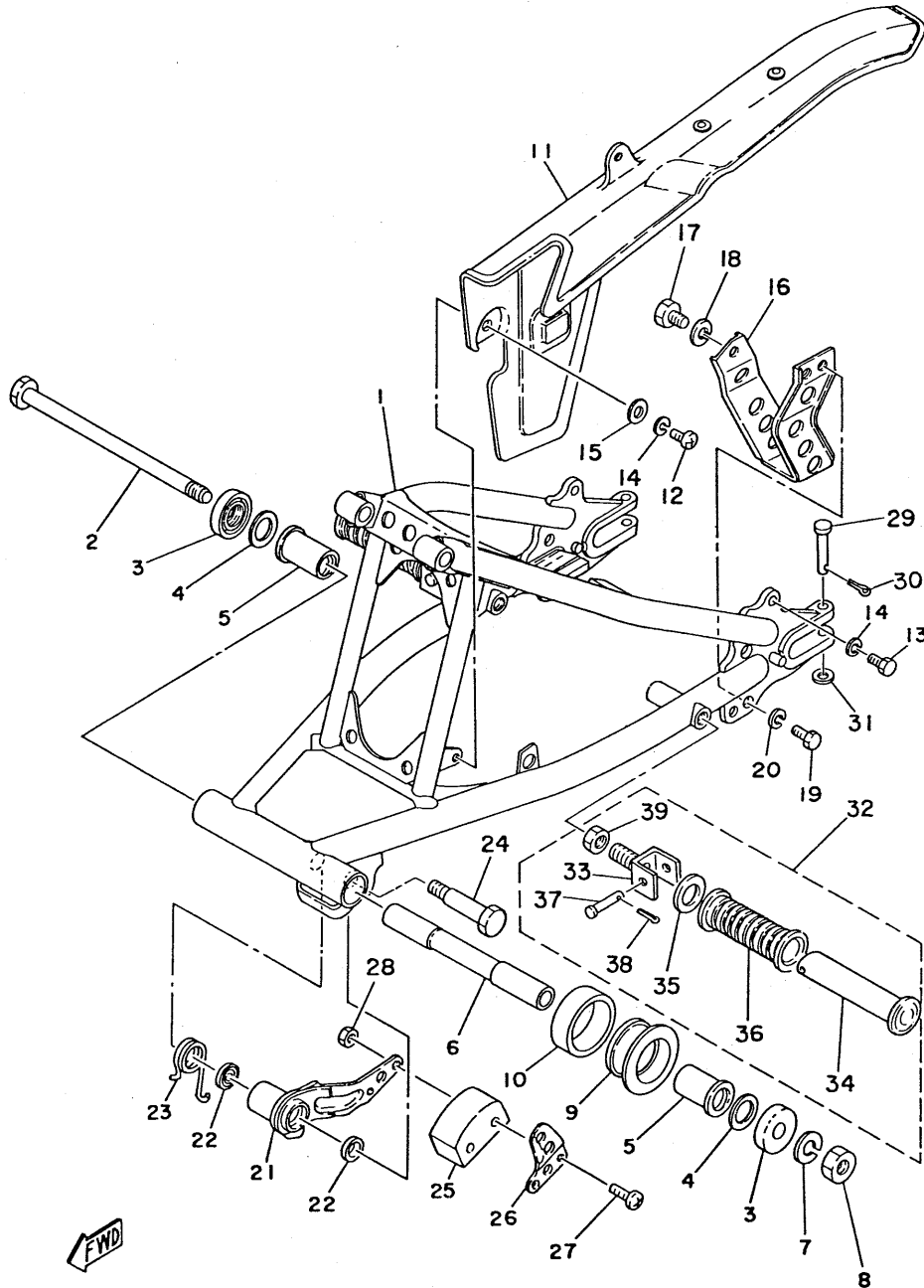
Ref.No.	Part No.	Description	Q'ty		Remarks
			125	175	
16- 1	2X1-21110-60-33	FRAME COMP.	1	1	Yamaha Black
2	2A6-21471-00-33	PROTECTOR, engine	1	1	Yamaha Black
3	97301-06012	BOLT	4	4	
4	92901-06600	WASHER, plate	4	4	
5	90105-08120	BOLT	1	1	
6	92901-08200	WASHER, plain	2	2	
7	90185-08054	NUT U	2	2	
8	90105-08099	BOLT	1	1	
9	92901-10100	WASHER, spring	1	1	
10	90105-10037	BOLT	1	1	
11	2X1-21711-00-98	COVER, side left	1	1	Clean White
	2A7-21711-10-01	COVER, side left	1	1	Sunshine Red
	2X1-21711-20-98	COVER, side left	1	1	French Blue
12	2X1-21721-00-98	COVER, side right	1	1	Clean White
	2A7-21721-10-01	COVER, side right	1	1	Sunshine Red
	2X1-21721-20-98	COVER, side right	1	1	French Blue
13	2X1-21786-00	EMBLEM, enduro	2		for Clean White
	2X1-21786-10	EMBLEM, enduro	2		for Sunshine Red, French Blue
	2X2-21786-00	EMBLEM, enduro	2		for Clean White
	2X2-21786-10	EMBLEM, enduro	2		for Sunshine Red, French Blue
14	3G8-21784-00	EMBLEM, side cover left	1	1	for Clean White
	2X1-21784-20	EMBLEM, side cover left	1	1	for Sunshine Red, French Blue
15	3G8-21785-00	EMBLEM, side cover right	1	1	for Clean White
	2X1-21785-20	EMBLEM, side cover right	1	1	for Sunshine Red, French Blue
16	90480-12053	GROMMET	6	6	
17	90502-09024	SPRING, conical	1	1	
18	2A6-23408-00	STEERING LOCK ASS'Y	1	1	
19	584-23484-01	CAP, handle lock	1	1	
20	90206-04003	WASHER, wave (214-23483-00)	1	1	
21	90269-04003	RIVET (214-23483-00)	1	1	
22	2A6-21308-00	HANGER, helmet	1	1	
23	92701-06018	SCREW, flathead	1	1	

Fig. 16 FRAME · SIDE COVER



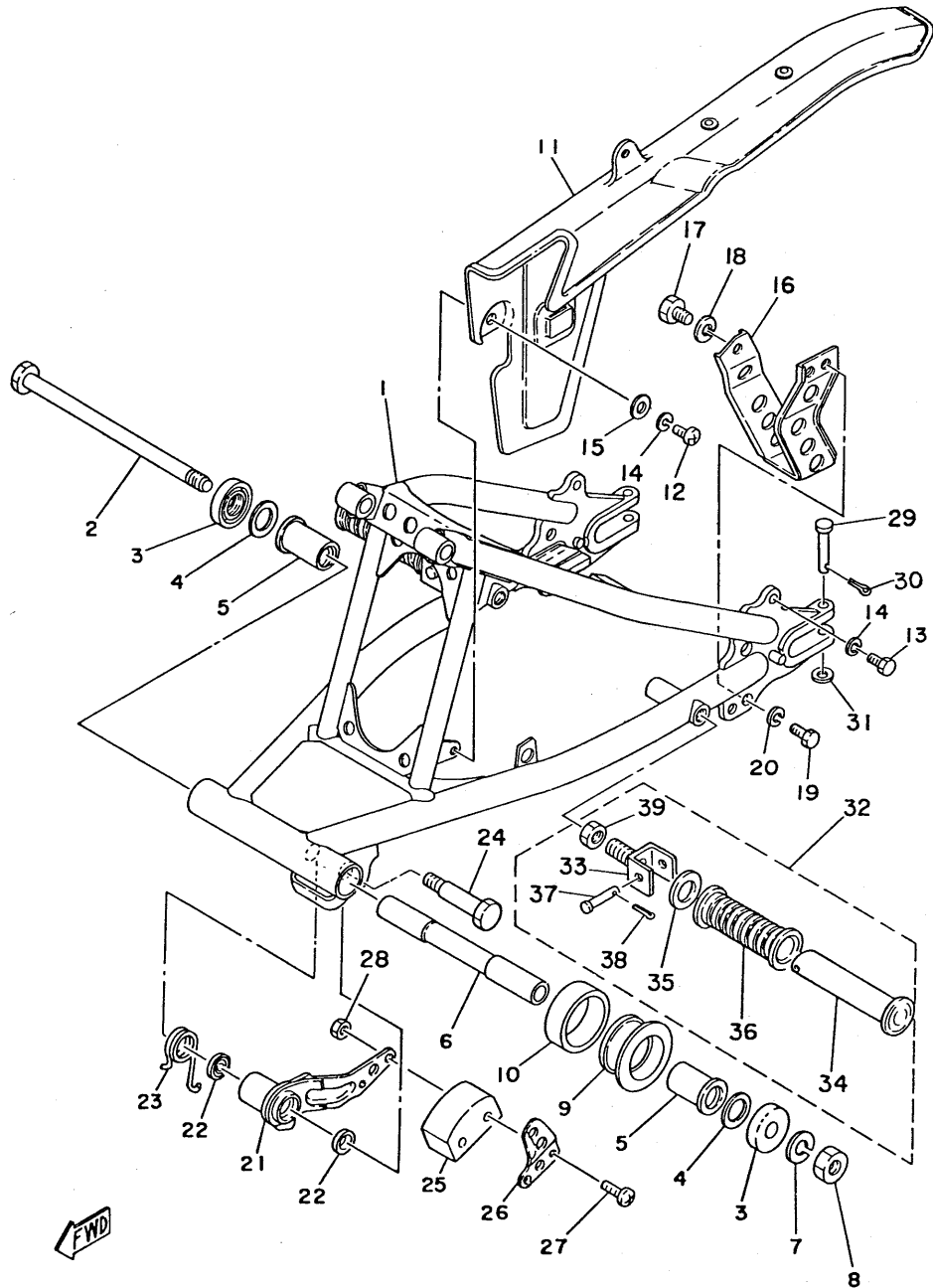
Ref.No.	Part No.	Description	Q'ty		Remarks
			125	175	
16-24	2A6-28100-10	TOOL ASS'Y	1	1	
25	90480-18171	GROMMET	1	1	

Fig. 17 REAR ARM · CHAIN CASE



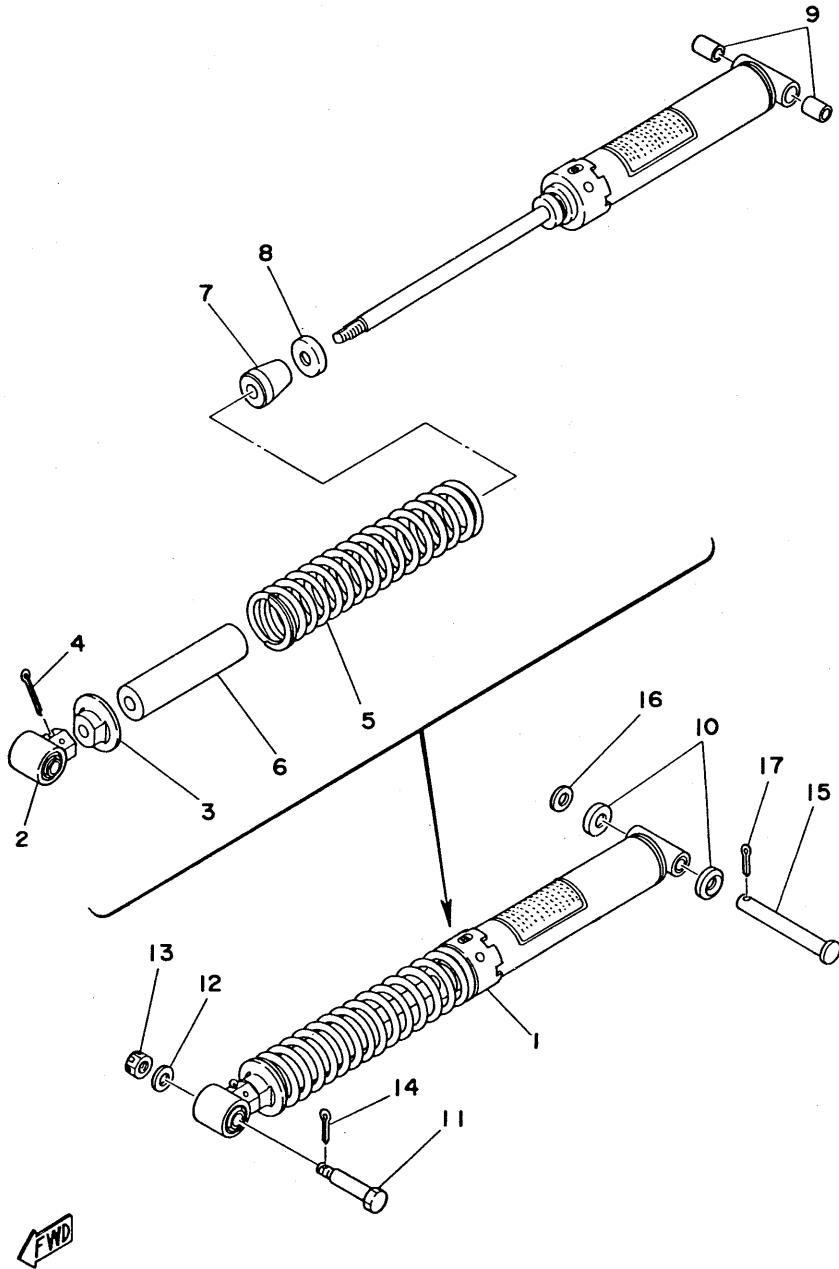
Ref.No.	Part No.	Description	Q'ty		Remarks
			125	175	
17- 1	2A6-22110-00-33	REAR ARM COMP.	1	1	Yamaha Black
2	2N4-22141-00	SHAFT, pivot	1	1	
3	401-22128-01	COVER, thrust	2	2	
4	401-22127-00	SHIM	U.N.	U.N.	
5	90386-18028	BUSHING 1 (401-22123-00)	2	2	
6	403-22124-00	BUSHING 2	1	1	
7	92901-12100	WASHER, spring	1	1	
8	90185-12046	NUT U	1	1	
9	2A6-22151-00	SEAL, guard 1	1	1	
10	2A6-22152-00	SEAL, guard 2	1	1	
11	2A6-22311-00-98	CASE, chain	1	1	Low Gloss Black
12	98501-05015	SCREW, panhead	2	2	
13	97301-05012	BOLT, hexagon	1	1	
14	92901-05100	WASHER, spring	3	3	
15	90201-05036	WASHER, plate	2	2	
16	2A6-22318-00	GUARD, chain	1	1	
17	97301-08012	BOLT, hexagon	1	1	
18	92901-08100	WASHER, spring	1	1	
19	97301-06016	BOLT, hexagon	2	2	
20	92901-06100	WASHER, spring	2	2	
21	2A6-22179-00	ARM, chain tensioner	1	1	
22	93104-14044	OIL SEAL (SO-14-20-3)	2	2	
23	90508-35350	SPRING, torsion	1	1	
24	90109-10483	BOLT	1	1	
25	2N0-22178-00	TENSIONER	1	1	
26	1W1-22187-00	GUIDE, chain	1	1	
27	98501-05035	SCREW, panhead	2	2	
28	95301-05700	NUT, hexagon	2	2	
29	91701-06042	PIN, clevis	2	2	
30	91401-20012	PIN, cotter	2	2	
31	92901-06600	WASHER, plate	2	2	
32	120-27430-02	REAR FOOTREST ASS'Y	2	2	
33	120-27432-02	BRACKET, rear footrest	2	2	

Fig. 17 REAR ARM · CHAIN CASE



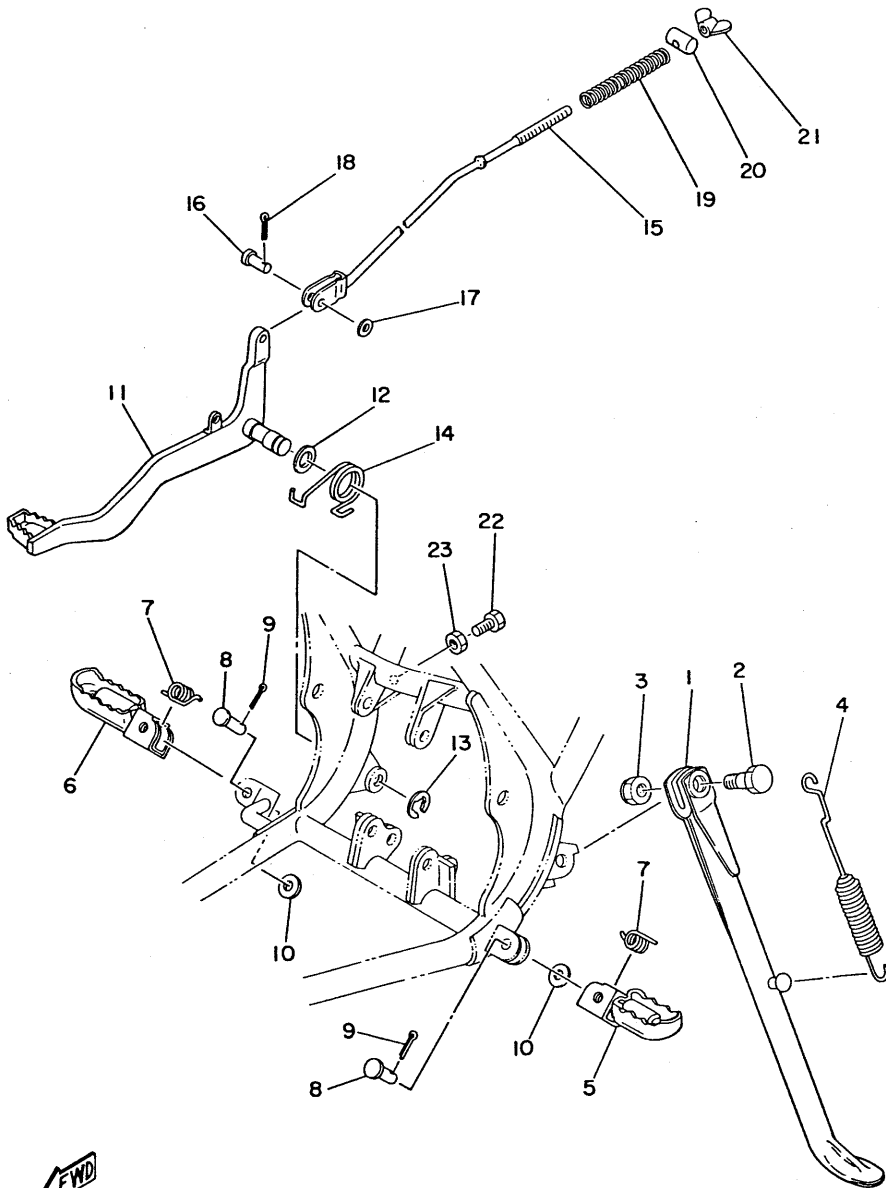
Ref.No.	Part No.	Description	Q'ty		Remarks
			125	175	
17-34	120-27433-00	. COVER, rear footrest	2	2	
35	90201-20279	. WASHER, plate	2	2	
36	120-27431-00	. FOOTREST, rear	2	2	
37	90240-06009	. PIN	2	2	
38	91401-16015	. PIN, cotter	2	2	
39	90170-12062	. NUT, hexagon	2	2	

Fig. 18 REAR CUSHION



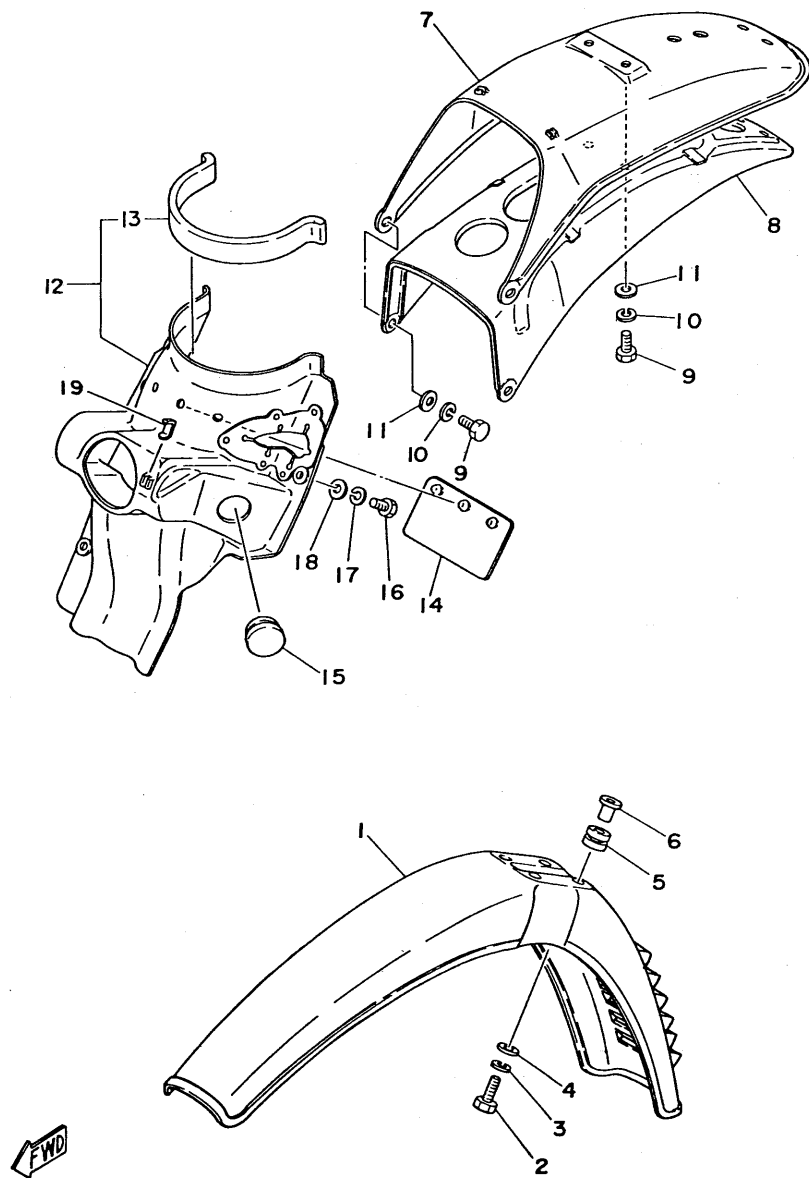
Ref.No.	Part No.	Description	Q'ty		Remarks
			125	175	
18- 1	2A6-22210-00	REAR CUSHION ASS'Y	1	1	
2	1M1-22219-01	. BRACKET, upper	1	1	
3	1M1-22213-01	. SEAT, spring upper	1	1	
4	91401-30040	. PIN, cotter	1	1	
5	90501-90484	. SPRING, compression	1	1	
6	1M1-22496-03	. SLEEVE, rod	1	1	
7	2A6-22493-00	. STOPPER, bump	1	1	
8	2A6-22482-00	. STOPPER	1	1	
9	90380-12051	. BUSHING	2	2	
10	483-22128-00	COVER, thrust	2	2	
11	90109-10453	BOLT	1	1	
12	92901-10200	WASHER, plain	1	1	
13	95302-10900	NUT, slotted	1	1	
14	91401-20025	PIN, cotter	1	1	
15	90240-12059	PIN, with hole	1	1	
16	92901-12600	WASHER, plate	1	1	
17	91401-30022	PIN, cotter	1	1	

Fig. 19 STAND · FOOTREST · BRAKE PEDAL



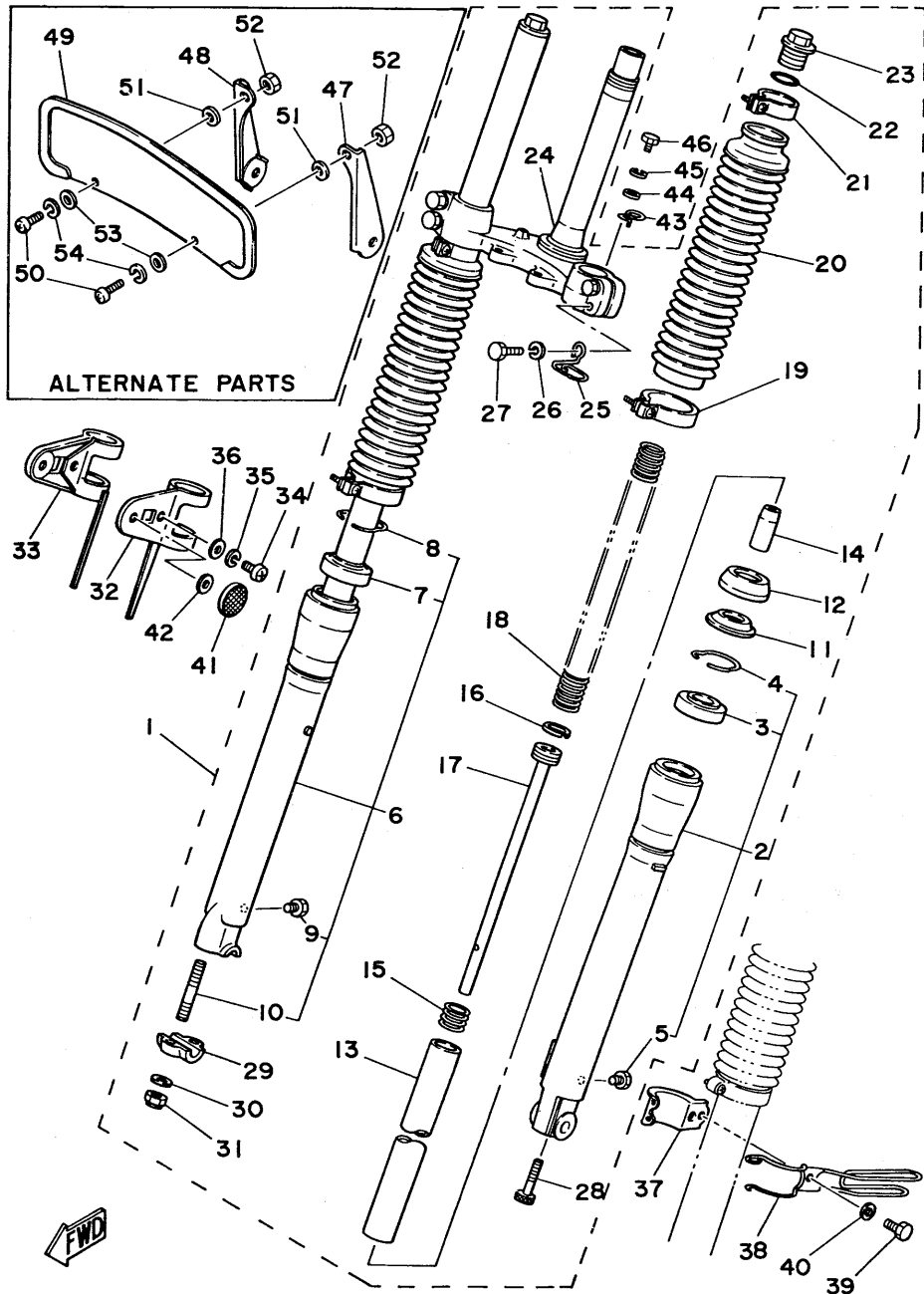
Ref.No.	Part No.	Description	Q'ty		Remarks
			125	175	
19- 1	1W1-27311-10	STAND, side	1	1	
2	90109-10473	BOLT	1	1	
3	90185-10037	NUT U	1	1	
4	90507-29008	SPRING, tension	1	1	
5	1M1-27411-02-33	FOOTREST, left	1	1	Yamaha Black
6	1M1-27421-02-33	FOOTREST, right	1	1	Yamaha Black
7	90508-20023	SPRING, torsion (214-27426-00)	2	2	
8	91701-08038	PIN, clevis	2	2	
9	91401-25012	PIN, cotter	2	2	
10	92901-08600	WASHER, plate	2	2	
11	2A6-27211-00-33	PEDAL, brake	1	1	Yamaha Black
12	90201-14212	WASHER, plate (611-44126-00)	1	1	
13	94340-10015	CIRCLIP	1	1	
14	90508-32354	SPRING, torsion	1	1	
15	1W2-27231-00	ROD, brake	1	1	
16	90240-06006	PIN, with hole (248-27228-00)	1	1	
17	92901-06200	WASHER, plain	1	1	
18	91401-25012	PIN, cotter	1	1	
19	90501-10245	SPRING, compression (180-27236-00)	1	1	
20	90249-12008	PIN (156-27237-00)	1	1	
21	90175-06013	NUT, wing	1	1	
22	97301-06020	BOLT, hexagon	1	1	
23	95301-06700	NUT, hexagon	1	1	

Fig. 20 FRONT FENDER · REAR FENDER



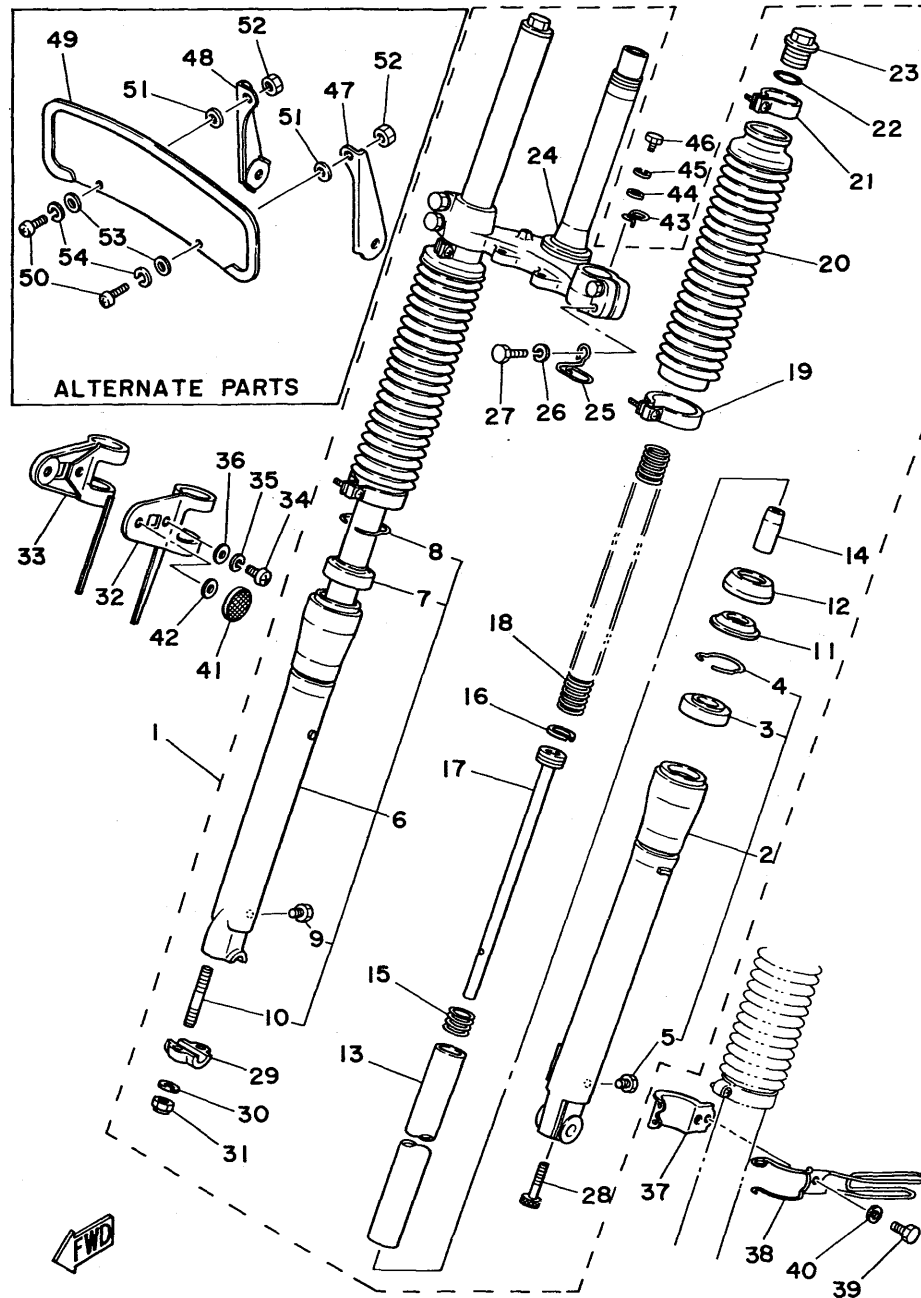
Ref.No.	Part No.	Description	Q'ty		Remarks
			125	175	
20- 1	2X1-21511-00	FENDER, front	1	1	Clean White
	2X1-21511-20	FENDER, front	1	1	Sunshine Red
	2X1-21511-30	FENDER, front	1	1	French Blue
2	97301-06025	BOLT, hexagon	4	4	
3	92901-06100	WASHER, spring	4	4	
4	90201-06067	WASHER, plate	4	4	
5	90480-14198	GROMMET	4	4	
6	90387-06388	COLLAR (322-21544-00)	4	4	
7	2A8-21611-80	FENDER, rear	1	1	Clean White
	2A8-21611-A0	FENDER, rear	1	1	Sunshine Red
	2X1-21611-00	FENDER, rear	1	1	French Blue
8	2A6-21617-00	REINFORCEMENT, rear fender	1	1	
9	97301-06016	BOLT, hexagon	4	4	
10	92901-06100	WASHER, spring	4	4	
11	92901-06600	WASHER, plate	4	4	
12	2A6-21620-02	MUD GUARD COMP.	1		
	2A7-21620-02	MUD GUARD COMP.		1	
13	2A6-21639-00	DAMPER	1	1	
14	1M1-21621-00	FLAP	1	1	
15	90480-01245	GROMMET	2	2	
16	97301-06016	BOLT, hexagon	3	3	
17	92901-06100	WASHER, spring	3	3	
18	90201-06067	WASHER, plate	3	3	
19	2A6-21637-00	CLAMP, wire	1	1	

Fig. 21 FRONT FORK



Ref.No.	Part No.	Description	Q'ty		Remarks
			125	175	
21- 1	2A6-23101-00	FRONT FORK ASS'Y	1	1	
2	2A6-23126-00-38	. TUBE, outer left	1	1	
3	2A6-23145-00	. . OIL SEAL	1	1	
4	2A6-23156-00	. . CLIP, oil seal	1	1	
5	2A6-23119-00	. . BOLT, drain	1	1	
6	2A6-23136-00-38	. TUBE, outer right	1	1	
7	2A6-23145-00	. . OIL SEAL	1	1	
8	2A6-23156-00	. . CLIP, oil seal	1	1	
9	2A6-23119-00	. . BOLT, drain	1	1	
10	90116-08260	. . BOLT, stud	1	1	
11	2A6-23144-00	. SEAL, dust	2	2	
12	2A6-23193-00	. GUIDE, boot	2	2	
13	2A6-23124-00	. TUBE, inner	2	2	
14	1L9-23166-00	. TAPER, spindle	2	2	
15	2A6-23151-00	. SPRING, rebound	2	2	
16	2A6-23157-00	. RING, piston	2	2	
17	2A6-23170-00	. CYLINDER COMP., front fork	2	2	
18	2A6-23141-00	. SPRING, front fork	2	2	
19	2A6-23489-01	. BAND, boot B	2	2	
20	2A6-23191-00	. BOOT	2	2	
21	2A6-23192-01	. BAND, boot A	2	2	
22	2A6-23147-00	. O-RING (2.8-19.4)	2	2	
23	2A6-23111-00	. BOLT, cap	2	2	
24	2A6-23340-00-33	. UNDER BRACKET COMP.	1	1	Yamaha Black
25	2A6-23317-00	. CLIP	1	1	
26	92901-08100	. WASHER, spring	4	4	
27	2A6-23346-00	. BOLT	4	4	
28	1E7-23181-00	. BOLT	2	2	
29	2A6-23167-01	. HOLDER, axle	1	1	
30	92901-08600	. WASHER, plate	2	2	
31	90185-08054	. NUT, U	2	2	
32	2A6-84118-00	STAY, head lamp 1	1	1	
33	2A6-84119-00	STAY, head lamp 2	1	1	

Fig. 21 FRONT FORK



Ref.No.	Part No.	Description	Q'ty		Remarks
			125	175	
21-34	92501-06020	SCREW, panhead	2	2	
35	92901-06100	WASHER, spring	2	2	
36	92901-06600	WASHER, plate	2	2	
37	2A6-23319-00	HOLDER, wire 2	1	1	
38	2A6-23318-00	HOLDER, wire 1	1	1	
39	97301-06020	BOLT, hexagon	1	1	
40	92901-06600	WASHER, plate	1	1	
41	355-85111-00	REFLECTOR	2	2	
42	90430-06012	GASKET (620-13168-00)	2	2	
43	2A6-83595-00	CLAMP	1	1	
44	92901-06600	WASHER, plate	1	1	
45	92901-06100	WASHER, spring	1	1	
46	97301-06012	BOLT, hexagon	1	1	

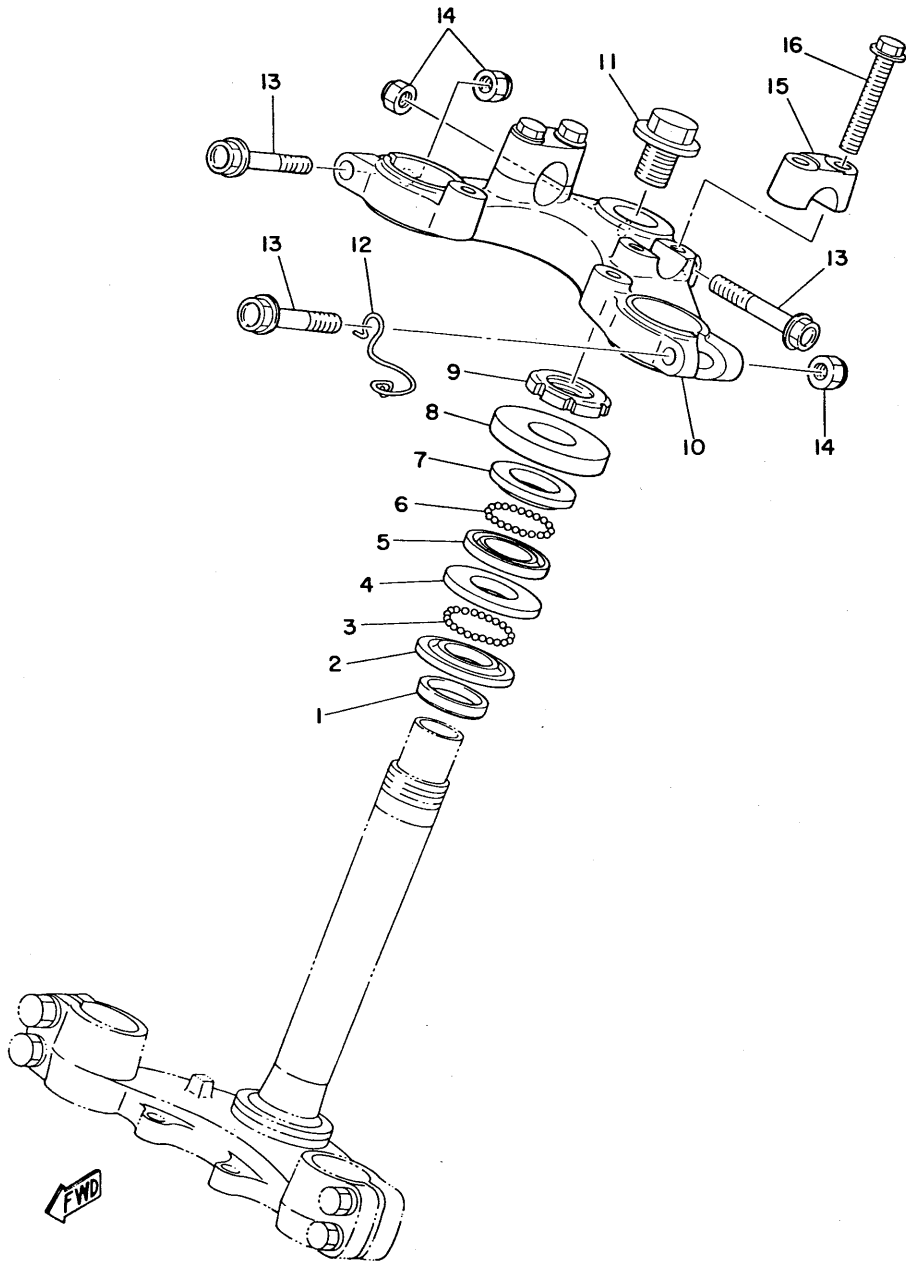
ALTERNATE PARTS

47	2G3-21581-00	PLATE, fitting 1	1	1	
48	2G3-21591-00	PLATE, fitting 2	1	1	
49	317-21582-80	PLATE, licence	1	1	
50	92501-06016	SCREW, panhead	2	2	
51	90201-06067	WASHER, plate	2	2	
52	95301-06600	NUT, hexagon	2	2	
53	92901-06600	WASHER, plate	2	2	
54	92901-06100	WASHER, spring	2	2	

OPTIONAL PARTS

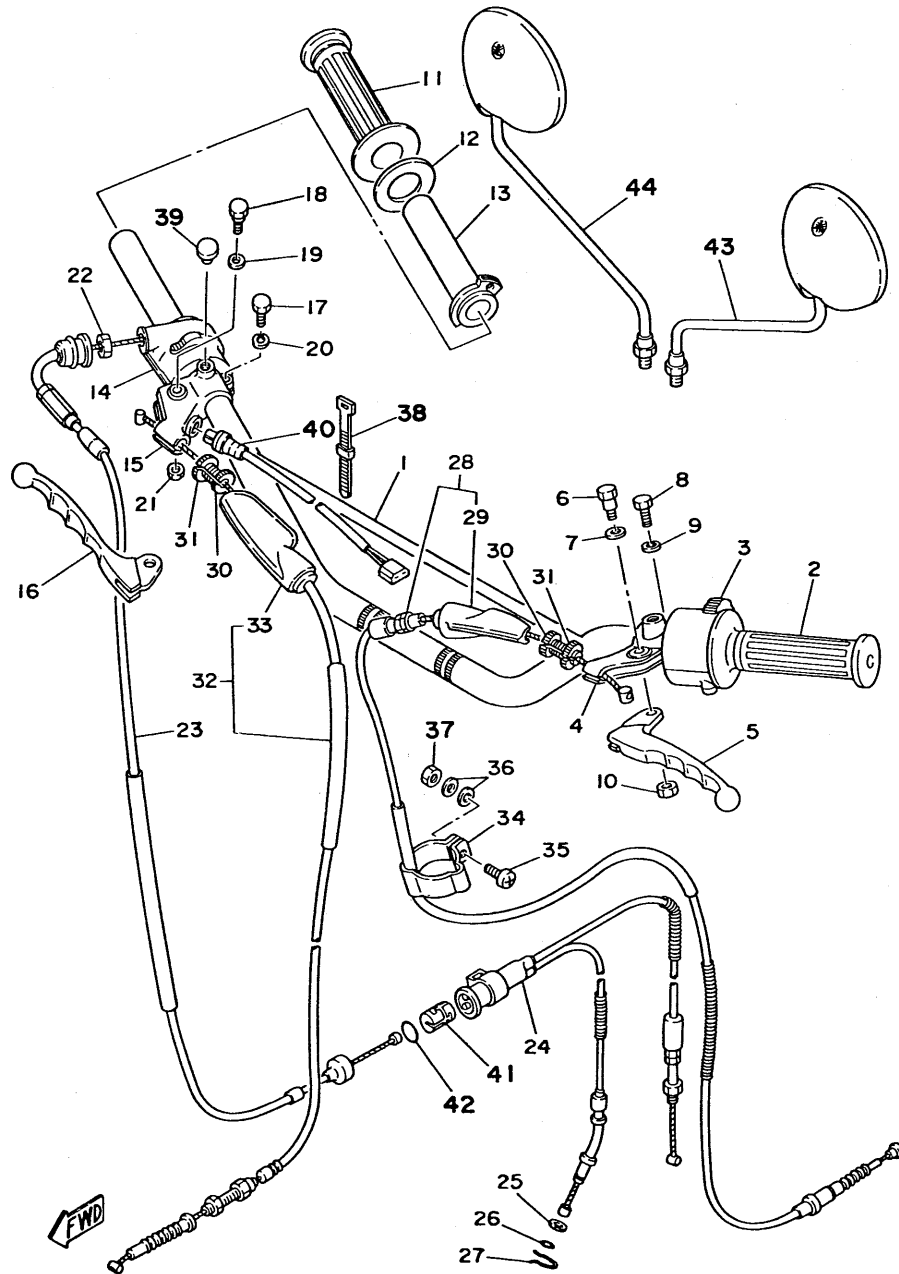
1	2A6-23101-M0	FRONT FORK ASS'Y	1	1	
2	2A8-23126-00	. TUBE, outer left	1	1	
6	2A8-23136-00	. TUBE, outer right	1	1	
11	2A8-23144-00	. SEAL, dust	2	2	

Fig. 22 STEERING



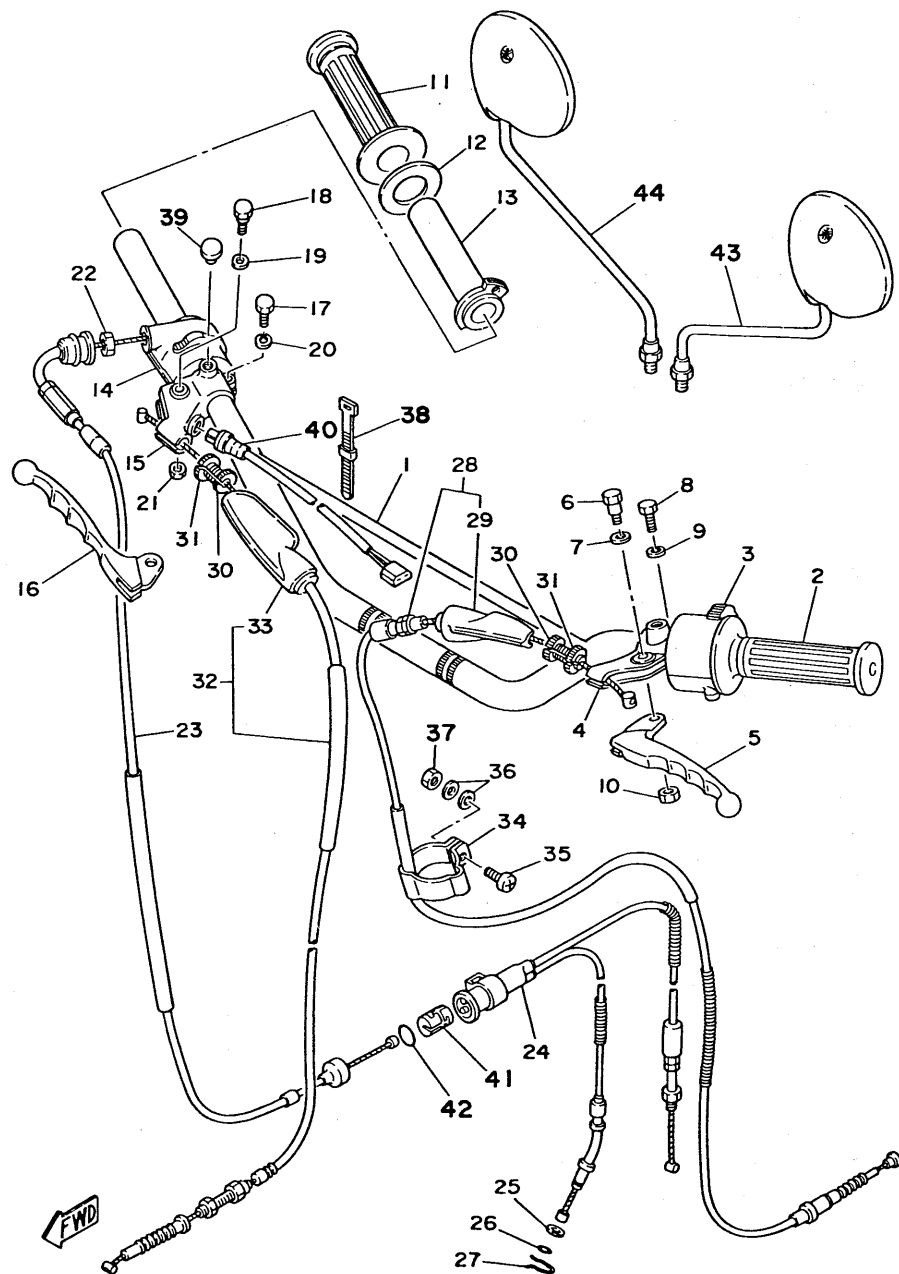
Ref.No.	Part No.	Description	Q'ty		Remarks
			125	175	
22- 1	164-23462-00	SEAL, dust	1	1	
2	156-23411-00	RACE, ball 1	1	1	
3	93501-04011	BALL (1/4 inch)	19	19	
4	156-23412-00	RACE, ball 2	1	1	
5	122-23412-00	RACE, ball 2	1	1	
6	93503-16010	BALL (3/16 inch)	22	22	
7	122-23411-00	RACE, ball 1	1	1	
8	583-23416-01	COVER, ball race	1	1	
9	90179-25033	NUT (137-23454-00)	1	1	
10	2A6-23435-00-98	CROWN, handle	1	1	Low Gloss Black
11	90105-14060	BOLT, steering fitting	1	1	
12	90468-20082	CLIP	1	1	
13	95811-08055	BOLT, flange	3	3	
14	90185-08054	NUT, selflocking	3	3	
15	1E6-23441-00	HOLDER, handle upper	2	2	
16	95821-08035	BOLT, flange	4	4	

Fig. 23 HANDLE · WIRE



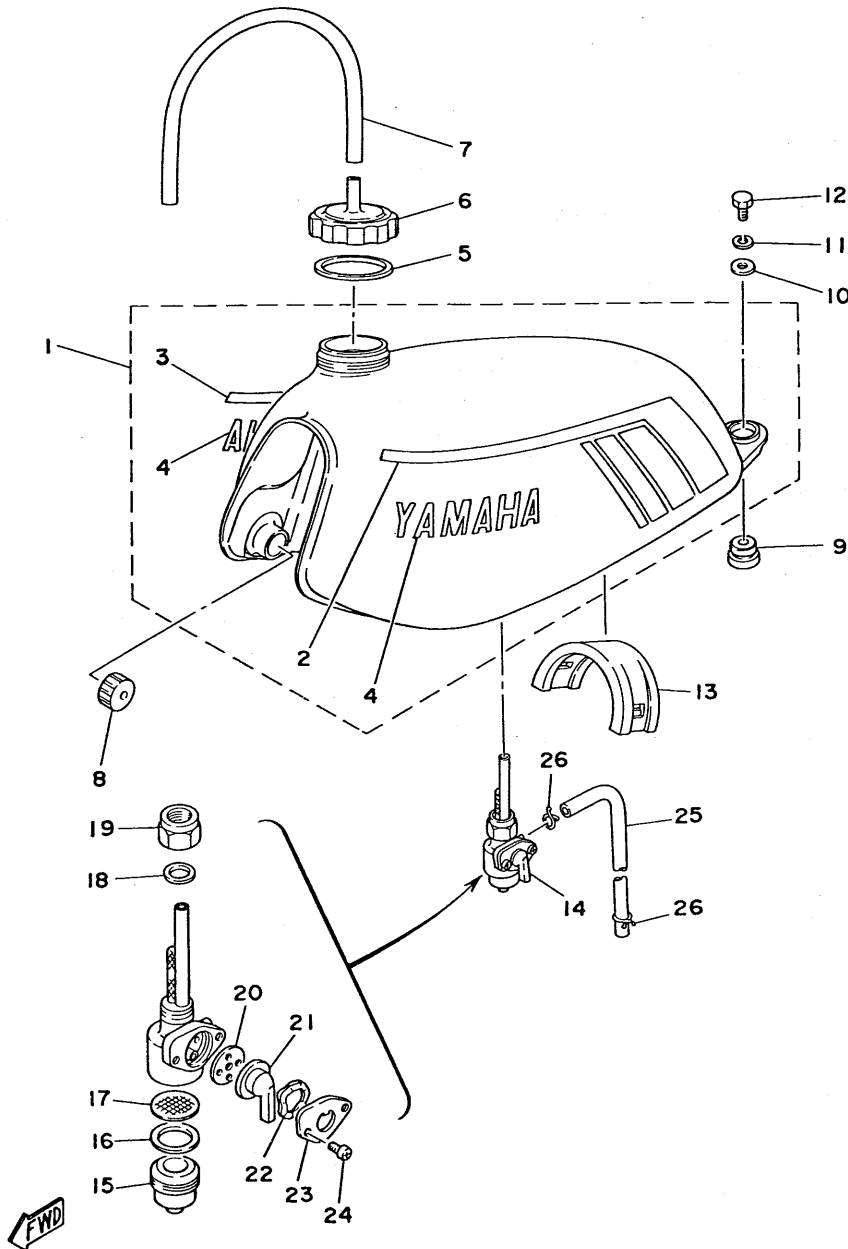
Ref.No.	Part No.	Description	Q'ty		Remarks
			125	175	
23- 1	2A6-26111-00	HANDLE	1	1	
2	1E6-26241-00	GRIP, left	1	1	
3	1T2-83972-00	SWITCH, handle 4	1	1	
4	498-82911-00	HOLDER, lever left	1	1	
5	2H0-83912-20	LEVER, left	1	1	
6	90109-06410	BOLT	1	1	
7	90201-08083	WASHER, plate (156-27226-00)	1	1	
8	97301-06022	BOLT	1	1	
9	92901-06100	WASHER, spring	1	1	
10	95601-06100	NUT U	1	1	
11	1A0-26242-01	GRIP, right	1	1	
12	1M1-26249-01	RING, leaf	1	1	
13	434-26243-00	TUBE, guide	1	1	
14	437-83976-03	SWITCH, handle 1	1	1	
15	361-82921-31	HOLDER, lever right	1	1	
16	2H0-83922-20	LEVER, right	1	1	
17	97301-06022	BOLT, hexagon	1	1	
18	90109-06410	BOLT	1	1	
19	90201-08083	WASHER, plate (156-27226-00)	1	1	
20	92901-06100	WASHER, spring	1	1	
21	95601-06100	NUT U	1	1	
22	90170-10038	NUT, hexagon (169-26251-00)	1	1	
23	2A6-26311-00	WIRE, throttle 1 (690mm)	1	1	
24	2A6-26312-00	WIRE, throttle 2 (165mm)	1	1	
25	92901-08600	WASHER, plate	1	1	
26	93210-07100	O-RING	1	1	
27	90468-08086	CIRCLIP	1	1	
28	2A6-26335-01	WIRE, clutch (985mm)	1	1	
29	382-26372-01	. COVER, lever	1	1	
30	90123-08046	BOLT, wire adjusting	2	2	
31	90179-08148	NUT (168-26344-00)	2	2	
32	2A6-26341-01	WIRE, brake (1165mm)	1	1	
33	498-26372-00	. COVER, lever	1	1	

Fig. 23 HANDLE · WIRE



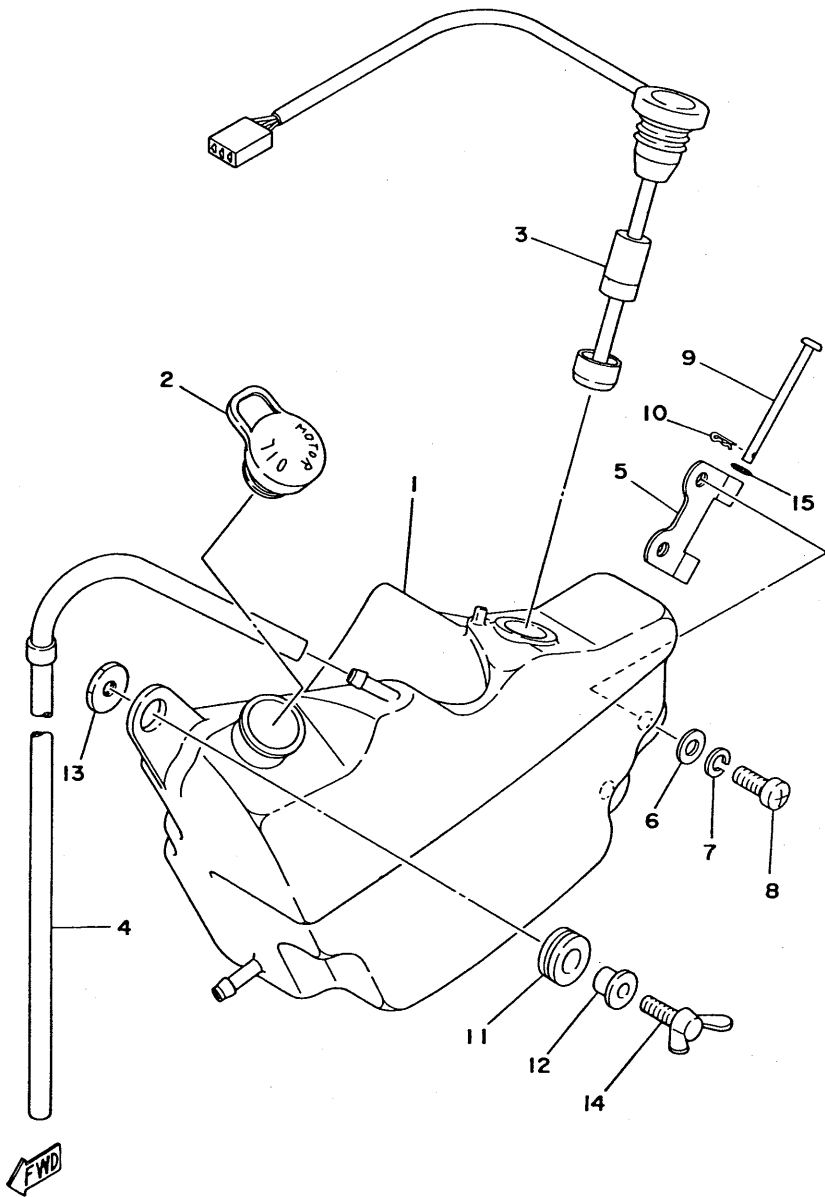
Ref.No.	Part No.	Description	Q'ty		Remarks
			125	175	
23-34	2A6-26397-00	CLAMP	1	1	
35	98501-05018	SCREW, panhead	1	1	
36	92901-05600	WASHER, plate	2	2	
37	95301-05600	NUT, hexagon	1	1	
38	437-83936-00	BAND, switch cord	6	6	
39	90338-09012	PLUG (341-26329-00)	1	1	
40	1M1-83980-30	FRONT STOP SWITCH ASS'Y	1	1	
41	1M1-26263-00	PIECE, connecting	1	1	
42	93210-10118	O-RING	1	1	
43	1Y1-26290-10	BACK MIRROR ASS'Y, left	1	1	
	1Y1-26290-30	BACK MIRROR ASS'Y, left	1	1	Flat Mirror
44	1Y1-26290-00	BACK MIRROR ASS'Y, right	1	1	Optional Parts
	1Y1-26290-40	BACK MIRROR ASS'Y, right	1	1	Optional Parts Flat Mirror

Fig. 24 FUEL TANK



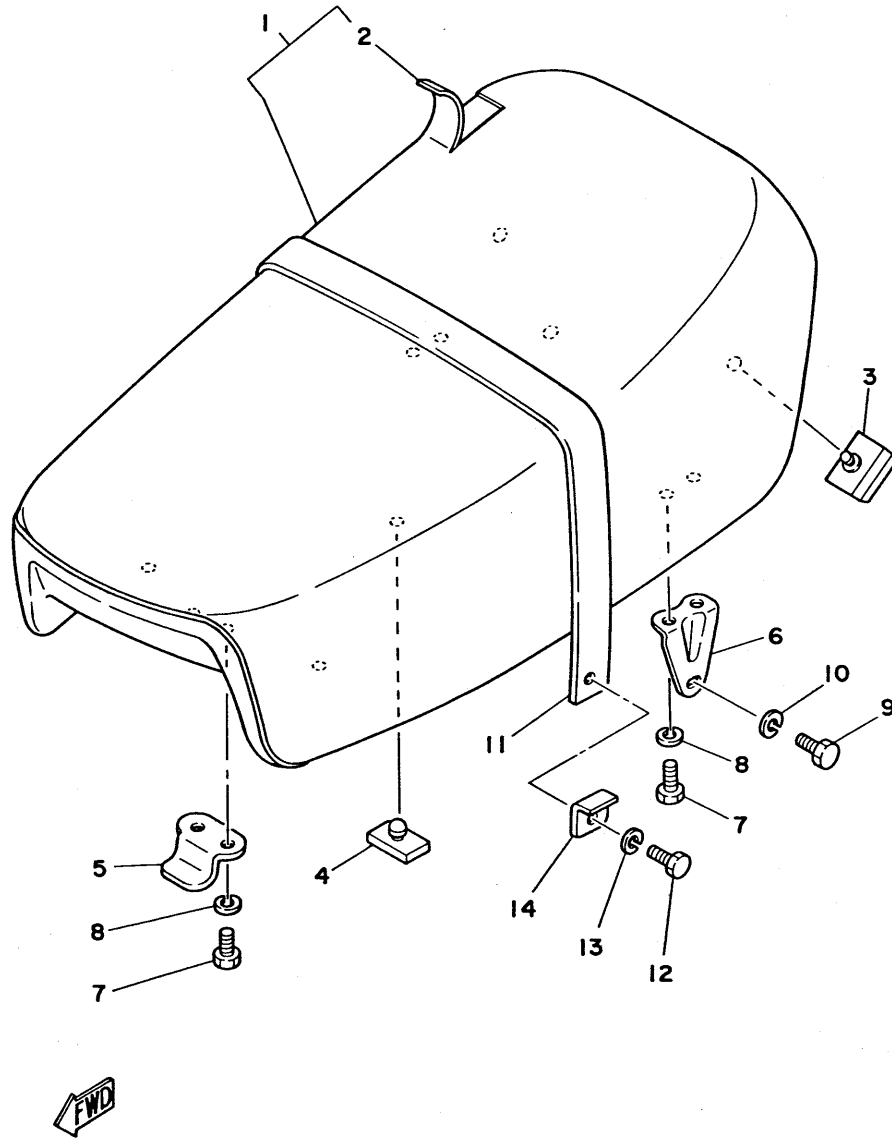
Ref.No.	Part No.	Description	Q'ty		Remarks
			125	175	
24- 1	2A6-24110-00-X7	FUEL TANK COMP.	1	1	Clean White
	2A6-24110-00-X5	FUEL TANK COMP.	1	1	Sunshine Red
	2A6-24110-00-X6	FUEL TANK COMP.	1	1	French Blue
2	3A6-24244-00	. GRAPHIC, fuel tank left	1		for Clean White
	2X1-24244-20	. GRAPHIC, fuel tank left		1	for Sunshine Red, French Blue
3	3A6-24245-00	. GRAPHIC, fuel tank right	1		for Clean White
	2X1-24245-20	. GRAPHIC, fuel tank right		1	for Sunshine Red, French Blue
4	554-24161-00	. EMBLEM, yamaha	2	2	for Clean White
	1X0-24161-00	. EMBLEM, yamaha	2	2	for Sunshine Red, French Blue
5	1W1-24612-00	PACKING CAP	1	1	
6	2A6-24611-00	BODY, cap	1	1	
7	90445-09115	HOSE (5-500)	1	1	
8	278-24181-00	DAMPER, locating 1	2	2	
9	2A6-24181-00	DAMPER, locating 1	2	2	
10	90201-06067	WASHER, plate	2	2	
11	92901-06100	WASHER, spring	2	2	
12	97301-06012	BOLT, hexagon	2	2	
13	2A6-24182-00	DAMPER, locating 2	1	1	
14	304-24500-05	FUEL COCK ASS'Y	1	1	
15	132-24521-00	. CUP, filter	1	1	
16	132-24522-00	. GASKET, filter	1	1	
17	304-24515-00	. NET, filter	1	1	
18	434-24532-00	. GASKET, nut	1	1	
19	132-24531-00	. NUT	1	1	
20	137-24523-00	. VALVE	1	1	
21	447-24524-00	. LEVER, cock	1	1	
22	132-24518-00	. WASHER, wave	1	1	
23	447-24525-00	. PLATE, lever fitting	1	1	
24	98501-03006	. SCREW, panhead	2	2	
25	90445-09086	HOSE (5-170)	1	1	
26	90467-08003	CLIP (101-24356-00)	2	2	

Fig. 25 OIL TANK



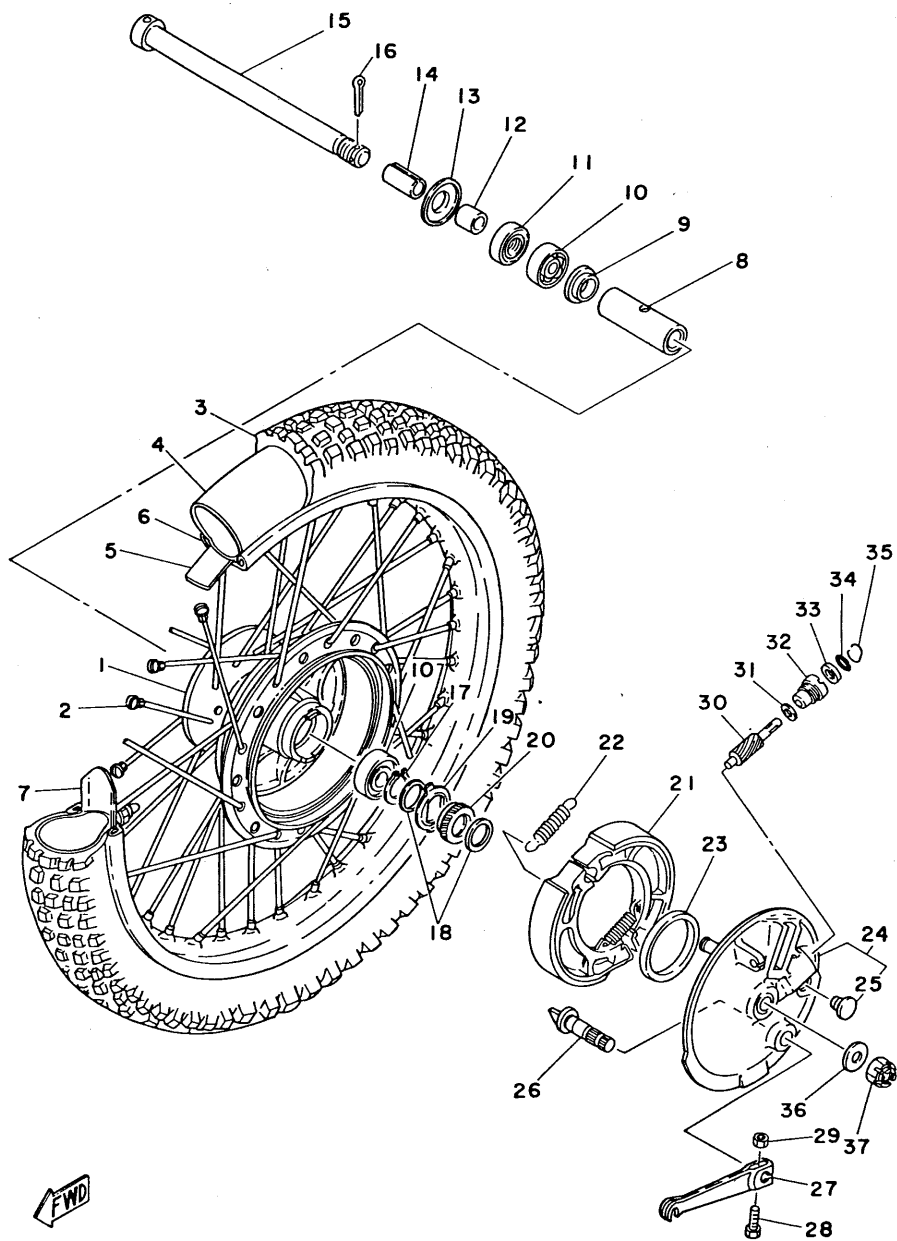
Ref.No.	Part No.	Description	Q'ty		Remarks
			125	175	
25- 1	2A6-21751-00	TANK, oil	1	1	
2	1T9-21771-00	BODY, cap	1	1	
3	1A0-85720-03	OIL LEVEL GAUGE ASS'Y	1	1	
4	90445-09361	HOSE (5-545)	1	1	
5	2A6-21796-00	HINGE, oil tank	1	1	
6	90201-06067	WASHER, plate	2	2	
7	92901-06100	WASHER, spring	2	2	
8	92501-06016	SCREW, panhead	2	2	
9	91701-05050	PIN, clevis	1	1	
10	90468-10050	CLIP (156-83525-00)	1	1	
11	90480-14102	GROMMET (214-21717-00)	1	1	
12	90387-07391	COLLAR (437-21633-00)	1	1	
13	90179-06013	NUT, wing	1	1	
14	90122-06001	BOLT, wing	1	1	
15	93210-04122	O-RING	1	1	

Fig. 26 SEAT



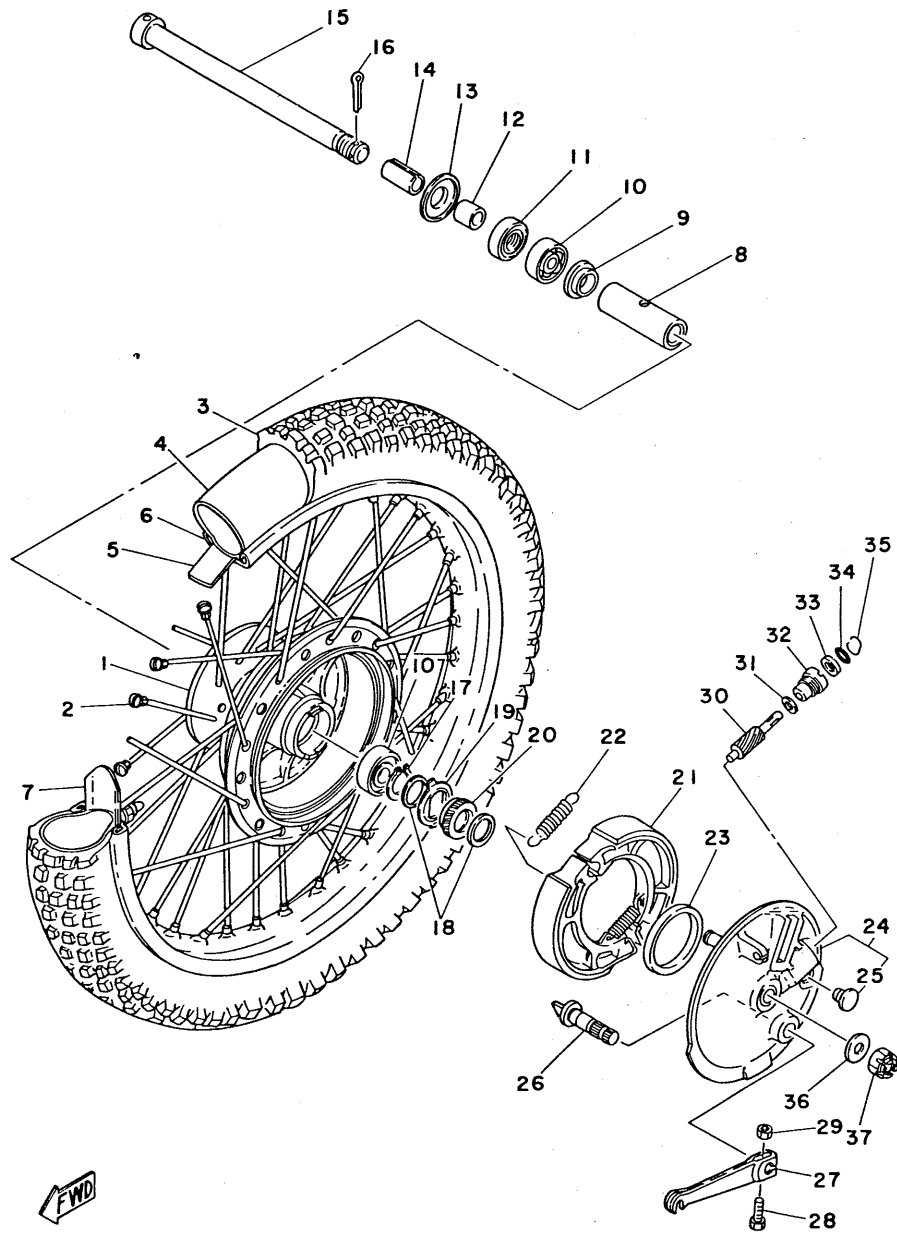
Ref.No.	Part No.	Description	Q'ty		Remarks
			125	175	
26- 1	2A6-24770-00	SEMI DOUBLE SEAT ASS'Y	1	1	
2	2A6-24771-00	. COVER, semi double seat	1	1	
3	509-24724-00	DAMPER, seat 1	4	4	
4	214-24724-00	DAMPER, seat 2	2	2	
5	1M1-24748-00	BRACKET, seat front	1	1	
6	2A6-24738-00	BRACKET, seat rear	2	2	
7	97301-06012	BOLT, hexagon	6	6	
8	92901-06100	WASHER, spring	6	6	
9	97301-08012	BOLT, hexagon	2	2	
10	92901-08100	WASHER, spring	2	2	
11	2A6-24734-00	BAND	1	1	
12	97301-08020	BOLT, hexagon	2	2	
13	92901-08100	WASHER, spring	2	2	
14	2A8-24736-00	WASHER	2	2	

Fig. 27 FRONT WHEEL



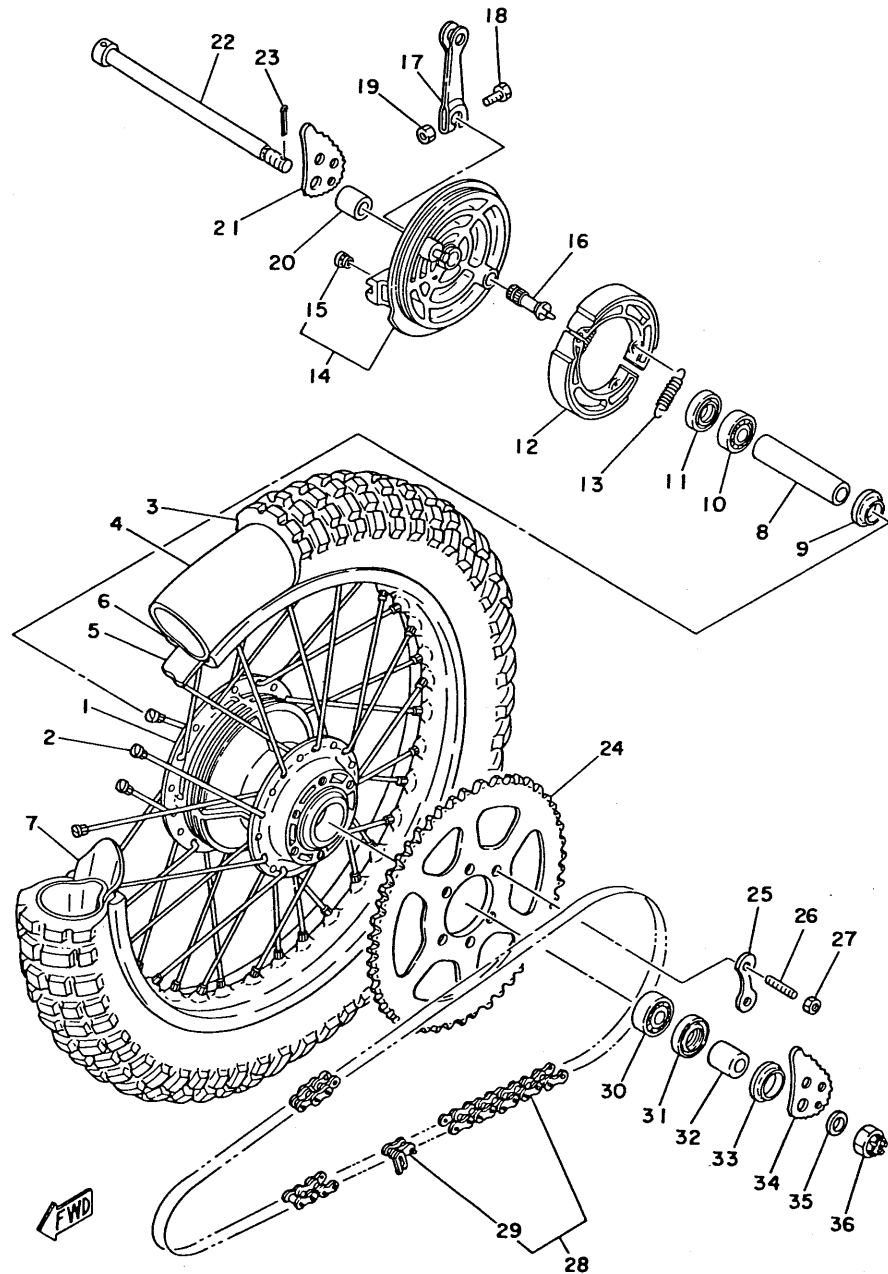
Ref.No.	Part No.	Description	Q'ty		Remarks
			125	175	
27- 1	2A6-25111-00-98	HUB, front	1	1	Low Gloss Black
2	2A6-25104-00	SPOKE SET	1s	1s	
3	94127-21273	TIRE, front (2.75-21-4PR)	1	1	
4	94227-21123	TUBE, front (2.75-21)	1	1	
5	94330-21084	BAND, rim (3.00-21)	1	1	
6	94416-21206	RIM, front (1.60-21)	1	1	
7	1T1-25194-00	SPACER, bead	1	1	
8	90560-12138	SPACER, bearing (183-25117-00)	1	1	
9	109-25315-00	FLANGE, spacer	1	1	
10	93306-30102	BEARING (B6301)	2	2	
11	93102-18008	OIL SEAL (SD-18-37-8)	1	1	
12	90387-12095	COLLAR	1	1	
13	2K5-25118-00	COVER, hub dust	1	1	
14	90387-12100	COLLAR (315-25186-00)	1	1	
15	401-25181-01	SHAFT, wheel	1	1	
16	91401-30022	PIN, cotter	1	1	
17	93410-20009	CIRCLIP (S-20)	1	1	
18	90201-20269	WASHER, plate (183-25147-00)	2	2	
19	183-25149-00	CLUTCH, meter	1	1	
20	248-25135-10	GEAR, drive	1	1	
21	437-25330-00	BRAKE SHOE COMP.	2	2	
22	90506-16036	SPRING, tension (183-25333-00)	2	2	
23	93105-47007	OIL SEAL (SDD-47-58-7)	1	1	
24	2A6-25016-00-98	BRAKE SHOE PLATE ASS'Y	1	1	Low Gloss Black
25	90480-10068	GROMMET	1	1	
26	248-25351-00	CAM, shaft	1	1	
27	2N6-25155-00	LEVER, camshaft	1	1	
28	90101-06278	BOLT, hexagon	1	1	
29	95301-06600	NUT, hexagon	1	1	
30	248-25138-10	GEAR, meter	1	1	
31	90201-07076	WASHER, plate (183-25146-00)	1	1	
32	109-25136-00	BUSHING	1	1	
33	93104-07003	OIL SEAL (SO-7-14-4)	1	1	

Fig. 27 FRONT WHEEL



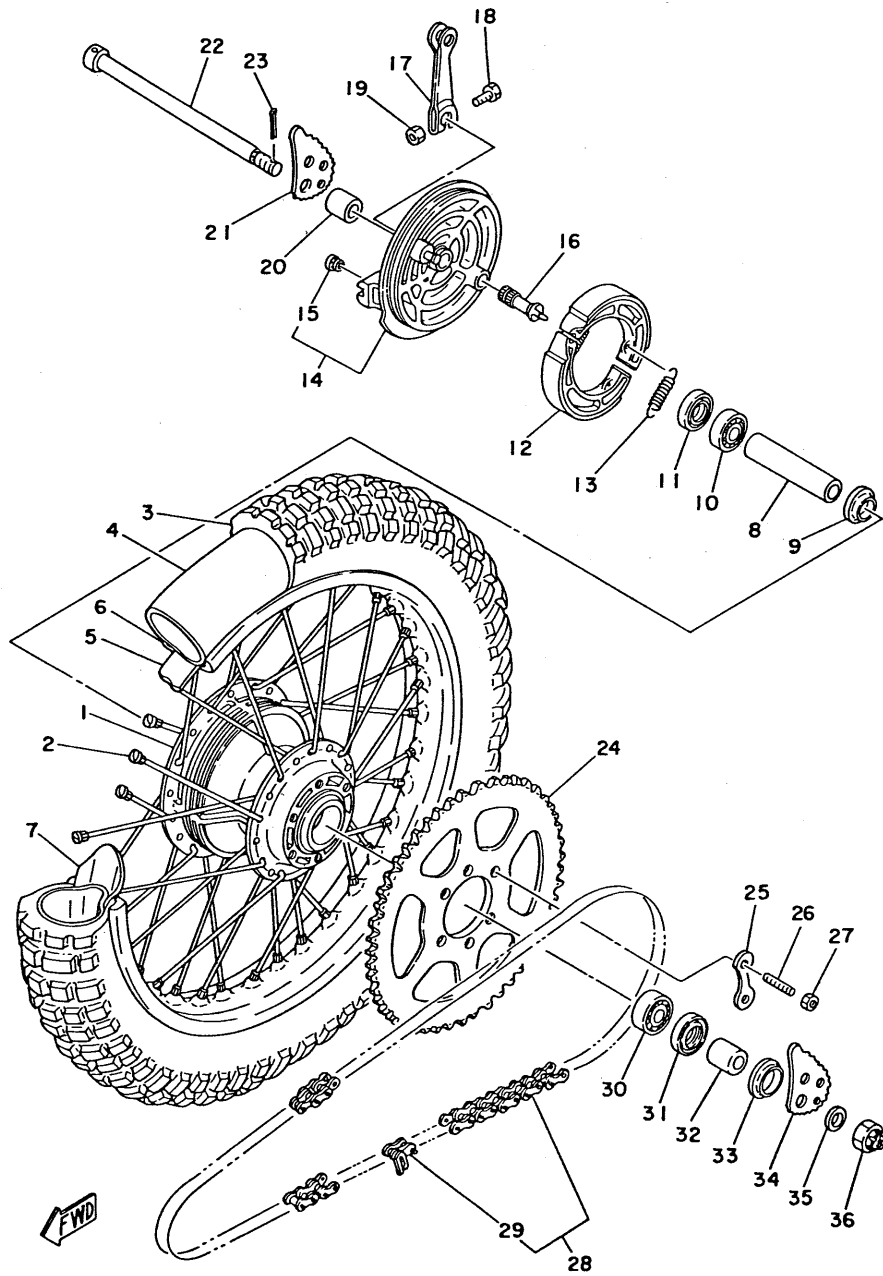
Ref.No.	Part No.	Description	Qty		Remarks
			125	175	
27-34	93210-14104	O-RING (2.4-13.8)	1	1	
35	102-25137-00	RING, stop	1	1	
36	92901-12200	WASHER, plain	1	1	
37	90171-12005	NUT, castle	1	1	

Fig. 28 REAR WHEEL



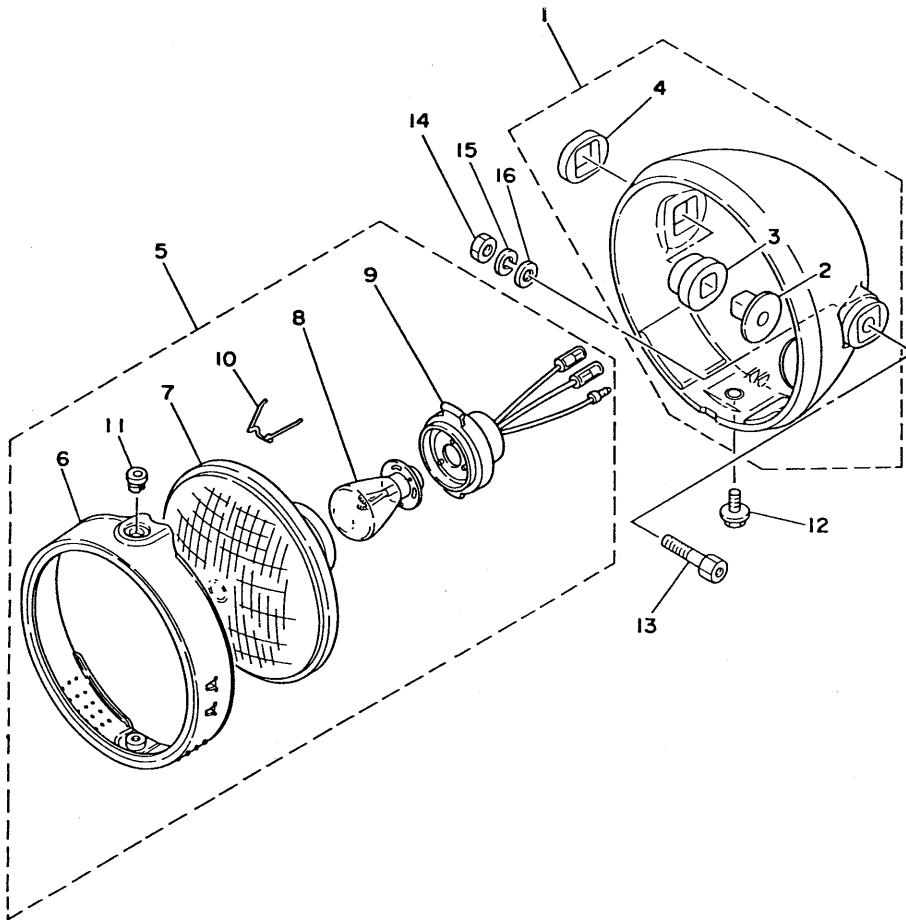
Ref.No.	Part No.	Description	Q'ty		Remarks
			125	175	
28- 1	1W1-25311-00-98	HUB, rear	1	1	Low Gloss Black
2	401-25304-10	SPOKE SET	1s	1s	
3	94135-18274	TIRE, rear (3.50-18-4PR)	1	1	
4	94232-18119	TUBE, rear (3.25-18)	1	1	
5	94330-18087	BAND, rim (3.00-18)	1	1	
6	94418-18171	RIM, rear (1.80-18)	1	1	
7	1T2-25394-00	SPACER, bead	1	1	
8	248-25317-00	SPACER, bearing	1	1	
9	148-25115-00	FLANGE, spacer	1	1	
10	93306-20204	BEARING (B6202Z)	1	1	
11	93104-22018	OIL SEAL (SO-22-35-5)	1	1	
12	437-25330-00	BRAKE SHOE COMP.	2	2	
13	90506-16036	SPRING, tension (183-25333-00)	2	2	
14	2A6-25026-00-98	BRAKE SHOE PLATE ASS'Y	1	1	Low Gloss Black
15	90480-10068	. GROMMET	1	1	
16	2A6-25351-01	CAMSHAFT	1	1	
17	1E2-25155-00	LEVER, camshaft	1	1	
18	90101-06278	BOLT, hexagon	1	1	
19	95301-06600	NUT, hexagon	1	1	
20	90387-15524	COLLAR	1	1	
21	1W2-25389-01	PULLER, chain right	1	1	
22	2A6-25381-00	SHAFT, wheel	1	1	
23	91401-30030	PIN, cotter	1	1	
24	2A6-25449-10	GEAR, sprocket wheel (49T)	1	1	
25	1G8-25412-00	WASHER, lock	3	3	
26	90116-10221	BOLT, stud	6	6	
27	90170-10219	NUT, hexagon	6	6	
28	94580-14118	CHAIN (DID 428HM-118L)	1		
	94580-15118	CHAIN (DID 428DSM-118L)		1	
29	94624-28001	. JOINT, chain	1		
	94680-15001	. JOINT, chain		1	
30	93306-30203	BEARING (B6302Z)	1	1	
31	93106-26005	OIL SEAL (DD-26-42-8)	1	1	

Fig. 28 REAR WHEEL



Ref.No.	Part No.	Description	Q'ty		Remarks
			125	175	
28-32	90387-15524	COLLAR (15-26-22)	1	1	
33	401-25367-00	COVER, dust	1	1	
34	1W2-25388-01	PULLER, chain left	1	1	
35	90201-15238	WASHER, plate	1	1	
36	90171-14020	NUT, castle (214-15182-01)	1	1	

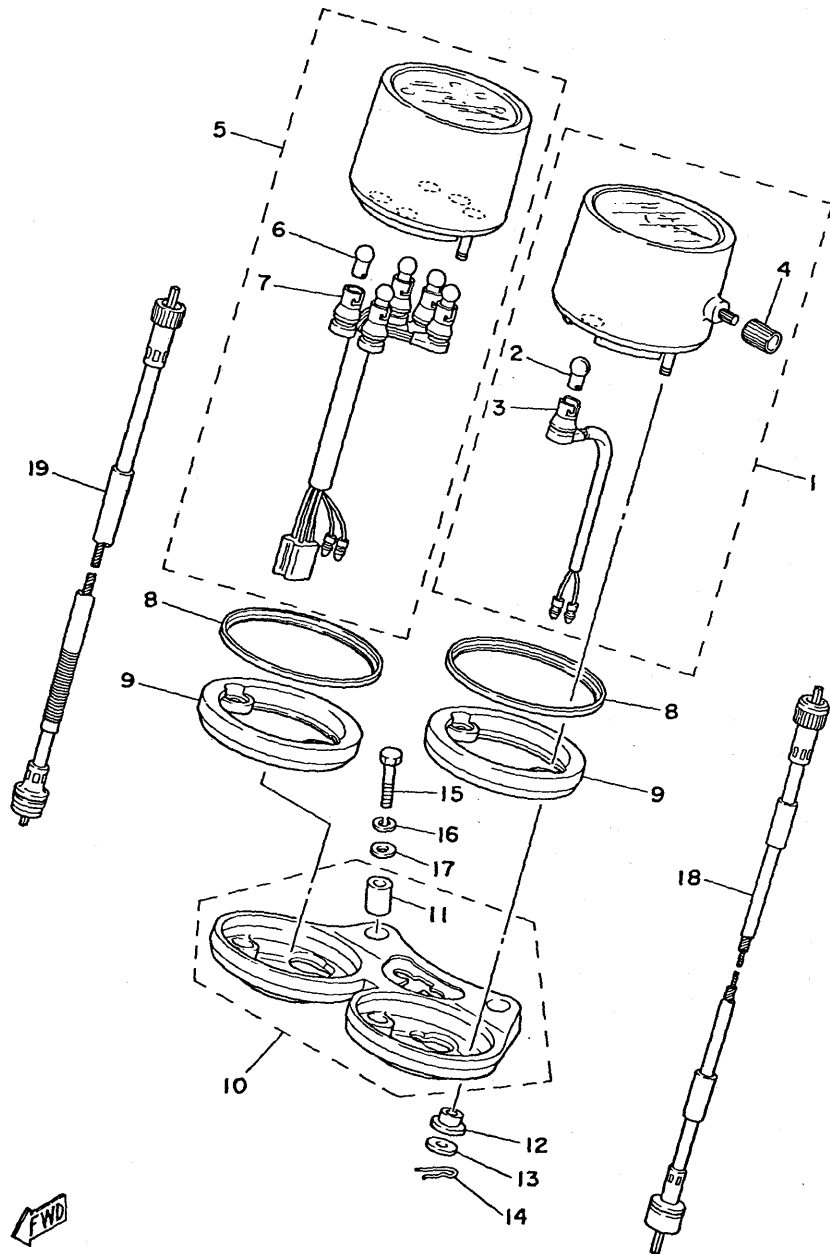
Fig. 29 HEAD LAMP



Ref.No.	Part No.	Description	Q'ty		Remarks
			125	175	
29- 1	1M1-84130-60-98	HEAD LAMP BODY ASS'Y	1	1	Low Gloss Black
2	498-84145-60	. COLLAR	2	2	
3	498-84163-60	. BUSHING	2	2	
4	1M1-84164-60	. BUSHING	2	2	
5	1M1-84110-70	HEAD LAMP UNIT ASS'Y	1	1	
6	1M1-84195-61	. RING, retaining	1	1	
7	1M1-84120-70	. LENS ASS'Y	1	1	
8	214-84114-60	. BULB (6V-35/35W)	1	1	
9	421-84312-30	. SOCKET CORD ASS'Y	1	1	
10	148-84324-00	. SPRING, reflector set	3	3	
11	1M1-84133-60	. COLLAR	1	1	
12	1M1-84137-60	BOLT, hexagon	1	1	
13	90109-08448	BOLT	2	2	
14	95301-08600	NUT, hexagon	2	2	
15	92901-08100	WASHER, spring	2	2	
16	92901-08200	WASHER, plain	2	2	

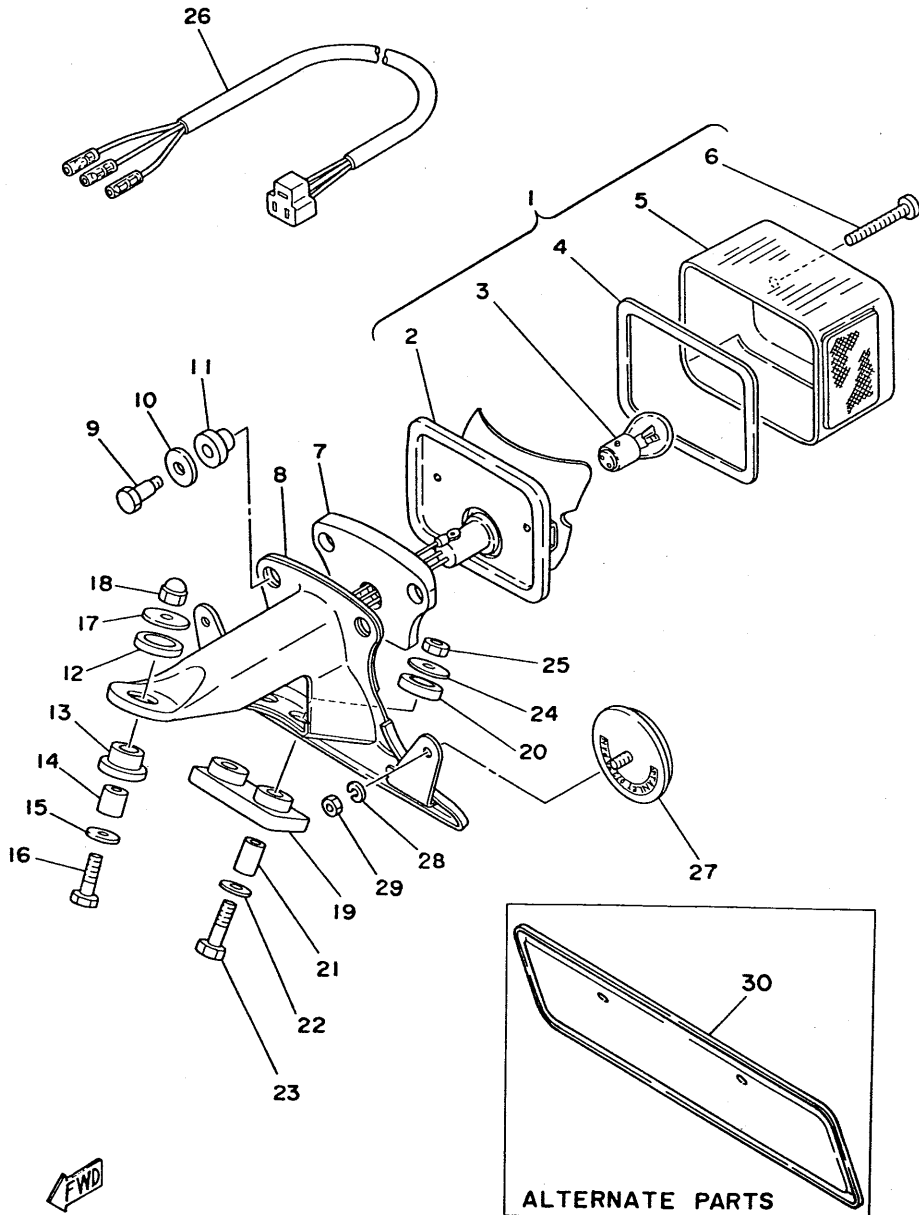


Fig. 30 SPEEDOMETER · TACHOMETER



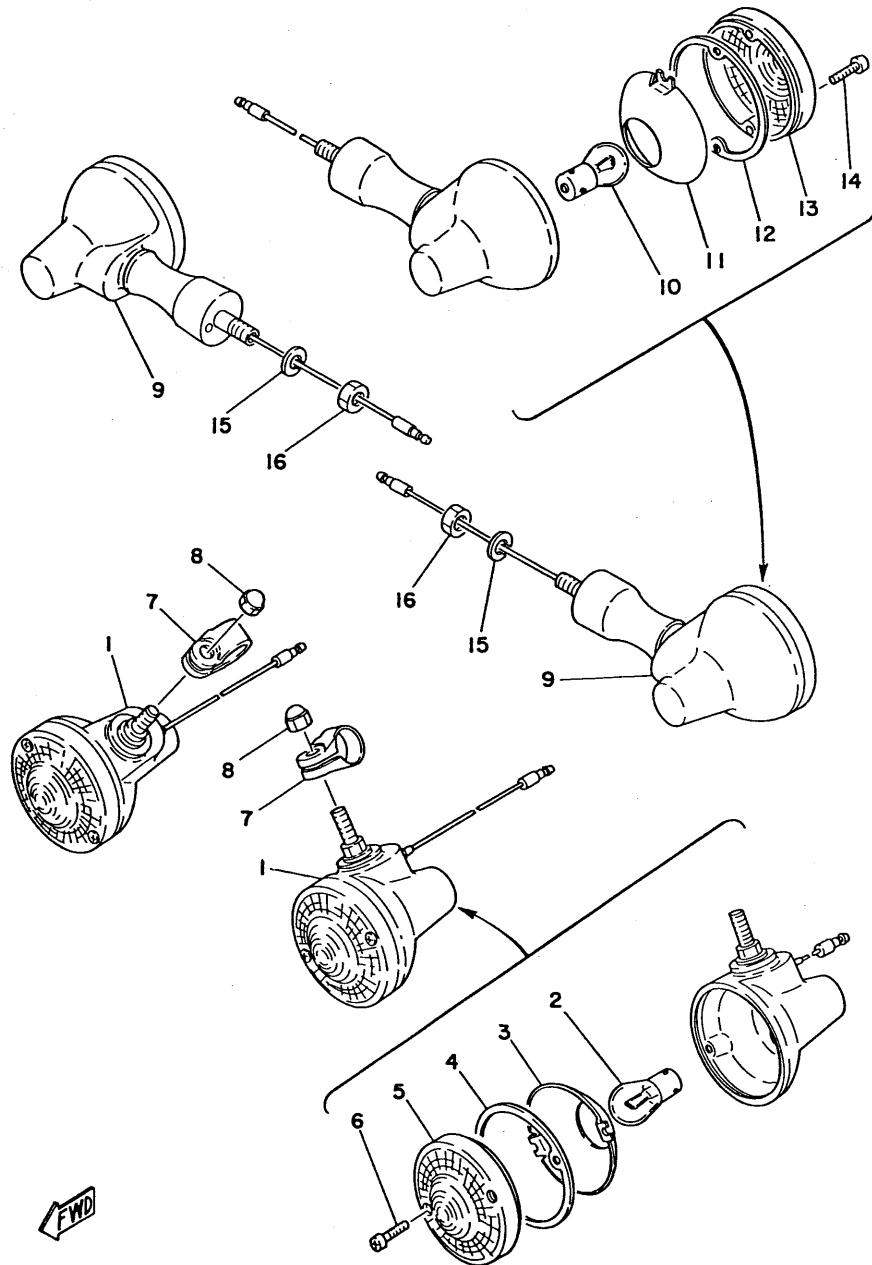
Ref.No.	Part No.	Description	Q'ty		Remarks
			125	175	
30- 1	2X1-83570-F0	SPEEDOMETER ASS'Y	1	1	Km/h
	2N4-83570-A0	SPEEDOMETER ASS'Y	1	1	Mile/h
2	122-83516-10	. BULB (6V-3W)	1	1	
3	1V1-83536-00	. SOCKET CORD ASS'Y	1	1	
4	1E6-83578-60	. KNOB	1	1	
5	2X1-83540-F0	TACHOMETER ASS'Y	1	1	
6	122-83516-10	. BULB (6V-3W)	5	5	
7	2A6-83520-00	. SOCKET CORD ASS'Y	1	1	
8	2A6-83506-00	RING, meter cover	2	2	
9	2A6-83513-00	DAMPER	2	2	
10	2A6-83519-00	BRACKET, meter	1	1	
11	90385-06001	. BUSHING	2	2	
12	1M1-83526-00	DAMPER, meter	4	4	
13	90201-05033	WASHER, meter fitting	4	4	
14	90468-12007	CLIP	4	4	
15	97301-06030	BOLT, hexagon	2	2	
16	92901-06100	WASHER, spring	2	2	
17	92901-06600	WASHER, plate	2	2	
18	2A6-83550-01	SPEEDOMETER CABLE ASS'Y	1	1	
19	2A6-83560-00	TACHOMETER CABLE ASS'Y	1	1	

Fig. 31 TAIL LAMP



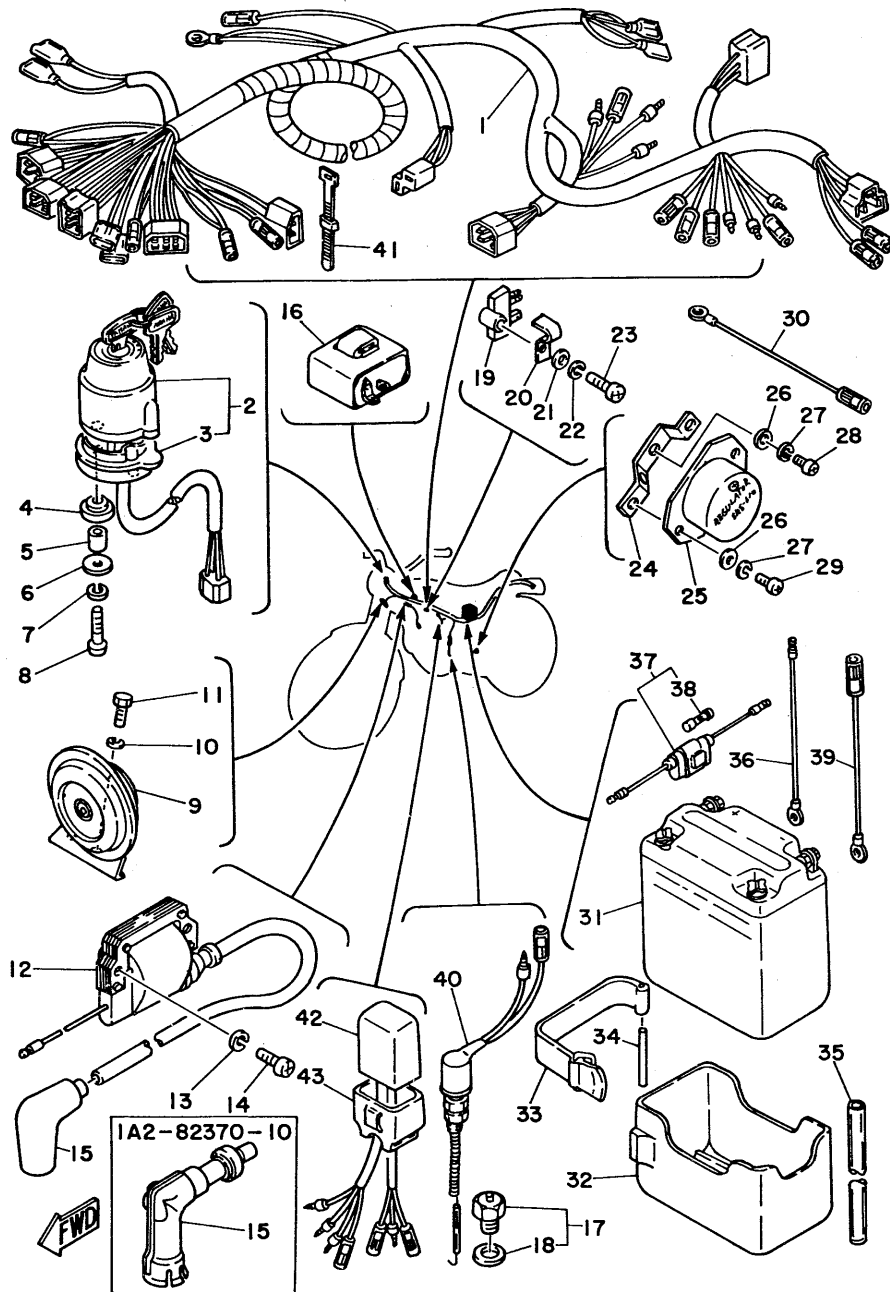
Ref.No.	Part No.	Description	Q'ty		Remarks
			125	175	
31- 1	1M1-84510-60	TAIL LAMP UNIT ASS'Y	1	1	
2	1M1-84511-60	. BASE, tail lamp	1	1	
3	1M1-84514-60	. BULB, tail lamp (6V-32/3CP)	1	1	
4	1M1-84523-60	. GASKET, tail lamp	1	1	
5	1M1-84521-60	. LENS, tail lamp	1	1	
6	1M1-84524-60	. SCREW, lens fitting	2	2	
7	1M1-84512-60	SEAT, base	1	1	
8	2G3-84551-70-33	BRACKET, licence	1	1	Yamaha Black
9	1M1-84526-60	SCREW	2	2	
10	437-84525-60	WASHER, special	2	2	
11	1M1-84527-60	DAMPER	2	2	
12	1M1-84553-10	DAMPER	1	1	
13	1M1-84553-20	DAMPER	1	1	
14	90387-06553	COLLAR (6.5-10.5-16)	1	1	
15	92901-06600	WASHER, plate	1	1	
16	97301-06025	BOLT, hexagon	1	1	
17	90201-06074	WASHER, plate (248-21757-00)	1	1	
18	95301-06800	NUT, crown	1	1	
19	1M1-84553-00	DAMPER	1	1	
20	1M1-84553-10	DAMPER	2	2	
21	90387-06554	COLLAR (6.5-10.5-20.5)	2	2	
22	90201-06067	WASHER, plate	2	2	
23	97301-06035	BOLT, hexagon	2	2	
24	90201-06074	WASHER, plate (248-21757-00)	2	2	
25	95301-06600	NUT, hexagon	2	2	
26	1M1-84517-00	CORD, tail lamp	1	1	
27	449-85131-01	REFLECTOR	2	2	
28	92903-05100	WASHER, spring	2	2	
29	95303-05600	NUT, hexagon	2	2	
ALTERNATE PARTS					
30	202-21681-00	PLATE, licence	1	1	

Fig. 32 FLASHER LAMP



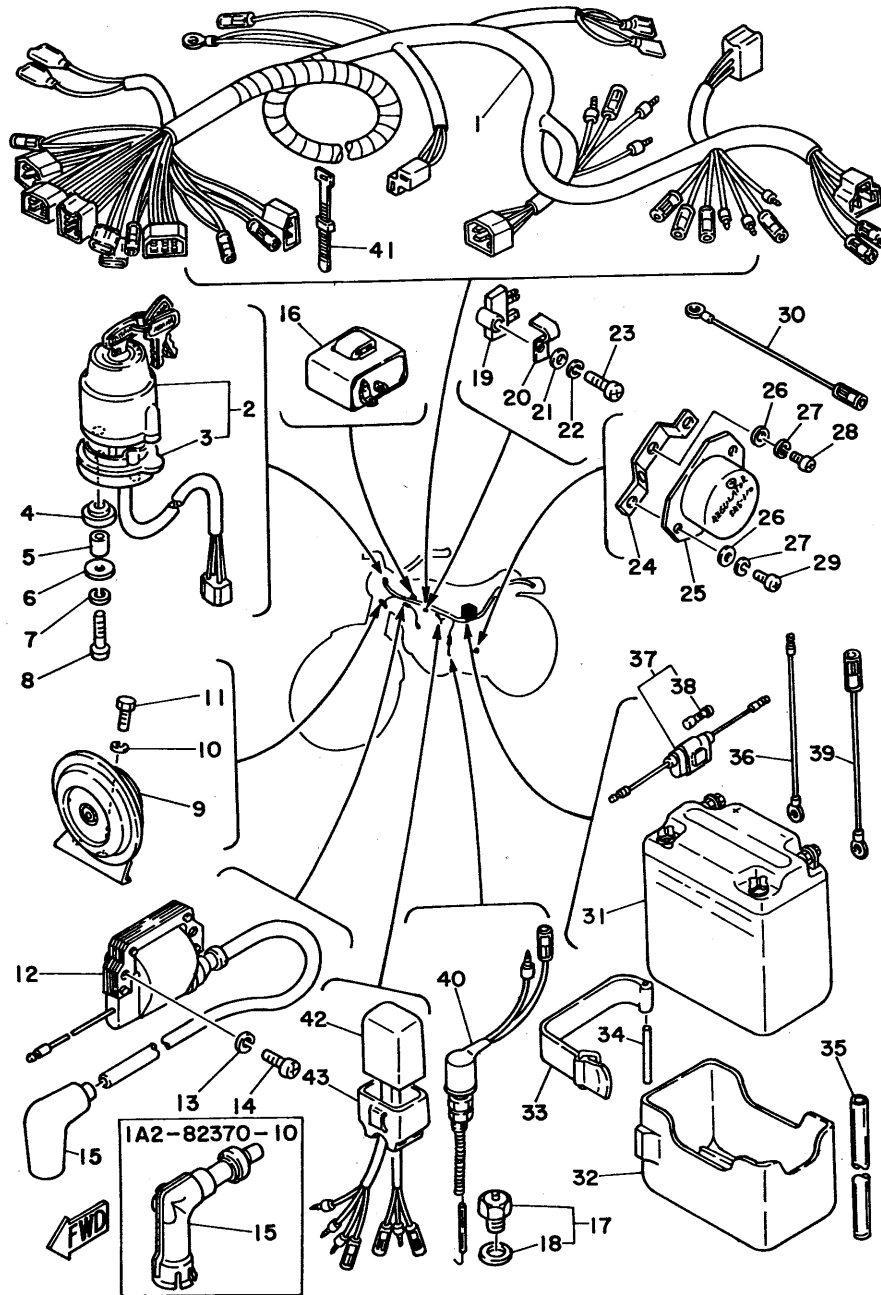
Ref.No.	Part No.	Description	Q'ty		Remarks
			125	175	
32- 1	1M1-83310-60	FRONT FLASHER LAMP ASS'Y	2	2	
2	115-83311-60	. BULB (6V-18W)	2	2	
3	1M1-83309-60	. REFLECTOR	2	2	
4	1M1-83313-60	. GASKET, lens	2	2	
5	341-83312-70	. LENS, flasher	2	2	
6	97701-30520	. SCREW, tapping	4	4	
7	1M1-83318-00	STAY, flasher	2	2	
8	95303-08800	NUT, crown	2	2	
9	1T9-83330-60	REAR FLASHER LAMP ASS'Y	2	2	
10	115-83311-60	. BULB (6V-18W)	2	2	
11	1M1-83309-60	. REFLECTOR	2	2	
12	1M1-83313-60	. GASKET, lens	2	2	
13	341-83312-70	. LENS, flasher	2	2	
14	97701-30520	. SCREW, tapping	4	4	
15	92901-10100	WASHER, spring	2	2	
16	95301-10600	NUT, hexagon	2	2	

Fig. 33 ELECTRICAL



Ref.No.	Part No.	Description	Q'ty		Remarks
			125	175	
33- 1	2A6-82590-22	WIRE HARNESS ASS'Y	1		
	2A7-82590-20	WIRE HARNESS ASS'Y	1		
2	2A6-82508-20	MAIN SWITCH ASS'Y	1	1	
3	1M1-82555-00	DAMPER, main switch	1	1	
4	1M1-82556-00	DAMPER, main switch	2	2	
5	437-82516-00	COLLAR, main switch	2	2	
6	90201-05033	WASHER, plate (829-77178-00)	2	2	
7	92901-05100	WASHER, spring	2	2	
8	98501-05025	SCREW, panhead	2	2	
9	2N5-83371-10	HORN	1		
	2A7-83371-10	HORN		1	
10	92901-06100	WASHER, spring	2	2	
11	97301-06012	BOLT, hexagon	2	2	
12	1M1-82310-40	IGNITION COIL ASS'Y	1		
	1M2-82310-40	IGNITION COIL ASS'Y		1	
13	92901-06100	WASHER, spring	2	2	
14	92501-06020	SCREW, panhead	2	2	
15	437-82370-21	PLUG CAP ASS'Y	1	1	
	1A2-82370-10	PLUG CAP ASS'Y	1	1	with Noise Suppressor
16	2A6-83350-60	FLASHER RELAY ASS'Y	1	1	
17	136-82540-00	NEUTRAL SWITCH ASS'Y	1	1	
18	90430-11034	GASKET	1	1	
19	1M1-81970-60	RECTIFIER ASS'Y	1	1	
20	90462-05004	CLAMP	1	1	
21	92901-05600	WASHER, plate	1	1	
22	92901-05100	WASHER, spring	1	1	
23	98501-05020	SCREW, panhead	1	1	
24	2A6-81915-00	PLATE, regulator fitting	1	1	
25	443-81910-61	VOLTAGE REGULATOR ASS'Y		U.R.	
	498-81910-22	VOLTAGE REGULATOR ASS'Y	1	U.R.	
26	92901-05600	WASHER, plate	3	3	
27	92901-05100	WASHER, spring	3	3	
28	98501-05012	SCREW, panhead	1	1	

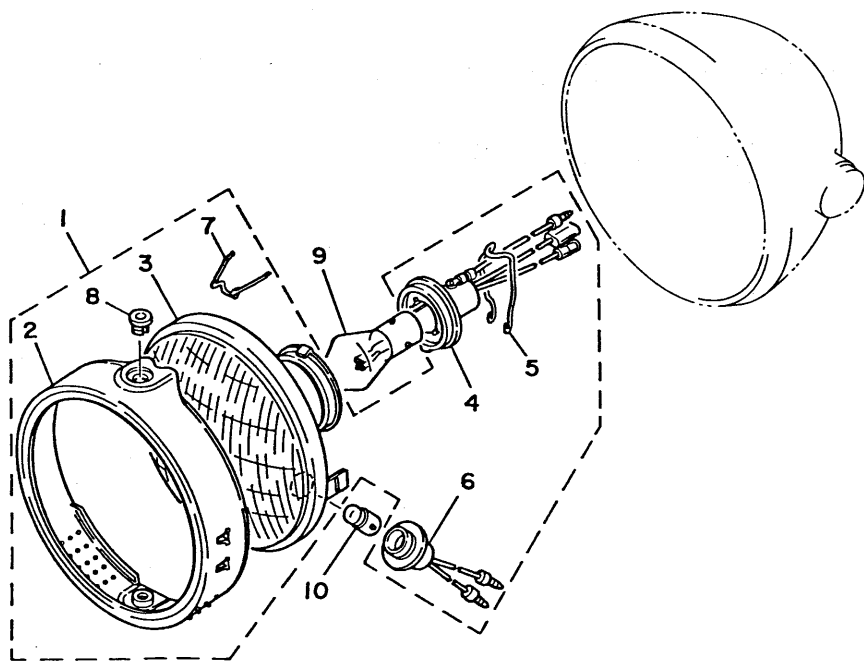
Fig. 33 ELECTRICAL



Ref.No.	Part No.	Description	Q'ty		Remarks
			125	175	
33-29	98501-05014	SCREW, panhead	2	2	
30	1M1-82519-00	WIRE, earth lead	1	1	
31	1E6-82110-11	BATTERY ASS'Y	1	1	
32	2A6-82122-00	SEAT, battery	1	1	
33	2A6-82131-00	BAND, battery	1	1	
34	91401-30040	PIN, split	1	1	
35	90445-08357	HOSE (5-350)	1	1	
36	2A6-82115-00	WIRE, plus lead	1	1	
37	353-82150-00	FUSE HOLDER ASS'Y	1	1	
38	116-82151-00	FUSE (6V-10A)	1	1	
39	1M1-82519-00	WIRE, earth lead	1	1	
40	371-82530-01	STOP SWITCH ASS'Y	1	1	
41	437-83936-00	BAND, switch cord	2	2	
42	2H5-85540-20	C.D.I. UNIT ASS'Y		1	
43	2A7-85546-00	BAND		1	

Exclusive parts for the countries where the French regulations are applicable on motorcycles.

Fig. 34 HEAD LAMP



Ref.No.	Part No.	Description	Q'ty		Remarks
			125	175	
34- 1	1M1-84103-20	HEAD LAMP UNIT ASS'Y	1	1	
2	1M1-84195-61	. RING, retaining	1	1	
3	308-84120-21	. LENS ASS'Y	1	1	
4	314-84112-20	. SOCKET CORD ASS'Y	1	1	
5	308-84135-21	. SPRING	1	1	
6	306-84346-40	. SOCKET CORD ASS'Y	1	1	
7	148-84324-00	. SPRING, reflector set	3	3	
8	1M1-84133-60	. COLLAR	1	1	
9	*	BULB (6V-36/36W)	1	1	
10	*	BULB, pilot (6V-4W)	1	1	



*; The parts marked with * in the part No. column are not supplied with by Yamaha, those have to be found locally.

REPAIR KIT

Fig. 35 REPAIR KIT

Ref.No.	Part No.	Description	Q'ty		Remarks	Ref.No.	Part No.	Description	Q'ty		Remarks	
			125	175					125	175		
35- 1	2N4-11630-00	PISTON ASS'Y (STD)	1s			35- 6	2A6-11650-00	CONNECTING ROD ASS'Y	1s			
	2N4-11630-10	PISTON ASS'Y (1st O.S)	1s				2A7-11650-00	CONNECTING ROD ASS'Y		1s		
	2N4-11630-20	PISTON ASS'Y (2nd O.S)	1s				7	2A7-11651-01	. ROD, connecting	1	1	Ref. No. 3-4
	2N4-11630-30	PISTON ASS'Y (3rd O.S)	1s				8	248-11681-01	. PIN, crank	1	1	3-5
	2N4-11630-40	PISTON ASS'Y (4th O.S)	1s				9	93310-42231	. BEARING, con-rod big end	1	1	3-6
	2N5-11630-00	PISTON ASS'Y (STD)	1s				10	90209-22071	. WASHER (164-11685-00)	2	2	3-7
	2N5-11630-10	PISTON ASS'Y (1st O.S)	1s				11	93310-216A3	. BEARING, con-rod small end	1		3-10
	2N5-11630-20	PISTON ASS'Y (2nd O.S)	1s					93310-216E1	. BEARING, con-rod small end		1	3-10
	2N5-11630-30	PISTON ASS'Y (3rd O.S)	1s				12	3G8-W0001-00	GASKET KIT	1s		
	2N5-11630-40	PISTON ASS'Y (4th O.S)	1s					3G6-W0001-00	GASKET KIT		1s	
2	2A6-11631-00-96	. PISTON (55.96mm STD)	1		Ref. No. 3-8	13	90430-12038	. GASKET (132-15353-00)	1	1	1-9	
	2A6-11635-00	. PISTON (56.25mm 1st O.S)	1			14	1W1-11351-00	. GASKET, cylinder	1	1	1-18	
	2A6-11636-00	. PISTON (56.50mm 2nd O.S)	1			15	1W1-11181-00	. GASKET, cylinder head	1		1-20	
	2A6-11637-00	. PISTON (56.75mm 3rd O.S)	1				2A7-11181-10	. GASKET, cylinder head		1	1-20	
	2A6-11638-00	. PISTON (57.00mm 4th O.S)	1			16	93210-11073	. O-RING (2.4-10.8)	2	2	1-29	
	2N5-11631-00-96	. PISTON (66.96mm STD)	1			17	2A6-15455-00	. GASKET, generator cover	1	1	2-2	
	2N5-11635-00	. PISTON (67.25mm 1st O.S)	1			18	1W1-15451-00	. GASKET, crankcase cover right	1	1	2-6	
	2N5-11636-00	. PISTON (67.50mm 2nd O.S)	1			19	2A6-15456-00	. GASKET, oil pump cover	1	1	2-11	
	2N5-11637-00	. PISTON (67.76mm 3rd O.S)	1			20	93210-19123	. O-RING (2.4-19)	1	1	2-14	
	2N5-11638-00	. PISTON (68.00mm 4th O.S)	1			21	93210-18023	. O-RING (1.2-17.6)	1	1	3-20	
3	2N4-11610-00	. PISTON RING SET (STD)	1s		3-9	22	90430-08069	. GASKET (452-16387-00)	1	1	4-25	
	2N4-11610-10	. PISTON RING SET (1st O.S)	1s			23	93210-14104	. O-RING (2.4-13.8)	1	1	9-7	
	2N4-11610-20	. PISTON RING SET (2nd O.S)	1s			24	304-14184-00	. GASKET, float chamber	1	1	11-9	
	2N4-11610-30	. PISTON RING SET (3rd O.S)	1s			25	152-14613-00	. GASKET, exhaust pipe	1	1	12-2	
	2N4-11610-40	. PISTON RING SET (4th O.S)	1s			26	1W2-14714-00	. GASKET, muffler joint	1	1	12-16	
	2N5-11610-00	. PISTON RING SET (STD)	1s			27	126-13116-00	. GASKET, pump case	1	1	13-1	
	2N5-11610-10	. PISTON RING SET (1st O.S)	1s			28	90430-04004	. GASKET (137-13187-00)	1	1	13-15	
	2N5-11610-20	. PISTON RING SET (2nd O.S)	1s			29	2A8-W0003-00	OIL SEAL KIT	1s	1s		
	2N5-11610-30	. PISTON RING SET (3rd O.S)	1s			30	93102-25061	. OIL SEAL (SD-25-40-8)	1	1	3-14	
	2N5-11610-40	. PISTON RING SET (4th O.S)	1s			31	93103-28011	. OIL SEAL (SW-28-40-8)	1	1	3-19	
4	137-11633-00	. PIN, piston	1		3-11	32	93104-14004	. OIL SEAL (SD-14-25-5)	1	1	4-23	
	251-11633-00	. PIN, piston	1		3-11	33	93102-26042	. OIL SEAL (SD-26-38-5)	1	1	5-29	
5	93450-17044	. CIRCLIP	2	2	3-12	34	93101-12060	. OIL SEAL (S-12-21-4)	1	1	7-4	

Fig. 35 REPAIR KIT

Ref.No.	Part No.	Description	Q'ty		Remarks
			125	175	
35-35	93101-17062	. OIL SEAL (S-17-25-4)	1	1	Ref. No. 8-17
36	93109-08017	. OIL SEAL (SDO-8-18-5)	1	1	9-8
37	93101-10002	. OIL SEAL (S-10-22-7)	1	1	13-6

NUMERICAL INDEX

NUMERICAL INDEX

Part No.	Ref.No.	Part No.	Ref.No.	Part No.	Ref.No.	Part No.	Ref.No.	Part No.	Ref.No.	Part No.	Ref.No.
1A0-26242-01	23-11	1M1-83313-60	32-12	1T9-83330-60	32-9	1W2-17241-00	5-18	127-14161-00	11-29	174-14123-00	11-17
1A0-85720-03	25-3	1M1-83318-00	32-7	1V0-14190-25	11-5	1W2-25388-01	28-34	132-14173-00	11-34	174-14134-00	11-18
1A2-82370-10	33-15	1M1-83526-00	30-12	1V1-83536-00	30-3	1W2-25389-01	28-21	132-18113-01	7-2	174-17461-50	5-31
1E2-25155-00	28-17	1M1-83980-30	23-40	1W1-11181-00	1-20	1W2-27231-00	19-15	132-24518-00	24-22	174-17461-60	5-31
1E6-23441-00	22-15	1M1-84103-20	34-1	1W1-11351-00	1-18	1W2-85509-20	15-3	132-24521-00	24-15	183-14196-00	11-37
1E6-26241-00	23-2	1M1-84110-70	29-5	1W1-11412-01	3-2	1W2-85519-20	15-13	132-24522-00	24-16	183-25149-00	27-19
1E6-82110-11	33-31	1M1-84120-70	29-7	1W1-11422-01	3-3	1X0-24161-00	24-4	132-24531-00	24-19	2A6-11111-00	1-21
1E6-83578-60	30-4	1M1-84130-60-98	29-1	1W1-15381-00	5-34	1Y1-26290-00	23-44	136-18542-00	6-15	2A6-11127-00	1-33
1E7-23181-00	21-28	1M1-84133-60	29-11	1W1-15451-00	2-6	1Y1-26290-10	23-43	136-82540-00	33-17	2A6-11128-00	1-34
1G8-16371-00	4-4		34-8	1W1-15618-01	8-18	1Y1-26290-30	23-43	137-11633-00	3-11	2A6-11129-00	1-35
1G8-25412-00	28-25	1M1-84137-60	29-12	1W1-15621-01	8-3	1Y1-26290-40	23-44	137-13137-00-03	13-11	2A6-11161-00	1-30
1J4-16371-00	4-4	1M1-84164-60	29-4	1W1-15641-00	8-11	1Y8-81348-21	14-7	137-13137-00-05	13-11	2A6-11162-00	1-31
1K8-81325-20	14-9	1M1-84195-61	29-6	1W1-15666-00	8-16	102-18137-00-10	7-12	137-13137-00-10	13-11	2A6-11311-00	1-19
1L9-23166-00	21-14		34-2	1W1-16351-00	4-8	102-25137-00	27-35	137-13138-01	13-12	2A6-11400-01	3-1
1M1-14169-00	11-38	1M1-84510-60	31-1	1W1-15356-00	4-14	104-81328-20	14-13	137-13176-00	13-5	2A6-11631-00-96	3-8
1M1-21621-00	20-14	1M1-84511-60	31-2	1W1-16357-00	4-19	109-25136-00	27-32	137-14143-27	11-4	2A6-11631-00-98	3-8
1M1-22213-01	18-3	1M1-84512-60	31-7	1W1-16358-00	4-11	109-25315-00	27-9	137-14143-28	11-4	2A6-11635-00	3-8
1M1-22219-01	18-2	1M1-84514-60	31-3	1W1-16380-00	4-20	110-81345-21	14-14	137-14143-29	11-4	2A6-11636-00	3-8
1M1-22496-03	18-6	1M1-84517-00	31-26	1W1-17471-01	5-10	110-81345-21	15-12	137-14186-01	11-8	2A6-11637-00	3-8
1M1-24748-00	26-5	1M1-84521-60	31-5	1W1-18101-02	7-5	110-81347-21	14-10	137-17417-00-05	5-26	2A6-11638-00	3-8
1M1-26249-01	23-12	1M1-84523-60	31-4	1W1-18140-00	6-11	110-81348-21	14-6	137-24523-00	24-20	2A6-11650-00	35-6
1M1-26263-00	23-41	1M1-84524-60	31-6	1W1-18177-00	6-12	115-83311-60	32-2	148-25115-00	28-9	2A6-11651-01	3-4
1M1-27411-02-33	19-5	1M1-84526-60	31-9	1W1-18185-00	6-3		32-10	148-84324-00	29-10	2A6-13101-00	13-10
1M1-27421-02-33	19-6	1M1-84527-60	31-11	1W1-18197-01	7-10	116-81331-20	14-11		34-7	2A6-13115-01	13-24
1M1-81970-60	33-19	1M1-84553-00	31-19	1W1-18541-00	6-1	116-82151-00	33-38	152-14174-00	11-32	2A6-13164-01	13-29
1M1-82310-40	33-12	1M1-84553-10	31-12	1W1-18561-00	6-5	120-27430-02	17-32	152-14613-00	12-2	2A6-13178-00	13-7
1M1-82519-00	33-30		31-20	1W1-22187-00	17-26	120-27431-00	17-36	156-14135-00	11-30	2A6-14126-00	11-25
	33-39	1M1-84553-20	31-13	1W1-24612-00	24-5	120-27432-02	17-33	156-15618-01	8-2	2A6-14158-00	11-26
1M1-82555-00	33-3	1M2-82310-40	33-12	1W1-25311-00-98	28-1	120-27433-00	17-34	156-23411-00	22-2	2A6-14411-01	10-15
1M1-82556-00	33-4	1T1-25194-00	27-7	1W1-27311-10	19-1	122-23411-00	22-7	156-23412-00	22-4	2A6-14412-00	10-17
1M1-83309-60	32-11	1T2-25394-00	28-7	1W2-14714-00	12-16	122-23412-00	22-5	164-14116-06	11-20	2A6-14417-00	10-22
	32-3	1T2-83972-00	23-3	1W2-14771-00	12-8	122-83516-10	30-2	164-14137-00	11-21	2A6-14450-00	10-16
1M1-83310-60	32-1	1T9-14155-00	11-28	1W2-17151-00	5-2		30-6	164-23462-00	22-1	2A6-14452-00	10-18
1M1-83313-60	32-4	1T9-21771-00	25-2	1W2-17161-00	5-6	126-13116-00	13-1	166-14116-13	11-20	2A6-14453-00	10-13

NUMERICAL INDEX

Part No.	Ref.No.	Part No.	Ref.No.	Part No.	Ref.No.	Part No.	Ref.No.	Part No.	Ref.No.	Part No.	Ref.No.
2A6-14610-00	12- 1	2A6-18535-00	6- 8	2A6-23157-00	21-16	2A6-26335-01	23-28	2A7-14453-00	10-13	2N4-11610-00	3- 9
2A6-14753-10	12-18	2A6-21308-00	16-22	2A6-23167-01	21-29	2A6-26341-01	23-32	2A7-15411-01	2- 1	2N4-11610-10	3- 9
2A6-14772-00	12- 4	2A6-21471-00-33	16- 2	2A6-23170-00	21-17	2A6-26397-00	23-34	2A7-16150-00	4- 2	2N4-11610-20	3- 9
2A6-15111-02	1- 1	2A6-21617-00	20- 8	2A6-23191-00	21-20	2A6-27211-00-33	19-11	2A7-16301-00	4- 1	2N4-11610-30	3- 9
2A6-15121-01	1- 2	2A6-21620-02	20-12	2A6-23192-01	21-21	2A6-28100-10	16-24	2A7-21620-02	20-12	2N4-11610-40	3- 9
2A6-15411-01	2- 1	2A6-21637-00	20-19	2A6-23193-00	21-12	2A6-81300-20	14- 1	2A7-21711-10-01	16-11	2N4-11630-00	35- 1
2A6-15416-00	2-10	2A6-21639-00	20-13	2A6-23317-00	21-25	2A6-81309-20	14- 2	2A7-21721-10-01	16-12	2N4-11630-10	35- 1
2A6-15431-00	2- 5	2A6-21751-00	25- 1	2A6-23318-00	21-38	2A6-81312-20	14- 4	2A7-82590-20	33- 1	2N4-11630-20	35- 1
2A6-15455-00	2- 2	2A6-21796-00	25- 5	2A6-23319-00	21-37	2A6-81313-20	14- 5	2A7-83371-10	33- 9	2N4-11630-30	35- 1
2A6-15456-00	2-11	2A6-22110-00-33	17- 1	2A6-23340-00-33	21-24	2A6-81315-20	14-12	2A7-85500-20	15- 1	2N4-11630-40	35- 1
2A6-15484-00	2- 4	2A6-22151-00	17- 9	2A6-23346-00	21-27	2A6-81321-20	14- 8	2A7-85511-20	15- 4	2N4-15371-00	1-25
2A6-15611-01	8- 1	2A6-22152-00	17-10	2A6-23408-00	16-18	2A6-81350-20	14- 3	2A7-85512-20	15- 5	2N4-22141-00	17- 2
2A6-15660-00	8- 9	2A6-22179-00	17-21	2A6-23435-00-98	22-10	2A6-81915-00	33-24	2A7-85513-20	15- 6	2N4-83570-A0	30- 1
2A6-16111-00	3-22	2A6-22210-00	18- 1	2A6-23489-01	21-19	2A6-82115-00	33-36	2A7-85515-20	15-14	2N5-11610-00	3- 9
2A6-16150-00	4- 2	2A6-22311-00-98	17-11	2A6-24110-00-X5	24- 1	2A6-82122-00	33-32	2A7-85546-00	33-43	2N5-11610-10	3- 9
2A6-16301-00	4- 1	2A6-22318-00	17-16	2A6-24110-00-X6	24- 1	2A6-82131-00	33-33	2A7-85550-20	15- 2	2N5-11610-20	3- 9
2A6-16324-00	4- 7	2A6-22482-00	18- 8	2A6-24110-00-X7	24- 1	2A6-82508-20	33- 2	2A7-85580-20	15-10	2N5-11610-30	3- 9
2A6-16351-00	4- 8	2A6-22493-00	18- 7	2A6-24181-00	24- 9	2A6-82590-22	33- 1	2A8-W0003-00	35-29	2N5-11610-40	3- 9
2A6-17121-00	5- 7	2A6-23101-M0	21- 1	2A6-24182-00	24-13	2A6-83350-60	33-16	2A8-14610-01	12- 1	2N5-11630-00	35- 1
2A6-17131-00	5- 5	2A6-23101-00	21- 1	2A6-24611-00	24- 6	2A6-83506-00	30- 8	2A8-21611-A0	20- 7	2N5-11630-10	35- 1
2A6-17211-01	5-21	2A6-23111-00	21-23	2A6-24734-00	26-11	2A6-83513-00	30- 9	2A8-21611-80	20- 7	2N5-11630-20	35- 1
2A6-17221-01	5-13	2A6-23119-00	21- 5	2A6-24738-00	26- 6	2A6-83519-00	30-10	2A8-23126-00	21- 2	2N5-11630-30	35- 1
2A6-17231-00	5-19		21- 9	2A6-24770-00	26- 1	2A6-83520-00	30- 7	2A8-23136-00	21- 6	2N5-11630-40	35- 1
2A6-17251-00	5-20	2A6-23124-00	21-13	2A6-24771-00	26- 2	2A6-83550-01	30-18	2A8-23144-00	21-11	2N5-11631-00-96	3- 8
2A6-17261-00	5-16	2A6-23126-00-38	21- 2	2A6-25016-00-98	27-24	2A6-83560-00	30-19	2A8-24736-00	26-14	2N5-11631-00-98	3- 8
2A6-17411-00	5- 1	2A6-23136-00-38	21- 6	2A6-25026-00-98	28-14	2A6-83595-00	21-43	2G3-21581-00	21-47	2N5-11635-00	3- 8
2A6-17421-00	5-12	2A6-23141-00	21-18	2A6-25104-00	27- 2	2A6-83596-00	12-24	2G3-21591-00	21-48	2N5-11636-00	3- 8
2A6-17831-00	9- 2	2A6-23144-00	21-11	2A6-25111-00-98	27- 1	2A6-84118-00	21-32	2G3-84551-70-33	31- 8	2N5-11637-00	3- 8
2A6-17841-00	9- 6	2A6-23145-00	21- 3	2A6-25351-01	28-16	2A6-84119-00	21-33	2H0-83912-20	23- 5	2N5-11638-00	3- 8
2A6-18111-00	7- 1		21- 7	2A6-25381-00	28-22	2A7-11111-00	1-21	2H0-83922-20	23-16	2N5-83371-10	33- 9
2A6-18120-01	7- 8	2A6-23147-00	21-22	2A6-25449-10	28-24	2A7-11181-10	1-20	2H5-85540-20	33-42	2N6-25155-00	27-27
2A6-18511-00	6- 9	2A6-23151-00	21-15	2A6-26111-00	23- 1	2A7-11311-00	1-19	2K5-25118-00	27-13	2X1-21110-60-33	16- 1
2A6-18512-00	6-10	2A6-23156-00	21- 4	2A6-26311-00	23-23	2A7-11650-00	35- 6	2N0-13101-00	13-10	2X1-21511-00	20- 1
2A6-18531-00	6- 7		21- 8	2A6-26312-00	23-24	2A7-14101-10	11- 1	2N0-22178-00	17-25	2X1-21511-20	20- 1

NUMERICAL INDEX

Part No.	Ref.No.	Part No.	Ref.No.	Part No.	Ref.No.	Part No.	Ref.No.	Part No.	Ref.No.	Part No.	Ref.No.
2X1-21511-30	20- 1	3A6-24245-00	24- 3	371-82530-01	33-40	498-81910-22	33-25	90116-08262	1-17	90201-06067	25- 6
2X1-21611-00	20- 7	3G6-W0001-00	35-12	382-26372-01	23-29	498-82911-00	23- 4	90116-10221	28-26		31-22
2X1-21711-00-98	16-11	3G8-W0001-00	35-12	401-13565-01	10- 7	498-84145-60	29- 2	90122-06001	25-14	90201-06074	31-17
2X1-21711-20-98	16-11	3G8-14101-00	11- 1	401-15317-00	1-28	498-84163-60	29- 3	90123-08046	23-30		31-24
2X1-21721-00-98	16-12	3G8-21784-00	16-14	401-15676-00	8-14	500-14115-00	11-14	90149-08108	4-24	90201-07076	27-31
2X1-21721-20-98	16-12	3G8-21785-00	16-15	401-18178-00	7- 7	509-14198-00	11-27	90149-08111	7-14	90201-08083	23- 7
2X1-21784-20	16-14	304-14171-00	11-31	401-22127-00	17- 4	509-24724-00	26- 3	90159-05011	4-10		23-19
2X1-21785-20	16-15	304-14184-00	11- 9	401-22128-01	17- 3	520-15362-01	2-13	90170-08029	7-15	90201-08100	1-22
2X1-21786-00	16-13	304-14261-00	11-35	401-25181-01	27-15	522-13175-01	13- 3	90170-10038	23-22	90201-08113	12-21
2X1-21786-10	16-13	304-15128-00	1-15	401-25304-10	28- 2	525-15651-00	5-25	90170-10219	28-27	90201-08624	13- 2
2X1-24244-20	24- 2	304-24500-05	24-14	401-25367-00	28-33	539-14181-04	11-10	90170-12062	17-39	90201-10123	9- 3
2X1-24245-20	24- 3	304-24515-00	24-17	402-13552-00	13-19	554-24161-00	24- 4	90170-12067	3-17	90201-12163	9- 5
2X1-83540-F0	30- 5	306-84346-40	34- 6	403-22124-00	17- 6	558-14141-26	11- 3	90170-14171	4-15	90201-12541	8- 4
2X1-83570-F0	30- 1	307-16367-00	4- 5	421-84312-30	29- 9	558-14141-32	11- 3	90171-12005	27-37	90201-12593	3-15
2X2-21786-00	16-13	308-84120-21	34- 3	434-24532-00	24-18	558-14147-00	11-13	90171-14020	28-36	90201-14212	19-12
2X2-21786-10	16-13	308-84135-21	34- 5	434-26243-00	23-13	559-16321-01	4- 6	90175-06013	19-21	90201-14217	4-22
202-21681-00	31-30	314-13621-02	10- 1	437-25330-00	27-21	565-14747-00	12-19	90179-06013	25-13	90201-15238	28-35
214-14195-00	11- 6	314-14112-10	11-19		28-12	579-11162-00	1-32	90179-08148	23-31	90201-15701	5-22
214-24724-00	26- 4	314-14112-25	11-19	437-82370-21	33-15	583-23416-01	22- 8	90179-10201	1-13	90201-17543	4- 3
214-84114-60	29- 8	314-14185-00	11- 7	437-82516-00	33- 5	584-23484-01	16-19	90179-12244	3-25	90201-17550	4-18
246-14132-00	11-22	314-84112-20	34- 4	437-83936-00	23-38	90101-06278	27-28	90179-16226	5-33	90201-18135	5-17
248-11681-01	3- 5	317-21582-80	21-49		33-41		28-18	90179-25033	22- 9	90201-20266	5- 3
248-14131-00	11-23	328-15316-00	1-27	437-83976-03	23-14	90105-08099	16- 8	90185-08054	16- 7	90201-20269	27-18
248-15654-00	8-12	341-83312-70	32- 5	437-84525-60	31-10	90105-08120	16- 5		21-31	90201-20279	17-35
248-17861-00	9- 1		32-13	443-81910-61	33-25	90105-10037	16-10		22-14	90201-22555	5-14
248-25135-10	27-20	345-13610-70	10- 2	445-81328-20	15-11	90105-14060	22-11	90185-10037	19- 3	90204-12007	3-24
248-25138-10	27-30	345-13613-70	10- 3	447-24524-00	24-21	90109-06410	23- 6	90185-12046	17- 8	90206-04003	16-20
248-25317-00	28- 8	345-13616-70	10- 4	447-24525-00	24-23		23-18	90201-05033	30-13	90209-22071	3- 7
248-25351-00	27-26	353-14138-00	11-33	449-85131-01	31-27	90109-08448	29-13		33- 6	90215-08014	7-16
251-11633-00	3-11	353-82150-00	33-37	483-22128-00	18-10	90109-10453	18-11	90201-05036	17-15	90215-14122	4-16
260-14142-22	11- 2	355-65111-00	21-41	493-14122-00	11-15	90109-10473	19- 2	90201-06067	20- 4	90215-16127	5-32
275-13175-01	13- 3	361-82921-31	23-15	493-14133-00	11-16	90109-10483	17-24		20-18	90240-06006	19-16
278-24181-00	24- 8	363-13133-01	13-20	498-15371-00	2-15	90116-06016	1-36		21-51	90240-06009	17-37
3A6-24244-00	24- 2	363-14137-00	11-24	498-26372-00	23-33	90116-08260	21-10		24-10	90240-12059	18-15

NUMERICAL INDEX

Part No.	Ref.No.	Part No.	Ref.No.	Part No.	Ref.No.	Part No.	Ref.No.	Part No.	Ref.No.	Part No.	Ref.No.
90249-12008	19-20	90445-09086	24-25	90501-90484	18- 5	92501-06012	15-15	92901-06100	20- 3	92901-08100	29-15
90269-04003	16-21	90445-09100	13-26	90502-09024	16-17		21-50		20-10	92901-08200	16- 6
90280-03017	3-26	90445-09115	24- 7	90506-08155	7- 9		25- 8		20-17		29-16
90282-05005	3-23	90445-09361	25- 4	90506-09156	6-13	92501-06020	21-34		21-35	92901-08600	12- 7
90338-09012	23-39	90460-37026	12-17	90506-16036	27-22		33-14		21-45		12-15
90340-12005	1-10	90460-43053	10-11		28-13	92501-06025	2- 3		21-54		19-10
90380-12051	18- 9	90460-49058	10-12	90507-29008	19- 4		2-12		23- 9		21-30
90381-08002	9- 4	90460-64065	10-14	90508-20023	19- 7	92501-06040	2- 9		23-20		23-25
90385-06001	30-11	90462-05004	33-20	90508-20345	4-21	92501-06050	1- 5		24-11	92901-10100	16- 9
90386-18028	17- 5	90462-05005	10-10	90508-26346	8-15	92501-06060	1- 6		25- 7		32-15
90387-06388	12-10	90467-08003	13-21	90508-32349	7-11	92501-06070	1- 7		26- 8	92901-10200	18-12
	20- 6		24-26	90508-32354	19-14	92501-06075	1- 8		30-16	92901-12100	3-16
90387-06553	31-14	90468-02025	13-23	90508-35350	17-23	92501-08010	1-16		33-10		17- 7
90387-06554	31-21	90468-02033	13-27	90560-12138	27- 8	92601-06030	9- 9		33-13	92901-12200	27-36
90387-07391	10-25	90468-02078	13-25	90560-17147	4-17	92701-06012	5-35	92901-06200	4-12	92901-12600	18-16
	25-12	90468-08086	23-27	91316-08025	8- 8		14-15		19-17	92903-05100	31-28
90387-08258	12-20	90468-10050	25-10	91401-16015	11-36	92701-06018	16-23	92901-06600	10- 9	93101-10002	13- 6
90387-12095	27-12	90468-12007	30-14		17-38	92901-03100	10- 5		15-16	93101-12060	7- 4
90387-12100	27-14	90468-20082	22-12	91401-20012	17-30	92901-04100	11-12		16- 4	93101-17062	8-17
90387-15524	28-20	90468-26048	8-10	91401-20025	18-14		15- 9		17-31	93102-18008	27-11
	28-32	90480-01245	20-15	91401-25012	19- 9	92901-05100	10-20		20-11	93102-25061	3-14
90387-20488	3-21	90480-10068	27-25		19-18		13-13		21-36	93102-26042	5-29
90387-20503	5-30		28-15	91401-30022	18-17		17-14		21-40	93103-28011	3-19
90430-04004	13-15	90480-12053	16-16		27-16		33- 7		21-44	93104-07003	27-33
90430-06012	21-42	90480-14101	12- 9	91401-30030	28-23		33-22		21-53	93104-14004	4-23
90430-08069	4-25	90480-14102	10-24	91401-30040	18- 4		33-27		30-17	93104-14044	17-22
90430-11034	33-18		25-11		33-34	92901-05600	10-21		31-15	93104-22018	28-11
90430-12038	1- 9	90480-14198	20- 5	91701-05050	25- 9		23-36	92901-08100	12- 6	93105-47007	27-23
90445-05018	13-28	90480-18171	10-23	91701-06042	17-29		33-21		12-14	93106-26005	28-31
90445-05023	13-30		16-25	91701-08038	19- 8		33-26		12-22	93109-08017	9- 8
90445-07219	13-22	90501-02018	13-18	91810-02014	2- 7	92501-06030	2- 8		17-18	93210-04122	25-15
90445-07340	1-26	90501-10245	19-19	91810-16016	1-14	92901-06100	10-26		21-26	93210-07100	23-26
90445-07371	2-16	90501-10459	8- 6	91810-19020	1- 3		12-11		26-10	93210-10118	23-42
90445-08357	33-35	90501-20474	4- 9	91830-21014	1- 4		17-20		26-13	93210-11073	1-29

NUMERICAL INDEX

Part No.	Ref.No.	Part No.	Ref.No.	Part No.	Ref.No.	Part No.	Ref.No.	Part No.	Ref.No.	Part No.	Ref.No.
93210-14104	9- 7	93603-22028	13- 4	95601-06100	23-10	97701-30520	32- 6				
	27-34	93604-12037	6- 4		23-21		32-14				
93210-18023	3-20	93604-30018	6-14	95611-10630	1-11	98501-03006	24-24				
93210-19123	2-14	94127-21273	27- 3	95611-10640	1-12	98501-04014	15- 8				
93306-20204	28-10	94135-18274	28- 3	95811-08055	22-13	98501-04032	15- 7				
93306-20517	3-13	94227-21123	27- 4	95821-08035	22-16	98501-05012	10-19				
93306-30102	27-10	94232-18119	28- 4	97301-05012	17-13		33-28				
93306-30203	28-30	94330-18087	28- 5	97301-06012	16- 3	98501-05014	33-29				
93306-30304	5- 9	94330-21084	27- 5		21-46	98501-05015	17-12				
93306-30405	3-18	94340-10015	19-13		24-12	98501-05016	13- 9				
93306-30411	5-28	94416-21206	27- 6		26- 7	98501-05018	23-35				
93310-216A3	3-10	94418-18171	28- 6		33-11	98501-05020	33-23				
93310-216E1	3-10	94580-14118	28-28	97301-06016	17-19	98501-05025	33- 8				
93310-42231	3- 6	94580-15118	28-28		20- 9	98501-05035	17-27				
93311-31515	5-24	94624-28001	28-29		20-16	98502-04016	11-11				
93311-41530	5- 8	94680-15001	28-29	97301-06020	19-22	98512-03008	10- 6				
93315-21813	6- 2	94701-00045	1-24		21-39	98901-04008	13-16				
93410-20009	27-17	95301-05600	13-14	97301-06022	23- 8						
93410-20038	5- 4		23-37		23-17						
93410-22039	5-15	95301-05700	17-28	97301-06025	10- 8						
93410-30012	8-13	95301-06600	4-13		10-27						
93430-08006	6- 6		12- 3		12-12						
	13- 8		21-52		20- 2						
93430-08007	8- 5		27-29		31-16						
93430-10016	7- 6		28-19	97301-06030	30-15						
	7-13		31-25	97301-06035	31-23						
93440-15012	5-23	95301-06700	19-23	97301-08012	17-17						
	5-27	95301-06800	31-18		26- 9						
93450-17044	3-12	95301-08600	1-23	97301-08016	12- 5						
93501-04011	22- 3		29-14		12-13						
93503-16010	4-26	95301-10600	37-16	97301-08020	26-12						
	8- 7	95302-10900	18-13	97301-08030	12-23						
	22- 6	95303-05600	31-29	97321-06012	5-11						
93505-32002	13-17	95303-08800	32- 8	97321-06020	7- 3						



YAMAHA MOTOR CO., LTD.

PRINTED IN JAPAN

First edition Oct., 1978