

PARTS CATALOGUE

FZ1-S'09 (3C3P) EUROPE,SOUTH AFRICA



1H3C3-300E1

()

FZ1-S/FZ1-SY
PARTS CATALOGUE
©2008 by Yamaha Motor Co., Ltd.
1st edition, August 2008
All rights reserved.
Any reprinting or unauthorized use
without the written permission of
Yamaha Motor Co., Ltd.
is expressly prohibited.
Printed in Japan.

FOREWORD

This Parts Catalogue is related to the parts for the model(s) on the cover page. When you are ordering replacement parts, please refer to this Parts Catalogue and quote both part numbers and part names correctly.

1. Modifications or additions which have been made after the issue of the Parts Catalogue will be announced in the Parts News.

It is advisable that you make the necessary corrections to the Parts Catalogue according to the Parts News.

2. Abbreviations

The following abbreviations are used in this Parts Catalogue.

“UR” Use specified parts number.

“UN” Use as many as needed.

“AP” Alternate Parts

“LM” Locally Made (Parts need to be ordered locally)

“F#” Frame No. (Applicable machine No.)

“O/S” Over Size

3. The number of components for assembly

- Parts, which are to be supplied in an assembly, are listed with a dot (.) in front of the part name as shown below.
- The numeral appearing to the right of each component part indicates the quantity of parts for each assembly unit.

PART NO.	DESCRIPTION	Q'TY	REMARKS
2F5-83310-60	FRONT FLASHER LIGHT ASSY	2	
115-83311-60	.BULB (6V-18W)	1	

4. Applicable colours of graphics are represented in the “REMARKS” as shown below.

PART NO.	DESCRIPTION	Q'TY	REMARKS
2N4-24110-00-X5	FUEL TANK COMP.	2	MXR
3J1-24240-10	.GRAPHIC, FUEL TANK	1	FOR MXR

5. Note that the illustrations for reference in finding parts numbers are not to be used for assembling. When assembling, please use the applicable service manual.

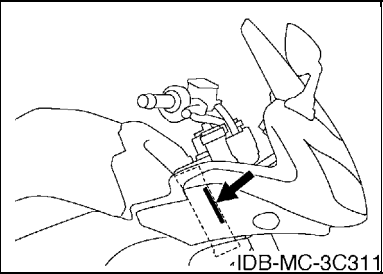
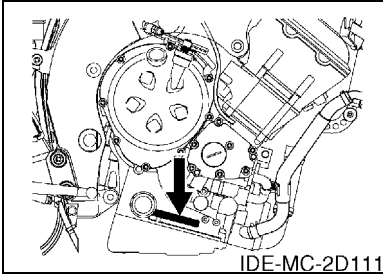
6. The asterisk (*) before a reference number indicates modified items after the first edition.

FOREWORD

7. Applicable Serial No.

Engine Serial No.

Frame Serial No.



8. Applicable Colour Code (The (*) mark shows Model colour.)

Abbreviation	Colour Name	Colour Code
DNG1	DARK GRAYISH GOLD 1	1085
DNMG(*)	DARK GRAY METALLIC G	1086
DPBMU(*)	DARK PURPLISH BLUE METALLIC U	0996
DRMK(*)	DEEP RED METALLIC K	0918
MBL2	MAT BLACK 2	0582
SMX	BLACK METALLIC X	0903

CONTENTS

ENGINE

CYLINDER HEAD	1
CYLINDER	3
CRANKSHAFT & PISTON	4
VALVE	5
CAMSHAFT & CHAIN	7
WATER PUMP	8
RADIATOR & HOSE	10
OIL PUMP	12
OIL CLEANER	13
INTAKE	14
INTAKE 2	15
AIR INDUCTION SYSTEM	17
EXHAUST	18
CRANKCASE	19
CRANKCASE COVER 1	20
STARTER	22
CLUTCH	23
TRANSMISSION	25
SHIFT CAM & FORK	27
SHIFT SHAFT	28

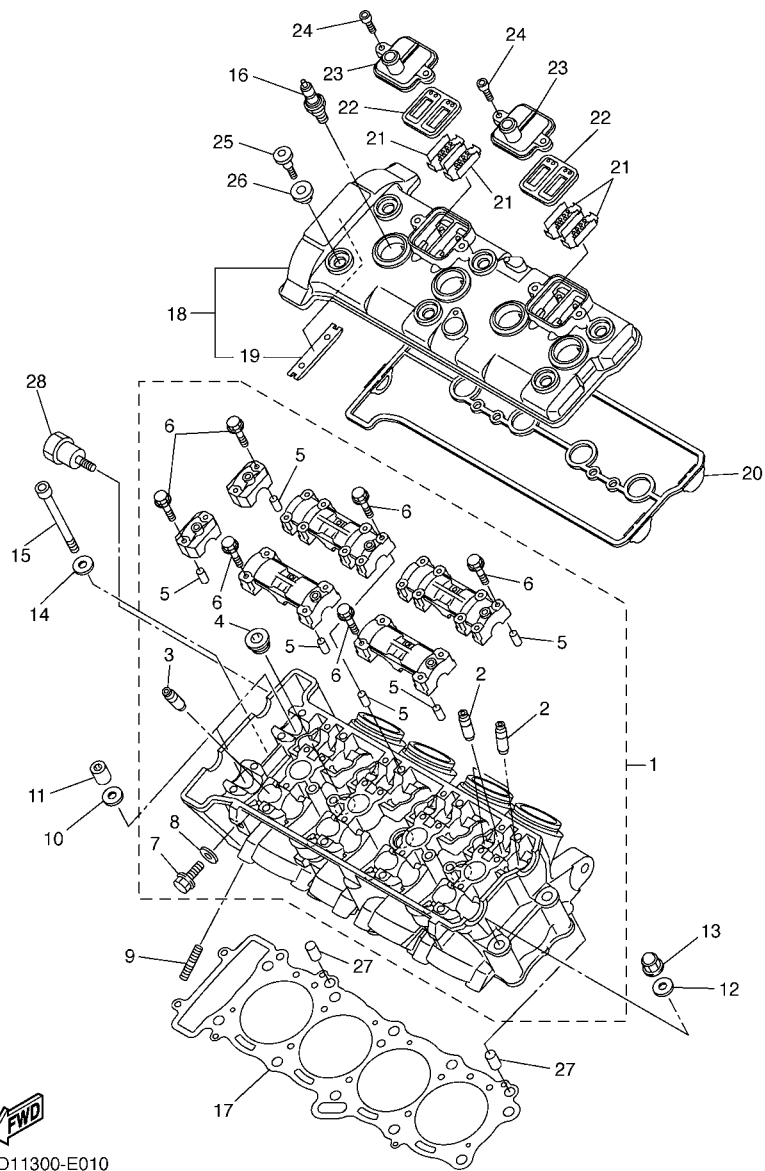
CHASSIS

FRAME	29
FENDER	31
SIDE COVER	34
REAR ARM	35
REAR SUSPENSION	37
STEERING	38
FRONT FORK	39
FUEL TANK	41
SEAT	44
FRONT WHEEL	45
FRONT BRAKE CALIPER	46
REAR WHEEL	47
REAR BRAKE CALIPER	49
STEERING HANDLE & CABLE	50
FRONT MASTER CYLINDER	51
STAND & FOOTREST	52
REAR MASTER CYLINDER	55
COWLING 1	56
GENERATOR	58

STARTING MOTOR	59
FLASHER LIGHT	60
METER	61
HEADLIGHT	62
TAILLIGHT	63
HANDLE SWITCH & LEVER	64
ELECTRICAL 1	65
ELECTRICAL 2	67

INDEX

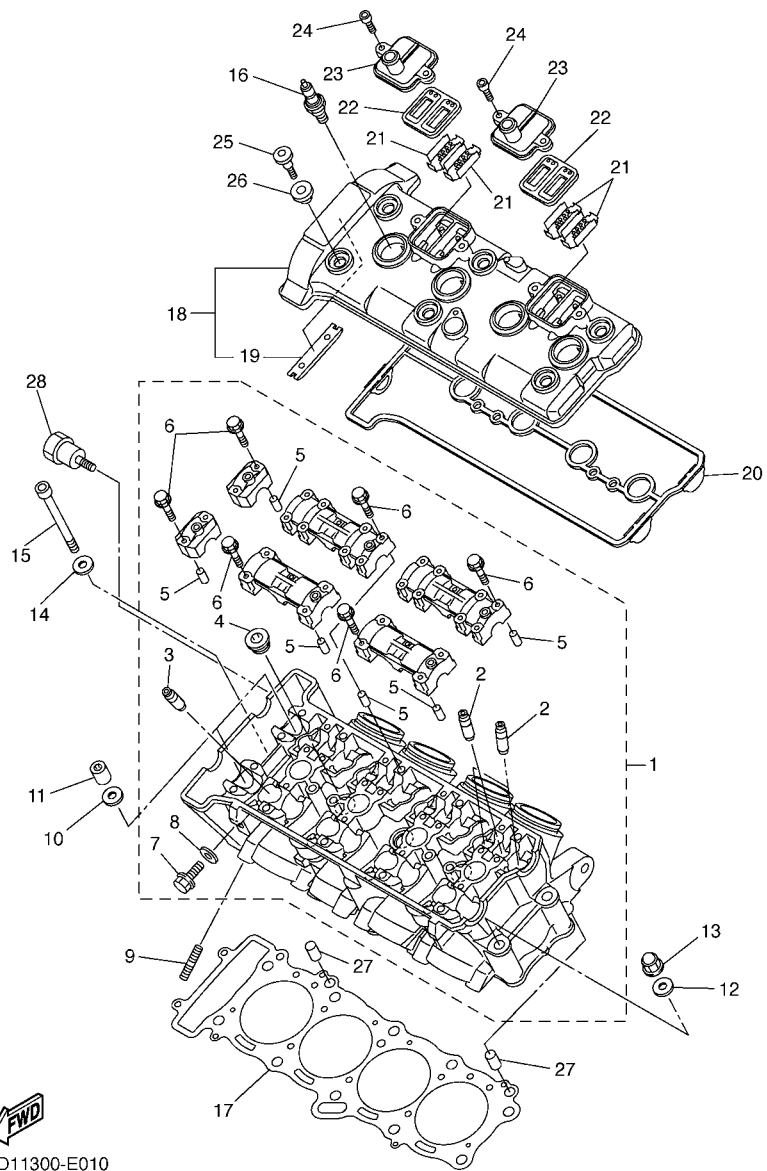
NUMERICAL INDEX	69
-----------------------	----



2D11300-E010

FIG. 1 CYLINDER HEAD

REF. NO.	PART NO.	DESCRIPTION	3C3P	3C3F	3C3S	REMARKS
1	5VY-11101-20	CYLINDER HEAD ASSY	1	1	1	
2	5VY-11133-10	.GUIDE, VALVE 1	12	12	12	
3	5VY-11134-10	.GUIDE, VALVE 2	8	8	8	
4	90340-18002	.PLUG, STRAIGHT SCREW	3	3	3	
5	91808-16023	.PIN, DOWEL	12	12	12	
6	90105-06026	.BOLT, FLANGE	28	28	28	
7	95024-06012	.BOLT, FLANGE	1	1	1	
8	90430-06014	.GASKET	1	1	1	
9	95612-08625	BOLT, STUD	8	8	8	
10	90201-10033	WASHER, PLATE	8	8	8	
11	90179-10006	NUT	8	8	8	
12	90201-10033	WASHER, PLATE	2	2	2	
13	90176-10075	NUT, CROWN	2	2	2	
14	90201-06034	WASHER, PLATE	2	2	2	
15	91314-06105	BOLT, HEXAGON SOCKET HEAD	2	2	2	
16	94701-00403	PLUG, SPARK (NGK CR9EK)	4	4	4	
17	2D1-11181-00	GASKET, CYLINDER HEAD 1	1	1	1	
18	5VY-11191-02	COVER, CYLINDER HEAD 1	1	1	1	
19	5BE-12241-00	.GUIDE, STOPPER 2	1	1	1	
20	5VY-11193-10	GASKET, HEAD COVER 1	1	1	1	
21	5VY-1482K-00	PLATE	4	4	4	
22	5SL-14890-10	REED VALVE ASSY	2	2	2	
23	5VY-14899-00	CAP, CASE	2	2	2	
24	90110-06178	BOLT, HEXAGON SOCKET HEAD	4	4	4	
25	90109-066F0	BOLT	6	6	6	
26	5VY-1111G-00	RUBBER, MOUNT 1	6	6	6	
27	99530-10114	PIN, DOWEL	2	2	2	

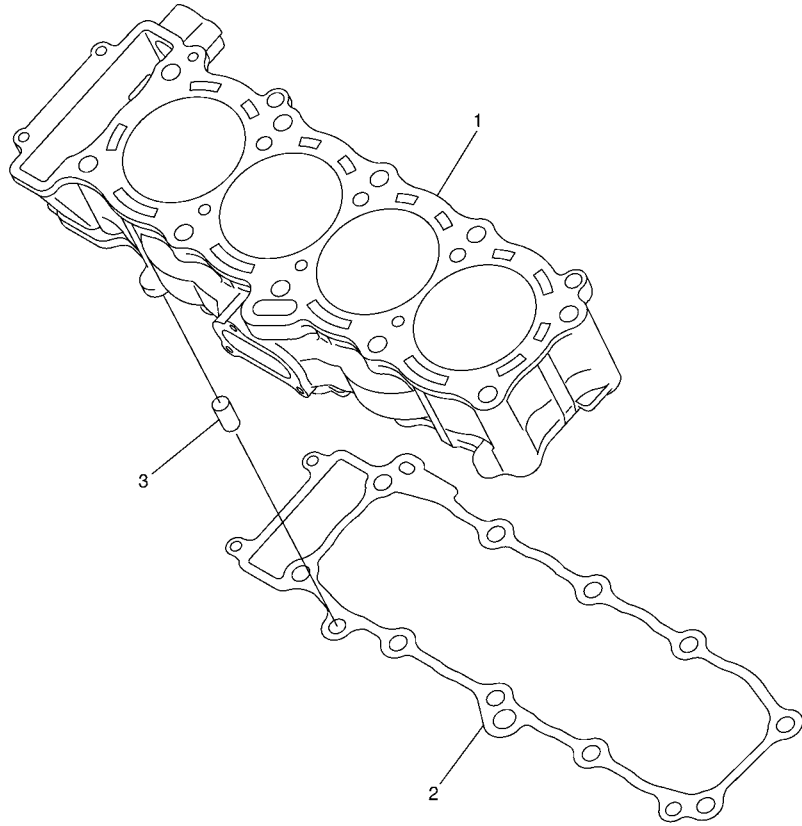


2D11300-E010

FIG. 1 CYLINDER HEAD

REF. NO.	PART NO.	DESCRIPTION	3C3P	3C3F	3C3S	REMARKS
28	2D1-11026-00	BOLT, MOUNT	1	1	1	

FIG. 2 CYLINDER



REF. NO.	PART NO.	DESCRIPTION	3C3P	3C3F	3C3S	REMARKS
1	5VY-11311-10	CYLINDER 1	1	1	1	
2	5VY-11351-00	GASKET, CYLINDER	1	1	1	
3	99530-10114	PIN, DOWEL	2	2	2	



5VY1300-C020

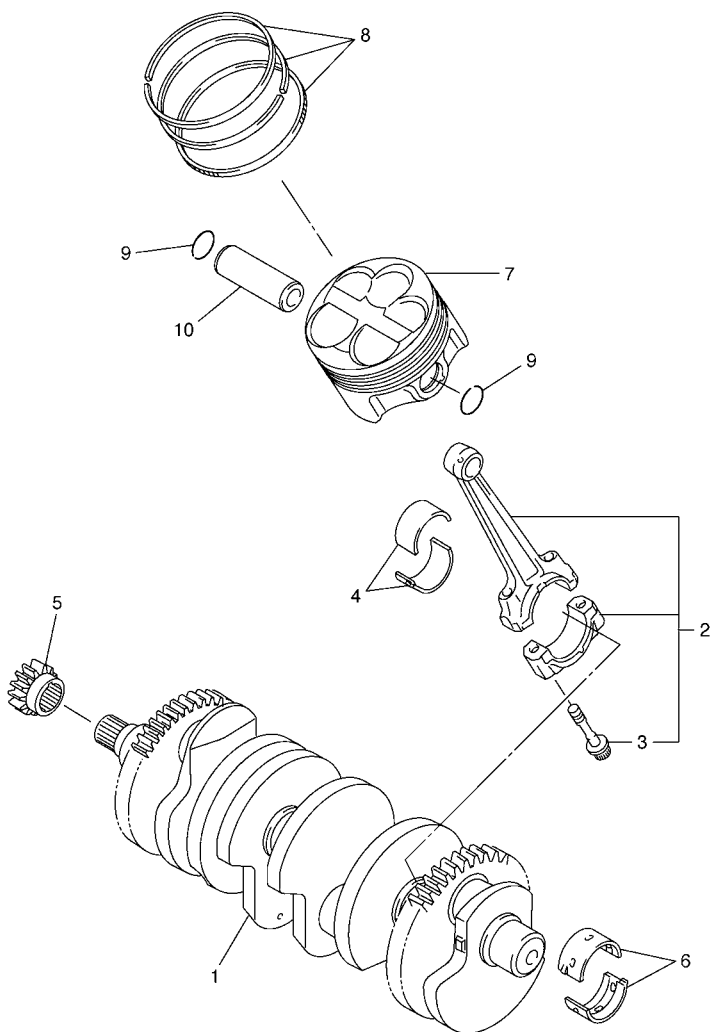
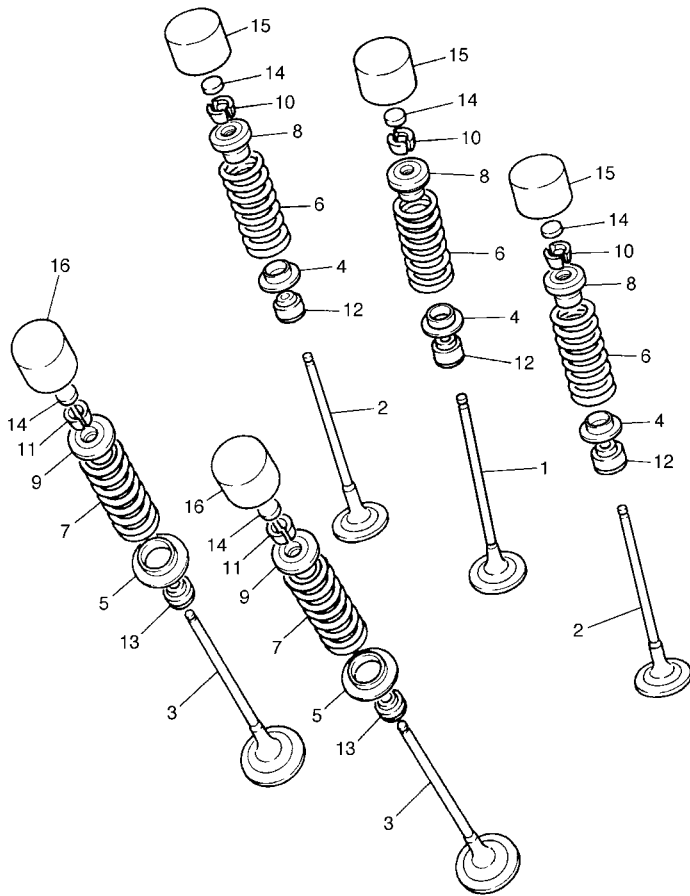


FIG. 3 CRANKSHAFT & PISTON

REF. NO.	PART NO.	DESCRIPTION	3C3P	3C3F	3C3S	REMARKS
1	2D1-11411-00	CRANKSHAFT	1	1	1	
2	4C8-11650-00	CONNECTING ROD ASSY	4	4	4	
3	5VY-11654-01	.BOLT, CONNECTING ROD	2	2	2	
4	2D1-11656-00	PLANE BEARING, CONNECTING ROD	8	8	8	UR BLUE
	2D1-11656-10	PLANE BEARING, CONNECTING ROD	8	8	8	UR BLACK
	2D1-11656-20	PLANE BEARING, CONNECTING ROD	8	8	8	UR BROWN
	2D1-11656-30	PLANE BEARING, CONNECTING ROD	8	8	8	UR GREEN
5	5VY-11549-00	SPROCKET, CAM CHAIN	1	1	1	
6	5VY-11416-A0	PLANE BEARING, CRANKSHAFT 1	10	10	10	UR WHITE
	5VY-11416-00	PLANE BEARING, CRANKSHAFT 1	10	10	10	UR BLUE
	5VY-11416-10	PLANE BEARING, CRANKSHAFT 1	10	10	10	UR BLACK
	5VY-11416-20	PLANE BEARING, CRANKSHAFT 1	10	10	10	UR BROWN
	5VY-11416-30	PLANE BEARING, CRANKSHAFT 1	10	10	10	UR GREEN
7	5VY-11631-10	PISTON (STD)	4	4	4	
8	5VY-11603-01	PISTON RING SET (STD)	4	4	4	
9	93450-18157	CIRCLIP	8	8	8	
10	5VY-11633-00	PIN, PISTON	4	4	4	

 2D11300-E030



5VY1300-C040

FIG. 4 VALVE

REF. NO.	PART NO.	DESCRIPTION	3C3P	3C3F	3C3S	REMARKS
1	2D1-12111-00	VALVE, INTAKE	4	4	4	
2	2D1-12112-00	VALVE, INTAKE 2	8	8	8	
3	5VY-12121-00	VALVE, EXHAUST	8	8	8	
4	5NL-12116-00	SEAT, VALVE SPRING	12	12	12	
5	3GM-12126-00	SEAT, VALVE SPRING 2	8	8	8	
6	2D1-12113-00	SPRING, VALVE INNER	12	12	12	
7	2D1-12114-00	SPRING, VALVE OUTER	8	8	8	
8	1HX-12117-00	RETAINER, VALVE SPRING	12	12	12	
9	1WG-12117-00	RETAINER, VALVE SPRING	8	8	8	
10	1HX-12118-00	COTTER, VALVE	24	24	24	
11	1WG-12118-00	COTTER, VALVE	16	16	16	
12	4TV-12119-00	SEAL, VALVE STEM	12	12	12	
13	4SV-12119-00	SEAL, VALVE STEM	8	8	8	
14	1HX-12168-00	PAD, ADJUSTING 2 (1.20)	20	20	20	UR
	1HX-12168-20	PAD, ADJUSTING 2 (1.25)	20	20	20	UR
	1HX-12168-40	PAD, ADJUSTING 2 (1.30)	20	20	20	UR
	1HX-12168-60	PAD, ADJUSTING 2 (1.35)	20	20	20	UR
	1HX-12168-80	PAD, ADJUSTING 2 (1.40)	20	20	20	UR
	1HX-12168-A0	PAD, ADJUSTING 2 (1.45)	20	20	20	UR
	1HX-12168-F0	PAD, ADJUSTING 2 (1.50)	20	20	20	UR
	1HX-12168-H1	PAD, ADJUSTING 2 (1.55)	20	20	20	UR
	1HX-12168-K1	PAD, ADJUSTING 2 (1.60)	20	20	20	UR
	1HX-12168-M1	PAD, ADJUSTING 2 (1.65)	20	20	20	UR
	1HX-12168-R1	PAD, ADJUSTING 2 (1.70)	20	20	20	UR
	1HX-12168-U1	PAD, ADJUSTING 2 (1.75)	20	20	20	UR
	1HX-12168-W1	PAD, ADJUSTING 2 (1.80)	20	20	20	UR
	1HX-12168-Y1	PAD, ADJUSTING 2 (1.85)	20	20	20	UR

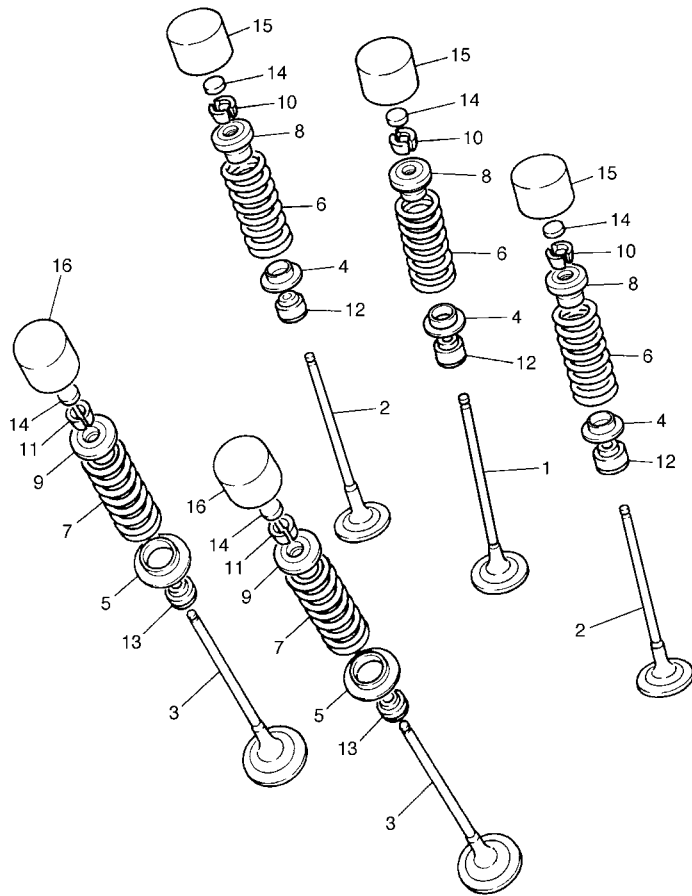


FIG. 4 VALVE

REF. NO.	PART NO.	DESCRIPTION	3C3P	3C3F	3C3S	REMARKS
14	1HX-12169-11	PAD, ADJUSTING 2 (1.90)	20	20	20	UR
	1HX-12169-31	PAD, ADJUSTING 2 (1.95)	20	20	20	UR
	1HX-12169-50	PAD, ADJUSTING 2 (2.00)	20	20	20	UR
	1HX-12169-70	PAD, ADJUSTING 2 (2.05)	20	20	20	UR
	1HX-12169-90	PAD, ADJUSTING 2 (2.10)	20	20	20	UR
	1HX-12169-E0	PAD, ADJUSTING 2 (2.15)	20	20	20	UR
	1HX-12169-G0	PAD, ADJUSTING 2 (2.20)	20	20	20	UR
	1HX-12169-J0	PAD, ADJUSTING 2 (2.25)	20	20	20	UR
	1HX-12169-L0	PAD, ADJUSTING 2 (2.30)	20	20	20	UR
	1HX-12169-N0	PAD, ADJUSTING 2 (2.35)	20	20	20	UR
	1HX-12169-T0	PAD, ADJUSTING 2 (2.40)	20	20	20	UR
15	3LN-12153-20	LIFTER, VALVE	12	12	12	UR BLUE
	3LN-12153-30	LIFTER, VALVE	12	12	12	UR RED
	3LN-12153-09	LIFTER, VALVE (O/S)	12	12	12	UR GREEN
16	3FV-12153-20	LIFTER, VALVE	8	8	8	UR BLUE
	3FV-12153-30	LIFTER, VALVE	8	8	8	UR RED
	3FV-12153-09	LIFTER, VALVE (O/S)	8	8	8	UR GREEN



5VY1300-C040

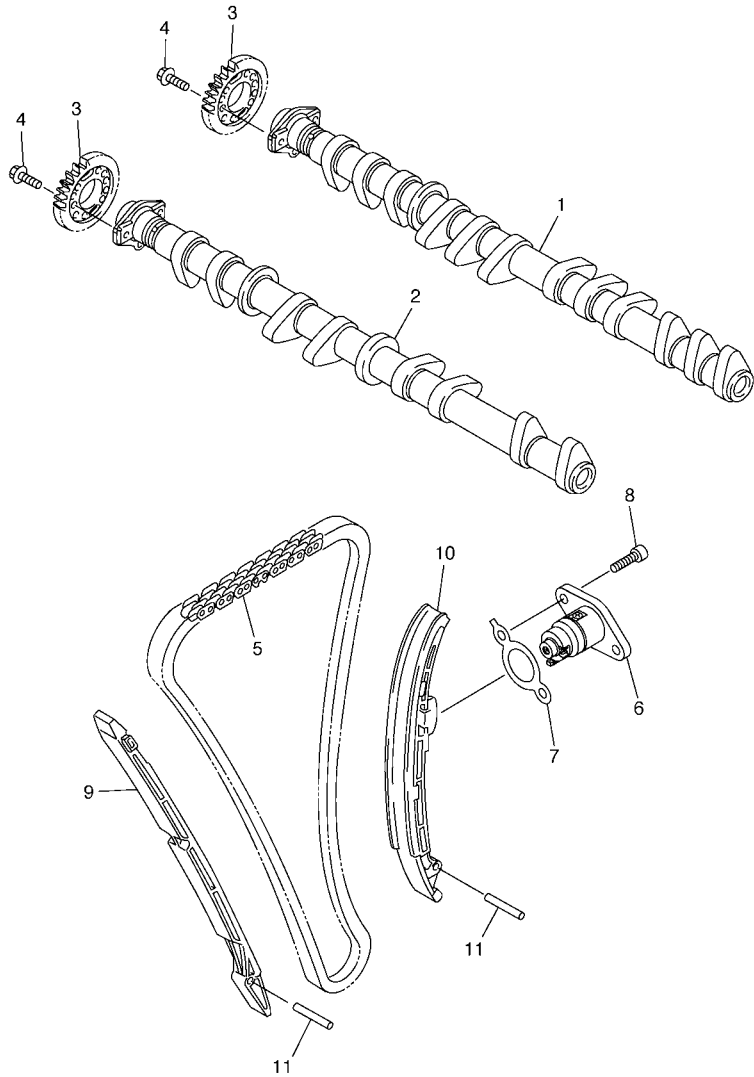
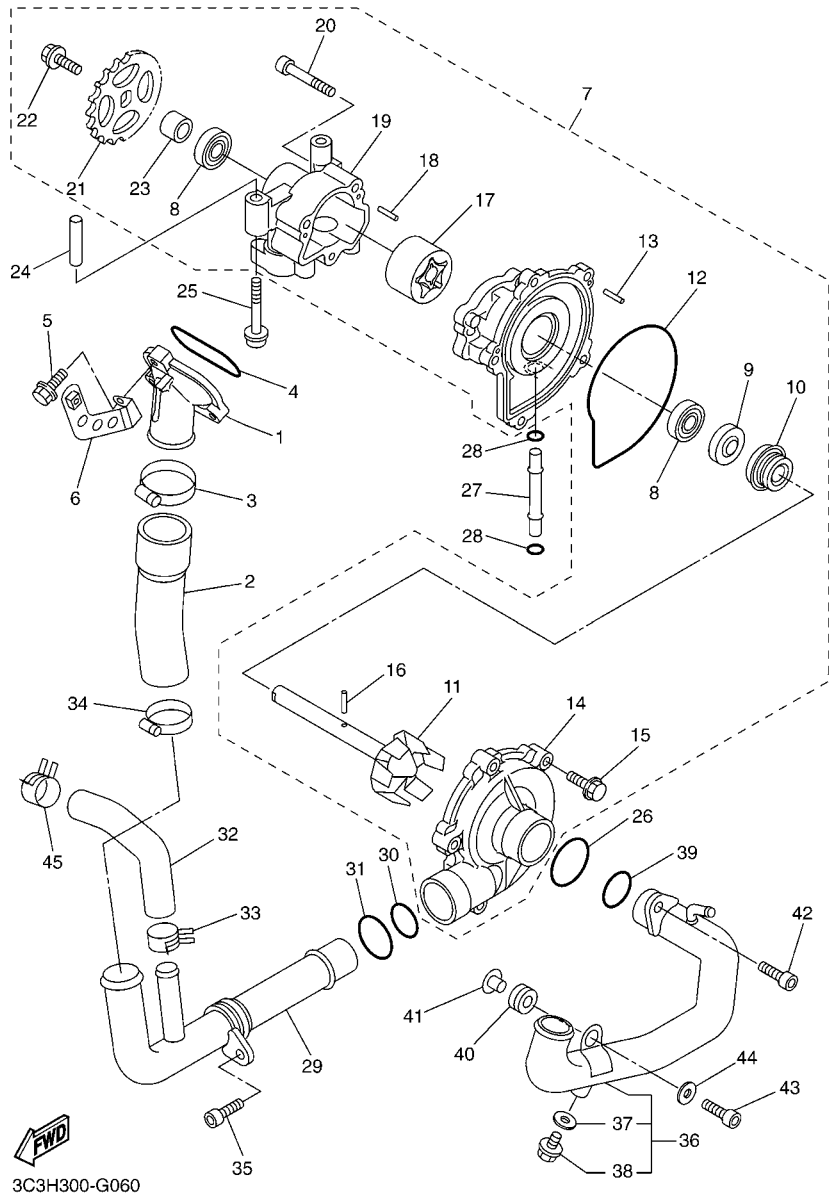


FIG. 5 CAMSHAFT & CHAIN

REF. NO.	PART NO.	DESCRIPTION	3C3P	3C3F	3C3S	REMARKS
1	2D1-12170-00	CAMSHAFT ASSY 1	1	1	1	
2	2D1-12180-10	CAMSHAFT ASSY 2	1	1	1	
3	4C8-12176-00	SPROCKET, CAM CHAIN	2	2	2	
4	90105-07006	BOLT, FLANGE	4	4	4	
5	94591-60122	CHAIN	1	1	1	
6	5VY-12210-20	TENSIONER ASSY, CAM CHAIN	1	1	1	
7	2D1-12213-00	GASKET, TENSIONER CASE	1	1	1	
8	91314-06020	BOLT, HEXAGON SOCKET HEAD	2	2	2	
9	5VY-12251-00	DAMPER, CHAIN 1	1	1	1	
10	5VY-12252-01	DAMPER, CHAIN 2	1	1	1	
11	93607-44002	PIN, DOWEL	2	2	2	



5VYE300-E050



3C3H300-G060

FIG. 6 WATER PUMP

REF. NO.	PART NO.	DESCRIPTION	3C3P	3C3F	3C3S	REMARKS
1	5VY-12469-00	JOINT 1	1	1	1	
2	5VY-12576-00	HOSE 1	1	1	1	
3	90450-38040	HOSE CLAMP ASSY	1	1	1	
4	93210-47675	O-RING	1	1	1	
5	95024-06025	BOLT, FLANGE	3	3	3	
6	2D1-12637-00	STAY 1	1	1	1	
7	4C8-12420-00	WATER PUMP ASSY	1	1	1	
8	93306-00106	.BEARING	2	2	2	
9	93102-12372	.OIL SEAL	1	1	1	
10	4C8-12438-00	.SEAL, MECHANICAL	1	1	1	
11	5VY-12450-11	.IMPELLER SHAFT ASSY	1	1	1	
12	4XV-12439-00	.O-RING	1	1	1	
13	93603-12007	.PIN, DOWEL	2	2	2	
14	5VY-12422-00	.COVER, HOUSING	1	1	1	
15	90105-06065	.BOLT, FLANGE	5	5	5	
16	93603-17070	.PIN, DOWEL	1	1	1	
17	5VY-13310-10	.ROTOR ASSY 1	1	1	1	
18	93603-12007	.PIN, DOWEL	2	2	2	
19	5VY-13336-00	.HOUSING, ROTOR	1	1	1	
20	91312-06040	.BOLT	3	3	3	
21	5VY-13355-00	.SPROCKET, DRIVEN	1	1	1	
22	90105-06066	.BOLT, FLANGE	1	1	1	
23	5VY-12456-10	.WASHER	1	1	1	
24	91808-30031	PIN, DOWEL	1	1	1	
25	90110-06167	BOLT, HEXAGON SOCKET HEAD	2	2	2	
26	93210-357A2	O-RING	1	1	1	
27	4XV-12485-00	PIPE 5	1	1	1	

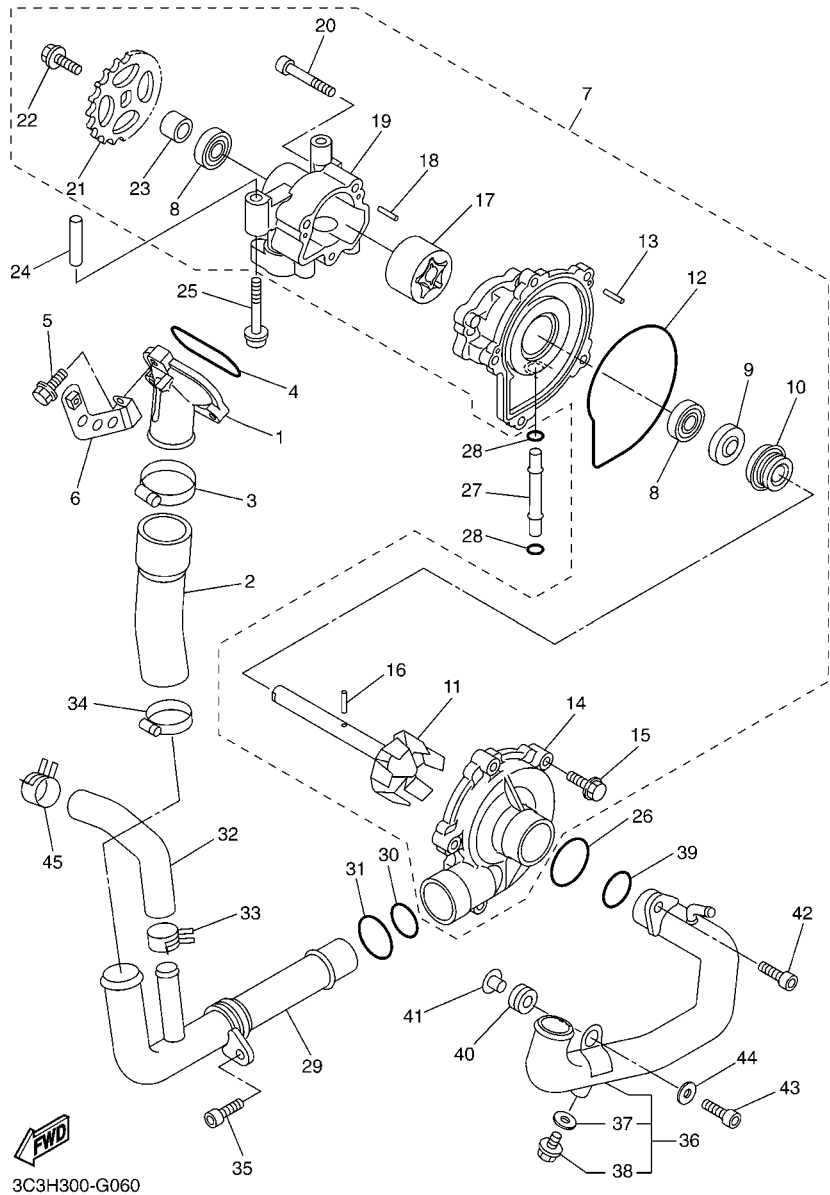
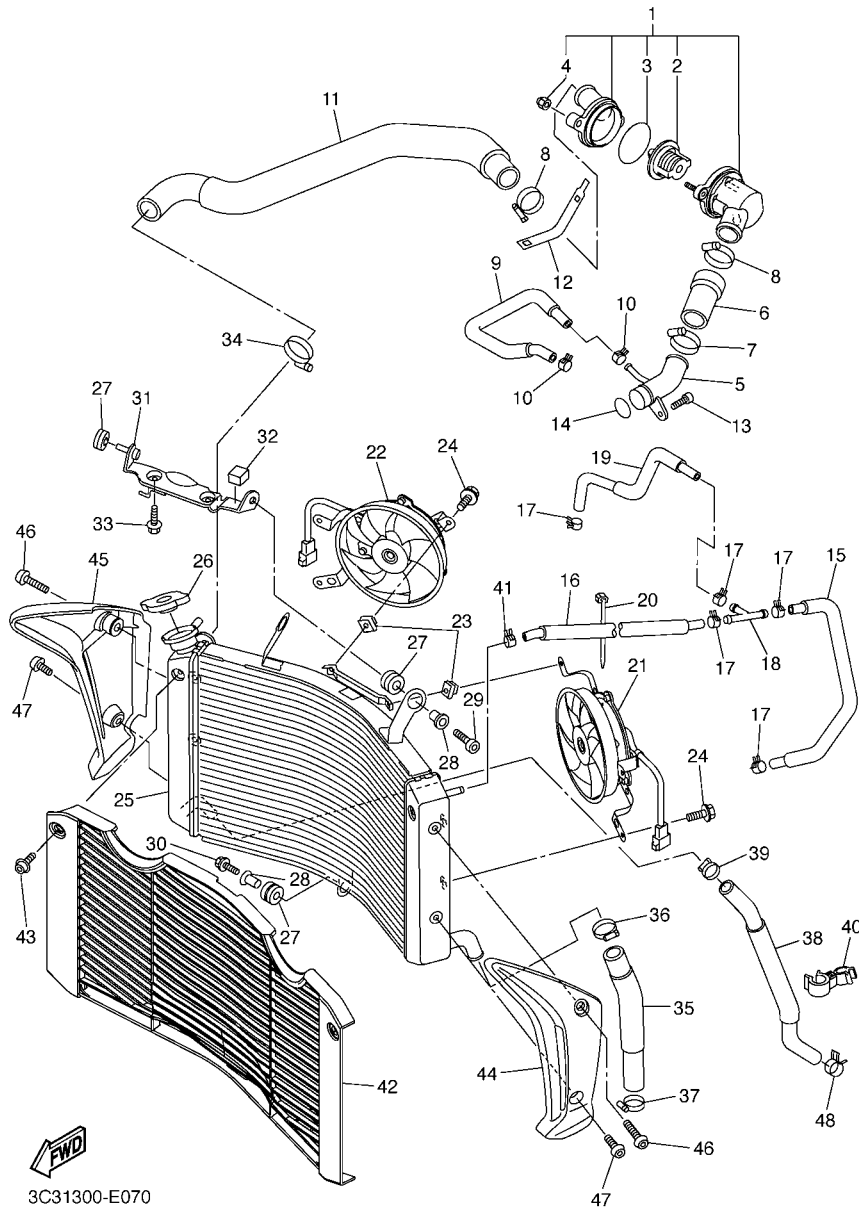


FIG. 6 WATER PUMP

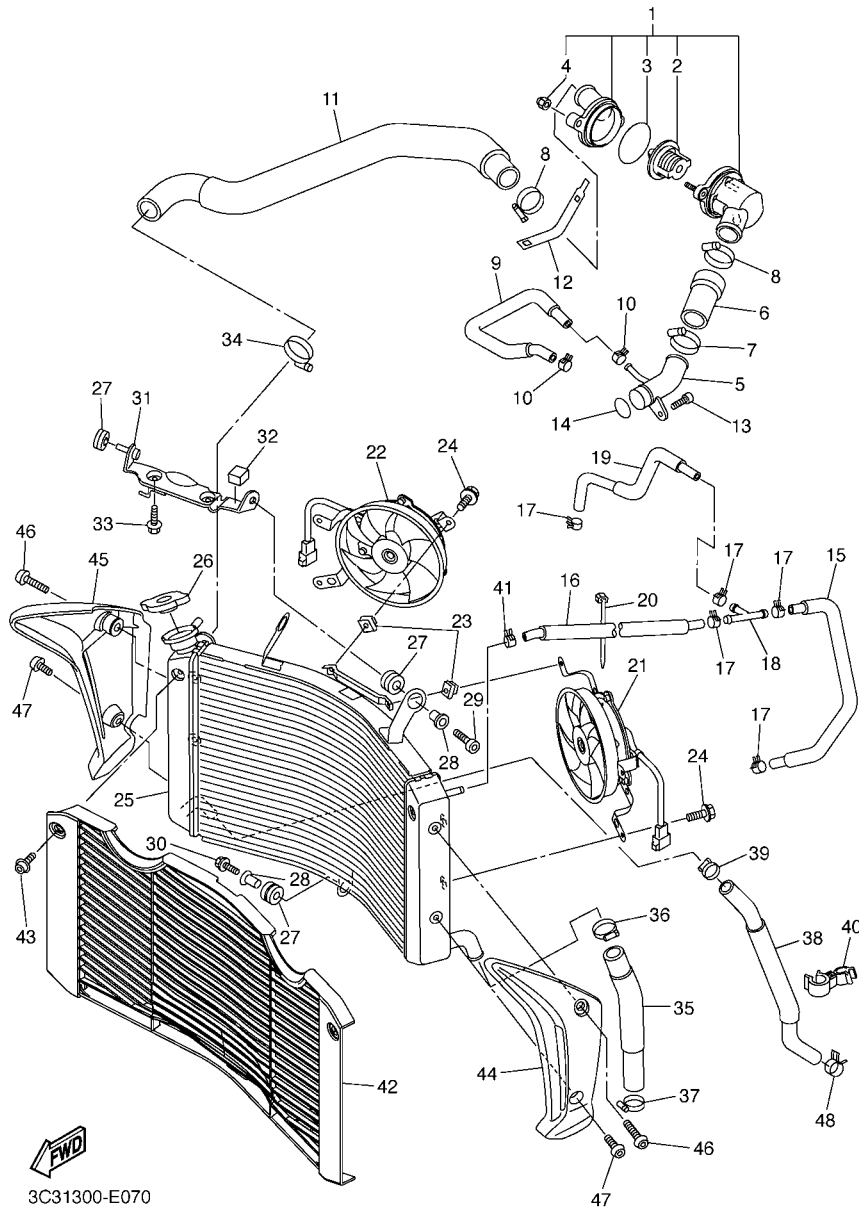
REF. NO.	PART NO.	DESCRIPTION	3C3P	3C3F	3C3S	REMARKS
28	93210-06667	O-RING	2	2	2	
29	5VY-12481-11	PIPE 1	1	1	1	
30	93210-235A1	O-RING	1	1	1	
31	93210-27370	O-RING	1	1	1	
32	5VY-12588-00	HOSE 5	1	1	1	
33	90467-200A0	CLIP	1	1	1	
34	90450-32001	HOSE CLAMP ASSY	1	1	1	
35	90110-06161	BOLT, HEXAGON SOCKET HEAD	1	1	1	
36	2D1-12484-01	PIPE 4	1	1	1	
37	90430-06014	.GASKET	1	1	1	
38	90153-06002	.SCREW, HEXAGON	1	1	1	
39	93210-235A1	O-RING	1	1	1	
40	90480-12010	GROMMET	1	1	1	
41	90387-06112	COLLAR	1	1	1	
42	90110-06161	BOLT, HEXAGON SOCKET HEAD	1	1	1	
43	90110-06174	BOLT, HEXAGON SOCKET HEAD	1	1	1	
44	90201-06079	WASHER, PLATE	1	1	1	
45	90467-200A0	CLIP	1	1	1	



3C31300-E070

FIG. 7 RADIATOR & HOSE

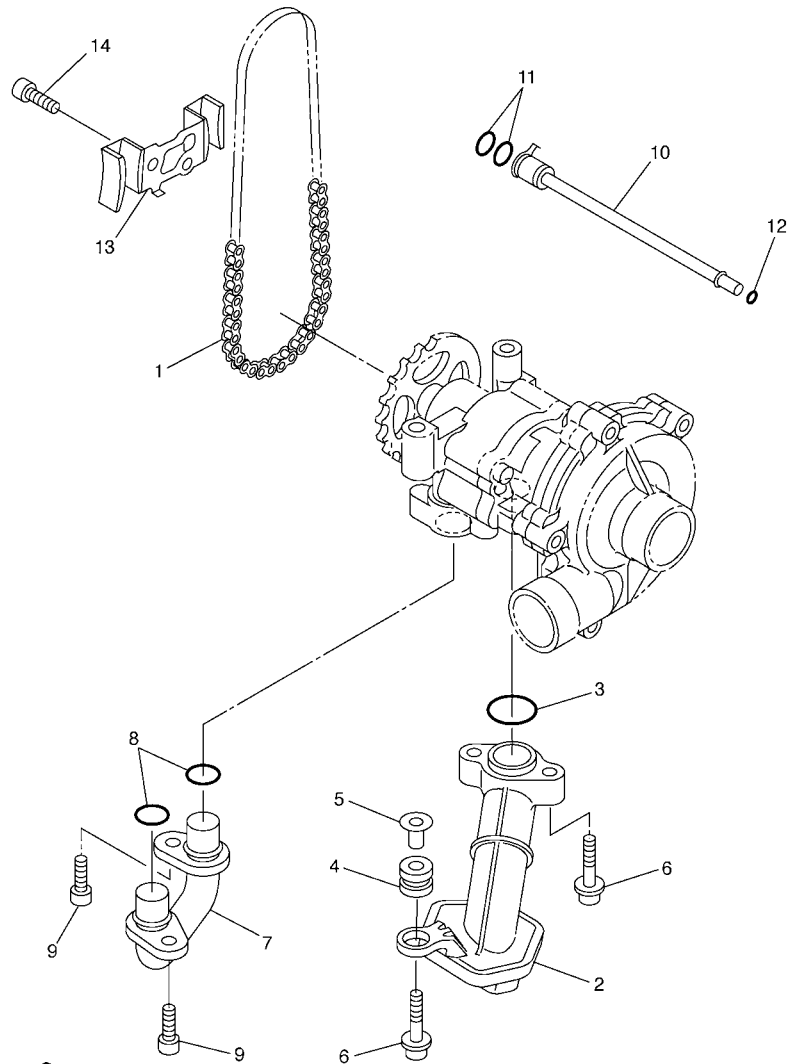
REF. NO.	PART NO.	DESCRIPTION	3C3P	3C3F	3C3S	REMARKS
1	2D1-12410-00	THERMOSTAT ASSY	1	1	1	
2	5LP-12411-00	.THERMOSTAT	1	1	1	
3	93210-49046	.O-RING	1	1	1	
4	90176-06014	.NUT, CROWN	2	2	2	
5	5VY-12485-10	PIPE 5	1	1	1	
6	5VY-12579-00	HOSE 4	1	1	1	
7	90450-35001	HOSE CLAMP ASSY	1	1	1	
8	90450-38040	HOSE CLAMP ASSY	2	2	2	
9	5VY-1243F-01	HOSE,3	1	1	1	
10	90467-11090	CLIP	2	2	2	
11	2D1-12578-00	HOSE 3	1	1	1	
12	5GV-1246A-00	COVER 1	1	1	1	
13	90110-06168	BOLT, HEXAGON SOCKET HEAD	1	1	1	
14	93210-235A1	O-RING	1	1	1	
15	5VY-1243A-00	HOSE 1	1	1	1	
16	2D1-1244G-00	HOSE, 4	1	1	1	
17	90467-11090	CLIP	5	5	5	
18	90413-07023	WAY 3	1	1	1	
19	2D1-1243E-01	HOSE 2	1	1	1	
20	90464-13073	CLAMP	1	1	1	
21	2D1-12405-00	BLOWER ASSY	1	1	1	
22	2D1-12405-10	BLOWER ASSY	1	1	1	
23	1AA-12535-00	PLATE	2	2	2	
24	2D1-12675-00	BOLT, BLOWER HOLDING	6	6	6	
25	2D1-12461-00	RADIATOR ASSY	1	1	1	
26	22W-12462-00	CAP, RADIATOR	1	1	1	
27	90480-15363	GROMMET	3	3	3	



3C31300-E070

FIG. 7 RADIATOR & HOSE

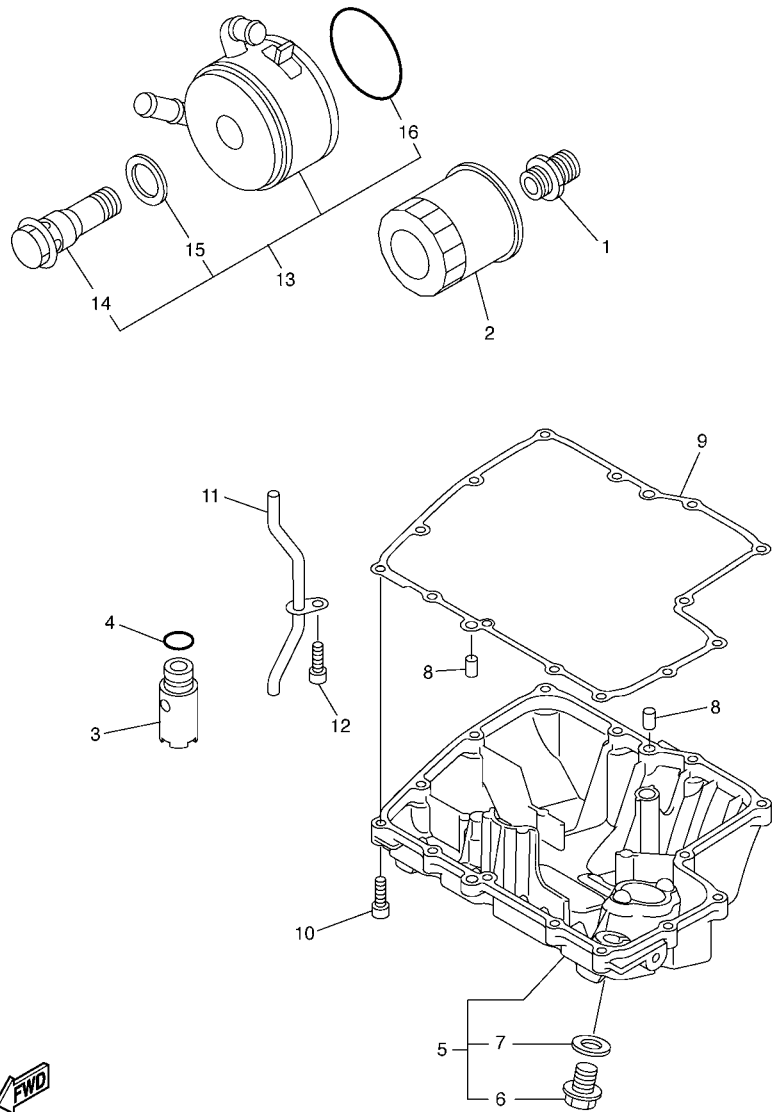
REF. NO.	PART NO.	DESCRIPTION	3C3P	3C3F	3C3S	REMARKS
28	90387-07391	COLLAR	2	2	2	
29	90109-06015	BOLT	1	1	1	
30	90110-06232	BOLT, HEXAGON SOCKET HEAD	1	1	1	
31	2D1-12464-00	STAY, RADIATOR	1	1	1	
32	2D1-2139U-00	DAMPER 2	1	1	1	
33	95802-06012	BOLT, FLANGE	2	2	2	
34	90450-35001	HOSE CLAMP ASSY	1	1	1	
35	2D1-12551-00	HOSE 7	1	1	1	
36	90450-35001	HOSE CLAMP ASSY	1	1	1	
37	90450-32001	HOSE CLAMP ASSY	1	1	1	
38	2D1-12589-00	HOSE 6	1	1	1	
39	90450-22017	HOSE CLAMP ASSY	1	1	1	
40	90464-23002	CLAMP	1	1	1	
41	90467-11090	CLIP	1	1	1	
42	2D1-12467-00	COVER, RADIATOR	1	1	1	
43	90111-06031	BOLT, HEX. SOCKET BUTTON	2	2	2	
44	3C3-1240J-00-P0	RADIATOR COVER ASSY1	1	1	1	MBL2
45	3C3-1240K-00-P0	RADIATOR COVER ASSY 2	1	1	1	MBL2
46	90111-06080	BOLT, HEX. SOCKET BUTTON	2	2	2	
47	90111-06079	BOLT, HEX. SOCKET BUTTON	2	2	2	
48	90467-200A0	CLIP	1	1	1	



5VY1300-C080

FIG. 8 OIL PUMP

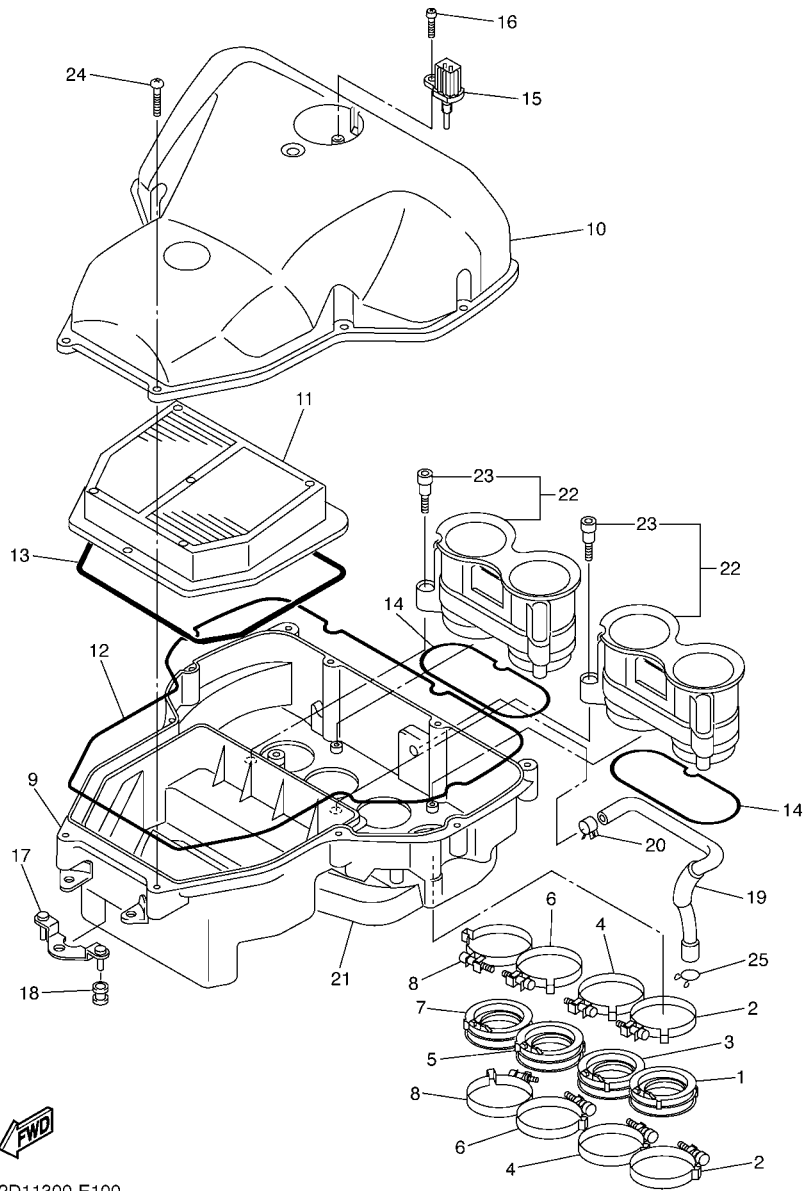
REF. NO.	PART NO.	DESCRIPTION	3C3P	3C3F	3C3S	REMARKS
1	94580-25078	CHAIN (DID25 78LE)	1	1	1	
2	5VY-13410-00	STRAINER HOUSING ASSY	1	1	1	
3	93210-22298	O-RING	1	1	1	
4	90480-13010	GROMMET	1	1	1	
5	5VY-13117-10	COLLAR, DISTANCE	1	1	1	
6	90110-06173	BOLT, HEXAGON SOCKET HEAD	3	3	3	
7	5VY-13416-00	PIPE, OIL 1	1	1	1	
8	93210-14003	O-RING	2	2	2	
9	90110-06161	BOLT, HEXAGON SOCKET HEAD	2	2	2	
10	5VY-1316E-00	PIPE, DELIVERY 5	1	1	1	
11	93210-09165	O-RING	2	2	2	
12	93210-06667	O-RING	1	1	1	
13	5VY-13898-00	HOLDER	1	1	1	
14	90110-06182	BOLT, HEXAGON SOCKET HEAD	2	2	2	



2D14300-F090

FIG. 9 OIL CLEANER

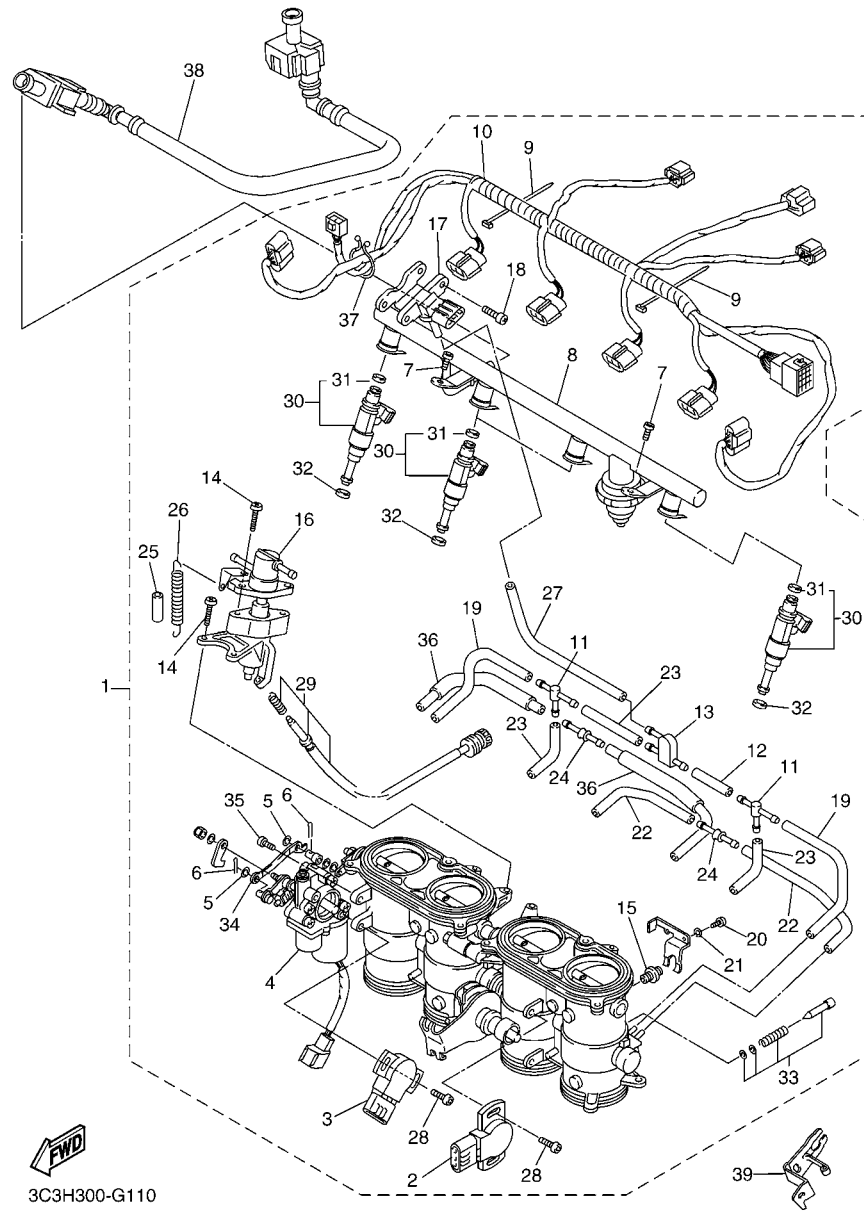
REF. NO.	PART NO.	DESCRIPTION	3C3P	3C3F	3C3S	REMARKS
1	90401-20145	BOLT, UNION	1	1	1	
2	5GH-13440-20	ELEMENT ASSY, OIL CLEANER	1	1	1	
3	5VY-13490-00	RELIEF VALVE ASSY	1	1	1	
4	93210-15566	O-RING	1	1	1	
5	2D1-13417-10	COVER, STRAINER	1	1	1	
6	90340-14132	.PLUG, STRAIGHT SCREW	1	1	1	
7	214-11198-01	.GASKET	1	1	1	
8	99530-08012	PIN, DOWEL	2	2	2	
9	4C8-13414-00	GASKET, STRAINER COVER	1	1	1	
10	91312-06025	BOLT	14	14	14	
11	5VY-13161-00	PIPE, DELIVERY 1	1	1	1	
12	90110-06182	BOLT, HEXAGON SOCKET HEAD	1	1	1	
13	5VY-13470-00	OIL COOLER ASSY	1	1	1	
14	5EB-12822-00	.BOLT, UNION	1	1	1	
15	5EB-13475-00	.GASKET	1	1	1	
16	5JW-13473-00	.O-RING	1	1	1	



2D11300-E100

FIG. 10 INTAKE

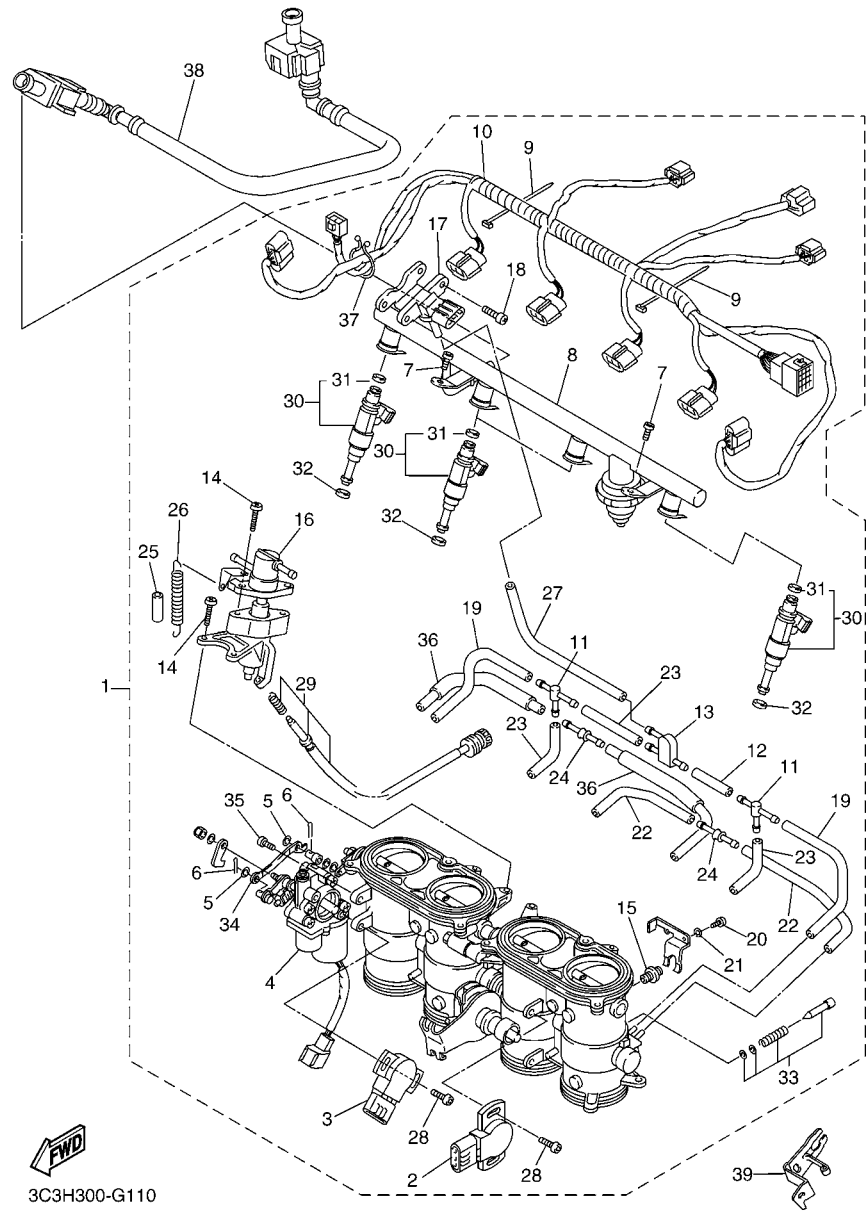
REF. NO.	PART NO.	DESCRIPTION	3C3P	3C3F	3C3S	REMARKS
1	5VY-13595-00	JOINT	1	1	1	
2	90450-62002	HOSE CLAMP ASSY	2	2	2	
3	5VY-13596-00	JOINT, CARBURETOR 2	1	1	1	
4	90450-62002	HOSE CLAMP ASSY	2	2	2	
5	5VY-13597-00	JOINT, CARBURETOR 3	1	1	1	
6	90450-62002	HOSE CLAMP ASSY	2	2	2	
7	5VY-13598-00	JOINT, CARBURETOR 4	1	1	1	
8	90450-62002	HOSE CLAMP ASSY	2	2	2	
9	2D1-14411-00	CASE, AIR CLEANER 1	1	1	1	
10	2D1-14421-00	CASE, AIR CLEANER 2	1	1	1	
11	2D1-14451-00	ELEMENT, AIR CLEANER	1	1	1	
12	2D1-14452-00	SEAL	1	1	1	
13	2D1-14462-00	SEAL	1	1	1	
14	5VY-14457-00	SEAL	2	2	2	
15	8FP-85886-00	SENSOR, AIR TEMPERATURE	1	1	1	
16	97702-50520	SCREW, TAPPING	1	1	1	
17	2D1-14498-00	STAY 1	1	1	1	
18	90480-08264	GROMMET	2	2	2	
19	2D1-15393-00	PIPE, BREATHER 2	1	1	1	
20	90467-14171	CLIP	1	1	1	
21	2D1-14409-00	DAMPEN	1	1	1	
22	2D1-1440B-00	JOINT ASSY	2	2	2	
23	90109-05005	.BOLT	3	3	3	
24	97702-50025	SCREW, TAPPING	11	11	11	
25	90467-14015	CLIP	1	1	1	



3C3H300-G110

FIG. 11 INTAKE 2

REF. NO.	PART NO.	DESCRIPTION	3C3P	3C3F	3C3S	REMARKS
1	2D1-13750-20	THROTTLE BODY ASSY	1	1	1	
2	2D1-85885-00	.THROTTLE SENSOR ASSY	1	1	1	
3	5FL-85885-02	.THROTTLE SENSOR ASSY	1	1	1	
4	5VY-85850-00	.GEARED MOTOR COMP.	1	1	1	
5	22U-14952-00	.WASHER	2	2	2	
6	91492-12010	.PIN, COTTER	2	2	2	
7	98502-06012	.SCREW, PAN HEAD	2	2	2	
8	2D1-13160-00	.DELIVERY PIPE ASSY 1	1	1	1	
9	4KM-14137-00	.CLIP	5	5	5	
10	2D1-82386-00	.EXTENSION, WIRE HARNESS	1	1	1	
11	68V-24376-00	.PIPE, JOINT 1	2	2	2	
12	5JW-14396-00	.PIPE	1	1	1	
13	3XV-14251-00	.NIPPLE	1	1	1	
14	98502-05014	.SCREW, PAN HEAD	4	4	4	
15	5VY-14171-00	.PLUNGER, STARTER	2	2	2	
16	5VY-14204-00	.CASE, STARTER	1	1	1	
17	1C7-82380-00	.SENSOR, PRESSURE	1	1	1	
18	92502-06010	.SCREW, PAN HEAD	2	2	2	
19	5FL-14349-10	.PIPE	2	2	2	
20	98507-03016	.SCREW, PAN HEAD	4	4	4	
21	92990-03100	.WASHER, SPRING	4	4	4	
22	5PW-14349-00	.PIPE	2	2	2	
23	5PS-14987-00	.HOSE	3	3	3	
24	5PW-14251-00	.NIPPLE	2	2	2	
25	5DM-14936-00	.SEAT, SPRING	1	1	1	
26	5JW-14589-00	.SPRING	1	1	1	
27	5SL-14349-00	.PIPE	1	1	1	



3C3H300-G110

FIG. 11 INTAKE 2

REF. NO.	PART NO.	DESCRIPTION	3C3P	3C3F	3C3S	REMARKS
28	8CC-14216-10	.SCREW	4	4	4	
29	5PW-14103-00	.THROTTLE SCREW SET	1	1	1	
30	5VY-13761-00	.INJECTOR	4	4	4	
31	5PS-14147-00	.O-RING	1	1	1	
32	8FP-13556-00	.GASKET, MANIFOLD	4	4	4	
33	5JW-14104-00	.AIR SCREW SET	2	2	2	
34	5VY-14905-00	.LEVER, STARTER	1	1	1	
35	98507-06020	.SCREW, PAN HEAD	2	2	2	
36	5VY-13543-00	.HOSE, AIR	2	2	2	
37	90464-30040	.CLAMP	1	1	1	
38	2D1-13971-00	PIPE, FUEL 1	1	1	1	
39	2D1-14413-01	STAY	1	1	1	

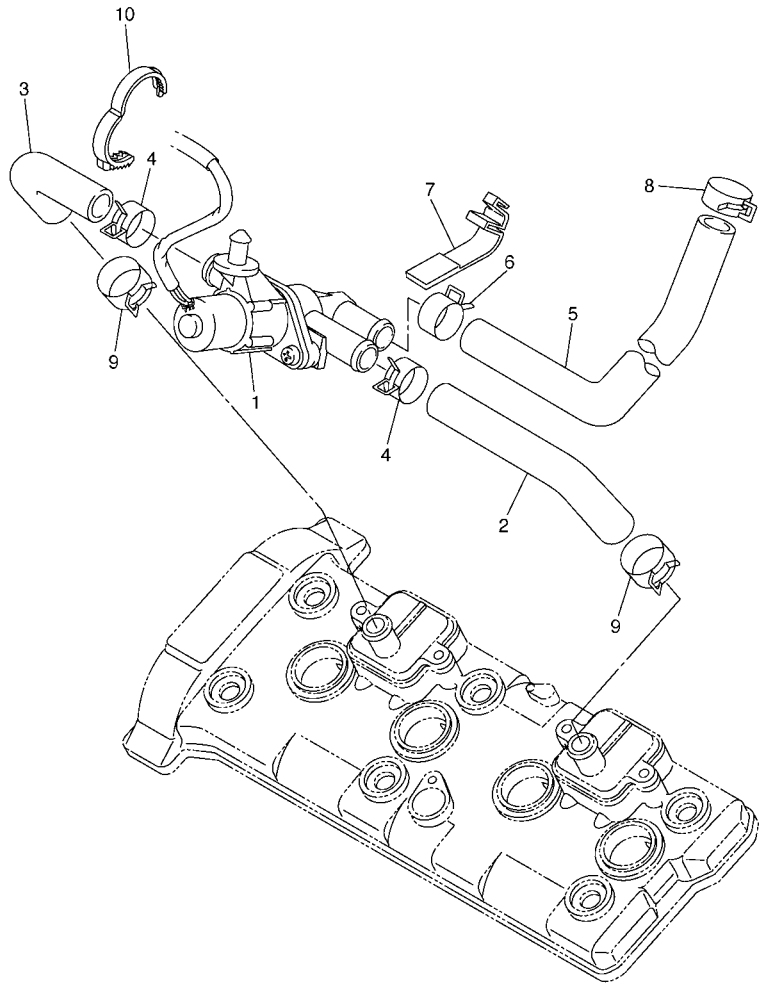
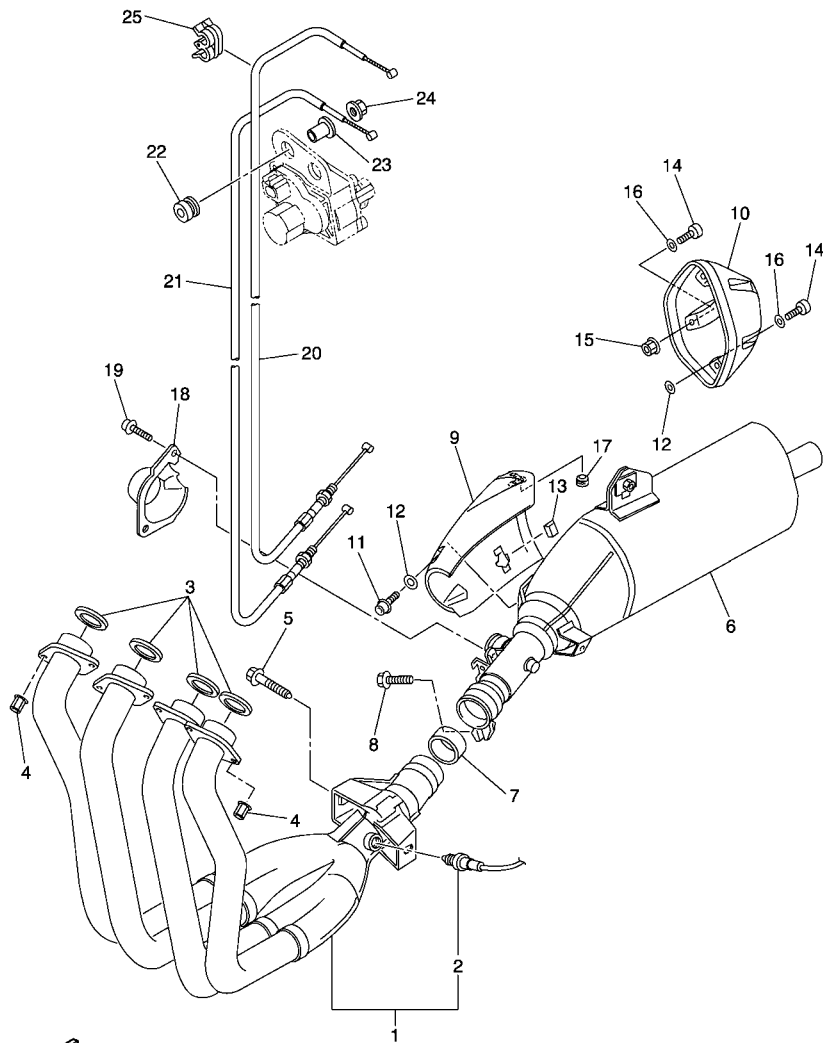


FIG. 12 AIR INDUCTION SYSTEM

REF. NO.	PART NO.	DESCRIPTION	3C3P	3C3F	3C3S	REMARKS
1	2D1-14840-00	AIR CUT VALVE ASSY	1	1	1	
2	5VY-14881-00	HOSE, BEND 1	1	1	1	
3	5VY-14882-00	HOSE, BEND 2	1	1	1	
4	90467-18172	CLIP	2	2	2	
5	5VY-14883-00	HOSE, BEND 3	1	1	1	
6	90467-18172	CLIP	1	1	1	
7	5JW-14723-00	COVER 1	2	2	2	
8	90467-17128	CLIP	1	1	1	
9	90467-180A0	CLIP	2	2	2	
10	90464-28003	CLAMP	1	1	1	



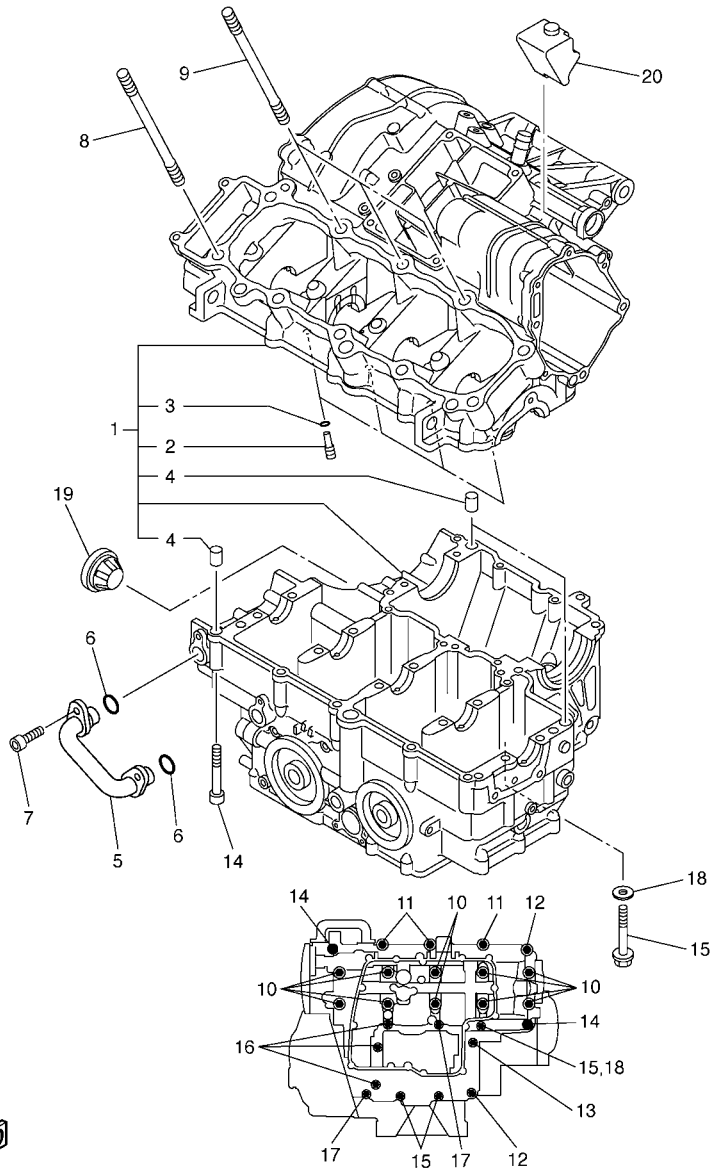
2D11300-E120



FWD
2D14300-F130

FIG. 13 EXHAUST

REF. NO.	PART NO.	DESCRIPTION	3C3P	3C3F	3C3S	REMARKS
1	2D1-14602-10	EXHAUST PIPE COMP.	1	1	1	
2	2D1-8592A-00	.SENSOR, OXYGEN	1	1	1	
3	4FM-14613-00	GASKET, EXHAUST PIPE	4	4	4	
4	90179-08410	NUT	8	8	8	
5	90109-08170	BOLT	2	2	2	
6	2D1-14703-00	MUFFLER COMP. 1	1	1	1	
7	5VY-14755-00	GASKET, SILENCER	1	1	1	
8	95814-08030	BOLT, FLANGE	1	1	1	
9	2D1-14718-10	PROTECTOR, MUFFLER 1	1	1	1	
10	2D1-14799-00	CAP	1	1	1	
11	90111-06060	BOLT,HEX. SOCKET BUTTON	2	2	2	
12	90201-05017	WASHER, PLATE	6	6	6	
13	3MA-24181-00	DAMPER, LOCATING 1	2	2	2	
14	91380-06014	BOLT	5	5	5	
15	95702-06500	NUT, FLANGE	1	1	1	
16	92990-06600	WASHER, PLATE	5	5	5	
17	2D1-14737-00	DAMPER, MUFFLER	1	1	1	
18	2D1-14826-00	PROTECTOR, EXHAUST	1	1	1	
19	90110-06110	BOLT, HEXAGON SOCKET HEAD	2	2	2	
20	2D1-1133E-01	CABLE, PULLEY 1	1	1	1	
21	2D1-1133F-11	CABLE, PULLEY 2	1	1	1	
22	90480-14604	GROMMET	2	2	2	
23	90387-06M60	COLLAR	1	1	1	
24	95702-06500	NUT, FLANGE	1	1	1	
25	90464-04001	CLAMP	1	1	1	



5VY1300-C140

FIG. 14 CRANKCASE

REF. NO.	PART NO.	DESCRIPTION	3C3P	3C3F	3C3S	REMARKS
1	4C8-15100-00	CRANKCASE ASSY	1	1	1	
2	5EB-15155-00	.NOZZLE 3	4	4	4	
3	93210-04092	.O-RING	4	4	4	
4	99530-10014	.PIN, DOWEL	3	3	3	
5	5VY-13418-11	PIPE, OIL 2	1	1	1	
6	93210-14003	O-RING	2	2	2	
7	90110-06161	BOLT, HEXAGON SOCKET HEAD	2	2	2	
8	90116-10032	BOLT, STUD	7	7	7	
9	90116-10023	BOLT, STUD	3	3	3	
10	90119-09003	BOLT, WITH WASHER	10	10	10	
11	95812-08050	BOLT, FLANGE	3	3	3	
12	95812-08060	BOLT, FLANGE	2	2	2	
13	90105-08101	BOLT, FLANGE	1	1	1	
14	90109-06100	BOLT	2	2	2	
15	95812-06060	BOLT, FLANGE	3	3	3	
16	95812-06070	BOLT, FLANGE	3	3	3	
17	95812-06050	BOLT, FLANGE	2	2	2	
18	90430-06166	GASKET	1	1	1	
19	5PW-15361-00	GAUGE, LEVEL	1	1	1	
20	5VY-15316-00	DAMPER 1	1	1	1	

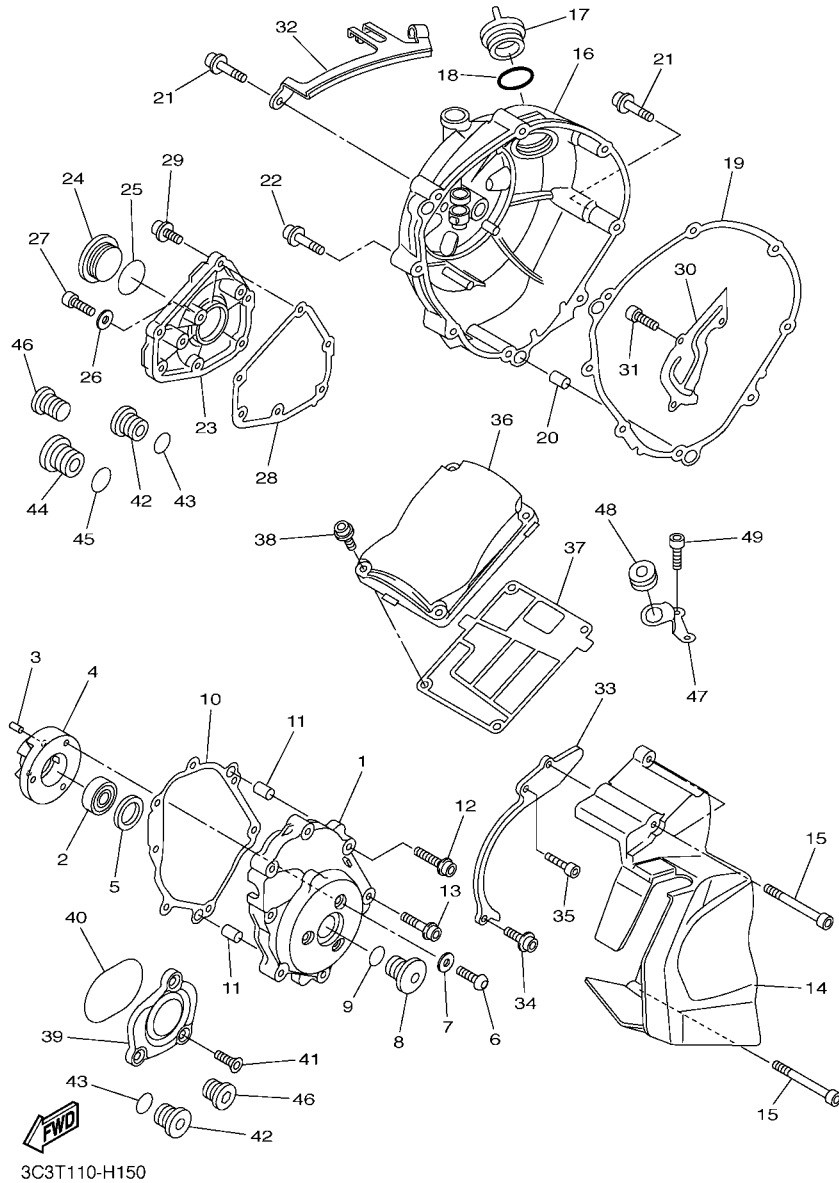
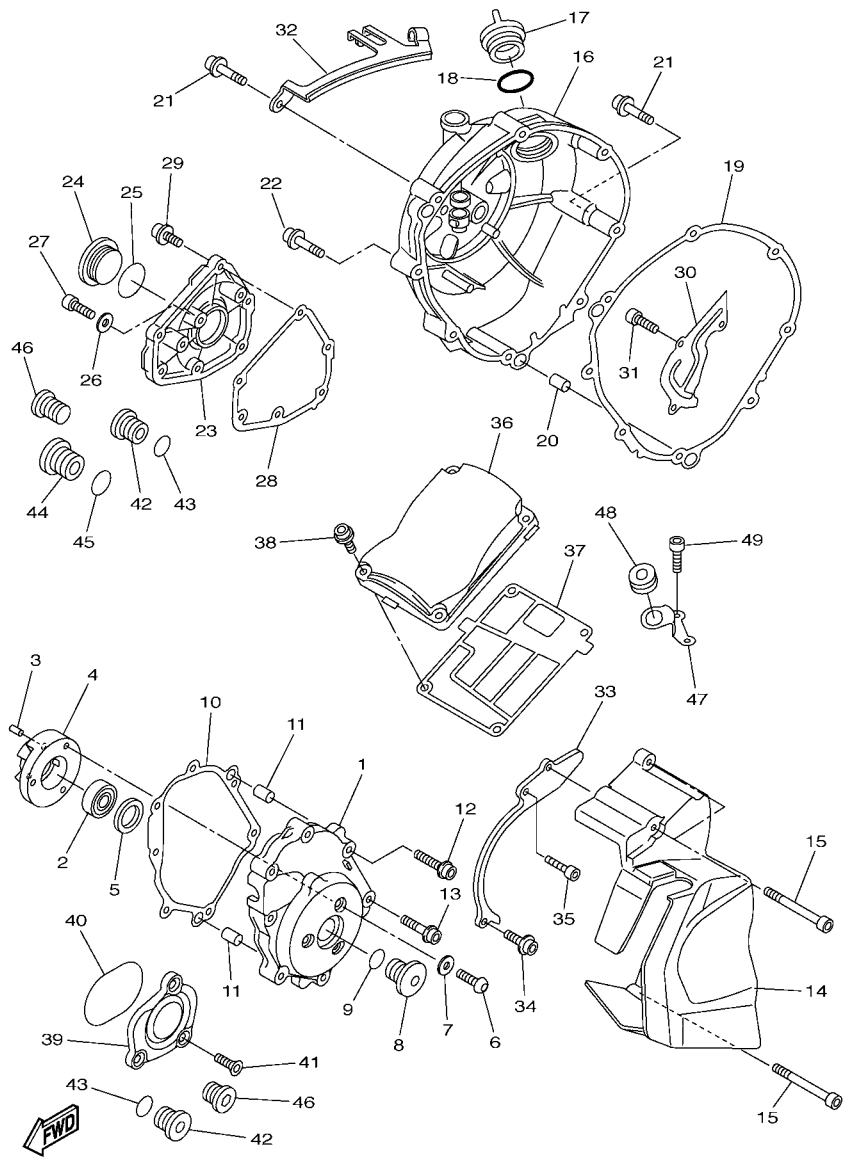


FIG. 15 CRANKCASE COVER 1

REF. NO.	PART NO.	DESCRIPTION	3C3P	3C3F	3C3S	REMARKS
1	3C3-15411-10	COVER, CRANKCASE 1	1	1	1	
2	93306-20124	BEARING	1	1	1	
3	93605-10108	PIN, DOWEL	2	2	2	
4	5VY-15164-00	HOUSING, BEARING 2	1	1	1	
5	5VY-15542-00	COLLAR 2	1	1	1	
6	90149-06064	SCREW	3	3	3	
7	90201-06431	WASHER, PLATE	3	3	3	
8	3C3-15189-10	PLUG	1	1	1	
9	93210-22382	O-RING	1	1	1	
10	2D1-15451-10	GASKET, CRANKCASE COVER 1	1	1	1	
11	99480-10018	PIN	2	2	2	
12	90110-06323	BOLT, HEXAGON SOCKET HEAD	4	4	4	
13	90110-08099	BOLT, HEXAGON SOCKET HEAD	3	3	3	
14	2D1-15418-00	COVER, CHAIN CASE	1	1	1	
15	90110-06255	BOLT, HEXAGON SOCKET HEAD	3	3	3	
16	3C3-15421-10	COVER, CRANKCASE 2	1	1	1	
17	3F9-15362-00	PLUG, OIL LEVEL	1	1	1	
18	93210-27194	O-RING	1	1	1	
19	4C8-15461-00	GASKET, CRANKCASE COVER 2	1	1	1	
20	93610-20189	PIN, DOWEL	2	2	2	
21	90110-06321	BOLT, HEXAGON SOCKET HEAD	7	7	7	
22	90110-06320	BOLT, HEXAGON SOCKET HEAD	1	1	1	
23	2D1-15416-00	COVER, OIL PUMP	1	1	1	
24	90340-32004	PLUG, STRAIGHT SCREW	1	1	1	
25	93210-32172	O-RING	1	1	1	
26	90430-08143	GASKET	1	1	1	
27	92014-08012	BOLT, BUTTON HEAD	1	1	1	



3C3T110-H150

FIG. 15 CRANKCASE COVER 1

REF. NO.	PART NO.	DESCRIPTION	3C3P	3C3F	3C3S	REMARKS
28	4C8-15456-00	GASKET, OIL PUMP COVER 1	1	1	1	
29	90110-06331	BOLT, HEXAGON SOCKET HEAD	6	6	6	
30	5VY-11165-00	PLATE, BREATHER	1	1	1	
31	90110-06182	BOLT, HEXAGON SOCKET HEAD	3	3	3	
32	2D1-15441-01	HOLDER, CLUTCH CABLE	1	1	1	
33	4B1-15113-00	PLATE	1	1	1	
34	90110-06277	BOLT, HEXAGON SOCKET HEAD	1	1	1	
35	90110-06276	BOLT, HEXAGON SOCKET HEAD	1	1	1	
36	2D1-15413-00	COVER	1	1	1	
37	4C8-15462-00	GASKET, CRANKCASE COVER 3	1	1	1	
38	90110-06172	BOLT, HEXAGON SOCKET HEAD	4	4	4	
39	5VY-15431-00	COVER, CRANKCASE 3	1	1	1	
40	93210-57003	O-RING	1	1	1	
41	90151-06022	SCREW, COUNTERSUNK	3	3	3	
42	36Y-15189-00	PLUG	3	3	3	
43	93210-16325	O-RING	3	3	3	
44	4H7-15189-00	PLUG	1	1	1	
45	93210-22382	O-RING	1	1	1	
46	90340-12003	PLUG, STRAIGHT SCREW	2	2	2	
47	5VY-12443-10	STAY	1	1	1	
48	90480-13014	GROMMET	1	1	1	
49	91380-06014	BOLT	2	2	2	

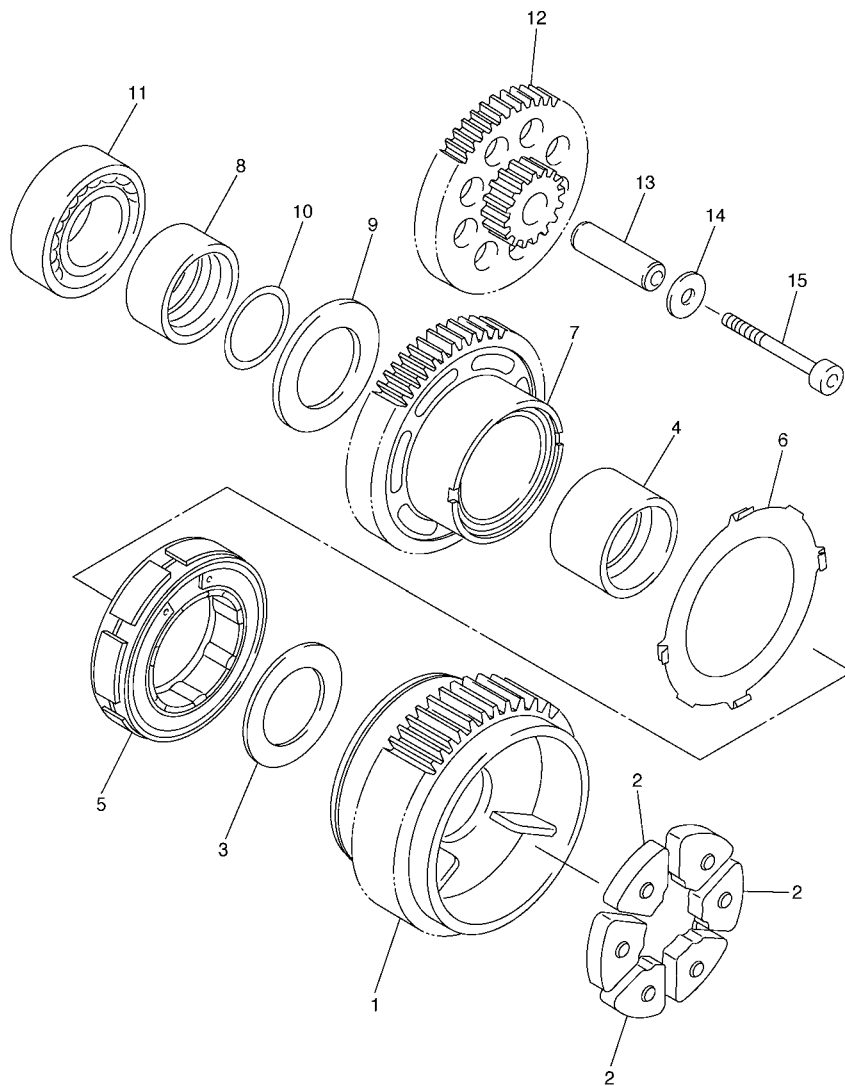
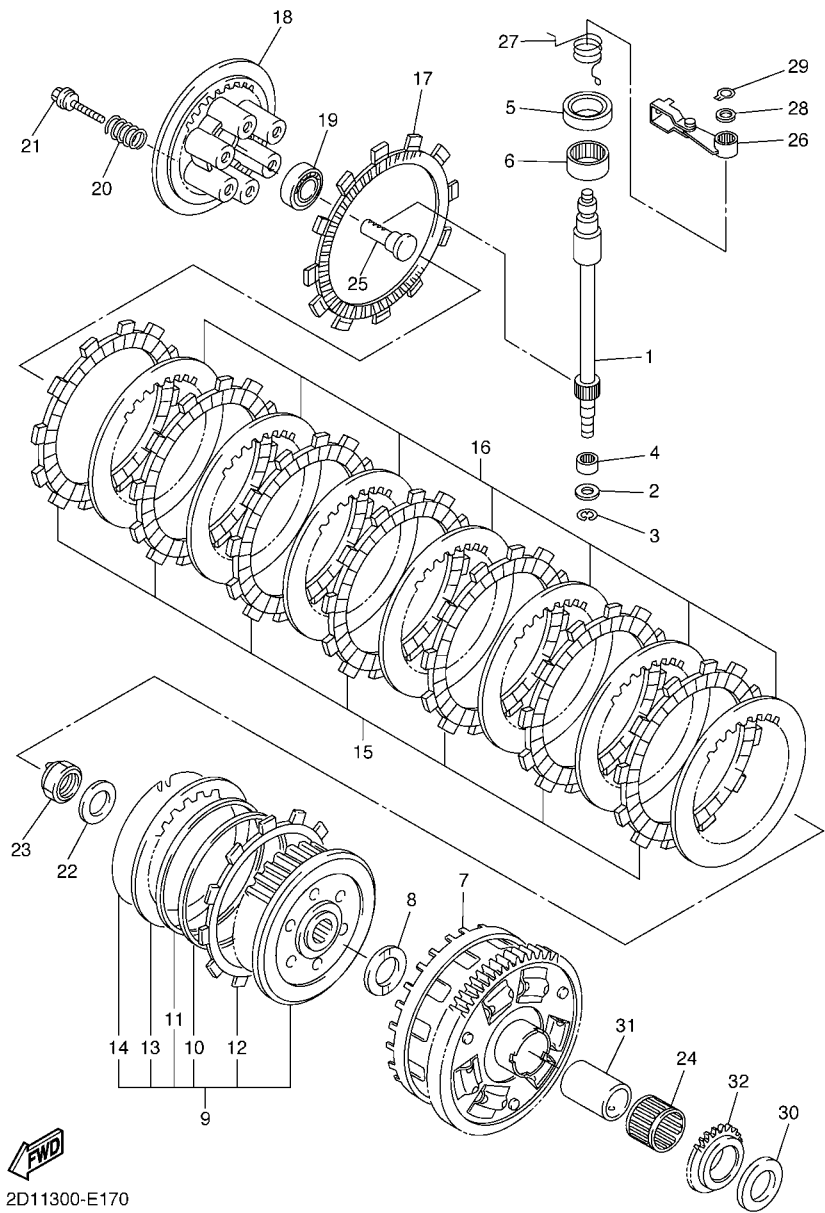


FIG. 16 STARTER

REF. NO.	PART NO.	DESCRIPTION	3C3P	3C3F	3C3S	REMARKS
1	2D1-11537-00	GEAR, DRIVEN	1	1	1	
2	5VY-16155-00	ABSORBER 1	3	3	3	
3	90201-20016	WASHER, PLATE	1	1	1	
4	5VY-11478-00	COLLAR	1	1	1	
5	5VY-15570-00	STARTER CLUTCH ASSY	1	1	1	
6	5VY-15586-00	PLATE, STARTER CLUTCH ASSY	1	1	1	
7	5VY-15515-00	GEAR 3	1	1	1	
8	5VY-11445-00	SPACER	1	1	1	
9	90201-20017	WASHER, PLATE	1	1	1	
10	93210-18397	O-RING	1	1	1	
11	93306-20230	BEARING	1	1	1	
12	5VY-15517-00	GEAR, IDLER 2	1	1	1	
13	5VY-15521-00	SHAFT 1	1	1	1	
14	90201-06589	WASHER, PLATE	1	1	1	
15	90110-06176	BOLT, HEXAGON SOCKET HEAD	1	1	1	



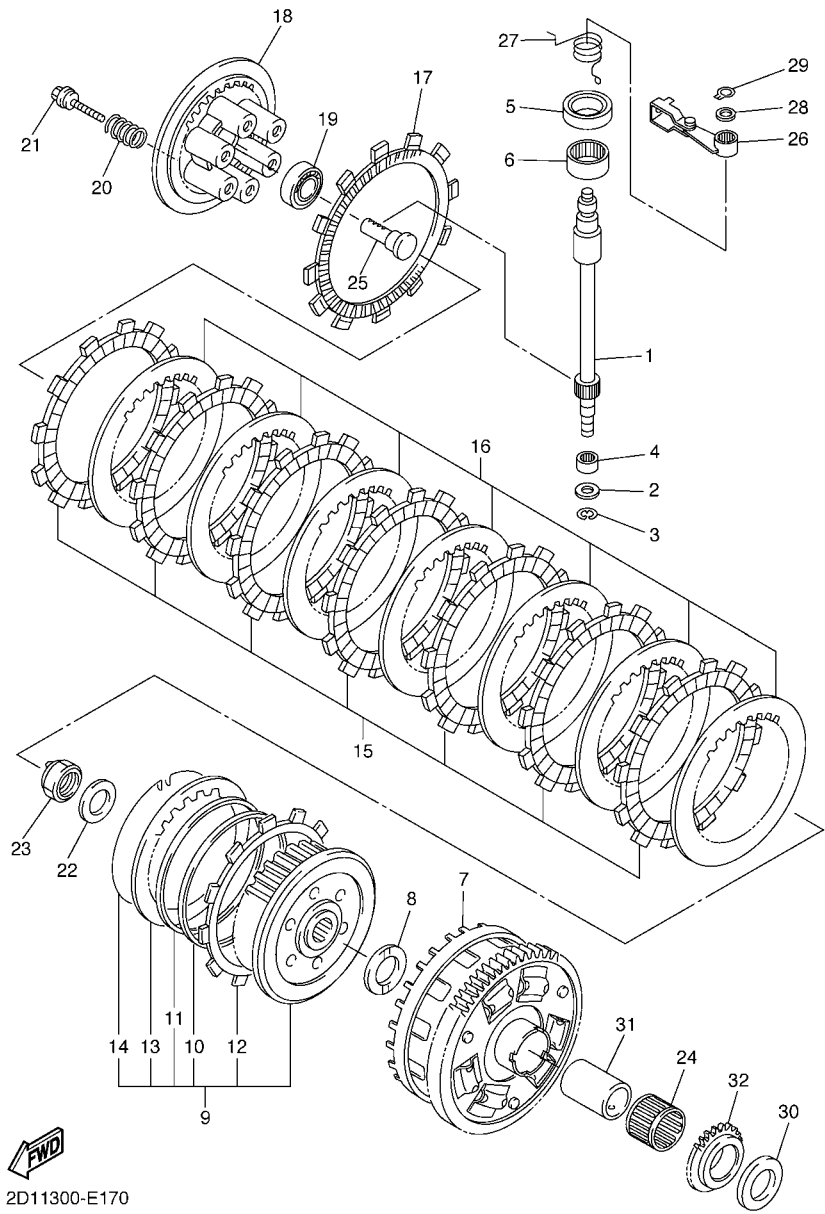
5VY1300-C160



2D11300-E170

FIG. 17 CLUTCH

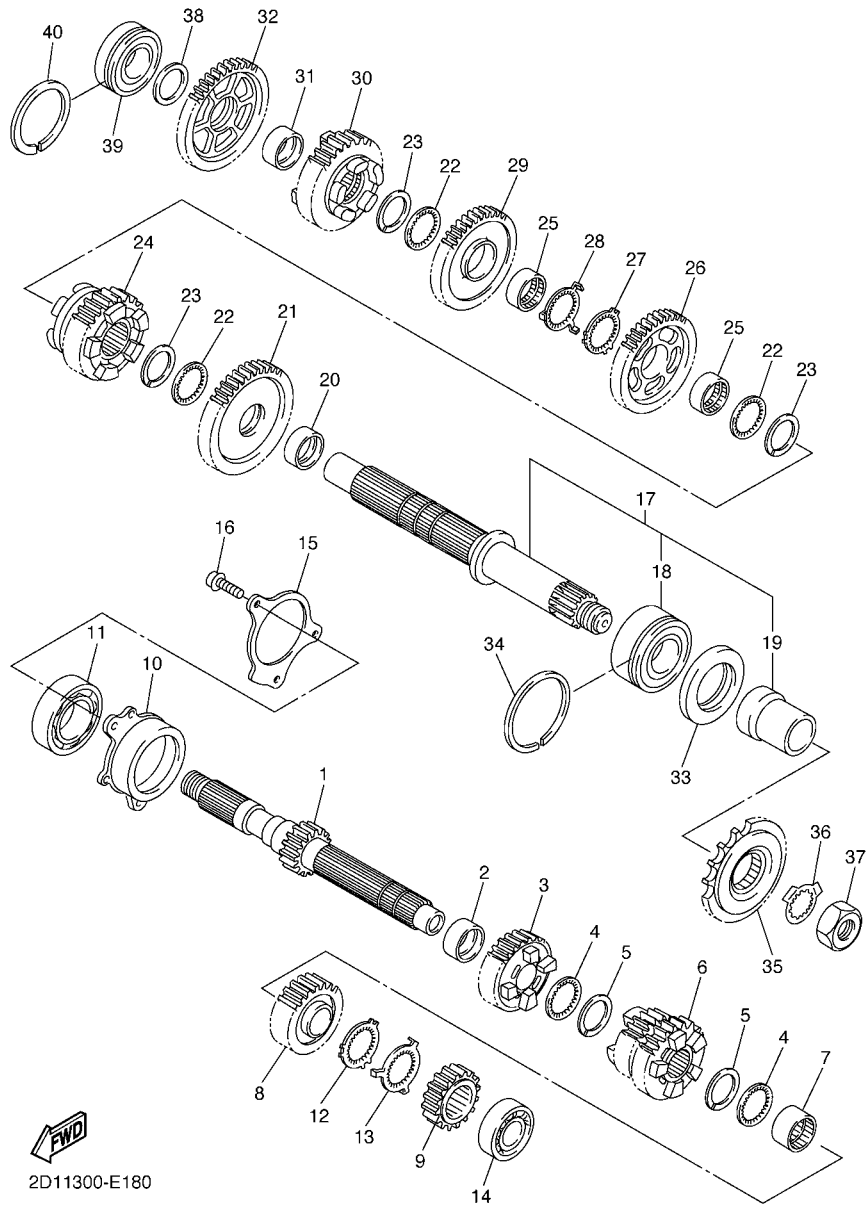
REF. NO.	PART NO.	DESCRIPTION	3C3P	3C3R	3C3S	REMARKS
1	2D1-16382-00	AXLE, PUSH LEVER	1	1	1	
2	92907-08600	WASHER, PLATE	1	1	1	
3	99001-07600	CIRCLIP	1	1	1	
4	93317-11096	BEARING	1	1	1	
5	93102-15212	OIL SEAL	1	1	1	
6	93315-31502	BEARING	1	1	1	
7	5VY-16150-00	PRIMARY DRIVEN GEAR COMP.	1	1	1	
8	5VY-16154-00	PLATE, THRUST 1	1	1	1	
9	2D1-16370-00	CLUTCH BOSS ASSY	1	1	1	
10	5VY-16384-00	.PLATE, SEAT	1	1	1	
11	5VY-16383-00	.SPRING, CLUTCH BOSS	1	1	1	
12	5VY-16331-00	.PLATE, FRICTION 2	1	1	1	
13	5VY-16325-00	.PLATE, CLUTCH 2	1	1	1	
14	4X7-16385-00	.RING, CLUTCH BOSS	1	1	1	
15	5VY-16321-00	PLATE, FRICTION	7	7	7	
16	5VY-16325-00	PLATE, CLUTCH 2	7	7	7	
17	5VY-16330-00	PLATE, FRICTION 2	1	1	1	
18	5VY-16351-00	PLATE, PRESSURE 1	1	1	1	
19	93306-00304	BEARING	1	1	1	
20	90501-230A0	SPRING, COMPRESSION	6	6	6	
21	90159-06026	SCREW, WITH WASHER	6	6	6	
22	90208-20001	WASHER, CONICAL SPRING	1	1	1	
23	90179-20007	NUT	1	1	1	
24	93310-232R9	BEARING	1	1	1	
25	4XV-16356-01	ROD, PUSH 1	1	1	1	
26	5VY-16340-00	PUSH LEVER ASSY	1	1	1	
27	90508-18051	SPRING, TORSION	1	1	1	



2D11300-E170

FIG. 17 CLUTCH

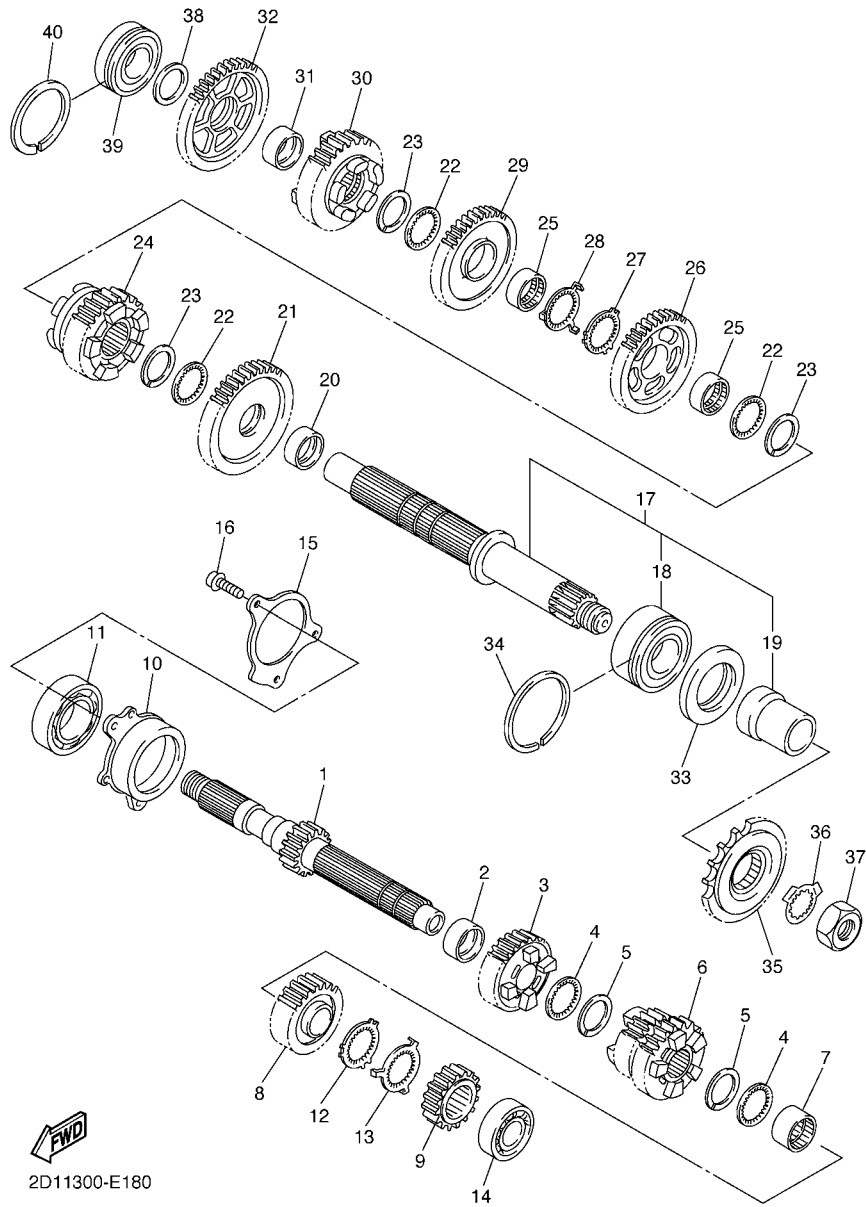
REF. NO.	PART NO.	DESCRIPTION	3C3P	3C3F	3C3S	REMARKS
28	90201-10029	WASHER, PLATE	1	1	1	
29	99009-10400	CIRCLIP	1	1	1	
30	5VY-16164-00	PLATE, THRUST 2	1	1	1	
31	5VY-16181-00	SPACER 1	1	1	1	
32	5VY-13354-00	SPROCKET, DRIVE	1	1	1	



2D11300-E180

FIG. 18 TRANSMISSION

REF. NO.	PART NO.	DESCRIPTION	3C3P	3C3F	3C3S	REMARKS
1	5VY-17411-00	AXLE, MAIN (15T)	1	1	1	
2	90387-28003	COLLAR	1	1	1	
3	2D1-17151-00	GEAR, 5TH PINION (20T)	1	1	1	
4	90209-25011	WASHER	2	2	2	
5	93440-28184	CIRCLIP	2	2	2	
6	2D1-17131-00	GEAR, 3RD PINION (21/23T)	1	1	1	
7	90387-25007	COLLAR	1	1	1	
8	2D1-17161-00	GEAR, 6TH PINION (24T)	1	1	1	
9	2D1-17121-10	GEAR, 2ND PINION (16T)	1	1	1	
10	5VY-15163-00	HOUSING, BEARING 1	1	1	1	
11	93306-20652	BEARING	1	1	1	
12	90214-25004	WASHER, CLAW	1	1	1	
13	90214-25003	WASHER, CLAW	1	1	1	
14	93306-27208	BEARING	1	1	1	
15	5VY-17446-00	PLATE	1	1	1	
16	90110-06164	BOLT, HEXAGON SOCKET HEAD	3	3	3	
17	5VY-17402-00	DRIVE AXLE ASSY	1	1	1	
18	93305-20605	.BEARING	1	1	1	
19	5VY-17442-00	.COLLAR, DISTANCE	1	1	1	
20	90387-31003	COLLAR	1	1	1	
21	2D1-17221-00	GEAR, 2ND WHEEL (33T)	1	1	1	
22	90209-28008	WASHER	3	3	3	
23	93440-31187	CIRCLIP	3	3	3	
24	2D1-17261-00	GEAR, 6TH WHEEL (29T)	1	1	1	
25	90387-28004	COLLAR	2	2	2	
26	5VY-17241-00	GEAR, 4TH WHEEL (35T)	1	1	1	
27	90214-29002	WASHER, CLAW	1	1	1	

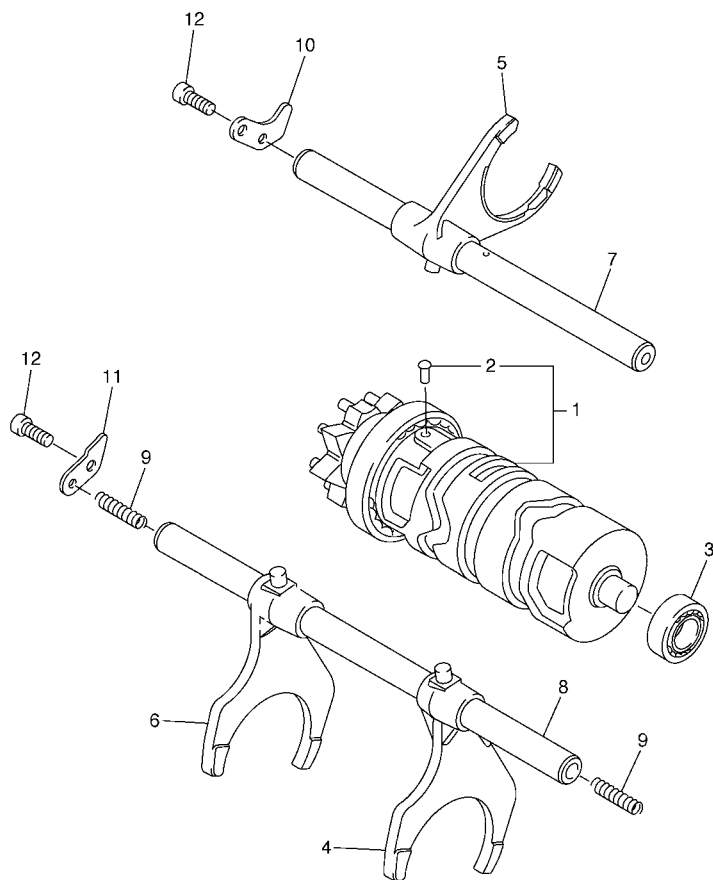


2D11300-E180

FIG. 18 TRANSMISSION

REF. NO.	PART NO.	DESCRIPTION	3C3P	3C3F	3C3S	REMARKS
28	90214-28002	WASHER, CLAW	1	1	1	
29	5VY-17231-00	GEAR, 3RD WHEEL (37T)	1	1	1	
30	2D1-17251-01	GEAR, 5TH WHEEL (27T)	1	1	1	
31	90387-25008	COLLAR	1	1	1	
32	5VY-17211-00	GEAR, 1ST WHEEL (38T)	1	1	1	
33	93102-40330	OIL SEAL	1	1	1	
34	93440-62032	CIRCLIP	1	1	1	
35	3CV-17460-00	SPROCKET, DRIVE (17T)	1	1	1	
36	90215-30233	WASHER, LOCK	1	1	1	
37	90179-22011	NUT	1	1	1	
38	90201-257H0	WASHER, PLATE	1	1	1	
39	93306-205A2	BEARING	1	1	1	
40	93440-52009	CIRCLIP	1	1	1	

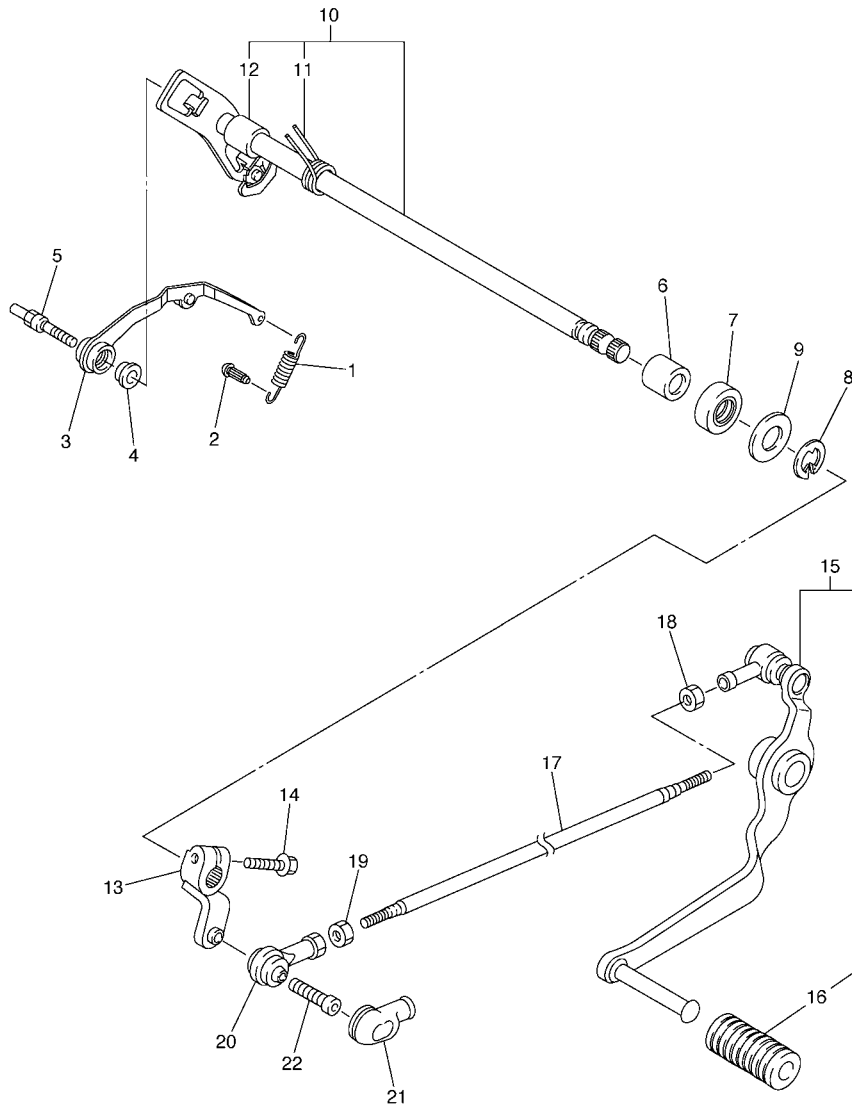
FIG. 19 SHIFT CAM & FORK



REF. NO.	PART NO.	DESCRIPTION	3C3P	3C3F	3C3S	REMARKS
1	5VY-18540-00	SHIFT CAM ASSY	1	1	1	
2	136-18542-00	.POINT, NEUTRAL	1	1	1	
3	93306-00106	BEARING	1	1	1	
4	2D1-18511-00	FORK, SHIFT 1	1	1	1	
5	2D1-18512-00	FORK, SHIFT 2	1	1	1	
6	5VY-18513-01	FORK, SHIFT 3	1	1	1	
7	5VY-18531-00	BAR, SHIFT FORK GUIDE 1	1	1	1	
8	5VY-18535-00	BAR, SHIFT FORK GUIDE 2	1	1	1	
9	90501-064L1	SPRING, COMPRESSION	2	2	2	
10	5VY-18536-00	STOPPER, SHIFT BAR	1	1	1	
11	5VY-18562-00	PLATE, STOPPER 2	1	1	1	
12	90110-06182	BOLT, HEXAGON SOCKET HEAD	2	2	2	



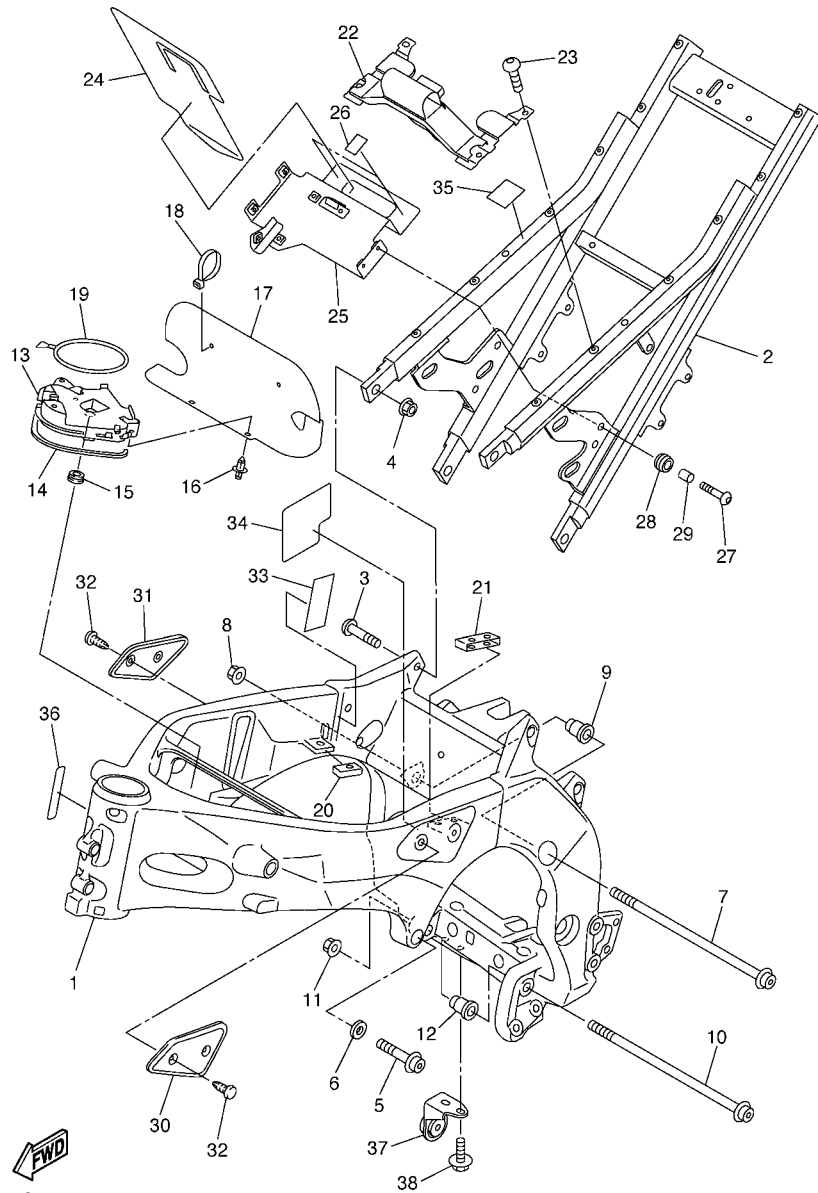
5VY1300-C190



2D11300-E200

FIG. 20 SHIFT SHAFT

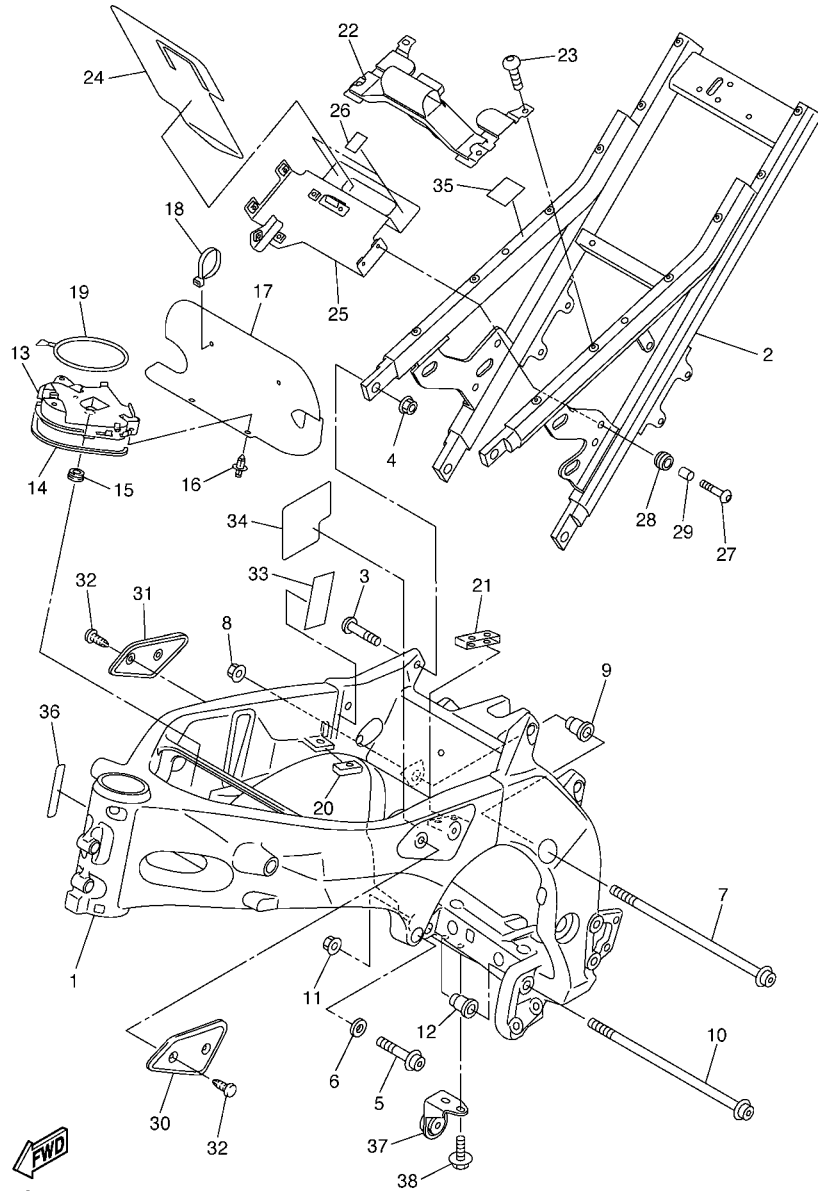
REF. NO.	PART NO.	DESCRIPTION	3C3P	3C3F	3C3S	REMARKS
1	5VY-18144-00	HANGER, SPRING	1	1	1	
2	132-16346-00	HOOK, SPRING	1	1	1	
3	5VY-18140-00	STOPPER LEVER ASSY	1	1	1	
4	90387-0804S	COLLAR	1	1	1	
5	5VY-18127-10	STOPPER, SCREW	1	1	1	
6	93317-11295	BEARING	2	2	2	
7	93102-12106	OIL SEAL (SD 12-22-5 HS)	1	1	1	
8	99002-10600	CLIP	1	1	1	
9	90201-12575	WASHER, PLATE	2	2	2	
10	2D1-18101-00	SHIFT SHAFT ASSY	1	1	1	
11	90508-32020	.SPRING, TORSION	1	1	1	
12	90387-1211D	.COLLAR	1	1	1	
13	2D1-18112-00	ARM, SHIFT	1	1	1	
14	95022-06020	BOLT, FLANGE	1	1	1	
15	2D1-18110-00	SHIFT PEDAL ASSY	1	1	1	
16	5EB-18113-00	.COVER, SHIFT PEDAL	1	1	1	
17	2D1-18115-00	ROD, SHIFT	1	1	1	
18	90170-06228	NUT(COUNTER CLOCKWISE)	1	1	1	
19	95304-06700	NUT	1	1	1	
20	5VX-18116-00	JOINT, ROD 1	1	1	1	
21	5VX-18154-00	COVER, DUST	1	1	1	
22	90111-06098	BOLT,HEX. SOCKET BUTTON	1	1	1	



3C3A300-F210

FIG. 21 FRAME

REF. NO.	PART NO.	DESCRIPTION	3C3P	3C3F	3C3S	REMARKS
1	2D1-21110-01-P0	FRAME COMP.	1	1		MBL2
2	2D1-21190-00-P0	REAR FRAME COMP.	1	1	1	MBL2
3	90157-10001	SCREW, PAN HEAD	4	4	4	
4	95604-10200	NUT, SELF-LOCKING	4	4	4	
5	95024-10040	BOLT, FLANGE	2	2	2	
6	90201-10020	WASHER, PLATE	2	2	2	
7	90110-10024	BOLT, HEXAGON SOCKET HEAD	1	1	1	
8	90179-10025	NUT	1	1	1	
9	4C8-21495-00	BOLT, ENGINE ADJUSTING	1	1	1	
10	90110-10024	BOLT, HEXAGON SOCKET HEAD	1	1	1	
11	90179-10025	NUT	1	1	1	
12	4C8-21495-00	BOLT, ENGINE ADJUSTING	1	1	1	
13	2D1-2117N-00	COVER 3	1	1	1	
14	2D1-2174Y-00	DAMPER	1	1	1	
15	90480-01333	GROMMET	1	1	1	
16	90269-06001	RIVET	2	2	2	
17	2D1-2117G-00	PROTECTOR	1	1	1	
18	1UA-82591-00	BAND	2	2	2	
19	3YX-21376-00	BAND, TOOL	1	1	1	
20	2D1-24184-00	DAMPER, LOCATING 4	1	1	1	
21	2D1-24185-00	DAMPNER, LOCATING 5	1	1	1	
22	2D1-21345-00	BRACKET, TANK FITTING	1	1	1	
23	90149-06026	SCREW	4	4	4	
24	2D1-24183-00	DAMPER, LOCATING 3	1	1	1	
25	2D1-21287-01	BRACKET, REGULATOR	1	1	1	
26	5YU-21639-00	DAMPER 2	2	2	2	



3C3A300-F210

FIG. 21 FRAME

REF. NO.	PART NO.	DESCRIPTION	3C3P	3C3F	3C3S	REMARKS
27	90111-06098	BOLT,HEX. SOCKET BUTTON	4	4	4	
28	90480-14013	GROMMET	4	4	4	
29	90387-06026	COLLAR	4	4	4	
30	2D1-24129-00	COVER, SIDE 1	1	1	1	
31	2D1-24139-00	COVER, SIDE 2	1	1	1	
32	90269-06003	RIVET	4	4	4	
33	4PX-23426-00	DAMPER	1	1	1	
34	2D1-21575-00	SEAL 1	1	1	1	
35	2D1-21268-10	SEAL	1	1	1	
36	2D1-2197E-00	PROTECTOR, FRAME FR	1	1	1	
37	2D1-27425-02	BRACKET, FOOTREST 2	1	1	1	
38	95812-08016	BOLT, FLANGE	2	2	2	

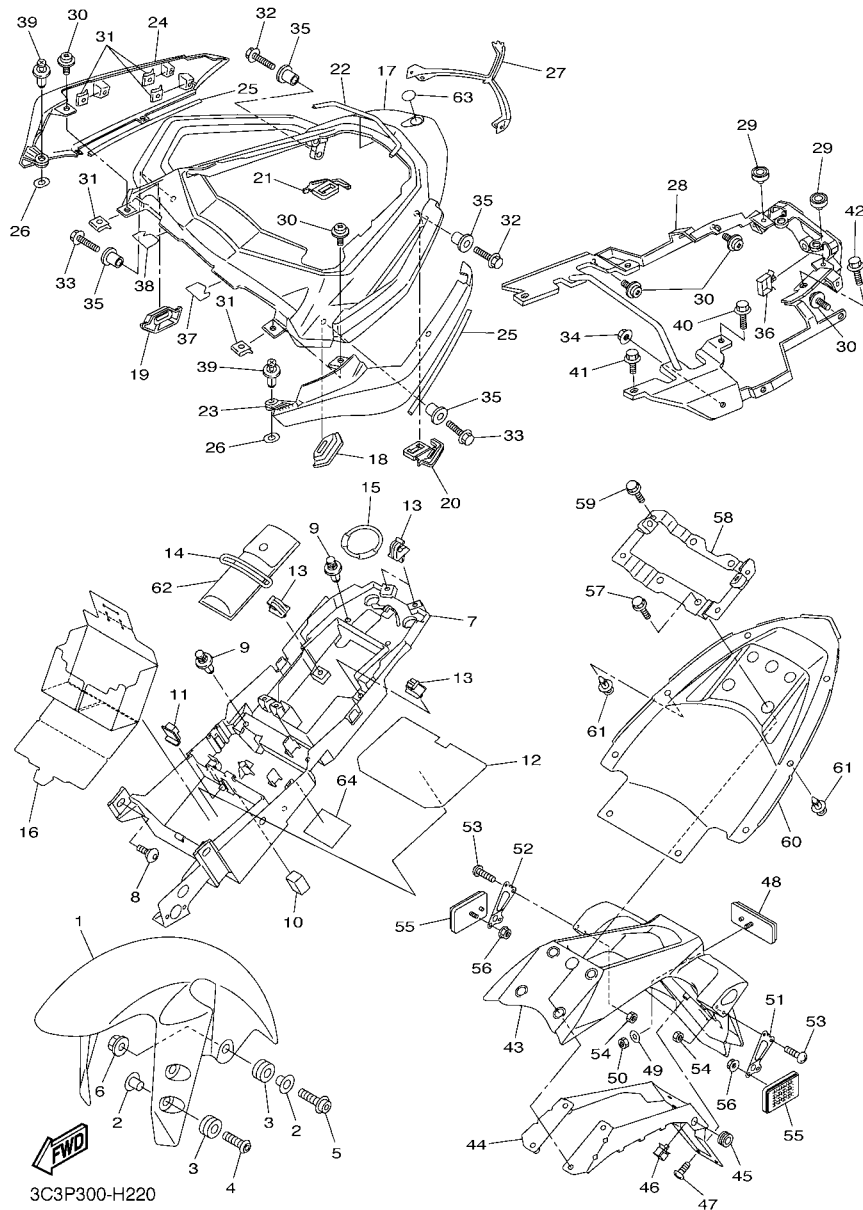
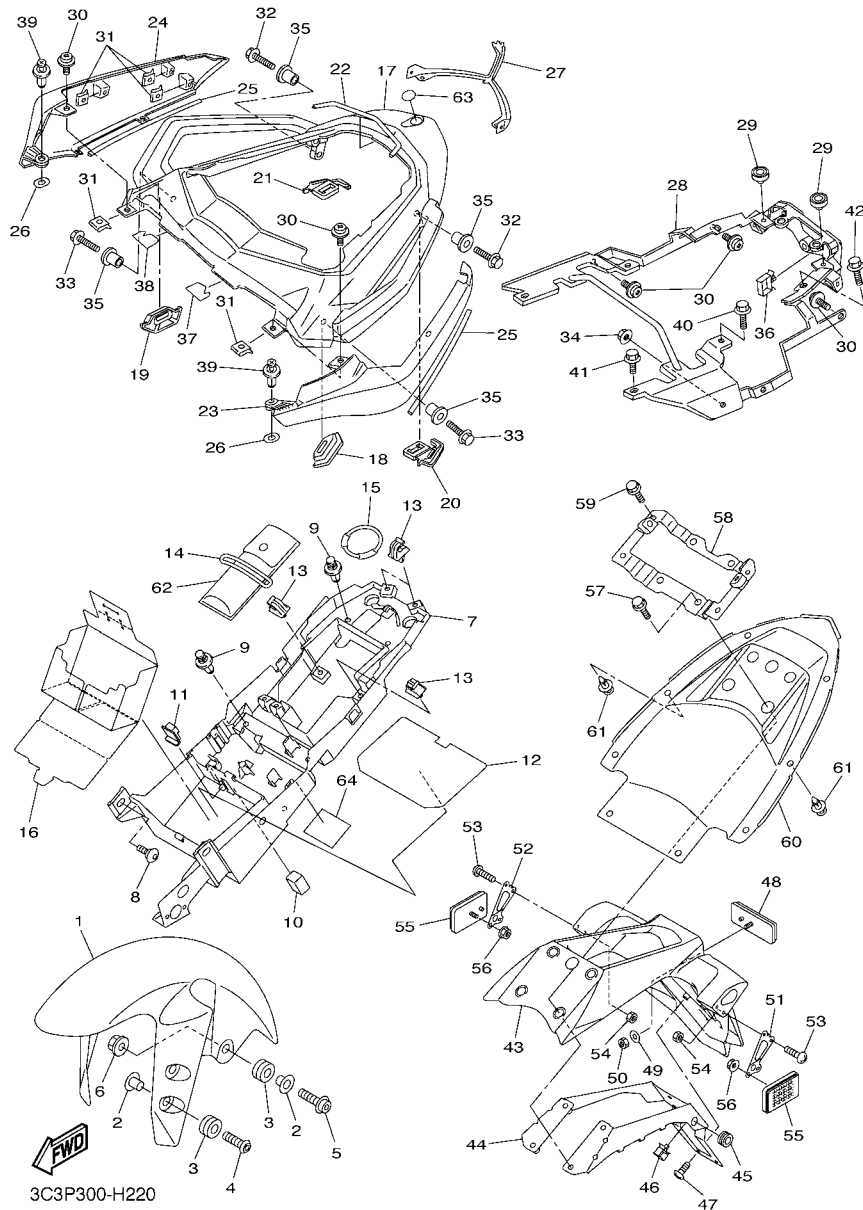


FIG. 22 FENDER

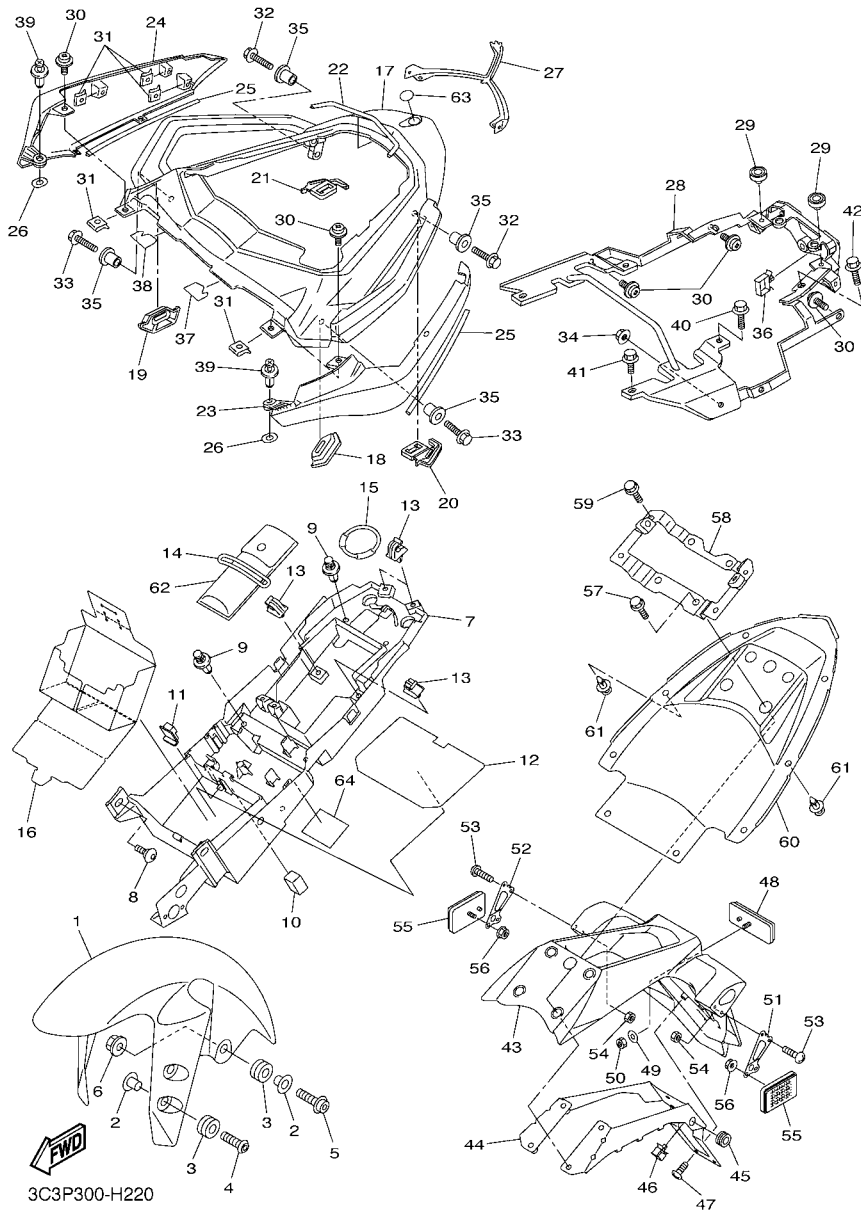
REF. NO.	PART NO.	DESCRIPTION	3C3P	3C3F	3C3S	REMARKS
1	5PW-21511-00-PA	FENDER, FRONT	1	1	1	UR FOR DPBMU
	5PW-21511-00-PE	FENDER, FRONT	1	1	1	UR FOR DNMG
	5PW-21511-00-P3	FENDER, FRONT	1	1	1	UR FOR DRMK
2	90387-065J6	COLLAR	6	6	6	
3	90480-12072	GROMMET	6	6	6	
4	90111-06043	BOLT,HEX. SOCKET BUTTON	4	4	4	
5	90109-06031	BOLT	2	2	2	
6	95602-06200	NUT, SELF-LOCKING	2	2	2	
7	2D1-8212B-01	BOX, BATTERY 1	1	1	1	
8	90109-06253	BOLT	2	2	2	
9	90269-07077	RIVET	4	4	4	
10	2D1-216A2-00	SEAL, 2	1	1	1	
11	2D1-216A3-00	SEAL, 3	1	1	1	
12	2D1-24182-00	DAMPER, LOCATING 2	1	1	1	
13	90464-07259	CLAMP	4	4	4	
14	4XV-21376-00	BAND, TOOL	1	1	1	
15	2D1-21646-00	BAND	1	1	1	
16	2D1-82122-10	SEAT, BATTERY	1	1	1	
17	3C3-24773-00-P0	HANDLE, SEAT	1	1	1	UR FOR DPBMU
	3C3-24773-00-P5	HANDLE, SEAT	1	1	1	UR FOR DNMG
	3C3-24773-00-P4	HANDLE, SEAT	1	1	1	UR SMX FOR DRMK
18	3C3-24723-00	DAMPER, SEAT	1	1	1	
19	3C3-24724-00	DAMPER, SEAT	1	1	1	
20	3C3-24737-00	DAMPER, SEAT	1	1	1	
21	3C3-24747-00	DAMPER, SEAT	1	1	1	
22	3C3-21541-00	DAMPER 1	1	1	1	
23	3C3-2471K-00-P0	COVER, TAIL 1	1	1	1	UR FOR DPBMU



3C3P300-H220

FIG. 22 FENDER

REF. NO.	PART NO.	DESCRIPTION	3C3P	3C3F	3C3S	REMARKS
23	3C3-2471K-00-P5	COVER, TAIL 1	1	1	1	UR FOR DNMG
	3C3-2471K-00-P4	COVER, TAIL 1	1	1	1	UR SMX FOR DRMK
24	3C3-2472K-00-P0	COVER, TAIL 2	1	1	1	UR FOR DPBMU
	3C3-2472K-00-P5	COVER, TAIL 2	1	1	1	UR FOR DNMG
	3C3-2472K-00-P4	COVER, TAIL 2	1	1	1	UR SMX FOR DRMK
25	3C3-2193A-00	PROTECTOR	2	2	2	
26	5PW-2174X-00	DAMPER	2	2	2	
27	3C3-2163A-00	COVER, REAR FENDER 1	1	1	1	
28	3C3-21617-00	BRACKET, FENDER	1	1	1	
29	22W-24741-00	PAD, SEAT	2	2	2	
30	90159-05056	SCREW, WITH WASHER	8	8	8	
31	90183-051A0	NUT, SPRING	8	8	8	
32	95822-08025	BOLT, FLANGE	2	2	2	
33	95822-08030	BOLT, FLANGE	2	2	2	
34	95702-08500	NUT, WITH WASHER	2	2	2	
35	90387-09012	COLLAR	4	4	4	
36	90464-16021	CLAMP	1	1	1	
37	3C3-22825-00	PROTECTOR 1	1	1	1	
38	3C3-22826-00	PROTECTOR 2	1	1	1	
39	90269-07076	RIVET	2	2	2	
40	95822-06025	BOLT, FLANGE	2	2	2	
41	95827-06014	BOLT, FLANGE	2	2	2	
42	90105-08191	BOLT, FLANGE	2	2	2	
43	2D1-21629-00	GUARD, MUD	1	1	1	
44	2D1-21688-00	BRACKET, REAR STAY	1	1	1	
45	90480-13004	GROMMET	2	2	2	

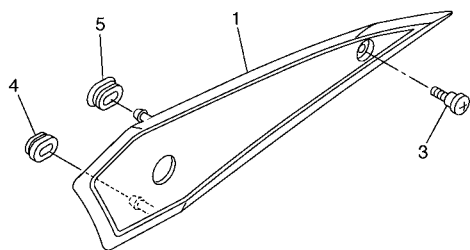
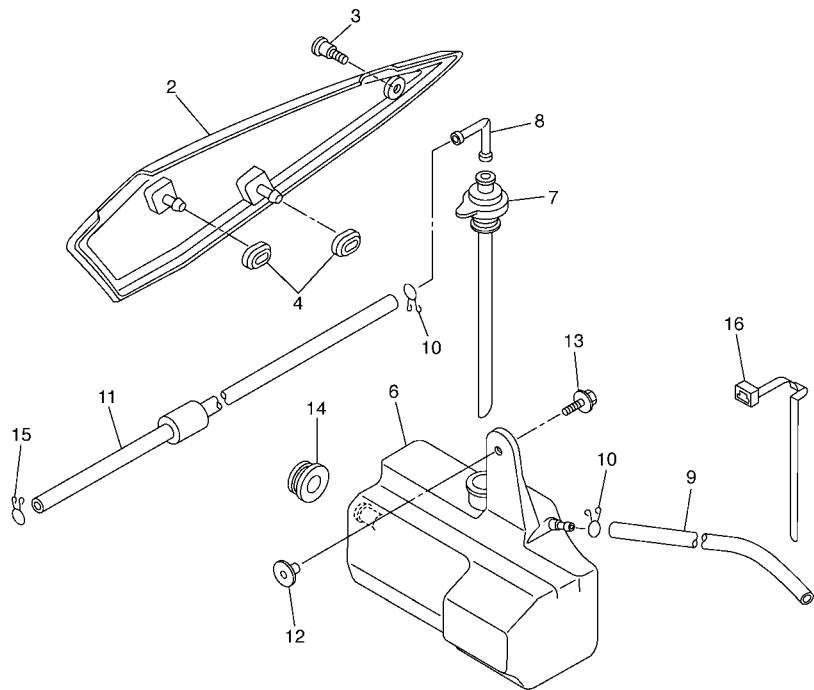


3C3P300-H220

FIG. 22 FENDER

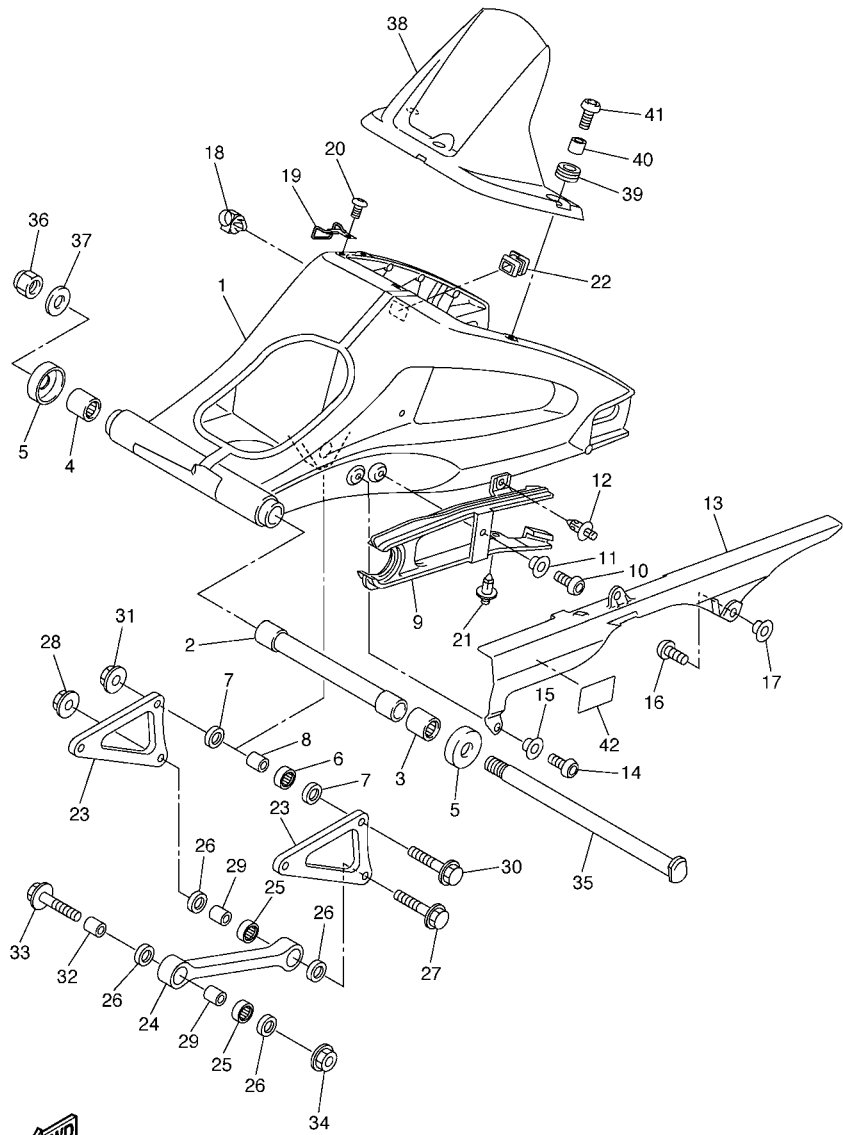
REF. NO.	PART NO.	DESCRIPTION	3C3P	3C3F	3C3S	REMARKS
46	90464-16021	CLAMP	1	1	1	
47	97702-50016	SCREW, TAPPING	6	6	6	
48	3Y6-85130-02	REAR REFLECTOR ASSY	1	1	1	
49	90201-05043	WASHER, PLATE	1	1	1	
50	95602-05100	NUT, U	1	1	1	
57	95812-08025	BOLT, FLANGE	4	4	4	
58	3C3-21261-00	BRACKET, REAR FENDER	1	1	1	
59	95822-06020	BOLT, FLANGE	4	4	4	
60	3C3-21611-00	FENDER, REAR	1	1	1	
61	90269-07077	RIVET	8	8	8	
62	2D1-28100-00	TOOL KIT	1	1	1	
63	4KN-2836B-00	TUNING FORK MARK	1	1	1	

FIG. 23 SIDE COVER



2D11300-E230

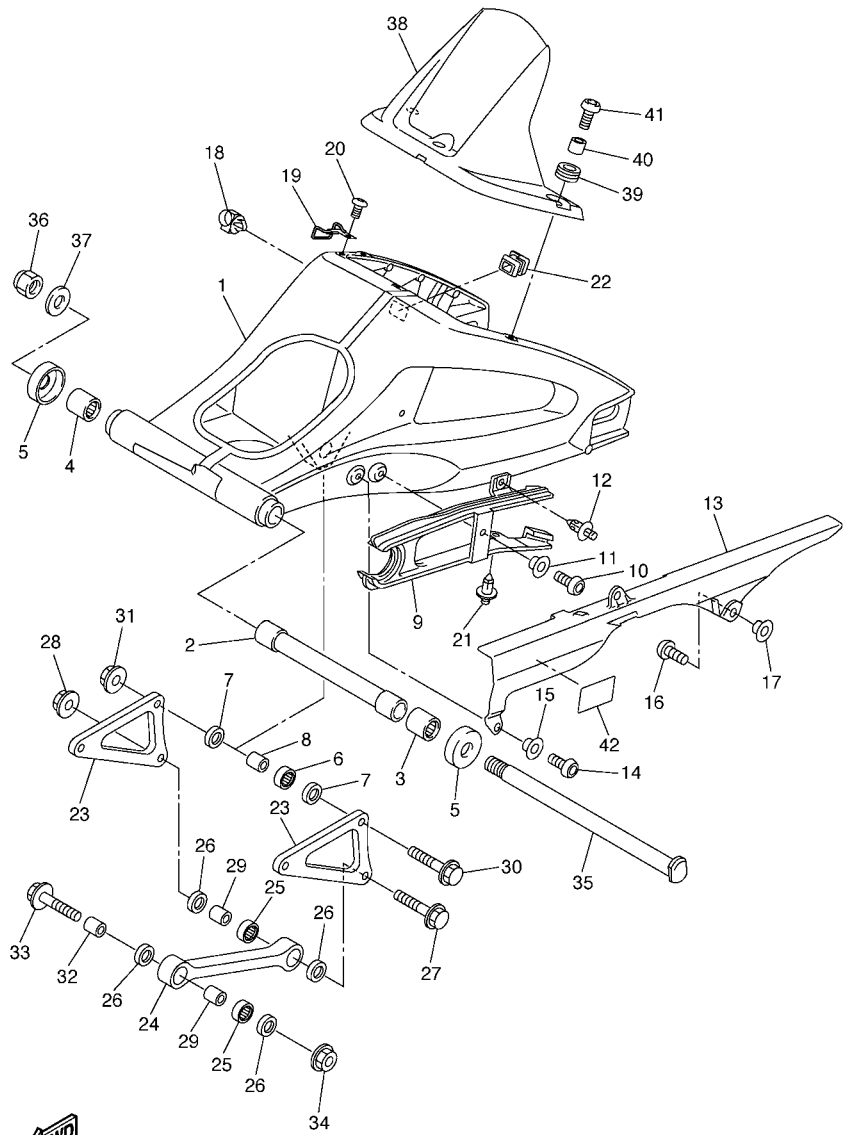
REF. NO.	PART NO.	DESCRIPTION	3C3P	3C3F	3C3S	REMARKS
1	2D1-21711-00	COVER, SIDE 1	1	1	1	
2	2D1-21721-00	COVER, SIDE 2	1	1	1	
3	90149-06165	SCREW	2	2	2	
4	90480-01559	GROMMET	3	3	3	
5	2D1-21719-00	GROMMET	1	1	1	
6	2D1-21871-00	TANK, RECOVERY	1	1	1	
7	5VY-21875-00	CAP	1	1	1	
8	26H-21828-00	ELBOW	1	1	1	
9	90445-08022	HOSE	1	1	1	
10	90467-080A1	CLIP	2	2	2	
11	90445-087K6	HOSE (L700)	1	1	1	
12	90387-062M9	COLLAR	1	1	1	
13	90119-06230	BOLT, WITH WASHER	1	1	1	
14	90480-20001	GROMMET	1	1	1	
15	90467-080A1	CLIP	1	1	1	
16	90464-07M40	CLAMP	1	1	1	



2D11300-E240

FIG. 24 REAR ARM

REF. NO.	PART NO.	DESCRIPTION	3C3P	3C3F	3C3S	REMARKS
1	2D1-22110-11	REAR ARM COMP.	1	1	1	
2	2D1-22184-00	BUSH	1	1	1	
3	93317-42599	BEARING	1	1	1	
4	93315-42536	BEARING	1	1	1	
5	5JJ-22128-00	COVER, THRUST 1	2	2	2	
6	93315-41762	BEARING	1	1	1	
7	93109-17071	OIL SEAL	2	2	2	
8	90387-1012A	COLLAR	1	1	1	
9	2D1-22151-00	SEAL, GUARD	1	1	1	
10	92012-06014	BOLT, BUTTON HEAD	1	1	1	
11	90387-06130	COLLAR	1	1	1	
12	90269-07007	RIVET	1	1	1	
13	5SL-22311-00	CASE, CHAIN	1	1	1	
14	92012-06014	BOLT, BUTTON HEAD	1	1	1	
15	90387-06130	COLLAR	1	1	1	
16	90110-06102	BOLT, HEXAGON SOCKET HEAD	2	2	2	
17	90387-06009	COLLAR	2	2	2	
18	90464-17003	CLAMP	1	1	1	
19	2D1-25887-00	HOLDER, BRAKE HOSE	1	1	1	
20	92012-06014	BOLT, BUTTON HEAD	1	1	1	
21	90269-07008	RIVET	1	1	1	
22	2D1-22117-00	CAP	1	1	1	
23	2D1-2217A-00	ARM, RELAY	2	2	2	
24	2D1-2217M-00	ARM 1	1	1	1	
25	93315-31758	BEARING	2	2	2	
26	93109-17071	OIL SEAL	4	4	4	
27	90105-10283	BOLT, FLANGE	1	1	1	



2D11300-E240

FIG. 24 REAR ARM

REF. NO.	PART NO.	DESCRIPTION	3C3P	3C3F	3C3S	REMARKS
28	95602-10200	NUT, U FLANGE	1	1	1	
29	90387-1012A	COLLAR	2	2	2	
30	90105-10283	BOLT, FLANGE	2	2	2	
31	95602-10200	NUT, U FLANGE	2	2	2	
32	90387-10043	COLLAR	1	1	1	
33	90105-10211	BOLT, FLANGE	1	1	1	
34	95602-10200	NUT, U FLANGE	1	1	1	
35	2D1-22141-00	SHAFT, PIVOT	1	1	1	
36	90185-18167	NUT, SELF-LOCKING	1	1	1	
37	90201-18013	WASHER, PLATE	1	1	1	
38	2D1-21650-00	REAR FENDER COMP.	1	1	1	
39	90480-12003	GROMMET	3	3	3	
40	90387-06219	COLLAR	3	3	3	
41	90149-06302	SCREW	3	3	3	
42	5VY-21668-00	LABEL, TIRE	1	1	1	

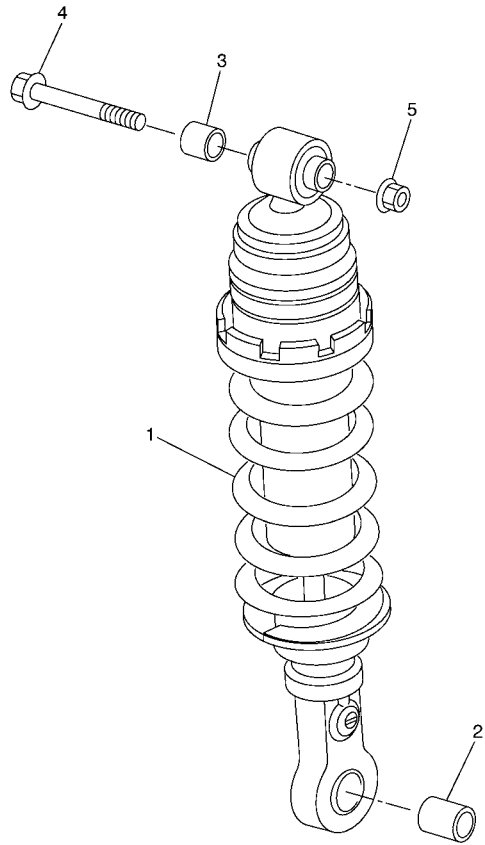


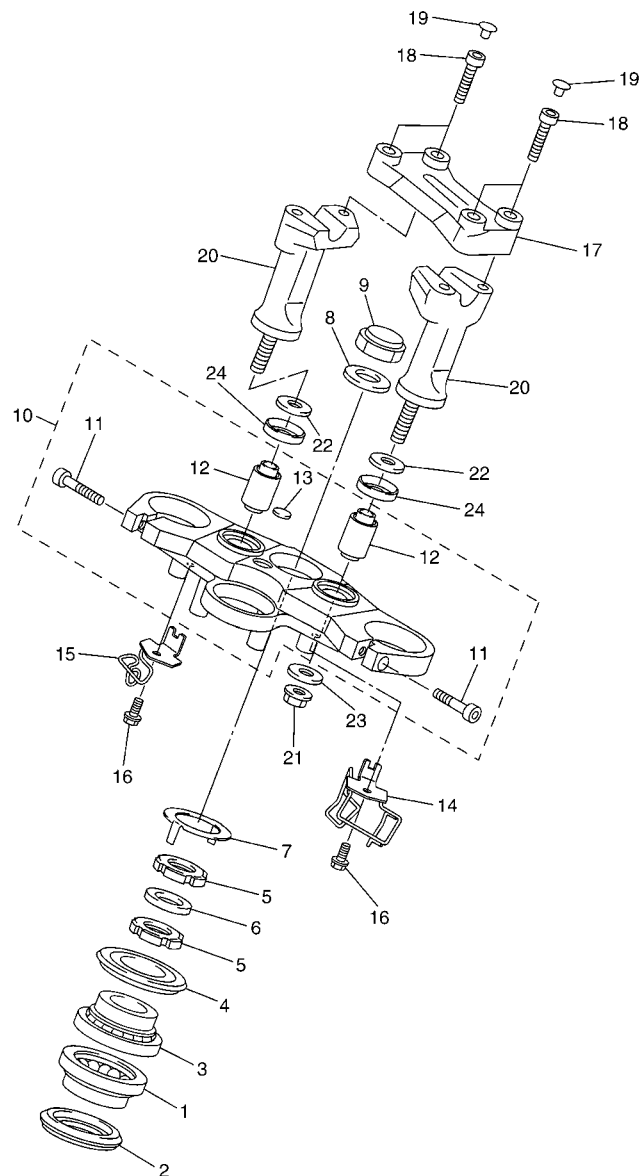
FIG. 25 REAR SUSPENSION

REF. NO.	PART NO.	DESCRIPTION	3C3P	3C3F	3C3S	REMARKS
1	2D1-22210-01	SHOCK ABSORBER ASSY, REAR	1	1	1	
2	90387-1012A	COLLAR	1	1	1	
3	90387-10043	COLLAR	1	1	1	
4	90105-10211	BOLT, FLANGE	1	1	1	
5	95602-10200	NUT, U FLANGE	1	1	1	



2D11300-E250

FIG. 26 STEERING



3C3H300-G260

REF. NO.	PART NO.	DESCRIPTION	3C3P	3C3F	3C3S	REMARKS
1	93399-99957	BEARING	1	1	1	
2	3FV-23462-00	SEAL, STEERING	1	1	1	
3	93399-99932	BEARING	1	1	1	
4	4XV-23415-01	COVER, BALL RACE 1	1	1	1	
5	90179-30691	NUT	2	2	2	
6	90202-30235	WASHER, PLATE	1	1	1	
7	4XV-23418-00	WASHER, SPECIAL	1	1	1	
8	90201-281U8	WASHER, PLATE	1	1	1	
9	90176-28083	NUT, CROWN	1	1	1	
10	2D1-23405-00	CROWN, HANDLE ASSY	1	1	1	
11	91314-08030	.BOLT, HEXAGON SOCKET HEAD	2	2	2	
12	3VD-23434-00	.HOLDER, DAMPER	2	2	2	
13	4XV-2341B-00	.EMBLEM	1	1	1	
14	3C3-23318-00	HOLDER, CABLE 1	1	1	1	
15	3C3-23319-00	HOLDER, CABLE 2	1	1	1	
16	90105-06078	BOLT, FLANGE	2	2	2	
17	2D1-23441-00	HOLDER, HANDLE UPPER	1	1	1	
18	91312-08030	BOLT	4	4	4	
19	90338-08163	PLUG	4	4	4	
20	2D1-23442-00	HOLDER, HANDLE LOWER	2	2	2	
21	95602-10200	NUT, U FLANGE	2	2	2	
22	92902-10200	WASHER	2	2	2	
23	90201-10065	WASHER, PLATE	2	2	2	
24	5YU-23445-00	DAMPER	2	2	2	



3C3H300-G270

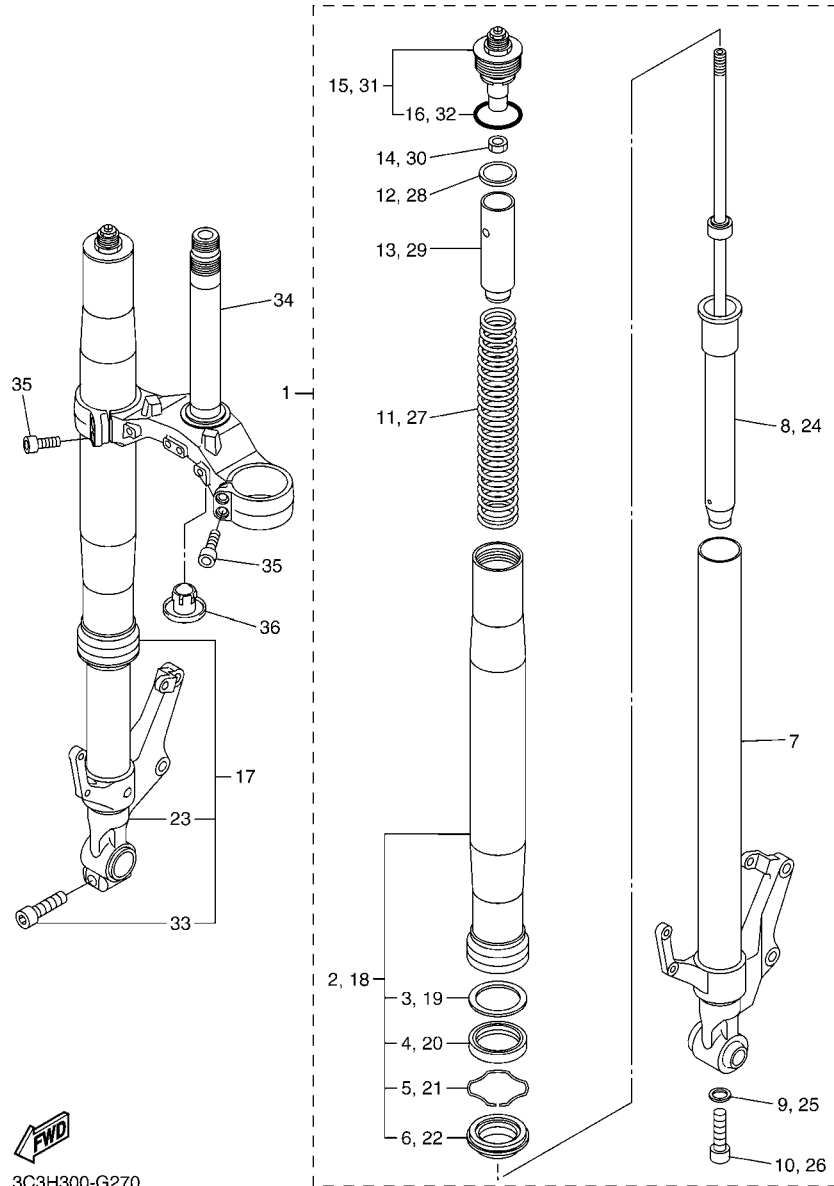
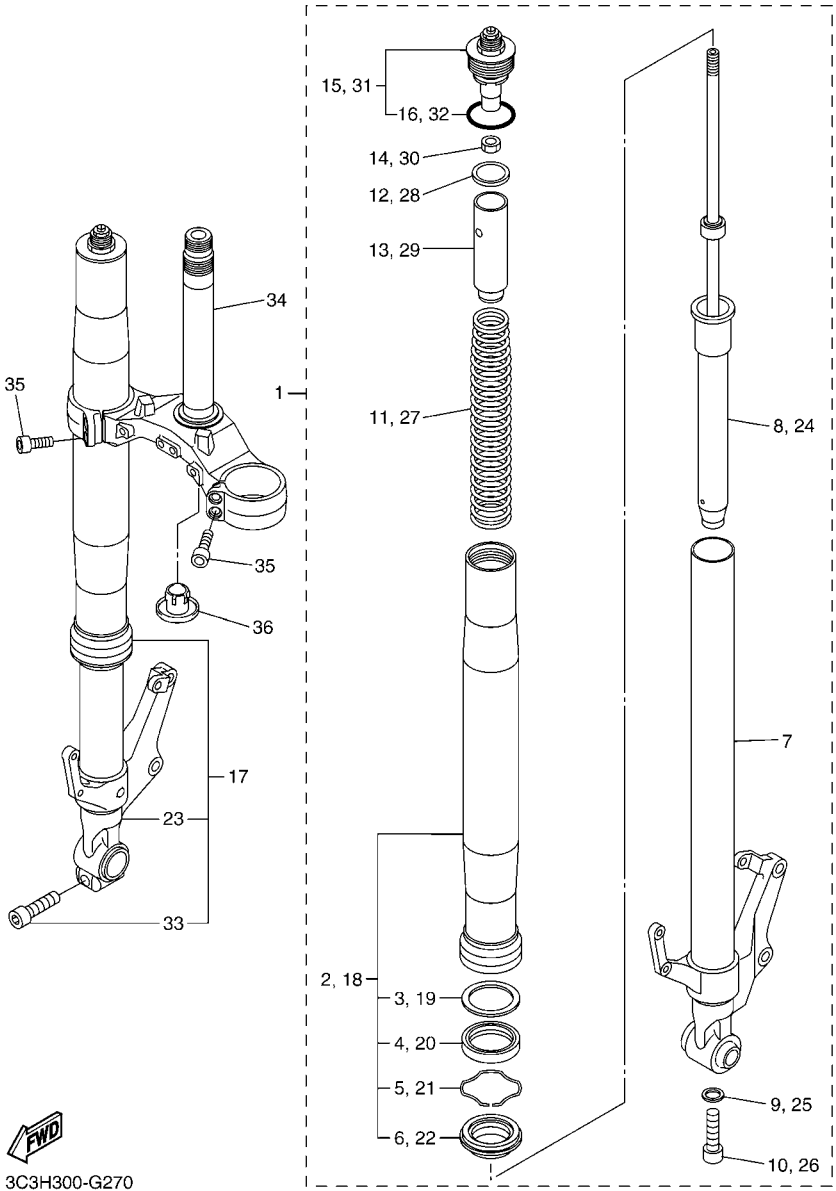


FIG. 27 FRONT FORK

REF. NO.	PART NO.	DESCRIPTION	3C3P	3C3F	3C3S	REMARKS
1	2D1-23102-01	FRONT FORK ASSY (L.H)	1	1	1	
2	2D1-23136-00	.TUBE, OUTER	1	1	1	
3	5PW-23146-00	..WASHER, OIL SEAL	1	1	1	
4	4PU-23145-01	..OIL SEAL	1	1	1	
5	4V4-23153-L0	..RING, SNAP	1	1	1	
6	4PU-23144-00	..SEAL, DUST	1	1	1	
7	2D1-23110-00	.INNER TUBE COMP.1	1	1	1	
8	2D1-23170-11	.CYLINDER COMP., FRONT FORK	1	1	1	
9	509-23158-L0	.GASKET	1	1	1	
10	3D8-23181-00	.BOLT, HEXAGON SOCKET HEAD	1	1	1	
11	2D1-23141-00	.SPRING, FRONT FORK	1	1	1	
12	5VY-12277-00	.WASHER	1	1	1	
13	5VY-23118-00	.SPACER	1	1	1	
14	3LC-23357-00	.NUT	1	1	1	
15	2D1-23111-00	.BOLT, CAP	1	1	1	
16	3XJ-23147-L0	..O-RING	1	1	1	
17	2D1-23103-01	FRONT FORK ASSY (R.H)	1	1	1	
18	2D1-23136-00	.TUBE, OUTER	1	1	1	
19	5PW-23146-00	..WASHER, OIL SEAL	1	1	1	
20	4PU-23145-01	..OIL SEAL	1	1	1	
21	4V4-23153-L0	..RING, SNAP	1	1	1	
22	4PU-23144-00	..SEAL, DUST	1	1	1	
23	2D1-23120-00	.INNER TUBE COMP.2	1	1	1	
24	2D1-23170-01	.CYLINDER COMP., FRONT FORK	1	1	1	
25	509-23158-L0	.GASKET	1	1	1	
26	3D8-23181-00	.BOLT, HEXAGON SOCKET HEAD	1	1	1	
27	2D1-23141-00	.SPRING, FRONT FORK	1	1	1	

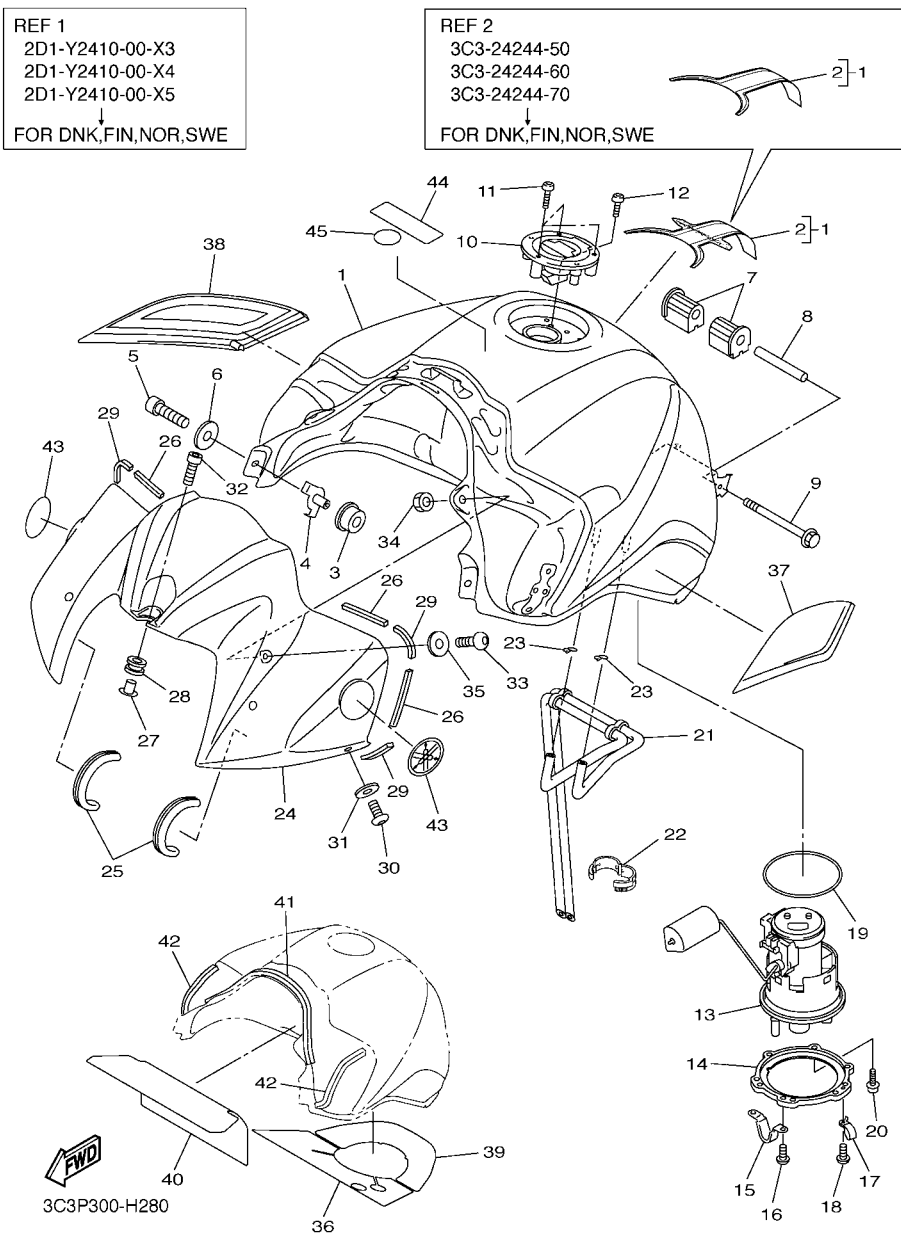
FIG. 27 FRONT FORK



FWD
3C3H300-G270

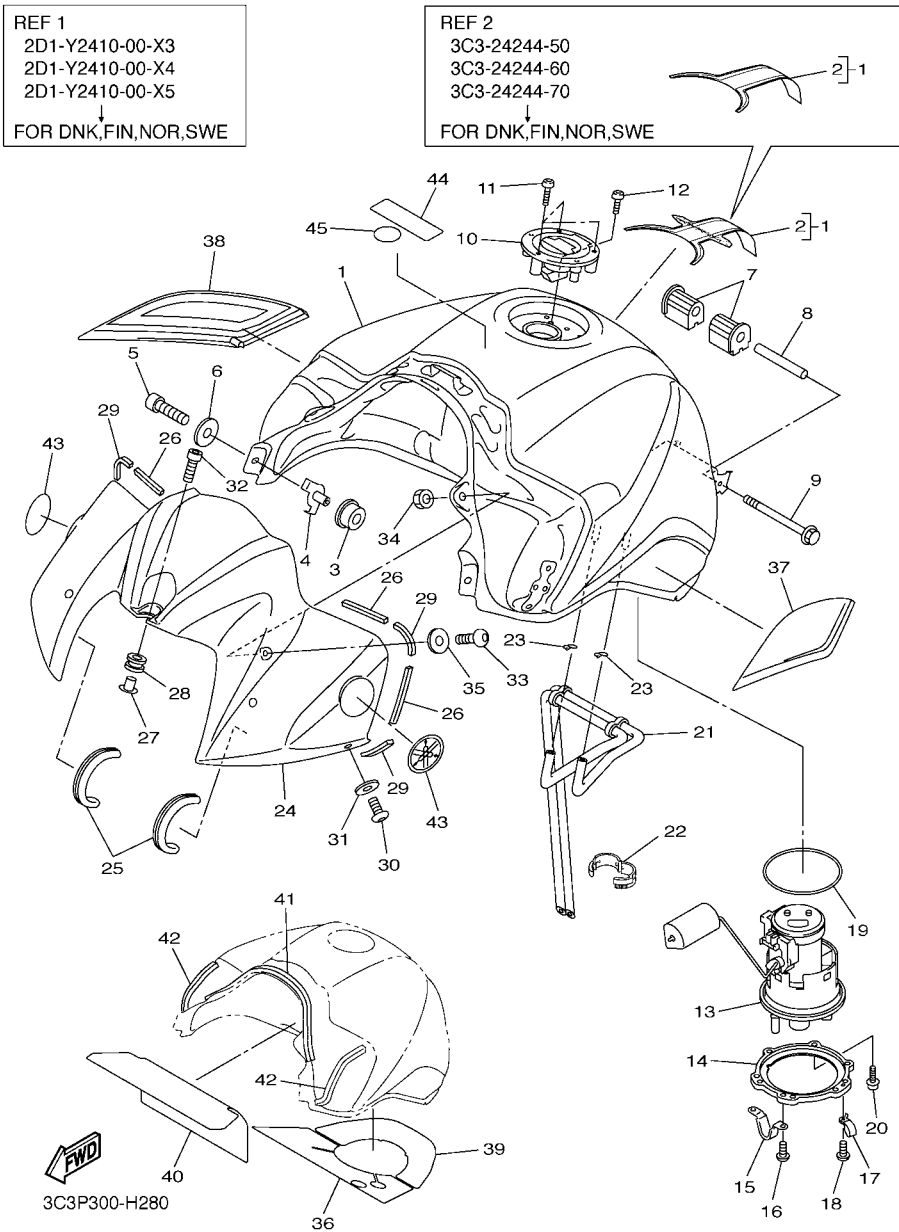
REF. NO.	PART NO.	DESCRIPTION	3C3P	3C3F	3C3S	REMARKS
28	5VY-12277-00	.WASHER	1	1	1	
29	5VY-23118-00	.SPACER	1	1	1	
30	3LC-23357-00	.NUT	1	1	1	
31	2D1-23111-00	.BOLT, CAP	1	1	1	
32	3XJ-23147-L0	..O-RING	1	1	1	
33	91314-08040	.BOLT, HEXAGON SOCKET HEAD	1	1	1	
34	2D1-23340-00	UNDER BRACKET COMP.	1	1	1	
35	91314-08030	BOLT, HEXAGON SOCKET HEAD	4	4	4	
36	4KM-23123-01	COVER, UNDER 1	1	1	1	

FIG. 28 FUEL TANK



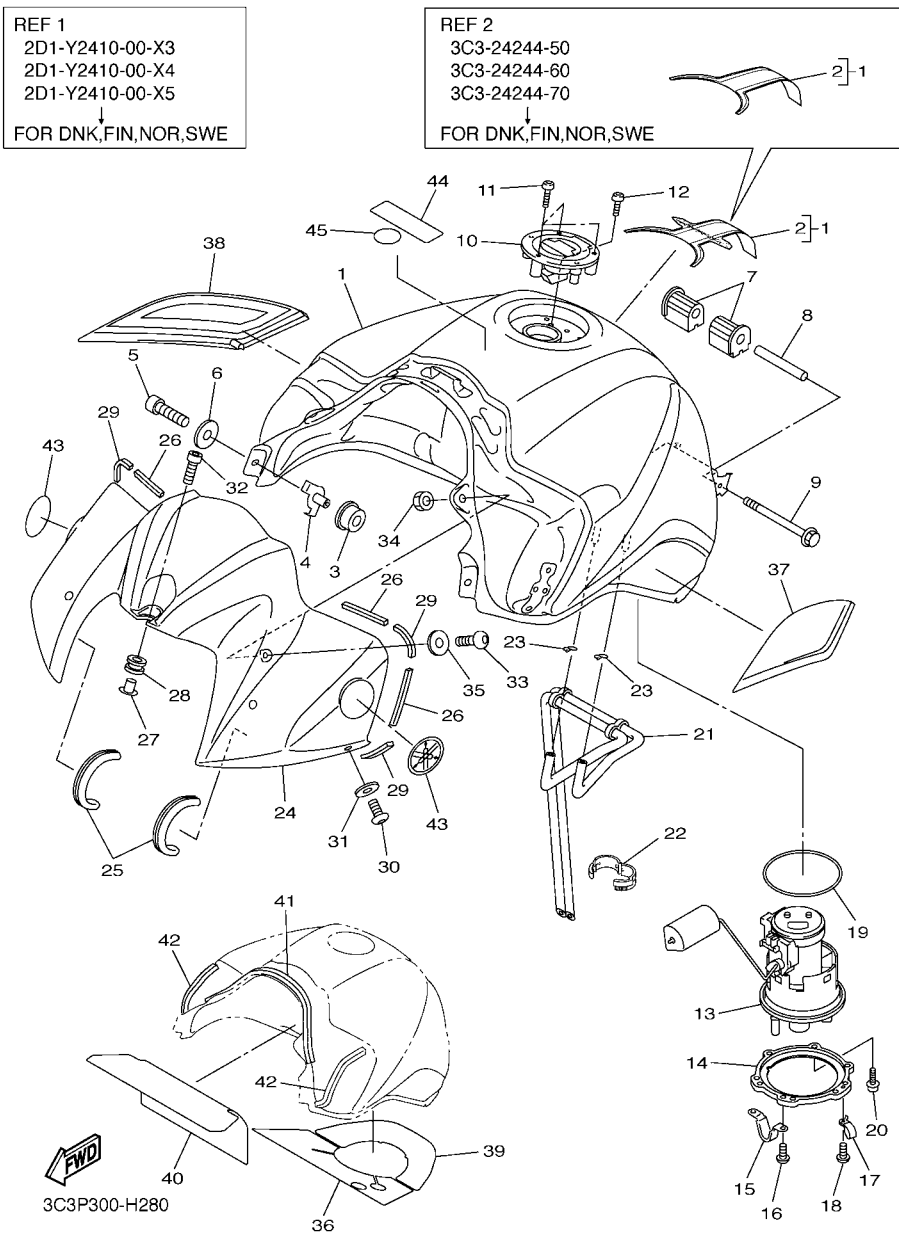
REF. NO.	PART NO.	DESCRIPTION	3C3P	3C3F	3C3S	REMARKS
1	2D1-Y2410-00-08	FUEL TANK COMP.	1	1	1	UR FOR DPBMU
	2D1-Y2410-00-X1	FUEL TANK COMP.	1	1	1	UR FOR DNMG
	2D1-Y2410-00-X2	FUEL TANK COMP.	1	1	1	UR FOR DRMK
2	3C3-24244-20	.GRAPHIC, FUEL TANK 1	1	1	1	UR FOR DPBMU
	3C3-24244-30	.GRAPHIC, FUEL TANK 1	1	1	1	UR FOR DNMG
	3C3-24244-40	.GRAPHIC, FUEL TANK 1	1	1	1	UR FOR DRMK
3	5VY-24181-00	DAMPER, LOCATING 1	2	2	2	
4	2D1-2412G-00	COLLAR	2	2	2	
5	91312-06016	BOLT	2	2	2	
6	90201-06086	WASHER, PLATE	2	2	2	
7	5VX-24181-00	DAMPER, LOCATING 1	2	2	2	
8	90387-061W6	COLLAR	1	1	1	
9	91312-06090	BOLT	1	1	1	
10	5JJ-24602-00	CAP ASSY	1	1	1	
11	90110-05112	BOLT, HEXAGON SOCKET HEAD	3	3	3	
12	91312-05010	BOLT	1	1	1	
13	2D1-13907-02	FUEL PUMP COMP.	1	1	1	
14	2D1-24491-00	BRACKET, FUEL PUMP	1	1	1	
15	2D1-24192-00	BRACKET, FUEL TANK 2	1	1	1	
16	98902-05008	SCREW, BIND	2	2	2	
17	90461-10010	CLAMP	1	1	1	

FIG. 28 FUEL TANK

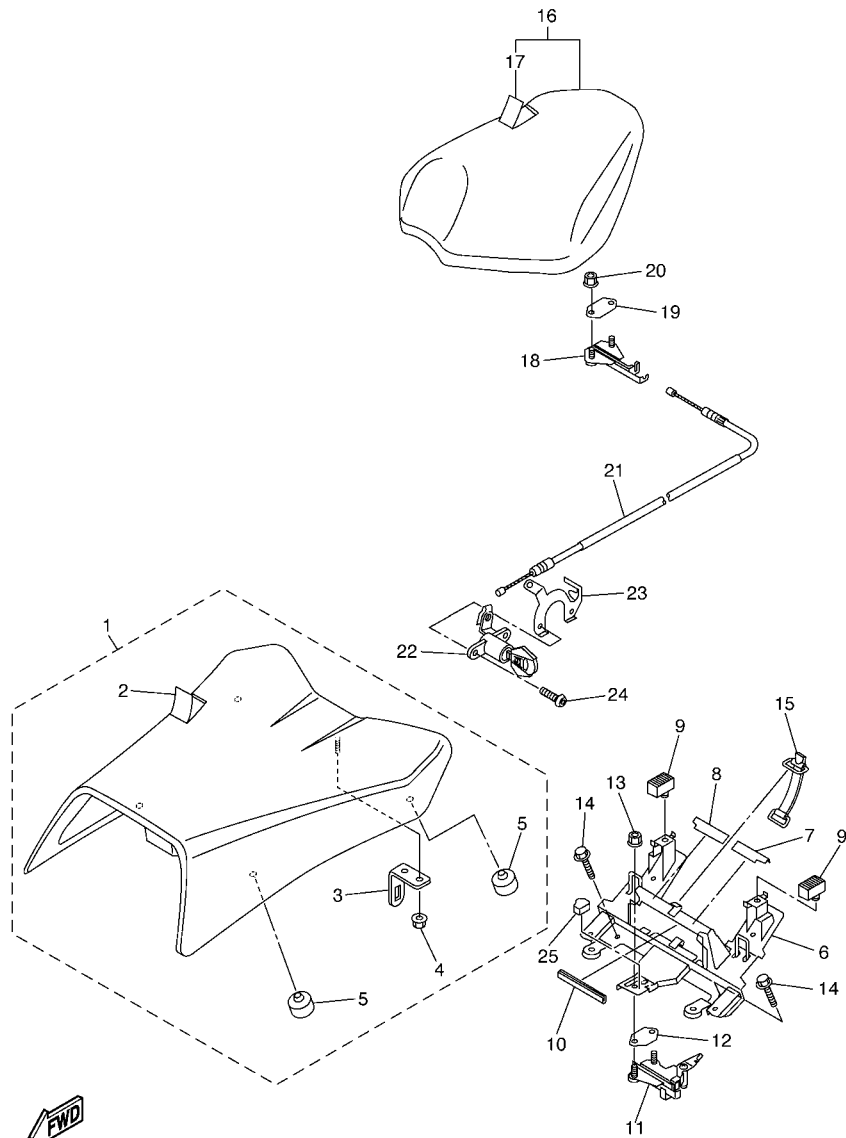


REF. NO.	PART NO.	DESCRIPTION	3C3P	3C3F	3C3S	REMARKS
18	90154-05035	SCREW, BINDING	1	1	1	
19	5JW-24486-00	O-RING	1	1	1	
20	90110-05028	BOLT, HEXAGON SOCKET HEAD	6	6	6	
21	2D1-24317-10	PIPE 7	1	1	1	
22	90464-16001	CLAMP	1	1	1	
23	90467-09006	CLIP	2	2	2	
24	3C3-2171A-00-P0	COVER, TOP	1	1	1	UR FOR DPBMU
	3C3-2171A-00-P4	COVER, TOP	1	1	1	UR FOR DNMG
	3C3-2171A-00-P2	COVER, TOP	1	1	1	UR FOR DRMK
25	2D1-28345-01	MOLE 1	2	2	2	
26	4XV-2834E-00	DAMPER 3	4	4	4	
27	90387-06222	COLLAR	1	1	1	
28	90480-12314	GROMMET	1	1	1	
29	2D1-24181-00	DAMPER, LOCATING 1	4	4	4	
30	90111-05019	BOLT, HEX. SOCKET BUTTON	2	2	2	
31	90202-05224	WASHER, PLATE	2	2	2	
32	90110-06233	BOLT, HEXAGON SOCKET HEAD	1	1	1	
33	90111-05024	BOLT, HEX. SOCKET BUTTON	2	2	2	
34	90179-05003	NUT	2	2	2	
35	90202-05088	WASHER, PLATE	2	2	2	
36	2D1-2414N-00	DAMPER, PLATE 4	1	1	1	
37	2D1-24106-00	TANK SIDE COVER ASSY 1	1	1	1	
38	2D1-24108-00	TANK SIDE COVER ASSY 2	1	1	1	
39	2D1-2414K-00	DAMPER, PLATE 3	1	1	1	
40	2D1-2414H-00	DAMPER, PLATE 1	1	1	1	
41	2D1-2414P-00	DAMPER, PLATE 5	1	1	1	
42	2D1-2414R-00	DAMPER, PLATE 6	2	2	2	

FIG. 28 FUEL TANK



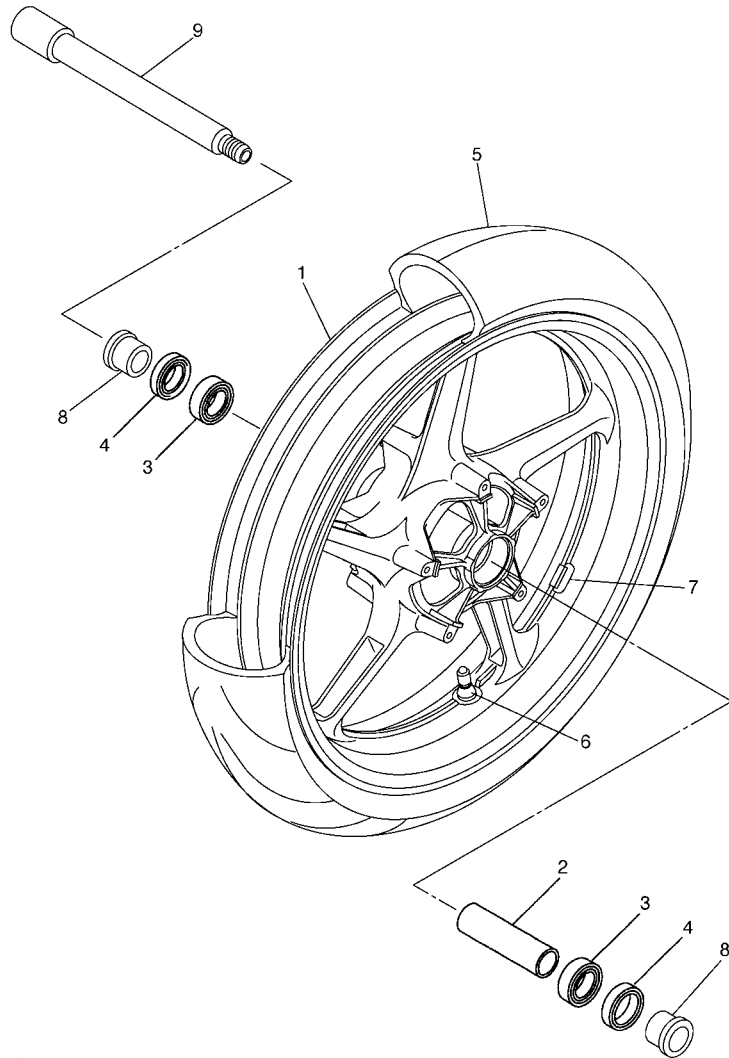
REF. NO.	PART NO.	DESCRIPTION	3C3P	3C3F	3C3S	REMARKS
43	5SL-2413B-00	EMBLEM	2	2	2	
44	5PA-21568-01	LABEL, WARNING	1	1	1	
45	3ME-2415E-01	LABEL, CAUTION	1	1		



3C3D100-F290

FIG. 29 SEAT

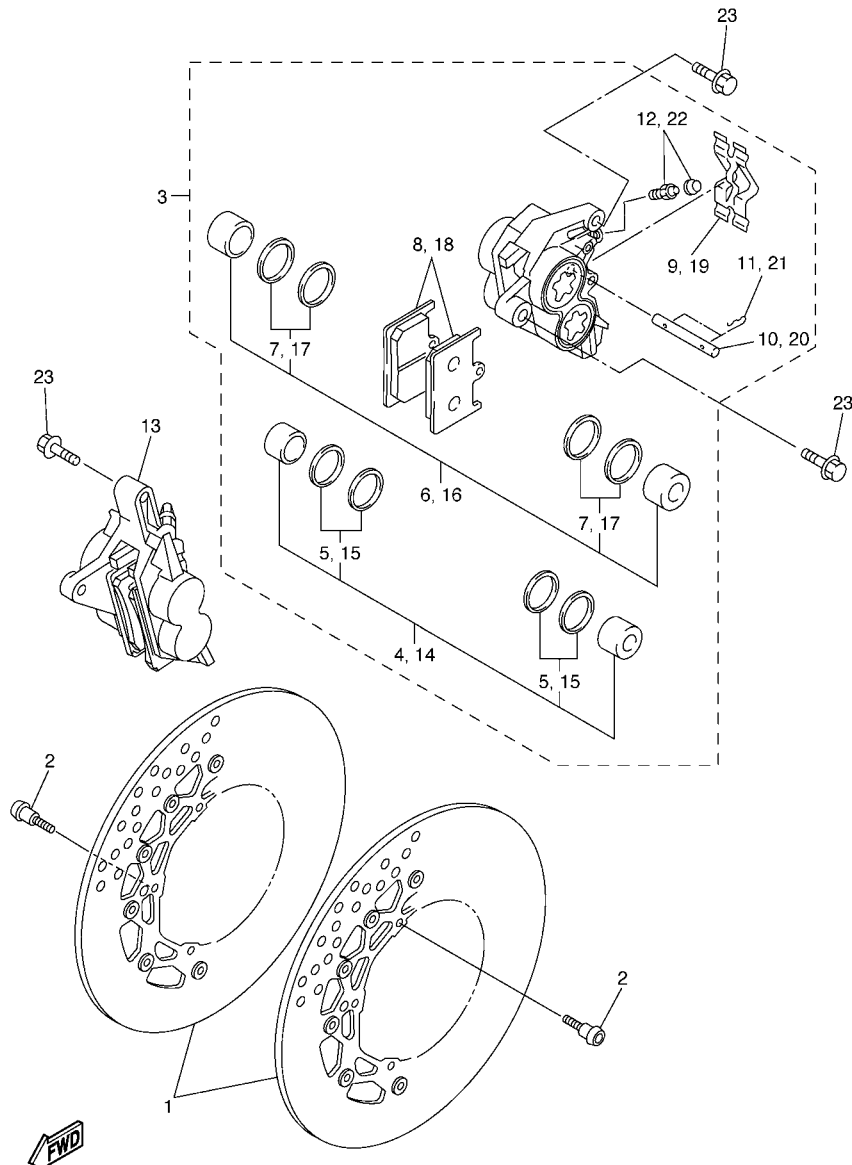
REF. NO.	PART NO.	DESCRIPTION	3C3P	3C3F	3C3S	REMARKS
1	2D1-24710-00	SINGLE SEAT ASSY	1	1	1	
2	2D1-24711-00	.COVER, SINGLE SEAT	1	1	1	
3	4HM-24728-00	.BRACKET, SEAT	1	1	1	
4	95602-06200	.NUT, SELF-LOCKING	1	1	1	
5	278-27114-00	.STOPPER, MAIN STAND	4	4	4	
6	3C3-21341-01	BRACKET, SEAT 1	1	1	1	
7	2D1-2476U-00	PROTECTOR,1	1	1	1	
8	2D1-2476V-00	PROTECTOR,2	1	1	1	
9	3C3-24741-00	PAD, SEAT	2	2	2	
10	2D1-24785-00	MOLD, SEAT	1	1	1	
11	2D1-24780-02	SEAT LOCK ASSY	1	1	1	
12	4BP-24792-00	PLATE	1	1	1	
13	95702-06500	NUT, FLANGE	2	2	2	
14	95822-06020	BOLT, FLANGE	2	2	2	
15	18G-82131-00	BAND, BATTERY	1	1	1	
16	3C3-24750-00	TANDEM SEAT ASSY	1	1	1	
17	3C3-24751-00	.COVER, TANDEM SEAT	1	1	1	
18	4BP-24780-00	SEAT LOCK ASSY	1	1	1	
19	4BP-24792-00	PLATE	1	1	1	
20	95702-06500	NUT, FLANGE	2	2	2	
21	2D1-2478E-00	CABLE, SEAT LOCK	1	1	1	
22	2TV-W2470-00	ROTOR SET	1	1	1	
23	4XV-2117K-00	STAY, LOCK	1	1	1	
24	90149-06134	SCREW	2	2	2	
25	2D1-24665-00	DAMPER	1	1	1	



2D14300-F300

FIG. 30 FRONT WHEEL

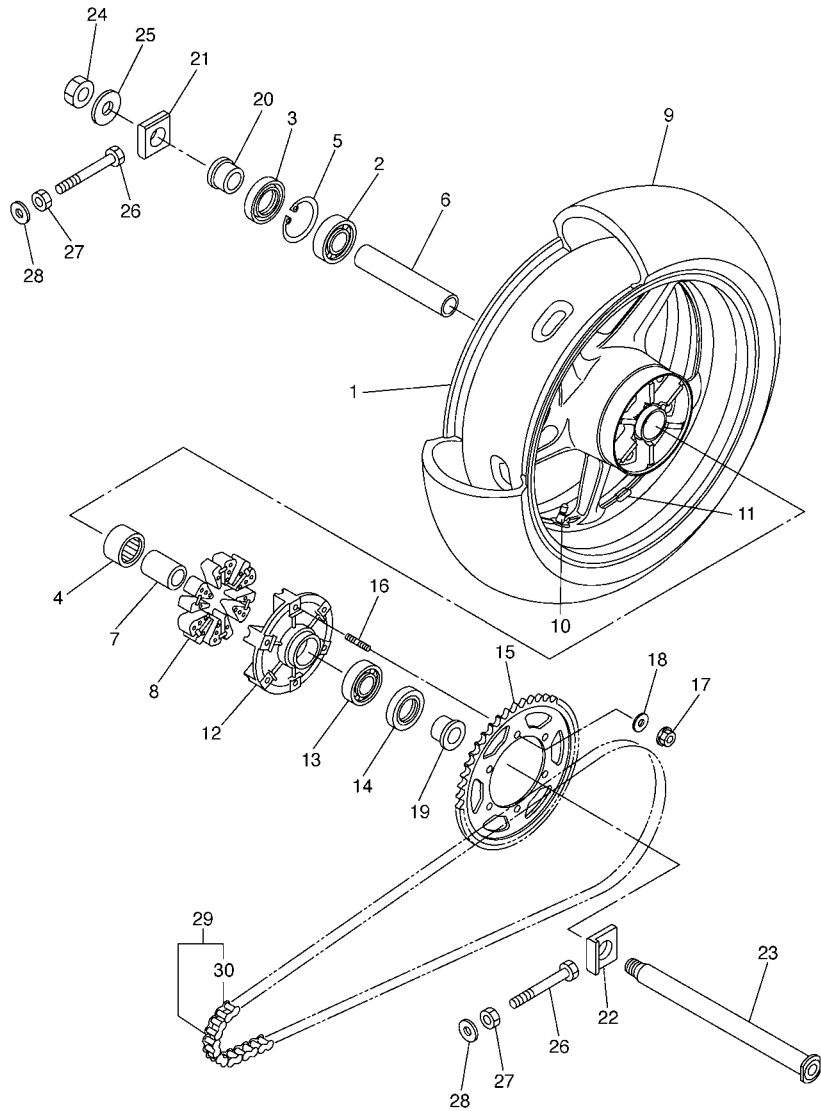
REF. NO.	PART NO.	DESCRIPTION	3C3P	3C3F	3C3S	REMARKS
1	5VY-25168-00-P2	CAST WHEEL, FRONT	1	1	1	DNG1
2	4XV-25117-00	SPACER, BEARING	1	1	1	
3	93306-00420	BEARING	2	2	2	
4	93106-28043	OIL SEAL	2	2	2	
5	L.M.	TIRE(120/70 ZR17M/C58W D221FA)	1			
6	93900-00030	VALVE, RIM (TR412)	1	1	1	TAIHEIYO
7	5MT-25398-00	BALANCER, WHEEL (10G)	1	1	1	UN
	5MT-25398-10	BALANCER, WHEEL (20G)	1	1	1	UN
	5MT-25398-20	BALANCER, WHEEL (30G)	1	1	1	UN
8	90387-22002	COLLAR	2	2	2	
9	4XV-25181-10	AXLE, WHEEL	1	1	1	



2D11300-E310

FIG. 31 FRONT BRAKE CALIPER

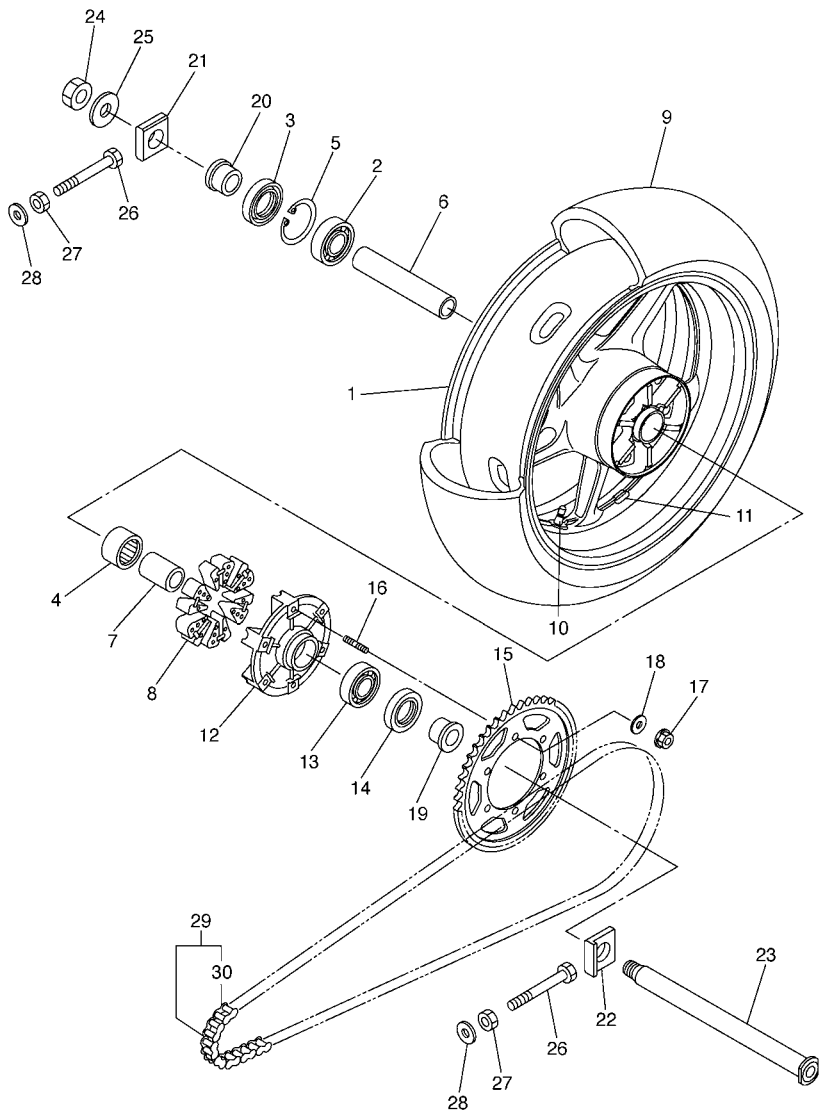
REF. NO.	PART NO.	DESCRIPTION	3C3P	3C3F	3C3S	REMARKS
1	5D0-2581T-00	DISK BRAKE ASSY	2	2	2	
2	90149-06043	SCREW	10	10	10	
3	2D1-2580T-00	CALIPER ASSY (LEFT)	1	1	1	
4	4SV-W0057-00	.PISTON ASSY, CALIPER	1	1	1	
5	3MA-W0047-10	..CALIPER SEAL KIT	1	1	1	
6	4SV-W0057-10	.PISTON ASSY, CALIPER	1	1	1	
7	3GM-W0047-10	..CALIPER SEAL KIT	1	1	1	
8	5SL-W0045-00	.BRAKE PAD KIT	1	1	1	
9	4SV-25919-00	.SUPPORT, PAD	1	1	1	
10	4SV-25924-00	.PIN, PAD	1	1	1	
11	3GM-25925-00	.CLIP	2	2	2	
12	1J3-W0048-00	.BLEED SCREW KIT	1	1	1	
13	2D1-2580U-00	CALIPER ASSY (RIGHT)	1	1	1	
14	4SV-W0057-00	.PISTON ASSY, CALIPER	1	1	1	
15	3MA-W0047-10	..CALIPER SEAL KIT	1	1	1	
16	4SV-W0057-10	.PISTON ASSY, CALIPER	1	1	1	
17	3GM-W0047-10	..CALIPER SEAL KIT	1	1	1	
18	5SL-W0045-00	.BRAKE PAD KIT	1	1	1	
19	4SV-25919-00	.SUPPORT, PAD	1	1	1	
20	4SV-25924-00	.PIN, PAD	1	1	1	
21	3GM-25925-00	.CLIP	2	2	2	
22	1J3-W0048-00	.BLEED SCREW KIT	1	1	1	
23	90105-10638	BOLT, FLANGE	4	4	4	



2D11300-E320

FIG. 32 REAR WHEEL

REF. NO.	PART NO.	DESCRIPTION	3C3P	3C3F	3C3S	REMARKS
1	5VY-25338-00-P2	CAST WHEEL, REAR	1	1	1	DNG1
2	93306-20531	BEARING	1	1	1	
3	93106-40013	OIL SEAL	1	1	1	
4	93317-33590	BEARING	1	1	1	
5	93420-61M07	CIRCLIP	1	1	1	
6	5PW-25317-00	SPACER, BEARING	1	1	1	
7	2D1-25377-00	COLLAR, WHEEL	1	1	1	
8	5VX-25364-00	DAMPER	6	6	6	
9	L.M.	TIRE (190/50 ZR17M/C 73W D221)	1			
10	93900-00030	VALVE, RIM (TR412)	1	1	1	TAIHEIYO
11	5MT-25398-00	BALANCER, WHEEL (10G)	1	1	1	UN
	5MT-25398-10	BALANCER, WHEEL (20G)	1	1	1	UN
	5MT-25398-20	BALANCER, WHEEL (30G)	1	1	1	UN
12	2D1-25366-00	CLUTCH, HUB	1	1	1	
13	93306-20531	BEARING	1	1	1	
14	93106-40013	OIL SEAL	1	1	1	
15	2D1-25445-20	SPROCKET, DRIVEN (45T)	1	1	1	
16	90116-10048	BOLT, STUD	6	6	6	
17	90185-10009	NUT, SELF-LOCKING	6	6	6	
18	90201-10021	WASHER, PLATE	6	6	6	
19	90387-28001	COLLAR	1	1	1	
20	2D1-25383-00	COLLAR, WHEEL	1	1	1	
21	5VY-25388-00	PULLER, CHAIN 1	1	1	1	
22	5VY-25389-00	PULLER, CHAIN 2	1	1	1	
23	2D1-25381-00	AXLE, WHEEL	1	1	1	
24	90185-24007	NUT, SELF-LOCKING	1	1	1	
25	90201-25020	WASHER, PLATE	1	1	1	




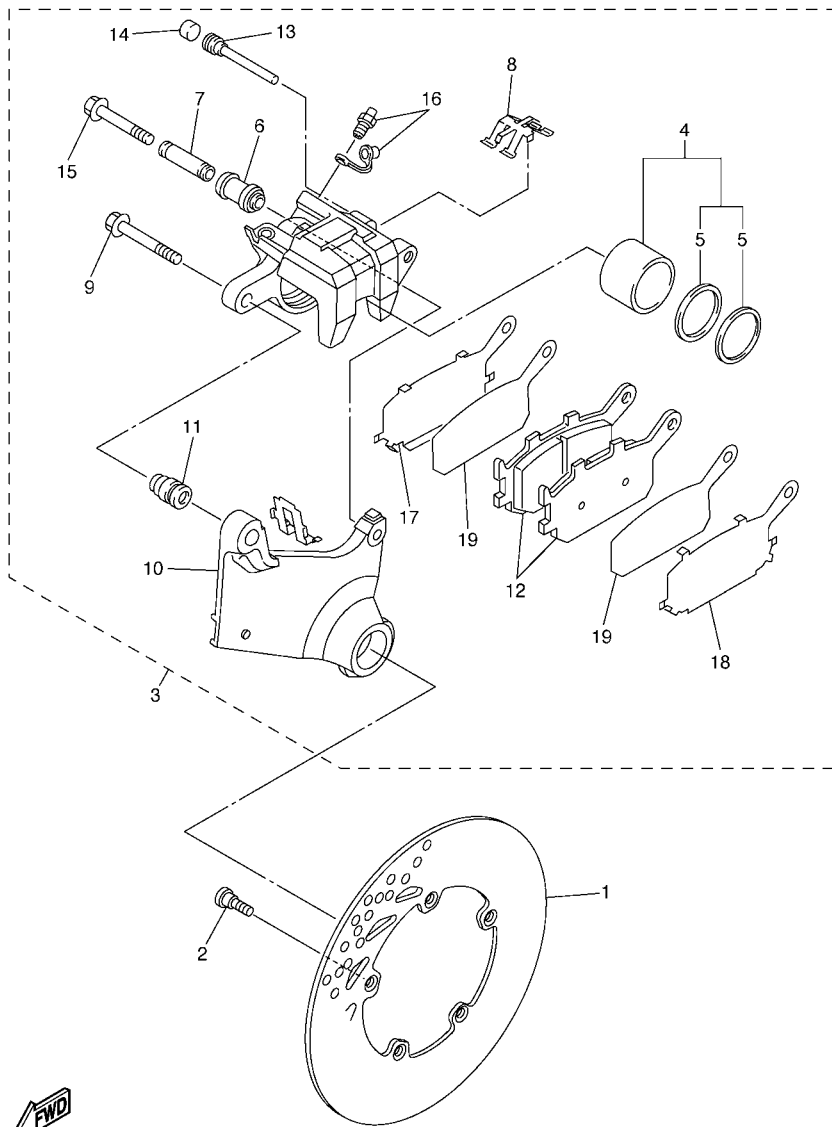

 2D11300-E320

FIG. 32 REAR WHEEL

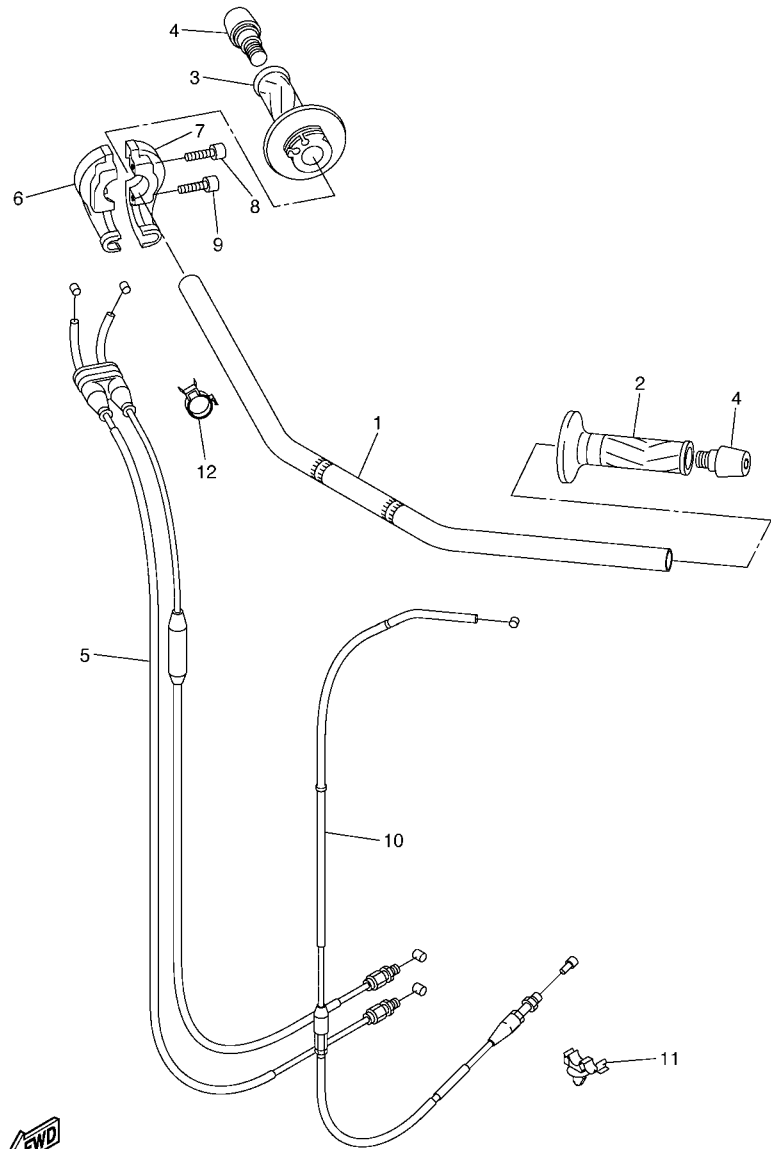
REF. NO.	PART NO.	DESCRIPTION	3C3P	3C3F	3C3S	REMARKS
26	90101-08013	BOLT	2	2	2	
27	95302-08600	NUT	2	2	2	
28	90201-08057	WASHER, PLATE	2	2	2	
29	94582-10122	CHAIN (DID50VA8-122LL)	1	1	1	
30	94682-05031	.JOINT, CHAIN (DID 50VA8-ZJ)	1	1	1	



2D11300-E330

FIG. 33 REAR BRAKE CALIPER

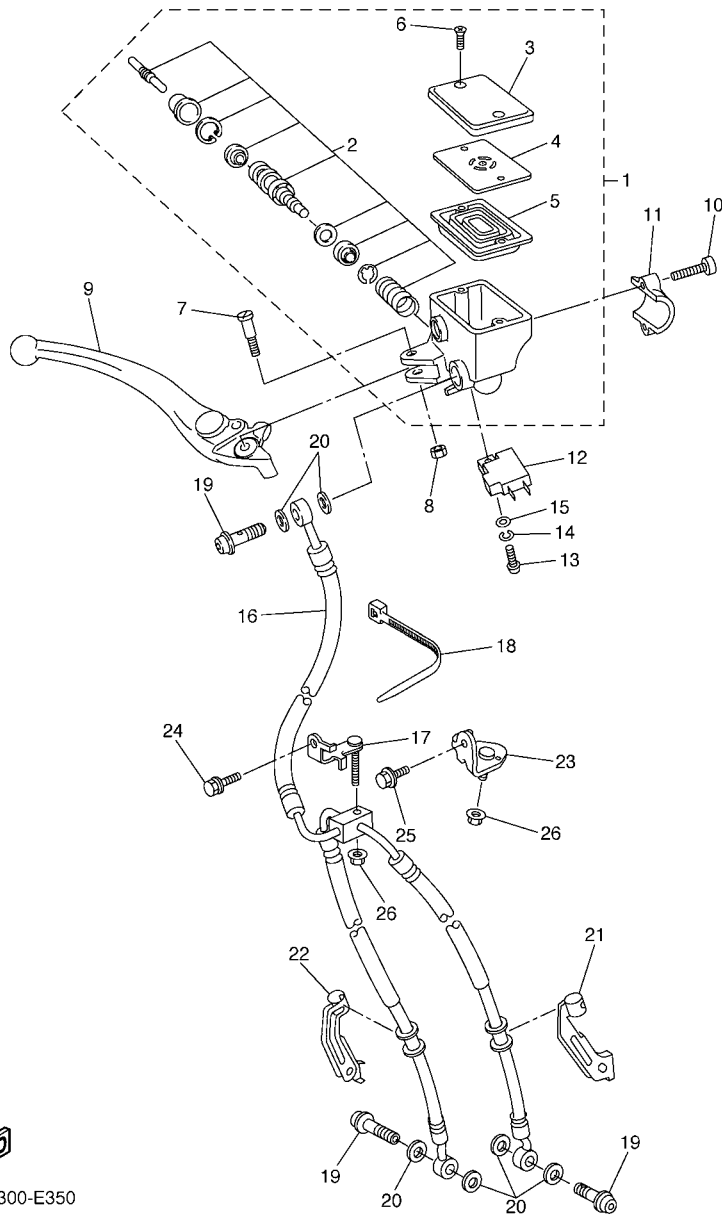
REF. NO.	PART NO.	DESCRIPTION	3C3P	3C3F	3C3S	REMARKS
1	2D1-2582W-00	DISK, REAR BRAKE 2	1	1	1	
2	90149-08009	SCREW	5	5	5	
3	2D1-2580W-00	CALIPER ASSY, REAR 2	1	1	1	
4	5SL-W0057-00	.PISTON ASSY, CALIPER	1	1	1	
5	5SL-W0047-00	..CALIPER SEAL KIT	1	1	1	
6	5SL-25917-00	.BOOT, CALIPER	1	1	1	
7	5SL-25838-00	.SLEEVE, CALIPER	1	1	1	
8	5SL-25919-00	.SUPPORT, PAD	1	1	1	
9	5SL-25914-00	.PIN, SLIDE	1	1	1	
10	5VX-25921-50	.BRACKET, SUPPORT	1	1	1	
11	3JD-25917-00	.BOOT, CALIPER	1	1	1	
12	5VX-W0046-00	.BRAKE PAD KIT 2	1	1	1	
13	8CR-25924-00	.PIN, PAD	1	1	1	
14	5DH-25916-00	.PLUG	1	1	1	
15	5SL-25926-00	.BOLT	1	1	1	
16	1UY-W0048-00	.BLEED SCREW KIT	1	1	1	
17	5SL-25827-00	.SHIM, CALIPER	1	1	1	
18	5SL-25827-10	.SHIM, CALIPER	1	1	1	
19	5SL-25828-00	.SHIM, CALIPER	2	2	2	



3C3A300-F340

FIG. 34 STEERING HANDLE & CABLE

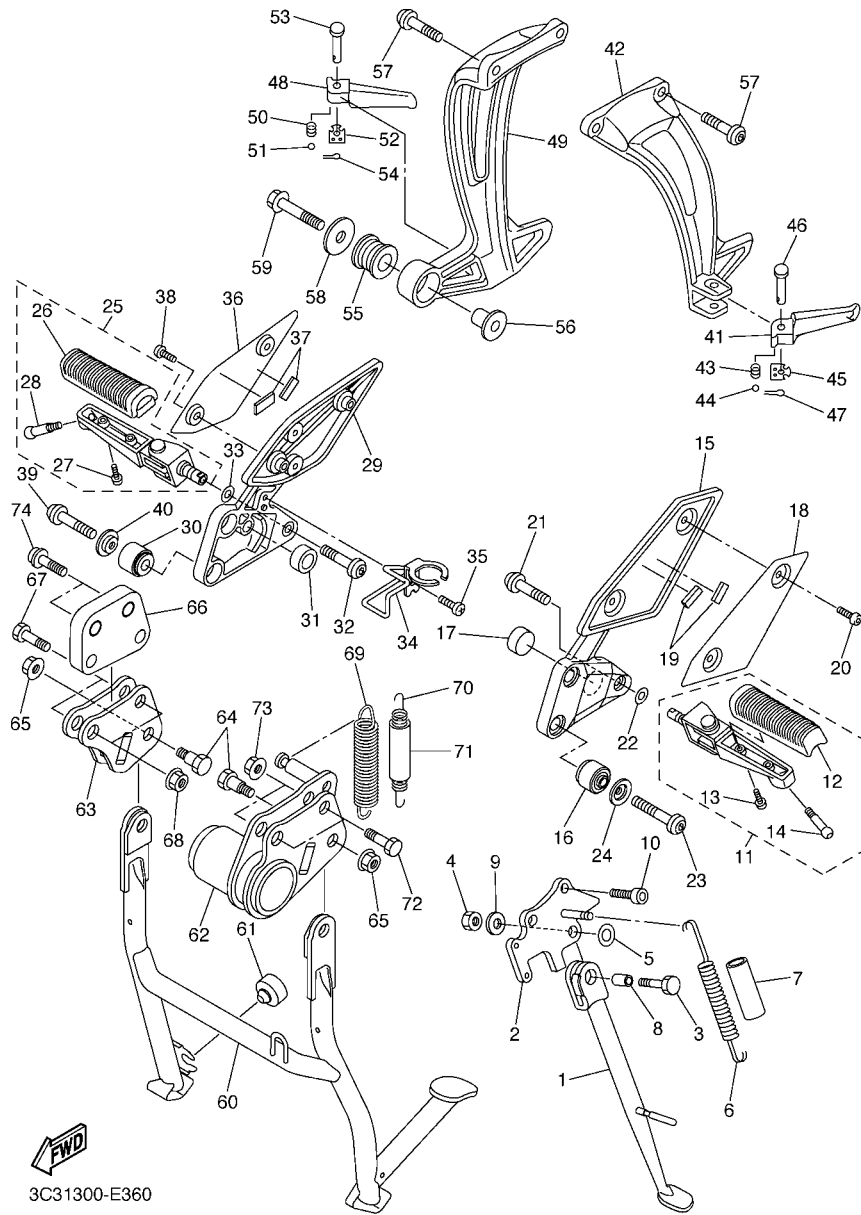
REF. NO.	PART NO.	DESCRIPTION	3C3P	3C3F	3C3S	REMARKS
1	2D1-26111-01	HANDLEBAR	1	1	1	
2	4YR-26241-02	GRIP (LEFT)	1	1	1	
3	4YR-26240-02	GRIP ASSY	1	1	1	
4	51J-26246-01	END, GRIP	2	2	2	
5	2D1-26302-00	THROTTLE CABLE ASSY	1	1	1	
6	3LN-26281-01	CAP, GRIP UPPER	1	1	1	
7	4BP-26282-00	CAP, GRIP UNDER	1	1	1	
8	91317-05020	BOLT	1	1	1	
9	91317-05025	BOLT	1	1	1	
10	3C3-26335-00	CABLE, CLUTCH	1	1	1	
11	90464-10008	CLAMP	1	1	1	
12	90464-20191	CLAMP	1	1	1	




3C31300-E350

FIG. 35 FRONT MASTER CYLINDER

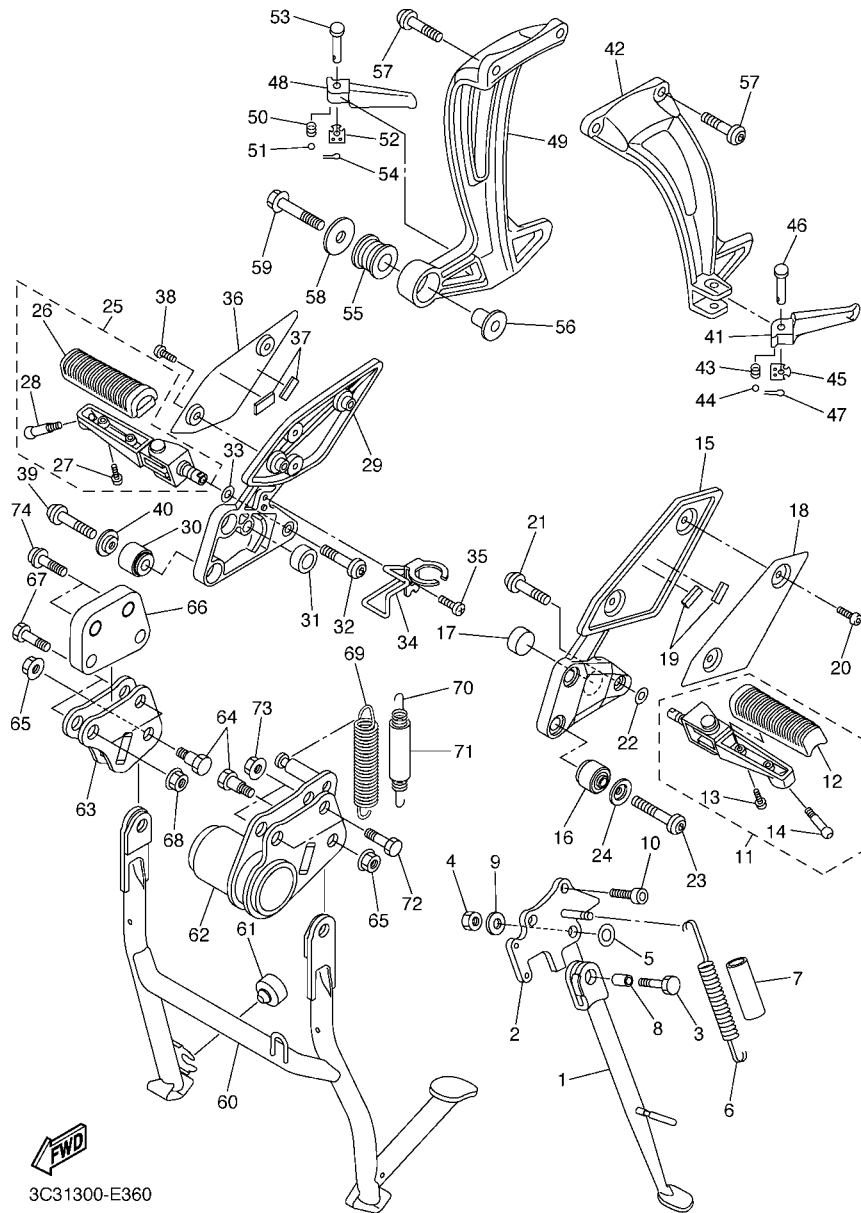
REF. NO.	PART NO.	DESCRIPTION	3C3P	3C3F	3C3S	REMARKS
1	3C3-W2587-00	MASTER CYLINDER SUB ASSY	1	1	1	
2	2D1-W0041-00	.CYLINDER KIT, MASTER	1	1	1	
3	5VS-25852-00	.CAP, RESERVOIR	1	1	1	
4	5VS-25855-00	.BUSH, DIAPHRAGM	1	1	1	
5	5VS-25854-00	.GASKET, DIAPHRAGM	1	1	1	
6	5VS-2589H-00	.SCREW	2	2	2	
7	5VS-2589F-00	BOLT, LEVER	1	1	1	
8	95617-06100	NUT, U	1	1	1	
9	5VS-83922-00	LEVER 2	1	1	1	
10	5VS-26332-00	BOLT	2	2	2	
11	5VS-25867-00	BRACKET, MASTER CYLINDER	1	1	1	
12	4HM-83980-00	FRONT STOP SWITCH ASSY	1	1	1	
13	98502-04012	SCREW, PAN HEAD	1	1	1	
14	92902-04100	WASHER, SPRING	1	1	1	
15	92902-04600	WASHER, PLATE	1	1	1	
16	3C3-25872-00	HOSE, BRAKE 1	1	1	1	
17	2D1-23857-00	HOLDER	1	1	1	
18	3MA-82591-00	BAND	1	1	1	
19	90401-10172	BOLT, UNION	3	3	3	
20	90430-10005	GASKET	6	6	6	
21	2D1-25875-00	HOLDER, BRAKE HOSE 1	1	1	1	
22	2D1-25876-00	HOLDER, BRAKE HOSE 2	1	1	1	
23	3C3-23378-00	BRACKET, HORN	1	1	1	
24	95812-06012	BOLT, FLANGE	1	1	1	
25	90105-06085	BOLT, FLANGE	1	1	1	
26	95702-06500	NUT, FLANGE	2	2	2	



3C31300-E360

FIG. 36 STAND & FOOTREST

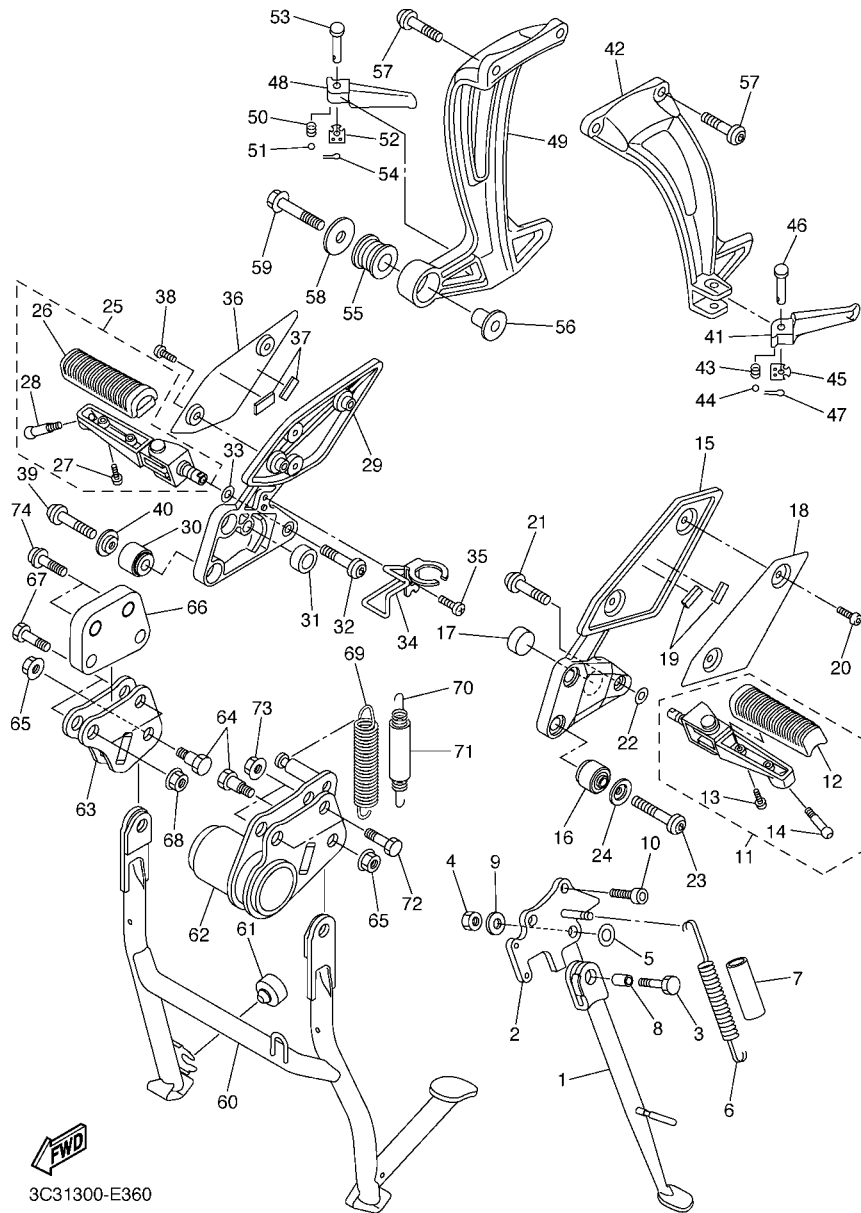
REF. NO.	PART NO.	DESCRIPTION	3C3P	3C3F	3C3S	REMARKS
1	2D1-27311-00	STAND, SIDE	1	1	1	
2	2D1-27321-00	BRACKET, SIDE STAND	1	1	1	
3	90101-10025	BOLT	1	1	1	
4	90185-10023	NUT, SELF-LOCKING	1	1	1	
5	90201-16027	WASHER, PLATE	1	1	1	
6	90506-18020	SPRING, TENSION	1	1	1	
7	90445-19002	HOSE (L60)	1	1	1	
8	90387-10050	COLLAR	1	1	1	
9	90201-10035	WASHER, PLATE	1	1	1	
10	90110-10028	BOLT, HEXAGON SOCKET HEAD	2	2	2	
11	2D1-27410-00	FRONT FOOTREST ASSY (LEFT)	1	1	1	
12	4BP-27413-00	.COVER, FOOTREST	1	1	1	
13	90157-05025	.SCREW, PAN HEAD	2	2	2	
14	90109-08174	.BOLT	1	1	1	
15	2D1-27442-00	BRACKET 2	1	1	1	
16	1NL-27424-00	DAMPER, FOOTREST 2	2	2	2	
17	5VX-27114-00	STOPPER, MAIN STAND	1	1	1	
18	2D1-27486-00	COVER 1	1	1	1	
19	1HX-27415-00	PLATE, DAMPER	2	2	2	
20	90111-05015	BOLT,HEX. SOCKET BUTTON	2	2	2	
21	90111-10039	BOLT,HEX. SOCKET BUTTON	1	1	1	
22	90206-17084	WASHER, WAVE	1	1	1	
23	90110-08071	BOLT, HEXAGON SOCKET HEAD	2	2	2	
24	90209-08295	WASHER	2	2	2	
25	2D1-27420-00	FRONT FOOTREST ASSY (RIGHT)	1	1	1	
26	4BP-27413-00	.COVER, FOOTREST	1	1	1	
27	90157-05025	.SCREW, PAN HEAD	2	2	2	



3C31300-E360

FIG. 36 STAND & FOOTREST

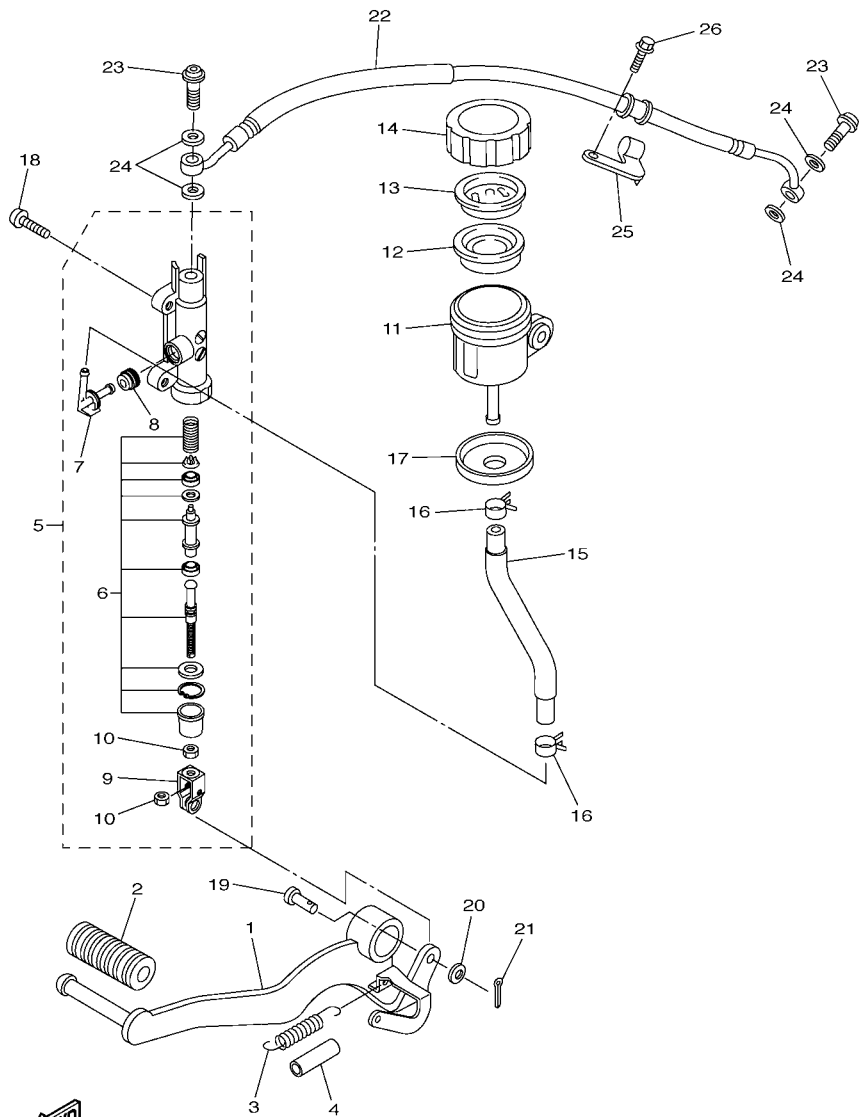
REF. NO.	PART NO.	DESCRIPTION	3C3P	3C3F	3C3S	REMARKS
28	90109-08174	.BOLT	1	1	1	
29	2D1-27443-00	BRACKET 3	1	1	1	
30	1NL-27424-00	DAMPER, FOOTREST 2	2	2	2	
31	5VX-27114-00	STOPPER, MAIN STAND	1	1	1	
32	90111-10039	BOLT,HEX. SOCKET BUTTON	1	1	1	
33	90206-17084	WASHER, WAVE	1	1	1	
34	2D1-2144G-00	STAY, STOP SWITCH	1	1	1	
35	95802-06008	BOLT, FLANGE	1	1	1	
36	2D1-27487-00	COVER 2	1	1	1	
37	1HX-27415-00	PLATE, DAMPER	2	2	2	
38	90111-05015	BOLT,HEX. SOCKET BUTTON	2	2	2	
39	90110-08071	BOLT, HEXAGON SOCKET HEAD	2	2	2	
40	90209-08295	WASHER	2	2	2	
41	3VR-27431-01	FOOTREST, REAR 1	1	1	1	
42	2D1-2741L-00	BRACKET 4	1	1	1	
43	90501-12743	SPRING, COMPRESSION	1	1	1	
44	93501-04011	BALL	1	1	1	
45	5VX-27437-00	WASHER, SPECIAL	1	1	1	
46	91702-08040	PIN, CLEVIS	1	1	1	
47	91401-25015	PIN, COTTER	1	1	1	
48	3VR-27441-01	FOOTREST, REAR 2	1	1	1	
49	2D1-2742L-00	BRACKET 5	1	1	1	
50	90501-12743	SPRING, COMPRESSION	1	1	1	
51	93501-04011	BALL	1	1	1	
52	5VX-27437-00	WASHER, SPECIAL	1	1	1	
53	91702-08040	PIN, CLEVIS	1	1	1	
54	91401-25015	PIN, COTTER	1	1	1	



3C31300-E360

FIG. 36 STAND & FOOTREST

REF. NO.	PART NO.	DESCRIPTION	3C3P	3C3F	3C3S	REMARKS
55	36Y-27424-01	DAMPER, FOOTREST 2	1	1	1	
56	90387-10636	COLLAR	1	1	1	
57	90109-085G6	BOLT	4	4	4	
58	90201-10669	WASHER, PLATE	1	1	1	
59	95814-10040	BOLT, FLANGE	1	1	1	
60	3C3-27111-00	STAND, MAIN	1	1	1	
61	371-27114-00	STOPPER, MAIN STAND	1	1	1	
62	3C3-27151-01	BRACKET, MAIN STAND	1	1	1	
63	3C3-27152-00	BRACKET, MAIN STAND 2	1	1	1	
64	90109-10029	BOLT	2	2	2	
65	95602-10200	NUT, U FLANGE	2	2	2	
66	3C3-274A3-00	BEACKET, ADAPTER 1	1	1	1	
67	90101-10033	BOLT	2	2	2	
68	95602-10200	NUT, U FLANGE	2	2	2	
69	90506-40007	SPRING, TENSION	1	1	1	
70	90506-23010	SPRING, TENSION	1	1	1	
71	90445-19003	HOSE	1	1	1	
72	90101-10033	BOLT	2	2	2	
73	95602-10200	NUT, U FLANGE	2	2	2	
74	90110-10025	BOLT, HEXAGON SOCKET HEAD	2	2	2	



3C3T110-H370

FIG. 37 REAR MASTER CYLINDER

REF. NO.	PART NO.	DESCRIPTION	3C3P	3C3F	3C3S	REMARKS
1	2D1-27211-00	PEDAL, BRAKE	1	1	1	
2	5EB-18113-00	COVER, SHIFT PEDAL	1	1	1	
3	90506-20014	SPRING, TENSION	1	1	1	
4	90446-15386	HOSE	1	1	1	
5	2D1-2583V-00	RR. MASTER CYLINDER ASSY.	1	1	1	
6	5VX-W0042-50	.CYLINDER KIT, MASTER	1	1	1	
7	2D1-2582A-00	.JOINT	1	1	1	
8	4BP-2585F-01	.O-RING	1	1	1	
9	4BP-27222-02	.JOINT	1	1	1	
10	90170-08010	.NUT	2	2	2	
11	2D1-25894-00	TANK, RESERVOIR	1	1	1	
12	5SL-25854-00	DIAPHRAGM, RESERVOIR	1	1	1	
13	5SL-25855-00	BUSH, DIAPHRAGM	1	1	1	
14	5SL-25852-00	CAP, RESERVOIR	1	1	1	
15	2D1-25895-00	HOSE, RESERVOIR	1	1	1	
16	90467-120A3	CLIP	2	2	2	
17	5D0-2583H-00	BOOT	1	1	1	
18	92014-08020	BOLT, BUTTON HEAD	2	2	2	
19	90240-08005	PIN, CLEVIS	1	1	1	
20	90201-08066	WASHER, PLATE	1	1	1	
21	91401-20012	PIN, COTTER	1	1	1	
22	2D1-25874-00	HOSE, BRAKE	1	1	1	
23	90401-10172	BOLT, UNION	2	2	2	
24	90430-10005	GASKET	4	4	4	
25	2D1-25886-00	HOLDER, BRAKE HOSE	1	1	1	
26	90119-05021	BOLT, WITH WASHER	1	1	1	

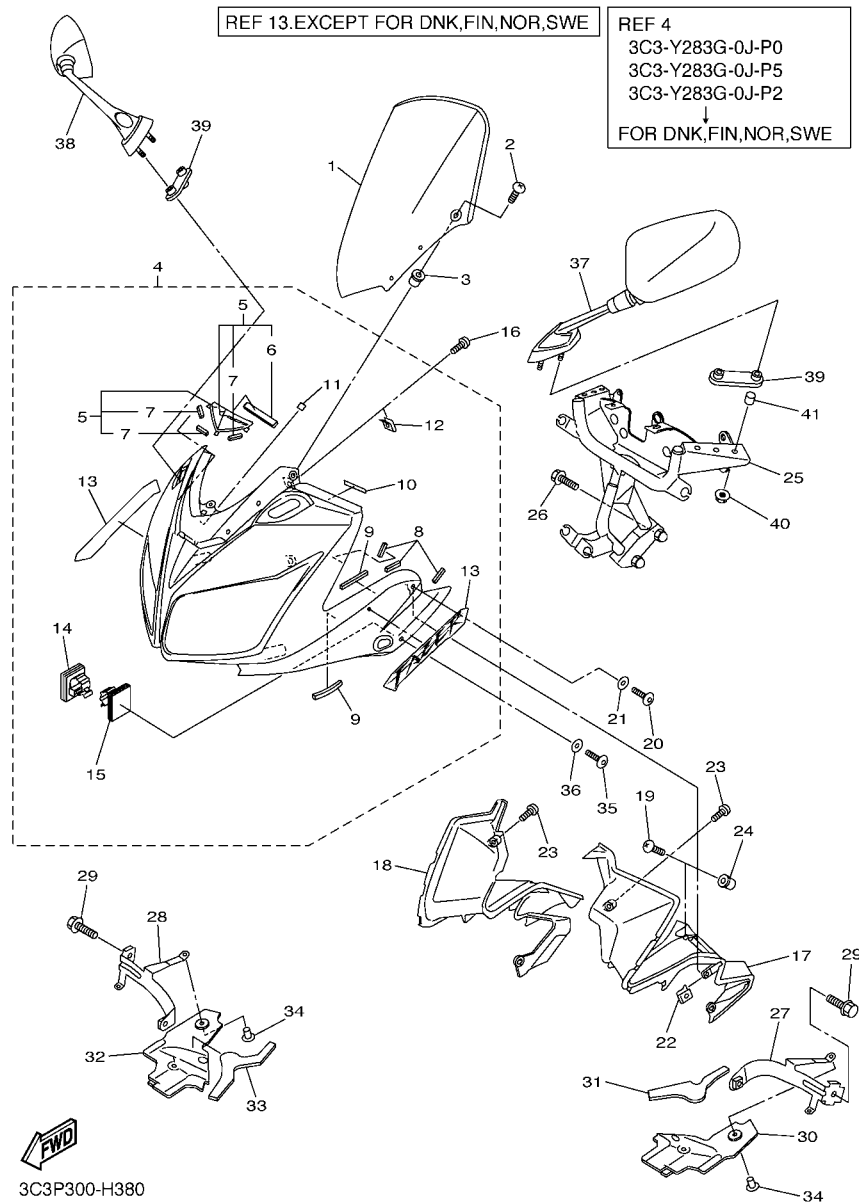


FIG. 38 COWLING 1

REF. NO.	PART NO.	DESCRIPTION	3C3P	3C3F	3C3S	REMARKS
1	3C3-28381-00	WINDSHIELD	1	1		
2	90150-05024	SCREW, ROUND HEAD	6	6	6	
3	90179-05523	NUT	6	6	6	
4	3C3-Y283G-0E-P0	BODY, FRONT UPPER 1	1	1	1	UR FOR DPBMU
	3C3-Y283G-0G-P5	BODY, FRONT UPPER 1	1	1	1	UR FOR DNMG
	3C3-Y283G-0H-P2	BODY, FRONT UPPER 1	1	1	1	UR FOR DRMK
5	3C3-Y283W-10	.COVER ASSY	1	1	1	
6	3C3-28371-01	..DAMPER	1	1	1	
7	3C3-28372-00	..DAMPER	3	3	3	
8	3C3-2837J-00	.DAMPER 5	6	6	6	
9	4XV-2834E-00	.DAMPER 3	4	4	4	
10	3P6-28307-00	.SEAL	2	2	2	
11	5JW-23844-00	.SEAL	1	1	1	
12	90183-050A6	.NUT, SPRING	2	2	2	
13	3C3-28315-70	.EMBLEM	2	2	2	UR FOR DPBMU
	3C3-28315-80	.EMBLEM	2	2	2	UR FOR DNMG
	3C3-28315-90	.EMBLEM	2	2	2	UR FOR DRMK
14	90464-62085	.CLAMP	1	1	1	
15	90464-20003	.CLAMP	1	1	1	
16	90154-05007	SCREW, BINDING	2	2	2	
17	3C3-2836K-00	PANEL, INNER 1	1	1	1	
18	3C3-2836L-00	PANEL, INNER 2	1	1	1	
19	90154-05007	SCREW, BINDING	2	2	2	

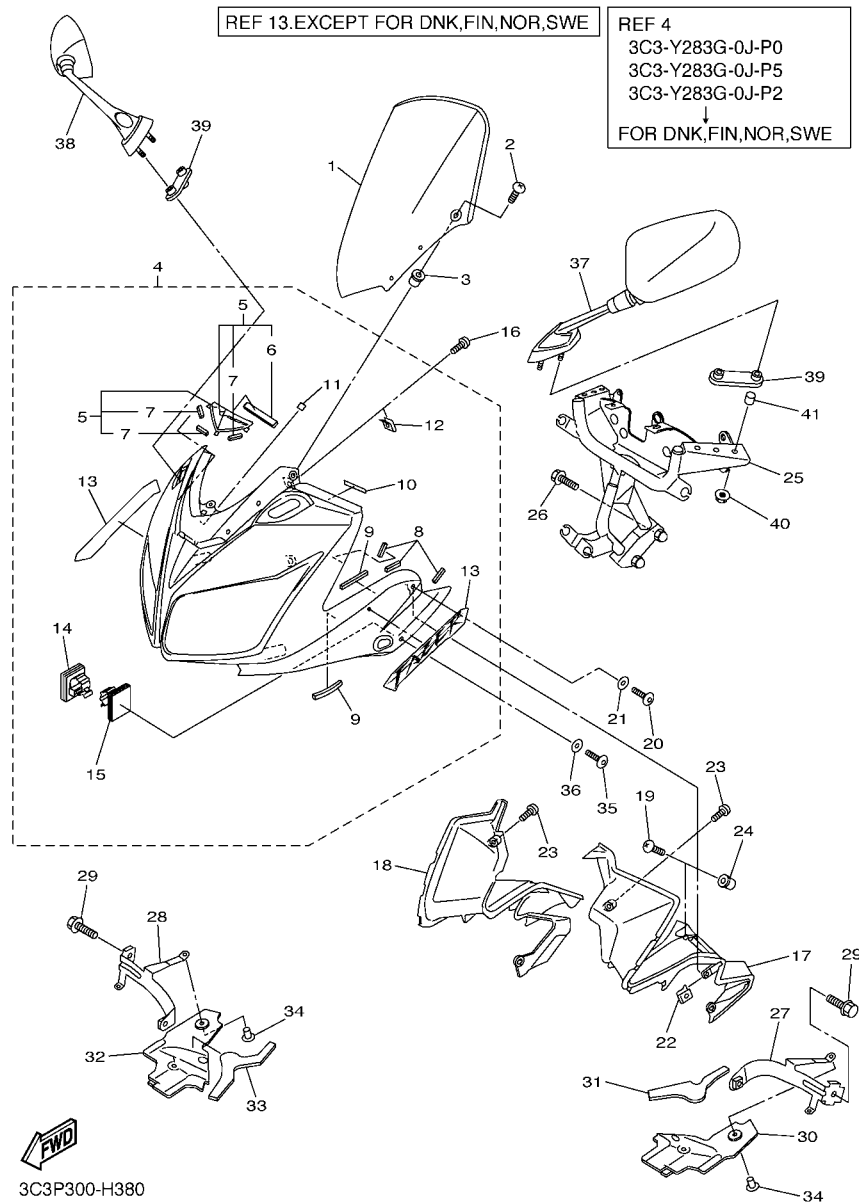
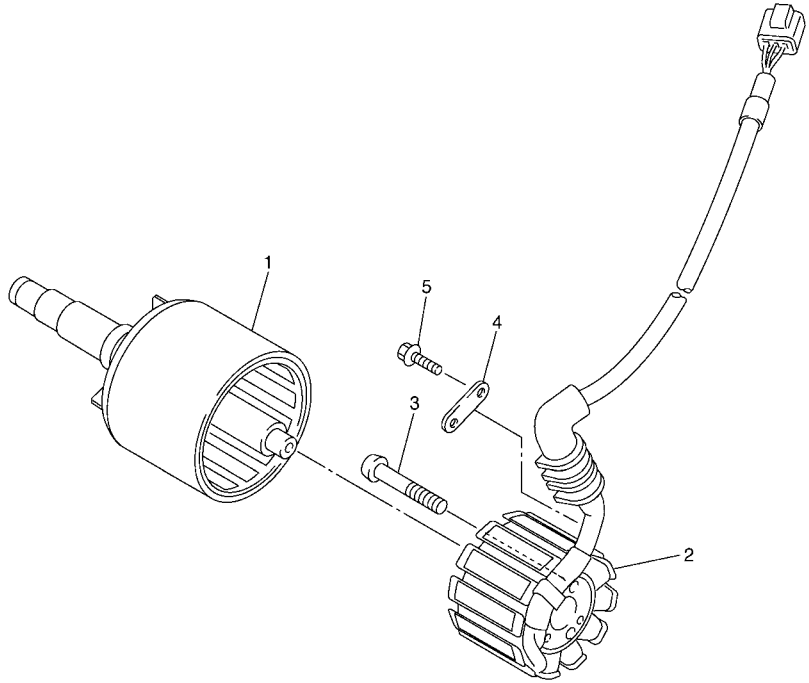


FIG. 38 COWLING 1

REF. NO.	PART NO.	DESCRIPTION	3C3P	3C3F	3C3S	REMARKS
20	90110-06200	BOLT, HEXAGON SOCKET HEAD	2	2	2	
21	90202-06170	WASHER, PLATE	2	2	2	
22	90183-06053	NUT, SPRING	2	2	2	
23	90154-05007	SCREW, BINDING	2	2	2	
24	90179-05523	NUT	2	2	2	
25	3C3-28356-00	STAY 1	1	1	1	
26	95822-08035	BOLT, FLANGE	2	2	2	
27	3C3-2836A-00	BRACKET 1	1	1	1	
28	3C3-2836E-00	BRACKET 2	1	1	1	
29	95802-06010	BOLT, FLANGE	2	2	2	
30	3C3-2835U-00	PANEL 1	1	1	1	
31	3C3-2834E-00	DAMPER 3	1	1	1	
32	3C3-2835V-00	PANEL 2	1	1	1	
33	3C3-2834F-00	DAMPER	1	1	1	
34	90269-06008	RIVET	4	4	4	
35	90110-06200	BOLT, HEXAGON SOCKET HEAD	2	2	2	
36	90202-06170	WASHER, PLATE	2	2	2	
37	3C3-26280-00	REAR VIEW MIRROR ASSY (LEFT)	1	1	1	
38	3C3-26290-00	REAR VIEW MIRROR ASSY (RIGHT)	1	1	1	
39	3C3-26298-00	PLATE, MIRROR FITTING 1	2	2	2	
40	95702-06500	NUT, FLANGE	4	4	4	
41	90387-064T3	COLLAR	4	4	4	

FIG. 39 GENERATOR



REF. NO.	PART NO.	DESCRIPTION	3C3P	3C3F	3C3S	REMARKS
1	5VY-81450-00	ROTOR ASSY	1	1	1	
2	2D1-81410-01	STATOR ASSY	1	1	1	
3	90149-06067	SCREW	3	3	3	
4	4C8-15191-00	PLATE	1	1	1	
5	90105-06078	BOLT, FLANGE	1	1	1	

 5VY1300-C400

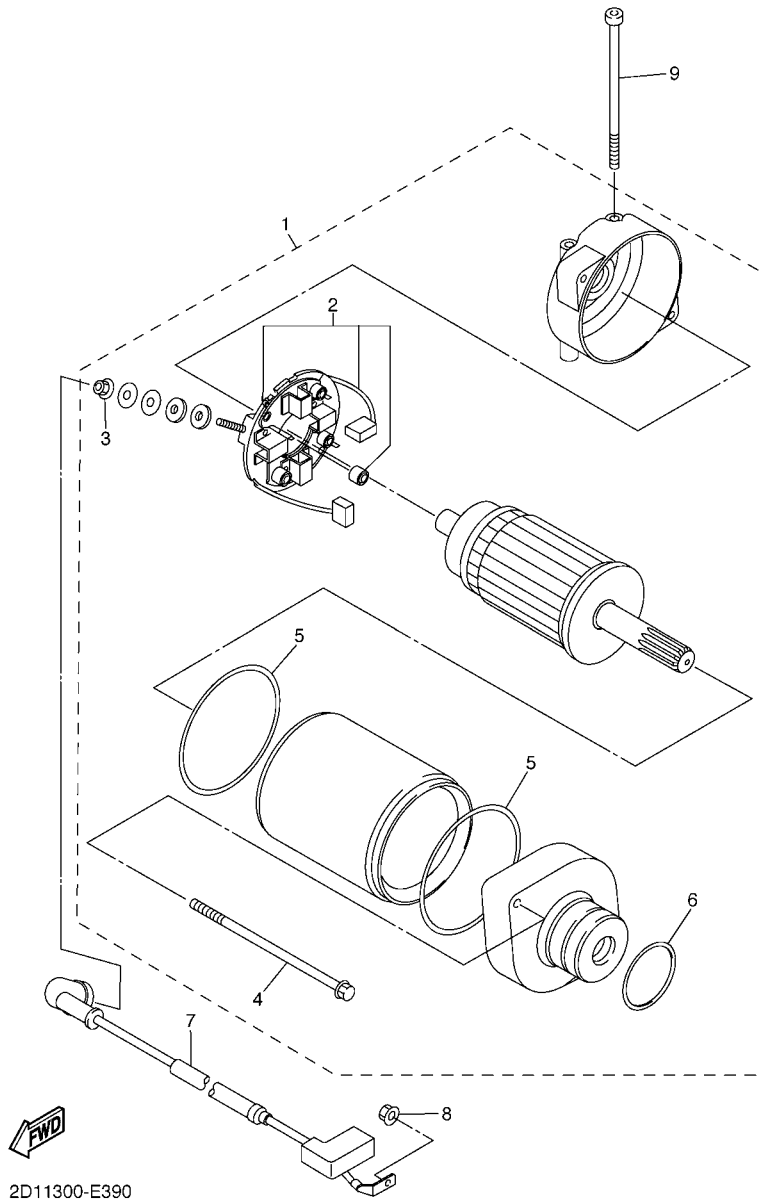
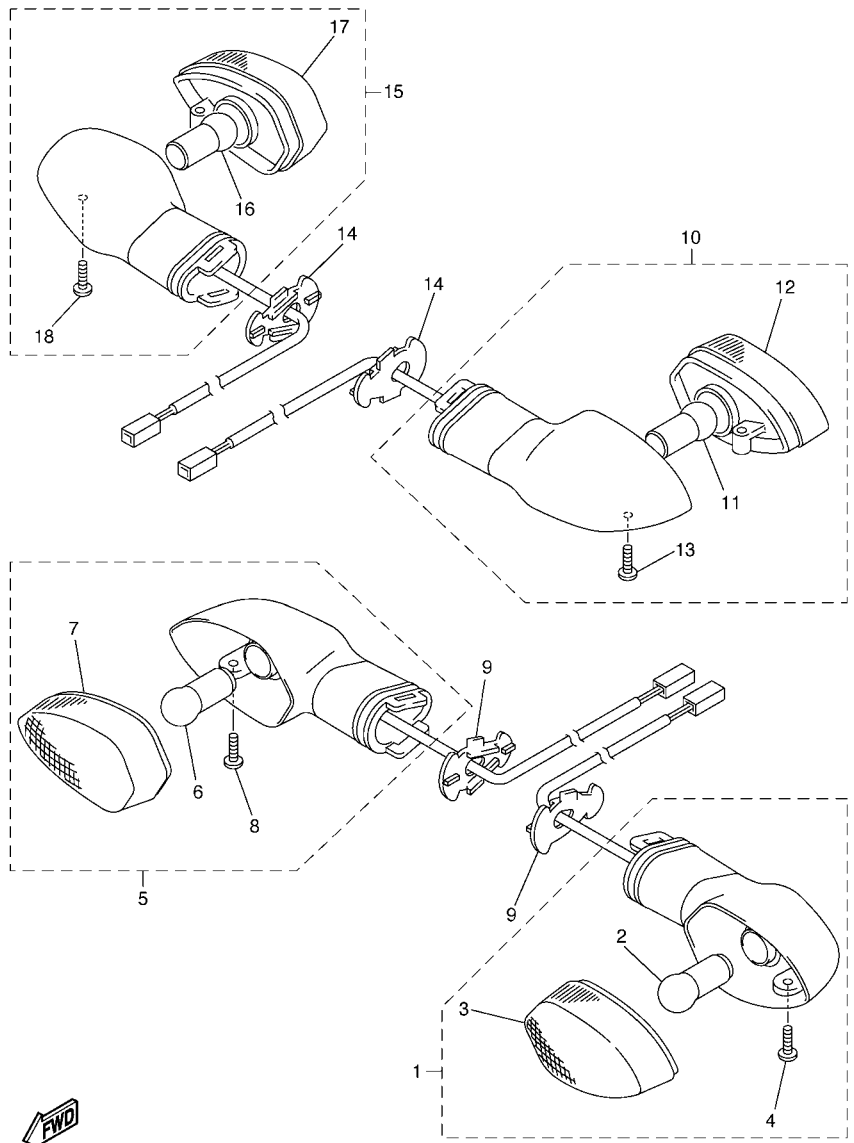


FIG. 40 STARTING MOTOR

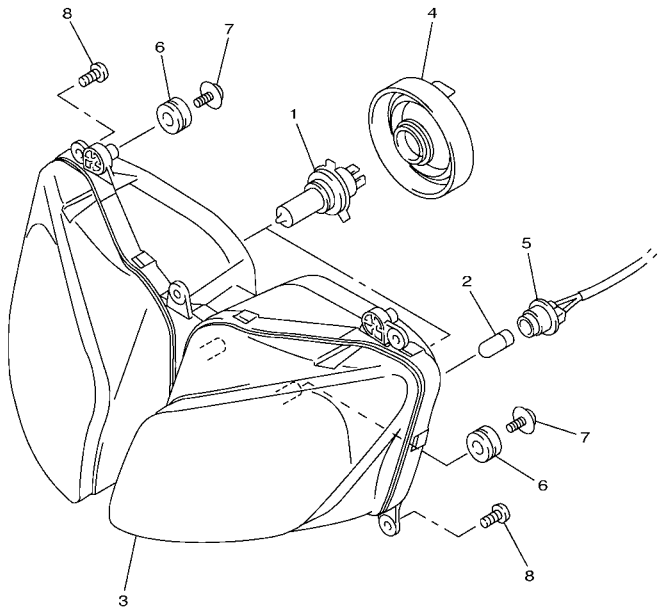
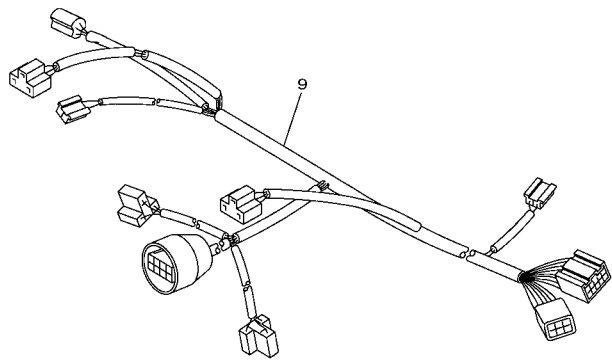
REF. NO.	PART NO.	DESCRIPTION	3C3P	3C3F	3C3S	REMARKS
1	2D1-81890-00	MOTOR ASSY	1	1	1	
2	3AJ-81801-00	.BRUSH SET	1	1	1	
3	4XV-8182A-00	.NUT	1	1	1	
4	2D1-81826-00	.BOLT	2	2	2	
5	11H-81844-00	.GASKET	2	2	2	
6	1FK-81847-00	.O-RING	1	1	1	
7	2D1-81815-00	CORD, STARTER MOTOR	1	1	1	
8	4XV-8182A-00	NUT	1	1	1	
9	91312-06080	BOLT	2	2	2	



2D11300-E400

FIG. 41 FLASHER LIGHT

REF. NO.	PART NO.	DESCRIPTION	3C3P	3C3F	3C3S	REMARKS
1	5PW-83310-01	FRONT FLASHER LIGHT ASSY 1	1	1	1	
2	1KH-83311-00	.BULB (12V-10W)	1	1	1	
3	5PW-8333A-00	.LENS COMP	1	1	1	
4	97706-04012	.SCREW, TAPPING	1	1	1	
5	5PW-83320-01	FRONT FLASHER LIGHT ASSY 2	1	1	1	
6	1KH-83311-00	.BULB (12V-10W)	1	1	1	
7	5PW-8334A-00	.LENS COMP	1	1	1	
8	97706-04012	.SCREW, TAPPING	1	1	1	
9	2D1-83318-00	STAY, FLASHER 1	2	2	2	
10	2D1-83330-20	REAR FLASHER LIGHT ASSY 1	1	1	1	
11	1KH-83311-00	.BULB (12V-10W)	1	1	1	
12	5PW-8334A-00	.LENS COMP	1	1	1	
13	97706-04012	.SCREW, TAPPING	1	1	1	
14	2D1-83318-00	STAY, FLASHER 1	2	2	2	
15	2D1-83340-20	REAR FLASHER LIGHT ASSY 2	1	1	1	
16	1KH-83311-00	.BULB (12V-10W)	1	1	1	
17	5PW-8333A-00	.LENS COMP	1	1	1	
18	97706-04012	.SCREW, TAPPING	1	1	1	



3C3P300-H430

FIG. 43 HEADLIGHT

REF. NO.	PART NO.	DESCRIPTION	3C3P	3C3F	3C3S	REMARKS
1	8V0-84314-00	BULB (12V-60/55W)	2	2	2	
2	4SV-84347-00	BULB (12V-5W)	2	2	2	
3	3C3-84310-10	HEADLIGHT UNIT ASSY	1			FOR ZAF
4	5LV-84397-00	COVER, SOCKET	2	2	2	
5	3C3-84312-00	CORD ASSY	2	2	2	
6	90480-14229	GROMMET	4	4	4	
7	90164-05001	SCREW, TAPPING	4	4	4	
8	97702-50016	SCREW, TAPPING	5	5	5	
9	3C3-84359-00	CORD, HEADLIGHT	1	1	1	

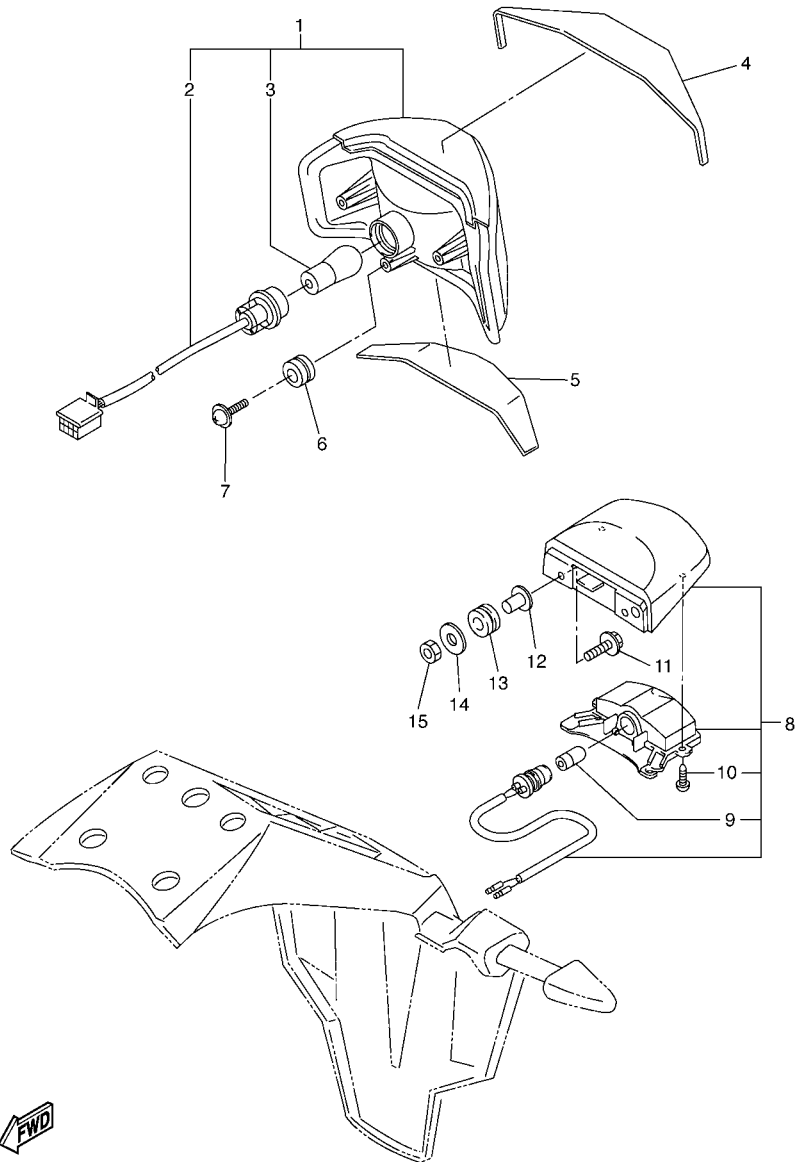
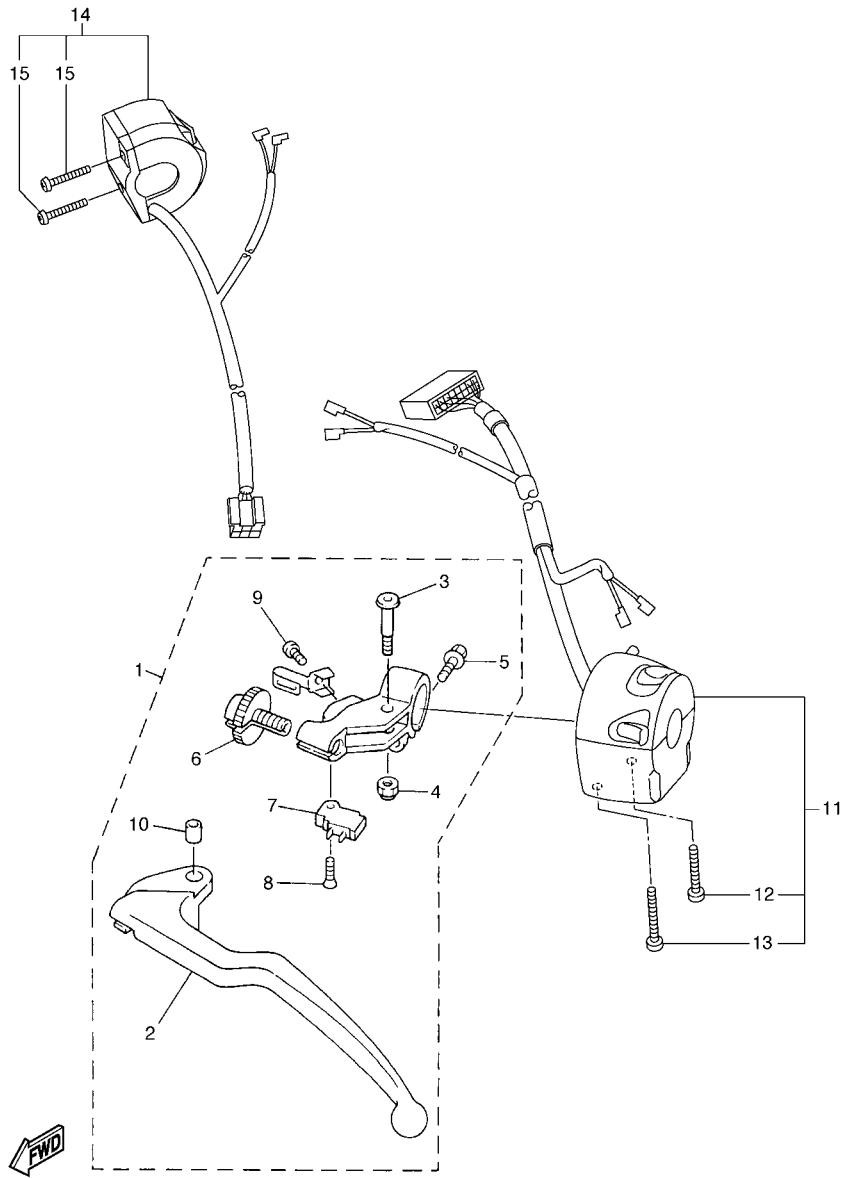


FIG. 44 TAILLIGHT

REF. NO.	PART NO.	DESCRIPTION	3C3P	3C3F	3C3S	REMARKS
1	2D1-84710-00	TAILLIGHT UNIT ASSY	1	1	1	
2	2D1-84735-00	.CORD ASSY	1	1	1	
3	1A2-84714-41	.BULB (12V-21/5W)	1	1	1	
4	3C3-84736-00	DAMPER, TAIL 1	1	1	1	
5	2D1-84737-00	DAMPER, TAIL 2	1	1	1	
6	90480-18276	GROMMET	3	3	3	
7	90164-05001	SCREW, TAPPING	3	3	3	
8	2D1-84745-00	LICENCE LIGHT UNIT ASSY	1	1	1	
9	4HC-84744-00	.BULB (12V-5W)	1	1	1	
10	97706-04012	.SCREW, TAPPING	2	2	2	
11	90159-05035	SCREW, WITH WASHER	2	2	2	
12	90387-05042	COLLAR	2	2	2	
13	90480-11009	GROMMET	2	2	2	
14	92902-05200	WASHER	2	2	2	
15	95602-05100	NUT, U	2	2	2	



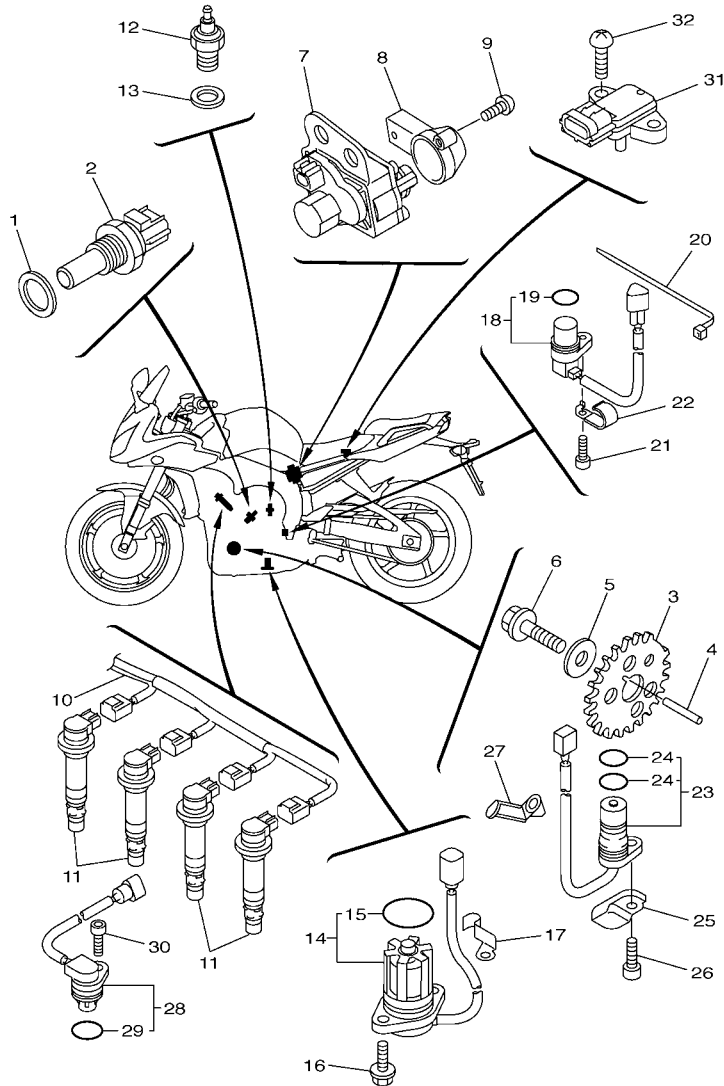
2D11300-E430



3C31300-E450

FIG. 45 HANDLE SWITCH & LEVER

REF. NO.	PART NO.	DESCRIPTION	3C3P	3C3F	3C3S	REMARKS
1	4XV-82910-15	LEVER HOLDER ASSY (LEFT)	1	1	1	
2	4XV-83912-11	.LEVER 1	1	1	1	
3	2C0-83945-00	.BOLT, LEVER	1	1	1	
4	95607-06200	.NUT, SELF U-FLANGE	1	1	1	
5	95027-06020	.BOLT, FLANGE	1	1	1	
6	5LV-83951-00	.BOLT, CABLE ADJUSTING	1	1	1	
7	4XV-82917-01	.SWITCH	1	1	1	
8	98707-03016	.SCREW, FLAT HEAD	1	1	1	
9	98507-04010	.SCREW, PAN HEAD	1	1	1	
10	5JJ-83913-00	.COLLAR, LEVER 1	1	1	1	
11	3C3-83969-00	SWITCH, HANDLE 5	1	1	1	
12	98507-05030	.SCREW, PAN HEAD	1	1	1	
13	98507-05045	.SCREW, PAN HEAD	1	1	1	
14	2D1-83975-00	SWITCH, HANDLE 2	1	1	1	
15	98507-05022	.SCREW, PAN HEAD	2	2	2	



5D05300-H460

FIG. 46 ELECTRICAL 1

REF. NO.	PART NO.	DESCRIPTION	3C3P	3C3F	3C3S	REMARKS
1	90201-12790	WASHER, PLATE	1	1	1	
2	8CC-85790-01	THERMOSENSOR ASSY	1	1	1	
3	2D1-81673-00	ROTOR	1	1	1	
4	90282-03001	KEY, STRAIGHT	1	1	1	
5	90201-10039	WASHER, PLATE	1	1	1	
6	90105-10290	BOLT, FLANGE	1	1	1	
7	2D1-85820-00	SERVO MOTOR ASSY	1	1	1	
8	5VY-85829-00	COVER, SERVO MOTOR	1	1	1	
9	97702-50514	SCREW, TAPPING	2	2	2	
10	2D1-82309-00	WIRE, SUB LEAD	1	1	1	
11	5VY-82310-00	IGNITION COIL ASSY	4	4	4	
12	3GB-82540-01	NEUTRAL SWITCH ASSY	1	1	1	
13	90430-10148	GASKET	1	1	1	
14	5VY-85720-00	OIL LEVEL GAUGE ASSY	1	1	1	
15	5VY-8A8E0-00	.O-RING	1	1	1	
16	95022-06016	BOLT, FLANGE	2	2	2	
17	90465-08053	CLAMP	1	1	1	
18	4XV-83755-03	SENSOR, SPEED	1	1	1	
19	4D9-81168-00	.O-RING	1	1	1	
20	90464-51001	CLAMP	1	1	1	
21	90110-06161	BOLT, HEXAGON SOCKET HEAD	1	1	1	
22	90462-08057	CLAMP	1	1	1	
23	5VY-81670-01	PICK-UP ASSY	1	1	1	
24	5VY-8A8E1-00	.O-RING 1	2	2	2	
25	5VY-15589-01	PLATE, CLUTCH COVER	1	1	1	
26	90110-06161	BOLT, HEXAGON SOCKET HEAD	1	1	1	
27	90465-08054	CLAMP	1	1	1	

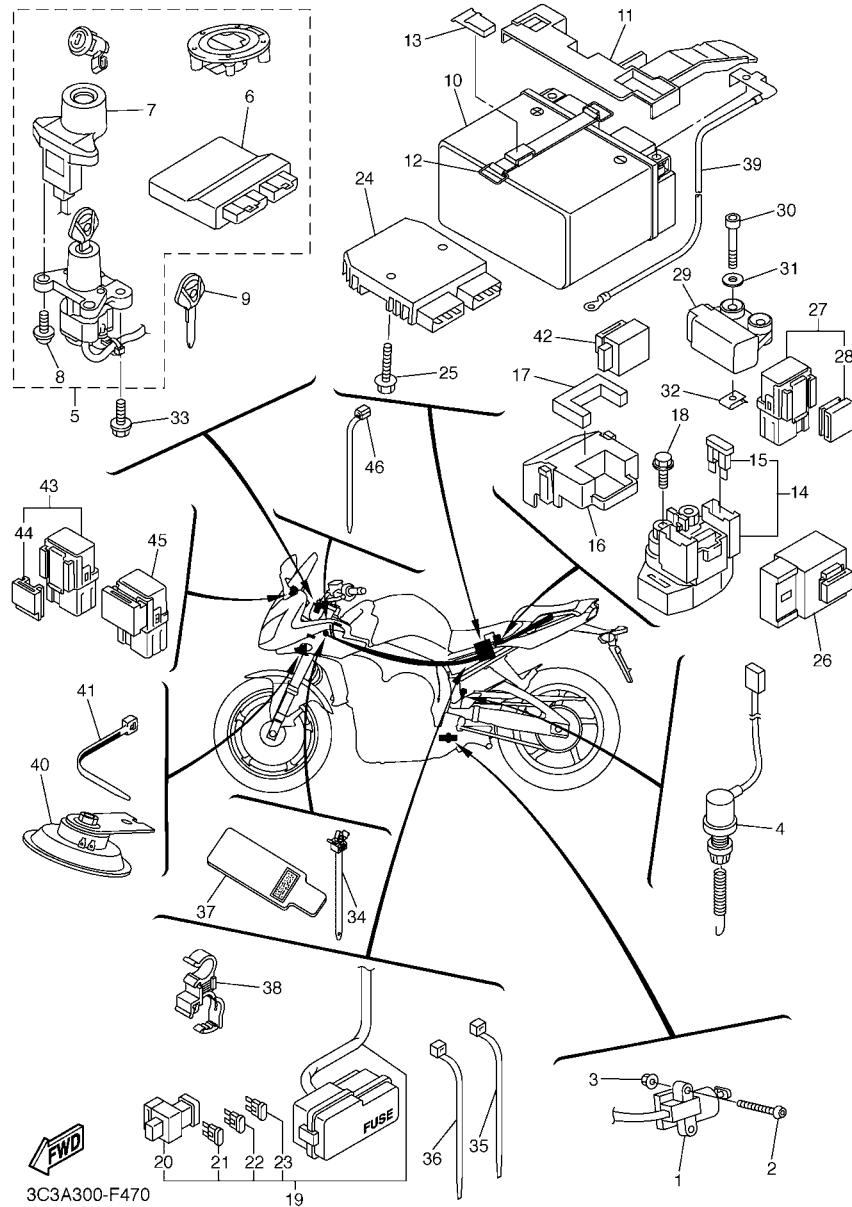


FIG. 47 ELECTRICAL 2

REF. NO.	PART NO.	DESCRIPTION	3C3P	3C3F	3C3S	REMARKS
1	5VS-82566-61	SWITCH, SIDE STAND	1	1	1	
2	92012-05030	BOLT, BUTTON HEAD	2	2	2	
3	95602-05200	NUT, SELF-LOCKING	2	2	2	
4	2D1-82530-00	STOP SWITCH ASSY	1	1	1	
5	2D1-W8250-70	MAIN SW. IMMOBILIZER KIT	1		1	
6	2D1-8591A-70	.ENGINE CONTROL UNIT ASSY	1		1	
7	2D1-8255P-00	.IMMOBILIZER. UNIT COMP.	1	1	1	
8	5SL-82113-01	.SCREW	2	2	2	
9	5SL-82511-08	BLANK KEY	1	1	1	AP
10	2D1-82100-00	BATTERY ASSY(GS YUASA YTZ14S)	1	1	1	
11	2D1-82129-00	COVER, BATTERY	1	1	1	
12	2D1-82131-00	BAND, BATTERY	1	1	1	
13	5YU-2162A-00	HOOK	1	1	1	
14	2C0-81940-00	STARTER RELAY ASSY	1	1	1	
15	36Y-82151-00	.FUSE (15A-BL)	2	2	2	
16	5SL-82119-10	COVER, LEAD WIRE	1	1	1	
17	2D1-82176-00	DAMPER	1	1	1	
18	95022-06008	BOLT, FLANGE	2	2	2	
19	3C3-82590-00	WIRE HARNESS ASSY	1	1	1	
20	5JW-82151-10	.FUSE (50A)	1	1	1	
21	5JJ-82151-70	.FUSE (25A-BL)	2	2	2	
22	5JJ-82151-10	.FUSE (15A-BL)	2	2	2	
23	5JJ-82151-30	.FUSE (10A-BL)	6	6	6	
24	1D7-81960-00	RECTIFIER & REGULATOR ASSY	1	1	1	
25	95822-06025	BOLT, FLANGE	2	2	2	

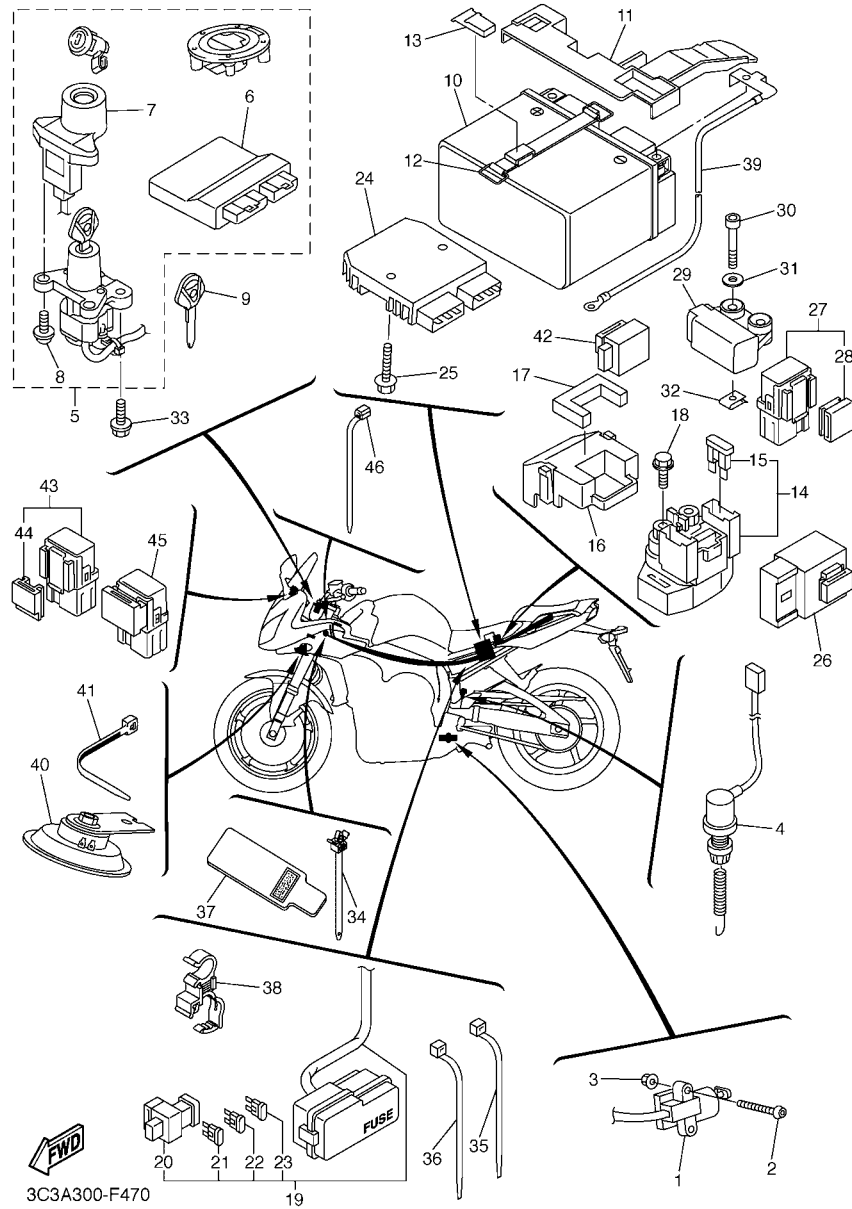


FIG. 47 ELECTRICAL 2

REF. NO.	PART NO.	DESCRIPTION	3C3P	3C3F	3C3S	REMARKS
26	5VK-81950-40	RELAY ASSY	1	1	1	
27	5JJ-81950-20	RELAY ASSY	1	1	1	
28	5JJ-81952-00	.HOLDER, RELAY	1	1	1	
29	5PS-82576-01	LEAN ANGLE SENSOR	1	1	1	
30	91312-04025	BOLT	2	2	2	
31	90201-04030	WASHER, PLATE	2	2	2	
32	90183-04039	NUT, SPRING	2	2	2	
33	90109-08195	BOLT	2	2	2	
34	90464-12036	CLAMP	2	2	2	
35	1UA-82591-00	BAND	2	2	2	
36	90464-13073	CLAMP	3	3	3	
37	2D1-82589-00	PROTECTOR, WIRE HARNESS	1	1	1	
38	90464-12012	CLAMP	1	1	1	
39	2D1-82116-00	WIRE, MINUS LEAD	1	1	1	
40	2D1-83371-00	HORN	1	1	1	
41	3MA-82591-00	BAND	1	1	1	
42	4GY-83350-00	FLASHER RELAY ASSY	1	1	1	
43	5EA-81950-20	RELAY ASSY	1	1	1	
44	5EA-81952-00	.HOLDER, RELAY	1	1	1	
45	5DM-81950-00	RELAY ASSY (G8HN-1C4T-DJ-Y52)	1	1	1	
46	90464-13077	CLAMP	1	1	1	

NUMERICAL INDEX

PART NO.	REF. NO.	PART NO.	REF. NO.	PART NO.	REF. NO.	PART NO.	REF. NO.	PART NO.	REF. NO.	PART NO.	REF. NO.
2D1-11026-00	1 - 28	3FV-12153-20	4 - 16	4XV-12439-00	6 - 12	5VY-13595-00	10 - 1	5VY-14899-00	1 - 23	5VY-16351-00	17 - 18
5VY-11101-20	1 - 1	3LN-12153-20	4 - 15	5VY-1243A-00	7 - 15	5VY-13596-00	10 - 3	5VY-14905-00	11 - 34	4XV-16356-01	17 - 25
5VY-1111G-00	1 - 26	3FV-12153-30	4 - 16	2D1-1243E-01	7 - 19	5VY-13597-00	10 - 5	5DM-14936-00	11 - 25	2D1-16370-00	17 - 9
5VY-11133-10	1 - 2	3LN-12153-30	4 - 15	5VY-1243F-01	7 - 9	5VY-13598-00	10 - 7	22U-14952-00	11 - 5	2D1-16382-00	17 - 1
5VY-11134-10	1 - 3	1HX-12168-00	4 - 14	5VY-12443-00	15 - 47	2D1-13750-20	11 - 1	5PS-14987-00	11 - 23	5VY-16383-00	17 - 11
5VY-11165-00	15 - 30	1HX-12168-20	4 - 14	2D1-1244G-00	7 - 16	5VY-13761-00	11 - 30	4C8-15100-00	14 - 1	5VY-16384-00	17 - 10
2D1-11181-00	1 - 17	1HX-12168-40	4 - 14	5VY-12450-11	6 - 11	5VY-13898-00	8 - 13	4B1-15113-00	15 - 33	4X7-16385-00	17 - 14
5VY-11191-02	1 - 18	1HX-12168-60	4 - 14	5VY-12456-10	6 - 23	2D1-13907-02	28 - 13	5EB-15155-00	14 - 2	2D1-17121-10	18 - 9
5VY-11193-10	1 - 20	1HX-12168-80	4 - 14	2D1-12461-00	7 - 25	2D1-13971-00	11 - 38	5VY-15163-00	18 - 10	2D1-17131-00	18 - 6
214-11198-01	9 - 7	1HX-12168-A0	4 - 14	22W-12462-00	7 - 26	5PW-14103-00	11 - 29	5VY-15164-00	15 - 4	2D1-17151-00	18 - 3
5VY-11311-10	2 - 1	1HX-12168-F0	4 - 14	2D1-12464-00	7 - 31	5JW-14104-00	11 - 33	36Y-15189-00	15 - 42	2D1-17161-00	18 - 8
2D1-1133E-01	13 - 20	1HX-12168-H1	4 - 14	2D1-12467-00	7 - 42	4KM-14137-00	11 - 9	4H7-15189-00	15 - 44	5VY-17211-00	18 - 32
2D1-1133F-11	13 - 21	1HX-12168-K1	4 - 14	5VY-12469-00	6 - 1	5PS-14147-00	11 - 31	3C3-15189-10	15 - 8	2D1-17221-00	18 - 21
5VY-11351-00	2 - 2	1HX-12168-M1	4 - 14	5GV-1246A-00	7 - 12	5VY-14171-00	11 - 15	4C8-15191-00	39 - 4	5VY-17231-00	18 - 29
2D1-11411-00	3 - 1	1HX-12168-R1	4 - 14	5VY-12481-11	6 - 29	5VY-14204-00	11 - 16	5VY-15316-00	14 - 20	5VY-17241-00	18 - 26
5VY-11416-00	3 - 6	1HX-12168-U1	4 - 14	2D1-12484-01	6 - 36	8CC-14216-10	11 - 28	5PW-15361-00	14 - 19	2D1-17251-01	18 - 30
5VY-11416-10	3 - 6	1HX-12168-W1	4 - 14	4XV-12485-00	6 - 27	3XV-14251-00	11 - 13	3F9-15362-00	15 - 17	2D1-17121-00	18 - 24
5VY-11416-20	3 - 6	1HX-12168-Y1	4 - 14	5VY-12485-10	7 - 5	5PW-14251-00	11 - 24	2D1-15393-00	10 - 19	5VY-17402-00	18 - 17
5VY-11416-30	3 - 6	1HX-12169-11	4 - 14	1AA-12535-00	7 - 23	5PW-14349-00	11 - 22	3C3-15411-10	15 - 1	5VY-17411-00	18 - 1
5VY-11416-A0	3 - 6	1HX-12169-31	4 - 14	2D1-12551-00	7 - 35	5SL-14349-00	11 - 27	2D1-15413-00	15 - 36	5VY-17442-00	18 - 19
5VY-11445-00	16 - 8	1HX-12169-50	4 - 14	5VY-12576-00	6 - 2	5FL-14349-10	11 - 19	2D1-15416-00	15 - 23	5VY-17446-00	18 - 15
5VY-11478-00	16 - 4	1HX-12169-70	4 - 14	2D1-12578-00	7 - 11	5JW-14396-00	11 - 12	2D1-15418-00	15 - 14	3CV-17460-00	18 - 35
2D1-11537-00	16 - 1	1HX-12169-90	4 - 14	5VY-12579-00	7 - 6	2D1-14409-00	10 - 21	3C3-15421-10	15 - 16	2D1-18101-00	20 - 10
5VY-11549-00	3 - 5	1HX-12169-E0	4 - 14	5VY-12588-00	6 - 32	2D1-1440B-00	10 - 22	5VY-15431-00	15 - 39	2D1-18110-00	20 - 15
5VY-11603-01	3 - 8	1HX-12169-G0	4 - 14	2D1-12589-00	7 - 38	2D1-14411-00	10 - 9	2D1-15441-01	15 - 32	2D1-18112-00	20 - 13
5VY-11631-10	3 - 7	1HX-12169-J0	4 - 14	2D1-12637-00	6 - 6	2D1-14413-01	11 - 39	2D1-15451-10	15 - 10	5EB-18113-00	20 - 16
5VY-11633-00	3 - 10	1HX-12169-L0	4 - 14	2D1-12675-00	7 - 24	2D1-14421-00	10 - 10	4C8-15456-00	15 - 28		37 - 2
4C8-11650-00	3 - 2	1HX-12169-N0	4 - 14	5EB-12822-00	9 - 14	2D1-14451-00	10 - 11	4C8-15461-00	15 - 19	2D1-18115-00	20 - 17
5VY-11654-01	3 - 3	1HX-12169-T0	4 - 14	5VY-13117-10	8 - 5	2D1-14452-00	10 - 12	4C8-15462-00	15 - 37	5VX-18116-00	20 - 20
2D1-11656-00	3 - 4	2D1-12170-00	5 - 1	2D1-13160-00	11 - 8	5VY-14457-00	10 - 14	5VY-15515-00	16 - 7	5VY-18127-10	20 - 5
2D1-11656-10	3 - 4	4C8-12176-00	5 - 3	5VY-13161-00	9 - 11	2D1-14462-00	10 - 13	5VY-15517-00	16 - 12	5VY-18140-00	20 - 3
2D1-11656-20	3 - 4	2D1-12180-10	5 - 2	5VY-1316E-00	8 - 10	2D1-14498-00	10 - 17	5VY-15521-00	16 - 13	5VY-18144-00	20 - 1
2D1-11656-30	3 - 4	5VY-12210-20	5 - 6	5VY-13310-10	6 - 17	5JW-14589-00	11 - 26	5VY-15542-00	15 - 5	5VX-18154-00	20 - 21
2D1-12111-00	4 - 1	2D1-12213-00	5 - 7	5VY-13336-00	6 - 19	2D1-14602-10	13 - 1	5VY-15570-00	16 - 5	2D1-18511-00	19 - 4
2D1-12112-00	4 - 2	5BE-12241-00	1 - 19	5VY-13354-00	17 - 32	4FM-14613-00	13 - 3	5VY-15586-00	16 - 6	2D1-18512-00	19 - 5
2D1-12113-00	4 - 6	5VY-12251-00	5 - 9	5VY-13355-00	6 - 21	2D1-14703-00	13 - 6	5VY-15589-01	46 - 25	5VY-18513-01	19 - 6
2D1-12114-00	4 - 7	5VY-12252-01	5 - 10	5VY-13410-00	8 - 2	2D1-14718-10	13 - 9	5VY-16150-00	17 - 7	5VY-18531-00	19 - 7
5NL-12116-00	4 - 4	5VY-12277-00	27 - 12	4C8-13414-00	9 - 9	5JW-14723-00	12 - 7	5VY-16154-00	17 - 8	5VY-18535-00	19 - 8
1HX-12117-00	4 - 8		27 - 28	5VY-13416-00	8 - 7	2D1-14737-00	13 - 17	5VY-16155-00	16 - 2	5VY-18536-00	19 - 10
1WG-12117-00	4 - 9	2D1-12405-00	7 - 21	2D1-13417-10	9 - 5	5VY-14755-00	13 - 7	5VY-16164-00	17 - 30	5VY-18540-00	19 - 1
1HX-12118-00	4 - 10	2D1-12405-10	7 - 22	5GH-13418-11	14 - 5	2D1-14799-00	13 - 10	5VY-16181-00	17 - 31	136-18542-00	19 - 2
1WG-12118-00	4 - 11	3C3-1240J-00-P0	7 - 44	5VY-13440-20	9 - 2	2D1-14826-00	13 - 18	5VY-16321-00	17 - 15	5VY-18562-00	19 - 11
4SV-12119-00	4 - 13	3C3-1240K-00-P0	7 - 45	5VY-13470-00	9 - 13	5VY-1482K-00	1 - 21	5VY-16325-00	17 - 13	2D1-21110-01-P0	21 - 1
4TV-12119-00	4 - 12	2D1-12410-00	7 - 1	5JW-13473-00	9 - 16	2D1-14840-00	12 - 1		17 - 16	2D1-21110-11-P0	21 - 1
5VY-12121-00	4 - 3	5LP-12411-00	7 - 2	5EB-13475-00	9 - 15	5VY-14881-00	12 - 2	5VY-16330-00	17 - 17	2D1-2117G-00	21 - 17
3GM-12126-00	4 - 5	4C8-12420-00	6 - 7	5VY-13490-00	9 - 3	5VY-14882-00	12 - 3	5VY-16331-00	17 - 12	4XV-2117K-00	29 - 23
3FV-12153-09	4 - 16	5VY-12422-00	6 - 14	5VY-13543-00	11 - 36	5VY-14883-00	12 - 5	5VY-16340-00	17 - 26	2D1-2117N-00	21 - 13
3LN-12153-09	4 - 15	4C8-12438-00	6 - 10	8FP-13556-00	11 - 32	5SL-14890-10	1 - 22	132-16346-00	20 - 2	3C3-2118N-00	22 - 64

NUMERICAL INDEX

PART NO.	REF. NO.	PART NO.	REF. NO.	PART NO.	REF. NO.	PART NO.	REF. NO.	PART NO.	REF. NO.	PART NO.	REF. NO.
2D1-21190-00-P0	21 - 2	5JJ-22128-00	24 - 5	4XV-2341B-00	26 - 13	3C3-24724-00	22 - 19	2D1-2582A-00	37 - 7	3C3-26335-00	34 - 10
3C3-21261-00	22 - 58	2D1-22141-00	24 - 35	4PX-23426-00	21 - 33	4HM-24728-00	29 - 3	2D1-2582W-00	33 - 1	3C3-27111-00	36 - 60
2D1-21268-10	21 - 35	2D1-22151-00	24 - 9	3VD-23434-00	26 - 12	3C3-2472K-00-P0	22 - 24	5SL-25838-00	33 - 7	278-27114-00	29 - 5
2D1-21287-01	21 - 25	2D1-2217A-00	24 - 23	2D1-23441-00	26 - 17	3C3-2472K-00-P4	22 - 24	5D0-2583H-00	37 - 17	371-27114-00	36 - 61
3C3-21341-01	29 - 6	2D1-2217M-00	24 - 24	2D1-23442-00	26 - 20	3C3-2472K-00-P5	22 - 24	2D1-2583V-00	37 - 5	5VX-27114-00	36 - 17
2D1-21345-00	21 - 22	2D1-22184-00	24 - 2	5YU-23445-00	26 - 24	3C3-24737-00	22 - 20	5SL-25852-00	37 - 14		36 - 31
3YX-21376-00	21 - 19	2D1-22210-01	25 - 1	3FV-23462-00	26 - 2	22W-24741-00	22 - 29	5VS-25852-00	35 - 3	3C3-27151-01	36 - 62
4XV-21376-00	22 - 14	5SL-22311-00	24 - 13	5JW-23844-00	38 - 11	3C3-24741-00	29 - 9	5SL-25854-00	37 - 12	3C3-27152-00	36 - 63
2D1-2139U-00	7 - 32	3C3-22825-00	22 - 37	2D1-23857-00	35 - 17	3C3-24747-00	22 - 21	5VS-25854-00	35 - 5	2D1-27211-00	37 - 1
2D1-2144G-00	36 - 34	3C3-22826-00	22 - 38	2D1-24106-00	28 - 37	3C3-24750-00	29 - 16	5SL-25855-00	37 - 13	4BP-27222-02	37 - 9
4C8-21495-00	21 - 9	2D1-23102-01	27 - 1	2D1-24108-00	28 - 38	3C3-24751-00	29 - 17	5VS-25855-00	35 - 4	2D1-27311-00	36 - 1
	21 - 12	2D1-23103-01	27 - 17	2D1-24129-00	21 - 30	2D1-2476U-00	29 - 7	4BP-2585F-01	37 - 8	2D1-27321-00	36 - 2
5PW-21511-00-P3	22 - 1	2D1-23110-00	27 - 7	2D1-2412G-00	28 - 4	2D1-2476V-00	29 - 8	5VS-25867-00	35 - 11	2D1-27410-00	36 - 11
5PW-21511-00-PA	22 - 1	2D1-23111-00	27 - 15	2D1-24139-00	21 - 31	3C3-24773-00-P0	22 - 17	3C3-25872-00	35 - 16	4BP-27413-00	36 - 12
5PW-21511-00-PE	22 - 1		27 - 31	5SL-2413B-00	28 - 43	3C3-24773-00-P4	22 - 17	2D1-25874-00	37 - 22		36 - 26
3C3-21541-00	22 - 22	5VY-23118-00	27 - 13	2D1-2414H-00	28 - 40	3C3-24773-00-P5	22 - 17	2D1-25875-00	35 - 21	1HX-27415-00	36 - 19
5PA-21568-01	28 - 44		27 - 29	2D1-2414K-00	28 - 39	4BP-24780-00	29 - 18	2D1-25876-00	35 - 22		36 - 37
2D1-21575-00	21 - 34	2D1-23120-00	27 - 23	2D1-2414N-00	28 - 36	2D1-24780-02	29 - 11	2D1-25886-00	37 - 25	2D1-2741L-00	36 - 42
3C3-21611-00	22 - 60	4KM-23123-01	27 - 36	2D1-2414P-00	28 - 41	2D1-24785-00	29 - 10	2D1-25887-00	24 - 19	2D1-27420-00	36 - 25
3C3-21617-00	22 - 28	2D1-23136-00	27 - 2	2D1-2414R-00	28 - 42	2D1-2478E-00	29 - 21	2D1-25894-00	37 - 11	1NL-27424-00	36 - 16
2D1-21629-00	22 - 43		27 - 18	3ME-2415E-01	28 - 45	4BP-24792-00	29 - 12	2D1-25895-00	37 - 15		36 - 30
2D1-21629-10	22 - 43	2D1-23141-00	27 - 11	2D1-24181-00	28 - 29		29 - 19	5VS-2589F-00	35 - 7	36Y-27424-01	36 - 55
5YU-2162A-00	47 - 13		27 - 27	3MA-24181-00	13 - 13	4XV-25117-00	30 - 2	5VS-2589H-00	35 - 6	2D1-27425-02	21 - 37
5YU-21639-00	21 - 26	4PU-23144-00	27 - 6	5VX-24181-00	28 - 7	5VY-25168-00-P2	30 - 1	5SL-25914-00	33 - 9	2D1-2742L-00	36 - 49
3C3-2163A-00	22 - 27		27 - 22	5VY-24181-00	28 - 3	4XV-25181-10	30 - 9	5DH-25916-00	33 - 14	3VR-27431-01	36 - 41
2D1-21646-00	22 - 15	4PU-23145-01	27 - 4	2D1-24182-00	22 - 12	5PW-25317-00	32 - 6	3JD-25917-00	33 - 11	5VX-27437-00	36 - 45
2D1-21650-00	24 - 38		27 - 20	2D1-24183-00	21 - 24	5VY-25338-00-P2	32 - 1	5SL-25917-00	33 - 6		36 - 52
5VY-21668-00	24 - 42	5PW-23146-00	27 - 3	2D1-24184-00	21 - 20	5VX-25364-00	32 - 8	4SV-25919-00	31 - 9	3VR-27441-01	36 - 48
2D1-21688-00	22 - 44		27 - 19	2D1-24185-00	21 - 21	2D1-25366-00	32 - 12		31 - 19	2D1-27442-00	36 - 15
5VY-21688-00	22 - 51	3XJ-23147-L0	27 - 16	2D1-24192-00	28 - 15	2D1-25377-00	32 - 7	5SL-25919-00	33 - 8	2D1-27443-00	36 - 29
5VY-21689-00	22 - 52		27 - 32	3C3-24244-20	28 - 2	2D1-25381-00	32 - 23	5VX-25921-50	33 - 10	2D1-27486-00	36 - 18
2D1-216A2-00	22 - 10	4V4-23153-L0	27 - 5	3C3-24244-30	28 - 2	2D1-25383-00	32 - 20	4SV-25924-00	31 - 10	2D1-27487-00	36 - 36
2D1-216A3-00	22 - 11		27 - 21	3C3-24244-40	28 - 2	5VY-25388-00	32 - 21		31 - 20	3C3-274A3-00	36 - 66
2D1-21711-00	23 - 1	509-23158-L0	27 - 9	3C3-24244-50	28 - 2	5VY-25389-00	32 - 22	8CR-25924-00	33 - 13	2D1-28100-00	22 - 62
2D1-21719-00	23 - 5		27 - 25	3C3-24244-60	28 - 2	5MT-25398-00	30 - 7	3GM-25925-00	31 - 11	3P6-28307-00	38 - 10
3C3-2171A-00-P0	28 - 24	2D1-23170-01	27 - 24	3C3-24244-70	28 - 2		32 - 11		31 - 21	3C3-28315-70	38 - 13
3C3-2171A-00-P2	28 - 24	2D1-23170-11	27 - 8	2D1-24317-10	28 - 21	5MT-25398-10	30 - 7	5SL-25926-00	33 - 15	3C3-28315-80	38 - 13
3C3-2171A-00-P4	28 - 24	3D8-23181-00	27 - 10	68V-24376-00	11 - 11		32 - 11	2D1-26111-01	34 - 1	3C3-28315-90	38 - 13
2D1-21721-00	23 - 2		27 - 26	5JW-24486-00	28 - 19	5MT-25398-20	30 - 7	4YR-26240-02	34 - 3	2D1-28345-01	28 - 25
5PW-2174X-00	22 - 26	3C3-23318-00	26 - 14	2D1-24491-00	28 - 14		32 - 11	4YR-26241-02	34 - 2	3C3-2834E-00	38 - 31
2D1-2174Y-00	21 - 14	3C3-23319-00	26 - 15	5JJ-24602-00	28 - 10	2D1-25445-20	32 - 15	51J-26246-01	34 - 4	4XV-2834E-00	28 - 26
26H-21828-00	23 - 8	2D1-23340-00	27 - 34	2D1-24665-00	29 - 25	2D1-2580T-00	31 - 3	3CN-26280-00	38 - 37		38 - 9
2D1-21871-00	23 - 6	3LC-23357-00	27 - 14	2D1-24710-00	29 - 1	2D1-2580U-00	31 - 13	3LN-26281-01	34 - 6	3C3-2834F-00	38 - 33
5VY-21875-00	23 - 7		27 - 30	2D1-24711-00	29 - 2	2D1-2580W-00	33 - 3	4BP-26282-00	34 - 7	3C3-28356-00	38 - 25
3C3-2193A-00	22 - 25	3C3-23378-00	35 - 23	3C3-2471K-00-P0	22 - 23	5D0-2581T-00	31 - 1	3C3-26290-00	38 - 38	3C3-2835U-00	38 - 30
2D1-2197E-00	21 - 36	2D1-23405-00	26 - 10	3C3-2471K-00-P4	22 - 23	5SL-25827-00	33 - 17	3C3-26298-00	38 - 39	3C3-2835V-00	38 - 32
2D1-22110-11	24 - 1	4XV-23415-01	26 - 4	3C3-2471K-00-P5	22 - 23	5SL-25827-10	33 - 18	2D1-26302-00	34 - 5	3C3-2836A-00	38 - 27
2D1-22117-00	24 - 22	4XV-23418-00	26 - 7	3C3-24723-00	22 - 18	5SL-25828-00	33 - 19	5VS-26332-00	35 - 10	4KN-2836B-00	22 - 63

NUMERICAL INDEX

PART NO.	REF. NO.	PART NO.	REF. NO.	PART NO.	REF. NO.	PART NO.	REF. NO.	PART NO.	REF. NO.	PART NO.	REF. NO.	PART NO.	REF. NO.
3C3-2836E-00	38 - 28	2C0-82380-00	46 - 31	4SV-84347-00	43 - 2	2D1-Y2410-00-08	28 - 1	90110-06161	6 - 35	90111-10039	36 - 21		
3C3-2836K-00	38 - 17	2D1-82386-00	11 - 10	3C3-84359-00	43 - 9	2D1-Y2410-00-X1	28 - 1		6 - 42		36 - 32		
3C3-2836L-00	38 - 18	5SL-82511-08	47 - 9	5LV-84397-00	43 - 4	2D1-Y2410-00-X2	28 - 1		8 - 9	90116-10023	14 - 9		
3C3-28371-01	38 - 6	2D1-82530-00	47 - 4	2D1-84710-00	44 - 1	2D1-Y2410-00-X3	28 - 1		14 - 7	90116-10032	14 - 8		
3C3-28372-00	38 - 7	3GB-82540-01	46 - 12	1A2-84714-41	44 - 3	2D1-Y2410-00-X4	28 - 1		46 - 21	90116-10048	32 - 16		
3C3-2837J-00	38 - 8	2D1-8255P-00	47 - 7	2D1-84735-00	44 - 2	2D1-Y2410-00-X5	28 - 1		46 - 26	90119-05021	37 - 26		
3C3-28381-00	38 - 1	5VS-82566-61	47 - 1	3C3-84736-00	44 - 4	3C3-Y283G-0E-P0	38 - 4	90110-06164	18 - 16	90119-06230	23 - 13		
3C3-28381-10	38 - 1	5PS-82576-01	47 - 29	2D1-84737-00	44 - 5	3C3-Y283G-0G-P5	38 - 4	90110-06167	6 - 25	90119-09003	14 - 10		
4D9-81168-00	46 - 19	2D1-82589-00	47 - 37	4HC-84744-00	44 - 9	3C3-Y283G-0H-P2	38 - 4	90110-06168	7 - 13	90149-06026	21 - 23		
	46 - 29	3C3-82590-00	47 - 19	2D1-84745-00	44 - 8	3C3-Y283G-0J-P0	38 - 4	90110-06172	15 - 38	90149-06043	31 - 2		
2D1-81410-01	39 - 2	1UA-82591-00	21 - 18	5SL-85110-00	22 - 55	3C3-Y283G-0J-P2	38 - 4	90110-06173	8 - 6	90149-06064	15 - 6		
5VY-81450-00	39 - 1		47 - 35	3Y6-85130-02	22 - 48	3C3-Y283G-0J-P5	38 - 4	90110-06174	6 - 43	90149-06067	39 - 3		
5VY-81670-01	46 - 23	3MA-82591-00	35 - 18	5VY-85720-00	46 - 14	3C3-Y283W-10	38 - 5	90110-06175	46 - 30	90149-06134	29 - 24		
2D1-81673-00	46 - 3		47 - 41	8CC-85790-01	46 - 2	90101-08013	32 - 26	90110-06176	16 - 15	90149-06165	23 - 3		
3AJ-81801-00	40 - 2	4XV-82910-15	45 - 1	2D1-85820-00	46 - 7	90101-10025	36 - 3	90110-06178	1 - 24	90149-06302	24 - 41		
2D1-81815-00	40 - 7	4XV-82917-01	45 - 7	5VY-85829-00	46 - 8	90101-10033	36 - 67	90110-06182	8 - 14	90149-08009	33 - 2		
2D1-81826-00	40 - 4	5PW-83310-01	41 - 1	5VY-85850-00	11 - 4		36 - 72		9 - 12	90150-04041	22 - 53		
4XV-8182A-00	40 - 3	1KH-83311-00	41 - 2	2D1-85885-00	11 - 2	90105-06026	1 - 6		15 - 31	90150-05024	38 - 2		
	40 - 8		41 - 6	5FL-85885-02	11 - 3	90105-06065	6 - 15		19 - 12	90151-06022	15 - 41		
11H-81844-00	40 - 5		41 - 11	8FP-85886-00	10 - 15	90105-06066	6 - 22	90110-06200	38 - 20	90153-06002	6 - 38		
1FK-81847-00	40 - 6		41 - 16	5VY-85896-00	46 - 28	90105-06078	26 - 16		38 - 35	90154-05007	38 - 16		
2D1-81890-00	40 - 1	2D1-83318-00	41 - 9	2D1-8591A-70	47 - 6		39 - 5	90110-06232	7 - 30		38 - 19		
2C0-81940-00	47 - 14		41 - 14	2D1-8591A-80	47 - 6	90105-06085	35 - 25	90110-06233	28 - 32		38 - 23		
5DM-81950-00	47 - 45	5PW-83320-01	41 - 5	2D1-8592A-00	13 - 2	90105-07006	5 - 4	90110-06255	15 - 15	90154-05035	28 - 18		
5EA-81950-20	47 - 43	2D1-83330-20	41 - 10	5VY-8A8E0-00	46 - 15	90105-08101	14 - 13	90110-06276	15 - 35	90157-05025	36 - 13		
5JJ-81950-20	47 - 27	5PW-8333A-00	41 - 3	5VY-8A8E1-00	46 - 24	90105-08191	22 - 42	90110-06277	15 - 34		36 - 27		
5VK-81950-40	47 - 26		41 - 17	2D1-W0041-00	35 - 2	90105-10211	24 - 33	90110-06320	15 - 22	90157-10001	21 - 3		
5EA-81952-00	47 - 44	2D1-83340-20	41 - 15	5VX-W0042-50	37 - 6		25 - 4	90110-06321	15 - 21	90159-05035	44 - 11		
5JJ-81952-00	47 - 28	5PW-8334A-00	41 - 7	5SL-W0045-00	31 - 8	90105-10283	24 - 27	90110-06323	15 - 12	90159-05056	22 - 30		
1D7-81960-00	47 - 24		41 - 12		31 - 18		24 - 30	90110-06331	15 - 29	90159-06026	17 - 21		
2D1-82100-00	47 - 10	4GY-83350-00	47 - 42	5VX-W0046-00	33 - 12	90105-10290	46 - 6	90110-08071	36 - 23	90164-05001	42 - 3		
5SL-82113-01	47 - 8	2D1-83371-00	47 - 40	5SL-W0047-00	33 - 5	90105-10638	31 - 23		36 - 39		43 - 7		
2D1-82116-00	47 - 39	2D1-83500-A0	42 - 1	3GM-W0047-10	31 - 7	90109-05005	10 - 23	90110-08099	15 - 13		44 - 7		
5SL-82119-10	47 - 16	2D1-83500-B0	42 - 1		31 - 17	90109-06015	7 - 29	90110-10024	21 - 7	90170-06228	20 - 18		
2D1-82122-10	22 - 16	3C3-83513-00	42 - 2	3MA-W0047-10	31 - 5	90109-06031	22 - 5		21 - 10	90170-08010	37 - 10		
2D1-82129-00	47 - 11	4XV-83755-03	46 - 18		31 - 15	90109-06100	14 - 14	90110-10025	36 - 74	90176-06014	7 - 4		
2D1-8212B-01	22 - 7	4XV-83912-11	45 - 2	1J3-W0048-00	31 - 12	90109-06253	22 - 8	90110-10028	36 - 10	90176-10075	1 - 13		
18G-82131-00	29 - 15	5JJ-83913-00	45 - 10		31 - 22	90109-066F0	1 - 25	90111-05015	36 - 20	90176-28083	26 - 9		
2D1-82131-00	47 - 12	5VS-83922-00	35 - 9	1UY-W0048-00	33 - 16	90109-08170	13 - 5		36 - 38	90179-05003	28 - 34		
36Y-82151-00	47 - 15	2C0-83945-00	45 - 3	4SV-W0057-00	31 - 4	90109-08174	36 - 14	90111-05019	28 - 30	90179-05523	38 - 3		
5JJ-82151-10	47 - 22	5LV-83951-00	45 - 6		31 - 14		36 - 28	90111-05024	28 - 33		38 - 24		
5JW-82151-10	47 - 20	3C3-83969-00	45 - 11	5SL-W0057-00	33 - 4	90109-08195	47 - 33	90111-06031	7 - 43	90179-08410	13 - 4		
5JJ-82151-30	47 - 23	2D1-83975-00	45 - 14	4SV-W0057-10	31 - 6	90109-085G6	36 - 57	90111-06043	22 - 4	90179-10006	1 - 11		
5JJ-82151-70	47 - 21	4HM-83980-00	35 - 12		31 - 16	90109-10029	36 - 64	90111-06060	13 - 11	90179-10025	21 - 8		
2D1-82176-00	47 - 17	3C3-84310-00	43 - 3	2TV-W2470-00	29 - 22	90110-05028	28 - 20	90111-06079	7 - 47		21 - 11		
2D1-82309-00	46 - 10	3C3-84310-10	43 - 3	3C3-W2587-00	35 - 1	90110-05112	28 - 11	90111-06080	7 - 46	90179-20007	17 - 23		
5VY-82310-00	46 - 11	3C3-84312-00	43 - 5	2D1-W8250-70	47 - 5	90110-06102	24 - 16	90111-06098	20 - 22	90179-22011	18 - 37		
1C7-82380-00	11 - 17	8V0-84314-00	43 - 1	2D1-W8250-80	47 - 5	90110-06110	13 - 19		21 - 27	90179-30691	26 - 5		

NUMERICAL INDEX

PART NO.	REF. NO.	PART NO.	REF. NO.	PART NO.	REF. NO.	PART NO.	REF. NO.	PART NO.	REF. NO.	PART NO.	REF. NO.
90183-04039	47 - 32	90214-25003	18 - 13	90387-28003	18 - 2	90464-23002	7 - 40	90508-18051	17 - 27	93109-17071	24 - 7
90183-050A6	38 - 12	90214-25004	18 - 12	90387-28004	18 - 25	90464-28003	12 - 10	90508-32020	20 - 11		24 - 26
90183-051A0	22 - 31	90214-28002	18 - 28	90387-31003	18 - 20	90464-30040	11 - 37	91312-04025	47 - 30	93210-04092	14 - 3
90183-06053	38 - 22	90214-29002	18 - 27	90401-10172	35 - 19	90464-51001	46 - 20	91312-05010	28 - 12	93210-06667	6 - 28
90185-10009	32 - 17	90215-30233	18 - 36		37 - 23	90464-62085	38 - 14	91312-06016	28 - 5		8 - 12
90185-10023	36 - 4	90240-08005	37 - 19	90401-20145	9 - 1	90465-08053	46 - 17	91312-06025	9 - 10	93210-09165	8 - 11
90185-18167	24 - 36	90269-06001	21 - 16	90413-07023	7 - 18	90465-08054	46 - 27	91312-06040	6 - 20	93210-14003	8 - 8
90185-24007	32 - 24	90269-06003	21 - 32	90430-06014	1 - 8	90467-080A1	23 - 10	91312-06080	40 - 9		14 - 6
90201-04030	47 - 31	90269-06008	38 - 34		6 - 37		23 - 15	91312-06090	28 - 9	93210-15566	9 - 4
90201-05017	13 - 12	90269-07007	24 - 12	90430-06166	14 - 18	90467-09006	28 - 23	91312-08030	26 - 18	93210-16325	15 - 43
90201-05043	22 - 49	90269-07008	24 - 21	90430-08143	15 - 26	90467-11090	7 - 10	91314-06020	5 - 8	93210-18397	16 - 10
90201-06034	1 - 14	90269-07076	22 - 39	90430-10005	35 - 20		7 - 17	91314-06105	1 - 15	93210-22298	8 - 3
90201-06079	6 - 44	90269-07077	22 - 9		37 - 24		7 - 41	91314-08030	26 - 11	93210-22382	15 - 9
90201-06086	28 - 6		22 - 61	90430-10148	46 - 13	90467-120A3	37 - 16		27 - 35		15 - 45
90201-06431	15 - 7	90282-03001	46 - 4	90445-08022	23 - 9	90467-14015	10 - 25	91314-08040	27 - 33	93210-235A1	6 - 30
90201-06589	16 - 14	90338-08163	26 - 19	90445-087K6	23 - 11	90467-14171	10 - 20	91317-05020	34 - 8		6 - 39
90201-08057	32 - 28	90340-12003	15 - 46	90445-19002	36 - 7	90467-17128	12 - 8	91317-05025	34 - 9		7 - 14
90201-08066	37 - 20	90340-14132	9 - 6	90445-19003	36 - 71	90467-180A0	12 - 9	91380-06014	13 - 14	93210-27194	15 - 18
90201-10020	21 - 6	90340-18002	1 - 4	90446-15386	37 - 4	90467-18172	12 - 4		15 - 49	93210-27370	6 - 31
90201-10021	32 - 18	90340-32004	15 - 24	90450-22017	7 - 39		12 - 6	91401-20012	37 - 21	93210-32172	15 - 25
90201-10029	17 - 28	90387-05042	44 - 12	90450-32001	6 - 34	90467-200A0	6 - 33	91401-25015	36 - 47	93210-357A2	6 - 26
90201-10033	1 - 10	90387-06009	24 - 17		7 - 37		6 - 45		36 - 54	93210-47675	6 - 4
	1 - 12	90387-06026	21 - 29	90450-35001	7 - 7		7 - 48	91492-12010	11 - 6	93210-49046	7 - 3
90201-10035	36 - 9	90387-06112	6 - 41		7 - 34	90480-01333	21 - 15	91702-08040	36 - 46	93210-57003	15 - 40
90201-10039	46 - 5	90387-06130	24 - 11		7 - 36	90480-01559	23 - 4		36 - 53	93305-20605	18 - 18
90201-10065	26 - 23		24 - 15	90450-38040	6 - 3	90480-08264	10 - 18	91808-16023	1 - 5	93306-00106	6 - 8
90201-10669	36 - 58	90387-061W6	28 - 8		7 - 8	90480-11009	44 - 13	91808-30031	6 - 24		19 - 3
90201-12575	20 - 9	90387-06219	24 - 40	90450-62002	10 - 2	90480-12003	24 - 39	92012-05030	47 - 2	93306-00304	17 - 19
90201-12790	46 - 1	90387-06222	28 - 27		10 - 4	90480-12010	6 - 40	92012-06014	24 - 10	93306-00420	30 - 3
90201-16027	36 - 5	90387-062M9	23 - 12		10 - 6	90480-12072	22 - 3		24 - 14	93306-20124	15 - 2
90201-18013	24 - 37	90387-064T3	38 - 41		10 - 8	90480-12314	28 - 28		24 - 20	93306-20230	16 - 11
90201-20016	16 - 3	90387-065J6	22 - 2	90461-10010	28 - 17	90480-13004	22 - 45	92014-08012	15 - 27	93306-20531	32 - 2
90201-20017	16 - 9	90387-06M60	13 - 23	90462-08057	46 - 22	90480-13010	8 - 4	92014-08020	37 - 18		32 - 13
90201-25020	32 - 25	90387-07391	7 - 28	90464-04001	13 - 25	90480-13014	15 - 48	92502-06010	11 - 18	93306-205A2	18 - 39
90201-257H0	18 - 38	90387-0804S	20 - 4	90464-07259	22 - 13	90480-14013	21 - 28	92902-04100	35 - 14	93306-20652	18 - 11
90201-281U8	26 - 8	90387-09012	22 - 35	90464-07M40	23 - 16	90480-14229	43 - 6	92902-04600	35 - 15	93306-27208	18 - 14
90202-05088	28 - 35	90387-10043	24 - 32	90464-10008	34 - 11	90480-14604	13 - 22	92902-05200	44 - 14	93310-232R9	17 - 24
90202-05224	28 - 31		25 - 3	90464-12012	47 - 38	90480-15363	7 - 27	92902-10200	26 - 22	93315-31502	17 - 6
90202-06170	38 - 21	90387-10050	36 - 8	90464-12036	47 - 34	90480-18276	44 - 6	92907-08600	17 - 2	93315-31758	24 - 25
	38 - 36	90387-1012A	24 - 8	90464-13073	7 - 20	90480-20001	23 - 14	92990-03100	11 - 21	93315-41762	24 - 6
90202-30235	26 - 6		24 - 29		47 - 36	90501-064L1	19 - 9	92990-06600	13 - 16	93315-42536	24 - 4
90206-17084	36 - 22		25 - 2	90464-13077	47 - 46	90501-12743	36 - 43	93102-12106	20 - 7	93317-11096	17 - 4
	36 - 33	90387-10636	36 - 56	90464-16001	28 - 22		36 - 50	93102-12372	6 - 9	93317-11295	20 - 6
90208-20001	17 - 22	90387-1211D	20 - 12	90464-16021	22 - 36	90501-230A0	17 - 20	93102-15212	17 - 5	93317-33590	32 - 4
90209-08295	36 - 24	90387-22002	30 - 8		22 - 46	90506-18020	36 - 6	93102-40330	18 - 33	93317-42599	24 - 3
	36 - 40	90387-25007	18 - 7	90464-17003	24 - 18	90506-20014	37 - 3	93106-28043	30 - 4	93399-99932	26 - 3
90209-25011	18 - 4	90387-25008	18 - 31	90464-20003	38 - 15	90506-23010	36 - 70	93106-40013	32 - 3	93399-99957	26 - 1
90209-28008	18 - 22	90387-28001	32 - 19	90464-20191	34 - 12	90506-40007	36 - 69		32 - 14	93420-61M07	32 - 5

NUMERICAL INDEX

PART NO.	REF. NO.	PART NO.	REF. NO.	PART NO.	REF. NO.	PART NO.	REF. NO.	PART NO.	REF. NO.	PART NO.	REF. NO.
93440-28184	18 - 5	95617-06100	35 - 8	98507-05045	45 - 13						
93440-31187	18 - 23	95702-05500	22 - 56	98507-06020	11 - 35						
93440-52009	18 - 40	95702-06500	13 - 15	98707-03016	45 - 8						
93440-62032	18 - 34		13 - 24	98902-05008	28 - 16						
93450-18157	3 - 9		29 - 13	99001-07600	17 - 3						
93501-04011	36 - 44		29 - 20	99002-10600	20 - 8						
	36 - 51		35 - 26	99009-10400	17 - 29						
93603-12007	6 - 13		38 - 40	99480-10018	15 - 11						
	6 - 18	95702-08500	22 - 34	99530-08012	9 - 8						
93603-17070	6 - 16	95802-06008	36 - 35	99530-10014	14 - 4						
93605-10108	15 - 3	95802-06010	38 - 29	99530-10114	1 - 27						
93607-44002	5 - 11	95802-06012	7 - 33		2 - 3						
93610-20189	15 - 20	95812-06012	35 - 24								
93900-00030	30 - 6	95812-06050	14 - 17								
	32 - 10	95812-06060	14 - 15								
94112-17094	30 - 5	95812-06070	14 - 16								
94119-17062	32 - 9	95812-08016	21 - 38								
94580-25078	8 - 1	95812-08025	22 - 57								
94582-10122	32 - 29	95812-08050	14 - 11								
94591-60122	5 - 5	95812-08060	14 - 12								
94682-05031	32 - 30	95814-08030	13 - 8								
94701-00403	1 - 16	95814-10040	36 - 59								
95022-06008	47 - 18	95822-06020	22 - 59								
95022-06016	46 - 16		29 - 14								
95022-06020	20 - 14	95822-06025	22 - 40								
95024-06012	1 - 7		47 - 25								
95024-06025	6 - 5	95822-08025	22 - 32								
95024-10040	21 - 5	95822-08030	22 - 33								
95027-06020	45 - 5	95822-08035	38 - 26								
95302-08600	32 - 27	95827-06014	22 - 41								
95304-06700	20 - 19	97702-50016	22 - 47								
95602-04100	22 - 54		43 - 8								
95602-05100	22 - 50	97702-50025	10 - 24								
	44 - 15	97702-50514	46 - 9								
95602-05200	47 - 3	97702-50520	10 - 16								
95602-06200	22 - 6	97702-60520	46 - 32								
	29 - 4	97706-04012	41 - 4								
95602-10200	24 - 28		41 - 8								
	24 - 31		41 - 13								
	24 - 34		41 - 18								
	25 - 5		44 - 10								
	26 - 21	98502-04012	35 - 13								
	36 - 65	98502-05014	11 - 14								
	36 - 68	98502-06012	11 - 7								
	36 - 73	98507-03016	11 - 20								
95604-10200	21 - 4	98507-04010	45 - 9								
95607-06200	45 - 4	98507-05022	45 - 15								
95612-08625	1 - 9	98507-05030	45 - 12								