



# PARTS CATALOGUE

## FZ6-SHG'09 (4S8B) EUROPE, SOUTH AFRICA



1H4S8-300E1

( )

FZ6-SHG / FZ6-SHGY  
PARTS CATALOGUE  
©2008 by Yamaha Motor Co., Ltd.  
1st edition, September 2008  
All rights reserved.  
Any reprinting or unauthorized use  
without the written permission of  
Yamaha Motor Co., Ltd.  
is expressly prohibited.  
Printed in Japan.

# FOREWORD

This Parts Catalogue is related to the parts for the model(s) on the cover page. When you are ordering replacement parts, please refer to this Parts Catalogue and quote both part numbers and part names correctly.

1. Modifications or additions which have been made after the issue of the Parts Catalogue will be announced in the Parts News.

It is advisable that you make the necessary corrections to the Parts Catalogue according to the Parts News.

2. Abbreviations

The following abbreviations are used in this Parts Catalogue.

“UR” Use specified parts number.

“UN” Use as many as needed.

“AP” Alternate Parts

“LM” Locally Made (Parts need to be ordered locally)

“F#” Frame No. (Applicable machine No.)

“O/S” Over Size

3. The number of components for assembly

- Parts, which are to be supplied in an assembly, are listed with a dot (.) in front of the part name as shown below.
- The numeral appearing to the right of each component part indicates the quantity of parts for each assembly unit.

PART NO.	DESCRIPTION	Q'TY	REMARKS
2F5-83310-60	FRONT FLASHER LIGHT ASSY	2	
115-83311-60	.BULB (6V-18W)	1	

4. Applicable colours of graphics are represented in the “REMARKS” as shown below.

PART NO.	DESCRIPTION	Q'TY	REMARKS
2N4-24110-00-X5	FUEL TANK COMP.	2	MXR
3J1-24240-10	.GRAPHIC, FUEL TANK	1	FOR MXR

5. Note that the illustrations for reference in finding parts numbers are not to be used for assembling. When assembling, please use the applicable service manual.

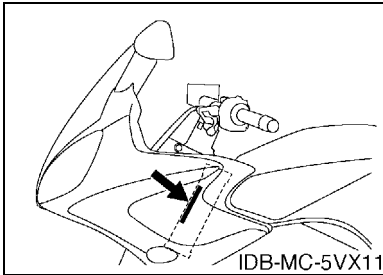
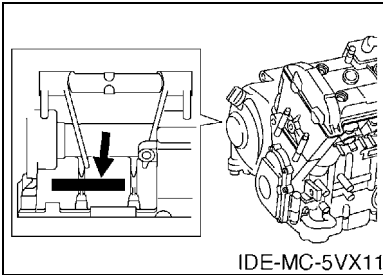
6. The asterisk (\*) before a reference number indicates modified items after the first edition.

# FOREWORD

7. Applicable Serial No.

Engine Serial No.

Frame Serial No.



8. Applicable Colour Code (The (\*) mark shows Model colour.)

Abbreviation	Colour Name	Colour Code
BMC(*)	BLUE METALLIC C	0775
DOM7(*)	DEEP ORANGE METALLIC 7	1141
LGB	LOW GLOSS BLACK	0098
MBL2	MAT BLACK 2	0582
S8	SILVER 8	0895
SMX(*)	BLACK METALLIC X	0903



# CONTENTS

## ENGINE

CYLINDER .....	1
CRANKSHAFT & PISTON .....	2
VALVE .....	3
CAMSHAFT & CHAIN .....	5
WATER PUMP .....	6
RADIATOR & HOSE .....	7
OIL PUMP .....	9
OIL CLEANER .....	10
INTAKE .....	11
INTAKE 2 .....	12
AIR INDUCTION SYSTEM .....	14
EXHAUST .....	15
CRANKCASE .....	17
CRANKCASE COVER 1 .....	19
STARTER .....	21
CLUTCH .....	22
TRANSMISSION .....	24
SHIFT CAM & FORK .....	26
SHIFT SHAFT .....	27

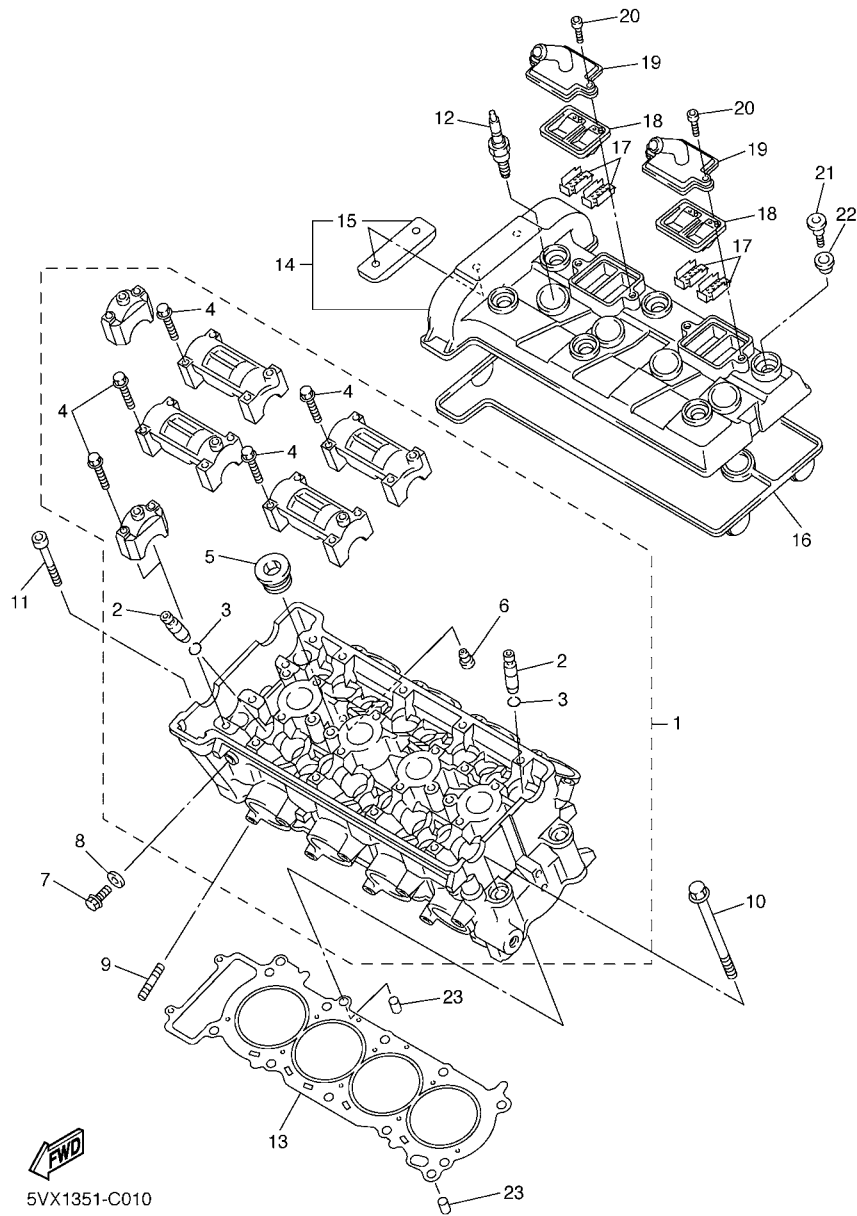
## CHASSIS

FRAME .....	29
FENDER .....	32
SIDE COVER .....	35
REAR ARM .....	36
REAR SUSPENSION .....	37
STEERING .....	38
FRONT FORK .....	39
FUEL TANK .....	41
SEAT .....	43
FRONT WHEEL .....	44
FRONT BRAKE CALIPER .....	45
REAR WHEEL .....	46
REAR BRAKE CALIPER .....	48
STEERING HANDLE & CABLE .....	49
FRONT MASTER CYLINDER .....	50
STAND & FOOTREST .....	51
REAR MASTER CYLINDER .....	54
COWLING 1 .....	55
GENERATOR .....	57
STARTING MOTOR .....	58

FLASHER LIGHT .....	59
METER .....	60
HEADLIGHT .....	61
TAILLIGHT .....	62
HANDLE SWITCH & LEVER .....	63
ELECTRICAL 1 .....	64
ELECTRICAL 2 .....	66

## INDEX

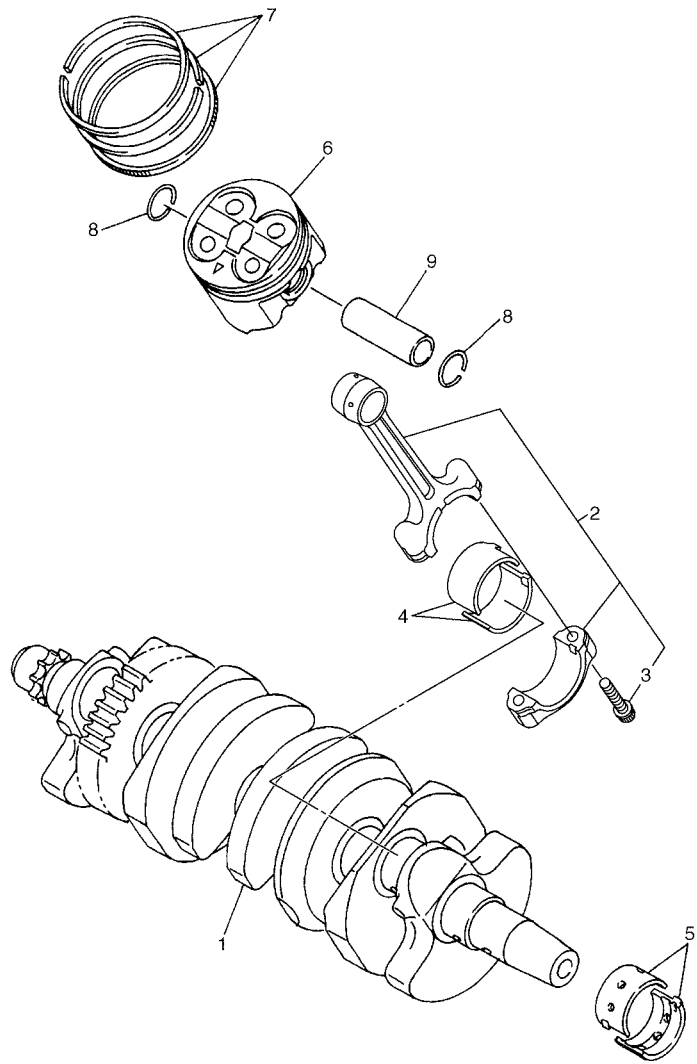
NUMERICAL INDEX .....	68
-----------------------	----



5VX1351-C010

FIG. 1 CYLINDER

REF. NO.	PART NO.	DESCRIPTION	4S8B	4S8C			REMARKS
1	1B3-11101-01	CYLINDER HEAD ASSY	1	1			
2	5EB-11133-10	.GUIDE, VALVE 1	16	16			
3	93440-10153	.CIRCLIP	16	16			
4	90105-06027	.BOLT, FLANGE	20	20			
5	90340-20090	.PLUG, STRAIGHT SCREW	3	3			
6	11H-15138-00	.NOZZLE 1	1	1			
7	95022-08012	BOLT, FLANGE	1	1			
8	90430-08119	GASKET	1	1			
9	95617-08625	BOLT, STUD	8	8			
10	90119-10003	BOLT, WITH WASHER	10	10			
11	91314-06060	BOLT, HEXAGON SOCKET HEAD	2	2			
12	94701-00403	PLUG, SPARK (NGK CR9EK)	4	4			
13	5VX-11181-00	GASKET, CYLINDER HEAD 1	1	1			
14	1B3-11191-00	COVER, CYLINDER HEAD 1	1	1			
15	5BE-12241-00	.GUIDE, STOPPER 2	1	1			
16	5SL-11193-00	GASKET, HEAD COVER 1	1	1			
17	5SL-1482K-00	PLATE	4	4			
18	5SL-14890-00	REED VALVE ASSY	2	2			
19	5SL-14899-00	CAP, CASE	2	2			
20	91317-06020	BOLT	4	4			
21	90109-066F0	BOLT	6	6			
22	4KG-1111G-00	RUBBER, MOUNT 1	6	6			
23	99530-10114	PIN, DOWEL	2	2			

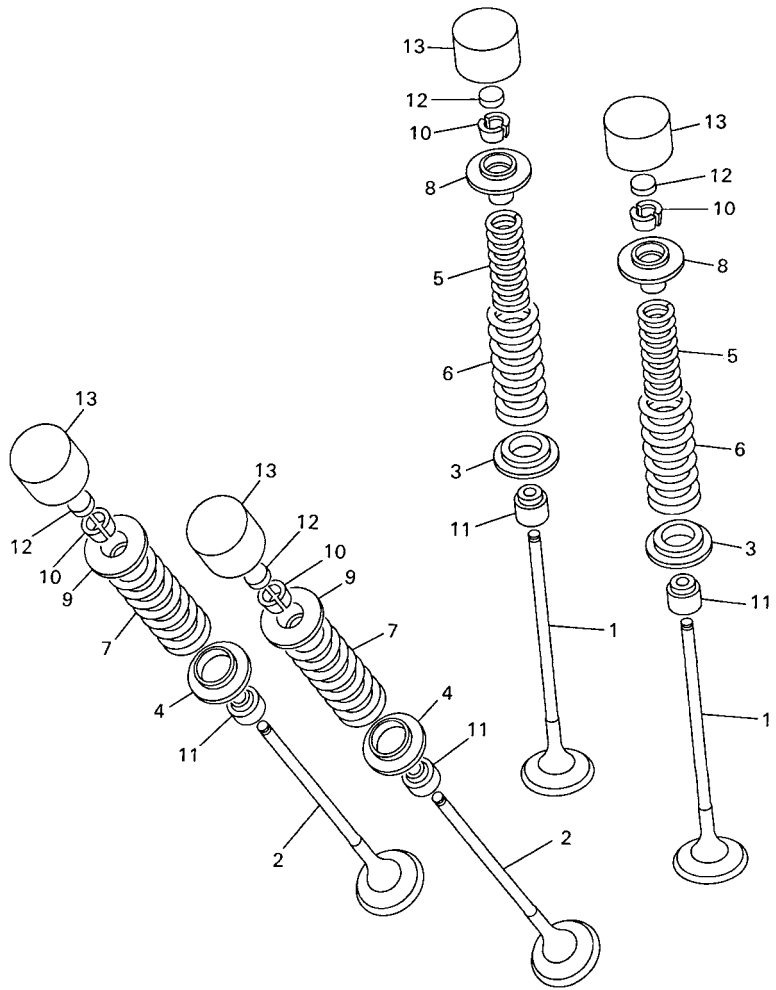


**FIG. 2 CRANKSHAFT & PISTON**

REF. NO.	PART NO.	DESCRIPTION	4S8B	4S8C			REMARKS
1	5SL-11411-00	CRANKSHAFT	1	1			
2	5VX-11650-00	CONNECTING ROD ASSY	4	4			
3	5VX-11654-00	.BOLT, CONNECTING ROD	2	2			
4	5VX-11656-00	PLANE BEARING, CONNECTING ROD	8	8			UR BLUE
	5VX-11656-10	PLANE BEARING, CONNECTING ROD	8	8			UR BLACK
	5VX-11656-20	PLANE BEARING, CONNECTING ROD	8	8			UR BROWN
	5VX-11656-30	PLANE BEARING, CONNECTING ROD	8	8			UR GREEN
5	5EB-11416-A0	PLANE BEARING, CRANKSHAFT 1	10	10			UR WHITE
	5EB-11416-00	PLANE BEARING, CRANKSHAFT 1	10	10			UR BLUE
	5EB-11416-10	PLANE BEARING, CRANKSHAFT 1	10	10			UR BLACK
	5EB-11416-20	PLANE BEARING, CRANKSHAFT 1	10	10			UR BROWN
	5EB-11416-30	PLANE BEARING, CRANKSHAFT 1	10	10			UR GREEN
6	5SL-11631-00	PISTON (STD)	4	4			
7	5SL-11603-00	PISTON RING SET (STD)	4	4			
8	93450-17129	CIRCLIP	8	8			
9	5EB-11633-00	PIN, PISTON	4	4			



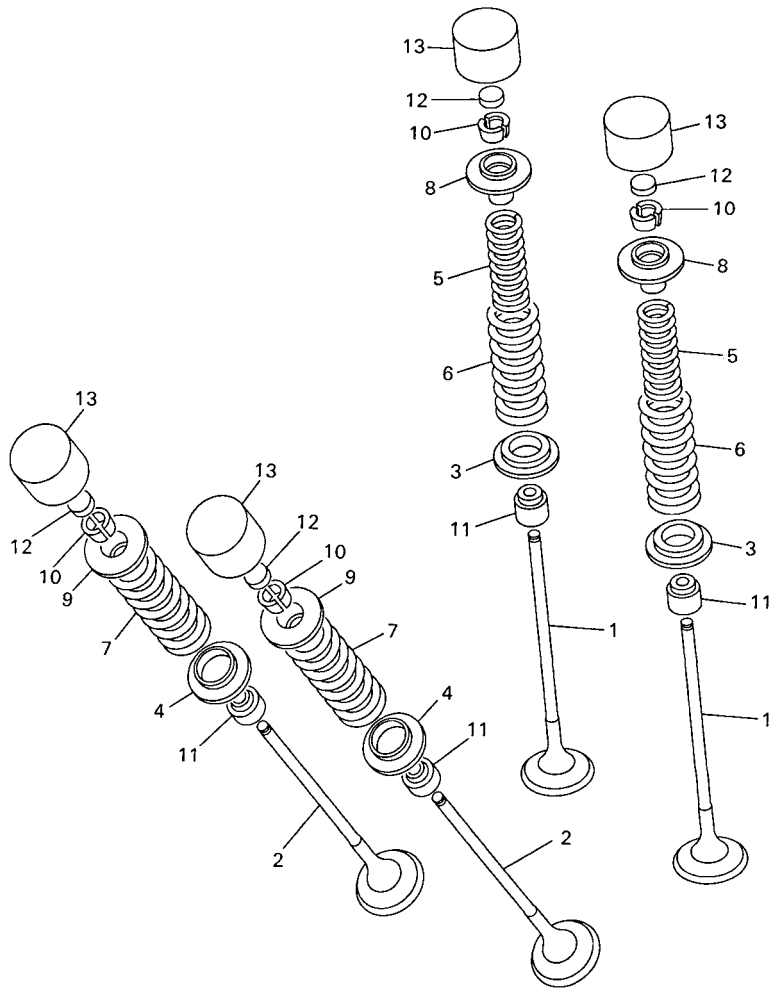
5VX6300-D020



5EB3351-9030

FIG. 3 VALVE

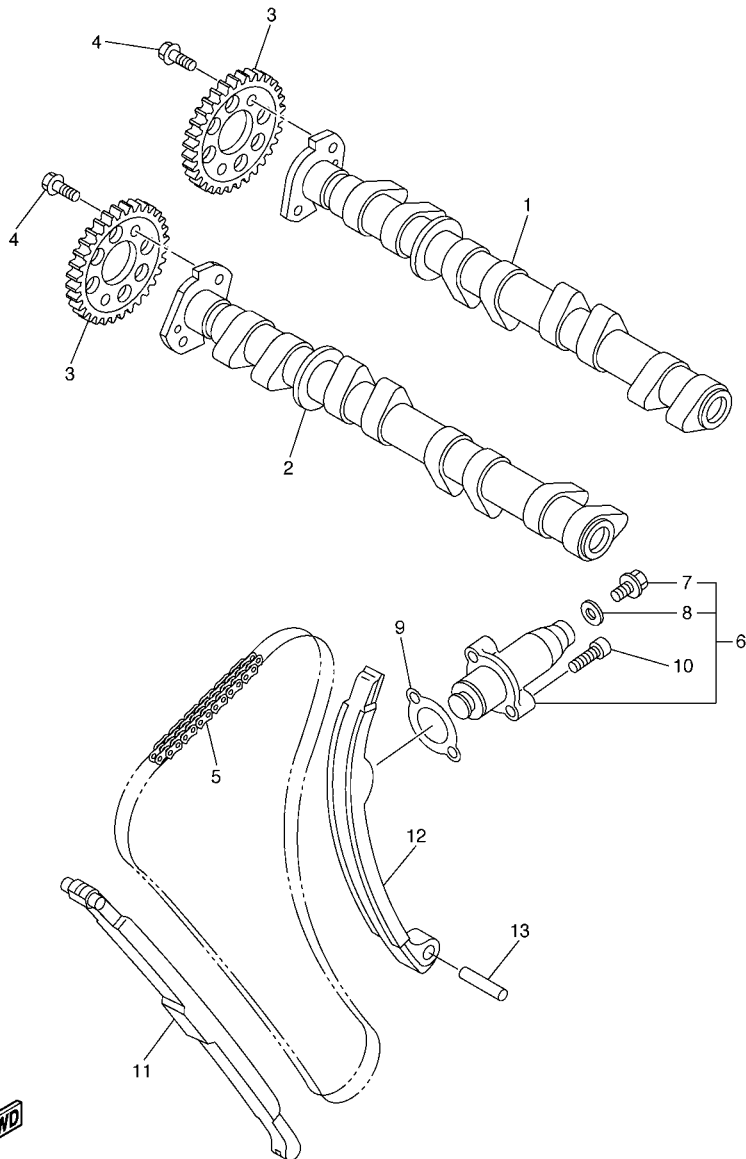
REF. NO.	PART NO.	DESCRIPTION	4S8B	4S8C	REMARKS
1	5SL-12111-10	VALVE, INTAKE	8	8	
2	5SL-12121-10	VALVE, EXHAUST	8	8	
3	5SL-12116-00	SEAT, VALVE SPRING	8	8	
4	5EB-12126-00	SEAT, VALVE SPRING 2	8	8	
5	5EB-12113-00	SPRING, VALVE INNER	8	8	
6	5EB-12114-00	SPRING, VALVE OUTER	8	8	
7	5EB-12124-01	SPRING, VALVE OUTER	8	8	
8	5EB-12117-00	RETAINER, VALVE SPRING	8	8	
9	5EB-12127-00	RETAINER, VALVE SPRING	8	8	
10	1HX-12118-00	COTTER, VALVE	32	32	
11	4TV-12119-00	SEAL, VALVE STEM	16	16	
12	1HX-12168-00	PAD, ADJUSTING 2 (1.20)	16	16	UR
	1HX-12168-20	PAD, ADJUSTING 2 (1.25)	16	16	UR
	1HX-12168-40	PAD, ADJUSTING 2 (1.30)	16	16	UR
	1HX-12168-60	PAD, ADJUSTING 2 (1.35)	16	16	UR
	1HX-12168-80	PAD, ADJUSTING 2 (1.40)	16	16	UR
	1HX-12168-A0	PAD, ADJUSTING 2 (1.45)	16	16	UR
	1HX-12168-F0	PAD, ADJUSTING 2 (1.50)	16	16	UR
	1HX-12168-H1	PAD, ADJUSTING 2 (1.55)	16	16	UR
	1HX-12168-K1	PAD, ADJUSTING 2 (1.60)	16	16	UR
	1HX-12168-M1	PAD, ADJUSTING 2 (1.65)	16	16	UR
	1HX-12168-R1	PAD, ADJUSTING 2 (1.70)	16	16	UR
	1HX-12168-U1	PAD, ADJUSTING 2 (1.75)	16	16	UR
	1HX-12168-W1	PAD, ADJUSTING 2 (1.80)	16	16	UR
	1HX-12168-Y1	PAD, ADJUSTING 2 (1.85)	16	16	UR
	1HX-12169-11	PAD, ADJUSTING 2 (1.90)	16	16	UR
	1HX-12169-31	PAD, ADJUSTING 2 (1.95)	16	16	UR



5EB3351-9030

FIG. 3 VALVE

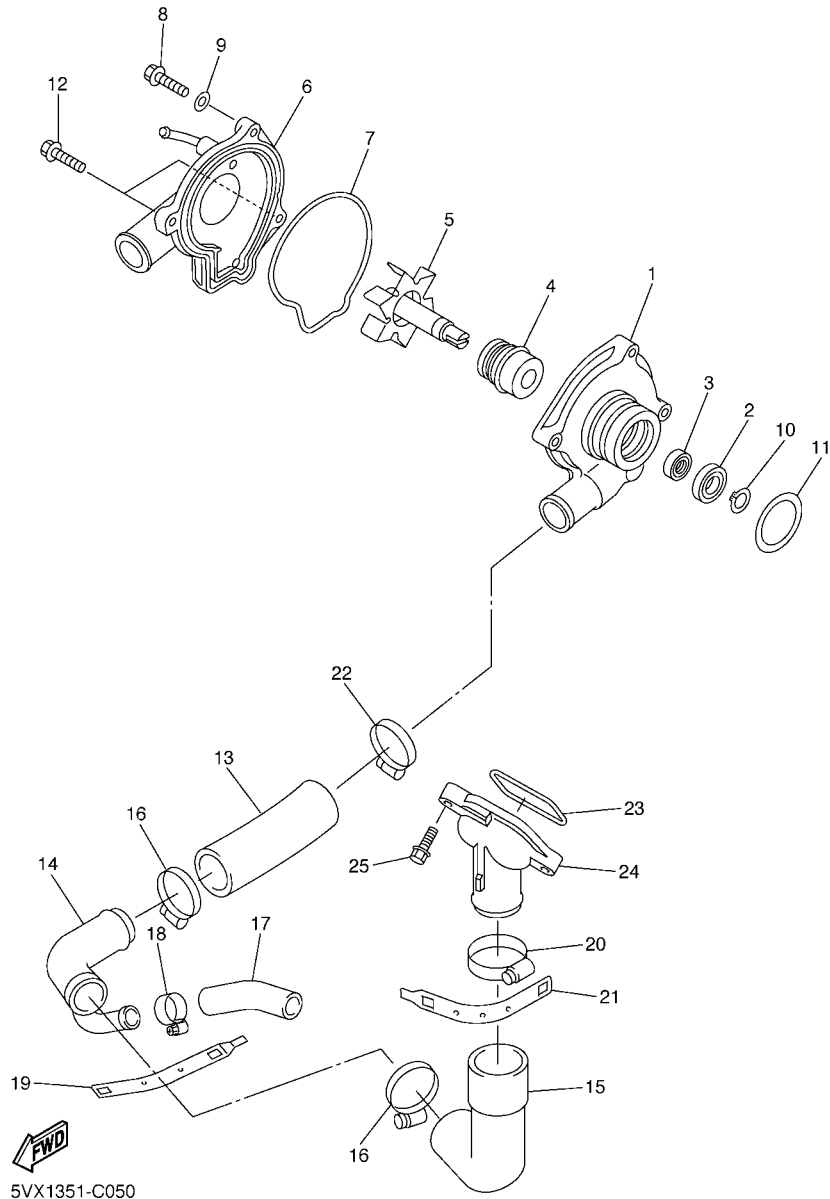
REF. NO.	PART NO.	DESCRIPTION	4S8B	4S8C			REMARKS
12	1HX-12169-50	PAD, ADJUSTING 2 (2.00)	16	16			UR
	1HX-12169-70	PAD, ADJUSTING 2 (2.05)	16	16			UR
	1HX-12169-90	PAD, ADJUSTING 2 (2.10)	16	16			UR
	1HX-12169-E0	PAD, ADJUSTING 2 (2.15)	16	16			UR
	1HX-12169-G0	PAD, ADJUSTING 2 (2.20)	16	16			UR
	1HX-12169-J0	PAD, ADJUSTING 2 (2.25)	16	16			UR
	1HX-12169-L0	PAD, ADJUSTING 2 (2.30)	16	16			UR
	1HX-12169-N0	PAD, ADJUSTING 2 (2.35)	16	16			UR
	1HX-12169-T0	PAD, ADJUSTING 2 (2.40)	16	16			UR
13	5EB-12153-20	LIFTER, VALVE	16	16			UR BLUE
	5EB-12153-30	LIFTER, VALVE	16	16			UR RED
	5EB-12153-09	LIFTER, VALVE (O/S)	16	16			AP GREEN



**FIG. 4 CAMSHAFT & CHAIN**

REF. NO.	PART NO.	DESCRIPTION	4S8B	4S8C	REMARKS
1	5VX-12170-00	CAMSHAFT ASSY 1	1	1	
2	5VX-12180-00	CAMSHAFT ASSY 2	1	1	
3	5VX-12176-00	SPROCKET, CAM CHAIN	2	2	
4	90105-07004	BOLT, FLANGE	4	4	
5	94591-49120	CHAIN	1	1	
6	5SL-12210-10	TENSIONER ASSY, CAM CHAIN	1	1	
7	5EL-12228-00	.BOLT	1	1	
8	5SL-12214-00	.GASKET	1	1	
9	4FM-12213-00	GASKET, TENSIONER CASE	1	1	
10	91314-06025	BOLT, HEXAGON SOCKET HEAD	2	2	
11	5EB-12251-00	DAMPER, CHAIN 1	1	1	
12	5EB-12252-10	DAMPER, CHAIN 2	1	1	
13	93607-44002	PIN, DOWEL	1	1	

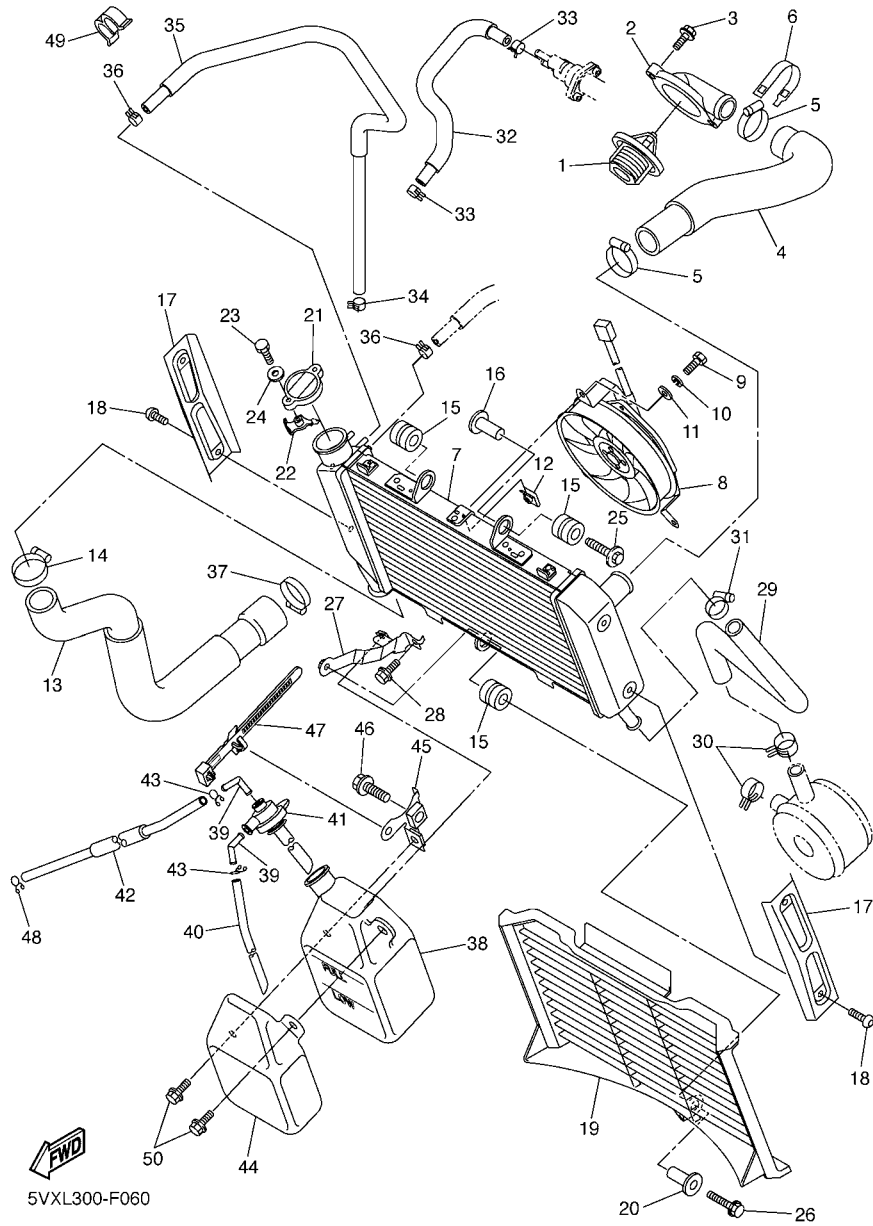
 5VX1351-C040



5VX1351-C050

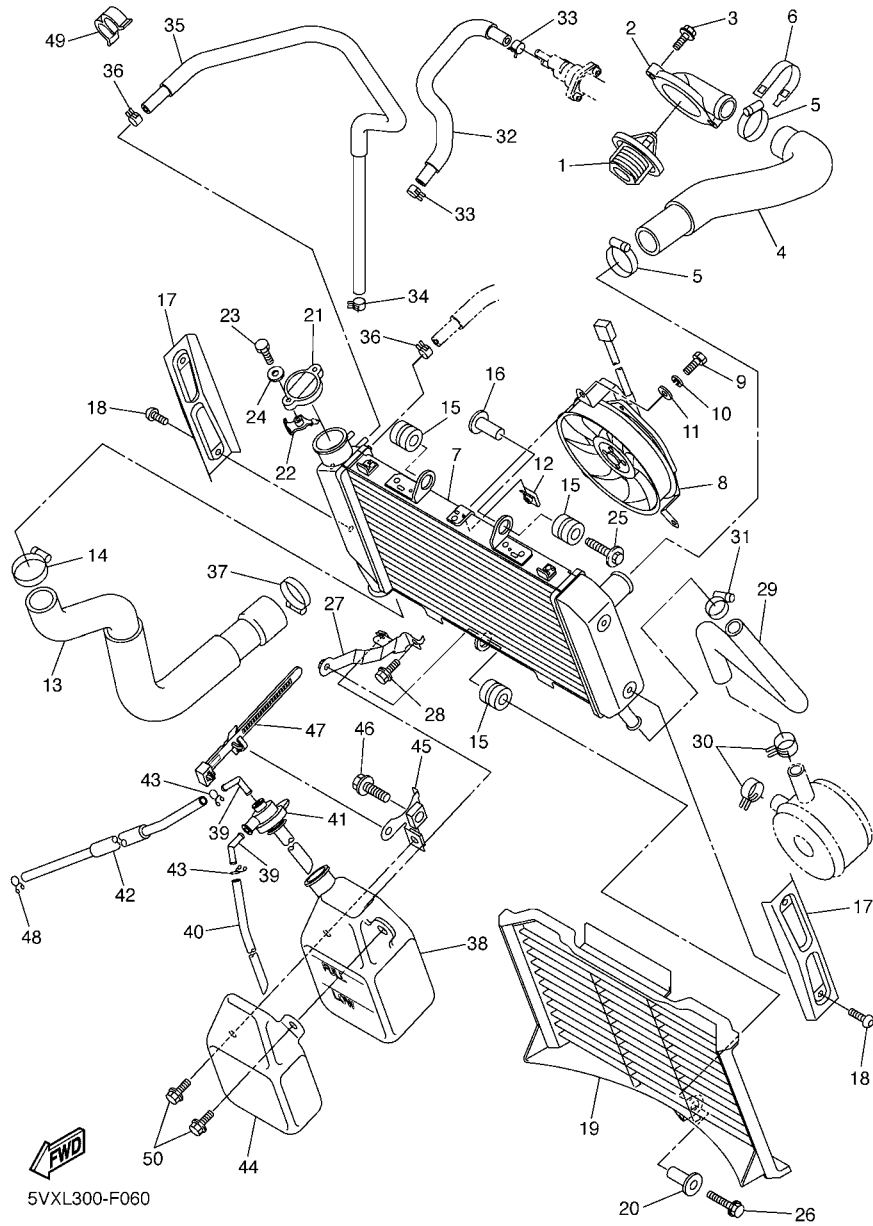
FIG. 5 WATER PUMP

REF. NO.	PART NO.	DESCRIPTION	4S8B	4S8C			REMARKS
1	5EB-12421-00	HOUSING, WATER PUMP	1	1			
2	93306-00106	BEARING	1	1			
3	93101-12173	OIL SEAL	1	1			
4	11H-12438-10	SEAL, MECHANICAL	1	1			
5	5EB-12450-00	IMPELLER SHAFT ASSY	1	1			
6	5SL-12422-00	COVER, HOUSING	1	1			
7	5EB-12439-00	O-RING	1	1			
8	95024-06020	BOLT, FLANGE	2	2			
9	90430-06014	GASKET	1	1			
10	99009-12400	CIRCLIP	1	1			
11	93210-33133	O-RING	1	1			
12	90110-06086	BOLT, HEXAGON SOCKET HEAD	2	2			
13	4NK-12579-00	HOSE 4	1	1			
14	5VX-12581-00	JOINT, HOSE 1	1	1			
15	5EB-12577-01	HOSE 2	1	1			
16	90450-35001	HOSE CLAMP ASSY	2	2			
17	5SL-12588-01	HOSE 5	1	1			
18	90450-22017	HOSE CLAMP ASSY	1	1			
19	5GV-1246E-00	COVER 2	1	1			
20	90450-38040	HOSE CLAMP ASSY	1	1			
21	5GV-1246A-00	COVER 1	1	1			
22	90450-32001	HOSE CLAMP ASSY	1	1			
23	93210-46001	O-RING	1	1			
24	5EB-12469-00	JOINT 1	1	1			
25	90105-06053	BOLT, FLANGE	2	2			



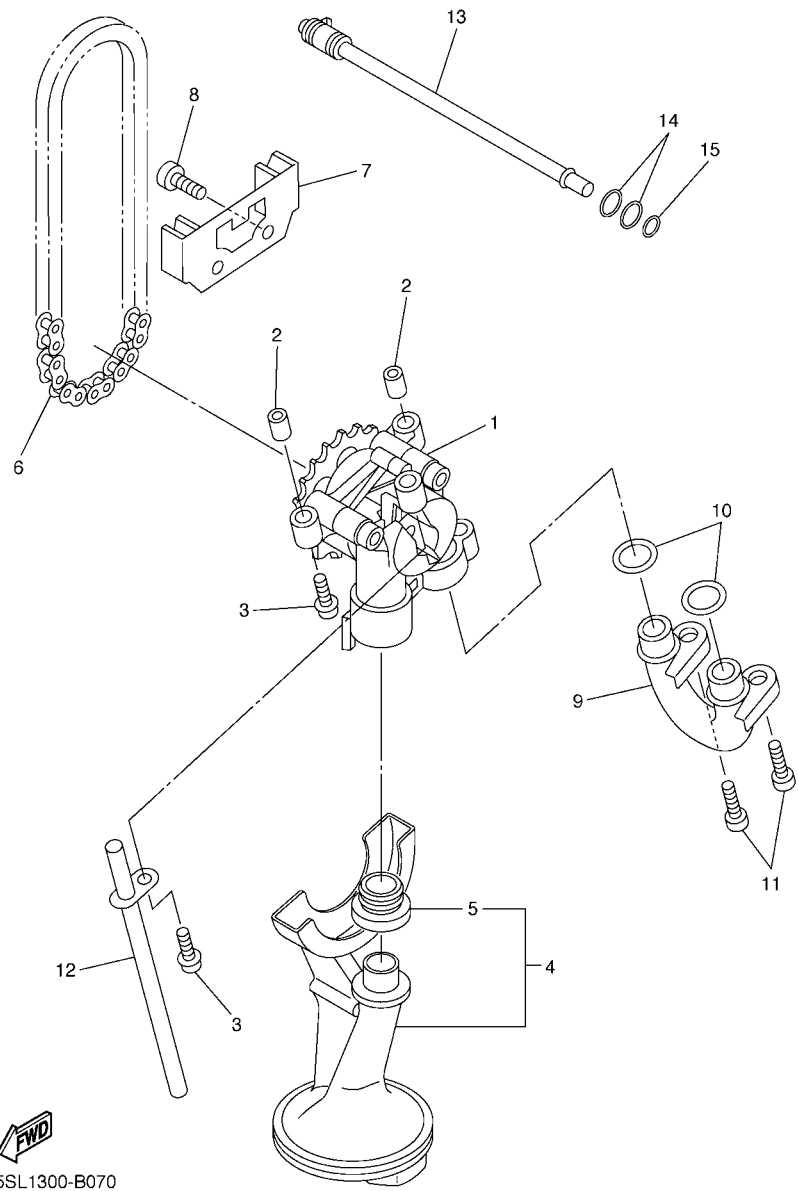
**FIG. 6 RADIATOR & HOSE**

REF. NO.	PART NO.	DESCRIPTION	4S8B	4S8C			REMARKS
1	5SL-12410-00	THERMOSTAT ASSY	1	1			
2	5VX-12413-00	COVER, THERMOSTAT	1	1			
3	90105-06557	BOLT, FLANGE	2	2			
4	4S8-12578-00	HOSE 3	1	1			
5	90450-35001	HOSE CLAMP ASSY	2	2			
6	5GV-1246E-00	COVER 2	1	1			
7	4S8-12461-00	RADIATOR ASSY	1	1			
8	4S8-12405-00	BLOWER ASSY	1	1			
9	97307-06012	BOLT	3	3			
10	92907-06100	WASHER, SPRING	3	3			
11	92907-06600	WASHER, PLATE	3	3			
12	1AA-12535-00	PLATE	3	3			
13	4S8-12579-00	HOSE 4	1	1			
14	90450-32003	HOSE CLAMP ASSY	1	1			
15	90480-15363	GROMMET	3	3			
16	90387-0614M	COLLAR	1	1			
17	5VX-1240J-00	RADIATOR COVER ASSY1	2	2			
18	90111-06031	BOLT, HEX. SOCKET BUTTON	4	4			
19	4S8-12467-00	COVER, RADIATOR	1	1			
20	90387-066H4	COLLAR	1	1			
21	1B3-12462-00	CAP, RADIATOR	1	1			
22	5FC-12437-00	STOPPER	1	1			
23	97004-05012	BOLT	1	1			
24	92904-05600	WASHER	1	1			
25	90119-06038	BOLT, WITH WASHER	1	1			
26	95824-06030	BOLT, FLANGE	1	1			
27	4S8-1244E-00	BRACKET 1	1	1			



**FIG. 6 RADIATOR & HOSE**

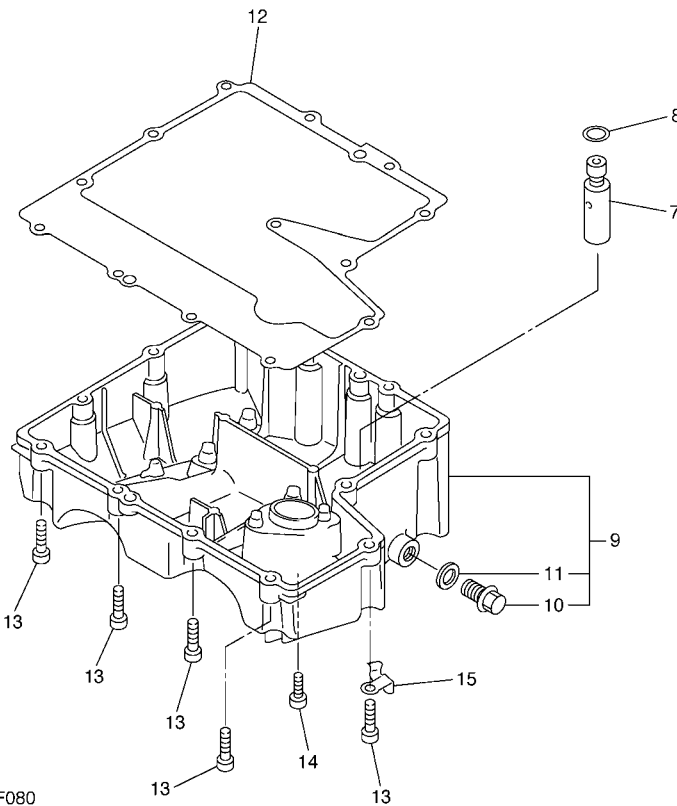
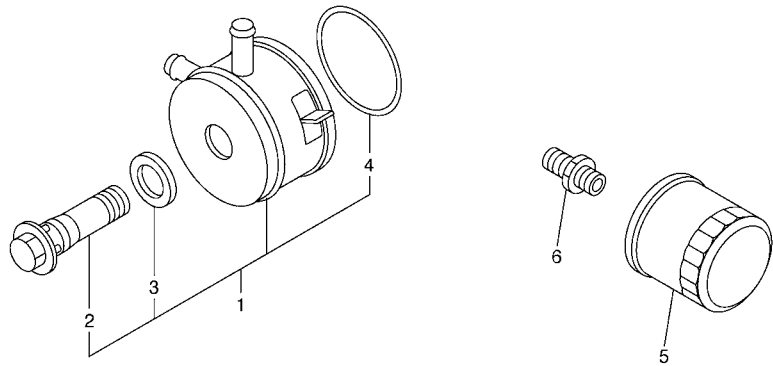
REF. NO.	PART NO.	DESCRIPTION	4S8B	4S8C	REMARKS
28	95824-06012	BOLT, FLANGE	1	1	
29	4S8-12589-00	HOSE 6	1	1	
30	90467-200A0	CLIP	2	2	
31	90450-22017	HOSE CLAMP ASSY	1	1	
32	5VX-1243A-00	HOSE 1	1	1	
33	90467-110A2	CLIP	2	2	
34	90467-11090	CLIP	1	1	
35	5VX-1244G-00	HOSE, 4	1	1	
36	90467-11090	CLIP	2	2	
37	90450-32001	HOSE CLAMP ASSY	1	1	
38	4P5-21871-00	TANK, RECOVERY	1	1	
39	26H-21828-00	ELBOW	2	2	
40	90445-081F2	HOSE (L200)	1	1	
41	3P6-21875-00	CAP	1	1	
42	90445-08025	HOSE	1	1	
43	90467-08075	CLIP	2	2	
44	4P5-2172W-00	COVER	1	1	
45	4P5-21873-00	BRACKET, RECOVERY TANK	1	1	
46	95024-10020	BOLT, FLANGE	1	1	
47	90464-07012	CLAMP	1	1	
48	90467-08075	CLIP	1	1	
49	90464-12238	CLAMP	1	1	
50	90105-060A6	BOLT, FLANGE	2	2	



**FWD**  
5SL1300-B070

**FIG. 7 OIL PUMP**

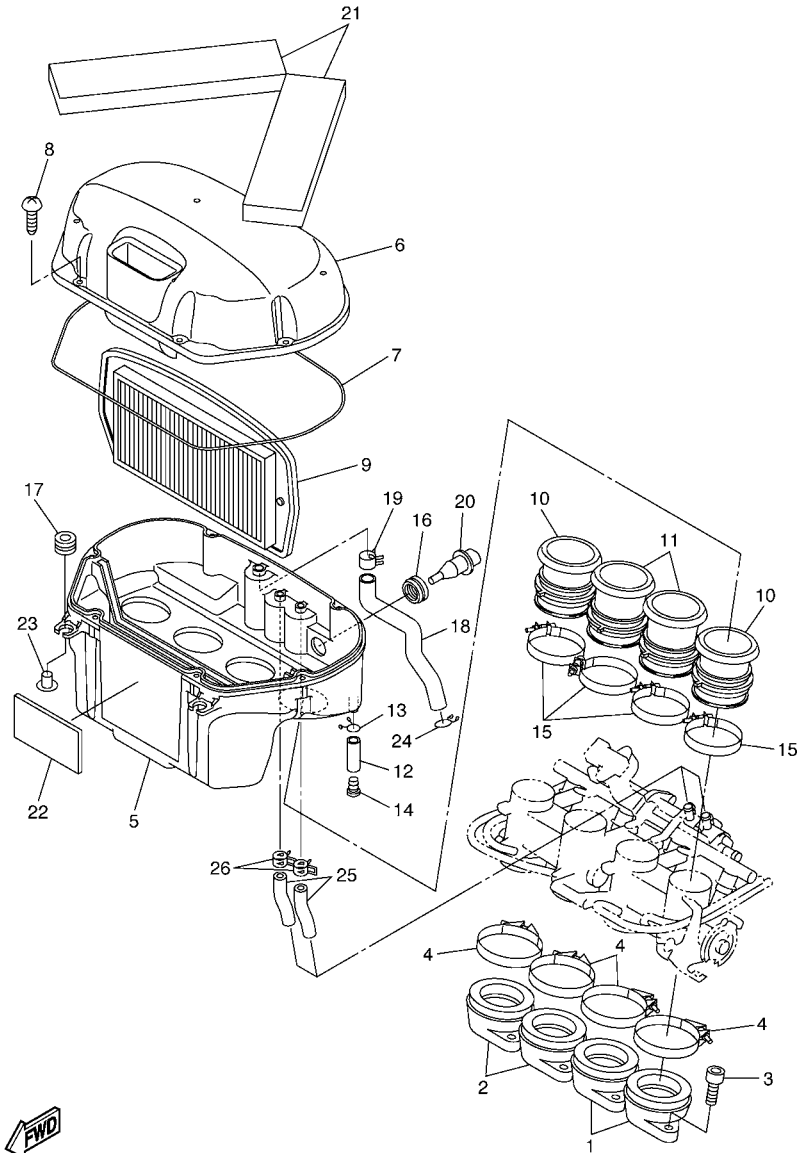
REF. NO.	PART NO.	DESCRIPTION	4S8B	4S8C	REMARKS
			1	1	
1	5MT-13300-00	OIL PUMP ASSY	1	1	
2	91808-17032	PIN, DOWEL	2	2	
3	90109-06031	BOLT	3	3	
4	5SL-13410-00	STRAINER HOUSING ASSY	1	1	
5	5EB-13415-00	.SEAL, OIL STRAINER	1	1	
6	94580-25080	CHAIN	1	1	
7	5EB-13898-00	HOLDER	1	1	
8	90110-06161	BOLT, HEXAGON SOCKET HEAD	2	2	
9	2C0-13416-00	PIPE, OIL 1	1	1	
10	93210-14003	O-RING	2	2	
11	90110-06161	BOLT, HEXAGON SOCKET HEAD	2	2	
12	5EB-13161-00	PIPE, DELIVERY 1	1	1	
13	5EB-1316E-00	PIPE, DELIVERY 5	1	1	
14	93210-09165	O-RING	2	2	
15	93210-06667	O-RING	1	1	



  
5VXL300-F080

**FIG. 8 OIL CLEANER**

REF. NO.	PART NO.	DESCRIPTION	4S8B	4S8C	REMARKS
1	5EB-13470-00	OIL COOLER ASSY	1	1	
2	5EB-12822-00	.BOLT, UNION	1	1	
3	5EB-13475-00	.GASKET	1	1	
4	5JW-13473-00	.O-RING	1	1	
5	5GH-13440-20	ELEMENT ASSY, OIL CLEANER	1	1	
6	90401-20145	BOLT, UNION	1	1	
7	3KS-13490-00	RELIEF VALVE ASSY	1	1	
8	93210-15566	O-RING	1	1	
9	4S8-13400-00	STRAINER COVER ASSY	1	1	
10	90340-14132	.PLUG, STRAIGHT SCREW	1	1	
11	214-11198-01	.GASKET	1	1	
12	5VX-13414-01	GASKET, STRAINER COVER	1	1	
13	91312-06025	BOLT	12	12	
14	90110-06169	BOLT, HEXAGON SOCKET HEAD	1	1	
15	90465-10030	CLAMP	1	1	



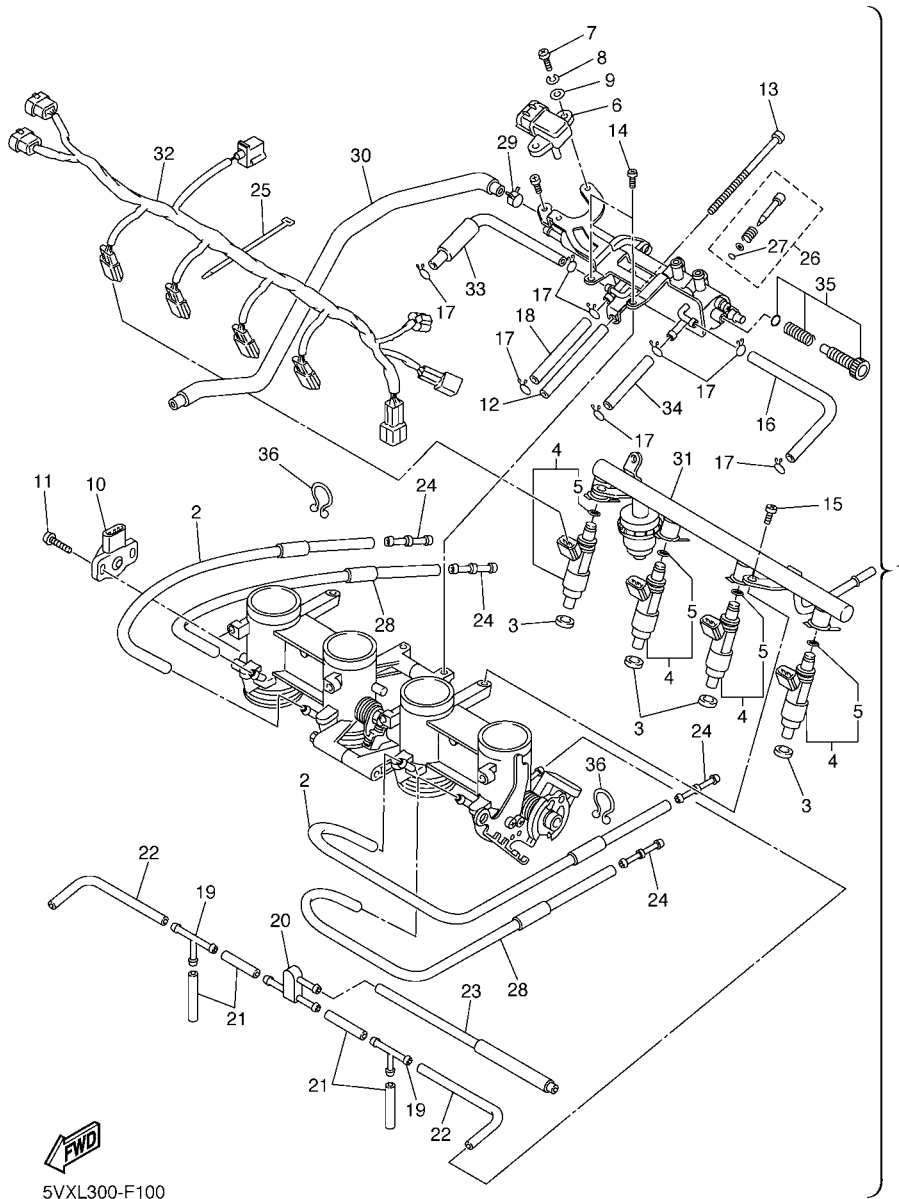
5VX3100-C090

FIG. 9 INTAKE

REF. NO.	PART NO.	DESCRIPTION	4S8B	4S8C		REMARKS
1	5SL-13586-01	JOINT, CARBURETOR 1	2	2		
2	5SL-13596-01	JOINT, CARBURETOR 2	2	2		
3	91317-06020	BOLT	8	8		
4	90450-63003	HOSE CLAMP ASSY	4	4		
5	5VX-14411-00	CASE, AIR CLEANER 1	1	1		
6	5VX-14421-00	CASE, AIR CLEANER 2	1	1		
7	5VX-14452-00	SEAL	1	1		
8	97707-50025	SCREW, TAPPING	6	6		
9	5VX-14451-00	ELEMENT, AIR CLEANER	1	1		
10	5VX-14453-00	JOINT, AIR CLEANER 1	2	2		
11	5VX-14463-00	JOINT, AIR CLEANER 2	2	2		
12	90445-11795	HOSE (L30)	1	1		
13	90467-10041	CLIP	1	1		
14	90338-08174	PLUG	1	1		
15	90450-53002	HOSE CLAMP ASSY	4	4		
16	5CA-14435-00	GROMMET	1	1		
17	90480-12314	GROMMET	2	2		
18	5VX-15373-00	PIPE, BREATHER	1	1		
19	90467-15054	CLIP	1	1		
20	5CA-85886-00	SENSOR, AIR TEMPRATURE	1	1		
21	5VX-14409-00	DAMPÉR	2	2		
22	5EJ-2414H-00	DAMPER, PLATE 1	1	1		
23	90387-06073	COLLAR	2	2		
24	90467-14015	CLIP	1	1		
25	5VX-14148-01	PIPE	2	2		
26	90467-17089	CLIP	2	2		

FIG. 10 INTAKE 2

REF. NO.	PART NO.	DESCRIPTION	4S8B	4S8C	REMARKS
1	5VX-13750-04	THROTTLE BODY ASSY	1	1	
2	5VX-14348-00	.PIPE 1	2	2	
3	90430-09002	.GASKET	4	4	
4	5VX-13761-00	.INJECTOR	4	4	
5	5PS-14147-00	..O-RING	1	1	
6	5VX-82380-00	.SENSOR, PRESSURE	1	1	
7	98507-05016	.SCREW, PAN HEAD	2	2	
8	92907-05100	.WASHER, SPRING	2	2	
9	92907-05600	.WASHER, PLATE	2	2	
10	2D1-85885-00	.THROTTLE SENSOR ASSY	1	1	
11	8CC-14216-10	.SCREW	2	2	
12	5VX-14149-00	.PIPE	1	1	
13	5VX-14565-00	.SCREW	1	1	
14	98507-05010	.SCREW, PAN HEAD	2	2	
15	98507-06012	.SCREW, PAN HEAD	2	2	
16	5VX-14396-00	.PIPE	1	1	
17	3UH-14937-00	.CLIP	8	8	
18	5VX-14987-00	.HOSE	1	1	
19	68V-24376-00	.PIPE, JOINT 1	2	2	
20	3XV-14251-00	.NIPPLE	1	1	
21	5FL-14348-10	.PIPE 1	4	4	
22	68V-13533-00	.HOSE, VACUUM SENSING 4	2	2	
23	5VX-1410E-00	.HOSE	1	1	
24	5PW-14251-00	.NIPPLE	4	4	
25	4KM-14137-00	.CLIP	1	1	
26	5JW-14104-00	.AIR SCREW SET	4	4	
27	3H1-14147-00	..O-RING	1	1	



**FWD**  
5VXL300-F100





5VX1351-C110

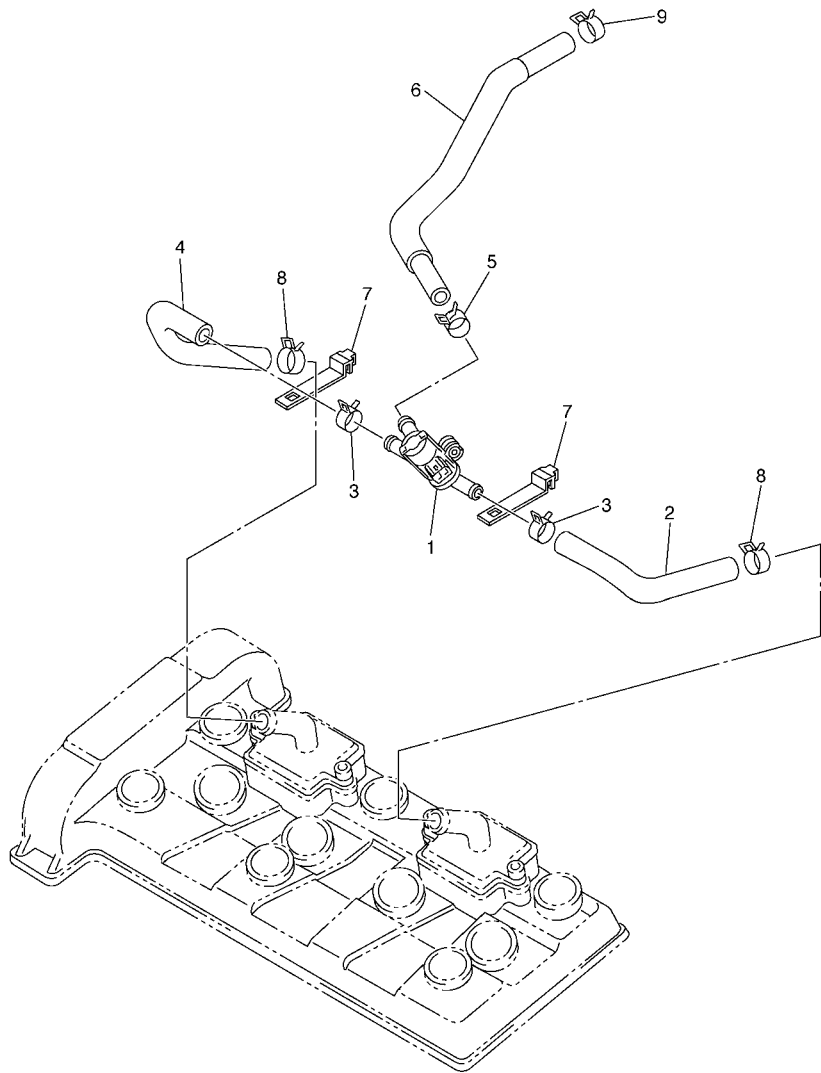
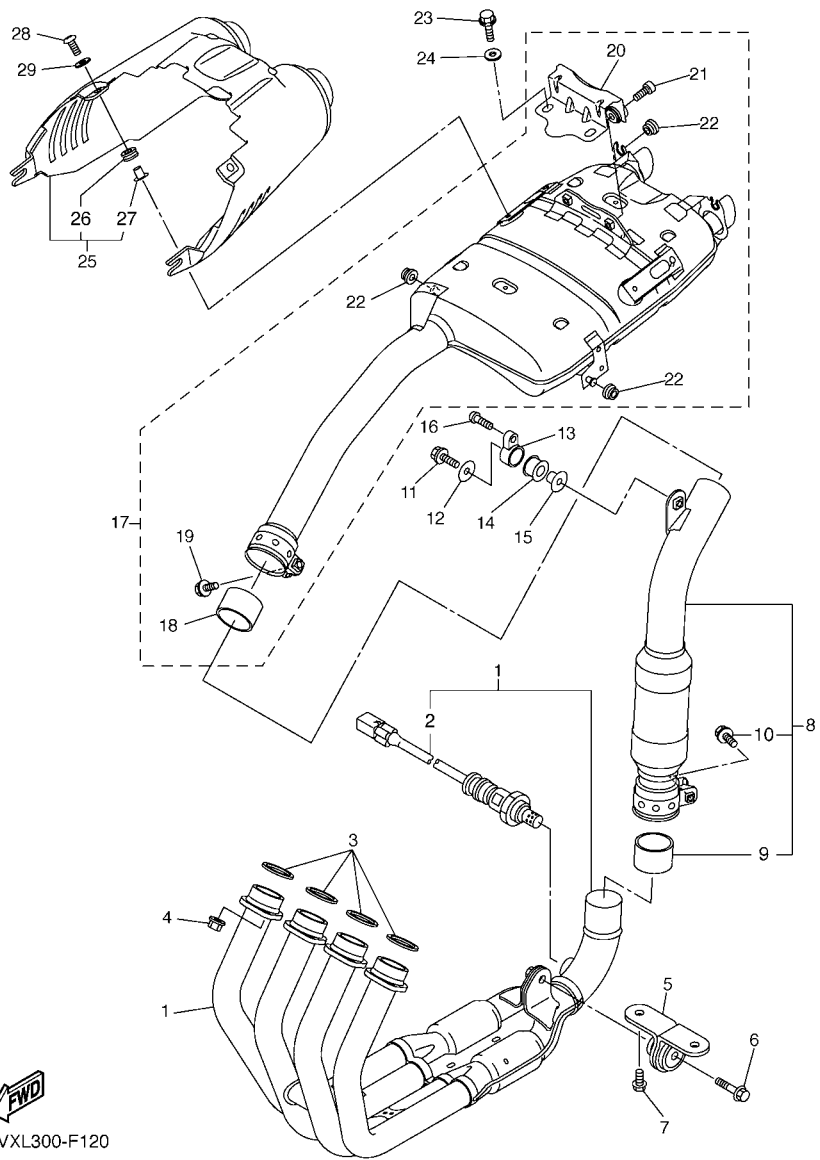


FIG. 11 AIR INDUCTION SYSTEM

REF. NO.	PART NO.	DESCRIPTION	4S8B	4S8C	REMARKS
1	5VX-14840-00	AIR CUT VALVE ASSY	1	1	
2	5VX-14881-00	HOSE, BEND 1	1	1	
3	90467-17089	CLIP	2	2	
4	5VX-14882-00	HOSE, BEND 2	1	1	
5	90467-17089	CLIP	1	1	
6	5VX-14883-00	HOSE, BEND 3	1	1	
7	5JW-14723-00	COVER 1	2	2	
8	90467-17003	CLIP	2	2	
9	90467-17128	CLIP	1	1	

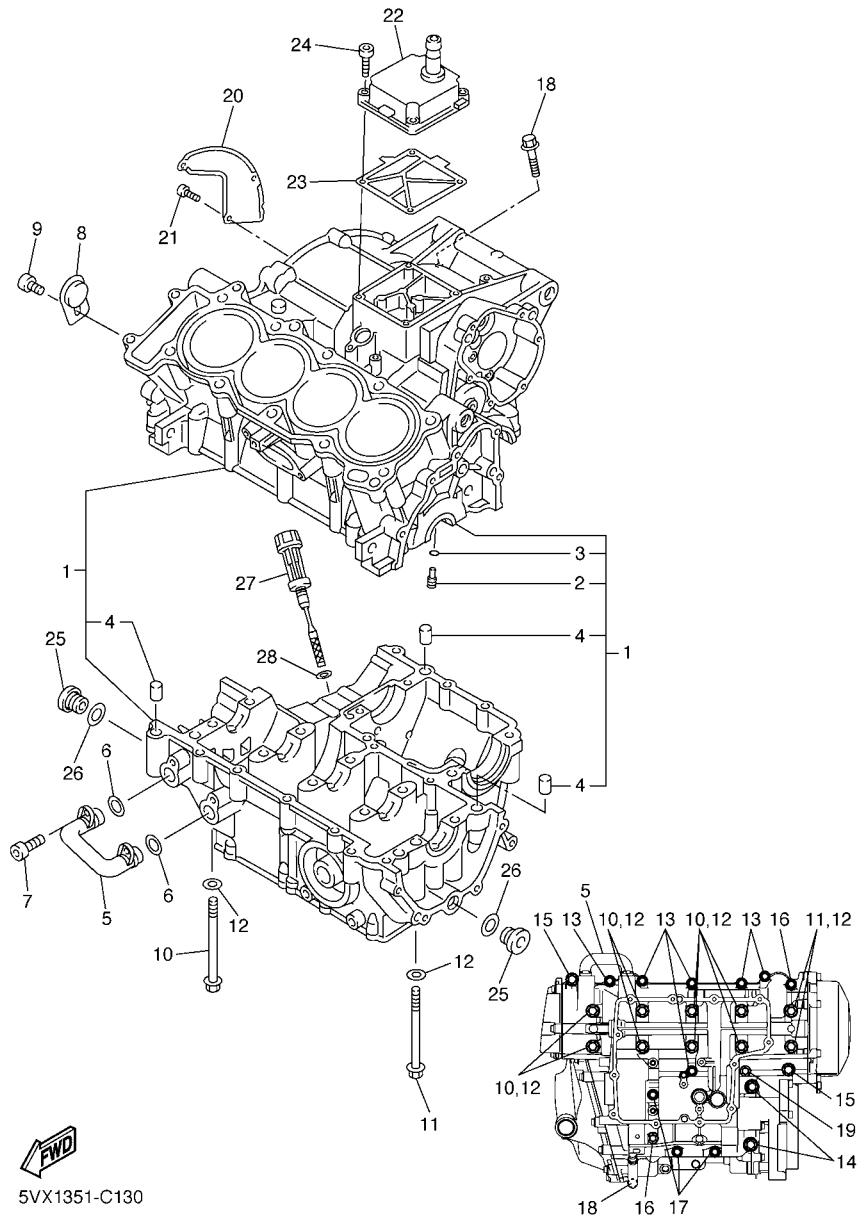


**FWD**  
5VXL300-F120

**FIG. 12 EXHAUST**

REF. NO.	PART NO.	DESCRIPTION	4S8B	4S8C	REMARKS
1	4S8-14610-00	EXHAUST PIPE ASSY 1	1	1	
2	2D1-8592A-00	.SENSOR, OXYGEN	1	1	
3	3YF-14613-01	GASKET, EXHAUST PIPE	4	4	
4	90179-08410	NUT	8	8	
5	4S8-21445-00	STAY, MUFFLER 1	1	1	
6	90105-08063	BOLT, FLANGE	1	1	
7	90105-08021	BOLT, FLANGE	2	2	
8	4S8-14740-00	CATALYST ASSY.	1	1	
9	5VY-14714-00	.GASKET, MUFFLER	1	1	
10	95814-08045	.BOLT, FLANGE	1	1	
11	95812-08035	BOLT, FLANGE	1	1	
12	90201-08034	WASHER, PLATE	1	1	
13	5VX-21446-10	STAY, MUFFLER 2	1	1	
14	4XV-27424-00	DAMPER, MUFFLER	1	1	
15	90387-082W9	COLLAR	1	1	
16	92014-08045	BOLT, BUTTON HEAD	1	1	
17	5VX-14710-01	MUFFLER ASSY 1	1	1	
18	5EB-14714-01	.GASKET, MUFFLER	1	1	
19	95814-08045	.BOLT, FLANGE	1	1	
20	5VX-1467K-00	.BRACKET, SILENCER 3	1	1	
21	91317-08030	.BOLT	2	2	
22	90480-10332	.GROMMET	4	4	
23	95812-08014	BOLT, FLANGE	2	2	
24	90201-082U5	WASHER, PLATE	2	2	
25	5VX-14708-10	PROTECTOR ASSY	1	1	
26	90480-12006	.GROMMET	2	2	
27	90387-061N6	.COLLAR	2	2	

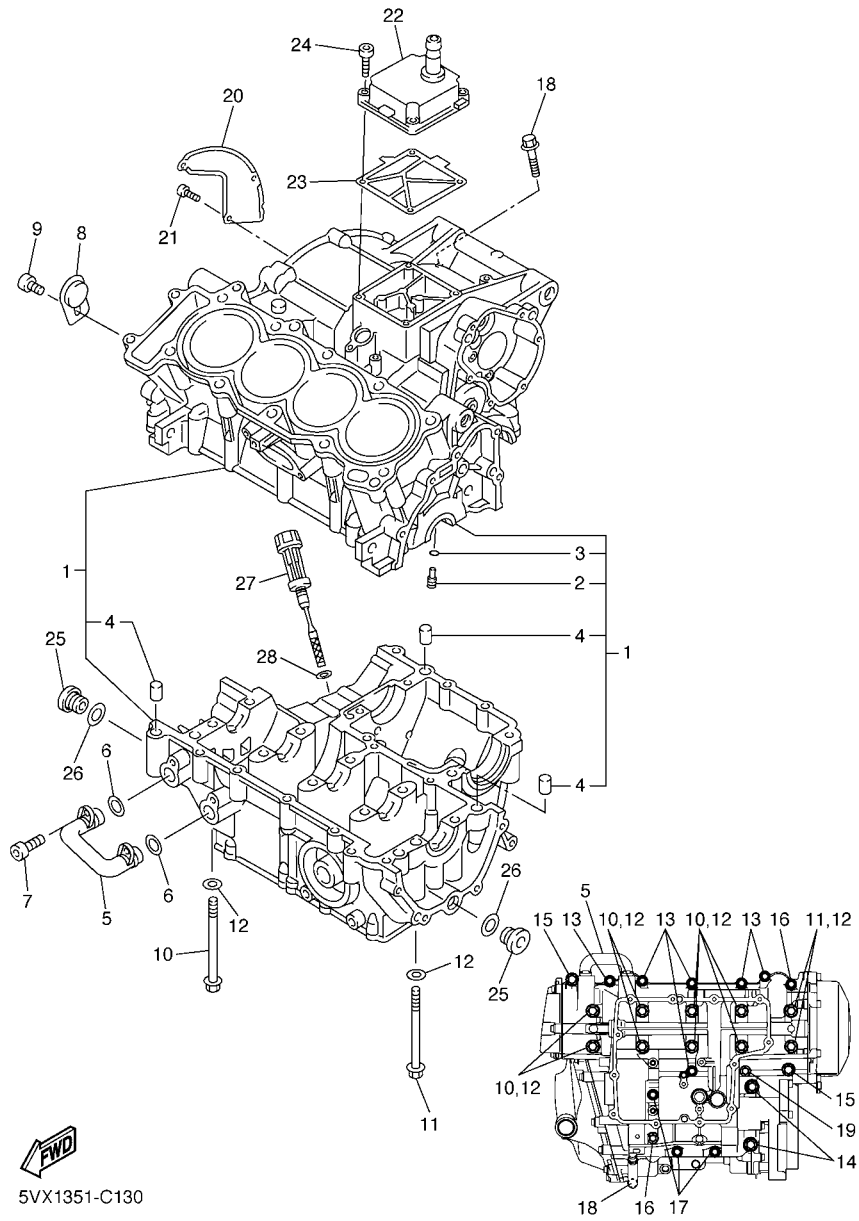




5VX1351-C130

FIG. 13 CRANKCASE

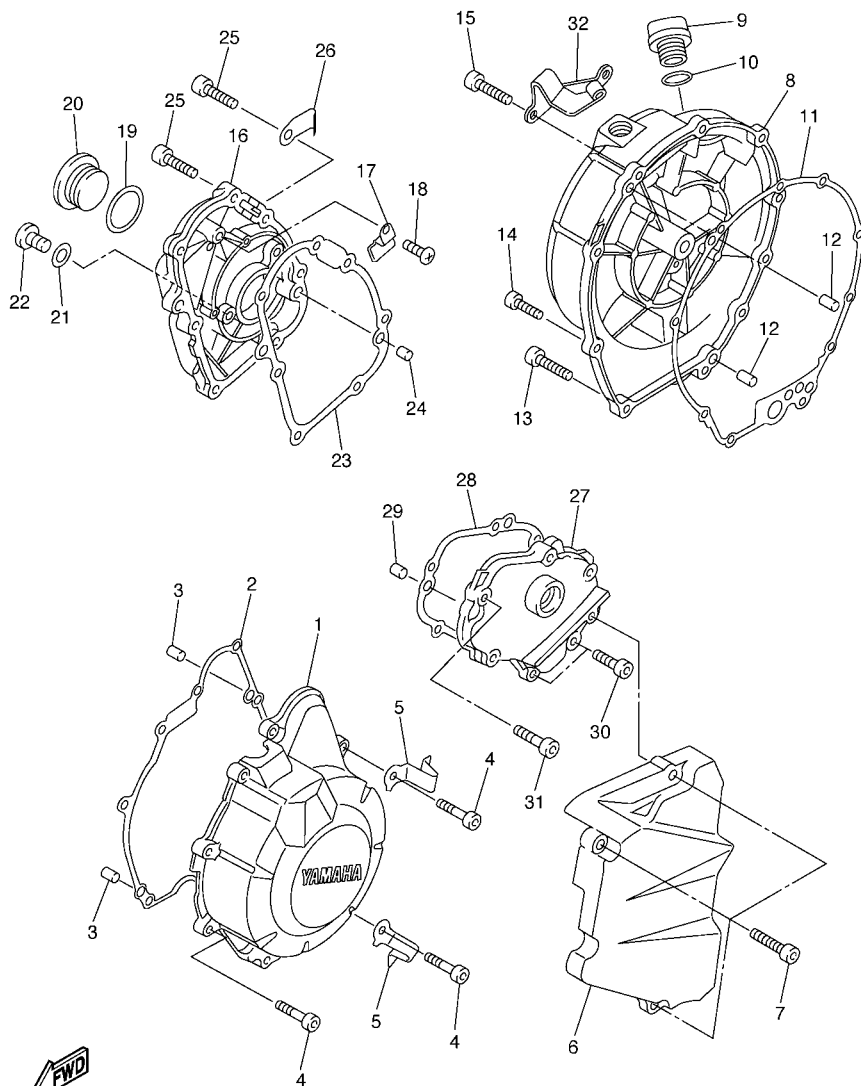
REF. NO.	PART NO.	DESCRIPTION	4S8B	4S8C	REMARKS
1	1B3-15100-01	CRANKCASE ASSY	1	1	
2	5EB-15155-00	.NOZZLE 3	4	4	
3	93210-04092	.O-RING	4	4	
4	99530-10014	.PIN, DOWEL	3	3	
5	5VX-13418-00	PIPE, OIL 2	1	1	
6	93210-14579	O-RING	2	2	
7	90110-06161	BOLT, HEXAGON SOCKET HEAD	2	2	
8	5SL-15189-00	PLUG	1	1	
9	90149-06082	SCREW	1	1	
10	90105-087A0	BOLT, FLANGE	8	8	
11	90105-086A9	BOLT, FLANGE	2	2	
12	90201-087K3	WASHER, PLATE	10	10	
13	95812-06055	BOLT, FLANGE	6	6	
14	95812-08065	BOLT, FLANGE	2	2	
15	90109-06168	BOLT	2	2	
16	95812-06065	BOLT, FLANGE	2	2	
17	95812-06045	BOLT, FLANGE	3	3	
18	95812-06100	BOLT, FLANGE	1	1	
19	90105-06147	BOLT, FLANGE	1	1	
20	5SL-11165-00	PLATE, BREATHER	1	1	
21	90149-06082	SCREW	3	3	
22	5VX-15413-01	COVER	1	1	
23	5SL-15462-00	GASKET, CRANKCASE COVER 3	1	1	
24	91314-06025	BOLT, HEXAGON SOCKET HEAD	4	4	
25	36Y-15189-00	PLUG	2	2	
26	93210-16325	O-RING	2	2	
27	5EB-15362-00	PLUG, OIL LEVEL	1	1	



5VX1351-C130

FIG. 13 CRANKCASE

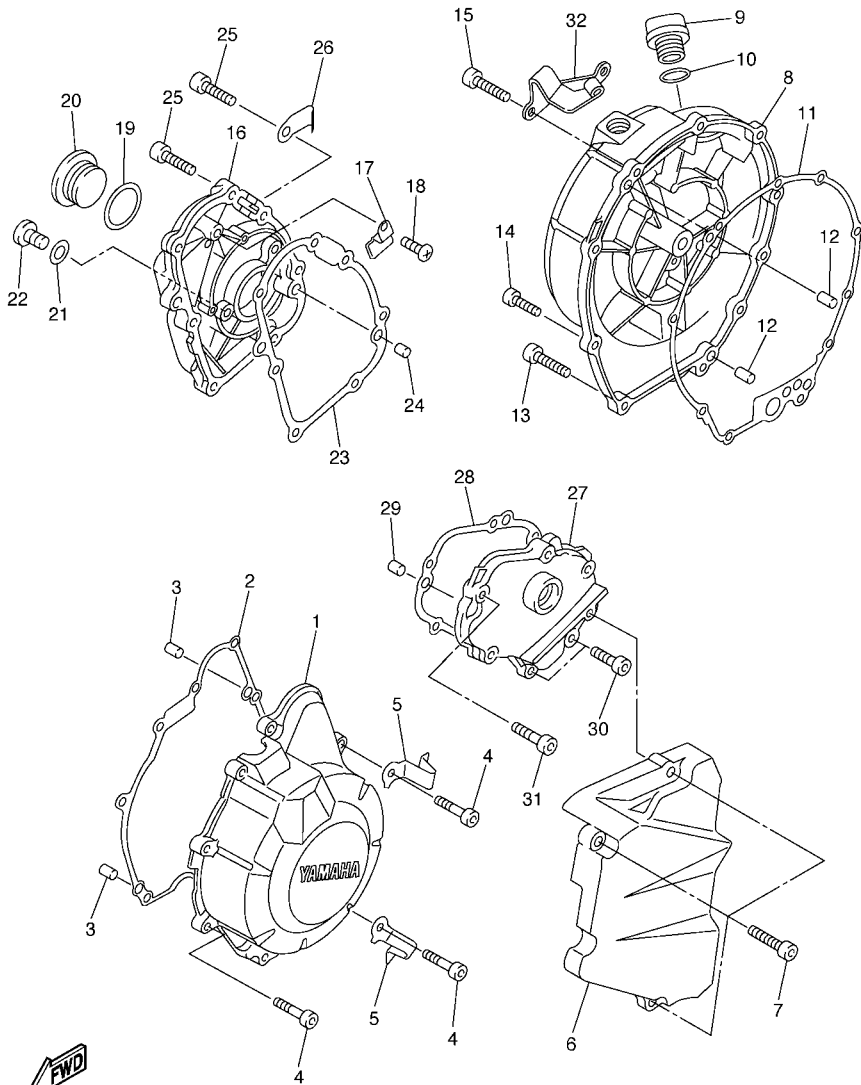
REF. NO.	PART NO.	DESCRIPTION	4S8B	4S8C			REMARKS
28	93210-09165	O-RING	1	1			
-----							
-----							
-----							
-----							
-----							
-----							
-----							
-----							
-----							
-----							



5VXL300-F140

FIG. 14 CRANKCASE COVER 1

REF. NO.	PART NO.	DESCRIPTION	4S8B	4S8C	REMARKS
1	1B3-15411-10	COVER, CRANKCASE 1	1	1	
2	5VX-15451-01	GASKET, CRANKCASE COVER 1	1	1	
3	99530-08012	PIN, DOWEL	2	2	
4	91314-06025	BOLT, HEXAGON SOCKET HEAD	9	9	
5	90465-08045	CLAMP	2	2	
6	1B3-15418-00	COVER, CHAIN CASE	1	1	
7	91314-06025	BOLT, HEXAGON SOCKET HEAD	3	3	
8	1B3-15421-00	COVER, CRANKCASE 2	1	1	
9	3F9-15362-00	PLUG, OIL LEVEL	1	1	
10	93210-27194	O-RING	1	1	
11	5SL-15461-01	GASKET, CRANKCASE COVER 2	1	1	
12	93608-17263	PIN, DOWEL	2	2	
13	91314-06025	BOLT, HEXAGON SOCKET HEAD	7	7	
14	90110-06022	BOLT, HEXAGON SOCKET HEAD	1	1	
15	91314-06030	BOLT, HEXAGON SOCKET HEAD	2	2	
16	1B3-15416-00	COVER, OIL PUMP	1	1	
17	90465-14011	CLAMP	1	1	
18	98507-06012	SCREW, PAN HEAD	1	1	
19	93210-32172	O-RING	1	1	
20	90340-32004	PLUG, STRAIGHT SCREW	1	1	
21	90430-08143	GASKET	1	1	
22	92014-08014	BOLT, BUTTON HEAD	1	1	
23	5SL-15456-01	GASKET, OIL PUMP COVER 1	1	1	
24	99530-08012	PIN, DOWEL	2	2	
25	91314-06020	BOLT, HEXAGON SOCKET HEAD	7	7	
26	90465-10042	CLAMP	1	1	
27	1B3-15425-00	COVER, GENERATOR 2	1	1	



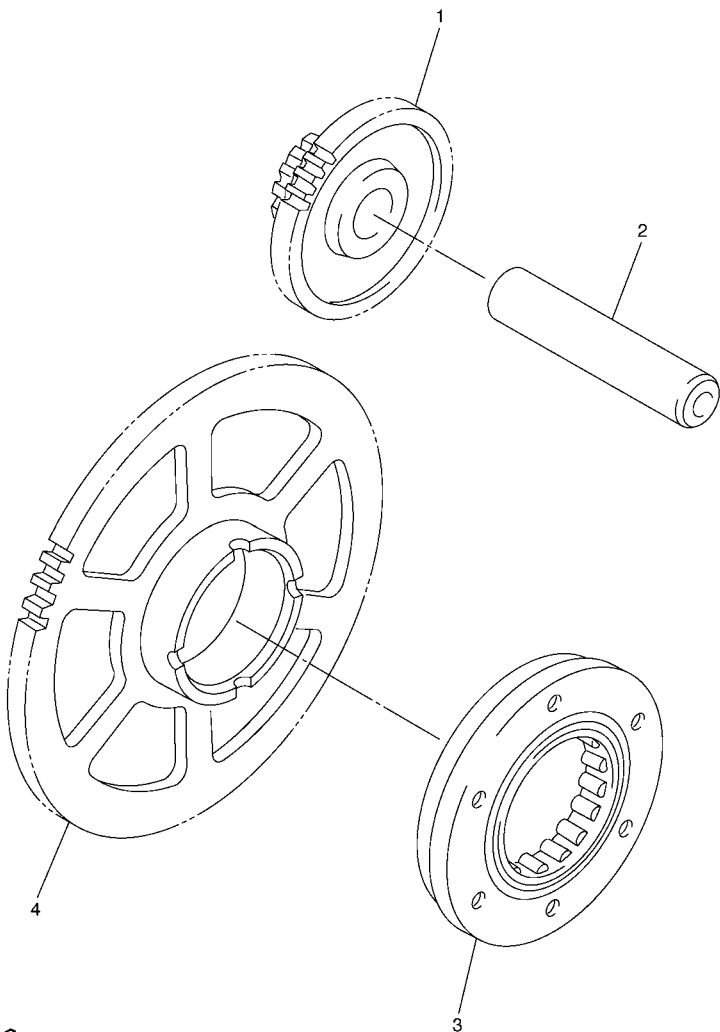
5VXL300-F140

FIG. 14 CRANKCASE COVER 1

REF. NO.	PART NO.	DESCRIPTION	4S8B	4S8C			REMARKS
28	5VX-15463-01	GASKET, COVER PINION 2	1	1			
29	99530-08012	PIN, DOWEL	2	2			
30	91314-06020	BOLT, HEXAGON SOCKET HEAD	2	2			
31	91314-06025	BOLT, HEXAGON SOCKET HEAD	4	4			
32	5VX-15441-00	HOLDER, CLUTCH CABLE	1	1			
-----							
-----							
-----							
-----							
-----							
-----							
-----							
-----							

**FIG. 15 STARTER**

REF. NO.	PART NO.	DESCRIPTION	4S8B	4S8C				REMARKS
			1	1				
1	5SL-15512-00	GEAR, IDLER 1	1	1				
2	5EB-15521-00	SHAFT 1	1	1				
3	5SL-15590-00	STARTER ONE-WAY ASSY	1	1				
4	5MT-15515-00	GEAR 3	1	1				
-----								
-----								
-----								
-----								
-----								
-----								
-----								
-----								



5SL1300-B150

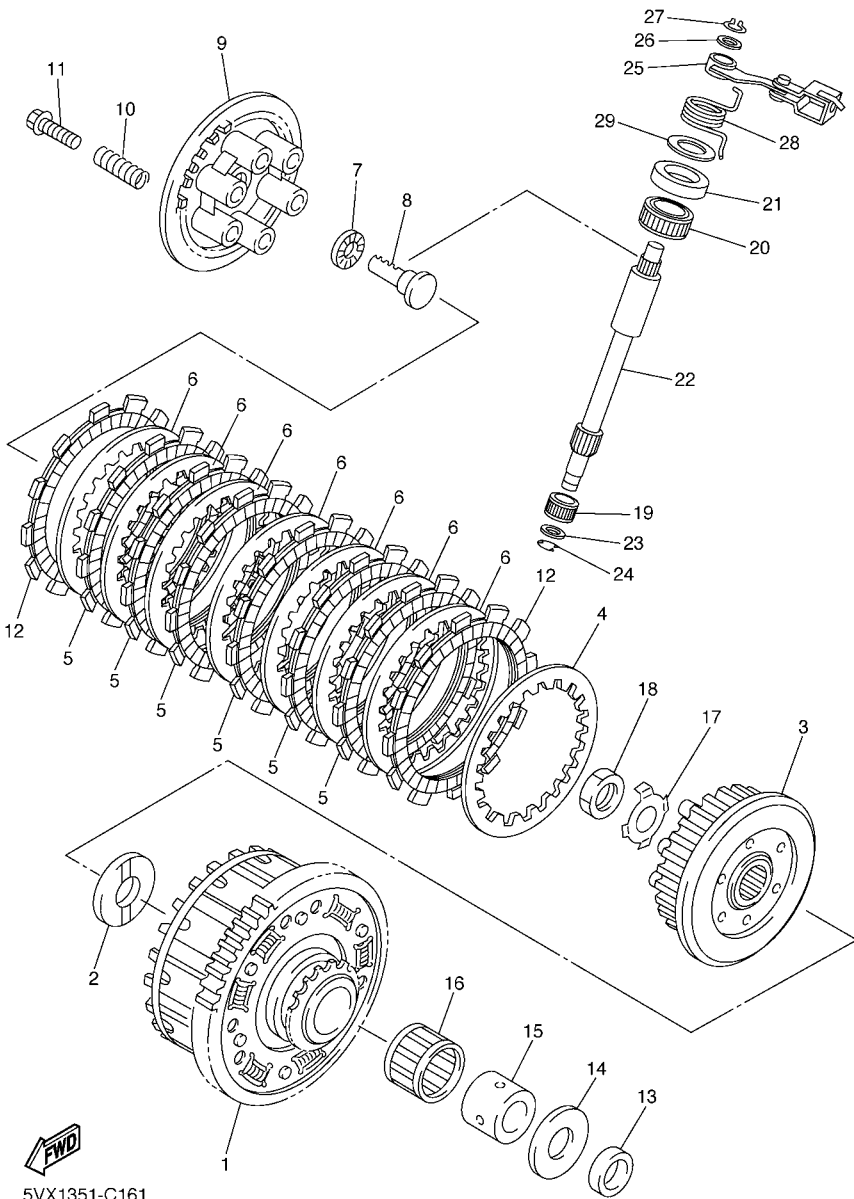


FIG. 16 CLUTCH

REF. NO.	PART NO.	DESCRIPTION	4S8B	4S8C	REMARKS
1	5VX-16150-00	PRIMARY DRIVEN GEAR COMP.	1	1	
2	5EB-16154-00	PLATE, THRUST 1	1	1	
3	5VX-16371-00	BOSS, CLUTCH	1	1	
4	168-16324-00	PLATE, CLUTCH 1 (T=2.3)	1	1	
5	4FN-16321-00	PLATE, FRICTION	6	6	
6	3J2-16324-00	PLATE, CLUTCH 1 (T=2.0)	7	7	
7	93306-00304	BEARING	1	1	
8	5EB-16356-01	ROD, PUSH 1	1	1	
9	5EB-16351-01	PLATE, PRESSURE 1	1	1	
10	90501-225A9	SPRING, COMPRESSION	6	6	
11	90159-06002	SCREW, WITH WASHER	6	6	
12	4H7-16321-02	PLATE, FRICTION	2	2	
13	90201-255A6	WASHER, PLATE	1	1	
14	1AE-16164-00	PLATE, THRUST 2	1	1	
15	90387-25024	COLLAR	1	1	
16	93310-340N8	BEARING	1	1	
17	90215-20004	WASHER, LOCK	1	1	
18	90170-20008	NUT	1	1	
19	93317-11096	BEARING	1	1	
20	93315-31502	BEARING	1	1	
21	93102-15212	OIL SEAL	1	1	
22	5VX-16382-00	AXLE, PUSH LEVER	1	1	
23	92907-08600	WASHER, PLATE	1	1	
24	99001-07600	CIRCLIP	1	1	
25	5VX-16340-00	PUSH LEVER ASSY	1	1	
26	90201-10119	WASHER, PLATE	1	1	
27	99009-10400	CIRCLIP	1	1	

FWD  
5VX1351-C161

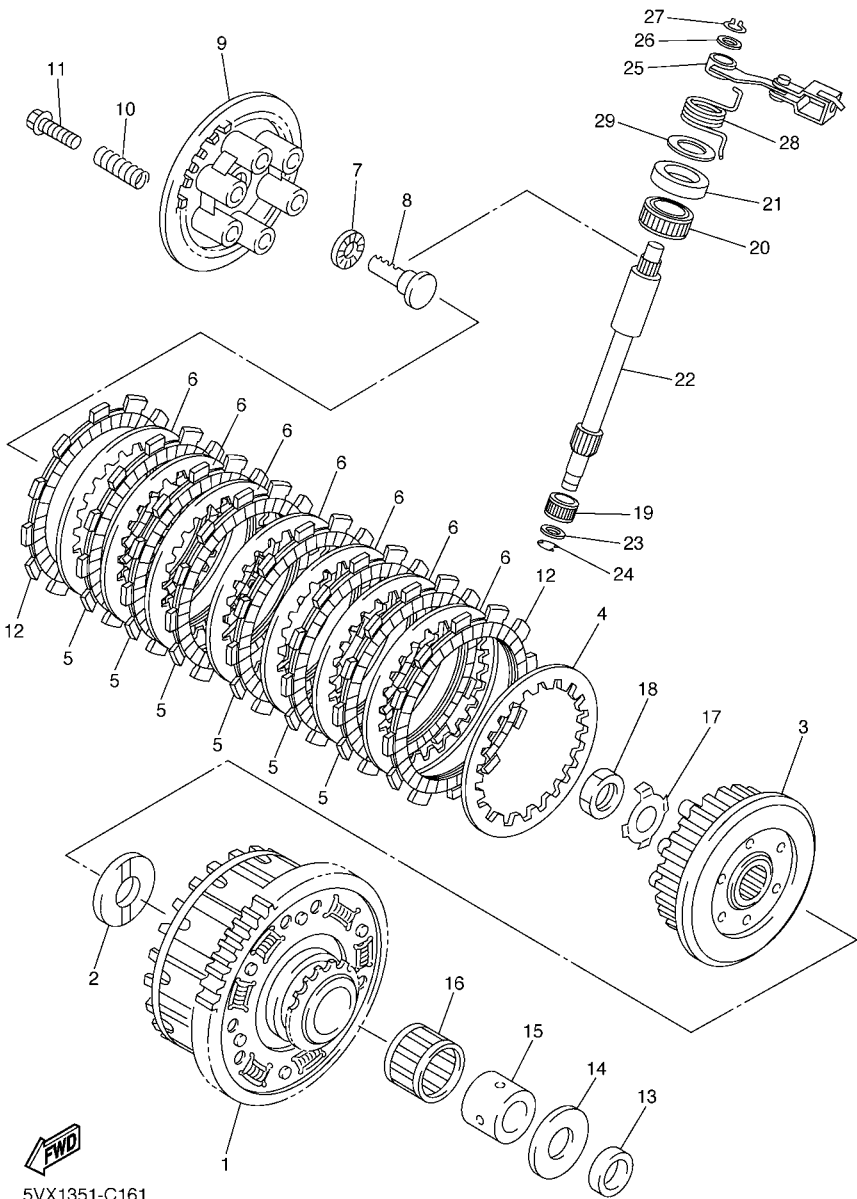
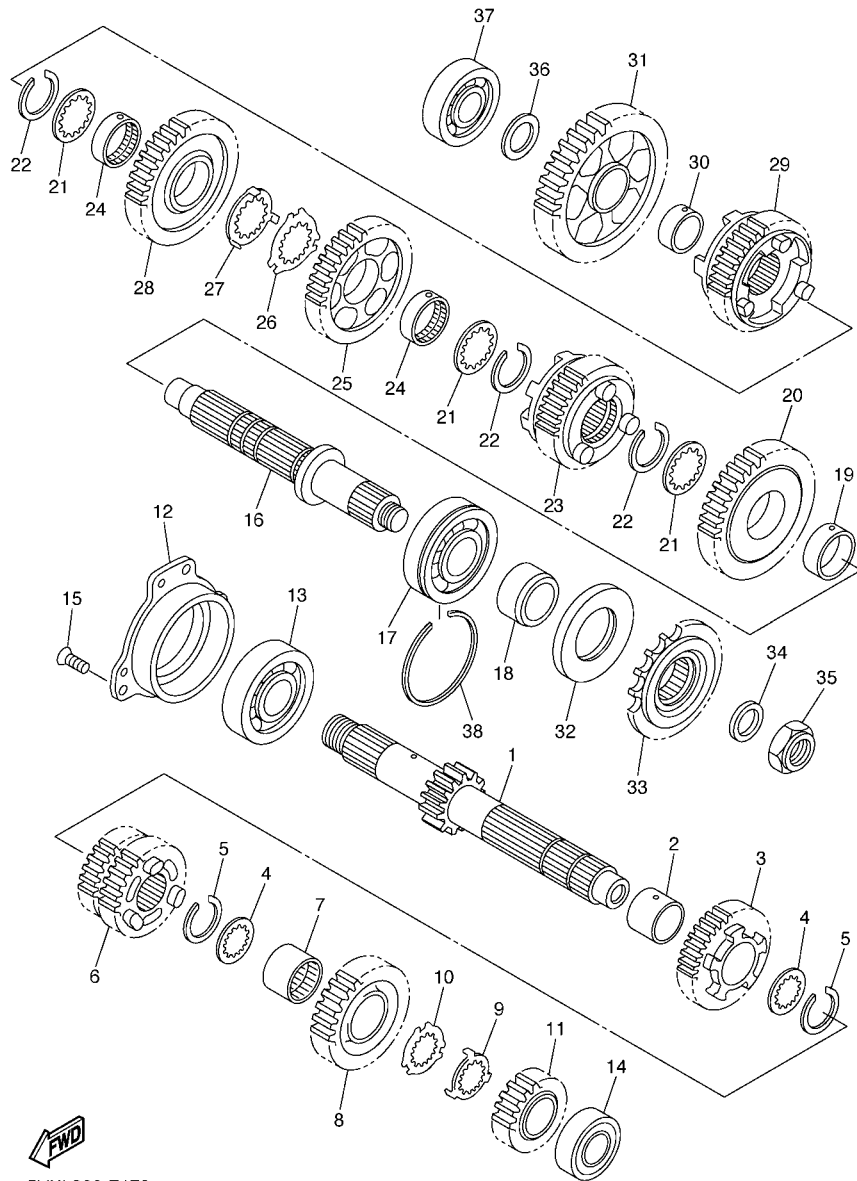


FIG. 16 CLUTCH

REF. NO.	PART NO.	DESCRIPTION	4S8B	4S8C			REMARKS
			1	1			
28	90508-18016	SPRING, TORSION	1	1			
29	90201-15013	WASHER, PLATE	1	1			

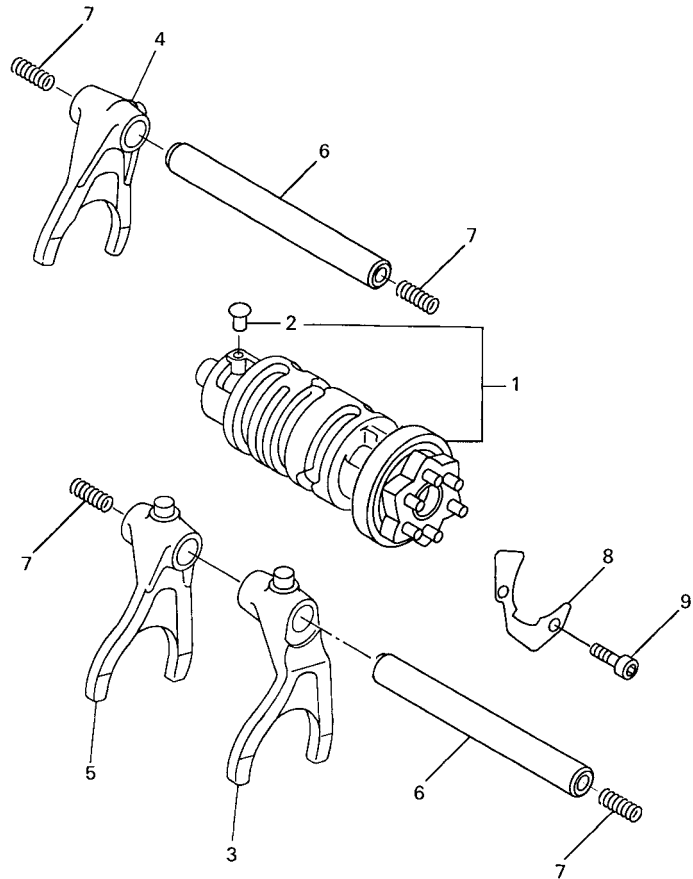


5VXL300-F170

FIG. 17 TRANSMISSION

REF. NO.	PART NO.	DESCRIPTION	4S8B	4S8C	REMARKS
1	5SL-17411-00	AXLE, MAIN (13T)	1	1	
2	90387-253M6	COLLAR	1	1	
3	5VX-17151-00	GEAR, 5TH PINION (21T)	1	1	
4	90209-21332	WASHER	2	2	
5	93440-25186	CIRCLIP	2	2	
6	5SL-17131-20	GEAR, 3RD PINION (18T/24T)	1	1	
7	90387-2513E	COLLAR	1	1	
8	5SL-17161-00	GEAR, 6TH PINION (24T)	1	1	
9	90209-22352	WASHER	1	1	
10	90209-21351	WASHER	1	1	
11	5SL-17121-00	GEAR, 2ND PINION (19T)	1	1	
12	5EB-15163-01	HOUSING, BEARING 1	1	1	
13	93306-30525	BEARING	1	1	
14	93306-20464	BEARING	1	1	
15	90151-06008	SCREW, COUNTERSUNK	3	3	
16	4S8-17421-00	AXLE, DRIVE	1	1	
17	93306-30546	BEARING	1	1	
18	90387-2504A	COLLAR	1	1	
19	90387-2813C	COLLAR	1	1	
20	5VX-17221-00	GEAR, 2ND WHEEL (37T)	1	1	
21	90209-25342	WASHER	3	3	
22	93440-28062	CIRCLIP	3	3	
23	5VX-17261-00	GEAR, 6TH WHEEL (26T)	1	1	
24	90387-2813D	COLLAR	2	2	
25	5SL-17241-00	GEAR, 4TH WHEEL (32T)	1	1	
26	90209-25349	WASHER	1	1	
27	90209-25350	WASHER	1	1	

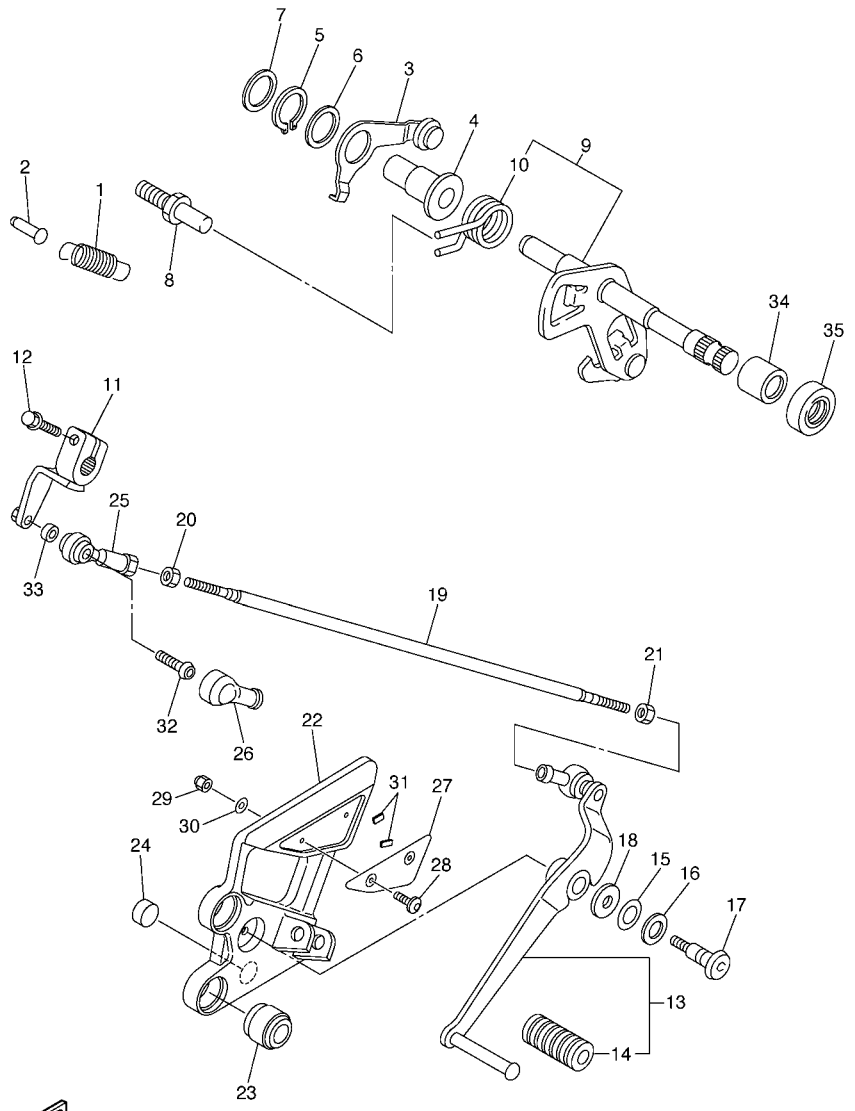




5EB3351-9170

FIG. 18 SHIFT CAM & FORK

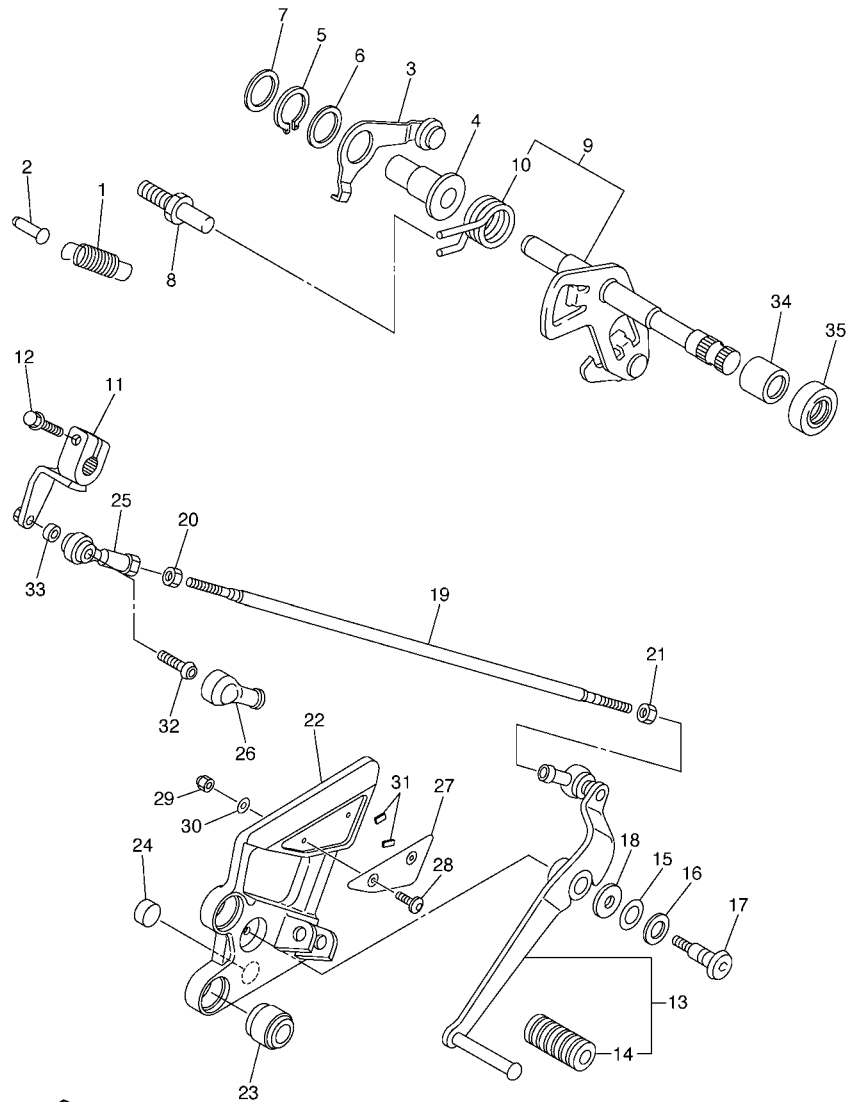
REF. NO.	PART NO.	DESCRIPTION	4S8B	4S8C			REMARKS
			1	1			
1	5VX-18540-00	SHIFT CAM ASSY	1	1			
2	136-18542-00	.POINT, NEUTRAL	1	1			
3	5SL-18511-00	FORK, SHIFT 1	1	1			
4	5MT-18512-00	FORK, SHIFT 2	1	1			
5	5EB-18513-00	FORK, SHIFT 3	1	1			
6	4XV-18531-00	BAR, SHIFT FORK GUIDE 1	2	2			
7	90501-064L1	SPRING, COMPRESSION	4	4			
8	5EB-18536-00	STOPPER, SHIFT BAR	1	1			
9	90110-06018	BOLT, HEXAGON SOCKET HEAD	2	2			
-----							
-----							
-----							
-----							
-----							
-----							



**FWD**  
5VXL300-F190

**FIG. 19 SHIFT SHAFT**

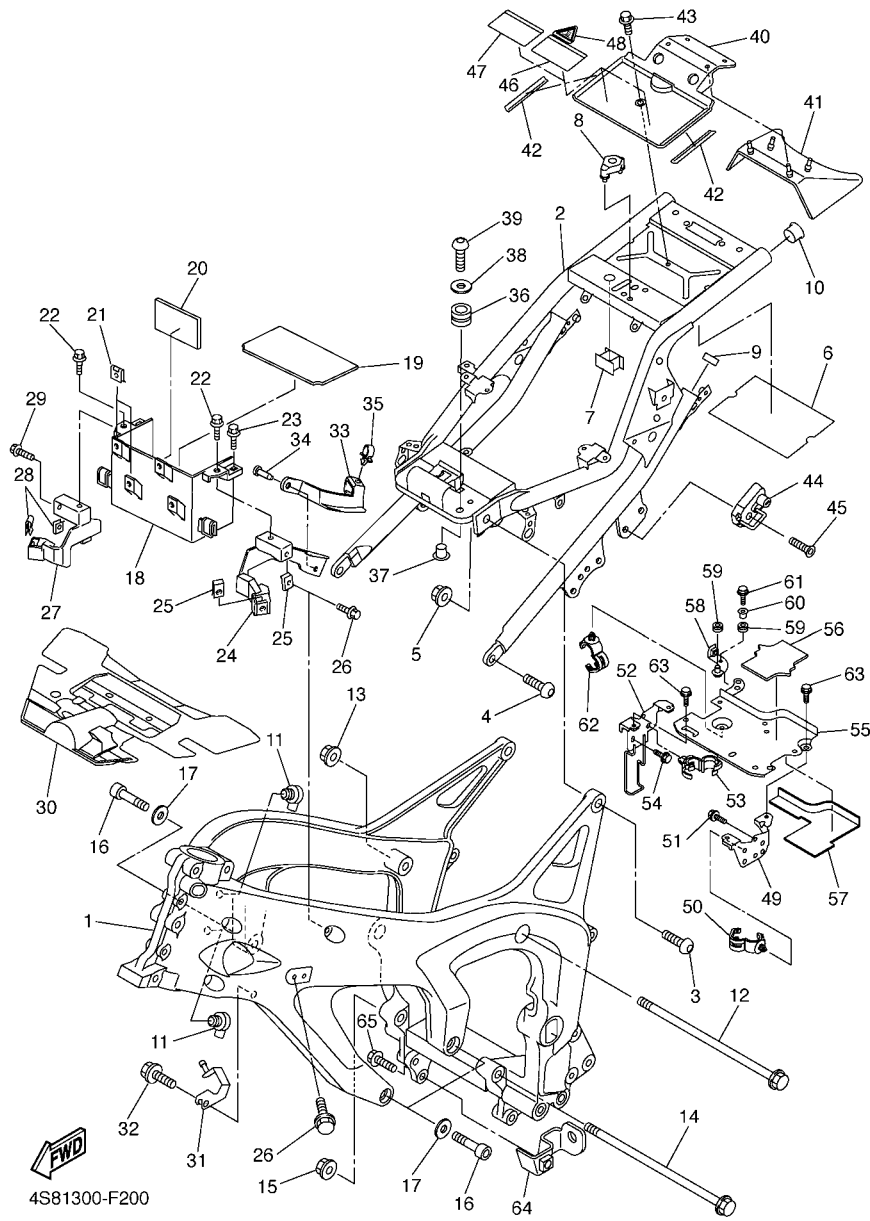
REF. NO.	PART NO.	DESCRIPTION	4S8B	4S8C	REMARKS
1	90506-14003	SPRING, TENSION	1	1	
2	132-16346-00	HOOK, SPRING	1	1	
3	5VX-18140-00	STOPPER LEVER ASSY	1	1	
4	90387-127V3	COLLAR	1	1	
5	99009-17400	CIRCLIP	1	1	
6	90201-177G4	WASHER, PLATE	1	1	
7	90201-154E8	WASHER, PLATE (T=1.0)	1	1	
8	1D7-18127-00	STOPPER, SCREW	1	1	
9	5VX-18101-11	SHIFT SHAFT ASSY	1	1	
10	90508-295B2	.SPRING, TORSION	1	1	
11	5VX-18112-01	ARM, SHIFT	1	1	
12	95824-06020	BOLT, FLANGE	1	1	
13	5VX-18110-00	SHIFT PEDAL ASSY	1	1	
14	5EB-18113-00	.COVER, SHIFT PEDAL	1	1	
15	90201-12013	WASHER, PLATE	1	1	
16	90206-12074	WASHER, WAVE	1	1	
17	4BP-27434-01	BOLT	1	1	
18	90201-08784	WASHER, PLATE	1	1	
19	5VX-18115-02	ROD, SHIFT	1	1	
20	90170-06228	NUT(COUNTER CLOCKWISE)	1	1	
21	95304-06700	NUT	1	1	
22	5VX-27442-10	BRACKET 2	1	1	
23	5VX-27424-00	DAMPER, FOOTREST 2	2	2	
24	5VX-27114-00	STOPPER, MAIN STAND	1	1	
25	5VX-18116-00	JOINT, ROD 1	1	1	
26	5VX-18154-00	COVER, DUST	1	1	
27	4S8-27445-00	PLATE 1	1	1	



5VXL300-F190

FIG. 19 SHIFT SHAFT

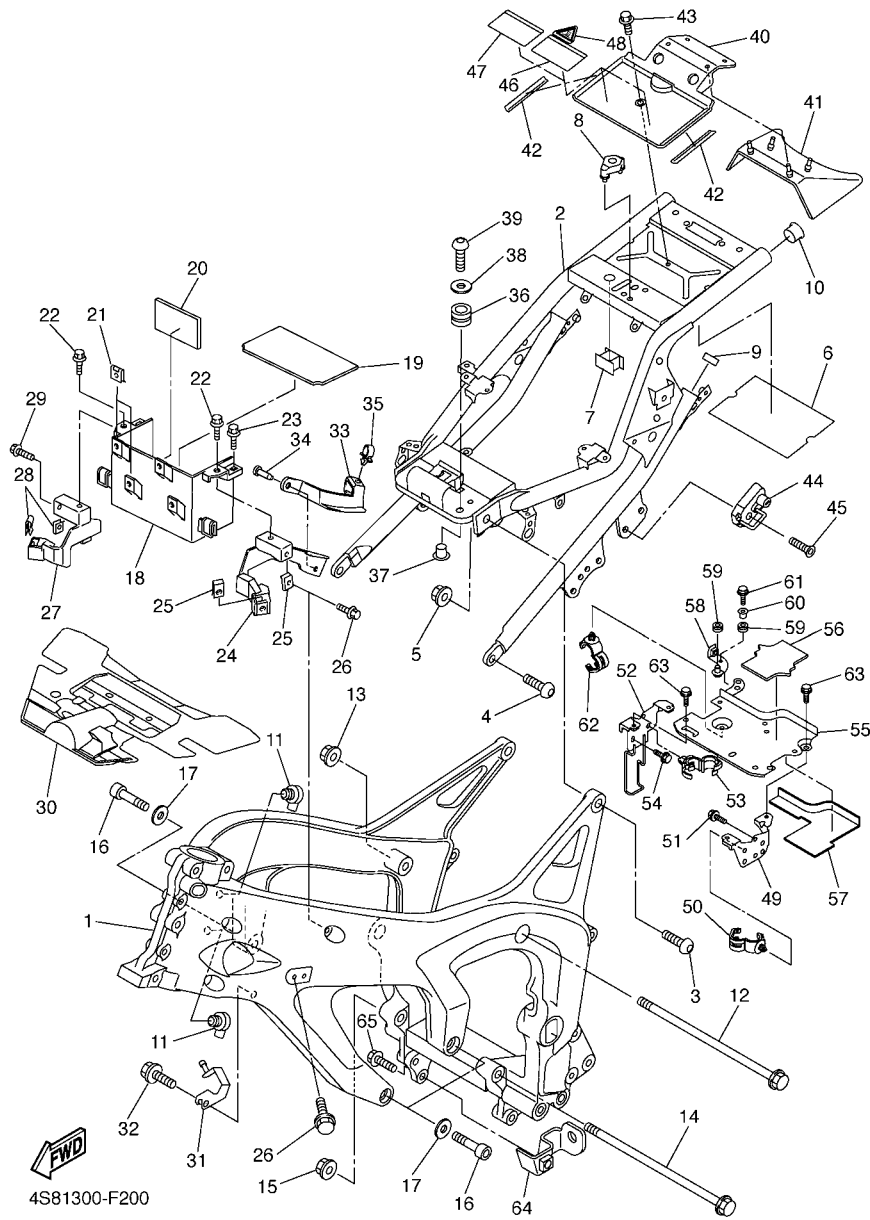
REF. NO.	PART NO.	DESCRIPTION	4S8B	4S8C			REMARKS
28	92014-05012	BOLT, BUTTON HEAD	2	2			
29	95607-05100	NUT, U	2	2			
30	92990-05200	WASHER, PLAIN	2	2			
31	4S8-27415-00	PLATE, FOOTREST	2	2			
32	90111-06019	BOLT, HEX. SOCKET BUTTON	1	1			
33	90387-06372	COLLAR	1	1			
34	93317-11295	BEARING	1	1			
35	93102-12106	OIL SEAL (SD 12-22-5 HS)	1	1			
-----							
-----							
-----							
-----							
-----							
-----							



4S81300-F200

FIG. 20 FRAME

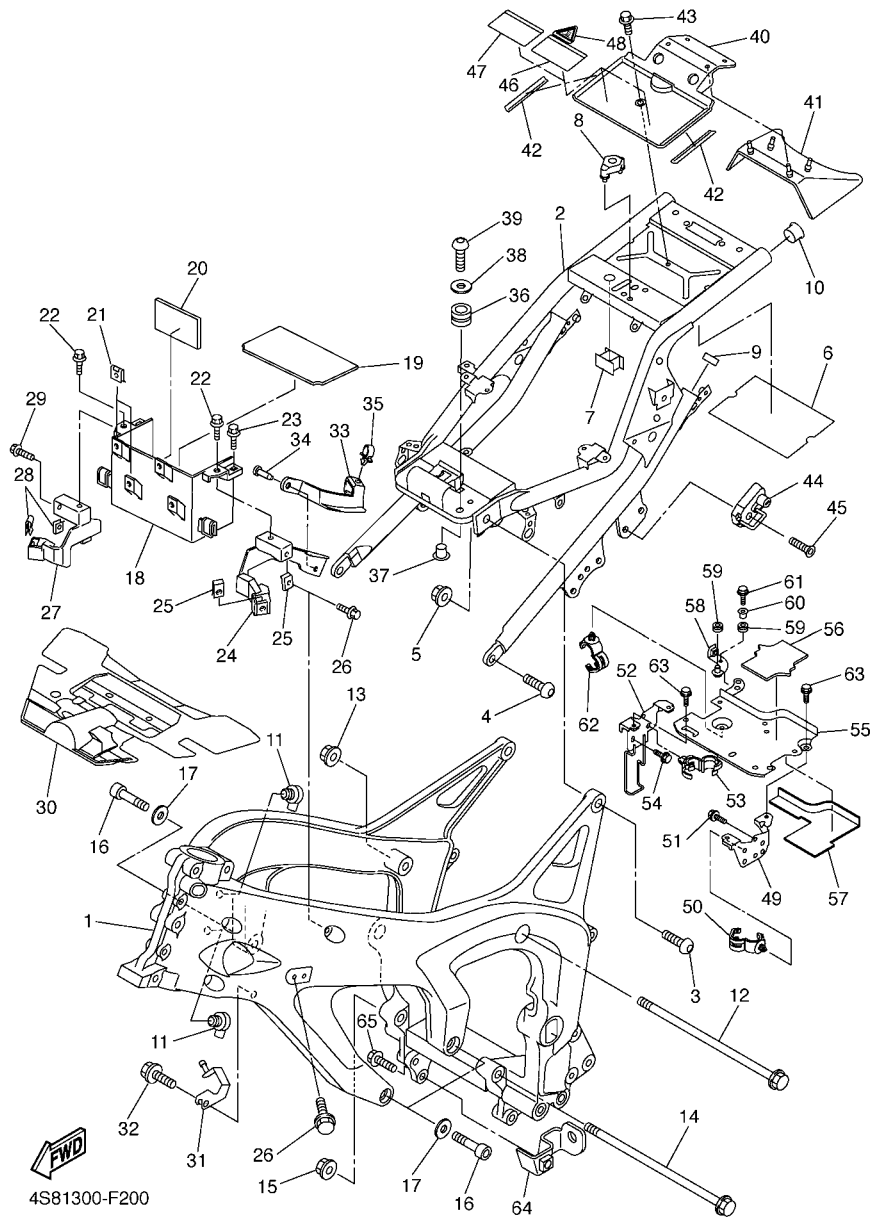
REF. NO.	PART NO.	DESCRIPTION	4S8B	4S8C	REMARKS
1	4S8-21110-09	FRAME COMP.	1		UR FOR SMX
	4S8-21110-19	FRAME COMP.		1	UR FOR SMX
	4S8-21110-29	FRAME COMP.	1		UR FOR DOM7,BMC
	4S8-21110-39	FRAME COMP.		1	UR FOR DOM7,BMC
2	4S8-21190-09	REAR FRAME COMP.	1	1	UR FOR SMX
	4S8-21190-19	REAR FRAME COMP.	1	1	UR FOR DOM7,BMC
3	90149-10006	SCREW	2	2	
4	90149-10012	SCREW	2	2	
5	95607-10200	NUT, U FLANGE	2	2	
6	5VX-21268-00	SEAL	1	1	
7	5VX-2139B-00	SEAL	1	1	
8	5VX-2140A-00	DAMPER, STOPPER	1	1	
9	3YJ-24481-00	PLUG	2	2	
10	90338-21145	PLUG	1	1	
11	5VX-21279-10	PLUG, BLIND	2	2	
12	90105-10032	BOLT, FLANGE	1	1	
13	90185-10002	NUT, SELF-LOCKING	1	1	
14	90105-10N53	BOLT, FLANGE	1	1	
15	90185-10002	NUT, SELF-LOCKING	1	1	
16	91314-10050	BOLT, HEXAGON SOCKET HEAD	3	3	
17	90201-10020	WASHER, PLATE	3	3	
18	5VX-2177G-00	BOX, BATTERY	1	1	
19	5VX-82122-00	SEAT, BATTERY	1	1	
20	5EJ-2414H-00	DAMPER, PLATE 1	1	1	
21	90183-06053	NUT, SPRING	2	2	
22	90109-06060	BOLT	2	2	
23	95807-06025	BOLT, FLANGE	2	2	



4S81300-F200

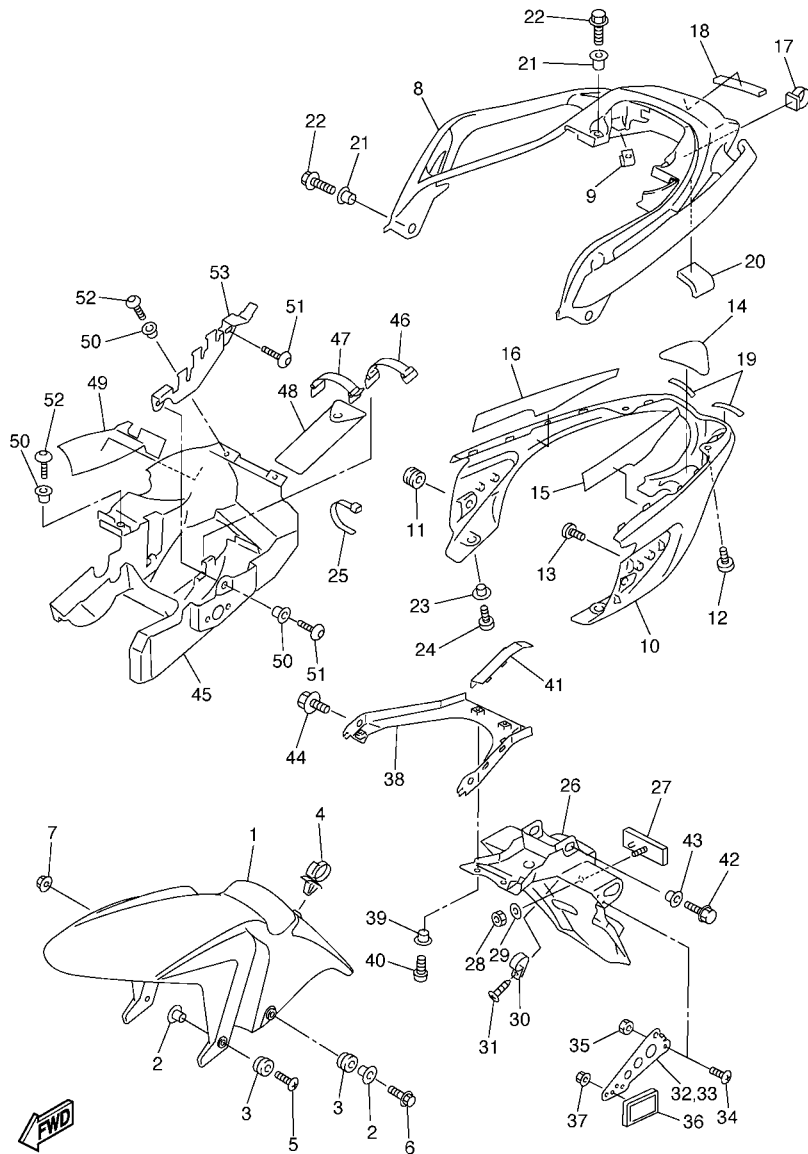
FIG. 20 FRAME

REF. NO.	PART NO.	DESCRIPTION	4S8B	4S8C			REMARKS
			1	1			
24	5VX-21238-00	BRACKET	1	1			
25	90183-060A1	NUT, SPRING	2	2			
26	90105-06557	BOLT, FLANGE	2	2			
27	5VX-21239-00	BRACKET 2	1	1			
28	90183-060A1	NUT, SPRING	2	2			
29	90105-06557	BOLT, FLANGE	2	2			
30	5VX-2117M-01	COVER 2	1	1			
31	5VX-21249-00	BRACKET	1	1			
32	95027-06012	BOLT, FLANGE	1	1			
33	5VX-2135F-00	COVER	1	1			
34	90269-08066	RIVET	2	2			
35	90464-15157	CLAMP	1	1			
36	90480-12237	GROMMET	2	2			
37	90387-06078	COLLAR	2	2			
38	90201-06055	WASHER, PLATE	2	2			
39	92017-06020	BOLT, BUTTON HEAD	2	2			
40	5VX-2139W-00	COVER	1	1			
41	5VX-2139R-00	COVER 2	1	1			
42	5VX-21269-00	SEAL	2	2			
43	90109-067F4	BOLT	1	1			
44	4R8-21308-01	HELMET HANGER ASSY	1	1			
45	90151-06018	SCREW, COUNTERSUNK	1	1			
46	5VX-2117B-31	LABEL, WARNING	1	1			
47	5VX-2117B-41	LABEL, WARNING	1	1			
48	5VX-2117B-A1	LABEL, WARNING	1	1			
49	5VX-21843-00	STAY, 4	1	1			
50	90464-20181	CLAMP	1	1			



**FIG. 20 FRAME**

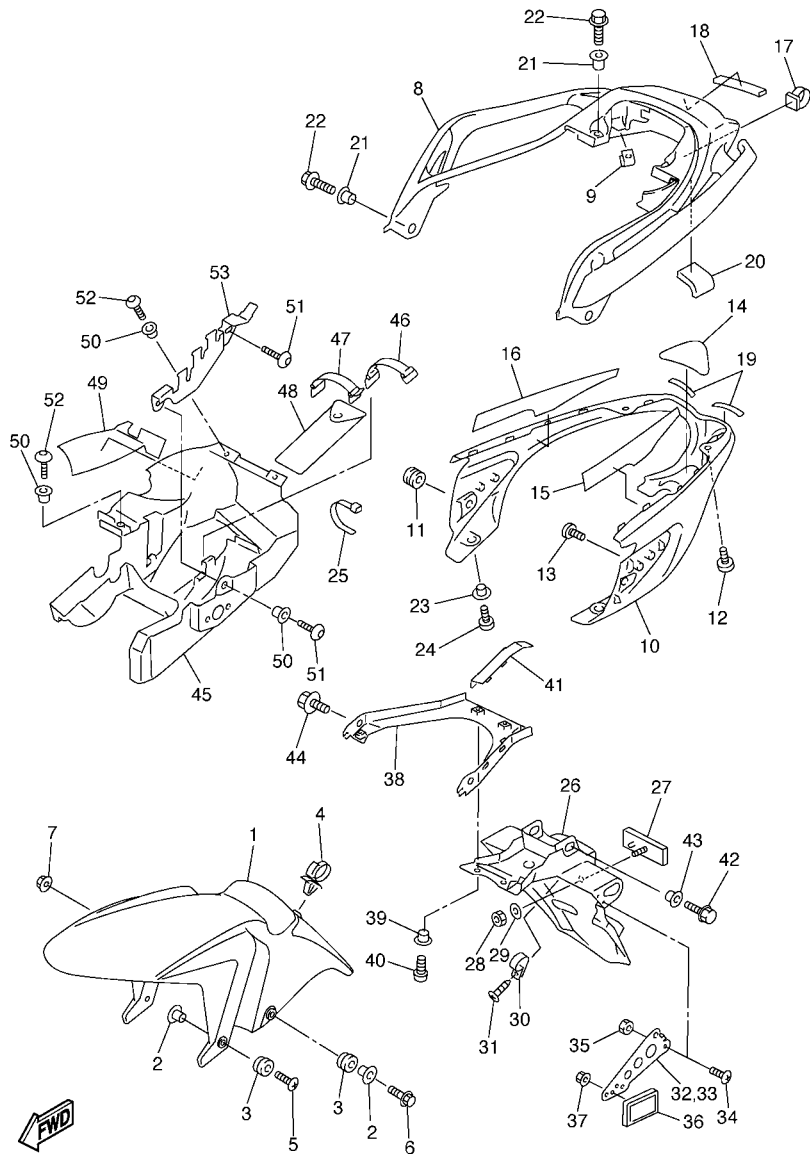
REF. NO.	PART NO.	DESCRIPTION	4S8B	4S8C	REMARKS
51	95827-06010	BOLT, FLANGE	2	2	
52	5VX-22836-00	STAY, 3	1	1	
53	90464-14001	CLAMP	1	1	
54	95827-06010	BOLT, FLANGE	2	2	
55	4S8-2175V-00	BRACKET 3	1	1	
56	5VX-21779-00	DAMPER, LOCATING 2	1	1	
57	5VX-2173M-00	SEAL 3	1	1	
58	4P5-21228-00	BRACKET, RESERVE TANK	1	1	
59	90480-13163	GROMMET	2	2	
60	90560-06201	SPACER	1	1	
61	95807-06016	BOLT, FLANGE	1	1	
62	90464-20181	CLAMP	1	1	
63	95827-06010	BOLT, FLANGE	4	4	
64	4S8-2119V-00	BRACKET	1	1	
65	95827-08025	BOLT, FLANGE	1	1	



4S85700-F210

FIG. 21 FENDER

REF. NO.	PART NO.	DESCRIPTION	4S8B	4S8C	REMARKS
1	4S8-21511-00-P0	FENDER, FRONT	1	1	UR FOR SMX,DOM7
	4S8-21511-00-P4	FENDER, FRONT	1	1	UR FOR BMC
2	90387-065J6	COLLAR	4	4	
3	90480-12072	GROMMET	4	4	
4	90464-18002	CLAMP	1	1	
5	90154-06061	SCREW, BINDING	2	2	
6	90109-06031	BOLT	2	2	
7	90179-06403	NUT	2	2	
8	5VX-24773-00-P6	HANDLE, SEAT	1	1	UR FOR SMX,DOM7
	5VX-24773-00-PB	HANDLE, SEAT	1	1	UR FOR BMC
9	90183-05061	NUT, SPRING	2	2	
10	5VX-21651-00	COVER, REAR FENDER	1	1	
11	90480-13398	GROMMET	2	2	
12	98907-05012	SCREW, BIND	2	2	
13	97707-50012	SCREW, TRUSS HEAD TAPPING	2	2	
14	5VX-21669-00	SEAL	1	1	
15	5VX-21732-00	SEAL 1	1	1	
16	5VX-21735-01	SEAL 2	1	1	
17	90464-14002	CLAMP	1	1	
18	5VX-88158-00	DAMPER	1	1	
19	5VX-21639-00	DAMPER 2	2	2	
20	31A-28217-00	DAMPER 1	1	1	
21	90387-09003	COLLAR	4	4	
22	95827-08025	BOLT, FLANGE	4	4	
23	90387-06107	COLLAR	2	2	
24	98907-06012	SCREW, BIND	2	2	
25	90465-13152	CLAMP	2	2	



4S85700-F210

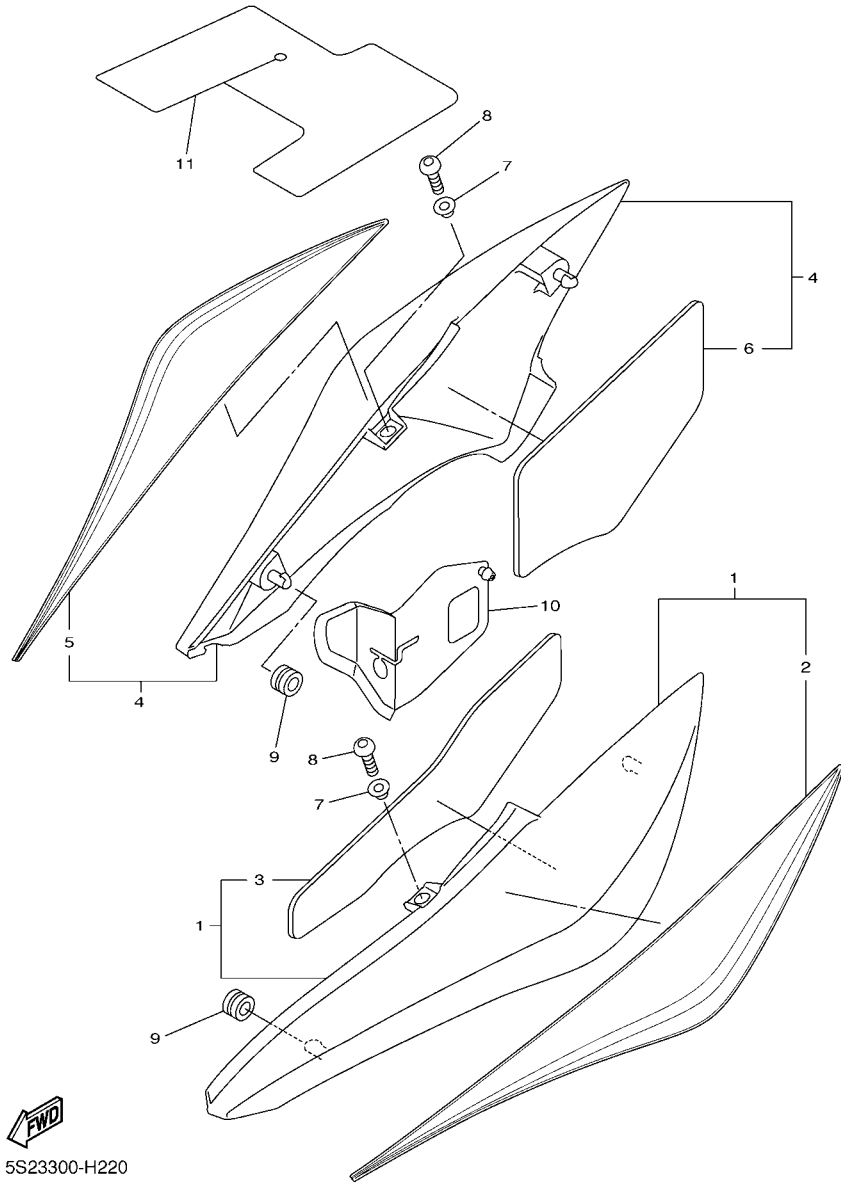
FIG. 21 FENDER

REF. NO.	PART NO.	DESCRIPTION	4S8B	4S8C		REMARKS
26	5VX-21621-00	FLAP	1			
	5VX-21621-10	FLAP		1		
27	3Y6-85130-02	REAR REFLECTOR ASSY	1	1		
28	95607-05100	NUT, U	1	1		
29	90201-05725	WASHER, PLATE	1	1		
30	90464-18029	CLAMP	1	1		
31	97707-40012	SCREW, TAPPING	1	1		
32	5VX-2164H-00	STAY 3		1		
33	5VX-2164J-00	STAY 4		1		
34	90150-04041	SCREW, ROUND HEAD		4		
35	95607-04100	NUT, U		4		
36	5SL-85110-00	REFLECTOR ASSY		2		
37	95707-05500	NUT, FLANGE		2		
38	5VX-2161G-00	BRACKET 6	1	1		
39	90387-06107	COLLAR		2		
40	92017-06012	BOLT, BUTTON HEAD	2	2		
41	5VX-21665-00	GUIDE, MUD GUARD	1	1		
42	95827-06016	BOLT, FLANGE	2	2		
43	90387-06075	COLLAR	2	2		
44	95827-08012	BOLT, FLANGE	2	2		
45	5VX-21629-00	GUARD, MUD	1	1		
46	3TJ-82131-00	BAND, BATTERY	1	1		
47	122-82131-00	BAND, BATTERY	1	1		
48	5VX-28100-00	TOOL KIT	1	1		
49	5VX-2173N-01	SEAL 4	1	1		
50	90387-06107	COLLAR	4	4		
51	92017-06016	BOLT, BUTTON HEAD	2	2		



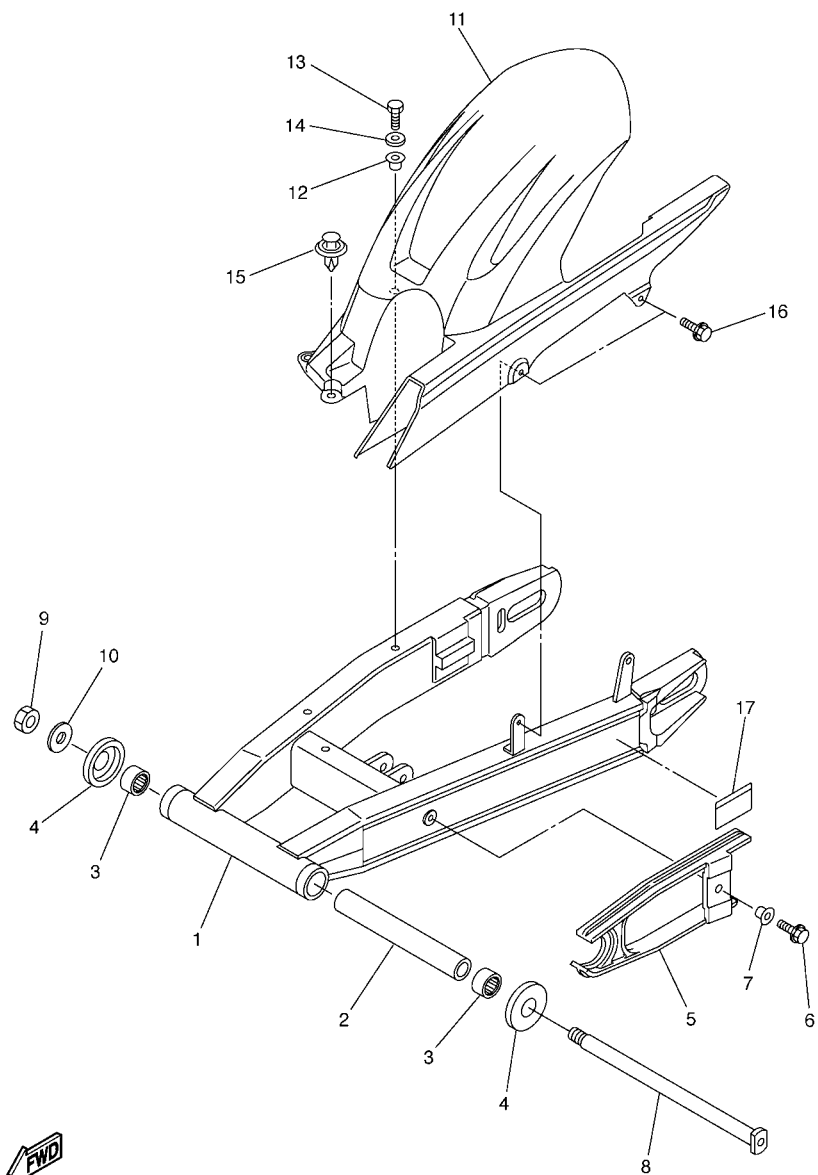


5S23300-H220



**FIG. 22 SIDE COVER**

REF. NO.	PART NO.	DESCRIPTION	4S8B	4S8C	REMARKS
1	5VX-21710-A0-P2	SIDE COVER ASSY 1	1	1	UR FOR SMX
	5VX-Y2171-W0	COVER, SIDE 1	1	1	UR FOR DOM7
	5VX-21710-A0-P5	SIDE COVER ASSY 1	1	1	UR FOR BMC
2	4S8-2173E-30	.GRAPHIC 1	1	1	UR FOR DOM7
3	5VX-2174X-00	.DAMPER	1	1	
4	5VX-21720-A0-P2	SIDE COVER ASSY 2	1	1	UR FOR SMX
	5VX-Y2172-X0	COVER, SIDE 2	1	1	UR FOR DOM7
	5VX-21720-A0-P5	SIDE COVER ASSY 2	1	1	UR FOR BMC
5	4S8-2173F-30	.GRAPHIC 2	1	1	UR FOR DOM7
6	5VX-2174Y-00	.DAMPER	1	1	
7	90387-06107	COLLAR	2	2	
8	92017-06014	BOLT, BUTTON HEAD	2	2	
9	90480-01558	GROMMET	2	2	
10	5VX-2163A-00	COVER, REAR FENDER 1	1	1	
11	5VX-2177F-00	FLAP	1	1	



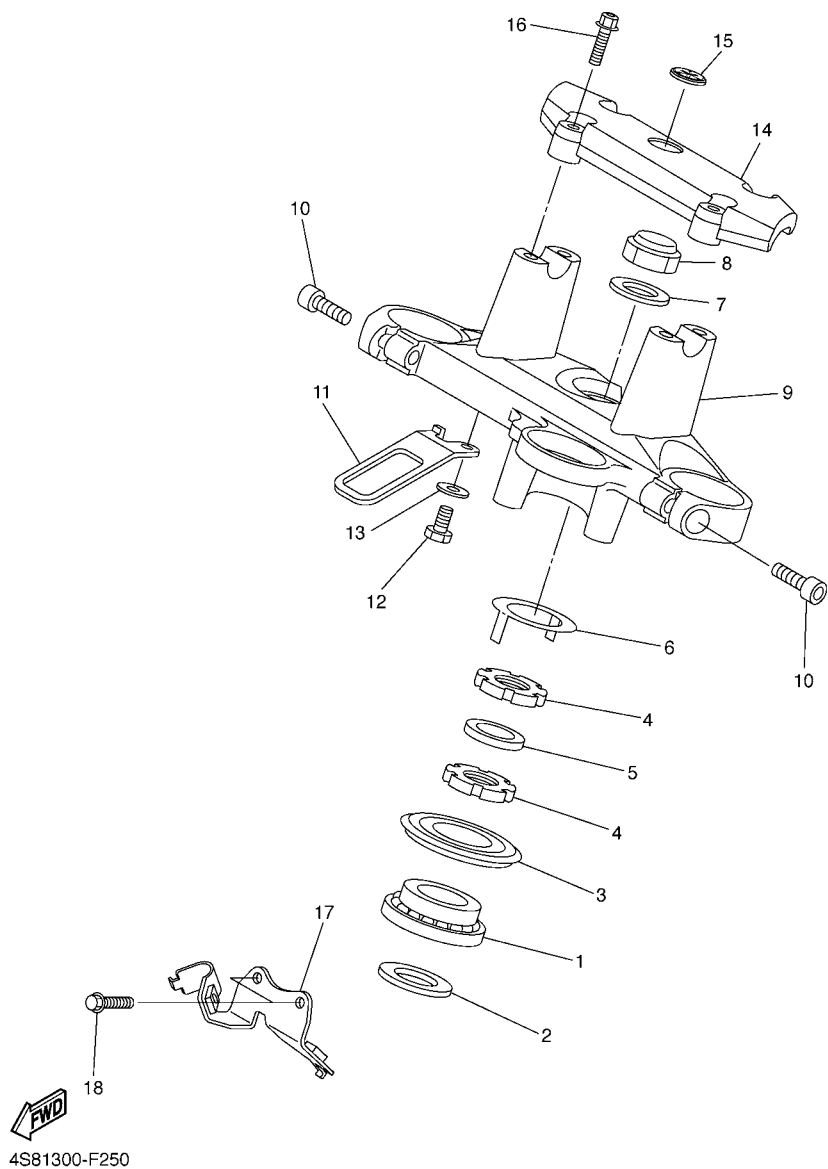
4S81300-F230

FIG. 23 REAR ARM

REF. NO.	PART NO.	DESCRIPTION	4S8B	4S8C	REMARKS
1	4S8-22110-00	REAR ARM COMP.	1	1	UR FOR SMX
	4S8-22110-10	REAR ARM COMP.	1	1	UR FOR DOM7, BMC
2	5EB-22184-00	BUSH	1	1	
3	93315-42523	BEARING	2	2	
4	5JJ-22128-00	COVER, THRUST 1	2	2	
5	5VX-22151-00	SEAL, GUARD	1	1	
6	90119-06096	BOLT, WITH WASHER	1	1	
7	90387-06372	COLLAR	1	1	
8	4FN-22141-00	SHAFT, PIVOT	1	1	
9	90185-18167	NUT, SELF-LOCKING	1	1	
10	90201-18020	WASHER, PLATE	1	1	
11	5VX-21650-00	REAR FENDER COMP.	1	1	
12	90387-06107	COLLAR	2	2	
13	97007-06025	BOLT	2	2	
14	92907-06600	WASHER, PLATE	2	2	
15	90269-08001	RIVET	1	1	
16	90119-06117	BOLT, WITH WASHER	2	2	
17	3XW-21668-A1	LABEL, TIRE	1	1	



**FIG. 25 STEERING**



REF. NO.	PART NO.	DESCRIPTION	4S8B	4S8C	REMARKS
1	93399-99931	BEARING	1	1	
2	90202-24190	WASHER, PLATE	1	1	
3	5VX-23415-00	COVER, BALL RACE 1	1	1	
4	90179-25033	NUT	2	2	
5	90202-26142	WASHER, PLATE	1	1	
6	26H-23418-01	WASHER, SPECIAL	1	1	
7	90201-220T0	WASHER, PLATE	1	1	
8	90176-22081	NUT, CROWN	1	1	
9	5VX-23435-20	CROWN, HANDLE	1	1	
10	91314-08030	BOLT, HEXAGON SOCKET HEAD	2	2	
11	5VX-23389-00	GUIDE, CABLE	1	1	
12	97007-06016	BOLT	1	1	
13	92907-06600	WASHER, PLATE	1	1	
14	4S8-23441-00	HOLDER, HANDLE UPPER	1	1	
15	4XV-2341B-00	EMBLEM	1	1	
16	95024-08035	BOLT, FLANGE	4	4	
17	4P5-23377-00	BRACKET, HORN	1	1	
18	95807-06012	BOLT, FLANGE	2	2	



4S81300-F260

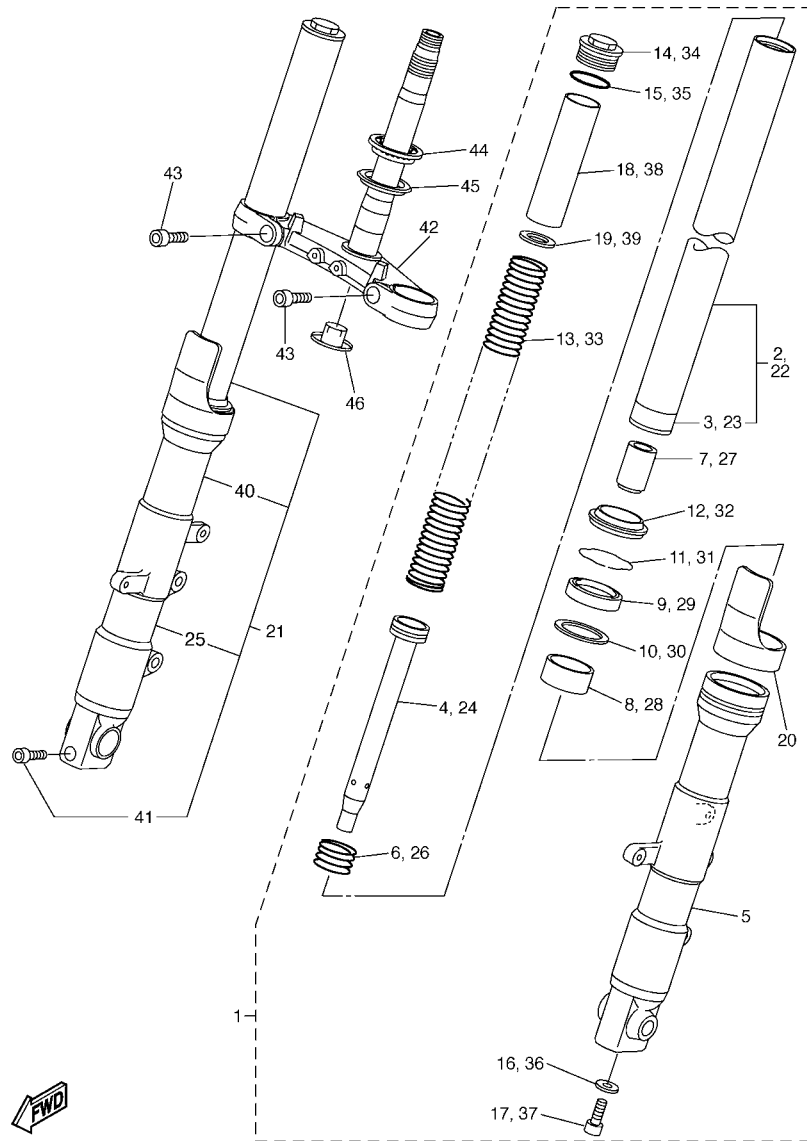


FIG. 26 FRONT FORK

REF. NO.	PART NO.	DESCRIPTION	4S8B	4S8C	REMARKS
1	4S8-23102-00	FRONT FORK ASSY (L.H)	1	1	UR FOR SMX
	4S8-23102-10	FRONT FORK ASSY (L.H)	1	1	UR FOR DOM7,BMC
2	4S8-23110-00	.INNER TUBE COMP.1	1	1	
3	4TX-23135-B0	..METAL, SLIDE 2	1	1	
4	5VX-23170-00	.CYLINDER COMP., FRONT FORK	1	1	
5	4S8-23126-00	.TUBE, OUTER (LEFT)	1	1	UR FOR SMX
	4S8-23126-10	.TUBE, OUTER (LEFT)	1	1	UR FOR DOM7,BMC
6	4TX-23151-00	.SPRING, REBOUND	1	1	
7	4TX-23173-00	.SPINDLE, TAPER	1	1	
8	4TX-23125-B0	.METAL, SLIDE 1	1	1	
9	5VX-23145-00	.OIL SEAL	1	1	
10	4TX-23115-00	.GUIDE, COVER UPPER	1	1	
11	4TX-23156-00	.RING, SNAP	1	1	
12	4TX-23144-00	.SEAL, DUST	1	1	
13	5VX-23141-00	.SPRING, FRONT FORK	1	1	
14	5VX-2311H-00	.FORK BOLT	1	1	
15	93210-34504	.O-RING	1	1	
16	90430-10171	.GASKET	1	1	
17	90110-10N52	.BOLT, HEXAGON SOCKET HEAD	1	1	
18	5VX-23118-00	.SPACER	1	1	
19	4S8-23142-00	.SEAT, SPRING UPPER	1	1	
20	4TX-2331G-00	.COVER	1	1	
21	4S8-23103-00	FRONT FORK ASSY (R.H)	1	1	UR FOR SMX
	4S8-23103-10	FRONT FORK ASSY (R.H)	1	1	UR FOR DOM7,BMC
22	4S8-23110-00	.INNER TUBE COMP.1	1	1	
23	4TX-23135-B0	..METAL, SLIDE 2	1	1	
24	5VX-23170-00	.CYLINDER COMP., FRONT FORK	1	1	



4S81300-F260

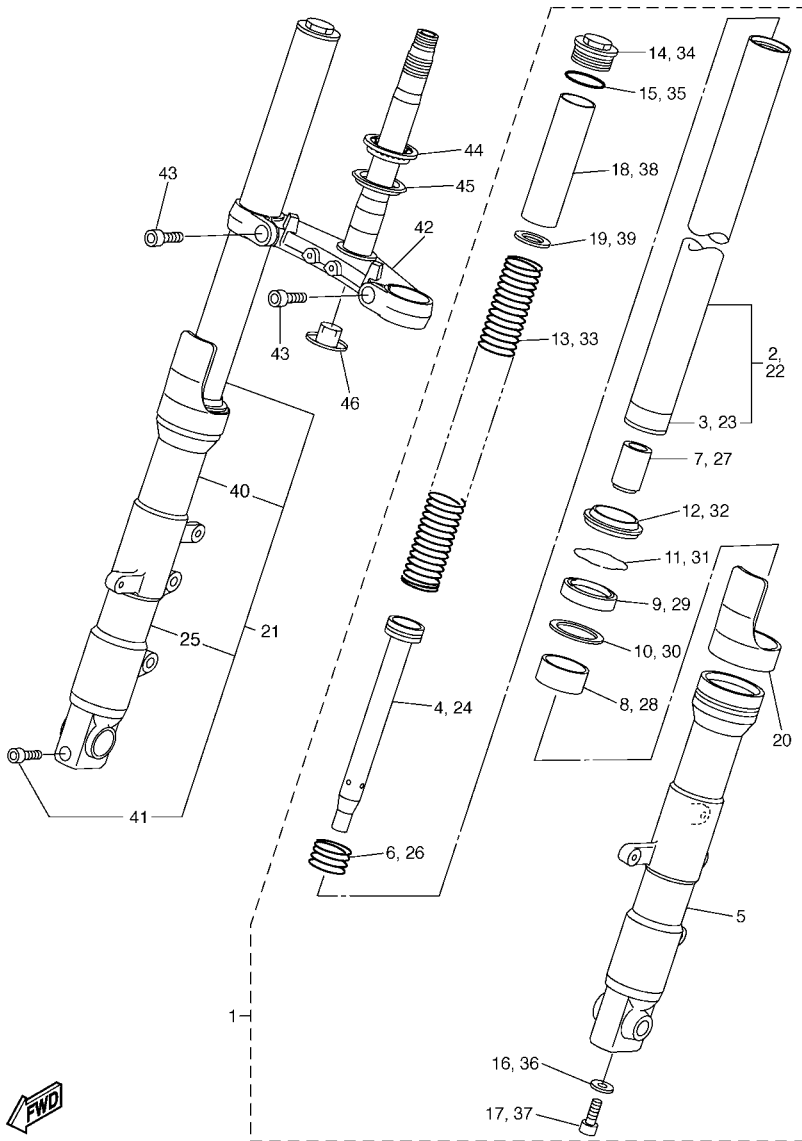


FIG. 26 FRONT FORK

REF. NO.	PART NO.	DESCRIPTION	4S8B	4S8C	REMARKS
25	4S8-23136-00	.TUBE, OUTER (RIGHT)	1	1	UR FOR SMX
	4S8-23136-10	.TUBE, OUTER (RIGHT)	1	1	UR FOR DOM7,BMC
26	4TX-23151-00	.SPRING, REBOUND	1	1	
27	4TX-23173-00	.SPINDLE, TAPER	1	1	
28	4TX-23125-B0	.METAL, SLIDE 1	1	1	
29	5VX-23145-00	.OIL SEAL	1	1	
30	4TX-23115-00	.GUIDE, COVER UPPER	1	1	
31	4TX-23156-00	.RING, SNAP	1	1	
32	4TX-23144-00	.SEAL, DUST	1	1	
33	5VX-23141-00	.SPRING, FRONT FORK	1	1	
34	5VX-2311H-00	.FORK BOLT	1	1	
35	93210-34504	.O-RING	1	1	
36	90430-10171	.GASKET	1	1	
37	90110-10N52	.BOLT, HEXAGON SOCKET HEAD	1	1	
38	5VX-23118-00	.SPACER	1	1	
39	4S8-23142-00	.SEAT, SPRING UPPER	1	1	
40	4TX-2331G-00	.COVER	1	1	
41	91314-08045	.BOLT, HEXAGON SOCKET HEAD	1	1	
42	5VX-23340-00	UNDER BRACKET COMP.	1	1	
43	91312-10025	BOLT	2	2	
44	93399-99932	BEARING	1	1	
45	3FV-23462-00	SEAL, STEERING	1	1	
46	4KM-23123-01	COVER, UNDER 1	1	1	

**FIG. 27 FUEL TANK**

REF. NO.	PART NO.	DESCRIPTION	4S8B	4S8C	REMARKS
1	5VX-YK241-30-P3	FUEL TANK COMP.	1	1	UR FOR SMX
	5VX-Y2410-30-W5	FUEL TANK COMP.	1	1	UR FOR DOM7
	5VX-Y2410-30-W8	FUEL TANK COMP.	1		UR FOR DOM7
	5VX-Y2410-30-W6	FUEL TANK COMP.	1	1	UR FOR BMC
	5VX-Y2410-30-W9	FUEL TANK COMP.	1		UR FOR BMC
2	3C3-24244-80	.GRAPHIC, FUEL TANK 1	1	1	UR FOR DOM7
	3C3-24244-A0	.GRAPHIC, FUEL TANK 1	1		UR FOR DOM7
	3C3-24244-90	.GRAPHIC, FUEL TANK 1	1	1	UR FOR BMC
	3C3-24244-B0	.GRAPHIC, FUEL TANK 1	1		UR FOR BMC
3	5SL-2413B-00	EMBLEM	2	2	
4	5VX-24191-00	BRACKET, FUEL TANK 1	1	1	
5	90480-15005	GROMMET	2	2	
6	90387-06068	COLLAR	2	2	
7	90119-06062	BOLT, WITH WASHER	2	2	
8	5VX-24183-00	DAMPER, LOCATING 3	2	2	
9	5VX-13907-02	FUEL PUMP COMP.	1	1	
10	5SL-24491-00	BRACKET, FUEL PUMP	1	1	
11	5PW-24192-00	BRACKET, FUEL TANK 2	1	1	
12	98907-05008	SCREW, BIND	2	2	
13	5JW-24486-00	O-RING	1	1	
14	90110-05014	BOLT, HEXAGON SOCKET HEAD	6	6	
15	90110-06079	BOLT, HEXAGON SOCKET HEAD	2	2	
16	5VX-24181-00	DAMPER, LOCATING 1	2	2	
17	90387-061W6	COLLAR	1	1	
18	95827-06090	BOLT, FLANGE	1	1	
19	90110-05112	BOLT, HEXAGON SOCKET HEAD	3	3	
20	91317-05010	BOLT	1	1	

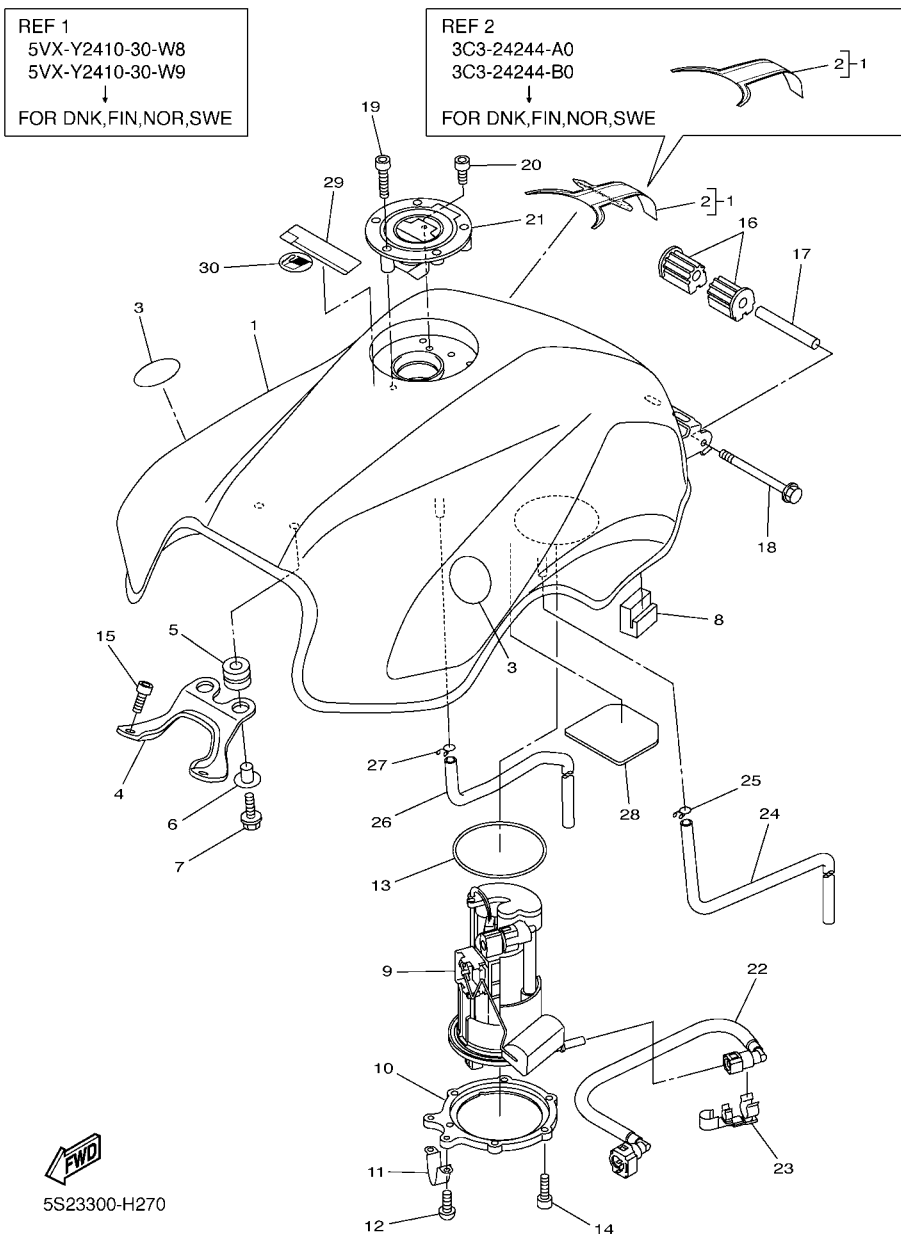
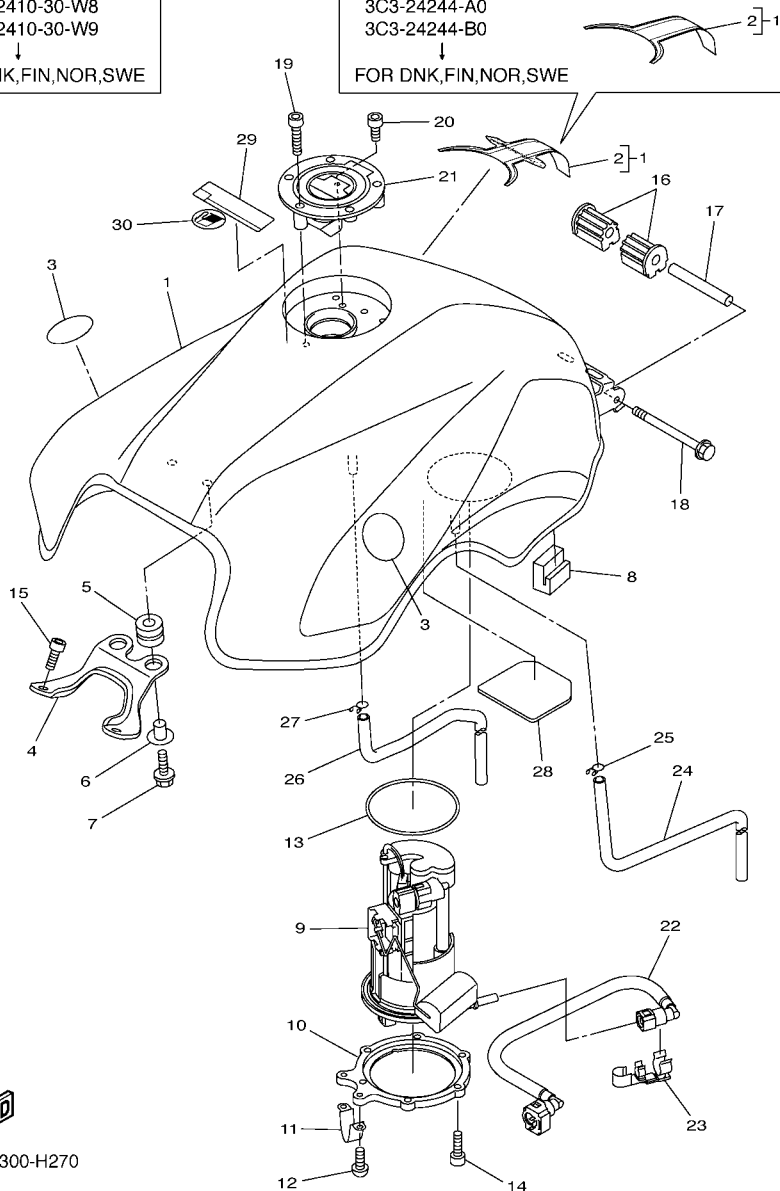


FIG. 27 FUEL TANK

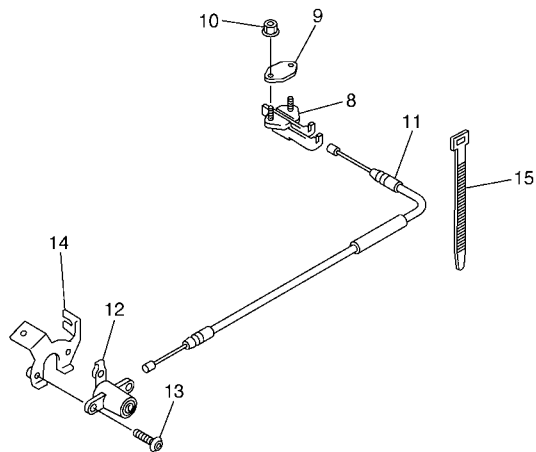
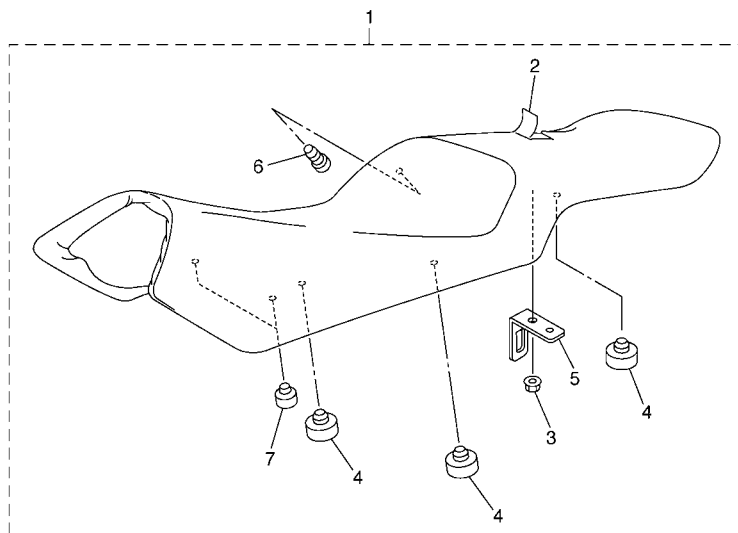
REF. NO.	PART NO.	DESCRIPTION	4S8B	4S8C	REMARKS
21	5JJ-24602-00	CAP ASSY	1	1	
22	5VX-13971-00	PIPE, FUEL 1	1	1	
23	90464-16005	CLAMP	1	1	
24	90445-10033	HOSE	1	1	
25	90467-10008	CLIP	1	1	
26	90445-10032	HOSE	1	1	
27	90467-10008	CLIP	1	1	
28	5VX-24141-00	PROTECTOR, FUEL TANK	1	1	
29	5PA-21568-01	LABEL, WARNING	1	1	
30	3ME-2415E-01	LABEL, CAUTION	1		

REF 1  
5VX-Y2410-30-W8  
5VX-Y2410-30-W9  
↓  
FOR DNK,FIN,NOR,SWE

REF 2  
3C3-24244-A0  
3C3-24244-B0  
↓  
FOR DNK,FIN,NOR,SWE



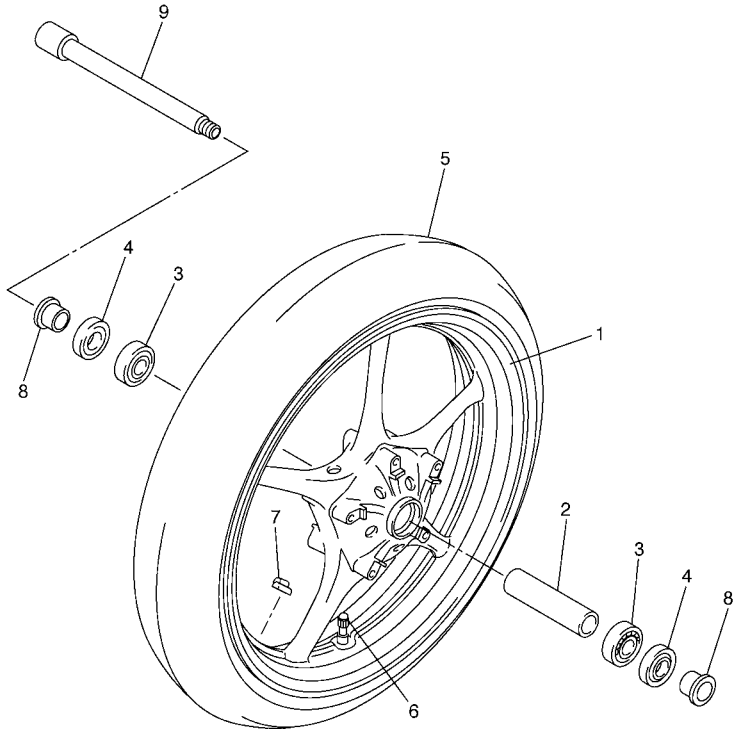
5S23300-H270



5VX1351-C280

FIG. 28 SEAT

REF. NO.	PART NO.	DESCRIPTION	4S8B	4S8C			REMARKS
1	4S8-24730-10	DOUBLE SEAT ASSY	1	1			UR FOR SMX
	4S8-24730-40	DOUBLE SEAT ASSY	1	1			UR FOR DOM7,BMC
2	4S8-2470F-10	.SEAT COVER COMP.	1	1			UR FOR SMX
	4S8-2470F-40	.SEAT COVER COMP.	1	1			UR FOR DOM7,BMC
3	95602-06200	.NUT, SELF-LOCKING	1	1			
4	371-27114-00	.STOPPER, MAIN STAND	6	6			
5	4NK-24728-00	.BRACKET, SEAT	1	1			
6	90338-06018	.PLUG	1	1			
7	5VX-24724-00	.DAMPER, SEAT	2	2			
8	4BP-24780-00	SEAT LOCK ASSY	1	1			
9	4BP-24792-00	PLATE	1	1			
10	95707-06500	NUT, FLANGE	2	2			
11	5VX-2478E-00	CABLE, SEAT LOCK	1	1			
12	2TV-W2470-00	ROTOR SET	1	1			
13	90149-06308	SCREW	2	2			
14	5PW-2117K-00	STAY, LOCK	1	1			
15	90464-16061	CLAMP	1	1			

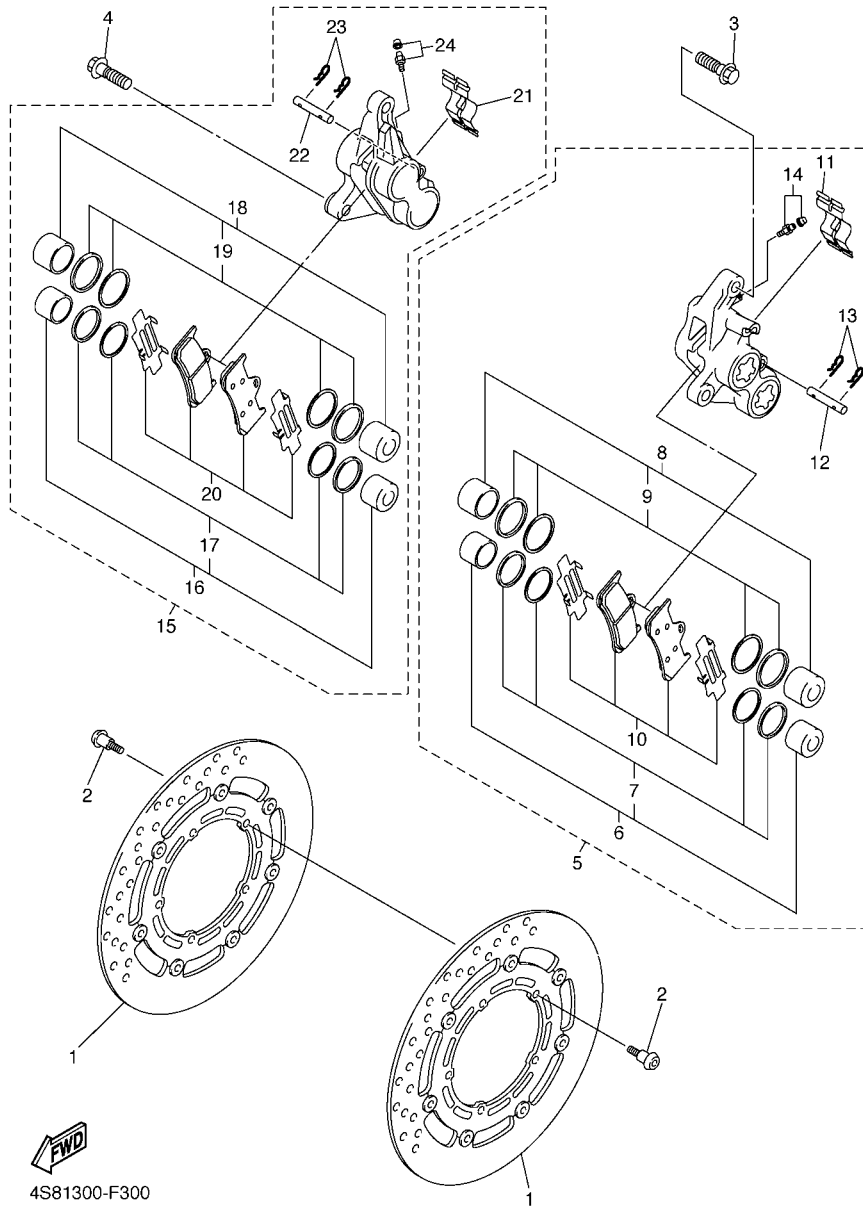


**FIG. 29 FRONT WHEEL**

REF. NO.	PART NO.	DESCRIPTION	4S8B	4S8C	REMARKS
1	5SL-25168-00-98	CAST WHEEL, FRONT	1	1	LGB FOR SMX
	5SL-25168-00-P2	CAST WHEEL, FRONT	1	1	S8 FOR DOM7,BMC
2	4XV-25117-00	SPACER, BEARING	1	1	
3	93306-00420	BEARING	2	2	
4	93106-28043	OIL SEAL	2	2	
5	94112-17066	TIRE(120/70ZR17M/C 58W BT020F)	1	1	UR BRIDGESTONE
	94112-17067	TIRE(120/70ZR17M/C 58W D252F)	1	1	UR DUNLOP
6	93900-00030	VALVE, RIM (TR412)	1	1	TAIHEIYO
7	5MT-25398-00	BALANCER, WHEEL (10G)	1	1	UR
	5MT-25398-10	BALANCER, WHEEL (20G)	1	1	UR
7	5MT-25398-20	BALANCER, WHEEL (30G)	1	1	UR
8	90387-22002	COLLAR	2	2	
9	4XV-25181-10	AXLE, WHEEL	1	1	



5VX1351-C290

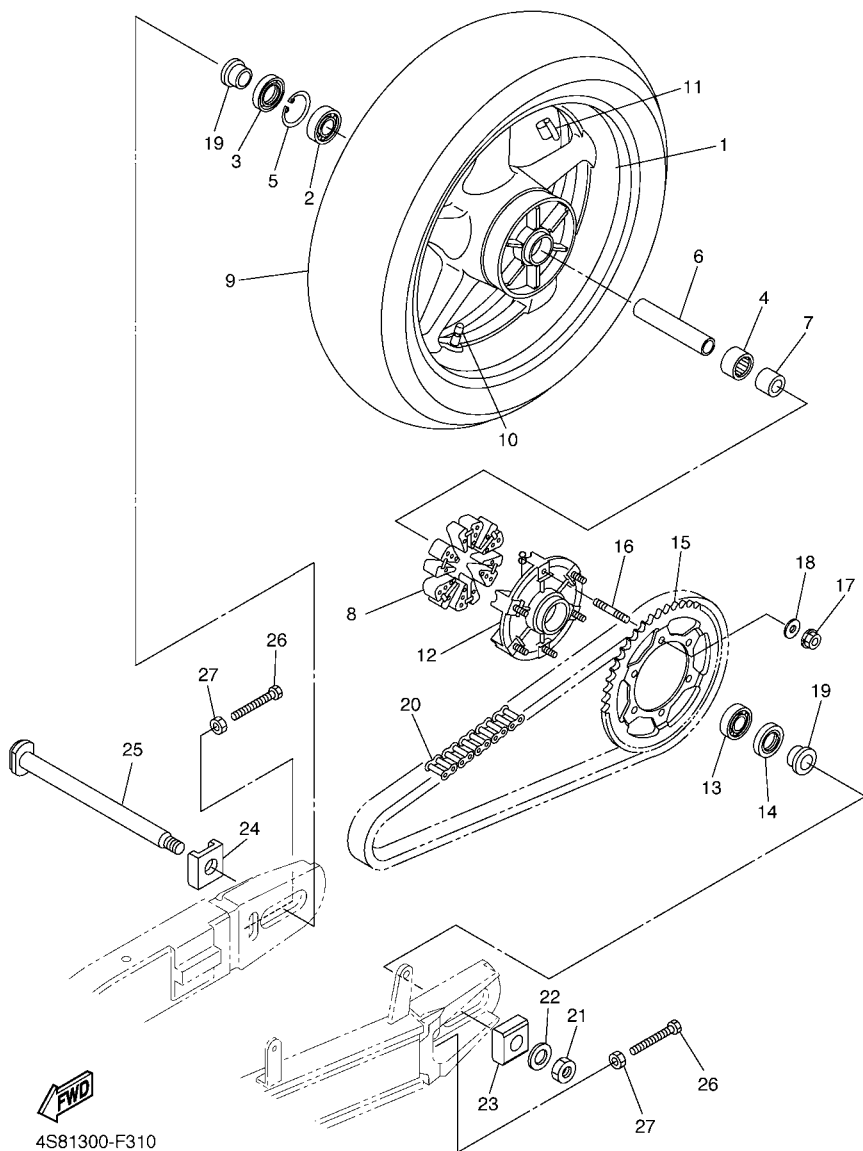


**FIG. 30 FRONT BRAKE CALIPER**

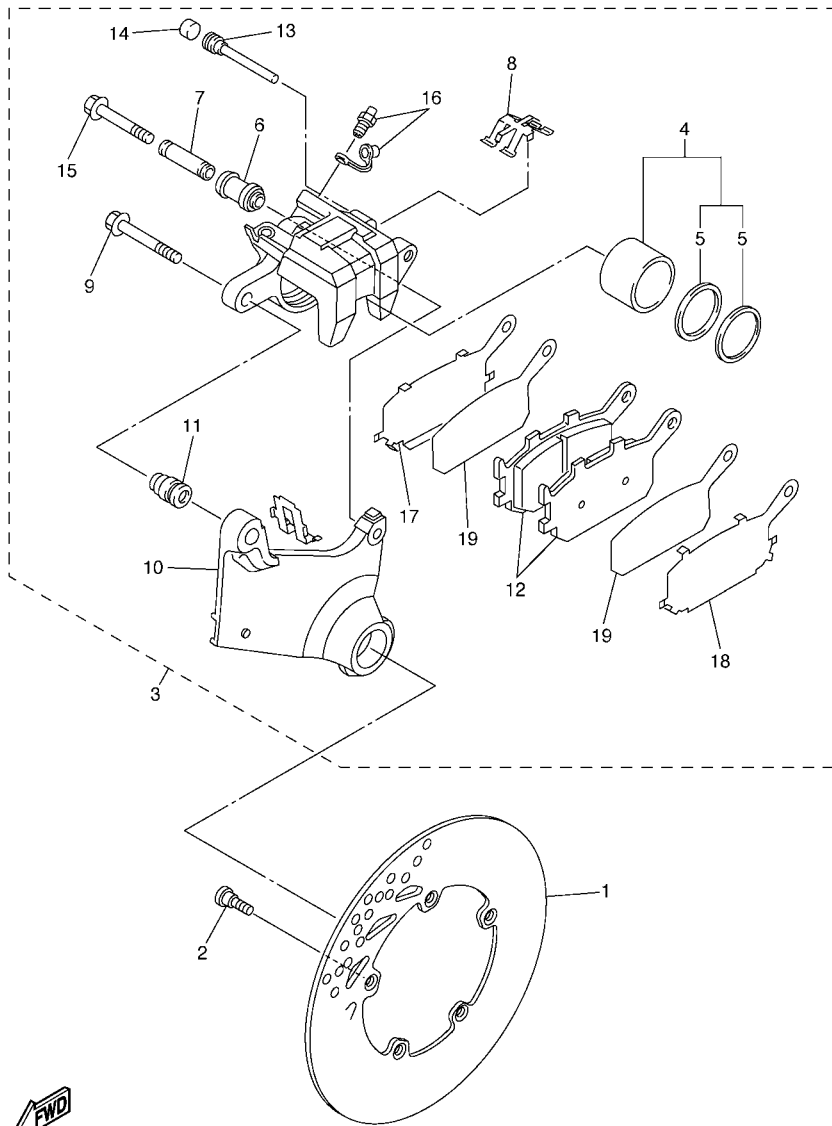
REF. NO.	PART NO.	DESCRIPTION	4S8B	4S8C	REMARKS
1	5VX-2581T-01	DISK BRAKE ASSY	2	2	
2	90109-064G6	BOLT	10	10	
3	90105-10638	BOLT, FLANGE	2	2	
4	90105-10638	BOLT, FLANGE	2	2	
5	4S8-2580T-00	CALIPER ASSY (LEFT)	1	1	UR FOR SMX,DOM7
5	4S8-2580T-10	CALIPER ASSY (LEFT)	1	1	UR FOR BMC
6	4SV-W0057-00	.PISTON ASSY, CALIPER	1	1	
7	3MA-W0047-10	..CALIPER SEAL KIT	1	1	
8	4SV-W0057-10	.PISTON ASSY, CALIPER	1	1	
9	3GM-W0047-10	..CALIPER SEAL KIT	1	1	
10	5VN-W0045-00	.BRAKE PAD KIT	1	1	
11	4SV-25919-00	.SUPPORT, PAD	1	1	
12	4SV-25924-00	.PIN, PAD	1	1	
13	3GM-25925-00	.CLIP	2	2	
14	1J3-W0048-00	.BLEED SCREW KIT	1	1	
15	4S8-2580U-00	CALIPER ASSY (RIGHT)	1	1	UR FOR SMX,DOM7
15	4S8-2580U-10	CALIPER ASSY (RIGHT)	1	1	UR FOR BMC
16	4SV-W0057-00	.PISTON ASSY, CALIPER	1	1	
17	3MA-W0047-10	..CALIPER SEAL KIT	1	1	
18	4SV-W0057-10	.PISTON ASSY, CALIPER	1	1	
19	3GM-W0047-10	..CALIPER SEAL KIT	1	1	
20	5VN-W0045-00	.BRAKE PAD KIT	1	1	
21	4SV-25919-00	.SUPPORT, PAD	1	1	
22	4SV-25924-00	.PIN, PAD	1	1	
23	3GM-25925-00	.CLIP	2	2	
24	1J3-W0048-00	.BLEED SCREW KIT	1	1	

**FIG. 31 REAR WHEEL**

REF. NO.	PART NO.	DESCRIPTION	4S8B	4S8C	REMARKS
1	5SL-25338-00-98	CAST WHEEL, REAR	1	1	LGB FOR SMX
	5SL-25338-00-P2	CAST WHEEL, REAR	1	1	S8 FOR DOM7,BMC
2	93306-20531	BEARING	1	1	
3	93106-40013	OIL SEAL	1	1	
4	93317-43580	BEARING	1	1	
5	93420-61M07	CIRCLIP	1	1	
6	4XV-25317-00	SPACER, BEARING	1	1	
7	5SL-25383-00	COLLAR, WHEEL	1	1	
8	5VX-25364-00	DAMPER	6	6	
9	94118-17041	TIRE(180/55ZR17M/C 73W BT020R)	1	1	UR BRIDGESTONE
	94118-17053	TIRE(180/55ZR17M/C 73W D252)	1	1	UR DUNLOP
10	93900-00030	VALVE, RIM (TR412)	1	1	TAIHEIYO
11	5MT-25398-00	BALANCER, WHEEL (10G)	1	1	UR
	5MT-25398-10	BALANCER, WHEEL (20G)	1	1	UR
	5MT-25398-20	BALANCER, WHEEL (30G)	1	1	UR
12	5SL-25366-00	CLUTCH, HUB	1	1	
13	93306-20531	BEARING	1	1	
14	93106-40013	OIL SEAL	1	1	
15	5VX-25446-01	SPROCKET, DRIVEN (46T)	1	1	
16	90116-10485	BOLT, STUD	6	6	
17	90185-10009	NUT, SELF-LOCKING	6	6	
18	90201-10021	WASHER, PLATE	6	6	
19	90387-28001	COLLAR	2	2	
20	94582-11118	CHAIN (DID50V4-118LE)	1	1	
21	90185-24007	NUT, SELF-LOCKING	1	1	
22	90201-25020	WASHER, PLATE	1	1	
23	5SL-25388-00	PULLER, CHAIN 1	1	1	





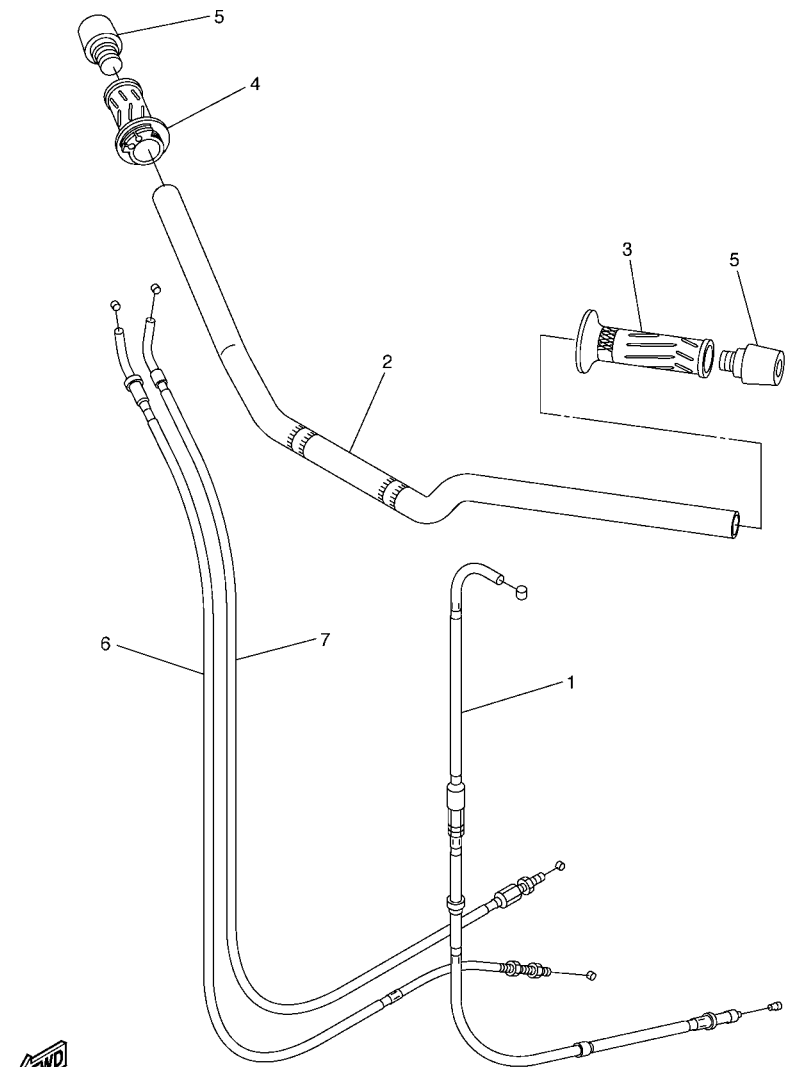


2D11300-E330

**FIG. 32 REAR BRAKE CALIPER**

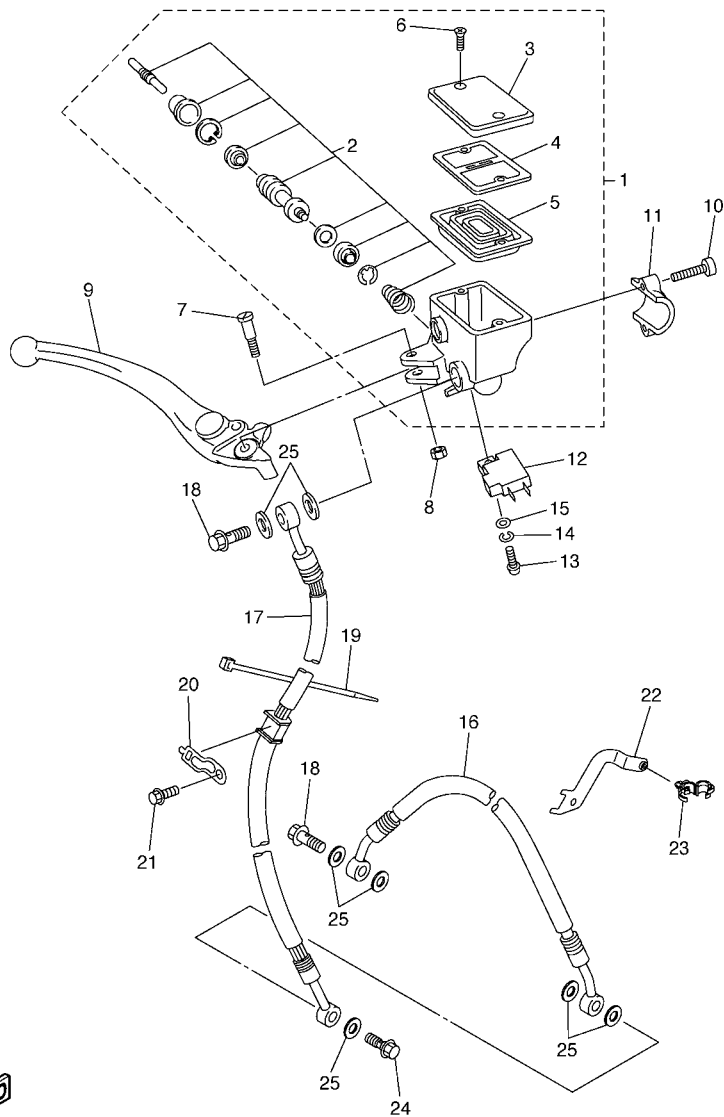
REF. NO.	PART NO.	DESCRIPTION	4S8B	4S8C	REMARKS
1	2D1-2582W-00	DISK, REAR BRAKE 2	1	1	
2	90109-08045	BOLT	5	5	
3	5VX-2580W-00	CALIPER ASSY, REAR 2	1	1	
4	5SL-W0057-00	.PISTON ASSY, CALIPER	1	1	
5	5SL-W0047-00	..CALIPER SEAL KIT	1	1	
6	5SL-25917-00	.BOOT, CALIPER	1	1	
7	5SL-25838-00	.SLEEVE, CALIPER	1	1	
8	5SL-25919-00	.SUPPORT, PAD	1	1	
9	5SL-25914-00	.PIN, SLIDE	1	1	
10	5VX-25921-50	.BRACKET, SUPPORT	1	1	
11	3JD-25917-00	.BOOT, CALIPER	1	1	
12	5VX-W0046-00	.BRAKE PAD KIT 2	1	1	
13	8CR-25924-00	.PIN, PAD	1	1	
14	5DH-25916-00	.PLUG	1	1	
15	5SL-25926-00	.BOLT	1	1	
16	1UY-W0048-00	.BLEED SCREW KIT	1	1	
17	5SL-25827-00	.SHIM, CALIPER	1	1	
18	5SL-25827-10	.SHIM, CALIPER	1	1	
19	5SL-25828-00	.SHIM, CALIPER	2	2	

**FIG. 33 STEERING HANDLE & CABLE**



 5VX6300-D330

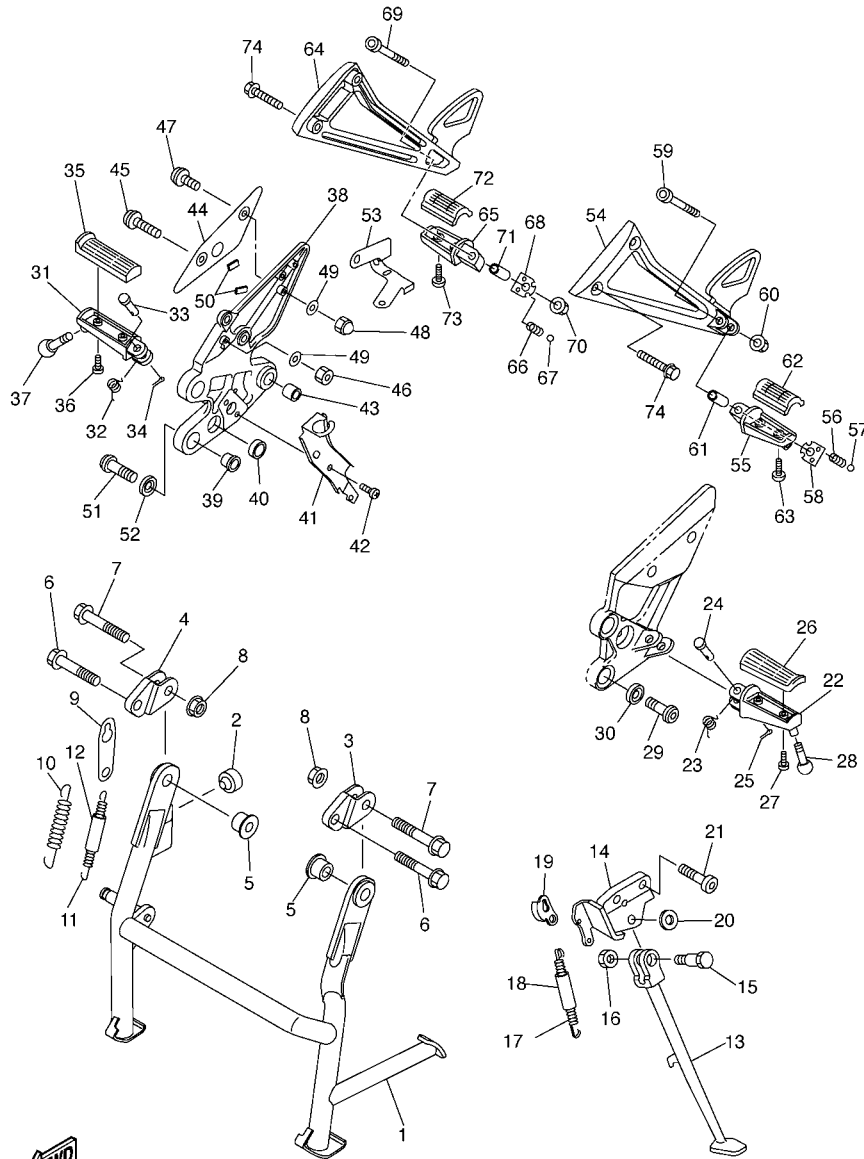
REF. NO.	PART NO.	DESCRIPTION	4S8B	4S8C				REMARKS
			1	1				
1	5VX-26335-00	CABLE, CLUTCH	1	1				
2	5VX-26111-10	HANDLEBAR	1	1				
3	4YR-26241-02	GRIP (LEFT)	1	1				
4	4YR-26240-02	GRIP ASSY	1	1				
5	51J-26246-01	END, GRIP	2	2				
6	5VX-26311-00	CABLE, THROTTLE 1	1	1				
7	5VX-26312-00	CABLE, THROTTLE 2	1	1				



4S81300-F340

FIG. 34 FRONT MASTER CYLINDER

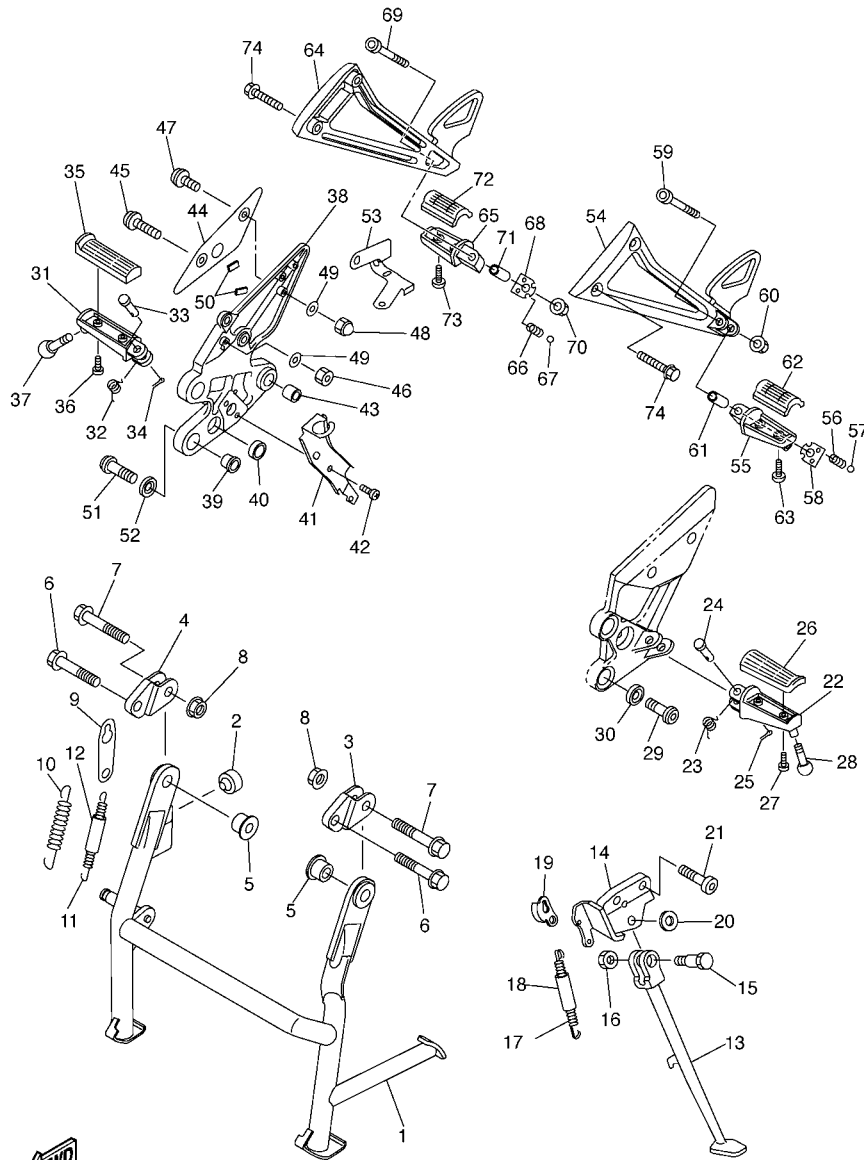
REF. NO.	PART NO.	DESCRIPTION	4S8B	4S8C	REMARKS
1	5VS-W2587-00	MASTER CYLINDER SUB ASSY	1	1	
2	5VS-W0041-00	.CYLINDER KIT, MASTER	1	1	
3	5VS-25852-00	.CAP, RESERVOIR	1	1	
4	5VS-25855-00	.BUSH,DIAPHRAGM	1	1	
5	5VS-25854-00	.GASKET, DIAPHRAGM	1	1	
6	5VS-2589H-00	.SCREW	2	2	
7	5VS-2589F-00	BOLT, LEVER	1	1	
8	95617-06100	NUT, U	1	1	
9	5VS-83922-00	LEVER 2	1	1	
10	5VS-26332-00	BOLT	2	2	
11	5VS-25867-00	BRACKET, MASTER CYLINDER	1	1	
12	4HM-83980-00	FRONT STOP SWITCH ASSY	1	1	
13	98502-04012	SCREW, PAN HEAD	1	1	
14	92902-04100	WASHER, SPRING	1	1	
15	92902-04600	WASHER, PLATE	1	1	
16	4S8-25872-00	HOSE, BRAKE 1	1	1	
17	4S8-25873-00	HOSE, BRAKE 2	1	1	
18	90401-10020	BOLT, UNION	2	2	
19	1UA-82591-00	BAND	1	1	
20	5SL-25876-00	HOLDER, BRAKE HOSE 2	1	1	
21	95807-06010	BOLT, FLANGE	1	1	
22	4S8-25875-00	HOLDER, BRAKE HOSE 1	1	1	
23	90464-18002	CLAMP	1	1	
24	90401-10038	BOLT, UNION	1	1	
25	90430-10005	GASKET	7	7	



4S81300-F350

FIG. 35 STAND & FOOTREST

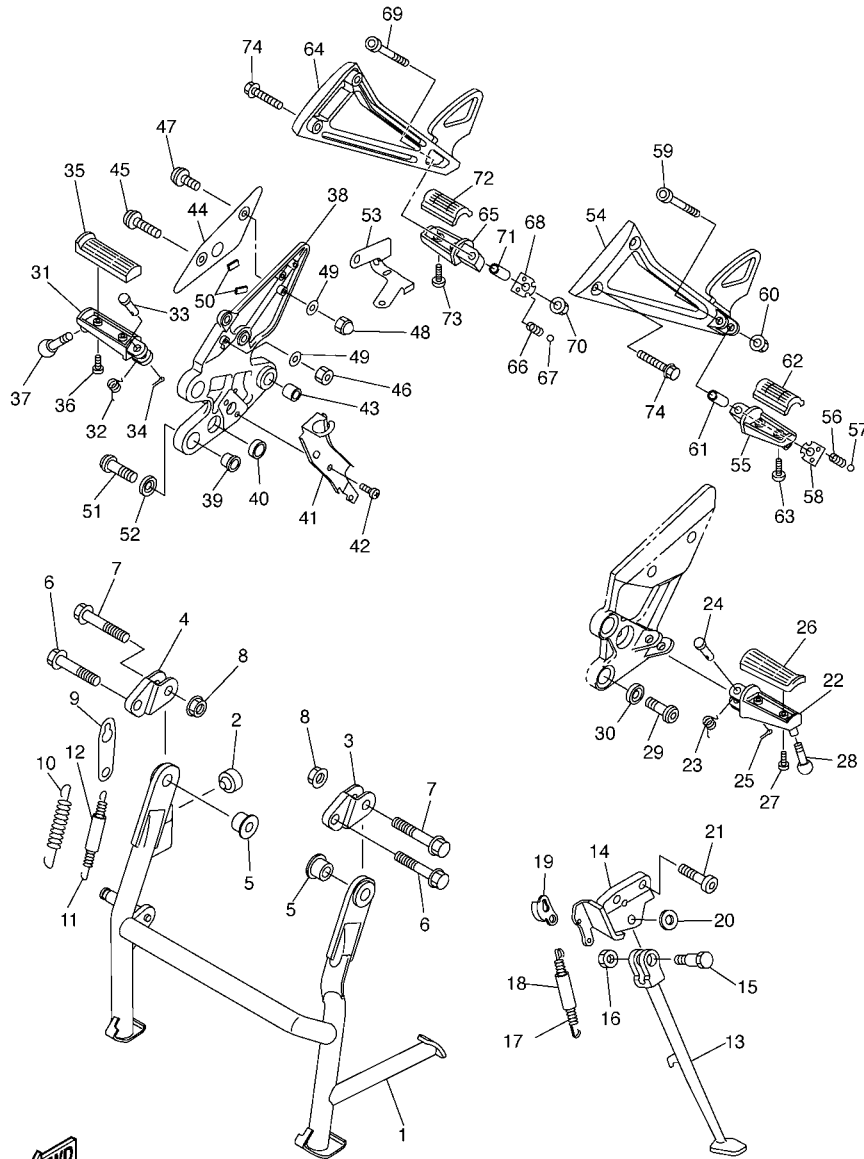
REF. NO.	PART NO.	DESCRIPTION	4S8B	4S8C	REMARKS
1	5VX-27111-03	STAND, MAIN	1	1	
2	4GL-27114-00	STOPPER, MAIN STAND	1	1	
3	5VX-27151-02	BRACKET, MAIN STAND	1	1	
4	5VX-27152-02	BRACKET, MAIN STAND 2	1	1	
5	5VX-27113-00	COLLAR, MAIN STAND	2	2	
6	90105-10088	BOLT, FLANGE	2	2	
7	90105-10090	BOLT, FLANGE	2	2	
8	95707-10500	NUT, FLANGE	4	4	
9	5VX-27115-00	LINK, MAIN STAND	1	1	
10	90506-50001	SPRING, TENSION	1	1	
11	90506-26008	SPRING, TENSION	1	1	
12	90445-170K9	HOSE (L60)	1	1	
13	5VX-27311-01	STAND, SIDE	1	1	
14	5VX-27321-02	BRACKET, SIDE STAND	1	1	
15	90109-10011	BOLT	1	1	
16	90185-10037	NUT, SELF-LOCKING	1	1	
17	90506-23007	SPRING, TENSION	1	1	
18	5VX-27351-00	GUIDE, SIDE STAND	1	1	
19	5VX-27315-00	LINK, SIDE STAND	1	1	
20	90201-12021	WASHER, PLATE	1	1	
21	90110-10010	BOLT, HEXAGON SOCKET HEAD	2	2	
22	4BH-27451-01	FOOTREST	1	1	
23	90508-20572	SPRING, TORSION	1	1	
24	91701-08040	PIN	1	1	
25	91401-25015	PIN, COTTER	1	1	
26	3YX-27413-00	COVER, FOOTREST	1	1	
27	90157-05079	SCREW, PAN HEAD	2	2	



4S81300-F350

FIG. 35 STAND & FOOTREST

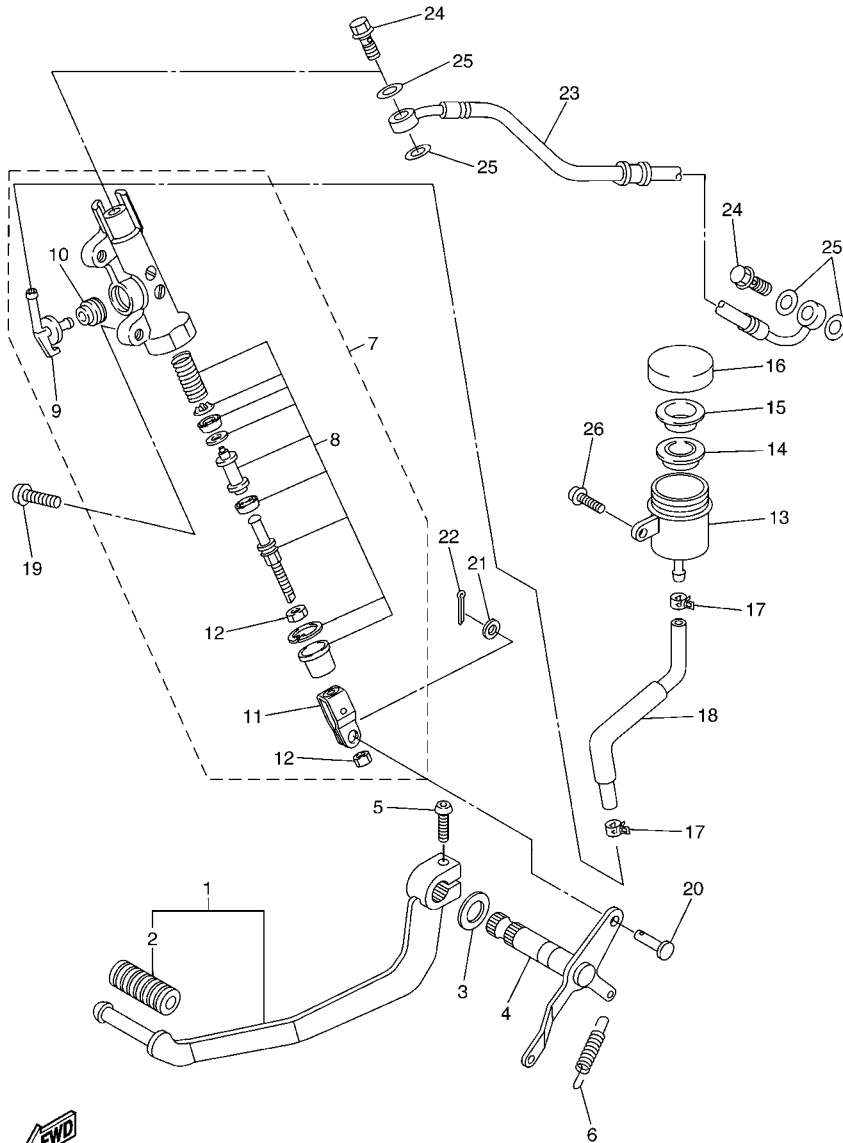
REF. NO.	PART NO.	DESCRIPTION	4S8B	4S8C	REMARKS
			1	1	
28	90109-08174	BOLT	1	1	
29	90110-08220	BOLT, HEXAGON SOCKET HEAD	2	2	
30	90209-08295	WASHER	2	2	
31	4BH-27461-01	FOOTREST	1	1	
32	90508-20572	SPRING, TORSION	1	1	
33	91701-08040	PIN	1	1	
34	91401-25015	PIN, COTTER	1	1	
35	3YX-27413-00	COVER, FOOTREST	1	1	
36	90157-05079	SCREW, PAN HEAD	2	2	
37	90109-08174	BOLT	1	1	
38	5VX-27443-10	BRACKET 3	1	1	
39	5VX-27424-00	DAMPER, FOOTREST 2	2	2	
40	5VX-27114-00	STOPPER, MAIN STAND	1	1	
41	5VX-2144G-00	STAY, STOP SWITCH	1	1	
42	98507-06008	SCREW, PAN HEAD	2	2	
43	90383-14001	BUSH, FORMED	1	1	
44	4S8-27446-00	PLATE 2	1	1	
45	92014-05012	BOLT, BUTTON HEAD	1	1	
46	95607-05100	NUT, U	1	1	
47	92014-05014	BOLT, BUTTON HEAD	1	1	
48	90176-05001	NUT, CROWN	1	1	
49	92990-05200	WASHER, PLAIN	2	2	
50	4S8-27415-00	PLATE, FOOTREST	2	2	
51	90110-08220	BOLT, HEXAGON SOCKET HEAD	2	2	
52	90209-08295	WASHER	2	2	
53	5VX-2587A-00	HOLDER, BRAKE HOSE	1	1	
54	4S8-2741L-00	BRACKET 4	1	1	



4S81300-F350

FIG. 35 STAND & FOOTREST

REF. NO.	PART NO.	DESCRIPTION	4S8B	4S8C	REMARKS
			1	1	
55	5LV-27431-01	FOOTREST, REAR 1	1	1	
56	90501-15001	SPRING, COMPRESSION	1	1	
57	93501-04011	BALL	1	1	
58	5JJ-27437-01	WASHER, SPECIAL	1	1	
59	91314-06040	BOLT, HEXAGON SOCKET HEAD	1	1	
60	95604-06200	NUT, U FLANGE	1	1	
61	90387-06014	COLLAR	1	1	
62	3YX-27413-00	COVER, FOOTREST	1	1	
63	90157-05134	SCREW, PAN HEAD	2	2	
64	4S8-2742L-00	BRACKET 5	1	1	
65	5LV-27441-01	FOOTREST, REAR 2	1	1	
66	90501-15001	SPRING, COMPRESSION	1	1	
67	93501-04011	BALL	1	1	
68	5JJ-27437-01	WASHER, SPECIAL	1	1	
69	91314-06040	BOLT, HEXAGON SOCKET HEAD	1	1	
70	95604-06200	NUT, U FLANGE	1	1	
71	90387-06014	COLLAR	1	1	
72	3YX-27413-00	COVER, FOOTREST	1	1	
73	90157-05134	SCREW, PAN HEAD	2	2	
74	90105-081A4	BOLT, FLANGE	4	4	

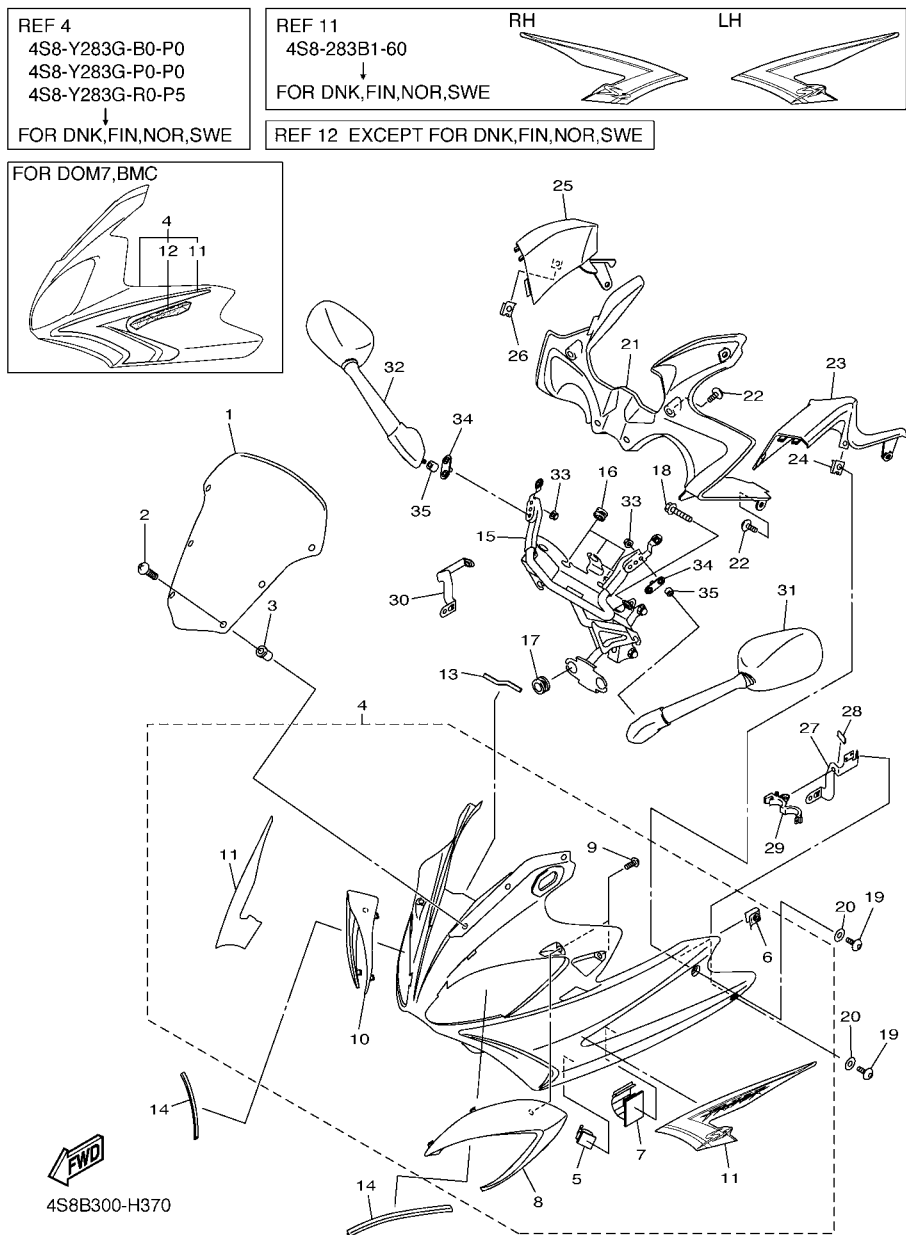


19B1280-G360

FIG. 36 REAR MASTER CYLINDER

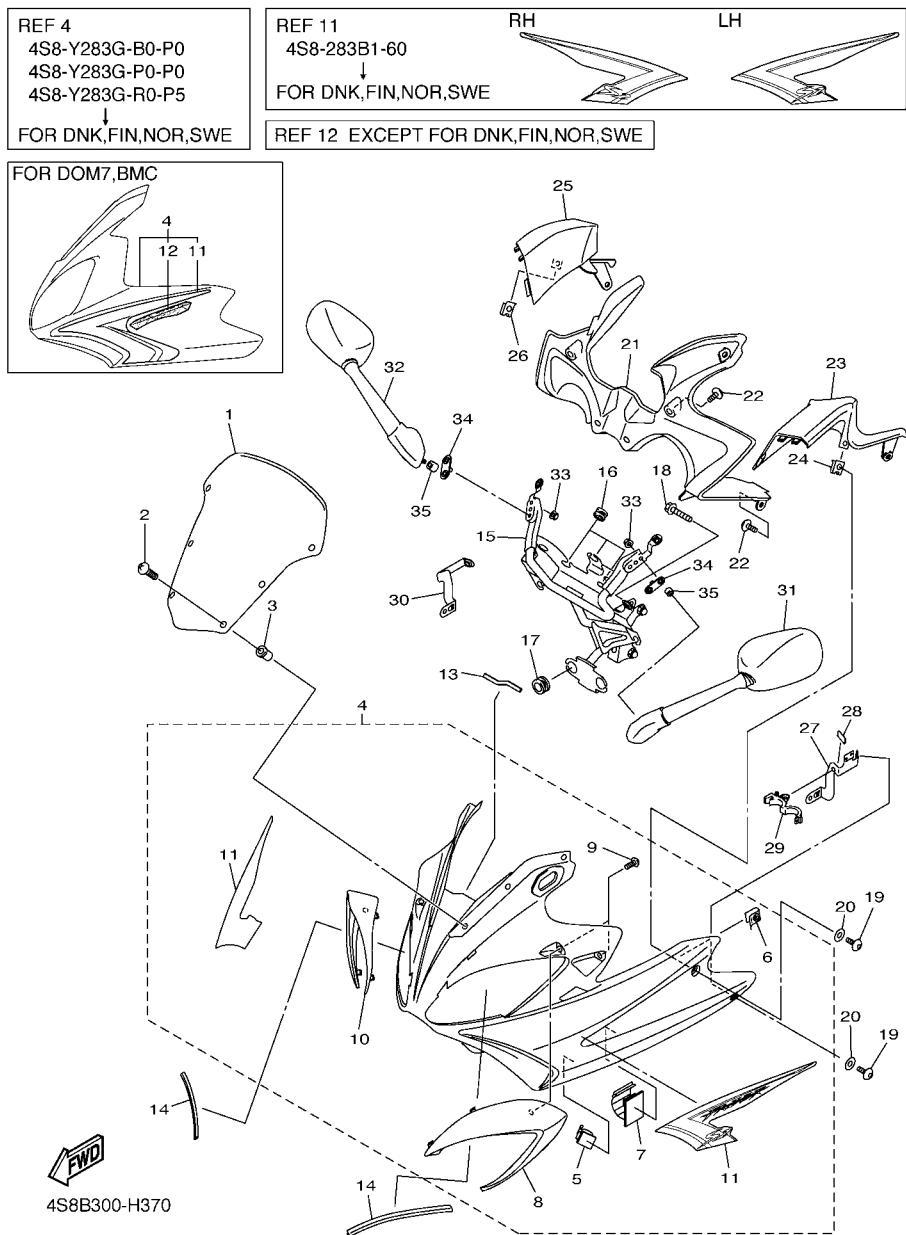
REF. NO.	PART NO.	DESCRIPTION	4S8B	4S8C			REMARKS
1	5VX-27200-00	PEDAL, BRAKE	1	1			
2	5EB-18113-00	.COVER, SHIFT PEDAL	1	1			
3	90201-14215	WASHER, PLATE	1	1			
4	5VX-27212-00	SHAFT, BRAKE PEDAL	1	1			
5	92014-06020	BOLT, BUTTON HEAD	1	1			
6	90506-20223	SPRING, TENSION	1	1			
7	2D1-2583V-00	RR. MASTER CYLINDER ASSY.	1	1			
8	5VX-W0042-50	.CYLINDER KIT, MASTER	1	1			
9	2D1-2582A-00	.JOINT	1	1			
10	4BP-2585F-01	.O-RING	1	1			
11	4BP-27222-02	.JOINT	1	1			
12	90170-08010	.NUT	2	2			
13	4P5-25894-00	TANK, RESERVOIR	1	1			
14	5SL-25854-00	DIAPHRAGM, RESERVOIR	1	1			
15	5SL-25855-00	BUSH, DIAPHRAGM	1	1			
16	5SL-25852-00	CAP, RESERVOIR	1	1			
17	90467-120A3	CLIP	2	2			
18	4S8-25895-00	HOSE, RESERVOIR	1	1			
19	92014-08020	BOLT, BUTTON HEAD	2	2			
20	90240-08124	PIN, CLEVIS	1	1			
21	90201-08083	WASHER, PLATE	1	1			
22	91401-20012	PIN, COTTER	1	1			
23	5VX-2581K-01	HOSE, BRAKE 5	1	1			
24	90401-10020	BOLT, UNION	2	2			
25	90430-10005	GASKET	4	4			
26	90119-06044	BOLT, WITH WASHER	1	1			

FIG. 37 COWLING 1

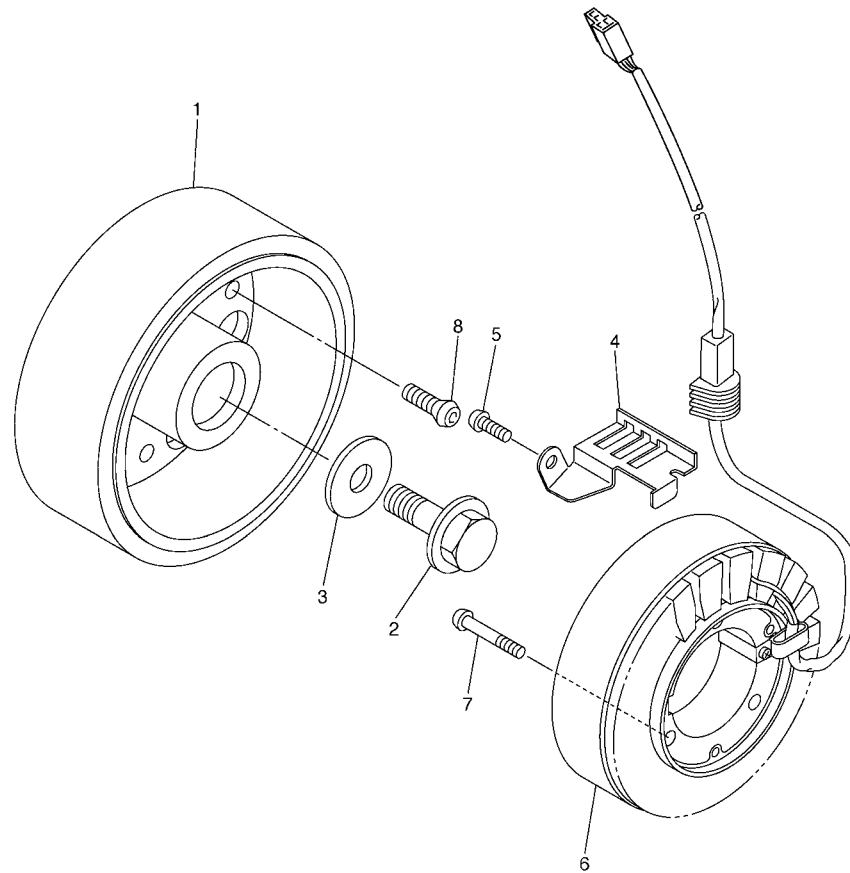


REF. NO.	PART NO.	DESCRIPTION	4S8B	4S8C	REMARKS
1	4S8-28381-00	WINDSHIELD	1		
	4S8-28381-10	WINDSHIELD		1	
2	90150-05023	SCREW, ROUND HEAD	6	6	
3	90179-05523	NUT	6	6	
4	4S8-Y283G-80-P0	BODY, FRONT UPPER 1	1		UR FOR SMX
	4S8-Y283G-B0-P0	BODY, FRONT UPPER 1	1		UR FOR SMX
	4S8-Y283G-M0-P0	BODY, FRONT UPPER 1	1	1	UR FOR DOM7
	4S8-Y283G-P0-P0	BODY, FRONT UPPER 1	1		UR FOR DOM7
	4S8-Y283G-N0-P5	BODY, FRONT UPPER 1	1	1	UR FOR BMC
	4S8-Y283G-R0-P5	BODY, FRONT UPPER 1	1		UR FOR BMC
	4S8-Y283G-F0-P0	BODY, FRONT UPPER 1	1	1	UR FOR SMX
5	90464-09009	.CLAMP	2	2	
6	90183-05076	.NUT, SPRING	2	2	
7	90464-20003	.CLAMP	1	1	
8	4S8-28345-00-P3	.MOLE 1	1	1	UR MBL2 FOR SMX
	4S8-28345-00-P5	.MOLE 1	1	1	UR FOR DOM7
	4S8-28345-00-P4	.MOLE 1	1	1	UR FOR BMC
9	97707-50016	.SCREW, TRUSS HEAD TAPPING	4	4	
10	4S8-28346-00-P3	.MOLE 2	1	1	UR MBL2 FOR SMX
	4S8-28346-00-P5	.MOLE 2	1	1	UR FOR DOM7
	4S8-28346-00-P4	.MOLE 2	1	1	UR FOR BMC
11	4S8-283B1-30	.GRAPHIC SET	1		UR FOR SMX
	4S8-283B1-60	.GRAPHIC SET	1		UR FOR SMX
	4S8-283B1-E0	.GRAPHIC SET	1	1	UR FOR DOM7
	4S8-283B1-F0	.GRAPHIC SET	1	1	UR FOR BMC
	4S8-283B1-90	.GRAPHIC SET	1	1	UR FOR SMX
12	4S8-28315-30	.EMBLEM	2	2	UR FOR DOM7

FIG. 37 COWLING 1



REF. NO.	PART NO.	DESCRIPTION	4S8B	4S8C	REMARKS
12	4S8-28315-40	.EMBLEM	2	2	UR FOR BMC
13	4S8-28347-00	MOLE 3	1	1	
14	4S8-28376-00	TRIM	2	2	
15	4S8-28356-00	STAY 1	1	1	
16	3C3-83513-00	DAMPER	3	3	
17	90480-14229	GROMMET	4	4	
18	90119-08081	BOLT, WITH WASHER	2	2	
19	90110-06200	BOLT, HEXAGON SOCKET HEAD	4	4	
20	90202-06170	WASHER, PLATE	4	4	
21	4S8-2836K-00	PANEL, INNER 1	1	1	
22	90110-05201	BOLT, HEXAGON SOCKET HEAD	6	6	
23	4S8-2836L-00	PANEL, INNER 2	1	1	
24	90183-06053	NUT, SPRING	1	1	
25	4S8-2836M-00	PANEL, INNER 3	1	1	
26	90183-06053	NUT, SPRING	1	1	
27	4S8-2836A-00	BRACKET 1	1	1	
28	1FK-2171M-00	MOLE, SIDE COVER 2	1	1	
29	90464-16006	CLAMP	1	1	
30	4S8-2836E-00	BRACKET 2	1	1	
31	4S8-26280-00	REAR VIEW MIRROR ASSY (LEFT)	1	1	
32	4S8-26290-00	REAR VIEW MIRROR ASSY (RIGHT)	1	1	
33	95707-06500	NUT, FLANGE	4	4	
34	5VY-26298-00	PLATE, MIRROR FITTING 1	2	2	
35	90387-06372	COLLAR	4	4	



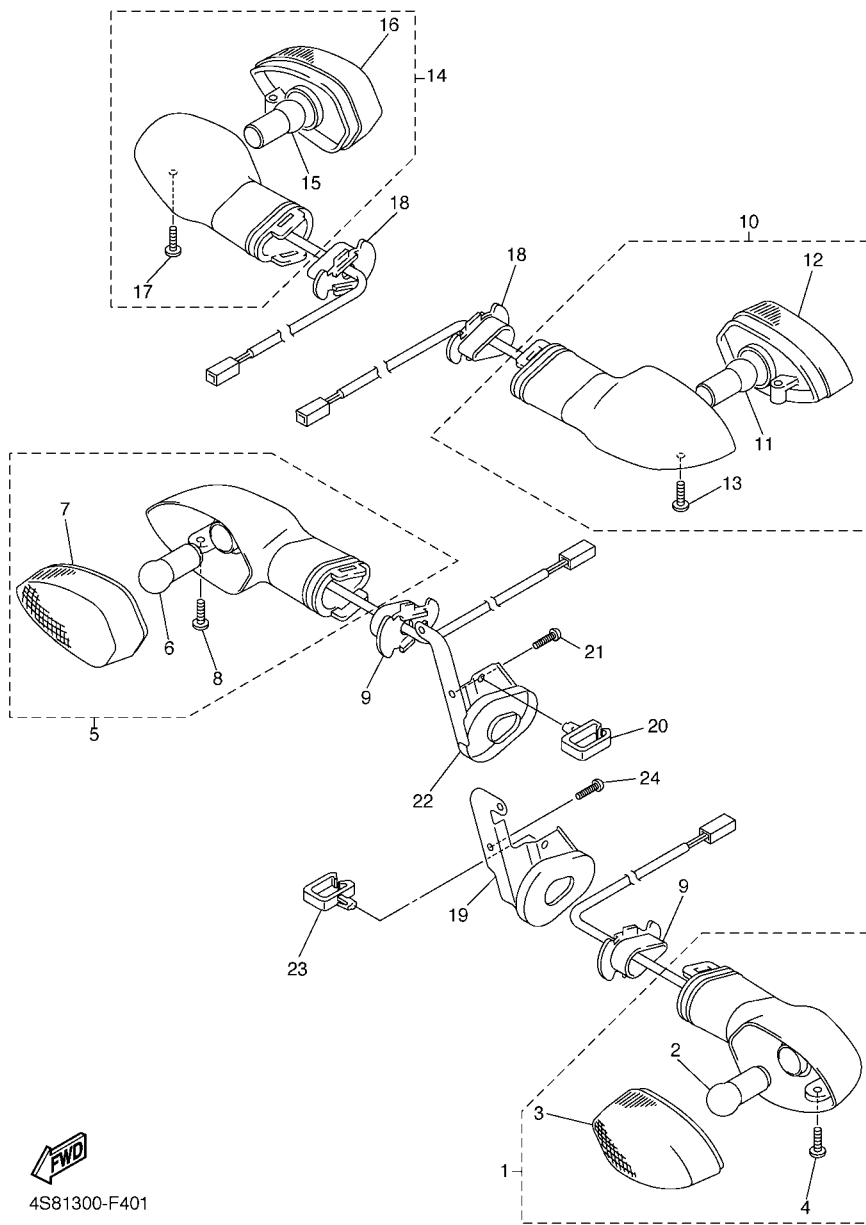
**FIG. 38 GENERATOR**

REF. NO.	PART NO.	DESCRIPTION	4S8B	4S8C			REMARKS
			1	1			
1	5VX-81450-00	ROTOR ASSY	1	1			
2	90105-126A8	BOLT, FLANGE	1	1			
3	90201-12008	WASHER, PLATE	1	1			
4	5VX-15484-00	CLAMP 2	1	1			
5	90149-06250	SCREW	1	1			
6	5VX-81410-00	STATOR ASSY	1	1			
7	90149-06019	SCREW	3	3			
8	90149-08030	SCREW	3	3			



5VX1351-C380





4S81300-F401

FIG. 40 FLASHER LIGHT

REF. NO.	PART NO.	DESCRIPTION	4S8B	4S8C	REMARKS
1	5PW-83310-01	FRONT FLASHER LIGHT ASSY 1	1	1	
2	1KH-83311-00	.BULB (12V-10W)	1	1	
3	5PW-8333A-00	.LENS COMP	1	1	
4	97706-04012	.SCREW, TAPPING	1	1	
5	5PW-83320-01	FRONT FLASHER LIGHT ASSY 2	1	1	
6	1KH-83311-00	.BULB (12V-10W)	1	1	
7	5PW-8334A-00	.LENS COMP	1	1	
8	97706-04012	.SCREW, TAPPING	1	1	
9	5PW-83318-00	STAY, FLASHER 1	2	2	
10	5VX-83330-00	REAR FLASHER LIGHT ASSY 1	1	1	
11	1KH-83311-00	.BULB (12V-10W)	1	1	
12	5PW-8334A-00	.LENS COMP	1	1	
13	97706-04012	.SCREW, TAPPING	1	1	
14	5VX-83340-00	REAR FLASHER LIGHT ASSY 2	1	1	
15	1KH-83311-00	.BULB (12V-10W)	1	1	
16	5PW-8333A-00	.LENS COMP	1	1	
17	97706-04012	.SCREW, TAPPING	1	1	
18	5PW-83318-00	STAY, FLASHER 1	2	2	
19	4S8-2831U-00	STAY, SIDE 1	1	1	
20	90464-06005	CLAMP	1	1	
21	97707-50016	SCREW, TRUSS HEAD TAPPING	1	1	
22	4S8-2832U-00	STAY, SIDE 2	1	1	
23	90464-06005	CLAMP	1	1	
24	97707-50016	SCREW, TRUSS HEAD TAPPING	1	1	

**FIG. 41 METER**

REF. NO.	PART NO.	DESCRIPTION	4S8B	4S8C			REMARKS
1	4S8-83500-40	SPEEDOMETER ASSY (KM/H)	1	1			
	4S8-83500-50	SPEEDOMETER ASSY (MPH)	1				FOR GBR
2	90164-05014	SCREW, TAPPING	3	3			
-----							
-----							
-----							
-----							
-----							
-----							
-----							
-----							
-----							
-----							

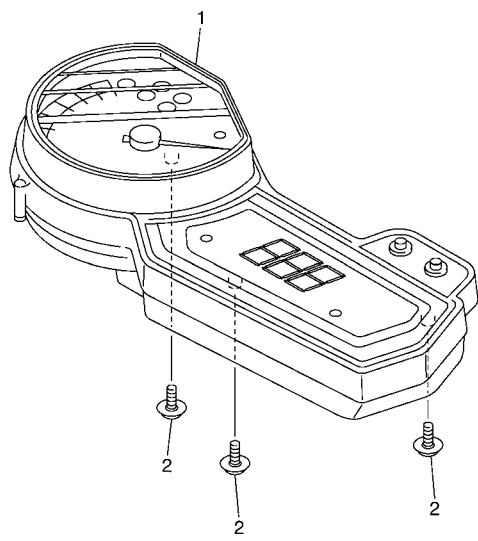
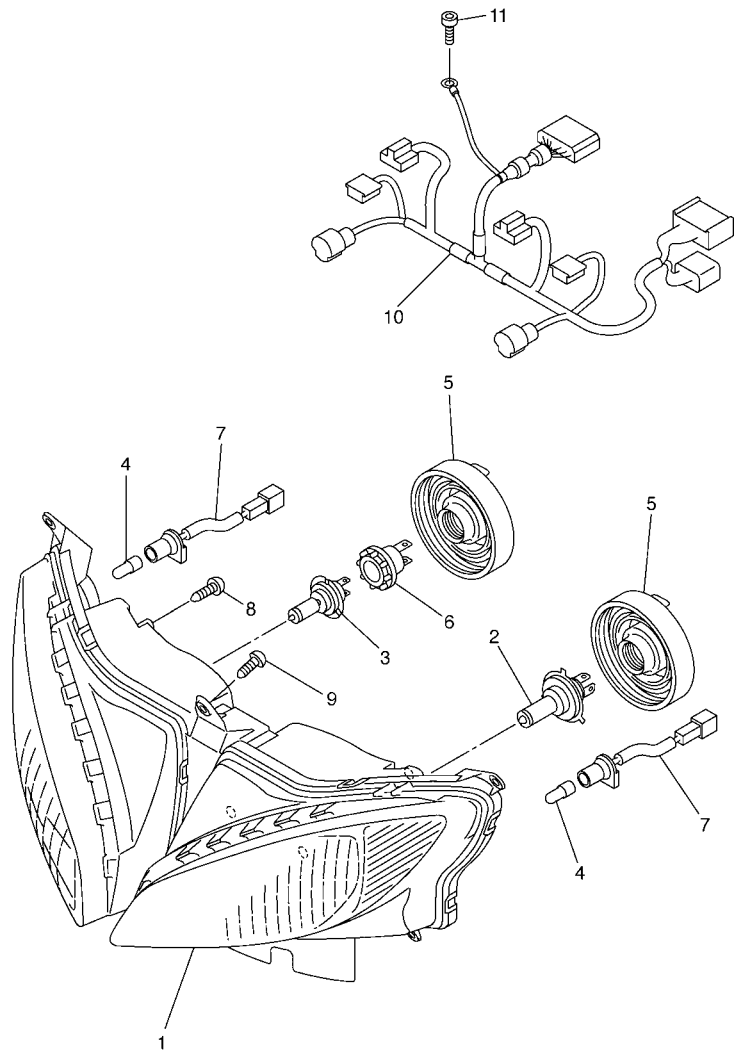


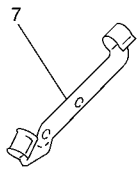
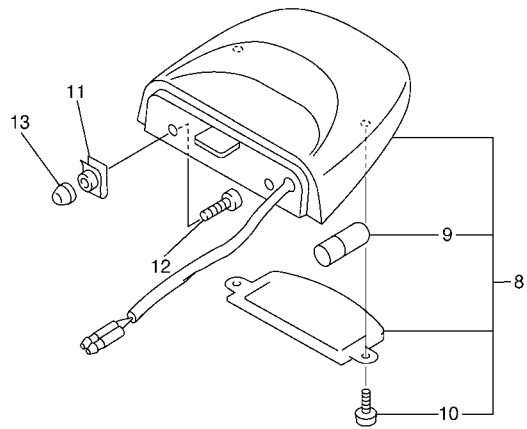
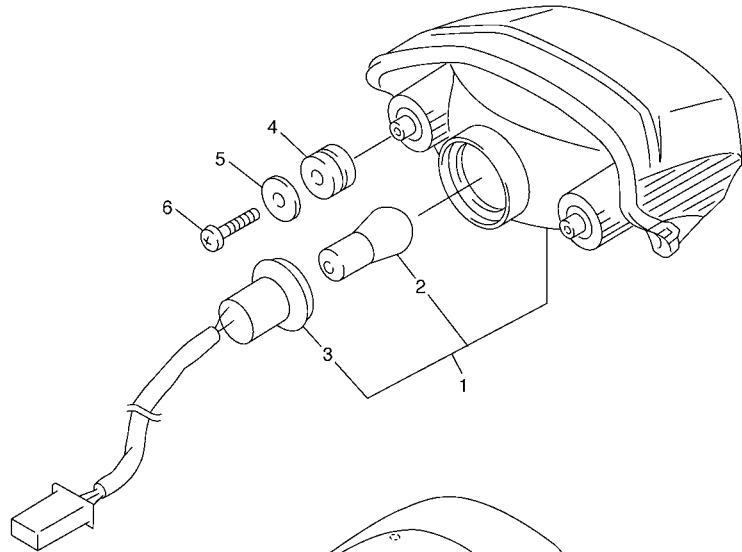
FIG. 42 HEADLIGHT



REF. NO.	PART NO.	DESCRIPTION	4S8B	4S8C			REMARKS
1	5VX-84310-00	HEADLIGHT UNIT ASSY	1				
	5VX-84310-10	HEADLIGHT UNIT ASSY	1	1			FOR GBR, IRL, ZAF
2	8G9-84314-00	BULB (12V-60/55W)	1	1			(H4)HALOGEN
3	4SV-84314-00	BULB (12V-55W)	1	1			(H7)HALOGEN
4	4SV-84347-00	BULB (12V-5W)	2	2			
5	5LV-84397-00	COVER, SOCKET	2	2			
6	4SV-84350-00	SOCKET CORD ASSY 2	1	1			
7	5VX-84312-00	CORD ASSY	2	2			
8	90164-05014	SCREW, TAPPING	4	4			
9	97707-50016	SCREW, TRUSS HEAD TAPPING	5	5			
10	4S8-84359-00	CORD, HEADLIGHT	1				
	4S8-84359-10	CORD, HEADLIGHT	1	1			FOR GBR, IRL, ZAF
11	91380-05010	BOLT	1	1			



4S81300-F420



5VX1351-C430

FIG. 43 TAILLIGHT

REF. NO.	PART NO.	DESCRIPTION	4S8B	4S8C			REMARKS
			1	1			
1	5VX-84710-00	TAILLIGHT UNIT ASSY	1	1			
2	137-84714-60	.BULB (12V-21/5W)	1	1			
3	5VX-84735-00	.CORD ASSY	1	1			
4	90480-18276	GROMMET	2	2			
5	90201-06071	WASHER, PLATE	2	2			
6	97707-60016	SCREW, TAPPING	2	2			
7	5VX-21637-00	CLAMP, WIRE	1	1			
8	5VX-84745-01	LICENCE LIGHT UNIT ASSY	1	1			
9	4HC-84744-00	.BULB (12V-5W)	1	1			
10	97706-04012	.SCREW, TAPPING	2	2			
11	90183-05061	NUT, SPRING	2	2			
12	98907-05014	SCREW, BIND	2	2			
13	5VX-13569-01	PLUG, BLIND	2	2			

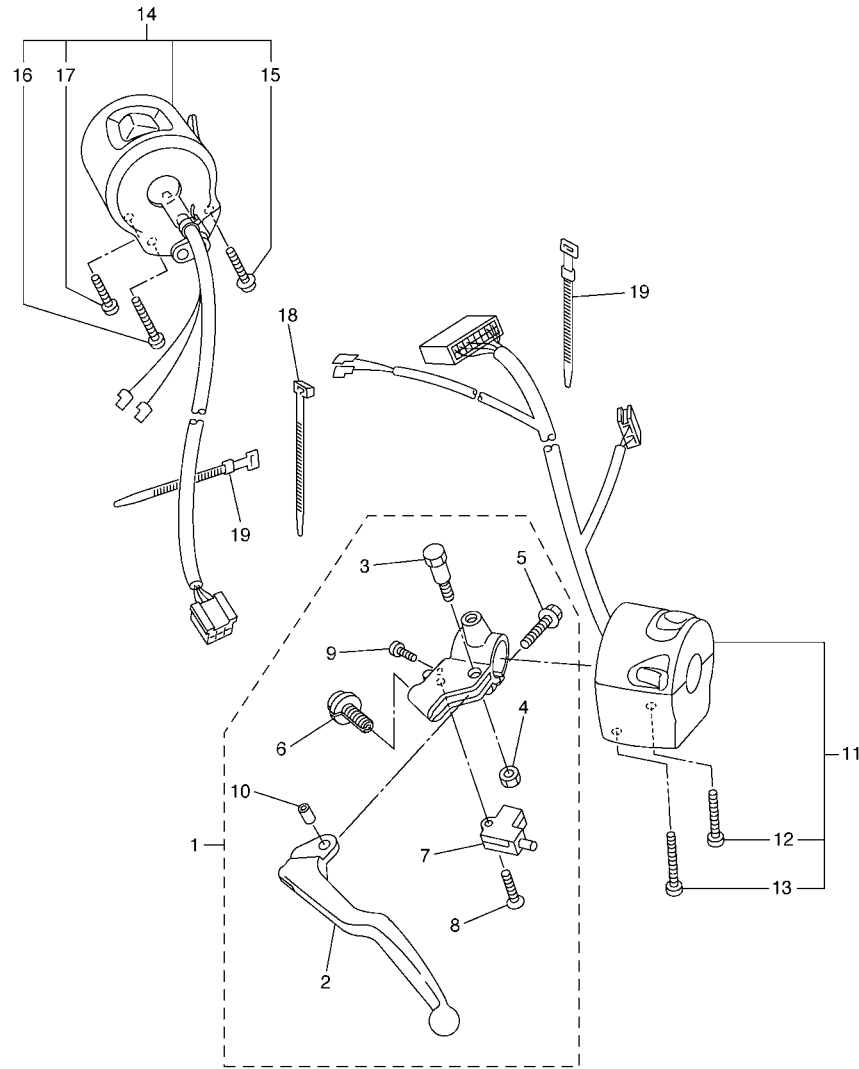


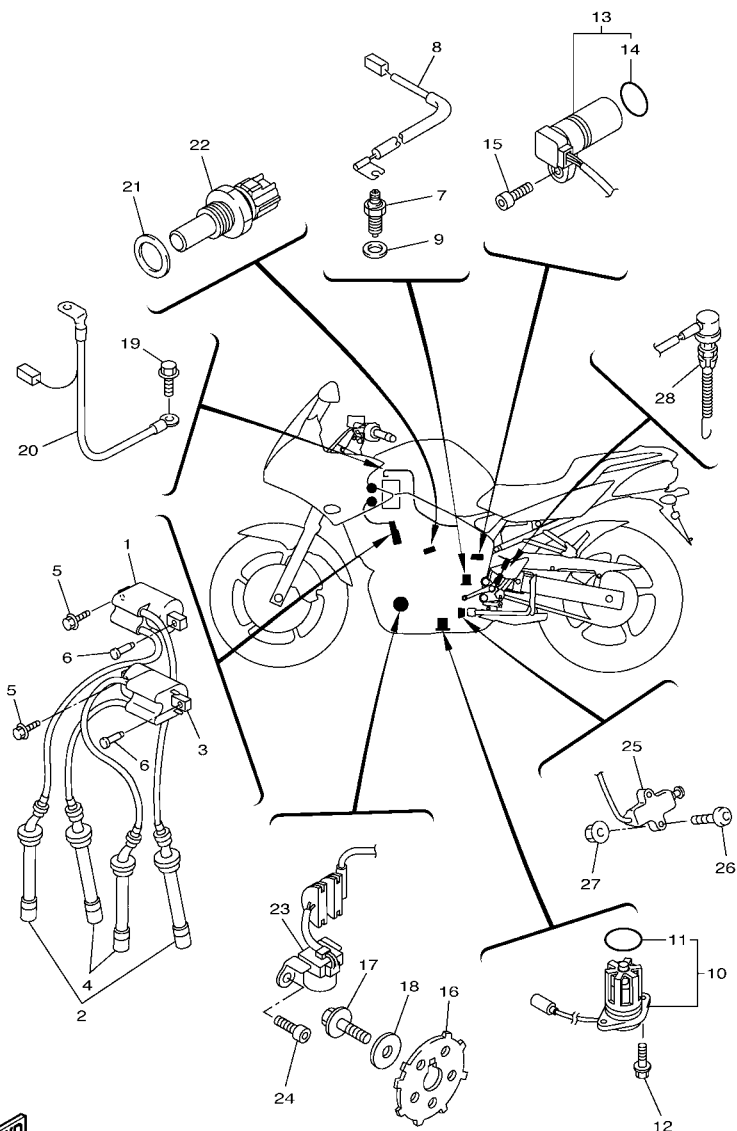
FIG. 44 HANDLE SWITCH & LEVER

REF. NO.	PART NO.	DESCRIPTION	4S8B	4S8C	REMARKS
1	5VX-82910-01	LEVER HOLDER ASSY (LEFT)	1	1	
2	5EB-83912-03	.LEVER 1	1	1	
3	4XV-83945-00	.BOLT, LEVER	1	1	
4	95607-06100	.NUT, U	1	1	
5	95027-06020	.BOLT, FLANGE	1	1	
6	5LV-83951-00	.BOLT, CABLE ADJUSTING	1	1	
7	3YX-82917-01	.SWITCH	1	1	
8	98704-03020	.SCREW, FLAT HEAD	1	1	
9	98507-04010	.SCREW, PAN HEAD	1	1	
10	5JJ-83913-00	.COLLAR, LEVER 1	1	1	
11	5VX-83969-01	SWITCH, HANDLE 5	1	1	
12	98507-05030	.SCREW, PAN HEAD	1	1	
13	98507-05045	.SCREW, PAN HEAD	1	1	
14	5VX-83975-01	SWITCH, HANDLE 2	1	1	
15	97607-05255	.SCREW, WITH WASHER	1	1	
16	98507-05045	.SCREW, PAN HEAD	1	1	
17	98507-05020	.SCREW, PAN HEAD	1	1	
18	1UA-82591-00	BAND	2	2	
19	437-83936-01	BAND, SWITCH CORD	2	2	



5VX1351-C440

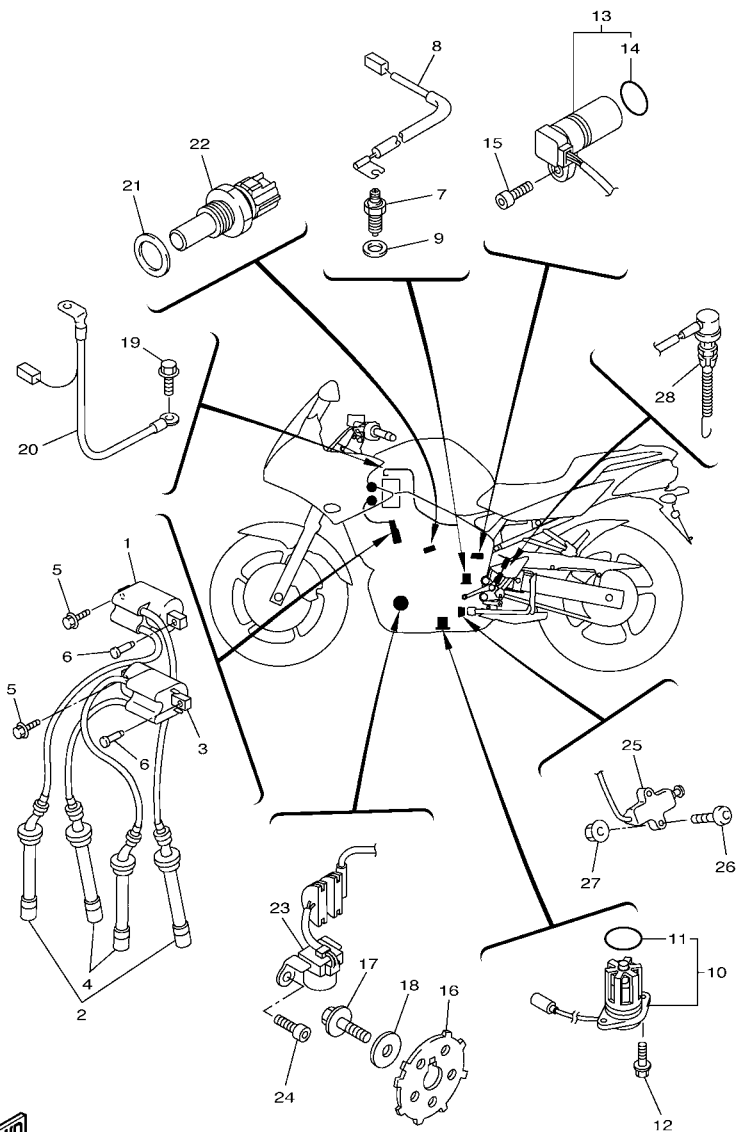
FIG. 45 ELECTRICAL 1



4S8B300-H450

REF. NO.	PART NO.	DESCRIPTION	4S8B	4S8C	REMARKS
			1	1	
1	5VX-82310-00	IGNITION COIL ASSY	1	1	
2	5VX-82370-00	PLUG CAP ASSY	2	2	
3	5VX-82320-00	IGNITION COIL ASSY	1	1	
4	5VX-82370-00	PLUG CAP ASSY	2	2	
5	90105-06557	BOLT, FLANGE	2	2	
6	90269-06010	RIVET	2	2	
7	3GB-82540-01	NEUTRAL SWITCH ASSY	1	1	
8	5VX-82541-00	WIRE, LEAD	1	1	
9	90430-10148	GASKET	1	1	
10	5VX-85720-01	OIL LEVEL GAUGE ASSY	1	1	
11	5VY-8A8E0-00	.O-RING	1	1	
12	95022-06016	BOLT, FLANGE	2	2	
13	5EB-83755-01	SENSOR, SPEED	1	1	
14	4D9-81168-00	.O-RING	1	1	
15	91312-06016	BOLT	1	1	
16	5VX-81673-00	ROTOR	1	1	
17	90105-08113	BOLT, FLANGE	1	1	
18	90201-08753	WASHER, PLATE	1	1	
19	91380-06012	BOLT	1	1	
20	5VX-82116-00	WIRE, MINUS LEAD	1	1	
21	90201-12790	WASHER, PLATE	1	1	
22	8CC-85790-01	THERMOSENSOR ASSY	1	1	
23	5VX-81670-00	PICK-UP ASSY	1	1	
24	91317-06016	BOLT	2	2	
25	5VS-82566-61	SWITCH, SIDE STAND	1	1	
26	92017-05025	BOLT, BUTTON HEAD	2	2	
27	95607-05200	NUT, U FLANGE	2	2	

**FIG. 45 ELECTRICAL 1**



**FWD**  
4S8B300-H450

REF. NO.	PART NO.	DESCRIPTION	4S8B	4S8C			REMARKS
			1	1			
28	5VX-82530-00	STOP SWITCH ASSY	1	1			

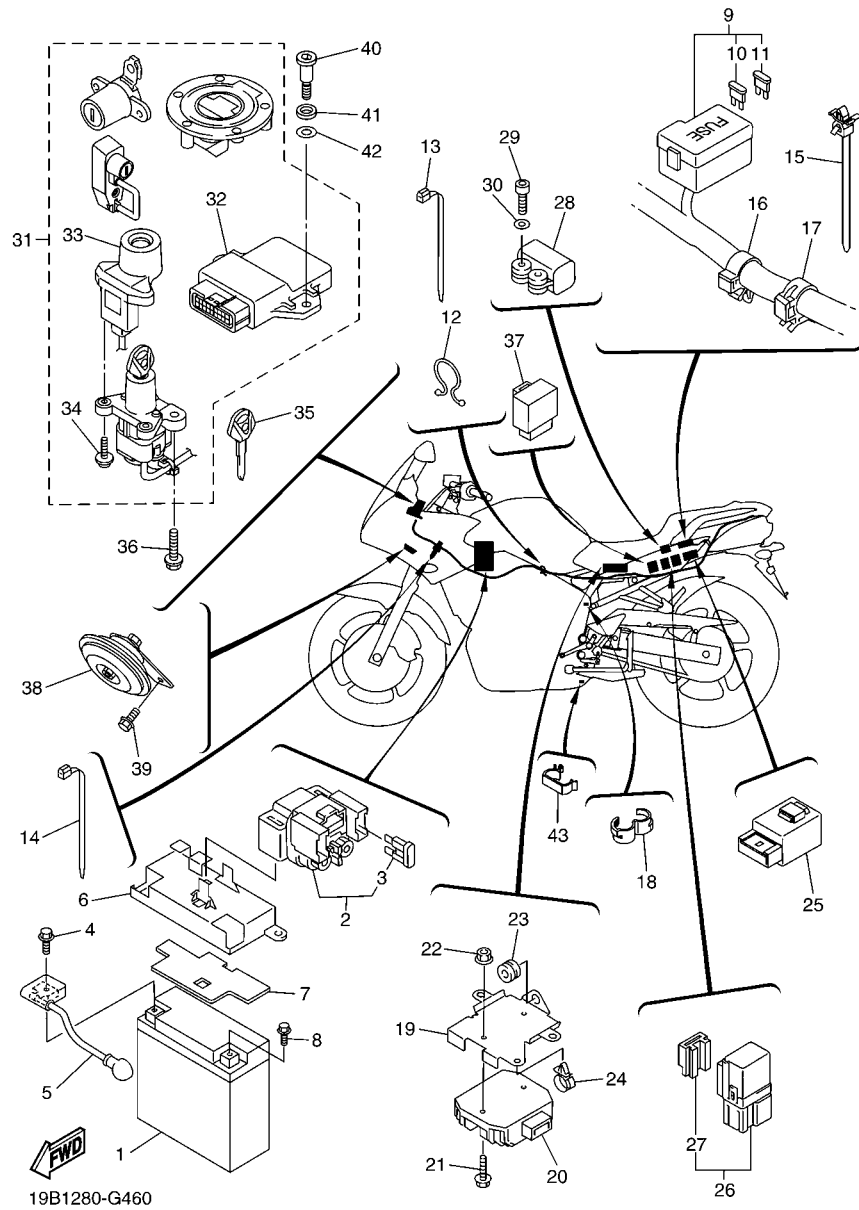


FIG. 46 ELECTRICAL 2

REF. NO.	PART NO.	DESCRIPTION	4S8B	4S8C	REMARKS
1	4TX-82100-02	BATTERY ASSY (GS GT12B-4)	1	1	
2	4BH-81940-02	STARTER RELAY ASSY	1	1	
3	1AE-82151-00	.FUSE (30A-BL)	2	2	
4	95027-06008	BOLT, FLANGE	1	1	
5	5VX-82115-00	WIRE, PLUS LEAD	1	1	
6	5VX-2124E-00	COVER, BATTERY	1	1	
7	5VX-82123-00	SEAT, BATTERY	1	1	
8	95027-06008	BOLT, FLANGE	1	1	
9	4S8-82590-00	WIRE HARNESS ASSY	1	1	
10	5JJ-82151-30	.FUSE (10A-BL)	6	6	
11	5JJ-82151-20	.FUSE (20A-BL)	3	3	
12	90464-14058	CLAMP	1	1	
13	90464-13077	CLAMP	1	1	
14	90464-13077	CLAMP	1	1	
15	90464-12089	CLAMP	1	1	
16	90464-16006	CLAMP	2	2	
17	90464-15192	CLAMP	2	2	
18	90464-16001	CLAMP	1	1	
19	5VX-2128A-00	BRACKET, REGULATOR	1	1	
20	5VX-81960-00	RECTIFIER & REGULATOR ASSY	1	1	
21	95807-06020	BOLT, FLANGE	2	2	
22	95707-06500	NUT, FLANGE	2	2	
23	90480-11005	GROMMET	1	1	
24	90464-13249	CLAMP	1	1	
25	5VK-81950-30	RELAY ASSY	1	1	
26	5EA-81950-20	RELAY ASSY	2	2	
27	5EA-81952-00	.HOLDER, RELAY	1	1	

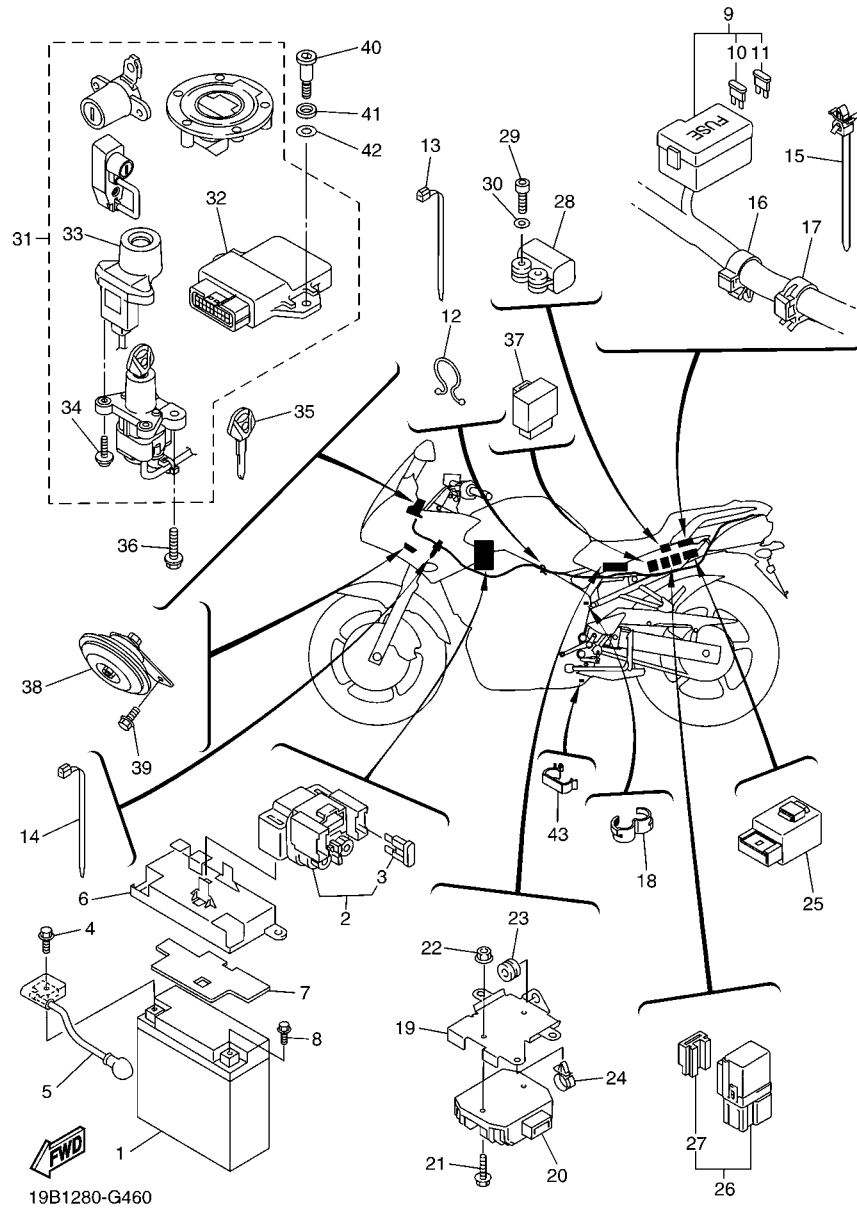


FIG. 46 ELECTRICAL 2

REF. NO.	PART NO.	DESCRIPTION	4S8B	4S8C	REMARKS
28	5PS-82576-01	LEAN ANGLE SENSOR	1	1	
29	91317-04025	BOLT	2	2	
30	90201-047A2	WASHER, PLATE	2	2	
31	4S8-W8250-10	MAIN SW. IMMOBILIZER KIT	1	1	
32	4S8-8591A-00	.ENGINE CONTROL UNIT ASSY	1	1	
33	1B3-8255P-00	.IMMOBILIZER. UNIT COMP.	1	1	
34	5SL-82113-01	.SCREW	2	2	
35	5SL-82511-08	BLANK KEY	1	1	AP
36	90109-080G5	BOLT	2	2	
37	3XV-83350-21	FLASHER RELAY ASSY	1	1	
38	5VX-83371-01	HORN	1	1	
39	95807-06010	BOLT, FLANGE	1	1	
40	90109-06055	BOLT	2	2	
41	5VX-21778-00	DAMPER, LOCATING 1	2	2	
42	90202-08205	WASHER, PLATE	2	2	
43	90464-24230	CLAMP	1	1	

NUMERICAL INDEX

PART NO.	REF. NO.	PART NO.	REF. NO.	PART NO.	REF. NO.	PART NO.	REF. NO.	PART NO.	REF. NO.	PART NO.	REF. NO.
1B3-11101-01	1 - 1	1HX-12168-U1	3 - 12	4NK-12579-00	5 - 13	5CA-14435-00	9 - 16	5VX-15484-00	38 - 4	136-18542-00	18 - 2
4KG-1111G-00	1 - 22	1HX-12168-W1	3 - 12	4S8-12579-00	6 - 13	5VX-14451-00	9 - 9	5SL-15512-00	15 - 1	4S8-21110-09	20 - 1
5EB-11133-10	1 - 2	1HX-12168-Y1	3 - 12	5VX-12581-00	5 - 14	5VX-14452-00	9 - 7	5MT-15515-00	15 - 4	4S8-21110-19	20 - 1
5SL-11165-00	13 - 20	1HX-12169-11	3 - 12	5SL-12588-01	5 - 17	5VX-14453-00	9 - 10	5EB-15521-00	15 - 2	4S8-21110-29	20 - 1
5VX-11181-00	1 - 13	1HX-12169-31	3 - 12	5VX-12589-00	6 - 29	5VX-14463-00	9 - 11	5SL-15590-00	15 - 3	4S8-21110-39	20 - 1
1B3-11191-00	1 - 14	1HX-12169-50	3 - 12	5EB-12822-00	8 - 2	5VX-14503-00	10 - 35	5VX-16150-00	16 - 1	5VX-2117B-31	20 - 46
5SL-11193-00	1 - 16	1HX-12169-70	3 - 12	5VX-13160-00	10 - 31	5VX-14565-00	10 - 13	5EB-16154-00	16 - 2	5VX-2117B-A1	20 - 47
214-11198-01	8 - 11	1HX-12169-90	3 - 12	5EB-13161-00	7 - 12	4S8-14610-00	12 - 1	1AE-16164-00	16 - 14	5VX-2117B-A1	20 - 48
5SL-11411-00	2 - 1	1HX-12169-E0	3 - 12	5EB-1316E-00	7 - 13	3YF-14613-01	12 - 3	4FN-16321-00	16 - 5	5PW-2117K-00	28 - 14
5EB-11416-00	2 - 5	1HX-12169-G0	3 - 12	5MT-13300-00	7 - 1	5VX-1467K-00	12 - 20	4H7-16321-02	16 - 12	5VX-2117M-01	20 - 30
5EB-11416-10	2 - 5	1HX-12169-J0	3 - 12	4S8-13400-00	8 - 9	5VX-14708-10	12 - 25	168-16324-00	16 - 4	488-21190-09	20 - 2
5EB-11416-20	2 - 5	1HX-12169-L0	3 - 12	5SL-13410-00	7 - 4	5VX-14710-01	12 - 17	3J2-16324-00	16 - 6	4S8-21190-19	20 - 2
5EB-11416-30	2 - 5	1HX-12169-N0	3 - 12	5VX-13414-01	8 - 12	5VY-14714-00	12 - 9	5VX-16340-00	16 - 25	4S8-2119V-00	20 - 64
5EB-11416-A0	2 - 5	1HX-12169-T0	3 - 12	5EB-13415-00	7 - 5	5EB-14714-01	12 - 18	132-16346-00	19 - 2	4P5-21228-00	20 - 58
5SL-11603-00	2 - 7	5VX-12170-00	4 - 1	2C0-13416-00	7 - 9	5JW-14723-00	11 - 7	5EB-16351-01	16 - 9	5VX-21238-00	20 - 24
5SL-11631-00	2 - 6	5VX-12176-00	4 - 3	5VX-13418-00	13 - 5	4S8-14740-00	12 - 8	5EB-16356-01	16 - 8	5VX-21239-00	20 - 27
5EB-11633-00	2 - 9	5VX-12180-00	4 - 2	5GH-13440-20	8 - 5	4FB-14766-00	12 - 29	5VX-16371-00	16 - 3	5VX-21249-00	20 - 31
5VX-11650-00	2 - 2	5SL-12210-10	4 - 6	5EB-13470-00	8 - 1	5VX-14807-00	10 - 34	5VX-16382-00	16 - 22	5VX-2124E-00	46 - 6
5VX-11654-00	2 - 3	4FM-12213-00	4 - 9	5JW-13473-00	8 - 4	5SL-1482K-00	1 - 17	5SL-17121-00	17 - 11	5VX-21268-00	20 - 6
5VX-11656-00	2 - 4	5SL-12214-00	4 - 8	5EB-13475-00	8 - 3	5VX-14840-00	11 - 1	5SL-17131-20	17 - 6	5VX-21269-00	20 - 42
5VX-11656-10	2 - 4	5EL-12228-00	4 - 7	3KS-13490-00	8 - 7	5VX-14881-00	11 - 2	5VX-21279-10	17 - 3	5VX-21279-10	20 - 11
5VX-11656-20	2 - 4	5BE-12241-00	1 - 15	5VX-13533-00	10 - 33	5VX-14882-00	11 - 4	5SL-17161-00	17 - 8	5VX-2128A-00	46 - 19
5VX-11656-30	2 - 4	5EB-12251-00	4 - 11	68V-13533-00	10 - 22	5VX-14883-00	11 - 6	5SL-17211-00	17 - 31	4R8-21308-01	20 - 44
5SL-12111-10	3 - 1	5EB-12252-10	4 - 12	5VX-13569-01	43 - 13	5SL-14890-00	1 - 18	5VX-17221-00	17 - 20	5VX-2135F-00	20 - 33
5EB-12113-00	3 - 5	4S8-12405-00	6 - 8	5SL-13586-01	9 - 1	5SL-14899-00	1 - 19	5SL-17231-00	17 - 28	5VX-2139B-00	20 - 7
5EB-12114-00	3 - 6	5VX-1240J-00	6 - 17	5SL-13596-01	9 - 2	3UH-14937-00	10 - 17	5SL-17241-00	17 - 25	5VX-2139R-00	20 - 41
5SL-12116-00	3 - 3	5SL-12410-00	6 - 1	5VX-13750-04	10 - 1	5VX-14987-00	10 - 18	5VX-17251-00	17 - 29	5VX-2139W-00	20 - 40
5EB-12117-00	3 - 8	5VX-12413-00	6 - 2	5VX-13761-00	10 - 4	1B3-15100-01	13 - 1	5VX-17261-00	17 - 23	5VX-2140A-00	20 - 8
1HX-12118-00	3 - 10	5EB-12421-00	5 - 1	5EB-13898-00	7 - 7	11H-15138-00	1 - 6	5SL-17411-00	17 - 1	4S8-21445-00	12 - 5
4TV-12119-00	3 - 11	5SL-12422-00	5 - 6	5VX-13907-02	27 - 9	5EB-15155-00	13 - 2	4S8-17421-00	17 - 16	5VX-21446-10	12 - 13
5SL-12121-10	3 - 2	5FC-12437-00	6 - 22	5VX-13971-00	27 - 22	5EB-15163-01	17 - 12	278-17424-01	17 - 38	5VX-2144G-00	35 - 41
5EB-12124-01	3 - 7	11H-12438-10	5 - 4	5JW-14104-00	10 - 26	36Y-15189-00	13 - 25	5VX-17460-00	17 - 33	4S8-21511-00-P0	21 - 1
5EB-12126-00	3 - 4	5EB-12439-00	5 - 7	5VX-1410E-00	10 - 23	5SL-15189-00	13 - 8	5VX-18101-11	19 - 9	4S8-21511-00-P4	21 - 1
5EB-12127-00	3 - 9	5VX-1243A-00	6 - 32	4KM-14137-00	10 - 25	3F9-15362-00	14 - 9	5VX-18110-00	19 - 13	5PA-21568-01	27 - 29
5EB-12153-09	3 - 13	5VX-1243E-00	10 - 30	3H1-14147-00	10 - 27	5EB-15362-00	13 - 27	5VX-18112-01	19 - 11	5VX-2161G-00	21 - 38
5EB-12153-20	3 - 13	4S8-1244E-00	6 - 27	5PS-14147-00	10 - 5	5VX-15373-00	9 - 18	5EB-18113-00	19 - 14	5VX-21621-00	21 - 26
5EB-12153-30	3 - 13	5VX-1244G-00	6 - 35	5VX-14148-01	9 - 25	1B3-15411-10	14 - 1		36 - 2	5VX-21621-10	21 - 26
1HX-12168-00	3 - 12	5EB-12450-00	5 - 5	5VX-14149-00	10 - 12	5VX-15413-01	13 - 22	5VX-18115-02	19 - 19	5VX-21629-00	21 - 45
1HX-12168-20	3 - 12	4S8-12461-00	6 - 7	8CC-14216-10	10 - 11	1B3-15416-00	14 - 16	5VX-18116-00	19 - 25	5VX-21637-00	43 - 7
1HX-12168-40	3 - 12	1B3-12462-00	6 - 21	3XV-14251-00	10 - 20	1B3-15418-00	14 - 6	1D7-18127-00	19 - 8	5VX-21639-00	21 - 19
1HX-12168-60	3 - 12	4S8-12467-00	6 - 19	5PW-14251-00	10 - 24	1B3-15421-00	14 - 8	5VX-18140-00	19 - 3	5VX-2163A-00	22 - 10
1HX-12168-80	3 - 12	5EB-12469-00	5 - 24	5VX-14348-00	10 - 2	1B3-15425-00	14 - 27	5VX-18154-00	19 - 26	5VX-2164F-00	21 - 53
1HX-12168-A0	3 - 12	5GV-1246A-00	5 - 21	5FL-14348-10	10 - 21	5VX-15441-00	14 - 32	5SL-18511-00	18 - 3	5VX-2164H-00	21 - 32
1HX-12168-F0	3 - 12	5GV-1246E-00	5 - 19	5VX-14349-00	10 - 28	5VX-15451-01	14 - 2	5MT-18512-00	18 - 4	5VX-2164J-00	21 - 33
1HX-12168-H1	3 - 12		6 - 6	5VX-14396-00	10 - 16	5SL-15456-01	14 - 23	5EB-18513-00	18 - 5	5VX-21650-00	23 - 11
1HX-12168-K1	3 - 12	1AA-12535-00	6 - 12	5VX-14409-00	9 - 21	5SL-15461-01	14 - 11	4XV-18531-00	18 - 6	5VX-21651-00	21 - 10
1HX-12168-M1	3 - 12	5EB-12577-01	5 - 15	5VX-14411-00	9 - 5	5SL-15462-00	13 - 23	5EB-18536-00	18 - 8	5VX-21665-00	21 - 41
1HX-12168-R1	3 - 12	4S8-12578-00	6 - 4	5VX-14421-00	9 - 6	5VX-15463-01	14 - 28	5VX-18540-00	18 - 1	3XW-21668-A1	23 - 17

NUMERICAL INDEX

PART NO.	REF. NO.	PART NO.	REF. NO.	PART NO.	REF. NO.	PART NO.	REF. NO.	PART NO.	REF. NO.	PART NO.	REF. NO.	PART NO.	REF. NO.
5VX-21669-00	21 - 14	4TX-23125-B0	26 - 28	3YJ-24481-00	20 - 9	2D1-2583V-00	36 - 7	5VX-27114-00	35 - 40	4S8-2836E-00	37 - 30		
5VX-21710-A0-P2	22 - 1	4S8-23126-00	26 - 5	5JW-24486-00	27 - 13	5SL-25852-00	36 - 16	5VX-27115-00	35 - 9	4S8-2836K-00	37 - 21		
5VX-21710-A0-P5	22 - 1	4S8-23126-10	26 - 5	5SL-24491-00	27 - 10	5VS-25852-00	34 - 3	5VX-27151-02	35 - 3	4S8-2836L-00	37 - 23		
1FK-2171M-00	37 - 28	4TX-23135-B0	26 - 3	5JJ-24602-00	27 - 21	5SL-25854-00	36 - 14	5VX-27152-02	35 - 4	4S8-2836M-00	37 - 25		
5VX-21720-A0-P2	22 - 4		26 - 23	5VX-2470F-10	28 - 2	5VS-25854-00	36 - 5	5VX-27200-00	36 - 1	4S8-28376-00	37 - 14		
5VX-21720-A0-P5	22 - 4	4S8-23136-00	26 - 25	4S8-2470F-40	28 - 2	5SL-25855-00	36 - 15	5VX-27212-00	36 - 4	4S8-28381-00	37 - 1		
4P5-2172W-00	6 - 44	4S8-23136-10	26 - 25	5VX-24724-00	28 - 7	5VS-25855-00	34 - 4	4BP-27222-02	36 - 11	4S8-28381-10	37 - 1		
5VX-21732-00	21 - 15	5VX-23141-00	26 - 13	4NK-24728-00	28 - 5	4BP-2585F-01	36 - 10	5VX-27311-01	35 - 13	4S8-283B1-30	37 - 11		
5VX-21735-01	21 - 16		26 - 33	4S8-24730-10	28 - 1	5VS-25867-00	34 - 11	5VX-27315-00	35 - 19	4S8-283B1-60	37 - 11		
4S8-2173E-30	22 - 2	4S8-23142-00	26 - 19	4S8-24730-40	28 - 1	4S8-25872-00	34 - 16	5VX-27321-02	35 - 14	4S8-283B1-90	37 - 11		
4S8-2173F-30	22 - 5		26 - 39	5VX-24773-00-P6	21 - 8	4S8-25873-00	34 - 17	5VX-27351-00	35 - 18	4S8-283B1-E0	37 - 11		
5VX-2173M-00	20 - 57	4TX-23144-00	26 - 12	5VX-24773-00-PB	21 - 8	4S8-25875-00	34 - 22	3YX-27413-00	35 - 26	4S8-283B1-F0	37 - 11		
5VX-2173N-01	21 - 49		26 - 32	4BP-24780-00	28 - 8	5SL-25876-00	34 - 20		35 - 35	4D9-81168-00	45 - 14		
5VX-2174X-00	22 - 3	5VX-23145-00	26 - 9	5VX-2478E-00	28 - 11	5VX-2587A-00	35 - 53		35 - 62	5VX-81410-00	38 - 6		
5VX-2174Y-00	22 - 6		26 - 29	4BP-24792-00	28 - 9	4P5-25894-00	36 - 13		35 - 72	5VX-81450-00	38 - 1		
4S8-2175V-00	20 - 55	4TX-23151-00	26 - 6	4XV-25117-00	29 - 2	4S8-25895-00	36 - 18	4S8-27415-00	19 - 31	5VX-81670-00	45 - 23		
5VX-21778-00	46 - 41		26 - 26	5SL-25168-00-98	29 - 1	5VS-2589F-00	34 - 7		35 - 50	5VX-81673-00	45 - 16		
5VX-21779-00	20 - 56	4TX-23156-00	26 - 11	5SL-25168-00-P2	29 - 1	5VS-2589H-00	34 - 6	4S8-2741L-00	35 - 54	4WP-81801-00	39 - 4		
5VX-2177F-00	22 - 11		26 - 31	4XV-25181-10	29 - 9	5SL-25914-00	32 - 9	4XV-27424-00	12 - 14	5VX-81815-00	39 - 7		
5VX-2177G-00	20 - 18	5VX-23170-00	26 - 4	4XV-25317-00	31 - 6	5DH-25916-00	32 - 14	5VX-27424-00	19 - 23	4WP-81826-00	39 - 5		
26H-21828-00	6 - 39		26 - 24	5SL-25338-00-98	31 - 1	3JD-25917-00	32 - 11		35 - 39	4XV-8182A-00	39 - 6		
5VX-21843-00	20 - 49	4TX-23173-00	26 - 7	5SL-25338-00-P2	31 - 1	5SL-25917-00	32 - 6	4S8-2742L-00	35 - 64		39 - 8		
4P5-21871-00	6 - 38		26 - 27	5VX-25364-00	31 - 8	4SV-25919-00	30 - 11	5LV-27431-01	35 - 55	4WP-81844-00	39 - 3		
4P5-21873-00	6 - 45	4TX-2331G-00	26 - 20	5SL-25366-00	31 - 12		30 - 21	4BP-27434-01	19 - 17	1FK-81847-00	39 - 2		
3P6-21875-00	6 - 41		26 - 40	5SL-25381-10	31 - 25	5SL-25919-00	32 - 8	5JJ-27437-01	35 - 58	5EB-81890-00	39 - 1		
4S8-22110-00	23 - 1	5VX-23340-00	26 - 42	5SL-25383-00	31 - 7	5VX-25921-50	32 - 10		35 - 68	4BH-81940-02	46 - 2		
4S8-22110-10	23 - 1	4P5-23377-00	25 - 17	5SL-25388-00	31 - 23	4SV-25924-00	30 - 12	5LV-27441-01	35 - 65	5EA-81950-20	46 - 26		
5JJ-22128-00	23 - 4	5VX-23389-00	25 - 11	5SL-25389-00	31 - 24		30 - 22	5VX-27442-10	19 - 22	5VK-81950-30	46 - 25		
4FN-22141-00	23 - 8	5VX-23415-00	25 - 3	5MT-25398-00	29 - 7	8CR-25924-00	32 - 13	5VX-27443-10	35 - 38	5EA-81952-00	46 - 27		
5VX-22151-00	23 - 5	26H-23418-01	25 - 6		31 - 11	3GM-25925-00	30 - 13	4S8-27445-00	19 - 27	5VX-81960-00	46 - 20		
5EB-22184-00	23 - 2	4XV-2341B-00	25 - 15	5MT-25398-10	29 - 7		30 - 23	4S8-27446-00	35 - 44	4TX-82100-02	46 - 1		
5VX-22210-00	24 - 1	5VX-23435-20	25 - 9		31 - 11	5SL-25926-00	32 - 15	4BH-27451-01	35 - 22	5SL-82113-01	46 - 34		
34L-22216-00	24 - 2	4S8-23441-00	25 - 14	5MT-25398-20	29 - 7	5VX-26111-10	33 - 2	4BH-27461-01	35 - 31	5VX-82115-00	46 - 5		
5VX-22836-00	20 - 52	3FV-23462-00	26 - 45		31 - 11	4YR-26240-02	33 - 4	5VX-28100-00	21 - 48	5VX-82116-00	45 - 20		
4S8-23102-00	26 - 1	5SL-2413B-00	27 - 3	5VX-25446-01	31 - 15	4YR-26241-02	33 - 3	31A-28217-00	21 - 20	5VX-82122-00	20 - 19		
4S8-23102-10	26 - 1	5VX-24141-00	27 - 28	4S8-2580T-00	30 - 5	51J-26246-01	33 - 5	4S8-28315-30	37 - 12	5VX-82123-00	46 - 7		
4S8-23103-00	26 - 21	5EJ-2414H-00	9 - 22	4S8-2580T-10	30 - 5	4S8-26280-00	37 - 31	4S8-28315-40	37 - 12	122-82131-00	21 - 47		
4S8-23103-10	26 - 21		20 - 20	4S8-2580U-00	30 - 15	4S8-26290-00	37 - 32	4S8-2831U-00	40 - 19	3TJ-82131-00	21 - 46		
4S8-23110-00	26 - 2	3ME-2415E-01	27 - 30	4S8-2580U-10	30 - 15	5VY-26298-00	37 - 34	4S8-2832U-00	40 - 22	1AE-82151-00	46 - 3		
	26 - 22	5VX-24181-00	27 - 16	5VX-2580W-00	32 - 3	5VX-26311-00	33 - 6	4S8-28345-00-P3	37 - 8	5JJ-82151-20	46 - 11		
4TX-23115-00	26 - 10	5VX-24183-00	27 - 8	5VX-2581K-01	36 - 23	5VX-26312-00	33 - 7	4S8-28345-00-P4	37 - 8	5JJ-82151-30	46 - 10		
	26 - 30	5VX-24191-00	27 - 4	5VX-26332-01	30 - 1	5VX-26332-00	34 - 10	4S8-28345-00-P5	37 - 8	5VX-82310-00	45 - 1		
5VX-23118-00	26 - 18	5PW-24192-00	27 - 11	5SL-25827-00	32 - 17	5VX-26335-00	33 - 1	4S8-28346-00-P3	37 - 10	5VX-82320-00	45 - 3		
	26 - 38	3C3-24244-80	27 - 2	5SL-25827-10	32 - 18	5VX-27111-03	35 - 1	4S8-28346-00-P4	37 - 10	5VX-82370-00	45 - 2		
5VX-2311H-00	26 - 14	3C3-24244-90	27 - 2	5SL-25828-00	32 - 19	5VX-27113-00	35 - 5	4S8-28346-00-P5	37 - 10		45 - 4		
	26 - 34	3C3-24244-A0	27 - 2	2D1-2582A-00	36 - 9	371-27114-00	28 - 4	4S8-28347-00	37 - 13	5VX-82380-00	10 - 6		
4KM-23123-01	26 - 46	3C3-24244-B0	27 - 2	2D1-2582W-00	32 - 1	4GL-27114-00	35 - 2	4S8-28356-00	37 - 15	5VX-82386-00	10 - 32		
4TX-23125-B0	26 - 8	68V-24376-00	10 - 19	5SL-25838-00	32 - 7	5VX-27114-00	19 - 24	4S8-2836A-00	37 - 27	5SL-82511-08	46 - 35		

NUMERICAL INDEX

PART NO.	REF. NO.	PART NO.	REF. NO.	PART NO.	REF. NO.	PART NO.	REF. NO.	PART NO.	REF. NO.	PART NO.	REF. NO.
5VX-82530-00	45 - 28	4S8-84359-10	42 - 10	4S8-Y283G-N0-P5	37 - 4	90110-06086	5 - 12	90179-08410	12 - 4	90202-26142	25 - 5
3GB-82540-01	45 - 7	5LV-84397-00	42 - 5	4S8-Y283G-P0-P0	37 - 4	90110-06161	7 - 8	90179-20011	17 - 35	90206-12074	19 - 16
5VX-82541-00	45 - 8	5VX-84710-00	43 - 1	4S8-Y283G-R0-P5	37 - 4		7 - 11	90179-25033	25 - 4	90209-08295	35 - 30
1B3-8255P-00	46 - 33	137-84714-60	43 - 2	5VX-YK241-30-P3	27 - 1		13 - 7	90183-05061	21 - 9		35 - 52
5VS-82566-61	45 - 25	5VX-84735-00	43 - 3	90101-08013	31 - 26	90110-06169	8 - 14		43 - 11	90209-21332	17 - 4
5PS-82576-01	46 - 28	4HC-84744-00	43 - 9	90105-06027	1 - 4	90110-06200	37 - 19	90183-05076	37 - 6	90209-21351	17 - 10
4S8-82590-00	46 - 9	5VX-84745-01	43 - 8	90105-06053	5 - 25	90110-08220	35 - 29	90183-06053	20 - 21	90209-22352	17 - 9
1UA-82591-00	34 - 19	5SL-85110-00	21 - 36	90105-060A6	6 - 50		35 - 51		37 - 24	90209-25342	17 - 21
	44 - 18	3Y6-85130-02	21 - 27	90105-06147	13 - 19	90110-10010	35 - 21		37 - 26	90209-25349	17 - 26
5VX-82910-01	44 - 1	5VX-85720-01	45 - 10	90105-06557	6 - 3	90110-10N52	26 - 17	90183-060A1	20 - 25	90209-25350	17 - 27
3YX-82917-01	44 - 7	8CC-85790-01	45 - 22		20 - 26		26 - 37		20 - 28	90215-20004	16 - 17
5PW-83310-01	40 - 1	2D1-85885-00	10 - 10		20 - 29	90111-06019	19 - 32	90185-10002	20 - 13	90240-08124	36 - 20
1KH-83311-00	40 - 2	5CA-85886-00	9 - 20		45 - 5	90111-06031	6 - 18		20 - 15	90269-06010	45 - 6
	40 - 6	4S8-8591A-00	46 - 32	90105-07004	4 - 4	90116-10485	31 - 16	90185-10009	31 - 17	90269-08001	23 - 15
	40 - 11	2D1-8592A-00	12 - 2	90105-08021	12 - 7	90119-06038	6 - 25	90185-10037	35 - 16	90269-08066	20 - 34
	40 - 15	5VX-88158-00	21 - 18	90105-08063	12 - 6	90119-06044	36 - 26	90185-18167	23 - 9	90338-06018	28 - 6
5PW-83318-00	40 - 9	5VY-8A8E0-00	45 - 11	90105-08113	45 - 17	90119-06062	27 - 7	90185-24007	31 - 21	90338-08174	9 - 14
	40 - 18	5VS-W0041-00	34 - 2	90105-081A4	35 - 74	90119-06096	23 - 6	90201-047A2	46 - 30	90338-21145	20 - 10
5PW-83320-01	40 - 5	5VX-W0042-50	36 - 8	90105-086A9	13 - 11	90119-06117	23 - 16	90201-05725	21 - 29	90340-14132	8 - 10
5VX-83330-00	40 - 10	5VN-W0045-00	30 - 10	90105-087A0	13 - 10	90119-08081	37 - 18	90201-06055	20 - 38	90340-20090	1 - 5
5PW-8333A-00	40 - 3		30 - 20	90105-10032	20 - 12	90119-10003	1 - 10	90201-06071	43 - 5	90340-32004	14 - 20
	40 - 16	5VX-W0046-00	32 - 12	90105-10088	35 - 6	90149-06019	38 - 7	90201-08034	12 - 12	90383-14001	35 - 43
5VX-83340-00	40 - 14	5SL-W0047-00	32 - 5	90105-10090	35 - 7	90149-06082	13 - 9	90201-08083	36 - 21	90387-06014	35 - 61
5PW-8334A-00	40 - 7	3GM-W0047-10	30 - 9	90105-10323	24 - 9		13 - 21	90201-082U5	12 - 24		35 - 71
	40 - 12		30 - 19	90105-10638	30 - 3	90149-06250	38 - 5	90201-08753	45 - 18	90387-06068	27 - 6
3XV-83350-21	46 - 37	3MA-W0047-10	30 - 7		30 - 4	90149-06308	28 - 13	90201-08784	19 - 18	90387-06073	9 - 23
5VX-83371-01	46 - 38		30 - 17	90105-10N53	20 - 14	90149-08030	38 - 8	90201-087K3	13 - 12	90387-06075	21 - 43
4S8-83500-40	41 - 1	1J3-W0048-00	30 - 14	90105-126A8	38 - 2	90149-10006	20 - 3	90201-10020	20 - 17	90387-06078	20 - 37
4S8-83500-50	41 - 1		30 - 24	90109-06031	7 - 3	90149-10012	20 - 4	90201-10021	31 - 18	90387-06107	21 - 23
3C3-83513-00	37 - 16	1UY-W0048-00	32 - 16		21 - 6	90150-04041	21 - 34	90201-10119	16 - 26		21 - 39
5EB-83755-01	45 - 13	4SV-W0057-00	30 - 6	90109-06055	46 - 40	90150-05023	37 - 2	90201-101J1	24 - 6		21 - 50
5EB-83912-03	44 - 2		30 - 16	90109-06060	20 - 22	90151-06008	17 - 15	90201-12008	38 - 3		22 - 7
5JJ-83913-00	44 - 10	5SL-W0057-00	32 - 4	90109-06168	13 - 15	90151-06018	20 - 45	90201-12013	19 - 15		23 - 12
5VS-83922-00	34 - 9	4SV-W0057-10	30 - 8	90109-064G6	30 - 2	90154-06061	21 - 5	90201-12021	35 - 20	90387-0614M	6 - 16
437-83936-01	44 - 19		30 - 18	90109-066F0	1 - 21	90157-05079	35 - 27	90201-12790	45 - 21	90387-061N6	12 - 27
4XV-83945-00	44 - 3	2TV-W2470-00	28 - 12	90109-067F4	20 - 43		35 - 36	90201-14215	36 - 3	90387-061W6	27 - 17
5LV-83951-00	44 - 6	5VS-W2587-00	34 - 1	90109-08045	32 - 2	90157-05134	35 - 63	90201-15013	16 - 29	90387-06372	19 - 33
5VX-83969-01	44 - 11	4S8-W8250-10	46 - 31	90109-080G5	46 - 36		35 - 73	90201-154E8	19 - 7		23 - 7
5VX-83975-01	44 - 14	5VX-Y2171-W0	22 - 1	90109-08174	35 - 28	90159-06002	16 - 11	90201-177G4	19 - 6		37 - 35
4HM-83980-00	34 - 12	5VX-Y2172-X0	22 - 4		35 - 37	90164-05014	41 - 2	90201-18020	23 - 10	90387-065J6	21 - 2
5VX-84310-00	42 - 1	5VX-Y2410-30-W5	27 - 1	90109-10011	35 - 15		42 - 8	90201-20023	17 - 34	90387-066H4	6 - 20
5VX-84310-10	42 - 1	5VX-Y2410-30-W6	27 - 1	90109-10654	24 - 5	90170-06228	19 - 20	90201-20278	17 - 36	90387-082W9	12 - 15
5VX-84312-00	42 - 7	5VX-Y2410-30-W8	27 - 1	90110-05014	27 - 14	90170-08010	36 - 12	90201-220T0	25 - 7	90387-09003	21 - 21
4SV-84314-00	42 - 3	5VX-Y2410-30-W9	27 - 1	90110-05112	27 - 19	90170-20008	16 - 18	90201-25020	31 - 22	90387-1012B	24 - 8
8G9-84314-00	42 - 2	4S8-Y283G-80-P0	37 - 4	90110-05201	37 - 22	90176-05001	35 - 48	90201-255A6	16 - 13	90387-127V3	19 - 4
4SV-84347-00	42 - 4	4S8-Y283G-B0-P0	37 - 4	90110-06018	18 - 9	90176-22081	25 - 8	90202-06170	37 - 20	90387-22002	29 - 8
4SV-84350-00	42 - 6	4S8-Y283G-F0-P0	37 - 4	90110-06022	14 - 14	90179-05523	37 - 3	90202-08205	46 - 42	90387-2202V	17 - 30
4S8-84359-00	42 - 10	4S8-Y283G-M0-P0	37 - 4	90110-06079	27 - 15	90179-06403	21 - 7	90202-24190	25 - 2	90387-25024	16 - 15

NUMERICAL INDEX

PART NO.	REF. NO.	PART NO.	REF. NO.	PART NO.	REF. NO.	PART NO.	REF. NO.	PART NO.	REF. NO.	PART NO.	REF. NO.
90387-2504A	17 - 18	90464-15192	46 - 17	90480-15363	6 - 15	92014-05012	19 - 28	93306-00304	16 - 7	95602-06200	28 - 3
90387-2513E	17 - 7	90464-16001	46 - 18	90480-18276	43 - 4		35 - 45	93306-00420	29 - 3	95604-06200	35 - 60
90387-253M6	17 - 2	90464-16005	27 - 23	90501-064L1	18 - 7	92014-05014	35 - 47	93306-20464	17 - 14		35 - 70
90387-28001	31 - 19	90464-16006	37 - 29	90501-15001	35 - 56	92014-06020	36 - 5		17 - 37	95607-04100	21 - 35
90387-2813C	17 - 19		46 - 16		35 - 66	92014-08014	14 - 22	93306-20531	31 - 2	95607-05100	19 - 29
90387-2813D	17 - 24	90464-16061	28 - 15	90501-225A9	16 - 10	92014-08020	36 - 19		31 - 13		21 - 28
90401-10020	34 - 18	90464-18002	21 - 4	90506-14003	19 - 1	92014-08045	12 - 16	93306-30525	17 - 13		35 - 46
	36 - 24		34 - 23	90506-20223	36 - 6	92017-05025	45 - 26	93306-30546	17 - 17	95607-05200	45 - 27
90401-10038	34 - 24	90464-18029	21 - 30	90506-23007	35 - 17	92017-06012	21 - 40	93310-340N8	16 - 16	95607-06100	44 - 4
90401-20145	8 - 6	90464-20003	37 - 7	90506-26008	35 - 11		21 - 52	93315-31502	16 - 20	95607-10100	24 - 7
90430-06014	5 - 9	90464-20181	20 - 50	90506-50001	35 - 10	92017-06014	22 - 8	93315-31758	24 - 4	95607-10200	20 - 5
90430-08119	1 - 8		20 - 62	90508-18016	16 - 28	92017-06016	21 - 51	93315-42523	23 - 3		24 - 10
90430-08143	14 - 21	90464-23041	10 - 36	90508-20572	35 - 23	92017-06020	20 - 39	93317-11096	16 - 19	95617-06100	34 - 8
90430-09002	10 - 3	90464-24230	46 - 43		35 - 32	92902-04100	34 - 14	93317-11295	19 - 34	95617-08625	1 - 9
90430-10005	34 - 25	90465-08045	14 - 5	90508-295B2	19 - 10	92902-04600	34 - 15	93317-43580	31 - 4	95707-05500	21 - 37
	36 - 25	90465-10030	8 - 15	90560-06201	20 - 60	92904-05600	6 - 24	93399-99931	25 - 1	95707-06500	28 - 10
90430-10148	45 - 9	90465-10042	14 - 26	91312-06016	45 - 15	92907-05100	10 - 8	93399-99932	26 - 44		37 - 33
90430-10171	26 - 16	90465-13152	21 - 25	91312-06025	8 - 13	92907-05600	10 - 9	93420-61M07	31 - 5		46 - 22
	26 - 36	90465-14011	14 - 17	91312-10025	26 - 43	92907-06100	6 - 10	93440-10153	1 - 3	95707-10500	35 - 8
90445-08025	6 - 42	90467-08075	6 - 43	91314-06020	14 - 25	92907-06600	6 - 11	93440-25186	17 - 5	95807-06010	34 - 21
90445-081F2	6 - 40		6 - 48		14 - 30		23 - 14	93440-28062	17 - 22		46 - 39
90445-10032	27 - 26	90467-10008	27 - 25	91314-06025	4 - 10		25 - 13	93450-17129	2 - 8	95807-06012	25 - 18
90445-10033	27 - 24		27 - 27		13 - 24	92907-08600	16 - 23	93501-04011	35 - 57	95807-06016	20 - 61
90445-11795	9 - 12	90467-10041	9 - 13		14 - 4	92990-05200	19 - 30		35 - 67	95807-06020	46 - 21
90445-170K9	35 - 12	90467-11090	6 - 34		14 - 7		35 - 49	93607-44002	4 - 13	95807-06025	20 - 23
90450-22017	5 - 18		6 - 36		14 - 13	93101-12173	5 - 3	93608-17263	14 - 12	95812-06045	13 - 17
	6 - 31		10 - 29		14 - 31	93102-12106	19 - 35	93900-00030	29 - 6	95812-06055	13 - 13
90450-32001	5 - 22	90467-110A2	6 - 33	91314-06030	14 - 15	93102-15212	16 - 21		31 - 10	95812-06065	13 - 16
	6 - 37	90467-120A3	36 - 17	91314-06040	35 - 59	93102-35423	17 - 32	94112-17066	29 - 5	95812-06100	13 - 18
90450-32003	6 - 14	90467-14015	9 - 24		35 - 69	93106-28043	29 - 4	94112-17067	29 - 5	95812-08014	12 - 23
90450-35001	5 - 16	90467-15054	9 - 19	91314-06060	1 - 11	93106-40013	31 - 3	94118-17041	31 - 9	95812-08035	12 - 11
	6 - 5	90467-17003	11 - 8	91314-08030	25 - 10		31 - 14	94118-17053	31 - 9	95812-08065	13 - 14
90450-38040	5 - 20	90467-17089	9 - 26	91314-08045	26 - 41	93109-17071	24 - 3	94580-25080	7 - 6	95814-08045	12 - 10
90450-53002	9 - 15		11 - 3	91314-10050	20 - 16	93210-04092	13 - 3	94582-11118	31 - 20		12 - 19
90450-63003	9 - 4		11 - 5	91317-04025	46 - 29	93210-06667	7 - 15	94591-49120	4 - 5	95824-06012	6 - 28
90464-06005	40 - 20	90467-17128	11 - 9	91317-05010	27 - 20	93210-09165	7 - 14	94701-00403	1 - 12	95824-06020	19 - 12
	40 - 23	90467-200A0	6 - 30	91317-06016	45 - 24		13 - 28	95022-06016	45 - 12	95824-06030	6 - 26
90464-07012	6 - 47	90480-01558	22 - 9	91317-06020	1 - 20	93210-14003	7 - 10	95022-08012	1 - 7	95827-06010	20 - 51
90464-09009	37 - 5	90480-10332	12 - 22		9 - 3	93210-14579	13 - 6	95024-06020	5 - 8		20 - 54
90464-12089	46 - 15	90480-11005	46 - 23	91317-08030	12 - 21	93210-15566	8 - 8	95024-08035	25 - 16		20 - 63
90464-12238	6 - 49	90480-12006	12 - 26	91380-05010	42 - 11	93210-16325	13 - 26	95024-10020	6 - 46	95827-06016	21 - 42
90464-13077	46 - 13	90480-12072	21 - 3	91380-06012	45 - 19	93210-27194	14 - 10	95027-06008	46 - 4	95827-06090	27 - 18
	46 - 14	90480-12237	20 - 36	91401-20012	36 - 22	93210-32172	14 - 19		46 - 8	95827-08012	21 - 44
90464-13249	46 - 24	90480-12314	9 - 17	91401-25015	35 - 25	93210-33133	5 - 11	95027-06012	20 - 32	95827-08025	20 - 65
90464-14001	20 - 53	90480-13163	20 - 59		35 - 34	93210-34504	26 - 15	95027-06020	44 - 5		21 - 22
90464-14002	21 - 17	90480-13398	21 - 11	91701-08040	35 - 24		26 - 35	95027-06040	39 - 9	97004-05012	6 - 23
90464-14058	46 - 12	90480-14229	37 - 17		35 - 33	93210-46001	5 - 23	95302-08600	31 - 27	97007-06016	25 - 12
90464-15157	20 - 35	90480-15005	27 - 5	91808-17032	7 - 2	93306-00106	5 - 2	95304-06700	19 - 21	97007-06025	23 - 13

NUMERICAL INDEX

PART NO.	REF. NO.	PART NO.	REF. NO.	PART NO.	REF. NO.	PART NO.	REF. NO.	PART NO.	REF. NO.	PART NO.	REF. NO.
97307-06012	6 - 9										
97607-05255	44 - 15										
97706-04012	40 - 4										
	40 - 8										
	40 - 13										
	40 - 17										
	43 - 10										
97707-40012	21 - 31										
97707-50012	21 - 13										
97707-50016	37 - 9										
	40 - 21										
	40 - 24										
	42 - 9										
97707-50025	9 - 8										
97707-60016	43 - 6										
98502-04012	34 - 13										
98507-04010	44 - 9										
98507-05010	10 - 14										
98507-05016	10 - 7										
98507-05020	44 - 17										
98507-05030	44 - 12										
98507-05045	44 - 13										
	44 - 16										
98507-06008	35 - 42										
98507-06012	10 - 15										
	14 - 18										
98704-03020	44 - 8										
98902-06020	12 - 28										
98907-05008	27 - 12										
98907-05012	21 - 12										
98907-05014	43 - 12										
98907-06012	21 - 24										
99001-07600	16 - 24										
99009-10400	16 - 27										
99009-12400	5 - 10										
99009-17400	19 - 5										
99530-08012	14 - 3										
	14 - 24										
	14 - 29										
99530-10014	13 - 4										
99530-10114	1 - 23										