



# PARTS CATALOGUE

**FZ6-N** (1B37) EUROPE, SOUTH AFRICA  
**FZ6-NV** (1B38) AUSTRALIA



2006/3/14

| NEWS No.      | DATE           | COMMENT                         |
|---------------|----------------|---------------------------------|
| PE0-MC-060020 | Mar., 14, 2006 | FIG.12: EXHAUST LIST CORRECTION |

1E1B3-300E1

( 2E1B3-300E1 )

FZ6-N/FZ6-NV  
PARTS CATALOGUE  
©2005 by Yamaha Motor Co., Ltd.  
1st edition, September 2005  
All rights reserved.  
Any reprinting or unauthorized use  
without the written permission of  
Yamaha Motor Co., Ltd.  
is expressly prohibited.  
Printed in Japan.

**A3**

**FZ6-N/FZ6-NV**



**A4**

# FOREWORD

This Parts Catalogue is related to the parts for the model(s) on the cover page. When you are ordering replacement parts, please refer to this Parts Catalogue and quote both part numbers and part names correctly.

1. Modifications or additions which have been made after the issue of the Parts Catalogue will be announced in the Parts News.

It is advisable that you make the necessary corrections to the Parts Catalogue according to the Parts News.

2. Abbreviations

The following abbreviations are used in this Parts Catalogue.

“UR” Use specified parts number.

“UN” Use as many as needed.

“AP” Alternate Parts

“LM” Locally Made (Parts need to be ordered locally)

“F#” Frame No. (Applicable machine No.)

“O/S” Over Size

3. The number of components for assembly

- Parts, which are to be supplied in an assembly, are listed with a dot (.) in front of the part name as shown below.
- The numeral appearing to the right of each component part indicates the quantity of parts for each assembly unit.

| PART NO.     | DESCRIPTION              | Q'TY | REMARKS |
|--------------|--------------------------|------|---------|
| 2F5-83310-60 | FRONT FLASHER LIGHT ASSY | 2    |         |
| 115-83311-60 | .BULB (6V-18W)           | 1    |         |

4. Applicable colours of graphics are represented in the “REMARKS” as shown below.

| PART NO.        | DESCRIPTION         | Q'TY | REMARKS |
|-----------------|---------------------|------|---------|
| 2N4-24110-00-X5 | FUEL TANK COMP.     | 2    | MXR     |
| 3J1-24240-10    | .GRAPHIC, FUEL TANK | 1    | FOR MXR |

5. Note that the illustrations for reference in finding parts numbers are not to be used for assembling. When assembling, please use the applicable service manual.

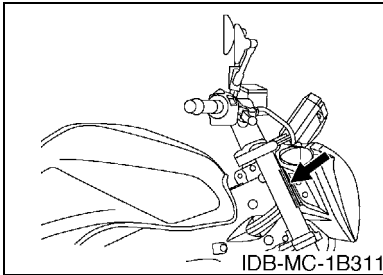
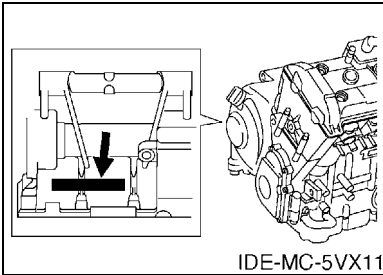
6. The asterisk (\*) before a reference number indicates modified items after the first edition.

# FOREWORD

7. Applicable Serial No.

Engine Serial No.

Frame Serial No.



8. Applicable Colour Code (The (\*) mark shows Model colour.)

| Abbreviation | Colour Name     | Colour Code |
|--------------|-----------------|-------------|
| BS4(*)       | BLUISH SILVER 4 | 0820        |
| LGB          | LOW GLOSS BLACK | 0098        |
| MBL2         | MAT BLACK 2     | 0582        |
| SL           | SILVER          | 0035        |
|              |                 |             |
|              |                 |             |
|              |                 |             |
|              |                 |             |
|              |                 |             |



# CONTENTS

## ENGINE

|                            |     |
|----------------------------|-----|
| CYLINDER .....             | B2  |
| CRANKSHAFT & PISTON .....  | B3  |
| VALVE .....                | B4  |
| CAMSHAFT & CHAIN .....     | B6  |
| WATER PUMP .....           | B7  |
| RADIATOR & HOSE .....      | B8  |
| OIL PUMP .....             | B10 |
| OIL CLEANER .....          | B11 |
| INTAKE .....               | B12 |
| INTAKE 2 .....             | B13 |
| AIR INDUCTION SYSTEM ..... | B15 |
| EXHAUST .....              | C2  |
| CRANKCASE .....            | C4  |
| CRANKCASE COVER 1 .....    | C6  |
| STARTER .....              | C8  |
| CLUTCH .....               | C9  |
| TRANSMISSION .....         | C11 |
| SHIFT CAM & FORK .....     | C13 |
| SHIFT SHAFT .....          | C14 |

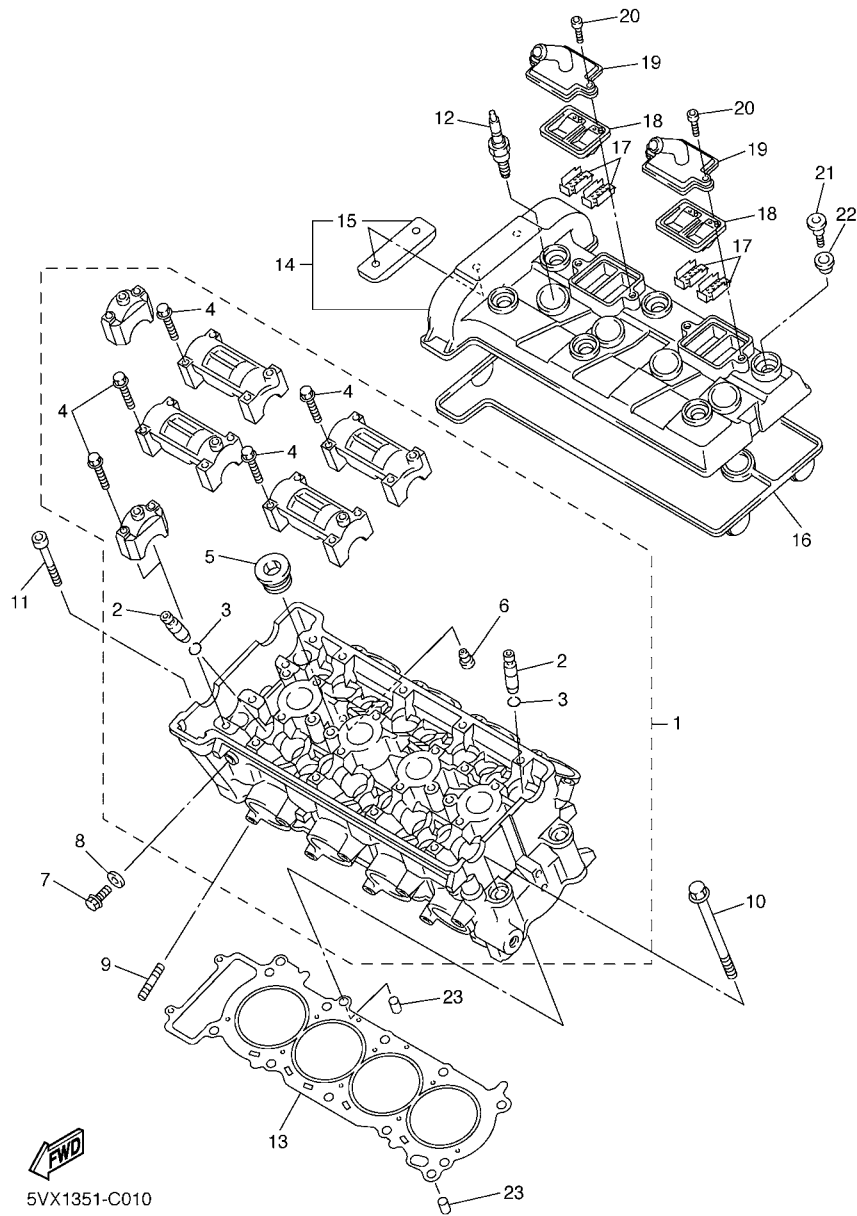
## CHASSIS

|                               |     |
|-------------------------------|-----|
| FRAME .....                   | D2  |
| FENDER .....                  | D5  |
| SIDE COVER .....              | D8  |
| REAR ARM .....                | D10 |
| REAR SUSPENSION .....         | D11 |
| STEERING .....                | D12 |
| FRONT FORK .....              | D13 |
| FUEL TANK .....               | D15 |
| SEAT .....                    | E3  |
| FRONT WHEEL .....             | E4  |
| FRONT BRAKE CALIPER .....     | E5  |
| REAR WHEEL .....              | E6  |
| REAR BRAKE CALIPER .....      | E8  |
| STEERING HANDLE & CABLE ..... | E9  |
| FRONT MASTER CYLINDER .....   | E10 |
| STAND & FOOTREST .....        | E11 |
| REAR MASTER CYLINDER .....    | E13 |
| GENERATOR .....               | E14 |
| STARTING MOTOR .....          | E15 |
| FLASHER LIGHT .....           | F2  |

|                             |    |
|-----------------------------|----|
| METER .....                 | F3 |
| HEADLIGHT .....             | F4 |
| TAILLIGHT .....             | F5 |
| HANDLE SWITCH & LEVER ..... | F6 |
| ELECTRICAL 1 .....          | F7 |
| ELECTRICAL 2 .....          | F8 |

## INDEX

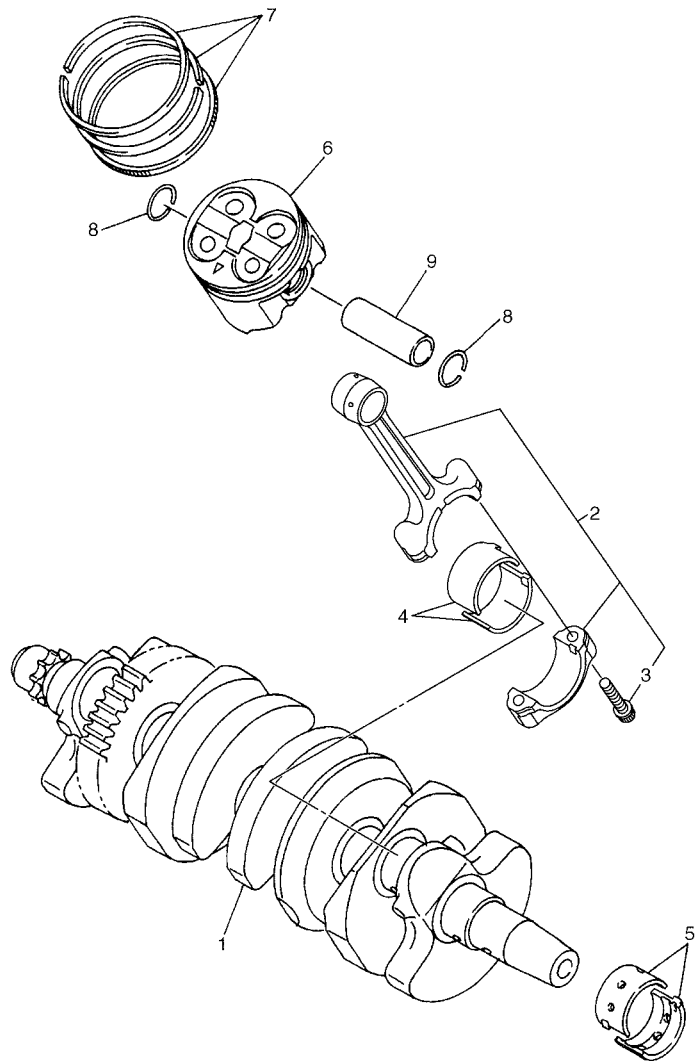
|                       |    |
|-----------------------|----|
| NUMERICAL INDEX ..... | M1 |
|-----------------------|----|



5VX1351-C010

FIG. 1 CYLINDER

| REF. NO. | PART NO.     | DESCRIPTION             | 1B37 | 1B38 | REMARKS |
|----------|--------------|-------------------------|------|------|---------|
| 1        | 5VX-11101-01 | CYLINDER HEAD ASSY      | 1    | 1    |         |
| 2        | 5EB-11133-10 | .GUIDE, VALVE 1         | 16   | 16   |         |
| 3        | 93440-10153  | .CIRCLIP                | 16   | 16   |         |
| 4        | 90105-06027  | .BOLT, FLANGE           | 20   | 20   |         |
| 5        | 90340-20090  | .PLUG, STRAIGHT SCREW   | 3    | 3    |         |
| 6        | 11H-15138-00 | .NOZZLE 1               | 1    | 1    |         |
| 7        | 95027-08012  | BOLT, FLANGE            | 1    | 1    |         |
| 8        | 90430-08119  | GASKET                  | 1    | 1    |         |
| 9        | 95617-08625  | BOLT, STUD              | 8    | 8    |         |
| 10       | 90119-10003  | BOLT, WITH WASHER       | 10   | 10   |         |
| 11       | 91314-06060  | BOLT                    | 2    | 2    |         |
| 12       | 94701-00403  | PLUG, SPARK (NGK CR9EK) | 4    | 4    |         |
| 13       | 5VX-11181-00 | GASKET, CYLINDER HEAD 1 | 1    | 1    |         |
| 14       | 5VX-11191-00 | COVER, CYLINDER HEAD 1  | 1    | 1    |         |
| 15       | 5BE-12241-00 | .GUIDE, STOPPER 2       | 1    | 1    |         |
| 16       | 5SL-11193-00 | GASKET, HEAD COVER 1    | 1    | 1    |         |
| 17       | 5SL-1482K-00 | PLATE                   | 4    | 4    |         |
| 18       | 5SL-14890-00 | REED VALVE ASSY         | 2    | 2    |         |
| 19       | 5SL-14899-00 | CAP, CASE               | 2    | 2    |         |
| 20       | 91317-06020  | BOLT                    | 4    | 4    |         |
| 21       | 90109-066F0  | BOLT                    | 6    | 6    |         |
| 22       | 4KG-1111G-00 | RUBBER, MOUNT 1         | 6    | 6    |         |
| 23       | 99530-10114  | PIN, DOWEL              | 2    | 2    |         |

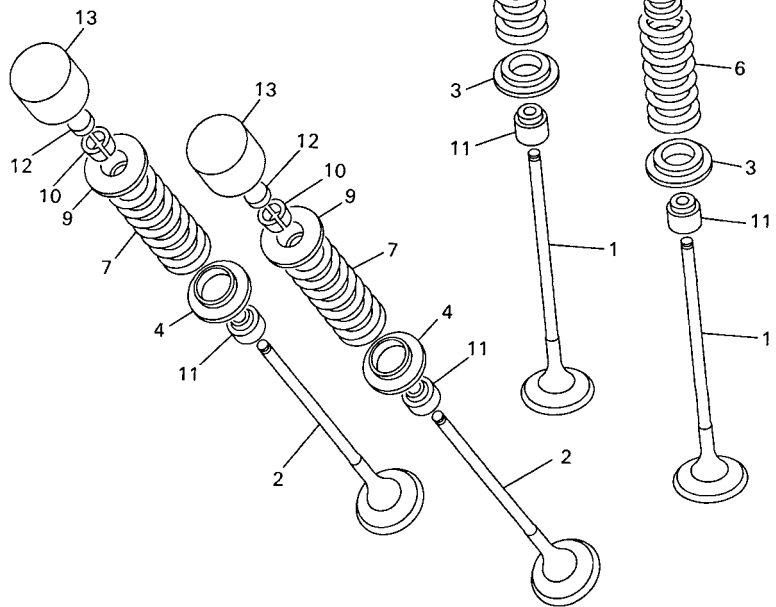


**FIG. 2 CRANKSHAFT & PISTON**

| REF. NO. | PART NO.     | DESCRIPTION                   | 1B37 | 1B38 | REMARKS  |
|----------|--------------|-------------------------------|------|------|----------|
|          |              |                               |      |      |          |
| 1        | 5SL-11411-00 | CRANKSHAFT                    | 1    | 1    |          |
| 2        | 5VX-11650-00 | CONNECTING ROD ASSY           | 4    | 4    |          |
| 3        | 5VX-11654-00 | .BOLT, CONNECTING ROD         | 2    | 2    |          |
| 4        | 5VX-11656-00 | PLANE BEARING, CONNECTING ROD | 8    | 8    | UR BLUE  |
|          | 5VX-11656-10 | PLANE BEARING, CONNECTING ROD | 8    | 8    | UR BLACK |
|          | 5VX-11656-20 | PLANE BEARING, CONNECTING ROD | 8    | 8    | UR BROWN |
|          | 5VX-11656-30 | PLANE BEARING, CONNECTING ROD | 8    | 8    | UR GREEN |
| 5        | 5EB-11416-A0 | PLANE BEARING, CRANKSHAFT 1   | 10   | 10   | UR WHITE |
|          | 5EB-11416-00 | PLANE BEARING, CRANKSHAFT 1   | 10   | 10   | UR BLUE  |
|          | 5EB-11416-10 | PLANE BEARING, CRANKSHAFT 1   | 10   | 10   | UR BLACK |
|          | 5EB-11416-20 | PLANE BEARING, CRANKSHAFT 1   | 10   | 10   | UR BROWN |
|          | 5EB-11416-30 | PLANE BEARING, CRANKSHAFT 1   | 10   | 10   | UR GREEN |
| 6        | 5SL-11631-00 | PISTON (STD)                  | 4    | 4    |          |
| 7        | 5SL-11603-00 | PISTON RING SET (STD)         | 4    | 4    |          |
| 8        | 93450-17129  | CIRCLIP                       | 8    | 8    |          |
| 9        | 5EB-11633-00 | PIN, PISTON                   | 4    | 4    |          |
|          |              |                               |      |      |          |
|          |              |                               |      |      |          |
|          |              |                               |      |      |          |



5VX6300-D020

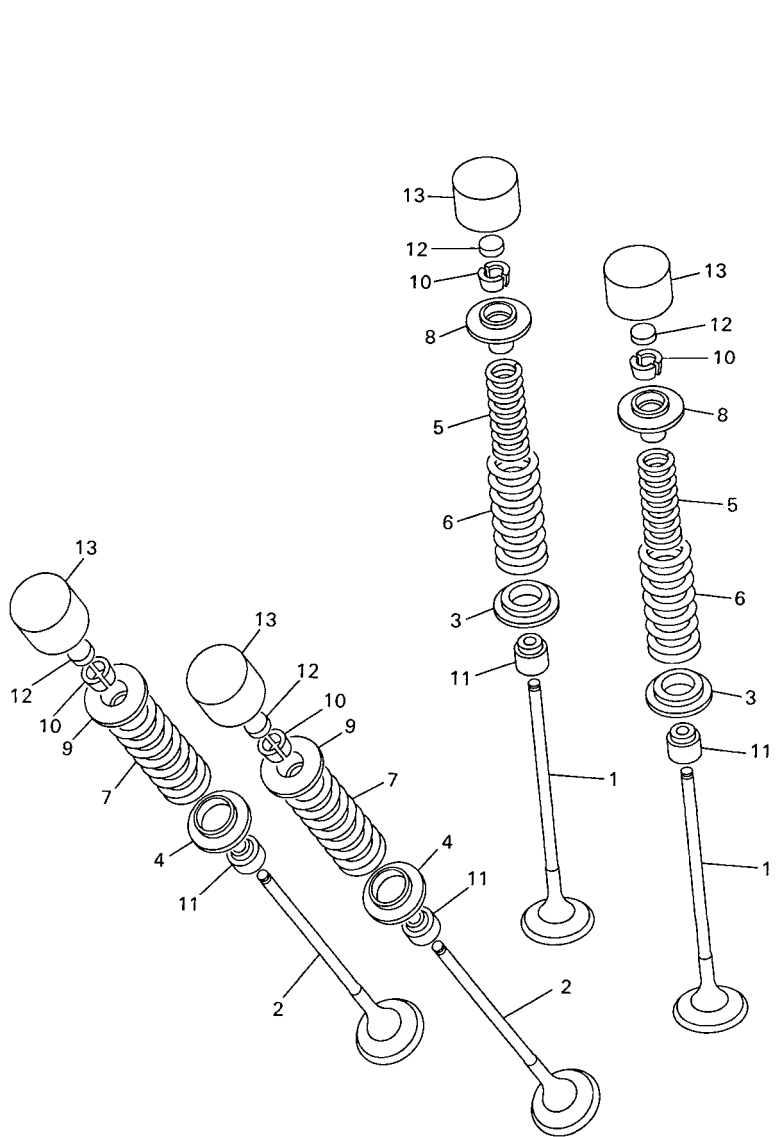


5EB3351-9030

FIG. 3 VALVE

| REF. NO. | PART NO.     | DESCRIPTION             | 1B37 | 1B38 | REMARKS |
|----------|--------------|-------------------------|------|------|---------|
| 1        | 5SL-12111-10 | VALVE, INTAKE           | 8    | 8    |         |
| 2        | 5SL-12121-10 | VALVE, EXHAUST          | 8    | 8    |         |
| 3        | 5SL-12116-00 | SEAT, VALVE SPRING      | 8    | 8    |         |
| 4        | 5EB-12126-00 | SEAT, VALVE SPRING 2    | 8    | 8    |         |
| 5        | 5EB-12113-00 | SPRING, VALVE INNER     | 8    | 8    |         |
| 6        | 5EB-12114-00 | SPRING, VALVE OUTER     | 8    | 8    |         |
| 7        | 5EB-12124-01 | SPRING, VALVE OUTER     | 8    | 8    |         |
| 8        | 5EB-12117-00 | RETAINER, VALVE SPRING  | 8    | 8    |         |
| 9        | 5EB-12127-00 | RETAINER, VALVE SPRING  | 8    | 8    |         |
| 10       | 1HX-12118-00 | COTTER, VALVE           | 32   | 32   |         |
| 11       | 4TV-12119-00 | SEAL, VALVE STEM        | 16   | 16   |         |
| 12       | 1HX-12168-00 | PAD, ADJUSTING 2 (1.20) | 16   | 16   | UR      |
|          | 1HX-12168-20 | PAD, ADJUSTING 2 (1.25) | 16   | 16   | UR      |
|          | 1HX-12168-40 | PAD, ADJUSTING 2 (1.30) | 16   | 16   | UR      |
|          | 1HX-12168-60 | PAD, ADJUSTING 2 (1.35) | 16   | 16   | UR      |
|          | 1HX-12168-80 | PAD, ADJUSTING 2 (1.40) | 16   | 16   | UR      |
|          | 1HX-12168-A0 | PAD, ADJUSTING 2 (1.45) | 16   | 16   | UR      |
|          | 1HX-12168-F0 | PAD, ADJUSTING 2 (1.50) | 16   | 16   | UR      |
|          | 1HX-12168-H1 | PAD, ADJUSTING 2 (1.55) | 16   | 16   | UR      |
|          | 1HX-12168-K1 | PAD, ADJUSTING 2 (1.60) | 16   | 16   | UR      |
|          | 1HX-12168-M1 | PAD, ADJUSTING 2 (1.65) | 16   | 16   | UR      |
|          | 1HX-12168-R1 | PAD, ADJUSTING 2 (1.70) | 16   | 16   | UR      |
|          | 1HX-12168-U1 | PAD, ADJUSTING 2 (1.75) | 16   | 16   | UR      |
|          | 1HX-12168-W1 | PAD, ADJUSTING 2 (1.80) | 16   | 16   | UR      |
|          | 1HX-12168-Y1 | PAD, ADJUSTING 2 (1.85) | 16   | 16   | UR      |
|          | 1HX-12169-11 | PAD, ADJUSTING 2 (1.90) | 16   | 16   | UR      |
|          | 1HX-12169-31 | PAD, ADJUSTING 2 (1.95) | 16   | 16   | UR      |

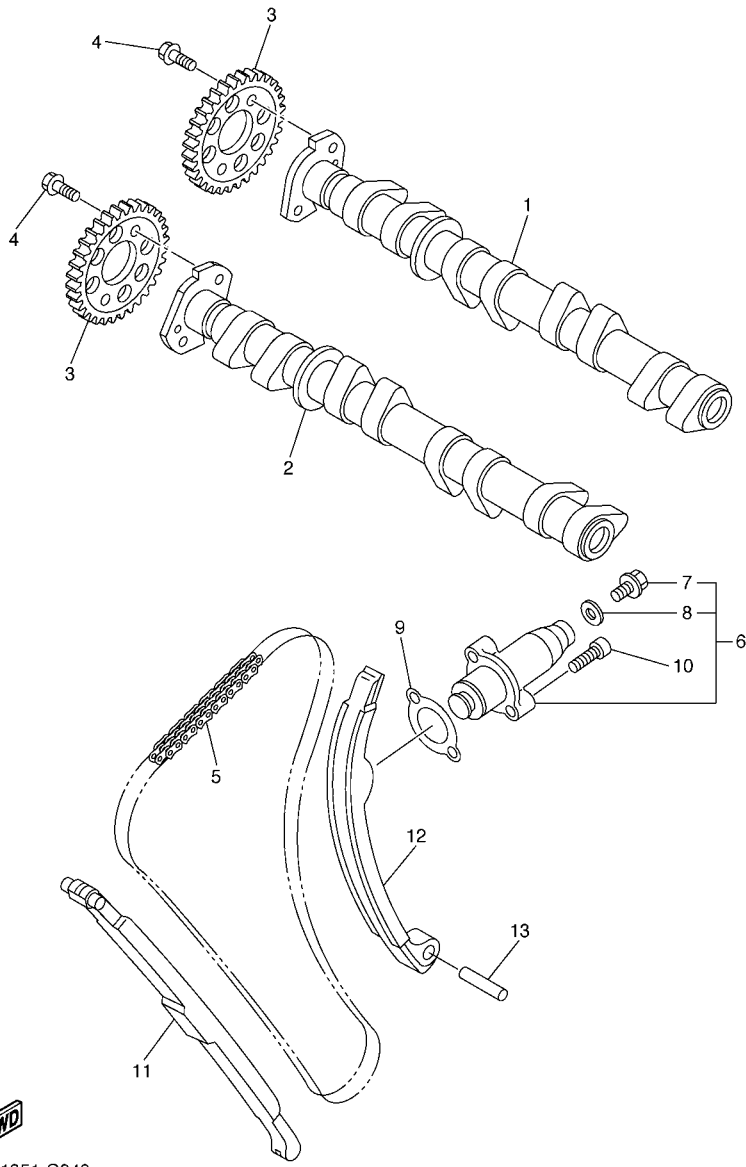
**B4**



5EB3351-9030

FIG. 3 VALVE

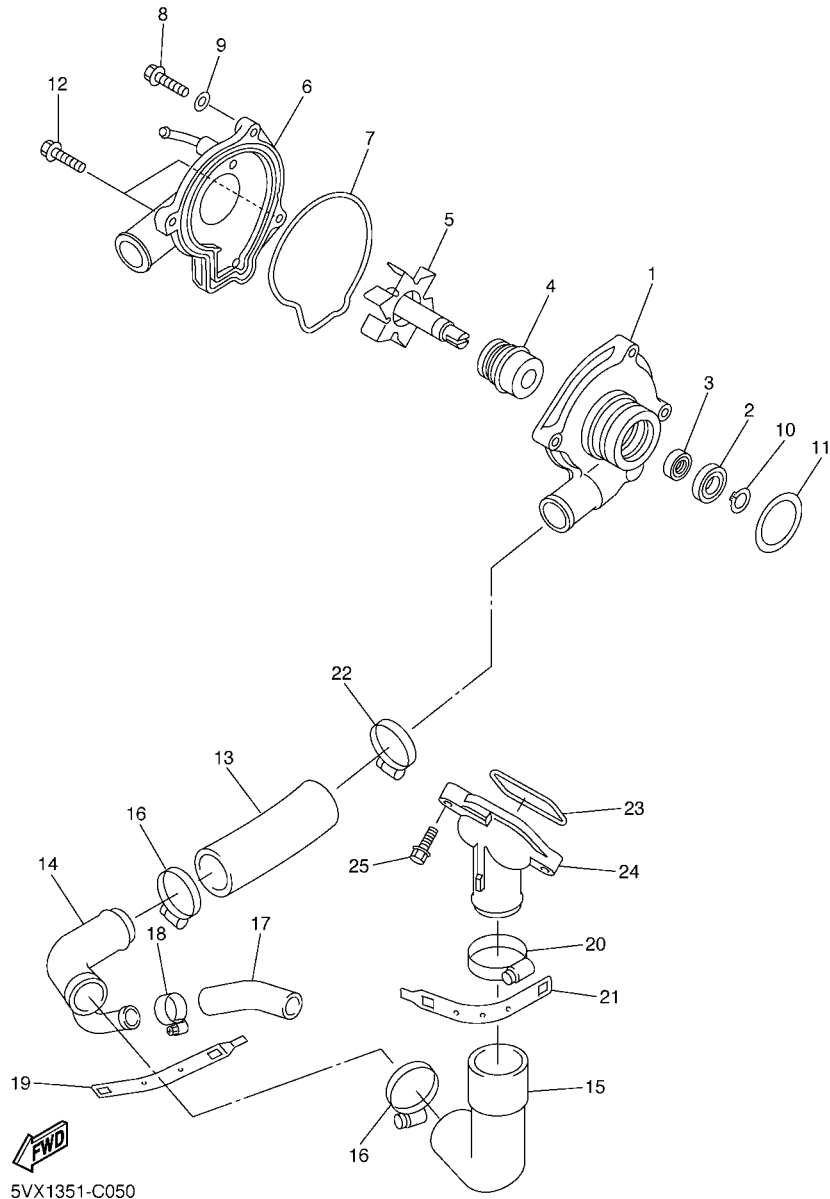
| REF. NO. | PART NO.     | DESCRIPTION             | 1B37 | 1B38 | REMARKS  |
|----------|--------------|-------------------------|------|------|----------|
| 12       | 1HX-12169-50 | PAD, ADJUSTING 2 (2.00) | 16   | 16   | UR       |
|          | 1HX-12169-70 | PAD, ADJUSTING 2 (2.05) | 16   | 16   | UR       |
|          | 1HX-12169-90 | PAD, ADJUSTING 2 (2.10) | 16   | 16   | UR       |
|          | 1HX-12169-E0 | PAD, ADJUSTING 2 (2.15) | 16   | 16   | UR       |
|          | 1HX-12169-G0 | PAD, ADJUSTING 2 (2.20) | 16   | 16   | UR       |
|          | 1HX-12169-J0 | PAD, ADJUSTING 2 (2.25) | 16   | 16   | UR       |
|          | 1HX-12169-L0 | PAD, ADJUSTING 2 (2.30) | 16   | 16   | UR       |
|          | 1HX-12169-N0 | PAD, ADJUSTING 2 (2.35) | 16   | 16   | UR       |
|          | 1HX-12169-T0 | PAD, ADJUSTING 2 (2.40) | 16   | 16   | UR       |
| 13       | 5EB-12153-20 | LIFTER, VALVE           | 16   | 16   | UR BLUE  |
|          | 5EB-12153-30 | LIFTER, VALVE           | 16   | 16   | UR RED   |
|          | 5EB-12153-09 | LIFTER, VALVE (O/S)     | 16   | 16   | AP GREEN |
|          |              |                         |      |      |          |
|          |              |                         |      |      |          |
|          |              |                         |      |      |          |
|          |              |                         |      |      |          |



**FIG. 4 CAMSHAFT & CHAIN**

| REF. NO. | PART NO.     | DESCRIPTION               | 1B37 | 1B38 | REMARKS |
|----------|--------------|---------------------------|------|------|---------|
| 1        | 5VX-12170-00 | CAMSHAFT ASSY 1           | 1    | 1    |         |
| 2        | 5VX-12180-00 | CAMSHAFT ASSY 2           | 1    | 1    |         |
| 3        | 5VX-12176-00 | SPROCKET, CAM CHAIN       | 2    | 2    |         |
| 4        | 90105-07004  | BOLT, FLANGE              | 4    | 4    |         |
| 5        | 94591-49120  | CHAIN                     | 1    | 1    |         |
| 6        | 5SL-12210-10 | TENSIONER ASSY, CAM CHAIN | 1    | 1    |         |
| 7        | 5EL-12228-00 | .BOLT                     | 1    | 1    |         |
| 8        | 5SL-12214-00 | .GASKET                   | 1    | 1    |         |
| 9        | 4FM-12213-00 | GASKET, TENSIONER CASE    | 1    | 1    |         |
| 10       | 91314-06025  | BOLT                      | 2    | 2    |         |
| 11       | 5EB-12251-00 | DAMPER, CHAIN 1           | 1    | 1    |         |
| 12       | 5EB-12252-10 | DAMPER, CHAIN 2           | 1    | 1    |         |
| 13       | 93607-44190  | PIN, DOWEL                | 1    | 1    |         |
|          |              |                           |      |      |         |
|          |              |                           |      |      |         |
|          |              |                           |      |      |         |
|          |              |                           |      |      |         |

 5VX1351-C040



5VX1351-C050

FIG. 5 WATER PUMP

| REF. NO. | PART NO.     | DESCRIPTION               | 1B37 | 1B38 | REMARKS |
|----------|--------------|---------------------------|------|------|---------|
| 1        | 5VX-12421-00 | HOUSING, WATER PUMP       | 1    | 1    |         |
| 2        | 93306-00106  | BEARING                   | 1    | 1    |         |
| 3        | 93101-12173  | OIL SEAL                  | 1    | 1    |         |
| 4        | 11H-12438-10 | SEAL, MECHANICAL          | 1    | 1    |         |
| 5        | 5EB-12450-00 | IMPELLER SHAFT ASSY       | 1    | 1    |         |
| 6        | 5VX-12422-00 | COVER, HOUSING            | 1    | 1    |         |
| 7        | 5EB-12439-00 | O-RING                    | 1    | 1    |         |
| 8        | 95024-06020  | BOLT, FLANGE              | 2    | 2    |         |
| 9        | 90430-06014  | GASKET                    | 1    | 1    |         |
| 10       | 99009-12400  | CIRCLIP                   | 1    | 1    |         |
| 11       | 93210-33133  | O-RING                    | 1    | 1    |         |
| 12       | 90110-06086  | BOLT, HEXAGON SOCKET HEAD | 2    | 2    |         |
| 13       | 4NK-12579-00 | HOSE 4                    | 1    | 1    |         |
| 14       | 5VX-12581-00 | JOINT, HOSE 1             | 1    | 1    |         |
| 15       | 5EB-12577-01 | HOSE 2                    | 1    | 1    |         |
| 16       | 90450-35001  | HOSE CLAMP ASSY           | 2    | 2    |         |
| 17       | 5SL-12588-01 | HOSE 5                    | 1    | 1    |         |
| 18       | 90450-22017  | HOSE CLAMP ASSY           | 1    | 1    |         |
| 19       | 5GV-1246E-00 | COVER 2                   | 1    | 1    |         |
| 20       | 90450-38040  | HOSE CLAMP ASSY           | 1    | 1    |         |
| 21       | 5GV-1246A-00 | COVER 1                   | 1    | 1    |         |
| 22       | 90450-32001  | HOSE CLAMP ASSY           | 1    | 1    |         |
| 23       | 93210-47675  | O-RING                    | 1    | 1    |         |
| 24       | 5EB-12469-00 | JOINT 1                   | 1    | 1    |         |
| 25       | 90105-06053  | BOLT, FLANGE              | 2    | 2    |         |



1B31300-C060

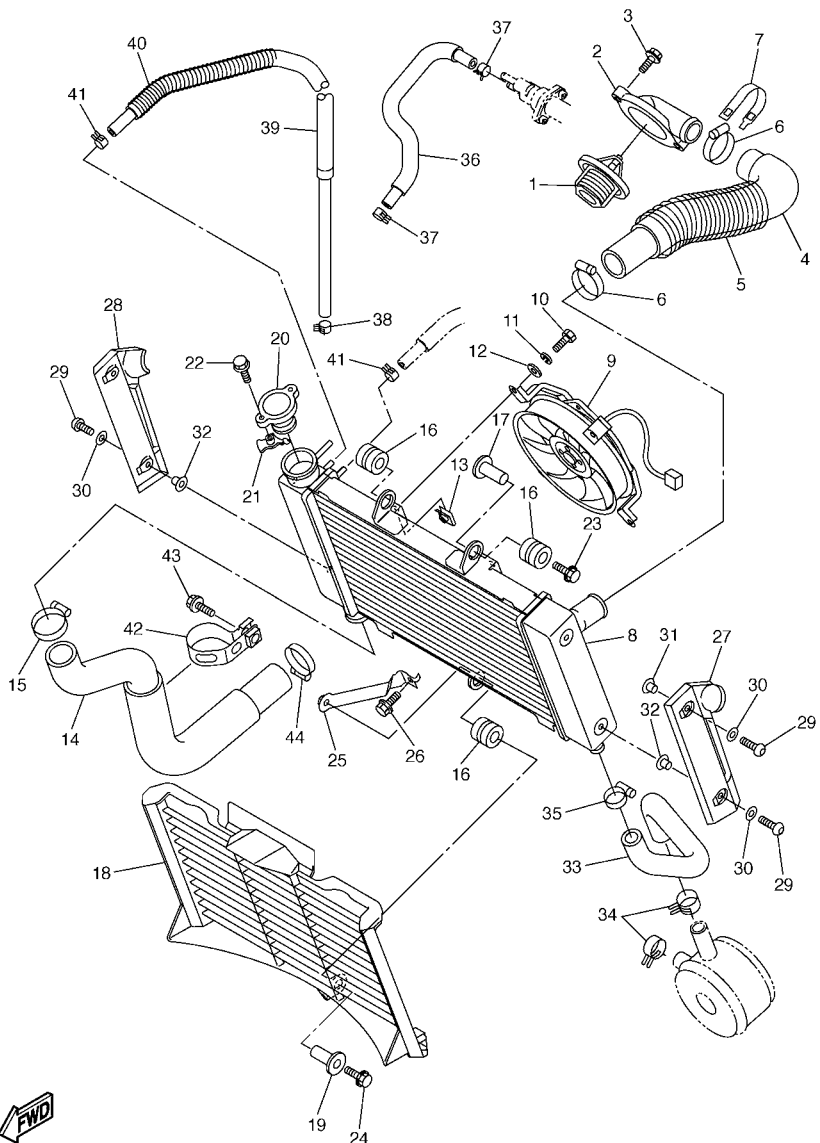
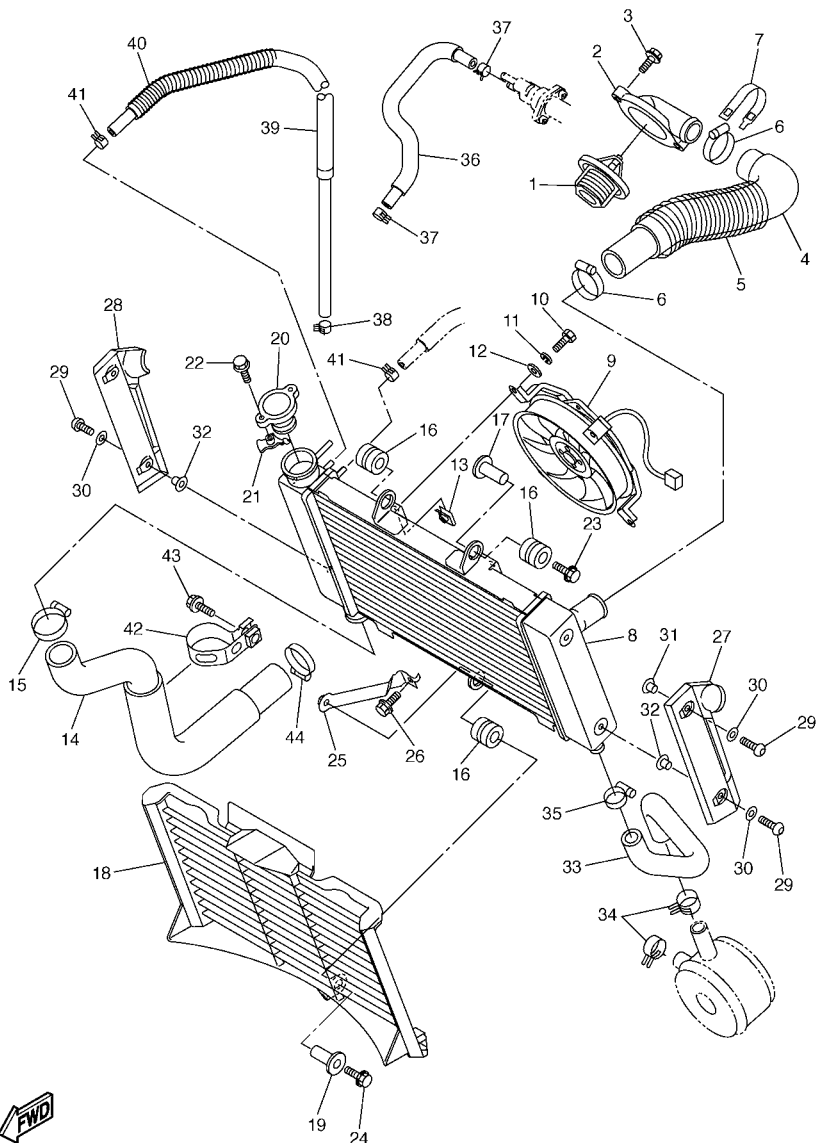


FIG. 6 RADIATOR & HOSE

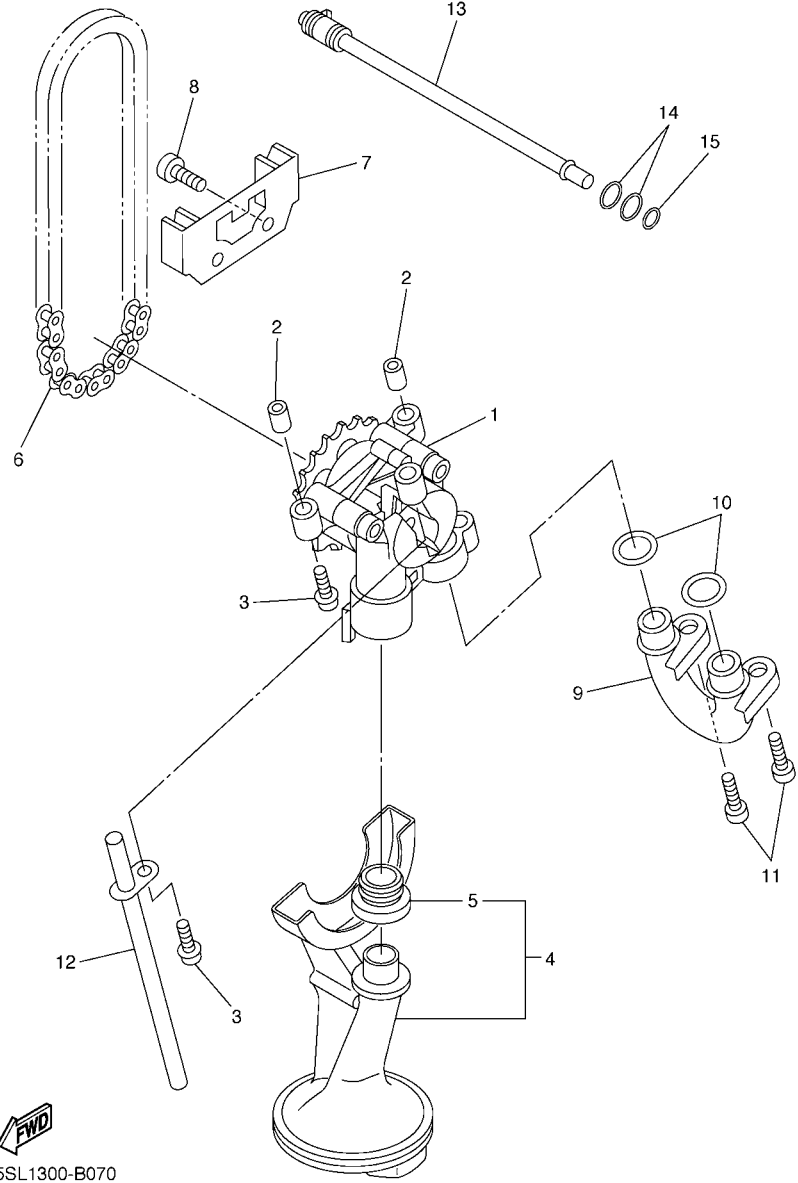
| REF. NO. | PART NO.     | DESCRIPTION          | 1B37 | 1B38 | REMARKS |
|----------|--------------|----------------------|------|------|---------|
| 1        | 5SL-12410-00 | THERMOSTAT ASSY      | 1    | 1    |         |
| 2        | 5VX-12413-00 | COVER, THERMOSTAT    | 1    | 1    |         |
| 3        | 90105-06557  | BOLT, FLANGE         | 2    | 2    |         |
| 4        | 1B3-12578-00 | HOSE 3               | 1    | 1    |         |
| 5        | 1B3-12498-00 | PROTECTOR            | 1    | 1    |         |
| 6        | 90450-35001  | HOSE CLAMP ASSY      | 2    | 2    |         |
| 7        | 5GV-1246E-00 | COVER 2              | 1    | 1    |         |
| 8        | 5VX-12461-00 | RADIATOR ASSY        | 1    | 1    |         |
| 9        | 5VX-12405-00 | BLOWER ASSY          | 1    | 1    |         |
| 10       | 97307-06012  | BOLT                 | 4    | 4    |         |
| 11       | 92907-06100  | WASHER, SPRING       | 4    | 4    |         |
| 12       | 92907-06600  | WASHER, PLATE        | 4    | 4    |         |
| 13       | 1AA-12535-00 | PLATE                | 4    | 4    |         |
| 14       | 5VX-12579-00 | HOSE 4               | 1    | 1    |         |
| 15       | 90450-35001  | HOSE CLAMP ASSY      | 1    | 1    |         |
| 16       | 90480-15363  | GROMMET              | 3    | 3    |         |
| 17       | 90387-0614M  | COLLAR               | 1    | 1    |         |
| 18       | 5VX-12467-00 | COVER, RADIATOR      | 1    | 1    |         |
| 19       | 90387-066H4  | COLLAR               | 1    | 1    |         |
| 20       | 1B3-12462-00 | CAP, RADIATOR        | 1    | 1    |         |
| 21       | 5FC-12437-00 | STOPPER              | 1    | 1    |         |
| 22       | 97504-05512  | BOLT, WITH WASHER    | 1    | 1    |         |
| 23       | 90119-06038  | BOLT, WITH WASHER    | 1    | 1    |         |
| 24       | 95824-06030  | BOLT, FLANGE         | 1    | 1    |         |
| 25       | 5VX-1244E-00 | BRACKET 1            | 1    | 1    |         |
| 26       | 95824-06012  | BOLT, FLANGE         | 1    | 1    |         |
| 27       | 1B3-1240J-00 | RADIATOR COVER ASSY1 | 1    | 1    |         |



1B31300-C060

FIG. 6 RADIATOR & HOSE

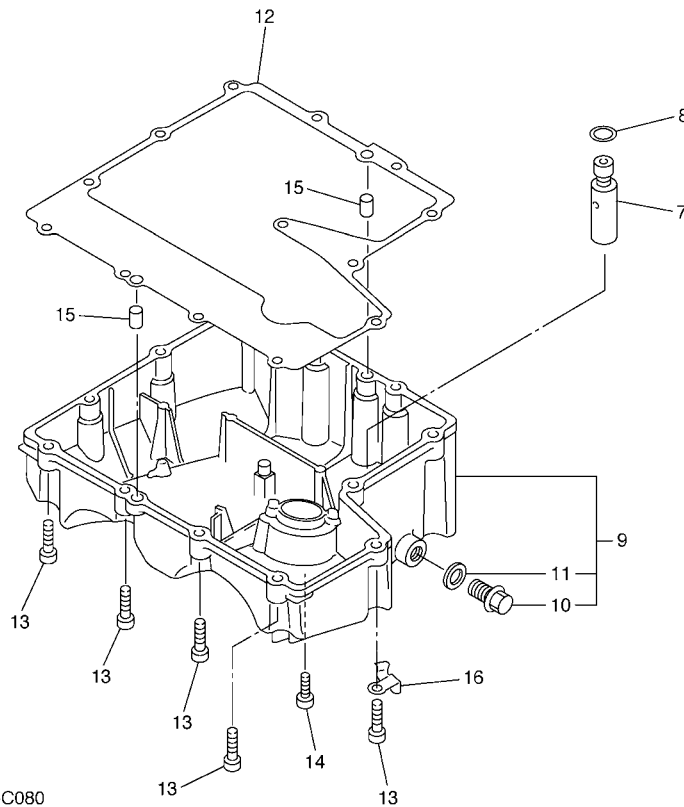
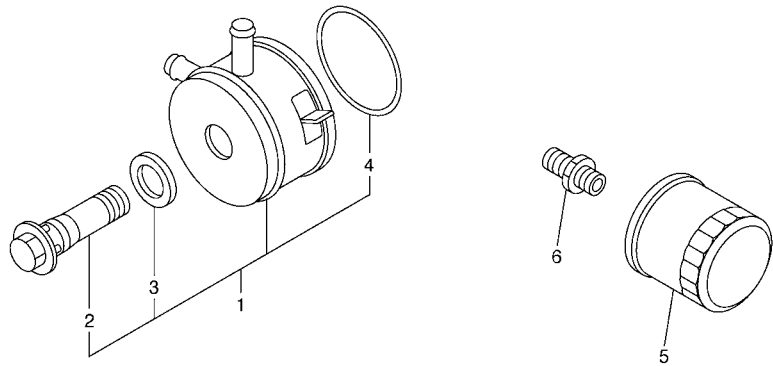
| REF. NO. | PART NO.     | DESCRIPTION             | 1B37 | 1B38 | REMARKS |
|----------|--------------|-------------------------|------|------|---------|
| 28       | 1B3-1240K-00 | RADIATOR COVER ASSY 2   | 1    | 1    |         |
| 29       | 90111-06031  | BOLT,HEX. SOCKET BUTTON | 4    | 4    |         |
| 30       | 92903-06200  | WASHER, PLAIN           | 4    | 4    |         |
| 31       | 90387-062M9  | COLLAR                  | 2    | 2    |         |
| 32       | 1B3-12662-00 | COLLAR 1                | 2    | 2    |         |
| 33       | 5VX-12589-00 | HOSE 6                  | 1    | 1    |         |
| 34       | 90467-200A0  | CLIP                    | 2    | 2    |         |
| 35       | 90450-22017  | HOSE CLAMP ASSY         | 1    | 1    |         |
| 36       | 5VX-1243A-00 | HOSE 1                  | 1    | 1    |         |
| 37       | 90467-11090  | CLIP                    | 2    | 2    |         |
| 38       | 90467-110A0  | CLIP                    | 1    | 1    |         |
| 39       | 1B3-1244G-00 | HOSE, 4                 | 1    | 1    |         |
| 40       | 1B3-12498-10 | PROTECTOR               | 1    | 1    |         |
| 41       | 90467-11090  | CLIP                    | 2    | 2    |         |
| 42       | 5VX-12491-00 | CLAMP 1                 | 1    | 1    |         |
| 43       | 95024-10020  | BOLT, FLANGE            | 1    | 1    |         |
| 44       | 90450-32001  | HOSE CLAMP ASSY         | 1    | 1    |         |
|          |              |                         |      |      |         |
|          |              |                         |      |      |         |
|          |              |                         |      |      |         |



**FWD**  
5SL1300-B070

**FIG. 7 OIL PUMP**

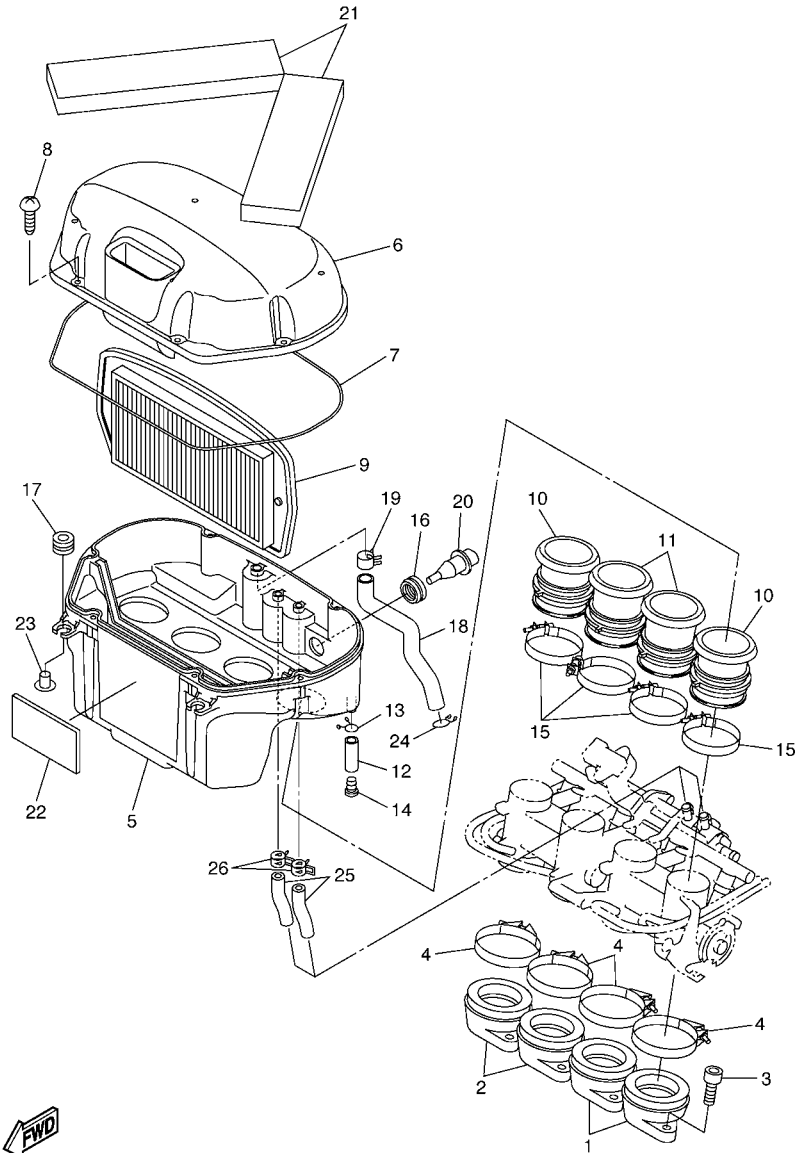
| REF. NO. | PART NO.     | DESCRIPTION               | 1B37 | 1B38 | REMARKS |
|----------|--------------|---------------------------|------|------|---------|
| 1        | 5MT-13300-00 | OIL PUMP ASSY             | 1    | 1    |         |
| 2        | 91808-17032  | PIN, DOWEL                | 2    | 2    |         |
| 3        | 90109-06031  | BOLT                      | 3    | 3    |         |
| 4        | 5SL-13410-00 | STRAINER HOUSING ASSY     | 1    | 1    |         |
| 5        | 5EB-13415-00 | .SEAL, OIL STRAINER       | 1    | 1    |         |
| 6        | 94580-25080  | CHAIN                     | 1    | 1    |         |
| 7        | 5EB-13898-00 | HOLDER                    | 1    | 1    |         |
| 8        | 90110-06041  | BOLT, HEXAGON SOCKET HEAD | 2    | 2    |         |
| 9        | 5JW-13416-00 | PIPE, OIL 1               | 1    | 1    |         |
| 10       | 93210-14003  | O-RING                    | 2    | 2    |         |
| 11       | 90110-06041  | BOLT, HEXAGON SOCKET HEAD | 2    | 2    |         |
| 12       | 5EB-13161-00 | PIPE, DELIVERY 1          | 1    | 1    |         |
| 13       | 5EB-1316E-00 | PIPE, DELIVERY 5          | 1    | 1    |         |
| 14       | 93210-09165  | O-RING                    | 2    | 2    |         |
| 15       | 93210-06667  | O-RING                    | 1    | 1    |         |
|          |              |                           |      |      |         |
|          |              |                           |      |      |         |
|          |              |                           |      |      |         |
|          |              |                           |      |      |         |



  
5VX1351-C080

**FIG. 8 OIL CLEANER**

| REF. NO. | PART NO.     | DESCRIPTION               | 1B37 | 1B38 |  |  |  | REMARKS |
|----------|--------------|---------------------------|------|------|--|--|--|---------|
|          |              |                           |      |      |  |  |  |         |
| 1        | 5EB-13470-00 | OIL COOLER ASSY           | 1    | 1    |  |  |  |         |
| 2        | 5EB-12822-00 | .BOLT, UNION              | 1    | 1    |  |  |  |         |
| 3        | 5EB-13475-00 | .GASKET                   | 1    | 1    |  |  |  |         |
| 4        | 5JW-13473-00 | .O-RING                   | 1    | 1    |  |  |  |         |
| 5        | 5GH-13440-10 | ELEMENT ASSY, OIL CLEANER | 1    | 1    |  |  |  |         |
| 6        | 90401-20145  | BOLT, UNION               | 1    | 1    |  |  |  |         |
| 7        | 3KS-13490-00 | RELIEF VALVE ASSY         | 1    | 1    |  |  |  |         |
| 8        | 93210-15566  | O-RING                    | 1    | 1    |  |  |  |         |
| 9        | 5VX-13417-00 | COVER, STRAINER           | 1    | 1    |  |  |  |         |
| 10       | 90340-14132  | .PLUG, STRAIGHT SCREW     | 1    | 1    |  |  |  |         |
| 11       | 214-11198-01 | .GASKET                   | 1    | 1    |  |  |  |         |
| 12       | 5VX-13414-00 | GASKET, STRAINER COVER    | 1    | 1    |  |  |  |         |
| 13       | 91317-06025  | BOLT                      | 12   | 12   |  |  |  |         |
| 14       | 90110-06020  | BOLT, HEXAGON SOCKET HEAD | 1    | 1    |  |  |  |         |
| 15       | 99530-08012  | PIN, DOWEL                | 2    | 2    |  |  |  |         |
| 16       | 90465-10030  | CLAMP                     | 1    | 1    |  |  |  |         |
|          |              |                           |      |      |  |  |  |         |
|          |              |                           |      |      |  |  |  |         |
|          |              |                           |      |      |  |  |  |         |



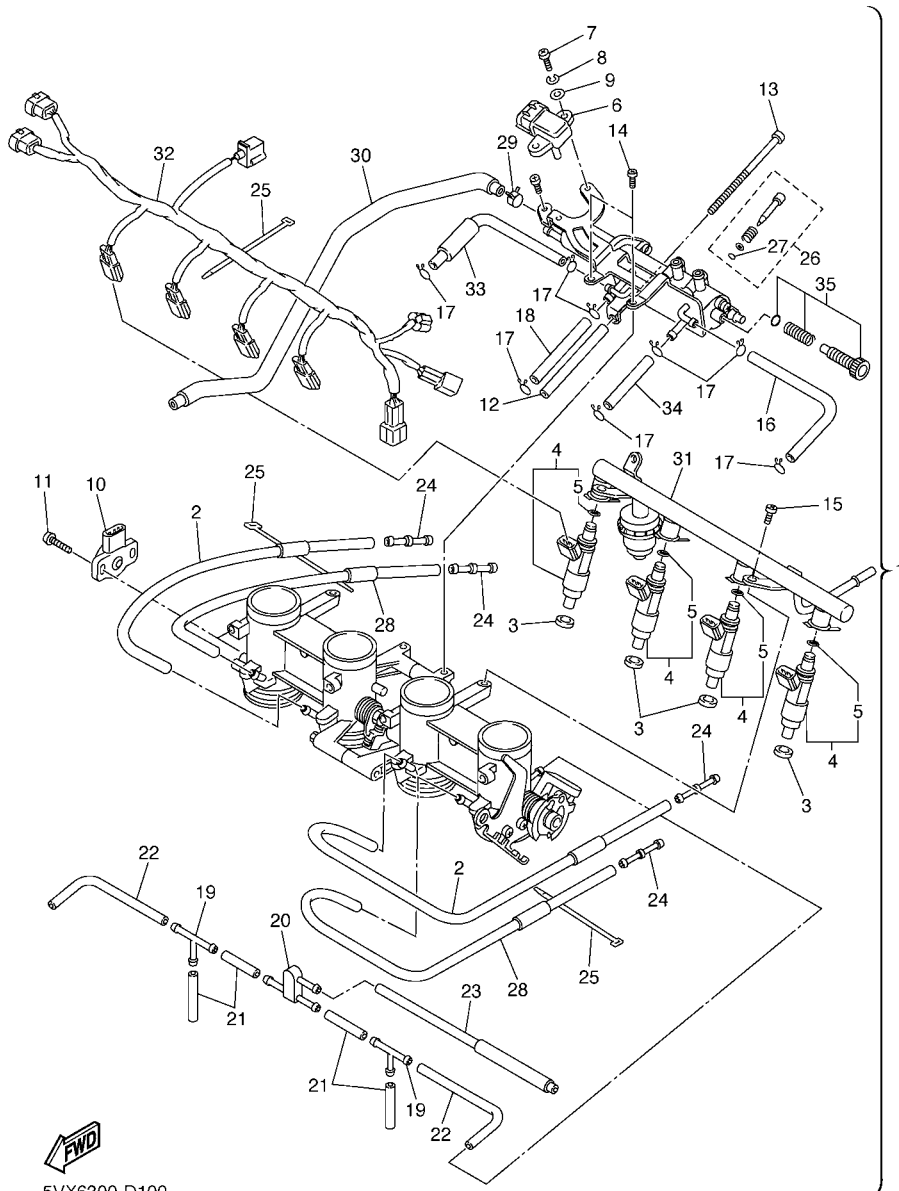
5VX3100-C090

FIG. 9 INTAKE

| REF. NO. | PART NO.     | DESCRIPTION            | 1B37 | 1B38 | REMARKS |
|----------|--------------|------------------------|------|------|---------|
| 1        | 5SL-13586-01 | JOINT, CARBURETOR 1    | 2    | 2    |         |
| 2        | 5SL-13596-01 | JOINT, CARBURETOR 2    | 2    | 2    |         |
| 3        | 91317-06020  | BOLT                   | 8    | 8    |         |
| 4        | 90450-63003  | HOSE CLAMP ASSY        | 4    | 4    |         |
| 5        | 5VX-14411-00 | CASE, AIR CLEANER 1    | 1    | 1    |         |
| 6        | 5VX-14421-00 | CASE, AIR CLEANER 2    | 1    | 1    |         |
| 7        | 5VX-14452-00 | SEAL                   | 1    | 1    |         |
| 8        | 97707-50025  | SCREW, TAPPING         | 6    | 6    |         |
| 9        | 5VX-14451-00 | ELEMENT, AIR CLEANER   | 1    | 1    |         |
| 10       | 5VX-14453-00 | JOINT, AIR CLEANER 1   | 2    | 2    |         |
| 11       | 5VX-14463-00 | JOINT, AIR CLEANER 2   | 2    | 2    |         |
| 12       | 90445-11795  | HOSE (L30)             | 1    | 1    |         |
| 13       | 90467-10041  | CLIP                   | 1    | 1    |         |
| 14       | 90338-08174  | PLUG                   | 1    | 1    |         |
| 15       | 90450-53002  | HOSE CLAMP ASSY        | 4    | 4    |         |
| 16       | 5CA-14435-00 | GROMMET                | 1    | 1    |         |
| 17       | 90480-12314  | GROMMET                | 2    | 2    |         |
| 18       | 5VX-15373-00 | PIPE, BREATHER         | 1    | 1    |         |
| 19       | 90467-15054  | CLIP                   | 1    | 1    |         |
| 20       | 5CA-85886-00 | SENSOR, AIR TEMPRATURE | 1    | 1    |         |
| 21       | 5VX-14409-00 | DAMPER                 | 2    | 2    |         |
| 22       | 5EJ-2414H-00 | DAMPER, PLATE 1        | 1    | 1    |         |
| 23       | 90387-06073  | COLLAR                 | 2    | 2    |         |
| 24       | 90467-14015  | CLIP                   | 1    | 1    |         |
| 25       | 5VX-14148-01 | PIPE                   | 2    | 2    |         |
| 26       | 90467-17089  | CLIP                   | 2    | 2    |         |

FIG. 10 INTAKE 2

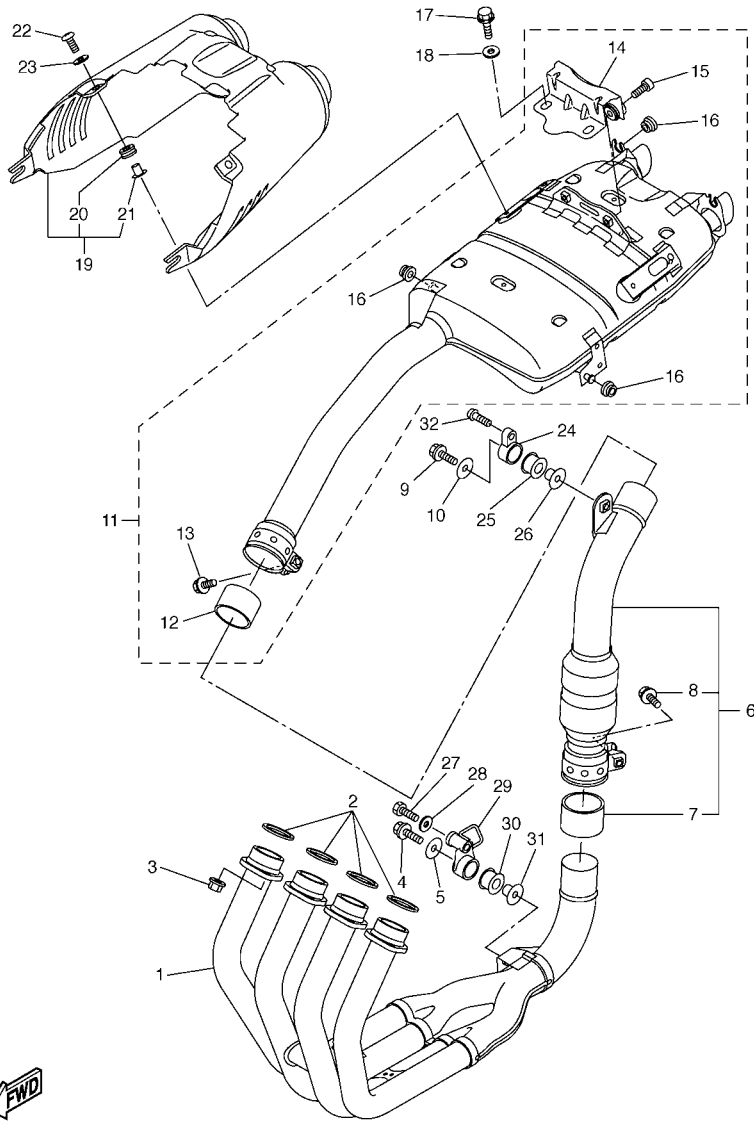
| REF. NO. | PART NO.     | DESCRIPTION             | 1B37 | 1B38 | REMARKS |
|----------|--------------|-------------------------|------|------|---------|
| 1        | 5VX-13750-02 | THROTTLE BODY ASSY      | 1    | 1    |         |
| 2        | 5VX-14348-00 | .PIPE 1                 | 2    | 2    |         |
| 3        | 90430-09002  | .GASKET                 | 4    | 4    |         |
| 4        | 5VX-13761-00 | .INJECTOR ASSY          | 4    | 4    |         |
| 5        | 5PS-14147-00 | ..O-RING                | 1    | 1    |         |
| 6        | 5VX-82380-00 | .SENSOR, PRESSURE       | 1    | 1    |         |
| 7        | 98507-05016  | .SCREW, PAN HEAD        | 2    | 2    |         |
| 8        | 92907-05100  | .WASHER, SPRING         | 2    | 2    |         |
| 9        | 92907-05600  | .WASHER, PLATE          | 2    | 2    |         |
| 10       | 5FL-85885-02 | .THROTTLE SENSOR ASSY   | 1    | 1    |         |
| 11       | 8CC-14216-10 | .SCREW                  | 2    | 2    |         |
| 12       | 5VX-14149-00 | .PIPE                   | 1    | 1    |         |
| 13       | 5VX-14565-00 | .SCREW                  | 1    | 1    |         |
| 14       | 98507-05010  | .SCREW, PAN HEAD        | 2    | 2    |         |
| 15       | 98507-06012  | .SCREW, PAN HEAD        | 2    | 2    |         |
| 16       | 5VX-14396-00 | .PIPE                   | 1    | 1    |         |
| 17       | 3UH-14937-00 | .CLIP                   | 8    | 8    |         |
| 18       | 5VX-14987-00 | .HOSE                   | 1    | 1    |         |
| 19       | 68V-24376-00 | .PIPE, JOINT 1          | 2    | 2    |         |
| 20       | 3XV-14251-00 | .NIPPLE                 | 1    | 1    |         |
| 21       | 5FL-14348-10 | .PIPE 1                 | 4    | 4    |         |
| 22       | 68V-13533-00 | .HOSE, VACUUM SENSING 4 | 2    | 2    |         |
| 23       | 5VX-1410E-00 | .HOSE                   | 1    | 1    |         |
| 24       | 5PW-14251-00 | .NIPPLE                 | 4    | 4    |         |
| 25       | 4KM-14137-00 | .CLIP                   | 3    | 3    |         |
| 26       | 5JW-14104-00 | .AIR SCREW SET          | 4    | 4    |         |
| 27       | 3H1-14147-00 | ..O-RING                | 1    | 1    |         |



5VX6300-D100





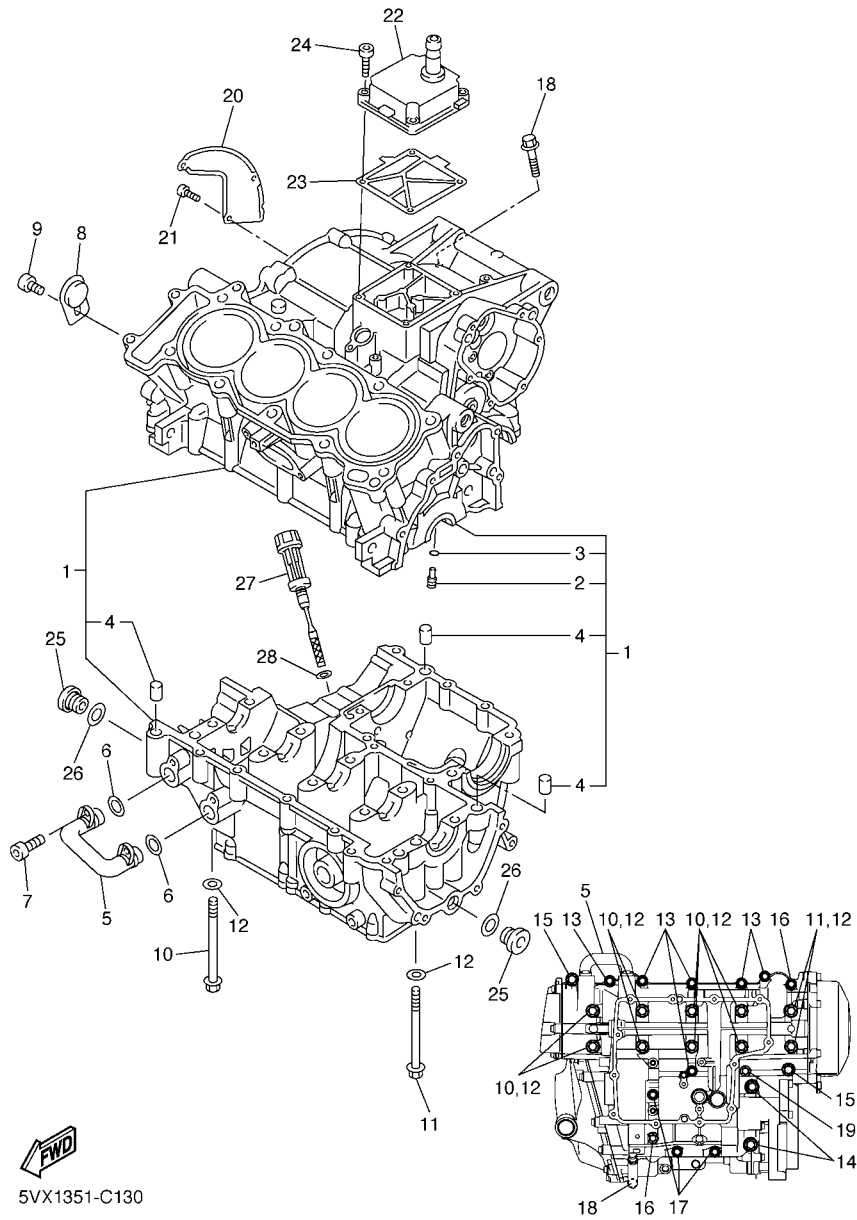


5VX1351-C120

FIG. 12 EXHAUST

| REF. NO. | PART NO.     | DESCRIPTION          | 1B37 | 1B38 | REMARKS |
|----------|--------------|----------------------|------|------|---------|
| 1        | 5VX-14602-00 | EXHAUST PIPE COMP.   | 1    | 1    |         |
| 2        | 3YF-14613-01 | GASKET, EXHAUST PIPE | 4    | 4    |         |
| 3        | 90179-08410  | NUT                  | 8    | 8    |         |
| 4        | 95817-08035  | BOLT, FLANGE         | 1    | 1    |         |
| 5        | 90201-08612  | WASHER, PLATE        | 1    | 1    |         |
| 6        | 5VX-14740-00 | CATALYST ASSY.       | 1    | 1    |         |
| 7        | 3XW-14714-00 | .GASKET, MUFFLER     | 1    | 1    |         |
| 8        | 95814-08045  | .BOLT, FLANGE        | 1    | 1    |         |
| 9        | 95817-08035  | BOLT, FLANGE         | 1    | 1    |         |
| 10       | 90201-08612  | WASHER, PLATE        | 1    | 1    |         |
| 11       | 5VX-14710-00 | MUFFLER ASSY 1       | 1    | 1    |         |
| 12       | 5EB-14714-01 | .GASKET, MUFFLER     | 1    | 1    |         |
| 13       | 95814-08045  | .BOLT, FLANGE        | 1    | 1    |         |
| 14       | 5VX-1467K-00 | .BRACKET, SILENCER 3 | 1    | 1    |         |
| 15       | 91317-08030  | .BOLT                | 2    | 2    |         |
| 16       | 90480-10332  | .GROMMET             | 4    | 4    |         |
| 17       | 95817-08014  | BOLT, FLANGE         | 2    | 2    |         |
| 18       | 90201-086A3  | WASHER, PLATE        | 2    | 2    |         |
| 19       | 5VX-14708-10 | PROTECTOR ASSY       | 1    | 1    |         |
| 20       | 90480-12006  | .GROMMET             | 2    | 2    |         |
| 21       | 90387-061N6  | .COLLAR              | 2    | 2    |         |
| 22       | 98907-06020  | SCREW, BIND          | 2    | 2    |         |
| 23       | 4FB-14766-00 | WASHER, PROTECTOR    | 2    | 2    |         |
| 24       | 5VX-21446-10 | STAY, MUFFLER 2      | 1    | 1    |         |
| 25       | 4XV-27424-00 | DAMPER, MUFFLER      | 1    | 1    |         |
| 26       | 90387-082W9  | COLLAR               | 1    | 1    |         |
| 27       | 90109-082A1  | BOLT                 | 1    | 1    |         |





5VX1351-C130

FIG. 13 CRANKCASE

| REF. NO. | PART NO.     | DESCRIPTION               | 1B37 | 1B38 | REMARKS |
|----------|--------------|---------------------------|------|------|---------|
|          |              |                           |      |      |         |
| 1        | 5VX-15100-00 | CRANKCASE ASSY            | 1    | 1    |         |
| 2        | 5EB-15155-00 | .NOZZLE 3                 | 4    | 4    |         |
| 3        | 93210-04092  | .O-RING                   | 4    | 4    |         |
| 4        | 99530-10014  | .PIN, DOWEL               | 3    | 3    |         |
| 5        | 5VX-13418-00 | PIPE, OIL 2               | 1    | 1    |         |
| 6        | 93210-14579  | O-RING                    | 2    | 2    |         |
| 7        | 90110-06041  | BOLT, HEXAGON SOCKET HEAD | 2    | 2    |         |
| 8        | 5SL-15189-00 | PLUG                      | 1    | 1    |         |
| 9        | 90149-06020  | SCREW                     | 1    | 1    |         |
| 10       | 90105-087A0  | BOLT, FLANGE              | 8    | 8    |         |
| 11       | 90105-086A9  | BOLT, FLANGE              | 2    | 2    |         |
| 12       | 90201-087K3  | WASHER, PLATE             | 10   | 10   |         |
| 13       | 95817-06055  | BOLT, FLANGE              | 6    | 6    |         |
| 14       | 95817-08065  | BOLT, FLANGE              | 2    | 2    |         |
| 15       | 90109-065G3  | BOLT                      | 2    | 2    |         |
| 16       | 95817-06065  | BOLT, FLANGE              | 2    | 2    |         |
| 17       | 95817-06045  | BOLT, FLANGE              | 3    | 3    |         |
| 18       | 95817-06100  | BOLT, FLANGE              | 1    | 1    |         |
| 19       | 90105-06006  | BOLT, FLANGE              | 1    | 1    |         |
| 20       | 5SL-11165-00 | PLATE, BREATHER           | 1    | 1    |         |
| 21       | 90149-06020  | SCREW                     | 3    | 3    |         |
| 22       | 5VX-15413-01 | COVER                     | 1    | 1    |         |
| 23       | 5SL-15462-00 | GASKET, CRANKCASE COVER 3 | 1    | 1    |         |
| 24       | 91314-06025  | BOLT                      | 4    | 4    |         |
| 25       | 36Y-15189-00 | PLUG                      | 2    | 2    |         |
| 26       | 93210-16325  | O-RING                    | 2    | 2    |         |
| 27       | 5EB-15362-00 | PLUG, OIL LEVEL           | 1    | 1    |         |

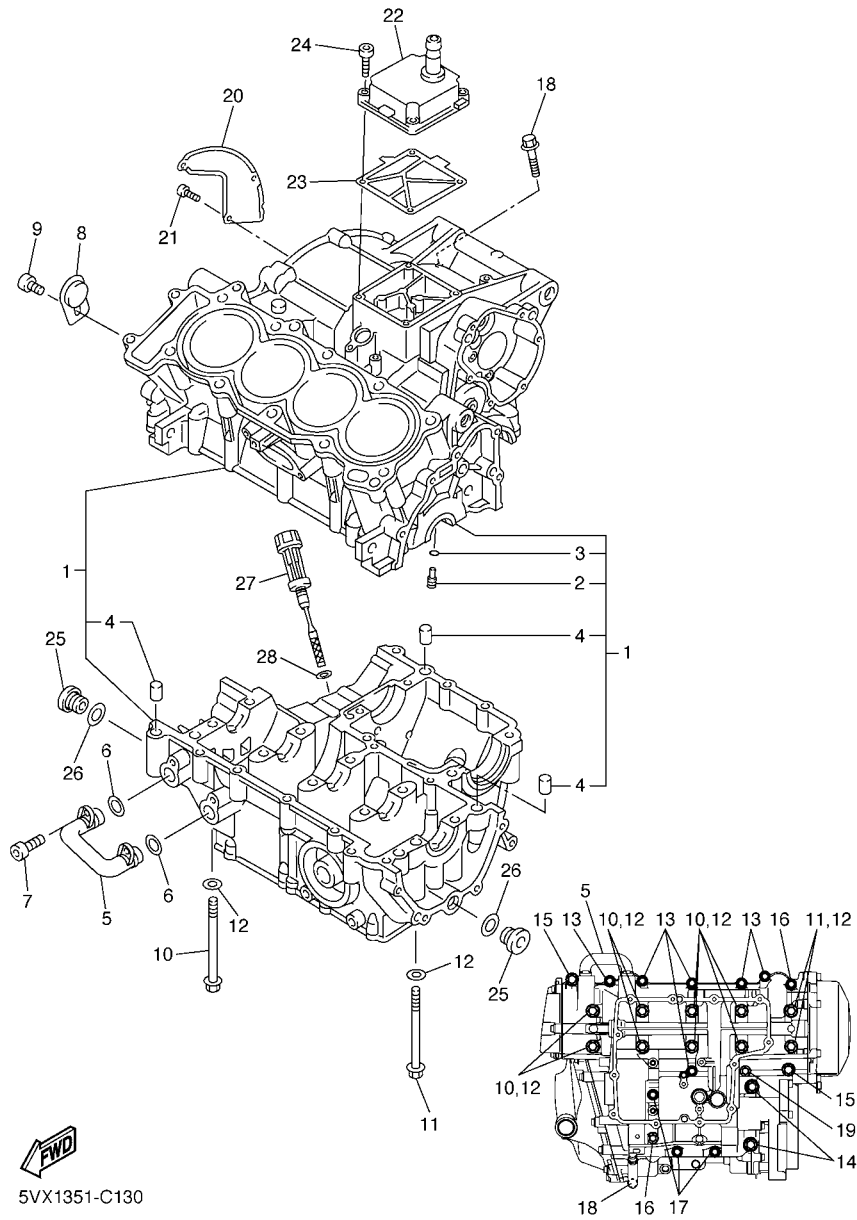
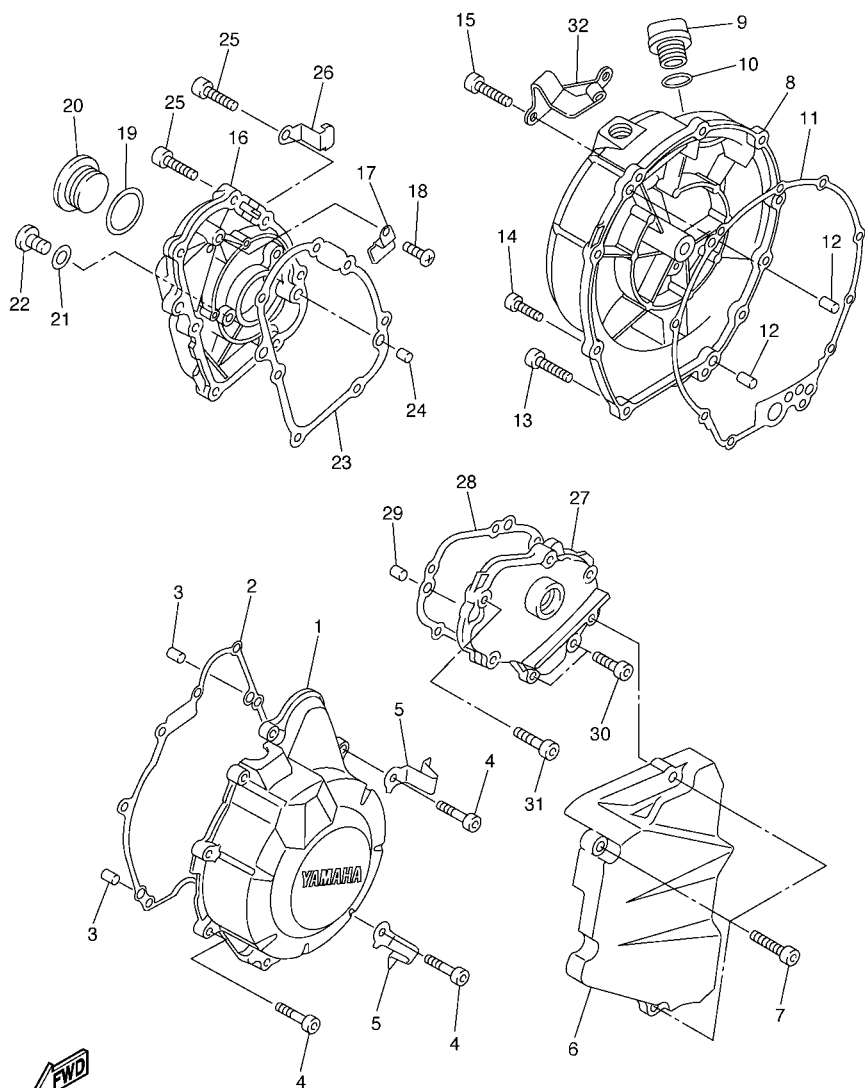


FIG. 13 CRANKCASE

| REF. NO. | PART NO.    | DESCRIPTION | 1B37 | 1B38 |  | REMARKS |
|----------|-------------|-------------|------|------|--|---------|
| 28       | 93210-09165 | O-RING      | 1    | 1    |  |         |
| -----    |             |             |      |      |  |         |
| -----    |             |             |      |      |  |         |
| -----    |             |             |      |      |  |         |
| -----    |             |             |      |      |  |         |
| -----    |             |             |      |      |  |         |
| -----    |             |             |      |      |  |         |
| -----    |             |             |      |      |  |         |
| -----    |             |             |      |      |  |         |
| -----    |             |             |      |      |  |         |
| -----    |             |             |      |      |  |         |

FIG. 14 CRANKCASE COVER 1

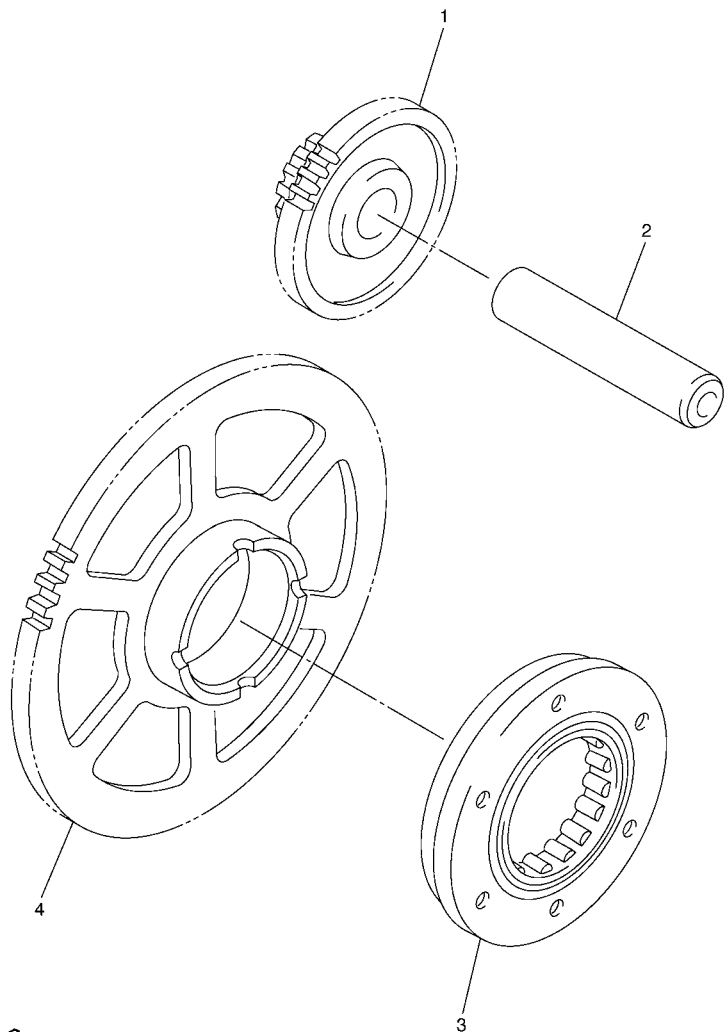


FWD  
5VX1351-C140

| REF. NO. | PART NO.     | DESCRIPTION               | 1B37 | 1B38 | REMARKS |
|----------|--------------|---------------------------|------|------|---------|
| 1        | 5VX-15411-00 | COVER, CRANKCASE 1        | 1    | 1    |         |
| 2        | 5VX-15451-00 | GASKET, CRANKCASE COVER 1 | 1    | 1    |         |
| 3        | 99530-08012  | PIN, DOWEL                | 2    | 2    |         |
| 4        | 91314-06025  | BOLT                      | 9    | 9    |         |
| 5        | 90465-08045  | CLAMP                     | 2    | 2    |         |
| 6        | 5VX-15418-00 | COVER, CHAIN CASE         | 1    | 1    |         |
| 7        | 91314-06025  | BOLT                      | 3    | 3    |         |
| 8        | 5VX-15421-00 | COVER, CRANKCASE 2        | 1    | 1    |         |
| 9        | 3F9-15362-00 | PLUG, OIL LEVEL           | 1    | 1    |         |
| 10       | 93210-27194  | O-RING                    | 1    | 1    |         |
| 11       | 5SL-15461-00 | GASKET, CRANKCASE COVER 2 | 1    | 1    |         |
| 12       | 93608-17263  | PIN, DOWEL                | 2    | 2    |         |
| 13       | 91314-06025  | BOLT                      | 7    | 7    |         |
| 14       | 90110-06022  | BOLT, HEXAGON SOCKET HEAD | 1    | 1    |         |
| 15       | 91314-06030  | BOLT                      | 2    | 2    |         |
| 16       | 5VX-15416-00 | COVER, OIL PUMP           | 1    | 1    |         |
| 17       | 90465-14011  | CLAMP                     | 1    | 1    |         |
| 18       | 98507-06012  | SCREW, PAN HEAD           | 1    | 1    |         |
| 19       | 93210-32172  | O-RING                    | 1    | 1    |         |
| 20       | 90340-32116  | PLUG, STRAIGHT SCREW      | 1    | 1    |         |
| 21       | 90430-08143  | GASKET                    | 1    | 1    |         |
| 22       | 92014-08014  | BOLT, BUTTON HEAD         | 1    | 1    |         |
| 23       | 5SL-15456-00 | GASKET, OIL PUMP COVER 1  | 1    | 1    |         |
| 24       | 99530-08012  | PIN, DOWEL                | 2    | 2    |         |
| 25       | 91314-06020  | BOLT                      | 7    | 7    |         |
| 26       | 90465-10035  | CLAMP                     | 1    | 1    |         |
| 27       | 5VX-15425-00 | COVER, GENERATOR 2        | 1    | 1    |         |



FIG. 15 STARTER



| REF. NO. | PART NO.     | DESCRIPTION          | 1B37 | 1B38 |  |  |  | REMARKS |
|----------|--------------|----------------------|------|------|--|--|--|---------|
| 1        | 5SL-15512-00 | GEAR, IDLER 1        | 1    | 1    |  |  |  |         |
| 2        | 5EB-15521-00 | SHAFT 1              | 1    | 1    |  |  |  |         |
| 3        | 5SL-15590-00 | STARTER ONE-WAY ASSY | 1    | 1    |  |  |  |         |
| 4        | 5MT-15515-00 | GEAR 3               | 1    | 1    |  |  |  |         |
| -----    |              |                      |      |      |  |  |  |         |
| -----    |              |                      |      |      |  |  |  |         |
| -----    |              |                      |      |      |  |  |  |         |
| -----    |              |                      |      |      |  |  |  |         |
| -----    |              |                      |      |      |  |  |  |         |
| -----    |              |                      |      |      |  |  |  |         |
| -----    |              |                      |      |      |  |  |  |         |
| -----    |              |                      |      |      |  |  |  |         |

 5SL1300-B150

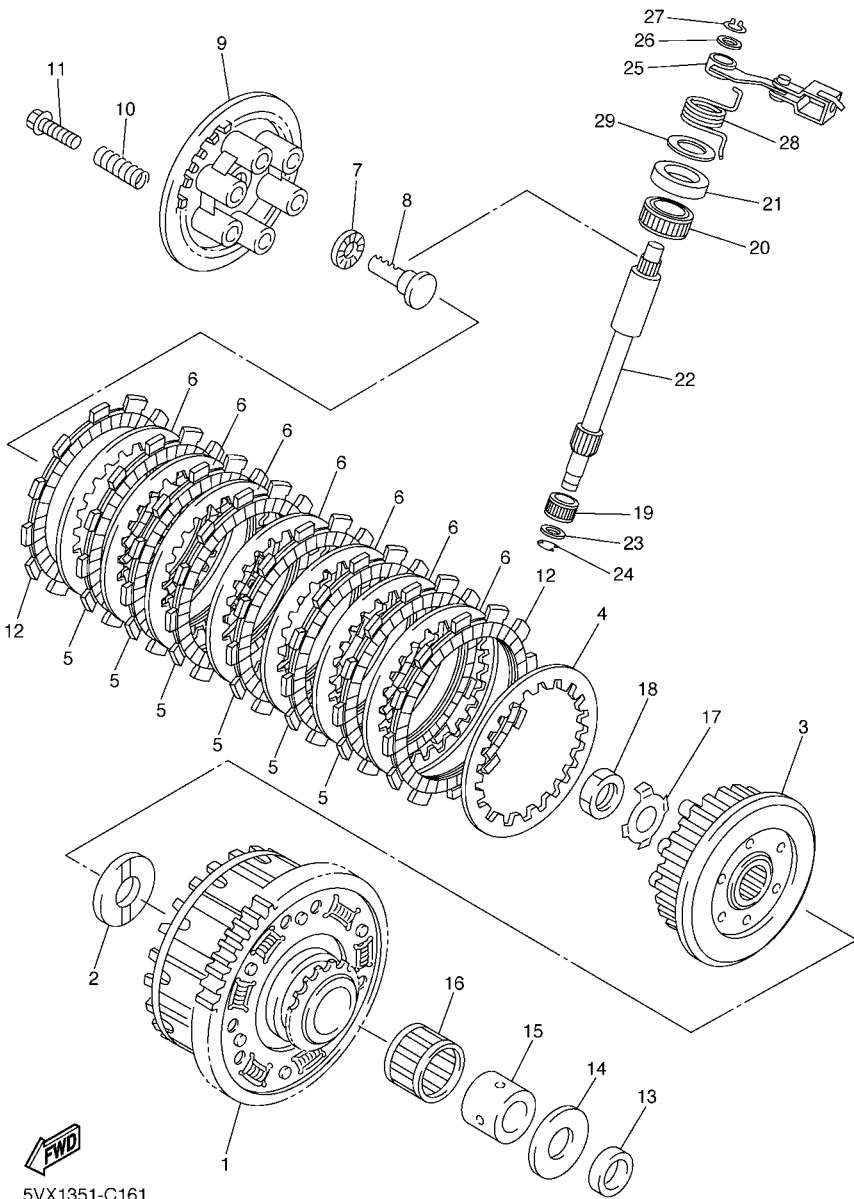


FIG. 16 CLUTCH

| REF. NO. | PART NO.     | DESCRIPTION               | 1B37 | 1B38 | REMARKS |
|----------|--------------|---------------------------|------|------|---------|
| 1        | 5VX-16150-00 | PRIMARY DRIVEN GEAR COMP. | 1    | 1    |         |
| 2        | 5EB-16154-00 | PLATE, THRUST 1           | 1    | 1    |         |
| 3        | 5VX-16371-00 | BOSS, CLUTCH              | 1    | 1    |         |
| 4        | 168-16324-00 | PLATE, CLUTCH 1 (T=2.3)   | 1    | 1    |         |
| 5        | 4FN-16321-00 | PLATE, FRICTION           | 6    | 6    |         |
| 6        | 3J2-16324-00 | PLATE, CLUTCH 1 (T=2.0)   | 7    | 7    |         |
| 7        | 93306-00304  | BEARING                   | 1    | 1    |         |
| 8        | 5EB-16356-01 | ROD, PUSH 1               | 1    | 1    |         |
| 9        | 5EB-16351-01 | PLATE, PRESSURE 1         | 1    | 1    |         |
| 10       | 90501-225A9  | SPRING, COMPRESSION       | 6    | 6    |         |
| 11       | 90159-06002  | SCREW, WITH WASHER        | 6    | 6    |         |
| 12       | 4H7-16321-02 | PLATE, FRICTION           | 2    | 2    |         |
| 13       | 90201-255A6  | WASHER, PLATE             | 1    | 1    |         |
| 14       | 1AE-16164-00 | PLATE, THRUST 2           | 1    | 1    |         |
| 15       | 90387-25010  | COLLAR                    | 1    | 1    |         |
| 16       | 93310-340N8  | BEARING                   | 1    | 1    |         |
| 17       | 90215-20004  | WASHER, LOCK              | 1    | 1    |         |
| 18       | 90170-20008  | NUT                       | 1    | 1    |         |
| 19       | 93317-11020  | BEARING                   | 1    | 1    |         |
| 20       | 93315-31502  | BEARING                   | 1    | 1    |         |
| 21       | 93102-15212  | OIL SEAL                  | 1    | 1    |         |
| 22       | 5VX-16382-00 | AXLE, PUSH LEVER          | 1    | 1    |         |
| 23       | 92907-08600  | WASHER, PLATE             | 1    | 1    |         |
| 24       | 99001-07600  | CIRCLIP                   | 1    | 1    |         |
| 25       | 5VX-16340-00 | PUSH LEVER ASSY           | 1    | 1    |         |
| 26       | 90201-10119  | WASHER, PLATE             | 1    | 1    |         |
| 27       | 99009-10400  | CIRCLIP                   | 1    | 1    |         |

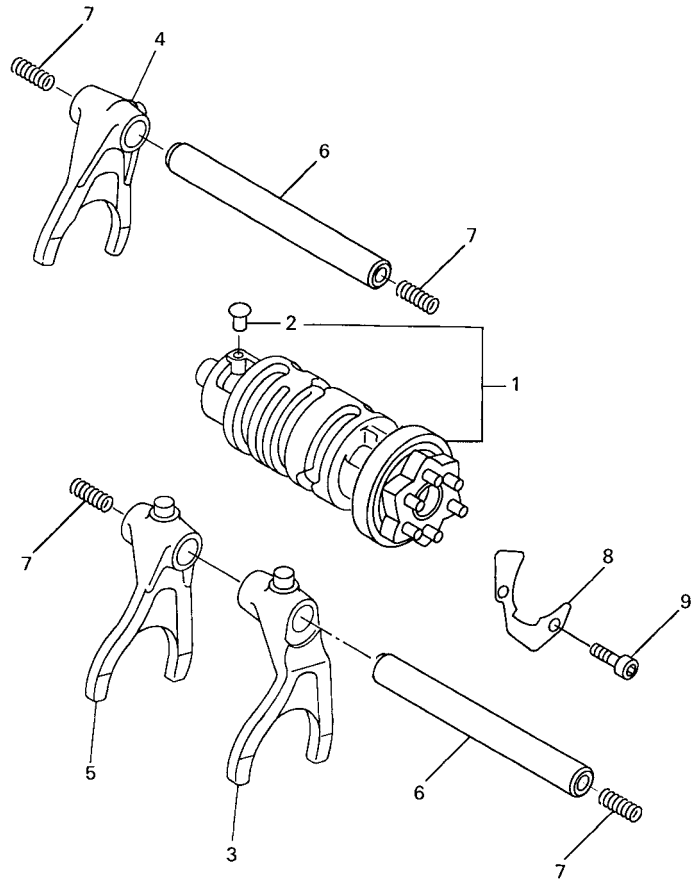


5VX1351-C161









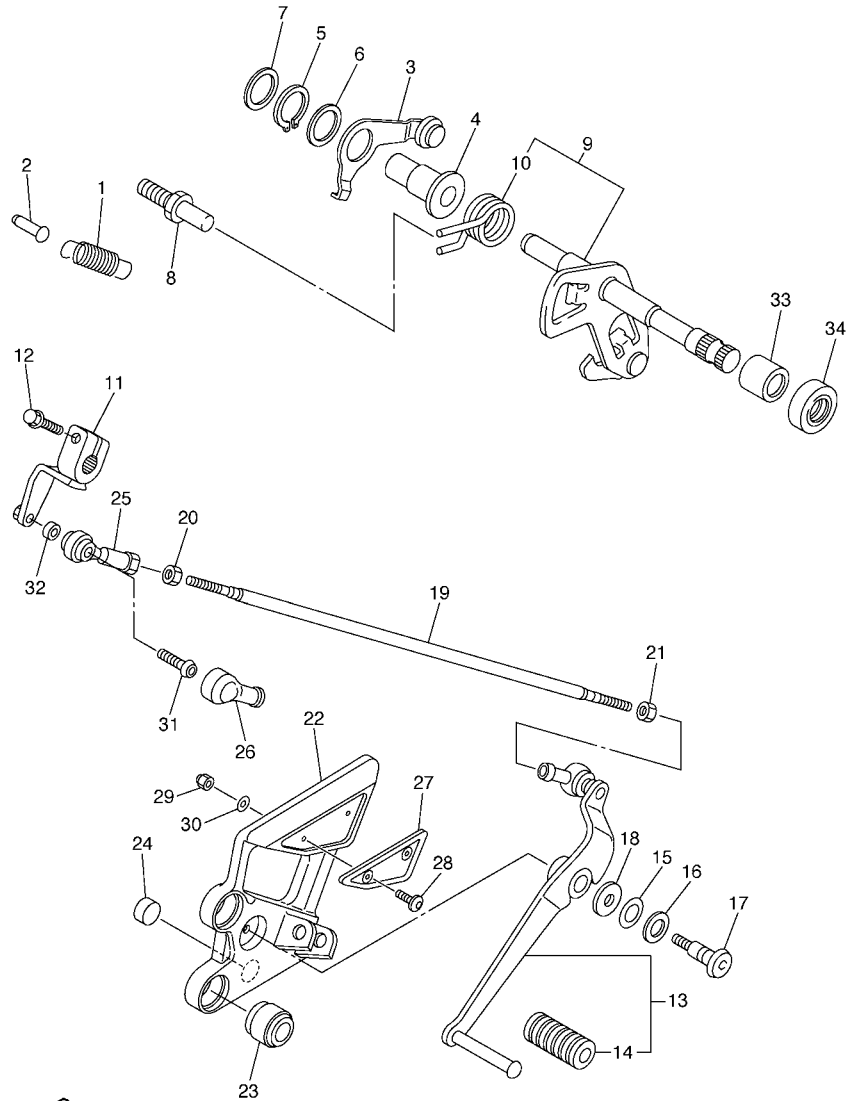
**FIG. 18 SHIFT CAM & FORK**

| REF. NO. | PART NO.     | DESCRIPTION               | 1B37 | 1B38 |  |  | REMARKS |
|----------|--------------|---------------------------|------|------|--|--|---------|
|          |              |                           |      |      |  |  |         |
| 1        | 5VX-18540-00 | SHIFT CAM ASSY            | 1    | 1    |  |  |         |
| 2        | 136-18542-00 | .POINT, NEUTRAL           | 1    | 1    |  |  |         |
| 3        | 5SL-18511-00 | FORK, SHIFT 1             | 1    | 1    |  |  |         |
| 4        | 5MT-18512-00 | FORK, SHIFT 2             | 1    | 1    |  |  |         |
| 5        | 5EB-18513-00 | FORK, SHIFT 3             | 1    | 1    |  |  |         |
| 6        | 4XV-18531-00 | BAR, SHIFT FORK GUIDE 1   | 2    | 2    |  |  |         |
| 7        | 90501-064L1  | SPRING, COMPRESSION       | 4    | 4    |  |  |         |
| 8        | 5EB-18536-00 | STOPPER, SHIFT BAR        | 1    | 1    |  |  |         |
| 9        | 90110-06018  | BOLT, HEXAGON SOCKET HEAD | 2    | 2    |  |  |         |
|          |              |                           |      |      |  |  |         |
|          |              |                           |      |      |  |  |         |
|          |              |                           |      |      |  |  |         |
|          |              |                           |      |      |  |  |         |



5EB3351-9170

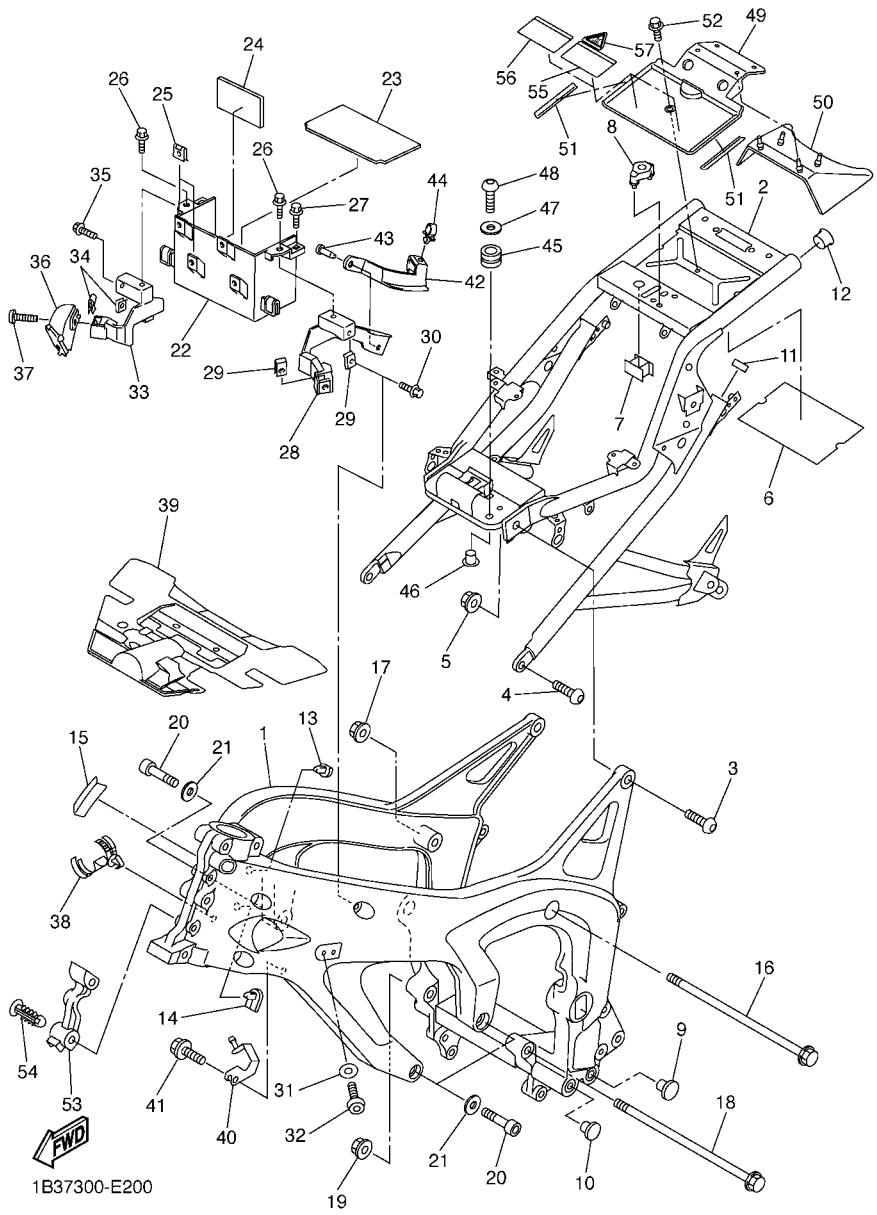
FIG. 19 SHIFT SHAFT



5VX6300-D190

| REF. NO. | PART NO.     | DESCRIPTION            | 1B37 | 1B38 | REMARKS |
|----------|--------------|------------------------|------|------|---------|
| 1        | 90506-14003  | SPRING, TENSION        | 1    | 1    |         |
| 2        | 132-16346-00 | HOOK, SPRING           | 1    | 1    |         |
| 3        | 5VX-18140-00 | STOPPER LEVER ASSY     | 1    | 1    |         |
| 4        | 90387-127V3  | COLLAR                 | 1    | 1    |         |
| 5        | 99009-17400  | CIRCLIP                | 1    | 1    |         |
| 6        | 90201-177G4  | WASHER, PLATE          | 1    | 1    |         |
| 7        | 90201-154E8  | WASHER, PLATE (T=1.0)  | 1    | 1    |         |
| 8        | 5SL-18127-00 | STOPPER, SCREW         | 1    | 1    |         |
| 9        | 5VX-18101-11 | SHIFT SHAFT ASSY       | 1    | 1    |         |
| 10       | 90508-295B2  | .SPRING, TORSION       | 1    | 1    |         |
| 11       | 5VX-18112-01 | ARM, SHIFT             | 1    | 1    |         |
| 12       | 95824-06020  | BOLT, FLANGE           | 1    | 1    |         |
| 13       | 5VX-18110-00 | SHIFT PEDAL ASSY       | 1    | 1    |         |
| 14       | 5EB-18113-00 | .COVER, SHIFT PEDAL    | 1    | 1    |         |
| 15       | 90201-12013  | WASHER, PLATE          | 1    | 1    |         |
| 16       | 90206-12074  | WASHER, WAVE           | 1    | 1    |         |
| 17       | 4BP-27434-01 | BOLT                   | 1    | 1    |         |
| 18       | 90201-08784  | WASHER, PLATE          | 1    | 1    |         |
| 19       | 5VX-18115-01 | ROD, SHIFT             | 1    | 1    |         |
| 20       | 90170-06228  | NUT(COUNTER CLOCKWISE) | 1    | 1    |         |
| 21       | 95304-06700  | NUT                    | 1    | 1    |         |
| 22       | 5VX-27442-10 | BRACKET 2              | 1    | 1    |         |
| 23       | 5VX-27424-00 | DAMPER, FOOTREST 2     | 2    | 2    |         |
| 24       | 5VX-27114-00 | STOPPER, MAIN STAND    | 1    | 1    |         |
| 25       | 5VX-18116-00 | JOINT, ROD 1           | 1    | 1    |         |
| 26       | 5VX-18154-00 | COVER, DUST            | 1    | 1    |         |
| 27       | 5VX-27445-00 | PLATE 1                | 1    | 1    |         |

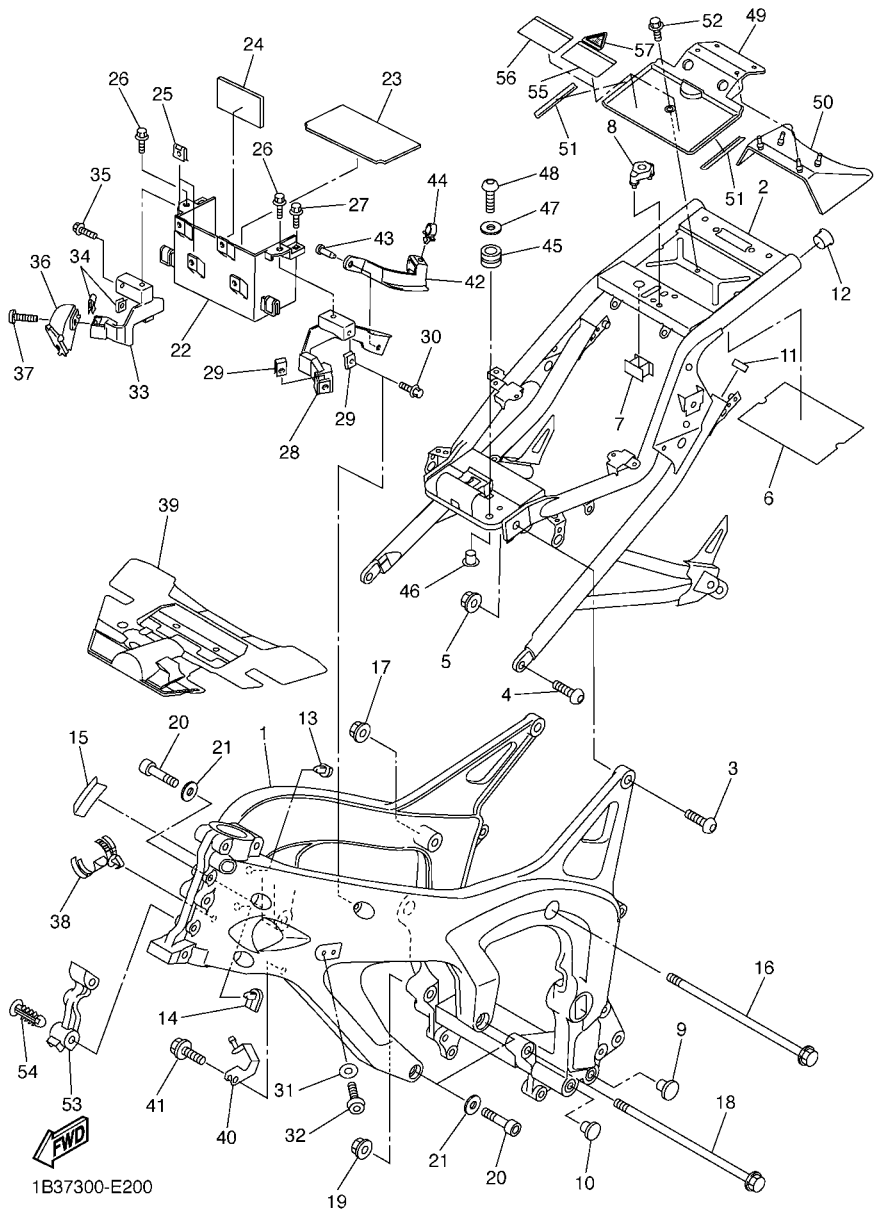




1B37300-E200

**FIG. 20 FRAME**

| REF. NO. | PART NO.     | DESCRIPTION       | 1B37 | 1B38 | REMARKS |
|----------|--------------|-------------------|------|------|---------|
| 1        | 5VX-21110-08 | FRAME COMP.       | 1    |      |         |
|          | 5VX-21110-18 | FRAME COMP.       |      | 1    |         |
| 2        | 5VX-21190-08 | REAR FRAME COMP.  | 1    | 1    |         |
| 3        | 90149-10006  | SCREW             | 2    | 2    |         |
| 4        | 90149-10012  | SCREW             | 2    | 2    |         |
| 5        | 95607-10200  | NUT, U FLANGE     | 2    | 2    |         |
| 6        | 5VX-21268-00 | SEAL              | 1    | 1    |         |
| 7        | 5VX-2139B-00 | SEAL              | 1    | 1    |         |
| 8        | 5VX-2140A-00 | DAMPER, STOPPER   | 1    | 1    |         |
| 9        | 90338-10008  | PLUG              | 2    | 2    |         |
| 10       | 90338-10007  | PLUG              | 2    | 2    |         |
| 11       | 3YJ-24481-00 | PLUG              | 2    | 2    |         |
| 12       | 90338-21145  | PLUG              | 1    | 1    |         |
| 13       | 5VX-21279-00 | PLUG, BLIND       | 1    | 1    |         |
| 14       | 5VX-21289-00 | PLUG, BLIND       | 1    | 1    |         |
| 15       | 1B3-2117G-00 | PROTECTOR         | 1    | 1    |         |
| 16       | 90105-10032  | BOLT, FLANGE      | 1    | 1    |         |
| 17       | 90185-10002  | NUT, SELF-LOCKING | 1    | 1    |         |
| 18       | 90105-10N53  | BOLT, FLANGE      | 1    | 1    |         |
| 19       | 90185-10002  | NUT, SELF-LOCKING | 1    | 1    |         |
| 20       | 91314-10050  | BOLT              | 3    | 3    |         |
| 21       | 90201-10020  | WASHER, PLATE     | 3    | 3    |         |
| 22       | 5VX-2177G-00 | BOX, BATTERY      | 1    | 1    |         |
| 23       | 5VX-82122-00 | SEAT, BATTERY     | 1    | 1    |         |
| 24       | 5EJ-2414H-00 | DAMPER, PLATE 1   | 1    | 1    |         |
| 25       | 90183-06053  | NUT, SPRING       | 2    | 2    |         |
| 26       | 90109-06060  | BOLT              | 2    | 2    |         |



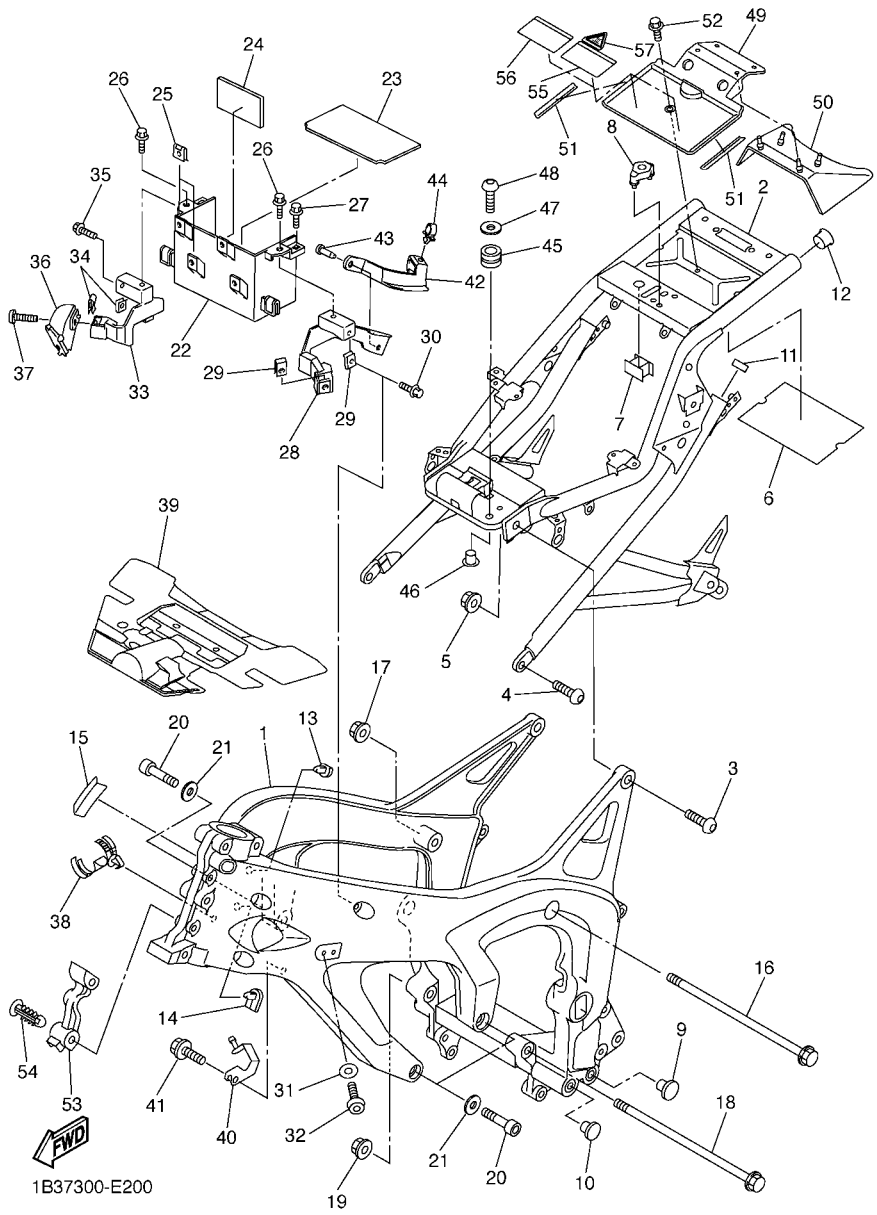
1B37300-E200

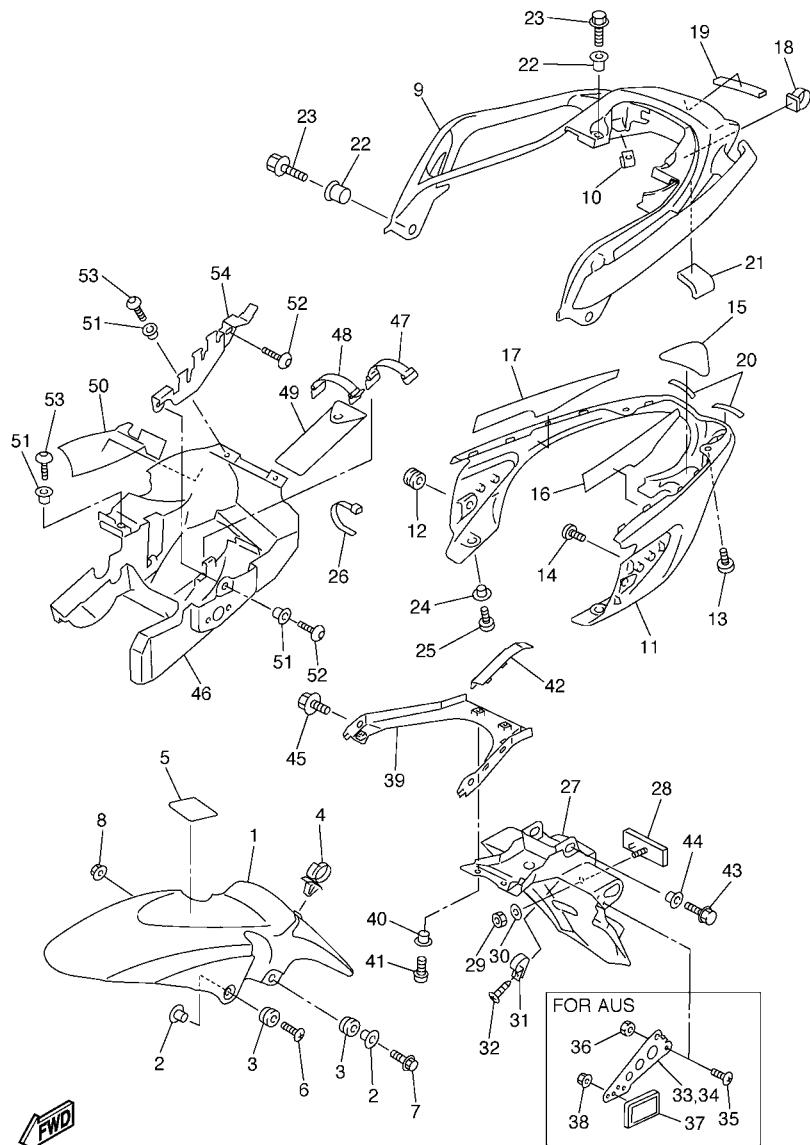
**FIG. 20 FRAME**

| REF. NO. | PART NO.     | DESCRIPTION       | 1B37 | 1B38 | REMARKS |
|----------|--------------|-------------------|------|------|---------|
|          |              |                   |      |      |         |
| 27       | 95807-06025  | BOLT, FLANGE      | 2    | 2    |         |
| 28       | 5VX-21238-00 | BRACKET           | 1    | 1    |         |
| 29       | 90183-060A1  | NUT, SPRING       | 2    | 2    |         |
| 30       | 90105-06557  | BOLT, FLANGE      | 1    | 1    |         |
| 31       | 90201-06M30  | WASHER, PLATE     | 1    | 1    |         |
| 32       | 90149-06023  | SCREW             | 1    | 1    |         |
| 33       | 5VX-21239-00 | BRACKET 2         | 1    | 1    |         |
| 34       | 90183-060A1  | NUT, SPRING       | 2    | 2    |         |
| 35       | 90105-06557  | BOLT, FLANGE      | 1    | 1    |         |
| 36       | 1B3-23377-01 | BRACKET, HORN     | 1    | 1    |         |
| 37       | 90149-06023  | SCREW             | 1    | 1    |         |
| 38       | 90464-20181  | CLAMP             | 1    | 1    |         |
| 39       | 5VX-2117M-01 | COVER 2           | 1    | 1    |         |
| 40       | 5VX-21249-00 | BRACKET           | 1    | 1    |         |
| 41       | 95027-06012  | BOLT, FLANGE      | 1    | 1    |         |
| 42       | 5VX-2135F-00 | COVER             | 1    | 1    |         |
| 43       | 90269-08066  | RIVET             | 2    | 2    |         |
| 44       | 90464-15157  | CLAMP             | 1    | 1    |         |
| 45       | 90480-12237  | GROMMET           | 2    | 2    |         |
| 46       | 90387-06078  | COLLAR            | 2    | 2    |         |
| 47       | 90201-06055  | WASHER, PLATE     | 2    | 2    |         |
| 48       | 92017-06020  | BOLT, BUTTON HEAD | 2    | 2    |         |
| 49       | 5VX-2139W-00 | COVER             | 1    | 1    |         |
| 50       | 5VX-2139R-00 | COVER 2           | 1    | 1    |         |
| 51       | 5VX-21269-00 | SEAL              | 2    | 2    |         |
| 52       | 90109-067F4  | BOLT              | 1    | 1    |         |
| 53       | 1B3-2117F-00 | COVER             | 1    | 1    |         |

FIG. 20 FRAME

| REF. NO. | PART NO.     | DESCRIPTION    | 1B37 | 1B38 | REMARKS |
|----------|--------------|----------------|------|------|---------|
| 54       | 90338-08220  | PLUG           | 4    | 4    |         |
| 55       | 5VX-2117B-31 | LABEL, WARNING | 1    | 1    |         |
| 56       | 5VX-2117B-41 | LABEL, WARNING | 1    | 1    |         |
| 57       | 5VX-2117B-A1 | LABEL, WARNING | 1    | 1    |         |
| -----    |              |                |      |      |         |
| -----    |              |                |      |      |         |
| -----    |              |                |      |      |         |
| -----    |              |                |      |      |         |
| -----    |              |                |      |      |         |
| -----    |              |                |      |      |         |
| -----    |              |                |      |      |         |
| -----    |              |                |      |      |         |
| -----    |              |                |      |      |         |
| -----    |              |                |      |      |         |

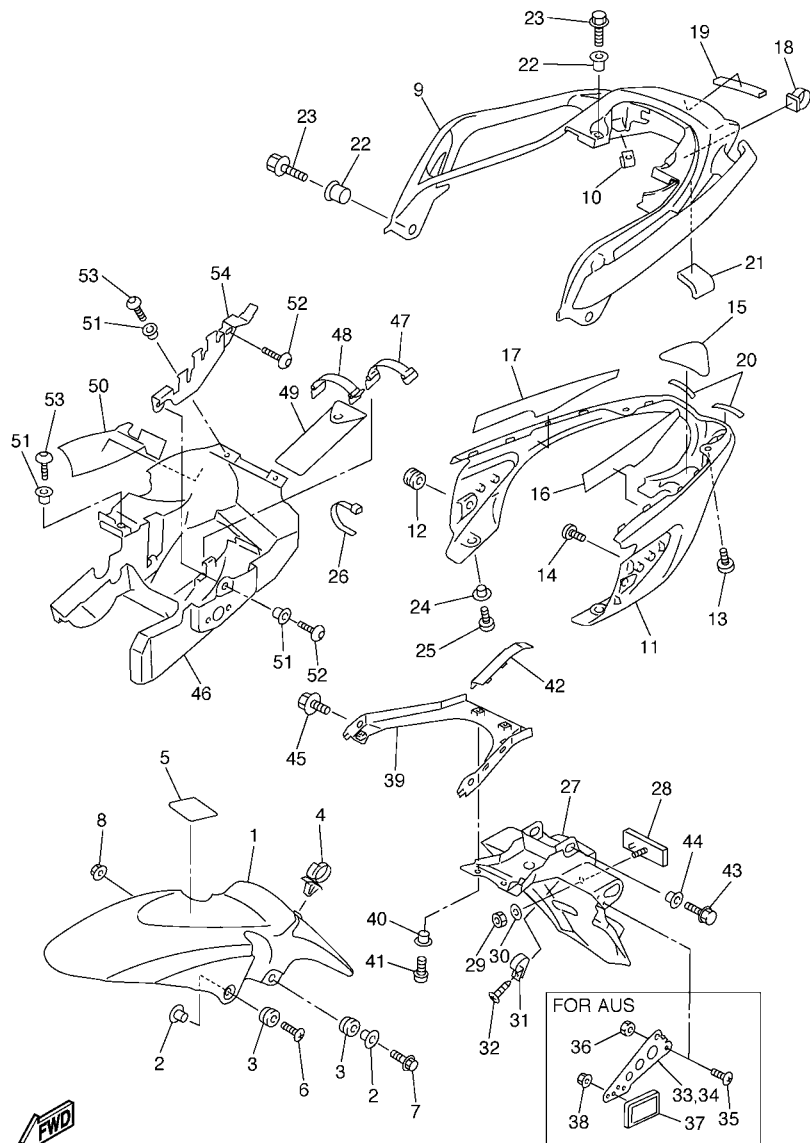




1B37300-E210

FIG. 21 FENDER

| REF. NO. | PART NO.        | DESCRIPTION               | 1B37 | 1B38 | REMARKS |
|----------|-----------------|---------------------------|------|------|---------|
| 1        | 5VX-21511-10    | FENDER, FRONT             | 1    | 1    |         |
| 2        | 90387-065J6     | COLLAR                    | 4    | 4    |         |
| 3        | 90480-12072     | GROMMET                   | 4    | 4    |         |
| 4        | 90464-18002     | CLAMP                     | 1    | 1    |         |
| 5        | 5VX-21575-00    | SEAL 1                    | 1    | 1    |         |
| 6        | 90154-06061     | SCREW, BINDING            | 2    | 2    |         |
| 7        | 95024-06025     | BOLT, FLANGE              | 2    | 2    |         |
| 8        | 90179-06403     | NUT                       | 2    | 2    |         |
| 9        | 5VX-24773-00-P3 | HANDLE, SEAT              | 1    | 1    | MBL2    |
| 10       | 90183-05061     | NUT, SPRING               | 2    | 2    |         |
| 11       | 5VX-21651-00    | COVER, REAR FENDER        | 1    | 1    |         |
| 12       | 90480-13398     | GROMMET                   | 2    | 2    |         |
| 13       | 98907-05012     | SCREW, BIND               | 2    | 2    |         |
| 14       | 97707-50012     | SCREW, TRUSS HEAD TAPPING | 2    | 2    |         |
| 15       | 5VX-21669-00    | SEAL                      | 1    | 1    |         |
| 16       | 5VX-21732-00    | SEAL 1                    | 1    | 1    |         |
| 17       | 5VX-21735-01    | SEAL 2                    | 1    | 1    |         |
| 18       | 90464-14002     | CLAMP                     | 1    | 1    |         |
| 19       | 5VX-88158-00    | DAMPER                    | 1    | 1    |         |
| 20       | 5VX-21639-00    | DAMPER 2                  | 2    | 2    |         |
| 21       | 31A-28217-00    | DAMPNER 1                 | 1    | 1    |         |
| 22       | 90387-09003     | COLLAR                    | 4    | 4    |         |
| 23       | 95827-08025     | BOLT, FLANGE              | 4    | 4    |         |
| 24       | 90387-064J1     | COLLAR                    | 2    | 2    |         |
| 25       | 98907-06012     | SCREW, BIND               | 2    | 2    |         |
| 26       | 90465-13152     | CLAMP                     | 2    | 2    |         |
| 27       | 5VX-21621-00    | FLAP                      | 1    |      |         |



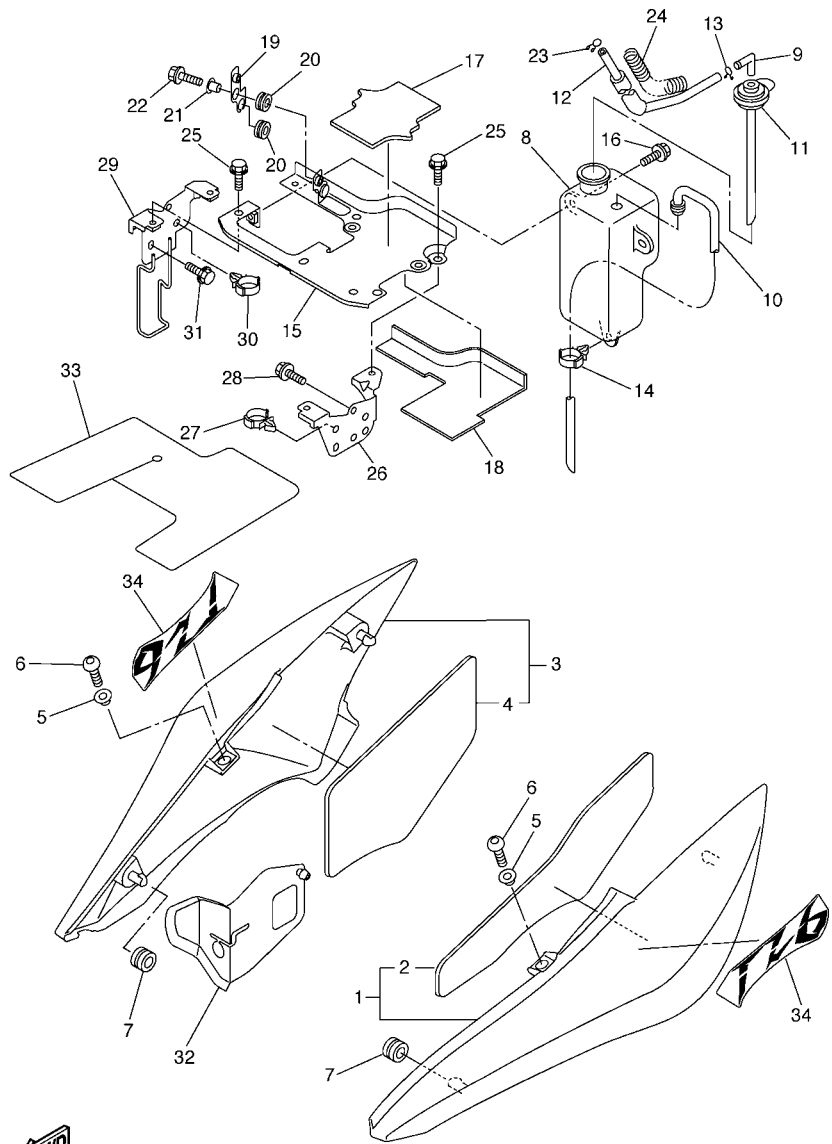
1B37300-E210

FIG. 21 FENDER

| REF. NO. | PART NO.     | DESCRIPTION         | 1B37 | 1B38 | REMARKS |
|----------|--------------|---------------------|------|------|---------|
| 27       | 5VX-21621-10 | FLAP                |      | 1    |         |
| 28       | 3Y6-85130-02 | REAR REFLECTOR ASSY | 1    | 1    |         |
| 29       | 95607-05100  | NUT, U              | 1    | 1    |         |
| 30       | 90201-05725  | WASHER, PLATE       | 1    | 1    |         |
| 31       | 90464-18029  | CLAMP               | 1    | 1    |         |
| 32       | 97707-40012  | SCREW, TAPPING      | 1    | 1    |         |
| 33       | 5VX-2164H-00 | STAY 3              |      | 1    | (LH)    |
| 34       | 5VX-2164J-00 | STAY 4              |      | 1    | (RH)    |
| 35       | 90150-04041  | SCREW, ROUND HEAD   |      | 4    |         |
| 36       | 95607-04100  | NUT, U              |      | 4    |         |
| 37       | 5SL-85110-00 | REFLECTOR ASSY      |      | 2    |         |
| 38       | 95707-05500  | NUT, FLANGE         |      | 2    |         |
| 39       | 5VX-2161G-00 | BRACKET 6           | 1    | 1    |         |
| 40       | 90387-064J1  | COLLAR              | 2    | 2    |         |
| 41       | 92017-06012  | BOLT, BUTTON HEAD   | 2    | 2    |         |
| 42       | 5VX-21665-00 | GUIDE, MUD GUARD    | 1    | 1    |         |
| 43       | 95827-06016  | BOLT, FLANGE        | 2    | 2    |         |
| 44       | 90387-06075  | COLLAR              | 2    | 2    |         |
| 45       | 95827-08012  | BOLT, FLANGE        | 2    | 2    |         |
| 46       | 5VX-21629-00 | GUARD, MUD          | 1    | 1    |         |
| 47       | 3TJ-82131-00 | BAND, BATTERY       | 1    | 1    |         |
| 48       | 122-82131-00 | BAND, BATTERY       | 1    | 1    |         |
| 49       | 5VX-28100-00 | TOOL KIT            | 1    | 1    |         |
| 50       | 5VX-2173N-01 | SEAL 4              | 1    | 1    |         |
| 51       | 90387-064J1  | COLLAR              | 4    | 4    |         |
| 52       | 92017-06016  | BOLT, BUTTON HEAD   | 2    | 2    |         |
| 53       | 92017-06012  | BOLT, BUTTON HEAD   | 3    | 3    |         |

D6

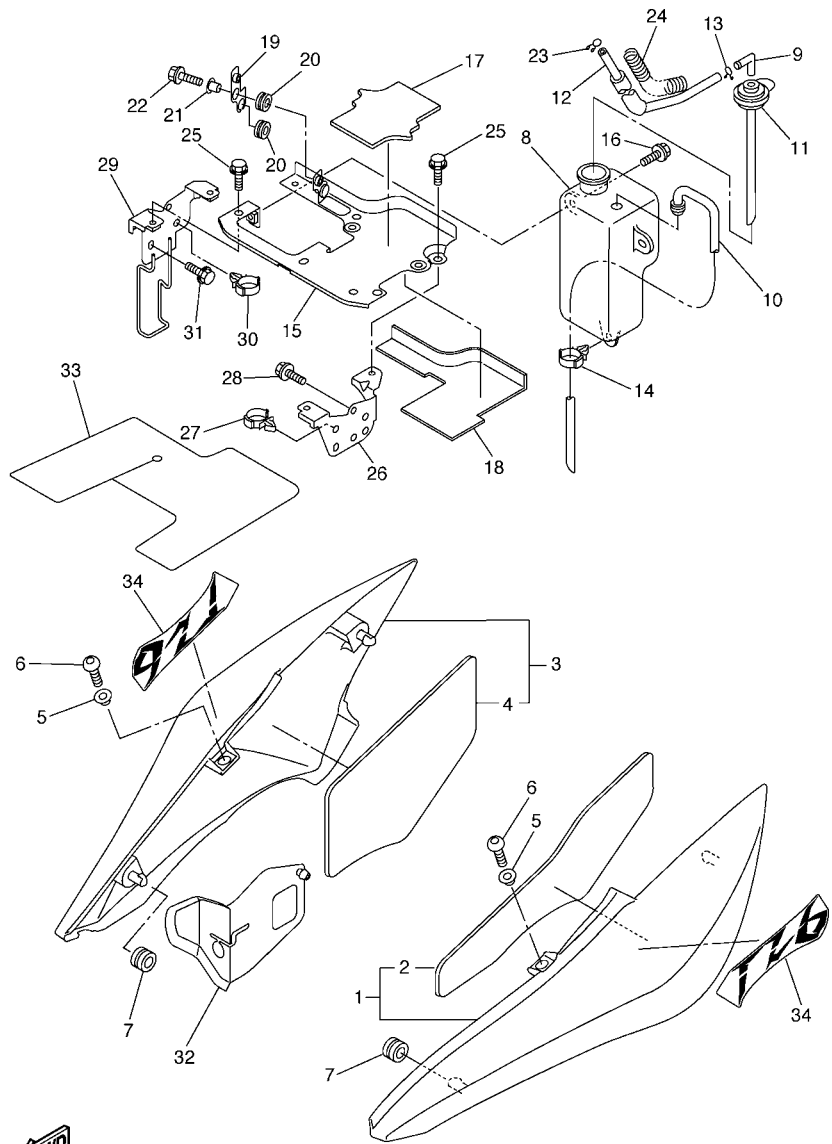




1B37300-E220

FIG. 22 SIDE COVER

| REF. NO. | PART NO.     | DESCRIPTION            | 1B37 | 1B38 | REMARKS |
|----------|--------------|------------------------|------|------|---------|
| 1        | 5VX-21710-10 | SIDE COVER ASSY 1      | 1    | 1    |         |
| 2        | 5VX-2174X-00 | .DAMPER                | 1    | 1    |         |
| 3        | 5VX-21720-10 | SIDE COVER ASSY 2      | 1    | 1    |         |
| 4        | 5VX-2174Y-00 | .DAMPER                | 1    | 1    |         |
| 5        | 90387-064J1  | COLLAR                 | 2    | 2    |         |
| 6        | 92017-06014  | BOLT, BUTTON HEAD      | 2    | 2    |         |
| 7        | 90480-01558  | GROMMET                | 2    | 2    |         |
| 8        | 5VX-21871-00 | TANK, RECOVERY         | 1    | 1    |         |
| 9        | 26H-21828-00 | ELBOW                  | 1    | 1    |         |
| 10       | 5VX-21816-00 | PIPE 1                 | 1    | 1    |         |
| 11       | 5VX-21875-00 | CAP                    | 1    | 1    |         |
| 12       | 90445-08021  | HOSE                   | 1    | 1    |         |
| 13       | 90467-08075  | CLIP                   | 1    | 1    |         |
| 14       | 90464-20181  | CLAMP                  | 1    | 1    |         |
| 15       | 5VX-21873-00 | BRACKET, RECOVERY TANK | 1    | 1    |         |
| 16       | 90119-06117  | BOLT, WITH WASHER      | 2    | 2    |         |
| 17       | 5VX-21779-00 | DAMPER, LOCATING 2     | 1    | 1    |         |
| 18       | 5VX-2173M-00 | SEAL 3                 | 1    | 1    |         |
| 19       | 5VX-21228-00 | BRACKET, RESERVE TANK  | 1    | 1    |         |
| 20       | 90480-13163  | GROMMET                | 2    | 2    |         |
| 21       | 90560-06201  | SPACER                 | 1    | 1    |         |
| 22       | 95807-06016  | BOLT, FLANGE           | 1    | 1    |         |
| 23       | 90467-08075  | CLIP                   | 1    | 1    |         |
| 24       | 1B3-21824-00 | PROTECTOR, HOSE        | 1    | 1    |         |
| 25       | 95827-06010  | BOLT, FLANGE           | 4    | 4    |         |
| 26       | 5VX-21843-00 | STAY, 4                | 1    | 1    |         |
| 27       | 90464-20181  | CLAMP                  | 1    | 1    |         |



1B37300-E220

**FIG. 22 SIDE COVER**

| REF. NO. | PART NO.     | DESCRIPTION          | 1B37 | 1B38 |  | REMARKS |
|----------|--------------|----------------------|------|------|--|---------|
| 28       | 95827-06010  | BOLT, FLANGE         | 2    | 2    |  |         |
| 29       | 5VX-22836-00 | STAY, 3              | 1    | 1    |  |         |
| 30       | 90464-16006  | CLAMP                | 1    | 1    |  |         |
| 31       | 95827-06010  | BOLT, FLANGE         | 2    | 2    |  |         |
| 32       | 5VX-2163A-00 | COVER, REAR FENDER 1 | 1    | 1    |  |         |
| 33       | 5VX-2177F-00 | FLAP                 | 1    | 1    |  |         |
| 34       | 1B3-21781-00 | EMBLEM 1             | 2    | 2    |  |         |
| -----    |              |                      |      |      |  |         |
| -----    |              |                      |      |      |  |         |
| -----    |              |                      |      |      |  |         |
| -----    |              |                      |      |      |  |         |
| -----    |              |                      |      |      |  |         |
| -----    |              |                      |      |      |  |         |



1B37300-E230

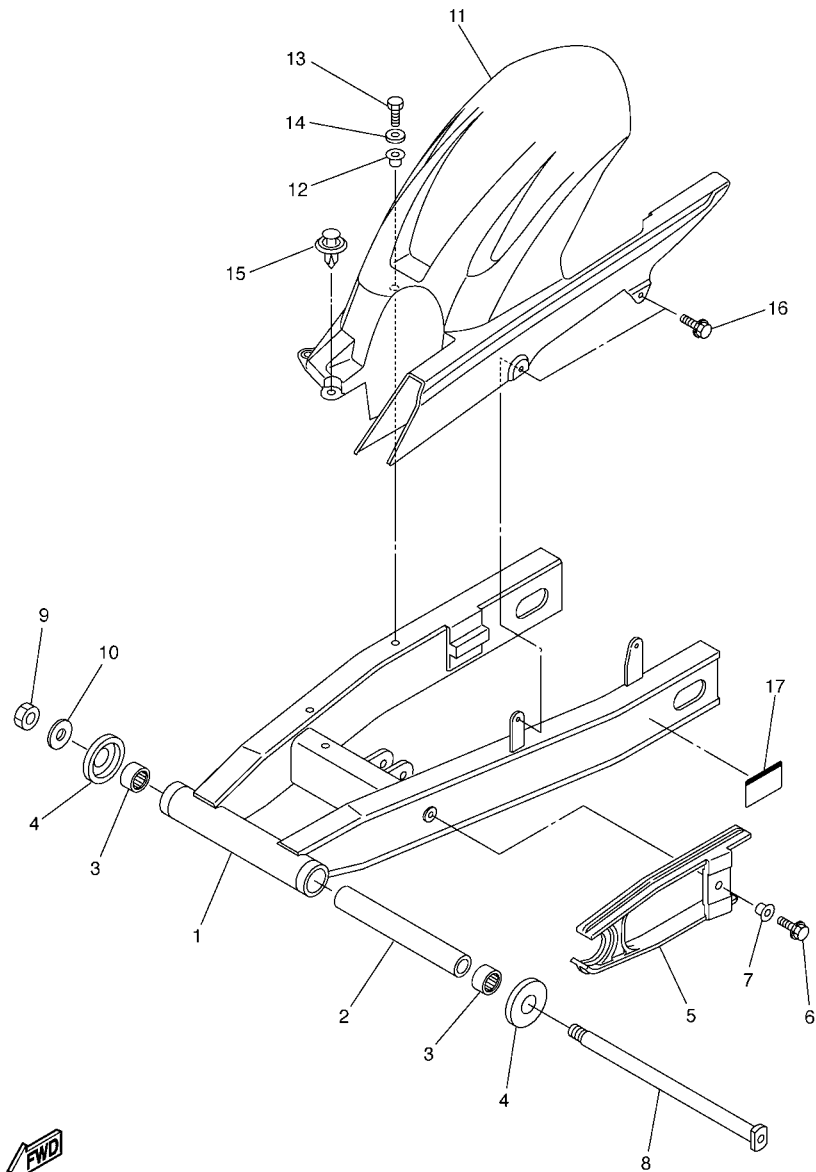


FIG. 23 REAR ARM

| REF. NO. | PART NO.     | DESCRIPTION       | 1B37 | 1B38 |  | REMARKS |
|----------|--------------|-------------------|------|------|--|---------|
| 1        | 5VX-22110-10 | REAR ARM COMP.    | 1    | 1    |  |         |
| 2        | 5EB-22184-00 | BUSH              | 1    | 1    |  |         |
| 3        | 93315-42523  | BEARING           | 2    | 2    |  |         |
| 4        | 5JJ-22128-00 | COVER, THRUST 1   | 2    | 2    |  |         |
| 5        | 5VX-22151-00 | SEAL, GUARD       | 1    | 1    |  |         |
| 6        | 90119-06096  | BOLT, WITH WASHER | 1    | 1    |  |         |
| 7        | 90387-06372  | COLLAR            | 1    | 1    |  |         |
| 8        | 4FN-22141-00 | SHAFT, PIVOT      | 1    | 1    |  |         |
| 9        | 90185-18104  | NUT, SELF-LOCKING | 1    | 1    |  |         |
| 10       | 90201-186M4  | WASHER, PLATE     | 1    | 1    |  |         |
| 11       | 5VX-21650-00 | REAR FENDER COMP. | 1    | 1    |  |         |
| 12       | 90387-064J1  | COLLAR            | 2    | 2    |  |         |
| 13       | 97007-06025  | BOLT              | 2    | 2    |  |         |
| 14       | 92907-06600  | WASHER, PLATE     | 2    | 2    |  |         |
| 15       | 90269-08001  | RIVET             | 1    | 1    |  |         |
| 16       | 90119-06117  | BOLT, WITH WASHER | 2    | 2    |  |         |
| 17       | 3XW-21668-A0 | LABEL, TIRE       | 1    | 1    |  |         |
|          |              |                   |      |      |  |         |
|          |              |                   |      |      |  |         |
|          |              |                   |      |      |  |         |

**D10**



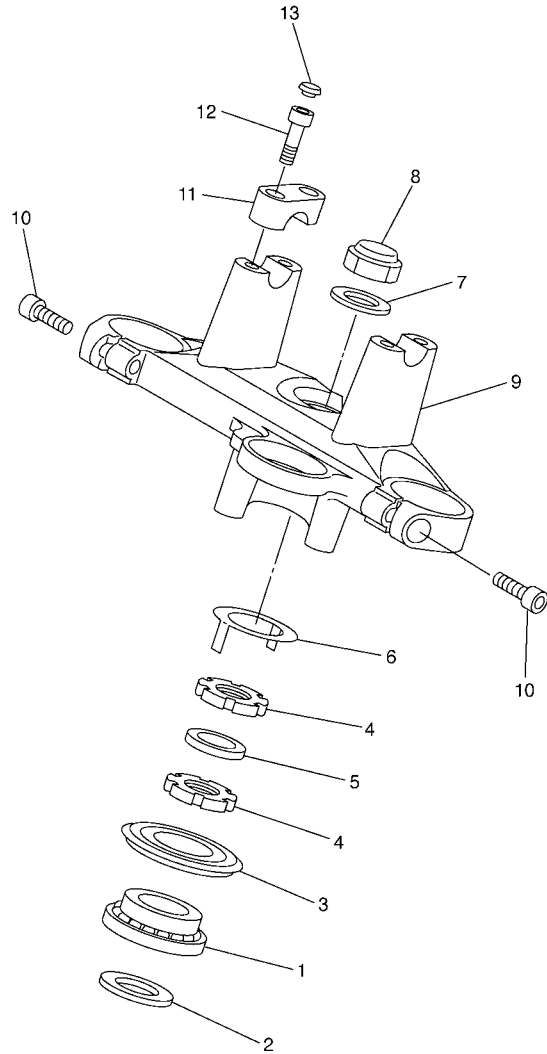
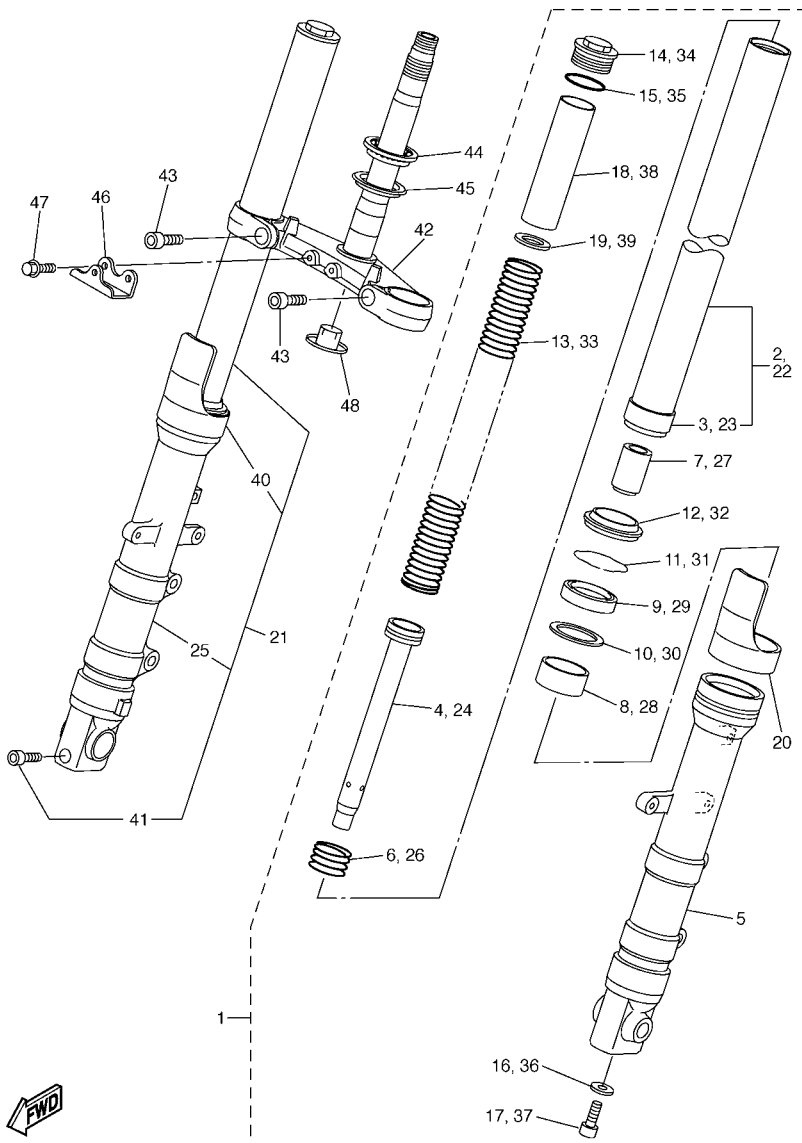


FIG. 25 STEERING

| REF. NO. | PART NO.        | DESCRIPTION          | 1B37 | 1B38 |  | REMARKS |
|----------|-----------------|----------------------|------|------|--|---------|
| 1        | 93399-99931     | BEARING              | 1    | 1    |  |         |
| 2        | 90202-24190     | WASHER, PLATE        | 1    | 1    |  |         |
| 3        | 5VX-23415-00    | COVER, BALL RACE 1   | 1    | 1    |  |         |
| 4        | 90179-25033     | NUT                  | 2    | 2    |  |         |
| 5        | 90202-26142     | WASHER, PLATE        | 1    | 1    |  |         |
| 6        | 26H-23418-01    | WASHER, SPECIAL      | 1    | 1    |  |         |
| 7        | 90201-220T0     | WASHER, PLATE        | 1    | 1    |  |         |
| 8        | 90176-22081     | NUT, CROWN           | 1    | 1    |  |         |
| 9        | 1B3-23435-00    | CROWN, HANDLE        | 1    | 1    |  |         |
| 10       | 91314-08030     | BOLT                 | 2    | 2    |  |         |
| 11       | 4H7-23441-01-35 | HOLDER, HANDLE UPPER | 2    | 2    |  | SL      |
| 12       | 91317-08030     | BOLT                 | 4    | 4    |  |         |
| 13       | 90338-06004     | PLUG                 | 4    | 4    |  |         |



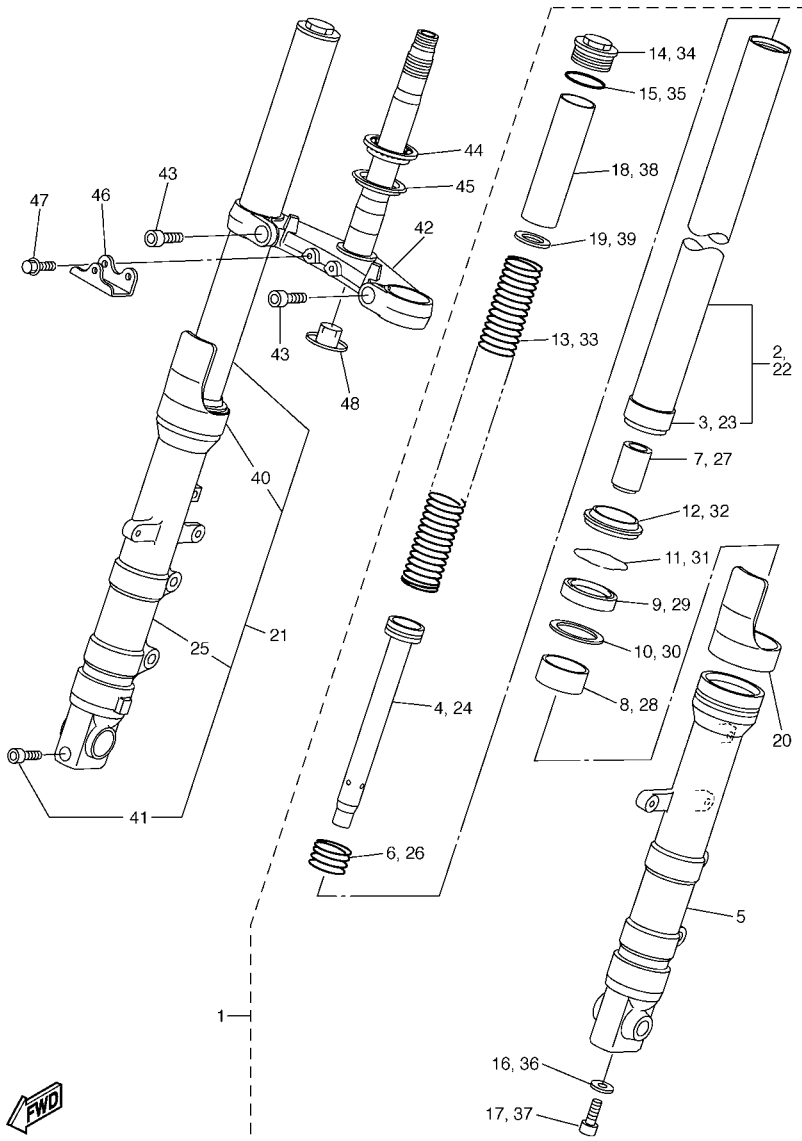
1B31300-C250



1B37300-E260

FIG. 26 FRONT FORK

| REF. NO. | PART NO.     | DESCRIPTION                 | 1B37 | 1B38 | REMARKS |
|----------|--------------|-----------------------------|------|------|---------|
| 1        | 5VX-23102-00 | FRONT FORK ASSY (L.H)       | 1    | 1    |         |
| 2        | 5VX-23110-00 | .INNER TUBE COMP.1          | 1    | 1    |         |
| 3        | 4TX-23135-A0 | ..METAL, SLIDE 2            | 1    | 1    |         |
| 4        | 5VX-23170-00 | .CYLINDER COMP., FRONT FORK | 1    | 1    |         |
| 5        | 5VX-23126-00 | .TUBE, OUTER (LEFT)         | 1    | 1    |         |
| 6        | 4TX-23151-00 | .SPRING, REBOUND            | 1    | 1    |         |
| 7        | 4TX-23173-00 | .SPINDLE, TAPER             | 1    | 1    |         |
| 8        | 4TX-23125-A0 | .METAL, SLIDE 1             | 1    | 1    |         |
| 9        | 5VX-23145-00 | .OIL SEAL                   | 1    | 1    |         |
| 10       | 4TX-23115-00 | .GUIDE, COVER UPPER         | 1    | 1    |         |
| 11       | 4TX-23156-00 | .CLIP, OIL SEAL             | 1    | 1    |         |
| 12       | 4TX-23144-00 | .SEAL, DUST                 | 1    | 1    |         |
| 13       | 5VX-23141-00 | .SPRING, FRONT FORK         | 1    | 1    |         |
| 14       | 5VX-2311H-00 | .FORK, BOLT                 | 1    | 1    |         |
| 15       | 93210-34504  | .O-RING                     | 1    | 1    |         |
| 16       | 90430-10171  | .GASKET                     | 1    | 1    |         |
| 17       | 90110-10N52  | .BOLT, HEXAGON SOCKET HEAD  | 1    | 1    |         |
| 18       | 5VX-23118-00 | .SPACER                     | 1    | 1    |         |
| 19       | 90201-231E1  | .WASHER, PLATE              | 1    | 1    |         |
| 20       | 4TX-2331G-00 | .COVER                      | 1    | 1    |         |
| 21       | 5VX-23103-01 | FRONT FORK ASSY (R.H)       | 1    | 1    |         |
| 22       | 5VX-23110-00 | .INNER TUBE COMP.1          | 1    | 1    |         |
| 23       | 4TX-23135-A0 | ..METAL, SLIDE 2            | 1    | 1    |         |
| 24       | 5VX-23170-00 | .CYLINDER COMP., FRONT FORK | 1    | 1    |         |
| 25       | 5VX-23136-01 | .TUBE, OUTER (RIGHT)        | 1    | 1    |         |
| 26       | 4TX-23151-00 | .SPRING, REBOUND            | 1    | 1    |         |
| 27       | 4TX-23173-00 | .SPINDLE, TAPER             | 1    | 1    |         |

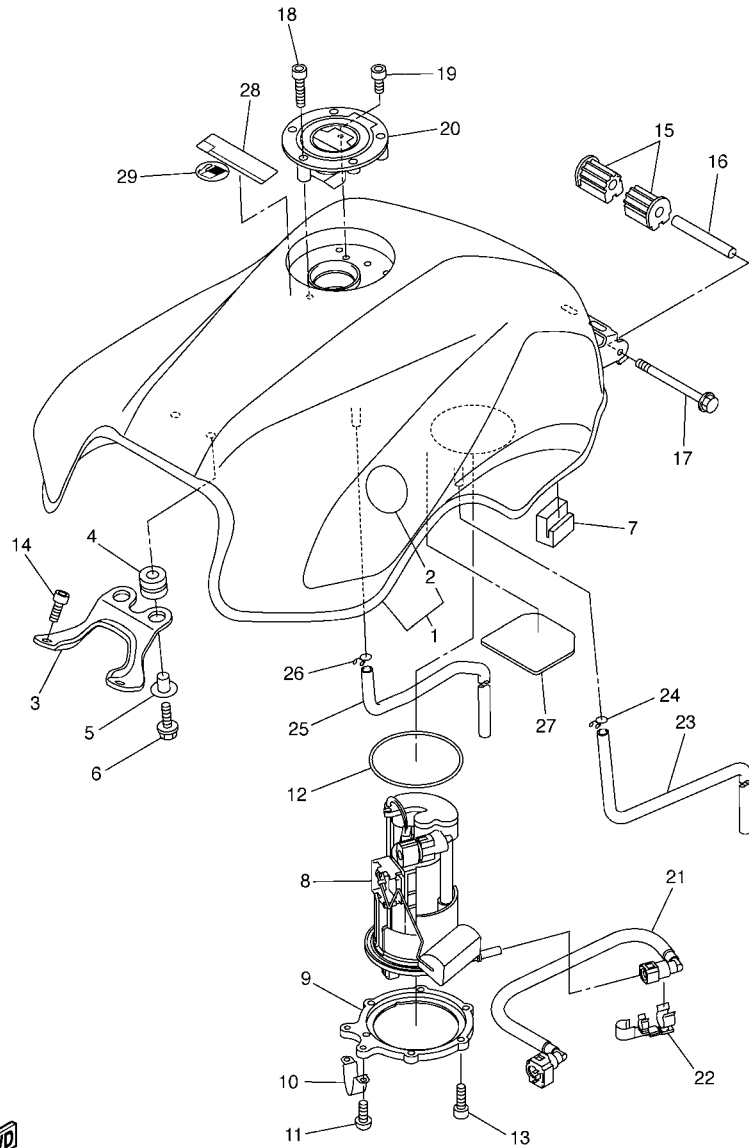


1B37300-E260

FIG. 26 FRONT FORK

| REF. NO. | PART NO.     | DESCRIPTION                | 1B37 | 1B38 | REMARKS |
|----------|--------------|----------------------------|------|------|---------|
| 28       | 4TX-23125-A0 | .METAL, SLIDE 1            | 1    | 1    |         |
| 29       | 5VX-23145-00 | .OIL SEAL                  | 1    | 1    |         |
| 30       | 4TX-23115-00 | .GUIDE, COVER UPPER        | 1    | 1    |         |
| 31       | 4TX-23156-00 | .CLIP, OIL SEAL            | 1    | 1    |         |
| 32       | 4TX-23144-00 | .SEAL, DUST                | 1    | 1    |         |
| 33       | 5VX-23141-00 | .SPRING, FRONT FORK        | 1    | 1    |         |
| 34       | 5VX-2311H-00 | .FORK, BOLT                | 1    | 1    |         |
| 35       | 93210-34504  | .O-RING                    | 1    | 1    |         |
| 36       | 90430-10171  | .GASKET                    | 1    | 1    |         |
| 37       | 90110-10N52  | .BOLT, HEXAGON SOCKET HEAD | 1    | 1    |         |
| 38       | 5VX-23118-00 | .SPACER                    | 1    | 1    |         |
| 39       | 90201-231E1  | .WASHER, PLATE             | 1    | 1    |         |
| 40       | 4TX-2331G-00 | .COVER                     | 1    | 1    |         |
| 41       | 91314-08045  | .BOLT                      | 1    | 1    |         |
| 42       | 5VX-23340-00 | UNDER BRACKET COMP.        | 1    | 1    |         |
| 43       | 91317-10025  | BOLT                       | 2    | 2    |         |
| 44       | 93399-99932  | BEARING                    | 1    | 1    |         |
| 45       | 3FV-23462-00 | SEAL, STEERING             | 1    | 1    |         |
| 46       | 1B3-23327-00 | STAY, FLASHER 1            | 1    | 1    |         |
| 47       | 95817-06012  | BOLT, FLANGE               | 2    | 2    |         |
| 48       | 4KM-23123-01 | COVER, LOWER 1             | 1    | 1    |         |

FIG. 27 FUEL TANK

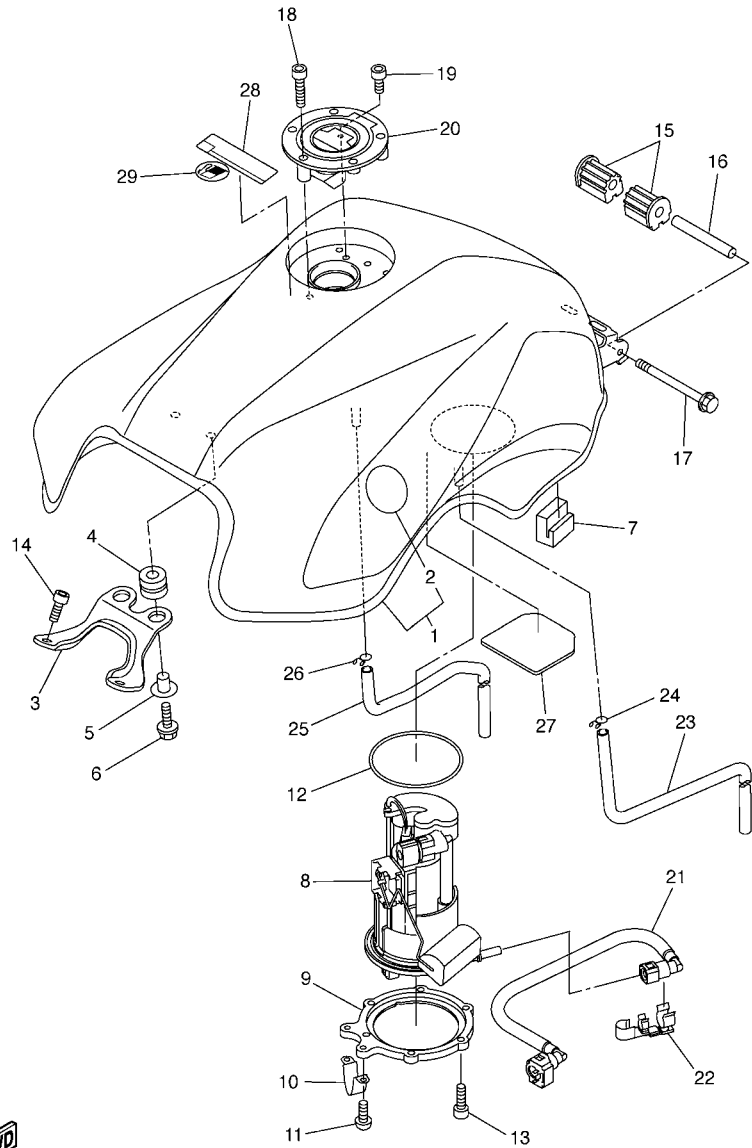


| REF. NO. | PART NO.        | DESCRIPTION               | 1B37 | 1B38 | REMARKS |
|----------|-----------------|---------------------------|------|------|---------|
| 1        | 5VX-Y2410-30-07 | FUEL TANK COMP.           | 1    | 1    | BS4     |
| 2        | 5VX-2411B-00    | .TUNING FORK MARK         | 2    | 2    |         |
| 3        | 5VX-24191-00    | BRACKET, FUEL TANK 1      | 1    | 1    |         |
| 4        | 90480-15005     | GROMMET                   | 2    | 2    |         |
| 5        | 90387-06068     | COLLAR                    | 2    | 2    |         |
| 6        | 90119-06062     | BOLT, WITH WASHER         | 2    | 2    |         |
| 7        | 5VX-24183-00    | DAMPER, LOCATING 3        | 2    | 2    |         |
| 8        | 5VX-13907-01    | FUEL PUMP COMP.           | 1    | 1    |         |
| 9        | 5SL-24491-00    | BRACKET, FUEL PUMP        | 1    | 1    |         |
| 10       | 5PW-24192-00    | BRACKET, FUEL TANK 2      | 1    | 1    |         |
| 11       | 98907-05008     | SCREW, BIND               | 2    | 2    |         |
| 12       | 5JW-24486-00    | O-RING                    | 1    | 1    |         |
| 13       | 90110-05014     | BOLT, HEXAGON SOCKET HEAD | 6    | 6    |         |
| 14       | 90110-06079     | BOLT, HEXAGON SOCKET HEAD | 2    | 2    |         |
| 15       | 5VX-24181-00    | DAMPER, LOCATING 1        | 2    | 2    |         |
| 16       | 90387-061W6     | COLLAR                    | 1    | 1    |         |
| 17       | 95827-06090     | BOLT, FLANGE              | 1    | 1    |         |
| 18       | 90110-05112     | BOLT, HEXAGON SOCKET HEAD | 3    | 3    |         |
| 19       | 91317-05010     | BOLT                      | 1    | 1    |         |
| 20       | 5JJ-24602-00    | CAP ASSY                  | 1    | 1    |         |
| 21       | 5VX-13971-00    | PIPE, FUEL 1              | 1    | 1    |         |
| 22       | 90464-16005     | CLAMP                     | 1    | 1    |         |
| 23       | 90445-10033     | HOSE                      | 1    | 1    |         |
| 24       | 90467-10008     | CLIP                      | 1    | 1    |         |
| 25       | 90445-10032     | HOSE                      | 1    | 1    |         |
| 26       | 90467-10008     | CLIP                      | 1    | 1    |         |
| 27       | 5VX-24141-00    | PROTECTOR, FUEL TANK      | 1    | 1    |         |



1B37300-E270

**FIG. 27 FUEL TANK**



| REF. NO. | PART NO.     | DESCRIPTION    | 1B37 | 1B38 | REMARKS |
|----------|--------------|----------------|------|------|---------|
| 28       | 5PA-21568-00 | LABEL, WARNING | 1    | 1    |         |
| 29       | 3ME-2415E-01 | LABEL, CAUTION | 1    |      |         |
|          |              |                |      |      |         |
|          |              |                |      |      |         |
|          |              |                |      |      |         |
|          |              |                |      |      |         |
|          |              |                |      |      |         |
|          |              |                |      |      |         |
|          |              |                |      |      |         |
|          |              |                |      |      |         |



1B37300-E270

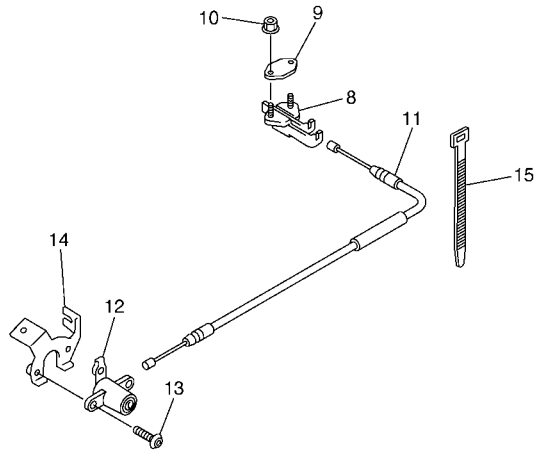
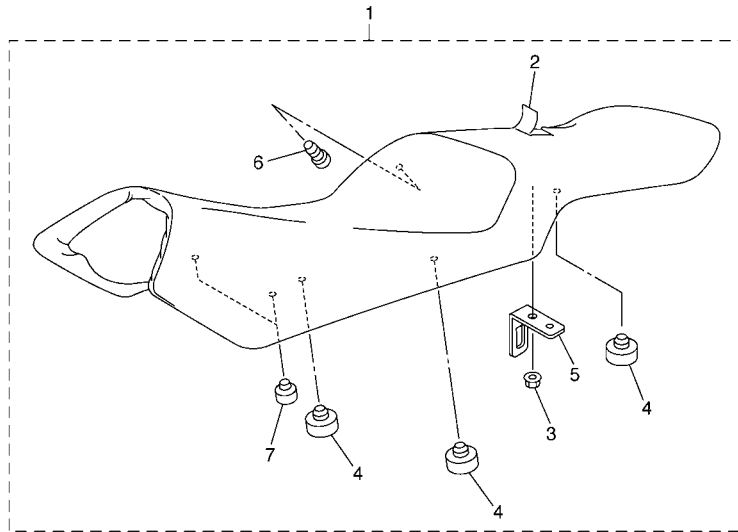


FIG. 28 SEAT

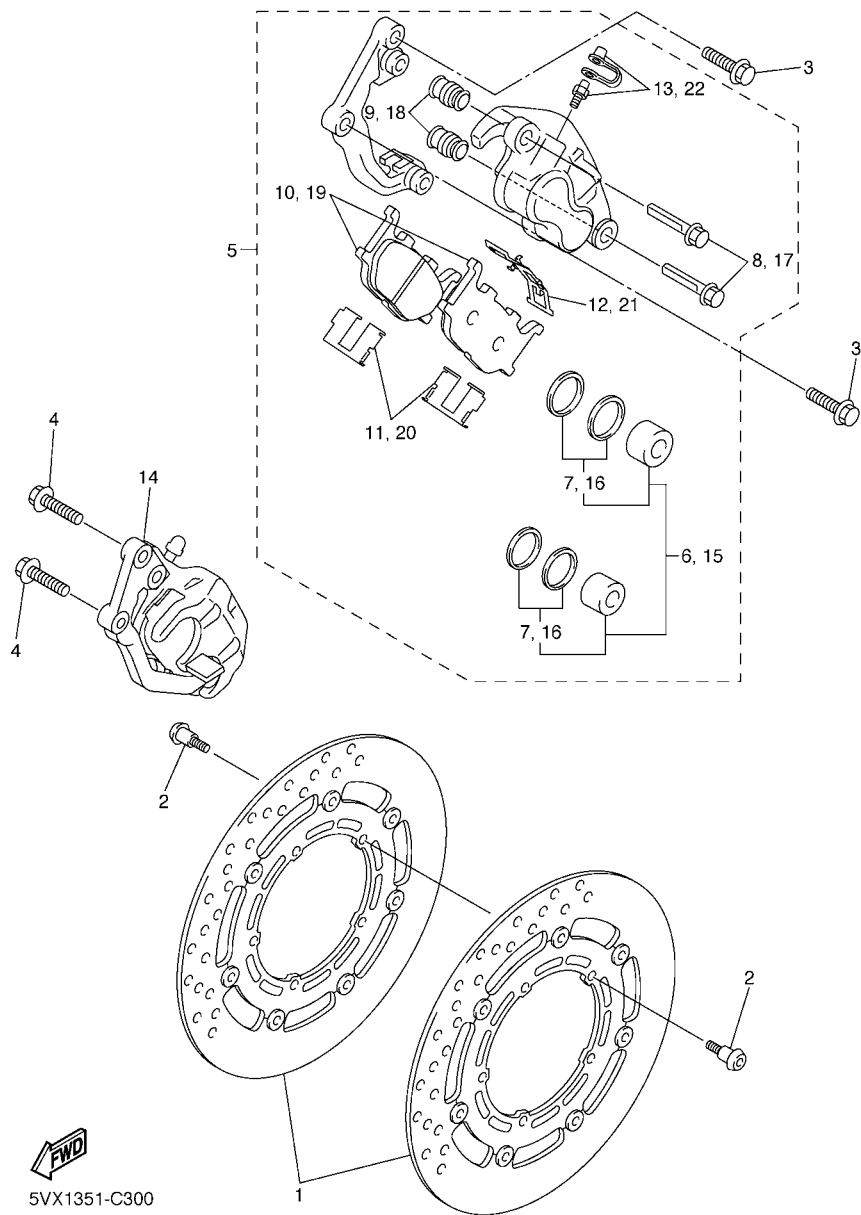
| REF. NO. | PART NO.     | DESCRIPTION          | 1B37 | 1B38 |  |  |  | REMARKS |
|----------|--------------|----------------------|------|------|--|--|--|---------|
|          |              |                      |      |      |  |  |  |         |
| 1        | 5VX-24730-02 | DOUBLE SEAT ASSY     | 1    | 1    |  |  |  |         |
| 2        | 5VX-24711-00 | .COVER, SINGLE SEAT  | 1    | 1    |  |  |  |         |
| 3        | 95607-06200  | .NUT, SELF U-FLANGE  | 1    | 1    |  |  |  |         |
| 4        | 371-27114-00 | .STOPPER, MAIN STAND | 6    | 6    |  |  |  |         |
| 5        | 4NK-24728-00 | .BRACKET, SEAT       | 1    | 1    |  |  |  |         |
| 6        | 90338-06018  | .PLUG                | 1    | 1    |  |  |  |         |
| 7        | 5VX-24724-00 | .DAMPER, SEAT        | 2    | 2    |  |  |  |         |
| 8        | 4BP-24780-00 | SEAT LOCK ASSY       | 1    | 1    |  |  |  |         |
| 9        | 4BP-24792-00 | PLATE                | 1    | 1    |  |  |  |         |
| 10       | 95707-06500  | NUT, FLANGE          | 2    | 2    |  |  |  |         |
| 11       | 5VX-2478E-00 | CABLE, SEAT LOCK     | 1    | 1    |  |  |  |         |
| 12       | 2TV-W2470-00 | SEAT LOCK ASSY       | 1    | 1    |  |  |  |         |
| 13       | 90149-06308  | SCREW                | 2    | 2    |  |  |  |         |
| 14       | 5PW-2117K-00 | STAY, LOCK           | 1    | 1    |  |  |  |         |
| 15       | 90464-16061  | CLAMP                | 1    | 1    |  |  |  |         |



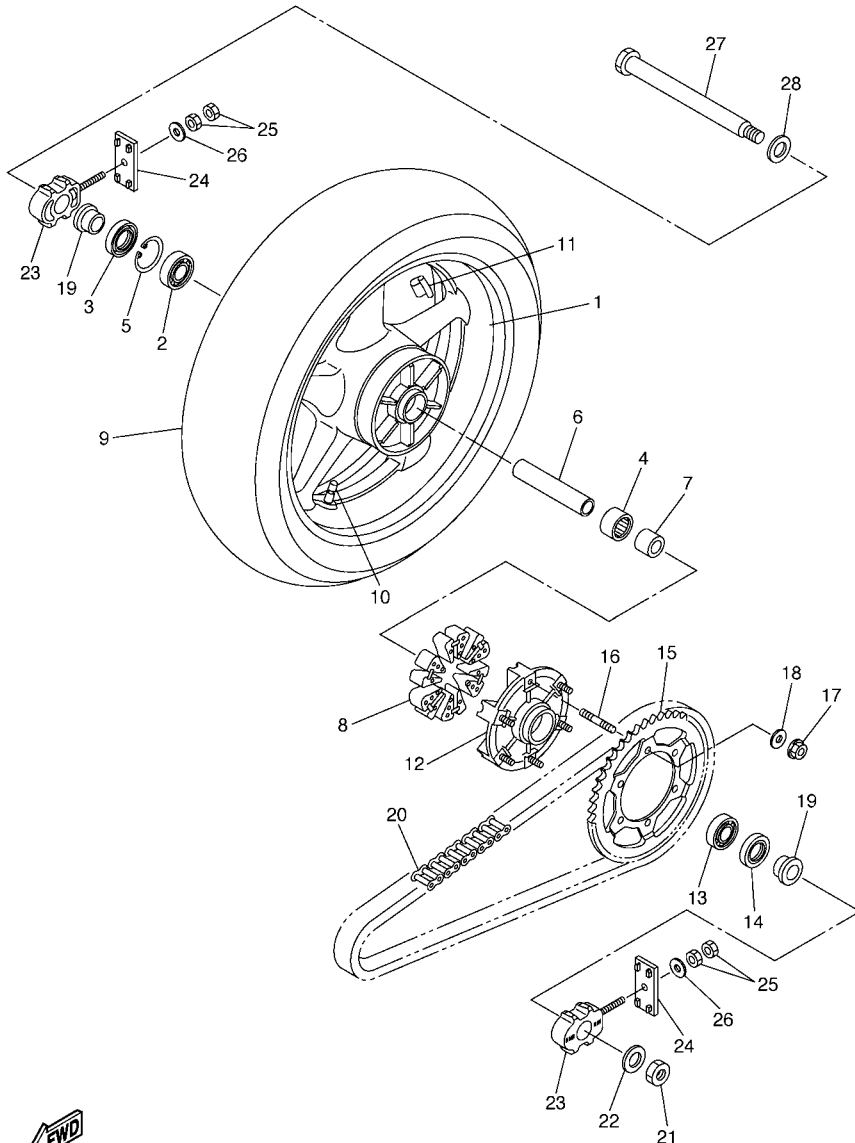
5VX1351-C280



**FIG. 30 FRONT BRAKE CALIPER**



| REF. NO. | PART NO.     | DESCRIPTION           | 1B37 | 1B38 | REMARKS |
|----------|--------------|-----------------------|------|------|---------|
| 1        | 5VX-2581T-01 | DISK BRAKE ASSY       | 2    | 2    |         |
| 2        | 90109-064G6  | BOLT                  | 10   | 10   |         |
| 3        | 90105-10638  | BOLT, FLANGE          | 2    | 2    |         |
| 4        | 90105-10638  | BOLT, FLANGE          | 2    | 2    |         |
| 5        | 5VX-2580T-00 | CALIPER ASSY (LEFT)   | 1    | 1    |         |
| 6        | 5KS-W0057-00 | .PISTON ASSY, CALIPER | 1    | 1    |         |
| 7        | 4FU-W0047-00 | ..CALIPER SEAL KIT    | 1    | 1    |         |
| 8        | 5JW-25914-10 | .PIN, SLIDE           | 2    | 2    |         |
| 9        | 4TT-25937-00 | .BOOT 2               | 2    | 2    |         |
| 10       | 5VX-W0045-00 | .BRAKE PAD KIT        | 1    | 1    |         |
| 11       | 4BP-25919-00 | .SUPPORT, PAD         | 2    | 2    |         |
| 12       | 3YX-25929-00 | .SPRING, ANTI RATTLE  | 1    | 1    |         |
| 13       | 51L-W0048-00 | .BLEED SCREW KIT      | 1    | 1    |         |
| 14       | 5VX-2580U-00 | CALIPER ASSY (RIGHT)  | 1    | 1    |         |
| 15       | 5KS-W0057-00 | .PISTON ASSY, CALIPER | 1    | 1    |         |
| 16       | 4FU-W0047-00 | ..CALIPER SEAL KIT    | 1    | 1    |         |
| 17       | 5JW-25914-10 | .PIN, SLIDE           | 2    | 2    |         |
| 18       | 4TT-25937-00 | .BOOT 2               | 2    | 2    |         |
| 19       | 5VX-W0045-00 | .BRAKE PAD KIT        | 1    | 1    |         |
| 20       | 4BP-25919-00 | .SUPPORT, PAD         | 2    | 2    |         |
| 21       | 3YX-25929-00 | .SPRING, ANTI RATTLE  | 1    | 1    |         |
| 22       | 51L-W0048-00 | .BLEED SCREW KIT      | 1    | 1    |         |

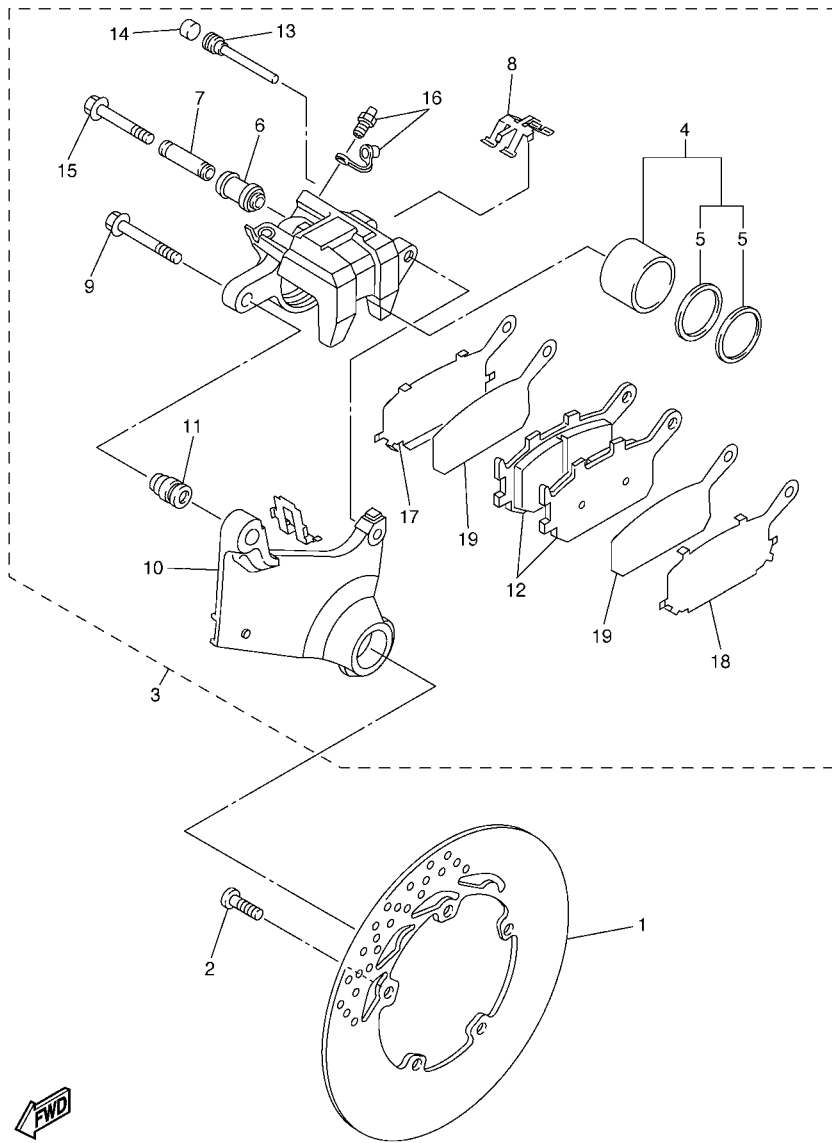


5VX3100-C310

FIG. 31 REAR WHEEL

| REF. NO. | PART NO.        | DESCRIPTION                    | 1B37 | 1B38 | REMARKS        |
|----------|-----------------|--------------------------------|------|------|----------------|
| 1        | 5SL-25338-00-98 | CAST WHEEL, REAR               | 1    | 1    | LGB            |
| 2        | 93306-20531     | BEARING                        | 1    | 1    |                |
| 3        | 93106-40013     | OIL SEAL                       | 1    | 1    |                |
| 4        | 93317-43580     | BEARING                        | 1    | 1    |                |
| 5        | 93420-61M07     | CIRCLIP                        | 1    | 1    |                |
| 6        | 4XV-25317-00    | SPACER, BEARING                | 1    | 1    |                |
| 7        | 5SL-25383-00    | COLLAR, WHEEL                  | 1    | 1    |                |
| 8        | 5VX-25364-00    | DAMPER                         | 6    | 6    |                |
| 9        | 94118-17041     | TIRE(180/55ZR17M/C 73W BT020R) | 1    | 1    | UR BRIDGESTONE |
|          | 94118-17053     | TIRE(180/55ZR17M/C 73W D252)   | 1    | 1    | UR DUNLOP      |
| 10       | 93900-00030     | VALVE, RIM (TR412)             | 1    | 1    | TAIHEIYO       |
| 11       | 5MT-25398-00    | BALANCER, WHEEL (10G)          | 1    | 1    | UR             |
|          | 5MT-25398-10    | BALANCER, WHEEL (20G)          | 1    | 1    | UR             |
|          | 5MT-25398-20    | BALANCER, WHEEL (30G)          | 1    | 1    | UR             |
| 12       | 5SL-25366-00    | CLUTCH, HUB                    | 1    | 1    |                |
| 13       | 93306-20531     | BEARING                        | 1    | 1    |                |
| 14       | 93106-40013     | OIL SEAL                       | 1    | 1    |                |
| 15       | 5VX-25446-00    | SPROCKET, DRIVEN (46T)         | 1    | 1    |                |
| 16       | 90116-10485     | BOLT, STUD                     | 6    | 6    |                |
| 17       | 90185-10009     | NUT, SELF-LOCKING              | 6    | 6    |                |
| 18       | 90201-10021     | WASHER, PLATE                  | 6    | 6    |                |
| 19       | 90387-28001     | COLLAR                         | 2    | 2    |                |
| 20       | 94582-11118     | CHAIN (DID50V4-118LE)          | 1    | 1    |                |
| 21       | 90185-24165     | NUT, SELF-LOCKING              | 1    | 1    |                |
| 22       | 90201-25015     | WASHER, PLATE                  | 1    | 1    |                |
| 23       | 5VX-25388-01    | PULLER, CHAIN 1                | 2    | 2    |                |
| 24       | 2GH-25389-00    | PULLER, CHAIN 2                | 2    | 2    |                |





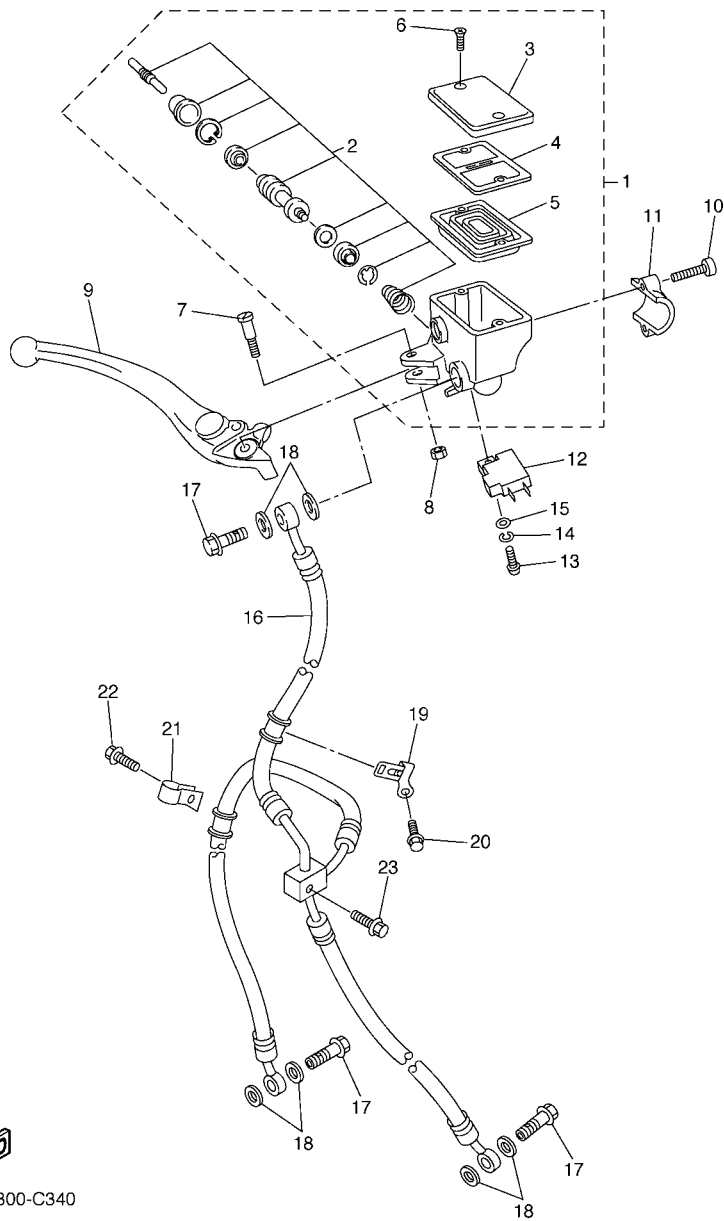
**FIG. 32 REAR BRAKE CALIPER**

| REF. NO. | PART NO.     | DESCRIPTION           | 1B37 | 1B38 | REMARKS |
|----------|--------------|-----------------------|------|------|---------|
| 1        | 5VX-2582W-00 | DISK, REAR BRAKE 2    | 1    | 1    |         |
| 2        | 90109-08045  | BOLT                  | 5    | 5    |         |
| 3        | 5VX-2580W-00 | CALIPER ASSY, REAR 2  | 1    | 1    |         |
| 4        | 5SL-W0057-00 | .PISTON ASSY, CALIPER | 1    | 1    |         |
| 5        | 5SL-W0047-00 | ..CALIPER SEAL KIT    | 1    | 1    |         |
| 6        | 5SL-25917-00 | .BOOT, CALIPER        | 1    | 1    |         |
| 7        | 5SL-25838-00 | .SLEEVE, CALIPER      | 1    | 1    |         |
| 8        | 5SL-25919-00 | .SUPPORT, PAD         | 1    | 1    |         |
| 9        | 5SL-25914-00 | .PIN, SLIDE           | 1    | 1    |         |
| 10       | 5VX-25921-50 | .BRACKET, SUPPORT     | 1    | 1    |         |
| 11       | 3JD-25917-00 | .BOOT, CALIPER        | 1    | 1    |         |
| 12       | 5VX-W0046-00 | .BRAKE PAD KIT 2      | 1    | 1    |         |
| 13       | 8CR-25924-00 | .PIN, PAD             | 1    | 1    |         |
| 14       | 5DH-25916-00 | .PLUG                 | 1    | 1    |         |
| 15       | 5SL-25926-00 | .BOLT                 | 1    | 1    |         |
| 16       | 1UY-W0048-00 | .BLEED SCREW KIT      | 1    | 1    |         |
| 17       | 5SL-25827-00 | .SHIM, CALIPER        | 1    | 1    |         |
| 18       | 5SL-25827-10 | .SHIM, CALIPER        | 1    | 1    |         |
| 19       | 5SL-25828-00 | .SHIM, CALIPER        | 2    | 2    |         |



5VX1351-C320



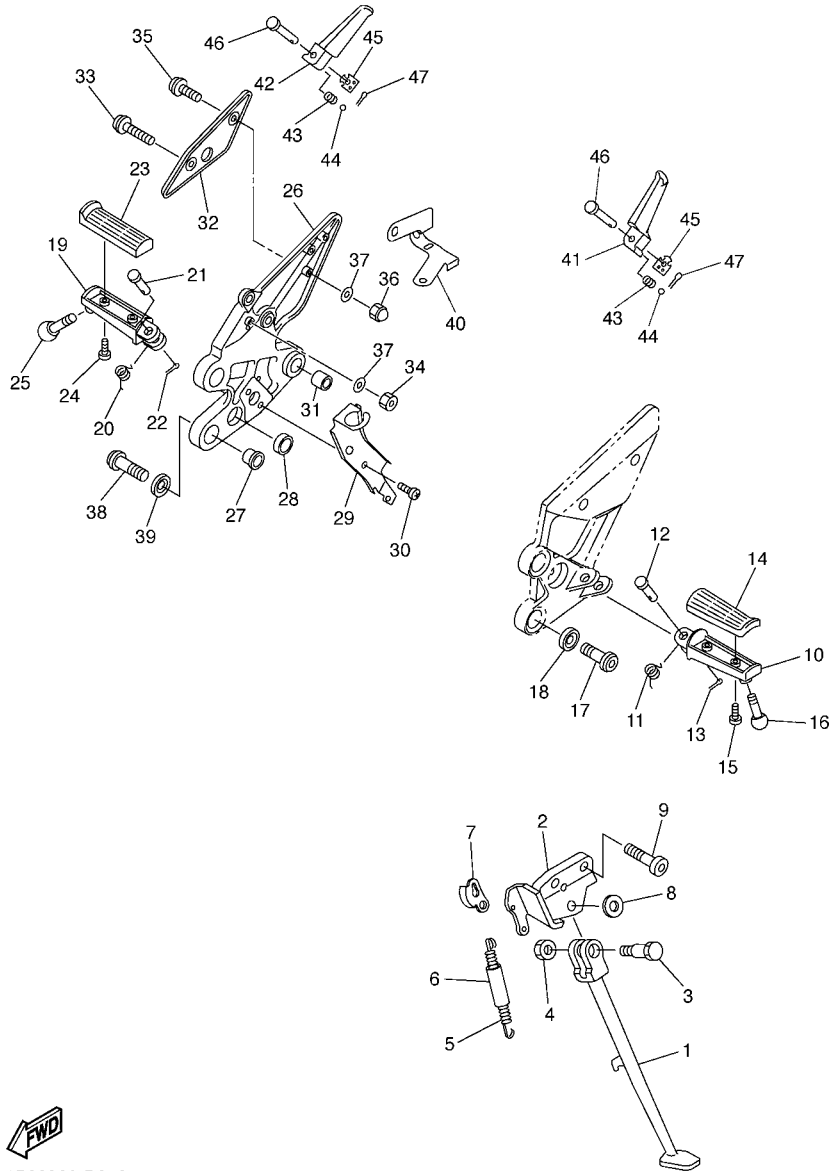


1B31300-C340

FIG. 34 FRONT MASTER CYLINDER

| REF. NO. | PART NO.     | DESCRIPTION              | 1B37 | 1B38 | REMARKS |
|----------|--------------|--------------------------|------|------|---------|
|          |              |                          |      |      |         |
| 1        | 5PS-W2587-00 | MASTER CYLINDER SUB ASSY | 1    | 1    |         |
| 2        | 5VS-W0041-00 | .CYLINDER KIT, MASTER    | 1    | 1    |         |
| 3        | 5VS-25852-00 | .CAP, RESERVOIR          | 1    | 1    |         |
| 4        | 5VS-25855-00 | .BUSH,DIAPHRAGM          | 1    | 1    |         |
| 5        | 5VS-25854-00 | .DIAPHRAGM, RESERVOIR    | 1    | 1    |         |
| 6        | 5VS-2589H-00 | .SCREW                   | 2    | 2    |         |
| 7        | 5VS-2589F-00 | BOLT, LEVER              | 1    | 1    |         |
| 8        | 95617-06100  | NUT, U                   | 1    | 1    |         |
| 9        | 5VS-83922-00 | LEVER 2                  | 1    | 1    |         |
| 10       | 5VS-26332-00 | BOLT                     | 2    | 2    |         |
| 11       | 5VS-25867-00 | BRACKET, MASTER CYLINDER | 1    | 1    |         |
| 12       | 4HM-83980-00 | FRONT STOP SWITCH ASSY   | 1    | 1    |         |
| 13       | 98502-04012  | SCREW, PAN HEAD          | 1    | 1    |         |
| 14       | 92902-04100  | WASHER, SPRING           | 1    | 1    |         |
| 15       | 92902-04600  | WASHER, PLATE            | 1    | 1    |         |
| 16       | 1B3-25872-00 | HOSE, BRAKE 1            | 1    | 1    |         |
| 17       | 90401-10159  | BOLT, UNION              | 3    | 3    |         |
| 18       | 90201-10118  | WASHER, PLATE            | 6    | 6    |         |
| 19       | 1B3-25875-01 | HOLDER, BRAKE HOSE 1     | 1    | 1    |         |
| 20       | 95807-06010  | BOLT, FLANGE             | 1    | 1    |         |
| 21       | 5VX-25875-00 | HOLDER, BRAKE HOSE 1     | 1    | 1    |         |
| 22       | 95027-06025  | BOLT, FLANGE             | 1    | 1    |         |
| 23       | 95027-06025  | BOLT, FLANGE             | 1    | 1    |         |

FIG. 35 STAND & FOOTREST



| REF. NO. | PART NO.     | DESCRIPTION               | 1B37 | 1B38 | REMARKS |
|----------|--------------|---------------------------|------|------|---------|
| 1        | 5VX-27311-01 | STAND, SIDE               | 1    | 1    |         |
| 2        | 5VX-27321-02 | BRACKET, SIDE STAND       | 1    | 1    |         |
| 3        | 90109-10011  | BOLT                      | 1    | 1    |         |
| 4        | 90185-10037  | NUT, SELF-LOCKING         | 1    | 1    |         |
| 5        | 90506-23007  | SPRING, TENSION           | 1    | 1    |         |
| 6        | 5VX-27351-00 | GUIDE, SIDE STAND         | 1    | 1    |         |
| 7        | 5VX-27315-00 | LINK, SIDE STAND          | 1    | 1    |         |
| 8        | 90201-12021  | WASHER, PLATE             | 1    | 1    |         |
| 9        | 90110-10010  | BOLT, HEXAGON SOCKET HEAD | 2    | 2    |         |
| 10       | 4BH-27451-01 | FOOTREST                  | 1    | 1    |         |
| 11       | 90508-20572  | SPRING, TORSION           | 1    | 1    |         |
| 12       | 91701-08040  | PIN, CLEVIS               | 1    | 1    |         |
| 13       | 91401-25015  | PIN, COTTER               | 1    | 1    |         |
| 14       | 3YX-27413-00 | COVER, FOOTREST           | 1    | 1    |         |
| 15       | 90157-05079  | SCREW, PAN HEAD           | 2    | 2    |         |
| 16       | 90109-083E2  | BOLT                      | 1    | 1    |         |
| 17       | 90110-08220  | BOLT, HEXAGON SOCKET HEAD | 2    | 2    |         |
| 18       | 90209-08295  | WASHER                    | 2    | 2    |         |
| 19       | 4BH-27461-01 | FOOTREST                  | 1    | 1    |         |
| 20       | 90508-20572  | SPRING, TORSION           | 1    | 1    |         |
| 21       | 91701-08040  | PIN, CLEVIS               | 1    | 1    |         |
| 22       | 91401-25015  | PIN, COTTER               | 1    | 1    |         |
| 23       | 3YX-27413-00 | COVER, FOOTREST           | 1    | 1    |         |
| 24       | 90157-05079  | SCREW, PAN HEAD           | 2    | 2    |         |
| 25       | 90109-083E2  | BOLT                      | 1    | 1    |         |
| 26       | 5VX-27443-10 | BRACKET 3                 | 1    | 1    |         |
| 27       | 5VX-27424-00 | DAMPER, FOOTREST 2        | 2    | 2    |         |



1B33300-D350



1B33300-D350

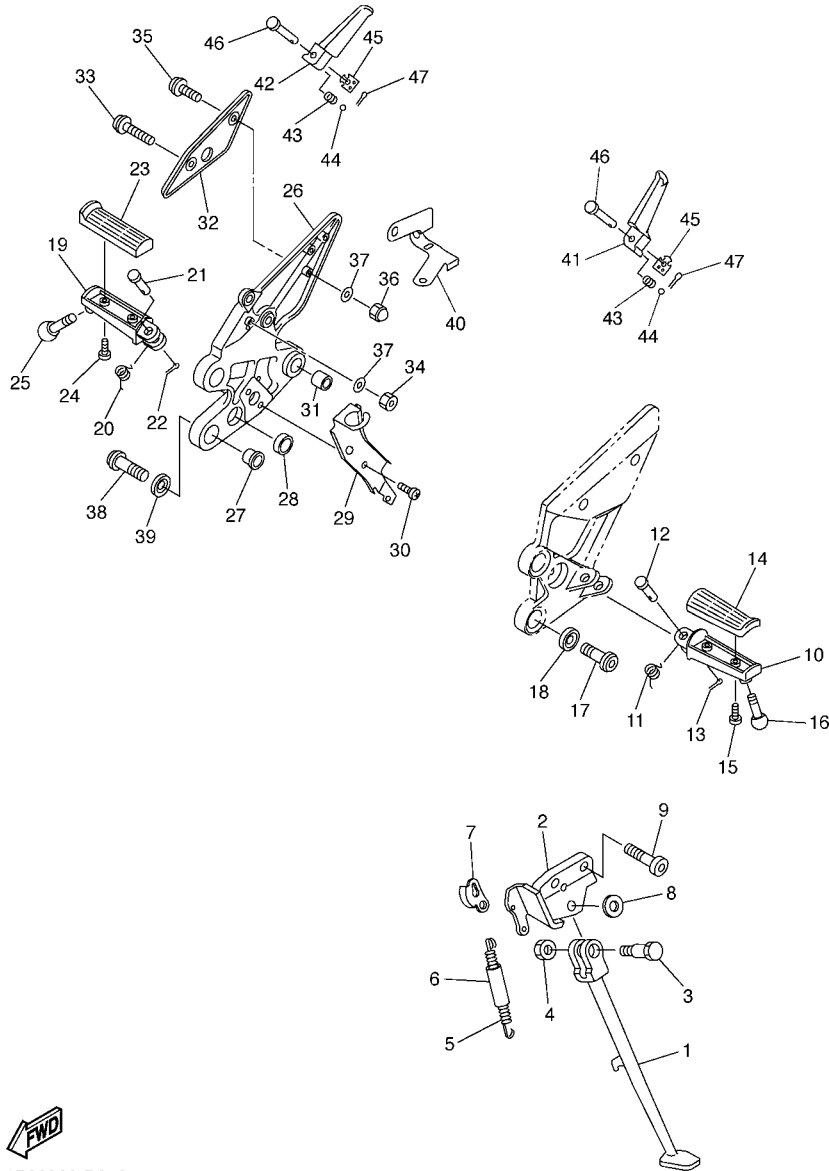
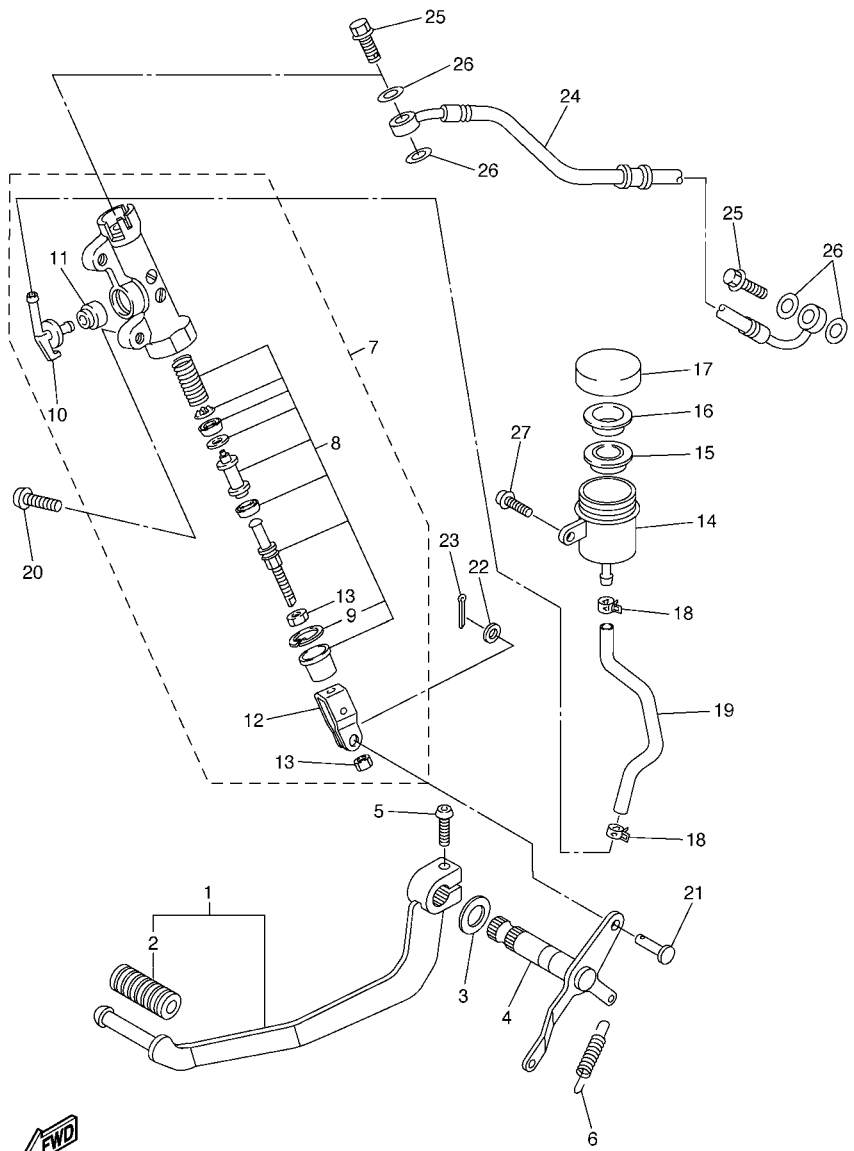


FIG. 35 STAND & FOOTREST

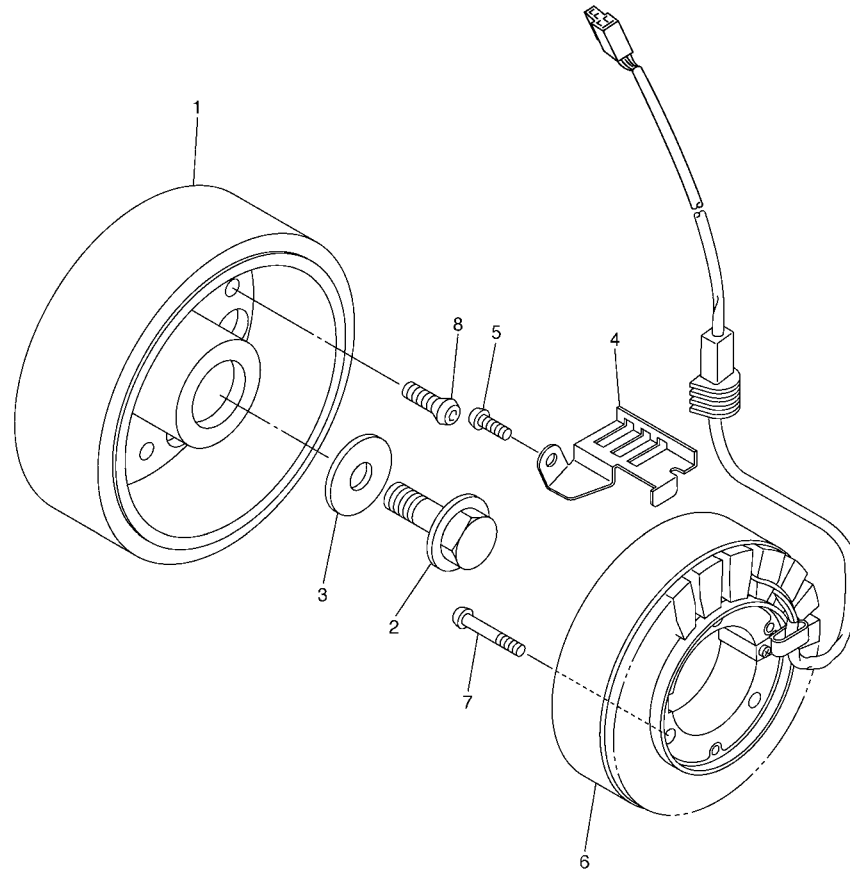
| REF. NO. | PART NO.     | DESCRIPTION               | 1B37 | 1B38 | REMARKS |
|----------|--------------|---------------------------|------|------|---------|
| 28       | 5VX-27114-00 | STOPPER, MAIN STAND       | 1    | 1    |         |
| 29       | 5VX-2144G-00 | STAY, STOP SWITCH         | 1    | 1    |         |
| 30       | 98507-06008  | SCREW, PAN HEAD           | 2    | 2    |         |
| 31       | 90383-14001  | BUSH, FORMED              | 1    | 1    |         |
| 32       | 5VX-27446-00 | PLATE 2                   | 1    | 1    |         |
| 33       | 90111-05007  | BOLT,HEX. SOCKET BUTTON   | 1    | 1    |         |
| 34       | 95607-05100  | NUT, U                    | 1    | 1    |         |
| 35       | 90111-05003  | BOLT,HEX. SOCKET BUTTON   | 1    | 1    |         |
| 36       | 90176-05001  | NUT, CROWN                | 1    | 1    |         |
| 37       | 92990-05200  | WASHER, PLAIN             | 2    | 2    |         |
| 38       | 90110-08220  | BOLT, HEXAGON SOCKET HEAD | 2    | 2    |         |
| 39       | 90209-08295  | WASHER                    | 2    | 2    |         |
| 40       | 5VX-2587A-00 | HOLDER, BRAKE HOSE        | 1    | 1    |         |
| 41       | 3VR-27431-01 | FOOTREST, REAR 1          | 1    | 1    |         |
| 42       | 3VR-27441-01 | FOOTREST, REAR 2          | 1    | 1    |         |
| 43       | 90501-12743  | SPRING, COMPRESSION       | 2    | 2    |         |
| 44       | 93501-04011  | BALL                      | 2    | 2    |         |
| 45       | 5VX-27437-00 | WASHER, SPECIAL           | 2    | 2    |         |
| 46       | 90240-08063  | PIN, CLEVIS               | 2    | 2    |         |
| 47       | 91401-25015  | PIN, COTTER               | 2    | 2    |         |



5VX1351-C360

**FIG. 36 REAR MASTER CYLINDER**

| REF. NO. | PART NO.     | DESCRIPTION               | 1B37 | 1B38 | REMARKS |
|----------|--------------|---------------------------|------|------|---------|
| 1        | 5VX-27200-00 | PEDAL, BRAKE              | 1    | 1    |         |
| 2        | 5EB-18113-00 | .COVER, SHIFT PEDAL       | 1    | 1    |         |
| 3        | 90201-14215  | WASHER, PLATE             | 1    | 1    |         |
| 4        | 5VX-27212-00 | SHAFT, BRAKE PEDAL        | 1    | 1    |         |
| 5        | 92014-06020  | BOLT, BUTTON HEAD         | 1    | 1    |         |
| 6        | 90506-20223  | SPRING, TENSION           | 1    | 1    |         |
| 7        | 5VX-2583V-00 | RR. MASTER CYLINDER ASSY. | 1    | 1    |         |
| 8        | 5VX-W0042-50 | .CYLINDER KIT, MASTER     | 1    | 1    |         |
| 9        | 3LN-2585G-00 | ..CIRCLIP                 | 1    | 1    |         |
| 10       | 5VX-2582A-00 | .JOINT                    | 1    | 1    |         |
| 11       | 4BP-2585F-00 | .BUSH                     | 1    | 1    |         |
| 12       | 4BP-27222-01 | .JOINT                    | 1    | 1    |         |
| 13       | 90170-08010  | .NUT                      | 2    | 2    |         |
| 14       | 5SL-25894-00 | TANK, RESERVOIR           | 1    | 1    |         |
| 15       | 5SL-25854-00 | DIAPHRAGM, RESERVOIR      | 1    | 1    |         |
| 16       | 5SL-25855-00 | BUSH,DIAPHRAGM            | 1    | 1    |         |
| 17       | 5SL-25852-00 | CAP, RESERVOIR            | 1    | 1    |         |
| 18       | 90467-090A1  | CLIP                      | 2    | 2    |         |
| 19       | 5VX-25895-00 | HOSE, RESERVOIR           | 1    | 1    |         |
| 20       | 92014-08020  | BOLT, BUTTON HEAD         | 2    | 2    |         |
| 21       | 90240-08124  | PIN, CLEVIS               | 1    | 1    |         |
| 22       | 90201-08083  | WASHER, PLATE             | 1    | 1    |         |
| 23       | 91401-20012  | PIN, COTTER               | 1    | 1    |         |
| 24       | 5VX-2581K-01 | HOSE, BRAKE 5             | 1    | 1    |         |
| 25       | 90401-10159  | BOLT, UNION               | 2    | 2    |         |
| 26       | 90201-10118  | WASHER, PLATE             | 4    | 4    |         |
| 27       | 90119-06044  | BOLT, WITH WASHER         | 1    | 1    |         |



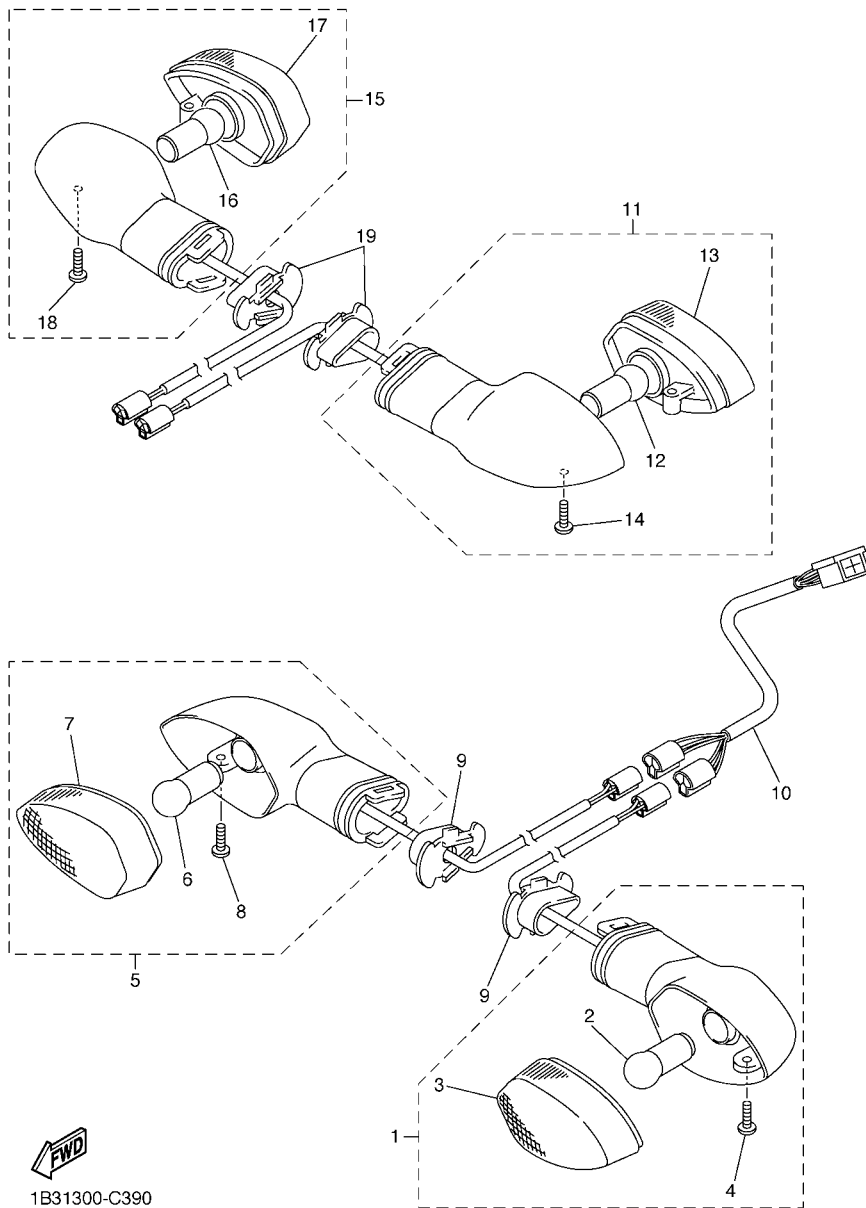
**FIG. 37 GENERATOR**

| REF. NO. | PART NO.     | DESCRIPTION   | 1B37 | 1B38 |  |  | REMARKS |
|----------|--------------|---------------|------|------|--|--|---------|
| 1        | 5VX-81450-00 | ROTOR ASSY    | 1    | 1    |  |  |         |
| 2        | 90105-126A8  | BOLT, FLANGE  | 1    | 1    |  |  |         |
| 3        | 90201-12008  | WASHER, PLATE | 1    | 1    |  |  |         |
| 4        | 5VX-15484-00 | CLAMP 2       | 1    | 1    |  |  |         |
| 5        | 90149-06250  | SCREW         | 1    | 1    |  |  |         |
| 6        | 5VX-81410-00 | STATOR ASSY   | 1    | 1    |  |  |         |
| 7        | 90149-06019  | SCREW         | 3    | 3    |  |  |         |
| 8        | 90149-08003  | SCREW         | 3    | 3    |  |  |         |
|          |              |               |      |      |  |  |         |
|          |              |               |      |      |  |  |         |
|          |              |               |      |      |  |  |         |
|          |              |               |      |      |  |  |         |
|          |              |               |      |      |  |  |         |
|          |              |               |      |      |  |  |         |



5VX1351-C380



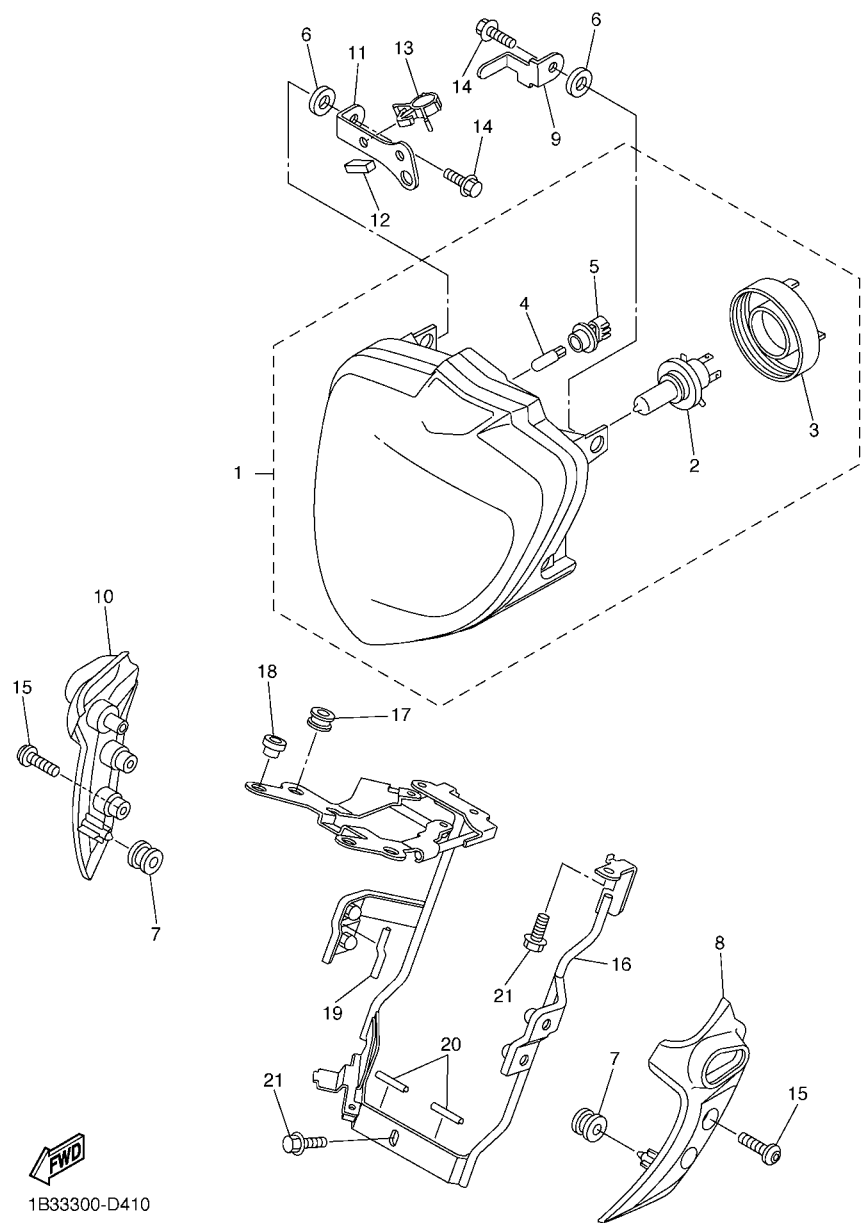


**FIG. 39 FLASHER LIGHT**

| REF. NO. | PART NO.     | DESCRIPTION                | 1B37 | 1B38 | REMARKS |
|----------|--------------|----------------------------|------|------|---------|
| 1        | 5PW-83310-01 | FRONT FLASHER LIGHT ASSY 1 | 1    | 1    |         |
| 2        | 1KH-83311-00 | .BULB (12V-10W)            | 1    | 1    |         |
| 3        | 5PW-8333A-00 | .LENS COMP                 | 1    | 1    |         |
| 4        | 97706-04012  | .SCREW, TAPPING            | 1    | 1    |         |
| 5        | 5PW-83320-01 | FRONT FLASHER LIGHT ASSY 2 | 1    | 1    |         |
| 6        | 1KH-83311-00 | .BULB (12V-10W)            | 1    | 1    |         |
| 7        | 5PW-8334A-00 | .LENS COMP                 | 1    | 1    |         |
| 8        | 97706-04012  | .SCREW, TAPPING            | 1    | 1    |         |
| 9        | 5PW-83318-00 | STAY, FLASHER 1            | 2    | 2    |         |
| 10       | 1B3-82509-00 | WIRE, SUB LEAD             | 1    | 1    |         |
| 11       | 5VX-83330-00 | REAR FLASHER LIGHT ASSY 1  | 1    | 1    |         |
| 12       | 1KH-83311-00 | .BULB (12V-10W)            | 1    | 1    |         |
| 13       | 5PW-8334A-00 | .LENS COMP                 | 1    | 1    |         |
| 14       | 97706-04012  | .SCREW, TAPPING            | 1    | 1    |         |
| 15       | 5VX-83340-00 | REAR FLASHER LIGHT ASSY 2  | 1    | 1    |         |
| 16       | 1KH-83311-00 | .BULB (12V-10W)            | 1    | 1    |         |
| 17       | 5PW-8333A-00 | .LENS COMP                 | 1    | 1    |         |
| 18       | 97706-04012  | .SCREW, TAPPING            | 1    | 1    |         |
| 19       | 5PW-83318-00 | STAY, FLASHER 1            | 2    | 2    |         |



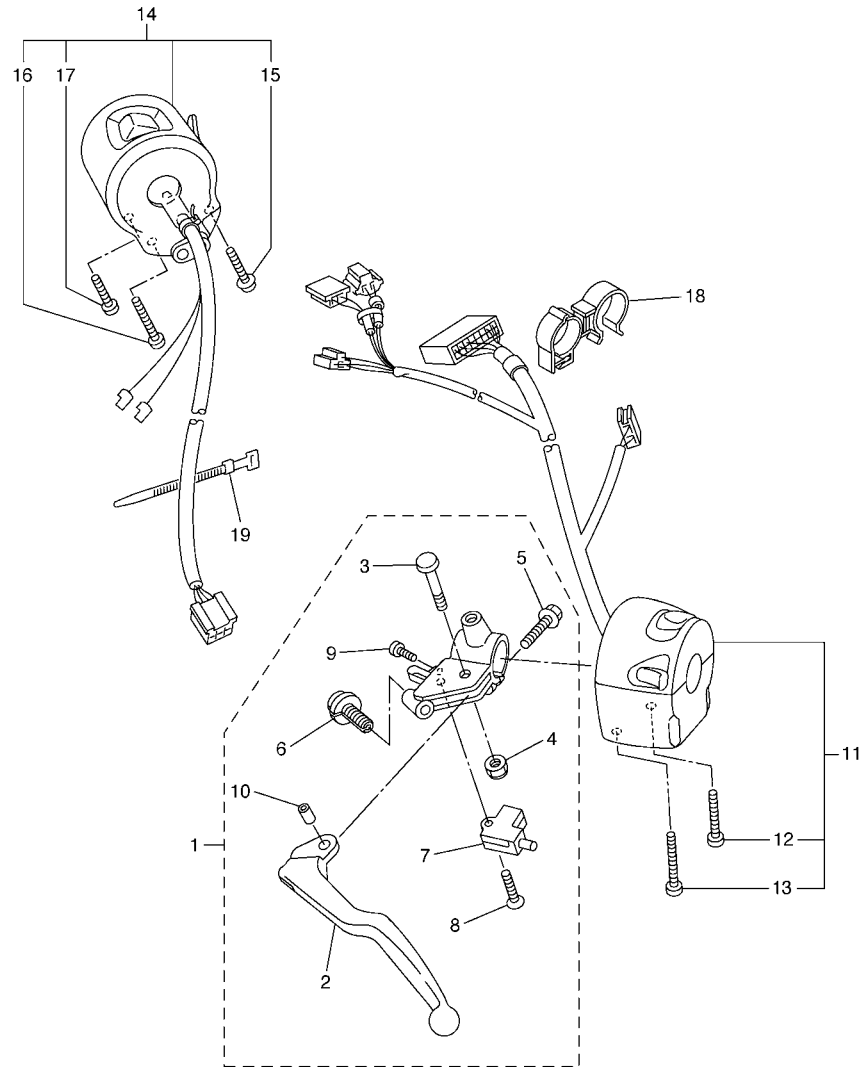
FIG. 41 HEADLIGHT



1B33300-D410

| REF. NO. | PART NO.     | DESCRIPTION          | 1B37 | 1B38 | REMARKS         |
|----------|--------------|----------------------|------|------|-----------------|
| 1        | 1B3-84300-01 | HEADLIGHT ASSY       | 1    |      |                 |
|          | 1B3-84300-11 | HEADLIGHT ASSY       | 1    | 1    | FOR GBR,IRL,ZAF |
| 2        | 2F9-84314-00 | .BULB (12V-60/55W)   | 1    | 1    | (H4)HALOGEN     |
| 3        | 5JW-84397-00 | .COVER, SOCKET       | 1    | 1    |                 |
| 4        | 5DM-84347-00 | .BULB (12V-5W)       | 1    | 1    |                 |
| 5        | 5JW-84346-00 | .SOCKET, PILOT LIGHT | 1    | 1    |                 |
| 6        | 90480-14008  | GROMMET              | 2    | 2    |                 |
| 7        | 90480-12072  | GROMMET              | 2    | 2    |                 |
| 8        | 1B3-23121-00 | COVER, UPPER 1       | 1    | 1    |                 |
| 9        | 1B3-83599-00 | GUIDE, WIRE          | 1    | 1    |                 |
| 10       | 1B3-23131-00 | COVER, UPPER 2       | 1    | 1    |                 |
| 11       | 1B3-8431R-00 | STAY, SETTING        | 1    | 1    |                 |
| 12       | 1HX-27415-00 | PLATE, DAMPER        | 1    | 1    |                 |
| 13       | 90464-15157  | CLAMP                | 1    | 1    |                 |
| 14       | 95027-06014  | BOLT, FLANGE         | 2    | 2    |                 |
| 15       | 90149-06302  | SCREW                | 4    | 4    |                 |
| 16       | 1B3-23174-01 | STAY, HEADLIGHT      | 1    | 1    |                 |
| 17       | 90480-14585  | GROMMET              | 2    | 2    |                 |
| 18       | 90480-11057  | GROMMET              | 2    | 2    |                 |
| 19       | 1B3-28307-00 | SEAL                 | 1    | 1    |                 |
| 20       | 1B3-28307-10 | SEAL                 | 2    | 2    |                 |
| 21       | 95817-06012  | BOLT, FLANGE         | 4    | 4    |                 |





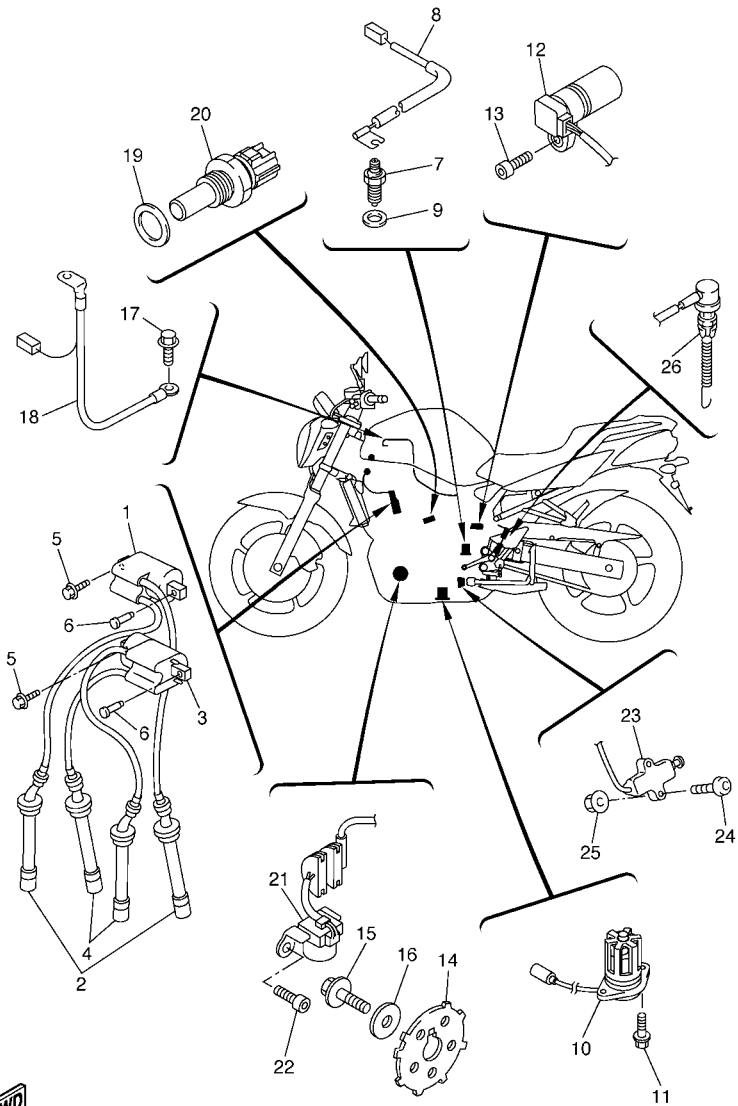
**FIG. 43 HANDLE SWITCH & LEVER**

| REF. NO. | PART NO.     | DESCRIPTION              | 1B37 | 1B38 | REMARKS |
|----------|--------------|--------------------------|------|------|---------|
| 1        | 1B3-82910-00 | LEVER HOLDER ASSY (LEFT) | 1    | 1    |         |
| 2        | 5EB-83912-02 | .LEVER 1                 | 1    | 1    |         |
| 3        | 4XV-83945-00 | .BOLT, LEVER             | 1    | 1    |         |
| 4        | 95607-06100  | .NUT, U                  | 1    | 1    |         |
| 5        | 95027-06020  | .BOLT, FLANGE            | 1    | 1    |         |
| 6        | 5LV-83951-00 | .BOLT, CABLE ADJUSTING   | 1    | 1    |         |
| 7        | 3YX-82917-01 | .SWITCH                  | 1    | 1    |         |
| 8        | 98704-03020  | .SCREW, FLAT HEAD        | 1    | 1    |         |
| 9        | 98507-04010  | .SCREW, PAN HEAD         | 1    | 1    |         |
| 10       | 5JJ-83913-00 | .COLLAR, LEVER 1         | 1    | 1    |         |
| 11       | 1B3-83969-00 | SWITCH, HANDLE 5         | 1    | 1    |         |
| 12       | 98507-05030  | .SCREW, PAN HEAD         | 1    | 1    |         |
| 13       | 98507-05045  | .SCREW, PAN HEAD         | 1    | 1    |         |
| 14       | 5VX-83975-00 | SWITCH, HANDLE 2         | 1    | 1    |         |
| 15       | 97607-05255  | .SCREW, WITH WASHER      | 1    | 1    |         |
| 16       | 98507-05045  | .SCREW, PAN HEAD         | 1    | 1    |         |
| 17       | 98507-05020  | .SCREW, PAN HEAD         | 1    | 1    |         |
| 18       | 90464-20007  | CLAMP                    | 1    | 1    |         |
| 19       | 437-83936-01 | BAND, SWITCH CORD        | 1    | 1    |         |



1B33300-D430

FIG. 44 ELECTRICAL 1



| REF. NO. | PART NO.     | DESCRIPTION          | 1B37 | 1B38 | REMARKS |
|----------|--------------|----------------------|------|------|---------|
| 1        | 5VX-82310-00 | IGNITION COIL ASSY   | 1    | 1    |         |
| 2        | 5VX-82370-00 | PLUG CAP ASSY        | 2    | 2    |         |
| 3        | 5VX-82320-00 | IGNITION COIL ASSY   | 1    | 1    |         |
| 4        | 5VX-82370-00 | PLUG CAP ASSY        | 2    | 2    |         |
| 5        | 90105-06557  | BOLT, FLANGE         | 2    | 2    |         |
| 6        | 90269-06010  | RIVET                | 2    | 2    |         |
| 7        | 3GB-82540-01 | NEUTRAL SWITCH ASSY  | 1    | 1    |         |
| 8        | 5VX-82541-00 | WIRE, LEAD           | 1    | 1    |         |
| 9        | 90430-10148  | GASKET               | 1    | 1    |         |
| 10       | 5VX-85720-01 | OIL LEVEL GAUGE ASSY | 1    | 1    |         |
| 11       | 95027-06016  | BOLT, FLANGE         | 2    | 2    |         |
| 12       | 5EB-83755-01 | SENSOR, SPEED        | 1    | 1    |         |
| 13       | 91317-06016  | BOLT                 | 1    | 1    |         |
| 14       | 5VX-81673-00 | ROTOR                | 1    | 1    |         |
| 15       | 90105-08386  | BOLT, FLANGE         | 1    | 1    |         |
| 16       | 90201-08753  | WASHER, PLATE        | 1    | 1    |         |
| 17       | 91380-06012  | BOLT                 | 1    | 1    |         |
| 18       | 5VX-82116-00 | WIRE, MINUS LEAD     | 1    | 1    |         |
| 19       | 90201-12790  | WASHER, PLATE        | 1    | 1    |         |
| 20       | 8CC-85790-01 | THERMOSENSOR ASSY    | 1    | 1    |         |
| 21       | 5VX-81670-00 | PICK-UP ASSY         | 1    | 1    |         |
| 22       | 91317-06016  | BOLT                 | 2    | 2    |         |
| 23       | 5VS-82566-60 | SWITCH, SIDE STAND   | 1    | 1    |         |
| 24       | 92017-05025  | BOLT, BUTTON HEAD    | 2    | 2    |         |
| 25       | 95607-05200  | NUT, U FLANGE        | 2    | 2    |         |
| 26       | 5VX-82530-00 | STOP SWITCH ASSY     | 1    | 1    |         |



1B31300-C440

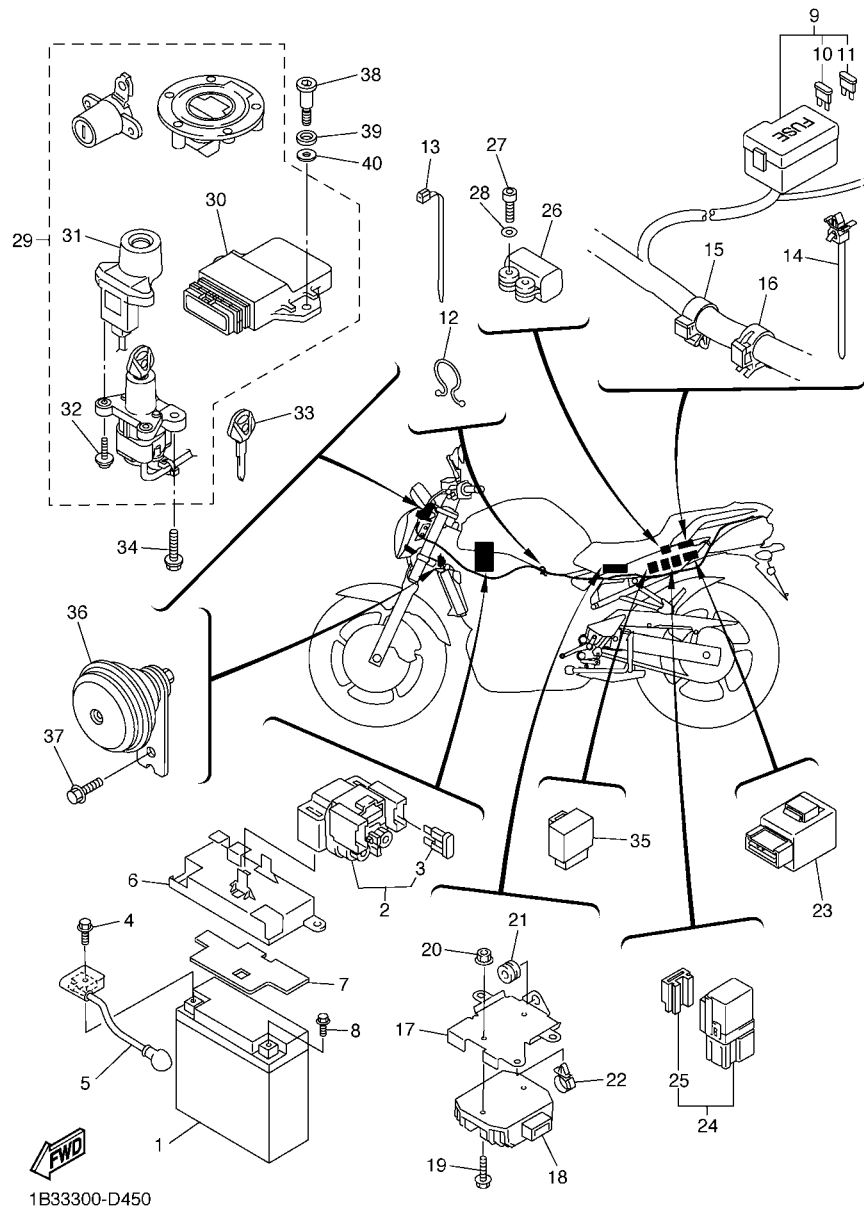


FIG. 45 ELECTRICAL 2

| REF. NO. | PART NO.     | DESCRIPTION                | 1B37 | 1B38 | REMARKS |
|----------|--------------|----------------------------|------|------|---------|
| 1        | 4TX-82100-02 | BATTERY ASSY (GS GT12B-4)  | 1    | 1    |         |
| 2        | 4BH-81940-02 | STARTER RELAY ASSY         | 1    | 1    |         |
| 3        | 1AE-82151-00 | .FUSE (30A-BL)             | 2    | 2    |         |
| 4        | 95027-06008  | BOLT, FLANGE               | 1    | 1    |         |
| 5        | 5VX-82115-00 | WIRE, PLUS LEAD            | 1    | 1    |         |
| 6        | 5VX-2124E-00 | COVER, BATTERY             | 1    | 1    |         |
| 7        | 5VX-82123-00 | SEAT, BATTERY              | 1    | 1    |         |
| 8        | 95027-06008  | BOLT, FLANGE               | 1    | 1    |         |
| 9        | 1B3-82590-00 | WIRE HARNESS ASSY          | 1    | 1    |         |
| 10       | 5JJ-82151-30 | .FUSE (10A-BL)             | 6    | 6    |         |
| 11       | 5JJ-82151-20 | .FUSE (20A-BL)             | 3    | 3    |         |
| 12       | 90464-14058  | CLAMP                      | 1    | 1    |         |
| 13       | 90464-13077  | CLAMP                      | 1    | 1    |         |
| 14       | 90464-12089  | CLAMP                      | 1    | 1    |         |
| 15       | 90464-16006  | CLAMP                      | 2    | 2    |         |
| 16       | 90464-15192  | CLAMP                      | 2    | 2    |         |
| 17       | 5VX-2128A-00 | BRACKET, REGULATOR         | 1    | 1    |         |
| 18       | 5VX-81960-00 | RECTIFIER & REGULATOR ASSY | 1    | 1    |         |
| 19       | 95807-06020  | BOLT, FLANGE               | 2    | 2    |         |
| 20       | 95707-06500  | NUT, FLANGE                | 2    | 2    |         |
| 21       | 90480-11005  | GROMMET                    | 1    | 1    |         |
| 22       | 90464-13249  | CLAMP                      | 1    | 1    |         |
| 23       | 5VK-81950-30 | RELAY ASSY                 | 1    | 1    |         |
| 24       | 5EA-81950-20 | RELAY ASSY                 | 2    | 2    |         |
| 25       | 5EA-81952-00 | .HOLDER, RELAY             | 1    | 1    |         |
| 26       | 5PS-82576-01 | LEAN ANGLE SENSOR          | 1    | 1    |         |
| 27       | 91317-04025  | BOLT                       | 2    | 2    |         |



NUMERICAL INDEX

| PART NO.     | GRID NO. | PART NO.     | GRID NO. | PART NO.     | GRID NO. | PART NO.     | GRID NO. | PART NO.     | GRID NO. | PART NO.     | GRID NO. |
|--------------|----------|--------------|----------|--------------|----------|--------------|----------|--------------|----------|--------------|----------|
| 5VX-11101-01 | B - 2    | 1HX-12168-U1 | B - 4    | 1B3-12498-10 | B - 9    | 5VX-14349-00 | B - 14   | 5VX-15451-00 | C - 6    | 5MT-18512-00 | C - 13   |
| 4KG-1111G-00 | B - 2    | 1HX-12168-W1 | B - 4    | 1AA-12535-00 | B - 8    | 5VX-14396-00 | B - 13   | 5SL-15456-00 | C - 6    | 5EB-18513-00 | C - 13   |
| 5EB-11133-10 | B - 2    | 1HX-12168-Y1 | B - 4    | 5EB-12577-01 | B - 7    | 5VX-14409-00 | B - 12   | 5SL-15461-00 | C - 6    | 4XV-18531-00 | C - 13   |
| 5SL-11165-00 | C - 4    | 1HX-12169-11 | B - 4    | 1B3-12578-00 | B - 8    | 5VX-14411-00 | B - 12   | 5SL-15462-00 | C - 4    | 5EB-18536-00 | C - 13   |
| 5VX-11181-00 | B - 2    | 1HX-12169-31 | B - 4    | 4NK-12579-00 | B - 7    | 5VX-14421-00 | B - 12   | 5VX-15463-00 | C - 7    | 5VX-18540-00 | C - 13   |
| 5VX-11191-00 | B - 2    | 1HX-12169-50 | B - 5    | 5VX-12579-00 | B - 8    | 5CA-14435-00 | B - 12   | 5VX-15484-00 | E - 14   | 136-18542-00 | C - 13   |
| 5SL-11193-00 | B - 2    | 1HX-12169-70 | B - 5    | 5VX-12581-00 | B - 7    | 5VX-14451-00 | B - 12   | 5SL-15512-00 | C - 8    | 5VX-21110-08 | D - 2    |
| 214-11198-01 | B - 11   | 1HX-12169-90 | B - 5    | 5SL-12588-01 | B - 7    | 5VX-14452-00 | B - 12   | 5MT-15515-00 | C - 8    | 5VX-21110-18 | D - 2    |
| 5SL-11411-00 | B - 3    | 1HX-12169-E0 | B - 5    | 5VX-12589-00 | B - 9    | 5VX-14453-00 | B - 12   | 5EB-15521-00 | C - 8    | 5VX-2117B-31 | D - 4    |
| 5EB-11416-00 | B - 3    | 1HX-12169-G0 | B - 5    | 1B3-12662-00 | B - 9    | 5VX-14463-00 | B - 12   | 5SL-15590-00 | C - 8    | 5VX-2117B-41 | D - 4    |
| 5EB-11416-10 | B - 3    | 1HX-12169-J0 | B - 5    | 5EB-12822-00 | B - 11   | 5VX-14503-00 | B - 14   | 5VX-16150-00 | C - 9    | 5VX-2117B-A1 | D - 4    |
| 5EB-11416-20 | B - 3    | 1HX-12169-L0 | B - 5    | 5VX-13160-00 | B - 14   | 5VX-14565-00 | B - 13   | 5EB-16154-00 | C - 9    | 1B3-2117F-00 | D - 3    |
| 5EB-11416-30 | B - 3    | 1HX-12169-N0 | B - 5    | 5EB-13161-00 | B - 10   | 5VX-14602-00 | C - 2    | 1AE-16164-00 | C - 9    | 1B3-2117G-00 | D - 2    |
| 5EB-11416-A0 | B - 3    | 1HX-12169-T0 | B - 5    | 5EB-1316E-00 | B - 10   | 3YF-14613-01 | C - 2    | 4FN-16321-00 | C - 9    | 5VX-2117K-00 | E - 3    |
| 5SL-11603-00 | B - 3    | 5VX-12170-00 | B - 6    | 5MT-13300-00 | B - 10   | 5VX-1467K-00 | C - 2    | 4H7-16321-02 | C - 9    | 5VX-2117M-01 | D - 3    |
| 5SL-11631-00 | B - 3    | 5VX-12176-00 | B - 6    | 5SL-13410-00 | B - 10   | 5VX-14708-10 | C - 2    | 168-16324-00 | C - 9    | 5VX-21190-08 | D - 2    |
| 5EB-11633-00 | B - 3    | 5VX-12180-00 | B - 6    | 5VX-13414-00 | B - 11   | 5VX-14710-00 | C - 2    | 3J2-16324-00 | C - 9    | 5VX-21228-00 | D - 8    |
| 5VX-11650-00 | B - 3    | 5SL-12210-10 | B - 6    | 5EB-13415-00 | B - 10   | 3XW-14714-00 | C - 2    | 5VX-16340-00 | C - 9    | 5VX-21238-00 | D - 3    |
| 5VX-11654-00 | B - 3    | 4FM-12213-00 | B - 6    | 5JW-13416-00 | B - 10   | 5EB-14714-01 | C - 2    | 132-16346-00 | C - 14   | 5VX-21239-00 | D - 3    |
| 5VX-11656-00 | B - 3    | 5SL-12214-00 | B - 6    | 5VX-13417-00 | B - 11   | 5JW-14723-00 | B - 15   | 5EB-16351-01 | C - 9    | 5VX-21249-00 | D - 3    |
| 5VX-11656-10 | B - 3    | 5EL-12228-00 | B - 6    | 5VX-13418-00 | C - 4    | 5VX-14740-00 | C - 2    | 5EB-16356-01 | C - 9    | 5VX-2124E-00 | F - 8    |
| 5VX-11656-20 | B - 3    | 5BE-12241-00 | B - 2    | 5GH-13440-10 | B - 11   | 4FB-14766-00 | C - 2    | 5VX-16371-00 | C - 9    | 5VX-21268-00 | D - 2    |
| 5VX-11656-30 | B - 3    | 5EB-12251-00 | B - 6    | 5EB-13470-00 | B - 11   | 5VX-14807-00 | B - 14   | 5VX-16382-00 | C - 9    | 5VX-21269-00 | D - 3    |
| 5SL-12111-10 | B - 4    | 5EB-12252-10 | B - 6    | 5JW-13473-00 | B - 11   | 5SL-1482K-00 | B - 2    | 5VX-17121-00 | C - 11   | 5VX-21279-00 | D - 2    |
| 5EB-12113-00 | B - 4    | 5VX-12405-00 | B - 8    | 5EB-13475-00 | B - 11   | 5VX-14840-00 | B - 15   | 5SL-17131-20 | C - 11   | 5VX-21289-00 | D - 2    |
| 5EB-12114-00 | B - 4    | 1B3-1240J-00 | B - 8    | 3KS-13490-00 | B - 11   | 5VX-14881-00 | B - 15   | 5VX-17151-00 | C - 11   | 5VX-2128A-00 | F - 8    |
| 5SL-12116-00 | B - 4    | 1B3-1240K-00 | B - 9    | 5VX-13533-00 | B - 14   | 5VX-14882-00 | B - 15   | 5SL-17161-00 | C - 11   | 5VX-2135F-00 | D - 3    |
| 5EB-12117-00 | B - 4    | 5SL-12410-00 | B - 8    | 68V-13533-00 | B - 13   | 5VX-14883-00 | B - 15   | 5SL-17211-00 | C - 12   | 5VX-2139B-00 | D - 2    |
| 1HX-12118-00 | B - 4    | 5VX-12413-00 | B - 8    | 5VX-13569-01 | F - 5    | 5SL-14890-00 | B - 2    | 5VX-17221-00 | C - 11   | 5VX-2139R-00 | D - 3    |
| 4TV-12119-00 | B - 4    | 5VX-12421-00 | B - 7    | 5SL-13586-01 | B - 12   | 5SL-14899-00 | B - 2    | 5SL-17231-00 | C - 12   | 5VX-2139W-00 | D - 3    |
| 5SL-12121-10 | B - 4    | 5VX-12422-00 | B - 7    | 5SL-13596-01 | B - 12   | 3UH-14937-00 | B - 13   | 5SL-17241-00 | C - 11   | 5VX-2140A-00 | D - 2    |
| 5EB-12124-01 | B - 4    | 5FC-12437-00 | B - 8    | 5VX-13750-02 | B - 13   | 5VX-14987-00 | B - 13   | 5VX-17251-00 | C - 12   | 5VX-21446-00 | C - 2    |
| 5EB-12126-00 | B - 4    | 11H-12438-10 | B - 7    | 5VX-13761-00 | B - 13   | 5VX-15100-00 | C - 4    | 5VX-17261-00 | C - 11   | 5VX-21446-10 | C - 3    |
| 5EB-12127-00 | B - 4    | 5EB-12439-00 | B - 7    | 5EB-13898-00 | B - 10   | 11H-15138-00 | B - 2    | 5SL-17411-00 | C - 11   | 5VX-2144G-00 | E - 12   |
| 5EB-12153-09 | B - 5    | 5VX-1243A-00 | B - 9    | 5VX-13907-01 | D - 15   | 5EB-15155-00 | C - 4    | 5SL-17421-00 | C - 11   | 5VX-21511-10 | D - 5    |
| 5EB-12153-20 | B - 5    | 5VX-1243E-00 | B - 14   | 5VX-13971-00 | D - 15   | 5EB-15163-01 | C - 11   | 278-17424-01 | C - 12   | 5PA-21568-00 | E - 2    |
| 5EB-12153-30 | B - 5    | 5VX-1244E-00 | B - 8    | 5JW-14104-00 | B - 13   | 36Y-15189-00 | C - 4    | 5VX-17460-00 | C - 12   | 5VX-21575-00 | D - 5    |
| 1HX-12168-00 | B - 4    | 1B3-1244G-00 | B - 9    | 5VX-1410E-00 | B - 13   | 5SL-15189-00 | C - 4    | 5VX-18101-11 | C - 14   | 5VX-2161G-00 | D - 6    |
| 1HX-12168-20 | B - 4    | 5EB-12450-00 | B - 7    | 4KM-14137-00 | B - 13   | 3F9-15362-00 | C - 6    | 5VX-18110-00 | C - 14   | 5VX-21621-00 | D - 5    |
| 1HX-12168-40 | B - 4    | 5VX-12461-00 | B - 8    | 3H1-14147-00 | B - 13   | 5EB-15362-00 | C - 4    | 5VX-18112-01 | C - 14   | 5VX-21621-10 | D - 6    |
| 1HX-12168-60 | B - 4    | 1B3-12462-00 | B - 8    | 5PS-14147-00 | B - 13   | 5VX-15373-00 | B - 12   | 5EB-18113-00 | C - 14   | 5VX-21629-00 | D - 6    |
| 1HX-12168-80 | B - 4    | 5VX-12467-00 | B - 8    | 5VX-14148-01 | B - 12   | 5VX-15411-00 | C - 6    |              | E - 13   | 5VX-21637-00 | F - 5    |
| 1HX-12168-A0 | B - 4    | 5EB-12469-00 | B - 7    | 5VX-14149-00 | B - 13   | 5VX-15413-01 | C - 4    | 5VX-18115-01 | C - 14   | 5VX-21639-00 | D - 5    |
| 1HX-12168-F0 | B - 4    | 5GV-1246A-00 | B - 7    | 8CC-14216-10 | B - 13   | 5VX-15416-00 | C - 6    | 5VX-18116-00 | C - 14   | 5VX-2163A-00 | D - 9    |
| 1HX-12168-H1 | B - 4    | 5GV-1246E-00 | B - 7    | 3XV-14251-00 | B - 13   | 5VX-15418-00 | C - 6    | 5SL-18127-00 | C - 14   | 5VX-2164F-00 | D - 7    |
| 1HX-12168-K1 | B - 4    |              | B - 8    | 5PW-14251-00 | B - 13   | 5VX-15421-00 | C - 6    | 5VX-18140-00 | C - 14   | 5VX-2164H-00 | D - 6    |
| 1HX-12168-M1 | B - 4    | 5VX-12491-00 | B - 9    | 5VX-14348-00 | B - 13   | 5VX-15425-00 | C - 6    | 5VX-18154-00 | C - 14   | 5VX-2164J-00 | D - 6    |
| 1HX-12168-R1 | B - 4    | 1B3-12498-00 | B - 8    | 5FL-14348-10 | B - 13   | 5VX-15441-00 | C - 7    | 5SL-18511-00 | C - 13   | 5VX-21650-00 | D - 10   |

NUMERICAL INDEX

| PART NO.     | GRID NO. | PART NO.        | GRID NO. | PART NO.     | GRID NO. | PART NO.     | GRID NO. | PART NO.     | GRID NO. | PART NO.        | GRID NO. |
|--------------|----------|-----------------|----------|--------------|----------|--------------|----------|--------------|----------|-----------------|----------|
| 5VX-21651-00 | D - 5    | 4TX-23151-00    | D - 13   | 5MT-25398-00 | E - 6    | 5PS-26133-20 | E - 9    | 1FK-81847-00 | E - 15   | 5EB-83755-01    | F - 7    |
| 5VX-21665-00 | D - 6    | 4TX-23156-00    | D - 13   | 5MT-25398-10 | E - 4    | 4YR-26240-02 | E - 9    | 5EB-81890-00 | E - 15   | 5EB-83912-02    | F - 6    |
| 3XW-21668-A0 | D - 10   | 5VX-23170-00    | D - 13   |              | E - 6    | 4YR-26241-02 | E - 9    | 4BH-81940-02 | F - 8    | 5JJ-83913-00    | F - 6    |
| 5VX-21669-00 | D - 5    | 4TX-23173-00    | D - 13   | 5MT-25398-20 | E - 4    | 51J-26246-01 | E - 9    | 5EA-81950-20 | F - 8    | 5VS-83922-00    | E - 10   |
| 5VX-21710-10 | D - 8    | 1B3-23174-01    | F - 4    |              | E - 6    | 1B3-26280-10 | E - 9    | 5VK-81950-30 | F - 8    | 437-83936-01    | F - 6    |
| 5VX-21720-10 | D - 8    | 4TX-2331G-00    | D - 13   | 5VX-25446-00 | E - 6    | 1B3-26290-10 | E - 9    | 5EA-81952-00 | F - 8    | 4XV-83945-00    | F - 6    |
| 5VX-21732-00 | D - 5    | 1B3-23327-00    | D - 14   | 5VX-2580T-00 | E - 5    | 1B3-26311-00 | E - 9    | 5VX-81960-00 | F - 8    | 5LV-83951-00    | F - 6    |
| 5VX-2174X-01 | D - 5    | 5VX-23340-00    | D - 14   | 5VX-2580U-00 | E - 5    | 1B3-26312-00 | E - 9    | 4TX-82100-02 | F - 8    | 1B3-83969-00    | F - 6    |
| 5VX-2173M-00 | D - 8    | 1B3-23377-01    | D - 3    | 5VX-2580W-00 | E - 8    | 5VS-26332-00 | E - 10   | 5SL-82113-00 | F - 9    | 5VX-83975-00    | F - 6    |
| 5VX-2173N-01 | D - 6    | 5VX-23415-00    | D - 12   | 5VX-2581K-01 | E - 13   | 1B3-26335-00 | E - 9    | 5VX-82115-00 | F - 8    | 4HM-83980-00    | E - 10   |
| 5VX-2174X-00 | D - 8    | 26H-23418-01    | D - 12   | 5VX-2581T-01 | E - 5    | 371-27114-00 | E - 3    | 5VX-82116-00 | F - 7    | 1B3-84300-01    | F - 4    |
| 5VX-2174Y-00 | D - 8    | 1B3-23435-00    | D - 12   | 5SL-25827-00 | E - 8    | 5VX-27114-00 | C - 14   | 5VX-82122-00 | D - 2    | 1B3-84300-11    | F - 4    |
| 5VX-21778-00 | F - 9    | 4H7-23441-01-35 | D - 12   | 5SL-25827-10 | E - 8    |              | E - 12   | 5VX-82123-00 | F - 8    | 2F9-84314-00    | F - 4    |
| 5VX-21779-00 | D - 8    | 3FV-23462-00    | D - 14   | 5SL-25828-00 | E - 8    | 5VX-27200-00 | E - 13   | 122-82131-00 | D - 6    | 1B3-8431R-00    | F - 4    |
| 5VX-2177F-00 | D - 9    | 5VX-2411B-00    | D - 15   | 5VX-2582A-00 | E - 13   | 5VX-27212-00 | E - 13   | 3TJ-82131-00 | D - 6    | 5JW-84346-00    | F - 4    |
| 5VX-2177G-00 | D - 2    | 5VX-24141-00    | D - 15   | 5VX-2582W-00 | E - 8    | 4BP-27222-01 | E - 13   | 1AE-82151-00 | F - 8    | 5DM-84347-00    | F - 4    |
| 1B3-21781-00 | D - 9    | 5EJ-2414H-00    | B - 12   | 5SL-25838-00 | E - 8    | 5JJ-82151-01 | E - 11   | 5JJ-82151-20 | F - 8    | 5JW-84397-00    | F - 4    |
| 5VX-21816-00 | D - 8    |                 | D - 2    | 5VX-2583V-00 | E - 13   | 5VX-27315-00 | E - 11   | 5JJ-82151-30 | F - 8    | 5VX-84710-00    | F - 5    |
| 1B3-21824-00 | D - 8    | 3ME-2415E-01    | E - 2    | 5SL-25852-00 | E - 13   | 5VX-27321-02 | E - 11   | 5VX-82310-00 | F - 7    | 137-84714-60    | F - 5    |
| 26H-21828-00 | D - 8    | 5VX-24181-00    | D - 15   | 5VS-25852-00 | E - 10   | 5VX-27351-00 | E - 11   | 5VX-82320-00 | F - 7    | 5VX-84735-00    | F - 5    |
| 5VX-21843-00 | D - 8    | 5VX-24183-00    | D - 15   | 5SL-25854-00 | E - 13   | 3YX-27413-00 | E - 11   | 5VX-82370-00 | F - 7    | 4HC-84744-00    | F - 5    |
| 5VX-21871-00 | D - 8    | 5VX-24191-00    | D - 15   | 5VS-25854-00 | E - 10   | 1HX-27415-00 | F - 4    | 5VX-82380-00 | B - 13   | 5VX-84745-01    | F - 5    |
| 5VX-21873-00 | D - 8    | 5PW-24192-00    | D - 15   | 5SL-25855-00 | E - 13   | 4XV-27424-00 | C - 2    | 5VX-82386-00 | B - 14   | 5SL-85110-00    | D - 6    |
| 5VX-21875-00 | D - 8    | 68V-24376-00    | B - 13   | 5VS-25855-00 | E - 10   | 5VX-27424-00 | C - 14   | 1B3-82509-00 | F - 2    | 3Y6-85130-02    | D - 6    |
| 5VX-22110-10 | D - 10   | 3YJ-24481-00    | D - 2    | 4BP-2585F-00 | E - 13   |              | E - 11   | 5SL-82511-08 | F - 9    | 5VX-85720-01    | F - 7    |
| 5JJ-22128-00 | D - 10   | 5JW-24486-00    | D - 15   | 3LN-2585G-00 | E - 13   | 3VR-27431-01 | E - 12   | 5VX-82530-00 | F - 7    | 8CC-85790-01    | F - 7    |
| 4FN-22141-00 | D - 10   | 5SL-24491-00    | D - 15   | 5VS-25867-00 | E - 10   | 4BP-27434-01 | C - 14   | 3GB-82540-01 | F - 7    | 5FL-85885-02    | B - 13   |
| 5VX-22151-00 | D - 10   | 5JJ-24602-00    | D - 15   | 1B3-25872-00 | E - 10   | 5VX-27437-00 | E - 12   | 5VX-82541-00 | F - 7    | 5CA-85886-00    | B - 12   |
| 5EB-22184-00 | D - 10   | 5VX-24711-00    | E - 3    | 5VX-25875-00 | E - 10   | 3VR-27441-01 | E - 12   | 1B3-8255P-00 | F - 9    | 5VX-8591A-00    | F - 9    |
| 5VX-22210-00 | D - 11   | 5VX-24724-00    | E - 3    | 1B3-25875-01 | E - 10   | 5VX-27442-10 | C - 14   | 5VS-82566-60 | F - 7    | 5VX-88158-00    | D - 5    |
| 34L-22216-00 | D - 11   | 4NK-24728-00    | E - 3    | 5VX-2587A-00 | E - 12   | 5VX-27443-10 | E - 11   | 5PS-82576-01 | F - 8    | 5VS-W0041-00    | E - 10   |
| 5VX-22836-00 | D - 9    | 5VX-24730-02    | E - 3    | 5SL-25894-00 | E - 13   | 5VX-27445-00 | C - 14   | 1B3-82590-00 | F - 8    | 5VX-W0042-50    | E - 13   |
| 5VX-23102-00 | D - 13   | 5VX-24773-00-P3 | D - 5    | 5VX-25895-00 | E - 13   | 5VX-27446-00 | E - 12   | 1B3-82910-00 | F - 6    | 5VX-W0045-00    | E - 5    |
| 5VX-23103-01 | D - 13   | 4BP-24780-00    | E - 3    | 5VS-2589F-00 | E - 10   | 4BH-27451-01 | E - 11   | 3YX-82917-01 | F - 6    | 5VX-W0046-00    | E - 8    |
| 5VX-23110-00 | D - 13   | 5VX-2478E-00    | E - 3    | 5VS-2589H-00 | E - 10   | 4BH-27461-01 | E - 11   | 5PW-83310-01 | F - 2    | 4FU-W0047-00    | E - 5    |
| 4TX-23115-00 | D - 13   | 4BP-24792-00    | E - 3    | 5SL-25914-00 | E - 8    | 5VX-28100-00 | D - 6    | 1KH-83311-00 | F - 2    | 5SL-W0047-00    | E - 8    |
| 5VX-23118-00 | D - 13   | 4XV-25117-00    | E - 4    | 5JW-25914-10 | E - 5    | 31A-28217-00 | D - 5    | 5PW-83318-00 | F - 2    | 1UY-W0048-00    | E - 8    |
| 5VX-2311H-00 | D - 13   | 5SL-25168-00-98 | E - 4    | 5DH-25916-00 | E - 8    | 1B3-28307-00 | F - 4    | 5PW-83320-01 | F - 2    | 51L-W0048-00    | E - 5    |
| 1B3-23121-00 | F - 4    | 4XV-25181-00    | E - 4    | 3JD-25917-00 | E - 8    | 1B3-28307-10 | F - 4    | 5VX-83330-00 | F - 2    | 5KS-W0057-00    | E - 5    |
| 4KM-23123-01 | D - 14   | 4XV-25317-00    | E - 6    | 5SL-25917-00 | E - 8    | 5VX-81410-00 | E - 14   | 5PW-8333A-00 | F - 2    | 5SL-W0057-00    | E - 8    |
| 4TX-23125-A0 | D - 13   | 5SL-25338-00-98 | E - 6    | 4BP-25919-00 | E - 5    | 5VX-81450-00 | E - 14   | 5VX-83340-00 | F - 2    | 2TV-W2470-00    | E - 3    |
| 5VX-23126-00 | D - 13   | 5VX-25364-00    | E - 6    | 5SL-25919-00 | E - 8    | 5VX-81670-00 | F - 7    | 5PW-8334A-00 | F - 2    | 5PS-W2587-00    | E - 10   |
| 1B3-23131-00 | F - 4    | 5SL-25366-00    | E - 6    | 5VX-25921-50 | E - 8    | 5VX-81673-00 | F - 7    | 3XV-83350-21 | F - 9    | 1B3-W8250-00    | F - 9    |
| 4TX-23135-A0 | D - 13   | 5VX-25381-00    | E - 7    | 8CR-25924-00 | E - 8    | 4WP-81801-00 | E - 15   | 5MP-83371-00 | F - 9    | 5VX-Y2410-30-07 | D - 15   |
| 5VX-23136-01 | D - 13   | 5SL-25383-00    | E - 6    | 5SL-25926-00 | E - 8    | 5VX-81815-00 | E - 15   | 1B3-83500-00 | F - 3    | 90105-06006     | C - 4    |
| 5VX-23141-00 | D - 13   | 5VX-25388-01    | E - 6    | 3YX-25929-00 | E - 5    | 4WP-81826-00 | E - 15   | 1B3-83500-10 | F - 3    | 90105-06027     | B - 2    |
| 4TX-23144-00 | D - 13   | 2GH-25389-00    | E - 6    | 4TT-25937-00 | E - 5    | 4XV-8182A-00 | E - 15   | 1B3-83559-00 | F - 3    | 90105-06053     | B - 7    |
| 5VX-23145-00 | D - 13   | 5MT-25398-00    | E - 4    | 1B3-26111-00 | E - 9    | 4WP-81844-00 | E - 15   | 1B3-83599-00 | F - 4    | 90105-06557     | B - 8    |

NUMERICAL INDEX

| PART NO.    | GRID NO. | PART NO.    | GRID NO. | PART NO.    | GRID NO. | PART NO.    | GRID NO. | PART NO.    | GRID NO. | PART NO.    | GRID NO. |
|-------------|----------|-------------|----------|-------------|----------|-------------|----------|-------------|----------|-------------|----------|
| 90105-06557 | D - 3    | 90119-10003 | B - 2    | 90201-10020 | D - 2    | 90340-20090 | B - 2    | 90450-35001 | B - 7    | 90480-12072 | F - 4    |
|             | F - 7    | 90149-05299 | F - 3    | 90201-10021 | E - 6    | 90340-32116 | C - 6    |             | B - 8    | 90480-12237 | D - 3    |
| 90105-07004 | B - 6    | 90149-06019 | E - 14   | 90201-10118 | E - 10   | 90383-14001 | E - 12   | 90450-38040 | B - 7    | 90480-12314 | B - 12   |
| 90105-08386 | F - 7    | 90149-06020 | C - 4    |             | E - 13   | 90387-06068 | D - 15   | 90450-53002 | B - 12   | 90480-13163 | D - 8    |
| 90105-086A9 | C - 4    | 90149-06023 | D - 3    | 90201-10119 | C - 9    | 90387-06073 | B - 12   | 90450-63003 | B - 12   | 90480-13398 | D - 5    |
| 90105-087A0 | C - 4    | 90149-06250 | E - 14   | 90201-101J1 | D - 11   | 90387-06075 | D - 6    | 90464-12089 | F - 8    | 90480-14008 | F - 4    |
| 90105-10032 | D - 2    | 90149-06302 | F - 4    | 90201-12008 | E - 14   | 90387-06078 | D - 3    | 90464-13077 | F - 8    | 90480-14585 | F - 4    |
| 90105-10323 | D - 11   | 90149-06308 | E - 3    | 90201-12013 | C - 14   | 90387-0614M | B - 8    | 90464-13249 | F - 8    | 90480-15005 | D - 15   |
| 90105-10638 | E - 5    | 90149-08003 | E - 14   | 90201-12021 | E - 11   | 90387-061N6 | C - 2    | 90464-14002 | D - 5    | 90480-15363 | B - 8    |
| 90105-10N53 | D - 2    | 90149-10006 | D - 2    | 90201-12790 | F - 7    | 90387-061V6 | D - 15   | 90464-14058 | F - 8    | 90480-18276 | F - 5    |
| 90105-126A8 | E - 14   | 90149-10012 | D - 2    | 90201-14215 | E - 13   | 90387-062M9 | B - 9    | 90464-15157 | D - 3    | 90501-064L1 | C - 13   |
| 90109-06031 | B - 10   | 90150-04041 | D - 6    | 90201-15013 | C - 10   | 90387-06372 | C - 15   |             | F - 4    | 90501-12743 | E - 12   |
| 90109-06055 | F - 9    | 90151-06008 | C - 11   | 90201-154E8 | C - 14   |             | D - 10   | 90464-15192 | F - 8    | 90501-225A9 | C - 9    |
| 90109-06060 | D - 2    | 90154-06061 | D - 5    | 90201-177G4 | C - 14   | 90387-064J1 | D - 5    | 90464-16005 | D - 15   | 90506-14003 | C - 14   |
| 90109-064G6 | E - 5    | 90157-05079 | E - 11   | 90201-186M4 | D - 10   |             | D - 8    | 90464-16006 | D - 9    | 90506-20223 | E - 13   |
| 90109-065G3 | C - 4    | 90159-06002 | C - 9    | 90201-20278 | C - 12   |             | D - 10   |             | F - 8    | 90506-23007 | E - 11   |
| 90109-066F0 | B - 2    | 90167-05076 | F - 3    | 90201-22070 | D - 12   | 90387-065J6 | D - 5    | 90464-16061 | E - 3    | 90508-18016 | C - 10   |
| 90109-067F4 | D - 3    | 90170-06228 | C - 14   | 90201-231E1 | D - 13   | 90387-066H4 | B - 8    | 90464-18002 | D - 5    | 90508-20572 | E - 11   |
| 90109-08045 | E - 8    | 90170-08010 | E - 13   | 90201-25015 | E - 6    | 90387-082W9 | C - 2    | 90464-18029 | D - 6    | 90508-295B2 | C - 14   |
| 90109-080G5 | F - 9    | 90170-20008 | C - 9    | 90201-255A6 | C - 9    | 90387-09003 | D - 5    | 90464-20007 | F - 6    | 90560-06201 | D - 8    |
| 90109-082A1 | C - 2    | 90176-05001 | E - 12   | 90201-28014 | E - 7    | 90387-1012B | D - 11   | 90464-20181 | D - 3    | 91314-06020 | C - 6    |
| 90109-083E2 | E - 11   | 90176-22081 | D - 12   | 90202-08205 | F - 9    | 90387-127V3 | C - 14   |             | D - 8    | 91314-06025 | B - 6    |
| 90109-10011 | E - 11   | 90179-05523 | F - 3    | 90202-24190 | D - 12   | 90387-22002 | E - 4    | 90465-08045 | C - 6    |             | C - 4    |
| 90109-10654 | D - 11   | 90179-06403 | D - 5    | 90202-26142 | D - 12   | 90387-2202V | C - 12   | 90465-10030 | B - 11   |             | C - 6    |
| 90110-05014 | D - 15   | 90179-08410 | C - 2    | 90206-12074 | C - 14   | 90387-25010 | C - 9    | 90465-10035 | C - 6    | 91314-06030 | C - 6    |
| 90110-05112 | D - 15   | 90179-18005 | C - 12   | 90209-08295 | E - 11   | 90387-2504A | C - 11   | 90465-10098 | F - 3    | 91314-06060 | B - 2    |
| 90110-06018 | C - 13   | 90179-25033 | D - 12   | 90209-21332 | C - 11   | 90387-2513E | C - 11   | 90465-13152 | D - 5    | 91314-08030 | D - 12   |
| 90110-06020 | B - 11   | 90183-05061 | D - 5    | 90209-21351 | C - 11   | 90387-253M6 | C - 11   | 90465-14011 | C - 6    | 91314-08045 | D - 14   |
| 90110-06022 | C - 6    |             | F - 5    | 90209-22352 | C - 11   | 90387-28001 | E - 6    | 90467-08075 | D - 8    | 91314-10050 | D - 2    |
| 90110-06041 | B - 10   | 90183-06053 | D - 2    | 90209-25342 | C - 11   | 90387-2813C | C - 11   | 90467-090A1 | E - 13   | 91317-04025 | F - 8    |
|             | C - 4    | 90183-060A1 | D - 3    | 90209-25349 | C - 11   | 90387-2813D | C - 11   | 90467-10008 | D - 15   | 91317-05010 | D - 15   |
| 90110-06079 | D - 15   | 90185-10002 | D - 2    | 90209-25350 | C - 11   | 90401-10159 | E - 10   | 90467-10041 | B - 12   | 91317-06016 | F - 7    |
| 90110-06086 | B - 7    | 90185-10009 | E - 6    | 90215-20004 | C - 9    |             | E - 13   | 90467-11090 | B - 9    | 91317-06020 | B - 2    |
| 90110-08220 | E - 11   | 90185-10037 | E - 11   | 90215-21290 | C - 12   | 90401-20145 | B - 11   |             | B - 14   |             | B - 12   |
| 90110-10010 | E - 11   | 90185-18104 | D - 10   | 90240-08063 | E - 12   | 90430-06014 | B - 7    | 90467-110A0 | B - 9    | 91317-06025 | B - 11   |
| 90110-10N52 | D - 13   | 90185-24165 | E - 6    | 90240-08124 | E - 13   | 90430-08119 | B - 2    | 90467-14015 | B - 12   | 91317-08030 | C - 2    |
| 90111-05003 | C - 15   | 90201-047A2 | F - 9    | 90269-05049 | F - 3    | 90430-08143 | C - 6    | 90467-15054 | B - 12   |             | D - 12   |
|             | E - 12   | 90201-05725 | D - 6    | 90269-06010 | F - 7    | 90430-09002 | B - 13   | 90467-17003 | B - 15   | 91317-10025 | D - 14   |
| 90111-05007 | E - 12   | 90201-06055 | D - 3    | 90269-08001 | D - 10   | 90430-10148 | F - 7    | 90467-17089 | B - 12   | 91380-06012 | F - 7    |
| 90111-06019 | C - 15   | 90201-06071 | F - 5    | 90269-08066 | D - 3    | 90430-10171 | D - 13   |             | B - 15   | 91401-20012 | E - 13   |
| 90111-06031 | B - 9    | 90201-06M30 | D - 3    | 90338-06004 | D - 12   | 90445-08021 | D - 8    | 90467-17128 | B - 15   | 91401-25015 | E - 11   |
| 90116-10485 | E - 6    | 90201-08083 | E - 13   | 90338-06018 | E - 3    | 90445-10032 | D - 15   | 90467-200A0 | B - 9    | 91701-08040 | E - 11   |
| 90119-06038 | B - 8    | 90201-08612 | C - 2    | 90338-08174 | B - 12   | 90445-10033 | D - 15   | 90480-01558 | D - 8    | 91808-17032 | B - 10   |
| 90119-06044 | E - 13   | 90201-086A3 | C - 2    | 90338-08220 | D - 4    | 90445-11795 | B - 12   | 90480-10332 | C - 2    | 92014-06020 | E - 13   |
| 90119-06062 | D - 15   | 90201-086P8 | C - 3    | 90338-10007 | D - 2    | 90450-22017 | B - 7    | 90480-11005 | F - 8    | 92014-08014 | C - 6    |
| 90119-06096 | D - 10   | 90201-08753 | F - 7    | 90338-10008 | D - 2    |             | B - 9    | 90480-11057 | F - 4    | 92014-08020 | E - 13   |
| 90119-06117 | D - 8    | 90201-08784 | C - 14   | 90338-21145 | D - 2    | 90450-32001 | B - 7    | 90480-12006 | C - 2    | 92017-05025 | F - 7    |
|             | D - 10   | 90201-087K3 | C - 4    | 90340-14132 | B - 11   |             | B - 9    | 90480-12072 | D - 5    | 92017-06010 | F - 9    |

NUMERICAL INDEX

| PART NO.    | GRID NO. | PART NO.    | GRID NO. | PART NO.    | GRID NO. | PART NO.    | GRID NO. | PART NO. | GRID NO. | PART NO. | GRID NO. |
|-------------|----------|-------------|----------|-------------|----------|-------------|----------|----------|----------|----------|----------|
| 92017-06012 | D - 6    | 93317-11020 | C - 9    | 95707-05500 | D - 6    | 98907-05014 | F - 5    |          |          |          |          |
| 92017-06014 | D - 8    | 93317-11287 | C - 15   | 95707-06500 | E - 3    | 98907-06012 | D - 5    |          |          |          |          |
| 92017-06016 | D - 6    | 93317-43580 | E - 6    |             | F - 8    | 98907-06020 | C - 2    |          |          |          |          |
| 92017-06020 | D - 3    | 93399-99931 | D - 12   | 95807-06010 | E - 10   | 99001-07600 | C - 9    |          |          |          |          |
| 92017-08045 | C - 3    | 93399-99932 | D - 14   | 95807-06016 | D - 8    | 99009-10400 | C - 9    |          |          |          |          |
| 92902-04100 | E - 10   | 93420-61M07 | E - 6    | 95807-06020 | F - 8    | 99009-12400 | B - 7    |          |          |          |          |
| 92902-04600 | E - 10   | 93440-10153 | B - 2    | 95807-06025 | D - 3    | 99009-17400 | C - 14   |          |          |          |          |
| 92903-06200 | B - 9    | 93440-25186 | C - 11   | 95814-08045 | C - 2    | 99530-08012 | B - 11   |          |          |          |          |
| 92907-05100 | B - 13   | 93440-28062 | C - 11   | 95817-06012 | D - 14   |             | C - 6    |          |          |          |          |
| 92907-05600 | B - 13   | 93450-17129 | B - 3    |             | F - 4    | 99530-10014 | C - 4    |          |          |          |          |
| 92907-06100 | B - 8    | 93501-04011 | E - 12   | 95817-06045 | C - 4    | 99530-10114 | B - 2    |          |          |          |          |
| 92907-06600 | B - 8    | 93607-44190 | B - 6    | 95817-06055 | C - 4    |             |          |          |          |          |          |
|             | D - 10   | 93608-17263 | C - 6    | 95817-06065 | C - 4    |             |          |          |          |          |          |
| 92907-08200 | E - 7    | 93900-00030 | E - 4    | 95817-06100 | C - 4    |             |          |          |          |          |          |
| 92907-08600 | C - 9    |             | E - 6    | 95817-08014 | C - 2    |             |          |          |          |          |          |
| 92990-05200 | C - 15   | 94112-17066 | E - 4    | 95817-08035 | C - 2    |             |          |          |          |          |          |
|             | E - 12   | 94112-17067 | E - 4    | 95817-08065 | C - 4    |             |          |          |          |          |          |
| 93101-12004 | C - 15   | 94118-17041 | E - 6    | 95824-06012 | B - 8    |             |          |          |          |          |          |
| 93101-12173 | B - 7    | 94118-17053 | E - 6    | 95824-06020 | C - 14   |             |          |          |          |          |          |
| 93102-15212 | C - 9    | 94580-25080 | B - 10   | 95824-06030 | B - 8    |             |          |          |          |          |          |
| 93102-35423 | C - 12   | 94582-11118 | E - 6    | 95827-06010 | D - 8    |             |          |          |          |          |          |
| 93106-28043 | E - 4    | 94591-49120 | B - 6    | 95827-06016 | D - 6    |             |          |          |          |          |          |
| 93106-40013 | E - 6    | 94701-00403 | B - 2    | 95827-06090 | D - 15   |             |          |          |          |          |          |
| 93109-17071 | D - 11   | 95024-06020 | B - 7    | 95827-08012 | D - 6    |             |          |          |          |          |          |
| 93210-04092 | C - 4    | 95024-06025 | D - 5    | 95827-08025 | D - 5    |             |          |          |          |          |          |
| 93210-06667 | B - 10   | 95024-10020 | B - 9    | 97007-06025 | D - 10   |             |          |          |          |          |          |
| 93210-09165 | B - 10   | 95027-06008 | F - 8    | 97307-06012 | B - 8    |             |          |          |          |          |          |
|             | C - 5    | 95027-06012 | D - 3    | 97504-05512 | B - 8    |             |          |          |          |          |          |
| 93210-14003 | B - 10   | 95027-06014 | F - 4    | 97607-05255 | F - 6    |             |          |          |          |          |          |
| 93210-14579 | C - 4    | 95027-06016 | F - 7    | 97706-04012 | F - 2    |             |          |          |          |          |          |
| 93210-15566 | B - 11   | 95027-06020 | F - 6    |             | F - 5    |             |          |          |          |          |          |
| 93210-16325 | C - 4    | 95027-06025 | E - 10   | 97707-40012 | D - 6    |             |          |          |          |          |          |
| 93210-27194 | C - 6    | 95027-06040 | E - 15   | 97707-50012 | D - 5    |             |          |          |          |          |          |
| 93210-32172 | C - 6    | 95027-08012 | B - 2    | 97707-50025 | B - 12   |             |          |          |          |          |          |
| 93210-33133 | B - 7    | 95304-06700 | C - 14   | 97707-60016 | F - 5    |             |          |          |          |          |          |
| 93210-34504 | D - 13   | 95307-08600 | E - 7    | 98502-04012 | E - 10   |             |          |          |          |          |          |
| 93210-47675 | B - 7    | 95607-04100 | D - 6    | 98507-04010 | F - 6    |             |          |          |          |          |          |
| 93306-00106 | B - 7    | 95607-05100 | C - 15   | 98507-05010 | B - 13   |             |          |          |          |          |          |
| 93306-00304 | C - 9    |             | D - 6    | 98507-05016 | B - 13   |             |          |          |          |          |          |
| 93306-00420 | E - 4    |             | E - 12   | 98507-05020 | F - 6    |             |          |          |          |          |          |
| 93306-20464 | C - 11   | 95607-05200 | F - 7    | 98507-05030 | F - 6    |             |          |          |          |          |          |
| 93306-20531 | E - 6    | 95607-06100 | F - 6    | 98507-05045 | F - 6    |             |          |          |          |          |          |
| 93306-30525 | C - 11   | 95607-06200 | E - 3    | 98507-06008 | E - 12   |             |          |          |          |          |          |
| 93306-30546 | C - 11   | 95607-10100 | D - 11   | 98507-06012 | B - 13   |             |          |          |          |          |          |
| 93310-340N8 | C - 9    | 95607-10200 | D - 2    |             | C - 6    |             |          |          |          |          |          |
| 93315-31502 | C - 9    |             | D - 11   | 98704-03020 | F - 6    |             |          |          |          |          |          |
| 93315-31758 | D - 11   | 95617-06100 | E - 10   | 98907-05008 | D - 15   |             |          |          |          |          |          |
| 93315-42523 | D - 10   | 95617-08625 | B - 2    | 98907-05012 | D - 5    |             |          |          |          |          |          |