



PARTS CATALOGUE

FZ6RB (36PK) U49

FZ6RBC (36PL) CALIFORNIA

FZ6RB/FZ6RBC
PARTS CATALOGUE
©2011 by Yamaha Motor Co., Ltd.
1st edition, August 2011
All rights reserved.
Any reprinting or unauthorized use
without the written permission of
Yamaha Motor Co., Ltd.
is expressly prohibited.
Printed in Japan.

FOREWORD

This Parts Catalogue is related to the parts for the model(s) on the cover page. When you are ordering replacement parts, please refer to this Parts Catalogue and quote both part numbers and part names correctly.

1. Modifications or additions which have been made after the issue of the Parts Catalogue will be announced in the Parts News.

It is advisable that you make the necessary corrections to the Parts Catalogue according to the Parts News.

2. Abbreviations

The following abbreviations are used in this Parts Catalogue.

“UR” Use specified parts number.

“UN” Use as many as needed.

“AP” Alternate Parts

“LM” Locally Made (Parts need to be ordered locally)

“F#” Frame No. (Applicable machine No.)

“O/S” Over Size

3. The number of components for assembly

- Parts, which are to be supplied in an assembly, are listed with a dot (.) in front of the part name as shown below.
- The numeral appearing to the right of each component part indicates the quantity of parts for each assembly unit.

PART NO.	DESCRIPTION	Q'TY	REMARKS
2F5-83310-60	FRONT FLASHER LIGHT ASSY	2	
115-83311-60	.BULB (6V-18W)	1	

4. Applicable colours of graphics are represented in the “REMARKS” as shown below.

PART NO.	DESCRIPTION	Q'TY	REMARKS
2N4-24110-00-X5	FUEL TANK COMP.	2	MXR
3J1-24240-10	.GRAPHIC, FUEL TANK	1	FOR MXR

5. Note that the illustrations for reference in finding parts numbers are not to be used for assembling. When assembling, please use the applicable service manual.

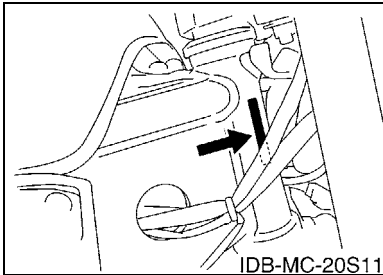
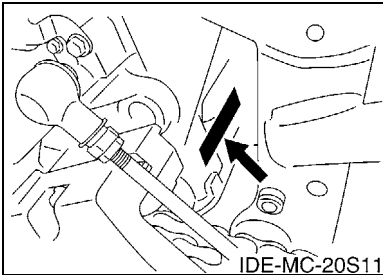
6. The asterisk (*) before a reference number indicates modified items after the first edition.

FOREWORD

7. Applicable Serial No.

Engine Serial No.

Frame Serial No.



8. Applicable Colour Code (The (*) mark shows Model colour.)

Abbreviation	Colour Name	Colour Code
BWC1(*)	BLUISH WHITE COCKTAIL 1	0390
HTR	HEAT RED	00EY
LGB	LOW GLOSS BLACK	0098
MBL2	MAT BLACK 2	0582

CONTENTS

ENGINE

CYLINDER HEAD	1
CRANKSHAFT & PISTON	2
VALVE	3
CAMSHAFT & CHAIN	5
WATER PUMP	6
RADIATOR & HOSE	7
OIL PUMP	9
OIL CLEANER	10
INTAKE	11
INTAKE 2	12
AIR INDUCTION SYSTEM	14
EXHAUST	15
CRANKCASE	16
CRANKCASE COVER 1	17
STARTER	19
CLUTCH	20
TRANSMISSION	22
SHIFT CAM & FORK	24
SHIFT SHAFT	25

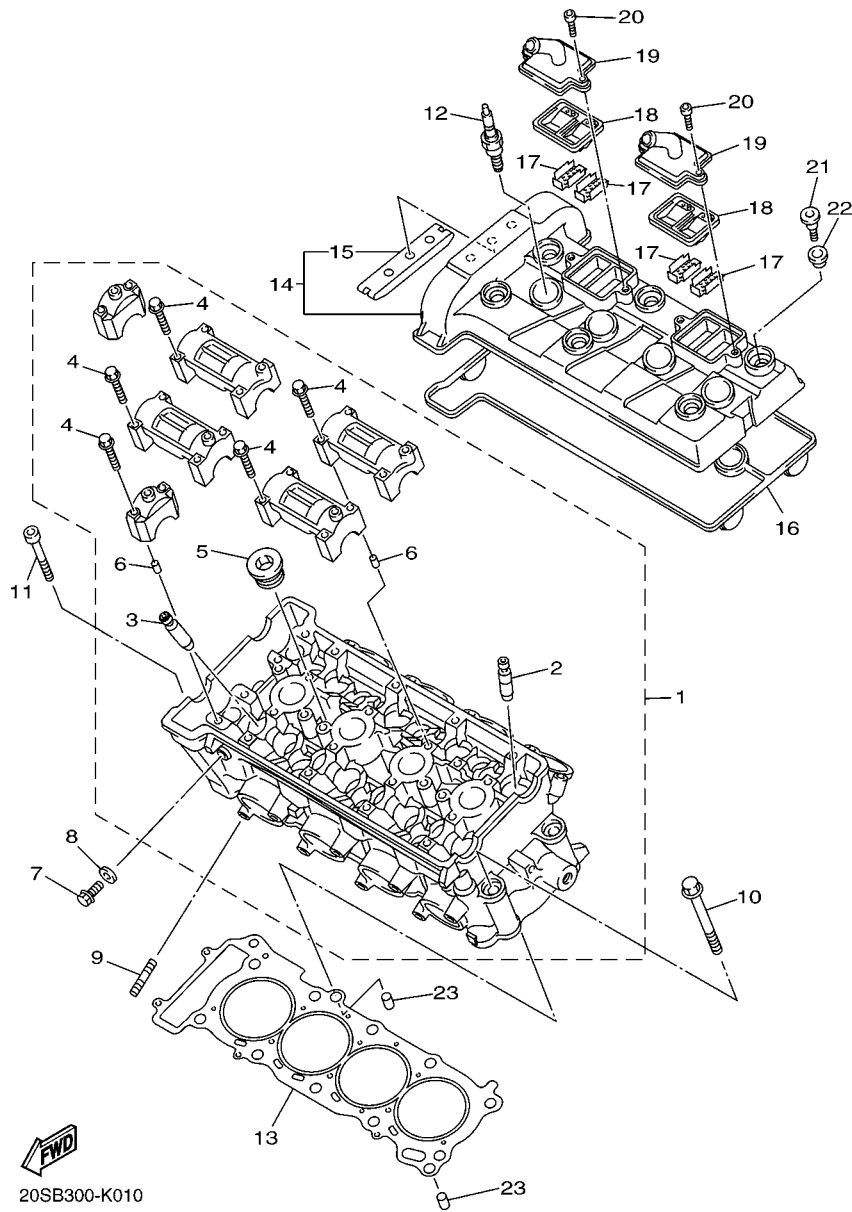
CHASSIS

FRAME	27
FENDER	28
SIDE COVER	30
REAR ARM	32
REAR SUSPENSION	33
STEERING	34
FRONT FORK	35
FUEL TANK	37
SEAT	39
FRONT WHEEL	41
FRONT BRAKE CALIPER	42
REAR WHEEL	43
REAR BRAKE CALIPER	45
STEERING HANDLE & CABLE	46
FRONT MASTER CYLINDER	47
STAND & FOOTREST	48
REAR MASTER CYLINDER	51
COWLING 1	53
COWLING 2	55
GENERATOR	57

STARTING MOTOR	58
FLASHER LIGHT	59
METER	60
HEADLIGHT	61
TAILLIGHT	62
HANDLE SWITCH & LEVER	63
ELECTRICAL 1	64
ELECTRICAL 2	66

INDEX

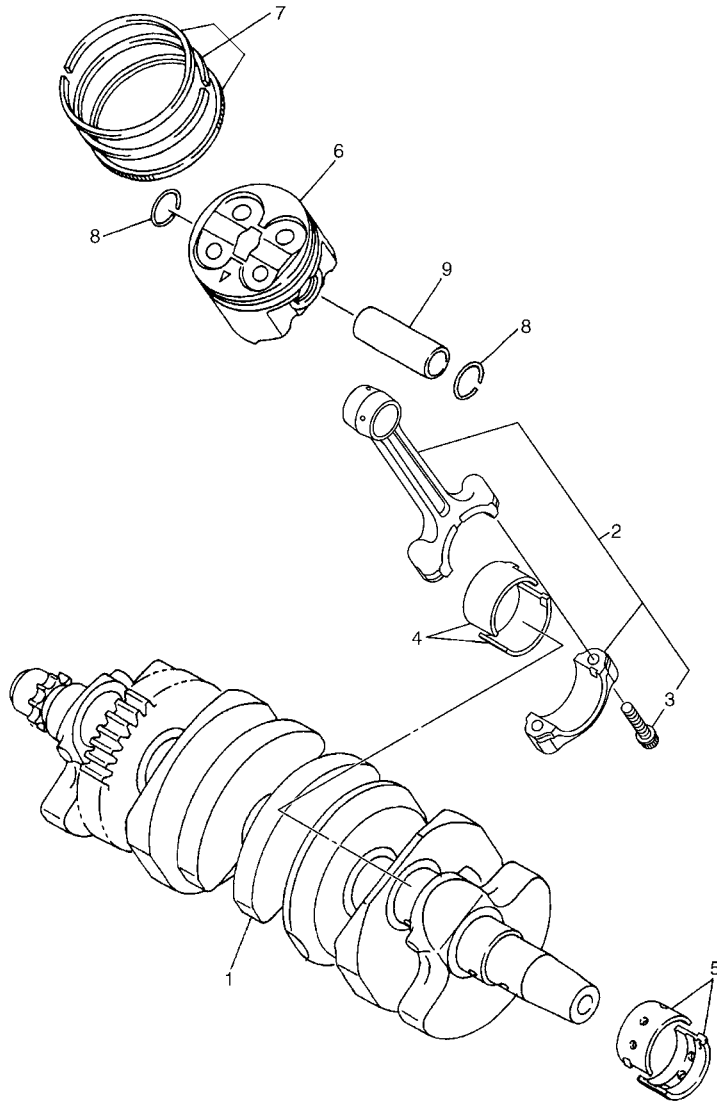
NUMERICAL INDEX	68
-----------------------	----



20SB300-K010

FIG. 1 CYLINDER HEAD

REF. NO.	PART NO.	DESCRIPTION	36PK	36PL	REMARKS
1	20S-11101-00	CYLINDER HEAD ASSY	1	1	
2	5EB-11133-10	.GUIDE, VALVE 1	8	8	
3	20S-11134-10	.GUIDE, VALVE 2	8	8	
4	90105-06027	.BOLT, FLANGE	20	20	
5	90340-20090	.PLUG, STRAIGHT SCREW	3	3	
6	91808-16023	.PIN, DOWEL	12	12	
7	95022-08012	BOLT, FLANGE	1	1	
8	90430-08119	GASKET	1	1	
9	95612-08625	BOLT, STUD	8	8	
10	90119-10003	BOLT, WITH WASHER	10	10	
11	91312-06060	BOLT	2	2	
12	94701-00318	PLUG, SPARK (NGK R CR9E)	4	4	
13	20S-11181-00	GASKET, CYLINDER HEAD 1	1	1	
14	1B3-11191-10	COVER, CYLINDER HEAD 1	1	1	
15	5BE-12241-00	.GUIDE, STOPPER 2	1	1	
16	20S-11193-00	GASKET, HEAD COVER 1	1	1	
17	5SL-1482K-00	PLATE	4	4	
18	5SL-14890-00	REED VALVE ASSY	2	2	
19	5SL-14899-00	CAP, CASE	2	2	
20	91312-06020	BOLT	4	4	
21	90109-066F0	BOLT	6	6	
22	5VY-1111G-00	RUBBER, MOUNT 1	6	6	
23	99530-10114	PIN, DOWEL	2	2	



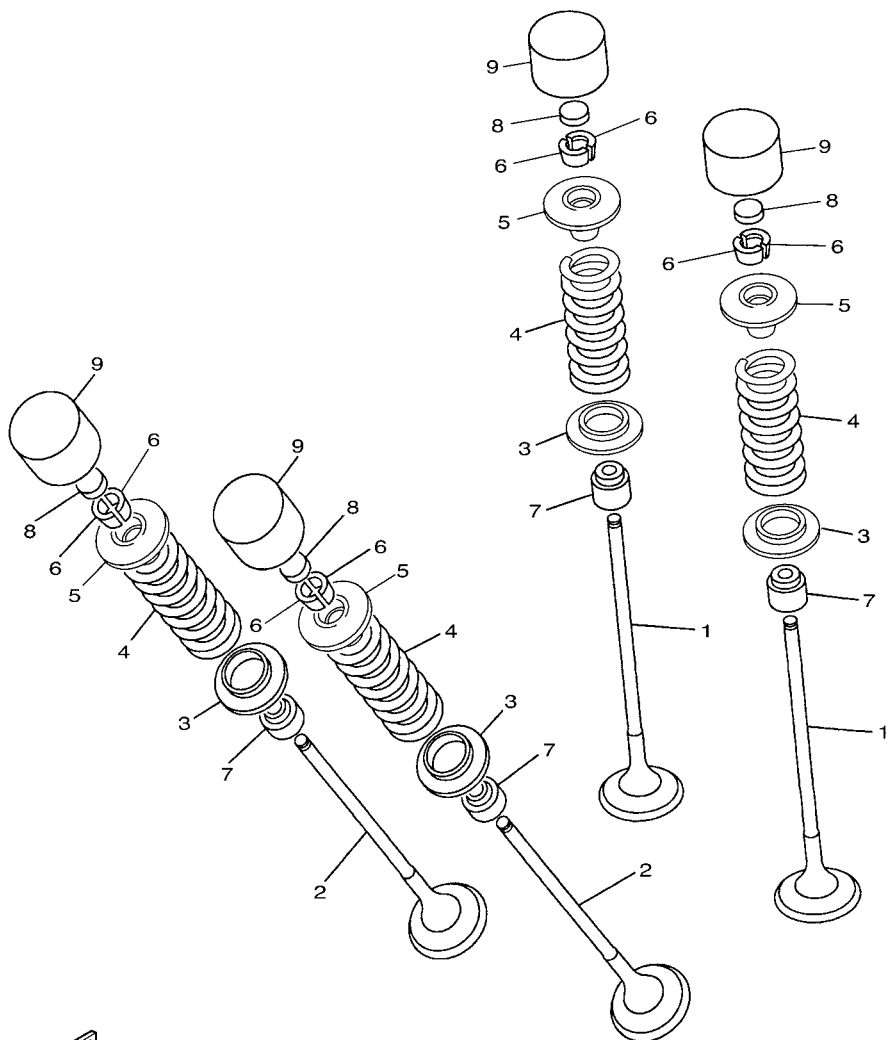
5S44300-H020

FIG. 2 CRANKSHAFT & PISTON

REF. NO.	PART NO.	DESCRIPTION	36PK	36PL		REMARKS
1	20S-11411-00	CRANKSHAFT	1	1		
2	5VX-11650-00	CONNECTING ROD ASSY	4	4		
3	5VX-11654-00	.BOLT, CONNECTING ROD	2	2		
4	5VX-11656-00	PLANE BEARING, CONNECTING ROD	8	8		UR BLUE
	5VX-11656-10	PLANE BEARING, CONNECTING ROD	8	8		UR BLACK
	5VX-11656-20	PLANE BEARING, CONNECTING ROD	8	8		UR BROWN
	5VX-11656-30	PLANE BEARING, CONNECTING ROD	8	8		UR GREEN
5	5EB-11416-A0	PLANE BEARING, CRANKSHAFT 1	10	10		UR WHITE
	5EB-11416-00	PLANE BEARING, CRANKSHAFT 1	10	10		UR BLUE
	5EB-11416-10	PLANE BEARING, CRANKSHAFT 1	10	10		UR BLACK
	5EB-11416-20	PLANE BEARING, CRANKSHAFT 1	10	10		UR BROWN
	5EB-11416-30	PLANE BEARING, CRANKSHAFT 1	10	10		UR GREEN
6	5SL-11631-00	PISTON (STD)	4	4		
7	20S-11603-00	PISTON RING SET (STD)	4	4		
8	93450-17129	CIRCLIP	8	8		
9	20S-11633-00	PIN, PISTON	4	4		

FIG. 3 VALVE

REF. NO.	PART NO.	DESCRIPTION	36PK	36PL	REMARKS
1	20S-12111-00	VALVE, INTAKE	8	8	
2	20S-12121-00	VALVE, EXHAUST	8	8	
3	5EB-12126-00	SEAT, VALVE SPRING 2	16	16	
4	20S-12113-00	SPRING, VALVE INNER	16	16	
5	5EB-12127-00	RETAINER, VALVE SPRING	16	16	
6	1HX-12118-00	COTTER, VALVE	32	32	
7	4TV-12119-00	SEAL, VALVE STEM	16	16	
8	1HX-12168-00	PAD, ADJUSTING 2 (1.20)	16	16	UR
	1HX-12168-20	PAD, ADJUSTING 2 (1.25)	16	16	UR
	1HX-12168-40	PAD, ADJUSTING 2 (1.30)	16	16	UR
	1HX-12168-60	PAD, ADJUSTING 2 (1.35)	16	16	UR
	1HX-12168-80	PAD, ADJUSTING 2 (1.40)	16	16	UR
	1HX-12168-A0	PAD, ADJUSTING 2 (1.45)	16	16	UR
	1HX-12168-F0	PAD, ADJUSTING 2 (1.50)	16	16	UR
	1HX-12168-H1	PAD, ADJUSTING 2 (1.55)	16	16	UR
	1HX-12168-K1	PAD, ADJUSTING 2 (1.60)	16	16	UR
	1HX-12168-M1	PAD, ADJUSTING 2 (1.65)	16	16	UR
	1HX-12168-R1	PAD, ADJUSTING 2 (1.70)	16	16	UR
	1HX-12168-U1	PAD, ADJUSTING 2 (1.75)	16	16	UR
	1HX-12168-W1	PAD, ADJUSTING 2 (1.80)	16	16	UR
	1HX-12168-Y1	PAD, ADJUSTING 2 (1.85)	16	16	UR
	1HX-12169-11	PAD, ADJUSTING 2 (1.90)	16	16	UR
	1HX-12169-31	PAD, ADJUSTING 2 (1.95)	16	16	UR
	1HX-12169-50	PAD, ADJUSTING 2 (2.00)	16	16	UR
	1HX-12169-70	PAD, ADJUSTING 2 (2.05)	16	16	UR
	1HX-12169-90	PAD, ADJUSTING 2 (2.10)	16	16	UR
	1HX-12169-E0	PAD, ADJUSTING 2 (2.15)	16	16	UR



20S1300-H031

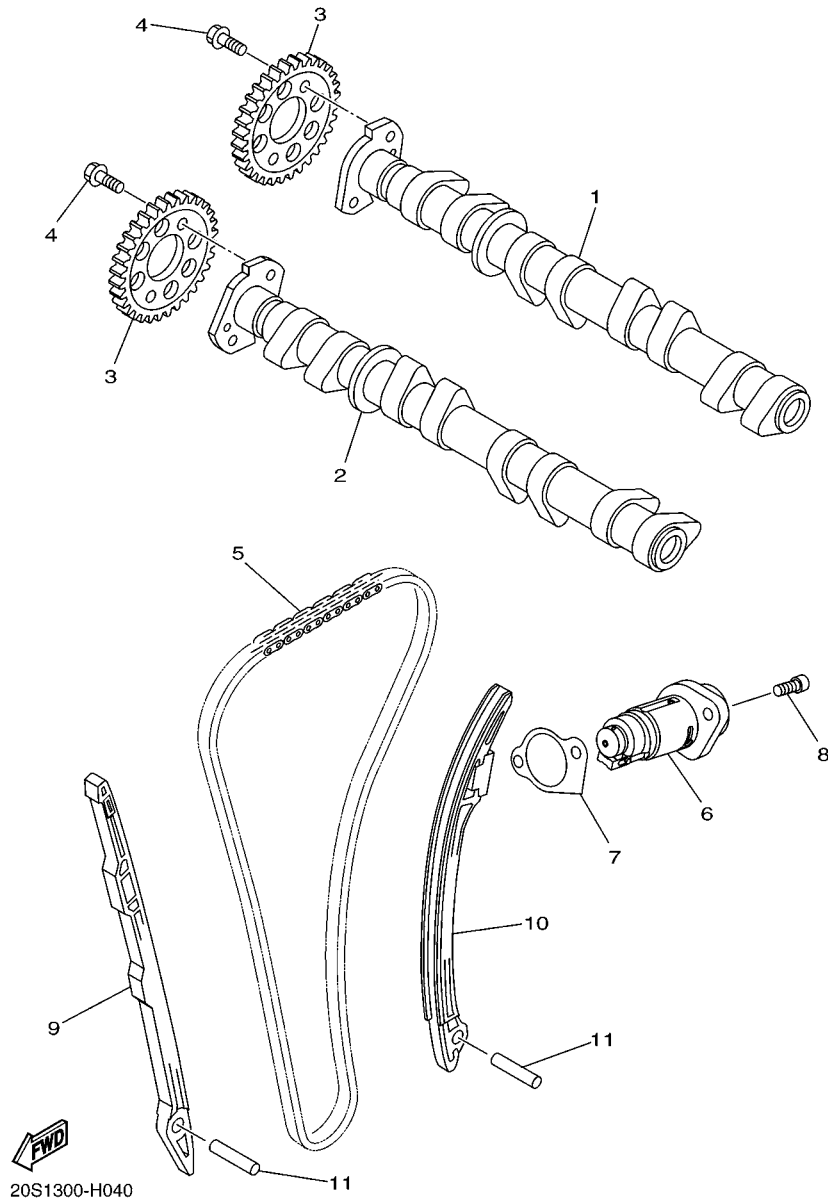
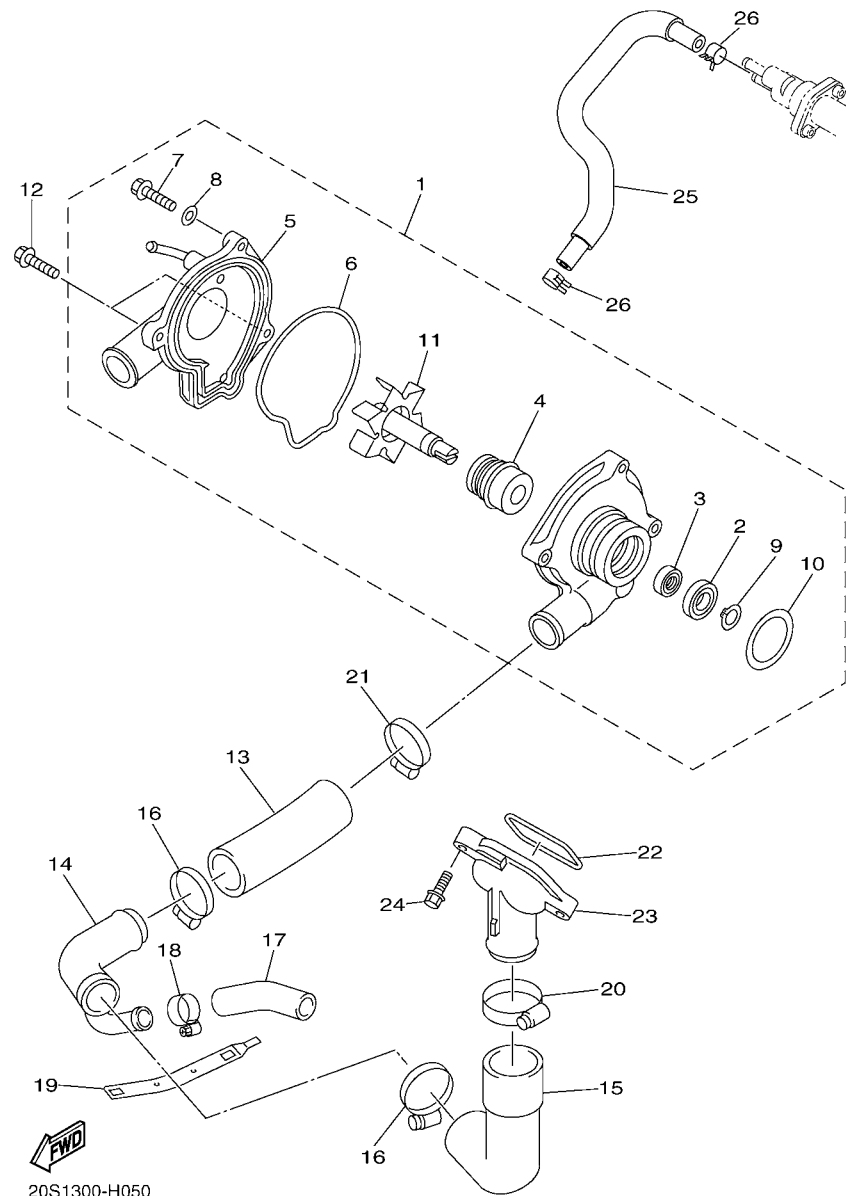


FIG. 4 CAMSHAFT & CHAIN

REF. NO.	PART NO.	DESCRIPTION	36PK	36PL	REMARKS
1	20S-12170-00	CAMSHAFT ASSY 1	1	1	
2	20S-12180-00	CAMSHAFT ASSY 2	1	1	
3	20S-12176-00	SPROCKET, CAM CHAIN	2	2	
4	90105-07004	BOLT, FLANGE	4	4	
5	94591-68120	CHAIN	1	1	
6	20S-12210-10	TENSIONER ASSY, CAM CHAIN	1	1	
7	2C0-12213-00	GASKET, TENSIONER CASE	1	1	
8	90110-06335	BOLT, HEXAGON SOCKET HEAD	2	2	
9	2C0-12251-00	DAMPER, CHAIN 1	1	1	
10	13S-12252-00	DAMPER, CHAIN 2	1	1	
11	93607-44002	PIN, DOWEL	2	2	



20S1300-H050

FIG. 5 WATER PUMP

REF. NO.	PART NO.	DESCRIPTION	36PK	36PL	REMARKS
1	20S-12420-00	WATER PUMP ASSY	1	1	
2	93306-00106	.BEARING	1	1	
3	93101-12173	.OIL SEAL	1	1	
4	4C8-12438-00	.SEAL, MECHANICAL	1	1	
5	5SL-12422-00	.COVER, HOUSING	1	1	
6	5EB-12439-00	.O-RING	1	1	
7	95024-06020	.BOLT, FLG.(SMALL HEAD)	2	2	
8	90430-06014	.GASKET	1	1	
9	99009-12400	.CIRCLIP	1	1	
10	93210-33133	.O-RING	1	1	
11	20S-12450-00	.IMPELLER SHAFT ASSY	1	1	
12	90110-06086	BOLT, HEXAGON SOCKET HEAD	2	2	
13	4NK-12579-00	HOSE 4	1	1	
14	20S-12581-01	JOINT, HOSE 1	1	1	
15	5EB-12577-01	HOSE 2	1	1	
16	90450-35001	HOSE CLAMP ASSY	2	2	
17	5SL-12588-01	HOSE 5	1	1	
18	90450-22017	HOSE CLAMP ASSY	1	1	
19	5GV-1246E-00	COVER 2	1	1	
20	90450-38003	HOSE CLAMP ASSY	1	1	
21	90450-32006	HOSE CLAMP ASSY	1	1	
22	93210-46001	O-RING	1	1	
23	5EB-12469-00	JOINT 1	1	1	
24	90105-06053	BOLT, FLANGE	2	2	
25	5VX-1243A-00	HOSE 1	1	1	
26	90467-110A2	CLIP	2	2	

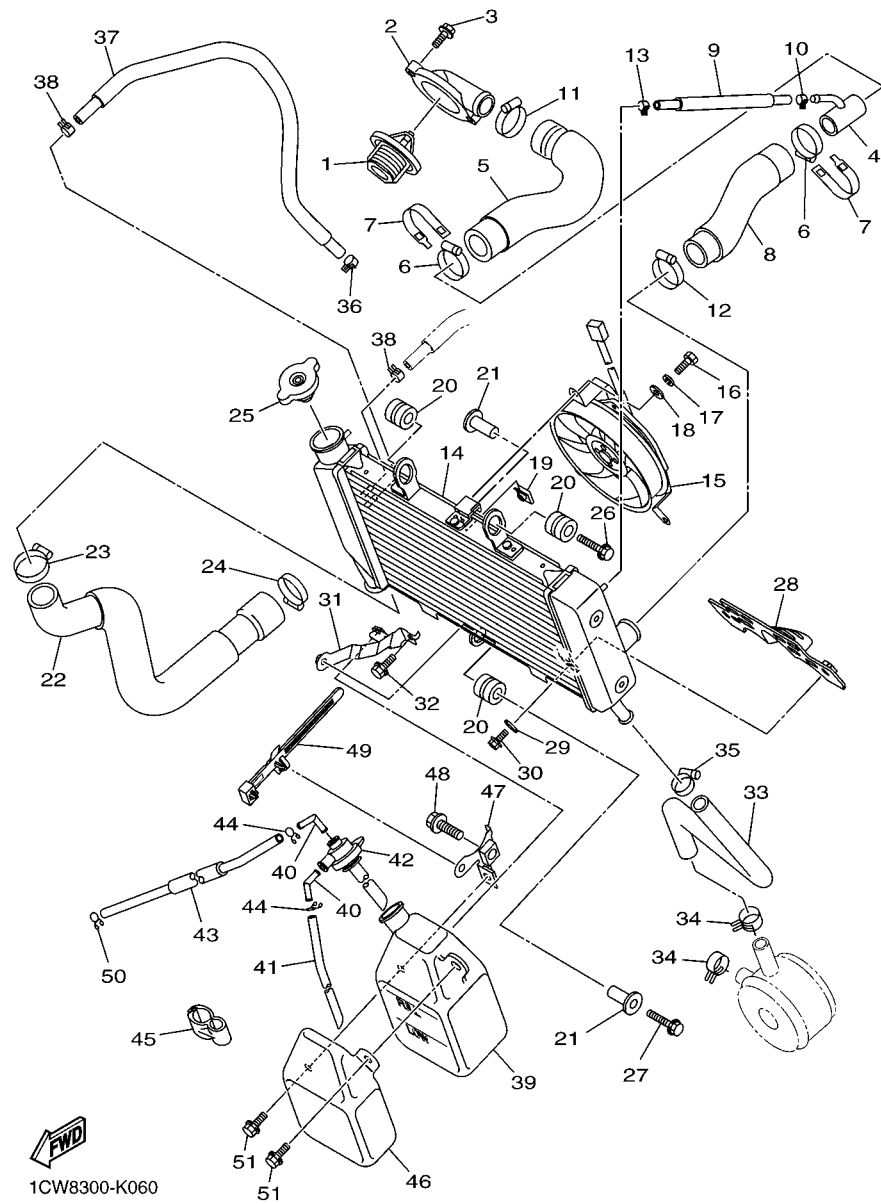


FIG. 6 RADIATOR & HOSE

REF. NO.	PART NO.	DESCRIPTION	36PK	36PL	REMARKS
1	5SL-12410-00	THERMOSTAT ASSY	1	1	
2	5VX-12413-00	COVER, THERMOSTAT	1	1	
3	90105-06164	BOLT, FLANGE	2	2	
4	20S-12582-01	JOINT, HOSE 2	1	1	
5	20S-12578-00	HOSE 3	1	1	
6	90450-32003	HOSE CLAMP ASSY	2	2	
7	20S-1246E-00	COVER 2	2	2	
8	20S-12551-00	HOSE 7	1	1	
9	90445-12012	HOSE	1	1	
10	90467-11090	CLIP	1	1	
11	90450-32006	HOSE CLAMP ASSY	1	1	
12	90450-32003	HOSE CLAMP ASSY	1	1	
13	90467-11090	CLIP	1	1	
14	20S-12461-01	RADIATOR COMP	1	1	
15	20S-12405-20	BLOWER ASSY	1	1	
16	97307-06012	BOLT	3	3	
17	92907-06100	WASHER, SPRING	3	3	
18	92907-06600	WASHER, PLATE	3	3	
19	1AA-12535-00	PLATE	3	3	
20	90480-15363	GROMMET	3	3	
21	90387-0614M	COLLAR	2	2	
22	20S-12579-00	HOSE 4	1	1	
23	90450-32003	HOSE CLAMP ASSY	1	1	
24	90450-32006	HOSE CLAMP ASSY	1	1	
25	22W-12462-00	CAP, RADIATOR	1	1	
26	95802-06025	BOLT, FLANGE	1	1	
27	95802-06030	BOLT, FLANGE	1	1	

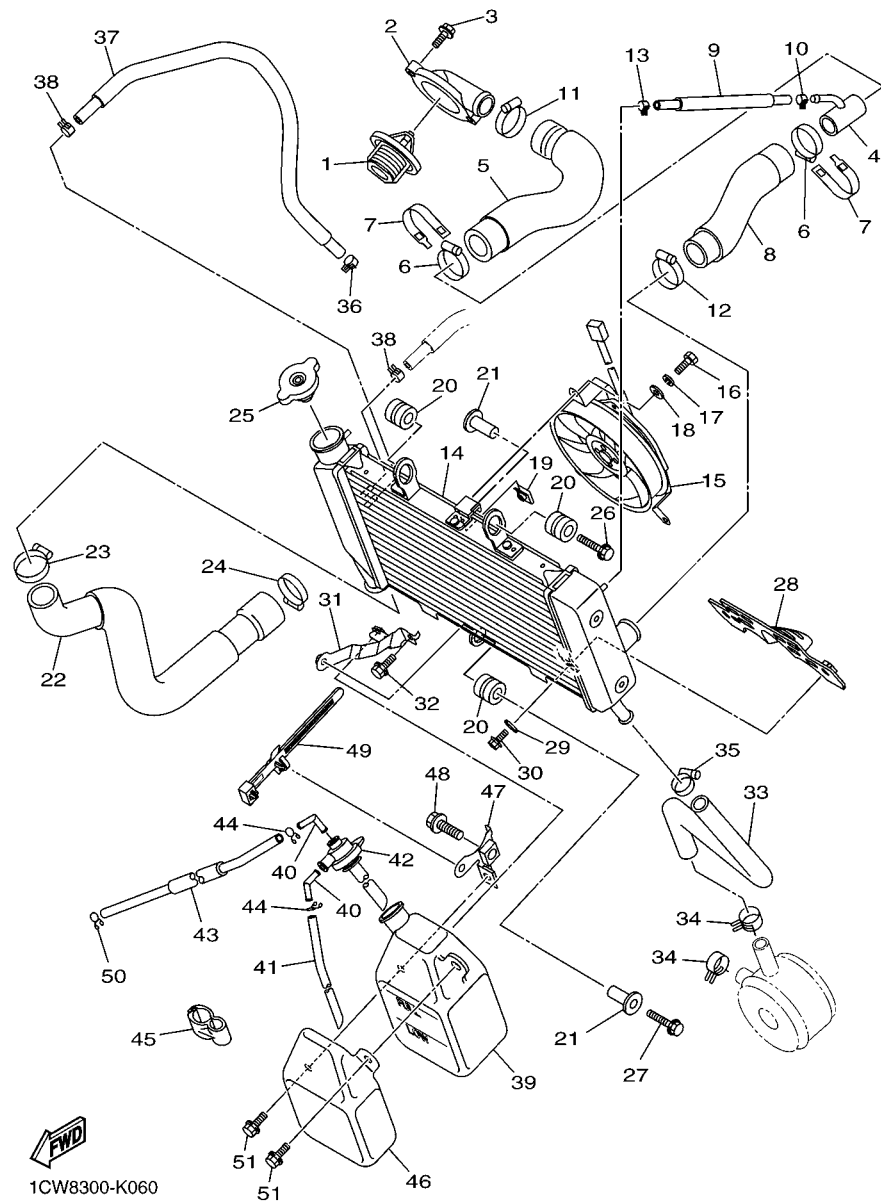
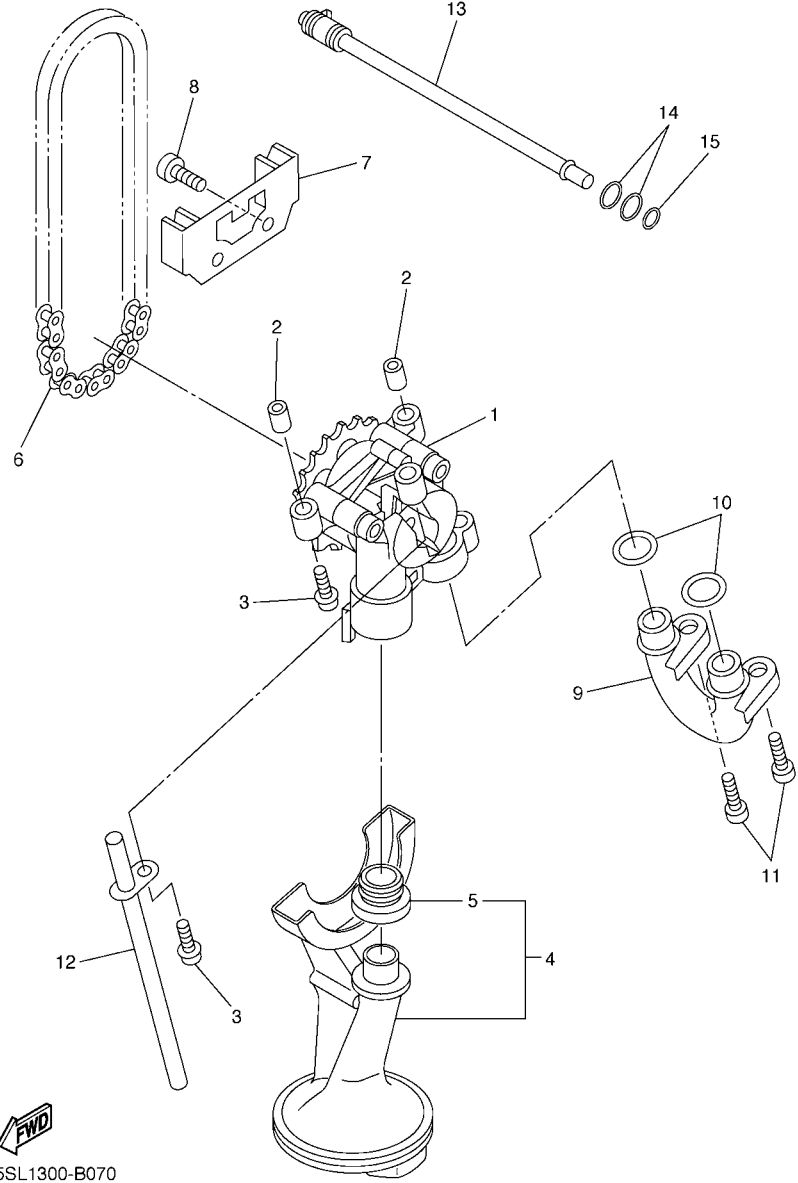


FIG. 6 RADIATOR & HOSE

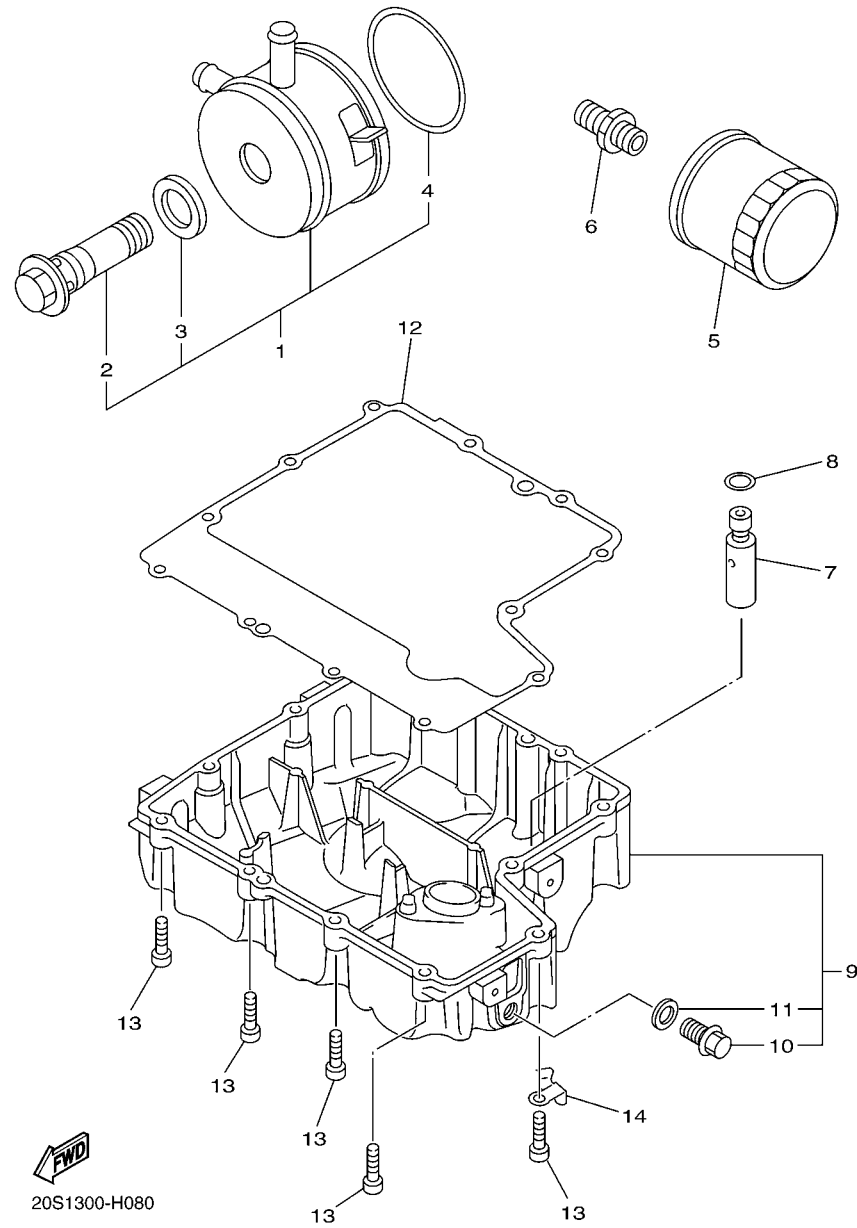
REF. NO.	PART NO.	DESCRIPTION	36PK	36PL	REMARKS
28	20S-12535-00	PLATE	1	1	
29	90201-06025	WASHER, PLATE	2	2	
30	95824-06012	BOLT, FLANGE	2	2	
31	20S-1244E-00	BRACKET 1	1	1	
32	95822-06012	BOLT, FLANGE	1	1	
33	20S-12589-00	HOSE 6	1	1	
34	90467-200A0	CLIP	2	2	
35	90450-22017	HOSE CLAMP ASSY	1	1	
36	90467-11090	CLIP	1	1	
37	90445-12009	HOSE	1	1	
38	90467-11090	CLIP	2	2	
39	4P5-21871-00	TANK, RECOVERY	1	1	
40	26H-21828-00	ELBOW	2	2	
41	90445-081F2	HOSE (L200)	1	1	
42	20S-21875-10	CAP	1	1	
43	90445-08025	HOSE	1	1	
44	90467-08075	CLIP	2	2	
45	90464-10233	CLAMP	1	1	
46	4P5-2172W-00	COVER	1	1	
47	4P5-21873-00	BRACKET, RECOVERY TANK	1	1	
48	95822-10020	BOLT, FLANGE	1	1	
49	90464-07012	CLAMP	1	1	
50	90467-08075	CLIP	1	1	
51	90105-060A6	BOLT, FLANGE	2	2	



5SL1300-B070

FIG. 7 OIL PUMP

REF. NO.	PART NO.	DESCRIPTION	36PK	36PL	REMARKS
1	5MT-13300-00	OIL PUMP ASSY	1	1	
2	91808-17032	PIN, DOWEL	2	2	
3	95812-06030	BOLT, FLANGE	3	3	
4	5SL-13410-00	STRAINER HOUSING ASSY	1	1	
5	5EB-13415-00	.SEAL, OIL STRAINER	1	1	
6	94580-25080	CHAIN	1	1	
7	5EB-13898-00	HOLDER	1	1	
8	90110-06161	BOLT, HEXAGON SOCKET HEAD	2	2	
9	2C0-13416-00	PIPE, OIL 1	1	1	
10	93210-14003	O-RING	2	2	
11	90110-06161	BOLT, HEXAGON SOCKET HEAD	2	2	
12	5EB-13161-00	PIPE, DELIVERY 1	1	1	
13	5EB-1316E-00	PIPE, DELIVERY 5	1	1	
14	93210-09165	O-RING	2	2	
15	93210-06667	O-RING	1	1	



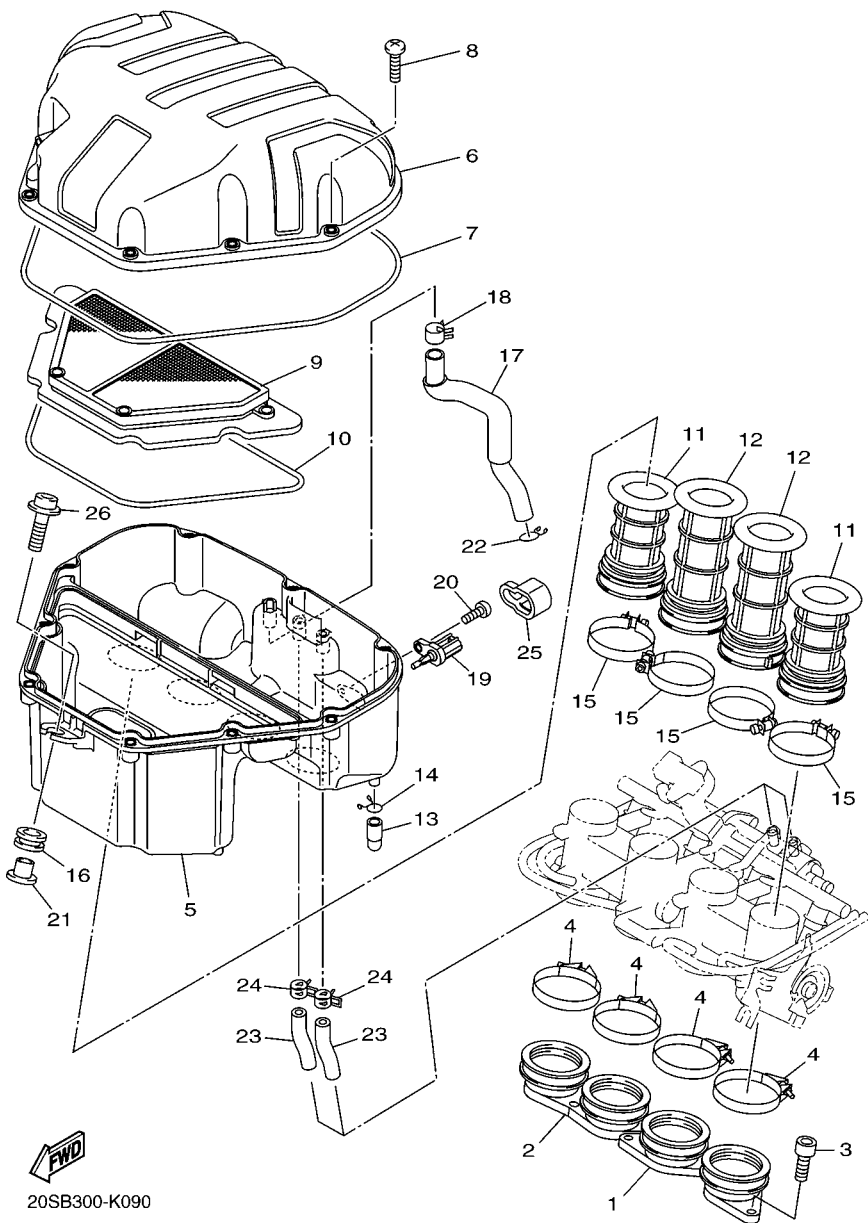
20S1300-H080

FIG. 8 OIL CLEANER

REF. NO.	PART NO.	DESCRIPTION	36PK	36PL	REMARKS
1	5EB-13470-00	OIL COOLER ASSY	1	1	
2	5EB-12822-00	.BOLT, UNION	1	1	
3	5EB-13475-00	.GASKET	1	1	
4	5JW-13473-00	.O-RING	1	1	
5	5GH-13440-20	ELEMENT ASSY, OIL CLEANER	1	1	
6	90401-20008	BOLT, UNION	1	1	
7	3KS-13490-00	RELIEF VALVE ASSY	1	1	
8	93210-15566	O-RING	1	1	
9	20S-13400-00	STRAINER COVER ASSY	1	1	
10	90340-14132	.PLUG, STRAIGHT SCREW	1	1	
11	214-11198-01	.GASKET	1	1	
12	20S-13414-00	GASKET, STRAINER COVER	1	1	
13	91312-06025	BOLT	12	12	
14	90465-10030	CLAMP	1	1	

FIG. 9 INTAKE

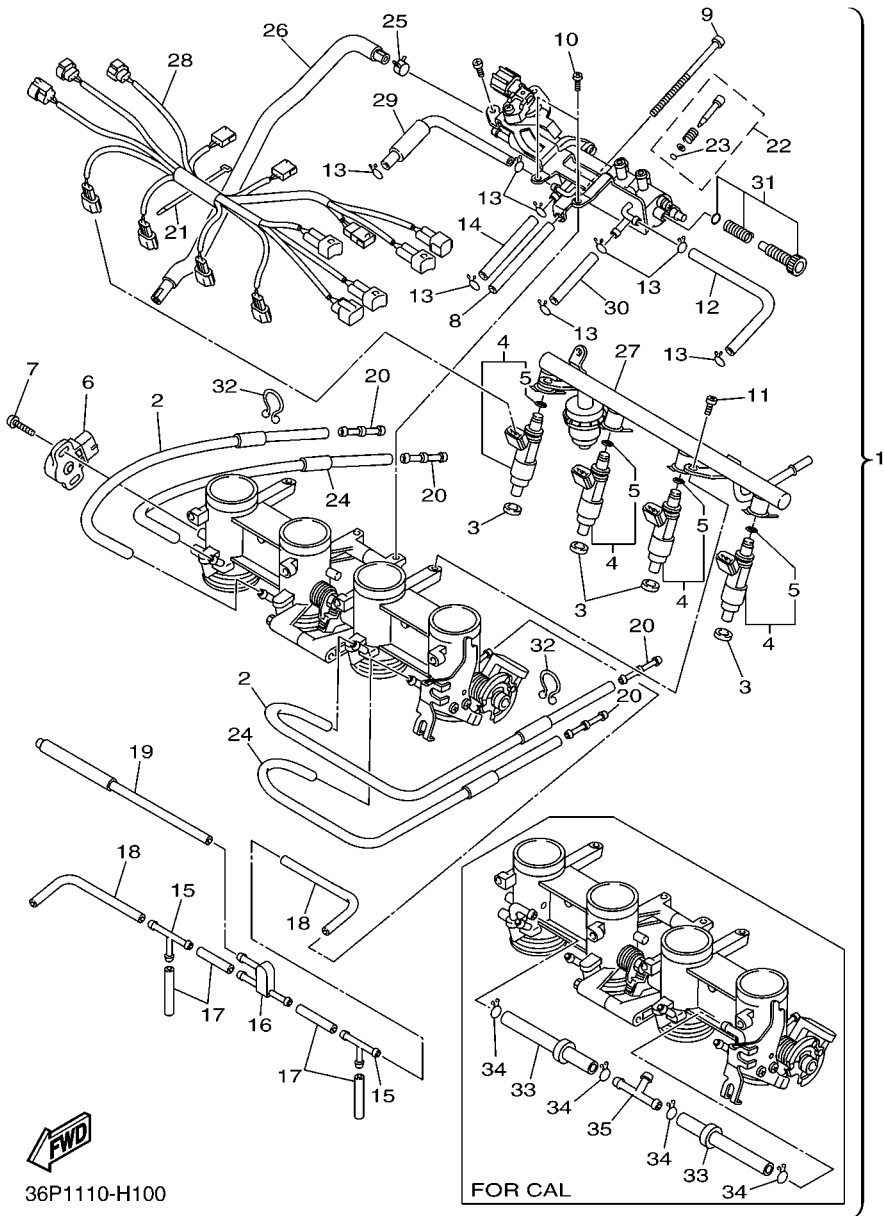
REF. NO.	PART NO.	DESCRIPTION	36PK	36PL			REMARKS
1	20S-13586-00	JOINT, CARBURETOR 1	1	1			
2	20S-13596-00	JOINT, CARBURETOR 2	1	1			
3	91312-06020	BOLT	6	6			
4	90450-63006	HOSE CLAMP ASSY	4	4			
5	20S-14411-00	CASE, AIR CLEANER 1	1	1			
6	20S-14421-00	CASE, AIR CLEANER 2	1	1			
7	20S-14452-00	SEAL	1	1			
8	98902-05020	SCREW, BIND	9	9			
9	20S-14451-00	ELEMENT, AIR CLEANER	1	1			
10	20S-14457-00	SEAL	1	1			
11	20S-14453-00	JOINT, AIR CLEANER 1	2	2			
12	20S-14463-00	JOINT, AIR CLEANER 2	2	2			
13	4D9-1443E-00	PIPE, DRAIN	1	1			
14	90467-10041	CLIP	1	1			
15	90450-53007	HOSE CLAMP ASSY	4	4			
16	90480-12314	GROMMET	1	1			
17	20S-15373-00	PIPE, BREATHER	1	1			
18	90467-15001	CLIP	1	1			
19	8FP-85886-00	SENSOR, AIR TEMPERATURE	1	1			
20	98902-05012	SCREW, BIND	1	1			
21	90387-06205	COLLAR	1	1			
22	90467-14015	CLIP	1	1			
23	5VX-14148-01	PIPE	2	2			
24	90467-17003	CLIP	2	2			
25	20S-1445C-00	HOLDER	1	1			
26	90110-06233	BOLT, HEXAGON SOCKET HEAD	1	1			



20SB300-K090

FIG. 10 INTAKE 2

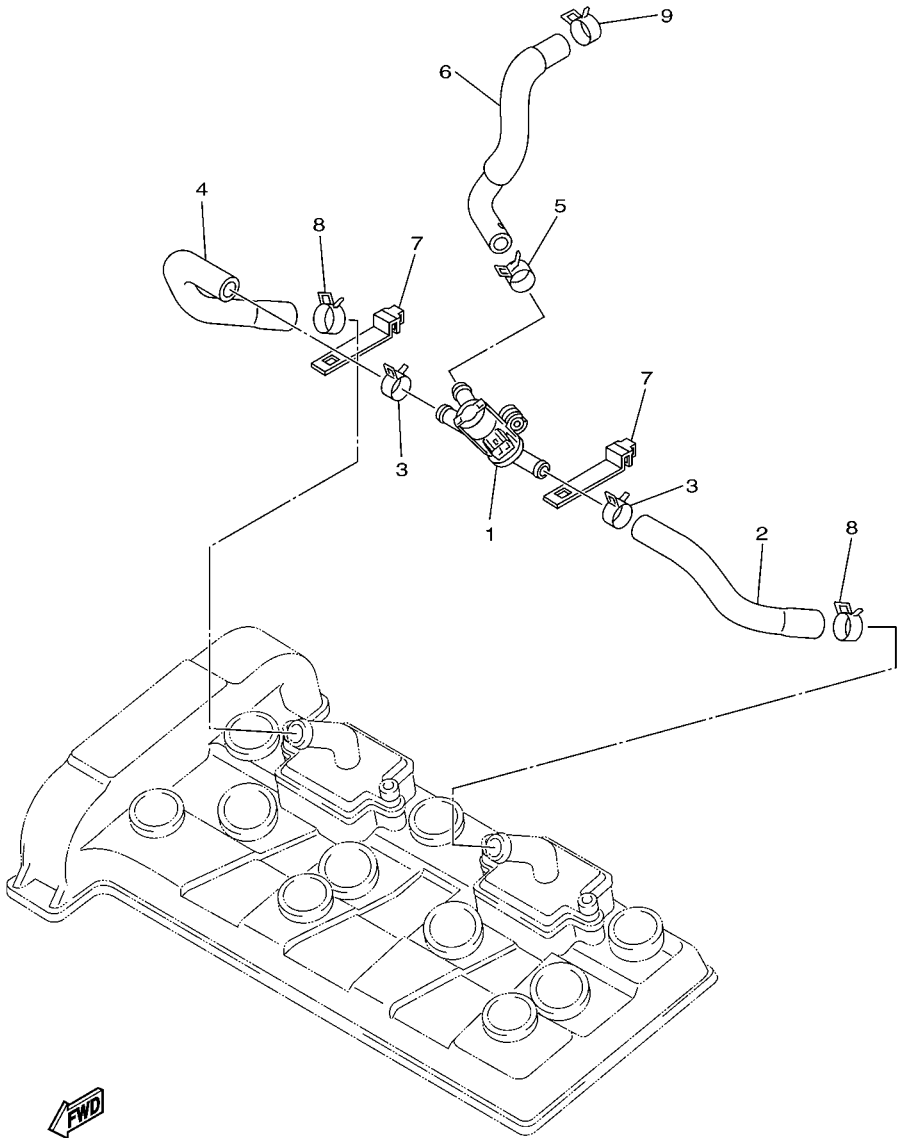
REF. NO.	PART NO.	DESCRIPTION	36PK	36PL	REMARKS
1	20S-13750-00	THROTTLE BODY ASSY	1		
	36P-13750-00	THROTTLE BODY ASSY		1	FOR CALIFORNIA
2	5VX-14348-00	.PIPE 1	2	2	
3	8FP-13556-00	.RUBBER, INJECTOR	4	4	
4	5VX-13761-00	.INJECTOR	4	4	
5	5PS-14147-00	.O-RING	1	1	
6	2D1-85885-00	.THROTTLE SENSOR ASSY	1	1	
7	4KM-24453-00	.SCREW	2	2	
8	5VX-14149-00	.PIPE	1	1	
9	5VX-14565-00	.SCREW	1	1	
10	98507-05010	.SCREW, PAN HEAD	2	2	
11	98507-06012	.SCREW, PAN HEAD	2	2	
12	5VX-14396-00	.PIPE	1	1	
13	3UH-14937-00	.CLIP	8	8	
14	5VX-14987-00	.HOSE	1	1	
15	68V-24376-00	.PIPE, JOINT 1	2	2	
16	3XV-14251-00	.NIPPLE	1	1	
17	5FL-14348-10	.PIPE 1	4	4	
18	68V-13533-00	.HOSE, VACUUM SENSING 4	2	2	
19	5VX-1410E-00	.HOSE	1	1	
20	5PW-14251-00	.NIPPLE	4	4	
21	4KM-14137-00	.CLIP	1	1	
22	5JW-14104-00	.AIR SCREW SET	4	4	
23	3H1-14147-00	.O-RING	1	1	
24	5VX-14349-00	.PIPE	2	2	
25	90467-11090	.CLIP	1	1	
26	20S-1243E-00	.HOSE 2	1	1	



36P1110-H100

FIG. 11 AIR INDUCTION SYSTEM

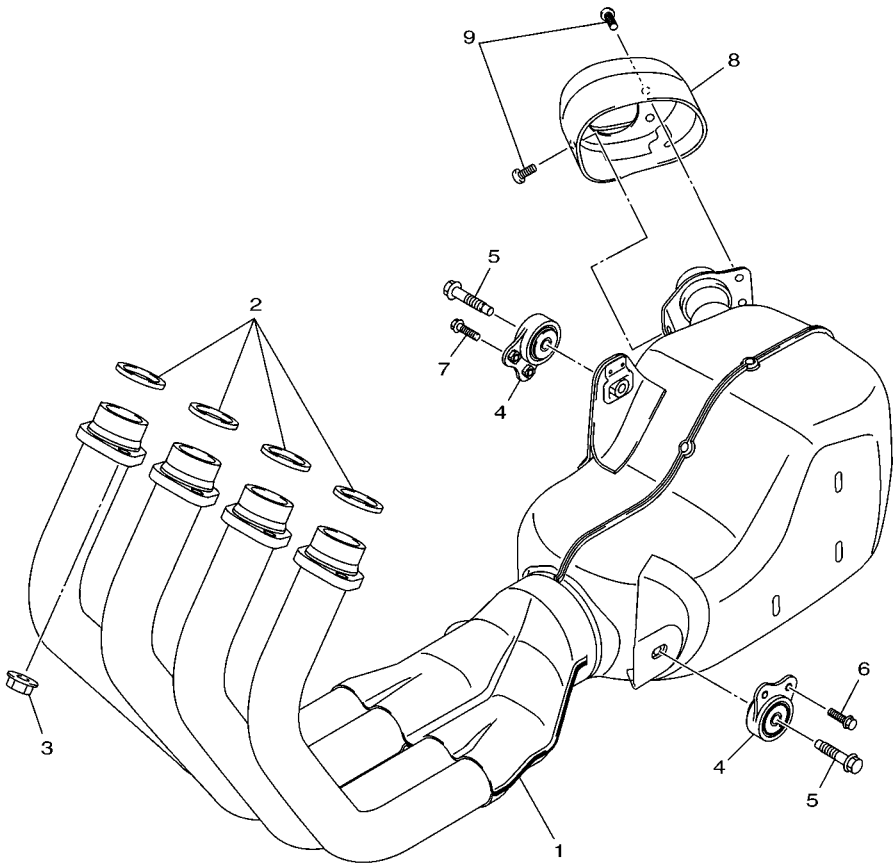
REF. NO.	PART NO.	DESCRIPTION	36PK	36PL	REMARKS
1	20S-14840-00	AIR CUT VALVE ASSY	1	1	
2	20S-14881-00	HOSE, BEND 1	1	1	
3	90467-17089	CLIP	2	2	
4	20S-14882-00	HOSE, BEND 2	1	1	
5	90467-17089	CLIP	1	1	
6	20S-14883-00	HOSE, BEND 3	1	1	
7	5JW-14723-00	COVER 1	2	2	
8	90467-17003	CLIP	2	2	
9	90467-17128	CLIP	1	1	



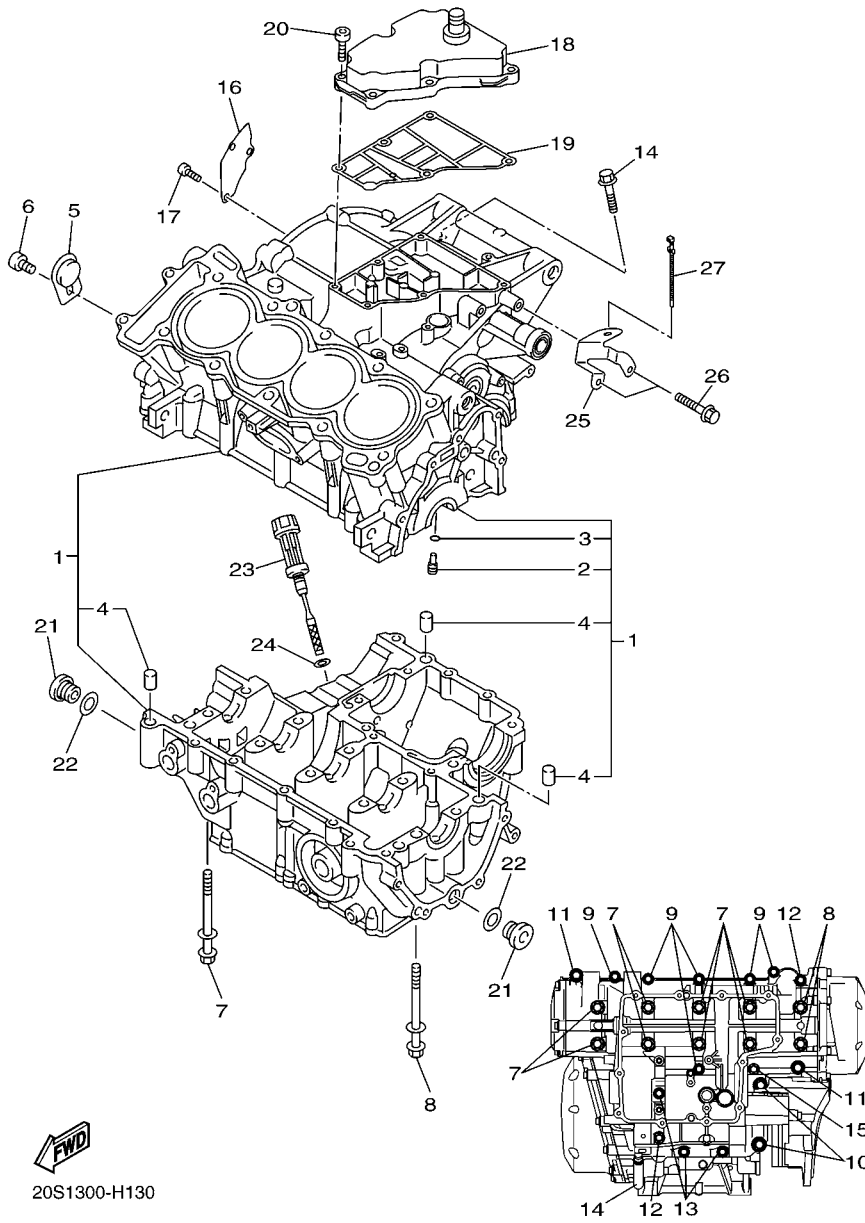
20S1300-H110

FIG. 12 EXHAUST

REF. NO.	PART NO.	DESCRIPTION	36PK	36PL	REMARKS
1	36P-14703-10	MUFFLER COMP. 1	1	1	
2	3YF-14613-01	GASKET, EXHAUST PIPE	4	4	
3	90179-08410	NUT	8	8	
4	20S-21445-01	STAY, MUFFLER 1	2	2	
5	90105-08164	BOLT, FLANGE	2	2	
6	95824-06020	BOLT, FLANGE	2	2	
7	95824-06016	BOLT, FLANGE	2	2	
8	20S-14799-00	CAP	1	1	
9	92014-06010	BOLT, BUTTON HEAD	3	3	



36P1110-H120



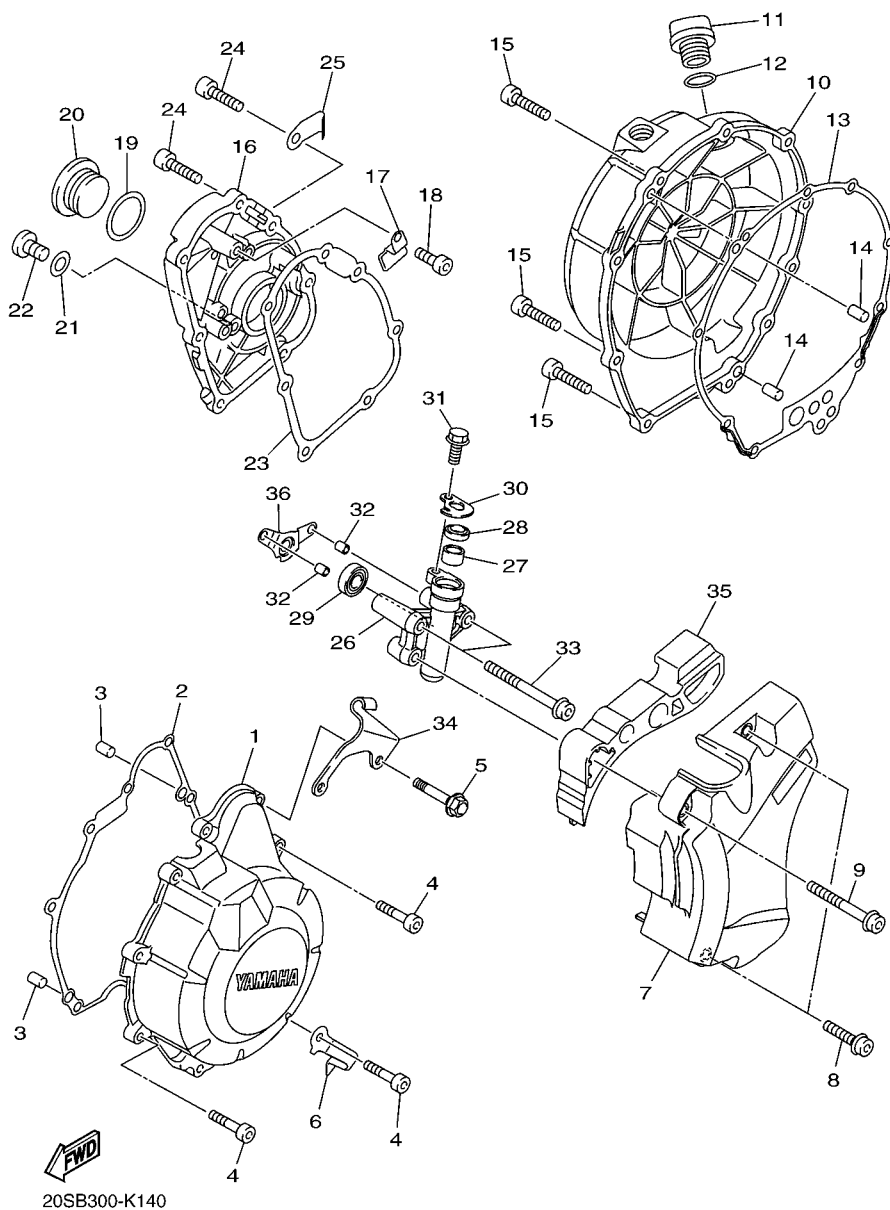
20S1300-H130

FIG. 13 CRANKCASE

REF. NO.	PART NO.	DESCRIPTION	36PK	36PL	REMARKS
1	20S-15100-01	CRANKCASE ASSY	1	1	
2	5EB-15155-00	.NOZZLE 3	4	4	
3	93210-04092	.O-RING	4	4	
4	99530-10014	.PIN, DOWEL	3	3	
5	5SL-15189-00	PLUG	1	1	
6	90149-06082	SCREW	1	1	
7	90119-08083	BOLT, WITH WASHER	8	8	
8	90119-08084	BOLT, WITH WASHER	2	2	
9	95812-06055	BOLT, FLANGE	6	6	
10	95812-08065	BOLT, FLANGE	2	2	
11	90109-06168	BOLT	2	2	
12	95812-06065	BOLT, FLANGE	2	2	
13	95812-06045	BOLT, FLANGE	3	3	
14	95812-06100	BOLT, FLANGE	1	1	
15	90105-06145	BOLT, FLANGE	1	1	
16	20S-11165-00	PLATE, BREATHER	1	1	
17	90149-06082	SCREW	3	3	
18	20S-15413-00	COVER	1	1	
19	20S-15462-00	GASKET, CRANKCASE COVER 3	1	1	
20	91312-06025	BOLT	6	6	
21	36Y-15189-00	PLUG	2	2	
22	93210-16325	O-RING	2	2	
23	5EB-15362-10	PLUG, OIL LEVEL	1	1	
24	93210-09165	O-RING	1	1	
25	20S-15544-00	STAY 1	1	1	
26	95022-06012	BOLT, FLANGE	2	2	
27	90464-34002	CLAMP	1	1	

FIG. 14 CRANKCASE COVER 1

REF. NO.	PART NO.	DESCRIPTION	36PK	36PL	REMARKS
1	36P-15411-01	COVER, CRANKCASE 1	1	1	
2	5VX-15451-01	GASKET, CRANKCASE COVER 1	1	1	
3	99530-08012	PIN, DOWEL	2	2	
4	90110-06295	BOLT, HEXAGON SOCKET HEAD	7	7	
5	90105-06194	BOLT, FLANGE	2	2	
6	90465-08045	CLAMP	1	1	
7	20S-15418-00	COVER, CHAIN CASE	1	1	
8	90110-06329	BOLT, HEXAGON SOCKET HEAD	2	2	
9	90110-06330	BOLT, HEXAGON SOCKET HEAD	1	1	
10	36P-15421-00	COVER, CRANKCASE 2	1	1	
11	3F9-15362-10	PLUG, OIL LEVEL	1	1	
12	93210-27194	O-RING	1	1	
13	20S-15461-00	GASKET, CRANKCASE COVER 2	1	1	
14	93608-17263	PIN, DOWEL	2	2	
15	90110-06295	BOLT, HEXAGON SOCKET HEAD	10	10	
16	36P-15416-00	COVER, OIL PUMP	1	1	
17	90465-14011	CLAMP	1	1	
18	90110-06161	BOLT, HEXAGON SOCKET HEAD	1	1	
19	93210-32172	O-RING	1	1	
20	90340-32004	PLUG, STRAIGHT SCREW	1	1	
21	90430-08143	GASKET	1	1	
22	92014-08014	BOLT, BUTTON HEAD	1	1	
23	20S-15456-00	GASKET, OIL PUMP COVER 1	1	1	
24	90110-06274	BOLT, HEXAGON SOCKET HEAD	7	7	
25	90465-10042	CLAMP	1	1	
26	20S-15425-10	COVER, GENERATOR 2	1	1	
27	93317-11295	BEARING	1	1	



20SB300-K140

FIG. 14 CRANKCASE COVER 1

REF. NO.	PART NO.	DESCRIPTION	36PK	36PL			REMARKS
28	93102-12224	OIL SEAL	1	1			
29	93109-08061	OIL SEAL	1	1			
30	20S-16384-00	PLATE, SEAT	1	1			
31	95022-06014	BOLT, FLANGE	1	1			
32	99590-08012	PIN, DOWEL	2	2			
33	90110-06307	BOLT, HEXAGON SOCKET HEAD	2	2			
34	20S-15441-00	HOLDER, CLUTCH CABLE	1	1			
35	20S-15377-00	GUIDE, INLET	1	1			
36	20S-15185-00	PROTECTOR, OIL SEAL	1	1			

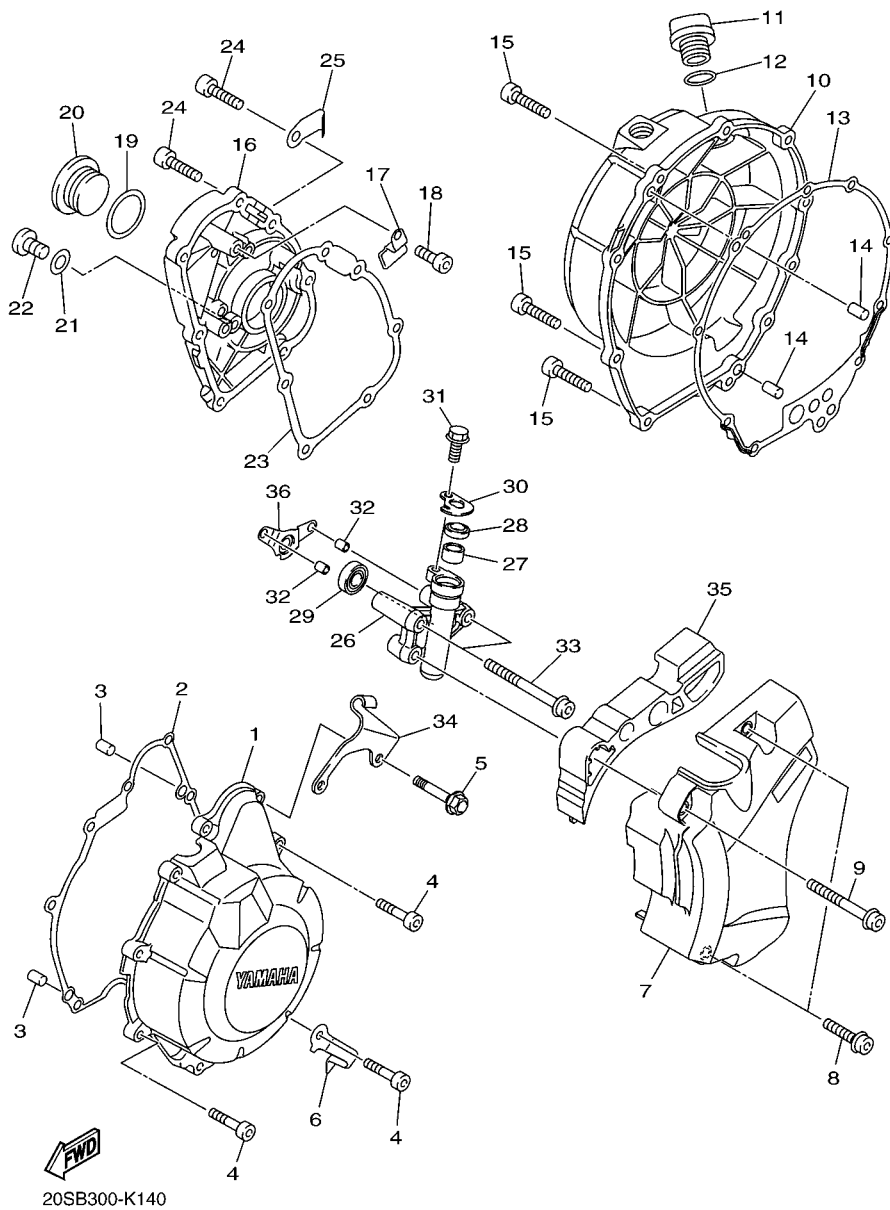
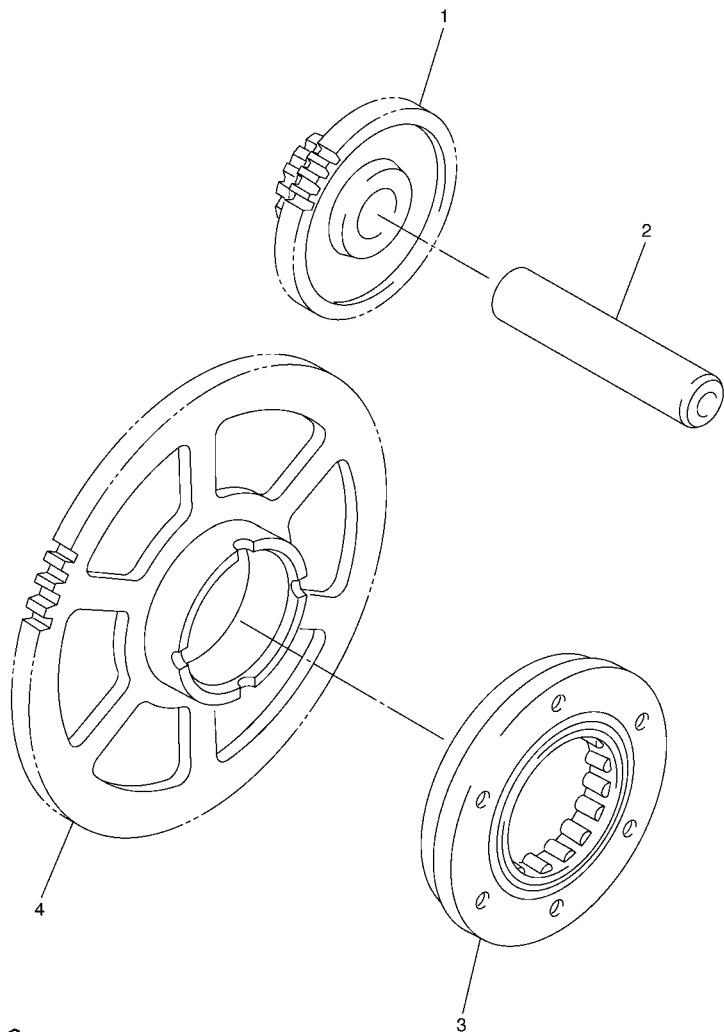


FIG. 15 STARTER

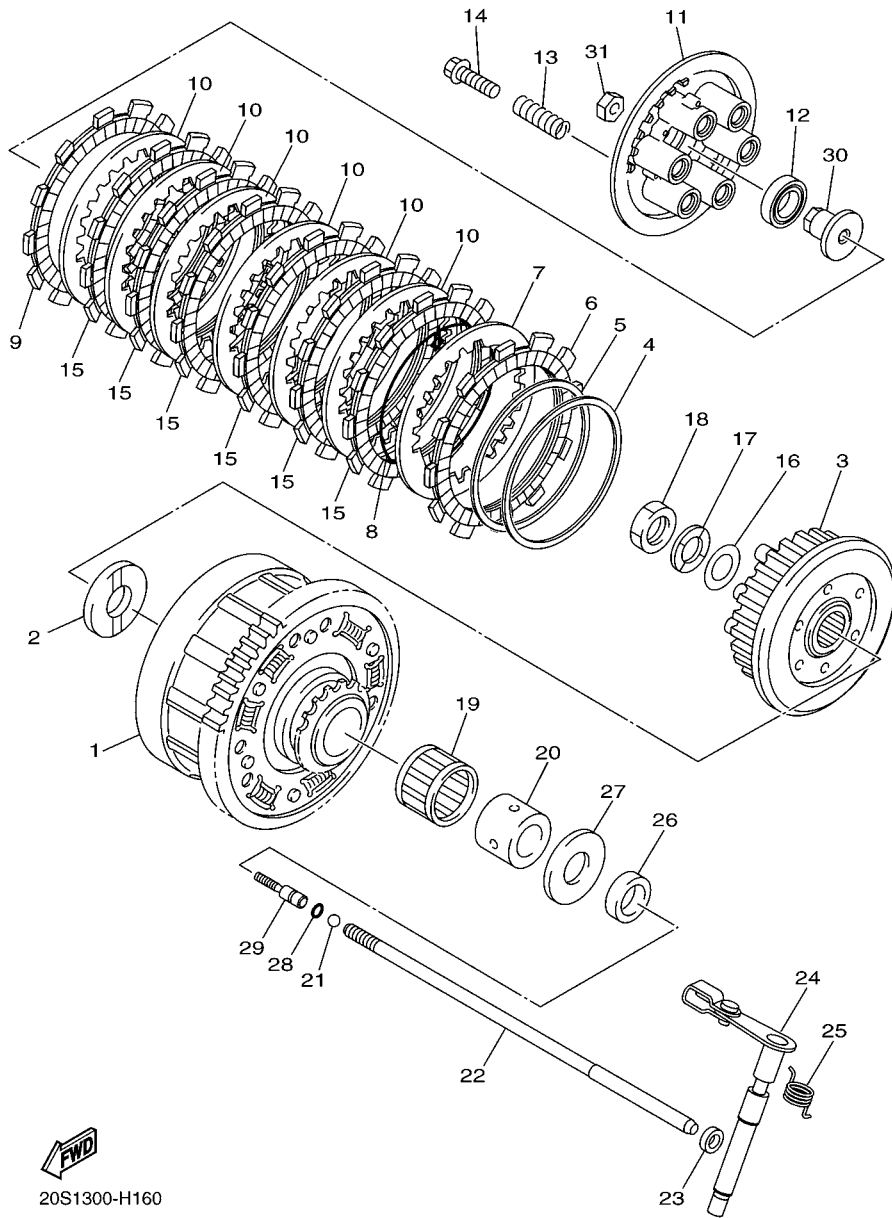


 5SL1300-B150

REF. NO.	PART NO.	DESCRIPTION	36PK	36PL				REMARKS
1	20S-15512-00	GEAR, IDLER 1	1	1				
2	5EB-15521-00	SHAFT 1	1	1				
3	5SL-15590-00	STARTER ONE-WAY ASSY	1	1				
4	5MT-15515-00	GEAR 3	1	1				

FIG. 16 CLUTCH

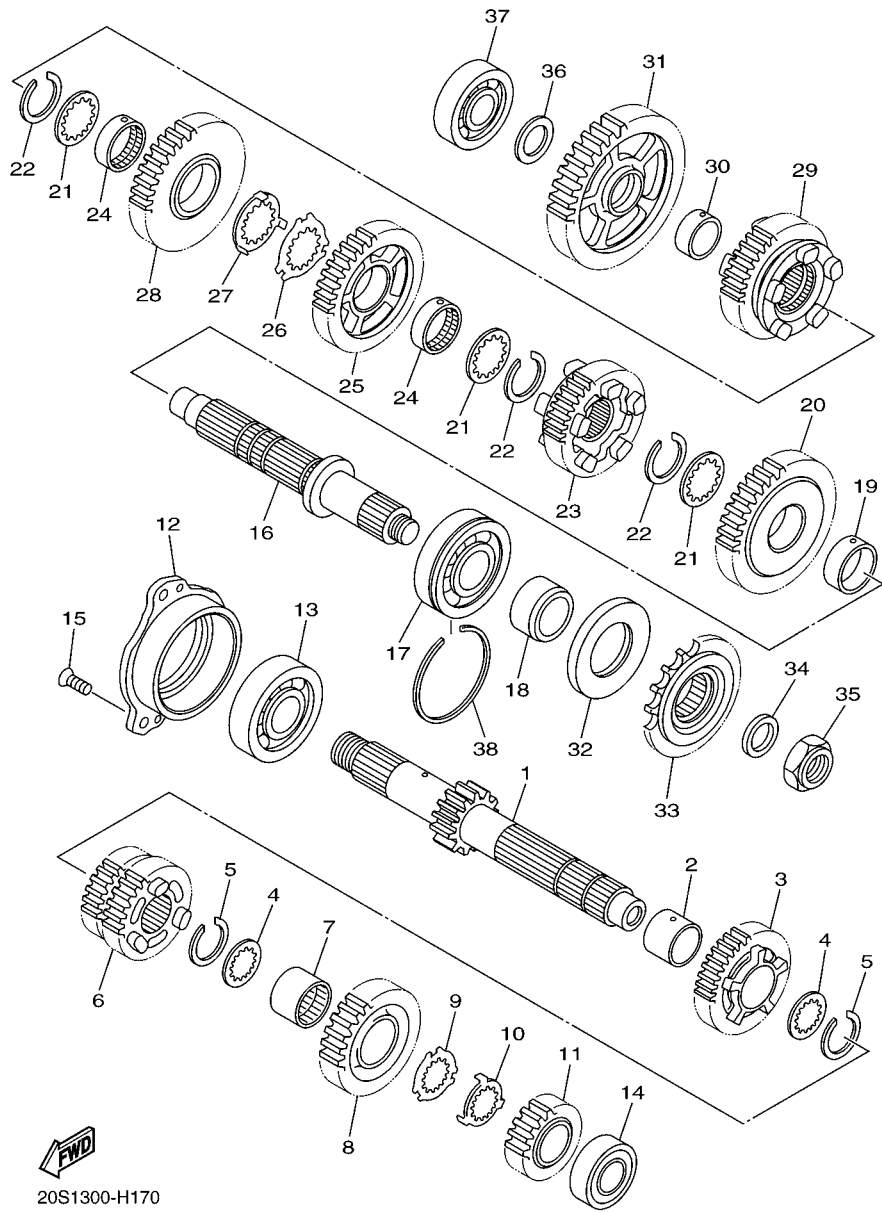
REF. NO.	PART NO.	DESCRIPTION	36PK	36PL	REMARKS
1	20S-16150-00	PRIMARY DRIVEN GEAR COMP.	1	1	
2	5EB-16154-00	PLATE, THRUST 1	1	1	
3	20S-16371-10	BOSS, CLUTCH	1	1	
4	20S-16384-10	PLATE, SEAT	1	1	
5	5LV-16383-00	SPRING., CUSHION	1	1	
6	5Y1-16331-01	PLATE, FRICTION 2	1	1	
7	3J2-16324-00	PLATE, CLUTCH 1 (T=2.0)	1	1	
8	20S-16385-00	RING SET	1	1	
9	4H7-16321-02	PLATE, FRICTION	1	1	
10	3J2-16324-00	PLATE, CLUTCH 1 (T=2.0)	6	6	
11	20S-16351-00	PLATE, PRESSURE 1	1	1	
12	93306-00304	BEARING	1	1	
13	90501-225A9	SPRING, COMPRESSION	6	6	
14	90119-06263	BOLT, WITH WASHER	6	6	
15	5LV-16321-20	PLATE, FRICTION	6	6	
16	90201-20030	WASHER, PLATE	1	1	
17	90208-20001	WASHER, CONICAL SPRING	1	1	
18	90179-20007	NUT	1	1	
19	93310-340N8	BEARING	1	1	
20	90387-25024	COLLAR	1	1	
21	93511-32017	BALL	1	1	
22	20S-16357-00	ROD, PUSH 2	1	1	
23	93109-08061	OIL SEAL	1	1	
24	20S-16380-00	PUSH LEVER ASSY	1	1	
25	90508-18052	SPRING, TORSION	1	1	
26	90201-25634	WASHER, PLATE	1	1	
27	1AE-16164-00	PLATE, THRUST 2	1	1	



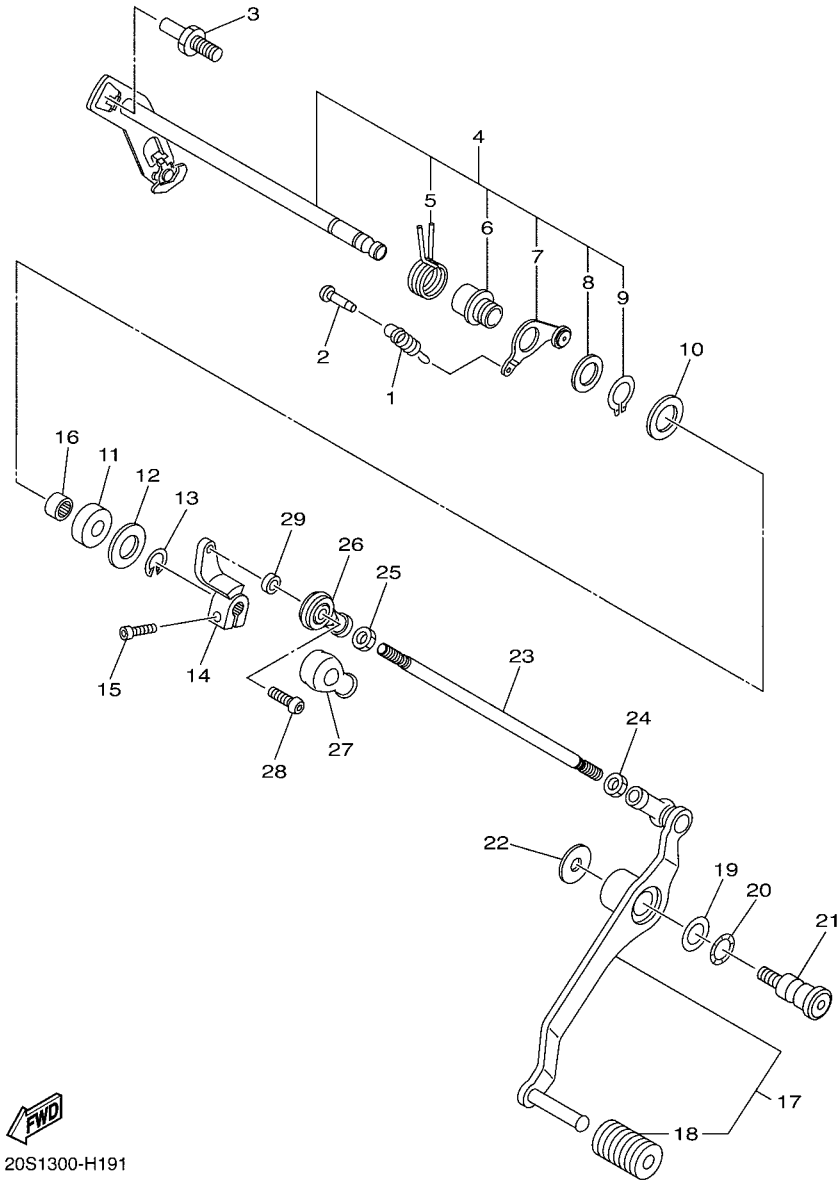
20S1300-H160

FIG. 17 TRANSMISSION

REF. NO.	PART NO.	DESCRIPTION	36PK	36PL	REMARKS
1	20S-17411-00	AXLE, MAIN (13T)	1	1	
2	90387-253M6	COLLAR	1	1	
3	20S-17151-00	GEAR, 5TH PINION (21T)	1	1	
4	90209-21332	WASHER	2	2	
5	93440-25186	CIRCLIP	2	2	
6	20S-17131-10	GEAR, 3RD PINION (18T/24T)	1	1	
7	90387-2513E	COLLAR	1	1	
8	20S-17161-10	GEAR, 6TH PINION (24T)	1	1	
9	90209-22352	WASHER	1	1	
10	90209-21351	WASHER	1	1	
11	20S-17121-10	GEAR, 2ND PINION (19T)	1	1	
12	20S-15163-00	HOUSING, BEARING 1	1	1	
13	93306-30525	BEARING	1	1	
14	93306-20483	BEARING	1	1	
15	90151-06024	SCREW, COUNTERSUNK	3	3	
16	20S-17421-01	AXLE, DRIVE	1	1	
17	93306-30550	BEARING	1	1	
18	90387-2504A	COLLAR	1	1	
19	90387-2813C	COLLAR	1	1	
20	20S-17221-00	GEAR, 2ND WHEEL (37T)	1	1	
21	90209-25342	WASHER	3	3	
22	93440-28062	CIRCLIP	3	3	
23	20S-17261-10	GEAR, 6TH WHEEL (26T)	1	1	
24	90387-2813D	COLLAR	2	2	
25	20S-17241-00	GEAR, 4TH WHEEL (32T)	1	1	
26	90209-25349	WASHER	1	1	
27	90209-25350	WASHER	1	1	



20S1300-H170



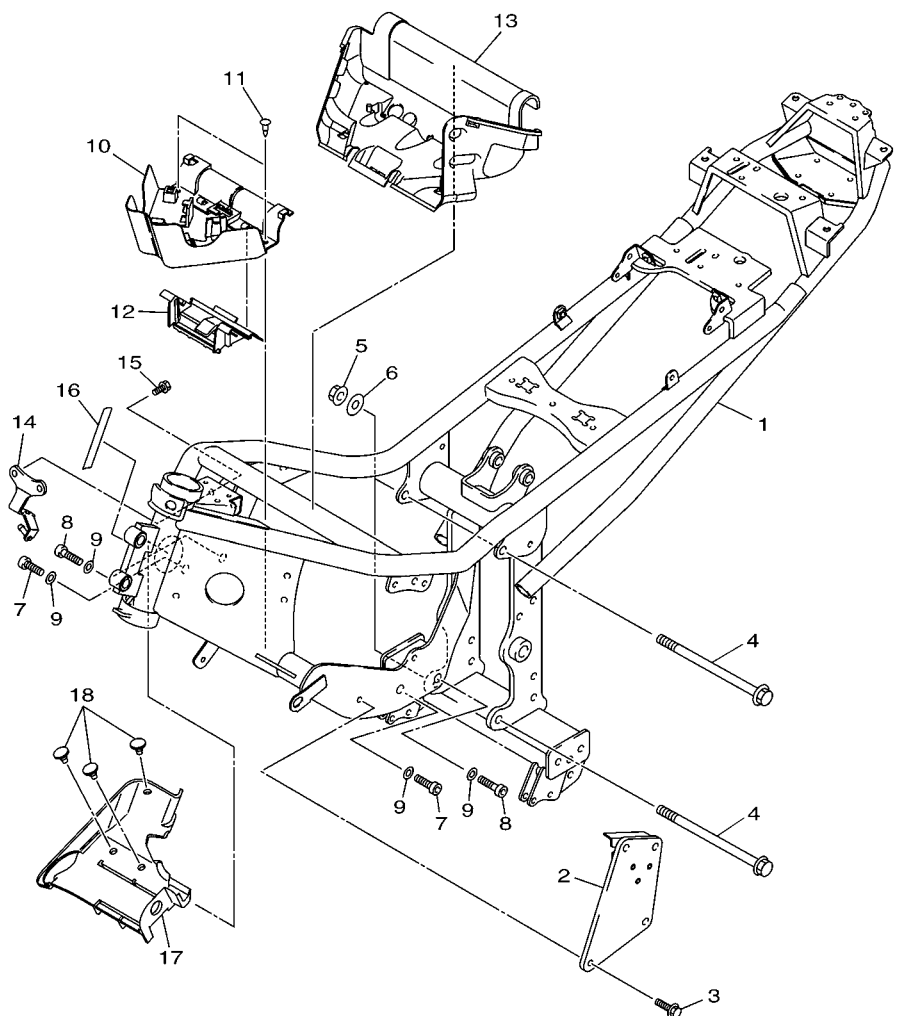
20S1300-H191

FIG. 19 SHIFT SHAFT

REF. NO.	PART NO.	DESCRIPTION	36PK	36PL	REMARKS
1	90506-15005	SPRING, TENSION	1	1	
2	132-16346-00	HOOK, SPRING	1	1	
3	1D7-18127-00	STOPPER, SCREW	1	1	
4	20S-18101-00	SHIFT SHAFT ASSY	1	1	
5	90508-32020	.SPRING, TORSION	1	1	
6	2C0-18175-00	.SPACER	1	1	
7	20S-18140-00	.STOPPER LEVER ASSY	1	1	
8	90201-177G4	.WASHER, PLATE	1	1	
9	99009-17400	.CIRCLIP	1	1	
10	90201-127E1	WASHER, PLATE	1	1	
11	93102-12106	OIL SEAL (SD 12-22-5 HS)	1	1	
12	90201-12575	WASHER, PLATE	1	1	
13	99001-10600	CIRCLIP	1	1	
14	20S-18112-00	ARM, SHIFT	1	1	
15	91312-06020	BOLT	1	1	
16	93317-11295	BEARING	1	1	
17	20S-18110-01	SHIFT PEDAL ASSY	1	1	
18	5EB-18113-00	.COVER, SHIFT PEDAL	1	1	
19	90201-12051	WASHER, PLATE	1	1	
20	90206-12005	WASHER, WAVE	1	1	
21	4BP-27434-01	BOLT	1	1	
22	90201-08053	WASHER, PLATE	1	1	
23	3D8-18115-00	ROD, SHIFT	1	1	
24	90170-06026	NUT	1	1	
25	95314-06700	NUT	1	1	
26	5VX-18116-00	JOINT, ROD 1	1	1	
27	5VX-18154-00	COVER, DUST	1	1	

FIG. 20 FRAME

REF. NO.	PART NO.	DESCRIPTION	36PK	36PL				REMARKS
1	1CW-21110-00	FRAME COMP.	1	1				
2	20S-21136-00	GUSSET	1	1				
3	95822-08020	BOLT, FLANGE	4	4				
4	90105-10297	BOLT, FLANGE	2	2				
5	90179-10658	NUT	2	2				
6	90201-10051	WASHER, PLATE	2	2				
7	91312-10035	BOLT	2	2				
8	91312-10045	BOLT	2	2				
9	90201-10030	WASHER, PLATE	4	4				
10	20S-2117N-00	COVER 3	1	1				
11	90269-07007	RIVET	2	2				
12	20S-2117R-00	COVER 4	1	1				
13	20S-2117T-00	COVER 5	1	1				
14	20S-21249-00	BRACKET	1	1				
15	95802-06010	BOLT, FLANGE	2	2				
16	3D8-2117G-00	PROTECTOR	1	1				
17	36P-2117U-00	COVER 6	1	1				
18	90269-05074	RIVET	3	3				



FWD
36P1110-H201

FIG. 21 FENDER

REF. NO.	PART NO.	DESCRIPTION	36PK	36PL	REMARKS
1	5VX-21511-A0-P4	FENDER, FRONT	1	1	BWC1
2	90387-065J6	COLLAR	4	4	
3	90480-12072	GROMMET	4	4	
4	90464-18002	CLAMP	1	1	
5	90110-06202	BOLT, HEXAGON SOCKET HEAD	2	2	
6	95024-06030	BOLT, FLG.(SMALL HEAD)	2	2	
7	95702-06500	NUT, FLANGE	2	2	
8	20S-21611-00	FENDER, REAR	1	1	
9	90183-06053	NUT, SPRING	2	2	
10	120-82131-00	BAND, BATTERY	1	1	
11	90480-07003	GROMMET	2	2	
12	5JW-2174X-00	DAMPER	1	1	
13	20S-216A2-00	SEAL, 2	1	1	
14	20S-216A3-00	SEAL, 3	1	1	
15	20S-216A4-00	SEAL, 4	1	1	
16	95802-06012	BOLT, FLANGE	2	2	
17	90269-07010	RIVET	2	2	
18	95822-06010	BOLT, FLANGE	1	1	
19	20S-21629-10	GUARD, MUD	1	1	
20	3Y6-85130-02	REAR REFLECTOR ASSY	1	1	
21	95602-05100	NUT, U	1	1	
22	90201-05043	WASHER, PLATE	1	1	
23	20S-21688-01	BRACKET, REAR STAY	1	1	
24	90464-31001	CLAMP	3	3	
25	90160-05012	SCREW, ROUND TAPPING	4	4	
26	90480-23345	GROMMET	1	1	
27	4KN-2836B-10	TUNING FORK MARK	1	1	

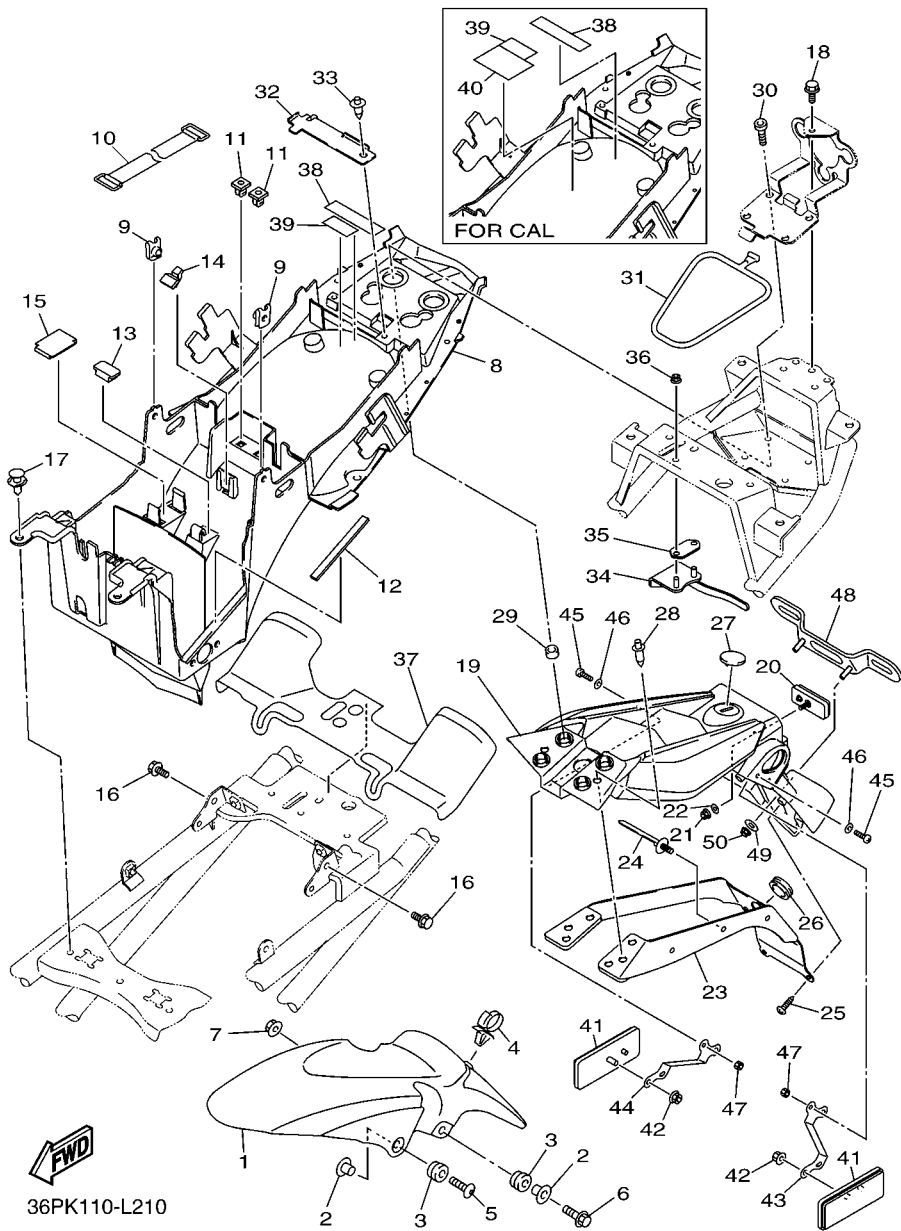
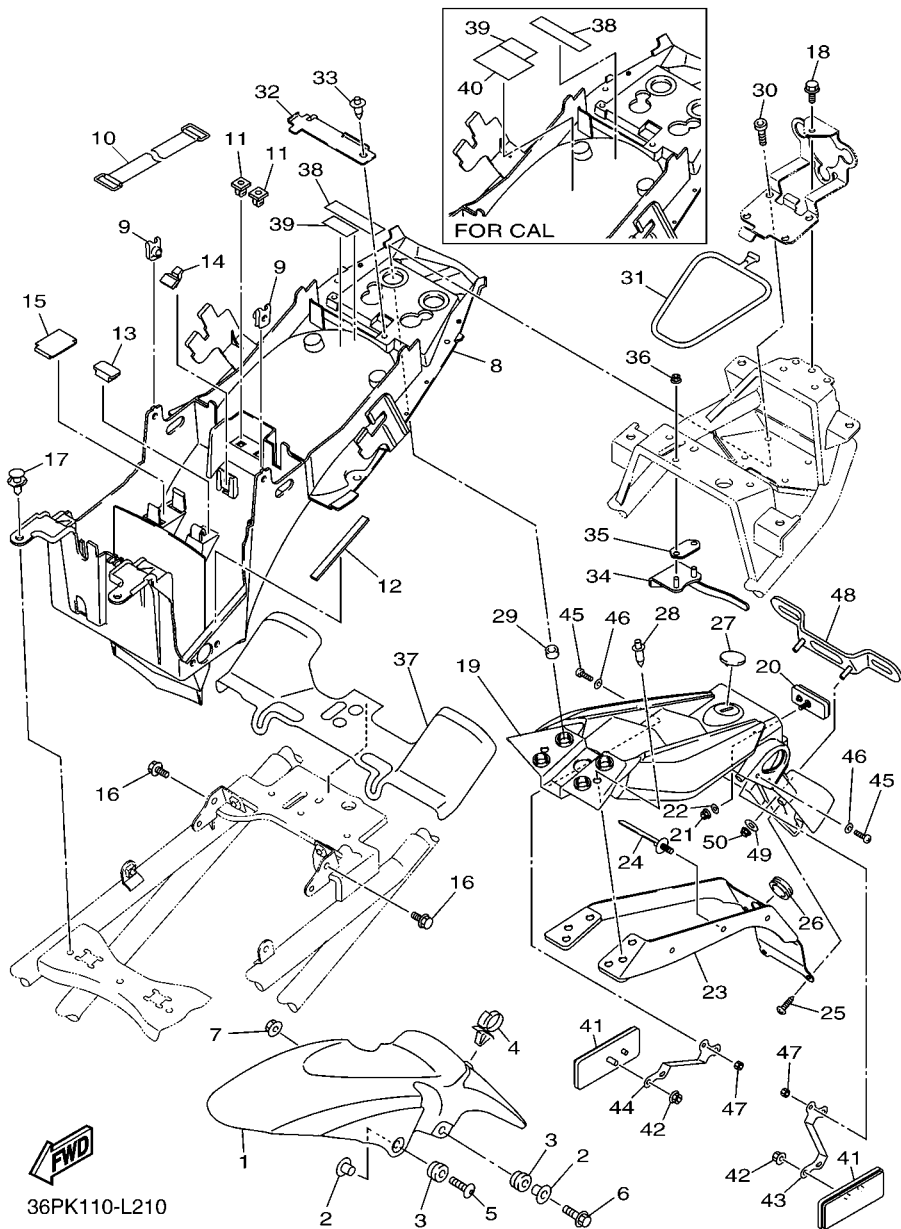
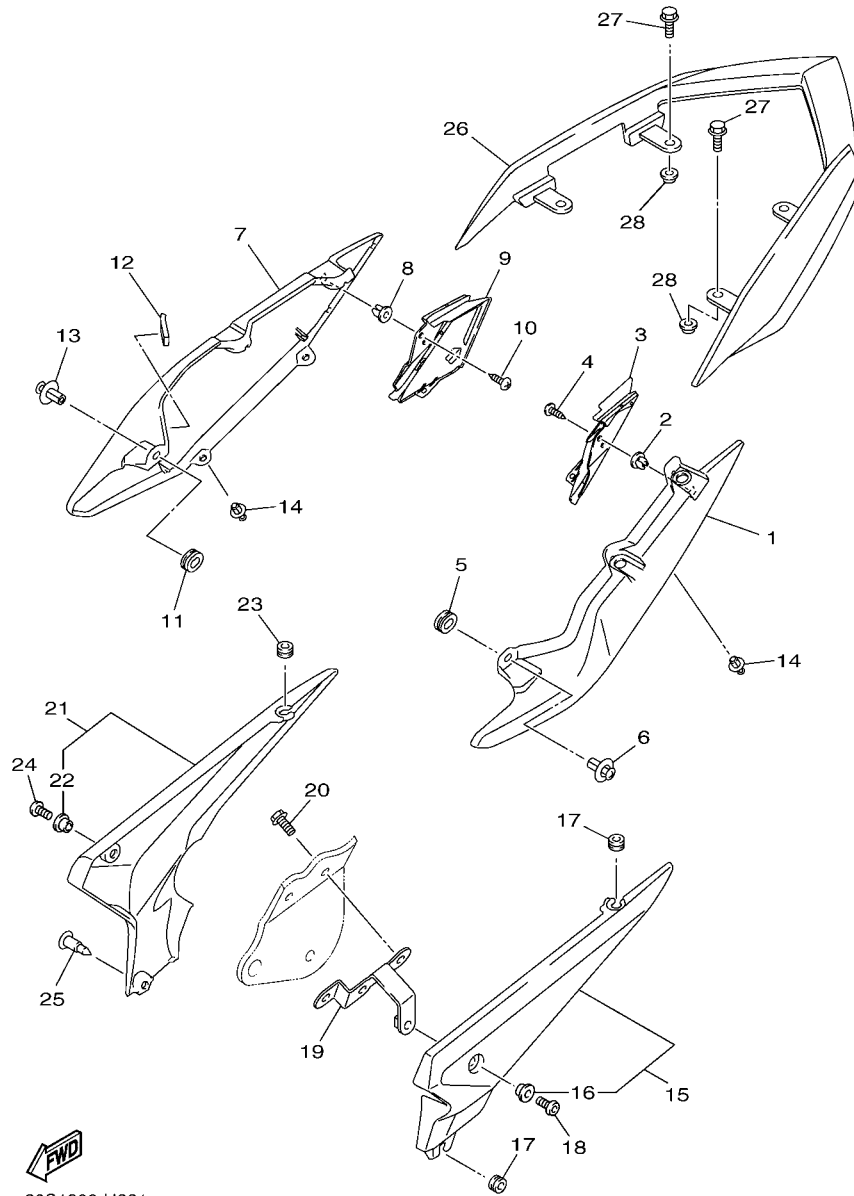


FIG. 21 FENDER

REF. NO.	PART NO.	DESCRIPTION	36PK	36PL	REMARKS
28	90269-07001	RIVET	2	2	
29	90387-06232	COLLAR	4	4	
30	91312-08025	BOLT	4	4	
31	3YX-21376-00	BAND, TOOL	1	1	
32	20S-21677-01	PLATE, FITTING 3	1	1	
33	90269-06008	RIVET	1	1	
34	36P-2115J-00	BRACKET, HELMET HANGER	1	1	
35	20S-24792-00	PLATE	1	1	
36	95702-06500	NUT, FLANGE	2	2	
37	36P-21639-00	DAMPER 2	1	1	
38	3JJ-28446-A1	LABEL, CAUTION	1	1	
39	3TB-24877-A0	LABEL, CAUTION	1	1	
40	5VX-21684-00	PLATE, ROUTING	1	1	FOR CALIFORNIA
41	3Y6-85130-02	REAR REFLECTOR ASSY	2	2	
42	95602-05200	NUT, SELF-LOCKING	2	2	
43	36P-2164F-00	STAY 1	1	1	
44	36P-2164G-00	STAY 2	1	1	
45	98502-04012	SCREW, PAN HEAD	4	4	
46	92902-04600	WASHER, PLATE	4	4	
47	95602-04100	NUT, U	4	4	
48	39P-84751-00	BRACKET, LICENSE	1	1	
49	90201-06088	WASHER, PLATE	2	2	
50	95602-06100	NUT, U	2	2	

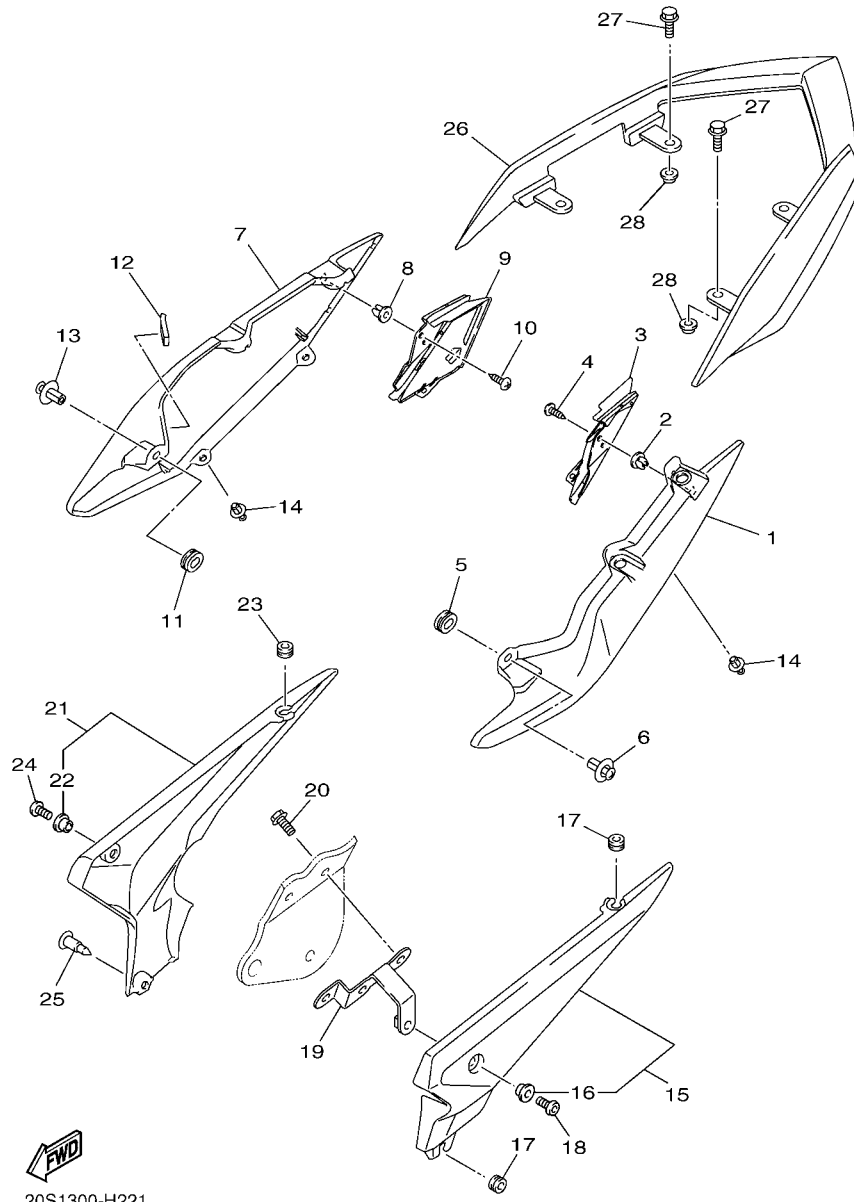




20S1300-H221

FIG. 22 SIDE COVER

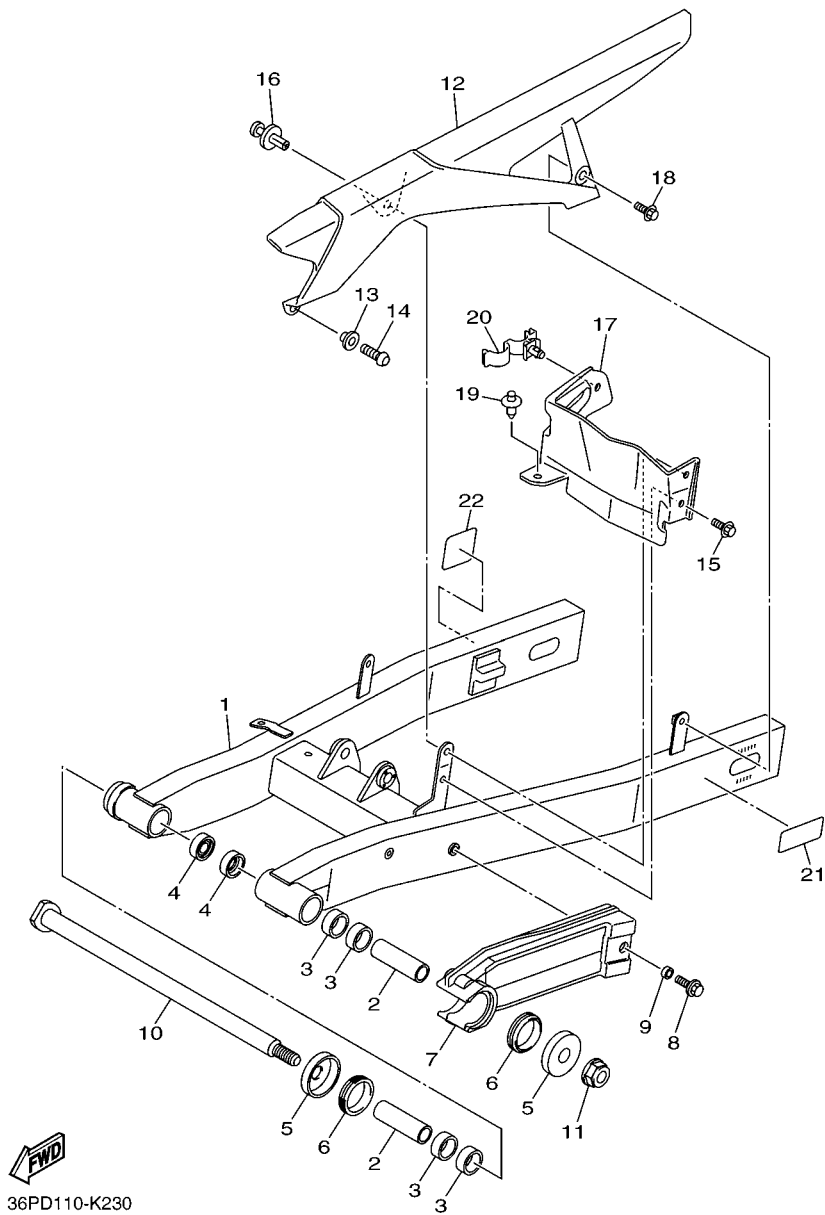
REF. NO.	PART NO.	DESCRIPTION	36PK	36PL	REMARKS
1	20S-21711-00-P5	COVER, SIDE 1	1	1	BWC1
2	90480-08005	GROMMET	1	1	
3	20S-2163A-00	COVER, REAR FENDER 1	1	1	
4	97702-50014	SCREW, TAPPING	1	1	
5	5PW-2174X-00	DAMPER	1	1	
6	90269-07076	RIVET	1	1	
7	20S-21721-00-P5	COVER, SIDE 2	1	1	BWC1
8	90480-08005	GROMMET	1	1	
9	20S-2163E-00	COVER, REAR FENDER 2	1	1	
10	97702-50014	SCREW, TAPPING	1	1	
11	5PW-2174X-00	DAMPER	1	1	
12	4C8-24182-00	DAMPER, LOCATING 2	1	1	
13	90269-07076	RIVET	1	1	
14	90269-07077	RIVET	4	4	
15	20S-21730-00	SIDE COVER ASSY 3	1	1	
16	90387-06130	.COLLAR	1	1	
17	90480-10334	GROMMET	2	2	
18	90111-06038	BOLT,HEX. SOCKET BUTTON	1	1	
19	20S-2172U-00	BRKT 7	1	1	
20	95802-06012	BOLT, FLANGE	2	2	
21	20S-21740-00	SIDE COVER ASSY 4	1	1	
22	90387-06130	.COLLAR	1	1	
23	90480-10334	GROMMET	1	1	
24	90111-06038	BOLT,HEX. SOCKET BUTTON	1	1	
25	90269-07008	RIVET	1	1	
26	20S-24773-00	HANDLE, SEAT	1	1	
27	92012-08020	BOLT, BUTTON HEAD	4	4	



20S1300-H221

FIG. 22 SIDE COVER

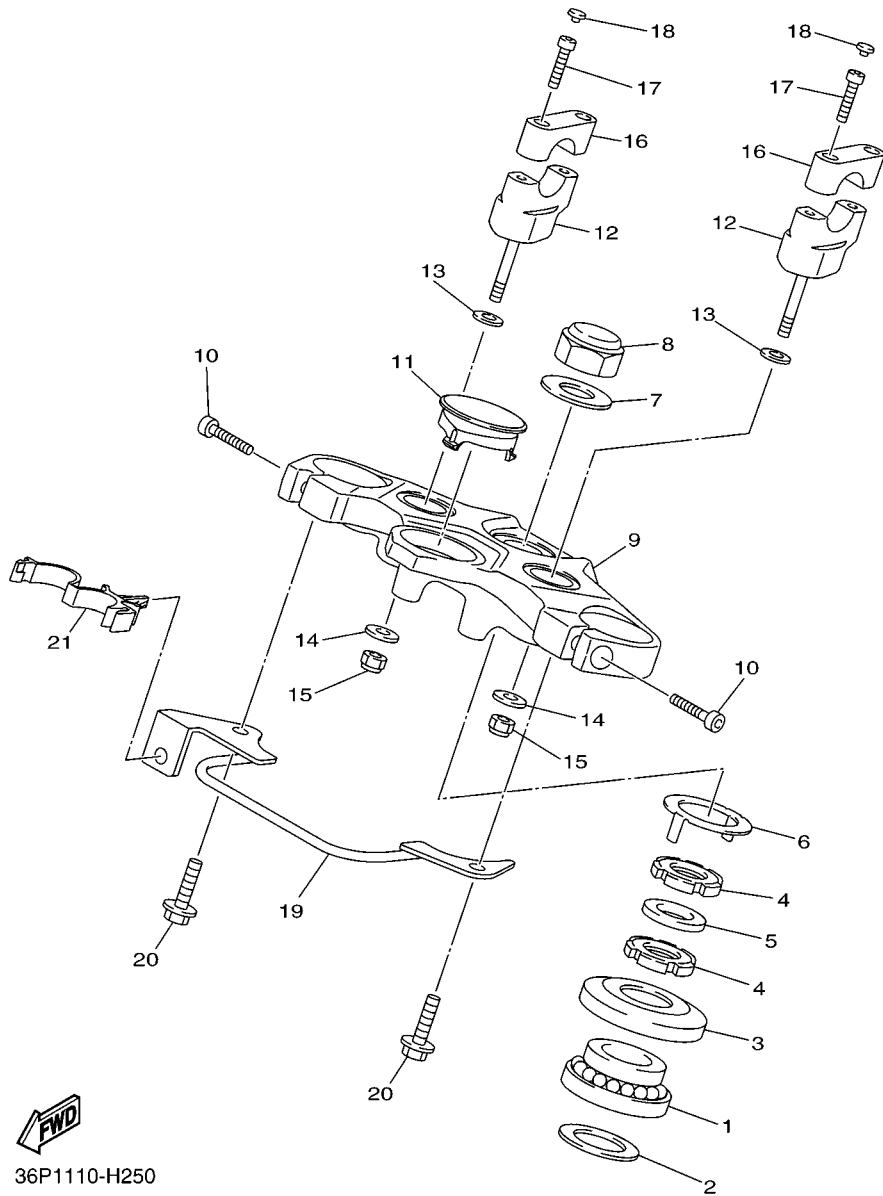
REF. NO.	PART NO.	DESCRIPTION	36PK	36PL		REMARKS
28	90387-08089	COLLAR	4	4		



36PD110-K230

FIG. 23 REAR ARM

REF. NO.	PART NO.	DESCRIPTION	36PK	36PL	REMARKS
1	20S-22110-10	REAR ARM COMP.	1	1	
2	5VK-22124-00	BUSH 2	2	2	
3	93317-22262	BEARING	4	4	
4	93106-22019	OIL SEAL (DC 22-28-8)	2	2	
5	30X-2219X-00	COVER	2	2	
6	93108-35004	OIL SEAL (35-41-8)	2	2	
7	20S-22151-00	SEAL, GUARD	1	1	
8	90119-06147	BOLT, WITH WASHER	1	1	
9	90387-06133	COLLAR	1	1	
10	1AE-22141-01	SHAFT, PIVOT	1	1	
11	90185-14012	NUT, SELF-LOCKING	1	1	
12	20S-22311-00	CASE, CHAIN	1	1	
13	90387-06130	COLLAR	1	1	
14	92012-06020	BOLT, BUTTON HEAD	1	1	
15	90119-06154	BOLT, WITH WASHER	1	1	
16	90269-07076	RIVET	1	1	
17	20S-22325-01	COVER, DUST	1	1	
18	90119-06154	BOLT, WITH WASHER	1	1	
19	90269-08001	RIVET	1	1	
20	90464-16011	CLAMP	1	1	
21	3XW-21668-A1	LABEL, TIRE	1	1	
22	5SL-21686-00	PLATE, ROUTING 2		1	FOR CALIFORNIA



36P1110-H250

FIG. 25 STEERING

REF. NO.	PART NO.	DESCRIPTION	36PK	36PL	REMARKS
1	93399-99931	BEARING	1	1	
2	90202-24190	WASHER, PLATE	1	1	
3	1W1-23416-00	COVER, BALL RACE 2	1	1	
4	90179-25004	NUT	2	2	
5	90202-26142	WASHER, PLATE	1	1	
6	26H-23418-01	WASHER, SPECIAL	1	1	
7	90201-220T0	WASHER, PLATE	1	1	
8	90176-22081	NUT, CROWN	1	1	
9	20S-W2341-30	CROWN, HANDLE	1	1	
10	91312-08030	BOLT	2	2	
11	36P-82552-00	CAP, SWITCH	1	1	
12	20S-23442-20	HOLDER, HANDLE LOWER	2	2	
13	92902-10200	WASHER	2	2	
14	90201-10141	WASHER, PLATE	2	2	
15	95602-10100	NUT, U	2	2	
16	4H7-23441-01-P6	HOLDER, HANDLE UPPER	2	2	MBL2
17	91312-08030	BOLT	4	4	
18	341-23469-00	CAP, BOLT	4	4	
19	36P-23318-00	HOLDER, CABLE 1	1	1	
20	95802-06012	BOLT, FLANGE	2	2	
21	90464-16006	CLAMP	1	1	

FIG. 26 FRONT FORK

REF. NO.	PART NO.	DESCRIPTION	36PK	36PL	REMARKS
1	20S-23102-00	FRONT FORK ASSY (L.H)	1	1	
2	20S-23110-00	.INNER TUBE COMP.1	1	1	
3	3VD-23135-10	..METAL, SLIDE 2	1	1	
4	20S-23170-00	.CYLINDER COMP., FRONT FORK	1	1	
5	20S-23126-00	.TUBE, OUTER (LEFT)	1	1	
6	3VD-23151-00	.SPRING, REBOUND	1	1	
7	5VU-23173-00	.SPINDLE, TAPER	1	1	
8	3VD-23125-10	.METAL, SLIDE 1	1	1	
9	5VU-23145-00	.OIL SEAL	1	1	
10	3VD-23115-00	.GUIDE, COVER UPPER	1	1	
11	3VD-23156-00	.RING, SNAP	1	1	
12	3VD-23144-00	.SEAL, DUST	1	1	
13	20S-23141-00	.SPRING, FRONT FORK	1	1	
14	5VU-2311H-00	.FORK BOLT	1	1	
15	93210-35N02	.O-RING	1	1	
16	90430-10171	.GASKET	1	1	
17	90110-10N52	.BOLT, HEXAGON SOCKET HEAD	1	1	
18	5VU-23118-00	.SPACER	1	1	
19	5VU-23142-00	.SEAT, SPRING UPPER	1	1	
20	4TX-2331G-00	.COVER	1	1	
21	20S-23103-00	FRONT FORK ASSY (R.H)	1	1	
22	20S-23110-00	.INNER TUBE COMP.1	1	1	
23	3VD-23135-10	..METAL, SLIDE 2	1	1	
24	20S-23170-00	.CYLINDER COMP., FRONT FORK	1	1	
25	20S-23136-00	.TUBE, OUTER (RIGHT)	1	1	
26	3VD-23151-00	.SPRING, REBOUND	1	1	
27	5VU-23173-00	.SPINDLE, TAPER	1	1	

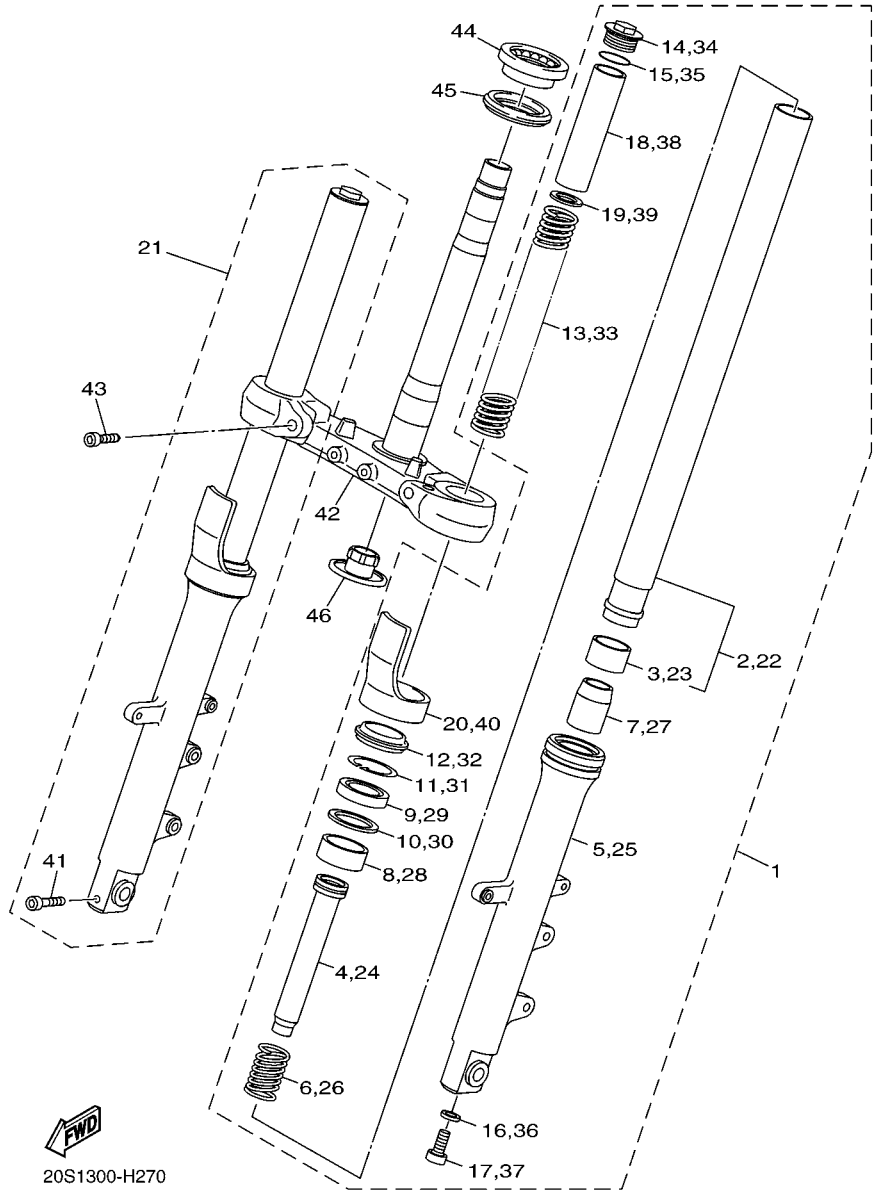


FIG. 26 FRONT FORK

REF. NO.	PART NO.	DESCRIPTION	36PK	36PL	REMARKS
28	3VD-23125-10	.METAL, SLIDE 1	1	1	
29	5VU-23145-00	.OIL SEAL	1	1	
30	3VD-23115-00	.GUIDE, COVER UPPER	1	1	
31	3VD-23156-00	.RING, SNAP	1	1	
32	3VD-23144-00	.SEAL, DUST	1	1	
33	20S-23141-00	.SPRING, FRONT FORK	1	1	
34	5VU-2311H-00	.FORK BOLT	1	1	
35	93210-35N02	.O-RING	1	1	
36	90430-10171	.GASKET	1	1	
37	90110-10N52	.BOLT, HEXAGON SOCKET HEAD	1	1	
38	5VU-23118-00	.SPACER	1	1	
39	5VU-23142-00	.SEAT, SPRING UPPER	1	1	
40	4TX-2331G-00	.COVER	1	1	
41	91314-08040	.BOLT, HEXAGON SOCKET HEAD	1	1	
42	20S-23340-10	UNDER BRACKET COMP.	1	1	
43	91312-10025	BOLT	2	2	
44	93399-99932	BEARING	1	1	
45	3FV-23462-00	SEAL, STEERING	1	1	
46	4KM-23123-01	COVER, UNDER 1	1	1	

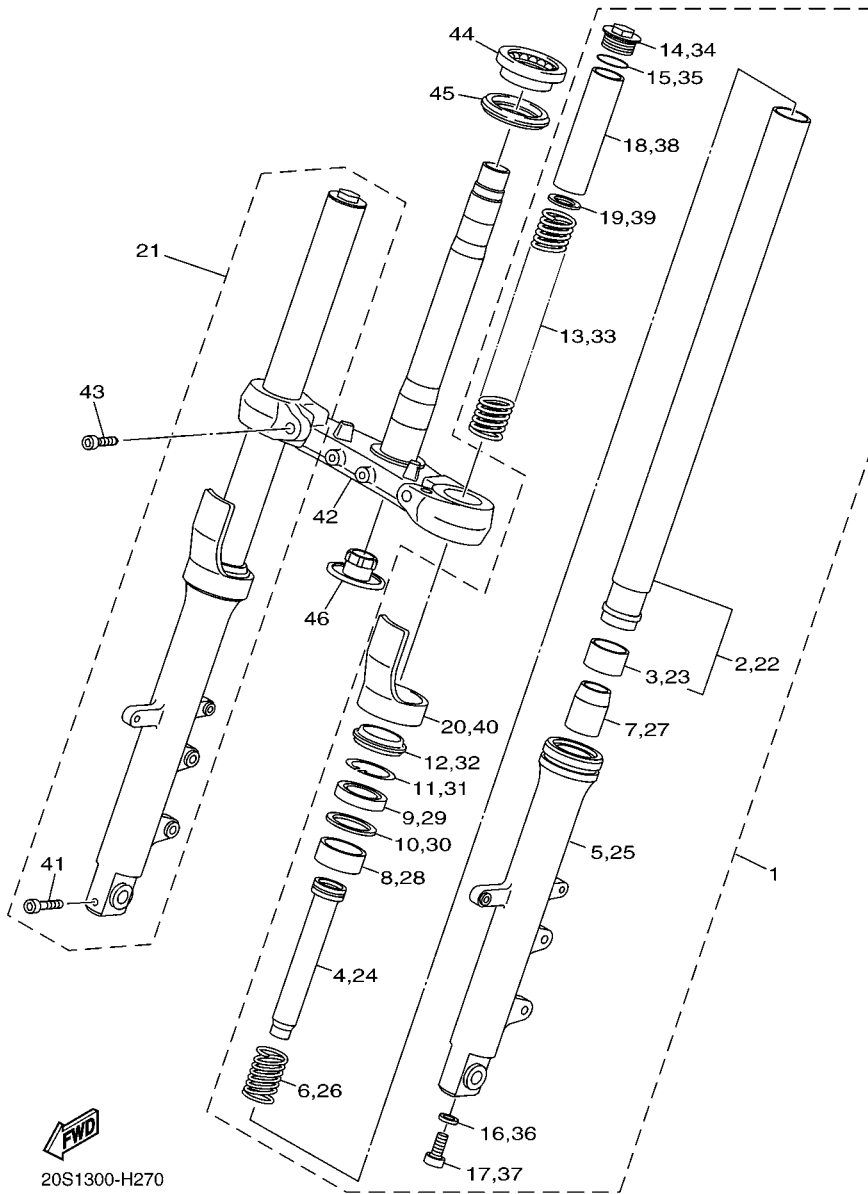
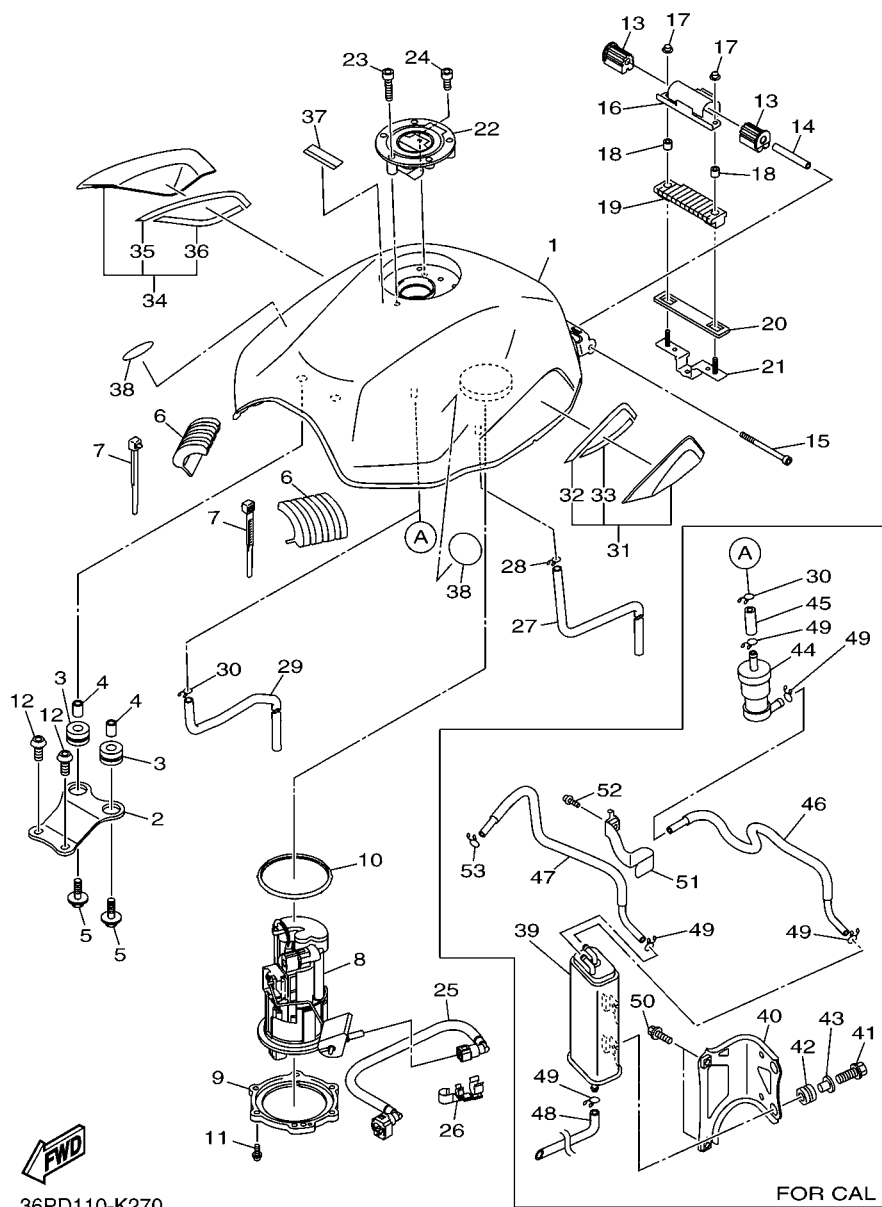


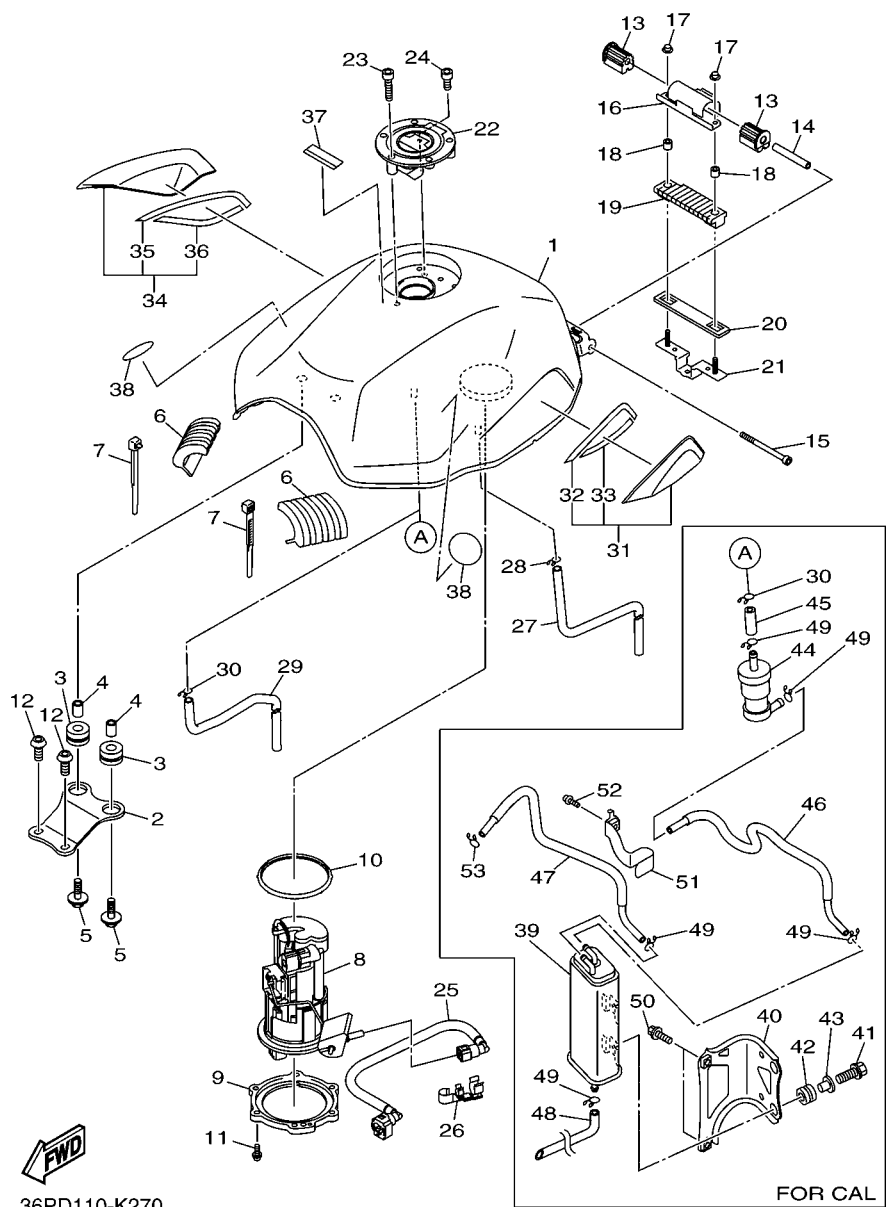
FIG. 27 FUEL TANK

REF. NO.	PART NO.	DESCRIPTION	36PK	36PL	REMARKS
1	20S-YK241-00-P3	FUEL TANK COMP.	1	1	BWC1
2	20S-24191-00	BRACKET, FUEL TANK 1	1	1	
3	90480-16010	GROMMET	2	2	
4	90387-06068	COLLAR	2	2	
5	90119-06264	BOLT, WITH WASHER	2	2	
6	20S-24183-00	DAMPER, LOCATING 3	2	2	
7	90465-15011	CLAMP	4	4	
8	20S-13907-00	FUEL PUMP COMP.	1	1	
9	13S-24491-00	BRACKET, FUEL PUMP	1	1	
10	19B-24486-00	O-RING	1	1	
11	90110-05028	BOLT, HEXAGON SOCKET HEAD	6	6	
12	90111-06127	BOLT, HEX. SOCKET BUTTON	2	2	
13	5VX-24181-00	DAMPER, LOCATING 1	2	2	
14	90387-061W6	COLLAR	1	1	
15	91312-06090	BOLT	1	1	
16	20S-2413Y-00	BRACKET, TANK FITTING	1	1	
17	95702-06500	NUT, FLANGE	2	2	
18	90387-06299	COLLAR	2	2	
19	20S-24181-00	DAMPER, LOCATING 1	1	1	
20	20S-2414H-00	DAMPER, PLATE 1	1	1	
21	20S-21296-00	NUT	1	1	
22	39P-24602-00	CAP ASSY	1	1	
23	90110-05112	BOLT, HEXAGON SOCKET HEAD	3	3	
24	91317-05010	BOLT	1	1	
25	5VX-13971-00	PIPE, FUEL 1	1	1	
26	90464-16005	CLAMP	1	1	
27	90445-106J2	HOSE (L650)	1	1	



36PD110-K270

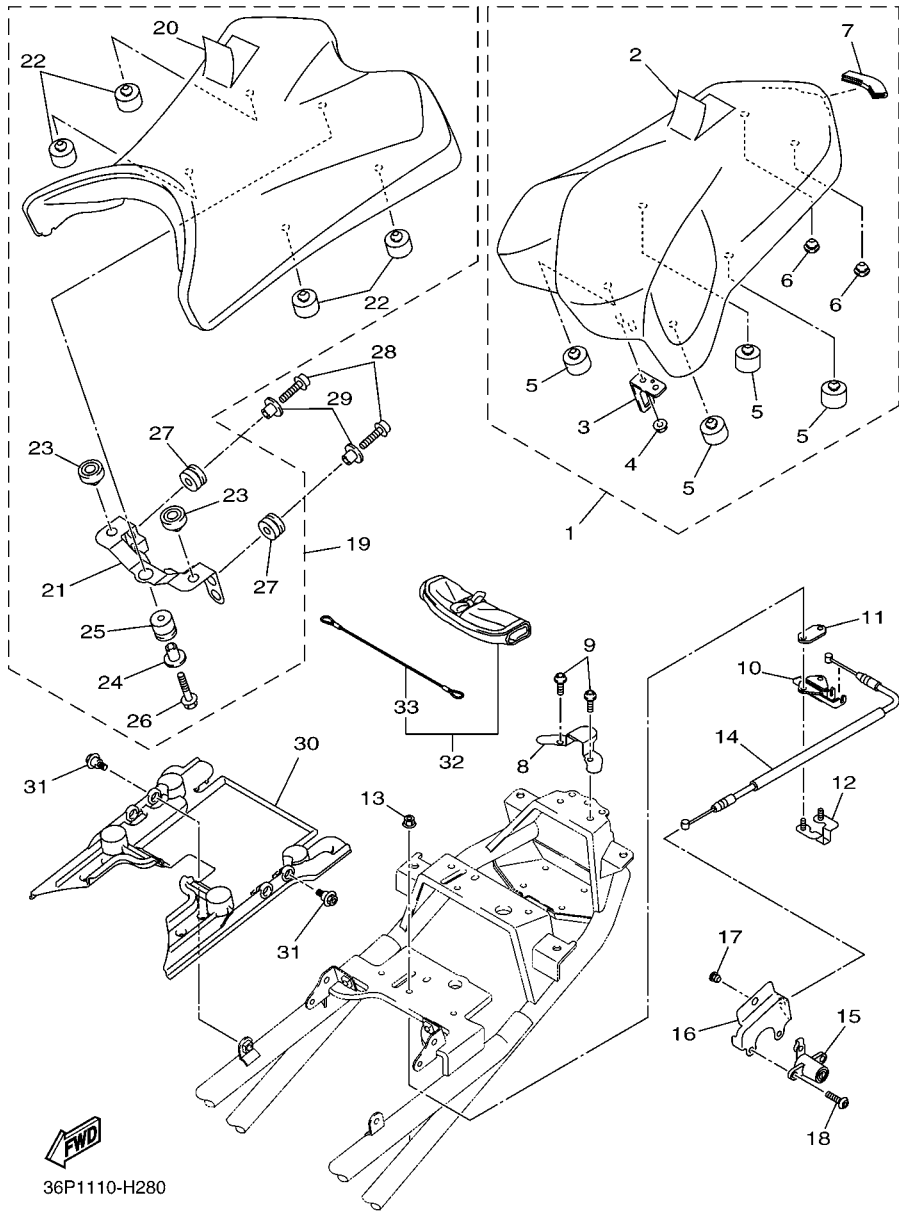
FIG. 27 FUEL TANK



36PD110-K270

REF. NO.	PART NO.	DESCRIPTION	36PK	36PL	REMARKS
28	90467-090A2	CLIP	1	1	
29	90445-106J2	HOSE (L650)	1		
30	90467-090A2	CLIP	1		
	90467-100A1	CLIP		1	FOR CALIFORNIA
31	20S-24106-01	TANK SIDE COVER ASSY 1	1	1	
32	20S-2173T-10	.TAPE 1	1	1	
33	20S-2173T-20	.TAPE 1	1	1	
34	20S-24108-01	TANK SIDE COVER ASSY 2	1	1	
35	20S-2173U-10	.TAPE 2	1	1	
36	20S-2173U-20	.TAPE 2	1	1	
37	5GK-2118K-00	LABEL, CAUTION	1	1	
38	5JW-2413B-00	EMBLEM	2	2	
39	5C7-24170-00	CANISTER ASSY	1		FOR CALIFORNIA
40	36P-2419F-00	BRACKET, CANISTOR	1		FOR CALIFORNIA
41	95802-06016	BOLT, FLANGE	2		FOR CALIFORNIA
42	90480-13163	GROMMET	2		FOR CALIFORNIA
43	90387-062L2	COLLAR	2		FOR CALIFORNIA
44	5RB-24180-00	ROLL OVER VALVE ASSY	1		FOR CALIFORNIA
45	90445-11065	HOSE (L30)	1		FOR CALIFORNIA
46	36P-24314-00	PIPE 4	1		FOR CALIFORNIA
47	36P-14466-00	PIPE	1		FOR CALIFORNIA
48	36P-24315-00	PIPE 5	1		FOR CALIFORNIA
49	90467-100A1	CLIP	5		FOR CALIFORNIA
50	95802-08016	BOLT, FLANGE	2		FOR CALIFORNIA
51	36P-24667-00	GUIDE, PIPE	1		FOR CALIFORNIA
52	95802-06010	BOLT, FLANGE	1		FOR CALIFORNIA
53	90467-100A1	CLIP	1		FOR CALIFORNIA

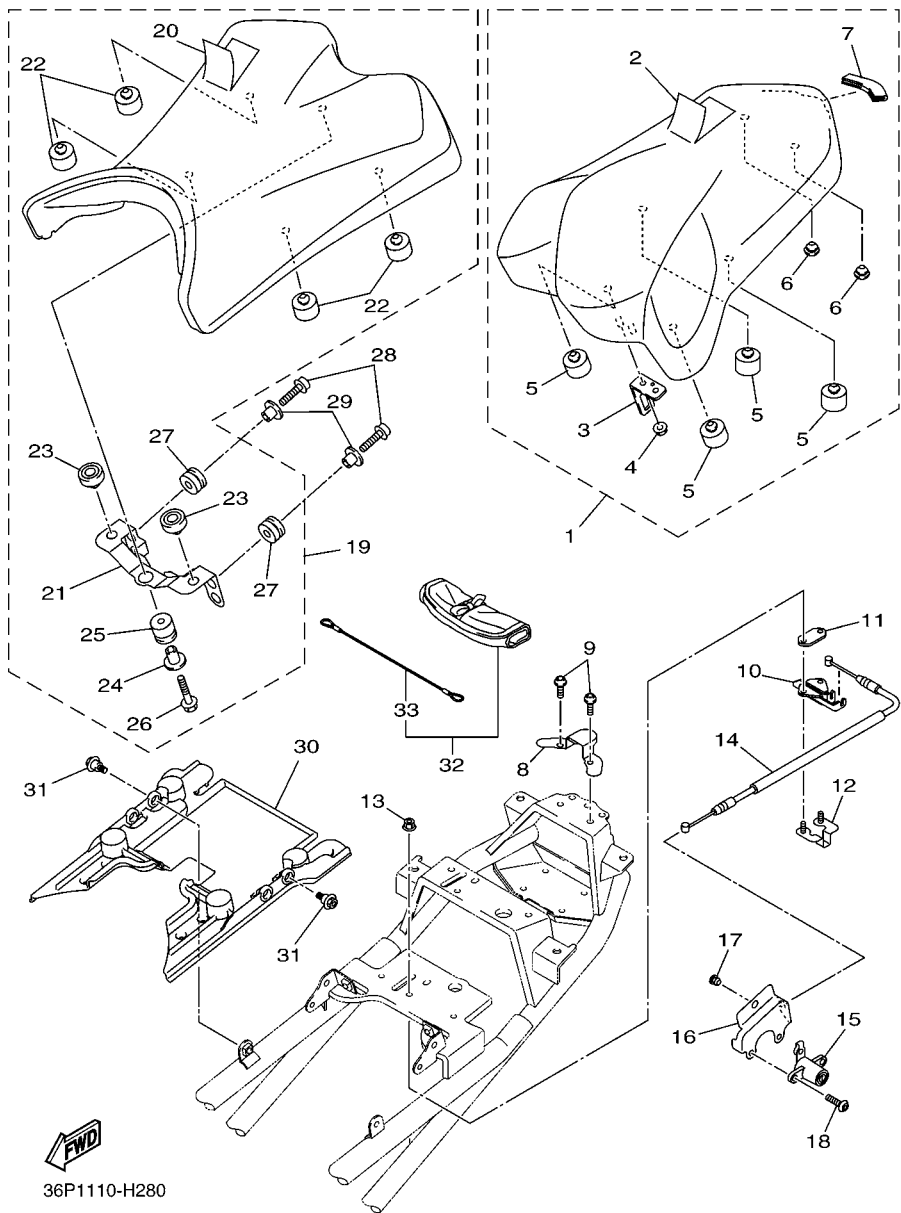
FIG. 28 SEAT



36P1110-H280

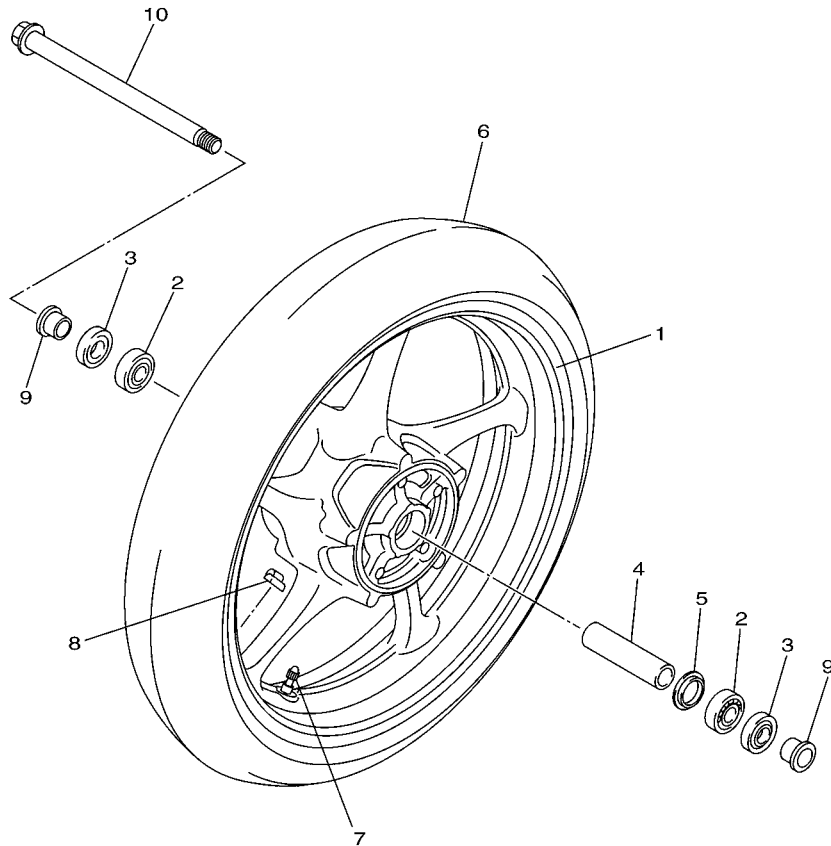
REF. NO.	PART NO.	DESCRIPTION	36PK	36PL	REMARKS
1	36P-24750-00	TANDEM SEAT ASSY	1	1	
2	36P-2470H-00	.SEAT COVER COMP.,2	1	1	
3	4NK-24728-00	.BRACKET, SEAT	1	1	
4	95702-06500	.NUT, FLANGE	1	1	
5	4D9-27114-00	.STOPPER, MAIN STAND	4	4	
6	90338-07043	.PLUG	2	2	
7	36P-24724-00	.DAMPER, SEAT	1	1	
8	36P-24728-00	BRACKET, SEAT	1	1	
9	92012-06012	BOLT, BUTTON HEAD	2	2	
10	50W-24780-01	SEAT LOCK ASSY	1	1	
11	20S-24792-00	PLATE	1	1	
12	36P-2478X-00	BRACKET, SEAT LOCK	1	1	
13	95702-06500	NUT, FLANGE	2	2	
14	5JW-2478E-00	CABLE, SEAT LOCK	1	1	
15	2TV-W2470-00	ROTOR SET	1	1	
16	20S-2117K-00	STAY, LOCK	1	1	
17	90338-07043	PLUG	1	1	
18	90149-06081	SCREW	2	2	
19	36P-24710-00	SINGLE SEAT ASSY	1	1	
20	36P-2470F-00	.SEAT COVER COMP.	1	1	
21	36P-24718-00	.BRACKET, SEAT	1	1	
22	4D9-27114-00	.STOPPER, MAIN STAND	4	4	
23	2GH-24741-00	.PAD, SEAT	2	2	
24	90387-06091	.COLLAR	1	1	
25	90480-15M06	.GROMMET	1	1	
26	90105-06122	.BOLT, FLANGE	1	1	
27	90480-14016	.GROMMET	2	2	

FIG. 28 SEAT



36P1110-H280

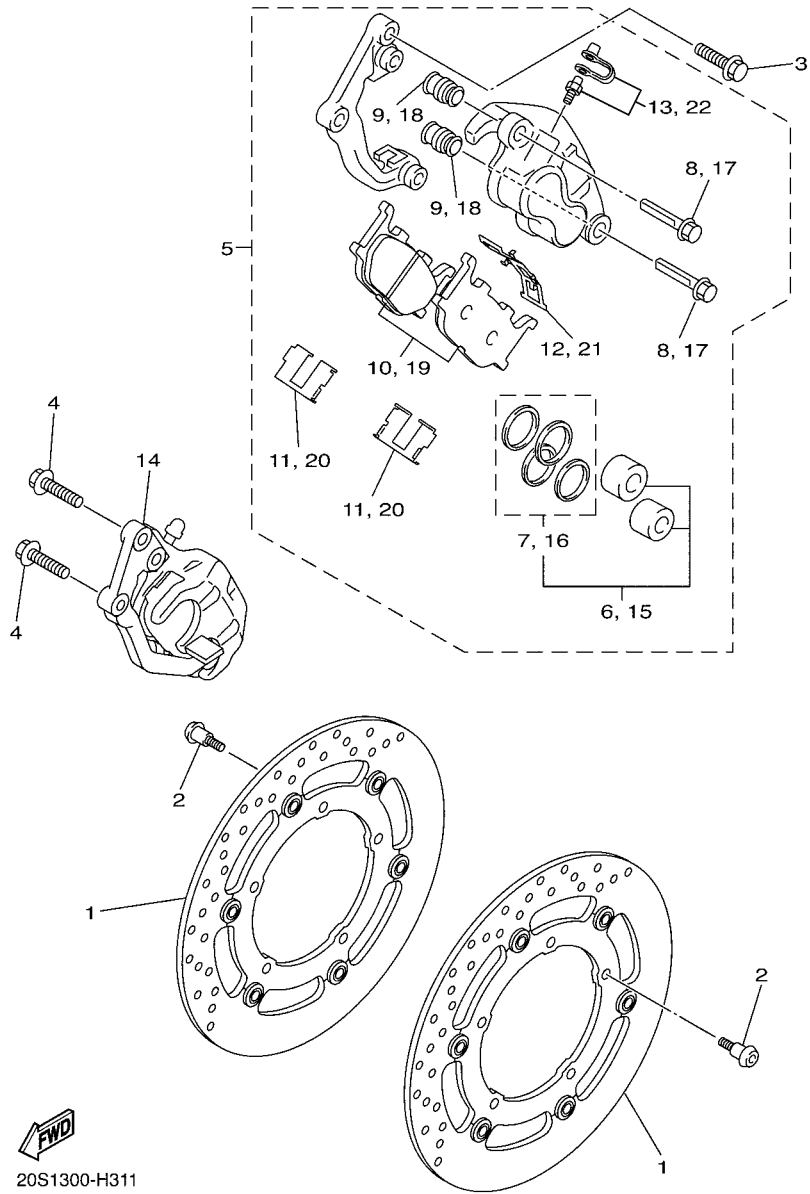
REF. NO.	PART NO.	DESCRIPTION	36PK	36PL		REMARKS
28	90110-06172	BOLT, HEXAGON SOCKET HEAD	2	2		
29	90387-077M3	COLLAR	2	2		
30	36P-2475B-00	SEAT BASE, UNDER	1	1		
31	90109-06236	BOLT	2	2		
32	20S-28100-00	TOOL KIT	1	1		
33	20S-21308-00	.HELMET HANGER	1	1		




20S1300-H300

FIG. 29 FRONT WHEEL

REF. NO.	PART NO.	DESCRIPTION	36PK	36PL	REMARKS
1	20S-25168-00-2X	CAST WHEEL, FRONT	1	1	LGB/HTR
2	93306-20352	BEARING	2	2	
3	93102-25017	OIL SEAL	2	2	
4	20S-25117-00	SPACER, BEARING	1	1	
5	146-25315-00	FLANGE, SPACER	1	1	
6	94112-17102	TIRE(120/70ZR17M/C 58W BT021F)	1	1	UR BRIDGESTONE
	94112-17103	TIRE(120/70ZR17M/C 58W)	1	1	UR DUNLOP
7	93900-00030	VALVE, RIM (TR412)	1	1	TAIHEIYO
8	5MT-25398-00	BALANCER, WHEEL (10G)	1	1	UR
	5MT-25398-10	BALANCER, WHEEL (20G)	1	1	UR
	5MT-25398-20	BALANCER, WHEEL (30G)	1	1	UR
9	20S-25183-00	COLLAR, WHEEL	2	2	
10	20S-25181-00	AXLE, WHEEL	1	1	



20S1300-H311

FIG. 30 FRONT BRAKE CALIPER

REF. NO.	PART NO.	DESCRIPTION	36PK	36PL	REMARKS
1	20S-2581T-00	DISK BRAKE ASSY	2	2	
2	90109-064G6	BOLT	10	10	
3	90105-10638	BOLT, FLANGE	2	2	
4	90105-10638	BOLT, FLANGE	2	2	
5	5VX-2580T-00	CALIPER ASSY (LEFT)	1	1	
6	5KS-W0057-00	.PISTON ASSY, CALIPER	1	1	
7	4FU-W0047-00	..CALIPER SEAL KIT	1	1	
8	5JW-25914-10	.PIN, SLIDE	2	2	
9	4TT-25937-00	.BOOT 2	2	2	
10	5VX-W0045-00	.BRAKE PAD KIT	1	1	
11	4BP-25919-00	.SUPPORT, PAD	2	2	
12	3YX-25929-00	.SPRING, ANTI RATTLE	1	1	
13	51L-W0048-00	.BLEED SCREW KIT	1	1	
14	5VX-2580U-00	CALIPER ASSY (RIGHT)	1	1	
15	5KS-W0057-00	.PISTON ASSY, CALIPER	1	1	
16	4FU-W0047-00	..CALIPER SEAL KIT	1	1	
17	5JW-25914-10	.PIN, SLIDE	2	2	
18	4TT-25937-00	.BOOT 2	2	2	
19	5VX-W0045-00	.BRAKE PAD KIT	1	1	
20	4BP-25919-00	.SUPPORT, PAD	2	2	
21	3YX-25929-00	.SPRING, ANTI RATTLE	1	1	
22	51L-W0048-00	.BLEED SCREW KIT	1	1	

FIG. 31 REAR WHEEL

REF. NO.	PART NO.	DESCRIPTION	36PK	36PL	REMARKS
1	20S-25338-00-2X	CAST WHEEL, REAR	1	1	LGB/HTR
2	93306-30317	BEARING	1	1	
3	93102-25044	OIL SEAL	1	1	
4	93306-30317	BEARING	1	1	
5	20S-25317-00	SPACER, BEARING	1	1	
6	20S-25364-00	DAMPER	6	6	
7	94116-17015	TIRE(160/60ZR17M/C 69W BT021R)	1	1	UR BRIDGESTONE
	94116-17019	TIRE (160/60ZR17M/C 69W)	1	1	UR DUNLOP
8	93900-00030	VALVE, RIM (TR412)	1	1	TAIHEIYO
9	5MT-25398-00	BALANCER, WHEEL (10G)	1	1	UR
	5MT-25398-10	BALANCER, WHEEL (20G)	1	1	UR
	5MT-25398-20	BALANCER, WHEEL (30G)	1	1	UR
10	20S-25366-00	CLUTCH, HUB	1	1	
11	93306-20659	BEARING	1	1	
12	20S-25383-00	COLLAR, WHEEL	1	1	
13	93106-40041	OIL SEAL	1	1	
14	20S-25446-00	SPROCKET, DRIVEN (46T)	1	1	
15	90116-10048	BOLT, STUD	6	6	
16	95602-10200	NUT, U FLANGE	6	6	
17	20S-25377-00	COLLAR, WHEEL	1	1	
18	20S-25183-00	COLLAR, WHEEL	1	1	
19	94582-37118	CHAIN (DID520VM3)	1	1	
20	1UF-25388-01	PULLER, CHAIN 1	2	2	
21	1UF-22174-10	END 1	2	2	
22	95302-08600	NUT	4	4	
23	92902-08600	WASHER, PLATE	2	2	
24	1UF-2533A-01	PLATE, INDICATOR	1	1	

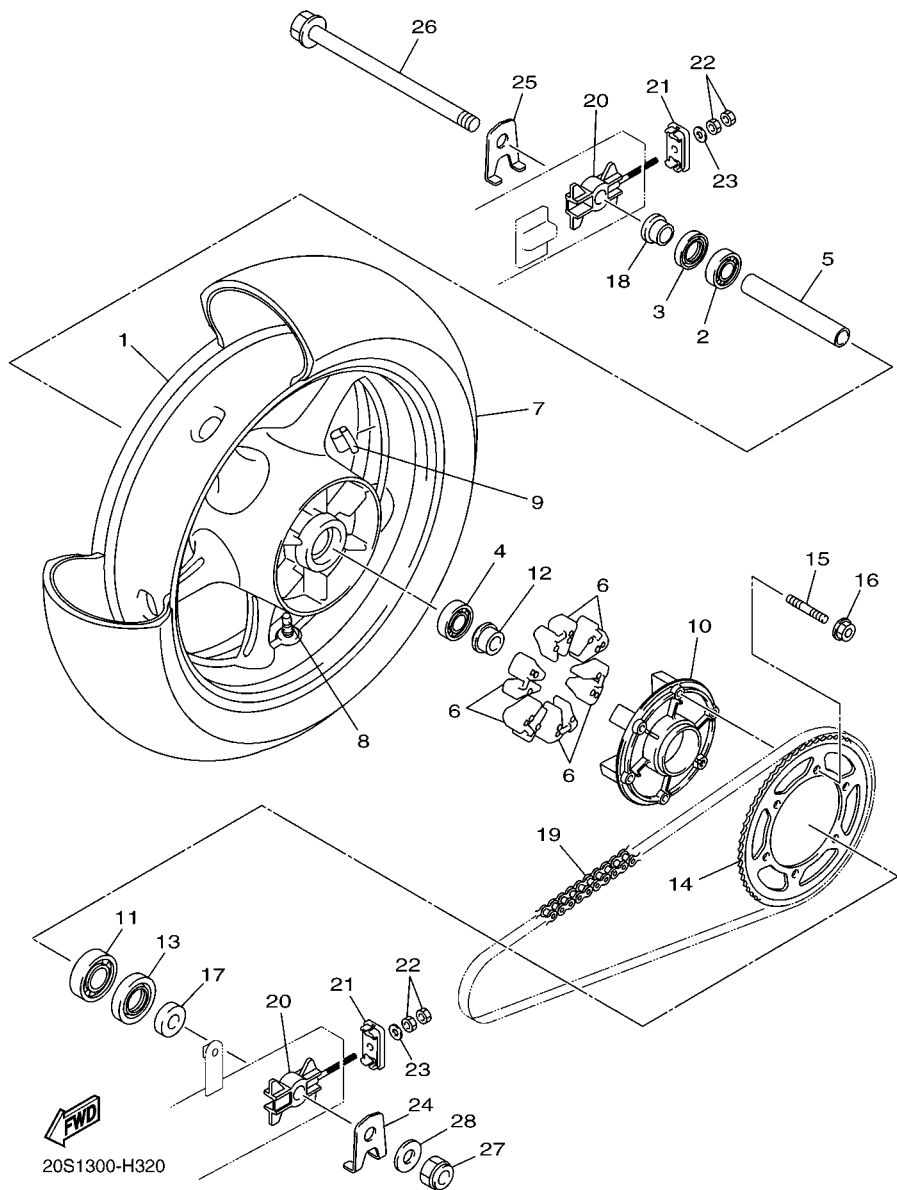
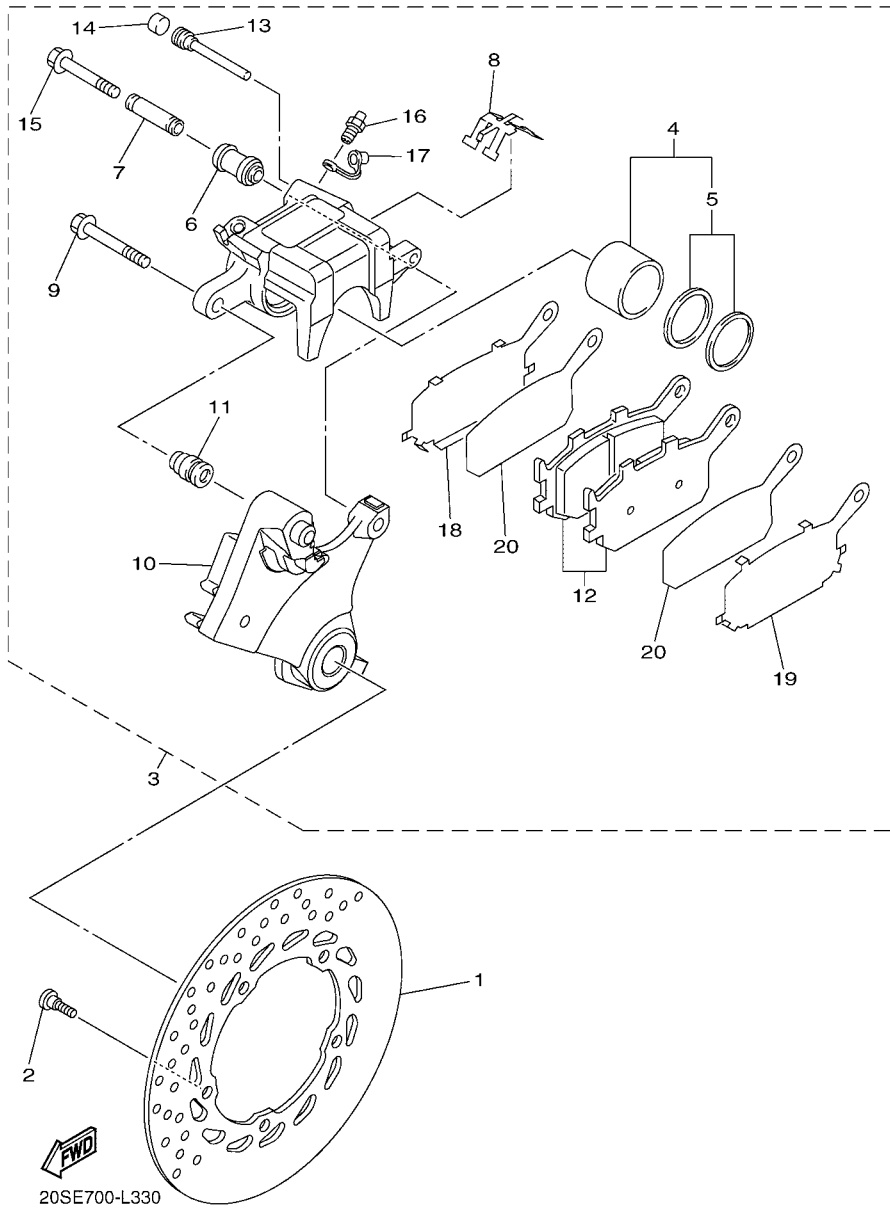
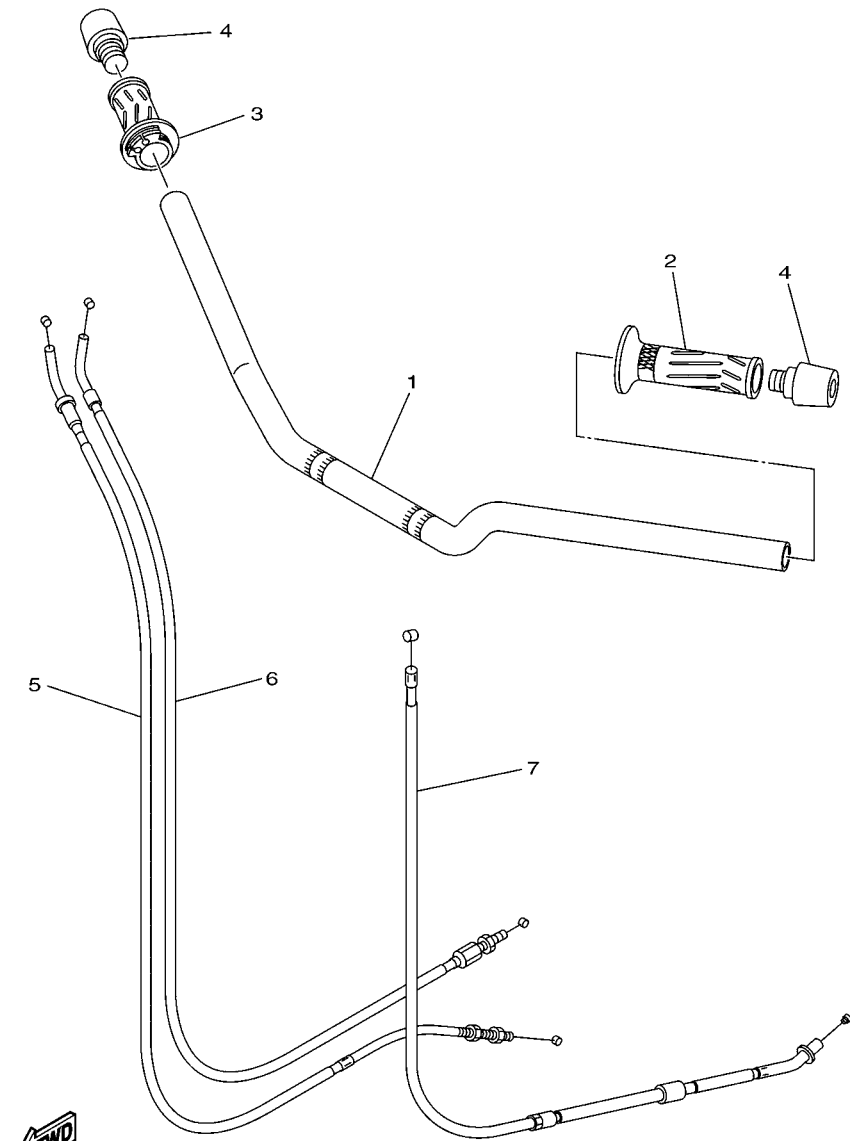


FIG. 32 REAR BRAKE CALIPER



REF. NO.	PART NO.	DESCRIPTION	36PK	36PL		REMARKS
1	20S-2582W-00	DISK, REAR BRAKE 2	1	1		
2	90109-083G4	BOLT	5	5		
3	20S-2580W-10	CALIPER ASSY, REAR 2	1	1		
4	5SL-W0057-00	.PISTON ASSY, CALIPER	1	1		
5	5SL-W0047-00	..CALIPER SEAL KIT	1	1		
6	5SL-25917-00	.BOOT, CALIPER	1	1		
7	5SL-25838-00	.SLEEVE, CALIPER	1	1		
8	5SL-25919-00	.SUPPORT, PAD	1	1		
9	5SL-25914-00	.PIN, SLIDE	1	1		
10	20S-25921-60	.BRACKET, SUPPORT	1	1		
11	3JD-25917-00	.BOOT, CALIPER	1	1		
12	5VX-W0046-00	.BRAKE PAD KIT 2	1	1		
13	8CR-25924-00	.PIN, PAD	1	1		
14	5DH-25916-00	.PLUG	1	1		
15	5SL-25926-00	.BOLT	1	1		
16	1UY-25824-51	.SCREW, BLEED	1	1		
17	1UY-25825-51	.CAP	1	1		
18	5SL-25827-00	.SHIM, CALIPER	1	1		
19	5SL-25827-10	.SHIM, CALIPER	1	1		
20	5SL-25828-01	.SHIM, CALIPER	2	2		



36C6300-K340

FIG. 33 STEERING HANDLE & CABLE

REF. NO.	PART NO.	DESCRIPTION	36PK	36PL				REMARKS
1	20S-26111-00	HANDLEBAR	1	1				
2	4YR-26241-02	GRIP (LEFT)	1	1				
3	4YR-26240-02	GRIP ASSY	1	1				
4	51J-26246-01	END, GRIP	2	2				
5	36P-26311-10	CABLE, THROTTLE 1	1	1				
6	36P-26312-00	CABLE, THROTTLE 2	1	1				
7	20S-26335-01	CABLE, CLUTCH	1	1				



20SB300-K350

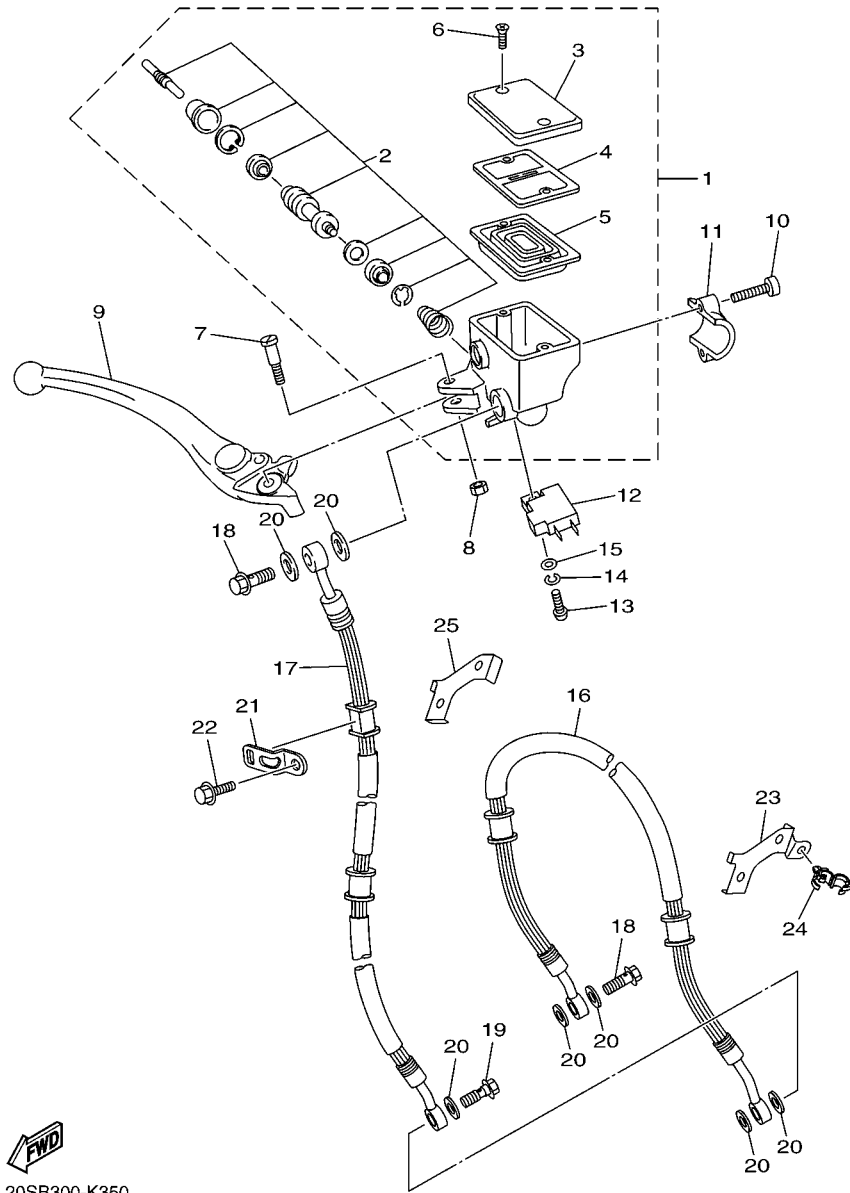
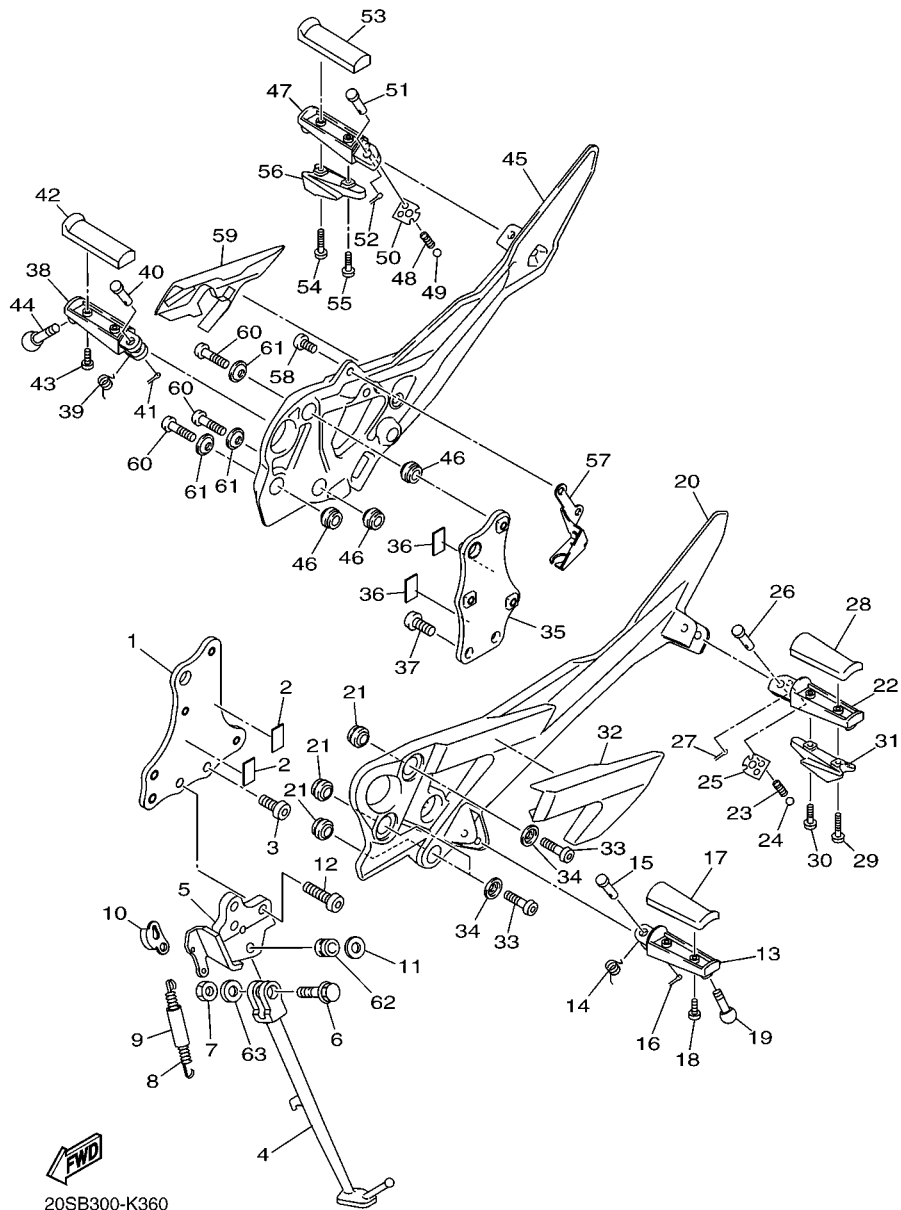


FIG. 34 FRONT MASTER CYLINDER

REF. NO.	PART NO.	DESCRIPTION	36PK	36PL	REMARKS
1	36C-W2587-00	MASTER CYLINDER SUB ASSY	1	1	
2	2D1-W0041-00	.CYLINDER KIT, MASTER	1	1	
3	5VS-25852-00	.CAP, RESERVOIR	1	1	
4	5VS-25855-00	.BUSH,DIAPHRAGM	1	1	
5	20S-25854-00	.DIAPHRAGM, RESERVOIR	1	1	
6	5VS-2589H-00	.SCREW	2	2	
7	5VS-2589F-00	BOLT, LEVER	1	1	
8	95617-06100	NUT, U	1	1	
9	5VS-83922-00	LEVER 2	1	1	
10	5VS-26332-00	BOLT	2	2	
11	5VS-25867-00	BRACKET, MASTER CYLINDER	1	1	
12	4HM-83980-00	FRONT STOP SWITCH ASSY	1	1	
13	98502-04012	SCREW, PAN HEAD	1	1	
14	92902-04100	WASHER, SPRING	1	1	
15	92902-04600	WASHER, PLATE	1	1	
16	20S-25872-01	HOSE, BRAKE 1	1	1	
17	20S-25873-01	HOSE, BRAKE 2	1	1	
18	90401-10020	BOLT, UNION	2	2	
19	90401-10038	BOLT, UNION	1	1	
20	90430-10005	GASKET	7	7	
21	5SL-25876-00	HOLDER, BRAKE HOSE 2	1	1	
22	95802-06012	BOLT, FLANGE	1	1	
23	20S-2537W-00	BRACKET 1	1	1	
24	90464-18002	CLAMP	3	3	
25	20S-25876-00	HOLDER, BRAKE HOSE 2	1	1	

FIG. 35 STAND & FOOTREST

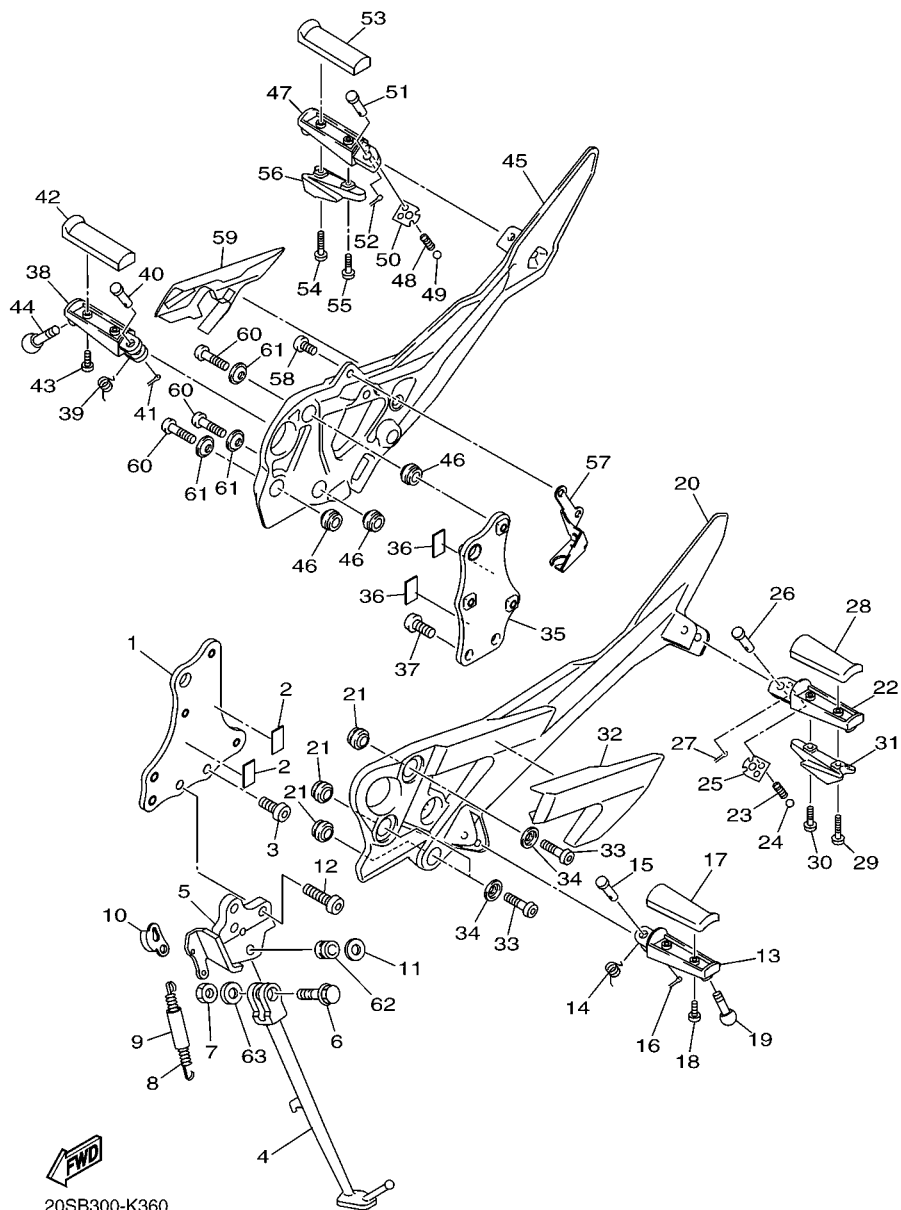
REF. NO.	PART NO.	DESCRIPTION	36PK	36PL	REMARKS
1	20S-274A3-00	BRACKET, ADAPTER 1	1	1	
2	4RR-21485-00	DAMPER, RUBBER 1	2	2	
3	90111-10043	BOLT,HEX. SOCKET BUTTON	1	1	
4	20S-27311-00	STAND, SIDE	1	1	
5	20S-27321-00	BRACKET, SIDE STAND	1	1	
6	90105-10365	BOLT, FLANGE	1	1	
7	90185-10023	NUT, SELF-LOCKING	1	1	
8	90506-23018	SPRING, TENSION	1	1	
9	5VX-27351-00	GUIDE, SIDE STAND	1	1	
10	5VX-27315-00	LINK, SIDE STAND	1	1	
11	90201-10051	WASHER, PLATE	1	1	
12	90111-10045	BOLT,HEX. SOCKET BUTTON	3	3	
13	4BH-27451-01	FOOTREST	1	1	
14	90508-20572	SPRING, TORSION	1	1	
15	91701-08042	PIN	1	1	
16	91402-25015	PIN, COTTER	1	1	
17	4BP-27413-00	COVER, FOOTREST	1	1	
18	90157-05025	SCREW, PAN HEAD	2	2	
19	90109-08203	BOLT	1	1	
20	20S-27442-00	BRACKET 2	1	1	
21	5VX-27424-00	DAMPNER, FOOTREST 2	3	3	
22	5RT-27431-00	FOOTREST, REAR 1	1	1	
23	90501-12743	SPRING, COMPRESSION	1	1	
24	93501-04011	BALL	1	1	
25	5VX-27437-00	WASHER, SPECIAL	1	1	
26	91701-08042	PIN	1	1	
27	91402-25015	PIN, COTTER	1	1	



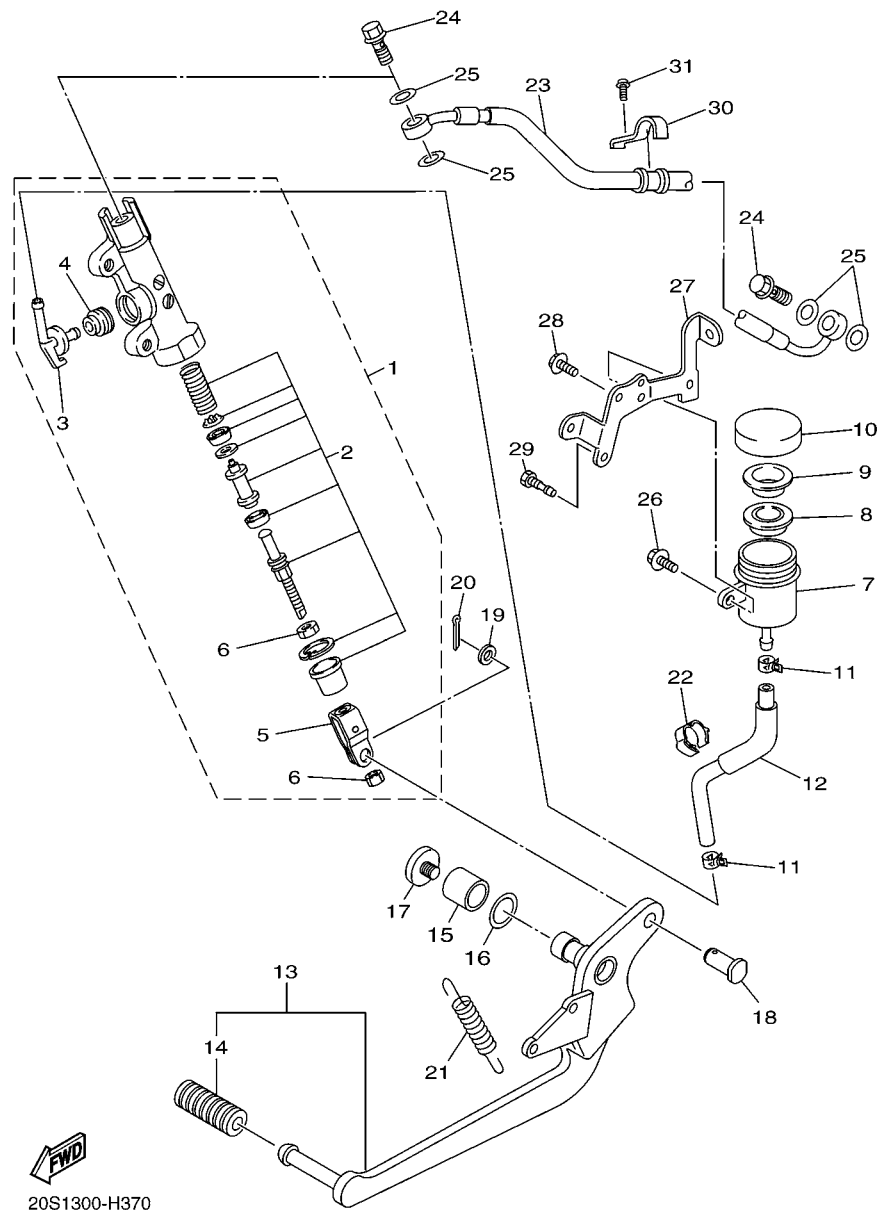
20SB300-K360

FIG. 35 STAND & FOOTREST

REF. NO.	PART NO.	DESCRIPTION	36PK	36PL	REMARKS
28	4BP-27413-00	COVER, FOOTREST	1	1	
29	90159-05187	SCREW, WITH WASHER	1	1	
30	90159-05004	SCREW, WITH WASHER	1	1	
31	5LV-2741E-01	ARM 2	1	1	
32	20S-27486-00	COVER 1	1	1	
33	90111-08066	BOLT,HEX. SOCKET BUTTON	3	3	
34	90209-08295	WASHER	3	3	
35	20S-274A4-00	BRACKET,ADAPTER 2	1	1	
36	4RR-21485-00	DAMPER, RUBBER 1	2	2	
37	90111-10036	BOLT,HEX. SOCKET BUTTON	2	2	
38	4BH-27461-01	FOOTREST	1	1	
39	90508-20572	SPRING, TORSION	1	1	
40	91701-08042	PIN	1	1	
41	91402-25015	PIN, COTTER	1	1	
42	4BP-27413-00	COVER, FOOTREST	1	1	
43	90157-05025	SCREW, PAN HEAD	2	2	
44	90109-08203	BOLT	1	1	
45	20S-27443-00	BRACKET 3	1	1	
46	5VX-27424-00	DAMPER, FOOTREST 2	3	3	
47	5RT-27441-00	FOOTREST, REAR 2	1	1	
48	90501-12743	SPRING, COMPRESSION	1	1	
49	93501-04011	BALL	1	1	
50	5VX-27437-00	WASHER, SPECIAL	1	1	
51	91701-08042	PIN	1	1	
52	91402-25015	PIN, COTTER	1	1	
53	4BP-27413-00	COVER, FOOTREST	1	1	
54	90159-05187	SCREW, WITH WASHER	1	1	



20SB300-K360



20S1300-H370

FIG. 36 REAR MASTER CYLINDER

REF. NO.	PART NO.	DESCRIPTION	36PK	36PL	REMARKS
1	2D1-2583V-00	RR. MASTER CYLINDER ASSY.	1	1	
2	5VX-W0042-51	.CYLINDER KIT, MASTER	1	1	
3	2D1-2582A-00	.JOINT	1	1	
4	4BP-2585F-01	.O-RING	1	1	
5	4BP-27222-02	.JOINT	1	1	
6	90170-08010	.NUT	2	2	
7	4P5-25894-00	TANK, RESERVOIR	1	1	
8	5SL-25854-00	DIAPHRAGM, RESERVOIR	1	1	
9	5SL-25855-00	BUSH,DIAPHRAGM	1	1	
10	5SL-25852-00	CAP, RESERVOIR	1	1	
11	90467-11044	CLIP	2	2	
12	20S-25895-00	HOSE, RESERVOIR	1	1	
13	20S-27200-01	PEDAL, BRAKE	1	1	
14	5EB-18113-00	.COVER, SHIFT PEDAL	1	1	
15	90386-14171	BUSH	1	1	
16	90206-14086	WASHER, WAVE	1	1	
17	90110-06249	BOLT, HEXAGON SOCKET HEAD	1	1	
18	90240-08005	PIN, CLEVIS	1	1	
19	90201-08066	WASHER, PLATE	1	1	
20	91402-20012	PIN, COTTER	1	1	
21	90506-23008	SPRING, TENSION	1	1	
22	90464-16003	CLAMP	1	1	
23	20S-2581K-00	HOSE, BRAKE 5	1	1	
24	90401-10020	BOLT, UNION	2	2	
25	90430-10005	GASKET	4	4	
26	90119-06137	BOLT, WITH WASHER	1	1	
27	20S-21228-00	BRACKET, RESERVE TANK	1	1	

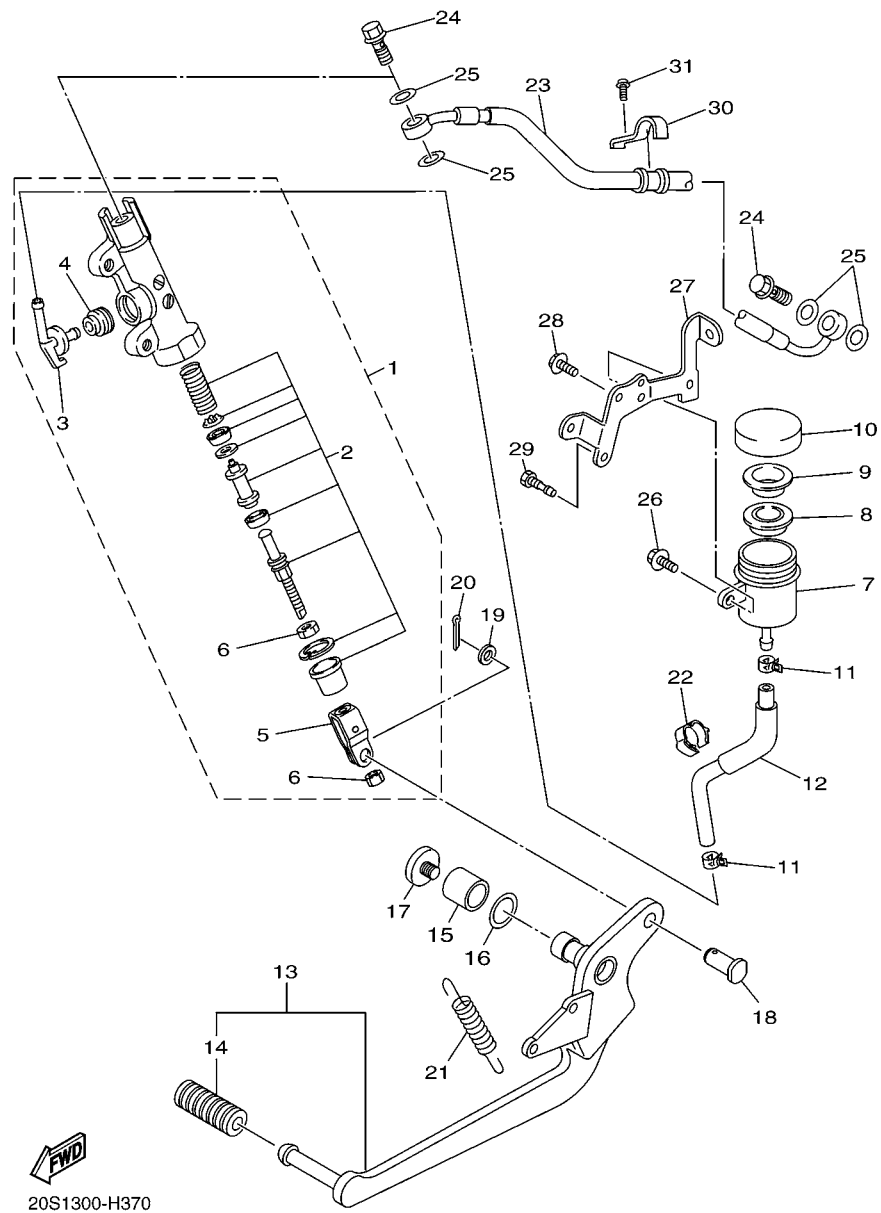


FIG. 36 REAR MASTER CYLINDER

REF. NO.	PART NO.	DESCRIPTION	36PK	36PL	REMARKS
28	95802-06012	BOLT, FLANGE	1	1	
29	90153-06034	SCREW, HEXAGON	1	1	
30	20S-2587A-00	HOLDER, BRAKE HOSE	1	1	
31	95022-06012	BOLT, FLANGE	1	1	

FIG. 37 COWLING 1

REF. NO.	PART NO.	DESCRIPTION	36PK	36PL	REMARKS
1	36P-28381-00	WINDSHIELD	1	1	
2	90150-05023	SCREW, ROUND HEAD	6	6	
3	90179-05523	NUT	6	6	
4	36P-Y283G-30-P3	BODY, FRONT UPPER 1	1	1	BWC1
5	36P-83559-00	.COVER, METER	1	1	
6	90183-05M02	..NUT, SPRING	4	4	
7	90183-05042	..NUT, SPRING	8	8	
8	90183-05076	..NUT, SPRING	2	2	
9	5SL-84753-00	..DAMPER	4	4	
10	36P-2830N-00	..BOX SUB ASSY	1	1	
11	90183-05076	..NUT, SPRING	1	1	
12	90183-05008	..NUT, SPRING	3	3	
13	36P-2837N-00	..GRILL, AIR INTAKE 1	1	1	
14	97702-50016	..SCREW, TAPPING	4	4	
15	90445-070K7	..HOSE (L10)	2	2	
16	36P-2830R-00	..BOX SUB ASSY	1	1	
17	90183-05076	..NUT, SPRING	1	1	
18	90183-05008	..NUT, SPRING	3	3	
19	36P-2837R-00	..GRILL, AIR INTAKE 2	1	1	
20	97702-50016	..SCREW, TAPPING	4	4	
21	90445-070K7	..HOSE (L10)	2	2	
22	20S-28376-00	TRIM	2	2	
23	90445-05003	HOSE	2	2	
24	1FK-2171M-00	MOLE, SIDE COVER 2	2	2	
25	36P-2172R-01	BRACKET 5	1	1	
26	90464-16006	CLAMP	1	1	
27	90464-15157	CLAMP	1	1	

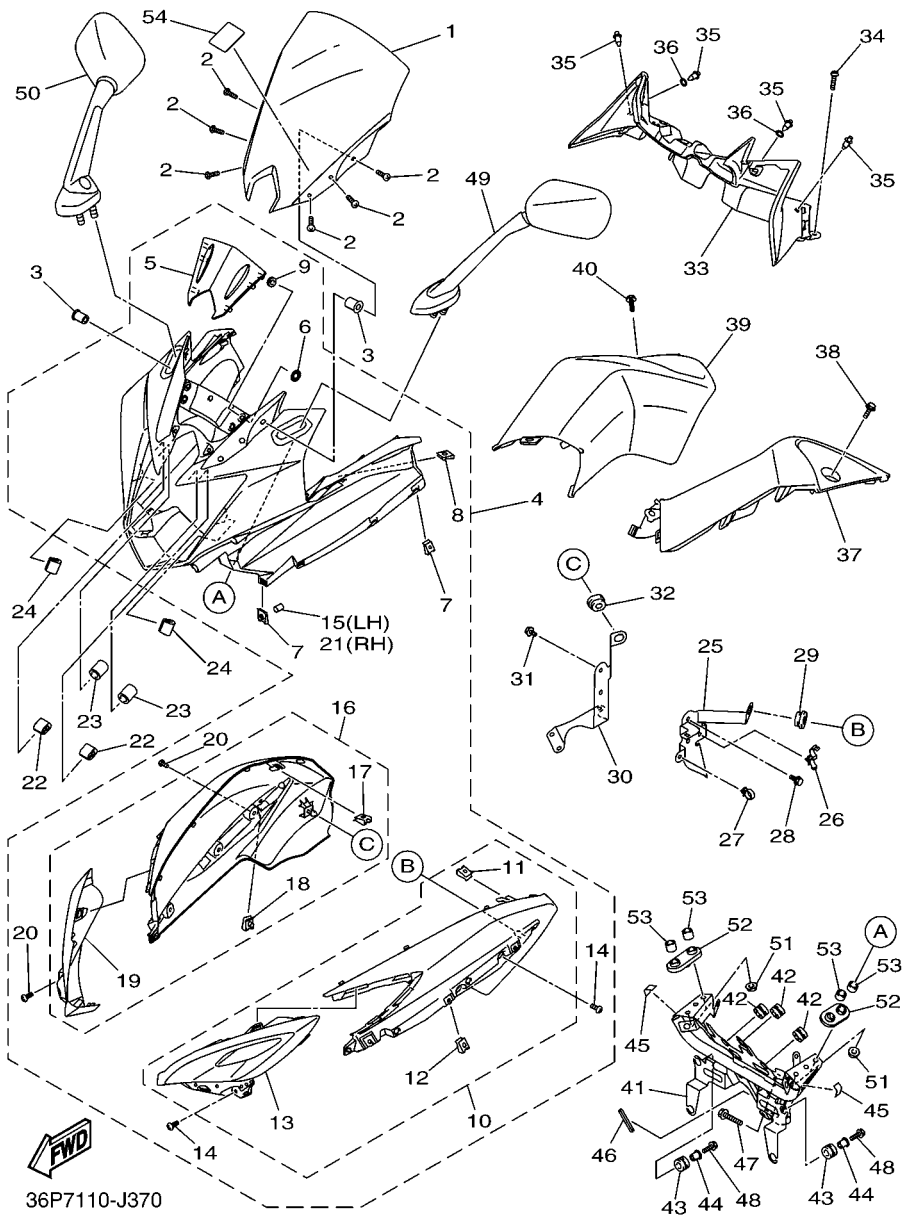
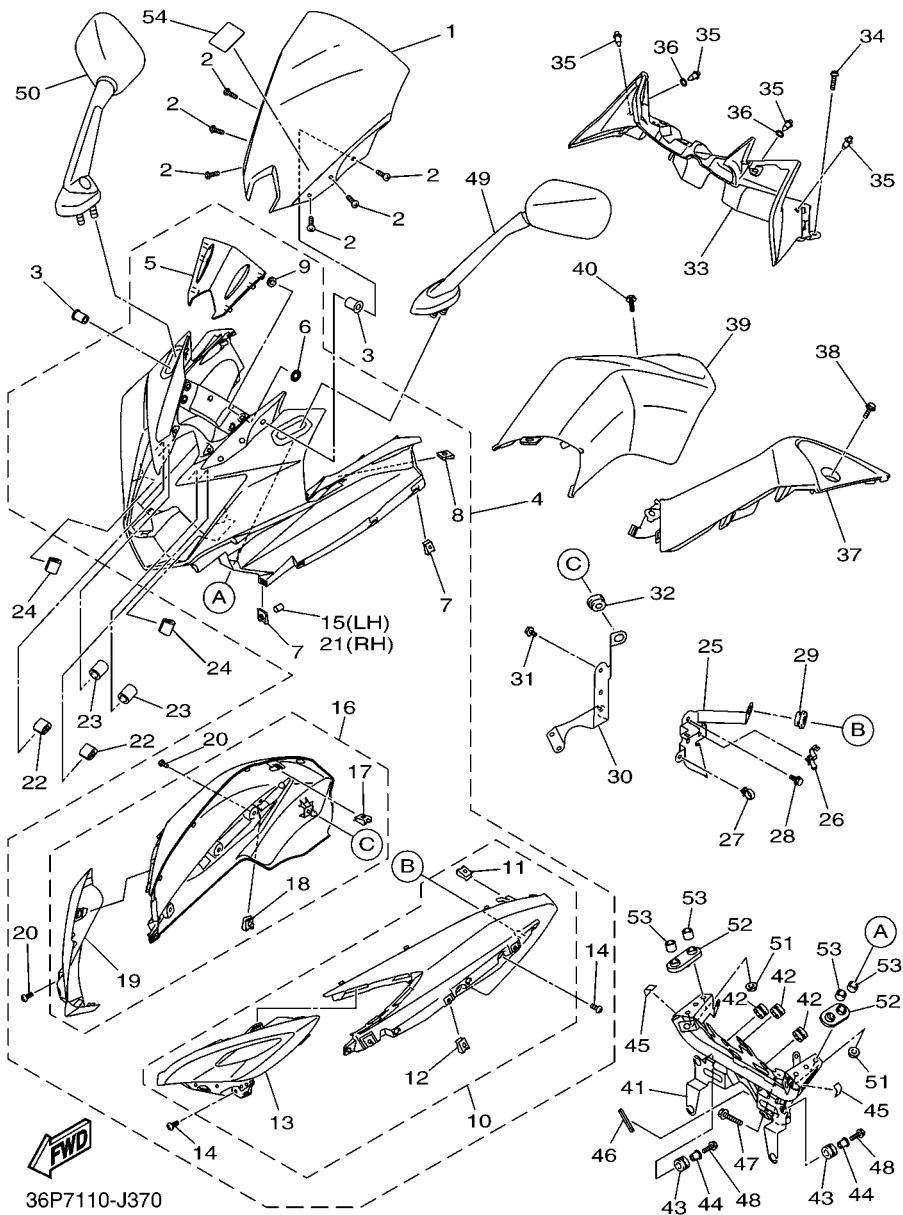


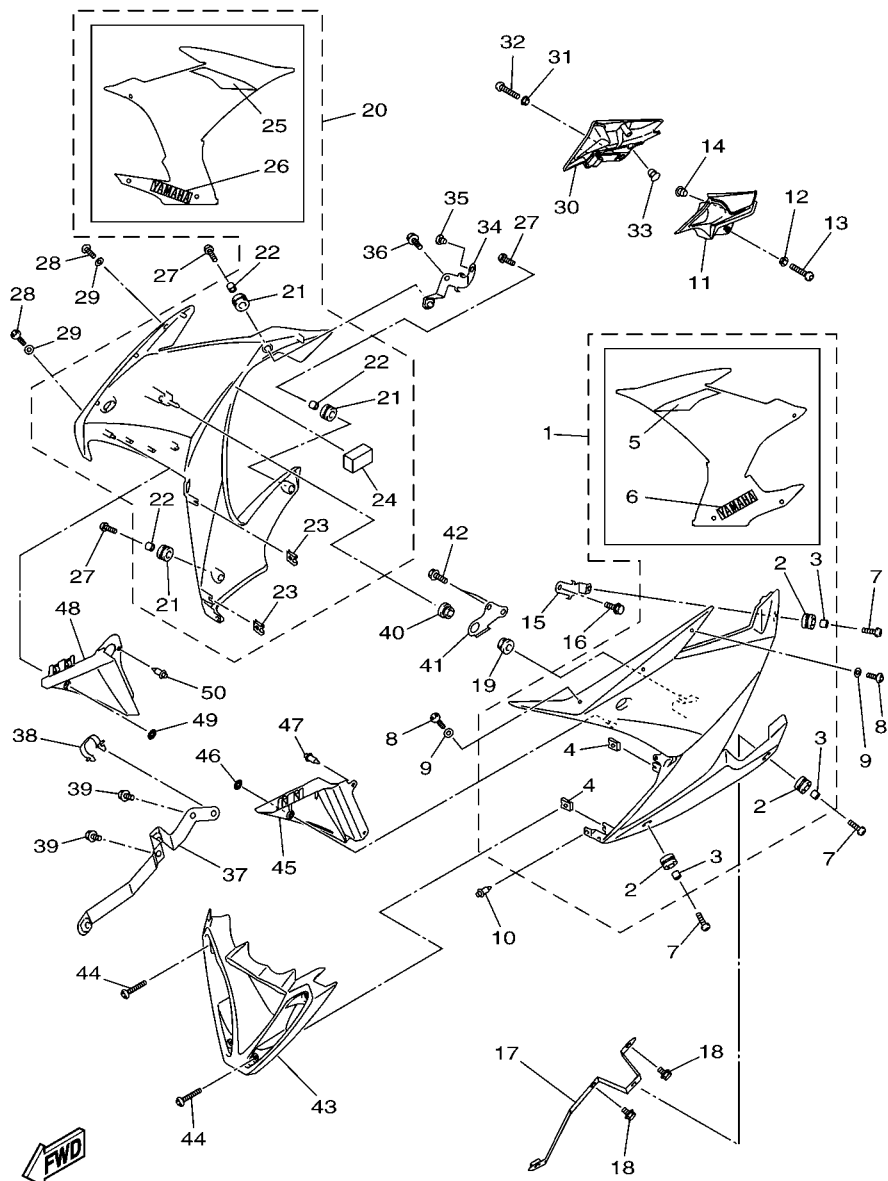
FIG. 37 COWLING 1

REF. NO.	PART NO.	DESCRIPTION	36PK	36PL	REMARKS
28	95802-06012	BOLT, FLANGE	2	2	
29	90480-01558	GROMMET	1	1	
30	36P-2172T-01	BRKT 6	1	1	
31	95802-06012	BOLT, FLANGE	2	2	
32	90480-01558	GROMMET	1	1	
33	36P-2836K-00	PANEL, INNER 1	1	1	
34	90111-05034	BOLT,HEX. SOCKET BUTTON	2	2	
35	90269-06008	RIVET	4	4	
36	90202-06004	WASHER, PLATE	2	2	
37	36P-2836L-00	PANEL, INNER 2	1	1	
38	90111-05034	BOLT,HEX. SOCKET BUTTON	1	1	
39	36P-2836M-00	PANEL, INNER 3	1	1	
40	90111-05034	BOLT,HEX. SOCKET BUTTON	1	1	
41	36P-28356-01	STAY 1	1	1	
42	3C3-83513-00	DAMPER	3	3	
43	90480-14004	GROMMET	4	4	
44	90387-07391	COLLAR	4	4	
45	36P-2837J-00	DAMPER 5	2	2	
46	2S3-28348-00	MOLE 4	1	1	
47	95822-08035	BOLT, FLANGE	2	2	
48	95822-06025	BOLT, FLANGE	4	4	
49	36P-26280-00	REAR VIEW MIRROR ASSY (LEFT)	1	1	
50	36P-26290-00	REAR VIEW MIRROR ASSY (RIGHT)	1	1	
51	95702-06500	NUT, FLANGE	4	4	
52	3C3-26298-00	PLATE, MIRROR FITTING 1	2	2	
53	90387-064T3	COLLAR	4	4	
54	4B5-2815K-00	LABEL, NOTICE WINDSHIELD 1	1	1	



36P7110-J370

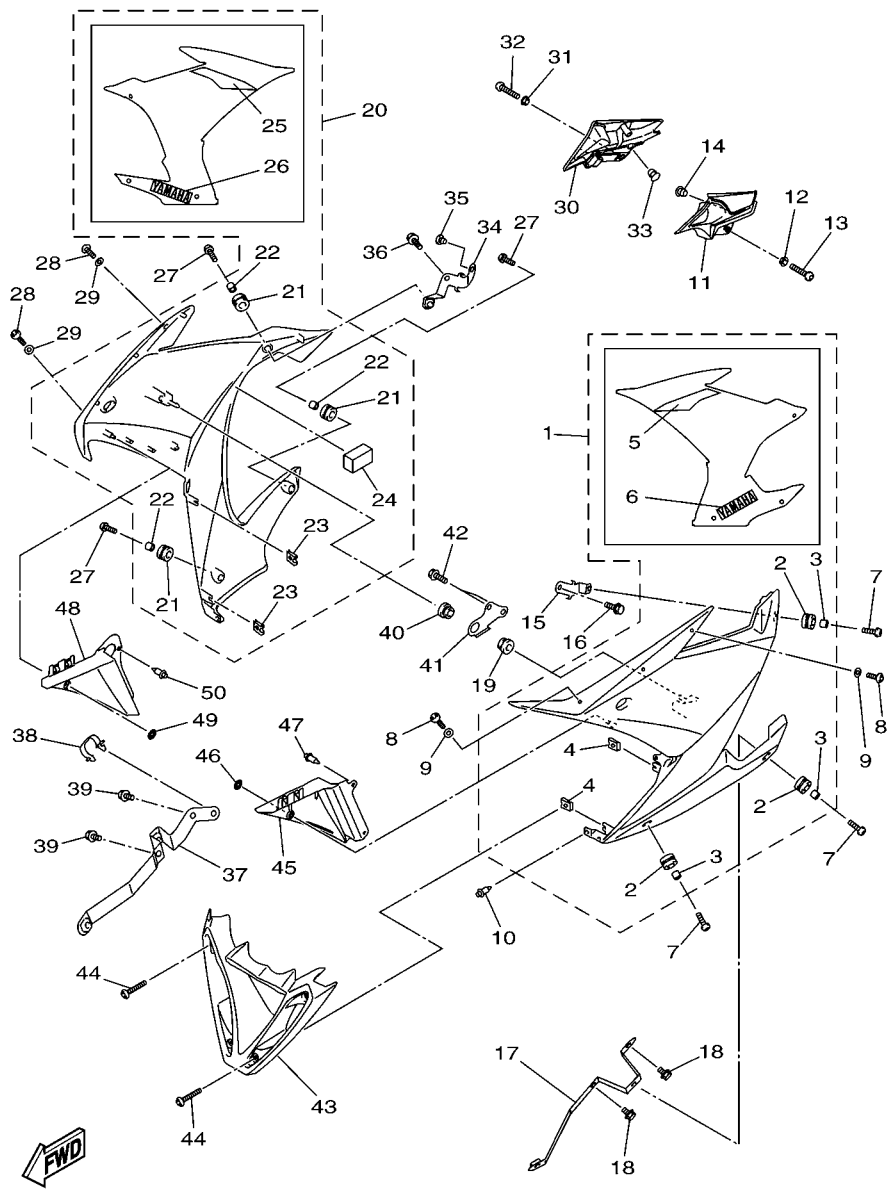
FIG. 38 COWLING 2



36PD110-K380

REF. NO.	PART NO.	DESCRIPTION	36PK	36PL	REMARKS
1	36P-W283U-10-P3	PANEL ASSY 1	1	1	BWC1
2	90480-14003	.GROMMET	3	3	
3	90387-06260	.COLLAR	3	3	
4	90183-05076	.NUT,SPRING	2	2	
5	36P-2839E-10	.GRAPHIC 8	1	1	
6	36P-2153E-20	.EMBLEM, YAMAHA	1	1	
7	90149-06302	SCREW	3	3	
8	90111-05007	BOLT,HEX. SOCKET BUTTON	3	3	
9	90202-05180	WASHER, PLATE	3	3	
10	90269-06008	RIVET	1	1	
11	36P-2171N-00	MOLE, SIDE COVER 3	1	1	
12	90387-06130	COLLAR	1	1	
13	90149-06302	SCREW	1	1	
14	90338-07043	PLUG	1	1	
15	36P-2833A-00	BRACKET 7	1	1	
16	95802-06014	BOLT, FLANGE	1	1	
17	36P-2836A-01	BRACKET 1	1	1	
18	90109-060E9	BOLT	2	2	
19	90480-01558	GROMMET	1	1	
20	36P-W283V-10-P3	PANEL ASSY 2	1	1	BWC1
21	90480-14003	.GROMMET	3	3	
22	90387-06260	.COLLAR	3	3	
23	90183-05076	.NUT,SPRING	2	2	
24	2C0-2162G-00	.PLATE 1	1	1	
25	36P-2839F-10	.GRAPHIC 9	1	1	
26	36P-2153E-20	.EMBLEM, YAMAHA	1	1	
27	90149-06302	SCREW	3	3	

FIG. 38 COWLING 2



36PD110-K380

REF. NO.	PART NO.	DESCRIPTION	36PK	36PL	REMARKS
28	90111-05007	BOLT,HEX. SOCKET BUTTON	3	3	
29	90202-05180	WASHER, PLATE	3	3	
30	36P-2171R-00	MOLE, SIDE COVER 4	1	1	
31	90387-06130	COLLAR	1	1	
32	90149-06302	SCREW	1	1	
33	90338-07043	PLUG	1	1	
34	36P-2833E-00	BRACKET 8	1	1	
35	90338-07157	PLUG	1	1	
36	95802-06014	BOLT, FLANGE	1	1	
37	36P-2836E-01	BRACKET 2	1	1	
38	90464-24230	CLAMP	1	1	
39	90109-060E9	BOLT	2	2	
40	90480-01558	GROMMET	1	1	
41	20S-21843-00	STAY, 4	1	1	
42	95822-06014	BOLT, FLANGE	2	2	
43	36P-22863-00	COVER, UNDER	1	1	
44	90111-05034	BOLT,HEX. SOCKET BUTTON	4	4	
45	36P-2836N-00	PANEL, INNER 4	1	1	
46	90183-05M02	NUT, SPRING	2	2	
47	90269-06008	RIVET	1	1	
48	36P-2836R-00	PANEL, INNER 5	1	1	
49	90183-05M02	NUT, SPRING	2	2	
50	90269-06008	RIVET	1	1	

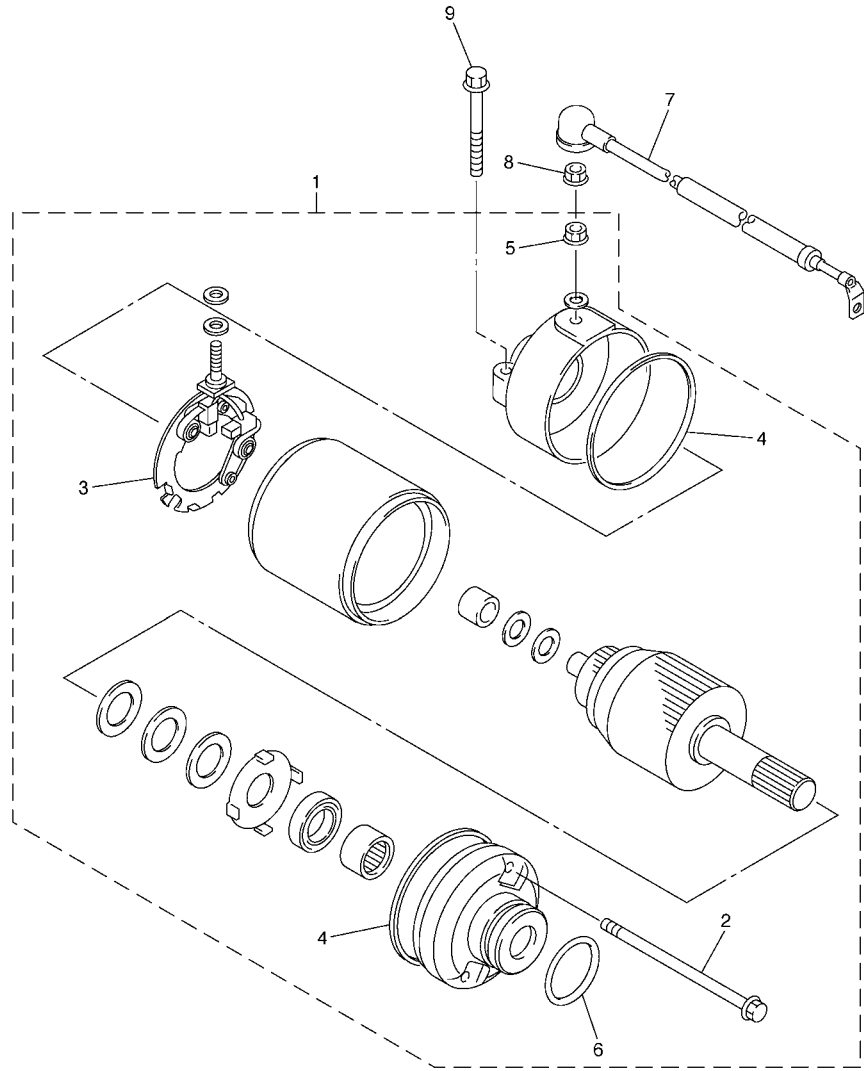


FIG. 40 STARTING MOTOR

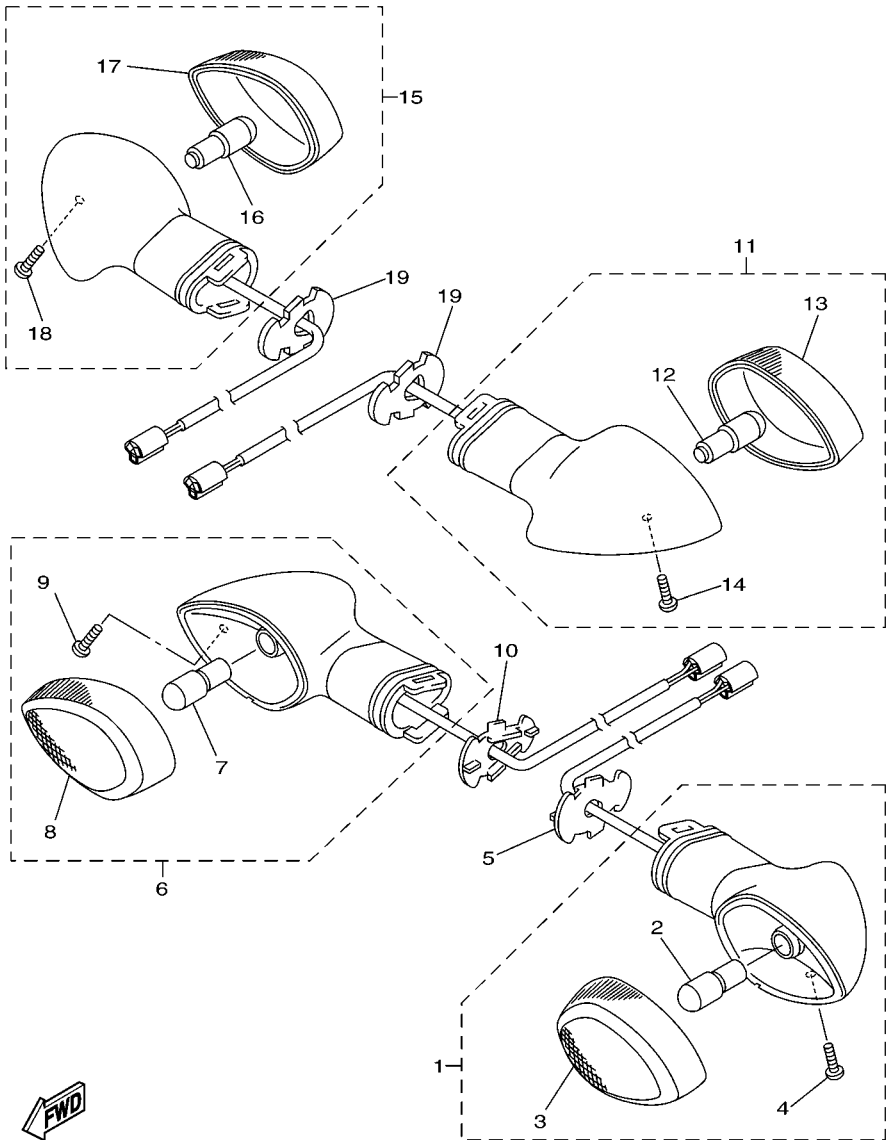
REF. NO.	PART NO.	DESCRIPTION	36PK	36PL			REMARKS
1	2C0-81890-00	MOTOR ASSY	1	1			
2	4WP-81826-00	.BOLT	2	2			
3	4WP-81801-00	.BRUSH SET	1	1			
4	4WP-81844-00	.GASKET	2	2			
5	4XV-8182A-00	.NUT	1	1			
6	1FK-81847-00	.O-RING	1	1			
7	5VX-81815-00	CORD, STARTER MOTOR	1	1			
8	4XV-8182A-00	NUT	1	1			
9	95022-06025	BOLT, FLANGE	2	2			



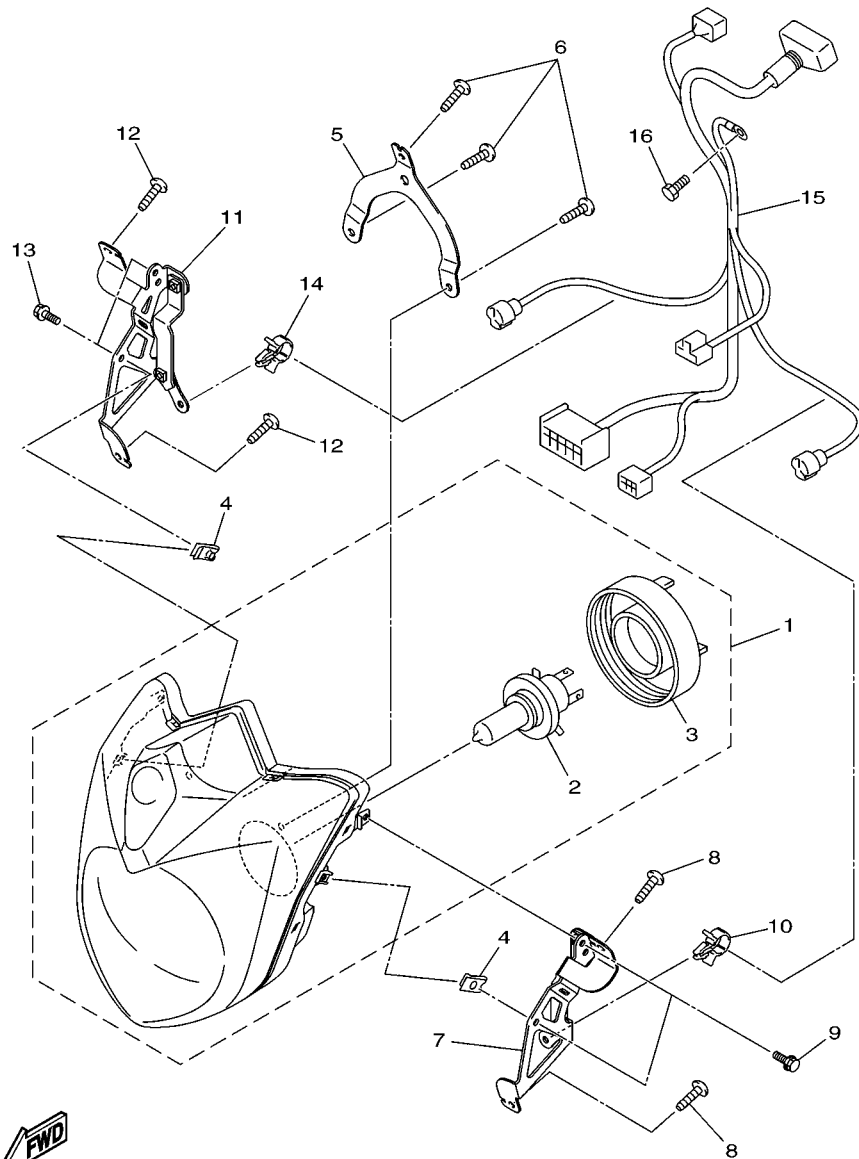
2C01300-E400

FIG. 41 FLASHER LIGHT

REF. NO.	PART NO.	DESCRIPTION	36PK	36PL		REMARKS
1	5PW-83310-10	FRONT FLASHER LIGHT ASSY 1	1	1		
2	5GJ-83331-00	.BULB, FLASHER(12V-21/5W T20)	1	1		
3	5PW-8333A-10	.LENS COMP 1	1	1		
4	97706-04012	.SCREW, TAPPING	1	1		
5	2C0-83318-00	STAY, FLASHER 1	1	1		
6	5PW-83320-10	FRONT FLASHER LIGHT ASSY 2	1	1		
7	5GJ-83331-00	.BULB, FLASHER(12V-21/5W T20)	1	1		
8	5PW-8334A-10	.LENS COMP 2	1	1		
9	97706-04012	.SCREW, TAPPING	1	1		
10	2C0-83318-00	STAY, FLASHER 1	1	1		
11	14B-83330-10	REAR FLASHER LIGHT ASSY 1	1	1		
12	5PW-83331-00	.BULB (12V-21/5W T20)	1	1		
13	5PW-8334A-10	.LENS COMP 2	1	1		
14	97707-04012	.SCREW, TAPPING	1	1		
15	14B-83340-10	REAR FLASHER LIGHT ASSY 2	1	1		
16	5PW-83331-00	.BULB (12V-21/5W T20)	1	1		
17	5PW-8333A-10	.LENS COMP 1	1	1		
18	97707-04012	.SCREW, TAPPING	1	1		
19	3D7-83318-10	STAY, FLASHER 1	2	2		



36PD110-K410



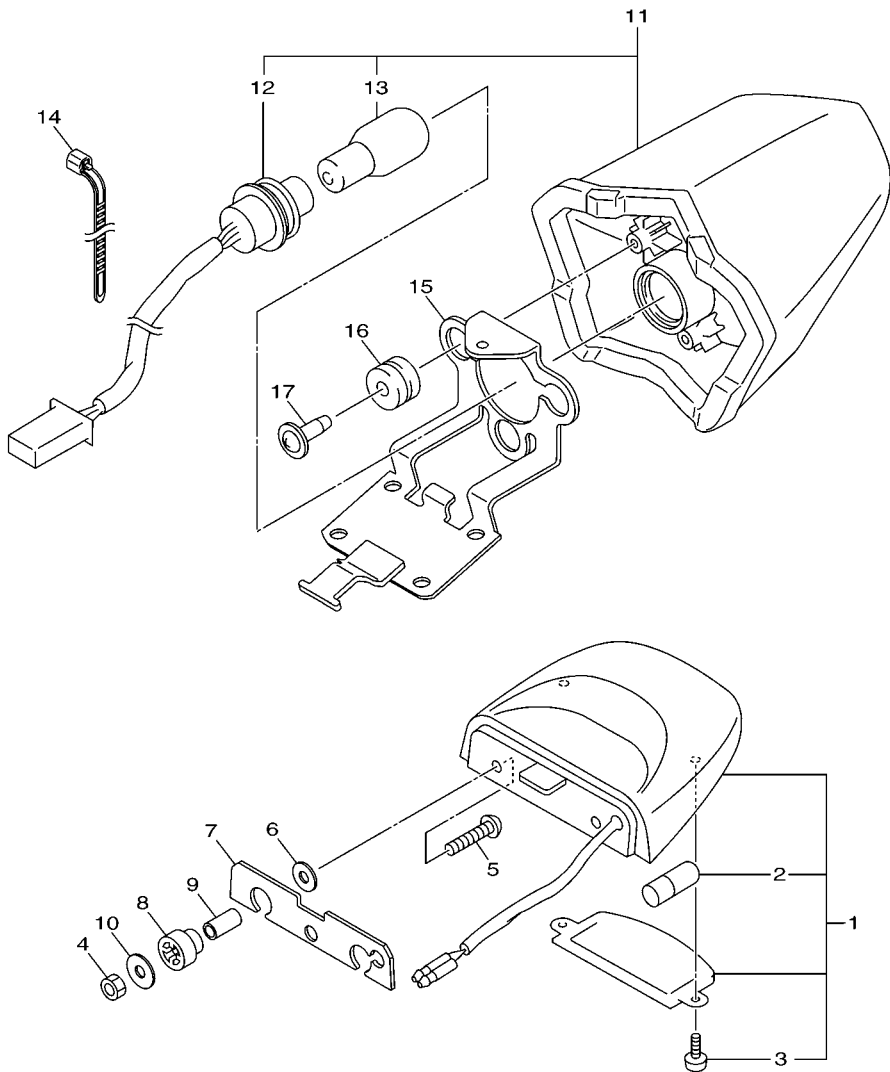
36P1110-H430

FIG. 43 HEADLIGHT

REF. NO.	PART NO.	DESCRIPTION	36PK	36PL		REMARKS
1	36P-84300-00	HEADLIGHT ASSY	1	1		
2	4K0-84314-G0	.BULB (12V 60/55W HALOGEN)	1	1		
3	5JW-84397-00	.COVER, SOCKET	1	1		
4	90183-06069	NUT, SPRING	2	2		
5	36P-28396-00	PLATE 1	1	1		
6	97702-50016	SCREW, TAPPING	3	3		
7	36P-84118-00	STAY, HEADLIGHT 1	1	1		
8	97702-50016	SCREW, TAPPING	2	2		
9	95802-06012	BOLT, FLANGE	2	2		
10	90464-15157	CLAMP	1	1		
11	36P-84119-00	STAY, HEADLIGHT 2	1	1		
12	97702-50016	SCREW, TAPPING	2	2		
13	95802-06012	BOLT, FLANGE	2	2		
14	90464-15157	CLAMP	1	1		
15	36P-84359-00	CORD, HEADLIGHT	1	1		
16	91380-05008	BOLT	1	1		

FIG. 44 TAILLIGHT

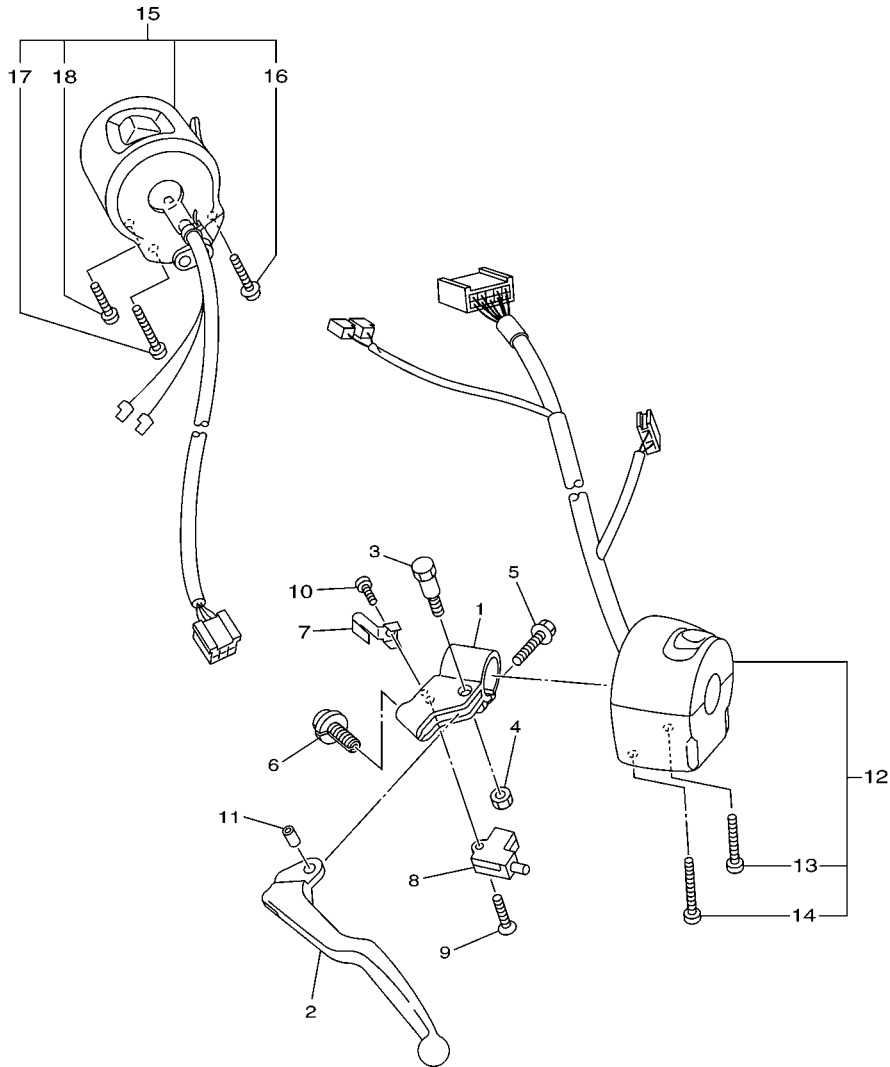
REF. NO.	PART NO.	DESCRIPTION	36PK	36PL	REMARKS
1	5VX-84745-01	LICENCE LIGHT UNIT ASSY	1	1	
2	4HC-84744-00	.BULB (12V-5W)	1	1	
3	97706-04012	.SCREW, TAPPING	2	2	
4	95602-05100	NUT, U	2	2	
5	90111-05030	BOLT,HEX. SOCKET BUTTON	2	2	
6	90201-05043	WASHER, PLATE	2	2	
7	20S-84753-00	DAMPER	1	1	
8	3F9-84553-00	DAMPER	2	2	
9	90387-05049	COLLAR	2	2	
10	90201-05025	WASHER, PLATE	2	2	
11	20S-84710-00	TAILLIGHT UNIT ASSY	1	1	
12	20S-84735-00	.SOCKET CORD ASSY	1	1	
13	3P6-83331-10	.BULB, FLASHER (12V-21/5W)	1	1	
14	90464-25004	CLAMP	1	1	
15	36P-84519-00	BRACKET, TAILLIGHT	1	1	
16	90480-18276	GROMMET	3	3	
17	90164-05001	SCREW, TAPPING	3	3	



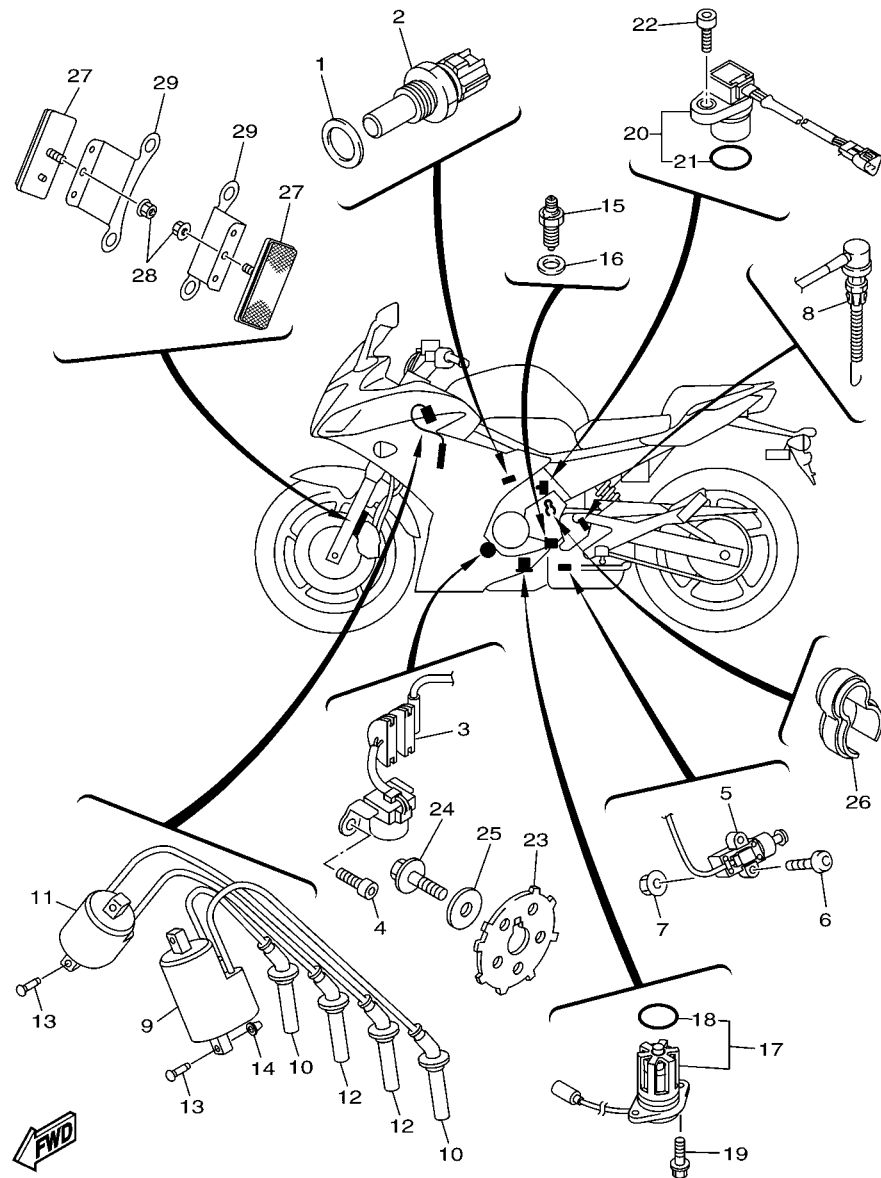
36P1110-H440

FIG. 45 HANDLE SWITCH & LEVER

REF. NO.	PART NO.	DESCRIPTION	36PK	36PL	REMARKS
1	4XV-82911-10	HOLDER, LEVER 1	1	1	
2	5EB-83912-03	LEVER 1	1	1	
3	2C0-83945-00	BOLT, LEVER	1	1	
4	95607-06200	NUT, SELF U-FLANGE	1	1	
5	95027-06020	BOLT, FLANGE	1	1	
6	5LV-83951-00	BOLT, CABLE ADJUSTING	1	1	
7	4XV-83929-00	PLATE, SPRING	1	1	
8	3YX-82917-01	SWITCH	1	1	
9	98704-03020	SCREW, FLAT HEAD	1	1	
10	98507-04010	SCREW, PAN HEAD	1	1	
11	5JJ-83913-00	COLLAR, LEVER 1	1	1	
12	36P-83963-00	SWITCH, HANDLE 3	1	1	
13	98507-05030	.SCREW, PAN HEAD	1	1	
14	98507-05045	.SCREW, PAN HEAD	1	1	
15	5VX-83975-01	SWITCH, HANDLE 2	1	1	
16	97607-05255	.SCREW, WITH WASHER	1	1	
17	98507-05045	.SCREW, PAN HEAD	1	1	
18	98507-05020	.SCREW, PAN HEAD	1	1	



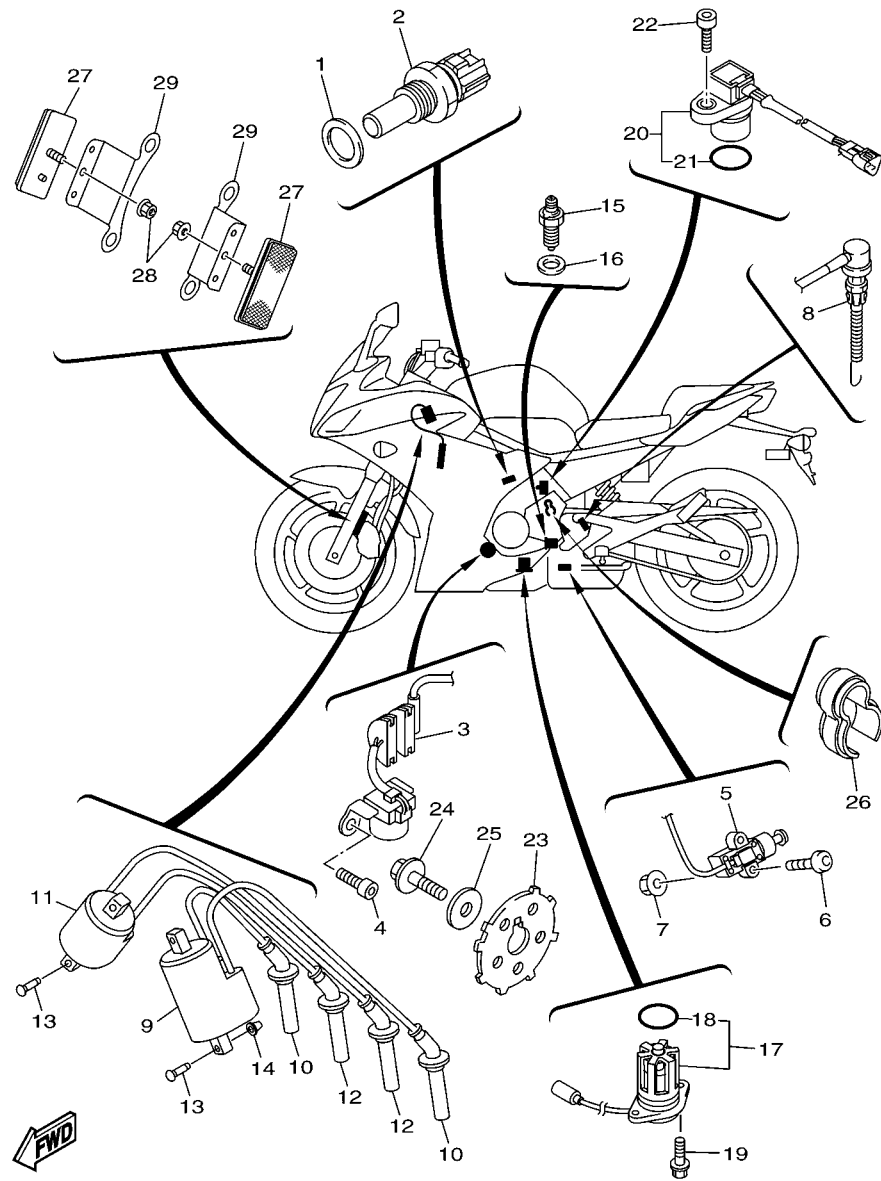
36PD110-K450



36P1110-H460

FIG. 46 ELECTRICAL 1

REF. NO.	PART NO.	DESCRIPTION	36PK	36PL	REMARKS
1	90201-12790	WASHER, PLATE	1	1	
2	8CC-85790-01	THERMOSENSOR ASSY	1	1	
3	20S-81670-00	PICK-UP ASSY	1	1	
4	90110-06161	BOLT, HEXAGON SOCKET HEAD	2	2	
5	20S-82566-60	SWITCH, SIDE STAND	1	1	
6	92012-05025	BOLT, BUTTON HEAD	2	2	
7	95602-05200	NUT, SELF-LOCKING	2	2	
8	20S-82530-00	STOP SWITCH ASSY	1	1	
9	20S-82310-00	IGNITION COIL ASSY	1	1	
10	20S-82370-01	PLUG CAP ASSY	2	2	
11	20S-82320-00	IGNITION COIL ASSY	1	1	
12	20S-82370-01	PLUG CAP ASSY	2	2	
13	97702-60525	SCREW, TAPPING	2	2	
14	90338-08226	PLUG	2	2	
15	3GB-82540-01	NEUTRAL SWITCH ASSY	1	1	
16	90430-10148	GASKET	1	1	
17	5VX-85720-01	OIL LEVEL GAUGE ASSY	1	1	
18	5VY-8A8E0-00	.O-RING	1	1	
19	90105-06187	BOLT, FLANGE	2	2	
20	4WM-83755-02	SENSOR, SPEED	1	1	
21	4D9-81168-00	.O-RING	1	1	
22	91312-06016	BOLT	1	1	
23	20S-81673-00	ROTOR	1	1	
24	90105-08113	BOLT, FLANGE	1	1	
25	90201-08054	WASHER, PLATE	1	1	
26	90464-15065	CLAMP	1	1	
27	11H-85110-01	REFLECTOR ASSY	2	2	



36P1110-H460

FIG. 46 ELECTRICAL 1

REF. NO.	PART NO.	DESCRIPTION	36PK	36PL				REMARKS
28	95602-05200	NUT, SELF-LOCKING	2	2				
29	36P-85112-00	BRACKET, REFLECTOR 1	2	2				

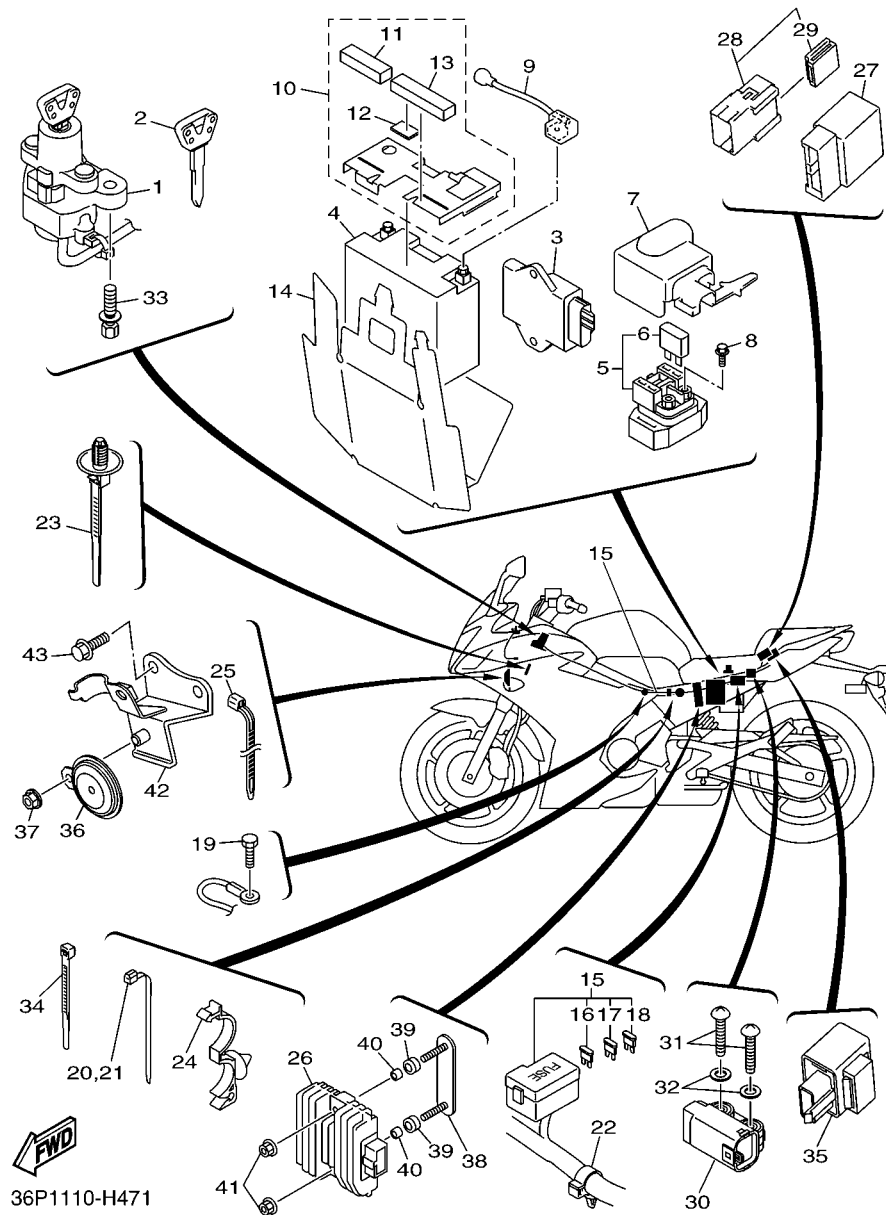


FIG. 47 ELECTRICAL 2

REF. NO.	PART NO.	DESCRIPTION	36PK	36PL	REMARKS
1	36P-82501-00	MAIN SWITCH STEERING LOCK	1	1	
2	4BH-82511-09	BLANK KEY	1	1	AP
3	36P-8591A-00	ENGINE CONTROL UNIT ASSY	1	1	
4	4TX-82100-02	BATTERY ASSY (GS GT12B-4)	1	1	
5	4SV-81940-12	STARTER RELAY ASSY	1	1	
6	1AE-82151-00	.FUSE (30A-BL)	2	2	
7	20S-82119-00	COVER, LEAD WIRE	1	1	
8	95022-06008	BOLT, FLANGE	2	2	
9	20S-82115-00	WIRE, PLUS LEAD	1	1	
10	20S-82160-00	BATTERY COVER ASSY	1	1	
11	5VK-21746-00	.DAMPER	1	1	
12	5HN-2139X-00	.DAMPER	1	1	
13	90520-15002	.DAMPER, PLATE	1	1	
14	20S-82122-01	SEAT, BATTERY	1	1	
15	36P-82590-00	WIRE HARNESS ASSY	1	1	
16	5JJ-82151-10	.FUSE (15A-BL)	3	3	
17	5JJ-82151-20	.FUSE (20A-BL)	2	2	
18	5JJ-82151-30	.FUSE (10A-BL)	4	4	
19	91380-06012	BOLT	1	1	
20	90464-13077	CLAMP	1	1	
21	90464-13077	CLAMP	1	1	
22	90464-20010	CLAMP	2	2	
23	90464-20213	CLAMP	2	2	
24	90464-20010	CLAMP	1	1	
25	90464-15195	CLAMP	1	1	
26	5SL-81960-00	RECTIFIER & REGULATOR ASSY	1	1	
27	5VK-81950-40	RELAY ASSY	1	1	

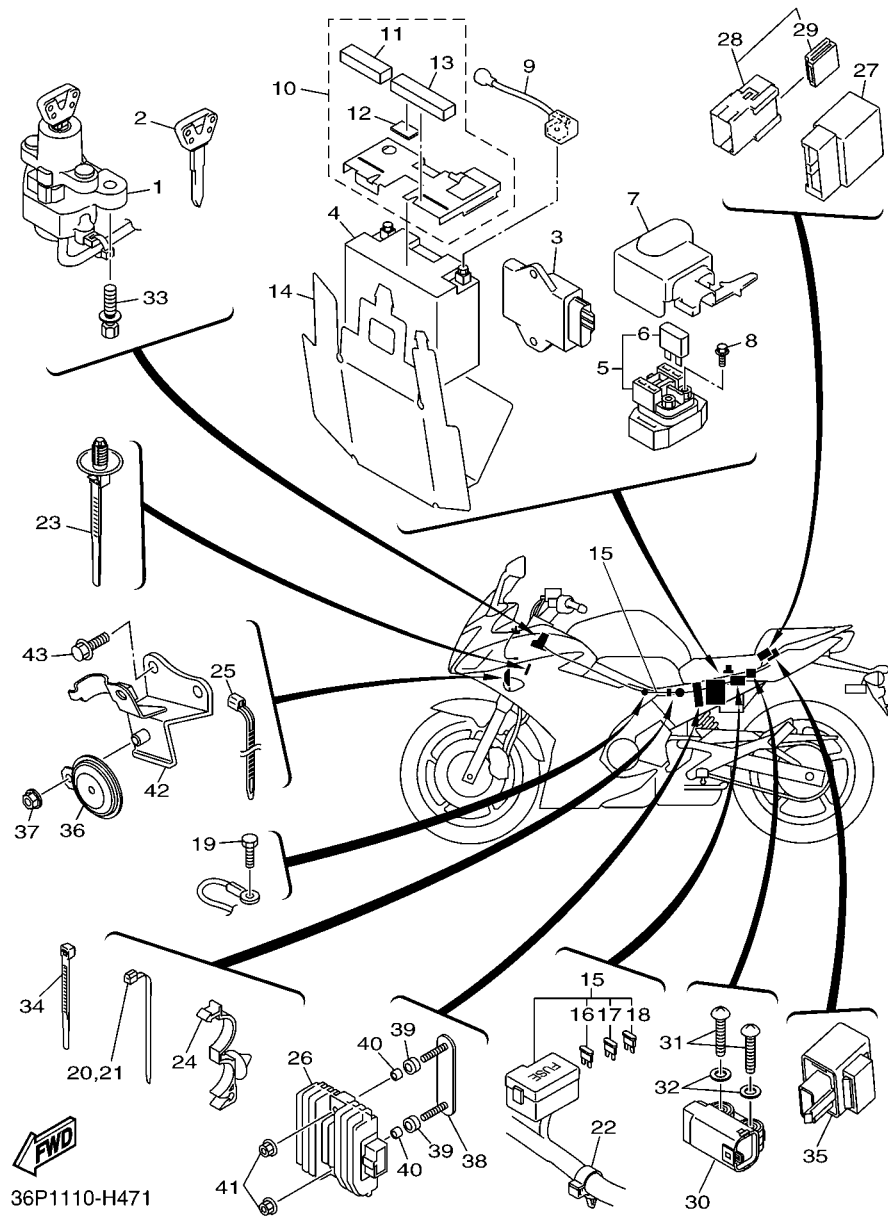


FIG. 47 ELECTRICAL 2

REF. NO.	PART NO.	DESCRIPTION	36PK	36PL	REMARKS
28	5JJ-81950-20	RELAY ASSY	2	2	
29	5JJ-81952-00	.HOLDER, RELAY	1	1	
30	5PS-82576-01	SENSOR, LEAN ANGLE	1	1	
31	90160-04009	SCREW, ROUND TAPPING	2	2	
32	90201-04030	WASHER, PLATE	2	2	
33	90109-08195	BOLT	2	2	
34	90465-15011	CLAMP	1	1	
35	3GM-83350-01	FLASHER RELAY ASSY	1	1	
36	20S-83371-00	HORN	1	1	
37	95702-08500	NUT, FLANGE	1	1	
38	20S-21689-00	BRACKET, REAR STAY 2	1	1	
39	90480-16007	GROMMET	2	2	
40	90387-064T3	COLLAR	2	2	
41	95702-06500	NUT, FLANGE	2	2	
42	20S-23377-00	BRACKET, HORN	1	1	
43	95802-06016	BOLT, FLANGE	2	2	

NUMERICAL INDEX

PART NO.	REF. NO.	PART NO.	REF. NO.	PART NO.	REF. NO.	PART NO.	REF. NO.	PART NO.	REF. NO.	PART NO.	REF. NO.
20S-11101-00	1 - 1	1HX-12169-31	3 - 8	5EB-1316E-00	7 - 13	5VX-14565-00	10 - 9	3J2-16324-00	16 - 10	36P-2115J-00	21 - 34
5VY-1111G-00	1 - 22	1HX-12169-50	3 - 8	5MT-13300-00	7 - 1	3YF-14613-01	12 - 2	5Y1-16331-01	16 - 6	3D8-2117G-00	20 - 16
5EB-11133-10	1 - 2	1HX-12169-70	3 - 8	20S-13400-00	8 - 9	36P-14703-10	12 - 1	132-16346-00	19 - 2	20S-2117K-00	28 - 16
20S-11134-10	1 - 3	1HX-12169-90	3 - 8	5SL-13410-00	7 - 4	5JW-14723-00	11 - 7	20S-16351-00	16 - 11	20S-2117N-00	20 - 10
20S-11165-00	13 - 16	1HX-12169-E0	3 - 8	20S-13414-00	8 - 12	20S-14799-00	12 - 8	20S-16356-00	16 - 29	20S-2117R-00	20 - 12
20S-11181-00	1 - 13	1HX-12169-G0	3 - 8	5EB-13415-00	7 - 5	5VX-14807-00	10 - 30	20S-16357-00	16 - 22	20S-2117T-00	20 - 13
1B3-11191-10	1 - 14	1HX-12169-J0	3 - 8	2C0-13416-00	7 - 9	5SL-1482K-00	1 - 17	20S-16358-00	16 - 30	36P-2117U-00	20 - 17
20S-11193-00	1 - 16	1HX-12169-L0	3 - 8	5GH-13440-20	8 - 5	20S-14840-00	11 - 1	20S-16371-10	16 - 3	5GK-2118K-00	27 - 37
214-11198-01	8 - 11	1HX-12169-N0	3 - 8	5EB-13470-00	8 - 1	20S-14881-00	11 - 2	20S-16380-00	16 - 24	20S-21228-00	36 - 27
20S-11411-00	2 - 1	1HX-12169-T0	3 - 8	5JW-13473-00	8 - 4	20S-14882-00	11 - 4	5LV-16383-00	16 - 5	20S-21249-00	20 - 14
5EB-11416-00	2 - 5	20S-12170-00	4 - 1	5EB-13475-00	8 - 3	20S-14883-00	11 - 6	20S-16384-00	14 - 30	20S-21296-00	27 - 21
5EB-11416-10	2 - 5	20S-12176-00	4 - 3	3KS-13490-00	8 - 7	5SL-14890-00	1 - 18	20S-16384-10	16 - 4	20S-21308-00	28 - 33
5EB-11416-20	2 - 5	20S-12180-00	4 - 2	5VX-13533-00	10 - 29	5SL-14899-00	1 - 19	20S-16385-00	16 - 8	3YX-21376-00	21 - 31
5EB-11416-30	2 - 5	20S-12210-10	4 - 6	68V-13533-00	10 - 18	3UH-14937-00	10 - 13	20S-17121-10	17 - 11	5HN-2139X-00	47 - 12
5EB-11416-A0	2 - 5	2C0-12213-00	4 - 7	8FP-13556-00	10 - 3	5VX-14987-00	10 - 14	20S-17131-10	17 - 6	20S-21445-01	12 - 4
20S-11603-00	2 - 7	5BE-12241-00	1 - 15	20S-13586-00	9 - 1	20S-15100-01	13 - 1	20S-17151-00	17 - 3	20S-2144G-00	35 - 57
5SL-11631-00	2 - 6	2C0-12251-00	4 - 9	20S-13596-00	9 - 2	5EB-15155-00	13 - 2	20S-17161-10	17 - 8	4RR-21485-00	35 - 2
20S-11633-00	2 - 9	13S-12252-00	4 - 10	20S-13750-00	10 - 1	20S-15163-00	17 - 12	20S-17211-00	17 - 31		35 - 36
5VX-11650-00	2 - 2	20S-12405-20	6 - 15	36P-13750-00	10 - 1	20S-15185-00	14 - 36	20S-17221-00	17 - 20	5VX-21511-A0-P4	21 - 1
5VX-11654-00	2 - 3	5SL-12410-00	6 - 1	5VX-13761-00	10 - 4	36Y-15189-00	13 - 21	20S-17231-00	17 - 28	36P-2153E-20	38 - 6
5VX-11656-00	2 - 4	5VX-12413-00	6 - 2	5EB-13898-00	7 - 7	5SL-15189-00	13 - 5	20S-17241-00	17 - 25		38 - 26
5VX-11656-10	2 - 4	20S-12420-00	5 - 1	20S-13907-00	27 - 8	3F9-15362-10	14 - 11	20S-17251-00	17 - 29	20S-21611-00	21 - 8
5VX-11656-20	2 - 4	5SL-12422-00	5 - 5	5VX-13971-00	27 - 25	5EB-15362-10	13 - 23	20S-17261-10	17 - 23	20S-21629-10	21 - 19
5VX-11656-30	2 - 4	4CB-12438-00	5 - 4	5JW-14104-00	10 - 22	20S-15373-00	9 - 17	20S-17411-00	17 - 1	2C0-2162G-00	38 - 24
20S-12111-00	3 - 1	5EB-12439-00	5 - 6	5VX-1410E-00	10 - 19	20S-15377-00	14 - 35	20S-17421-01	17 - 16	36P-21639-00	21 - 37
20S-12113-00	3 - 4	5VX-1243A-00	5 - 25	4KM-14137-00	10 - 21	36P-15411-01	14 - 1	278-17424-01	17 - 38	20S-2163A-00	22 - 3
1HX-12118-00	3 - 6	20S-1243E-00	10 - 26	3H1-14147-00	10 - 23	20S-15413-00	13 - 18	20S-17460-00	17 - 33	20S-2163E-00	22 - 9
4TV-12119-00	3 - 7	20S-1244E-00	6 - 31	5PS-14147-00	10 - 5	36P-15416-00	14 - 16	20S-18101-00	19 - 4	36P-2164F-00	21 - 43
20S-12121-00	3 - 2	20S-12450-00	5 - 11	5VX-14148-01	9 - 23	20S-15418-00	14 - 7	20S-18110-01	19 - 17	36P-2164G-00	21 - 44
5EB-12126-00	3 - 3	20S-12461-01	6 - 14	5VX-14149-00	10 - 8	36P-15421-00	14 - 10	20S-18112-00	19 - 14	3XW-21668-A1	23 - 21
5EB-12127-00	3 - 5	22W-12462-00	6 - 25	3XV-14251-00	10 - 16	20S-15425-10	14 - 26	5EB-18113-00	19 - 18	20S-21677-01	21 - 32
5EB-12153-09	3 - 9	5EB-12469-00	5 - 23	5PW-14251-00	10 - 20	20S-15441-00	14 - 34		36 - 14	5VX-21684-00	21 - 40
5EB-12153-10	3 - 9	20S-1246E-00	6 - 7	5VX-14348-00	10 - 2	5VX-15451-01	14 - 2	3D8-18115-00	19 - 23	5SL-21686-00	23 - 22
1HX-12168-00	3 - 8	5GV-1246E-00	5 - 19	5FL-14348-10	10 - 17	20S-15456-00	14 - 23	5VX-18116-00	19 - 26	20S-21688-01	21 - 23
1HX-12168-20	3 - 8	1AA-12535-00	6 - 19	5VX-14349-00	10 - 24	20S-15461-00	14 - 13	1D7-18127-00	19 - 3	20S-21689-00	47 - 38
1HX-12168-40	3 - 8	20S-12535-00	6 - 28	5VX-14396-00	10 - 12	20S-15462-00	13 - 19	20S-18140-00	19 - 7	20S-216A2-00	21 - 13
1HX-12168-60	3 - 8	20S-12551-00	6 - 8	20S-14411-00	9 - 5	5VX-15484-00	39 - 4	5VX-18154-00	19 - 27	20S-216A3-00	21 - 14
1HX-12168-80	3 - 8	5EB-12577-01	5 - 15	20S-14421-00	9 - 6	20S-15512-00	15 - 1	2C0-18175-00	19 - 6	20S-216A4-00	21 - 15
1HX-12168-A0	3 - 8	20S-12578-00	6 - 5	4D9-1443E-00	9 - 13	5MT-15515-00	15 - 4	20S-18511-00	18 - 3	20S-21711-00-P5	22 - 1
1HX-12168-F0	3 - 8	20S-12579-00	6 - 22	20S-14451-00	9 - 9	5EB-15521-00	15 - 2	20S-18512-00	18 - 4	1FK-2171M-00	37 - 24
1HX-12168-H1	3 - 8	4NK-12579-00	5 - 13	20S-14452-00	9 - 7	20S-15544-00	13 - 25	20S-18513-00	18 - 5	36P-2171N-00	38 - 11
1HX-12168-K1	3 - 8	20S-12581-01	5 - 14	20S-14453-00	9 - 11	5SL-15590-00	15 - 3	20S-18535-00	18 - 6	36P-2171R-00	38 - 30
1HX-12168-M1	3 - 8	20S-12582-01	6 - 4	20S-14457-00	9 - 10	20S-16150-00	16 - 1	2C0-18536-00	18 - 7	20S-21721-00-P5	22 - 7
1HX-12168-R1	3 - 8	5SL-12588-01	5 - 17	20S-1445C-00	9 - 25	5EB-16154-00	16 - 2	20S-18540-00	18 - 1	36P-2172R-01	37 - 25
1HX-12168-U1	3 - 8	20S-12589-00	6 - 33	20S-14463-00	9 - 12	1AE-16164-00	16 - 27	136-18542-00	18 - 2	36P-2172T-01	37 - 30
1HX-12168-W1	3 - 8	5EB-12822-00	8 - 2	5VX-14465-01	10 - 33	4H7-16321-02	16 - 9	2C0-18562-00	18 - 8	20S-2172U-00	22 - 19
1HX-12168-Y1	3 - 8	5VX-13160-00	10 - 27	36P-14466-00	27 - 47	5LV-16321-20	16 - 15	1CW-21110-00	20 - 1	4P5-2172W-00	6 - 46
1HX-12169-11	3 - 8	5EB-13161-00	7 - 12	5VX-14503-00	10 - 31	3J2-16324-00	16 - 7	20S-21136-00	20 - 2	20S-21730-00	22 - 15

NUMERICAL INDEX

PART NO.	REF. NO.	PART NO.	REF. NO.	PART NO.	REF. NO.	PART NO.	REF. NO.	PART NO.	REF. NO.	PART NO.	REF. NO.
20S-2173T-10	27 - 32	3VD-23144-00	26 - 32	36P-24728-00	28 - 8	5SL-25838-00	32 - 7	20S-27200-01	36 - 13	36P-28396-00	43 - 5
20S-2173T-20	27 - 33	5VU-23145-00	26 - 9	4NK-24728-00	28 - 3	2D1-2583V-00	36 - 1	4BP-27222-02	36 - 5	36P-2839E-10	38 - 5
20S-2173U-10	27 - 35		26 - 29	2GH-24741-00	28 - 23	5SL-25852-00	36 - 10	20S-27311-00	35 - 4	36P-2839F-10	38 - 25
20S-2173U-20	27 - 36	3VD-23151-00	26 - 6	36P-24750-00	28 - 1	5VS-25852-00	34 - 3	5VX-27315-00	35 - 10	3JJ-28446-A1	21 - 38
20S-21740-00	22 - 21		26 - 26	36P-2475B-00	28 - 30	20S-25854-00	34 - 5	20S-27321-00	35 - 5	4D9-81168-00	46 - 21
5VK-21746-00	47 - 11	3VD-23156-00	26 - 11	20S-24773-00	22 - 26	5SL-25854-00	36 - 8	5VX-27351-00	35 - 9	20S-81410-00	39 - 6
5JW-2174X-00	21 - 12		26 - 31	50W-24780-01	28 - 10	5SL-25855-00	36 - 9	4BP-27413-00	35 - 17	5VX-81450-00	39 - 1
5PW-2174X-00	22 - 5	20S-23170-00	26 - 4	5JW-2478E-00	28 - 14	5VS-25855-00	34 - 4		35 - 28	20S-81670-00	46 - 3
	22 - 11		26 - 24	36P-2478X-00	28 - 12	4BP-2585F-01	36 - 4		35 - 42	20S-81673-00	46 - 23
26H-21828-00	6 - 40	5VU-23173-00	26 - 7	20S-24792-00	21 - 35	5VS-25867-00	34 - 11		35 - 53	4WP-81801-00	40 - 3
20S-21843-00	38 - 41		26 - 27		28 - 11	20S-25872-01	34 - 16	5LV-2741E-01	35 - 31	5VX-81815-00	40 - 7
4P5-21871-00	6 - 39	36P-23318-00	25 - 19	3TB-24877-A0	21 - 39	20S-25873-01	34 - 17		35 - 56	4WP-81826-00	40 - 2
4P5-21873-00	6 - 47	4TX-2331G-00	26 - 20	20S-25117-00	29 - 4	20S-25876-00	34 - 25	5VX-27424-00	35 - 21	4XV-8182A-00	40 - 5
20S-21875-10	6 - 42		26 - 40	20S-25168-00-2X	29 - 1	5SL-25876-00	34 - 21		35 - 46		40 - 8
20S-22110-10	23 - 1	20S-23340-10	26 - 42	20S-25181-00	29 - 10	20S-2587A-00	36 - 30	5RT-27431-00	35 - 22	4WP-81844-00	40 - 4
5VK-22124-00	23 - 2	20S-23377-00	47 - 42	20S-25183-00	29 - 9	4P5-25894-00	36 - 7	4BP-27434-01	19 - 21	1FK-81847-00	40 - 6
1AE-22141-01	23 - 10	1W1-23416-00	25 - 3		31 - 18	20S-25895-00	36 - 12	5VX-27437-00	35 - 25	2C0-81890-00	40 - 1
20S-22151-00	23 - 7	26H-23418-01	25 - 6	146-25315-00	29 - 5	5VS-2589F-00	34 - 7		35 - 50	4SV-81940-12	47 - 5
1UF-22174-10	31 - 21	4H7-23441-01-P6	25 - 16	20S-25317-00	31 - 5	5VS-2589H-00	34 - 6	5RT-27441-00	35 - 47	5JJ-81950-20	47 - 28
30X-2219X-00	23 - 5	20S-23442-20	25 - 12	20S-25338-00-2X	31 - 1	5SL-25914-00	32 - 9	20S-27442-00	35 - 20	5VK-81950-40	47 - 27
20S-22210-10	24 - 1	3FV-23462-00	26 - 45	1UF-2533A-01	31 - 24	5JW-25914-10	30 - 8	20S-27443-00	35 - 45	5JJ-81952-00	47 - 29
34L-22216-00	24 - 3	341-23469-00	25 - 18	1UF-2533E-01	31 - 25		30 - 17	4BH-27451-01	35 - 13	5SL-81960-00	47 - 26
20S-22243-00	24 - 7	20S-24106-01	27 - 31	20S-25364-00	31 - 6	5DH-25916-00	32 - 14	4BH-27461-01	35 - 38	4TX-82100-02	47 - 4
20S-22311-00	23 - 12	20S-24108-01	27 - 34	20S-25366-00	31 - 10	3JD-25917-00	32 - 11	20S-27486-00	35 - 32	20S-82115-00	47 - 9
20S-22325-01	23 - 17	5JW-2413B-00	27 - 38	20S-25377-00	31 - 17	5SL-25917-00	32 - 6	20S-27487-00	35 - 59	20S-82119-00	47 - 7
36P-22863-00	38 - 43	20S-2413Y-00	27 - 16	20S-2537W-00	34 - 23	4BP-25919-00	30 - 11	20S-274A3-00	35 - 1	20S-82122-01	47 - 14
20S-23102-00	26 - 1	20S-2414H-00	27 - 20	20S-25381-01	31 - 26		30 - 20	20S-274A4-00	35 - 35	120-82131-00	21 - 10
20S-23103-00	26 - 21	5C7-24170-00	27 - 39	20S-25383-00	31 - 12	5SL-25919-00	32 - 8	20S-28100-00	28 - 32	1AE-82151-00	47 - 6
20S-23110-00	26 - 2	5RB-24180-00	27 - 44	1UF-25388-01	31 - 20	20S-25921-60	32 - 10	4B5-2815K-00	37 - 54	5JJ-82151-10	47 - 16
	26 - 22	20S-24181-00	27 - 19	5MT-25398-00	29 - 8	8CR-25924-00	32 - 13	36P-2830N-00	37 - 10	5JJ-82151-20	47 - 17
3VD-23115-00	26 - 10	5VX-24181-00	27 - 13		31 - 9	5SL-25926-00	32 - 15	36P-2830R-00	37 - 16	5JJ-82151-30	47 - 18
	26 - 30	4C8-24182-00	22 - 12	5MT-25398-10	29 - 8	3YX-25929-00	30 - 12	36P-2833A-00	38 - 15	20S-82160-00	47 - 10
5VU-23118-00	26 - 18	20S-24183-00	27 - 6		31 - 9		30 - 21	36P-2833E-00	38 - 34	20S-82310-00	46 - 9
	26 - 38	20S-24191-00	27 - 2	5MT-25398-20	29 - 8	4TT-25937-00	30 - 9	2S3-28348-00	37 - 46	20S-82320-00	46 - 11
5VU-2311H-00	26 - 14	36P-2419F-00	27 - 40		31 - 9		30 - 18	36P-28356-01	37 - 41	20S-82370-01	46 - 10
	26 - 34	36P-24314-00	27 - 46	20S-25446-00	31 - 14	20S-26111-00	33 - 1	36P-2836A-01	38 - 17		46 - 12
4KM-23123-01	26 - 46	36P-24315-00	27 - 48	5VX-2580T-00	30 - 5	4YR-26240-02	33 - 3	4KN-2836B-10	21 - 27	20S-82386-00	10 - 28
3VD-23125-10	26 - 8	68V-24376-00	10 - 15	5VX-2580U-00	30 - 14	4YR-26241-02	33 - 2	36P-2836E-01	38 - 37	36P-82501-00	47 - 1
	26 - 28	4KM-24453-00	10 - 7	20S-2580W-10	32 - 3	51J-26246-01	33 - 4	36P-2836K-00	37 - 33	4BH-82511-09	47 - 2
20S-23126-00	26 - 5	19B-24486-00	27 - 10	20S-2581K-00	36 - 23	36P-26280-00	37 - 49	36P-2836L-00	37 - 37	20S-82530-00	46 - 8
3VD-23135-10	26 - 3	13S-24491-00	27 - 9	20S-2581T-00	30 - 1	36P-26290-00	37 - 50	36P-2836M-00	37 - 39	3GB-82540-01	46 - 15
	26 - 23	39P-24602-00	27 - 22	1UY-25824-51	32 - 16	3C3-26298-00	37 - 52	36P-2836N-00	38 - 45	36P-82552-00	25 - 11
20S-23136-00	26 - 25	36P-24667-00	27 - 51	1UY-25825-51	32 - 17	36P-26311-10	33 - 5	36P-2836R-00	38 - 48	20S-82566-60	46 - 5
20S-23141-00	26 - 13	36P-2470F-00	28 - 20	5SL-25827-00	32 - 18	36P-26312-00	33 - 6	20S-28376-00	37 - 22	5PS-82576-01	47 - 30
	26 - 33	36P-2470H-00	28 - 2	5SL-25827-10	32 - 19	5VS-26332-00	34 - 10	36P-2837J-00	37 - 45	36P-82590-00	47 - 15
5VU-23142-00	26 - 19	36P-24710-00	28 - 19	5SL-25828-01	32 - 20	20S-26335-01	33 - 7	36P-2837N-00	37 - 13	4XV-82911-10	45 - 1
	26 - 39	36P-24718-00	28 - 21	2D1-2582A-00	36 - 3	4D9-27114-00	28 - 5	36P-2837R-00	37 - 19	3YX-82917-01	45 - 8
3VD-23144-00	26 - 12	36P-24724-00	28 - 7	20S-2582W-00	32 - 1		28 - 22	36P-28381-00	37 - 1	5PW-83310-10	41 - 1

NUMERICAL INDEX

PART NO.	REF. NO.	PART NO.	REF. NO.	PART NO.	REF. NO.	PART NO.	REF. NO.	PART NO.	REF. NO.	PART NO.	REF. NO.
2C0-83318-00	41 - 5	3Y6-85130-02	21 - 20	90109-064G6	30 - 2	90119-06154	23 - 18	90183-05M02	38 - 49	90209-25349	17 - 26
	41 - 10		21 - 41	90109-066F0	1 - 21	90119-06263	16 - 14	90183-06053	21 - 9	90209-25350	17 - 27
3D7-83318-10	41 - 19	5VX-85720-01	46 - 17	90109-08195	47 - 33	90119-06264	27 - 5	90183-06069	43 - 4	90240-08005	36 - 18
5PW-83320-10	41 - 6	8CC-85790-01	46 - 2	90109-08203	35 - 19	90119-08083	13 - 7	90185-10023	35 - 7	90269-05074	20 - 18
14B-83330-10	41 - 11	2D1-85885-00	10 - 6		35 - 44	90119-08084	13 - 8	90185-14012	23 - 11	90269-06008	21 - 33
5GJ-83331-00	41 - 2	8FP-85886-00	9 - 19	90109-083G4	32 - 2	90119-10003	1 - 10	90185-16002	31 - 27		37 - 35
	41 - 7	36P-8591A-00	47 - 3	90109-125F1	24 - 4	90149-06081	28 - 18	90201-04030	47 - 32		38 - 10
5PW-83331-00	41 - 12	5VY-8A8E0-00	46 - 18		27 - 11	90149-06082	13 - 6	90201-05025	44 - 10		38 - 47
	41 - 16	2D1-W0041-00	34 - 2	90110-05112	27 - 23		13 - 17	90201-05036	42 - 3		38 - 50
3P6-83331-10	44 - 13	5VX-W0042-51	36 - 2	90110-06086	5 - 12	90149-06093	39 - 7	90201-05043	21 - 22	90269-07001	21 - 28
5PW-8333A-10	41 - 3	5VX-W0045-00	30 - 10	90110-06161	7 - 8	90149-06158	39 - 5		44 - 6	90269-07007	20 - 11
	41 - 17		30 - 19		7 - 11	90149-06302	38 - 7	90201-06025	6 - 29	90269-07008	22 - 25
14B-83340-10	41 - 15	5VX-W0046-00	32 - 12		14 - 18		38 - 13	90201-06088	21 - 49	90269-07010	21 - 17
5PW-8334A-10	41 - 8	4FU-W0047-00	30 - 7		46 - 4		38 - 27	90201-08053	19 - 22	90269-07076	22 - 6
	41 - 13		30 - 16	90110-06172	28 - 28		38 - 32	90201-08054	46 - 25		22 - 13
3GM-83350-01	47 - 35	5SL-W0047-00	32 - 5	90110-06182	18 - 9	90149-08030	39 - 8	90201-08066	36 - 19		23 - 16
20S-83371-00	47 - 36	51L-W0048-00	30 - 13	90110-06202	21 - 5	90150-05023	37 - 2	90201-10030	20 - 9	90269-07077	22 - 14
36P-83500-10	42 - 1		30 - 22	90110-06233	9 - 26	90151-06024	17 - 15	90201-10035	35 - 63	90269-08001	23 - 19
3C3-83513-00	37 - 42	5KS-W0057-00	30 - 6	90110-06249	36 - 17	90153-06034	36 - 29	90201-10051	20 - 6	90338-07043	28 - 6
36P-83559-00	37 - 5		30 - 15	90110-06274	14 - 24	90157-05025	35 - 18		35 - 11		28 - 17
36P-83615-00	42 - 4	5SL-W0057-00	32 - 4	90110-06295	14 - 4		35 - 43	90201-10141	25 - 14		38 - 14
4WV-83755-02	46 - 20	20S-W2341-30	25 - 9		14 - 15	90159-05004	35 - 30	90201-12008	39 - 3		38 - 33
5EB-83912-03	45 - 2	2TV-W2470-00	28 - 15	90110-06307	14 - 33		35 - 55	90201-12050	24 - 5	90338-07157	38 - 35
5JJ-83913-00	45 - 11	36C-W2587-00	34 - 1	90110-06329	14 - 8	90159-05187	35 - 29	90201-12051	19 - 19	90338-08226	46 - 14
5VS-83922-00	34 - 9	36P-W283U-10-P3	38 - 1	90110-06330	14 - 9		35 - 54	90201-12575	19 - 12	90340-14132	8 - 10
4XV-83929-00	45 - 7	36P-W283V-10-P3	38 - 20	90110-06335	4 - 8	90160-04009	47 - 31	90201-12790	46 - 1	90340-20090	1 - 5
2C0-83945-00	45 - 3	36P-Y283G-30-P3	37 - 4	90110-10N52	26 - 17	90160-05012	21 - 25	90201-127E1	19 - 10	90340-32004	14 - 20
5LV-83951-00	45 - 6	20S-YK241-00-P3	27 - 1		26 - 37		42 - 2	90201-16026	31 - 28	90386-14171	36 - 15
36P-83963-00	45 - 12	90105-06027	1 - 4	90111-05007	38 - 8	90164-05001	44 - 17	90201-177G4	19 - 8	90387-05049	44 - 9
5VX-83975-01	45 - 15	90105-06053	5 - 24		38 - 28	90170-06026	19 - 24	90201-20023	17 - 34	90387-06068	27 - 4
4HM-83980-00	34 - 12	90105-060A6	6 - 51	90111-05030	44 - 5	90170-08010	36 - 6	90201-20030	16 - 16	90387-06091	28 - 24
36P-84118-00	43 - 7	90105-06122	28 - 26	90111-05034	37 - 34	90176-22081	25 - 8	90201-20278	17 - 36	90387-06130	22 - 16
36P-84119-00	43 - 11	90105-06145	13 - 15		37 - 38	90179-05523	37 - 3	90201-22070	25 - 7		22 - 22
36P-84300-00	43 - 1	90105-06164	6 - 3		37 - 40	90179-08410	12 - 3	90201-25634	16 - 26		23 - 13
4K0-84314-G0	43 - 2	90105-06187	46 - 19		38 - 44	90179-10658	20 - 5	90202-05180	38 - 9		38 - 12
36P-84359-00	43 - 15	90105-06194	14 - 5	90111-06038	22 - 18	90179-20007	16 - 18		38 - 29		38 - 31
5JW-84397-00	43 - 3	90105-07004	4 - 4		22 - 24	90179-20011	17 - 35	90202-06004	37 - 36	90387-06133	23 - 9
36P-84519-00	44 - 15	90105-08113	46 - 24	90111-06098	19 - 28	90179-25004	25 - 4	90202-24190	25 - 2	90387-0614M	6 - 21
3F9-84553-00	44 - 8	90105-08164	12 - 5	90111-06127	27 - 12	90183-05008	37 - 12	90202-26142	25 - 5	90387-061W6	27 - 14
20S-84710-00	44 - 11	90105-10297	20 - 4	90111-08066	35 - 33		37 - 18	90206-12005	19 - 20	90387-06205	9 - 21
20S-84735-00	44 - 12	90105-10365	35 - 6		35 - 60	90183-05042	37 - 7	90206-14086	36 - 16	90387-06232	21 - 29
4HC-84744-00	44 - 2	90105-10638	30 - 3	90111-10036	35 - 37	90183-05076	37 - 8	90208-20001	16 - 17	90387-06260	38 - 3
5VX-84745-01	44 - 1		30 - 4	90111-10043	35 - 3		37 - 11	90209-08295	35 - 34		38 - 22
39P-84751-00	21 - 48	90105-126A8	39 - 2	90111-10045	35 - 12		37 - 17		35 - 61	90387-06299	27 - 18
20S-84753-00	44 - 7	90109-060E9	38 - 18	90116-10048	31 - 15		38 - 4	90209-21332	17 - 4	90387-062L2	27 - 43
5SL-84753-00	37 - 9		38 - 39	90119-06137	36 - 26		38 - 23	90209-21351	17 - 10	90387-06372	19 - 29
11H-85110-01	46 - 27	90109-06168	13 - 11	90119-06147	23 - 8	90183-05M02	37 - 6	90209-22352	17 - 9	90387-064T3	37 - 53
36P-85112-00	46 - 29	90109-06236	28 - 31	90119-06154	23 - 15		38 - 46	90209-25342	17 - 21		47 - 40

NUMERICAL INDEX

PART NO.	REF. NO.	PART NO.	REF. NO.	PART NO.	REF. NO.	PART NO.	REF. NO.	PART NO.	REF. NO.	PART NO.	REF. NO.
90387-065J6	21 - 2	90464-07012	6 - 49	90467-17003	9 - 24	91312-08030	25 - 10	93210-06667	7 - 15	95022-06012	36 - 31
90387-07391	37 - 44	90464-10233	6 - 45		11 - 8		25 - 17	93210-09165	7 - 14	95022-06014	14 - 31
90387-077M3	28 - 29	90464-13077	47 - 20	90467-17089	11 - 3	91312-10025	26 - 43		13 - 24	95022-06025	40 - 9
90387-08089	22 - 28		47 - 21		11 - 5	91312-10035	20 - 7	93210-14003	7 - 10	95022-08012	1 - 7
90387-1003G	35 - 62	90464-15065	46 - 26	90467-17128	11 - 9	91312-10045	20 - 8	93210-15566	8 - 8	95024-06020	5 - 7
90387-123X6	24 - 8	90464-15157	37 - 27	90467-200A0	6 - 34	91314-08040	26 - 41	93210-16325	13 - 22	95024-06030	21 - 6
90387-2202V	17 - 30		43 - 10	90480-01558	37 - 29	91317-05010	27 - 24	93210-27194	14 - 12	95027-06020	45 - 5
90387-25024	16 - 20		43 - 14		37 - 32	91380-05008	43 - 16	93210-32172	14 - 19	95302-06600	16 - 31
90387-2504A	17 - 18	90464-15195	47 - 25		38 - 19	91380-06012	47 - 19	93210-33133	5 - 10	95302-08600	31 - 22
90387-2513E	17 - 7	90464-16003	36 - 22		38 - 40	91402-20012	36 - 20	93210-35N02	26 - 15	95314-06700	19 - 25
90387-253M6	17 - 2	90464-16005	27 - 26	90480-07003	21 - 11	91402-25015	35 - 16		26 - 35	95602-04100	21 - 47
90387-2813C	17 - 19	90464-16006	25 - 21	90480-08005	22 - 2		35 - 27	93210-46001	5 - 22	95602-05100	21 - 21
90387-2813D	17 - 24		37 - 26		22 - 8		35 - 41	93306-00106	5 - 2		44 - 4
90401-10020	34 - 18	90464-16011	23 - 20	90480-10334	22 - 17		35 - 52	93306-00304	16 - 12	95602-05200	21 - 42
	36 - 24	90464-18002	21 - 4		22 - 23	91701-08042	35 - 15	93306-20352	29 - 2		46 - 7
90401-10038	34 - 19		34 - 24	90480-12072	21 - 3		35 - 26	93306-20483	17 - 14		46 - 28
90401-20008	8 - 6	90464-20010	47 - 22	90480-12314	9 - 16		35 - 40		17 - 37	95602-06100	21 - 50
90413-08012	10 - 35		47 - 24	90480-13163	27 - 42		35 - 51	93306-20659	31 - 11	95602-10100	25 - 15
90430-06014	5 - 8	90464-20213	47 - 23	90480-14003	38 - 2	91808-16023	1 - 6	93306-30317	31 - 2	95602-10200	31 - 16
90430-08119	1 - 8	90464-23041	10 - 32		38 - 21	91808-17032	7 - 2		31 - 4	95607-06200	45 - 4
90430-08143	14 - 21	90464-24230	38 - 38	90480-14004	37 - 43	92012-05025	46 - 6	93306-30525	17 - 13	95612-08625	1 - 9
90430-10005	34 - 20	90464-25004	44 - 14	90480-14016	28 - 27	92012-06012	28 - 9	93306-30550	17 - 17	95612-12100	24 - 6
	36 - 25	90464-31001	21 - 24	90480-15363	6 - 20	92012-06020	23 - 14	93310-340N8	16 - 19	95617-06100	34 - 8
90430-10148	46 - 16	90464-34002	13 - 27	90480-15M06	28 - 25	92012-08020	22 - 27	93317-11295	14 - 27	95702-06500	21 - 7
90430-10171	26 - 16	90465-08045	14 - 6	90480-16007	47 - 39	92014-06010	12 - 9		19 - 16		21 - 36
	26 - 36	90465-10030	8 - 14	90480-16010	27 - 3	92014-08014	14 - 22	93317-22262	23 - 3		27 - 17
90445-05003	37 - 23	90465-10042	14 - 25	90480-18276	44 - 16	92014-08020	35 - 58	93399-99931	25 - 1		28 - 4
90445-070K7	37 - 15	90465-14011	14 - 17	90480-23345	21 - 26	92902-04100	34 - 14	93399-99932	26 - 44		28 - 13
	37 - 21	90465-15011	27 - 7	90501-12743	35 - 23	92902-04600	21 - 46	93440-25186	17 - 5		37 - 51
90445-08025	6 - 43		47 - 34		35 - 48		34 - 15	93440-28062	17 - 22		47 - 41
90445-081F2	6 - 41	90467-08075	6 - 44	90501-225A9	16 - 13	92902-08600	31 - 23	93450-17129	2 - 8	95702-08500	47 - 37
90445-106J2	27 - 27		6 - 50	90506-15005	19 - 1	92902-10200	25 - 13	93501-04011	35 - 24	95802-06010	20 - 15
	27 - 29	90467-090A2	27 - 28	90506-23008	36 - 21	92907-06100	6 - 17		35 - 49		27 - 52
90445-11065	27 - 45		27 - 30	90506-23018	35 - 8	92907-06600	6 - 18	93511-32017	16 - 21	95802-06012	21 - 16
90445-12009	6 - 37	90467-10008	10 - 34	90508-18052	16 - 25	93101-12173	5 - 3	93607-44002	4 - 11		22 - 20
90445-12012	6 - 9	90467-10041	9 - 14	90508-20572	35 - 14	93102-12106	19 - 11	93608-17263	14 - 14		25 - 20
90450-22017	5 - 18	90467-100A1	27 - 30		35 - 39	93102-12224	14 - 28	93900-00030	29 - 7		34 - 22
	6 - 35		27 - 49	90508-32020	19 - 5	93102-25017	29 - 3		31 - 8		36 - 28
90450-32003	6 - 6		27 - 53	90520-15002	47 - 13	93102-25044	31 - 3	94112-17102	29 - 6		37 - 28
	6 - 12	90467-11044	36 - 11	91312-06016	46 - 22	93102-35423	17 - 32	94112-17103	29 - 6		37 - 31
	6 - 23	90467-11090	6 - 10	91312-06020	1 - 20	93106-22019	23 - 4	94116-17015	31 - 7		43 - 9
90450-32006	5 - 21		6 - 13		9 - 3	93106-40041	31 - 13	94116-17019	31 - 7		43 - 13
	6 - 11		6 - 36		19 - 15	93108-35004	23 - 6	94580-25080	7 - 6	95802-06014	38 - 16
	6 - 24		6 - 38	91312-06025	8 - 13	93109-08061	14 - 29	94582-37118	31 - 19		38 - 36
90450-35001	5 - 16		10 - 25		13 - 20		16 - 23	94591-68120	4 - 5	95802-06016	27 - 41
90450-38003	5 - 20	90467-110A2	5 - 26	91312-06060	1 - 11	93109-18020	24 - 2	94701-00318	1 - 12		47 - 43
90450-53007	9 - 15	90467-14015	9 - 22	91312-06090	27 - 15	93210-04092	13 - 3	95022-06008	47 - 8	95802-06025	6 - 26
90450-63006	9 - 4	90467-15001	9 - 18	91312-08025	21 - 30	93210-06632	16 - 28	95022-06012	13 - 26	95802-06030	6 - 27

NUMERICAL INDEX

PART NO.	REF. NO.	PART NO.	REF. NO.	PART NO.	REF. NO.	PART NO.	REF. NO.	PART NO.	REF. NO.	PART NO.	REF. NO.
95802-08016	27 - 50	99530-10014	13 - 4								
95812-06030	7 - 3	99530-10114	1 - 23								
95812-06045	13 - 13	99590-08012	14 - 32								
95812-06055	13 - 9										
95812-06065	13 - 12										
95812-06100	13 - 14										
95812-08065	13 - 10										
95822-06010	21 - 18										
95822-06012	6 - 32										
95822-06014	38 - 42										
95822-06025	37 - 48										
95822-08020	20 - 3										
95822-08035	37 - 47										
95822-10020	6 - 48										
95824-06012	6 - 30										
95824-06016	12 - 7										
95824-06020	12 - 6										
97307-06012	6 - 16										
97607-05255	45 - 16										
97702-50014	22 - 4										
	22 - 10										
97702-50016	37 - 14										
	37 - 20										
	43 - 6										
	43 - 8										
	43 - 12										
97702-60525	46 - 13										
97706-04012	41 - 4										
	41 - 9										
	44 - 3										
97707-04012	41 - 14										
	41 - 18										
98502-04012	21 - 45										
	34 - 13										
98507-04010	45 - 10										
98507-05010	10 - 10										
98507-05020	45 - 18										
98507-05030	45 - 13										
98507-05045	45 - 14										
	45 - 17										
98507-06012	10 - 11										
98704-03020	45 - 9										
98902-05012	9 - 20										
98902-05020	9 - 8										
99001-10600	19 - 13										
99009-12400	5 - 9										
99009-17400	19 - 9										
99530-08012	14 - 3										