

YAMAHA

PARTS CATALOGUE

FZ750N (1FU)

151FU-700E1

CONTENTS

ENGINE

Cylinder Head	B2
Cylinder	B3
Crankshaft · Piston	B4
Valve	B5 ~ B6
Camshaft · Chain	B7
Water Pump	B8
Radiator · Hose	B9 ~ B10
Oil Pump	B11 ~ B12
Oil Cleaner	B13
Intake	B14 ~ B15
Carburetor	C2 ~ C3
Exhaust	C4
Crankcase	C5 ~ C6
Crankcase Cover 1	C7
Starter	C8
Clutch	C9
Transmission	C10 ~ C11
Shift Cam · Fork	C12
Shift Shaft	C13

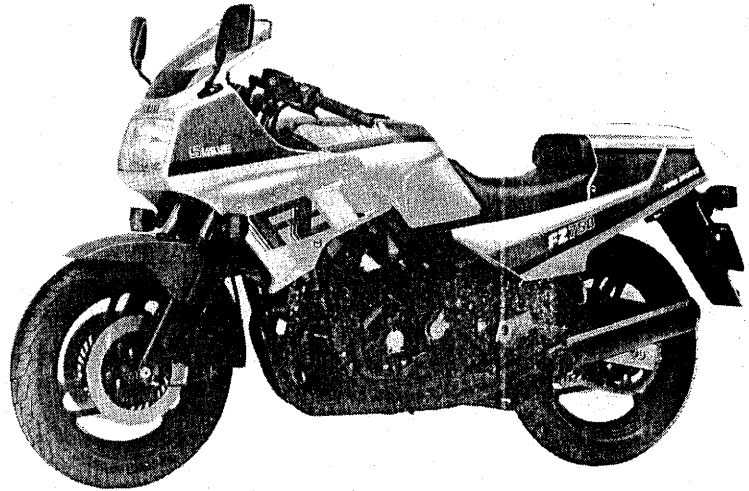
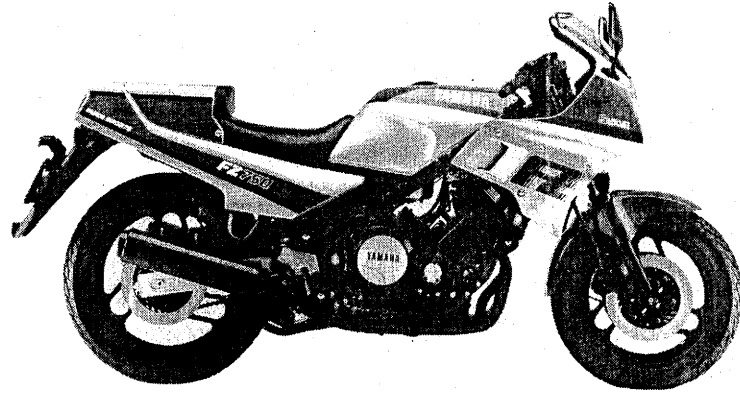
CHASSIS

Frame	C14
Fender	C15 ~ D2
Side Cover	D3
Rear Arm	D4 ~ D5
Rear Suspension	D6

Steering	D7
Front Fork	D8 ~ D9
Fuel Tank	D10 ~ D11
Seat	D12
Front Wheel	D13
Front Brake Cariper	D14
Rear Wheel	D15 ~ E2
Rear Brake Cariper	E3
Steering Handle · Cable	E4
Front Master Cylinder	E5
Front Master Cylinder 2	E6
Stand · Footrest	E7 ~ E8
Rear Master Cylinder	E9 ~ E10
Cowling 1	E11 ~ E13
Generator	E14
Pick Up Coil · Governor	E15
Starting Motor	F2
Flasher Light	F3
Meter	F4
Headlight	F5
Taillight	F6
Handle Switch · Lever	F7
Electrical 1	F8 ~ F9
Electrical 2	F10 ~ F11

INDEX

NUMERICAL INDEX	M1 ~ M4
-----------------------	---------



A3

FOREWORD

This Parts Catalogue is related to the parts in use for the Yamaha FZ750N (1FU).

When you are ordering replacement parts for the FZ750N (1FU), refer to this Parts Catalogue and quote both part numbers and part names correctly.

1. Modifications or additions which have been made after issue of the Parts Catalogue will be announced in the Yamaha Parts News.

It is advisable that according to the Yamaha Parts News you make necessary corrections to the Parts Catalogue on hand to keep it up-to-date.

2. Abbreviations

The following abbreviations are used in this Parts Catalogue.

U.R. Use size (thickness) and/or number as required.

U.N. Use as many as you need.

A.P. Alternate Parts

L.M. Local Made

F# Frame No. (Applicable machine No.)

3. The parts marked with (*) in the parts number column of this Catalogue are not supplied with by Yamaha, those have to be found locally.

4. Parts, which are to be supplied in the form of assemblies, are listed with an indention of one letter's space, and a dot (.) is put against the name of each part.

EXAMPLE CARBURETOR ASS'Y
 . JET, pilot
 . NOZZLE, main

5. Indication of No. of constituent parts for assembly

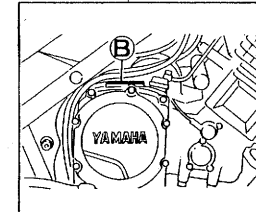
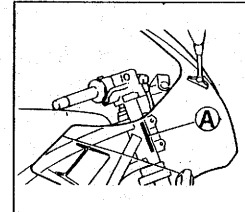
The numeral appearing to the right of each constituent part under the description indicates the quantity of such parts for each individual assembly unit.

EXAMPLE

Part No.	Description	Q'ty	Remarks
2F5-83310-60	FRONT FLASHER LIGHT ASS'Y	2	
115-83311-60	. BULB (6V-18W)	1	
1M1-83309-60	. REFLECTOR	1	

6. Initial Serial No. and Color Code

(A) Frame Serial No.	1FU-000101 and following
(B) Engine Serial No.	1FU-000101 and following



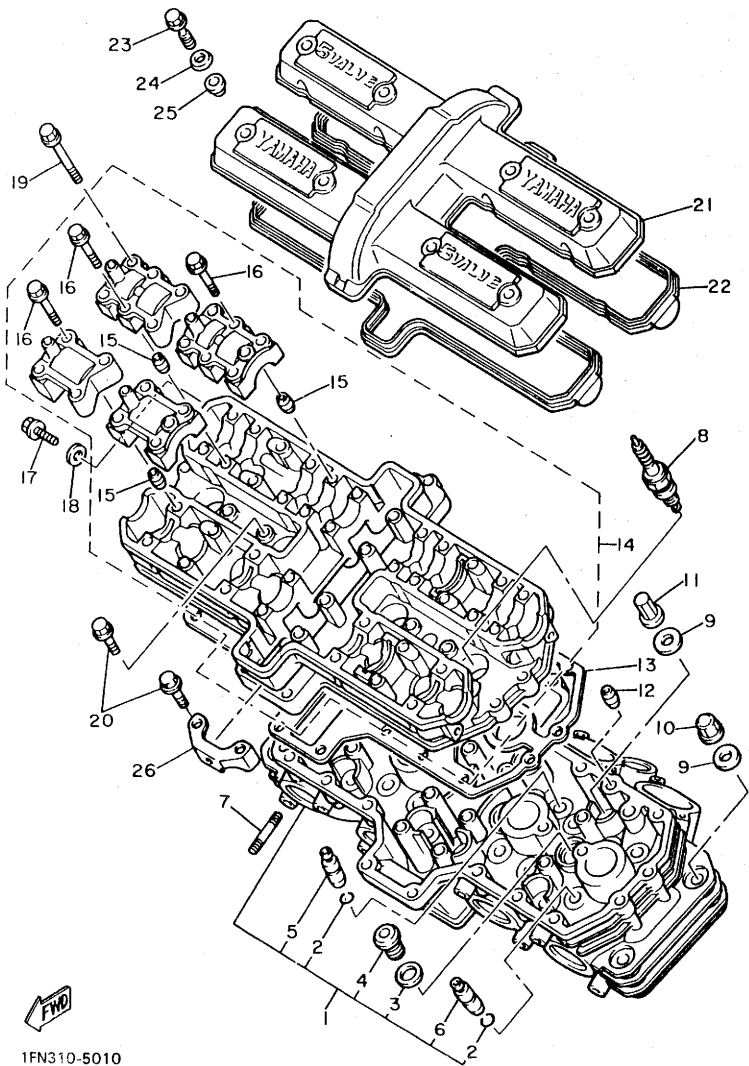
Color Code	Color Name	Abbreviate
GE/AJ	SILKY WHITE/ STORMY RED	SW/SMR
6G/66	INEW YAMAHA BLACK/ SUNSHINE RED	NYB/SR

7. Applicable colors of graphics are represented in the "Remarks" column by the letter(s) appropriately picked out of the full word(s) showing such colors.

EXAMPLE

Part No.	Description	Q'ty	Remarks
2N4-24110-00-X5	FUEL TANK COMP.	1	MAXIM RED
3J1-24240-10	. GRAPHIC, fuel tank set	1	for MXR

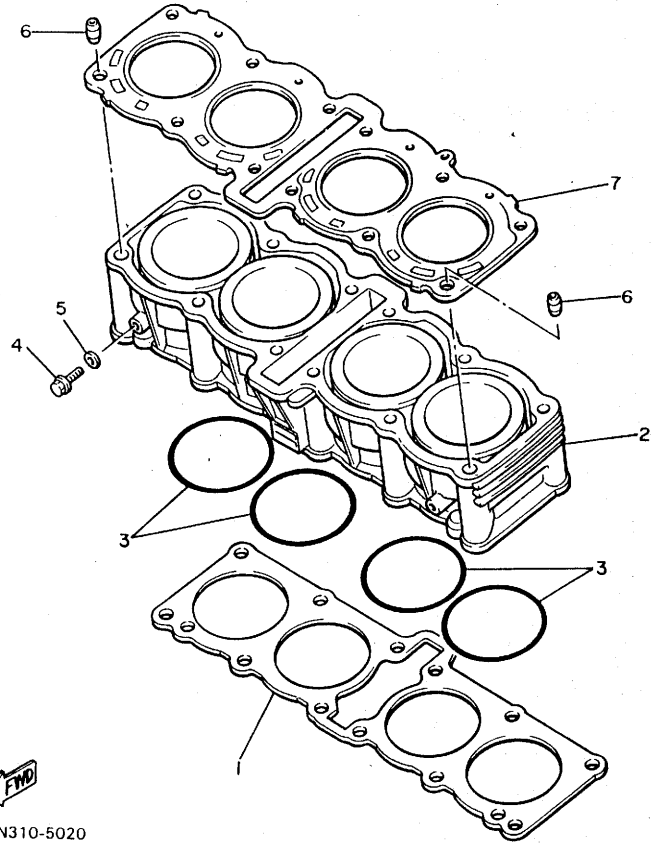
FIG. 1 CYLINDER HEAD



1FN310-5010

REF. NO.	PART NO.	DESCRIPTION	Q'TY	REMARKS
1	1AE-11101-00	CYLINDER HEAD ASSY	1	
2	93440-09141	•CIRCLIP	20	
3	90201-183H2	•WASHER, Plate	4	
4	90340-18101	•PLUG, straight screw	4	
5	1AA-11133-10	•GUIDE, intake valve	12	
6	1AA-11134-10	•GUIDE, exhaust valve	8	
7	95611-06630	BOLT, stud	8	
8	94701-00275	PLUG, sPark (NGK DP8EA-9)	4	UR
	94701-00203	PLUG, sPark (NGK DR8E5-L)	4	UR for s.africa
	94701-00286	PLUG, sPark (ND X24EP-U9)	4	UR
	94701-00222	PLUG, sPark (ND X24ESR-U)	4	UR for s.africa
9	90201-096J9	WASHER, Plate	12	
10	90179-09489	NUT	4	
11	90179-09490	NUT	8	
12	91830-21014	PIN, dowel	2	
13	1AA-11182-00	GASKET, cylinder head 2	1	
14	1AA-1115A-00	CAM CASE ASSY	1	
15	99510-08016	•PIN, dowel	16	
16	90105-06153	•BOLT, washer based	16	
17	95026-06012	BOLT, flange	1	
18	90430-06014	GASKET	1	
19	90105-06362	BOLT, washer based	24	
20	95026-06025	BOLT, flange	11	
21	1AE-11191-00	COVER, cylinder head 1	1	
22	1AA-11193-00	GASKET, head cover 1	1	
23	90109-06746	BOLT	8	
24	90209-11237	WASHER	8	
25	90480-12365	GROMMET	8	
26	1AE-1244E-00	BRACKET 1	1	

FIG. 2 CYLINDER



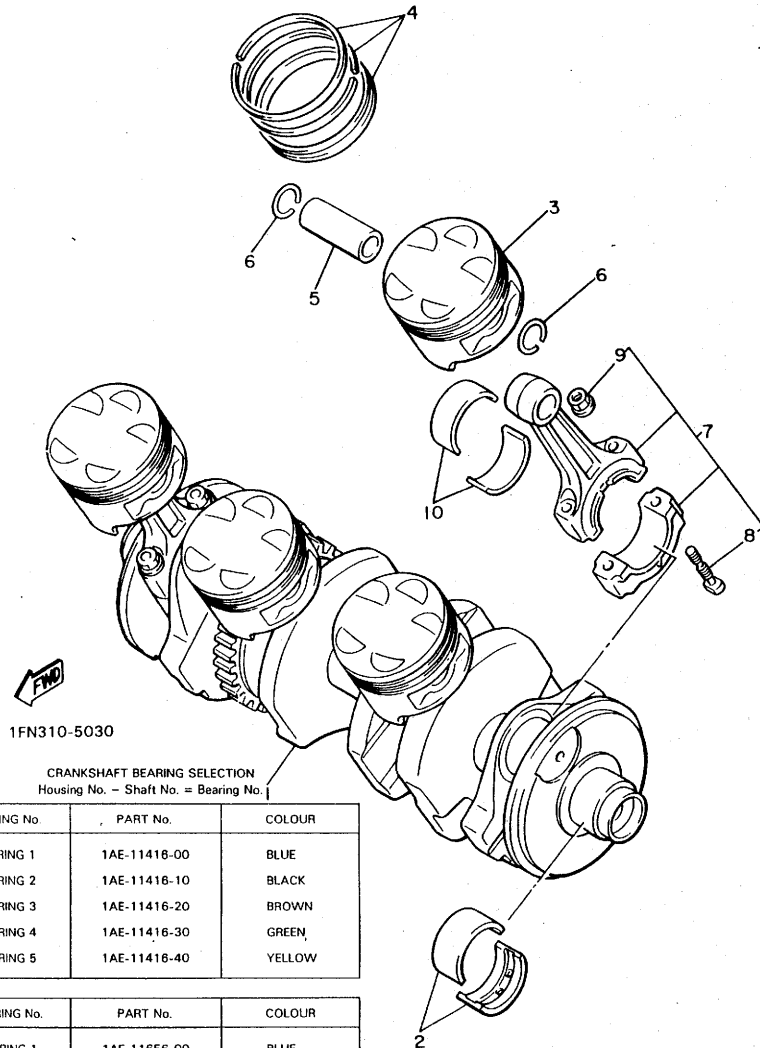
REF. NO.	PART NO.	DESCRIPTION	Q'TY	REMARKS
1	1AA-11351-00	GASKET, cylinder	1	
2	1AE-11310-00	CYLINDER	1	
3	93210-73693	O-RING	4	
4	95026-06012	BOLT, flange	2	
5	90430-06014	GASKET	2	
6	91810-08016	PIN, dowel	2	
7	1AA-11181-00	GASKET, cylinder head 1	1	



1FN310-5020

B3

FIG. 3 CRANKSHAFT. PISTON



1FN310-5030

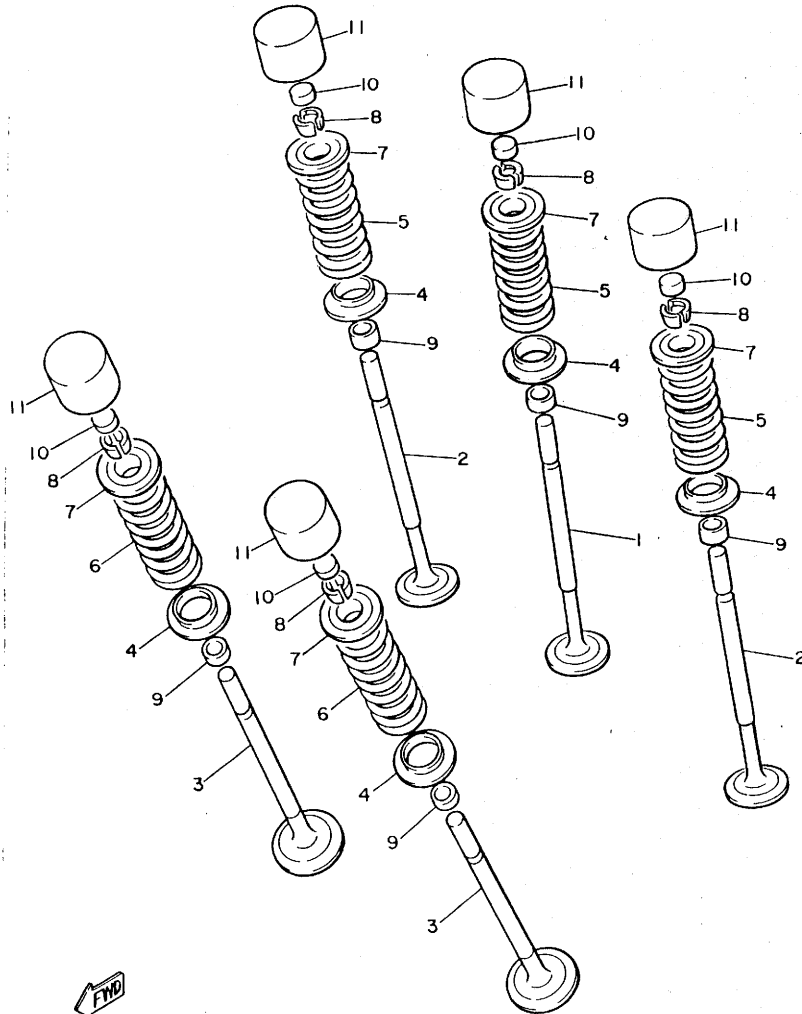
CRANKSHAFT BEARING SELECTION
Housing No. - Shaft No. = Bearing No.

BEARING No.	PART No.	COLOUR
BEARING 1	1AE-11418-00	BLUE
BEARING 2	1AE-11418-10	BLACK
BEARING 3	1AE-11418-20	BROWN
BEARING 4	1AE-11418-30	GREEN
BEARING 5	1AE-11418-40	YELLOW

BEARING No.	PART No.	COLOUR
BEARING 1	1AE-11656-00	BLUE
BEARING 2	1AE-11656-10	BLACK
BEARING 3	1AE-11656-20	BROWN
BEARING 4	1AE-11656-30	GREEN

REF. NO.	PART NO.	DESCRIPTION	Q'TY	REMARKS
1	1AE-11411-00	CRANKSHAFT	1	
2	1AE-11416-00	PLANE BEARING, crankshaft 1	10	UR blue
	1AE-11416-10	PLANE BEARING, crankshaft 1	10	UR black
	1AE-11416-20	PLANE BEARING, crankshaft 1	10	UR brown
	1AE-11416-30	PLANE BEARING, crankshaft 1	10	UR green
	1AE-11416-40	PLANE BEARING, crankshaft 1	10	UR yellow
3	1AE-11631-00	PISTON (STD)	4	
	1AE-11636-00	PISTON (0.50MM O/S)	4	AP
	1AE-11638-00	PISTON (1.00MM O/S)	4	AP
4	1AA-11610-00	PISTON RING SET (STD)	4	
	1AA-11610-20	PISTON RING SET (2ND O/S)	4	AP
	1AA-11610-40	PISTON RING SET (4TH O/S)	4	AP
5	1AA-11633-00	PIN, Piston	4	
6	93450-19052	CIRCLIP	8	
7	1AE-Y1165-00	CONNECTING ROD ASSY	4	
8	12R-11654-00	.BOLT, connectin& rod	2 8	
9	90179-08327	.NUT	2 8	
10	1AE-11656-00	PLANE BEARING, connectin& rod	8	UR blue
	1AE-11656-10	PLANE BEARING, connectin& rod	8	UR black
	1AE-11656-20	PLANE BEARING, connectin& rod	8	UR brown
	1AE-11656-30	PLANE BEARING, connectin& rod	8	UR green

FIG. 4 VALVE

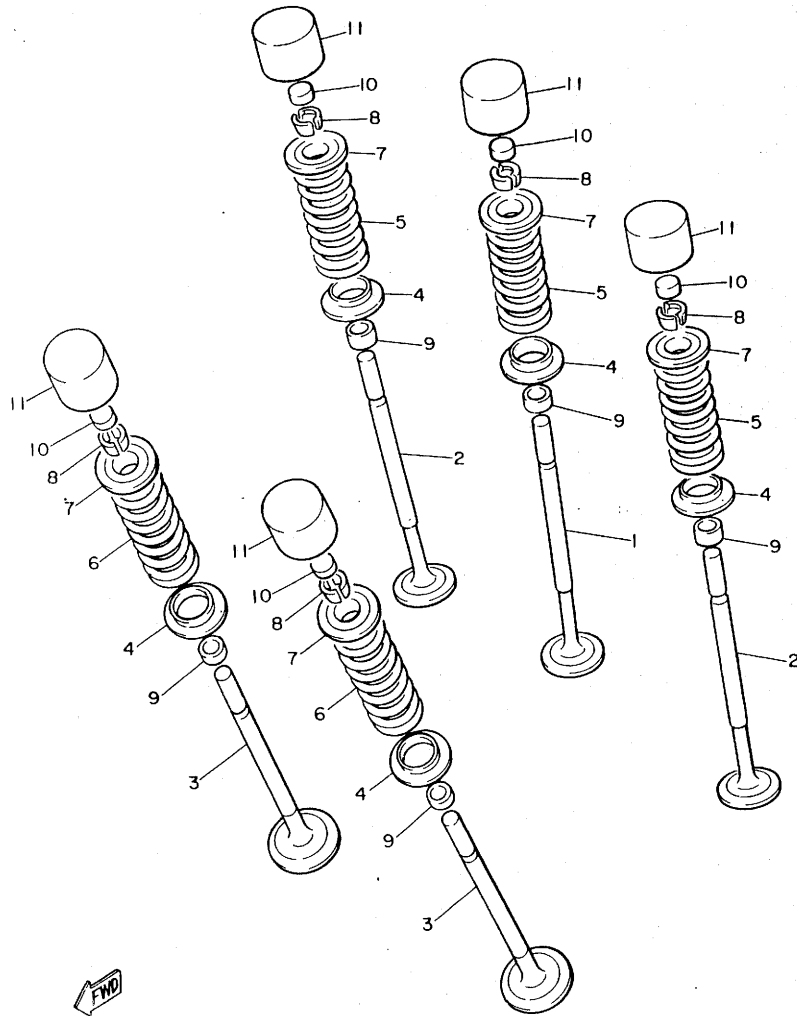


1FN310-5040

REF. NO.	PART NO.	DESCRIPTION	Q'TY	REMARKS
1	IAA-12111-01	VALVE, intake	4	
2	IAA-12112-01	VALVE, intake 2	8	
3	IAA-12121-01	VALVE, exhaust	8	
4	IAA-12116-00	SEAT, valve spring	20	
5	IAA-12113-00	SPRING, valve inner	12	
6	IAA-12114-00	SPRING, valve outer	8	
7	IAA-12117-00	RETAINER, valve spring	20	
8	IAA-12118-00	COTTER, valve	40	
9	33M-12119-00	SEAL, valve stem	20	
10	IAA-12168-00	PAD, adjusting (1.20)	20	UR
	IAA-12168-20	PAD, adjusting (1.25)	20	UR
	IAA-12168-40	PAD, adjusting (1.30)	20	UR
	IAA-12168-60	PAD, adjusting (1.35)	20	UR
	IAA-12168-80	PAD, adjusting (1.40)	20	UR
	IAA-12168-A0	PAD, adjusting (1.45)	20	UR
	IAA-12168-F0	PAD, adjusting (1.50)	20	UR
	IAA-12168-H0	PAD, adjusting (1.55)	20	UR
	IAA-12168-K0	PAD, adjusting (1.60)	20	UR
	IAA-12168-M0	PAD, adjusting (1.65)	20	UR
	IAA-12168-R0	PAD, adjusting (1.70)	20	UR
	IAA-12168-U0	PAD, adjusting (1.75)	20	UR
	IAA-12168-W0	PAD, adjusting (1.80)	20	UR
	IAA-12168-Y0	PAD, adjusting (1.85)	20	UR
	IAA-12169-10	PAD, adjusting (1.90)	20	UR
	IAA-12169-30	PAD, adjusting (1.95)	20	UR
	IAA-12169-50	PAD, adjusting (2.00)	20	UR
	IAA-12169-70	PAD, adjusting (2.05)	20	UR
	IAA-12169-90	PAD, adjusting (2.10)	20	UR

B5

FIG. 4 VALVE



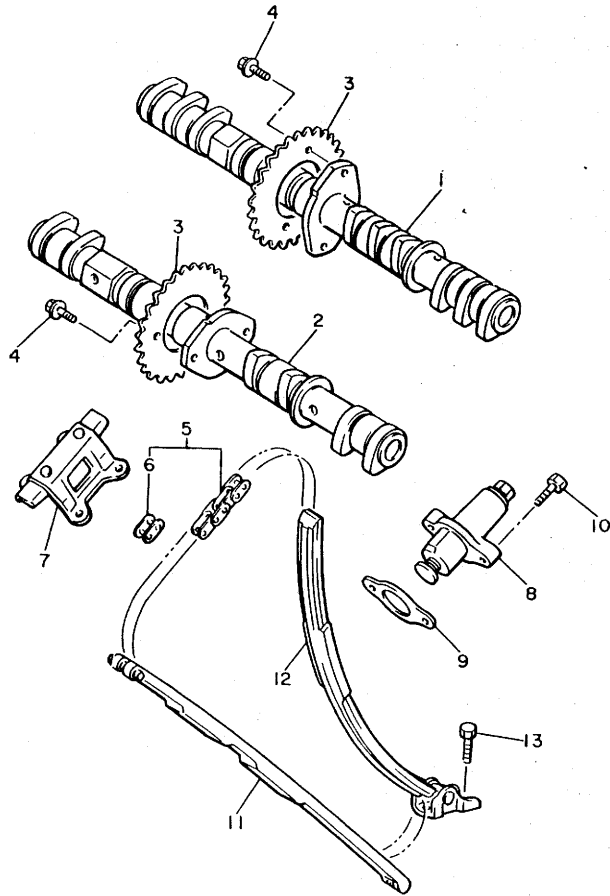
REF. NO.	PART NO.	DESCRIPTION	Q'TY	REMARKS
10	1AA-12169-E0	PAD, adjusting (2.15)	20	UR
	1AA-12169-G0	PAD, adjusting (2.20)	20	UR
	1AA-12169-J0	PAD, adjusting (2.25)	20	UR
	1AA-12169-L0	PAD, adjusting (2.30)	20	UR
	1AA-12169-N0	PAD, adjusting (2.35)	20	UR
	1AA-12169-T0	PAD, adjusting (2.40)	20	UR
11	1AA-12153-90	LIFTER, valve	20	

FWD

1FN310-5040

B6

FIG. 5 CAMSHAFT. CHAIN



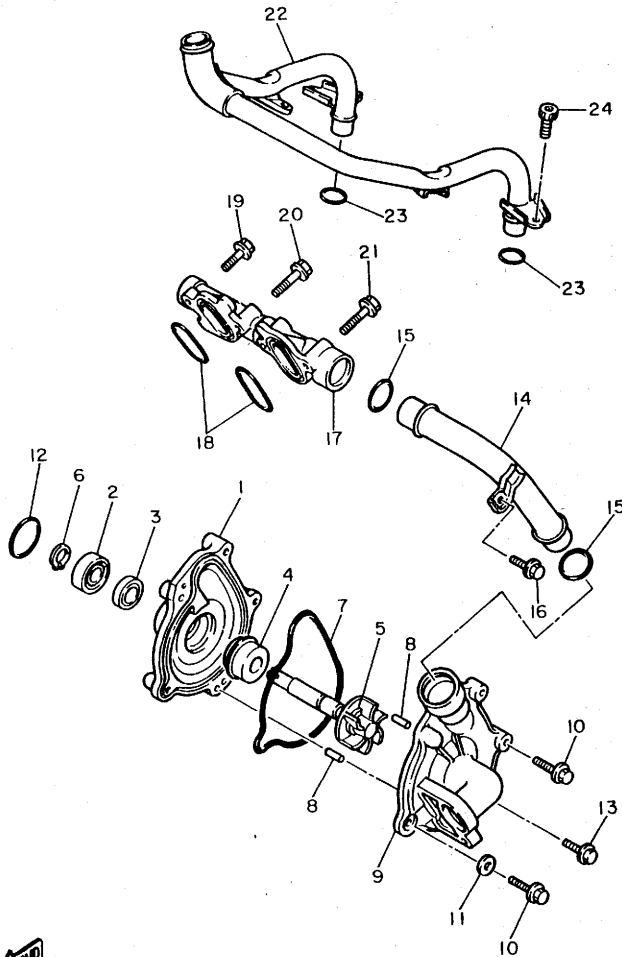
REF. NO.	PART NO.	DESCRIPTION	Q'TY	REMARKS
1	1AE-12171-00	CAMSHAFT 1	1	
2	1AE-12181-00	CAMSHAFT 2	1	
3	4G0-12176-01	SPROCKET, cam chain	2	
4	90105-07342	BOLT, washer based	4	
5	94580-37110	CHAIN (DID219FTS-110L)	1	
6	94680-37021	JOINT, chain	1	
7	1AA-12241-00	GUIDE, stopPer 2	1	
8	1AE-12210-00	TENSIONER ASSY, cam chain	1	
9	30X-12213-00	GASKET, tensioner case	1	
10	95026-06025	BOLT, flange	2	
11	1AE-12251-00	DAMPER, chain 1	1	
12	1AE-12252-00	DAMPER, chain 2	1	
13	90109-065A8	BOLT	2	



1FN310-5050

B7

FIG. 6 WATER PUMP



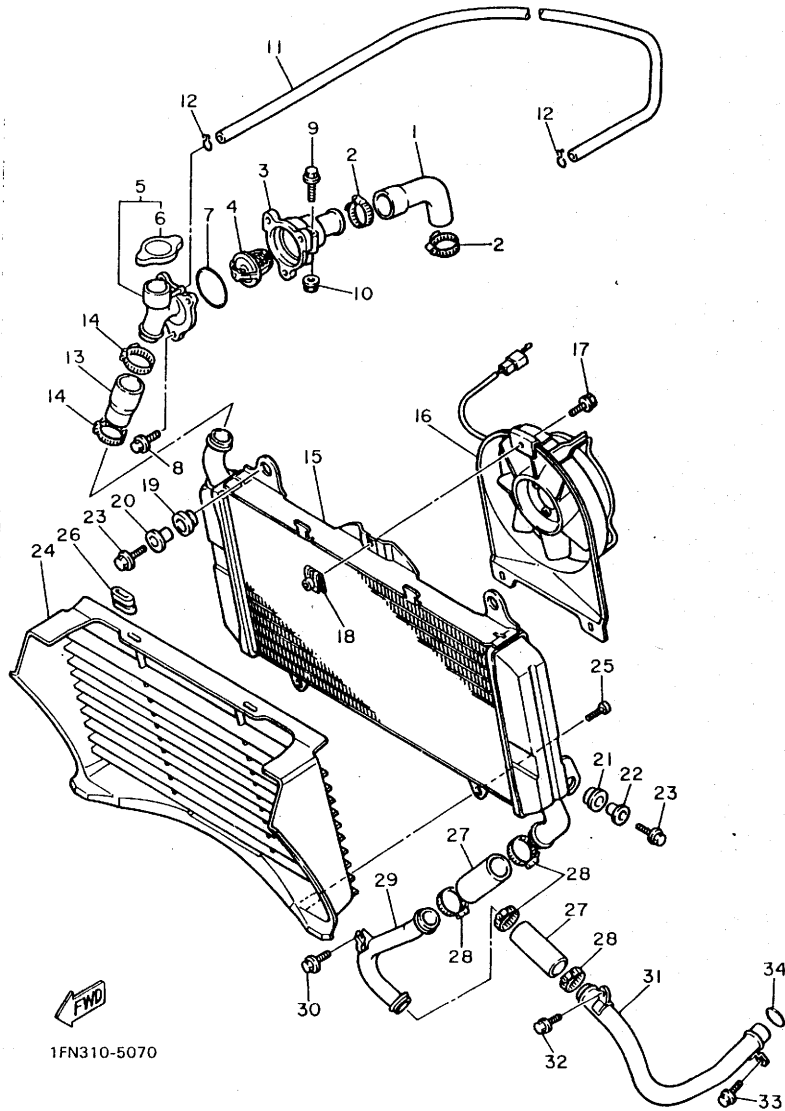
REF. NO.	PART NO.	DESCRIPTION	Q'TY	REMARKS
1	1AE-12421-00	HOUSING, water PumP	1	
2	93306-00106	BEARING	1	
3	93101-12060	DIL SEAL	1	
4	11H-12438-00	SEAL, mechanical	1	
5	1AE-12450-00	IMPELLER SHAFT ASSY	1	
6	99009-12400	CIRCLIP	1	
7	1AE-12439-00	O-RING	1	
8	93604-10011	PIN, dowel	2	
9	1AE-12422-00	COVER, housing	1	
10	95026-06025	BOLT, flange	3	
11	90430-06014	GASKET	1	
12	93210-33133	O-RING	1	
13	95026-06050	BOLT, flange	2	
14	1AE-12481-00	PIPE 1	1	
15	93210-23692	O-RING	2	
16	95026-06012	BOLT, flange	1	
17	1AE-12469-00	JOINT 1	1	
18	93210-30694	O-RING	2	
19	95026-06020	BOLT, flange	1	
20	95026-06030	BOLT, flange	1	
21	95026-06040	BOLT, flange	2	
22	1AE-12482-00	PIPE 2	1	
23	93210-18417	O-RING	2	
24	91316-06012	BOLT	2	



1FN310-5060

B8

FIG. 7 RADIATOR. HOSE

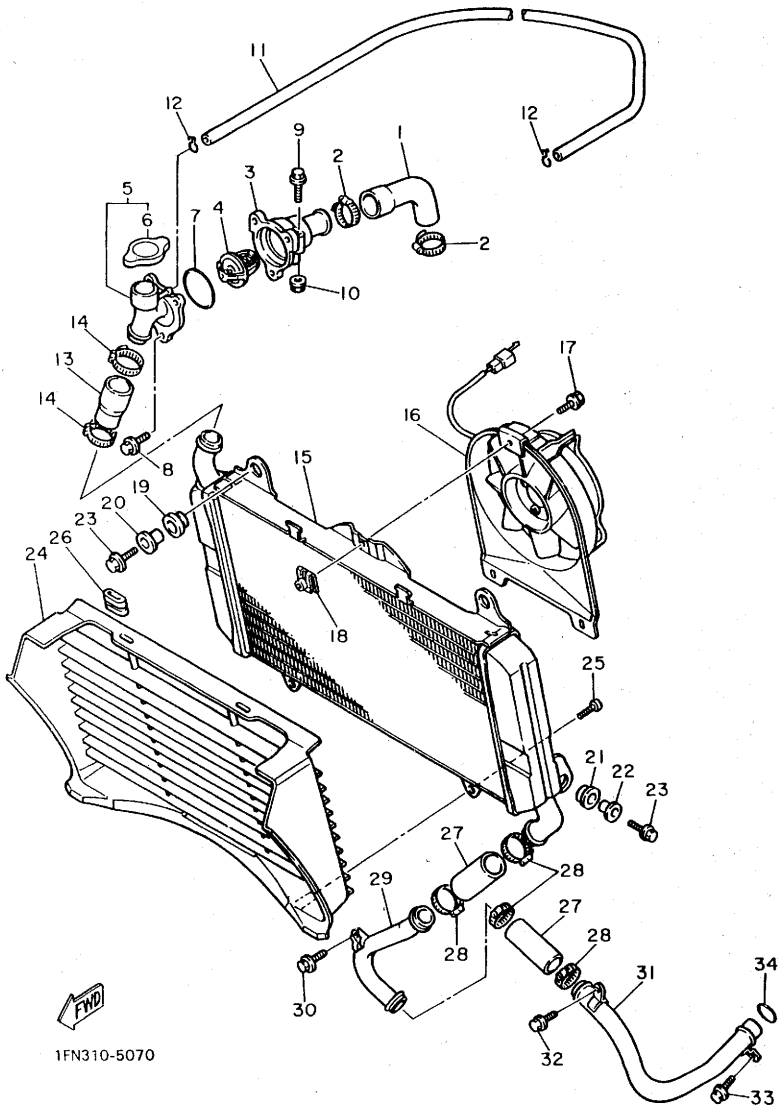


1FN310-5070

REF. NO.	PART NO.	DESCRIPTION	Q'TY	REMARKS
1	IAE-12576-00	HOSE 1	1	
2	90460-38241	CLAMP, hose	2	
3	IAE-12417-00	HOUSING, thermostat	1	
4	IAE-12410-00	THERMOSTAT ASSY	1	
5	IAE-12590-00	CONDUCTION ASSY	1	
6	IAE-12462-00	*CAP, radiator	1	
7	93210-49046	O-RING	1	
8	95026-06020	BOLT, flange	3	
9	95026-06030	BOLT, flange	1	
10	95702-06500	NUT, flange	1	
11	90445-09125	HOSE	1	
12	90467-08017	CLIP	2	
13	IAE-12577-00	HOSE 2	1	
14	90460-38241	CLAMP, hose	2	
15	IAE-12461-00	RADIATOR ASSY	1	
16	IAE-12405-00	BLOWER ASSY	1	
17	11H-12675-00	BOLT, blower holding	3	
18	1AA-12535-00	PLATE	3	
19	90480-18276	GROMMET	2	
20	90387-07037	COLLAR	2	
21	90480-19283	GROMMET	2	
22	90387-06033	COLLAR	2	
23	95826-06020	BOLT, flange	4	
24	IAE-12467-00	COVER, radiator	1	
25	97706-60114	SCREW, tapping	2	
26	90480-01438	GROMMET	2	
27	90445-327A9	HOSE	2	
28	90460-38241	CLAMP, hose	4	

B9

FIG. 7 RADIATOR. HOSE

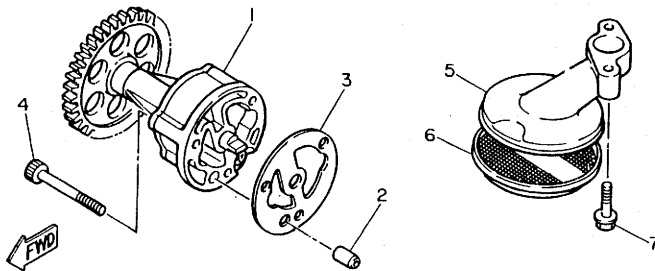
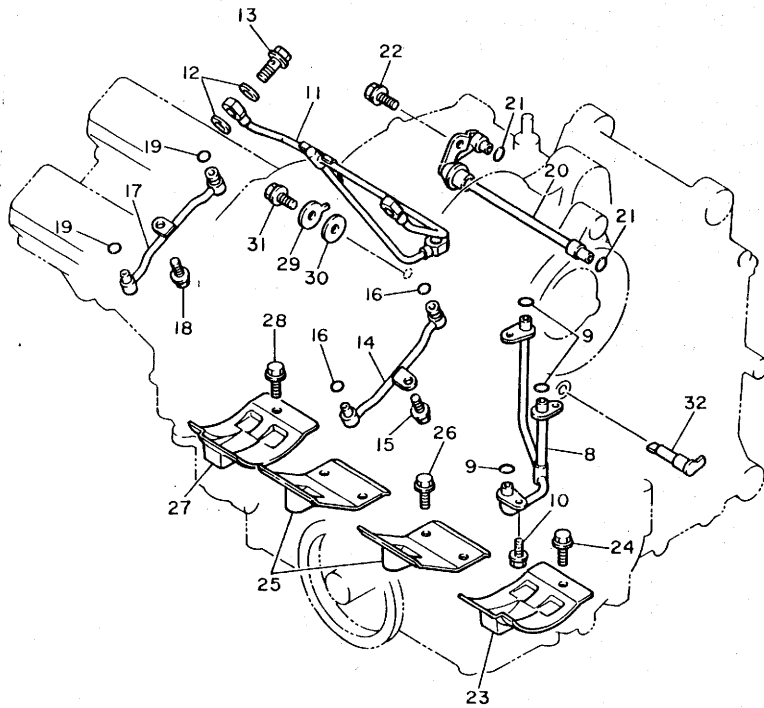


1FN310-5070

REF. NO.	PART NO.	DESCRIPTION	Q'TY	REMARKS
29	1AE-12483-00	PIPE 3	1	
30	95026-06012	BOLT, flange	1	
31	1AE-12484-00	PIPE 4	1	
32	95026-06012	BOLT, flange	1	
33	90109-067A7	BOLT	1	
34	93210-23692	O-RING	1	

B10

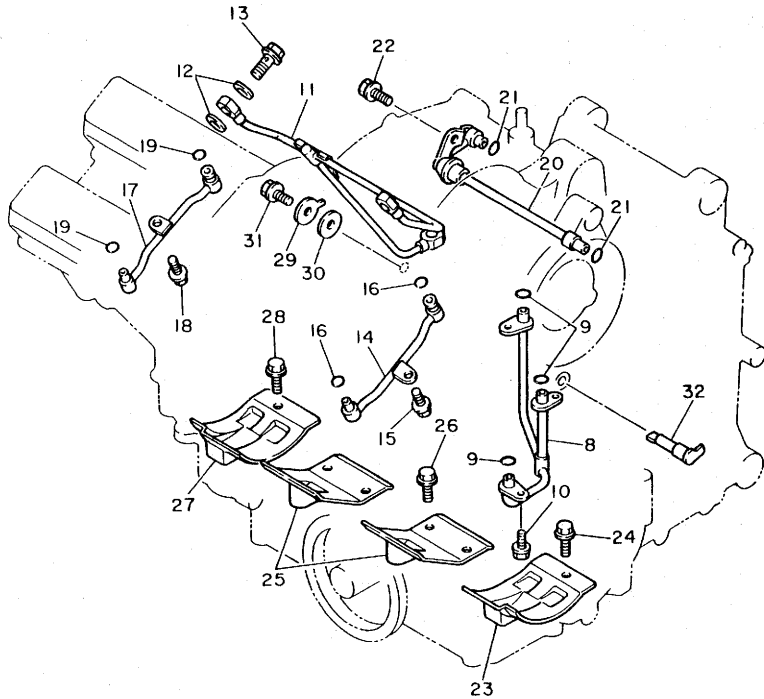
FIG. 8 OIL PUMP



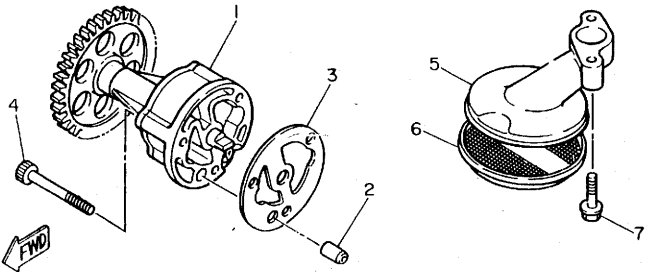
1FN310-5080

REF. NO.	PART NO.	DESCRIPTION	Q'TY	REMARKS
1	IAE-13300-00	OIL PUMP ASSY	1	
2	91810-18013	PIN, dowel	1	
3	IAE-13329-00	GASKET, Pump cover	1	
4	91316-06050	BOLT	3	
5	IAE-13412-00	HOUSING, strainer	1	
6	IAE-13411-00	STRAINER, oil	1	
7	95026-06030	BOLT, flange	2	
8	IAE-13161-00	PIPE, delivery 1	1	
9	93210-06714	O-RING	3	
10	95026-06012	BOLT, flange	2	
11	IAE-13171-00	PIPE, delivery 2	1	
12	90430-10188	GASKET	6	
13	90401-10096	BOLT, union	3	
14	1AA-13181-00	PIPE, delivery 3	1	
15	95026-06012	BOLT, flange	1	
16	93210-06632	O-RING	2	
17	1AA-13191-00	PIPE, delivery 4	1	
18	95026-06012	BOLT, flange	1	
19	93210-06632	O-RING	2	
20	IAE-1316E-00	PIPE, delivery 5	1	
21	93210-07135	O-RING	2	
22	95026-06012	BOLT, flange	1	
23	IAE-15123-00	PLATE, baffle 1	1	
24	95026-06012	BOLT, flange	2	
25	IAE-15124-00	PLATE, baffle 2	2	
26	95026-06012	BOLT, flange	6	
27	IAE-15133-00	PLATE, baffle 3	1	
28	95026-06012	BOLT, flange	2	

FIG. 8 OIL PUMP

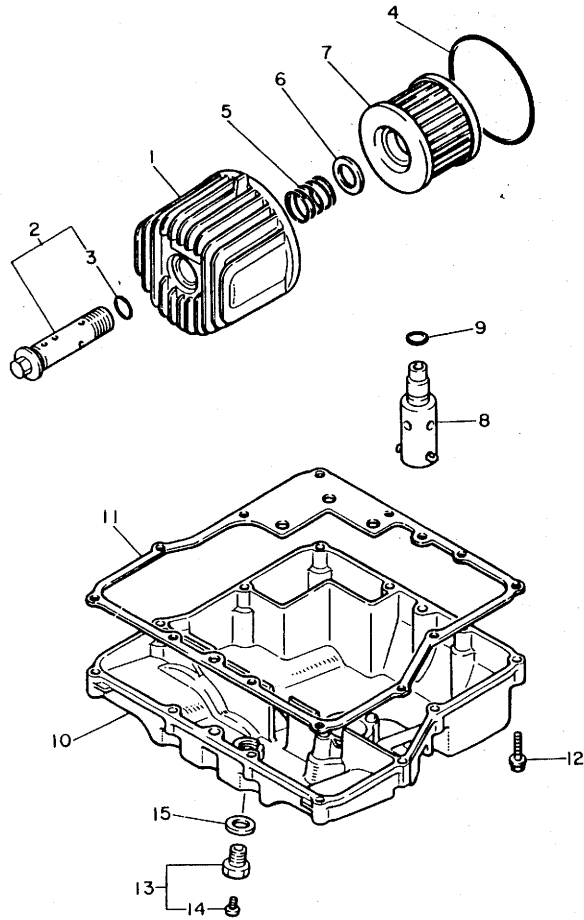


REF. NO.	PART NO.	DESCRIPTION	Q'TY	REMARKS
29	90201-060K2	WASHER, Plate	1	
30	90430-06195	GASKET	1	
31	95821-06016	BOLT, flange	1	
32	1AE-13454-00	NOZZLE	1	



1FN310-5080

FIG. 9 OIL CLEANER

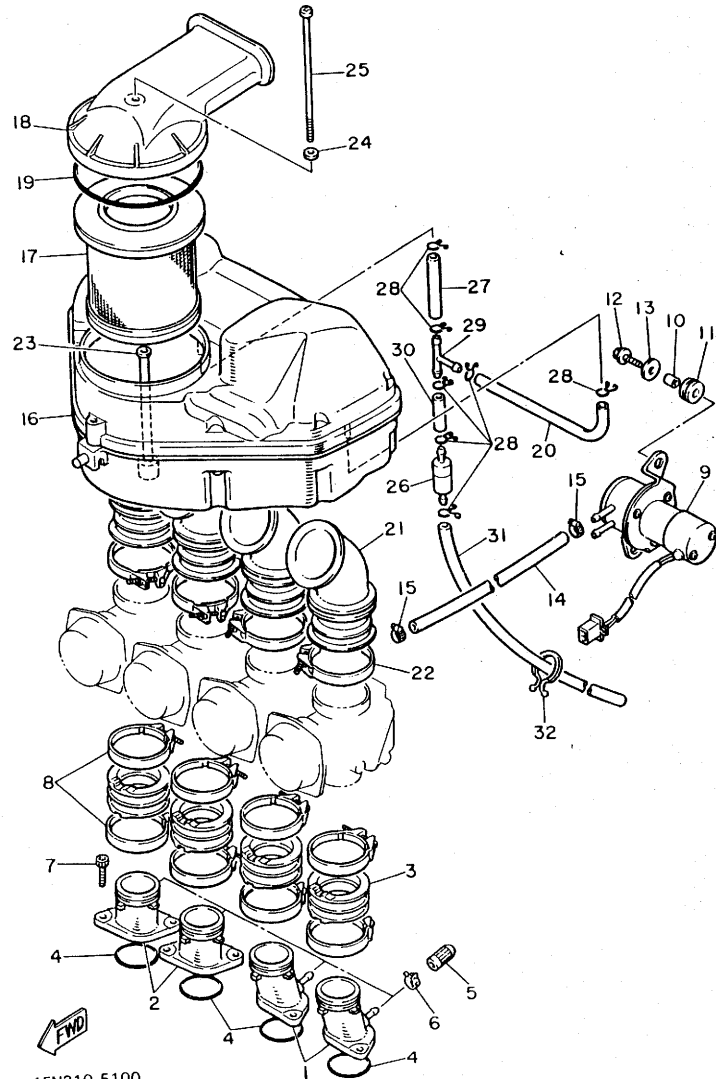


REF. NO.	PART NO.	DESCRIPTION	Q'TY	REMARKS
1	1AE-13447-00	COVER, oil element	1	
2	36Y-13340-00	BY-PASS VALVE ASSY	1	
3	93210-16325	O-RING	1	
4	93210-88324	D-RING	1	
5	90501-20422	SPRING, compression	1	
6	90201-21608	WASHER, Plate	1	
7	36Y-13441-00	ELEMENT, oil cleaner	1	
8	36Y-13490-00	RELIEF VALVE ASSY	1	
9	93210-15566	O-RING	1	
10	1AE-13417-00	COVER, strainer	1	
11	1AE-13414-00	GASKET, strainer cover	1	
12	95026-06030	BOLT, flange	12	
13	4X7-13455-00	PLUG	1	
14	98901-06008	SCREW, bind	1	
15	214-11198-01	GASKET	1	



1FN310-5090

FIG. 10 INTAKE

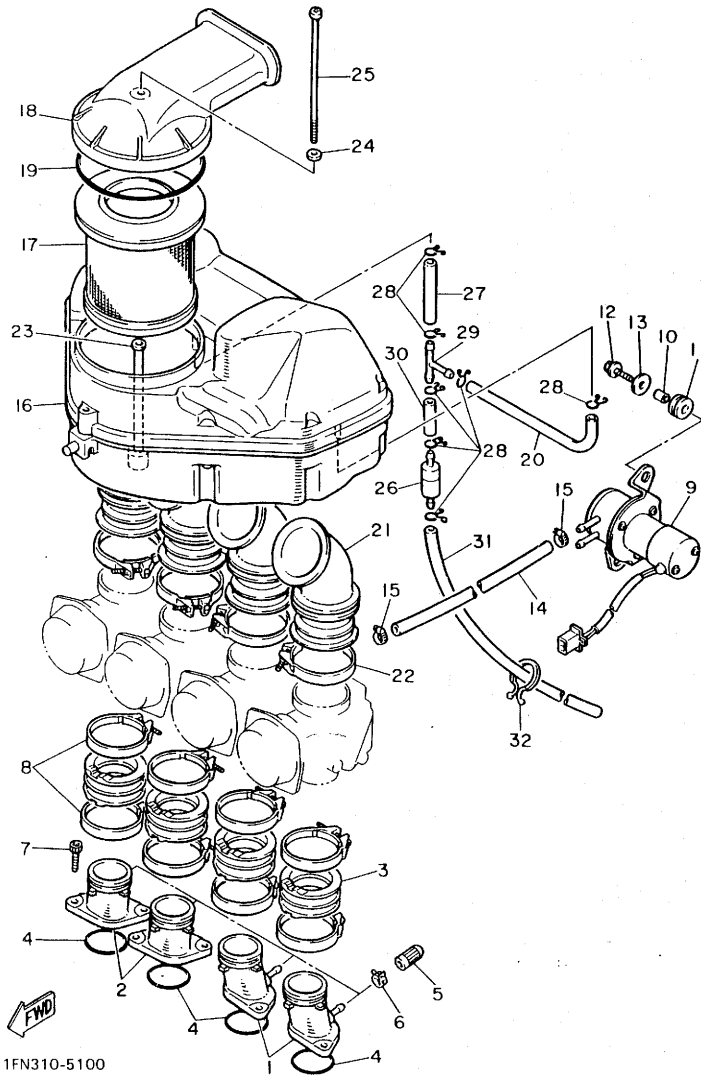


1FN310-5100

REF. NO.	PART NO.	DESCRIPTION	Q'TY	REMARKS
29	90413-07007	WAY 3	1	
30	90445-11262	HOSE	1	
31	90445-11153	HOSE	1	
32	90464-30040	CLAMP	1	

B15

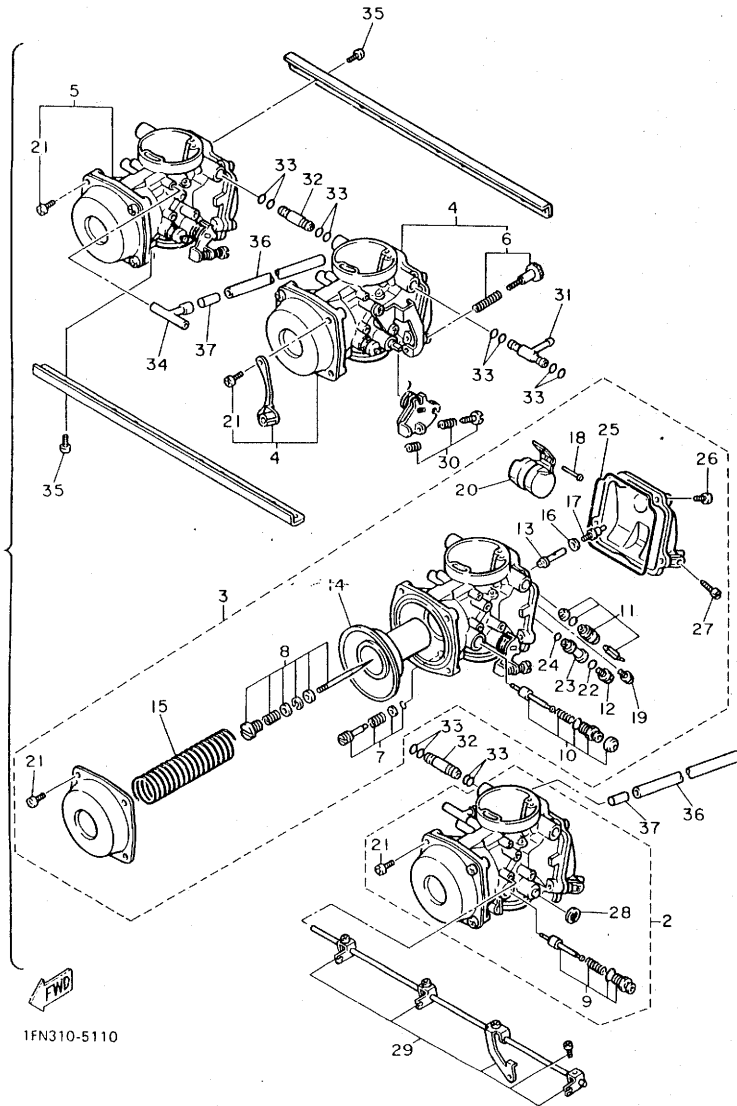
FIG. 10 INTAKE



1FN310-5100

REF. NO.	PART NO.	DESCRIPTION	Q'TY	REMARKS
1	1AE-13586-01	JOINT, carburetor 1	2	
2	1AE-13596-01	JOINT, carburetor 2	2	
3	1AE-13597-00	JOINT, carburetor 3	4	
4	93210-39700	O-RING	4	
5	16G-13569-00	PLUG, blind	4	
6	90467-10039	CLIP	4	
7	91316-06020	BOLT	8	
8	90460-53238	CLAMP, hose	8	
9	1AE-13907-00	FUEL PUMP COMP.	1	
10	90387-060A7	COLLAR	2	
11	90480-15235	GROMMET	2	
12	95826-06020	BOLT, flange	2	
13	90209-06174	WASHER	2	
14	90445-127A8	HOSE	1	
15	90460-12256	CLAMP, hose	2	
16	1AE-14401-00	AIR CLEANER CASE ASSY	1	
17	1AE-14451-00	ELEMENT, air cleaner	1	
18	1AE-14422-00	CAP, cleaner case 2	1	
19	1AE-14452-00	SEAL	1	
20	90445-11150	HOSE	1	
21	1AE-14453-00	JOINT, air cleaner 1	4	
22	90460-58015	CLAMP, hose	4	
23	1AE-14443-00	COLLAR	1	
24	92990-06600	WASHER, plate	1	
25	92511-06160	SCREW, Pan head	1	
26	4X7-2149Y-00	FILTER ASSY	1	
27	90445-112E0	HOSE	1	
28	90467-10041	CLIP	7	

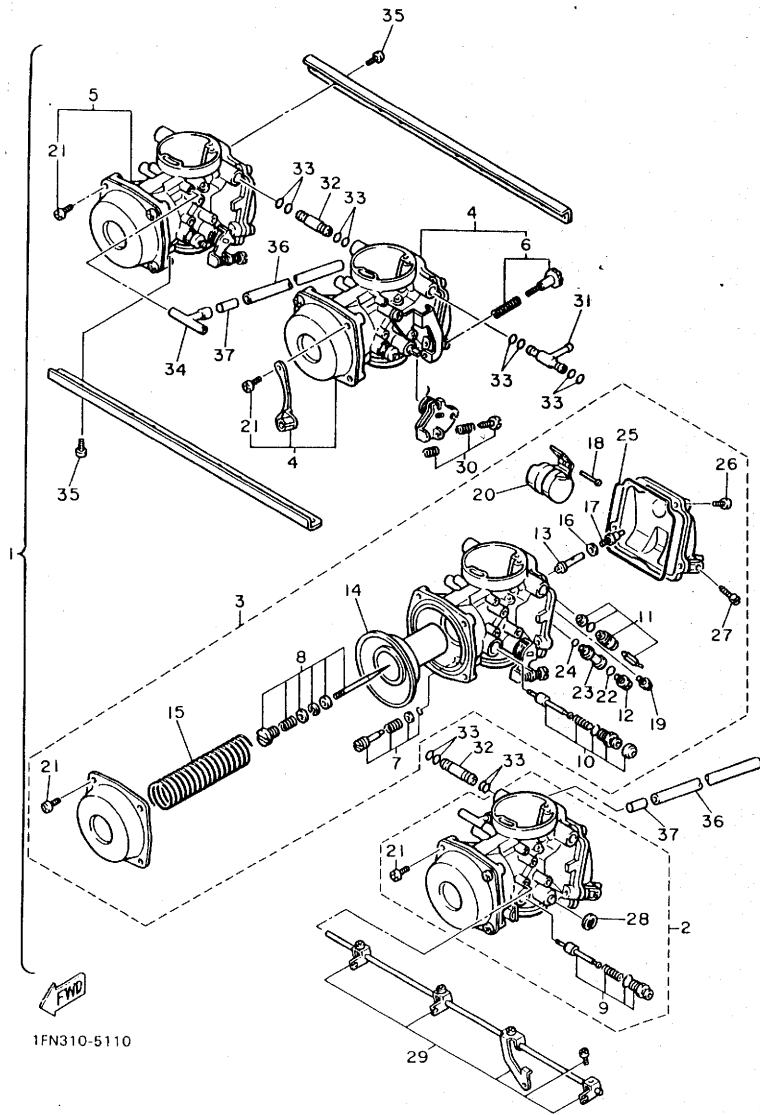
FIG. 11 CARBURETOR



IFN310-5110

REF. NO.	PART NO.	DESCRIPTION	Q'TY	REMARKS
1	1FN-14900-00	CARBURETOR ASSY	1	
2	1FN-14901-00	•CARBURETOR ASSY 1	1	
3	1FN-14902-00	•CARBURETOR ASSY 2	1	
4	1FN-14903-00	•CARBURETOR ASSY 3	1	
5	1FN-14904-00	•CARBURETOR ASSY 4	1	
6	1FN-14103-00	••THROTTLE SCREW SET	1	
7	12R-14105-00	••PILOT SCREW SET	4	
8	1FN-1490J-00	••NEEDLE SET	4	
9	1AE-1410A-00	••STARTER SET	1	
10	1FN-1410A-00	••STARTER SET	3	
11	1FN-14107-12	••NEEDLE VALVE SET	4	
12	620-14231-21	••JET, main (#105)	4	
13	1AE-14141-92	••NOZZLE, main	4	
14	1AE-14940-00	••DIAPHRAGM ASSY	4	
15	1AE-14933-00	••SPRING, diaPhraGm	4	
16	137-14153-00	••WASHER, main Jet	4	
17	1AE-14565-00	••SCREW	4	
18	353-14186-00	••PIN, float	4	
19	1FN-14565-00	••SCREW	4	
20	1AE-14985-00	••FLOAT	4	
21	98501-05010	••SCREW, Pan head	16	
22	1AE-14227-00	••WASHER	4	
23	1AE-14261-00	••HOLDER	4	
24	1AE-14237-00	••GASKET	4	
25	1AE-14147-00	••D-RING	4	
26	98501-04014	••SCREW, Pan head	16	
27	12R-14191-00	••PLUG, drain	4	
28	812-14137-00	••CLIP	2	

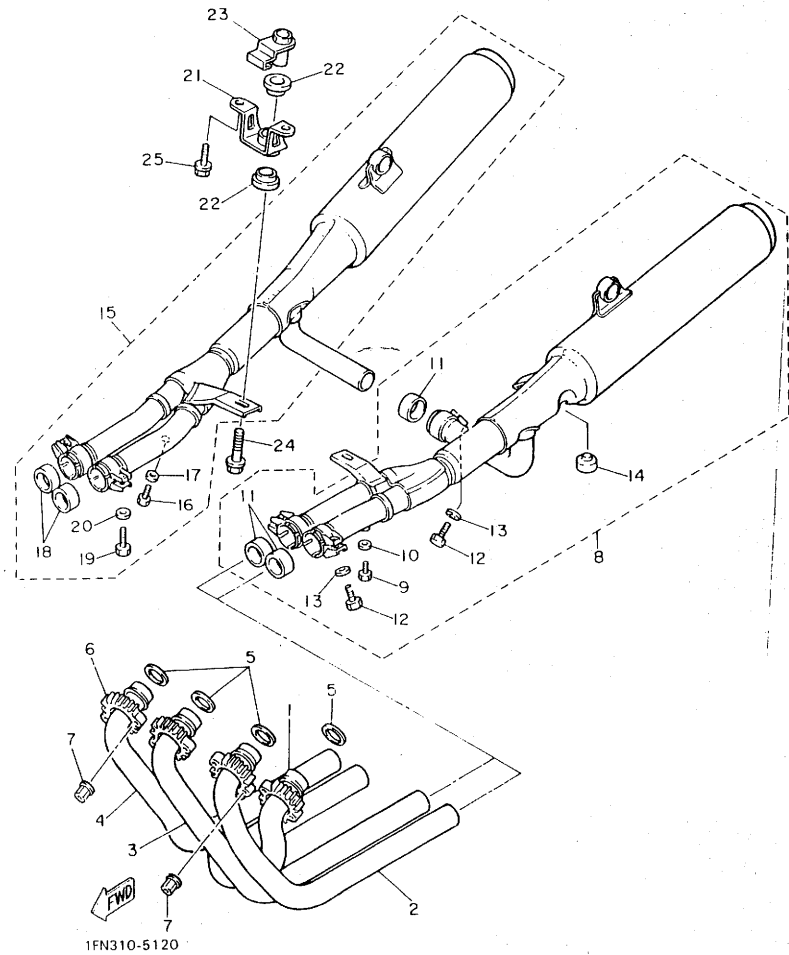
FIG. 11 CARBURETOR



1FN310-5110

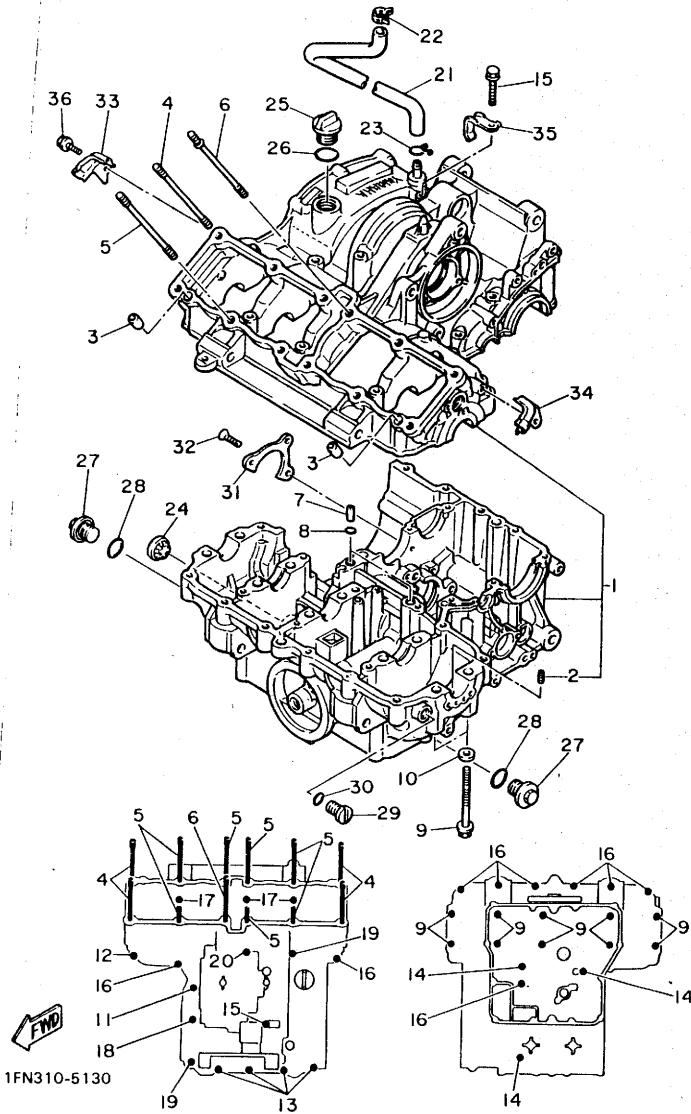
REF. NO.	PART NO.	DESCRIPTION	Q'TY	REMARKS
29	1FN-1490L-00	•STARTER LEVER SET, 1	1	
30	1FN-1490K-00	•STOP SCREW SET	3	
31	1AE-14988-00	•PIPE, starter connecting	1	
32	16H-14251-00	•NIPPLE	2	
33	36Y-14147-00	•O-RING	12	
34	1AE-14197-00	•PIPE	2	
35	98501-05010	•SCREW, Pan head	16	
36	11H-14197-00	•PIPE	2	
37	1FN-14198-00	•GASKET	2	

FIG. 12 EXHAUST



REF. NO.	PART NO.	DESCRIPTION	Q'TY	REMARKS
1	1AE-14611-00	PIPE, exhaust 1	1	
2	1AE-14621-00	PIPE, exhaust 2	1	
3	1AE-14631-00	PIPE, exhaust 3	1	
4	1AE-14641-00	PIPE, exhaust 4	1	
5	4H7-14613-00	GASKET, exhaust Pipe	4	
6	4W5-14612-00	NUT, ring	4	
7	90179-06500	NUT	8	
8	1FN-14710-00	MUFFLER ASSY 1	1	
9	90101-06576	•BOLT	2	
10	92906-06600	•WASHER, Plate	2	
11	36Y-14755-01	•GASKET, silencer	3	
12	97316-08020	•BOLT	3	
13	92906-08600	•WASHER, Plate	3	
14	116-27114-00	•STOPPER, main stand	1	
15	1FN-14720-00	MUFFLER ASSY 2	1	
16	90101-06576	•BOLT	2	
17	92906-06600	•WASHER, Plate	2	
18	36Y-14755-01	•GASKET, silencer	2	
19	97316-08020	•BOLT	2	
20	92906-08600	•WASHER, Plate	2	
21	1AE-14791-00	STAY, muffler	1	
22	36Y-14747-00	DAMPER, muffler	2	
23	1AE-14638-00	COLLAR	1	
24	95801-10040	BOLT, flange	1	
25	95821-08020	BOLT, flange	2	

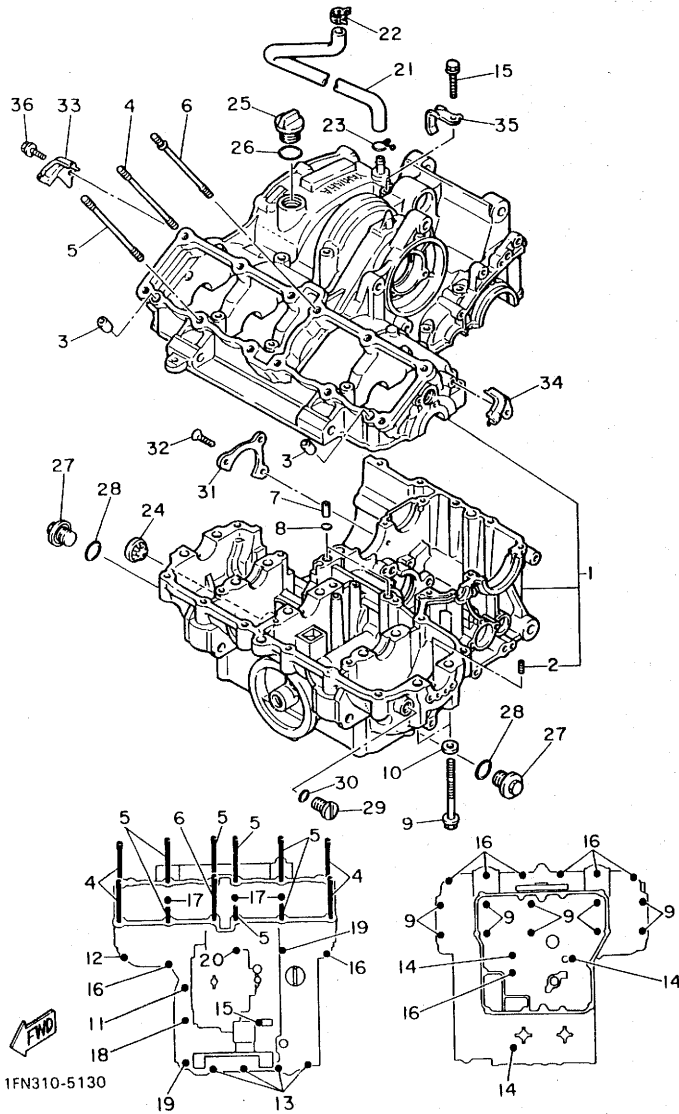
FIG. 13 CRANKCASE



1FN310-5130

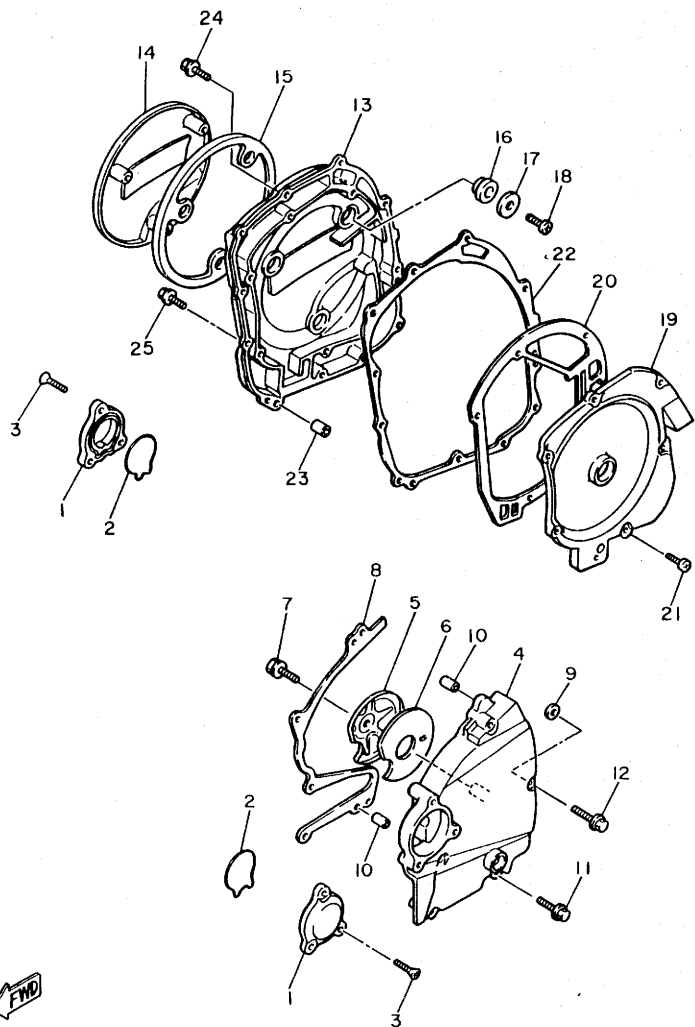
REF. NO.	PART NO.	DESCRIPTION	Q'TY	REMARKS
1	1AE-15100-00	CRANKCASE ASSY	1	
2	4H7-15138-00	NOZZLE 1	1	
3	91830-21014	PIN, dowel	2	
4	90116-09458	BOLT, stud	4	
5	90116-09459	BOLT, stud	7	
6	90116-09460	BOLT, stud	1	
7	90387-05383	COLLAR	2	
8	93210-07135	O-RING	2	
9	90105-09373	BOLT, washer based	10	
10	90201-096J9	WASHER, Plate	4	
11	95816-06035	BOLT, flange	1	
12	95816-06045	BOLT, flange	1	
13	95816-06060	BOLT, flange	4	
14	95816-06080	BOLT, flange	3	
15	95816-06140	BOLT, flange	1	
16	95816-08045	BOLT, flange	9	
17	95816-08055	BOLT, flange	3	
18	95816-08065	BOLT, flange	1	
19	95816-08090	BOLT, flange	2	
20	95816-08135	BOLT, flange	1	
21	1AE-11166-00	PIPE, breather 1	1	
22	90467-15054	CLIP	1	
23	90467-14056	CLIP	1	
24	2H7-15361-00	GAUGE, level	1	
25	2H9-15363-00	PLUG, oil	1	
26	93210-27370	O-RING	1	
27	4H7-15189-00	PLUG	2	
28	93210-20573	O-RING	2	

FIG. 13 CRANKCASE



REF. NO.	PART NO.	DESCRIPTION	Q'TY	REMARKS
29	90340-14079	PLUG, straight screw	1	
30	93210-14369	O-RING	1	
31	1AE-15383-00	PLATE, bearing cover	1	
32	90151-06014	SCREW, countersunk	3	
33	90465-08281	CLAMP	1	
34	90465-08282	CLAMP	1	
35	90465-08280	CLAMP	1	
36	95026-06012	BOLT, flange	1	

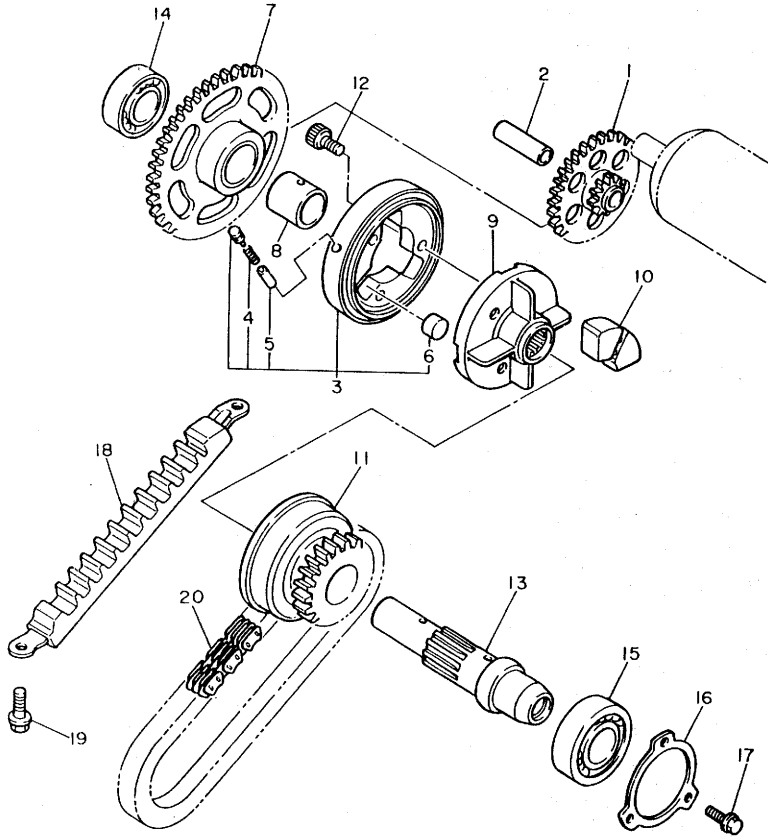
FIG. 14 CRANKCASE COVER 1



REF. NO.	PART NO.	DESCRIPTION	Q'TY	REMARKS
1	1AE-15416-00	COVER, oil PumP	2	
2	1AE-15456-00	GASKET, oil PumP cover 1	2	
3	90152-06014	SCREW, countersunk	6	
4	1AE-15411-00	COVER, crankcase 1	1	
5	1AE-15427-00	COVER, caP 2	1	
6	1AE-15316-00	DAMPER, enGine mount 1	1	
7	95821-06012	BOLT, flange	1	
8	1AE-15451-00	GASKET, crankcase cover 1	1	
9	36Y-15467-00	GASKET	1	
10	91810-18013	PIN, dowel	2	
11	95026-06040	BOLT, flange	3	
12	95026-06050	BOLT, flange	2	
13	1AE-15421-00	COVER, crankcase 2	1	
14	1AE-15417-00	COVER, caP	1	
15	1AE-15449-00	RING, rubber	1	
16	4H7-15486-00	GROMMET	3	
17	90209-06096	WASHER	3	
18	92501-06010	SCREW, Pan head	3	
19	1AE-15346-00	BREATHER 1	1	
20	1AE-15463-00	GASKET, carburetor cover 2	1	
21	92501-06020	SCREW, Pan head	6	
22	1AE-15461-00	GASKET, crankcase cover 2	1	
23	91810-18013	PIN, dowel	2	
24	95026-06030	BOLT, flange	2	
25	95026-06020	BOLT, flange	9	

1FN310-5140

FIG. 15 STARTER

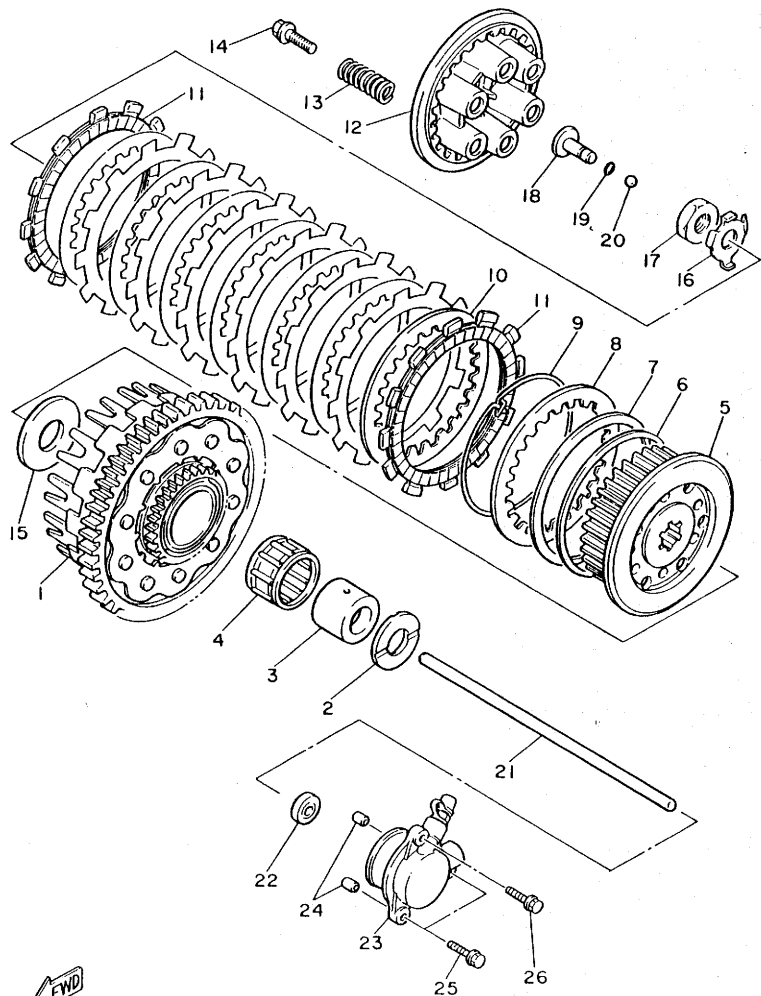


REF. NO.	PART NO.	DESCRIPTION	Q'TY	REMARKS
1	1AE-15512-00	GEAR, idler 1	1	
2	1AE-15521-00	SHAFT 1	1	
3	1AE-15580-00	STARTER CLUTCH OUTER ASSY	1	
4	90501-04503	•SPRING, comPression	3	
5	341-15583-05	•CAP, starter clutch sPring	3	
6	93615-12088	•PIN, dowel	3	
7	1AE-15517-00	GEAR, idler 2	1	
8	90387-202A7	COLLAR	1	
9	12R-15524-00	WHEEL, starter	1	
10	4H7-16155-01	ABSORBER 1	4	
11	36Y-15519-00	SPROCKET, starter 2	1	
12	91316-08014	BOLT	3	
13	1AE-15522-00	SHAFT 2	1	
14	93306-00421	BEARING	1	
15	93306-20541	BEARING (B6205)	1	
16	1AE-15381-00	PLATE, bearing cover	1	
17	95026-06016	BOLT, flange	3	
18	1AE-11474-00	GUIDE, upper	1	
19	95816-06014	BOLT, flange	2	
20	36Y-11456-00	CHAIN, Primary	1	



1FN310-5150

FIG. 16 CLUTCH

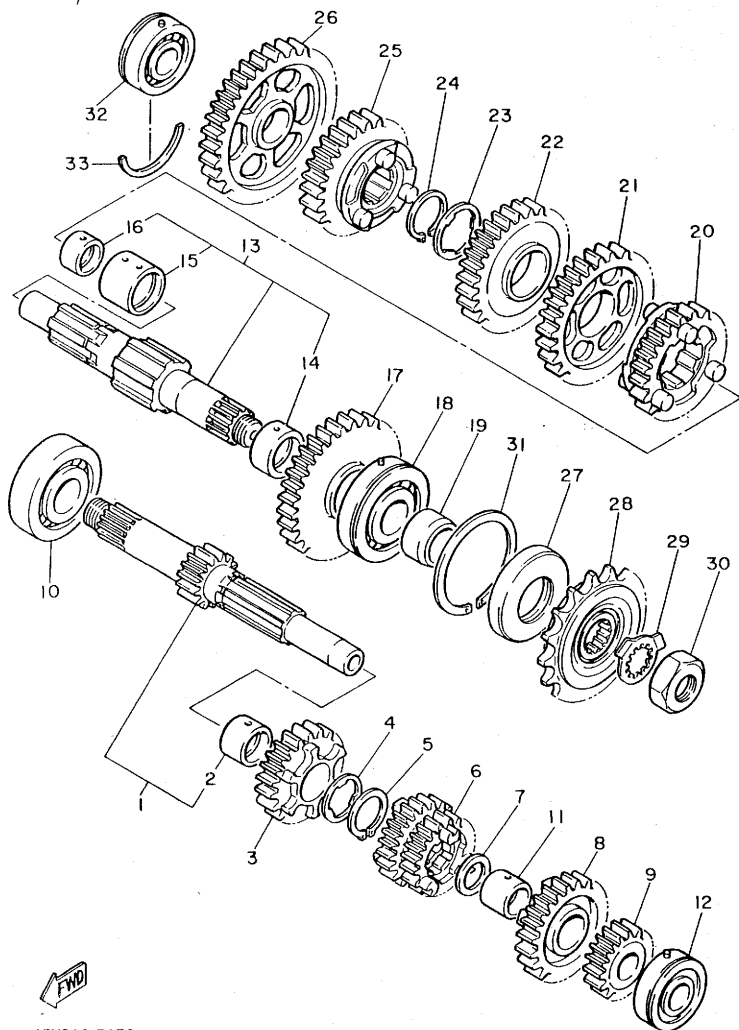


REF. NO.	PART NO.	DESCRIPTION	Q'TY	REMARKS
1	1AE-16150-00	PRI. DRIVEN GEAR COMP. (9IT)	1	
2	1AE-16154-00	PLATE, thrust 1	1	
3	90560-25270	SPACER	1	
4	93310-340N8	BEARING, cylindrical	1	
5	1AE-16371-00	BOSS, clutch	1	
6	1J7-16384-00	PLATE, seat	1	
7	5G2-16383-00	SPRING, clutch boss	1	
8	168-16324-00	PLATE, clutch 1	1	
9	1J7-16385-00	RING, clutch boss	1	
10	31A-16325-00	PLATE, clutch 2	7	
11	4H7-16321-00	PLATE, friction	8	
12	58L-16351-00	PLATE, Pressure 1	1	
13	90501-225A9	SPRING, compression	6	
14	90159-06092	SCREW, with washer	6	
15	1AE-16164-00	PLATE, thrust 2	1	
16	90215-20231	WASHER, lock	1	
17	90170-20257	NUT	1	
18	1AE-16356-00	ROD, Push 1	1	
19	93210-06632	O-RING	1	
20	93511-32017	BALL	1	
21	1AE-16357-00	ROD, Push 2	1	
22	371-15389-00	SEAL, Push rod	1	
23	1AE-16381-00	PUSH LEVER COMP.	1	
24	91810-18013	PIN, dowel	2	
25	95026-06030	BOLT, flange	2	
26	95026-06090	BOLT, flange	1	

1FN310-5160

C9

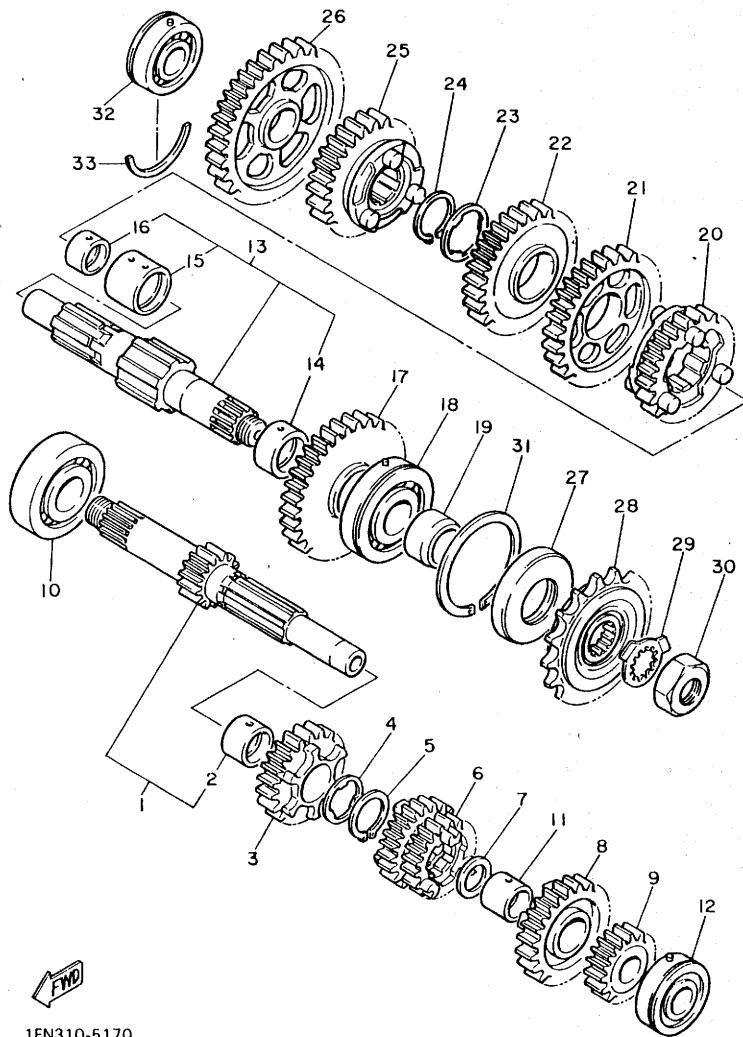
FIG. 17 TRANSMISSION



1FN310-5170

REF. NO.	PART NO.	DESCRIPTION	Q'TY	REMARKS
1	1AE-W1741-00	MAIN AXLE ASSY (13T)	1	
2	90387-253M6	.COLLAR	1	
3	1AE-17151-00	GEAR, 5th Pinion (22T)	1	
4	90209-22191	WASHER	1	
5	93440-25019	CIRCLIP	1	
6	1AE-17131-00	GEAR, 3rd/4th Pinion (18/20T)	1	
7	90201-200K3	WASHER, Plate	1	
8	1AE-17161-00	GEAR, 6th Pinion (24T)	1	
9	1AE-17121-00	GEAR, 2nd Pinion (16T)	1	
10	93306-30525	BEARING (B6305)	1	
11	90387-203M7	COLLAR	1	
12	93306-20455	BEARING	1	
13	1AE-W1742-00	DRIVE AXLE ASSY	1	
14	90387-263M8	.COLLAR	1	
15	90387-284M0	.COLLAR	1	
16	90387-204M1	.COLLAR	1	
17	1AE-17221-01	GEAR, 2nd wheel (35T)	1	
18	93306-30546	BEARING (B6305A5 SPECIAL)	1	
19	90387-253M9	COLLAR	1	
20	1AE-17261-00	GEAR, 6th wheel (26T)	1	
21	1AE-17231-00	GEAR, 3rd wheel (32T)	1	
22	1AE-17241-00	GEAR, 4th wheel (30T)	1	
23	90209-25196	WASHER	1	
24	93440-28062	CIRCLIP	1	
25	1AE-17251-00	GEAR, 5th wheel (28T)	1	
26	1AE-17211-00	GEAR, 1st wheel (37T)	1	
27	93102-35109	OIL SEAL	1	
28	1AE-17461-60	SPROCKET, drive (16T)	1	

FIG. 17 TRANSMISSION



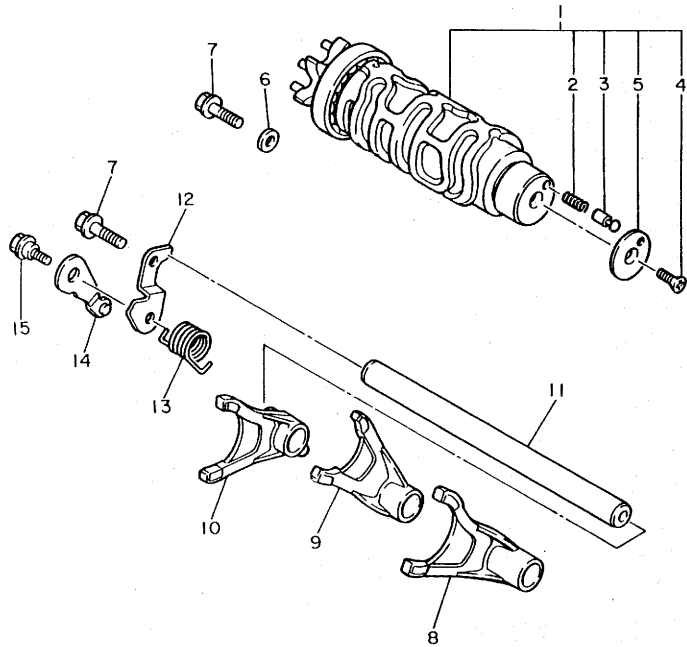
REF. NO.	PART NO.	DESCRIPTION	Q'TY	REMARKS
29	90215-21022	WASHER, lock	1	
30	90179-18020	NUT	1	
31	278-17424-01	CIRCLIP 1	1	
32	93306-20455	BEARING	1	
33	93440-45144	CIRCLIP	1	



1FN310-5170

C11

FIG. 18 SHIFT CAM. FORK

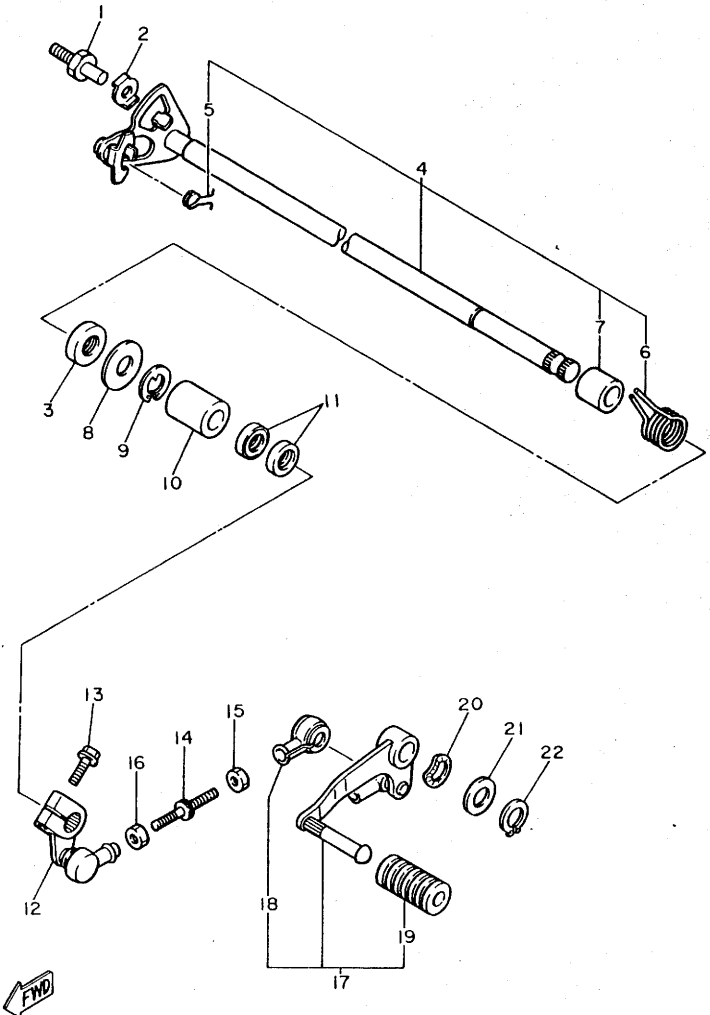


REF. NO.	PART NO.	DESCRIPTION	Q'TY	REMARKS
1	1AE-18540-00	SHIFT CAM ASSY	1	
2	90501-06022	•SPRING, compression	1	
3	278-18542-00	•POINT, neutral	1	
4	98701-05012	•SCREW, flat head	1	
5	278-18566-00	•PLATE, side 2	1	
6	90201-060K5	WASHER, Plate	1	
7	95822-06016	BOLT, flange	2	
8	1AE-18511-00	FORK, shift 1	1	
9	1AE-18512-00	FORK, shift 2	1	
10	1AE-18513-00	FORK, shift 3	1	
11	12R-18531-00	BAR, shift fork Guide 1	1	
12	1AE-18536-00	STOPPER, shift bar	1	
13	90508-26681	SPRING, torsion	1	
14	36Y-18140-00	STOPPER LEVER ASSY	1	
15	90109-065A9	BOLT	1	



1FN310-5180

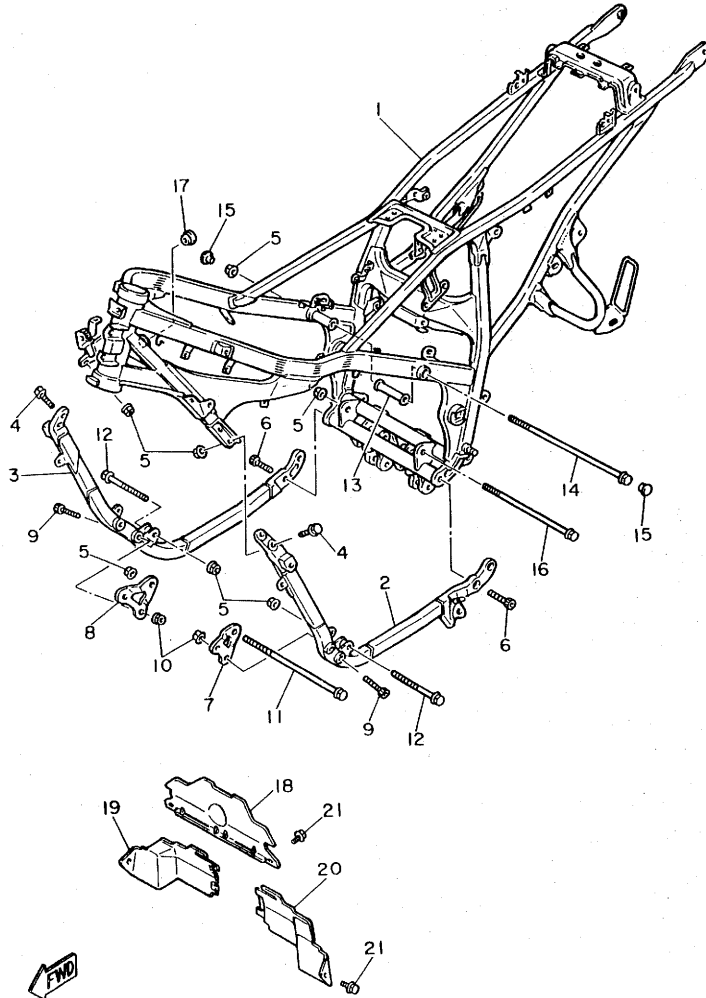
FIG. 19 SHIFT SHAFT



REF. NO.	PART NO.	DESCRIPTION	Q'TY	REMARKS
1	4G0-18127-00	STOPPER, screw	1	
2	90215-08115	WASHER, lock	1	
3	93102-12106	OIL SEAL	1	
4	1AE-18101-00	SHIFT SHAFT ASSY	1	
5	90508-10514	•SPRING, torsion	1	
6	90508-32682	•SPRING, torsion	1	
7	90387-114K8	•COLLAR	1	
8	90201-12575	WASHER, Plate	1	
9	99001-10600	CIRCLIP	1	
10	90560-12191	SPACER	1	
11	93109-12053	OIL SEAL	2	
12	1AE-18112-00	ARM, shift	1	
13	91026-06020	BOLT, flange	1	
14	1AE-18115-00	ROD, shift	1	
15	90170-06289	NUT	1	
16	95306-06700	NUT	1	
17	1AE-18110-01	SHIFT PEDAL ASSY	1	
18	2H9-18154-00	•COVER, dust	1	
19	132-18113-01	•COVER, shift Pedal	1	
20	90206-12074	WASHER, wave	1	
21	90201-124E4	WASHER, Plate	1	
22	99009-12400	CIRCLIP	1	

FWD
1FN310-5190

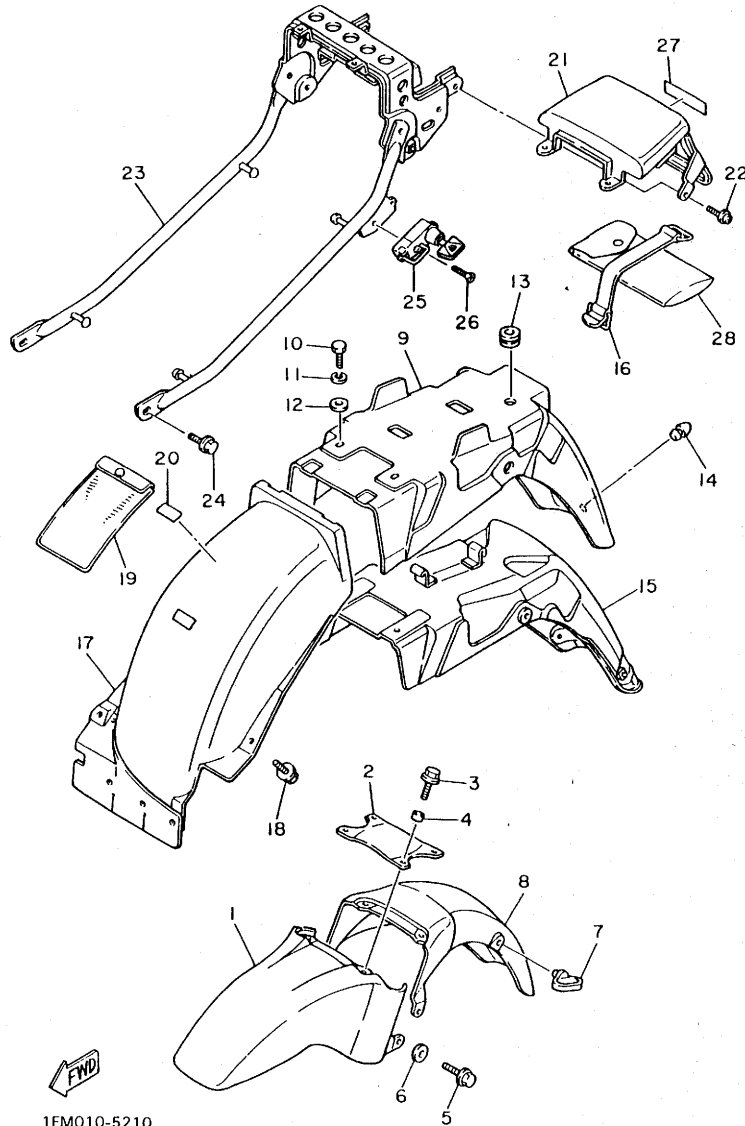
FIG. 20 FRAME



1FN310-5200

REF. NO.	PART NO.	DESCRIPTION	Q'TY	REMARKS
1	1FN-21110-00-33	FRAME COMP.	1	yamaha black
2	1FN-21140-00-33	DOWN TUBE COMP.	1	yamaha black
3	1AE-21150-00-33	DOWN TUBE COMP.2	1	yamaha black
4	95821-10040	BOLT, flange	4	
5	90179-10247	NUT	9	
6	91311-08020	BOLT	4	
7	1AE-21315-00	STAY, engine 2	1	
8	1AE-21316-00	STAY, engine 3	1	
9	91311-08050	BOLT	4	
10	95701-08500	NUT, flange	4	
11	90105-10055	BOLT, washer based	1	
12	90105-10170	BOLT, washer based	2	
13	1AE-21459-00	SPACER	1	
14	90105-10056	BOLT, washer based	1	
15	90338-23172	PLUG	2	
16	90105-10042	BOLT, washer based	1	
17	90480-18171	GROMMET	1	
18	1AE-1246A-00	COVER 1	1	
19	1AE-1246E-00	COVER 2	1	
20	1AE-1246F-00	COVER 3	1	
21	95806-06012	BOLT, flange	4	

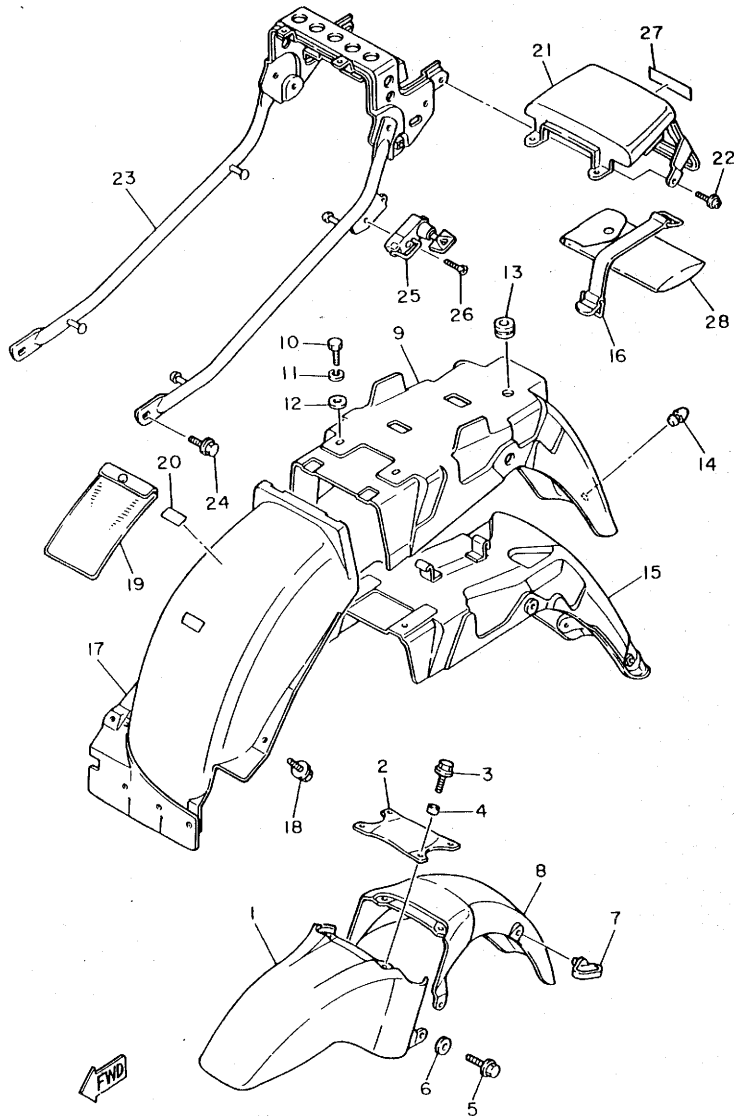
FIG. 21 FENDER



1FM010-5210

REF. NO.	PART NO.	DESCRIPTION	Q'TY	REMARKS
1	1AE-21511-00-AJ	FENDER, front	1	UR stormy red
	1AE-21511-00-66	FENDER, front	1	UR sunshine red
2	1AE-21512-00	BRACKET, fender	1	
3	95023-06020	BOLT, flange	4	
4	90387-06022	COLLAR	4	
5	95026-06020	BOLT, flange	2	
6	90201-062A8	WASHER, Plate	2	
7	1A8-21518-00	HOLDER, cable	1	
8	1AE-21556-00-AJ	FENDER, front 2	1	UR stormy sw
	1AE-21556-00-66	FENDER, front 2	1	UR sunshine red
9	1FN-21611-00	FENDER, rear	1	
10	97006-06016	BOLT	4	
11	92906-06100	WASHER, spring	4	
12	92906-06600	WASHER, Plate	4	
13	90480-12067	GRDMMET	1	
14	1A8-21746-01	DAMPER, Plate	1	
15	1FN-21670-00	REINF. COMP.	1	
16	18G-82131-00	BAND, battery	1	
17	1AE-21620-00	MUD GUARD COMP.	1	
18	90119-06095	BOLT, with washer	2	
19	4K5-28186-00	POUCH	1	
20	4K5-2814E-10	HOOK	2	
21	1AE-21651-00-GE	COVER, rear fender	1	UR silky white
	1AE-21651-00-6G	COVER, rear fender	1	UR new yamaha black
22	90159-06042	SCREW, with washer	4	
23	1AE-21640-00	REAR STAY COMP.	1	
24	95806-08016	BOLT, flange	4	
25	3H1-21308-00	HELMET HANGER ASSY	1	

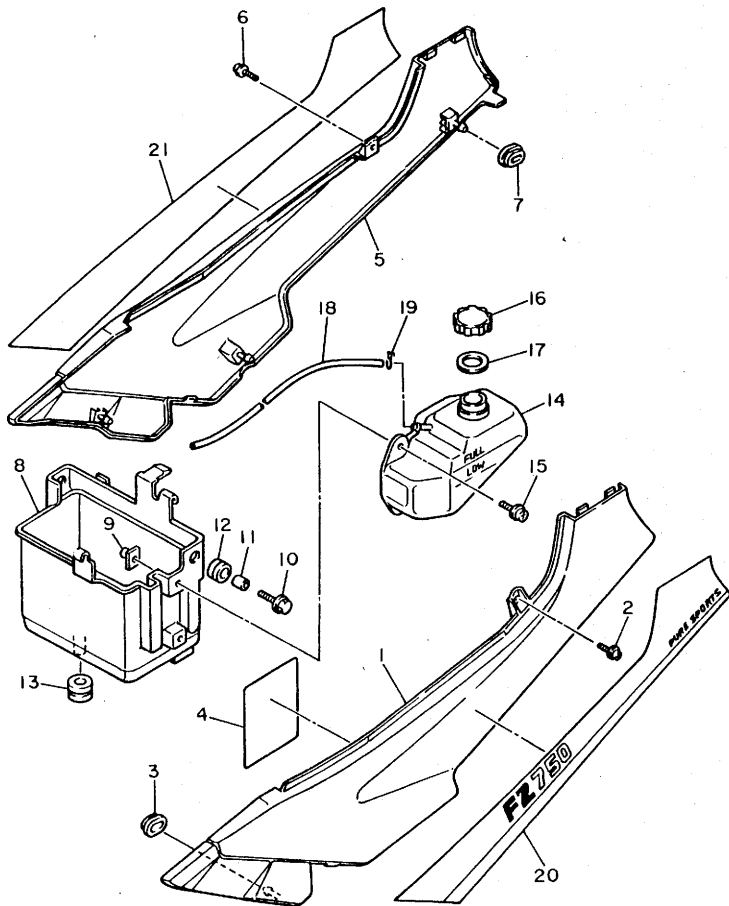
FIG. 21 FENDER



REF. NO.	PART NO.	DESCRIPTION	Q'TY	REMARKS
26	90149-06150	SCREW	1	
27	1AE-2163G-00	EMBLEM 1	1	UR for sw
	1AE-2163G-10	EMBLEM 1	1	UR for nyb
28	1AE-28100-00	TOOL KIT	1	

1FM010-5210

FIG. 22 SIDE COVER

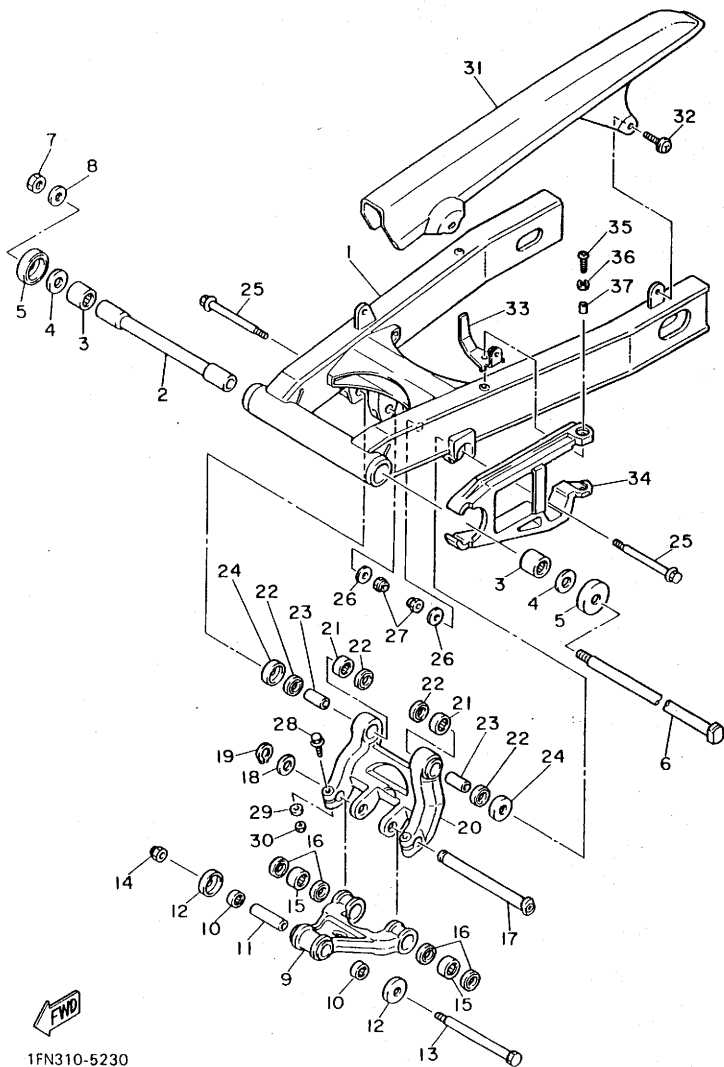


REF. NO.	PART NO.	DESCRIPTION	Q'TY	REMARKS
1	IAE-21711-00-GE	COVER, side 1	1	UR silky white
	IAE-21711-00-6G	COVER, side 1	1	UR new yamaha black
2	90159-06033	SCREW, with washer	1	
3	90480-01141	GROMMET	3	
4	IAE-21721-00-GE	COVER, side 2	1	UR silky white
	IAE-21721-00-6G	COVER, side 2	1	UR new yamaha black
5	90159-06033	SCREW, with washer	1	
6	90480-01141	GROMMET	3	
7	36Y-21245-00	BOX	1	
8	31A-14477-00	PLATE	2	
9	90119-06097	BOLT, with washer	2	
10	95701-06500	NUT, flange	2	
11	90387-060A7	COLLAR	2	
12	90480-16233	GROMMET	2	
13	90480-23192	GROMMET	1	
14	IAE-21871-00	TANK, recovery	1	
15	90159-06056	SCREW, with washer	2	
16	26H-21875-00	CAP	1	
17	26H-21874-00	GASKET	1	
18	90446-09146	HOSE	1	
19	90467-08003	CLIP	1	
20	IAE-2173E-01	GRAPHIC 1	1	UR for sw
	IAE-2173E-11	GRAPHIC 1	1	UR for nyb
21	IAE-2173F-01	GRAPHIC 2	1	UR for sw
	IAE-2173F-11	GRAPHIC 2	1	UR for nyb



1FN310-5220

FIG. 23 REAR ARM

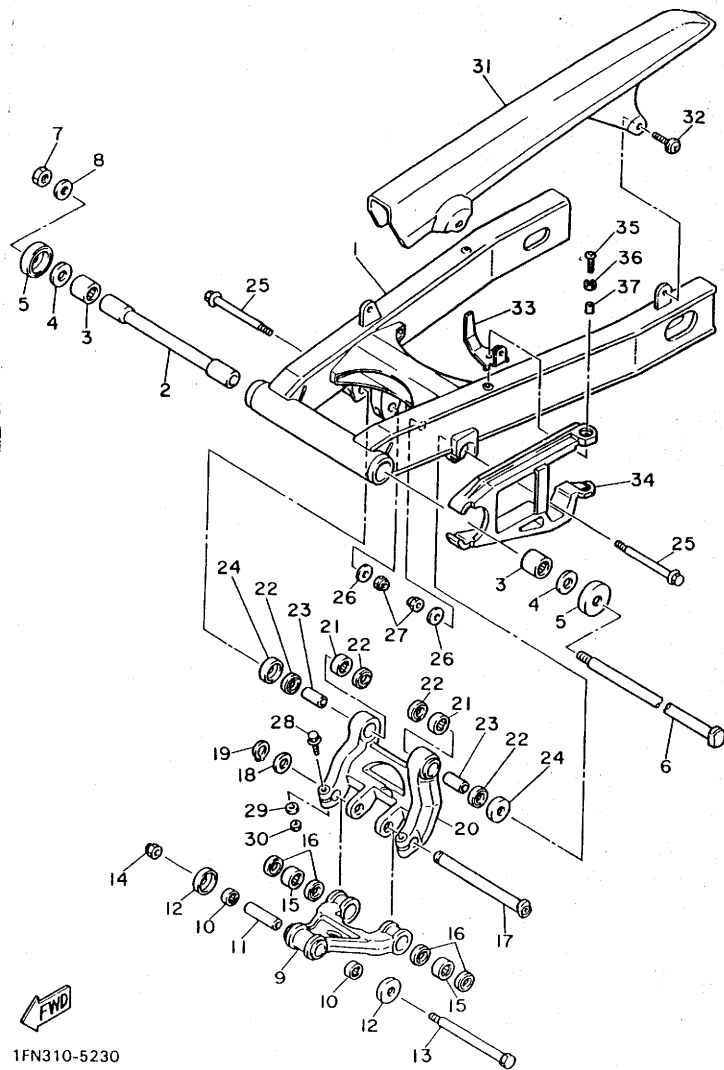


REF. NO.	PART NO.	DESCRIPTION	Q'TY	REMARKS
1	1AE-22110-00	REAR ARM COMP.	1	
2	36Y-22184-00	BUSH	1	
3	93317-42550	BEARING, cylindrical	2	
4	36Y-22127-00	SHIM	2	
5	36Y-22128-00	COVER, thrust 1	2	
6	1AE-22141-00	SHAFT, Pivot	1	
7	90185-14070	NUT, self-locking	1	
8	90201-14222	WASHER, Plate	1	
9	1AE-2217A-00	ARM, relay	1	
10	93315-21813	BEARING, cylindrical	2	
11	90387-123M4	COLLAR	1	
12	36Y-22129-00	COVER, thrust 2	2	
13	90101-12605	BOLT	1	
14	95611-12100	NUT, u	1	
15	93315-31841	BEARING, cylindrical	2	
16	93110-18017	OIL SEAL	4	
17	1AE-22121-00	SHAFT 1	1	
18	90201-187H4	WASHER, Plate	1	
19	99009-18400	CIRCLIP	1	
20	1AE-2217M-00	ARM 1	1	
21	93315-32042	BEARING, cylindrical	2	
22	93109-20029	OIL SEAL	4	
23	90387-123M3	COLLAR	2	
24	1AE-22129-00	COVER, thrust 2	2	
25	90105-12309	BOLT, washer based	2	
26	90201-126A7	WASHER, Plate	2	
27	95611-12100	NUT, u	2	
28	95811-06045	BOLT, flange	2	

1FN310-5230

D4

FIG. 23 REAR ARM

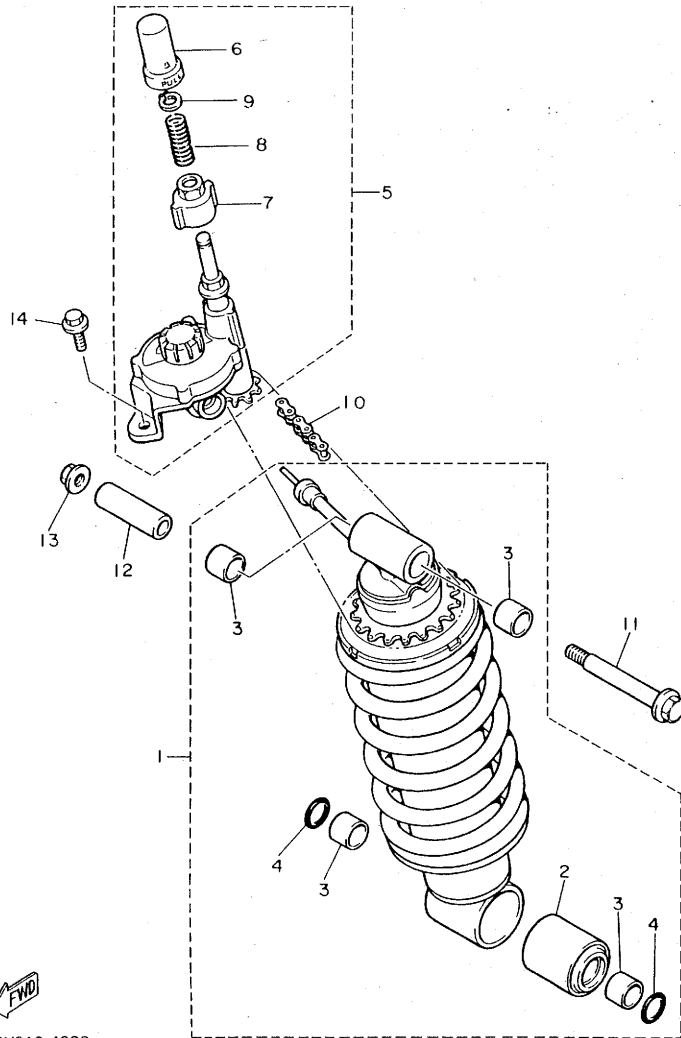


REF. NO.	PART NO.	DESCRIPTION	Q'TY	REMARKS
29	92901-06600	WASHER, Plate	2	
30	95611-06100	NUT, u	2	
31	29L-22311-00	CASE, chain	1	
32	90159-06084	SCREW, with washer	2	
33	1AE-22321-00	STAY, chain case 1	1	
34	1AE-22151-00	SEAL, Guard	1	
35	92501-06025	SCREW, Pan head	2	
36	92902-06100	WASHER, sPring	2	
37	90387-06681	COLLAR	2	

1FN310-5230

D5

FIG. 24 REAR SUSPENSION



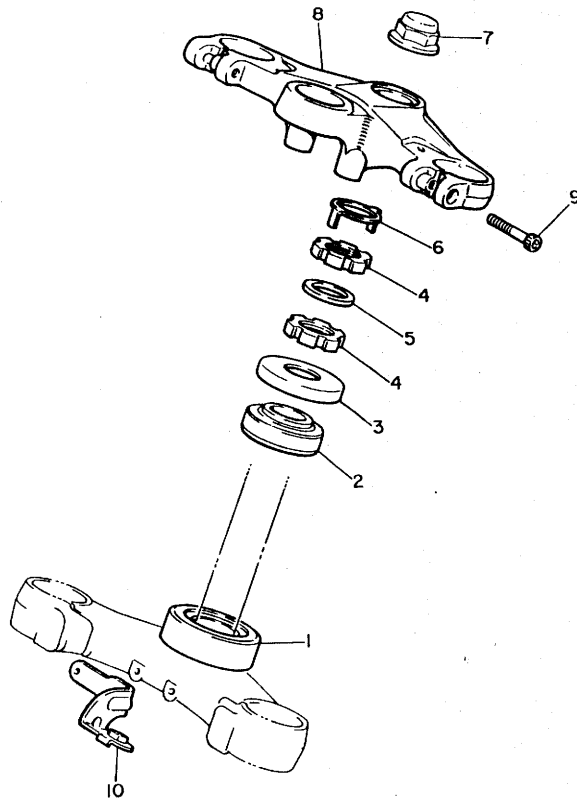
REF. NO.	PART NO.	DESCRIPTION	Q'TY	REMARKS
1	1AE-22210-00-6W	SHOCK ABSORBER ASSY, rear	1	native red
2	36Y-22226-00	•BUSH, shock absorber lower	1	
3	90384-18157	•BUSH, bimetal formed	4	
4	93210-18397	•O-RING	2	
5	1AE-22460-00	CONTROL PANEL ASSY	1	
6	36Y-22936-00	•COVER, dust	1	
7	36Y-22913-00	•COVER, head	1	
8	90501-061A3	•SPRING, compression	1	
9	99001-05600	•CIRCLIP	1	
10	1AE-22269-00	CHAIN	1	
11	90105-12382	BOLT, washer based	1	
12	90387-127H0	COLLAR	1	
13	90185-12072	NUT, self-locking	1	
14	95801-08020	BOLT, flange	1	



36Y310-4230

D6

FIG. 25 STEERING



REF. NO.	PART NO.	DESCRIPTION	Q'TY	REMARKS
1	93332-00008	BEARING	1	
2	93332-00023	BEARING	1	
3	4H3-23415-00	COVER, ball race 1	1	
4	90179-25495	NUT	2	
5	90202-26142	WASHER, Plate	1	
6	1AE-23418-00	WASHER, sPecial	1	
7	90179-22455	NUT	1	
8	1AE-23435-00-98	CROWN, handle	1	low gloss black
9	91316-08030	BOLT	2	
10	1AE-2317E-00	STAY	1	

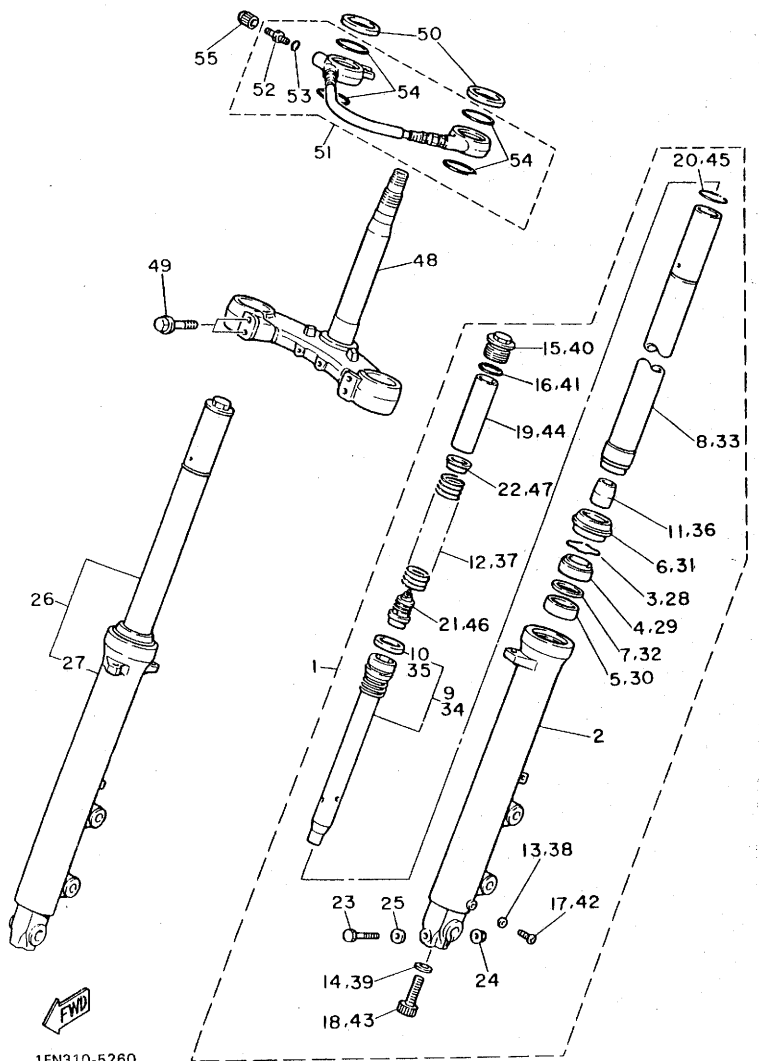


1FN310-5250

D7

FIG. 26 FRONT FORK

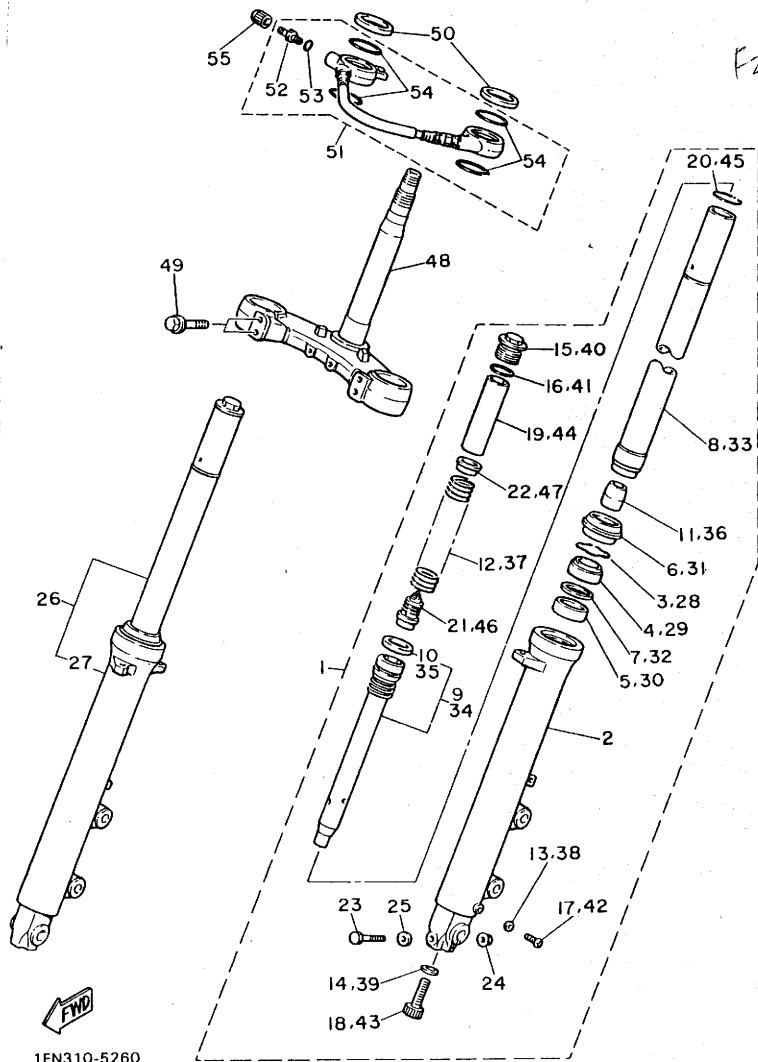
REF. NO.	PART NO.	DESCRIPTION	Q'TY	REMARKS
1	1AE-23102-00	FRONT FORK ASSY (L.H)	1	
2	1AE-23126-00	•TUBE, outer 1	1	
3	26H-23156-00	•CLIP, oil seal	1	
4	1AE-23145-00	•OIL SEAL	1	
5	1AE-23125-00	•METAL, slide 1	1	
6	1AE-23144-00	•SEAL, dust	1	
7	1AE-23149-00	•WASHER, sPring upper	1	
8	1AE-23110-00	•INNER TUBE COMP.1	1	
9	1AE-23170-00	•CYLINDER COMP., front fork	1	
10	1AE-23157-00	••RING, Piston	1	
11	2K8-23173-L0	•SPINDLE, taPer	1	
12	1AE-23141-00	•SPRING, front fork	1	
13	122-23129-00	•GASKET, drain Plug	1	
14	2K8-23158-L0	•GASKET	1	
15	1AE-23111-00	•BOLT, caP	1	
16	1W4-23114-L0	•GASKET	1	
17	122-23119-01	•PLUG, drain	1	
18	3R4-23181-L0	•BOLT, hexaßon socket head	1	
19	49V-23118-00	•SPACER	1	
20	42H-23153-00	•RING, snaP	1	
21	1AE-23160-00	•TRAVEL CONTROL VALVE COMP.	1	
22	1FK-23142-00	•SEAT, sPring upper	1	
23	4U8-23356-10	•BOLT 2	1	
24	95601-08100	•NUT, u	1	
25	92906-08600	•WASHER, Plate	1	
26	1AE-23103-00	FRONT FORK ASSY (R.H)	1	
27	1AE-23136-00	•TUBE, outer 2	1	
28	26H-23156-00	•CLIP, oil seal	1	



1FN310-5260

D8

FIG. 26 FRONT FORK



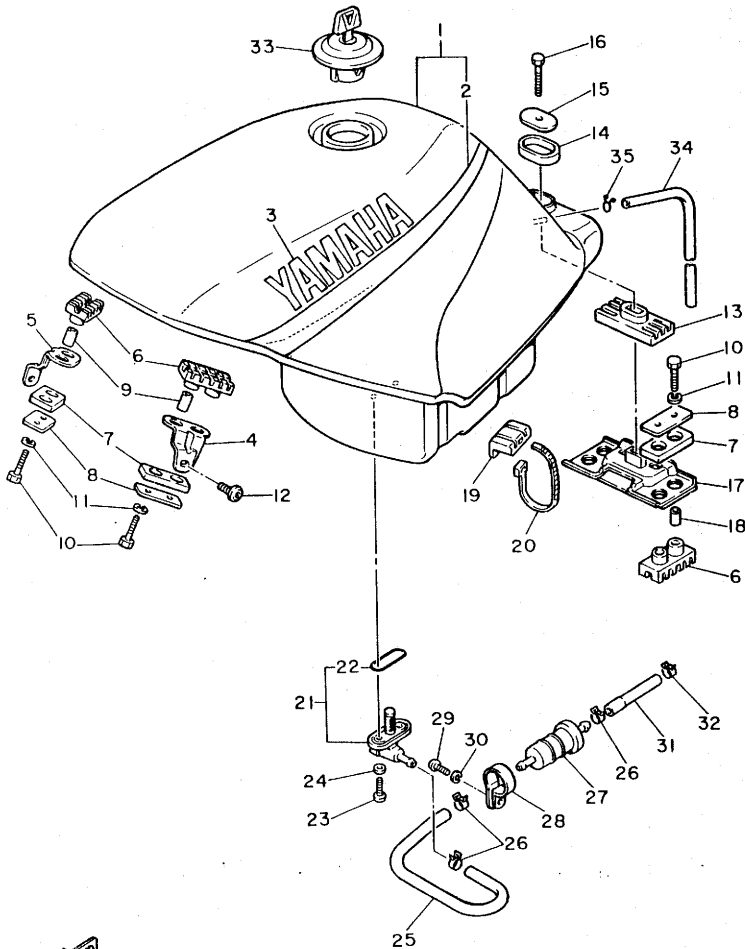
FZ 15 ON

REF. NO.	PART NO.	DESCRIPTION	Q'TY	REMARKS
29	1AE-23145-00	•OIL SEAL	1	
30	1AE-23125-00	•METAL, slide 1	1	
31	1AE-23144-00	•SEAL, dust	1	
32	1AE-23149-00	•WASHER, sPring uPPer	1	
33	1AE-23110-00	•INNER TUBE COMP.1	1	
34	1AE-23170-00	•CYLINDER COMP., front fork	1	
35	1AE-23157-00	••RING, Piston	1	
36	2K8-23173-L0	•SPINDLE, taPer	1	
37	1AE-23141-00	•SPRING, front fork	1	
38	122-23129-00	•GASKET, drain Plug	1	
39	2K8-23158-L0	•GASKET	1	
40	1AE-23111-00	•BOLT, caP	1	
41	1W4-23114-L0	•GASKET	1	
42	122-23119-01	•PLUG, drain	1	
43	3R4-23181-L0	•BOLT, hexaGon socket head	1	
44	49V-23118-00	•SPACER	1	
45	42H-23153-00	•RING, snaP	1	
46	1AE-23160-00	•TRAVEL CONTROL VALVE COMP.	1	
47	1FK-23142-00	•SEAT, sPring uPPer	1	
48	1AE-23340-00	UNDER BRACKET COMP.	1	
49	1AE-23128-00	BOLT, axle holder	4	
50	42H-23163-00	GASKET	2	
51	1AE-2318J-00	HOSE ASSY	1	
52	24M-23190-00	•AIR VALVE COMP.	1	
53	3J2-23147-00	•O-RING	1	
54	1AE-23188-00	•O-RING	4	
55	24M-23184-00	CAP, air valve	1	

1FN310-5260

D9

FIG. 27 FUEL TANK



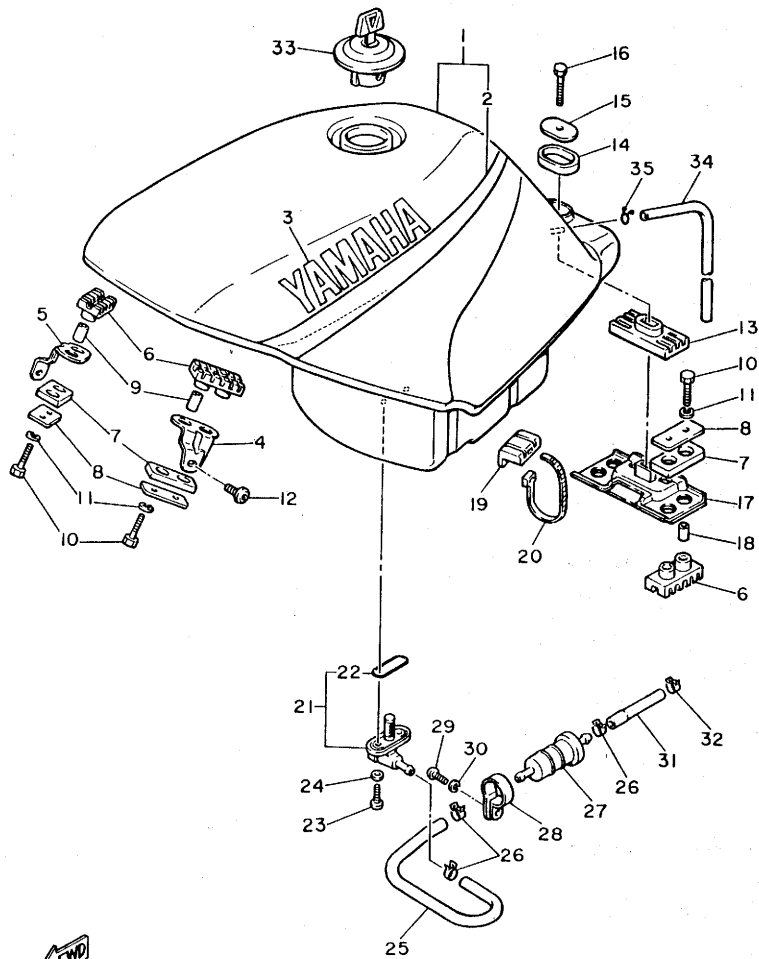
REF. NO.	PART NO.	DESCRIPTION	Q'TY	REMARKS
1	IAE-24110-00-02	FUEL TANK COMP.	1	UR silky white/stormy red
	IAE-24110-00-03	FUEL TANK COMP.	1	UR n.yamaha black/sunshine red
2	IAE-24240-00	•GRAPHIC SET	1	UR for sw
	IAE-24240-10	•GRAPHIC SET	1	UR for nyb
3	IAE-24161-00	EMBLEM 1	2	
4	IAE-24191-01	BRACKET, fuel tank 1	1	
5	IAE-24192-01	BRACKET, fuel tank 2	1	
6	IAE-24181-01	DAMPER, locating 1	4	
7	47X-24183-00	DAMPER, locating 3	4	
8	47X-24186-00	WASHER, special	4	
9	90387-06605	COLLAR	4	
10	97302-06035	BOLT	8	
11	92902-06100	WASHER, spring	8	
12	90109-086A0	BOLT	2	
13	IAE-24183-00	DAMPER, locating 3	1	
14	3Y6-24183-00	DAMPER, locating 3	1	
15	12R-24186-00	WASHER, special	1	
16	97302-08030	BOLT	1	
17	IAE-24117-00	STAY, fuel tank	1	
18	90387-060N3	COLLAR	4	
19	IAE-24182-00	DAMPER, locating 2	2	
20	90464-32060	CLAMP	2	
21	26H-24500-00	FUEL COCK ASSY 1	1	
22	214-24512-00	•GASKET	1	
23	90149-06011	SCREW	2	
24	90202-06010	WASHER, plate	2	
25	IAE-24311-01	PIPE, fuel 1	1	
26	90467-12053	CLIP	3	
27	1FK-24560-00	FILTER ASSY	1	



1FN310-5270

D10

FIG. 27 FUEL TANK



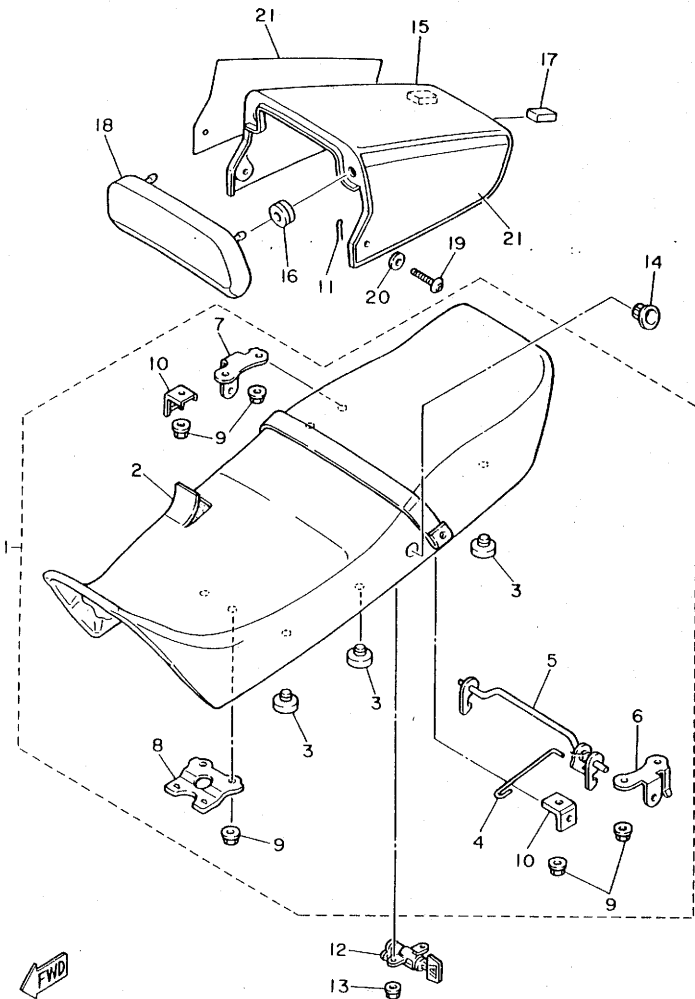
REF. NO.	PART NO.	DESCRIPTION	Q'TY	REMARKS
28	1AE-24366-00	CLAMP, fuel Pipe 1	1	
29	92501-06012	SCREW, Pan head	1	
30	92902-06100	WASHER, sPring	1	
31	1AE-24312-00	PIPE 2	1	
32	90467-10091	CLIP	1	
33	1AE-24602-00	CAP ASSY	1	
34	90445-10366	HOSE	1	
35	90467-09006	CLIP	1	



1FN310-5270

D11

FIG. 28 SEAT

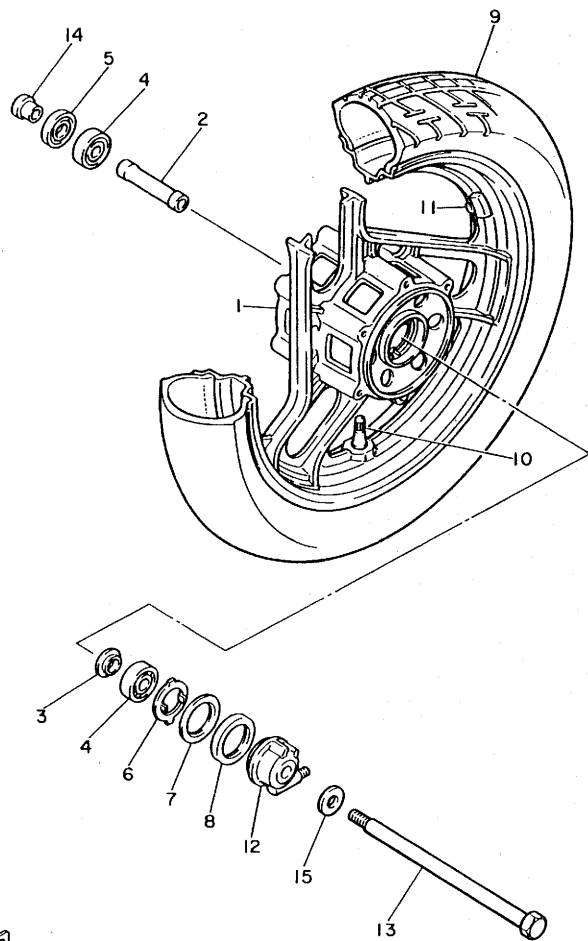


REF. NO.	PART NO.	DESCRIPTION	Q'TY	REMARKS
1	1AE-24730-00	DOUBLE SEAT ASSY	1	
2	1AE-24731-00	•COVER, seat	1	
3	22W-24741-00	•PAD, seat	6	
4	47X-2478F-00	•ROD, connecting	1	
5	47X-24776-00	•LEVER, seat	1	
6	47X-24728-01	•BRACKET, seat	1	
7	47X-24718-01	•BRACKET, seat	1	
8	1AE-24748-00	•BRACKET, seat	1	
9	95702-06100	•NUT, flange	8	
10	4K0-24748-00	•BRACKET, seat	2	
11	90468-10050	CLIP	2	
12	51X-24705-00	SEAT LOCK ASSY	1	
13	95702-05100	NUT, flange	2	
14	1AE-24796-00	COVER	1	
15	1FN-24791-00-GE	COVER, seat back	1	UR silky white
	1FN-24791-00-6G	COVER, seat back	1	UR new yamaha black
16	29L-24742-50	GROMMET	2	
17	1FN-24723-00	DAMPER, seat	2	
18	1FN-2840F-00	BACK REST ASSY	1	
19	90149-06218	SCREW	2	
20	90202-07015	WASHER, Plate	2	
21	1FN-2477L-00	GRAPHIC SET, tail cover	1	UR for sw
	1FN-2477L-10	GRAPHIC SET, tail cover	1	UR for nyb

1FV361-5280

D12

FIG. 29 FRONT WHEEL



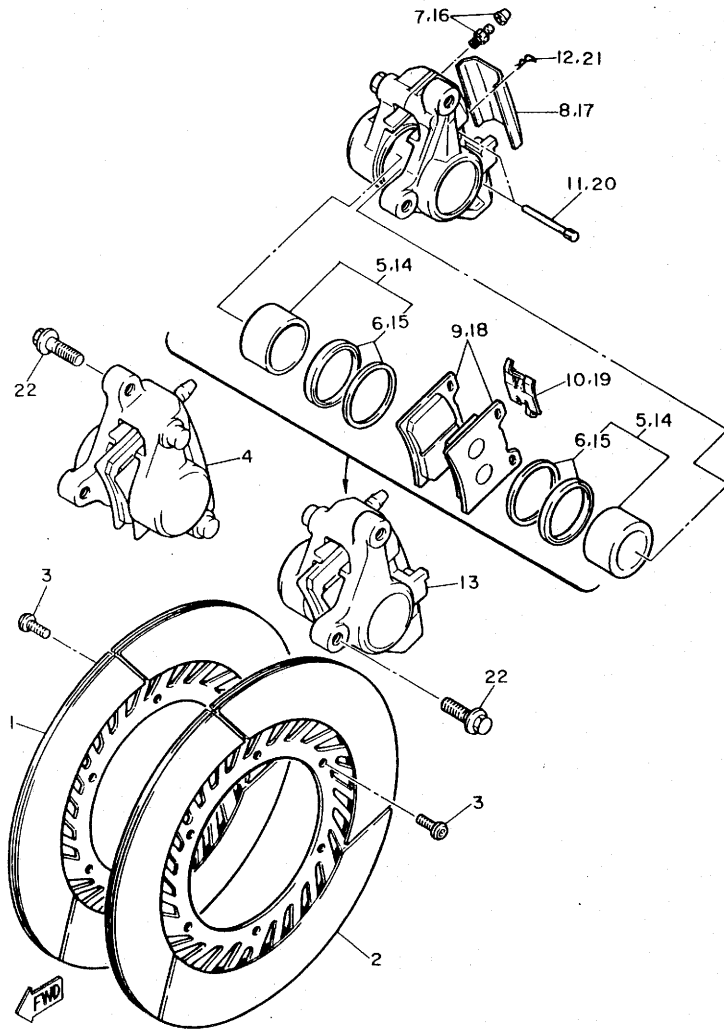
REF. NO.	PART NO.	DESCRIPTION	Q'TY	REMARKS
1	1GE-25168-00	CAST WHEEL, front	1	
2	90560-15255	SPACER	1	
3	146-25115-00	FLANGE, sPacer 1	1	
4	93306-30203	BEARING (B6302Z)	2	
5	93102-22014	OIL SEAL	1	
6	341-25149-00	CLUTCH, meter	1	
7	341-25846-00	RETAINER, clutch	1	
8	93105-45017	OIL SEAL	1	
9	94112-160H1	TIRE (120/80 V16)	1	dunlop
10	93900-00015	VALVE, rim	1	dunlop
11	29L-25398-00	BALANCER, wheel (10G)	1	UN
	29L-25398-10	BALANCER, wheel (20G)	1	UN
	29L-25398-20	BALANCER, wheel (30G)	1	UN
12	3M5-25190-00	GEAR UNIT ASSY	1	
13	47X-25181-00	AXLE, wheel	1	
14	90387-15550	COLLAR	1	
15	90201-15238	WASHER, Plate	1	



1FN310-5290

D13

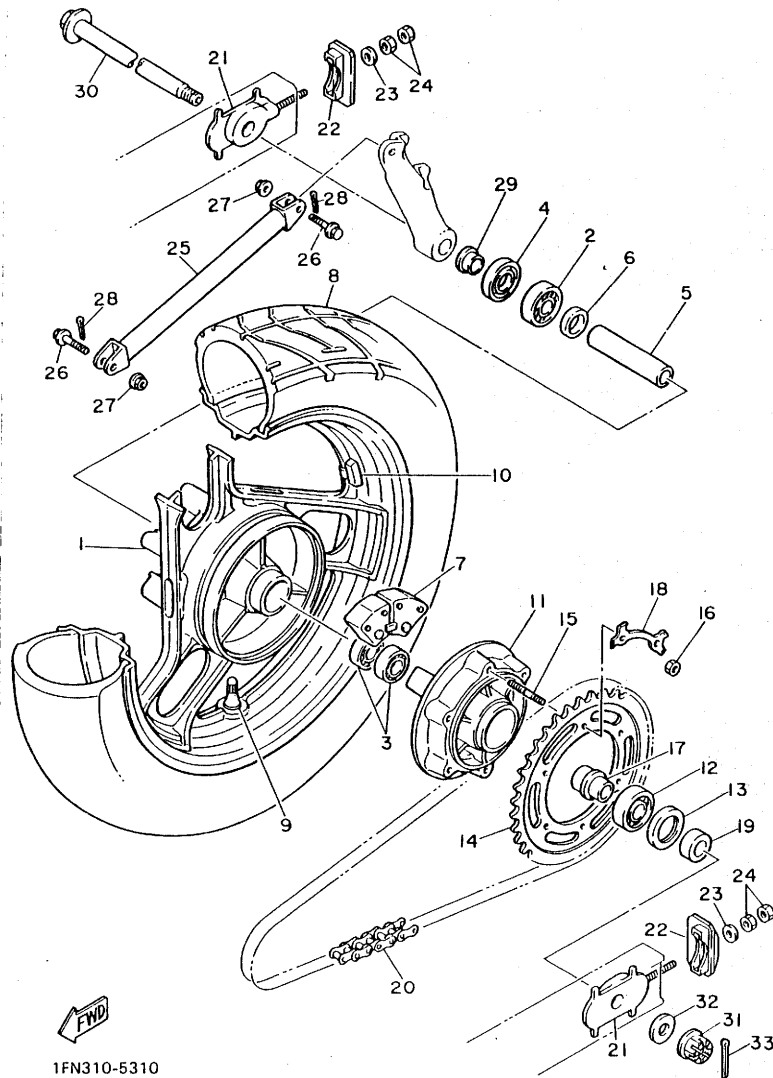
FIG. 30 FRONT BRAKE CALIPER



1FN310-5300

REF. NO.	PART NO.	DESCRIPTION	Q'TY	REMARKS
1	31A-25831-01	DISC, brake (RIGHT)	1	
2	31A-25831-11	DISC, brake (LEFT)	1	
3	90109-085A4	BOLT	12	
4	1AE-25810-01	CALIPER ASSY (RIGHT)	1	
5	1FK-W0057-00	•PISTON ASSY, caliPer	2	
6	1FK-W0047-00	••CALIPER SEAL KIT	1	
7	26H-W0048-00	•BREED SCREW KIT	1	
8	41Y-25836-00	•COVER, dust	1	
9	47X-W0045-00	•BRAKE PAD KIT, front	1	
10	26H-25919-00	•SUPPORT, Pad	1	
11	26H-25924-00	•PIN, Pad	2	
12	26H-25925-00	•CLIP	2	
13	1AE-25810-11	CALIPER ASSY (LEFT)	1	
14	1FK-W0057-00	•PISTON ASSY, caliPer	2	
15	1FK-W0047-00	••CALIPER SEAL KIT	1	
16	26H-W0048-00	•BREED SCREW KIT	1	
17	41Y-25836-00	•COVER, dust	1	
18	47X-W0045-00	•BRAKE PAD KIT, front	1	
19	26H-25919-00	•SUPPORT, Pad	1	
20	26H-25924-00	•PIN, Pad	2	
21	26H-25925-00	•CLIP	2	
22	90105-10363	BOLT, washer based	4	

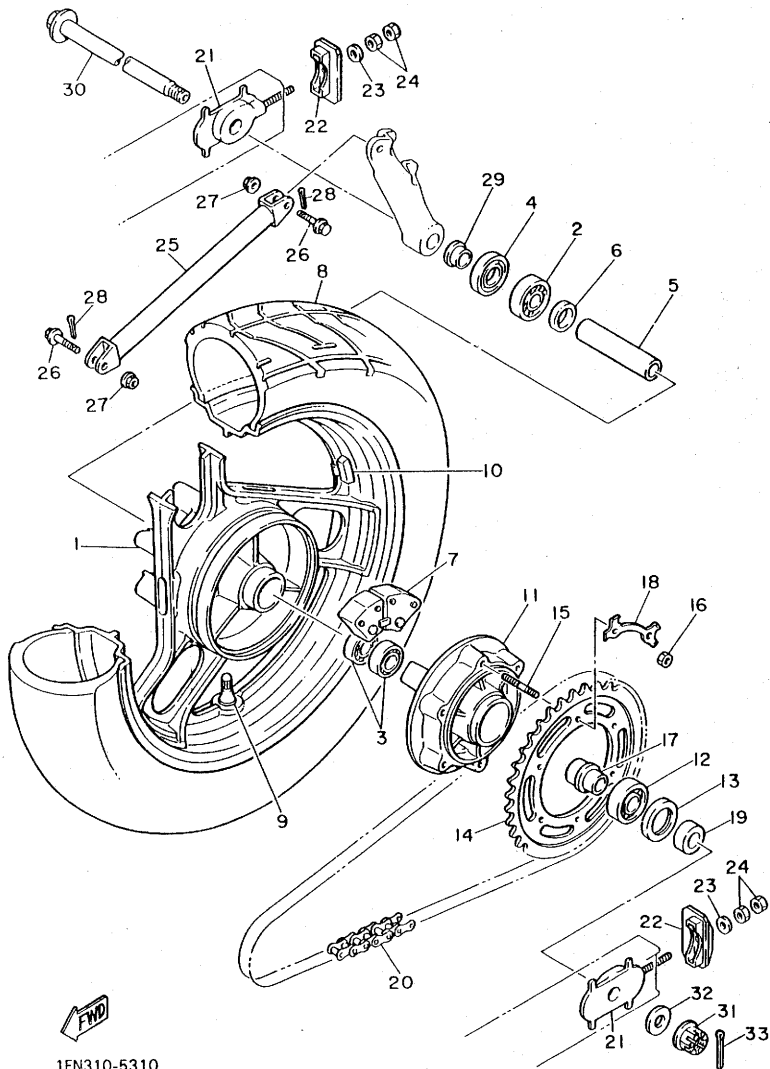
FIG. 31 REAR WHEEL



1FN310-5310

REF. NO.	PART NO.	DESCRIPTION	Q'TY	REMARKS
1	1AE-25338-20	CAST WHEEL, rear	1	
2	93306-30306	BEARING (B6303)	1	
3	93306-20314	BEARING (B6203)	2	
4	93102-25044	OIL SEAL	1	
5	90387-173M5	COLLAR	1	
6	33M-25315-00	FLANGE, sPacer	1	
7	1AE-25364-00	DAMPER	3	
8	94113-180H2	TIRE (130/80 V18)	1	dunlop
9	93900-00015	VALVE, rim	1	dunlop
10	29L-25398-00	BALANCER, wheel (10G)	1	UN
	29L-25398-10	BALANCER, wheel (20G)	1	UN
	29L-25398-20	BALANCER, wheel (30G)	1	UN
11	1AE-25366-00	CLUTCH, hub	1	
12	93306-37203	BEARING	1	
13	93105-42024	OIL SEAL	1	
14	1AE-25444-20-33	SPROCKET, driven (44T)	1	yamaha black
15	90116-10467	BOLT, stud	6	
16	90170-10345	NUT	6	
17	90387-177K0	COLLAR	1	
18	1AE-25412-00	WASHER	3	
19	90387-177K1	COLLAR	1	
20	94580-79110	CHAIN (DID50VA-110L)	1	UR daido
	94570-82110	CHAIN (RK50HMO-110L)	1	UR takasa&o
21	46X-25388-00	PULLER, chain 1	2	
22	36Y-25389-00	PULLER, chain 2	2	
23	92901-08600	WASHER, Plate	2	
24	95301-08600	NUT	4	
25	1AE-25371-00	BAR, tension	1	

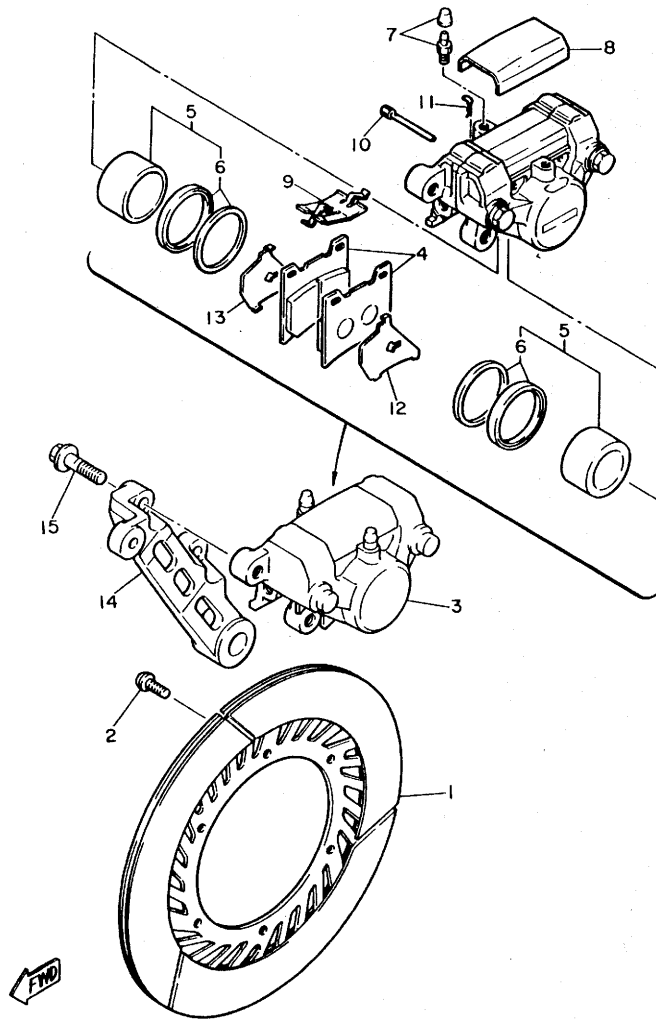
FIG. 31 REAR WHEEL



1FN310-5310

REF. NO.	PART NO.	DESCRIPTION	Q'TY	REMARKS
26	90105-08321	BOLT, washer based	2	
27	95701-08500	NUT, flange	2	
28	91401-20015	PIN, cotter	2	
29	90387-170J6	COLLAR	1	
30	1AE-25381-00	AXLE, wheel	1	
31	90171-16024	NUT, castle	1	
32	90201-160F6	WASHER, Plate	1	
33	91401-30030	PIN, cotter	1	

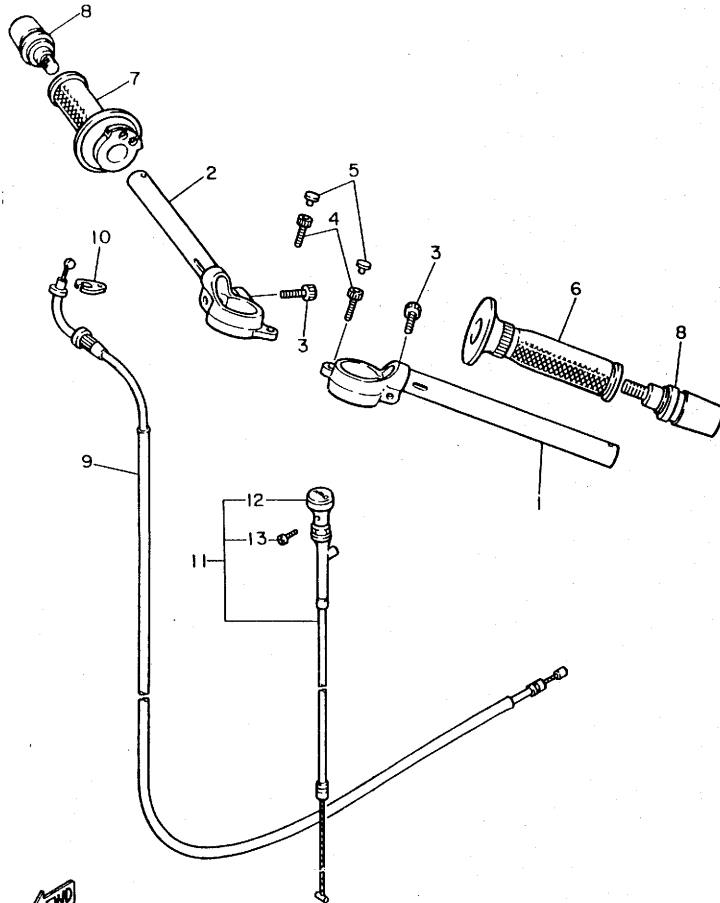
FIG. 32 REAR BRAKE CALIPER



1FN310-5320

REF. NO.	PART NO.	DESCRIPTION	Q'TY	REMARKS
1	31A-25831-51	DISC, brake	1	
2	90109-085A4	BOLT	6	
3	1AE-25810-50	CALIPER ASSY	1	
4	47X-W0045-00	•BRAKE PAD KIT, front	1	
5	31A-W0057-00	•PISTON ASSY, caliPer	2	
6	31A-W0047-00	••CALIPER SEAL KIT	1	
7	26H-W0048-00	•BREED SCREW KIT	1	
8	41Y-25836-00	•COVER, dust	1	
9	26H-25919-00	•SUPPRT, Pad	1	
10	26H-25924-00	•PIN, Pad	2	
11	26H-25925-00	•CLIP	2	
12	1FK-25827-00	•SHIM, caliPer	1	
13	1FK-25828-00	•SHIM, caliPer	1	
14	1AE-25819-50	BRACKET, caliPer	1	
15	90105-10363	BOLT, washer based	2	

FIG. 33 STEERING HANDLE • CABLE

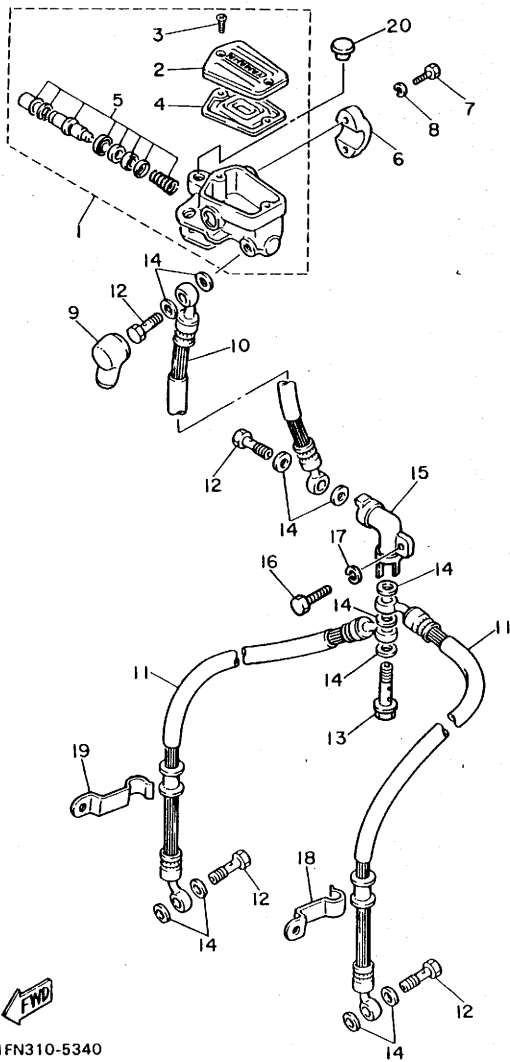


REF. NO.	PART NO.	DESCRIPTION	Q'TY	REMARKS
1	1AE-26121-00	HANDLEBAR (LEFT)	1	
2	1AE-26122-00	HANDLEBAR (RIGHT)	1	
3	91316-08030	BOLT	2	
4	91316-06016	BOLT	2	
5	2H9-23469-00	CAP, bolt	2	
6	31A-26241-00	GRIP (L.H)	1	
7	31A-26240-00	GRIP ASSY	1	
8	36Y-26246-00	END, grip	2	
9	1AE-26311-00	CABLE, throttle 1	1	
10	5H0-26393-00	HOLDER	1	
11	1AE-26330-00	STARTER CABLE ASSY	1	
12	1AE-26325-00	•KNOB, starter	1	
13	1AE-2632G-00	•SCREW	1	



1FN310-5330

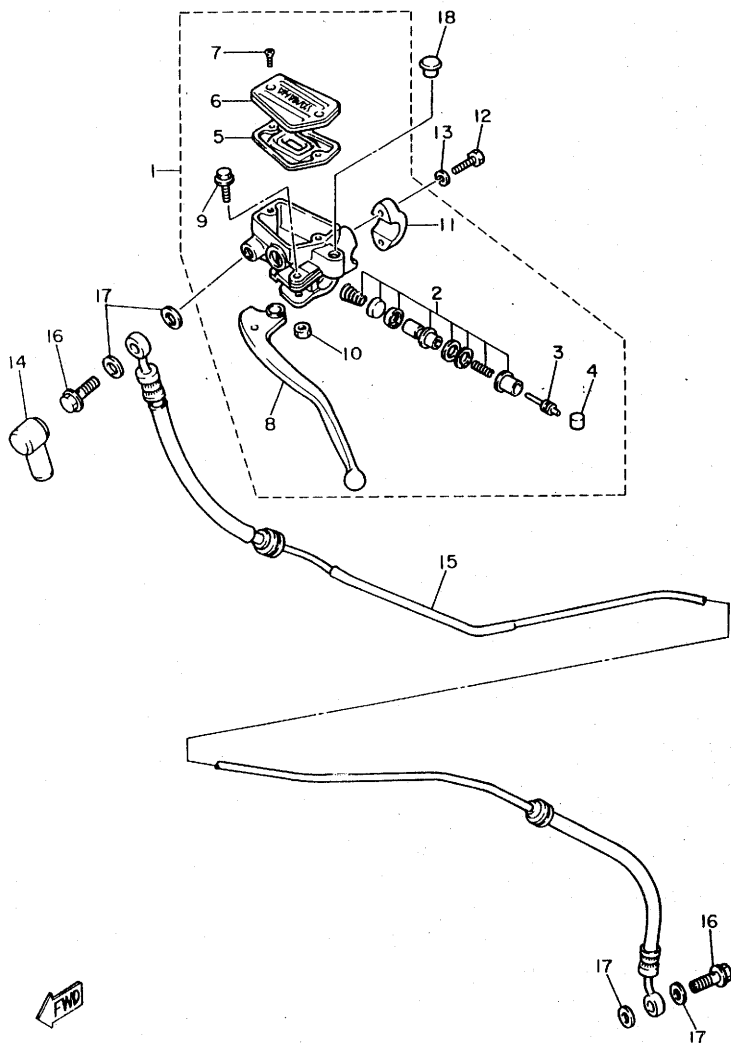
FIG. 34 FRONT MASTER CYLINDER



1FN310-5340

REF. NO.	PART NO.	DESCRIPTION	Q'TY	REMARKS
1	1AE-25850-00	MASTER CYLINDER ASSY	1	
2	1AE-25852-00	•CAP, reservoir	1	
3	98706-04012	•SCREW, flat head	2	
4	36Y-25854-00	•DIAPHRAGM, reservoir	1	
5	36Y-W0041-00	•CYLINDER KIT, master	1	
6	4L0-25867-00	BRACKET, master cylinder	1	
7	91316-06025	BOLT	2	
8	92906-06100	WASHER, spring	2	
9	4L0-25862-00	BOOT, master cylinder	1	
10	1AE-25872-00	HOSE, brake 1	1	
11	1AE-25873-00	HOSE, brake 2	2	
12	90401-10096	BOLT, union	4	
13	90401-10095	BOLT, union	1	
14	90201-10118	WASHER, Plate	11	
15	1J7-25885-01	JOINT	1	
16	97306-06025	BOLT	1	
17	92906-06100	WASHER, spring	1	
18	36Y-25875-00	HOLDER, brake hose 1	1	
19	36Y-25876-00	HOLDER, brake hose 2	1	
20	90338-09012	PLUG	1	

FIG. 35 FRONT MASTER CYLINDER 2



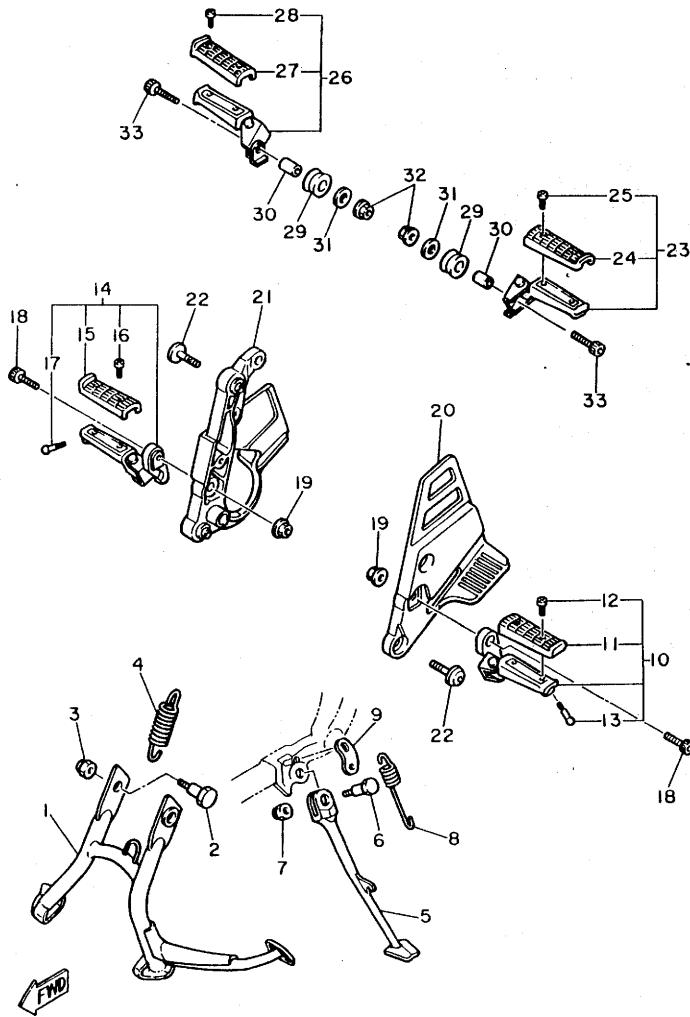
REF. NO.	PART NO.	DESCRIPTION	Q'TY	REMARKS
1	1AE-26450-00	MASTER CYLINDER ASSY (CLUTCH)	1	
2	26H-W0099-00	.CYLINDER KIT, master (CLUTCH)	1	
3	26H-26464-00	.ROD, Push	1	
4	26H-26455-00	.BUSH	1	
5	1AE-26454-00	.DIAPHRAGM, reservoir	1	
6	1AE-26452-00	.CAP, reservoir	1	
7	98706-04012	.SCREW, flat head	2	
8	1AE-83912-00	.LEVER 1	1	
9	90109-067A0	.BOLT	1	
10	95606-06100	.NUT, u	1	
11	1AE-26467-00	.HOLDER	1	
12	91316-06025	BOLT	2	
13	92906-06100	WASHER, sPring	2	
14	4L0-25862-00	BOOT, master cylinder	1	
15	1AE-26470-00	HOSE, clutch	1	
16	90401-10096	BOLT, union	2	
17	90201-10118	WASHER, Plate	4	
18	90338-09012	PLUG	1	



1FN310-5350

E6

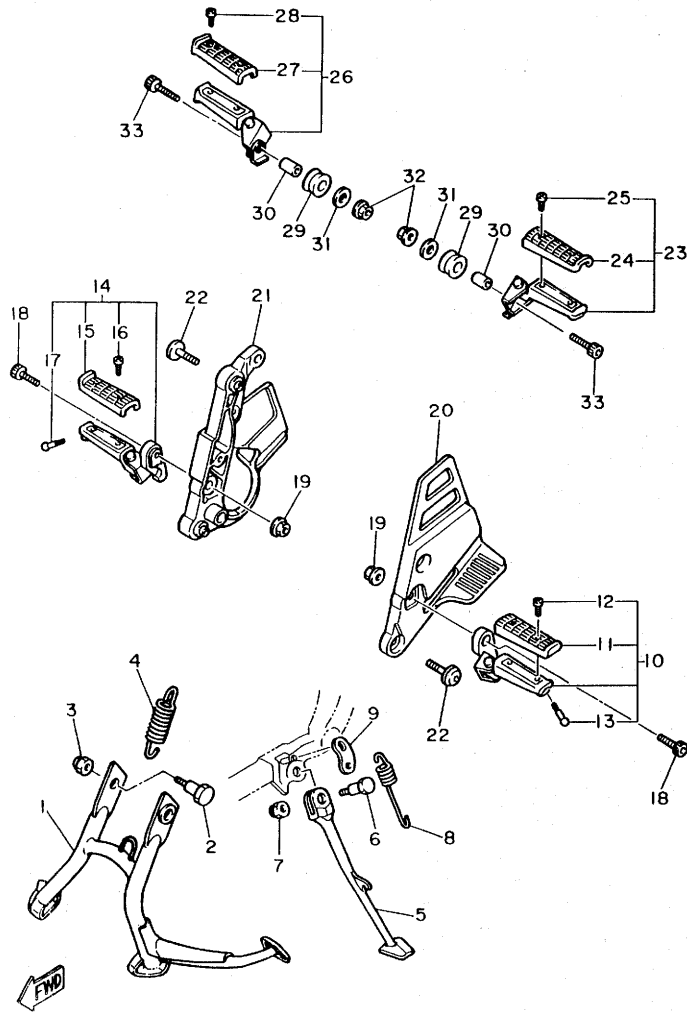
FIG. 36 STAND, FOOTREST



1FN310-5360

REF. NO.	PART NO.	DESCRIPTION	Q'TY	REMARKS
1	1AE-27111-00-R4	STAND, main	1	black
2	90109-107A8	BOLT	2	
3	90185-10091	NUT, self-locking	2	
4	90506-45385	SPRING, tension	1	
5	1AE-27311-01	STAND, side	1	
6	90109-106A8	BOLT	1	
7	90185-10037	NUT, self-locking	1	
8	90506-29378	SPRING, tension	1	
9	3Y3-27315-00	LINK, side stand	1	
10	1AE-27410-00	FRONT FOOTREST ASSY (LEFT)	1	
11	46X-27413-00	•COVER, footrest	1	
12	90157-05079	•SCREW, Pan head	2	
13	90109-082A4	•BOLT	1	
14	1AE-27420-00	FRONT FOOTREST ASSY (RIGHT)	1	
15	46X-27413-00	•COVER, footrest	1	
16	90157-05079	•SCREW, Pan head	2	
17	90109-082A4	•BOLT	1	
18	91316-10030	BOLT	2	
19	95701-10500	NUT, flange	2	
20	1AE-W2748-00	BRACKET 2	1	
21	1AE-W2749-00	BRACKET 3	1	
22	1AE-27416-00	BOLT, footrest	4	
23	1AE-27430-00	REAR FOOTREST ASSY 1	1	
24	46X-27413-00	•COVER, footrest	1	
25	90157-05079	•SCREW, Pan head	2	
26	1AE-27440-00	REAR FOOTREST ASSY 2	1	
27	46X-27413-00	•COVER, footrest	1	
28	90157-05079	•SCREW, Pan head	2	

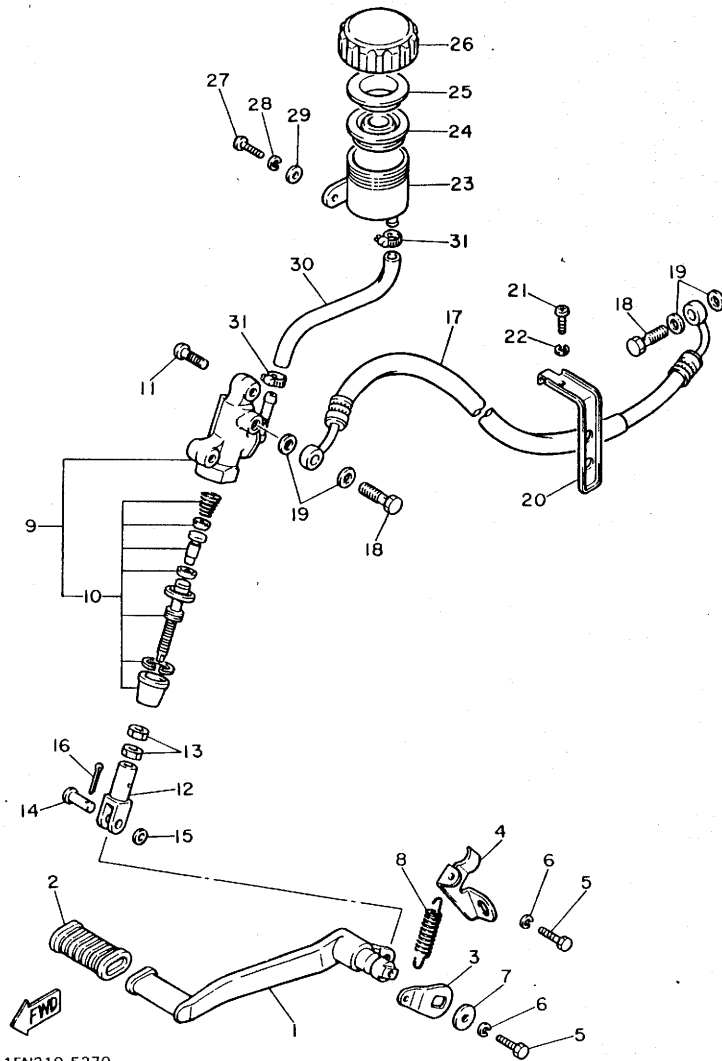
FIG. 36 STAND. FOOTREST



REF. NO.	PART NO.	DESCRIPTION	Q'TY	REMARKS
29	2H7-27414-00	DAMPER, footrest	2	
30	90387-10636	COLLAR	2	
31	90201-10669	WASHER, Plate	2	
32	95701-10500	NUT, flange	2	
33	91316-10050	BOLT	2	

1FN310-5360

FIG. 37 REAR MASTER CYLINDER

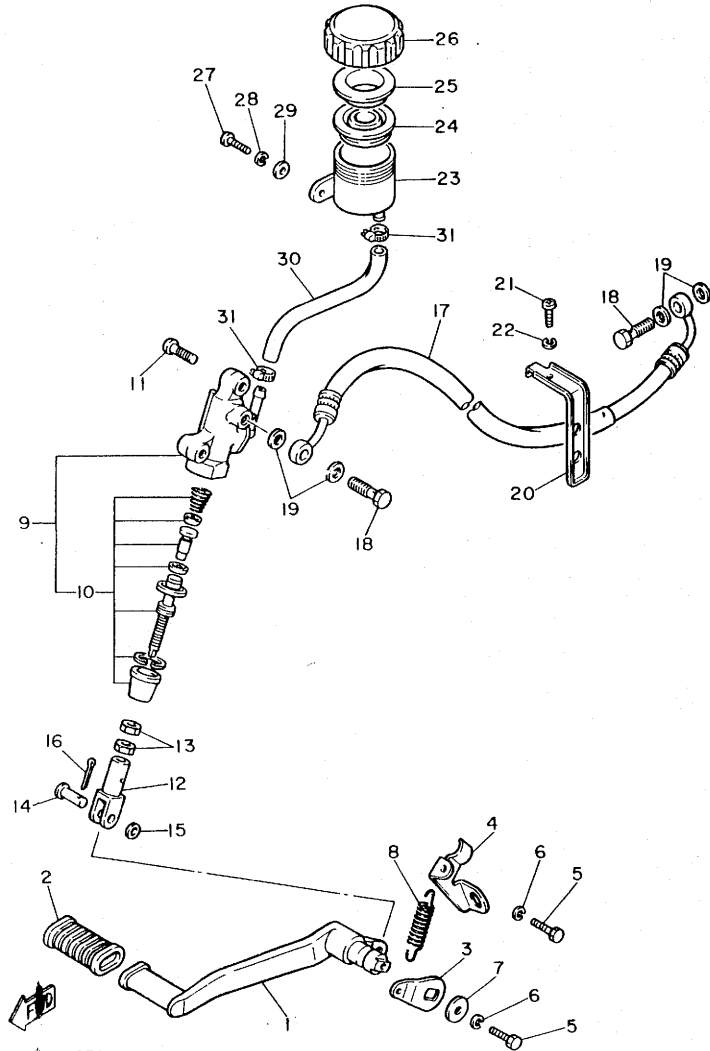


1FN310-5370

REF. NO.	PART NO.	DESCRIPTION	Q'TY	REMARKS
1	1AE-27211-00	PEDAL, brake	1	
2	22N-18113-00	COVER, shift Pedal	1	
3	1AE-27252-00	LEVER, brake Pedal	1	
4	1AE-27254-00	HOOK	1	
5	97302-06012	BOLT	2	
6	92902-06100	WASHER, sPring	2	
7	90201-06778	WASHER, Plate	1	
8	90506-16384	SPRING, tension	1	
9	1AE-25850-50	MASTER CYLINDER ASSY	1	
10	36Y-W0042-50	.CYLINDER KIT, master	1	
11	90157-08026	SCREW, Pan head	2	
12	31A-27222-00	JOINT	1	
13	95301-08600	NUT	2	
14	90240-08013	PIN, clevis	1	
15	90201-08083	WASHER, Plate	1	
16	91401-20015	PIN, cotter	1	
17	1AE-25872-51	HOSE, brake 1	1	
18	90401-10096	BOLT, union	2	
19	90201-10118	WASHER, Plate	4	
20	1AE-25875-01	HOLDER, brake hose 1	1	
21	92501-06020	SCREW, Pan head	1	
22	92990-06100	WASHER, sPring	1	
23	31A-25894-00	TANK, reservoir	1	
24	360-25854-00	DIAPHRAGM, reservoir	1	
25	360-25855-01	BUSH, diaPhraGm	1	
26	1A1-25852-00	CAP, reservoir	1	
27	92501-06020	SCREW, Pan head	1	
28	92990-06100	WASHER, sPring	1	

FIG. 37 REAR MASTER CYLINDER

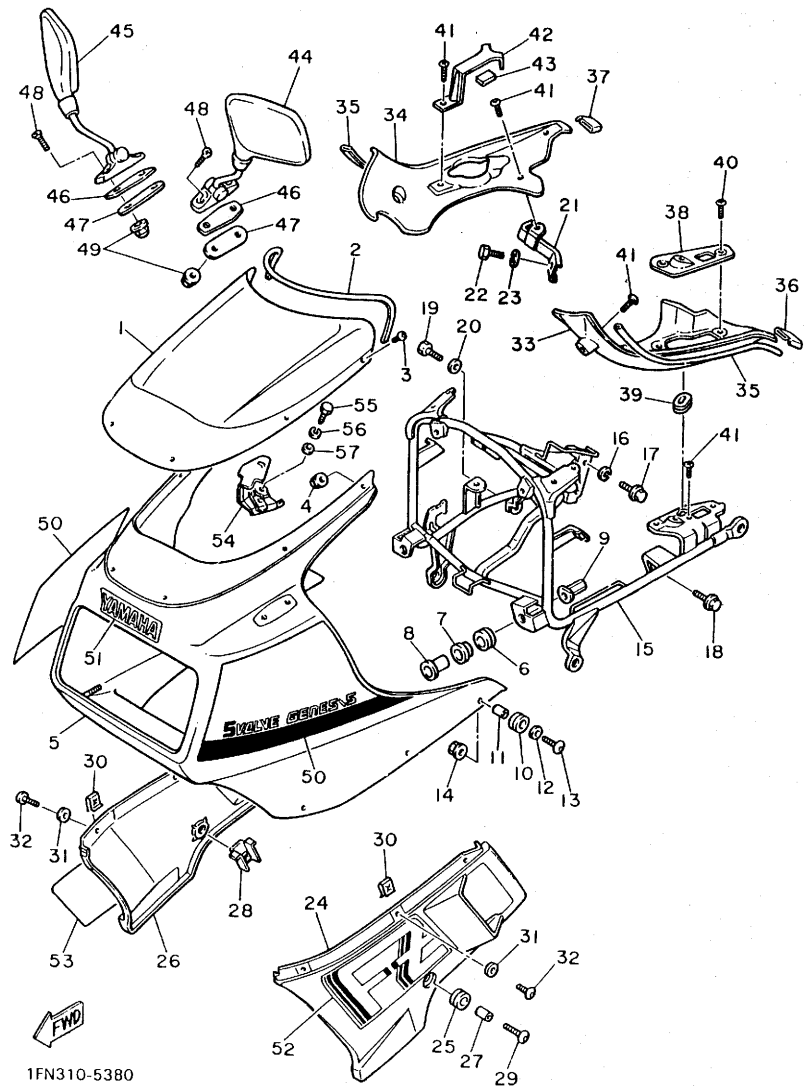
REF. NO.	PART NO.	DESCRIPTION	Q'TY	REMARKS
29	92901-06200	WASHER, Plain	1	
30	1AE-25895-00	HOSE, reservoir	1	
31	90460-12268	CLAMP, hose	2	



1FN310-5370

E10

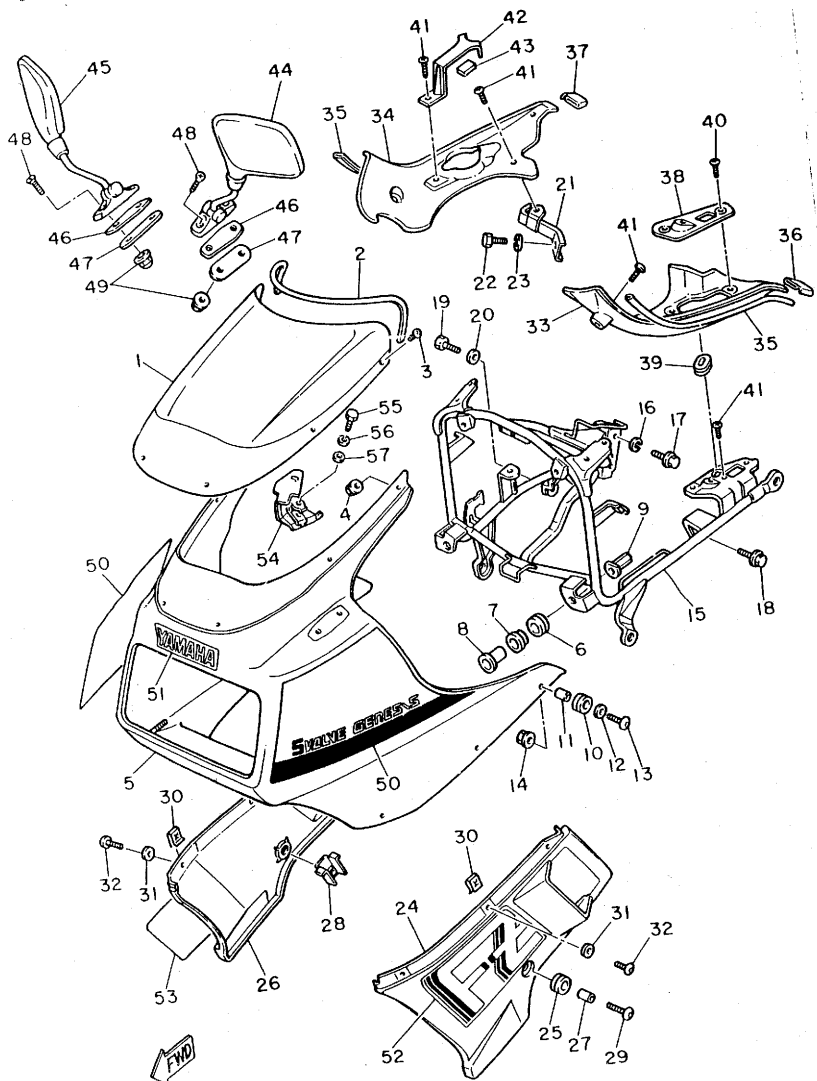
FIG. 38 COWLING 1



1FN310-5380

REF. NO.	PART NO.	DESCRIPTION	Q'TY	REMARKS
1	1AE-28381-00	WINDSHIELD	1	
2	29L-28345-00	MOLE 1	1	
3	90150-05020	SCREW, round head	6	
4	95706-05100	NUT, flange	6	
5	1AE-W2834-00-GE	BODY, cowling	1	UR silky white
	1AE-W2834-00-6G	BODY, cowling	1	UR new yamaha black
6	90480-14229	GROMMET	2	
7	90480-14429	GROMMET	2	
8	90387-066H4	COLLAR	2	
9	1AE-28363-00	NUT	2	
10	90480-13163	GROMMET	2	
11	90387-061F9	COLLAR	2	
12	90202-07015	WASHER, Plate	2	
13	90110-06083	BOLT, hexagon socket head	2	
14	90179-06500	NUT	2	
15	1AE-28356-00	STAY 1	1	
16	92906-08100	WASHER, sPring	2	
17	95026-08016	BOLT, flange	2	
18	95806-06012	BOLT, flange	1	
19	91316-06012	BOLT	1	
20	92906-06200	WASHER, Plain	1	
21	1AE-28357-00	STAY 2	1	
22	97306-06010	BOLT	1	
23	92906-06100	WASHER, sPring	1	
24	1AE-2835U-00-GE	PANEL 1	1	UR silky white
	1AE-2835U-00-6G	PANEL 1	1	UR new yamaha black
25	90480-13398	GROMMET	2	
26	1AE-2835V-00-GE	PANEL 2	1	UR silky white

FIG. 38 COWLING 1

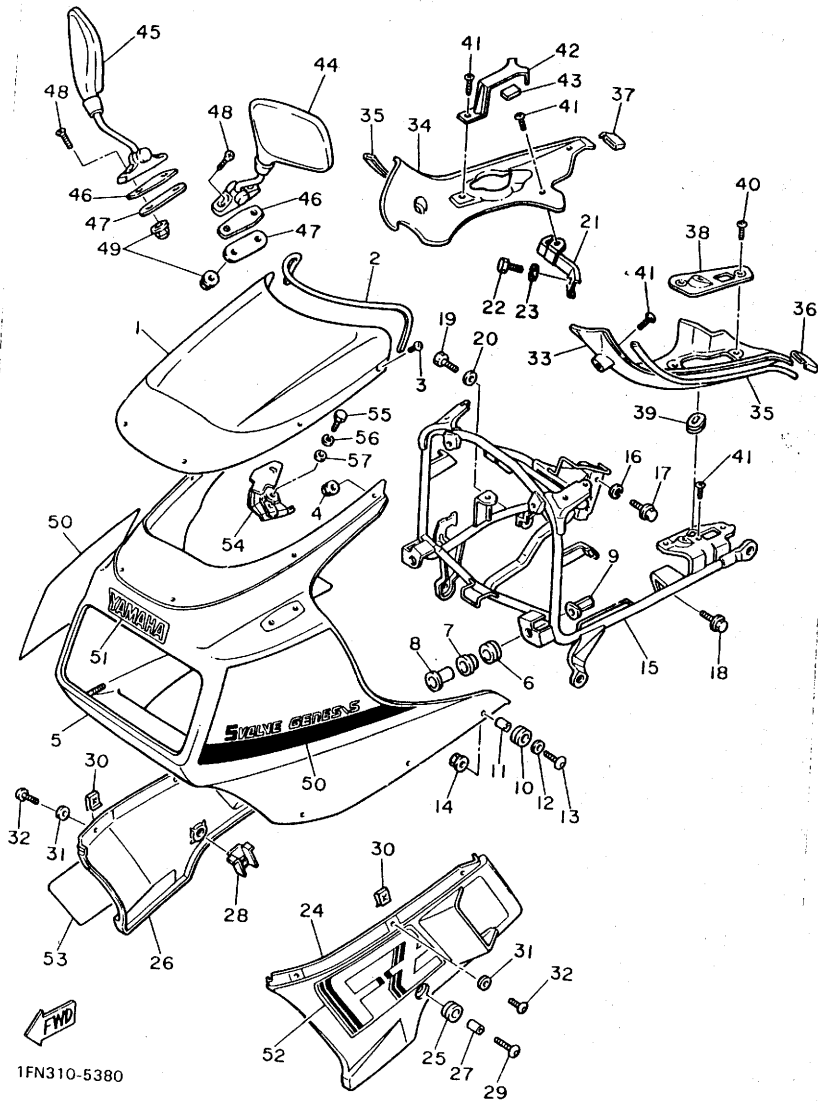


1FN310-5380

REF. NO.	PART NO.	DESCRIPTION	Q'TY	REMARKS
26	1AE-2835V-00-6G	PANEL 2	1	UR new yamaha black
27	90387-06638	COLLAR	2	
28	1AE-28362-00	NUT	2	
29	90110-06078	BOLT, hexa&on socket head	4	
30	90183-05024	NUT, sPrin&	4	
31	90202-06007	WASHER, plate	4	
32	90110-05079	BOLT, hexa&on socket head	4	
33	1AE-2836K-00	PANEL, inner 1	1	
34	1AE-2836L-00	PANEL, inner 2	1	
35	1AE-28346-00	MOLE 2	2	
36	1AE-28347-00	MOLE 3	1	
37	1AE-28348-00	MOLE 4	1	
38	1AE-28365-00	COVER	1	
39	90480-01430	GROMMET	1	
40	90154-05008	SCREW, binding	2	
41	90154-05013	SCREW, binding	5	
42	1AE-2834V-00	PROTECTOR 1	1	
43	1AE-2837J-00	DAMPER 5	1	
44	1AE-26280-30	BACK MIRROR ASSY (LEFT)	1	
45	1AE-26290-30	BACK MIRROR ASSY (RIGHT)	1	
46	1AE-26298-00	PLATE, mirror fitting 1	2	
47	1AE-26299-00	PLATE, mirror fitting 2	2	
48	92706-06025	SCREW, flat head	4	
49	1AE-26294-00	NUT1	2	1 UR for sw
50	1AE-28390-01	GRAPHIC SET, cowling	1	UR for nyb
	1AE-28390-11	GRAPHIC SET, cowling	1	UR for nyb
51	1AE-28338-00	EMBLEM	1	UR for sw
	51J-28338-00	EMBLEM	1	

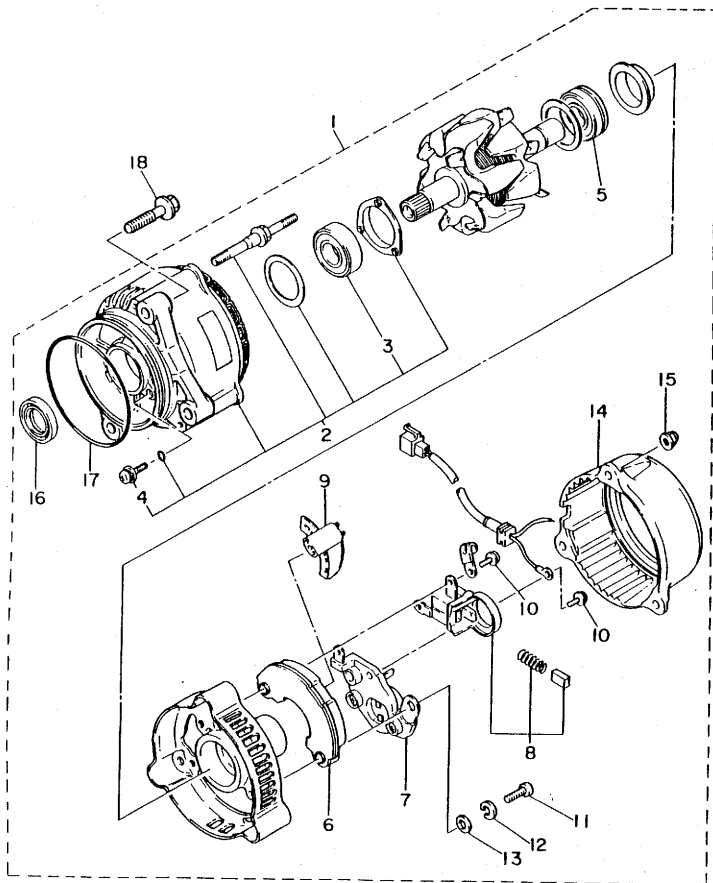
E12

FIG. 38 COWLING 1



REF. NO.	PART NO.	DESCRIPTION	Q'TY	REMARKS
52	1AE-28328-11	EMBLEM		
	1AE-28328-21	EMBLEM	1	UR for nyb
53	1AE-28368-11	EMBLEM	1	UR for sw
	1AE-28368-21	EMBLEM	1	UR for nyb
			1	UR for sw
54	1AE-2832E-00	DUCT ASSY		
55	97006-06016	BOLT	1	
56	92906-06100	WASHER, sPring	1	
57	92906-06600	WASHER, Plate	1	

FIG. 39 GENERATOR



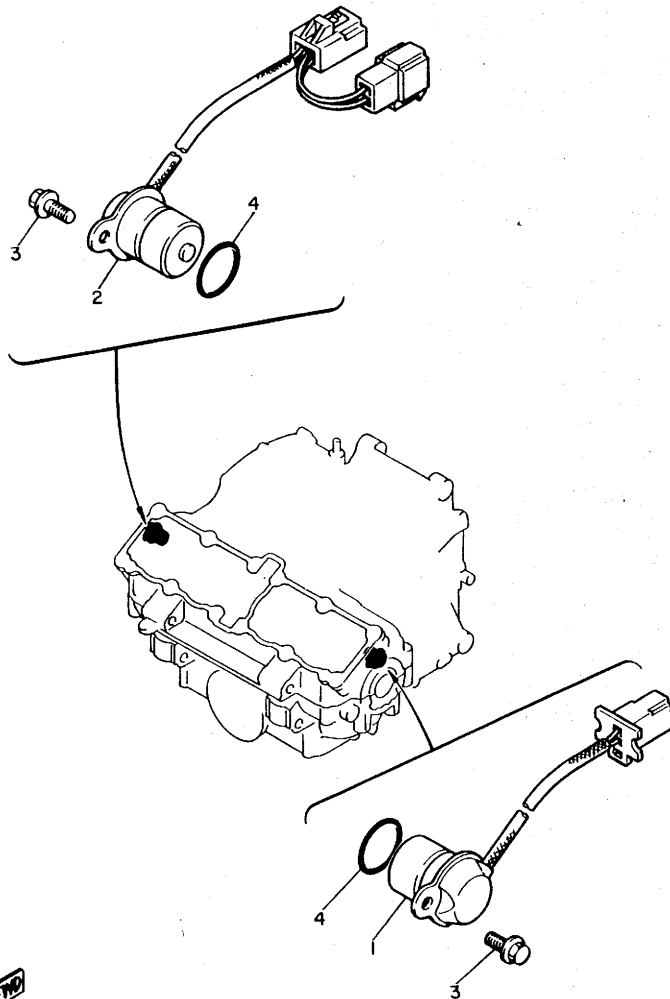
REF. NO.	PART NO.	DESCRIPTION	Q'TY	REMARKS
1	1AE-81600-50	A.C. GENERATOR ASSY	1	
2	1AE-81634-50	•STATOR ASSY	1	
3	36Y-81643-30	••BEARING	1	
4	36Y-81645-50	••SCREW	3	
5	36Y-81643-50	•BEARING	1	
6	36Y-81970-50	•RECTIFIER ASSY	1	
7	36Y-81910-50	•VOLTAGE REGULATOR ASSY	1	
8	36Y-81619-50	•BRUSH HOLDER ASSY	1	
9	36Y-81972-50	•COVER, rectifier	1	
10	36Y-81645-30	•SCREW	2	
11	98501-05018	•SCREW, Pan head	3	
12	92901-05100	•WASHER, sPring	3	
13	92901-05600	•WASHER, Plate	3	
14	1AE-81604-50	•COVER ASSY	1	
15	36Y-81675-50	•NUT	3	
16	36Y-81638-50	•OIL SEAL	1	
17	36Y-81642-50	•O-RING	1	
18	95816-08030	BOLT, flange	3	



1FN310-5390

FIG. 40 PICK UP COIL. GOVERNOR

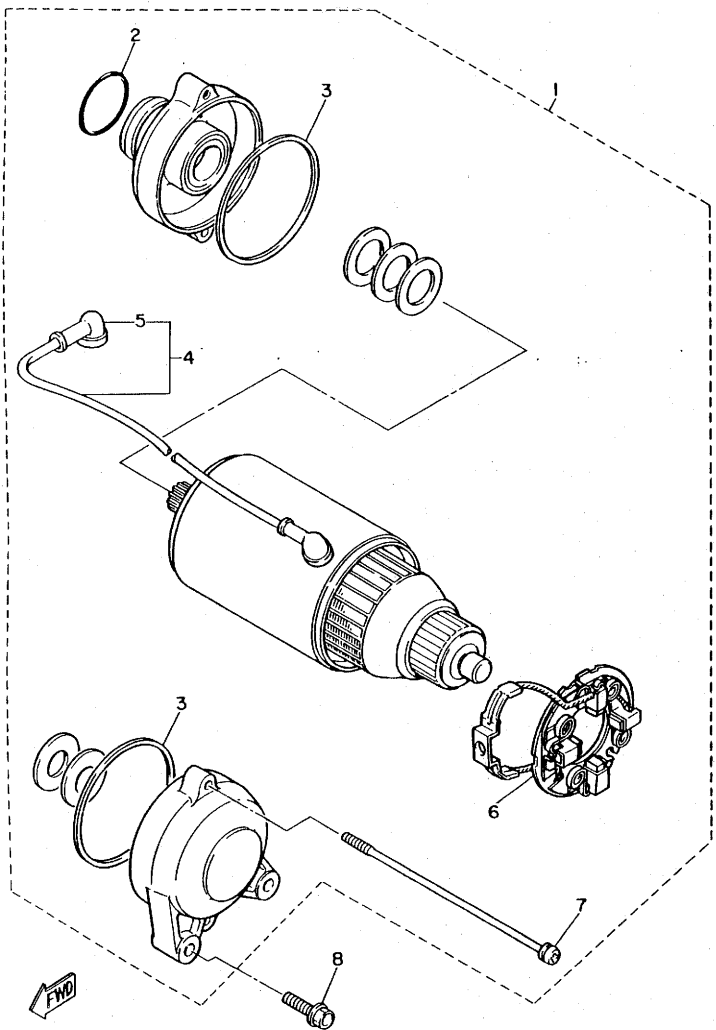
REF. NO.	PART NO.	DESCRIPTION	Q'TY	REMARKS
1	IAE-81670-10	PICK-UP ASSY	1	
2	IAE-81680-10	PICK UP ASSY 2	1	
3	95026-06012	BOLT, flange	2	
4	93210-19216	O-RING	2	



1FN310-5400

E15

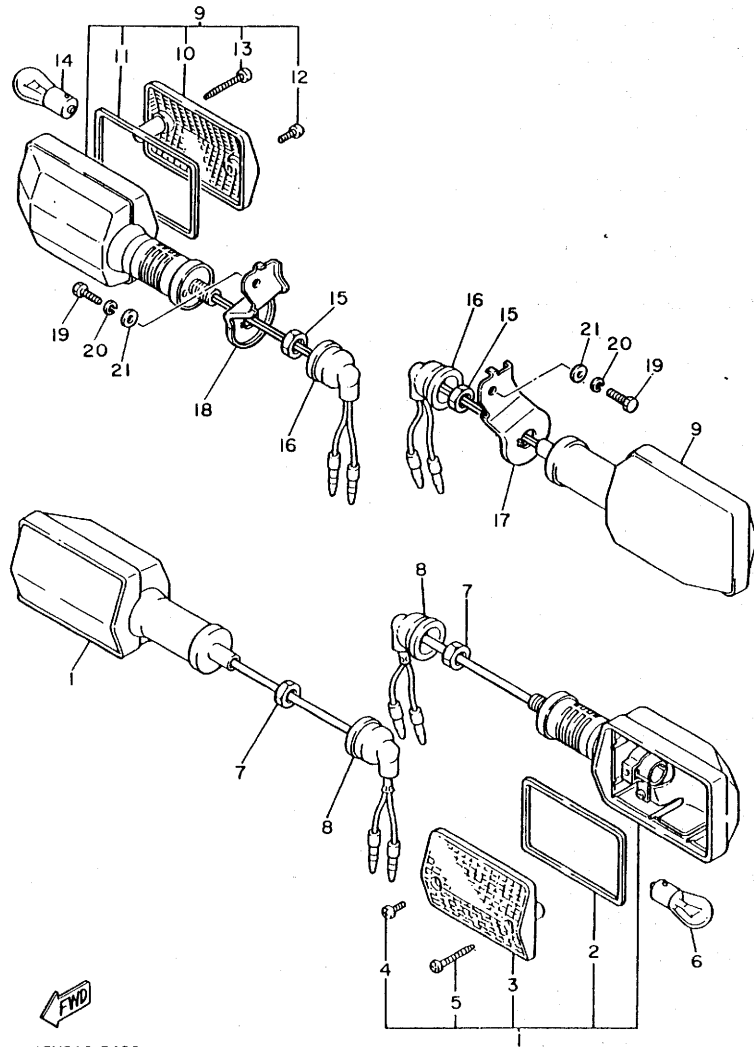
FIG. 41 STARTING MOTOR



1FN310-5410

REF. NO.	PART NO.	DESCRIPTION	Q'TY	REMARKS
1	1AE-81800-60	STARTING MOTOR ASSY	1	
2	26H-81847-00	•O-RING	1	
3	4G0-81844-00	•GASKET	2	
4	4G0-81815-00	•WIRE, starter	1	
5	4G0-81871-00	••CAP	2	
6	1AE-81840-00	•BRUSH HOLDER ASSY	1	
7	22U-81826-00	•BOLT	2	
8	95826-06025	BOLT, flange	2	

FIG. 42 FLASHER LIGHT

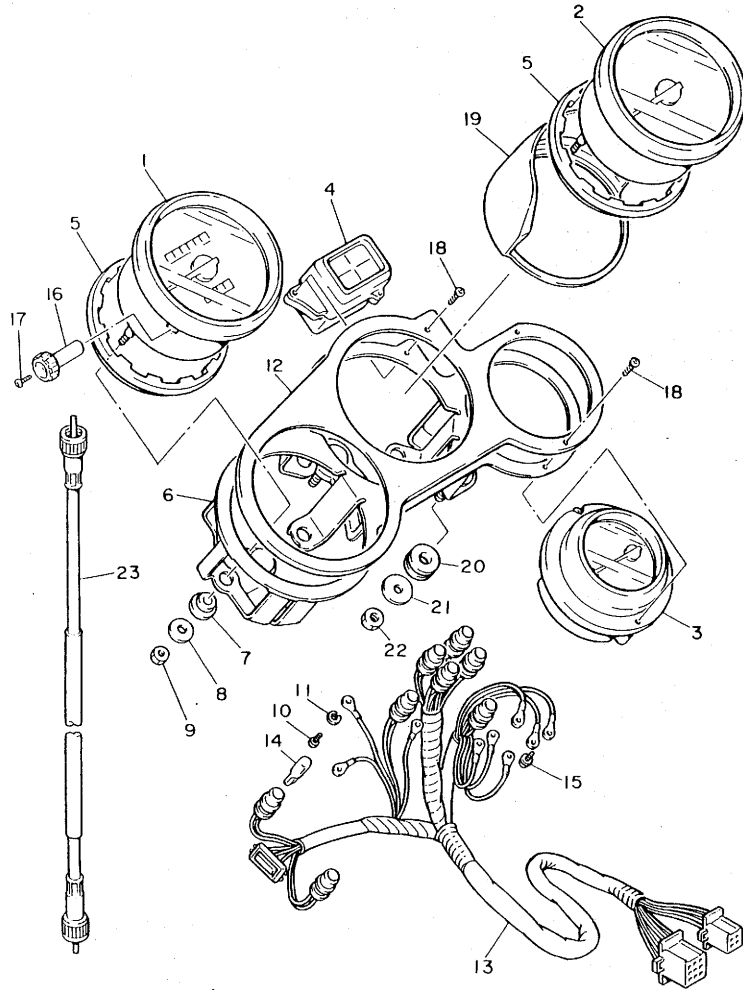


1FN310-5420

F3

REF. NO.	PART NO.	DESCRIPTION	Q'TY	REMARKS
1	1FN-83310-40	FRONT FLASHER LIGHT ASSY 1	2	
2	5Y1-83313-00	•GASKET, flasher lens	1	
3	5Y1-83312-00	•LENS, flasher	1	
4	98511-04012	•SCREW, Pan head	1	
5	97701-40530	•SCREW, taPPinG	1	
6	*	BULB, flasher (12V-21W)	2	LM
7	95306-12600	NUT	2	
8	18G-83365-00	CAP	2	
9	5Y3-83330-40	REAR FLASHER LIGHT ASSY 1	2	
10	10V-83312-00	•LENS, flasher	1	
11	5Y1-83313-00	•GASKET, flasher lens	1	
12	98503-04010	•SCREW, Pan head	1	
13	97701-40530	•SCREW, taPPinG	1	
14	*	BULB, flasher (12V-21W)	2	LM
15	95306-12600	NUT	2	
16	18G-83365-00	CAP	2	
17	1AE-83368-00	STAY, flasher	1	
18	1AE-83369-00	STAY, flasher	1	
19	97301-06016	BOLT	2	
20	92902-06100	WASHER, sPrinG	2	
21	92990-06600	WASHER, Plate	2	

FIG. 43 METER

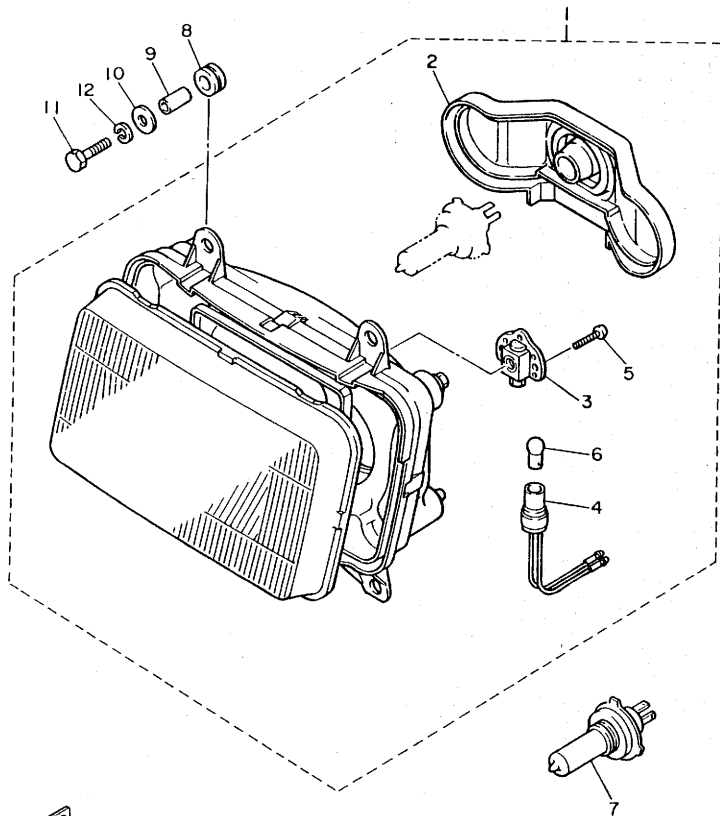


REF. NO.	PART NO.	DESCRIPTION	Q'TY	REMARKS
1	1FN-83570-F0	SPEEDOMETER ASSY	1	
2	1FN-83540-00	TACHOMETER ASSY	1	
3	1AE-83590-00	WATER TEMPERATURE ASSY	1	
4	47X-83530-00	PILOT LIGHT ASSY	1	
5	1AE-83513-00	DAMPER	2	
6	1AE-83519-00	BRACKET, meter	1	
7	584-83523-00	DAMPER	4	
8	4U5-83524-00	WASHER, sPecial	4	
9	95306-05600	NUT	4	
10	98501-03012	SCREW, Pan head	3	
11	92990-03100	WASHER, sPring	3	
12	1AE-83514-00	PLATE, fitting	1	
13	1AE-83520-00	SOCKET CORD ASSY	1	
14	4G1-84744-00	BULB (12V-3.4W)	8	
15	90159-03102	SCREW, with washer	6	
16	1AE-83578-00	KNOB, triP meter	1	
17	90157-02031	SCREW, Pan head	1	
18	1AE-83616-00	SCREW, taPPing	3	
19	1AE-83559-00	COVER, meter	1	
20	90480-14229	GROMMET	3	
21	90201-06380	WASHER, Plate	3	
22	95306-06600	NUT	3	
23	11L-83550-00	SPEEDOMETER CABLE ASSY	1	



1FV361-5430

FIG. 44 HEADLIGHT



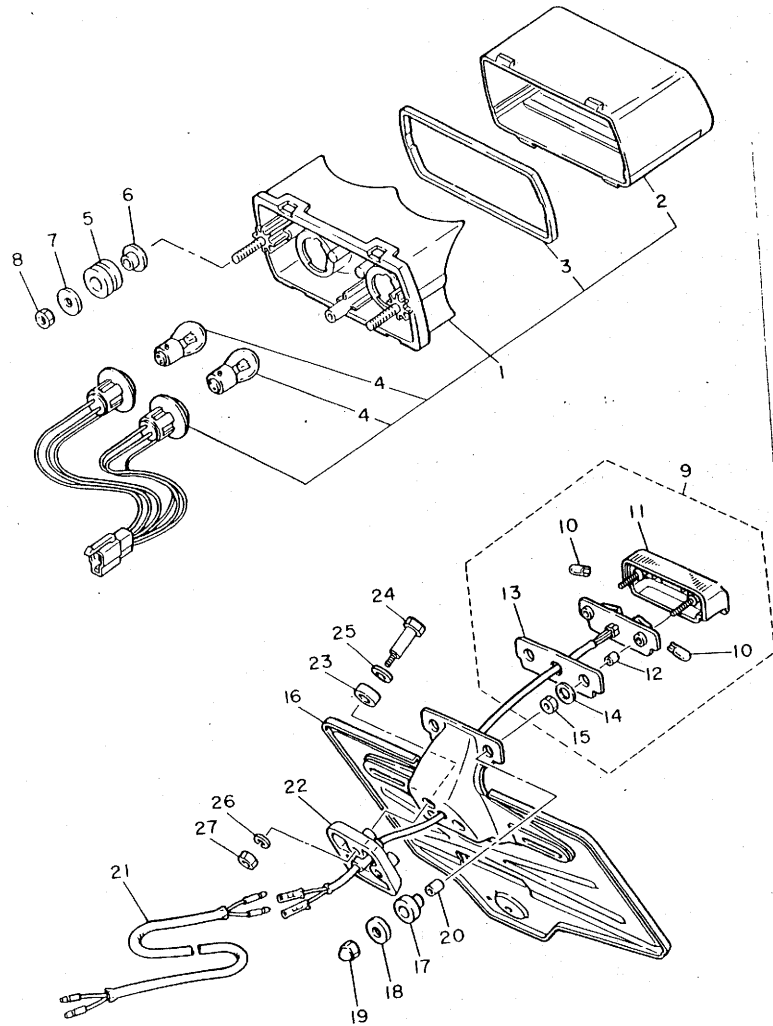
REF. NO.	PART NO.	DESCRIPTION	Q'TY	REMARKS
1	1FN-84303-E0	HEADLIGHT UNIT ASSY	1	
2	IAE-84397-A0	•COVER, socket	1	
3	IAE-8430M-00	•GEAR UNIT ASSY	1	
4	36Y-84359-00	•CORD, headlight	1	
5	97706-40616	•SCREW, tapping	2	
6	123-83516-21	•BULB (12V-3.4W)	1	
7	*	BULB (12V-60/55W)	1	LM
8	90480-14023	GROMMET	2	
9	90387-07038	COLLAR	2	
10	90201-06380	WASHER, Plate	2	
11	97306-06025	BOLT	2	
12	92906-06100	WASHER, sPring	2	



1FN310-5440

F5

FIG. 45 TAILLIGHT

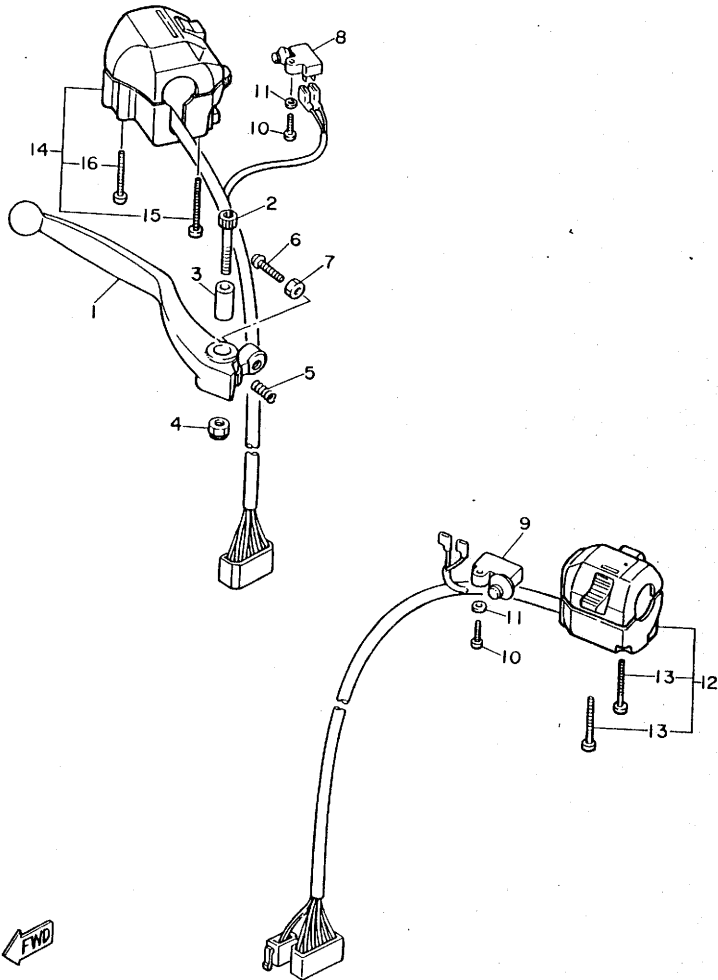


1FM010-5450

REF. NO.	PART NO.	DESCRIPTION	Q'TY	REMARKS
1	IAE-84710-60	TAILLIGHT UNIT ASSY	1	
2	1FN-84721-E0	•LENS, taillight	1	
3	47X-84723-00	•GASKET, tail lens	1	
4	256-84714-61	•BULB (12V-27/8W)	2	
5	90480-18276	GROMMET	2	
6	90387-07037	COLLAR	2	
7	90201-066F3	WASHER, Plate	2	
8	95302-06600	NUT	2	
9	1FM-84745-00	LICENCE LIGHT UNIT ASSY	1	
10	4G1-84744-00	•BULB (12V-3.4W)	2	
11	14X-84749-00	•BODY, licence light	1	
12	3J2-84757-00	•COLLAR, licence bracket	2	
13	3J2-84772-00	•WASHER	1	
14	3J2-84754-00	•WASHER, sPecial	2	
15	95302-05700	•NUT	2	
16	14X-84751-00	BRACKET, licence	1	
17	3G1-84553-00	DAMPER	2	
18	3G1-84754-00	WASHER, sPecial	2	
19	95304-05800	NUT, crown	2	
20	3G1-84729-00	SPACER	1	
21	1FN-82509-00	WIRE, sub lead	1.	
22	11H-84753-00	DAMPER	3	
23	3G1-84753-60	DAMPER	3	
24	3G1-84761-00	BOLT	3	
25	90209-08125	WASHER	3	
26	92902-06100	WASHER, sPring	3	
27	95302-06600	NUT	3	

F6

FIG. 46 HANDLE SWITCH, LEVER



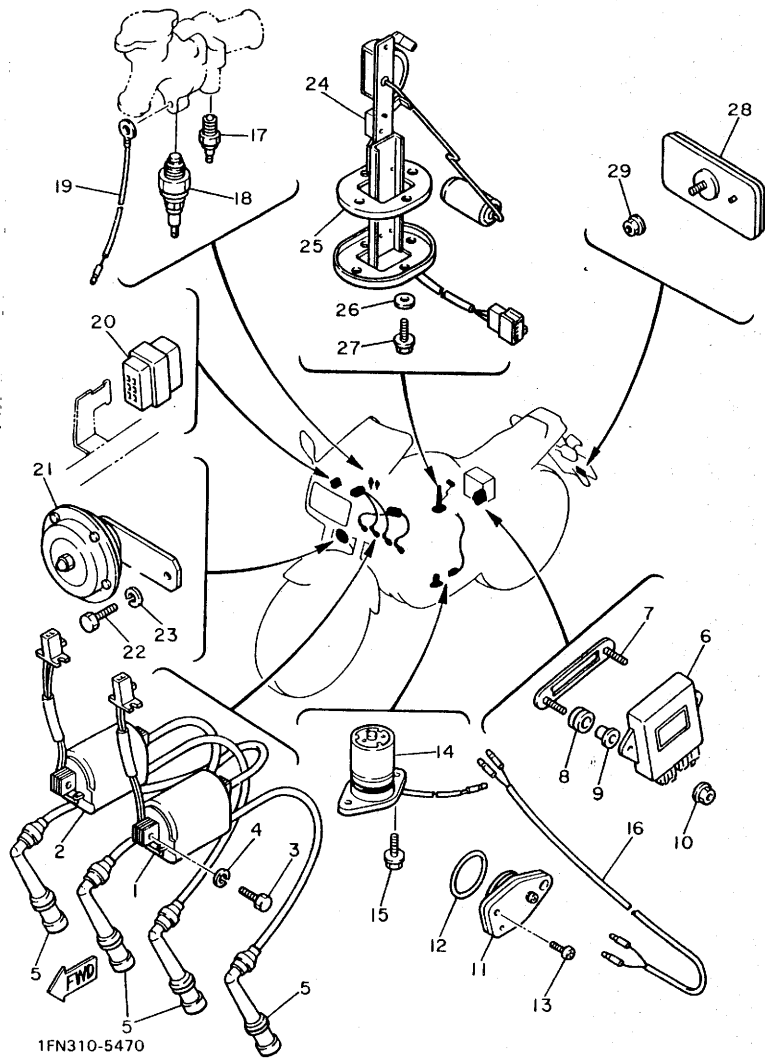
REF. NO.	PART NO.	DESCRIPTION	Q'TY	REMARKS
1	36Y-83922-00	LEVER 2	1	
2	90110-06074	BOLT, hexagon socket head	1	
3	36Y-83913-00	COLLAR, lever 1	1	
4	95606-06100	NUT, u	1	
5	90501-10312	SPRING, compression	1	
6	90149-06153	SCREW	1	
7	90170-06010	NUT	1	
8	36Y-83980-00	FRONT STOP SWITCH ASSY	1	
9	36Y-82917-00	SWITCH	1	
10	98506-04018	SCREW, Pan head	2	
11	92906-04600	WASHER, Plate	2	
12	1FN-83972-00	SWITCH, handle 4	1	
13	98506-05035	•SCREW, Pan head	2	
14	1FM-83973-00	SWITCH, handle 3	1	
15	98506-05045	•SCREW, Pan head	1	
16	98506-05040	•SCREW, Pan head	1	

FWD

1FN310-5460

F7

FIG. 47 ELECTRICAL 1

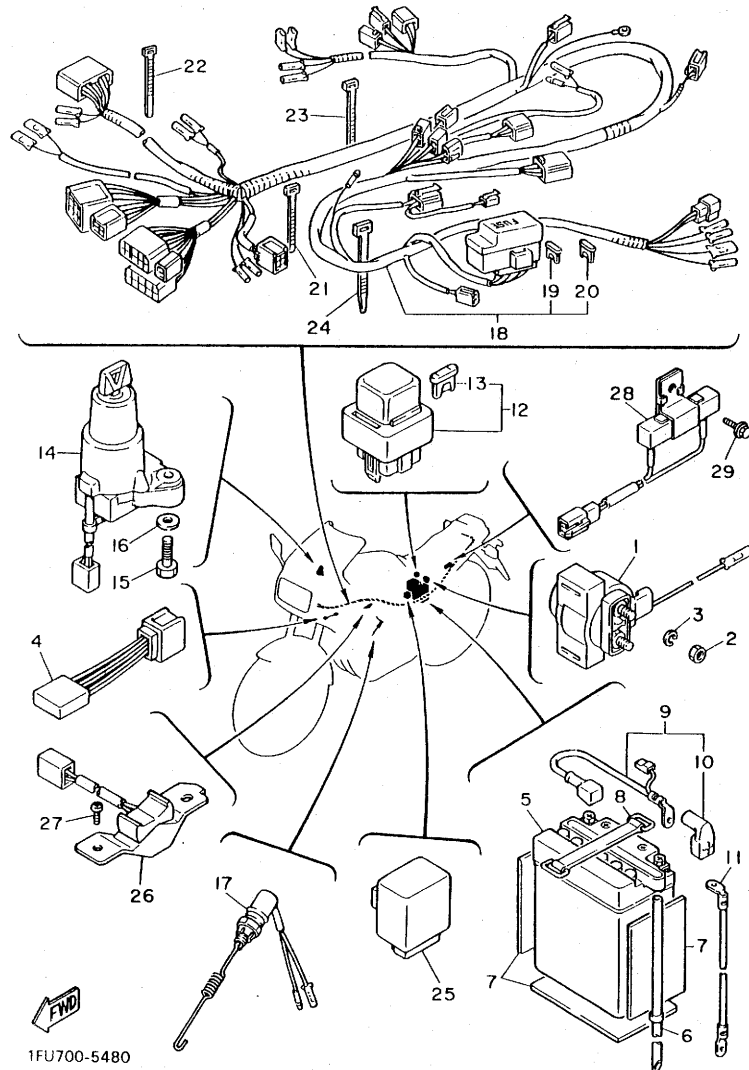


1FN310-5470

REF. NO.	PART NO.	DESCRIPTION	Q'TY	REMARKS
29	95702-05100	NUT, flange	1	

F9

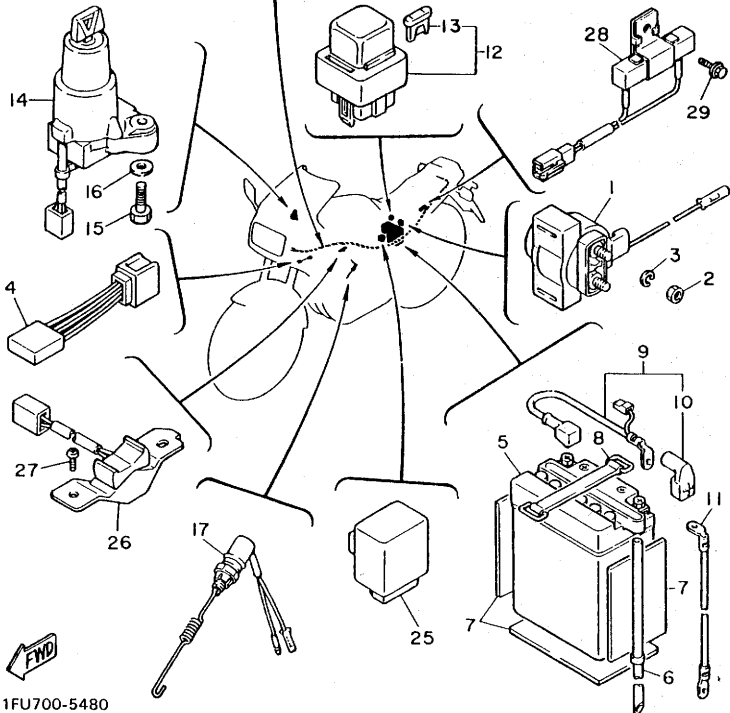
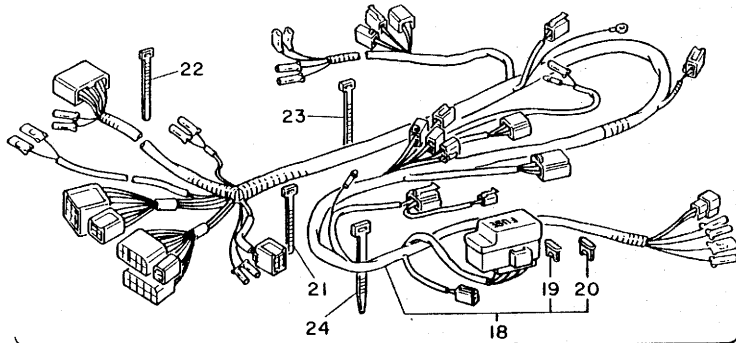
FIG. 48 ELECTRICAL 2



1FU700-5480

REF. NO.	PART NO.	DESCRIPTION	Q'TY	REMARKS
1	36Y-81940-00	STARTER SWITCH ASSY	1	
2	95302-06700	NUT	2	
3	92902-06100	WASHER, sPring	2	
4	4H7-81980-M0	DIODE	1	
5	447-82110-82	BATTERY ASSY (YUASA YB14L-A2)	1	
6	90445-083A4	HOSE	1	
7	5G3-82121-00	PAD, battery	3	
8	2T4-82131-00	BAND, battery	1	
9	36Y-82115-00	WIRE, Plus lead	1	
10	4X7-82119-00	.COVER, lead wire	1	
11	1AE-82116-00	WIRE, minus lead	1	
12	1AE-82150-00	FUSE HOLDER ASSY	1	
13	1AE-82151-00	.FUSE (12V-30A)	2	
14	49F-82501-80	MAIN SWITCH STEERING LOCK	1	
15	97301-06016	BOLT	2	
16	92990-06600	WASHER, Plate	2	
17	33M-82530-00	STOP SWITCH ASSY	1	
18	1FN-82590-00	WIRE HARNESS ASSY	1	
19	42X-82151-20	.FUSE (12V-10A)	2	
20	36Y-82151-00	.FUSE (12V-15A)	2	
21	437-83936-00	BAND, switch cord	2	
22	437-83936-10	BAND, switch cord	4	
23	341-26397-01	BAND	1	
24	12R-82591-00	BAND	1	
25	1AE-85740-00	CONTROL UNIT ASSY	1	
26	1AE-83964-00	SWITCH	1	
27	90154-05013	SCREW, binding	1	
28	1AE-85370-00	RESISTOR ASSY	1	

FIG. 48 ELECTRICAL 2



FWD
1FU700-5480

REF. NO.	PART NO.	DESCRIPTION	Q'TY	REMARKS
29	95806-06012	BOLT, flange	1	

F11

NUMERICAL INDEX

PART NO.	GRID NO.	PART NO.	GRID NO.	PART NO.	GRID NO.
36Y-W0041-00	E- 5	1AE-11656-20	B- 4	1AE-12421-00	B- 8
36Y-W0042-50	E- 9	1AE-11656-30	B- 4	1AE-12422-00	B- 8
47X-W0045-00	D-14	1AA-12111-01	B- 5	11H-12438-00	B- 8
	E- 3	1AA-12112-01	B- 5	1AE-12439-00	B- 8
1FK-W0047-00	D-14	1AA-12113-00	B- 5	1AE-12446-00	B- 2
31A-W0047-00	E- 3	1AA-12114-00	B- 5	1AE-12450-00	B- 8
26H-W0048-00	D-14	1AA-12116-00	B- 5	1AE-12464-00	C-14
	E- 3	1AA-12117-00	B- 5	1AE-1246E-00	C-14
1FK-W0057-00	D-14	1AA-12118-00	B- 5	1AE-1246F-00	C-14
31A-W0057-00	E- 3	33M-12119-00	B- 5	1AE-12461-00	B- 9
26H-W0099-00	E- 6	1AA-12121-01	B- 5	1AE-12462-00	B- 9
1AE-W1741-00	C-10	1AA-12153-90	B- 6	1AE-12467-00	B- 9
1AE-W1742-00	C-10	1AA-12168-A0	B- 5	1AE-12469-00	B- 8
1AE-W2748-00	E- 7	1AA-12168-F0	B- 5	1AE-12481-00	B- 8
1AE-W2749-00	E- 7	1AA-12168-H0	B- 5	1AE-12482-00	B- 8
1AE-W2834-00-GE	E-11	1AA-12168-K0	B- 5	1AE-12483-00	B-10
1AE-W2834-00-6G	E-11	1AA-12168-M0	B- 5	1AE-12484-00	B-10
1AE-Y1165-00	B- 4	1AA-12168-R0	B- 5	1AA-12535-00	B- 9
1AE-11101-00	B- 2	1AA-12168-U0	B- 5	1AE-12576-00	B- 9
1AA-11133-10	B- 2	1AA-12168-W0	B- 5	1AE-12577-00	B- 9
1AA-11134-10	B- 2	1AA-12168-Y0	B- 5	1AE-12590-00	B- 9
1AA-1115A-00	B- 2	1AA-12168-00	B- 5	11H-12675-00	B- 9
1AE-11166-00	C- 5	1AA-12168-20	B- 5	1AE-1316E-00	B-11
1AA-11181-00	B- 3	1AA-12168-40	B- 5	1AE-13161-00	B-11
1AA-11182-00	B- 2	1AA-12168-60	B- 5	1AE-13171-00	B-11
1AE-11191-00	B- 2	1AA-12168-80	B- 5	1AA-13181-00	B-11
1AA-11193-00	B- 2	1AA-12169-E0	B- 6	1AA-13191-00	B-11
214-11198-01	B-13	1AA-12169-G0	B- 6	1AE-13300-00	B-11
1AE-11310-00	B- 3	1AA-12169-J0	B- 6	1AE-13329-00	B-11
1AA-11351-00	B- 3	1AA-12169-L0	B- 6	36Y-13340-00	B-13
1AE-11411-00	B- 4	1AA-12169-N0	B- 6	1AE-13411-00	B-11
1AE-11416-00	B- 4	1AA-12169-T0	B- 6	1AE-13412-00	B-11
1AE-11416-10	B- 4	1AA-12169-10	B- 5	1AE-13414-00	B-13
1AE-11416-20	B- 4	1AA-12169-30	B- 5	1AE-13417-00	B-13
1AE-11416-30	B- 4	1AA-12169-50	B- 5	36Y-13441-00	B-13
1AE-11416-40	B- 4	1AA-12169-70	B- 5	1AE-13447-00	B-13
36Y-11456-00	C- 8	1AA-12169-90	B- 5	1AE-13454-00	B-12
1AE-11474-00	C- 8	1AE-12171-00	B- 7	4X7-13455-00	B-13
1AA-11610-00	B- 4	4G0-12176-01	B- 7	36Y-13490-00	B-13
1AA-11610-20	B- 4	1AE-12181-00	B- 7	16G-13569-00	B-14
1AA-11610-40	B- 4	1AE-12210-00	B- 7	1AE-13586-01	B-14
1AE-11631-00	B- 4	30X-12213-00	B- 7	1AE-13596-01	B-14
1AA-11633-00	B- 4	1AA-12241-00	B- 7	1AE-13597-00	B-14
1AE-11636-00	B- 4	1AE-12251-00	B- 7	1AE-13907-00	B-14
1AE-11638-00	B- 4	1AE-12252-00	B- 7	1AE-1410A-00	C- 2
12R-11654-00	B- 4	1AE-12405-00	B- 9	1FN-1410A-00	C- 2
1AE-11656-00	B- 4	1AE-12410-00	B- 9	1FN-14103-00	C- 2
1AE-11656-10	B- 4	1AE-12417-00	B- 9	12R-14105-00	C- 2

NUMERICAL INDEX

PART NO.	GRID NO.	PART NO.	GRID NO.	PART NO.	GRID NO.
1FN-14107-12	C- 2	1AE-14988-00	C- 3	1J7-16385-00	C- 9
812-14137-00	C- 2	1AE-15100-00	C- 5	1AE-17121-00	C-10
1AE-14141-92	C- 2	1AE-15123-00	B-11	1AE-17131-00	C-10
1AE-14147-00	C- 2	1AE-15124-00	B-11	1AE-17151-00	C-10
36Y-14147-00	C- 3	1AE-15133-00	B-11	1AE-17161-00	C-10
137-14153-00	C- 2	4H7-15138-00	C- 5	1AE-17211-00	C-10
353-14186-00	C- 2	4H7-15189-00	C- 5	1AE-17221-01	C-10
12R-14191-00	C- 2	1AE-15316-00	C- 7	1AE-17231-00	C-10
1AE-14197-00	C- 3	1AE-15346-00	C- 7	1AE-17241-00	C-10
11H-14197-00	C- 3	2H7-15361-00	C- 5	1AE-17251-00	C-10
1FN-14198-00	C- 3	2H9-15363-00	C- 5	1AE-17261-00	C-10
1AE-14227-00	C- 2	1AE-15381-00	C- 8	278-17424-01	C-11
620-14231-21	C- 2	1AE-15383-00	C- 6	1AE-17461-60	C-10
1AE-14237-00	C- 2	371-15389-00	C- 9	1AE-18101-00	C-13
16H-14251-00	C- 3	1AE-15411-00	C- 7	1AE-18110-01	C-13
1AE-14261-00	C- 2	1AE-15416-00	C- 7	1AE-18112-00	C-13
1AE-14401-00	B-14	1AE-15417-00	C- 7	132-18113-01	C-13
1AE-14422-00	B-14	1AE-15421-00	C- 7	22N-18113-00	E- 9
1AE-14443-00	B-14	1AE-15427-00	C- 7	1AE-18115-00	C-13
1AE-14451-00	B-14	1AE-15449-00	C- 7	4G0-18127-00	C-13
1AE-14452-00	B-14	1AE-15451-00	C- 7	36Y-18140-00	C-12
1AE-14453-00	B-14	1AE-15456-00	C- 7	2H9-18154-00	C-13
31A-14477-00	D- 3	1AE-15461-00	C- 7	1AE-18511-00	C-12
1AE-14565-00	C- 2	1AE-15463-00	C- 7	1AE-18512-00	C-12
1FN-14565-00	C- 2	36Y-15467-00	C- 7	1AE-18513-00	C-12
1AE-14611-00	C- 4	4H7-15486-00	C- 7	12R-18531-00	C-12
4W5-14612-00	C- 4	1AE-15512-00	C- 8	1AE-18536-00	C-12
4H7-14613-00	C- 4	1AE-15517-00	C- 8	1AE-18540-00	C-12
1AE-14621-00	C- 4	36Y-15519-00	C- 8	278-18542-00	C-12
1AE-14631-00	C- 4	1AE-15521-00	C- 8	278-18566-00	C-12
1AE-14638-00	C- 4	1AE-15522-00	C- 8	1FN-21110-00-33	C-14
1AE-14641-00	C- 4	12R-15524-00	C- 8	1FN-21140-00-33	C-14
1FN-14710-00	C- 4	1AE-15580-00	C- 8	1AE-21150-00-33	C-14
1FN-14720-00	C- 4	341-15583-05	C- 8	1AE-21158-00	F- 8
36Y-14747-00	C- 4	1AE-16150-00	C- 9	36Y-21245-00	D- 3
36Y-14755-01	C- 4	1AE-16154-00	C- 9	3H1-21308-00	C-15
1AE-14791-00	C- 4	4H7-16155-01	C- 8	1AE-21315-00	C-14
1FN-1490J-00	C- 2	1AE-16164-00	C- 9	1AE-21316-00	C-14
1FN-1490K-00	C- 3	4H7-16321-00	C- 9	1AE-21459-00	C-14
1FN-1490L-00	C- 3	16B-16324-00	C- 9	4X7-2149Y-00	B-14
1FN-14900-00	C- 2	31A-16325-00	C- 9	1AE-21511-00-AJ	C-15
1FN-14901-00	C- 2	58L-16351-00	C- 9	1AE-21511-00-66	C-15
1FN-14902-00	C- 2	1AE-16356-00	C- 9	1AE-21512-00	C-15
1FN-14903-00	C- 2	1AE-16357-00	C- 9	1A8-21518-00	C-15
1FN-14904-00	C- 2	1AE-16371-00	C- 9	1AE-21556-00-AJ	C-15
1AE-14933-00	C- 2	1AE-16381-00	C- 9	1AE-21556-00-66	C-15
1AE-14940-00	C- 2	5G2-16383-00	C- 9	1FN-21611-00	C-15
1AE-14985-00	C- 2	1J7-16384-00	C- 9	1AE-21620-00	C-15

NUMERICAL INDEX

PART NO.	GRID NO.	PART NO.	GRID NO.
1AE-2163G-00	D- 2	122-23119-01	D- 9
1AE-2163G-10	D- 2	1AE-23125-00	D- 8
1AE-21640-00	C-15		D- 9
1AE-21651-00-GE	C-15	1AE-23126-00	D- 8
1AE-21651-00-6G	C-15	1AE-23128-00	D- 9
1FN-21670-00	C-15	122-23129-00	D- 8
1AE-21711-00-GE	D- 3		D- 9
1AE-21711-00-6G	D- 3	1AE-23136-00	D- 8
1AE-21721-00-GE	D- 3	1AE-23141-00	D- 8
1AE-21721-00-6G	D- 3		D- 9
1AE-2173E-01	D- 3	1FK-23142-00	D- 8
1AE-2173E-11	D- 3		D- 9
1AE-2173F-01	D- 3	1AE-23144-00	D- 8
1AE-2173F-11	D- 3		D- 9
1A8-21746-01	C-15	1AE-23145-00	D- 8
1AE-21871-00	D- 3		D- 9
26H-21874-00	D- 3	3J2-23147-00	D- 9
26H-21875-00	D- 3	1AE-23149-00	D- 8
1AE-22110-00	D- 4		D- 9
1AE-22121-00	D- 4	42H-23153-00	D- 8
36Y-22127-00	D- 4		D- 9
36Y-22128-00	D- 4	26H-23156-00	D- 8
1AE-22129-00	D- 4	1AE-23157-00	D- 8
36Y-22129-00	D- 4		D- 9
1AE-22141-00	D- 4	2K8-23158-L0	D- 8
1AE-22151-00	D- 5		D- 9
1AE-2217A-00	D- 4	1AE-23160-00	D- 8
1AE-2217M-00	D- 4		D- 9
36Y-22184-00	D- 4	42H-23163-00	D- 9
1AE-22210-00-6W	D- 6	1AE-2317E-00	D- 7
36Y-22226-00	D- 6	1AE-23170-00	D- 8
1AE-22269-00	D- 6		D- 9
29L-22311-00	D- 5	2K8-23173-L0	D- 8
1AE-22321-00	D- 5		D- 9
1AE-22460-00	D- 6	1AE-2318J-00	D- 9
36Y-22913-00	D- 6	3R4-23181-L0	D- 8
36Y-22936-00	D- 6		D- 9
1AE-23102-00	D- 8	24M-23184-00	D- 9
1AE-23103-00	D- 8	1AE-23188-00	D- 9
1AE-23110-00	D- 8	24M-23190-00	D- 9
	D- 9	1AE-23340-00	D- 9
1AE-23111-00	D- 8	4U8-23356-10	D- 8
	D- 9	4H3-23415-00	D- 7
1W4-23114-L0	D- 8	1AE-23418-00	D- 7
	D- 9	1AE-23435-00-98	D- 7
49V-23118-00	D- 8	2H9-23469-00	E- 4
	D- 9	1AE-24110-00-02	D-10
122-23119-01	D- 8	1AE-24110-00-03	D-10

PART NO.	GRID NO.	PART NO.	GRID NO.
1AE-24117-00	D-10		
1AE-24161-00	D-10		
1AE-24181-01	D-10		
1AE-24182-00	D-10		
1AE-24183-00	D-10		
3Y6-24183-00	D-10		
47X-24183-00	D-10		
12R-24186-00	D-10		
47X-24186-00	D-10		
1AE-24191-01	D-10		
1AE-24192-01	D-10		
1AE-24240-00	D-10		
1AE-24240-00	D-10		
1AE-24311-01	D-10		
1AE-24312-00	D-11		
1AE-24366-00	D-11		
26H-24500-00	D-10		
214-24512-00	D-10		
1FK-24560-00	D-10		
1AE-24602-00	D-11		
51X-24705-00	D-12		
47X-24718-01	D-12		
1FN-24723-00	D-12		
47X-24728-01	D-12		
1AE-24730-00	D-12		
1AE-24731-00	D-12		
22W-24741-00	D-12		
29L-24742-50	D-12		
1AE-24748-00	D-12		
4K0-24748-00	D-12		
1FN-2477L-00	D-12		
1FN-2477L-10	D-12		
47X-24776-00	D-12		
47X-2478F-00	D-12		
1FN-24791-00-GE	D-12		
1FN-24791-00-6G	D-12		
1AE-24796-00	D-12		
146-25115-00	D-13		
341-25149-00	D-13		
1GE-25168-00	D-13		
47X-25181-00	D-13		
3M5-25190-00	D-13		
33M-25315-00	D-15		
1AE-25338-20	D-15		
1AE-25364-00	D-15		
1AE-25366-00	D-15		
1AE-25371-00	D-15		
1AE-25381-00	E- 2		
46X-25388-00	D-15		

PART NO.	GRID NO.	PART NO.	GRID NO.
36Y-25389-00	D-15		
29L-25398-00	D-13		
	D-15		
29L-25398-10	D-13		
	D-15		
29L-25398-20	D-13		
	D-15		
1AE-25412-00	D-15		
1AE-25444-20-33	D-15		
1AE-25810-01	D-14		
1AE-25810-11	D-14		
1AE-25810-50	E- 3		
1AE-25819-50	E- 3		
1FK-25827-00	E- 3		
1FK-25828-00	E- 3		
31A-25831-01	D-14		
31A-25831-11	D-14		
31A-25831-51	E- 3		
41Y-25836-00	D-14		
	E- 3		
341-25846-00	D-13		
1AE-25850-00	E- 5		
1AE-25850-50	E- 9		
1AE-25852-00	E- 5		
1A1-25852-00	E- 9		
36Y-25854-00	E- 5		
360-25854-00	E- 9		
360-25855-01	E- 9		
4L0-25862-00	E- 5		
	E- 6		
4L0-25867-00	E- 5		
1AE-25872-00	E- 5		
1AE-25872-51	E- 9		
1AE-25873-00	E- 5		
1AE-25875-01	E- 9		
36Y-25875-00	E- 5		
36Y-25876-00	E- 5		
1J7-25885-01	E- 5		
31A-25894-00	E- 9		
1AE-25895-00	E-10		
26H-25919-00	D-14		
26H-25924-00	D-14		
	E- 3		
26H-25925-00	D-14		
	E- 3		
1AE-26121-00	E- 4		
1AE-26122-00	E- 4		

NUMERICAL INDEX

PART NO.	GRID NO.	PART NO.	GRID NO.
31A-26240-00	E- 4	1AE-28348-00	E-12
31A-26241-00	E- 4	1AE-28350-00-GE	E-11
36Y-26246-00	E- 4	1AE-2835U-00-6G	E-11
1AE-26280-30	E-12	1AE-2835V-00-GE	E-11
1AE-26290-30	E-12	1AE-2835V-00-6G	E-12
1AE-26294-00	E-12	1AE-28356-00	E-11
1AE-26298-00	E-12	1AE-28357-00	E-11
1AE-26299-00	E-12	1AE-2836K-00	E-12
1AE-26311-00	E- 4	1AE-2836L-00	E-12
1AE-2632G-00	E- 4	1AE-28362-00	E-12
1AE-26325-00	E- 4	1AE-28363-00	E-11
1AE-26330-00	E- 4	1AE-28365-00	E-12
5H0-26393-00	E- 4	1AE-28368-11	E-13
341-26397-01	F-10	1AE-28368-21	E-13
1AE-26450-00	E- 6	1AE-2837J-00	E-12
1AE-26452-00	E- 6	1AE-28381-00	E-11
1AE-26454-00	E- 6	1AE-28390-01	E-12
26H-26455-00	E- 6	1AE-28390-11	E-12
26H-26464-00	E- 6	1FN-2840F-00	D-12
1AE-26467-00	E- 6	1AE-81600-50	E-14
1AE-26470-00	E- 6	1AE-81604-50	E-14
1AE-27111-00-R4	E- 7	36Y-81619-50	E-14
116-27114-00	C- 4	1AE-81634-50	E-14
1AE-27211-00	E- 9	36Y-81638-50	E-14
31A-27222-00	E- 9	36Y-81642-50	E-14
1AE-27252-00	E- 9	36Y-81643-30	E-14
1AE-27254-00	E- 9	36Y-81643-50	E-14
1AE-27311-01	E- 7	36Y-81645-30	E-14
3Y3-27315-00	E- 7	36Y-81645-50	E-14
1AE-27410-00	E- 7	1AE-81670-10	E-15
46X-27413-00	E- 7	36Y-81675-50	E-14
2H7-27414-00	E- 8	1AE-81680-10	E-15
1AE-27416-00	E- 7	1AE-81800-60	F- 2
1AE-27420-00	E- 7	4G0-81815-00	F- 2
1AE-27430-00	E- 7	22U-81826-00	F- 2
1AE-27440-00	E- 7	1AE-81840-00	F- 2
1AE-28100-00	D- 2	4G0-81844-00	F- 2
4K5-2814E-10	C-15	26H-81847-00	F- 2
4K5-28186-00	C-15	4G0-81871-00	F- 2
1AE-2832E-00	E-13	36Y-81910-50	E-14
1AE-28328-11	E-13	36Y-81940-00	F-10
1E6-81949-00	E-13	1E6-81949-00	F- 8
1AE-28338-00	E-12	36Y-81970-50	E-14
51J-28338-00	E-12	36Y-81972-50	E-14
1AE-2834V-00	E-12	4H7-81980-M0	F-10
29L-28345-00	E-11	447-82110-82	F-10
1AE-28346-00	E-12	36Y-82115-00	F-10
1AE-28347-00	E-12	1AE-82116-00	F-10

NUMERICAL INDEX

PART NO.	GRID NO.	PART NO.	GRID NO.	PART NO.	GRID NO.
4X7-82119-00	F-10	36Y-83913-00	F- 7	90105-10363	E- 3
5G3-82121-00	F-10	36Y-83922-00	F- 7	90105-12309	D- 4
18G-82131-00	C-15	437-83936-00	F-10	90105-12382	D- 6
2T4-82131-00	F-10	437-83936-10	F-10	90109-065A8	B- 7
1AE-82150-00	F-10	1AE-83964-00	F-10	90109-065A9	C-12
1AE-82151-00	F-10	1FN-83972-00	F- 7	90109-067A0	E- 6
36Y-82151-00	F-10	1FM-83973-00	F- 7	90109-067A7	B-10
42X-82151-20	F-10	36Y-83980-00	F- 7	90109-06746	B- 2
1AE-82305-10	F- 8	1AE-8430M-00	F- 5	90109-082A4	E- 7
1AE-82310-60	F- 8	1FN-84303-E0	F- 5	90109-085A4	D-14
1AE-82320-60	F- 8	36Y-84359-00	F- 5		E- 3
1AE-82370-00	F- 8	1AE-84397-A0	F- 5	90109-086A0	D-10
49F-82501-80	F-10	3G1-84553-00	F- 6	90109-106A8	E- 7
1AE-82509-00	F- 8	1AE-84710-60	F- 6	90109-107A8	E- 7
1FN-82509-00	F- 6	256-84714-61	F- 6	90110-05079	E-12
33M-82530-00	F-10	1FN-84721-E0	F- 6	90110-06074	F- 7
1AE-82540-00	F- 8	47X-84723-00	F- 6	90110-06078	E-12
47X-82560-00	F- 8	3G1-84729-00	F- 6	90110-06083	E-11
1FN-82590-00	F-10	4G1-84744-00	F- 4	90116-09458	C- 5
12R-82591-00	F-10		F- 6	90116-09459	C- 5
36Y-82917-00	F- 7	1FM-84745-00	F- 6	90116-09460	C- 5
1FN-83310-40	F- 3	14X-84749-00	F- 6	90116-10467	D-15
10V-83312-00	F- 3	14X-84751-00	F- 6	90119-06095	C-15
5Y1-83312-00	F- 3	11H-84753-00	F- 6	90119-06097	D- 3
5Y1-83313-00	F- 3	3G1-84753-60	F- 6	90149-06011	D-10
5Y3-83330-40	F- 3	3G1-84754-00	F- 6	90149-06153	D- 2
41R-83350-71	F- 8	3J2-84754-00	F- 6	90149-06153	F- 7
18G-83365-00	F- 3	3J2-84757-00	F- 6	90149-06218	D-12
1AE-83368-00	F- 3	3G1-84761-00	F- 6	90150-05020	E-11
1AE-83369-00	F- 3	3J2-84772-00	F- 6	90151-06014	C- 6
4V8-83371-20	F- 8	3G1-85130-01	F- 8	90152-06014	C- 7
1AE-83513-00	F- 4	1AE-85370-00	F-10	90154-05008	E-12
1AE-83514-00	F- 4	4H7-85720-01	F- 8	90154-05013	E-12
123-83516-21	F- 5	1AE-85740-00	F-10		F-10
1AE-83519-00	F- 4	1AE-85752-00	F- 8	90157-02031	F- 4
1AE-83520-00	F- 4	2H7-85753-00	F- 8	90157-05079	E- 7
584-83523-00	F- 4	90101-06576	C- 4	90157-08026	E- 9
4U5-83524-00	F- 4	90101-12605	D- 4	90159-03102	F- 4
47X-83530-00	F- 4	90105-06153	B- 2	90159-06033	D- 3
1FN-83540-00	F- 4	90105-06362	B- 2	90159-06042	C-15
11L-83550-00	F- 4	90105-07342	B- 7	90159-06056	D- 3
1AE-83559-00	F- 4	90105-08321	E- 2	90159-06084	D- 5
1FN-83570-F0	F- 4	90105-09373	C- 5	90159-06092	C- 9
1AE-83578-00	F- 4	90105-10042	C-14	90170-06010	F- 7
1AE-83590-00	F- 4	90105-10055	C-14	90170-06289	C-13
11H-83591-00	F- 8	90105-10056	C-14	90170-10345	D-15
1AE-83616-00	F- 4	90105-10170	C-14	90170-20257	C- 9
1AE-83912-00	E- 6	90105-10363	D-14	90170-16024	E- 2

NUMERICAL INDEX

PART NO.	GRID NO.	PART NO.	GRID NO.	PART NO.	GRID NO.
90179-06500	C- 4	90209-11237	B- 2	90401-10096	E- 6
	E-11	90209-22191	C-10		E- 9
90179-08327	B- 4	90209-25196	C-10	90413-07007	B-15
90179-09489	B- 2	90215-08115	C-13	90430-06014	B- 2
90179-09490	B- 2	90215-20231	C- 9		B- 3
90179-10247	C-14	90215-21022	C-11		B- 8
90179-18020	C-11	90240-08013	E- 9	90430-06195	B-12
90179-22455	D- 7	90338-09012	E- 5	90430-10188	B-11
90179-25495	D- 7		E- 6	90445-08344	F-10
90183-05024	E-12	90338-23172	C-14	90445-09125	B- 9
90185-10037	E- 7	90340-14079	C- 6	90445-10366	D-11
90185-10091	E- 7	90340-18101	B- 2	90445-11150	B-14
90185-12072	D- 6	90384-18157	D- 6	90445-11153	B-15
90185-14070	D- 4	90387-05383	C- 5	90445-112E0	B-14
90201-060K2	B-12	90387-060A7	B-14	90445-11262	B-15
90201-060K5	C-12		D- 3	90445-127A8	B-14
90201-062A8	C-15	90387-060N3	D-10	90445-327A9	B- 9
90201-06380	F- 4	90387-06022	C-15	90446-09146	D- 3
	F- 5	90387-06033	B- 9	90460-12256	B-14
90201-066F3	F- 6	90387-061F9	E-11	90460-12268	E-10
90201-06778	E- 9	90387-066H4	E-11	90460-38241	B- 9
90201-08083	E- 9	90387-06605	D-10	90460-53238	B-14
90201-096J9	B- 2	90387-06638	E-12	90460-58015	B-14
	C- 5	90387-06681	D- 5	90464-30040	B-15
90201-10118	E- 5	90387-07037	B- 9	90464-32060	D-10
	E- 6		F- 6	90465-08280	C- 6
	E- 9	90387-07038	F- 5	90465-08281	C- 6
90201-10669	E- 8	90387-077M3	F- 8	90465-08282	C- 6
90201-124E4	C-13	90387-10636	E- 8	90467-08003	D- 3
90201-12575	C-13	90387-114K8	C-13	90467-08017	B- 9
90201-126A7	D- 4	90387-123M3	D- 4	90467-09006	D-11
90201-14222	D- 4	90387-123M4	D- 4	90467-10039	B-14
90201-15238	D-13	90387-127H0	D- 6	90467-10041	B-14
90201-160F6	E- 2	90387-15550	D-13	90467-10091	D-11
90201-183H2	B- 2	90387-170J6	E- 2	90467-12053	D-10
90201-187H4	D- 4	90387-173M5	D-15	90467-14056	C- 5
90201-200K3	C-10	90387-177K0	D-15	90467-15054	C- 5
90201-21608	B-13	90387-177K1	D-15	90468-10050	D-12
90202-06007	E-12	90387-202A7	C- 8	90480-01141	D- 3
90202-06010	D-10	90387-203M7	C-10	90480-01430	E-12
	F- 8	90387-204M1	C-10	90480-01438	B- 9
90202-07015	D-12	90387-253M6	C-10	90480-12067	C-15
	E-11	90387-253M9	C-10	90480-12365	B- 2
90202-26142	D- 7	90387-263M8	C-10	90480-13163	E-11
90206-12074	C-13	90387-284M0	C-10	90480-13398	E-11
90209-06096	C- 7	90401-10095	E- 5	90480-14023	F- 5
90209-06174	B-14	90401-10096	B-11	90480-14229	E-11
90209-08125	F- 6		E- 5		F- 4

NUMERICAL INDEX

PART NO.	GRID NO.	PART NO.	GRID NO.
90480-14429	E-11	92501-06010	C- 7
90480-15235	B-14	92501-06012	D-11
90480-16233	D- 3	92501-06020	C- 7
90480-18171	C-14		E- 9
90480-18276	B- 9	92501-06025	D- 5
	F- 6	92502-06016	F- 8
	F- 8	92511-06160	B-14
90480-19283	B- 9	92706-06025	E-12
90480-23192	D- 3	92901-05100	E-14
90501-04503	C- 8	92901-05600	E-14
90501-06022	C-12	92901-06200	E-10
90501-061A3	D- 6	92901-06600	D- 5
90501-10312	F- 7	92901-08600	D-15
90501-20422	B-13	92902-06100	D- 5
90501-225A9	C- 9		D-10
90506-16384	E- 9		D-11
90506-29378	E- 7		E- 9
90506-45385	E- 7		F- 3
90508-10514	C-13		F- 6
90508-26681	C-12		F- 8
90508-32682	C-13		F-10
90560-12191	C-13	92906-04600	F- 7
90560-15255	D-13	92906-06100	C-15
90560-25270	C- 9		E- 5
91026-06020	C-13		E- 6
91311-08020	C-14		E-11
91311-08050	C-14		E-13
91316-06012	B- 8		F- 5
	E-11	92906-06200	E-11
91316-06016	E- 4	92906-06600	C- 4
91316-06020	B-14		C-15
91316-06025	E- 5		E-13
	E- 6	92906-08100	E-11
91316-06050	B-11		F- 8
91316-08014	C- 8	92906-08600	C- 4
91316-08030	D- 7		D- 8
	E- 4	92990-03100	F- 4
91316-10030	E- 7	92990-06100	E- 9
91316-10050	E- 8	92990-06600	B-14
91401-20015	E- 2		F- 3
	E- 9		F-10
91401-30030	E- 2	93101-12060	B- 8
91810-08016	B- 3	93102-12106	C-13
91810-18013	B-11	93102-22014	D-13
	C- 7	93102-25044	D-15
	C- 9	93102-35109	C-10
91830-21014	B- 2	93105-42024	D-15
	C- 5	93105-45017	D-13

PART NO.	GRID NO.	PART NO.	GRID NO.
93109-12053	C-13	93109-12053	C-13
93109-20029	D- 4	93109-20029	D- 4
93110-18017	D- 4	93110-18017	D- 4
93210-06632	B-11	93210-06632	B-11
	C- 9		C- 9
	B-11	94112-160H1	B-11
93210-06714	B-11	94113-180H2	B-11
93210-07135	C- 5	94570-82110	C- 5
	C- 6	94580-37110	C- 6
93210-14369	E-14	94580-79110	B-13
93210-15566	E-14	94680-37021	B-13
93210-16325	E-10	94701-00203	D- 6
93210-18397	D- 5	94701-00222	B- 8
93210-18417	D-15	94701-00222	B- 2
93210-19216	D- 5	94701-00275	B- 2
93210-20573	D-10	94701-00286	B- 2
93210-23692	D-11	95023-06020	C-15
	E- 9	95026-06012	B- 2
	F- 3		B- 2
93210-27370	C- 5		B- 3
93210-29196	F- 8		B- 8
93210-30694	F- 8		B-10
93210-33133	B- 8		B-11
93210-39700	B- 8		C- 6
93210-49046	B- 9		E-15
93210-73693	B- 3	95026-06016	C- 8
93210-88324	B-13		F- 8
93306-00106	B- 8	95026-06020	B- 8
93306-00421	C- 8		B- 9
93306-20314	D-15		C- 7
93306-20455	C-10		D-15
	C-11	95026-06025	C-15
	C- 8		B- 2
93306-20541	D-13		B- 7
93306-30203	D-15	95026-06030	B- 8
93306-30306	C-10		B- 9
93306-30525	C-10		B-11
93306-30546	D-15		B-13
93306-37203	C- 9		C- 7
93310-340N8	C- 9		C- 9
93315-21813	D- 4		D- 4
93315-31841	D- 4	95026-06040	D- 4
93315-32042	D- 4		D- 4
93317-42550	D- 4	95026-06050	D- 4
93332-00008	D- 7		D- 7
93332-00023	B- 2	95026-06090	C- 9
93440-09141	C-10	95026-08016	E-11
93440-25019	C-10	95301-08600	D-15
93440-28062	C-10		E- 9
93440-45144	C-11		F- 6
93450-19052	B- 4	95302-05700	F- 6
		95302-06600	F- 6
		95302-06700	F-10
		95304-05800	F- 6

NUMERICAL INDEX

PART NO.	GRID NO.	PART NO.	GRID NO.
95306-05600	F- 4	95826-06025	F- 2
95306-06600	F- 4	97006-06016	C-15
95306-06700	C-13		E-13
95306-12600	F- 3	97301-06016	F- 3
95601-08100	D-15		F-10
95606-06100	D-13		F-10
	D-15	97302-06012	E- 9
	D-15	97302-06020	F- 7
95611-06100	B- 7	97302-06035	D-10
95611-06630	B- 7	97302-08030	D-10
95611-12100	D-15	97306-06010	E-11
95701-06500	B- 7	97306-06025	E- 5
95701-08500	B- 2		F- 5
	B- 2	97306-08012	F- 8
95701-10500	B- 2	97316-08020	C- 4
	B- 2	97701-40530	F- 3
95702-05100	C-15	97706-40616	F- 5
	B- 2	97706-60114	B- 9
95702-06100	D-12	98501-03012	F- 4
95702-06500	B- 9	98501-04014	C- 2
	F- 8	98501-05010	C- 2
95706-05100	E-11		C- 3
95801-08020	D- 6	98501-05018	E-14
95801-10040	C- 4	98503-04010	F- 3
95802-06014	F- 8	98506-04018	F- 7
95806-06012	C-14	98506-05035	F- 7
	E-11	98506-05040	F- 7
	F-11	98506-05045	F- 7
95806-08016	C-15	98511-04012	F- 3
95811-06045	D- 4	98701-05012	C-12
95816-06014	C- 8	98706-04012	E- 5
95816-06035	C- 5		E- 6
95816-06045	C- 5	98901-06008	B-13
95816-06060	C- 5	99001-05600	D- 6
95816-06080	C- 5	99001-10600	C-13
95816-06140	C- 5	99009-12400	B- 8
95816-08030	E-14		C-13
95816-08045	C- 5	99009-18400	D- 4
95816-08055	C- 5	99510-08016	B- 2
95816-08065	C- 5		
95816-08090	C- 5		
95816-08135	C- 5		
95821-06012	C- 7		
95821-06016	B-12		
95821-08020	C- 4		
95821-10040	C-14		
95822-06016	C-12		
95826-06020	B- 9		
	B-14		