

YAMAHA

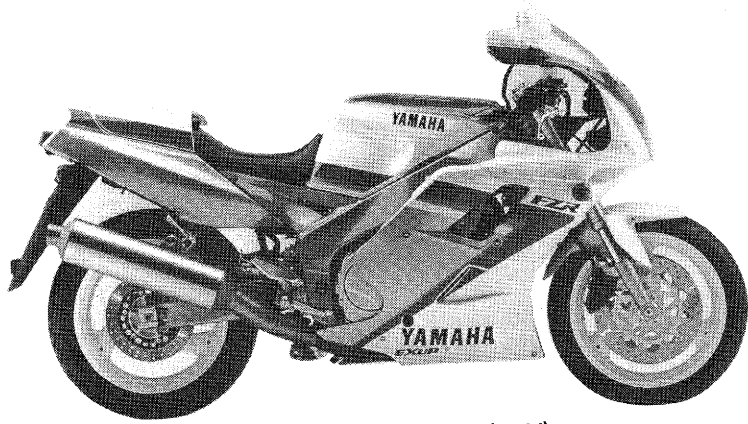
PARTS CATALOGUE

"B"

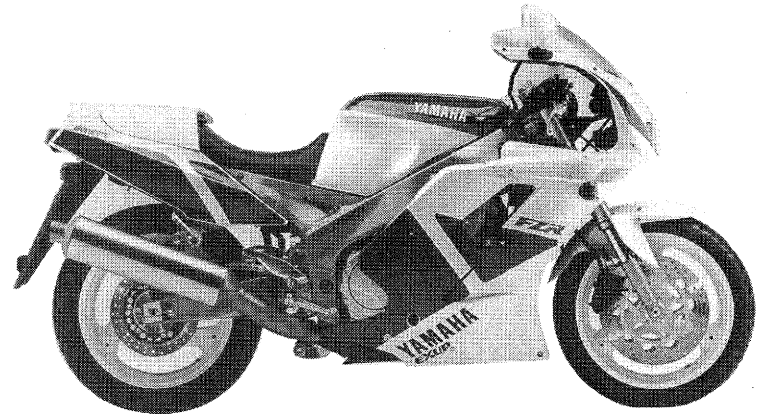
FZR1000'91 (3GM5/3GM7/3LG3)
3LH3/3LE3

EUROPE

113GM-300E1



SILKY WHITE (SW)



SILKY WHITE (SW)



NEW BLACK BLUE (NBB)

FOREWORD

This Parts Catalogue is related to the parts in use for the Yamaha FZR1000'91 (3GM5/3GM7/3LG3/3LH3/3LE3):

When you are ordering replacement parts for the FZR1000'91 (3GM5/3GM7/3LG3/3LH3/3LE3), refer to this Parts Catalogue and quote both part numbers and part names correctly.

1. Modifications or additions which have been made after issue of the Parts Catalogue will be announced in the Yamaha Parts News.

It is advisable that according to the Yamaha Parts News you make necessary corrections to the Parts Catalogue on hand to keep it up-to-date.

2. Abbreviations

The following abbreviations are used in this Parts Catalogue.

- U.R. Use size (thickness) and/or number as required.
- U.N. Use as many as you need.
- A.P. Alternate Parts
- L.M. Local Made
- F# Frame No. (Applicable machine No.)

3. The parts marked with (*) in the parts number column of this Catalogue are not supplied with by Yamaha, those have to be found locally.

4. Parts, which are to be supplied in the form of assemblies, are listed with an indentation of one letter's space, and a dot (.) is put against the name of each part.

EXAMPLE CARBURETOR ASS'Y
 •JET, pilot
 •NOZZLE, main

5. Indication of No. of constituent parts for assembly

The numeral appearing to the right of each constituent part under the description indicates the quantity of such parts for each individual assembly unit.

EXAMPLE

Part No.	Description	Q'ty	Remarks
2F5-83310-60	FRONT FLASHER LIGHT ASS'Y	2	
115-83311-60	•BULB (6V-18W)	1	
1M1-83309-60	•REFLECTOR	1	

6. Initial Serial No. and Color Code

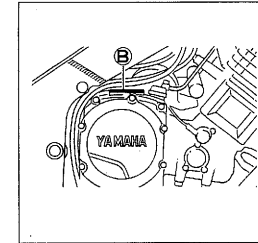
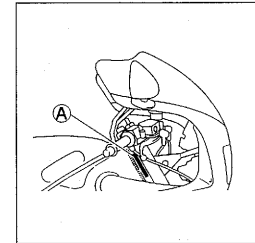
3GM5	A	Frame Serial No.	3GM-018101 and following
	B	Engine Serial No.	3GM-018101 and following

3GM7	A	Frame Serial No.	3GM-026101 and following
	B	Engine Serial No.	3GM-026101 and following

3LG3	A	Frame Serial No.	3LG-009101 and following
	B	Engine Serial No.	3LG-009101 and following

3LH3	A	Frame Serial No.	3LH-008101 and following
	B	Engine Serial No.	3LH-008101 and following

3LE3	A	Frame Serial No.	3LE-016101 and following
	B	Engine Serial No.	3LE-016101 and following



Color Code	Color Name	Abbreviate
GE	SILKY WHITE	SW
KM	NEW BLACK BLUE	NBB

8. Applicable colors of graphics are represented in the "Remarks" column by the letter(s) appropriately picked out of the full word(s) showing such colors.

EXAMPLE

Part No.	Description	Q'ty	Remarks
2N4-24110-00-X5	FUEL TANK COMP.	1	MAXIM RED
3J1-24240-10	•GRAPHIC, fuel tank set	1	for MXR

CONTENTS

GENERAL SPEC.

ENGINE

Fig. 1	CYLINDER HEAD	1
Fig. 2	CYLINDER	2
Fig. 3	CRANKSHAFT . PISTON	3
Fig. 4	VALVE	4
Fig. 5	CAMSHAFT . CHAIN	6
Fig. 6	WATER PUMP	7
Fig. 7	RADIATOR . HOSE	8
Fig. 8	OIL PUMP	9
Fig. 9	OIL CLEANER	11
Fig. 10	INTAKE	12
Fig. 11	CARBURETOR	14
Fig. 12	EXHAUST	17
Fig. 13	CRANKCASE	18
Fig. 14	CRANKCASE COVER 1	20
Fig. 15	STARTER	22
Fig. 16	CLUTCH	23
Fig. 17	TRANSMISSION	25
Fig. 18	SHIFT CAM . FORK	27
Fig. 19	SHIFT SHAFT	28

CHASSIS

Fig. 20	FRAME	29
Fig. 21	FENDER	31
Fig. 22	SIDE COVER	33
Fig. 23	SIDE COVER 2	34
Fig. 24	REAR ARM	35
Fig. 25	REAR SUSPENSION	37
Fig. 26	STEERING	38
Fig. 27	FRONT FORK	39
Fig. 28	FUEL TANK	41
Fig. 29	SEAT	43
Fig. 30	FRONT WHEEL	44

Fig. 31	FRONT BRAKE CALIPER	45
Fig. 32	REAR WHEEL	46
Fig. 33	REAR BRAKE CALIPER	48
Fig. 34	STEERING HANDLE . CABLE	49
Fig. 35	FRONT MASTER CYLINDER	50
Fig. 36	FRONT MASTER CYLINDER 2	52
Fig. 37	STAND . FOOTREST	53
Fig. 38	REAR MASTER CYLINDER	55
Fig. 39	COWLING 1	56
Fig. 40	COWLING 2	58
Fig. 41	COWLING 3	59
Fig. 42	GENERATOR	60
Fig. 43	PICK UP COIL . GOVERNOR	61
Fig. 44	STARTING MOTOR	62
Fig. 45	FLASHER LIGHT	63
Fig. 46	METER	64
Fig. 47	HEADLIGHT	66
Fig. 48	TAILLIGHT	67
Fig. 49	ELECTRICAL 1	68
Fig. 50	ELECTRICAL 2	70

INDIVIDUAL SPEC.

FOR DENMARK

Fig. 51	ALTERNATE (HEADLIGHT)	74
---------	-----------------------	----

FOR FINLAND

Fig. 52	ALTERNATE (CARBURETOR)	76
Fig. 53	ALTERNATE (ELECTRICAL)	79
Fig. 54	ALTERNATE (ENGINE)	80

FOR SWEDEN

Fig. 55	ALTERNATE (CARBURETOR)	82
Fig. 56	ALTERNATE (ENGINE)	85

Fig. 57	ALTERNATE (INTAKE/EXHAUST)	86
Fig. 58	ALTERNATE (ELECTRICAL)	87

FOR AUSTRIA

Fig. 59	ALTERNATE (CARBURETOR)	90
Fig. 60	ALTERNATE (ENGINE)	93

FOR ENGLAND

Fig. 61	ALTERNATE (CHASSIS/ELECTRICAL)	96
Fig. 62	ALTERNATE (INTAKE/METER)	97
Fig. 63	ALTERNATE (HEADLIGHT)	98

FOR SWITZERLAND

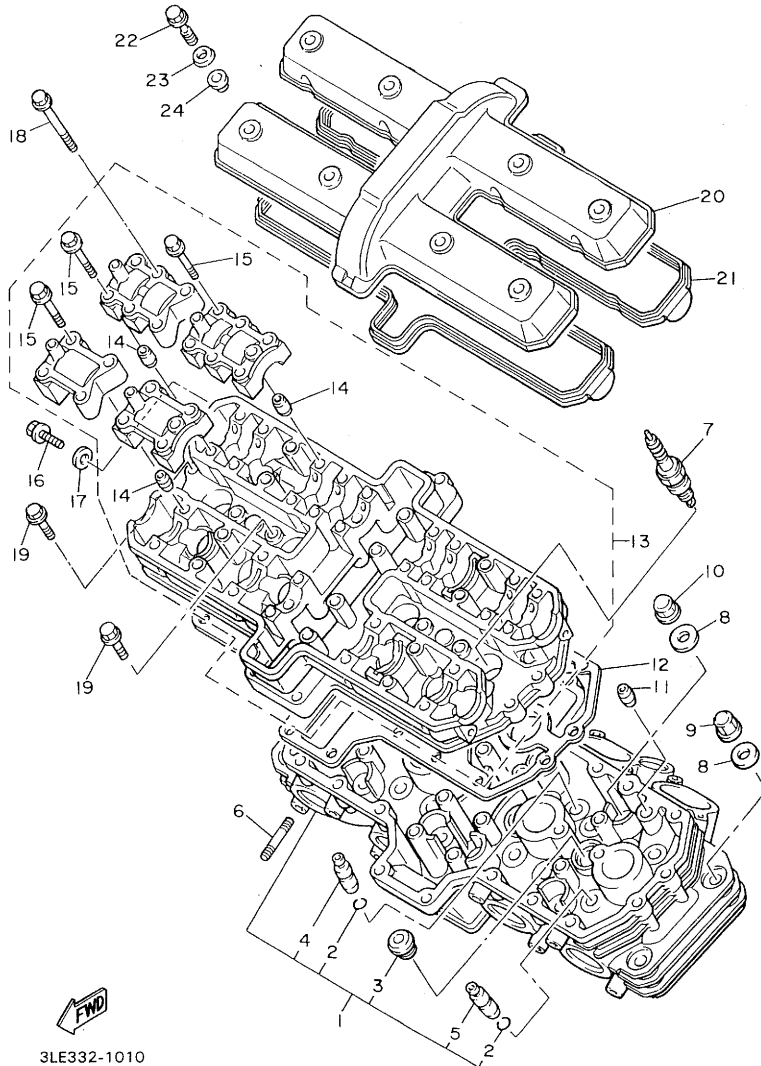
Fig. 64	ALTERNATE (CARBURETOR)	100
Fig. 65	ALTERNATE (ELECTRICAL)	103

INDEX

NUMERICAL INDEX

GENERAL SPEC.

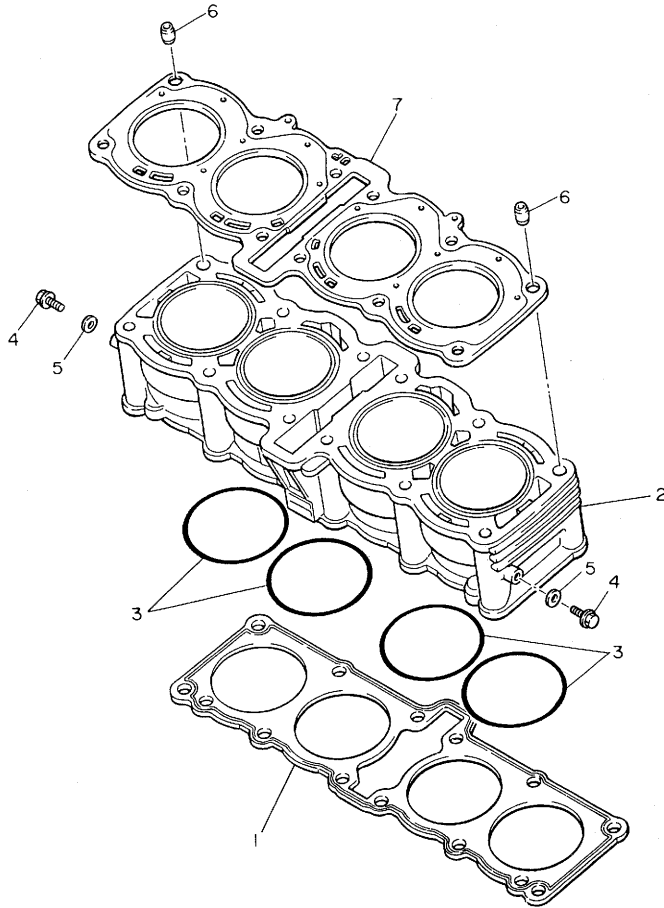
FIG. 1 CYLINDER HEAD



3LE332-1010

REF. NO.	PART NO.	DESCRIPTION	Q'TY	REMARKS
1	3GM-11102-00	CYLINDER HEAD ASSY	1	
2	93440-10153	.CIRCLIP	20	
3	90340-18101	.PLUG, straight screw	4	
4	3GM-11133-10	.GUIDE, intake valve	12	
5	3GM-11134-10	.GUIDE, exhaust valve	8	
6	95612-08325	BOLT, stud	8	
7	94701-00203	PLUG, spark (NGK DR8ES-L)	4	UR
	94701-00222	PLUG, spark (ND X24ESR-U)	4	UR
8	90201-103M4	WASHER, plate	12	
9	90176-10049	NUT, crown	4	
10	90179-10584	NUT	8	
11	99530-10014	PIN, dowel	2	
12	3GM-11182-00	GASKET, cylinder head 2	1	
13	3GM-1115A-00	CAM CASE ASSY	1	
14	99510-08016	.PIN, dowel	16	
15	90105-06153	.BOLT, washer based	16	
16	95023-06012	BOLT	1	
17	90430-06014	GASKET	1	
18	90105-06541	BOLT, washer based	24	
19	95023-06025	BOLT	11	
20	3GM-11191-00	COVER, cylinder head 1	1	
21	3GM-11193-00	GASKET, head cover 1	1	
22	90109-064F0	BOLT	8	
23	90209-11262	WASHER	8	
24	2GH-1111G-00	RUBBER, mount 1	8	

FIG. 2 CYLINDER



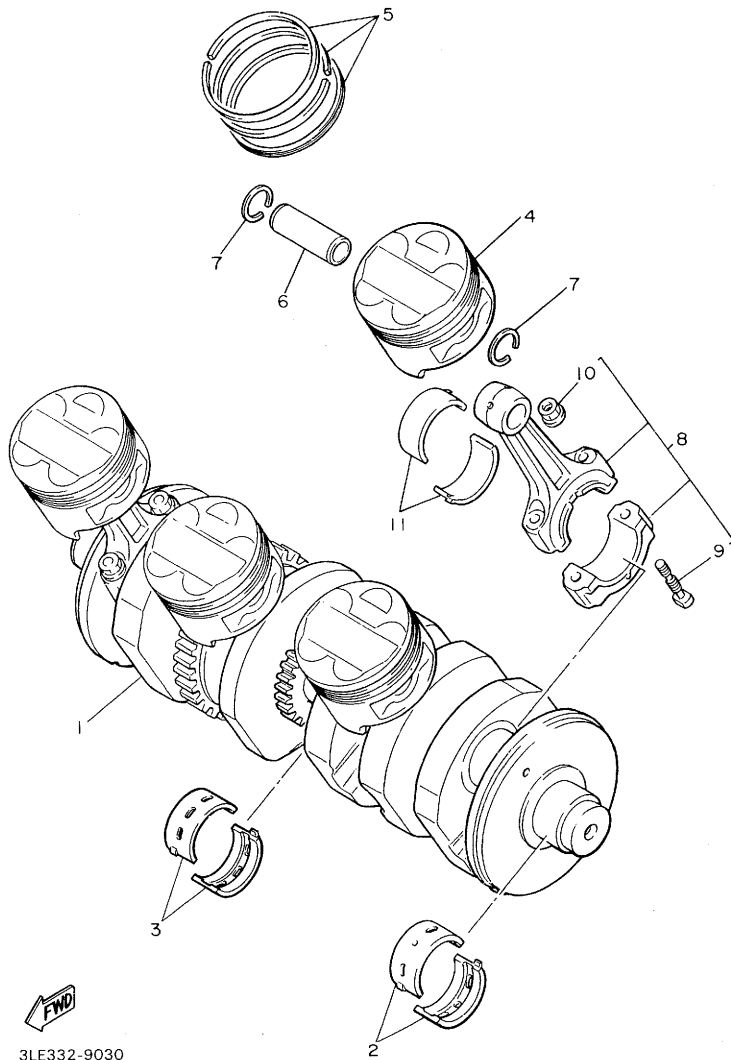
REF. NO.	PART NO.	DESCRIPTION	Q'TY	REMARKS
1	3GM-11351-00	GASKET, cylinder	1	
2	3GM-11310-00	CYLINDER	1	
3	93210-77363	O-RING	4	
4	95023-06012	BOLT	2	
5	90430-06014	GASKET	2	
6	99510-14016	PIN, dowel	2	
7	3GM-11181-00	GASKET, cylinder head 1	1	



3LE332-9020

B3

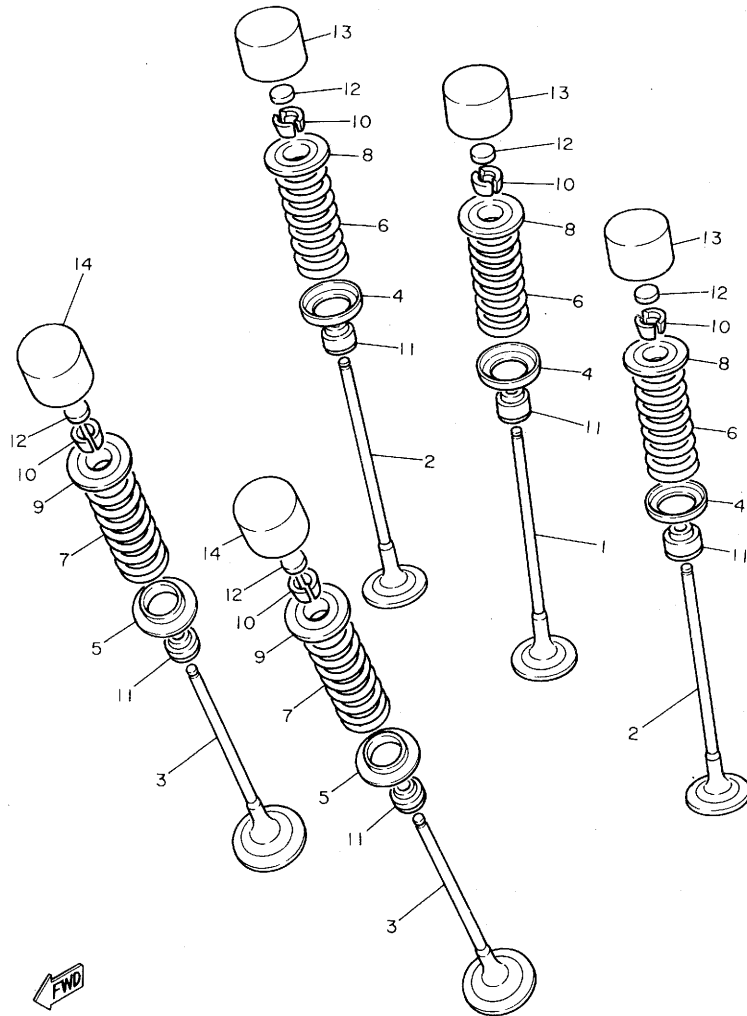
FIG. 3 CRANKSHAFT • PISTON



3LE332-9030

REF. NO.	PART NO.	DESCRIPTION	Q'TY	REMARKS
1	3GM-11411-01	CRANKSHAFT	1	
2	2GH-11416-00	PLANE BEARING, crankshaft 1	8	UR BLUE
	2GH-11416-10	PLANE BEARING, crankshaft 1	8	UR BLACK
	2GH-11416-20	PLANE BEARING, crankshaft 1	8	UR BROWN
	2GH-11416-30	PLANE BEARING, crankshaft 1	8	UR GREEN
	2GH-11416-40	PLANE BEARING, crankshaft 1	8	UR YELLOW
3	3GM-11416-00	PLANE BEARING, crankshaft 1	2	UR BLUE
	3GM-11416-10	PLANE BEARING, crankshaft 1	2	UR BLACK
	3GM-11416-20	PLANE BEARING, crankshaft 1	2	UR BROWN
	3GM-11416-30	PLANE BEARING, crankshaft 1	2	UR GREEN
	3GM-11416-40	PLANE BEARING, crankshaft 1	2	UR YELLOW
4	3GM-11631-00	PISTON (STD)	4	UR
	3GM-11636-00	PISTON (0.50MM O/S)	4	AP
5	3GM-11610-00	PISTON RING SET (STD)	4	UR
	3GM-11610-20	PISTON RING SET (0.50MM O/S)	4	AP
6	3GM-11633-00	PIN, piston	4	
7	93450-19095	CIRCLIP	8	
8	3GM-11650-00	CONNECTING ROD ASSY	4	
9	12R-11654-00	•BOLT, connecting rod	2	
10	90179-08327	•NUT	2	
11	3GM-11656-00	PLANE BEARING, connecting rod	8	UR BLUE
	3GM-11656-10	PLANE BEARING, connecting rod	8	UR BLACK
	3GM-11656-20	PLANE BEARING, connecting rod	8	UR BROWN
	3GM-11656-30	PLANE BEARING, connecting rod	8	UR GREEN

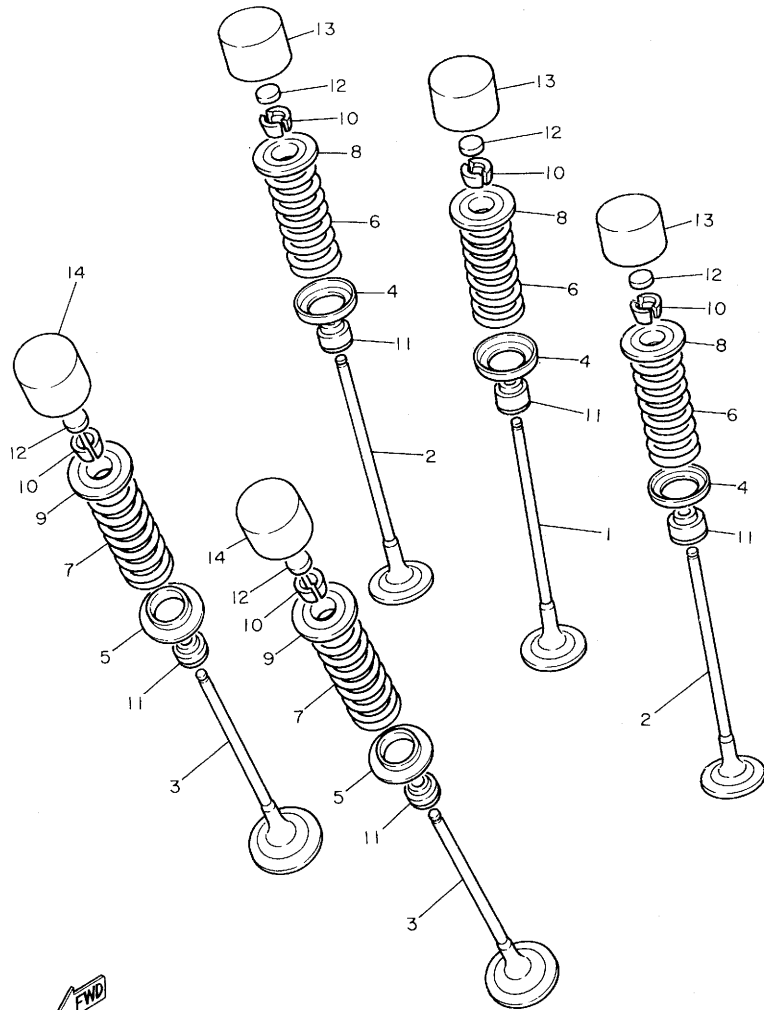
FIG. 4 VALVE



3LE332-9040

REF. NO.	PART NO.	DESCRIPTION	Q'TY	REMARKS
1	3GM-12111-00	VALVE, intake	4	
2	3GM-12112-00	VALVE, intake 2	8	
3	3GM-12121-00	VALVE, exhaust	8	
4	3GM-12116-00	SEAT, valve spring	12	
5	3GM-12126-00	SEAT, valve spring 2	8	
6	3GM-12113-00	SPRING, valve inner	12	
7	3GM-12114-00	SPRING, valve outer	8	
8	3GM-12117-00	RETAINER, valve spring	12	
9	1WG-12117-00	RETAINER, valve spring	8	
10	1WG-12118-00	COTTER, valve	40	
11	1WG-12119-00	SEAL, valve stem	20	
12	1HX-12168-00	PAD, adjusting 2 (1.20)	20	UR
	1HX-12168-20	PAD, adjusting 2 (1.25)	20	UR
	1HX-12168-40	PAD, adjusting 2 (1.30)	20	UR
	1HX-12168-60	PAD, adjusting 2 (1.35)	20	UR
	1HX-12168-80	PAD, adjusting 2 (1.40)	20	UR
	1HX-12168-A0	PAD, adjusting 2 (1.45)	20	UR
	1HX-12168-F0	PAD, adjusting 2 (1.50)	20	UR
	1HX-12168-H0	PAD, adjusting 2 (1.55)	20	UR
	1HX-12168-K0	PAD, adjusting 2 (1.60)	20	UR
	1HX-12168-M0	PAD, adjusting 2 (1.65)	20	UR
	1HX-12168-R0	PAD, adjusting 2 (1.70)	20	UR
	1HX-12168-U0	PAD, adjusting 2 (1.75)	20	UR
	1HX-12168-W0	PAD, adjusting 2 (1.80)	20	UR
	1HX-12168-Y0	PAD, adjusting 2 (1.85)	20	UR
	1HX-12169-10	PAD, adjusting 2 (1.90)	20	UR
	1HX-12169-30	PAD, adjusting 2 (1.95)	20	UR
	1HX-12169-50	PAD, adjusting 2 (2.00)	20	UR

FIG. 4 VALVE

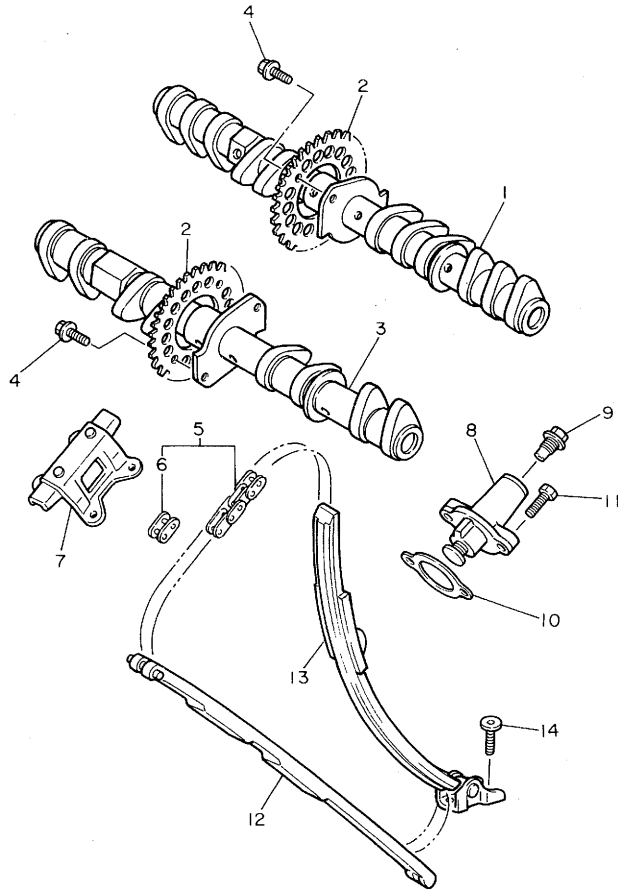


REF. NO.	PART NO.	DESCRIPTION	Q'TY	REMARKS
12	1HX-12169-70	PAD, adjusting 2 (2.05)	20	UR
	1HX-12169-90	PAD, adjusting 2 (2.10)	20	UR
	1HX-12169-E0	PAD, adjusting 2 (2.15)	20	UR
	1HX-12169-G0	PAD, adjusting 2 (2.20)	20	UR
	1HX-12169-J0	PAD, adjusting 2 (2.25)	20	UR
	1HX-12169-L0	PAD, adjusting 2 (2.30)	20	UR
	1HX-12169-N0	PAD, adjusting 2 (2.35)	20	UR
	1HX-12169-T0	PAD, adjusting 2 (2.40)	20	UR
13	2NK-12153-02	LIFTER, valve	12	UR STD BLACK
	2NK-12153-09	LIFTER, valve(O/S)	12	UR WHITE
14	1WG-12153-21	LIFTER, valve	8	UR STD BLUE
	1WG-12153-09	LIFTER, valve (O/S)	8	UR WHITE



3LE332-9040

FIG. 5 CAMSHAFT • CHAIN



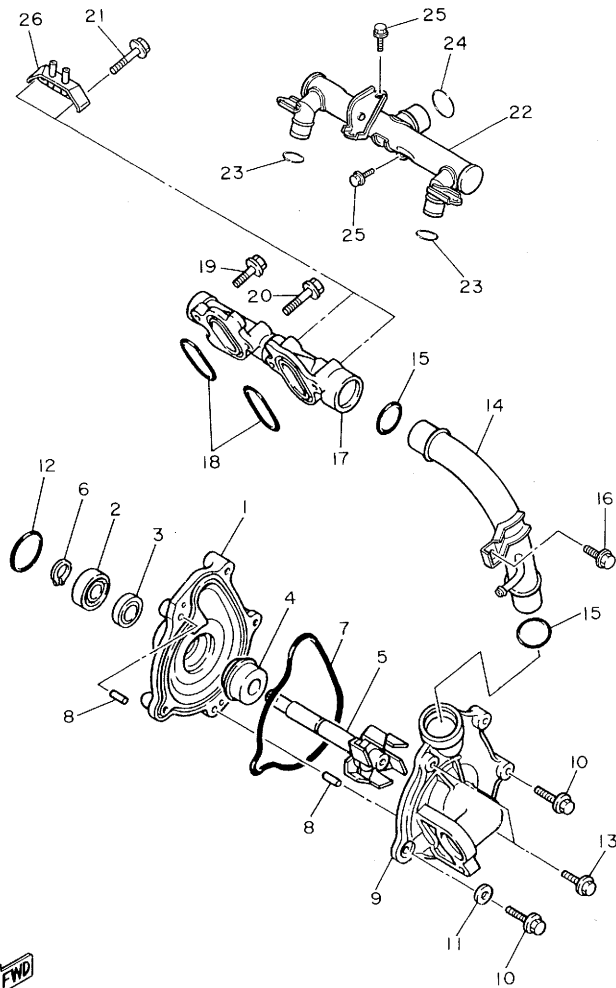
REF. NO.	PART NO.	DESCRIPTION	Q'TY	REMARKS
1	3GM-12171-00	CAMSHAFT 1	1	
2	3GM-12176-00	SPROCKET, cam chain	2	
3	3GM-12181-00	CAMSHAFT 2	1	
4	90105-07342	BOLT, washer based	4	
5	94581-01108	CHAIN (DID219FS-108L)	1	
6	94681-01021	JOINT, chain	1	
7	2GH-12241-00	GUIDE, stopper 2	1	
8	3GM-12210-00	TENSIONER ASSY, cam chain	1	
9	90109-112F1	BOLT	1	
10	30X-12213-00	GASKET, tensioner case	1	
11	95023-06025	BOLT	2	
12	3GM-12251-00	DAMPER, chain 1	1	
13	3GM-12252-00	DAMPER, chain 2	1	
14	90109-065A8	BOLT	2	



3LE332-9050

B7

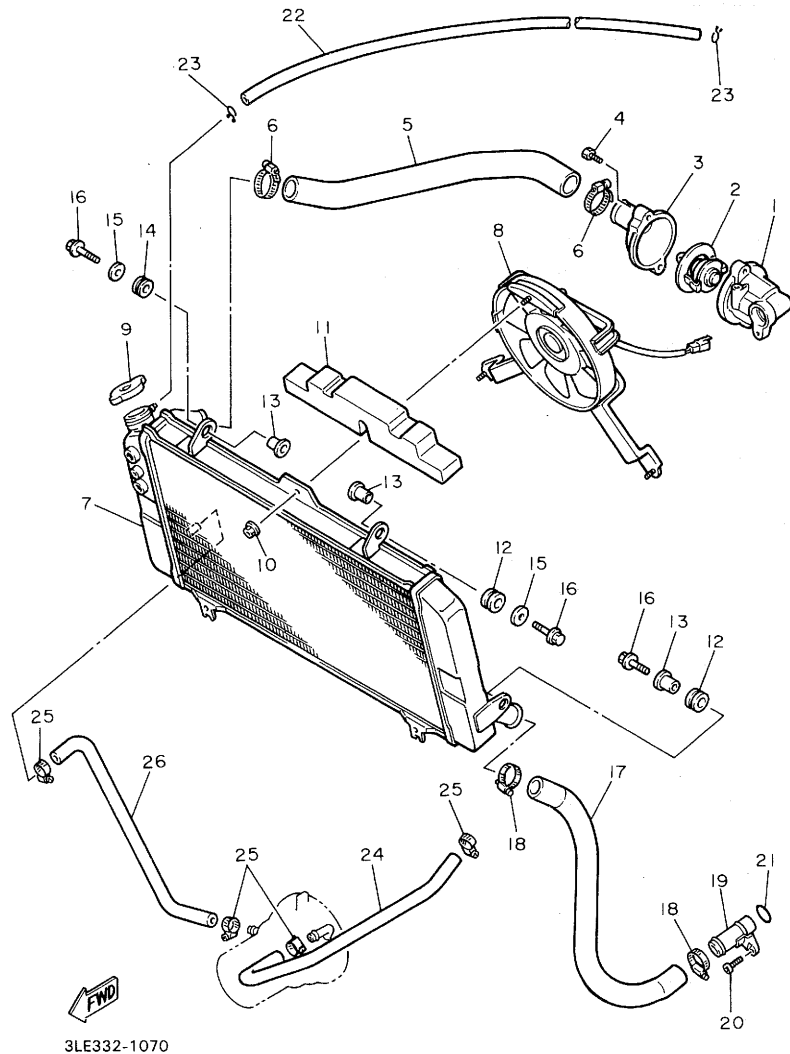
FIG. 6 WATER PUMP




3LE332-1060

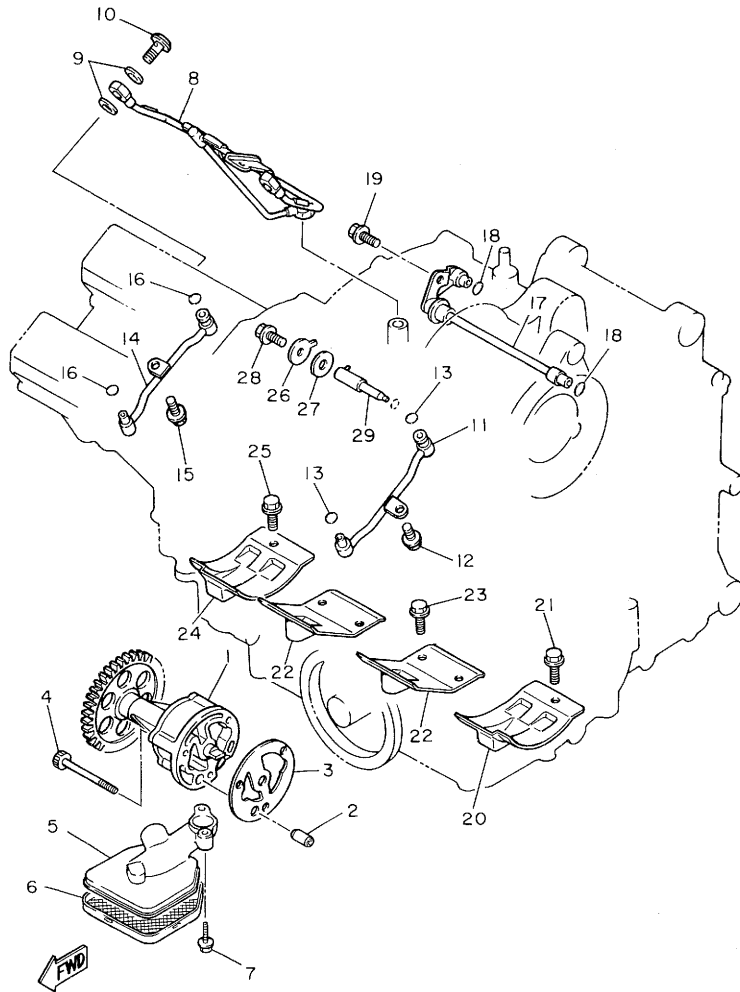
REF. NO.	PART NO.	DESCRIPTION	Q'TY	REMARKS
1	1UF-12421-01	HOUSING, water pump	1	
2	93306-00106	BEARING	1	
3	93101-12060	OIL SEAL	1	
4	11H-12438-00	SEAL, mechanical	1	
5	1UF-12450-00	IMPELLER SHAFT ASSY	1	
6	99009-12400	CIRCLIP	1	
7	1AE-12439-00	O-RING	1	
8	93604-10011	PIN, dowel	2	
9	3GM-12422-00	COVER, housing	1	
10	95023-06025	BOLT	3	
11	90430-06014	GASKET	1	
12	93210-33133	O-RING	1	
13	95021-06050	BOLT, flange	2	
14	3GM-12481-50	PIPE 1	1	
15	93210-23787	O-RING	2	
16	95023-06012	BOLT	1	
17	3DX-12469-00	JOINT 1	1	
18	93210-30694	O-RING	2	
19	95023-06020	BOLT	1	
20	95023-06030	BOLT	1	
21	95023-06040	BOLT	2	
22	3GM-12482-00	PIPE 2	1	
23	93210-18417	O-RING	2	
24	93210-23787	O-RING	1	
25	95023-06010	BOLT	2	
26	2GH-14413-00	STAY	1	

FIG. 7 RADIATOR • HOSE



REF. NO.	PART NO.	DESCRIPTION	Q'TY	REMARKS
1	3GM-12417-00	HOUSING, thermostat	1	
2	3GM-12410-00	THERMOSTAT ASSY	1	
3	3GM-12413-00	COVER, thermostat	1	
4	95023-06025	BOLT	2	
5	3GM-12576-50	HOSE 1	1	
6	90450-38040	HOSE CLAMP ASSY	2	
7	3GM-12461-50	RADIATOR ASSY	1	
8	3GM-12405-50	BLOWER ASSY	1	
9	22W-12462-00	CAP, radiator	1	
10	95706-06500	NUT, flange	3	
11	3GM-12682-50	PROTECTOR, heat	1	
12	90480-15363	GROMMET	3	
13	90387-07391	COLLAR	4	
14	90480-10297	GROMMET	1	
15	90201-06697	WASHER, plate	2	
16	95816-06025	BOLT, flange	4	
17	3GM-12579-50	HOSE 4	1	
18	90450-38040	HOSE CLAMP ASSY	2	
19	2GH-12484-00	PIPE 4	1	
20	90110-06142	BOLT, hexagon socket head	1	
21	93210-23787	O-RING	1	
22	90445-096E8	HOSE	1	
23	90467-08003	CLIP	2	
24	3GM-12588-50	HOSE 5	1	
25	90450-22052	HOSE CLAMP ASSY	4	
26	3GM-12589-50	HOSE 6	1	

FIG. 8 OIL PUMP

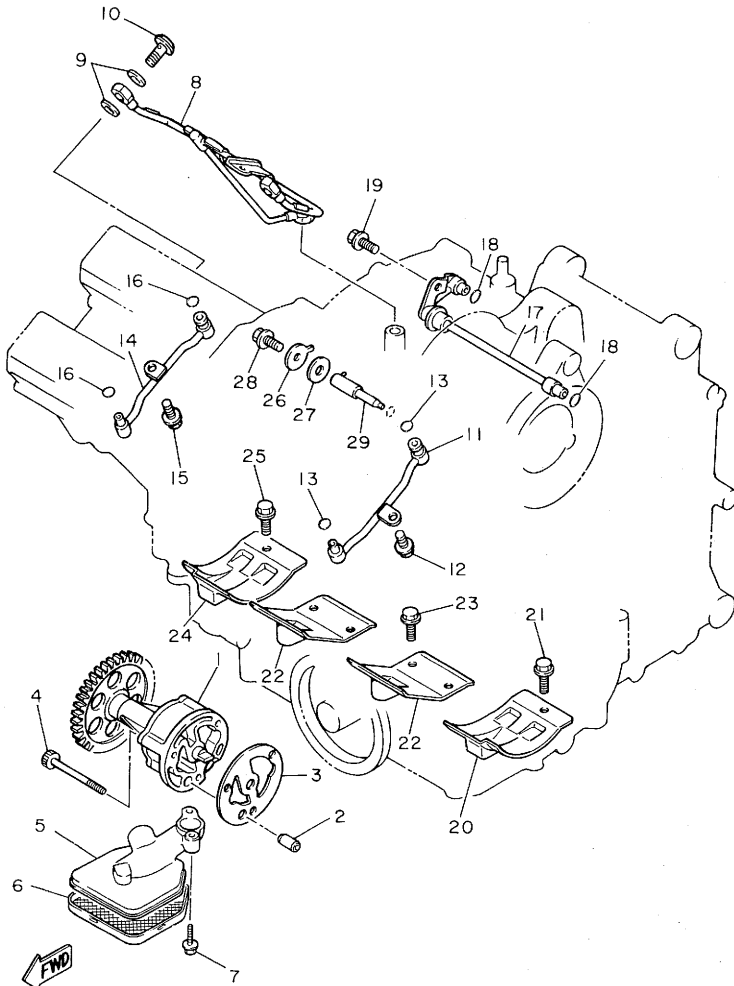


3LE332-1080

REF. NO.	PART NO.	DESCRIPTION	Q'TY	REMARKS
1	1AE-13300-00	OIL PUMP ASSY	1	
2	99510-08012	PIN, dowel	1	
3	2GH-13329-00	GASKET, pump cover	1	
4	91316-06050	BOLT	3	
5	3GM-13412-50	HOUSING, strainer	1	
6	3GM-13411-00	STRAINER, oil	1	
7	95026-06030	BOLT, flange	2	
8	3GM-13171-00	PIPE, delivery 2	1	
9	90430-10171	GASKET	6	
10	90401-10139	BOLT, union	3	
11	3GM-13181-00	PIPE, delivery 3	1	
12	95026-06012	BOLT, flange	1	
13	93210-06632	O-RING	2	
14	3GM-13191-00	PIPE, delivery 4	1	
15	95026-06012	BOLT, flange	1	
16	93210-06632	O-RING	2	
17	2GH-1316E-00	PIPE, delivery 5	1	
18	93210-07135	O-RING	2	
19	95026-06012	BOLT, flange	1	
20	2GH-15123-00	PLATE, baffle 1	1	
21	95026-06012	BOLT, flange	2	
22	1AE-15124-00	PLATE, baffle 2	2	
23	95026-06012	BOLT, flange	6	
24	2GH-15133-00	PLATE, baffle 3	1	
25	95026-06012	BOLT, flange	2	
26	90201-061M7	WASHER, plate	1	
27	90430-06210	GASKET	1	
28	95811-06016	BOLT, flange	1	

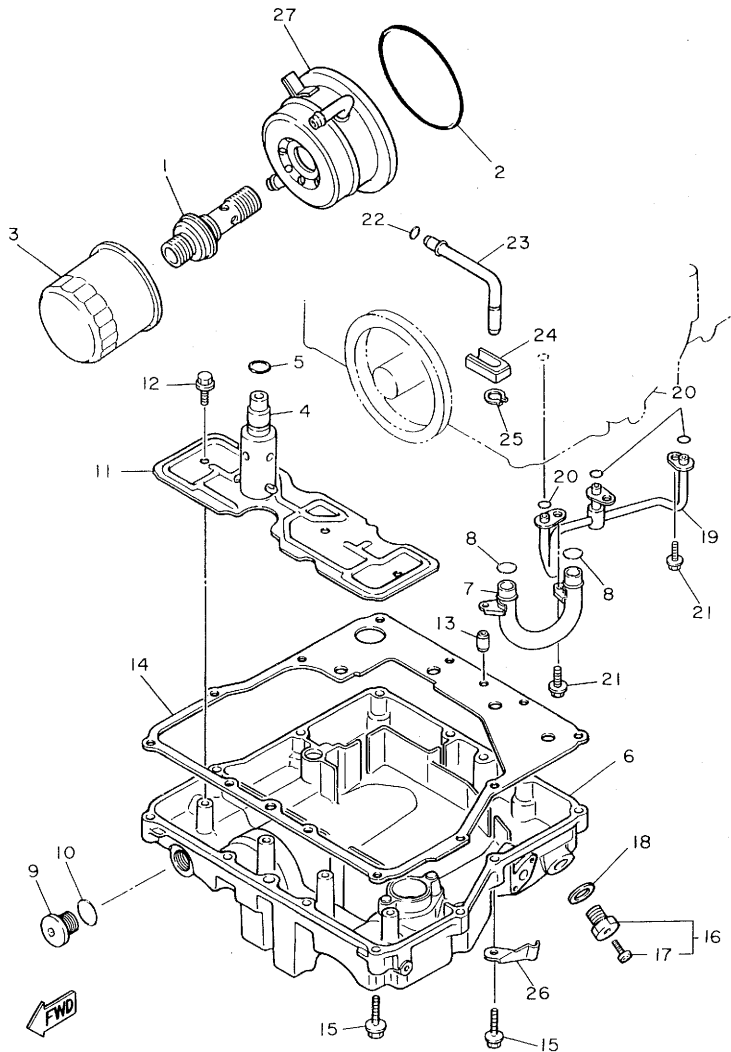
FIG. 8 OIL PUMP

REF. NO.	PART NO.	DESCRIPTION	Q'TY	REMARKS
29	3GM-13454-00	NOZZLE	1	



3LE332-1080

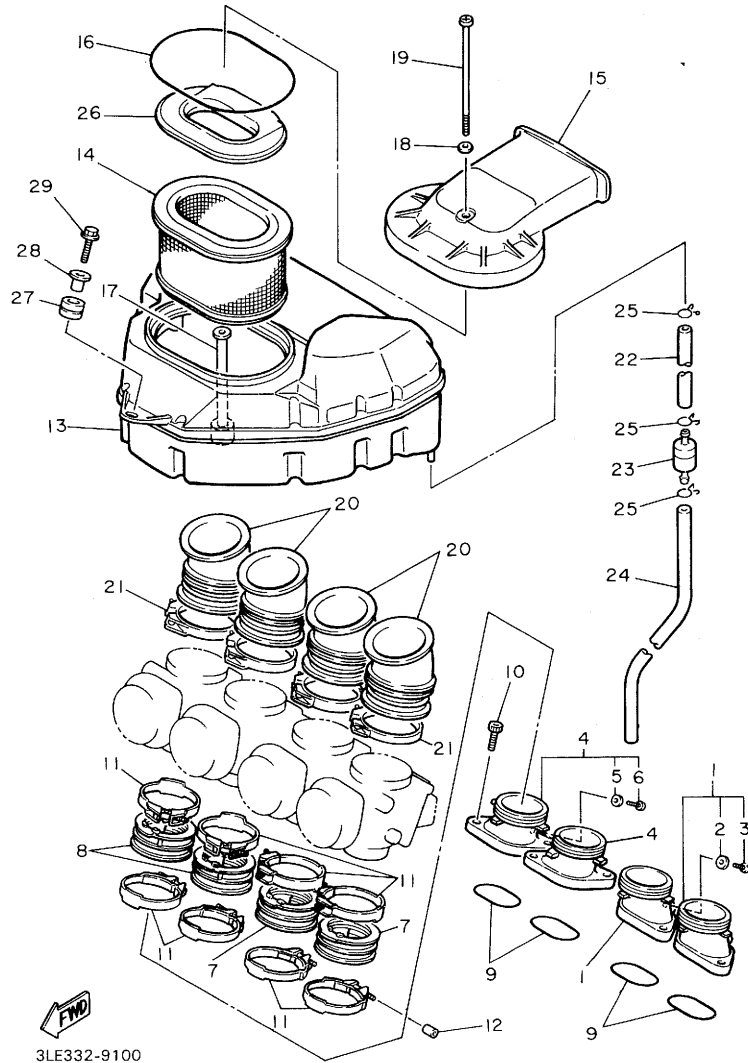
FIG. 9 OIL CLEANER



3LE332-1090

REF. NO.	PART NO.	DESCRIPTION	Q'TY	REMARKS
1	3TJ-13340-00	BY-PASS VALVE ASSY	1	
2	93210-87723	O-RING	1	
3	3FV-13440-00	ELEMENT ASSY, oil cleaner	1	
4	3KS-13490-00	RELIEF VALVE ASSY	1	
5	93210-15566	O-RING	1	
6	3GM-13417-50	COVER, strainer	1	
7	3FV-13416-01	PIPE, oil 1	1	
8	93210-14579	O-RING	2	
9	36Y-15189-00	PLUG	1	
10	93210-16629	O-RING	1	
11	3GM-13337-00	PLATE, baffle lower	1	
12	95026-06010	BOLT, flange	4	
13	99510-08016	PIN, dowel	2	
14	3GM-13414-00	GASKET, strainer cover	1	
15	95023-06030	BOLT	12	
16	11H-13455-00	PLUG	1	
17	98901-06008	SCREW, bind	1	
18	214-11198-01	GASKET	1	
19	3GM-13161-00	PIPE, delivery 1	1	
20	93210-06714	O-RING	3	
21	95026-06012	BOLT, flange	3	
22	93210-09418	O-RING	1	
23	3GM-15373-00	PIPE, breather	1	
24	3GM-13174-00	HOLDER, oil pipe	1	
25	99009-10400	CIRCLIP	1	
26	90465-08076	CLAMP	1	
27	3TJ-13470-00	OIL COOLER ASSY	1	

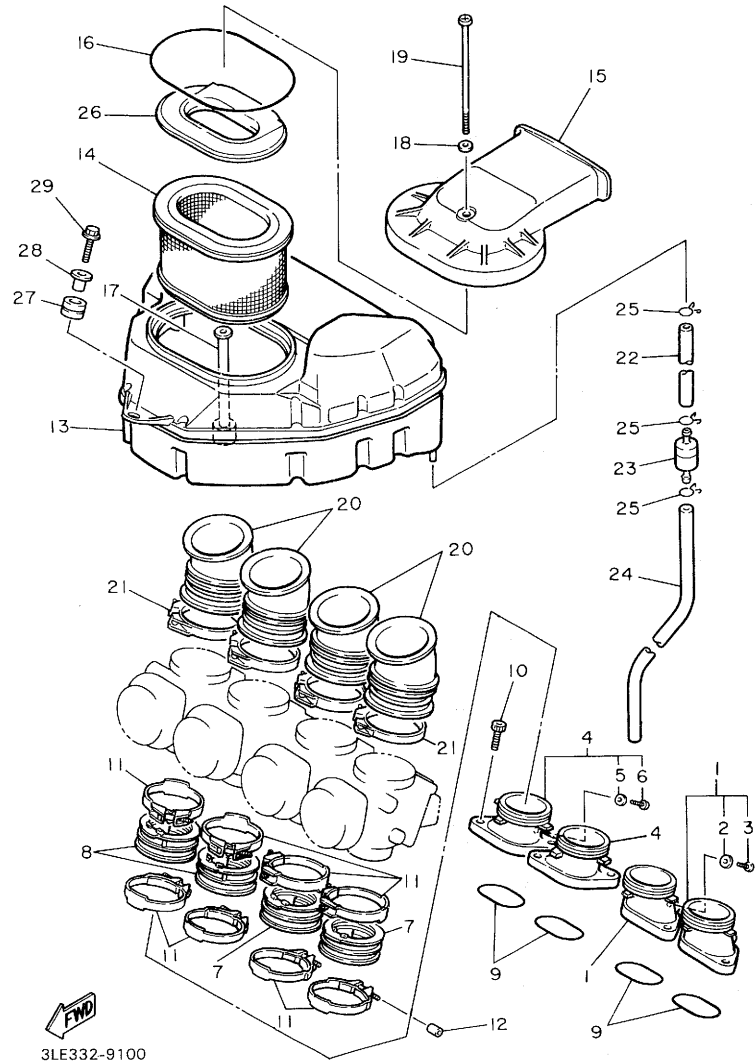
FIG. 10 INTAKE



3LE332-9100

REF. NO.	PART NO.	DESCRIPTION	Q'TY	REMARKS
1	3GM-13586-00	JOINT, carburetor 1	2	
2	90430-06014	.GASKET	1	
3	91312-06012	.BOLT	1	
4	3GM-13596-00	JOINT, carburetor 2	2	
5	90430-06014	.GASKET	1	
6	91312-06012	.BOLT	1	
7	3GM-13597-00	JOINT, carburetor 3	2	
8	3GM-13598-00	JOINT, carburetor 4	2	
9	93210-44545	O-RING	4	
10	91316-06020	BOLT	8	
11	90450-57034	HOSE CLAMP ASSY	8	
12	90445-08740	HOSE	2	
13	3GM-14401-00	AIR CLEANER CASE ASSY	1	
14	3GM-14451-00	ELEMENT, air cleaner	1	
15	3GM-14422-00	CAP, cleaner case 2	1	
16	3GM-14452-00	SEAL	1	
17	3GM-14443-00	COLLAR	1	
18	92990-06600	WASHER, plate	1	
19	98511-06140	SCREW, pan head	1	
20	3GM-14453-00	JOINT, air cleaner 1	4	
21	90450-67033	HOSE CLAMP ASSY	4	
22	90445-11288	HOSE	1	
23	4X7-2149Y-00	FILTER ASSY	1	
24	90445-114E2	HOSE	1	
25	90467-10008	CLIP	3	
26	3GM-14432-00	SILENSER, inner	1	
27	90480-14023	GROMMET	1	
28	90387-060M9	COLLAR	1	

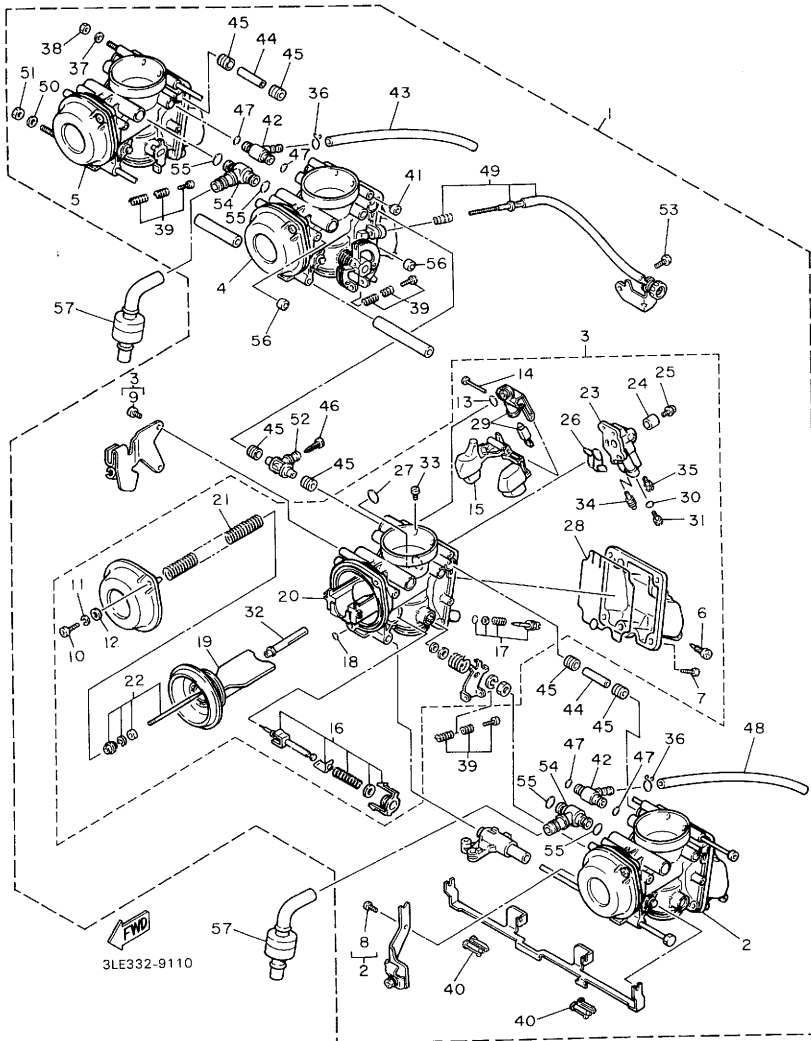
FIG. 10 INTAKE



3LE332-9100

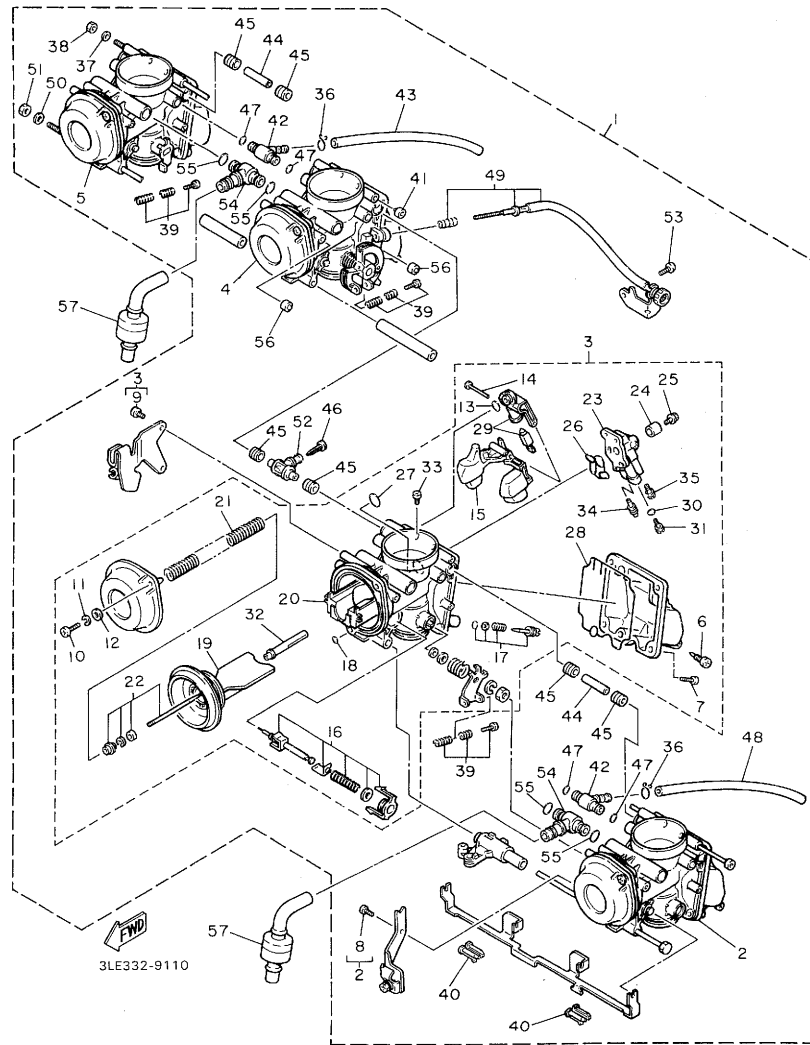
REF. NO.	PART NO.	DESCRIPTION	Q'TY	REMARKS
29	91012-06030	BOLT, flange	1	

FIG. 11 CARBURETOR



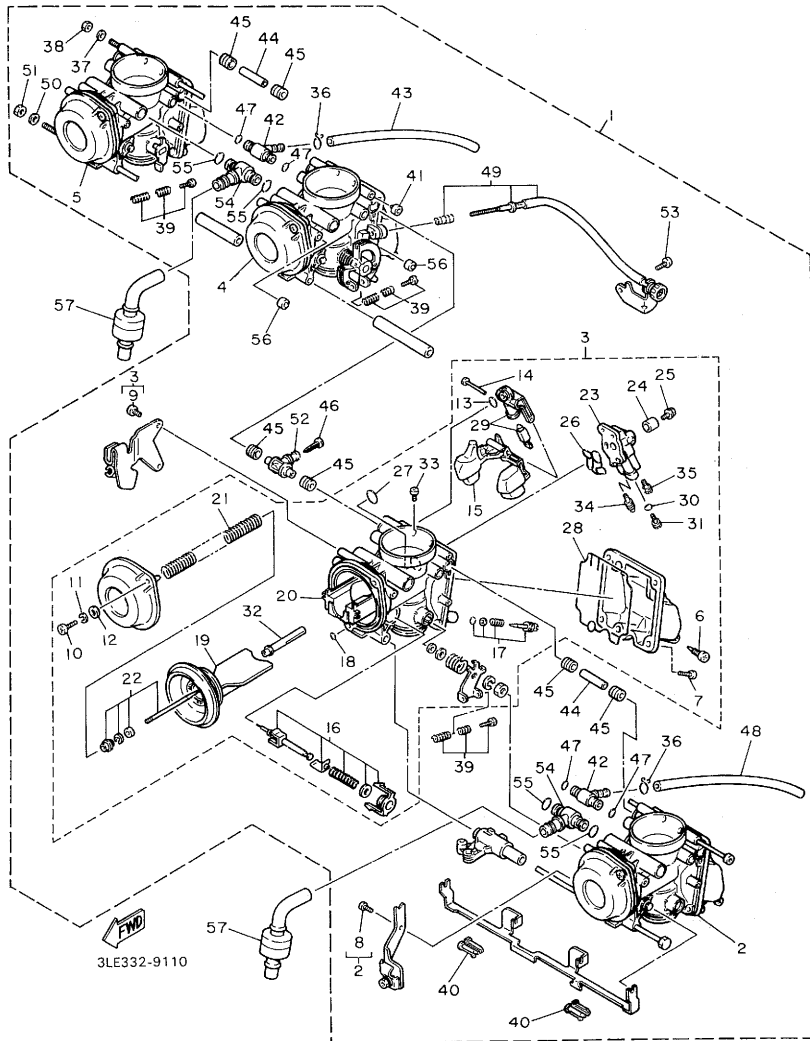
REF. NO.	PART NO.	DESCRIPTION	Q'TY	REMARKS
1	3GM-14900-00	CARBURETOR ASSY	1	
2	3GM-14901-00	..CARBURETOR ASSY 1	1	
3	3GM-14902-00	..CARBURETOR ASSY 2	1	
4	3GM-14903-00	..CARBURETOR ASSY 3	1	
5	3GM-14904-00	..CARBURETOR ASSY 4	1	
6	12R-14191-00	..PLUG, drain	1	
7	98501-05012	..SCREW, pan head	4	
8	98580-04008	..SCREW, pan head	1	
9	98580-04008	..SCREW, pan head	2	
10	98506-05016	..SCREW, pan head	2	
11	92906-05100	..WASHER, spring	2	
12	92906-05600	..WASHER, plate	2	
13	3EN-14147-00	..O-RING	1	
14	53L-14186-00	..PIN, float	1	
15	3GM-14985-00	..FLOAT	1	
16	3EN-1410A-00	..STARTER SET	1	
17	12R-14105-00	..PILOT SCREW SET	1	
18	3FV-14147-00	..O-RING	1	
19	3GM-14940-00	..DIAPHRAGM ASSY	1	
20	3GM-1411E-00	..BLOCK, jet	1	
21	3FV-14933-00	..SPRING, diaphragm	1	
22	3GM-1490J-00	..NEEDLE SET	1	
23	3GM-1411A-00	..BLOCK JET ASSY	1	
24	3GM-14153-00	..WASHER, main jet	1	
25	1HX-14565-00	..SCREW	1	
26	3LF-14147-00	..O-RING	1	
27	1AE-14147-00	..O-RING	1	
28	3GM-14997-00	..SEAL	1	

FIG. 11 CARBURETOR



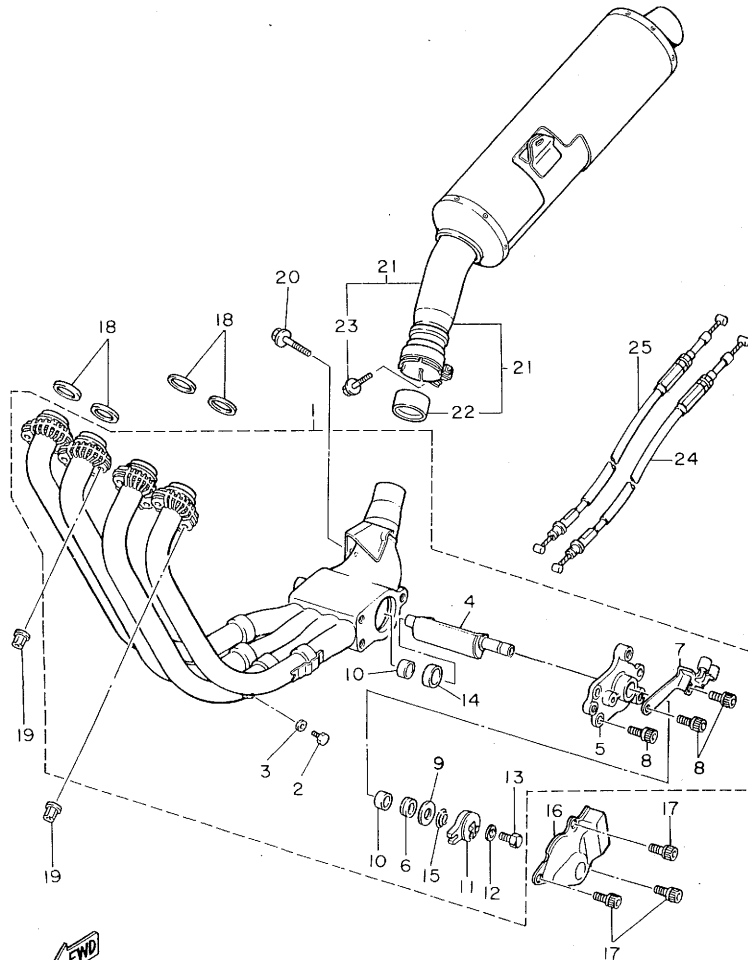
REF. NO.	PART NO.	DESCRIPTION	Q'TY	REMARKS
29	3GM-14107-17	..NEEDLE VALVE SET	1	
30	1AE-14227-00	..O-RING	1	
31	3G2-14231-25	..JET, main (# 125)	1	UR
	3G2-1423A-75-A1	..JET, main (# 122.5)	1	UR
32	3GM-14141-90	..NOZZLE, main	1	
33	830-14231-23	..JET, main (# 115)	1	
34	4G0-14142-40	..JET, pilot (# 40)	1	
35	3G2-14231-12	..JET, power (# 60)	1	
36	8U9-14139-00	..CLIP, pipe	2	
37	92901-05600	..WASHER, plate	1	
38	95303-05600	..NUT	1	
39	3EN-1490K-00	..STOP SCREW SET	3	
40	3EN-14261-00	..HOLDER	2	
41	3GM-14918-00	..RING	1	
42	17A-14251-00	..NIPPLE	2	
43	2GH-14197-00	..PIPE	1	
44	3GM-14988-00	..PIPE, starter connecting	2	
45	3EN-14997-00	..SEAL	6	
46	1KT-14994-00	..NET, filter	1	
47	822-14147-00	..O-RING	4	
48	3LF-14197-00	..PIPE	1	
49	3GM-14103-00	..THROTTLE SCREW SET	1	
50	92990-06600	..WASHER, plate	1	
51	95303-06600	..NUT	1	
52	3EN-14988-00	..PIPE, starter connecting	1	
53	98501-05008	..SCREW, pan head	1	
54	3GM-14251-00	..NIPPLE	2	
55	3LK-14147-00	..O-RING	4	

FIG. 11 CARBURETOR



REF. NO.	PART NO.	DESCRIPTION	Q'TY	REMARKS
56	3GM-14992-00	•ROD	2	
57	3GM-14197-00	PIPE	2	

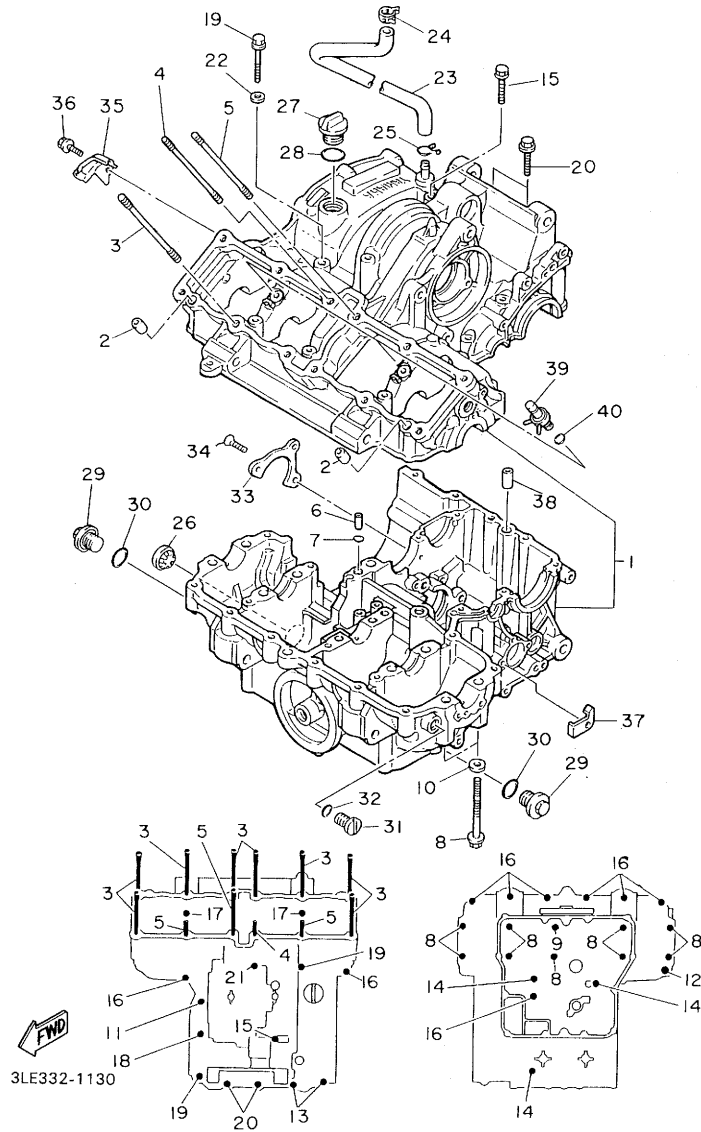
FIG. 12 EXHAUST



3LE332-1120

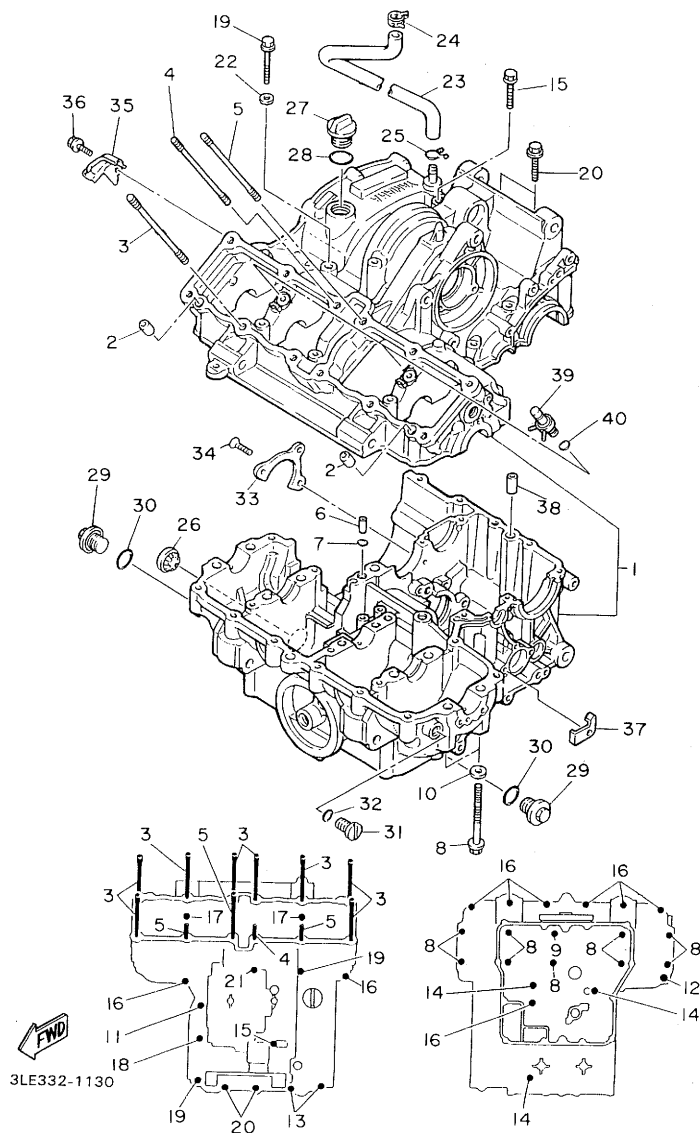
REF. NO.	PART NO.	DESCRIPTION	Q'TY	REMARKS
1	3GM-14610-00	EXHAUST PIPE ASSY 1	1	
2	90101-06576	.BOLT	4	
3	92906-06600	.WASHER, plate	4	
4	3GM-14821-00	.ARM, shaft (VALVE)	1	
5	3GM-14811-00	.HOUSING	1	
6	2TK-14845-00	.DUST SEAL ASSY	1	
7	2TK-14867-01	.BRACKET	1	
8	90119-06115	.BOLT, with washer	3	
9	90201-106M5	.WASHER, plate	1	
10	90380-10195	.BUSH, solid	2	
11	2TK-14865-01	.PULLEY	1	
12	92990-05200	.WASHER, plain	1	
13	97395-05012	.BOLT	1	
14	90387-106U7	.COLLAR	1	
15	3GM-14683-00	.SPRING, hook	1	
16	3EN-14826-10	PROTECTOR, exhaust	1	
17	90119-06187	BOLT, with washer	3	
18	5Y1-14613-00	GASKET, exhaust pipe	4	
19	90179-08410	NUT	8	
20	95816-08035	BOLT, flange	1	
21	3GM-14710-51	MUFFLER ASSY 1	1	
22	3HE-14755-00	.GASKET, silencer	1	
23	95816-08025	.BOLT, flange	1	
24	3GM-1133E-50	CABLE, pulley 1	1	
25	3GM-1133F-50	CABLE, pulley 2	1	

FIG. 13 CRANKCASE



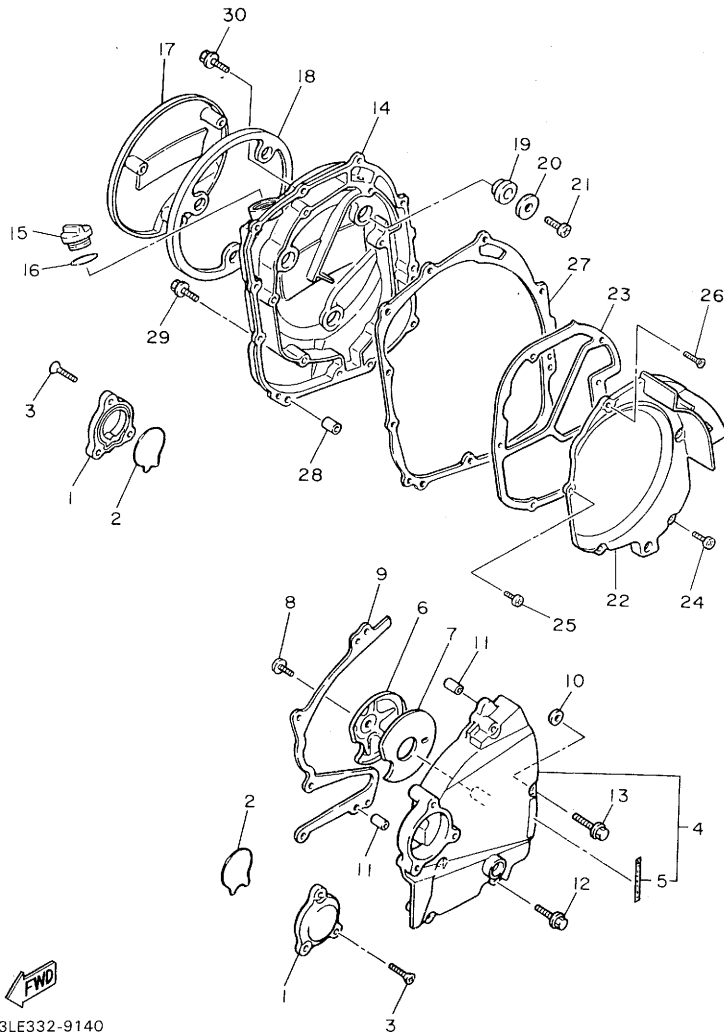
REF. NO.	PART NO.	DESCRIPTION	Q'TY	REMARKS
1	3GM-15100-01	CRANKCASE ASSY	1	
2	99530-10014	PIN, dowel	2	
3	90116-10532	BOLT, stud	8	
4	90116-10531	BOLT, stud	1	
5	90116-10537	BOLT, stud	3	
6	90387-05383	COLLAR	1	
7	93210-07135	O-RING	1	
8	90105-09373	BOLT, washer based	9	
9	90105-09580	BOLT, washer based	1	
10	90201-096J9	WASHER, plate	4	
11	95811-06035	BOLT, flange	1	
12	95811-08045	BOLT, flange	1	
13	95811-06060	BOLT, flange	2	
14	95811-06080	BOLT, flange	3	
15	95811-06140	BOLT, flange	1	
16	95811-08045	BOLT, flange	9	
17	95811-08055	BOLT, flange	2	
18	95811-08065	BOLT, flange	1	
19	95811-08090	BOLT, flange	2	
20	95811-08060	BOLT, flange	2	
21	90105-09555	BOLT, washer based	1	
22	90201-08087	WASHER, plate	1	
23	1AE-11166-00	PIPE, breather 1	1	
24	90467-15054	CLIP	1	
25	90467-14015	CLIP	1	
26	2H7-15361-00	GAUGE, level	1	
27	3FV-15363-00	PLUG, oil	1	
28	93210-27194	O-RING	1	

FIG. 13 CRANKCASE



REF. NO.	PART NO.	DESCRIPTION	Q'TY	REMARKS
29	4H7-15189-00	PLUG	2	
30	93210-20573	O-RING	2	
31	90340-14068	PLUG, straight screw	1	
32	93210-14369	O-RING	1	
33	1AE-15383-00	PLATE, bearing cover	1	
34	90151-06014	SCREW, countersunk	3	
35	90462-08184	CLAMP	1	
36	95023-06012	BOLT	1	
37	90462-08158	CLAMP	1	
38	99510-12016	PIN, dowel	1	
39	2TK-15105-00	NOZZLE ASSY	2	
40	93210-06632	O-RING	2	

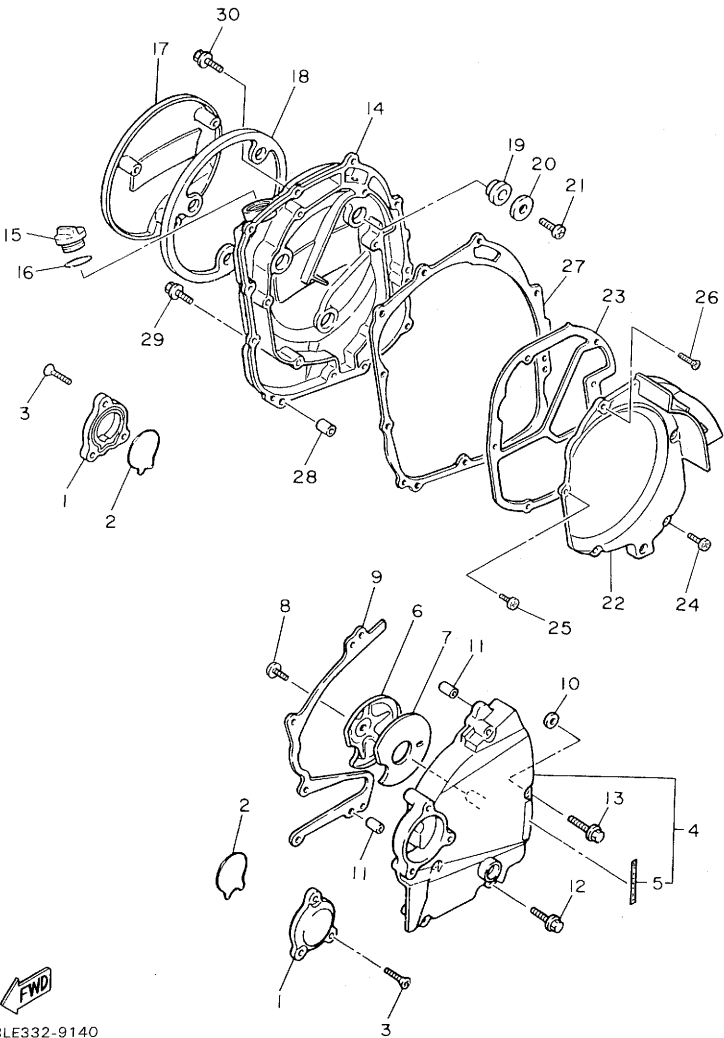
FIG. 14 CRANKCASE COVER 1



3LE332-9140

REF. NO.	PART NO.	DESCRIPTION	Q'TY	REMARKS
1	3GM-15416-00	COVER, oil pump	2	
2	1AE-15456-00	GASKET, oil pump cover 1	2	
3	90152-06014	SCREW, countersunk	6	
4	3GM-15410-00	CRANKCASE COVER ASSY 1	1	
5	2GH-15435-00	EMBLEM	1	
6	3GM-15427-00	COVER, cap 2	1	
7	1AE-15316-00	DAMPER, engine mount 1	1	
8	92011-06010	SCREW	1	
9	1AE-15451-00	GASKET, crankcase cover 1	1	
10	1UF-15467-00	GASKET	1	
11	99510-08012	PIN, dowel	2	
12	95023-06040	BOLT	3	
13	95021-06050	BOLT, flange	2	
14	3GM-15421-00	COVER, crankcase 2	1	
15	3F9-15362-00	PLUG, oil level	1	
16	93210-27194	O-RING	1	
17	3GM-15417-00	COVER, cap	1	
18	3GM-15449-00	RING, rubber	1	
19	4H7-15486-00	GROMMET	3	
20	90209-06096	WASHER	3	
21	98501-06010	SCREW, pan head	3	
22	3GM-15346-00	BREATHER 1	1	
23	3GM-15463-00	GASKET, carburetor cover 2	1	
24	98501-06020	SCREW, pan head	4	
25	90157-06104	SCREW, pan head	1	
26	90152-06024	SCREW, countersunk	1	
27	2GH-15461-00	GASKET, crankcase cover 2	1	
28	99510-08012	PIN, dowel	2	

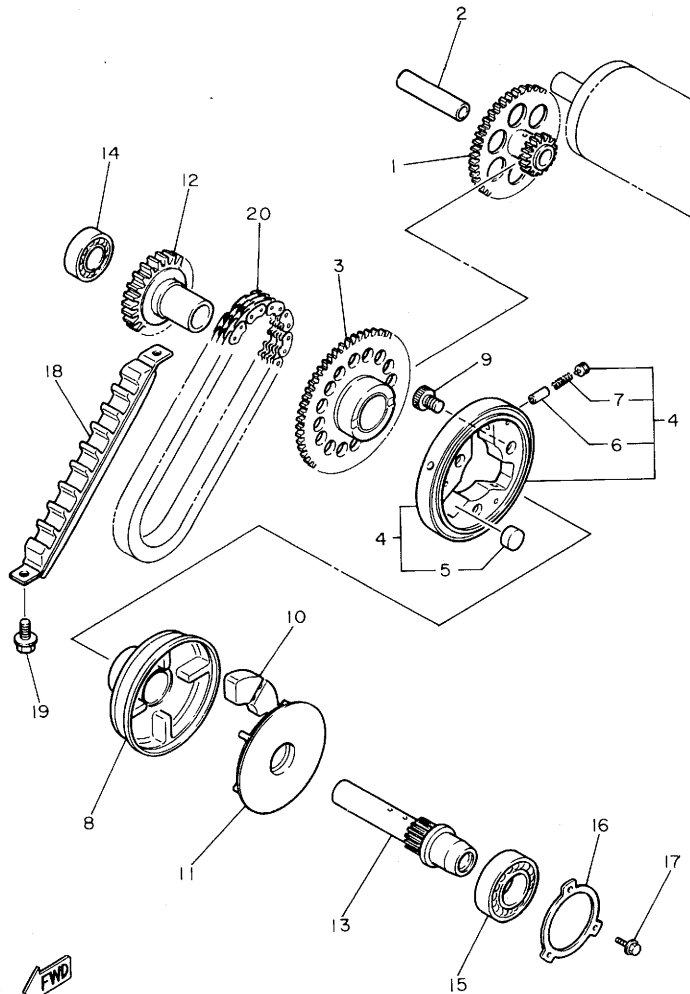
FIG. 14 CRANKCASE COVER 1



REF. NO.	PART NO.	DESCRIPTION	Q'TY	REMARKS
29	95023-06030	BOLT	2	
30	95023-06020	BOLT	9	

FWD
3LE332-9140

FIG. 15 STARTER

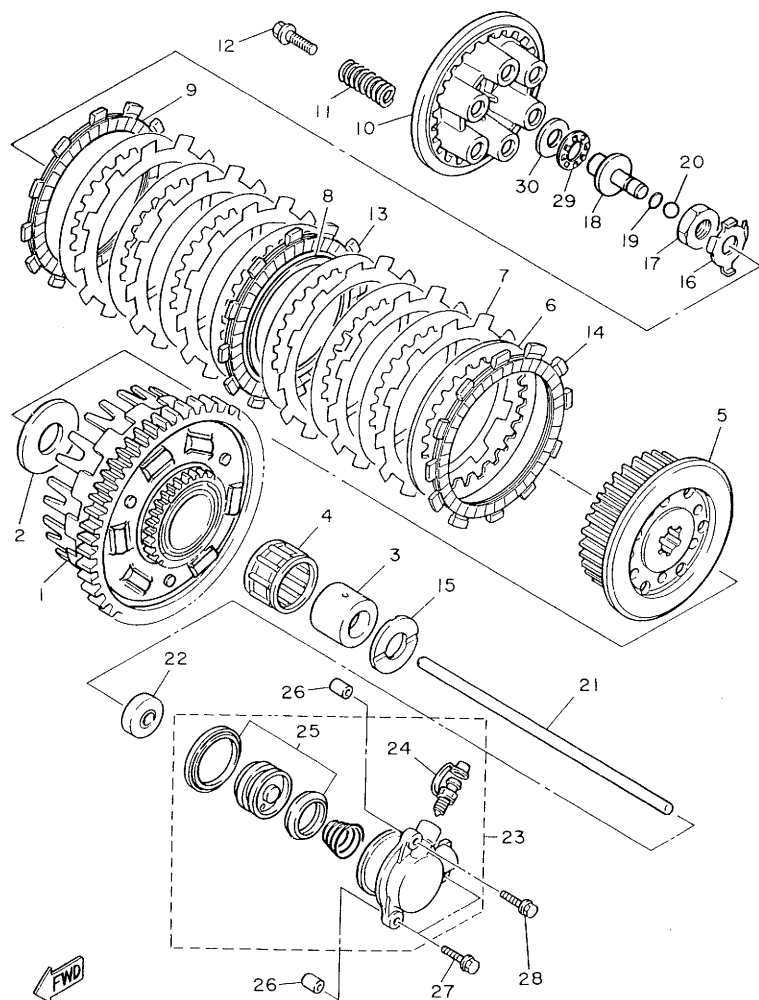


REF. NO.	PART NO.	DESCRIPTION	Q'TY	REMARKS
1	3GM-15512-00	GEAR, idler 1	1	
2	51Y-15521-00	SHAFT 1	1	
3	3GM-15517-00	GEAR, idler 2	1	
4	3GM-15580-00	STARTER CLUTCH OUTER ASSY	1	
5	93615-12088	•PIN, dowel	3	
6	1J7-15583-01	•CAP, starter clutch spring	3	
7	90501-04623	•SPRING, compression	3	
8	3GM-15524-00	WHEEL, starter	1	
9	90110-08177	BOLT, hexagon socket head	3	
10	4H7-16155-01	ABSORBER 1	4	
11	3GM-15689-00	RETAINER	1	
12	3GM-15519-00	SPROCKET, starter 2	1	
13	3GM-15522-00	SHAFT 2	1	
14	93306-20335	BEARING	1	
15	93306-20541	BEARING (B6205)	1	
16	1AE-15381-00	PLATE, bearing cover	1	
17	95026-06016	BOLT, flange	3	
18	3GM-11474-00	GUIDE, upper	1	
19	95816-06014	BOLT, flange	2	
20	36Y-11456-00	CHAIN, primary	1	



3KS351-9150

FIG. 16 CLUTCH



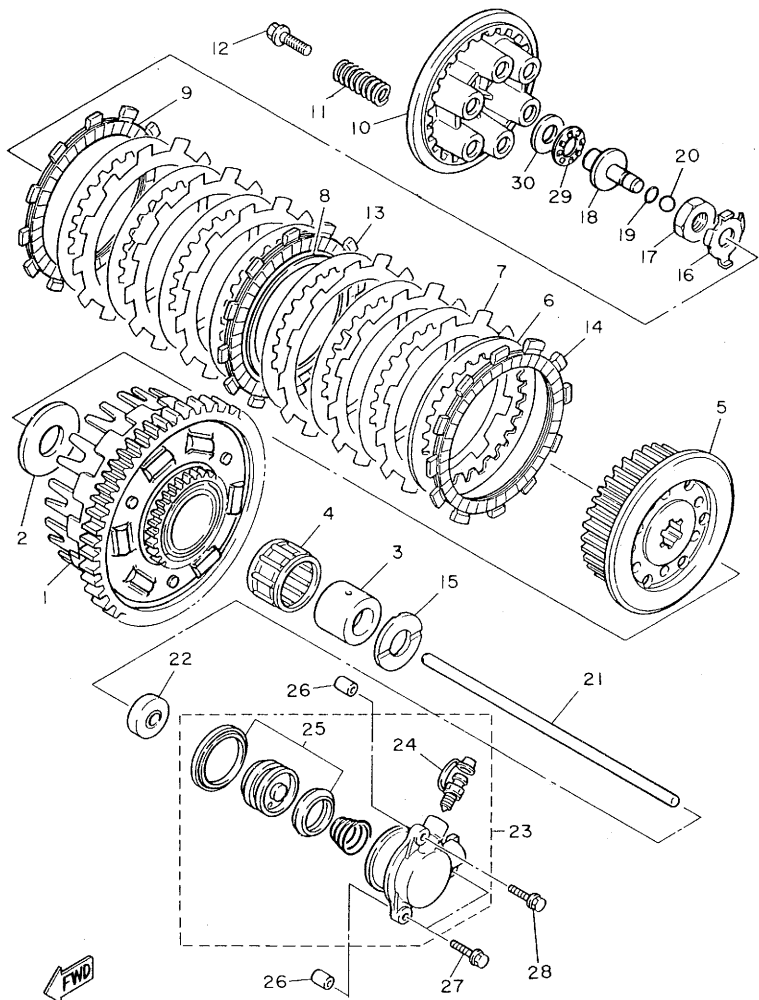
3LE332-9160

REF. NO.	PART NO.	DESCRIPTION	Q'TY	REMARKS
1	3GM-16150-01	PRIMARY DRIVEN GEAR COMP.	1	
2	1AE-16154-00	PLATE, thrust 1	1	
3	90560-25270	SPACER	1	
4	93310-340N8	BEARING, cylindrical	1	
5	3GM-16371-00	BOSS, clutch	1	
6	31A-16325-00	PLATE, clutch 2	8	
7	4H7-16321-00	PLATE, friction	6	
8	5Y1-16383-00	SPRING, clutch boss	1	
9	31A-16321-00	PLATE, friction	1	
10	3GM-16351-00	PLATE, pressure 1	1	
11	90501-230E4	SPRING, compression	6	
12	90159-06123	SCREW, with washer	6	
13	5Y1-16331-01	PLATE, friction 2	1	
14	3GM-16321-00	PLATE, friction	1	
15	1AE-16164-00	PLATE, thrust 2	1	
16	90215-20231	WASHER, lock	1	
17	90170-20327	NUT	1	
18	1LJ-16356-00	ROD, push 1	1	
19	93210-06632	O-RING	1	
20	93511-32027	BALL	1	
21	1AE-16357-00	ROD, push 2	1	
22	93109-08061	OIL SEAL	1	
23	1TV-16381-00	PUSH LEVER COMP.	1	
24	36Y-W0048-00	•BREED SCREW KIT	1	
25	26H-W0098-00	•PUSH LEVER SEAL KIT	1	
26	99510-08012	PIN, dowel	2	
27	95026-06030	BOLT, flange	2	
28	95026-06090	BOLT, flange	1	

FIG. 16 CLUTCH

REF. NO.	PART NO.	DESCRIPTION	Q'TY	REMARKS
----------	----------	-------------	------	---------

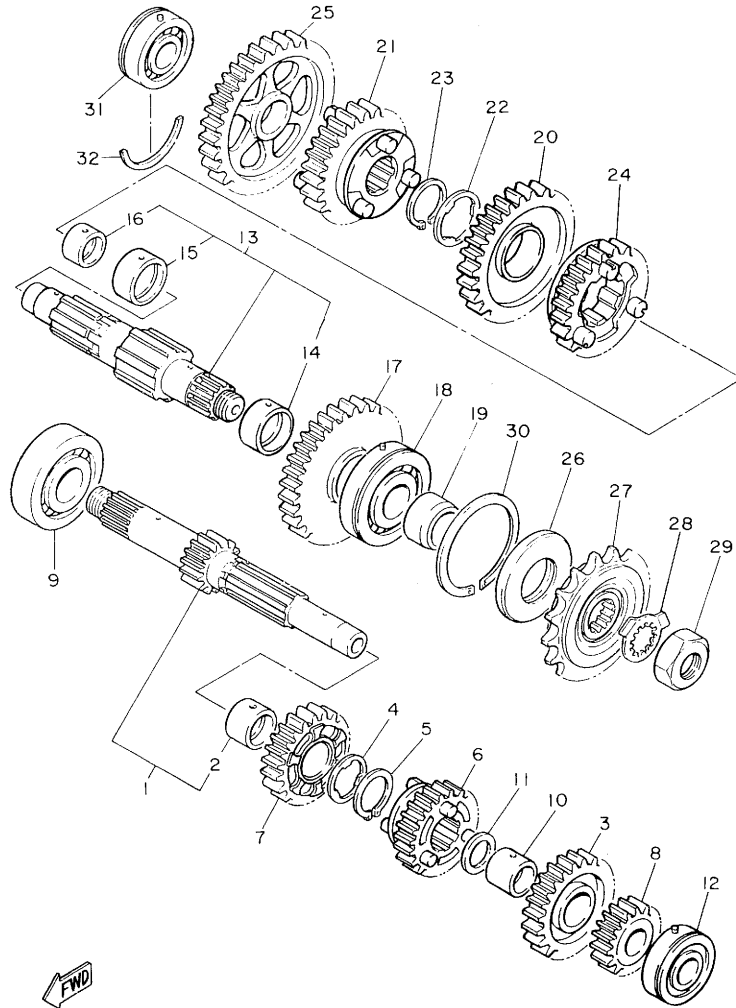
29	93340-21505	BEARING, thrust	1	
30	90201-150H2	WASHER, plate	1	



FWD
3LE332-9160

C11

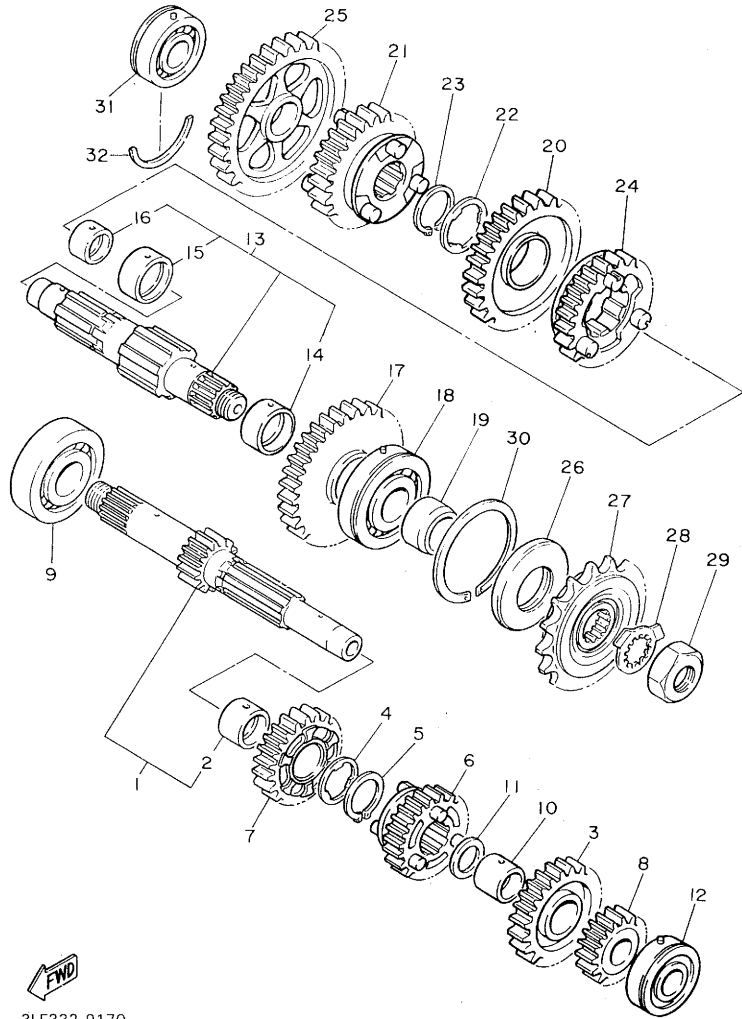
FIG. 17 TRANSMISSION



3LE332-9170

REF. NO.	PART NO.	DESCRIPTION	Q'TY	REMARKS
1	2GH-W1741-00	MAIN AXLE ASSY (14T)	1	
2	90387-253M6	.COLLAR	1	
3	2GH-17151-00	GEAR, 5th pinion (27T)	1	
4	90209-22191	WASHER	1	
5	93440-25084	CIRCLIP	1	
6	2GH-17131-00	GEAR, 3rd pinion (21T)	1	
7	2GH-17141-00	GEAR, 4th pinion (23T)	1	
8	2GH-17121-00	GEAR, 2nd pinion (18T)	1	
9	93306-30525	BEARING (B6305)	1	
10	90387-203M7	COLLAR	1	
11	90201-200K3	WASHER, plate	1	
12	93306-20455	BEARING	1	
13	3GM-W1742-00	DRIVE AXLE ASSY	1	
14	90387-271T7	.COLLAR	1	
15	90387-281T8	.COLLAR	1	
16	90387-211T9	.COLLAR	1	
17	3GM-17221-00	GEAR, 2nd wheel (32T)	1	
18	93305-30501	BEARING	1	
19	90387-255V9	COLLAR	1	
20	3GM-17231-00	GEAR, 3rd wheel (29T)	1	
21	3GM-17241-00	GEAR, 4th wheel (27T)	1	
22	90209-25196	WASHER	1	
23	93440-28062	CIRCLIP	1	
24	3GM-17251-00	GEAR, 5th wheel (28T)	1	
25	2GH-17211-00	GEAR, 1st wheel (36T)	1	
26	93102-35423	OIL SEAL	1	
27	2GH-17460-11	SPROCKET,drive 17t(2GH1746170)	1	
28	90215-21022	WASHER, lock	1	

FIG. 17 TRANSMISSION

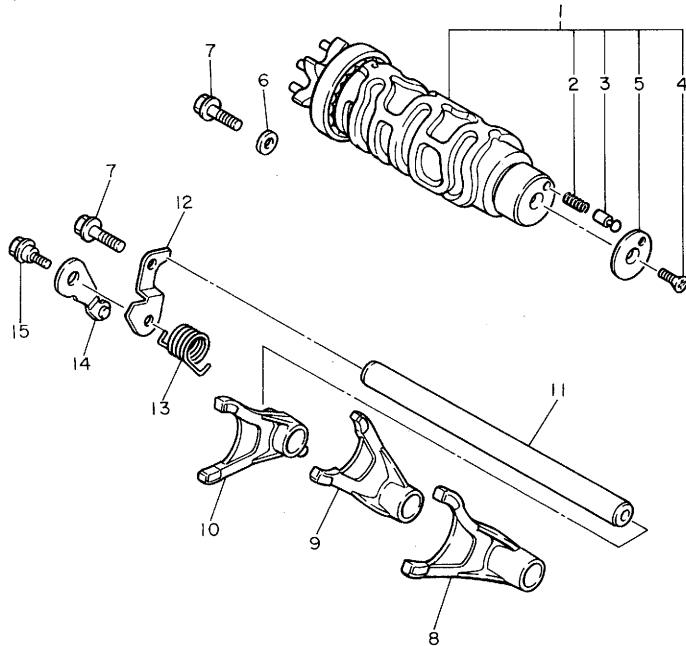


3LE332-9170

REF. NO.	PART NO.	DESCRIPTION	Q'TY	REMARKS
29	90179-18020	NUT	1	
30	278-17424-01	CIRCLIP 1	1	
31	93306-20455	BEARING	1	
32	93440-45144	CIRCLIP	1	

C13

FIG. 18 SHIFT CAM • FORK

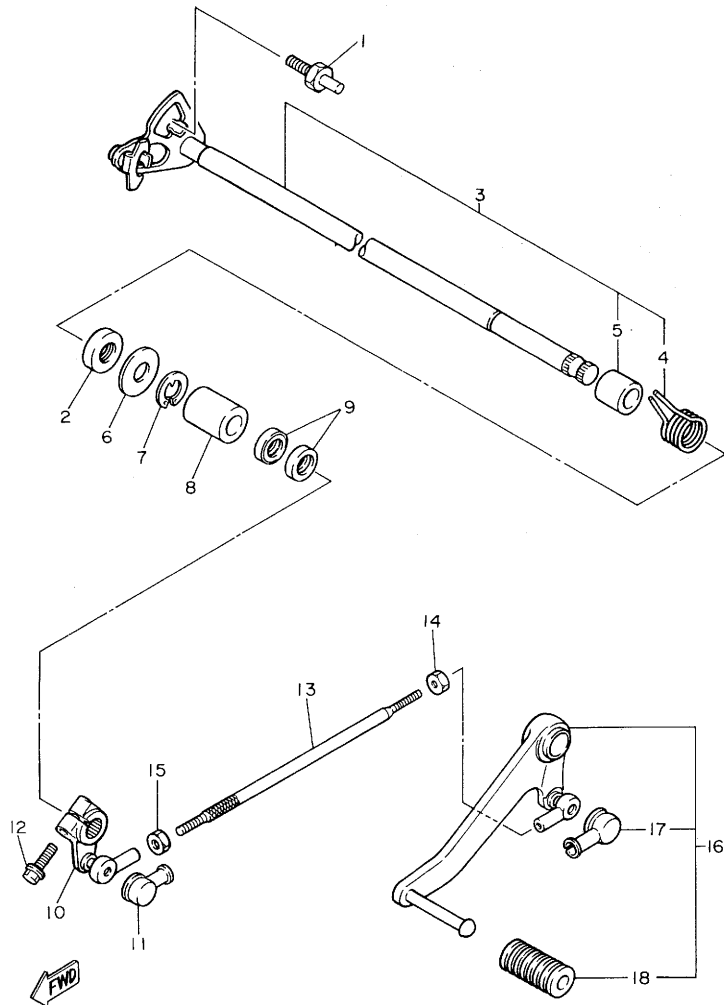


REF. NO.	PART NO.	DESCRIPTION	Q'TY	REMARKS
1	2GH-18540-00	SHIFT CAM ASSY	1	
2	90501-06022	•SPRING, compression	1	
3	278-18542-00	•POINT, neutral	1	
4	98701-05012	•SCREW, flat head	1	
5	278-18566-00	•PLATE, side 2	1	
6	90201-06643	WASHER, plate	1	
7	95822-06016	BOLT, flange	2	
8	2GH-18511-00	FORK, shift 1	1	
9	2GH-18512-00	FORK, shift 2	1	
10	2GH-18513-00	FORK, shift 3	1	
11	12R-18531-00	BAR, shift fork guide 1	1	
12	1AE-18536-00	STOPPER, shift bar	1	
13	90508-26681	SPRING, torsion	1	
14	36Y-18140-00	STOPPER LEVER ASSY	1	
15	90109-063F8	BOLT	1	



1FN310-5180

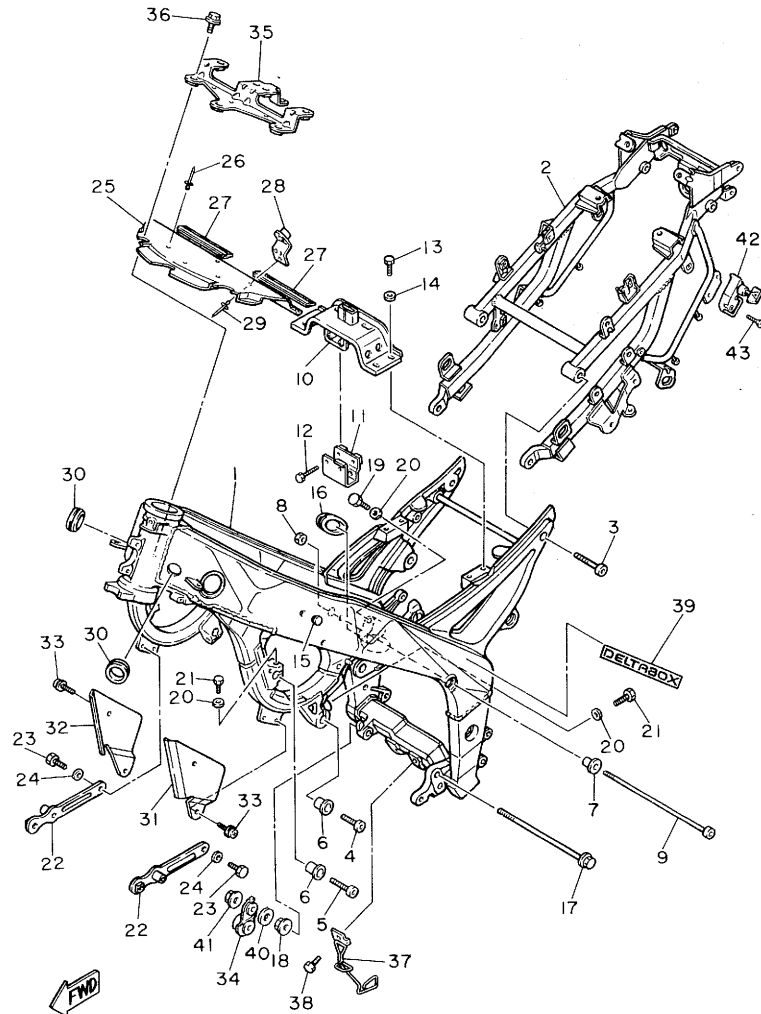
FIG. 19 SHIFT SHAFT



3LF351-0190

REF. NO.	PART NO.	DESCRIPTION	Q'TY	REMARKS
1	4G0-18127-00	STOPPER, screw	1	
2	93102-12106	OIL SEAL (SD 12-22-5 HS)	1	
3	1AE-18101-01	SHIFT SHAFT ASSY	1	
4	90508-32682	•SPRING, torsion	1	
5	90387-114K8	•COLLAR	1	
6	90201-12575	WASHER, plate	1	
7	99006-10600	CIRCLIP	1	
8	90560-12191	SPACER	1	
9	93109-12053	OIL SEAL (SDO 12/18/4-1)	2	
10	2GH-18112-01	ARM, shift	1	
11	2H9-18154-00	COVER, dust	1	
12	95826-06020	BOLT, flange	1	
13	46X-18115-00	ROD, shift	1	
14	90170-06228	NUT (COUNTER CLOCKWISE)	1	
15	95303-06700	NUT	1	
16	2GH-18110-00	SHIFT PEDAL ASSY	1	
17	2H9-18154-00	•COVER, dust	1	
18	132-18113-01	•COVER, shift pedal	1	

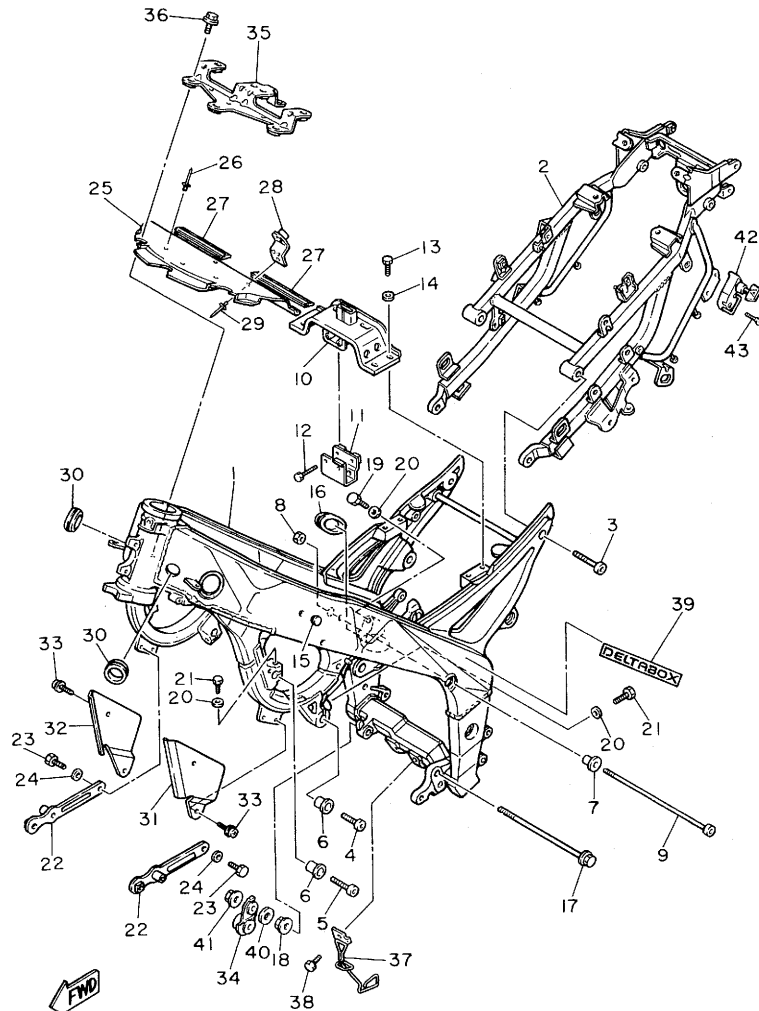
FIG. 20 FRAME



3LE332-1200

REF. NO.	PART NO.	DESCRIPTION	Q'TY	REMARKS
1	3GM-21110-50-P0	FRAME COMP.	1	LIGHT GRAY METALLIC 1 YAMAHA BLACK
2	3GM-21190-50-33	REAR FRAME COMP.	1	
3	90110-10191	BOLT, hexagon socket head	4	
4	91316-10045	BOLT	2	
5	90110-10168	BOLT, hexagon socket head	2	
6	90387-115V8	COLLAR	4	
7	90387-105V7	COLLAR	1	
8	90179-10590	NUT	1	
9	90110-10169	BOLT, hexagon socket head	1	
10	3GM-21348-50	BRACKET, tank fitting	1	
11	3GM-21347-00	BRACKET, tank fitting	1	
12	98002-06035	BOLT	2	
13	97003-06012	BOLT	4	
14	92990-06600	WASHER, plate	4	
15	90338-15202	PLUG	3	
16	2GH-2117T-00	COVER 5	1	
17	90105-10559	BOLT, washer based	1	
18	90179-10247	NUT	1	
19	98006-08035	BOLT	2	
20	92990-08200	WASHER, plain	6	
21	98021-08035	BOLT	4	
22	3GM-2142K-50	BRACKET, radiator	2	
23	97003-06012	BOLT	2	
24	92990-06600	WASHER, plate	2	
25	3GM-2117M-00	COVER 2	1	
26	90267-40076	RIVET, blind	4	
27	2GH-15365-00	GROMMET	2	
28	3GM-2117A-00	STAY	2	

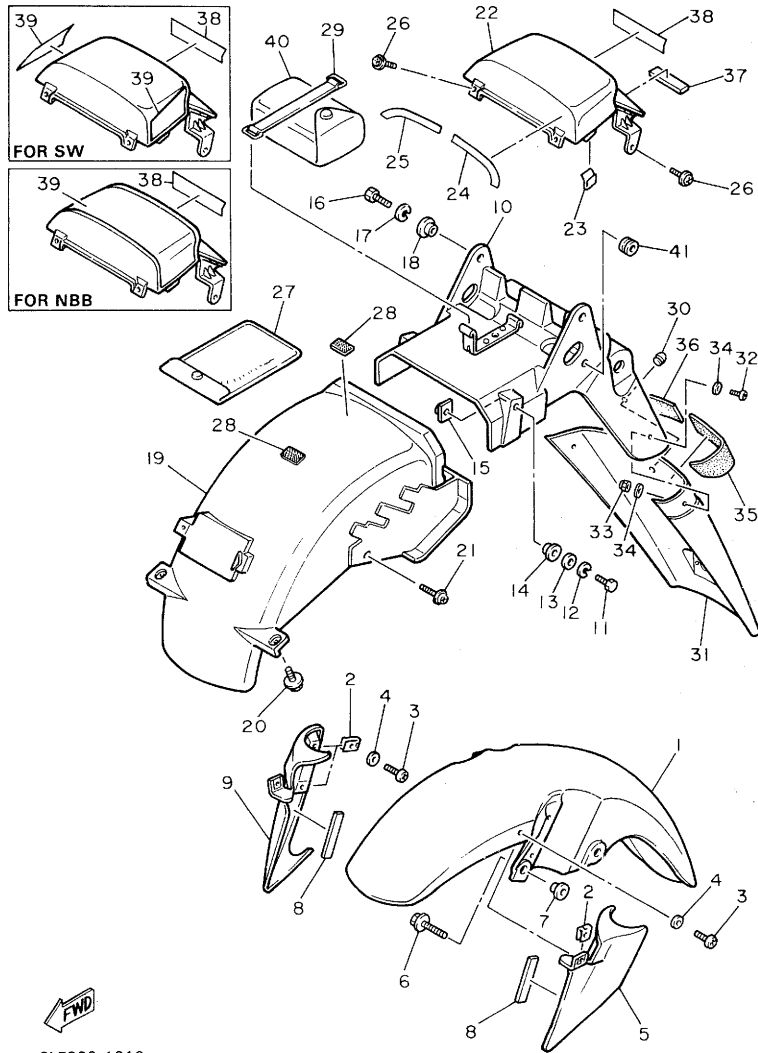
FIG. 20 FRAME



3LE332-1200

REF. NO.	PART NO.	DESCRIPTION	Q'TY	REMARKS
29	90267-40114	RIVET, blind	2	
30	90480-35526	GROMMET	2	
31	3GM-2117N-00	COVER 3	1	
32	3GM-2117R-00	COVER 4	1	
33	90159-06058	SCREW, with washer	4	
34	3GM-21446-02	STAY, muffler 2	1	
35	3GM-21359-00	BRACKET, coil	1	
36	90119-06114	BOLT, with washer	3	
37	3GM-21149-00	BRACKET, battery box	1	
38	91026-06010	BOLT	1	
39	3GM-2118E-70	EMBLEM 1	2	
40	90201-101J1	WASHER, plate	1	
41	95701-10500	NUT, flange	1	
42	26H-21308-00	HELMET HANGER ASSY	1	
43	90149-06150	SCREW	1	

FIG. 21 FENDER

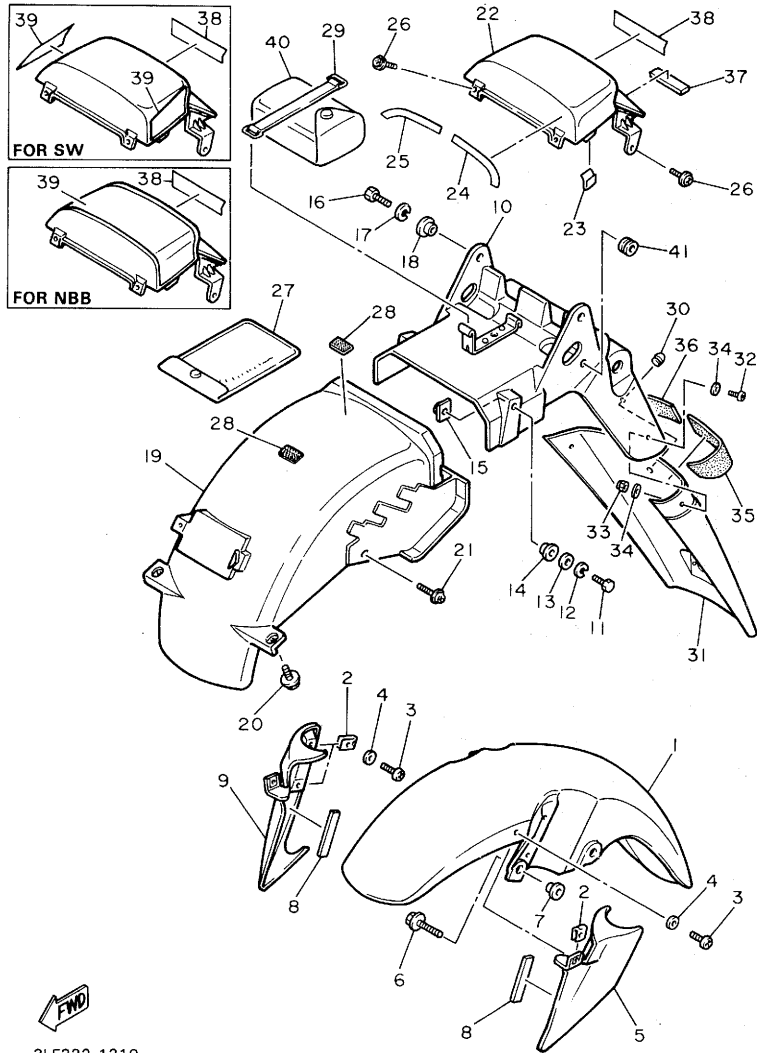


3LE332-1210

REF. NO.	PART NO.	DESCRIPTION	Q'TY	REMARKS
1	3GM-21511-50-GE	FENDER, front	1	UR SILKY WHITE
	3GM-21511-50-KM	FENDER, front	1	UR NEW BLACK BLUE
2	90183-05061	NUT, spring	6	
3	90154-05060	SCREW, binding	6	
4	90202-05088	WASHER, plate	6	
5	3GM-21551-50-GE	OVER, fender	1	UR SILKY WHITE
	3GM-21551-50-KM	OVER, fender	1	UR NEW BLACK BLUE
6	90119-06063	BOLT, with washer	4	
7	90387-065T2	COLLAR	4	
8	1VJ-24723-00	DAMPER, seat	2	
9	3GM-21555-50-GE	OVER, fender 2	1	UR SILKY WHITE
	3GM-21555-50-KM	OVER, fender 2	1	UR NEW BLACK BLUE
10	3GM-W2161-01	REAR FENDER COMP.	1	
11	97011-06020	BOLT	2	
12	92990-06100	WASHER, spring	2	
13	92901-06600	WASHER, plate	2	
14	90387-061M0	COLLAR	2	
15	31A-14477-00	PLATE	2	
16	97313-06016	BOLT	2	
17	92990-06100	WASHER, spring	2	
18	90387-064L2	COLLAR	2	
19	3GM-21629-50	GUARD, mud	1	
20	90119-06079	BOLT, with washer	2	
21	90159-06056	SCREW, with washer	1	
22	3GM-21651-50-GE	COVER, rear fender	1	UR SILKY WHITE
	3GM-21651-50-KM	COVER, rear fender	1	UR NEW BLACK BLUE
23	2GH-21732-00	SEAL 1	2	
24	3GM-21575-00	SEAL 1	1	

D4

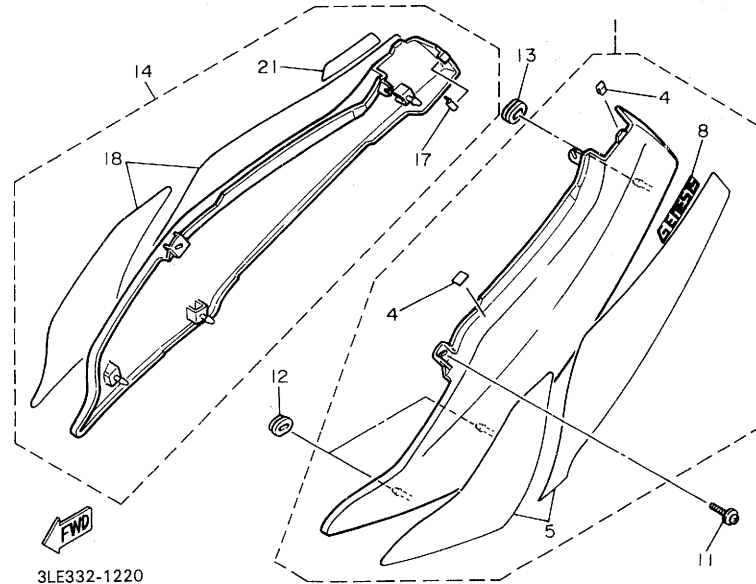
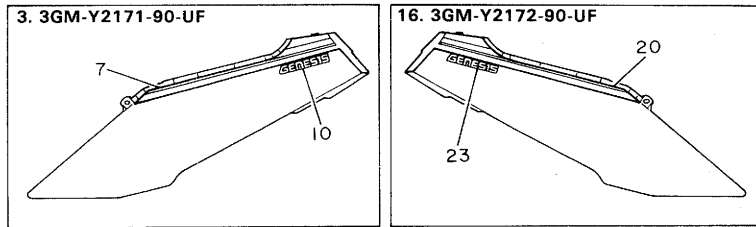
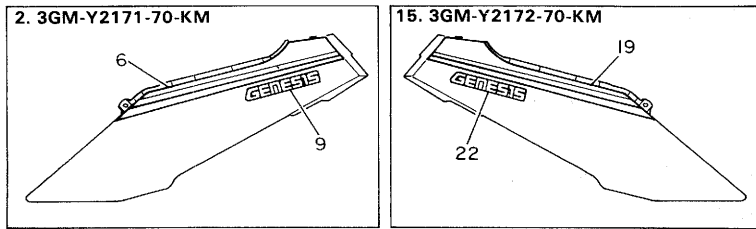
FIG. 21 FENDER



REF. NO.	PART NO.	DESCRIPTION	Q'TY	REMARKS
25	3GM-21576-00	SEAL 2	1	
26	90159-06042	SCREW, with washer	4	
27	4K5-28186-00	POUCH	1	
28	4K5-2814E-10	HOOK	2	
29	26L-82131-00	BAND, battery	1	
30	90338-07043	PLUG	1	
31	3GM-21621-00	FLAP	1	
32	90149-04278	SCREW	4	
33	95606-04100	NUT, u	4	
34	90201-047A2	WASHER, plate	8	
35	3GM-21649-00	DAMPER	1	
36	3GM-21649-10	DAMPER	1	
37	J44-78248-00	SEAL 4	1	
38	99234-00020	EMBLEM, yamaha	1	UR FOR SW
	99236-00020	EMBLEM, yamaha	1	UR FOR NBB
39	3GM-21660-80	GRAPHIC	1	UR FOR NBB
	3GM-21660-91	GRAPHIC	1	UR FOR SW
40	3GM-28100-00	TOOL KIT	1	
41	90480-10258	GROMMET	2	

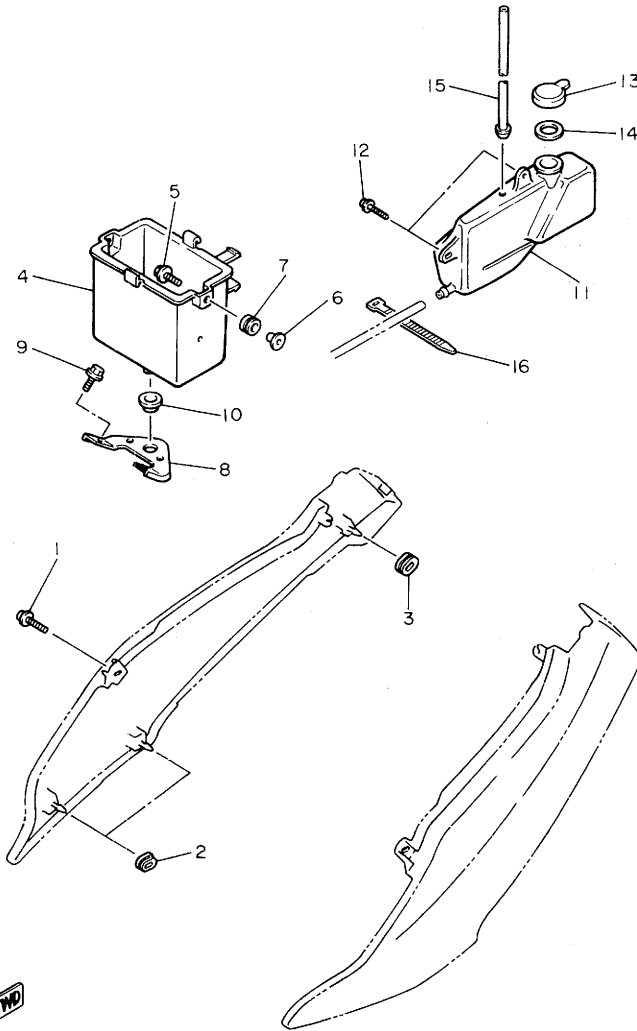
FWD
3LE332-1210

FIG. 22 SIDE COVER



REF. NO.	PART NO.	DESCRIPTION	Q'TY	REMARKS
1	3GM-Y2171-80-GE	COVER, side 1	1	UR SILKY WHITE
2	3GM-Y2171-70-KM	COVER, side 1	1	UR NEW BLACK BLUE
3	3GM-Y2171-90-UF	COVER, side 1	1	UR POLAR SILVER
4	2GH-21732-00	.SEAL 1	3	
5	3GM-2173L-70	.GRAPHIC SET 1	1	UR FOR SW
6	3GM-2173E-80	.GRAPHIC 1	1	UR FOR NBB
7	3GM-2173E-91	.GRAPHIC 1	1	UR FOR POS
8	3GM-21782-70	.EMBLEM 2	1	UR FOR SW
9	3GM-21782-80	.EMBLEM 2	1	UR FOR NBB
10	3GM-21782-90	.EMBLEM 2	1	UR FOR POS
11	90159-06033	SCREW, with washer	1	
12	90480-01401	GROMMET	2	
13	90480-22084	GROMMET	1	
14	3GM-Y2172-80-GE	COVER, side 2	1	UR SILKY WHITE
15	3GM-Y2172-70-KM	COVER, side 2	1	UR NEW BLACK BLUE
16	3GM-Y2172-90-UF	COVER, side 2	1	UR POLAR SILVER
17	2GH-21732-00	.SEAL 1	3	
18	3GM-2174L-70	.GRAPHIC SET 2	1	UR FOR SW
19	3GM-2173F-80	.GRAPHIC 2	1	UR FOR NBB
20	3GM-2173F-91	.GRAPHIC 2	1	UR FOR POS
21	3GM-21782-70	.EMBLEM 2	1	UR FOR SW
22	3GM-21782-80	.EMBLEM 2	1	UR FOR NBB
23	3GM-21782-90	.EMBLEM 2	1	UR FOR POS

FIG. 23 SIDE COVER 2

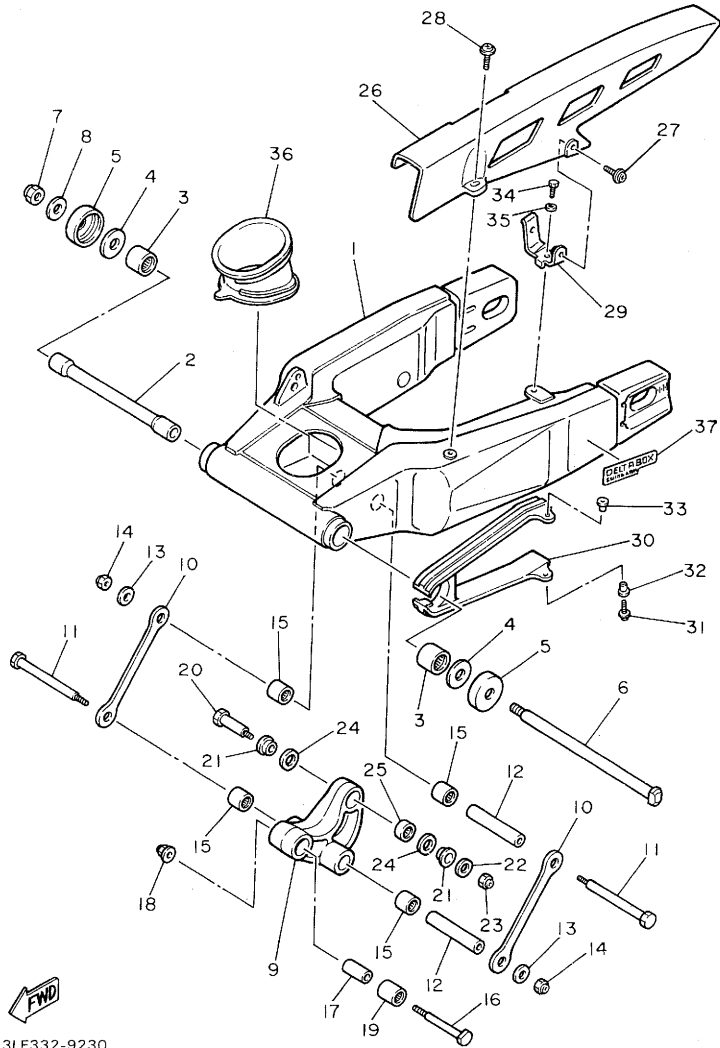


REF. NO.	PART NO.	DESCRIPTION	Q'TY	REMARKS
1	90159-06033	SCREW, with washer	1	
2	90480-01401	GROMMET	2	
3	90480-22084	GROMMET	1	
4	3GM-2177G-50	BOX, battery	1	
5	90119-06063	BOLT, with washer	2	
6	90387-06024	COLLAR	2	
7	90480-15058	GROMMET	2	
8	3GM-21249-50	BRACKET	1	
9	95801-06012	BOLT, flange	2	
10	90480-22362	GROMMET	1	
11	3GM-21871-50	TANK, recovery	1	
12	90159-06056	SCREW, with washer	2	
13	4L0-21875-00	CAP	1	
14	1AA-21874-00	GASKET	1	
15	3GM-21816-00	PIPE 1	1	
16	437-83936-11	BAND, switch cord	1	

FWD
3LE332-1230

D7

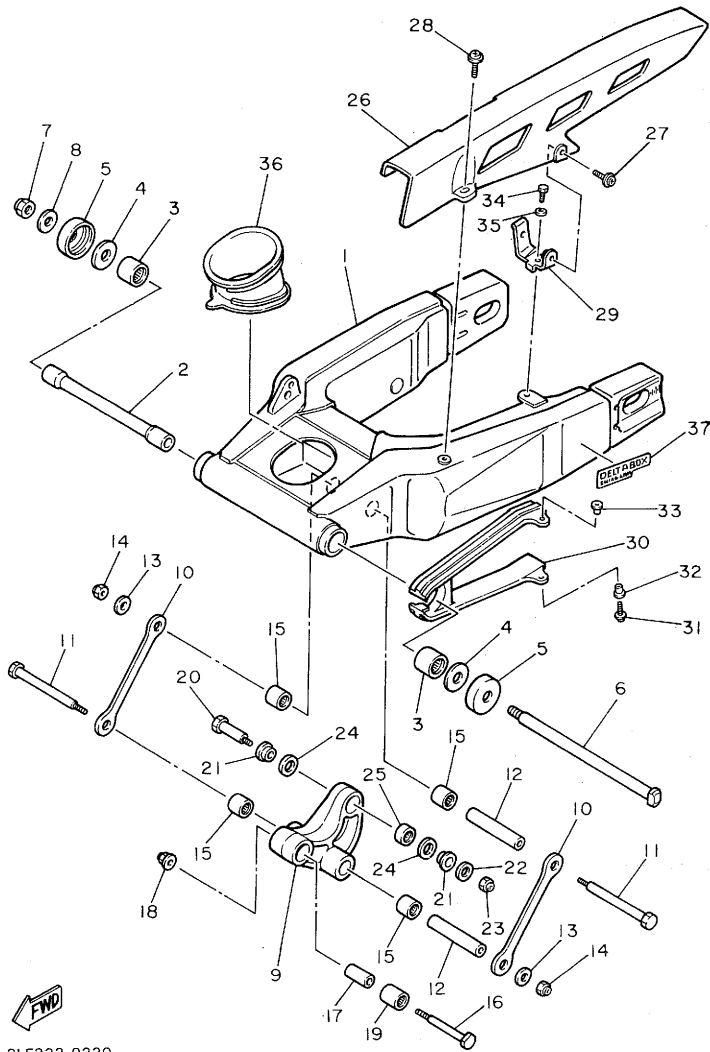
FIG. 24 REAR ARM



3LE332-9230

REF. NO.	PART NO.	DESCRIPTION	Q'TY	REMARKS
1	3GM-22110-10-P0	REAR ARM COMP.	1	LIGHT GRAY METALLIC 1
2	3GM-22184-00	BUSH	1	
3	93317-52865	BEARING, cylindrical	2	
4	3GM-22127-00	SHIM	2	
5	3GM-22128-00	COVER, thrust 1	2	
6	3GM-22141-00	SHAFT, pivot	1	
7	90185-18104	NUT, self-locking	1	
8	90201-186M4	WASHER, plate	1	
9	3GM-2217A-00	ARM, relay	1	
10	3GM-2217M-00	ARM 1	2	
11	90101-12673	BOLT	2	
12	90387-126T1	COLLAR	2	
13	90201-126A7	WASHER, plate	2	
14	95611-12100	NUT, u	2	
15	93317-41761	BEARING, cylindrical	4	
16	90109-101F1	BOLT	1	
17	90387-100T8	COLLAR	1	
18	95601-10200	NUT, self-locking	1	
19	93317-42060	BEARING, cylindrical	1	
20	90101-10659	BOLT	1	
21	90387-124W2	COLLAR	2	
22	90201-10437	WASHER, plate	1	
23	95611-10100	NUT, u	1	
24	93101-16131	OIL SEAL	2	
25	93399-99919	BEARING	1	
26	3GM-22311-00	CASE, chain	1	
27	90159-06084	SCREW, with washer	1	
28	90159-06108	SCREW, with washer	1	

FIG. 24 REAR ARM

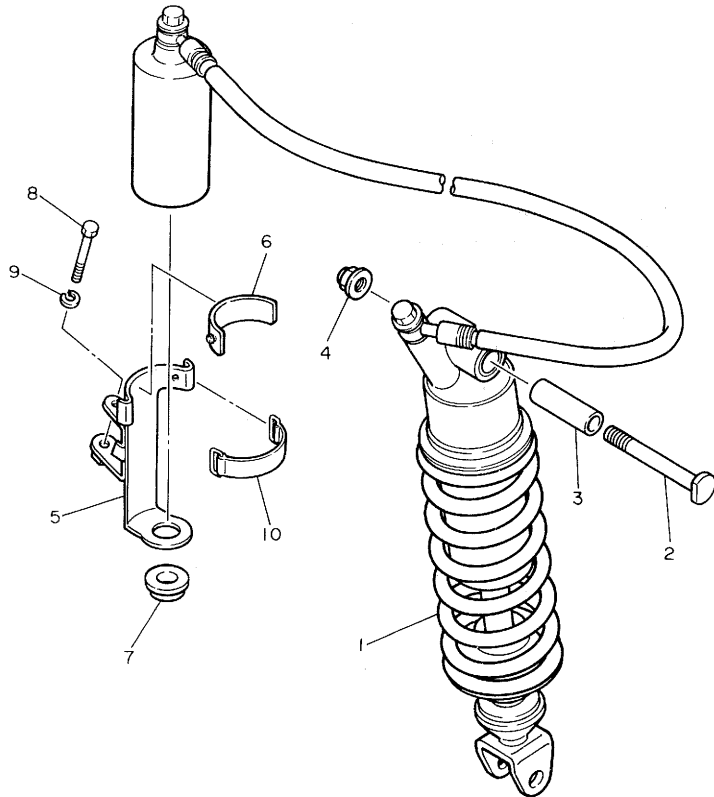


3LE332-9230

REF. NO.	PART NO.	DESCRIPTION	Q'TY	REMARKS
29	3GM-22321-00	STAY, chain case 1	1	
30	3GM-22151-00	SEAL, guard	1	
31	90159-06108	SCREW, with washer	1	
32	90387-06704	COLLAR	1	
33	90387-06216	COLLAR	1	
34	97003-06012	BOLT	1	
35	92990-06100	WASHER, spring	1	
36	3GM-22129-00	COVER, thrust 2	1	
37	3GM-2218A-70	EMBLEM, rear arm	1	

D9

FIG. 25 REAR SUSPENSION

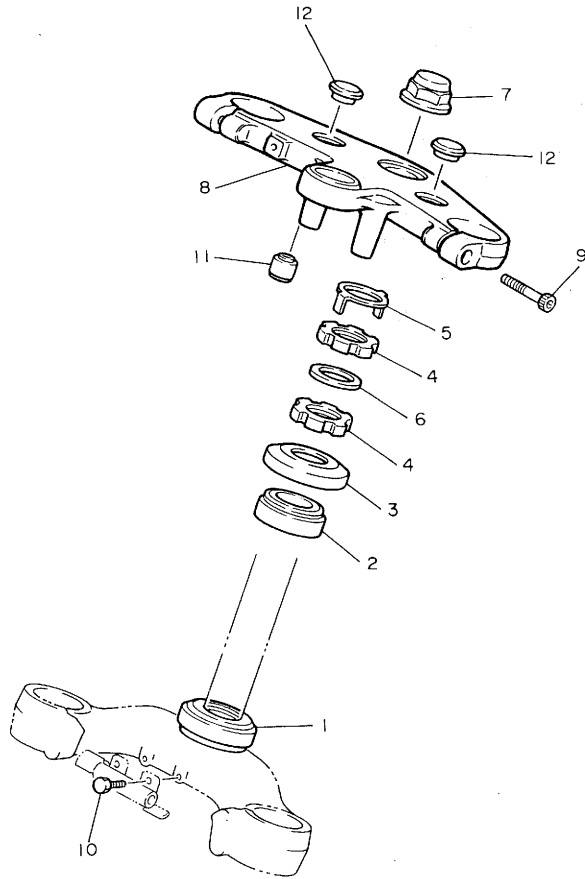


REF. NO.	PART NO.	DESCRIPTION	Q'TY	REMARKS
1	3GM-22210-02	SHOCK ABSORBER ASSY, rear	1	
2	90109-101F1	BOLT	1	
3	90387-102T0	COLLAR	1	
4	95601-10200	NUT, self-locking	1	
5	3GM-22262-00	HOLDER, sub tank	1	
6	24X-22261-00	DAMPER, sub tank	1	
7	90480-17359	GROMMET	1	
8	97001-06040	BOLT	1	
9	92990-06100	WASHER, spring	1	
10	24X-22262-00	HOLDER, sub tank	1	


3LE332-9240

D10

FIG. 26 STEERING



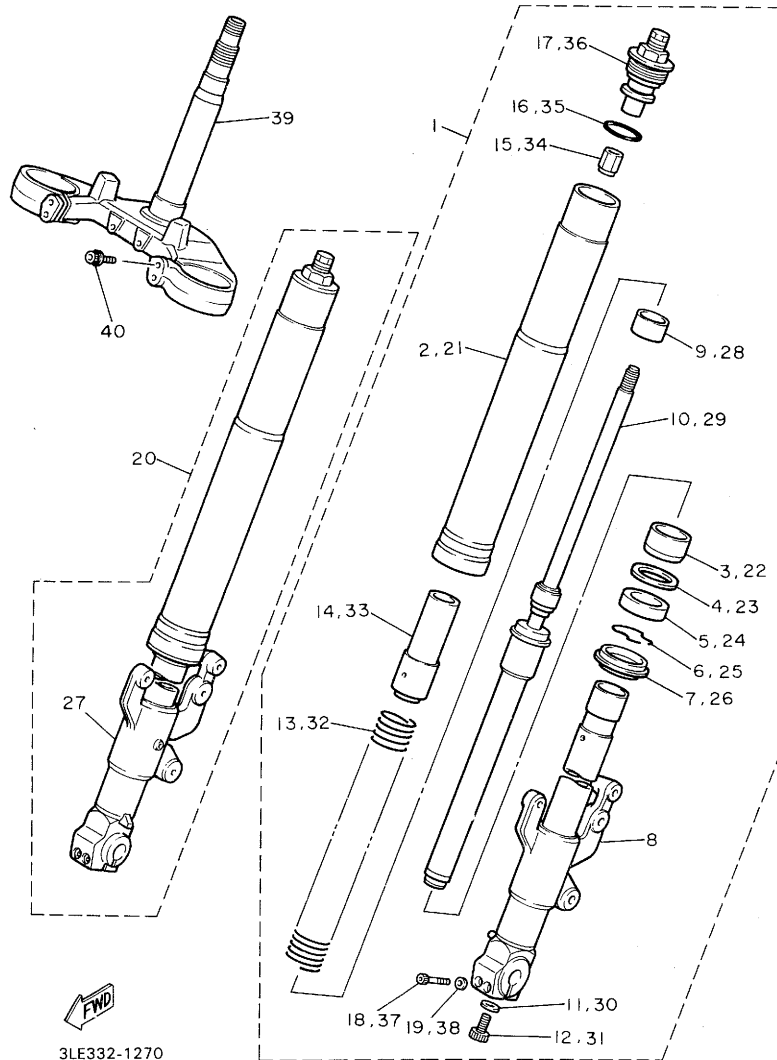
REF. NO.	PART NO.	DESCRIPTION	Q'TY	REMARKS
1	93332-00008	BEARING	1	
2	93332-00023	BEARING	1	
3	3GM-23415-00	COVER, ball race 1	1	
4	90179-25033	NUT	2	
5	26H-23418-01	WASHER, special	1	
6	90202-26142	WASHER, plate	1	
7	90176-22050	NUT, crown	1	
8	3GM-23435-50	CROWN, handle	1	
9	91311-08030	BOLT	2	
10	91316-06020	BOLT	2	
11	1UF-27414-00	DAMPER, footrest	2	
12	3GM-23437-00	COVER, crown	2	



3LE332-1260

D11

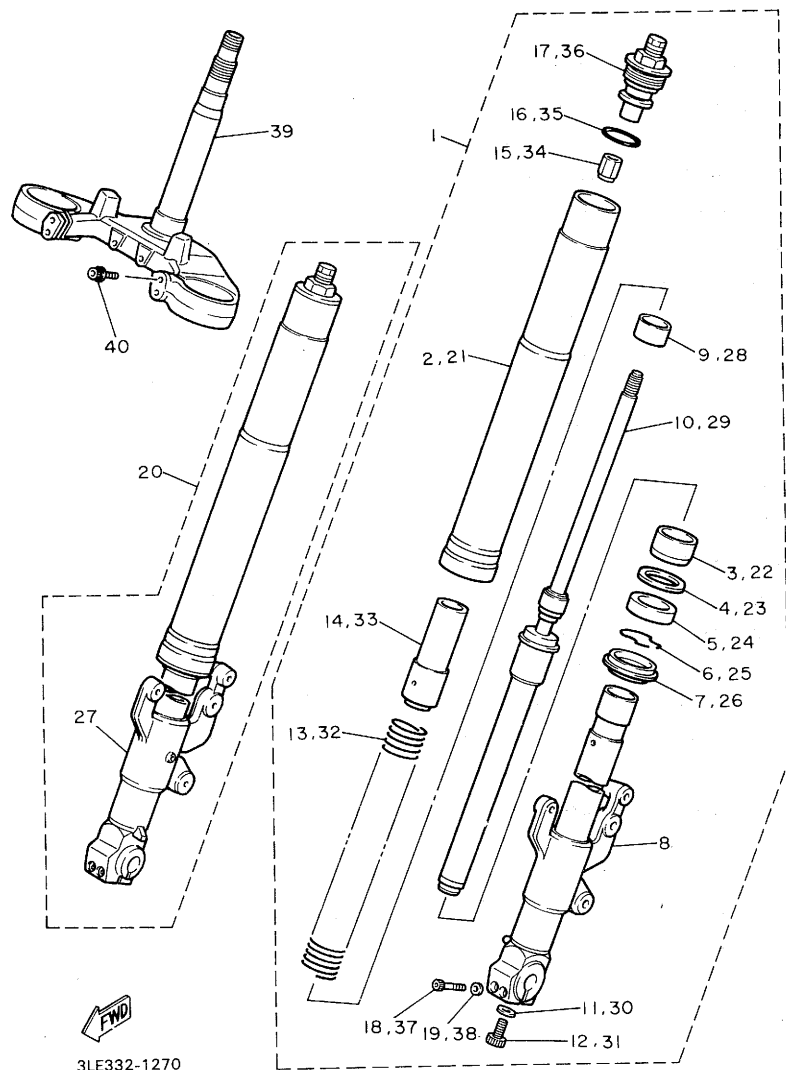
FIG. 27 FRONT FORK



3LE332-1270

REF. NO.	PART NO.	DESCRIPTION	Q'TY	REMARKS
1	3GM-23102-50	FRONT FORK ASSY (L.H)	1	
2	3GM-23136-50	.TUBE, outer 2	1	
3	3GM-23125-50	.METAL, slide 1	1	
4	36Y-23146-10	.WASHER, oil seal	1	
5	3LC-23145-00	.OIL SEAL	1	
6	26H-23156-00	.CLIP, oil seal	1	
7	3GM-23144-50	.SEAL, dust	1	
8	3GM-23120-50	.INNER TUBE COMP.2	1	
9	3JD-23171-L0	.PISTON, front fork	1	
10	3GM-23170-50	.CYLINDER COMP., front fork	1	
11	2K8-23158-L0	.GASKET	1	
12	3R4-23181-L0	.BOLT, hexagon socket head	1	
13	3GM-23141-50	.SPRING, front fork	1	
14	3GM-23118-50	.SPACER	1	
15	3LC-23357-00	.NUT	1	
16	3SP-23147-M0	.O-RING	1	
17	3GM-23111-50	.BOLT, cap	1	
18	91311-08040	.BOLT	2	
19	90201-08085	.WASHER, plate	2	
20	3GM-23103-50	FRONT FORK ASSY (R.H)	1	
21	3GM-23136-50	.TUBE, outer 2	1	
22	3GM-23125-50	.METAL, slide 1	1	
23	36Y-23146-10	.WASHER, oil seal	1	
24	3LC-23145-00	.OIL SEAL	1	
25	26H-23156-00	.CLIP, oil seal	1	
26	3GM-23144-50	.SEAL, dust	1	
27	3GM-23110-50	.INNER TUBE COMP.1	1	
28	3JD-23171-L0	.PISTON, front fork	1	

FIG. 27 FRONT FORK

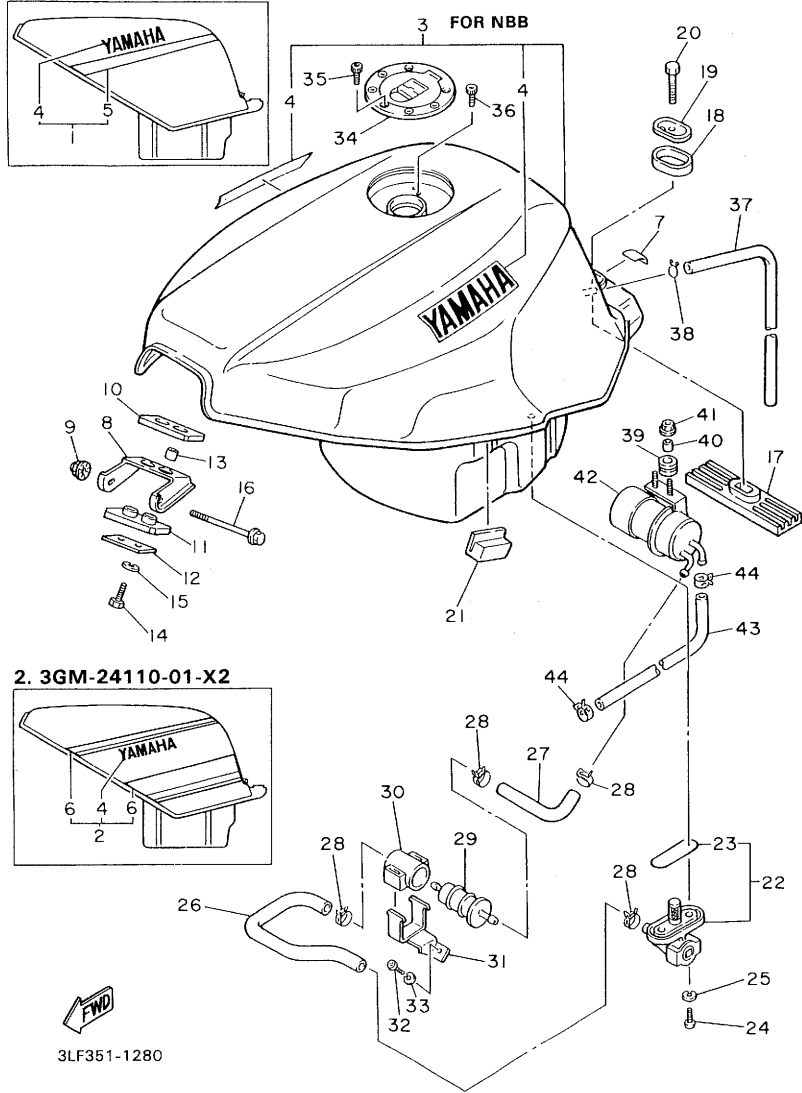


REF. NO.	PART NO.	DESCRIPTION	Q'TY	REMARKS
29	3GM-23170-50	.CYLINDER COMP., front fork	1	
30	2K8-23158-L0	.GASKET	1	
31	3R4-23181-L0	.BOLT, hexagon socket head	1	
32	3GM-23141-50	.SPRING, front fork	1	
33	3GM-23118-50	.SPACER	1	
34	3LC-23357-00	.NUT	1	
35	3SP-23147-M0	.O-RING	1	
36	3GM-23111-50	.BOLT, cap	1	
37	91311-08040	.BOLT	2	
38	90201-08085	.WASHER, plate	2	
39	3GM-23340-50	UNDER BRACKET COMP.	1	
40	5X3-23181-L0	BOLT, hexagon socket head	4	

D13

FIG. 28 FUEL TANK

1. 3GM-24110-01-X1

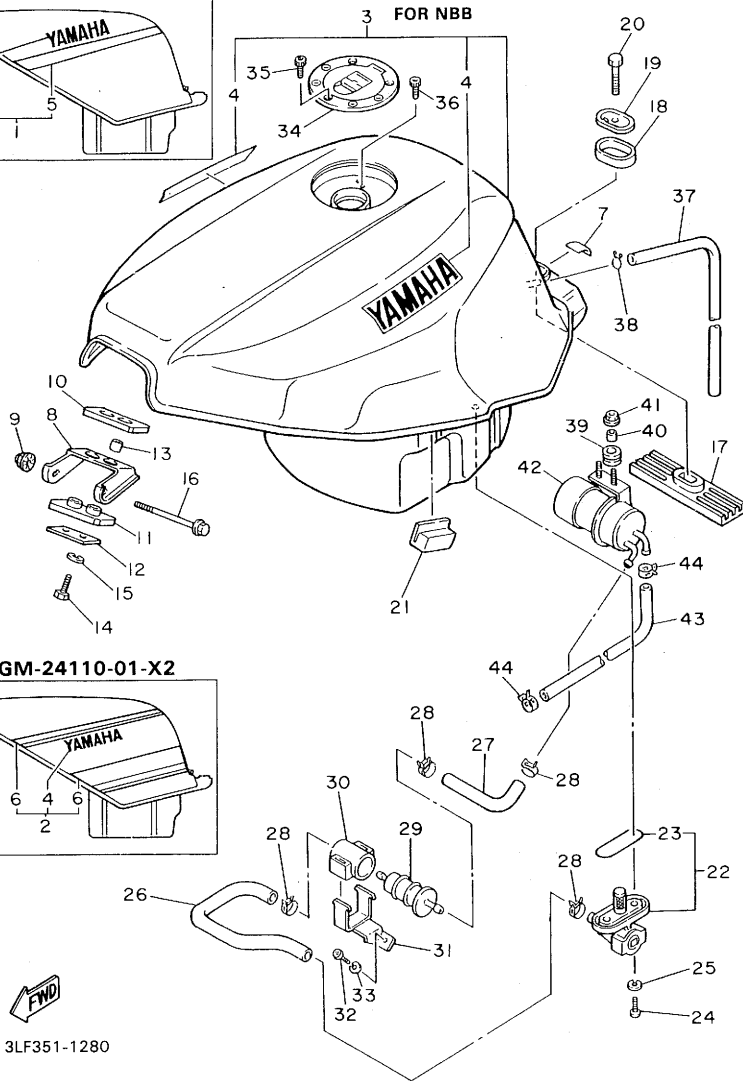
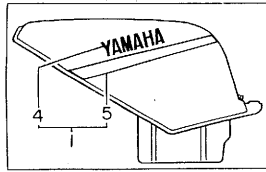


3LF351-1280

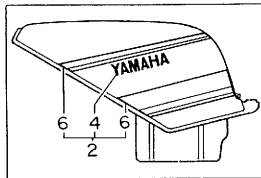
REF. NO.	PART NO.	DESCRIPTION	Q'TY	REMARKS
1	3GM-24110-01-X1	FUEL TANK COMP.	1	UR SILKY WHITE/ VIVID RED COCKTAIL
2	3GM-24110-01-X2	FUEL TANK COMP.	1	UR SILKY WHITE/ DYNASTY BLUE
3	3GM-24110-01-09	FUEL TANK COMP.	1	UR NEW BLACK BLUE/ MIDNIGHT SILVER
4	99221-00040	.EMBLEM, yamaha	2	UR FOR SW/VRC
	99226-00040	.EMBLEM, yamaha	2	UR FOR NBB/MDS
	99224-00040	.EMBLEM, yamaha	2	UR FOR SW/DYB
5	3GM-24244-70	.GRAPHIC, fuel tank 1	1	UR FOR SW/VRC
6	3GM-24240-90	.GRAPHIC SET	1	UR FOR SW/DYB
7	2GH-21732-00	SEAL 1	1	
8	2GH-24191-00	BRACKET, fuel tank 1	1	
9	95303-06800	NUT, crown	1	
10	2GH-24181-00	DAMPER, locating 1	1	
11	2GH-24183-00	DAMPER, locating 3	1	
12	2GH-24186-00	WASHER, special	1	
13	90387-06299	COLLAR	2	
14	97001-06025	BOLT	2	
15	92990-06100	WASHER, spring	2	
16	95811-06075	BOLT, flange	1	
17	2GH-24184-00	DAMPER, locating 4	1	
18	3Y6-24183-00	DAMPER, locating 3	1	
19	2GH-24187-00	WASHER, special	1	
20	98002-08030	BOLT	1	
21	3GM-24182-00	DAMPER, locating 2	2	
22	26H-24500-00	FUEL COCK ASSY 1	1	
23	214-24512-00	.GASKET	1	
24	90149-06011	SCREW	2	
25	90202-05193	WASHER, plate	2	
26	3GM-24311-01	PIPE, fuel 1	1	

FIG. 28 FUEL TANK

1. 3GM-24110-01-X1



2. 3GM-24110-01-X2

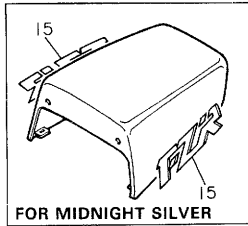


REF. NO.	PART NO.	DESCRIPTION	Q'TY	REMARKS
27	3GM-24312-00	PIPE 2	1	
28	90467-12124	CLIP	4	
29	1FK-24560-00	FILTER ASSY	1	
30	1FK-24566-00	BRACKET, filter	1	
31	3GM-24136-00	CLAMP 2	1	
32	98501-06012	SCREW, pan head	1	
33	92990-06100	WASHER, spring	1	
34	3XC-24602-00	CAP ASSY	1	
35	90110-05112	BOLT, hexagon socket head	3	
36	91311-05010	BOLT	1	
37	90445-102G7	HOSE	1	
38	90467-09006	CLIP	1	
39	90480-13163	GROMMET	2	
40	90387-062L2	COLLAR	2	
41	95701-06500	NUT, flange	2	
42	3GM-13907-00	FUEL PUMP COMP.	1	
43	3GM-14294-00	HOSE	1	
44	90467-13123	CLIP	2	

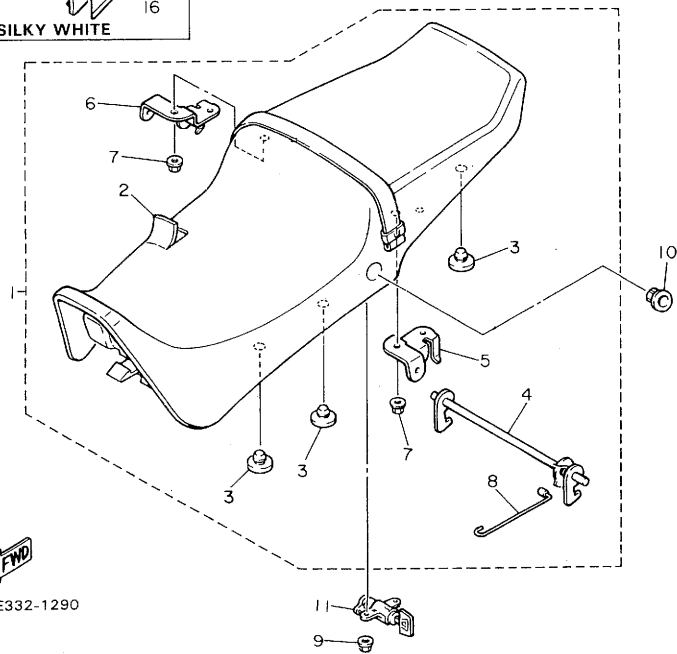
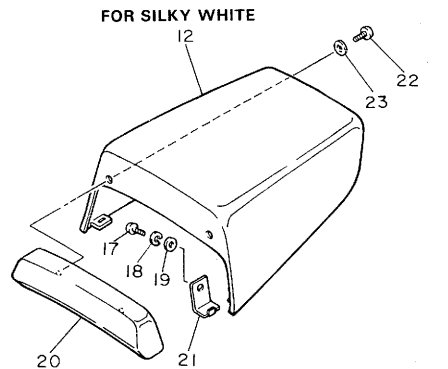
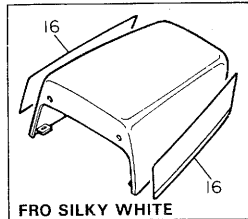
3LF351-1280

FIG. 29 SEAT

13. 3GM-W247A-80-7M

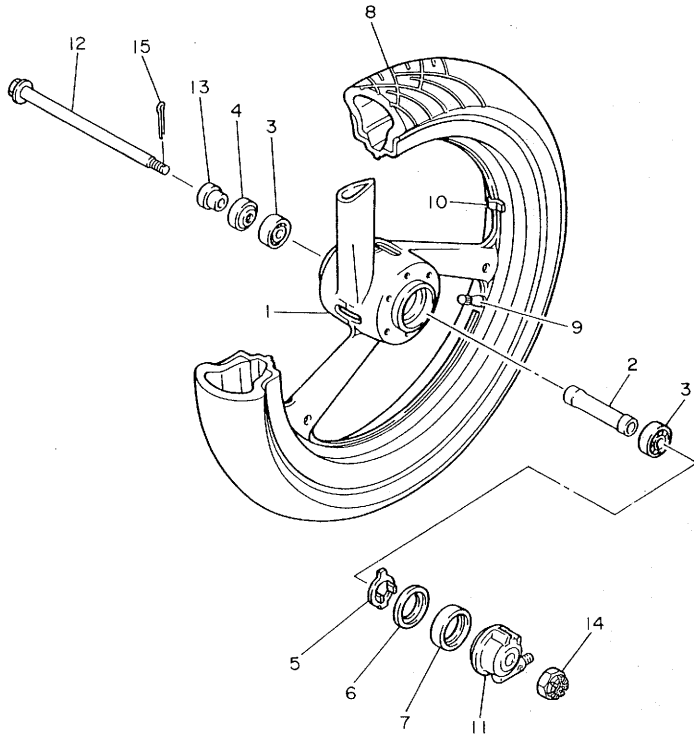


14. 3GM-W247A-90GE



REF. NO.	PART NO.	DESCRIPTION	Q'TY	REMARKS
1	3GM-24730-50	DOUBLE SEAT ASSY	1	
2	3GM-24731-50	.COVER, seat	1	
3	2GH-24741-00	.PAD, seat	6	
4	3GM-24776-50	.LEVER, seat	1	
5	3GM-24718-50	.BRACKET, seat	1	
6	3GM-24728-50	.BRACKET, seat	1	
7	95701-06500	.NUT, flange	4	
8	1KT-2478F-00	.ROD, connecting	1	
9	95701-05500	NUT, flange	2	
10	3GM-24796-50	COVER	1	
11	51X-24705-00	SEAT LOCK ASSY	1	
12	3GM-24791-50-GE	COVER, seat back	1	UR SILKY WHITE
13	3GM-W247A-80-7M	COVER, seat	1	UR MIDNIGHT SILVER
14	3GM-W247A-90-GE	COVER, seat	1	UR SILKY WHITE
15	3GM-24786-80	.EMBLEM	2	UR FOR MDS
16	3GM-2477L-91	.GRAPHIC SET, tail cover	1	UR FOR SW
17	98501-06010	SCREW, pan head	2	
18	92990-06100	WASHER, spring	2	
19	92990-06600	WASHER, plate	2	
20	3GM-2840F-50	BACK REST ASSY	1	
21	3GM-24718-00	BRACKET, seat	2	
22	98502-06012	SCREW, pan head	2	
23	92990-06200	WASHER, plain	2	

FIG. 30 FRONT WHEEL

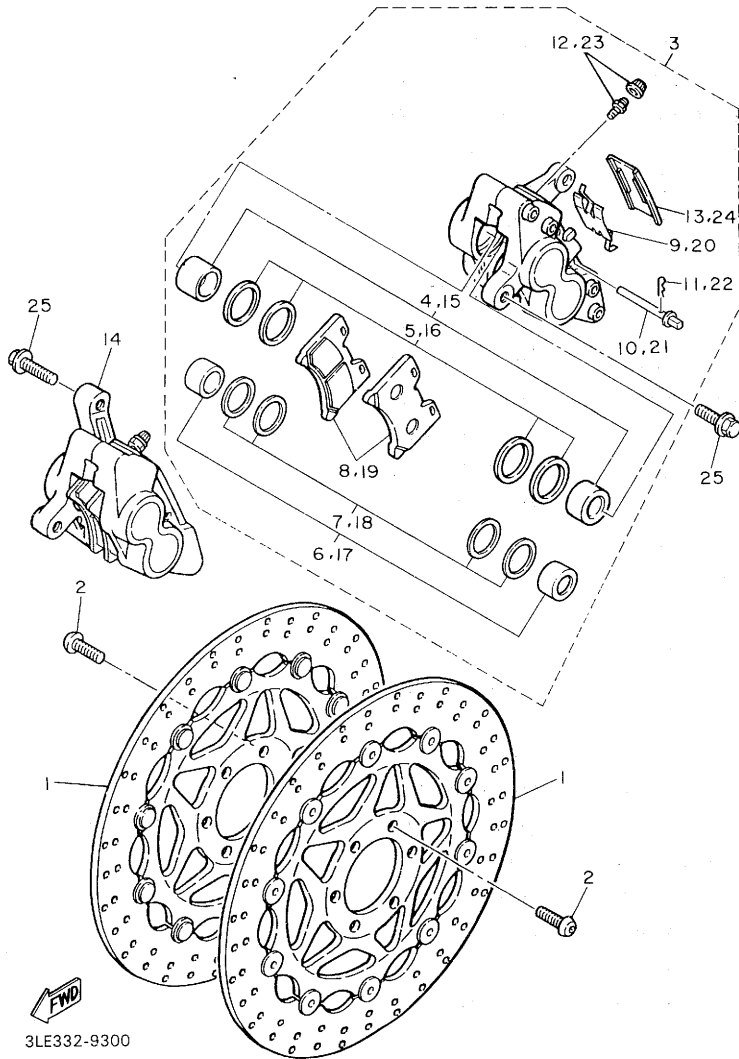


REF. NO.	PART NO.	DESCRIPTION	Q'TY	REMARKS
1	3GM-25168-00-UA	CAST WHEEL, front	1	UR CAST WHEEL
	3GM-25168-00-WG	CAST WHEEL, front	1	WHITE UR HI TECH SILVER
2	90560-17356	SPACER	1	
3	93306-20310	BEARING (B6203DU)	2	
4	93102-25017	OIL SEAL	1	
5	341-25149-00	CLUTCH, meter	1	
6	341-25846-00	RETAINER, clutch	1	
7	93105-45017	OIL SEAL	1	
8	*	TIRE (130/60 ZR17 A59)	1	UR LM MICHELIN
	94113-174U1	TIRE (130/60 VR17 V280)	1	UR DUNLOP
	94113-176X4	TIRE (130/60 VR17 V280)	1	UR BRIDGESTONE
9	93900-00030	VALVE, rim	1	
10	29L-25398-00	BALANCER, wheel (10G)	1	UN
	29L-25398-10	BALANCER, wheel (20G)	1	UN
	29L-25398-20	BALANCER, wheel (30G)	1	UN
11	3MA-25190-00	GEAR UNIT ASSY	1	
12	1HX-25381-01	AXLE, wheel	1	
13	90387-17530	COLLAR	1	
14	90171-16024	NUT, castle	1	
15	91401-30030	PIN, cotter	1	



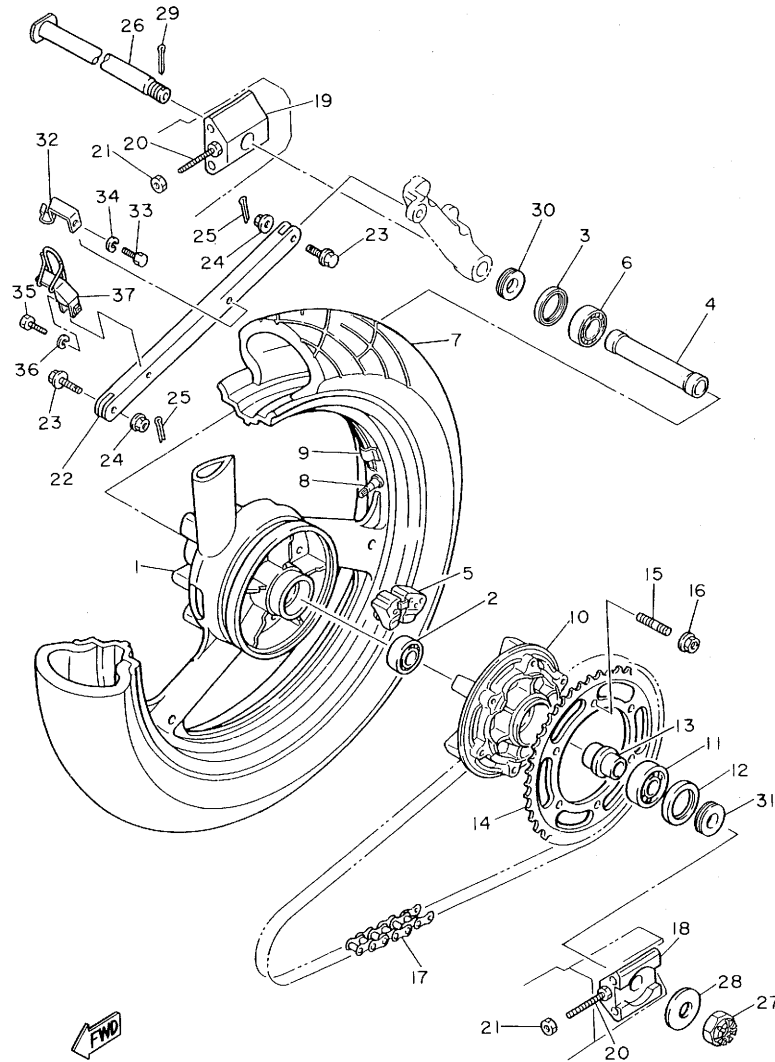
3LF351-1300

FIG. 31 FRONT BRAKE CALIPER



REF. NO.	PART NO.	DESCRIPTION	Q'TY	REMARKS
1	3LE-2581T-00	DISC BRAKE ASSY (LEFT)	2	
2	90109-08718	BOLT	12	
3	3GM-2580T-50	CALIPER ASSY (LEFT)	1	
4	3GM-W0057-00	.PISTON ASSY, caliper	1	
5	3GM-W0047-00	..CALIPER SEAL KIT	1	
6	3GM-W0057-10	.PISTON ASSY, caliper	1	
7	3GM-W0047-10	..CALIPER SEAL KIT	1	
8	3GM-W0045-50	.BRAKE PAD KIT	1	
9	3GM-25919-50	.SUPPORT, pad	1	
10	3GM-25924-50	.PIN, pad	2	
11	3MA-25925-00	.CLIP	2	
12	1J3-W0048-00	.BREED SCREW KIT	1	
13	1KT-25836-00	.COVER, dust	1	
14	3GM-2580U-50	CALIPER ASSY (RIGHT)	1	
15	3GM-W0057-00	.PISTON ASSY, caliper	1	
16	3GM-W0047-00	..CALIPER SEAL KIT	1	
17	3GM-W0057-10	.PISTON ASSY, caliper	1	
18	3GM-W0047-10	..CALIPER SEAL KIT	1	
19	3GM-W0045-50	.BRAKE PAD KIT	1	
20	3GM-25919-50	.SUPPORT, pad	1	
21	3GM-25924-50	.PIN, pad	2	
22	3MA-25925-00	.CLIP	2	
23	1J3-W0048-00	.BREED SCREW KIT	1	
24	1KT-25836-00	.COVER, dust	1	
25	90105-10308	BOLT, washer based	4	

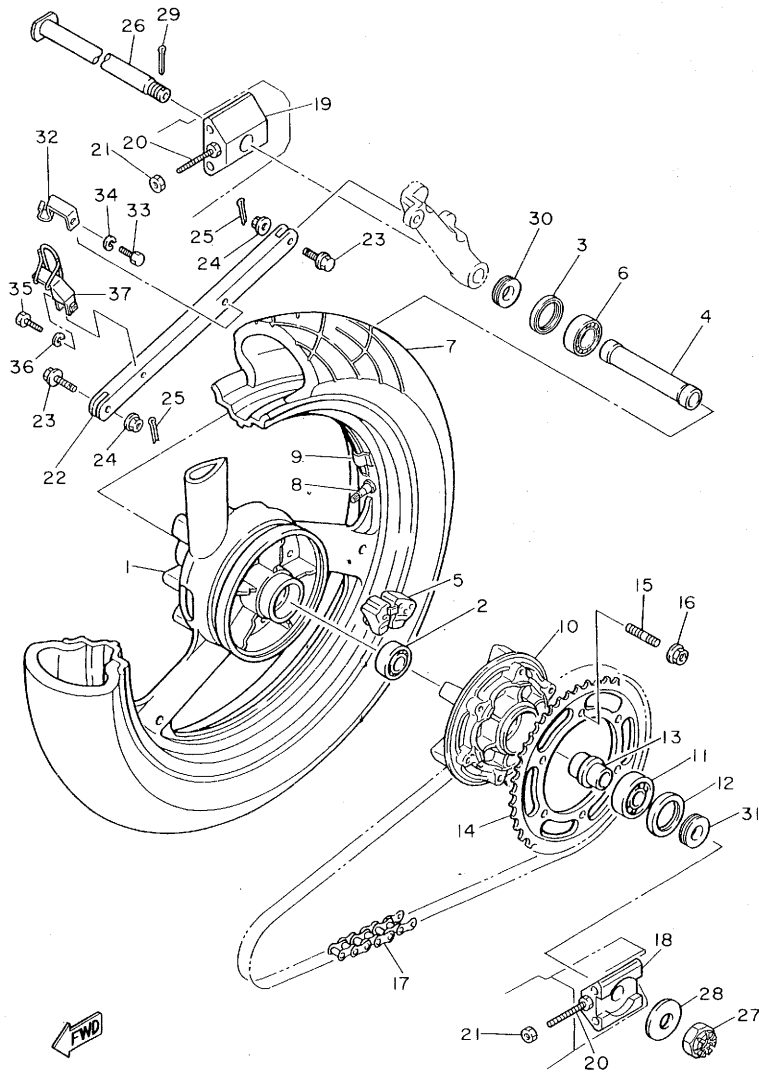
FIG. 32 REAR WHEEL



3LF351-1320

REF. NO.	PART NO.	DESCRIPTION	Q'TY	REMARKS
1	3GM-25338-01-UA	CAST WHEEL, rear	1	UR CAST WHEEL WHITE
	3GM-25338-01-WG	CAST WHEEL, rear	1	UR HI TECH SILVER
2	93306-30416	BEARING (B6304RS)	1	
3	93106-30029	OIL SEAL	1	
4	90560-20357	SPACER	1	
5	2GH-25364-00	DAMPER	5	
6	93306-30437	BEARING	1	
7	*	TIRE (170/60 ZR17 M59)	1	UR LM MICHELIN
	94117-173U6	TIRE (170/60 VR17 V280)	1	UR DUNLOP
	94117-176X3	TIRE (170/60 VR17 V280)	1	UR BRIDGESTONE
8	93900-00030	VALVE, rim	1	
9	29L-25398-00	BALANCER, wheel (10G)	1	UN
	29L-25398-10	BALANCER, wheel (20G)	1	UN
	29L-25398-20	BALANCER, wheel (30G)	1	UN
10	36Y-25366-01	CLUTCH, hub	1	
11	93306-30562	BEARING	1	
12	93106-35030	OIL SEAL	1	
13	36Y-25377-00	COLLAR, wheel	1	
14	2GH-25447-21	SPROCKET, driven (47T)	1	
15	90116-10485	BOLT, stud	6	
16	95601-10200	NUT, self-locking	6	
17	94581-26110	CHAIN (DID532ZLV-110L)	1	UR DAIDO
	94571-31110	CHAIN (RK532GSV2-110L)	1	UR TAKASAGO
18	3GM-25388-00	PULLER, chain 1	1	
19	3GM-25389-00	PULLER, chain 2	1	
20	90101-08705	BOLT	2	
21	95303-08600	NUT	2	
22	3GM-25371-00	BAR, tension	1	

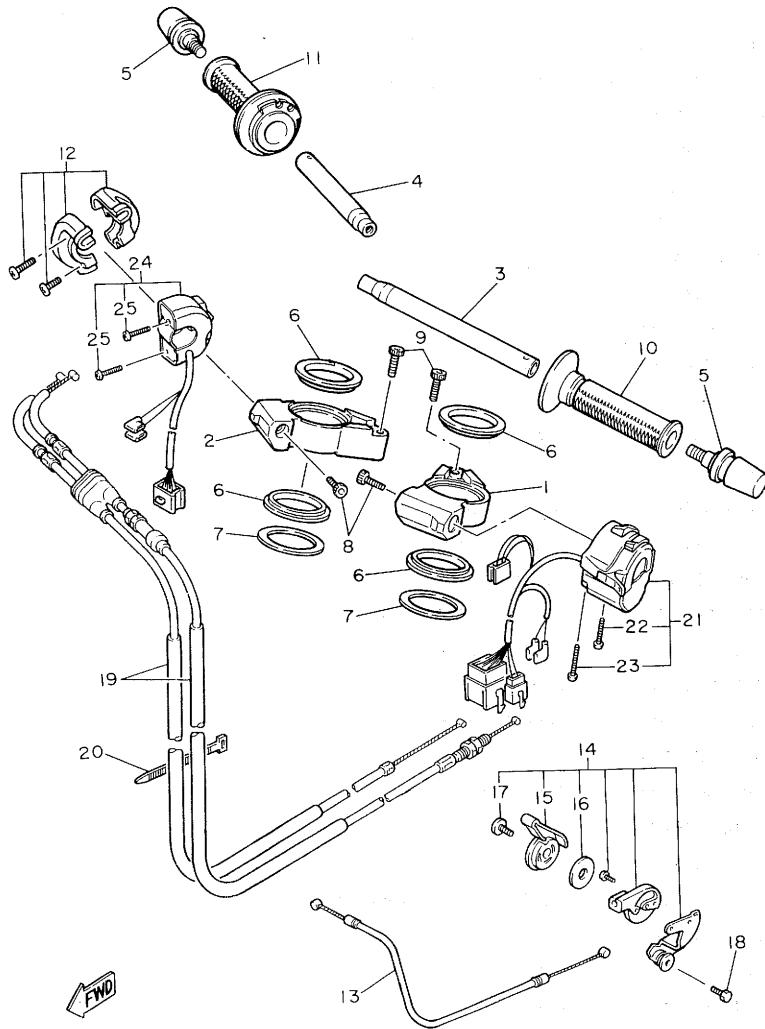
FIG. 32 REAR WHEEL



3LF351-1320

REF. NO.	PART NO.	DESCRIPTION	Q'TY	REMARKS
23	90105-08321	BOLT, washer based	2	
24	95701-08500	NUT, flange	2	
25	91401-20015	PIN, cotter	2	
26	3GM-25381-00	AXLE, wheel	1	
27	90171-18051	NUT, castle	1	
28	90201-186M4	WASHER, plate	1	
29	91401-40040	PIN, cotter	1	
30	90387-202X9	COLLAR	1	
31	90387-203X0	COLLAR	1	
32	3GM-25876-00	HOLDER, brake hose 2	1	
33	97011-06010	BOLT	1	
34	92990-06100	WASHER, spring	1	
35	97001-06030	BOLT	1	
36	92990-06100	WASHER, spring	1	
37	3GM-25875-50	HOLDER, brake hose 1	1	

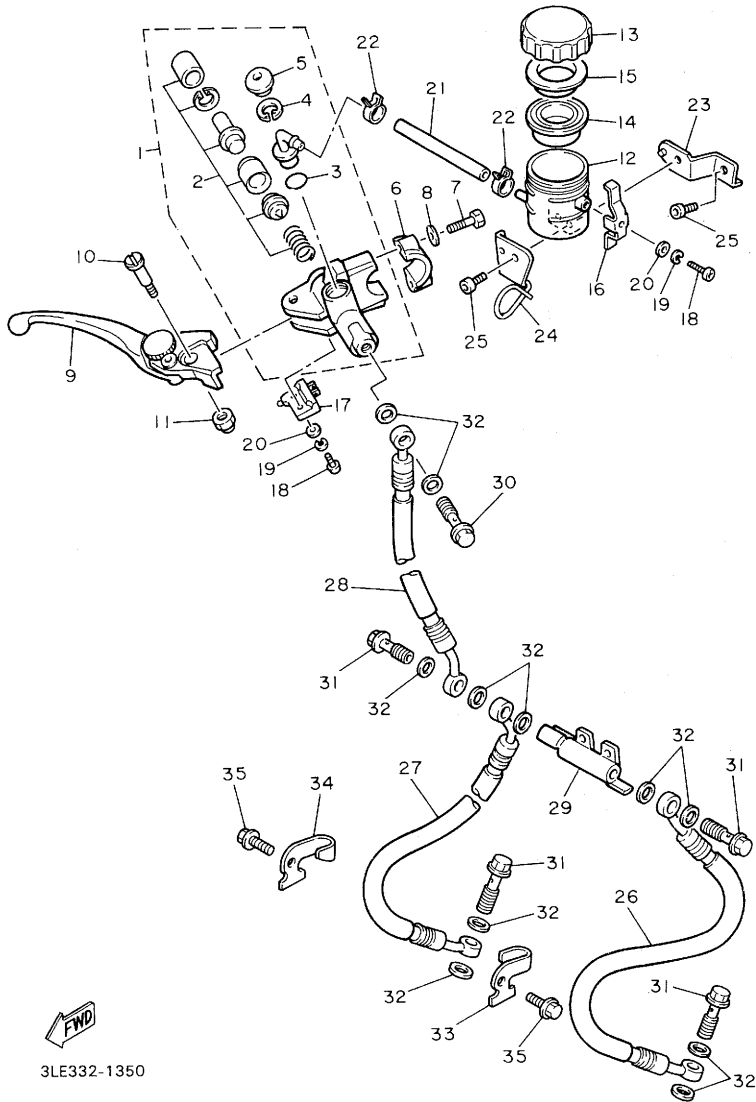
FIG. 34 STEERING HANDLE • CABLE



3LE332-1340

REF. NO.	PART NO.	DESCRIPTION	Q'TY	REMARKS
1	3GM-26121-51	HANDLEBAR (LEFT)	1	
2	3GM-26122-51	HANDLEBAR (RIGHT)	1	
3	3GM-26111-50	HANDLEBAR	1	
4	3GM-26112-50	BAR, handle	1	
5	36Y-26246-00	END, grip	2	
6	3GM-26113-50	DAMPER	4	
7	90201-502P8	WASHER, plate	2	
8	91316-08025	BOLT	2	
9	90109-082A1	BOLT	2	
10	47X-26241-00	GRIP (LEFT)	1	
11	47X-26240-00	GRIP ASSY	1	
12	3LN-26270-00	CABLE CONNECTOR CAP ASSY	1	
13	3GM-26331-00	CABLE, starter 1	1	
14	3GM-83940-00	STARTER ASSY	1	
15	1WG-83941-00	.LEVER, starter	1	
16	90209-10131	.WASHER	1	
17	98906-06008	.SCREW, bind	1	
18	91316-06012	BOLT	1	
19	3GM-26302-00	THROTTLE CABLE ASSY	1	
20	437-83936-01	BAND, switch cord	1	
21	3GM-83969-00	SWITCH, handle 5	1	
22	98506-05030	.SCREW, pan head	1	
23	98506-05040	.SCREW, pan head	1	
24	3GM-83975-00	SWITCH, handle 2	1	
25	98506-05018	.SCREW, pan head	2	

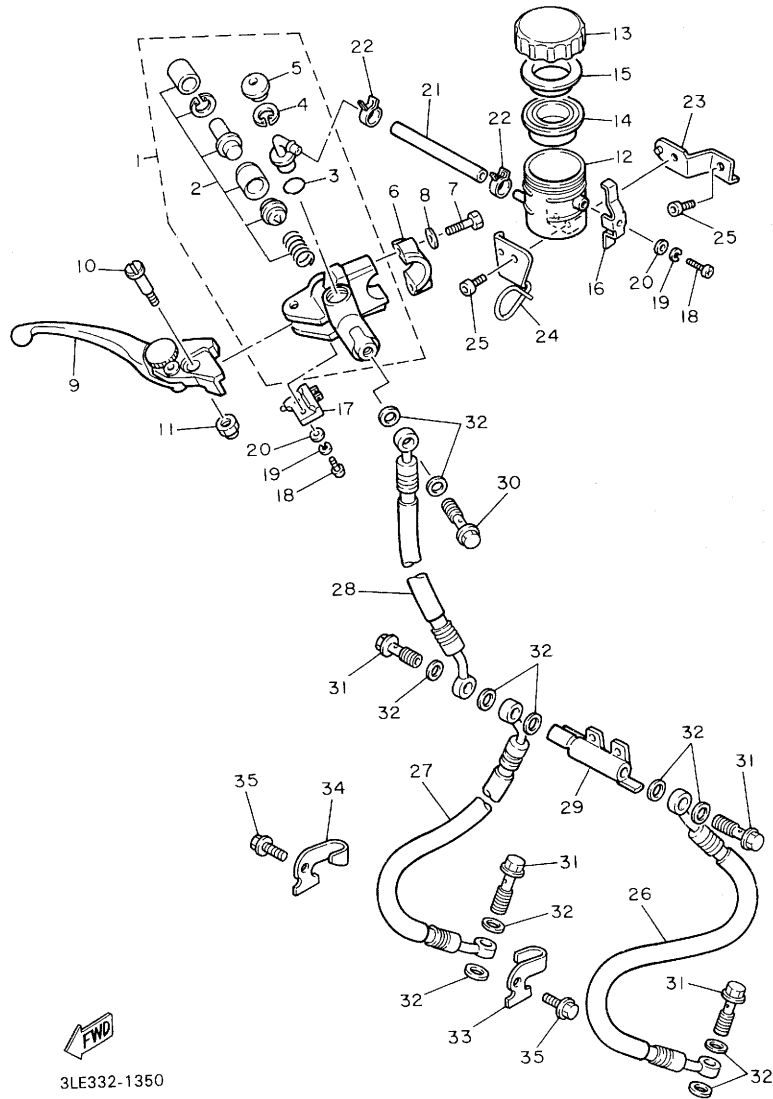
FIG. 35 FRONT MASTER CYLINDER



3LE332-1350

REF. NO.	PART NO.	DESCRIPTION	Q'TY	REMARKS
1	3GM-W2587-50	MASTER CYLINDER SUB ASSY	1	
2	3GM-W0041-50	.CYLINDER KIT, master	1	
3	93210-15620	.O-RING	1	
4	2VN-25866-00	.CIRCLIP	1	
5	3FV-2589A-00	.COVER, dust	1	
6	56A-25867-00	BRACKET, master cylinder	1	
7	97016-06025	BOLT	2	
8	92906-06600	WASHER, plate	2	
9	3GM-83922-50	LEVER 2	1	
10	3FV-2589F-00	BOLT, lever	1	
11	95616-06100	NUT, u	1	
12	3FV-25894-00	TANK, reservoir	1	
13	3GM-25852-50	CAP, reservoir	1	
14	3FV-25854-00	DIAPHRAGM, reservoir	1	
15	2J2-25855-50	BUSH, diaphragm	1	
16	3FV-2589G-00	HOLDER	1	
17	3FV-83980-00	FRONT STOP SWITCH ASSY	1	
18	98511-04012	SCREW, pan head	2	
19	92902-04100	WASHER, spring	2	
20	92901-04600	WASHER, plate	2	
21	3GM-2582F-00	HOSE	1	
22	3PA-24356-00	CLIP, pipe 1	2	
23	3GM-26292-50	STAY	1	
24	3GM-26131-00	GUIDE, cable 1	1	
25	90110-06145	BOLT, hexagon socket head	2	
26	3GM-25872-51	HOSE, brake 1	1	
27	3GM-25873-51	HOSE, brake 2	1	
28	3GM-25874-51	HOSE, brake	1	

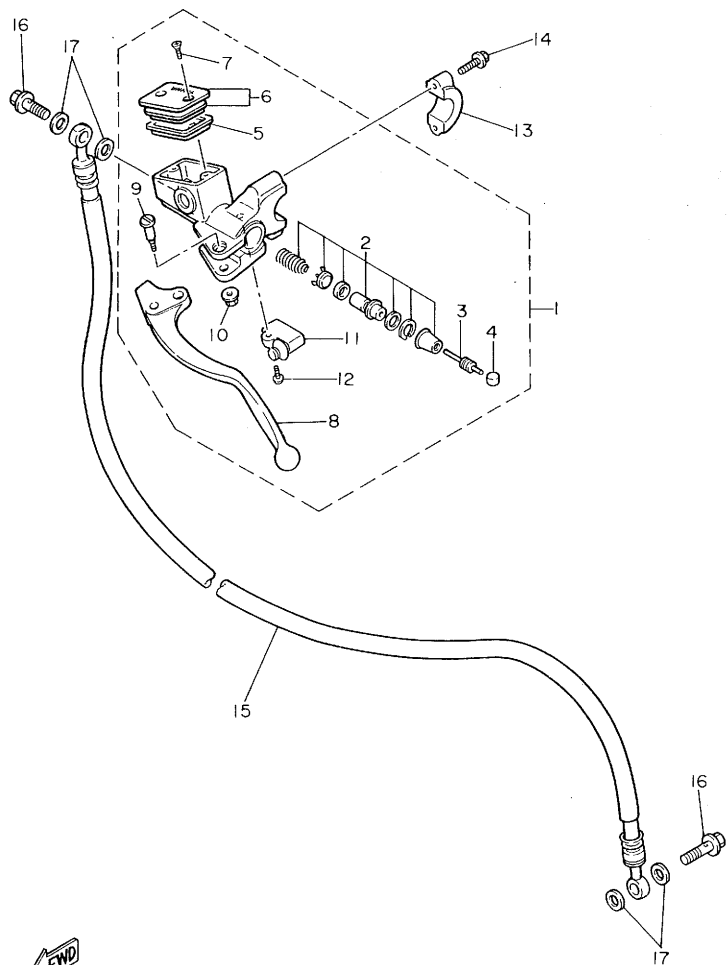
FIG. 35 FRONT MASTER CYLINDER



3LE332-1350

REF. NO.	PART NO.	DESCRIPTION	Q'TY	REMARKS
29	42H-25885-00	JOINT	1	
30	90401-10095	BOLT, union	1	
31	90401-10096	BOLT, union	4	
32	90201-10118	WASHER, plate	11	
33	3MA-25876-10	HOLDER, brake hose 2	1	
34	3MA-25876-20	HOLDER, brake hose 2	1	
35	95816-06012	BOLT, flange	2	

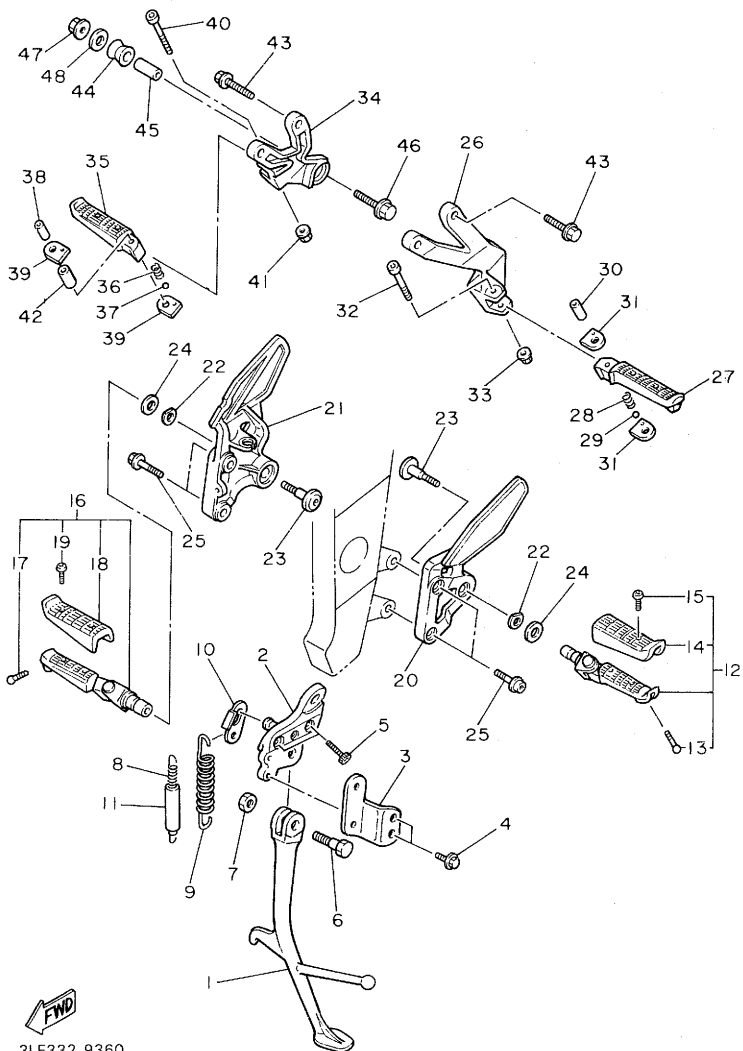
FIG. 36 FRONT MASTER CYLINDER 2



REF. NO.	PART NO.	DESCRIPTION	Q'TY	REMARKS
1	3SD-25870-11	MASTER CYLINDER SUB ASSY	1	
2	3GM-W0099-00	.CYLINDER KIT, master (CLUTCH)	1	
3	3GM-26464-00	.ROD, push	1	
4	3GM-26455-00	.BUSH	1	
5	55U-25854-00	.DIAPHRAGM, reservoir	1	
6	3GM-W2585-20	.RESERVOIR CAP SET	1	
7	98706-04012	.SCREW, flat head	2	
8	3GM-83912-00	.LEVER 1	1	
9	90149-06287	.SCREW	1	
10	95706-06500	.NUT, flange	1	
11	3GM-83980-00	.FRONT STOP SWITCH ASSY	1	
12	98706-04016	.SCREW, flat head	1	
13	56A-25867-00	BRACKET, master cylinder	1	
14	95026-06025	BOLT, flange	2	
15	2GH-26470-01	HOSE, clutch	1	
16	90401-10096	BOLT, union	2	
17	90201-10118	WASHER, plate	4	

3LE332-1360

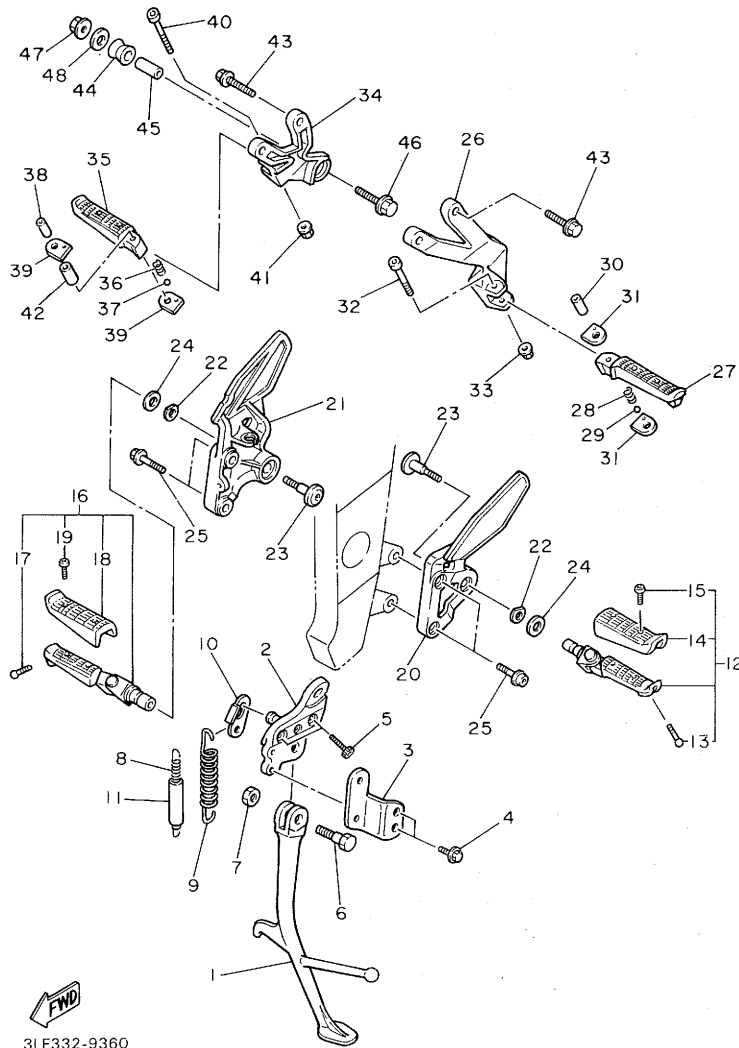
FIG. 37 STAND • FOOTREST



3LE332-9360

REF. NO.	PART NO.	DESCRIPTION	Q'TY	REMARKS
1	3GM-27311-00	STAND, side	1	
2	3GM-27321-00	BRACKET, side stand	1	
3	3GM-21453-00	BRACKET, switch	1	
4	90105-06564	BOLT, washer based	2	
5	90110-08155	BOLT, hexagon socket head	2	
6	90109-104E6	BOLT	1	
7	90185-10037	NUT, self-locking	1	
8	90506-18224	SPRING, tension	1	
9	90506-26225	SPRING, tension	1	
10	2KT-27315-00	LINK, side stand	1	
11	1TX-27351-00	GUIDE, side stand	1	
12	2GH-27410-00	FRONT FOOTREST ASSY (LEFT)	1	
13	90109-083E2	.BOLT	1	
14	2GH-27413-00	.COVER, footrest	1	
15	90157-05079	.SCREW, pan head	2	
16	2GH-27420-00	FRONT FOOTREST ASSY (RIGHT)	1	
17	90109-083E2	.BOLT	1	
18	2GH-27413-00	.COVER, footrest	1	
19	90157-05079	.SCREW, pan head	2	
20	3GM-27442-00	BRACKET 2	1	
21	3GM-27443-00	BRACKET 3	1	
22	90214-10056	WASHER, claw	2	
23	90109-103A9	BOLT	2	
24	90206-17084	WASHER, wave	2	
25	90110-08066	BOLT, hexagon socket head	4	
26	3GM-2741L-00	BRACKET 4	1	
27	1HX-27431-00	FOOTREST, rear 1	1	
28	90501-12743	SPRING, compression	1	

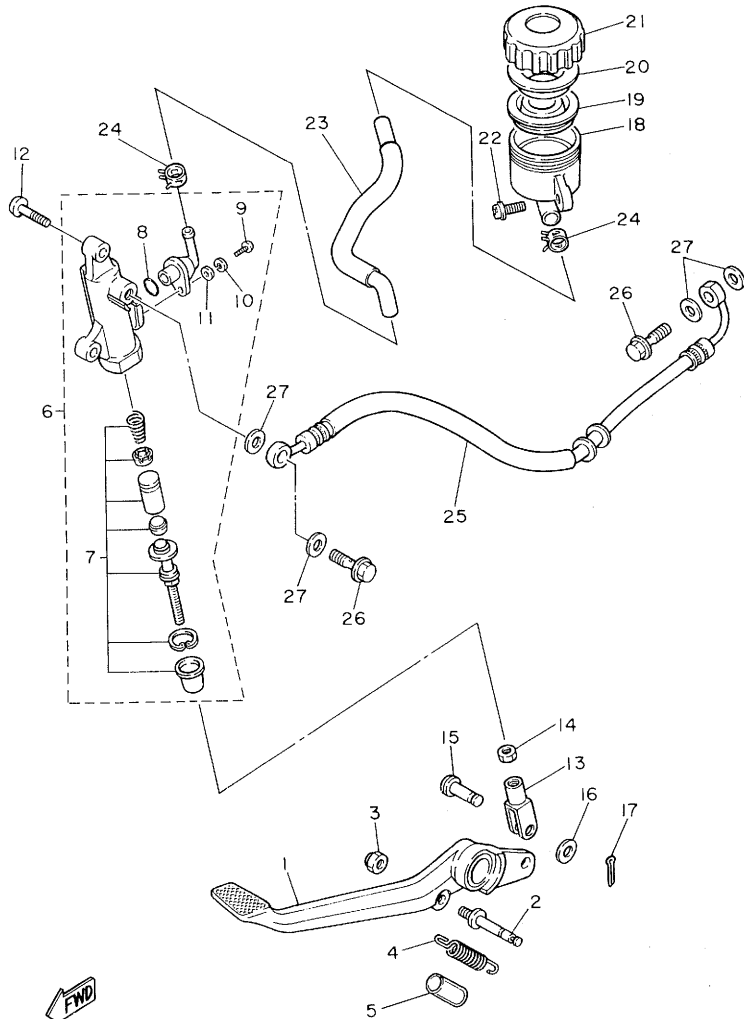
FIG. 37 STAND • FOOTREST



3LE332-9360

REF. NO.	PART NO.	DESCRIPTION	Q'TY	REMARKS
29	93501-04011	BALL	1	
30	90387-064H8	COLLAR	1	
31	1HX-27437-00	WASHER, special	2	
32	91311-06045	BOLT	1	
33	95601-06100	NUT, u	1	
34	3GM-2742L-00	BRACKET 5	1	
35	3GM-27441-00	FOOTREST, rear 2	1	
36	90501-12743	SPRING, compression	1	
37	93501-04011	BALL	1	
38	90387-064H8	COLLAR	1	
39	1HX-27437-00	WASHER, special	2	
40	91311-06045	BOLT	1	
41	95601-06100	NUT, u	1	
42	90387-083W8	COLLAR	1	
43	95821-08025	BOLT, flange	4	
44	2H7-27414-00	DAMPER, footrest	1	
45	90387-10636	COLLAR	1	
46	90105-10316	BOLT, washer based	1	
47	95701-10500	NUT, flange	1	
48	90201-10669	WASHER, plate	1	

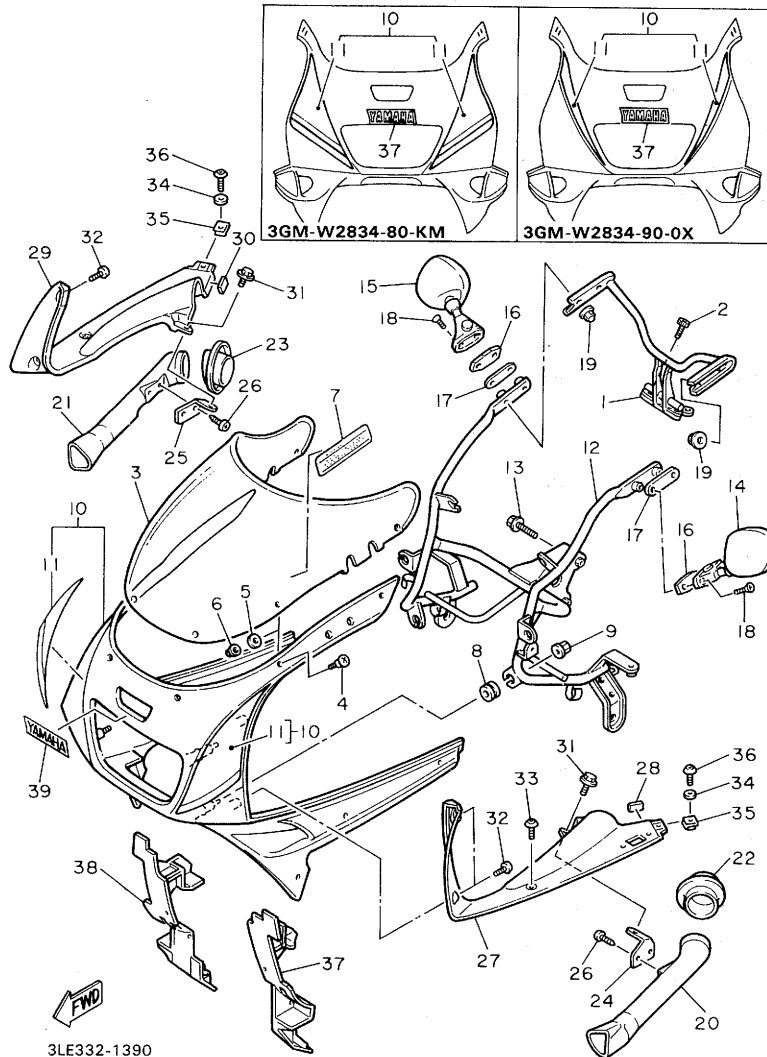
FIG. 38 REAR MASTER CYLINDER




3LE332-9370

REF. NO.	PART NO.	DESCRIPTION	Q'TY	REMARKS
1	2GH-27211-00	PEDAL, brake	1	
2	2TK-27813-00	PIN, pedal crank	1	
3	95611-08100	NUT, u	1	
4	90508-20737	SPRING, torsion	1	
5	90446-17346	HOSE	1	
6	3GM-2583V-00	RR. MASTER CYLINDER ASSY.	1	
7	2KR-W0042-50	.CYLINDER KIT, master	1	
8	93210-15620	.O-RING	1	
9	98511-04012	.SCREW, pan head	1	
10	92902-04100	.WASHER, spring	1	
11	92901-04600	.WASHER, plate	1	
12	92011-08030	SCREW	2	
13	47X-27222-00	JOINT	1	
14	95303-08700	NUT	1	
15	90240-08013	PIN, clevis	1	
16	90201-08083	WASHER, plate	1	
17	91401-20015	PIN, cotter	1	
18	47X-25894-00	TANK, reservoir	1	
19	360-25854-00	DIAPHRAGM, reservoir	1	
20	2GU-25855-00	BUSH, diaphragm	1	
21	2KF-25852-50	CAP, reservoir	1	
22	90159-06085	SCREW, with washer	1	
23	3GM-25895-50	HOSE, reservoir	1	
24	90467-14057	CLIP	2	
25	3GM-25874-10	HOSE, brake	1	
26	90401-10096	BOLT, union	2	
27	90201-10118	WASHER, plate	4	

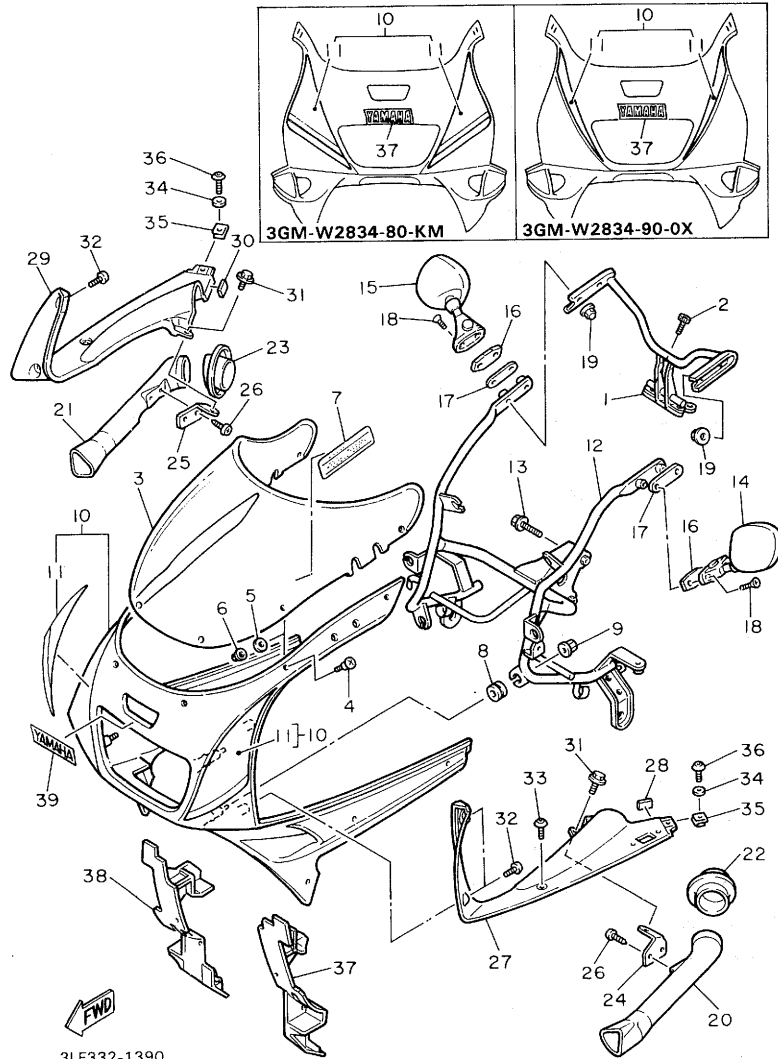
FIG. 39 COWLING 1



3LE332-1390

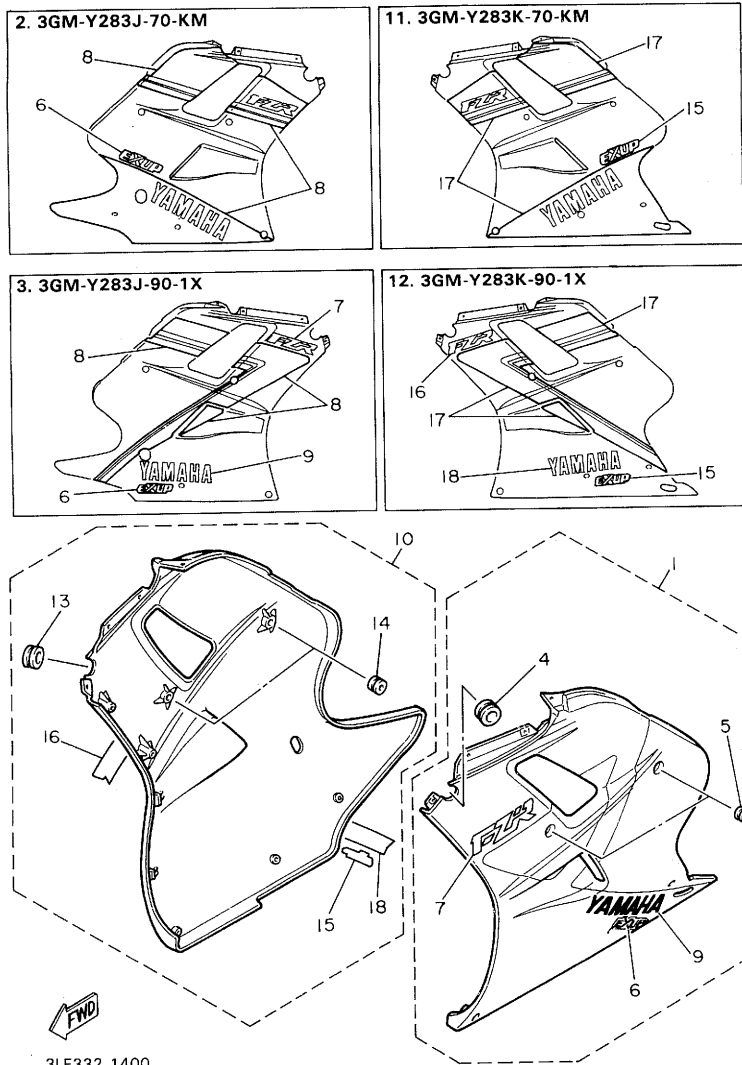
REF. NO.	PART NO.	DESCRIPTION	Q'TY	REMARKS
1	3GM-2831W-50	STAY, mirror 1	1	
2	91316-06016	BOLT	2	
3	3GM-28381-50	WINDSHIELD	1	
4	90149-05273	SCREW	6	
5	3HX-28215-00	WASHER, special	6	
6	95706-05500	NUT, flange	6	
7	3JJ-2835Y-00	LABEL, caution	1	UR ENGLISH
	3JJ-2835Y-10	LABEL, caution	1	UR FRENCH
8	90480-14229	GROMMET	4	
9	90179-06500	NUT	4	
10	3GM-W2834-70-GE	BODY, cowling	1	UR SILKY WHITE
	3GM-W2834-80-KM	BODY, cowling	1	UR NEW BLACK BLUE
	3GM-W2834-90-0X	BODY, cowling	1	UR SILKY WHITE/ DYNASTY BLUE UR FOR SW
11	3GM-28390-71	.GRAPHIC SET, cowling	1	
	3GM-28390-81	.GRAPHIC SET, cowling	1	UR FOR NBB
	3GM-28390-90	.GRAPHIC SET, cowling	1	UR FOR SW/DYB
12	3GM-28356-50	STAY 1	1	
13	90105-08652	BOLT, washer based	2	
14	2GH-26280-00	REAR VIEW MIRROR ASSY (LEFT)	1	UR WHITE
	2GH-26280-10	REAR VIEW MIRROR ASSY (LEFT)	1	UR BLACK
15	2GH-26290-00	REAR VIEW MIRROR ASSY (RIGHT)	1	UR WHITE
	2GH-26290-10	REAR VIEW MIRROR ASSY (RIGHT)	1	UR BLACK
16	3CV-26299-00	PLATE, mirror fitting 2	2	
17	3CV-26298-00	PLATE, mirror fitting 1	2	
18	98706-06030	SCREW, flat head	4	
19	90176-06055	NUT, crown	4	
20	3GM-2838N-51	DUCT 1	1	
21	3GM-2838R-51	DUCT 2	1	

FIG. 39 COWLING 1



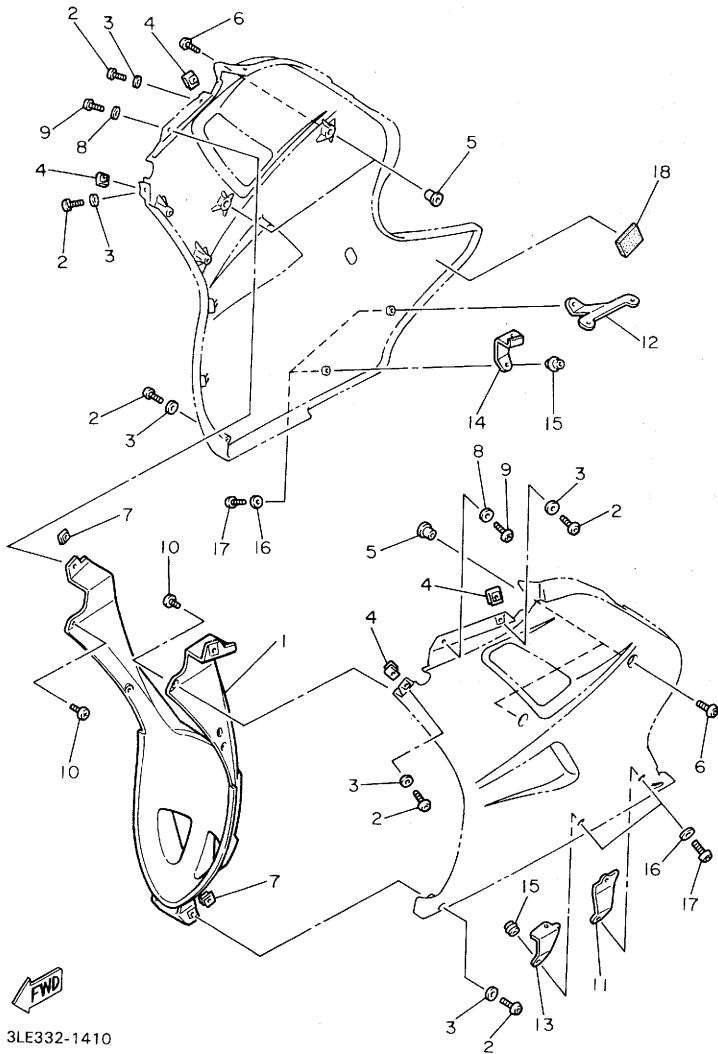
REF. NO.	PART NO.	DESCRIPTION	Q'TY	REMARKS
22	3GM-2838T-01	DUCT 3	1	
23	3GM-2838U-01	DUCT 4	1	
24	3GM-2836H-00	BRACKET 5	1	
25	3GM-2836J-00	BRACKET 6	1	
26	97706-40512	SCREW, tapping	4	
27	3GM-2835U-51	PANEL 1	1	UR FOR SW
	3GM-2835U-60	PANEL 1	1	UR FOR NBB
28	34M-2139X-00	DAMPER	1	
29	3GM-2835V-51	PANEL 2	1	UR FOR SW
	3GM-2835V-60	PANEL 2	1	UR FOR NBB
30	34M-2139X-00	DAMPER	1	
31	90119-06018	BOLT, with washer	2	
32	90167-05041	SCREW, tapping	4	
33	90110-05079	BOLT, hexagon socket head	2	
34	90202-05180	WASHER, plate	2	
35	90183-05024	NUT, spring	2	
36	90149-05224	SCREW	2	
37	3GM-28396-50	PLATE 1	1	
38	3GM-28397-50	PLATE 2	1	
39	99234-00025	EMBLEM, yamaha	1	UR FOR SW
	99236-00025	EMBLEM, yamaha	1	UR FOR NBB, SW/ DYB

FIG. 40 COWLING 2



REF. NO.	PART NO.	DESCRIPTION	Q'TY	REMARKS
1	3GM-Y283J-80-0X	BODY, front lower 1	1	UR SILKY WHITE/ VIVID RED COCKTAIL
2	3GM-Y283J-70-KM	BODY, front lower 1	1	UR NEW BLACK BLUE
3	3GM-Y283J-90-1X	BODY, front lower 1	1	UR SILKY WHITE/ POLAR SILVER
4	90480-35526	•GROMMET	1	
5	90480-13398	•GROMMET	2	
6	3GM-2839H-70	•EMBLEM 1	1	UR FOR SW/VRC, SW/POS
	3GM-2839H-80	•EMBLEM 1	1	UR FOR NBB
7	3GM-28368-70	•EMBLEM	1	UR FOR SW/VRC
	3GM-28368-90	•EMBLEM	1	UR FOR SW/POS
8	3GM-28301-80	•GRAPHIC SET, lower cover 1	1	UR FOR NBB
	3GM-28301-90	•GRAPHIC SET, lower cover 1	1	UR FOR SW/POS
9	99234-00065	•EMBLEM, yamaha	1	UR FOR SW/VRC
	99234-00070	•EMBLEM, yamaha	1	UR FOR SW/POS
10	3GM-Y283K-80-0X	BODY, front lower 2	1	UR SILKY WHITE/ VIVID RED COCKTAIL
11	3GM-Y283K-70-KM	BODY, front lower 2	1	UR NEW BLACK BLUE
12	3GM-Y283K-90-1X	BODY, front lower 2	1	UR SILKY WHITE POLAR SILVER
13	90480-35526	•GROMMET	1	
14	90480-13398	•GROMMET	2	
15	3GM-2839H-70	•EMBLEM 1	1	UR FOR SW/VRC, SW/POS
	3GM-2839H-80	•EMBLEM 1	1	UR FOR NBB
16	3GM-28368-70	•EMBLEM	1	UR FOR SW/VRC
	3GM-28368-90	•EMBLEM	1	UR FOR SW/POS
17	3GM-28303-80	•GRAPHIC SET,lower cover 2	1	UR FOR NBB
	3GM-28303-90	•GRAPHIC SET,lower cover 2	1	UR FOR SW/POS
18	99234-00065	•EMBLEM, yamaha	1	UR FOR SW/VRC
	99234-00070	•EMBLEM, yamaha	1	UR FOR SW/POS

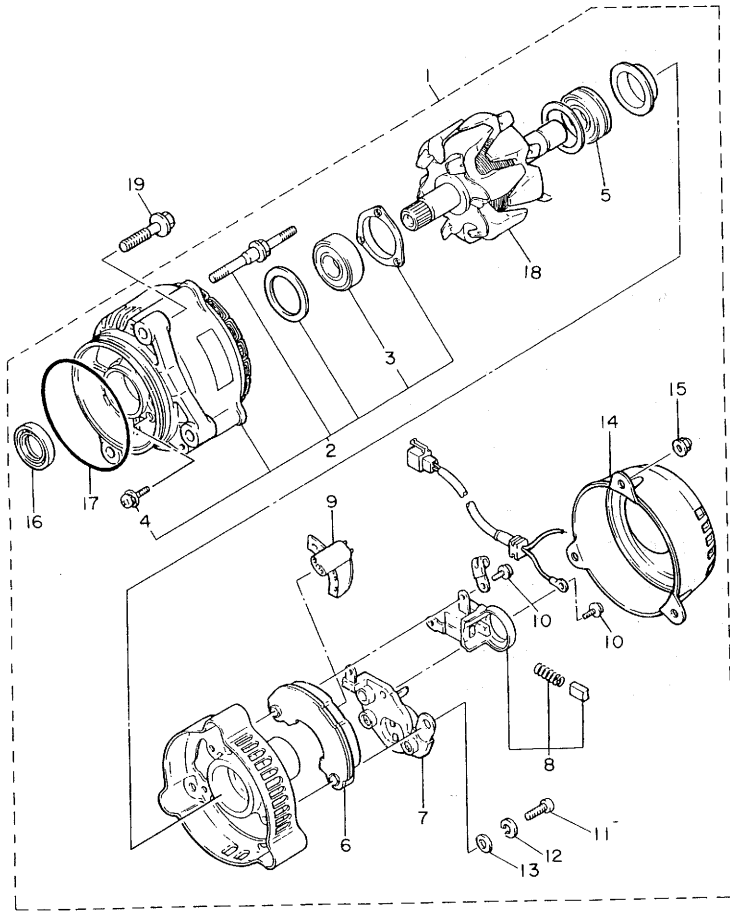
FIG. 41 COWLING 3



3LE332-1410

REF. NO.	PART NO.	DESCRIPTION	Q'TY	REMARKS
1	3GM-2836K-50-GE	PANEL, inner 1	1	UR SILKY WHITE
	3GM-2836K-50-KM	PANEL, inner 1	1	UR NEW BLACK BLUE
2	90110-05079	BOLT, hexagon socket head	6	
3	90202-05180	WASHER, plate	6	
4	90183-05024	NUT, spring	4	
5	90387-067N5	COLLAR	4	
6	90110-06083	BOLT, hexagon socket head	4	
7	90183-05024	NUT, spring	4	
8	90202-05180	WASHER, plate	2	
9	90149-05224	SCREW	2	
10	90167-05041	SCREW, tapping	4	
11	3GM-2836A-00	BRACKET 1	1	
12	3GM-2836E-50	BRACKET 2	1	
13	3GM-2836F-00	BRACKET 3	1	
14	3GM-2836G-00	BRACKET 4	1	
15	90179-05523	NUT	4	
16	90202-05180	WASHER, plate	4	
17	90149-05224	SCREW	4	
18	30X-2139X-00	DAMPER	1	

FIG. 42 GENERATOR



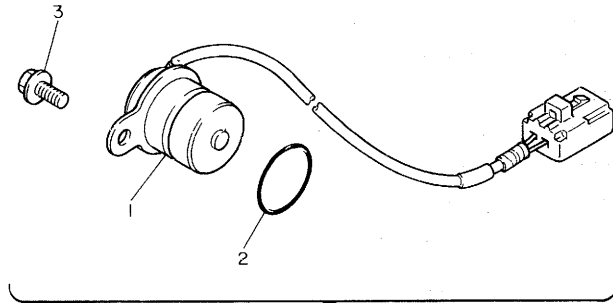
REF. NO.	PART NO.	DESCRIPTION	Q'TY	REMARKS
1	2GH-81600-55	A.C. GENERATOR ASSY	1	
2	2KT-81634-50	.STATOR ASSY	1	
3	36Y-81643-30	..BEARING	1	
4	2KT-81645-50	..SCREW	3	
5	36Y-81643-50	.BEARING	1	
6	36Y-81970-50	.RECTIFIER ASSY	1	
7	36Y-81910-50	.VOLTAGE REGULATOR ASSY	1	
8	3FV-81619-00	.BRUSH HOLDER ASSY	1	
9	36Y-81972-50	.COVER, rectifier	1	
10	36Y-81645-30	.SCREW	2	
11	98501-05018	.SCREW, pan head	3	
12	92901-05100	.WASHER, spring	3	
13	92901-05600	.WASHER, plate	3	
14	2KT-81604-50	.COVER ASSY	1	
15	2KT-81675-50	.NUT	3	
16	36Y-81638-50	.OIL SEAL	1	
17	2KT-81642-50	.O-RING	1	
18	2GH-81660-52	.ROTOR ASSY	1	
19	95816-08030	BOLT, flange	3	



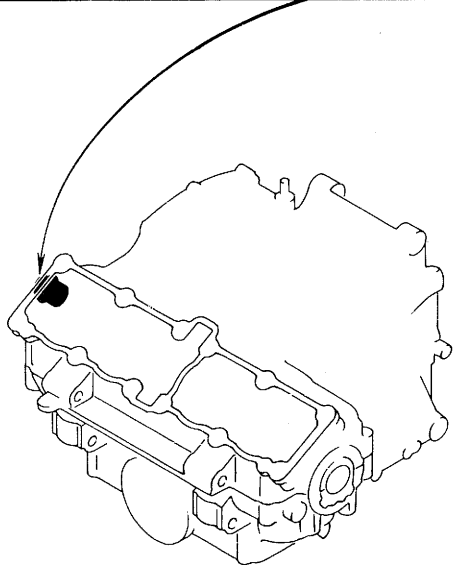
3LE332-9400

F5

FIG. 43 PICK UP COIL • GOVERNOR

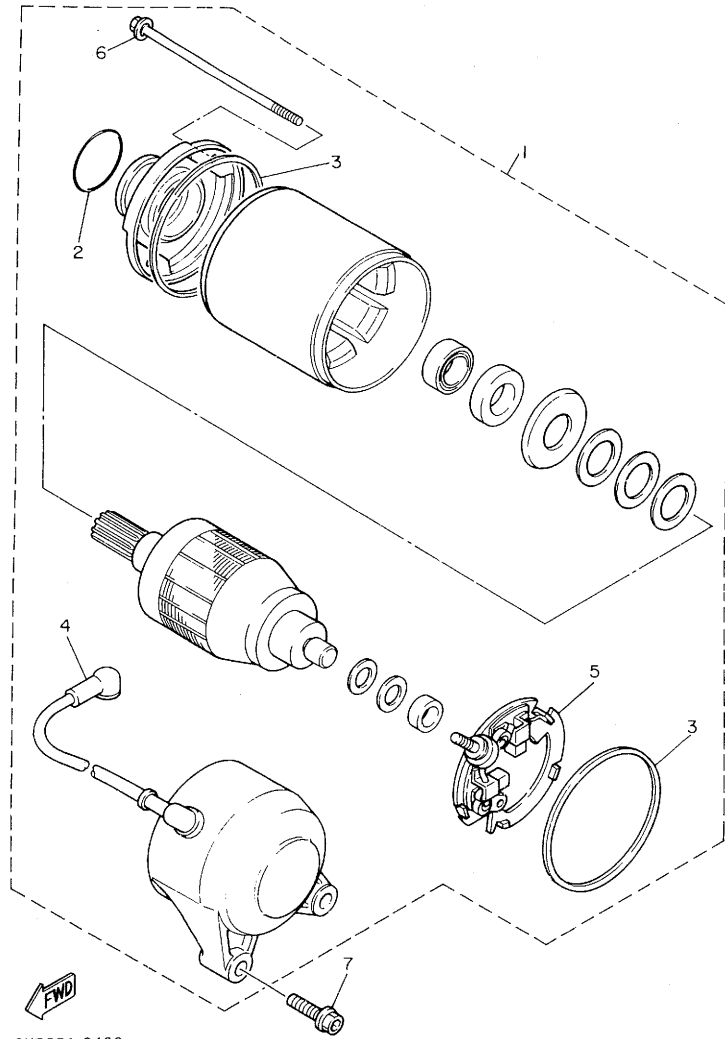


REF. NO.	PART NO.	DESCRIPTION	Q'TY	REMARKS
1	3GM-81670-00	PICK-UP ASSY	1	
2	93210-19216	O-RING	1	
3	95023-06012	BOLT	1	



2GH300-7400

FIG. 44 STARTING MOTOR

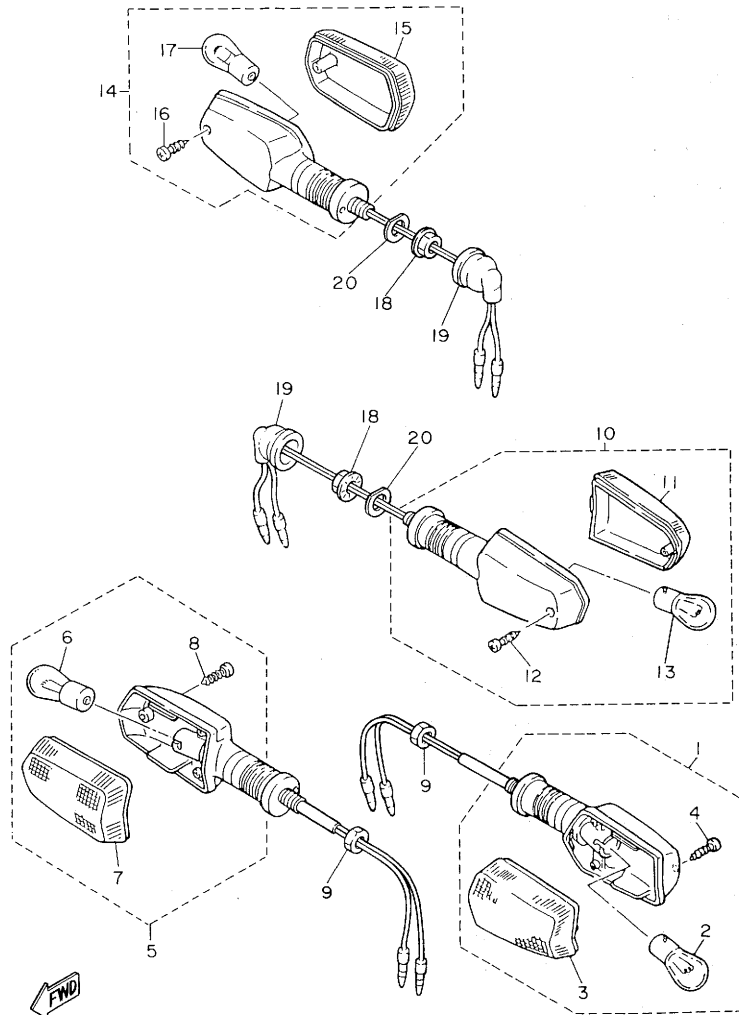


3KS351-9420

REF. NO.	PART NO.	DESCRIPTION	Q'TY	REMARKS
1	3GM-81800-50	STARTING MOTOR ASSY	1	
2	26H-81847-00	.O-RING	1	
3	11H-81844-00	.GASKET	2	
4	3GM-81815-50	.CORD, starter motor	1	
5	3KS-81840-00	.BRUSH HOLDER ASSY	1	
6	3HE-81826-00	.BOLT	2	
7	95811-06025	BOLT, flange	2	

F7

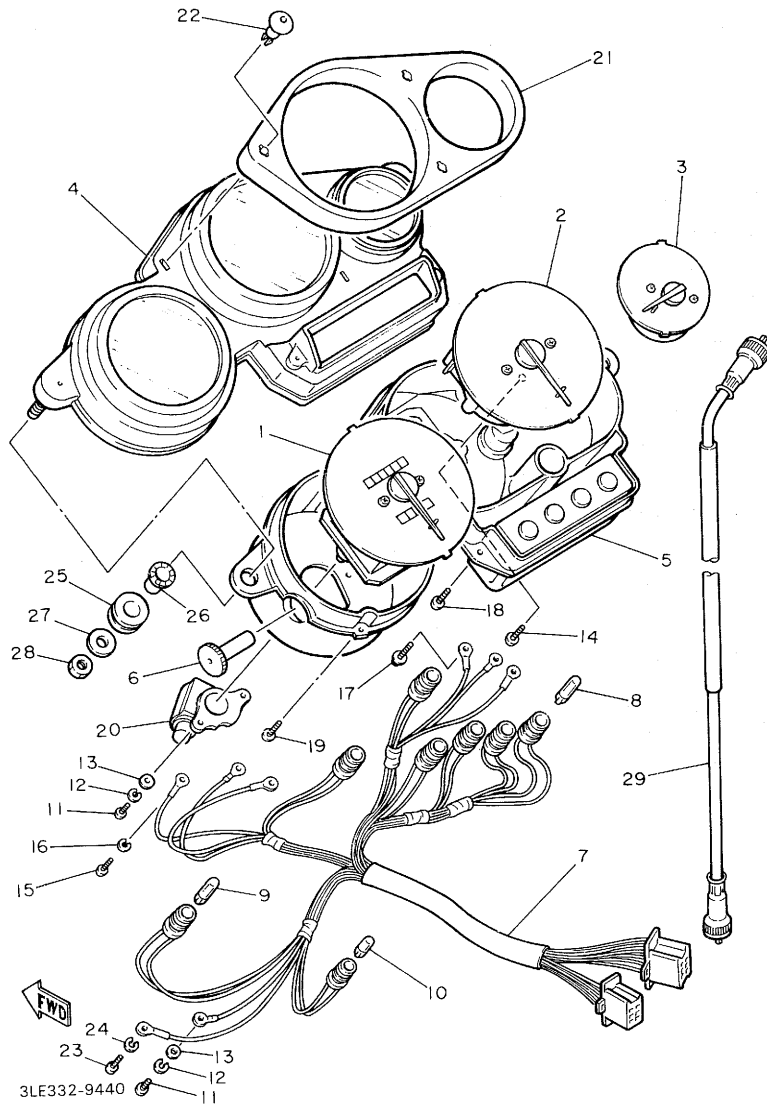
FIG. 45 FLASHER LIGHT



3LE332-1450

REF. NO.	PART NO.	DESCRIPTION	Q'TY	REMARKS
1	3GM-83310-00	FRONT FLASHER LIGHT ASSY 1	1	
2	306-83311-40	.BULB, flasher (12V-21W)	1	
3	51L-83332-01	.LENS, flasher	1	
4	97706-40620	.SCREW, tapping	1	
5	3GM-83320-00	FRONT FLASHER LIGHT ASSY 2	1	
6	306-83311-40	.BULB, flasher (12V-21W)	1	
7	51L-83342-01	.LENS, flasher 2	1	
8	97706-40620	.SCREW, tapping	1	
9	95306-12600	NUT	2	
10	51J-83330-00	REAR FLASHER LIGHT ASSY 1	1	
11	1VU-83332-00	.LENS, flasher	1	
12	97706-40620	.SCREW, tapping	1	
13	306-83311-40	.BULB, flasher (12V-21W)	1	
14	51J-83340-00	REAR FLASHER LIGHT ASSY 2	1	
15	1VU-83342-00	.LENS, flasher 2	1	
16	97706-40620	.SCREW, tapping	1	
17	306-83311-40	.BULB, flasher (12V-21W)	1	
18	95706-12500	NUT, flange	2	
19	18G-83365-00	CAP	2	
20	90214-12033	WASHER, claw	2	

FIG. 46 METER



REF. NO.	PART NO.	DESCRIPTION	Q'TY	REMARKS
1	3GM-83570-10	SPEEDOMETER ASSY	1	
2	3GM-83540-00	TACHOMETER ASSY	1	
3	3GM-83590-00	WATER TEMPERATURE ASSY	1	
4	3GM-83559-00	COVER, meter	1	
5	3LG-8353H-10	CASE, inner	1	
6	2GH-83578-00	KNOB, trip meter	1	
7	3LG-83509-10	SOCKET CORD ASSY	1	
8	4G1-84744-00	BULB (12V-3.4W)	4	
9	3GM-83517-00	BULB(12V-1.7W)	3	
10	2GV-83517-00	BULB, (12V-1.7W, T6.5)	1	
11	98580-04010	SCREW, pan head	4	
12	92902-04100	WASHER, spring	4	
13	92901-04600	WASHER, plate	4	
14	90167-04057	SCREW, tapping	2	
15	98580-03010	SCREW, pan head	3	
16	92990-03100	WASHER, spring	3	
17	90159-03102	SCREW, with washer	3	
18	90164-04008	SCREW, tapping	4	
19	90167-03058	SCREW, tapping	1	
20	3GM-83520-00	SOCKET CORD ASSY	1	
21	3GM-83513-00	DAMPER	1	
22	3GM-83525-00	CLIP	3	
23	98501-03012	SCREW, pan head	1	
24	92990-03100	WASHER, spring	1	
25	90480-14229	GROMMET	2	
26	90387-07391	COLLAR	2	
27	90201-06059	WASHER, plate	2	
28	95316-06600	NUT	2	

FIG. 46 METER

REF. NO.	PART NO.	DESCRIPTION	Q'TY	REMARKS
29	3GM-83550-00	SPEEDOMETER CABLE ASSY	1	

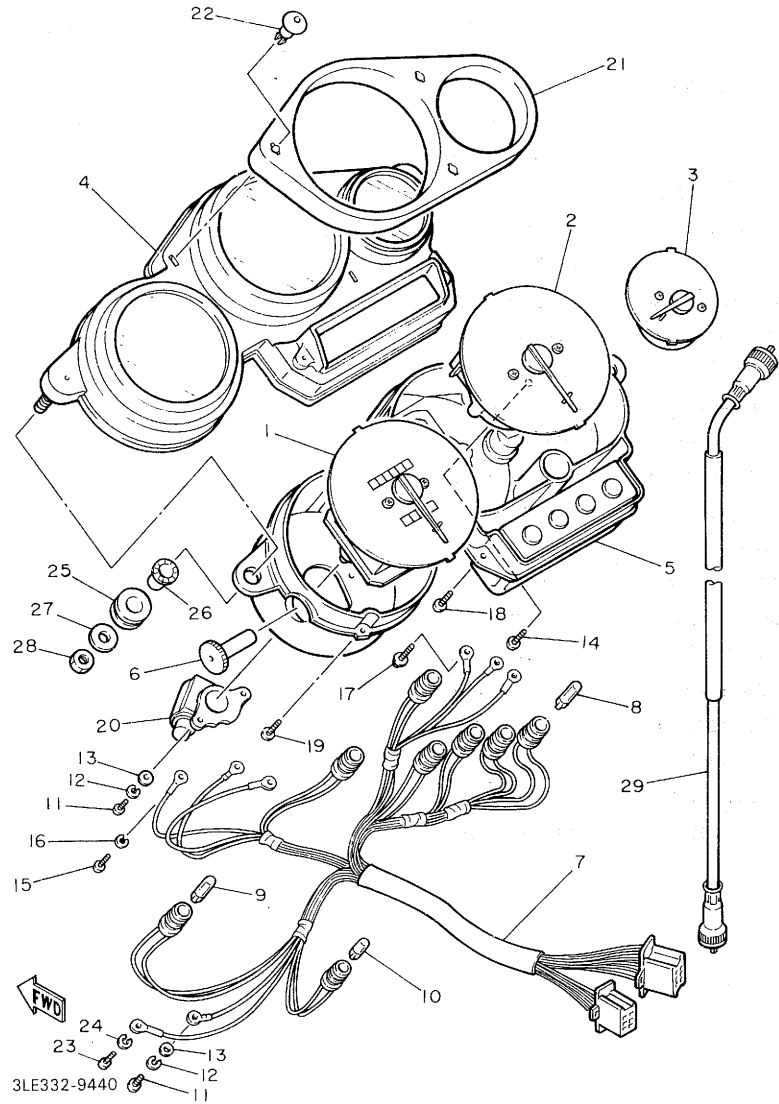
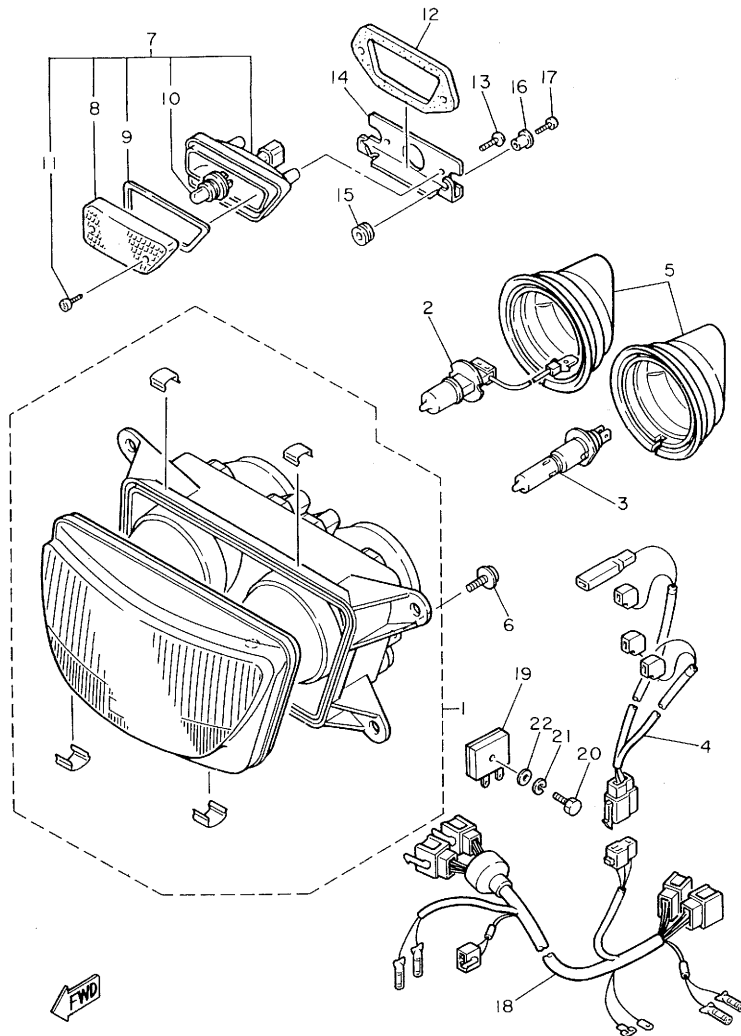


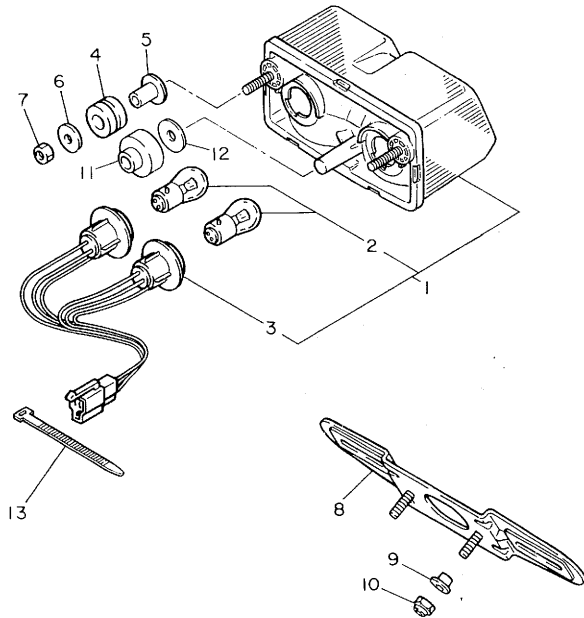
FIG. 47 HEADLIGHT



3LE332-1470

REF. NO.	PART NO.	DESCRIPTION	Q'TY	REMARKS
1	3GM-84320-40	LENS ASSY	1	
2	*	BULB (12V-55W-H3)	1	LM HALOGEN
3	*	BULB (12V-55W)	1	LM HALOGEN
4	3GM-84340-40	SOCKET CORD ASSY 1	1	
5	3GM-84397-40	COVER, socket	2	
6	3TJ-84351-00	SCREW	1	
7	3GM-84301-00	PILOT LIGHT ASSY 1	1	
8	3GM-84321-00	LENS ASSY	1	
9	3GM-84322-00	GASKET, lens	1	
10	2JE-84744-00	BULB (12V 5W)	1	
11	3GM-84192-00	SCREW(M4,L=12)	2	
12	3GM-84367-00	DAMPER, headlight 2	1	
13	90167-05041	SCREW, tapping	2	
14	3GM-8431R-00	STAY, setting	1	
15	90480-10517	GROMMET	2	
16	90387-052U5	COLLAR	2	
17	90167-05037	SCREW, tapping	2	
18	3GM-84359-20	CORD, headlight	1	
19	1Y8-81970-60	RECTIFIER ASSY	1	
20	97016-06020	BOLT	1	
21	92906-06100	WASHER, spring	1	
22	92906-06600	WASHER, plate	1	

FIG. 48 TAILLIGHT

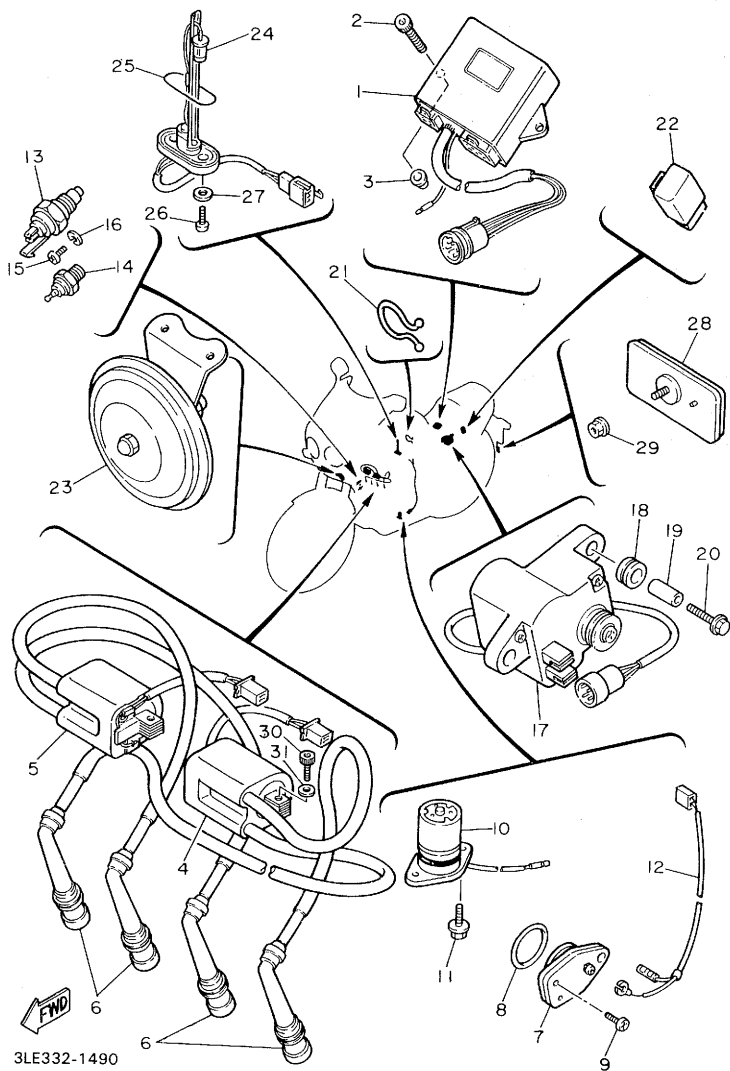


REF. NO.	PART NO.	DESCRIPTION	Q'TY	REMARKS
1	3GM-84710-20	TAILLIGHT UNIT ASSY	1	
2	31L-84714-00	•BULB, taillight (12V-21/5W)	2	
3	3LK-8473A-00	•CORD ASSY	1	
4	90480-18276	GROMMET	2	
5	90387-062W4	COLLAR	2	
6	90201-063J2	WASHER, plate	2	
7	95303-06600	NUT	2	
8	1KH-84751-00-90	BRACKET, license	1	*UNI-CHROME (BLACK CHROMATE)
9	90387-061M0	COLLAR	2	
10	95616-06100	NUT, u	2	
11	90480-15259	GROMMET	1	
12	90201-105J4	WASHER, plate	1	
13	5Y9-12491-00	CLAMP 1	1	



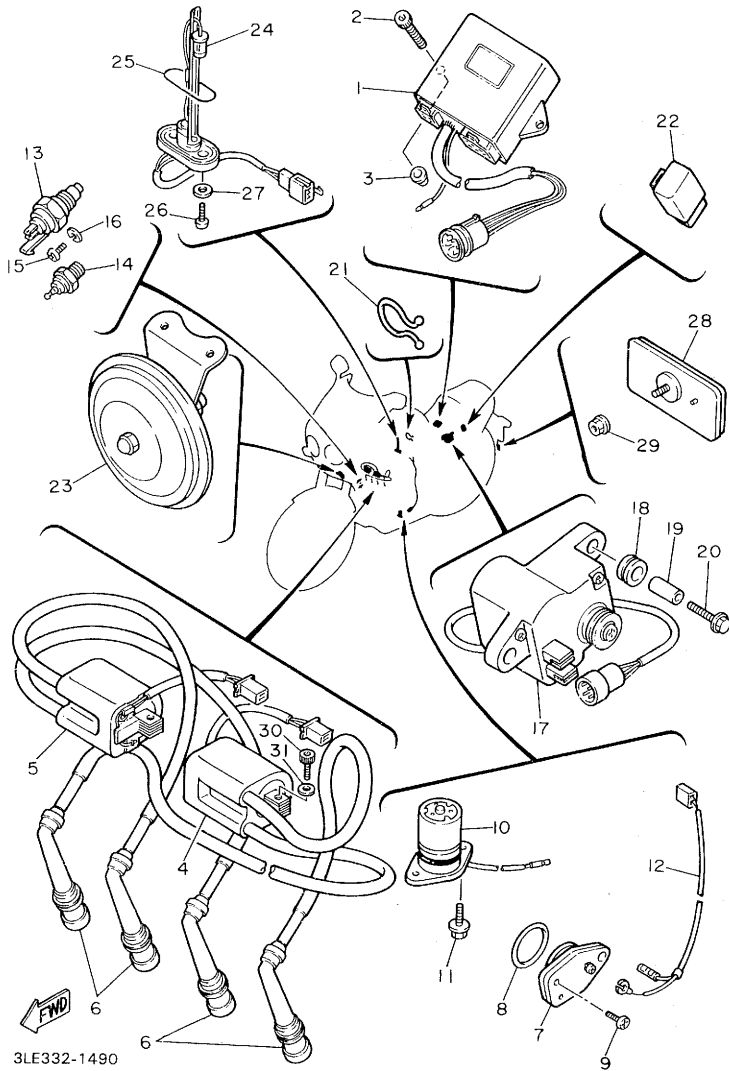
3LE332-9460

FIG. 49 ELECTRICAL 1



REF. NO.	PART NO.	DESCRIPTION	Q'TY	REMARKS
1	3GM-82305-10	IGNITOR UNIT ASSY	1	
2	90110-06158	BOLT, hexagon socket head	1	
3	31A-14477-00	PLATE	1	
4	3GM-82310-00	IGNITION COIL ASSY	1	
5	3GM-82320-00	IGNITION COIL ASSY	1	
6	2KT-82370-00	PLUG CAP ASSY	4	
7	1AE-82540-00	NEUTRAL SWITCH ASSY	1	
8	93210-29196	O-RING	1	
9	98502-06016	SCREW, pan head	2	
10	3GM-85720-00	OIL LEVEL GAUGE ASSY	1	
11	95026-06016	BOLT, flange	2	
12	1AE-82509-00	WIRE, sub lead	1	
13	2EL-82560-00	THERMO SWITCH ASSY	1	
14	11H-83591-00	THERMO UNIT	1	
15	98501-05008	SCREW, pan head	1	
16	92901-05100	WASHER, spring	1	
17	3GM-85820-00	SERVO MOTOR ASSY	1	
18	90480-14412	GROMMET	2	
19	90387-065V1	COLLAR	2	
20	95801-06035	BOLT, flange	2	
21	90464-30040	CLAMP	1	
22	3YA-83350-00	FLASHER RELAY ASSY	1	UR
	3GM-83350-50	FLASHER RELAY ASSY	1	UR
23	3GM-83371-00	HORN	1	
24	3GM-85752-01	SENDER UNIT ASSY, fuel meter	1	
25	42X-85753-00	GASKET, sender unit	1	
26	90149-06011	SCREW	2	
27	90202-05193	WASHER, plate	2	

FIG. 49 ELECTRICAL 1

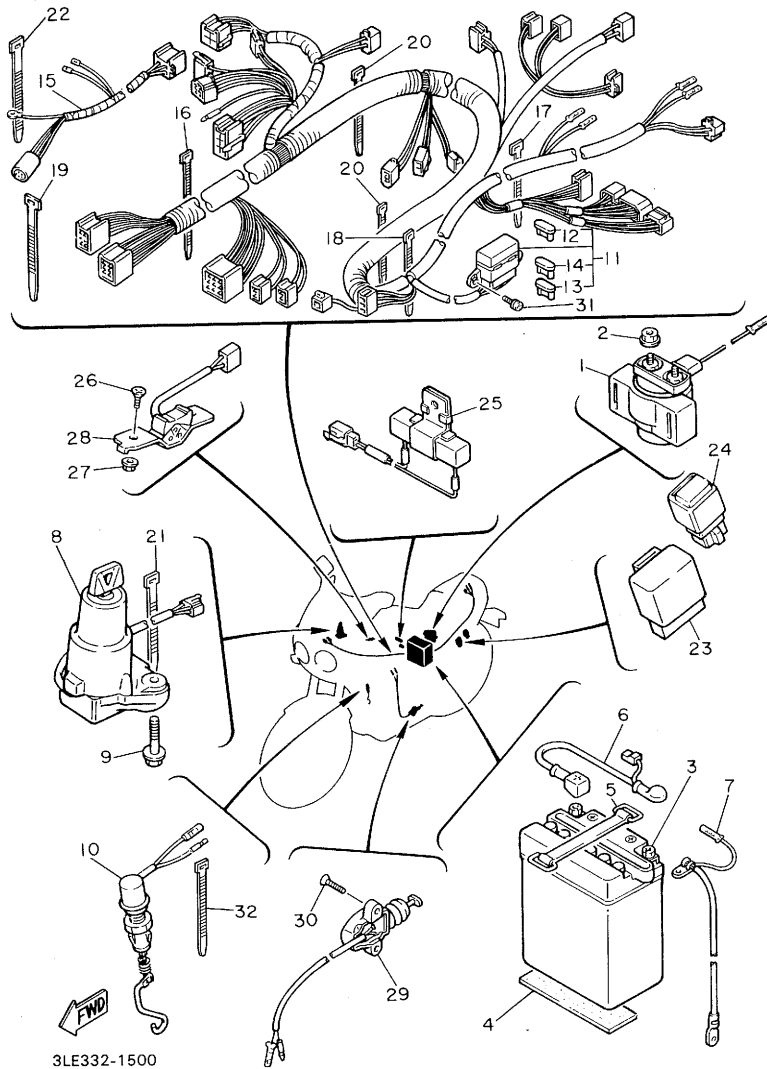


3LE332-1490

REF. NO.	PART NO.	DESCRIPTION	Q'TY	REMARKS
28	3G1-85130-01	REAR REFLECTOR ASSY	1	
29	95701-05500	NUT, flange	1	
30	97011-06020	BOLT	4	
31	92990-06600	WASHER, plate	4	

F14

FIG. 50 ELECTRICAL 2



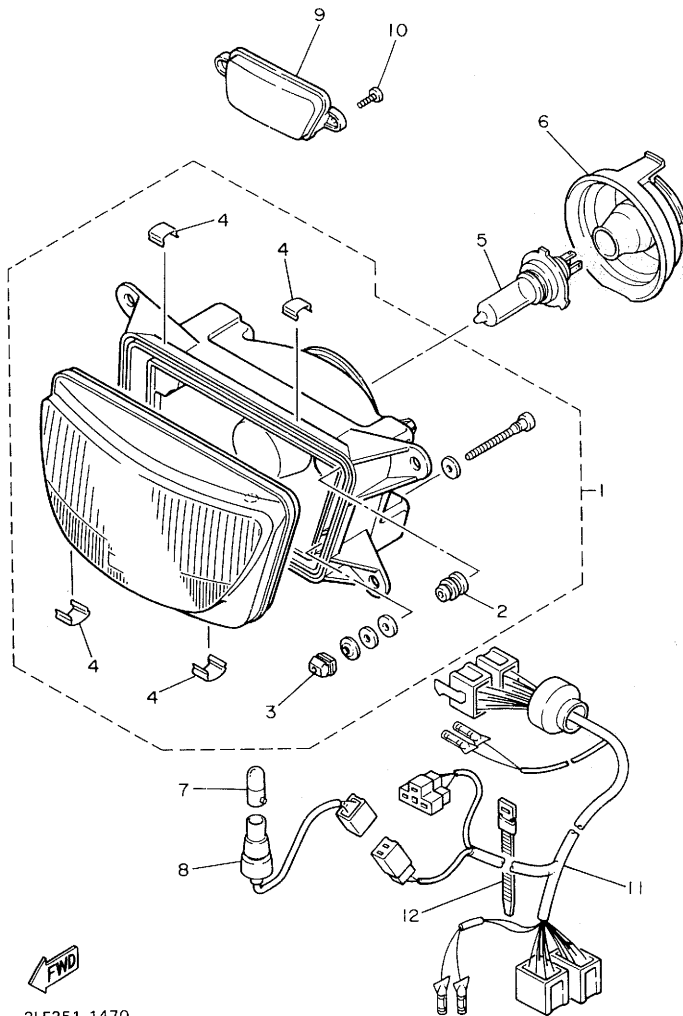
REF. NO.	PART NO.	DESCRIPTION	QTY	REMARKS
1	36Y-81940-00	STARTER RELAY ASSY	1	
2	95701-06500	NUT, flange	2	
3	3XW-82100-00	BATTERY ASSY	1	
4	5X2-24183-00	DAMPER, locating 3	1	
5	2T4-82131-00	BAND, battery	1	
6	3GM-82115-50	WIRE, plus lead	1	
7	3XW-82116-00	WIRE, minus lead	1	
8	3GM-82501-50	MAIN SWITCH STEERING LOCK	1	
9	90109-06614	BOLT	2	
10	3GM-82530-10	STOP SWITCH ASSY	1	
11	3LE-82590-00	WIRE HARNESS ASSY	1	
12	1AE-82151-00	.FUSE (12V 30A)	2	
13	42X-82151-00	.FUSE (10A)	4	
14	2GH-82151-00	.FUSE (20A)	2	
15	3GM-82509-00	WIRE, sub lead	1	
16	437-83936-01	BAND, switch cord	3	
17	437-83936-11	BAND, switch cord	1	
18	90465-13169	CLAMP	1	
19	90464-13073	CLAMP	1	
20	90464-13073	CLAMP	3	
21	J45-83936-00	BAND, switch cord	1	
22	25G-83936-01	BAND, switch cord	1	
23	3EN-81950-00	RELAY ASSY	1	
24	3GM-81950-10	RELAY ASSY	1	
25	3KS-85370-00	RESISTOR ASSY	1	
26	98780-05016	SCREW, flat head	2	
27	95701-05500	NUT, flange	2	
28	3TJ-83964-00	SWITCH	1	

INDIVIDUAL SPEC.

FOR DENMARK

The following pages provides a listing of only the parts that meet the specifications peculiar to your market. For those parts not appearing in these pages, refer to the "GENERAL SPEC" section.

FIG. 51 ALTERNATE (HEADLIGHT)



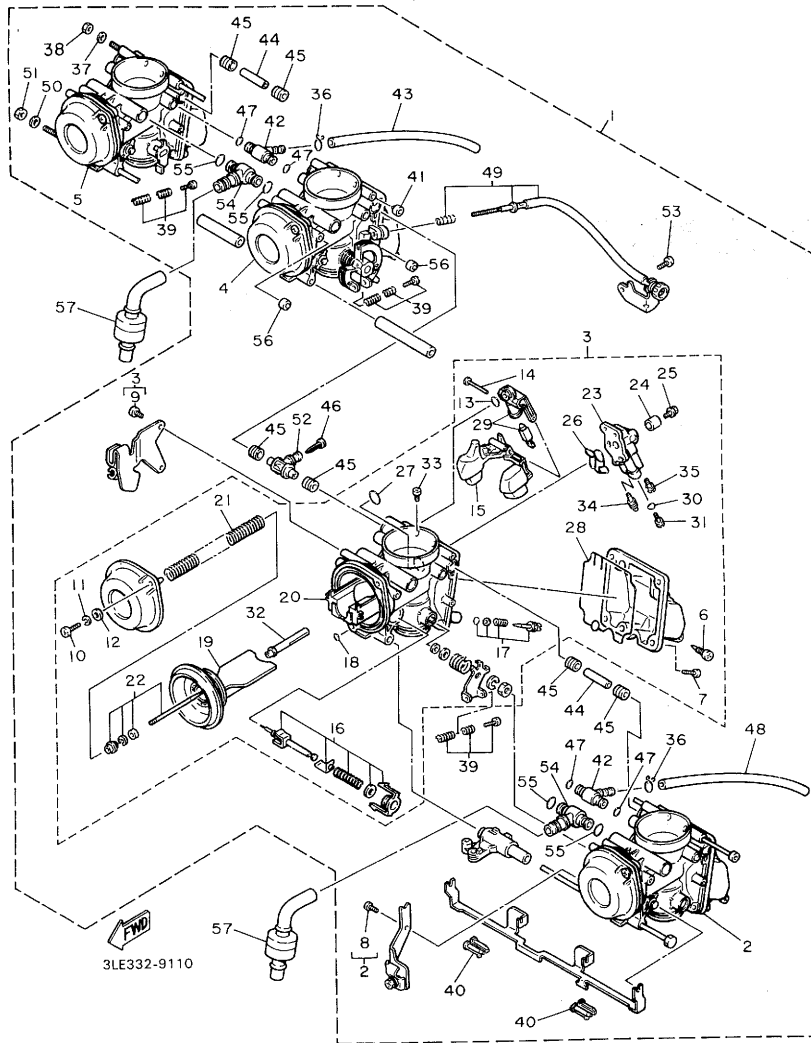
3LF351-1470

REF. NO.	PART NO.	DESCRIPTION	Q'TY	REMARKS
1	3HE-84320-40	LENS ASSY	1	
2	51L-8431U-00	.HOLDER	1	
3	51L-84334-00	.NUT, adjusting	2	
4	3MA-8413H-00	.PLATE, spring	4	
5	2F9-84314-00	BULB (12V-60/55W)	1	HALOGEN
6	36Y-84397-00	COVER, socket	1	
7	4E2-84347-00	BULB (12V-4W)	1	
8	3HE-84312-40	SOCKET	1	
9	3GM-84378-00-GE	CAP	1	UR SILKY WHITE
	3GM-84378-00-KM	CAP	1	UR NEW BLACK
	3GM-84378-00-VA	CAP	1	BLUE UR DYNASTY BLUE
10	90167-05041	SCREW, tapping	2	
11	3GM-84359-30	CORD, headlight	1	
12	5Y9-12491-00	CLAMP 1	1	

FOR FINLAND

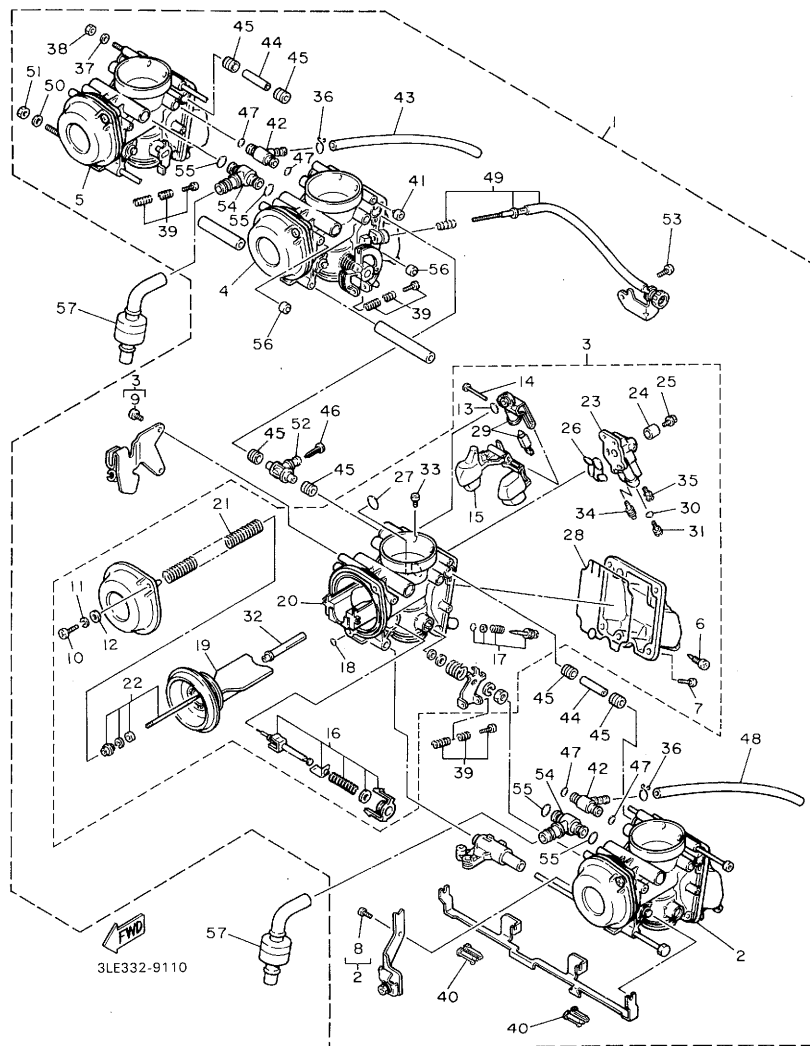
The following pages provides a listing of only the parts that meet the specifications peculiar to your market. For those parts not appearing in these pages, refer to the "GENERAL SPEC" section.

FIG. 52 ALTERNATE (CARBURETOR)



REF. NO.	PART NO.	DESCRIPTION	Q'TY	REMARKS
1	3LF-14900-00	CARBURETOR ASSY	1	
2	3LF-14901-00	..CARBURETOR ASSY 1	1	
3	3LF-14902-00	..CARBURETOR ASSY 2	1	
4	3LF-14903-00	..CARBURETOR ASSY 3	1	
5	3LF-14904-00	..CARBURETOR ASSY 4	1	
6	12R-14191-00	..PLUG, drain	1	
7	98501-05012	..SCREW, pan head	4	
8	98580-04008	..SCREW, pan head	1	
9	98580-04008	..SCREW, pan head	2	
10	98506-05016	..SCREW, pan head	2	
11	92906-05100	..WASHER, spring	2	
12	92906-05600	..WASHER, plate	2	
13	3EN-14147-00	..O-RING	1	
14	53L-14186-00	..PIN, float	1	
15	3GM-14985-00	..FLOAT	1	
16	3EN-1410A-00	..STARTER SET	1	
17	12R-14105-00	..PILOT SCREW SET	1	
18	3FV-14147-00	..O-RING	1	
19	3GM-14940-00	..DIAPHRAGM ASSY	1	
20	3GM-1411E-00	..BLOCK, jet	1	
21	3FV-14933-00	..SPRING, diaphragm	1	
22	3GM-1490J-00	..NEEDLE SET	1	
23	3GM-1411A-00	..BLOCK JET ASSY	1	
24	3GM-14153-00	..WASHER, main jet	1	
25	1HX-14565-00	..SCREW	1	
26	3LF-14147-00	..O-RING	1	
27	1AE-14147-00	..O-RING	1	
28	3GM-14997-00	..SEAL	1	

FIG. 52 ALTERNATE (CARBURETOR)



REF. NO.	PART NO.	DESCRIPTION	Q'TY	REMARKS
29	3GM-14107-17	..NEEDLE VALVE SET	1	
30	1AE-14227-00	..O-RING	1	
31	3G2-1423A-76	..JET, main (# 127.5)	1	UR
	3G2-14231-25	..JET, main (# 125)	1	UR
32	3GM-14141-90	..NOZZLE, main	1	
33	830-14231-23	..JET, main (# 115)	1	
34	4G0-14142-40	..JET, pilot (# 40)	1	
35	3G2-14231-12	..JET, power (# 60)	1	
36	8U9-14139-00	..CLIP, pipe	2	
37	92901-05600	..WASHER, plate	1	
38	95303-05600	..NUT	1	
39	3EN-1490K-00	..STOP SCREW SET	3	
40	3EN-14261-00	..HOLDER	2	
41	3GM-14918-00	..RING	1	
42	17A-14251-00	..NIPPLE	2	
43	2GH-14197-00	..PIPE	1	
44	3GM-14988-00	..PIPE, starter connecting	2	
45	3EN-14997-00	..SEAL	6	
46	1KT-14994-00	..NET, filter	1	
47	822-14147-00	..O-RING	4	
48	3LF-14197-00	..PIPE	1	
49	3GM-14103-00	..THROTTLE SCREW SET	1	
50	92990-06600	..WASHER, plate	1	
51	95303-06600	..NUT	1	
52	3EN-14988-00	..PIPE, starter connecting	1	
53	98501-05008	..SCREW, pan head	1	
54	3GM-14251-00	..NIPPLE	2	
55	3LK-14147-00	..O-RING	4	



FIG. 52 ALTERNATE (CARBURETOR)

REF. NO.	PART NO.	DESCRIPTION	Q'TY	REMARKS
56	3GM-14992-00	.ROD	2	
57	3GM-14197-00	PIPE	2	

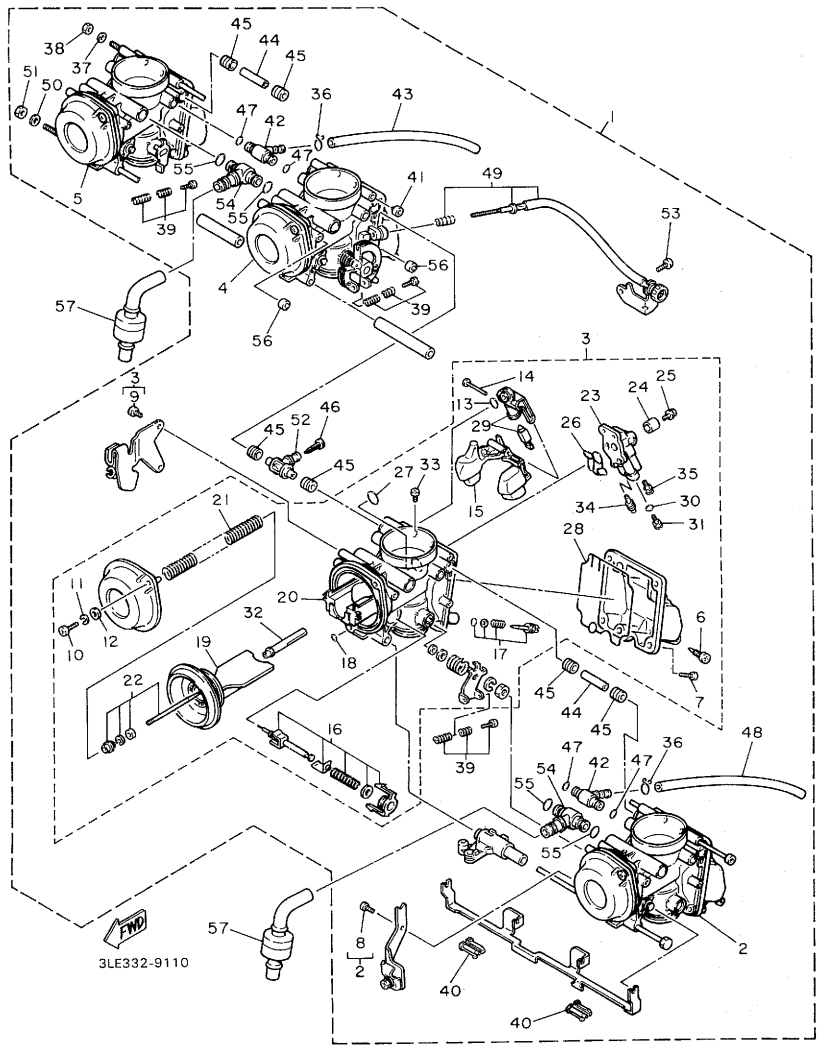
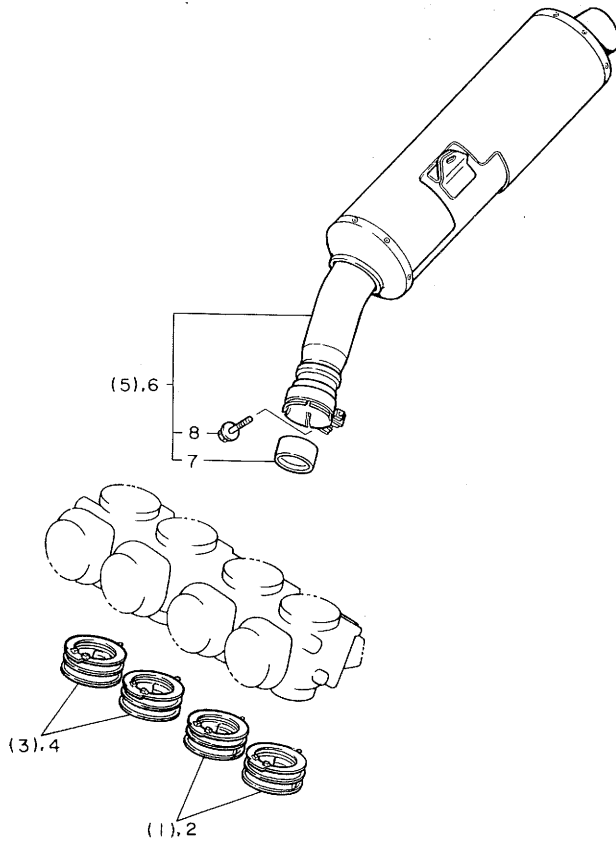


FIG. 53 ALTERNATE (ENGINE)



REF. NO.	PART NO.	DESCRIPTION	Q'TY	REMARKS
1	3GM-13597-00	JOINT, carburetor 3	*	
2	3LF-13597-00	JOINT, carburetor 3	2	
3	3GM-13598-00	JOINT, carburetor 4	*	
4	3LF-13598-00	JOINT, carburetor 4	2	
5	3GM-14710-51	MUFFLER ASSY 1	*	
6	3LE-14710-30	MUFFLER ASSY 1	1	
7	3HE-14755-00	•GASKET, silencer	1	
8	95816-08025	•BOLT, flange	1	

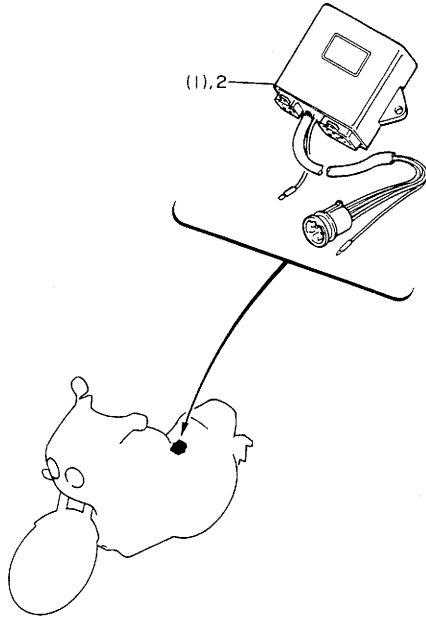


3GM300-9560

* For Convenience of reference:
Disregard the items asterisked (*) in the "QTY" column. These are intended for
GENERAL SPEC. and NOT for INDIVIDUAL SPEC.

FIG. 54 ALTERNATE (ELECTRICAL)

REF. NO.	PART NO.	DESCRIPTION	Q'TY	REMARKS
1	3GM-82305-10	IGNITOR UNIT ASSY	*	
2	3LF-82305-10	IGNITOR UNIT ASSY	1	



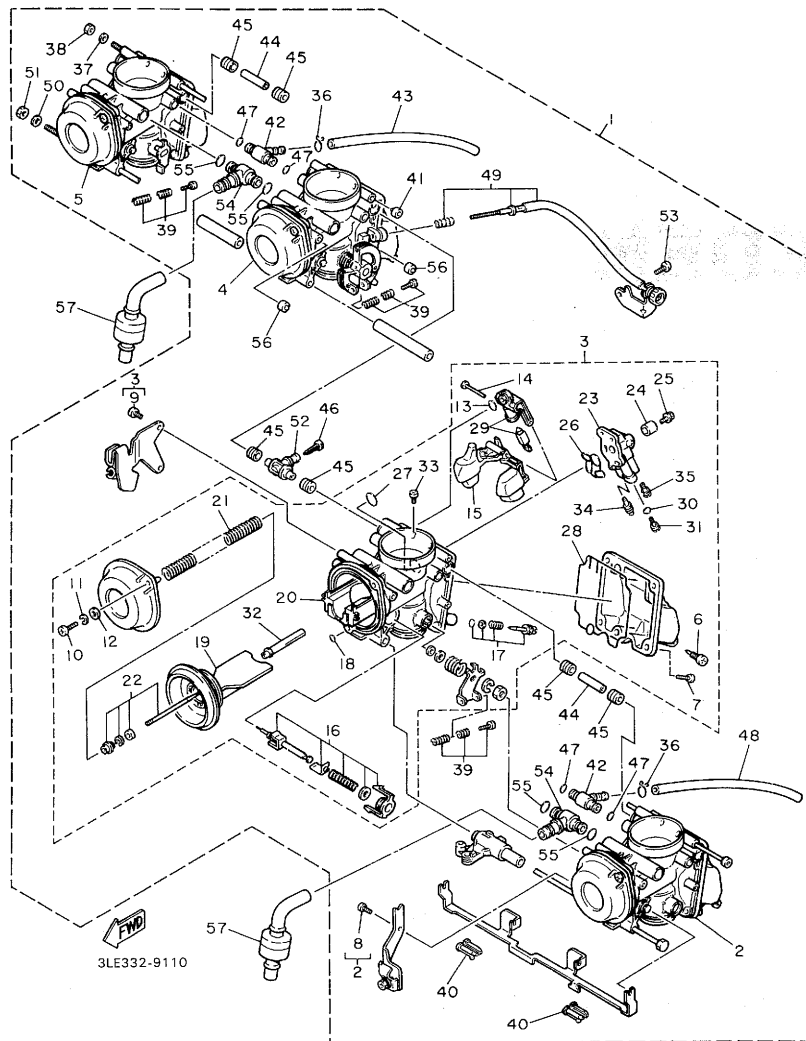
3GM300-1540

* For Convenience of reference:
Disregard the items asterisked (*) in the "QTY" column. These are intended for
GENERAL SPEC. and NOT for INDIVIDUAL SPEC.

FOR SWEDEN

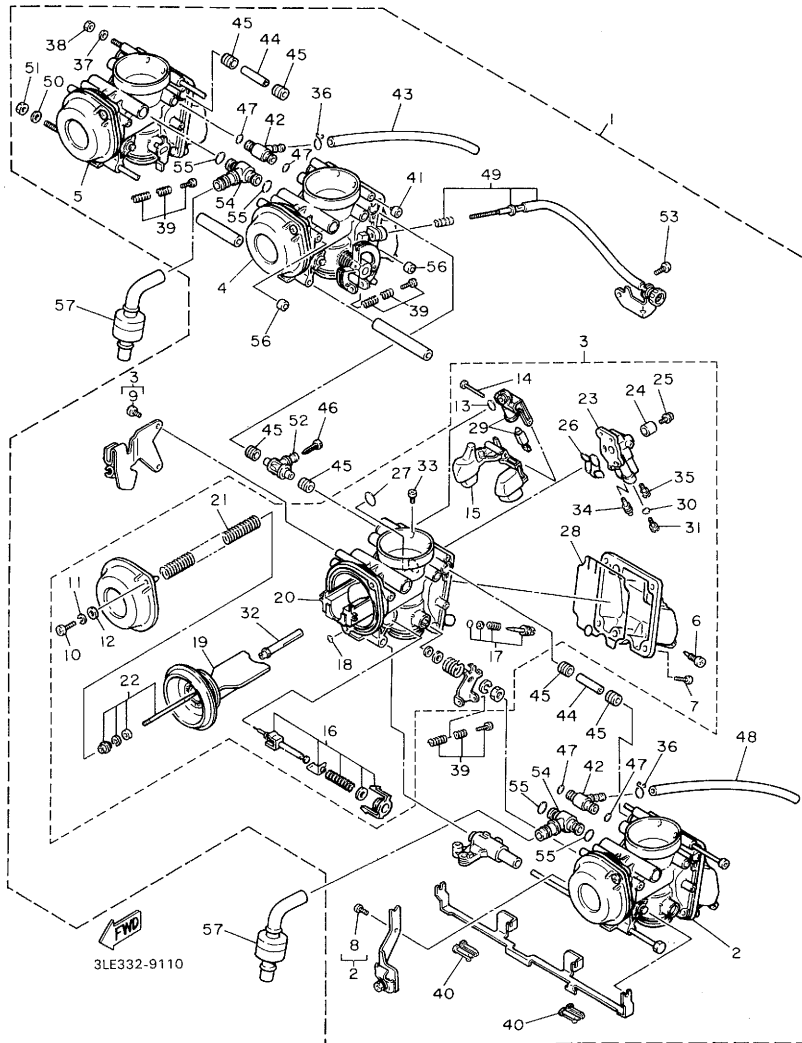
The following pages provides a listing of only the parts that meet the specifications peculiar to your market. For those parts not appearing in these pages, refer to the "GENERAL SPEC" section.

FIG. 55 ALTERNATE (CARBURETOR)



REF. NO.	PART NO.	DESCRIPTION	Q'TY	REMARKS
1	3LF-14900-00	CARBURETOR ASSY	1	
2	3LF-14901-00	..CARBURETOR ASSY 1	1	
3	3LF-14902-00	..CARBURETOR ASSY 2	1	
4	3LF-14903-00	..CARBURETOR ASSY 3	1	
5	3LF-14904-00	..CARBURETOR ASSY 4	1	
6	12R-14191-00	..PLUG, drain	1	
7	98501-05012	..SCREW, pan head	4	
8	98580-04008	..SCREW, pan head	1	
9	98580-04008	..SCREW, pan head	2	
10	98506-05016	..SCREW, pan head	2	
11	92906-05100	..WASHER, spring	2	
12	92906-05600	..WASHER, plate	2	
13	3EN-14147-00	..O-RING	1	
14	53L-14186-00	..PIN, float	1	
15	3GM-14985-00	..FLOAT	1	
16	3EN-1410A-00	..STARTER SET	1	
17	12R-14105-00	..PILOT SCREW SET	1	
18	3FV-14147-00	..O-RING	1	
19	3GM-14940-00	..DIAPHRAGM ASSY	1	
20	3GM-1411E-00	..BLOCK, jet	1	
21	3FV-14933-00	..SPRING, diaphragm	1	
22	3GM-1490J-00	..NEEDLE SET	1	
23	3GM-1411A-00	..BLOCK JET ASSY	1	
24	3GM-14153-00	..WASHER, main jet	1	
25	1HX-14565-00	..SCREW	1	
26	3LF-14147-00	..O-RING	1	
27	1AE-14147-00	..O-RING	1	
28	3GM-14997-00	..SEAL	1	

FIG. 55 ALTERNATE (CARBURETOR)



REF. NO.	PART NO.	DESCRIPTION	Q'TY	REMARKS
29	3GM-14107-17	..NEEDLE VALVE SET	1	
30	1AE-14227-00	..O-RING	1	
31	3G2-1423A-76	..JET, main (# 127.5)	1	UR
	3G2-14231-25	..JET, main (# 125)	1	UR
32	3GM-14141-90	..NOZZLE, main	1	
33	830-14231-23	..JET, main (# 115)	1	
34	4G0-14142-40	..JET, pilot (# 40)	1	
35	3G2-14231-12	..JET, power (# 60)	1	
36	8U9-14139-00	.CLIP, pipe	2	
37	92901-05600	.WASHER, plate	1	
38	95303-05600	.NUT	1	
39	3EN-1490K-00	.STOP SCREW SET	3	
40	3EN-14261-00	.HOLDER	2	
41	3GM-14918-00	.RING	1	
42	17A-14251-00	.NIPPLE	2	
43	2GH-14197-00	.PIPE	1	
44	3GM-14988-00	.PIPE, starter connecting	2	
45	3EN-14997-00	.SEAL	6	
46	1KT-14994-00	.NET, filter	1	
47	822-14147-00	.O-RING	4	
48	3LF-14197-00	.PIPE	1	
49	3GM-14103-00	.THROTTLE SCREW SET	1	
50	92990-06600	.WASHER, plate	1	
51	95303-06600	.NUT	1	
52	3EN-14988-00	.PIPE, starter connecting	1	
53	98501-05008	.SCREW, pan head	1	
54	3GM-14251-00	.NIPPLE	2	
55	3LK-14147-00	.O-RING	4	

FIG. 55 ALTERNATE (CARBURETOR)

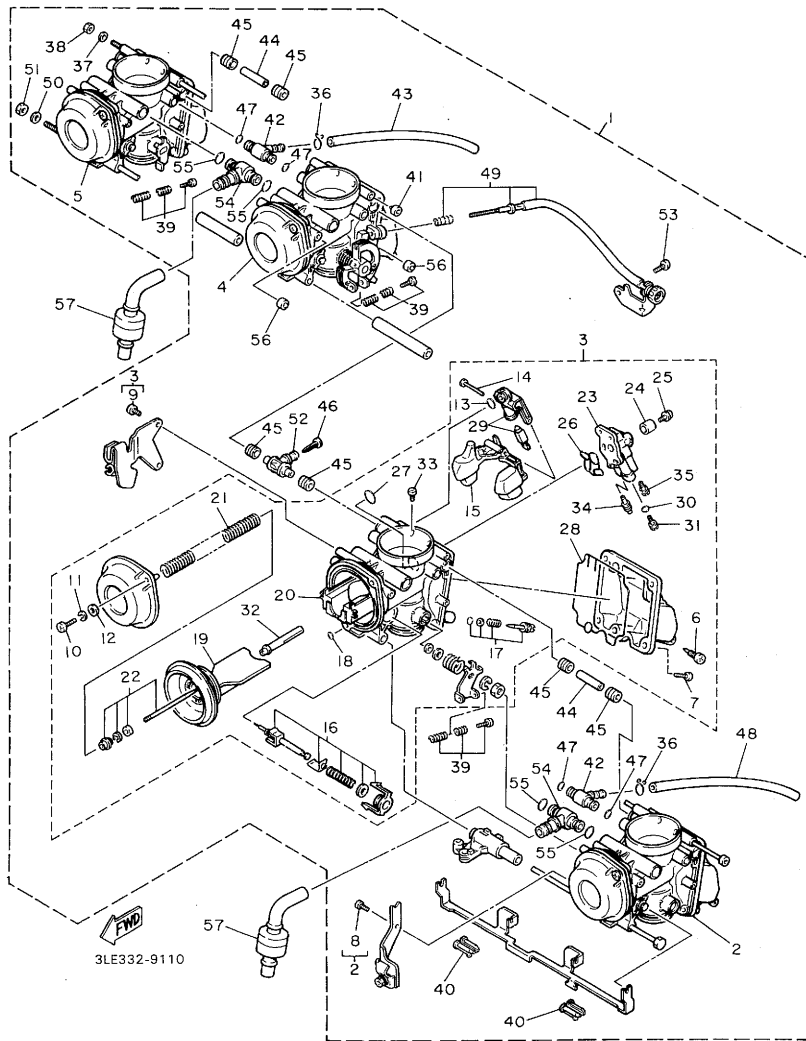
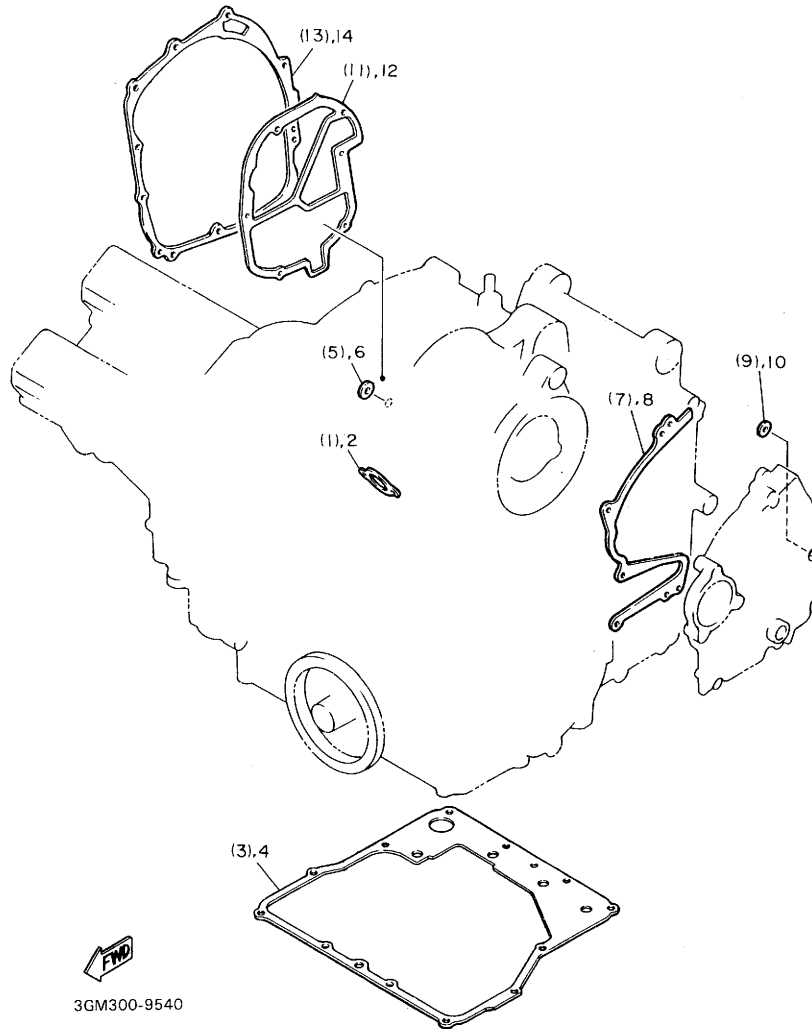


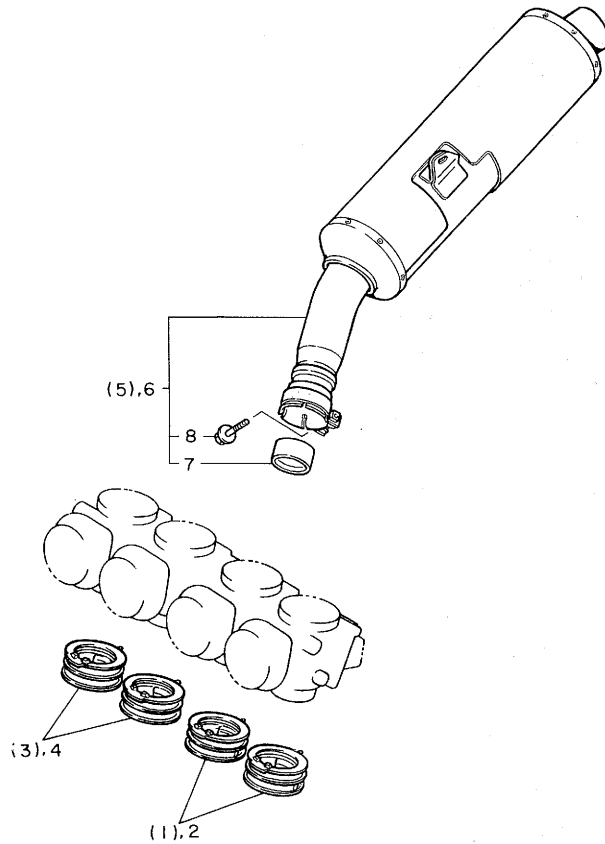
FIG. 56 ALTERNATE (ENGINE)



REF. NO.	PART NO.	DESCRIPTION	Q'TY	REMARKS
1	30X-12213-00	GASKET, tensioner case	*	
2	3KS-12213-00	GASKET, tensioner case	1	
3	3GM-13414-00	GASKET, strainer cover	*	
4	3GM-13414-10	GASKET, strainer cover	1	
5	90430-06210	GASKET	*	} FOR OIL PUMP (SECTION Fig. 8)
6	90430-06203	GASKET	1	
7	1AE-15451-00	GASKET, crankcase cover 1	*	
8	3KS-15451-00	GASKET, crankcase cover 1	1	
9	1UF-15467-00	GASKET	*	
10	3KS-15467-00	GASKET	1	
11	3GM-15463-00	GASKET, carburetor cover 2	*	
12	3GM-15463-10	GASKET, carburetor cover 2	1	
13	2GH-15461-00	GASKET, crankcase cover 2	*	
14	3KS-15461-00	GASKET, crankcase cover 2	1	

* For Convenience of reference:
Disregard the items asterisked (*) in the "QTY" column. These are intended for
GENERAL SPEC. and NOT for INDIVIDUAL SPEC.

FIG. 57 ALTERNATE (INTAKE/EXHAUST)



REF. NO.	PART NO.	DESCRIPTION	Q'TY	REMARKS
1	3GM-13597-00	JOINT, carburetor 3	*	
2	3LF-13597-00	JOINT, carburetor 3	2	
3	3GM-13598-00	JOINT, carburetor 4	*	
4	3LF-13598-00	JOINT, carburetor 4	2	
5	3GM-14710-51	MUFFLER ASSY 1	*	
6	3LE-14710-30	MUFFLER ASSY 1	1	
7	3HE-14755-00	.GASKET, silencer	1	
8	95816-08025	.BOLT, flange	1	

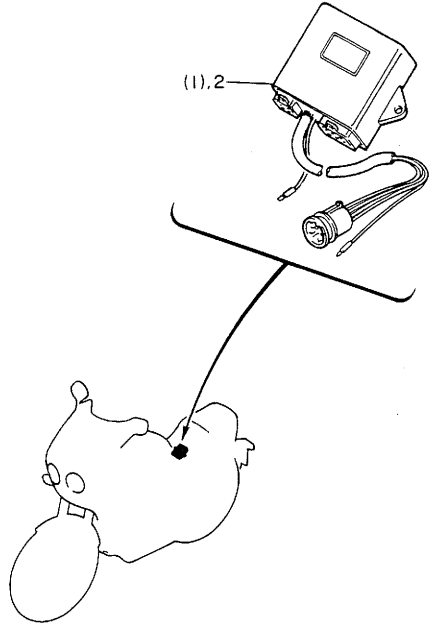


3GM300-9560

* For Convenience of reference:
 Disregard the items asterisked (*) in the "QTY" column. These are intended for
 GENERAL SPEC. and NOT for INDIVIDUAL SPEC.

FIG. 58 ALTERNATE (ELECTRICAL)

REF. NO.	PART NO.	DESCRIPTION	Q'TY	REMARKS
1	3GM-82305-10	IGNITOR UNIT ASSY	*	
2	3LF-82305-10	IGNITOR UNIT ASSY	1	



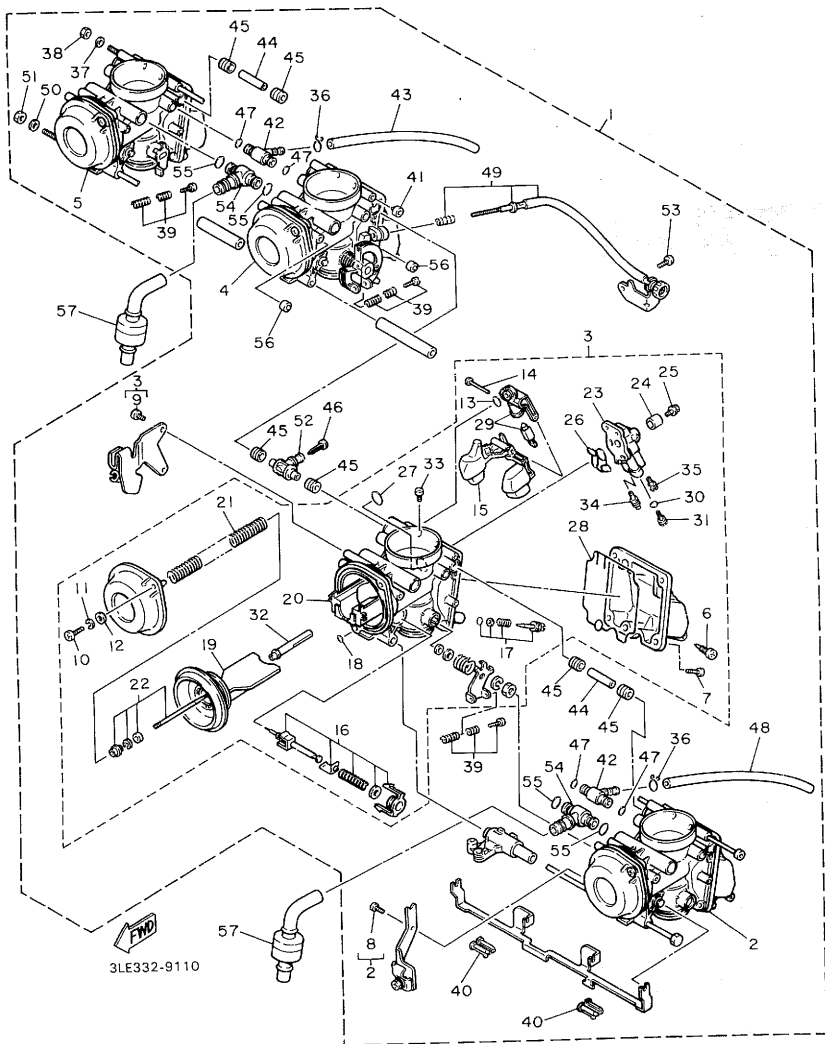
3GM300-1540

* For Convenience of reference:
Disregard the items asterisked (*) in the "QTY" column. These are intended for
GENERAL SPEC. and NOT for INDIVIDUAL SPEC.

FOR AUSTRIA

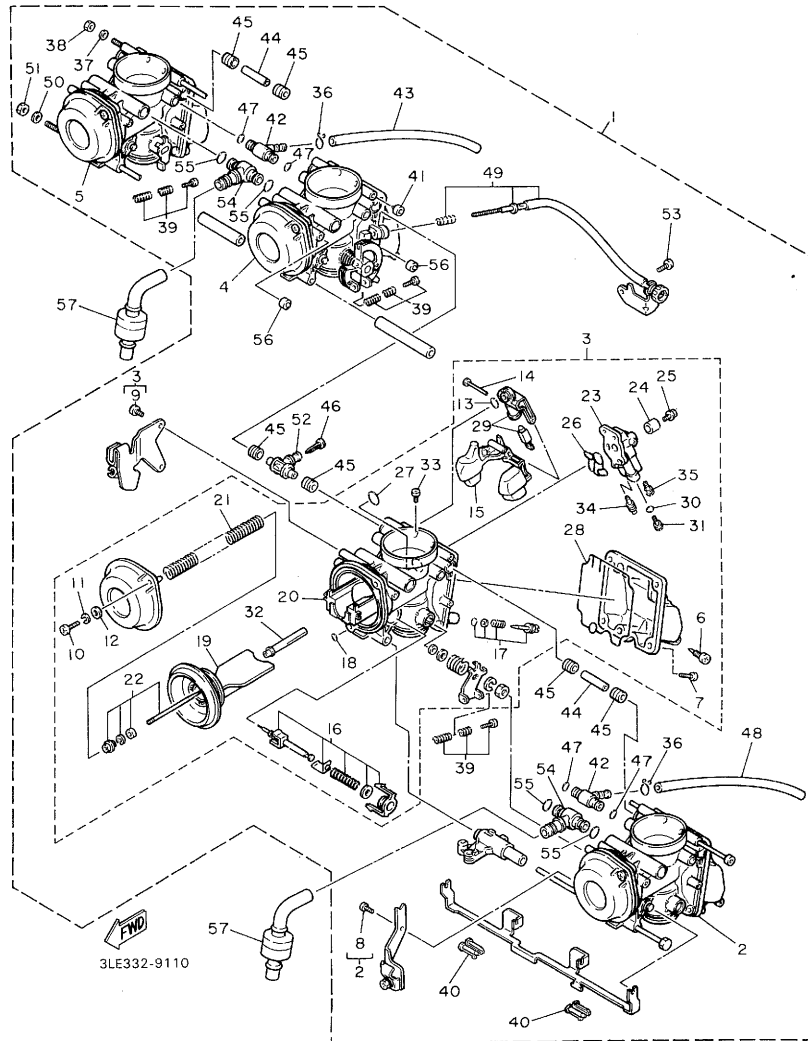
The following pages provides a listing of only the parts that meet the specifications peculiar to your market. For those parts not appearing in these pages, refer to the "GENERAL SPEC" section.

FIG. 59 ALTERNATE (CARBURETOR)



REF. NO.	PART NO.	DESCRIPTION	Q'TY	REMARKS
1	3LF-14900-00	CARBURETOR ASSY	1	
2	3LF-14901-00	.CARBURETOR ASSY 1	1	
3	3LF-14902-00	.CARBURETOR ASSY 2	1	
4	3LF-14903-00	.CARBURETOR ASSY 3	1	
5	3LF-14904-00	.CARBURETOR ASSY 4	1	
6	12R-14191-00	..PLUG, drain	1	
7	98501-05012	..SCREW, pan head	4	
8	98580-04008	..SCREW, pan head	1	
9	98580-04008	..SCREW, pan head	2	
10	98506-05016	..SCREW, pan head	2	
11	92906-05100	..WASHER, spring	2	
12	92906-05600	..WASHER, plate	2	
13	3EN-14147-00	..O-RING	1	
14	53L-14186-00	..PIN, float	1	
15	3GM-14985-00	..FLOAT	1	
16	3EN-1410A-00	..STARTER SET	1	
17	12R-14105-00	..PILOT SCREW SET	1	
18	3FV-14147-00	..O-RING	1	
19	3GM-14940-00	..DIAPHRAGM ASSY	1	
20	3GM-1411E-00	..BLOCK, jet	1	
21	3FV-14933-00	..SPRING, diaphragm	1	
22	3GM-1490J-00	..NEEDLE SET	1	
23	3GM-1411A-00	..BLOCK JET ASSY	1	
24	3GM-14153-00	..WASHER, main jet	1	
25	1HX-14565-00	..SCREW	1	
26	3LF-14147-00	..O-RING	1	
27	1AE-14147-00	..O-RING	1	
28	3GM-14997-00	..SEAL	1	

FIG. 59 ALTERNATE (CARBURETOR)



REF. NO.	PART NO.	DESCRIPTION	Q'TY	REMARKS
29	3GM-14107-17	..NEEDLE VALVE SET	1	
30	1AE-14227-00	..O-RING	1	
31	3G2-1423A-76	..JET, main (# 127.5)	1	UR
	3G2-14231-25	..JET, main (# 125)	1	UR
32	3GM-14141-90	..NOZZLE, main	1	
33	830-14231-23	..JET, main (# 115)	1	
34	4G0-14142-40	..JET, pilot (# 40)	1	
35	3G2-14231-12	..JET, power (# 60)	1	
36	8U9-14139-00	.CLIP, pipe	2	
37	92901-05600	.WASHER, plate	1	
38	95303-05600	.NUT	1	
39	3EN-1490K-00	.STOP SCREW SET	3	
40	3EN-14261-00	.HOLDER	2	
41	3GM-14918-00	.RING	1	
42	17A-14251-00	.NIPPLE	2	
43	2GH-14197-00	.PIPE	1	
44	3GM-14988-00	.PIPE, starter connecting	2	
45	3EN-14997-00	.SEAL	6	
46	1KT-14994-00	.NET, filter	1	
47	822-14147-00	.O-RING	4	
48	3LF-14197-00	.PIPE	1	
49	3GM-14103-00	.THROTTLE SCREW SET	1	
50	92990-06600	.WASHER, plate	1	
51	95303-06600	.NUT	1	
52	3EN-14988-00	.PIPE, starter connecting	1	
53	98501-05008	.SCREW, pan head	1	
54	3GM-14251-00	.NIPPLE	2	
55	3LK-14147-00	.O-RING	4	

FIG. 59 ALTERNATE (CARBURETOR)

REF. NO.	PART NO.	DESCRIPTION	Q'TY	REMARKS
----------	----------	-------------	------	---------

56	3GM-14992-00	.ROD	2	
57	3GM-14197-00	PIPE	2	

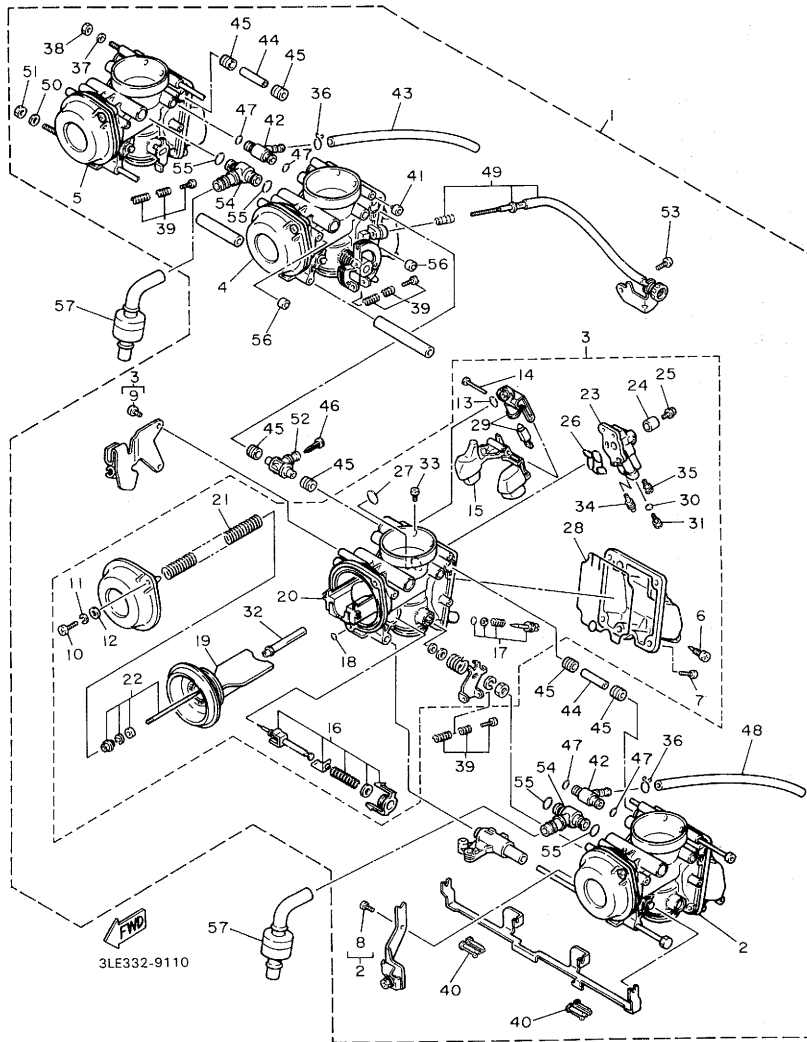
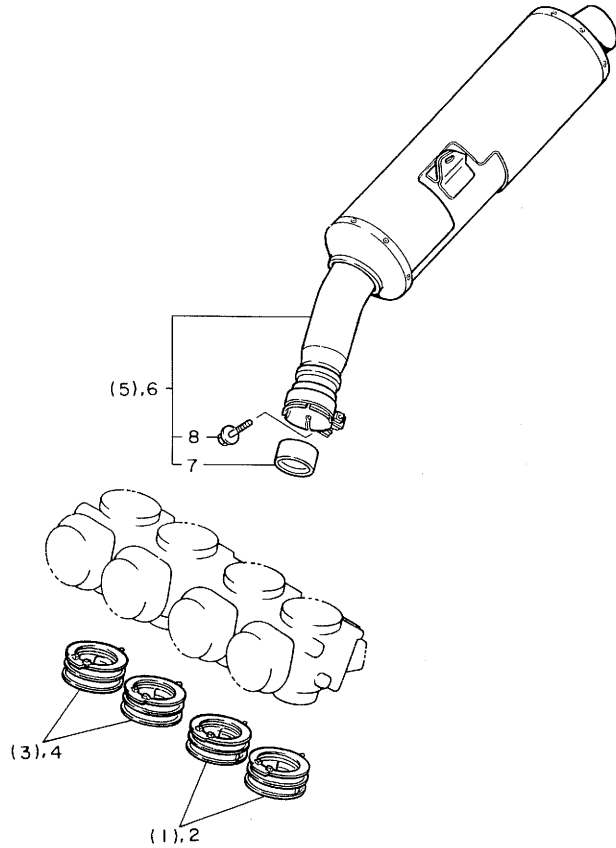


FIG. 60 ALTERNATE (ENGINE)



REF. NO.	PART NO.	DESCRIPTION	Q'TY	REMARKS
1	3GM-13597-00	JOINT, carburetor 3	*	
2	3LF-13597-00	JOINT, carburetor 3	2	
3	3GM-13598-00	JOINT, carburetor 4	*	
4	3LF-13598-00	JOINT, carburetor 4	2	
5	3GM-14710-51	MUFFLER ASSY 1	*	
6	3LE-14710-30	MUFFLER ASSY 1	1	
7	3HE-14755-00	.GASKET, silencer	1	
8	95816-08025	.BOLT, flange	1	



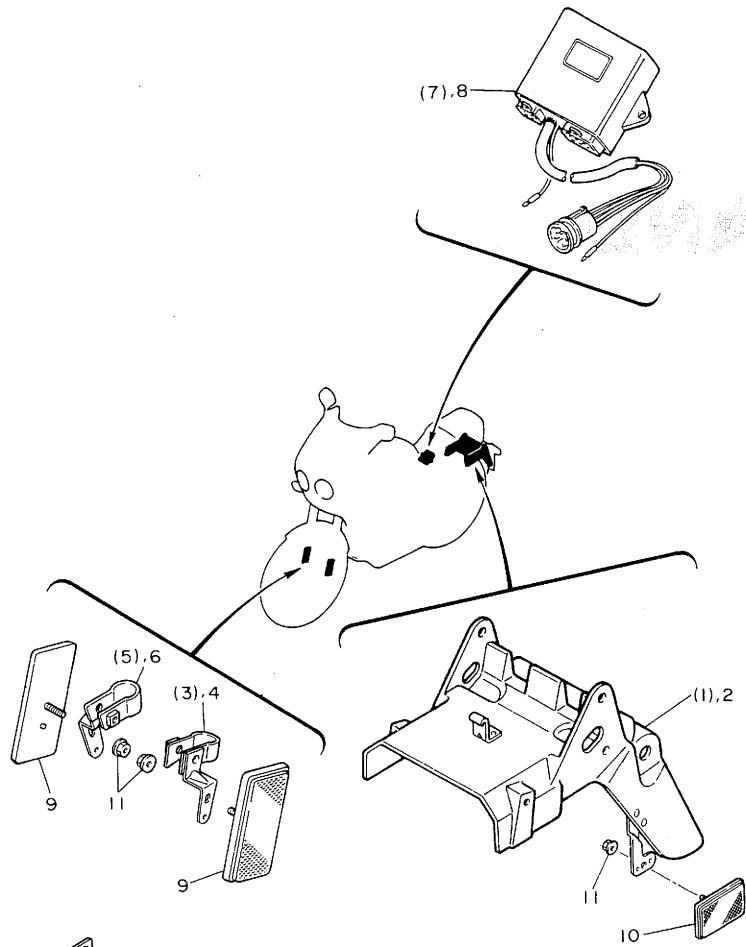
3GM300-9560

* For Convenience of reference:
Disregard the items asterisked (*) in the "QTY" column. These are intended for
GENERAL SPEC. and NOT for INDIVIDUAL SPEC.

FOR ENGLAND

The following pages provides a listing of only the parts that meet the specifications peculiar to your market. For those parts not appearing in these pages, refer to the "GENERAL SPEC" section.

FIG. 61 ALTERNATE (CHASSIS/ELECTRICAL)



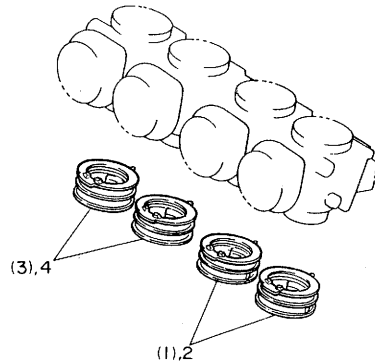
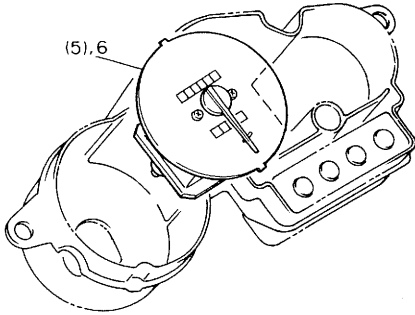
3GM300-1610

REF. NO.	PART NO.	DESCRIPTION	Q'TY	REMARKS
1	3GM-W2161-01	REAR FENDER COMP.	*	
2	3LE-W2161-01	REAR FENDER COMP.	1	
3	3MA-25876-10	HOLDER, brake hose 2	*	
4	3LK-25875-50	HOLDER, brake hose 1	1	
5	3MA-25876-20	HOLDER, brake hose 2	*	
6	3LK-25876-50	HOLDER, brake hose 2	1	
7	3GM-82305-10	IGNITOR UNIT ASSY	*	
8	3LF-82305-10	IGNITOR UNIT ASSY	1	
9	11H-85110-01	REFLECTOR ASSY	2	
10	23V-85110-00	REFLECTOR ASSY	2	
11	95701-05500	NUT, flange	4	

* For Convenience of reference:
 Disregard the items asterisked (*) in the "QTY" column. These are intended for
 GENERAL SPEC. and NOT for INDIVIDUAL SPEC.

FIG. 62 ALTERNATE (INTAKE/METER)

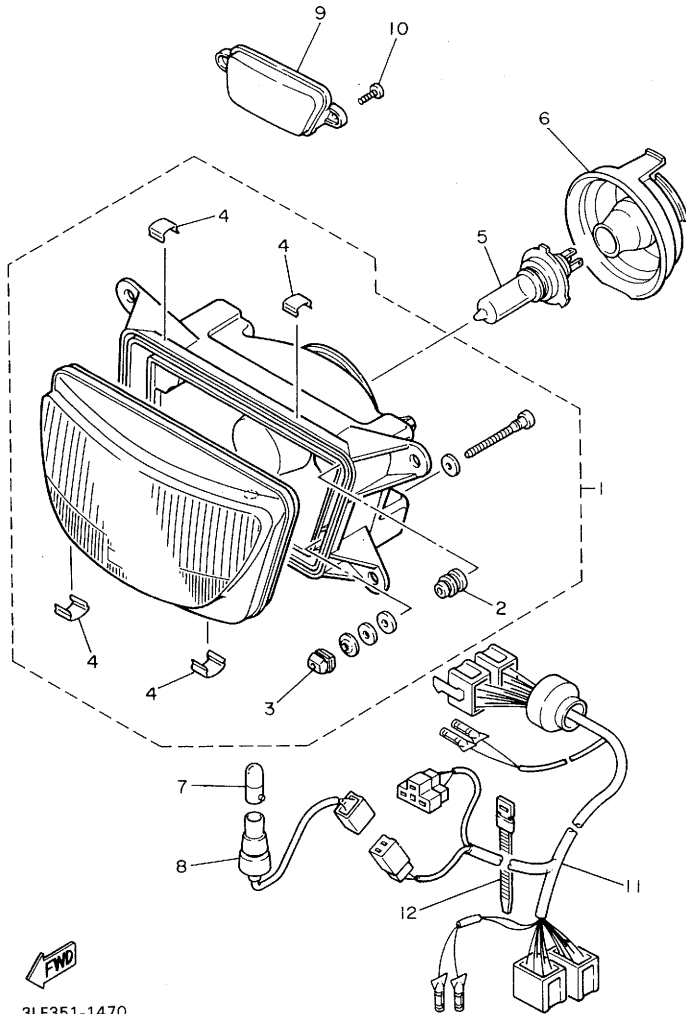
REF. NO.	PART NO.	DESCRIPTION	Q'TY	REMARKS
1	3GM-13597-00	JOINT, carburetor 3	*	
2	3LG-13597-00	JOINT, carburetor 3	2	
3	3GM-13598-00	JOINT, carburetor 4	*	
4	3LG-13598-00	JOINT, carburetor 4	2	
5	3GM-83570-10	SPEEDOMETER ASSY	*	
6	3LG-83570-10	SPEEDOMETER ASSY	1	



3GM300-9630

* For Convenience of reference:
 Disregard the items asterisked (*) in the "QTY" column. These are intended for
 GENERAL SPEC. and NOT for INDIVIDUAL SPEC.

FIG. 63 ALTERNATE (HEADLIGHT)



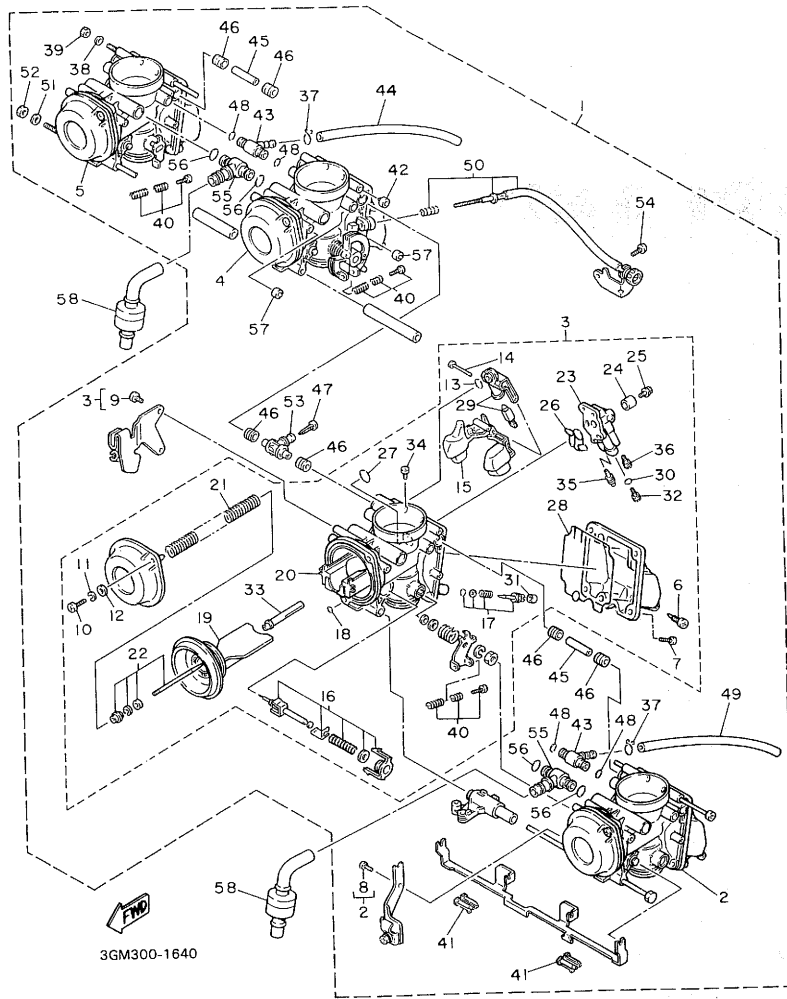
3LF351-1470

REF. NO.	PART NO.	DESCRIPTION	Q'TY	REMARKS
1	3HE-84320-60	LENS ASSY	1	
2	51L-8431U-00	.HOLDER	1	
3	51L-84334-00	.NUT, adjusting	2	
4	3MA-8413H-00	.PLATE, spring	4	
5	2F9-84314-00	BULB (12V-60IGIG155W)	1	HALOGEN
6	36Y-84397-00	COVER, socket	1	
7	4E2-84347-00	BULB (12V-4W)	1	
8	3HE-84312-40	SOCKET	1	
9	3GM-84378-00-GE	CAP	1	UR SILKY WHITE
	3GM-84378-00-KM	CAP	1	UR NEW BLACK
	3GM-84378-00-VA	CAP	1	UR DYNASTY BLUE
10	90167-05041	SCREW, tapping	2	
11	3GM-84359-30	CORD, headlight	1	
12	5Y9-12491-00	CLAMP 1	1	

FOR SWITZERLAND

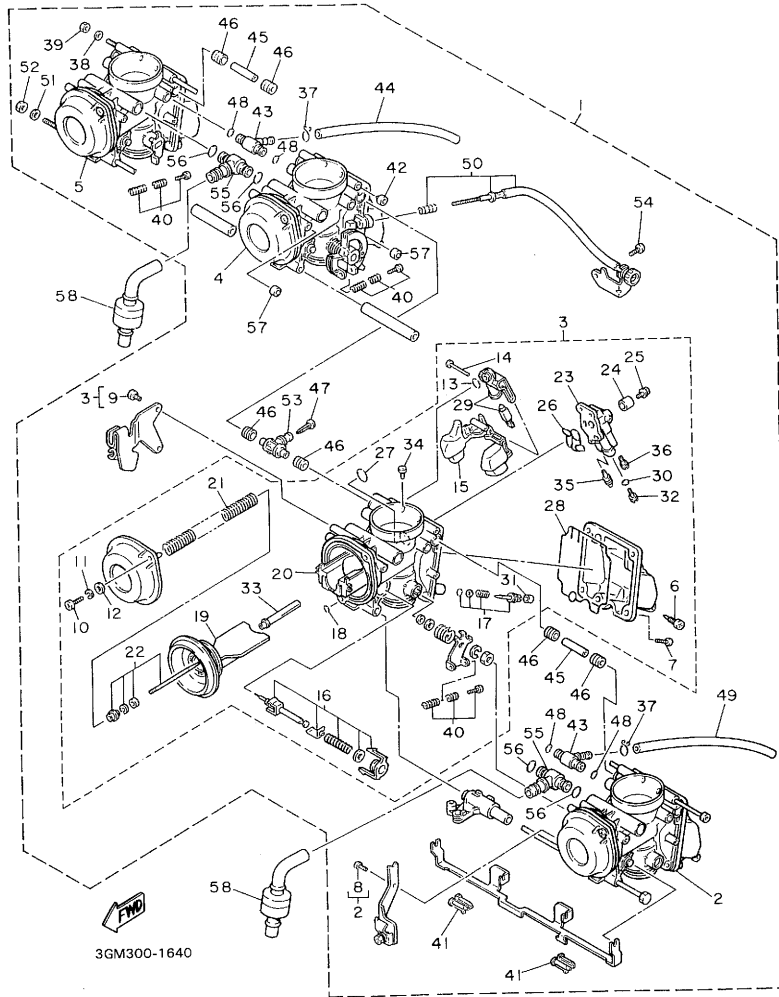
The following pages provides a listing of only the parts that meet the specifications peculiar to your market. For those parts not appearing in these pages, refer to the "GENERAL SPEC" section.

FIG. 64 ALTERNATE (CARBURETOR)



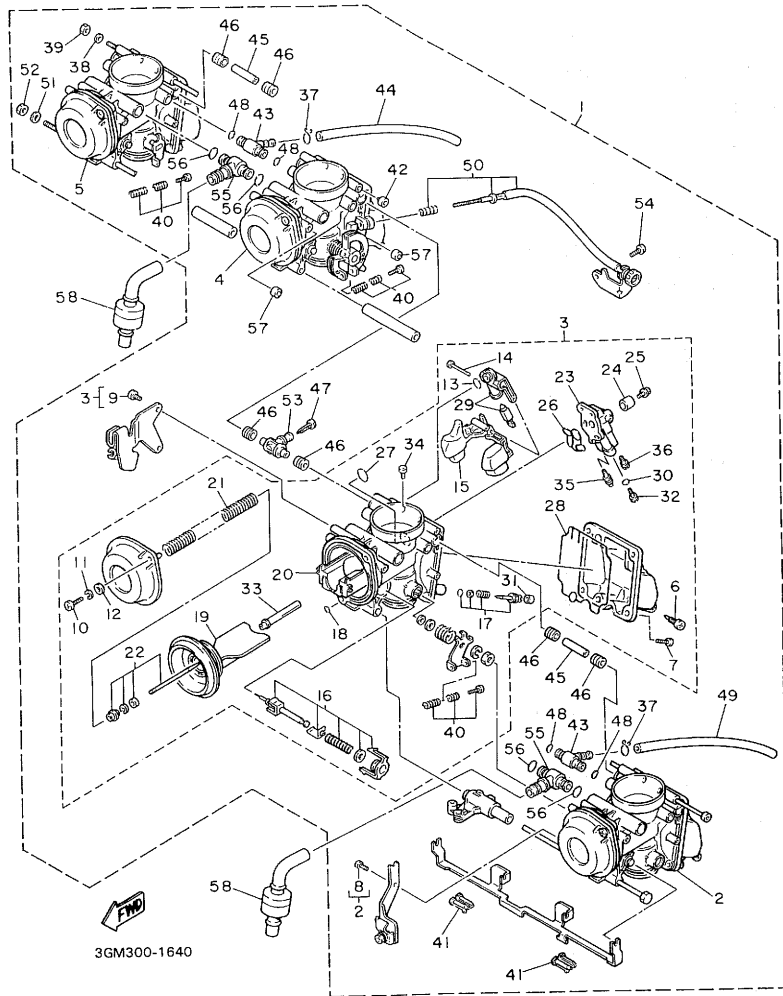
REF. NO.	PART NO.	DESCRIPTION	Q'TY	REMARKS
1	3LH-14900-01	CARBURETOR ASSY	1	
2	3LH-14901-01	..CARBURETOR ASSY 1	1	
3	3LH-14902-01	..CARBURETOR ASSY 2	1	
4	3LH-14903-01	..CARBURETOR ASSY 3	1	
5	3LH-14904-01	..CARBURETOR ASSY 4	1	
6	12R-14191-00	..PLUG, drain	1	
7	98501-05012	..SCREW, pan head	4	
8	98580-04008	..SCREW, pan head	1	
9	98580-04008	..SCREW, pan head	2	
10	98506-05016	..SCREW, pan head	2	
11	92906-05100	..WASHER, spring	2	
12	92906-05600	..WASHER, plate	2	
13	3EN-14147-00	..O-RING	1	
14	53L-14186-00	..PIN, float	1	
15	3GM-14985-00	..FLOAT	1	
16	3EN-1410A-00	..STARTER SET	1	
17	12R-14105-00	..PILOT SCREW SET	1	
18	3FV-14147-00	..O-RING	1	
19	3GM-14940-00	..DIAPHRAGM ASSY	1	
20	3GM-1411E-00	..BLOCK, jet	1	
21	3FV-14933-00	..SPRING, diaphragm	1	
22	3GM-1490J-00	..NEEDLE SET	1	
23	3GM-1411A-00	..BLOCK JET ASSY	1	
24	3GM-14153-00	..WASHER, main jet	1	
25	1HX-14565-00	..SCREW	1	
26	3LF-14147-00	..O-RING	1	
27	1AE-14147-00	..O-RING	1	
28	3GM-14997-00	..SEAL	1	

FIG. 64 ALTERNATE (CARBURETOR)



REF. NO.	PART NO.	DESCRIPTION	Q'TY	REMARKS
29	3GM-14107-17	..NEEDLE VALVE SET	1	
30	1AE-14227-00	..O-RING	1	
31	2RJ-14118-00	..CAP	1	
32	3G2-1423A-76	..JET, main (# 127.5)	1	UR
	3G2-14231-25	..JET, main (# 125)	1	UR
33	3GM-14141-90	..NOZZLE, main	1	
34	830-14231-25	..JET, main (# 125)	1	
35	4G0-14142-37-A0	..JET, pilot (# 37.5)	1	
36	3G2-14231-12	..JET, power (# 60)	1	
37	8U9-14139-00	..CLIP, pipe	2	
38	92901-05600	..WASHER, plate	1	
39	95303-05600	..NUT	1	
40	3EN-1490K-00	..STOP SCREW SET	3	
41	3EN-14261-00	..HOLDER	2	
42	3GM-14918-00	..RING	1	
43	17A-14251-00	..NIPPLE	2	
44	2GH-14197-00	..PIPE	1	
45	3GM-14988-00	..PIPE, starter connecting	2	
46	3EN-14997-00	..SEAL	6	
47	1KT-14994-00	..NET, filter	1	
48	822-14147-00	..O-RING	4	
49	3LF-14197-00	..PIPE	1	
50	3GM-14103-00	..THROTTLE SCREW SET	1	
51	92990-06600	..WASHER, plate	1	
52	95303-06600	..NUT	1	
53	3EN-14988-00	..PIPE, starter connecting	1	
54	98501-05008	..SCREW, pan head	1	
55	3GM-14251-00	..NIPPLE	2	

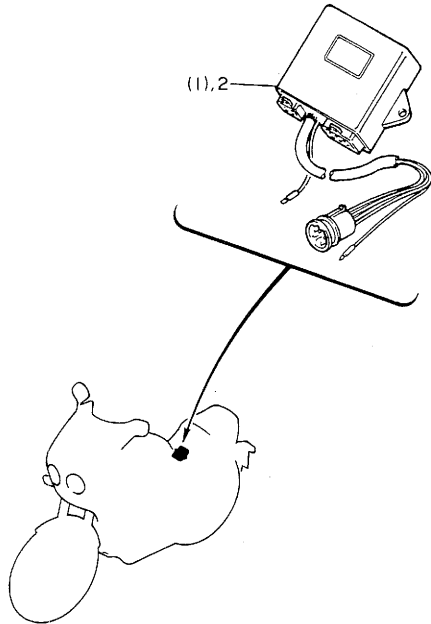
FIG. 64 ALTERNATE (CARBURETOR)



REF. NO.	PART NO.	DESCRIPTION	Q'TY	REMARKS
56	3LK-14147-00	.O-RING	4	
57	3GM-14992-00	.ROD	2	
58	3GM-14197-00	PIPE	2	

FIG. 65 ALTERNATE (ELECTRICAL)

REF. NO.	PART NO.	DESCRIPTION	Q'TY	REMARKS
1	3GM-82305-10	IGNITOR UNIT ASSY	*	
2	3LH-82305-10	IGNITOR UNIT ASSY	1	



3GM300-1540

* For Convenience of reference:
Disregard the items asterisked (*) in the "QTY" column. These are intended for
GENERAL SPEC. and NOT for INDIVIDUAL SPEC.

INDEX

NUMERICAL INDEX

NUMERICAL INDEX

PART NO.	REF NO.	PART NO.	REF NO.
3GM-W0041-50	E - 9	214-11198-01	B-12
2KR-W0042-50	E-14	3GM-11310-00	B - 3
26H-W0045-11	E - 7	3GM-1133E-50	C - 4
3GM-W0045-50	E - 4	3GM-1133F-50	C - 4
3GM-W0047-00	E - 4	3GM-11351-00	B - 3
3GM-W0047-10	E - 4	3GM-11411-01	B - 4
31A-W0047-00	E - 7	2GH-11416-00	B - 4
1J3-W0048-00	E - 4	2GH-11416-10	B - 4
	E - 7	2GH-11416-20	B - 4
	C-10	2GH-11416-30	B - 4
36Y-W0048-00	C-10	2GH-11416-40	B - 4
3GM-W0057-00	E - 4	3GM-11416-00	B - 4
3GM-W0057-10	E - 4	3GM-11416-10	B - 4
31A-W0057-00	E - 7	3GM-11416-20	B - 4
26H-W0098-00	C-10	3GM-11416-30	B - 4
3GM-W0099-00	E-11	3GM-11416-40	B - 4
2GH-W1741-00	C-12	3GM-11456-00	C - 9
3GM-W1742-00	C-12	36Y-11456-00	C - 9
3GM-W2161-01	D - 4	3GM-11474-00	C - 9
3LE-W2161-01	H - 9	3GM-11610-00	B - 4
3GM-W247A-80-7M	E - 2	3GM-11610-20	B - 4
3GM-W247A-90-GE	E - 2	3GM-11631-00	B - 4
3GM-W2585-20	E-11	3GM-11633-00	B - 4
3GM-W2587-50	E - 9	3GM-11636-00	B - 4
3GM-W2834-70-GE	E-15	3GM-11650-00	B - 4
3GM-W2834-80-KM	E-15	12R-11654-00	B - 4
3GM-W2834-90-0X	E-15	3GM-11656-00	B - 4
3GM-Y2171-70-KM	D - 6	3GM-11656-10	B - 4
3GM-Y2171-80-GE	D - 6	3GM-11656-20	B - 4
3GM-Y2171-90-UF	D - 6	3GM-11656-30	B - 4
3GM-Y2172-70-KM	D - 6	3GM-12111-00	B - 5
3GM-Y2172-80-GE	D - 6	3GM-12112-00	B - 5
3GM-Y2172-90-UF	D - 6	3GM-12113-00	B - 5
3GM-Y283J-70-KM	F - 3	3GM-12114-00	B - 5
3GM-Y283J-80-0X	F - 3	3GM-12116-00	B - 5
3GM-Y283J-90-1X	F - 3	1WG-12117-00	B - 5
3GM-Y283K-70-KM	F - 3	3GM-12117-00	B - 5
3GM-Y283K-80-0X	F - 3	1WG-12118-00	B - 5
3GM-Y283K-90-1X	F - 3	1WG-12119-00	B - 5
3GM-11102-00	B - 2	3GM-12121-00	B - 5
2GH-1111G-00	B - 2	3GM-12126-00	B - 5
3GM-11133-10	B - 2	1WG-12153-09	B - 6
3GM-11134-10	B - 2	1WG-12153-21	B - 6
3GM-1115A-00	B - 2	2NK-12153-02	B - 6
1AE-11166-00	C - 5	2NK-12153-09	B - 6
3GM-11181-00	B - 3	1HX-12168-A0	B - 5
3GM-11182-00	B - 2	1HX-12168-F0	B - 5
3GM-11191-00	B - 2	1HX-12168-H0	B - 5
3GM-11193-00	B - 2	1HX-12168-K0	B - 5

PART NO.	REF NO.	PART NO.	REF NO.
1HX-12168-M0	B - 5	5Y9-12491-00	H-12
1HX-12168-R0	B - 5	3GM-12576-50	B - 9
1HX-12168-U0	B - 5	3GM-12579-50	B - 9
1HX-12168-W0	B - 5	3GM-12588-50	B - 9
1HX-12168-Y0	B - 5	3GM-12589-50	B - 9
1HX-12168-00	B - 5	3GM-12682-50	B - 9
1HX-12168-20	B - 5	2GH-1316E-00	B-10
1HX-12168-40	B - 5	3GM-13161-00	B-12
1HX-12168-60	B - 5	3GM-13171-00	B-10
1HX-12168-80	B - 5	3GM-13174-00	B-12
1HX-12169-E0	B - 6	3GM-13181-00	B-10
1HX-12169-G0	B - 6	3GM-13191-00	B-10
1HX-12169-J0	B - 6	1AE-13300-00	B-10
1HX-12169-L0	B - 6	2GH-13329-00	B-10
1HX-12169-N0	B - 6	3GM-13337-00	B-12
1HX-12169-T0	B - 6	3TJ-13340-00	B-12
1HX-12169-00	B - 5	3GM-13411-00	B-10
1HX-12169-30	B - 5	3GM-13412-50	B-10
1HX-12169-50	B - 5	3GM-13414-00	B-12
1HX-12169-70	B - 6	3GM-13414-10	G-15
1HX-12169-90	B - 6	3FV-13416-01	B-12
3GM-12171-00	B - 7	3GM-13417-50	B-12
3GM-12176-00	B - 7	3FV-13440-00	B-12
3GM-12181-00	B - 7	3GM-13454-00	B-11
3GM-12210-00	B - 7	11H-13455-00	B-12
3KS-12213-00	G-15	3TJ-13470-00	B-12
30X-12213-00	B - 7	3KS-13490-00	B-12
2GH-12241-00	B - 7	3GM-13586-00	B-13
3GM-12251-00	B - 7	3GM-13596-00	B-13
3GM-12252-00	B - 7	3GM-13597-00	B-13
3GM-12405-50	B - 9	3LF-13597-00	G - 9
3GM-12410-00	B - 9		H - 2
3GM-12413-00	B - 9		H - 8
3GM-12417-00	B - 9	3LG-13597-00	H-11
1UF-12421-01	B - 8	3GM-13598-00	B-13
3GM-12422-00	B - 8	3LF-13598-00	G - 9
11H-12438-00	B - 8		H - 2
1AE-12439-00	B - 8		H - 8
1UF-12450-00	B - 8	3LG-13598-00	H-11
3GM-12461-50	B - 9	3GM-13907-00	D-15
22W-12462-00	B - 9	3EN-1410A-00	B-15
3DX-12469-00	B - 8		G - 6
3GM-12481-50	B - 8		G-12
3GM-12482-00	B - 8		H - 5
2GH-12484-00	B - 9		H-14
5Y9-12491-00	F-12	3GM-14103-00	C - 2
	G - 2		G - 7
	G - 4		G-13

PART NO.	REF NO.	PART NO.	REF NO.
3GM-14103-00	H - 6	3FV-14147-00	B-15
	H-15		G - 6
12R-14105-00	B-15		G-12
	G - 6		H - 5
	G-12		H-14
	H - 5	3LF-14147-00	B-15
	H-14		G - 6
3GM-14107-17	C - 2		G-12
	G - 7		H - 5
	G-13		H-14
	H - 6	3LK-14147-00	C - 2
	H-15		G - 7
3GM-1411A-00	B-15		G-13
	G - 6		H - 6
	G-12		I - 2
	H - 5	822-14147-00	C - 2
	H-14		G - 7
3GM-1411E-00	B-15		G-13
	G - 6		H - 6
	G-12		H-15
	H - 5	3GM-14153-00	B-15
	H-14		G - 6
	H-15		G-12
2RJ-14118-00	C - 2		H - 5
8U9-14139-00	G - 7		H-14
	G-13	53L-14186-00	B-15
	H - 6		G - 6
	H-15		G-12
3GM-14141-90	C - 2		H - 5
	G - 7		H-14
	G-13	12R-14191-00	B-15
	H - 6		G - 6
	H-15		G-12
4G0-14142-37-A0	H-15		H - 5
4G0-14142-40	C - 2		H-14
	G - 7	2GH-14197-00	C - 2
	G-13		G - 7
	H - 6		G-13
	H - 6		H - 6
1AE-14147-00	B-15		H - 6
	G - 6		H-15
	G-12	3GM-14197-00	C - 3
	H - 5		G - 8
	H-14		G-14
3EN-14147-00	B-15		H - 7
	G - 6		I - 2
	G-12	3LF-14197-00	C - 2
	H - 5		G - 7
	H-14		G-13



NUMERICAL INDEX

PART NO.	REF NO.	PART NO.	REF NO.	PART NO.	REF NO.
3LF-14197-00	H - 6	3GM-14451-00	B -13	3LF-14902-00	G - 6
	H-15	3GM-14452-00	B -13		G-12
1AE-14227-00	C - 2	3GM-14453-00	B -13		H - 5
	G - 7	31A-14477-00	D - 4	3LH-14902-01	H-14
	G-13		F -13	3GM-14903-00	B-15
	H - 6	1HX-14565-00	B -15	3LF-14903-00	G - 6
	H-15		G - 6		G-12
3G2-1423A-75-A1	C - 2		G-12	3EN-14997-00	H - 5
3G2-1423A-76	G - 7		H - 5		H-14
	G-13		H-14		B-15
	H - 6	3GM-14610-00	C - 4		G - 6
	H-15	5Y1-14613-00	C - 4		G-12
3G2-14231-12	C - 2	3GM-14683-00	C - 4	3GM-14997-00	B -15
	G - 7	3GM-14710-51	C - 4		G - 6
	G-13	3LE-14710-30	G - 9		H - 5
	H - 6		H - 2		H-14
	H-15		H - 8		C - 2
3G2-14231-25	C - 2	3HE-14755-00	C - 4		G - 7
	G - 7		G - 9		H-15
	G-13		H - 2		B -15
	H - 6		H - 8	3FV-14933-00	G - 6
	H-15	3GM-14811-00	C - 4		G-12
830-14231-23	C - 2	3GM-14821-00	C - 4		H - 5
	G - 7	3EN-14826-10	C - 4		H-14
	G-13	2TK-14845-00	C - 4	3GM-14940-00	B -15
	H - 6	2TK-14865-01	C - 4		G - 6
830-14231-25	H-15	2TK-14867-01	C - 4		G-12
17A-14251-00	C - 2	3GM-1490J-00	B -15		H - 5
	G - 7		G - 6		H-14
	G-13		G-12	3GM-14985-00	B -15
	H - 6		H - 5		G - 6
	H-15		H-14		G-12
3GM-14251-00	C - 2	3EN-1490K-00	C - 2		H - 5
	G - 7		G - 7		H-14
	G-13		G-13	3EN-14988-00	C - 2
	H - 6		H - 6		G - 7
	H-15		H-15		G-13
3EN-14261-00	C - 2	3GM-14900-00	B -15		H - 6
	G - 7	3LF-14900-00	G - 6		H-15
	G-13		G-12	3GM-14988-00	C - 2
	H - 6		H - 5		G - 7
	H-15	3LH-14900-01	H-14		G-13
3GM-14294-00	D-15	3GM-14901-00	B -15		H - 6
3GM-14401-00	B -13	3LF-14901-00	G - 6		H-15
2GH-14413-00	B - 8		G-12	3GM-14992-00	C - 3
3GM-14422-00	B -13		H - 5		G - 8
3GM-14432-00	B -13	3LH-14901-01	H-14		G-14
3GM-14443-00	B -13	3GM-14902-00	B -15		H - 7

NUMERICAL INDEX

PART NO.	REF NO.	PART NO.	REF NO.	PART NO.	REF NO.
3H7-15486-00	C - 7	1AE-18536-00	C -14	3GM-14992-00	I - 2
	C - 9	2GH-18540-00	C -14	1KT-14994-00	C - 2
3GM-15512-00	C - 9	278-18542-00	C -14		G - 7
3GM-15517-00	C - 9	278-18566-00	C -14		G-13
3GM-15519-00	C - 9	3GM-21110-50-P0	D - 2		H - 6
51Y-15521-00	C - 9	3GM-21149-00	D - 3		H-15
3GM-15522-00	C - 9	3GM-2117A-00	D - 2	3EN-14997-00	C - 2
3GM-15524-00	C - 9	3GM-2117M-00	D - 2		G - 7
3GM-15580-00	C - 9	3GM-2117N-00	D - 3		G-13
1J7-15583-01	C - 9	3GM-2117R-00	D - 3		H - 6
3GM-15689-00	C - 9	2GH-2117T-00	D - 2		H-15
3GM-16150-01	C -10	3GM-2118E-70	D - 3	3GM-14997-00	B -15
1AE-16154-00	C -10	3GM-21190-50-33	D - 2		G - 6
4H7-16155-01	C - 9	3GM-21249-50	D - 7		G-12
1AE-16164-00	C -10	26H-21308-00	D - 3		H - 5
3GM-16321-00	C -10	3GM-21347-00	D - 2		H-14
31A-16321-00	C -10	3GM-21348-50	D - 2	3GM-15100-01	C - 5
4H7-16321-00	C -10	3GM-21359-00	D - 3	2TK-15105-00	C - 6
3GM-16351-00	C -10	30X-2139X-00	F - 4	2GH-15123-00	B -10
3GM-16356-00	C -10	34M-2139X-00	F - 2	1AE-15124-00	B -10
1LJ-16356-00	C -10	3GM-2142K-50	D - 2	2GH-15133-00	B -10
1AE-16357-00	C -10	3GM-21446-02	D - 3	36Y-15189-00	B -12
3GM-16371-00	C -10	3GM-21453-00	E -12	4H7-15189-00	C - 6
1TV-16381-00	C -10	4X7-2149Y-00	B -13	1AE-15316-00	C - 7
5Y1-16383-00	C -10	3GM-21511-50-GE	D - 4	3GM-15346-00	C - 7
2GH-17121-00	C -12	3GM-21511-50-KM	D - 4	2H7-15361-00	C - 5
2GH-17131-00	C -12	3GM-21551-50-GE	D - 4	3F9-15362-00	C - 7
2GH-17141-00	C -12	3GM-21551-50-KM	D - 4	3FV-15363-00	C - 5
2GH-17151-00	C -12	3GM-21555-50-GE	D - 4	2GH-15365-00	D - 2
2GH-17211-00	C -12	3GM-21555-50-KM	D - 4	3GM-15373-00	B -12
3GM-17221-00	C -12	3GM-21575-00	D - 4	1AE-15381-00	C - 9
3GM-17231-00	C -12	3GM-21576-00	D - 5	1AE-15383-00	C - 6
3GM-17241-00	C -12	3GM-21621-00	D - 5	3GM-15410-00	C - 7
3GM-17251-00	C -12	3GM-21629-50	D - 4	3GM-15416-00	C - 7
278-17424-01	C -13	3GM-21649-00	D - 5	3GM-15417-00	C - 7
2GH-17460-11	C -12	3GM-21649-10	D - 5	3GM-15421-00	C - 7
1AE-18101-01	C -15	3GM-21651-50-GE	D - 4	3GM-15427-00	C - 7
2GH-18110-00	C -15	3GM-21651-50-KM	D - 4	2GH-15435-00	C - 7
2GH-18112-01	C -15	3GM-21660-80	D - 5	3GM-15449-00	C - 7
132-18113-01	C -15	3GM-21660-91	D - 5	1AE-15451-00	C - 7
46X-18115-00	C -15	3GM-2173E-80	D - 6	3KS-15451-00	G -15
4G0-18127-00	C -15	3GM-2173E-91	D - 6	1AE-15456-00	C - 7
36Y-18140-00	C -14	3GM-2173F-80	D - 6	2GH-15461-00	C - 7
2H9-18154-00	C -15	3GM-2173F-91	D - 6	3KS-15461-00	G -15
2GH-18511-00	C -14	3GM-2173L-70	D - 6	3GM-15463-00	C - 7
2GH-18512-00	C -14	2GH-21732-00	D - 4	3GM-15463-10	G -15
2GH-18513-00	C -14			1UF-15467-00	C - 7
12R-18531-00	C -14			3KS-15467-00	G -15



NUMERICAL INDEX

PART NO.	REF NO.	PART NO.	REF NO.
3GM-2174L-70	D - 6	3R4-23181-L0	D -12
3GM-2177G-50	D - 7		D -13
3GM-21782-70	D - 6	5X3-23181-L0	D -13
3GM-21782-80	D - 6	3GM-23340-50	D -13
3GM-21782-90	D - 6	3LC-23357-00	D -12
3GM-21816-00	D - 7		D -13
3GM-21871-50	D - 7	3GM-23415-00	D -11
1AA-21874-00	D - 7	26H-23418-01	D -11
4L0-21875-00	D - 7	3GM-23435-50	D -11
3GM-22110-10-PO	D - 8	3GM-23437-00	D -11
3GM-22127-00	D - 8	3GM-24110-01-X1	D -14
3GM-22128-00	D - 8	3GM-24110-01-X2	D -14
3GM-22129-00	D - 9	3GM-24110-01-09	D -14
3GM-22141-00	D - 8	3GM-24136-00	D -15
3GM-22151-00	D - 9	2GH-24181-00	D -14
3GM-2217A-00	D - 8	3GM-24182-00	D -14
3GM-2217M-00	D - 8	2GH-24183-00	D -14
3GM-2218A-70	D - 9	3Y6-24183-00	D -14
3GM-22184-00	D - 8	5X2-24183-00	F -15
3GM-22210-02	D -10	2GH-24184-00	D -14
24X-22261-00	D -10	2GH-24186-00	D -14
24X-22262-00	D -10	2GH-24187-00	D -14
3GM-22262-00	D -10	2GH-24191-00	D -14
3GM-22311-00	D - 8	3GM-24240-90	D -14
3GM-22321-00	D - 9	3GM-24244-70	D -14
3GM-23102-50	D -12	3GM-24311-01	D -14
3GM-23103-50	D -12	3GM-24312-00	D -15
3GM-23110-50	D -12	3PA-24356-00	E - 9
3GM-23111-50	D -12	26H-24500-00	D -14
	D -13	214-24512-00	D -14
3GM-23118-50	D -12	1FK-24560-00	D -15
	D -13	1FK-24566-00	D -15
3GM-23120-50	D -12	3XC-24602-00	D -15
3GM-23125-50	D -12	51X-24705-00	E - 2
3GM-23136-50	D -12	3GM-24718-00	E - 2
3GM-23141-50	D -12	3GM-24718-50	E - 2
	D -13	1VJ-24723-00	D - 4
3GM-23144-50	D -12	3GM-24728-50	E - 2
3LC-23145-00	D -12	3GM-24730-50	E - 2
36Y-23146-10	D -12	3GM-24731-50	E - 2
3SP-23147-M0	D -12	2GH-24741-00	E - 2
	D -13	3GM-2477L-91	E - 2
26H-23156-00	D -12	3GM-24776-50	E - 2
2K8-23158-L0	D -12	1KT-2478F-00	E - 2
	D -13	3GM-24786-80	E - 2
3GM-23170-50	D -12	3GM-24791-50-GE	E - 2
	D -13	3GM-24796-50	E - 2
3JD-23171-L0	D -12	341-25149-00	E - 3

NUMERICAL INDEX

PART NO.	REF NO.	PART NO.	REF NO.
3GM-25168-00-LA	E - 3	3GM-25168-00-WG	E - 3
3GM-25168-00-WG	E - 3	3MA-25190-00	E - 3
3GM-25338-01-UA	E - 5	3GM-25338-01-WG	E - 5
3GM-25338-01-WG	E - 5	2GH-25364-00	E - 5
2GH-25364-00	E - 5	36Y-25366-01	E - 5
36Y-25366-01	E - 5	3GM-25371-00	E - 5
3GM-25371-00	E - 5	36Y-25377-00	E - 5
36Y-25377-00	E - 5	1HX-25381-01	E - 3
1HX-25381-01	E - 3	3GM-25381-00	E - 6
3GM-25381-00	E - 6	3GM-25388-00	E - 5
3GM-25388-00	E - 5	3GM-25389-00	E - 5
3GM-25389-00	E - 5	29L-25398-00	E - 3
29L-25398-00	E - 3		
		29L-25398-10	E - 5
			E - 5
		29L-25398-20	E - 3
			E - 5
		2GH-25447-21	E - 5
		3GM-2580T-50	E - 4
		3GM-2580U-50	E - 4
		3GM-2580W-00	E - 7
		3LE-2581T-00	E - 4
		3GM-25819-00	E - 7
		3GM-2582F-00	E - 9
		1FK-25827-00	E - 7
		1FK-25828-00	E - 7
		3GM-2583V-00	E -14
		2KT-25831-00	E - 7
		1KT-25836-00	E - 4
		51J-25836-00	E - 7
		341-25846-00	E - 3
		2KF-25852-50	E -14
		3GM-25852-50	E - 9
		3FV-25854-00	E - 9
		360-25854-00	E -14
		55U-25854-00	E -11
		2GU-25855-00	E -14
		2J2-25855-50	E - 9
		2VN-25866-00	E - 9
		56A-25867-00	E - 9
			E -11
		3SD-25870-11	E -11
		3GM-25872-51	E - 9
		3GM-25873-51	E - 9
		3GM-25874-10	E -14
		3GM-25874-51	E - 9
		3GM-25875-50	E - 6
		3LK-25875-50	H - 9
		3GM-25876-00	E - 6
		3LK-25876-50	H - 9
		3MA-25876-10	E -10
		3MA-25876-20	E -10
			H - 9
		42H-25885-00	E -10
		3FV-2589A-00	E - 9
		3FV-2589F-00	E - 9
		3FV-2589G-00	E - 9
		3FV-25894-00	E - 9
		47X-25894-00	E -14
		3GM-25895-50	E -14
		29L-25919-00	E - 7
		3GM-25919-50	E - 4
		1KT-25924-00	E - 7
		3GM-25924-50	E - 4
		26H-25925-00	E - 7
		3MA-25925-00	E - 4
		3GM-26111-50	E - 8
		3GM-26112-50	E - 8
		3GM-26113-50	E - 8
		3GM-26121-51	E - 8
		3GM-26122-51	E - 8
		3GM-26131-00	E - 9
		47X-26240-00	E - 8
		47X-26241-00	E - 8
		3GM-26246-00	E - 8
		3LN-26270-00	E - 8
		2GH-26280-00	E -15
		2GH-26280-10	E -15
		2GH-26290-00	E -15
		2GH-26290-10	E -15
		3GM-26292-50	E - 9
		3CV-26298-00	E -15
		3CV-26299-00	E -15
		3GM-26302-00	E - 8
		3GM-26331-00	E - 8
		3GM-26455-00	E -11
		3GM-26464-00	E -11
		2GH-26470-01	E -11
		2GH-27211-00	E -14
		47X-27222-00	E -14
		3GM-27311-00	E -12
		2KT-27315-00	E -12
		3GM-27321-00	E -12
		1TX-27351-00	E -12
		3GM-2741L-00	E -12
		2GH-27410-00	E -12
		2GH-27413-00	E -12
		1UF-27414-00	D -11
		2H7-27414-00	E -13
		3GM-2742L-00	E -13
		2GH-27420-00	E -12
		1HX-27431-00	E -12
		1HX-27437-00	E -13
		3GM-27441-00	E -13
		3GM-27442-00	E -12
		3GM-27443-00	E -12
		2TK-27813-00	E -14
		3GM-28100-00	D - 5
		4K5-2814E-10	D - 5
		4K5-28186-00	D - 5
		3HX-28215-00	E -15
		3GM-28301-80	F - 3
		3GM-28301-90	F - 3
		3GM-28303-80	F - 3
		3GM-28303-90	F - 3
		3GM-2831W-50	E -15
		3GM-2835U-51	F - 2
		3GM-2835U-60	F - 2
		3GM-2835V-51	F - 2
		3GM-2835V-60	F - 2
		3JJ-2835Y-00	E -15
		3JJ-2835Y-10	E -15
		3GM-28356-50	E -15
		3GM-2836A-00	F - 4
		3GM-2836E-50	F - 4
		3GM-2836F-00	F - 4
		3GM-2836G-00	F - 4
		3GM-2836H-00	F - 2
		3GM-2836J-00	F - 2
		3GM-2836K-50-GE	F - 4
		3GM-2836K-50-KM	F - 4
		3GM-28368-70	F - 3
		3GM-28368-90	F - 3
		3GM-2838N-51	E -15
		3GM-2838R-51	E -15
		3GM-2838T-01	F - 2
		3GM-2838U-01	F - 2
		3GM-28381-50	E -15
		3GM-2839H-70	F - 3
		3GM-2839H-80	F - 3
		3GM-28390-71	E -15
		3GM-28390-81	E -15
		3GM-28390-90	E -15
		3GM-28396-50	F - 2
		3GM-28397-50	F - 2
		3GM-2840F-50	E - 2
		J44-78248-00	D - 5
		2GH-81600-55	F - 5
		2KT-81604-50	F - 5
		3FV-81619-00	F - 5
		2KT-81634-50	F - 5
		36Y-81638-50	F - 5
		2KT-81642-50	F - 5
		36Y-81643-30	F - 5
		36Y-81643-50	F - 5
		2KT-81645-50	F - 5
		36Y-81645-30	F - 5
		2GH-81660-52	F - 5
		3GM-81670-00	F - 6
		2KT-81675-50	F - 5
		3GM-81800-50	F - 7
		3GM-81815-50	F - 7
		3HE-81826-00	F - 7
		3KS-81840-00	F - 7
		11H-81844-00	F - 7
		26H-81847-00	F - 7
		36Y-81910-50	F - 5
		36Y-81940-00	F -15
		3EN-81950-00	F -15
		3GM-81950-10	F -15
		1Y8-81970-60	F -11
		36Y-81970-50	F - 5
		36Y-81972-50	F - 5
		3XW-82100-00	F -15
		3GM-82115-50	F -15
		3XW-82116-00	F -15
		2T4-82131-00	F -15
		26L-82131-00	D - 5
		1AE-82151-00	F -15
		2GH-82151-00	F -15
		42X-82151-00	F -15
		3GM-82305-10	F -13
		3LF-82305-10	G -10
			H - 3
			H - 9
			I - 3
		3GM-82310-00	F -13
		3GM-82320-00	F -13
		2KT-82370-00	F -13
		3GM-82501-50	F -15



NUMERICAL INDEX

PART NO.	REF NO.	PART NO.	REF NO.	PART NO.	REF NO.	PART NO.	REF NO.	PART NO.	REF NO.	PART NO.	REF NO.
1AE-82509-00	F-13	3FV-83980-00	E-9	3GM-85752-01	F-13	90116-10532	C-5	90171-16024	E-3	90202-05180	F-4
3GM-82509-00	F-15	3GM-83980-00	E-11	42X-85753-00	F-13	90116-10537	C-5	90171-18051	E-6	90202-05193	D-14
3GM-82530-10	F-15	3MA-8413H-00	G-4	3GM-85820-00	F-13	90119-06018	F-2	90176-06055	E-15		F-13
1AE-82540-00	F-13	3MA-8413H-00	H-12	90101-06576	C-4	90119-06063	D-4	90176-10049	B-2	90202-26142	D-11
2EL-82560-00	F-13	3GM-84192-00	F-11	90101-08705	E-5		D-7	90176-22050	D-11	90206-17084	E-12
2KT-82566-01	G-2	3GM-84301-00	F-11	90101-10659	D-8	90119-06079	D-4	90179-05523	F-4	90209-06096	C-7
3LE-82590-00	F-15	3GM-8431R-00	F-11	90101-12673	D-8	90119-06114	D-3	90179-06500	E-15	90209-10131	E-8
3GM-83310-00	F-8	51L-8431U-00	G-4	90105-06153	B-2	90119-06115	C-4	90179-08327	B-4	90209-11262	B-2
306-83311-40	F-8		H-12	90105-06541	B-2	90119-06187	C-4	90179-08410	C-4	90209-22191	C-12
3GM-83320-00	F-8	3HE-84312-40	G-4	90105-06564	E-12	90149-04278	D-5	90179-10247	D-2	90209-25196	C-12
51J-83330-00	F-8		H-12	90105-07342	B-7	90149-05224	F-2	90179-10584	B-2	90214-10056	E-12
1VU-83332-00	F-8	2F9-84314-00	G-4	90105-08321	E-6		F-4	90179-10590	D-2	90214-12033	F-8
51L-83332-01	F-8		H-12	90105-08652	E-15	90149-05273	E-15	90179-18020	C-13	90215-20231	C-10
51J-83340-00	F-8	3GM-84320-40	F-11	90105-09373	C-5	90149-06011	D-14	90179-25033	D-11	90215-21022	C-12
1VU-83342-00	F-8	3HE-84320-40	G-4	90105-09555	C-5		F-13	90183-05024	F-2	90240-08013	E-14
51L-83342-01	F-8	3HE-84320-60	H-12	90105-09580	C-5	90149-06150	D-3		F-4	90267-40076	D-2
3GM-83350-50	F-13	3GM-84321-00	F-11	90105-10308	E-4	90149-06287	E-11	90183-05061	D-4	90267-40114	D-3
3YA-83350-00	F-13	3GM-84322-00	F-11		E-7	90151-06014	C-6	90185-10037	E-12	90338-07043	D-5
18G-83365-00	F-8	51L-84334-00	G-4	90105-10316	E-13	90152-05021	G-2	90185-18104	D-8	90338-15202	D-2
3GM-83371-00	F-13		H-12	90105-10559	D-2	90152-06014	C-7	90201-047A2	D-5	90340-14068	C-6
3LG-83509-10	F-9	3GM-84340-40	F-11	90109-063F8	C-14	90152-06024	C-7	90201-06059	F-9	90340-18101	B-2
3GM-83513-00	F-9	4E2-84347-00	G-4	90109-064F0	B-2	90154-05060	D-4	90201-061M7	B-10	90380-10195	C-4
2GV-83517-00	F-9		H-12	90109-065A8	B-7	90157-05079	E-12	90201-063J2	F-12	90387-052U5	F-11
3GM-83517-00	F-9	3TJ-84351-00	F-11	90109-06614	F-15	90157-06104	C-7	90201-06643	C-14	90387-05383	C-5
3GM-83520-00	F-9	3GM-84359-20	F-11	90109-082A1	E-8	90159-03102	F-9	90201-06697	B-9	90387-060M9	B-13
3GM-83525-00	F-9	3GM-84359-30	G-4	90109-083E2	E-12	90159-06033	D-6	90201-08083	E-14	90387-06024	D-7
3LG-8353H-10	F-9		H-12	90109-08718	E-4		D-7	90201-08085	D-12	90387-061M0	D-4
3GM-83540-00	F-9	3GM-84367-00	F-11		E-7		G-2		D-13		F-12
3GM-83550-00	F-10	3GM-84378-00-GE	G-4	90109-101F1	D-8	90159-06042	D-5	90201-08087	C-5	90387-062L2	D-15
3GM-83559-00	F-9		H-12		D-10	90159-06056	D-4	90201-096J9	C-5	90387-062W4	F-12
3GM-83570-10	F-9	3GM-84378-00-KM	G-4	90109-103A9	E-12		D-7	90201-101J1	D-3	90387-06216	D-9
3LG-83570-10	H-11		H-12	90109-104E6	E-12	90159-06058	D-3	90201-10118	E-10	90387-06299	D-14
2GH-83578-00	F-9	3GM-84378-00-VA	G-4	90109-112F1	B-7	90159-06084	D-8		E-11	90387-064H8	E-13
3GM-83590-00	F-9		H-12	90110-05079	F-2	90159-06085	E-14		E-14	90387-064L2	D-4
11H-83591-00	F-13	3GM-84397-40	F-11		F-4	90159-06108	D-8	90201-103M4	B-2	90387-065T2	D-4
3GM-83912-00	E-11	36Y-84397-00	G-4	90110-05112	D-15		D-9	90201-10437	D-8	90387-065V1	F-13
3GM-83922-50	E-9		H-12	90110-06083	F-4	90159-06123	C-10	90201-105J4	F-12	90387-067N5	F-4
J45-83936-00	F-15	3GM-84710-20	F-12	90110-06142	B-9	90164-04008	F-9	90201-106M5	C-4	90387-06704	D-9
25G-83936-01	F-15	31L-84714-00	F-12	90110-06145	E-9	90167-03058	F-9	90201-10669	E-13	90387-07391	B-9
437-83936-01	E-8	3LK-8473A-00	F-12	90110-06158	F-13	90167-04057	F-9	90201-12575	C-15		F-9
	F-15	2JE-84744-00	F-11	90110-08066	E-12	90167-05037	F-11	90201-126A7	D-8	90387-083W8	E-13
437-83936-11	D-7	4G1-84744-00	F-9	90110-08155	E-12	90167-05041	F-2	90201-150H2	C-11	90387-100T8	D-8
	F-15	1KH-84751-00-90	F-12	90110-08177	C-9		F-4	90201-186M4	D-8	90387-102T0	D-10
3GM-83940-00	E-8	11H-85110-01	H-9	90110-10168	D-2		F-11		E-6	90387-105V7	D-2
1WG-83941-00	E-8	23V-85110-00	H-9	90110-10169	D-2		G-4	90201-200K3	C-12	90387-106U7	C-4
3TJ-83964-00	F-15	3G1-85130-01	F-14	90110-10191	D-2		H-12	90201-502P8	E-8	90387-10636	E-13
3GM-83969-00	E-8	3KS-85370-00	F-15	90116-10485	E-5	90170-06228	C-15	90202-05088	D-4	90387-114K8	C-15
3GM-83975-00	E-8	3GM-85720-00	F-13	90116-10531	C-5	90170-20327	C-10	90202-05180	F-2	90387-115V8	D-2

NUMERICAL INDEX



NUMERICAL INDEX

PART NO.	REF NO.	PART NO.	REF NO.	PART NO.	REF NO.
90387-124W2	D - 8	90480-01401	D - 7	91316-10045	D - 2
90387-126T1	D - 8	90480-10258	D - 5	91401-20015	E - 6
90387-17530	E - 3	90480-10297	B - 9	91401-20015	E -14
90387-202X9	E - 6	90480-10517	F -11	91401-30030	E - 3
90387-203M7	C -12	90480-13163	D -15	91401-40040	E - 6
90387-203X0	E - 6	90480-13398	F - 3	92011-06010	C - 7
90387-211T9	C -12	90480-14023	B -13	92011-08030	E -14
90387-253M6	C -12	90480-14229	E -15	92901-04600	E - 9
90387-255V9	C -12		F - 9		E -14
90387-271T7	C -12	90480-14412	F -13		F - 9
90387-281T8	C -12	90480-15058	D - 7	92901-05100	F - 5
90401-10095	E -10	90480-15259	F -12		F -13
90401-10096	E -10	90480-15363	B - 9	92901-05600	C - 2
	E -11	90480-17359	D -10		F - 5
	E -14	90480-18276	F -12		G - 7
90401-10139	B -10	90480-22084	D - 6		G -13
90430-06014	B - 2		D - 7		H - 6
	B - 3	90480-22362	D - 7		H -15
	B - 8	90480-35526	D - 3	92901-06600	D - 4
	B -13		F - 3	92902-04100	E - 9
	G -15	90501-04623	C - 9		E -14
90430-06210	B -10	90501-06022	C -14		F - 9
90430-10171	B -10	90501-12743	E -12	92906-05100	B -15
90445-08740	B -13		E -13		G - 6
90445-096E8	B - 9	90501-230E4	C -10		G -12
90445-102G7	D -15	90506-18224	E -12		H - 5
90445-11288	B -13	90506-26225	E -12		H -14
90445-114E2	B -13	90508-20737	E -14	92906-05600	B -15
90446-17346	E -14	90508-26681	C -14		G - 6
90450-22052	B - 9	90508-32682	C -15		G -12
90450-38040	B - 9	90560-12191	C -15		H - 5
90450-57034	B -13	90560-17356	E - 3		H -14
90450-67033	B -13	90560-20357	E - 5	92906-06100	F -11
90462-08158	C - 6	90560-25270	C -10	92906-06600	C - 4
90462-08184	C - 6	91012-06030	B -14		E - 9
90464-13073	F -15	91026-06010	D - 3		F -11
90464-30040	F -13	91311-05010	D -15	92990-03100	F - 9
90465-08076	B -12	91311-06045	E -13	92990-05200	C - 4
90465-13169	F -15	91311-08030	D -11	92990-06100	D - 4
90467-08003	B - 9	91311-08040	D -12		D - 9
90467-09006	D -15		D -13		D -10
90467-10008	B -13	91312-06012	B -13		D -14
90467-12124	D -15	91316-06012	E - 8		D -15
90467-13123	D -15	91316-06016	E -15		E - 2
90467-14015	C - 5	91316-06020	B -13		E - 6
90467-14057	E -14		D -11	92990-06200	E - 2
90467-15054	C - 5	91316-06050	B -10	92990-06600	B -13
90480-01401	D - 6	91316-08025	E - 8		C - 2

NUMERICAL INDEX

PART NO.	REF NO.	PART NO.	REF NO.	PART NO.	REF NO.
92990-06600	D - 2	93306-20455	C -12	95023-06025	B - 8
	E - 2		C -13		B - 9
	F -14	93306-20541	C - 9	95023-06030	B - 8
	G - 7	93306-30416	E - 5		B -12
	G -13	93306-30437	E - 5		C - 8
	H - 6	93306-30525	C -12	95023-06040	B - 8
	H -15	93306-30562	E - 5		C - 7
92990-08200	D - 2	93310-340N8	C -10	95026-06010	B -12
	B - 8	93317-41761	D - 8	95026-06012	B -10
	D - 8	93317-42060	D - 8		B -12
	C -15	93317-52865	D - 8	95026-06016	C - 9
	E - 3	93332-00008	D -11		F -13
	C -12	93332-00023	D -11	95026-06025	E -11
	E - 3	93340-21505	C -11	95026-06030	B -10
	E - 5	93399-99919	D - 8		C -10
	E - 5	93440-10153	B - 2	95026-06090	C -10
	C -10	93440-25084	C -12	95303-05600	C - 2
	C -15	93440-28062	C -12		G - 7
	B -10	93440-45144	C -13		G -13
	C - 6	93450-19095	B - 4		H - 6
	C -10	93501-04011	E -13		H -15
	B -12	93511-32027	C -10	95303-06600	C - 2
	B -10	93604-10011	B - 8		F -12
	C - 5	93615-12088	C - 9		G - 7
	B -12	93900-00030	E - 3		G -13
	C - 6		E - 5		H - 6
	B -12	94113-174U1	E - 3		H -15
	B -12	94113-176X4	E - 3	95303-06700	C -15
	E - 9	94117-173U6	E - 5	95303-06800	D -14
	E -14	94117-176X3	E - 5	95303-08600	E - 5
	B -12	94571-31110	E - 5	95303-08700	E -14
	B - 8	94581-01108	B - 7	95306-12600	F - 8
	F - 6	94581-26110	E - 5	95316-06600	F - 9
	C - 6	94681-01021	B - 7	95601-06100	E -13
	B - 8	94701-00203	B - 2	95601-10200	D - 8
	B - 9	94701-00222	B - 2		D -10
	C - 5	95021-06050	B - 8		E - 5
	C - 7		C - 7	95606-04100	D - 5
	F -13	95023-06010	B - 8	95611-08100	E -14
	B - 8	95023-06012	B - 2	95611-10100	D - 8
	B - 8		B - 3	95611-12100	D - 8
	B -13		B - 8	95612-08325	B - 2
	B - 3		C - 6	95616-06100	E - 9
	B -12		F - 6		F -12
	C -12	95023-06020	B - 8	95701-05500	E - 2
	B - 8		C - 8		F -14
	E - 3	95023-06025	B - 2		F -15
	C - 9		B - 7	95701-05500	H - 9

NUMERICAL INDEX

NUMERICAL INDEX

PART NO.	REF NO.	PART NO.	REF NO.	PART NO.	REF NO.	PART NO.	REF NO.	PART NO.	REF NO.
95701-06500	D -15	97706-40512	F - 2	98901-06008	B -12				
	E - 2	97706-40620	F - 8	98906-06008	E - 8				
95701-06500	F -15	98002-06035	D - 2	99006-10600	C -15				
95701-08500	E - 6	98002-08030	D -14	99009-10400	B -12				
95701-10500	D - 3	98006-08035	D - 2	99009-12400	B - 8				
	E -13	98021-08035	D - 2	99221-00040	D -14				
95706-05500	E -15	98501-03012	F - 9	99224-00040	D -14				
95706-06500	B - 9	98501-05008	C - 2	99226-00040	D -14				
	E -11		F -13	99234-00020	D - 5				
95706-12500	F - 8		G - 7	99234-00025	F - 2				
95801-06012	D - 7		G -13	99234-00065	F - 3				
95801-06035	F -13		H - 6	99234-00070	F - 3				
95811-06016	B -10		H -15	99236-00020	D - 5				
95811-06025	F - 7	98501-05012	B -15	99236-00025	F - 2				
95811-06035	C - 5		G - 6	99510-08012	B -10				
95811-06060	C - 5		G -12		C - 7				
95811-06075	D -14		H - 5		C -10				
95811-06080	C - 5		H -14	99510-08016	B - 2				
95811-06140	C - 5	98501-05018	F - 5		B -12				
95811-08045	C - 5	98501-06010	C - 7	99510-12016	C - 6				
95811-08055	C - 5		E - 2	99510-14016	B - 3				
95811-08060	C - 5	98501-06012	D -15	99530-10014	B - 2				
95811-08065	C - 5	98501-06020	C - 7		C - 5				
95811-08090	C - 5	98502-06012	E - 2						
95816-06012	E -10	98502-06016	F -13						
95816-06014	C - 9	98506-05016	B -15						
95816-06025	B - 9		G - 6						
95816-08025	C - 4		G -12						
	G - 9		H - 5						
	H - 2		H -14						
	H - 8	98506-05018	E - 8						
95816-08030	F - 5	98506-05030	E - 8						
95816-08035	C - 4	98506-05040	E - 8						
95821-08025	E -13	98511-04012	E - 9						
95822-06016	C -14		E -14						
95826-06020	C -15	98511-06140	B -13						
97001-06025	D -14	98580-03010	F - 9						
97001-06030	E - 6	98580-04008	B -15						
97001-06040	D -10		G - 6						
97003-06012	D - 2		G -12						
	D - 9		H - 5						
97011-06010	E - 6		H -14						
97011-06020	D - 4	98580-04010	F - 9						
	F -14	98701-05012	C -14						
97016-06020	F -11	98706-04012	E -11						
97016-06025	E - 9	98706-04016	E -11						
97313-06016	D - 4	98706-06030	E -15						
97395-05012	C - 4	98780-05016	F -15						

L6