



YAMAHA

PARTS CATALOGUE

FZR750R'88 (2YJ1)

EUROPE

182YJ-300E1

A2

CONTENTS

GENERAL SPEC.

ENGINE

Cylinder Head	B2
Cylinder	B3
Crankshaft · Piston	B4
Valve	B5 ~ B6
Camshaft · Chain	B7
Water pump	B8
Radiator Hose	B9 ~ B10
Oil Pump	B11 ~ B12
Oil Cleaner	B13
Intake	B14 ~ B15
Carburetor	C2 ~ C3
Exhaust	C4
Crankcase	C5 ~ C6
Crankcase Cover 1	C7
Starter	C8
Clutch	C9 ~ C10
Transmission	C11 ~ C12
Shift Cam · Fork	C13
Shift Shaft	C14

CHASSIS

Frame	C15 ~ D2
Fender	D3 ~ D4
Side Cover	D5 ~ D6
Rear Arm	D7 ~ D8
Rear Suspension	D9
Steering	D10

Front Fork	D11 ~ D12
Fuel Tank	D13 ~ D14
Seat	D15
Front Wheel	E2
Front Brake Caliper	E3
Rear Wheel	E4 ~ E5
Rear Brake Caliper	E6
Steering Handle · Cable	E7
Front Master Cylinder	E8
Front Master Cylinder 2	E9
Stand · Footrest	E10 ~ E11
Rear Master Cylinder	E12
Cowling 1	E13 ~ E14
Cowling 2	E15 ~ F2
Generator	F3
Pick Up Coil Governor	F4
Starting Motor	F5
Flasher Light	F6
Meter	F7 ~ F8
Headlight	F9
Taillight	F10
Handle Switch · Lever	F11
Electrical 1	F12 ~ F13
Electrical 2	F14

INDIVIDUAL SPEC.

FOR DENMARK, NORWAY

Alternate (Headlight)	G2
-----------------------------	----

FOR FINLAND

Alternate (Headlight)	G4
-----------------------------	----

FOR HOLLAND

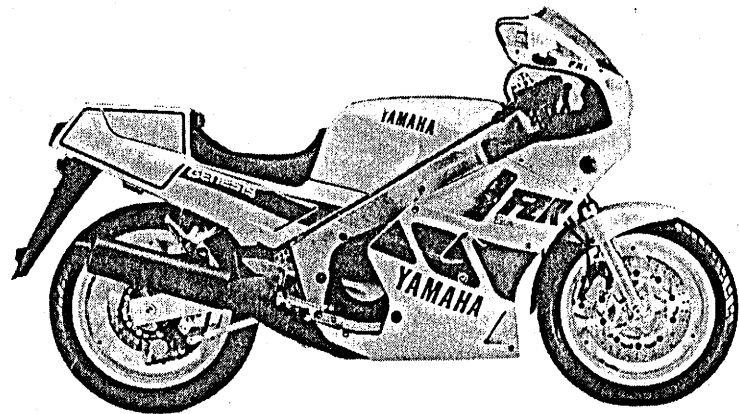
Alternate (Headlight)	G6
-----------------------------	----

INDEX (GENERAL SPEC.)

NUMERICAL INDEX	L2 ~ L6
-----------------------	---------

INDEX (INDIVIDUAL SPEC.)

NUMERICAL INDEX	M2
-----------------------	----



A3

FOREWORD

This Parts Catalogue is related to the parts in use for the Yamaha FZR750R'88 (2YJ1). When you are ordering replacement parts for the FZR750R'88 (2YJ1), refer to this Parts Catalogue and quote both part numbers and part names correctly.

1. Modifications or additions which have been made after issue of the Parts Catalogue will be announced in the Yamaha Parts News.
It is advisable that according to the Yamaha Parts News you make necessary corrections to the Parts Catalogue on hand to keep it up-to-date.

2. Abbreviations

The following abbreviations are used in this Parts Catalogue.

- U.R. Use size (thickness) and/or number as required.
- U.N. Use as many as you need.
- A.P. Alternate Parts
- L.M. Local Made
- F# Frame No. (Applicable machine No.)

3. The parts marked with (*) in the parts number column of this Catalogue are not supplied with by Yamaha, those have to be found locally.
4. Parts, which are to be supplied in the form of assemblies, are listed with an indention of one letter's space, and a dot (.) is put against the name of each part.

EXAMPLE CARBURETOR ASS'Y
 .JET, pilot
 .NOZZLE, main

5. Indication of No. of constituent parts for assembly

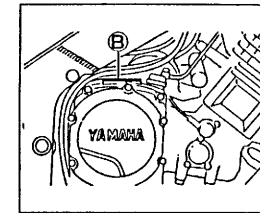
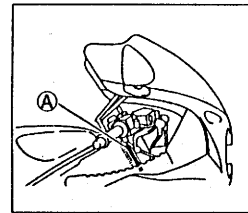
The numeral appearing to the right of each constituent part under the description indicates the quantity of such parts for each individual assembly unit.

EXAMPLE

Part No.	Description	Q'ty	Remarks
2F5-83310-60	FRONT FLASHER LIGHT ASS'Y	2	
115-83311-60	.BULB (6V-18W)	1	
1M1-83309-60	.REFLECTOR	1	

6. Initial Serial No. and Color Code

(A) Frame Serial No.	2YJ-000101 and following
(B) Engine Serial No.	2YJ-000101 and following



Color Code	Color Name	Abbreviate
GE/LN	SILKY WHITE/ FINE RED	SW/FRD

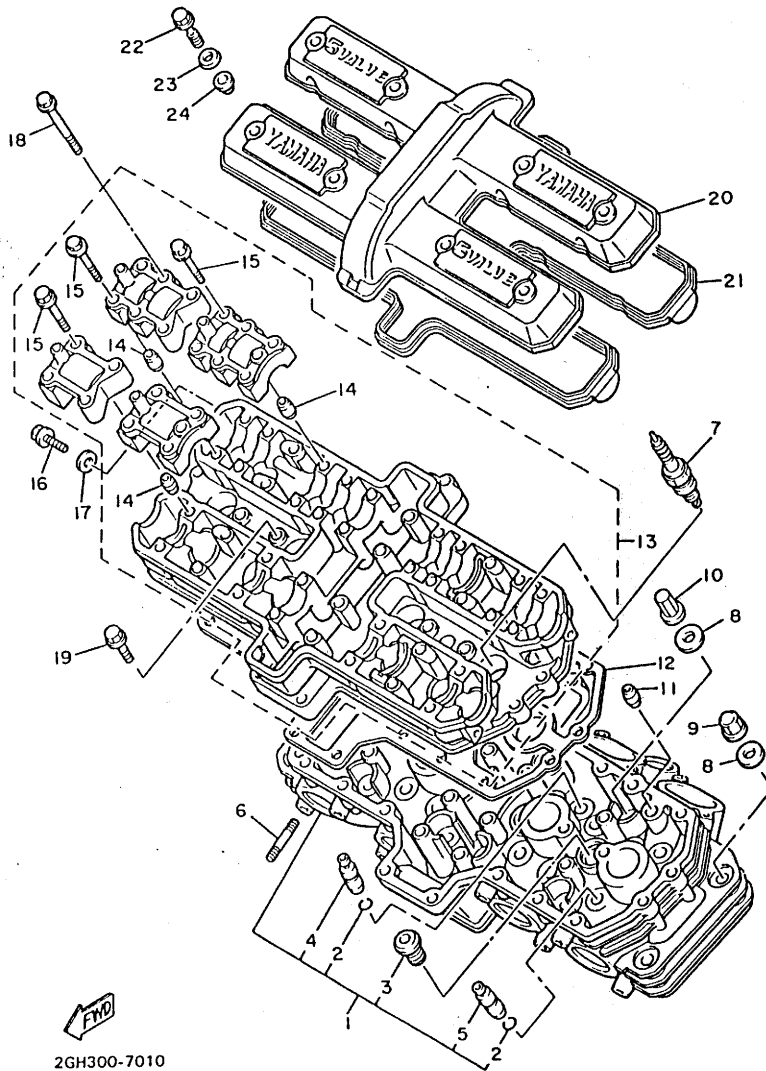
7. Applicable colors of graphics are represented in the "Remarks" column by the letter(s) appropriately picked out of the full word(s) showing such colors.

EXAMPLE

Part No.	Description	Q'ty	Remarks
2N4-24110-00-X5	FUEL TANK COMP.	1	MAXIM RED
3J1-24240-10	.GRAPHIC, fuel tank set	1	for MXR

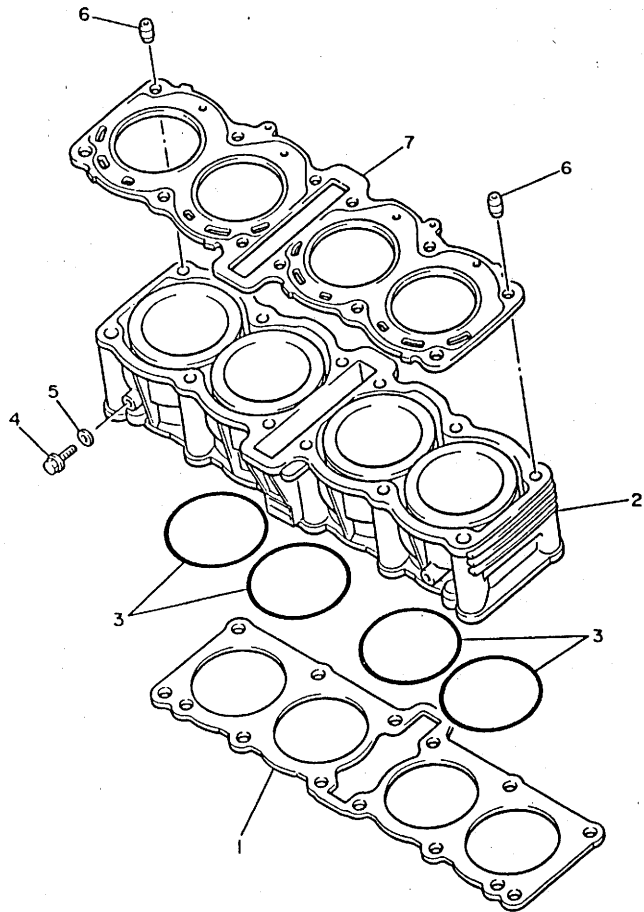
FIG. 1 CYLINDER HEAD

REF. NO.	PART NO.	DESCRIPTION	Q'TY	REMARKS
1	2KT-11102-00	CYLINDER HEAD ASSY	1	
2	93440-09141	.CIRCLIP	20	
3	90340-18101	.PLUG, straight screw	4	
4	1AA-11133-10	.GUIDE, intake valve	12	
5	1AA-11134-10	.GUIDE, exhaust valve	8	
6	90116-06466	BOLT, stud	8	
7	94701-00203	PLUG, spark (NGK DR8ES-L)	4	UR
	94701-00222	PLUG, spark (ND X24ESR-U)	4	UR
8	90201-096J9	WASHER, plate	12	
9	90179-09489	NUT	4	
10	90179-09490	NUT	8	
11	99530-10014	PIN, dowel	2	
12	2GH-11182-00	GASKET, cylinder head 2	1	
13	1AA-1115A-01	CAM CASE ASSY	1	
14	99510-08016	.PIN, dowel	16	
15	90105-06153	.BOLT, washer based	16	
16	95026-06012	BOLT, flange	1	
17	90430-06014	GASKET	1	
18	90105-06362	BOLT, washer based	24	
19	95026-06025	BOLT, flange	11	
20	1TV-11191-00	COVER, cylinder head 1	1	
21	1AA-11193-00	GASKET, head cover 1	1	
22	90109-06746	BOLT	8	
23	90209-11262	WASHER	8	
24	2GH-1111G-00	RUBBER, mount 1	8	



2GH300-7010

FIG. 2 CYLINDER



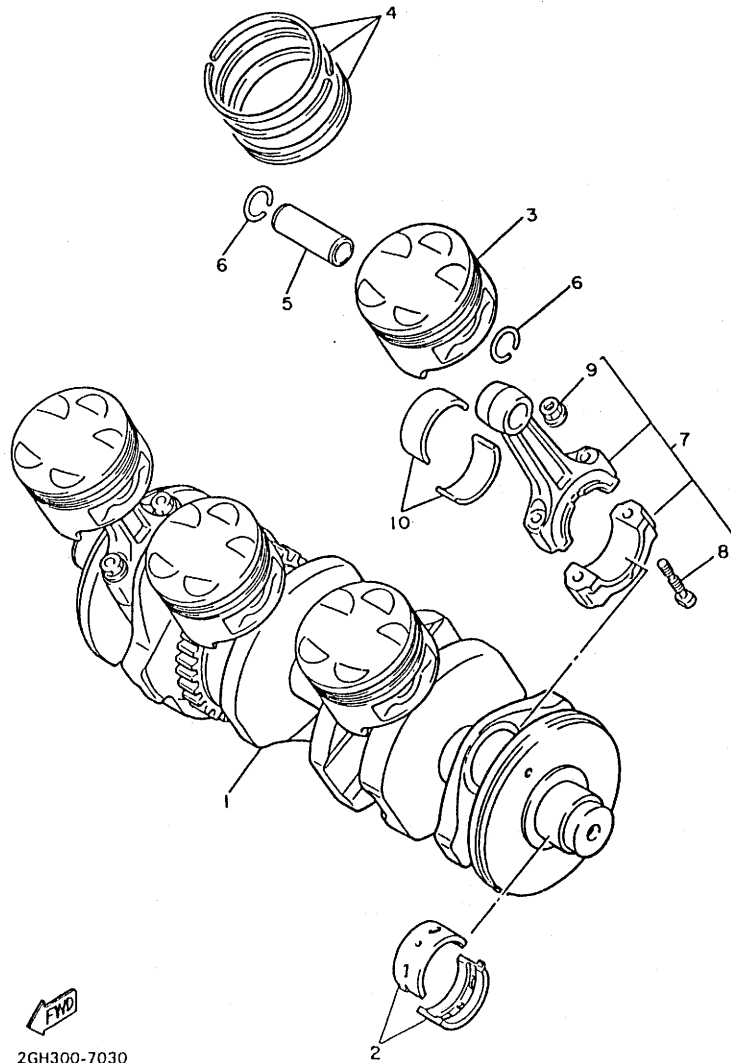
REF. NO.	PART NO.	DESCRIPTION	Q'TY	REMARKS
1	1AA-11351-00	GASKET, cylinder	1	
2	1AE-11310-01	CYLINDER	1	
3	93210-73693	O-RING	4	
4	95026-06012	BOLT, flange	2	
5	90430-06014	GASKET	2	
6	91810-08016	PIN, dowel	2	
7	2KT-11181-01	GASKET, cylinder head 1	1	



2NK110-7020

B3

FIG. 3 CRANKSHAFT • PISTON

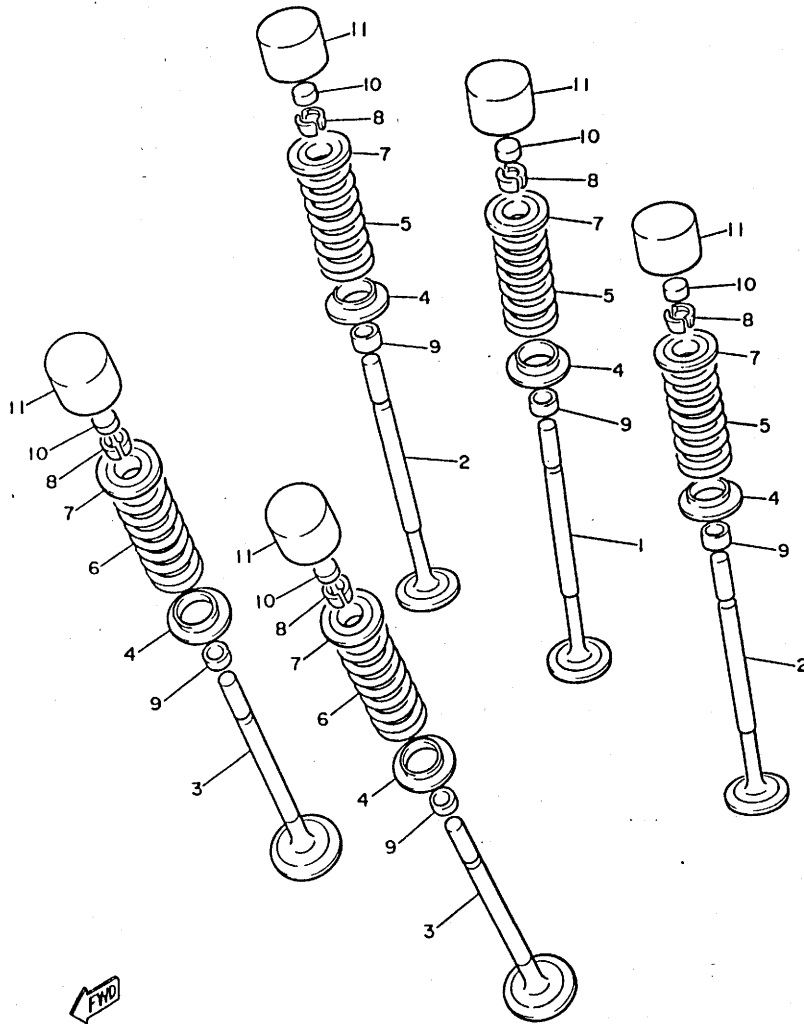


REF. NO.	PART NO.	DESCRIPTION	Q'TY	REMARKS
1	2NK-11411-00	CRANKSHAFT	1	
2	2GH-11416-00	PLANE BEARING, crankshaft 1	10	UR BLUE
	2GH-11416-10	PLANE BEARING, crankshaft 2	10	UR BLACK
	2GH-11416-20	PLANE BEARING, crankshaft 3	10	UR BROWN
	2GH-11416-30	PLANE BEARING, crankshaft 4	10	UR GREEN
	2GH-11416-40	PLANE BEARING, crankshaft 5	10	UR YELLOW
3	2MG-11631-00	PISTON (STD)	4	
	2MG-11636-00	PISTON (0.50MM O/S)	4	AP
	2MG-11638-00	PISTON (1.00MM O/S)	4	AP
4	2KT-11610-00	PISTON RING SET (STD)	4	
	2KT-11610-20	PISTON RING SET (2ND O/S)	4	AP
	2KT-11610-40	PISTON RING SET (4TH O/S)	4	AP
5	2KT-11633-01	PIN, piston	4	
6	93450-19052	CIRCLIP	8	
7	2NK-11650-00	CONNECTING ROD ASSY	4	
8	12R-11654-00	.BOLT, connecting rod	2	
9	90179-08327	.NUT	2	
10	1AE-11656-00	PLANE BEARING, connecting rod 1	8	UR BLUE
	1AE-11656-10	PLANE BEARING, connecting rod 2	8	UR BLACK
	1AE-11656-20	PLANE BEARING, connecting rod 3	8	UR BROWN
	1AE-11656-30	PLANE BEARING, connecting rod 4	8	UR GREEN



2GH300-7030

FIG. 4 VALVE

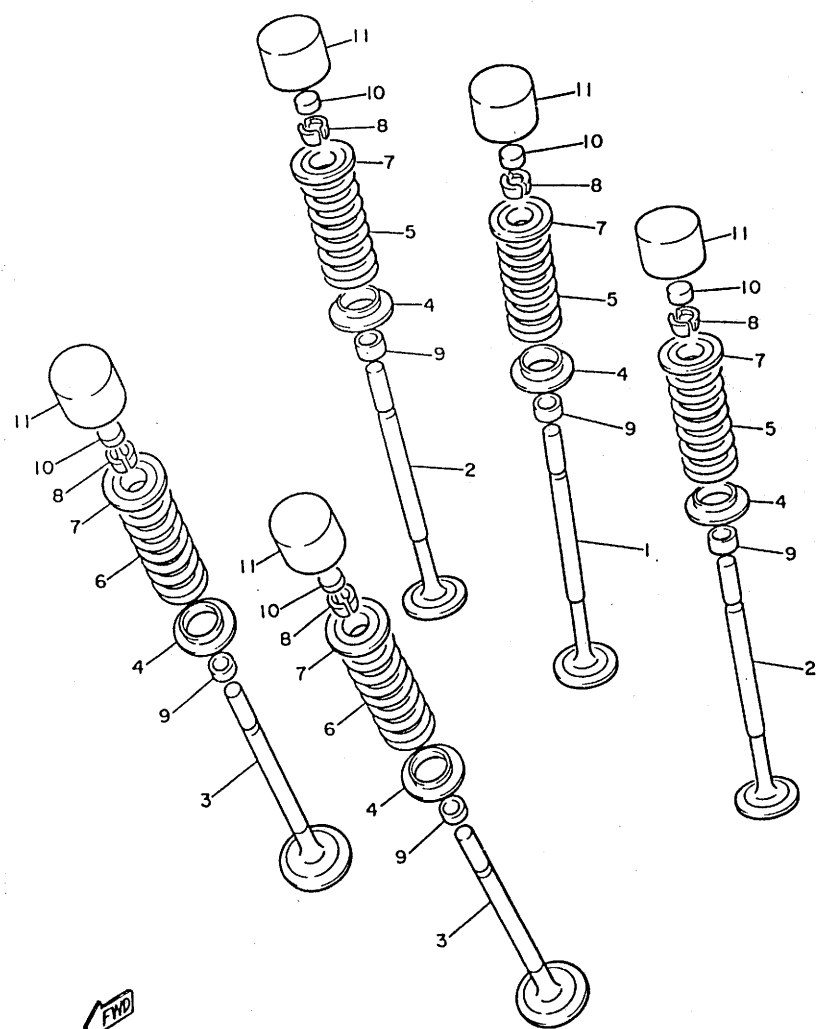


REF. NO.	PART NO.	DESCRIPTION	Q'TY	REMARKS
1	2NK-12111-00	VALVE, intake	4	
2	2NK-12112-00	VALVE, intake 2	8	
3	1AA-12121-01	VALVE, exhaust	8	
4	2GH-12116-00	SEAT, valve spring	20	
5	2NK-12113-00	SPRING, valve inner	12	
6	1AA-12114-00	SPRING, valve outer	8	
7	1AA-12117-00	RETAINER, valve spring	20	
8	1AA-12118-00	COTTER, valve	40	
9	33M-12119-00	SEAL, valve stem	20	
10	1AA-12168-00	PAD, adjusting (1.20)	20	UR
	1AA-12168-20	PAD, adjusting (1.25)	20	UR
	1AA-12168-40	PAD, adjusting (1.30)	20	UR
	1AA-12168-60	PAD, adjusting (1.35)	20	UR
	1AA-12168-80	PAD, adjusting (1.40)	20	UR
	1AA-12168-A0	PAD, adjusting (1.45)	20	UR
	1AA-12168-F0	PAD, adjusting (1.50)	20	UR
	1AA-12168-H0	PAD, adjusting (1.55)	20	UR
	1AA-12168-K0	PAD, adjusting (1.60)	20	UR
	1AA-12168-M0	PAD, adjusting (1.65)	20	UR
	1AA-12168-R0	PAD, adjusting (1.70)	20	UR
	1AA-12168-U0	PAD, adjusting (1.75)	20	UR
	1AA-12168-W0	PAD, adjusting (1.80)	20	UR
	1AA-12168-Y0	PAD, adjusting (1.85)	20	UR
	1AA-12169-10	PAD, adjusting (1.90)	20	UR
	1AA-12169-30	PAD, adjusting (1.95)	20	UR
	1AA-12169-50	PAD, adjusting (2.00)	20	UR
	1AA-12169-70	PAD, adjusting (2.05)	20	UR
	1AA-12169-90	PAD, adjusting (2.10)	20	UR

1FN310-5040

FIG. 4 VALVE

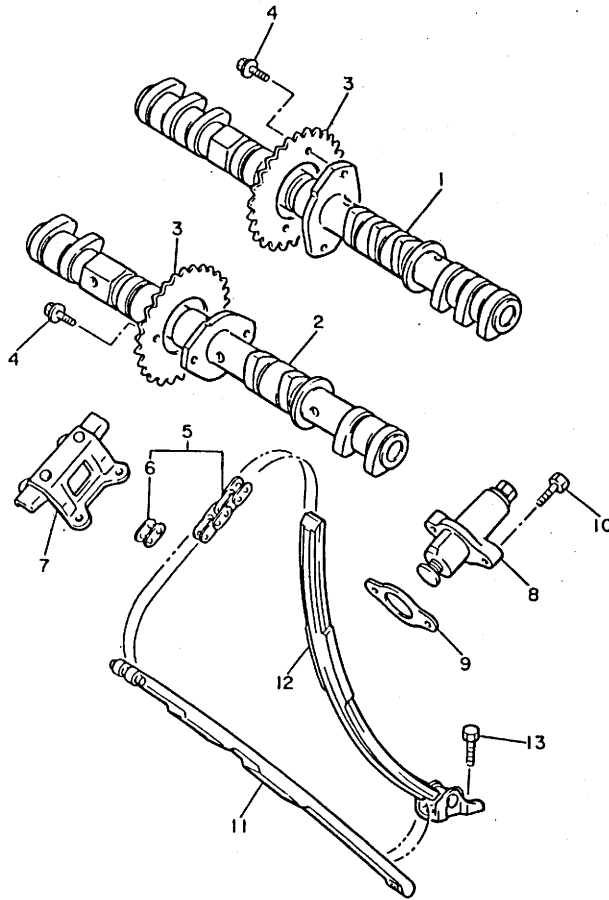
REF. NO.	PART NO.	DESCRIPTION	Q'TY	REMARKS
10	1AA-12169-E0	PAD, adjusting (2.15)	20	UR
	1AA-12169-G0	PAD, adjusting (2.20)	20	UR
	1AA-12169-J0	PAD, adjusting (2.25)	20	UR
	1AA-12169-L0	PAD, adjusting (2.30)	20	UR
	1AA-12169-N0	PAD, adjusting (2.35)	20	UR
	1AA-12169-T0	PAD, adjusting (2.40)	20	UR
11	2NK-12153-02	LIFTER, valve	20	UR
	2NK-12153-09	LIFTER, valve	20	UR GREEN



FTND
1FN310-5040

B6

FIG. 5 CAMSHAFT • CHAIN



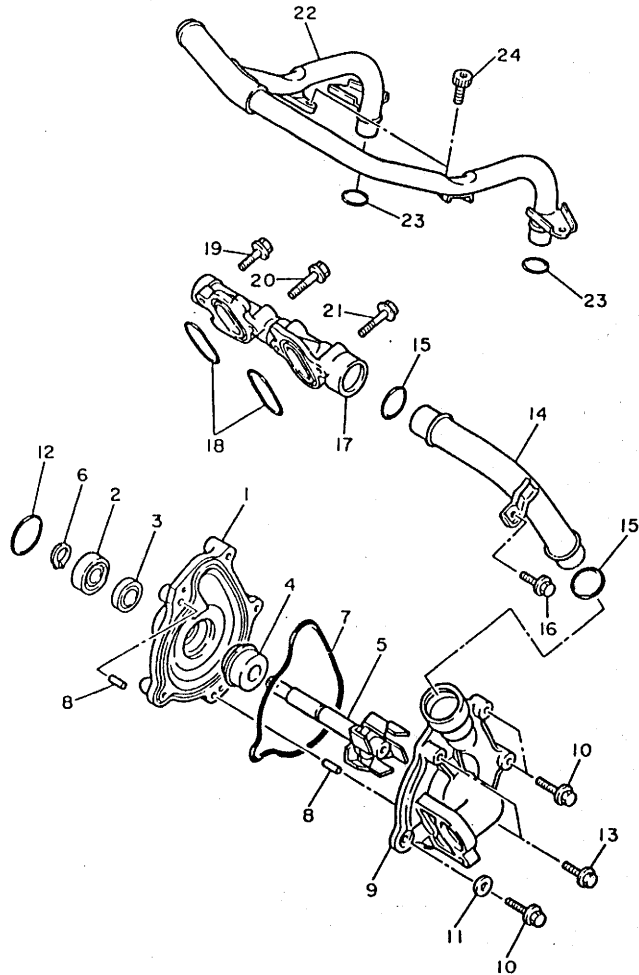
REF. NO.	PART NO.	DESCRIPTION	Q'TY	REMARKS
1	1AE-12171-00	CAMSHAFT 1	1	
2	1UF-12181-00	CAMSHAFT 2	1	
3	4G0-12176-01	SPROCKET, cam chain	2	
4	90105-07342	BOLT, washer based	4	
5	94581-01110	CHAIN (DID219FS-110L)	1	
6	94681-01021	JOINT, chain	1	
7	2GH-12241-00	GUIDE, stopper 2	1	
8	1WG-12210-00	TENSIONER ASSY, cam chain	1	
9	30X-12213-00	GASKET, tensioner case	1	
10	95026-06025	BOLT, flange	2	
11	1AE-12251-00	DAMPER, chain 1	1	
12	2GH-12252-00	DAMPER, chain 2	1	
13	90109-065A8	BOLT	2	



1FN310-5050

B7

FIG. 6 WATER PUMP

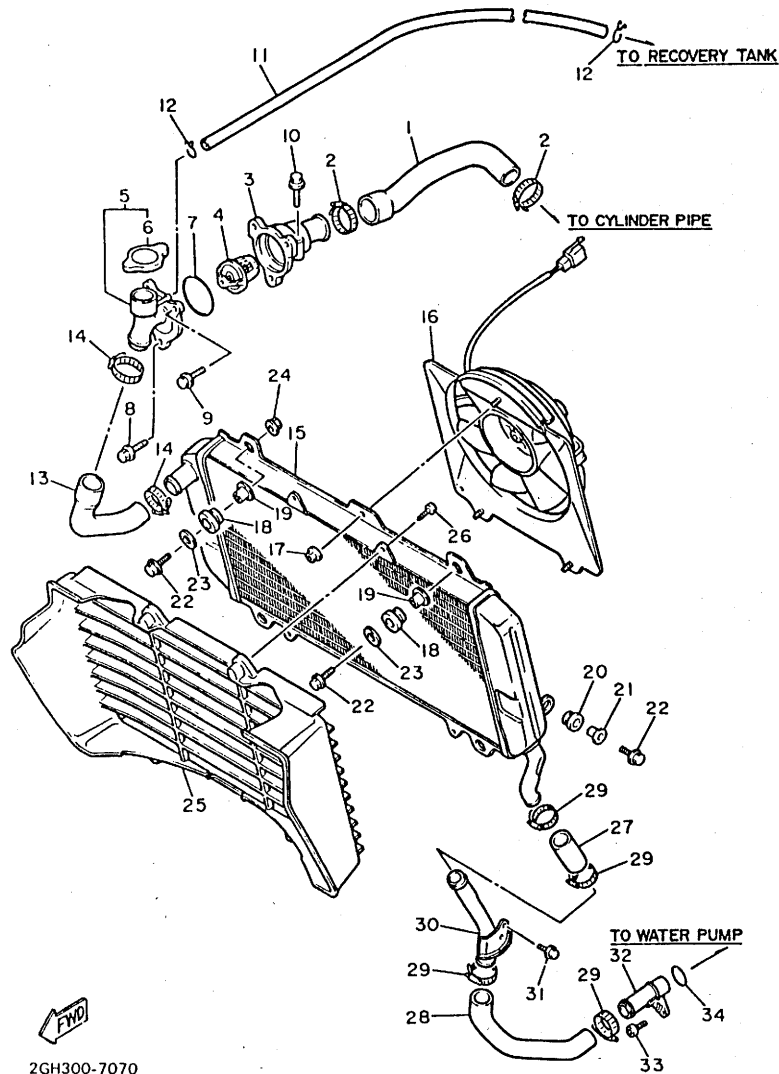


REF. NO.	PART NO.	DESCRIPTION	Q'TY	REMARKS
1	1UF-12421-01	HOUSING, water pump	1	
2	93306-00106	BEARING	1	
3	93101-12060	OIL SEAL	1	
4	11H-12438-00	SEAL, mechanical	1	
5	1UF-12450-00	IMPELLER SHAFT ASSY	1	
6	99009-12400	CIRCLIP	1	
7	1AE-12439-00	O-RING	1	
8	93604-10011	PIN, dowel	2	
9	1AE-12422-01	COVER, housing	1	
10	95026-06025	BOLT, flange	3	
11	90430-06014	GASKET	1	
12	93210-33133	O-RING	1	
13	95026-06050	BOLT, flange	2	
14	1AE-12481-00	PIPE 1	1	
15	93210-23692	O-RING	2	
16	95026-06012	BOLT, flange	1	
17	1AE-12469-01	JOINT 1	1	
18	93210-30694	O-RING	2	
19	95026-06020	BOLT, flange	1	
20	95026-06030	BOLT, flange	1	
21	95026-06040	BOLT, flange	2	
22	2GH-12482-00	PIPE 2	1	
23	93210-18417	O-RING	2	
24	91316-06012	BOLT	2	



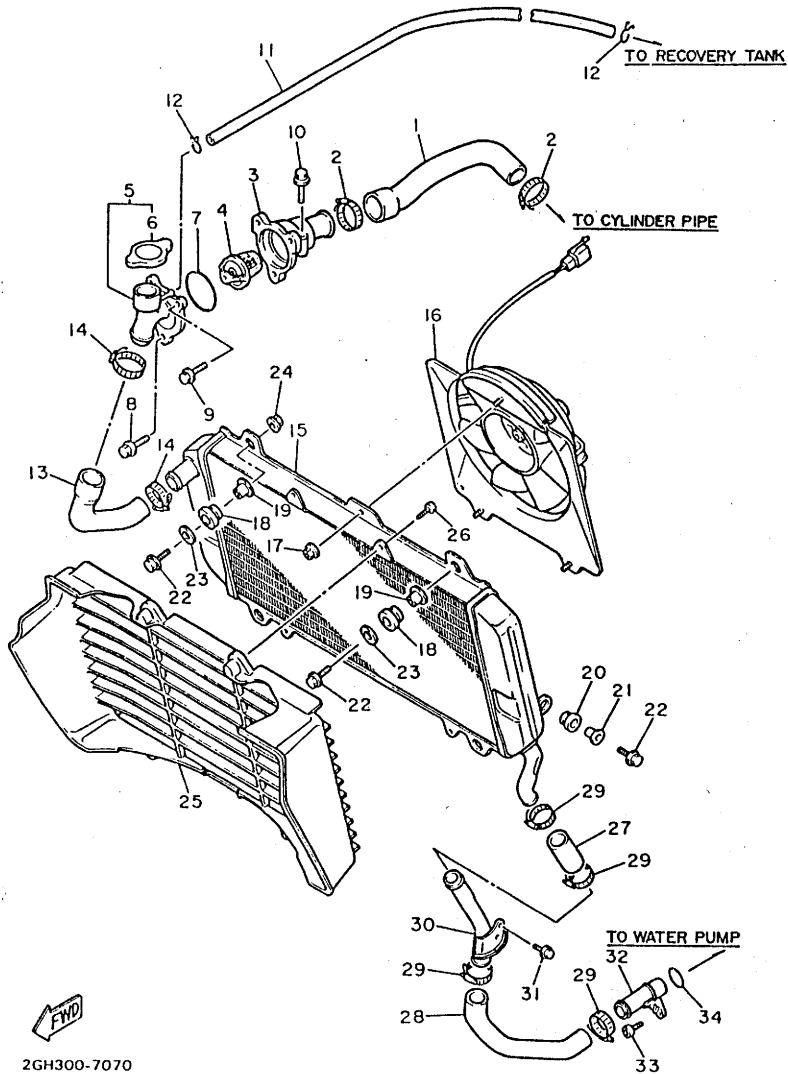
2NK110-7060

FIG. 7 RADIATOR HOSE



REF. NO.	PART NO.	DESCRIPTION	Q'TY	REMARKS
1	2GH-12576-00	HOSE 1	1	
2	90460-38241	CLAMP, hose	2	
3	1AE-12417-02	HOUSING, thermostat	1	
4	1AE-12410-00	THERMOSTAT ASSY	1	
5	1AE-12590-00	CONDUCTION ASSY	1	
6	1AE-12462-00	.CAP, radiator	1	
7	93210-49046	O-RING	1	
8	95023-06020	BOLT, flange	1	
9	95026-06020	BOLT, flange	2	
10	95826-06030	BOLT, flange	1	
11	90445-096E8	HOSE	1	
12	90467-08003	CLIP	2	
13	2GH-12577-00	HOSE 2	1	
14	90460-38241	CLAMP, hose	2	
15	2NK-12461-00	RADIATOR ASSY	1	
16	2GH-12405-00	BLOWER ASSY	1	
17	95706-06500	NUT, flange	3	
18	90480-18276	GROMMET	2	
19	90387-07037	COLLAR	2	
20	90480-10297	GROMMET	2	
21	90387-06033	COLLAR	2	
22	95826-06020	BOLT, flange	4	
23	90201-062K2	WASHER, plate	2	
24	95706-06500	NUT, flange	1	
25	2GH-12467-00	COVER, radiator	1	
26	97706-60114	SCREW, tapping	4	
27	2GH-12579-00	HOSE 4	1	
28	2GH-12578-00	HOSE 3	1	

FIG. 7 RADIATOR HOSE

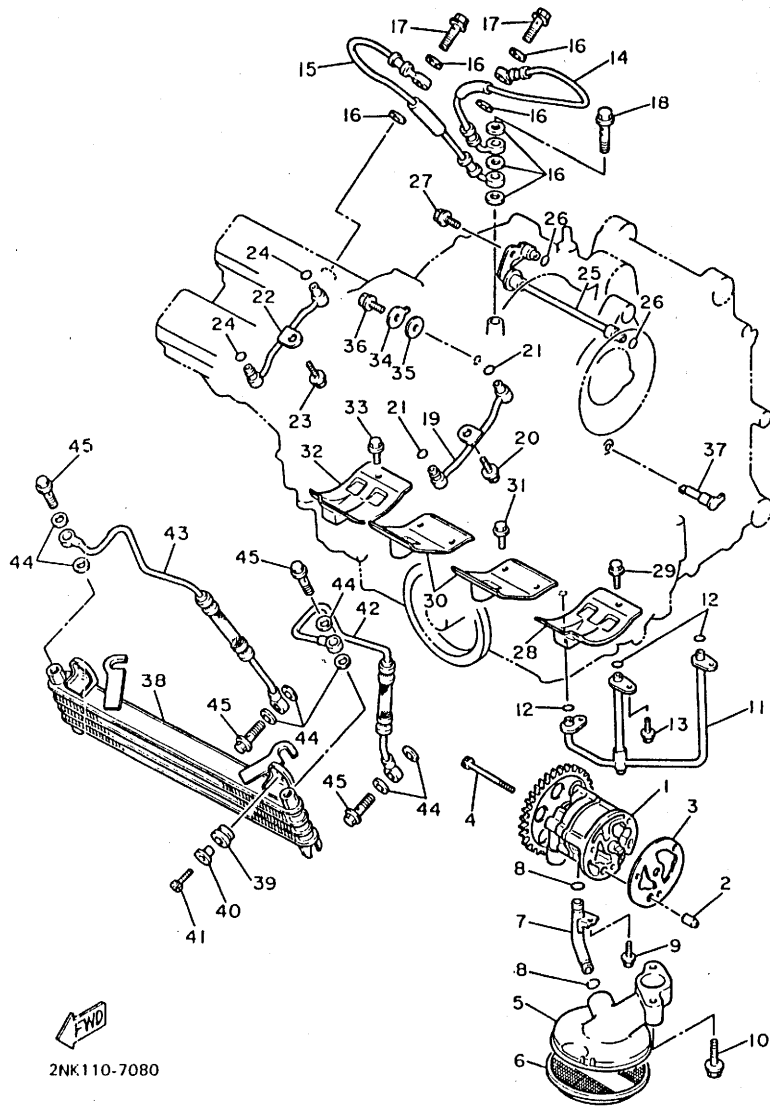


REF. NO.	PART NO.	DESCRIPTION	Q'TY	REMARKS
29	90460-38241	CLAMP, hose	4	
30	2GH-12483-01	PIPE 3	1	
31	95023-06016	BOLT, flange	2	
32	2GH-12484-00	PIPE 4	1	
33	90110-06142	BOLT, hexagon socket head	1	
34	93210-23692	O-RING	1	



2GH300-7070

FIG. 8 OIL PUMP



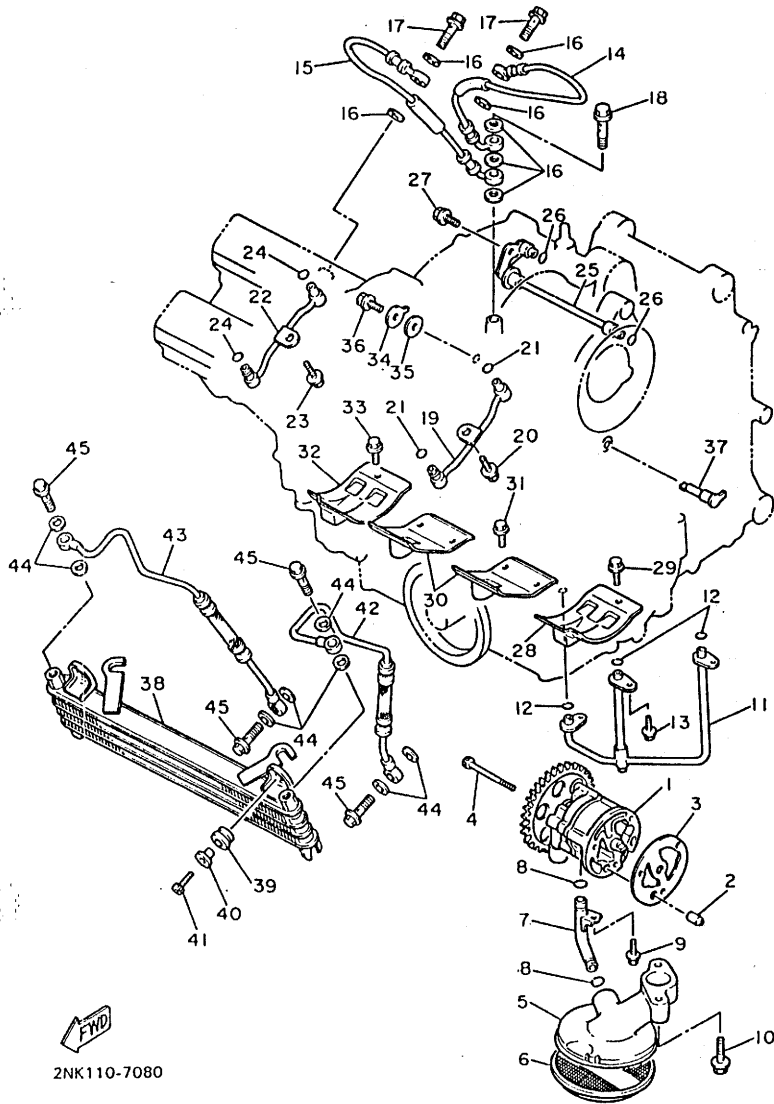
2NK110-7080

REF. NO.	PART NO.	DESCRIPTION	Q'TY	REMARKS
1	2NK-13300-01	OIL PUMP ASSY	1	
2	91810-18013	PIN, dowel	1	
3	2GH-13329-00	GASKET, pump cover	1	
4	91316-06080	BOLT	1	
5	2GH-13412-00	HOUSING, strainer	1	
6	2GH-13411-00	STRAINER, oil	1	
7	2GH-13431-00	PIPE, oil drain 1	1	
8	93210-11765	O-RING	2	
9	95026-06010	BOLT, flange	1	
10	95026-06030	BOLT, flange	2	
11	1AE-13161-00	PIPE, delivery 1	1	
12	93210-06714	O-RING	3	
13	95026-06012	BOLT, flange	2	
14	2NK-1316F-00	HOSE, oil 1	1	
15	2NK-1316G-00	HOSE, oil 2	1	
16	90430-10188	GASKET	7	
17	90401-10096	BOLT, union	2	
18	90401-10044	BOLT, union	1	
19	2GH-13181-00	PIPE, delivery 3	1	
20	95026-06012	BOLT, flange	1	
21	93210-06632	O-RING	2	
22	2GH-13191-00	PIPE, delivery 4	1	
23	95026-06012	BOLT, flange	1	
24	93210-06632	O-RING	2	
25	1AE-1316E-00	PIPE, delivery 5	1	
26	93210-07135	O-RING	2	
27	95026-06012	BOLT, flange	1	
28	2GH-15123-00	PLATE, baffle 1	1	

B11

FIG. 8 OIL PUMP

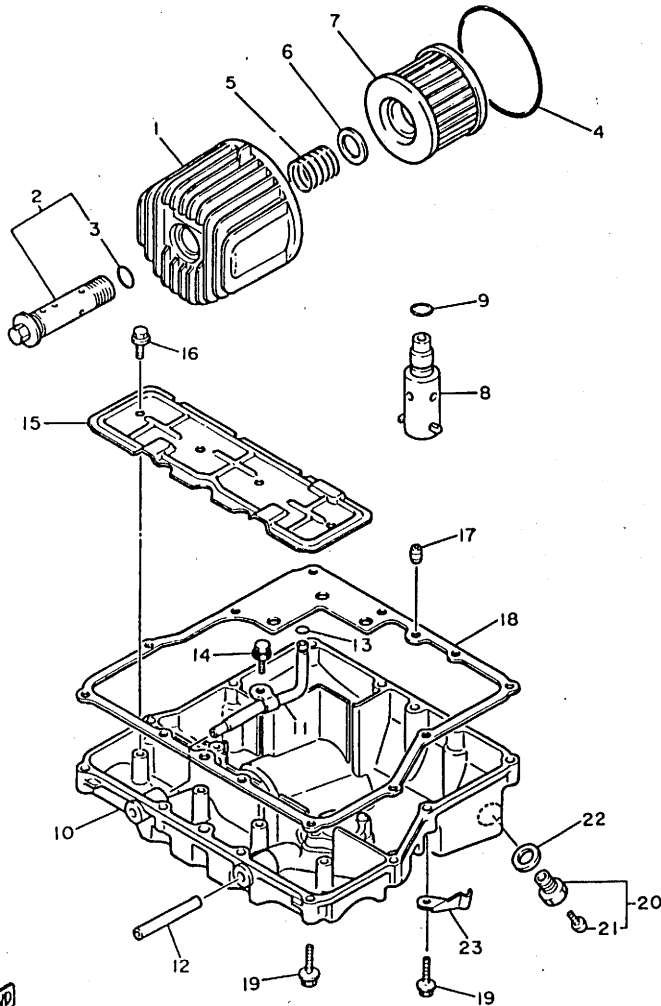
REF. NO.	PART NO.	DESCRIPTION	Q'TY	REMARKS
29	95026-06012	BOLT, flange	2	
30	1AE-15124-00	PLATE, baffle 2	2	
31	95026-06012	BOLT, flange	6	
32	2GH-15133-00	PLATE, baffle 3	1	
33	95026-06012	BOLT, flange	2	
34	90201-060K2	WASHER, plate	1	
35	90430-06195	GASKET	1	
36	95811-06016	BOLT, flange	1	
37	1AE-13454-00	NOZZLE	1	
38	2GH-13470-00	OIL COOLER ASSY	1	
39	90480-12475	GROMMET	2	
40	90387-067K8	COLLAR	2	
41	91316-06020	BOLT	2	
42	2NK-13464-00	HOSE, oil 1	1	
43	2NK-13465-00	HOSE, oil 2	1	
44	90430-12202	GASKET	8	
45	90401-12122	BOLT, union	4	



2NK110-7080

B12

FIG. 9 OIL CLEANER

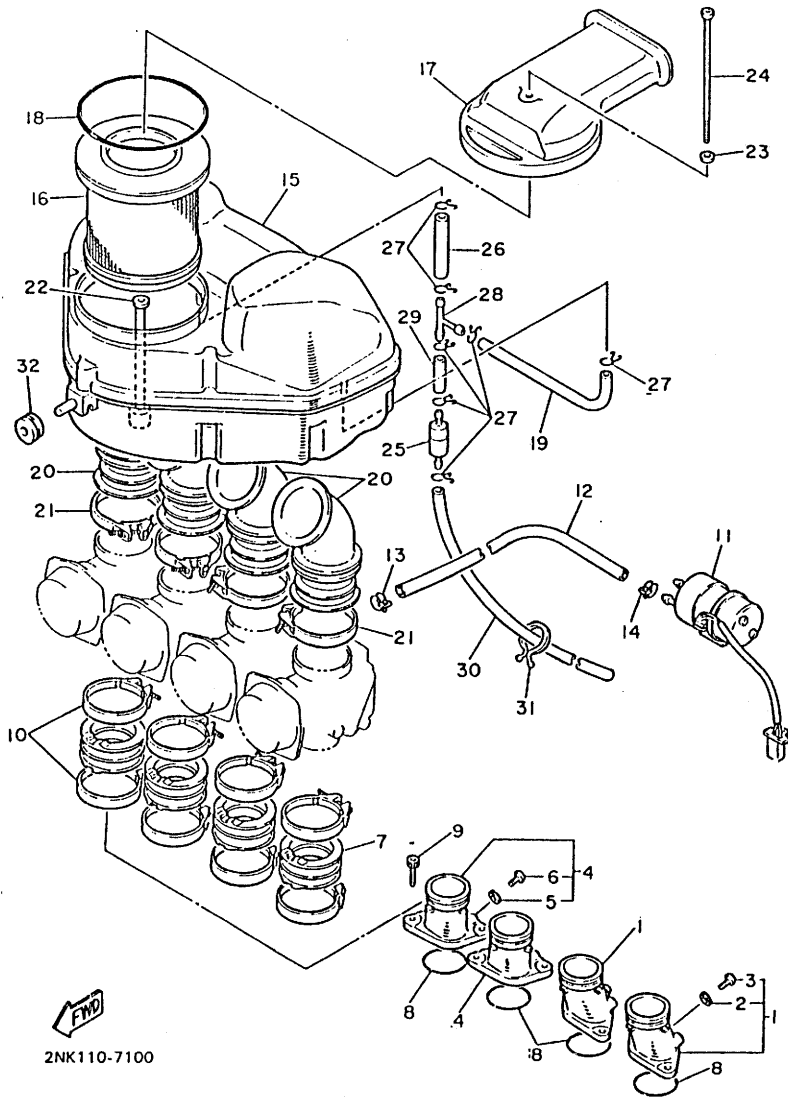


REF. NO.	PART NO.	DESCRIPTION	Q'TY	REMARKS
1	1AE-13447-00	COVER, oil element	1	
2	36Y-13340-00	BY-PASS VALVE ASSY	1	
3	93210-16629	.O-RING	1	
4	93210-87723	O-RING	1	
5	90501-20422	SPRING, compression	1	
6	90201-21608	WASHER, plate	1	
7	36Y-13441-00	ELEMENT, oil cleaner	1	
8	36Y-13490-00	RELIEF VALVE ASSY	1	
9	93210-15566	O-RING	1	
10	2GH-13417-00	COVER, strainer	1	
11	2GH-13416-00	PIPE, oil 1	1	
12	2GH-13418-00	PIPE, oil 2	1	
13	93210-08764	O-RING	1	
14	90119-06056	BOLT, with washer	1	
15	2GH-13337-00	PLATE, baffle lower	1	
16	95026-08010	BOLT, flange	4	
17	99510-08016	PIN, dowel	2	
18	1AE-13414-00	GASKET, strainer cover	1	
19	95026-06030	BOLT, flange	12	
20	11H-13455-00	PLUG	1	
21	98901-06008	.SCREW, bind	1	
22	214-11198-01	GASKET	1	
23	90465-08076	CLAMP	1	



2GH300-7090

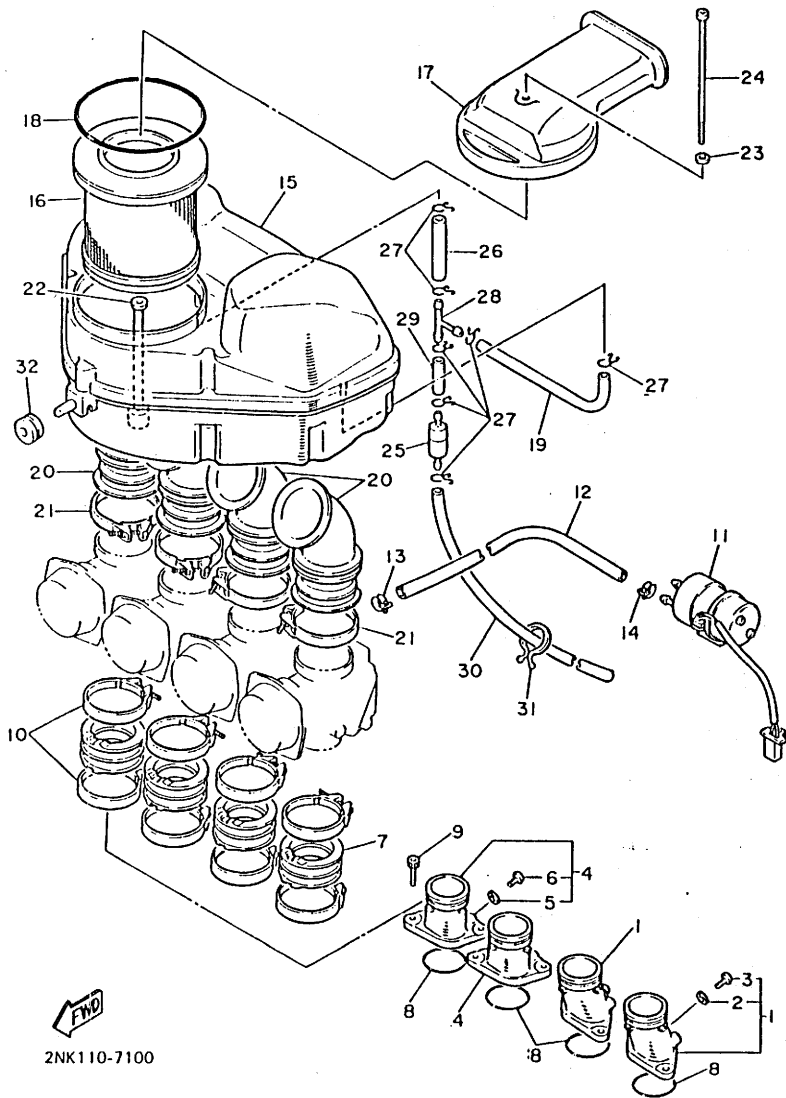
FIG. 10 INTAKE



REF. NO.	PART NO.	DESCRIPTION	Q'TY	REMARKS
1	2LM-13586-00	JOINT, carburetor 1	2	#1,2
2	90430-06014	.GASKET	1	
3	92501-06012	.SCREW, pan head	1	
4	2LM-13596-00	JOINT, carburetor 2	2	#3,4
5	90430-06014	.GASKET	1	
6	92501-06012	.SCREW, pan head	1	
7	1AE-13597-00	JOINT, carburetor 3	4	
8	93210-40659	O-RING	4	
9	91316-06020	BOLT	8	
10	1AE-13575-00	BAND	8	
11	2NK-13907-00	FUEL PUMP COMP.	1	
12	90445-112F1	HOSE	1	
13	90460-12256	CLAMP, hose	1	
14	90460-11149	CLAMP, hose	1	
15	2GH-14401-00	AIR CLEANER CASE ASSY	1	
16	1AE-14451-00	ELEMENT, air cleaner	1	
17	2GH-14422-00	CAP, cleaner case 2	1	
18	1AE-14452-00	SEAL	1	
19	90445-11288	HOSE	1	
20	1AE-14453-00	JOINT, air cleaner 1	4	
21	90460-58015	CLAMP, hose	4	
22	1AE-14443-00	COLLAR	1	
23	92990-06600	WASHER, plate	1	
24	92511-06160	SCREW, pan head	1	
25	4X7-2149Y-00	FILTER ASSY	1	
26	90445-112E9	HOSE	1	
27	90467-10008	CLIP	7	
28	90413-07007	WAY 3	1	

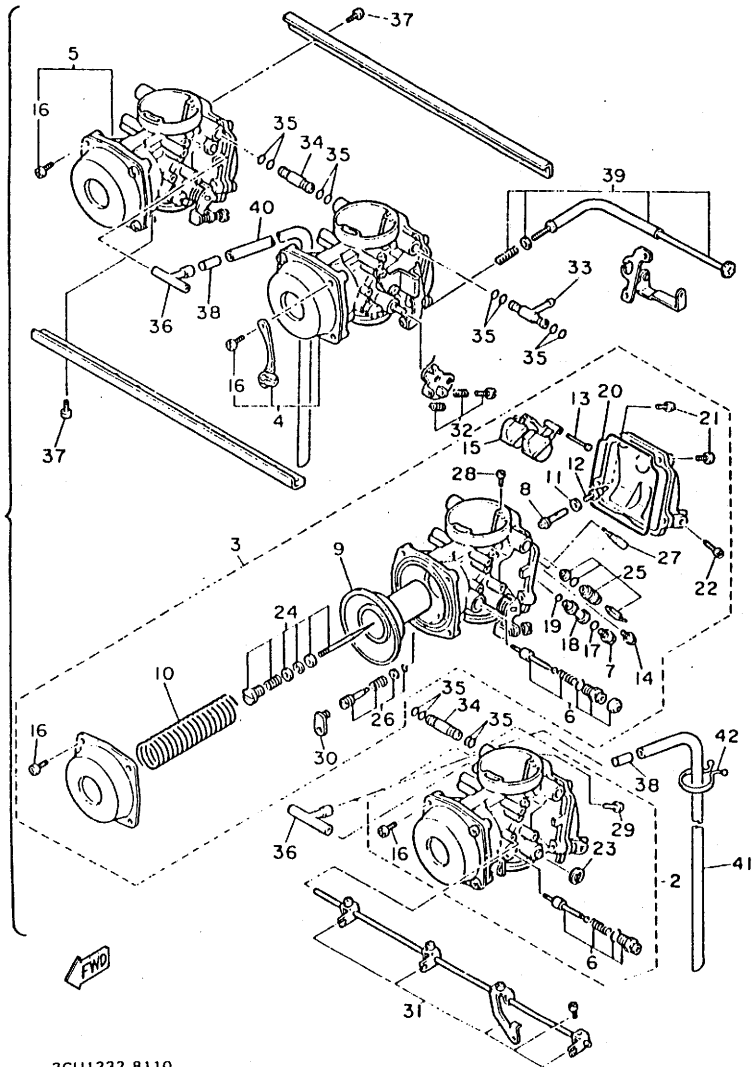
FIG. 10 INTAKE

REF. NO.	PART NO.	DESCRIPTION	QTY	REMARKS
29	90445-11262	HOSE	1	
30	90445-113F8	HOSE	1	
31	90464-44109	CLAMP	1	
32	90480-18171	GROMMET	1	



2NK110-7100

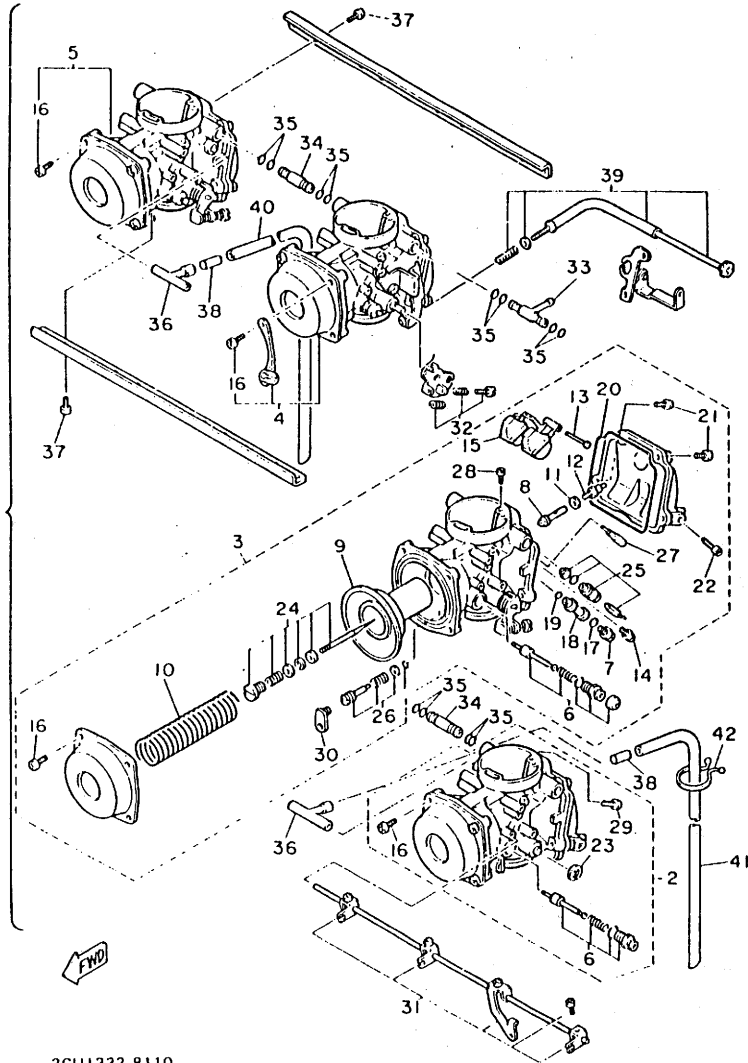
FIG. 11 CARBURETOR



3CU1332-8110

REF. NO.	PART NO.	DESCRIPTION	Q'TY	REMARKS
1	2YJ-14900-00	CARBURETOR ASSY	1	
2	2YJ-14901-00	..CARBURETOR ASSY 1	1	
3	2YJ-14902-00	..CARBURETOR ASSY 2	1	
4	2YJ-14903-00	..CARBURETOR ASSY 3	1	
5	2YJ-14904-00	..CARBURETOR ASSY 4	1	
6	1AE-1410A-00	..STARTER SET	1	UR #1
	1FN-1410A-00	..STARTER SET	1	UR #2,3,4
7	620-14231-21-A0	..JET, main (#105)	1	UR #1,4
	620-1423A-71	..JET,main(#102.5)	1	UR #2,3
8	1AE-14141-92	..NOZZLE, main	1	
9	1AE-14940-00	..DIAPHRAGM ASSY	1	
10	2LH-14933-00	..SPRING, diaphragm	1	
11	137-14153-00	..WASHER, main jet	1	
12	1AE-14565-00	..SCREW	1	
13	353-14186-00	..PIN, float	1	
14	1FN-14565-00	..SCREW	1	
15	1WG-14985-00	..FLOAT	1	
16	98501-05010	..SCREW, pan head	4	
17	1AE-14227-00	..WASHER	1	
18	2LH-14261-00	..HOLDER	1	
19	1AE-14237-00	..GASKET	1	
20	1FN-14147-00	..O-RING	1	
21	98503-04014	..SCREW, pan head	4	UR #2,4
	98503-04014	..SCREW, pan head	2	UR #1,3
22	12R-14191-00	..PLUG, drain	1	
23	812-14137-00	..CLIP	1	
24	2MG-1490J-00	..NEEDLE SET	1	UR #1,3
	1FN-1490J-00	..NEEDLE SET	1	UR #2,4

FIG. 11 CARBURETOR

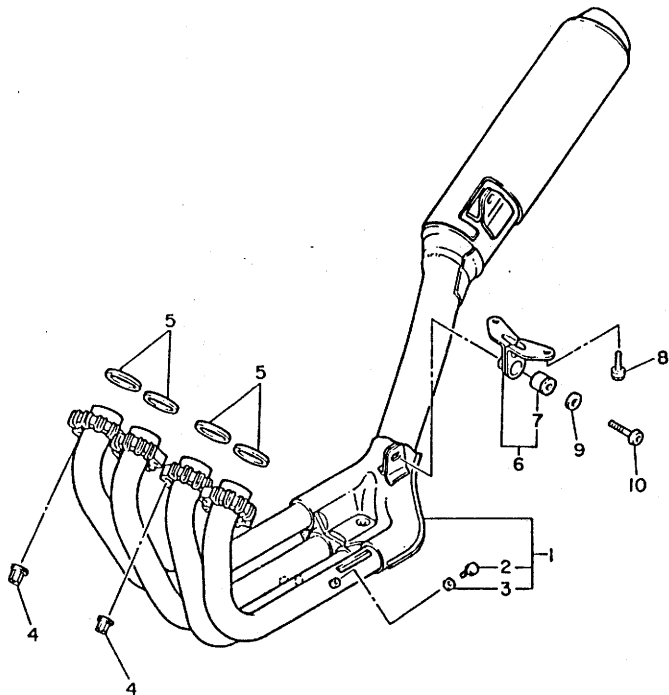


REF. NO.	PART NO.	DESCRIPTION	Q'TY	REMARKS
25	3CF-14107-12	..NEEDLE VALVE SET	1	
26	12R-14105-00	..PILOT SCREW SET	1	
27	3H1-14142-15	..JET, pilot (# 15)	1	
28	830-14231-23	..JET, pilot air (#115)	1	
29	98511-04016	..SCREW, pan head	2	#1,3
30	1HX-14991-00	..PLUG, screw	1	
31	1FN-1490L-00	.STARTER LEVER SET, 1	1	
32	1AE-1490K-00	.STOP SCREW SET	3	
33	1HX-14251-00	.NIPPLE	1	
34	16H-14251-00	.NIPPLE	2	
35	36Y-14147-00	.O-RING	12	
36	1AE-14197-00	.PIPE	2	
37	98501-05010	.SCREW, pan head	16	
38	1FN-14918-00	.RING	2	
39	2LE-14103-00	.THROTTLE SCREW SET	1	
40	2LM-14197-00	.PIPE	1	
41	2NK-14197-00	.PIPE	1	
42	90464-10075	CLAMP	1	

3CU1332-8110

FIG. 12 EXHAUST

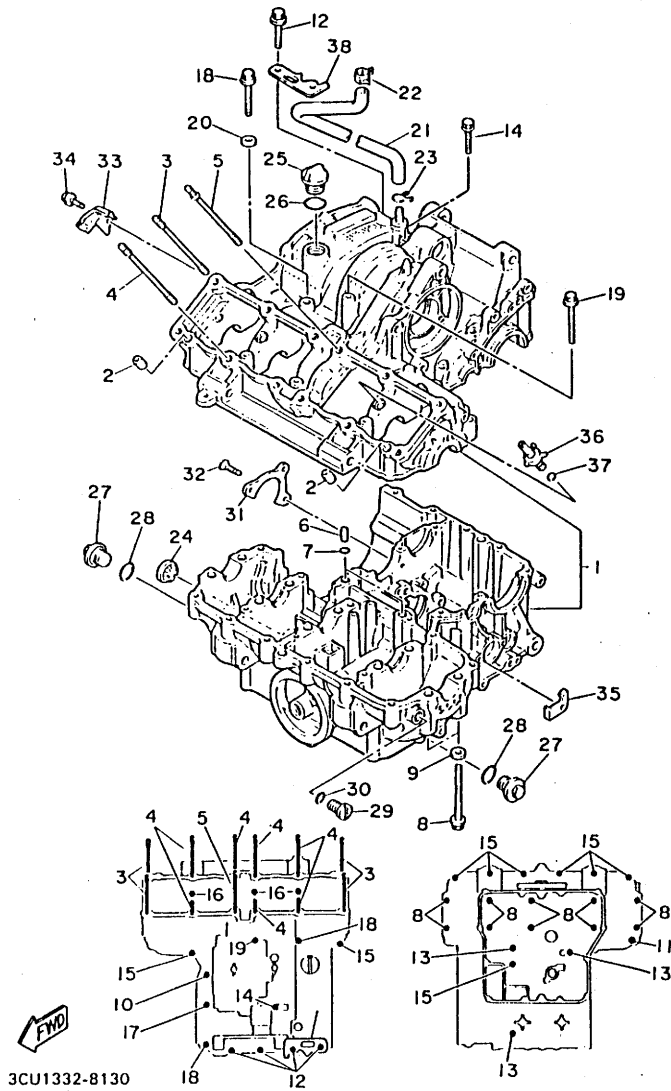
REF. NO.	PART NO.	DESCRIPTION	Q'TY	REMARKS
1	2YJ-14710-00	MUFFLER ASSY 1	1	
2	90101-06576	.BOLT	4	
3	92906-06600	.WASHER, plate	4	
4	90179-06500	NUT	8	
5	4H7-14613-00	GASKET, exhaust pipe	4	
6	2LM-14791-00	STAY, muffler	1	
7	46X-14737-00	.DAMPER, muffler	1	
8	90110-08096	BOLT, hexagon socket head	2	
9	90201-081H4	WASHER, plate	1	
10	90109-083A8	BOLT	1	



2GH300-7120

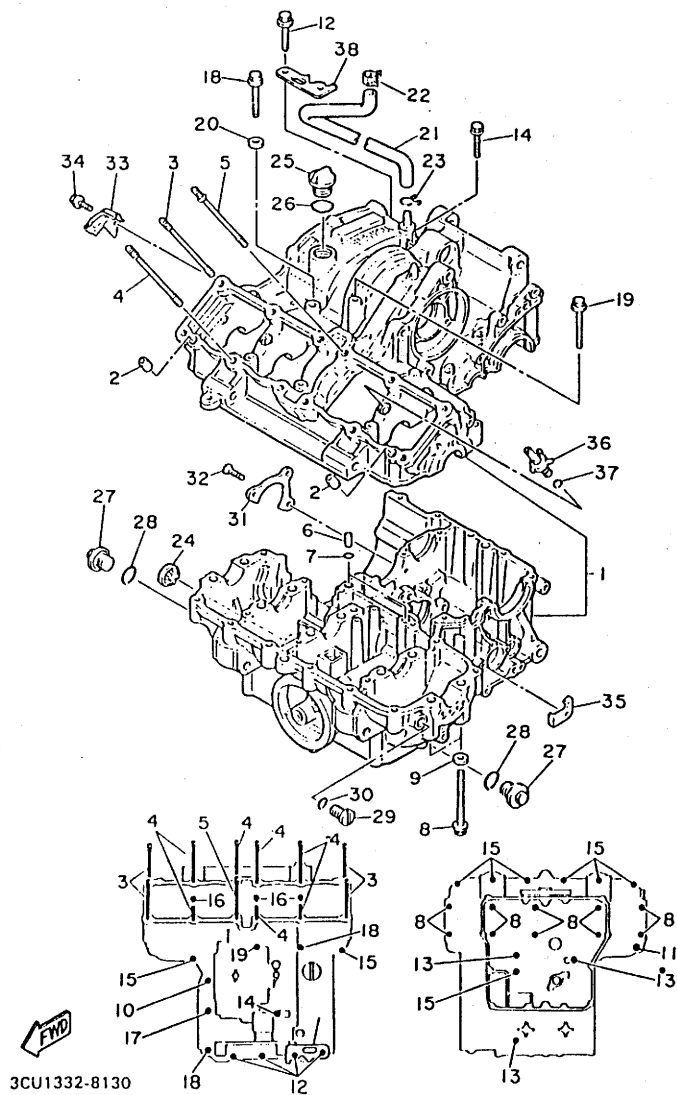
C4

FIG. 13 CRANKCASE



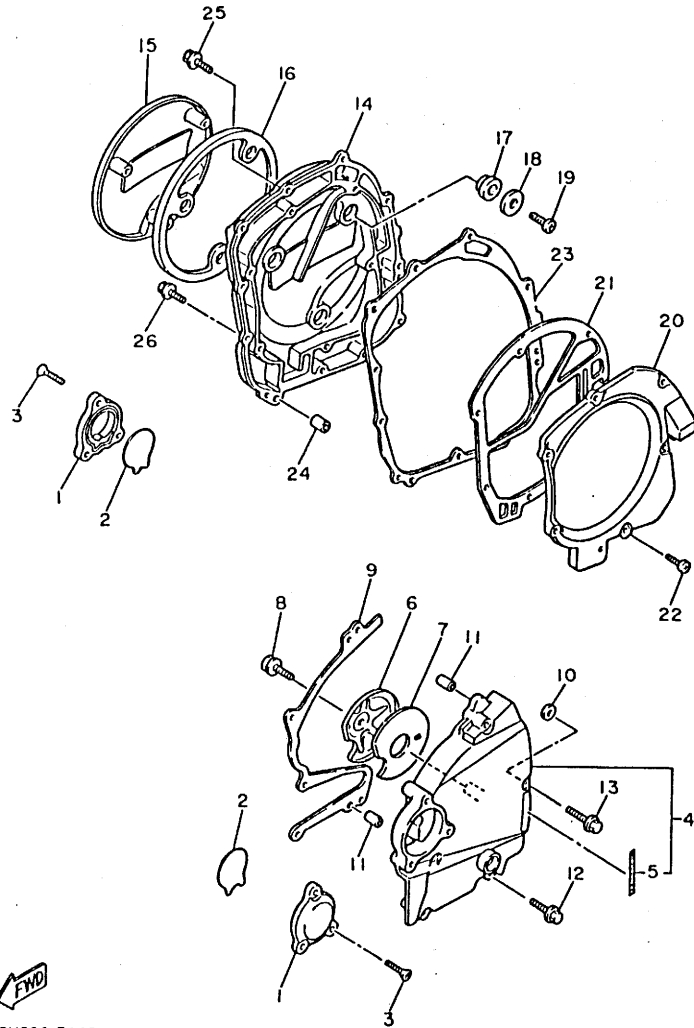
REF. NO.	PART NO.	DESCRIPTION	Q'TY	REMARKS
1	2GH-15100-02	CRANKCASE ASSY	1	
2	99530-10014	PIN, dowel	2	
3	90116-09458	BOLT, stud	4	
4	90116-09500	BOLT, stud	7	
5	90116-09501	BOLT, stud	1	
6	90387-05383	COLLAR	2	
7	93210-07135	O-RING	2	
8	90105-09373	BOLT, washer based	10	
9	90201-096J9	WASHER, plate	4	
10	95816-06035	BOLT, flange	1	
11	95816-08045	BOLT, flange	1	
12	95816-06060	BOLT, flange	4	
13	95816-06080	BOLT, flange	3	
14	95816-06140	BOLT, flange	1	
15	95816-08045	BOLT, flange	9	
16	95816-08055	BOLT, flange	3	
17	95816-08065	BOLT, flange	1	
18	95816-08090	BOLT, flange	2	
19	95816-08135	BOLT, flange	1	
20	90201-08087	WASHER, plate	1	
21	1AE-11166-00	PIPE, breather 1	1	
22	90467-15054	CLIP	1	
23	90467-14015	CLIP	1	
24	2H7-15361-00	GAUGE, level	1	
25	2H9-15363-00	PLUG, oil	1	
26	93210-27194	O-RING	1	
27	4K0-15189-00	PLUG	2	
28	93210-20573	O-RING	2	

FIG. 13 CRANKCASE



REF. NO.	PART NO.	DESCRIPTION	Q'TY	REMARKS
29	90340-14079	PLUG, straight screw	1	
30	93210-14369	O-RING	1	
31	1AE-15383-00	PLATE, bearing cover	1	
32	90151-06014	SCREW, countersunk	3	
33	90465-08281	CLAMP	1	
34	95026-06012	BOLT, flange	1	
35	90462-08158	CLAMP	1	
36	2NK-15105-00	NOZZLE ASSY	2	
37	93210-06632	O-RING	2	
38	2NK-14413-00	STAY	1	

FIG. 14 CRANKCASE COVER 1

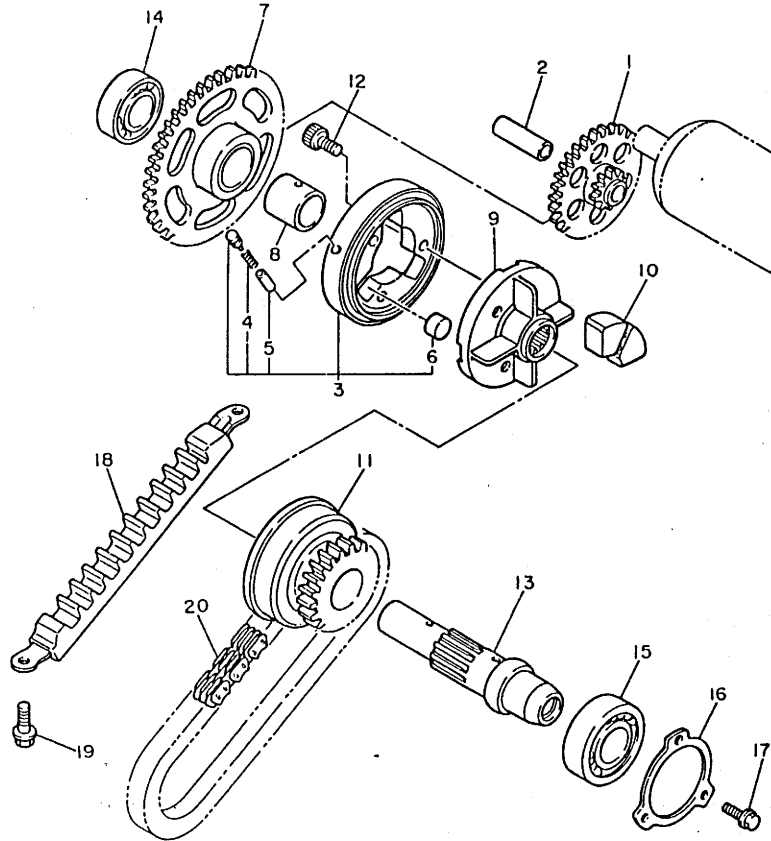


REF. NO.	PART NO.	DESCRIPTION	Q'TY	REMARKS
1	2KT-15416-00	COVER, oil pump	2	
2	1AE-15456-00	GASKET, oil pump cover 1	2	
3	90152-06014	SCREW, countersunk	6	
4	1TV-15410-00	CRANKCASE COVER ASSY 1	1	
5	1TV-15435-00	.EMBLEM	1	
6	1AE-15427-01	COVER, cap 2	1	
7	1AE-15316-00	DAMPER, engine mount 1	1	
8	95811-06012	BOLT, flange	1	
9	1AE-15451-00	GASKET, crankcase cover 1	1	
10	36Y-15467-00	GASKET	1	
11	91810-18013	PIN, dowel	2	
12	95026-06040	BOLT, flange	3	
13	95026-06050	BOLT, flange	2	
14	2GH-15421-00	COVER, crankcase 2	1	
15	1TV-15417-00	COVER, cap	1	
16	1AE-15449-00	RING, rubber	1	
17	4H7-15486-00	GROMMET	3	
18	90209-06096	WASHER	3	
19	92501-06010	SCREW, pan head	3	
20	2GH-15346-00	BREATHER 1	1	
21	2GH-15463-00	GASKET, carburetor cover 2	1	
22	92501-06020	SCREW, pan head	6	
23	1AE-15461-00	GASKET, crankcase cover 2	1	
24	91810-18013	PIN, dowel	2	
25	95026-06030	BOLT, flange	2	
26	95026-06020	BOLT, flange	9	

FWD

2GH300-7140

FIG. 15 STARTER

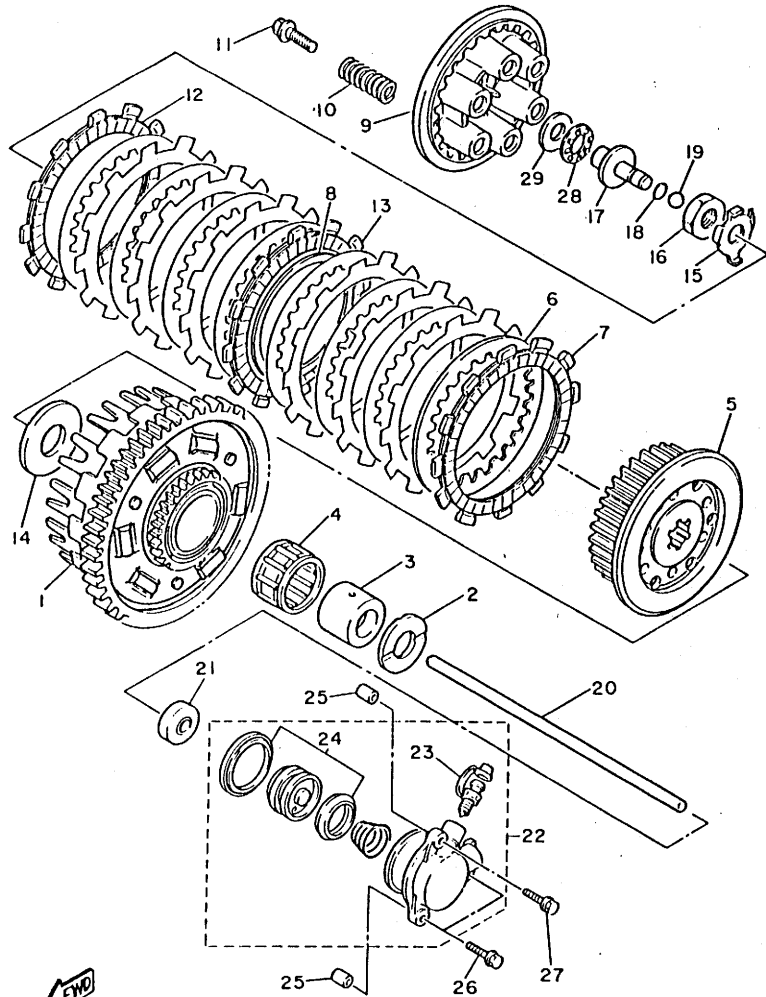


REF. NO.	PART NO.	DESCRIPTION	Q'TY	REMARKS
1	1AE-15512-00	GEAR, idler 1	1	
2	1AE-15521-00	SHAFT 1	1	
3	1AE-15580-01	STARTER CLUTCH OUTER ASSY	1	
4	90501-05764	.SPRING, compression	3	
5	1J7-15583-01	.CAP, starter clutch spring	3	
6	93603-09106	.PIN, dowel	3	
7	1AE-15517-00	GEAR, idler 2	1	
8	90387-202A7	COLLAR	1	
9	12R-15524-00	WHEEL, starter	1	
10	4H7-16155-01	ABSORBER 1	4	
11	36Y-15519-00	SPROCKET, starter 2	1	
12	91316-08014	BOLT	3	
13	1AE-15522-01	SHAFT 2	1	
14	93306-00435	BEARING	1	
15	93306-20541	BEARING (B6205)	1	
16	1AE-15381-00	PLATE, bearing cover	1	
17	95026-06016	BOLT, flange	3	
18	1AE-11474-00	GUIDE, upper	1	
19	95816-06014	BOLT, flange	2	
20	36Y-11456-00	CHAIN, primary	1	



1FN310-5150

FIG. 16 CLUTCH

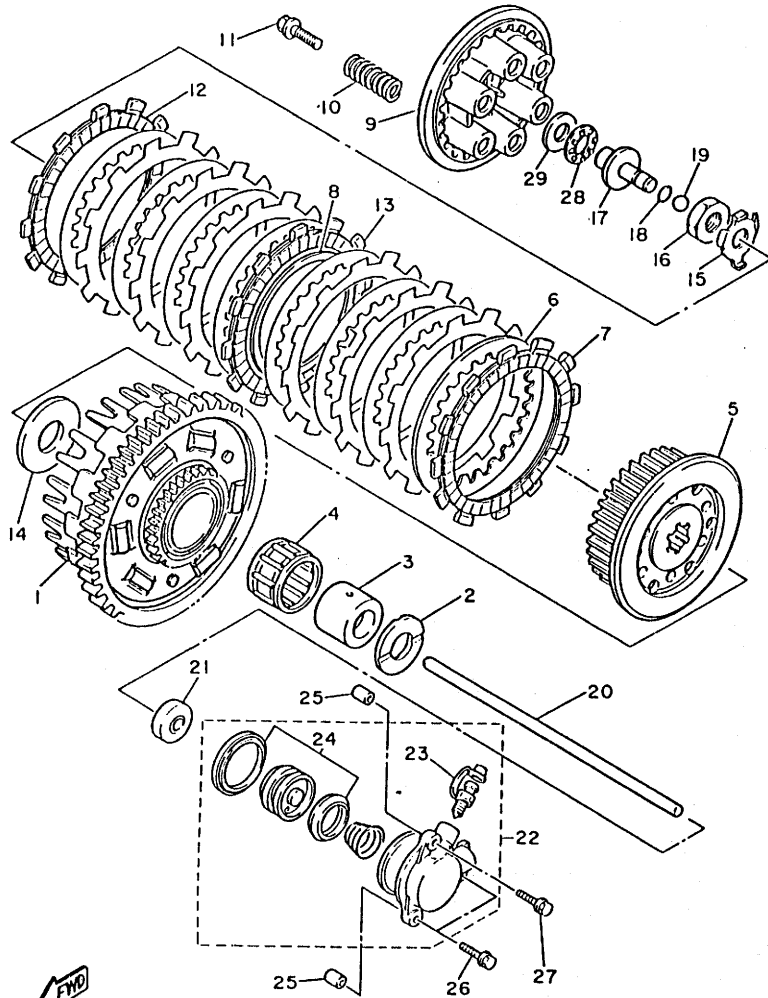


2NK110-7160

REF. NO.	PART NO.	DESCRIPTION	Q'TY	REMARKS
1	1TV-16150-01	PRIMARY DRIVEN GEAR COMP.	1	
2	1AE-16154-00	PLATE, thrust 1	1	
3	90560-25270	SPACER	1	
4	93310-340N8	BEARING, cylindrical	1	
5	2GH-16371-00	BOSS, clutch	1	
6	31A-16325-00	PLATE, clutch 2	8	
7	4H7-16321-00	PLATE, friction	7	
8	5Y1-16383-00	SPRING, clutch boss	1	
9	58L-16351-00	PLATE, pressure 1	1	
10	90501-225A9	SPRING, compression	6	
11	90159-06123	SCREW, with washer	6	
12	31A-16321-00	PLATE, friction	1	
13	5Y1-16331-01	PLATE, friction 2	1	
14	1AE-16164-00	PLATE, thrust 2	1	
15	90215-20231	WASHER, lock	1	
16	90170-20327	NUT	1	
17	1LJ-16356-00	ROD, push 1	1	
18	93210-06632	O-RING	1	
19	93511-32027	BALL	1	
20	1AE-16357-00	ROD, push 2	1	
21	93109-08061	OIL SEAL	1	
22	1TV-16381-00	PUSH LEVER COMP.	1	
23	36Y-W0048-00	.BREED SCREW KIT	1	
24	26H-W0098-00	.PUSH LEVER SEAL KIT	1	
25	91810-18013	PIN, dowel	2	
26	95026-06030	BOLT, flange	2	
27	95026-06090	BOLT, flange	1	
28	93340-21505	BEARING	1	

FIG. 16 CLUTCH

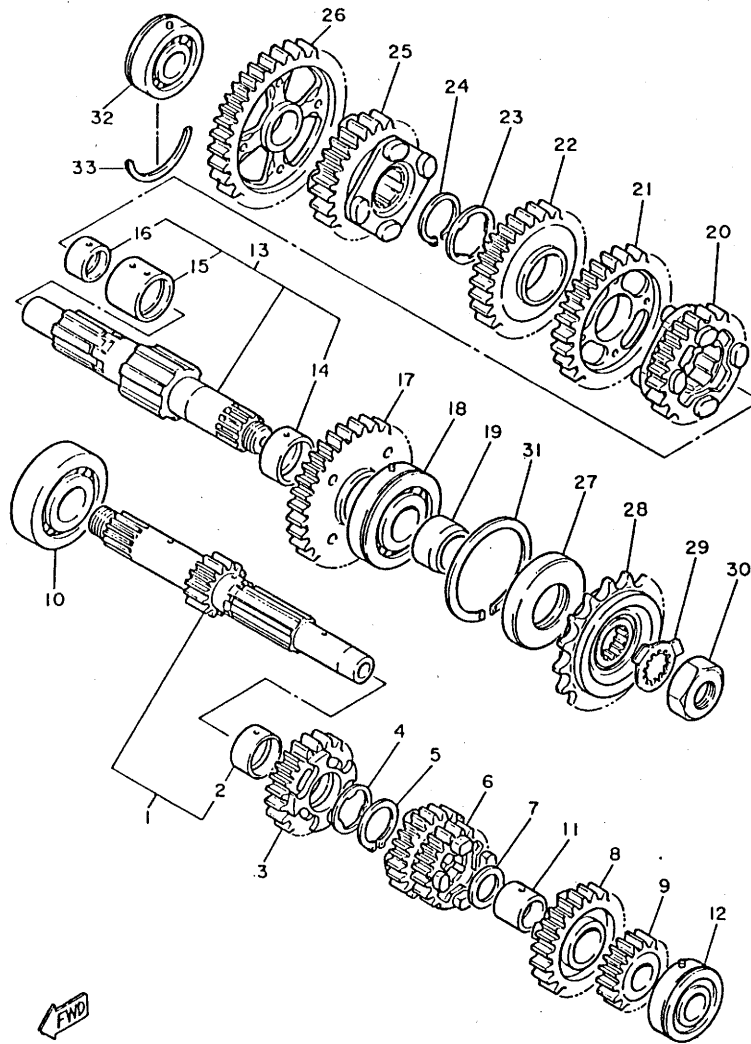
REF. NO.	PART NO.	DESCRIPTION	Q'TY	REMARKS
29	90201-150H2	WASHER, plate	1	



2NK110-7160

C10

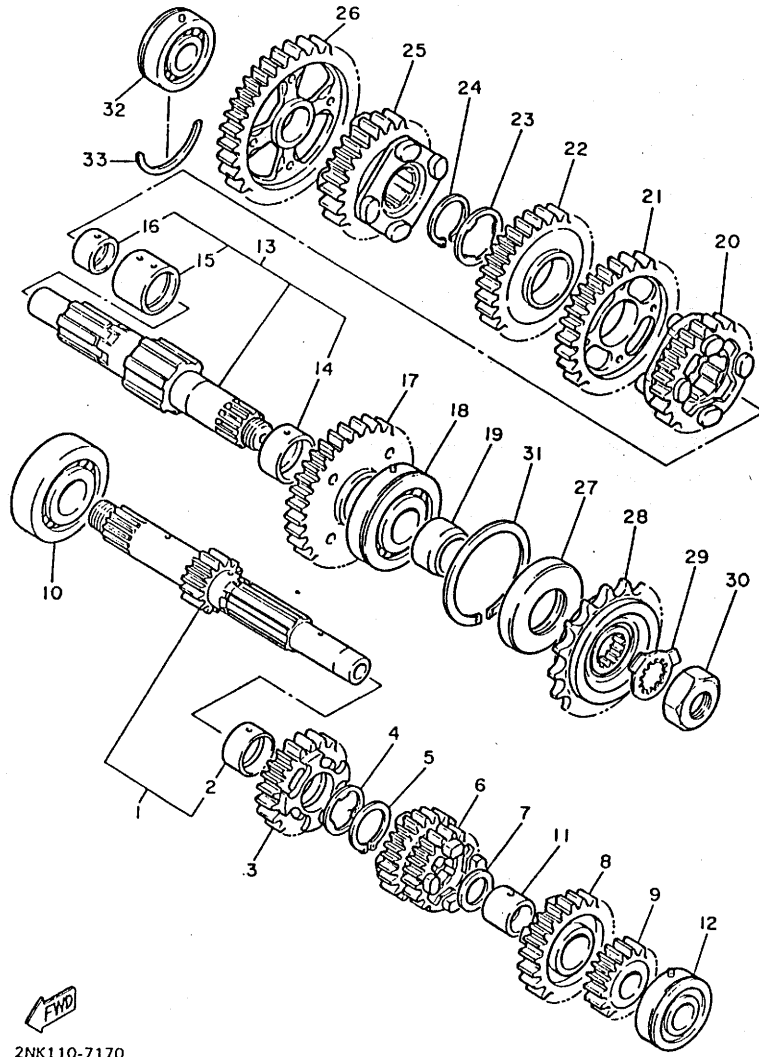
FIG. 17 TRANSMISSION



2NK110-7170

REF. NO.	PART NO.	DESCRIPTION	Q'TY	REMARKS
1	2NK-W1741-00	MAIN AXLE ASSY (13T)	1	
2	90387-253M6	.COLLAR	1	
3	2NK-17151-01	GEAR, 5th pinion (20T)	1	
4	90209-22191	WASHER	1	
5	93440-25084	CIRCLIP	1	
6	2NK-17131-01	GEAR, 3rd/4th pinion (19T/23T)	1	
7	90201-200K3	WASHER, plate	1	
8	2NK-17161-01	GEAR, 6th pinion (21T)	1	
9	2NK-17121-00	GEAR, 2nd pinion (17T)	1	
10	93306-30541	BEARING	1	
11	90387-203M7	COLLAR	1	
12	93306-20455	BEARING	1	
13	1AE-W1742-00	DRIVE AXLE ASSY	1	
14	90387-263M8	.COLLAR	1	
15	90387-284M0	.COLLAR	1	
16	90387-204M1	.COLLAR	1	
17	2NK-17221-01	GEAR, 2nd wheel (33T)	1	
18	93306-30546	BEARING (B6305A5 SPECIAL)	1	
19	90387-253M9	COLLAR	1	
20	2NK-17261-01	GEAR, 6th wheel (25T)	1	
21	2NK-17231-01	GEAR, 3rd wheel (31T)	1	
22	2NK-17241-01	GEAR, 4th wheel (33T)	1	
23	90209-25196	WASHER	1	
24	93440-28062	CIRCLIP	1	
25	2NK-17251-01	GEAR, 5rd wheel (26T)	1	
26	2NK-17211-01	GEAR, 1st wheel (32T)	1	
27	93102-35109	OIL SEAL	1	
28	1AE-17460-11	SPROCKET,drive 17t	1	

FIG. 17 TRANSMISSION

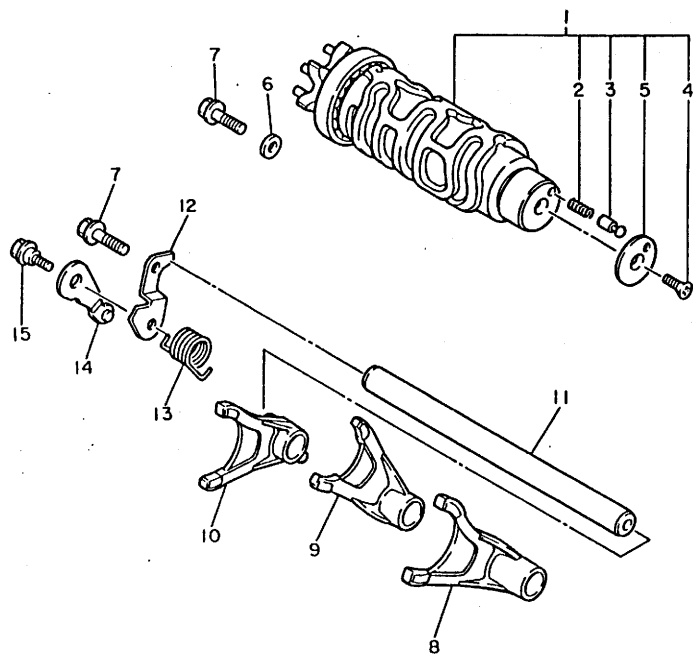


REF. NO.	PART NO.	DESCRIPTION	Q'TY	REMARKS
29	90215-21022	WASHER, lock	1	
30	90179-18020	NUT	1	
31	278-17424-01	CIRCLIP 1	1	
32	93306-20455	BEARING	1	
33	93440-45144	CIRCLIP	1	

2NK110-7170

C12

FIG. 18 SHIFT CAM. FORK

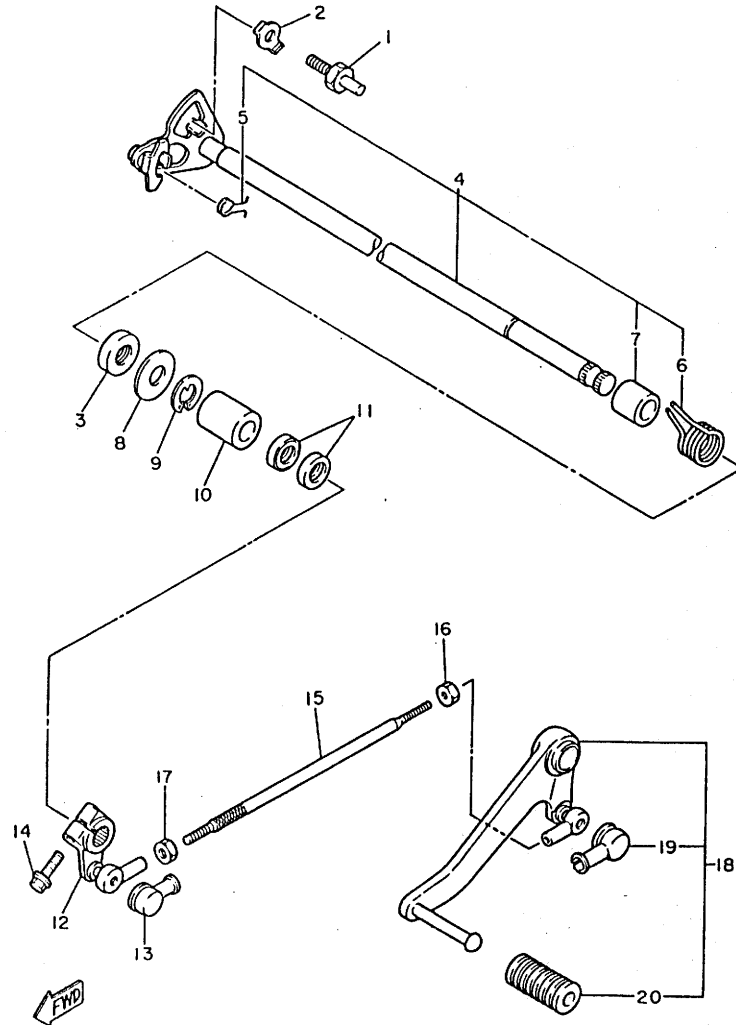


REF. NO.	PART NO.	DESCRIPTION	Q'TY	REMARKS
1	1AE-18540-01	SHIFT CAM ASSY	1	
2	90501-06022	.SPRING, compression	1	
3	278-18542-00	.POINT, neutral	1	
4	98701-05012	.SCREW, flat head	1	
5	278-18566-00	.PLATE, side 2	1	
6	90201-06643	WASHER, plate	1	
7	95822-06016	BOLT, flange	2	
8	1AE-18511-00	FORK, shift 1	1	
9	1AE-18512-00	FORK, shift 2	1	
10	1AE-18513-00	FORK, shift 3	1	
11	12R-18531-00	BAR, shift fork guide 1	1	
12	1AE-18536-00	STOPPER, shift bar	1	
13	90508-26681	SPRING, torsion	1	
14	36Y-18140-00	STOPPER LEVER ASSY	1	
15	90109-065A9	BOLT	1	



1FN310-5180

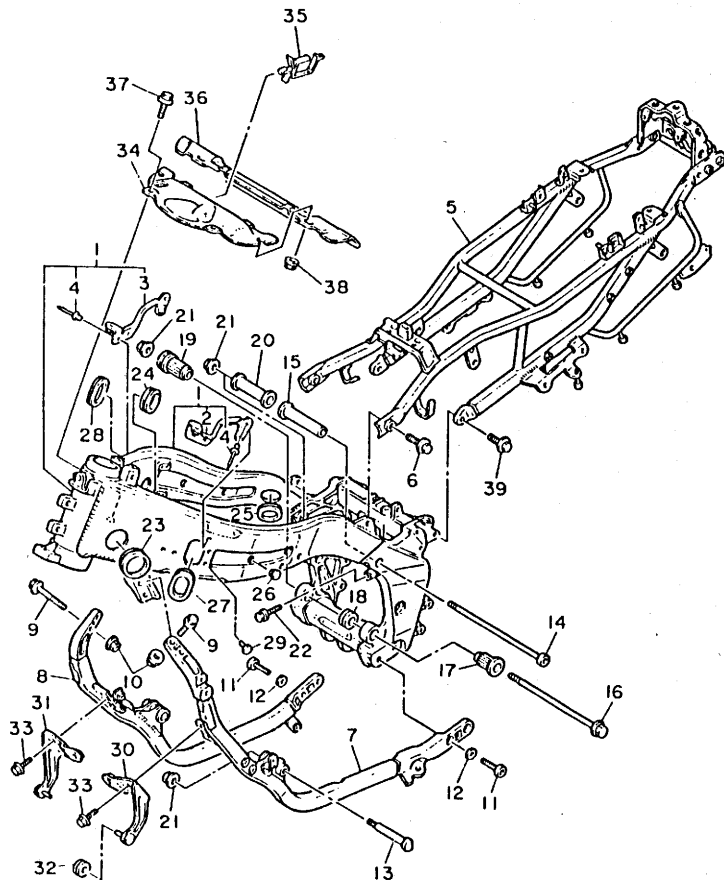
FIG. 19 SHIFT SHAFT



2GH300-7190

REF. NO.	PART NO.	DESCRIPTION	Q'TY	REMARKS
1	4G0-18127-00	STOPPER, screw	1	
2	90215-08115	WASHER, lock	1	
3	93102-12106	OIL SEAL	1	
4	1AE-18101-00	SHIFT SHAFT ASSY	1	
5	90508-10514	.SPRING, torsion	1	
6	90508-32682	.SPRING, torsion	1	
7	90387-114K8	.COLLAR	1	
8	90201-12575	WASHER, plate	1	
9	99001-10600	CIRCLIP	1	
10	90560-12191	SPACER	1	
11	93109-12053	OIL SEAL	2	
12	2GH-18112-00	ARM, shift	1	
13	2H9-18154-00	COVER, dust	1	
14	91026-06020	BOLT, flange	1	
15	46X-18115-00	ROD, shift	1	
16	90170-06228	NUT	1	
17	95303-06700	NUT	1	
18	2GH-18110-00	SHIFT PEDAL ASSY	1	
19	2H9-18154-00	.COVER, dust	1	
20	132-18113-01	.COVER, shift pedal	1	

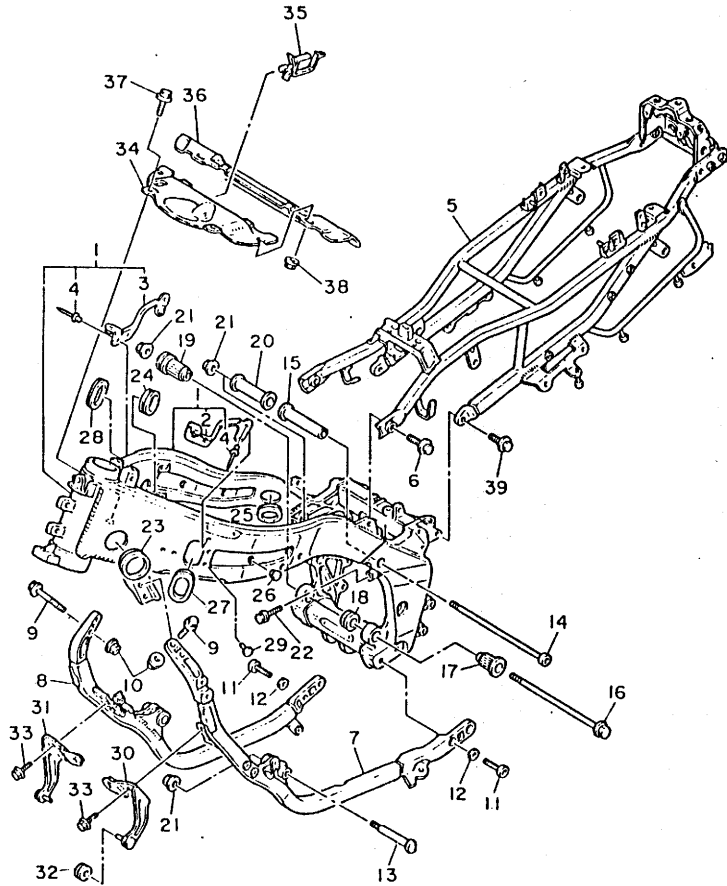
FIG. 20 FRAME



3CU1332-8200

REF. NO.	PART NO.	DESCRIPTION	Q'TY	REMARKS
1	2YJ-21110-00	FRAME COMP.	1	
2	2GH-2833J-00	.BRACKET 12	1	
3	2GH-2833K-00	.BRACKET 13	1	
4	90267-40087	.RIVET, blind	6	
5	2GH-21190-00-35	REAR FRAME COMP.	1	SILVER
6	90105-10459	BOLT, washer based	2	
7	2GH-21140-00-35	DOWN TUBE COMP.	1	SILVER
8	2GH-21150-00-35	DOWN TUBE COMP.2	1	SILVER
9	90105-10496	BOLT, washer based	4	
10	95601-10200	NUT, self-locking	4	
11	90110-08150	BOLT, hexagon socket head	4	
12	90201-086J0	WASHER, plate	4	
13	90109-103E4	BOLT	2	
14	90110-10154	BOLT, hexagon socket head	1	
15	90387-113T1	COLLAR	1	
16	90105-10476	BOLT, washer based	1	
17	1UF-2139X-00	DAMPER	1	
18	1UF-2139U-00	DAMPER 2	1	
19	2GH-15316-00	DAMPER, engine mount 1	1	
20	1WG-21459-00	SPACER	1	
21	90179-10247	NUT	4	
22	90105-08475	BOLT, washer based	1	
23	90480-35394	GROMMET	2	
24	2GH-2117M-00	COVER 2	2	
25	2GH-2117T-00	COVER 5	2	
26	90338-15202	PLUG	4	
27	2GH-2117N-00	COVER 3	1	
28	2GH-2117R-00	COVER 4	1	

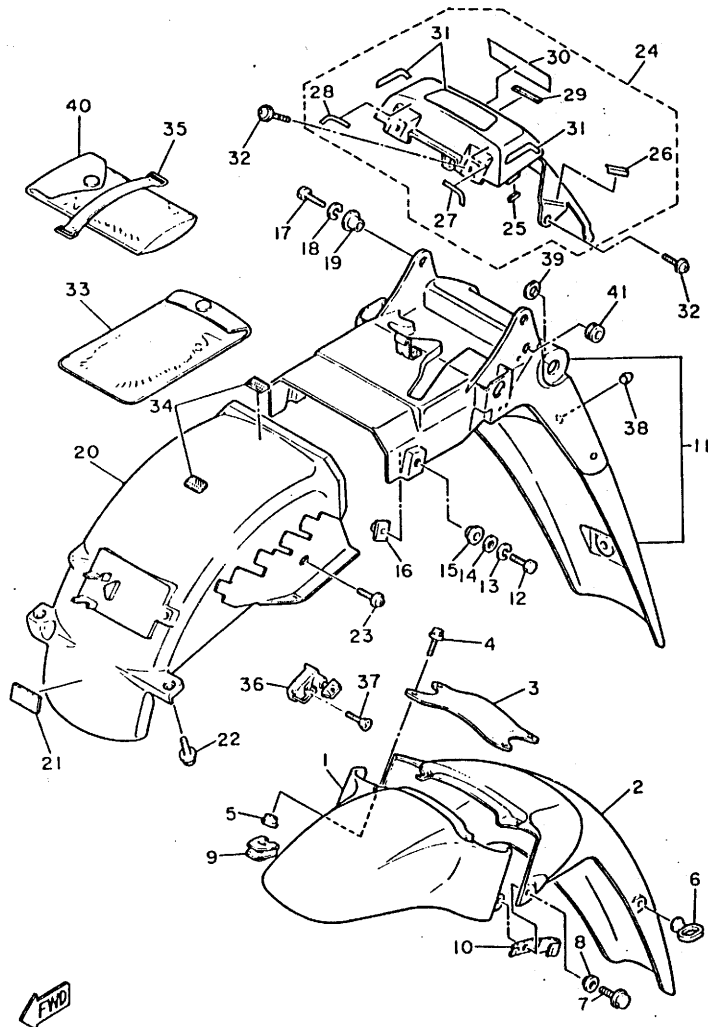
FIG. 20 FRAME



REF. NO.	PART NO.	DESCRIPTION	Q'TY	REMARKS
29	90338-06181	PLUG	2	
30	2GH-2136A-00	BRACKET, cooler 1	1	
31	2GH-2136E-00	BRACKET, cooler 2	1	
32	90480-13383	GROMMET	2	
33	95026-06012	BOLT, flange	4	
34	2GH-1246A-00	COVER 1	1	
35	90464-16025	CLAMP	2	
36	2GH-1246E-00	COVER 2	1	
37	90119-06061	BOLT, with washer	2	
38	95702-06600	NUT, with washer	2	
39	90105-10499	BOLT, washer based	2	

FWD
3CU1332-8200

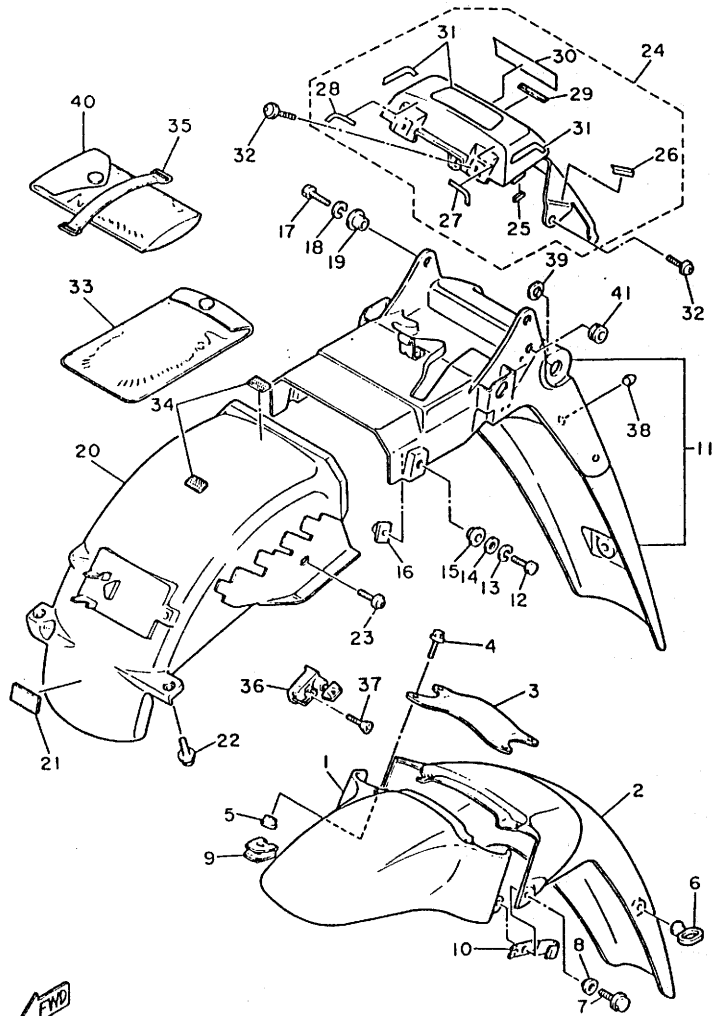
FIG. 21 FENDER



3CU1332-8210

REF. NO.	PART NO.	DESCRIPTION	Q'TY	REMARKS
1	2GH-21511-00-GE	FENDER, front	1	SILKY WHITE
2	2GH-21556-00-GE	FENDER, front 2	1	SILKY WHITE
3	47X-2313A-00	BRACE, fork	1	
4	90105-06478	BOLT, washer based	4	
5	90387-065T2	COLLAR	4	
6	1A8-21518-00	HOLDER, cable	1	
7	90105-06477	BOLT, washer based	2	
8	90387-064J1	COLLAR	2	
9	90183-08043	NUT, spring	4	
10	2GH-25875-00	HOLDER, brake hose 1	2	
11	2GH-W2161-00	REAR FENDER COMP.	1	
12	97001-06020	BOLT	2	
13	92990-06100	WASHER, spring	2	
14	92901-06600	WASHER, plate	2	
15	90387-061M0	COLLAR	2	
16	31A-14477-00	PLATE	2	
17	97313-06016	BOLT	2	
18	92990-06100	WASHER, spring	2	
19	90387-064L2	COLLAR	2	
20	2GH-21629-00	GUARD, mud	1	
21	29N-21747-00	DAMPER	1	
22	90119-06052	BOLT, with washer	2	
23	90159-06056	SCREW, with washer	1	
24	2YJ-Y2165-00-GE	COVER, rear fender	1	SILKY WHITE
25	2GH-21732-00	.SEAL 1	2	
26	2GH-21735-00	.SEAL 2	2	
27	2GH-21575-00	.SEAL 1	1	
28	2GH-21576-00	.SEAL 2	1	

FIG. 21 FENDER

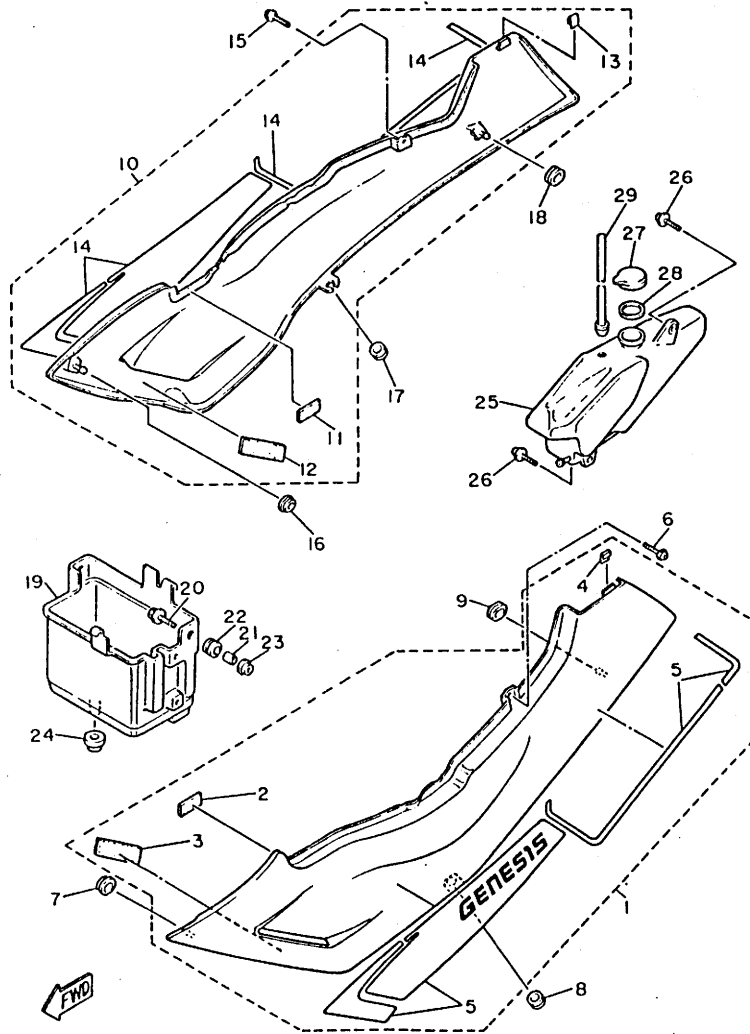


REF. NO.	PART NO.	DESCRIPTION	Q'TY	REMARKS
29	2KT-21649-00	.DAMPER	1	
30	99233-00025	.EMBLEM, yamaha	1	
31	2YJ-21660-00	.GRAPHIC	1	
32	90159-06042	SCREW, with washer	4	
33	4K5-28186-00	POUCH	1	
34	4K5-2814E-10	HOOK	2	
35	122-82131-00	BAND, battery	1	
36	26H-21308-00	HELMET HANGER ASSY	1	
37	90149-06150	SCREW	1	
38	4G0-21639-00	DAMPER 2	1	
39	90214-12033	WASHER, claw	2	
40	2GH-28100-00	TOOL KIT	1	
41	90480-10258	GROMMET	2	



3CU1332-8210

FIG. 22 SIDE COVER

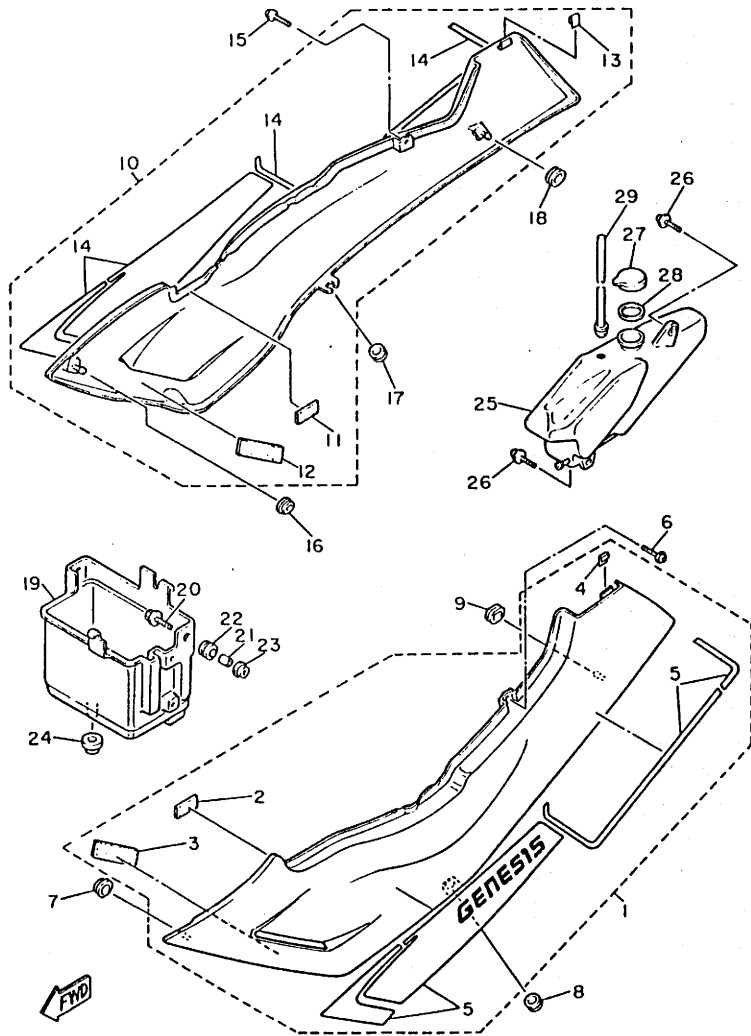


3CU1332-8220

REF. NO.	PART NO.	DESCRIPTION	Q'TY	REMARKS
1	2YJ-Y2171-00-GE	COVER, side 1	1	SILKY WHITE
2	5G3-21747-00	.DAMPER	1	
3	1KH-21717-00	.DAMPER, side cover	1	
4	2GH-21732-00	.SEAL 1	1	
5	2YJ-2173L-00	.GRAPHIC SET 1	1	
6	90159-06033	SCREW, with washer	1	
7	90480-14074	GROMMET	1	
8	90480-12320	GROMMET	1	
9	90480-22084	GROMMET	1	
10	2YJ-Y2172-00-GE	COVER, side 2	1	SILKY WHITE
11	5G3-21747-00	.DAMPER	1	
12	1KH-21717-00	.DAMPER, side cover	1	
13	2GH-21732-00	.SEAL 1	1	
14	2YJ-2174L-00	.GRAPHIC SET 2	1	
15	90159-06033	SCREW, with washer	1	
16	90480-14074	GROMMET	1	
17	90480-12320	GROMMET	1	
18	90480-22084	GROMMET	1	
19	2GH-21245-00	BOX	1	
20	90119-06097	BOLT, with washer	2	
21	90387-060A7	COLLAR	2	
22	90480-16233	GROMMET	2	
23	95701-06500	NUT, flange	2	
24	90480-23192	GROMMET	1	
25	2GH-21871-00	TANK, recovery	1	
26	90159-06056	SCREW, with washer	2	
27	4L0-21875-00	CAP	1	
28	1AA-21874-00	GASKET	1	

FIG. 22 SIDE COVER

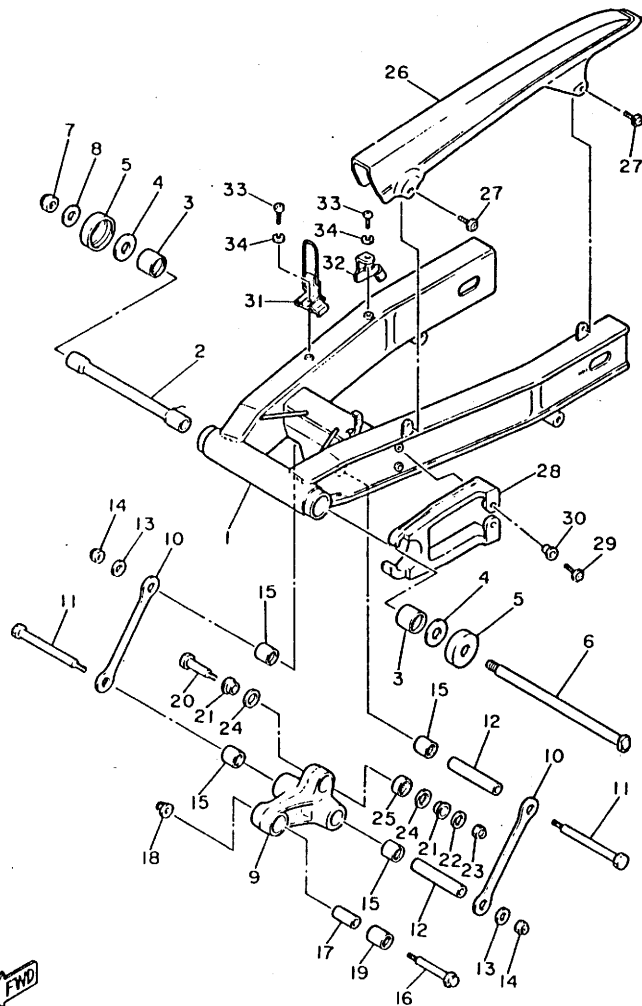
REF. NO.	PART NO.	DESCRIPTION	Q'TY	REMARKS
29	1KF-21816-00	PIPE 1	1	



3CU1332-8220

D6

FIG. 23 REAR ARM

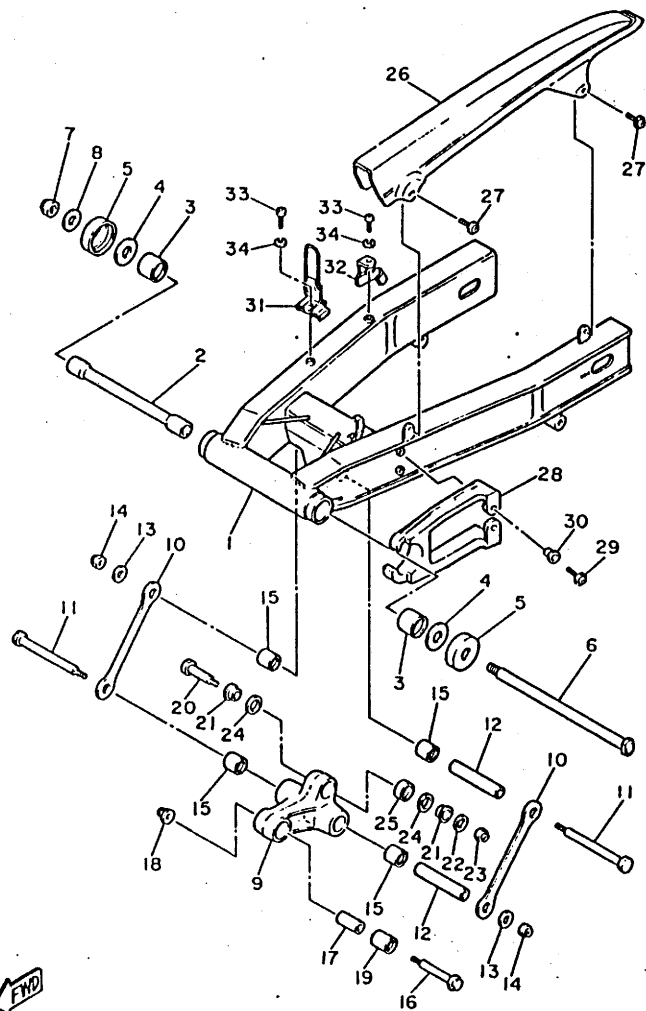


3CU1332-8230

REF. NO.	PART NO.	DESCRIPTION	Q'TY	REMARKS
1	2YJ-22110-01	REAR ARM COMP.	1	
2	36Y-22184-00	BUSH	1	
3	93317-42550	BEARING, cylindrical	2	
4	36Y-22127-00	SHIM	2	
5	36Y-22128-00	COVER, thrust 1	2	
6	2GH-22141-00	SHAFT, pivot	1	
7	90185-14070	NUT, self-locking	1	
8	90201-14222	WASHER, plate	1	
9	2KT-2217A-00	ARM, relay	1	
10	1WG-2217M-00	ARM 1	2	
11	90101-12673	BOLT	2	
12	90387-126T1	COLLAR	2	
13	90201-126A7	WASHER, plate	2	
14	95611-12100	NUT, u	2	
15	93317-41761	BEARING, cylindrical	4	
16	90105-10454	BOLT, washer based	1	
17	90387-100T8	COLLAR	1	
18	95601-10200	NUT, self-locking	1	
19	93317-42060	BEARING, cylindrical	1	
20	90101-10659	BOLT	1	
21	90387-124L0	COLLAR	2	
22	90201-10437	WASHER, plate	1	
23	95611-10100	NUT, u	1	
24	93101-16131	OIL SEAL	2	
25	93399-99919	BEARING	1	
26	2GH-22311-00	CASE, chain	1	
27	90159-06084	SCREW, with washer	2	
28	2GH-22151-00	SEAL, guard	1	

D7

FIG. 23 REAR ARM

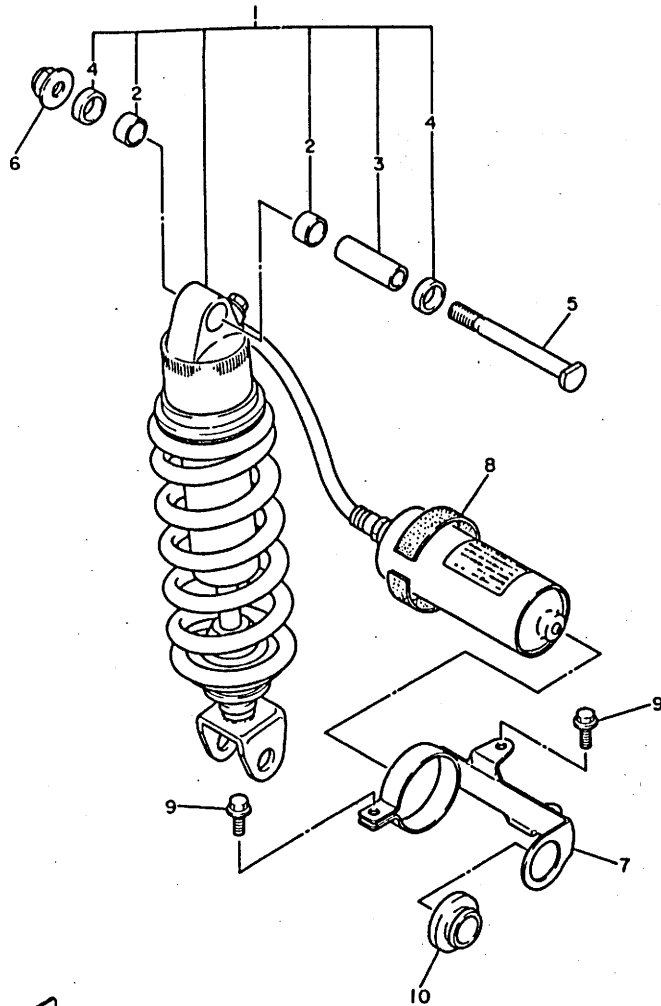


REF. NO.	PART NO.	DESCRIPTION	Q'TY	REMARKS
29	90159-06108	SCREW, with washer	2	
30	90387-06704	COLLAR	2	
31	2GH-25875-50	HOLDER, brake hose 1	1	
32	2YJ-25875-00	HOLDER, brake hose 1	1	
33	92501-06020	SCREW, pan head	2	
34	92990-06100	WASHER, spring	2	

FYD
3CU1332-8230

D8

FIG. 24 REAR SUSPENSION



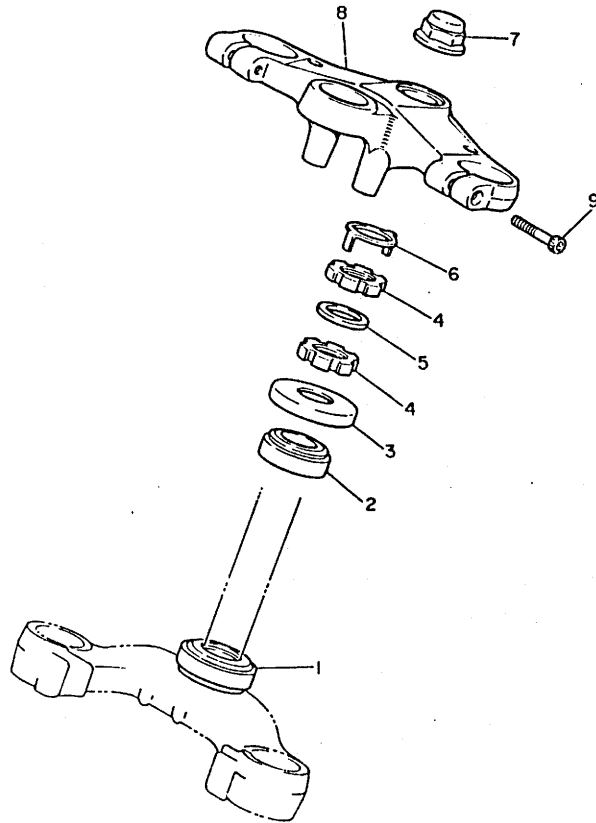
REF. NO.	PART NO.	DESCRIPTION	Q'TY	REMARKS
1	2NK-22210-00	SHOCK ABSORBER ASSY, rear	1	
2	90383-18028	.BUSH, formed	2	
3	2NK-22253-00	.COLLAR, distance	1	
4	2NK-22244-00	.WASHER 2	2	
5	90109-103E7	BOLT	1	
6	95601-10200	NUT, self-locking	1	
7	2NK-22262-00	HOLDER, sub tank	1	
8	2NK-22261-00	DAMPER, sub tank	1	
9	95801-06016	BOLT, flange	3	
10	90480-22263	GROMMET	1	



2NK110-7240

D9

FIG. 25 STEERING



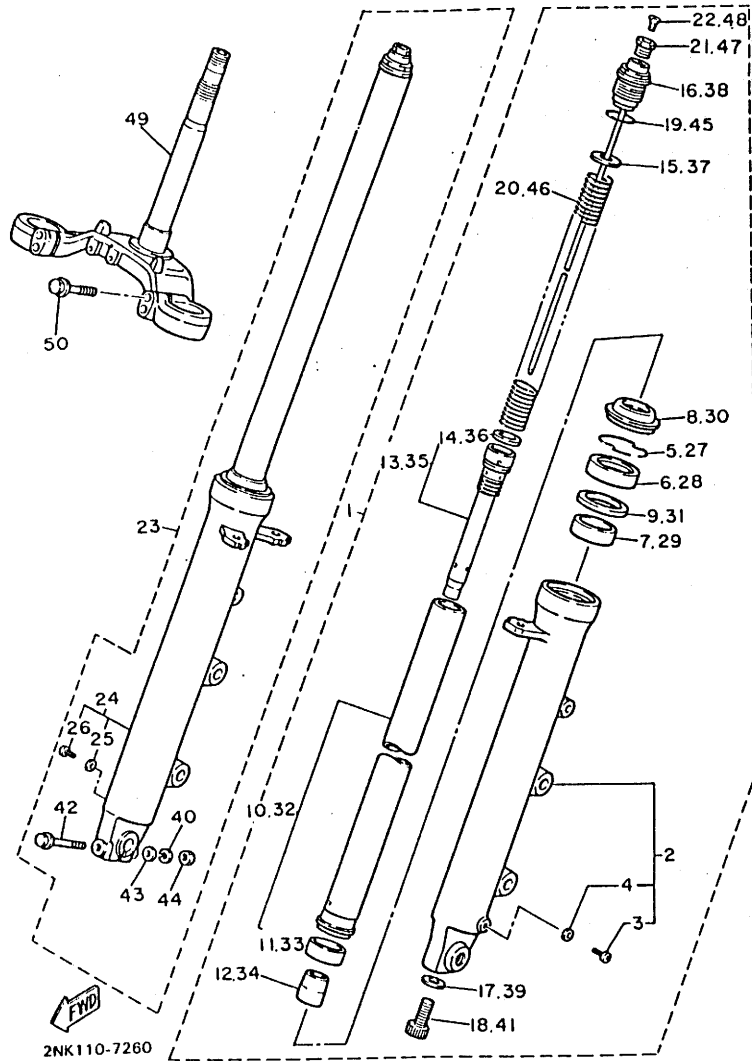
REF. NO.	PART NO.	DESCRIPTION	Q'TY	REMARKS
1	93332-00008	BEARING	1	
2	93332-00023	BEARING	1	
3	2GH-23415-00	COVER, ball race 1	1	
4	90179-25033	NUT	2	
5	90202-26142	WASHER, plate	1	
6	26H-23418-01	WASHER, special	1	
7	90176-22050	NUT, crown	1	
8	2GH-23435-00	CROWN, handle	1	
9	91316-08030	BOLT	2	



2GH300-7250

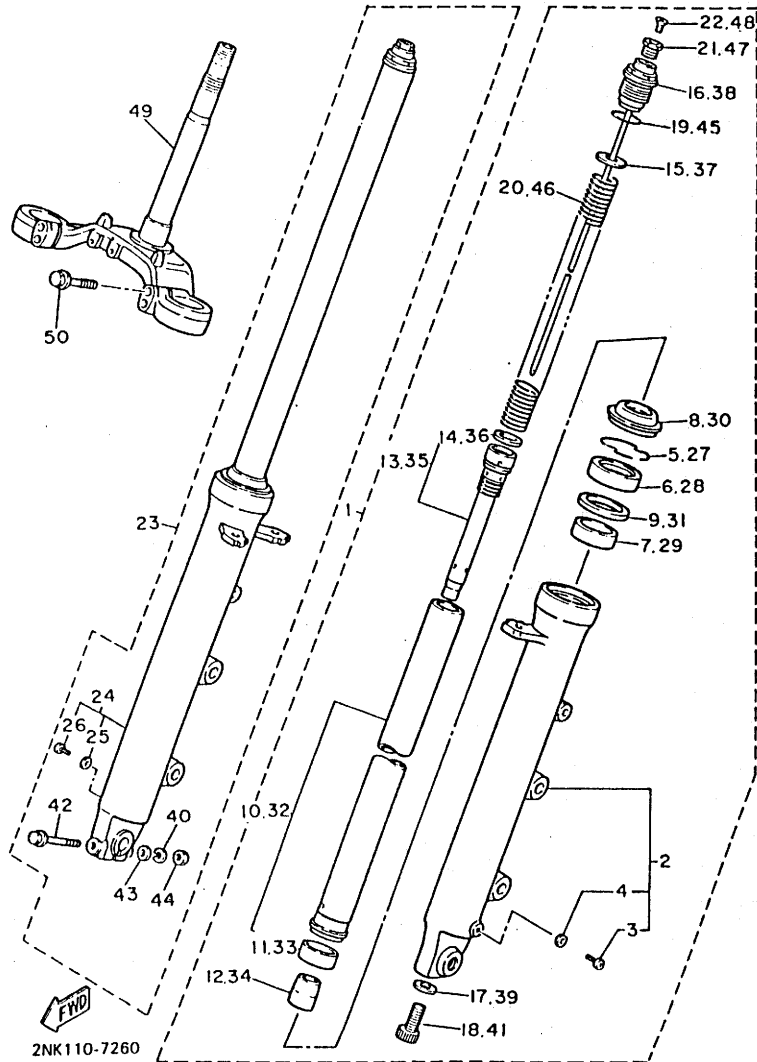
D10

FIG. 26 FRONT FORK



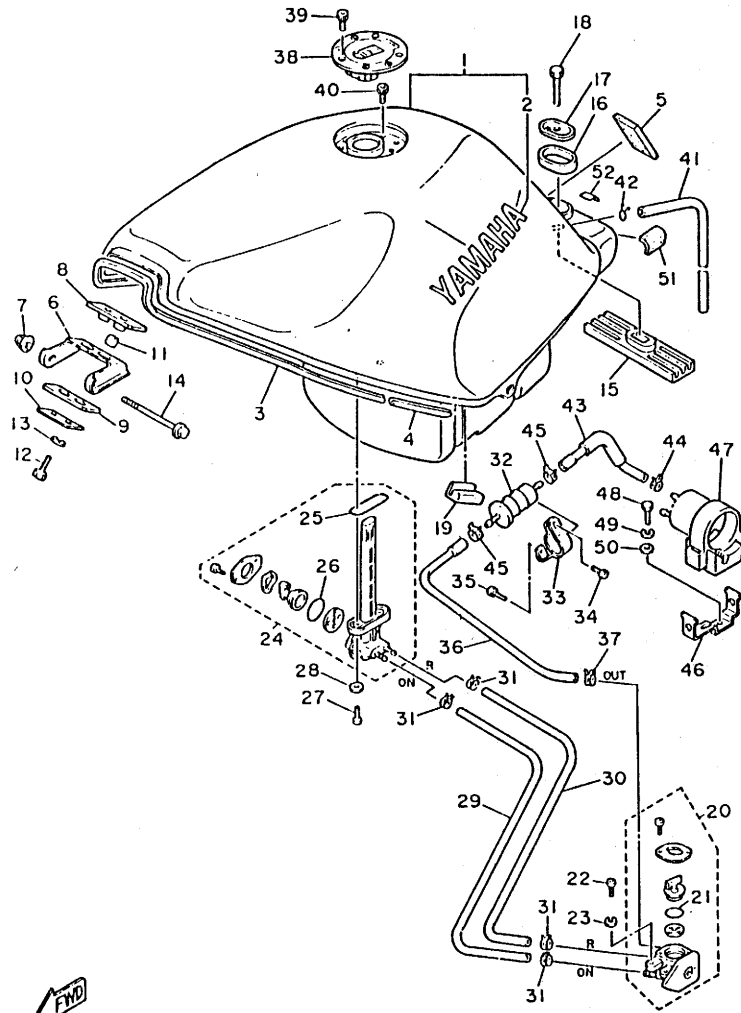
REF. NO.	PART NO.	DESCRIPTION	Q'TY	REMARKS
1	2NK-23102-00	FRONT FORK ASSY (L.H)	1	
2	2GH-23126-00	.TUBE, outer 1	1	
3	4H7-23119-00	..PLUG, drain	1	
4	122-23129-00	..GASKET, drain plug	1	
5	26H-23156-00	.CLIP, oil seal	1	
6	36Y-23145-00	.OIL SEAL	1	
7	36Y-23125-10	.METAL, slide 1	1	
8	36Y-23144-00	.SEAL, dust	1	
9	36Y-23146-10	.WASHER, oil seal	1	
10	2NK-23110-00	.INNER TUBE COMP.1	1	
11	36Y-23171-00	..PISTON, front fork	1	
12	2GH-23173-00	.SPINDLE, taper	1	
13	2NK-23170-00	.CYLINDER COMP., front fork	1	
14	36Y-23157-00	..RING, piston	1	
15	36Y-23149-00	.WASHER, spring upper	1	
16	2NK-23111-00	.BOLT, cap	1	
17	4V4-23158-L0	.GASKET	1	
18	4V4-23181-L0	.BOLT, hexagon socket head	1	
19	36Y-23147-00	.O-RING	1	
20	2NK-23141-00	.SPRING, front fork	1	
21	2NK-23168-00	.CAP, front fork	1	
22	98706-05010	.SCREW, flat head	1	
23	2NK-23103-00	FRONT FORK ASSY (R.H)	1	
24	2GH-23136-00	.TUBE, outer 2	1	
25	122-23129-00	..GASKET, drain plug	1	
26	4H7-23119-00	..PLUG, drain	1	
27	26H-23156-00	.CLIP, oil seal	1	
28	36Y-23145-00	.OIL SEAL	1	

FIG. 26 FRONT FORK



REF. NO.	PART NO.	DESCRIPTION	Q'TY	REMARKS
29	36Y-23125-10	.METAL, slide 1	1	
30	36Y-23144-00	.SEAL, dust	1	
31	36Y-23146-10	.WASHER, oil seal	1	
32	2NK-23110-00	.INNER TUBE COMP.1	1	
33	36Y-23171-00	..PISTON, front fork	1	
34	2GH-23173-00	.SPINDLE, taper	1	
35	2NK-23170-00	.CYLINDER COMP., front fork	1	
36	36Y-23157-00	..RING, piston	1	
37	36Y-23149-00	.WASHER, spring upper	1	
38	2NK-23111-00	.BOLT, cap	1	
39	4V4-23158-L0	.GASKET	1	
40	92990-08100	.WASHER, spring	1	
41	4V4-23181-L0	.BOLT, hexagon socket head	1	
42	1UJ-23128-00	.BOLT, axle holder	1	
43	92901-08600	.WASHER, plate	1	
44	95311-08600	.NUT	1	
45	36Y-23147-00	.O-RING	1	
46	2NK-23141-00	.SPRING, front fork	1	
47	2NK-23168-00	.CAP, front fork	1	
48	98706-05010	.SCREW, flat head	1	
49	2GH-23340-00	UNDER BRACKET COMP.	1	
50	1AE-23128-00	BOLT, axle holder	4	

FIG. 27 FUEL TANK

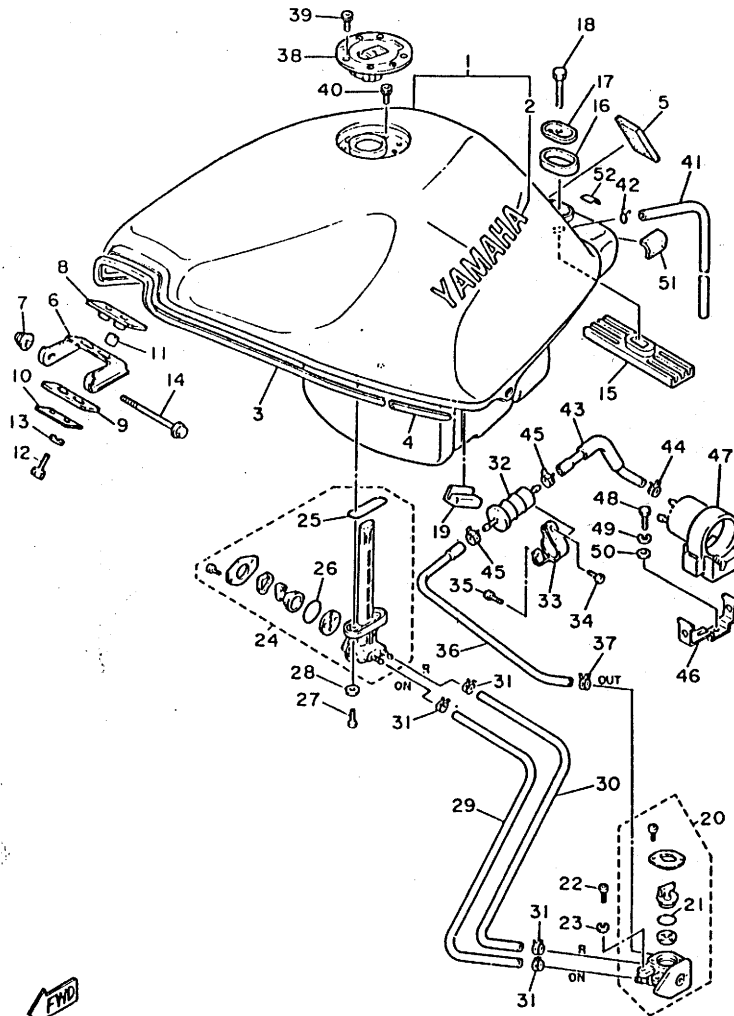


REF. NO.	PART NO.	DESCRIPTION	Q'TY	REMARKS
1	2GH-24110-00-03	FUEL TANK COMP.	1	SILKY WHITE FINE RED
2	99223-00045	.EMBLEM, yamaha	2	
3	2GH-2834G-00	MOLE 5	1	
4	2GH-2834H-00	MOLE 6	2	
5	51L-28371-00	DAMPER	1	
6	2GH-24191-00	BRACKET, fuel tank 1	1	
7	95301-06800	NUT, crown	1	
8	2GH-24181-00	DAMPER, locating 1	1	
9	2GH-24183-00	DAMPER, locating 3	1	
10	2GH-24186-00	WASHER, special	1	
11	90387-06553	COLLAR	2	
12	97001-06025	BOLT	2	
13	92990-06100	WASHER, spring	2	
14	95811-06075	BOLT, flange	1	
15	2GH-24184-00	DAMPER, locating 4	1	
16	3Y6-24183-00	DAMPER, locating 3	1	
17	2GH-24187-00	WASHER, special	1	
18	97002-08030	BOLT	1	
19	2GH-24182-00	DAMPER, locating 2	2	
20	2GH-24500-00	FUEL COCK ASSY 1	1	
21	1JK-24534-00	.SEAL, cock	1	
22	92506-06012	SCREW, pan head	2	
23	92906-06100	WASHER, spring	2	
24	2GH-24510-00	FUEL COCK ASSY 2	1	
25	2W6-24512-00	.O-RING	1	
26	3H3-24534-00	.O-RING	1	
27	90149-06011	SCREW	2	
28	90202-06010	WASHER, plate	2	

2YJ1310-8270

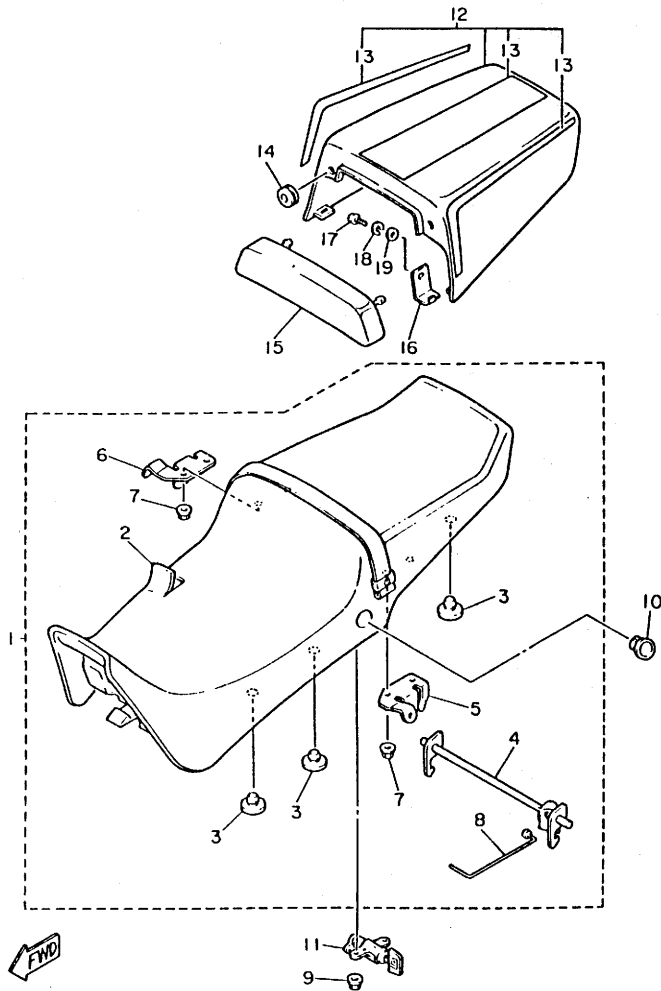
FIG. 27 FUEL TANK

REF. NO.	PART NO.	DESCRIPTION	Q'TY	REMARKS
29	90445-11698	HOSE	1	
30	90445-111F8	HOSE	1	
31	90467-10091	CLIP	4	
32	1FK-24560-00	FILTER ASSY	1	
33	2GH-24366-00	CLAMP, fuel pipe 1	1	
34	98902-05012	SCREW, bind	1	
35	98903-06012	SCREW, bind	1	
36	2GH-24312-00	PIPE 2	1	
37	90467-10091	CLIP	1	
38	1TV-24602-02	CAP ASSY	1	
39	90110-05112	BOLT, hexagon socket head	3	
40	91311-05010	BOLT	1	
41	90445-10366	HOSE	1	
42	90467-09006	CLIP	1	
43	2GH-24313-00	PIPE 3	1	
44	90467-10091	CLIP	1	
45	90467-11044	CLIP	2	
46	2GH-24136-00	CLAMP 2	1	
47	2GH-24398-00	BAND 1	1	
48	97002-06016	BOLT	1	
49	92990-06100	WASHER, spring	1	
50	92990-06600	WASHER, plate	1	
51	2GH-24185-00	DAMPER, locating 5	2	
52	2GH-21732-00	SEAL 1	1	



2YJ1310-8270

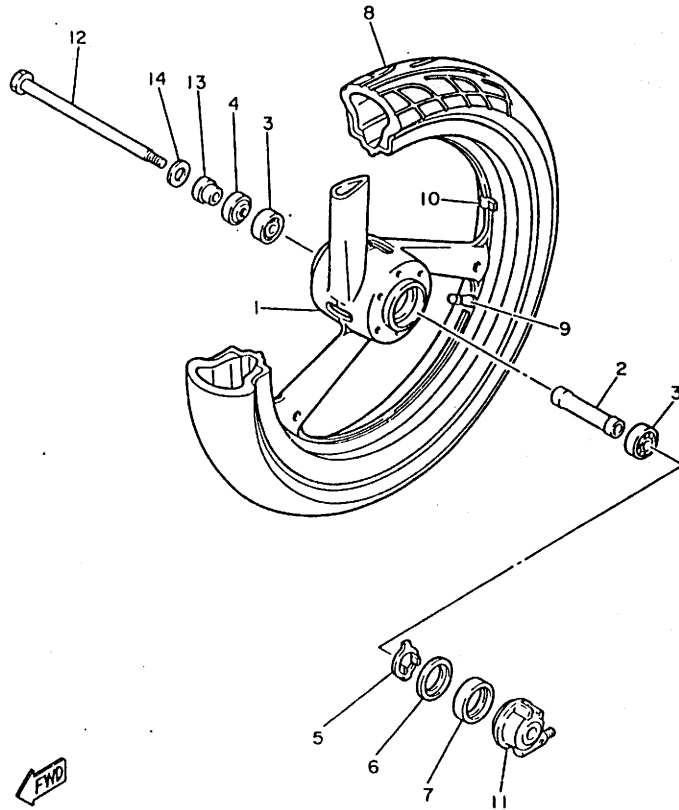
FIG. 28 SEAT



3CU1332-8280

REF. NO.	PART NO.	DESCRIPTION	Q'TY	REMARKS
1	2GH-24730-00	DOUBLE SEAT ASSY	1	
2	2GH-24731-00	.COVER, seat	1	
3	2GH-24741-00	.PAD, seat	6	
4	2GH-24776-00	.LEVER, seat	1	
5	1KT-24718-00	.BRACKET, seat	1	
6	1KT-24728-00	.BRACKET, seat	1	
7	95701-06500	.NUT, flange	4	
8	1JK-2478F-00	.ROD, connecting	1	
9	95701-05500	NUT, flange	2	
10	47X-24796-00	COVER	1	
11	51X-24705-00	SEAT LOCK ASSY	1	
12	2YJ-Y2479-00-GE	COVER, seat	1	SILKY WHITE
13	2YJ-2477L-00	.GRAPHIC SET, tail cover	1	
14	29L-24742-50	GROMMET	2	
15	2GH-2840F-00	BACK REST ASSY	1	
16	2GH-24718-00	BRACKET, seat	2	
17	92501-06010	SCREW, pan head	2	
18	92990-06100	WASHER, spring	2	
19	92990-06600	WASHER, plate	2	

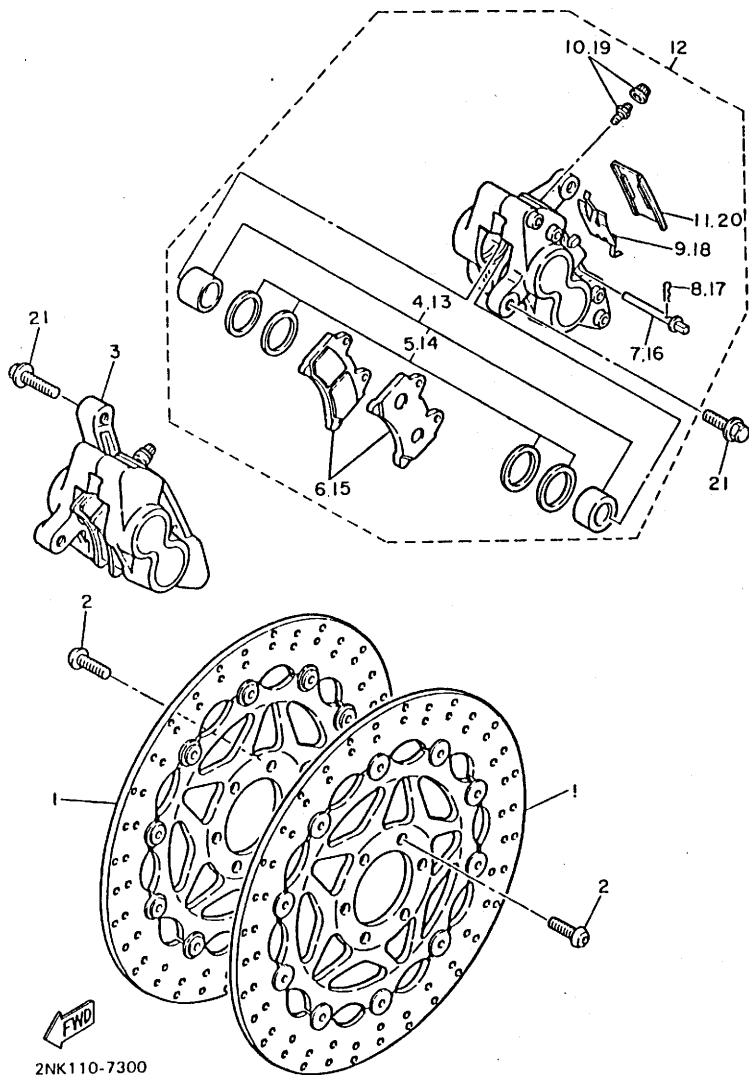
FIG. 29 FRONT WHEEL



REF. NO.	PART NO.	DESCRIPTION	Q'TY	REMARKS
1	2GH-25168-00-UA	CAST WHEEL, front	1	CAST WHEEL WHITE
2	90560-15255	SPACER	1	
3	93306-30203	BEARING (B6302Z)	2	
4	93102-22014	OIL SEAL	1	
5	341-25149-00	CLUTCH, meter	1	
6	341-25846-00	RETAINER, clutch	1	
7	93105-45017	OIL SEAL	1	
8	*	TIRE(120/70ZR17 MP7S)	1	LM PIRELLI
9	93900-00030	VALVE, rim	1	
10	29L-25398-00	BALANCER, wheel (10G)	1	UN
	29L-25398-10	BALANCER, wheel (20G)	1	UN
	29L-25398-20	BALANCER, wheel (30G)	1	UN
11	2GH-25190-00	GEAR UNIT ASSY	1	
12	47X-25181-00	AXLE, wheel	1	
13	90387-15550	COLLAR	1	
14	90201-15238	WASHER, plate	1	

2GH300-7290

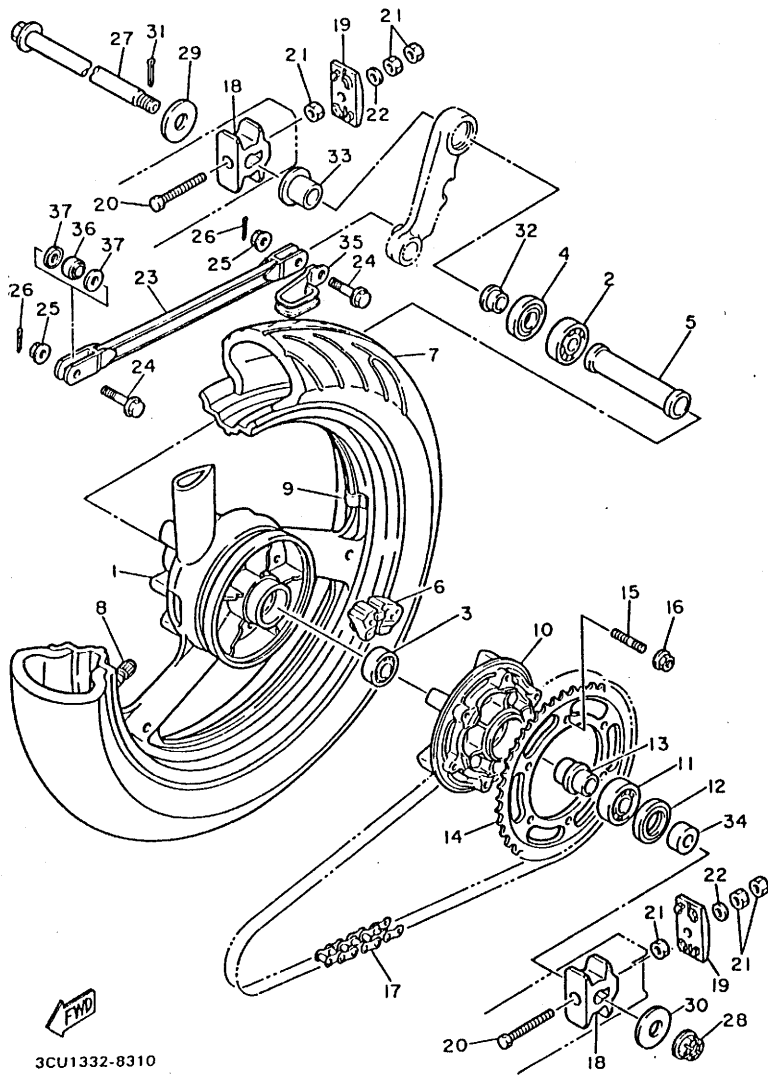
FIG. 30 FRONT BRAKE CALIPER



REF. NO.	PART NO.	DESCRIPTION	Q'TY	REMARKS
1	1KT-25830-01	DISK BRAKE ASSY	2	
2	90109-08718	BOLT	12	
3	2GH-25810-00	CALIPER ASSY (RIGHT)	1	
4	1NL-W0057-00	.PISTON ASSY, caliper	2	
5	1NL-W0047-00	..CALIPER SEAL KIT	1	
6	2GH-W0045-00	..BRAKE PAD KIT	1	
7	1KT-25924-00	..PIN, pad	2	
8	1KT-25925-00	..CLIP	2	
9	2GH-25919-00	..SUPPORT, pad	1	
10	1J3-W0048-00	..BREED SCREW KIT	1	
11	1KT-25836-00	..COVER, dust	1	
12	2GH-25810-10	CALIPER ASSY (LEFT)	1	
13	1NL-W0057-00	..PISTON ASSY, caliper	2	
14	1NL-W0047-00	..CALIPER SEAL KIT	1	
15	2GH-W0045-00	..BRAKE PAD KIT	1	
16	1KT-25924-00	..PIN, pad	2	
17	1KT-25925-00	..CLIP	2	
18	2GH-25919-00	..SUPPORT, pad	1	
19	1J3-W0048-00	..BREED SCREW KIT	1	
20	1KT-25836-00	..COVER, dust	1	
21	90105-10308	BOLT, washer based	4	

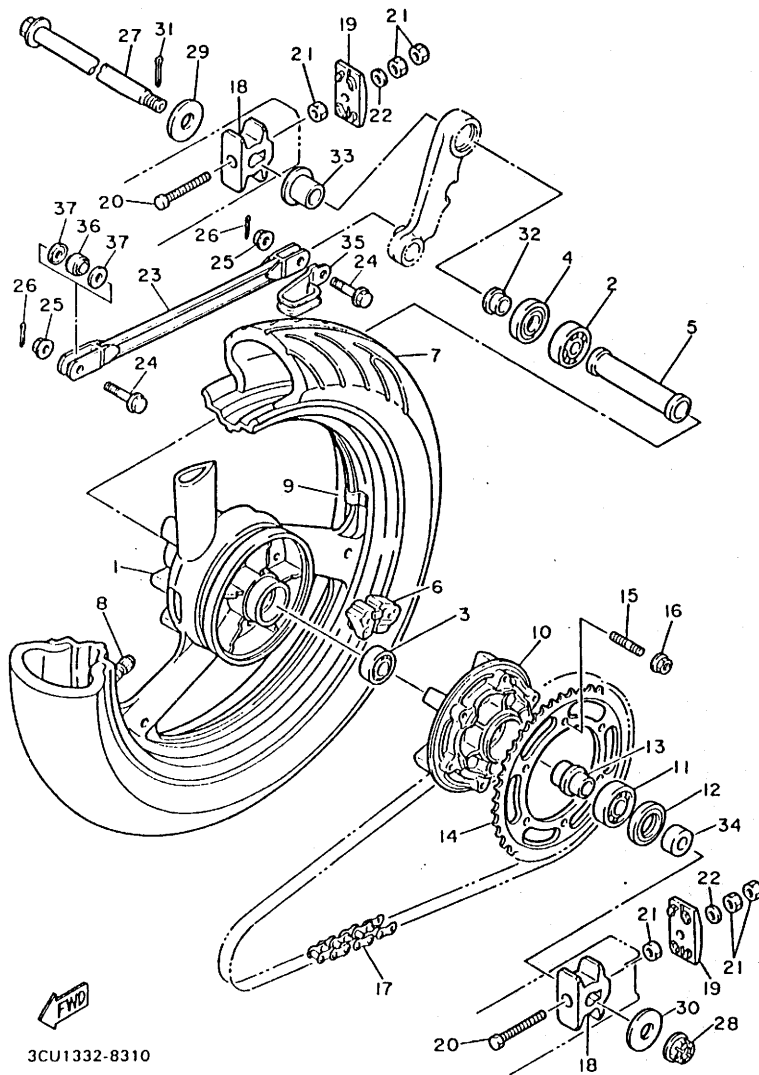
FIG. 31 REAR WHEEL

REF. NO.	PART NO.	DESCRIPTION	Q'TY	REMARKS
1	2GH-25338-00-UA	CAST WHEEL, rear	1	CAST WHEEL WHITE
2	93306-30309	BEARING (B6303ZZ)	1	
3	93306-30306	BEARING (B6303)	1	
4	93102-25044	OIL SEAL	1	
5	90560-17260	SPACER	1	
6	2GH-25364-00	DAMPER	5	
7	*	TIRE(160/60ZR18 MP7S)	1	LM PIRELLI
8	93900-00030	VALVE, rim	1	
9	29L-25398-00	BALANCER, wheel (10G)	1	UN
	29L-25398-10	BALANCER, wheel (20G)	1	UN
	29L-25398-20	BALANCER, wheel (30G)	1	UN
10	36Y-25366-01	CLUTCH, hub	1	
11	93306-30507	BEARING (B6305Z)	1	
12	93102-35065	OIL SEAL	1	
13	90387-171T5	COLLAR	1	
14	36Y-25442-20-33	SPROCKET, driven (42T)	1	YAMAHA BLACK
15	90116-10485	BOLT, stud	6	
16	95601-10200	NUT, self-locking	6	
17	94580-79108	CHAIN (D.I.D 50VA 108L)	1	
18	2GH-25388-00	PULLER, chain 1	2	
19	2GH-25389-00	PULLER, chain 2	2	
20	90101-08647	BOLT	2	
21	95303-08600	NUT	6	
22	92901-08600	WASHER, plate	2	
23	2YJ-25371-00	BAR, tension	1	
24	90102-08052	BOLT, with hole	2	
25	95701-08500	NUT, flange	2	
26	91401-20015	PIN, cotter	2	



FWD
3CU1332-8310

FIG. 31 REAR WHEEL



3CU1332-8310

REF. NO.	PART NO.	DESCRIPTION	Q'TY	REMARKS
27	2GH-25381-00	AXLE, wheel	1	
28	90171-16024	NUT, castle	1	
29	90201-177K7	WASHER, plate	1	
30	90201-165L8	WASHER, plate	1	
31	91401-30030	PIN, cotter	1	
32	90387-172U3	COLLAR	1	
33	90387-172U4	COLLAR	1	
34	90387-171T6	COLLAR	1	
35	2YJ-25876-00	HOLDER, brake hose 2	1	
36	93399-99910	BEARING	1	
37	93112-19006	OIL SEAL	2	

FIG. 32 REAR BRAKE CALIPER

REF. NO.	PART NO.	DESCRIPTION	Q'TY	REMARKS
1	2KT-25831-00	DISC, brake (RIGHT)	1	
2	90109-08718	BOLT	6	
3	2YJ-2580W-00	CALIPER ASSY, rear 2	1	
4	31A-W0057-00	.PISTON ASSY, caliper	1	
5	31A-W0047-00	..CALIPER SEAL KIT	1	
6	26H-W0045-10	..BRAKE PAD KIT	1	
7	29L-25919-00	..SUPPORT, pad	1	
8	1KT-25924-00	..PIN, pad	2	
9	26H-25925-00	..CLIP	2	
10	1J3-W0048-00	..BREED SCREW KIT	2	
11	51J-25836-00	..COVER, dust	1	
12	1FK-25827-00	..SHIM, caliper	1	
13	1FK-25828-00	..SHIM, caliper	1	
14	2YJ-25819-00	BRACKET, caliper	1	
15	93315-42536	BEARING, cylindrical	1	
16	93101-25030	OIL SEAL	2	
17	93399-99910	BEARING	1	
18	93112-19006	OIL SEAL	2	
19	90105-10308	BOLT, washer based	2	

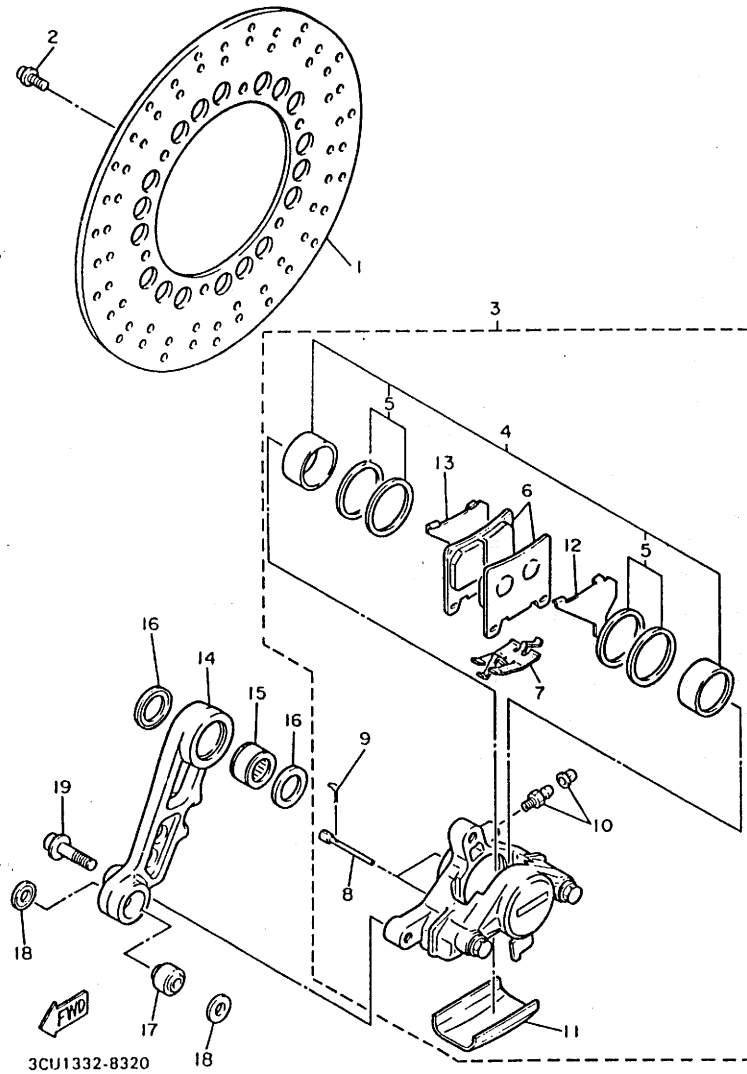
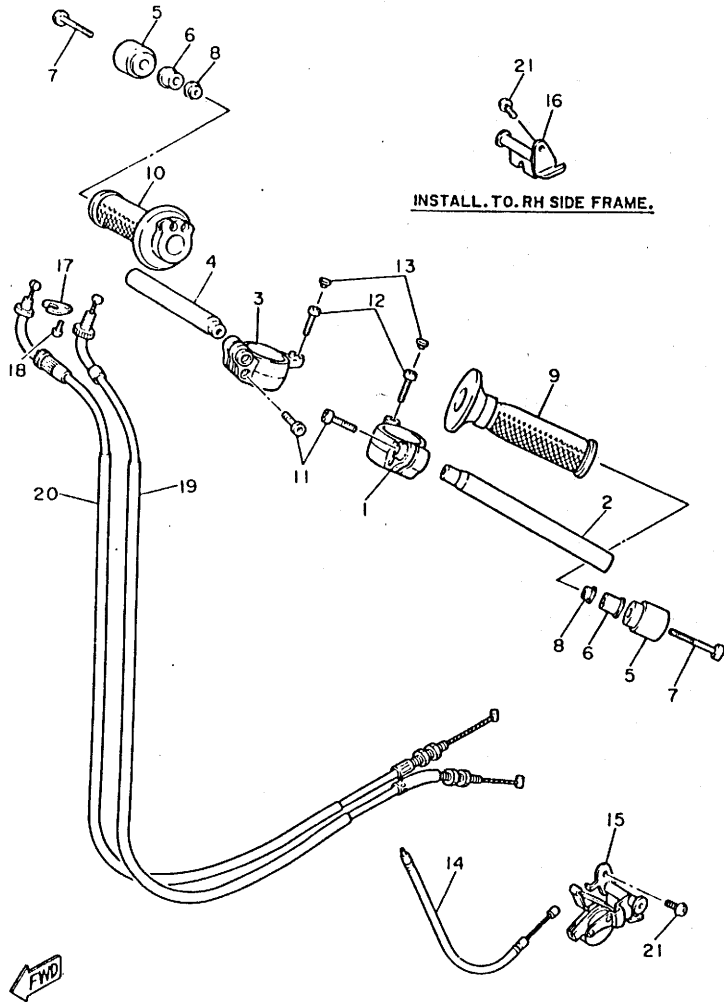


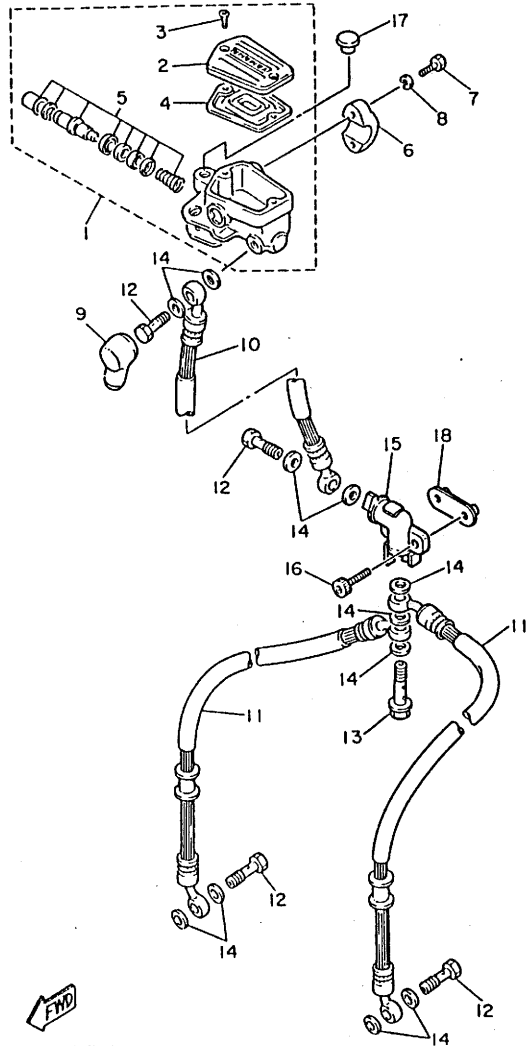
FIG. 33 STEERING HANDLE, CABLE



3CU1332-8330

REF. NO.	PART NO.	DESCRIPTION	Q'TY	REMARKS
1	2NK-26121-00	HANDLE BOSS (LEFT)	1	
2	2LM-26111-00	HANDLEBAR	1	
3	2NK-26122-00	HANDLE BOSS (RIGHT)	1	
4	2LM-26112-00	BAR, handle	1	
5	2GH-26246-10	END, grip	2	
6	2GH-2622F-00	DAMPER, locating 1	2	
7	91316-06070	BOLT	2	
8	95701-06500	NUT, flange	2	
9	47X-26241-00	GRIP (L.H)	1	
10	47X-26240-00	GRIP ASSY	1	
11	91316-08025	BOLT	4	
12	90110-06138	BOLT, hexagon socket head	2	
13	10L-23469-00	CAP, bolt	2	
14	2GH-26331-00	CABLE, starter 1	1	
15	2GH-83940-00	STARTER ASSY	1	
16	2GH-2832U-00	STAY, side 1	1	
17	5H0-26393-00	HOLDER	1	
18	98506-05008	SCREW, pan head	1	
19	2GH-26312-01	CABLE, throttle 2	1	
20	2GH-26311-01	CABLE, throttle 1	1	
21	92016-06020	SCREW	2	

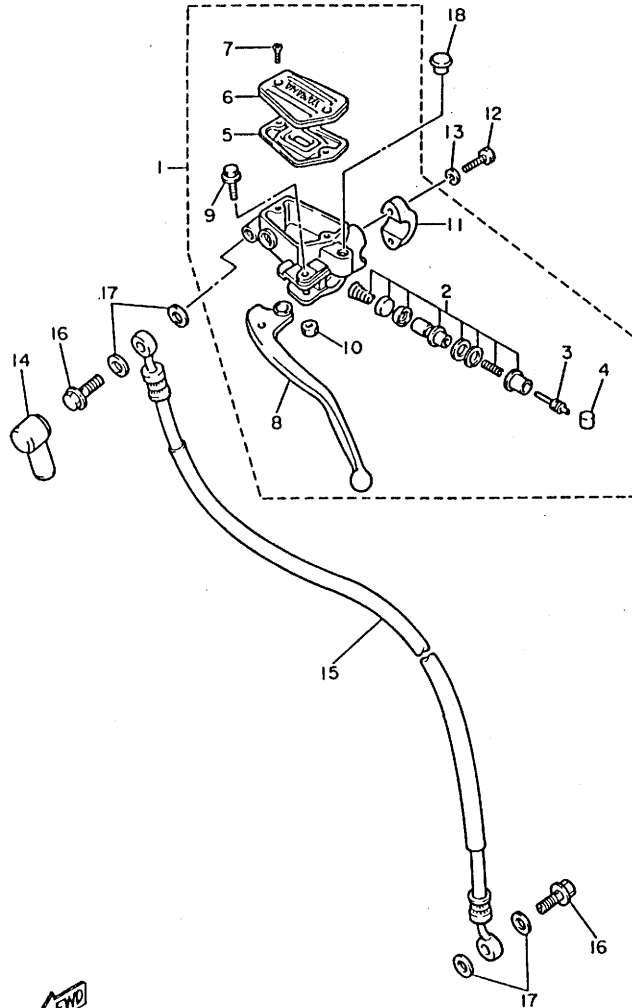
FIG. 34 FRONT MASTER CYLINDER



2GH300-7340

REF. NO.	PART NO.	DESCRIPTION	Q'TY	REMARKS
1	36Y-25850-01	MASTER CYLINDER ASSY	1	
2	36Y-25852-01	.CAP, reservoir	1	
3	98706-04012	.SCREW, flat head	2	
4	36Y-25854-00	.DIAPHRAGM, reservoir	1	
5	36Y-W0041-00	.CYLINDER KIT, master	1	
6	36Y-25867-00	BRACKET, master cylinder	1	
7	91316-06025	BOLT	2	
8	92906-06100	WASHER, spring	2	
9	4L0-25862-00	BOOT, master cylinder	1	
10	2GH-25872-00	HOSE, brake 1	1	
11	2GH-25873-00	HOSE, brake 2	2	
12	90401-10096	BOLT, union	4	
13	90401-10095	BOLT, union	1	
14	90201-10118	WASHER, plate	11	
15	11U-25885-00	JOINT	1	
16	90110-06138	BOLT, hexagon socket head	2	
17	90338-09012	PLUG	1	
18	2GH-2612E-00	BRACKET	1	

FIG. 35 FRONT MASTER CYLINDER 2

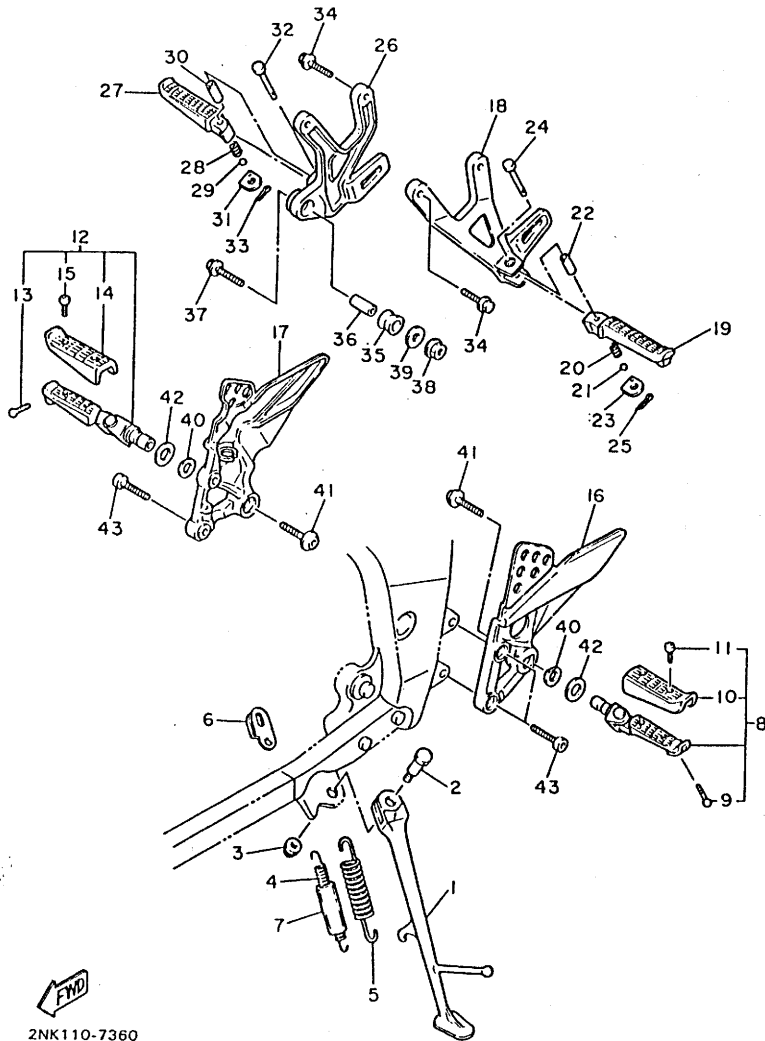


2GH300-7350

REF. NO.	PART NO.	DESCRIPTION	Q'TY	REMARKS
1	3BV-26450-00	MASTER CYLINDER ASSY (CLUTCH)	1	
2	26H-W0099-00	.CYLINDER KIT, master (CLUTCH)	1	
3	26H-26464-00	.ROD, push	1	
4	26H-26455-00	.BUSH	1	
5	1AE-26454-00	.DIAPHRAGM, reservoir	1	
6	1FK-26452-01	.CAP, reservoir	1	
7	98706-04012	.SCREW, flat head	2	
8	1AE-83912-00	.LEVER 1	1	
9	90109-067A0	.BOLT	1	
10	95616-06100	.NUT, u	1	
11	1AE-26467-00	.HOLDER	1	
12	91316-06025	BOLT	2	
13	92906-06100	WASHER, spring	2	
14	4L0-25862-00	BOOT, master cylinder	1	
15	2GH-26470-00	HOSE, clutch	1	
16	90401-10096	BOLT, union	2	
17	90201-10118	WASHER, plate	4	
18	90338-09012	PLUG	1	

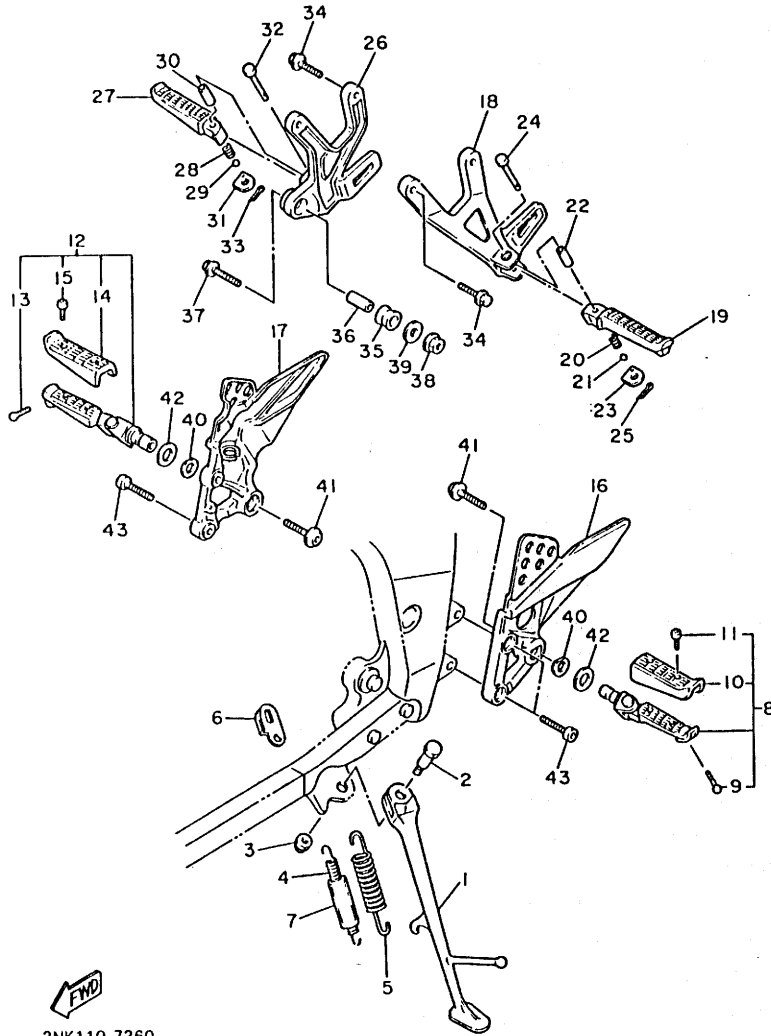
FIG. 36 STAND • FOOTREST

REF. NO.	PART NO.	DESCRIPTION	Q'TY	REMARKS
1	2GH-27311-00	STAND, side	1	
2	90109-104E6	BOLT	1	
3	90185-10037	NUT, self-locking	1	
4	90506-18224	SPRING, tension	1	
5	90506-26225	SPRING, tension	1	
6	2KT-27315-00	LINK, side stand	1	
7	1TX-27351-00	GUIDE, side stand	1	
8	2GH-27410-00	FRONT FOOTREST ASSY (LEFT)	1	
9	90109-083E2	.BOLT	1	
10	2GH-27413-00	.COVER, footrest	1	
11	90157-05079	.SCREW, pan head	2	
12	2GH-27420-00	FRONT FOOTREST ASSY (RIGHT)	1	
13	90109-083E2	.BOLT	1	
14	2GH-27413-00	.COVER, footrest	1	
15	90157-05079	.SCREW, pan head	2	
16	2GH-27442-00	BRACKET 2	1	
17	2GH-27443-00	BRACKET 3	1	
18	2KT-2741L-00	BRACKET 4	1	
19	1HX-27431-00	FOOTREST, rear 1	1	
20	90501-12743	SPRING, compression	1	
21	93501-04011	BALL	1	
22	90387-064H8	COLLAR	1	
23	1HX-27437-00	WASHER, special	1	
24	91701-06045	PIN, clevis	1	
25	91401-20015	PIN, cotter	1	
26	2KT-2742L-00	BRACKET 5	1	
27	1HX-27441-00	FOOTREST, rear 2	1	
28	90501-12743	SPRING, compression	1	



2NK110-7360

FIG. 36 STAND. FOOTREST

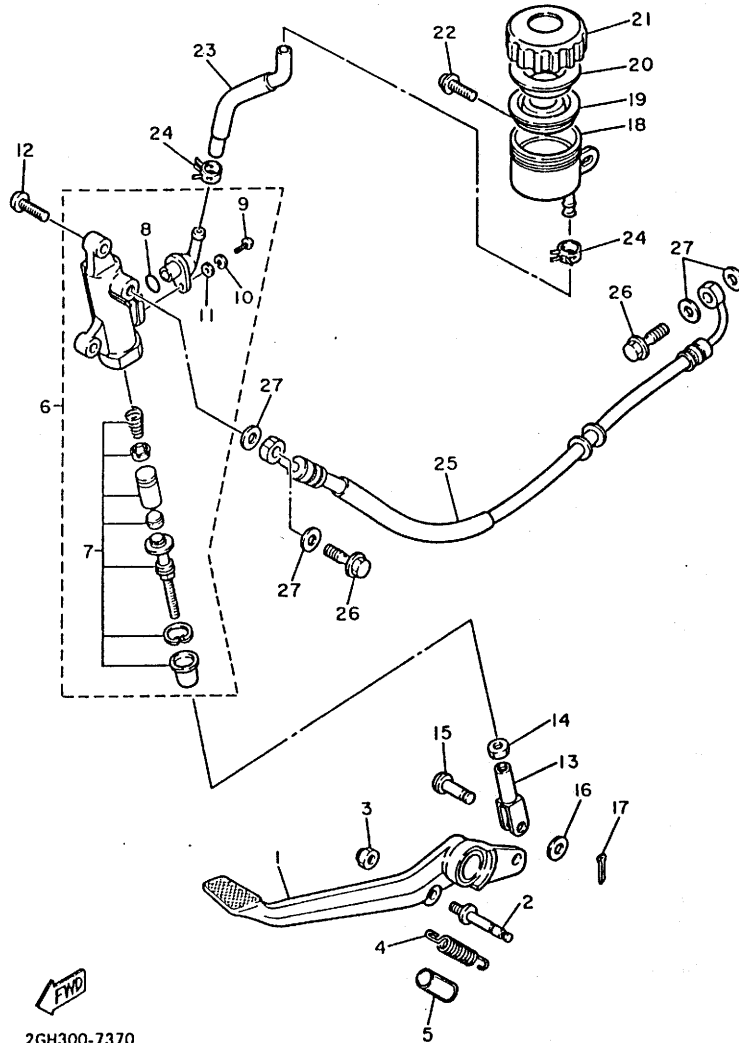


2NK110-7360

REF. NO.	PART NO.	DESCRIPTION	Q'TY	REMARKS
29	93501-04011	BALL	1	
30	90387-064H8	COLLAR	1	
31	1HX-27437-00	WASHER, special	1	
32	91701-06045	PIN, clevis	1	
33	91401-20015	PIN, cotter	1	
34	95021-08025	BOLT, flange	4	
35	2H7-27414-00	DAMPER, footrest	1	
36	90387-10636	COLLAR	1	
37	90105-10316	BOLT, washer based	1	
38	95701-10500	NUT, flange	1	
39	90201-10669	WASHER, plate	1	
40	90214-10047	WASHER, claw	2	
41	90109-103A9	BOLT	2	
42	90206-17084	WASHER, wave	2	
43	90110-08066	BOLT, hexagon socket head	4	

E11

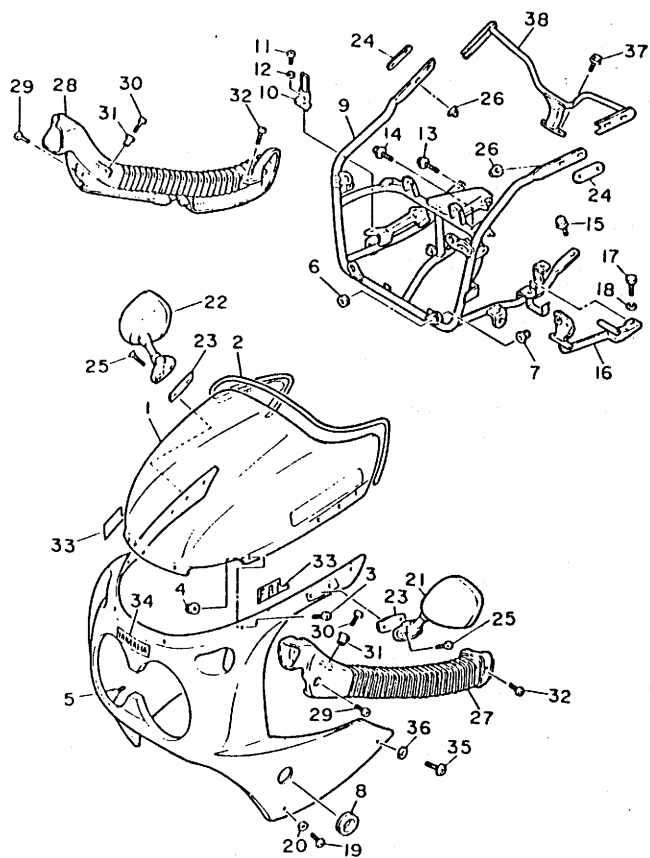
FIG. 37 REAR MASTER CYLINDER



2GH300-7370

REF. NO.	PART NO.	DESCRIPTION	Q'TY	REMARKS
1	2GH-27211-00	PEDAL, brake	1	
2	1KT-27813-00	PIN, pedal crank	1	
3	95601-08100	NUT, u	1	
4	90508-20737	SPRING, torsion	1	
5	90446-17267	HOSE	1	
6	2GH-25850-50	MASTER CYLINDER ASSY	1	
7	2GH-W0042-50	.CYLINDER KIT, master	1	
8	93210-15620	.O-RING	1	
9	98506-04012	.SCREW, pan head	1	
10	92906-04100	.WASHER, spring	1	
11	92906-04600	.WASHER, plate	1	
12	92016-08030	SCREW	2	
13	31A-27222-00	JOINT	1	
14	95303-08700	NUT	1	
15	90240-08013	PIN, clevis	1	
16	90201-08083	WASHER, plate	1	
17	91401-20015	PIN, cotter	1	
18	31A-25894-01	TANK, reservoir	1	
19	360-25854-00	DIAPHRAGM, reservoir	1	
20	2GU-25855-00	BUSH, diaphragm	1	
21	2GU-25852-50	CAP, reservoir	1	
22	90159-06085	SCREW, with washer	1	
23	2GH-25895-00	HOSE, reservoir	1	
24	90467-14057	CLIP	2	
25	2YJ-25872-00	HOSE, brake 1	1	
26	90401-10096	BOLT, union	2	
27	90201-10118	WASHER, plate	4	

FIG. 38 COWLING 1

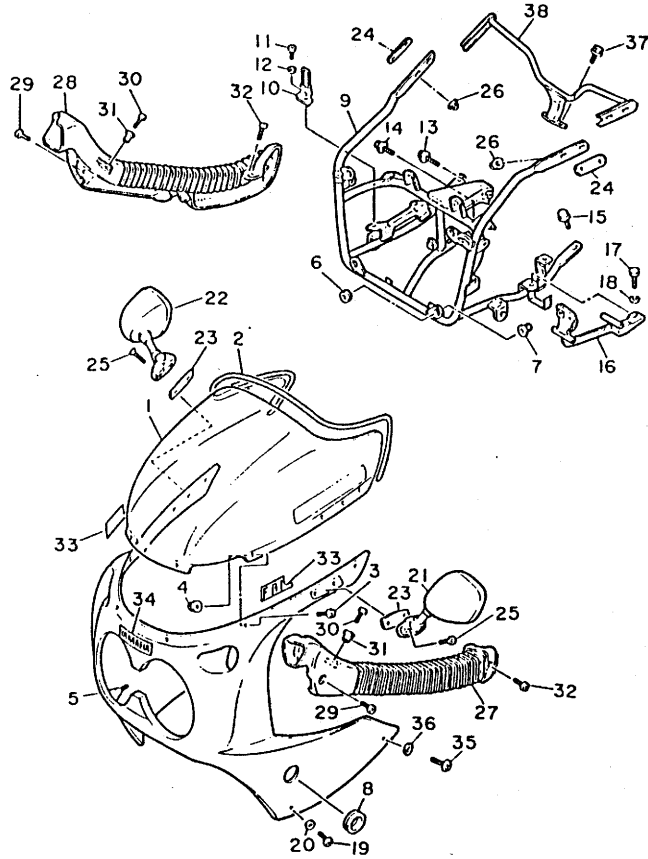


REF. NO.	PART NO.	DESCRIPTION	Q'TY	REMARKS
1	2GH-28381-00	WINDSHIELD	1	
2	36Y-28348-00	MOLE 4	1	
3	90150-05020	SCREW, round head	6	
4	95706-05500	NUT, flange	6	
5	2GH-2835G-00-GE	BODY, front upper 1	1	SILKY WHITE
6	90480-14229	GROMMET	4	
7	90179-06500	NUT	4	
8	90480-35394	GROMMET	2	
9	2GH-28356-00	STAY 1	1	
10	2GH-2834V-00	PROTECTOR 1	1	
11	92506-06012	SCREW, pan head	1	
12	92906-06600	WASHER, plate	1	
13	95026-08040	BOLT, flange	1	
14	95026-08025	BOLT, flange	1	
15	95826-06012	BOLT, flange	2	
16	2GH-21238-00	BRACKET	1	
17	97006-06012	BOLT	2	
18	92906-06100	WASHER, spring	2	
19	90110-05079	BOLT, hexagon socket head	2	
20	90202-05180	WASHER, plate	2	
21	2GH-26280-00	REAR VIEW MIRROR ASS'Y(LEFT)	1	
22	2GH-26290-00	REAR VIEW MIRROR ASS'Y(RIGHT)	1	
23	1AE-26298-00	PLATE, mirror fitting 1	2	
24	1AE-26299-00	PLATE, mirror fitting 2	2	
25	92706-06030	SCREW, flat head	4	
26	90176-06047	NUT, crown	4	
27	2GH-2838N-00	DUCT 1	1	
28	2GH-2838R-00	DUCT 2	1	



3CU1332-8380

FIG. 38 COWLING 1

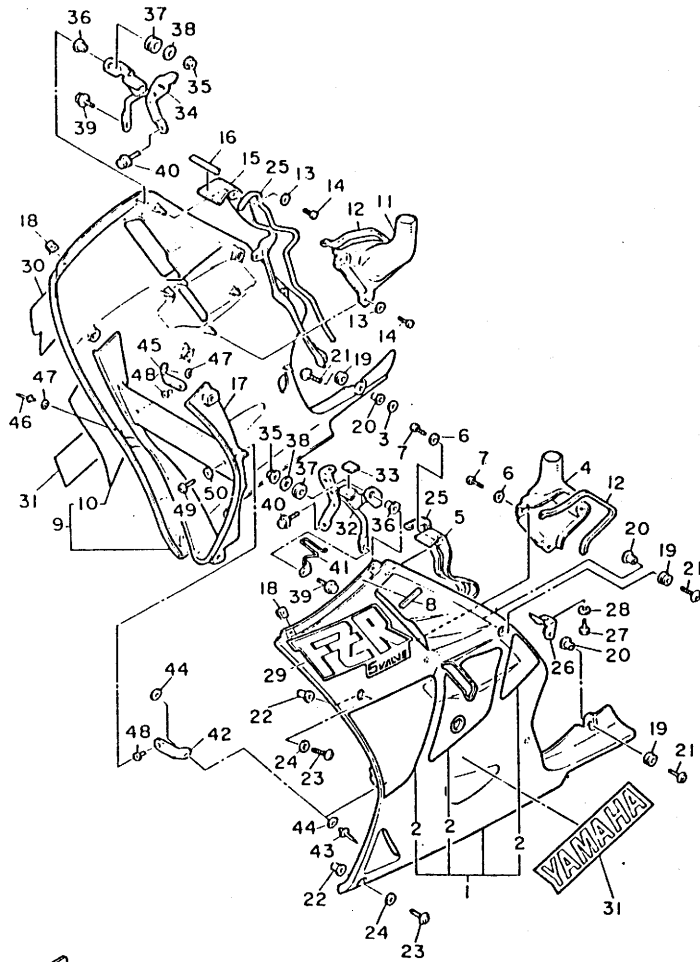


REF. NO.	PART NO.	DESCRIPTION	Q'TY	REMARKS
29	90154-06046	SCREW, binding	2	
30	90149-06184	SCREW	2	
31	90387-060A7	COLLAR	2	
32	90154-06043	SCREW, binding	4	
33	2KR-28368-00	EMBLEM, F.A.I	2	
34	99233-00025	EMBLEM, yamaha	1	
35	90149-06243	SCREW	2	
36	90202-07015	WASHER, plate	2	
37	95023-06012	BOLT, flange	2	
38	2YJ-2831W-00	STAY, mirror 1	1	



3CU1332-8380

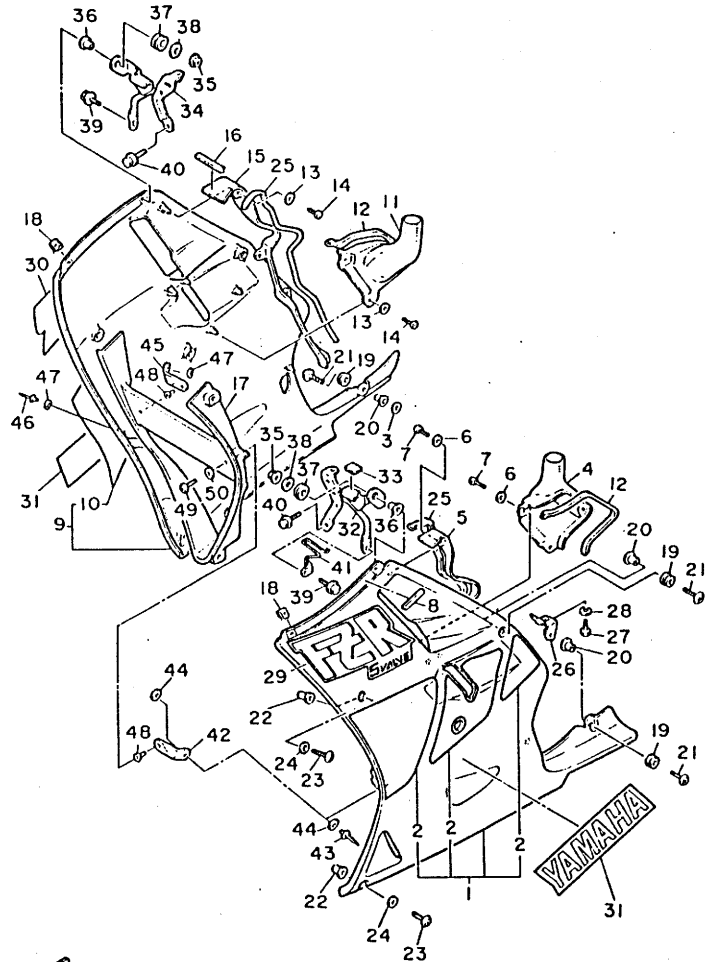
FIG. 39 COWLING 2



3CU1332-8390

REF. NO.	PART NO.	DESCRIPTION	Q'TY	REMARKS
1	2YJ-W283E-00-GE	BODY, front lower 1	1	SILKY WHITE
2	2YJ-2836V-00	.GRAPHIC SET 3, cowling	1	
3	90201-062J7	WASHER, plate	1	
4	2GH-2838T-00	DUCT 3	1	
5	2GH-28396-00	PLATE 1	1	
6	92906-05200	WASHER, plain	6	
7	97706-50614	SCREW, tapping	6	
8	1JK-21652-00	PROTECTOR	1	
9	2YJ-W283F-00-GE	BODY, front lower 2	1	SILKY WHITE
10	2YJ-2836W-00	.GRAPHIC SET 4, cowling	1	
11	2GH-2838U-00	DUCT 4	1	
12	2GH-28347-00	MOLE 3	2	
13	92906-05200	WASHER, plain	6	
14	97706-50614	SCREW, tapping	6	
15	2GH-28397-00	PLATE 2	1	
16	2GH-28345-00	MOLE 1	1	
17	2GH-2836K-00-GE	PANEL, inner 1	1	SILKY WHITE
18	90183-05024	NUT, spring	2	
19	90480-13398	GROMMET	6	
20	90387-067N5	COLLAR	6	
21	90110-06083	BOLT, hexagon socket head	6	
22	90179-05271	NUT	4	
23	90149-05244	SCREW	4	
24	90202-05180	WASHER, plate	4	
25	2GH-28346-00	MOLE 2	2	
26	2GH-2836F-00	BRACKET 3	1	
27	97021-06010	BOLT	1	
28	92990-06100	WASHER, spring	1	

FIG. 39 COWLING 2

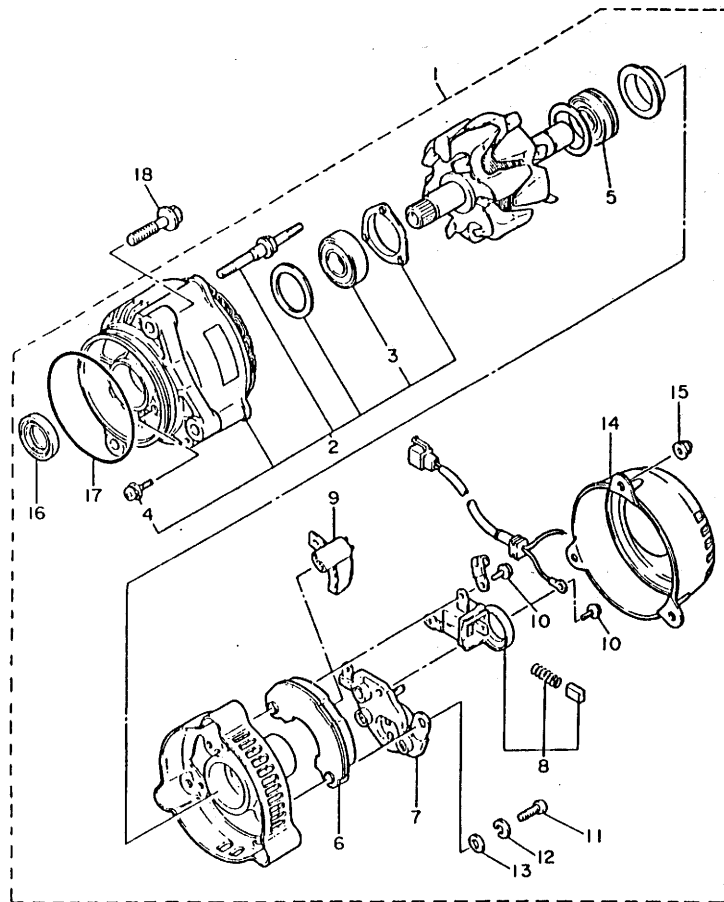


REF. NO.	PART NO.	DESCRIPTION	Q'TY	REMARKS
29	2YJ-28328-00	EMBLEM, FZR 5VALVE	1	
30	2YJ-28368-00	EMBLEM, FZR 5VALVE	1	
31	99233-00070	EMBLEM, yamaha	2	
32	2GH-28321-01	STAY, leg shield (LEFT)	1	
33	2H7-21628-00	DAMPER, mud guard	1	
34	2GH-28322-00	STAY, leg shield	1	
35	95706-06500	NUT, flange	2	
36	90387-071E0	COLLAR	2	
37	90480-14323	GROMMET	2	
38	90201-06059	WASHER, plate	2	
39	95806-06016	BOLT, flange	2	
40	95026-06012	BOLT, flange	2	
41	2GH-21362-00	HOLDER, high tension cord	1	
42	2GH-2833F-00	BRACKET 9	1	
43	90267-40029	RIVET, blind	1	
44	90201-047A2	WASHER, plate	2	
45	2GH-2833G-00	BRACKET 10	1	
46	90267-40029	RIVET, blind	1	
47	90201-047A2	WASHER, plate	2	
48	90179-05523	NUT	2	
49	90149-05224	SCREW	2	
50	90202-05180	WASHER, plate	2	



3CU1332-8390

FIG. 40 GENERATOR

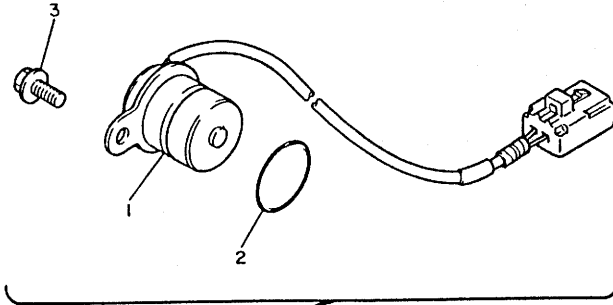


REF. NO.	PART NO.	DESCRIPTION	Q'TY	REMARKS
1	2GH-81600-51	A.C. GENERATOR ASSY	1	
2	2KT-81634-50	.STATOR ASSY	1	
3	36Y-81643-30	..BEARING	1	
4	2KT-81645-50	..SCREW	3	
5	36Y-81643-50	.BEARING	1	
6	36Y-81970-50	.RECTIFIER ASSY	1	
7	36Y-81910-50	.VOLTAGE REGULATOR ASSY	1	
8	2KT-81619-50	.BRUSH HOLDER ASSY	1	
9	36Y-81972-50	.COVER, rectifier	1	
10	36Y-81645-30	.SCREW	2	
11	98501-05018	.SCREW, pan head	3	
12	92901-05100	.WASHER, SPRING	3	
13	92901-05600	.WASHER, plate	3	
14	2GH-81604-50	.COVER ASSY	1	
15	2KT-81675-50	.NUT	3	
16	36Y-81638-50	.OIL SEAL	1	
17	2KT-81642-50	.O-RING	1	
18	95816-08030	BOLT, flange	3	

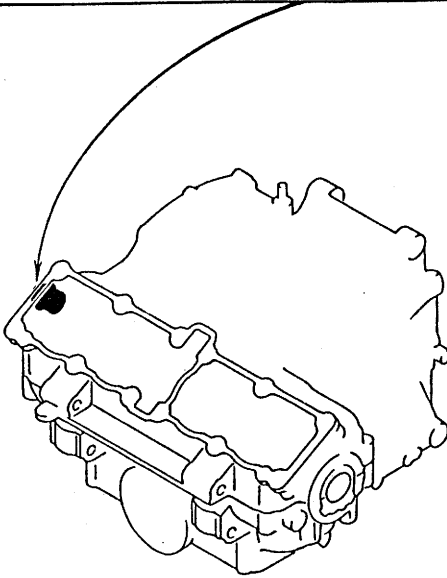


2GH300-7390

FIG. 41 PICK UP COIL • GOVERNOR

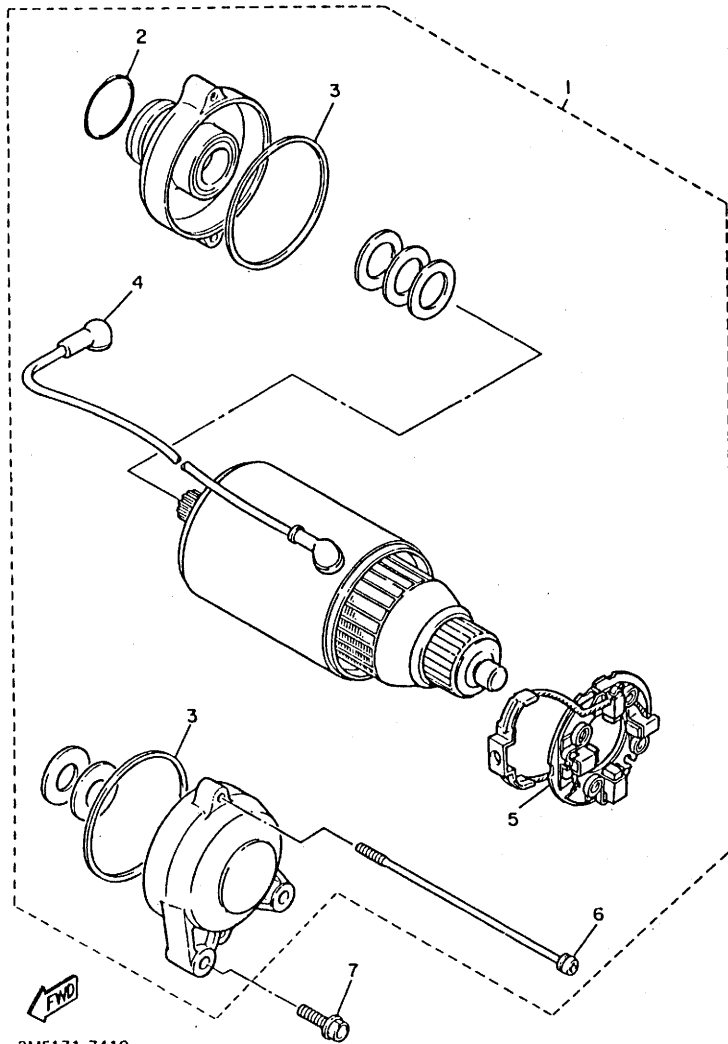


REF. NO.	PART NO.	DESCRIPTION	Q'TY	REMARKS
1	2GH-81670-11	PICK-UP ASSY	1	
2	93210-19216	O-RING	1	
3	95026-06012	BOLT, flange	1	



2GH300-7400

FIG. 42 STARTING MOTOR



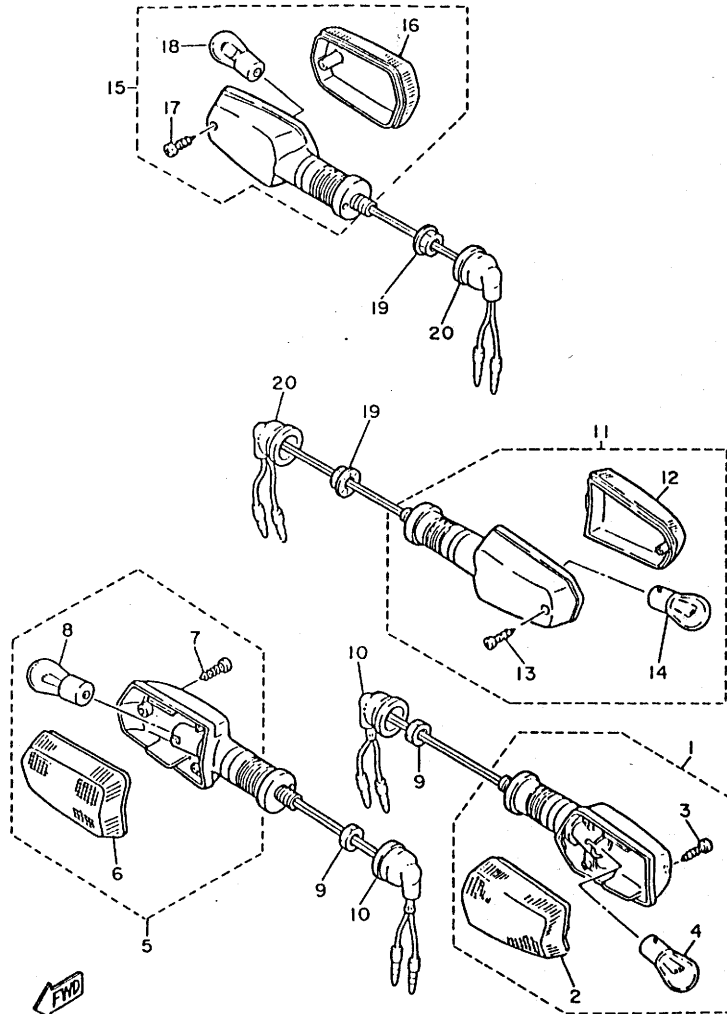
FWD

2MF171-7410

REF. NO.	PART NO.	DESCRIPTION	Q'TY	REMARKS
1	2KT-81800-60	STARTING MOTOR ASSY	1	
2	26H-81847-00	.O-RING	1	
3	4G0-81844-00	.GASKET	2	
4	1AE-81815-00	.CORD, starter motor	1	
5	1AE-81840-00	.BRUSH HOLDER ASSY	1	
6	1AE-81826-00	.BOLT	2	
7	95816-06025	BOLT, flange	2	

F5

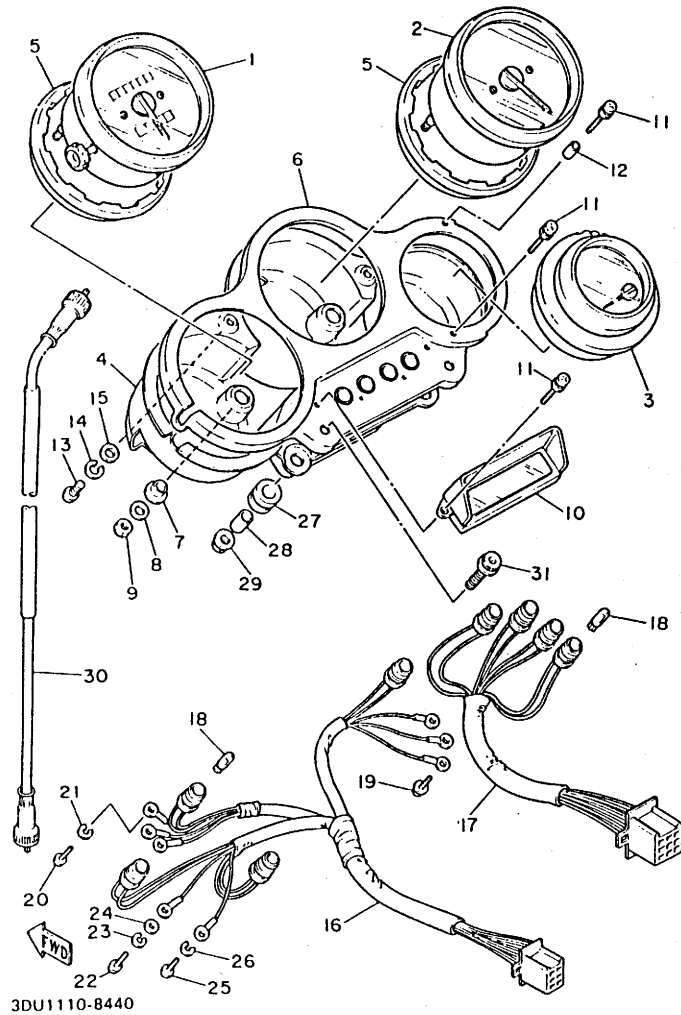
FIG. 43 FLASHER LIGHT



2GH300-7420

REF. NO.	PART NO.	DESCRIPTION	Q'TY	REMARKS
1	1VU-83310-00	FRONT FLASHER LIGHT ASSY 1	1	
2	51L-83332-01	.LENS, flasher	1	
3	97706-40620	.SCREW, tapping	1	
4	306-83311-40	.BULB, flasher (12V-21W)	1	
5	1VU-83320-00	FRONT FLASHER LIGHT ASSY 2	1	
6	51L-83342-01	.LENS, flasher 2	1	
7	97706-40620	.SCREW, tapping	1	
8	306-83311-40	.BULB, flasher (12V-21W)	1	
9	95306-12600	NUT	2	
10	18G-83365-00	CAP	2	
11	51J-83330-00	REAR FLASHER LIGHT ASSY 1	1	
12	1VU-83332-00	.LENS, flasher	1	
13	97706-40620	.SCREW, tapping	1	
14	306-83311-40	.BULB, flasher (12V-21W)	1	
15	51J-83340-00	REAR FLASHER LIGHT ASSY 2	1	
16	1VU-83342-00	.LENS, flasher 2	1	
17	97706-40620	.SCREW, tapping	1	
18	306-83311-40	.BULB, flasher (12V-21W)	1	
19	95706-12500	NUT, flange	2	
20	18G-83365-00	CAP	2	

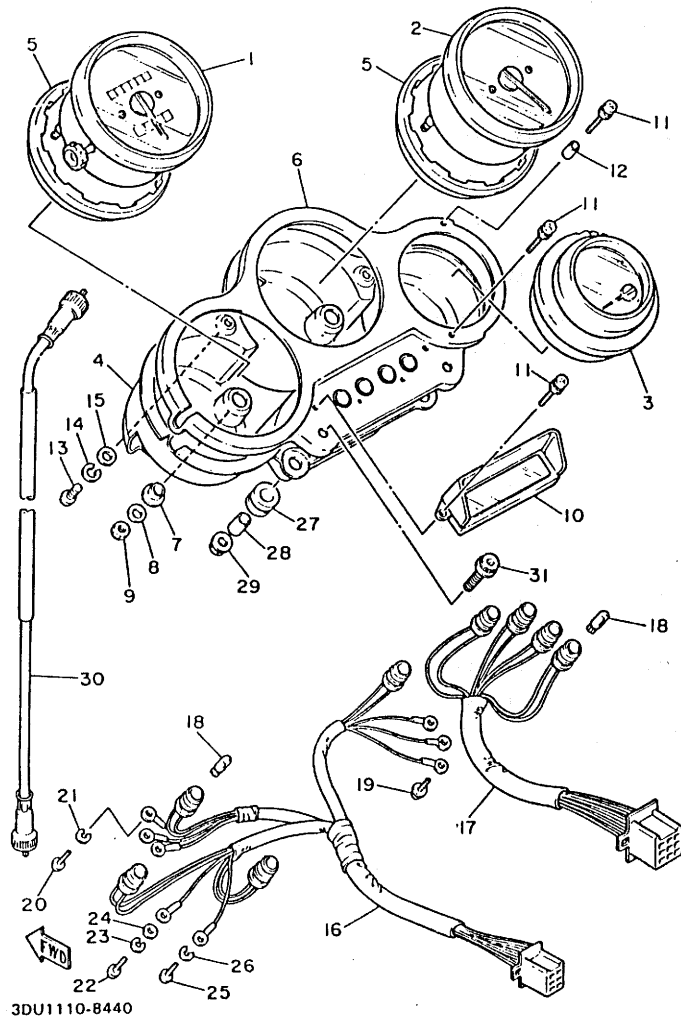
FIG. 44 METER



REF. NO.	PART NO.	DESCRIPTION	Q'TY	REMARKS
1	2GH-83570-F1	SPEEDOMETER ASSY	1	
2	2NK-83540-00	TACHOMETER ASSY	1	
3	2GH-83590-00	WATER TEMPERATURE ASSY	1	
4	2GH-83579-00	COVER, meter 2	1	
5	1AE-83513-00	DAMPER	2	
6	2GH-83611-00	PANEL, meter	1	
7	584-83523-00	DAMPER	4	
8	90201-052E2	WASHER, plate	4	
9	95306-05600	NUT	4	
10	2GH-83612-00	COVER, meter panel	1	
11	2GH-83546-00	BOLT	4	
12	1AR-83522-00	COLLAR	1	
13	98506-04008	SCREW, pan head	3	
14	92906-04100	WASHER, spring	3	
15	92906-04600	WASHER, plate	3	
16	2GH-83509-01	SOCKET CORD ASSY	1	
17	1AR-83520-00	SOCKET CORD ASSY	1	
18	4G1-84744-00	BULB (12V 3.4W)	8	
19	90159-03102	SCREW, with washer	3	
20	98501-03010	SCREW, pan head	3	
21	92990-03100	WASHER, spring	3	
22	98580-04010	SCREW, pan head	2	
23	92902-04100	WASHER, spring	2	
24	92901-04600	WASHER, plate	2	
25	98501-03012	SCREW, pan head	1	
26	92990-03100	WASHER, spring	1	
27	90480-14182	GROMMET	2	
28	90387-066H4	COLLAR	2	

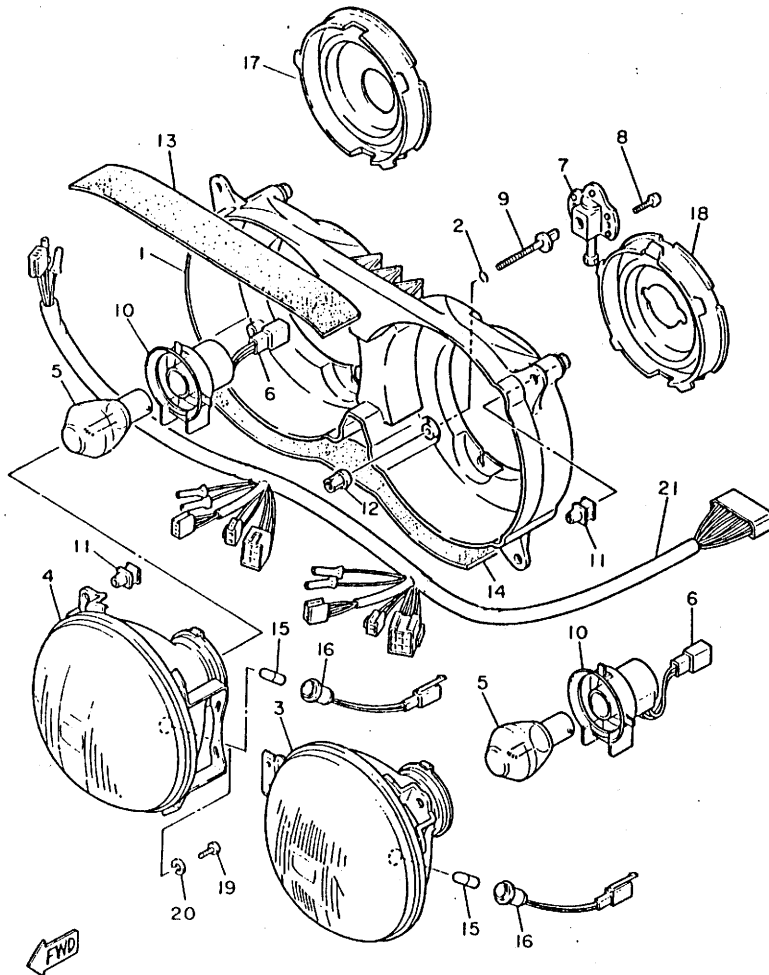
FIG. 44 METER

REF. NO.	PART NO.	DESCRIPTION	Q'TY	REMARKS
29	95316-06600	NUT	2	
30	2GH-83550-00	SPEEDOMETER CABLE ASSY	1	
31	90109-064E7	BOLT	2	



3DU1110-8440

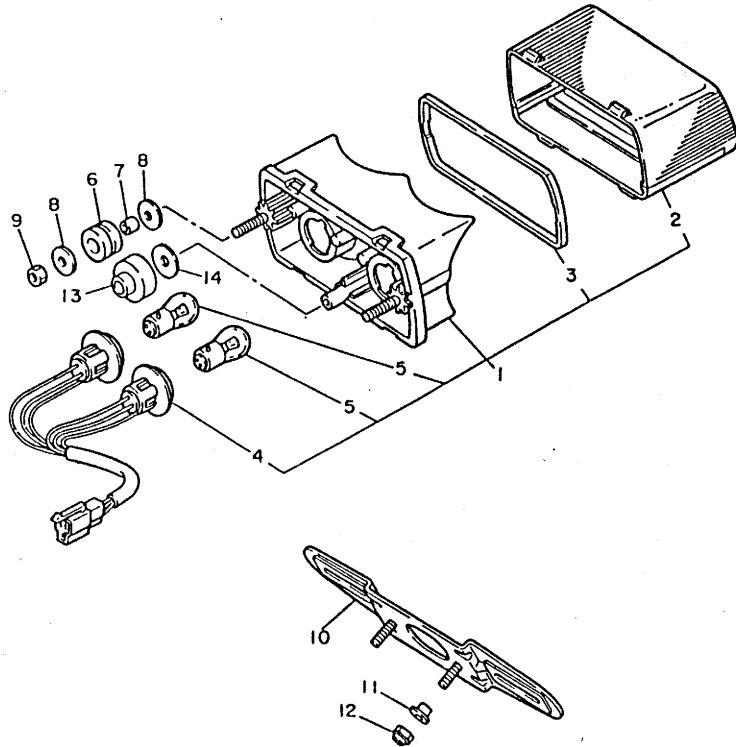
FIG. 45 HEADLIGHT



2711300 8459

REF. NO.	PART NO.	DESCRIPTION	Q'TY	REMARKS
1	2GH-84330-00	BODY ASSY	1	
2	93210-06632	O-RING	1	
3	2GH-84320-00	LENS ASSY	1	
4	2GH-8432A-00	LENS ASSY	1	
5	1FH-84344-00	BULB, headlight (12V-35/35W)	2	LM
6	14A-84112-40	SOCKET	2	
7	46X-8430M-00	GEAR UNIT ASSY	1	
8	97706-40616	SCREW, tapping	2	
9	2AX-84331-00	SCREW, rim adjusting	1	
10	3Y3-84197-00	COVER, socket	2	
11	51L-8431U-00	HOLDER	2	
12	51L-84334-00	NUT, adjusting	1	
13	2GH-84396-00	COVER	1	
14	2GH-84396-10	COVER	1	
15	*	BULB (12V-3W)	2	LM
16	2LA-84312-00	SOCKET	2	
17	2LA-84397-00	COVER, socket	1	
18	2LA-84397-10	COVER, socket	1	
19	98501-04008	SCREW, pan head	2	
20	92902-04100	WASHER, spring	2	
21	2GH-84359-00	CORD, headlight	1	

FIG. 46 TAILLIGHT



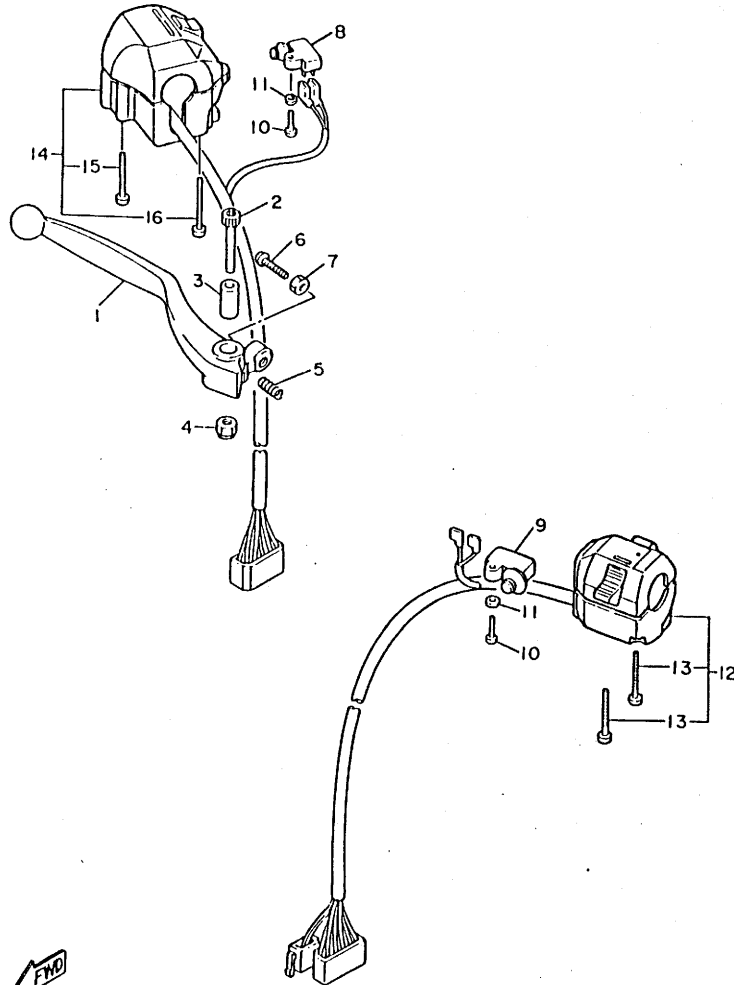
REF. NO.	PART NO.	DESCRIPTION	Q'TY	REMARKS
1	47X-84710-E0	TAILLIGHT UNIT ASSY	1	
2	47X-84721-00	.LENS, taillight	1	
3	47X-84723-00	.GASKET, tail lens	1	
4	47X-84735-00	.CORD ASSY	1	
5	31L-84714-00	.BULB, taillight (12V-21/5W)	2	
6	90480-18276	GROMMET	2	
7	90387-060A7	.COLLAR	2	
8	90201-063J2	WASHER, plate	4	
9	95303-06600	NUT	2	
10	1KH-84751-00-90	BRACKET, licence	1	
11	90387-061M0	COLLAR	2	
12	95616-06100	NUT, u	2	
13	90480-15259	GROMMET	1	
14	92906-10200	WASHER	1	



2GH300-7450

F10

FIG. 47 HANDLE SWITCH • LEVER

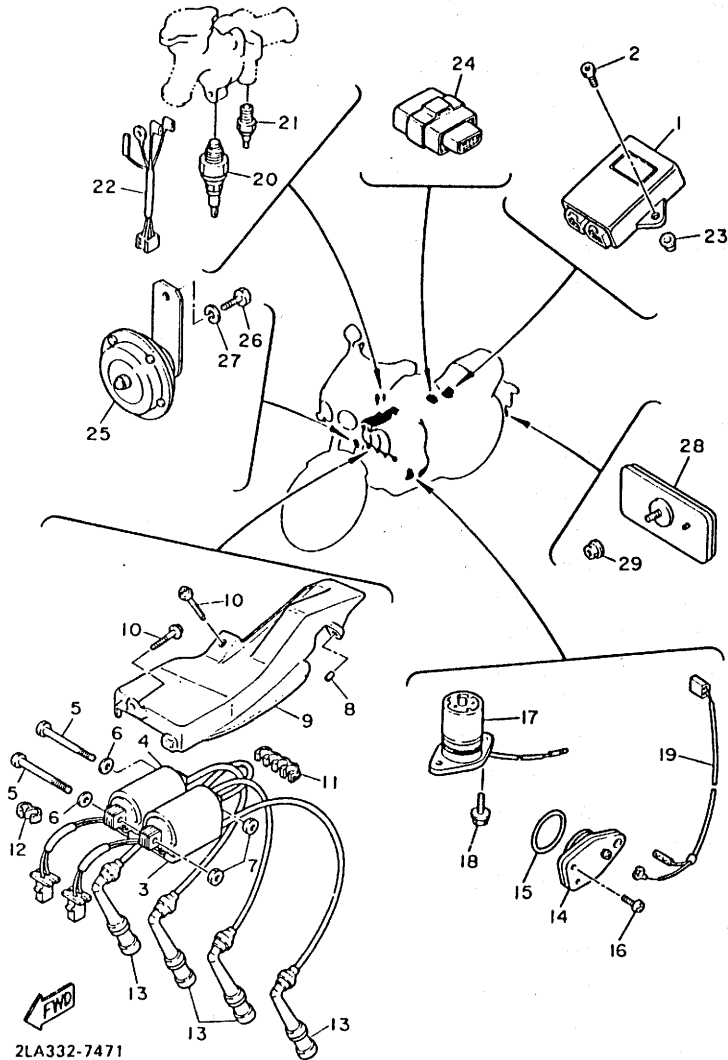


REF. NO.	PART NO.	DESCRIPTION	Q'TY	REMARKS
1	36Y-83922-00	LEVER 2	1	
2	90110-06074	BOLT, hexagon socket head	1	
3	36Y-83913-00	COLLAR, lever 1	1	
4	95616-06100	NUT, u	1	
5	90501-10312	SPRING, compression	1	
6	90149-06153	SCREW	1	
7	90170-06010	NUT	1	
8	36Y-83980-01	FRONT STOP SWITCH ASSY	1	
9	36Y-82917-00	SWITCH	1	
10	98506-04018	SCREW, pan head	2	
11	92906-04600	WASHER, plate	2	
12	2EN-83972-00	SWITCH, handle 4	1	
13	98501-05035	SCREW, pan head	2	
14	2GH-83963-00	SWITCH, handle 3 (RIGHT)	1	
15	98506-05040	SCREW, pan head	1	
16	98506-05045	SCREW, pan head	1	



2GH300-7460

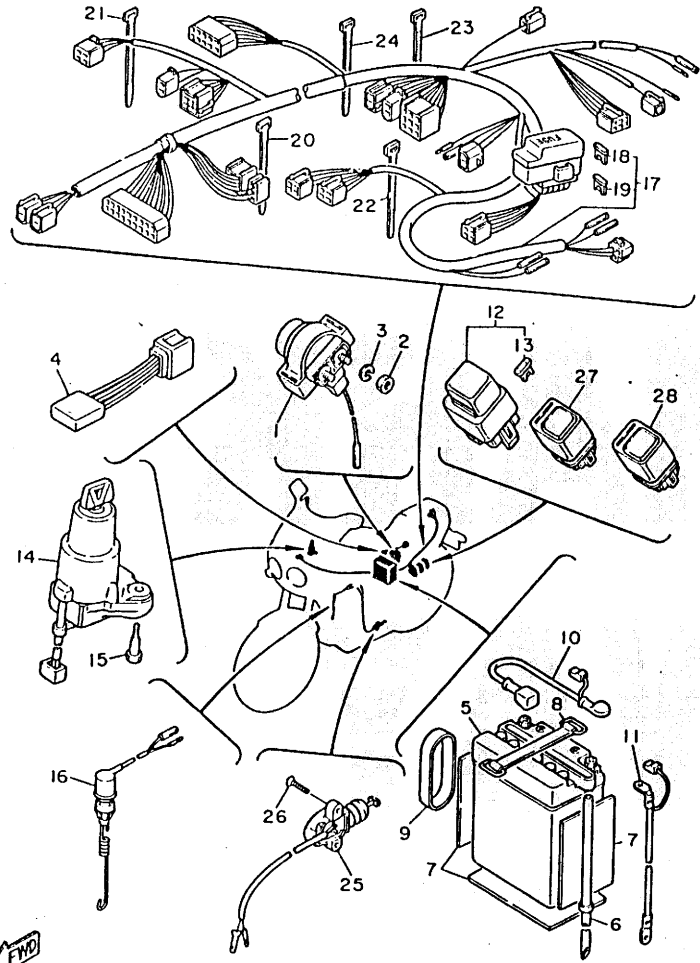
FIG. 48 ELECTRICAL 1



REF. NO.	PART NO.	DESCRIPTION	Q'TY	REMARKS
29	95701-05500	NUT, flange	1	

F13

FIG. 49 ELECTRICAL 2



3FE1362-8490

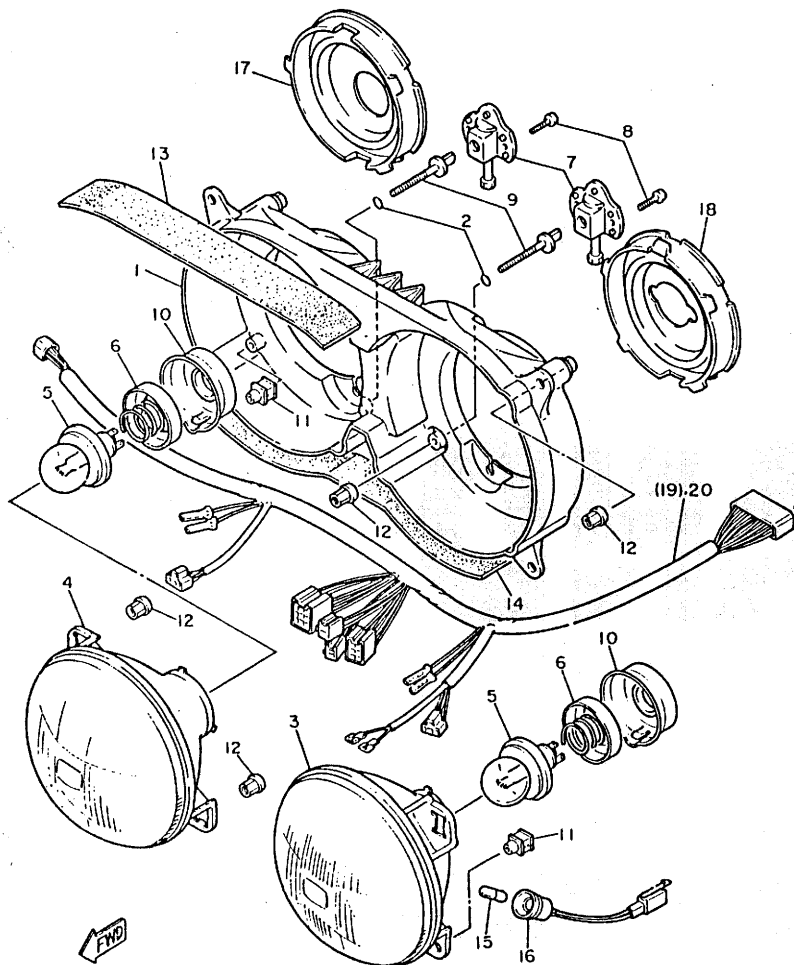
REF. NO.	PART NO.	DESCRIPTION	Q'TY	REMARKS
1	42X-81940-00	STARTER SWITCH ASSY	1	
2	95303-06700	NUT	2	
3	92990-06100	WASHER, spring	2	
4	4U8-81980-M0	DIODE	1	FOR SIDE STAND SAFETY DEVISE YAMAHA
5	447-82110-78	BATTERY ASSY (FB14L-A2)	1	
6	90445-083A4	HOSE	1	
7	5G3-82121-00	PAD, battery	3	
8	2T4-82131-00	BAND, battery	1	
9	165-82124-00	BAND, battery	1	
10	2GH-82115-00	WIRE, plus lead	1	
11	2GH-82116-00	WIRE, minus lead	1	
12	1AE-82150-00	FUSE HOLDER ASSY	1	
13	1AE-82151-00	.FUSE (12V 30A)	2	
14	2GH-82501-01	MAIN SWITCH STEERING LOCK	1	
15	90109-06614	BOLT	2	
16	2GH-82530-00	STOP SWITCH ASSY	1	
17	2LA-82590-00	WIRE HARNESS ASSY	1	
18	2GH-82151-00	.FUSE(20A)	2	
19	42X-82151-00	.FUSE(10A)	4	
20	437-83936-00	BAND, switch cord	2	
21	437-83936-10	BAND, switch cord	1	
22	25G-83936-00	BAND, switch cord	1	
23	90464-13073	CLAMP	2	
24	5Y9-12491-00	CLAMP 1	2	
25	2KT-82566-00	SWITCH, side stand	1	
26	90152-05016	SCREW, countersunk	2	
27	25G-81950-01	RELAY ASSY	1	
28	4U8-81950-02	RELAY ASSY	1	FOR SIDE STAND

FOR DENMARK NORWAY

The following pages provides a listing of only the parts that meet the specifications peculiar to your market. For those parts not appearing in these pages, refer to the "GENERAL SPEC" section.

FIG. 50 ALTERNATE (HEADLIGHT)

REF. NO.	PART NO.	DESCRIPTION	Q'TY	REMARKS
1	2LJ-84330-A0	BODY ASSY	1	
2	93210-06632	O-RING	2	
3	2GH-84320-10	LENS ASSY	1	
4	2GH-8432A-10	LENS ASSY	1	
5	*	BULB, head light (12V45/40W)	2	LM
6	341-84393-40	HOLDER, bulb	2	
7	46X-8430M-00	GEAR UNIT ASSY	2	
8	97706-40616	SCREW, tapping	4	
9	2AX-84331-00	SCREW, rim adjusting	2	
10	46X-84396-00	COVER	2	
11	51L-8431U-00	HOLDER	2	
12	51L-84334-00	NUT, adjusting	4	
13	2GH-84396-00	COVER	1	
14	2GH-84396-10	COVER	1	
15	4E2-84347-00	BULB (12V 4W)	1	
16	2HW-84312-00	SOCKET	1	
17	2LA-84397-00	COVER, socket	1	
18	2LA-84397-10	COVER, socket	1	
19	2GH-84359-00	CORD, headlight	*	
20	2RG-84359-00	CORD, headlight	1	



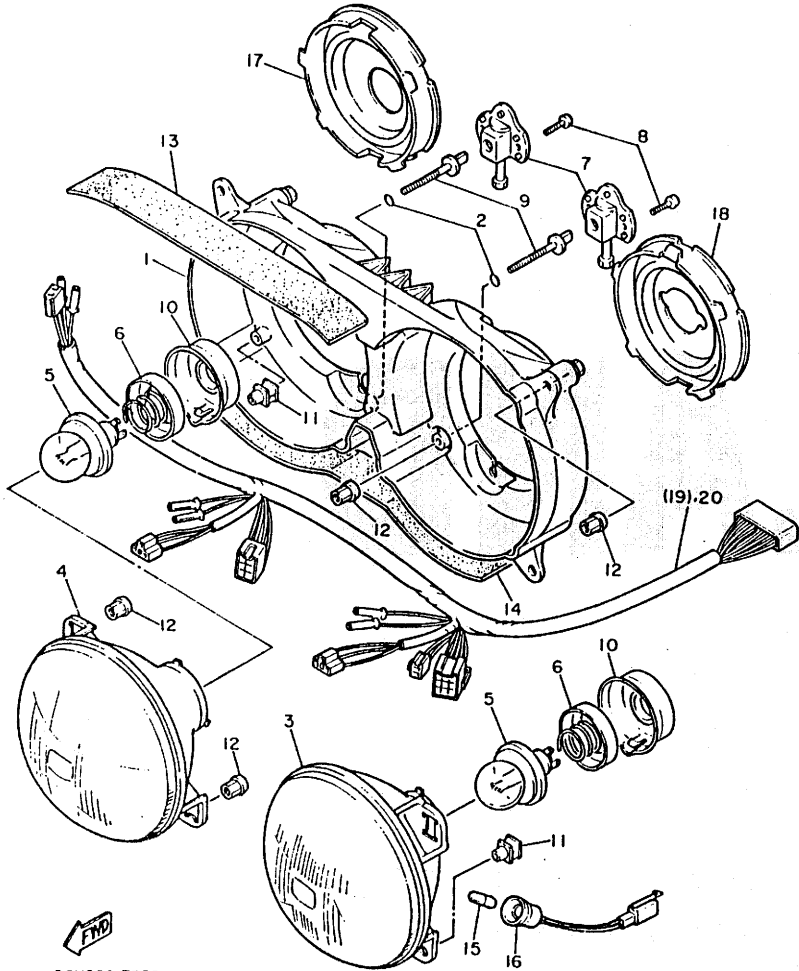
2GH300-7500

FOR FINLAND

The following pages provides a listing of only the parts that meet the specifications peculiar to your market. For those parts not appearing in these pages, refer to the "GENERAL SPEC" section.

FIG. 51 ALTERNATE (HEADLIGHT)

REF. NO.	PART NO.	DESCRIPTION	Q'TY	REMARKS
1	2LJ-84330-A0	BODY ASSY	1	
2	93210-06632	O-RING	2	
3	2GH-84320-10	LENS ASSY	1	
4	2GH-8432A-30	LENS ASSY	1	
5	*	BULB, head light (12V45/40W)	2	LM
6	341-84393-40	HOLDER, bulb	2	
7	46X-8430M-00	GEAR UNIT ASSY	2	
8	97706-40616	SCREW, tapping	4	
9	2AX-84331-00	SCREW, rim adjusting	2	
10	46X-84396-00	COVER	2	
11	51L-8431U-00	HOLDER	2	
12	51L-84334-00	NUT, adjusting	4	
13	2GH-84396-00	COVER	1	
14	2GH-84396-10	COVER	1	
15	4E2-84347-00	BULB (12V 4W)	1	
16	2HW-84312-00	SOCKET	1	
17	2LA-84397-00	COVER, socket	1	
18	2LA-84397-10	COVER, socket	1	
19	2GH-84359-00	CORD, headlight	*	
20	2GH-84359-10	CORD, headlight	1	

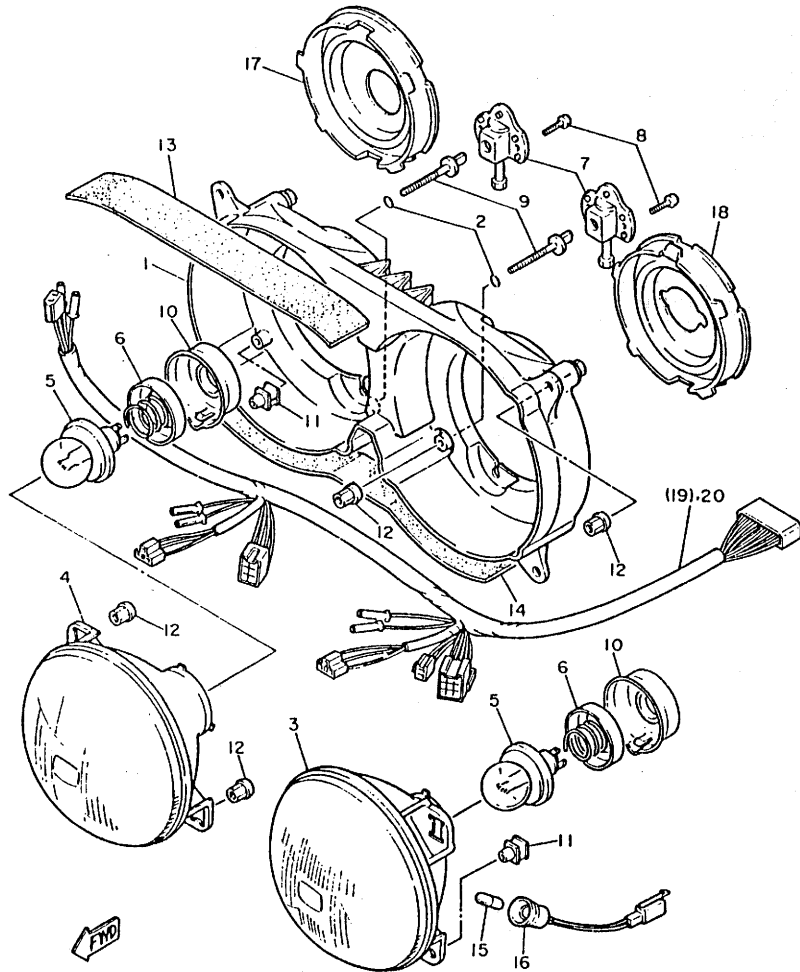


2GH300-7520

FOR HOLLAND

The following pages provides a listing of only the parts that meet the specifications peculiar to your market. For those parts not appearing in these pages, refer to the "GENERAL SPEC" section.

FIG. 52 ALTERNATE (HEADLIGHT)



2GH300-7520

REF. NO.	PART NO.	DESCRIPTION	Q'TY	REMARKS
1	2LJ-84330-A0	BODY ASSY	1	
2	93210-06632	O-RING	2	
3	2GH-84320-10	LENS ASSY	1	
4	2GH-8432A-20	LENS ASSY	1	
5	*	BULB, head light (12V45/40W)	2	LM
6	341-84393-40	HOLDER, bulb	2	
7	46X-8430M-00	GEAR UNIT ASSY	2	
8	97706-40616	SCREW, tapping	4	
9	2AX-84331-00	SCREW, rim adjusting	2	
10	46X-84396-00	COVER	2	
11	51L-8431U-00	HOLDER	2	
12	51L-84334-00	NUT, adjusting	4	
13	2GH-84396-00	COVER	1	
14	2GH-84396-10	COVER	1	
15	4E2-84347-00	BULB (12V 4W)	1	
16	2HW-84312-00	SOCKET	1	
17	2LA-84397-00	COVER, socket	1	
18	2LA-84397-10	COVER, socket	1	
19	2GH-84359-00	CORD, headlight	*	
20	2GH-84359-10	CORD, headlight	1	

INDEX

(GENERAL SPEC.)

NUMERICAL INDEX

PART NO.	REF. NO.	PART NO.	REF. NO.
36Y-W0041-00	E - 8	2KT-11633-01	B - 4
2GH-W0042-50	E -12	2MG-11636-00	B - 4
2GH-W0045-00	E - 3	2MG-11638-00	B - 4
26H-W0045-10	E - 6	2NK-11650-00	B - 4
1NL-W0047-00	E - 3	12R-11654-00	B - 4
31A-W0047-00	E - 6	1AE-11656-00	B - 4
1J3-W0048-00	E - 3	1AE-11656-10	B - 4
	E - 6	1AE-11656-20	B - 4
36Y-W0048-00	C - 9	1AE-11656-30	B - 4
1NL-W0057-00	E - 3	2NK-12111-00	B - 5
31A-W0057-00	E - 6	2NK-12112-00	B - 5
W0098-00	C - 9	2NK-12113-00	B - 5
W0099-00	E - 9	1AA-12114-00	B - 5
1WG-W1212-00	B - 7	2GH-12116-00	B - 5
2NK-W1741-00	C-11	1AA-12117-00	B - 5
1AE-W1742-00	C-11	1AA-12118-00	B - 5
2GH-W2161-00	D - 3	33M-12119-00	B - 5
2YJ-W283E-00-GE	E-15	1AA-12121-01	B - 5
2YJ-W283F-00-GE	E-15	2NK-12153-02	B - 6
2YJ-Y2165-00-GE	D - 3	2NK-12153-09	B - 6
2YJ-Y2171-00-GE	D - 5	1AA-12168-A0	B - 5
2YJ-Y2172-00-GE	D - 5	1AA-12168-F0	B - 5
2YJ-Y2479-00-GE	D-15	1AA-12168-H0	B - 5
2KT-11102-00	B - 2	1AA-12168-K0	B - 5
2GH-1111G-00	B - 2	1AA-12168-M0	B - 5
1AA-11133-10	B - 2	1AA-12168-R0	B - 5
1AA-11134-10	B - 2	1AA-12168-U0	B - 5
1AA-1115A-01	B - 2	1AA-12168-W0	B - 5
1AE-11166-00	C - 5	1AA-12168-Y0	B - 5
2KT-11181-01	B - 3	1AA-12168-00	B - 5
2GH-11182-00	B - 2	1AA-12168-20	B - 5
1TV-11191-00	B - 2	1AA-12168-40	B - 5
1AA-11193-00	B - 2	1AA-12168-60	B - 5
214-11198-01	B-13	1AA-12168-80	B - 5
1AE-11310-01	B - 3	1AA-12169-E0	B - 6
1AA-11351-00	B - 3	1AA-12169-G0	B - 6
2NK-11411-00	B - 4	1AA-12169-J0	B - 6
2GH-11416-00	B - 4	1AA-12169-L0	B - 6
2GH-11416-10	B - 4	1AA-12169-N0	B - 6
2GH-11416-20	B - 4	1AA-12169-00	B - 6
2GH-11416-30	B - 4	1AA-12169-10	B - 5
2GH-11416-40	B - 4	1AA-12169-30	B - 5
W11456-00	C - 8	1AA-12169-50	B - 5
W11474-00	C - 8	1AA-12169-70	B - 5
2KT-11610-00	B - 4	1AA-12169-90	B - 5
2KT-11610-20	B - 4	1AE-12171-00	B - 7
2KT-11610-40	B - 4	4G0-12176-01	B - 7
2MG-11631-00	B - 4	1UF-12181-00	B - 7

NUMERICAL INDEX

PART NO.	REF. NO.	PART NO.	REF. NO.	PART NO.	REF. NO.	PART NO.	REF. NO.
11H-13455-00	B -13	2LM-14791-00	C - 4	1J7-15583-01	C - 8		
2NK-13464-00	B -12	1FN-1490J-00	C - 2	1TV-16150-01	C - 9		
2NK-13465-00	B - 7	2MG-1490J-00	C - 2	1AE-16154-00	C - 9		
2GH-13470-00	B -12	1AE-1490K-00	C - 3	4H7-16155-01	C - 8		
36Y-13490-00	B -13	1FN-1490L-00	C - 3	1AE-16164-00	C - 9		
1AE-13575-00	B -14	2YJ-14900-00	C - 2	31A-16321-00	C - 9		
2LM-13586-00	B -14	2YJ-14901-00	C - 2	4H7-16321-00	C - 9		
2LM-13596-00	B -14	2YJ-14902-00	C - 2	31A-16325-00	C - 9		
1AE-13597-00	B -14	2YJ-14903-00	C - 2	5Y1-16331-01	C - 9		
2NK-13907-00	B -14	2YJ-14904-00	C - 2	58L-16351-00	C - 9		
1AE-1410A-00	C - 2	1FN-14918-00	C - 3	1LJ-16356-00	C - 9		
1FN-1410A-00	C - 2	2LH-14933-00	C - 2	1AE-16357-00	C - 9		
2LE-14103-00	C - 3	1AE-14940-00	C - 2	2GH-16371-00	C - 9		
12R-14105-00	C - 3	1WG-14985-00	C - 2	1TV-16381-00	C - 9		
3CF-14107-12	C - 3	1HX-14991-00	C - 3	5Y1-16383-00	C - 9		
812-14137-00	C - 2	2GH-15100-02	C - 5	2NK-17121-00	C-11		
1AE-14141-92	C - 2	2NK-15105-00	C - 6	2NK-17131-01	C-11		
3H1-14142-15	C - 3	2GH-15123-00	B -11	2NK-17151-01	C-11		
1FN-14147-00	C - 2	1AE-15124-00	B -12	2NK-17161-01	C-11		
36Y-14147-00	C - 3	2GH-15133-00	B -12	2NK-17211-01	C-11		
137-14153-00	C - 2	4K0-15189-00	C - 5	2NK-17221-01	C-11		
353-14186-00	C - 2	1AE-15316-00	C - 7	2NK-17231-01	C-11		
12R-14191-00	F-14	2GH-15316-00	C-15	2NK-17241-01	C-11		
1AE-14197-00	C - 3	2GH-15346-00	C - 7	2NK-17251-01	C-11		
2LM-14197-00	C - 3	2H7-15361-00	C - 5	2NK-17261-01	C-11		
2NK-14197-00	C - 3	2H9-15363-00	C - 5	278-17424-01	C-12		
1AE-14227-00	C - 2	1AE-15381-00	C - 8	1AE-17460-11	C-11		
620-1423A-71	C - 2	1AE-15383-00	C - 6	1AE-18101-00	C-14		
620-14231-21-A0	C - 2	1TV-15410-00	C - 7	2GH-18110-00	C-14		
830-14231-23	C - 3	2KT-15416-00	C - 7	2GH-18112-00	C-14		
1AE-14237-00	C - 2	1TV-15417-00	C - 7	132-18113-01	C-14		
1HX-14251-00	C - 3	2GH-15421-00	C - 7	46X-18115-00	C-14		
16H-14251-00	C - 3	1AE-15427-01	C - 7	4G0-18127-00	C-14		
2LH-14261-00	C - 2	1TV-15435-00	C - 7	36Y-18140-00	C-13		
2GH-14401-00	B -14	1AE-15449-00	C - 7	2H9-18154-00	C-14		
2NK-14413-00	C - 6	1AE-15451-00	C - 7	1AE-18511-00	C-13		
2GH-14422-00	B -14	1AE-15456-00	C - 7	1AE-18512-00	C-13		
1AE-14443-00	B -14	1AE-15461-00	C - 7	1AE-18513-00	C-13		
1AE-14451-00	B -14	2GH-15463-00	C - 7	12R-18531-00	C-13		
1AE-14452-00	B -14	36Y-15467-00	C - 7	1AE-18536-00	C-13		
1AE-14453-00	B -14	4H7-15486-00	C - 7	1AE-18540-01	C-13		
31A-14477-00	D - 3	1AE-15512-00	C - 8	278-18542-00	C-13		
	F-12	1AE-15517-00	C - 8	278-18566-00	C-13		
	C - 2	36Y-15519-00	C - 8	2YJ-21110-00	C-15		
	C - 2	1AE-15521-00	C - 8	2GH-21140-00-35	C-15		
	C - 4	1AE-15522-01	C - 8	2GH-21150-00-35	C-15		
	C - 4	12R-15524-00	C - 8	2GH-2117M-00	C-15		
	C - 4	1AE-15580-01	C - 8	2GH-2117N-00	C-15		
33X-12213-00	B - 7						
2GH-12241-00	B - 7						
1AE-12251-00	B - 7						
2GH-12252-00	B - 7						
2GH-12405-00	B - 9						
1AE-12410-00	B - 9						
1AE-12417-02	B - 9						
1UF-12421-01	B - 8						
1AE-12422-01	B - 8						
11H-12438-00	B - 8						
2NK-12439-00	B - 8						
1UF-12450-00	B - 8						
2GH-1246A-00	D - 2						
2GH-1246E-00	D - 2						
2NK-12461-00	B - 9						
1AE-12462-00	B - 9						
2GH-12467-00	B - 9						
1AE-12469-01	B - 8						
1AE-12481-00	B - 8						
2GH-12482-00	B - 8						
2GH-12483-01	B - 10						
2GH-12484-00	B - 10						
5Y9-12491-00	F -14						
2GH-12576-00	B - 9						
2GH-12577-00	B - 9						
2GH-12578-00	B - 9						
2GH-12579-00	B - 9						
1AE-12590-00	B - 5						
1AE-1316E-00	B - 5						
2NK-1316F-00	B -11						
2NK-1316G-00	B -11						
1AE-13161-00	B -11						
2GH-13181-00	B -11						
2GH-13191-00	B -11						
2NK-13300-01	B -11						
2GH-13329-00	B -11						
2GH-13337-00	B -13						
36Y-13340-00	B -13						
2GH-13411-00	B -11						
2GH-13412-00	B -11						
1AE-13414-00	B - 5						
2GH-13416-00	B -13						
2GH-13417-00	B -13						
2GH-13418-00	B -13						
2GH-13431-00	B -11						
36Y-13441-00	B -13						
1AE-13447-00	B -13						
1AE-13454-00	B -12						

NUMERICAL INDEX

PART NO.	REF. NO.	PART NO.	REF. NO.
2GH-2117R-00	C-15	2NK-22253-00	D-9
2GH-2117T-00	C-15	2NK-22261-00	D-9
2GH-21190-00-35	C-15	2NK-22262-00	D-9
2GH-21238-00	E-13	2GH-22311-00	D-7
2GH-21245-00	D-5	2NK-23102-00	D-11
26H-21308-00	D-4	2NK-23103-00	D-11
2GH-21335-00	F-12	2NK-23110-00	D-11
2GH-2136A-00	D-2		
2GH-2136E-00	D-2	2NK-23111-00	D-11
2GH-21362-00	F-2		
1UF-2139U-00	C-15	4H7-23119-00	D-11
1UF-2139X-00	C-15	36Y-23125-10	D-11
1WG-21459-00	C-15		
4X7-2149Y-00	B-14	2GH-23126-00	D-11
2GH-21511-00-GE	D-3	1AE-23128-00	D-12
1A8-21518-00	D-3	1UJ-23128-00	D-12
2GH-21556-00-GE	D-3	122-23129-00	D-11
2GH-21575-00	D-3	47X-2313A-00	D-3
2GH-21576-00	D-3	2GH-23136-00	D-11
2H7-21628-00	F-2	2NK-23141-00	D-11
2GH-21629-00	D-3		
4G0-21639-00	D-4	36Y-23144-00	D-11
2KT-21649-00	D-4		
1JK-21652-00	E-15	36Y-23145-00	D-11
2YJ-21660-00	D-4	36Y-23146-10	D-11
1KH-21717-00	D-5		
2YJ-2173L-00	D-5	36Y-23147-00	D-11
2GH-21732-00	D-3		
	D-5	36Y-23149-00	D-11
	D-14		
2GH-21735-00	D-3	26H-23156-00	D-11
2YJ-2174L-00	D-5	36Y-23157-00	D-11
29N-21747-00	D-3		
5G3-21747-00	D-5	4V4-23158-L0	D-11
1KF-21816-00	D-6		
2GH-21871-00	D-5	2NK-23168-00	D-11
1AA-21874-00	D-5		
4L0-21875-00	D-5	2NK-23170-00	D-11
2YJ-22110-01	D-7		
36Y-22127-00	D-7	36Y-23171-00	D-11
36Y-22128-00	D-7		
2GH-22141-00	D-7	2GH-23173-00	D-11
2GH-22151-00	D-7		
2KT-2217A-00	D-7	4V4-23181-L0	D-11
1WG-2217M-00	D-7		
36Y-22184-00	D-7	2GH-23340-00	D-12
2NK-22210-00	D-9	2GH-23415-00	D-10
2NK-22244-00	D-9	26H-23418-01	D-10

NUMERICAL INDEX

PART NO.	REF. NO.	PART NO.	REF. NO.	PART NO.	REF. NO.	PART NO.	REF. NO.
29L-25398-00	E-4	2GH-23435-00	D-10	29L-25398-10	E-2	2GH-2622F-00	E-7
29L-25398-10	E-4	10L-23469-00	E-7			47X-26240-00	E-7
	E-4	2GH-24110-00-03	D-13			47X-26241-00	E-7
	E-2	2GH-24136-00	D-14	29L-25398-20	E-2	2GH-26246-10	E-7
	E-4	2GH-24181-00	D-13			2GH-26280-00	E-13
	E-4	2GH-24182-00	D-13	36Y-25442-20-33	E-4	2GH-26290-00	E-13
	E-6	2GH-24183-00	D-13	2YJ-2580W-00	E-6	2GH-26298-00	E-13
	E-3	3Y6-24183-00	D-13	2GH-25810-00	E-3	1AE-26299-00	E-13
	E-3	2GH-24184-00	D-13	2GH-25810-10	E-3	2GH-26311-01	E-7
	E-6	2GH-24185-00	D-14	2YJ-25819-00	E-6	2GH-26312-01	E-7
	E-6	2GH-24186-00	D-13	1FK-25827-00	E-6	2GH-26331-00	E-7
	E-6	2GH-24187-00	D-13	1FK-25828-00	E-6	5H0-26393-00	E-7
	E-3	2GH-24191-00	D-13	1KT-25830-01	E-3	3Bv-26450-00	E-9
	E-6	2GH-24312-00	D-14	2KT-25831-00	E-6	1FK-26452-01	E-9
	E-3	2GH-24313-00	D-14	1KT-25836-00	E-3	1AE-26454-00	E-9
	E-6	2GH-24366-00	D-14	51J-25836-00	E-6	26H-26455-00	E-9
	E-2	2GH-24398-00	D-14	341-25846-00	E-2	26H-26464-00	E-9
	E-12	2GH-24500-00	D-13	2GH-25850-50	E-12	1AE-26467-00	E-9
	E-8	2GH-24510-00	D-13	36Y-25850-01	E-8	2GH-26470-00	E-9
	E-12	2W6-24512-00	D-13	2GU-25852-50	E-12	2GH-27211-00	E-12
	E-8	1JK-24534-00	D-13	36Y-25852-01	E-8	31A-27222-00	E-12
	E-8	3H3-24534-00	D-13	36Y-25854-00	E-8	2GH-27311-00	E-10
	E-12	1FK-24560-00	D-14	360-25854-00	E-12	2KT-27315-00	E-10
	E-12	1TV-24602-02	D-14	2GU-25855-00	E-12	1TX-27351-00	E-10
	E-8	51X-24705-00	D-15	4L0-25862-00	E-8	2KT-2741L-00	E-10
	E-9	1KT-24718-00	D-15			2GH-27410-00	E-10
	E-8	2GH-24718-00	D-15	36Y-25867-00	E-8	2GH-27413-00	E-10
	E-8	1KT-24728-00	D-15	2GH-25872-00	E-8	2H7-27414-00	E-11
	E-12	2GH-24730-00	D-15	2YJ-25872-00	E-12	2KT-2742L-00	E-10
	E-8	2GH-24731-00	D-15	2GH-25873-00	E-8	2GH-27420-00	E-10
	D-3	2GH-24741-00	D-15	2GH-25875-00	D-3	1HX-27431-00	E-10
	D-8	29L-24742-50	D-15	2GH-25875-50	D-8	1HX-27437-00	E-10
	D-8	2YJ-2477L-00	D-15	2GH-25875-00	D-8		
	E-5	2GH-24776-00	D-15	2YJ-25876-00	E-5	1HX-27441-00	E-10
	E-8	1JK-2478F-00	D-15	11U-25885-00	E-8	2GH-27442-00	E-10
	E-12	47X-24796-00	D-15	31A-25894-01	E-12	2GH-27443-00	E-10
	E-2	341-25149-00	E-2	2GH-25895-00	E-2	1KT-27813-00	E-12
	E-2	2GH-25168-00-UA	E-2	2GH-25919-00	E-3	2GH-28100-00	D-4
	E-2	47X-25181-00	E-2	29L-25919-00	E-6	4K5-2814E-10	D-4
	E-2	2GH-25190-00	E-2	1KT-25924-00	E-3	4K5-28186-00	D-4
	E-4	2GH-25338-00-UA	E-4		E-6	2GH-28219-00	F-12
	E-4	2GH-25364-00	E-4	1KT-25925-00	E-3	2YJ-2831W-00	E-14
	E-4	36Y-25366-01	E-4	26H-25925-00	E-6	2GH-2832U-00	E-7
	E-4	2YJ-25371-00	E-4	2LM-26111-00	E-7	2GH-28321-01	F-2
	E-5	2GH-25381-00	E-5	2Lm-26112-00	E-7	2GH-28322-00	F-2
	E-4	2GH-25388-00	E-4	2GH-2612E-00	E-8	2YJ-28328-00	F-2
	E-4	2GH-25389-00	E-4	2NK-26121-00	E-7	2GH-2833F-00	F-2
	E-2	29L-25398-00	E-2	2NK-26122-00	E-7	2GH-2833G-00	F-2

PART NO.	REF. NO.	PART NO.	REF. NO.
2GH-2833J-00	C-15		
2GH-2833K-00	C-15		
2GH-2834G-00	D-13		
2GH-2834H-00	D-13		
2GH-2834V-00	E-13		
2GH-28345-00	E-15		
2GH-28346-00	E-15		
2GH-28347-00	E-15		
36Y-28348-00	E-13		
2GH-2835G-00-GE	E-13		
2GH-28356-00	E-13		
2GH-2836F-00	E-15		
2GH-2836K-00-GE	E-15		
2YJ-2836V-00	E-15		
2YJ-2836W-00	E-15		
2KR-28368-00	E-14		
2YJ-28368-00	F-2		
51L-28371-00	D-13		
2GH-2838N-00	E-13		
2GH-2838R-00	E-13		
2GH-2838T-00	E-15		
2GH-2838U-00	E-15		
2GH-28381-00	E-13		
2GH-28396-00	E-15		
2GH-28397-00	E-15		
2GH-2840F-00	D-15		
2GH-81600-51	F-3		
2GH-81604-50	F-3		
2KT-81619-50	F-3		
2KT-81634-50	F-3		
36Y-81638-50	F-3		
2KT-81642-50	F-3		
36Y-81643-30	F-3		
36Y-81643-50	F-3		
36Y-81645-30	F-3		
2KT-81645-50	F-3		
2GH-81670-11	F-4		
2KT-81675-50	F-3		
2KT-81800-60	F-5		
1AE-81815-00	F-5		
1AE-81826-00	F-5		
1AE-81840-00	F-5		
4G0-81844-00	F-5		
26H-81847-00	F-5		
36Y-81910-50	F-3		
42X-81940-00	F-14		
25G-81950-01	F-14		
4U8-81950-02	F-14		

NUMERICAL INDEX

PART NO.	REF. NO.	PART NO.	REF. NO.	PART NO.	REF. NO.	PART NO.	REF. NO.	PART NO.	REF. NO.	PART NO.	REF. NO.
36Y-81970-50	F - 3	2GH-83579-00	F - 7	90105-07342	B - 7	90149-06150	D - 4	90201-06643	C-13	90387-060A7	D - 5
36Y-81972-50	F - 3	2GH-83590-00	F - 7	90105-08475	C-15	90149-06153	F-11	90201-08083	E-12		E-14
4U8-81980-M0	F-14	11H-83591-00	F-12	90105-09373	C - 5	90149-06184	E-14	90201-08087	C - 5		F-10
447-82110-78	F-14	2GH-83611-00	F - 7	90105-10308	E - 3	90149-06243	E-14	90201-081H4	C - 4	90387-06033	B - 9
2GH-82115-00	F-14	2GH-83612-00	F - 7		E - 6	90150-05020	E-13	90201-086J0	C-15	90387-061M0	D - 3
2GH-82116-00	F-14	1AE-83912-00	E - 9	90105-10316	E-11	90151-06014	C - 6	90201-096J9	B - 2		F-10
5G3-82121-00	F-14	36Y-83913-00	F-11	90105-10454	D - 7	90152-05016	F-14		C - 5	90387-064H8	E-10
165-82124-00	F-14	36Y-83922-00	F-11	90105-10459	C-15	90152-06014	C - 7	90201-10118	E - 8		E-11
122-82131-00	D - 4	25G-83936-00	F-14	90105-10476	C-15	90154-06043	E-14		E - 9	90387-064J1	D - 3
2T4-82131-00	F-14	437-83936-00	F-14	90105-10496	C-15	90154-06046	E-14		E-12	90387-064L2	D - 3
82150-00	F-14	437-83936-10	F-14	90105-10499	D - 2	90157-05079	E-10	90201-10437	D - 7	90387-065T2	D - 3
82151-00	F-14	2GH-83940-00	E - 7	90109-064E7	F - 8	90159-03102	F - 7	90201-10669	E-11	90387-06553	D-13
82151-00	F-14	2GH-83963-00	F-11	90109-065A8	B - 7	90159-06033	D - 5	90201-12575	C-14	90387-066H4	F-7
2GH-82151-00	F-14	2EN-83972-00	F-11	90109-065A9	C-13	90159-06042	D - 4	90201-126A7	D - 7	90387-067K8	B-12
2MG-82305-10	F-12	36Y-83980-01	F-11	90109-06614	F-14	90159-06042	F-12	90201-14222	D - 7	90387-067N5	E-15
2GH-82310-10	F-12	14A-84112-40	F - 9	90109-067A0	E - 9	90159-06056	D - 3	90201-150H2	C-10	90387-06704	D - 8
2GH-82320-10	F-12	3Y3-84197-00	F - 9	90109-06746	B - 2		D - 5	90201-15238	E - 2	90387-07037	B - 9
2KT-82370-00	F-12	46X-8430M-00	F - 9	90109-083A8	C - 4	90159-06084	D - 7	90201-165L8	E - 5	90387-071E0	F - 2
2GH-82501-01	F-14	51L-8431U-00	F - 9	90109-083E2	E-10	90159-06085	E-12	90201-177K7	E - 5	90387-100T8	D - 7
1AE-82509-00	F-12	2LA-84312-00	F - 9	90109-08718	E - 3	90159-06108	D - 8	90201-200K3	C-11	90387-10636	E-11
2GH-82509-00	F-12	2GH-8432A-00	F - 9		E - 6	90159-06123	C - 9	90201-21608	B-13	90387-113T1	C-15
2GH-82530-00	F-14	2GH-84320-00	F - 9	90109-103A9	E-11	90170-06010	F-11	90202-05180	E-13	90387-114K8	C-14
1AE-82540-00	F-12	2GH-84330-00	F - 9	90109-103E4	C-15	90170-06228	C-14		F - 2	90387-124L0	D - 7
2EL-82560-00	F-12	2AX-84331-00	F - 9	90109-103E7	D - 9	90170-20327	C - 9		E - 5	90387-126T1	D - 7
2KT-82566-00	F-14	51L-84334-00	F - 9	90109-104E6	E-10	90171-16024	E - 5	90202-06010	D-13	90387-15550	E - 2
2LA-82590-00	F-14	2GH-84359-00	F - 9	90110-05079	E-13	90176-06047	E-13	90202-07015	E-14	90387-171T5	E - 4
36Y-82917-00	F-11	2GH-84396-00	F - 9	90110-05112	D-14	90176-22050	D-10	90202-26142	D-10	90387-171T6	E - 5
1VU-83310-00	F - 6	2GH-84396-10	F - 9	90110-06074	F-11	90179-05271	E-15	90206-17084	E-11	90387-172U3	E - 5
306-83311-40	F - 6	2LA-84397-00	F - 9	90110-06083	E-15	90179-05523	F - 2	90209-06096	C - 7	90387-172U4	E - 5
1VU-83320-00	F - 6	2LA-84397-10	F - 9	90110-06138	E - 7	90179-06500	C - 4	90209-11262	B - 2	90387-202A7	C - 8
51J-83330-00	F - 6	47X-84710-E0	F-10		E - 8		E-13	90209-22191	C-11	90387-203M7	C-11
1VU-83332-00	F - 6	31L-84714-00	F-10	90110-06142	B-10	90179-08327	B - 4	90209-25196	C-11	90387-204M1	C-11
51L-83332-01	F - 6	47X-84721-00	F-10	90110-06158	F-12	90179-09489	B - 2	90214-10047	E-11	90387-253M6	C-11
51J-83340-00	F - 6	47X-84723-00	F-10	90110-08066	E-11	90179-09490	B - 2	90214-12033	D - 4	90387-253M9	C-11
1VU-83342-00	F - 6	47X-84735-00	F-10	90110-08096	C - 4	90179-10247	C-15	90215-08115	C-14	90387-263M8	C-11
51L-83342-01	F - 6	4G1-84744-00	F - 7	90110-08150	C-15	90179-18020	C-12	90215-20231	C - 9	90387-284M0	C-11
41R-83350-71	F-12	1KH-84751-00-90	F-10	90110-10154	C-15	90179-25033	D-10	90215-21022	C-12	90401-10044	B-11
18G-83365-00	F - 6	3G1-85130-01	F-12	90116-06466	B - 2	90183-05024	E-15	90240-08013	E-15	90401-10095	E - 8
4V8-83371-20	F-12	4H7-85720-01	F-12	90116-09458	C - 5	90183-08043	D - 3	90267-40029	F - 2	90401-10096	B-11
2GH-83509-01	F - 7	90101-06576	C - 4	90116-09500	C - 5	90185-10037	E-10	90267-40087	C-15		E - 8
1AE-83513-00	F - 7	90101-08647	E - 4	90116-10485	E - 4	90185-14070	D - 7	90338-06181	D - 2		E - 9
1AR-83520-00	F - 7	90101-10659	D - 7	90119-06052	D - 3	90201-047A2	F - 2	90338-09012	F - 2		E-12
83522-00	F - 7	90101-12673	D - 7	90119-06056	B-13	90201-052E2	F - 7		E - 9	90401-12122	B-12
83523-00	F - 7	90102-08052	E - 4	90119-06061	D - 2	90201-060K2	B -12	90338-15202	C-15	90413-07007	B-14
2NK-83540-00	F - 7	90105-06153	B - 2	90119-06097	B - 2	90201-06059	F - 2	90340-14079	C - 6	90430-06014	B - 2
2GH-83546-00	F - 7	90105-06362	B - 2	90149-05224	B - 2	90201-062J7	E-15	90340-18101	B - 2		B - 3
2GH-83550-00	F - 8	90105-06477	D - 3	90149-05244	F - 2	90201-062K2	B - 9	90383-18028	D - 9		B - 8
2GH-83570-F1	F - 7	90105-06478	D - 3	90149-06011	D-13	90201-063J2	F -10	90387-05383	C - 5	90116-09501	C - 5

NUMERICAL INDEX

PART NO.	REF. NO.	PART NO.	REF. NO.
90430-06014	B-14	90480-16233	D-5
90430-06195	B-12	90480-18171	B-15
90430-10188	B-11	90480-18276	B-9
90430-12202	B-12		F-10
90445-083A4	F-14	90480-22084	D-5
90445-096E8	B-9	90480-22263	D-9
90445-10366	D-14	90480-23192	D-5
90445-106F5	F-12	90480-35394	C-15
90445-111F8	D-14		E-13
90445-112E9	B-14	90501-05764	C-8
90445-112F1	B-14	90501-06022	C-13
90445-11262	B-15	90501-10312	F-11
90445-11288	B-14	90501-12743	E-10
90445-113F8	B-15	90501-20422	B-13
90445-11698	D-14	90501-225A9	C-9
90446-17267	E-12	90506-18224	E-10
90460-11149	B-14	90506-26225	E-10
90460-12256	B-14	90508-10514	C-14
90460-38241	B-9	90508-20737	E-12
	B-10	90508-26681	C-13
90460-58015	B-14	90508-32682	C-14
90462-08158	C-6	90560-12191	C-14
90464-10075	C-3	90560-15255	E-2
	F-12	90560-17260	E-4
	F-14	90560-25270	C-9
90464-13073	D-2	91026-06020	C-14
90464-16025	B-15	91311-05010	D-14
90464-44109	B-13	91316-06012	B-8
90465-08076	C-6	91316-06020	B-12
90465-08281	B-9		B-14
90467-08003	D-14	91316-06025	E-8
90467-09006	B-14		E-9
90467-10008	D-14	91316-06070	E-7
90467-10091	D-14	91316-06080	B-11
90467-11044	C-5	91316-08014	C-8
90467-14015	E-12	91316-08025	E-7
90467-14057	C-5	91316-08030	D-10
90467-15054	D-4	91401-20015	E-4
90480-10258	B-9		E-10
90480-10297	D-5		E-11
90480-12320	B-12		E-12
90480-12475	D-2	91401-30030	E-5
90480-13383	E-15	91701-06045	E-10
90480-13398	D-5		E-11
90480-14074	F-7	91810-08016	B-3
90480-14182	E-13	91810-18013	B-11
90480-14229	F-2		C-7
90480-14323	F-10		C-9
90480-15259			

PART NO.	REF. NO.	PART NO.	REF. NO.
92016-06020	E-7	92016-08030	E-12
		92501-06010	C-7
			D-15
92501-06012	D-5		B-14
92501-06020	D-9		E-4
			E-4
			E-4
			E-4
			C-11
			E-2
			E-2
			C-9
			C-14
			E-5
			B-11
			C-6
			C-9
			F-9
			B-11
			B-11
			C-5
			B-13
			B-11
			C-6
			B-13
			E-12
			F-7
			F-7
			F-11
			E-15
			D-13
			E-8
			E-9
			E-13
			C-4
			E-13
			F-12
			F-12
			F-10
			F-7
			D-3
			D-8
			D-13
			D-14
			D-15
			E-15
			F-14
			B-14
			D-14
			D-15
			D-12
			B-8

NUMERICAL INDEX

PART NO.	REF. NO.	PART NO.	REF. NO.
93101-16131	D-7	93101-16131	D-7
93101-25030	E-6	93101-25030	E-6
93102-12106	C-14	93102-12106	C-14
93102-22014	E-2	93102-22014	E-2
93102-25044	B-14	93102-25044	B-14
93102-35065	E-4	93102-35065	E-4
93102-35109	E-4	93102-35109	E-4
93105-45017	C-11	93105-45017	C-11
93109-08061	E-2	93109-08061	E-2
93109-12053	C-9	93109-12053	C-9
93112-19006	C-14	93112-19006	C-14
93210-06632	E-5	93210-06632	E-5
	B-11		B-11
	C-6		C-6
	C-9		C-9
	F-9		F-9
	B-11		B-11
	B-11		B-11
	C-5		C-5
	B-13		B-13
	B-11		B-11
	C-6		C-6
	B-13		B-13
	E-12		E-12
	B-13		B-13
	B-8		B-8
	F-4		F-4
	C-5		C-5
	B-8		B-8
	B-10		B-10
	C-5		C-5
	F-12		F-12
	B-8		B-8
	B-8		B-8
	B-3		B-3
	B-13		B-13
	B-8		B-8
	C-8		C-8
	C-11		C-11
	C-12		C-12
	C-8		C-8
	E-2		E-2
	E-4		E-4
	E-4		E-4
	E-4		E-4
	E-4		E-4
	C-7		C-7
	C-11		C-11

NUMERICAL INDEX

PART NO.	REF. NO.	PART NO.	REF. NO.
95806-06016	F - 2	98580-04010	F - 7
95811-06012	C - 7	98701-05012	C -13
95811-06016	B -12	98706-04012	E - 8
95811-06075	D -13		E - 9
95816-06014	C - 8	98706-05010	D -11
95816-06025	F - 5		D -12
95816-06035	C - 5	98901-06008	B -13
95816-06060	C - 5	98902-05012	D -14
95816-06080	C - 5	98903-06012	D -14
95816-06140	C - 5	99001-10600	C -14
95816-08030	F - 3	99009-12400	B - 8
95816-08045	C - 5	99223-00045	D -13
95816-08055	C - 5	99233-00025	D - 4
95816-08065	C - 5		E -14
95816-08090	C - 5	99233-00070	F - 2
95816-08135	C - 5	99510-08016	B - 2
95822-06016	C -13		B -13
95826-06012	E -13	99530-10014	B - 2
95826-06020	B - 9		
95826-06030	B - 9		
97001-06020	D - 3		
97001-06025	D -13		
97002-06016	D -14		
97002-08030	D -13		
97006-06012	E -13		
97006-06065	F -12		
97021-06010	E -15		
97026-08012	F -12		
97313-06016	D - 3		
97706-40616	F - 9		
97706-40620	F - 6		
97706-50614	E -15		
97706-60114	B - 9		
98501-03010	F - 7		
98501-03012	F - 7		
98501-04008	F - 9		
98501-05010	C - 2		
	C - 3		
98501-05035	F -11		
98501-05100	F - 3		
98503-04014	C - 2		
98506-04008	F - 7		
98506-04012	E -12		
98506-04018	F -11		
98506-05008	E - 7		
98506-05040	F -11		
98506-05045	F -11		
98511-04016	C - 3		

NUMERICAL INDEX

PART NO.	REF. NO.	PART NO.	REF. NO.	PART NO.	REF. NO.	PART NO.	REF. NO.
----------	----------	----------	----------	----------	----------	----------	----------

INDEX

(INDIVIDUAL SPEC.)

NUMERICAL INDEX

PART NO.	REF. NO.	PART NO.	REF. NO.
46X-8430M-00	G- 2 G- 4 G- 6	2LA-84397-10	G- 2 G- 4 G- 6
51L-8431U-00	G- 2 G- 4 G- 6	93210-06632	G- 2 G- 4 G- 6
2HW-84312-00	G- 2 G- 4 G- 6	97706-40616	G- 2 G- 4 G- 6
2GH-8432A-10	G- 2		
2GH-8432A-20	G- 6		
2GH-8432A-30	G- 4		
GH-84320-10	G- 2 G- 4 G- 6		
2LJ-84330-A0	G- 2 G- 4 G- 6		
2AX-84331-00	G- 2 G- 4 G- 6		
51L-84334-00	G- 2 G- 4 G- 6		
4E2-84347-00	G- 2 G- 4 G- 6		
2GH-84359-00	G- 2 G- 4 G- 6		
2GH-84359-10	G- 4 G- 6		
2RG-84359-00	G- 2		
341-84393-40	G- 2 G- 4 G- 6		
2GH-84396-00	G- 2 G- 4 G- 6		
2GH-84396-10	G- 2 G- 4 G- 6		
46X-84396-00	G- 2 G- 4 G- 6		
2LA-84397-00	G- 2 G- 4 G- 6		

NUMERICAL INDEX

PART NO.	REF. NO.	PART NO.	REF. NO.
----------	----------	----------	----------

