



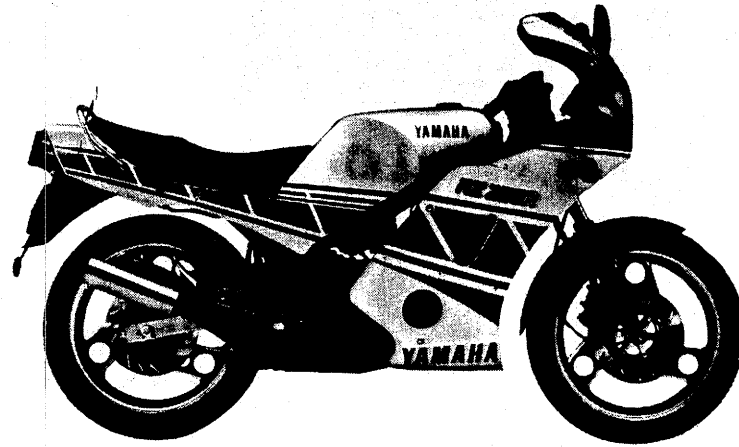
YAMAHA

PARTS CATALOGUE

RZ250RN (1GA)

151GA-700E1

A2



A3

FOREWORD

This Parts Catalogue is related to the parts in use for the Yamaha RZ250RN (1GA).
When you are ordering replacement parts for the RZ250RN (1GA), refer to this Parts Catalogue and quote both part numbers and part names correctly.

1. Modifications or additions which have been made after issue of the Parts Catalogue will be announced in the Yamaha Parts News.

It is advisable that according to the Yamaha Parts News you make necessary corrections to the Parts Catalogue on hand to keep it up-to-date.

2. Abbreviations

The following abbreviations are used in this Parts Catalogue.

- U.R. Use size (thickness) and/or number as required.
- U.N. Use as many as you need.
- A.P. Alternate Parts
- L.M. Local Made
- F# Frame No. (Applicable machine No.)

3. The parts marked with (*) in the parts number column of this Catalogue are not supplied with by Yamaha, those have to be found locally.

4. Parts, which are to be supplied in the form of assemblies, are listed with an indentation of one letter's space, and a dot (.) is put against the name of each part.

EXAMPLE CARBURETOR ASS'Y
 . JET, pilot
 . NOZZLE, main

5. Indication of No. of constituent parts for assembly

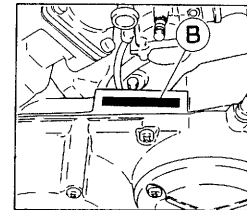
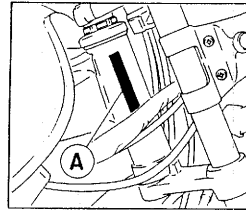
The numeral appearing to the right of each constituent part under the description indicates the quantity of such parts for each individual assembly unit.

EXAMPLE

Part No.	Description	Q'ty	Remarks
2F5-83310-60	FRONT FLASHER LIGHT ASS'Y	2	
115-83311-60	. BULB (6V-18W)	1	
1M1-83309-60	. REFLECTOR	1	

6. Initial Serial No. and Color Code

(A) Frame Serial No.	1GA-000101 and following
(B) Engine Serial No.	1GA-000101 and following



Color Code	Color Name	Abbreviate
36/E1	Clean White/Chappy Red	W/CPR

7. Applicable colors of graphics are represented in the "Remarks" column by the letter(s) appropriately picked out of the full word(s) showing such colors.

EXAMPLE

Part No.	Description	Q'ty	Remarks
2N4-24110-00-X5	FUEL TANK COMP.	1	MAXIM RED
3J1-24240-10	. GRAPHIC, fuel tank set	1	for MXR

CONTENTS

ENGINE

Cylinder	B2 ~ B3
Crankshaft · Piston	B4
Water Pump	B5
Radiator · Hose	B6 ~ B7
Oil Pump	B8 ~ B9
Intake	B10 ~ B11
Carburetor	B12 ~ B13
Exhaust	B14
Crankcase	B15
Crankcase Cover 1	C2
Starter	C3
Clutch	C4 ~ C5
Transmission	C6 ~ C7
Shift Cam · Fork	C8
Shift Shaft	C9

CHASSIS

Frame	C10 ~ C11
Fender	C12
Side Cover	C13
Oil Tank	C14
Rear Arm	C15 ~ D2
Rear Suspension	D3
Steering	D4
Front Fork	D5 ~ D6
Fuel Tank	D7
Seat	D8
Front Wheel	D9
Front Brake Caliper	D10

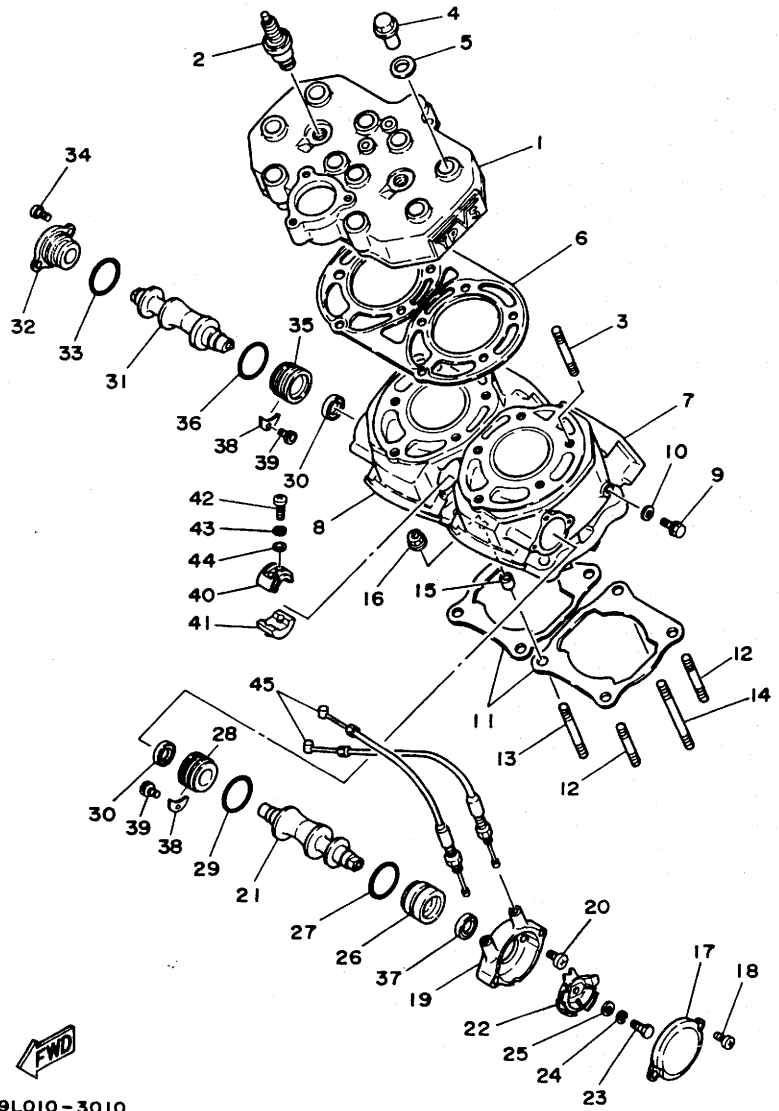
Rear Wheel	D11 ~ D12
Rear Brake Caliper	D13
Steering Handle · Cable	D14
Front Master Cylinder	D15
Stand · Footrest	E2 ~ E3
Rear Master Cylinder	E4
Cowling 1	E5 ~ E6
Generator	E7
Flasher Light	E8
Meter	E9
Headlight	E10
Taillight	E11
Handle Switch · Lever	E12
Electrical 1	E13
Electrical 2	E14

INDEX

Numerical Index	M1 ~ M4
-----------------------	---------

KZ 250R10

FIG. 1 CYLINDER

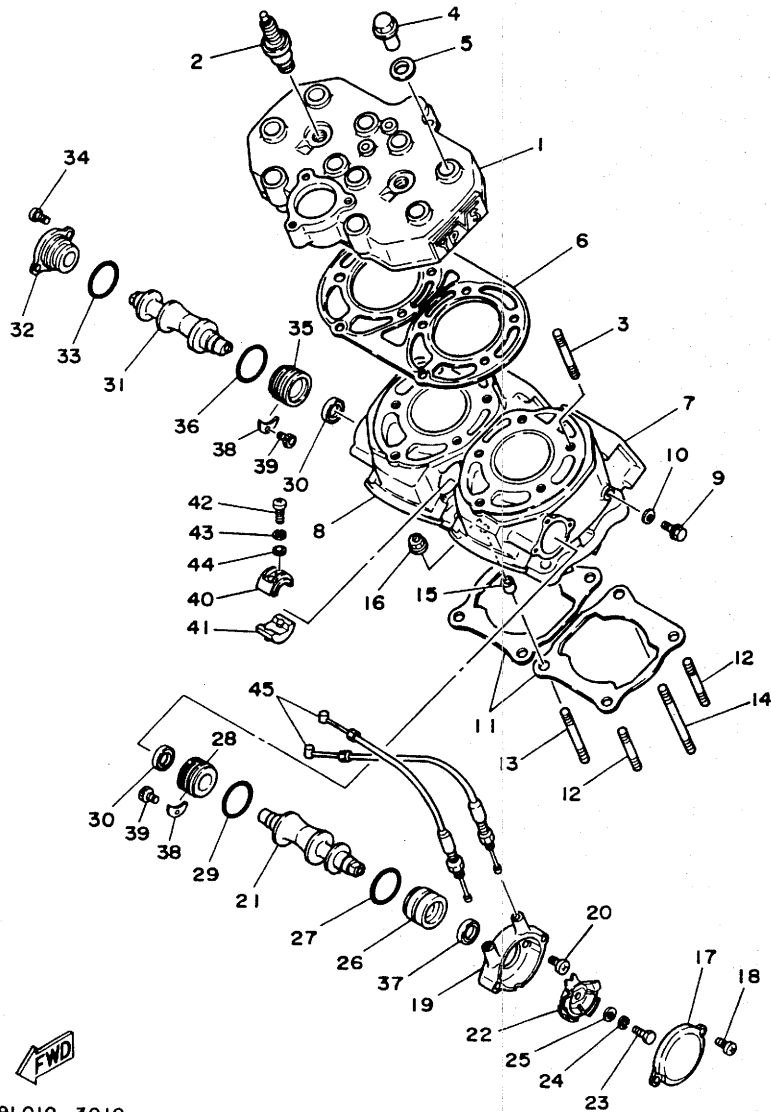


REF. NO.	PART NO.	DESCRIPTION	Q'TY	REMARKS
1	51L-11111-00	HEAD, cylinder 1	1	
2	94701-00267 BR9ES	PLUG, spark	2	
3	90116-08424	BOLT, stud	10	
4	90179-08343	NUT	10	
5	90201-122A7	WASHER, plate	10	
6	29L-11181-01	GASKET, cylinder head 1	1	
7	51L-11311-00	CYLINDER 1	1	
8	51L-11321-00	CYLINDER 2	1	
9	95826-06010	BOLT, flange	2	
10	90430- 06166 06192	GASKET	2	
11	29L-11351-00	GASKET, cylinder	2	
12	90116-08318	BOLT, stud	4	
13	90116-08388	BOLT, stud	2	
14	90116-08064	BOLT, stud	2	
15	99510-10114 94810-03014	PIN, dowel	4	
16	90179-08299	NUT	8	
17	29L-1131R-00	CAP, seal	1	
18	98506-05012	SCREW, pan head	2	
19	29L-1131M-00	COVER	1	
20	98501-05012	SCREW, pan head	2	
21	29L-1131A-00	VALVE 1	1	
22	29L-1132E-00	PULLEY 1	1	
23	97326-06078 20	BOLT	1	
24	92906-06100	WASHER, spring	1	
25	92906-06600	WASHER, plate	1	
26	29L-1131U-00	HOLDER 3	1	
27	93210-27370	O-RING	1	
28	29L-1131F-00	HOLDER 2	1	

29L010-3010

B2

8
FIG. 1 CYLINDER



REF. NO.	PART NO.	DESCRIPTION	Q'TY	REMARKS
29	93210-27370	O-RING	1	
30	93108-23010	OIL SEAL	2	
31	29L-1132A-00	VALVE 2	1	
32	29L-1131E-00	HOLDER 1	1	
33	93210-27370	O-RING	1	
34	98506-05012	SCREW, pan head	2	
35	29L-1131F-00	HOLDER 2	1	
36	93210-27370	O-RING	1	
37	93108-23010	OIL SEAL	1	
38	29L-11915-00	PLATE, thrust 1	2	
39	91316-05010	BOLT	2	
40	29L-1131H-00	JOINT 1	1	
41	29L-1131J-00	JOINT 2	1	
42	98511-04025	SCREW, pan head	2	
43	92902 92990-04100	WASHER, spring	2	
44	92901-04600	WASHER, plate	2	
45	29L-1133E-00	CABLE, pulley 1	2	

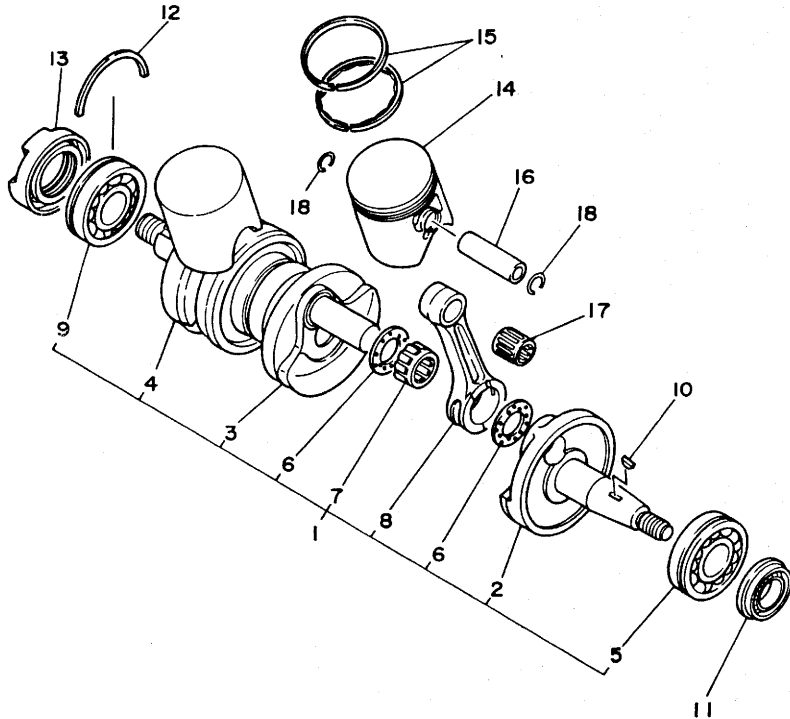


29L010-3010

B3

FIG. 2 CRANKSHAFT, PISTON ¹⁴

REF. NO.	PART NO.	DESCRIPTION	Q'TY	REMARKS
1	29L-11400-20	CRANKSHAFT ASSY	1	
2	29L-11412-00	.CRANK 1	1	
3	29L-11409-00	.CRANK SUB ASSY	1	
4	29L-11442-10	.CRANK 4	1	
5	93306-30510	.BEARING	1	
6	90209-22257	.WASHER	4	
7	93310-522L4	.BEARING, cylindrical	2	
8	29L-11651-00	.ROD, connecting	2	
9	93306-30531	.BEARING	1	
10	90280-05033	KEY, woodruff	1	
11	93103-25108	OIL SEAL	1	
12	278-17424-01	CIRCLIP 1	1	
13	93103-40077	OIL SEAL	1	
14	29L-11631-02-94	PISTON (STD)	2	
	29L-11635-02	PISTON (0.25MM O/S)	2 AP	
	29L-11636-02	PISTON (0.50MM O/S)	2 AP	
15	29L-11610-00	PISTON RING SET (STD)	2	
	29L-11610-10	PISTON RING SET (1ST O/S)	2 AP	
	29L-11610-20	PISTON RING SET (2ND O/S)	2 AP	
16	280-11633-00	PIN, piston	2	
17	93310-316H7	BEARING, cylindrical	2	
18	4V2-11634-00	CLIP, piston pin	4	

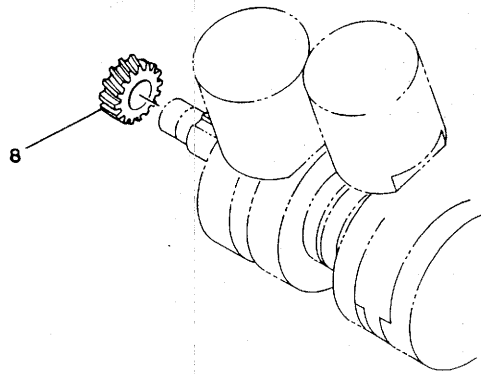
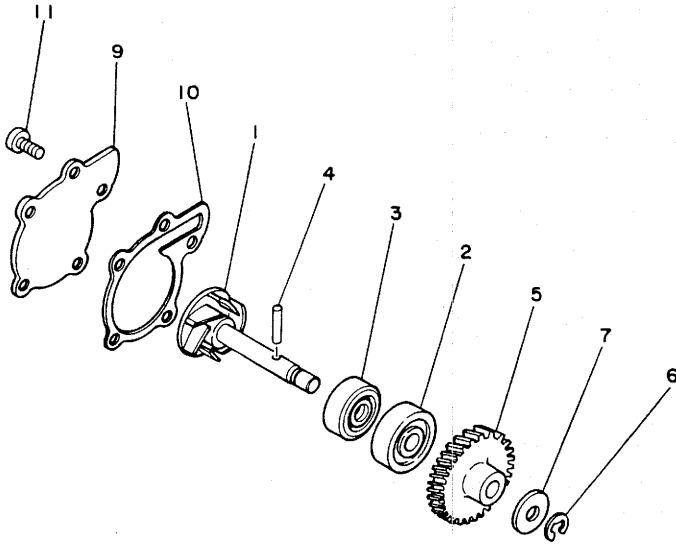


29L010-3021

B4

FIG. 3 WATER PUMP

REF. NO.	PART NO.	DESCRIPTION	Q'TY	REMARKS
1	4L0-12450-01	IMPELLER SHAFT ASSY	1	
2	93306-30003 10147	BEARING (B6300Z)	1	
3	93103- 10143	OIL SEAL	1	
4	93603-22028	PIN, dowel	1	
5	4L0-12459-00	GEAR, impeller shaft	1	
6	99001-07600	CIRCLIP	1	
7	90201-08784	WASHER, plate	1	
8	4L0-12436-00	GEAR, drive	1	
9	4L0-12422-00	COVER, housing	1	
10	4L0-12428-00	GASKET, housing cover 2	1	
11	92501-06014	SCREW, pan head	5	

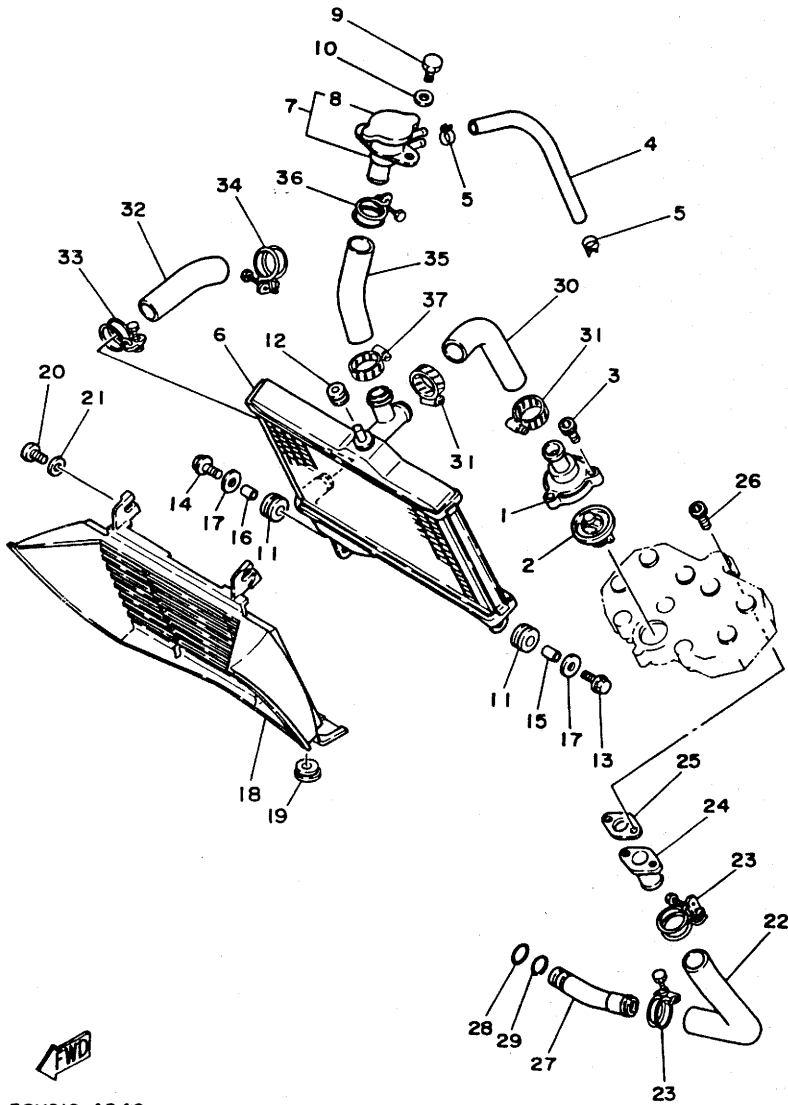


29L010-3040

B5

FIG. 4 RADIATOR. HOSE

REF. NO.	PART NO.	DESCRIPTION	Q'TY	REMARKS
1	29L-12446-00	JOINT	1	
2	29L-12411-00	THERMOSTAT	1	
3	91316-06020	BOLT	3	
4	29L-12485-00	PIPE 5	1	
5	90467-13083	CLIP	2	
6	29L-12461-00	RADIATOR ASSY	1	
7	29L-12590-00	CONDUCTION ASSY	1	
8	17W-12462-00	.CAP, radiator	1	
9	97301-06016	BOLT	2	
10	90201-06067	WASHER, plate	2	
11	90480-15363	GROMMET	2	
12	90480-16284	GROMMET	1	
13	95806-06025	BOLT, flange	1	
14	95806-06020	BOLT, flange	1	
15	90387-07392	COLLAR	1	
16	90387-07390	COLLAR	1	
17	90201-060A3	WASHER, plate	2	
18	51L-12467-00	COVER, radiator	1	
19	90480-12014	GROMMET	2	
20	92506-06016	SCREW, pan head	1	
21	90201-06380	WASHER, plate	1	
22	29L-12481-00	PIPE 1	1	
23	90460-30158	CLAMP, hose	2	
24	4L0-12479-00	JOINT	1	
25	4L0-12435-00	GASKET	1	
26	91316-06020	BOLT	2	
27	29L-12469-00	JOINT 1	1	
28	93210-17239	O-RING	1	

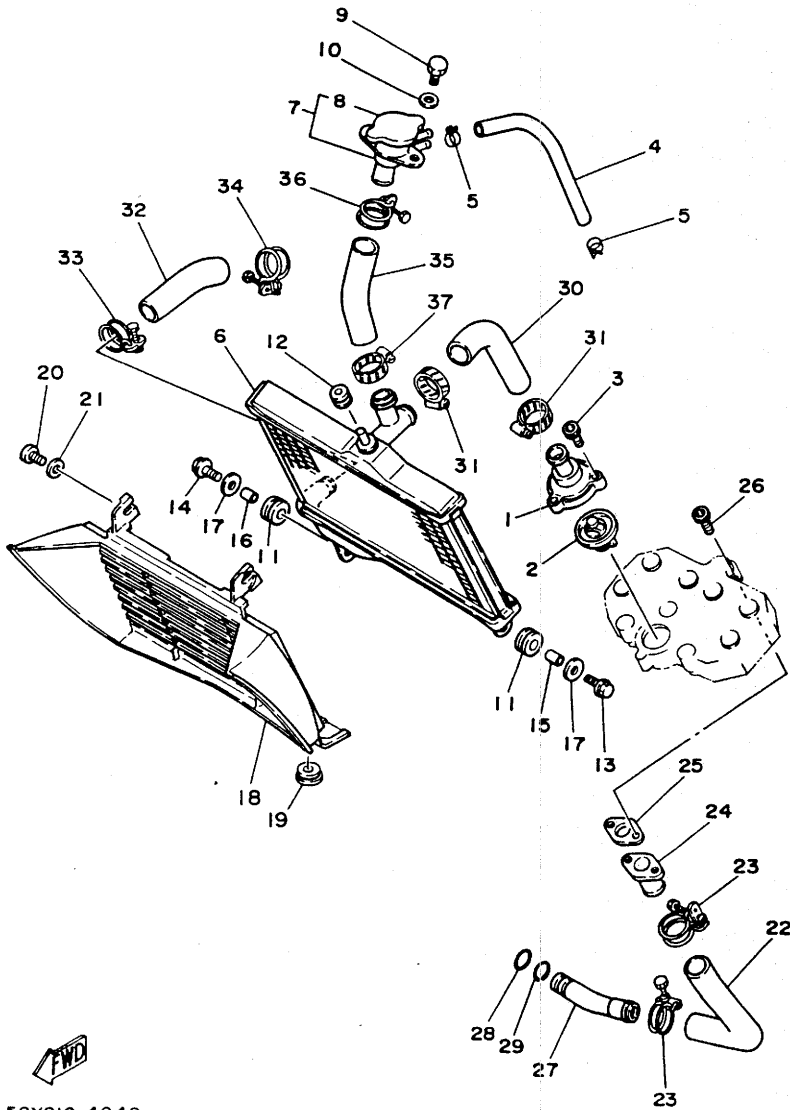


52Y010-4040

B6

12
 FIG. 4 RADIATOR. HOSE

REF. NO.	PART NO.	DESCRIPTION	Q'TY	REMARKS
29	93440-19083	CIRCLIP	1	
30	29L-12482-00	PIPE 2	1	
31	90460-27219	CLAMP, hose	2	
32	4L0-12484-00	PIPE 4	1	
33	90460-30158	CLAMP, hose	1	
34	90460-33159	CLAMP, hose	1	
35	29L-12483-00	PIPE 3	1	
36	90460-30158	CLAMP, hose	1	
37	90460-27219	CLAMP, hose	1	



52Y010-4040

B7

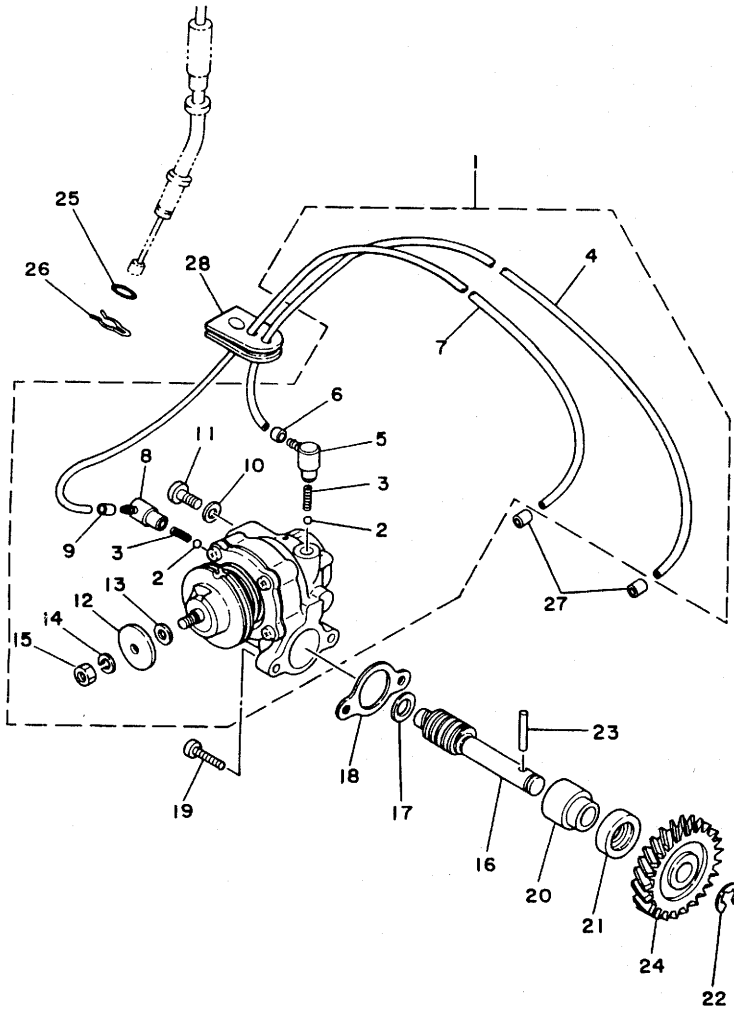


FIG. 5 OIL PUMP

REF. NO.	PART NO.	DESCRIPTION	Q'TY	REMARKS
1	4L1-13101-03	OIL PUMP ASSY	1	
2	93505-32002	.BALL	2	
3	278-13169-00	.SPRING, check ball	2	
4	90445-05203	.HOSE	1	
5	353-13552-01	.NOZZLE	1	
6	90468-02033	.CLIP	1	
7	90445-05765	.HOSE	1	
8	353-13552-01	.NOZZLE	1	
9	90468-02033	.CLIP	1	
10	90430-04004	.GASKET	1	
11	98901-04008	.SCREW, bind	1	
12	137-13138-01	.PLATE, adjusting	1	
13	137-13137-00-03	.SHIM (0.3T)	1	UR
	137-13137-00-05	.SHIM (0.5T)	1	UR
	137-13137-00-10	.SHIM (1.0T)	1	UR
14	92901-05100	.WASHER, spring	1	
15	95301-05600	.NUT	1	
16	4L1-13175-01	SHAFT, worm	1	
17	90201-08624	WASHER, plate	1	
18	126-13116-00	GASKET, pump case	1	
19	98501-05016	SCREW, pan head	2	
20	1E7-13176-00	METAL, worm shaft outer	1	
21	93101-10002	OIL SEAL	1	
22	93430-08036	CIRCLIP	1	
23	93603-22028	PIN, dowel	1	
24	4L0-13178-00	GEAR, pump drive	1	
25	93210-07100	O-RING	1	
26	90468-08086	CLIP	1	



29L010-3060

B8

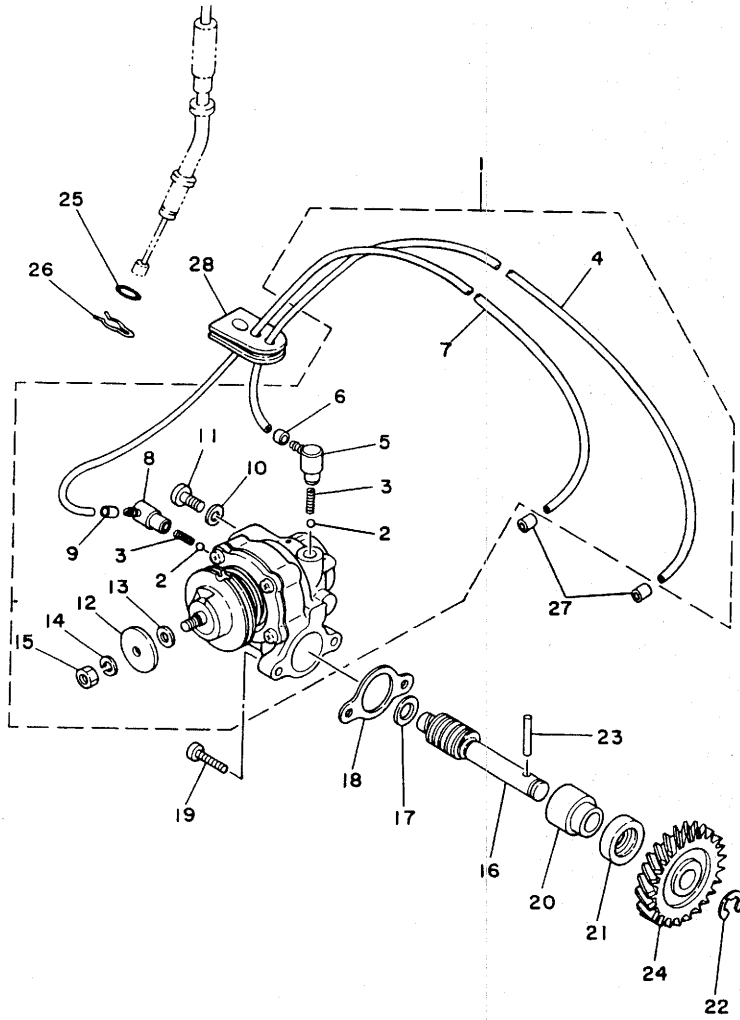


FIG. 5 OIL PUMP

REF. NO.	PART NO.	DESCRIPTION	Q'TY	REMARKS
27	90468-02033	CLIP	2	
28	4L0-13174-00	HOLDER, oil pipe	1	

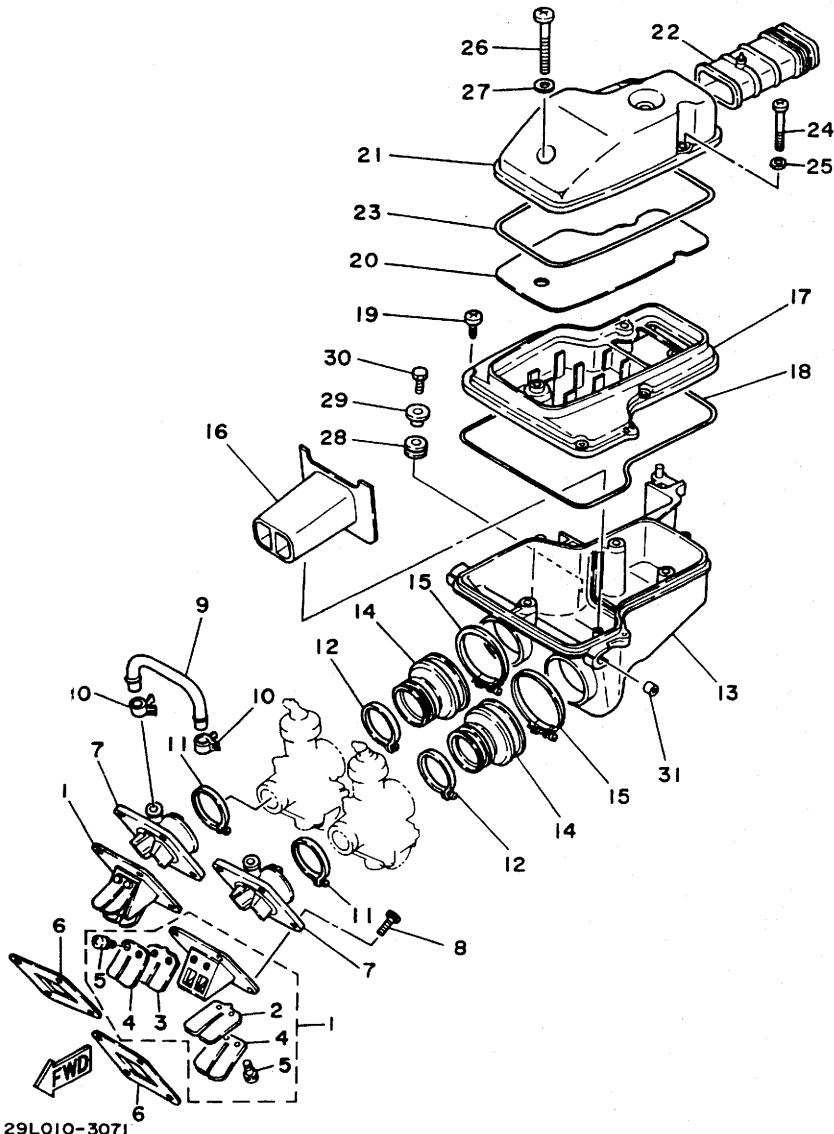


29L010 - 3060

B9

FIG. 6 INTAKE

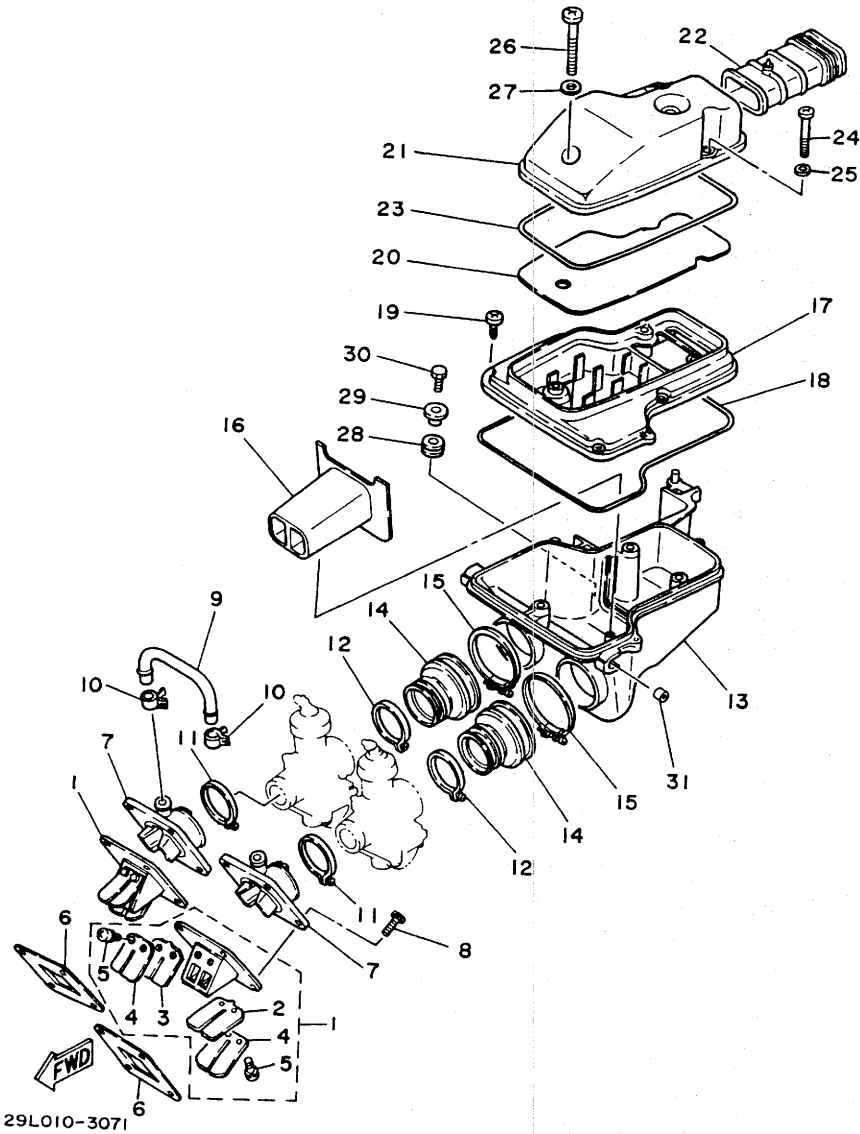
REF. NO.	PART NO.	DESCRIPTION	Q'TY	REMARKS
1	4X8-13610-00	REED VALVE ASSY	2	
2	4X8-13613-10	.REED, valve	1	
3	4X8-13613-20	.REED, valve	1	
4	345-13616-70 <i>98501-03008</i>	.STOPPER, reed valve	2	
5	97602-03108-	.SCREW, pan head with washer	4	
6	33J-13621-00	GASKET, valve seat	2	
7	31J-13565-00	JOINT, carburetor	2	
8	91316-06025	BOLT	8	
9	29L-14465-00	PIPE	1	
10	90467-20085	CLIP	2	
11	90460-44108	CLAMP, hose	2	
12	90460-49058	CLAMP, hose	2	
13	51L-14411-00	CASE, air cleaner 1	1	
14	29L-14453-00	JOINT, air cleaner 1	2	
15	90460-68230	CLAMP, hose	2	
16	51L-1441F-00	PARTITION, air cleaner case	1	
17	29L-14421-00	CASE, air cleaner 2	1	
18	29L-14452-00	SEAL	1	
19	97701-50525	SCREW, tapping	6	
20	29L-14451-00	ELEMENT, air cleaner	1	
21	29L-14412-00	CAP, cleaner case 1	1	
22	29L-14437-00	DUCT	1	
23	29L-14457-00	SEAL	1	
24	92501-06055	SCREW, pan head	2	
25	90201-061A5	WASHER, plate	2	
26	92501-06075	SCREW, pan head	1	
27	90201-061A5	WASHER, plate	1	
28	90480-16233	GROMMET	1	



29L010-3071

FIG. 6 INTAKE

REF. NO.	PART NO.	DESCRIPTION	QTY	REMARKS
29	90387-07037	COLLAR	1	
30	97301-06018	BOLT	1	
31	90445-12718	HOSE	2	

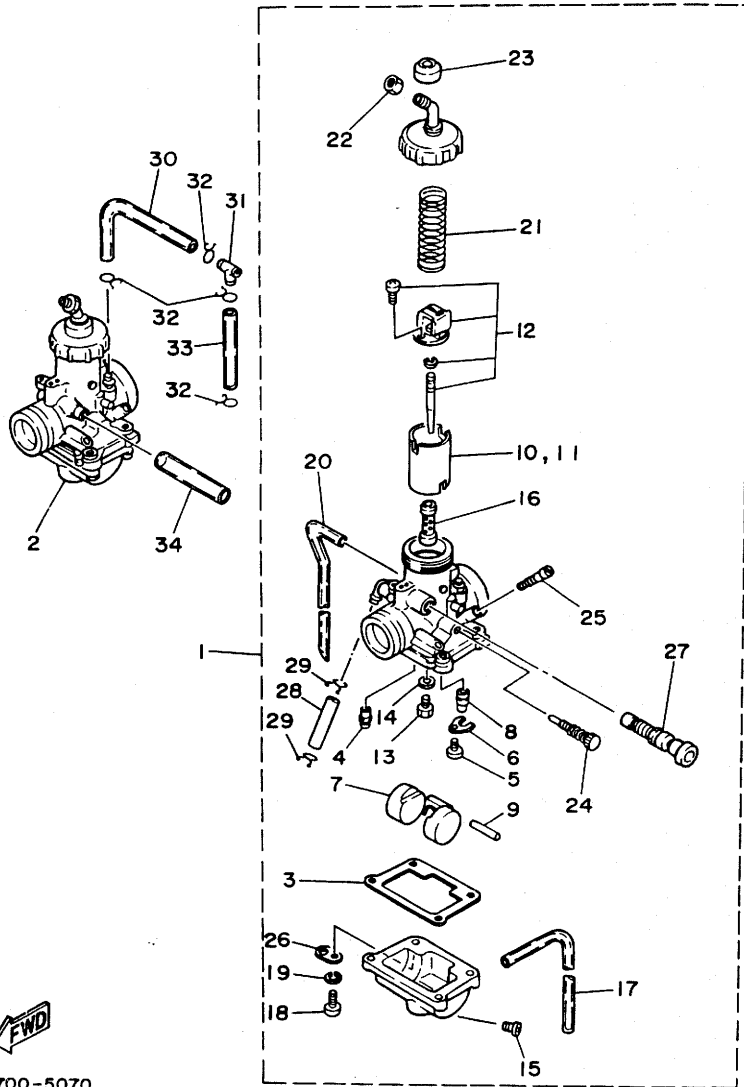


29L010-3071

B11

FIG. 7 CARBURETOR

REF. NO.	PART NO.	DESCRIPTION	Q'TY	REMARKS
1	1GA-14101-00	CARBURETOR ASSY 1	1	
2	1GA-14102-00	CARBURETOR ASSY 2	1	
3	304-14184-00	.GASKET, float chamber	2	
4	260-14142-25	.JET, pilot (# 25)	2	
5	98502-04008	.SCREW, pan head	2	
6	2H0-14146-00	.PLATE	2	
7	4L0-14185-00	FLOAT	2	
8	48H-14107-28 29K-14190-25	.NEEDLE VALVE ASSY	2	
9	537-14186-00	.PIN, float	2	
10	29K-14112-20	.VALVE, throttle 1	1	
11	29K-14113-20	.VALVE, throttle 2	1	
12	29L-1490J-00	.NEEDLE SET (4N10)	2	
13	137-14143-31	.JET, main (#155)	2	
14	137-14153-00	.WASHER, main jet	2	
15	12R-14191-00	.PLUG, drain	2	
16	4L0-14141-42	.NOZZLE, main	2	
17	<i>LOCAL PURCHASE</i> 4L0-14196-00	.PIPE	2	
18	98511-04016 92990	.SCREW, pan head	8	
19	92902-04100 <i>LOCAL PURCHASE</i>	.WASHER, spring	8	
20	4L0-14197-00	.PIPE	2	
21	4L0-14131-00	.SPRING, throttle valve	2	
22	802-14161-00	.NUT, cable adjusting	2	
23	3X3-14169-00	.CAP	2	
24	23L-14103-00	.THROTTLE SCREW SET	2	
25	10W-14104-00	.AIR SCREW SET	2	
26	500-14146-00	.PLATE	2	
27	4U5-14171-00	.PLUNGER, starter	2	
28	51L-14987-00	.HOSE	2	

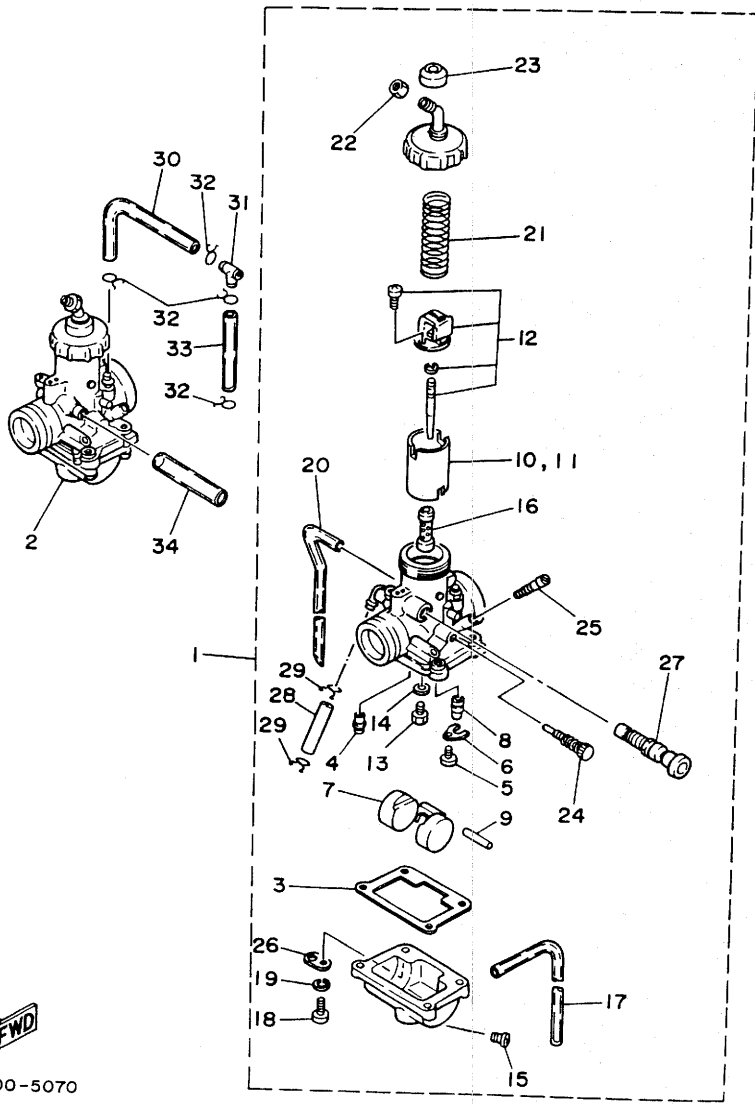


1GA700-5070

B12

FIG. 7 CARBURETOR ¹⁰

REF. NO.	PART NO.	DESCRIPTION	Q'TY	REMARKS
29	90467-10008	.CLIP	4	
30	29L-24311-00	PIPE, fuel 1	1	
31	90413-07023	WAY 3	1	
32	90467-10041	CLIP	4	
33	90445-11763	HOSE	1	
34	90445-09012	HOSE	1	

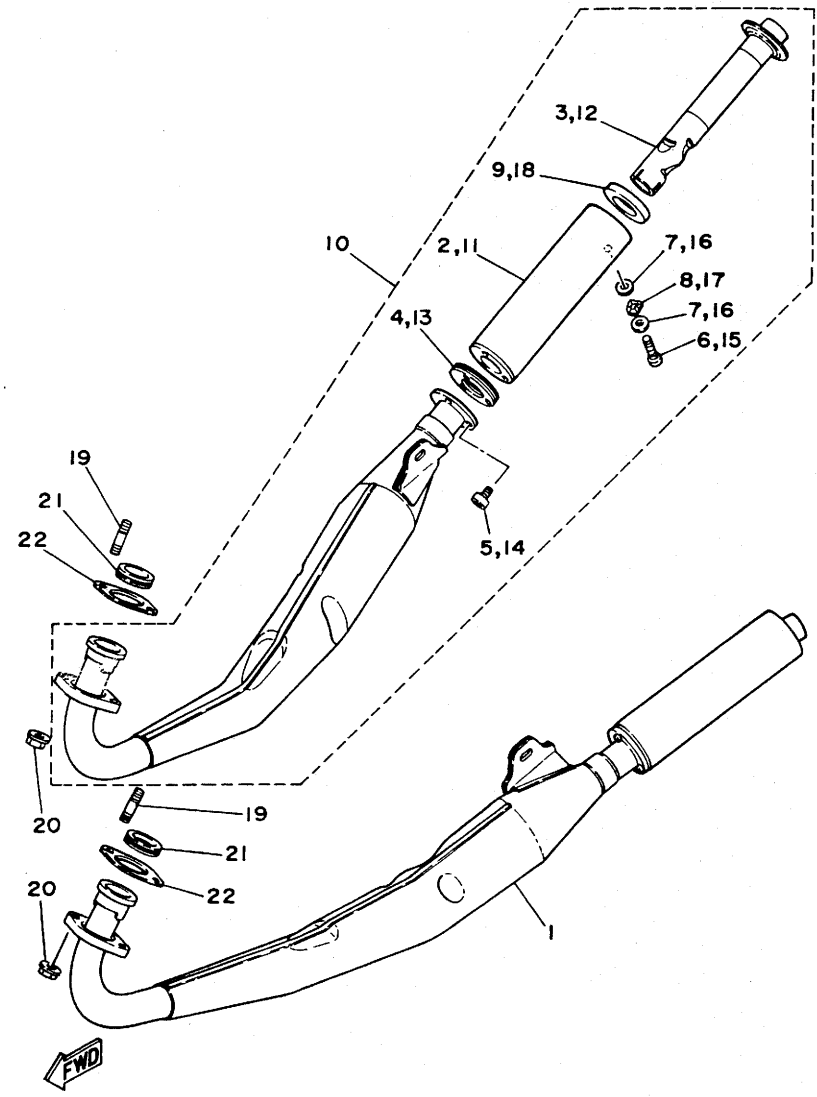



IGA700-5070

B13

FIG. 8 EXHAUST 8

REF. NO.	PART NO.	DESCRIPTION	Q'TY	REMARKS
1	51L-14710-00	MUFFLER ASSY 1	1	
2	51L-14753-00	.SILENCER, exhaust	1	
3	51L-14752-00	.PIPE, outlet	1	
4	51L-14714-00	.GASKET, muffler	1	
5	91316-06016	.BOLT	3	
6	98901-06030	.SCREW, bind	1	
7	583-14766-00	.WASHER, protector	2	
8	90206-06060	.WASHER, wave	1	
9	51L-14755-00	.GASKET, silencer	1	
10	51L-14720-00	MUFFLER ASSY 2	1	
11	51L-14765-00	.SILENCER	1	
12	51L-14752-00	.PIPE, outlet	1	
13	51L-14714-00	.GASKET, muffler	1	
14	91316-06016	.BOLT	3	
15	98901-06030	.SCREW, bind	1	
16	583-14766-00	.WASHER, protector	2	
17	90206-06060	.WASHER, wave	1	
18	51L-14755-00	.GASKET, silencer	1	
19	90116-08365	BOLT, stud	4	
20	90185-08097	NUT, self-locking	4	
21	29L-14613-00	GASKET, exhaust pipe	2	
22	29L-14643-00	GASKET 3	2	



51LO10-4080

B14

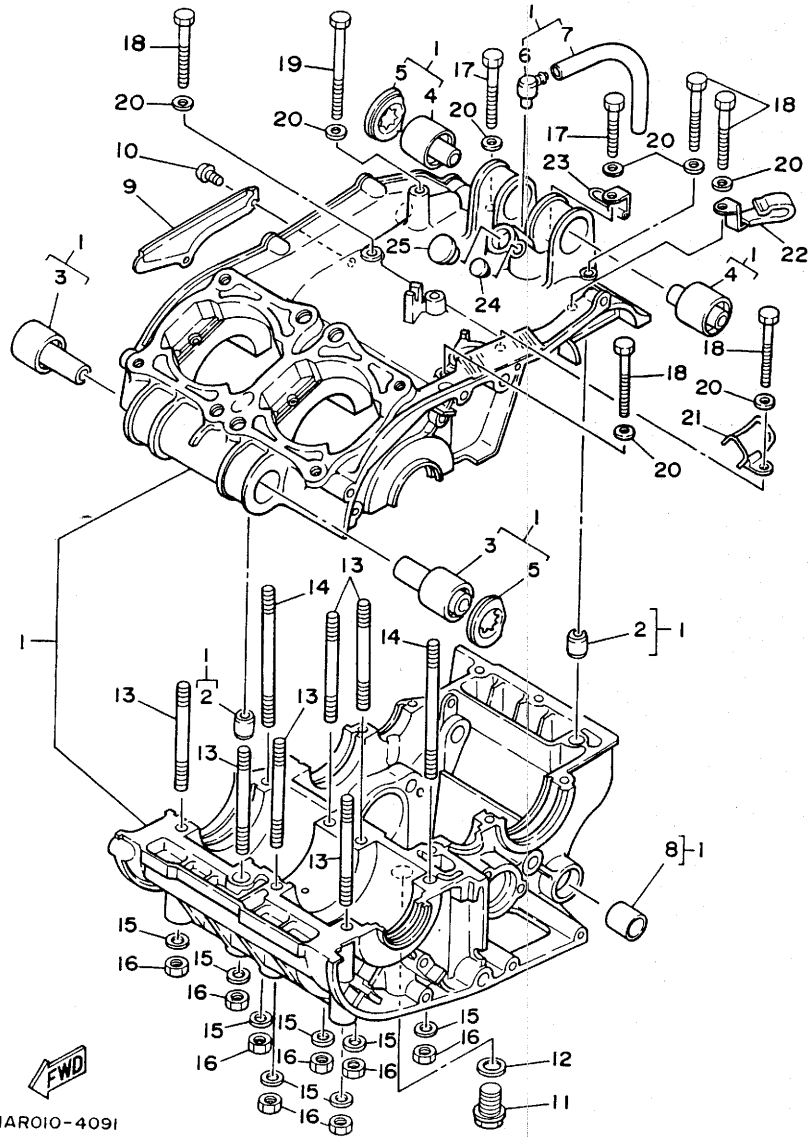


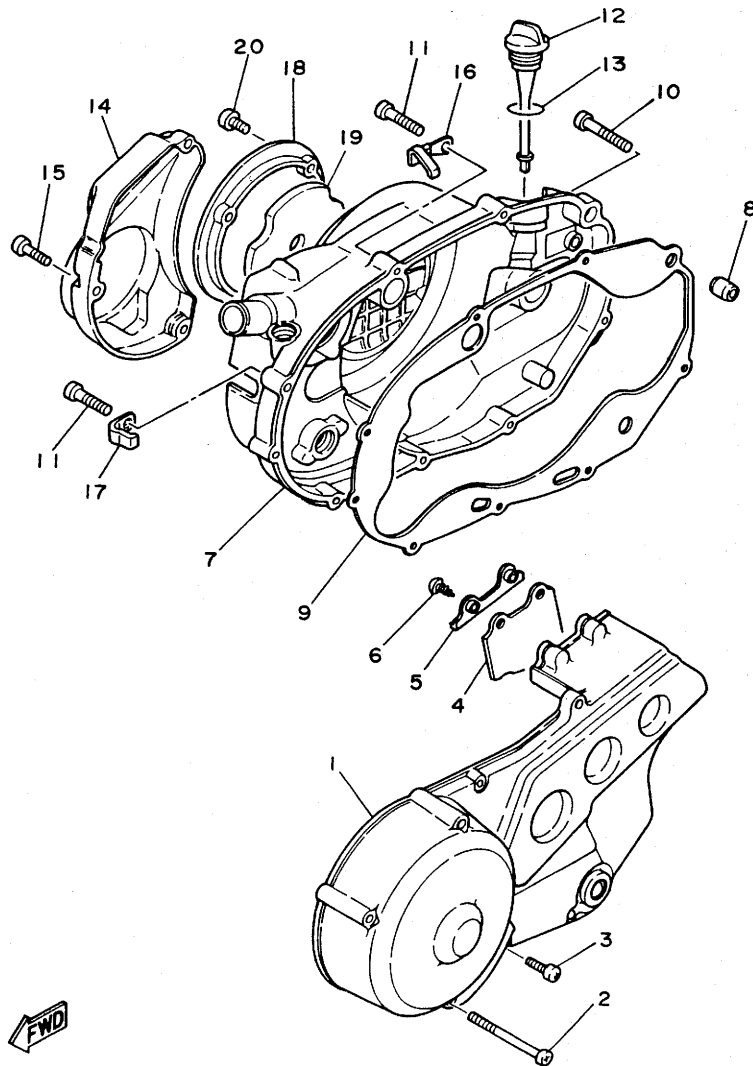
FIG. 9 CRANKCASE

REF. NO.	PART NO.	DESCRIPTION	Q'TY	REMARKS
1	29L-15100-02	CRANKCASE ASSY	1	
2	97510-12016 97810-05016	.PIN, dowel	2	
3	4L0-15316-00	.DAMPER, engine mount 1	2	
4	4L0-15326-00	.DAMPER, engine mount 2	2	
5	4L0-15328-00	.SPACER, damper	2	
6	498-15371-00	.BREATHER	1	
7	90446-07112	.HOSE	1	
8	90383-12022	.BUSH, formed	1	
9	278-15492-01	COVER	1	
10	98501-05010	SCREW, pan head	2	
11	90340-14010	PLUG, straight screw	1	
12	90430-14043 137-15353-00	GASKET, drain	1	
13	90116-08064	BOLT, stud	6	
14	90116-08232	BOLT, stud	2	
15	90201-08100	WASHER, plate	8	
16	95301-08600	NUT	8	
17	97311-06045	BOLT	2	
18	97311-06060	BOLT	5	
19	97311-06090	BOLT	1	
20	92901-06200	WASHER, plain	8	
21	90462-16130	CLAMP	1	
22	90465-08125	CLAMP	1	
23	90465-06094	CLAMP	1	
24	90338-05038	PLUG	1	
25	90338-16025	PLUG	1	

IAR010-4091

B15

FIG. 10 CRANKCASE COVER 1 ²

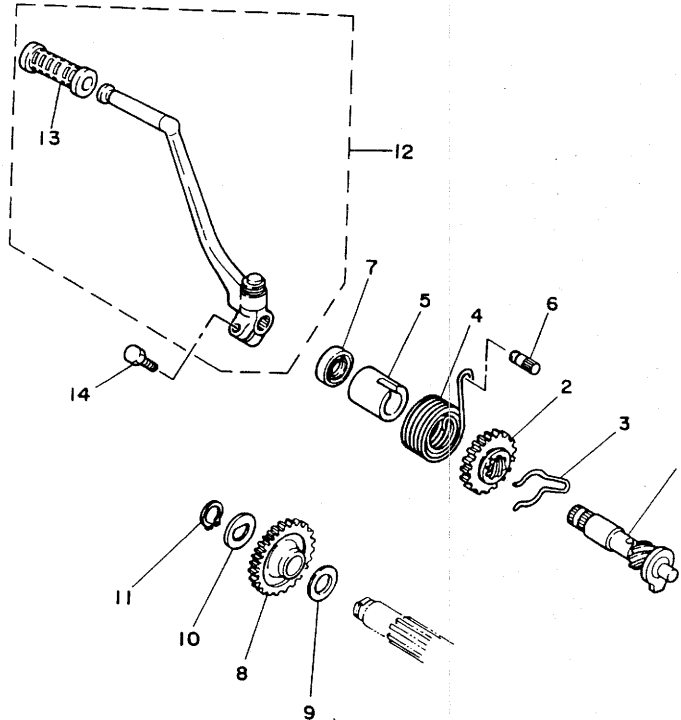


29L010-3111

REF. NO.	PART NO.	DESCRIPTION	Q'TY	REMARKS
1	29L-15410-00	CRANKCASE COVER ASSY 1	1	
2	92506-06055	SCREW, pan head	3	
3	92506-06020	SCREW, pan head	4	
4	1A0-15497-00	PLATE, dust seal	1	
5	1A0-15491-00	PROTECTOR	1	
6	97706-50512	SCREW, tapping	2	
7	29L-15421-00	COVER, crankcase 2	1	
8	99510-12016 91810-05076	PIN, dowel	1	
9	4L0-15461-01	GASKET, crankcase cover 2	1	
10	92506-06040	SCREW, pan head	1	
11	92506-06030	SCREW, pan head	8	
12	4L0-15362-00	PLUG, oil level	1	
13	93210-19123	O-RING	1	
14	29L-15416-00	COVER, oil pump	1	
15	92506-06020	SCREW, pan head	3	
16	90462-08071	CLAMP	1	
17	90462-08070	CLAMP	1	
18	29L-15431-00	COVER, crankcase 3	1	
19	31K-15317-00	SPACER, engine mount	1	
20	98506-05014	SCREW, pan head	3	

C2

FIG. 11 STARTER



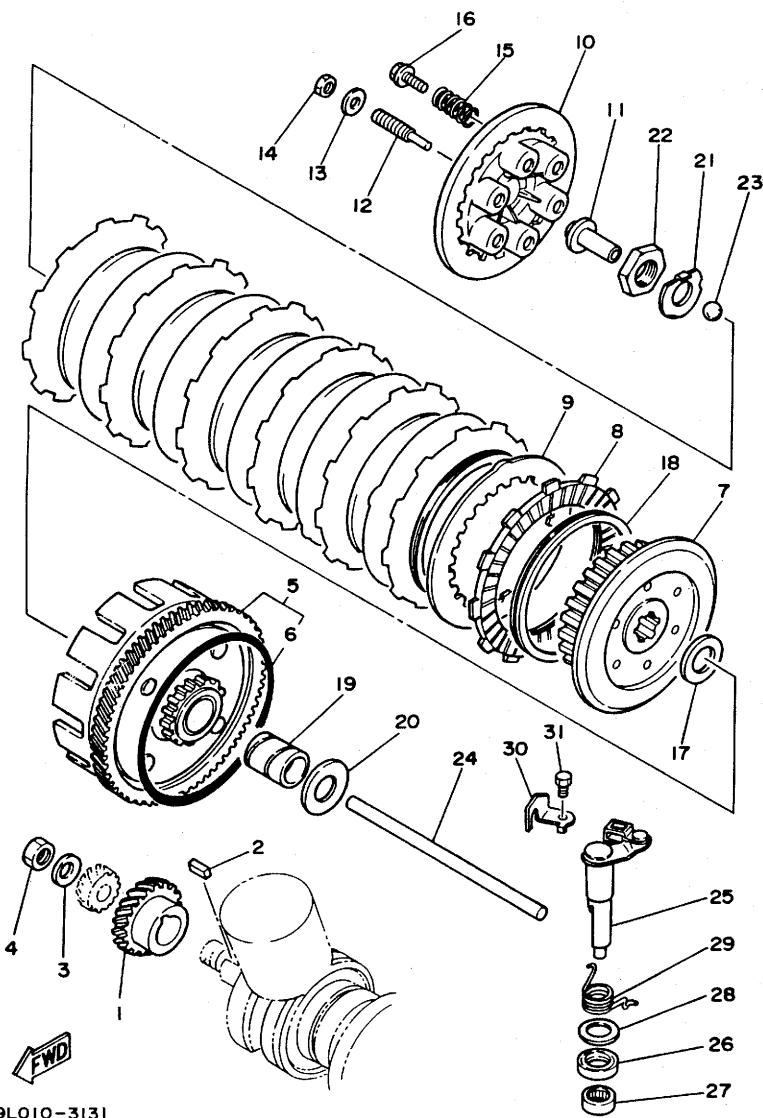
REF. NO.	PART NO.	DESCRIPTION	Q'TY	REMARKS
1	4L0-15660-00	KICK AXLE ASSY	1	
2	4L0-15641-00	GEAR, kick (22T)	1	
3	90468-26091	CLIP	1	
4	90508-30051	SPRING, torsion	1	
5	4L0-15666-00	SPACER	1	
6	248-15668-00	STOPPER	1	
7	93101-20048	OIL SEAL	1	
8	4L0-15651-00	GEAR, kick idler (26T)	1	
9	164-17417-00-10	SHIM 1 (1.0T)	1	
10	90214-15020	WASHER, claw	1	
11	93410-15005	CIRCLIP	1	
12	51L-15620-00	KICK CRANK ASSY	1	
13	156-15618-01	.COVER, kick lever	1	
14	97326-08030	BOLT	1	



29L010-3120

C3

FIG. 12 CLUTCH



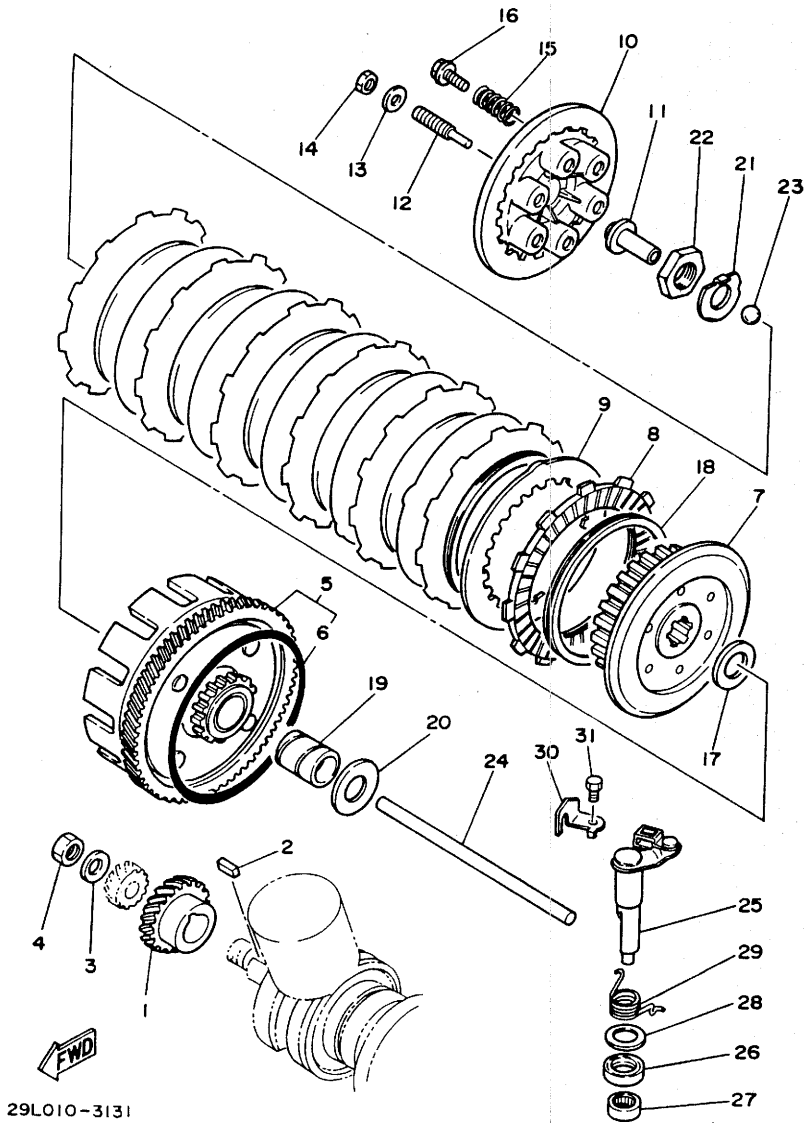
29L010-3131

REF. NO.	PART NO.	DESCRIPTION	Q'TY	REMARKS
1	4L0-16111-00	GEAR, primary drive (23T)	1	
2	90282-07023	KEY, straight	1	
3	90208-16019	WASHER, conical spring	1	
4	90170-16182	NUT	1	
5	31K-16150-00	PRIMARY DRIVEN GEAR COMP.	1	
6	93211-10232	.O-RING	1	
7	1A0-16371-00	BOSS, clutch	1	
8	4L0-16321-01	PLATE, friction	7	
9	498-16325-00	PLATE, clutch 2	6	
10	29L-16351-00	PLATE, pressure 1	1	
11	29L-16356-00	ROD, push 1	1	
12	90149-08143	SCREW	1	
13	92901-08200	WASHER, plain	1	
14	95311-08700	NUT	1	
15	90501-23428	SPRING, compression	6	
16	90159-06016	SCREW, with washer	6	
17	360-16154-00	PLATE, thrust 1	1	
18	278-16367-00	RING, cushion	7	
19	278-16181-01	SPACER 1	1	
20	360-16154-00	PLATE, thrust 1	1	
21	90215-20223	WASHER, lock	1	
22	90170-20320	NUT	1	
23	93515-32029	BALL	1	
24	29L-16357-00	ROD, push 2	1	
25	29L-16380-00	PUSH LEVER ASSY	1	
26	93102-17004	OIL SEAL	1	
27	93315-11720	BEARING, cylindrical	1	
28	90201-17327	WASHER, plate	1	

C4

FIG. 12 CLUTCH

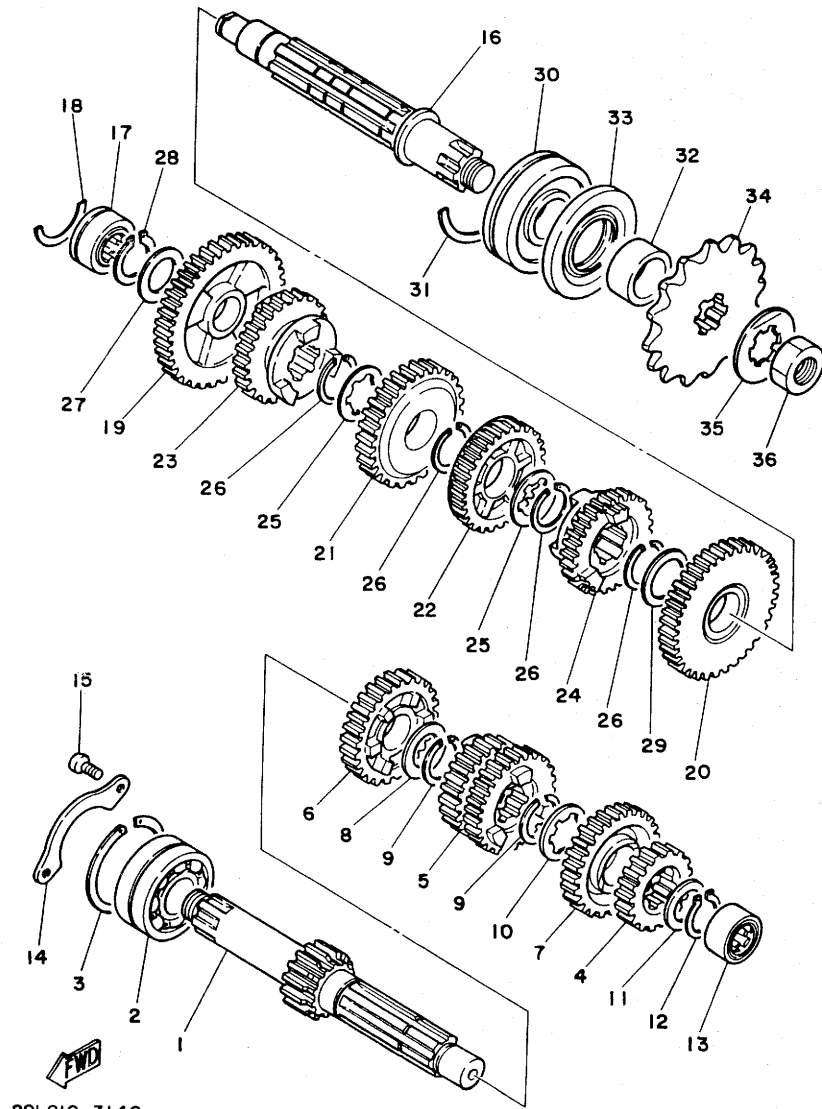
REF. NO.	PART NO.	DESCRIPTION	Q'TY	REMARKS
29	90508-16599	SPRING, torsion	1	
30	90465-16239	CLAMP	1	
31	97301-06010	BOLT	1	



29L010-3131

C5

FIG. 13 TRANSMISSION



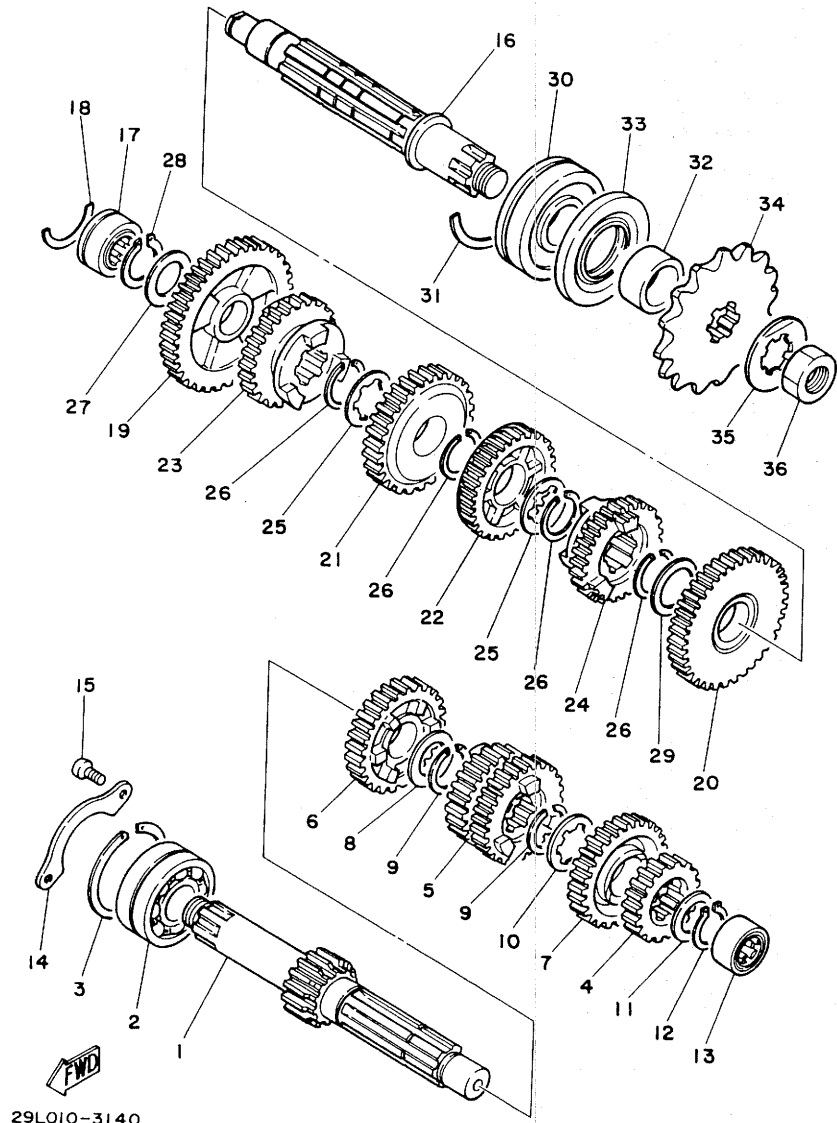
29LO10-3140

REF. NO.	PART NO.	DESCRIPTION	Q'TY	REMARKS
1	29L-17411-00	AXLE, main (14T)	1	
2	93305-20502	BEARING (B5205)	1	
3	93440-52009	CIRCLIP	1	
4	29L-17121-00	GEAR, 2nd pinion (18T)	1	
5	29L-17131-00	GEAR, 3rd/4th pinion (22T,24T)	1	
6	29L-17151-00	GEAR, 5th pinion (26T)	1	
7	29L-17161-00	GEAR, 6th pinion (27T)	1	
8	90201-25490	WASHER, plate	1	
9	93440-25084	CIRCLIP	2	
10	90209-21105	WASHER	1	
11	90201-20266	WASHER, plate (1.0T)	1	
12	99009-20400	CIRCLIP	1	
13	93311-22027	BEARING, cylindrical	1	
14	4L0-17471-00	PLATE, cover	1	
15	92501-06012	SCREW, pan head	2	
16	29L-17421-00	AXLE, drive	1	
17	93311-42045	BEARING, cylindrical	1	
18	278-17425-00	CIRCLIP 2	1	
19	4L0-17211-01	GEAR, 1st wheel (36T)	1	
20	4L0-17221-01	GEAR, 2nd wheel (32T)	1	
21	29L-17231-00	GEAR, 3rd wheel (29T)	1	
22	4L0-17241-01	GEAR, 4th wheel (26T)	1	
23	29L-17251-00	GEAR, 5th wheel (25T)	1	
24	29L-17261-00	GEAR, 6th wheel (24T)	1	
25	90209-21105	WASHER	2	
26	93440-25084	CIRCLIP	4	
27	90201-20276	WASHER, plate (1.0T)	1	
28	99009-20400	CIRCLIP	1	

C6

10

FIG. 13 TRANSMISSION



REF. NO.	PART NO.	DESCRIPTION	Q'TY	REMARKS
29	90201-25490	WASHER, plate	1	
30	93306-30504	BEARING (B6305N)	1	
31	278-17424-01	CIRCLIP 1	1	
32	90387-256H7	COLLAR	1	
33	93102-35109	OIL SEAL	1	
34	3Y1-17461-60	SPROCKET, drive (16T)	1	
35	90215-21239	WASHER, lock	1	
36	90179-18020	NUT	1	

29L010-3140

C7

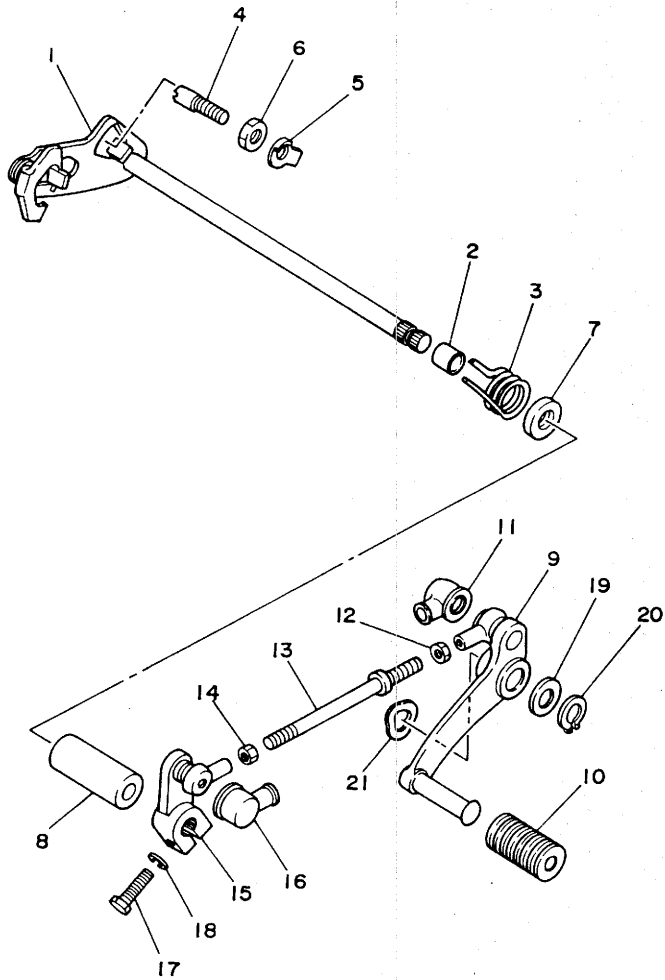


FIG. 15 SHIFT SHAFT

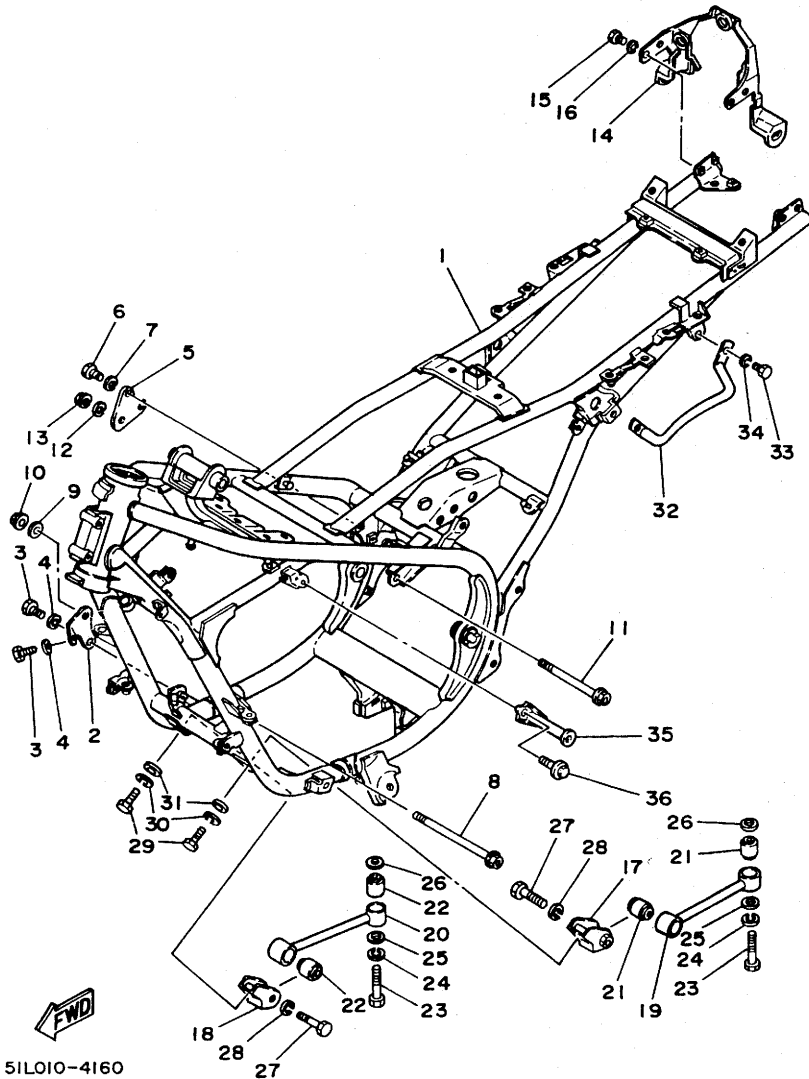
REF. NO.	PART NO.	DESCRIPTION	Q'TY	REMARKS
1	4L0-18101-00	SHIFT SHAFT ASSY	1	
2	90560-12171	SPACER	1	
3	90508-32374	SPRING, torsion	1	
4	90149-08094	SCREW	1	
5	90215-08174	WASHER, lock	1	
6	90170-08029	NUT	1	
7	93102-12106	OIL SEAL	1	
8	90387-125A8	COLLAR	1	
9	29L-18111-00	PEDAL, shift	1	
10	132-18113-01	COVER, shift pedal	1	
11	2H9-18154-00	COVER, dust	1	
12	95303-06700	NUT	1	
13	29L-18115-00	ROD, shift	1	
14	90170-06228	NUT	1	
15	29L-18112-00	ARM, shift	1	
16	2H9-18154-00	COVER, dust	1	
17	97311-06020	BOLT	1	
18	92901-06100	WASHER, spring	1	
19	90201-12174	WASHER, plate	1	
20	99009-12400	CIRCLIP	1	
21	90206-12074	WASHER, wave	1	



29L010-3171

C9

FIG. 16 FRAME

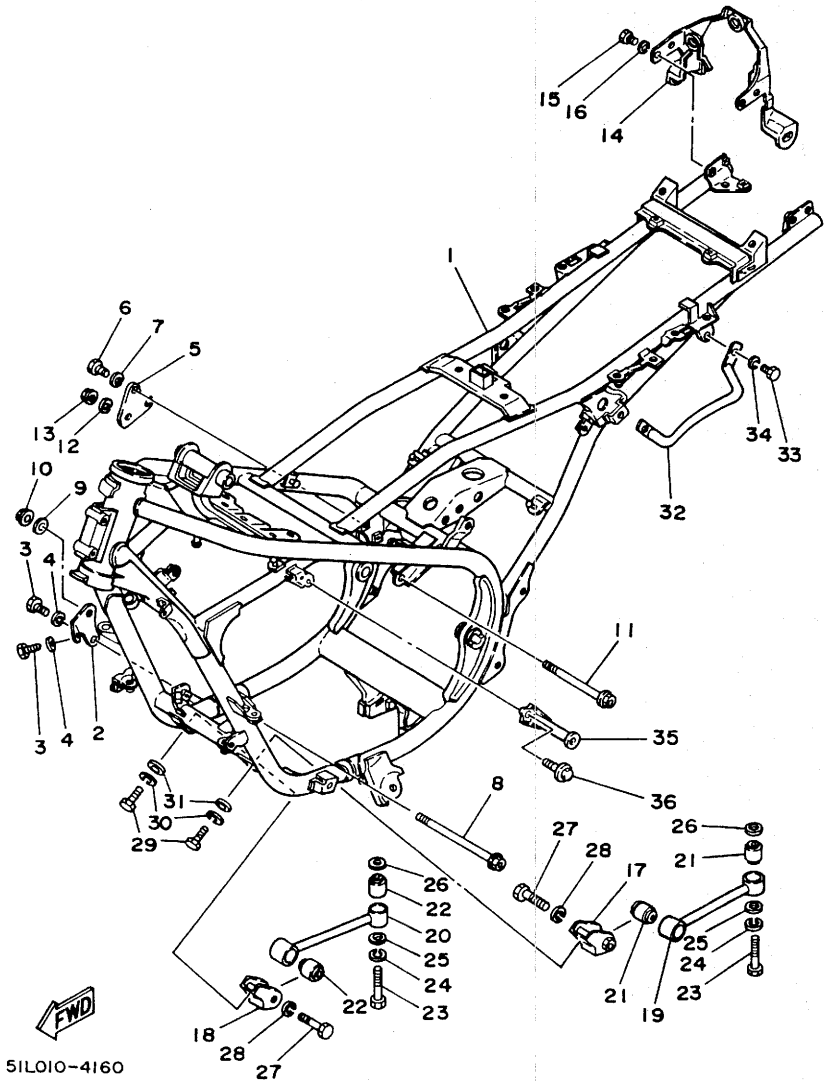


51L010-4160

REF. NO.	PART NO.	DESCRIPTION	Q'TY	REMARKS
1	1AH-21110-00-FH	FRAME COMP.	1	fire red for ocean
2	29L-21315-01	STAY, engine 2	1	
3	97321-08020	BOLT	2	
4	92901-08100	WASHER, spring	2	
5	29L-21316-00	STAY, engine 3	1	
6	97321-08020	BOLT	2	
7	92901-08100	WASHER, spring	2	
8	90105-10053	BOLT, washer based	1	
9	92901-10100	WASHER, spring	1	
10	95701-10500	NUT, flange	1	
11	90105-10040	BOLT, washer based	1	
12	92901-10100	WASHER, spring	1	
13	95701-10500	NUT, flange	1	
14	51L-21260-00	REAR FENDER BRACKET COMP.	1	
15	97002 97302-06012	BOLT	4	
16	92990 92902-06100	WASHER, spring	4	
17	4L0-21317-00	STAY, engine 4	1	
18	4L0-21318-00	STAY, engine 5	1	
19	4L0-21314-00	STAY, engine 1	1	
20	4L0-21319-00	STAY, engine 6	1	
21	4L0-21485-00	DAMPER, rubber 1	2	
22	4L0-21485-00	DAMPER, rubber 1	2	
23	97301-10050	BOLT	2	
24	92901-10100	WASHER, spring	2	
25	92990 92901-10600	WASHER, plate	2	
26	92990 92901-10600	WASHER, plate	2	
27	97301-10040	BOLT	2	
28	92901-10100	WASHER, spring	2	

C10

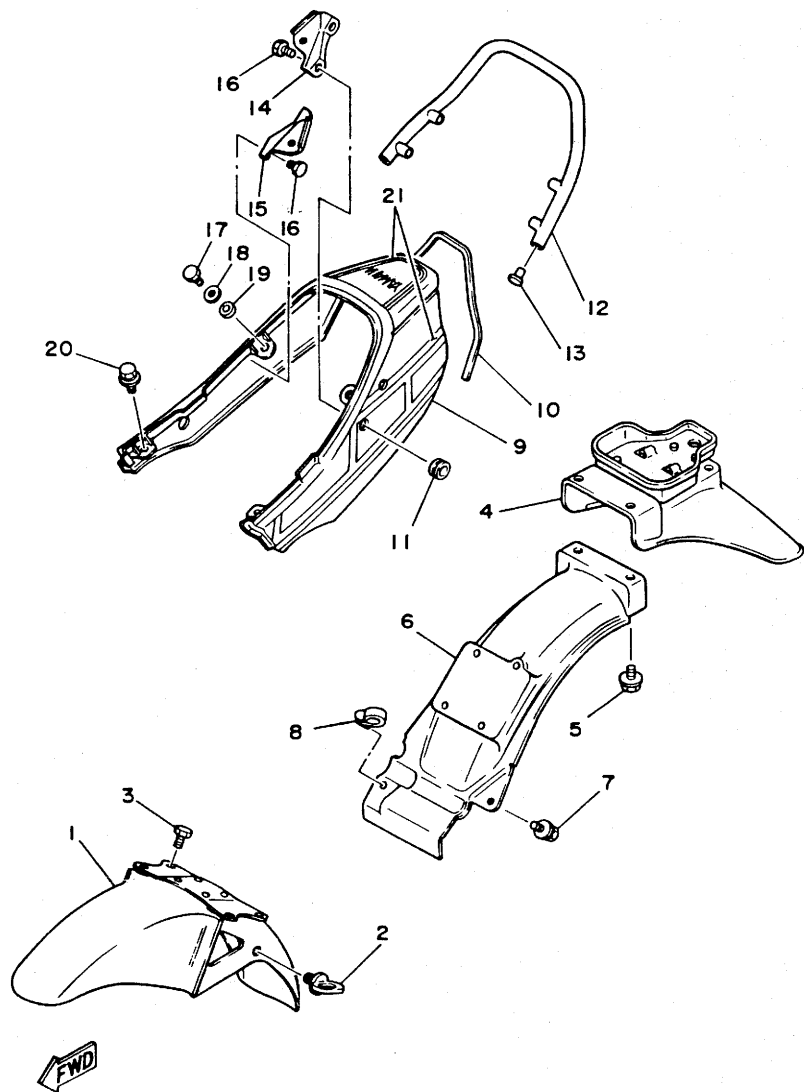
FIG. 16 FRAME



REF. NO.	PART NO.	DESCRIPTION	Q'TY	REMARKS
29	97301-08025	BOLT	2	
30	92901-08100	WASHER, spring	2	
31	92901-08600	WASHER, plate	2	
32	29L-21165-00	HANDLE, standing	1	
33	97301-06016	BOLT	2	
34	92901-06100	WASHER, spring	2	
35	51L-28359-01	STAY 2	2	
36	95806-06012	BOLT, flange	2	

51L010-4160

C11

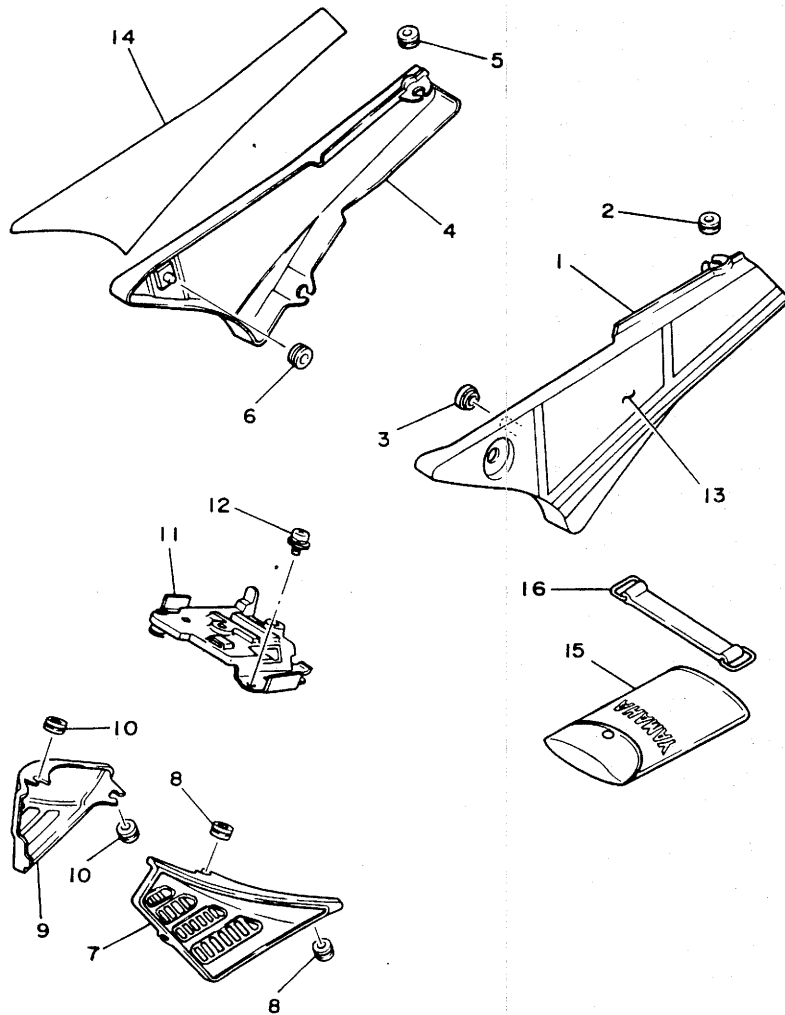


IAH700-5170

FIG. 17 FENDER

REF. NO.	PART NO.	DESCRIPTION	Q'TY	REMARKS
1	51L-21510-00-1X	FRONT FENDER COMP.	1	chappy red
2	1A8-21518-00	HOLDER, cable	1	
3	95023-06016	BOLT, flange	4	
4	29L-W2161-00	REAR FENDER COMP.	1	
5	90119-06063	BOLT, with washer	4	
6	29L-21629-00	GUARD, mud	1	
7	90119-06095	BOLT, with washer	1	
8	90464-12027	CLAMP	2	
9	29L-21651-00-36	COVER, rear fender	1	clean white
10	29L-28345-00	MOLE 1	1	
11	90480-18366	GROMMET	4	
12	29L-21645-00	STAY, rear	1	
13	90338-15110	PLUG	2	
14	29L-21688-00	BRACKET, rear stay	1	
15	29L-21689-00	BRACKET, rear stay 2	1	
16	97302-08016	BOLT	4	
17	97302-08025	BOLT	2	
18	90201-081A6	WASHER, plate	2	
19	90387-10567	COLLAR	2	
20	90119-06042	BOLT, with washer	2	
21	51L-21660-00	GRAPHIC	1	for w/cpr

FIG. 18 SIDE COVER



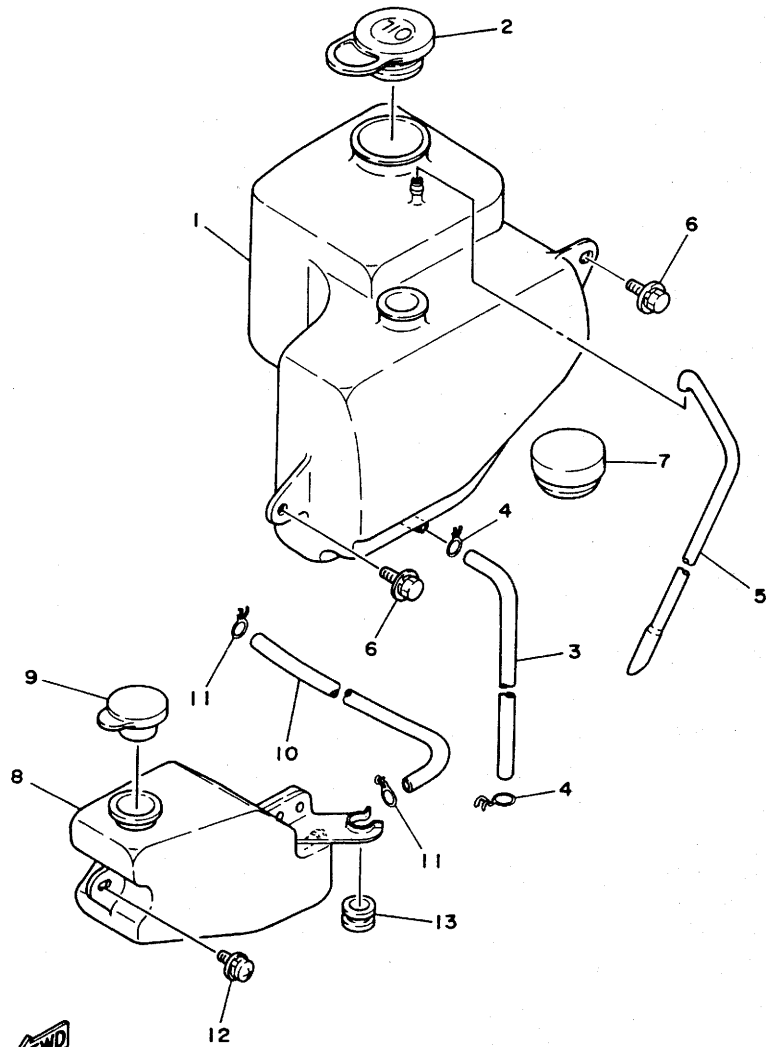
REF. NO.	PART NO.	DESCRIPTION	Q'TY	REMARKS
1	29L-21711-00-36	COVER, side 1	1	clean white
2	90480-12014	GROMMET	2	
3	90480-12421	GROMMET	1	
4	29L-21721-00-36	COVER, side 2	1	clean white
5	90480-12014	GROMMET	2	
6	90480-12421	GROMMET	1	
7	29L-21731-00	COVER, side 3	1	
8	90480-12014	GROMMET	2	
9	29L-21741-00	COVER, side 4	1	
10	90480-12014	GROMMET	2	
11	29L-21243-01	PLATE, bridge	1	
12	90119-06042	BOLT, with washer	2	
13	51L-2173E-00	GRAPHIC 1	1	for w/cpr
14	51L-2173F-00	GRAPHIC 2	1	for w/cpr
15	51L-28100-01	TOOL KIT	1	
16	75L-82131-00 122 75L-82131-00	BAND, battery	1	



IAH700-5180

C13

FIG. 19 OIL TANK

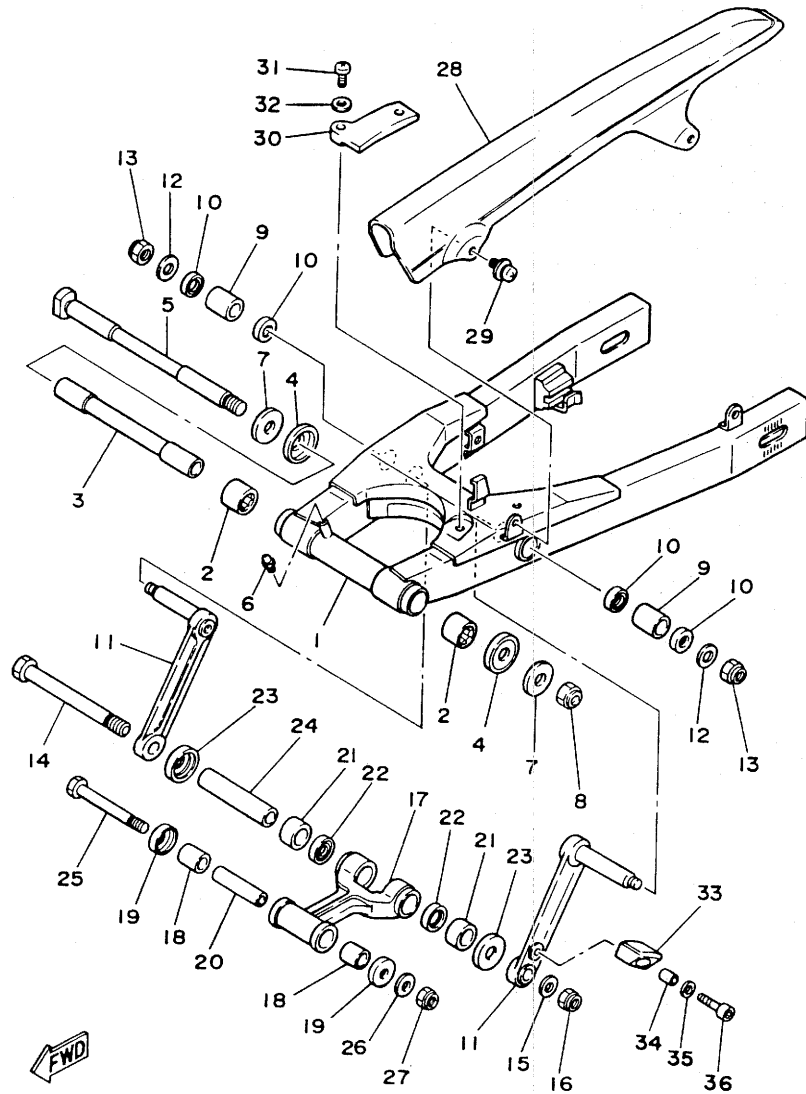


29L010-3210

REF. NO.	PART NO.	DESCRIPTION	Q'TY	REMARKS
1	29L-21751-00	TANK, oil	1	
2	10V-21771-00	BODY, cap	1	
3	29L-24316-00	PIPE 6	1	
4	90467-08003	CLIP	2	
5	29L-24317-00	PIPE 7	1	
6	90119-06063	BOLT, with washer	2	
7	29L-21746-00	DAMPER	1	
8	29L-21870-00	RECOVERY TANK ASSY	1	
9	4L0-21815-01	CAP	1	
10	29L-21766-00	PIPE, oil	1	
11	90467-10008	CLIP	2	
12	90159-06060	SCREW, with washer	1	
13	90480-12014	GROMMET	1	

C14

FIG. 20 REAR ARM

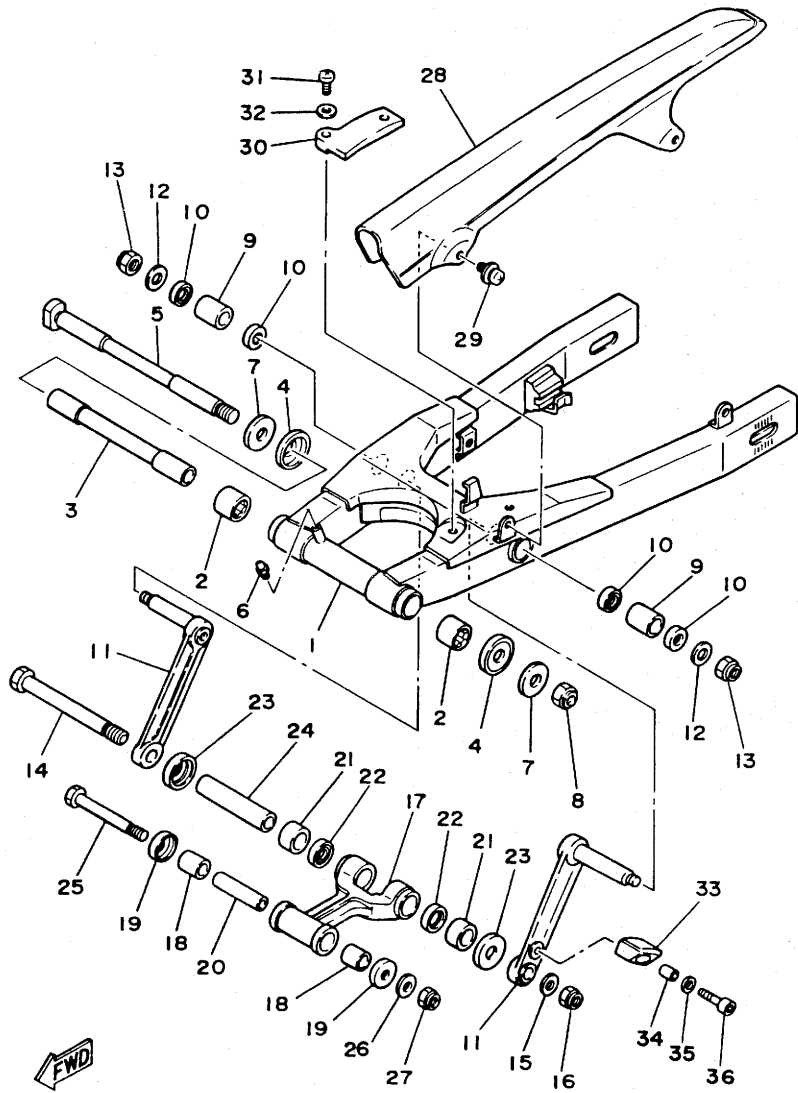


REF. NO.	PART NO.	DESCRIPTION	Q'TY	REMARKS
1	51L-22110-00-35	REAR ARM COMP.	1	silver
2	93320-32403	BEARING	2	
3	51L-22184-00	BUSH	1	
4	4X7-22129-00	COVER, thrust 2	2	
5	29L-22141-00	SHAFT, pivot	1	
6	93700-06004	NIPPLE, grease	1	
7	90201-161J3	WASHER, plate	2	
8	90185-14070	NUT, self-locking	1	
9	90386-18136	BUSH	2	
10	93109-18020	OIL SEAL	4	
11	31K-2217M-00	ARM 1	2	
12	90201-12191	WASHER, plate	2	
13	95601-12100	NUT, u	2	
14	90101-14585	BOLT	1	
15	92902-14600	WASHER	1	
16	95602-14100	NUT, u	1	
17	31K-2217A-00	ARM, relay	1	
18	90386-18118	BUSH	2	
19	26H-22129-00	COVER, thrust 2	2	
20	90387-127H2	COLLAR	1	
21	90386-20134	BUSH	2	
22	93109-20029	OIL SEAL	2	
23	26H-22128-00	COVER, thrust 1	2	
24	90387-144H4	COLLAR	1	
25	90109-10739	BOLT	1	
26	90201-10126	WASHER, plate	1	
27	95602-10100	NUT, u	1	
28	29L-22311-00	CASE, chain	1	

57V332-5200

C15

FIG. 20 REAR ARM



REF. NO.	PART NO.	DESCRIPTION	Q'TY	REMARKS
29	90159-06084	SCREW, with washer	2	
30	29L-22151-00	SEAL, guard	1	
31	98501-05010	SCREW, pan head	2	
32	92901-05600	WASHER, plate	2	
33	31K-22187-00	GUIDE, chain	1	
34	90387-060G5	COLLAR	1	
35	92901-06200	WASHER, plain	1	
36	91311-06030	BOLT	1	

57V332-5200

D2

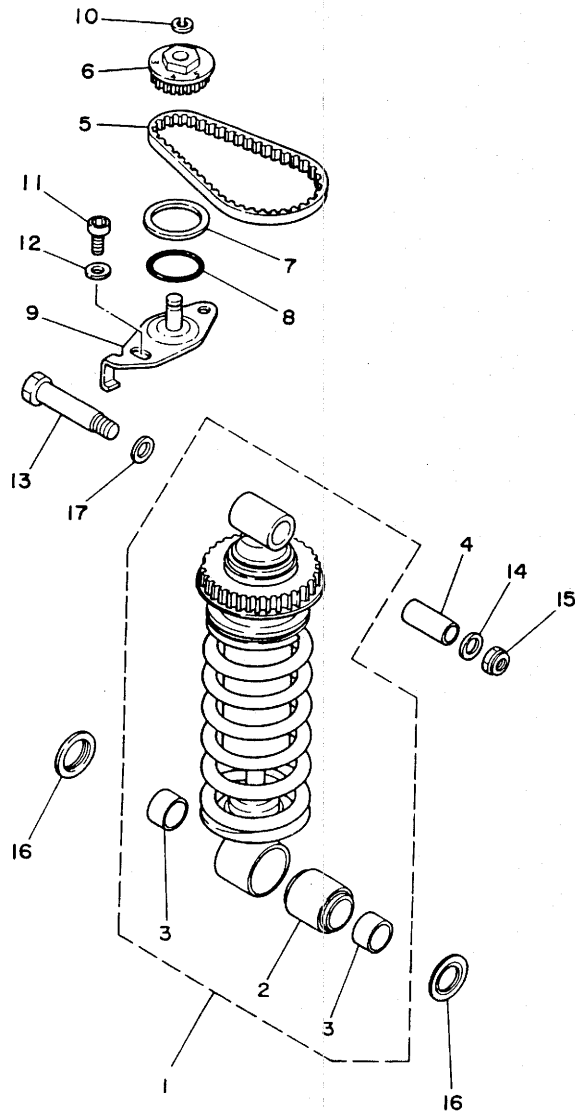


FIG. 21 REAR SUSPENSION ¹²

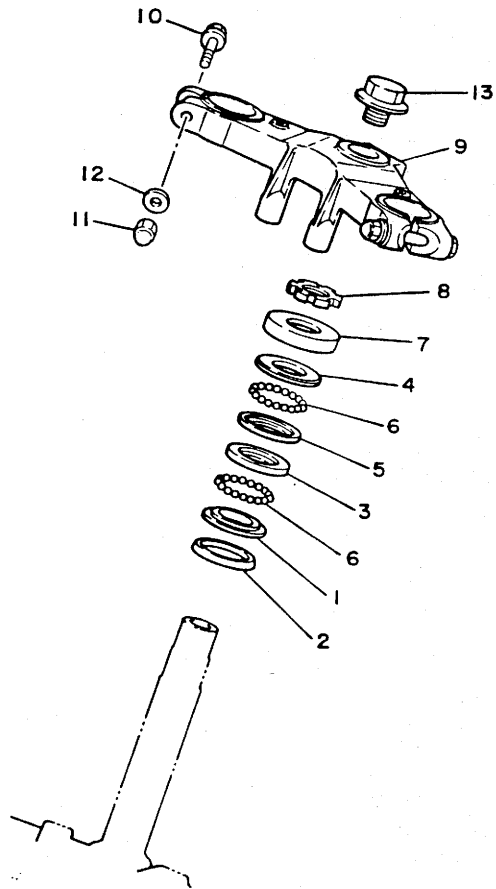
REF. NO.	PART NO.	DESCRIPTION	Q'TY	REMARKS
1	31K-22210-00	SHOCK ABSORBER ASSY, rear	1	
2	29L-22216-00	.BUSH, rear shock absorber	1	
3	90380-20123	.BUSH, solid	2	
4	90387-106H5	COLLAR	1	
5	29L-22266-01	BELT, timing	1	
6	29L-22267-00	PULLEY	1	
7	90201-202H3	WASHER, plate	1	
8	93210-35389	O-RING	1	
9	29L-22268-00	BRACKET, pulley	1	
10	93440-10123	CIRCLIP	1	
11	91316-08020	BOLT	2	
12	92906-08200	WASHER, plain	2	
13	90109-10554	BOLT	1	
14	90201-10126	WASHER, plate	1	
15	95602-10100	NUT, u	1	
16	29L-2217H-00	COVER, dust	2	
17	90201-12729	WASHER, plate	1	



29LO10-3232

D3

FIG. 22 STEERING



REF. NO.	PART NO.	DESCRIPTION	Q'TY	REMARKS
1	156-23411-00	RACE, ball 1	1	
2	164-23462-00	SEAL, steering	1	
3	156-23412-00	RACE, ball 2	1	
4	183-23411-00	RACE, ball 1	1	
5	183-23412-00	RACE, ball 2	1	
6	93501-04011	BALL	38	<i>1/4 INCH</i>
7	136-23415-00	COVER, ball race 1	1	
8	90179-25033	NUT	1	
9	51L-23435-00-98	CROWN, handle	1	low gloss black
10	95826-08050	BOLT, flange	2	
11	95306-08800	NUT	2	
12	92906-08600	WASHER, plate	2	
13	90105-14102	BOLT, washer based	1	

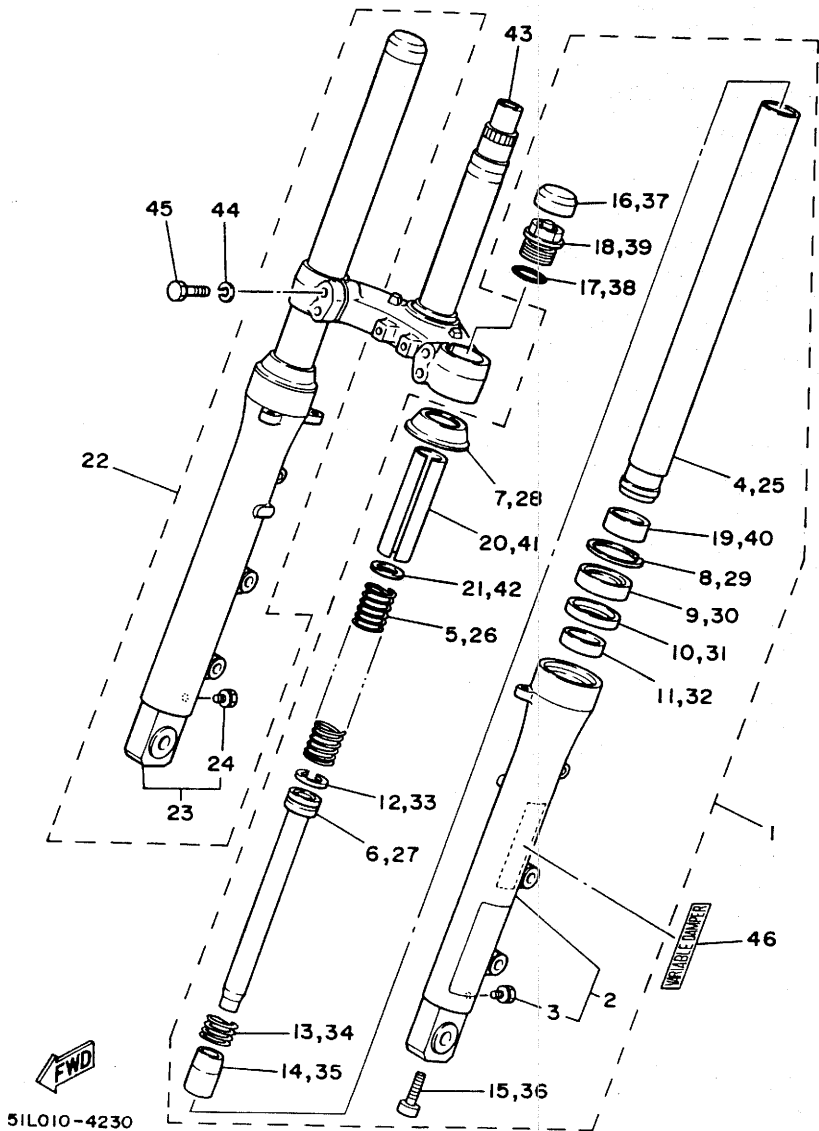


IAGI71-5220

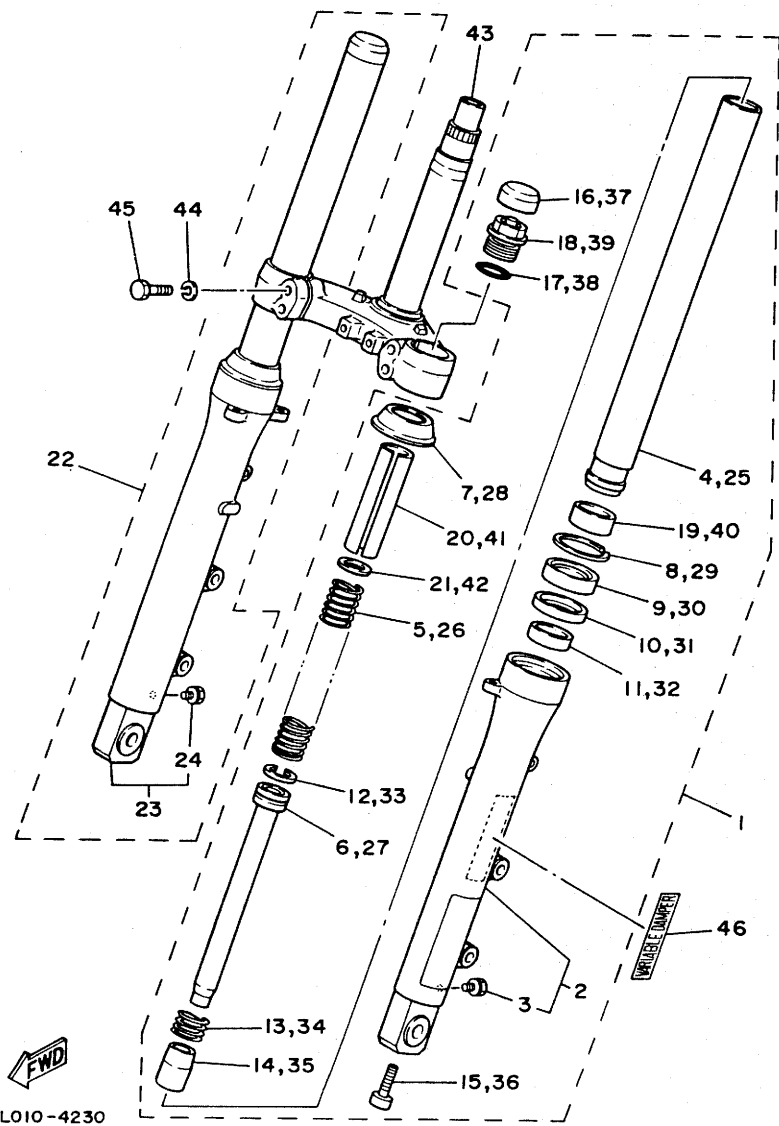
D4

FIG. 23 FRONT FORK

REF. NO.	PART NO.	DESCRIPTION	Q'TY	REMARKS
1	1AR-23102-00	FRONT FORK ASSY (L.H)	1	
2	1AR-23126-00-98	.TUBE, outer 1	1	low gloss black
3	1E7-23119-00	..PLUG, drain	1	
4	51L-23110-00	.INNER TUBE COMP.1	1	
5	51L-23141-00	.SPRING, front fork	1	
6	51L-23171-00	.PISTON, front fork	1	
7	51L-23144-00	.SEAL, dust	1	
8	34X-23156-00	.CLIP, oil seal	1	
9	10V-23145-00	.OIL SEAL	1	
10	10V-23147-00	.O-RING	1	
11	51L-23125-00	.METAL, slide 1	1	
12	51L-23157-00	.RING, piston	1	
13	51L-23151-00	.SPRING, rebound	1	
14	10V-23166-00	.SPACER, oil lock	1	
15	3M7-23181-00	.BOLT, hexagon socket head	1	
16	1AR-23184-00	.CAP, air valve	1	
17	27H-23147-00	.O-RING	1	
18	1AR-23111-00	.BOLT, cap	1	
19	10V-23135-00	.METAL, slide 2	1	
20	51L-23118-00	.SPACER	1	
21	51L-23142-00	.SEAT, spring upper	1	
22	1AR-23103-00	FRONT FORK ASSY (R.H)	1	
23	1AR-23136-00-98	.TUBE, outer 2	1	low gloss black
24	1E7-23119-00	..PLUG, drain	1	
25	51L-23110-00	.INNER TUBE COMP.1	1	
26	51L-23141-00	.SPRING, front fork	1	
27	51L-23171-00	.PISTON, front fork	1	
28	51L-23144-00	.SEAL, dust	1	



D5



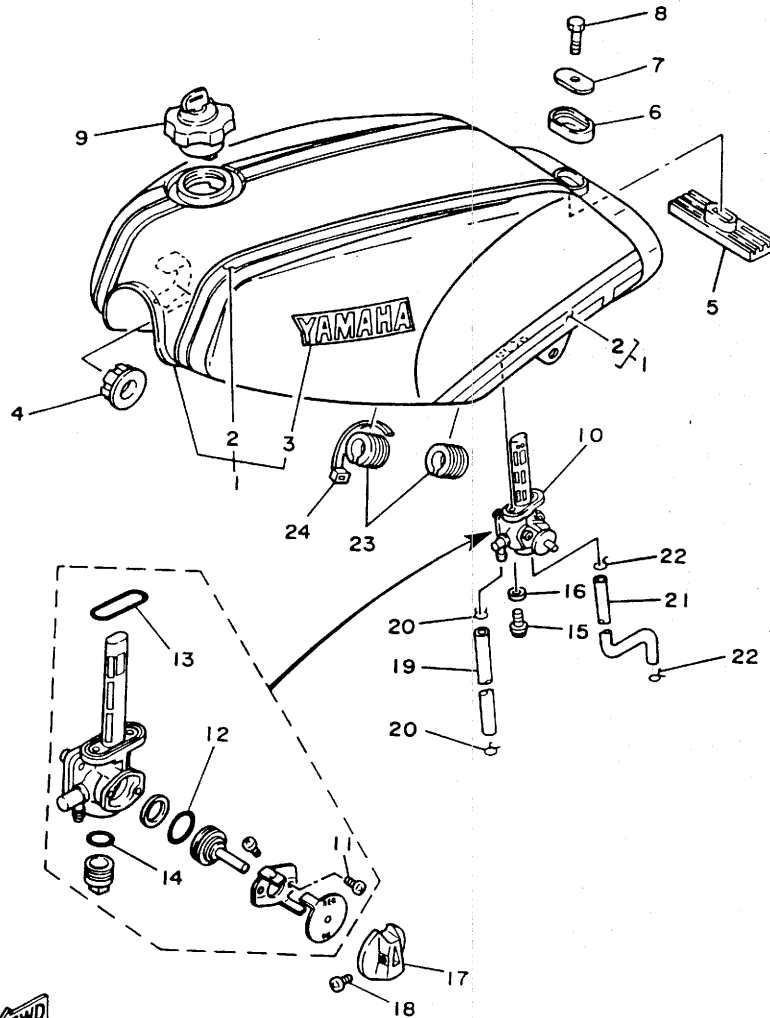
51L010-4230

9
FIG. 23 FRONT FORK

REF. NO.	PART NO.	DESCRIPTION	Q'TY	REMARKS
29	34X-23156-00	.CLIP, oil seal	1	
30	10V-23145-00	.OIL SEAL	1	
31	10V-23147-00	.O-RING	1	
32	51L-23125-00	.METAL, slide 1	1	
33	51L-23157-00	.RING, piston	1	
34	51L-23151-00	.SPRING, rebound	1	
35	10V-23166-00	.SPACER, oil lock	1	
36	3M7-23181-00	.BOLT, hexagon socket head	1	
37	1AR-23184-00	.CAP, air valve	1	
38	27H-23147-00	.O-RING	1	
39	1AR-23111-00	.BOLT, cap	1	
40	10V-23135-00	.METAL, slide 2	1	
41	51L-23118-00	.SPACER	1	
42	51L-23142-00	.SEAT, spring upper	1	
43	29L-23340-00	UNDER BRACKET COMP.	1	
44	3J3-23159-00	WASHER, spring, lower	4	
45	90109-08592	BOLT	4	
46	46X-23108-00	EMBLEM	2	

D6

FIG. 24 FUEL TANK

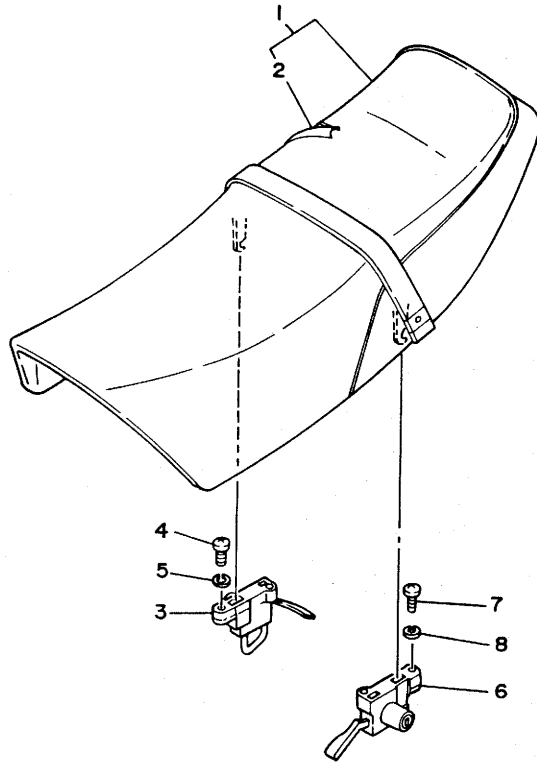


REF. NO.	PART NO.	DESCRIPTION	Q'TY	REMARKS
1	29L-24110-00-X9	FUEL TANK COMP.	1	white/chappy red
2	51L-24240-00	.GRAPHIC SET	1	for w/cpr
3	29L-24161- 20 ⁴⁰	.EMBLEM 1	2	for w
4	156-24181-00	DAMPER, locating 1	2	
5	29L-24182-00	DAMPER, locating 2	1	
6	3Y6-24183-00	DAMPER, locating 3	1	
7	12R-24186-00	WASHER, special	1	
8	97302-08030	BOLT	1	
9	11H-24602-02	CAP ASSY	1	
10	29L-24500-02	FUEL COCK ASSY 1	1	
11	98501-03008	.SCREW, pan head	4	
12	3H3-24534-00	.O-RING	1	
13	2W6-24512-00	.O-RING	1	
14	4X8-24565-00	.GASKET	1	
15	90149-06011	SCREW	2	
16	90202-06010	WASHER, plate	2	
17	29L-24524-01	LEVER, cock	1	
18	98506-03008	SCREW, pan head	1	
19	90445-11764	HOSE	1	
20	90467-10041	CLIP	2	
21	29L-2416A-00	HOSE	1	
22	90467-08075	CLIP	2	
23	1J7-24183-02	DAMPER, locating 3	4	
24	5Y9-12491-00	CLAMP 1	4	

IAH700-5240

D7

FIG. 25 SEAT ¹¹⁶



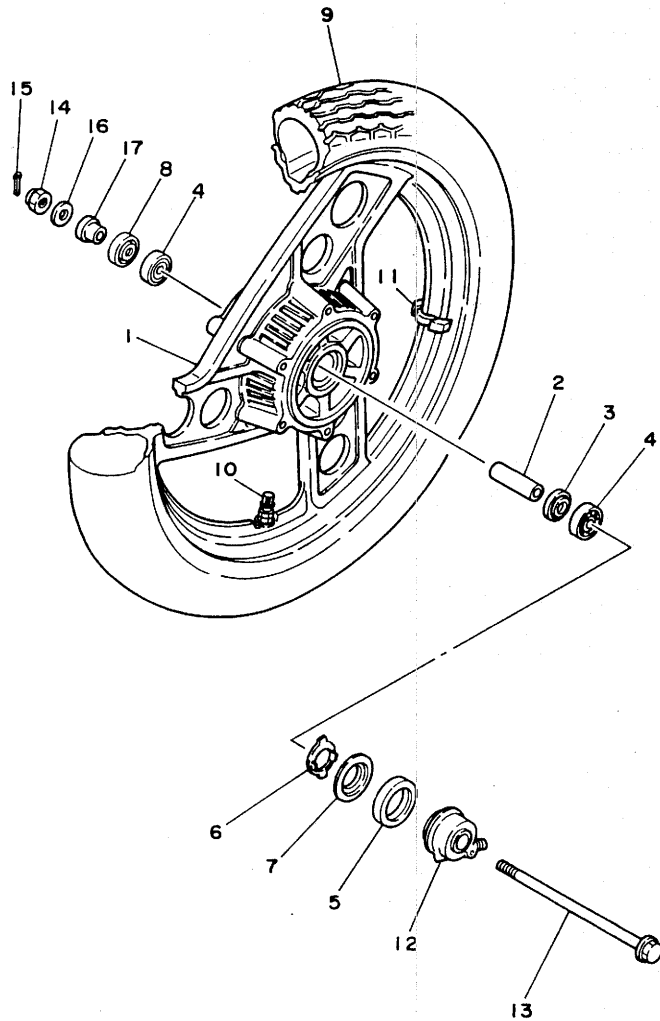
REF. NO.	PART NO.	DESCRIPTION	Q'TY	REMARKS
1	29L-24730-00	DOUBLE SEAT ASSY	1	
2	31K-24731-00	.COVER, seat	1	
3	29L-24705-00	SEAT LOCK ASSY	1	
4	92502-06016	SCREW, pan head	2	
5	92902-06100 92990	WASHER, spring	2	
6	31A-24760-00	SEAT LEVER ASSY	1	
7	92502-06016	SCREW, pan head	2	
8	92902-06100 92990	WASHER, spring	2	



29L010-3270

D8

FIG. 26 FRONT WHEEL



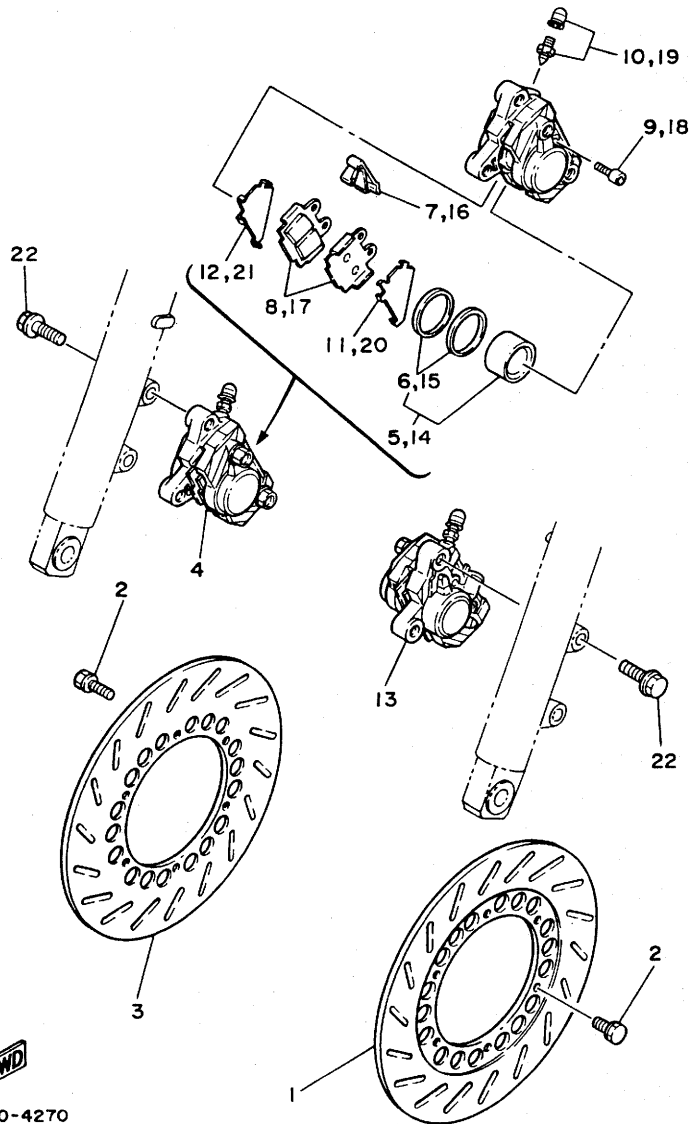
REF. NO.	PART NO.	DESCRIPTION	Q'TY	REMARKS
1	29L-25168-00-98	CAST WHEEL, front	1	low gloss black
2	90387-123A9	COLLAR	1	
3	2U2-25315-00	FLANGE, spacer	1	
4	93306-30103	BEARING (B6301Z)	2	
5	93105-45017	OIL SEAL	1	
6	341-25149-00	CLUTCH, meter	1	
7	341-25846-00	RETAINER, clutch	1	
8	93106-20002	OIL SEAL	1	
9	94109-183E1 90/90 x 18	TIRE	1	UR-yokohama
	94109-184G9	TIRE	1	UR_dunlop
10	93900-00002	VALVE, rim	1	UR_yokohama
	93900-00003	VALVE, rim	1	UR_dunlop
11	29L-25398-00	BALANCER, wheel (10G)	1	UN
	29L-25398-10	BALANCER, wheel (20G)	1	UN
	29L-25398-20	BALANCER, wheel (30G)	1	UN
12	4L0-25190-00	GEAR UNIT ASSY	1	
13	4L0-25181-00	AXLE, wheel	1	
14	90171-12005	NUT, castle	1	
15	91401-30025	PIN, cotter	1	
16	92901-12200	WASHER, plain	1	
17	^{127E0} 90387-12670	COLLAR	1	



29L010-3281

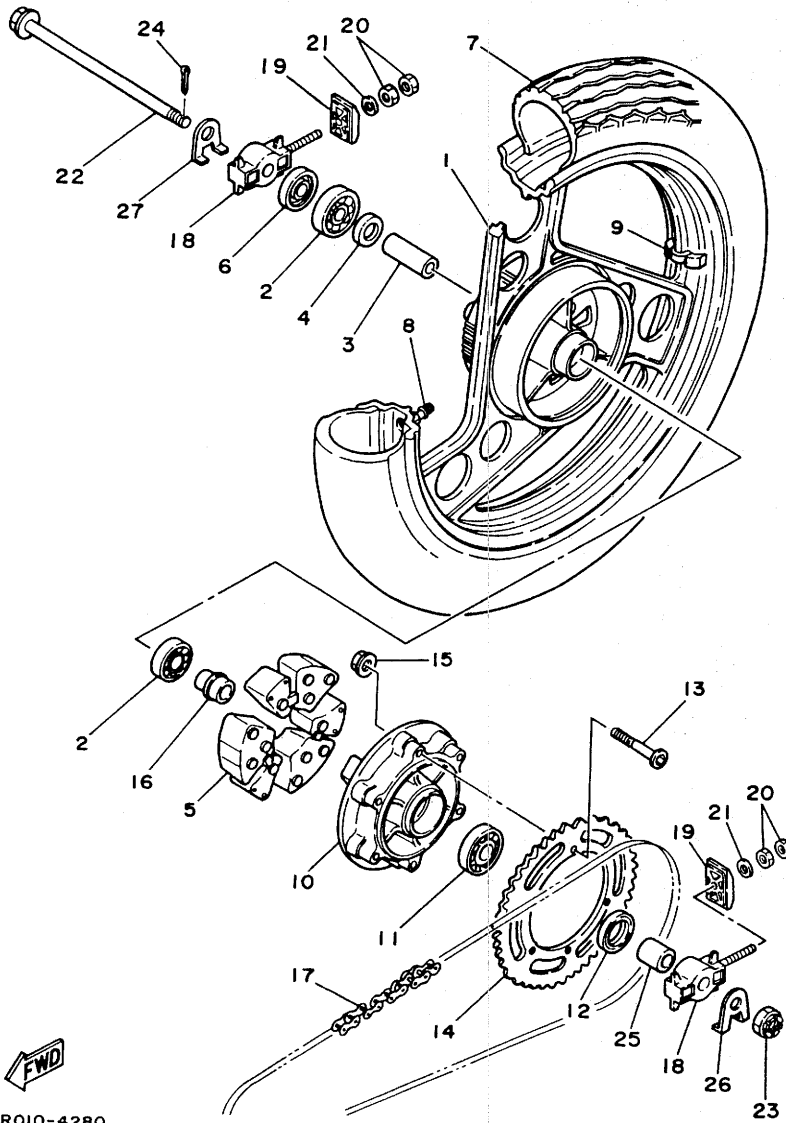
D9

FIG. 27 FRONT BRAKE CALIPER



REF. NO.	PART NO.	DESCRIPTION	Q'TY	REMARKS
1	29L-25831-10	DISC, brake (LEFT)	1	
2	90109-085A4	BOLT	12	
3	29L-25831-00	DISC, brake (RIGHT)	1	
4	51L-25810-00	CALIPER ASSY (RIGHT)	1	
5	51L-W0057-00	.PISTON ASSY, caliper	1	
6	51L-W0047-00	..CALIPER SEAL KIT	1	
7	51L-25919-00	.SUPPORT, pad	1	
8	51L-W0046-00	.BRAKE PAD KIT, rear	1	
9	51L-25924-00	.PIN, pad	2	
10	51L-W0048-00	.BLEED SCREW KIT	1	
11	51L-25827-00	.SHIM, caliper	1	
12	51L-25827-10	.SHIM, caliper	1	
13	51L-25810-10	CALIPER ASSY (LEFT)	1	
14	51L-W0057-00	.PISTON ASSY, caliper	1	
15	51L-W0047-00	..CALIPER SEAL KIT	1	
16	51L-25919-00	.SUPPORT, pad	1	
17	51L-W0046-00	.BRAKE PAD KIT, rear	1	
18	51L-25924-00	.PIN, pad	2	
19	51L-W0048-00	.BLEED SCREW KIT	1	
20	51L-25827-00	.SHIM, caliper	1	
21	51L-25827-10	.SHIM, caliper	1	
22	90105-10363	BOLT, washer based	4	


IAR010-4270



IAR010-4280

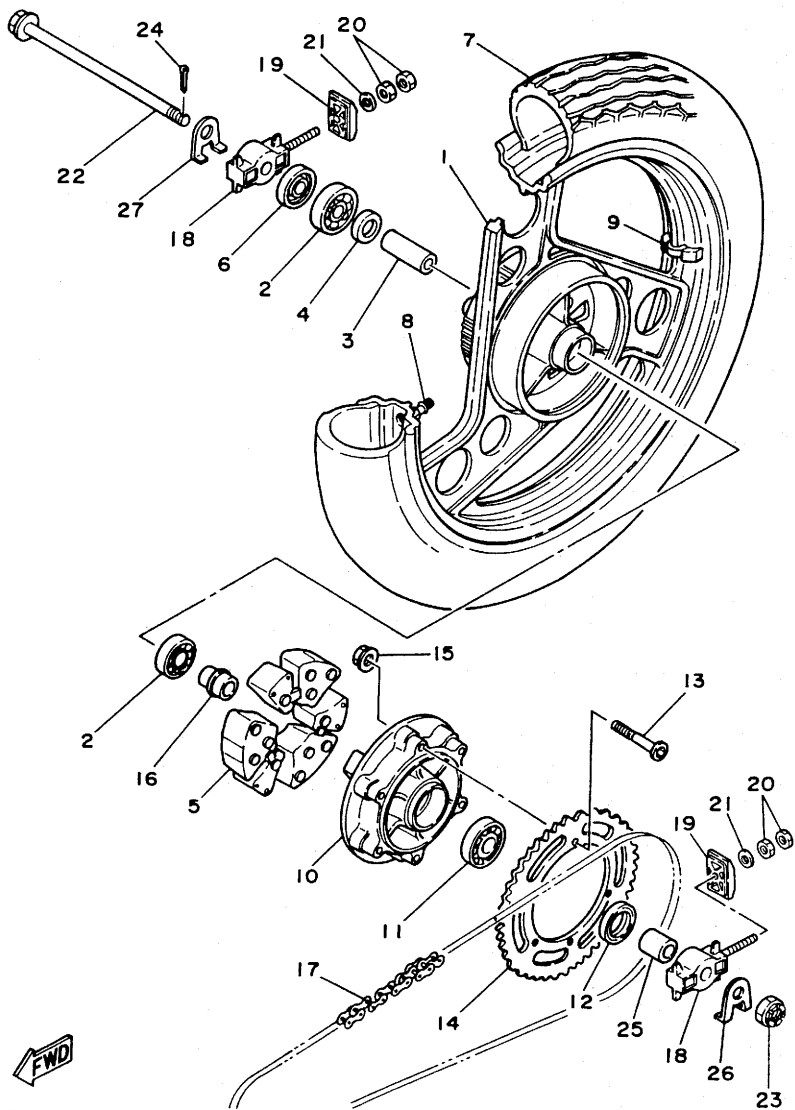
FIG. 28 REAR WHEEL ⁹

REF. NO.	PART NO.	DESCRIPTION	Q'TY	REMARKS
1	29L-25338-20-98	CAST WHEEL, rear	1	low gloss black
2	93306-30206	BEARING (B6302ZZ)	2	
3	90387-154A0	COLLAR	1	
4	2R6-25115-00	FLANGE, spacer 1	1	
5	29L-25364-00	DAMPER	3	
6	93102-22014	OIL SEAL	1	
7	110/80 x 18 94111-183F2	TIRE	1	UR-yokohama
	94111-184G8	TIRE		UR-dunlop
8	93900-00002	VALVE, rim	1	UR-yokohama
	93900-00003	VALVE, rim		UR-dunlop
9	29L-25398-00	BALANCER, wheel (10G)	1	UN
	29L-25398-10	BALANCER, wheel (20G)	1	UN } UR
	29L-25398-20	BALANCER, wheel (30G)	1	UN }
10	29L-25366-00	CLUTCH, hub	1	
11	93306-30416	BEARING (B6304RS)	1	
12	93102-32298	OIL SEAL	1	
13	90110-08057	BOLT, hexagon socket head	6	
14	31K-25441-20-33	SPROCKET, driven (41T)	1	yamaha black
15	90185-08113	NUT, self-locking	6	
16	4L0-25377-00	COLLAR, wheel	1	
17	94580-40106 ✓	CHAIN	1	
18	51L-25388-00	PULLER, chain 1	2	
19	51L-22174-00	END 1	2	
20	95301-08600	NUT	4	
21	92901-08600	WASHER, plate	2	
22	51L-25381-01	AXLE, wheel	1	
23	90171-14020	NUT, castle	1	
24	91401-30030	PIN, cotter	1	

D11

FIG. 28 REAR WHEEL

REF. NO.	PART NO.	DESCRIPTION	Q'TY	REMARKS
25	90387-156L5	COLLAR	1	
26	51L-2533A-00	PLATE, indicator	1	
27	51L-2533E-00	PLATE, indicator 2	1	



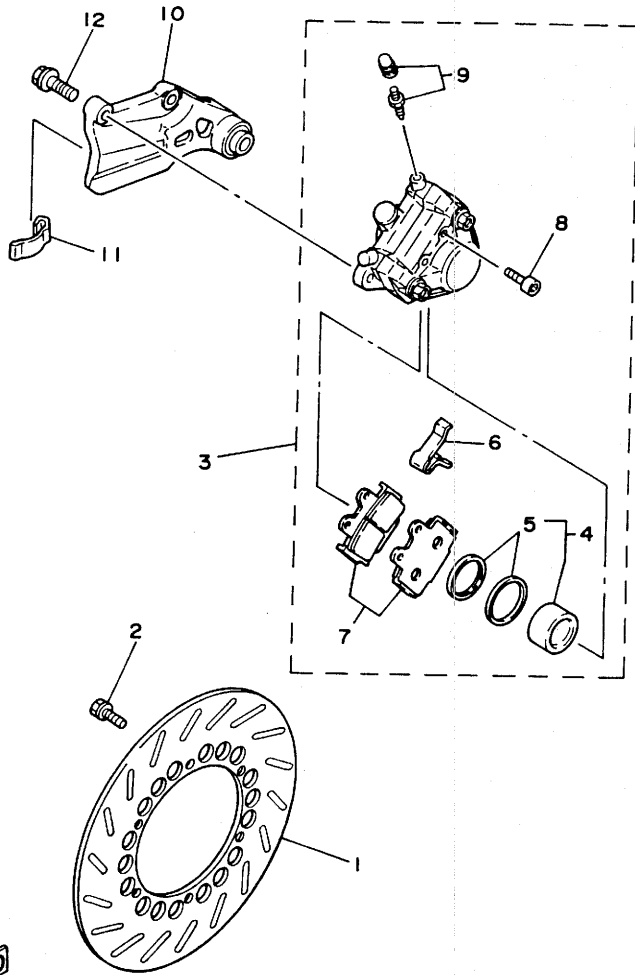
FWD

IAR010-4280

D12

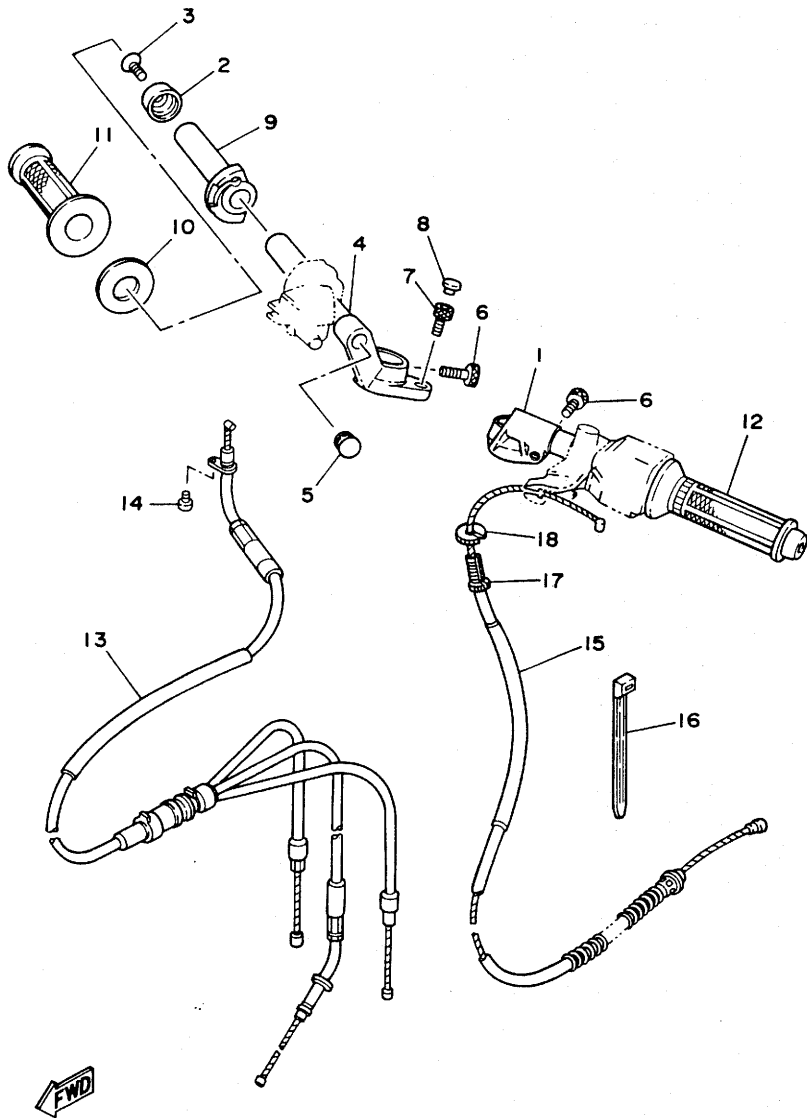
FIG. 29 REAR BRAKE CALIPER ¹³

REF. NO.	PART NO.	DESCRIPTION	Q'TY	REMARKS
1	29L-25831-00	DISC, brake (RIGHT)	1	
2	90109-085A4	BOLT	6	
3	51L-25810-50	CALIPER ASSY	1	
4	51L-W0057-00	.PISTON ASSY, caliper	1	
5	51L-W0047-00	..CALIPER SEAL KIT	1	
6	51L-25919-00	.SUPPORT, pad	1	
7	51L-W0046-00	.BRAKE PAD KIT, rear	1	
8	51L-25924-00	.PIN, pad	2	
9	51L-W0048-00	.BREED SCREW KIT	1	
10	51L-25819-00-98	BRACKET, caliper	1	low gloss black
11	33M-25927-00	SPRING, support	1	
12	90105-10363	BOLT, washer based	2	



51L010-4290

D13



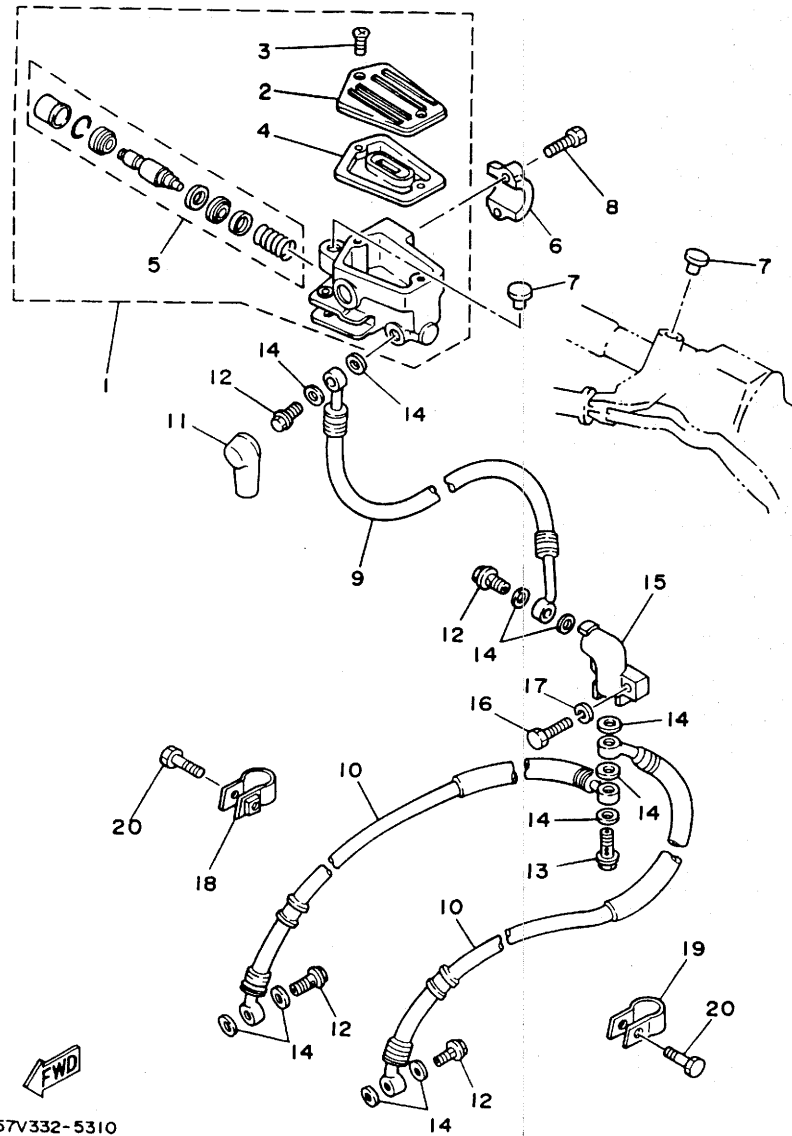
57V332-5300

FIG. 30 STEERING HANDLE CABLE

REF. NO.	PART NO.	DESCRIPTION	Q'TY	REMARKS
1	57V-26121-00	HANDLEBAR (L.H)	1	
2	29L-26246-00	END, grip	2	
3	92706-06030	SCREW, flat head	2	
4	57V-26122-00	HANDLEBAR (R.H)	1	
5	90338-19166	PLUG	2	
6	91316-08025	BOLT	2	
7	91316-06016	BOLT	2	
8	2H9-23469-00	CAP, bolt	2	
9	29L-26243-00	TUBE, throttle guide	1	
10	2H7-26249-00	RING, leaf	1	
11	31A-26242-00	GRIP (R.H)	1	
12	31A-26241-00	GRIP (L.H)	1	
13	57V-26260-00	CABLE ASSY, throttle & pump	1	
14	98506-05008	SCREW, pan head	1	
15	51L-26335-00	CABLE, clutch	1	
16	5Y9-12491-00	CLAMP 1	1	
17	90123-08083	BOLT	1	
18	90179-08316	NUT	1	

15

FIG. 31 FRONT MASTER CYLINDER



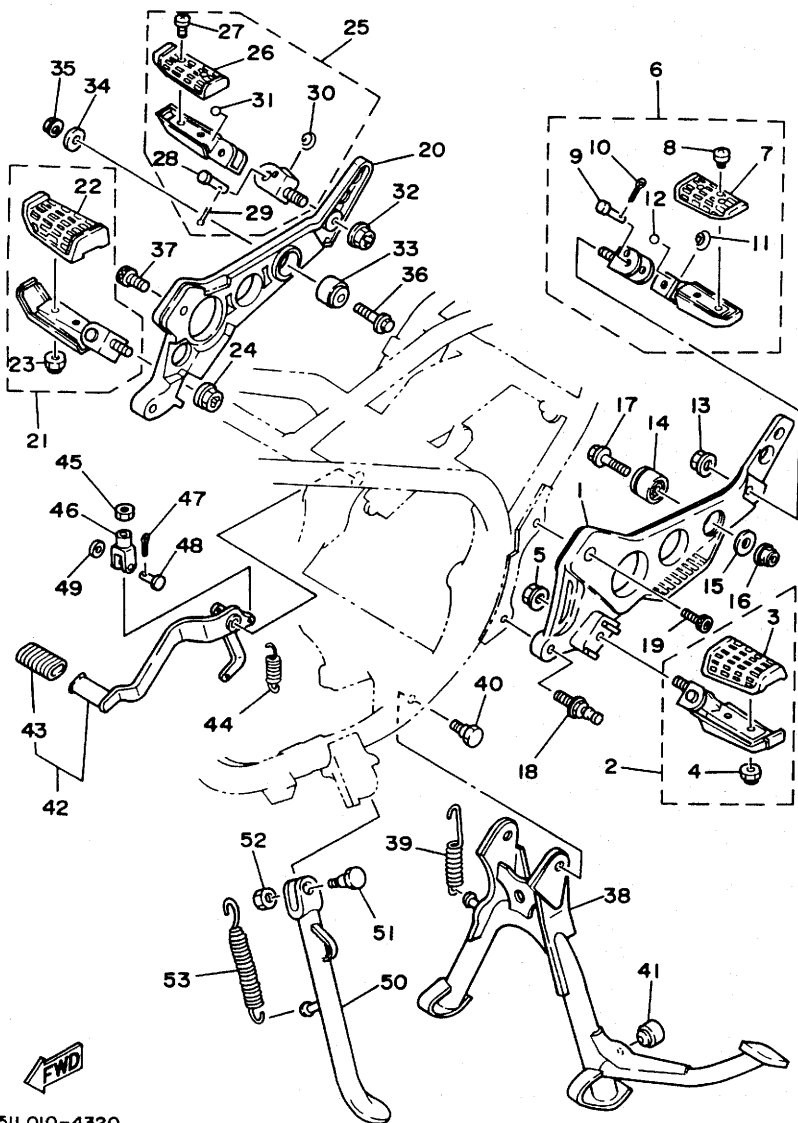
REF. NO.	PART NO.	DESCRIPTION	Q'TY	REMARKS
1	36Y-25850-00	MASTER CYLINDER ASSY	1	
2	36Y-25852-00	.CAP, reservoir	1	
3	98706-04012	.SCREW, flat head	2	
4	36Y-25854-00	.DIAPHRAGM, reservoir	1	
5	36Y-W0041-00	.CYLINDER KIT, master	1	
6	4L0-25867-00	BRACKET, master cylinder	1	
7	90338-09012	PLUG	2	
8	91316-06025	BOLT	2	
9	57V-25872-00	HOSE, brake 1	1	
10	51L-25873-00	HOSE, brake 2	2	
11	4L0-25862-00	BOOT, master cylinder	1	
12	90401-10096	BOLT, union	4	
13	90401-10095	BOLT, union	1	
14	90201-10118	WASHER, plate	11	
15	47X-25885-00	JOINT	1	
16	97306-06025	BOLT	1	
17	92906-06100	WASHER, spring	1	
18	JAR-25875-00	HOLDER, brake hose 1	1	
19	^{JR8} 507 -25876-00	HOLDER, brake hose 2	1	
20	97306-06025	BOLT	2	

57V332-5310

D15

FIG. 32 STAND, FOOTREST ¹²

REF. NO.	PART NO.	DESCRIPTION	Q'TY	REMARKS
1	29L-27442-01	BRACKET 2	1	
2	33M-27410-01	FRONT FOOTREST ASSY (L.H)	1	
3	22N-27413-00	.COVER, footrest	1	
4	95601-06100	.NUT, u	2	
5	95701-10500	NUT, flange	1	
6	29L-27430-00	REAR FOOTREST ASSY 1	1	
7	22N-27433-00	.COVER, rear footrest	1	
8	98506-05010	.SCREW, pan head	2	
9	91701-06035	.PIN, clevis	1	
10	91401-16012	.PIN, cotter	1	
11	90501-16761	.SPRING, compression	1	
12	93501-04004	.BALL	1	
13	95701-10500	NUT, flange	1	
14	29L-27414-01	DAMPER, footrest	1	
15	90209-08249	WASHER	1	
16	90185-08097	NUT, self-locking	1	
17	90105-08284	BOLT, washer based	1	
18	90109-10754	BOLT	1	
19	91311-10025	BOLT	1	
20	29L-27443-01	BRACKET 3	1	
21	33M-27420-01	FRONT FOOTREST ASSY (R.H)	1	
22	22N-27413-00	.COVER, footrest	1	
23	95601-06100	.NUT, u	2	
24	95701-10500	NUT, flange	1	
25	29L-27440-00	REAR FOOTREST ASSY 2	1	
26	22N-27433-00	.COVER, rear footrest	1	
27	98506-05010	.SCREW, pan head	2	
28	91701-06035	.PIN, clevis	1	

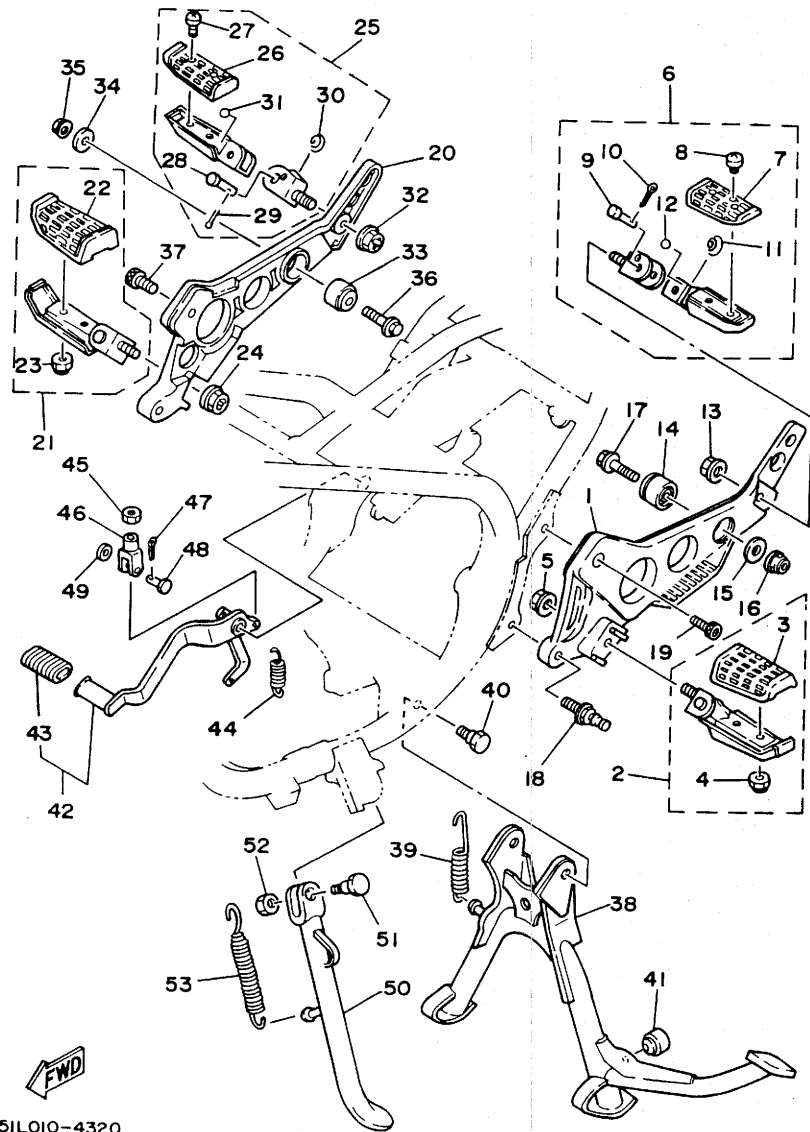


51LO10-4320

E2

12

FIG. 32 STAND, FOOTREST



REF. NO.	PART NO.	DESCRIPTION	Q'TY	REMARKS
29	91401-16012	.PIN, cotter	1	
30	90501-16761	.SPRING, compression	1	
31	93501-04004	.BALL	1	
32	95701-10500	NUT, flange	1	
33	29L-27414-01	DAMPER, footrest	1	
34	90209-08249	WASHER	1	
35	90185-08097	NUT, self-locking	1	
36	90105-08284	BOLT, washer based	1	
37	91311-10025	BOLT	2	
38	29L-27111-01-33	STAND, main	1	yamaha black
39	90506-35349	SPRING, tension	1	
40	90109-10737	BOLT	2	
41	1A0-27114-00	STOPPER, main stand	1	
42	51L-27200-00	PEDAL, brake	1	
43	22N-18113-00	.COVER, shift pedal	1	
44	90506-20192	SPRING, tension	1	
45	95301-08700	NUT	1	
46	1J3-27222-01	JOINT	1	
47	91401-16012	PIN, cotter	1	
48	90240-08013	PIN, clevis	1	
49	90201-08083	WASHER, plate	1	
50	29L-27311-00-33	STAND, side	1	yamaha black
51	90109-10590	BOLT	1	
52	90185-10037	NUT, self-locking	1	
53	90507-29032	SPRING, tension	1	

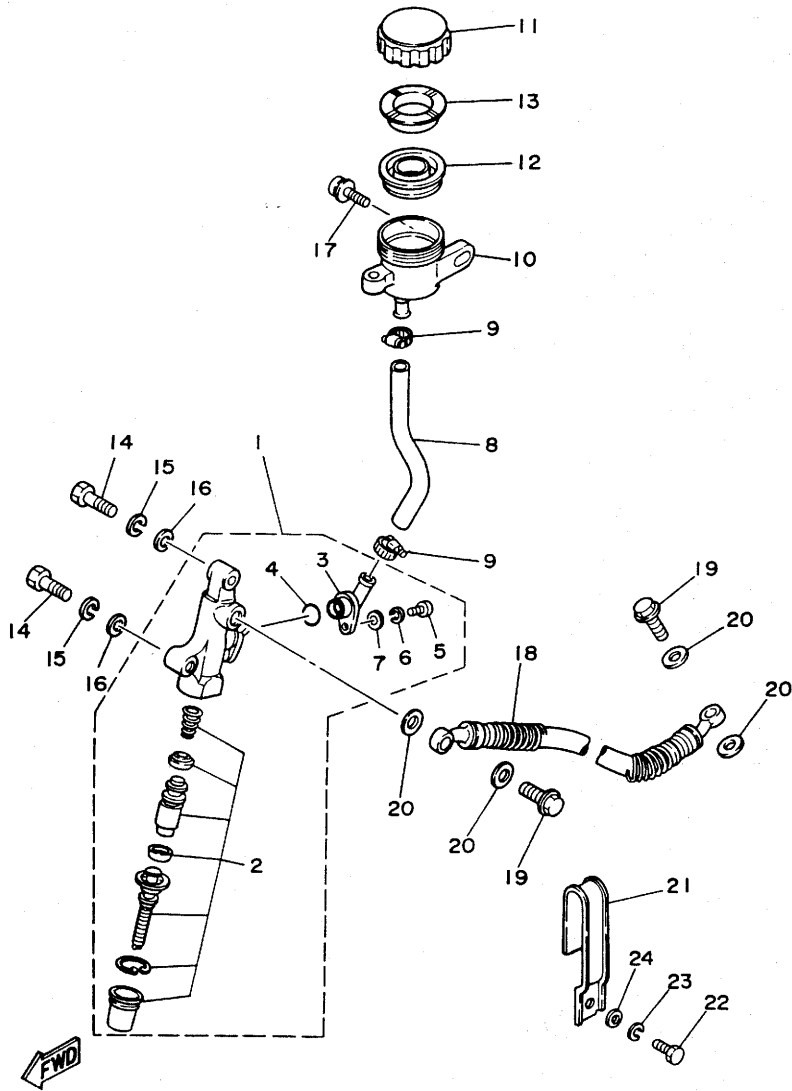
51LO10-4320

E3

FIG. 33 REAR MASTER CYLINDER

4

REF. NO.	PART NO.	DESCRIPTION	Q'TY	REMARKS
1	29L-25850-51	MASTER CYLINDER ASSY	1	
2	29L-W0042-50	.CYLINDER KIT, master	1	
3	29L-2582A-50	.JOINT	1	
4	93210-15620	.O-RING	1	
5	98511-04012	.SCREW, pan head	1	
6	92906 92990-04100	.WASHER, spring	1	
7	92901-04600	.WASHER, plate	1	
8	29L-25895-00	HOSE, reservoir	1	
9	90460-12268	CLAMP, hose	2	
10	1A1-25894-01	TANK, reservoir	1	
11	1A1-25852-00	CAP, reservoir	1	
12	360-25854-00	DIAPHRAGM, reservoir	1	
13	360-25855-01	BUSH, diaphragm	1	
14	97306 97026-08030	BOLT	2	
15	92906-08100	WASHER, spring	2	
16	92906-08600	WASHER, plate	2	
17	90159-06056	SCREW, with washer	1	
18	51L-25872-50	HOSE, brake 1	1	
19	90401-10096	BOLT, union	2	
20	90201-10118	WASHER, plate	4	
21	29L-25875-00	HOLDER, brake hose 1	1	
22	97306-06012	BOLT	1	
23	92906-06100	WASHER, spring	1	
24	92906-06600	WASHER, plate	1	

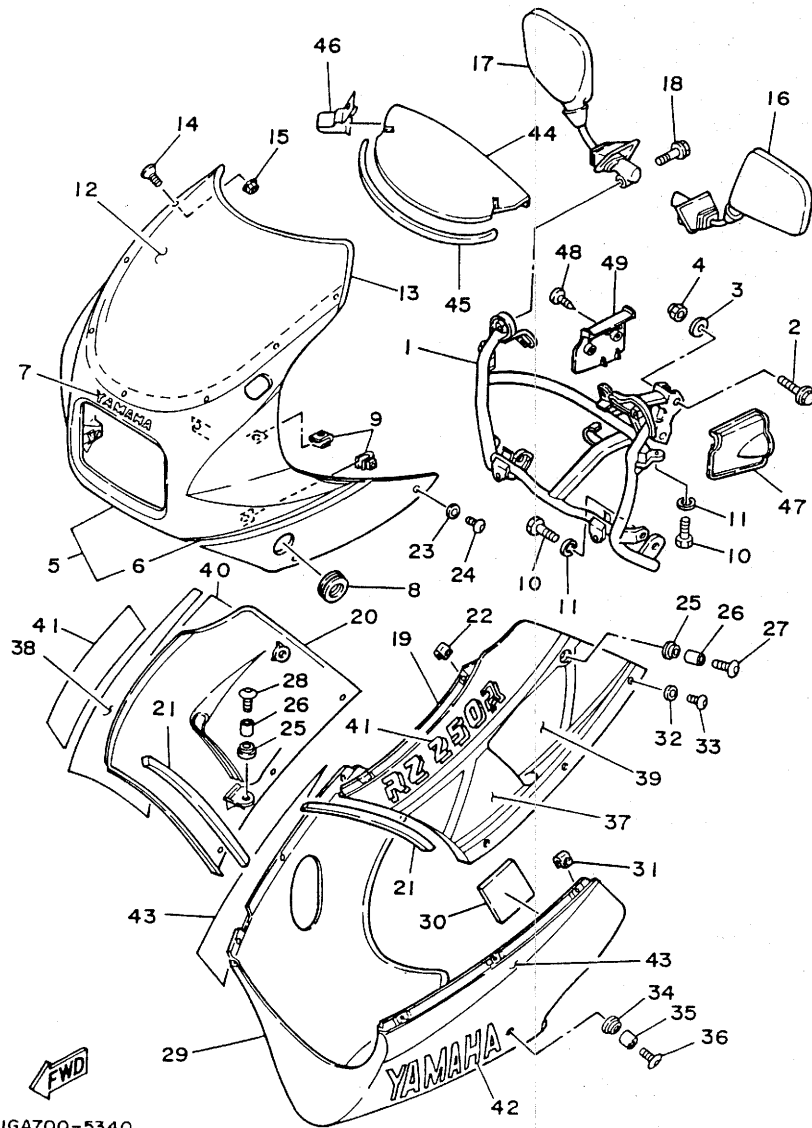


29L010-3351

E4

FIG. 34 COWLING

REF. NO.	PART NO.	DESCRIPTION	Q'TY	REMARKS
1	51L-28356-03	STAY 1	1	
2	90101-08626	BOLT	2	
3	92906-08600	WASHER, plate	2	
4	95306-08800	NUT	2	
5	47X-W2838-01-01	COWLING ASSY	1	white/chappy red
6	51L-2834X-00	.GRAPHIC SET 1, cowling	1	for w/cpr
7	1X0-24161-10	EMBLEM 1	1	
8	90480-35394	GROMMET	2	
9	47X-21736-00	NUT, plate	6	
10	97326-06016	BOLT	4	
11	92906-06100	WASHER, spring	4	
12	57V-2837U-00	SCREEN	1	
13	47X-28346-00	MOLE 2	1	
14	90150-05020	SCREW, round head	7	
15	95706-05100	NUT, flange	5	
16	53G-26290-30	BACK MIRROR ASSY (LEFT)	1	for australia/new zealand
17	53G-26290-40	BACK MIRROR ASSY (RIGHT)	1	for australia/new zealand
18	90105-10330	BOLT, washer based	2	
19	51L-2835U-00-36	PANEL 1	1	clean white
20	51L-2835V-00-36	PANEL 2	1	clean white
21	51L-28217-00	DAMPER 1	2	
22	90183-05024	NUT, spring	4	
23	90202-06007	WASHER, plate	4	
24	90110-05079	BOLT, hexagon socket head	4	
25	90480-13398	GROMMET	4	
26	90387-067K6	COLLAR	4	
27	90110-06078	BOLT, hexagon socket head	2	
28	90110-06090	BOLT, hexagon socket head	2	

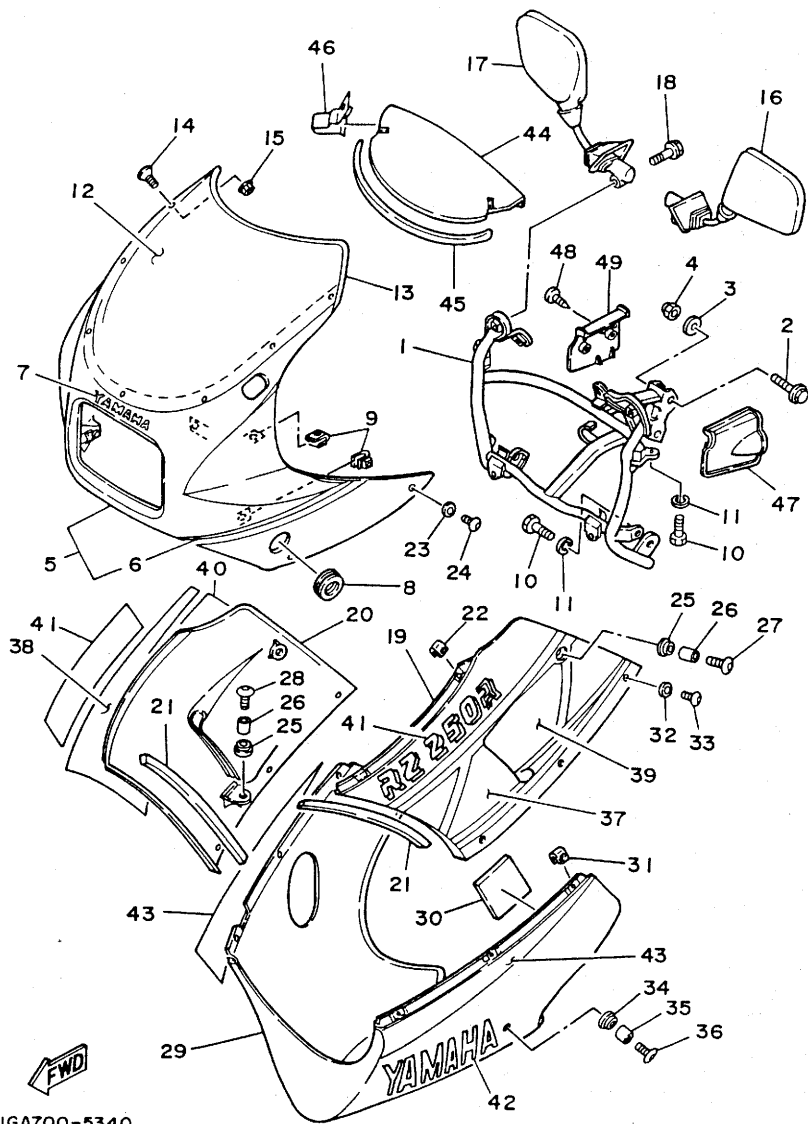


FWD

IGA700-5340

E5

FIG. 34 COWLING 1

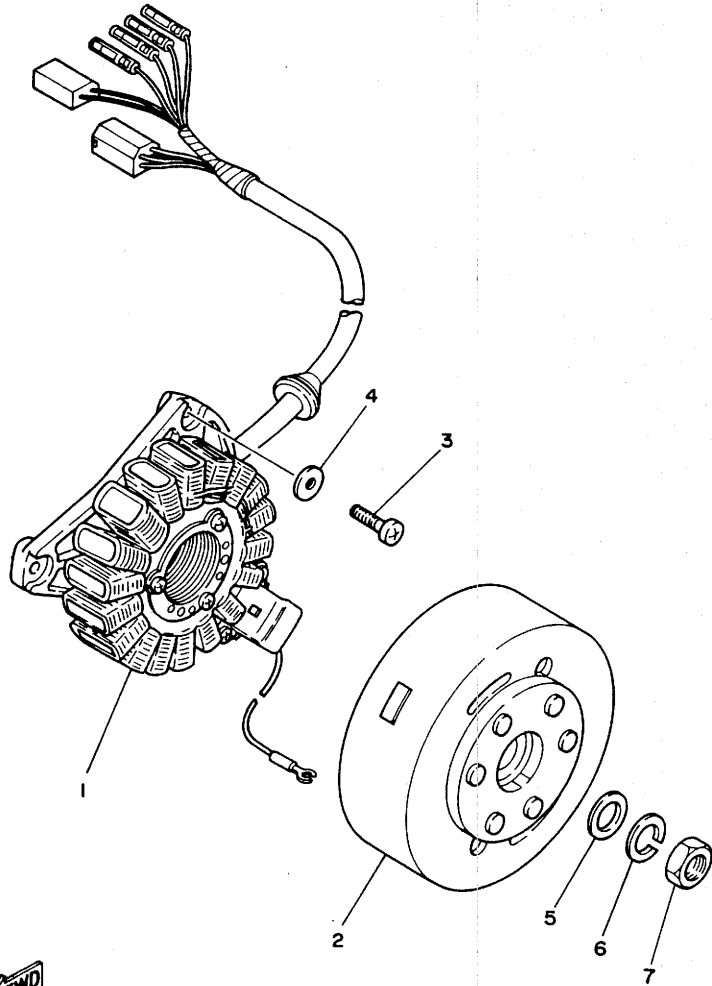


IGA700-5340

REF. NO.	PART NO.	DESCRIPTION	Q'TY	REMARKS
29	51L-2835J-00-36	BODY, front lower 1	1	clean white
30	51L-28371-00	DAMPER	1	
31	90183-05024	NUT, spring	6	
32	90202-06007	WASHER, plate	6	
33	90110-05079	BOLT, hexagon socket head	6	
34	90480-13398	GROMMET	2	
35	90387-067K6	COLLAR	2	
36	90110-06078	BOLT, hexagon socket head	2	
37	51L-2839A-00	GRAPHIC 7	1	for w/cpr
38	51L-2839E-00	GRAPHIC 8	1	for w/cpr
39	51L-2839F-00	GRAPHIC 9	1	for w/cpr
40	51L-2839G-00	GRAPHIC 10	1	for w/cpr
41	51L-28338-00	EMBLEM	2	for w/cpr
42	51L-28315-00	EMBLEM	2	
43	51L-28301-00	GRAPHIC SET, lower cover	1	
44	51L-2836M-00	PANEL, inner 3	1	
45	51L-28345-00	MOLE 1	1	
46	51L-28344-00	CLIP	2	
47	51L-2831T-00	STAY, support 1	1	
48	97706-40516	SCREW, tapping	2	
49	51L-2832T-00	STAY, support 2	1	

FIG. 35 GENERATOR

REF. NO.	PART NO.	DESCRIPTION	Q'TY	REMARKS
1	51L-85510-50	STATOR ASSY	1	
2	51L-85550-50	ROTOR ASSY	1	
3	90153-06007	SCREW, hexagon	3	
4	90201-06042	WASHER, plate	3	
5	90201-12593	WASHER, plate	1	
6	92902-12100	WASHER, spring	1	
7	90170-12067	NUT	1	

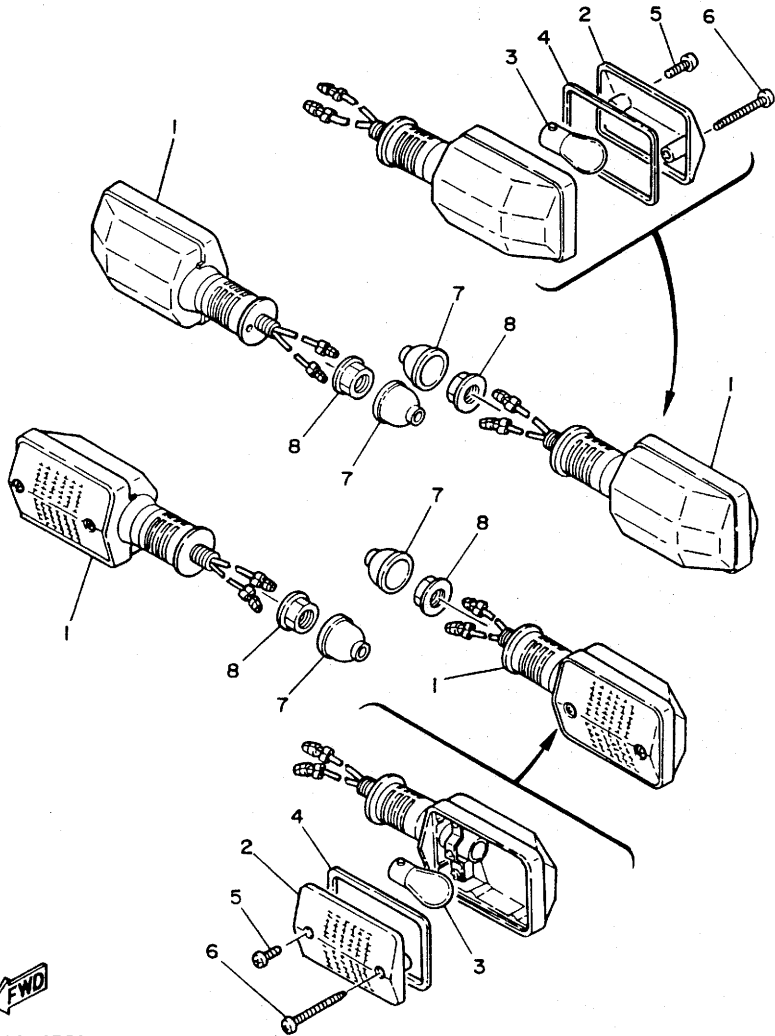


51L010-4350

E7

FIG. 36 FLASHER LIGHT

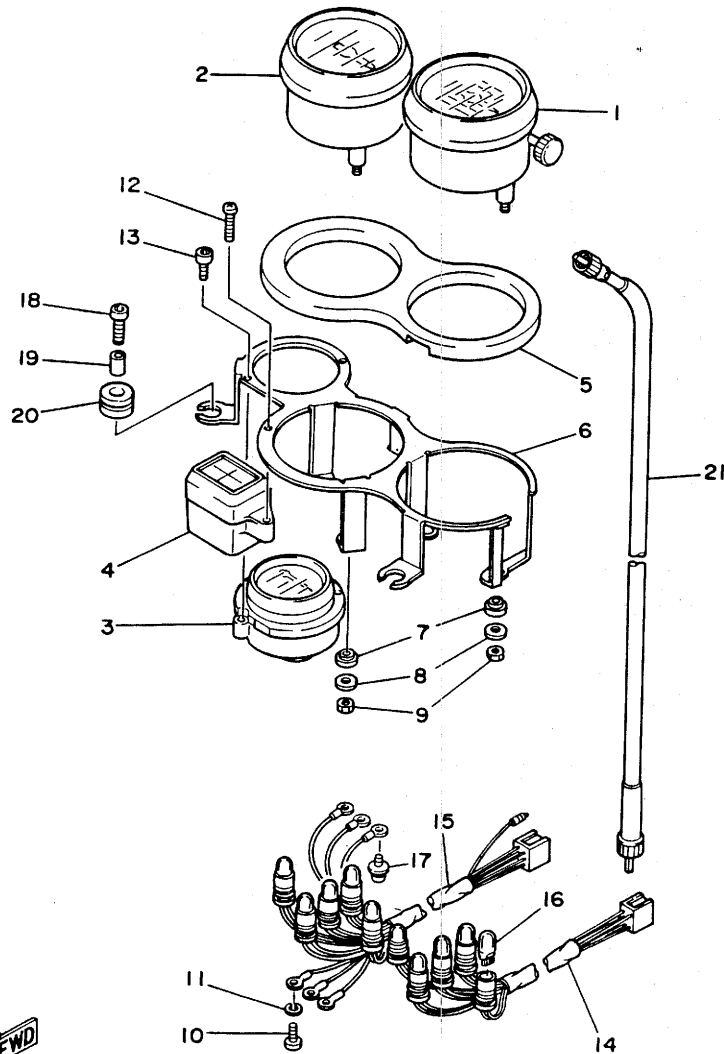
REF. NO.	PART NO.	DESCRIPTION	Q'TY	REMARKS
1	5Y1-83330-70	REAR FLASHER LIGHT ASSY 1	4	
2	5Y1-83312-00	.LENS, flasher	1	
3	256-83311-70 MC 6120	.BULB (12V-27W)	1	
4	5Y1-83313-00	.GASKET, flasher lens	1	
5	98503-04010	.SCREW, pan head	1	
6	97701-40530	.SCREW, tapping	1	
7	10V-83365-00	CAP	4	
8	95706-12100	NUT, flange	4	



IAR010-4350

E8

FIG. 37 METER



REF. NO.	PART NO.	DESCRIPTION	Q'TY	REMARKS
1	57V-83570-F0	SPEEDOMETER ASSY	1	
2	47X-83540-00	TACHOMETER ASSY	1	
3	47X-83590-00	WATER TEMPERATURE ASSY	1	
4	47X-83530-00	PILOT LIGHT ASSY	1	
5	47X-83513-00	DAMPER	1	
6	47X-83519-00	BRACKET, meter	1	
7	584-83523-00	DAMPER	4	
8	4U5-83524-00	WASHER, special	4	
9	95306-05600	NUT	4	
10	98501-03012	SCREW, pan head	3	
11	92903-03100	WASHER, spring	3	
12	47X-83616-00	SCREW, tapping	1	
13	91316-03016	BOLT	2	
14	47X-83509-00	SOCKET CORD ASSY	1	
15	47X-83520-00	SOCKET CORD ASSY	1	
16	4G1-84744-00	BULB (12V 3.4W)	10	
17	90159-03102	SCREW, with washer	3	
18	90110-06087	BOLT, hexagon socket head	3	
19	90387-065L7	COLLAR	3	
20	90480-14229	GROMMET	3	
21	51L-83550-00	SPEEDOMETER CABLE ASSY	1	

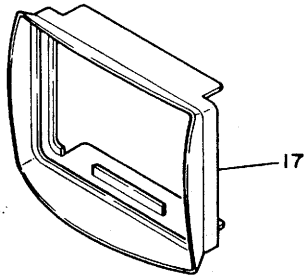
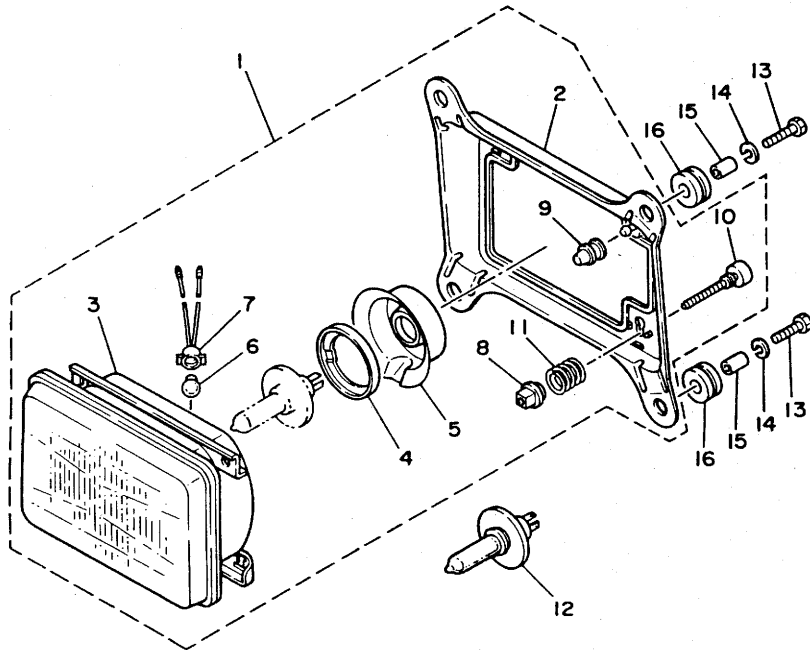
FWD

51L010-4370

E9

FIG. 38 HEADLIGHT ¹⁰

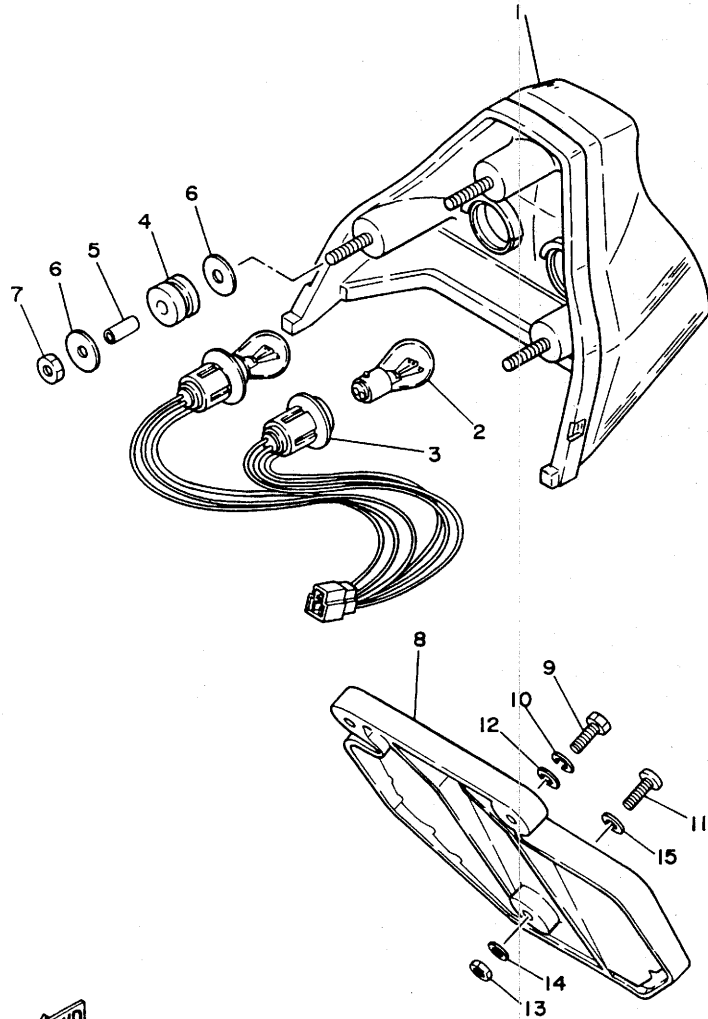
REF. NO.	PART NO.	DESCRIPTION	Q'TY	REMARKS
1	51L-84303-H0	HEADLIGHT UNIT ASSY	1	
2	51L-84311-00	.BODY, headlight	1	
3	47X-84320-H0	.LENS ASSY	1	
4	2F9-84375-00	.FITTING PLATE, bulb	1	
5	2F9-84397-01	.COVER, socket	1	
6	123-83516-21 MC 6114	.BULB (12V-3.4W)	1	
7	457-84146-85	.SOCKET, pilot light	1	
8	51L-84334-00	.NUT, adjusting	2	
9	51L-8431U-00	.HOLDER	1	
10	47X-84337-00	.BOLT, special	2	
11	51L-84332-00	.SPRING, screw	2	
12	123443	BULB (12V-60/55W)	1	LM
13	97306-06025	BOLT	4	
14	92906-06100	WASHER, spring	4	
15	90387-067F1	COLLAR	4	
16	90480-14229	GROMMET	4	
17	51L-84196-01	COVER, socket	1	



52Y010-4380

E10

FIG. 39 TAILLIGHT ⁹



REF. NO.	PART NO.	DESCRIPTION	Q'TY	REMARKS
1	29L-84540-00	LENS ASSY	1	
2	256-84714-61 MC 6124	BULB (12V-27/8W)	2	
3	29L-84735-00	CORD ASSY	1	
4	16G-84736-00	DAMPER, tail 1	3	
5	90387-065G1	COLLAR	3	
6	90201-066F3	WASHER, plate	6	
7	95302-06600	NUT	3	
8	29L-84751-00	BRACKET, licence	1	
9	97306-06020	BOLT	2	
10	92906-06100	WASHER, spring	2	
11	92506-06020	SCREW, pan head	1	
12	90201-06059	WASHER, plate	2	
13	95302-06600	NUT	1	
14	90201-06052	WASHER, plate	1	
15	90201-062A8	WASHER, plate	1	

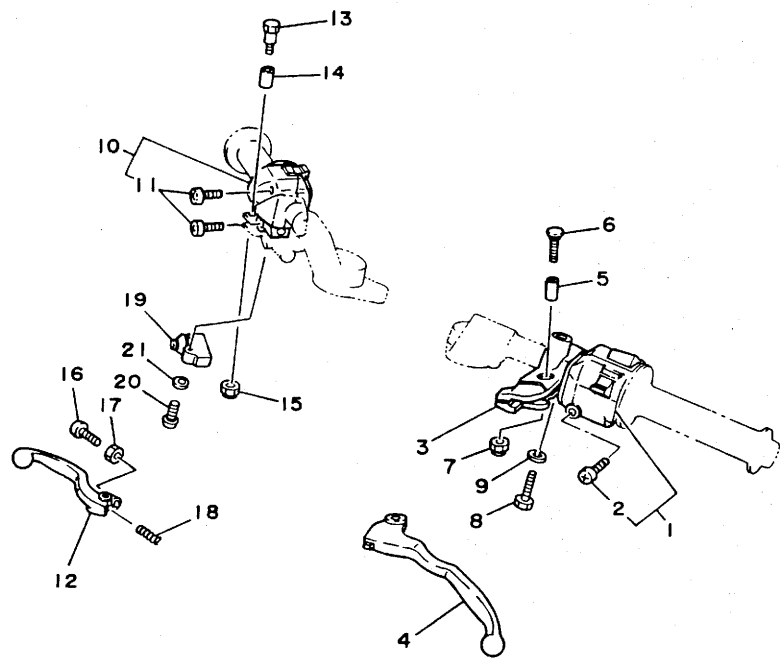


29L010-3400

E11

15

FIG. 40 HANDLE SWITCH, LEVER

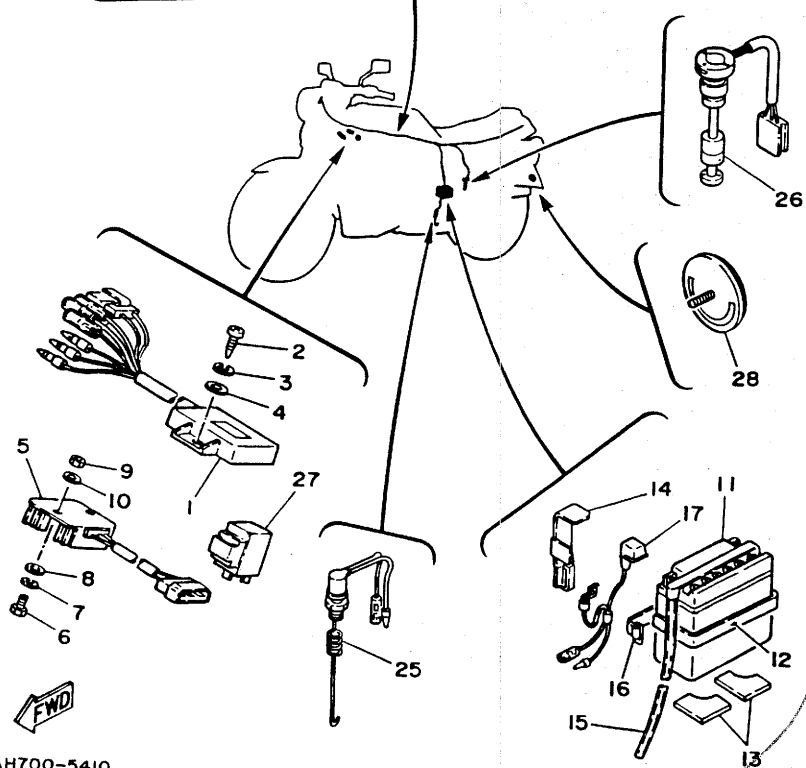
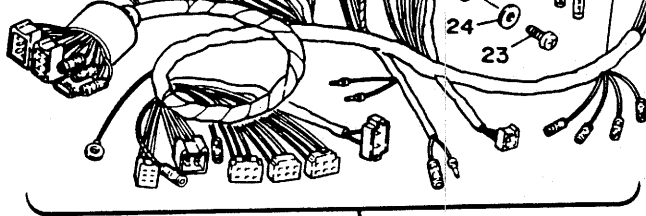


REF. NO.	PART NO.	DESCRIPTION	Q'TY	REMARKS
1	57V-83972-00	SWITCH, handle 4	1	
2	98506-05020	.SCREW, pan head	2	
3	57V-82911-00	HOLDER, lever 1	1	
4	31A-83912-00	LEVER 1	1	
5	31A-83913-00	COLLAR, lever 1	1	
6	31A-83945-00	BOLT, lever	1	
7	95606-06100	NUT, u	1	
8	97306-06025	BOLT	1	
9	92906-06100	WASHER, spring	1	
10	57V-83975-00	SWITCH, handle 2	1	
11	98506-05020	.SCREW, pan head	2	
12	36Y-83922-00	LEVER 2	1	
13	90110-06074	BOLT, hexagon socket head	1	
14	36Y-83913-00	COLLAR, lever 1	1	
15	95606-06100	NUT, u	1	
16	90149-06153	SCREW	1	
17	90170-06010	NUT	1	
18	90501-10312	SPRING, compression	1	
19	36Y-83980-00	FRONT STOP SWITCH ASSY	1	
20	98506-04018	SCREW, pan head	1	
21	92906-04600	WASHER, plate	1	



57V332-5400

E12



IAH700-5410

- | | | | |
|----|-------------------------------|----------------------------|---|
| 2 | 97702-60520 | SCREW, tapping | 2 |
| 3 | 92902-06100 | WASHER, spring | 2 |
| 4 | 92902-06200 | WASHER | 2 |
| 5 | 4L0-81960-A0 | RECTIFIER & REGULATOR ASSY | 1 |
| 6 | 97302-06020 | BOLT | 2 |
| 7 | 92990
92902-06100 | WASHER, spring | 2 |
| 8 | 92990-06600 | WASHER, plate | 2 |
| 9 | 95302-06600 | NUT | 2 |
| 10 | 90201-06052 | WASHER, plate | 2 |
| 11 | 131-82110-00 | BATTERY ASSY | 1 |
| 12 | 165-82124-00 | BAND, battery | 1 |
| 13 | 29L-82122-00 | SEAT, battery | 2 |
| 14 | 29L-82129-00 | COVER, battery | 1 |
| 15 | LOCAL PURCHASE
90445-08336 | HOSE | 1 |
| 16 | 29L-82131-00 | BAND, battery | 1 |
| 17 | 4L0-82117-00 | WIRE, lead | 1 |
| 18 | 57V-82590-70 | WIRE HARNESS ASSY | 1 |
| 19 | 562-82151-00 | .FUSE (12V-5A) | 1 |
| 20 | 4X7-82151-00 | .FUSE (12V-15A) | 2 |
| 21 | 1A0-82161-00 | .FUSE (12V-20A) | 1 |
| 22 | 437-83936-10 | BAND, switch cord | 1 |
| 23 | 97701-60116 | SCREW, tapping | 2 |
| 24 | 92901-06200 | WASHER, plain | 2 |
| 25 | 1T2-82530-00 | STOP SWITCH ASSY | 1 |
| 26 | 34X-85720-00 | OIL LEVEL GAUGE ASSY | 1 |
| 27 | 4H7-83350-70 | FLASHER RELAY ASSY | 1 |
| 28 | 449-85131-02 | REFLECTOR, rear 1 | 1 |

E13

① 51L-85540-50 CDI UNIT ASSY 1

ELECTRICAL 10

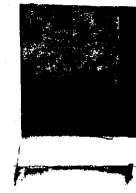
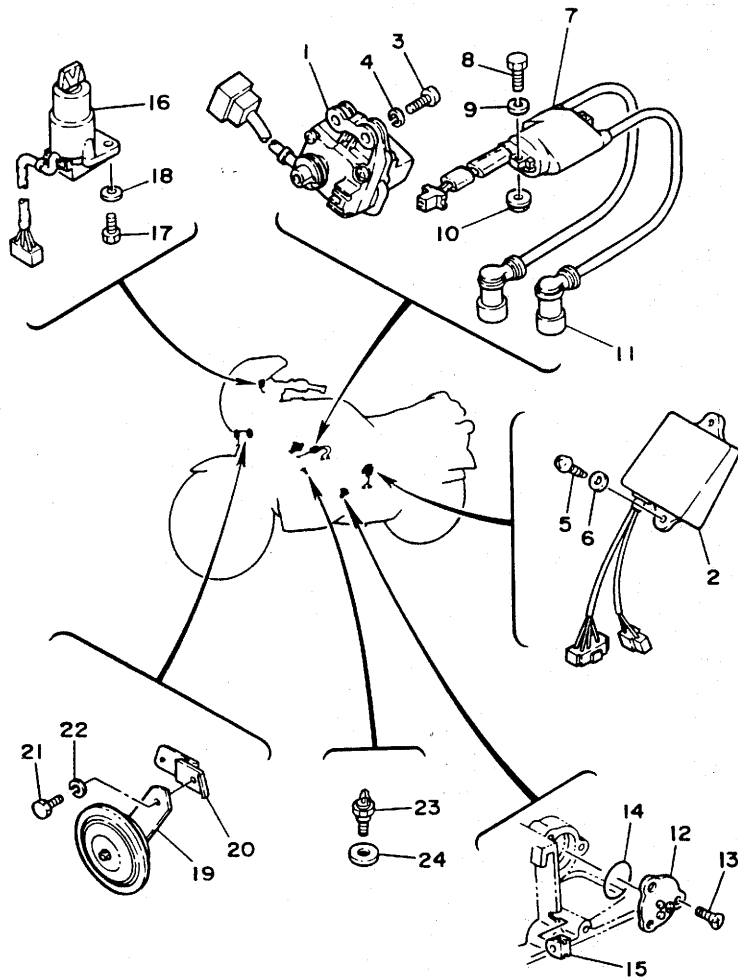


FIG. 42 ELECTRICAL 2



REF. NO.	PART NO.	DESCRIPTION	Q'TY	REMARKS
1	29L-85820-M2	SERVO MOTOR ASSY	1	
2	51L-85830-M0	CONTROL UNIT ASSY	1	
3	92501-06025	SCREW, pan head	2	
4	92902-06100 92990	WASHER, spring	2	
5	97701-60116	SCREW, tapping	2	
6	92901-06200	WASHER, plain	2	
7	4L0-82310-50	IGNITION COIL ASSY	1	
8	97302-06025	BOLT	2	
9	92902-06100 92990	WASHER, spring	2	
10	95702-06400 06500	NUT, flange	1	
11	29L-82370-00	PLUG CAP ASSY	2	
12	278-82540-00 129	NEUTRAL SWITCH ASSY	1	
13	98702-05012	SCREW, flat head	3	
14	93210-29147	O-RING	1	
15	90480-01148	GROMMET	1	
16	51L-82501-32	MAIN SWITCH STEERING LOCK	1	
17	97301-06016	BOLT	2	
18	92990-06600	WASHER, plate	2	
19	4L0-83371-30	HORN	1	
20	51L-83378-00	STAY, horn	1	
21	97326-08016	BOLT	1	
22	92906-08100	WASHER, spring	1	
23	5R2-83591-00	THERMO UNIT	1	
24	90201-10118	WASHER, plate	1	



51L010-4420

E14

NUMERICAL INDEX

PART NO.	GRID NO.	PART NO.	GRID NO.	PART NO.	GRID NO.	PART NO.	GRID NO.	PART NO.	GRID NO.	PART NO.	GRID NO.
36Y-W0041-00	D-15	4L0-12422-00	B- 5	137-14143-31	B-12	29L-15410-00	C- 2	29L-18112-00	C- 9	10V-21771-00	C-14
29L-W0042-50	E- 4	4L0-12428-00	B- 5	2H0-14146-00	B-12	29L-15416-00	C- 2	132-18113-01	C- 9	4L0-21815-01	C-14
51L-W0046-00	D-10	4L0-12435-00	B- 6	500-14146-00	B-12	29L-15421-00	C- 2	22N-18113-00	E- 3	29L-21870-00	C-14
	D-10	4L0-12436-00	B- 5	137-14153-00	B-12	29L-15431-00	C- 2	29L-18115-00	C- 9	51L-22110-00-35	C-15
	D-13	29L-12446-00	B- 6	802-14161-00	B-12	4L0-15461-01	C- 2	4L0-18140-00	C- 8	26H-22128-00	C-15
51L-W0047-00	D-10	4L0-12450-01	B- 5	3X3-14169-00	B-12	1A0-15491-00	C- 2	2H9-18154-00	C- 9	26H-22129-00	C-15
	D-10	4L0-12459-00	B- 5	4U5-14171-00	B-12	278-15492-01	B-15		C- 9	4X7-22129-00	C-15
	D-13	29L-12461-00	B- 6	304-14184-00	B-12	1A0-15497-00	C- 2	1W1-18177-00	C- 8	29L-22141-00	C-15
51L-W0048-00	D-10	17W-12462-00	B- 6	4L0-14185-00	B-12	156-15618-01	C- 3	4L0-18185-00	C- 8	29L-22151-00	D- 2
	D-10	51L-12467-00	B- 6	537-14186-00	B-12	51L-15620-00	C- 3	4L0-18511-00	C- 8	31K-2217A-00	C-15
	D-13	29L-12469-00	B- 6	29K-14190-25	B-12	4L0-15641-00	C- 3	4L0-18512-00	C- 8	29L-2217H-00	D- 3
51L-W0057-00	D-10	4L0-12479-00	B- 6	12R-14191-00	B-12	4L0-15651-00	C- 3	4L0-18531-01	C- 8	31K-2217M-00	C-15
	D-10	29L-12481-00	B- 6	4L0-14196-00	B-12	4L0-15660-00	C- 3	29L-18535-00	C- 8	51L-22174-00	D-11
	D-13	29L-12482-00	B- 7	4L0-14197-00	B-12	4L0-15666-00	C- 3	29L-18540-00	C- 8	51L-22184-00	C-15
29L-W2161-00	C-12	29L-12483-00	B- 7	51L-1441F-00	B-10	248-15668-00	C- 3	278-18542-00	C- 8	31K-22187-00	D- 2
47X-W2838-01-01	E- 5	4L0-12484-00	B- 7	51L-14411-00	B-10	4L0-16111-00	C- 4	3R4-18561-00	C- 8	31K-22187-00	D- 2
51L-11111-00	B- 2	29L-12485-00	B- 6	29L-14412-00	B-10	31K-16150-00	C- 4	4L0-18562-00	C- 8	29L-22210-00	D- 3
29L-11181-01	B- 2	5Y9-12491-00	D-14	29L-14421-00	B-10	360-16154-00	C- 4	278-18566-00	C- 8	29L-22216-00	D- 3
29L-1131A-00	B- 2		D-14	29L-14437-00	B-10		C- 4	1A8-21110-00-FH	C-10	29L-22266-01	D- 3
29L-1131E-00	B- 3	29L-12590-00	B- 6	29L-14451-00	B-10	278-16181-01	C- 4	29L-21165-00	C-11	29L-22267-00	D- 3
29L-1131F-00	B- 2	4L1-13101-03	B- 8	29L-14452-00	B-10	4L0-16321-01	C- 4	29L-21243-01	C-13	29L-22268-00	D- 3
	B- 3	126-13116-00	B- 8	29L-14453-00	B-10	498-16325-00	C- 4	51L-21260-00	C-10	29L-22311-00	C-15
29L-1131H-00	B- 3	137-13137-00-03	B- 8	29L-14457-00	B-10	29L-16351-00	C- 4	4L0-21314-00	C-10	1AR-23102-00	D- 5
29L-1131J-00	B- 3	137-13137-00-05	B- 8	29L-14465-00	B-10	29L-16356-00	C- 4	29L-21315-01	C-10	1AR-23103-00	D- 5
29L-1131M-00	B- 2	137-13137-00-10	B- 8	29L-14613-00	B-14	29L-16357-00	C- 4	29L-21316-00	C-10	46X-23108-00	D- 6
29L-1131R-00	B- 2	137-13138-01	B- 8	29L-14643-00	B-14	278-16367-00	C- 4	4L0-21317-00	C-10	51L-23110-00	D- 5
29L-1131U-00	B- 2	278-13169-00	B- 8	51L-14710-00	B-14	1A0-16371-00	C- 4	4L0-21318-00	C-10		D- 5
51L-11311-00	B- 2	4L0-13174-00	B- 9	51L-14714-00	B-14	29L-16380-00	C- 4	4L0-21319-00	C-10	1AR-23111-00	D- 5
29L-1132A-00	B- 3	4L1-13175-01	B- 8		B-14	29L-17120-00	C- 6	4L0-21485-00	C-10	51L-23118-00	D- 6
29L-1132E-00	B- 2	1E7-13176-00	B- 8	51L-14720-00	B-14	29L-17131-00	C- 6		C-10		D- 6
29L-1132I-00	B- 2	4L0-13178-00	B- 8	51L-14752-00	B-14	29L-17151-00	C- 6	51L-21510-00-TX	C-12	1E7-23119-00	D- 5
29L-1133E-00	B- 3	353-13552-01	B- 8		B-14	29L-17161-00	C- 6	1A8-21518-00	C-12		D- 5
29L-11351-00	B- 2		B- 8	51L-14753-00	B-14	4L0-17211-01	C- 6	29L-21629-00	C-12	51L-23125-00	D- 5
29L-11400-20	B- 4	31J-13565-00	B-10	51L-14755-00	B-14	4L0-17221-01	C- 6	29L-21645-00	C-12		D- 6
29L-11409-00	B- 4	4X8-13610-00	B-10		B-14	29L-17231-00	C- 6	29L-21665-00-36	C-12	1AR-23126-00-98	D- 5
29L-11412-00	B- 4	4X8-13613-10	B-10	51L-14765-00	B-14	4L0-17241-01	C- 6	51L-21660-00	C-12	10V-23135-00	D- 5
29L-11442-10	B- 4	4X8-13613-20	B-10	583-14766-00	B-14	29L-17251-00	C- 6	29L-21688-00	C-12		D- 6
29L-11610-00	B- 4	345-13616-70	B-10		B-14	29L-17261-00	C- 6	29L-21689-00	C-12	1AR-23136-00-98	D- 5
29L-11610-10	B- 4	33J-13621-00	B-10	29L-1490J-00	B-12	29L-17411-00	C- 6	29L-21711-00-36	C-13	51L-23141-00	D- 5
29L-11610-20	B- 4	1GA-14101-00	B-12	51L-14987-00	B-12	164-17417-00-10	C- 3	29L-21721-00-36	C-13		D- 5
29L-11631-02-94	B- 4	1GA-14102-00	B-12	29L-15100-02	B-15	29L-17421-00	C- 6	51L-2173E-00	C-13	51L-23142-00	D- 5
280-11633-00	B- 4	23L-14103-00	B-12	4L0-15316-00	B-15	278-17424-01	C- 2	51L-2173F-00	C-13		D- 6
4V2-11634-00	B- 4	10W-14104-00	B-12	31K-15317-00	B-15		C- 2	29L-21731-00	C-13	51L-23144-00	D- 5
29L-11635-02	B- 4	29K-14112-20	B-12	4L0-15326-00	B-15	278-17425-00	C- 6	47X-21736-00	E- 5		D- 5
29L-11636-02	B- 4	29K-14113-20	B-12	4L0-15328-00	B-15	3Y1-17461-60	C- 7	29L-21741-00	C-13	10V-23145-00	D- 5
29L-11651-00	B- 4	4L0-14131-00	B-12	137-15353-00	B-15	4L0-17471-00	C- 6	29L-21746-00	C-14		D- 6
29L-11915-00	B- 3	4L0-14141-42	B-12	4L0-15362-00	C- 2	4L0-18101-00	C- 9	29L-21751-00	C-14	10V-23147-00	D- 5
29L-12411-00	B- 6	260-14142-25	B-12	498-15371-00	B-15	29L-18111-00	C- 9	29L-21766-00	C-14		D- 6

NUMERICAL INDEX

PART NO.	GRID NO.	PART NO.	GRID NO.	PART NO.	GRID NO.	PART NO.	GRID NO.	PART NO.	GRID NO.	PART NO.	GRID NO.
27H-23147-00	D- 5	31A-24760-00	D- 8	29L-25875-00	E- 4	51L-28344-00	E- 6	405-83524-00	E- 9	90105-10363	D-10
	D- 6	2R6-25115-00	D-11	5U7-25876-00	D-15	29L-28345-00	C-12	47X-83530-00	E- 9		D-13
51L-23151-00	D- 5	34I-25149-00	D- 9	47X-25885-00	D-15	51L-28345-00	E- 6	47X-83540-00	E- 9	90105-14102	D- 4
	D- 6	29L-25168-00-98	D- 9	1A1-25894-01	E- 4	47X-28346-00	E- 5	51L-83550-00	E- 9	90109-085A4	D-10
34X-23156-00	D- 5	4L0-25181-00	D- 9	29L-25895-00	E- 4	51L-2835J-00-36	E- 6	57V-83570-F0	E- 9		D-13
	D- 6	4L0-25190-00	D- 9	51L-25919-00	D-10	51L-2835U-00-36	E- 5	47X-83590-00	E- 9	90109-08592	D- 6
51L-23157-00	D- 5	2U2-25315-00	D- 9		D-10	51L-2835V-00-36	E- 5	5R2-83591-00	E-14	90109-10554	D- 3
	D- 6	51L-2533A-00	D-12		D-13	51L-28356-03	E- 5	47X-83616-00	E- 9	90109-10590	E- 3
3J3-23159-00	D- 6	51L-2533E-00	D-12	51L-25924-00	D-10	51L-28359-01	C-11	31A-83912-00	E-12	90109-10737	E- 3
10V-23166-00	D- 5	29L-25338-20-98	D-11		D-10	51L-2836M-00	E- 6	31A-83913-00	E-12	90109-10739	C-15
	D- 6	29L-25364-00	D-11		D-13	57V-2837U-00	E- 5	36Y-83913-00	E-12	90109-10754	E- 2
51L-23171-00	D- 5	29L-25366-00	D-11	33M-25927-00	D-13	51L-28371-00	E- 6	36Y-83922-00	E-12	90110-05079	E- 5
	D- 5	4L0-25377-00	D-11	57V-26121-00	D-14	51L-2839A-00	E- 6	437-83936-10	E-13		E- 6
3M7-23181-00	D- 5	51L-25381-01	D-11	57V-26122-00	D-14	51L-2839E-00	E- 6	31A-83945-00	E-12	90110-06074	E-12
	D- 6	51L-25388-00	D-11	31A-26241-00	D-14	51L-2839F-00	E- 6	57V-83972-00	E-12	90110-06078	E- 5
1AR-23184-00	D- 5	29L-25398-00	D- 9	31A-26242-00	D-14	51L-2839G-00	E- 6	57V-83975-00	E-12		E- 6
	D- 6		D-11	29L-26243-00	D-14	4L0-81960-A0	E-13	36Y-83980-00	E-12	90110-06087	E- 9
29L-23340-00	D- 6	29L-25398-10	D- 9	29L-26246-00	D-14	131-82110-61	E-13	457-84146-85	E-10	90110-06090	E- 5
156-23411-00	D- 4		D-11	2H7-26249-00	D-14	4L0-82117-00	E-13	51L-84196-01	E-10	90110-08057	D-11
183-23411-00	D- 4	29L-25398-20	D- 9	57V-26260-00	D-14	29L-82122-00	E-13	51L-84303-H0	E-10	90116-08064	B- 2
156-23412-00	D- 4		D-11	53G-26290-30	E- 5	165-82124-00	E-13	51L-8431U-00	E-10		B-15
183-23412-00	D- 4	31K-25441-20-33	D-11	53G-26290-40	E- 5	29L-82129-00	E-13	51L-84311-00	E-10	90116-08232	B-15
136-23415-00	D- 4	51L-25810-00	D-10	51L-26335-00	D-14	116-82131-00	C-13	47X-84320-H0	E-10	90116-08318	B- 2
51L-23435-00-98	D- 4	51L-25810-10	D-10	29L-27111-01-33	E- 3	29L-82131-00	E-13	51L-84332-00	E-10	90116-08365	B-14
164-23462-00	D- 4	51L-25810-50	D-13	1A0-27114-00	E- 3	4X7-82151-00	E-13	51L-84334-00	E-10	90116-08388	B- 2
2H9-23469-00	D-14	51L-25819-00-98	D-13	51L-27200-00	E- 3	56Z-82151-00	E-13	47X-84337-00	E-10	90116-08424	B- 2
29L-24110-00-X9	D- 7	29L-2582A-50	E- 4	1J3-27222-01	E- 3	1A0-82161-00	E-13	2F9-84375-00	E-10	90119-06042	C-12
29L-2416A-00	D- 7	51L-25827-00	D-10	29L-27311-00-33	E- 3	4L0-82310-50	E-14	2F9-84397-01	E-10		C-13
1X0-24161-10	E- 5		D-10	33M-27410-01	E- 2	29L-82370-00	E-14	29L-84540-00	E-11	90119-06063	C-12
29L-24161-20	D- 7	51L-25827-10	D-10	22N-27413-00	E- 2	51L-82501-32	E-14	256-84714-61	E-11		C-14
156-24181-00	D- 7		D-10		E- 2	1T2-82530-00	E-13	29L-84735-00	E-11	90119-06095	C-12
29L-24182-00	D- 7	29L-25831-00	D-10	29L-27414-01	E- 2	278-82540-01	E-14	166-84736-00	E-11	90123-08083	D-14
1J7-24183-02	D- 7		D-13		E- 3	57V-82590-70	E-13	46T-84744-00	E- 9	90149-06011	D- 7
3Y6-24183-00	D- 7	29L-25831-10	D-10	33M-27420-01	E- 2	4H7-82911-00	E-12	29L-84751-00	E-11	90149-06153	E-12
12R-24186-00	D- 7	34I-25846-00	D- 9	29L-27430-00	E- 2	256-83311-70	E- 8	449-85131-02	E-13	90149-08094	C- 9
51L-24240-00	D- 7	29L-25850-51	E- 4	22N-27433-00	E- 2	5Y1-83312-00	E- 8	51L-85510-50	E- 7	90149-08143	C- 4
29L-24311-00	B-13	36Y-25850-00	D-15		E- 2	5Y1-83313-00	E- 8	51L-85540-50	E-13	90150-05020	E- 5
29L-24316-00	C-14	1A1-25852-00	E- 4	29L-27440-00	E- 2	5Y1-83330-70	E- 8	51L-85550-50	E- 7	90153-06007	E- 7
29L-24317-00	C-14	36Y-25852-00	D-15	29L-27442-01	E- 2	4H7-83350-70	E-13	34X-85720-00	E-13	90159-03102	E- 9
29L-24500-02	D- 7	36Y-25854-00	D-15	29L-27443-01	E- 2	10V-83365-00	E- 8	29L-85820-M2	E-14	90159-06016	C- 4
2W6-24512-00	D- 7	360-25854-00	E- 4	51L-28100-01	C-13	4L0-83371-30	E-14	51L-85830-M0	E-14	90159-06056	E- 4
29L-24524-01	D- 7	360-25855-01	E- 4	51L-28217-00	E- 5	51L-83378-00	E-14	90101-08626	E- 5	90159-06060	C-14
3H3-24534-00	D- 7	4L0-25862-00	D-15	51L-28301-00	E- 6	47X-83509-00	E- 9	90101-14585	C-15	90159-06084	D- 2
4X8-24565-00	D- 7	4L0-25867-00	D-15	51L-2831T-00	E- 6	47X-83513-00	E- 9	90105-08284	E- 2	90170-06010	E-12
11H-24602-02	D- 7	51L-25872-50	E- 4	51L-28315-00	E- 6	123-83516-21	E-10		E- 3	90170-06228	C- 9
29L-24705-00	D- 8	57V-25872-00	D-15	51L-2832T-00	E- 6	47X-83519-00	E- 9	90105-10040	C-10	90170-08029	C- 9
29L-24730-00	D- 8	51L-25873-00	D-15	51L-28338-00	E- 6	47X-83520-00	E- 9	90105-10053	C-10	90170-12067	E- 7
31K-24731-00	D- 8	1AR-25875-00	D-15	51L-2834X-00	E- 5	584-83523-00	E- 9	90105-10330	E- 5	90170-16182	C- 4

NUMERICAL INDEX

PART NO.	GRID NO.	PART NO.	GRID NO.	PART NO.	GRID NO.	PART NO.	GRID NO.	PART NO.	GRID NO.	PART NO.	GRID NO.
90170-20320	C- 4	90201-25490	C- 7	90387-144H4	C-15	90480-01148	E-14	91401-30025	D- 9	92902-04100	E- 4
90171-12005	D- 9	90202-06007	E- 5	90387-154A0	D-11	90480-12014	B- 6	91401-30030	D-11	92902-06100	C-10
90171-14020	D-11		E- 6	90387-156L5	D-12		C-13	91701-06035	E- 2		D- 8
90179-08299	B- 2	90202-06010	D- 7	90387-256H7	C- 7		C-13		E- 2		D- 8
90179-08316	D-14	90206-06060	B-14	90401-10095	D-15		C-13	91810-03014	B- 2		E-13
90179-08343	B- 2		B-14	90401-10096	D-15		C-13	91810-05016	B-15		E-13
90179-18020	C- 7	90206-12074	C- 9		E- 4		C-14		C- 2		E-14
90179-25033	D- 4	90208-16019	C- 4	90413-07023	B-13	90480-12421	C-13	92501-06012	C- 6		E-14
90183-05024	E- 5	90209-08249	E- 2	90430-04004	B- 8		C-13	92501-06014	B- 5	92902-06200	E-13
	E- 6		E- 3	90430-06166	B- 2	90480-13398	E- 5	92501-06025	E-14	92902-12100	E- 7
90185-08097	B-14	90209-21105	C- 6	90445-05203	B- 8		E- 6	92501-06055	B-10	92902-14600	C-15
	E- 2		C- 6	90445-05765	B- 8	90480-14229	E- 9	92501-06075	B-10	92903-03100	E- 9
	D- 3	90209-22257	B- 4	90445-08336	E-13		E-10	92502-06016	D- 8	92906-04600	E-12
90185-08113	D-11	90214-15020	C- 3	90445-09012	B-13	90480-15363	B- 6		D- 8	92906-06100	B- 2
90185-10037	E- 3	90215-08174	C- 9	90445-11763	B-13	90480-16233	B-10	92506-06016	B- 6		D-15
90185-14070	C-15	90215-20223	C- 4	90445-11764	D- 7	90480-16284	B- 6	92506-06020	C- 2		E- 4
90201-060A3	B- 6	90215-21239	C- 7	90445-12718	B-11	90480-18366	C-12		C- 2		E- 5
90201-06042	E- 7	90240-08013	E- 3	90446-07112	B-15	90480-35394	E- 5		E-11		E-10
90201-06052	E-11	90250-08017	C- 8	90460-12268	E- 4	90501-06022	C- 8	92506-06030	C- 2		E-11
	E-13	90280-05033	B- 4	90460-27219	B- 7	90501-10312	E-12	92506-06040	C- 2		E-12
90201-06059	E-11	90282-07023	C- 4		B- 7	90501-16761	E- 2	92506-06055	C- 2	92906-06600	B- 2
90201-06067	B- 6	90334-10014	C- 8	90460-30158	B- 6		E- 3	92701-06015	C- 8		E- 4
90201-061A5	B-10	90338-05038	B-15		B- 7	90501-23428	C- 4	92706-06030	D-14	92906-08100	E- 4
	B-10	90338-09012	D-15		B- 7	90506-20192	E- 3	92901-04600	B- 3		E-14
90201-062A8	E-11	90338-15110	C-12	90460-33159	B- 7	90506-35349	E- 3		E- 4	92906-08200	D- 3
90201-06380	B- 6	90338-16029	B-15	90460-44108	B-10	90507-29032	E- 3	92901-05100	B- 8	92906-08600	D- 4
90201-066F3	E-11	90338-19166	D-14	90460-49058	B-10	90508-16599	C- 5	92901-05600	D- 2		E- 4
90201-08083	E- 3	90340-14010	B-15	90460-68230	B-10	90508-26452	C- 8	92901-06100	C- 9		E- 5
90201-081A6	C-12	90380-20123	D- 3	90462-08070	C- 2	90508-30051	C- 3		C-11	92990-06600	E-13
90201-08100	B-15	90383-12022	B-15	90462-08071	C- 2	90508-32374	C- 9	92901-06200	B-15		E-14
90201-08624	B- 8	90386-18118	C-15	90462-16130	B-15	90560-12171	C- 9		D- 2	93101-10002	B- 8
90201-08784	B- 5	90386-18136	C-15	90464-12027	C-12	91311-06030	D- 2		E-13	93101-20048	C- 3
90201-10118	D-15	90386-20134	C-15	90465-06094	B-15	91311-10025	E- 2		E-14	93102-12106	C- 9
	E- 4	90387-06065	D- 2	90465-08125	B-15		E- 3	92901-08100	C-10	93102-17004	C- 4
	E-14	90387-06561	E-11	90465-16239	C- 5	91316-03016	E- 9		C-10	93102-22014	D-11
90201-10126	C-15	90387-065L7	E- 9	90467-08003	C-14	91316-05010	B- 3		C-11	93102-32298	D-11
	D- 3	90387-067F1	E-10	90467-08075	D- 7	91316-06016	B-14	92901-08200	C-11	93102-32298	D-11
90201-12174	C- 9	90387-067K6	E- 5	90467-10008	B-13		B-14	92901-08600	C- 4	93102-35109	C- 7
90201-12191	C-15		E- 6		C-14		D-14		C-11	93103-10113	B- 5
90201-122A7	B- 2	90387-07037	B-11	90467-10041	B-13	91316-06020	D-14		D-11	93103-25108	B- 4
90201-12593	E- 7	90387-07390	B- 6		D- 7		B- 6	92901-10100	B- 6	93103-40077	B- 4
90201-12729	D- 3	90387-07392	B- 6	90467-13083	B- 6	91316-06025	B-10		B-10	93105-45017	D- 9
90201-161J3	C-15	90387-10567	C-12	90467-20085	B-10		D-15		D-15	93106-20002	D- 9
90201-17327	C- 4	90387-106H5	D- 3	90468-02033	B- 8	91316-08020	D- 3	92901-10600	C-10	93108-23010	B- 3
90201-202H3	D- 3	90387-123A9	D- 9		B- 8	91316-08025	D-14		C-10	93109-18020	B- 3
90201-20266	C- 6	90387-125A8	C- 9		B- 9	91401-16012	E- 2	92901-12200	D- 9	93109-20029	C-15
90201-20276	C- 6	90387-12670	D- 9	90468-08086	B- 8		E- 3	92902-04100	B- 3	93210-07100	B- 8
90201-25490	C- 6	90387-127H2	C-15	90468-26091	C- 3		E- 3		B-12	93210-15620	E- 4

NUMERICAL INDEX

PART NO.	GRID NO.	PART NO.	GRID NO.	PART NO.	GRID NO.	PART NO.	GRID NO.	PART NO.	GRID NO.
93210-17239	B- 6	94111-183F2	D-11	97302-06020	E-13	98511-04012	E- 4		
93210-19123	C- 2	94111-18468	D-11	97302-06025	E-14	98511-04016	B-12		
93210-27370	B- 2	94580-40106	D-11	97302-08016	C-12	98511-04025	B- 3		
	B- 3	94701-00261	B- 2	97302-08025	C-12	98701-05012	C- 8		
	B- 3	95023-06016	C-12	97302-08030	D- 7	98701-05016	C- 8		
	B- 3	95301-05600	B- 8	97306-06012	E- 4	98702-05012	E-14		
93210-29147	E-14	95301-08600	B-15	97306-06020	E-11	98706-04012	D-15		
93210-35389	D- 3		D-11	97306-06025	D-15	98901-04008	B- 8		
93211-10232	C- 4	95301-08700	E- 3		D-15	98901-06030	B-14		
93305-20502	C- 6	95302-06600	E-11		E-10		B-14		
93306-30003	B- 5		E-11		E-12	99001-07600	B- 5		
93306-30103	D- 9		E-13	97306-08030	E- 4	99009-12400	C- 9		
93306-30206	D-11	95303-06700	C- 9	97311-06020	C- 9	99009-20400	C- 6		
93306-30416	D-11	95306-05600	E- 9	97311-06045	B-15		C- 6		
93306-30504	C- 7	95306-08800	D- 4	97311-06060	B-15				
93306-30510	B- 4		E- 5	97311-06090	B-15				
93306-30531	B- 4	95311-08700	C- 4	97321-08020	C-10				
93310-316H7	B- 4	95601-06100	E- 2		C-10				
93310-522L4	B- 4		E- 2	97326-06016	E- 5				
93311-22027	C- 6	95601-12100	C-15	97326-06018	B- 2				
93311-42045	C- 6	95602-10100	C-15	97326-08016	E-14				
93315-11720	C- 4		D- 3	97326-08030	C- 3				
93315-23612	C- 8	95602-14100	C-15	97602-03108	B-10				
93320-32403	C-15	95606-06100	E-12	97701-40530	E- 8				
93410-15005	C- 3		E-12	97701-50525	B-10				
93430-08036	B- 8	95701-10500	C-10	97701-60116	E-13				
	C- 8		C-10		E-14				
93440-10123	D- 3		E- 2	97702-60520	E-13				
93440-19083	B- 7		E- 2	97706-40516	E- 6				
93440-25084	C- 6		E- 2	97706-50512	C- 2				
	C- 6		E- 3	98501-03008	D- 7				
93440-34025	C- 8	95702-06100	E-14	98501-03012	E- 9				
93440-52009	C- 6	95706-05100	E- 5	98501-05010	B-15				
93501-04004	E- 2	95706-12100	E- 8		D- 2				
	E- 3	95806-06012	C-11	98501-05012	B- 2				
93501-04011	D- 4	95806-06020	B- 6	98501-05016	B- 8				
93505-32002	B- 8	95806-06025	B- 6	98502-04008	B-12				
93515-32029	C- 4	95826-06010	B- 2	98503-04010	E- 8				
93603-22028	B- 5	95826-08050	D- 4	98506-03008	D- 7				
	B- 8	97301-06010	C- 5	98506-04018	E-12				
93604-12037	C- 8	97301-06016	B- 6	98506-05008	D-14				
93700-06004	C-15		C-11	98506-05010	E- 2				
93900-00002	D- 9		E-14		E- 2				
	D-11	97301-06018	B-11	98506-05012	B- 2				
93900-00003	D- 9	97301-08025	C-11		B- 3				
	D-11	97301-10040	C-10	98506-05014	C- 2				
94109-183F1	D- 9	97301-10050	C-10	98506-05020	E-12				
94109-18469	D- 9	97302-06012	C-10		E-12				

