

YAMAHA

PARTS LIST

MODEL DT250F

(MODEL CODE 2X9)

MODEL DT400F

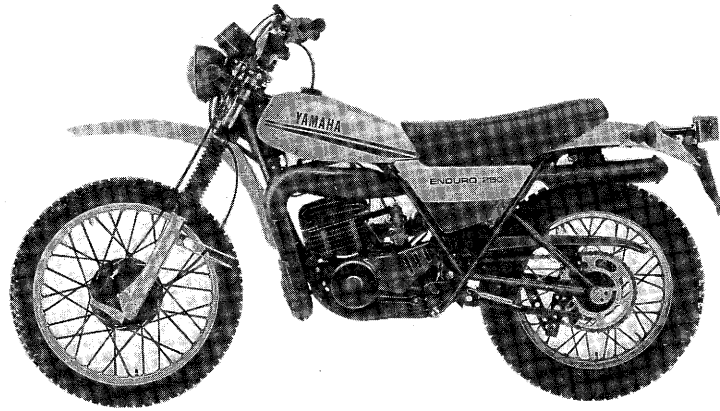
(MODEL CODE 2Y9)

COPY RIGHT: ALL RIGHTS RESERVED
NO PART OF THIS PUBLICATION MAY BE REPRODUCED WITHOUT PERMISSION.

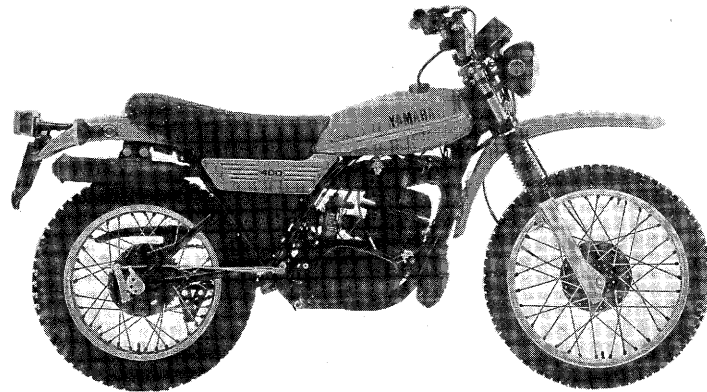
2X9-28198-05



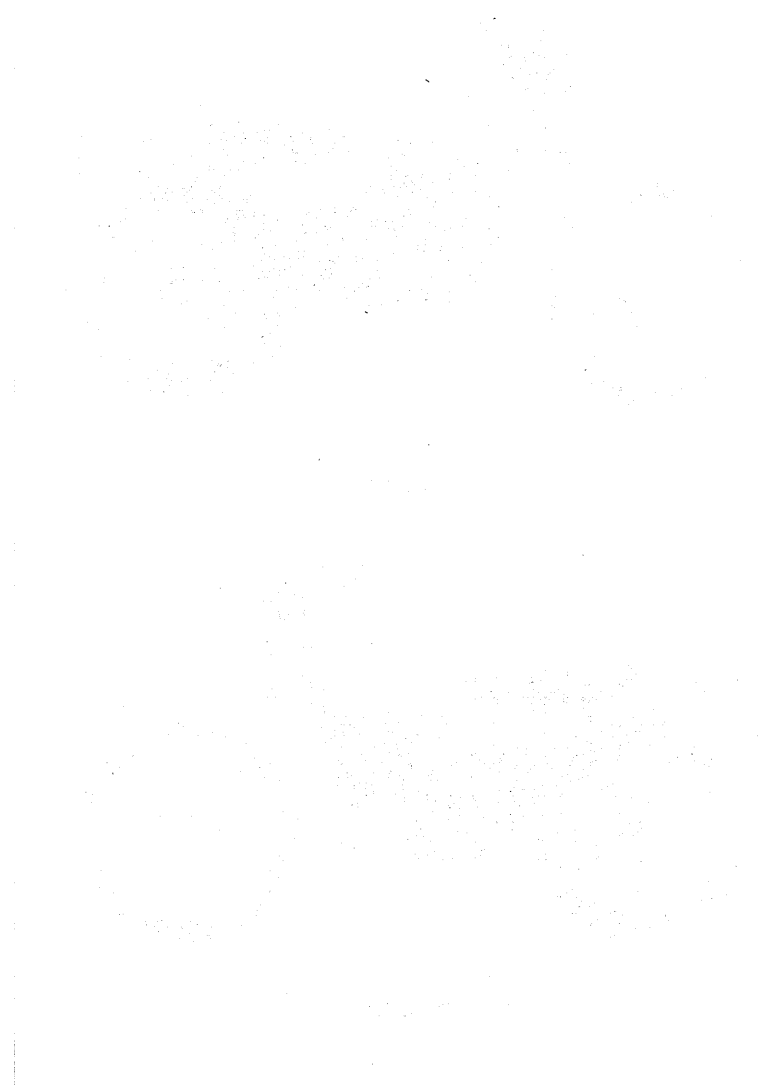
Feb 79.



DT250F



DT400F



FOREWORD

This Parts List is related to the parts in use for the Yamaha DT250F/DT400F. When you are ordering replacement parts for the DT250F/DT400F, refer to this Parts List and quote both part numbers and part names correctly.

1. Modifications or additions which have been made after issue of the Parts List will be announced in the Yamaha Parts News.

It is advisable that according to the Yamaha Parts News you make necessary corrections to the Parts List on hand to keep it up-to-date.

2. Abbreviations

The following abbreviations are used in this Parts List.

- U.R. Use size (thickness) and/or number as required.
- U.N. Use as many as you need.
- F# Frame No. (Applicable machine No.)

3. Parts, which are to be supplied in the form of assemblies, are listed with an indentation of one letter's space, and a dot (.) is put against the name of each part.

EXAMPLE CARBURETOR ASS'Y
 . JET, pilot
 . NOZZLE, main

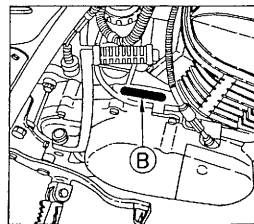
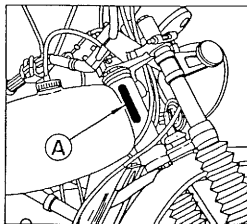
4. Initial Serial No. and Color Code

DT 250

(A) Frame Serial No.	2X9-000101 and following
(B) Engine Serial No.	2X9-000101 and following

DT 400

(A) Frame Serial No.	2Y9-000101 and following
(B) Engine Serial No.	2Y9-000101 and following



Color Code	Color Name	Color Code	Color Name
33	Yamaha Black	26	Competition Yellow
91	Uni-Chrome Plated	66	Sunshine Red
93	Chrome Plated		
98	Low Gloss Black		
R4	Heat Proof Black		

CONTENTS

ENGINE

Fig. 1	Cylinder Head · Cylinder	1
Fig. 2	Crankcase	2
Fig. 3	Crankcase Cover	3
Fig. 4	Crank · Piston	4
Fig. 5	Clutch	6
Fig. 6	Transmission	7
Fig. 7	Shifter 1	9
Fig. 8	Shifter 2	10
Fig. 9	Kick Starter	11
Fig. 10	Tachometer Gear	12
Fig. 11	Decompression Valve (DT400)	13
Fig. 12	Intake	14
Fig. 13	Carburetor (DT250)	15
Fig. 14	Carburetor (DT400)	17
Fig. 15	Exhaust	19
Fig. 16	Oil Pump	20
Fig. 17	C.D.I. Magneto	21

CHASSIS

Fig. 18	Frame · Side Cover	22
Fig. 19	Rear Arm · Chain Case	24
Fig. 20	Rear Cushion	26
Fig. 21	Stand · Footrest · Brake Pedal	27
Fig. 22	Front Fender · Rear Fender	28
Fig. 23	Front Fork	29
Fig. 24	Steering	31
Fig. 25	Handle · Wire	32
Fig. 26	Fuel Tank	34
Fig. 27	Oil Tank	35
Fig. 28	Seat	36
Fig. 29	Front Wheel	37
Fig. 30	Rear Wheel (DT250)	39
Fig. 31	Rear Wheel (DT400)	41
Fig. 32	Head Lamp	43

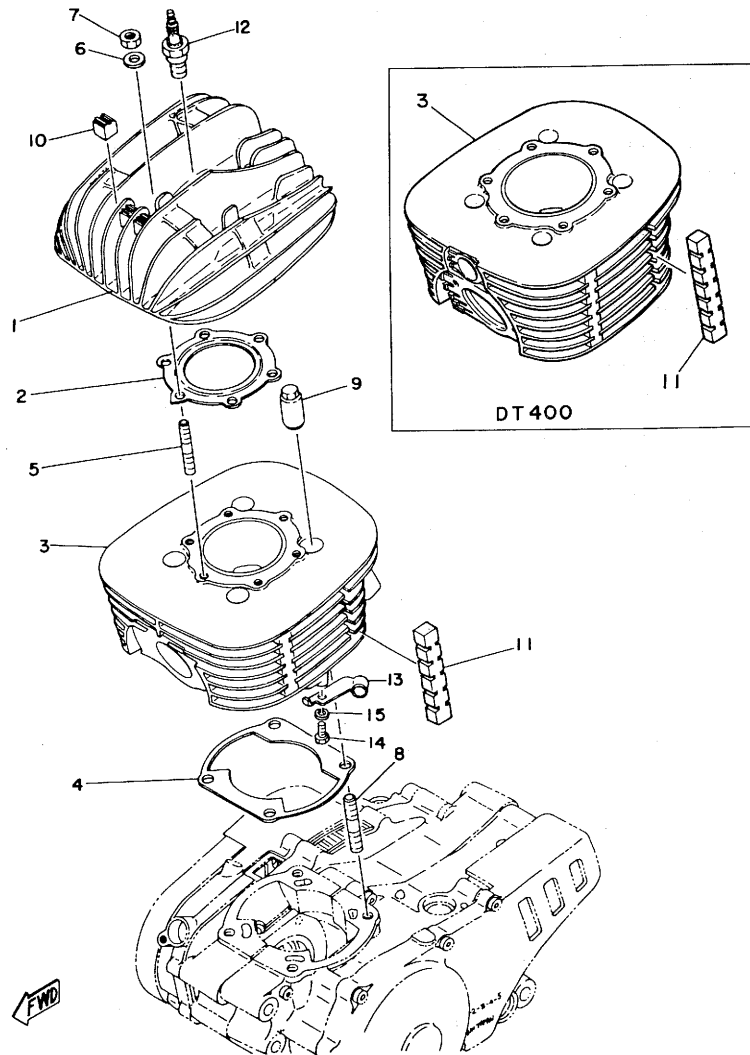
Fig. 33	Speedometer · Tachometer	44
Fig. 34	Tail Lamp	45
Fig. 35	Flasher Lamp	46
Fig. 36	Electrical	47

REPAIR KIT

Fig. 37	Repair Kit	50
---------	------------	----

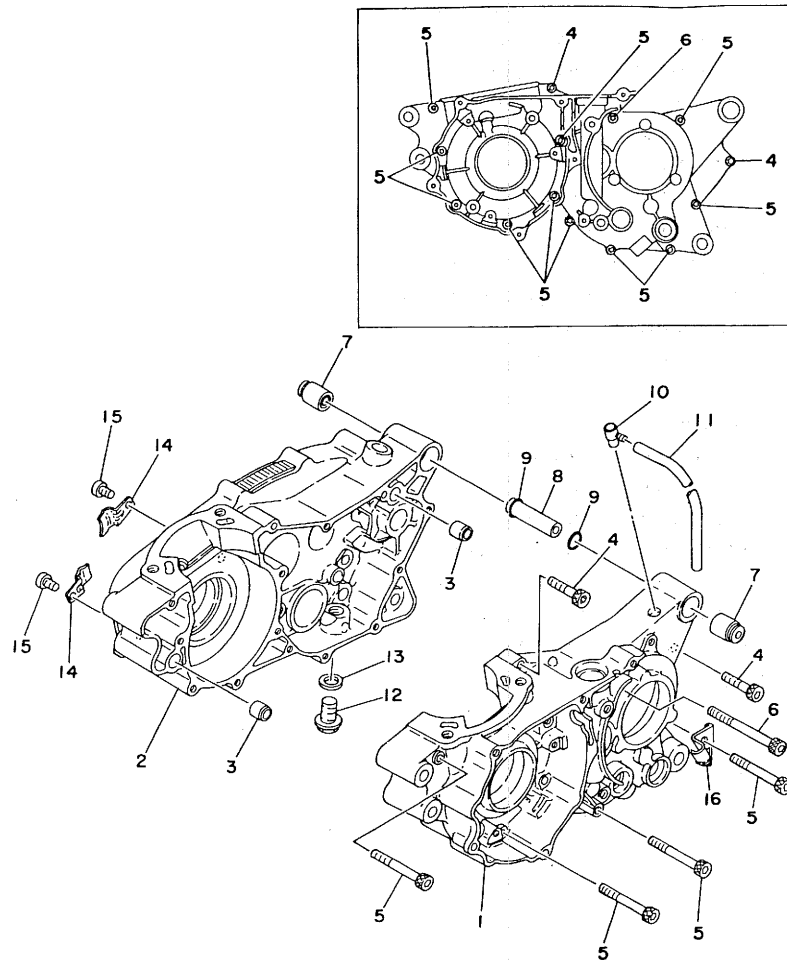
NUMERICAL INDEX

Fig. 1 CYLINDER HEAD · CYLINDER



Ref.No.	Part No.	Description	Q'ty		Remarks
			250	400	
1- 1	1M1-11111-01	HEAD, cylinder	1		
	1M2-11111-00	HEAD, cylinder		1	
2	434-11181-00	GASKET, cylinder head	1		
	500-11181-00	GASKET, cylinder head		1	
3	1M1-11311-00	CYLINDER	1		
	1M2-11311-00	CYLINDER		1	
4	1M1-11351-00	GASKET, cylinder	1		
	1M2-11351-00	GASKET, cylinder		1	
5	90116-08104	BOLT, stud (363-11179-00)	6	6	
6	812-11175-00	WASHER, plate	6	6	
7	95301-08600	NUT, hexagon	6	6	
8	90116-10087	BOLT, stud (363-11361-00)	4	4	
9	90179-10201	NUT	4	4	
10	498-11161-00	ABSORBER	3	3	
11	1M1-11161-00	ABSORBER	4		
	1M2-11161-00	ABSORBER		4	
12	94701-00045	PLUG, spark (B-8ES)	1	1	NGK
13	1M1-15441-00	HOLDER, clutch wire	1	1	
14	97321-06014	BOLT, hexagon	1	1	
15	92901-06100	WASHER, spring	1	1	

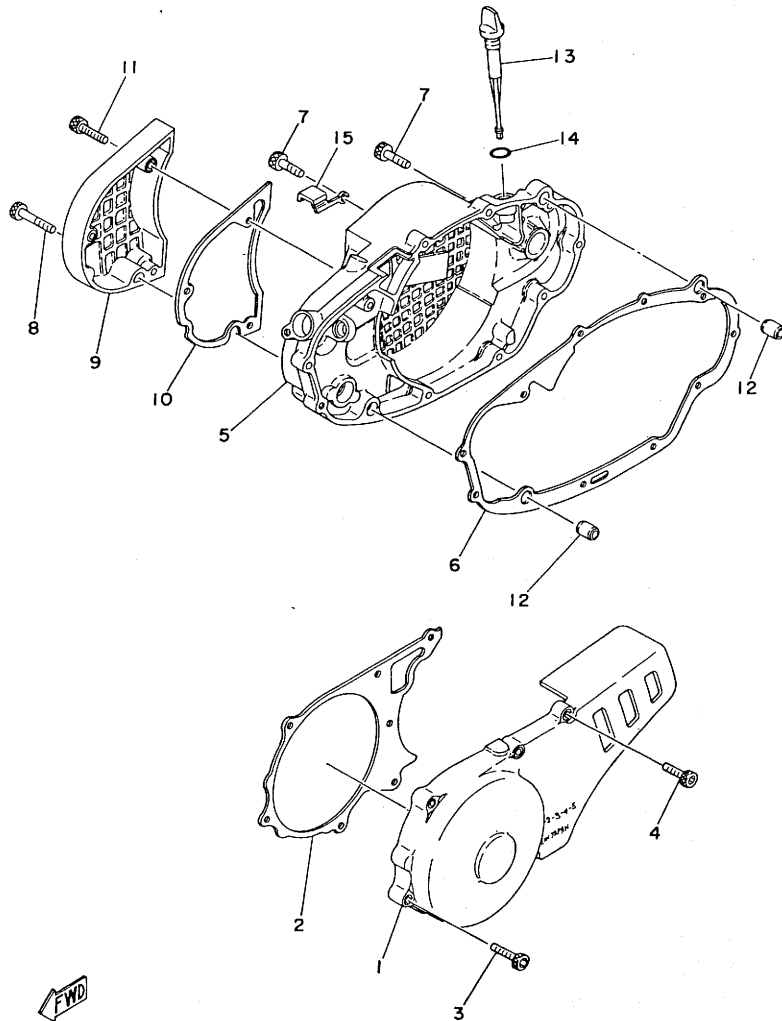
Fig. 2 CRANKCASE



Ref.No.	Part No.	Description	Q'ty		Remarks
			250	400	
2- 1	1M1-15111-02	CASE, crank left	1		
	1M2-15111-01	CASE, crank left		1	
2	1M1-15121-00	CASE, crank right	1		
	1M2-15121-01	CASE, crank right		1	
3	91830-22016	PIN, dowel (8.4-12-16)	2	2	
4	91316-06035	BOLT, hexagon socket head	2	2	
5	91316-06060	BOLT, hexagon socket head	11	11	
6	91316-06080	BOLT, hexagon socket head	1	1	
7	328-15316-00	DAMPER, engine mounting	2	2	
8	438-15317-00	SPACER, engine mounting	1	1	
9	93210-11073	O-RING (2.4-10.8)	2	2	
10	498-15371-00	BREATHER	1	1	
11	90445-07340	HOSE (4.2-310)	1	1	
12	90340-14010	PLUG	1	1	
13	137-15353-00	GASKET, drain plug	1	1	
14	434-15118-00	HOLDER	2	2	
15	92501-08010	SCREW, panhead	2	2	
16	90465-14095	CLAMP	1	1	

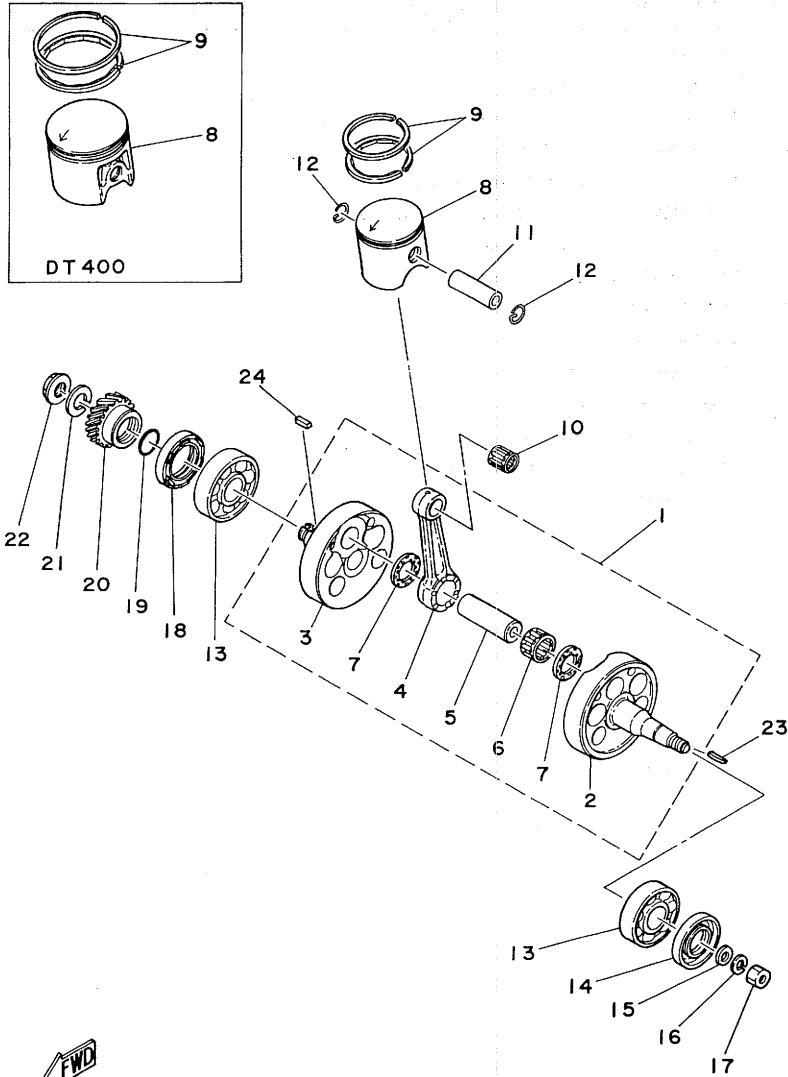


Fig. 3 CRANKCASE COVER



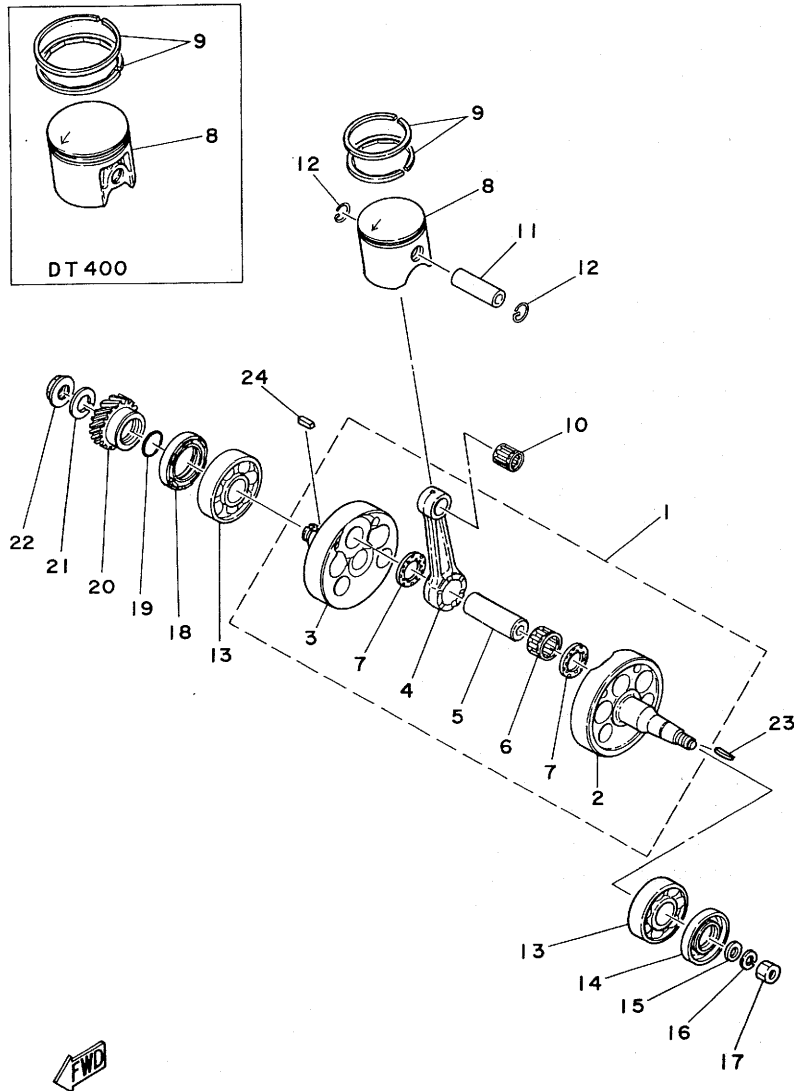
Ref.No.	Part No.	Description	Q'ty		Remarks
			250	400	
3- 1	1M2-15421-02	COVER, crankcase left	1	1	
2	1M1-15451-00	GASKET, crankcase cover left	1	1	
3	91316-06030	BOLT, hexagon socket head	5	5	
4	91316-06025	BOLT, hexagon socket head	2	2	
5	1M1-15431-00	COVER, crankcase right	1	1	
6	1M1-15461-00	GASKET, crankcase cover right	1	1	
7	91316-06025	BOLT, hexagon socket head	10	10	
8	91316-06040	BOLT, hexagon socket head	1	1	
9	1M1-15416-01	COVER, oil pump	1	1	
10	1M1-15456-00	GASKET, oil pump cover	1	1	
11	91316-06030	BOLT	3	3	
12	91830-22016	PIN, dowel (8.4-12-16)	2	2	
13	1M1-15363-00	PLUG, oil level	1	1	
14	93210-14104	O-RING (2.4-13.8)	1	1	
15	90465-10096	CLAMP	1	1	

Fig.4 CRANK · PISTON



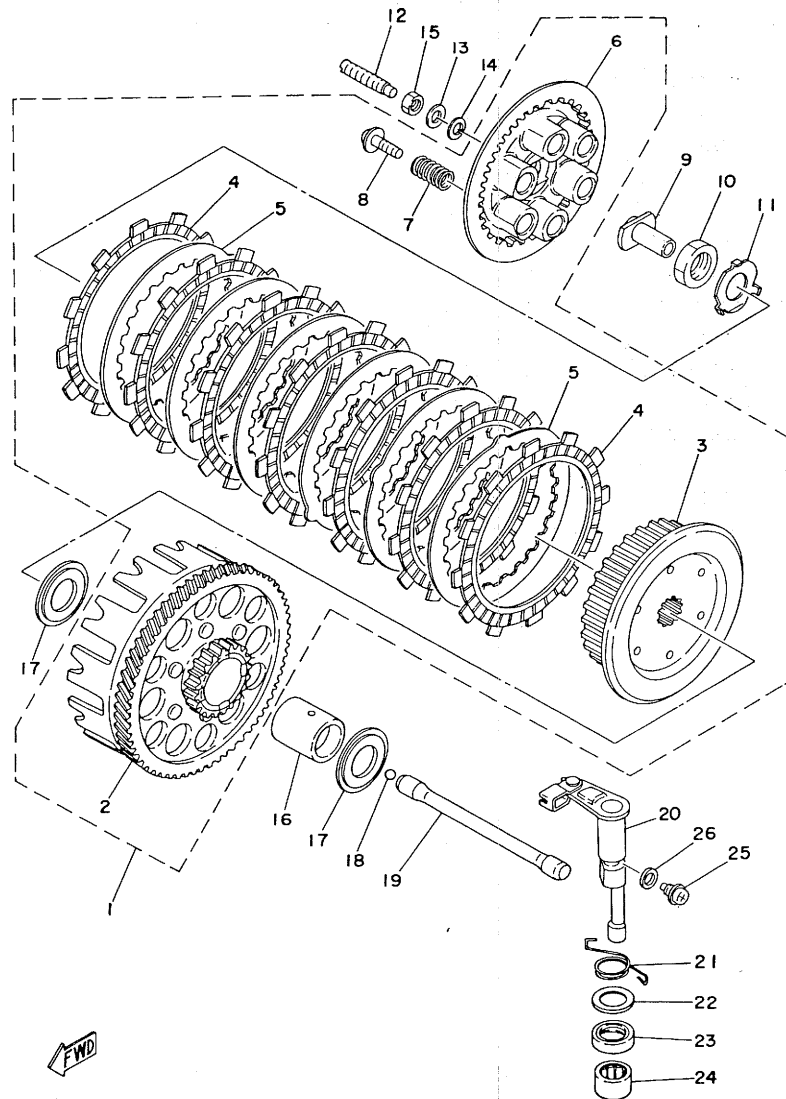
Ref.No.	Part No.	Description	Q'ty		Remarks	
			250	400		
4	1M1-11400-01	CRANK ASS'Y	1			
	1M2-11400-00	CRANK ASS'Y		1		
2	1M1-11412-01	. CRANK, left	1			
	1M2-11412-01	. CRANK, left		1		
3	1M1-11422-00	. CRANK, right	1			
	1M2-11422-01	. CRANK, right		1		
4	498-11651-00	. ROD, connecting	1	1		
5	2X4-11681-00	. PIN, crank	1	1		
6	93310-42541	. BEARING, con-rod big end	1	1		
7	90209-25085	. WASHER (275-11685-00)	2	2		
8	1M1-11631-01-96	PISTON (69.96mm STD)	}	U.R.	1	
	1M1-11631-01-97	PISTON (69.97mm STD)				
	1M1-11635-01	PISTON (70.25mm 1st O.S)	1		Alternate Parts	
	1M1-11636-01	PISTON (70.50mm 2nd O.S)	1		Alternate Parts	
	1M1-11637-01	PISTON (70.75mm 3rd O.S)	1		Alternate Parts	
	1M1-11638-01	PISTON (71.00mm 4th O.S)	1		Alternate Parts	
	1M2-11631-01-96	PISTON (84.96mm STD)	}	U.R.	1	
	1M2-11631-01-97	PISTON (84.97mm STD)				
	1M2-11635-01	PISTON (85.25mm 1st O.S)	1		Alternate Parts	
	1M2-11636-01	PISTON (85.50mm 2nd O.S)	1		Alternate Parts	
	1M2-11637-01	PISTON (85.75mm 3rd O.S)	1		Alternate Parts	
	1M2-11638-01	PISTON (86.00mm 4th O.S)	1		Alternate Parts	
	9	1M1-11610-00	PISTON RING SET (STD)	1s		
		1M1-11610-10	PISTON RING SET (1st O.S)	1s		Alternate Parts
		1M1-11610-20	PISTON RING SET (2nd O.S)	1s		Alternate Parts
		1M1-11610-30	PISTON RING SET (3rd O.S)	1s		Alternate Parts
1M1-11610-40		PISTON RING SET (4th O.S)	1s		Alternate Parts	
1M2-11610-01		PISTON RING SET (STD)		1s		
1M2-11610-11		PISTON RING SET (1st O.S)	1s		Alternate Parts	
1M2-11610-21		PISTON RING SET (2nd O.S)	1s		Alternate Parts	
1M2-11610-31		PISTON RING SET (3rd O.S)	1s		Alternate Parts	
1M2-11610-41		PISTON RING SET (4th O.S)	1s		Alternate Parts	
10	93310-21874	BEARING, con-rod small end	1	1		

Fig. 4 CRANK · PISTON



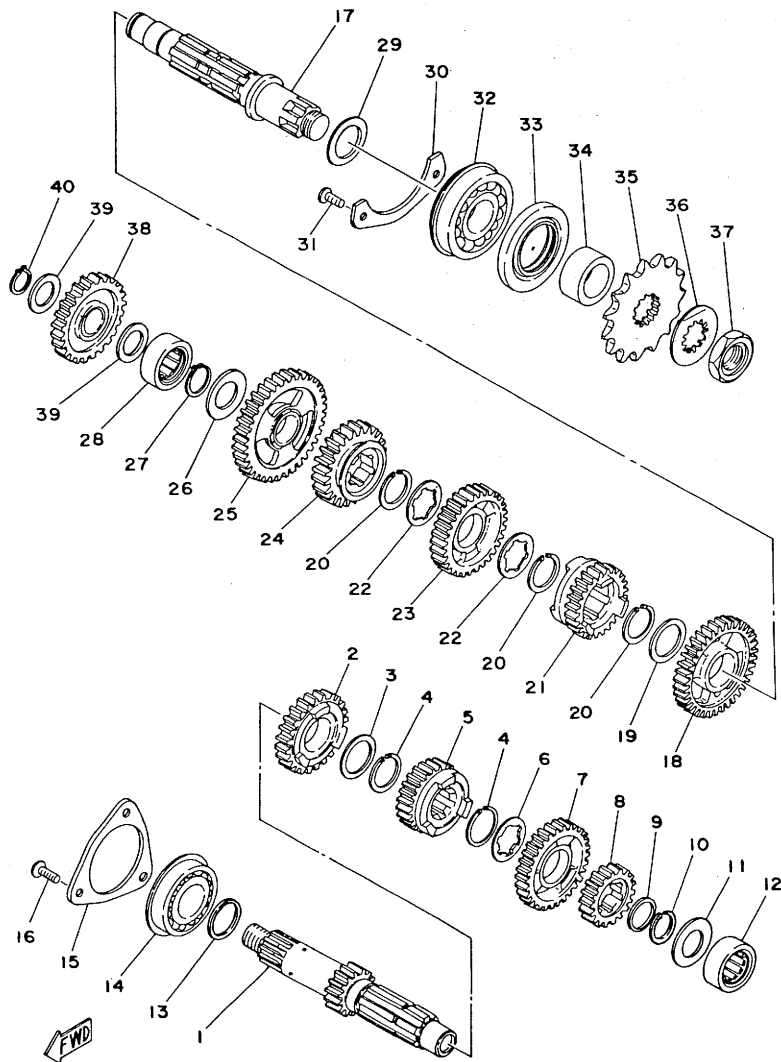
Ref.No.	Part No.	Description	Q'ty		Remarks
			250	400	
4-11	214-11633-00	PIN, piston		1	
	275-11633-00	PIN, piston		1	
12	93450-20026	CLIP (604-11634-00)	2	2	
13	93306-20601	BEARING (6206C3)		2	
	93306-30615	BEARING (6306)		2	
14	93103-30092	OIL SEAL (SW-30-55-10)	1	1	
15	90201-12593	WASHER, plate	1	1	
16	92901-12100	WASHER, spring	1	1	
17	90170-12067	NUT (214-11555-01)	1	1	
18	93103-40091	OIL SEAL (SW-40-55-10)	1	1	
19	93210-29282	O-RING (1.9-29.5)	1	1	
20	1M1-16111-00	GEAR, primary drive (23T)	1	1	
21	92901-18100	WASHER, spring	1	1	
22	90179-18172	NUT	1	1	
23	90280-05013	KEY, woodruff	1	1	
24	90282-07019	KEY, straight	1	1	

Fig. 5 CLUTCH



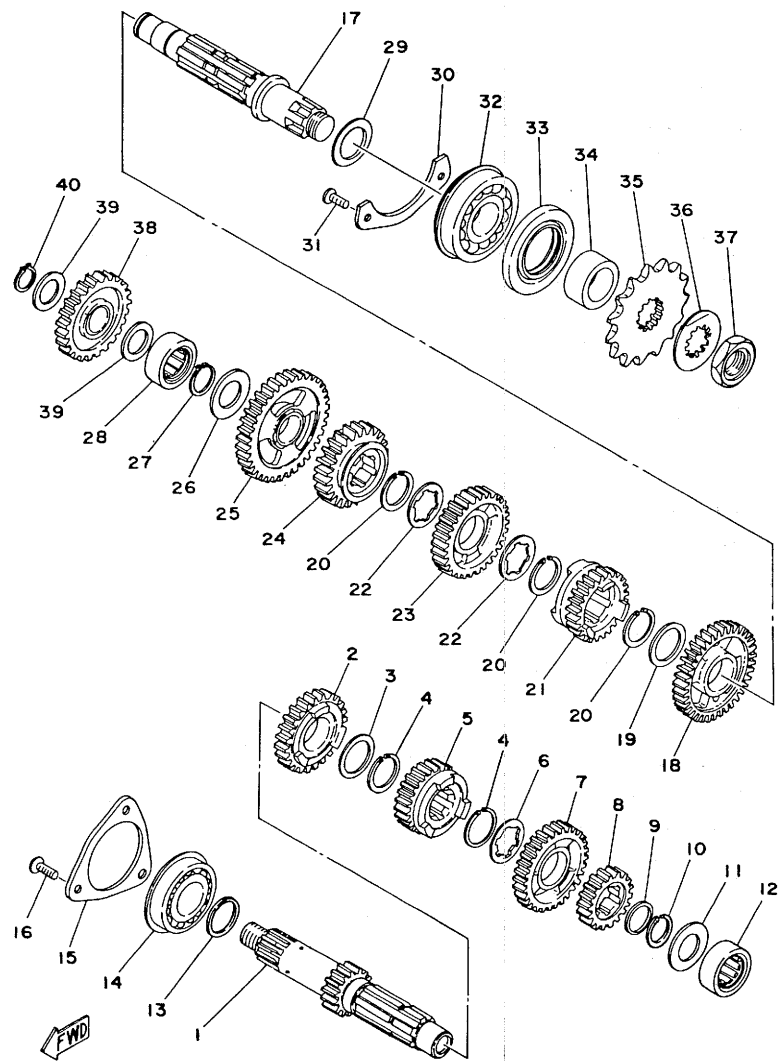
Ref.No.	Part No.	Description	Q'ty		Remarks
			250	400	
5- 1	2N6-16301-00	CLUTCH ASS'Y	1	1	
2	2N6-16150-00	. PRIMARY DRIVEN GEAR COMP. (65T)	1	1	
3	509-16371-01	. BOSS, clutch	1	1	
4	363-16321-00	. PLATE, friction	7	7	
5	498-16325-00	. PLATE, clutch	6	6	
6	1M1-16351-00	. PLATE, pressure	1	1	
7	90501-23428	. SPRING, compression	6	6	
8	90159-06016	. SCREW, with washer	6	6	
9	1M1-16356-00	ROD, push 1	1	1	
10	90170-20195	NUT	1	1	
11	90215-20125	WASHER, lock	1	1	
12	90149-08105	SCREW	1	1	
13	92901-08200	WASHER, plain	1	1	
14	92901-08100	WASHER, spring	1	1	
15	95311-08700	NUT, hexagon	1	1	
16	1M1-16181-00	SPACER	1	1	
17	360-16154-00	PLATE, thrust 1	2	2	
18	93515-32029	BALL (15/32 inch)	1	1	
19	1M1-16357-00	ROD, push 2	1	1	
20	1M1-16380-00	PUSH LEVER ASS'Y	1	1	
21	90508-14360	SPRING, torsion	1	1	
22	90201-17327	WASHER, plate	1	1	
23	93102-17004	OIL SEAL (SD-17-28-6)	1	1	
24	93315-11720	BEARING	1	1	
25	90149-08108	SCREW	1	1	
26	90430-08069	GASKET (425-16387-00)	1	1	

Fig. 6 TRANSMISSION



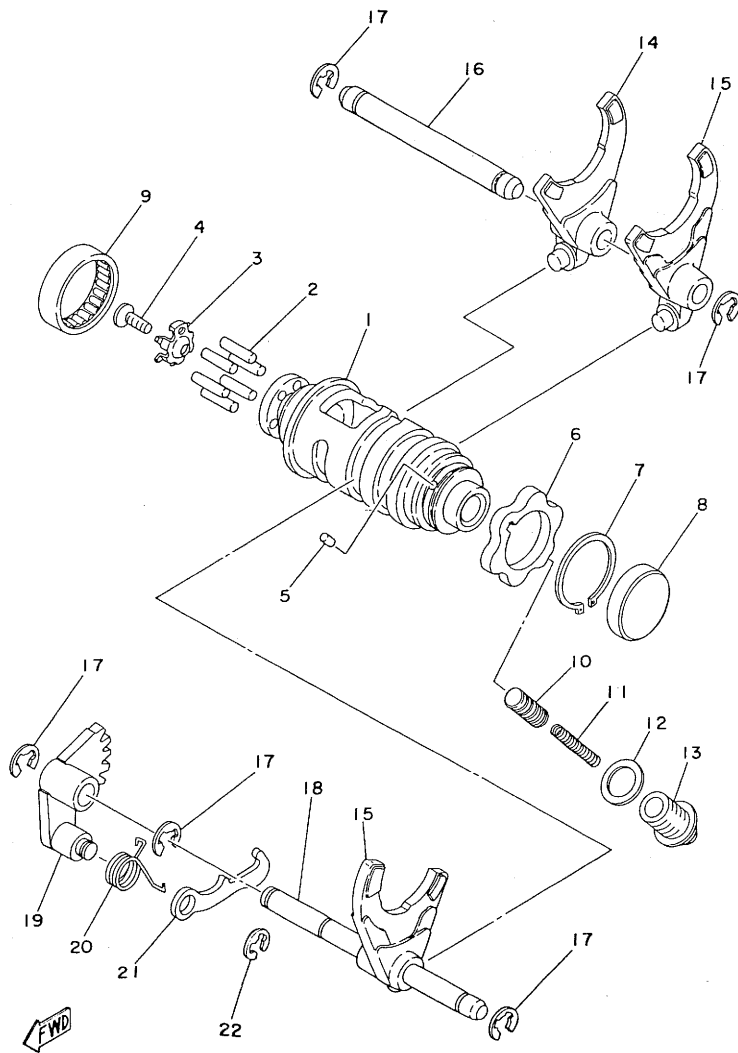
Ref.No.	Part No.	Description	Q'ty		Remarks
			250	400	
6-1	1M1-17411-00	AXLE, main (13T)	1		
	1M2-17411-00	AXLE, main (14T)		1	
2	1M1-17141-01	GEAR, 4th pinion (23T)	1	1	
3	90201-25287	WASHER, plate	1	1	
4	93440-25019	CIRCLIP (25φ special)	2	2	
5	1M1-17131-01	GEAR, 3rd pinion (20T)	1	1	
6	90209-22082	WASHER (434-17216-00)	1	1	
7	1M1-17151-00	GEAR, 5th pinion (26T)	1	1	
8	1M1-17121-01	GEAR, 2nd pinion (19T)	1	1	
9	90201-20613	WASHER, plate	1	1	
10	93410-20038	CIRCLIP (S-20)	1	1	
11	90201-20278	WASHER, plate (168-17116-00)	1	1	
12	93311-62035	BEARING	1	1	
13	168-17428-01-03	SHIM, drive axle (25-30-0.3)	}	U.R.	U.R.
	168-17428-01-05	SHIM, drive axle (25-30-0.5)			
14	93306-20515	BEARING (B6205 special)	1	1	
15	1W4-15383-00	PLATE, bearing cover	1	1	
16	92701-06012	SCREW, flathead	3	3	
17	1M2-17421-00	AXLE, drive	1	1	
18	1M1-17221-01	GEAR, 2nd wheel (34T)	1	1	
19	90201-25287	WASHER, plate	1	1	
20	93440-25019	CIRCLIP (25φ special)	3	3	
21	1M1-17251-01	GEAR, 5th wheel (20T)	1	1	
22	90209-22082	WASHER (434-17216-00)	2	2	
23	1M1-17231-00	GEAR, 3rd wheel (26T)	1	1	
24	1M1-17241-01	GEAR, 4th wheel (23T)	1	1	
25	1M1-17211-00	GEAR, 1st wheel (33T)	1		
	1M2-17211-00	GEAR, 1st wheel (38T)		1	
26	90201-20278	WASHER, plate (168-17116-00)	1	1	
27	93410-20038	CIRCLIP (S-20)	1	1	
28	93311-62035	BEARING	1	1	
29	168-17428-01-03	SHIM, drive axle	}	U.R.	U.R.
	168-17428-01-05	SHIM, drive axle			

Fig. 6 TRANSMISSION



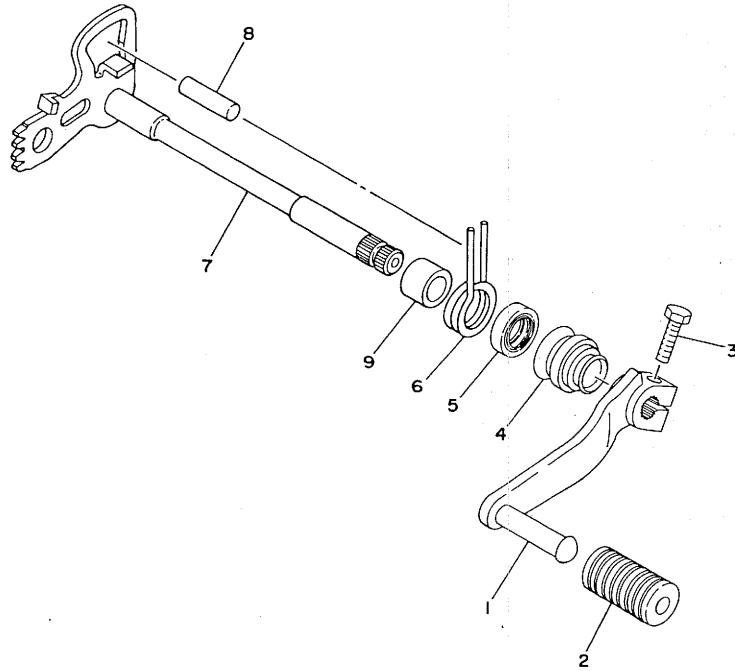
Ref.No.	Part No.	Description	Q'ty		Remarks
			250	400	
6-30	509-15381-00	PLATE, bearing cover	1	1	
31	92701-06012	SCREW, flathead	2	2	
32	93306-30512	BEARING (B6305 special)	1	1	
33	93102-35054	OIL SEAL (SD-35-62-6)	1	1	
34	90387-25192	COLLAR (169-17462-00)	1	1	
35	1M1-17461-40	SPROCKET, drive (14T)	1		
	1M1-17461-60	SPROCKET, drive (16T)		1	
36	90215-21121	WASHER, lock	1	1	
37	90179-18020	NUT (152-17463-00)	1	1	
38	1W4-15651-00	GEAR, kick idle (22T)	1	1	
39	90201-17255	WASHER, plate (156-17116-00)	2	2	17.5-26-1.0
40	93410-17008	CIRCLIP (S-17)	1	1	

Fig. 7 SHIFTER '1



Ref.No.	Part No.	Description	Q'ty		Remarks
			250	400	
7- 1	1W4-18541-00	CAM, shift	1	1	
2	93604-18100	PIN, dowel (4-18)	6	6	
3	434-18561-00	PLATE, side	1	1	
4	98701-05012	SCREW, flathead	1	1	
5	93604-08071	PIN, dowel (4-8)	1	1	
6	1E6-18141-01	PLATE, stopper	1	1	
7	93410-30012	CIRCLIP (S-30)	1	1	
8	90338-22007	PLUG (168-18149-01)	1	1	
9	93315-23208	BEARING	1	1	
10	353-18547-00	STOPPER, cam	1	1	
11	90501-10062	SPRING, compression (278-18557-00)	1	1	
12	137-15353-00	GASKET, drain plug	1	1	
13	90109-14390	BOLT	1	1	
14	1M1-18511-00	FORK, shift 1	1	1	
15	1M1-18512-00	FORK, shift 2	2	2	
16	363-18535-00	BAR, shift fork guide 2	1	1	
17	93430-08006	CIRCLIP (E-8)	5	5	
18	1M1-18531-00	BAR, shift fork guide 1	1	1	
19	434-18122-00	LEVER, change 2	1	1	
20	90508-08334	SPRING, torsion	1	1	
21	498-18151-03	LEVER, change 3	1	1	
22	93430-07012	CIRCLIP (E-7)	1	1	

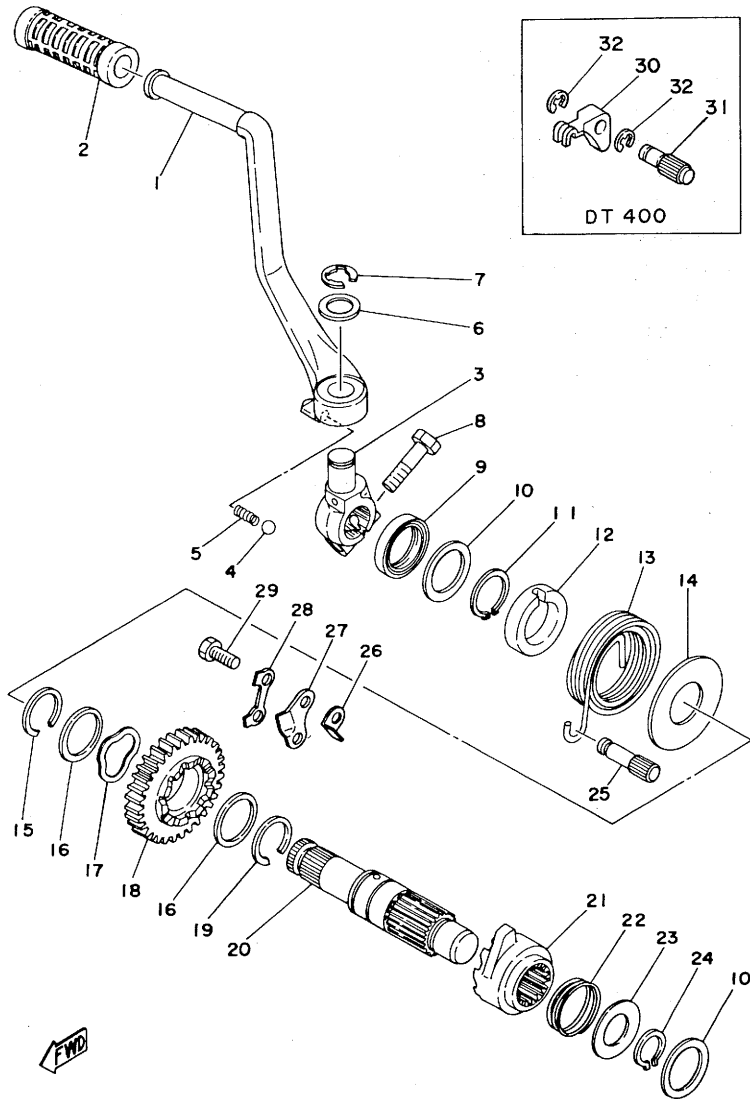
Fig. 8 SHIFTER 2



Ref.No.	Part No.	Description	Qty		Remarks
			250	400	
8- 1	1M1-18111-01-33	PEDAL, change	1	1	Yamaha Black
2	132-18113-01	COVER, change pedal	1	1	
3	97321-06020	BOLT, hexagon	1	1	
4	214-18131-00	BOOT, sealing	1	1	
5	93101-12004	OIL SEAL (S-12-22-5)	1	1	
6	90508-32318	SPRING, torsion	1	1	
7	1M1-18101-01	CHANGE SHAFT ASS'Y	1	1	
8	93608-30128	PIN, dowel (8-30)	1	1	
9	90560-12171	SPACER	1	1	

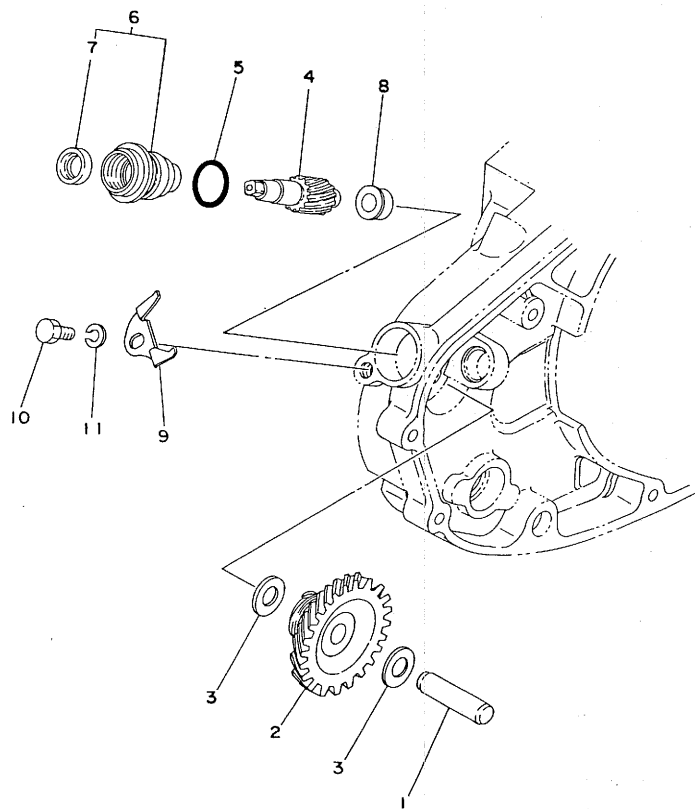


Fig. 9 KICK STARTER



Ref.No.	Part No.	Description	Q'ty		Remarks
			250	400	
✓ 1	1M1-15611-02-33	CRANK, kick	1	1	Yamaha Black
2	156-15618-01	COVER, kick lever	1	1	
✓ 3	509-15621-01-33	BOSS, kick crank	1	1	Yamaha Black
4	93507-32009	BALL (7/32 inch)	1	1	
5	90501-12081	SPRING, compression (278-15622-00)	1	1	
6	90201-15234	WASHER, plate (278-15613-00)	1	1	15.5-24-1.5
7	93430-10016	CIRCLIP (E-10)	1	1	
8	97311-08030	BOLT, hexagon	1	1	
9	93109-20014	OIL SEAL (SDO-20-30-4.5)	1	1	
10	90201-20278	WASHER, plate (168-17116-00)	2	2	20.2-30-1.5
11	93410-25010	CIRCLIP (S-25)	1	1	
12	1M1-15664-00	COVER, spring	1	1	
13	90508-32317	SPRING, torsion	1	1	
14	90201-25637	WASHER, plate	1	1	
15	93440-25019	CIRCLIP (25φ special)	1	1	
16	90201-25287	WASHER, plate	2	2	
17	90206-25059	WASHER, wave	1	1	
18	1W4-15641-01	GEAR, kick (27T)	1	1	
19	93440-25020	CIRCLIP (25φ special)	1	1	
20	1W4-15661-00	AXLE, kick	1	1	
21	1M1-15671-00	WHEEL, ratchet	1	1	
22	90501-23143	SPRING, compression (363-15675-00)	1	1	
23	363-15676-00	COVER, spring	1	1	
24	93410-20038	CIRCLIP (S-20)	1	1	
25	1M1-15668-01	STOPPER, kick spring	1	1	
26	1W4-15668-00	STOPPER, kick	1	1	
27	1W4-15674-00	GUIDE, ratchet wheel	1	1	
28	1W4-15686-00	WASHER, lock	1	1	
29	97310-06016	BOLT, hexagon	2	2	
30	363-15656-00	LINK		1	
31	363-15659-00	AXLE		1	
32	93430-07012	CIRCLIP (E-7)		2	

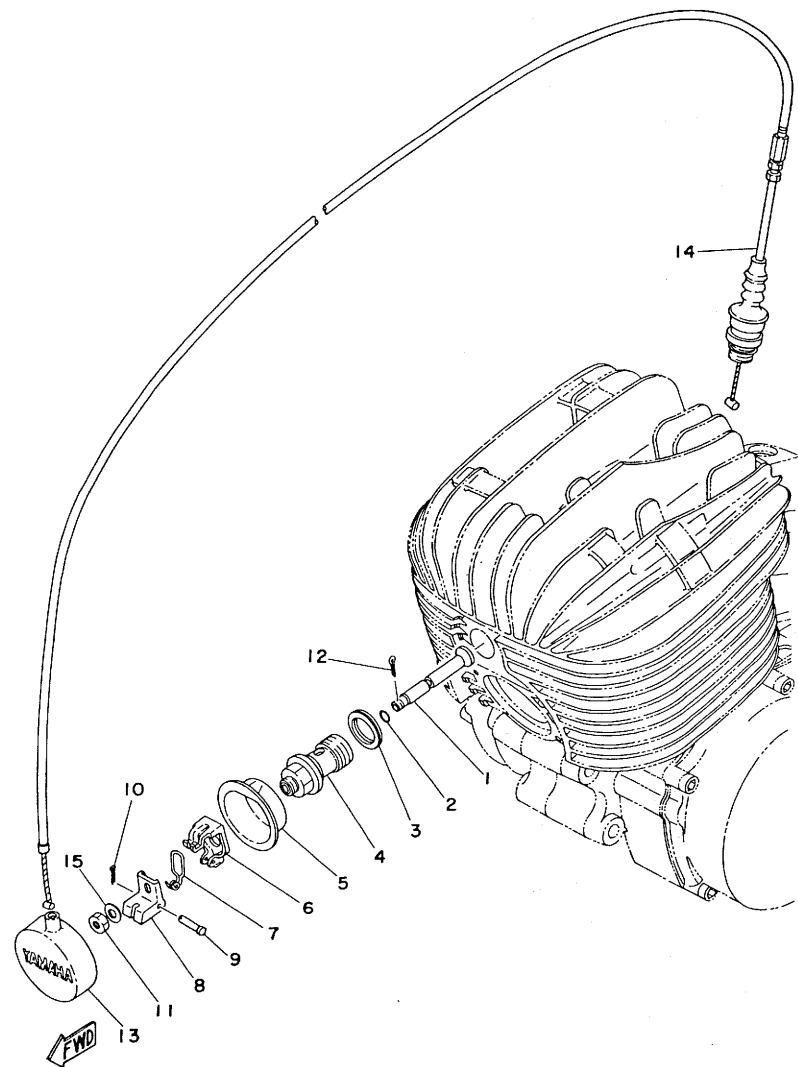
Fig.10 TACHOMETER GEAR



Ref.No.	Part No.	Description	Q'ty		Remarks
			250	400	
10- 1	237-17861-00	AXLE, drive gear	1	1	
2	1M1-17831-00	GEAR, drive	1	1	
3	248-17837-00	SHIM (10.2-16-1.0)	2	2	
4	443-17841-00	GEAR, driven	1	1	
5	93210-17239	O-RING (2.0-16.8)	1	1	
6	438-17811-01	HOUSING	1	1	
7	93104-07036	. OIL SEAL (SO-7-13-4)	1	1	
8	90381-08002	BUSHING	1	1	
9	438-17812-00	STOPPER	1	1	
10	97301-06012	BOLT, hexagon	1	1	
11	92901-06100	WASHER, spring	1	1	

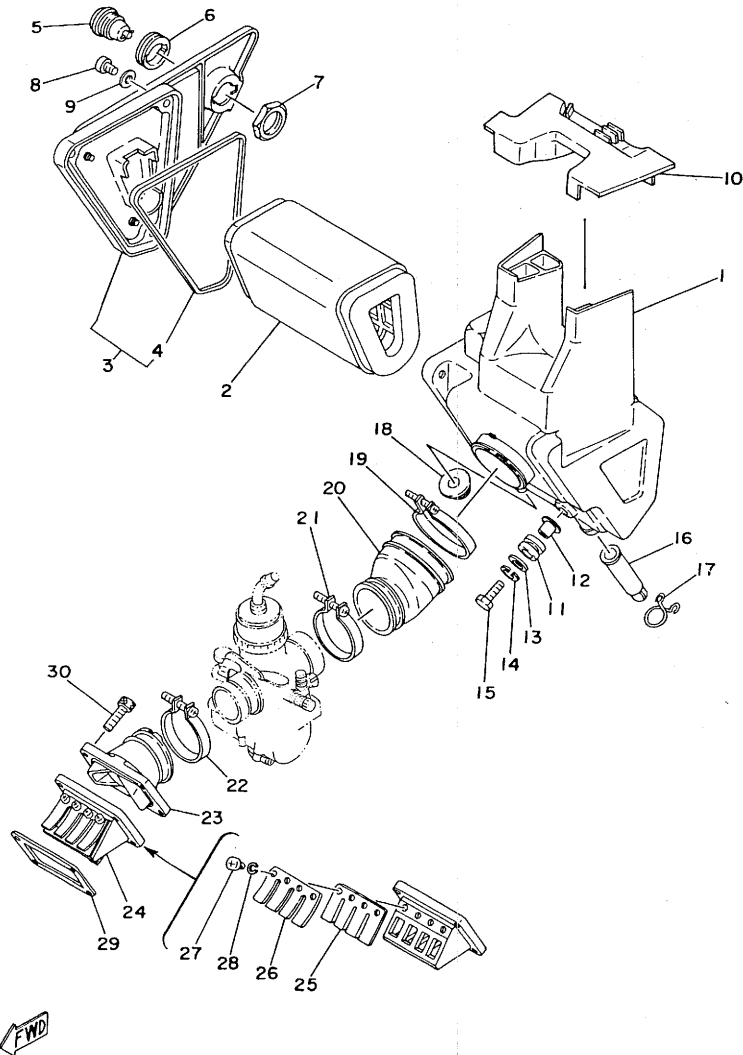
FWD

Fig. 11 DECOMPRESSION VALVE (DT 400)



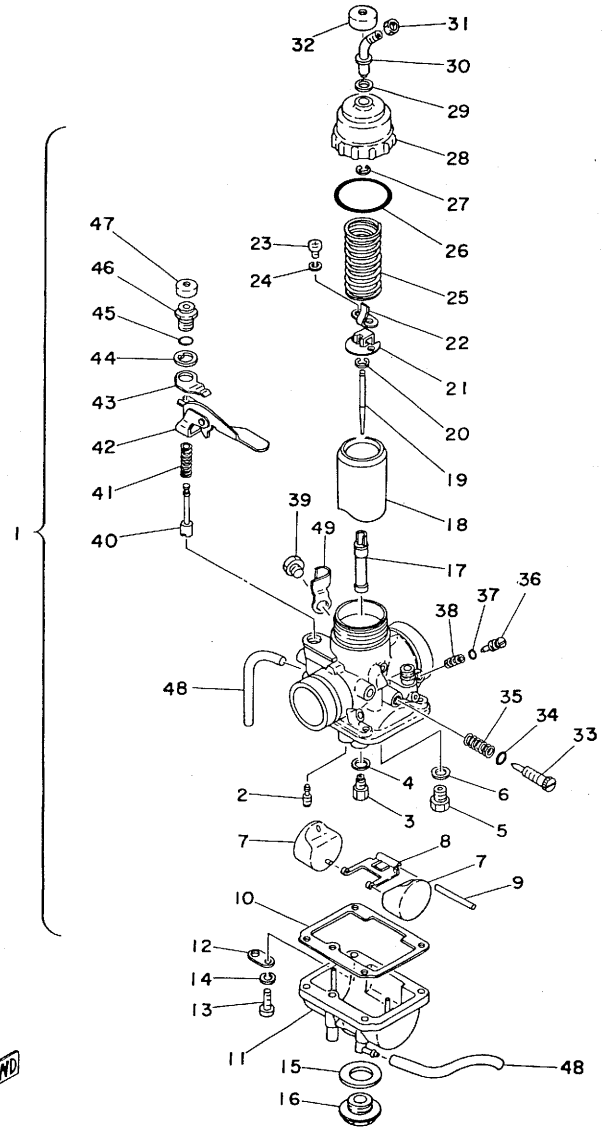
Ref.No.	Part No.	Description	Q'ty		Remarks	
			250	400		
11-	1	363-12281-01			VALVE, decompression	1
	2	93210-05215			O-RING (3.5-5.2)	1
	3	363-11198-00			GASKET	1
	4	363-12283-01			BRACKET, decompression	1
	5	1K7-12279-00			PLATE	1
	6	363-12273-00			HOLDER, wire	1
	7	90508-10010			SPRING, torsion (363-12287-00)	1
	8	363-12282-00			LEVER, decompression	1
	9	90240-03003			PIN, with hole (363-12284-00)	1
	10	91401-16010			PIN, cotter	1
	11	95301-05700			NUT, hexagon	1
	12	91401-16010			PIN, cotter	1
	13	1K7-12278-00			COVER, decompression	1
	14	363-12292-02			WIRE, decompression	1
	15	92901-05200			WASHER, plain	1

Fig. 12 INTAKE



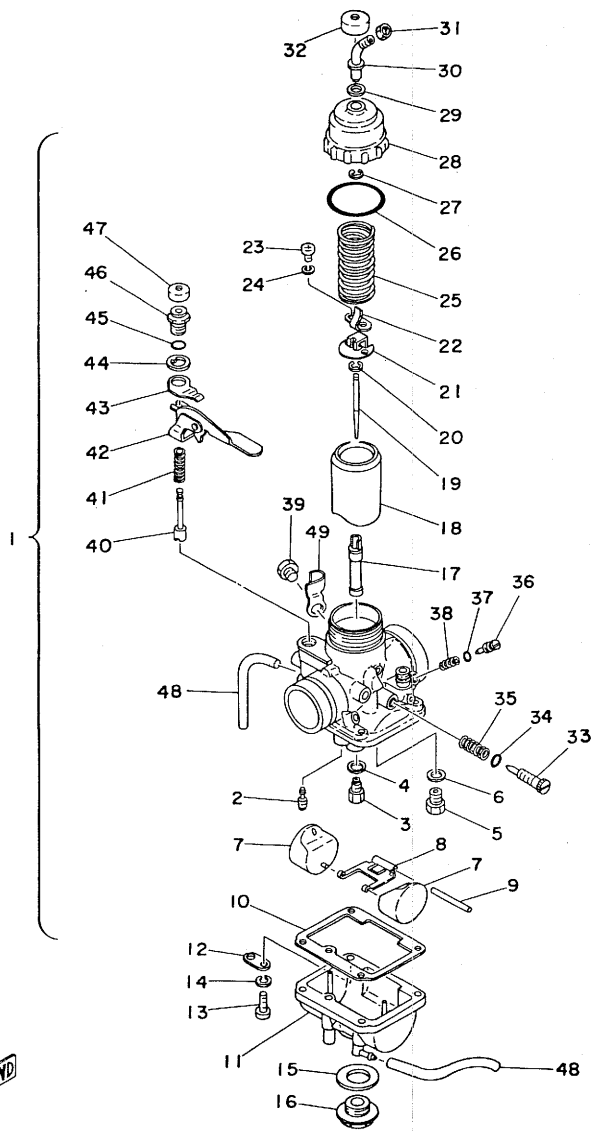
Ref.No.	Part No.	Description	Q'ty		Remarks
			250	400	
12- 1	1M1-14401-00	AIR FILTER CASE ASS'Y	1	1	
2	1M1-14450-00	ELEMENT ASS'Y, with guide	1	1	
3	1M1-21730-00	SIDE COVER ASS'Y 3	1	1	
4	1M1-14452-00	. SEAL	1	1	
5	1E6-21708-00	SIDE COVER LOCK ASS'Y	1	1	
6	90480-24186	GROMMET	1	1	
7	90170-22187	NUT, hexagon	1	1	
8	98501-05016	SCREW, panhead	3	3	
9	92901-05600	WASHER, plate	3	3	
10	1M1-14418-00	COVER, duct	1	1	
11	90480-14102	GROMMET (214-21717-00)	2	2	
12	90387-07391	COLLAR (437-21633-00)	2	2	
13	90201-06067	WASHER, plate (6.5-20-1.6)	2	2	
14	92901-06100	WASHER, spring	2	2	
15	97301-06025	BOLT, hexagon	2	2	
16	509-14457-00	SEAL	1	1	
17	90467-15012	CLIP (806-24358-00)	1	1	
18	90480-18171	GROMMET	1	1	
19	90460-64065	CLAMP, hose (310-14455-00)	1	1	
20	1M1-14453-00	JOINT, air cleaner	1		
	1M2-14453-00	JOINT, air cleaner		1	
21	90460-49058	CLAMP, hose (278-14455-00)	1		
	90460-51059	CLAMP, hose (304-14455-00)		1	
22	90460-44108	CLAMP, hose	1		
	90460-51109	CLAMP, hose		1	
23	1M1-13565-01	JOINT, carburetor	1		
	1M2-13565-01	JOINT, carburetor		1	
24	1M1-13610-10	REED VALVE ASS'Y	1	1	
25	1M1-13613-10	. REED, valve	2	2	
26	1M1-13616-00	. STOPPER, reed valve	2	2	
27	98501-03008	. SCREW, panhead	8	8	
28	92901-03100	. WASHER, spring	8	8	
29	431-13556-01	PACKING, valve seat	1	1	
30	91316-06025	BOLT, hexagon socket head	4	4	

Fig.13 CARBURETOR(DT250)



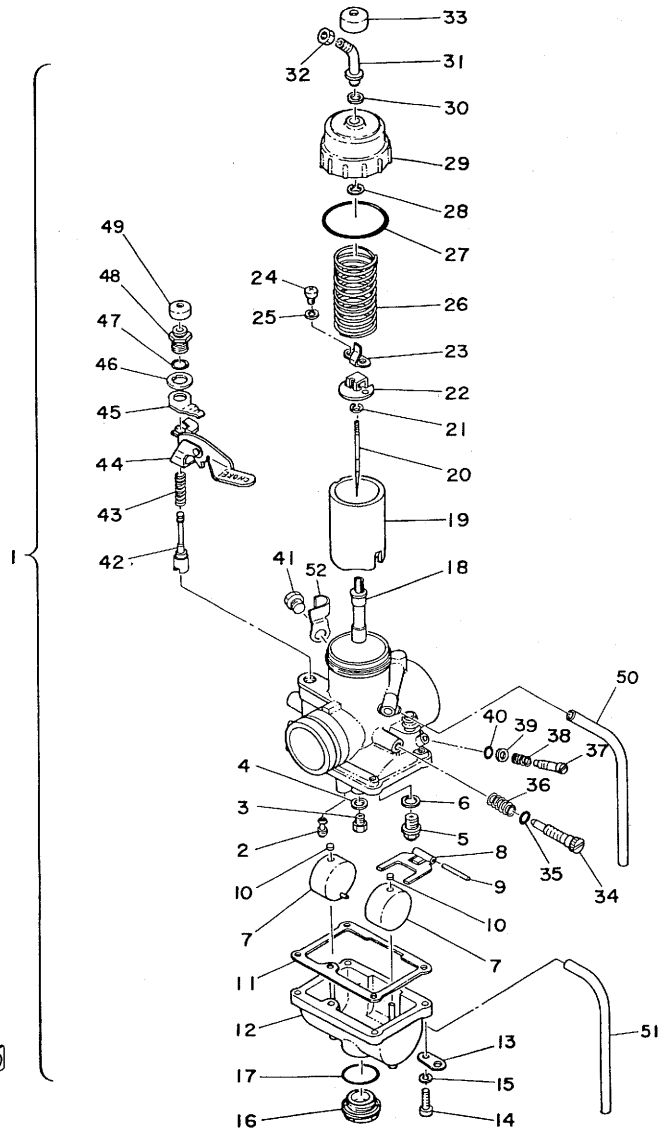
Ref.No.	Part No.	Description	Q'ty		Remarks
			250	400	
13- 1	1M1-14101-01	CARBURETOR ASS'Y	1		
✓	1M1-14101-50	CARBURETOR ASS'Y	1		for High Land
2	193-14142-50	. JET, pilot (#50)	1		
3	137-14143-27	. JET, main (#135)	1	U.R.	for High Land
	137-14143-28	. JET, main (#140)			STD
	137-14143-30	. JET, main (#150)			
4	137-14153-00	. WASHER, main jet	1		
5	168-14190-28	. VALVE SEAT ASS'Y (#2.8)	1		
6	214-14195-00	. WASHER, valve seat	1		
7	278-14185-00	. FLOAT	2		
8	280-14187-00	. ARM, float	1		
9	127-14186-00	. PIN, float	1		
10	360-14184-01	. GASKET, float chamber	1		
11	402-14181-12	. BODY, float chamber (#60)	1		
12	132-14146-00	. PLATE	1		
13	98501-04016	. SCREW, panhead	4		
14	92901-04100	. WASHER, spring	4		
15	278-14117-00	. WASHER, screw plug	1		
16	278-14115-00	. PLUG, screw	1		
17	278-14141-28	. NOZZLE, main (N-8)	1		
18	1M1-14112-15	. VALVE, throttle (#1.5)	1		
19	168-14116-33	. NEEDLE (5DP33-3)	1		
20	164-14137-00	. CLIP	1		
21	1A0-14243-00	. PLATE	1		
22	1A0-14253-00	. PLATE, spring	1		
23	98501-03010	. SCREW, panhead	2		
24	92901-03100	. WASHER, spring	2		
25	248-14131-00	. SPRING, throttle valve	1		
26	361-14147-00	. O-RING	1		
27	363-14137-00	. CLIP	1		
28	498-14158-00	. TOP, mixing chamber	1		
29	509-14198-00	. GASKET	1		
30	509-14155-01	. TUBE, guide wire	1		

Fig.13 CARBURETOR(DT250)



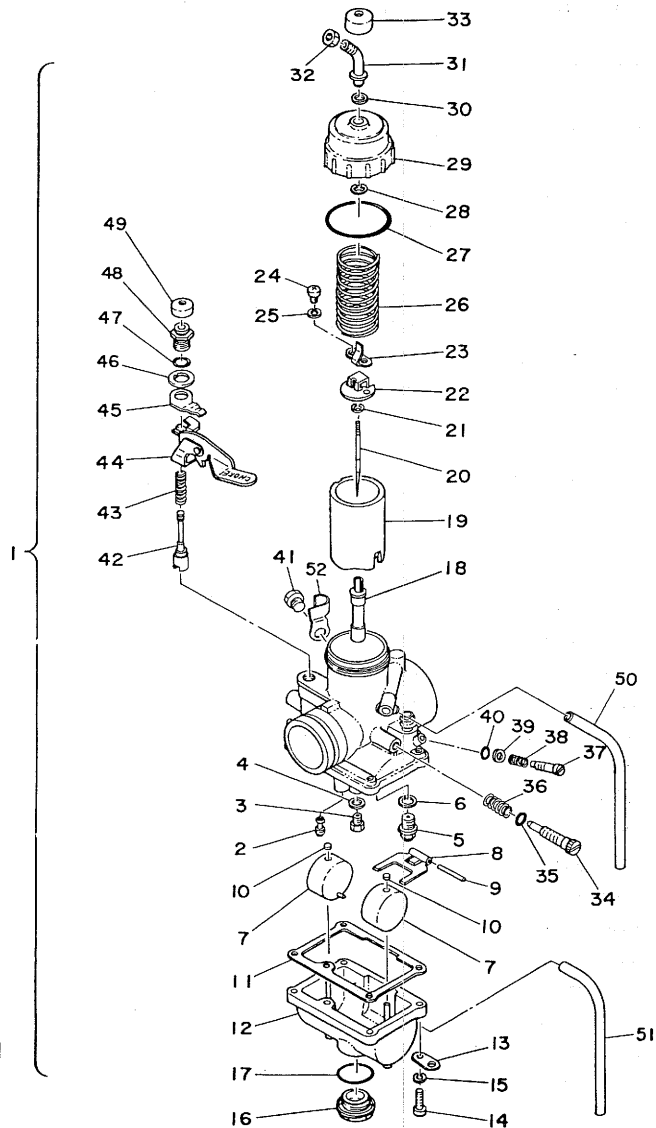
Ref.No.	Part No.	Description	Q'ty		Remarks
			250	400	
13-31	127-14161-00	. NUT, wire adjusting		1	
32	1M1-14169-00	. CAP		1	
33	493-14122-00	. SCREW, throttle stop		1	
34	214-14147-00	. O-RING		1	
35	493-14133-00	. SPRING, throttle stop		1	
36	525-14123-00	. SCREW, air adjusting		1	
37	354-14147-00	. O-RING		1	
38	127-14134-00	. SPRING, air adjusting		1	
39	1A0-14991-00	. PLUG, screw		1	
40	1A0-14171-00	. PLUNGER, starter		1	
41	256-14135-00	. SPRING, plunger		1	
42	1A0-14175-00	. LEVER, starter left		1	
43	170-14178-00	. PLATE, starter lever		1	
44	1A0-14179-00	. WASHER, starter lever		1	
45	93220-09001	. O-RING (1.78-9.25)		1	
46	500-14174-00	. CAP, plunger		1	
47	802-14173-00	. COVER, plunger		1	
48	439-14197-00	. PIPE, air vent		2	
49	90465-10108	. CLAMP		1	

Fig. 14 CARBURETOR (DT 400)



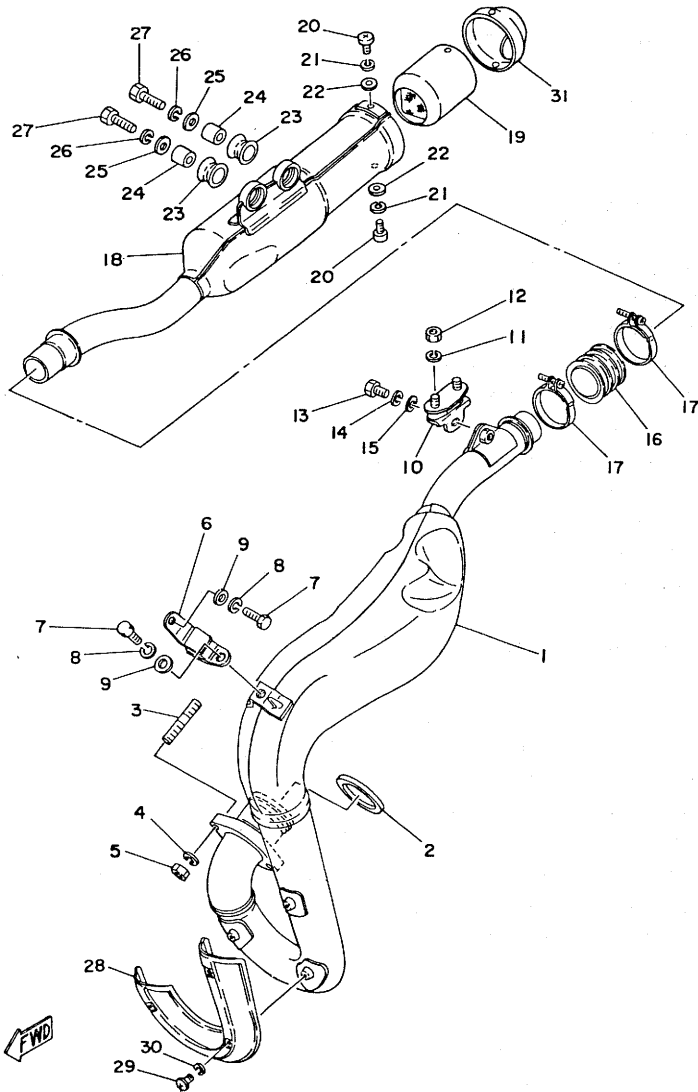
Ref.No.	Part No.	Description	Q'ty		Remarks
			250	400	
14- 1	2Y9-14101-00	CARBURETOR ASS'Y		1	
	✓ 2Y9-14101-50	CARBURETOR ASS'Y		1	for High Land
	2	. JET, pilot (#80)		1	
	3	. JET, main (#170)		} U.R. 1 STD	for High Land
		. JET, main (#180)			
		. JET, main (#190)			
	4	. WASHER, main jet		1	
	5	. VALVE SEAT ASS'Y (# 3.0)		1	
	6	. WASHER, valve seat		1	
	7	. FLOAT		2	
	8	. ARM, float		1	
	9	. PIN, float		1	
	10	. CAP		2	
	11	. GASKET, float chamber		1	
	✓ 12	1M2-14181-12	. BODY, float chamber (#60)	1	
	13	. PLATE		1	
	14	. SCREW, panhead		4	
	15	. WASHER, spring		4	
	16	. PLUG, screw		1	
	17	. O-RING (1.5-17.5)		1	
	18	. NOZZLE, main (O-2)		1	
	19	1M2-14112-25	. VALVE, throttle (#2.5)	1	
	20	239-14116-09	. NEEDLE (6F9-3)	1	
	21	164-14137-00	. CLIP	1	
	22	1A0-14243-00	. PLATE	1	
	23	1A0-14253-00	. PLATE, spring	1	
	24	98501-03010	. SCREW, panhead	2	
	25	92901-03100	. WASHER, spring	2	
	26	363-14131-00	. SPRING, throttle valve	1	
	27	93210-40284	. O-RING (2-40)	1	
	28	363-14137-00	. CLIP	1	
	29	500-14158-00	. TOP, mixing chamber	1	
	30	509-14198-00	. PACKING	1	

Fig. 14 CARBURETOR (DT 400)



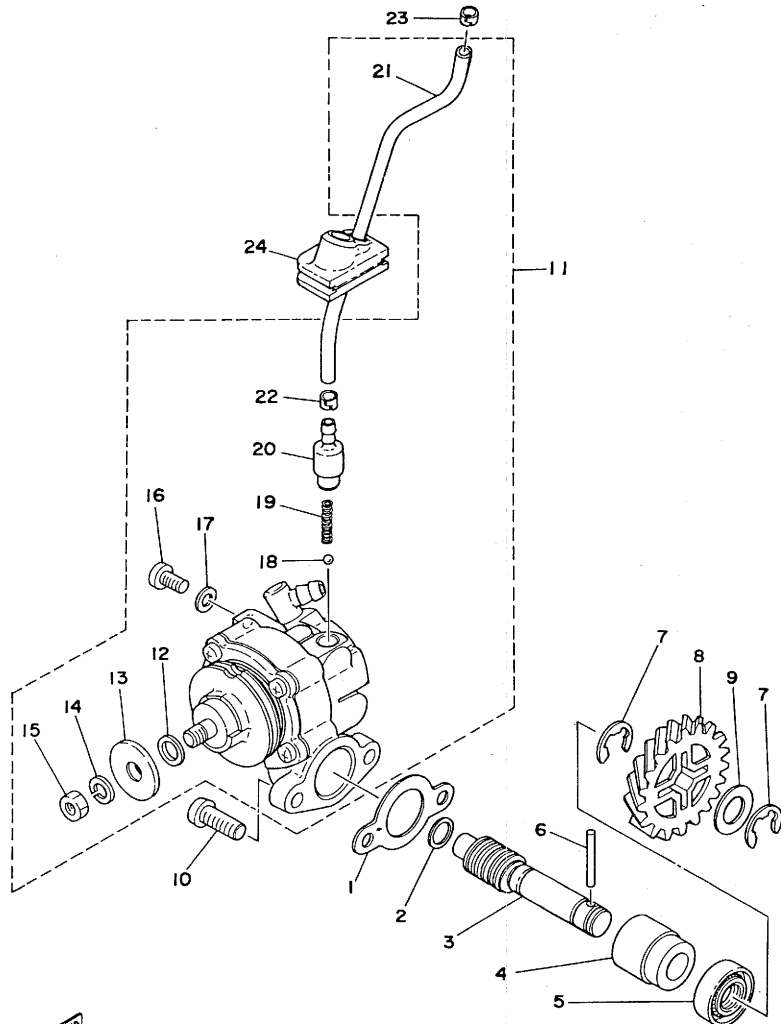
Ref.No.	Part No.	Description	Q'ty		Remarks
			250	400	
14-31	500-14155-00	. TUBE, guide		1	
32	127-14161-00	. NUT, wire adjusting		1	
33	1M1-14169-00	. CAP		1	
34	493-14122-00	. SCREW, throttle stop		1	
35	214-14147-00	. O-RING		1	
36	493-14133-00	. SPRING, throttle stop		1	
37	1G8-14123-00	. SCREW, air adjusting		1	
38	137-14134-00	. SPRING, air adjusting		1	
39	812-14235-00	. WASHER		1	
40	812-14147-00	. O-RING		1	
41	1A0-14991-00	. PLUG, screw		1	
42	1M2-14171-00	. PLUNGER, starter		1	
43	500-14135-00	. SPRING, plunger		1	
44	1M2-14175-00	. LEVER, starter left		1	
45	275-14178-00	. PLATE, starter lever		1	
46	1M2-14179-00	. WASHER, starter lever		1	
47	93210-09285	. O-RING (1.5-8.5)		1	
48	500-14174-00	. CAP, plunger		1	
49	802-14173-00	. COVER, plunger cap		1	
50	256-14197-01	. PIPE, air vent (3.5-175)		1	
51	1M2-14196-00	. PIPE, overflow (3-140)		1	
52	90465-10108	. CLAMP		1	

Fig. 15 EXHAUST



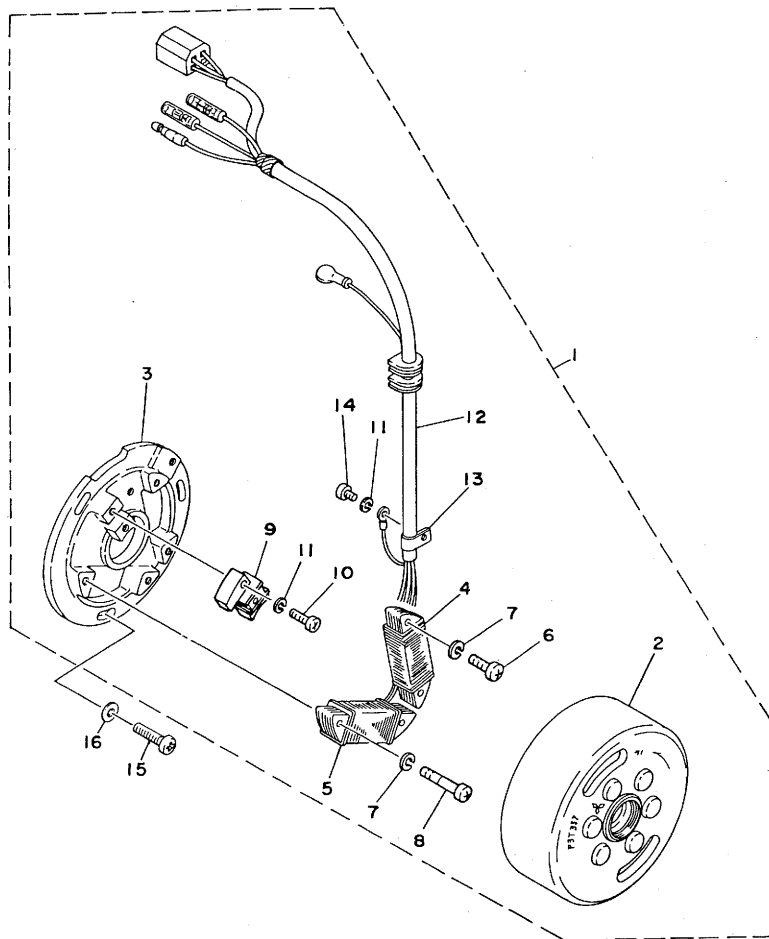
Ref.No.	Part No.	Description	Q'ty		Remarks
			250	400	
15- 1	2N6-14610-00	EXHAUST PIPE ASS'Y	1	1	
2	214-14613-00	GASKET, exhaust pipe	1	1	
3	90116-08264	BOLT, stud	2	2	
4	92901-08100	WASHER, spring	2	2	
5	95301-08600	NUT, hexagon	2	2	
6	1M1-14772-00	STAY, muffler	1	1	
7	97321-06014	BOLT, hexagon	2	2	
8	92901-06100	WASHER, spring	2	2	
9	92901-06600	WASHER, plate	2	2	
10	2N6-14771-00	STAY, muffler	1	1	
11	92901-06100	WASHER, spring	2	2	
12	95301-06600	NUT, hexagon	2	2	
13	97301-08016	BOLT, hexagon	1	1	
14	92901-08100	WASHER, spring	1	1	
15	92901-08600	WASHER, plate	1	1	
16	1M1-14714-00	GASKET, muffler joint	1	1	
17	90460-43053	CLAMP, hose	2	2	
18	2N6-14753-00	SILENCER	1	1	
19	1E6-14786-01	ARRESTER, spark	1	1	
20	92501-06012	SCREW, panhead	2	2	
21	92901-06100	WASHER, spring	2	2	
22	92901-06600	WASHER, plate	2	2	
23	565-14747-00	DAMPER, muffler	2	2	
24	90387-08258	COLLAR (8.3-15-15)	2	2	
25	90201-08113	WASHER, plate (611-48556-30)	2	2	8.2-26-2
26	92901-08100	WASHER, spring	2	2	
27	97301-08030	BOLT, hexagon	2	2	
28	1M1-14728-00	PROTECTOR, muffler	1	1	
29	98906-06010	SCREW, bind	3	3	
30	92906-06100	WASHER, spring	3	3	
31	2N6-14787-00	CAP, silencer	1	1	

Fig. 16 OIL PUMP



Ref.No.	Part No.	Description	Q'ty		Remarks
			250	400	
16- 1	126-13116-00	GASKET, pump case	1	1	
2	90201-08624	WASHER, plate (8.2-11-1.0)	1	1	
3	525-13175-01	SHAFT, worm	1		
	1M2-13175-00	SHAFT, worm		1	
4	1E7-13176-00	METAL, worm shaft outer	1	1	
5	93101-10001	OIL SEAL (S-10-21-5)	1	1	
6	93603-22028	PIN, dowel (3-21.8)	1	1	
7	93430-08006	CIRCLIP (E-8)	2	2	
8	1M1-13178-00	GEAR, drive	1	1	
9	90201-10644	WASHER, plate	1	1	
10	98501-05016	SCREW, panhead	2	2	
11	1M1-13101-01	OIL PUMP ASS'Y	1		
	1M2-13101-01	OIL PUMP ASS'Y		1	
12	137-13137-00-03	. SHIM, plunger (5.8-10-0.3)	}	U.R.	U.R.
	137-13137-00-05	. SHIM, plunger (5.8-10-0.5)			
	137-13137-00-10	. SHIM, plunger (5.8-10-1.0)			
13	137-13138-01	. PLATE, adjusting	1	1	
14	92901-05100	. WASHER, spring	1	1	
15	95301-05600	. NUT, hexagon	1	1	
16	98901-04008	. SCREW, bind	1	1	
17	90430-04004	. GASKET (137-13187-00)	1	1	
18	93505-32002	. BALL (5/32 inch)	1	1	
19	278-13169-00	. SPRING, compression (278-18169-00)	1	1	
20	402-13552-00	. NOZZLE	1	1	
21	90445-05214	. HOSE (5-220)	1		
	90445-05217	. HOSE (5-240)		1	
22	90468-02033	. CLIP (214-13164-00)	1	1	
23	90468-02033	CLIP (214-13164-00)	1	1	
24	1M1-13174-00	HOLDER, oil pump	1	1	

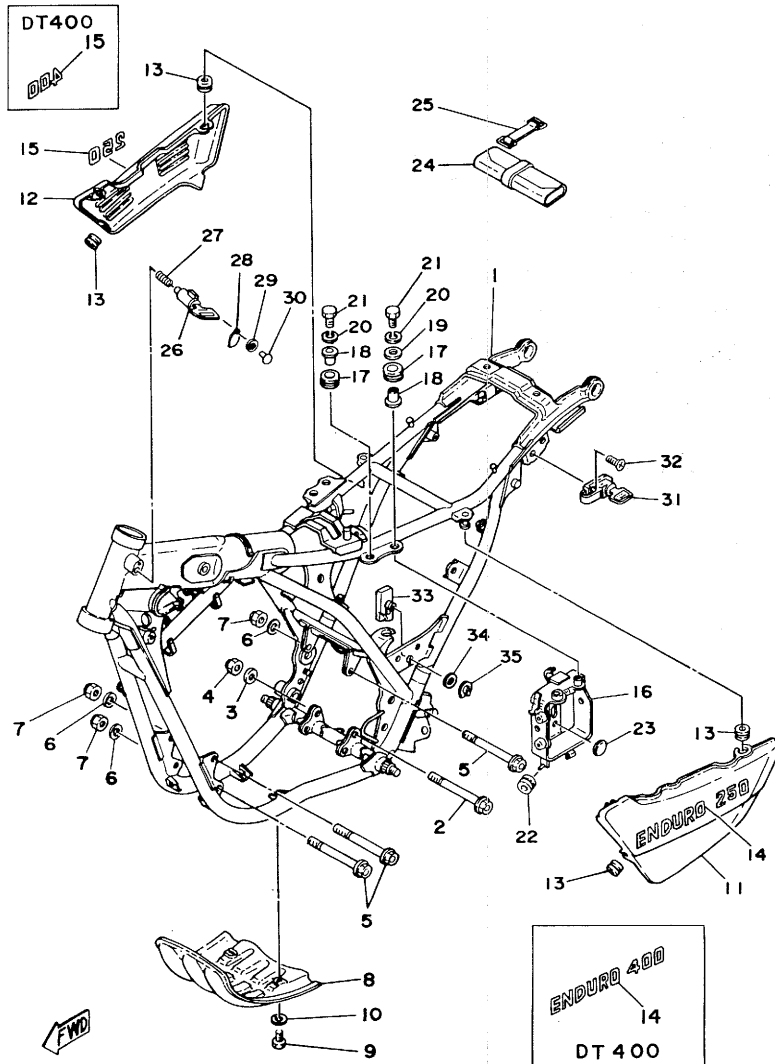
Fig. 17 C. D. I. MAGNETO



FWD

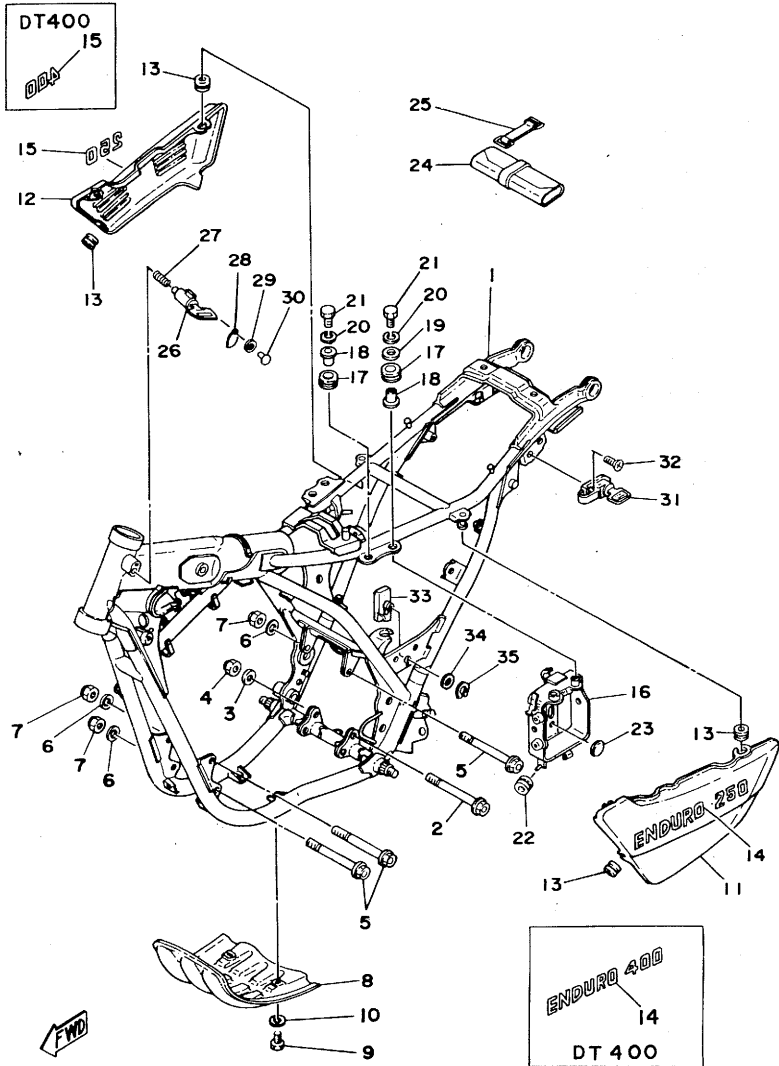
Ref.No.	Part No.	Description	Q'ty		Remarks
			250	400	
17- 1	2X9-85500-20	C.D.I. MAGNETO ASS'Y	1	1	
2	2X9-85550-20	. ROTOR ASS'Y	1	1	
3	1M2-85509-20	. BASE, magneto	1	1	
4	2X9-85512-20	. COIL, source	1	1	
5	1M2-85513-22	. COIL, lighting	1	1	
6	92501-05018	. SCREW, panhead	2	2	
7	92901-05100	. WASHER, spring	4	4	
8	92501-05035	. SCREW, panhead	2	2	
9	2X9-85580-20	. PULSER ASS'Y	1	1	
10	98501-04018	. SCREW, panhead	2	2	
11	92901-04100	. WASHER, spring	3	3	
12	2X9-85515-20	. LEAD WIRE ASS'Y	1	1	
13	445-81328-20	. CLAMP	1	1	
14	110-81345-21	. SCREW, panhead	1	1	
15	92501-06020	SCREW, panhead	3	3	
16	92901-06600	WASHER, plate	3	3	

Fig. 18 FRAME · SIDE COVER



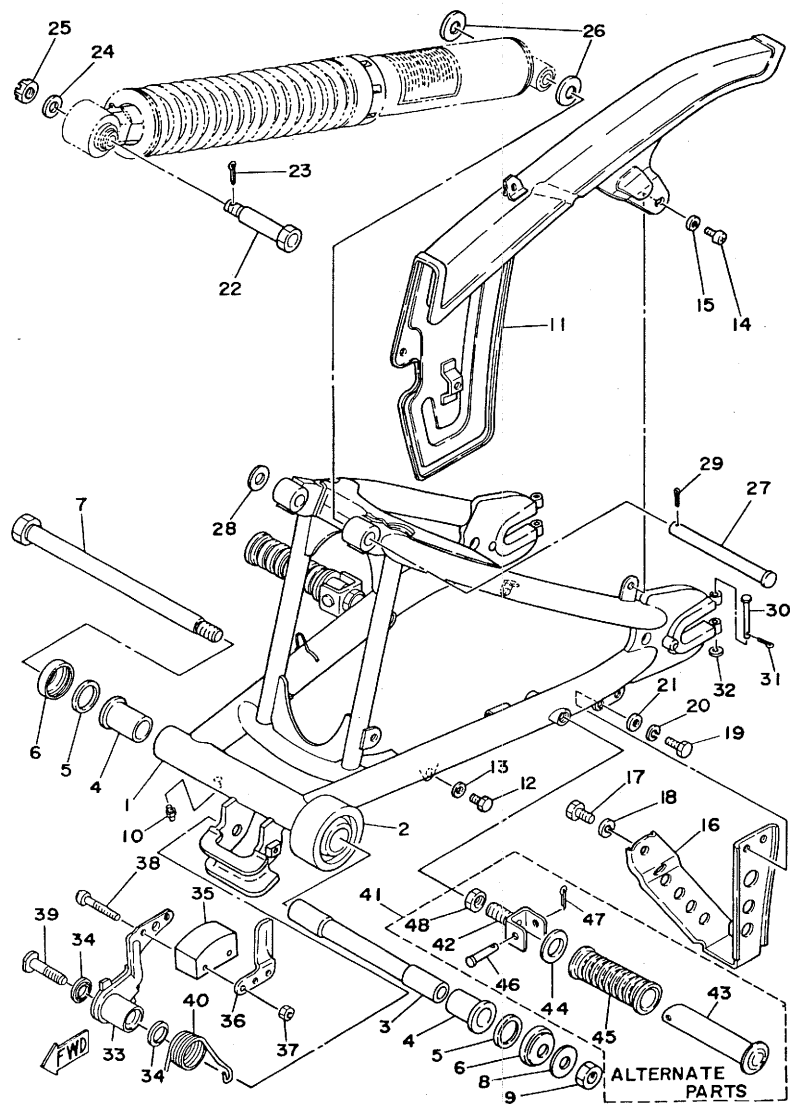
Ref.No.	Part No.	Description	Q'ty		Remarks
			250	400	
18- 1	2X9-21110-00-33	FRAME COMP.	1	1	Yamaha Black
2	90105-10050	BOLT	1	1	
3	92901-10200	WASHER, plain	1	1	
4	90185-10035	NUT, self-locking	1	1	
5	90105-08024	BOLT	3	3	
6	92901-08200	WASHER, plain	3	3	
7	90185-08054	NUT, self-locking	3	3	
8	1M1-21471-00-33	PROTECTOR, engine	1	1	Yamaha Black
9	97301-06012	BOLT, hexagon	4	4	
10	92901-06600	WASHER, plate	4	4	
11	2N6-21711-00-01	SIDE COVER ASS'Y, left	1		Competition Yellow
	2N6-21711-00-02	SIDE COVER ASS'Y, left		1	Sunshine Red
12	2N6-21721-00-26	COVER, side right	1		Competition Yellow
	2N6-21721-00-66	COVER, side right		1	Sunshine Red
13	90480-12053	GROMMET	6	6	
14	2N6-21787-00	EMBLEM, side cover left	1		
✓	2Y9-21787-00	EMBLEM, side cover left		1	
15	2N6-21786-00	EMBLEM, side cover right	1		
✓	2Y9-21786-00	EMBLEM, side cover right		1	
16	1M1-21240-00	BATTERY BOX COMP.	1	1	
17	90480-14102	GROMMET (214-21717-00)	2	2	
18	90387-07391	COLLAR (437-21633-00)	2	2	
19	90201-06067	WASHER, plate	1	1	6.5-20-1.6
20	92901-06100	WASHER, spring	2	2	
21	97301-06025	BOLT, hexagon	2	2	
22	90480-01176	GROMMET	1	1	
23	371-82121-00	PAD, battery	4	4	
24	1M1-28100-10	TOOL ASS'Y	1	1	
25	288-21376-00	BAND, tool	1	1	
26	1E6-23408-00	STEERING LOCK ASS'Y	1	1	
27	90502-09024	SPRING, conical	1	1	
28	584-23484-01	CAP, handle lock	1	1	
29	90206-04003	WASHER, wave (214-23488-00)	1	1	

Fig. 18 FRAME · SIDE COVER



Ref.No.	Part No.	Description	Q'ty		Remarks
			250	400	
18-30	90269-04003	RIVET (214-23483-00)	1	1	
31	1E6-21308-00	HELMET HANGER ASS'Y	1	1	
32	92701-06018	SCREW, flathead	1	1	
33	583-22147-01	PROTECTOR, chain	1	1	
34	90206-15023	WASHER, wave	1	1	
35	93410-15005	CIRCLIP (S-15)	1	1	

Fig. 19 REAR ARM · CHAIN CASE

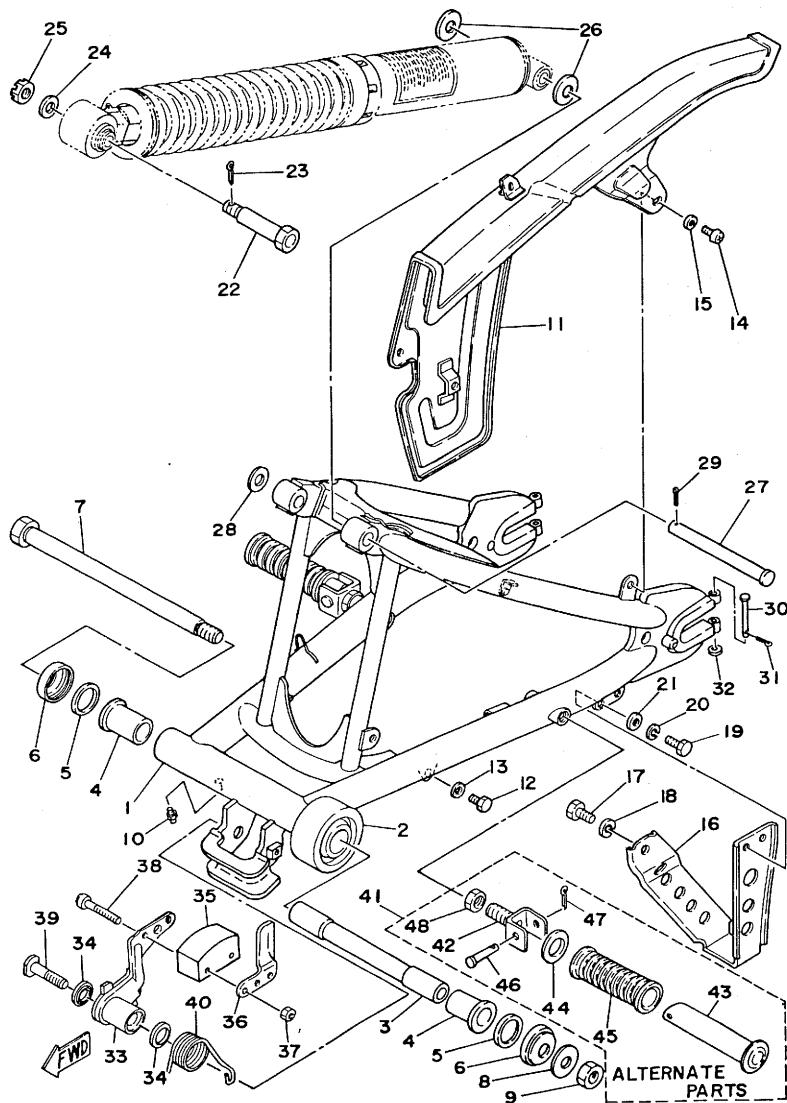


Ref.No.	Part No.	Description	Q'ty		Remarks
			250	400	
19- 1	2N6-22110-00-33	REAR ARM COMP.	1	1	Yamaha Black
2	1M1-22151-00	SEAL, guard	1	1	
3	90387-16398	COLLAR (322-22124-00)	1	1	
4	90386-22077	BUSHING (322-22123-00)	2	2	
5	156-22127-00	SHIM	U.N.	U.N.	
6	322-22128-01	COVER, thrust	2	2	
7	2N6-22141-00	SHAFT, pivot	1	1	
8	90201-14577	WASHER, plate	1	1	
9	95601-14100	NUT U	1	1	
10	93700-06004	NIPPLE, grease	1	1	
11	1R8-22311-01-33	CHAIN CASE	1	1	Yamaha Black
12	97301-05010	BOLT, hexagon	1	1	
13	92901-05600	WASHER, plate	1	1	
14	98501-05010	SCREW, panhead	3	3	
15	92901-05600	WASHER, plate	3	3	
16	1M1-22318-00	GUARD, chain	1	1	
17	97301-08014	BOLT, hexagon	1	1	
18	92901-08100	WASHER, spring	1	1	
19	97301-06016	BOLT, hexagon	2	2	
20	92901-06100	WASHER, spring	2	2	
21	92901-06600	WASHER, plate	2	2	
22	90109-10453	BOLT	1	1	
23	91401-20025	PIN, cotter	1	1	
24	92901-10200	WASHER, plain	1	1	
25	95302-10900	NUT, slotted	1	1	
26	1W1-22128-00	COVER, thrust	2	2	
27	90240-12059	PIN, with hole	1	1	
28	92901-12600	WASHER, plate	1	1	
29	91401-30022	PIN, cotter	1	1	
30	91701-06042	PIN, clevis	2	2	
31	91401-20012	PIN, cotter	2	2	
32	92901-06600	WASHER, plate	2	2	
33	1M1-22179-00	ARM, tensioner	1	1	

PART
NEW

M.C. 79003
JAN 79.

Fig. 19 REAR ARM · CHAIN CASE

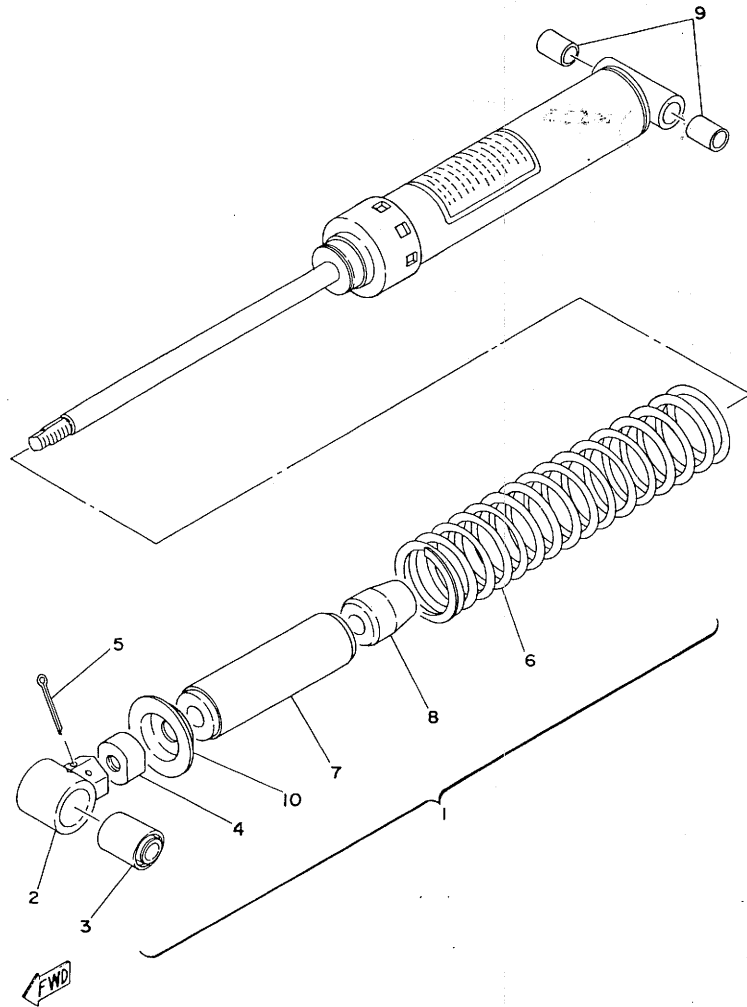


Ref.No.	Part No.	Description	Q'ty		Remarks
			250	400	
19-34	93104-14044	OIL SEAL (SO-14-20-3)	2	2	
35	2N0-22178-00	TENSIONER	1	1	
36	1M1-22187-00	GUARD, chain	1	1	
37	95301-05700	NUT, hexagon	2	2	
38	98501-05035	SCREW, panhead	2	2	
✓ 39	90109-10483) 10533	BOLT	1	1	
40	90508-35350	SPRING, torsion	1	1	

ALTERNATE PARTS

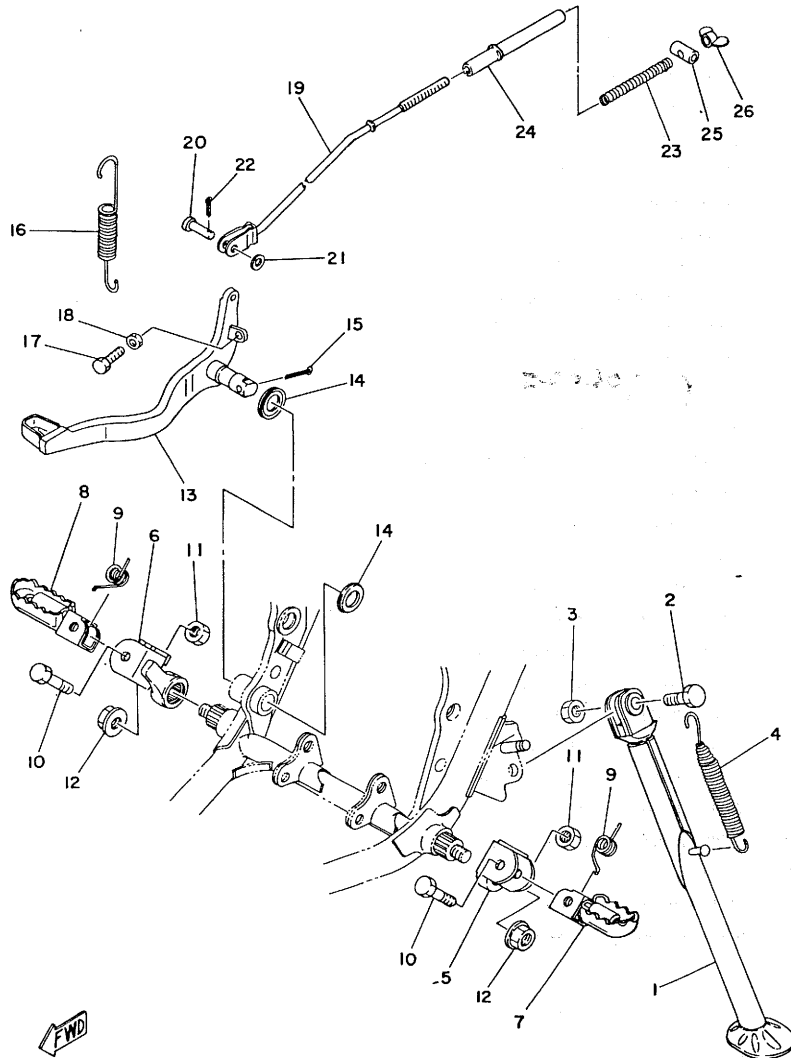
41	120-27430-02	REAR FOOTREST ASS'Y	2	2	
42	120-27432-02	. BRACKET, rear footrest	2	2	
43	120-27431-00	. ARM, rear footrest	2	2	
44	90201-20279	. WASHER, plate	2	2	
45	120-27433-00	. COVER, rear footrest	2	2	
46	90240-06009	. PIN, with hole	2	2	
47	91401-16015	. PIN, cotter	2	2	
48	90170-12062	. NUT, hexagon	2	2	

Fig. 20 REAR CUSHION



Ref.No.	Part No.	Description	Q'ty		Remarks
			250	400	
20-1	2N6-22210-00	REAR CUSHION ASS'Y	1	1	
2	1M1-22219-01	. BRACKET, upper	1	1	
3	1M1-22216-00	. BUSHING, rear cushion	1	1	
4	2N4-22213-00	. SEAT, spring upper	1	1	
5	91401-30040	. PIN, cotter	1	1	
6	90501-90536	. SPRING, compression	1	1	
7	2N4-22496-00	. SLEEVE, rod	1	1	
8	2A6-22493-00	. STOPPER, bump	1	1	
9	90380-12051	. BUSHING	2	2	
✓ 10	2N4-22214-00	. GUIDE, spring	1	1	

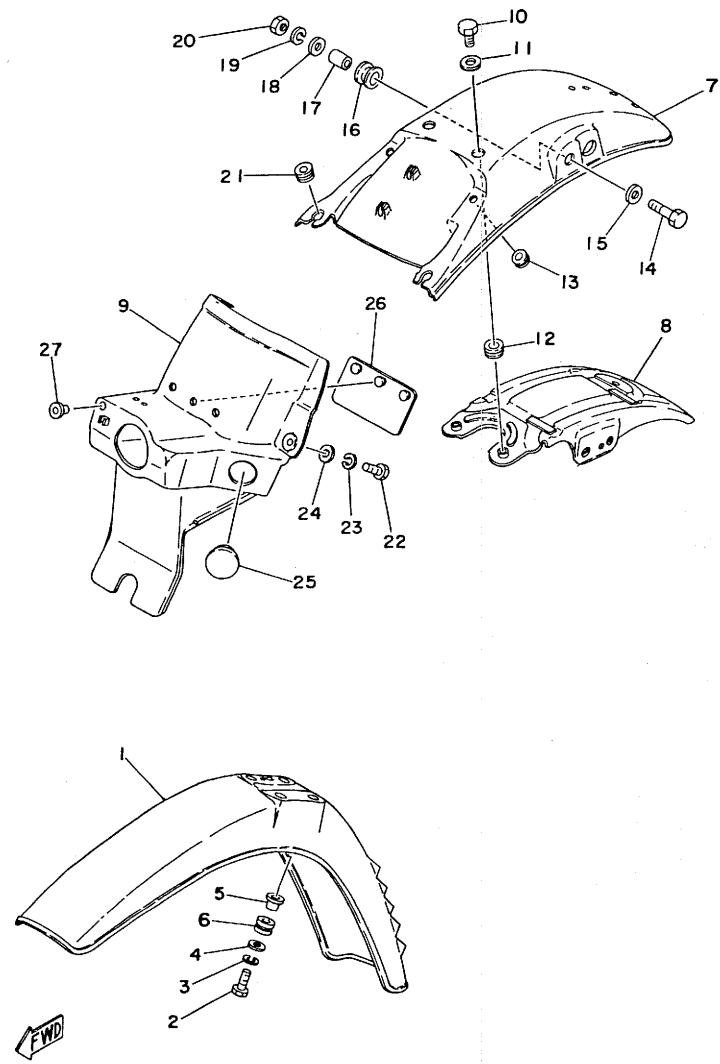
Fig. 21 STAND · FOOTREST · BRAKE PEDAL



Ref.No.	Part No.	Description	Qty		Remarks
			250	400	
21- 1	1M1-27311-02-33	STAND, side	1	1	Yamaha Black
2	90109-10473	BOLT	1	1	
3	90185-10037	NUT U	1	1	
4	90507-29021	SPRING, tension	1	1	
5	1M1-27412-00	BRACKET, footrest left	1	1	
6	1M1-27422-00	BRACKET, footrest right	1	1	
7	1M1-27411-02-33	FOOTREST, left	1	1	Yamaha Black
8	1M1-27421-02-33	FOOTREST, right	1	1	Yamaha Black
9	90508-20023	SPRING, torsion (214-27426-00)	2	2	
10	90101-08292	BOLT	2		
	90101-08371	BOLT		2	
11	95601-08100	NUT U	2	2	
12	90185-12072	NUT, selflocking	2	2	
13	1M1-27211-01-33	PEDAL, brake	1	1	Yamaha Black
14	498-27235-00	COVER, dust	2	2	
15	91401-30030	PIN, cotter	1	1	
16	90506-18154	SPRING, tension	1	1	
17	97301-06025	BOLT (322-27227-00)	1	1	
18	95301-06700	NUT, hexagon	1	1	
19	483-27231-00	ROD, brake	1	1	
20	90240-06040	PIN, with hole	1	1	
21	92901-06200	WASHER, plain	1	1	
22	91401-20012	PIN, cotter	1	1	
23	90501-10245	SPRING, compression (180-27236-00)	1	1	
24	1M1-27244-00	COVER, spring	1	1	
25	90249-12008	PIN (156-27237-00)	1	1	
26	90175-06013	NUT, wing	1	1	

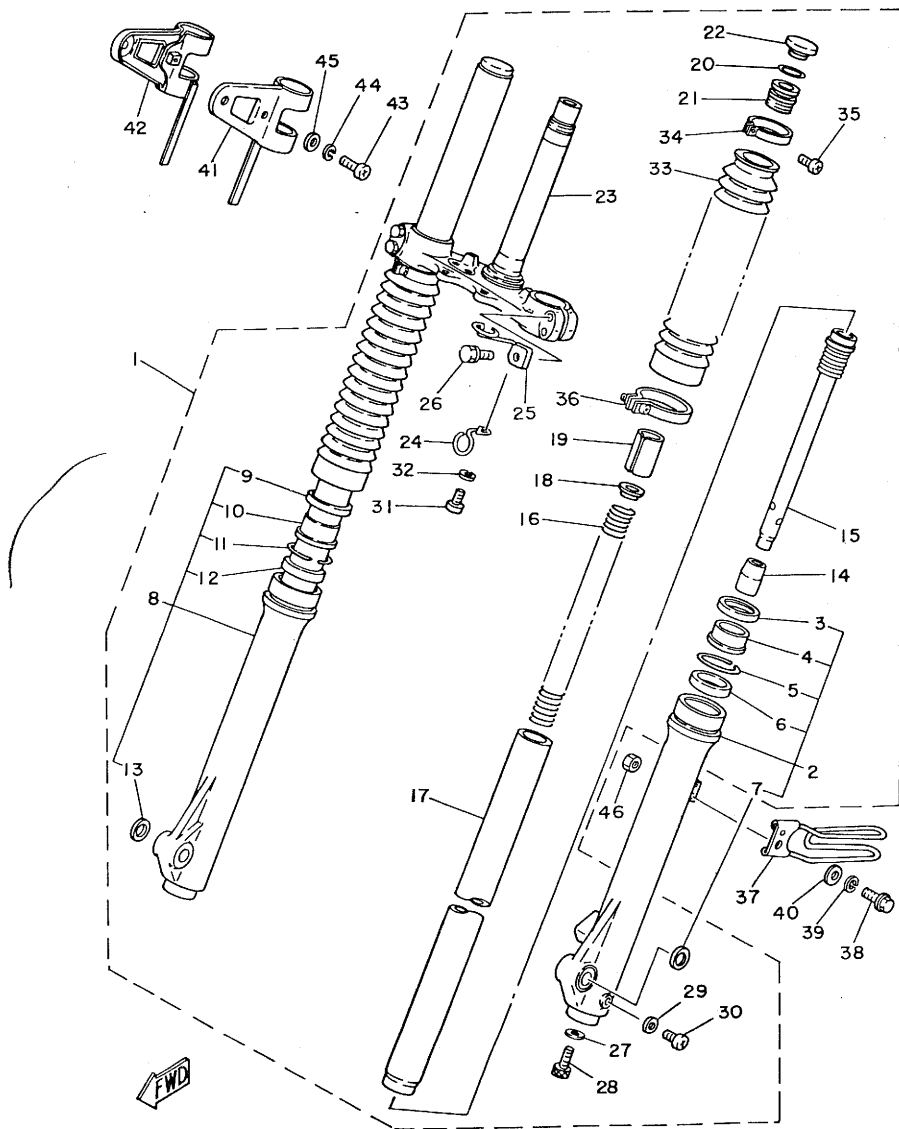
PARTS M.C. 79003
 NEWS JAN. 79.

Fig. 22 FRONT FENDER · REAR FENDER



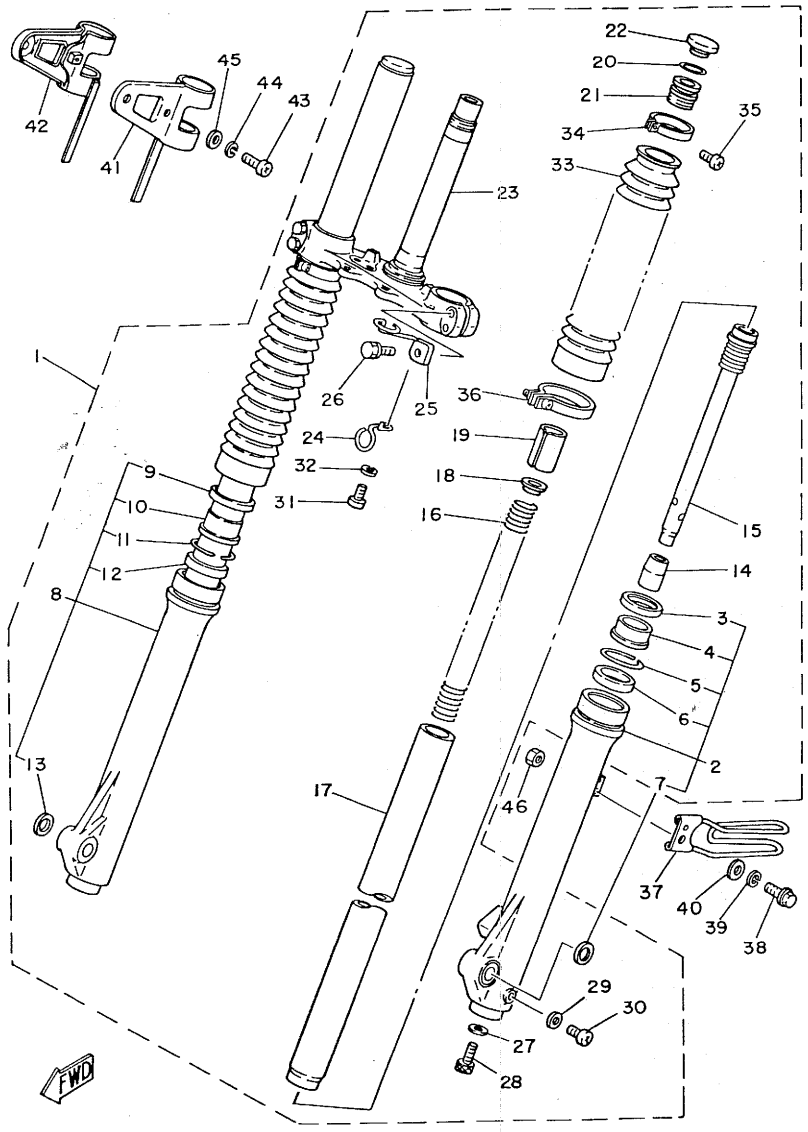
Ref.No.	Part No.	Description	Q'ty		Remarks
			250	400	
22- 1	2N6-21511-00-26	FENDER, front	1		Competition Yellow
✓	2Y9-21511-00-66	FENDER, front	1		Sunshine Red
2	97301-06025	BOLT, hexagon	4	4	
3	92901-06100	WASHER, spring	4	4	
4	90201-06067	WASHER, plate (6.5-20-1.6)	4	4	
5	90387-06388	COLLAR (322-21544-00)	4	4	
6	90480-14198	GROMMET	4	4	
7	2N6-21611-00-26	FENDER, rear	1		Competition Yellow
✓	2Y9-21611-00-66	FENDER, rear	1		Sunshine Red
8	1M1-21617-00	BRACKET, rear fender	1	1	
9	2N6-21620-00	MUD GUARD COMP.	1	1	
10	97301-06025	BOLT, hexagon	2	2	
11	90201-06067	WASHER, plate (6.5-20-1.6)	2	2	
12	90480-15058	GROMMET (824-77431-00)	2	2	
13	90480-10208	GROMMET	2	2	
14	97301-08030	BOLT, hexagon	2	2	
15	90209-09155	WASHER	2	2	
16	565-14747-00	DAMPER, fender	2	2	
17	90387-08258	COLLAR (8.3-15-15)	2	2	
18	92901-08200	WASHER, plain	2	2	
19	92901-08100	WASHER, spring	2	2	
20	95301-08600	NUT, hexagon	2	2	
21	90480-12053	GROMMET	2	2	
22	97301-06014	BOLT, hexagon	3	3	
23	92901-06100	WASHER, spring	3	3	
24	90201-06067	WASHER, plate (6.5-20-1.6)	3	3	
25	90480-01230	GROMMET	2	2	
26	1M1-21621-00	FLAP	1	1	
27	395-21638-00	DAMPER, front	1	1	

Fig. 23 FRONT FORK



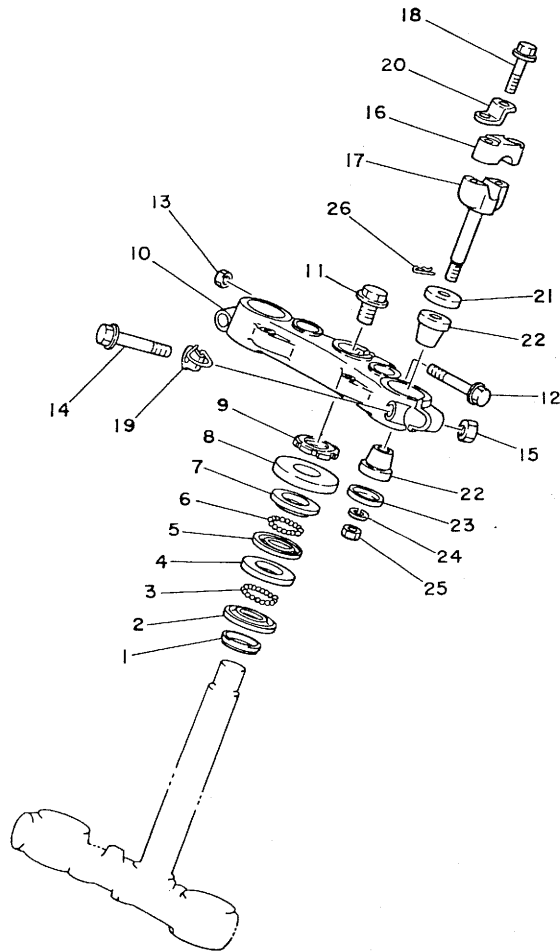
Ref.No.	Part No.	Description	Qty		Remarks	
			250	400		
23-	1	2N6-23101-00	FRONT FORK ASS'Y	1	1	
	2	2N6-23126-00	. TUBE, outer left	1	1	
	3	1W1-23148-L0	. . CASE, dust seal	1	1	
	4	1G8-23144-L1	. . SEAL, dust	1	1	
	5	1W1-23145-L0	. . RING, snap	1	1	
	6	1K7-23145-00	. . OIL SEAL	1	1	
	7	1W1-23168-L0	. . WASHER	1	1	
	8	2N6-23136-00	. TUBE, outer right	1	1	
	9	1W1-23148-L0	. . CASE, dust seal	1	1	
	10	1G8-23144-L1	. . SEAL, dust	1	1	
	11	1W1-23145-L0	. . RING, snap	1	1	
	12	1K7-23145-00	. . OIL SEAL	1	1	
	13	1W1-23168-L0	. . WASHER	1	1	
	14	1W1-23173-L0	. TAPER, spindle	2	2	
	15	2N6-23170-00	. CYLINDER COMP., front fork	2	2	
	16	2N6-23141-00	. SPRING, fork	2	2	
	17	2N6-23110-00	. INNER TUBE COMP.	2	2	
	18	583-23142-00	. SEAT, spring upper	2	2	
	19	1W2-23118-10	. SPACER	2	2	
	20	240-23114-00	. PACKING	2	2	
	21	1U6-23111-M1	. BOLT, cap	2	2	
	22	1U6-23168-M0	. CAP, rubber	2	2	
	23	2N6-23340-00-33	. UNDER BRACKET COMP.	1	1	Yamaha Black
	24	2N6-23319-00	. CLIP	1	1	
	25	2N4-23317-00	. HOLDER, wire	1	1	
	26	90119-08012	. BOLT	4	4	
	27	509-23158-L0	. PACKING	2	2	
	28	278-23181-50	. BOLT	2	2	
	29	122-23129-00	. GASKET, drain plug	2	2	
	30	122-23119-01	. PLUG, drain	2	2	
	31	92501-06010	. SCREW, panhead	1	1	
	32	92901-06100	. WASHER, spring	1	1	
	33	2N6-23191-00	. BOOT	2	2	

Fig. 23 FRONT FORK



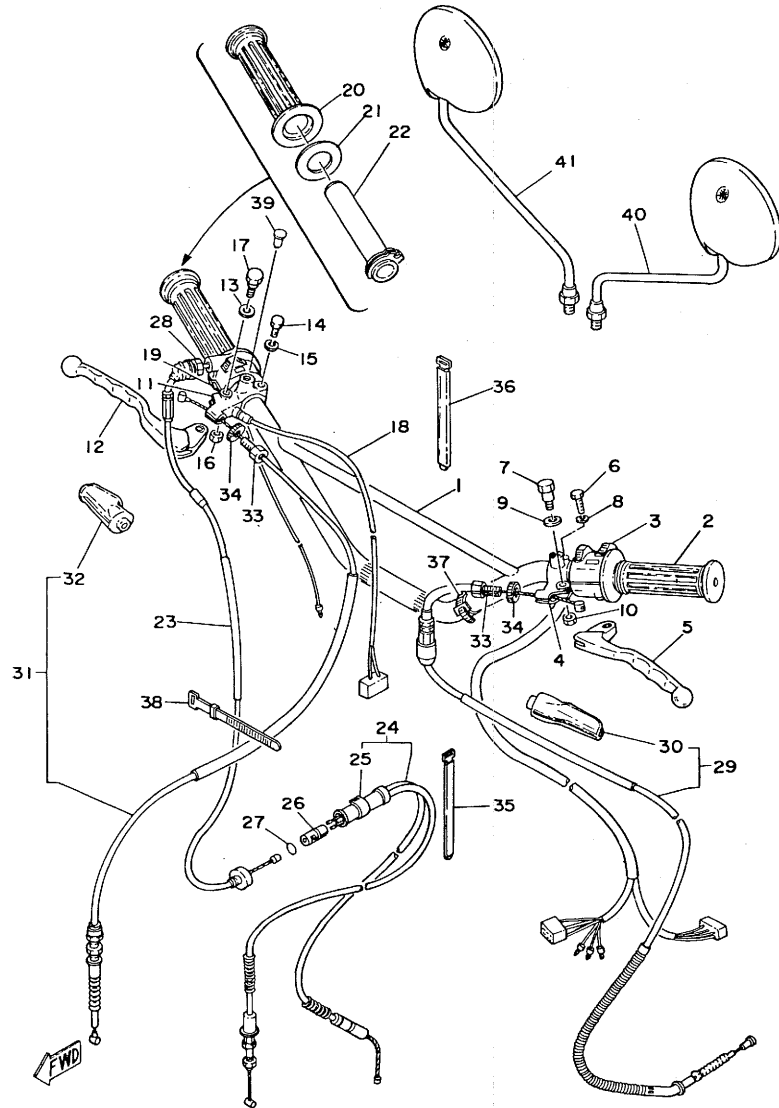
Ref.No.	Part No.	Description	Q'ty		Remarks
			250	400	
23-34	341-92090-60	BAND, boot	2	2	
35	509-23194-L0	PLUG	2	2	
36	1W1-23318-L0	CLIP COMP.	1	1	
37	2N6-23318-00	HOLDER, wire 1	1	1	
38	95801-06020	BOLT, flange	1	1	
39	92901-06100	WASHER, spring	1	1	
40	92901-06200	WASHER, plain	1	1	
41	2N6-84118-00-33	STAY, head lamp left	1	1	Yamaha Black
42	2N6-84119-00-33	STAY, head lamp right	1	1	Yamaha Black
43	92501-06020	SCREW, panhead	2	2	
44	92901-06100	WASHER, spring	2	2	
45	92901-06600	WASHER, plate	2	2	
46	95301-06600	NUT, hexagon	1	1	

Fig. 24 STEERING



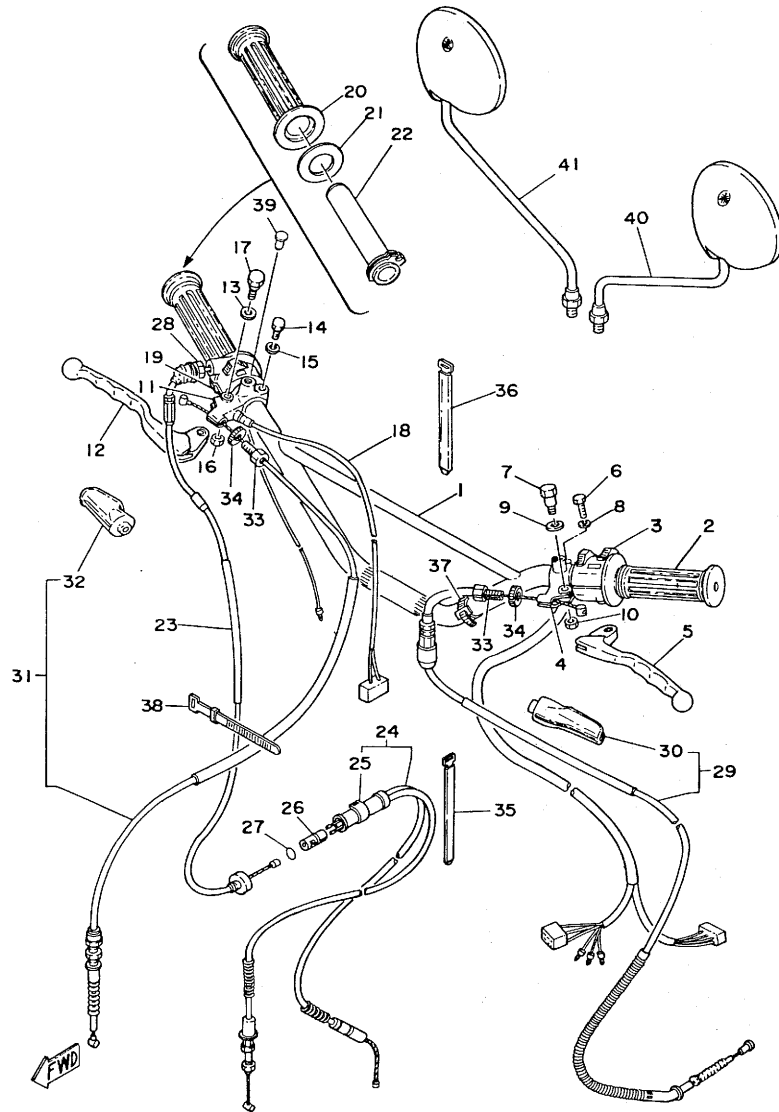
Ref.No.	Part No.	Description	Q'ty		Remarks
			250	400	
24- 1	164-23462-00	SEAL, dust	1	1	
2	156-23411-00	RACE, ball 1	1	1	
3	93501-04011	BALL (1/4 inch)	19	19	
4	156-23412-00	RACE, ball 2	1	1	
5	122-23412-00	RACE, ball 2	1	1	
6	93503-16010	BALL (3/16 inch)	22	22	
7	122-23411-00	RACE, ball 1	1	1	
8	583-23416-01	COVER, ball race	1	1	
9	90179-25033	NUT (137-23454-00)	1	1	
10	2N6-23435-00-98	CROWN, handle	1	1	Low Gloss Black
11	90105-14060	BOLT	1	1	
12	95821-08055	BOLT, flange	1	1	
13	90185-08054	NUT, self-locking	1	1	
14	95821-10055	BOLT, flange	2	2	
15	90185-10035	NUT, self-locking	2	2	
16	1E6-23441-00	HOLDER, handle upper	2	2	Low Gloss Black
17	1E6-23442-00	HOLDER, handle under	2	2	Low Gloss Black
18	95821-08035	BOLT, hexagon	4	4	
19	2N4-23389-00	GUIDE, wire	1	1	
20	1T2-23389-00	GUIDE, wire	1	1	
✓ 21	90209-12195	WASHER, plate	2	2	
22	1E6-23434-00	HOLDER, damper	4	4	
✓ 23	90209-10322	WASHER, plate	2	2	
24	92901-10100	WASHER, spring	2	2	
25	95301-10700	NUT, hexagon	2	2	
26	90468-12006	CLIP	2	2	

Fig. 25 HANDLE · WIRE



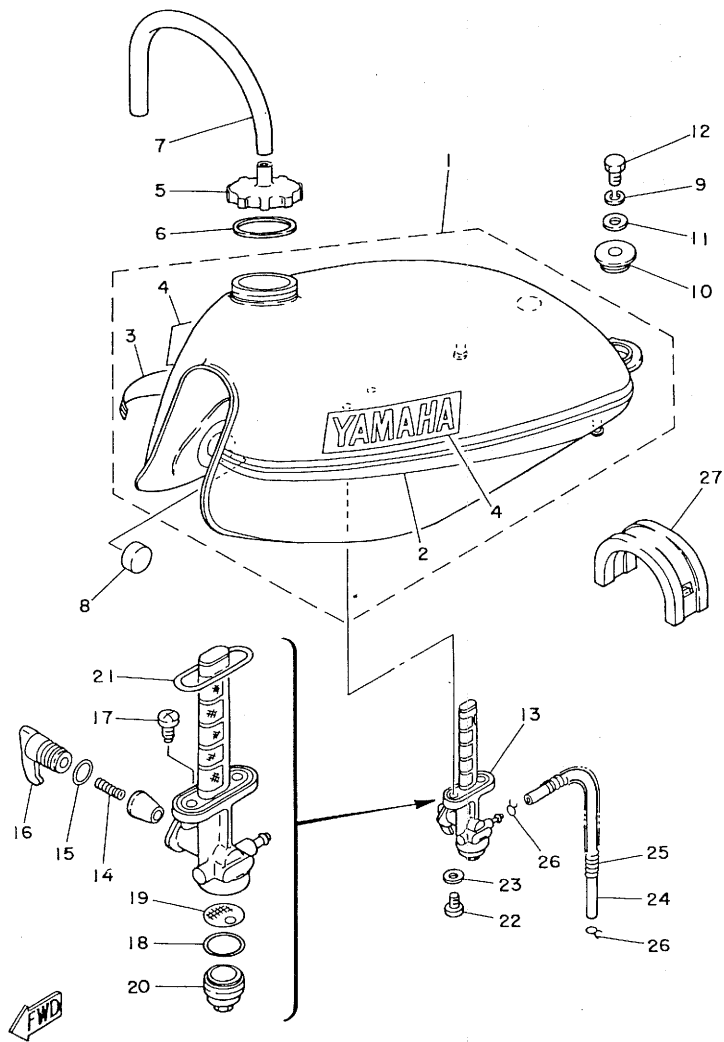
Ref.No.	Part No.	Description	Q'ty		Remarks	
			250	400		
25-	1	2N6-26111-00	HANDLE	1	1	
	2	1E6-26241-00	GRIP, left	1	1	
	3	1T2-83972-00	SWITCH, handle 4	1	1	
	4	498-82911-00	HOLDER, lever left	1	1	
	5	2H0-83912-20	LEVER, left	1	1	
	6	97301-06022	BOLT, hexagon	1	1	
	7	90109-06410	BOLT	1	1	
	8	92901-06100	WASHER, spring	1	1	
	9	90201-08083	WASHER, plate	1	1	
	10	95601-06100	NUT U	1	1	
	11	361-82921-31	HOLDER, lever	1	1	
	12	2H0-83922-20	LEVER, right	1	1	
	13	90201-08083	WASHER, plate	1	1	
	14	97301-06022	BOLT, hexagon	1	1	
	15	92901-06100	WASHER, spring	1	1	
	16	95601-06100	NUT U	1	1	
	17	90109-06410	BOLT	1	1	
	18	1M1-83980-30	FRONT STOP SWITCH ASS'Y	1	1	
	19	437-83976-03	SWITCH, handle 1	1	1	
	20	1A0-26242-01	GRIP, right	1	1	
	21	1M1-26249-01	RING, leaf	1	1	
	22	434-26243-00	TUBE, guide	1	1	
	23	2A6-26311-00	WIRE, throttle 1 (690mm)	1		
		2Y9-26311-00	WIRE, throttle 1 (750mm)		1	
	24	2X9-26312-00	WIRE, throttle 2	1		
		2Y9-26312-00	WIRE, throttle 2		1	
	25	1M1-26339-00	. GUIDE, wire	1	1	
	26	1M1-26263-00	PIECE, connecting	1	1	
	27	93210-10118	O-RING	1	1	
	28	90170-10038	NUT, hexagon	1	1	
	29	1M1-26335-00	WIRE, clutch (1007mm)	1	1	
	30	382-26372-01	. COVER, lever	1	1	
	31	2N6-26341-00	WIRE, brake front (1200mm)	1	1	

Fig. 25 HANDLE · WIRE



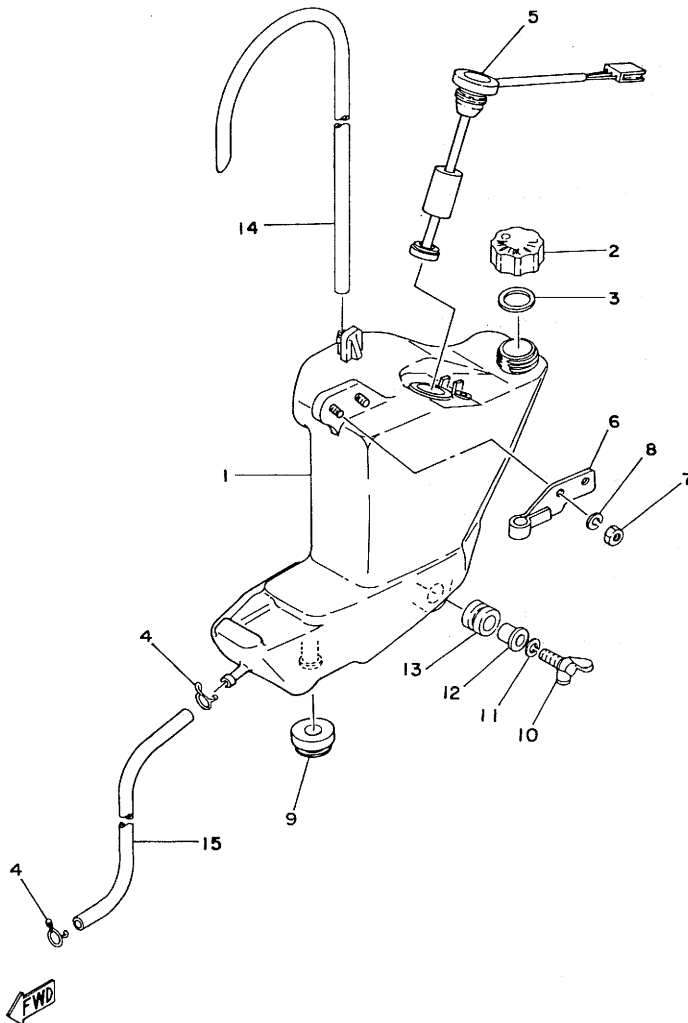
Ref.No.	Part No.	Description	Q'ty		Remarks
			250	400	
25-32	498-26372-00	. COVER, lever	1	1	
33	90123-08046	BOLT, wire adjusting	2	2	
34	90179-08148	NUT (168-26344-00)	2	2	
35	2N6-26397-00	BAND	1	1	
36	341-26397-01	BAND	1	1	
37	437-83936-00	BAND, switch cord	5	5	
38	437-83936-10	BAND, switch cord	1	1	
39	90338-09012	PLUG (341-26329-00)	1	1	
40	1Y1-26290-10	BACK MIRROR ASS'Y, left	1	1	
41	1Y1-26290-00	BACK MIRROR ASS'Y, right	1	1	Optional Parts

Fig. 26 FUEL TANK



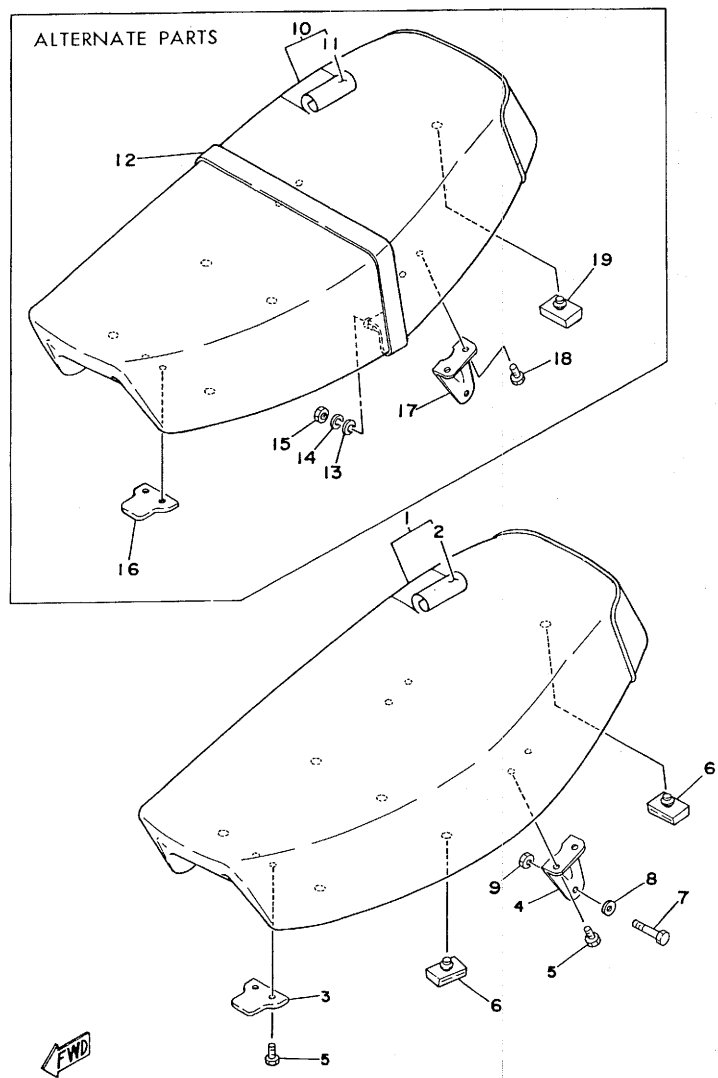
Ref.No.	Part No.	Description	Q'ty		Remarks
			250	400	
26- 1	2N6-24110-00-01	FUEL TANK COMP.	1		Competition Yellow
	2N6-24110-00-02	FUEL TANK COMP.		1	Sunshine Red
2	2N6-24244-00	. GRAPHIC, fuel tank left	1		for Competition Yellow
	2Y9-24244-00	. GRAPHIC, fuel tank left		1	for Sunshine Red
3	2N6-24245-00	. GRAPHIC, fuel tank right	1		for Competition Yellow
	2Y9-24245-00	. GRAPHIC, fuel tank right		1	for Sunshine Red
4	382-24161-00	. EMBLEM, yamaha	2	2	
5	2A6-24611-00	BODY, cap	1	1	
6	1W1-24612-00	GASKET	1	1	
7	90445-09111	HOSE (129-24311-00 5-430)	1	1	
8	156-24181-00	DAMPER, locating 1	2	2	
9	92901-06100	WASHER, spring	2	2	
10	90480-22231	GROMMET	2	2	
11	90201-06073	WASHER, plate	2	2	
12	97301-06012	BOLT, hexagon	2	2	
13	1M1-24500-03	FUEL COCK ASS'Y	1	1	
14	1A0-24529-01	. SPRING	1	1	
15	1A0-24512-00	. O-RING	1	1	
16	1A0-24524-01	. LEVER, cock	1	1	
17	1M1-24535-00	. SCREW	1	1	
18	498-24522-00	. O-RING	1	1	
19	1M1-24536-00	. STRAINER	1	1	
20	1A0-24521-01	. CUP, filter	1	1	
21	214-24512-00	. O-RING	1	1	
22	90149-06011	SCREW (256-24143-00)	2	2	
23	90202-06010	WASHER, plate (178-14766-00)	2	2	
24	90445-10344	HOSE (5-265)	1		
	90445-10393	HOSE (5-265)		1	
25	90501-08430	SPRING, compression	1	1	
26	90467-10008	CLIP (143-24356-00)	2	2	
27	2A6-24182-00	DAMPER, locating 2	1	1	

Fig. 27 OIL TANK



Ref.No.	Part No.	Description	Qty		Remarks
			250	400	
27- 1	2N6-21751-00	TANK, oil	1	1	
2	434-21771-00	BODY, cap	1	1	
3	90430-18067	GASKET	1	1	
4	90467-08003	CLIP	2	2	
5	1M1-85720-03	OIL LEVEL GAUGE ASS'Y	1	1	
6	1M1-21796-00	HINGE, oil tank	1	1	
7	95302-05600	NUT, hexagon	2	2	
8	92901-05100	WASHER, spring	2	2	
9	90480-18171	GROMMET	1	1	
10	90122-06001	BOLT, wing	1	1	
11	92901-06100	WASHER, spring	1	1	
12	90387-07391	COLLAR (322-21544-00)	1	1	
13	90480-14102	GROMMET (214-21638-00)	1	1	
14	90445-09228	HOSE (5-830)	1	1	
15	90445-09112	HOSE (122-24311-00 5-470)	1	1	

Fig. 28 SEAT

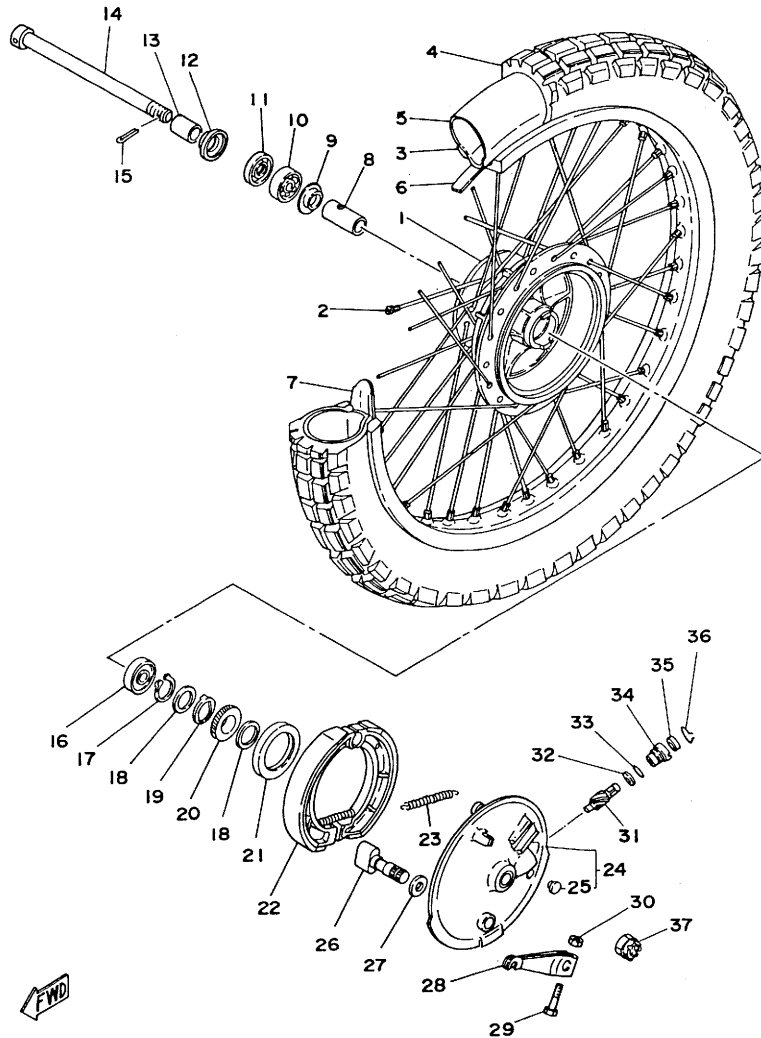


Ref.No.	Part No.	Description	Q'ty		Remarks
			250	400	
28-	1	2N6-24710-90	SINGLE SEAT ASS'Y	1	1
	2	2N6-24711-00	. COVER, single seat	1	1
	3	1M1-24748-00	BRACKET, seat front	1	1
	4	1M1-24738-00	BRACKET, seat rear	2	2
	5	90101-06304	BOLT, hexagon	6	6
	6	214-24724-00	DAMPER, seat	6	6
	7	97321-06045	BOLT, hexagon	2	2
	8	92901-06200	WASHER, plain	2	2
	9	95601-06100	NUT U	2	2

ALTERNATE PARTS

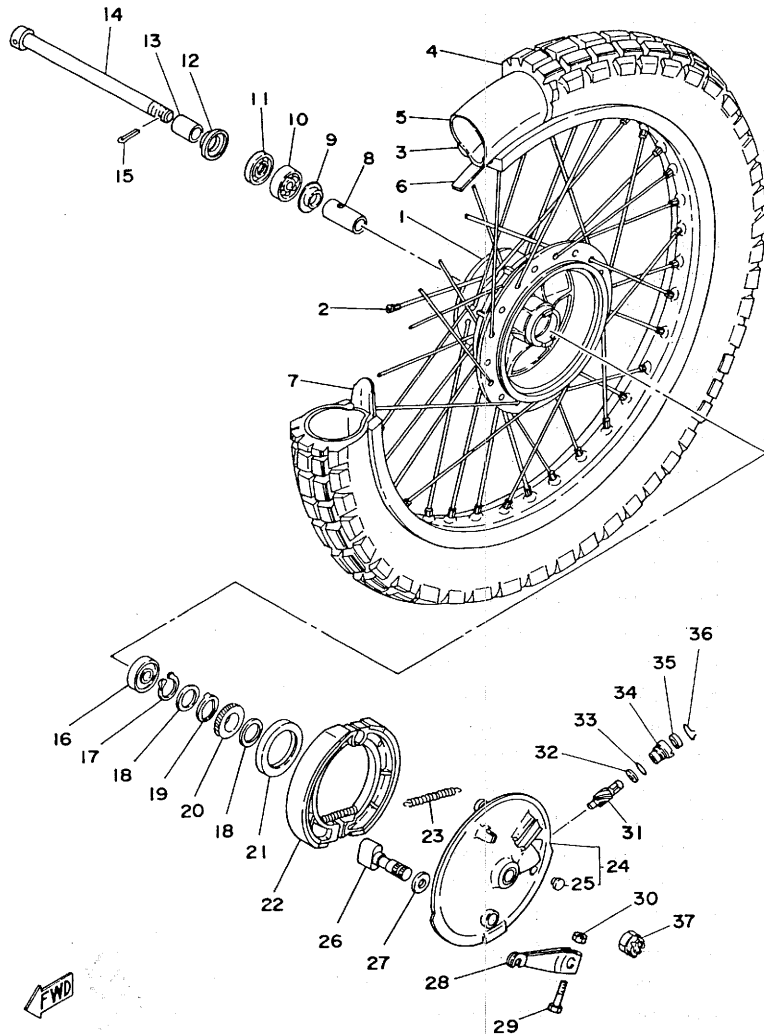
10	2N6-24730-90	DOUBLE SEAT ASS'Y	1	1
11	2N6-24731-00	. COVER, double seat	1	1
12	2N6-24734-00	BAND	1	1
13	92901-08200	WASHER, plain	2	2
14	92901-08100	WASHER, spring	2	2
15	95301-08700	NUT, hexagon	2	2
16	1M1-24748-00	BRACKET, seat front	1	1
17	1M1-24738-00	BRACKET, seat rear	2	2
18	90101-06304	BOLT, hexagon	6	6
19	214-24724-00	DAMPER	6	6

Fig. 29 FRONT WHEEL



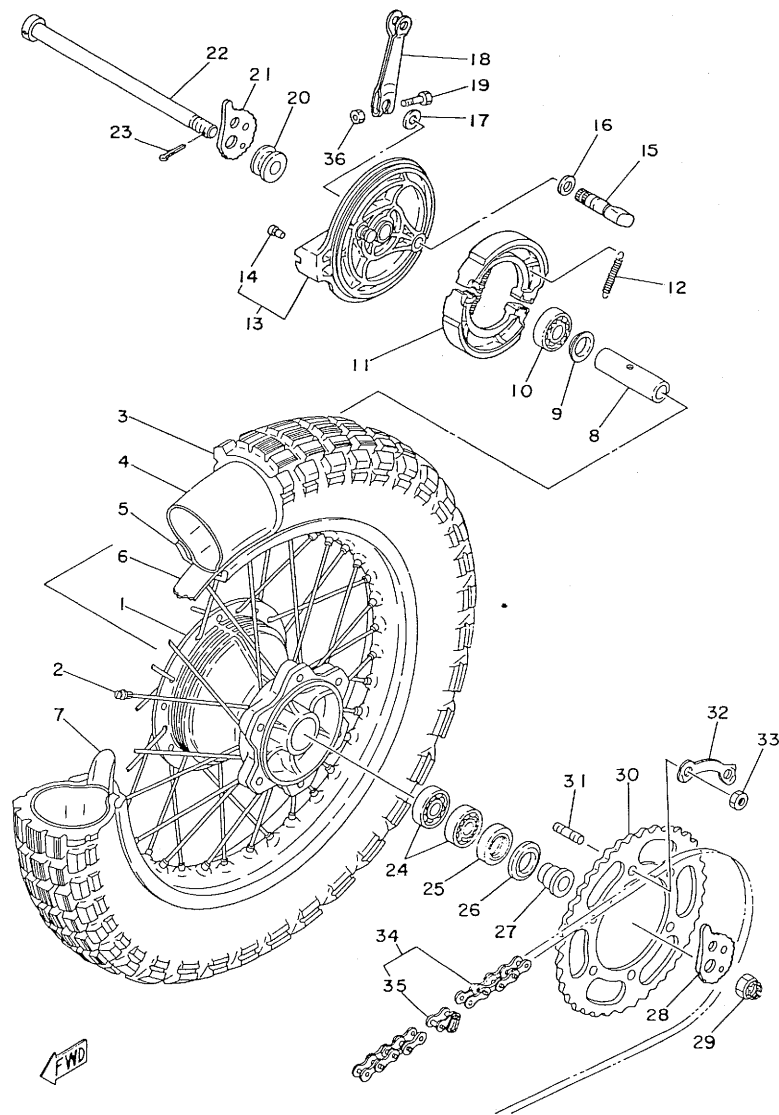
Ref.No.	Part No.	Description	Q'ty		Remarks
			250	400	
29- 1	1E6-25111-00-98	HUB, front	1	1	Low Gloss Black
2	1E6-25104-01	SPOKE SET	1s	1s	
3	94416-21215	RIM, front (1.60-21)	1	1	
4	94130-21103	TIRE, front (3.00-21-4PR)	1	1	
5	94230-21038	TUBE, front (3.00-21)	1	1	
6	94327-21024	BAND, rim (2.75-21)	1	1	
7	1T1-25194-00	SPACER, bead	1	1	
8	214-25117-00	SPACER, bearing	1	1	
9	183-25315-00	FLANGE, spacer	1	1	
10	93306-20205	BEARING (6202)	1	1	
11	93102-20009	OIL SEAL (SD-20-35-7)	1	1	
12	322-25118-00	COVER, hub dust	1	1	
13	90387-15600	COLLAR	1	1	
14	403-25381-01	SHAFT, wheel	1	1	
15	91401-30030	PIN, cotter	1	1	
16	93306-20203	BEARING (6202RS)	1	1	
17	93410-22014	CIRCLIP (S-22)	1	1	
18	90201-22283	WASHER, plate (214-25147-00)	2	2	22.5-29-1.0
19	214-25149-01	CLUTCH, meter	1	1	
20	308-25135-00	GEAR, drive	1	1	
21	93105-50010	OIL SEAL (SD-50-62-7)	1	1	
22	431-25330-02	BRAKE SHOE COMP.	2	2	
23	90507-20002	SPRING, tension (246-25333-00)	2	2	
24	2N6-25016-10-98	BRAKE SHOE PLATE ASS'Y	1	1	Low Gloss Black
25	90480-10068	GROMMET	1	1	
26	1E6-25151-00	CAM SHAFT	1	1	
27	90564-14021	SHIM	1	1	
28	2N6-25155-00	LEVER, camshfat	1	1	
29	90101-06278	BOLT, hexagon	1	1	
30	95301-06600	NUT, hexagon	1	1	
31	308-25138-00	GEAR, meter	1	1	
32	90201-07076	WASHER, plate (183-25146-00)	1	1	7-12-0.8
33	93210-14104	O-RING (2.4-13.8)	1	1	

Fig. 29 FRONT WHEEL



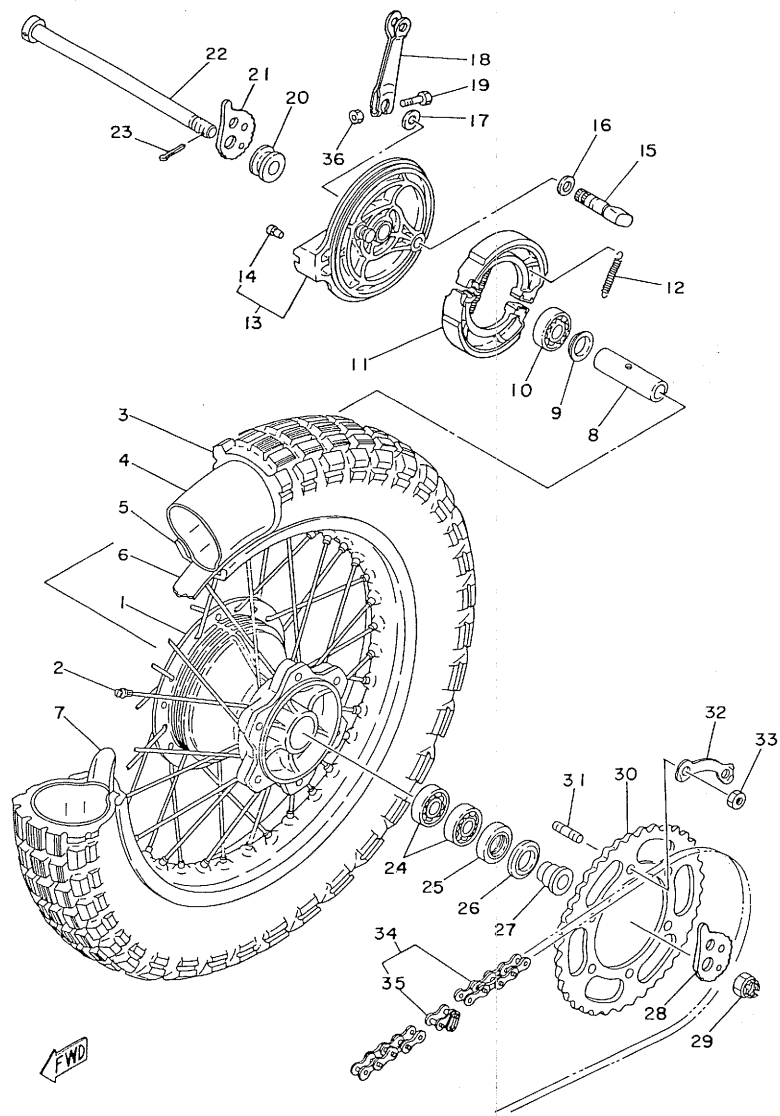
Ref.No.	Part No.	Description	Q'ty		Remarks
			250	400	
29-34	109-25136-00	BUSHING	1	1	
35	93104-07003	OIL SEAL (SO-7-14-4)	1	1	
36	102-25137-00	RING, stop	1	1	
37	90171-14020	NUT, castle	1	1	

Fig. 30 REAR WHEEL (DT250)



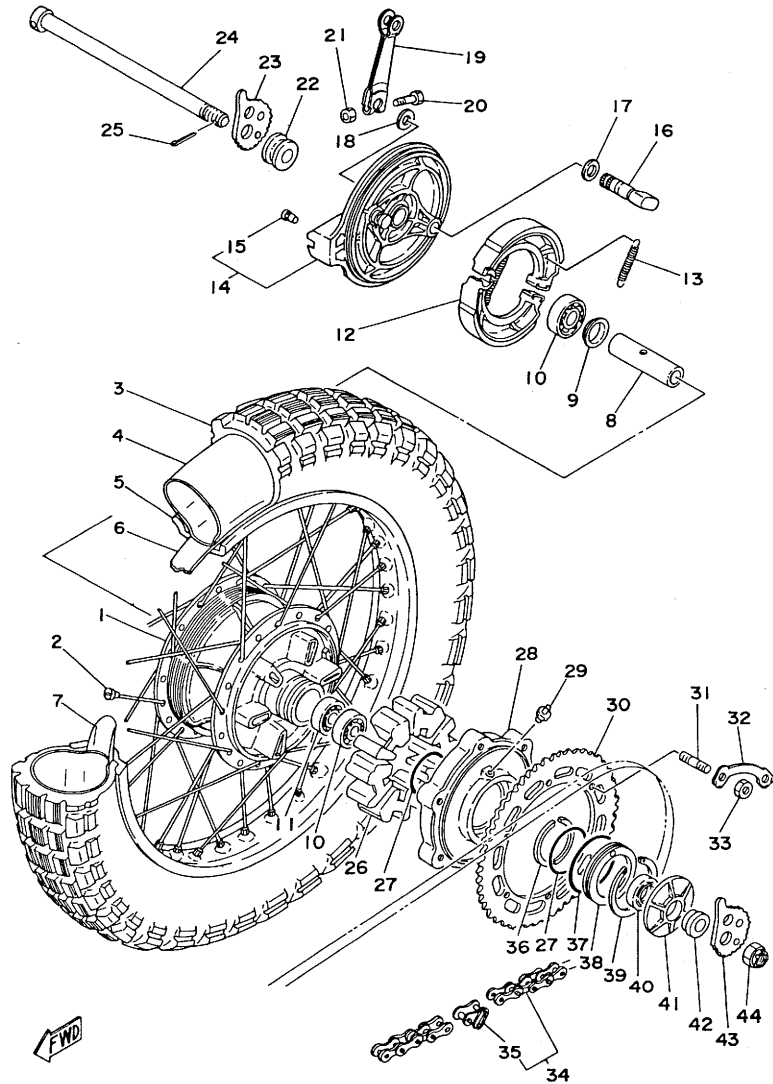
Ref.No.	Part No.	Description	Q'ty		Remarks
			250	400	
30- 1	1M1-25311-00-98	HUB, rear	1		Low Gloss Black
2	1M1-25304-00	SPOKE SET	1s		
3	94140-18062	TIRE, rear (4.00-18-4PR)	1		
4	94240-18024	TUBE, rear (4.00-18)	1		
5	94418-18216	RIM, rear (1.85-18)	1		
6	94340-18022	BAND, rim (4.00-18)	1		
7	1T2-25394-00	SPACER, bead	2		
8	1A1-25317-00	SPACER, bearing	1		
9	483-25315-00	FLANGE, spacer	1		
10	93306-20310	BEARING (6203RS)	1		
11	214-25130-00	BRAKE SHOE COMP.	2		
12	90507-20002	SPRING, tension (246-25333-00)	2		
13	1M1-25026-10-98	BRAKE SHOE PLATE ASS'Y	1		Low Gloss Black
14	90480-10068	GROMMET	1		
15	214-25351-01	CAMSHAFT	1		
16	90564-14021	SHIM	1		
17	148-25359-00	SEAL, camshaft	1		
18	1E2-25155-00	LEVER, camshaft	1		
19	90101-06278	BOLT, hexagon	1		
20	90387-17141	COLLAR (275-25383-00)	1		
21	1M1-25389-01	PULLER, chain left	1		
22	150-25381-00	SHAFT, wheel	1		
23	91401-30030	PIN, cotter	1		
24	93306-20309	BEARING (6203)	2		
25	93106-25003	OIL SEAL (DD-25-40-9)	1		
26	431-25367-00	COVER, hub dust	1		
27	90387-17555	COLLAR	1		
28	1M1-25388-01	PULLER, chain left	1		
29	90171-16021	NUT, castle	1		
30	1M1-25446-10-33	GEAR, sprocket wheel (46T)	1	U.R.	Yamaha Black
	1M1-25447-10-33	GEAR, sprocket wheel (47T)			STD
	1M1-25448-10-33	GEAR, sprocket wheel (48T)			Yamaha Black
31	90116-10234	BOLT, stud	6		

Fig. 30 REAR WHEEL (DT250)



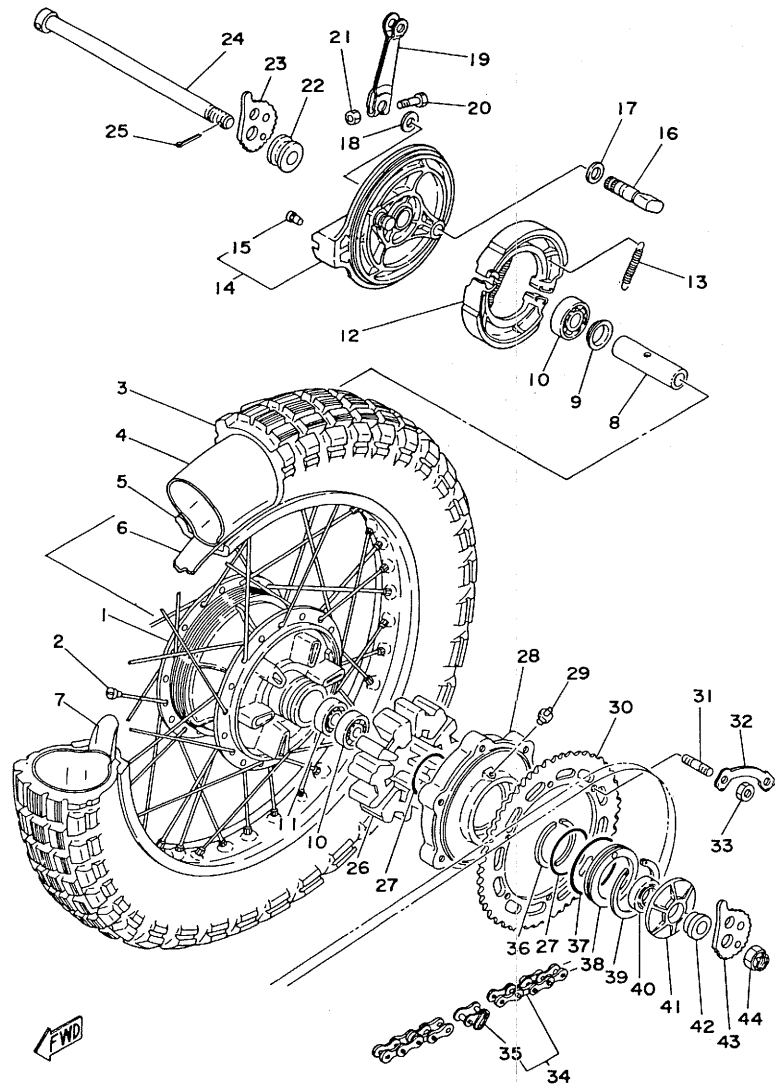
Ref.No.	Part No.	Description	Q'ty		Remarks
			250	400	
30-32	1M1-25412-00	WASHER, lock	3		
33	95311-10700	NUT, hexagon	6		
34	94585-20104	CHAIN (D 1D520DS-104L)	1		
35	94685-20001	JOINT, chain	1		
36	95301-06600	NUT, hexagon	1		

Fig. 31 REAR WHEEL (DT400)



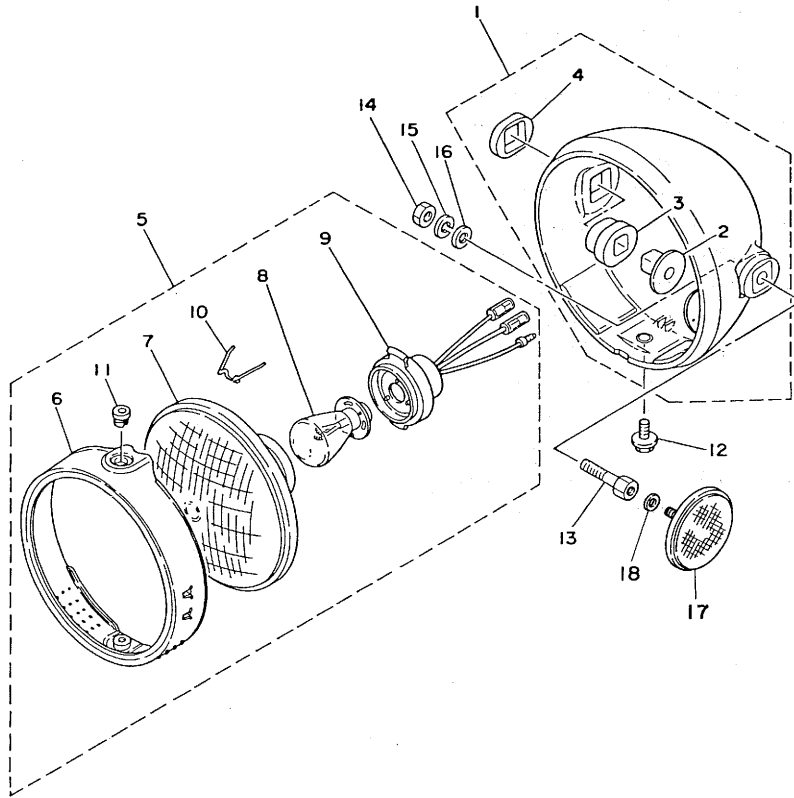
Ref.No.	Part No.	Description	Q'ty		Remarks
			250	400	
31- 1	1E6-25311-00-98	HUB, rear	1		Low Gloss Black
2	1E6-25304-00	SPOKE SET	1s		
3	94140-18062	TIRE, rear (4.00-18-4PR)	1		
4	94240-18024	TUBE, rear (4.00-18)	1		
5	94418-18217	RIM, rear (1.85-18)	1		
6	94340-18022	BAND, rim (4.00-18)	1		
7	1T2-25394-00	SPACER, bead	2		
8	275-25317-00	SPACER, bearing	1		
9	146-25315-00	FLANGE, spacer	1		
10	93306-20310	BEARING (6203RS)	2		
11	93306-20309	BEARING (6203)	1		
12	214-25130-00	BRAKE SHOE COMP.	2		
13	90507-20002	SPRING, tension (246-25333-00)	2		
14	1M1-25026-10-98	BRAKE SHOE PLATE ASS'Y	1		Low Gloss Black
15	90480-10068	GROMMET	1		
16	214-25351-01	CAMSHAFT	1		
17	90564-14021	SHIM	1		
18	148-25359-00	SEAL, camshaft	1		
19	1E2-25155-00	LEVER, camshaft	1		
20	90101-06278	BOLT, hexagon	1		
21	95301-06600	NUT, hexagon	1		
22	90387-17141	COLLAR (275-25383-00)	1		
23	1M1-25389-01	PULLER, chain right	1		
24	150-25381-00	SHAFT, wheel	1		
25	91401-30030	PIN, cotter	1		
26	1E6-25364-00	DAMPER, clutch	6		
27	93210-52312	O-RING (2.4-52)	2		
28	1E6-25366-00-98	CLUTCH, hub	1		Low Gloss Black
29	93700-06004	NIPPLE, grease	1		
30	583-25443-10	GEAR, sprocket wheel (43T)	} U.R. STD	1	
	583-25444-10	GEAR, sprocket wheel (44T)			
31	90116-08218	BOLT, stud	6		
32	583-25412-00	WASHER, lock	3		

Fig. 31 REAR WHEEL (DT 400)



Ref.No.	Part No.	Description	Q'ty		Remarks
			250	400	
31-33	90170-08193	NUT		6	
34	94585-20102	CHAIN (D1D520DS-102L)		1	
35	94685-20001	. JOINT, chain		1	
36	1E6-25318-00	STOPPER, hub		2	
37	93210-71311	O-RING (2.4-71)		1	
38	1E6-25319-01	SEAL, hub dust		1	
39	93450-75040	CIRCLIP		1	
40	93102-25030	OIL SEAL (SD-25-40-8)		1	
41	1E6-25367-00	COVER, dust		1	
42	90387-17530	COLLAR		1	
43	1M1-25388-01	PULLER, chain left		1	
44	90171-16021	NUT, castle (275-25382-00)		1	

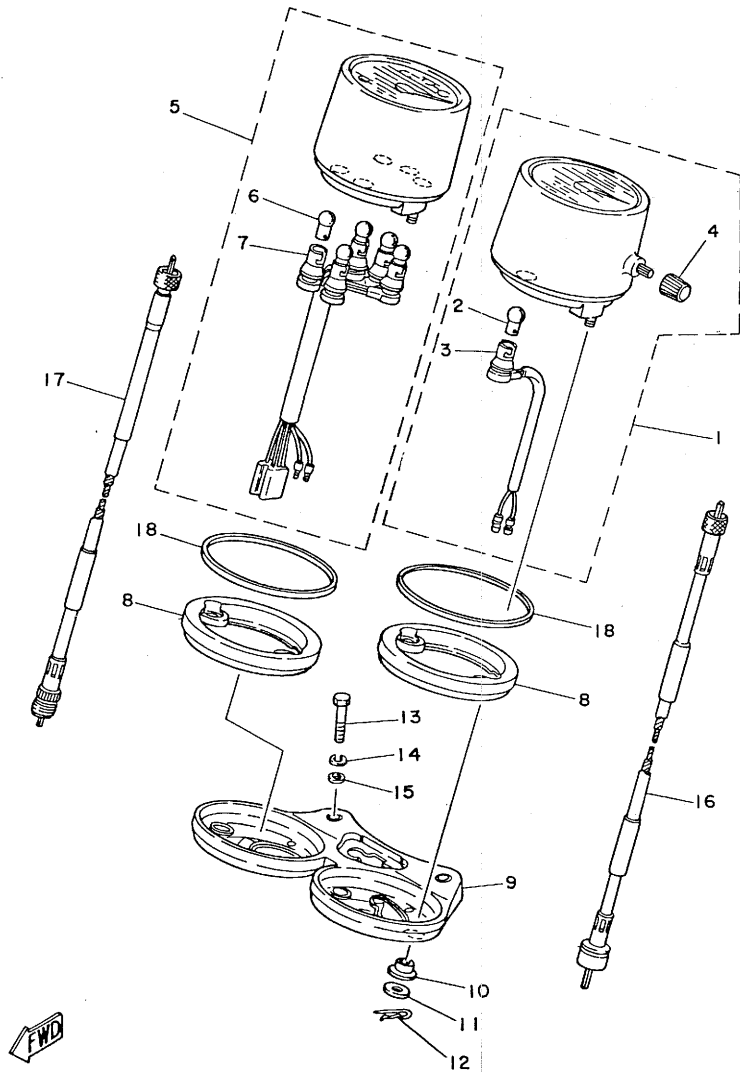
Fig. 32 HEAD LAMP



Ref.No.	Part No.	Description	Q'ty		Remarks
			250	400	
32- 1	1M1-84130-60-98	HEAD LAMP BODY ASS'Y	1	1	Low Gloss Black
	2	498-84145-60 . COLLAR	2	2	
	3	498-84163-60 . BUSHING	2	2	
	4	1M1-84164-60 . BUSHING	2	2	
	5	1M1-84110-70 HEAD LAMP UNIT ASS'Y	1	1	
	6	1M1-84195-61 . RING, retaining	1	1	
	7	1M1-84120-70 . LENS ASS'Y	1	1	
	8	214-84114-60 . BULB (6V-35/35W)	1	1	
	9	421-84312-30 . SOCKET CORD ASS'Y	1	1	
	10	150-84124-00 . SPRING, reflector set	3	3	
	11	1M1-84133-60 . COLLAR	1	1	
	12	1M1-84137-60 BOLT, hexagon	1	1	
	13	90109-08448 BOLT	2	2	
	14	95301-08600 NUT, hexagon	2	2	
	15	92901-08100 WASHER, spring	2	2	
	16	92901-08200 WASHER, plain	2	2	
	17	355-85111-00 REFLECTOR	} U.R. {	} U.R. {	2
		1M1-85111-10 REFLECTOR			
	18	90430-06012 GASKET	2	2	

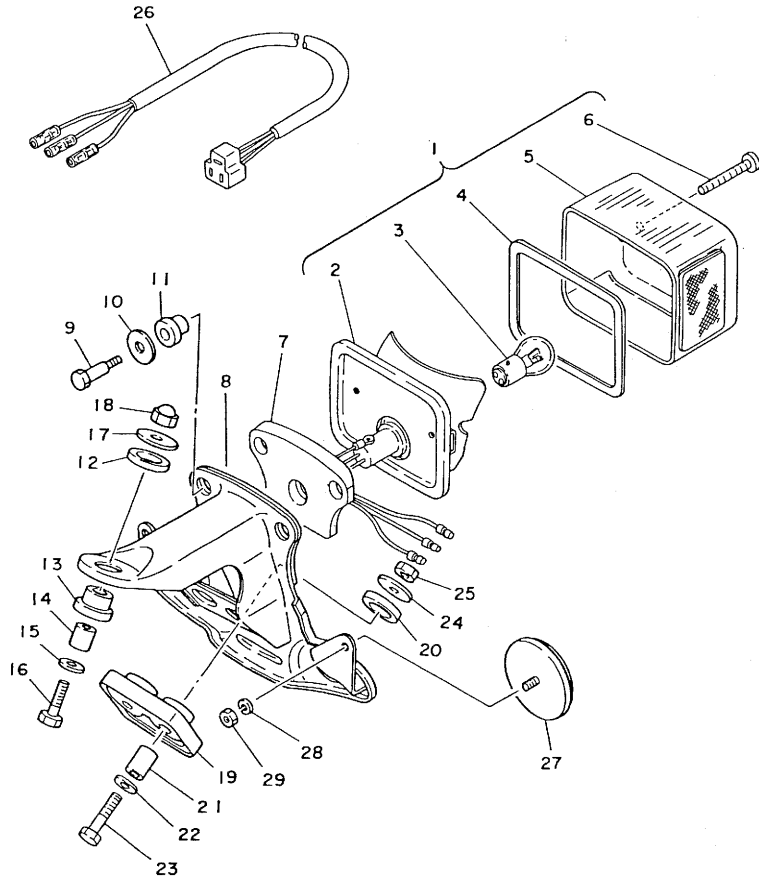
FWD

Fig. 33 SPEEDOMETER · TACHOMETER



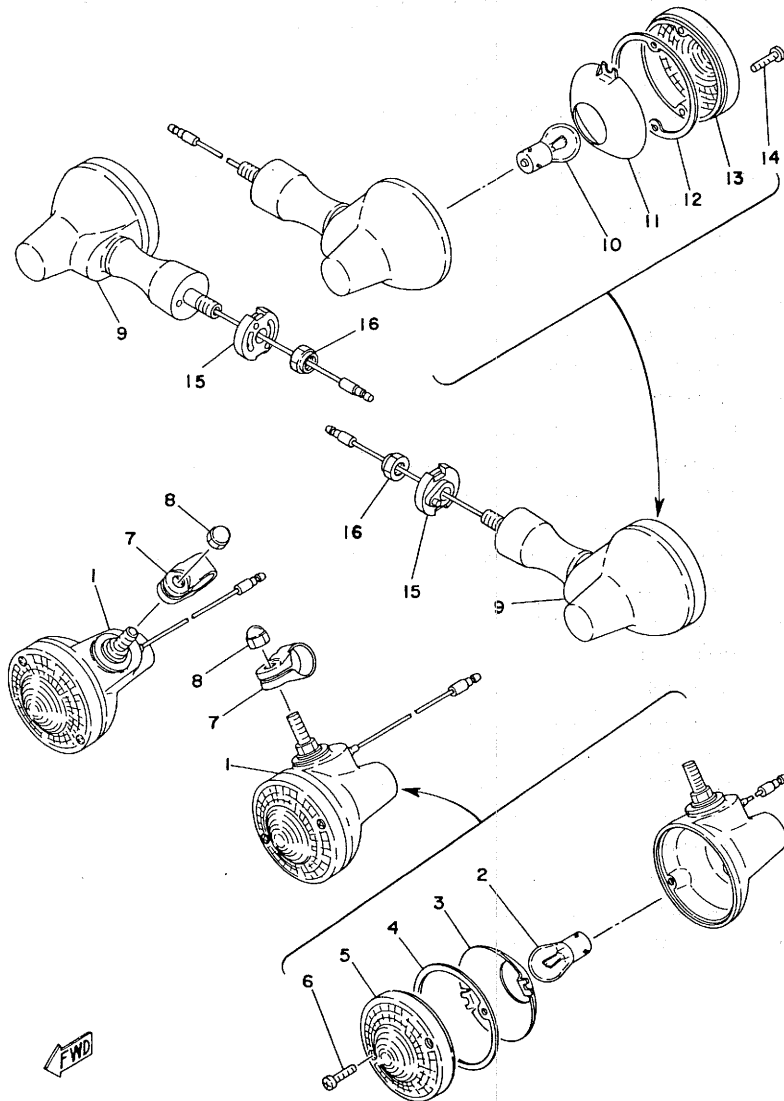
Ref.No.	Part No.	Description	Q'ty		Remarks
			250	400	
33- 1	2N4-83570-A0	SPEEDOMETER ASS'Y	1	1	Mile/h
	2X1-83570-F0	SPEEDOMETER ASS'Y	1	1	Km/h
2	122-83516-10	BULB (6V-3W)	1	1	
3	1V1-83536-00	SOCKET CORD ASS'Y	1	1	
4	1E6-83578-60	KNOB	1	1	
5	3A6-83540-F0	TACHOMETER ASS'Y	1	1	
6	122-83516-10	BULB (6V-3W)	5	5	
7	2A6-83520-00	SOCKET CORD ASS'Y	1	1	
8	2A6-83513-00	DAMPER	2	2	
✓ 8	2A6-83519-00-98	BRACKET, meter	1	1	Low Gloss Black
10	1M1-83526-00	DAMPER, meter	4	4	
11	90201-05033	WASHER, meter fitting	4	4	
12	90468-12007	CLIP (102-25375-00)	4	4	
13	97321-06030	BOLT, hexagon	2	2	
14	92901-06100	WASHER, spring	2	2	
15	92901-06600	WASHER, plate	2	2	
16	2N6-83550-00	SPEEDOMETER CABLE ASS'Y	1	1	
17	2N6-83560-00	TACHOMETER CABLE ASS'Y	1	1	
18	2A6-83506-00	RING, meter cover	2	2	

Fig. 34 TAIL LAMP



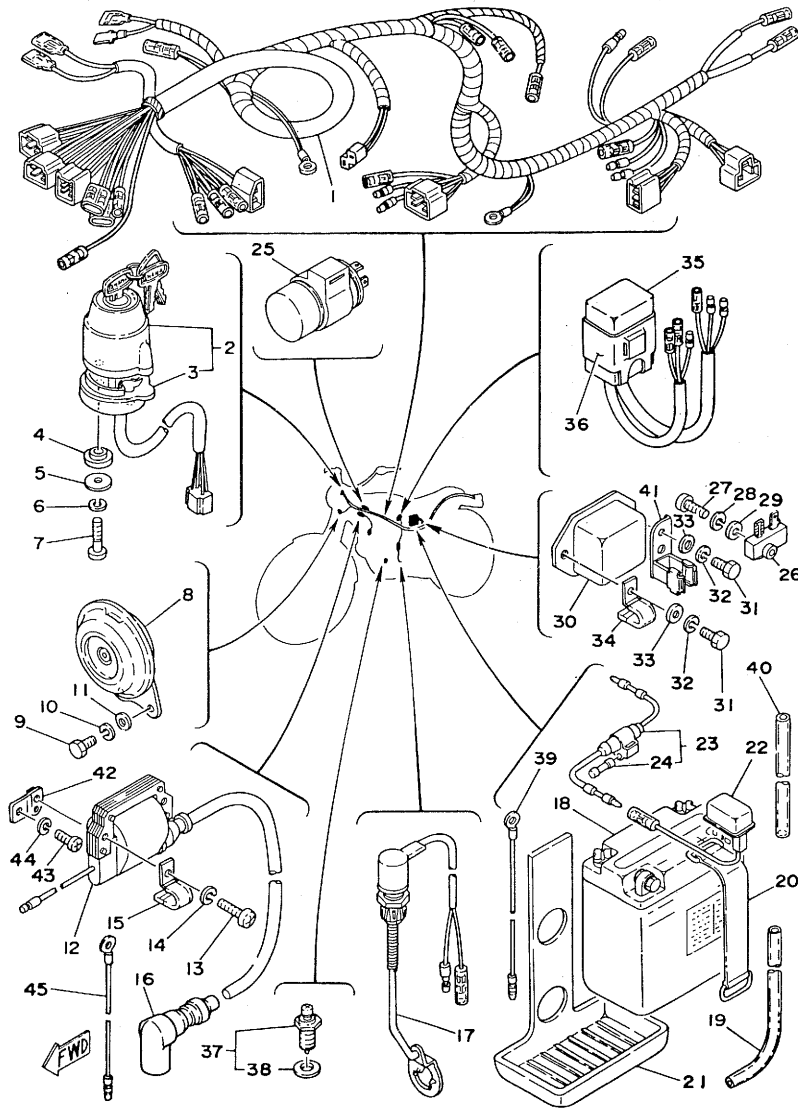
Ref.No.	Part No.	Description	Q'ty		Remarks
			250	400	
34- 1	1M1-84510-60	TAIL LAMP UNIT ASS'Y	1	1	
2	1M1-84511-60	. BASE, tail lamp	1	1	
3	1M1-84514-60	. BULB, tail lamp (6V-32/3CP)	1	1	
4	1M1-84523-60	. GASKET, tail lamp	1	1	
5	1M1-84521-60	. LENS, tail lamp	1	1	
6	1M1-84524-60	. SCREW, lens fitting	2	2	
7	1M1-84512-60	SHEET, base	1	1	
8	1N6-84551-00-33	BRACKET, license	1	1	Yamaha Black
9	1M1-84526-60	SCREW	2	2	
10	437-84525-60	WASHER, special	2	2	
11	1M1-84527-60	DAMPER	2	2	
12	1M1-84553-10	DAMPER	1	1	
13	1M1-84553-20	DAMPER	1	1	
14	90387-06553	COLLAR (6.5-10.5-16)	1	1	
15	92901-06600	WASHER, plate	1	1	
16	97301-06025	BOLT, hexagon	1	1	
17	90201-06074	WASHER, plate (248-21757-00)	1	1	6.5-28-1.6
18	95301-06800	NUT, crown	1	1	
19	1M1-84553-00	DAMPER	1	1	
20	1M1-84553-10	DAMPER	2	2	
21	90387-06554	COLLAR (6.5-10.5-20.5)	2	2	
22	92901-06600	WASHER, plate	2	2	
23	97301-06035	BOLT, hexagon	2	2	
24	90201-06074	WASHER, plate (248-21757-00)	2	2	6.5-28-1.6
25	95301-06600	NUT, hexagon	2	2	
26	1M1-84517-00	CORD, tail lamp	1	1	
27	449-85131-01	REFLECTOR	2	2	
28	92903-05100	WASHER, spring	2	2	
29	95303-05600	NUT, hexagon	2	2	

Fig. 35 FLASHER LAMP



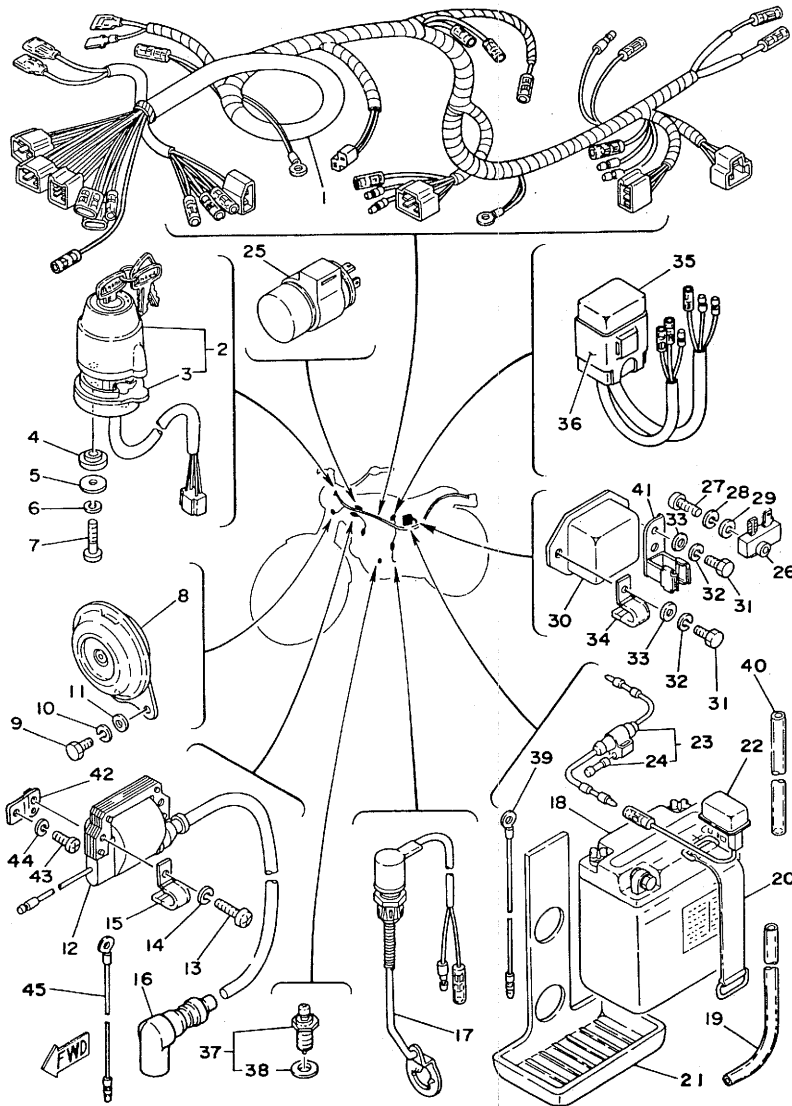
Ref.No.	Part No.	Description	Q'ty		Remarks
			250	400	
35- 1	1M1-83310-60	FRONT FLASHER LAMP ASS'Y	2	2	
2	115-83311-60	. BULB (6V-18W)	2	2	
3	1M1-83309-60	. REFLECTOR	2	2	
4	1M1-83313-60	. GASKET, lens	2	2	
5	341-83312-70	. LENS, flasher	2	2	
6	97701-03520	. SCREW, tapping	4	4	
7	1M1-83318-00	STAY, flasher	2	2	
8	95303-08800	NUT, crown	2	2	
9	1M1-83330-60	REAR FLASHER LAMP ASS'Y	2	2	
10	115-83311-60	. BULB (6V-18W)	2	2	
11	1M1-83309-60	. REFLECTOR	2	2	
12	1M1-83313-60	. GASKET, lens	2	2	
13	341-83312-70	. LENS, flasher	2	2	
14	97701-03520	. SCREW, tapping	4	4	
15	1M1-83316-00	COLLAR, flasher	2	2	
16	95601-10100	NUT U	2	2	

Fig. 36 ELECTRICAL



Ref.No.	Part No.	Description	Q'ty		Remarks
			250	400	
36- 1	3J4-82590-20	WIRE HARNESS ASS'Y	1	1	
2	1M1-82508-20	MAIN SWITCH ASS'Y	1	1	
3	1M1-82555-00	DAMPER, main switch	1	1	
4	1M1-82556-00	DAMPER	2	2	
5	90201-05033	WASHER, plate (829-77178-00)	2	2	
6	92901-05100	WASHER, spring	2	2	
7	92501-05025	SCREW, panhead	2	2	
8	2N5-83371-10	HORN	1	1	
9	97301-06012	BOLT, hexagon	2	2	
10	92901-06100	WASHER, spring	2	2	
11	92901-06600	WASHER, plate	2	2	
12	1M2-82310-40	IGNITION COIL ASS'Y	1	1	
13	92501-06025	SCREW, panhead	2	2	
14	92901-06100	WASHER, spring	2	2	
15	90462-05005	CLAMP (363-15485-01)	1	1	
16	1M1-82370-21	PLUG CAP ASS'Y	1	1	
	8E7-82370-11	PLUG CAP ASS'Y	1	1	Noise Suppressor for S. Africa
17	1M1-82530-00	STOP SWITCH ASS'Y	1	1	
18	1E6-82110-11	BATTERY ASS'Y	1	1	
19	90445-08047	HOSE (168-82112-00 5-500)	1	1	
20	120-82131-00	BAND, battery	1	1	
21	1E6-82122-01	SEAT, battery	1	1	
22	1M1-82115-00	WIRE, plus lead	1	1	
23	1E6-82150-00	FUSE HOLDER ASS'Y	1	1	
24	1E6-82151-00	FUSE (6V-10A)	2	2	
25	2A6-83350-60	FLASHER RELAY ASS'Y	1	1	
26	1M1-81970-60	RECTIFIER ASS'Y	1	1	
27	92501-05020	SCREW, panhead	1	1	
28	92901-05100	WASHER, spring	1	1	
29	92901-05600	WASHER, plate	1	1	
30	498-81910-22	VOLTAGE REGULATOR ASS'Y	1	1	
31	97301-06012	BOLT, hexagon	2	2	
32	92901-06100	WASHER, spring	2	2	

Fig. 36 ELECTRICAL



Ref.No.	Part No.	Description	Q'ty		Remarks
			250	400	
36-33	92901-06600	WASHER, plate	2	2	
34	90462-05005	CLAMP (363-15485-01)	1	1	
35	2X9-85540-20	C.D.I. UNIT ASS'Y	1	1	
36	2A7-85546-00	BAND	1	1	
37	341-82540-01	NEUTRAL SWITCH ASS'Y	1	1	
38	116-82543-00	GASKET	1	1	
39	1M1-82519-00	WIRE, earth lead	1	1	
40	90446-09119	HOSE (8-125)	1	1	
41	1M1-82522-00	CLAMP, coupler	1	1	
42	2N6-82316-00	BRACKET, ignition coil	1	1	
43	92501-06015	SCREW, panhead	1	1	
44	92901-06100	WASHER, spring	1	1	
45	584-82519-00	WIRE, earth lead	1	1	

✓

REPAIR KIT

Fig. 37 REPAIR KIT

Ref.No.	Part No.	Description	Q'ty		Remarks	Ref.No.	Part No.	Description	Q'ty		Remarks					
			250	400					250	400						
37- 1	1M1-11630-01	PISTON ASS'Y (STD)	1s			37- 4	214-11633-00	. PIN, piston	1		Ref. No. 4-11					
	1M1-11630-11	PISTON ASS'Y (1st O.S)	1s				275-11633-00	. PIN, piston	1		4-11					
	1M1-11630-21	PISTON ASS'Y (2nd O.S)	1s				5	93450-20026	. CLIP (604-11634-00)	2	2	4-12				
	1M1-11630-31	PISTON ASS'Y (3rd O.S)	1s				6	498-11650-00	CONNECTING ROD ASS'Y	1s	1s					
	1M1-11630-41	PISTON ASS'Y (4th O.S)	1s				7	498-11651-00	. ROD, connecting	1	1	4-4				
	1M2-11630-01	PISTON ASS'Y (STD)	1s				8	2X4-11681-00	. PIN, crank	1	1	4-5				
	1M2-11630-11	PISTON ASS'Y (1st O.S)	1s				9	93310-42541	. BEARING, con-rod big end	2	2	4-6				
	1M2-11630-21	PISTON ASS'Y (2nd O.S)	1s				10	90209-25085	. WASHER (275-11685-00)	2	2	4-7				
	1M2-11630-31	PISTON ASS'Y (3rd O.S)	1s				11	93310-21874	. BEARING, con-rod small end	1	1	4-10				
	1M2-11630-41	PISTON ASS'Y (4th O.S)	1s				12	1M1-W0001-00	GASKET KIT	1						
37- 2	1M1-11631-01-96	. PISTON (69.96mm STD)	} U.R. 1	} Ref. No. 4-8			1M2-W0001-00	GASKET KIT	1							
	1M1-11631-01-97	. PISTON (69.97mm STD)				13	434-11181-00	. GASKET, cylinder head	1		1-2					
	1M1-11635-01	. PISTON (70.25mm 1st O.S)			1		500-11181-00	. GASKET, cylinder head	1		1-2					
	1M1-11636-01	. PISTON (70.50mm 2nd O.S)			1		14	1M1-11351-00	. GASKET, cylinder	1		1-4				
	1M1-11637-01	. PISTON (70.75mm 3rd O.S)			1		1M2-11351-00	. GASKET, cylinder	1		1-4					
	1M1-11638-01	. PISTON (71.00mm 4th O.S)			1		15	93210-11073	. O-RING (2.4-10.8)	2	2	2-9				
	1M2-11631-01-96	. PISTON (84.96mm STD)			} U.R. 1	} Ref. No. 4-9		16	137-15353-00	. GASKET, drain plug	1	1	2-13			
	1M2-11631-01-97	. PISTON (84.97mm STD)						17	1M1-15451-00	. GASKET, crankcase cover left	1	1	3-2			
	1M2-11635-01	. PISTON (85.25mm 1st O.S)					1		18	1M1-15461-00	. GASKET, crankcase cover right	1	1	3-6		
	1M2-11636-01	. PISTON (85.50mm 2nd O.S)					1		19	1M1-15456-00	. GASKET, oil pump cover	1	1	3-10		
	1M2-11637-01	. PISTON (85.75mm 3rd O.S)					1		20	93210-14104	. O-RING (2.4-13.8)	1	1	3-14		
	1M2-11638-01	. PISTON (86.00mm 4th O.S)					1		21	93210-29282	. O-RING (1.9-29.5)	1	1	4-19		
	37- 3	1M1-11610-00					. PISTON RING SET (STD)	1s			22	90430-08069	. GASKET (425-16387-00)	1	1	5-26
		1M1-11610-10					. PISTON RING SET (1st O.S)	1s			23	137-15353-00	. GASKET, drain plug	1	1	7-12
1M1-11610-20		. PISTON RING SET (2nd O.S)	1s					24	93210-17239	. O-RING (2.0-16.8)	1	1	10-5			
1M1-11610-30		. PISTON RING SET (3rd O.S)	1s					25	93210-05215	. O-RING (3.5-5.2)	1	1	11-2			
1M1-11610-40		. PISTON RING SET (4th O.S)	1s					26	363-11198-00	. GASKET	1	1	11-3			
1M2-11610-01		. PISTON RING SET (STD)	1s					27	431-13556-01	. PACKING, valve seat	1	1	12-29			
1M2-11610-11		. PISTON RING SET (1st O.S)	1s					28	360-14184-01	. GASKET, float chamber	1		13-10			
1M2-11610-21		. PISTON RING SET (2nd O.S)	1s					29	500-14184-00	. GASKET, float chamber	1		14-11			
1M2-11610-31		. PISTON RING SET (3rd O.S)	1s			30	214-14613-00	. GASKET, exhaust pipe	1	1	15-2					
1M2-11610-41		. PISTON RING SET (4th O.S)	1s			31	1M1-14714-00	. GASKET, muffler, joint	1	1	15-16					
					32	126-13116-00	. GASKET, pump case	1	1	16-1						

Fig. 37 REPAIR KIT

Ref.No.	Part No.	Description	Q'ty		Remarks
			250	400	
37-33	90430-04004	. GASKET (137-13187-00)	1	1	Ref. No. 16-17
34	1M1-W0003-01	OIL SEAL KIT	1	1	
35	93103-30092	. OIL SEAL (SW-30-55-10)	1	1	4-14
36	93103-40091	. OIL SEAL (SW-40-55-10)	1	1	4-18
37	93102-17004	. OIL SEAL (SD-17-28-6)	1	1	5-23
38	93102-35054	. OIL SEAL (SD-35-62-6)	1	1	6-33
39	93101-12004	. OIL SEAL (S-12-22-5)	1	1	8-5
40	93109-20014	. OIL SEAL (SDO-20-30-45)	1	1	9-9
41	93104-07036	. OIL SEAL (SO-7-13-4)	1	1	10-7
42	93101-10001	. OIL SEAL (S-10-21-5)	1	1	16-5

NUMERICAL INDEX

NUMERICAL INDEX

Part No.	Ref.No.	Part No.	Ref.No.	Part No.	Ref.No.	Part No.	Ref.No.	Part No.	Ref.No.	Part No.	Ref.No.
1A0-14171-00	13-40	1E6-25367-00	31-41	1M1-11631-01-96	4-8	1M1-15461-00	3-6	1M1-21796-00	27-6	1M1-27412-00	21-5
1A0-14175-00	13-42	1E6-26241-00	25-2	1M1-11631-01-97	4-8	1M1-15611-02-33	9-1	1M1-22151-00	19-2	1M1-27421-02-33	21-8
1A0-14179-00	13-44	1E6-82110-11	36-18	1M1-11635-01	4-8	1M1-15664-00	9-12	1M1-22179-00	19-33	1M1-27422-00	21-6
1A0-14243-00	13-21	1E6-82122-01	36-21	1M1-11636-01	4-8	1M1-15668-01	9-25	1M1-22187-00	19-36	1M1-28100-10	18-24
	14-22	1E6-82150-00	36-23	1M1-11637-01	4-8	1M1-15671-00	9-21	1M1-22216-00	20-3	1M1-81970-60	36-26
1A0-14253-00	13-22	1E6-82151-00	36-24	1M1-11638-01	4-8	1M1-16111-00	4-20	1M1-22219-01	20-2	1M1-82115-00	36-22
	14-23	1E6-83578-60	33-4	1M1-13101-01	16-11	1M1-16181-00	5-16	1M1-22318-00	19-16	1M1-82370-21	36-16
1A0-14991-00	13-39	1E7-13176-00	16-4	1M1-13174-00	16-24	1M1-16351-00	5-6	1M1-24500-03	26-13	1M1-82508-20	36-2
	14-41	1G8-14123-00	14-37	1M1-13178-00	16-8	1M1-16356-00	5-9	1M1-24535-00	26-17	1M1-82519-00	36-39
1A0-24512-00	26-15	1G8-23144-L1	23-4	1M1-13565-01	12-23	1M1-16357-00	5-19	1M1-24536-00	26-19	1M1-82522-00	36-41
1A0-24521-01	26-20	1G8-23144-L1	23-10	1M1-13610-10	12-24	1M1-16380-00	5-20	1M1-24738-00	28-4	1M1-82530-00	36-17
1A0-24524-01	26-16	1K7-12278-00	11-13	1M1-13613-10	12-25	1M1-17121-01	6-8		28-17	1M1-82555-00	36-3
1A0-24529-01	26-14	1K7-12279-00	11-5	1M1-13616-00	12-26	1M1-17131-01	6-5	1M1-24748-00	28-3	1M1-82556-00	36-4
1A0-26242-01	25-20	1K7-23145-00	23-6	1M1-14101-01	13-1	1M1-17141-01	6-2		28-16	1M1-83309-60	35-3
1A1-25317-00	30-8		23-12	1M1-14101-50	13-1	1M1-17151-00	6-7	1M1-25026-10-98	30-13		35-11
1E2-25155-00	30-18	1M1-W0001-00	37-12	1M1-14112-15	13-18	1M1-17211-00	6-25		31-14	1M1-83310-60	35-1
	31-19	1M1-W0003-01	37-34	1M1-14169-00	13-32	1M1-17221-01	6-18	1M1-25304-00	30-2	1M1-83313-60	35-4
1E6-14786-01	15-19	1M1-11111-01	1-1		14-33	1M1-17231-00	6-23	1M1-25311-00-98	30-1		35-12
1E6-18141-01	7-6	1M1-11161-00	1-11	1M1-14401-00	12-1	1M1-17241-01	6-24	1M1-25388-01	30-28	1M1-83316-00	35-15
1E6-21308-00	18-31	1M1-11311-00	1-3	1M1-14418-00	12-10	1M1-17251-01	6-21		31-43	1M1-83318-00	35-7
1E6-21708-00	12-5	1M1-11351-00	1-4	1M1-14450-00	12-2	1M1-17411-00	6-1	1M1-25389-01	30-21	1M1-83330-60	35-9
1E6-23408-00	18-26	1M1-11400-01	4-1	1M1-14452-00	12-4	1M1-17461-40	6-35		31-23	1M1-83526-00	33-10
1E6-23434-00	24-22	1M1-11412-01	4-2	1M1-14453-00	12-20	1M1-17461-60	6-35	1M1-25412-00	30-32	1M1-83980-30	25-18
1E6-23441-00	24-16	1M1-11422-00	4-3	1M1-14714-00	15-16	1M1-17831-00	10-2	1M1-25446-10-33	30-30	1M1-84110-70	32-5
1E6-23442-00	24-17	1M1-11610-00	4-9	1M1-14728-00	15-28	1M1-18101-01	8-7	1M1-25447-10-33	30-30	1M1-84120-70	32-7
1E6-25104-01	29-2	1M1-11610-10	4-9	1M1-14772-00	15-6	1M1-18111-01-33	8-1	1M1-25448-10-33	30-30	1M1-84130-60-98	32-1
1E6-25111-00-98	29-1	1M1-11610-20	4-9	1M1-15111-02	2-1	1M1-18511-00	7-14	1M1-26249-01	25-21	1M1-84133-60	32-11
1E6-25151-00	29-26	1M1-11610-30	4-9	1M1-15121-00	2-2	1M1-18512-00	7-15	1M1-26263-00	25-26	1M1-84137-60	32-12
1E6-25304-00	31-2	1M1-11610-40	4-9	1M1-15363-00	3-13	1M1-18531-00	7-18	1M1-26335-00	25-29	1M1-84164-60	32-4
1E6-25311-00-98	31-1	1M1-11630-01	37-1	1M1-15416-01	3-9	1M1-21240-00	18-16	1M1-26339-00	25-25	1M1-84195-61	32-6
1E6-25318-00	31-36	1M1-11630-11	37-1	1M1-15431-00	3-5	1M1-21471-00-33	18-8	1M1-27211-01-33	21-13	1M1-84510-60	34-1
1E6-25319-01	31-38	1M1-11630-21	37-1	1M1-15441-00	1-13	1M1-21617-00	22-8	1M1-27244-00	21-24	1M1-84511-60	34-2
1E6-25364-00	31-26	1M1-11630-31	37-1	1M1-15451-00	3-2	1M1-21621-00	22-26	1M1-27311-02-33	21-1	1M1-84512-60	34-7
1E6-25366-00-98	31-28	1M1-11630-41	37-1	1M1-15456-00	3-10	1M1-21730-00	12-3	1M1-27411-02-33	21-7	1M1-84514-60	34-3

NUMERICAL INDEX

Part No.	Ref.No.	Part No.	Ref.No.	Part No.	Ref.No.	Part No.	Ref.No.	Part No.	Ref.No.	Part No.	Ref.No.
1M1-84517-00	34-26	1M2-11637-01	4- 8	1W1-23148-L0	23- 3	122-83516-10	33- 6	156-24181-00	26- 8	2N6-14610-00	15- 1
1M1-84521-60	34- 5	1M2-11638-01	4- 8		23- 9	126-13116-00	16- 1	164-14137-00	13-20	2N6-14753-00	15-18
1M1-84523-60	34- 4	1M2-13101-01	16-11	1W1-23168-L0	23- 7	127-14134-00	13-38		14-21	2N6-14771-00	15-10
1M1-84524-60	34- 6	1M2-13175-00	16- 3		23-13	127-14161-00	13-31	164-23462-00	24- 1	2N6-14787-00	15-31
1M1-84526-60	34- 9	1M2-13565-01	12-23	1W1-23173-L0	23-14		14-32	168-14116-33	13-19	2N6-16150-00	5- 2
1M1-84527-60	34-11	1M2-14112-25	14-19	1W1-23318-L0	23-36	127-14186-00	13- 9	168-14190-28	13- 5	2N6-16301-00	5- 1
1M1-84553-00	34-19	1M2-14171-00	14-42	1W1-24612-00	26- 6		14- 9	168-17428-01-03	6-13	2N6-21511-00-26	22- 1
1M1-84553-10	34-12	1M2-14175-00	14-44	1W2-23118-10	23-19	132-14146-00	13-12	168-17428-01-03	6-29	2N6-21611-00-26	22- 7
	34-20	1M2-14179-00	14-46	1W4-15383-00	6-15	132-18113-01	8- 2	168-17428-01-05	6-13	2N6-21620-00	22- 9
1M1-84553-20	34-13	1M2-14181-12	14-12	1W4-15641-01	9-18	137-13137-00-03	16-12		6-29	2N6-21711-00-01	18-11
1M1-85111-10	32-17	1M2-14196-00	14-51	1W4-15651-00	6-38	137-13137-00-05	16-12	170-14178-00	13-43	2N6-21711-00-02	18-11
1M1-85720-03	27- 5	1M2-14453-00	12-20	1W4-15661-00	9-20	137-13137-00-10	16-12	183-25315-00	29- 9	2N6-21721-00-26	18-12
1M2-W0001-00	37-12	1M2-15111-01	2- 1	1W4-15668-00	9-26	137-13138-01	16-13	193-14142-50	13- 2	2N6-21721-00-66	18-12
1M2-11111-00	1- 1	1M2-15121-01	2- 2	1W4-15674-00	9-27	137-14134-00	14-38	193-14142-80	14- 2	2N6-21751-00	27- 1
1M2-11161-00	1-11	1M2-15421-02	3- 1	1W4-15686-00	9-28	137-14143-27	13- 3	2A6-22493-00	20- 8	2N6-21786-00	18-15
1M2-11311-00	1- 3	1M2-17211-00	6-25	1W4-18541-00	7- 1	137-14143-28	13- 3	2A6-24182-00	26-27	2N6-21787-00	18-14
1M2-11351-00	1- 4	1M2-17411-00	6- 1	1Y1-26290-00	25-41	137-14143-30	13- 3	2A6-24611-00	26- 5	2N6-22110-00-33	19- 1
1M2-11400-00	4- 1	1M2-17421-00	6-17	1Y1-26290-10	25-40	137-14143-34	14- 3	2A6-26311-00	25-23	2N6-22141-00	19- 7
1M2-11412-01	4- 2	1M2-82310-40	36-12	102-25137-00	29-36	137-14143-36	14- 3	2A6-83350-60	36-25	2N6-22210-00	20- 1
1M2-11422-01	4- 4	1M2-85509-20	17- 3	109-25136-00	29-34	137-14143-38	14- 3	2A6-83506-00	33-18	2N6-23101-00	23- 1
1M2-11610-01	4- 9	1M2-85513-22	17- 5	110-81345-21	17-14	137-14153-00	13- 4	2A6-83513-00	33- 8	2N6-23110-00	23-17
1M2-11610-11	4- 9	1N6-84551-00-33	34- 8	115-83311-60	35- 2		14- 4	2A6-83519-00-98	33- 9	2N6-23126-00	23- 2
1M2-11610-21	4- 9	1R8-22311-01-33	19-11		35-10	137-15353-00	2-13	2A6-83520-00	33- 7	2N6-23136-00	23- 8
1M2-11610-31	4- 9	1T1-25194-00	29- 7	116-82543-00	36-38		7-12	2A7-85546-00	36-36	2N6-23141-00	23-16
1M2-11610-41	4- 9	1T2-23389-00	24-20	120-27430-02	19-41	146-25315-00	31- 9	2H0-83912-20	25- 5	2N6-23170-00	23-15
1M2-11630-01	37- 1	1T2-25394-00	30- 7	120-27431-00	19-43	148-25359-00	30-17	2H0-83922-20	25-12	2N6-23191-00	23-33
1M2-11630-11	37- 1		31- 7	120-27432-02	19-42		31-18	2N0-22178-00	19-35	2N6-23318-00	23-37
1M2-11630-21	37- 1	1T2-83972-00	25- 3	120-27433-00	19-45	150-25381-00	30-22	2N4-22213-00	20- 4	2N6-23319-00	23-24
1M2-11630-31	37- 1	1U6-23111-M1	23-21	120-82131-00	36-20		31-24	2N4-22214-00	20-10	2N6-23340-00-33	23-23
1M2-11630-41	37- 1	1U6-23168-M0	23-22	122-23119-01	23-30	150-84124-00	32-10	2N4-22496-00	20- 7	2N6-23435-00-98	24-10
1M2-11631-01-96	4- 8	1V1-83536-00	33- 3	122-23129-00	23-29	156-15618-01	9- 2	2N4-23317-00	23-25	2N6-24110-00-01	26- 1
1M2-11631-01-97	4- 8	1W1-22128-00	19-26	122-23411-00	24- 7	156-22127-00	19- 5	2N4-23389-00	24-19	2N6-24110-00-02	26- 1
1M2-11635-01	4- 8	1W1-23145-L0	23- 5	122-23412-00	24- 5	156-23411-00	24- 2	2N4-83570-A0	33- 1	2N6-24244-00	26- 2
1M2-11636-01	4- 8		23-11	122-83516-10	33- 2	156-23412-00	24- 4	2N5-83371-10	36- 8	2N6-24245-00	26- 3

NUMERICAL INDEX

Part No.	Ref.No.	Part No.	Ref.No.	Part No.	Ref.No.	Part No.	Ref.No.	Part No.	Ref.No.	Part No.	Ref.No.
2N6-24710-90	28- 1	2Y9-26312-00	25-24	278-14141-28	13-17	363-15656-00	9-30	483-27231-00	21-19	509-15621-01-33	9- 3
2N6-24711-00	28- 2	214-11633-00	4-11	278-14185-00	13- 7		9-31	493-14122-00	13-33	509-16371-01	5- 3
2N6-24730-90	28-10	214-14118-00	14-10	278-23181-50	23-28	363-15676-00	9-23		14-34	509-23158-L0	23-27
2N6-24731-00	28-11	214-14147-00	13-34	280-14187-00	13- 8	363-16321-00	5- 4	493-14133-00	13-35	509-23194-L0	23-35
2N6-24734-00	28-12		14-35	288-21376-00	18-25	363-18535-00	7-16		14-36	525-13175-01	16- 3
2N6-25016-10-98	29-24	214-14187-00	14- 8	3A6-83540-F0	33- 5	371-82121-00	18-23	498-11161-00	1-10	525-14123-00	13-36
2N6-25155-00	29-28	214-14195-00	13- 6	3J4-82590-20	36- 1	382-24161-00	26- 4	498-11650-00	37- 6	565-14747-00	15-23
2N6-26111-00	25- 1	214-14613-00	15- 2	308-25135-00	29-20	382-26372-01	25-30	498-11651-00	4- 4		22-16
2N6-26341-00	25-31	214-18131-00	8- 4	308-25138-00	29-31	395-21638-00	22-27	498-14158-00	13-28	583-22147-01	18-33
2N6-26397-00	25-35	214-24512-00	26-21	322-22128-01	19- 6	402-13552-00	16-20	498-15371-00	2-10	583-23142-00	23-18
2N6-82316-00	36-42	214-24724-00	28- 6	322-25118-00	29-12	402-14181-12	13-11	498-16325-00	5- 5	583-23416-01	24- 8
2N6-83550-00	33-16		28-19	328-15316-00	2- 7	403-25381-01	29-14	498-18151-03	7-21	583-25412-00	31-32
2N6-83560-00	33-17	214-25117-00	29- 8	341-26397-01	25-36	421-84312-30	32- 9	498-24522-00	26-18	583-25443-10	31-30
2N6-84118-00-33	23-41	214-25130-00	30-11	341-82540-01	36-37	431-13556-01	12-29	498-26372-00	25-32	583-25444-10	31-30
2N6-84119-00-33	23-42		31-12	341-83312-70	35- 5	431-25330-02	29-22	498-27235-00	21-14	584-23484-01	18-28
2X1-83570-F0	33- 1	214-25149-01	29-19		35-13	431-25367-00	30-26	498-81910-22	36-30	584-82519-00	36-45
2X4-11681-00	4- 5	214-25351-01	30-15	341-92090-60	23-34	434-11181-00	1- 2	498-82911-00	25- 4	8E7-82370-11	36-16
2X9-21110-00-33	18- 1		31-16	353-18547-00	7-10	434-15118-00	2-14	498-84145-60	32- 2	802-14173-00	13-47
2X9-26312-00	25-24	214-84114-60	32- 8	354-14147-00	13-37	434-18122-00	7-19	498-84163-60	32- 3		14-49
2X9-85500-20	17- 1	237-17861-00	10- 1	355-85111-00	32-17	434-18561-00	7- 3	500-11181-00	1- 2	812-11175-00	1- 6
2X9-85512-20	17- 4	239-14116-09	14-20	360-14184-01	13-10	434-21771-00	27- 2	500-14115-00	14-16	812-14147-00	14-40
2X9-85515-20	17-12	239-14195-00	14- 6	360-16154-00	5-17	434-26243-00	25-22	500-14135-00	14-43	812-14235-00	14-39
2X9-85550-20	17- 2	240-23114-00	23-20	361-14147-00	13-26	437-83936-00	25-37	500-14146-00	14-13	90101-06278	29-29
2X9-85540-20	36-35	248-14131-00	13-25	361-82921-31	25-11	437-83936-10	25-38	500-14155-00	14-31		30-19
2X9-85580-20	17- 9	248-17837-00	10- 3	363-11198-00	11- 3	437-83976-03	25-19	500-14158-00	14-29		31-20
2Y9-14101-00	14- 1	256-14135-00	13-41	363-12273-00	11- 6	437-84525-60	34-10	500-14174-00	13-46	90101-06304	28- 5
2Y9-14101-50	14- 1	256-14197-01	14-50	363-12281-01	11- 1	438-15317-00	2- 8		14-48		28-18
2Y9-21511-00-66	22- 1	275-11633-00	4-11	363-12282-00	11- 8	438-17811-01	10- 6	500-14184-00	14-11	90101-08292	21-10
2Y9-21611-00-66	22- 7	275-14178-00	14-45	363-12283-01	11- 4	438-17812-00	10- 9	500-14190-30	14- 5	90101-08371	21-10
2Y9-21786-00	18-15	275-14185-00	14- 7	363-12292-02	11-14	439-14197-00	13-48	509-14155-01	13-30	90105-08024	18- 5
2Y9-21787-00	18-14	275-25317-00	31- 8	363-14131-00	14-26	443-17841-00	10- 4	509-14198-00	13-29	90105-10050	18- 2
2Y9-24244-00	26- 2	278-13169-00	16-19	363-14137-00	13-27	445-81328-20	17-13		14-30	90105-14060	24-11
2Y9-24245-00	26- 3	278-14115-00	13-16		14-28	449-85131-01	34-27	509-14457-00	12-16	90109-06410	25- 7
2Y9-26311-00	25-23	278-14117-00	13-15	363-14141-32	14-18	483-25315-00	30- 9	509-15381-00	6-30		25-17

NUMERICAL INDEX

Part No.	Ref.No.	Part No.	Ref.No.	Part No.	Ref.No.	Part No.	Ref.No.	Part No.	Ref.No.	Part No.	Ref.No.
90109-08448	32-13	90185-10035	18- 4	90201-25637	9-14	90387-08258	22-17	90467-08003	27- 4	90507-20002	30-12
90109-10453	19-22		24-15	90202-06010	26-23	90387-15600	29-13	90467-10008	26-26		31-13
90109-10473	21- 2	90185-10037	21- 3	90206-04003	18-29	90387-16398	19- 3	90467-15012	12-17	90507-29021	21- 4
90109-10483	19-39	90185-12072	21-12	90206-15023	18-34	90387-17141	30-20	90468-02033	16-22	90508-08334	7-20
90109-14390	7-13	90201-05033	33-11	90206-25059	9-17		31-22		16-23	90508-10010	11- 7
90116-08104	1- 5		36- 5	90209-09155	22-15	90387-17530	31-42	90468-12006	24-26	90508-14360	5-21
90116-08218	31-31	90201-06067	12-13	90209-10322	24-23	90387-17555	30-27	90468-12007	33-12	90508-20023	21- 9
90116-08264	15- 3		18-19	90209-12195	24-21	90387-25192	6-34	90480-01176	18-22	90508-32317	9-13
90116-10087	1- 8		22- 4	90209-22082	6- 6	90430-04004	16-17	90480-01230	22-25	90508-32318	8- 6
90116-10234	30-31		22-11		6-22	90430-06012	32-18	90480-10068	29-25	90508-35350	19-40
90119-08012	23-26		22-24	90209-25085	4- 7	90430-08069	5-26		30-14	90560-12171	8- 9
90122-06001	27-10	90201-06073	26-11	90215-20125	5-11	90430-18067	27- 3		31-15	90564-14021	29-27
90123-08046	25-33	90201-06074	34-17	90215-21121	6-36	90445-05214	16-21	90480-10208	22-13		30-16
90149-06011	26-22		34-24	90240-03003	11- 9	90445-05217	16-21	90480-12053	18-13		31-17
90149-08105	5-12	90201-07076	29-32	90240-06009	19-46	90445-07340	2-11		22-21	91316-06025	3- 4
90149-08108	5-25	90201-08083	25- 9	90240-06040	21-20	90445-08047	36-19	90480-14102	12-11		3- 7
90159-06016	5- 8		25-13	90240-12059	19-27	90445-09111	26- 7		18-17		12-30
90170-08193	31-33	90201-08113	15-25	90249-12008	21-25	90445-09112	27-15		27-13	91316-06030	3- 3
90170-10038	25-28	90201-08624	16- 2	90269-04003	18-30	90445-09228	27-14	90480-14198	22- 6		3-11
90170-12062	19-48	90201-10644	16- 9	90280-05013	4-23	90445-10344	26-24	90480-15058	22-12	91316-06035	2- 4
90170-12067	4-17	90201-12593	4-15	90282-07019	4-24	90445-10393	26-24	90480-18171	12-18	91316-06040	3- 8
90170-20195	5-10	90201-14577	19- 8	90338-09012	25-39	90446-09119	36-40		27- 9	91316-06060	2- 5
90170-22187	12- 7	90201-15234	9- 6	90338-22007	7- 8	90460-43053	15-17	90480-22231	26-10	91316-06080	2- 6
90171-14020	29-37	90201-17255	6-39	90340-14010	2-12	90460-44108	12-22	90480-24186	12- 6	91401-16010	11-10
90171-16021	30-29	90201-17327	5-22	90380-12051	20- 9	90460-49058	12-21	90501-08430	26-25		11-12
	31-44	90201-20278	6-11	90381-08002	10- 8	90460-51059	12-21	90501-10062	7-11	91401-16015	19-47
90175-06013	21-26		6-26	90386-22077	19- 4	90460-51109	12-22	90501-10245	21-23	91401-20012	19-31
90179-08148	25-34		9-10	90387-06388	22- 5	90460-64065	12-19	90501-12081	9- 5		21-22
90179-10201	1- 9	90201-20279	19-44	90387-06553	34-14	90462-05005	36-15	90501-23143	9-22	91401-20025	19-23
90179-18020	6-37	90201-20613	6- 9	90387-06554	34-21		36-34	90501-23428	5- 7	91401-30022	19-29
90179-18172	4-22	90201-22283	29-18	90387-07391	12-12	90465-10096	3-15	90501-90536	20- 6	91401-30030	21-15
90179-25033	24- 9	90201-25287	6- 3		18-18	90465-10108	13-49	90502-09024	18-27		29-15
90185-08054	18- 7		6-19		27-12		14-52	90506-18154	21-16		30-23
	24-13		9-16	90387-08258	15-24	90465-14095	2-16	90507-20002	29-23		31-25

NUMERICAL INDEX

Part No.	Ref.No.	Part No.	Ref.No.	Part No.	Ref.No.	Part No.	Ref.No.	Part No.	Ref.No.	Part No.	Ref.No.
91401-30040	20- 5	92901-06100	1-15	92901-06600	34-22	93104-07036	10- 7	93410-15005	18-35	94240-18024	30- 4
91701-06042	19-30		10-11		36-11	93104-14044	19-34	93410-17008	6-40		31- 4
91830-22016	2- 3		12-14		36-33	93105-50010	29-21	93410-20038	6-10	94327-21024	29- 6
	3-12		15- 8	92901-08100	5-14	93106-25003	30-25		6-27	94340-18022	30- 6
92501-05018	17- 6		15-11		15- 4	93109-20014	9- 9		9-24		31- 6
92501-05020	36-27		15-21		15-14	93210-05215	11- 2	93410-22014	29-17	94416-21215	29- 3
92501-05025	36- 7		18-20		15-26	93210-09285	14-47	93410-25010	9-11	94418-18216	30- 5
92501-05035	17- 8		19-20		19-18	93210-10118	25-27	93410-30012	7- 7	94418-18217	31- 5
92501-06010	23-31		22- 3		22-19	93210-11073	2- 9	93430-07012	7-22	94585-20102	31-34
92501-06012	15-20		22-23		18-14	93210-14104	3-14		9-32	94585-20104	30-34
92501-06015	36-43		23-32		32-15		29-33	93430-08006	7-17	94685-20001	30-35
92501-06020	17-15		23-39	92901-08200	5-13	93210-17239	10- 5		16- 7		31-35
	23-43		23-44		18- 6	93210-18283	14-17	93430-10016	9- 7	94701-00045	1-12
92501-06025	36-13		25- 8		22-18	93210-29282	4-19	93440-25019	6- 4	95301-05600	16-15
92501-08010	2-15		25-15		28-13	93210-40284	14-27		6-20	95301-05700	11-11
92701-06012	6-16		26- 9		32-16	93210-52312	31-27		9-15		19-37
	6-31		27-11	92901-08600	15-15	93210-71311	31-37	93440-25020	9-19	95301-06600	15-12
92701-06018	18-32		33-14	92901-10100	24-24	93220-09001	13-45	93450-20026	4-12		23-46
92901-03100	12-28		36-10	92901-10200	18- 3	93306-20203	29-16	93450-75040	31-39		29-30
	13-24		36-14		19-24	93306-20205	29-10	93501-04011	24- 3		30-26
	14-25		36-32	92901-12100	4-16	93306-20309	30-24	93503-16010	24- 6		31-21
92901-04100	13-14		36-44	92901-12600	19-28		31-11	93505-32002	16-18		34-25
	14-15	92901-06200	21-21	92901-18100	4-21	93306-20310	30-10	93507-32009	9- 4	95301-06700	21-18
	17-11		23-40	92903-05100	34-28		31-10	93515-32029	5-18	95301-06800	34-18
92901-05100	16-14		28- 8	92906-06100	15-30	93306-30512	6-32	93603-22028	16- 6	95301-08600	1- 7
	17- 7	92901-06600	15- 9	93101-10001	16- 5	93306-20515	6-14	93604-08071	7- 5		15- 5
	27- 8		15-22	93101-12004	8- 5	93306-20601	4-13	93604-18100	7- 2		22-20
	36- 6		17-16	93102-17004	5-23	93306-30615	4-13	93608-30128	8- 8		32-14
	36-28		18-10	93102-20009	29-11	93310-21874	4-10	93700-06004	19-10	95301-08700	28-15
92901-05200	11-15		19-21	93102-25030	31-40	93310-42541	4- 6		31-29	95301-10700	24-25
92901-05600	12- 9		19-32	93102-35054	6-33	93311-62035	6-12	94130-21103	29- 4	95302-05600	27- 7
	19-13		23-45	93103-30092	4-14		6-28	94140-18062	30- 3	95302-10900	19-25
	19-15		33-15	93103-40091	4-18	93315-11720	5-24		31- 3	95303-05600	34-29
	36-29		34-15	93104-07003	29-35	93315-23208	7- 9	94230-21038	29- 5	95303-08800	35- 8

NUMERICAL INDEX

Part No.	Ref.No.	Part No.	Ref.No.	Part No.	Ref.No.	Part No.	Ref.No.	Part No.	Ref.No.	Part No.	Ref.No.
95311-08700	5-15	97311-08030	9- 8								
95311-10700	30-33	97321-06014	1-14								
95601-06100	25-10	97321-06014	15- 7								
	25-16	97321-06020	8- 3								
	28- 9	97321-06030	33-13								
95601-08100	21-11	97321-06045	28- 7								
95601-10100	35-16	97701-03520	35- 6								
95601-14100	19- 9		35-14								
95801-06020	23-38	98501-03008	12-27								
95821-08035	24-18	98501-03010	13-23								
95821-08055	24-12		14-24								
95821-10055	24-14	98501-04016	13-13								
97301-05010	19-12		14-14								
97301-06012	10-10	98501-04018	17-10								
	18- 9	98501-05010	19-14								
	26-12	98501-05016	12- 8								
	36- 9		16-10								
	36-31	98501-05035	19-38								
97301-06014	22-22	98701-05012	7- 4								
97301-06016	19-19	98901-04008	16-16								
97301-06020	22-10	98906-06010	15-29								
97301-06022	25- 6										
	25-14										
97301-06025	12-15										
	18-21										
	21-17										
	22- 2										
	34-16										
97301-06035	34-23										
97301-08014	19-17										
97301-08016	15-13										
97301-08030	15-27										
	22-14										
97310-06016	9-29										

