



YAMAHA

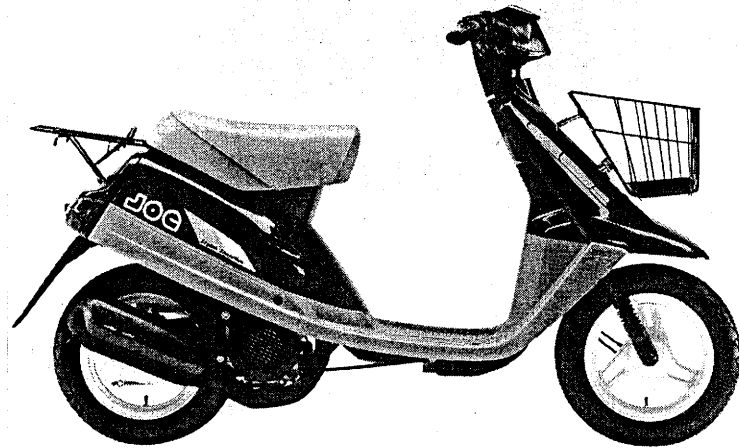
PARTS CATALOGUE

CG50EU (2YU1)

JOG

OCEANIA

182YU-700E1



A3

FOREWORD

This Parts Catalogue is related to the parts in use for the Yamaha CG50EU(2YU1).
When you are ordering replacement parts for the CG50EU(2YU1), refer to this Parts Catalogue and quote both part numbers and part names correctly.

1. Modifications or additions which have been made after issue of the Parts Catalogue will be announced in the Yamaha Parts News.
It is advisable that according to the Yamaha Parts News you make necessary corrections to the Parts Catalogue on hand to keep it up-to-date.

2. Abbreviations

The following abbreviations are used in this Parts Catalogue.

- U.R. Use size (thickness) and/or number as required.
- U.N. Use as many as you need.
- A.P. Alternate Parts
- L.M. Local Made
- F# Frame No. (Applicable machine No.)

3. The parts marked with (+) in the parts number column of this Catalogue are not supplied with by Yamaha, those have to be found locally.
4. Parts, which are to be supplied in the form of assemblies, are listed with an indention of one letter's space, and a dot (.) is put against the name of each part.

EXAMPLE CARBURETOR ASS'Y
 . JET, pilot
 . NOZZLE, main

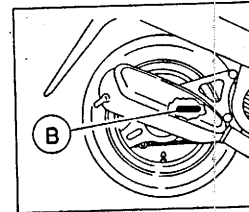
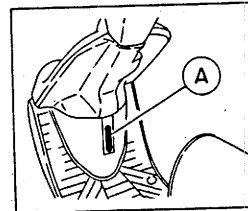
5. Indication of No. of constituent parts for assembly

The numeral appearing to the right of each constituent part under the description indicates the quantity of such parts for each individual assembly unit.

Part No.	Description	Q'ty	Remarks
2F5-83310-60	FRONT FLASHER LIGHT ASS'Y	2	
115-83311-60	. BULB (6V-18W)	1	
1M1-83309-60	. REFLECTOR	1	

6. Initial Serial No. and Color Code

(A) Frame Serial No.	2YU-2009101 and following
(B) Engine Serial No.	2JA-2009101 and following



Color Code	Color Name	Abbreviate
FE	MATURE RED	MRE
GE	SILKY WHITE	SW
MW	BLUISH BLACK	BIB

7. Applicable colors of graphics are represented in the "Remarks" column by the letter(s) appropriately picked out of the full word(s) showing such colors.

EXAMPLE

Part No.	Description	Q'ty	Remarks
2N4-24110-00-X5	FUEL TANK COMP.	1	MAXIM RED
3J1-24240-10	. GRAPHIC, fuel tank set	1	for MXR

CONTENTS

ENGINE

Cylinder	B2
Crankshaft. Piston	B3
Air Shroud. Fan	B4
Oil Pump.....	B5
Intake	B6
Carburetor	B7 ~ B8
Exhaust	B9
Crankcase	B10 ~ B11
Starter	B12
Clutch	B13 ~ B14
Transmission	B15

Meter	D4
Headlight	D5
Taillight	D6
Handle Switch. Lever	D7
Electrical 1	D8
Electrical 2	D9

INDEX

Numerical Index	M1 ~ M2
-----------------------	---------

CHASSIS

Frame	C2
Fender	C3
Side Cover	C4
Oil Tank	C5
Rear Suspension	C6
Front Fork	C7
Fuel Tank	C8
Seat. Carrier	C9
Front Wheel	C10
Rear Wheel	C11
Steering Handle. Cable	C12
Stand. Footrest	C13
Leg Shield	C14
Cowling 1	C15
Generator	D2
Flasher Light	D3

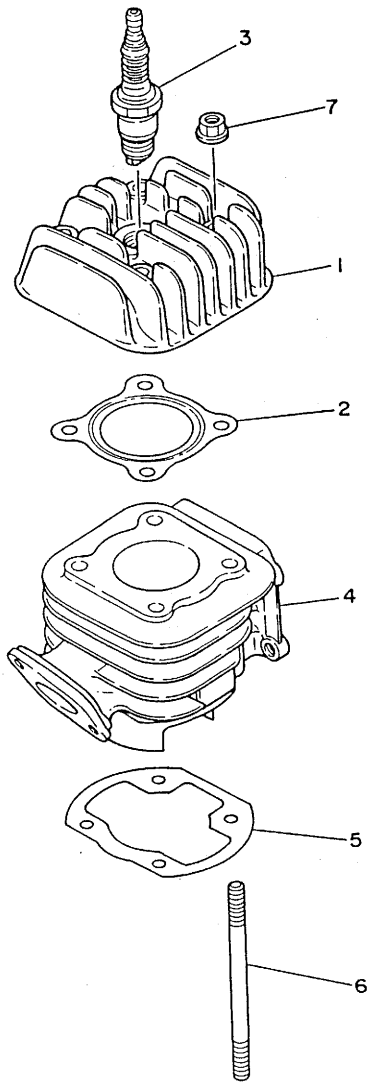


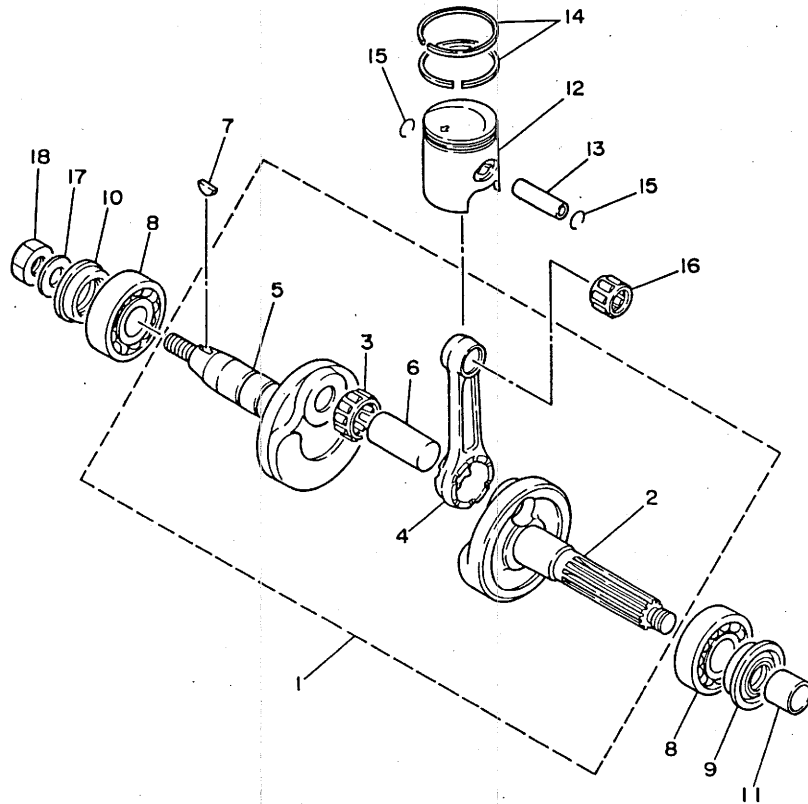
FIG. 1 CYLINDER

REF. NO.	PART NO.	DESCRIPTION	Q'TY	REMARKS
1	2JA-11111-01	HEAD, cylinder 1	1	
2	517-11181-00	GASKET, cylinder head 1	1	
3	94701-00050	PLUG, spark (NGK BP7HS)	1	UR
	94701-00321	PLUG, spark (ND W22FP-U)	1	UR
4	2JA-11311-00	CYLINDER 1	1	
5	1YU-11351-00	GASKET, cylinder	1	
6	90116-06418	BOLT, stud	4	
7	95701-06500	NUT, flange	4	



2JA010-7010

FIG. 2 CRANKSHAFT. PISTON



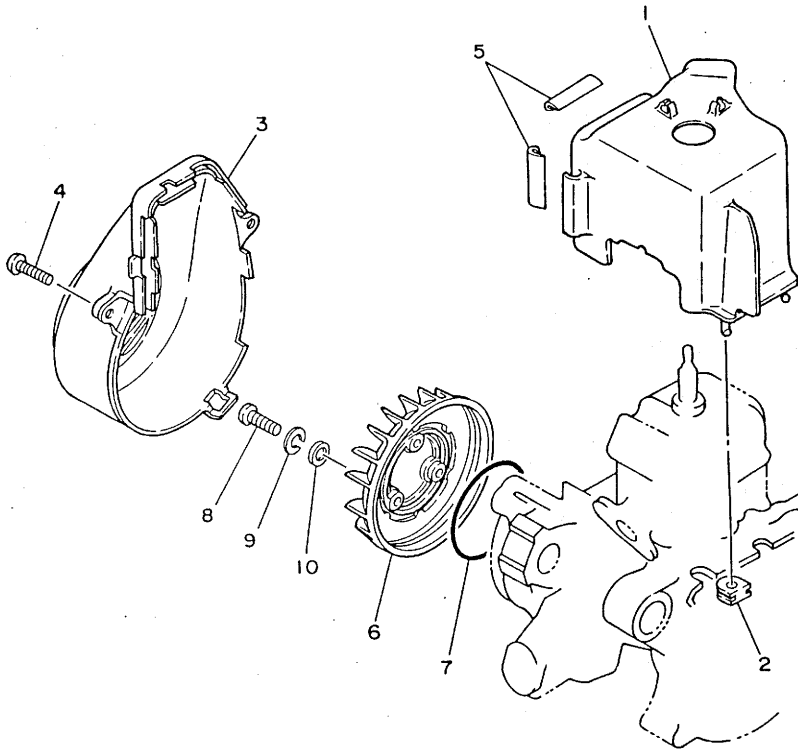
REF. NO.	PART NO.	DESCRIPTION	Q'TY	REMARKS
1	2JA-11400-00	CRANKSHAFT ASSY	1	
2	2JA-11412-00	.CRANK 1	1	
3	93310-416F7	.BEARING, cylindrical	1	
4	2E9-11651-00	.ROD, connecting	1	
5	2JA-11422-00	.CRANK 2	1	
6	1YU-11681-00	.PIN, crank 1	1	
7	90280-03017	KEY, woodruff	1	
8	93306-20458	BEARING	2	
9	93102-20390	OIL SEAL	1	
10	93101-20138	OIL SEAL	1	
11	90387-167J0	COLLAR	1	
12	2JA-11631-01-96	PISTON (STD)	1	
	2JA-11636-01	PISTON (0.50MM O/S)	1	AP
13	27V-11633-00	PIN, piston	1	
14	260-11601-02	PISTON RING SET (STD)	1	
	260-11601-22	PISTON RING SET (2ND O/S)	1	AP
15	93450-11120	CIRCLIP	2	
16	93310-210M0	BEARING, cylindrical	1	
17	92990-10600	WASHER, plate	1	
18	90170-10219	NUT	1	



2JA010-7020

FIG. 3 AIR SHROUD. FAN

REF. NO.	PART NO.	DESCRIPTION	Q'TY	REMARKS
1	2JA-12651-00	AIR SHROUD, cylinder 1	1	
2	90480-10468	GROMMET	2	
3	2JA-12653-00	AIR SHROUD, cylinder 3	1	
4	92506-06020	SCREW, pan head	2	
5	2NA-12658-00	DAMPER, air shroud 1	2	
6	1YU-12611-01	FAN	1	
7	93210-64488	O-RING	1	
8	92501-06014	SCREW, pan head	3	
9	92990-06100	WASHER, spring	3	
10	92901-06600	WASHER, plate	3	



2JAO10-7031

B4

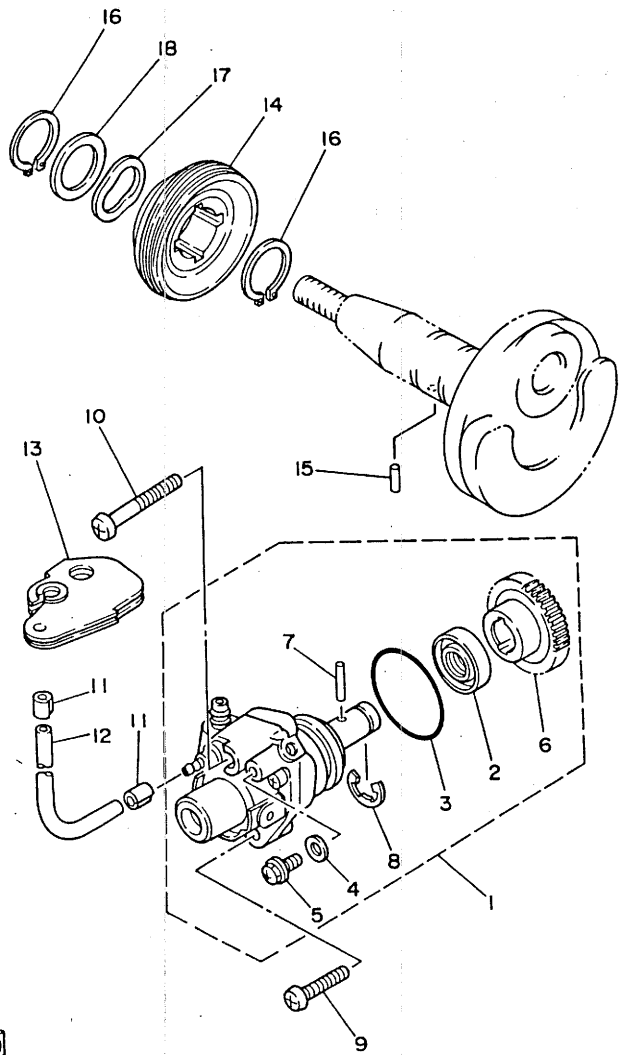


FIG. 4 OIL PUMP

REF. NO.	PART NO.	DESCRIPTION	Q'TY	REMARKS
1	2JA-13101-00	OIL PUMP ASSY	1	
2	93101-10001	.OIL SEAL	1	
3	93210-26240	.O-RING	1	
4	90430-04004	.GASKET	1	
5	90149-04135	.SCREW	1	
6	296-13124-00	.GEAR, worm wheel (56T)	1	
7	93603-14026	.PIN, dowel	1	
8	99001-07600	.CIRCLIP	1	
9	98501-05020	SCREW, pan head	1	
10	98501-05035	SCREW, pan head	1	
11	90468-02033	CLIP	2	
12	90445-051F7	HOSE	1	
13	2E9-13174-00	HOLDER, oil pipe	1	
14	2GM-13178-00	GEAR, pump drive	1	
15	93603-12007	PIN, dowel	1	
16	99009-19400	CIRCLIP	2	
17	90206-19027	WASHER, wave	1	
18	296-15644-00	SHIM	1	

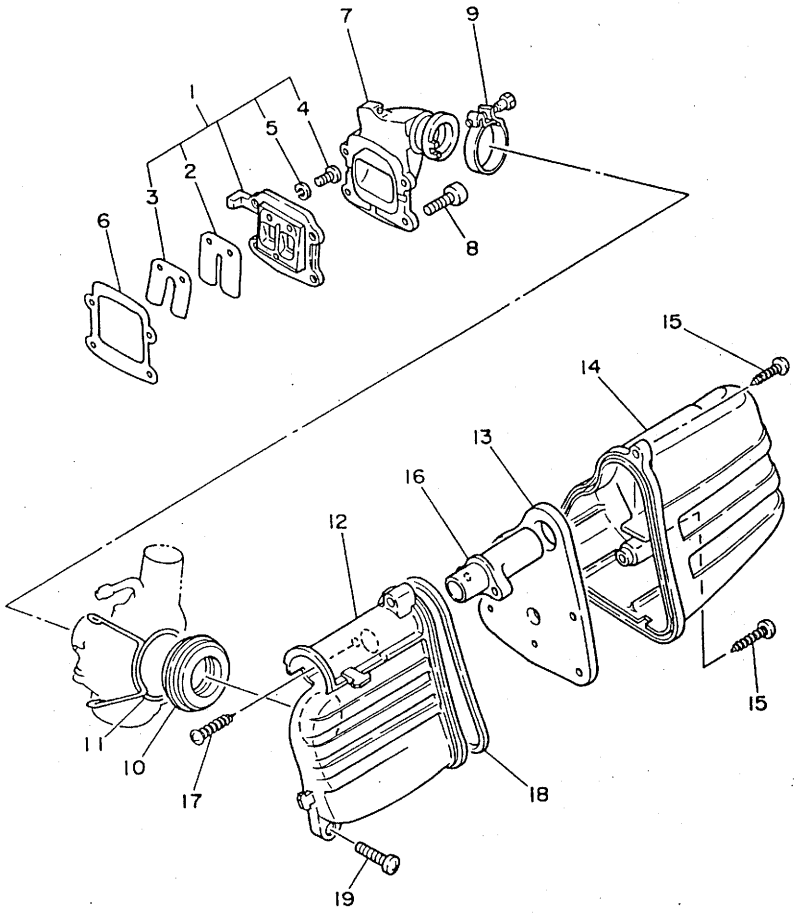
 2JA010-7040

B5

FIG. 5 INTAKE

REF. NO.	PART NO.	DESCRIPTION	Q'TY	REMARKS
1	2JA-13610-00	REED VALVE ASSY	1	UR ARAI
	2JA-13610-10	REED VALVE ASSY	1	UR YAMATO
2	35R-13613-00	.REED, valve	1	UR FOR ARAI
	2JA-13613-10	.REED, valve	1	UR FOR YAMATO
3	2JA-13616-00	.STOPPER, reed valve	1	UR FOR ARAI
	2JA-13616-10	.STOPPER, reed valve	1	UR FOR YAMATO
4	98501-03008	.SCREW, pan head	2	
5	92990-03100	.WASHER, spring	2	UR FOR ARAI
	92902-03600	.WASHER, plate	2	UR FOR YAMATO
6	35R-13621-00	GASKET, valve seat	1	
7	2JA-13555-00	MANIFOLD, intake	1	
8	91316-06020	BOLT	4	
9	90460-32242	CLAMP, hose	1	
10	27V-14453-00	JOINT, air cleaner 1	1	
11	90468-20127	CLIP	1	
12	2JA-14411-00	CASE, air cleaner 1	1	
13	2JA-14451-00	ELEMENT, air cleaner	1	
14	1KX-14412-00	CAP, cleaner case 1	1	
15	97780-50125	SCREW, tapping	2	
16	2JA-14437-00	DUCT	1	
17	97701-40125	SCREW, tapping	2	
18	2JA-14452-00	SEAL	1	
19	92506-06020	SCREW, pan head	2	

Check



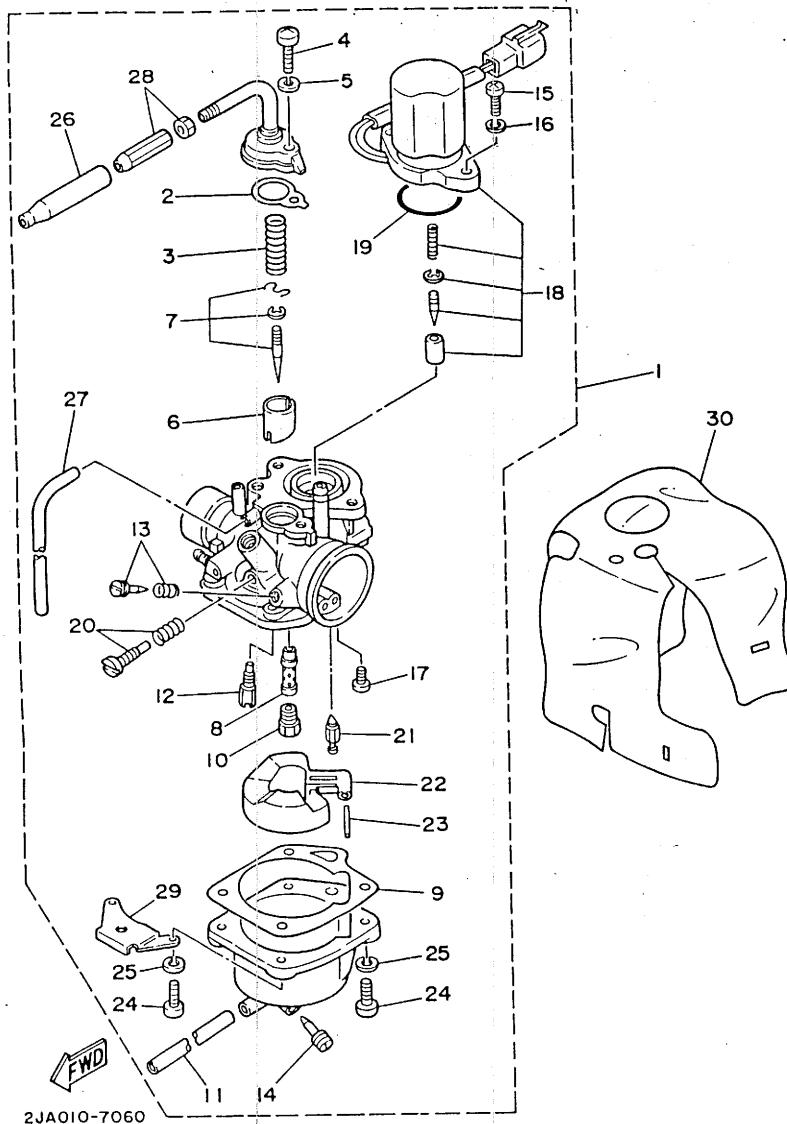
PART NO.	STAMP
2JA-13610-00	54U
2JA-13610-10	2JA



2JA010-7050

B6

FIG. 6 CARBURETOR



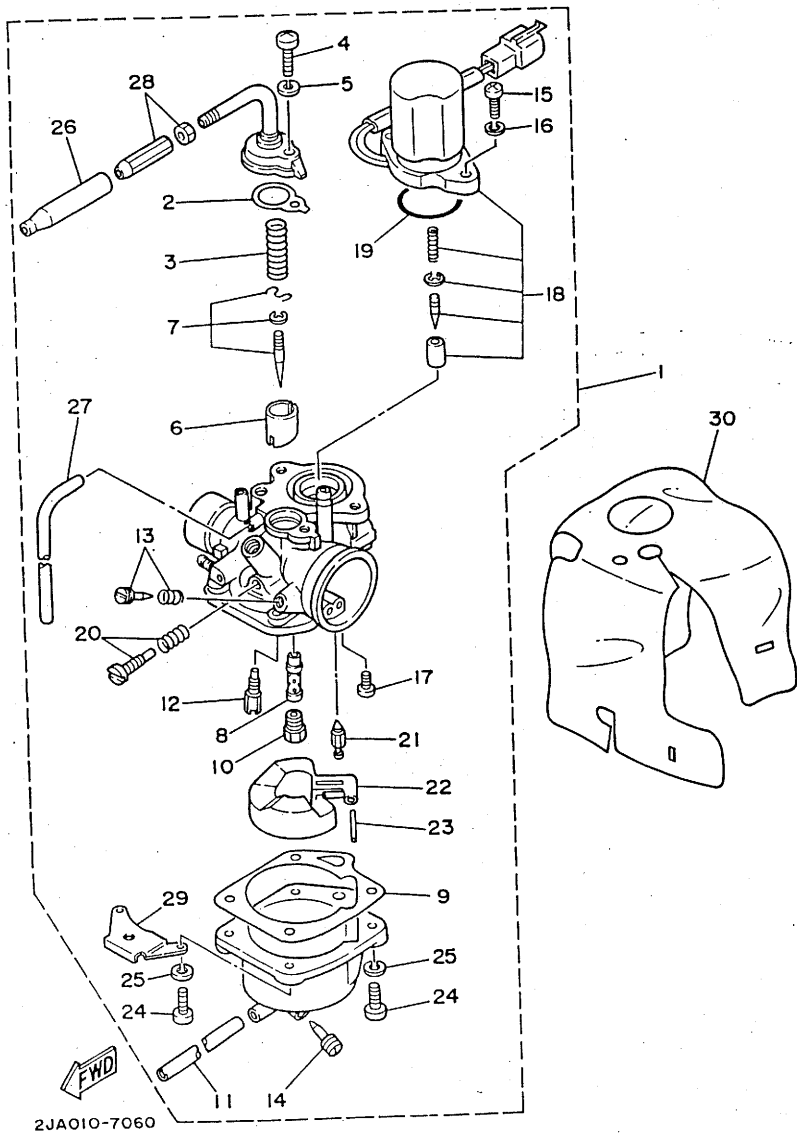
2JA010-7060

REF. NO.	PART NO.	DESCRIPTION	Q'TY	REMARKS
1	2YR-14301-00	CARBURETOR ASSY 1	1	
2	2T4-14126-01	.GASKET	1	
3	1YU-14331-00	.SPRING, throttle valve	1	
4	98580-05016	.SCREW, pan head	1	
5	92901-05100	.WASHER, spring	1	
6	14T-14312-25	.VALVE, throttle 1	1	
7	2JA-1490J-00	.NEEDLE SET	1	
8	14T-14341-01	.NOZZLE, main	1	
9	14T-14384-00	.GASKET, float chamber	1	
10	14T-14343-45	.JET, main (# 90)	1	
11	2JA-14396-00	.PIPE	1	
12	17J-14353-21	.JET, pilot (# 42)	1	
13	14T-14104-00	.AIR SCREW SET	1	
14	14T-14323-00	.SCREW, air adjusting	1	
15	92580-06016	.SCREW, pan head	2	
16	92990-06100	.WASHER, spring	2	
17	98501-03006	.SCREW, pan head	1	
18	2NA-1410A-00	.STARTER SET	1	
19	1HV-14147-00	.O-RING	1	
20	2JA-14103-00	.THROTTLE SCREW SET	1	
21	2JA-14392-00	.VALVE, needle	1	
22	1HV-14385-01	.FLOAT	1	
23	367-14386-00	.PIN, float	1	
24	98580-04016	.SCREW, pan head	4	
25	92901-04100	.WASHER, spring	4	
26	1UV-14169-00	.CAP	1	
27	2JA-14397-00	.PIPE	1	
28	1UV-14106-00	.CABLE ADJUST SCREW SET	1	

B7

FIG. 6 CARBURETOR

REF. NO.	PART NO.	DESCRIPTION	Q'TY	REMARKS
29	2JA-14146-00	.PLATE	1	
30	2JA-14283-00	COVER, carburetor 1	1	

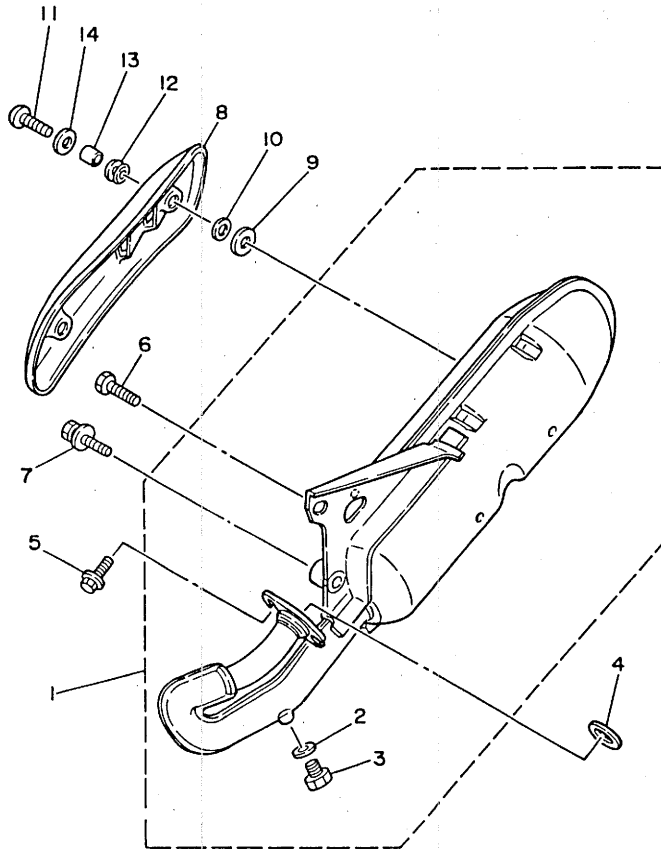


2JA010-7060

B3

FIG. 7 EXHAUST

REF. NO.	PART NO.	DESCRIPTION	Q'TY.	REMARKS
1	2JA-Y1461-00	EXHAUST PIPE ASSY	1	
2	92990-06600	.WASHER, plate	1	
3	90101-06631	.BOLT	1	
4	24G-14613-00	GASKET, exhaust pipe	1	
5	90153-06061	SCREW, hexagon	2	
6	90109-083E5	BOLT	1	
7	90119-08129	BOLT, with washer	1	
8	2JA-14718-00	PROTECTOR, muffler 1	1	
9	52W-14766-00	WASHER, protector	2	
10	92990-06200	WASHER, plain	2	
11	98906-06016	SCREW, bind	2	
12	90480-12237	GROMMET	2	
13	90387-06067	COLLAR	2	
14	2JA-14766-00	WASHER, protector	2	

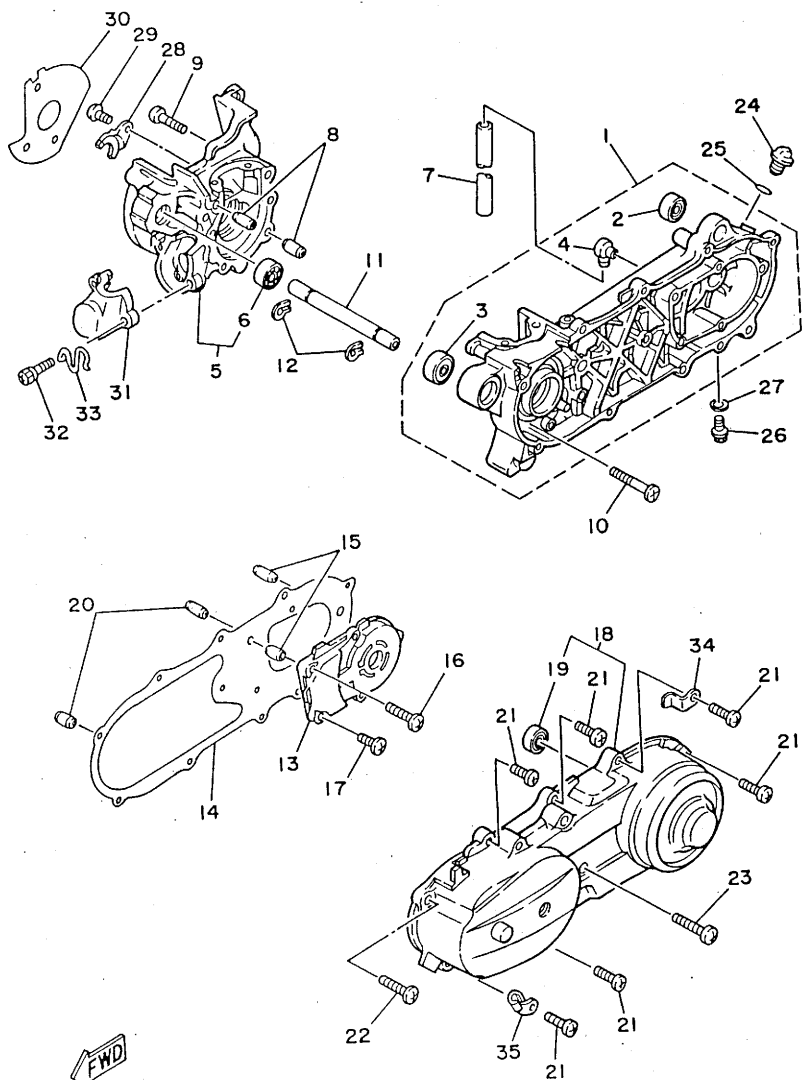


2JA010-7071

B9

FIG. 8 CRANKCASE

REF. NO.	PART NO.	DESCRIPTION	Q'TY	REMARKS
1	2VK-15110-00	CRANKCASE ASSY 1	1	
2	164-22216-00	.BUSH, rear shock absorber	1	
3	93306-00201	.BEARING	1	
4	498-15371-00	.BREATHER	1	
5	2JA-15120-00	CRANKCASE ASSY 2	1	
6	93306-00201	.BEARING	1	
7	90446-07008	HOSE	1	
8	99510-12016	PIN, dowel	2	
9	92501-06035	SCREW, pan head	5	
10	92503-06045	SCREW, pan head	1	
11	2T4-15317-00	SPACER, engine mount	1	
12	93440-15012	CIRCLIP	2	
13	1HV-15421-01	COVER, crankcase 2	1	
14	27V-15451-03	GASKET, crankcase cover 1	1	
15	99530-10014	PIN, dowel	2	
16	92501-06035	SCREW, pan head	2	
17	92501-06020	SCREW, pan head	3	
18	1JX-W1541-01	CRANKCASE COVER ASSY 1	1	
19	93300-63808	.BEARING	1	
20	99530-10014	PIN, dowel	2	
21	92501-06025	SCREW, pan head	7	
22	92501-06035	SCREW, pan head	2	
23	92506-06060	SCREW, pan head	1	
24	2T4-15363-00	PLUG, oil	1	
25	93210-14104	O-RING	1	
26	95801-08016	BOLT, flange	1	
27	90430-08119	GASKET	1	
28	1HV-15128-00	HOLDER	1	



2VK110-8080

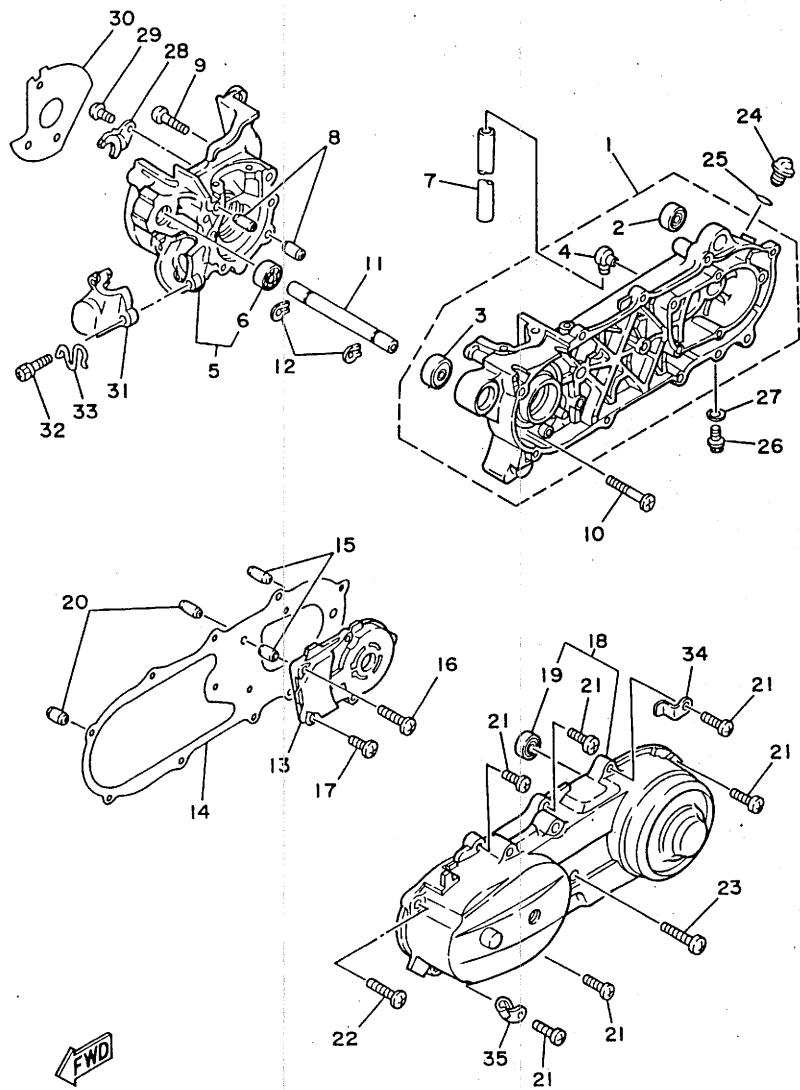


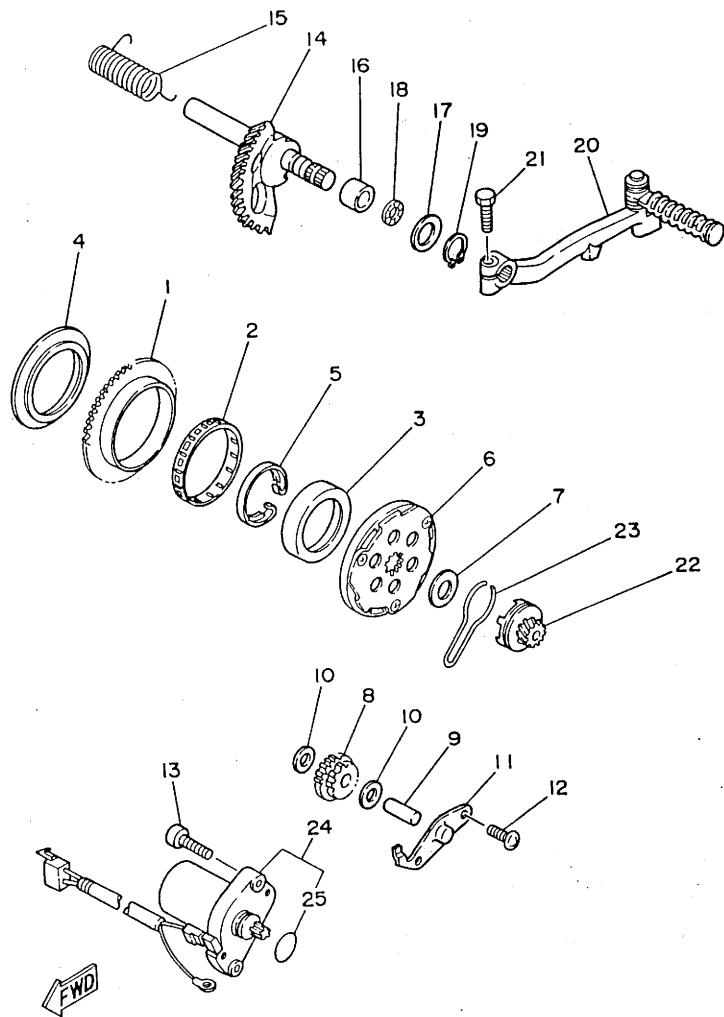
FIG. 8 CRANKCASE

REF. NO.	PART NO.	DESCRIPTION	Q'TY	REMARKS
29	92501-06012	SCREW, pan head	1	
30	14T-15462-00	GASKET, crankcase cover 3	1	
31	2JA-15416-00	COVER, oil pump	1	
32	90159-06075	SCREW, with washer	2	
33	90465-20205	CLAMP	1	
34	90462-16171	CLAMP	1	
35	90465-10296	CLAMP	1	



ZVK110-8080

B11



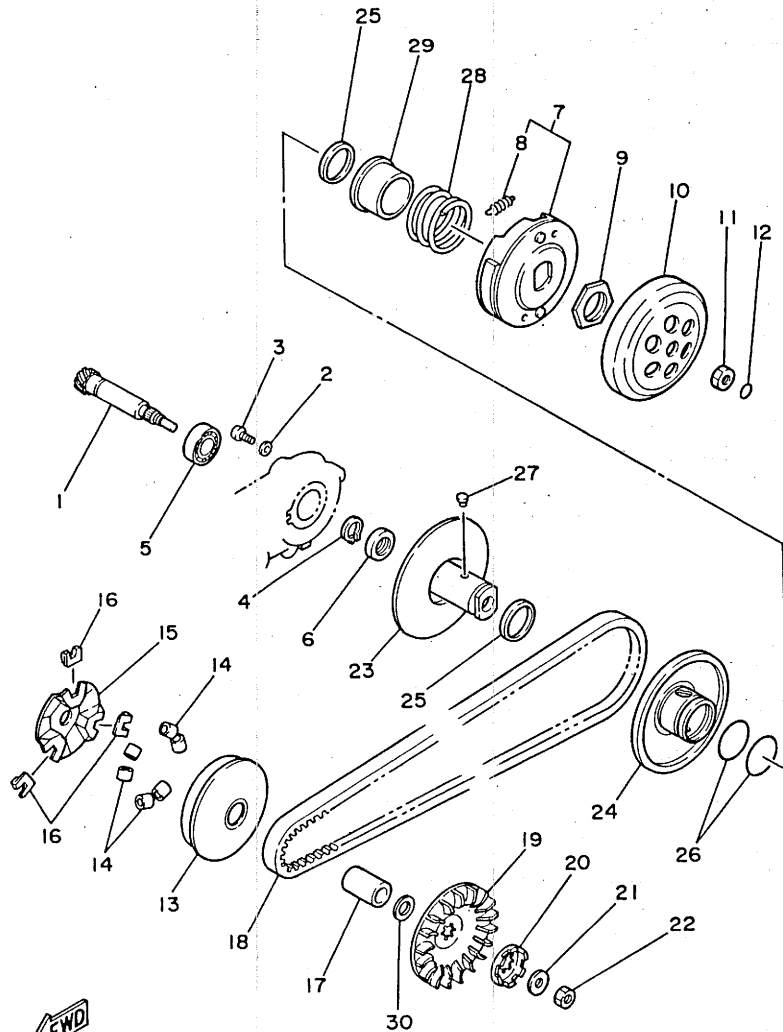
2JA010-7090

FIG. 9 STARTER

REF. NO.	PART NO.	DESCRIPTION	Q'TY	REMARKS
1	2JA-15513-00	GEAR 1	1	
2	93310-257R1	BEARING, cylindrical	1	
3	2JA-15528-00	BOSS, gear	1	
4	90209-57298	WASHER	1	
5	2JA-15185-00	PROTECTOR, oil seal	1	
6	2JA-15570-00	STARTER CLUTCH ASSY	1	
7	90201-166K2	WASHER, plate	1	
8	2EX-15650-00	IDLE GEAR ASSY	1	
9	54V-15763-00	SHAFT	1	
10	90201-087H6	WASHER, plate	2	
11	2JA-15532-00	PLATE, idle gear	1	
12	92501-06012	SCREW, pan head	2	
13	91316-06020	BOLT	2	
14	1NT-15601-01	KICK SHAFT ASSY	1	
15	90508-29643	SPRING, torsion	1	
16	90380-15099	BUSH, solid	1	
17	90201-155J9	WASHER, plate	1	
18	90206-15021	WASHER, wave	1	
19	99009-15400	CIRCLIP	1	
20	2EX-15620-00	KICK CRANK ASSY	1	
21	97016-06025	BOLT	1	
22	33A-15630-00	KICK PINION ASSY (10T)	1	
23	32N-15673-00	CLIP	1	
24	2EX-81800-50	STARTING MOTOR ASSY	1	UR NIHON DENSO
	2EX-81800-M0	STARTING MOTOR ASSY	1	UR YAMAHA
25	14T-81847-50	.O-RING	1	UR NIHON DENSO
	93210-23614	.O-RING	1	UR YAMAHA

FIG. 10 CLUTCH

REF. NO.	PART NO.	DESCRIPTION	Q'TY	REMARKS
1	16J-16111-01	GEAR, primary drive (14T)	1	
2	90201-06412	WASHER, plate	1	
3	92501-06010	SCREW, pan head	1	
4	99009-17400	CIRCLIP	1	
5	93306-00315	BEARING (6003SH2C4)	1	
6	93102-17342	OIL SEAL	1	
7	2VK-16620-00	CLUTCH CARRIER ASSY	1	
8	24G-16626-00	.SPRING, clutch weight 1	2	
9	90179-28415	NUT	1	
10	24G-16611-03	CLUTCH HOUSING COMP.	1	
11	90170-10317	NUT	1	
12	93210-06550	O-RING	1	
13	2EX-17620-00	PRIMARY SLIDING SHEAVE COMP.	1	
14	2JA-17632-00	WEIGHT	6	
15	24G-17623-00	CAM	1	
16	23Y-17653-00	SLIDER	3	
17	90387-160M2	COLLAR	1	
18	24G-17641-00	V-BELT	1	
19	24G-17611-00	SHEAVE, primary fixed	1	
20	14T-15657-00	CLUTCH, oneway	1	
21	90208-10012	WASHER, conical spring	1	
22	90170-10219	NUT	1	
23	24G-17660-00	SECONDARY FIXED SHEAVE COMP.	1	
24	24G-17670-00	SECONDARY SLIDING SHEAVE	1	
25	93109-33049	OIL SEAL	2	
26	93210-38687	O-RING	2	
27	24G-17664-00	PIN, guide	2	
28	90501-35752	SPRING, compression	1	

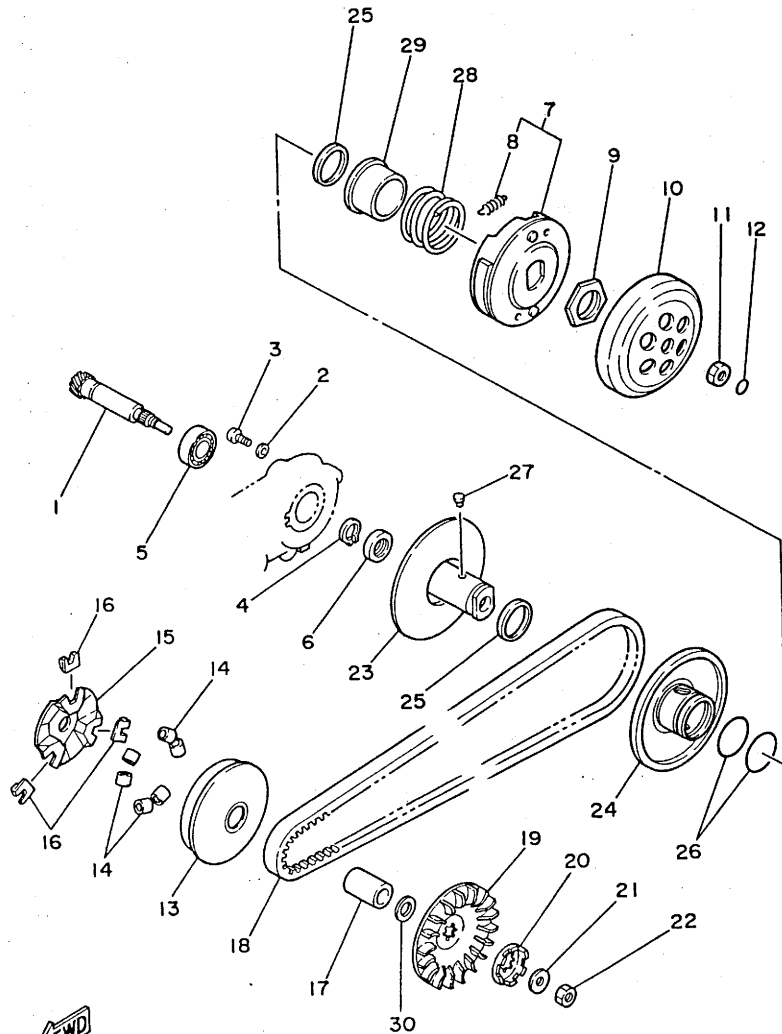


2EXO10-6100

B13

FIG. 10 CLUTCH

REF. NO.	PART NO.	DESCRIPTION	Q'TY	REMARKS
29	24G-17684-00	SEAT, secondary spring	1	
30	90201-163J6	WASHER, plate	1	

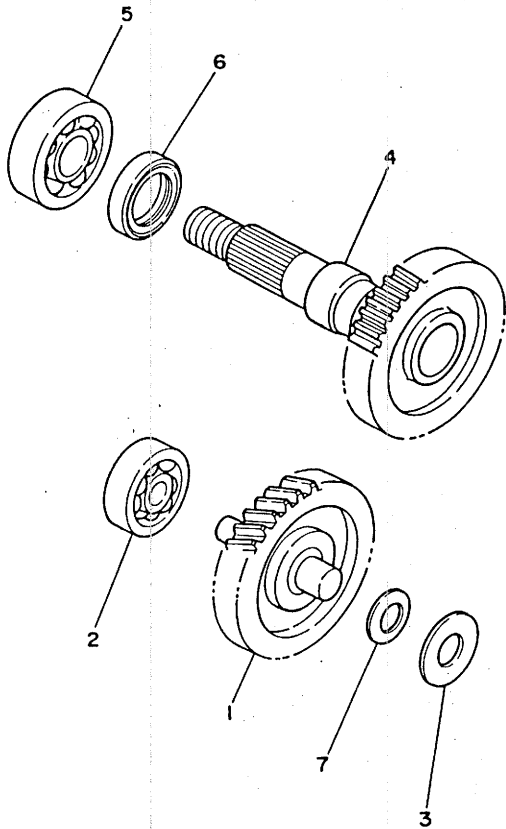


2EX010-6100

B14

FIG. 11 TRANSMISSION

REF. NO.	PART NO.	DESCRIPTION	Q'TY	REMARKS
1	52W-17410-00	MAIN AXLE COMP. (52T-12T)	1	
2	93306-30003	BEARING (B6300Z)	1	
3	90201-123K4	WASHER, plate	1	
4	24G-17420-00	DRIVE AXLE ASSY (36T)	1	
5	93306-20310	BEARING (B6203DU)	1	
6	93102-22314	OIL SEAL	1	
7	90208-12027	WASHER, conical spring	1	

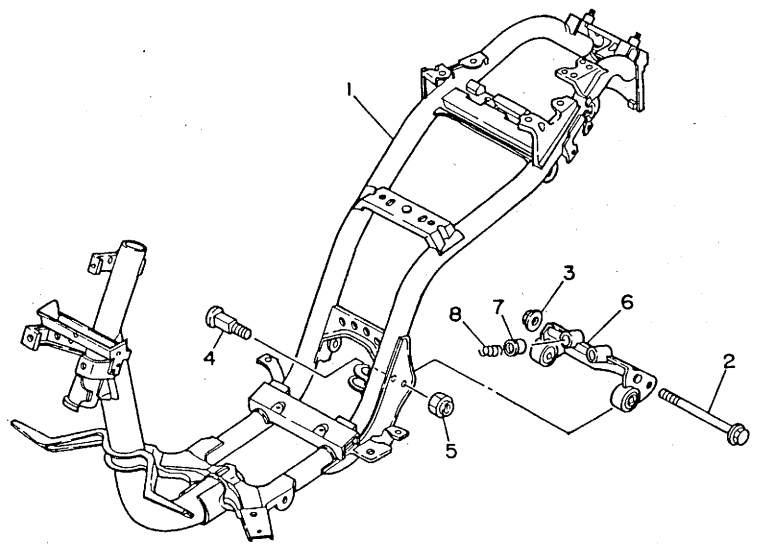


IUV110-6110

B15

FIG. 12 FRAME

REF. NO.	PART NO.	DESCRIPTION	Q'TY	REMARKS
1	2JA-21110-00-33	FRAME COMP.	1	YAMAHA BLACK
2	90105-10117	BOLT, washer based	1	
3	95701-10500	NUT, flange	1	
4	2T4-21481-01	BOLT, engine mounting 1	2	
5	95611-10100	NUT, u	2	
6	27V-21410-00	ENGINE BRACKET COMP.	1	
7	2T4-2139X-00	DAMPER	2	
8	90501-29517	SPRING, compression	2	



2JA010-7120

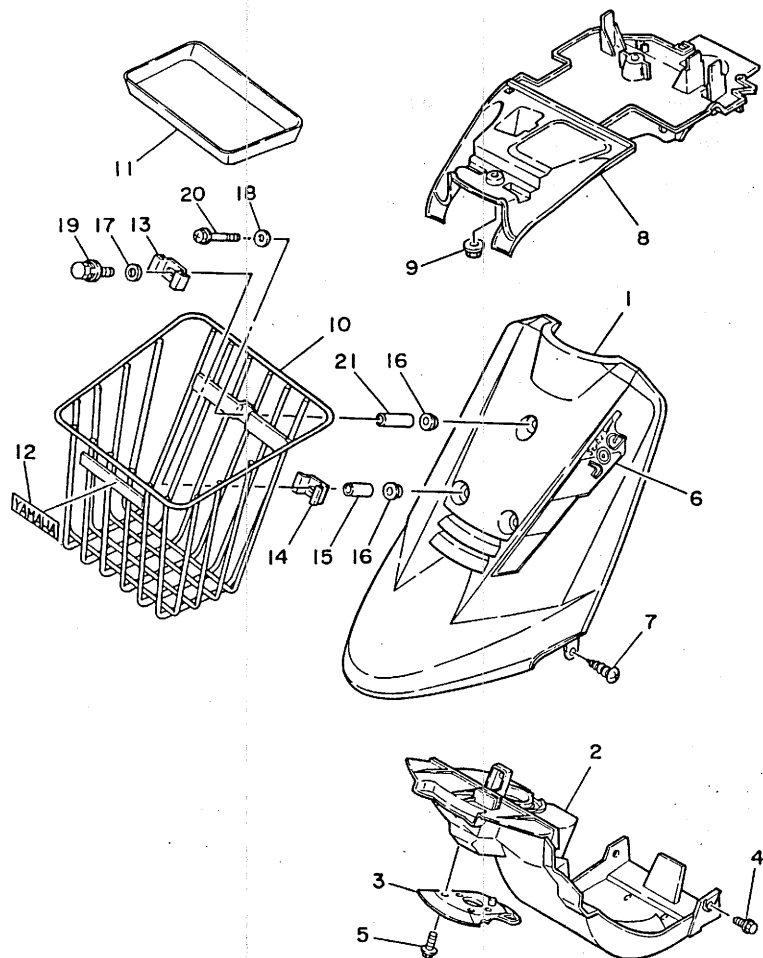


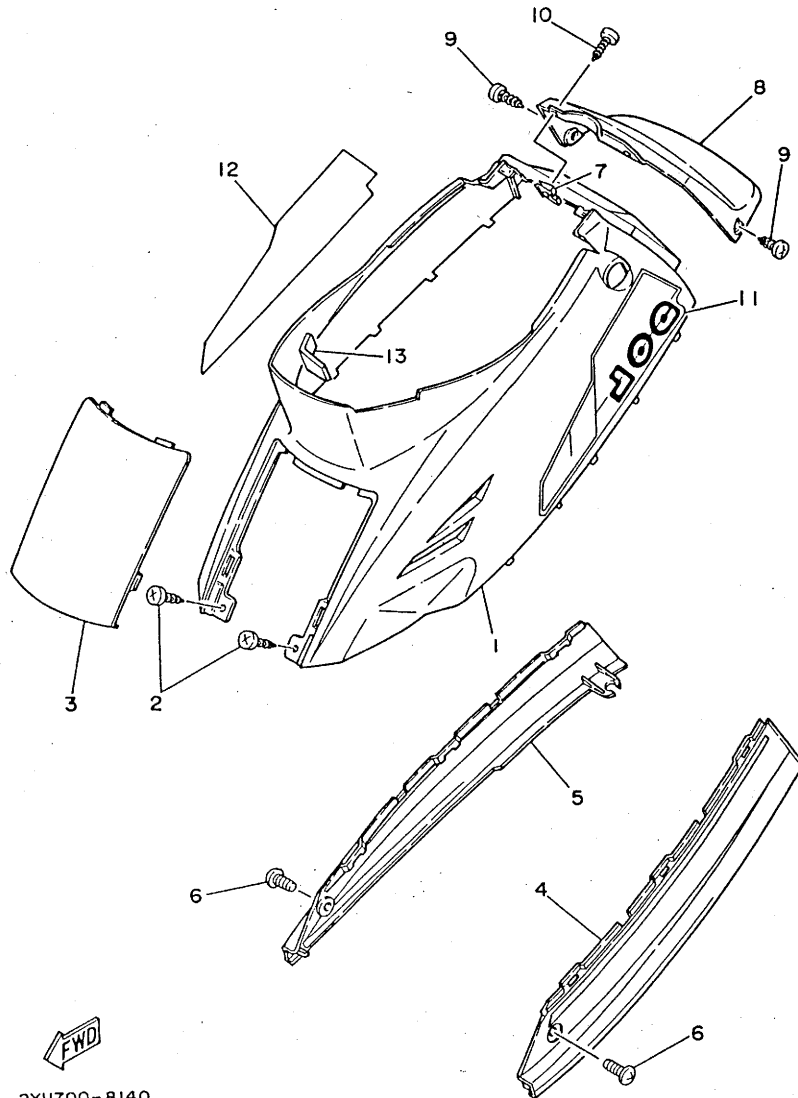
FIG. 13 FENDER

REF. NO.	PART NO.	DESCRIPTION	Q'TY	REMARKS
1	2JA-21511-00-FE	FENDER, front	1	UR MATURE RED
	2JA-21511-00-GE	FENDER, front	1	UR SILKY WHITE
	2JA-21511-00-MW	FENDER, front	1	UR BLUISH BLACK
2	2JA-21552-00	FENDER, inner	1	
3	27V-21553-03	FENDER, inner 2	1	
4	95801-06010	BOLT, flange	3	
5	90119-06085	BOLT, with washer	2	
6	2TE-21781-00	EMBLEM 1	1	UR FOR MRE
	2TE-21781-10	EMBLEM 1	1	UR FOR SW
	2TE-21781-20	EMBLEM 1	1	UR FOR BIB
7	90167-05041	SCREW, tapping	2	
8	3CP-21629-00	GUARD, mud	1	
9	95701-06500	NUT, flange	1	
10	27V-2483A-61	BASKET 1	1	
11	25K-2484L-50	TRAY	1	
12	353-24786-02	EMBLEM	1	
13	27V-2475H-50	BRACKET, seat lever 1	2	
14	27V-2475J-50	BRACKET, seat lever 2	2	
15	90387-095R7	COLLAR	2	
16	90387-062M9	COLLAR	3	
17	90214-06040	WASHER, claw	2	
18	92901-06600	WASHER, plate	1	
19	90159-06133	SCREW, with washer	2	
20	90159-06140	SCREW, with washer	1	
21	90387-096R0	COLLAR	1	



2YU700-8130

FIG. 14 SIDE COVER



REF. NO.	PART NO.	DESCRIPTION	Q'TY	REMARKS
1	2JA-21711-00-FE	COVER, side 1	1	UR MATURE RED
	2JA-21711-00-GE	COVER, side 1	1	UR SILKY WHITE
	2JA-21711-00-MW	COVER, side 1	1	UR BLUISH BLACK
2	90167-05041	SCREW, tapping	2	
3	2JA-21721-00-FE	COVER, side 2	1	UR MATURE RED
	2JA-21721-00-GE	COVER, side 2	1	UR SILKY WHITE
	2JA-21721-00-MW	COVER, side 2	1	UR BLUISH BLACK
4	2JA-2171L-40	MOLE, side cover 1	1	UR SOLID SILKY WHITE (FOR SW,MRE)
	2JA-2171L-50	MOLE, side cover 1	1	UR SOLID ENDURANCE BLUE (FOR BIB)
5	2JA-2171M-40	MOLE, side cover 2	1	UR SOLID SILKY WHITE (FOR SW,MRE)
	2JA-2171M-50	MOLE, side cover 2	1	UR SOLID ENDURANCE BLUE (FOR BIB)
6	90149-06184	SCREW	2	
7	90183-05042	NUT, spring	2	
8	2JA-21731-00-3J	COVER, side 3	1	UR BLUE (FOR BIB)
	2JA-21731-10-3J	COVER, side 3	1	UR BROWN (FOR SW,MRE)
9	90167-05041	SCREW, tapping	2	
10	90167-05041	SCREW, tapping	2	
11	2TE-21782-00	EMBLEM 2	1	UR FOR MRE
	2TE-21782-10	EMBLEM 2	1	UR FOR SW
	2TE-21782-20	EMBLEM 2	1	UR FOR BIB
12	2TE-21783-00	EMBLEM 3	1	UR FOR MRE
	2TE-21783-10	EMBLEM 3	1	UR FOR SW
	2TE-21783-20	EMBLEM 3	1	UR FOR BIB
13	3CP-21747-00	DAMPER	1	

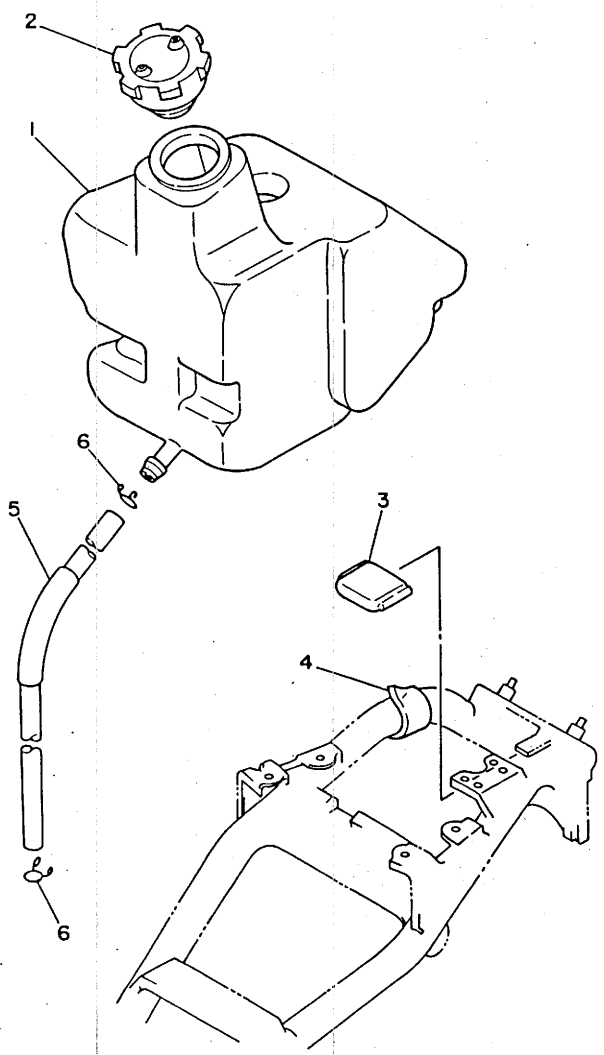


2YU700-8140

C4

FIG. 15 OIL TANK

REF. NO.	PART NO.	DESCRIPTION	Q'TY	REMARKS
1	2JA-21751-00	TANK, oil	1	
2	52W-21770-00	OIL TANK CAP ASSY	1	
3	2E9-24182-00	DAMPER, locating 2	1	
4	4N0-24181-00	DAMPER, locating 1	1	
5	2JA-21766-00	PIPE, oil	1	
6	90467-08003	CLIP	2	

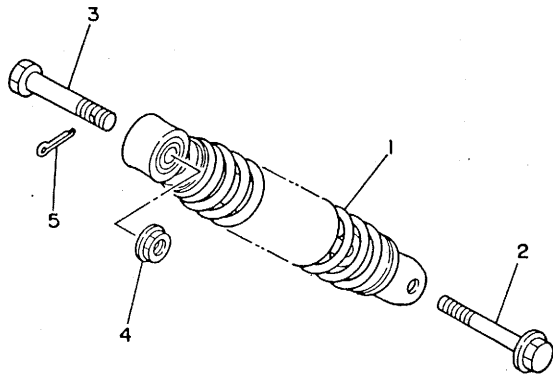


2JA010-7190

C5

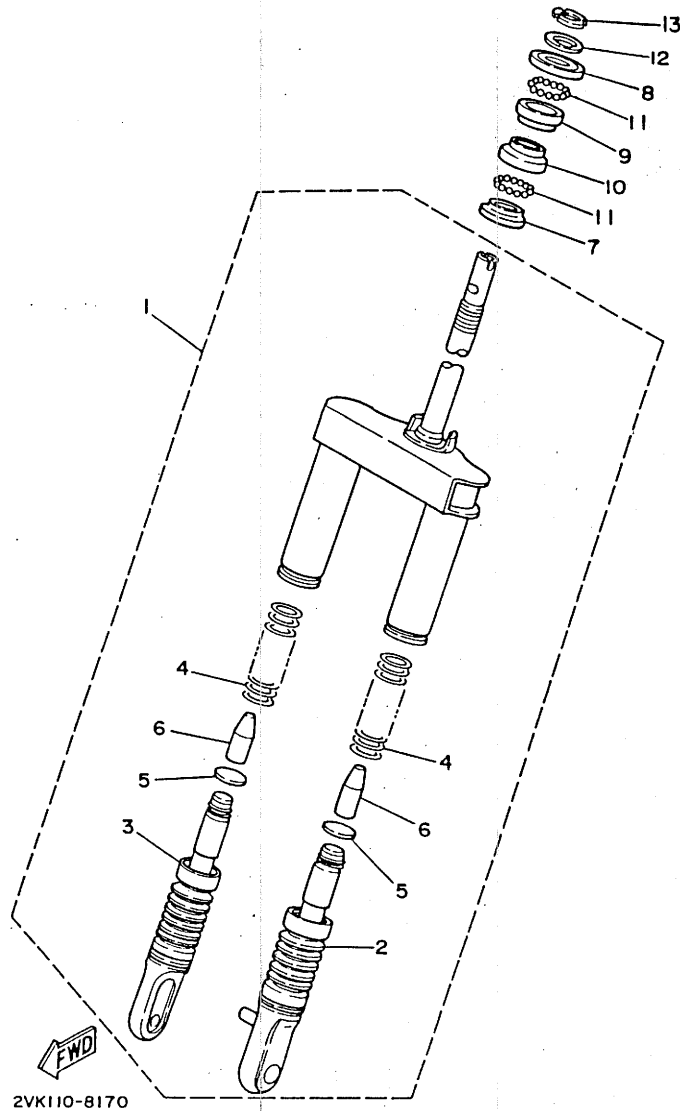
FIG. 16 REAR SUSPENSION

REF. NO.	PART NO.	DESCRIPTION	Q'TY	REMARKS
1	2VK-22210-00	SHOCK ABSORBER ASSY, rear	1	
2	90105-08121	BOLT, washer based	1	
3	90102-10059	BOLT, with hole	1	
4	95701-10500	NUT, flange	1	
5	91401-25020	PIN, cotter	1	



2JA010-7200

FIG. 17 FRONT FORK



REF. NO.	PART NO.	DESCRIPTION	Q'TY	REMARKS
1	2YU-23100-00	FRONT FORK ASSY	1	
2	2JA-23110-00	.INNER TUBE COMP.1	1	
3	2JA-23120-00	.INNER TUBE COMP.2	1	
4	2VK-23141-00	.SPRING, front fork	2	
5	1JX-23143-00	.SEAT, spring lower	2	
6	52W-23195-00	.RUBBER	2	
7	2E9-23414-01	RACE, ball 4	1	
8	2E9-23411-01	RACE, ball 1	1	
9	2E9-23412-00	RACE, ball 2	1	
10	2E9-23413-01	RACE, ball 3	1	
11	93505-32002	BALL	52	
12	2T4-23418-01	WASHER, special	1	
13	2E9-23454-00	NUT, fitting 2	1	

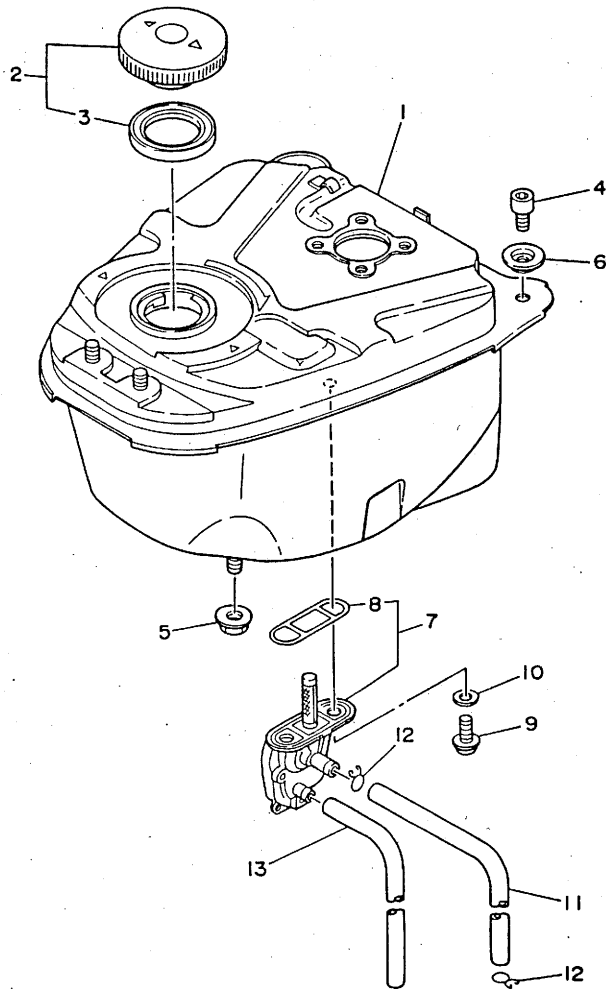


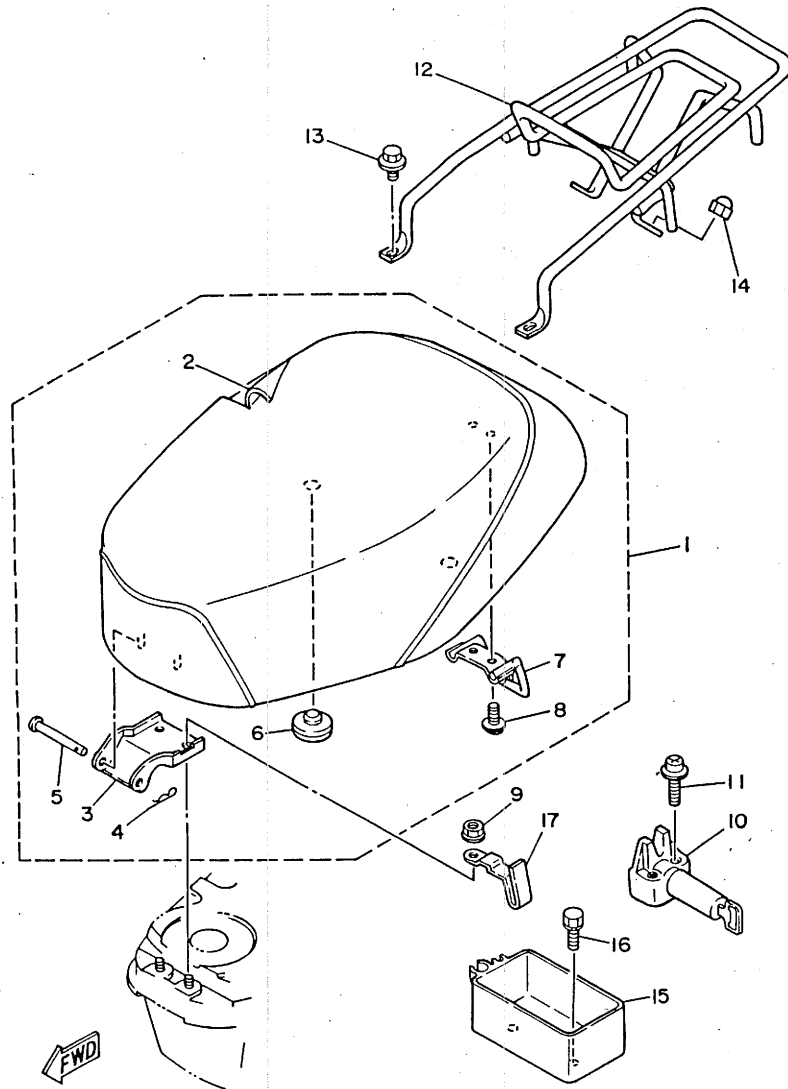
FIG. 18 FUEL TANK

REF. NO.	PART NO.	DESCRIPTION	QTY	REMARKS
1	3CP-24110-00	FUEL TANK COMP.	1	
2	22F-24610-01	CAP ASSY	1	
3	3T5-24612-02	.GASKET, cap	1	
4	95023-06012	BOLT, flange	2	
5	95701-06500	NUT, flange	2	
6	90209-06297	WASHER	2	
7	2JA-24500-00	FUEL COCK ASSY	1	
8	4X8-24512-00	.GASKET	1	
9	90149-06011	SCREW	2	
10	90202-06010	WASHER, plate	2	
11	90445-10752	HOSE	1	
12	90467-09006	CLIP	2	
13	90445-074F9	HOSE	1	



2JA010-7220

FIG. 19 SEAT. CARRIER



2JA010-7230

REF. NO.	PART NO.	DESCRIPTION	Q'TY	REMARKS
1	2JA-24710-40	SINGLE SEAT ASSY	1	UR SOLID SILKY WHITE (FOR SW,MRE)
	2JA-24710-50	SINGLE SEAT ASSY	1	UR SOLID ENDURANCE BLUE (FOR BIB)
2	2JA-24711-40	.COVER, single seat	1	UR SOLID SILKY WHITE (FOR SW,MRE)
	2JA-24711-50	.COVER, single seat	1	UR SOLID ENDURANCE BLUE (FOR BIB)
3	2JA-24726-00	.HINGE, seat	1	
4	90468-10050	.CLIP	1	
5	91701-06082	.PIN, clevis	1	
6	1L9-24741-00	.PAD, seat	2	
7	2JA-24728-00	.BRACKET, seat	1	
8	95801-06012	.BOLT, flange	2	
9	95701-06500	NUT, flange	2	
10	2JA-24705-00	SEAT LOCK ASSY	1	
11	90159-06064	SCREW, with washer	2	
12	2JA-24842-00-33	CARRIER, rear	1	YAMAHA BLACK
13	95811-06012	BOLT, flange	2	
14	90176-06066	NUT, crown	2	
15	2JA-21171-00	BOX, tool	1	
16	90119-06018	BOLT, with washer	2	
17	2JA-21398-00	HANGER, helmet	1	

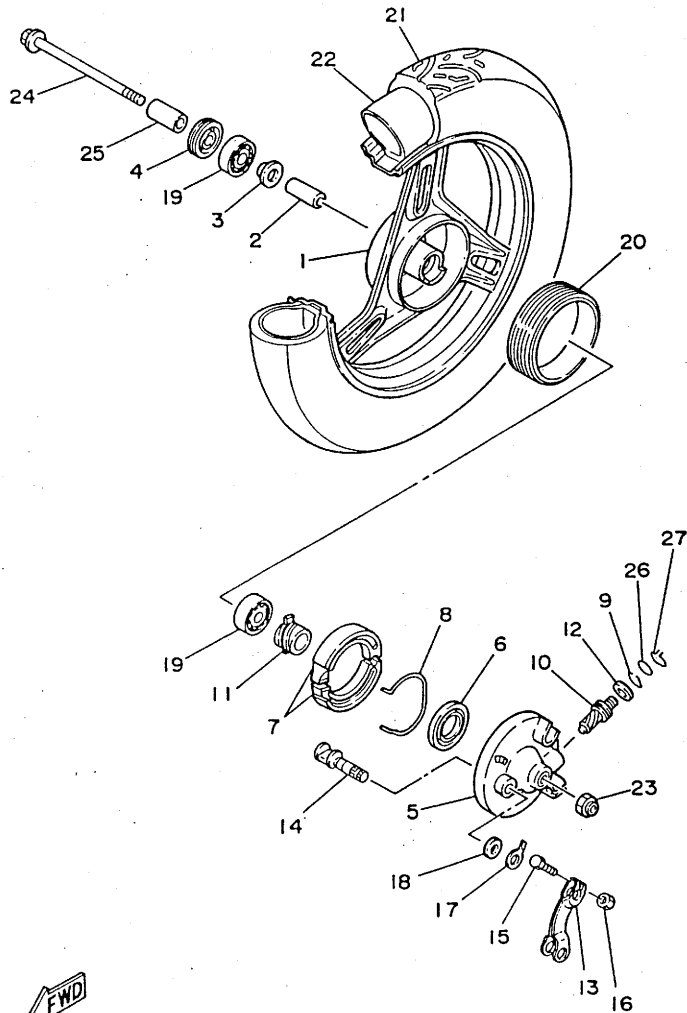


FIG. 20 FRONT WHEEL

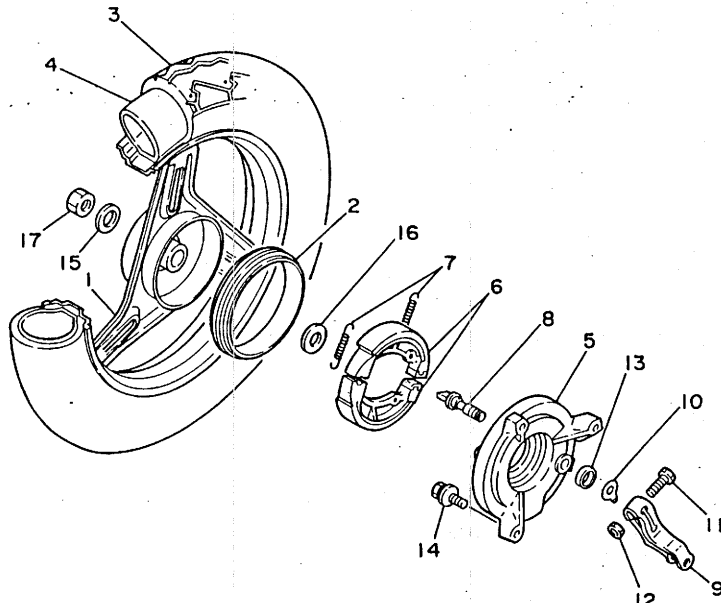
REF. NO.	PART NO.	DESCRIPTION	QTY	REMARKS
1	2JA-25180-00-36	FRONT WHEEL COMP.	1	WHITE
2	90560-10236	SPACER	1	
3	25K-25116-00	FLANGE, spacer 2	1	
4	93106-17015	OIL SEAL	1	
5	1YU-25121-00-35	PLATE, brake shoe	1	SILVER
6	93109-34057	OIL SEAL	1	
7	27V-W2535-00	BRAKE SHOE SET	1	
8	2E9-25133-00	SPRING, return	1	
9	2T4-25137-00	RING, stop	1	
10	2E9-25138-00	GEAR, meter	1	
11	2E9-25135-00	GEAR, drive (14T)	1	
12	90201-064L6	WASHER, plate	1	
13	2T4-25155-00	LEVER, camshaft 1	1	
14	25K-25151-00	CAMSHAFT	1	
15	97001-05020	BOLT	1	
16	95301-05600	NUT	1	
17	3L8-2513A-00	PLATE, indicator	1	
18	25K-25159-00	SEAL, camshaft	1	
19	93306-20005	BEARING (B6200)	2	UR
	93306-20006	BEARING (B6200)	2	UR
20	2T4-25185-00	RING 1	1	
21	94130-101T8	TIRE (3.00-10-4PR MB27)	1	INOUE
22	94230-10240	TUBE (3.00-10)	1	INOUE
23	95601-10200	NUT, self-locking	1	
24	54V-25181-00	AXLE, wheel	1	
25	90387-10620	COLLAR	1	
26	93210-10096	O-RING	1	
27	2E9-25137-01	RING, stop	1	



2JA010-7260

C10

FIG. 21 REAR WHEEL



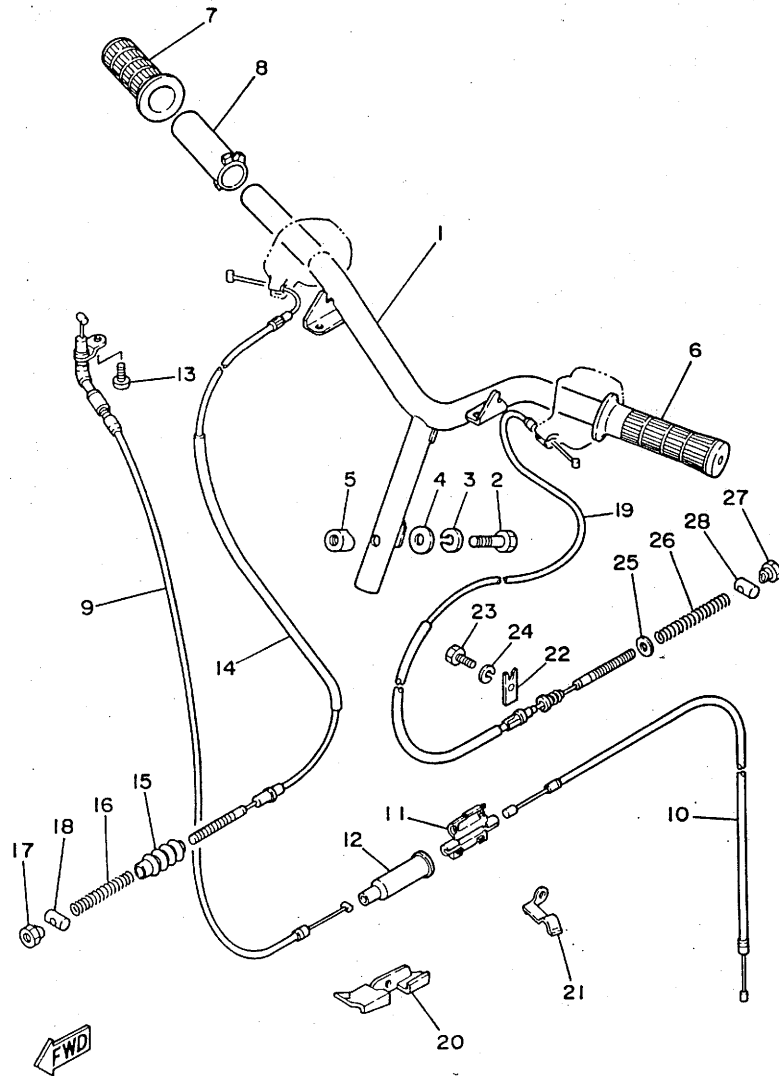
REF. NO.	PART NO.	DESCRIPTION	Q'TY	REMARKS
1	2JA-25390-00-36	REAR WHEEL COMP.	1	WHITE
2	27V-25336-00	RING 2	1	
3	94130-101T8	TIRE (3.00-10-4PR MB27)	1	INOUE
4	94230-10240	TUBE (3.00-10)	1	INOUE
5	27V-25321-00	PLATE, brake shoe	1	
6	27V-W2536-00	BRAKE SHOE SET	1	
7	90506-14081	SPRING, tension	2	
8	1YT-25351-00	CAMSHAFT	1	
9	27V-25355-00	LEVER, camshaft	1	
10	14T-2533A-00	PLATE, indicator	1	
11	90101-05488	BOLT	1	
12	95301-05600	NUT	1	
13	25K-25159-00	SEAL, camshaft	1	
14	90119-08120	BOLT, with washer	3	
15	90201-14740	WASHER, plate	1	
16	90201-17255	WASHER, plate	1	
17	90185-14081	NUT, self-locking	1	



IYT010-6210

C11

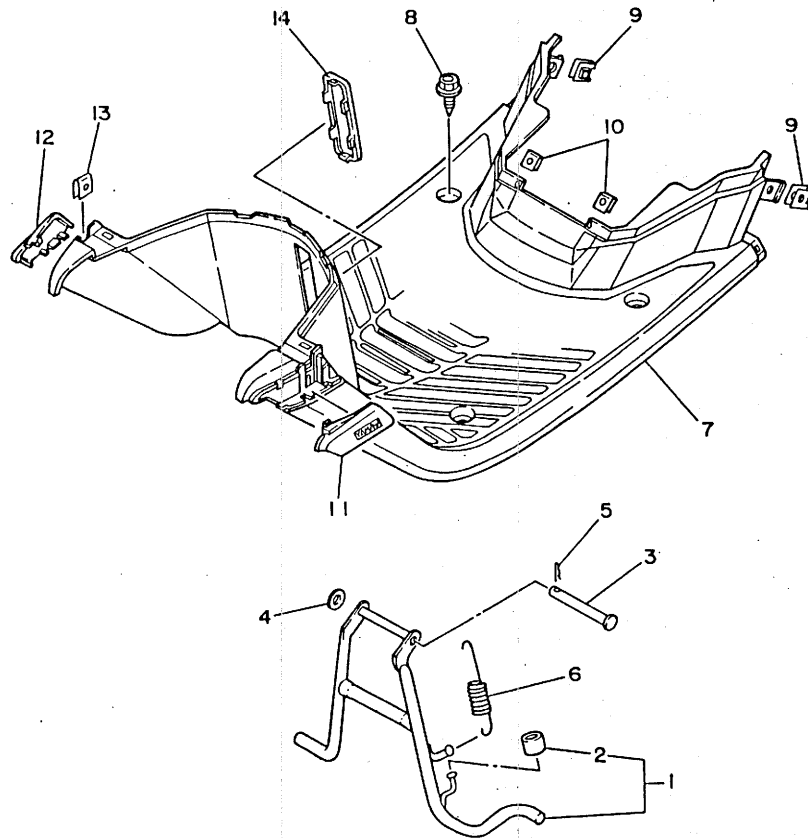
FIG. 22 STEERING HANDLE. CABLE



2JA010-7280

REF. NO.	PART NO.	DESCRIPTION	QTY	REMARKS
1	2JA-26110-00	HANDLE COMP.	1	
2	90109-08507	BOLT	1	
3	92990-08100	WASHER, spring	1	
4	2E9-26129-00	WASHER	1	
5	90179-08354	NUT	1	
6	5G3-26241-00	GRIP (L.H)	1	BLACK
7	5G3-26242-00	GRIP (R.H)	1	BLACK
8	5G3-26243-00	TUBE, throttle guide	1	
9	2JA-26311-00	CABLE, throttle 1	1	
10	2JA-26312-00	CABLE, throttle 2	1	
11	53L-26261-01	CONNECTOR, cable	1	
12	1YU-26329-00	CAP, rubber	1	
13	98506-05010	SCREW, pan head	1	
14	2JA-26341-00	CABLE, brake	1	
15	14T-26342-00	BOOT, cable	1	
16	90501-10513	SPRING, compression	1	
17	90179-06176	NUT	1	
18	90249-12008	PIN	1	
19	2JA-26351-00	CABLE, brake	1	
20	90465-30195	CLAMP	1	
21	90465-30196	CLAMP	1	
22	1YU-26393-00	HOLDER	1	
23	97021-06016	BOLT	1	
24	92990-06100	WASHER, spring	1	
25	90202-08175	WASHER, plate	1	
26	90501-123E4	SPRING, compression	1	
27	90179-06176	NUT	1	
28	90249-12008	PIN	1	

FIG. 23 STAND. FOOTREST



REF. NO.	PART NO.	DESCRIPTION	Q'TY	REMARKS
1	2JA-Y2711-01	STAND, main	1	
2	90387-064A4	.COLLAR	1	
3	90240-08123	PIN, clevis	1	
4	90202-08125	WASHER, plate	1	
5	90468-12006	CLIP	1	
6	90506-29280	SPRING, tension	1	
7	2JA-27481-40	BOARD, footrest	1	UR SOLID SILKY WHITE (FOR MRE, SW)
	2JA-27481-50	BOARD, footrest	1	UR SOLID ENDURANCE BLUE (FOR BIB)
8	90119-06060	BOLT, with washer	4	
9	25G-21535-00	NUT 1	2	
10	90183-05042	NUT, spring	2	
11	2JA-27475-40	CAP 1	1	UR SOLID SILKY WHITE (FOR MRE, SW)
	2JA-27475-50	CAP 1	1	UR SOLID ENDURANCE BLUE (FOR BIB)
12	2JA-27476-40	CAP 2	1	UR SOLID SILKY WHITE (FOR MRE, SW)
	2JA-27476-50	CAP 2	1	UR SOLID ENDURANCE BLUE (FOR BIB)
13	90183-05042	NUT, spring	2	
14	14T-28349-10	CAP	1	UR CLEAN WHITE (FOR MRE, SW)
	20H-28349-30	CAP	1	UR SOLID ENDURANCE BLUE (FOR BIB)

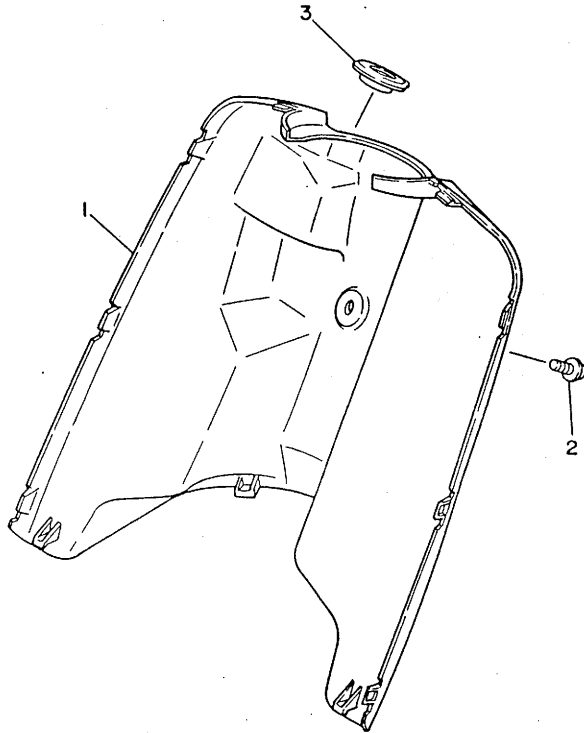


2YU700-8230

C13

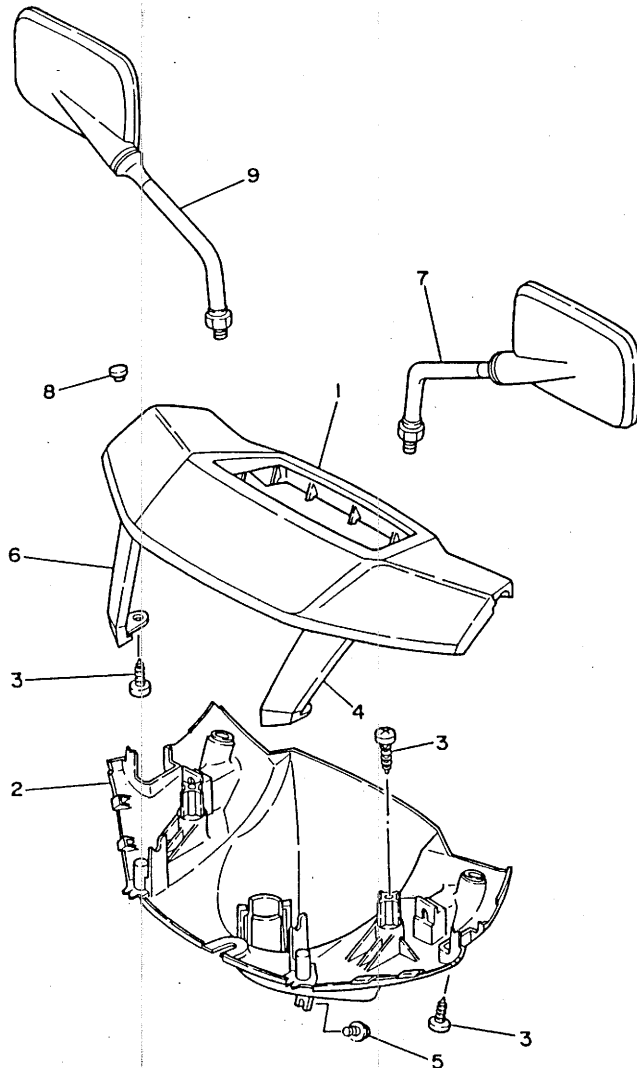
FIG. 24 LEG SHIELD

REF. NO.	PART NO.	DESCRIPTION	Q'TY	REMARKS
1	2JA-28311-40	LEG SHIELD 1	1	UR COMPOSED RED (FOR MRE)
	2JA-28311-50	LEG SHIELD 1	1	UR YAMAHA BLACK (FOR BIB)
	2JA-28311-60	LEG SHIELD 1	1	UR SOLID SILKY WHITE (FOR SW)
2	90159-06079	SCREW, with washer	1	
3	2JA-2834J-00	CAP 2	1	



2JA010-7330

FIG. 25 COWLING 1



REF. NO.	PART NO.	DESCRIPTION	Q'TY	REMARKS
1	2JA-26213-00-FE	COVER, upper	1	UR MATURE RED
	2JA-26213-00-GE	COVER, upper	1	UR SILKY WHITE
	2JA-26213-00-MW	COVER, upper	1	UR BLUISH BLACK
2	2JA-26215-40	COVER, lower	1	UR COMPOSED RED (FOR MRE)
	2JA-26215-50	COVER, lower	1	UR YAMAHA BLACK (FOR BIB)
	2JA-26215-60	COVER, lower	1	UR SOLID SILKY WHITE (FOR SW)
3	97701-50016	SCREW, tapping	6	
4	2JA-26216-00-FE	CAP, handlebar cover	1	UR MATURE RED
	2JA-26216-00-GE	CAP, handlebar cover	1	UR SILKY WHITE
	2JA-26216-00-MW	CAP, handlebar cover	1	UR BLUISH BLACK
5	90159-05028	SCREW, with washer	1	
6	2JA-26217-00-FE	CAP, cover handle 2	1	UR MATURE RED
	2JA-26217-00-GE	CAP, cover handle 2	1	UR SILKY WHITE
	2JA-26217-00-MW	CAP, cover handle 2	1	UR BLUISH BLACK
7	1HH-26280-00	REAR VIEW MIRROR ASS'Y (LEFT)	1	
8	90338-07124	PLUG	1	
9	1HH-26290-00	REAR VIEW MIRROR ASS'Y (RIGHT)	1	

2YU511-8250

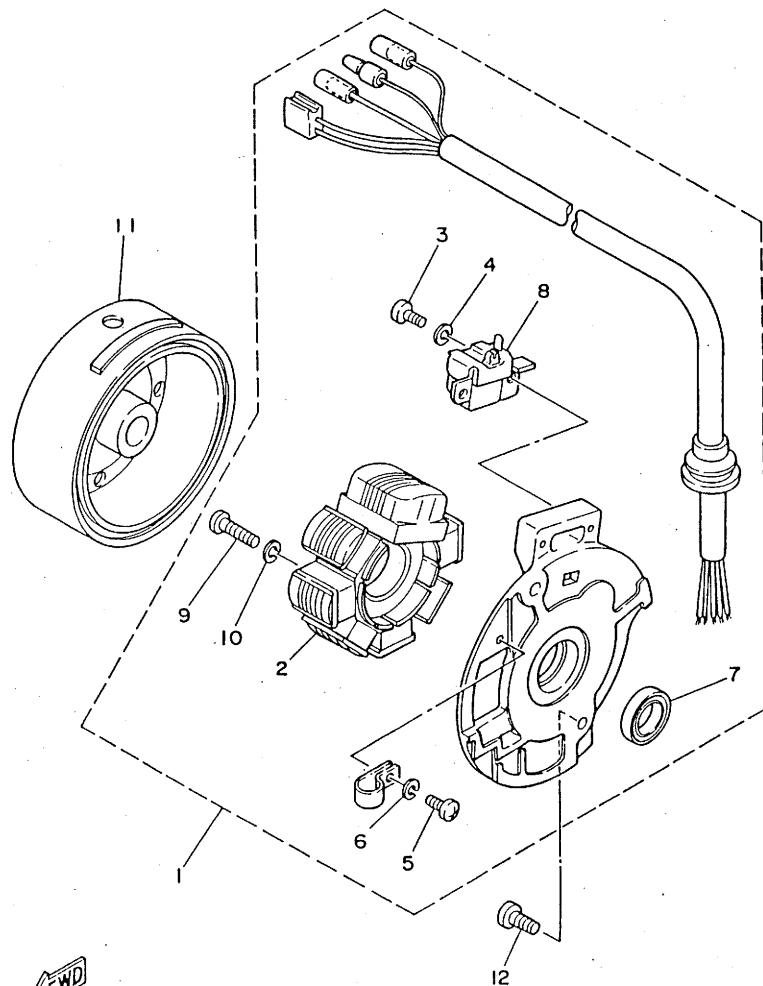


FIG. 26 GENERATOR

REF. NO.	PART NO.	DESCRIPTION	Q'TY	REMARKS
1	3CP-85560-00	BASE ASSY	1	
2	2JA-81403-M0	.STATORCOMP.	1	
3	98501-05010	.SCREW, pan head	2	
4	92901-05100	.WASHER, spring	2	
5	98501-04006	.SCREW, pan head	1	
6	92901-04100	.WASHER, spring	1	
7	93104-19097	.OIL SEAL	1	
8	2JA-85580-M0	.COIL, pulser	1	
9	98501-05020	.SCREW, pan head	2	
10	92901-05100	.WASHER, spring	2	
11	2JA-85550-M0	ROTOR ASSY	1	
12	92501-06014	SCREW, pan head	2	

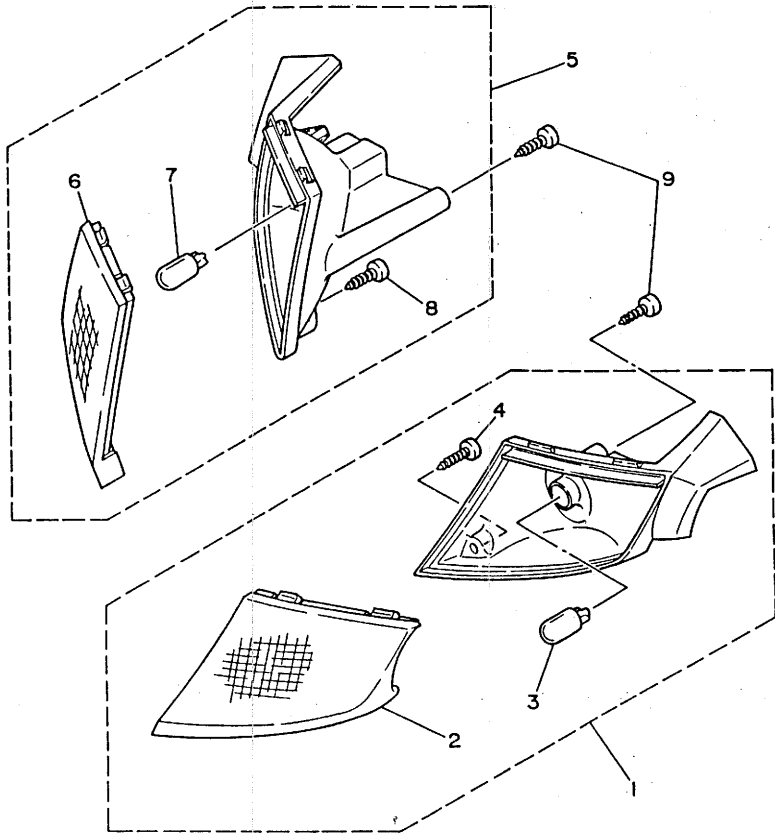
FWD

2VK1.10-8260

D2

FIG. 27 FLASHER LIGHT

REF. NO.	PART NO.	DESCRIPTION	Q'TY	REMARKS
1	2JA-83310-00	FRONT FLASHER LIGHT ASSY 1	1	
2	2JA-83312-00	.LENS, flasher	1	
3	54V-83311-00	.BULB, flasher (12V-8W)	1	
4	97702-40614	.SCREW, tapping	1	
5	2JA-83320-00	FRONT FLASHER LIGHT ASSY 2	1	
6	2JA-83322-00	.LENS, flasher 2	1	
7	54V-83311-00	.BULB, flasher (12V-8W)	1	
8	97702-40614	.SCREW, tapping	1	
9	97701-50016	SCREW, tapping	2	



2JA010-7400

D3

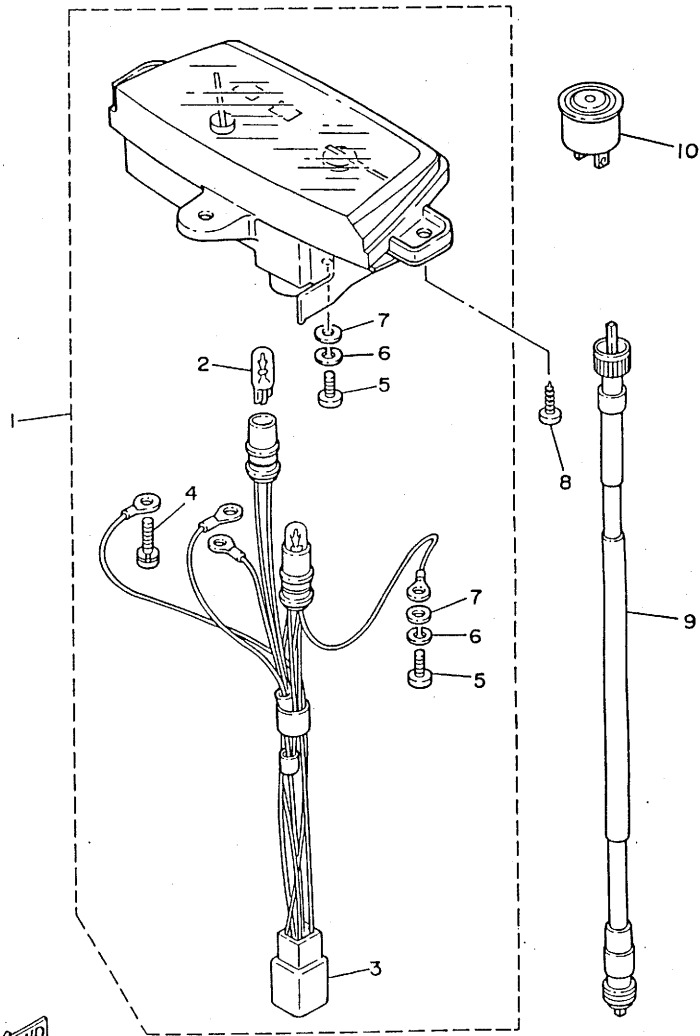


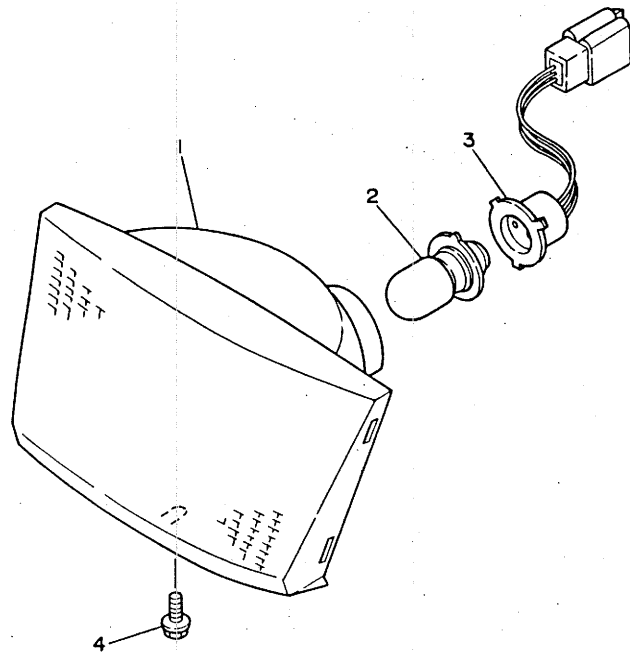
FIG. 28 METER

REF. NO.	PART NO.	DESCRIPTION	Q'TY	REMARKS
1	2YU-83510-10	SPEEDOMETER ASSY	1	
2	4G1-84744-00	.BULB (12V-3.4W)	2	
3	2YU-83509-00	.SOCKET CORD ASSY	1	
4	90159-03102	.SCREW, with washer	3	
5	98580-04010	.SCREW, pan head	2	
6	92901-04100	.WASHER, spring	2	
7	92901-04600	.WASHER, plate	2	
8	97701-50016	SCREW, tapping	2	
9	2JA-83550-00	SPEEDOMETER CABLE ASSY	1	
10	2JA-83390-00	AUDIO PILOT ASSY	1	

2YU700-8280

FIG. 29 HEADLIGHT

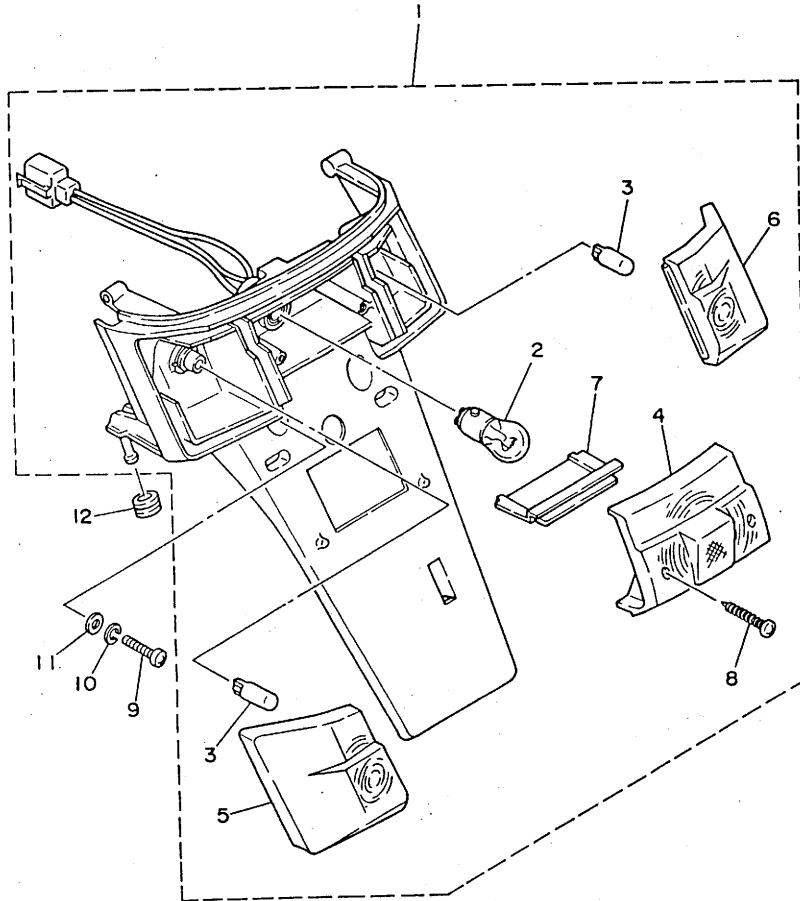
REF. NO.	PART NO.	DESCRIPTION	Q'TY	REMARKS
1	2JA-84320-00	LENS ASSY	1	
2	1YT-84314-00	BULB (12V25/25W)	1	
3	34M-84312-00	SOCKET	1	
4	90159-05155	SCREW, with washer	1	



2JA010-7440

D5

FIG. 30 TAILLIGHT



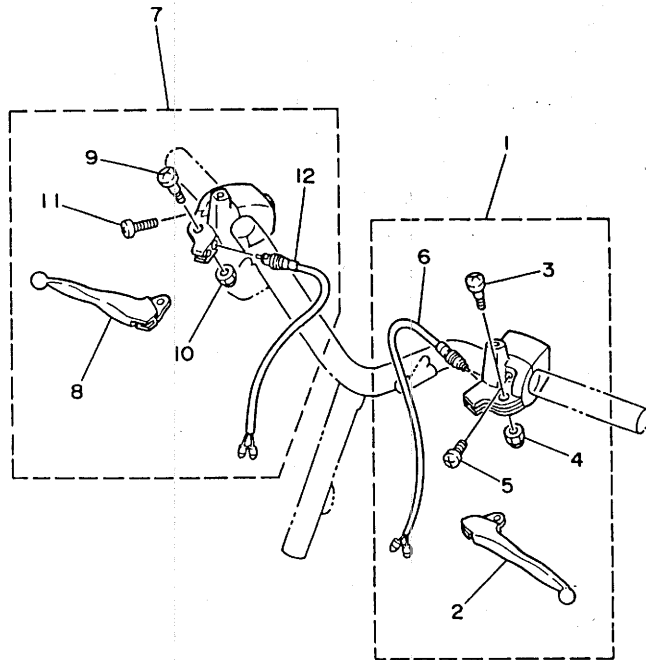
REF. NO.	PART NO.	DESCRIPTION	Q'TY	REMARKS
1	2JA-84700-00	TAILLIGHT ASSY	1	
2	31L-84714-00	.BULB, taillight (12V-21/5W)	1	
3	2JA-83331-00	.BULB, flasher	2	
4	2JA-84721-00	.LENS, taillight	1	
5	2JA-83332-00	.LENS, flasher	1	
6	2JA-83342-00	.LENS, flasher 2	1	
7	1YU-84743-00	.LENS, licence light	1	
8	97701-40525	.SCREW, tapping	2	
9	92501-06014	SCREW, pan head	2	
10	92990-06100	WASHER, spring	2	
11	92901-06600	WASHER, plate	2	
12	90480-10334	GROMMET	2	



2JA010-7450

D6

FIG. 31 HANDLE SWITCH. LEVER



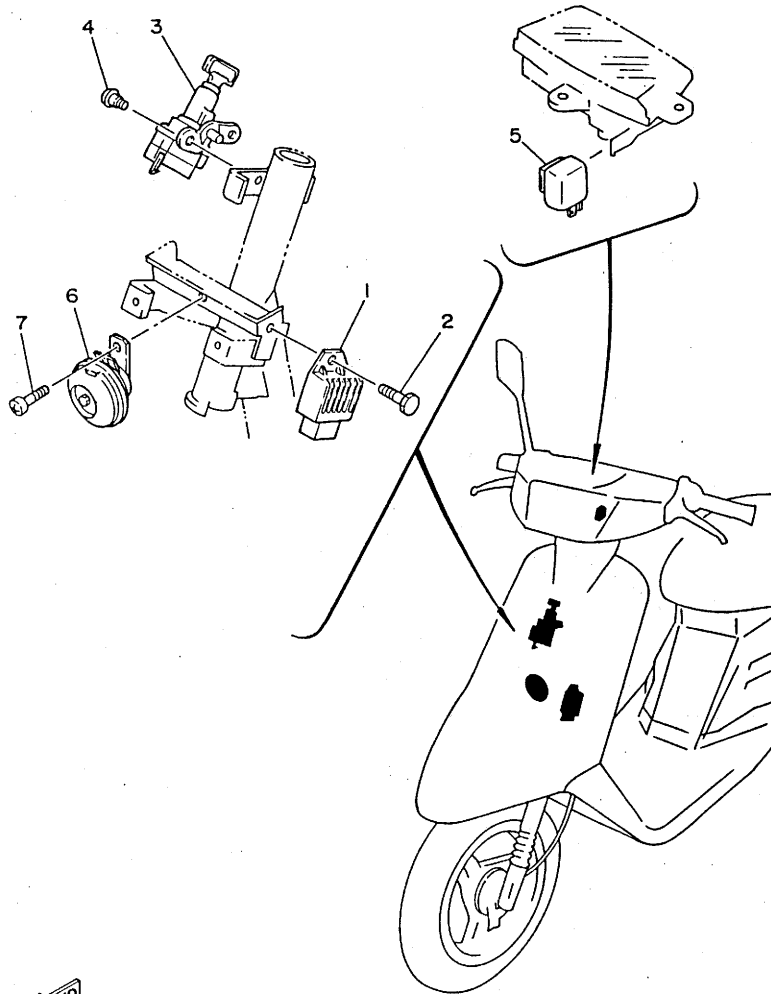
REF. NO.	PART NO.	DESCRIPTION	Q'TY	REMARKS
1	2JA-82910-00	LEVER HOLDER ASSY (LEFT)	1	
2	14T-83912-00	.LEVER 1	1	
3	90149-06175	.SCREW	1	
4	95706-05300	.NUT, nylon	1	UR
	95606-05100	.NUT, u	1	UR
5	98506-05016	.SCREW, pan head	2	
6	27V-83980-30	.FRONT STOP SWITCH ASSY	1	
7	2JA-82920-00	LEVER HOLDER ASSY (RIGHT)	1	
8	14T-83922-00	.LEVER 2	1	
9	90149-06175	.SCREW	1	
10	95706-05300	.NUT, nylon	1	UR
	95606-05100	.NUT, u	1	UR
11	98506-05016	.SCREW, pan head	2	
12	27V-83980-30	.FRONT STOP SWITCH ASSY	1	



2JA010-7460

D7

FIG. 32 ELECTRICAL 1



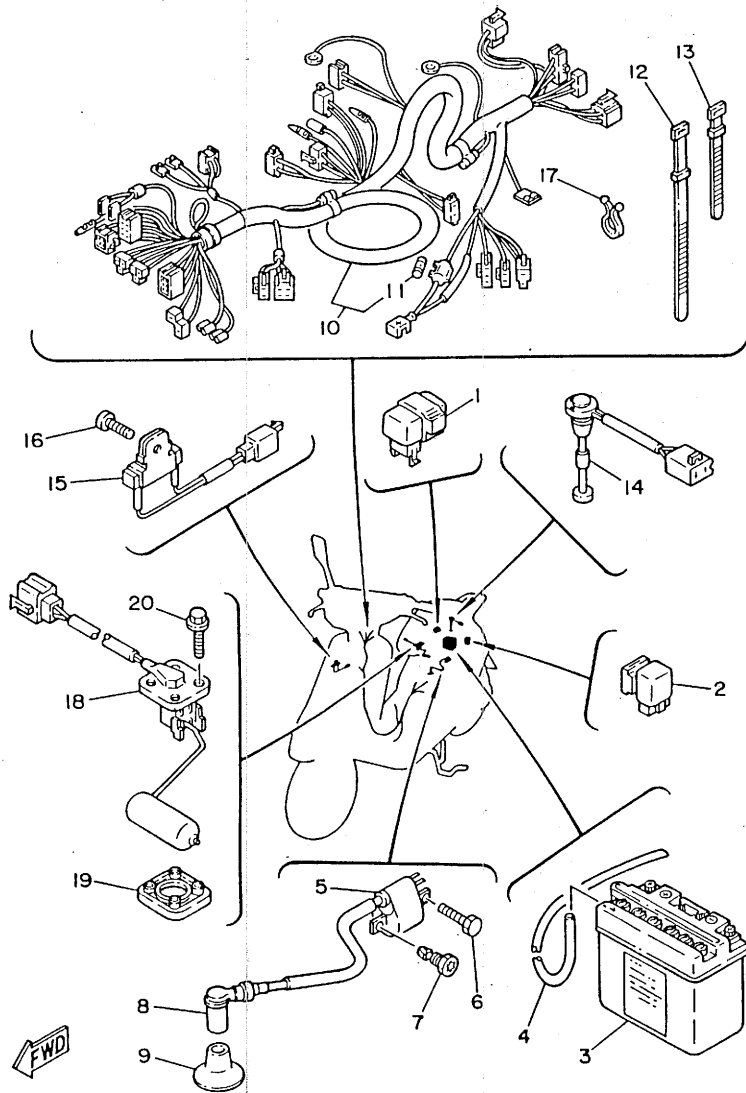
REF. NO.	PART NO.	DESCRIPTION	Q'TY	REMARKS
1	2JA-81960-90	RECTIFIER & REGULATOR ASSY	1	UR
	2JA-81960-A0	RECTIFIER & REGULATOR ASSY	1	UR
2	97313-06016	BOLT	1	
3	2JA-82501-00	MAIN SWITCH STEERING LOCK	1	
4	90149-06250	SCREW	2	
5	34M-83350-20	FLASHER RELAY ASSY	1	
6	27V-83371-20	HORN	1	
7	92501-06010	SCREW, pan head	1	



2JA010-7470

D8

FIG. 33 ELECTRICAL 2



REF. NO.	PART NO.	DESCRIPTION	Q'TY	REMARKS
1	2JA-85540-M0	C.D.I. UNIT ASSY	1	
2	27V-81940-02	STARTER SWITCH ASSY	1	
3	38E-82110-79	BATTERY ASSY (FB4L-B)	1	YAMAHA
4	90445-084A7	HOSE	1	
5	2JA-82310-M0	IGNITION COIL ASSY	1	
6	97313-06016	BOLT	1	
7	90153-06034	SCREW, hexagon	1	
8	2JA-82370-00	PLUG CAP ASSY	1	
9	2JA-82372-00	SEAL, plug cap	1	
10	2YU-82590-00	WIRE HARNESS ASSY	1	
11	27V-82151-00	.FUSE (7A)	1	
12	25G-83936-00	BAND, switch cord	3	
13	437-83936-10	BAND, switch cord	1	
14	2JA-85720-00	OIL LEVEL GAUGE ASSY	1	
15	2JA-85370-00	RESISTOR ASSY	1	
16	92501-06010	SCREW, pan head	1	
17	90465-18147	CLAMP	2	
18	3CP-85752-00	SENDER UNIT ASSY, fuel meter	1	
19	5G3-85753-00	GASKET, sender unit	1	
20	90119-05071	BOLT, with washer	4	

2YU700-8330

D9

NUMERICAL INDEX

PART NO.	GRID NO.	PART NO.	GRID NO.	PART NO.	GRID NO.	PART NO.	GRID NO.	PART NO.	GRID NO.	PART NO.	GRID NO.
1JX-W1541-01	B-10	14T-14341-01	B- 7	24G-17420-00	B-15	2TE-21783-20	C- 4	2JA-25180-00-36	C-10	2JA-81403-MO	D- 2
27V-W2535-00	C-10	14T-14343-45	B- 7	24G-17611-00	B-13	2VK-22210-00	C- 6	54V-25181-00	C-10	2EX-81800-MO	B-12
27V-W2536-00	C-11	17J-14353-21	B- 7	2EX-17620-00	B-13	164-22216-00	B-10	2T4-25185-00	C-10	2EX-81800-50	B-12
2JA-Y1461-00	B- 9	14T-14384-00	B- 7	24G-17623-00	B-13	2YU-23100-00	C- 7	27V-25321-00	C-11	14T-81847-50	B-12
2JA-Y2711-01	C-13	1HV-14385-01	B- 7	2JA-17632-00	B-13	2JA-23110-00	C- 7	14T-2533A-00	C-11	27V-81940-02	D- 9
2JA-11111-01	B- 2	367-14386-00	B- 7	24G-17641-00	B-13	2JA-23120-00	C- 7	27V-25336-00	C-11	2JA-81960-AO	D- 8
517-11181-00	B- 2	2JA-14392-00	B- 7	23Y-17653-00	B-13	2JA-23141-00	C- 7	1YT-25351-00	C-11	2JA-81960-90	D- 8
2JA-11311-00	B- 2	2JA-14396-00	B- 7	24G-17660-00	B-13	1JX-23143-00	C- 7	27V-25355-00	C-11	38E-82110-79	D- 9
1YU-11351-00	B- 2	2JA-14397-00	B- 7	24G-17664-00	B-13	52W-23195-00	C- 7	2JA-25390-00-36	C-11	27V-82151-00	D- 9
2JA-11400-00	B- 3	2JA-14411-00	B- 6	24G-17670-00	B-13	2E9-23411-01	C- 7	2JA-26110-00	C-12	2JA-82310-MO	D- 9
2JA-11412-00	B- 3	1KX-14412-00	B- 6	24G-17684-00	B-14	2E9-23412-00	C- 7	2E9-26129-00	C-12	2JA-82370-00	D- 9
2JA-11422-00	B- 3	2JA-14437-00	B- 6	2JA-21110-00-33	C- 2	2E9-23413-01	C- 7	2JA-26213-00-FE	C-15	2JA-82372-00	D- 9
2JA-11422-00	B- 3	2JA-14451-00	B- 6	2JA-21171-00	C- 9	2E9-23414-01	C- 7	2JA-26213-00-GE	C-15	2JA-82501-00	D- 8
260-11601-02	B- 3	2JA-14452-00	B- 6	2T4-2139X-00	C- 2	2T4-23418-01	C- 7	2JA-26213-00-MW	C-15	2YU-82590-00	D- 9
260-11601-22	B- 3	27V-14453-00	B- 6	2JA-21398-00	C- 9	2E9-23454-00	C- 7	2JA-26215-40	C-15	2JA-82910-00	D- 7
2JA-11631-01-96	B- 3	24G-14613-00	B- 9	27V-21410-00	C- 2	3CP-24110-00	C- 8	2JA-26215-50	C-15	2JA-82920-00	D- 7
27V-11633-00	B- 3	2JA-14718-00	B- 9	2T4-21481-01	C- 2	4NO-24181-00	C- 5	2JA-26215-60	C-15	2JA-83310-00	D- 3
2JA-11636-01	B- 3	2JA-14766-00	B- 9	2JA-21511-00-FE	C- 3	2E9-24182-00	C- 5	2JA-26216-00-FE	C-15	54V-83311-00	D- 3
2E9-11651-00	B- 3	52W-14766-00	B- 9	2JA-21511-00-GE	C- 3	2JA-24500-00	C- 8	2JA-26216-00-GE	C-15	2JA-83312-00	D- 3
1YU-11681-00	B- 3	2JA-1490J-00	B- 7	2JA-21511-00-MW	C- 3	4X8-24512-00	C- 8	2JA-26216-00-MW	C-15	2JA-83320-00	D- 3
1YU-12611-01	B- 4	2VK-15110-00	B-10	25G-21535-00	C-13	22F-24610-01	C- 8	2JA-26217-00-FE	C-15	2JA-83322-00	D- 3
2JA-12651-00	B- 4	2JA-15120-00	B-10	2JA-21552-00	C- 3	3T5-24612-02	C- 8	2JA-26217-00-GE	C-15	2JA-83331-00	D- 6
2JA-12653-00	B- 4	1HV-15128-00	B-10	2JA-21553-03	C- 3	2JA-24705-00	C- 9	2JA-26217-00-MW	C-15	2JA-83332-00	D- 6
2NA-12658-00	B- 4	2JA-15185-00	B-12	27V-21629-00	C- 3	2JA-24710-40	C- 9	5G3-26241-00	C-12	2JA-83342-00	D- 6
2JA-13101-00	B- 5	2T4-15317-00	B-10	3CP-21629-00	C- 3	2JA-24710-50	C- 9	5G3-26242-00	C-12	34M-83350-20	D- 8
296-13124-00	B- 5	2T4-15363-00	B-10	2JA-2171L-40	C- 4	2JA-24711-40	C- 9	53L-26261-01	C-12	27V-83371-20	D- 8
2E9-13174-00	B- 5	498-15371-00	B-10	2JA-2171M-50	C- 4	2JA-24711-50	C- 9	1HH-26280-00	C-15	2JA-83390-00	D- 4
2GM-13178-00	B- 5	2JA-15416-00	B-11	2JA-2171M-50	C- 4	2JA-24726-00	C- 9	1HH-26290-00	C-15	2YU-83509-00	D- 4
2JA-13555-00	B- 6	1HV-15421-01	B-10	2JA-21711-00-FE	C- 4	2JA-24728-00	C- 9	2JA-26311-00	C-12	2YU-83510-10	D- 4
2JA-13610-00	B- 6	27V-15451-03	B-10	2JA-21711-00-GE	C- 4	1L9-24741-00	C- 9	2JA-26312-00	C-12	2JA-83550-00	D- 4
2JA-13610-10	B- 6	14T-15462-00	B-11	2JA-21711-00-MW	C- 4	27V-2475H-50	C- 3	1YU-26329-00	C-12	14T-83912-00	D- 7
2JA-13613-10	B- 6	2JA-15513-00	B-12	2JA-21721-00-FE	C- 4	27V-2475J-50	C- 3	2JA-26312-00	C-12	14T-83922-00	D- 7
35R-13613-00	B- 6	2JA-15528-00	B-12	2JA-21721-00-GE	C- 4	353-24786-02	C- 3	2JA-26341-00	C-12	25G-83936-00	D- 9
2JA-13616-00	B- 6	2JA-15532-00	B-12	2JA-21721-00-MW	C- 4	27V-2483A-61	C- 3	14T-26342-00	C-12	437-83936-10	D- 9
2JA-13616-10	B- 6	2JA-15570-00	B-12	2JA-21731-00-3J	C- 4	25K-2484L-50	C- 3	2JA-26351-00	C-12	27V-83980-30	D- 7
35R-13621-00	B- 6	2JA-15570-00	B-12	2JA-21731-10-3J	C- 4	2JA-24842-00-33	C- 9	1YU-26393-00	C-12	27V-83980-30	D- 7
2NA-1410A-00	B- 7	1NT-15601-01	B-12	3CP-21747-00	C- 4	25K-25116-00	C-10	2JA-27475-40	C-13	2JA-27475-50	D- 5
2JA-14103-00	B- 7	2EX-15620-00	B-12	2JA-21751-00	C- 5	1YU-25121-00-35	C-10	2JA-27476-40	C-13	1YT-84314-00	D- 5
14T-14104-00	B- 7	33A-15630-00	B- 5	2JA-21766-00	C- 5	3L8-2513A-00	C-10	2JA-27476-50	C-13	2JA-84320-00	D- 5
1UV-14106-00	B- 7	296-15644-00	B-12	52W-21770-00	C- 5	2E9-25133-00	C-10	2JA-27481-40	C-13	2JA-84700-00	D- 6
2T4-14126-01	B- 7	2EX-15650-00	B-13	2TE-21781-00	C- 3	2E9-25135-00	C-10	2JA-27481-50	C-13	31L-84714-00	D- 6
2JA-14146-00	B- 8	14T-15657-00	B-12	2TE-21781-10	C- 3	2E9-25137-01	C-10	2JA-28311-40	C-14	2JA-84721-00	D- 6
1HV-14147-00	B- 7	32N-15673-00	B-12	2TE-21781-20	C- 3	2T4-25137-00	C-10	2JA-28311-50	C-14	1YU-84743-00	D- 6
1UV-14169-00	B- 7	54V-15763-00	B-12	2TE-21782-00	C- 4	2E9-25138-00	C-10	2JA-28311-60	C-14	461-84744-00	D- 4
2JA-14283-00	B- 8	1GJ-16111-01	B-13	2TE-21782-10	C- 4	25K-25151-00	C-10	2JA-2834J-00	C-14	2JA-85370-00	D- 9
2YR-14301-00	B- 7	24G-16611-03	B-13	2TE-21782-20	C- 4	2T4-25155-00	C-10	14T-28349-10	C-13	2JA-85540-MO	D- 9
14T-14312-25	B- 7	2VK-16620-00	B-13	2TE-21783-00	C- 4	25K-25159-00	C-11	20H-28349-30	C-13	2JA-85550-MO	D- 2
14T-14323-00	B- 7	24G-16626-00	B-13	2TE-21783-10	C- 4						
1YU-14331-00	B- 7	52W-17410-00	B-15								

NUMERICAL INDEX

PART NO.	GRID NO.	PART NO.	GRID NO.	PART NO.	GRID NO.	PART NO.	GRID NO.	PART NO.	GRID NO.	PART NO.	GRID NO.
3CP-85560-00	D- 2	90183-05042	C-13	90465-30195	C-12	92901-06600	B- 4	94230-10240	C-10	98580-05016	B- 7
2JA-85580-M0	D- 2		C-13	90465-30196	C-12		C- 3		C-11	98906-06016	B- 9
2JA-85720-00	D- 9	90185-14081	C-11	90467-08003	C- 5		D- 6	94701-00050	B- 2	99001-07600	B- 5
3CP-85752-00	D- 9	90201-064L6	C-10	90467-09006	C- 8	92902-03600	B- 6	94701-00321	B- 2	99009-15400	B-12
5G3-85753-00	D- 9	90201-06412	B-13	90468-02033	B- 5	92990-03100	B- 6	95023-06012	C- 8	99009-17400	B-13
90101-05488	C-11	90201-087H6	B-12	90468-10050	C- 9	92990-06100	B- 4	95301-05600	C-10	99009-19400	B- 5
90101-06631	B- 9	90201-123K4	B-15	90468-12006	C-13		B- 7		C-11	99510-12016	B-10
90102-10059	C- 6	90201-14740	C-11	90468-20127	B- 6		C-12	95601-10200	C-10	99530-10014	B-10
90105-08121	C- 6	90201-155J9	B-12	90480-10334	D- 6		D- 6	95606-05100	D- 7		B-10
90105-10117	C- 2	90201-163J6	B-14	90480-10468	B- 4	92990-06200	B- 9		D- 7		
90109-083E5	B- 9	90201-166K2	B-12	90480-12237	B- 9	92990-06600	B- 9	95611-10100	C- 2		
90109-08507	C-12	90201-17255	C-11	90501-10513	C-12	92990-08100	C-12	95701-06500	B- 2		
90116-06418	B- 2	90202-06010	C- 8	90501-123E4	C-12	92990-10600	B- 3		C- 3		
90119-05071	D- 9	90202-08125	C-13	90501-29517	C- 2	93101-10001	B- 5		C- 8		
90119-06018	C- 9	90202-08175	C-12	90501-35752	B-13	93101-20138	B- 3		C- 9		
90119-06060	C-13	90206-15021	B-12	90506-14081	C-11	93102-17342	B-13	95701-10500	C- 2		
90119-06085	C- 3	90206-19027	B- 5	90506-29280	C-13	93102-20390	B- 3		C- 6		
90119-08120	C-11	90208-10012	B-13	90508-29643	B-12	93102-22314	B-15	95706-05300	D- 7		
90119-08129	B- 9	90208-12027	B-15	90560-10236	C-10	93104-19097	D- 2		D- 7		
90149-04135	B- 5	90209-06297	C- 8	91316-06020	B- 6	93106-17015	C-10	95801-06010	C- 3		
90149-06011	C- 8	90209-57298	B-12		B-12	93109-33049	B-13	95801-06012	C- 9		
90149-06175	D- 7	90214-06040	C- 3	91401-25020	C- 6	93109-34057	C-10	95801-08016	B-10		
	D- 7	90240-08123	C-13	91701-06082	C- 9	93210-06550	B-13	95811-06012	C- 9		
90149-06184	C- 4	90249-12008	C-12	92501-06010	B-13	93210-10096	C-10	97001-05020	C-10		
90149-06250	D- 8		C-12		D- 8	93210-14104	B-10	97016-06025	B-12		
90153-06034	D- 9	90280-03017	B- 3		D- 9	93210-23614	B-12	97021-06016	C-12		
90153-06061	B- 9	90338-07124	C-15	92501-06012	B-11	93210-26240	B- 5	97313-06016	D- 8		
90159-03102	D- 4	90380-15099	B-12		B-12	93210-38687	B-13		D- 9		
90159-05028	C-15	90387-06067	B- 9	92501-06014	B- 4	93210-64488	B- 4	97701-40125	B- 6		
90159-05155	D- 5	90387-062M9	C- 3		D- 2	93300-63808	B-10	97701-40525	D- 6		
90159-06064	C- 9	90387-064A4	C-13		D- 6	93306-00201	B-10	97701-50016	C-15		
90159-06075	B-11	90387-095R7	C- 3	92501-06020	B-10		B-10		D- 3		
90159-06079	C-14	90387-096R0	C- 3	92501-06025	B-10	93306-00315	B-13		D- 4		
90159-06133	C- 3	90387-10620	C-10	92501-06035	B-10	93306-20005	C-10	97702-40614	D- 3		
90159-06140	C- 3	90387-160M2	B-13		B-10	93306-20006	C-10		D- 3		
90167-05041	C- 3	90387-167J0	B- 3		B-10	93306-20310	B-15	97780-50125	B- 6		
	C- 4	90430-04004	B- 5	92503-06045	B-10	93306-20458	B- 3	98501-03006	B- 7		
	C- 4	90430-08119	B-10	92506-06020	B- 4	93306-30003	B-15	98501-03008	B- 6		
	C- 4	90445-051F7	B- 5		B- 6	93310-210M0	B- 3	98501-04006	D- 2		
90170-10219	B- 3	90445-074F9	C- 8	92506-06060	B-10	93310-257R1	B-12	98501-05010	D- 2		
	B-13	90445-084A7	D- 9	92580-06016	B- 7	93310-416F7	B- 3	98501-05020	B- 5		
90170-10317	B-13	90445-10752	C- 8	92901-04100	B- 7	93440-15012	B-10		D- 2		
90176-06066	C- 9	90446-07008	B-10		D- 2	93450-11120	B- 3	98501-05035	B- 5		
90179-06176	C-12	90460-32242	B- 6		D- 4	93505-32002	C- 7	98506-05010	C-12		
	C-12	90462-16171	B-11	92901-04600	D- 4	93603-12007	B- 5	98506-05016	D- 7		
90179-08354	C-12	90465-10296	B-11	92901-05100	B- 7	93603-14026	B- 5		D- 7		
90179-28415	B-13	90465-18147	D- 9		D- 2	94130-101T8	C-10	98580-04010	D- 4		
90183-05042	C- 4	90465-20205	B-11		D- 2		C-11	98580-04016	B- 7		

