



# **PARTS CATALOGUE**

## **PW80'08** (4BCJ) EUROPE, SOUTH AFRICA

PW80/PW80X  
PARTS CATALOGUE  
©2007 by Yamaha Motor Co., Ltd.  
1st edition, May 2007  
All rights reserved.  
Any reprinting or unauthorized use  
without the written permission of  
Yamaha Motor Co., Ltd.  
is expressly prohibited.  
Printed in Japan.

**A3**

# FOREWORD

This Parts Catalogue is related to the parts for the model(s) on the cover page. When you are ordering replacement parts, please refer to this Parts Catalogue and quote both part numbers and part names correctly.

1. Modifications or additions which have been made after the issue of the Parts Catalogue will be announced in the Parts News.

It is advisable that you make the necessary corrections to the Parts Catalogue according to the Parts News.

2. Abbreviations

The following abbreviations are used in this Parts Catalogue.

“UR” Use specified parts number.

“UN” Use as many as needed.

“AP” Alternate Parts

“LM” Locally Made (Parts need to be ordered locally)

“F#” Frame No. (Applicable machine No.)

“O/S” Over Size

3. The number of components for assembly

- Parts, which are to be supplied in an assembly, are listed with a dot (.) in front of the part name as shown below.
- The numeral appearing to the right of each component part indicates the quantity of parts for each assembly unit.

PART NO.	DESCRIPTION	Q'TY	REMARKS
2F5-83310-60	FRONT FLASHER LIGHT ASSY	2	
115-83311-60	.BULB (6V-18W)	1	

4. Applicable colours of graphics are represented in the “REMARKS” as shown below.

PART NO.	DESCRIPTION	Q'TY	REMARKS
2N4-24110-00-X5	FUEL TANK COMP.	2	MXR
3J1-24240-10	.GRAPHIC, FUEL TANK	1	FOR MXR

5. Note that the illustrations for reference in finding parts numbers are not to be used for assembling. When assembling, please use the applicable service manual.

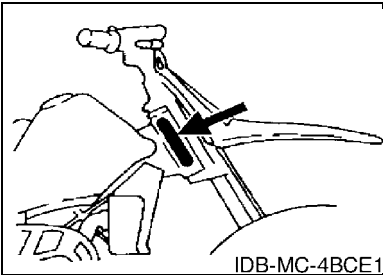
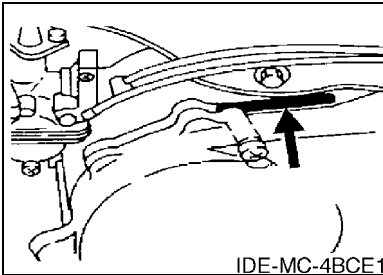
6. The asterisk (\*) before a reference number indicates modified items after the first edition.

# FOREWORD

7. Applicable Serial No.

Engine Serial No.

Frame Serial No.



8. Applicable Colour Code (The (\*) mark shows Model colour.)

Abbreviation	Colour Name	Colour Code
DPBSE(*)	DEEP PURPLISH BLUE SOLID E	0583
LGB	LOW GLOSS BLACK	0098
SL	SILVER	0035
YB	YAMAHA BLACK	0033



# CONTENTS

## ENGINE

CYLINDER .....	B2
CRANKSHAFT & PISTON .....	B3
OIL PUMP .....	B4
INTAKE .....	B5
CARBURETOR .....	B6
EXHAUST .....	B8
CRANKCASE .....	B9
CRANKCASE COVER 1 .....	B10
STARTER .....	B11
CLUTCH .....	B12
TRANSMISSION .....	B14
SHIFT CAM & FORK .....	B15
SHIFT SHAFT .....	C2

## CHASSIS

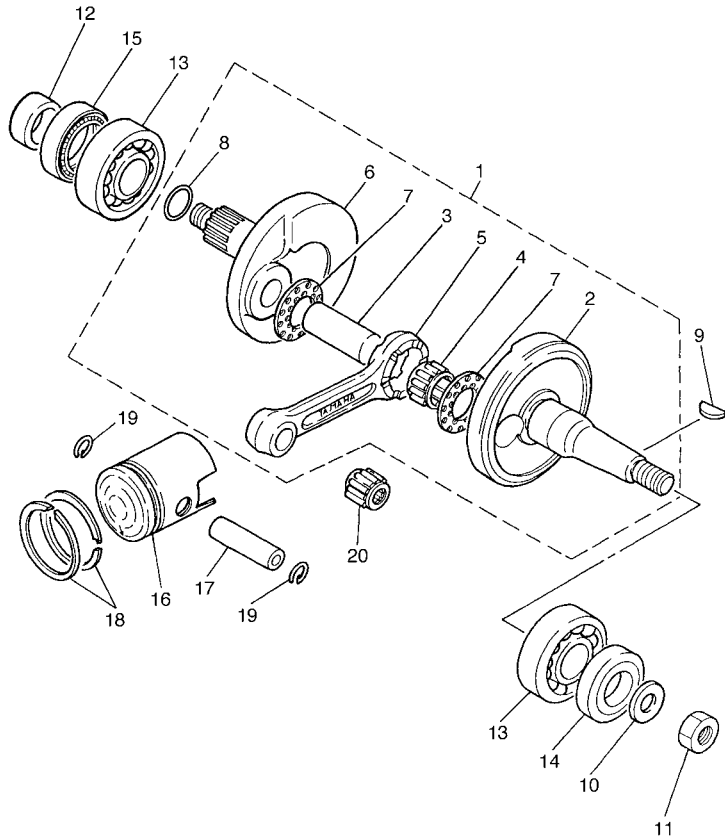
FRAME .....	C3
FRONT FENDER .....	C4
SIDE COVER .....	C5
OIL TANK .....	C6
REAR ARM & SUSPENSION .....	C7
STEERING .....	C8
FRONT FORK .....	C9
FUEL TANK .....	C11
SEAT .....	C12
FRONT WHEEL .....	C13
REAR WHEEL .....	C14
STEERING HANDLE & CABLE .....	D2
STAND & FOOTREST .....	D3
GENERATOR .....	D4
HANDLE SWITCH & LEVER .....	D5
ELECTRICAL 1 .....	D6

## INDEX

NUMERICAL INDEX .....	M1
-----------------------	----

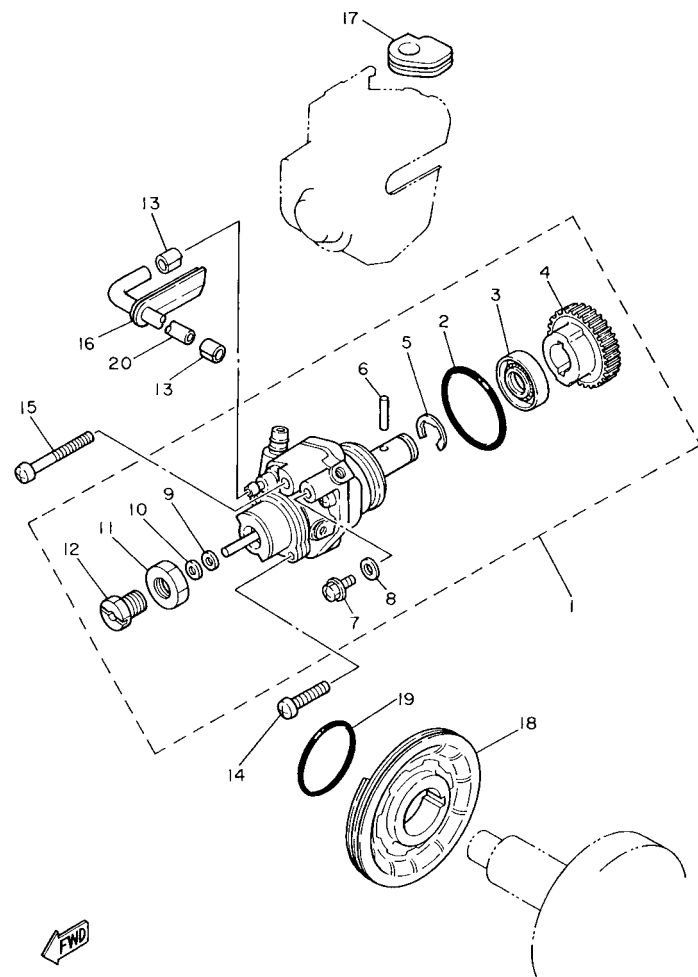


**FIG. 2 CRANKSHAFT & PISTON**



4BCE300-C020

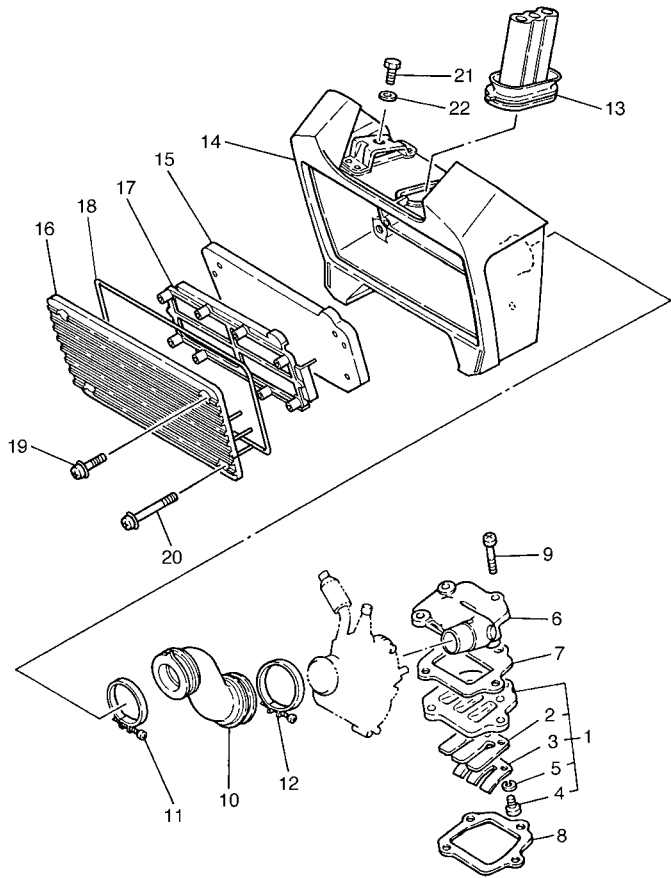
REF. NO.	PART NO.	DESCRIPTION	EUR	ZAF	JPN	OCE	REMARKS
1	4BC-11400-00	CRANKSHAFT ASSY	1	1	1	1	
2	4BC-11412-00	.CRANK 1	1	1	1	1	
3	4BC-11681-00	.PIN, CRANK 1	1	1	1	1	
4	93310-420F2	.BEARING	1	1	1	1	
5	4BC-11651-00	.ROD, CONNECTING	1	1	1	1	
6	4BC-11422-00	.CRANK 2	1	1	1	1	
7	4BC-11557-00	.WASHER 1	2	2	2	2	
8	93210-18023	.O-RING	1	1	1	1	
9	90280-03017	KEY, WOODRUFF	1	1	1	1	
10	90201-12535	WASHER, PLATE	1	1	1	1	
11	95337-12600	NUT	1	1	1	1	
12	90387-20603	COLLAR	1	1	1	1	
13	93306-20517	BEARING	2	2	2	2	
14	93103-25098	OIL SEAL	1	1	1	1	
15	93103-32099	OIL SEAL	1	1	1	1	
16	3E5-11631-00-97	PISTON (STD)	1	1	1	1	
	3E5-11635-00	PISTON (0.25MM O/S)	1	1	1	1	AP
	3E5-11636-00	PISTON (0.50MM O/S)	1	1	1	1	AP
17	527-11633-00	PIN, PISTON	1	1	1	1	
18	14N-11603-00	PISTON RING SET (STD)	1	1	1	1	
	14N-11604-00	PISTON RING SET (0.25MM O/S)	1	1	1	1	AP
	14N-11605-00	PISTON RING SET (0.50MM O/S)	1	1	1	1	AP
19	93450-13022	CIRCLIP	2	2	2	2	
20	93310-11268	BEARING	1	1	1	1	



3RV110-1030

FIG. 3 OIL PUMP

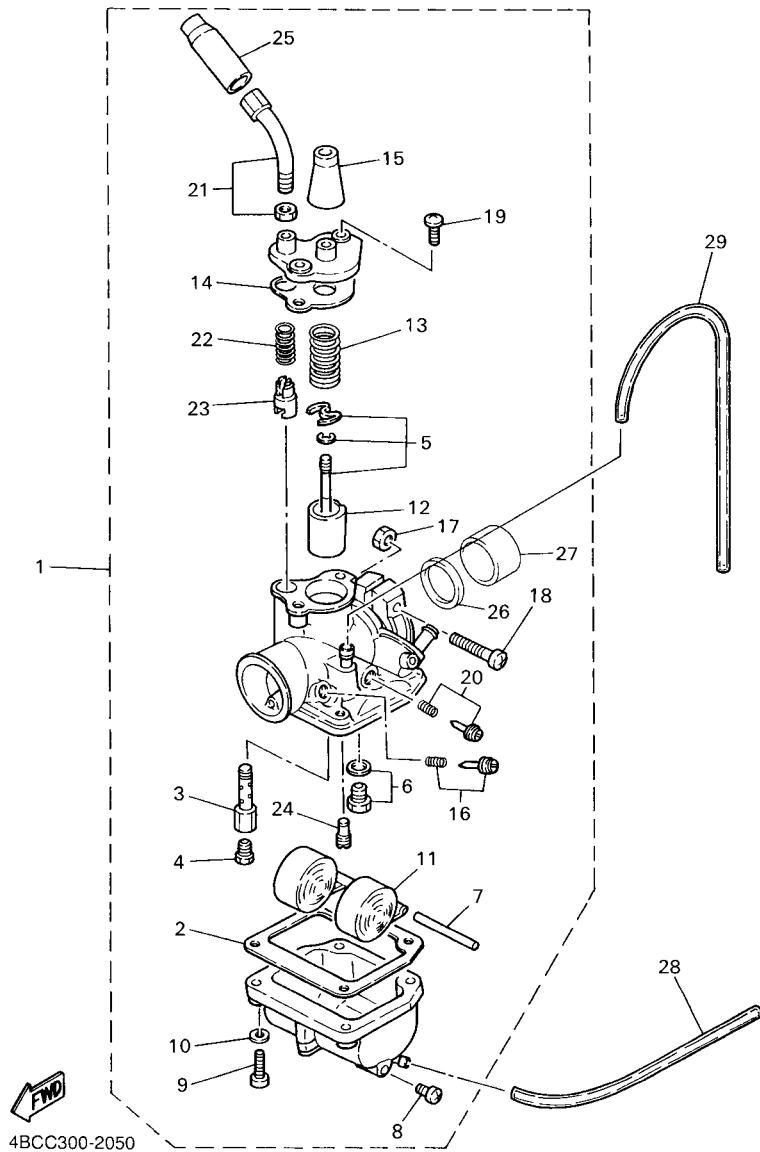
REF. NO.	PART NO.	DESCRIPTION	EUR	ZAF	JPN	OCE	REMARKS
1	2T8-13101-01	OIL PUMP ASSY	1	1	1	1	
2	93210-26240	.O-RING	1	1	1	1	
3	93101-10001	.OIL SEAL	1	1	1	1	
4	2T5-13124-00	.GEAR, WORM WHEEL (71T)	1	1	1	1	
5	93430-07012	.CIRCLIP	1	1	1	1	
6	93603-14026	.PIN, DOWEL	1	1	1	1	
7	90149-04135	.SCREW	1	1	1	1	
8	90430-04004	.GASKET	1	1	1	1	
9	296-13147-00	.SHIM	1	1	1	1	
10	384-13138-00	.PLATE, ADJUSTING	1	1	1	1	
11	90170-10105	.NUT	1	1	1	1	
12	90401-10029	.BOLT, UNION	1	1	1	1	
13	90468-02033	CLIP	2	2	2	2	
14	98507-05020	SCREW, PAN HEAD	1	1	1	1	
15	98507-05035	SCREW, PAN HEAD	1	1	1	1	
16	90480-10005	GROMMET	1	1	1	1	
17	384-13174-00	HOLDER, OIL PIPE	1	1	1	1	
18	53F-13178-00	GEAR, PUMP DRIVE	1	1	1	1	
19	93210-29282	O-RING	1	1	1	1	
20	384-13161-02	PIPE, DELIVERY 1	1	1	1	1	



4BCE300-C040

FIG. 4 INTAKE

REF. NO.	PART NO.	DESCRIPTION	EUR	ZAF	JPN	OCE	REMARKS
1	300-13610-04	REED VALVE ASSY	1	1	1	1	
2	300-13613-02	.REED, VALVE	1	1	1	1	
3	300-13616-00	.STOPPER, REED VALVE	1	1	1	1	
4	98507-03008	.SCREW, PAN HEAD	3	3	3	3	
5	92907-03100	.WASHER, SPRING	3	3	3	3	
6	21W-13555-00	MANIFOLD, INTAKE	1	1	1	1	
7	300-13622-10	GASKET, VALVE SEAT	1	1	1	1	
8	300-13621-10	GASKET, VALVE SEAT	1	1	1	1	
9	98507-06030	SCREW, PAN HEAD	4	4	4	4	
10	4BC-14453-00	JOINT, AIR CLEANER 1	1	1	1	1	
11	4BC-14455-00	BAND	1	1	1	1	
12	90460-37130	CLAMP, HOSE	1	1	1	1	
13	4BC-14454-00	JOINT	1	1	1	1	
14	4BC-W1441-00	AIR CLEANER CASE COMP.	1	1	1	1	
15	4BC-14451-00	ELEMENT, AIR CLEANER	1	1	1	1	
16	4BC-14412-00	CAP, CLEANER CASE 1	1	1	1	1	
17	4BC-14458-00	GUIDE	1	1	1	1	
18	4BC-14457-00	SEAL	1	1	1	1	
19	9760M-05225	SCREW, PAN HEAD WITH WASHER	2	2	2	2	
20	9760M-05250	SCREW, PAN HEAD WITH WASHER	2	2	2	2	
21	97007-08016	BOLT	2	2	2	2	
22	92907-08600	WASHER, PLATE	2	2	2	2	



4BCC300-2050

FIG. 5 CARBURETOR

REF. NO.	PART NO.	DESCRIPTION	EUR	ZAF	JPN	OCE	REMARKS
1	21W-14101-01	CARBURETOR ASSY 1	1	1	1	1	
2	296-14184-01	.GASKET, FLOAT CHAMBER	1	1	1	1	
3	127-14141-14	.NOZZLE, MAIN	1	1	1	1	
4	127-14143-25	.JET, MAIN (#125)	1	1	1	1	STD
	127-14143-24	.JET, MAIN (#120)	1	1	1	1	UR
	127-14143-26	.JET, MAIN (#130)	1	1	1	1	UR
5	21W-1490J-00	.NEEDLE SET	1	1	1	1	
6	21W-14107-12	.NEEDLE VALVE SET	1	1	1	1	
7	127-14186-00	.PIN, FLOAT	1	1	1	1	
8	12R-14191-00	.PLUG, DRAIN	1	1	1	1	
9	98502-04018	.SCREW, PAN HEAD	4	4	4	4	
10	92902-04100	.WASHER, SPRING	4	4	4	4	
11	2E9-14185-00	.FLOAT	1	1	1	1	
12	296-14112-25	.VALVE, THROTTLE 1	1	1	1	1	
13	296-14131-00	.SPRING, THROTTLE VALVE	1	1	1	1	
14	296-14198-01	.GASKET	1	1	1	1	
15	307-14169-10	.CAP	1	1	1	1	
16	12G-14104-00	.AIR SCREW SET	1	1	1	1	
17	98802-05100	.NUT	1	1	1	1	
18	98502-05030	.SCREW, PAN HEAD	1	1	1	1	
19	98502-04010	.SCREW, PAN HEAD	2	2	2	2	
20	12G-14103-00	.THROTTLE SCREW SET	1	1	1	1	
21	21W-14503-00	.ADJUST SCREW SET	1	1	1	1	
22	127-14135-00	.SPRING, PLUNGER	1	1	1	1	
23	127-14171-00	.PLUNGER, STARTER	1	1	1	1	
24	193-14142-15	.JET, PILOT (# 15)	1	1	1	1	
25	1R0-14169-00	.CAP	1	1	1	1	

**B6**

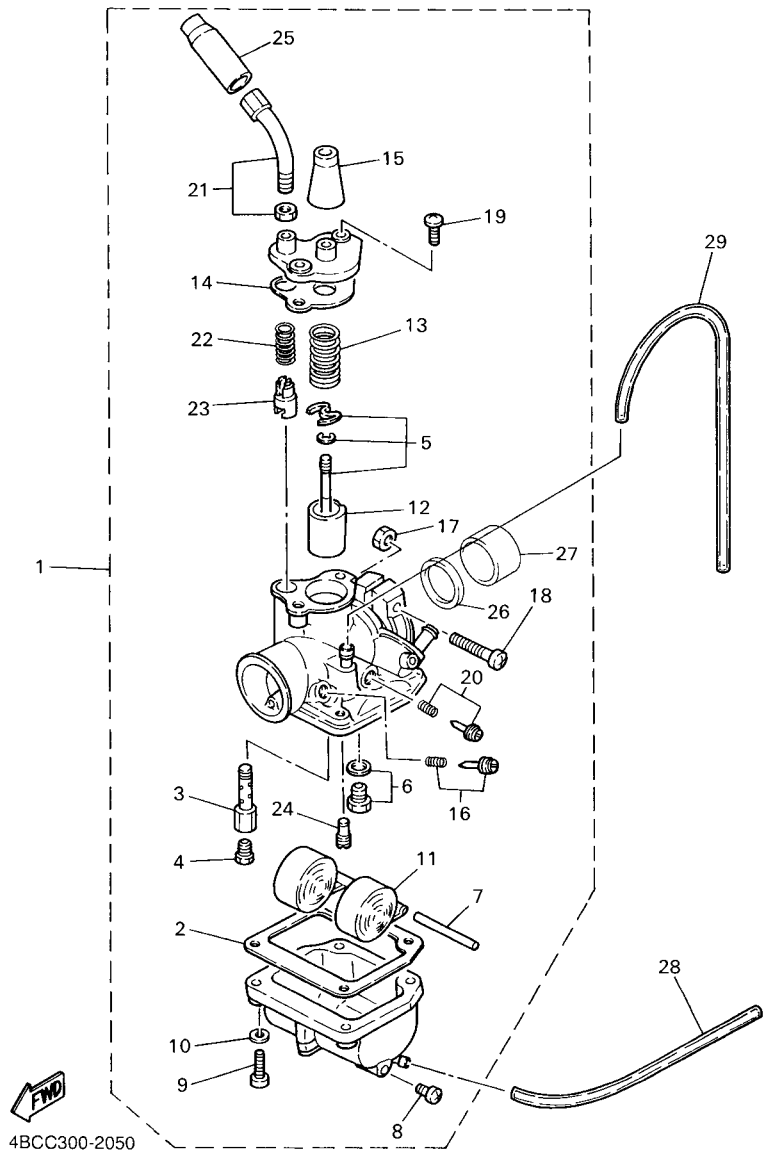
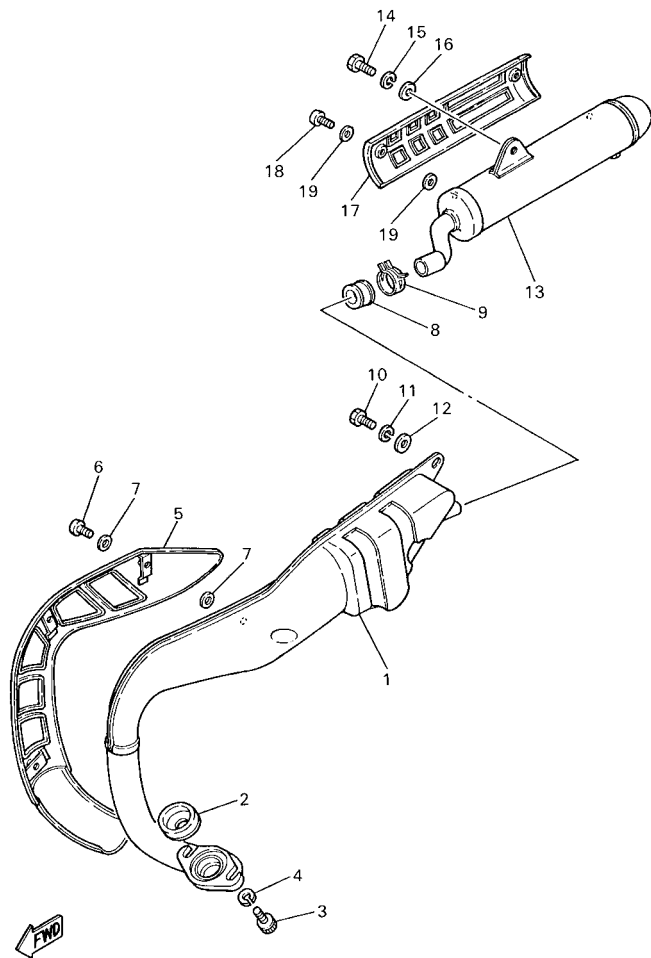


FIG. 5 CARBURETOR

REF. NO.	PART NO.	DESCRIPTION	EUR	ZAF	JPN	OCE	REMARKS
26	1M3-14997-00	.SEAL	1	1	1	1	
27	1V3-14271-00	.INSULATOR	1	1	1	1	
28	90445-05390	HOSE (L120)	1	1	1	1	
29	90445-07036	HOSE (L130)	1	1	1	1	
-----							
-----							
-----							
-----							
-----							
-----							
-----							
-----							
-----							

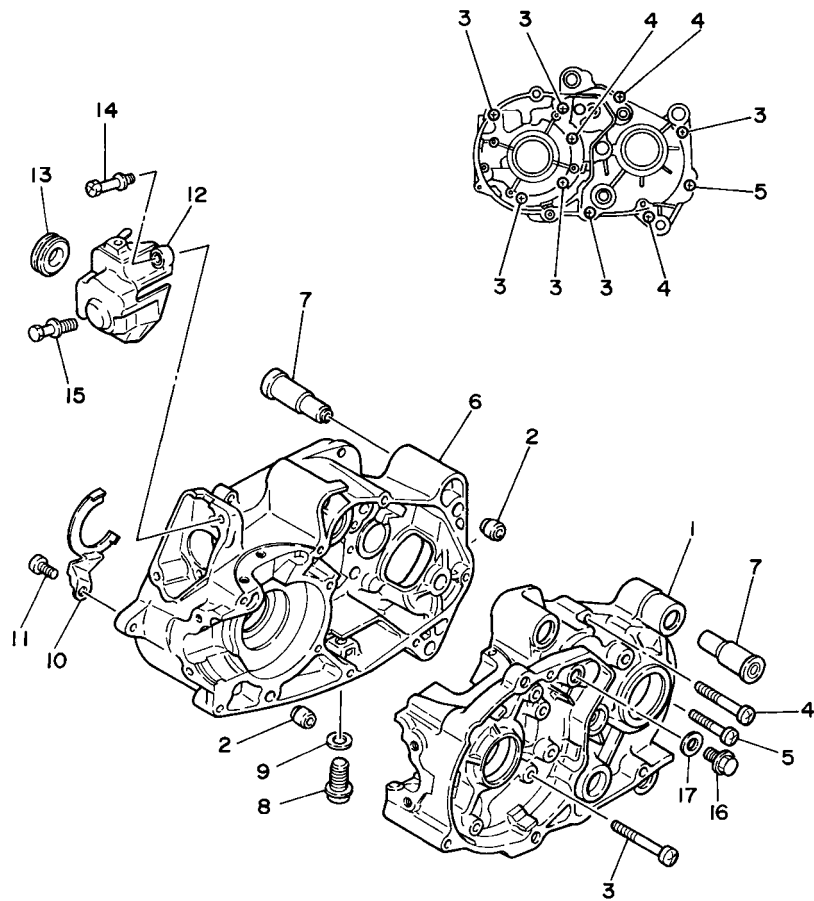


3RV100-5060

FIG. 6 EXHAUST

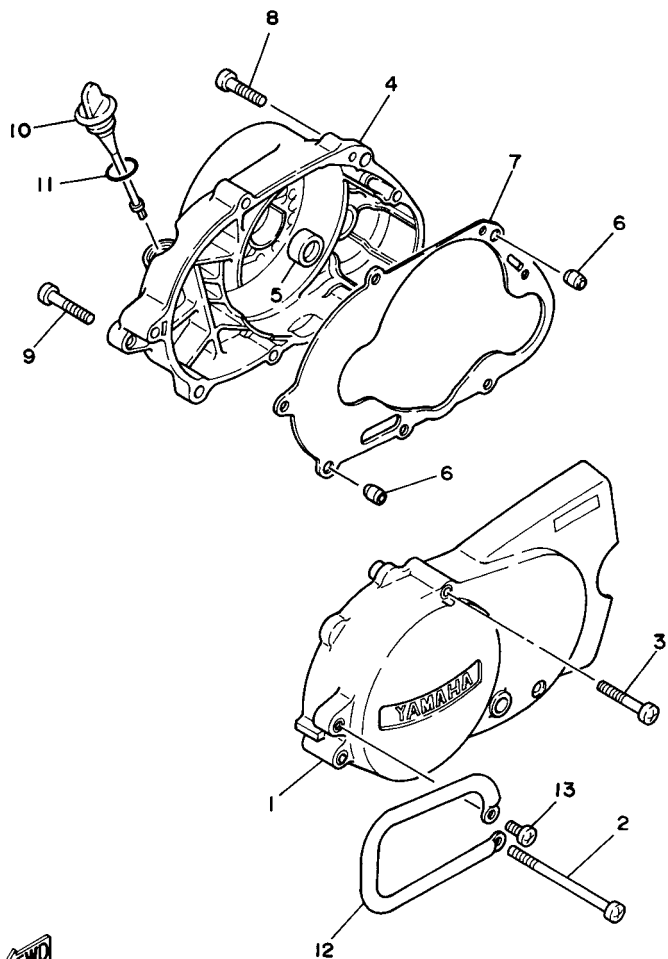
REF. NO.	PART NO.	DESCRIPTION	EUR	ZAF	JPN	OCE	REMARKS
1	21W-14610-02	EXHAUST PIPE ASSY 1	1	1	1	1	
2	3RV-14623-00	GASKET, EXHAUST PIPE	1	1	1	1	
3	97007-08020	BOLT	2	2	2	2	
4	92907-08100	WASHER, SPRING	2	2	2	2	
5	21W-14708-00	PROTECTOR ASSY	1	1	1	1	
6	90157-05003	SCREW, PAN HEAD	3	3	3	3	
7	3RV-14766-00	WASHER, PROTECTOR	6	6	6	6	
8	4X4-14714-00	GASKET, MUFFLER	1	1	1	1	
9	90467-22048	CLIP	1	1	1	1	
10	97007-08016	BOLT	1	1	1	1	
11	92907-08100	WASHER, SPRING	1	1	1	1	
12	92907-08600	WASHER, PLATE	1	1	1	1	
13	4BC-14753-00	SILENCER, EXHAUST	1	1	1	1	
14	97007-08016	BOLT	1	1	1	1	
15	92907-08100	WASHER, SPRING	1	1	1	1	
16	92907-08600	WASHER, PLATE	1	1	1	1	
17	4BC-14758-00	PROTECTOR, SILENCER	1	1	1	1	
18	9850M-05006	SCREW, PAN HEAD	2	2	2	2	
19	4BC-14766-00	WASHER, PROTECTOR	4	4	4	4	

FIG. 7 CRANKCASE



REF. NO.	PART NO.	DESCRIPTION	EUR	ZAF	JPN	OCE	REMARKS
1	1W7-15111-03	CRANKCASE 1	1	1	1	1	
2	99530-12016	PIN, DOWEL	2	2	2	2	
3	98507-06050	SCREW, PAN HEAD	6	6	6	6	
4	98507-06045	SCREW, PAN HEAD	3	3	3	3	
5	98507-06035	SCREW, PAN HEAD	1	1	1	1	
6	1W7-15121-03	CRANKCASE 2	1	1	1	1	
7	5T9-15316-01	DAMPER, ENGINE MOUNT 1	6	6	6	6	
8	90340-12005	PLUG, STRAIGHT SCREW	1	1	1	1	
9	90430-12227	GASKET	1	1	1	1	
10	300-15128-00	HOLDER	1	1	1	1	
11	98507-08010	SCREW, PAN HEAD	1	1	1	1	
12	517-15416-01	COVER, OIL PUMP	1	1	1	1	
13	90480-21038	GROMMET	1	1	1	1	
14	90149-06157	SCREW	1	1	1	1	
15	90101-06394	BOLT	1	1	1	1	
16	90105-10147	BOLT, FLANGE	1	1	1	1	
17	90430-10171	GASKET	1	1	1	1	

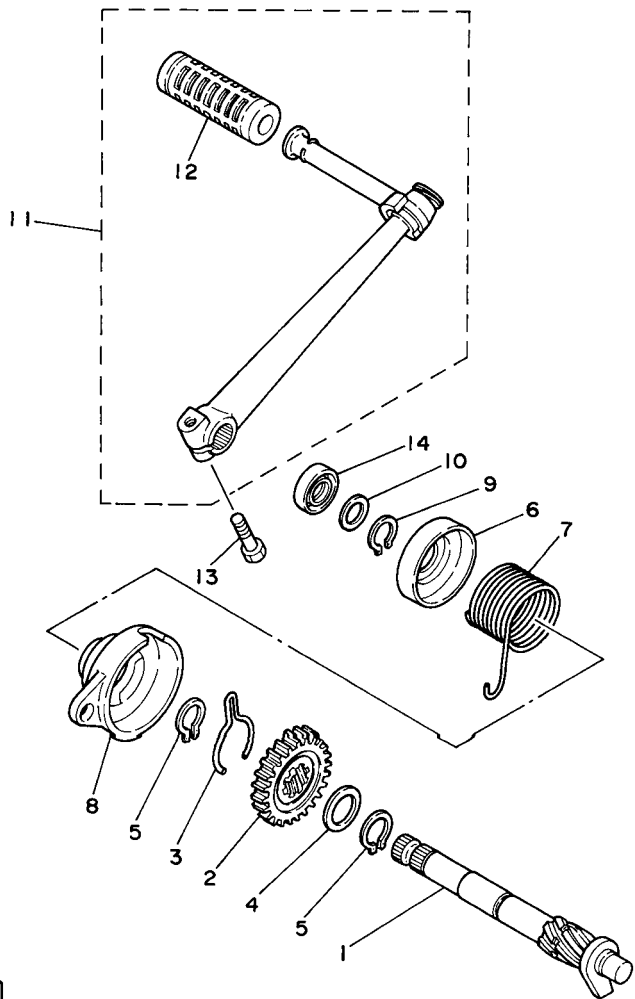
FIG. 8 CRANKCASE COVER 1



3RV110-1080

REF. NO.	PART NO.	DESCRIPTION	EUR	ZAF	JPN	OCE	REMARKS
1	21W-15411-00	COVER, CRANKCASE 1	1	1	1	1	
2	98507-06100	SCREW, PAN HEAD	1	1	1	1	
3	98507-06045	SCREW, PAN HEAD	3	3	3	3	
4	5R7-15421-00	COVER, CRANKCASE 2	1	1	1	1	
5	93104-11053	OIL SEAL	1	1	1	1	
6	99530-10114	PIN, DOWEL	2	2	2	2	
7	4AW-15451-00	GASKET, CRANKCASE COVER 1	1	1	1	1	
8	98507-06035	SCREW, PAN HEAD	6	6	6	6	
9	98507-06040	SCREW, PAN HEAD	1	1	1	1	
10	517-15362-02	PLUG, OIL LEVEL	1	1	1	1	
11	93210-19123	O-RING	1	1	1	1	
12	4BC-15491-00	PROTECTOR	1	1	1	1	
13	98507-06012	SCREW, PAN HEAD	1	1	1	1	

**B10**



3RV110-1090

FIG. 9 STARTER

REF. NO.	PART NO.	DESCRIPTION	EUR	ZAF	JPN	OCE	REMARKS
1	4BC-15660-00	KICK AXLE ASSY	1	1	1	1	
2	4BC-15641-00	GEAR, KICK (21T)	1	1	1	1	
3	4BC-15673-00	CLIP	1	1	1	1	
4	4BC-15695-00	WASHER 1	1	1	1	1	
5	99009-20400	CIRCLIP	2	2	2	2	
6	4BC-15676-00	COVER, SPRING	1	1	1	1	
7	4BC-15665-00	SPRING, KICK	1	1	1	1	
8	4BC-15664-00	GUIDE, SPRING	1	1	1	1	
9	99009-17400	CIRCLIP	1	1	1	1	
10	90201-15701	WASHER, PLATE (T=1.0)	1	1	1	1	
11	4BC-15620-00	KICK CRANK ASSY	1	1	1	1	
12	4BC-15618-00	.COVER, KICK LEVER	1	1	1	1	
13	97017-06025	BOLT	1	1	1	1	
14	93109-15001	OIL SEAL	1	1	1	1	

**B11**

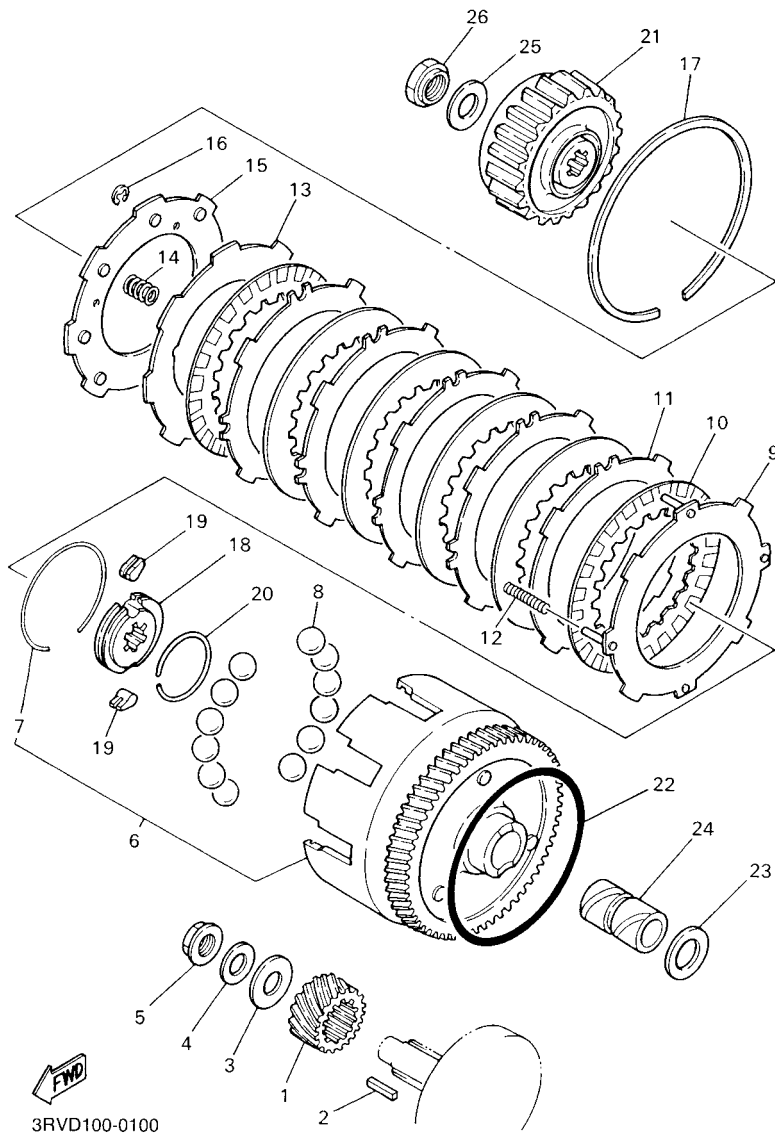
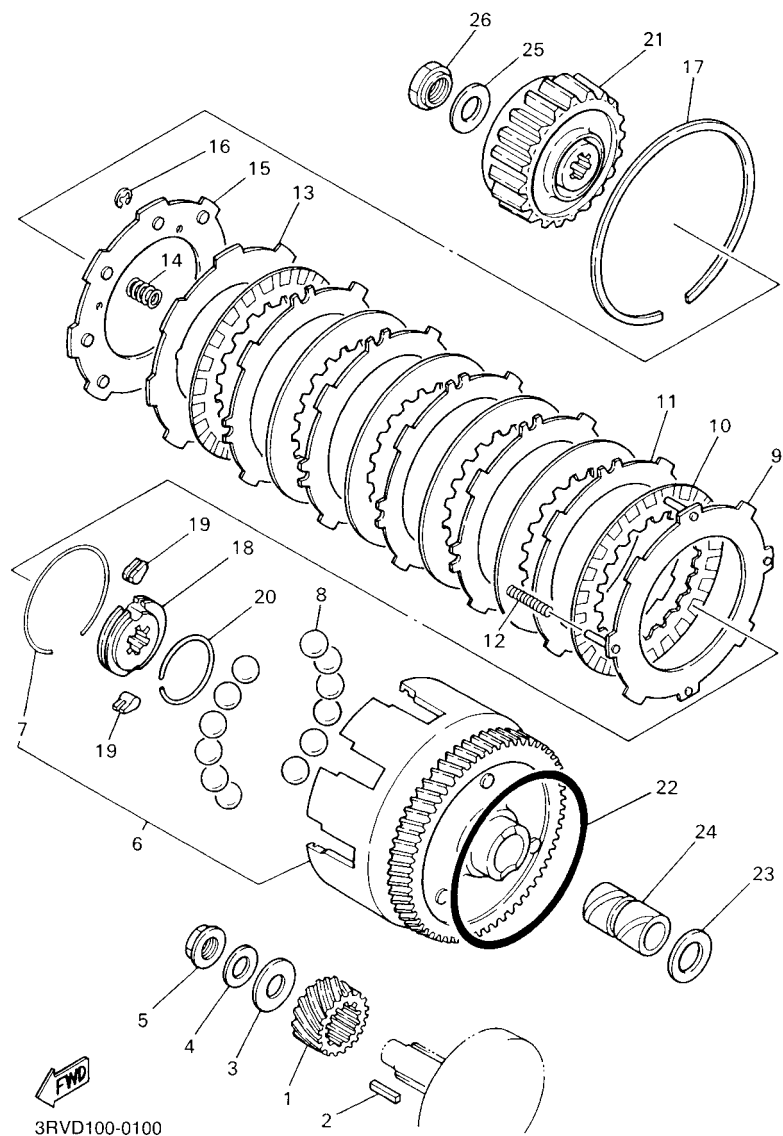


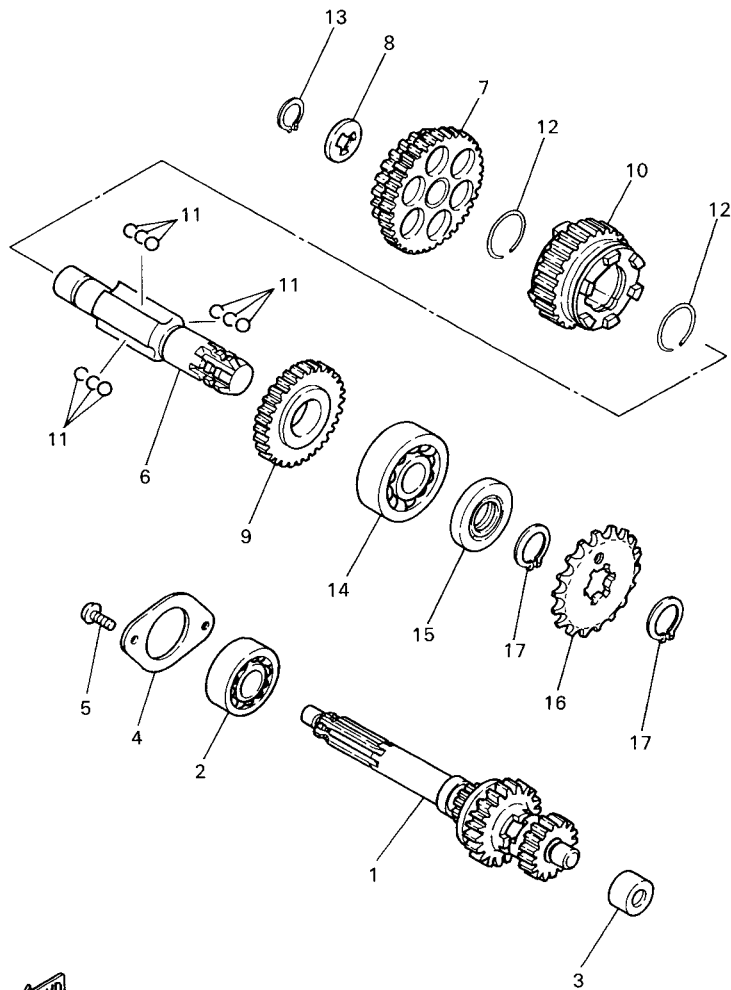
FIG. 10 CLUTCH

REF. NO.	PART NO.	DESCRIPTION	EUR	ZAF	JPN	OCE	REMARKS
1	56H-16110-00-30	PRIMARY DRIVE GEAR ASSY	1	1	1	1	
2	90282-04064	KEY, STRAIGHT	1	1	1	1	
3	90209-12280	WASHER	1	1	1	1	
4	90208-12015	WASHER, CONICAL SPRING	1	1	1	1	
5	90179-12659	NUT	1	1	1	1	
6	4BC-16150-00	PRIMARY DRIVEN GEAR COMP.	1	1	1	1	
7	90468-16090	.CLIP	1	1	1	1	
8	93505-08030	BALL	12	12	12	12	
9	527-16520-10	PLATE, THRUST WEIGHT	1	1	1	1	
10	3E5-16521-00	PLATE, FRICTION	6	6	6	6	
11	517-16524-10	PLATE, CLUTCH 1 (1.2T)	5	5	5	5	UR
	517-16524-20	PLATE, CLUTCH 1 (1.4T)	5	5	5	5	UR
	517-16524-30	PLATE, CLUTCH 1 (1.6T)	5	5	5	5	UR
12	90501-10602	SPRING, COMPRESSION	4	4	4	4	PINK
13	517-16550-10	PRESSURE PLATE ASSY	1	1	1	1	
14	90501-12088	SPRING, COMPRESSION	6	6	6	6	
15	517-16561-01	PLATE, PRESSURE 2	1	1	1	1	
16	99001-03600	CIRCLIP	2	2	2	2	
17	93451-08094	CIRCLIP	1	1	1	1	
18	517-16180-00	ONE WAY BOSS COMP.	1	1	1	1	
19	384-15635-00	PAWL, KICK	2	2	2	2	
20	2T4-15637-01	SPRING, PAWL	1	1	1	1	
21	527-16571-01	BOSS, CLUTCH	1	1	1	1	
22	93210-98202	O-RING	1	1	1	1	
23	122-16164-00	PLATE, THRUST 2	1	1	1	1	
24	90560-17146	SPACER	1	1	1	1	
25	90208-16019	WASHER, CONICAL SPRING	1	1	1	1	

FIG. 10 CLUTCH



REF. NO.	PART NO.	DESCRIPTION	EUR	ZAF	JPN	OCE	REMARKS
26	90179-16190	NUT	1	1	1	1	

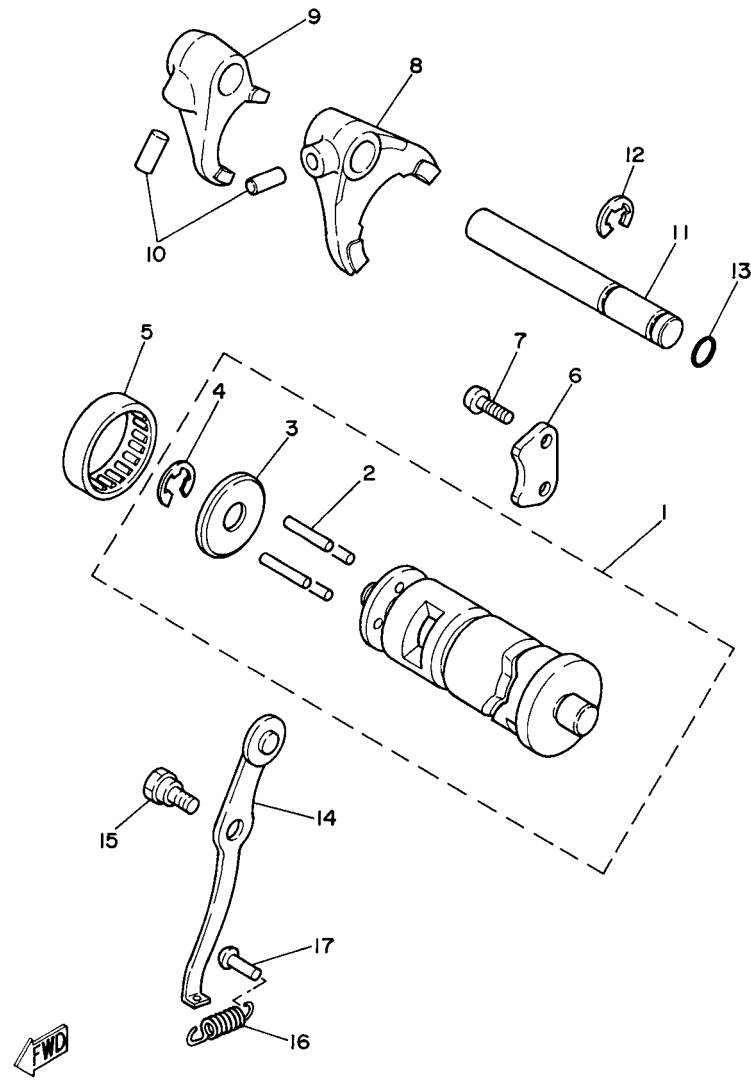


3RVG100-B110

FIG. 11 TRANSMISSION

REF. NO.	PART NO.	DESCRIPTION	EUR	ZAF	JPN	OCE	REMARKS
1	4BC-17410-00	MAIN AXLE COMP.	1	1	1	1	(12T/16T/17T)
2	93306-20301	BEARING	1	1	1	1	
3	93320-41202	BEARING	1	1	1	1	
4	296-17471-00	PLATE, COVER	1	1	1	1	
5	90157-06077	SCREW, PAN HEAD	2	2	2	2	
6	4BC-17421-00	AXLE, DRIVE	1	1	1	1	
7	4BC-17211-00	GEAR, 1ST WHEEL	1	1	1	1	(39T/26T)
8	90209-15178	WASHER (0.6T)	1	1	1	1	UR
	90209-15179	WASHER (0.8T)	1	1	1	1	UR
	90209-15180	WASHER (1.0T)	1	1	1	1	UR
9	4BC-17221-00	GEAR, 2ND WHEEL (29T)	1	1	1	1	
10	4BC-17231-00	GEAR, 3RD WHEEL (22T)	1	1	1	1	
11	4BC-17051-00	BALL, 1	9	9	9	9	
12	4BC-17424-00	CIRCLIP 1	2	2	2	2	
13	4BC-17425-00	CIRCLIP 2	1	1	1	1	
14	93306-20401	BEARING	1	1	1	1	
15	93102-20143	OIL SEAL	1	1	1	1	
16	93812-15063	SPROCKET,DRIVE 15T(5171746152)	1	1	1	1	
17	93410-20038	CIRCLIP	2	2	2	2	

FIG. 12 SHIFT CAM & FORK



3RV110-1120

REF. NO.	PART NO.	DESCRIPTION	EUR	ZAF	JPN	OCE	REMARKS
1	21W-18540-01	SHIFT CAM ASSY	1	1	1	1	
2	93604-22050	.PIN, DOWEL	4	4	4	4	
3	296-18561-00	.PLATE, SIDE 1	1	1	1	1	
4	93430-09019	.CIRCLIP	1	1	1	1	
5	93315-23208	BEARING	1	1	1	1	
6	296-18562-01	PLATE, STOPPER 2	1	1	1	1	
7	90157-06124	SCREW, PAN HEAD	2	2	2	2	
8	1W7-18511-01	FORK, SHIFT 1	1	1	1	1	
9	1W7-18512-02	FORK, SHIFT 2	1	1	1	1	
10	93606-14081	PIN, DOWEL	2	2	2	2	
11	2N8-18531-00	BAR, SHIFT FORK GUIDE 1	1	1	1	1	
12	99001-10600	CIRCLIP	1	1	1	1	
13	93210-09729	O-RING	1	1	1	1	
14	296-18140-03	STOPPER LEVER ASSY	1	1	1	1	
15	90109-063F6	BOLT	1	1	1	1	
16	90506-10006	SPRING, TENSION	1	1	1	1	
17	132-16346-00	HOOK, SPRING	1	1	1	1	

**B15**



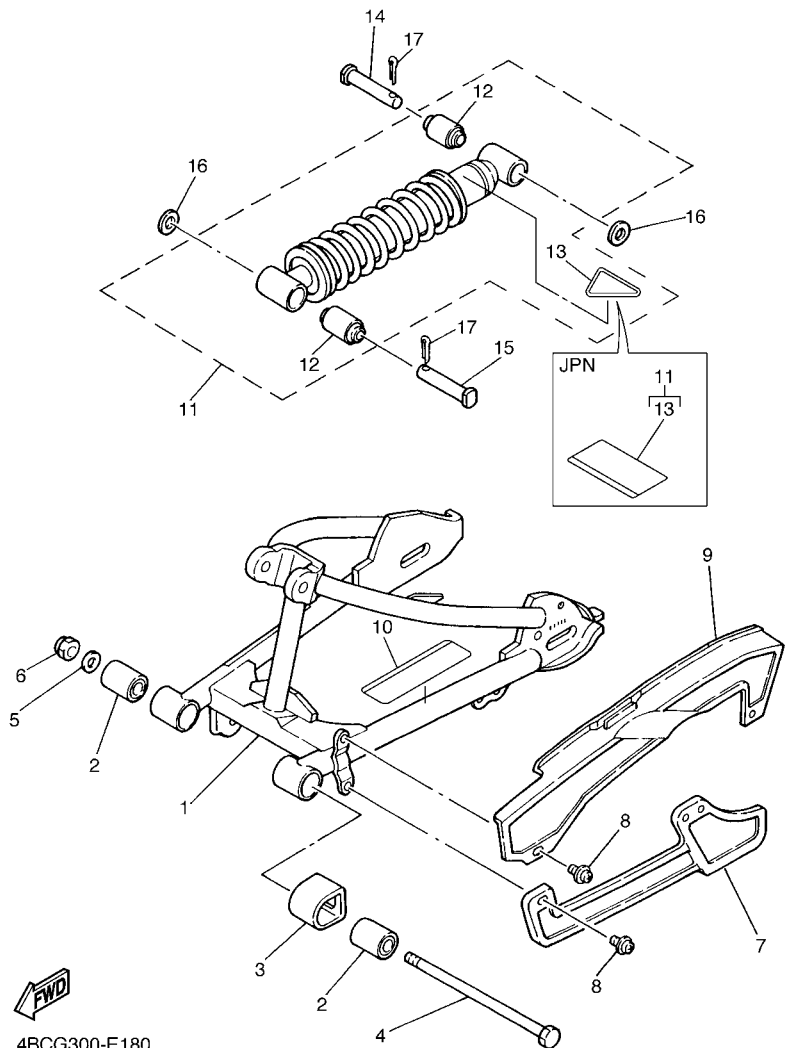








FIG. 18 REAR ARM & SUSPENSION



REF. NO.	PART NO.	DESCRIPTION	EUR	ZAF	JPN	OCE	REMARKS
1	21W-22110-00-35	REAR ARM COMP.	1	1	1	1	SL
2	4BC-22123-00	BUSH 1	2	2	2	2	
3	3R0-22151-00	SEAL, GUARD	1	1	1	1	
4	90105-10063	BOLT, FLANGE	1	1	1	1	
5	90201-08759	WASHER, PLATE	1	1	1	1	
6	90185-10037	NUT, SELF-LOCKING	1	1	1	1	
7	21W-22199-00	SUPPORT, CHAIN	1	1	1	1	
8	90119-05009	BOLT, WITH WASHER	5	5	5	5	
9	21W-22311-00	CASE, CHAIN	1	1	1	1	
10	3RV-21668-A0	LABEL, TIRE	1	1		1	
11	3RV-22210-12	SHOCK ABSORBER ASSY, REAR	1	1		1	
12	3M7-22216-00	.BUSH, REAR SHOCK ABSORBER	2	2	2	2	
13	4AA-22259-40	.LABEL, WARNING	1	1		1	
14	90240-10072	PIN, CLEVIS	1	1	1	1	
15	90240-10069	PIN, CLEVIS	1	1	1	1	
16	90201-106H5	WASHER, PLATE	2	2	2	2	
17	91401-25020	PIN, COTTER	2	2	2	2	

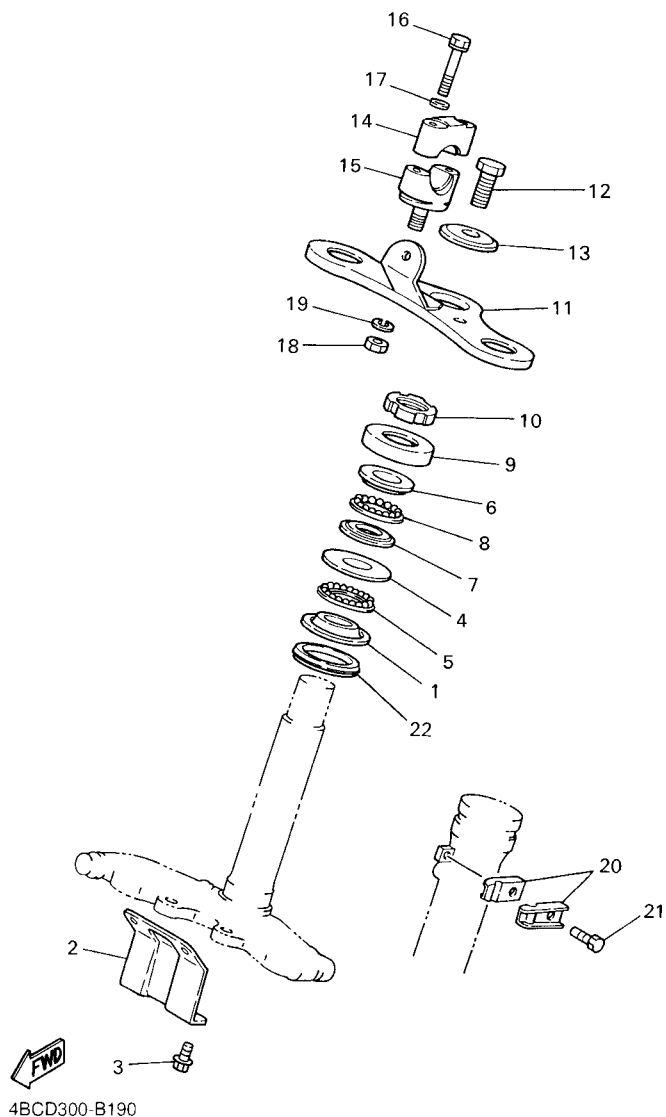
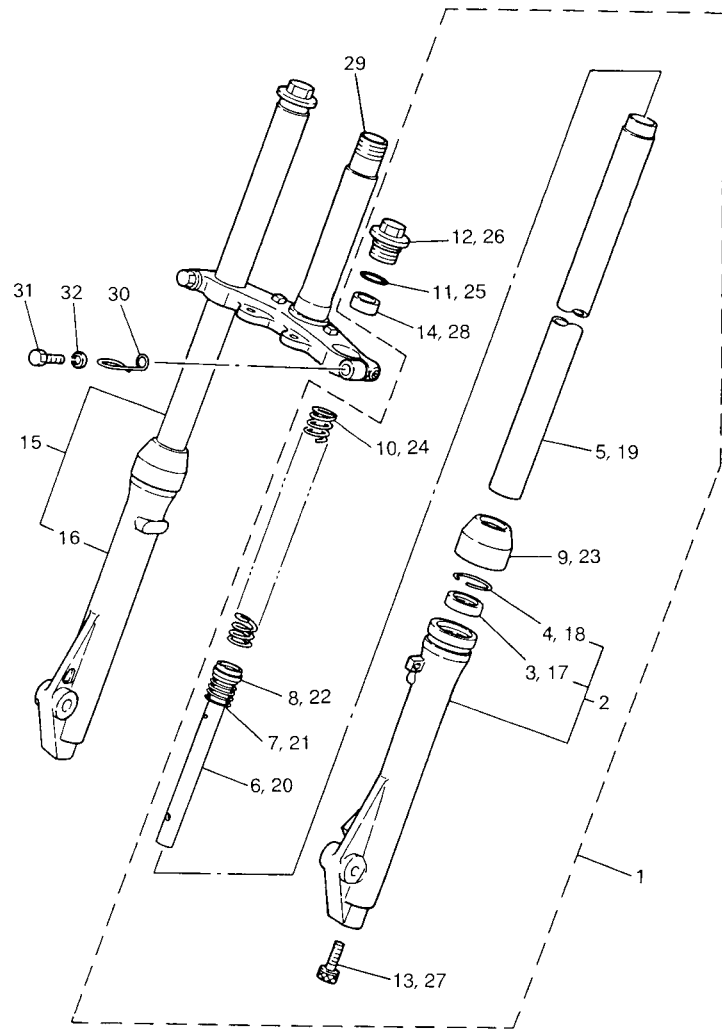


FIG. 19 STEERING

REF. NO.	PART NO.	DESCRIPTION	EUR	ZAF	JPN	OCE	REMARKS
1	156-23411-00	RACE, BALL 1	1	1	1	1	
2	21W-23486-00	STAY, PLATE	1	1	1	1	
3	5HN-23492-00	BOLT	2	2	2	2	
4	156-23412-00	RACE, BALL 2	1	1	1	1	
5	156-2341E-00	RETAINER, BALL BEARING	1	1	1	1	
6	22F-23411-01	RACE, BALL 1	1	1	1	1	
7	22F-23412-01	RACE, BALL 2	1	1	1	1	
8	22F-2341E-00	RETAINER, BALL BEARING	1	1	1	1	
9	122-23416-00	COVER, BALL RACE 2	1	1	1	1	
10	90179-25051	NUT	1	1	1	1	
11	4BC-23435-00	CROWN, HANDLE	1	1	1	1	
12	95817-10025	BOLT, FLANGE	1	1	1	1	
13	90209-10160	WASHER	1	1	1	1	
14	3RV-23441-01	HOLDER, HANDLE UPPER	2	2	2	2	
15	462-23442-00-35	HOLDER, HANDLE LOWER	2	2	2	2	SL
16	97014-06035	BOLT, HEXAGON	4	4	4	4	
17	92904-06600	WASHER	4	4	4	4	
18	95307-10600	NUT	2	2	2	2	
19	92907-10100	WASHER, SPRING	2	2	2	2	
20	90462-14055	CLAMP	2	2	2	2	
21	91317-06012	BOLT	1	1	1	1	
22	164-23462-00	SEAL, STEERING	1	1	1	1	

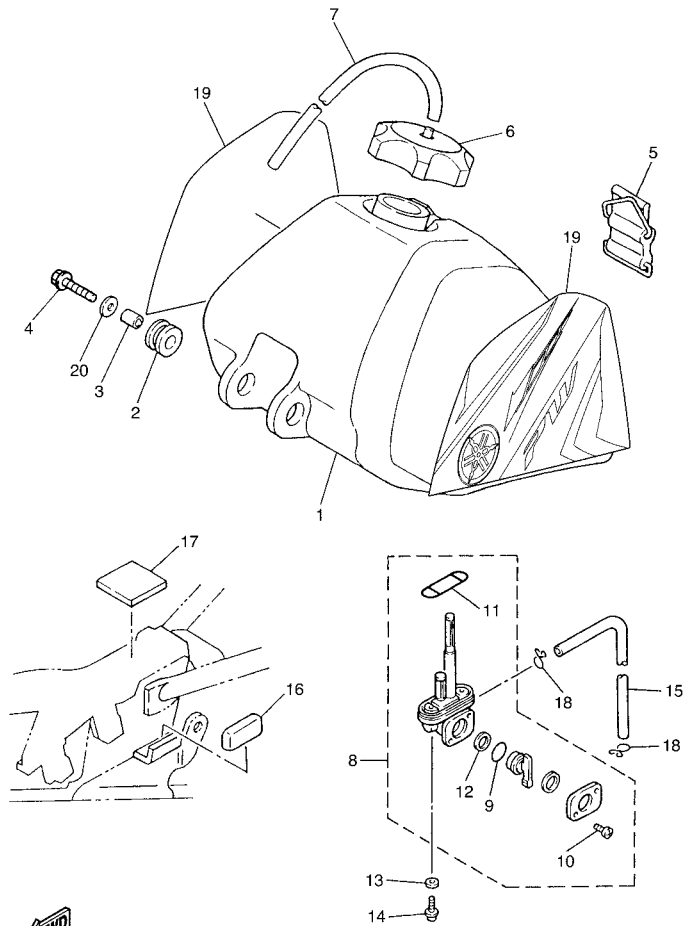


3RVE100-1200

FIG. 20 FRONT FORK

REF. NO.	PART NO.	DESCRIPTION	EUR	ZAF	JPN	OCE	REMARKS
1	3RV-23102-01	FRONT FORK ASSY (L.H)	1	1	1	1	
2	3RV-23126-01	.TUBE, OUTER (LEFT)	1	1	1	1	
3	3M7-23145-00	..OIL SEAL	1	1	1	1	
4	3M7-23156-00	..CLIP, OIL SEAL	1	1	1	1	
5	21W-23110-00	.INNER TUBE COMP.1	1	1	1	1	
6	3R0-23170-00	.CYLINDER COMP., FRONT FORK	1	1	1	1	
7	2J5-23151-00	.SPRING, REBOUND	1	1	1	1	
8	2J5-23157-00	.RING, PISTON	1	1	1	1	
9	3M7-23144-00	.SEAL, DUST	1	1	1	1	
10	21W-23141-00	.SPRING, FRONT FORK	1	1	1	1	
11	2J5-23147-00	.O-RING	1	1	1	1	
12	3M7-23111-01	.BOLT, CAP	1	1	1	1	
13	3M7-23181-00	.BOLT, HEXAGON SOCKET HEAD	1	1	1	1	WITH WASHER
14	3M7-23142-00	.SEAT, SPRING UPPER	1	1	1	1	
15	3RV-23103-01	FRONT FORK ASSY (R.H)	1	1	1	1	
16	3RV-23136-01	.TUBE, OUTER (RIGHT)	1	1	1	1	
17	3M7-23145-00	..OIL SEAL	1	1	1	1	
18	3M7-23156-00	..CLIP, OIL SEAL	1	1	1	1	
19	21W-23110-00	.INNER TUBE COMP.1	1	1	1	1	
20	3R0-23170-00	.CYLINDER COMP., FRONT FORK	1	1	1	1	
21	2J5-23151-00	.SPRING, REBOUND	1	1	1	1	
22	2J5-23157-00	.RING, PISTON	1	1	1	1	
23	3M7-23144-00	.SEAL, DUST	1	1	1	1	
24	21W-23141-00	.SPRING, FRONT FORK	1	1	1	1	
25	2J5-23147-00	.O-RING	1	1	1	1	
26	3M7-23111-01	.BOLT, CAP	1	1	1	1	
27	3M7-23181-00	.BOLT, HEXAGON SOCKET HEAD	1	1	1	1	WITH WASHER



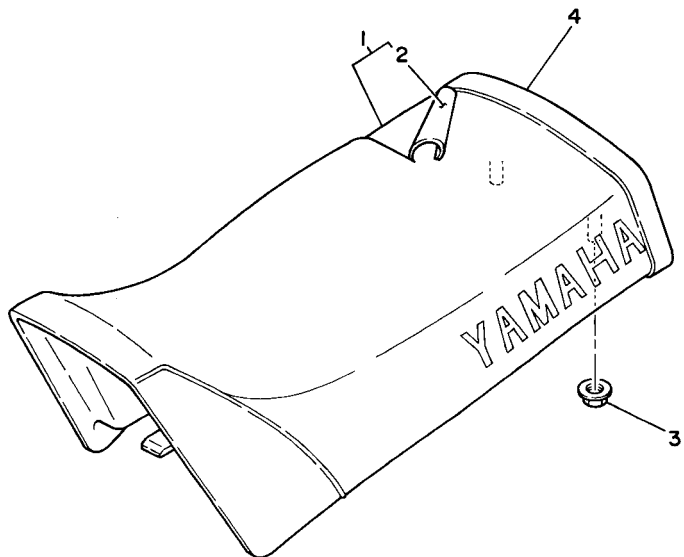


4BCJ300-G210

FIG. 21 FUEL TANK

REF. NO.	PART NO.	DESCRIPTION	EUR	ZAF	JPN	OCE	REMARKS
1	3RV-24110-20	FUEL TANK COMP.	1	1	1	1	
2	90480-18290	GROMMET	2	2	2	2	
3	90387-07598	COLLAR	2	2	2	2	
4	95807-06030	BOLT, FLANGE	2	2	2	2	
5	59V-24173-00	BAND, TANK FITTING 1	1	1	1	1	
6	2FG-24610-00	CAP ASSY	1	1	1	1	
7	90445-084J1	HOSE (L420)	1	1	1	1	
8	4X8-24500-03	FUEL COCK ASSY 1	1	1	1	1	
9	4X8-24512-00	.O-RING	1	1	1	1	
10	98507-03008	.SCREW, PAN HEAD	2	2	2	2	
11	3AJ-24534-01	.SEAL, COCK	1	1	1	1	
12	3AC-24523-00	.VALVE PACKING	1	1	1	1	
13	90202-05193	WASHER, PLATE	2	2	2	2	
14	90149-06011	SCREW	2	2	2	2	
15	90445-09082	HOSE (L150)	1	1	1	1	
16	21W-24181-00	DAMPER, LOCATING 1	2	2	2	2	
17	2X6-24183-00	DAMPER, LOCATING 3	1	1	1	1	
18	90467-08003	CLIP	2	2	2	2	
19	3RV-24240-E0	GRAPHIC SET	1	1	1	1	
20	90201-06072	WASHER, PLATE	2	2	2	2	

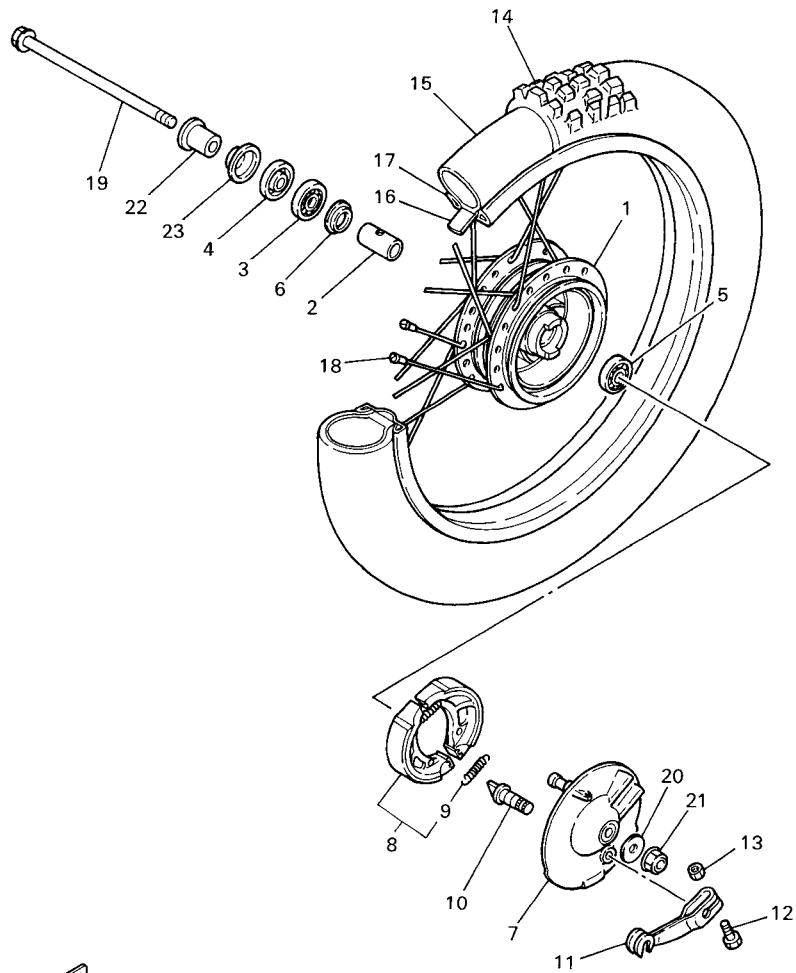
FIG. 22 SEAT



REF. NO.	PART NO.	DESCRIPTION	EUR	ZAF	JPN	OCE	REMARKS
1	3RV-24770-40	SEMI-DOUBLE SEAT ASSY	1	1	1	1	
2	3RV-24731-40	.COVER, SEAT	1	1	1	1	
3	90179-06403	NUT	2	2	2	2	
4	3RV-24734-40	BAND, SEAT	1	1	1	1	
-----							
-----							
-----							
-----							
-----							
-----							
-----							
-----							
-----							
-----							



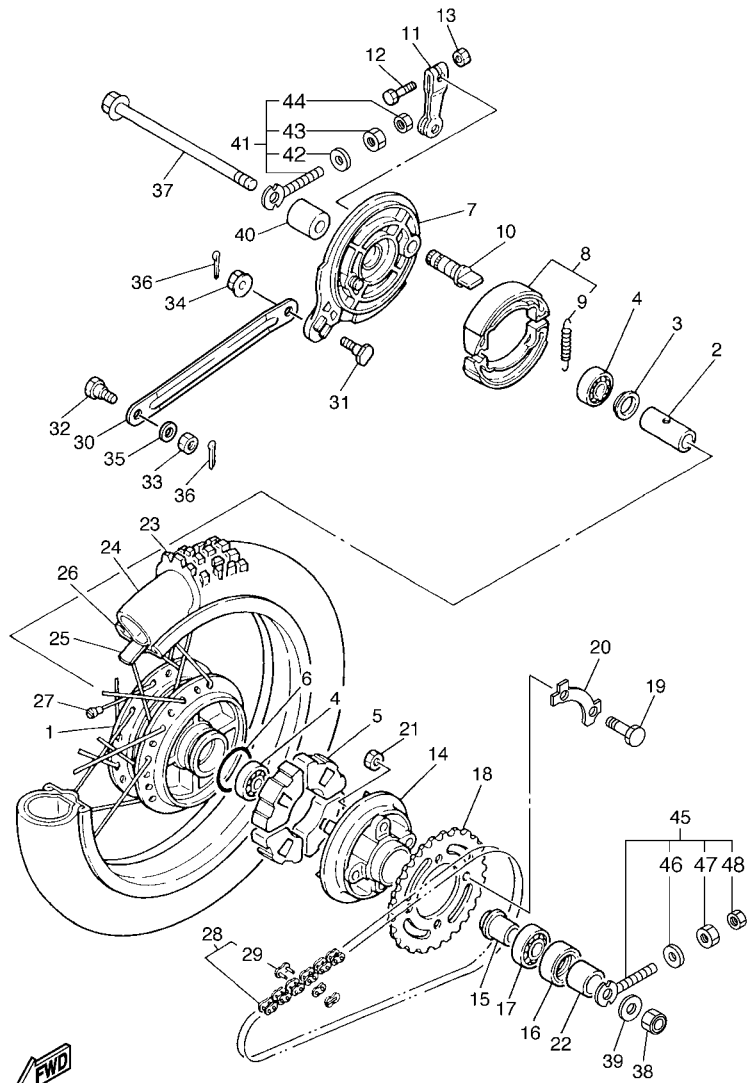
3RV110-1220



4BCC300-2230

FIG. 23 FRONT WHEEL

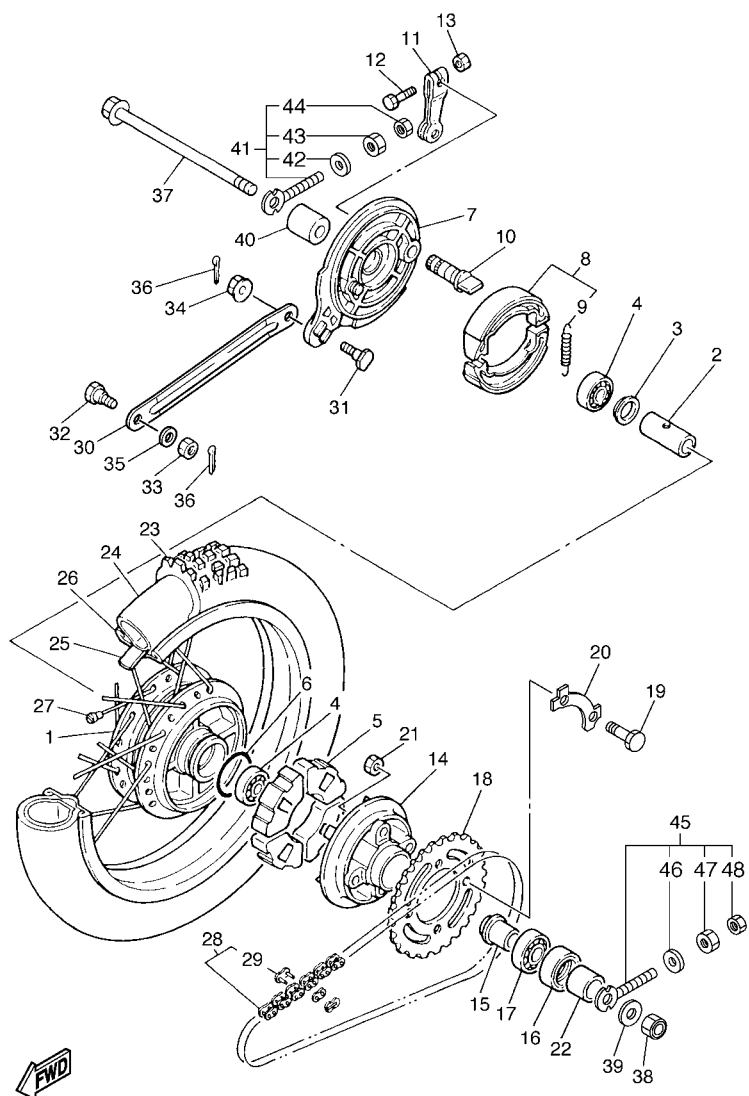
REF. NO.	PART NO.	DESCRIPTION	EUR	ZAF	JPN	OCE	REMARKS
1	451-25111-00-98	HUB, FRONT	1	1	1	1	LGB
2	90560-10103	SPACER	1	1	1	1	
3	93306-20004	BEARING	1	1	1	1	
4	93106-17006	OIL SEAL	1	1	1	1	
5	93306-20009	BEARING	1	1	1	1	
6	2E9-25116-00	FLANGE, SPACER 2	1	1	1	1	
7	3R0-25121-00-98	PLATE, BRAKE SHOE	1	1	1	1	LGB
8	3EC-W253A-00	BRAKE SHOE KIT	1	1	1	1	
9	90506-14081	.SPRING, TENSION	2	2	2	2	
10	1YT-25351-00	CAMSHAFT	1	1	1	1	
11	451-25155-00	LEVER, CAMSHAFT 1	1	1	1	1	
12	90101-06291	BOLT	1	1	1	1	
13	95307-06600	NUT	1	1	1	1	
14	L.M.	TIRE (2.50-14 2PR)		1			
15	L.M.	TUBE (2.25/2.50-14 TR4)		1			
16	94325-14129	BAND, RIM (2.50-14)	1	1	1	1	
17	94414-14002	RIM (1.40-14)	1	1	1	1	
18	3R0-25104-00	SPOKE SET, FRONT	1	1	1	1	
19	5HN-25181-00	AXLE, WHEEL	1	1	1	1	
20	92907-10200	WASHER, PLAIN	1	1	1	1	
21	95607-10200	NUT, U FLANGE	1	1	1	1	
22	90387-10744	COLLAR	1	1	1	1	
23	451-25118-00	COVER, HUB DUST	1	1	1	1	



4BCG300-E240

FIG. 24 REAR WHEEL

REF. NO.	PART NO.	DESCRIPTION	EUR	ZAF	JPN	OCE	REMARKS
1	21W-25311-00-98	HUB, REAR	1	1	1	1	LGB
2	90560-12145	SPACER	1	1	1	1	
3	102-25315-00	FLANGE, SPACER	1	1	1	1	
4	93306-30111	BEARING	2	2	2	2	
5	21W-25364-00	DAMPER	4	4	4	4	
6	93210-41041	O-RING	1	1	1	1	
7	31J-25321-00-98	PLATE, BRAKE SHOE	1	1	1	1	LGB
8	4BE-W253E-00	BRAKE SHOE KIT	1	1	1	1	
9	90506-15260	.SPRING, TENSION	2	2	2	2	
10	3Y6-25351-00	CAMSHAFT	1	1	1	1	
11	538-25355-00	LEVER, CAMSHAFT	1	1	1	1	
12	90101-06278	BOLT	1	1	1	1	
13	95307-06600	NUT	1	1	1	1	
14	296-25366-01-98	CLUTCH, HUB	1	1	1	1	LGB
15	21W-25387-00	AXLE, SPROCKET	1	1	1	1	
16	93106-30004	OIL SEAL	1	1	1	1	
17	93306-00416	BEARING	1	1	1	1	
18	4BC-25432-50	SPROCKET, DRIVEN (32T)	1	1	1	1	
19	90101-08672	BOLT	4	4	4	4	
20	4AW-25412-00	WASHER	2	2	2	2	
21	90170-08366	NUT	4	4	4	4	
22	90387-207G3	COLLAR	1	1	1	1	
23	L.M.	TIRE (3.00-12 2PR)			1		
24	L.M.	TUBE (2.75/3.00-12 TR4)			1		
25	94330-12130	BAND, RIM (3.00-12)	1	1	1	1	
26	94416-12003	RIM (1.60-12)	1	1	1	1	
27	21W-25304-00	SPOKE SET, REAR	1	1	1	1	

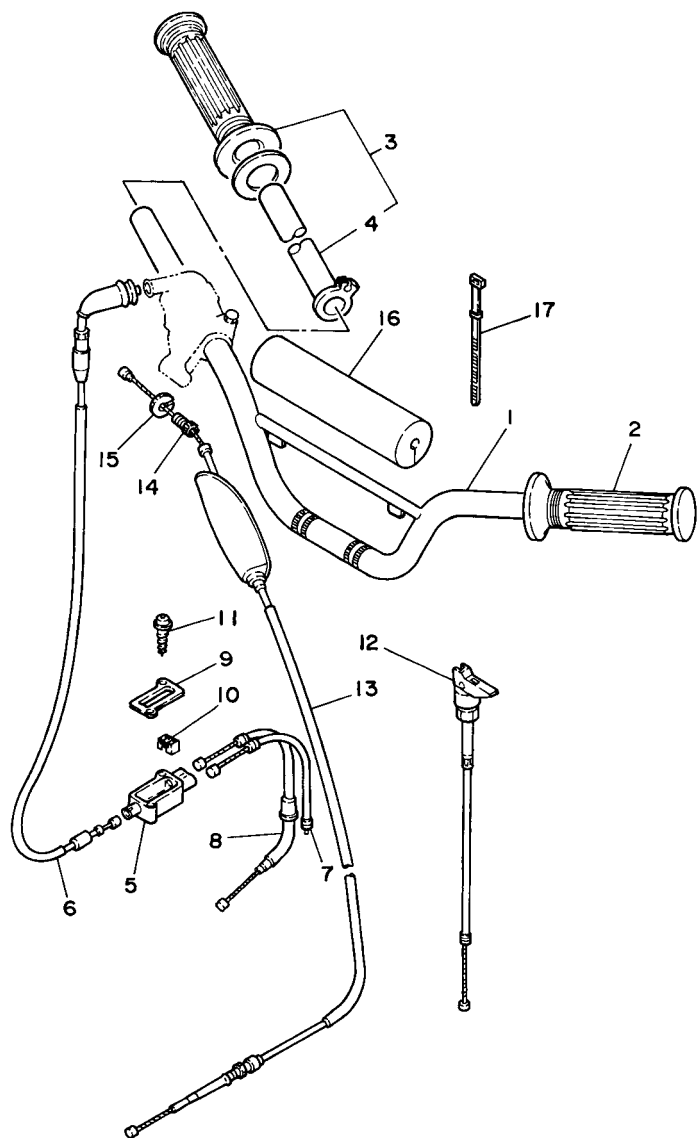


4BCG300-E240

FIG. 24 REAR WHEEL

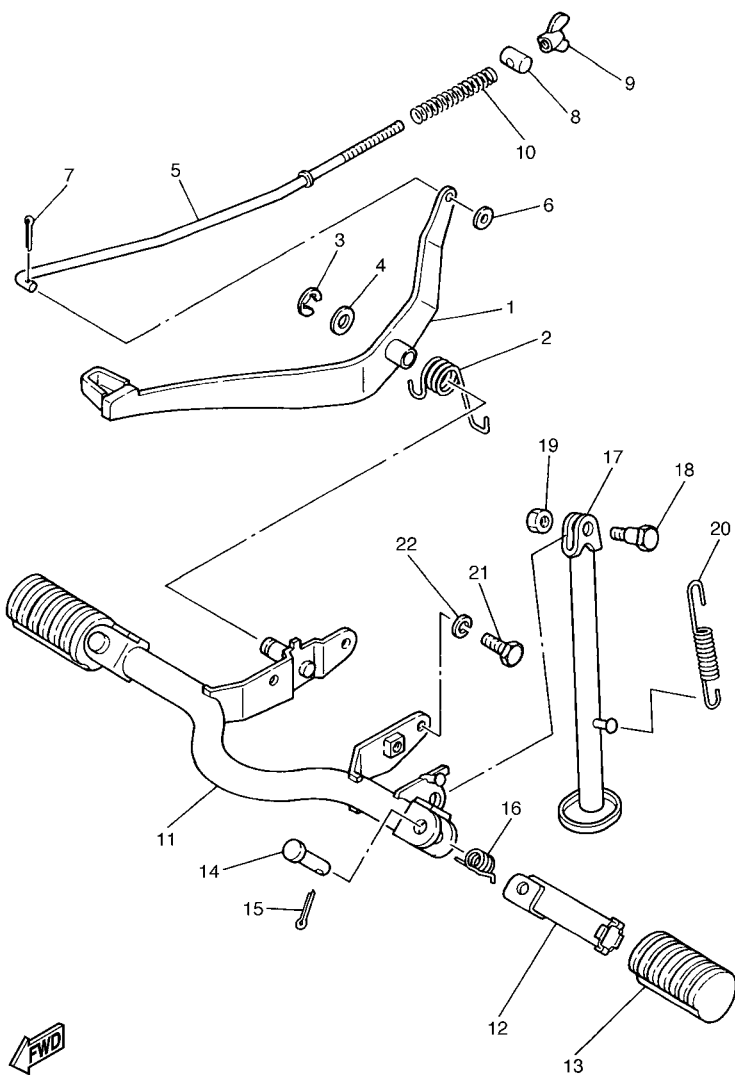
REF. NO.	PART NO.	DESCRIPTION	EUR	ZAF	JPN	OCE	REMARKS
28	94561-66084	CHAIN (KMC420 84L)	1	1	1	1	
29	94661-66001	.JOINT, CHAIN (KMC420)	1	1	1	1	
30	4BC-25371-00	BAR, TENSION	1	1	1	1	
31	90109-08183	BOLT	1	1	1	1	
32	90109-08368	BOLT	1	1	1	1	
33	95307-08700	NUT	1	1	1	1	
34	95707-08500	NUT, FLANGE	1	1	1	1	
35	92907-08600	WASHER, PLATE	1	1	1	1	
36	91401-20012	PIN, COTTER	2	2	2	2	
37	5HN-25381-00	AXLE, WHEEL	1	1	1	1	
38	90185-12134	NUT, SELF-LOCKING	1	1	1	1	
39	90201-126A7	WASHER, PLATE	1	1	1	1	
40	90387-12412	COLLAR	1	1	1	1	
41	3AC-2538G-10	PULLER, CHAIN	1	1	1	1	
42	90201-061A5	.WASHER, PLATE	1	1	1	1	
43	90170-06184	.NUT	1	1	1	1	
44	95307-06600	.NUT	1	1	1	1	
45	4GL-2538G-10	PULLER, CHAIN	1	1	1	1	
46	90201-061A5	.WASHER, PLATE	1	1	1	1	
47	90170-06184	.NUT	1	1	1	1	
48	95307-06600	.NUT	1	1	1	1	

FIG. 25 STEERING HANDLE & CABLE



3RV110-1250

REF. NO.	PART NO.	DESCRIPTION	EUR	ZAF	JPN	OCE	REMARKS
1	3RV-26111-00	HANDLEBAR	1	1	1	1	
2	2N3-26241-00	GRIP	1	1	1	1	BLACK
3	21W-26240-00	GRIP ASSY	1	1	1	1	
4	434-26243-12	.TUBE, THROTTLE GUIDE	1	1	1	1	
5	4BC-26261-00	CONNECTOR, CABLE	1	1	1	1	
6	4BC-26311-00	CABLE, THROTTLE 1	1	1	1	1	
7	4BC-26312-00	CABLE, THROTTLE 2	1	1	1	1	
8	4BC-26321-00	CABLE, PUMP	1	1	1	1	
9	4BC-26262-00	CAP, CABLE CONNECTOR	1	1	1	1	
10	4BC-26263-00	PIECE, CONNECTING	1	1	1	1	
11	90167-03004	SCREW, TAPPING	2	2	2	2	
12	4BC-26331-00	CABLE, STARTER 1	1	1	1	1	
13	4BC-26341-00	WIRE, BRAKE 1	1	1	1	1	
14	90123-08013	BOLT	1	1	1	1	
15	90179-08148	NUT	1	1	1	1	
16	21W-26124-00	PROTECTOR, HANDLEBAR	1	1	1	1	
17	437-83936-11	BAND, SWITCH CORD	2	2	2	2	



4BCE300-C260

FIG. 26 STAND & FOOTREST

REF. NO.	PART NO.	DESCRIPTION	EUR	ZAF	JPN	OCE	REMARKS
1	21W-27211-00	PEDAL, BRAKE	1	1	1	1	
2	90508-29578	SPRING, TORSION	1	1	1	1	
3	99001-09600	CIRCLIP	1	1	1	1	
4	92907-12600	WASHER, PLATE	1	1	1	1	
5	21W-27231-00	ROD, BRAKE	1	1	1	1	
6	92907-06600	WASHER, PLATE	1	1	1	1	
7	91401-20012	PIN, COTTER	1	1	1	1	
8	90249-12008	PIN	1	1	1	1	
9	90175-06013	NUT, WING	1	1	1	1	
10	90501-10245	SPRING, COMPRESSION	1	1	1	1	
11	21W-27411-01-33	FOOTREST 1	1	1	1	1	YB
12	214-27421-00	FOOTREST 2	2	2	2	2	
13	214-27413-00	COVER, FOOTREST	2	2	2	2	
14	90240-08084	PIN, CLEVIS	2	2	2	2	
15	91401-25015	PIN, COTTER	2	2	2	2	
16	90508-20023	SPRING, TORSION	2	2	2	2	
17	4BC-27311-00	STAND, SIDE	1	1	1	1	
18	90109-08666	BOLT	1	1	1	1	
19	95307-08700	NUT	1	1	1	1	
20	90506-28100	SPRING, TENSION	1	1	1	1	
21	97027-08020	BOLT	2	2	2	2	
22	92907-08100	WASHER, SPRING	2	2	2	2	







NUMERICAL INDEX

PART NO.	GRID NO.	PART NO.	GRID NO.	PART NO.	GRID NO.	PART NO.	GRID NO.	PART NO.	GRID NO.	PART NO.	GRID NO.
21W-11111-00	B - 2	296-14184-01	B - 6	517-16180-00	B - 12	21W-22110-00-35	C - 7	2X6-24183-00	C - 11	4BC-27311-00	D - 3
463-11161-01	B - 2	2E9-14185-00	B - 6	132-16346-00	B - 15	4BC-22123-00	C - 7	3RV-24240-E0	C - 11	21W-27411-01-33	D - 3
21W-11162-00	B - 2	127-14186-00	B - 6	527-16520-10	B - 12	3R0-22151-00	C - 7	4X8-24500-03	C - 11	214-27413-00	D - 3
3E5-11162-00	B - 2	12R-14191-00	B - 6	3E5-16521-00	B - 12	21W-22199-00	C - 7	4X8-24512-00	C - 11	214-27421-00	D - 3
1W7-11181-00	B - 2	296-14198-01	B - 6	517-16524-10	B - 12	3RV-22210-12	C - 7	3AC-24523-00	C - 11	4X4-28100-00	C - 6
3E5-11311-01	B - 2	1V3-14271-00	B - 7	517-16524-20	B - 12	3RV-22210-22	C - 7	3AJ-24534-01	C - 11	104-81328-20	D - 4
4AW-11351-00	B - 2	4BC-14412-00	B - 5	517-16524-30	B - 12	3M7-22216-00	C - 7	2FG-24610-00	C - 11	4BC-82310-00	D - 6
4BC-11400-00	B - 3	4BC-14451-00	B - 5	517-16550-10	B - 12	4AA-22259-40	C - 7	3RV-24731-40	C - 12	166-82370-20	D - 6
4BC-11412-00	B - 3	4BC-14453-00	B - 5	517-16561-01	B - 12	4AA-22259-50	C - 7	3RV-24734-40	C - 12	4V0-82519-00	D - 5
4BC-11422-00	B - 3	4BC-14454-00	B - 5	527-16571-01	B - 12	21W-22311-00	C - 7	3RV-24770-40	C - 12	4BC-82913-00	D - 5
4BC-11557-00	B - 3	4BC-14455-00	B - 5	4BC-17051-00	B - 14	3RV-23102-01	C - 9	3R0-25104-00	C - 13	4BC-82921-00	D - 5
14N-11603-00	B - 3	4BC-14457-00	B - 5	4BC-17211-00	B - 14	3RV-23103-01	C - 9	451-25111-00-98	C - 13	4BC-83922-00	D - 5
14N-11604-00	B - 3	4BC-14458-00	B - 5	4BC-17221-00	B - 14	21W-23110-00	C - 9	2E9-25116-00	C - 13	437-83936-01	D - 5
14N-11605-00	B - 3	21W-14503-00	B - 6	4BC-17231-00	B - 14	3M7-23111-01	C - 9	451-25118-00	C - 13	437-83936-11	D - 2
3E5-11631-00-97	B - 3	21W-14610-02	B - 8	4BC-17410-00	B - 14	3RV-23126-01	C - 9	3R0-25121-00-98	C - 13		D - 5
527-11633-00	B - 3	3RV-14623-00	B - 8	4BC-17421-00	B - 14	3RV-23136-01	C - 9	451-25155-00	C - 13	21W-83976-00	D - 5
3E5-11635-00	B - 3	21W-14708-00	B - 8	4BC-17424-00	B - 14	21W-23141-00	C - 9	5HN-25181-00	C - 13	4BC-85510-00	D - 4
3E5-11636-00	B - 3	4X4-14714-00	B - 8	4BC-17425-00	B - 14	3M7-23142-00	C - 9	21W-25304-00	C - 14	4BC-85512-00	D - 4
4BC-11651-00	B - 3	4BC-14753-00	B - 8	296-17471-00	B - 14	3M7-23144-00	C - 9	21W-25311-00-98	C - 14	4BC-85540-00	D - 6
4BC-11681-00	B - 3	4BC-14758-00	B - 8	58H-18101-04	C - 2	3M7-23145-00	C - 9	102-25315-00	C - 14	4BC-85550-00	D - 4
278-13101-01	B - 4	3RV-14766-00	B - 8	21W-18111-00	C - 2	2J5-23147-00	C - 9	31J-25321-00-98	C - 14	4BC-W1441-00	B - 5
275-13124-00	B - 4	4BC-14766-00	B - 8	132-18113-01	C - 2	2J5-23151-00	C - 9	1YT-25351-00	C - 13	3EC-W253A-00	C - 13
384-13138-00	B - 4	21W-1490J-00	B - 6	278-18127-01	C - 2	3M7-23156-00	C - 9	3Y6-25351-00	C - 14	4BE-W253E-00	C - 14
296-13147-00	B - 4	1M3-14997-00	B - 7	296-18140-03	B - 15	2J5-23157-00	C - 9	538-25355-00	C - 14	90101-06278	C - 14
384-13161-02	B - 4	1W7-15111-03	B - 9	1W7-18511-01	B - 15	3R0-23170-00	C - 9	21W-25364-00	C - 14	90101-06291	C - 13
384-13174-00	B - 4	1W7-15121-03	B - 9	1W7-18512-02	B - 15	3M7-23181-00	C - 9	296-25366-01-98	C - 14	90101-06394	B - 9
53F-13178-00	B - 4	300-15128-00	B - 9	2N8-18531-00	B - 15	3R0-23318-00	C - 10	4BC-25371-00	C - 15	90101-08286	C - 3
21W-13555-00	B - 5	5T9-15316-01	B - 9	21W-18540-01	B - 15	5HN-23340-00	C - 10	5HN-25381-00	C - 15	90101-08672	C - 14
300-13610-04	B - 5	517-15362-02	B - 10	296-18561-00	B - 15	451-23346-00	C - 10	21W-25387-00	C - 14	90105-10063	C - 7
300-13613-02	B - 5	21W-15411-00	B - 10	296-18562-01	B - 15	156-23411-00	C - 8	3AC-2538G-10	C - 15	90105-10147	B - 9
300-13616-00	B - 5	517-15416-01	B - 9	21W-21110-10-33	C - 3	22F-23411-01	C - 8	4GL-2538G-10	C - 15	90109-063F6	B - 15
300-13621-10	B - 5	5R7-15421-00	B - 10	5PA-2118K-20	C - 5	156-23412-00	C - 8	4AW-25412-00	C - 14	90109-06798	D - 5
300-13622-10	B - 5	4AW-15451-00	B - 10	3RV-21511-20	C - 4	22F-23412-01	C - 8	4BC-25432-50	C - 14	90109-08183	C - 15
21W-14101-01	B - 6	4BC-15491-00	B - 10	4ES-2153E-01	C - 4	122-23416-00	C - 8	3RV-26111-00	D - 2	90109-08368	C - 15
12G-14103-00	B - 6	4BC-15618-00	B - 11		C - 5	156-2341E-00	C - 8	21W-26124-00	D - 2	90109-08666	D - 3
12G-14104-00	B - 6	4BC-15620-00	B - 11	5PA-21568-00	C - 5	22F-2341E-00	C - 8	21W-26240-00	D - 2	90116-07035	B - 2
21W-14107-12	B - 6	384-15635-00	B - 12	3RV-21569-31	C - 4	4BC-23435-00	C - 8	2N3-26241-00	D - 2	90119-05009	C - 7
296-14112-25	B - 6	2T4-15637-01	B - 12	4EM-21578-C0	C - 5	3RV-23441-01	C - 8	434-26243-12	D - 2	90119-06044	C - 4
296-14131-00	B - 6	4BC-15641-00	B - 11	21W-21621-00	C - 5	462-23442-00-35	C - 8	4BC-26261-00	D - 2	90119-06056	C - 6
127-14135-00	B - 6	4BC-15660-00	B - 11	21W-21646-00	C - 6	164-23462-00	C - 8	4BC-26262-00	D - 2	90123-08013	D - 2
127-14141-14	B - 6	4BC-15664-00	B - 11	3XJ-21668-10	C - 7	21W-23486-00	C - 8	4BC-26263-00	D - 2	90149-04135	B - 4
193-14142-15	B - 6	4BC-15665-00	B - 11	3RV-21668-A0	C - 7	5HN-23492-00	C - 8	4BC-26311-00	D - 2	90149-06011	C - 11
127-14143-24	B - 6	4BC-15673-00	B - 11	3RV-21711-20	C - 5	3RV-24110-20	C - 11	4BC-26312-00	D - 2	90149-06157	B - 9
127-14143-25	B - 6	4BC-15676-00	B - 11	21W-21719-00	C - 5	3HA-24141-00	C - 3	4BC-26321-00	D - 2	90151-05055	D - 4
127-14143-26	B - 6	4BC-15695-00	B - 11	3RV-2173L-70	C - 5	3ME-2415E-01	C - 5	4BC-26331-00	D - 2	90157-05003	B - 8
1R0-14169-00	B - 6	56H-16110-00-30	B - 12	21W-21751-01	C - 6	59V-24173-00	C - 11	4BC-26341-00	D - 2	90157-06077	B - 14
307-14169-10	B - 6	4BC-16150-00	B - 12	21W-21766-00	C - 6	21W-24181-00	C - 11	21W-27211-00	D - 3	90157-06124	B - 15
127-14171-00	B - 6	122-16164-00	B - 12	5R2-21771-00	C - 6	431-24181-00	C - 6	21W-27231-00	D - 3	90159-06016	C - 5

NUMERICAL INDEX

PART NO.	GRID NO.	PART NO.	GRID NO.	PART NO.	GRID NO.	PART NO.	GRID NO.	PART NO.	GRID NO.	PART NO.	GRID NO.
90159-06033	C - 4	90445-07036	B - 7	92907-12600	D - 3	94701-00198	B - 2	99001-03600	B - 12		
90167-03004	D - 2	90445-084J1	C - 11	93101-10001	B - 4	94703-00198	B - 2	99001-09600	D - 3		
90170-06184	C - 15	90445-09082	C - 11	93101-12004	C - 2	95027-06020	D - 6	99001-10600	B - 15		
90170-08366	C - 14	90460-37130	B - 5	93102-20143	B - 14	95307-06600	C - 13		C - 2		
90170-10105	B - 4	90462-14055	C - 8	93103-25098	B - 3		C - 14	99009-17400	B - 11		
90175-06013	D - 3	90467-08003	C - 6	93103-32099	B - 3	95307-08700	C - 15	99009-20400	B - 11		
90179-06403	C - 12		C - 11	93104-11053	B - 10		D - 3	99530-10114	B - 10		
90179-07381	B - 2	90467-22048	B - 8	93106-17006	C - 13	95307-10600	C - 8	99530-12016	B - 9		
90179-08148	D - 2	90468-02033	B - 4	93106-30004	C - 14	95337-12600	B - 3				
90179-12659	B - 12	90468-16090	B - 12	93109-15001	B - 11	95607-06100	D - 5				
90179-16190	B - 13	90480-10005	B - 4	93210-09729	B - 15	95607-10200	C - 13				
90179-25051	C - 8	90480-18290	C - 11	93210-18023	B - 3	95707-08500	C - 3				
90185-10037	C - 7	90480-21038	B - 9	93210-19123	B - 10		C - 15				
90185-12134	C - 15	90501-10245	D - 3	93210-26240	B - 4	95807-06030	C - 11				
90201-06072	C - 11	90501-10602	B - 12	93210-29282	B - 4	95817-10025	C - 8				
90201-061A5	C - 15	90501-12088	B - 12	93210-41041	C - 14	95827-08120	C - 3				
90201-086P8	C - 3	90506-08122	C - 2	93210-98202	B - 12	97007-05016	D - 5				
90201-08759	C - 7	90506-10006	B - 15	93306-00416	C - 14	97007-08016	B - 5				
90201-106H5	C - 7	90506-14081	C - 13	93306-20004	C - 13		B - 8				
90201-12535	B - 3	90506-15260	C - 14	93306-20009	C - 13	97007-08020	B - 8				
90201-12575	C - 2	90506-28100	D - 3	93306-20301	B - 14	97014-06035	C - 8				
90201-126A7	C - 15	90508-20023	D - 3	93306-20401	B - 14	97017-06025	B - 11				
90201-15701	B - 11	90508-29578	D - 3	93306-20517	B - 3	97027-06020	C - 2				
90202-05193	C - 11	90508-32263	C - 2	93306-30111	C - 14	97027-08020	D - 3				
90208-12015	B - 12	90560-10103	C - 13	93310-11268	B - 3	9760M-05225	B - 5				
90208-16019	B - 12	90560-12145	C - 14	93310-420F2	B - 3	9760M-05250	B - 5				
90209-10160	C - 8	90560-17146	B - 12	93315-23208	B - 15	98502-04008	D - 4				
90209-12280	B - 12	91317-06012	C - 8	93320-41202	B - 14	98502-04010	B - 6				
90209-15178	B - 14	91401-20012	C - 15	93410-20038	B - 14	98502-04018	B - 6				
90209-15179	B - 14		D - 3	93430-07012	B - 4	98502-04025	D - 4				
90209-15180	B - 14	91401-25015	D - 3	93430-09019	B - 15	98502-05030	B - 6				
90240-08084	D - 3	91401-25020	C - 7	93450-13022	B - 3	98507-03008	B - 5				
90240-10069	C - 7	92901-10100	C - 10	93451-08094	B - 12		C - 11				
90240-10072	C - 7	92902-04100	B - 6	93505-08030	B - 12	98507-05020	B - 4				
90249-12008	D - 3		D - 4	93603-14026	B - 4	98507-05035	B - 4				
90280-03017	B - 3	92904-06600	C - 8	93604-22050	B - 15	98507-06012	B - 10				
90282-04064	B - 12	92907-03100	B - 5	93606-14081	B - 15	98507-06020	D - 6				
90340-12005	B - 9	92907-06100	D - 6	93812-15063	B - 14	98507-06030	B - 5				
90387-07598	C - 11	92907-06600	D - 3	94125-141A6	C - 13	98507-06035	B - 9				
90387-10744	C - 13		D - 6	94130-121A7	C - 14		B - 10				
90387-12412	C - 15	92907-08100	B - 8	94225-14215	C - 13	98507-06040	B - 10				
90387-20603	B - 3		C - 3	94227-12216	C - 14	98507-06045	B - 9				
90387-207G3	C - 14		D - 3	94325-14129	C - 13		B - 10				
90401-10029	B - 4	92907-08600	B - 5	94330-12130	C - 14	98507-06050	B - 9				
90430-04004	B - 4		B - 8	94414-14002	C - 13	98507-06100	B - 10				
90430-10171	B - 9		C - 15	94416-12003	C - 14	98507-08010	B - 9				
90430-12227	B - 9	92907-10100	C - 8	94561-66084	C - 15	9850M-05006	B - 8				
90445-05390	B - 7	92907-10200	C - 13	94661-66001	C - 15	98802-05100	B - 6				