

# YAMAHA

## PARTS CATALOGUE

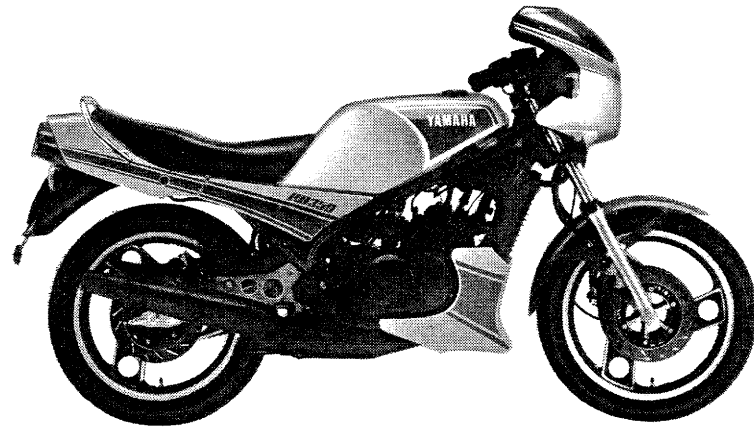
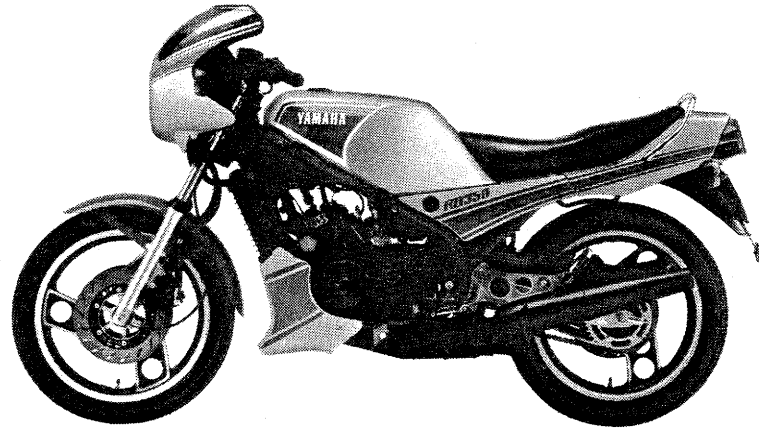
RD350<sup>K</sup> (38J)LC

保 管 用  
用 済 次 第  
乞 御 返 却  
技 術 係

ヤマハ発動機  
海外サービス部

1338J-400E1







# FOREWORD

This Parts Catalogue is related to the parts in use for the Yamaha RD 350 (38J).  
When you are ordering replacement parts for the RD 350 (38J), refer to this Parts Catalogue and quote both part numbers and part names correctly.

1. Modifications or additions which have been made after issue of the Parts Catalogue will be announced in the Yamaha Parts News.

It is advisable that according to the Yamaha Parts News you make necessary corrections to the Parts Catalogue on hand to keep it up-to-date.

2. Abbreviations

The following abbreviations are used in this Parts Catalogue.

- U.R. Use size (thickness) and/or number as required.
- U.N. Use as many as you need.
- A.P. Alternate Parts
- L.M. Local Made
- F# Frame No. (Applicable machine No.)

3. The parts marked with (\*) in the parts number column of this Catalogue are not supplied with by Yamaha, those have to be found locally.
4. Parts, which are to be supplied in the form of assemblies, are listed with an indention of one letter's space, and a dot ( . ) is put against the name of each part.

**EXAMPLE** CARBURETOR ASS'Y  
     . JET, pilot  
     . NOZZLE, main

5. Indication of No. of constituent parts for assembly

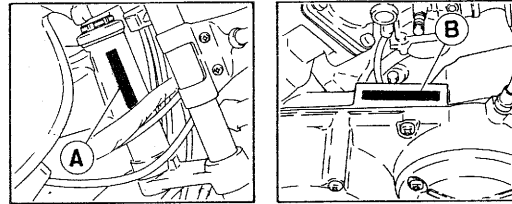
The numeral appearing to the right of each constituent part under the description indicates the quantity of such parts for each individual assembly unit.

**EXAMPLE**

Part No.	Description	Q'ty	Remarks
2F5-83310-60	FRONT FLASHER LIGHT ASS'Y	2	
115-83311-60	. BULB (6V-18W)	1	
1M1-83309-60	. REFLECTOR	1	

6. Initial Serial No. and Color Code

(A) Frame Serial No.	31K-025101 and following
(B) Engine Serial No.	31K-025101 and following



Color Code	Color Name	Abbreviate
Y9	New Pearl White	NPW
6G	New Yamaha Black	NYB

7. Applicable colors of graphics are represented in the "Remarks" column by the letter(s) appropriately picked out of the full word(s) showing such colors.

**EXAMPLE**

Part No.	Description	Q'ty	Remarks
2N4-24110-00-X5	FUEL TANK COMP.	1	MAXIM RED
3J1-24240-10	. GRAPHIC, fuel tank set	1	for MXR

# CONTENTS

## ENGINE

Cylinder Head .....	B2 ~ B3
Crankshaft · Piston .....	B4
Water Pump .....	B5
Radiator · Hose .....	B6 ~ B7
Oil Pump .....	B8 ~ B9
Intake .....	B10 ~ B11
Carburetor .....	B12 ~ B13
Exhaust .....	B14
Crankcase .....	B15
Crankcase Cover 1 .....	C2
Starter .....	C3
Clutch .....	C4 ~ C5
Transmission .....	C6 ~ C7
Tachometer Gear .....	C8
Shift Cam · Fork .....	C9
Shift Shaft .....	C10

## CHASSIS

Frame .....	C11 ~ C12
Fender .....	C13 ~ C14
Side Cover .....	C15
Oil Tank .....	D2
Rear Arm .....	D3 ~ D4
Rear Suspension .....	D5
Steering .....	D6
Front Fork .....	D7 ~ D8
Fuel Tank .....	D9
Seat .....	D10
Front Wheel .....	D11

Front Brake Caliper .....	D12
Rear Wheel .....	D13
Rear Brake Caliper .....	D14
Steering Handle · Cable .....	D15
Front Master Cylinder .....	E2
Stand · Footrest .....	E3 ~ E4
Rear Master Cylinder .....	E5
Cowling .....	E6
Generator .....	E7
Flasher Light .....	E8
Meter .....	E9
Headlight .....	E10
Taillight .....	E11
Handle Switch · Lever .....	E12
Electrical 1 .....	E13
Electrical 2 .....	E14

## FOR GREECE · FOR IRELAND

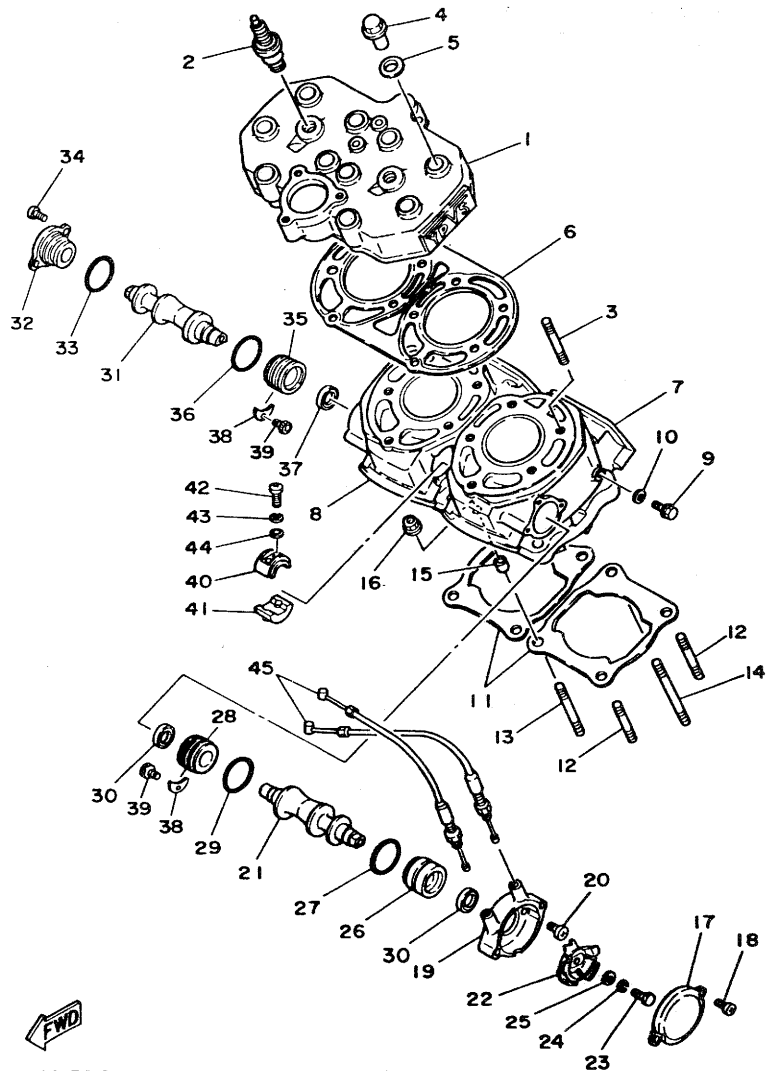
Flasher Light .....	E15
---------------------	-----

## FOR GREECE

Headlight .....	F2
-----------------	----

## INDEX

Numerical Index .....	L1 ~ L4
Parts Name Index .....	M1 ~ M8



**FWD**  
31K300-3010

FIG. 1 CYLINDER HEAD

REF. NO.	PART NO.	DESCRIPTION	Q'TY	REMARKS
1	31K-11111-00	HEAD, cylinder 1	1	
2	94701-00204	PLUG, spark (NGK BR8ES)	2	
3	90116-08424	BOLT, stud	10	
4	90179-08343	NUT	10	
5	90201-122A7	WASHER, plate	10	
6	31K-11181-00	GASKET, cylinder head 1	1	
7	31K-11311-00	CYLINDER 1	1	
8	31K-11321-00	CYLINDER 2	1	
9	95826-06010	BOLT, flange	2	
10	90430-06166	GASKET	2	
11	29L-11351-00	GASKET, cylinder	2	
12	90116-08318	BOLT, stud	4	
13	90116-08388	BOLT, stud	2	
14	90116-08064	BOLT, stud	2	
15	91810-03014	PIN, dowel	4	
16	90179-08299	NUT	8	
17	29L-1131R-00	CAP, seal	1	
18	98506-05012	SCREW, pan head	2	
19	29L-1131M-00	COVER	1	
20	98502-05012	SCREW, pan head	2	
21	31K-1131A-00	VALVE 1	1	
22	29L-1132E-00	PULLEY 1	1	
23	97326-06020	BOLT	1	
24	92906-06100	WASHER, spring	1	
25	92906-06600	WASHER, plate	1	
26	31K-1131U-00	HOLDER 3	1	
27	93210-30640	O-RING	1	
28	31K-1131F-00	HOLDER 2	2	

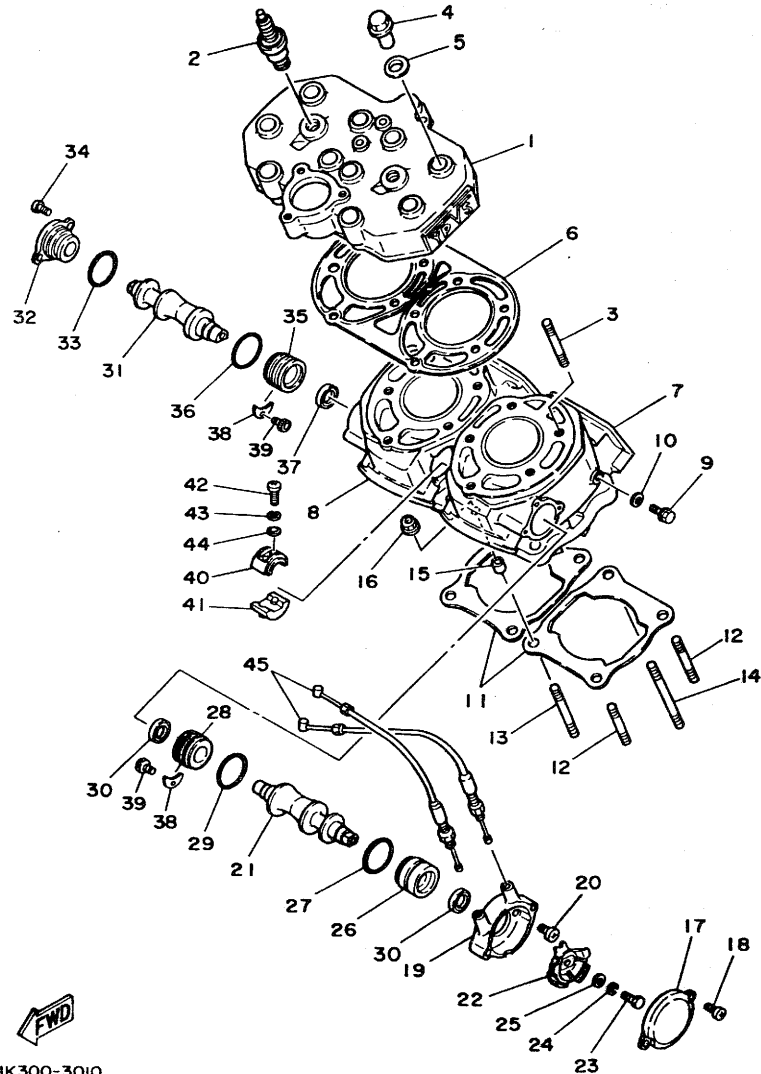


FIG. 1 CYLINDER HEAD

REF. NO.	PART NO.	DESCRIPTION	Q'TY	REMARKS
29	93210-30640	O-RING	1	
30	93108-23010	OIL SEAL	2	
31	31K-1132A-00	VALVE 2	1	
32	31K-1131E-00	HOLDER 1	1	
33	93210-30640	O-RING	1	
34	98506-05012	SCREW, pan head	2	
35	31K-1131F-00	HOLDER 2	1	
36	93210-30640	O-RING	1	
37	93108-23010	OIL SEAL	1	
38	31K-11915-00	PLATE, thrust 1	2	
39	91316-05010	BOLT	2	
40	29L-1131H-00	JOINT 1	1	
41	29L-1131J-00	JOINT 2	1	
42	98501-04025	SCREW, pan head	2	
43	92902-04100	WASHER, spring	2	
44	92901-04600	WASHER, plate	2	
45	29L-1133E-00	WIRE, pulley 1	2	

31K300-3010

**B3**

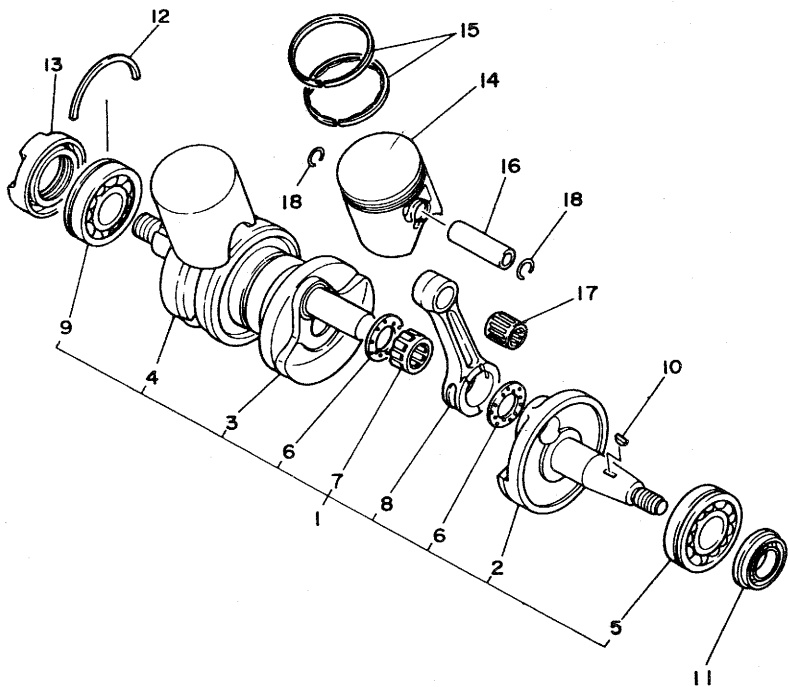


FIG. 2 CRANKSHAFT. PISTON

REF. NO.	PART NO.	DESCRIPTION	Q'TY	REMARKS
1	29L-11400-10	CRANKSHAFT ASSY	1	
2	29L-11412-00	.CRANK 1	1	
3	29L-11409-00	.CRANK SUB ASSY	1	
4	29L-11442-10	.CRANK 4	1	
5	93306-30510	.BEARING	1	
6	90209-22248	.WASHER	4	
7	93310-522L4	.BEARING, cylindrical	2	
8	29L-11651-00	.ROD, connecting	2	
9	93306-30531	.BEARING	1	
10	90280-05033	KEY, woodruff	1	
11	93103-25108	OIL SEAL	1	
12	278-17424-01	CIRCLIP 1	1	
13	93103-40077	OIL SEAL	1	
14	31K-11631-00-94	PISTON (STD)	2	
	31K-11635-00	PISTON (1ST O/S 0.25MM)	2	AP
	31K-11636-00	PISTON (2ND O/S 0.50MM)	2	AP
15	31K-11610-00	PISTON RING SET (STD)	2	
	31K-11610-10	PISTON RING SET (0.25 O/S)	2	AP
	31K-11610-20	PISTON RING SET (0.50 O/S)	2	AP
16	4L0-11633-00	PIN, piston	2	
17	93310-316H6	BEARING, cylindrical	2	
18	4V2-11634-00	CLIP, piston pin	4	

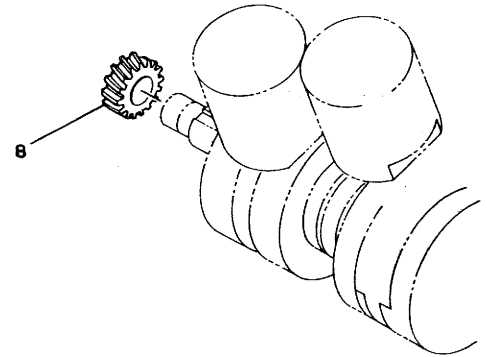
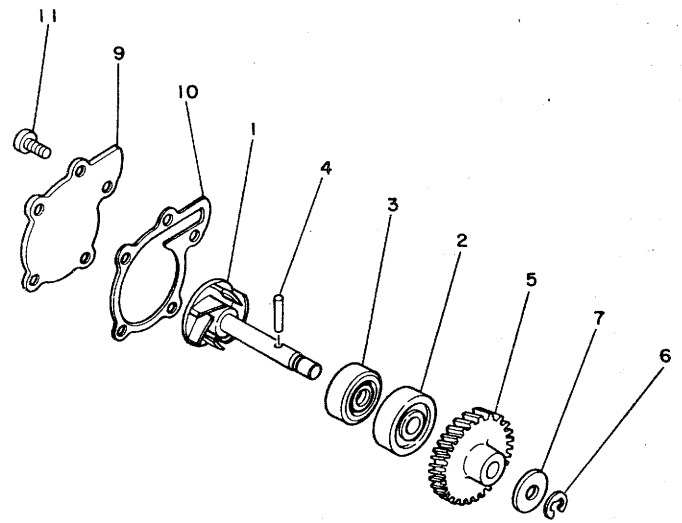


29L010-3021

**B4**

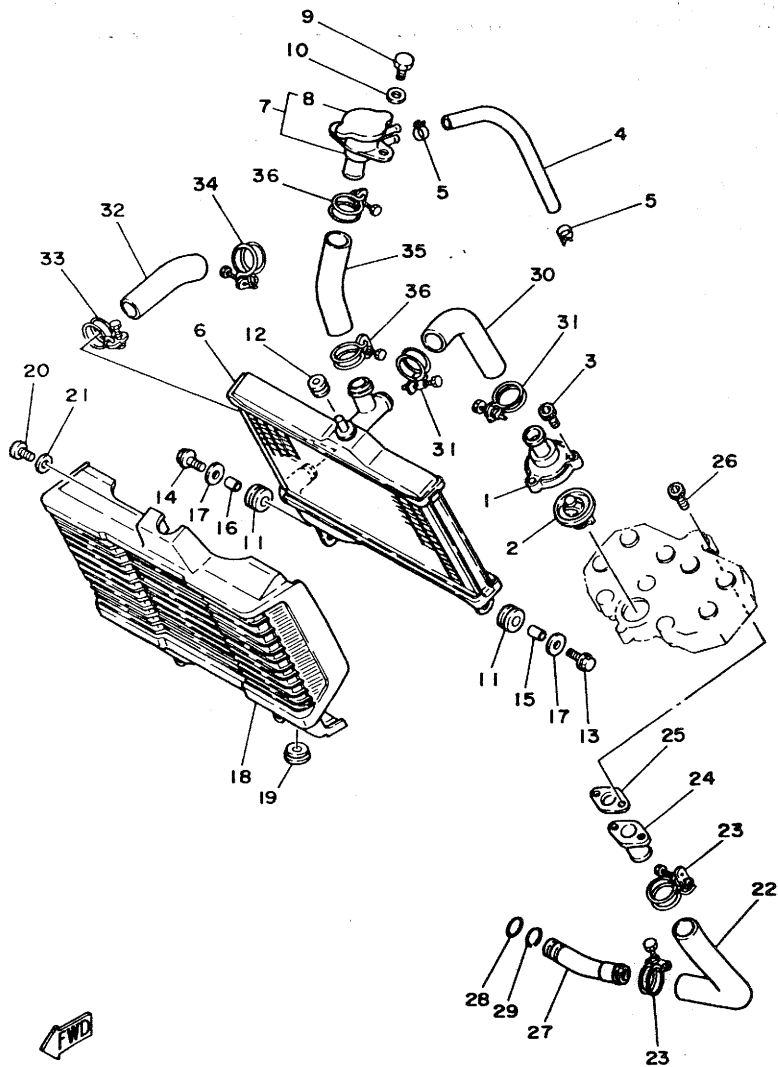
FIG. 3 WATER PUMP

REF. NO.	PART NO.	DESCRIPTION	Q'TY	REMARKS
1	4L0-12450-01	IMPELLER SHAFT ASSY	1	
2	93306-30003	BEARING (B6300Z)	1	
3	93103-10113	OIL SEAL	1	
4	93603-22028	PIN, dowel	1	
5	4L0-12459-00	GEAR, impeller shaft	1	
6	93430-07012	CIRCLIP	1	
7	90201-08784	WASHER, plate	1	
8	4L0-12436-00	GEAR, drive	1	
9	4L0-12422-00	COVER, housing	1	
10	4L0-12428-00	GASKET, housing cover 2	1	
11	92501-06014	SCREW, pan head	5	



  
29L010-3040

**B5**



31K300-3050

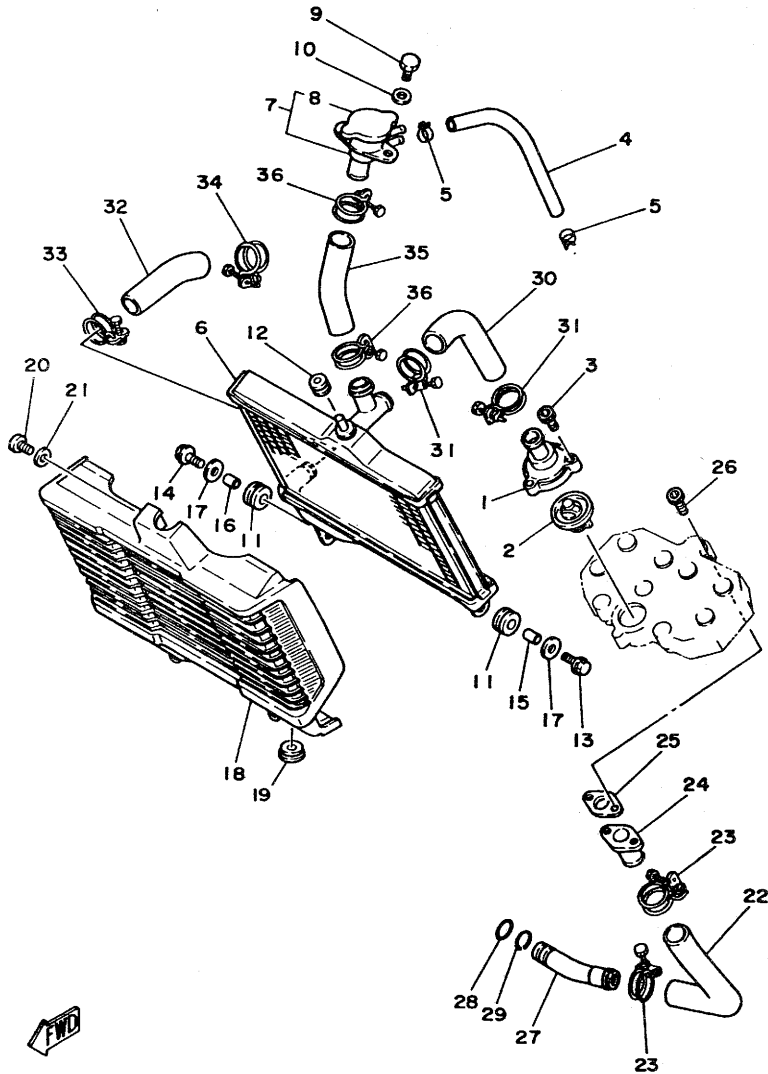
FIG. 4 RADIATOR. HOSE

REF. NO.	PART NO.	DESCRIPTION	Q'TY	REMARKS
1	29L-12446-00	JOINT	1	
2	29L-12411-00	THERMOSTAT	1	
3	91316-06020	BOLT	3	
4	29L-12485-00	PIPE 5	1	
5	90467-13083	CLIP	2	
6	29L-12461-00	RADIATOR ASSY	1	
7	29L-12590-00	CONDUCTION ASSY	1	
8	17W-12462-00	.CAP, radiator	1	
9	97301-06016	BOLT	2	
10	90201-06067	WASHER, plate	2	
11	90480-15363	GROMMET	2	
12	90480-16284	GROMMET	1	
13	95806-06025	BOLT, flange	1	
14	95806-06020	BOLT, flange	1	
15	90387-07392	COLLAR	1	
16	90387-07390	COLLAR	1	
17	90201-060A3	WASHER, plate	2	
18	29L-12467-00	COVER, radiator	1	
19	90480-12014	GROMMET	2	
20	92506-06016	SCREW, pan head	1	
21	90201-06380	WASHER, plate	1	
22	29L-12481-00	PIPE 1	1	
23	90460-30158	CLAMP, hose	2	
24	4L0-12479-00	JOINT	1	
25	4L0-12435-00	GASKET	1	
26	91316-06020	BOLT	2	
27	29L-12469-00	JOINT 1	1	
28	93210-17239	O-RING	1	

**B6**

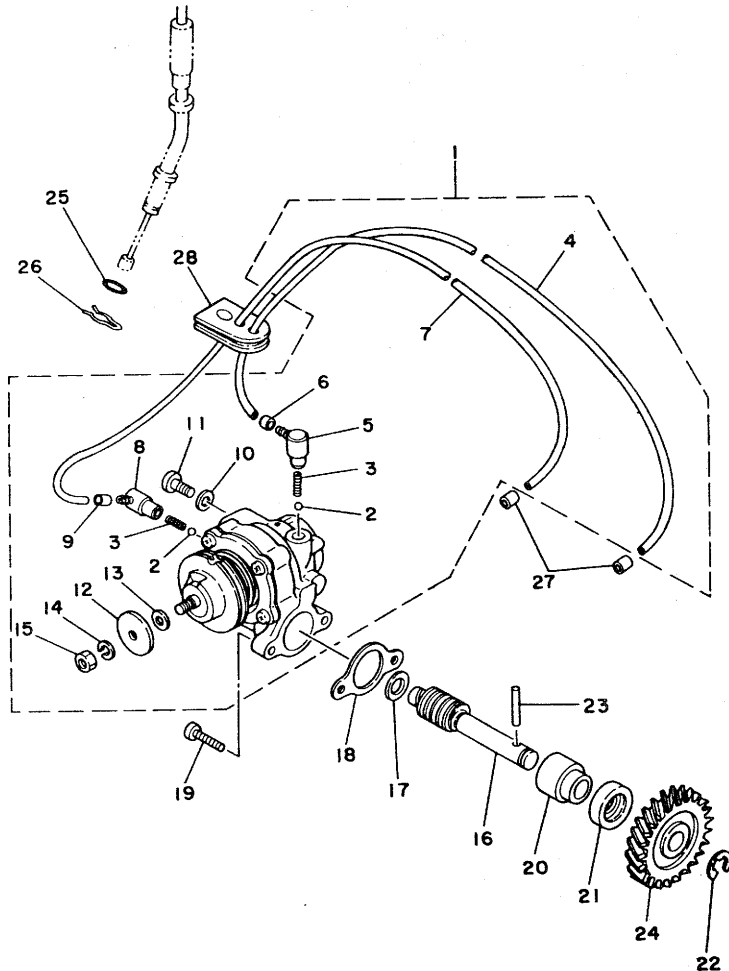
FIG. 4 RADIATOR. HOSE

REF. NO.	PART NO.	DESCRIPTION	Q'TY	REMARKS
29	93440-19083	CIRCLIP	1	
30	29L-12482-00	PIPE 2	1	
31	90460-30158	CLAMP, hose	2	
32	4L0-12484-00	PIPE 4	1	
33	90460-30158	CLAMP, hose	1	
34	90460-33159	CLAMP, hose	1	
35	29L-12483-00	PIPE 3	1	
36	90460-30158	CLAMP, hose	2	



3IK300-3050

**B7**



**FWD**  
29L010-3060

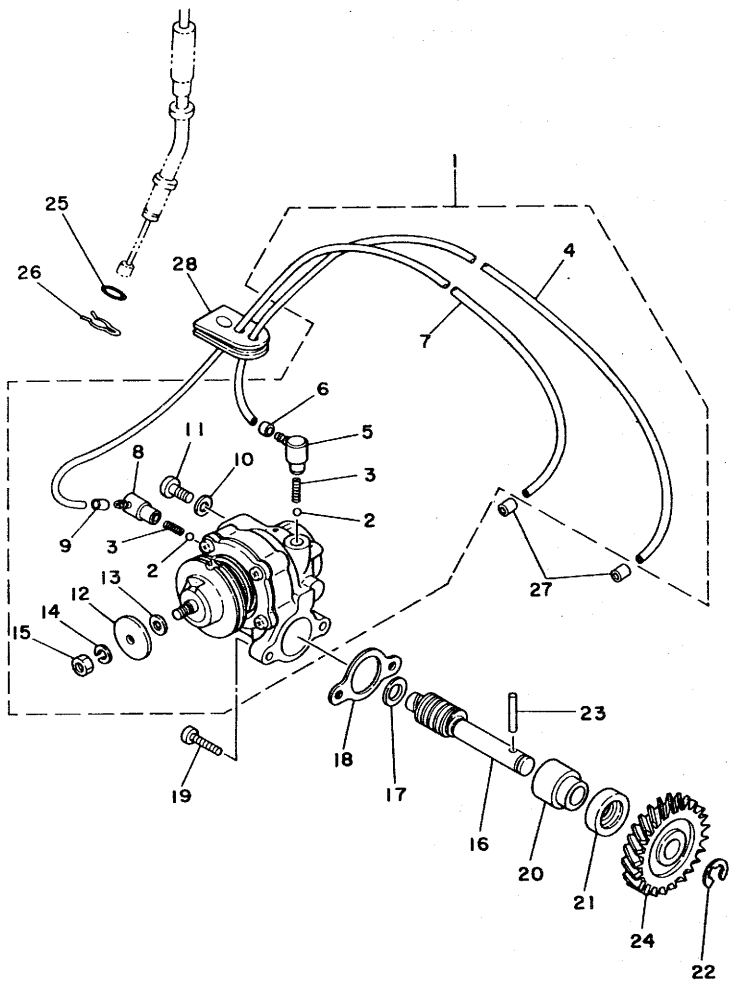
FIG. 5 OIL PUMP

REF. NO.	PART NO.	DESCRIPTION	Q'TY	REMARKS
1	4L0-13101-03	OIL PUMP ASSY	1	
2	93505-32002	.BALL	2	
3	278-13169-00	.SPRING, check ball	2	
4	90445-05203	.HOSE	1	
5	353-13552-01	.NOZZLE	1	
6	90468-02033	.CLIP	1	
7	90445-05765	.HOSE	1	
8	353-13552-01	.NOZZLE	1	
9	90468-02033	.CLIP	1	
10	90430-04004	.GASKET	1	
11	98901-04008	.SCREW, bind	1	
12	137-13138-01	.PLATE, adjusting	1	
13	137-13137-00-03	.SHIM (0.3T)	1	UR
	137-13137-00-05	.SHIM (0.5T)	1	UR
	137-13137-00-10	.SHIM (1.0T)	1	UR
14	92901-05100	.WASHER, spring	1	
15	95301-05600	.NUT	1	
16	4L0-13175-02	SHAFT, worm	1	
17	90201-08624	WASHER, plate	1	
18	126-13116-00	GASKET, pump case	1	
19	98501-05016	SCREW, pan head	2	
20	1E7-13176-00	METAL, worm shaft outer	1	
21	93101-10002	OIL SEAL	1	
22	93430-08036	CIRCLIP	1	
23	93603-22028	PIN, dowel	1	
24	4L0-13178-00	GEAR, pump drive	1	
25	93210-07100	O-RING	1	
26	90468-08086	CLIP	1	

**B8**

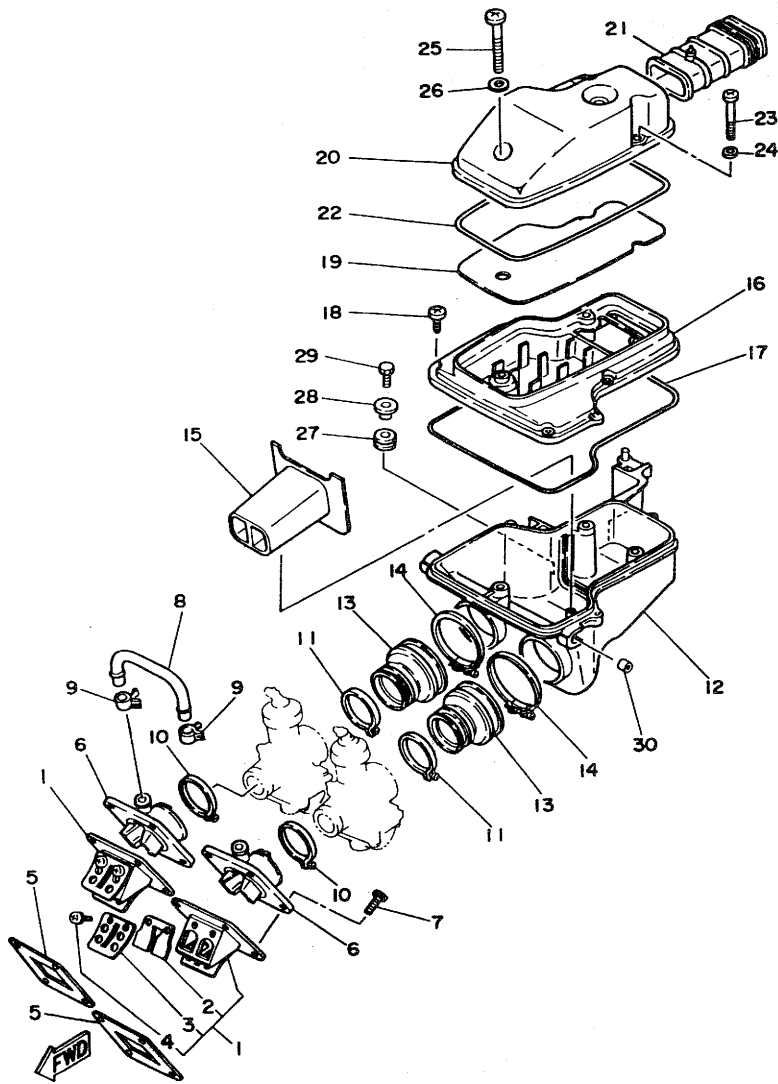
FIG. 5 OIL PUMP

REF. NO.	PART NO.	DESCRIPTION	Q'TY	REMARKS
27	90468-02033	CLIP	2	
28	4L0-13174-00	HOLDER, oil pipe	1	



29L010-3060

**B9**



31K300-3070

FIG. 6 INTAKE

REF. NO.	PART NO.	DESCRIPTION	Q'TY	REMARKS
1	31K-13610-00	REED VALVE ASSY	2	
2	10V-13613-01	.REED, valve	2	
3	10V-13616-01	.STOPPER, reed valve	2	
4	97602-03108	.SCREW, pan head with washer	4	
5	31K-13621-00	GASKET, valve seat	2	
6	31K-13565-00	JOINT, carburetor	2	
7	91316-06025	BOLT	8	
8	29L-14465-00	PIPE	1	
9	90467-20085	CLIP	2	
10	90460-44108	CLAMP, hose	2	
11	90460-49058	CLAMP, hose	2	
12	29L-14411-00	CASE, air cleaner 1	1	
13	29L-14453-00	JOINT, air cleaner 1	2	
14	90460-68230	CLAMP, hose	2	
15	29L-1441F-00	PARTITION, air cleaner case	1	
16	29L-14421-00	CASE, air cleaner 2	1	
17	29L-14452-00	SEAL	1	
18	97701-50525	SCREW, tapping	6	
19	29L-14451-00	ELEMENT, air cleaner	1	
20	29L-14412-00	CAP, cleaner case 1	1	
21	29L-14437-00	DUCT	1	
22	29L-14457-00	SEAL	1	
23	92501-06055	SCREW, pan head	2	
24	92901-06600	WASHER, plate	2	
25	92501-06075	SCREW, pan head	1	
26	92901-06600	WASHER, plate	1	
27	90480-16233	GROMMET	1	
28	90387-07037	COLLAR	1	

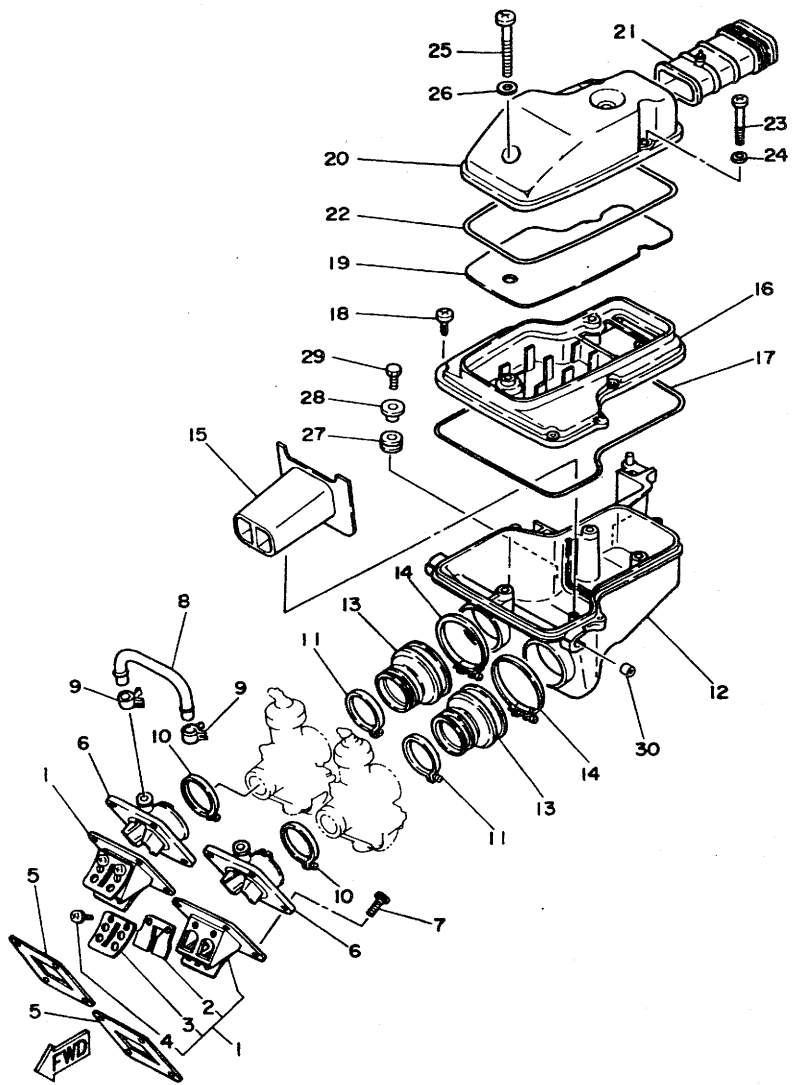
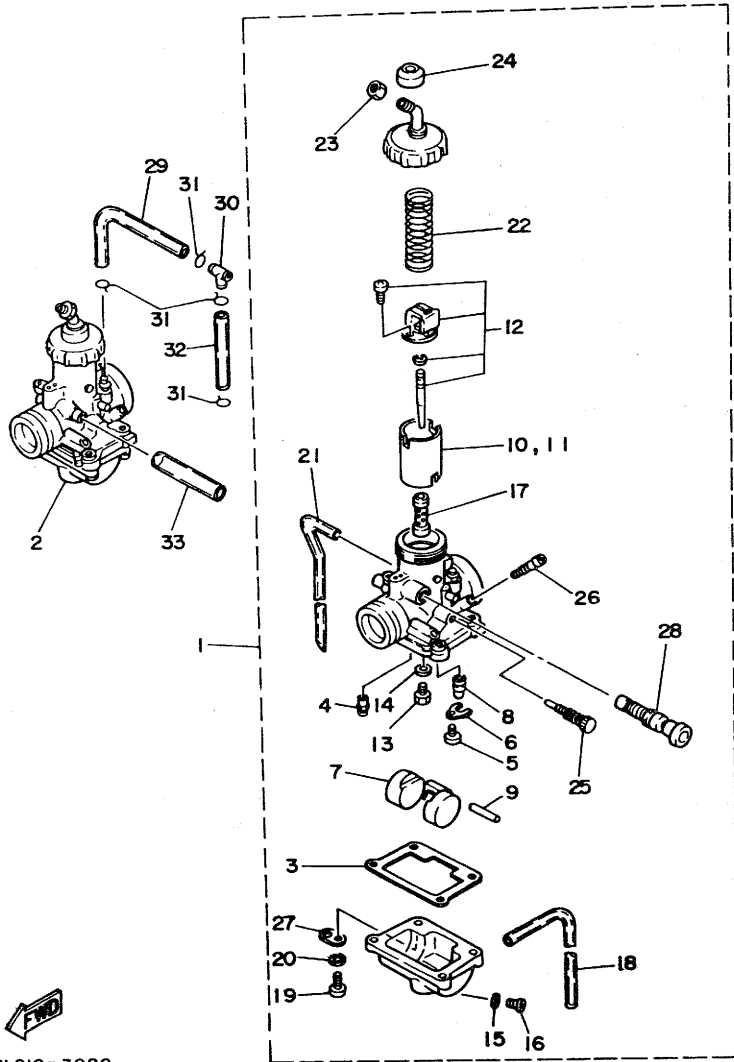


FIG. 6 INTAKE

REF. NO.	PART NO.	DESCRIPTION	Q'TY	REMARKS
29	97301-06018	BOLT	1	
30	90445-12718	HOSE	2	

31K300-3070

**B11**



29L010-3080

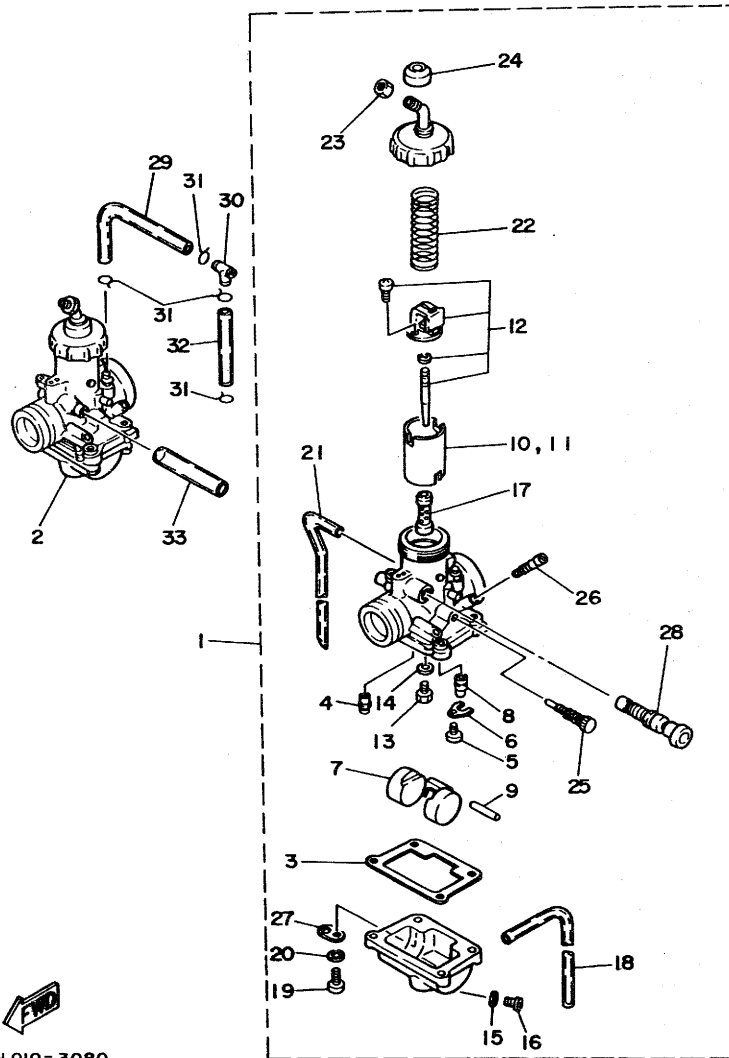
FIG. 7 CARBURETOR

REF. NO.	PART NO.	DESCRIPTION	Q'TY	REMARKS
1	31K-14101-00	CARBURETOR ASSY 1	1	
2	31K-14102-00	CARBURETOR ASSY 2	1	
3	304-14184-00	.GASKET, float chamber	2	
4	260-14142-22	.JET, pilot (#22.5)	2	
5	98502-04008	.SCREW, pan head	2	
6	2H0-14146-00	.PLATE	2	
7	4L0-14185-00	.FLOAT	2	
8	29K-14190-28	.NEEDLE VALVE ASSY	2	
9	537-14186-00	.PIN, float	2	
10	29K-14112-20	.VALVE, throttle 1	1	
11	29K-14113-20	.VALVE, throttle 2	1	
12	29K-1490J-00	.NEEDLE SET (5K01)	2	
13	137-14143-48	.JET, main (#240)	2	
14	137-14153-00	.WASHER, main jet	2	
15	296-14117-00	.WASHER, plug screw	2	
16	98501-05008	.SCREW, pan head	2	
17	4L0-14141-40	.NOZZLE, main	2	
18	4L0-14196-00	.PIPE	2	
19	98501-04016	.SCREW, pan head	8	
20	92902-04100	.WASHER, spring	8	
21	4L0-14197-00	.PIPE	2	
22	2V0-14131-00	.SPRING, throttle valve	2	
23	802-14161-00	.NUT, cable adjusting	2	
24	3X3-14169-00	.CAP	2	
25	23L-14103-00	.THROTTLE SCREW SET	2	
26	10W-14104-00	.AIR SCREW SET	2	
27	500-14146-00	.PLATE	2	
28	4U5-14171-00	.PLUNGER, starter	2	

**B12**

FIG. 7 CARBURETOR

REF. NO.	PART NO.	DESCRIPTION	Q'TY	REMARKS
29	29L-24311-00	PIPE, fuel 1	1	
30	90413-07007	WAY 3	1	
31	90467-10008	CLIP	4	
32	90445-11763	HOSE	1	
33	90445-09012	HOSE	1	



  
29L010-3080

**B13**

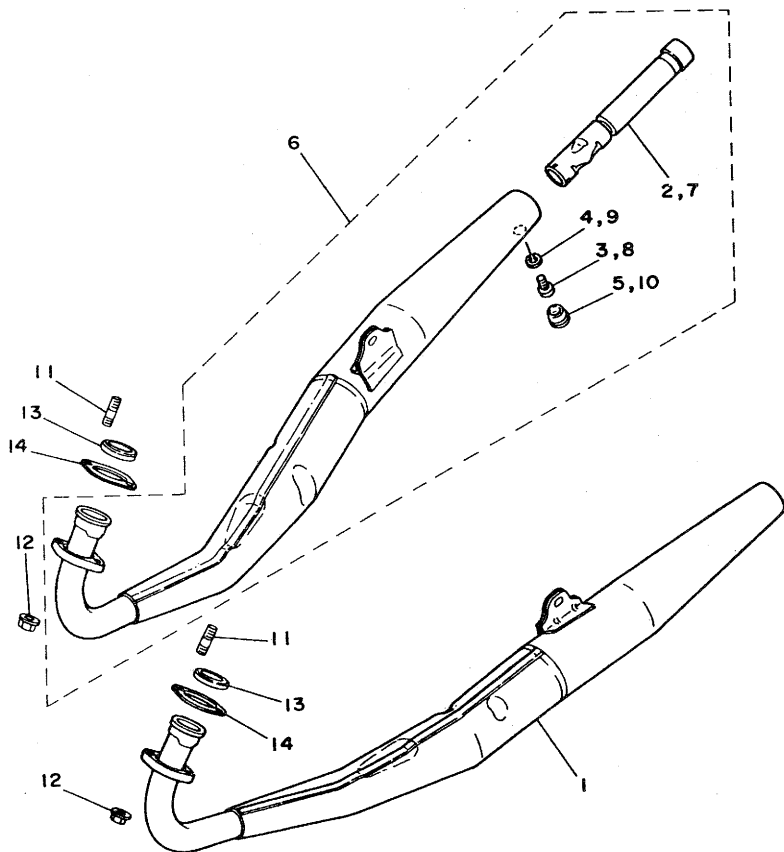


FIG. 8 EXHAUST

REF. NO.	PART NO.	DESCRIPTION	Q'TY	REMARKS
1	31K-14710-00	MUFFLER ASSY 1	1	
2	29L-14753-00	.SILENCER, exhaust	1	
3	92501-06010	.SCREW, pan head	1	
4	92901-06100	.WASHER, spring	1	
5	90480-14153	.GROMMET	1	
6	31K-14720-00	MUFFLER ASSY 2	1	
7	29L-14753-00	.SILENCER, exhaust	1	
8	92501-06010	.SCREW, pan head	1	
9	92901-06100	.WASHER, spring	1	
10	90480-14153	.GROMMET	1	
11	90116-08365	BOLT, stud	4	
12	90185-08097	NUT, self-locking	4	
13	29L-14613-00	GASKET, exhaust pipe	2	
14	29L-14643-00	GASKET 3	2	

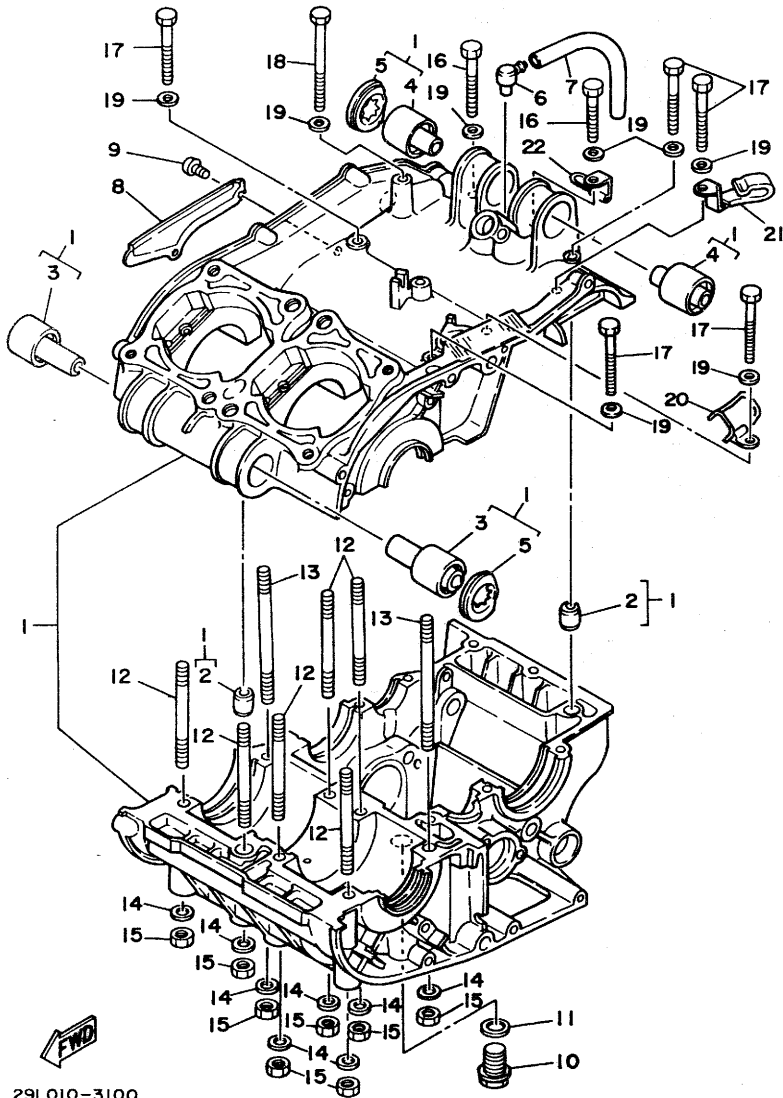


29L010-3091

**B14**

FIG. 9 CRANKCASE

REF. NO.	PART NO.	DESCRIPTION	Q'TY	REMARKS
1	29L-15100-00	CRANKCASE ASSY	1	
2	91810-05016	.PIN, dowel	2	
3	4L0-15316-00	.DAMPER, engine mount 1*	2	
4	4L0-15326-00	.DAMPER, engine mount 2	2	
5	4L0-15328-00	.SPACER, damper	2	
6	498-15371-00	BREATHER	1	
7	90446-07112	HOSE	1	
8	278-15492-01	COVER	1	
9	98501-05010	SCREW, pan head	2	
10	90340-14010	PLUG, straight screw	1	
11	137-15353-00	GASKET, drain	1	
12	90116-08064	BOLT, stud	6	
13	90116-08232	BOLT, stud	2	
14	90201-08100	WASHER, plate	8	
15	95301-08600	NUT	8	
16	97311-06045	BOLT	2	
17	97311-06060	BOLT	5	
18	97311-06090	BOLT	1	
19	92901-06200	WASHER, plain	8	
20	90462-16130	CLAMP	1	
21	90465-08125	CLAMP	1	
22	90465-06094	CLAMP	1	



29L010-3100

**B15**

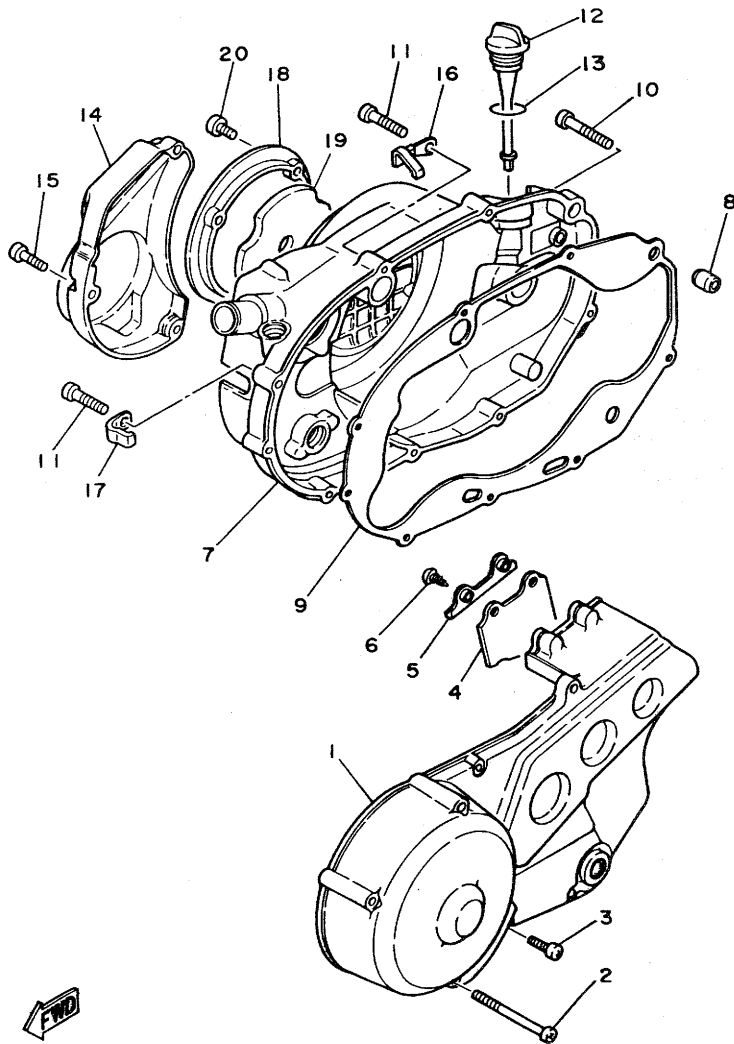


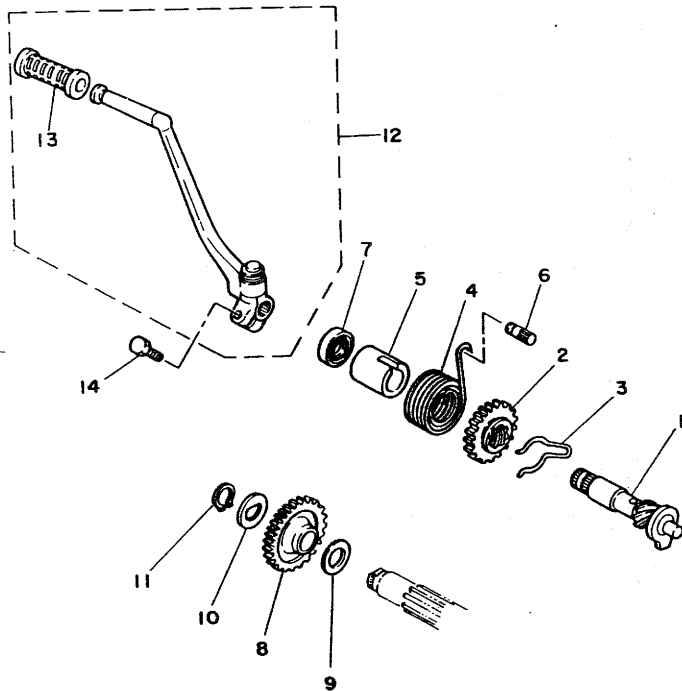
FIG. 10 CRANKCASE COVER 1

REF. NO.	PART NO.	DESCRIPTION	Q'TY	REMARKS
1	29L-15410-00	CRANKCASE COVER ASSY 1	1	
2	92506-06055	SCREW, pan head	3	
3	92506-06020	SCREW, pan head	4	
4	1A0-15497-00	PLATE, dust seal	1	
5	1A0-15491-00	PROTECTOR	1	
6	97706-50512	SCREW, tapping	2	
7	29L-15421-00	COVER, crankcase 2	1	
8	91810-05016	PIN, dowel	1	
9	4L0-15461-01	GASKET, crankcase cover 2	1	
10	92506-06040	SCREW, pan head	1	
11	92506-06030	SCREW, pan head	8	
12	4L0-15362-00	PLUG, oil level	1	
13	93210-19123	O-RING	1	
14	29L-15416-00	COVER, oil pump	1	
15	92506-06020	SCREW, pan head	3	
16	90462-08071	CLAMP	1	
17	90462-08070	CLAMP	1	
18	29L-15431-00	COVER, crankcase 3	1	
19	31K-15317-00	SPACER, engine mount	1	
20	98506-05014	SCREW, pan head	3	

  
29L010-3111

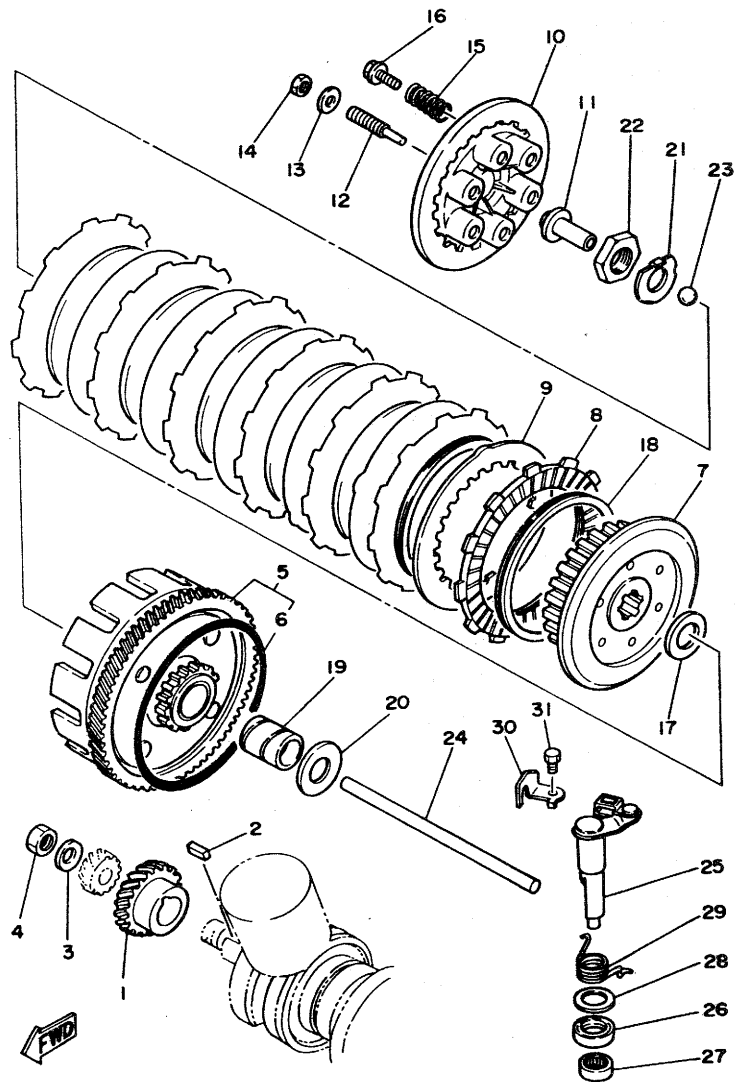
FIG. 11 STARTER

REF. NO.	PART NO.	DESCRIPTION	Q'TY	REMARKS
1	4L0-15660-00	KICK AXLE ASSY	1	
2	4L0-15641-00	GEAR, kick (22T)	1	
3	90468-26091	CLIP	1	
4	90508-30051	SPRING, torsion	1	
5	4L0-15666-00	SPACER	1	
6	248-15668-00	STOPPER	1	
7	93101-20048	OIL SEAL	1	
8	4L0-15651-00	GEAR, kick idle (26T)	1	
9	164-17417-00-10	SHIM 1 (1.0T)	1	
10	90214-15020	WASHER, claw	1	
11	93410-15005	CIRCLIP	1	
12	29L-15620-00	KICK CRANK ASSY	1	
13	156-15618-01	.COVER, kick lever	1	
14	97326-08030	BOLT	1	



29L010-3120

C3



29L010-3131

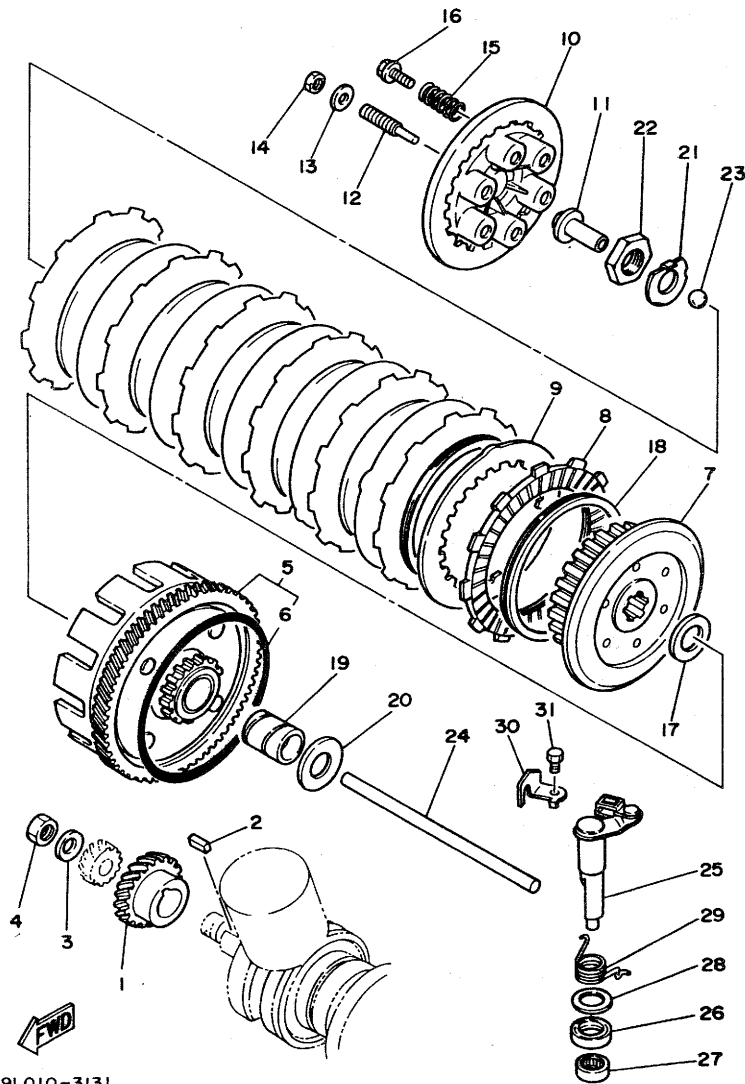
FIG. 12 CLUTCH

REF. NO.	PART NO.	DESCRIPTION	Q'TY	REMARKS
1	4L0-16111-00	GEAR, primary drive (23T)	1	
2	90282-07023	KEY, straight	1	
3	90208-16019	WASHER, conical spring	1	
4	90170-16182	NUT	1	
5	31K-16150-00	PRIMARY DRIVEN GEAR COMP.	1	
6	93211-10232	.O-RING	1	
7	1A0-16371-00	BOSS, clutch	1	
8	4L0-16321-00	PLATE, friction	7	
9	498-16325-00	PLATE, clutch 2	6	
10	29L-16351-00	PLATE, pressure 1	1	
11	29L-16356-00	ROD, push 1	1	
12	90149-08143	SCREW	1	
13	92901-08200	WASHER, plain	1	
14	95311-08700	NUT	1	
15	90501-23138	SPRING, compression	6	
16	90159-06016	SCREW, with washer	6	
17	360-16154-00	PLATE, thrust 1	1	
18	278-16367-00	RING, cushion	7	
19	278-16181-01	SPACER 1	1	
20	360-16154-00	PLATE, thrust 1	1	
21	90215-20223	WASHER, lock	1	
22	90170-20320	NUT	1	
23	93515-32029	BALL	1	
24	29L-16357-00	ROD, push 2	1	
25	29L-16380-00	PUSH LEVER ASSY	1	
26	93102-17004	OIL SEAL	1	
27	93315-11720	BEARING, cylindrical	1	
28	90201-17327	WASHER, plate	1	

C4

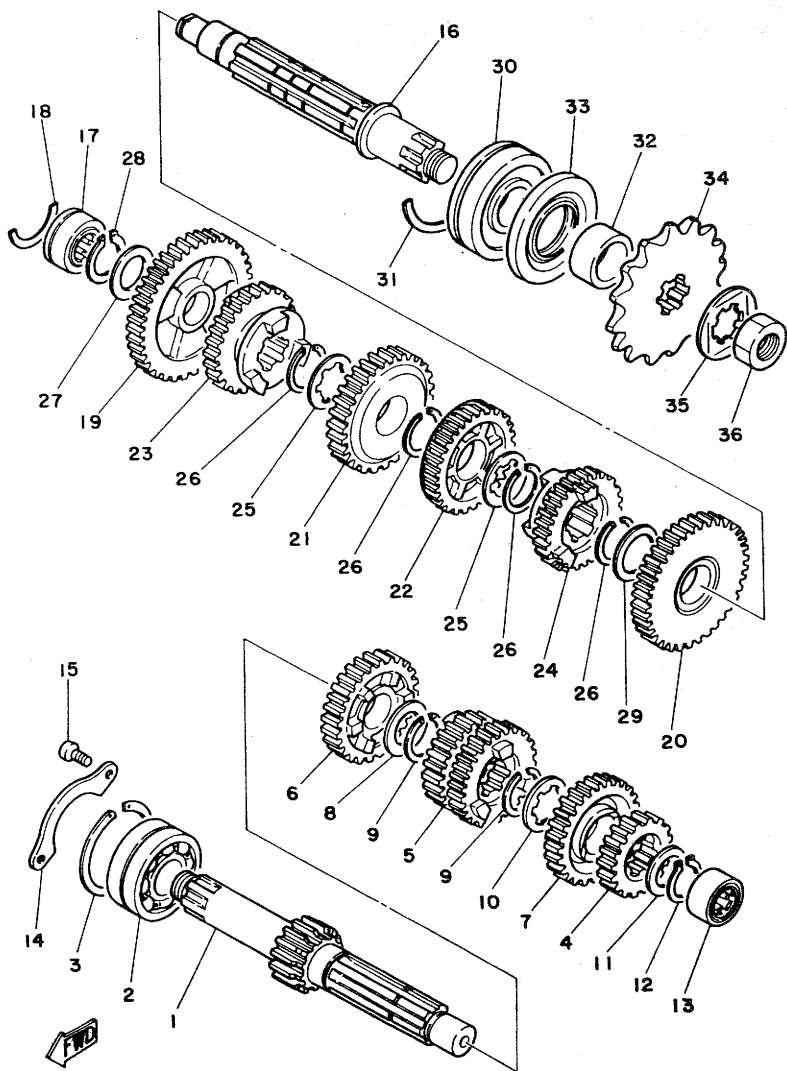
FIG. 12 CLUTCH

REF. NO.	PART NO.	DESCRIPTION	Q'TY	REMARKS
29	90508-16599	SPRING, torsion	1	
30	90465-16239	CLAMP	1	
31	97301-06010	BOLT	1	



29L010-3131

**C5**



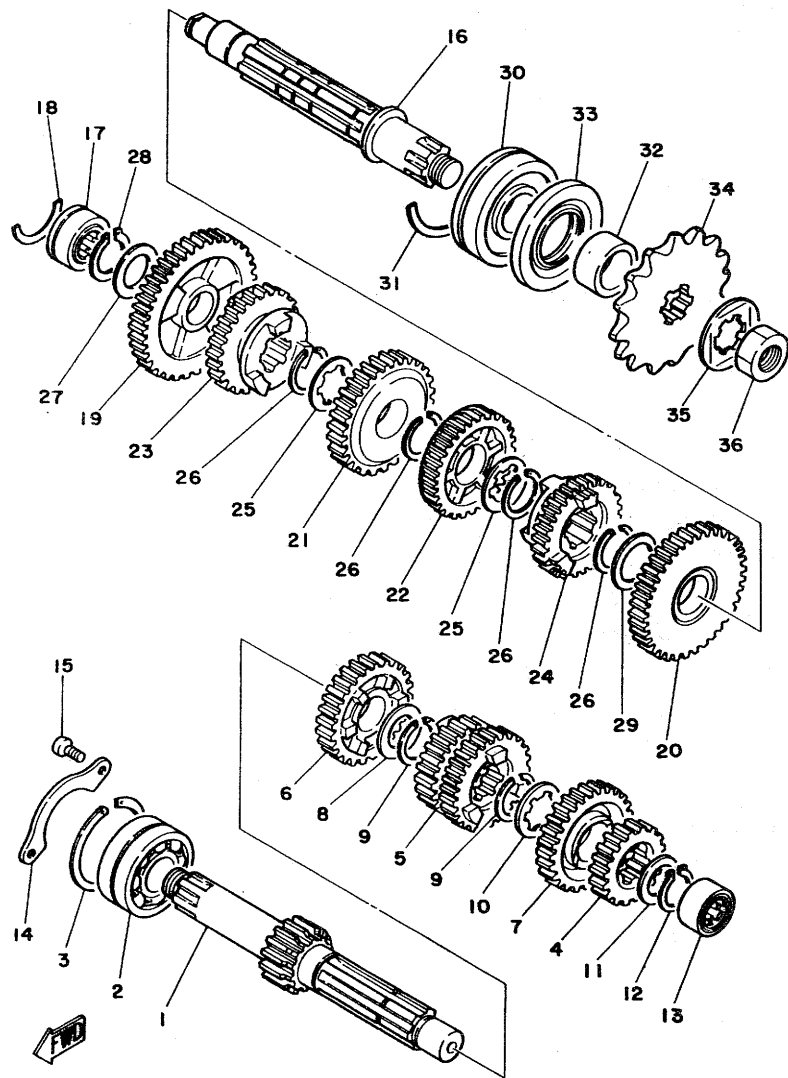
29LO10-3140

FIG. 13 TRANSMISSION

REF. NO.	PART NO.	DESCRIPTION	Q'TY	REMARKS
1	29L-17411-00	AXLE, main (14T)	1	
2	93305-20502	BEARING (B5205)	1	
3	93440-52009	CIRCLIP	1	
4	29L-17121-00	GEAR, 2nd pinion (18T)	1	
5	29L-17131-00	GEAR, 3rd/4th pinion (22T,24T)	1	
6	29L-17151-00	GEAR, 5th pinion (26T)	1	
7	29L-17161-00	GEAR, 6th pinion (27T)	1	
8	90201-25490	WASHER, plate	1	
9	93440-25084	CIRCLIP	2	
10	90209-21105	WASHER	1	
11	90201-20266	WASHER, plate	1	
12	93410-20009	CIRCLIP	1	
13	93311-22027	BEARING, cylindrical	1	
14	4L0-17471-00	PLATE, cover	1	
15	92501-06012	SCREW, pan head	2	
16	29L-17421-00	AXLE, drive	1	
17	93311-42045	BEARING, cylindrical	1	
18	278-17425-00	CIRCLIP 2	1	
19	4L0-17211-01	GEAR, 1st wheel (36T)	1	
20	4L0-17221-01	GEAR, 2nd wheel (32T)	1	
21	29L-17231-00	GEAR, 3rd wheel (29T)	1	
22	4L0-17241-01	GEAR, 4th wheel (26T)	1	
23	29L-17251-00	GEAR, 5th wheel (25T)	1	
24	29L-17261-00	GEAR, 6th wheel (24T)	1	
25	90209-21105	WASHER	2	
26	93440-25084	CIRCLIP	4	
27	90201-20276	WASHER, plate	1	

FIG. 13 TRANSMISSION

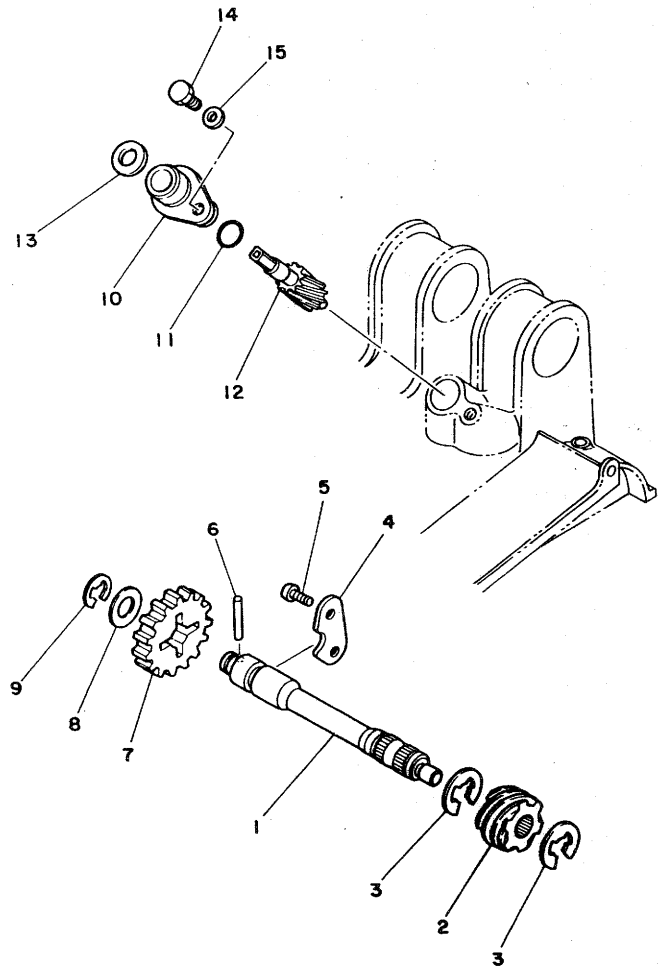
REF. NO.	PART NO.	DESCRIPTION	Q'TY	REMARKS
28	93410-20009	CIRCLIP	1	
29	90201-25490	WASHER, plate	1	
30	93306-30504	BEARING (B6305N)	1	
31	278-17424-01	CIRCLIP 1	1	
32	90387-256H7	COLLAR	1	
33	93102-35054	OIL SEAL	1	
34	1M1-17461-70	SPROCKET, drive (17T)	1	
35	90215-21121	WASHER, lock	1	
36	90179-18020	NUT	1	



29L010-3140

**C7**

FIG. 14 TACHOMETER GEAR



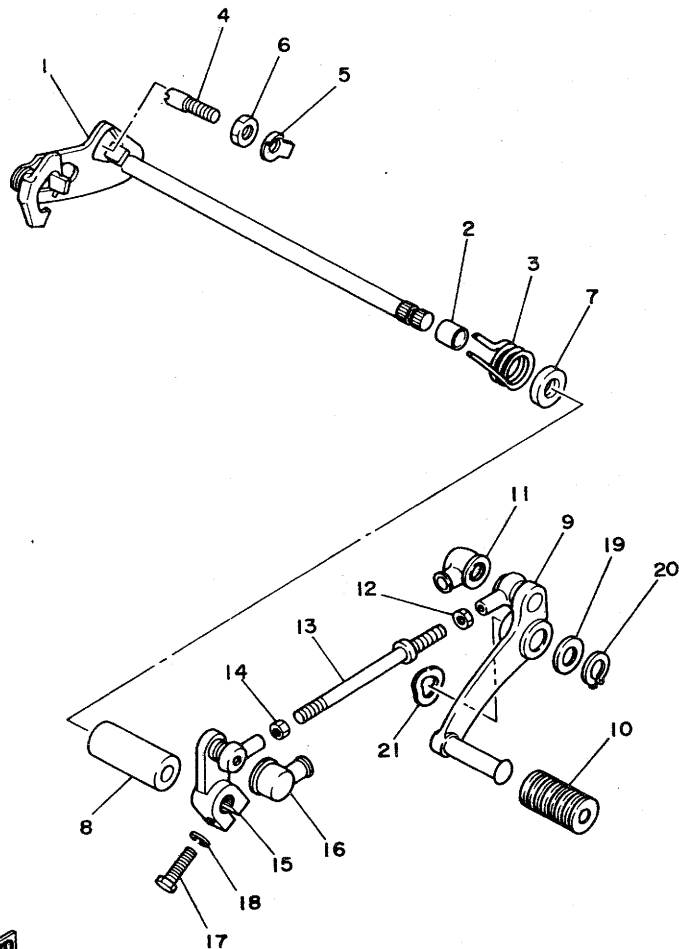
REF. NO.	PART NO.	DESCRIPTION	Q'TY	REMARKS
1	2R8-17861-00	AXLE, drive gear	1	
2	2R8-17831-00	GEAR, drive (6T)	1	
3	93430-10016	CIRCLIP	2	
4	4L0-17812-00	STOPPER	1	
5	98501-05012	SCREW, pan head	2	
6	93603-22028	PIN, dowel	1	
7	2R9-17851-00	GEAR, primary (14T)	1	
8	90201-10135	WASHER, plate	1	
9	93430-08006	CIRCLIP	1	
10	4L0-17811-00	HOUSING, tachometer gear	1	
11	93210-12327	O-RING	1	
12	4L0-17841-00	GEAR, driven (13T)	1	
13	4L0-17818-00	GASKET	1	
14	97306-06010	BOLT	1	
15	92906-06600	WASHER, plate	1	



29L010-3150

C8





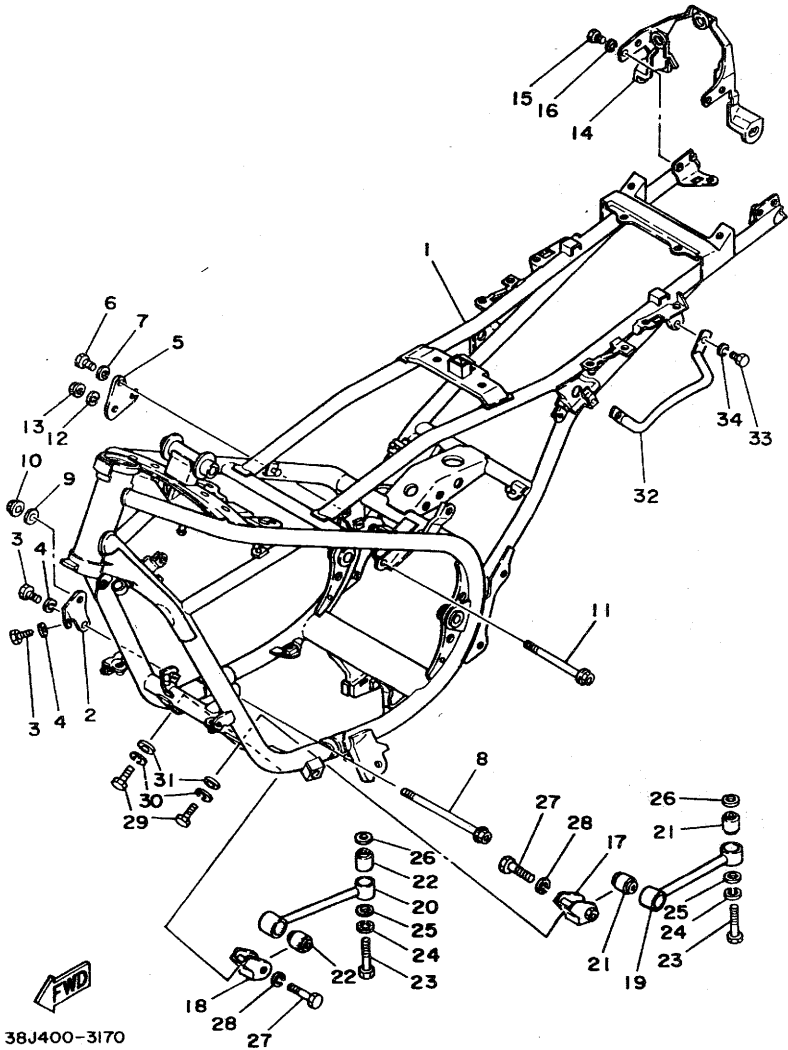
29L010-3171

FIG. 16 SHIFT SHAFT

REF. NO.	PART NO.	DESCRIPTION	Q'TY	REMARKS
1	4L0-18101-00	SHIFT SHAFT ASSY	1	
2	90560-12171	SPACER	1	
3	90508-32374	SPRING, torsion	1	
4	90149-08094	SCREW	1	
5	90215-08174	WASHER, lock	1	
6	90170-08029	NUT	1	
7	93101-12004	OIL SEAL	1	
8	90387-125A8	COLLAR	1	
9	29L-18111-00	PEDAL, shift	1	
10	132-18113-01	COVER, shift pedal	1	
11	2H9-18154-00	COVER, dust	1	
12	95303-06700	NUT	1	
13	29L-18115-00	ROD, shift	1	
14	90170-06228	NUT	1	
15	29L-18112-00	ARM, shift	1	
16	2H9-18154-00	COVER, dust	1	
17	97311-06020	BOLT	1	
18	92901-06100	WASHER, spring	1	
19	90201-12174	WASHER, plate	1	
20	93410-12003	CIRCLIP	1	
21	90206-12074	WASHER, wave	1	

FIG. 17 FRAME

REF. NO.	PART NO.	DESCRIPTION	Q'TY	REMARKS	
1	31L-21110-00-FH	FRAME COMP.	1	UR fire red	
	31L-21110-00-33	FRAME COMP.	1	UR yamaha black	} except greece
	34J-21110-00-FH	FRAME COMP.	1	UR fire red	
	34J-21110-00-33	FRAME COMP.	1	UR yamaha black	} for greece
2	29L-21315-01	STAY, engine 2	1		
3	97321-08020	BOLT	2		
4	92901-08100	WASHER, spring	2		
5	29L-21316-00	STAY, engine 3	1		
6	97321-08020	BOLT	2		
7	92901-08100	WASHER, spring	2		
8	90105-10053	BOLT, washer based	1		
9	92901-10100	WASHER, spring	1		
10	95701-10100	NUT, flange	1		
11	90105-10040	BOLT, washer based	1		
12	92901-10100	WASHER, spring	1		
13	95701-10100	NUT, flange	1		
14	29L-21260-00	REAR FENDER BRACKET COMP.	1		
15	97302-06012	BOLT	4		
16	92902-06100	WASHER, spring	4		
17	4L0-21317-00	STAY, engine 4	1		
18	4L0-21318-00	STAY, engine 5	1		
19	4L0-21314-00	STAY, engine 1	1		
20	4L0-21319-00	STAY, engine 6	1		
21	4L0-21485-00	DAMPER, rubber 1	2		
22	4L0-21485-00	DAMPER, rubber 1	2		
23	97301-10050	BOLT	2		
24	92901-10100	WASHER, spring	2		
25	92901-10600	WASHER, plate	2		



38J400-3170

C11

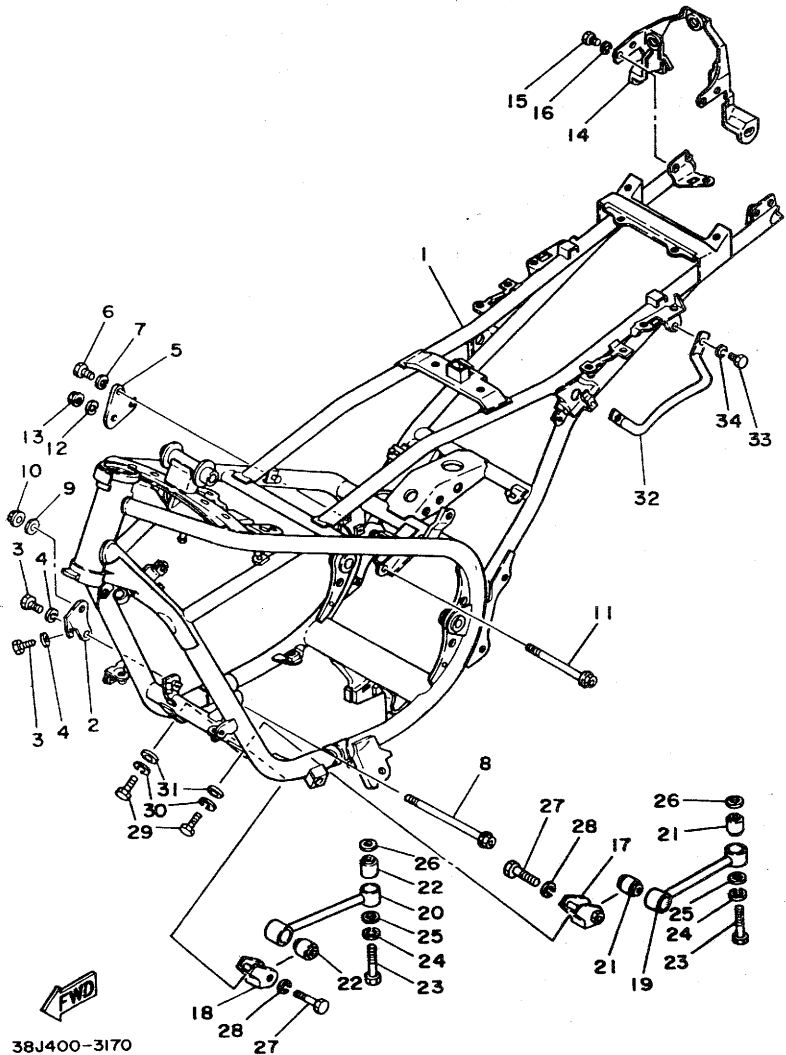
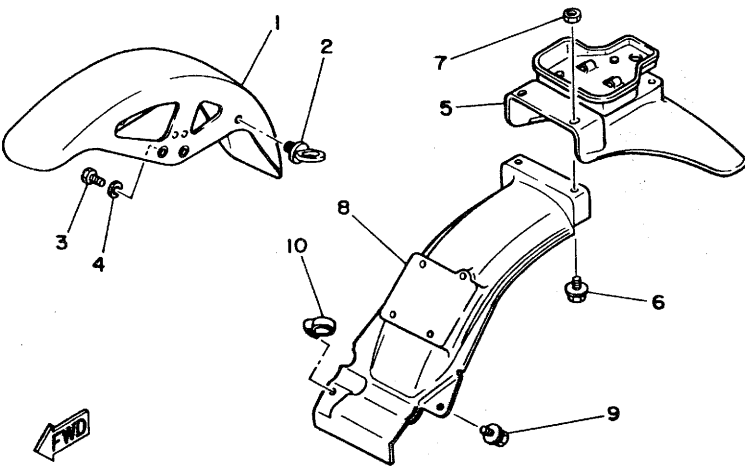
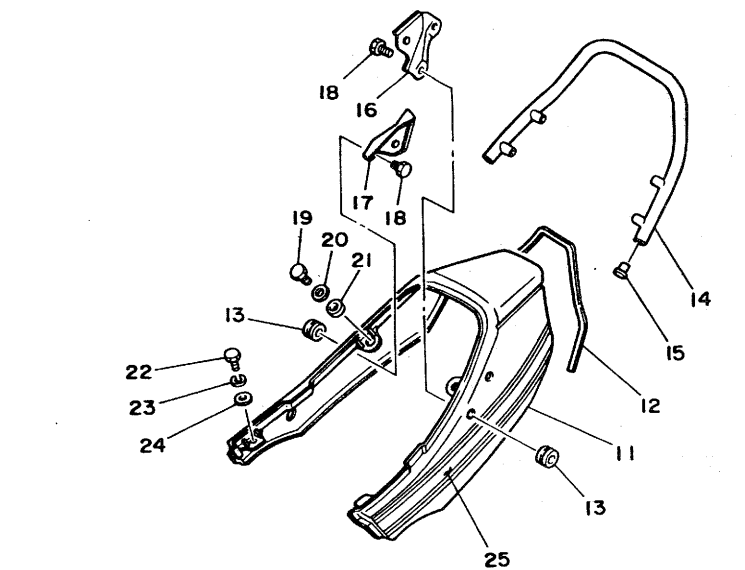


FIG. 17 FRAME

REF. NO.	PART NO.	DESCRIPTION	Q'TY	REMARKS
26	92901-10600	WASHER, plate	2	
27	97301-10040	BOLT	2	
28	92901-10100	WASHER, spring	2	
29	97301-08025	BOLT	2	
30	92901-08100	WASHER, spring	2	
31	92901-08600	WASHER, plate	2	
32	29L-21165-00	HANDLE, standing	1	
33	97301-06016	BOLT	2	
34	92901-06100	WASHER, spring	2	



31K310-3190

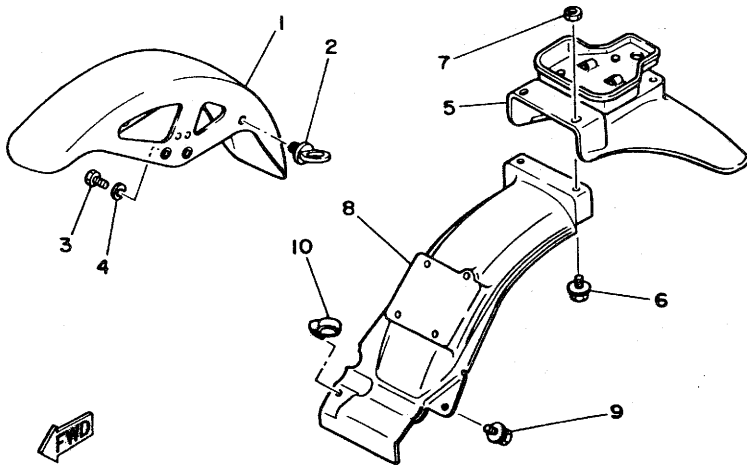
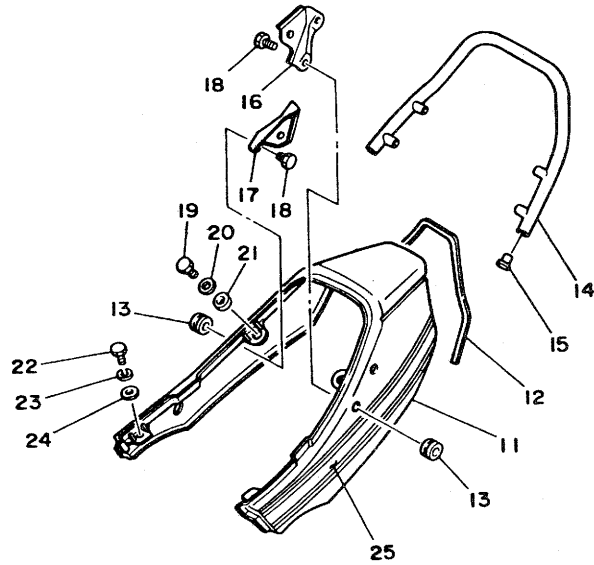
FIG. 18 FENDER

REF. NO.	PART NO.	DESCRIPTION	Q'TY	REMARKS
1	29L-21510-00-E1	FRONT FENDER COMP.	1	UR chappy red
	29L-21510-00-Y9	FRONT FENDER COMP.	1	UR new pearl white
	29L-21510-00-6G	FRONT FENDER COMP.	1	UR new yamaha black
2	1A8-21518-00	HOLDER, cable	1	
3	97301-06020	BOLT	4	
4	92901-06100	WASHER, spring	4	
5	29L-W2161-00	REAR FENDER COMP.	1	
6	90119-06063	BOLT, with washer	4	
7	95302-06600	NUT	4	
8	29L-21629-00	GUARD, mud	1	
9	90119-06095	BOLT, with washer	1	
10	90464-12027	CLAMP	2	
11	29L-21651-00-Y9	COVER, rear fender	1	UR new pearl white
	29L-21651-00-6G	COVER, rear fender	1	UR new yamaha black
12	29L-28345-00	MOLE 1	1	
13	90480-18366	GROMMET	4	
14	29L-21645-00	STAY, rear	1	
15	90338-15110	PLUG	2	
16	29L-21688-00	BRACKET, rear stay	1	
17	29L-21689-00	BRACKET, rear stay 2	1	
18	97302-08016	BOLT	4	
19	97302-08020	BOLT	2	
20	90201-081A6	WASHER, plate	2	
21	90387-10567	COLLAR	2	
22	97302-06012	BOLT	2	
23	92902-06100	WASHER, spring	2	
24	90201-06755	WASHER, plate	2	
25	31K-21660-00	GRAPHIC	1	UR for npw(red)

C13

FIG. 18 FENDER

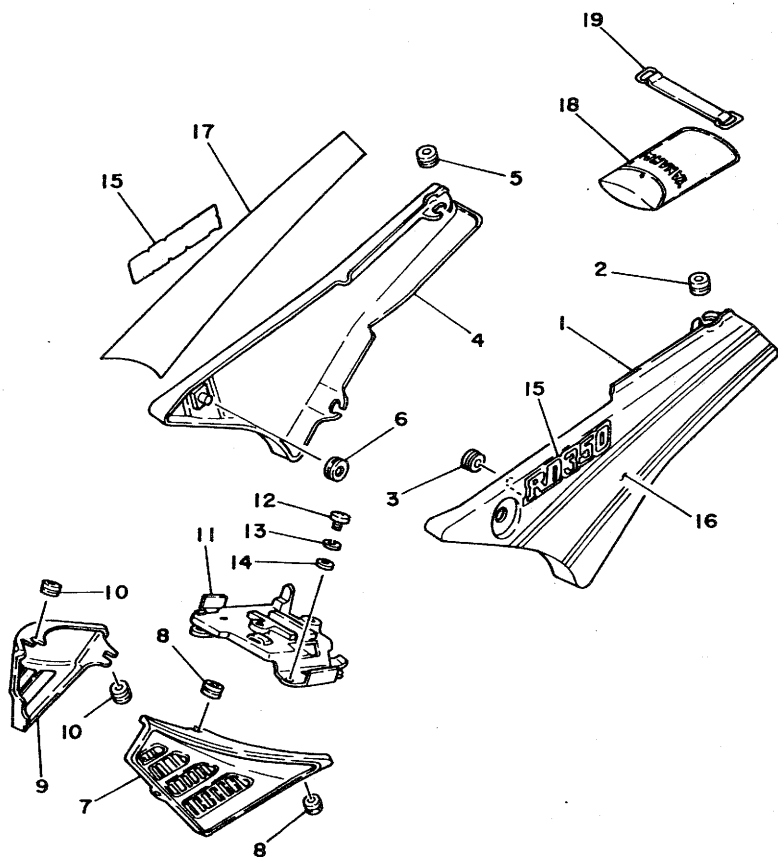
REF. NO.	PART NO.	DESCRIPTION	Q'TY	REMARKS
25	31K-21660-10	GRAPHIC	1	UR for npw(blue)
	31K-21660-20	GRAPHIC	1	UR for nyb



31K310-3190

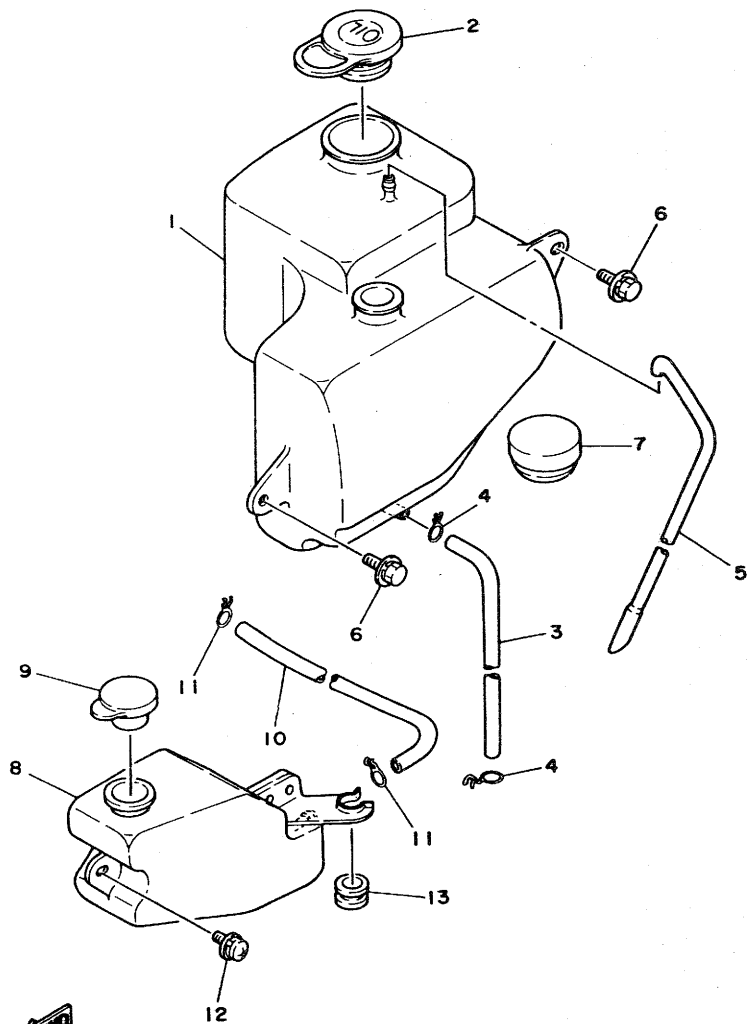
FIG. 19 SIDE COVER

REF. NO.	PART NO.	DESCRIPTION	Q'TY	REMARKS
1	29L-21711-00-Y9	COVER, side 1	1	UR new pearl white
	29L-21711-00-6G	COVER, side 1	1	UR new yamaha black
2	90480-12014	GROMMET	2	
3	90480-13197	GROMMET	1	
4	29L-21721-00-Y9	COVER, side 2	1	UR new pearl white
	29L-21721-00-6G	COVER, side 2	1	UR new yamaha black
5	90480-12014	GROMMET	2	
6	90480-13197	GROMMET	1	
7	29L-21731-00	COVER, side 3	1	
8	90480-12014	GROMMET	2	
9	29L-21741-00	COVER, side 4	1	
10	90480-12014	GROMMET	2	
11	29L-21243-01	PLATE, bridge	1	
12	97302-06012	BOLT	2	
13	92902-06100	WASHER, spring	2	
14	90201-06755	WASHER, plate	2	
15	31K-21781-00	EMBLEM 1	2	UR for w, npw
	31K-21781-10	EMBLEM 1	2	UR for nyb
16	29L-2173E-40	GRAPHIC 1	1	UR for npw(red)
	29L-2173E-50	GRAPHIC 1	1	UR for npw(blue)
	29L-2173E-30	GRAPHIC 1	1	UR for nyb/cpr, nyb
17	29L-2173F-40	GRAPHIC 2	1	UR for npw(red)
	29L-2173F-50	GRAPHIC 2	1	UR for npw(blue)
	29L-2173F-30	GRAPHIC 2	1	UR for nyb/cpr, nyb
18	29L-28100-00	TOOL KIT	1	
19	116-82131-00	BAND, battery	1	



31K300-3200

C15



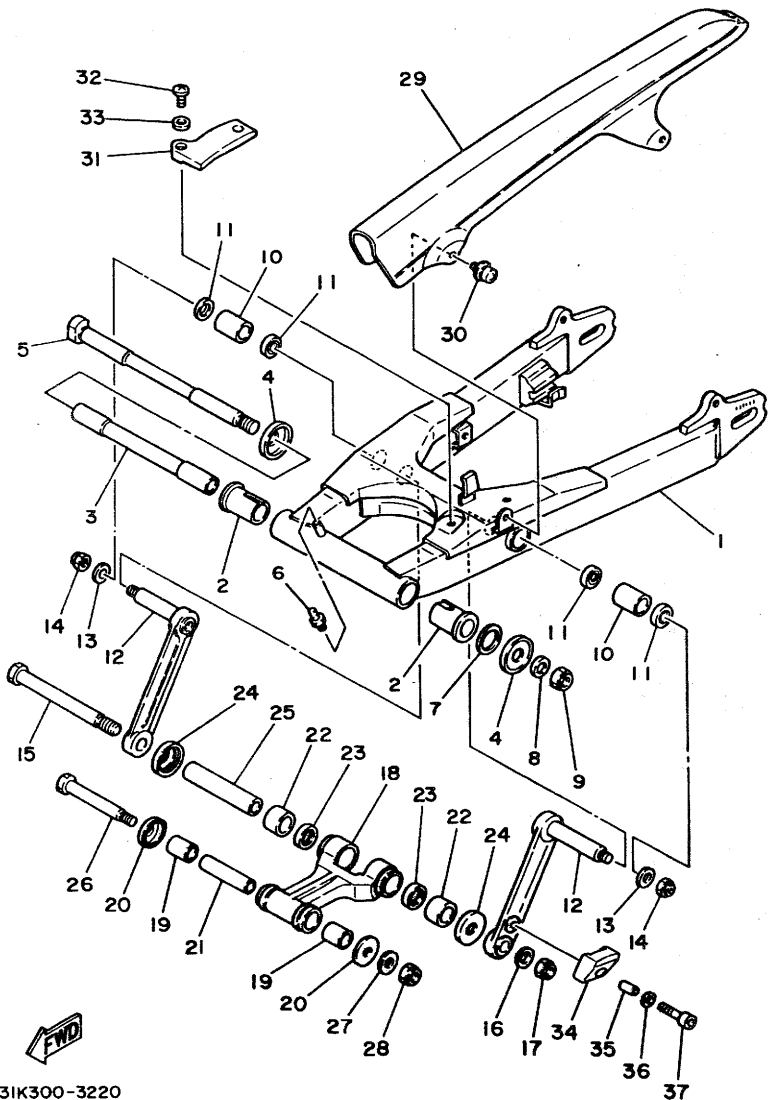
29L010-3210

FIG. 20 OIL TANK

REF. NO.	PART NO.	DESCRIPTION	Q'TY	REMARKS
1	29L-21751-00	TANK, oil	1	
2	10V-21771-00	BODY, cap	1	
3	29L-24316-00	PIPE 6	1	
4	90467-08003	CLIP	2	
5	4L0-24317-01	PIPE 7	1	
6	90119-06063	BOLT, with washer	2	
7	29L-21746-00	DAMPER	1	
8	29L-21870-00	RECOVERY TANK ASSY	1	
9	4L0-21815-01	CAP	1	
10	29L-21766-00	PIPE, oil	1	
11	90467-10008	CLIP	2	
12	90159-06060	SCREW, with washer	1	
13	90480-12320	GROMMET	1	

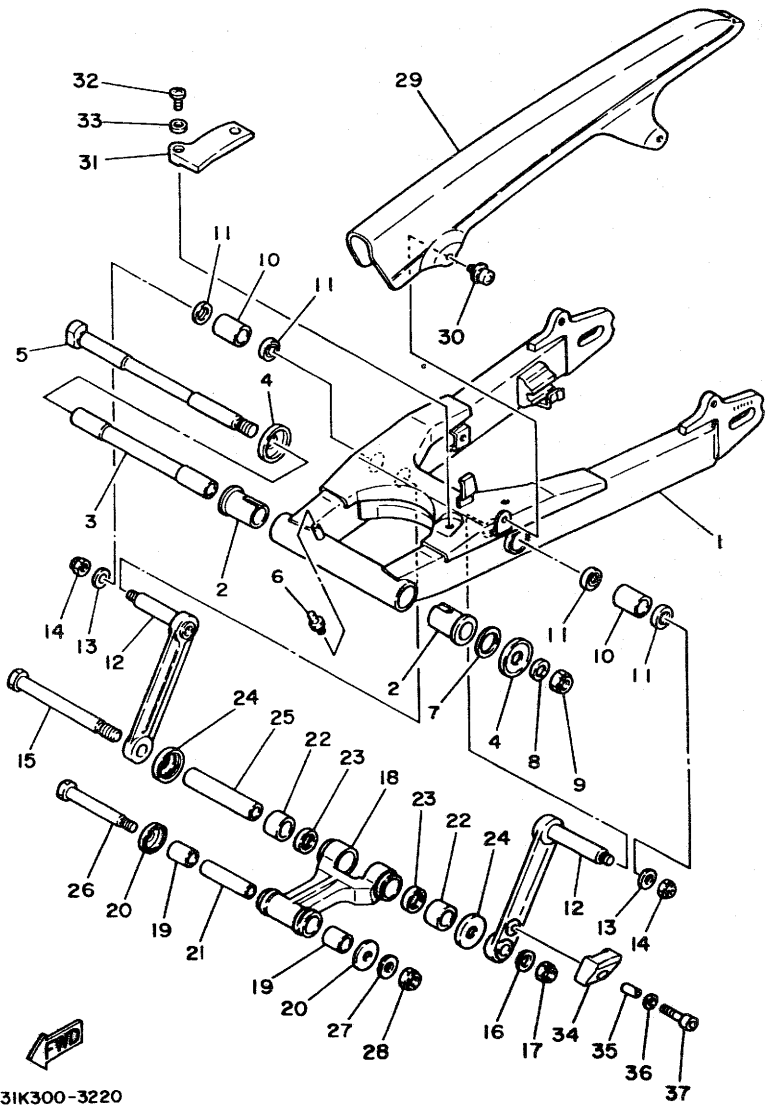
FIG. 21 REAR ARM

REF. NO.	PART NO.	DESCRIPTION	Q'TY	REMARKS
1	29L-22110-00-35	REAR ARM COMP.	1	silver
2	90386-22127	BUSH	2	
3	29L-22184-00	BUSH	1	
4	447-22128-00	COVER, thrust 1	2	
5	29L-22141-00	SHAFT, pivot	1	
6	93700-06004	NIPPLE, grease	1	
7	156-22127-00	SHIM (0.3T)	1	UN
8	92901-14600	WASHER	1	
9	90185-14070	NUT, self-locking	1	
10	90386-18117	BUSH	2	
11	93109-18020	OIL SEAL	4	
12	31K-2217M-00	ARM 1	2	
13	90201-12191	WASHER, plate	2	
14	95601-12100	NUT, u	2	
15	90101-14585	BOLT	1	
16	92902-14600	WASHER	1	
17	95602-14100	NUT, u	1	
18	31K-2217A-00	ARM, relay	1	
19	90386-18118	BUSH	2	
20	26H-22129-00	COVER, thrust 2	2	
21	90387-127H2	COLLAR	1	
22	90386-20119	BUSH	2	
23	93109-20029	OIL SEAL	2	
24	26H-22128-00	COVER, thrust 1	2	
25	90387-144H4	COLLAR	1	
26	90109-10739	BOLT	1	
27	90201-10126	WASHER, plate	1	
28	95602-10100	NUT, u	1	



31K300-3220

D3



31K300-3220

FIG. 21 REAR ARM

REF. NO.	PART NO.	DESCRIPTION	Q'TY	REMARKS
29	29L-22311-00	CASE, chain	1	
30	90159-06084	SCREW, with washer	2	
31	29L-22151-00	SEAL, guard	1	
32	98501-05010	SCREW, pan head	2	
33	92901-05600	WASHER, plate	2	
34	31K-22187-00	GUIDE, chain	1	
35	90387-06065	COLLAR	1	
36	92901-06200	WASHER, plain	1	
37	91311-06030	BOLT	1	

D4

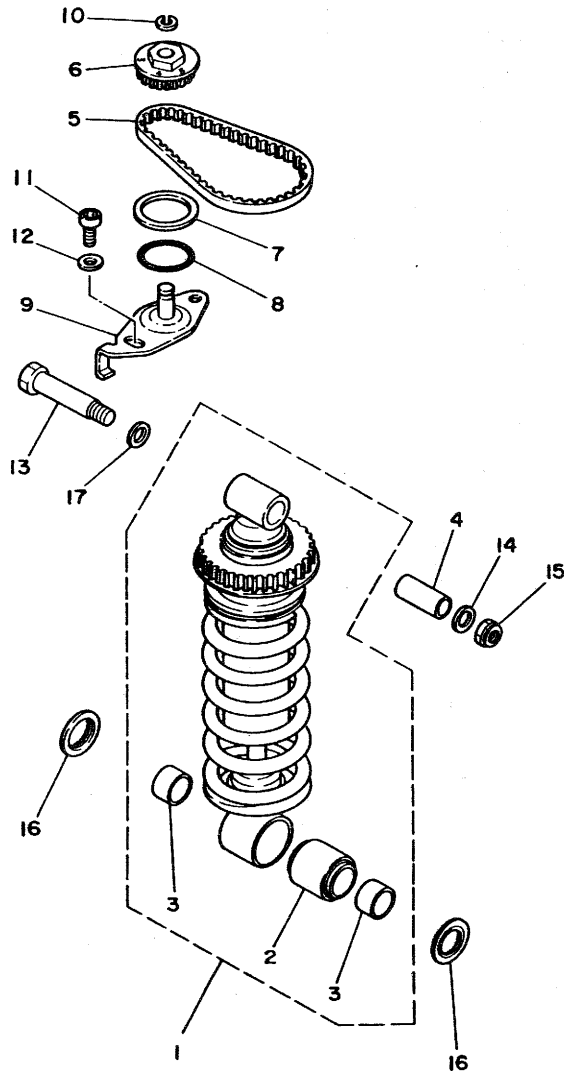


FIG. 22 REAR SUSPENSION

REF. NO.	PART NO.	DESCRIPTION	Q'TY	REMARKS
1	31K-22210-00	SHOCK ABSORBER ASSY, rear	1	
2	29L-22216-00	.BUSH, rear shock absorber	1	
3	90380-20123	.BUSH, solid	2	
4	90387-106H5	COLLAR	1	
5	29L-22266-00	BELT, timing	1	
6	29L-22267-00	PULLEY	1	
7	90201-202H3	WASHER, plate	1	
8	93210-35389	O-RING	1	
9	29L-22268-00	BRACKET, pulley	1	
10	93440-10123	CIRCLIP	1	
11	91316-08016	BOLT	2	
12	92906-08200	WASHER, plain	2	
13	90109-10554	BOLT	1	
14	90201-10126	WASHER, plate	1	
15	95602-10100	NUT, u	1	
16	29L-2217H-00	COVER, dust	2	
17	90201-12729	WASHER, plate	1	

29L010-3232

D5

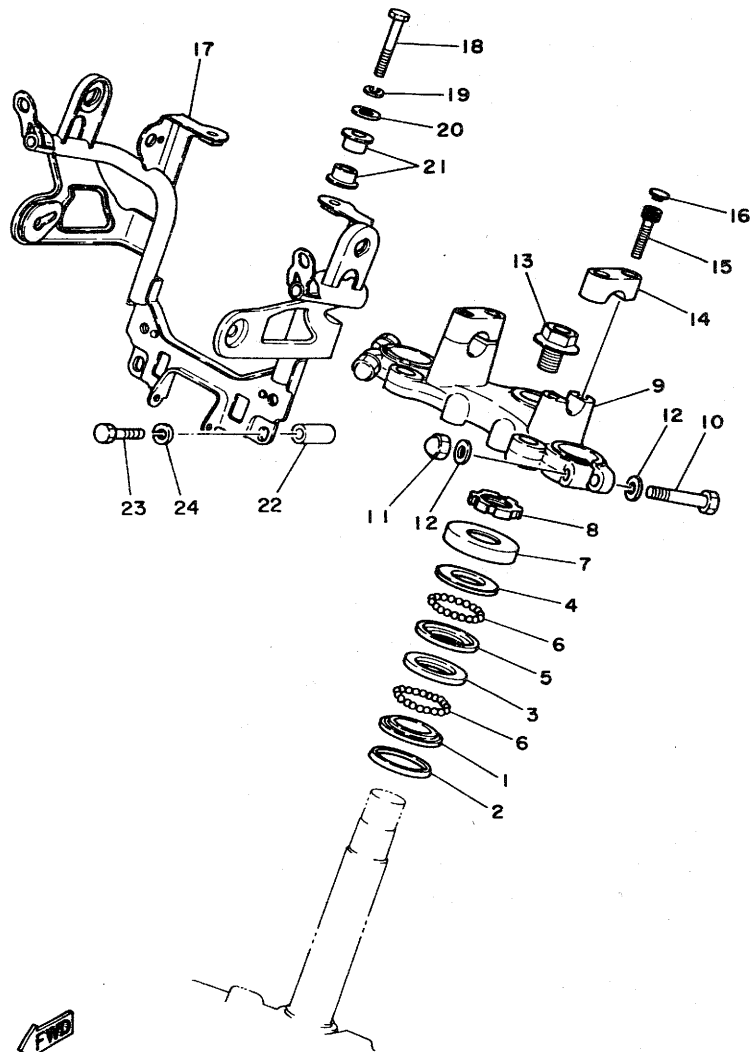


FIG. 23 STEERING

REF. NO.	PART NO.	DESCRIPTION	Q'TY	REMARKS
1	156-23411-00	RACE, ball 1	1	
2	164-23462-00	SEAL, steering	1	
3	156-23412-00	RACE, ball 2	1	
4	183-23411-00	RACE, ball 1	1	
5	183-23412-00	RACE, ball 2	1	
6	93501-04011	BALL	38	
7	136-23415-00	COVER, ball race 1	1	
8	90179-25033	NUT	1	
9	29L-23435-00-98	CROWN, handle	1	low gloss black
10	97326-08050	BOLT	2	
11	95306-08800	NUT	2	
12	92906-08600	WASHER, plate	4	
13	90105-14102	BOLT, washer based	1	
14	4H7-23441-00-98	HOLDER, handle upper	2	low gloss black
15	91316-08030	BOLT	4	
16	341-23469-00	CAP, bolt	4	
17	29L-23174-00-98	STAY, headlight	1	low gloss black
18	97306-06040	BOLT	2	
19	92906-06100	WASHER, spring	2	
20	90201-06380	WASHER, plate	2	
21	584-83541-00	DAMPER	4	
22	90387-06249	COLLAR	2	
23	90101-08592	BOLT	2	
24	92906-08100	WASHER, spring	2	

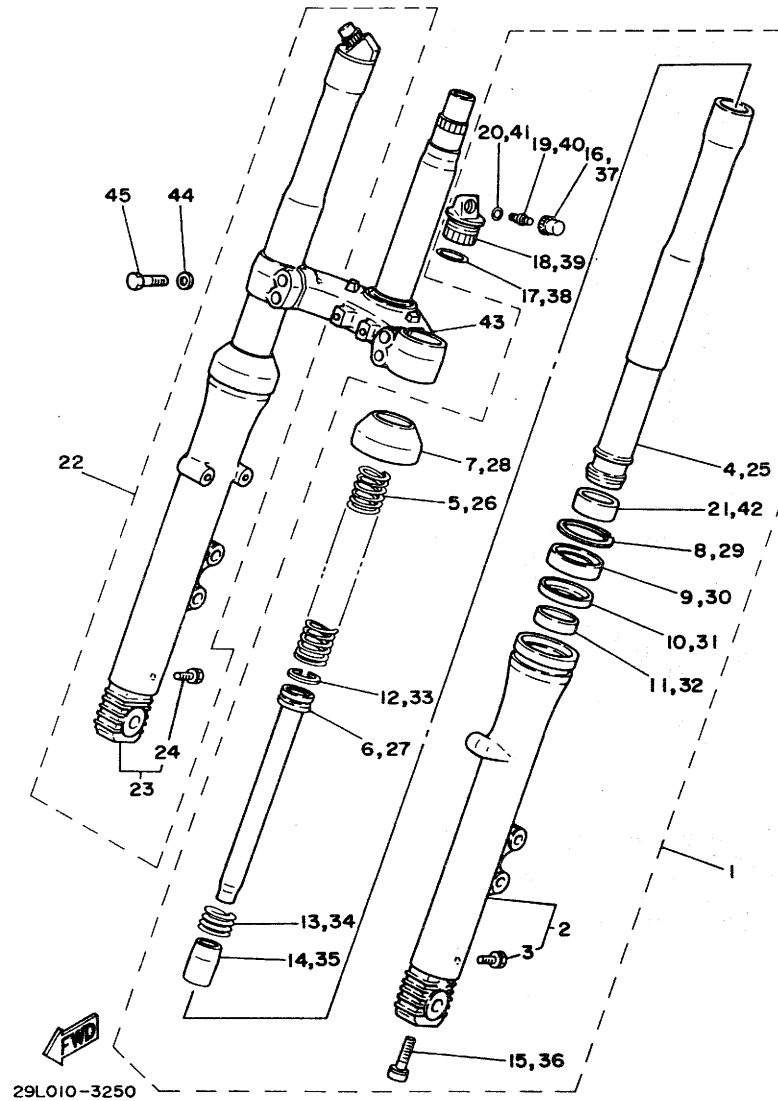


29L010-3241

D6

FIG. 24 FRONT FORK

REF. NO.	PART NO.	DESCRIPTION	Q'TY	REMARKS
1	31K-23102-00	FRONT FORK ASSY (L.H)	1	
2	29L-23126-00-38	.TUBE, outer 1	1	clear buffing
3	2A6-23119-00	..PLUG, drain	1	
4	29L-23110-00	.INNER TUBE COMP.1	1	
5	31K-23141-00	.SPRING, front fork	1	
6	29L-23171-00	.PISTON, front fork	1	
7	29L-23144-00	.SEAL, dust	1	
8	3J3-23156-00	.CLIP, oil seal	1	
9	29L-23145-00	.OIL SEAL	1	
10	10V-23147-00	.O-RING	1	
11	12R-23135-00	.METAL, slide 2	1	
12	1T4-23157-01	.RING, piston	1	
13	10M-23151-00	.SPRING, rebound	1	
14	10V-23166-00	.SPACER, oil lock	1	
15	3M7-23181-00	.BOLT, hexagon socket head	1	
16	27H-23184-00	.CAP, air valve	1	
17	27H-23147-00	.O-RING	1	
18	27H-23111-00	.BOLT, cap	1	
19	5K7-23190-00	.AIR VALVE COMP.	1	
20	3H3-23147-00	.O-RING	1	
21	10V-23135-00	.METAL, slide 2	1	
22	31K-23103-00	FRONT FORK ASSY (R.H)	1	
23	29L-23136-00-38	.TUBE, outer 2	1	clear buffing
24	2A6-23119-00	..PLUG, drain	1	
25	29L-23110-00	.INNER TUBE COMP.1	1	
26	31K-23141-00	.SPRING, front fork	1	
27	29L-23171-00	.PISTON, front fork	1	
28	29L-23144-00	.SEAL, dust	1	



29L010-3250

**D7**

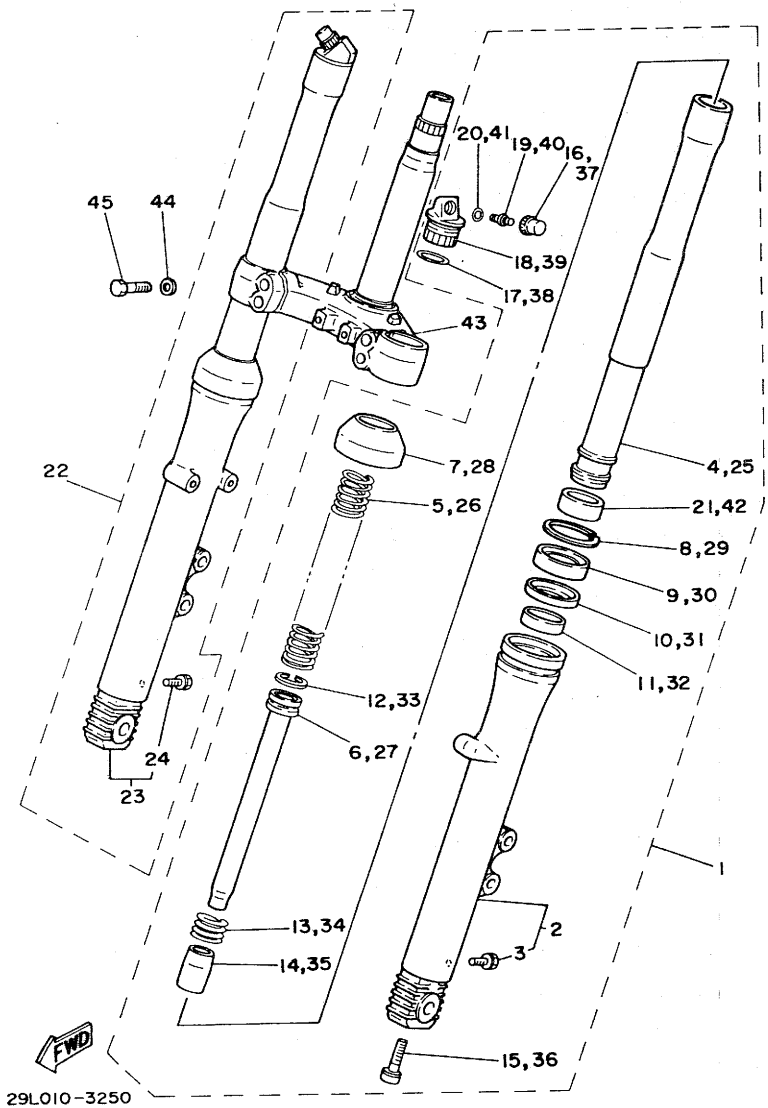
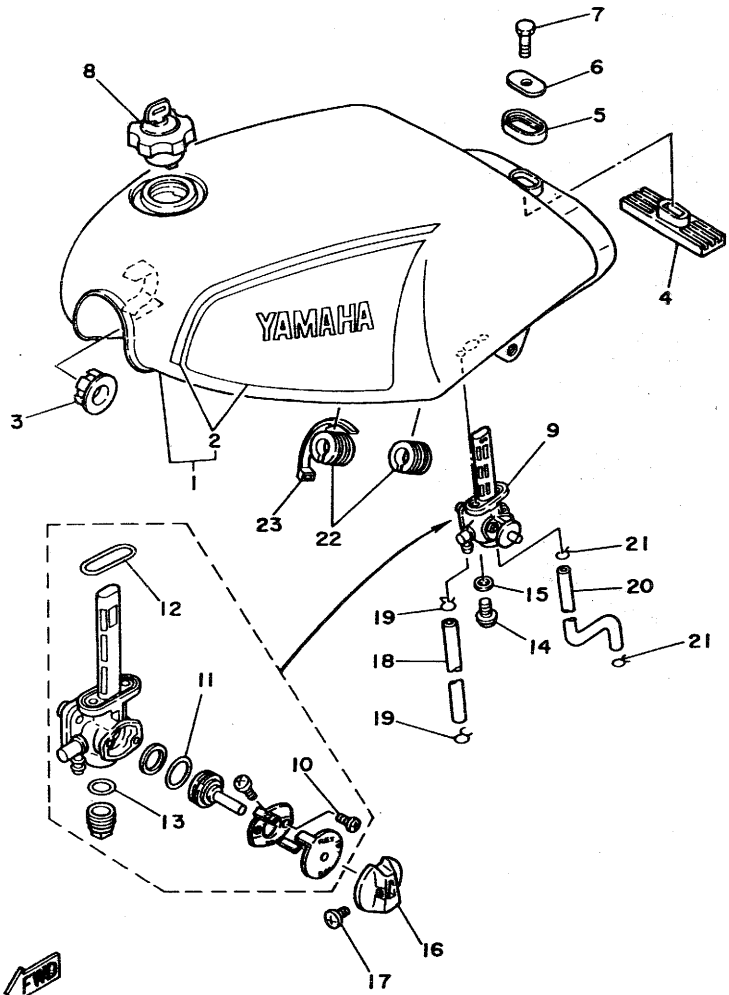


FIG. 24 FRONT FORK

REF. NO.	PART NO.	DESCRIPTION	Q'TY	REMARKS
29	3J3-23156-00	.CLIP, oil seal	1	
30	29L-23145-00	.OIL SEAL	1	
31	10V-23147-00	.O-RING	1	
32	12R-23135-00	.METAL, slide 2	1	
33	1T4-23157-01	.RING, piston	1	
34	10M-23151-00	.SPRING, rebound	1	
35	10V-23166-00	.SPACER, oil lock	1	
36	3M7-23181-00	.BOLT, hexagon socket head	1	
37	27H-23184-00	.CAP, air valve	1	
38	27H-23147-00	.O-RING	1	
39	27H-23111-00	.BOLT, cap	1	
40	5K7-23190-00	.AIR VALVE COMP.	1	
41	3H3-23147-00	.O-RING	1	
42	10V-23135-00	.METAL, slide 2	1	
43	29L-23340-00	UNDER BRACKET COMP.	1	
44	3J3-23159-00	WASHER, spring, lower	2	
45	90101-08592	BOLT	2	

FIG. 25 FUEL TANK

REF. NO.	PART NO.	DESCRIPTION	Q'TY	REMARKS
1	29L-24110-00-07	FUEL TANK COMP.	1	UR new pearl white(red)
	29L-24110-00-08	FUEL TANK COMP.	1	UR new pearl white(blue)
	29L-24110-00-09	FUEL TANK COMP.	1	UR new yamaha black
2	31K-24240-00	.GRAPHIC SET	1	UR for npw(red)
	31K-24240-10	.GRAPHIC SET	1	UR for npw(blue)
	31K-24240-20	.GRAPHIC SET	1	UR for nyb
3	156-24181-00	DAMPER, locating 1	2	
4	29L-24182-00	DAMPER, locating 2	1	
5	3Y6-24183-00	DAMPER, locating 3	1	
6	12R-24186-00	WASHER, special	1	
7	97302-08030	BOLT	1	
8	11H-24602-00	CAP ASSY	1	
9	29L-24500-01	FUEL COCK ASSY 1	1	
10	98501-03008	.SCREW, pan head	4	
11	3H3-24534-00	.O-RING	1	
12	2W6-24512-00	.O-RING	1	
13	4X8-24565-00	.GASKET	1	
14	90149-06011	SCREW	2	
15	90202-06010	WASHER, plate	2	
16	29L-24524-01	LEVER, cock	1	
17	98506-03008	SCREW, pan head	1	
18	90445-11764	HOSE	1	
19	90467-10008	CLIP	2	
20	29L-2416A-00	HOSE	1	
21	90467-08075	CLIP	2	
22	1J7-24183-02	DAMPER, locating 3	4	
23	5Y9-12491-00	CLAMP 1	4	



31K300-3260

D9

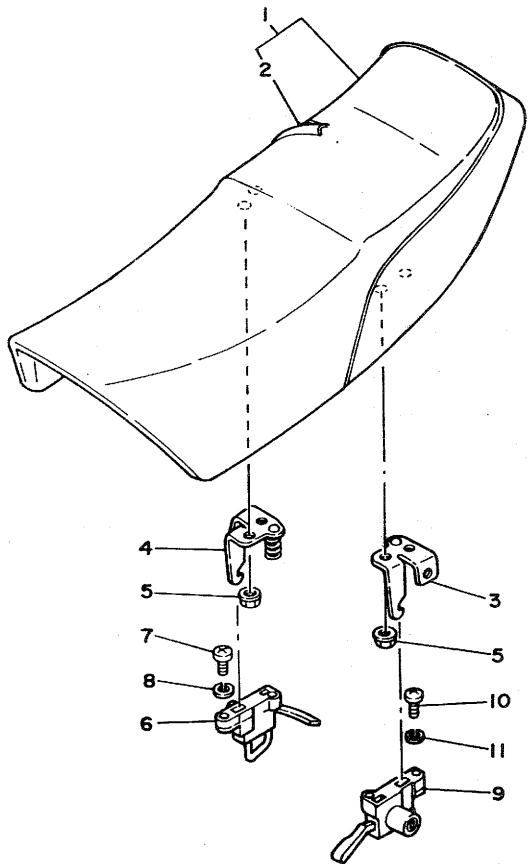


FIG. 26 SEAT

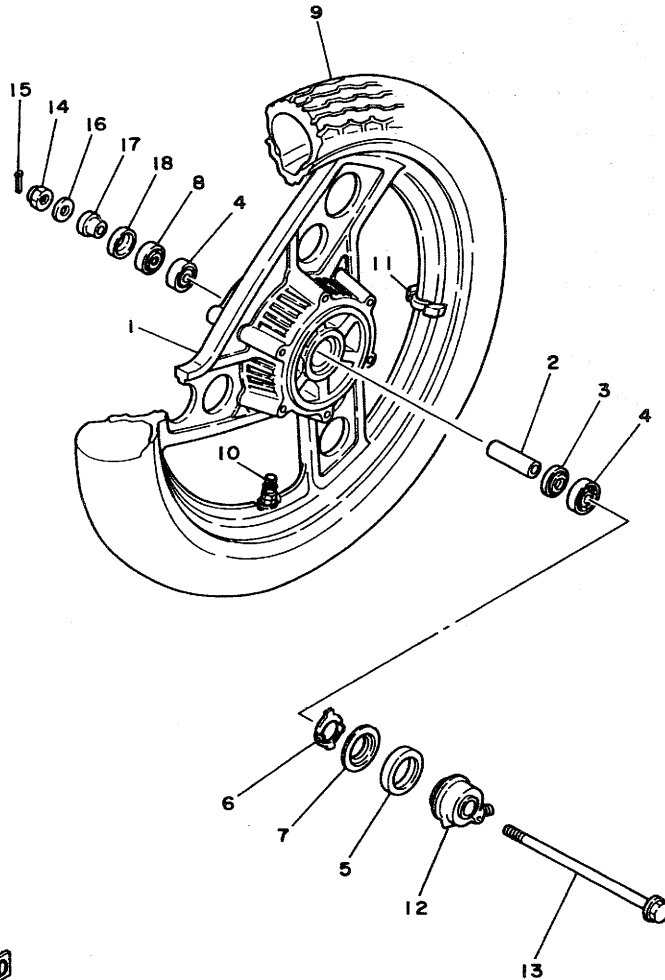
REF. NO.	PART NO.	DESCRIPTION	Q'TY	REMARKS
1	31K-W2472-00	DOUBLE SEAT ASSY	1	
2	31K-24731-00	.COVER, seat	1	
3	29L-24728-00	BRACKET, seat	1	
4	29L-24738-00	BRACKET, seat	1	
5	95702-06100	NUT, flange	4	
6	29L-24705-00	SEAT LOCK ASSY	1	
7	92502-06016	SCREW, pan head	2	
8	92902-06100	WASHER, spring	2	
9	31A-24705-00	SEAT LOCK ASSY	1	
10	92502-06016	SCREW, pan head	2	
11	92902-06100	WASHER, spring	2	



31K300-3270

D10

FIG. 27 FRONT WHEEL



REF. NO.	PART NO.	DESCRIPTION	Q'TY	REMARKS
1	29L-25168-00-98	CAST WHEEL, front	1	low gloss black
2	90387-123A9	COLLAR	1	
3	2U2-25315-00	FLANGE, spacer	1	
4	93306-30103	BEARING (B6301Z)	2	
5	93105-45017	OIL SEAL	1	
6	341-25149-00	CLUTCH, meter	1	
7	341-25846-00	RETAINER, clutch	1	
8	93106-20002	OIL SEAL	1	
9	94109-187A9	TIRE (90/90-18 51H)	1	yokohama
10	93900-00002	VALVE, rim	1	yokohama
11	29L-25398-00	BALANCER, wheel (10G)	1	UN
	29L-25398-10	BALANCER, wheel (20G)	1	UN
	29L-25398-20	BALANCER, wheel (30G)	1	UN
12	4L0-25190-00	GEAR UNIT ASSY	1	
13	4L0-25181-00	AXLE, wheel	1	
14	90171-12005	NUT, castle	1	
15	91401-30025	PIN, cotter	1	
16	92901-12200	WASHER, plain	1	
17	90387-12670	COLLAR	1	
18	481-25118-01	COVER, hub dust	1	

 29L010-3280

**D11**

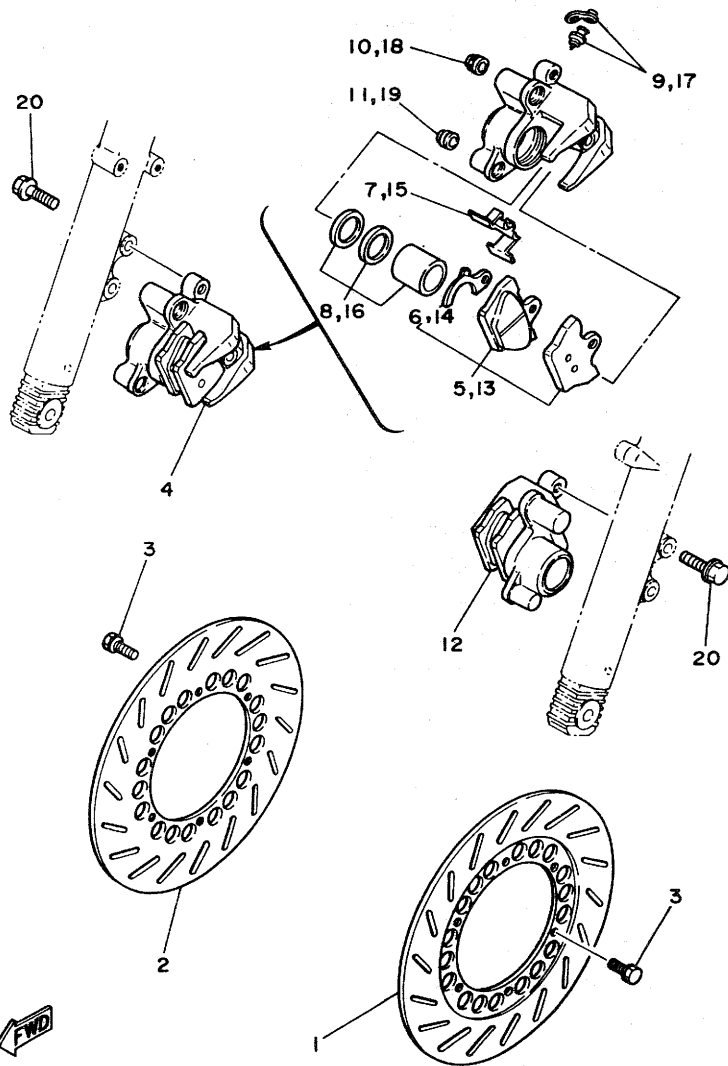


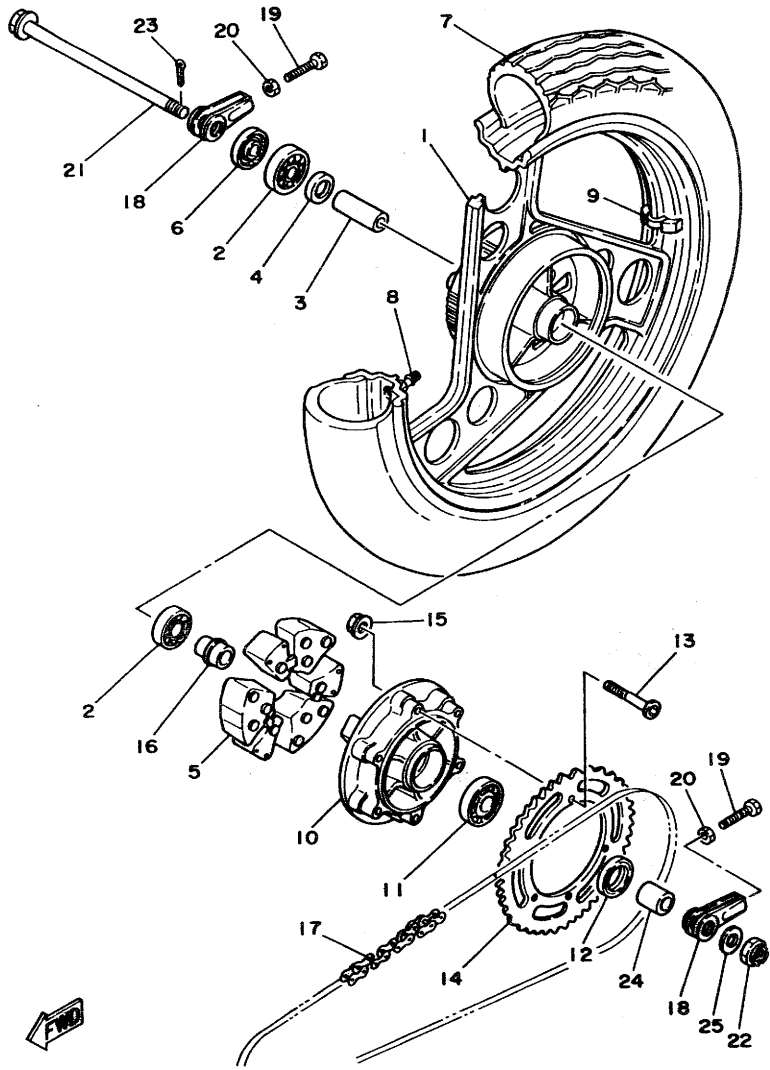
FIG. 28 FRONT BRAKE CALIPER

REF. NO.	PART NO.	DESCRIPTION	Q'TY	REMARKS
1	29L-25831-10	DISC, brake	1	
2	29L-25831-00	DISC, brake (RIGHT)	1	
3	90109-08718	BOLT	12	
4	29L-25810-00	CALIPER ASSY (RIGHT)	1	
5	29L-W0045-00	.BRAKE PAD KIT, front	1	
6	11U-25827-00	..SHIM, caliper	1	
7	11H-25919-00	.SUPPORT, pad	1	
8	4X8-W0057-00	.PISTON ASSY, caliper	1	
9	404-W0048-30	.BREED SCREW KIT	1	
10	4X8-25917-00	.BOOT, caliper	1	
11	5R2-25937-00	.BOOT 2	1	
12	29L-25810-10	CALIPER ASSY (LEFT)	1	
13	29L-W0045-10	.BRAKE PAD KIT, front	1	
14	11U-25827-10	..SHIM, caliper	1	
15	11H-25919-00	.SUPPORT, pad	1	
16	4X8-W0057-00	.PISTON ASSY, caliper	1	
17	404-W0048-30	.BREED SCREW KIT	1	
18	4X8-25917-00	.BOOT, caliper	1	
19	5R2-25937-00	.BOOT 2	1	
20	90105-10259	BOLT, washer based	4	

29L010-3291

FIG. 29 REAR WHEEL

REF. NO.	PART NO.	DESCRIPTION	Q'TY	REMARKS
1	29L-25338-20-98	CAST WHEEL, rear	1	low gloss black
2	93306-30206	BEARING (B6302ZZ)	2	
3	90387-154A0	COLLAR	1	
4	2R6-25115-00	FLANGE, spacer 1	1	
5	29L-25364-00	DAMPER	3	
6	93102-22014	OIL SEAL	1	
7	94111-180E2	TIRE (110/80-18 58H)	1	yokohama
8	93900-00002	VALVE, rim	1	yokohama
	29L-25398-00	BALANCER, wheel (10G)	1	UN
	29L-25398-10	BALANCER, wheel (20G)	1	UN
	29L-25398-20	BALANCER, wheel (30G)	1	UN
10	29L-25366-00	CLUTCH, hub	1	
11	93306-30416	BEARING (B6304RS)	1	
12	93102-32298	OIL SEAL	1	
13	90110-08057	BOLT, hexagon socket head	6	
14	31K-25439-20	SPROCKET, driven (39T)	1	
15	90185-08113	NUT, self-locking	6	
16	4L0-25377-00	COLLAR, wheel	1	
17	94580-51106	CHAIN	1	
18	4L0-25389-00	PULLER, chain 2	2	
19	90101-08034	BOLT	2	
20	95301-08700	NUT	2	
21	29L-25381-00	AXLE, wheel	1	
22	90171-14020	NUT, castle	1	
23	91401-30030	PIN, cotter	1	
24	90387-157A2	COLLAR	1	
25	92901-14200	WASHER, plain	1	



29L010-3300

D13

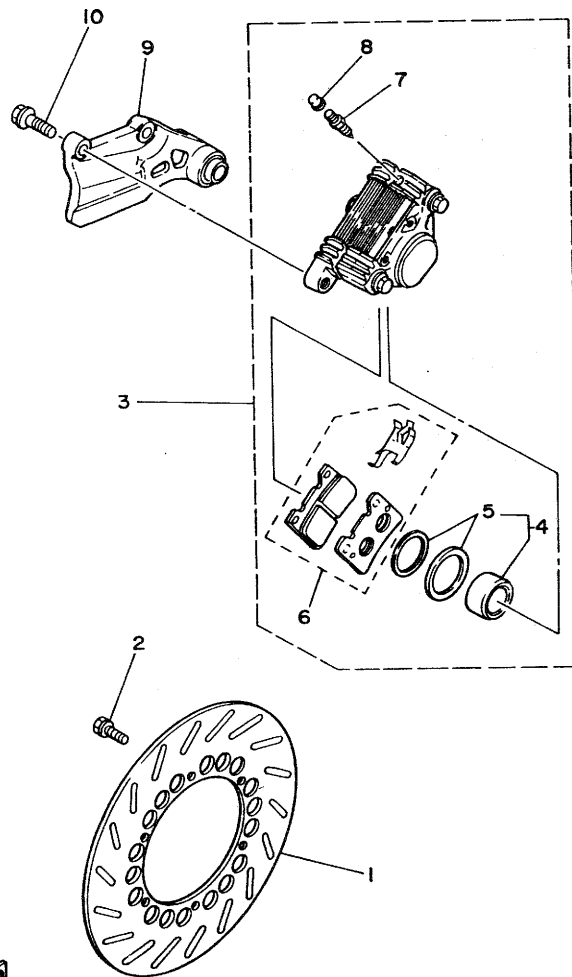
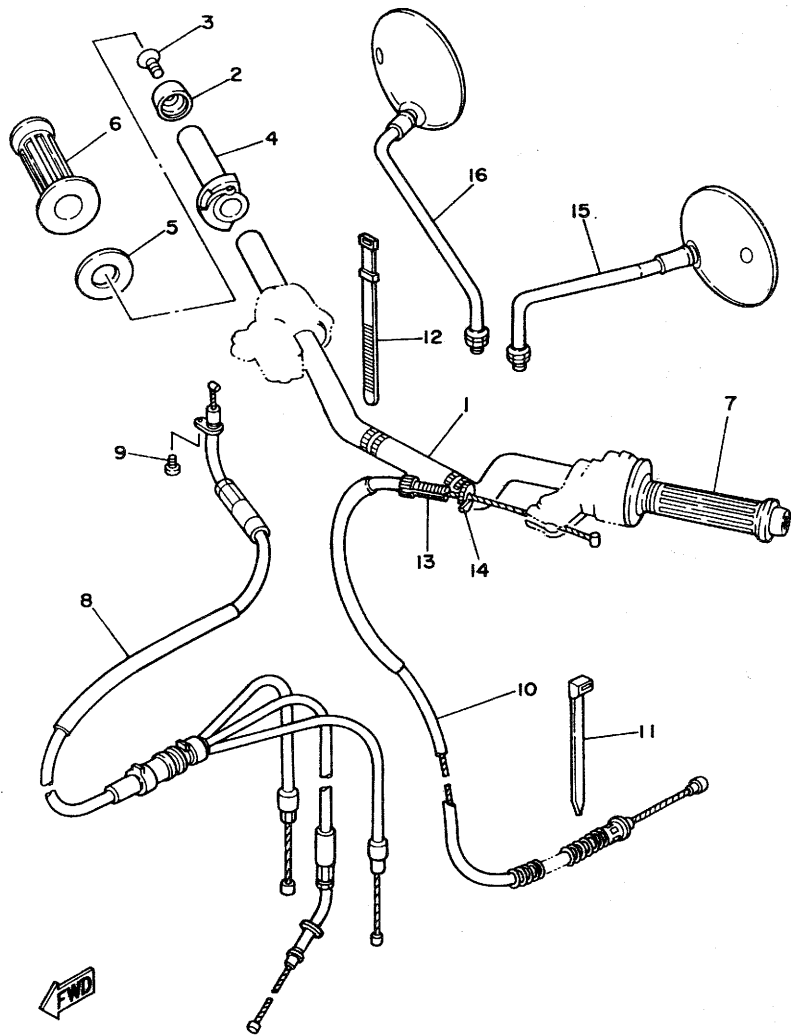


FIG. 30 REAR BRAKE CALIPER

REF. NO.	PART NO.	DESCRIPTION	Q'TY	REMARKS
1	29L-25831-00	DISC, brake (RIGHT)	1	
2	90109-08718	BOLT	6	
3	29L-25810-50	CALIPER ASSY	1	
4	26H-W0057-00	.PISTON ASSY, caliper	1	
5	26H-W0047-00	..CALIPER SEAL KIT	1	
6	29L-W0046-00	.BRAKE PAD KIT, rear	1	
7	31A-25824-00	.SCREW, breed	1	
8	306-25825-01	.CAP	1	
9	29L-25819-00-98	BRACKET, caliper	1	low gloss black
10	90105-10259	BOLT, washer based	2	

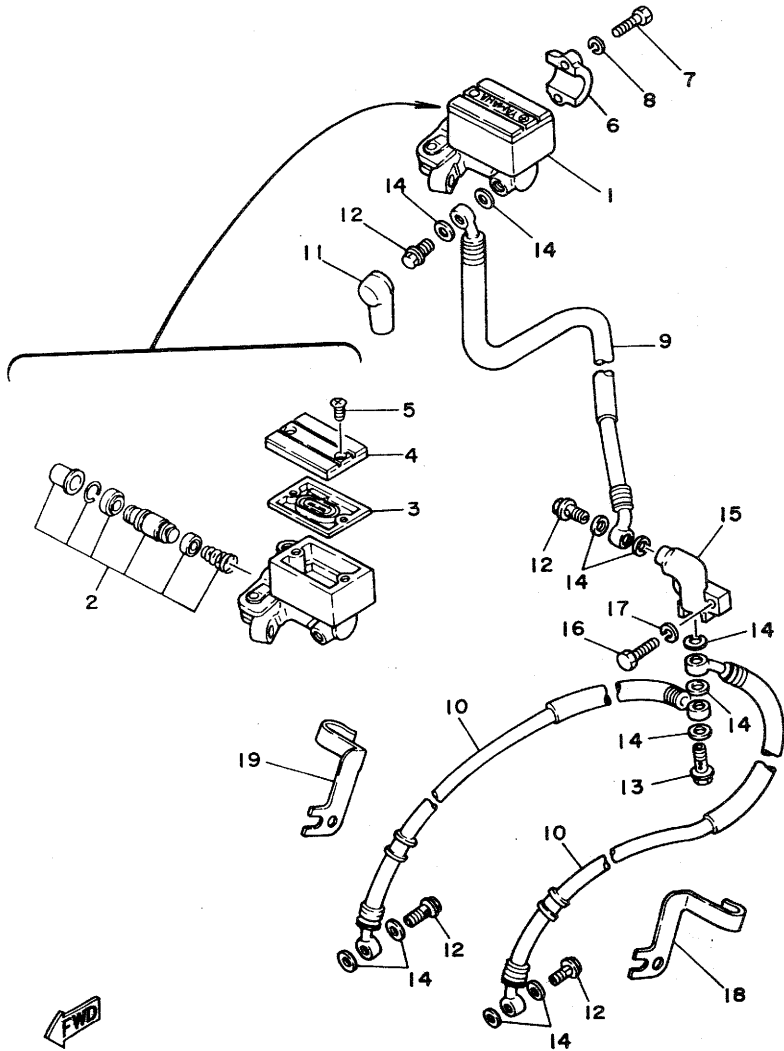
  
29L010-3311



31K300-3320

FIG. 31 STEERING HANDLE. CABLE

REF. NO.	PART NO.	DESCRIPTION	Q'TY	REMARKS
1	29L-26111-00	HANDLEBAR	1	
2	29L-26246-00	END, grip	2	
3	92706-06030	SCREW, flat head	2	
4	29L-26243-00	TUBE, throttle guide	1	
5	2H7-26249-00	RING, leaf	1	
6	31A-26242-00	GRIP (R.H)	1	
7	31A-26241-00	GRIP (L.H)	1	
8	29L-26260-00	CABLE ASSY, throttle & pump	1	
9	98506-05008	SCREW, pan head	1	
10	29L-26335-00	CABLE, clutch	1	
11	5Y9-12491-00	CLAMP 1	1	
12	437-83936-00	BAND, switch cord	1	
13	90123-08083	BOLT	1	
14	90179-08316	NUT	1	
15	4L0-26280-10	BACK MIRROR ASSY	1	
16	4L0-26290-00	BACK MIRROR ASSY (RIGHT)	1	

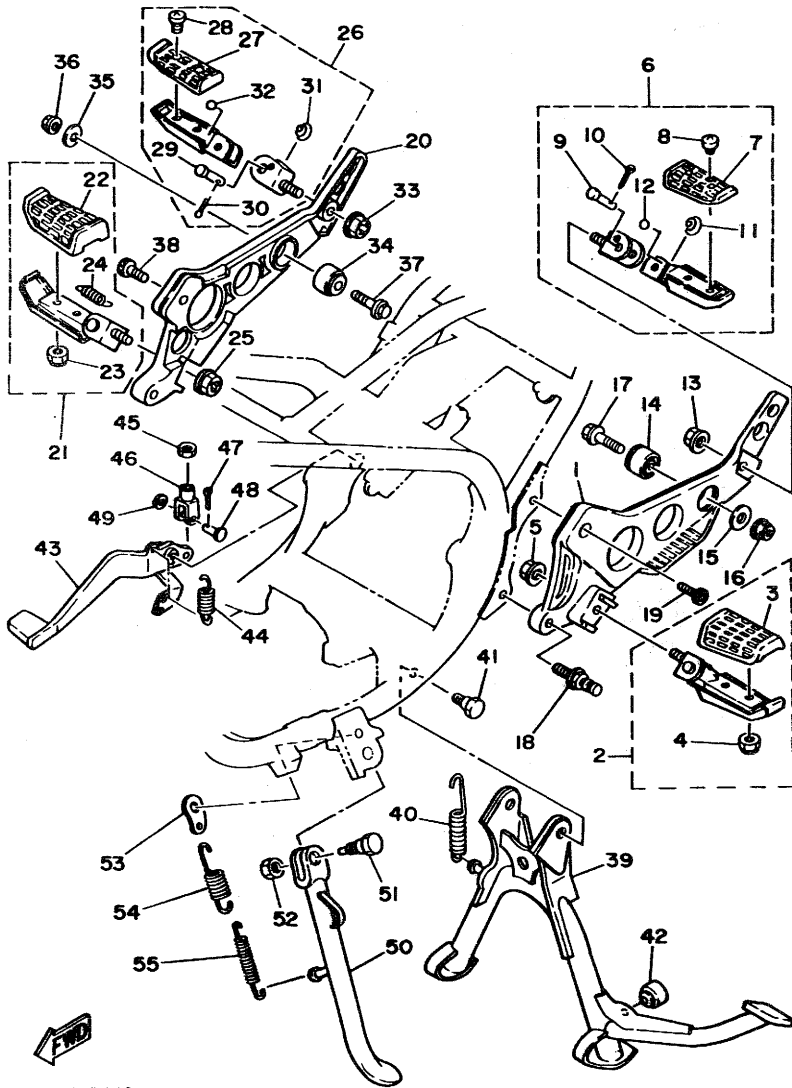


29L010-3330

FIG. 32 FRONT MASTER CYLINDER

REF. NO.	PART NO.	DESCRIPTION	Q'TY	REMARKS
1	4K0-25850-01	MASTER CYLINDER ASSY	1	
2	4K0-W0041-00	.CYLINDER KIT, master	1	
3	4K0-25854-00	.DIAPHRAGM, reservoir	1	
4	4K0-25852-00	.CAP, reservoir	1	
5	98706-04012	.SCREW, flat head	2	
6	4L0-25867-00	BRACKET, master cylinder	1	
7	97326-06025	BOLT	2	
8	92906-06100	WASHER, spring	2	
9	29L-25872-00	HOSE, brake 1	1	
10	29L-25873-00	HOSE, brake 2	2	
11	4L0-25862-00	BOOT, master cylinder	1	
12	90401-10034	BOLT, union	4	
13	90401-10044	BOLT, union	1	
14	90201-10118	WASHER, plate	11	
15	1J7-25885-01	JOINT	1	
16	97306-06025	BOLT	1	
17	92906-06100	WASHER, spring	1	
18	11H-25875-10	HOLDER, brake hose 1	1	
19	11U-25875-00	HOLDER, brake hose 1	1	

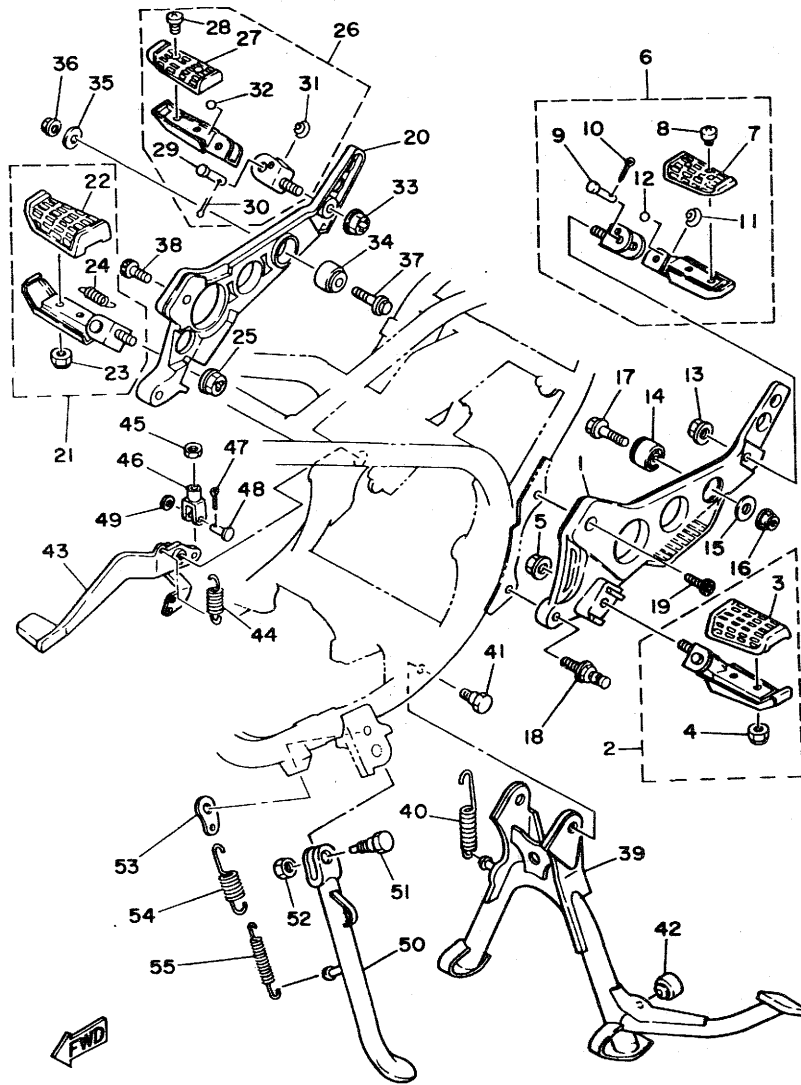
E2



31K300-3340

FIG. 33 STAND. FOOTREST

REF. NO.	PART NO.	DESCRIPTION	Q'TY	REMARKS
1	29L-27442-01	BRACKET 2	1	
2	29L-27410-00	FRONT FOOTREST ASSY (L.H)	1	
3	22N-27413-00	.COVER, footrest	1	
4	95601-06100	.NUT, u	2	
5	90185-10115	NUT, self-locking	1	
6	29L-27430-00	REAR FOOTREST ASSY 1	1	
7	22N-27433-00	.COVER, rear footrest	1	
8	98506-05010	.SCREW, pan head	2	
9	91701-06035	.PIN, clevis	1	
10	91401-16012	.PIN, cotter	1	
11	90501-16761	.SPRING, compression	1	
12	93501-04011	.BALL	1	
13	90185-10115	NUT, self-locking	1	
14	29L-27414-00	DAMPER, footrest	1	
15	90209-08249	WASHER	1	
16	90185-08106	NUT, self-locking	1	
17	90105-08284	BOLT, washer based	1	
18	90109-10754	BOLT	1	
19	91311-10025	BOLT	1	
20	29L-27443-01	BRACKET 3	1	
21	29L-27420-00	FRONT FOOTREST ASSY (R.H)	1	
22	22N-27413-00	.COVER, footrest	1	
23	95601-06100	.NUT, u	2	
24	90506-16208	.SPRING, tension	1	
25	90185-10115	NUT, self-locking	1	
26	29L-27440-00	REAR FOOTREST ASSY 2	1	
27	22N-27433-00	.COVER, rear footrest	1	
28	98506-05010	.SCREW, pan head	2	



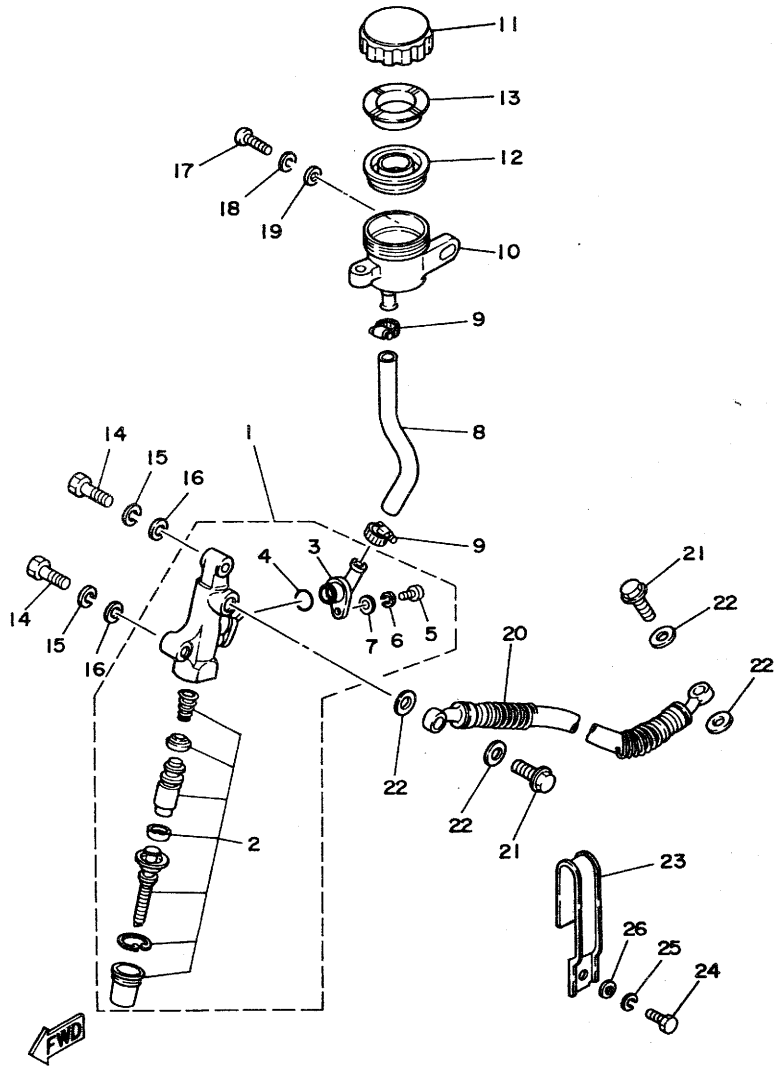
31K300-3340

FIG. 33 STAND, FOOTREST

REF. NO.	PART NO.	DESCRIPTION	Q'TY	REMARKS
29	91701-06035	.PIN, clevis	1	
30	91401-16012	.PIN, cotter	1	
31	90501-16761	.SPRING, compression	1	
32	93501-04011	.BALL	1	
33	90185-10115	NUT, self-locking	1	
34	29L-27414-00	DAMPER, footrest	1	
35	90209-08249	WASHER	1	
36	90185-08106	NUT, self-locking	1	
37	90105-08284	BOLT, washer based	1	
38	91311-10025	BOLT	2	
39	29L-27111-00-33	STAND, main	1	yamaha black
40	90506-35349	SPRING, tension	1	
41	90109-10737	BOLT	2	
42	1A0-27114-00	STOPPER, main stand	1	
43	29L-27211-01	PEDAL, brake	1	
44	90506-20192	SPRING, tension	1	
45	95301-08700	NUT	1	
46	1J3-27222-01	JOINT	1	
47	91401-16012	PIN, cotter	1	
48	90240-08013	PIN, clevis	1	
49	90201-08083	WASHER, plate	1	
50	29L-27311-00-33	STAND, side	1	yamaha black
51	90109-10750	BOLT	1	
52	90185-10037	NUT, self-locking	1	
53	4L0-27315-01	LINK, side stand	1	
54	90506-26225	SPRING, tension	1	
55	90506-18224	SPRING, tension	1	

**E4**

FIG. 34 REAR MASTER CYLINDER



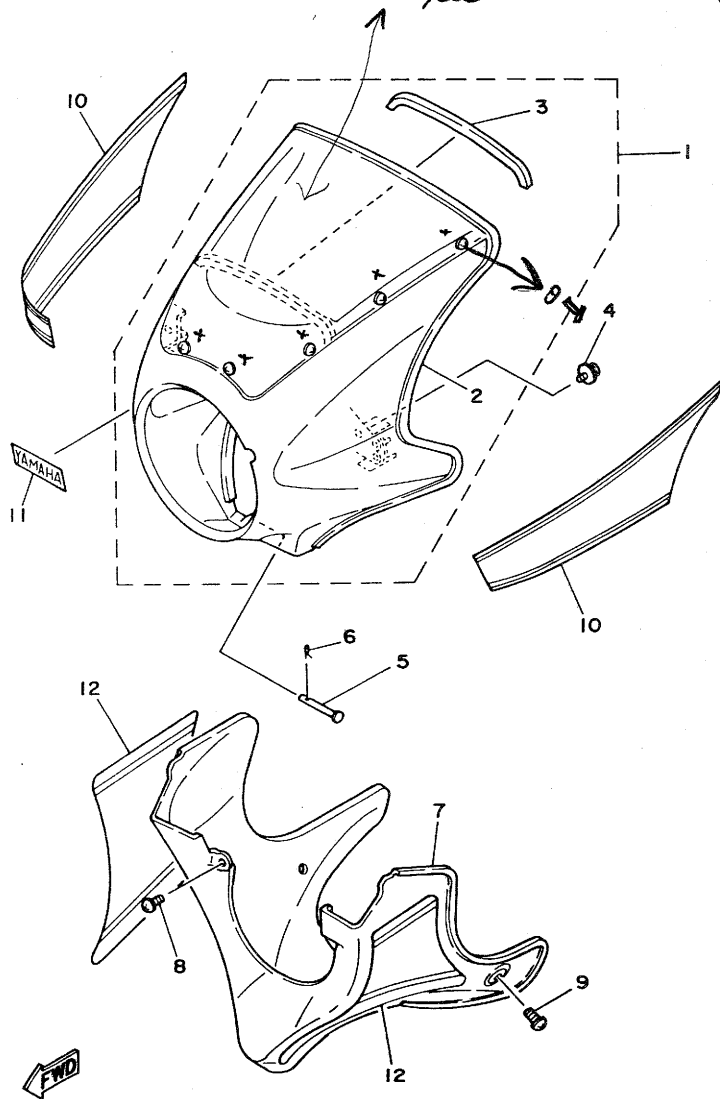
REF. NO.	PART NO.	DESCRIPTION	Q'TY	REMARKS
1	29L-25850-51	MASTER CYLINDER ASSY	1	
2	29L-W0042-50	.CYLINDER KIT, master	1	
3	29L-2582A-50	.JOINT	1	
4	93210-15620	.O-RING	1	
5	98501-04012	.SCREW, pan head	1	
6	92902-04100	.WASHER, spring	1	
7	92901-04600	.WASHER, plate	1	
8	29L-25895-00	HOSE, reservoir	1	
9	90460-16068	CLAMP, hose	2	
10	1A1-25894-01	TANK, reservoir	1	
11	1A1-25852-00	CAP, reservoir	1	
12	360-25854-00	DIAPHRAGM, reservoir	1	
13	360-25855-01	BUSH, diaphragm	1	
14	97306-08030	BOLT	2	
15	92906-08100	WASHER, spring	2	
16	92906-08600	WASHER, plate	2	
17	92501-06020	SCREW, pan head	1	
18	92901-06100	WASHER, spring	1	
19	92901-06200	WASHER, plain	1	
20	29L-25872-50	HOSE, brake l	1	
21	90401-10034	BOLT, union	2	
22	90201-10118	WASHER, plate	4	
23	29L-25875-00	HOLDER, brake hose l	1	
24	97306-06012	BOLT	1	
25	92906-06100	WASHER, spring	1	
26	92906-06600	WASHER, plate	1	

29L010-3350

**E5**

See MC 83022 1/2 OR M/FICHE FOR INDIVIDUAL DETAILS OF SCREEN BREAKDOWN.

FIG. 35 COWLING 1



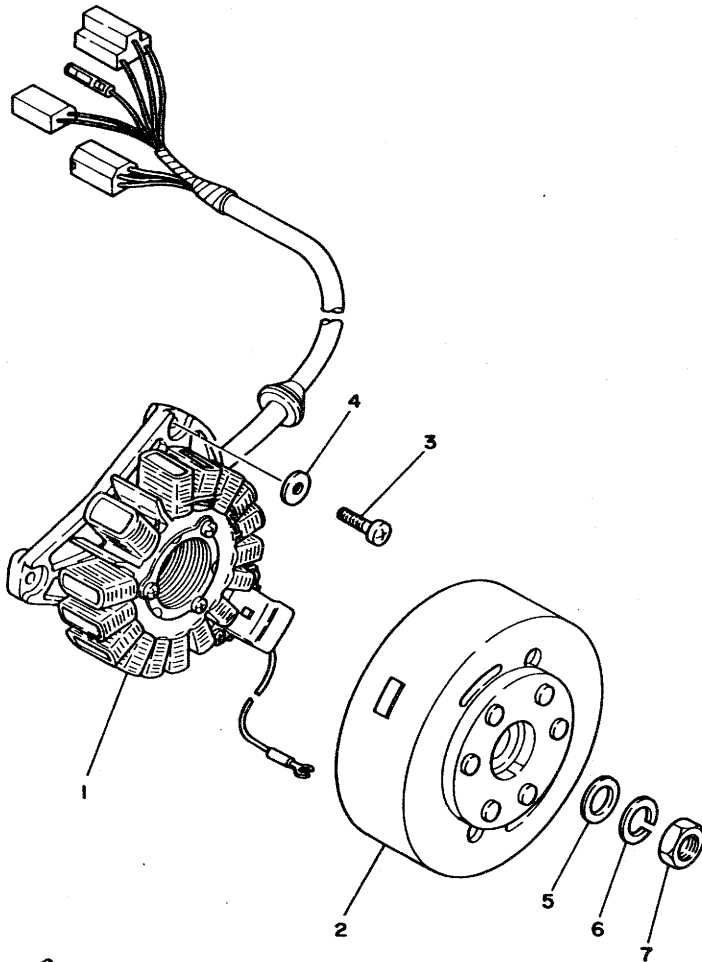
REF. NO.	PART NO.	DESCRIPTION	Q'TY	REMARKS
1	31K-28350-00-Y9	COWLING ASSY	1	UR new pearl white
	31K-28350-00-6G	COWLING ASSY	1	UR new yamaha black
	38J-28350-00-Y9	COWLING ASSY	1	UR new pearl white
	38J-28350-00-6G	COWLING ASSY	1	UR new yamaha black
2	29L-28376-00	.TRIM	1	
3	29L-28217-00	.DAMPER 1	1	
4	97906-08112	SCREW	2	
5	91701-05060	PIN, clevis	1	
6	90468-10050	CLIP	1	
7	31K-28385-00-Y9	COVER, lower	1	UR new pearl white
	31K-28385-00-6G	COVER, lower	1	UR new yamaha black
8	90154-05001	SCREW, binding	2	
9	90154-06014	SCREW, binding	2	
10	29L-28390-40	GRAPHIC SET, cowling	1	UR for npw(red)
	29L-28390-50	GRAPHIC SET, cowling	1	UR for npw(blue)
	29L-28390-30	GRAPHIC SET, cowling	1	UR for nyb/cpr, nyb
11	29L-28338-00	EMBLEM	1	UR for w/cpr, npw
	29L-28338-10	EMBLEM	1	UR for nyb/cpr, nyb
12	31K-28301-00	GRAPHIC SET, lower cover	1	UR for npw(red)
	31K-28301-10	GRAPHIC SET, lower cover	1	UR for npw(blue)
	31K-28301-20	GRAPHIC SET, lower cover	1	UR for nyb

31K300-3360

E6

FIG. 36 GENERATOR

REF. NO.	PART NO.	DESCRIPTION	Q'TY	REMARKS
1	29L-81410-50	STATOR ASSY	1	
2	29L-81450-50	ROTOR ASSY	1	
3	90153-06025	SCREW, hexagon	3	
4	90201-06042	WASHER, plate	3	
5	90201-12593	WASHER, plate	1	
6	92902-12100	WASHER, spring	1	
7	90170-12067	NUT	1	



29L010-3031

**E7**

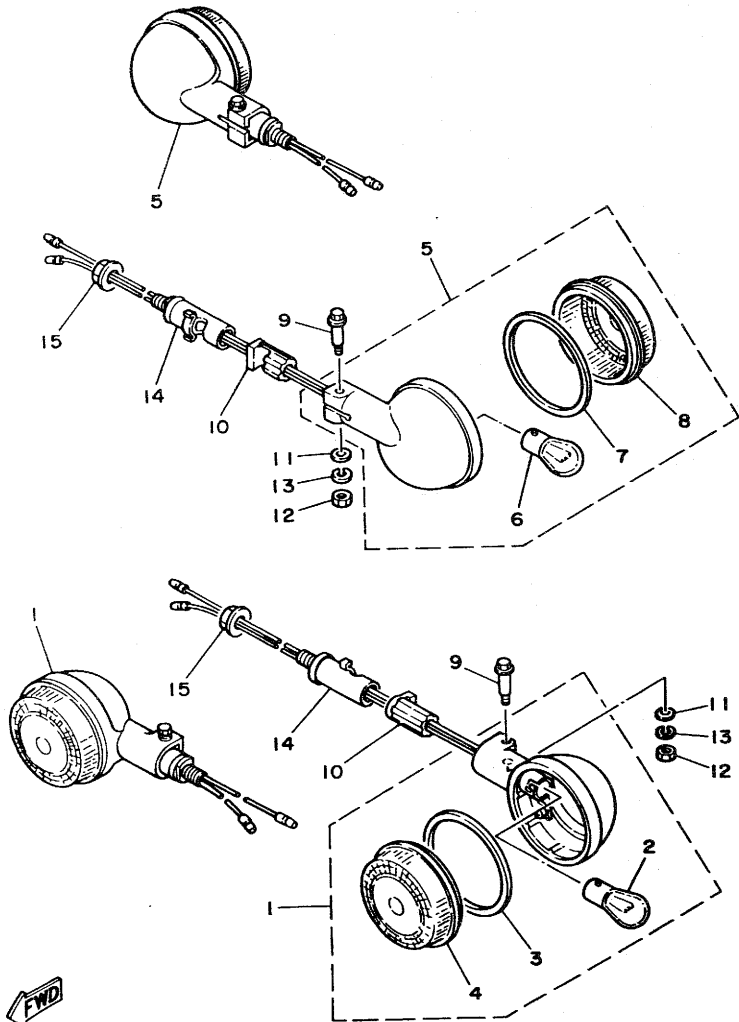


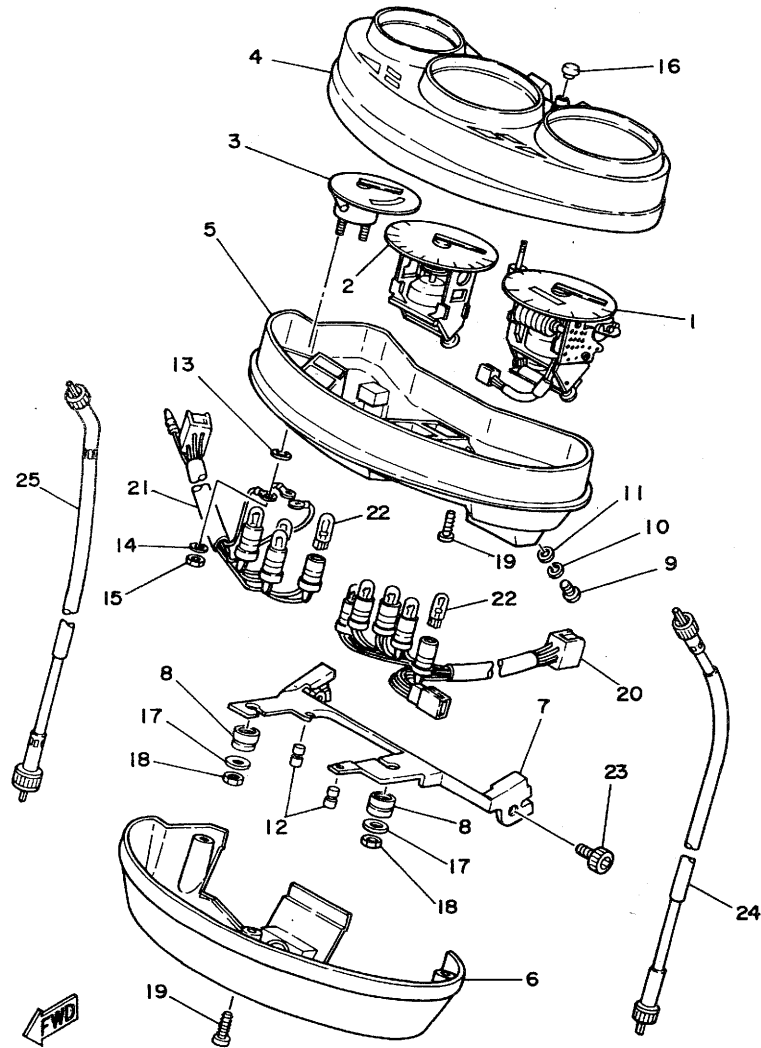
FIG. 37 FLASHER LIGHT

REF. NO.	PART NO.	DESCRIPTION	Q'TY	REMARKS
1	29L-83310-70	FRONT FLASHER LIGHT ASSY 1	2	
2	256-83311-70	.BULB (12V-27W)	1	
3	3Y6-83313-00	.GASKET, flasher lens	1	
4	3Y6-83312-00	.LENS, flasher	1	
5	29L-83330-70	REAR FLASHER LIGHT ASSY 1	2	
6	256-83311-70	.BULB (12V-27W)	1	
7	3Y6-83313-00	.GASKET, flasher lens	1	
8	3Y6-83312-00	.LENS, flasher	1	
9	3Y6-83317-00	BOLT, flasher 1	4	
10	4L0-83321-00	DAMPER, flasher 1	4	
11	92906-05600	WASHER, plate	4	
12	95306-05600	NUT	4	
13	92906-05100	WASHER, spring	4	
14	13W-83318-00	STAY, flasher 1	4	
15	95706-12100	NUT, flange	4	

29L010-3371

E8

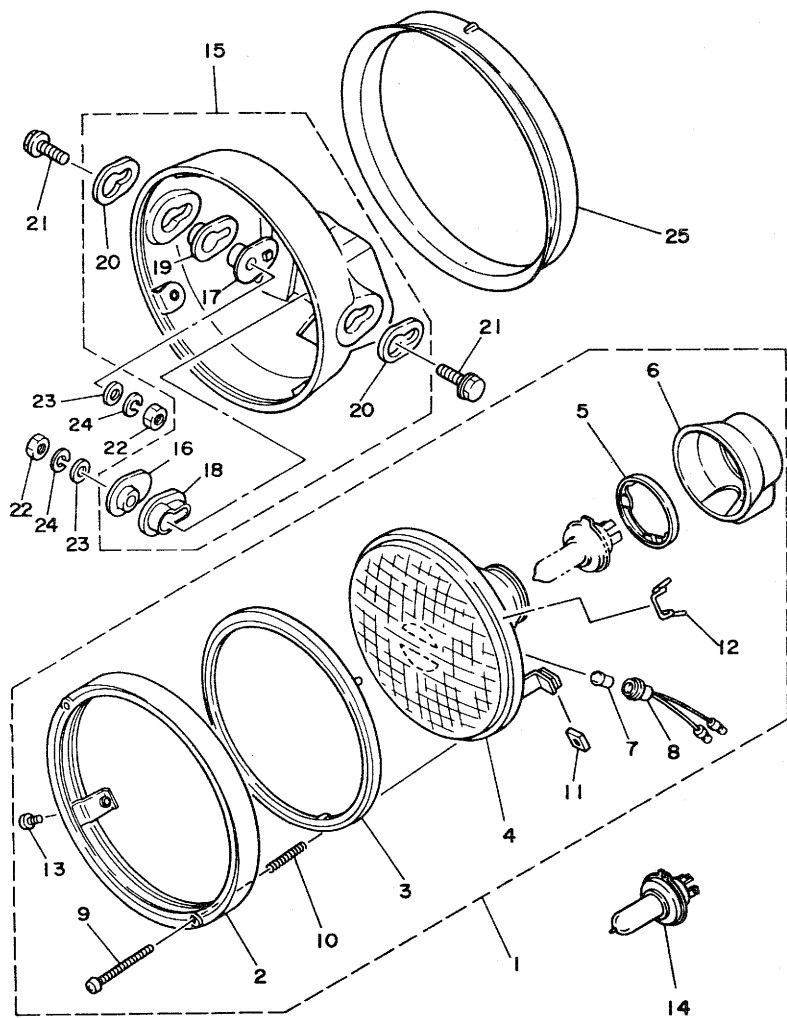
FIG. 38 METER



REF. NO.	PART NO.	DESCRIPTION	Q'TY	REMARKS
1	31K-83570-F0	SPEEDOMETER ASSY	1	km/h for malaysia, singapore, srilanka, greece, s-africa
	33E-83570-E0	SPEEDOMETER ASSY	1	km/h, mile/h for hongkong
	31K-83570-G0	SPEEDOMETER ASSY	1	mile/h for ireland
2	29L-83540-00	TACHOMETER ASSY	1	except hongkong
	33E-83540-00	TACHOMETER ASSY	1	for hongkong
3	29L-83590-00	WATER TEMPERATURE ASSY	1	
4	31K-83559-00	COVER, meter	1	
5	31K-8353H-00	CASE, inner	1	
6	29L-83579-00	COVER, meter 2	1	
7	29L-83519-00	BRACKET, meter	1	
8	4X7-83523-00	DAMPER	2	
9	98503-04010	SCREW, pan head	4	
10	92902-04100	WASHER, spring	4	
11	92901-04600	WASHER, plate	4	
12	29L-83523-00	DAMPER	2	
13	92902-03600	WASHER	3	
14	92903-03100	WASHER, spring	3	
15	95301-03700	NUT	3	
16	29L-83578-00	KNOB, trip meter	1	
17	90201-05031	WASHER, plate	2	
18	95301-05600	NUT	2	
19	90164-04006	SCREW, tapping	4	
20	31K-83536-00	SOCKET, meter	1	
21	29L-83520-00	SOCKET CORD ASSY	1	
22	4G1-84744-00	BULB (12V 3.4W)	8	
23	91316-08012	BOLT	2	
24	4L0-83550-00	SPEEDOMETER CABLE ASSY	1	
25	29L-83560-00	TACHOMETER CABLE ASSY	1	

29L010-3380

**E9**



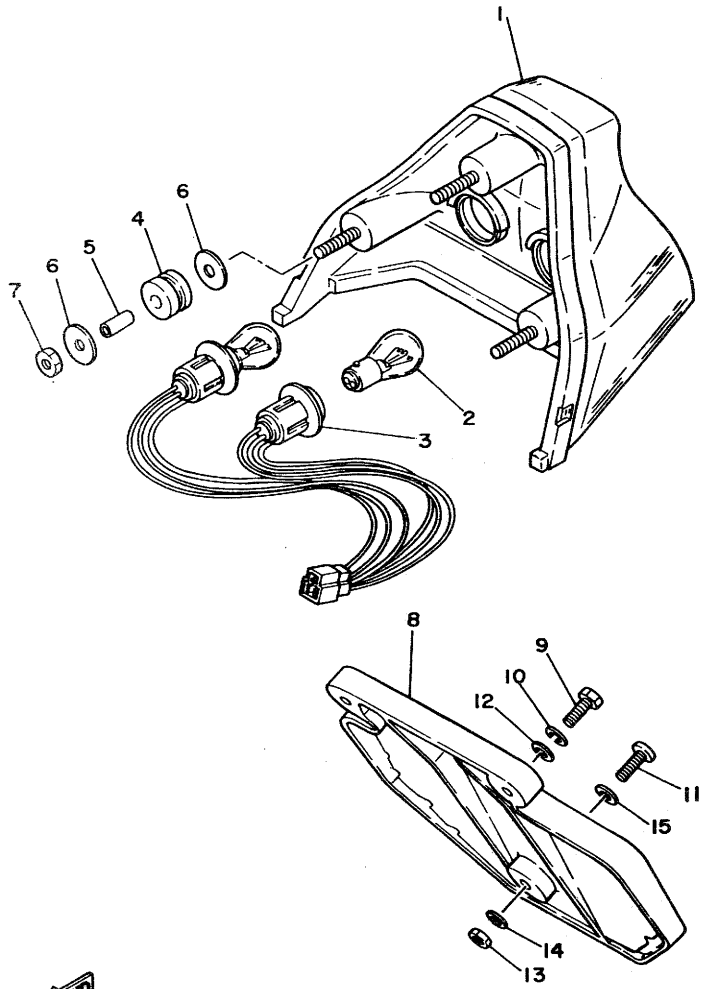
29L010- 3390

FIG. 39 HEADLIGHT

REF. NO.	PART NO.	DESCRIPTION	Q'TY	REMARKS
1	29L-84303-H0	HEADLIGHT UNIT ASSY	1	
2	29L-84315-00	.RIM, headlight	1	
3	29L-84395-00	.RING, retaining	1	
4	29L-84320-H0	.LENS ASSY	1	
5	2F9-84375-00	.FITTING PLATE, bulb	1	
6	2F9-84397-01	.COVER, socket	1	
7	123-83516-21	.BULB (12V-3.4W)	1	
8	457-84146-85	.SOCKET, pilot light	1	
9	10X-84131-00	.SCREW, rim adjuster	2	
10	341-84332-60	.SPRING, screw	2	
11	198-84334-60	.NUT, adjusting	2	
12	562-84324-A0	.SPRING, reflector	1	
13	98506-05012	.SCREW, pan head	2	
14	*	BULB (12V-60/55W)	1	LM
15	29L-84330-00	BODY ASSY	1	
16	562-84388-00	.COLLAR 1	1	
17	562-84398-00	.COLLAR 2	1	
18	562-84366-00	.DAMPER, headlight 1	1	
19	562-84367-00	.DAMPER, headlight 2	1	
20	562-84368-00	.DAMPER 3	2	
21	95806-08030	BOLT, flange	2	
22	95301-08600	NUT	2	
23	92901-08200	WASHER, plain	2	
24	92901-08100	WASHER, spring	2	
25	29L-28372-02	DAMPER	1	

FIG. 40 TAILLIGHT

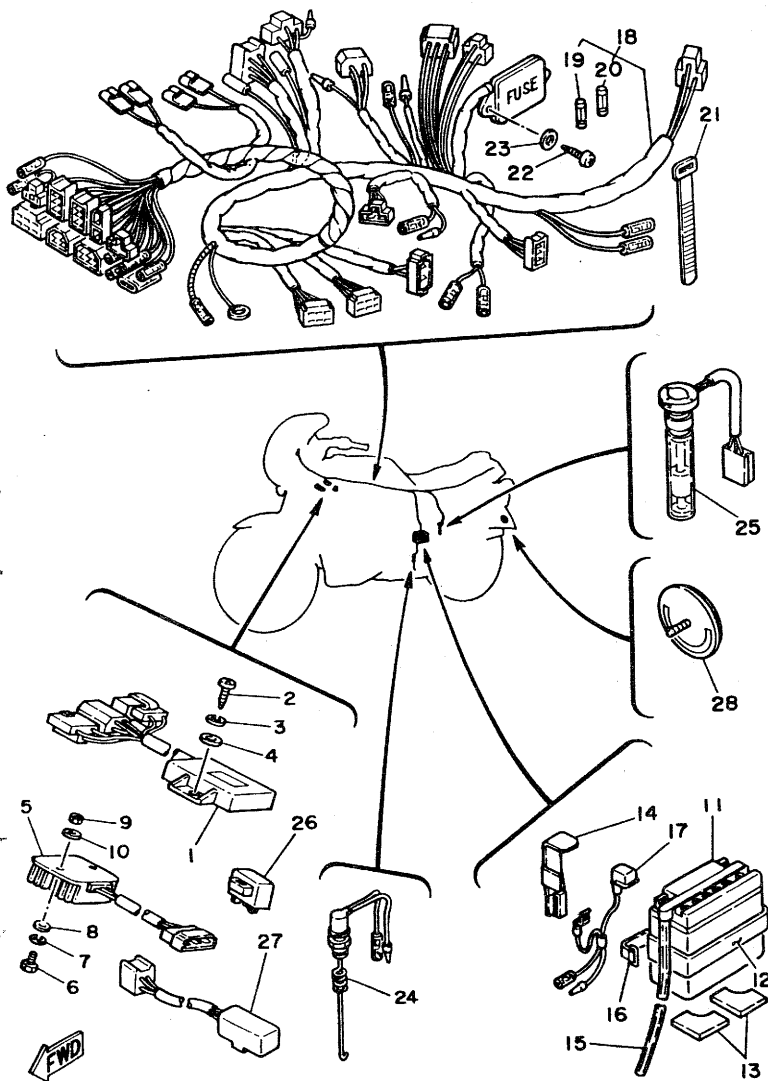
REF. NO.	PART NO.	DESCRIPTION	Q'TY	REMARKS
1	29L-84540-00	LENS ASSY	1	
2	256-84714-61	BULB (12V-27/8W)	2	for malaysia, singapore srilanka,hongkong,s-africa
	31L-84714-00	BLUE	2	for greece, ireland
3	29L-84735-00	CORD ASSY	1	
4	16G-84736-00	DAMPER, tail 1	3	
5	90387-065G1	COLLAR	3	
6	90201-066F3	WASHER, plate	6	
7	95302-06600	NUT	3	
8	29L-84751-00	BRACKET, licence	1	
9	97306-06020	BOLT	2	
10	92906-06100	WASHER, spring	2	
11	92506-06020	SCREW, pan head	1	
12	90201-06059	WASHER, plate	2	
13	95302-06600	NUT	1	
14	90201-06052	WASHER, plate	1	
15	90201-062A8	WASHER, plate	1	



29L010-3400

FIG. 42 ELECTRICAL 1

REF. NO.	PART NO.	DESCRIPTION	Q'TY	REMARKS
1	29K-85540-50	C.D.I. UNIT ASSY	1	
2	97702-60520	SCREW, tapping	2	
3	92902-06100	WASHER, spring	2	
4	92902-06200	WASHER	2	
5	4L0-81960-A0	RECTIFIER & REGULATOR ASSY	1	
6	97302-06020	BOLT	2	
7	92902-06100	WASHER, spring	2	
8	92902-06600	WASHER	2	
9	95302-06600	NUT	2	
10	90201-06755	WASHER, plate	2	
11	131-82110-61	BATTERY ASSY	1	
12	165-82124-00	BAND, battery	1	
13	29L-82122-00	SEAT, battery	2	
14	29L-82129-00	COVER, battery	1	
15	90445-08336	HOSE	1	
16	29L-82131-00	BAND, battery	1	
17	4L0-82117-00	WIRE, lead	1	
18	31L-82590-70	WIRE HARNESS ASSY	1	
19	1A0-82151-00	.FUSE (12V-10A)	3	
20	1A0-82161-00	.FUSE (12V-20A)	1	
21	437-83936-10	BAND, switch cord	1	
22	97701-60116	SCREW, tapping	2	
23	92901-06200	WASHER, plain	2	
24	1T2-82530-00	STOP SWITCH ASSY	1	
25	29L-85720-00	OIL LEVEL GAUGE ASSY	1	
26	4H7-83350-70	FLASHER RELAY ASSY	1	
27	1A0-83395-03	FLASHER CANCELLING UNIT	1	
28	449-85131-01	REFLECTOR, rear l	1	



31K310-3410

**E13**

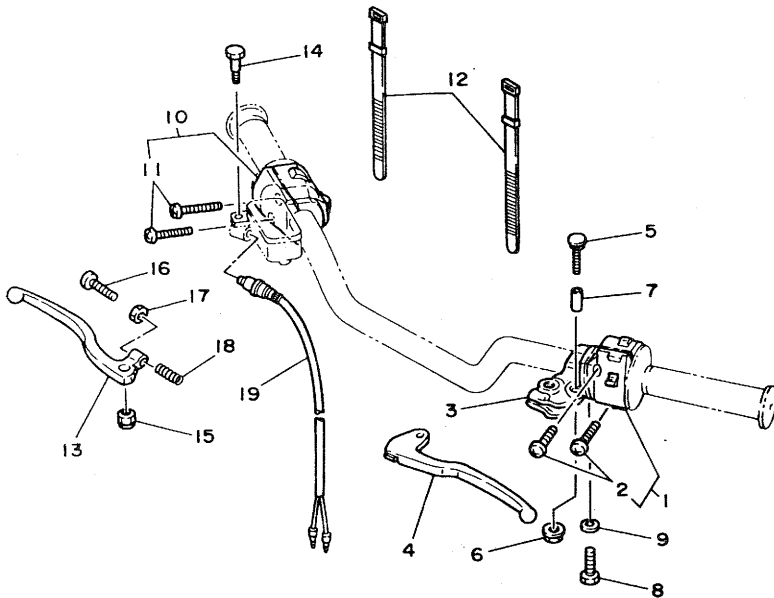


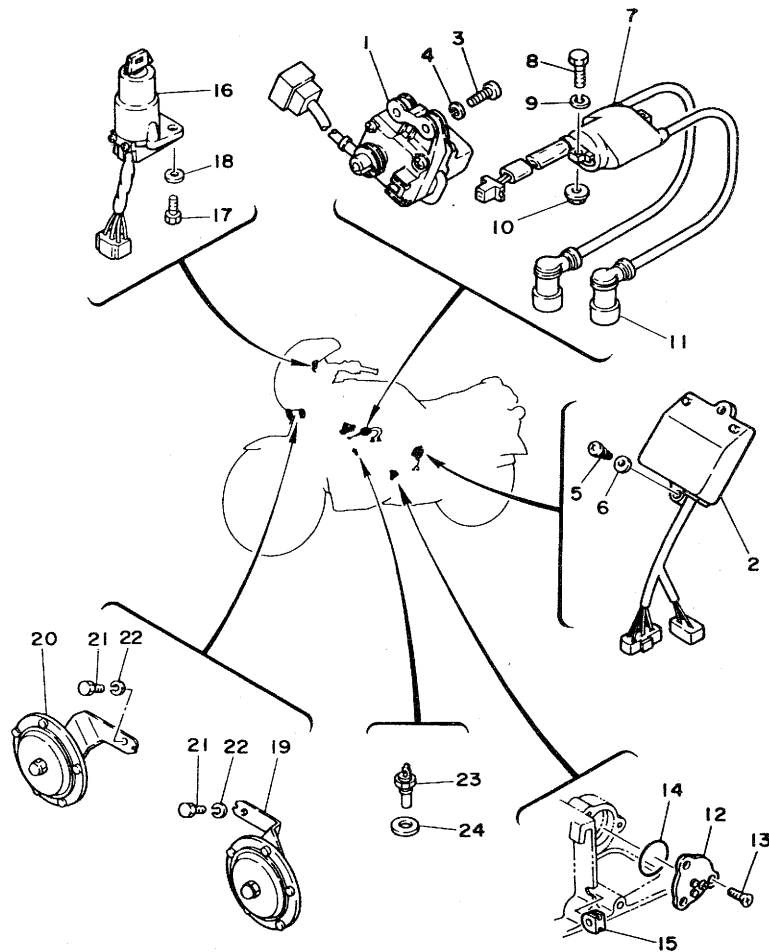
FIG. 41 HANDLE SWITCH. LEVER

REF. NO.	PART NO.	DESCRIPTION	Q'TY	REMARKS
1	31L-83972-00	SWITCH, handle 4	1	
2	98506-05020	.SCREW, pan head	2	
3	29L-82911-00	HOLDER, lever 1	1	
4	29L-83912-00	LEVER 1	1	
5	31A-83945-00	BOLT, lever	1	
6	95706-06100	NUT, flange	1	
7	31A-83913-00	COLLAR, lever 1	1	
8	97306-06025	BOLT	1	
9	92906-06100	WASHER, spring	1	
10	29L-83975-00	SWITCH, handle 2	1	
11	98506-05020	.SCREW, pan head	2	
12	437-83936-00	BAND, switch cord	2	
13	31A-83922-00	LEVER 2	1	
14	90109-06742	BOLT	1	
15	95606-06100	NUT, u	1	
16	90149-06153	SCREW	1	
17	90170-06010	NUT	1	
18	90501-10312	SPRING, compression	1	
19	1A0-83980-30	FRONT STOP SWITCH ASSY	1	



29L010-3430

**E12**



29L010-3420

FIG. 43 ELECTRICAL 2

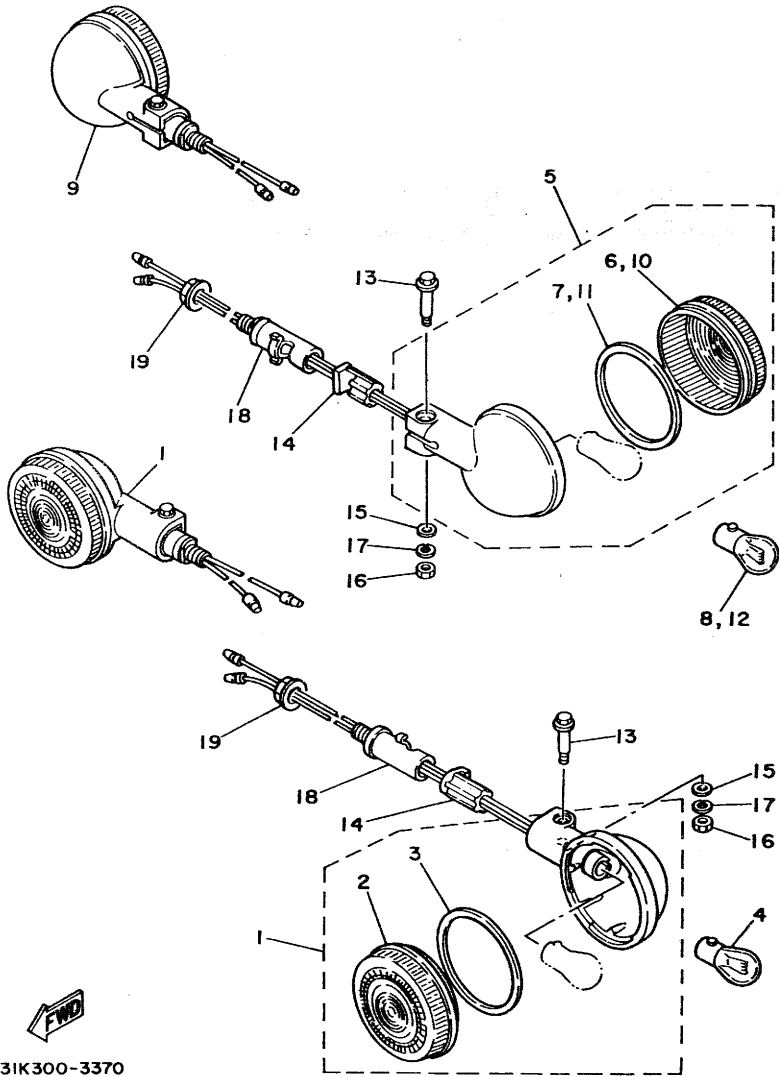
REF. NO.	PART NO.	DESCRIPTION	Q'TY	REMARKS
1	29L-85820-M0	SERVO MOTOR ASSY	1	
2	29L-85830-M0	CONTROL UNIT ASSY	1	
3	92502-06025	SCREW, pan head	2	
4	92902-06100	WASHER, spring	2	
5	97701-60116	SCREW, tapping	2	
6	92901-06200	WASHER, plain	2	
7	4L0-82310-50	IGNITION COIL ASSY	1	
8	97302-06025	BOLT	2	
9	92902-06100	WASHER, spring	2	
10	95702-06100	NUT, flange	1	
11	29L-82370-00	PLUG CAP ASSY	2	
12	278-82540-01	NEUTRAL SWITCH ASSY	1	
13	98702-05012	SCREW, flat head	3	
14	93210-29147	O-RING	1	
15	90480-01148	GROMMET	1	
16	4L0-82508-30	MAIN SWITCH ASSY	1	
17	97301-06016	BOLT	2	
18	92902-06600	WASHER	2	
19	29L-83371-20	HORN	1	high tone
20	29L-83371-30	HORN	1	low tone
21	97326-08016	BOLT	2	
22	92906-08100	WASHER, spring	2	
23	5R2-83591-00	THERMO UNIT	1	
24	90201-10118	WASHER, plate	1	



**FOR GREECE . FOR IRELAND**

FIG. 44 FLASHER LIGHT

REF. NO.	PART NO.	DESCRIPTION	Q'TY	REMARKS
1	4L0-83310-40	FRONT FLASHER LIGHT ASSY 1	2	
2	3Y6-83312-00	.LENS, flasher	1	
3	3Y6-83313-00	.GASKET, flasher lens	1	
4	*	BULB, flasher (12V-21W)	1	LM
5	4L0-83330-40	REAR FLASHER LIGHT ASSY 1	1	
6	4L0-83332-00	.LENS, flasher	1	
7	3Y6-83313-00	.GASKET, flasher lens	1	
8	*	BULB, flasher (12V-21W)	1	LM
9	4L0-83340-40	REAR FLASHER LIGHT ASSY	1	
10	4L0-83332-00	.LENS, flasher	1	
11	3Y6-83313-00	.GASKET, flasher lens	1	
12	*	BULB, flasher (12V-21W)	1	LM
13	3Y6-83317-00	BOLT, flasher 1	4	
14	4L0-83321-00	DAMPER, flasher 1	4	
15	92906-05600	WASHER, plate	4	
16	95306-05600	NUT	4	
17	92906-05100	WASHER, spring	4	
18	13W-83318-00	STAY, flasher 1	4	
19	95706-12100	NUT, flange	4	



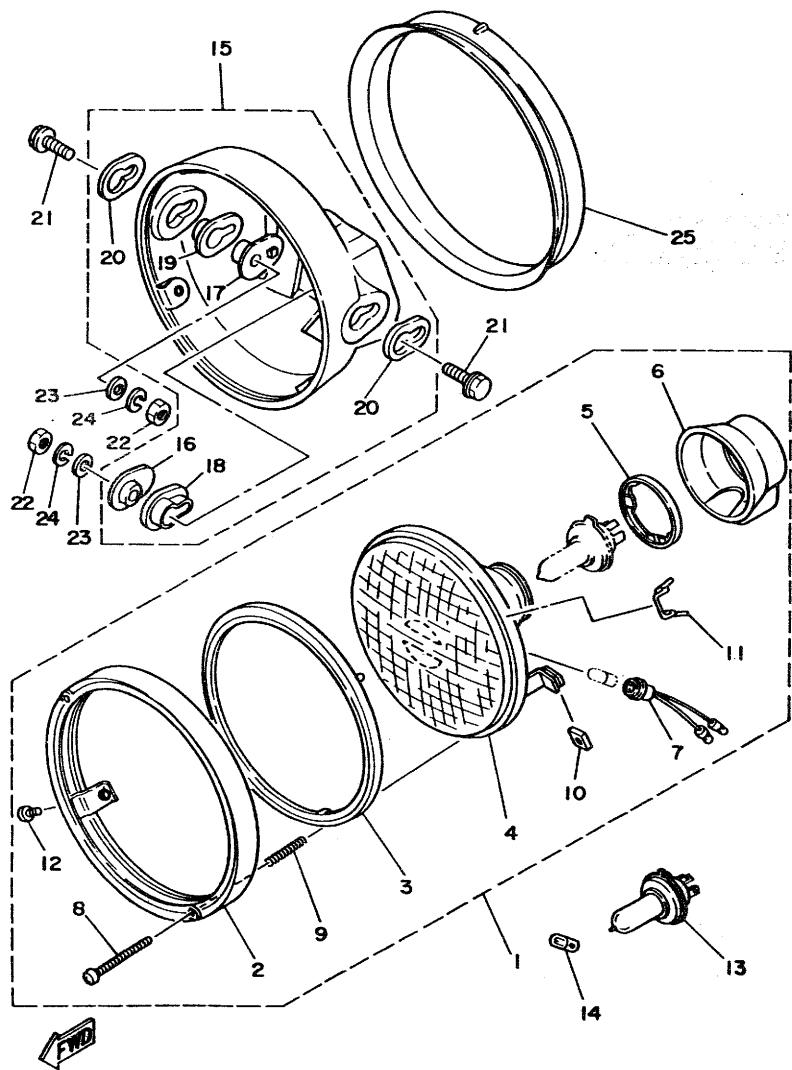
**FWD**  
3IK300-3370

**E15**

**FOR GREECE**

FIG. 45 HEADLIGHT

REF. NO.	PART NO.	DESCRIPTION	Q'TY	REMARKS
1	31K-84303-G0	HEADLIGHT UNIT ASSY	1	
2	29L-84315-00	.RIM, headlight	1	
3	29L-84395-00	.RING, retaining	1	
4	31K-84320-G0	.LENS ASSY	1	
5	2F9-84375-00	.FITTING PLATE, bulb	1	
6	2F9-84397-01	.COVER, socket	1	
7	457-84146-85	.SOCKET, pilot light	1	
8	10X-84131-00	.SOCKET, rim adjuster	2	
9	341-84332-60	.SPRING, screw	2	
10	198-84334-60	.NUT, adjusting	2	
11	5G2-84324-A0	.SPRING, reflector	1	
12	98506-05012	.SCREW, pan head	2	
13	*	BULB (12V-60/55W)	1	LM
14	*	BULB (12V-4W)	1	LM
15	29L-84330-00	BODY ASSY	1	
16	5G2-84388-00	.COLLAR 1	1	
17	5G2-84398-00	.COLLAR 2	1	
18	5G2-84366-00	.DAMPER, headlight 1	1	
19	5G2-84367-00	.DAMPER, headlight 2	1	
20	5G2-84368-00	.DAMPER 3	2	
21	95806-08030	BOLT, flange	2	
22	95301-08600	NUT	2	
23	92901-08200	WASHER, plain	2	
24	92901-08100	WASHER, spring	2	
25	29L-28372-02	DAMPER	1	



31K300-3390

# INDEX

1  
2  
3  
4  
5  
6  
7  
8  
9  
10  
11  
12  
13  
14  
15  
16  
17  
18  
19  
20  
21  
22  
23  
24  
25  
26  
27  
28  
29  
30  
31  
32  
33  
34  
35  
36  
37  
38  
39  
40  
41  
42  
43  
44  
45  
46  
47  
48  
49  
50  
51  
52  
53  
54  
55  
56  
57  
58  
59  
60  
61  
62  
63  
64  
65  
66  
67  
68  
69  
70  
71  
72  
73  
74  
75  
76  
77  
78  
79  
80  
81  
82  
83  
84  
85  
86  
87  
88  
89  
90  
91  
92  
93  
94  
95  
96  
97  
98  
99  
100

101  
102  
103  
104  
105  
106  
107  
108  
109  
110  
111  
112  
113  
114  
115  
116  
117  
118  
119  
120  
121  
122  
123  
124  
125  
126  
127  
128  
129  
130  
131  
132  
133  
134  
135  
136  
137  
138  
139  
140  
141  
142  
143  
144  
145  
146  
147  
148  
149  
150

NUMERICAL INDEX

PART NO.	GRID NO.	PART NO.	GRID NO.	PART NO.	GRID NO.	PART NO.	GRID NO.	PART NO.	GRID NO.	PART NO.	GRID NO.
4K0-W0041-00	E- 2	4L0-12436-00	B- 5	137-14153-00	B-12	4L0-15666-00	C- 3	1W1-18177-00	C- 9	29L-2173F-50	C-15
29L-W0042-50	E- 5	29L-12446-00	B- 6	802-14161-00	B-12	248-15668-00	C- 3	4L0-18185-00	C- 9	29L-21731-00	C-15
29L-W0045-00	D-12	4L0-12450-01	B- 5	3X3-14169-00	B-12	4L0-16111-00	C- 4	4L0-18511-00	C- 9	29L-21741-00	C-15
29L-W0045-10	D-12	4L0-12459-00	B- 5	4U5-14171-00	B-12	31K-16150-00	C- 4	4L0-18512-00	C- 9	29L-21746-00	D- 2
29L-W0046-00	D-14	29L-12461-00	B- 6	304-14184-00	B-12	360-16154-00	C- 4	4L0-18531-01	C- 9	29L-21751-00	D- 2
26H-W0047-00	D-14	17W-12462-00	B- 6	4L0-14185-00	B-12			29L-18535-00	C- 9	29L-21766-00	D- 2
404-W0048-30	D-12	29L-12467-00	B- 6	537-14186-00	B-12	278-16181-01	C- 4	29L-18540-00	C- 9	10V-21771-00	D- 2
	D-12	29L-12469-00	B- 6	29K-14190-28	B-12	4L0-16321-00	C- 4	278-18542-00	C- 9	31K-21781-00	C-15
26H-W0057-00	D-14	4L0-12479-00	B- 6	4L0-14196-00	B-12	498-16325-00	C- 4	3R4-18561-00	C- 9	4L0-21815-01	D- 2
4X8-W0057-00	D-12	29L-12481-00	B- 6	4L0-14197-00	B-12	29L-16351-00	C- 4	4L0-18562-00	C- 9	29L-21870-00	D- 2
	D-12	29L-12482-00	B- 7	29L-1441F-00	B-10	29L-16356-00	C- 4	278-18566-00	C- 9	29L-22110-00-35	D- 3
29L-W2161-00	C-13	29L-12483-00	B- 7	29L-14411-00	B-10	29L-16357-00	C- 4	31L-21110-00-FH	C-11	156-22127-00	D- 3
31K-W2472-00	D-10	4L0-12484-00	B- 7	29L-14412-00	B-10	278-16367-00	C- 4	31L-21110-00-FH	C-11	29L-22110-00-35	D- 3
31K-11111-00	B- 2	29L-12485-00	B- 6	29L-14421-00	B-10	1A0-16371-00	C- 4	34J-21110-00-33	C-11	447-22128-00	D- 3
31K-11181-00	B- 2	5Y9-12491-00	D- 9	29L-14437-00	B-10	29L-16380-00	C- 4	34J-21110-00-33	C-11	26H-22128-00	D- 3
31K-1131A-00	B- 2		D-15	29L-14451-00	B-10	29L-17121-00	C- 6	29L-21165-00	C-12	26H-22129-00	D- 3
31K-1131E-00	B- 3	29L-12590-00	B- 6	29L-14452-00	B-10	29L-17131-00	C- 6	29L-21243-01	C-15	29L-22141-00	D- 3
31K-1131F-00	B- 2	4L0-13101-03	B- 8	29L-14453-00	B-10	29L-17151-00	C- 6	29L-21260-00	C-11	29L-22151-00	D- 4
	B- 3	126-13116-00	B- 8	29L-14457-00	B-10	29L-17161-00	C- 6	4L0-21314-00	C-11	29L-2217A-00	D- 3
29L-1131H-00	B- 3	137-13137-00-03	B- 8	29L-14465-00	B-10	4L0-17211-01	C- 6	29L-21315-01	C-11	29L-2217H-00	D- 5
29L-1131J-00	B- 3	137-13137-00-05	B- 8	29L-14613-00	B-14	4L0-17221-01	C- 6	29L-21316-00	C-11	31K-2217M-00	D- 3
29L-1131M-00	B- 2	137-13137-00-10	B- 8	29L-14643-00	B-14	29L-17231-00	C- 6	4L0-21317-00	C-11	29L-22184-00	D- 3
29L-1131R-00	B- 2	137-13138-01	B- 8	31K-14710-00	B-14	4L0-17241-01	C- 6	4L0-21318-00	C-11	31K-22187-00	D- 4
31K-1131U-00	B- 2	278-13169-00	B- 8	31K-14720-00	B-14	29L-17251-00	C- 6	4L0-21319-00	C-11	31K-22210-00	D- 5
31K-11311-00	B- 2	4L0-13174-00	B- 9	29L-14753-00	B-14	29L-17261-00	C- 6	4L0-21485-00	C-11	29L-22216-00	D- 5
31K-1132A-00	B- 3	4L0-13175-02	B- 8		B-14	29L-17411-00	C- 6		C-11	29L-22266-00	D- 5
29L-1132E-00	B- 2	1E7-13176-00	B- 8	29K-1490J-00	B-12	164-17417-00-10	C- 3	29L-21510-00-E1	C-13	29L-22267-00	D- 5
31K-11321-00	B- 2	4L0-13178-00	B- 8	29L-15100-00	B-15	29L-17421-00	C- 6	29L-21510-00-Y9	C-13	29L-22268-00	D- 5
29L-1133E-00	B- 3	353-13552-01	B- 8	4L0-15316-00	B-15	278-17424-01	B- 4	29L-21510-00-6G	C-13	29L-22311-00	D- 4
29L-11351-00	B- 2		B- 8	31K-15317-00	C- 2		C- 7	1A8-21518-00	C-13	31K-23102-00	D- 7
29L-11400-10	B- 4	31K-13565-00	B-10	4L0-15326-00	B-15	278-17425-00	C- 6	29L-21629-00	C-13	31K-23103-00	D- 7
29L-11409-00	B- 4	31K-13610-00	B-10	4L0-15328-00	B-15	1M1-17461-70	C- 7	29L-21645-00	C-13	29L-23110-00	D- 7
29L-11412-00	B- 4	10V-13613-01	B-10	137-15353-00	B-15	4L0-17471-00	C- 6	29L-21651-00-Y9	C-13		D- 7
29L-11442-10	B- 4	10V-13616-01	B-10	4L0-15362-00	C- 2	4L0-17811-00	C- 8	29L-21651-00-6G	C-13	27H-23111-00	D- 7
31K-11610-00	B- 4	31K-13621-00	B-10	498-15371-00	B-15	4L0-17812-00	C- 8	31K-21660-00	C-13		D- 8
31K-11610-10	B- 4	31K-14101-00	B-12	29L-15410-00	C- 2	4L0-17818-00	C- 8	31K-21660-10	C-14	2A6-23119-00	D- 7
31K-11610-20	B- 4	31K-14102-00	B-12	29L-15416-00	C- 2	2R8-17831-00	C- 8	31K-21660-20	C-14		D- 7
31K-11631-00-94	B- 4	23L-14103-00	B-12	29L-15421-00	C- 2	4L0-17841-00	C- 8	29L-21688-00	C-13	29L-23126-00-38	D- 7
4L0-11633-00	B- 4	10W-14104-00	B-12	29L-15431-00	C- 2	2R9-17851-00	C- 8	29L-21689-00	C-13	10V-23135-00	D- 7
4V2-11634-00	B- 4	29K-14112-20	B-12	4L0-15461-01	C- 2	2R8-17861-00	C- 8	29L-21711-00-Y9	C-15		D- 8
31K-11635-00	B- 4	29K-14113-20	B-12	1A0-15491-00	C- 2	4L0-18101-00	C-10	29L-21711-00-6G	C-15	12R-23135-00	D- 7
31K-11636-00	B- 4	296-14117-00	B-12	278-15492-01	B-15	29L-18111-00	C-10	29L-21721-00-Y9	C-15		D- 8
29L-11651-00	B- 4	2V0-14131-00	B-12	1A0-15497-00	C- 2	29L-18112-00	C-10	29L-21721-00-6G	C-15	29L-23136-00-38	D- 7
31K-11915-00	B- 3	4L0-14141-40	B-12	156-15618-01	C- 3	132-18113-01	C-10	29L-2173E-30	C-15	31K-23141-00	D- 7
29L-12411-00	B- 6	260-14142-22	B-12	29L-15620-00	C- 3	29L-18115-00	C-10	29L-2173E-40	C-15		D- 7
4L0-12422-00	B- 5	137-14143-48	B-12	4L0-15641-00	C- 3	4L0-18140-00	C- 9	29L-2173E-50	C-15	29L-23144-00	D- 7
4L0-12428-00	B- 5	2H0-14146-00	B-12	4L0-15651-00	C- 3	2H9-18154-00	C-10	29L-2173F-30	C-15		D- 7
4L0-12435-00	B- 6	500-14146-00	B-12	4L0-15660-00	C- 3		C-10	29L-2173F-40	C-15	29L-23145-00	D- 7

NUMERICAL INDEX

PART NO.	GRID NO.	PART NO.	GRID NO.	PART NO.	GRID NO.	PART NO.	GRID NO.	PART NO.	GRID NO.	PART NO.	GRID NO.
29L-23145-00	D- 8	29L-24316-00	D- 2	1A1-25852-00	E- 5	29L-27442-01	E- 3	3Y6-83312-00	E- 8	437-83936-10	E-13
10V-23147-00	D- 7	4L0-24317-01	D- 2	4K0-25852-00	E- 2	29L-27443-01	E- 3		E- 8	31A-83945-00	E-12
	D- 8	29L-24500-01	D- 9	360-25854-00	E- 5	29L-28100-00	C-15		E-15	31L-83972-00	E-12
27H-23147-00	D- 7	2W6-24512-00	D- 9	4K0-25854-00	E- 2	29L-28217-00	E- 6	3Y6-83313-00	E- 8	29L-83975-00	E-12
	D- 8	29L-24524-01	D- 9	360-25855-01	E- 5	31K-28301-00	E- 6		E- 8	1A0-83980-30	E-12
3H3-23147-00	D- 7	3H3-24534-00	D- 9	4L0-25862-00	E- 2	31K-28301-10	E- 6		E-15	10X-84131-00	E-10
	D- 8	4X8-24565-00	D- 9	4L0-25867-00	E- 2	31K-28301-20	E- 6		E-15		F- 2
10M-23151-00	D- 7	11H-24602-00	D- 9	29L-25872-00	E- 2	29L-28338-00	E- 6		E-15	457-84146-85	E-10
	D- 8	29L-24705-00	D-10	29L-25872-50	E- 5	29L-28338-10	E- 6	3Y6-83317-00	E- 8		F- 2
3J3-23156-00	D- 7	31A-24705-00	D-10	29L-25873-00	E- 2	29L-28345-00	C-13		E-15	29L-84303-H0	E-10
	D- 8	29L-24728-00	D-10	11H-25875-10	E- 2	31K-28350-00-Y9	E- 6	13W-83318-00	E- 8	31K-84303-G0	E-10
1T4-23157-01	D- 7	31K-24731-00	D-10	11U-25875-00	E- 2	31K-28350-00-66	E- 6		E-15	*	E-10
	D- 8	29L-24738-00	D-10	29L-25875-00	E- 5	38J-28350-00-Y9	E- 6	4L0-83321-00	E- 8	*	F- 2
3J3-23159-00	D- 8	2R6-25115-00	D-13	1J7-25885-01	E- 2	38J-28350-00-66	E- 6		E-15	29L-84315-00	E-10
10V-23166-00	D- 7	481-25118-01	D-11	1A1-25894-01	E- 5	29L-28372-02	E-10		E- 8	29L-83330-70	F- 2
	D- 8	341-25149-00	D-11	29L-25895-00	E- 5		F- 2		E-15	4L0-83330-40	E-10
29L-23171-00	D- 7	29L-25168-00-98	D-11	4X8-25917-00	D-12	29L-28376-00	E- 6		E-15	4L0-83332-00	F- 2
	D- 7	4L0-25181-00	D-11		D-12	31K-28385-00-Y9	E- 6		E-15	562-84324-A0	E-10
29L-23174-00-98	D- 6	4L0-25190-00	D-11	11H-25919-00	D-12	31K-28385-00-66	E- 6	4L0-83340-40	E-15		F- 2
3M7-23181-00	D- 7	2U2-25315-00	D-11		D-12	29L-28390-30	E- 6	4H7-83350-70	E-13	29L-84330-00	E-10
	D- 8	29L-25338-20-98	D-13	5R2-25937-00	D-12	29L-28390-40	E- 6	29L-83371-20	E-14		F- 2
27H-23184-00	D- 7	29L-25364-00	D-13		D-12	29L-28390-50	E- 6	29L-83371-30	E-14	341-84332-60	E-10
	D- 8	29L-25366-00	D-13	29L-26111-00	D-15	29L-81410-50	E- 7	1A0-83395-03	E-13		F- 2
5K7-23190-00	D- 7	4L0-25377-00	D-13	31A-26241-00	D-15	29L-81450-50	E- 7	123-83516-21	E-10	198-84334-60	E-10
	D- 8	29L-25381-00	D-13	31A-26242-00	D-15	4L0-81960-A0	E-13	29L-83519-00	E- 9		F- 2
29L-23340-00	D- 8	4L0-25389-00	D-13	29L-26243-00	D-15	131-82110-61	E-13	29L-83520-00	E- 9	*	F- 2
156-23411-00	D- 6	29L-25398-00	D-11	29L-26246-00	D-15	4L0-82117-00	E-13	29L-83523-00	E- 9	562-84366-00	E-10
183-23411-00	D- 6		D-13	2H7-26249-00	D-15	29L-82122-00	E-13	4X7-83523-00	E- 9		F- 2
156-23412-00	D- 6	29L-25398-10	D-13	29L-26260-00	D-15	165-82124-00	E-13	31K-8353H-00	E- 9	562-84367-00	E-10
183-23412-00	D- 6		D-13	4L0-26280-10	D-15	29L-82129-00	E-13	31K-83536-00	E- 9		F- 2
136-23415-00	D- 6	29L-25398-20	D-11	4L0-26290-00	D-15	116-82131-00	C-15	29L-83540-00	E- 9	562-84368-00	E-10
29L-23435-00-98	D- 6		D-13	29L-26335-00	D-15	29L-82131-00	E-13	33E-83540-00	E- 9		F- 2
4H7-23441-00-98	D- 6	31K-25439-20	D-13	29L-27111-00-33	E- 4	1A0-82151-00	E-13	584-83541-00	D- 6	2F9-84375-00	E-10
164-23462-00	D- 6	29L-25810-00	D-12	1A0-27114-00	E- 4	1A0-82161-00	E-13	4L0-83550-00	E- 9		F- 2
341-23469-00	D- 6	29L-25810-10	D-12	29L-27211-01	E- 4	4L0-82310-50	E-14	31K-83559-00	E- 9	562-84388-00	E-10
29L-24110-00-07	D- 9	29L-25810-50	D-14	1J3-27222-01	E- 4	29L-82370-00	E-14	29L-83560-00	E- 9		F- 2
29L-24110-00-08	D- 9	29L-25819-00-98	D-14	29L-27311-00-33	E- 4	4L0-82508-30	E-14	31K-83570-F0	E- 9	29L-84395-00	E-10
29L-24110-00-09	D- 9	29L-2582A-50	E- 5	4L0-27315-01	E- 3	1T2-82530-00	E-13	31K-83570-G0	E- 9		F- 2
29L-2416A-00	D- 9	31A-25824-00	D-14	29L-27410-00	E- 3	278-82540-01	E-14	33E-83570-E0	E- 9	2F9-84397-01	E-10
156-24181-00	D- 9	306-25825-01	D-14	22N-27413-00	E- 3	31L-82590-70	E-13	29L-83578-00	E- 9		F- 2
29L-24182-00	D- 9	11U-25827-00	D-12		E- 3	29L-82911-00	E-12	29L-83579-00	E- 9	562-84398-00	E-10
1J7-24183-02	D- 9	11U-25827-10	D-12	29L-27414-00	E- 3	29L-83310-70	E- 8	29L-83590-00	E- 9		F- 2
3Y6-24183-00	D- 9	29L-25831-00	D-12		E- 4	4L0-83310-40	E-15	5R2-83591-00	E-14	29L-84540-00	E-11
12R-24186-00	D- 9		D-14	29L-27420-00	E- 3	256-83311-70	E- 8	29L-83912-00	E-12	256-84714-61	E-11
31K-24240-00	D- 9	29L-25831-10	D-12	29L-27430-00	E- 3		E- 8	31A-83913-00	E-12	31L-84714-00	E-11
31K-24240-10	D- 9	341-25846-00	D-11	22N-27433-00	E- 3	*	E-15	31A-83922-00	E-12	29L-84735-00	E-11
31K-24240-20	D- 9	29L-25850-51	E- 5		E- 3	*	E-15	437-83936-00	D-15	166-84736-00	E-11
29L-24311-00	B-13	4K0-25850-01	E- 2	29L-27440-00	E- 3	*	E-15		E-12	461-84744-00	E- 9

NUMERICAL INDEX

PART NO.	GRID NO.	PART NO.	GRID NO.	PART NO.	GRID NO.	PART NO.	GRID NO.	PART NO.	GRID NO.	PART NO.	GRID NO.
29L-84751-00	E-11	90170-06010	E-12	90201-12191	D- 3	90387-157A2	D-13	90480-12014	C-15	92501-06010	B-14
449-85131-01	E-13	90170-06228	C-10	90201-122A7	B- 2	90387-256H7	C- 7		C-15		B- 7
29K-85540-50	E-13	90170-08029	C-10	90201-12593	E- 7	90401-10034	E- 2		C-15	92501-06012	C- 6
29L-85720-00	E-13	90170-12067	E- 7	90201-12729	D- 5		E- 5	90480-12320	D- 2	92501-06014	B- 5
29L-85820-M0	E-14	90170-16182	C- 4	90201-17327	C- 4	90401-10044	E- 2	90480-13197	C-15	92501-06020	E- 5
29L-85830-M0	E-14	90170-20320	C- 4	90201-202H3	D- 5	90413-07007	B-13		C-15	92501-06055	B-10
90101-08034	D-13	90171-12005	D-11	90201-20266	C- 6	90430-04004	B- 8	90480-14153	B-14	92501-06075	B-10
90101-08592	D- 6	90171-14020	D-13	90201-20276	C- 6	90430-06166	B- 2		B-14	92502-06016	D-10
	D- 8	90179-08299	B- 2	90201-25490	C- 6	90445-05203	B- 8	90480-15363	B- 6		D-10
90101-14585	D- 3	90179-08316	D-15		C- 7	90445-05765	B- 8	90480-16233	B-10	92502-06025	E-14
90105-08284	E- 3	90179-08343	B- 2	90202-06010	D- 9	90445-08336	E-13	90480-16284	B- 6	92506-06016	B- 6
	E- 4	90179-18020	C- 7	90206-12074	C-10	90445-09012	B-13	90480-18366	C-13	92506-06020	C- 2
90105-10040	C-11	90179-25033	D- 6	90208-16019	E- 4	90445-11763	B-13	90501-06022	C- 9		C- 2
90105-10053	C-11	90185-08097	B-14	90209-08249	C- 3	90445-11764	D- 9	90501-10312	E-12		E-11
90105-10259	D-12	90185-08106	E- 3		E- 4	90445-12718	B-11	90501-16761	E- 3	92506-06030	C- 2
	D-14		E- 4	90209-21105	C- 6	90446-07112	B-15		E- 4	92506-06040	C- 2
90105-14102	D- 6	90185-08113	D-13		C- 6	90460-10668	E- 5	90501-23138	C- 4	92506-06055	C- 2
90109-06742	E-12	90185-10037	E- 4	90209-22248	B- 4	90460-30158	B- 6	90506-16208	E- 3	92701-06015	C- 9
90109-08718	D-12	90185-10115	E- 3	90214-15020	C- 3		B- 7	90506-18224	E- 4	92706-06030	D-15
	D-14		E- 3	90215-08174	C-10		B- 7	90506-20192	E- 4	92901-04600	B- 3
90109-10554	D- 5		E- 3	90215-20223	C- 4		B- 7	90506-26225	E- 4		E- 5
90109-10737	E- 4		E- 4	90215-21121	C- 7	90460-33159	B- 7	90506-35349	E- 4		E- 9
90109-10739	D- 3	90185-14070	D- 3	90240-08013	E- 4	90460-44108	B-10	90508-16599	C- 5	92901-05100	B- 8
90109-10750	E- 4	90201-05031	E- 9	90250-08017	C- 9	90460-49058	B-10	90508-26452	C- 9	92901-05600	D- 4
90109-10754	E- 3	90201-060A3	B- 6	90280-05033	B- 4	90460-68230	B-10	90508-30051	C- 3	92901-06100	B-14
90110-08057	D-13	90201-06042	E- 7	90282-07023	C- 4	90462-08070	C- 2	90508-32374	C-10		B-14
90116-08064	B- 2	90201-06052	E-11	90334-10014	C- 9	90462-08071	C- 2	90560-12171	C-10		C-10
	B-15	90201-06059	E-11	90338-15110	C-13	90462-16130	B-15	91311-06030	D- 4		C-12
90116-08232	B-15	90201-06067	B- 6	90340-14010	B-15	90464-12027	C-13	91311-10025	E- 3		C-13
90116-08318	B- 2	90201-062A8	E-11	90380-20123	D- 5	90465-06094	B-15		E- 4		E- 5
90116-08365	B-14	90201-06380	B- 6	90386-18117	D- 3	90465-08125	B-15	91316-05010	B- 3	92901-06200	B-15
90116-08388	B- 2		D- 6	90386-18118	D- 3	90465-16239	C- 5	91316-06020	B- 6		D- 4
90116-08424	B- 2	90201-066F3	E-11	90386-20119	D- 3	90467-08003	D- 2		B- 6		E- 5
90119-06063	C-13	90201-06755	C-13	90386-22127	D- 3	90467-08075	D- 9	91316-06025	D- 9		B-10
	D- 2		C-15	90387-060G5	D- 4	90467-10008	B-13	91316-08012	E- 9		E-14
90119-06095	C-13		E-13	90387-06249	D- 6		D- 2	91316-08016	D- 5	92901-06600	B-10
90123-08083	D-15	90201-08083	E- 4	90387-065G1	E-11		D- 9	91316-08030	D- 6		B-10
90149-06011	D- 9	90201-081A6	C-13	90387-07037	B-10	90467-13083	B- 6	91401-16012	E- 3	92901-08100	C-11
90149-06153	E-12	90201-08100	B-15	90387-07390	B- 6	90467-20085	B-10		E- 4		C-11
90149-08094	C-10	90201-08624	B- 8	90387-07392	B- 6	90468-02033	B- 8		E- 4		C-12
90149-08143	C- 4	90201-08784	B- 5	90387-10567	C-13		B- 8	91401-30025	D-11		E-10
90153-06025	E- 7	90201-10118	E- 2	90387-106H5	D- 5		B- 9	91401-30030	D-13		F- 2
90154-05001	E- 6		E- 5	90387-123A9	D-11	90468-08086	B- 8	91701-05060	E- 6	92901-08200	C- 4
90154-06014	E- 6		E-14	90387-125A8	C-10	90468-10050	E- 6	91701-06035	E- 3		E-10
90159-06016	C- 4	90201-10126	D- 3	90387-12670	D-11	90468-26091	C- 3		E- 4		F- 2
90159-06060	D- 2		D- 5	90387-127H2	D- 3	90480-01148	E-14	91810-03014	B- 2	92901-08600	C-12
90159-06084	D- 4	90201-10135	C- 8	90387-144H4	D- 3	90480-12014	B- 6	91810-05016	B-15	92901-10100	C-11
90164-04006	E- 9	90201-12174	C-10	90387-154A0	D-13		C-15		C- 2		C-11

NUMERICAL INDEX

PART NO.	GRID NO.	PART NO.	GRID NO.	PART NO.	GRID NO.	PART NO.	GRID NO.	PART NO.	GRID NO.	PART NO.	GRID NO.
92901-10100	C-11	93101-10002	B- 8	93430-08036	B- 8	95602-14100	D- 3	97602-03108	B-10		
	C-12	93101-12004	C-10		C- 9	95606-06100	E-12	97701-50525	B-10		
92901-10600	C-11	93101-20048	C- 3	93430-10016	C- 8	95701-10100	C-11	97701-60116	E-13		
	C-12	93102-17004	C- 4	93440-10123	D- 5		C-11		E-14		
92901-12200	D-11	93102-22014	D-13	93440-19083	B- 7	95702-06100	D-10	97702-60520	E-13		
92901-14200	D-13	93102-32298	D-13	93440-25084	C- 6		E-14	97706-50512	C- 2		
92901-14600	D- 3	93102-35054	C- 7		C- 6	95706-06100	E-12	97906-08112	E- 6		
92902-03600	E- 9	93103-10113	B- 5	93440-34025	C- 9	95706-12100	E- 8	98501-03008	D- 9		
92902-04100	B- 3	93103-25108	B- 4	93440-52009	C- 6		E-15	98501-04012	E- 5		
	B-12	93103-40077	B- 4	93501-04011	D- 6	95806-06020	B- 6	98501-04016	B-12		
	E- 5	93105-45017	D-11		E- 3	95806-06025	B- 6	98501-04025	B- 3		
	E- 9	93106-20002	D-11		E- 4	95806-08030	E-10	98501-05008	B-12		
92902-06100	C-11	93108-23010	B- 3	93505-32002	B- 8		F- 2	98501-05010	B-15		
	C-13		B- 3	93515-32029	C- 4	95826-06010	B- 2		D- 4		
	C-15	93109-18020	D- 3	93603-22028	B- 5	97301-06010	C- 5	98501-05012	C- 8		
	D-10	93109-20029	D- 3		B- 8	97301-06016	B- 6	98501-05016	B- 8		
	D-10	93210-07100	B- 8		C- 8		C-12	98502-04008	B-12		
	E-13	93210-12327	C- 8	93604-12037	C- 9		E-14	98502-05012	B- 2		
	E-13	93210-15620	E- 5	93700-06004	D- 3	97301-06018	B-11	98503-04010	E- 9		
	E-14	93210-17239	B- 6	93900-00002	D-11	97301-06020	C-13	98506-03008	D- 9		
	E-14	93210-19123	C- 2		D-13	97301-08025	C-12	98506-05008	D-15		
92902-06200	E-13	93210-29147	E-14	94109-187A9	D-11	97301-10040	C-12	98506-05010	E- 3		
92902-06600	E-13	93210-30640	B- 2	94111-180E2	D-13	97301-10050	C-11		E- 3		
	E-14		B- 3	94580-51106	D-13	97302-06012	C-11	98506-05012	B- 2		
92902-12100	E- 7		B- 3	94701-00204	B- 2		C-13		B- 3		
92902-14600	D- 3		B- 3	95301-03700	E- 9		C-15		E-10		
92903-03100	E- 9	93210-35389	D- 5	95301-05600	B- 8	97302-06020	E-13		F- 2		
92906-05100	E- 8	93211-10232	C- 4		E- 9	97302-06025	E-14	98506-05014	C- 2		
	E-15	93305-20502	C- 6	95301-08600	B-15	97302-08016	C-13	98506-05020	E-12		
92906-05600	E- 8	93306-30003	B- 5		E-10	97302-08020	C-13		E-12		
	E-15	93306-30103	D-11		F- 2	97302-08030	D- 9	98701-05012	C- 9		
92906-06100	B- 2	93306-30206	D-13	95301-08700	D-13	97306-06010	C- 8	98701-05016	C- 9		
	D- 6	93306-30416	D-13		E- 4	97306-06012	E- 5	98702-05012	E-14		
	E- 2	93306-30504	C- 7	95302-06600	C-13	97306-06020	E-11	98706-04012	E- 2		
	E- 2	93306-30510	B- 4		E-11	97306-06025	E- 2	98901-04008	B- 8		
	E- 5	93306-30531	B- 4		E-11		E-12				
	E-11	93310-316H6	B- 4		E-13	97306-06040	D- 6				
	E-12	93310-522L4	B- 4	95303-06700	C-10	97306-08030	E- 5				
92906-06600	B- 2	93311-22027	C- 6	95306-05600	E- 8	97311-06020	C-10				
	C- 8	93311-42045	C- 6		E-15	97311-06045	B-15				
	E- 5	93315-11720	C- 4	95306-08800	D- 6	97311-06060	B-15				
92906-08100	D- 6	93315-23612	C- 9	95311-08700	C- 4	97311-06090	B-15				
	E- 5	93410-12003	C-10	95601-06100	E- 3	97321-08020	C-11				
	E-14	93410-15005	C- 3		E- 3		C-11				
92906-08200	D- 5	93410-20009	C- 6	95601-12100	D- 3	97326-06020	B- 2				
92906-08600	D- 6		C- 7	95602-10100	D- 3	97326-06025	E- 2				
	E- 5	93430-07012	B- 5		D- 5	97326-08016	E-14				
		93430-08006	C- 8			97326-08030	C- 3				
						97326-08050	D- 6				

PARTS NAME INDEX

DESCRIPTION	GRID NO.	DESCRIPTION	GRID NO.	DESCRIPTION	GRID NO.
AIR SCREW SET .....	B-12	BLUE .....	E-11	BOLT .....	E- 3
AIR VALVE COMP. ....	D- 7	BODY ASSY .....	E-10	*	E- 4
*	D- 8	*	F- 2	*	E- 4
ARM 1 .....	D- 3	BODY, cap .....	D- 2	*	E- 4
ARM, relay .....	D- 3	BOLT .....	B- 2	*	E- 5
ARM, shift .....	C-10	*	B- 3	*	E- 5
AXLE, drive .....	C- 6	*	B- 6	*	E- 9
AXLE, drive gear .....	C- 8	*	B- 6	*	E-11
AXLE, main (14T) .....	C- 6	*	B- 6	*	E-12
AXLE, wheel .....	D-11	*	B-10	*	E-12
*	D-13	*	B-11	*	E-13
BACK MIRROR ASSY .....	D-15	*	B-15	*	E-14
BACK MIRROR ASSY (RIGHT) .....	D-15	*	B-15	*	E-14
BALANCER, wheel (10G) .....	D-11	*	B-15	*	E-14
*	D-13	*	C- 3	BOLT, cap .....	D- 7
BALANCER, wheel (20G) .....	D-11	*	C- 5	*	D- 8
*	D-13	*	C- 8	BOLT, flange .....	B- 2
BALANCER, wheel (30G) .....	D-11	*	C-10	*	B- 6
*	D-13	*	C-11	*	B- 6
BALL .....	B- 8	*	C-11	*	E-10
*	C- 4	*	C-11	*	F- 2
*	D- 6	*	C-11	BOLT, flasher 1 .....	E- 8
*	E- 3	*	C-12	*	E-15
*	E- 4	*	C-12	BOLT, hexagon socket head .....	D- 7
BAND, battery .....	C-15	*	C-12	*	D- 8
*	E-13	*	C-13	*	D-13
*	E-13	*	C-13	BOLT, lever .....	E-12
BAND, switch cord .....	D-15	*	C-13	BOLT, stopper .....	C- 9
*	E-12	*	C-13	BOLT, stud .....	B- 2
*	E-13	*	C-15	*	B- 2
BAR, shift fork guide 1 .....	C- 9	*	D- 3	*	B- 2
BAR, shift fork guide 2 .....	C- 9	*	D- 3	*	B- 2
BATTERY ASSY .....	E-13	*	D- 4	*	B-14
BEARING .....	B- 4	*	D- 5	*	B-15
*	B- 4	*	D- 5	*	B-15
BEARING (B5205) .....	C- 6	*	D- 6	BOLT, union .....	E- 2
BEARING (B6300Z) .....	B- 5	*	D- 6	*	E- 2
BEARING (B6301Z) .....	D-11	*	D- 6	*	E- 5
BEARING (B6302ZZ) .....	D-13	*	D- 6	BOLT, washer based .....	C-11
BEARING (B6304RS) .....	D-13	*	D- 8	*	C-11
BEARING (B6305N) .....	C- 7	*	D- 9	*	D- 6
BEARING, cylindrical .....	B- 4	*	D-12	*	D-12
*	B- 4	*	D-13	*	D-14
*	C- 4	*	D-14	*	E- 3
*	C- 6	*	D-15	*	E- 4
*	C- 6	*	E- 2	BOLT, with washer .....	C-13
*	C- 9	*	E- 2	*	C-13
BELT, timing .....	D- 5	*	E- 3	*	D- 2

PARTS NAME INDEX

DESCRIPTION	GRID NO.	DESCRIPTION	GRID NO.	DESCRIPTION	GRID NO.
BOOT 2 .....	D-12	CALIPER SEAL KIT .....	D-14	CLAMP 1 .....	D-15
* .....	D-12	CAP .....	B-12	CLAMP, hose .....	B- 6
BOOT, caliper .....	D-12	* .....	D- 2	* .....	B- 7
* .....	D-12	* .....	D-14	* .....	B- 7
BOOT, master cylinder .....	E- 2	CAP ASSY .....	D- 9	* .....	B- 7
BOSS, clutch .....	C- 4	CAP, air valve .....	D- 7	* .....	B- 7
BRACKET 2 .....	E- 3	* .....	D- 8	* .....	B-10
BRACKET 3 .....	E- 3	CAP, bolt .....	D- 6	* .....	B-10
BRACKET, caliper .....	D-14	CAP, cleaner case 1 .....	B-10	* .....	B-10
BRACKET, licence .....	E-11	CAP, radiator .....	B- 6	* .....	E- 5
BRACKET, master cylinder .....	E- 2	CAP, reservoir .....	E- 2	CLIP .....	B- 6
BRACKET, meter .....	E- 9	* .....	E- 5	* .....	B- 8
BRACKET, pulley .....	D- 5	CAP, seal .....	B- 2	* .....	B- 8
BRACKET, rear stay .....	C-13	CARBURETOR ASSY 1 .....	B-12	* .....	B- 8
BRACKET, rear stay 2 .....	C-13	CARBURETOR ASSY 2 .....	B-12	* .....	B- 9
BRACKET, seat .....	D-10	CASE, air cleaner 1 .....	B-10	* .....	B-10
* .....	D-10	CASE, air cleaner 2 .....	B-10	* .....	B-13
BRAKE PAD KIT, front .....	D-12	CASE, chain .....	D- 4	* .....	C- 3
* .....	D-12	CASE, inner .....	E- 9	* .....	D- 2
BRAKE PAD KIT, rear .....	D-14	CAST WHEEL, front .....	D-11	* .....	D- 2
BREATHER .....	B-15	CAST WHEEL, rear .....	D-13	* .....	D- 9
BREED SCREW KIT .....	D-12	CHAIN .....	D-13	* .....	D- 9
* .....	D-12	CIRCLIP .....	B- 5	* .....	E- 6
BULB (12V 3.4W) .....	E- 9	* .....	B- 7	CLIP, oil seal .....	D- 7
BULB (12V-27/8W) .....	E-11	* .....	B- 8	* .....	D- 8
BULB (12V-27W) .....	E- 8	* .....	C- 3	CLIP, piston pin .....	B- 4
* .....	E- 8	* .....	C- 6	CLUTCH, hub .....	D-13
BULB (12V-3.4W) .....	E-10	* .....	C- 6	CLUTCH, meter .....	D-11
BULB (12V-4W) .....	F- 2	* .....	C- 6	COLLAR .....	B- 6
BULB (12V-60/55W) .....	E-10	* .....	C- 6	* .....	B- 6
* .....	F- 2	* .....	C- 7	* .....	B-10
BULB, flasher (12V-21W) .....	E-15	* .....	C- 8	* .....	C- 7
* .....	E-15	* .....	C- 8	* .....	C-10
* .....	E-15	* .....	C- 9	* .....	C-13
BUSH .....	D- 3	* .....	C- 9	* .....	D- 3
* .....	D- 3	* .....	C-10	* .....	D- 3
* .....	D- 3	* .....	D- 5	* .....	D- 4
* .....	D- 3	CIRCLIP 1 .....	B- 4	* .....	D- 5
* .....	D- 3	* .....	C- 7	* .....	D- 6
BUSH, rear shock absorber .....	D- 5	CIRCLIP 2 .....	C- 6	* .....	D-11
BUSH, solid .....	D- 5	CLAMP .....	B-15	* .....	D-11
BUSH, diaphragm .....	E- 5	* .....	B-15	* .....	D-13
C.D.I. UNIT ASSY .....	E-13	* .....	B-15	* .....	D-13
CABLE ASSY, throttle & pump .....	D-15	* .....	C- 2	* .....	E-11
CABLE, clutch .....	D-15	* .....	C- 2	COLLAR 1 .....	E-10
CALIPER ASSY .....	D-14	* .....	C- 5	* .....	F- 2
CALIPER ASSY (LEFT) .....	D-12	* .....	C-13	COLLAR 2 .....	E-10
CALIPER ASSY (RIGHT) .....	D-12	CLAMP 1 .....	D- 9	* .....	F- 2

PARTS NAME INDEX

DESCRIPTION	GRID NO.	DESCRIPTION	GRID NO.	DESCRIPTION	GRID NO.
COLLAR, lever 1 .....	E-12	CRANK SUB ASSY .....	B- 4	END, grip .....	D-15
COLLAR, wheel .....	D-13	CRANKCASE ASSY .....	B-15	FITTING PLATE, bulb .....	E-10
CONDUCTION ASSY .....	B- 6	CRANKCASE COVER ASSY 1 .....	C- 2	*	F- 2
CONTROL UNIT ASSY .....	E-14	CRANKSHAFT ASSY .....	B- 4	FLANGE, spacer .....	D-11
CORD ASSY .....	E-11	CROWN, handle .....	D- 6	FLANGE, spacer 1 .....	D-13
COVER .....	B- 2	CYLINDER 1 .....	B- 2	FLASHER CANCELLING UNIT .....	E-13
*	B-15	CYLINDER 2 .....	B- 2	FLASHER RELAY ASSY .....	E-13
COVER, ball race 1 .....	D- 6	CYLINDER KIT, master .....	E- 2	FLOAT .....	B-12
COVER, battery .....	E-13	*	E- 5	FORK, shift 1 .....	C- 9
COVER, crankcase 2 .....	C- 2	DAMPER .....	D- 2	FORK, shift 2 .....	C- 9
COVER, crankcase 3 .....	C- 2	*	D- 6	FRAME COMP. ....	C-11
COVER, dust .....	C-10	*	D-13	*	C-11
*	C-10	*	E- 9	*	C-11
*	D- 5	*	E- 9	*	C-11
COVER, footrest .....	E- 3	*	E-10	FRONT FENDER COMP. ....	C-13
*	E- 3	*	F- 2	*	C-13
COVER, housing .....	B- 5	DAMPER 1 .....	E- 6	*	C-13
COVER, hub dust .....	D-11	DAMPER 3 .....	E-10	FRONT FLASHER LIGHT ASSY 1 .....	E- 8
COVER, kick lever .....	C- 3	*	F- 2	*	E-15
COVER, lower .....	E- 6	DAMPER, engine mount 1 .....	B-15	FRONT FOOTREST ASSY (L.H) .....	E- 3
*	E- 6	DAMPER, engine mount 2 .....	B-15	FRONT FOOTREST ASSY (R.H) .....	E- 3
COVER, meter .....	E- 9	DAMPER, flasher 1 .....	E- 8	FRONT FORK ASSY (L.H) .....	D- 7
COVER, meter 2 .....	E- 9	*	E-15	FRONT FORK ASSY (R.H) .....	D- 7
COVER, oil pump .....	C- 2	DAMPER, footrest .....	E- 3	FRONT STOP SWITCH ASSY .....	E-12
COVER, radiator .....	B- 6	*	E- 4	FUEL COCK ASSY 1 .....	D- 9
COVER, rear fender .....	C-13	DAMPER, headlight 1 .....	E-10	FUEL TANK COMP. ....	D- 9
*	C-13	*	F- 2	*	D- 9
COVER, rear footrest .....	E- 3	DAMPER, headlight 2 .....	E-10	*	D- 9
*	E- 3	*	F- 2	FUSE (12V-10A) .....	E-13
COVER, seat .....	D-10	DAMPER, locating 1 .....	D- 9	FUSE (12V-20A) .....	E-13
COVER, shift pedal .....	C-10	DAMPER, locating 2 .....	D- 9	GASKET .....	B- 2
COVER, side 1 .....	C-15	DAMPER, locating 3 .....	D- 9	*	B- 6
*	C-15	*	D- 9	*	B- 8
COVER, side 2 .....	C-15	DAMPER, rubber 1 .....	C-11	*	C- 8
*	C-15	*	C-11	*	D- 9
COVER, side 3 .....	C-15	DAMPER, tail 1 .....	E-11	GASKET 3 .....	B-14
COVER, side 4 .....	C-15	DIAPHRAGM, reservoir .....	E- 2	GASKET, crankcase cover 2 .....	C- 2
COVER, socket .....	E-10	*	E- 5	GASKET, cylinder .....	B- 2
*	F- 2	DISC, brake .....	D-12	GASKET, cylinder head 1 .....	B- 2
COVER, thrust 1 .....	D- 3	DISC, brake (RIGHT) .....	D-12	GASKET, drain .....	B-15
*	D- 3	*	D-14	GASKET, exhaust pipe .....	B-14
COVER, thrust 2 .....	D- 3	DOUBLE SEAT ASSY .....	D-10	GASKET, flasher lens .....	E- 8
COWLING ASSY .....	E- 6	DUCT .....	B-10	*	E- 8
*	E- 6	ELEMENT, air cleaner .....	B-10	*	E-15
*	E- 6	EMBLEM .....	E- 6	*	E-15
*	E- 6	*	E- 6	*	E-15
CRANK 1 .....	B- 4	EMBLEM 1 .....	C-15	GASKET, float chamber .....	B-12
CRANK 4 .....	B- 4	*	C-15	GASKET, housing cover 2 .....	B- 5

## PARTS NAME INDEX

DESCRIPTION	GRID NO.	DESCRIPTION	GRID NO.	DESCRIPTION	GRID NO.
GASKET, pump case	B- 8	GROMMET	C-13	JET, pilot (#22.5)	B-12
GASKET, valve seat	B-10	*	C-15	JOINT	B- 6
GEAR UNIT ASSY	D-11	*	C-15	*	B- 6
GEAR, 1st wheel (36T)	C- 6	*	C-15	*	E- 2
GEAR, 2nd pinion (18T)	C- 6	*	C-15	*	E- 4
GEAR, 2nd wheel (32T)	C- 6	*	C-15	*	E- 5
GEAR, 3rd wheel (29T)	C- 6	*	C-15	JOINT 1	B- 3
GEAR, 3rd/4th pinion (22T,24T)	C- 6	*	D- 2	*	B- 6
GEAR, 4th wheel (26T)	C- 6	*	E-14	JOINT 2	B- 3
GEAR, 5th pinion (26T)	C- 6	GUARD, mud	C-13	JOINT, air cleaner 1	B-10
GEAR, 5th wheel (25T)	C- 6	GUIDE, chain	D- 4	JOINT, carburetor	B-10
GEAR, 6th pinion (27T)	C- 6	HANDLE, standing	C-12	KEY, straight	C- 4
GEAR, 6th wheel (24T)	C- 6	HANDLEBAR	D-15	KEY, woodruff	B- 4
GEAR, drive	B- 5	HEAD, cylinder 1	B- 2	KICK AXLE ASSY	C- 3
GEAR, drive (6T)	C- 8	HEADLIGHT UNIT ASSY	E-10	KICK CRANK ASSY	C- 3
GEAR, driven (13T)	C- 8	*	F- 2	KNOB, trip meter	E- 9
GEAR, impeller shaft	B- 5	HOLDER 1	B- 3	LENS ASSY	E-10
GEAR, kick (22T)	C- 3	HOLDER 2	B- 2	*	E-11
GEAR, kick idle (26T)	C- 3	*	B- 3	*	F- 2
GEAR, primary (14T)	C- 8	HOLDER 3	B- 2	LENS, flasher	E- 8
GEAR, primary drive (23T)	C- 4	HOLDER, brake hose 1	E- 2	*	E- 8
GEAR, pump drive	B- 8	*	E- 2	*	E-15
GRAPHIC	C-13	*	E- 5	*	E-15
*	C-14	HOLDER, cable	C-13	*	E-15
*	C-14	HOLDER, handle upper	D- 6	LEVER 1	E-12
GRAPHIC 1	C-15	HOLDER, lever 1	E-12	LEVER 2	E-12
*	C-15	HOLDER, oil pipe	B- 9	LEVER, cock	D- 9
*	C-15	HORN	E-14	LINK, side stand	E- 4
GRAPHIC 2	C-15	*	E-14	MAIN SWITCH ASSY	E-14
*	C-15	HOSE	B- 8	MASTER CYLINDER ASSY	E- 2
*	C-15	*	B- 8	*	E- 5
GRAPHIC SET	D- 9	*	B-11	METAL, slide 2	D- 7
*	D- 9	*	B-13	*	D- 7
*	D- 9	*	B-13	*	D- 8
GRAPHIC SET, cowling	E- 6	*	B-15	*	D- 8
*	E- 6	*	D- 9	METAL, worm shaft outer	B- 8
*	E- 6	*	D- 9	MOLE 1	C-13
*	E- 6	*	E-13	MUFFLER ASSY 1	B-14
GRAPHIC SET, lower cover	E- 6	HOSE, brake 1	E- 2	MUFFLER ASSY 2	B-14
*	E- 6	*	E- 5	NEEDLE SET (5K01)	B-12
*	E- 6	*	E- 2	NEEDLE VALVE ASSY	B-12
GRIP (L.H.)	D-15	HOSE, brake 2	E- 2	NEUTRAL SWITCH ASSY	E-14
GRIP (R.H.)	D-15	HOSE, reservoir	E- 5	NIPPLE, grease	D- 3
GROMMET	B- 6	HOUSING, tachometer gear	C- 8	NOZZLE	B- 8
*	B- 6	IGNITION COIL ASSY	E-14	*	B- 8
*	B- 6	IMPELLER SHAFT ASSY	B- 5	NOZZLE, main	B-12
*	B-10	INNER TUBE COMP.1	D- 7	NUT	B- 2
*	B-14	*	D- 7	*	B- 2
*	B-14	JET, main (#240)	B-12		

PARTS NAME INDEX

DESCRIPTION	GRID NO.	DESCRIPTION	GRID NO.	DESCRIPTION	GRID NO.
NUT	B- 8	NUT, u	D- 3	PEDAL, brake	E- 4
*	B-15	*	D- 3	PEDAL, shift	C-10
*	C- 4	*	D- 3	PIN, clevis	E- 3
*	C- 4	*	D- 5	*	E- 4
*	C- 4	*	E- 3	*	E- 4
*	C- 7	*	E- 3	*	E- 6
*	C-10	*	E-12	PIN, cotter	D-11
*	C-10	O-RING	B- 2	*	D-13
*	C-10	*	B- 3	*	E- 3
*	C-13	*	B- 3	*	E- 4
*	D- 6	*	B- 3	*	E- 4
*	D- 6	*	B- 6	PIN, dowel	B- 2
*	D-13	*	B- 8	*	B- 5
*	D-15	*	C- 2	*	B- 8
*	E- 4	*	C- 4	*	B-15
*	E- 7	*	C- 8	*	C- 2
*	E- 8	*	D- 5	*	C- 8
*	E- 9	*	D- 7	*	C- 9
*	E- 9	*	D- 7	PIN, float	B-12
*	E-10	*	D- 7	PIN, piston	B- 4
*	E-11	*	D- 8	PIN, straight	C- 9
*	E-11	*	D- 8	PIPE	B-10
*	E-12	*	D- 8	*	B-12
*	E-13	*	D- 9	*	B-12
*	E-15	*	D- 9	PIPE 1	B- 6
*	F- 2	*	E- 5	PIPE 2	B- 7
NUT, adjusting	E-10	*	E-14	PIPE 3	B- 7
*	F- 2	OIL LEVEL GAUGE ASSY	E-13	PIPE 4	B- 7
NUT, cable adjusting	B-12	OIL PUMP ASSY	B- 8	PIPE 5	B- 6
NUT, castle	D-11	OIL SEAL	B- 3	PIPE 6	D- 2
*	D-13	*	B- 3	PIPE 7	D- 2
NUT, flange	C-11	*	B- 4	PIPE, fuel 1	B-13
*	C-11	*	B- 4	PIPE, oil	D- 2
*	D-10	*	B- 5	PISTON (1ST O/S 0.25MM)	B- 4
*	E- 8	*	B- 8	PISTON (2ND O/S 0.50MM)	B- 4
*	E-12	*	C- 3	PISTON (STD)	B- 4
*	E-14	*	C- 4	PISTON ASSY, caliper	D-12
*	E-15	*	C- 7	*	D-12
NUT, self-locking	B-14	*	C-10	*	D-14
*	D- 3	*	D- 3	PISTON RING SET (0.25 O/S)	B- 4
*	D-13	*	D- 3	PISTON RING SET (0.50 O/S)	B- 4
*	E- 3	*	D- 7	PISTON RING SET (STD)	B- 4
*	E- 3	*	D- 8	PISTON, front fork	D- 7
*	E- 3	*	D-11	*	D- 7
*	E- 3	*	D-11	PLATE	B-12
*	E- 4	*	D-13	*	B-12
*	E- 4	*	D-13	PLATE, adjusting	B- 8
*	E- 4	*	D-13	PLATE, bridge	C-15
*	E- 4	PARTITION, air cleaner case	B-10		

PARTS NAME INDEX

DESCRIPTION	GRID NO.	DESCRIPTION	GRID NO.	DESCRIPTION	GRID NO.
PLATE, clutch 2	C- 4	RING, cushion	C- 4	SCREW, pan head	C- 6
PLATE, cover	C- 6	RING, leaf	D-15	*	C- 8
PLATE, dust seal	C- 2	RING, piston	D- 7	*	D- 4
PLATE, friction	C- 4	*	D- 8	*	D- 9
PLATE, pressure 1	C- 4	RING, retaining	E-10	*	D- 9
PLATE, side 1	C- 9	*	F- 2	*	D-10
PLATE, side 2	C- 9	ROD, connecting	B- 4	*	D-10
PLATE, stopper 2	C- 9	ROD, push 1	C- 4	*	D-15
PLATE, thrust 1	B- 3	ROD, push 2	C- 4	*	E- 3
*	C- 4	ROD, shift	C-10	*	E- 3
*	C- 4	ROTOR ASSY	E- 7	*	E- 5
PLUG	C-13	SCREW	C- 4	*	E- 5
PLUG CAP ASSY	E-14	*	C-10	*	E- 9
PLUG, drain	D- 7	*	D- 9	*	E-10
*	D- 7	*	E- 6	*	E-11
PLUG, oil level	C- 2	*	E-12	*	E-12
PLUG, spark (NGK BR8ES)	B- 2	SCREW, bind	B- 8	*	E-12
PLUG, straight	C- 9	SCREW, binding	E- 6	*	E-14
PLUG, straight screw	B-15	*	E- 6	*	F- 2
PLUNGER, starter	B-12	SCREW, breed	D-14	SCREW, pan head with washer	B-10
POINT, neutral	C- 9	SCREW, flat head	C- 9	SCREW, rim adjuster	E-10
PRIMARY DRIVEN GEAR COMP.	C- 4	*	C- 9	SCREW, tapping	B-10
PROTECTOR	C- 2	*	C- 9	*	C- 2
PULLER, chain 2	D-13	*	D-15	*	E- 9
PULLEY	D- 5	*	E- 2	*	E-13
PULLEY 1	B- 2	*	E-14	*	E-13
PUSH LEVER ASSY	C- 4	SCREW, hexagon	E- 7	*	E-14
RACE, ball 1	D- 6	SCREW, pan head	B- 2	SCREW, with washer	C- 4
*	D- 6	*	B- 2	*	D- 2
RACE, ball 2	D- 6	*	B- 3	*	D- 4
*	D- 6	*	B- 3	SEAL	B-10
RADIATOR ASSY	B- 6	*	B- 5	*	B-10
REAR ARM COMP.	D- 3	*	B- 6	SEAL, dust	D- 7
REAR FENDER BRACKET COMP.	C-11	*	B- 8	*	D- 7
REAR FENDER COMP.	C-13	*	B-10	SEAL, guard	D- 4
REAR FLASHER LIGHT ASSY	E-15	*	B-10	SEAL, steering	D- 6
REAR FLASHER LIGHT ASSY 1	E- 8	*	B-12	SEAT LOCK ASSY	D-10
*	E-15	*	B-12	*	D-10
REAR FOOTREST ASSY 1	E- 3	*	B-12	SEAT, battery	E-13
REAR FOOTREST ASSY 2	E- 3	*	B-14	SEGMENT	C- 9
RECOVERY TANK ASSY	D- 2	*	B-14	SERVO MOTOR ASSY	E-14
RECTIFIER & REGULATOR ASSY	E-13	*	B-15	SHAFT, pivot	D- 3
REED VALVE ASSY	B-10	*	C- 2	SHAFT, worm	B- 8
REED, valve	B-10	*	C- 2	SHIFT CAM ASSY	C- 9
REFLECTOR, rear 1	E-13	*	C- 2	SHIFT SHAFT ASSY	C-10
RETAINER, clutch	D-11	*	C- 2	SHIM (0.3T)	B- 8
RIM, headlight	E-10	*	C- 2	*	D- 3
*	F- 2	*	C- 2	SHIM (0.5T)	B- 8

PARTS NAME INDEX

DESCRIPTION	GRID NO.	DESCRIPTION	GRID NO.	DESCRIPTION	GRID NO.
SHIM (1.0T) .....	B- 8	SPROCKET, driven (39T) .....	D-13	WASHER .....	C- 6
SHIM 1 (1.0T) .....	C- 3	STAND, main .....	E- 4	*	D- 3
SHIM, caliper .....	D-12	STAND, side .....	E- 4	*	D- 3
*	D-12	STATOR ASSY .....	E- 7	*	E- 3
SHOCK ABSORBER ASSY, rear .....	D- 5	STAY, engine 1 .....	C-11	*	E- 4
SILENCER, exhaust .....	B-14	STAY, engine 2 .....	C-11	*	E- 9
*	B-14	STAY, engine 3 .....	C-11	*	E-13
SOCKET CORD ASSY .....	E- 9	STAY, engine 4 .....	C-11	*	E-13
SOCKET, meter .....	E- 9	STAY, engine 5 .....	C-11	*	E-14
SOCKET, pilot light .....	E-10	STAY, engine 6 .....	C-11	WASHER, claw .....	C- 3
*	F- 2	STAY, flasher 1 .....	E- 8	WASHER, conical spring .....	C- 4
SOCKET, rim adjuster .....	F- 2	*	E-15	WASHER, lock .....	C- 4
SPACER .....	C- 3	STAY, headlight .....	D- 6	*	C- 7
*	C-10	STAY, rear .....	C-13	*	C-10
SPACER 1 .....	C- 4	STOP SWITCH ASSY .....	E-13	WASHER, main jet .....	B-12
SPACER, damper .....	B-15	STOPPER .....	C- 3	WASHER, plain .....	B-15
SPACER, engine mount .....	C- 2	*	C- 8	*	C- 4
SPACER, oil lock .....	D- 7	STOPPER LEVER ASSY .....	C- 9	*	D- 4
*	D- 8	STOPPER, main stand .....	E- 4	*	D- 5
SPEEDOMETER ASSY .....	E- 9	STOPPER, reed valve .....	B-10	*	D-11
*	E- 9	SUPPORT, pad .....	D-12	*	D-13
*	E- 9	*	D-12	*	E- 5
SPEEDOMETER CABLE ASSY .....	E- 9	SWITCH, handle 2 .....	E-12	*	E-10
SPRING, check ball .....	B- 8	SWITCH, handle 4 .....	E-12	*	E-13
SPRING, compression .....	C- 4	TACHOMETER ASSY .....	E- 9	*	E-14
*	C- 9	*	E- 9	*	F- 2
*	E- 3	TACHOMETER CABLE ASSY .....	E- 9	WASHER, plate .....	B- 2
*	E- 4	TANK, oil .....	D- 2	*	B- 2
*	E-12	TANK, reservoir .....	E- 5	*	B- 3
SPRING, front fork .....	D- 7	THERMO UNIT .....	E-14	*	B- 5
*	D- 7	THERMOSTAT .....	B- 6	*	B- 6
SPRING, rebound .....	D- 7	THROTTLE SCREW SET .....	B-12	*	B- 6
*	D- 8	TIRE (110/80-18 58H) .....	D-13	*	B- 6
SPRING, reflector .....	E-10	TIRE (90/90-18 51H) .....	D-11	*	B- 8
*	F- 2	TOOL KIT .....	C-15	*	B-10
SPRING, screw .....	E-10	TRIM .....	E- 6	*	B-10
*	F- 2	TUBE, outer 1 .....	D- 7	*	B-15
SPRING, tension .....	E- 3	TUBE, outer 2 .....	D- 7	*	C- 4
*	E- 4	TUBE, throttle guide .....	D-15	*	C- 6
*	E- 4	UNDER BRACKET COMP. ....	D- 8	*	C- 6
*	E- 4	VALVE 1 .....	B- 2	*	C- 6
*	E- 4	VALVE 2 .....	B- 3	*	C- 7
SPRING, throttle valve .....	B-12	VALVE, rim .....	D-11	*	C- 8
SPRING, torsion .....	C- 3	*	D-13	*	C- 8
*	C- 5	VALVE, throttle 1 .....	B-12	*	C-10
*	C- 9	VALVE, throttle 2 .....	B-12	*	C-11
*	C-10	WASHER .....	B- 4	*	C-12
SPROCKET, drive (17T) .....	C- 7	*	C- 6	*	C-12

## PARTS NAME INDEX

DESCRIPTION	GRID NO.	DESCRIPTION	GRID NO.	DESCRIPTION	GRID NO.
WASHER, plate .....	C-13	WASHER, spring .....	C-13		
*	C-13	*	C-13		
*	C-15	*	C-15		
*	D- 3	*	D- 6		
*	D- 3	*	D- 6		
*	D- 4	*	D-10		
*	D- 5	*	D-10		
*	D- 5	*	E- 2		
*	D- 5	*	E- 2		
*	D- 6	*	E- 5		
*	D- 6	*	E- 5		
*	D- 9	*	E- 5		
*	E- 2	*	E- 5		
*	E- 4	*	E- 7		
*	E- 5	*	E- 8		
*	E- 5	*	E- 9		
*	E- 5	*	E- 9		
*	E- 5	*	E-10		
*	E- 7	*	E-11		
*	E- 7	*	E-12		
*	E- 8	*	E-13		
*	E- 9	*	E-13		
*	E- 9	*	E-14		
*	E-11	*	E-14		
*	E-11	*	E-14		
*	E-11	*	E-15		
*	E-11	*	F- 2		
*	E-13	WASHER, spring, lower .....	D- 8		
*	E-14	WASHER, wave .....	C-10		
*	E-15	WATER TEMPERATURE ASSY .....	E- 9		
WASHER, plug screw .....	B-12	WAY 3 .....	B-13		
WASHER, special .....	D- 9	WIRE HARNESS ASSY .....	E-13		
WASHER, spring .....	B- 2	WIRE, lead .....	E-13		
*	B- 3	WIRE, pulley 1 .....	B- 3		
*	B- 8				
*	B-12				
*	B-14				
*	B-14				
*	C-10				
*	C-11				
*	C-11				
*	C-11				
*	C-11				
*	C-11				
*	C-12				
*	C-12				
*	C-12				

