

**YAMAHA**

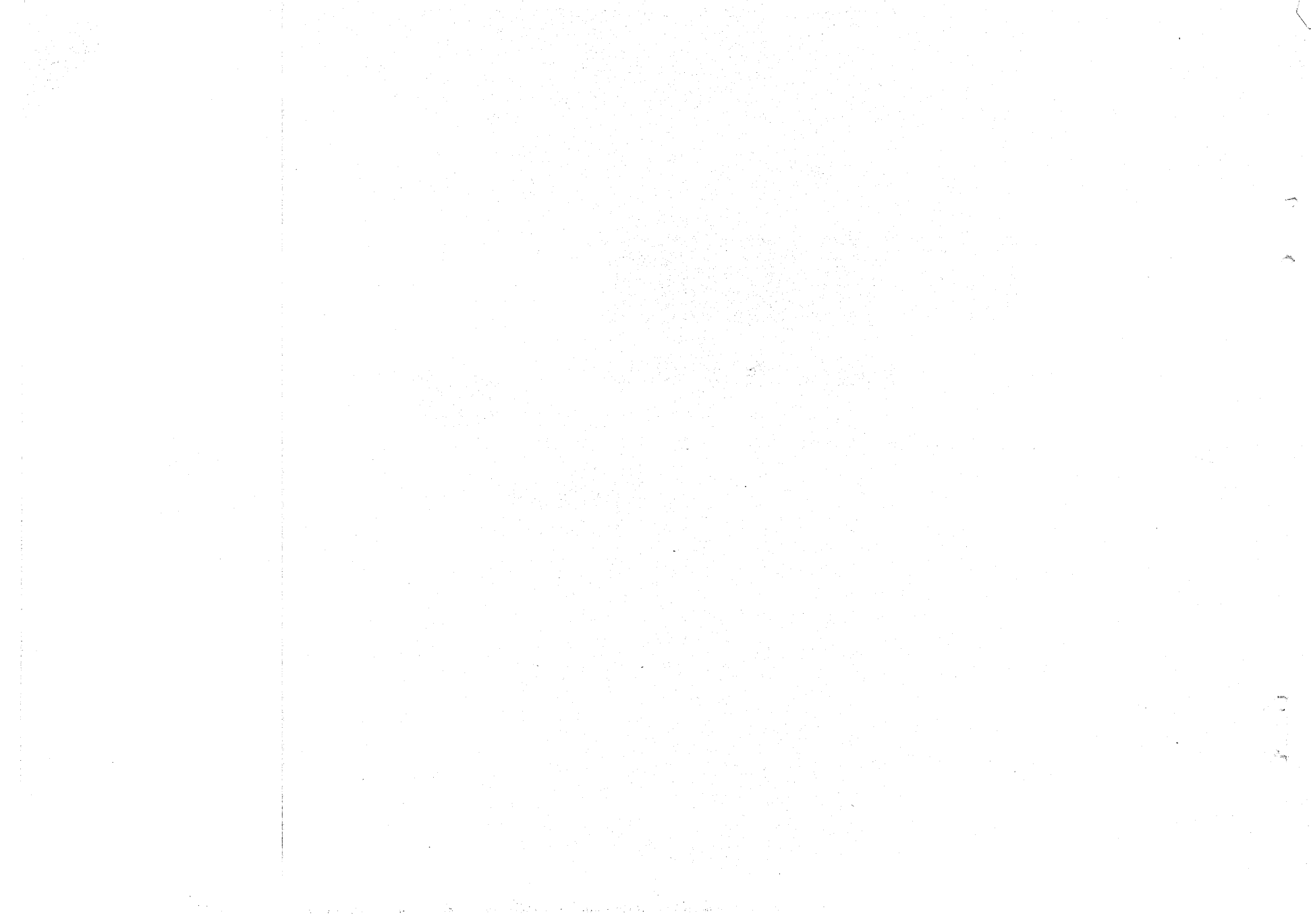
**PARTS CATALOGUE**

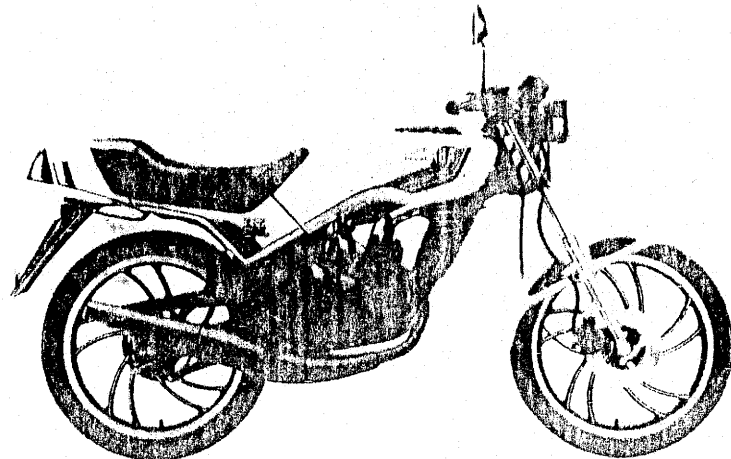
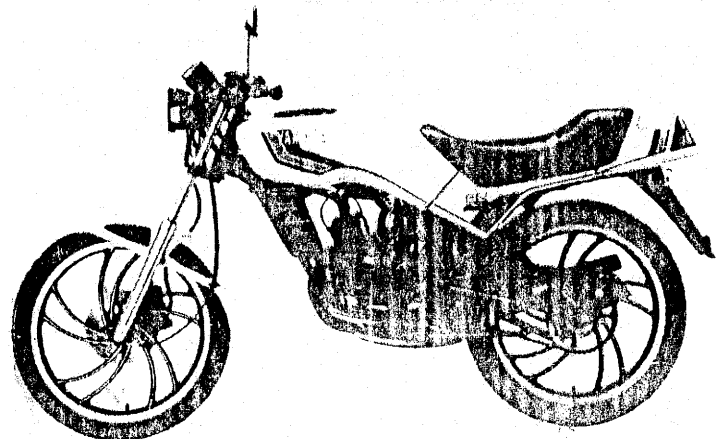
**RZ50 (5R6)**

**SOUTH AFRICA**

115R6-664E1

**A2**





A3

# FOREWORD

This Parts Catalogue is related to the parts in use for the Yamaha RZ 50 (5R6).  
When you are ordering replacement parts for the RZ 50 (5R6), refer to this Parts Catalogue and quote both part numbers and part names correctly.

1. Modifications or additions which have been made after issue of the Parts Catalogue will be announced in the Yamaha Parts News.  
It is advisable that according to the Yamaha Parts News you make necessary corrections to the Parts Catalogue on hand to keep it up to date.

## 2. Abbreviations

The following abbreviations are used in this Parts Catalogue.

- U.R. Use size (thickness) and/or number as required.
- U.N. Use as many as you need.
- A.P. Alternate Parts
- L.M. Local Made
- F# Frame No. (Applicable machine No.)

3. The parts marked with (\*) in the parts number column of this Catalogue are not supplied with by Yamaha, those have to be found locally.

4. Parts, which are to be supplied in the form of assemblies, are listed with an indentation of one letter's space, and a dot (.) is put against the name of each part.

[EXAMPLE] CARBURETOR ASS'Y  
     . JET, pilot  
     . NOZZLE, main

5. Indication of No. of constituent parts for assembly

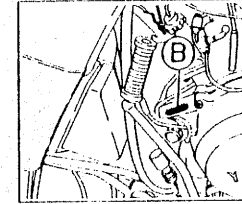
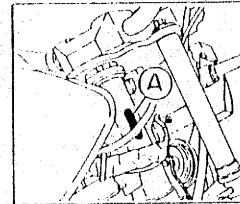
The numeral appearing to the right of each constituent part under the description indicates the quantity of such parts for each individual assembly unit.

[EXAMPLE]

| Part No.     | Description               | Qty | Remarks |
|--------------|---------------------------|-----|---------|
| 2F5 83310 60 | FRONT FLASHER LIGHT ASS'Y | 2   |         |
| 115 83311 60 | BULB (6V 18W)             | 1   |         |
| 1M1 83309 60 | REFLECTOR                 | 1   |         |

6. Initial Serial No. and Color Code

|                       |                          |
|-----------------------|--------------------------|
| (A) Frame Serial No.  | 5R2 083504 and following |
| (B) Engine Serial No. | 5R2-083504 and following |



| Color Code | Color Name   | Abbreviate |
|------------|--------------|------------|
| 36         | Clean White  | W          |
| 33         | Yamaha Black | YB         |
| 66         | Sunshine Red | SR         |

7. Applicable colors of graphics are represented in the "Remarks" column by the letter(s) appropriately picked out of the full word(s) showing such colors.

[EXAMPLE]

| Part No.        | Description            | Qty | Remarks   |
|-----------------|------------------------|-----|-----------|
| 2N4 24110 00 X5 | FUEL TANK COMP.        | 1   | MAXIM RED |
| 3J1-24240 10    | GRAPHIC, fuel tank set | 1   | for MXH   |

# CONTENTS

## ENGINE

|                           |          |
|---------------------------|----------|
| Cylinder .....            | B2       |
| Crankshaft - Piston ..... | B3       |
| C.D.I. Magneto .....      | B4       |
| Water Pump .....          | B5       |
| Radiator - Hose .....     | B6       |
| Oil Pump .....            | B7       |
| Intake .....              | B8       |
| Carburetor .....          | B9 ~ B10 |
| Exhaust .....             | B11      |
| Crankcase .....           | B12      |
| Crankcase Cover .....     | B13      |
| Kick Starter .....        | B14      |
| Clutch .....              | B15      |
| Transmission .....        | C2       |
| Tachometer Gear .....     | C3       |
| Shift Cam - Fork .....    | C4       |
| Shift Shaft - Pedal ..... | C5       |

## CHASSIS

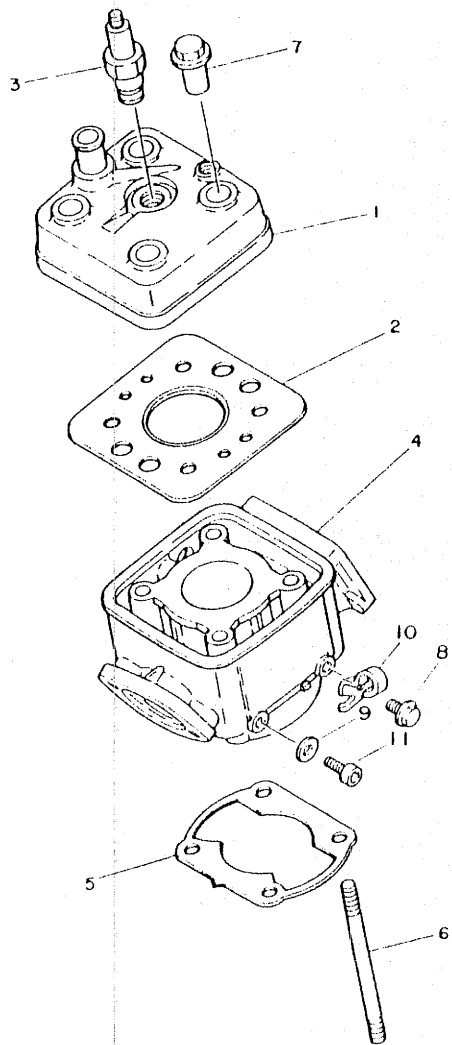
|                                  |           |
|----------------------------------|-----------|
| Frame - Tool .....               | C6        |
| Front Fender - Rear Fender ..... | C7        |
| Side Cover .....                 | C8        |
| Oil Tank .....                   | C9        |
| Rear Arm .....                   | C10       |
| Rear Suspension .....            | C11       |
| Steering .....                   | C12       |
| Front Fork .....                 | C13 ~ C14 |
| Fuel Tank .....                  | C15       |
| Seat .....                       | D2        |

|                             |           |
|-----------------------------|-----------|
| Front Wheel .....           | D3        |
| Front Brake Caliper .....   | D4        |
| Rear Wheel .....            | D5 ~ D6   |
| Handlebar - Cable .....     | D7        |
| Front Master Cylinder ..... | D8        |
| Stand - Footrest .....      | D9        |
| Flasher Light .....         | D10       |
| Meter .....                 | D11       |
| Headlight .....             | D12       |
| Taillight .....             | D13       |
| Electrical 1 .....          | D14 ~ D15 |
| Handle Switch - Lever ..... | E2        |

## INDEX

|                        |           |
|------------------------|-----------|
| Numerical Index .....  | M1 ~ M3   |
| Parts Name Index ..... | M11 ~ M16 |

FIG. 1 CYLINDER

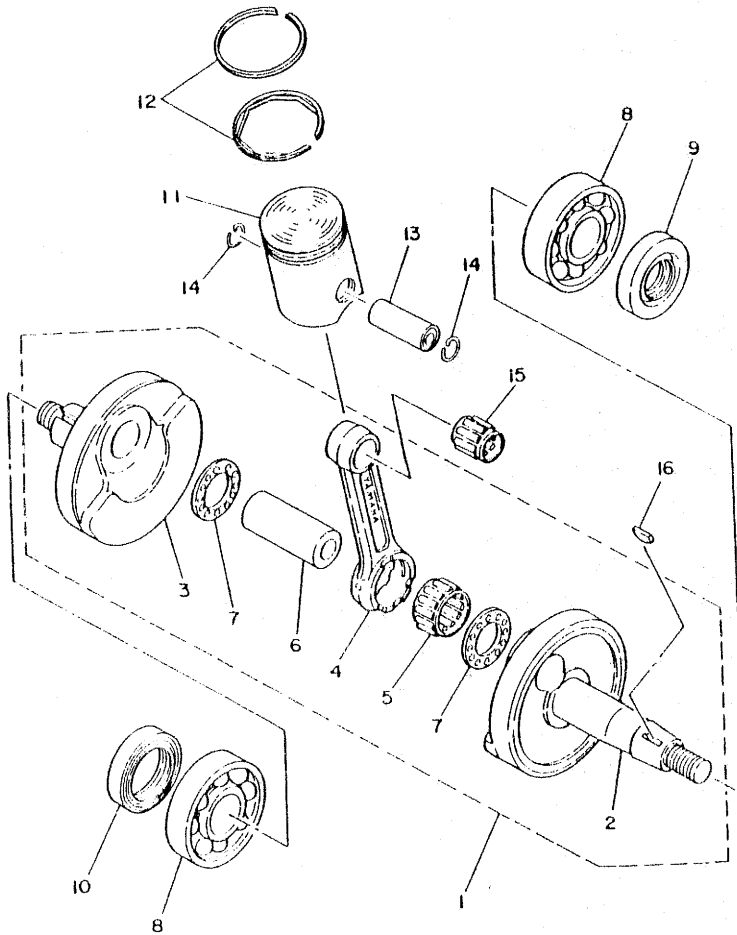


| REF. NO. | PART NO.     | DESCRIPTION             | Q'TY | REMARKS |
|----------|--------------|-------------------------|------|---------|
| 1        | 5R2-11111-00 | HEAD, cylinder 1        | 1    |         |
| 2        | 5R2-11181-00 | GASKET, cylinder head 1 | 1    |         |
| 3        | 94701-00045  | PLUG, spark (NGK BBES)  | 1    |         |
| 4        | 5R2-11311-00 | CYLINDER 1              | 1    |         |
| 5        | 5R2-11351-00 | GASKET, cylinder        | 1    |         |
| 6        | 90116-08368  | BOLT, stud              | 4    |         |
| 7        | 90179-08343  | NUT                     | 4    |         |
| 8        | 95826-08010  | BOLT, flange            | 1    |         |
| 9        | 90430-06166  | GASKET                  | 1    |         |
| 10       | 5R2-15441-00 | HOLDER, clutch cable    | 1    |         |
| 11       | 91316-06012  | BOLT                    | 1    |         |

FW

**B2**

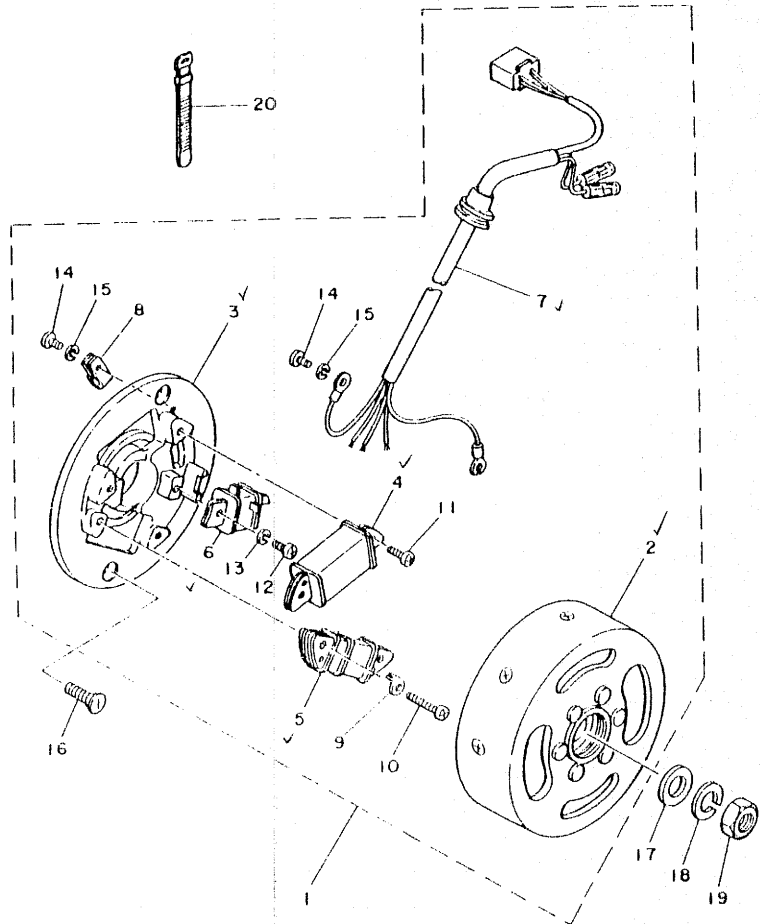
FIG. 2 CRANKSHAFT-PISTON



| REF. NO. | PART NO.        | DESCRIPTION               | Q'TY | REMARKS |
|----------|-----------------|---------------------------|------|---------|
| 1        | 5R2-11400-00    | CRANKSHAFT ASSY           | 1    |         |
| 2        | 5R2-11412-00    | .CRANK 1                  | 1    |         |
| 3        | 5R2-11422-00    | .CRANK 2                  | 1    |         |
| 4        | 3R1-11651-01    | .ROD, connecting          | 1    |         |
| 5        | 93310-418K1     | .BEARING, cylindrical     | 1    |         |
| 6        | 4V0-11681-00    | .PIN, crank 1             | 1    |         |
| 7        | 90209-18112     | .WASHER                   | 2    |         |
| 8        | 93306-20418     | BEARING (B6204CS)         | 1    |         |
| 9        | 93102-20231     | OIL SEAL                  | 1    |         |
| 10       | 93103-28011     | OIL SEAL                  | 1    |         |
| 11       | 5R2-11631-00-97 | PISTON (STD)              | 1    |         |
|          | 5R2-11635-00    | PISTON (1ST O/S 0.25MM)   | 1    | AP      |
|          | 5R2-11636-00    | PISTON (2ND O/S 0.50MM)   | 1    | AP      |
| 12       | 2W1-11610-00    | PISTON RING SET (STD)     | 1    |         |
|          | 2W1-11610-10    | PISTON RING SET (1ST O/S) | 1    | AP      |
|          | 2W1-11610-20    | PISTON RING SET (2ND O/S) | 1    | AP      |
| 13       | 517-11633-00    | PIN, Piston               | 1    |         |
| 14       | 93450-13022     | CIRCLIP                   | 2    |         |
| 15       | 93310-11268     | BEARING, cylindrical      | 1    |         |
| 16       | 90280-03017     | KEY, woodruff             | 1    |         |

FWD

FIG. 3 C.D.I MAGNETO

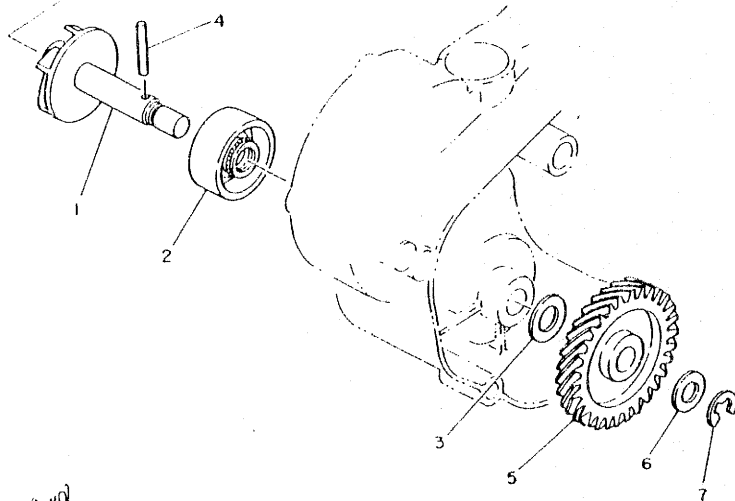
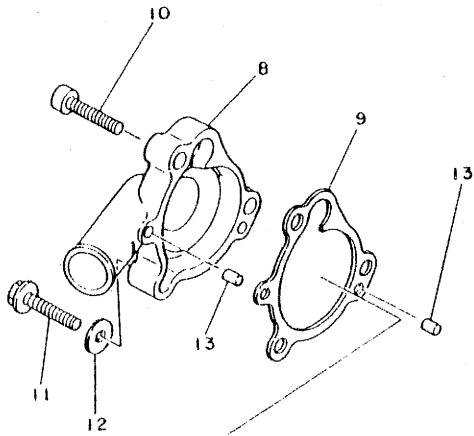


| REF. NO. | PART NO.     | DESCRIPTION         | Q'TY | REMARKS |
|----------|--------------|---------------------|------|---------|
| 1        | 5R2-85500-M0 | C.D.I. MAGNETO ASSY | 1    |         |
| 2        | 5R2-85550-M0 | .ROTOR ASSY         | 1    |         |
| 3        | 5R2-85561-M0 | .BASE, magneto      | 1    |         |
| 4        | 5R2-85520-M0 | .COIL, charge       | 1    |         |
| 5        | 5R2-81313-M0 | .COIL, lighting 1   | 1    |         |
| 6        | 5R2-85580-M0 | .COIL, Pulser       | 1    |         |
| 7        | 5R2-8131X-M0 | .CORD ASSY          | 1    |         |
| 8        | 90461-05036  | .CLAMP              | 1    |         |
| 9        | 2T4-85569-M1 | .TERMINAL, earth 2  | 1    |         |
| 10       | 98511-04025  | .SCREW, Pan head    | 2    |         |
| 11       | 98511-04012  | .SCREW, Pan head    | 2    |         |
| 12       | 98503-04010  | .SCREW, Pan head    | 1    |         |
| 13       | 92901-04100  | .WASHER, sPrinG     | 1    |         |
| 14       | 98501-04006  | .SCREW, Pan head    | 2    |         |
| 15       | 92901-04100  | .WASHER, sPrinG     | 2    |         |
| 16       | 92702-06014  | SCREW, flat head    | 2    |         |
| 17       | 90201-12593  | WASHER, Plate       | 1    |         |
| 18       | 92902-12100  | WASHER, sPrinG      | 1    |         |
| 19       | 90170-12175  | NUT                 | 1    |         |
| 20       | 437-8J936-00 | BAND, switch cord   | 1    |         |

B4

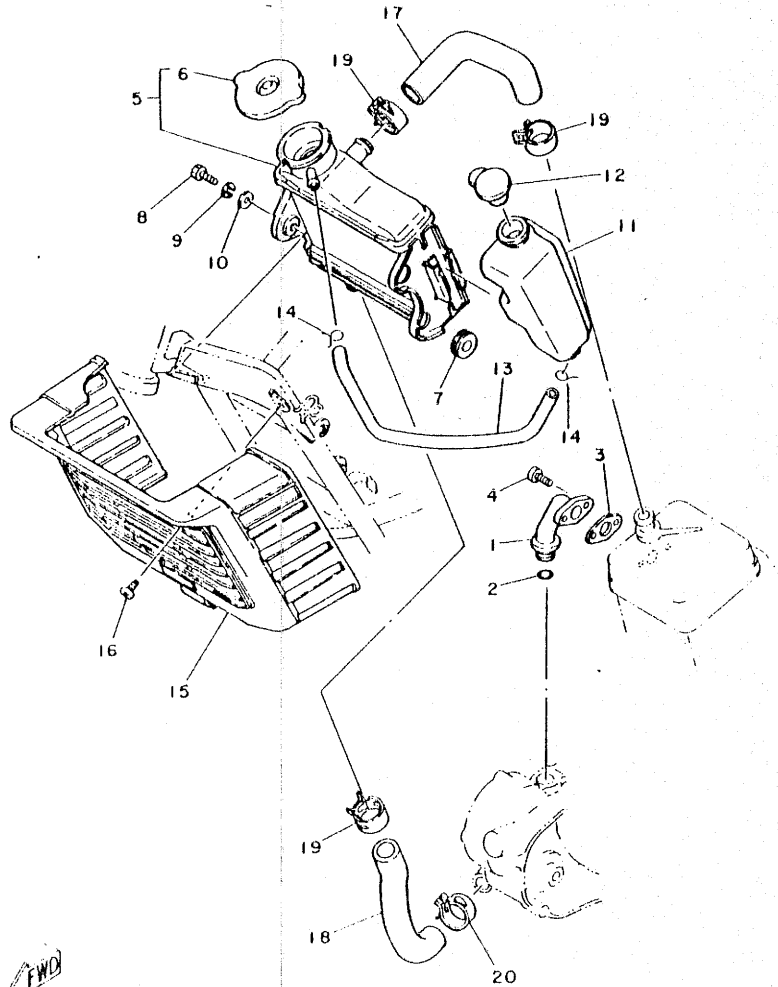
FIG. 4 WATER PUMP

| REF. ND. | PART NO.     | DESCRIPTION                | Q'TY | REMARKS |
|----------|--------------|----------------------------|------|---------|
| 1        | 5R2-12450-00 | IMPELLER SHAFT ASSY        | 1    |         |
| 2        | 93103-10113  | OIL SEAL                   | 1    |         |
| 3        | 90201-08759  | WASHER, Plate              | 1    |         |
| 4        | 93603-22028  | PIN, dowel                 | 1    |         |
| 5        | 5R2-12459-00 | GEAR, imPeller shaft (32T) | 1    |         |
| 6        | 90201-08512  | WASHER, Plate              | 1    |         |
| 7        | 93430-07012  | CIRCLIP                    | 1    |         |
| 8        | 5R2-12422-00 | COVER, housing             | 1    |         |
| 9        | 5R2-12428-00 | GASKET, housing cover 2    | 1    |         |
| 10       | 92506-06025  | SCREW, Pan head            | 2    |         |
| 11       | 95826-06025  | BOLT, flange               | 1    |         |
| 12       | 90430-06166  | GASKET                     | 1    |         |
| 13       | 93604 10011  | PIN, dowel                 | 2    |         |



B5

FIG. 5 RADIATOR HOSE

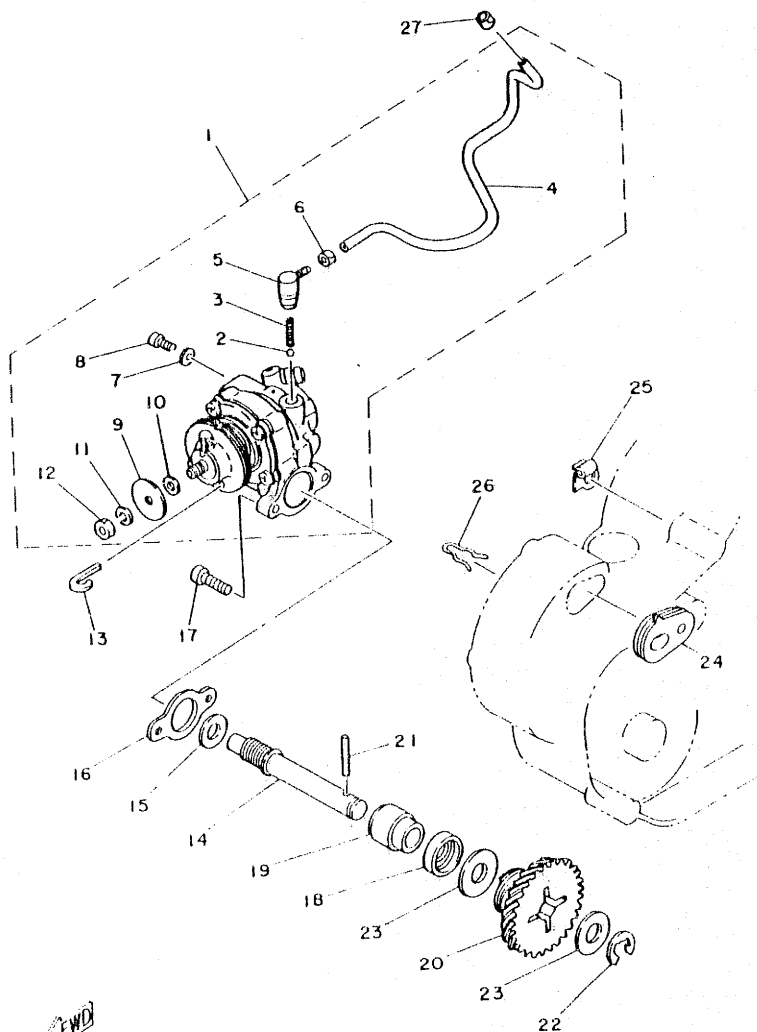


| REF. NO. | PART NO.     | DESCRIPTION     | Q'TY | REMARKS |
|----------|--------------|-----------------|------|---------|
| 1        | 5R2-12446-00 | JOINT           | 1    |         |
| 2        | 93210-16275  | O-RING          | 1    |         |
| 3        | 5R2-12434-00 | GASKET          | 1    |         |
| 4        | 92506-06016  | SCREW, Pan head | 2    |         |
| 5        | 5R2-12460-00 | RADIATOR ASSY   | 1    |         |
| 6        | 4L0-12462-00 | CAP, radiator   | 1    |         |
| 7        | 90480-18276  | GROMMET         | 2    |         |
| 8        | 97301-06016  | BOLT            | 1    |         |
| 9        | 92901-06100  | WASHER, spring  | 1    |         |
| 10       | 92901-06600  | WASHER, plate   | 1    |         |
| 11       | 5R2-21871-00 | TANK, recovery  | 1    |         |
| 12       | 4L0-21815-01 | CAP             | 1    |         |
| 13       | 5R2-21766-00 | PIPE, oil       | 1    |         |
| 14       | 90467-10008  | CLIP            | 2    |         |
| 15       | 5R2-12467-00 | COVER, radiator | 1    |         |
| 16       | 98906-05012  | SCREW, bind     | 2    |         |
| 17       | 5R2-12481-00 | PIPE 1          | 1    |         |
| 18       | 5R2-12482-00 | PIPE 2          | 1    |         |
| 19       | 90467-21058  | CLIP            | 3    |         |
| 20       | 90467-23059  | CLIP            | 1    |         |

FWD

B6

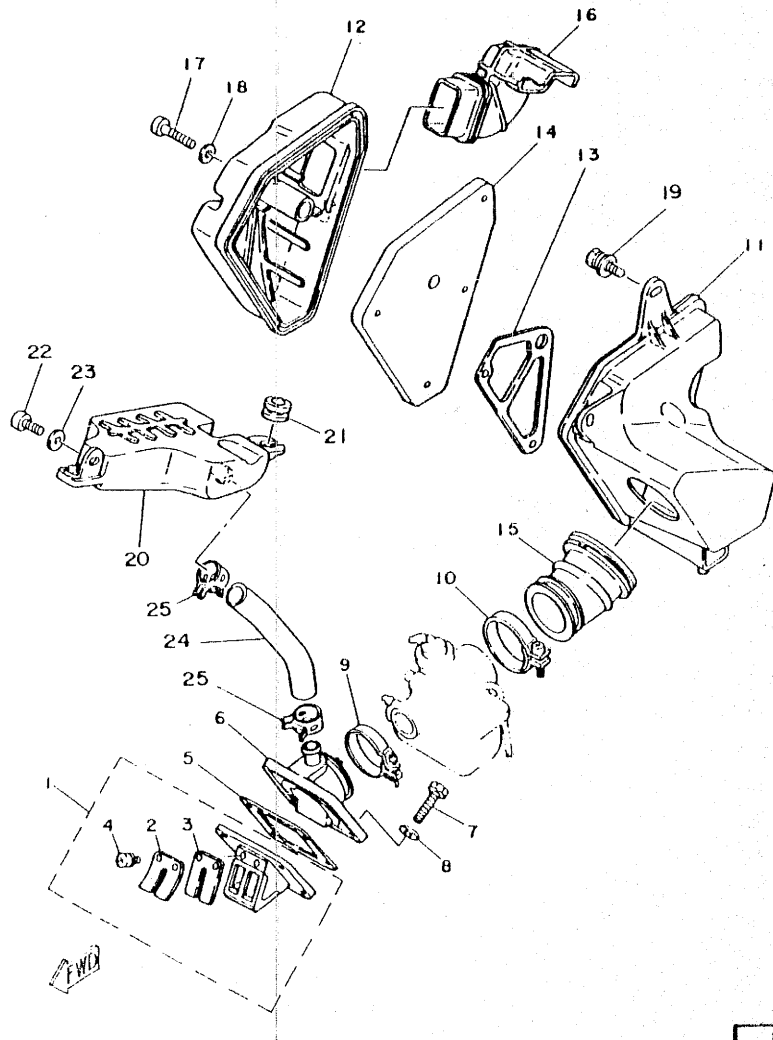
FIG. 6 OIL PUMP



| REF. NO. | PART NO.        | DESCRIPTION             | Q'TY | REMARKS |
|----------|-----------------|-------------------------|------|---------|
| 1        | 5R2-13101-00    | OIL PUMP ASSY           | 1    |         |
| 2        | 93505-32002     | .BALL                   | 1    |         |
| 3        | 90501-02217     | .SPRING, compression    | 1    |         |
| 4        | 90445-05529     | .HOSE                   | 1    |         |
| 5        | 353-13552-01    | .NOZZLE                 | 1    |         |
| 6        | 90468-02033     | .CLIP                   | 1    |         |
| 7        | 90430-04004     | .GASKET                 | 1    |         |
| 8        | 98901-04008     | .SCREW, blind           | 1    |         |
| 9        | 137-13138-01    | .PLATE, adjusting       | 1    |         |
| 10       | 137-13137-00-03 | .SHIM (0.3T)            | 1    | UR      |
|          | 137-13137-00-05 | .SHIM (0.5T)            | 1    | UR      |
| 11       | 92901-05100     | .WASHER, spring         | 1    |         |
| 12       | 95301-05600     | .NUT                    | 1    |         |
| 13       | 367-13146-01    | COVER, adjust Pulley    | 1    |         |
| 14       | 5R2-13175-00    | SHAFT, worm             | 1    |         |
| 15       | 90201-08624     | WASHER, Plate           | 1    |         |
| 16       | 126-13116-00    | GASKET, Pump case       | 2    |         |
| 17       | 98501-05016     | SCREW, Pan head         | 1    |         |
| 18       | 93101-10001     | OIL SEAL                | 1    |         |
| 19       | 1E7-13176-00    | METAL, worm shaft outer | 1    |         |
| 20       | 5R2-13178-00    | GEAR, drive (3T,28T)    | 1    |         |
| 21       | 93603-22028     | PIN, dowel              | 1    |         |
| 22       | 93430-08006     | CIRCLIP                 | 2    |         |
| 23       | 90201-10138     | WASHER, Plate           | 1    |         |
| 24       | 5R2-13174-00    | HOLDER, oil pipe        | 1    |         |
| 25       | 90465-10172     | CLAMP                   | 1    |         |
| 26       | 90468-08086     | CLIP                    | 1    |         |
| 27       | 90468-02033     | CLIP                    | 1    |         |

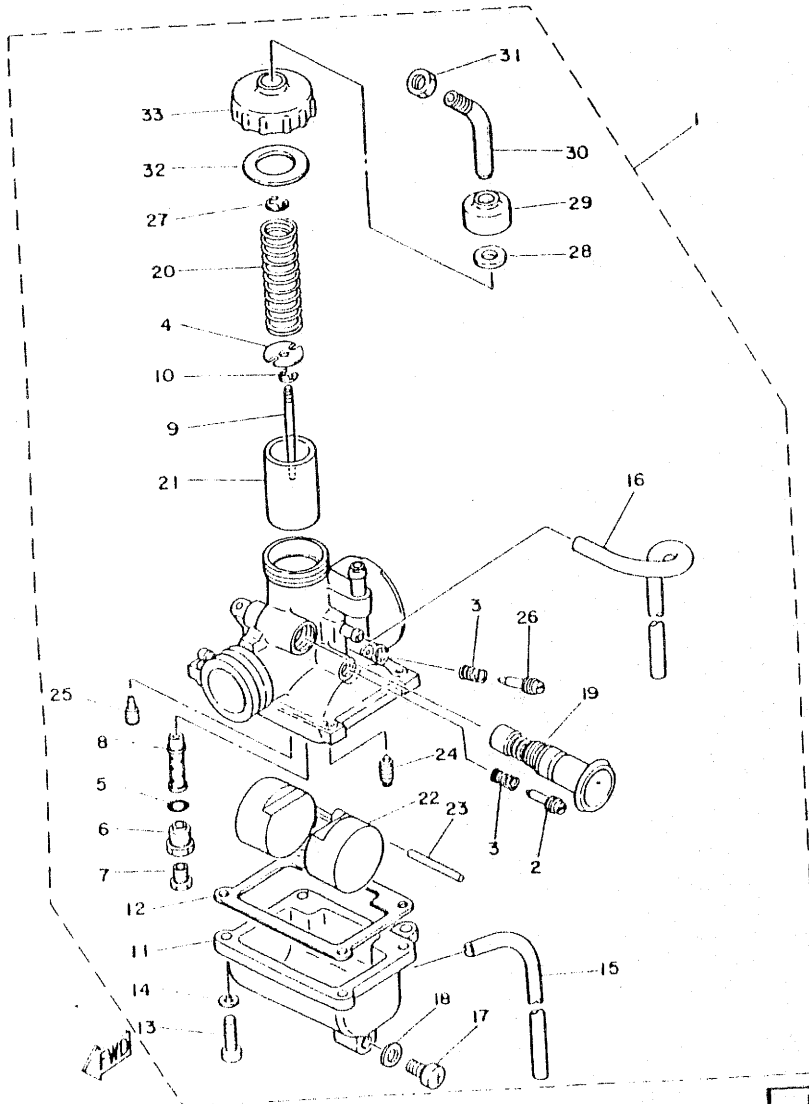
B7

FIG. 7 INTAKE



| REF. NO. | PART NO.     | DESCRIPTION                  | Q'TY | REMARKS |
|----------|--------------|------------------------------|------|---------|
| 1        | 314-13610-01 | REED VALVE ASSY              | 1    |         |
| 2        | 314-13613-01 | .REED, valve                 | 2    |         |
| 3        | 314-13616-01 | .STOPPER, reed valve         | 2    |         |
| 4        | 97602-03108  | .SCREW, Pan head with washer | 4    |         |
| 5        | 314-13621-02 | GASKET, valve seal           | 1    |         |
| 6        | 5R2-13565-00 | JOINT, carburetor            | 1    |         |
| 7        | 97301-06020  | BOLT                         | 4    |         |
| 8        | 92901-06600  | WASHER, Plate                | 4    |         |
| 9        | 90460-36174  | CLAMP, hose                  | 1    |         |
| 10       | 90460-41191  | CLAMP, hose                  | 1    |         |
| 11       | 5R2-14411-00 | CASE, air cleaner 1          | 1    |         |
| 12       | 5R2-14412-00 | CAP, cleaner case 1          | 1    |         |
| 13       | 5R2-14472-00 | PLATE, element               | 1    |         |
| 14       | 5R2-14451-00 | ELEMENT, air cleaner         | 1    |         |
| 15       | 5R2-14453-00 | JOINT, air cleaner 1         | 1    |         |
| 16       | 5R2-14437-00 | DUCT                         | 1    |         |
| 17       | 92501-06030  | SCREW, Pan head              | 1    |         |
| 18       | 92901-06600  | WASHER, Plate                | 1    |         |
| X 19     | 90119-06056  | BOLT, with washer            | 2    |         |
| ✓ 20     | 5R2-13580-00 | AIR CHAMBER ASSY             | 1    |         |
| 21       | 90480-12053  | GROMMET                      | 1    |         |
| 22       | 92501-06015  | SCREW, Pan head              | 1    |         |
| 23       | 92901-06600  | WASHER, Plate                | 1    |         |
| 24       | 5R2-13584-00 | PIPE, manifold               | 1    |         |
| 25       | 90467-19051  | CLIP                         | 2    |         |

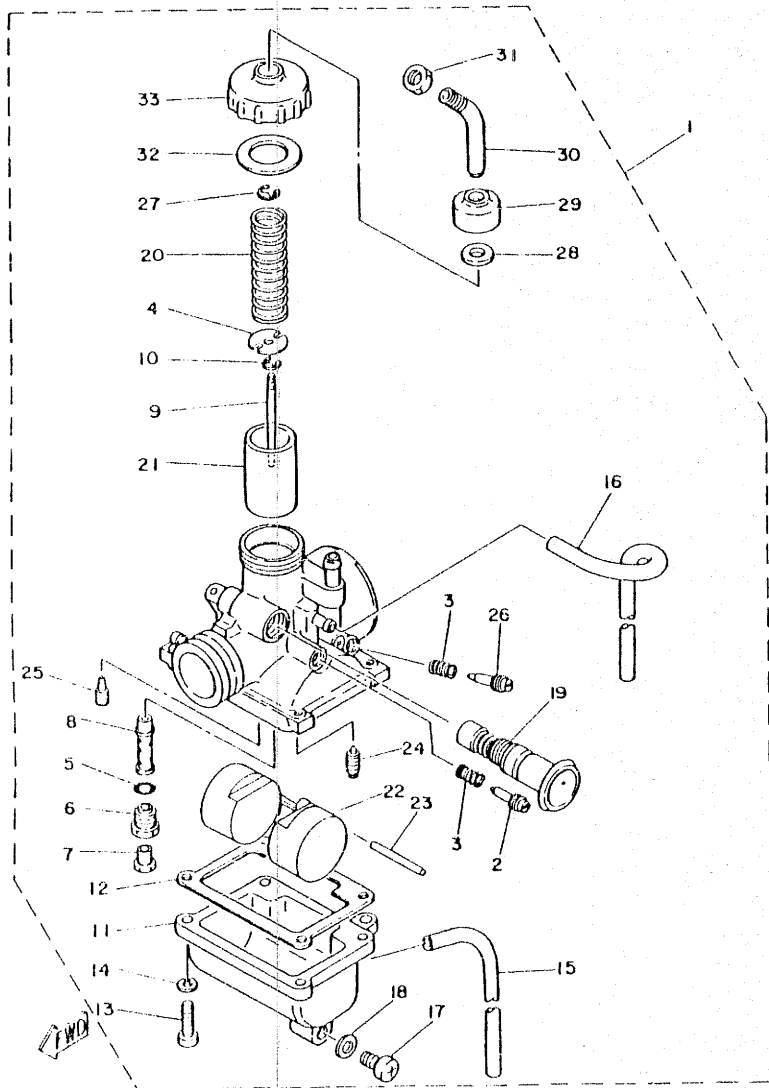
FIG. 8 CARBURETOR



| REF. NO. | PART NO.     | DESCRIPTION             | Q'TY | REMARKS |
|----------|--------------|-------------------------|------|---------|
| 1        | 5R2-14101-00 | CARBURETOR ASSY 1       | 1    |         |
| 2        | 102-14122-00 | .SCREW, throttle        | 1    |         |
| 3        | 127-14134-00 | .SPRING, air adjusting  | 2    |         |
| 4        | 212-14136-00 | .SEAT, spring           | 1    |         |
| 5        | 214-14147-00 | .O-RING                 | 1    |         |
| 6        | 4A5-14145-00 | .SEITER, needle jet     | 1    | UR STD  |
| 7        | 127-14143-25 | .JET, main (#125)       | 1    | UR      |
|          | 127-14143-24 | .JET, main (#120)       | 1    | UR      |
|          | 127-14143-26 | .JET, main (#130)       | 1    |         |
| 8        | 405-14141-10 | .NOZZLE, main           | 1    |         |
| 9        | 2X0-14116-01 | .NEEDLE                 | 1    |         |
| 10       | 127-14137-00 | .CLIP                   | 1    |         |
| 11       | 405-14181-08 | .BODY, float chamber 1  | 1    |         |
| 12       | 353-14184-00 | .GASKET, float chamber  | 1    |         |
| 13       | 98502-04014  | .SCREW, Pan head        | 4    |         |
| 14       | 92902-04100  | .WASHER, spring         | 4    |         |
| 15       | 183-14196-00 | .PIPE                   | 1    |         |
| 16       | 183-14197-01 | .PIPE                   | 1    |         |
| 17       | 98501-05008  | .SCREW, Pan head        | 1    |         |
| 18       | 296-14117-00 | .WASHER, Plug screw     | 1    |         |
| 19       | 405-14171-00 | .PLUNGER, starter       | 1    |         |
| 20       | 405-14131-00 | .SPRING, throttle valve | 1    |         |
| 21       | 5L6-14112-20 | .VALVE, throttle 1      | 1    |         |
| 22       | 405-14185-00 | .FLOAT                  | 1    |         |
| 23       | 353-14186-00 | .PIN, float             | 1    |         |
| 24       | 3L5-14190-01 | .NEEDLE VALVE ASSY      | 1    |         |
| 25       | 260-14142-25 | .JET, Pilot (#25.0)     | 1    |         |
| X 26     | 353-14123-00 | .SCREW, air adjusting   | 1    |         |

B9

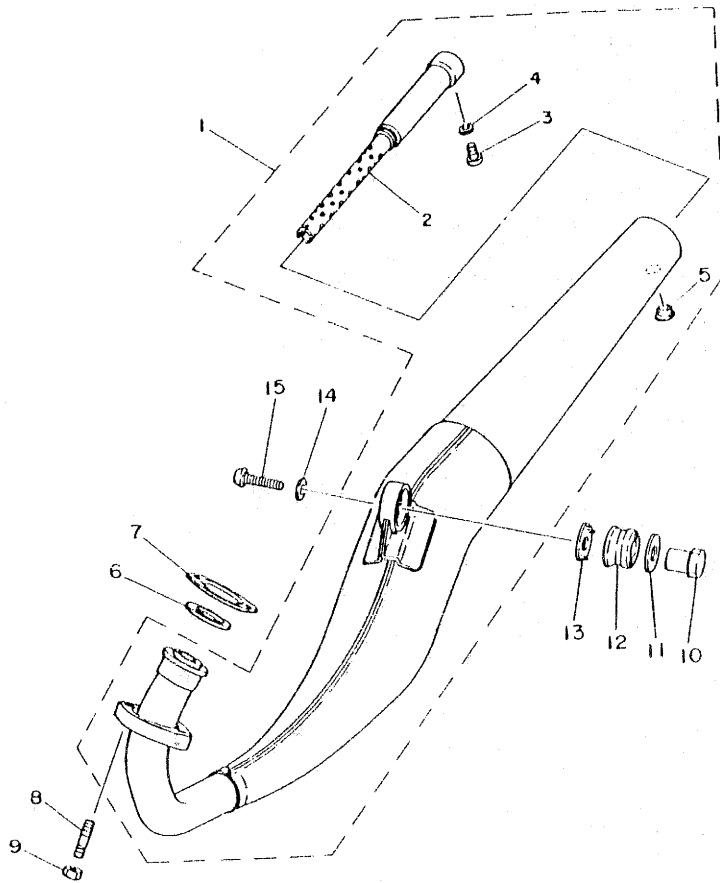
FIG. 8 CARBURETOR



| REF. NO. | PART NO.     | DESCRIPTION           | Q'TY | REMARKS |
|----------|--------------|-----------------------|------|---------|
| 27       | 363-14137-00 | .CLIP                 | 1    |         |
| 28       | 509-14198-00 | .GASKET               | 1    |         |
| 29       | 1M1-14169-00 | .CAP                  | 1    |         |
| 30       | 1T9-14155-00 | .GUIDE, cable         | 1    |         |
| 31       | 127-14161-00 | .NUT, cable adjusting | 1    |         |
| 32       | 405-14126-00 | .GASKET               | 1    |         |
| 33       | 405-14158-00 | .TOP, mixing chamber  | 1    |         |

B10

FIG. 9 EXHAUST

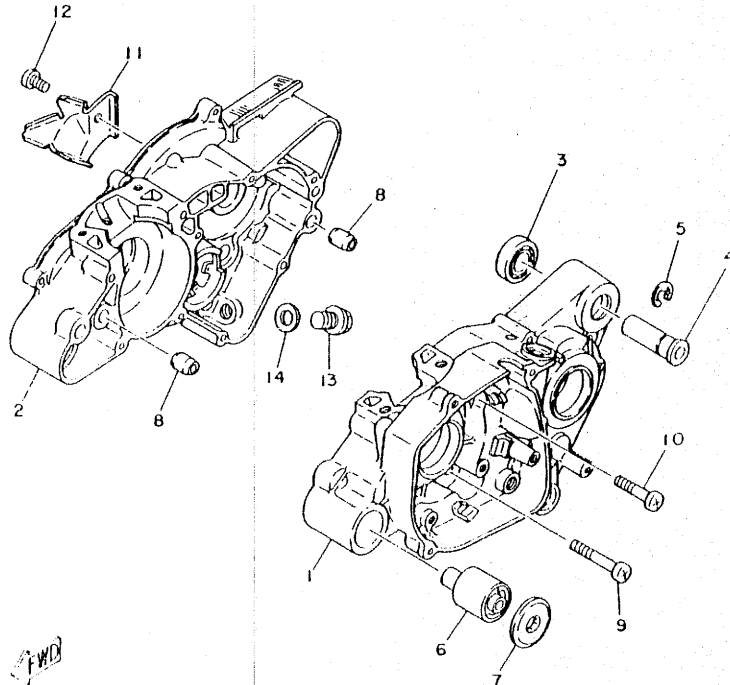
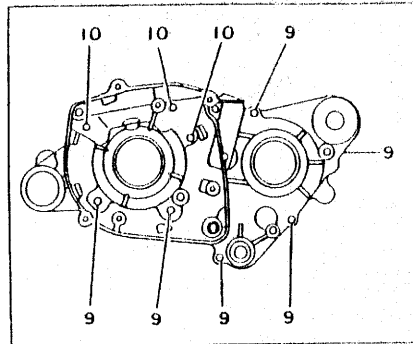


| REF. NO. | PART NO.     | DESCRIPTION          | Q'TY | REMARKS |
|----------|--------------|----------------------|------|---------|
| 1        | 5R2-14710-00 | MUFFLER ASSY 1       | 1    |         |
| 2        | 5R2-14753-00 | SILENCER, exhaust    | 1    |         |
| 3        | 98501-05008  | SCREW, Pan head      | 1    |         |
| 4        | 92901-05100  | WASHER, spring       | 1    |         |
| 5        | 90480-14153  | GROMMET              | 1    |         |
| 6        | 5R2-14613-00 | GASKET, exhaust pipe | 1    |         |
| 7        | 5R2-14643-00 | GASKET 3             | 1    |         |
| 8        | 90116-08247  | BOLT, stud           | 2    |         |
| 9        | 90185-08097  | NUT, self-locking    | 2    |         |
| 10       | 90179-08357  | NUT                  | 1    |         |
| 11       | 90201-157E7  | WASHER, plate        | 1    |         |
| 12       | 5R2-14737-00 | DAMPER, muffler      | 1    |         |
| 13       | 5R2-14759-00 | WASHER               | 1    |         |
| 14       | 92906-08200  | WASHER, plain        | 1    |         |
| 15       | 90157-08026  | SCREW, Pan head      | 1    |         |

FWO

B11

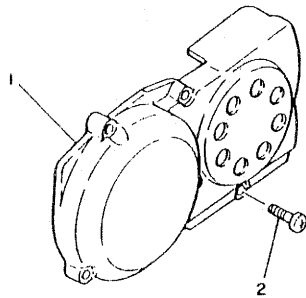
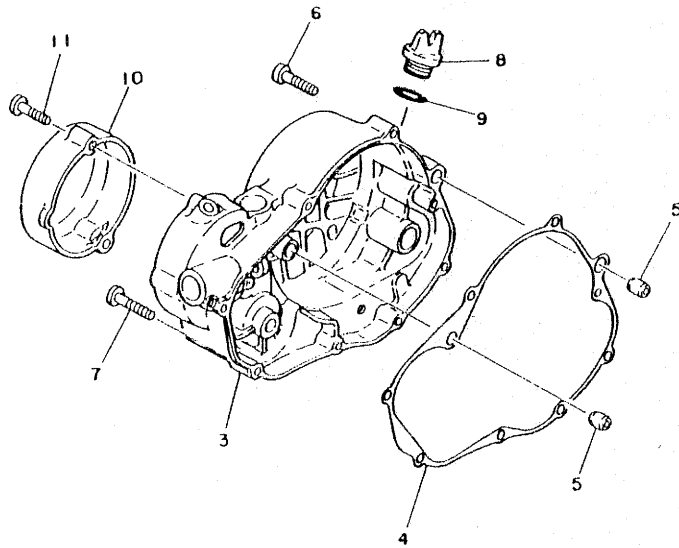
FIG. 10 CRANKCASE



| REF. NO. | PART NO.     | DESCRIPTION            | Q'TY | REMARKS |
|----------|--------------|------------------------|------|---------|
| 1        | 5R2-15111-00 | CRANKCASE 1            | 1    |         |
| 2        | 5R2-15121-00 | CRANKCASE 2            | 1    |         |
| 3        | 93306-00203  | BEARING (B6002)        | 2    |         |
| 4        | 5R2-15317-00 | SPACER, engine mount   | 2    |         |
| 5        | 93440-15012  | CIRCLIP                | 2    |         |
| 6        | 5R2-15316-00 | DAMPER, engine mount 1 | 2    |         |
| 7        | 5R2-15328-00 | SPACER, damper         | 1    |         |
| 8        | 91830-22016  | PIN, dowel             | 2    |         |
| 9        | 92501-06045  | SCREW, Pan head        | 6    |         |
| 10       | 92501-06035  | SCREW, Pan head        | 3    |         |
| 11       | 5R2-15113-00 | PLATE                  | 1    |         |
| 12       | 92501-06010  | SCREW, Pan head        | 1    |         |
| 13       | 90340-12059  | PLUG, straight screw   | 1    |         |
| 14       | 90430-12038  | GASKET                 | 1    |         |

B12

FIG. 11 CRANKCASE COVER

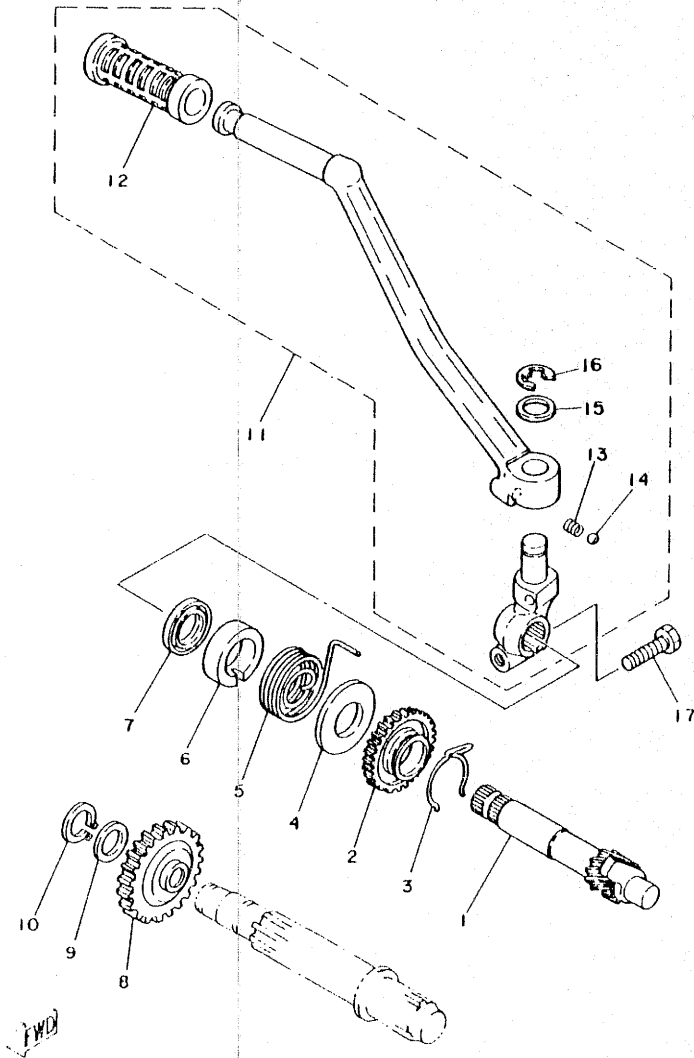


| REF. NO. | PART NO.     | DESCRIPTION               | Q'TY | REMARKS |
|----------|--------------|---------------------------|------|---------|
| 1        | 5R2-15411-00 | COVER, crankcase 1        | 1    |         |
| 2        | 92506-06025  | SCREW, Pan head           | 5    |         |
| 3        | 5R2-15421-00 | COVER, crankcase 2        | 1    |         |
| 4        | 5R2-15461-00 | GASKET, crankcase cover 2 | 1    |         |
| 5        | 91830-21014  | PIN, dowel                | 2    |         |
| 6        | 92506-06030  | SCREW, Pan head           | 6    |         |
| 7        | 92506-06035  | SCREW, Pan head           | 2    |         |
| 8        | 3Y1-15363-00 | PLUG, oil                 | 1    |         |
| 9        | 93210-19123  | O-RING                    | 1    |         |
| 10       | 5R2-15431-00 | COVER, crankcase 3        | 1    |         |
| 11       | 92506-06030  | SCREW, Pan head           | 2    |         |

FWD

B13

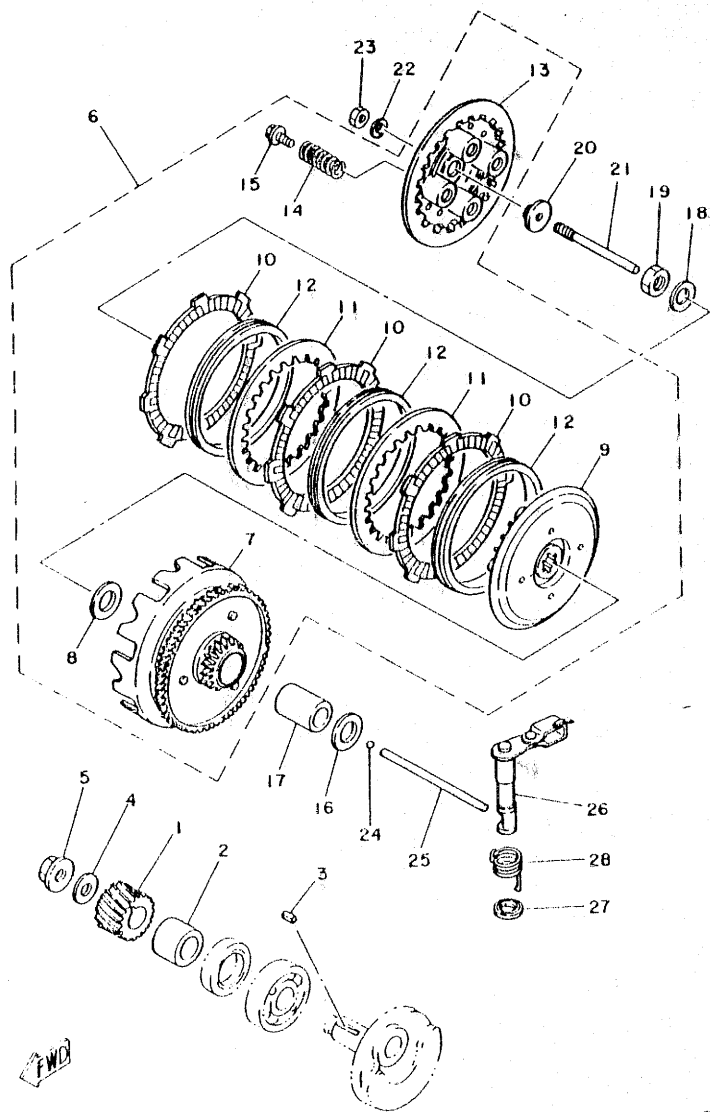
FIG. 12 KICK STARTER



| REF. NO. | PART NO.        | DESCRIPTION               | Q'TY | REMARKS |
|----------|-----------------|---------------------------|------|---------|
| 1        | 5R2-15660-00    | KICK AXLE ASSY            | 1    |         |
| 2        | 4V0-15641-00    | GEAR, kick (24T)          | 1    |         |
| 3        | 90468-26046     | CLIP                      | 1    |         |
| 4        | 90201-154A1     | WASHER, Plate             | 1    |         |
| 5        | 90508-26464     | SPRING, torsion           | 1    |         |
| 6        | 4V0-15664-00    | GUIDE, sPrinB             | 1    |         |
| 7        | 93109-15001     | OIL SEAL                  | 1    |         |
| 8        | 4V0-15651-00    | GEAR, sProcket idle (25T) | 1    |         |
| 9        | 102-18137-00-10 | WASHER 1                  | 1    |         |
| 10       | 93410-12003     | CIRCLIP                   | 1    |         |
| 11       | 5R2-15620-00    | KICK CRANK ASSY           | 1    |         |
| 12       | 156-15618-01    | .COVER, kick lever        | 1    |         |
| 13       | 90501-12081     | .SPRING, compression      | 1    |         |
| 14       | 93507-32009     | .BALL                     | 1    |         |
| 15       | 90201-12631     | .WASHER, Plate            | 1    |         |
| 16       | 93430-08007     | .CIRCLIP                  | 1    |         |
| 17       | 97316-06025     | BOLT                      | 1    |         |

B14

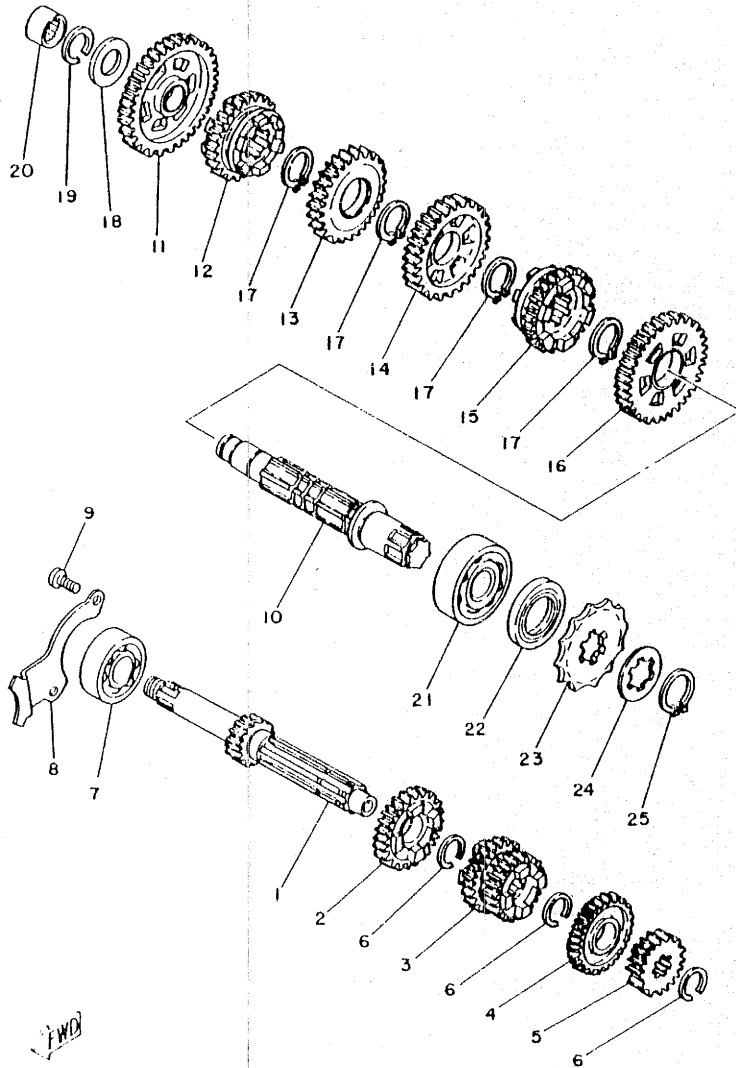
FIG. 13 CLUTCH



| REF. NO. | PART NO.     | DESCRIPTION                     | Q'TY | REMARKS |
|----------|--------------|---------------------------------|------|---------|
| 1        | 5R2-16111-00 | GEAR, Primary drive (19T)       |      |         |
| 2        | 90387-20346  | COLLAR                          |      |         |
| 3        | 90282-05034  | KEY, straight                   |      |         |
| 4        | 90208-12015  | WASHER, conical spring          |      |         |
| 5        | 90179-12244  | NUT                             |      |         |
| 6        | 5R2-16300-00 | CLUTCH ASSY                     |      |         |
| 7        | 5R2-16150-00 | .PRIMARY DRIVEN GEAR COMP.(68T) |      |         |
| 8        | 122-16164-00 | .PLATE, thrust 2                | 1    |         |
| 9        | 353-16371-00 | .BOSS, clutch                   | 1    |         |
| 10       | 131-16321-00 | .PLATE, friction                | 3    |         |
| 11       | 257-16324-00 | .PLATE, clutch 1                | 2    |         |
| 12       | 131-16367-00 | .RING, cushion                  | 3    |         |
| 13       | 5R2-16351-00 | .PLATE, Pressure 1              | 1    |         |
| 14       | 90501-20125  | .SPRING, compression            | 4    |         |
| 15       | 90119-05001  | .BOLT, with washer              | 4    |         |
| 16       | 122-16164-00 | PLATE, thrust 2                 | 1    |         |
| 17       | 90560-17147  | SPACER                          | 1    |         |
| 18       | 90208-12015  | WASHER, conical spring          | 1    |         |
| 19       | 90170-12060  | NUT                             | 1    |         |
| 20       | 1W1-16358-00 | PLATE, Push                     | 1    |         |
| 21       | 1W1-16356-00 | ROD, Push 1                     | 1    |         |
| 22       | 92901-06200  | WASHER, Plain                   | 1    |         |
| 23       | 95301-06600  | NUT                             | 1    |         |
| 24       | 93503-16010  | BALL                            | 1    |         |
| 25       | 5R2-16357-00 | ROD, Push 2                     | 1    |         |
| 26       | 5R2-16380-00 | PUSH LEVER ASSY                 | 1    |         |
| 27       | 93109-14021  | OIL SEAL                        | 1    |         |
| 28       | 90508-18500  | SPRING, torsion                 | 1    |         |

B15

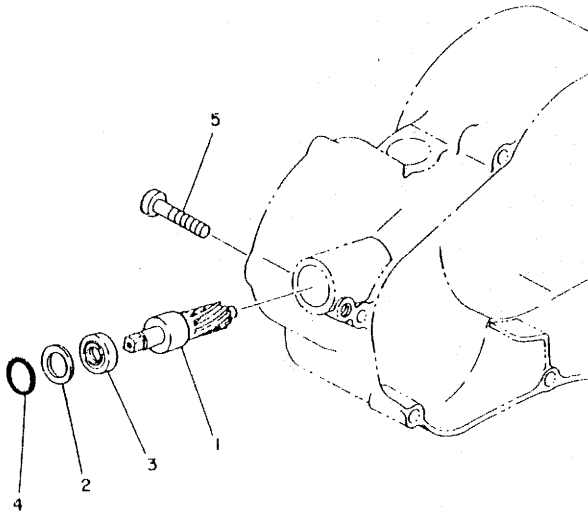
FIG. 14 TRANSMISSION



| REF. NO. | PART NO.        | DESCRIPTION                    | Q'TY | REMARKS |
|----------|-----------------|--------------------------------|------|---------|
| 1        | 5R2-17411-00    | AXLE, main (12T)               | 1    |         |
| 2        | 5R2-17151-00    | GEAR, 5th Pinion (25T)         | 1    |         |
| 3        | 5R2-17131-00    | GEAR, 3rd/4th Pinion (20T,22T) | 1    |         |
| 4        | 5R2-17161-00    | GEAR, 6th Pinion (26T)         | 1    |         |
| 5        | 5R2-17121-00    | GEAR, 2nd Pinion (16T)         | 1    |         |
| 6        | 93440-16089     | CIRCLIP                        | 3    |         |
| 7        | 93306-20303     | BEARING (B6203Z)               | 1    |         |
| 8        | 5R2-17471-00    | PLATE, cover                   | 1    |         |
| 9        | 92501-06012     | SCREW, Pan head                | 2    |         |
| 10       | 4V0-17421-00    | AXLE, drive                    | 1    |         |
| 11       | 5R2-17211-00    | GEAR, 1st wheel (39T)          | 1    |         |
| 12       | 5R2-17251-00    | GEAR, 5th wheel (26T)          | 1    |         |
| 13       | 5R2-17241-00    | GEAR, 4th wheel (27T)          | 1    |         |
| 14       | 5R2-17231-00    | GEAR, 3rd wheel (31T)          | 1    |         |
| 15       | 5R2-17261-00    | GEAR, 6th wheel (24T)          | 1    |         |
| 16       | 5R2-17221-00    | GEAR, 2nd wheel (34T)          | 1    |         |
| 17       | 93410-20038     | CIRCLIP                        | 4    |         |
| 18       | 164-17427-00-10 | SHIM 1 (1.0T)                  | 1    |         |
| 19       | 93440-15012     | CIRCLIP                        | 1    |         |
| 20       | 93315-31502     | BEARING, cylindrical           | 1    |         |
| 21       | 93306-20401     | BEARING (B6204)                | 1    |         |
| 22       | 93102-20143     | OIL SEAL                       | 1    |         |
| 23       | 517-17461-21    | SPROCKET, drive (12T)          | 1    |         |
| 24       | 90209-16206     | WASHER                         | 1    |         |
| 25       | 93410-18062     | CIRCLIP                        | 1    |         |

FIG. 15 TACHOMETER GEAR

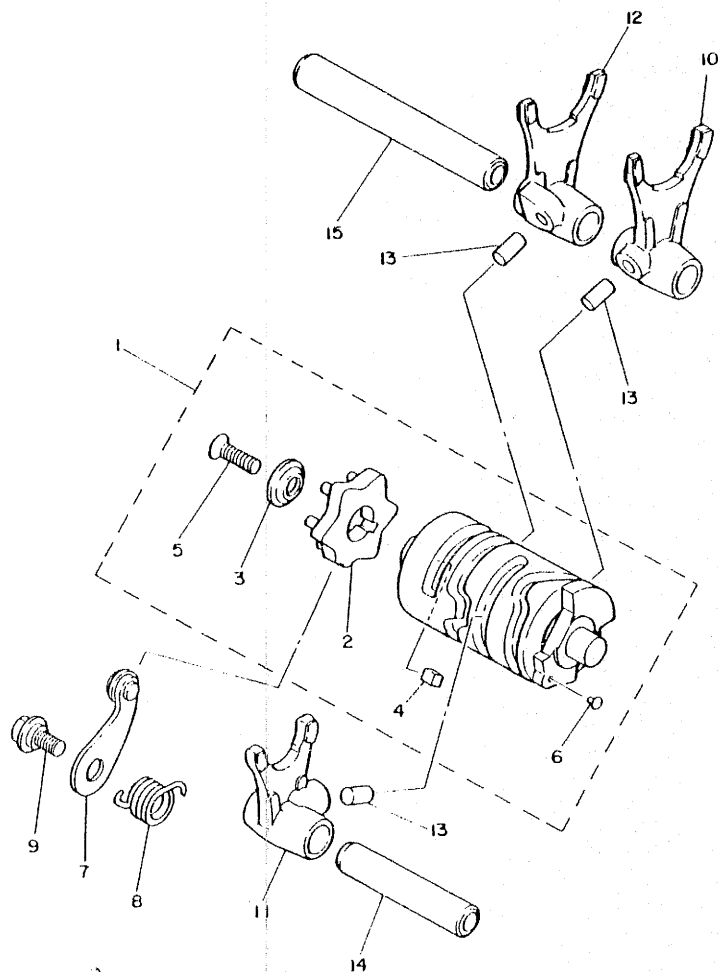
| REF. NO. | PART NO.        | DESCRIPTION        | Q'TY | REMARKS |
|----------|-----------------|--------------------|------|---------|
| 1        | 5R2-17841-00    | GEAR, driven (10T) | 1    |         |
| 2        | 102-18137-00-10 | WASHER 1           | 1    |         |
| 3        | 93109-08017     | OIL SEAL           | 1    |         |
| 4        | 93210-14104     | O-RING             | 1    |         |
| 5        | 92501-06030     | SCREW, Pan head    | 1    |         |



FWC

C3

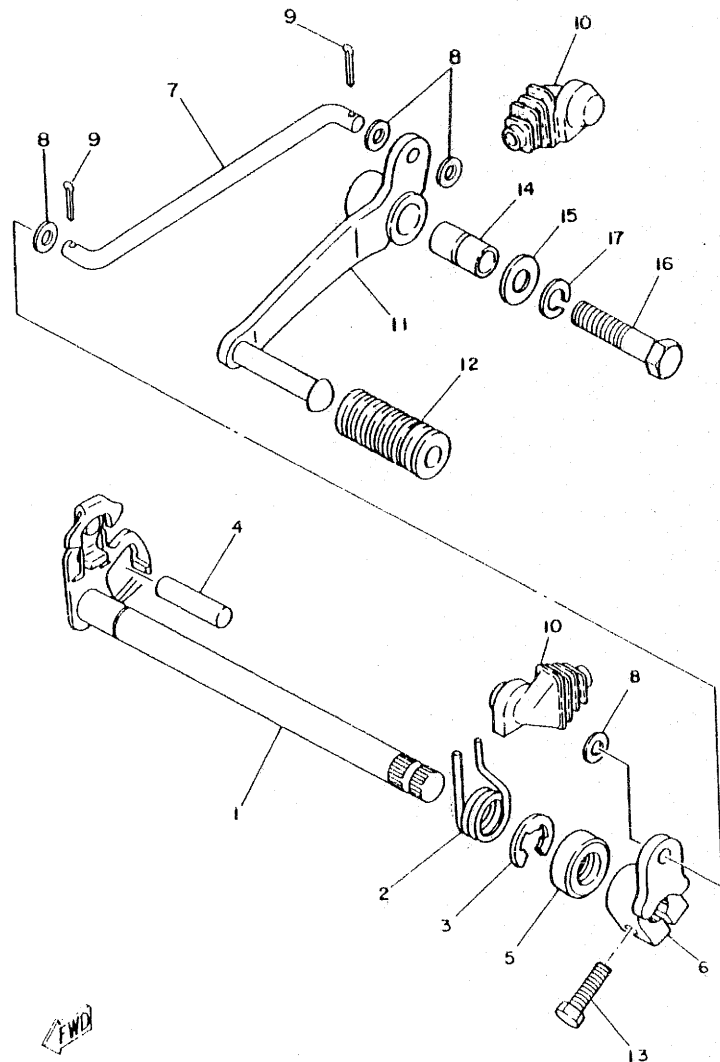
FIG. 16 SHIFT CAM-FORK



| REF. NO. | PART NO.     | DESCRIPTION             | Q'TY | REMARKS |
|----------|--------------|-------------------------|------|---------|
| 1        | 5R2-18540-00 | SHIFT CAM ASSY          | 1    |         |
| 2        | 5R2-18185-00 | SEGMENT                 | 1    |         |
| 3        | 3R4-18561-00 | PLATE, side 1           | 1    |         |
| 4        | 90282-04036  | KEY, straight           | 1    |         |
| 5        | 9B701-05016  | SCREW, flat head        | 1    |         |
| 6        | 136-18542-00 | POINT, neutral          | 1    |         |
| 7        | 5R2-18140-00 | STOPPER LEVER ASSY      | 1    |         |
| 8        | 90508-26462  | SPRING, torsion         | 1    |         |
| 9        | 1W1-18177-00 | BOLT, stopper           | 1    |         |
| 10       | 5R2-18511-00 | FORK, shift 1           | 1    |         |
| 11       | 5R2-18512-00 | FORK, shift 2           | 1    |         |
| 12       | 5R2-18513-00 | FORK, shift 3           | 1    |         |
| 13       | 90250-06013  | PIN, straight           | 3    |         |
| 14       | 3R4-18531-00 | BAR, shift fork Guide 1 | 1    |         |
| 15       | 3R4-18535-00 | BAR, shift fork Guide 2 | 1    |         |

C4

FIG. 17 SHIFT SHAFT.PEDAL

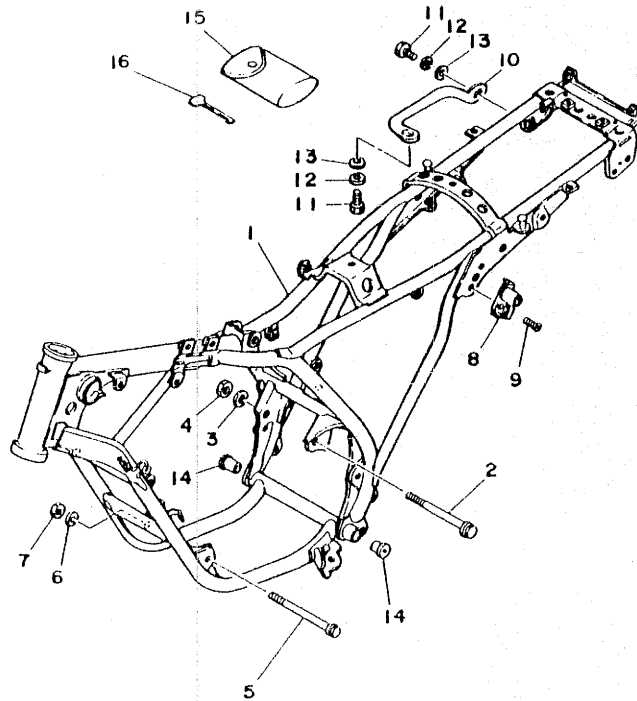


| REF. NO. | PART NO.     | DESCRIPTION        | Q'TY | REMARKS |
|----------|--------------|--------------------|------|---------|
| 1        | 5R2-18101-00 | SHIFT SHAFT ASSY   |      |         |
| 2        | 90508-32465  | SPRING, torsion    |      |         |
| 3        | 93430-10016  | CIRCLIP            |      |         |
| 4        | 93608-30128  | PIN, dowel         | 1    |         |
| 5        | 93109-12012  | OIL SEAL           | 1    |         |
| 6        | 5R2-18112-00 | ARM, shift         | 1    |         |
| 7        | 5R2-18115-00 | ROD, shift         | 1    |         |
| 8        | 92901-06200  | WASHER, Plain      | 4    |         |
| 9        | 91401-20015  | PIN, cotter        | 2    |         |
| 10       | 5R2-18154-00 | COVER, dust        | 2    |         |
| 11       | 5R2-18111-00 | PEDAL, shift       | 1    |         |
| 12       | 132-18113-01 | COVER, shift Pedal | 1    |         |
| 13       | 97326-06020  | BOLT               | 1    |         |
| 14       | 90387-08725  | COLLAR             | 1    |         |
| 15       | 90201-081A6  | WASHER, Plate      | 1    |         |
| 16       | 97306-08035  | BOLT               | 1    |         |
| 17       | 92906-08100  | WASHER, Spring     | 1    |         |

FWD

C5

FIG. 18 FRAME. TOOL

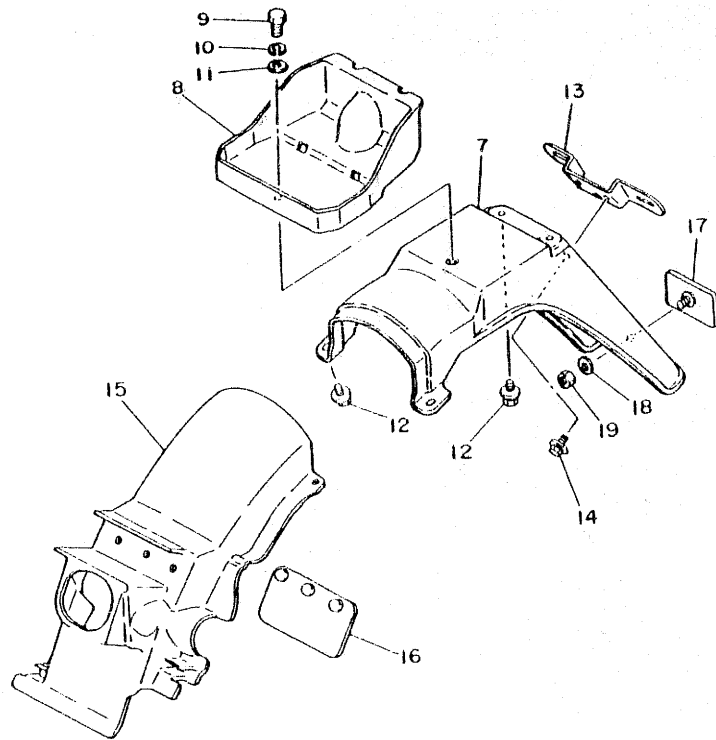


| REF. NO. | PART NO.        | DESCRIPTION        | Q'TY | REMARKS      |
|----------|-----------------|--------------------|------|--------------|
| 1        | 5R2-21110-01-33 | FRAME COMP.        | 1    | yamaha black |
| 2        | 90105-10119     | BOLT, washer based | 1    |              |
| 3        | 92901-10100     | WASHER, sPrinG     | 1    |              |
| 4        | 95301-10600     | NUT                | 1    |              |
| 5        | 95821-08125     | BOLT, flange       | 1    |              |
| 6        | 92901-08100     | WASHER, sPrinG     | 1    |              |
| 7        | 95301-08600     | NUT                | 1    |              |
| 8        | 5H0-21308-00    | HELMET HANGER ASSY | 1    |              |
| 9        | 92701-06018     | SCREW, flat head   | 1    |              |
| 10       | 5R2-21165-00    | HANDLE, standing   | 1    |              |
| 11       | 97306-08016     | BOLT               | 2    |              |
| 12       | 92906-08100     | WASHER, sPrinG     | 2    |              |
| 13       | 92906-08600     | WASHER, Plate      | 2    |              |
| 14       | 90338-18122     | PLUG               | 2    |              |
| 15       | 5R2-28100-11    | TOOL KIT           | 1    |              |
| 16       | 3M7-15361-00    | GAUGE, level       | 1    |              |

FWD

C6

FIG. 19 FRONT FENDER-REAR FENDER



| REF. NO. | PART NO.     | DESCRIPTION         | Q'TY | REMARKS         |
|----------|--------------|---------------------|------|-----------------|
| 1        | 5R2-21511-00 | FENDER, front       | 1    | UR clean white  |
|          | 5R2-21511-10 | FENDER, front       | 1    | UR yamaha black |
|          | 5R2-21511-20 | FENDER, front       | 1    | UR sunshine red |
| 2        | 5R2-21513-00 | STAY, fender f      | 1    |                 |
| 3        | 90387-06372  | COLLAR              | 4    |                 |
| 4        | 97301-06016  | BOLT                | 4    |                 |
| 5        | 92901-06100  | WASHER, spring      | 4    |                 |
| 6        | 1A8-21518-00 | HOLDER, cable       | 1    |                 |
| 7        | 5R2-21611-00 | FENDER, rear        | 1    | black           |
| 8        | 5R2-2160E-00 | BOX                 | 1    |                 |
| 9        | 97302-06018  | BOLT                | 1    |                 |
| 10       | 92902-06100  | WASHER, spring      | 1    |                 |
| 11       | 90201-06765  | WASHER, plate       | 1    |                 |
| 12       | 90119-06056  | BOLT, with washer   | 4    |                 |
| 13       | 5R2-21685-00 | BRACKET, license    | 1    |                 |
| 14       | 90119-06056  | BOLT, with washer   | 2    |                 |
| 15       | 5R2-21629-00 | GUARD, mud          | 1    |                 |
| 16       | 1M1-21621-00 | FLAP                | 1    |                 |
| 17       | 3G1-B5130-00 | REAR REFLECTOR ASSY | 1    |                 |
| 18       | 92901-05600  | WASHER, plate       | 1    |                 |
| 19       | 95301-05600  | NUT                 | 1    |                 |

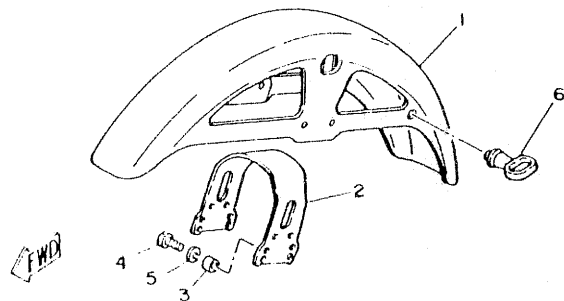
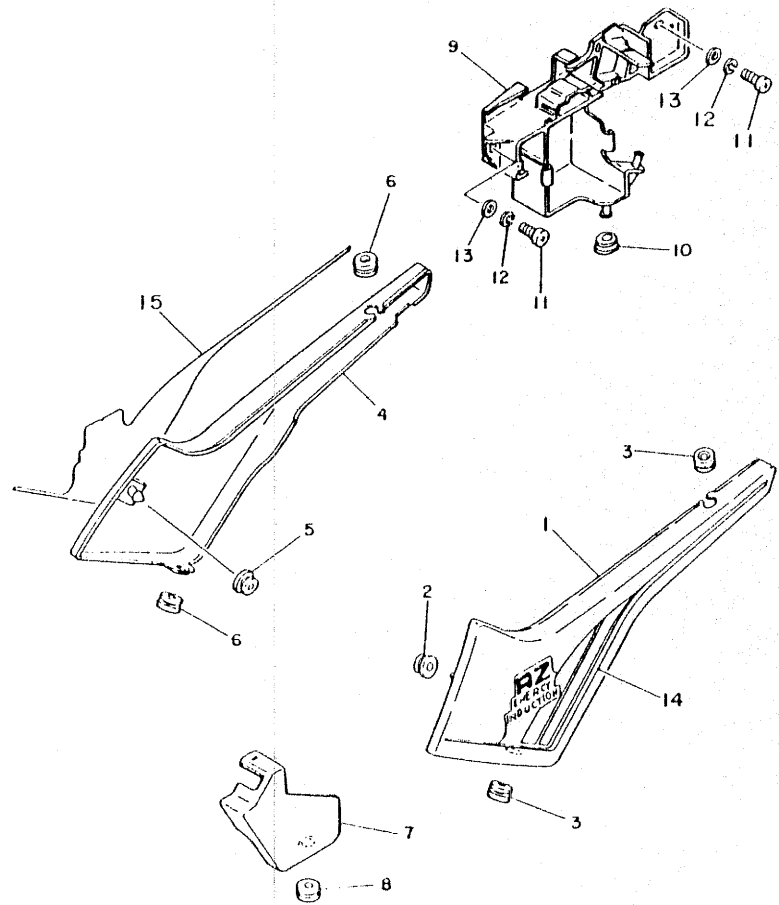
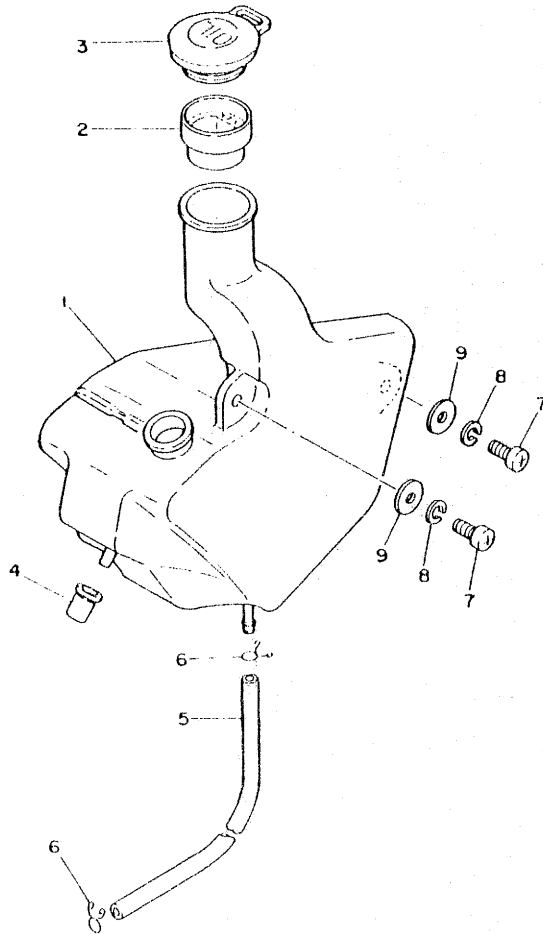


FIG. 20 SIDE COVER



| REF. NO. | PART NO.     | DESCRIPTION     | Q'TY | REMARKS         |
|----------|--------------|-----------------|------|-----------------|
| 1        | 5R2-21711-00 | COVER, side 1   | 1    | UR clean white  |
|          | 5R2-21711-10 | COVER, side 1   | 1    | UR yamaha black |
|          | 5R2-21711-20 | COVER, side 1   | 1    | UR sunshine red |
| 2        | 90480-13197  | GROMMET         | 1    |                 |
| 3        | 90480-12053  | GROMMET         | 2    |                 |
| 4        | 5R2-21721-00 | COVER, side 2   | 1    | UR clean white  |
|          | 5R2-21721-10 | COVER, side 2   | 1    | UR yamaha black |
|          | 5R2-21721-20 | COVER, side 2   | 1    | UR sunshine red |
| 5        | 90480-13197  | GROMMET         | 1    |                 |
| 6        | 90480-12053  | GROMMET         | 2    |                 |
| 7        | 5R2-21731-00 | COVER, side 3   | 1    |                 |
| 8        | 90480-12053  | GROMMET         | 1    |                 |
| 9        | 5R2-2177A-00 | BOX             | 1    |                 |
| 10       | 90480-01141  | GROMMET         | 1    |                 |
| 11       | 92501-06020  | SCREW, Pan head | 2    |                 |
| 12       | 92901-06100  | WASHER, sPrinE  | 2    |                 |
| 13       | 92901-06600  | WASHER, Plate   | 2    |                 |
| 14       | 5R2-21781-00 | EMBLEM 1        | 1    | UR for w        |
|          | 5R2-21781-10 | EMBLEM 1        | 1    | UR for yb       |
|          | 5R2-21781-20 | EMBLEM 1        | 1    | UR for sr       |
| 15       | 5R2-21782-00 | EMBLEM 2        | 1    | UR for w        |
|          | 5R2-21782-10 | EMBLEM 2        | 1    | UR for yb       |
|          | 5R2-21782-20 | EMBLEM 2        | 1    | UR for sr       |

FIG. 21 OIL TANK

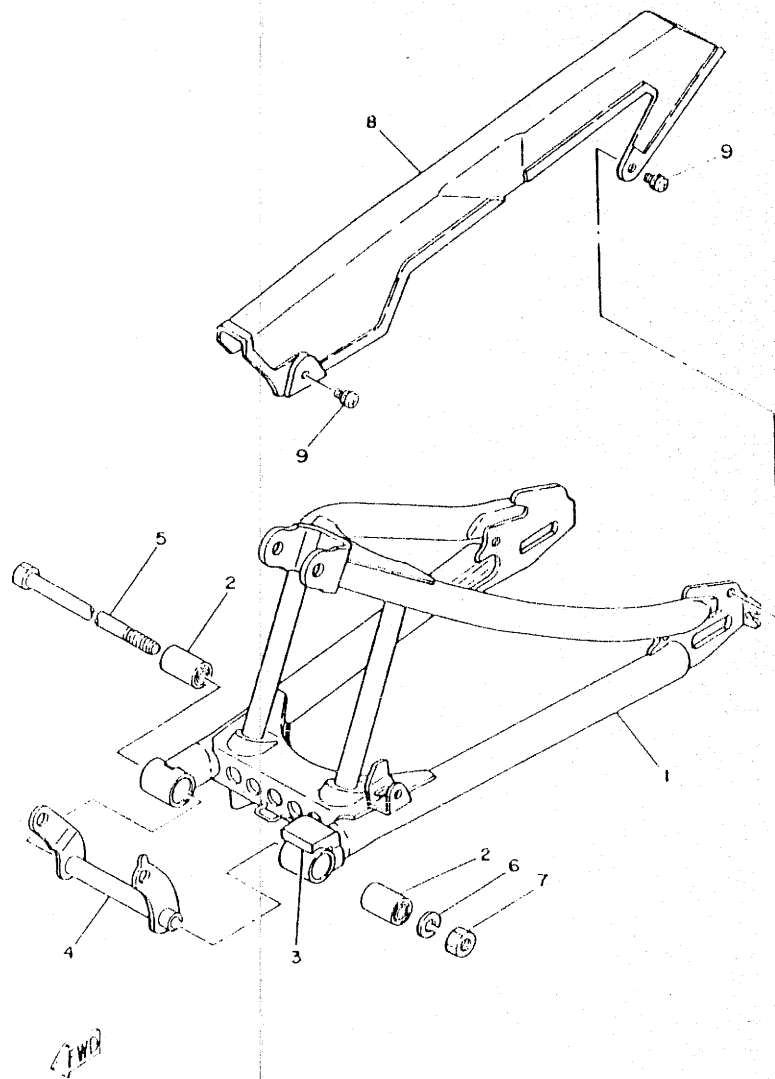


| REF. NO. | PART NO.     | DESCRIPTION     | QTY | REMARKS |
|----------|--------------|-----------------|-----|---------|
| 1        | 5R2-21751-00 | TANK, oil       | 1   |         |
| 2        | 5R2-21761-00 | GAUGE, level    | 1   |         |
| 3        | 5R2-21771-00 | BODY, cap       | 1   |         |
| 4        | 90480-12236  | GROMMET         | 1   |         |
| 5        | 90445-09111  | HOSE            | 1   |         |
| 6        | 90467-08003  | CLIP            | 2   |         |
| 7        | 92501-06015  | SCREW, Pan head | 2   |         |
| 8        | 92901-06100  | WASHER, spring  | 2   |         |
| 9        | 90201-06067  | WASHER, plate   | 2   |         |

W

C9

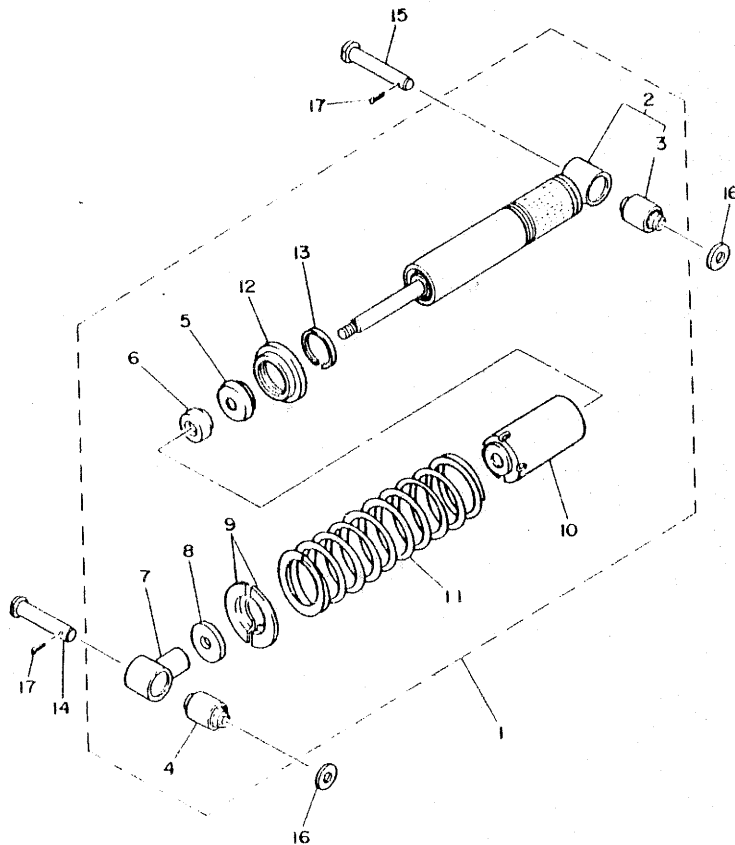
FIG. 22 REAR ARM



| REF. NO. | PART NO.        | DESCRIPTION        | Q'TY | REMARKS      |
|----------|-----------------|--------------------|------|--------------|
| 1        | 5R2-22110-00-33 | REAR ARM COMP.     | 1    | yamaha black |
| 2        | 102-22123-00    | BUSH 1             | 2    |              |
| 3        | 183-22151-00    | SEAL, Guard        | 1    |              |
| 4        | 5R2-22126-00    | COLLAR, distance   | 1    |              |
| 5        | 312-22141-01    | SHAFT, Pivot       | 1    |              |
| 6        | 92901-10100     | WASHER, sPrinG     | 1    |              |
| 7        | 95301-10600     | NUT                | 1    |              |
| 8        | 5R2-22311-00    | CASE, chain        | 1    |              |
| 9        | 90159-0605B     | SCREW, with washer | 2    |              |

C10

FIG. 23 REAR SUSPENSION

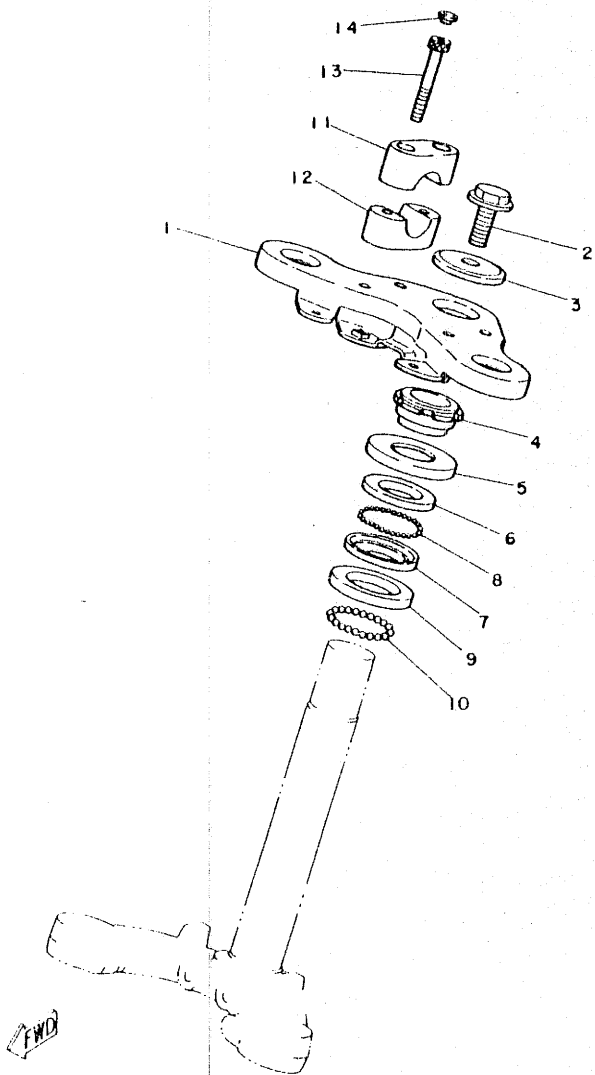


| REF. NO. | PART NO.     | DESCRIPTION                | Q'TY | REMARKS |
|----------|--------------|----------------------------|------|---------|
| 1        | 5R2-22210-00 | SHOCK ABSORBER ASSY, rear  | 1    |         |
| 2        | 5R2-22401-00 | .DUMPER SUB ASSY           | 1    |         |
| 3        | 3M7-22216-00 | .BUSH, rear shock absorber | 1    |         |
| 4        | 3M7-22216-00 | .BUSH, rear shock absorber | 1    |         |
| 5        | 3M7-22472-00 | .CAP, case                 | 1    |         |
| 6        | 3M7-22493-00 | .BUMP, stop                | 1    |         |
| 7        | 3M7-22409-00 | .UPPER BRACKET SUB ASSY    | 1    |         |
| 8        | 90201-10746  | .WASHER, Plate             | 1    |         |
| 9        | 3M7-22214-00 | .GUIDE, sPrinB 1           | 2    |         |
| 10       | 3M7-22224-00 | .GUIDE, sPrinB 2           | 1    |         |
| 11       | 90501-78582  | .SPRING, compression       | 1    |         |
| 12       | 3M7-22223-00 | .SEAL, sPrinB lower        | 1    |         |
| 13       | 93440-32074  | .CIRCLIP                   | 1    |         |
| 14       | 90240-10069  | PIN, clevis                | 1    |         |
| 15       | 90240-10072  | PIN, clevis                | 1    |         |
| 16       | 92901-10600  | WASHER, Plate              | 2    |         |
| 17       | 91401-25015  | PIN, cotter                | 2    |         |

FWD

C11

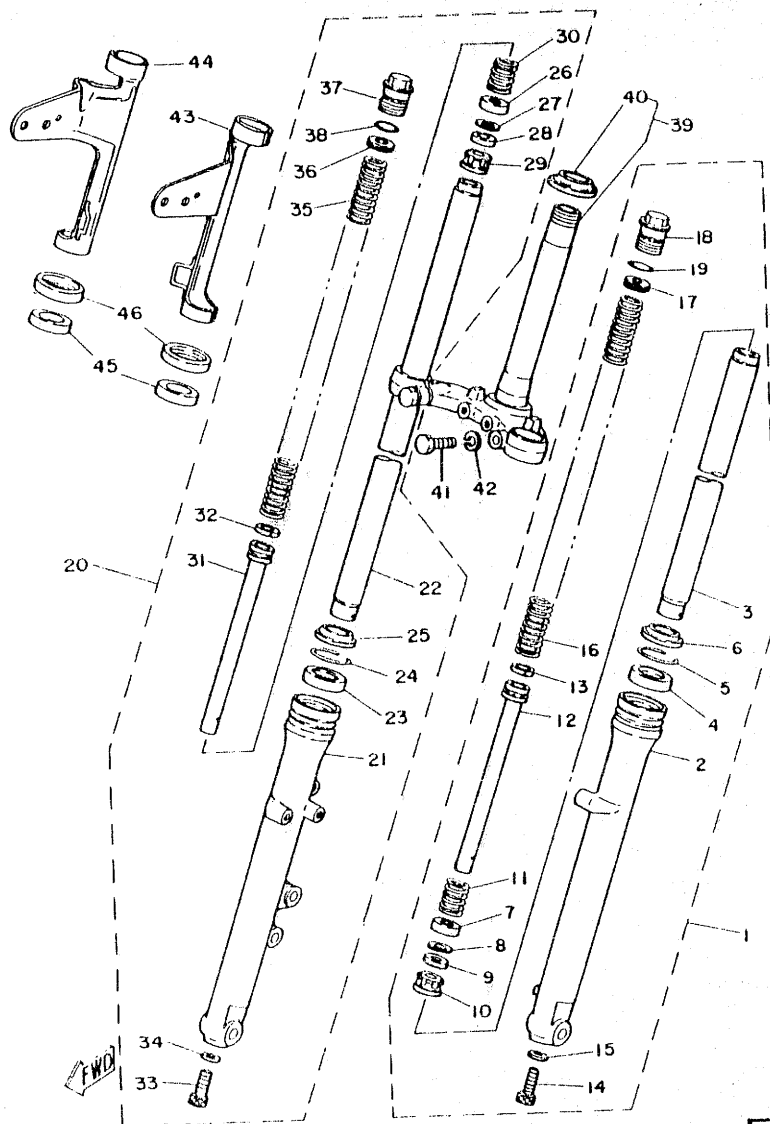
FIG. 24 STEERING



| REF. NO. | PART NO.        | DESCRIPTION          | Q'TY | REMARKS         |
|----------|-----------------|----------------------|------|-----------------|
| 1        | 5R2-23435-00-98 | CROWN, handle        | 1    | low gloss black |
| 2        | 90105-10201     | BOLT, washer based   | 1    |                 |
| 3        | 90201-105E4     | WASHER, Plate        | 1    |                 |
| 4        | 90179-25051     | NUT                  | 1    |                 |
| 5        | 122-23416-00    | COVER, ball race 2   | 1    |                 |
| 6        | 122-23411-00    | RACE, ball 1         | 1    |                 |
| 7        | 122-23412-00    | RACE, ball 2         | 1    |                 |
| 8        | 93503-16010     | BALL                 | 22   |                 |
| 9        | 156-23412-00    | RACE, ball 2         | 1    |                 |
| 10       | 93501-04011     | BALL                 | 19   |                 |
| 11       | 5R2-23441-00-98 | HOLDER, handle upper | 2    | low gloss black |
| 12       | 5K2-23442-00-98 | HOLDER, handle lower | 2    | low gloss black |
| 13       | 91316-06045     | BOLT                 | 4    |                 |
| 14       | 2H9-23469-00    | CAP, bolt            | 4    |                 |

C12

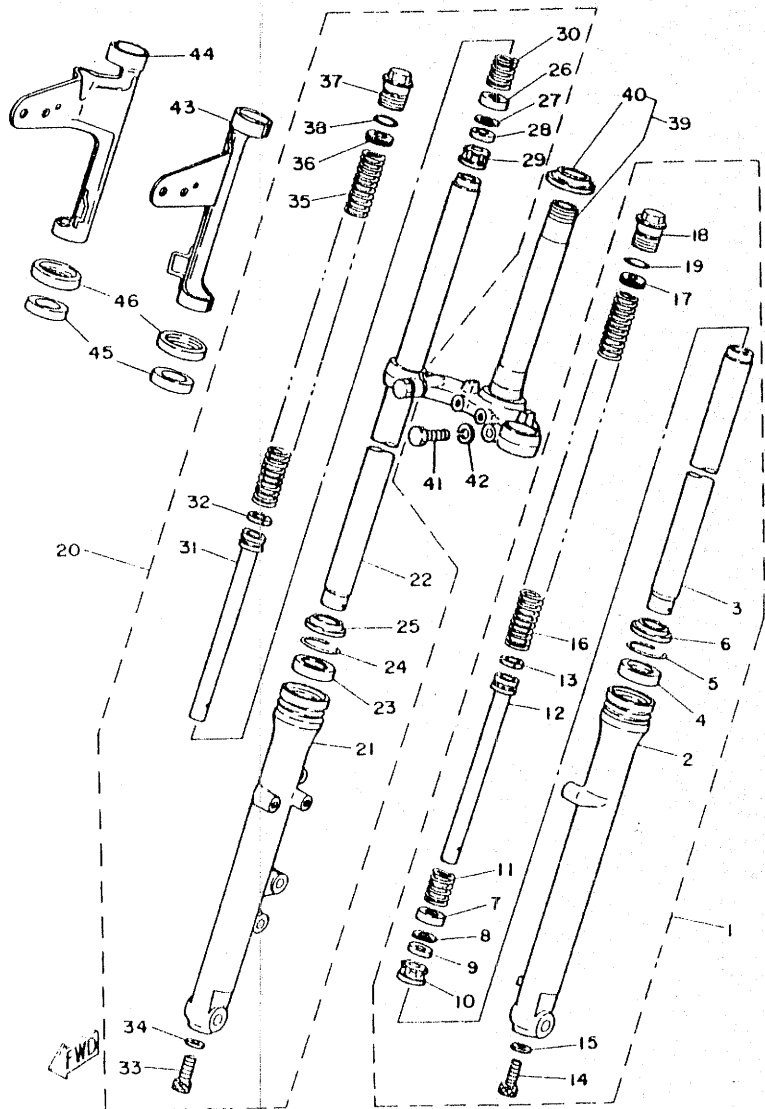
FIG. 25 FRONT FORK



| REF. NO. | PART NO.       | DESCRIPTION           | QTY | REMARKS                       |
|----------|----------------|-----------------------|-----|-------------------------------|
| 1        | 5R2-23102-00   | FRONT FORK ASSY (L.H) | 1   |                               |
| 2        | 5R2-23126-00   | .TUBE, outer 1        | 1   |                               |
| 3        | 5R2-23124-00 → | .TUBE, inner 1        | 1   | FACTORY TELETYPE SUPERCESSION |
| 4        | 93110-27010    | .OIL SEAL             | 1   |                               |
| 5        | 93450-40070    | .CIRCLIP              | 1   |                               |
| 6        | 5R2-23144-00   | .SEAL, dust           | 1   |                               |
| 7        | 5R2-23116-00   | .GUIDE, cover lower   | 1   |                               |
| 8        | 90206-15070    | .WASHER, wave         | 1   |                               |
| 9        | 5R2-23117-00   | .GUIDE, sPring        | 1   |                               |
| 10       | 5R2-23166-00   | .SPACER, oil lock     | 1   |                               |
| 11       | 5R2-23151-00   | .SPRING, rebound      | 1   |                               |
| 12       | 5R2-23171-00   | .PISTON, front fork   | 1   |                               |
| 13       | 5R2-23157-00   | .RING, Piston         | 1   |                               |
| 14       | 91311-10025    | .BOLT                 | 1   |                               |
| 15       | 90430-10171    | .GASKET               | 1   |                               |
| 16       | 5R2-23141-01   | .SPRING, front fork   | 1   |                               |
| 17       | 5R2-23142-00   | .SEAT, sPring upper   | 1   |                               |
| 18       | 5R2-23111-00   | .BOLT, cap            | 1   |                               |
| 19       | 93210-17490    | .O-RING               | 1   |                               |
| 20       | 5R2-23103-00   | FRONT FORK ASSY (R.H) | 1   |                               |
| 21       | 5R2-23136-00   | .TUBE, outer 2        | 1   |                               |
| 22       | 5R2-23124-00 → | .TUBE, inner 1        | 1   | 5R2 23110-00                  |
| 23       | 93110-27010    | .OIL SEAL             | 1   |                               |
| 24       | 93450-40070    | .CIRCLIP              | 1   |                               |
| 25       | 5R2-23144-00   | .SEAL, dust           | 1   |                               |
| 26       | 5R2-23116-00   | .GUIDE, cover lower   | 1   |                               |
| 27       | 90206-15070    | .WASHER, wave         | 1   |                               |
| 28       | 5R2-23117-00   | .GUIDE, sPring        | 1   |                               |

C13

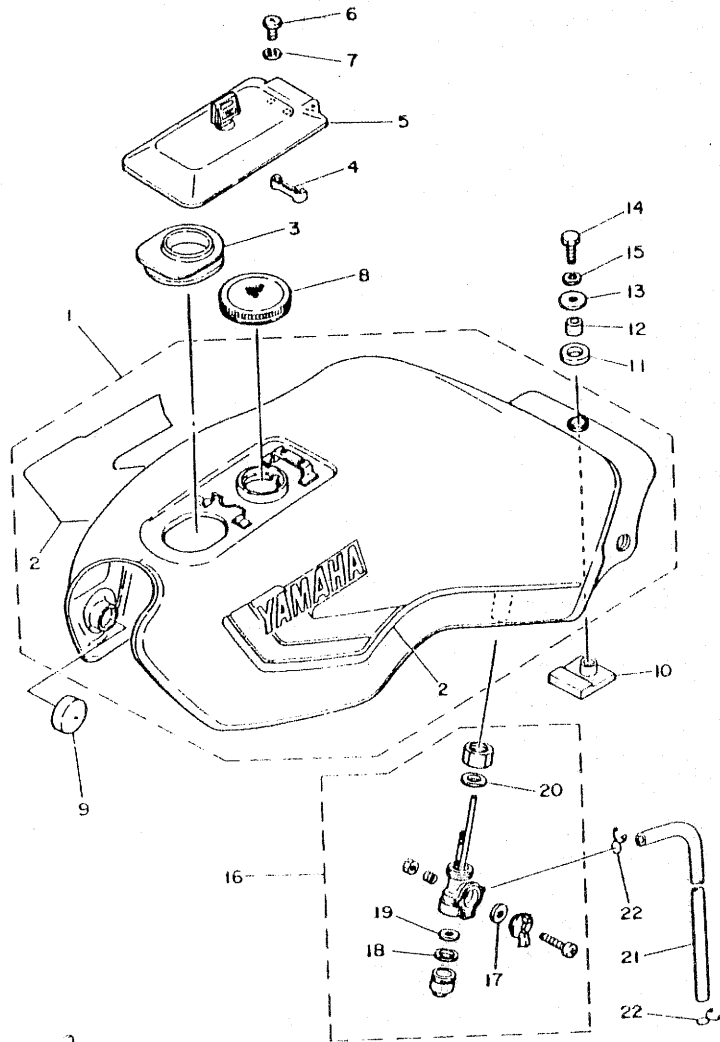
FIG. 25 FRONT FORK



| REF. NO. | PART NO.        | DESCRIPTION           | Q'TY | REMARKS      |
|----------|-----------------|-----------------------|------|--------------|
| 29       | 5R2-23166-00    | .SPACER, oil lock     | 1    |              |
| 30       | 5R2-23151-00    | .SPRING, rebound      | 1    |              |
| 31       | 5R2-23171-00    | .PISTON, front fork   | 1    |              |
| 32       | 5R2-23157-00    | .RING, Piston         | 1    |              |
| 33       | 91311-10025     | .BOLT                 | 1    |              |
| 34       | 90430-10171     | .GASKET               | 1    |              |
| 35       | 5R2-23141-01    | .SPRING, front fork   | 1    |              |
| 36       | 5R2-23142-00    | .SEAT, sPrinG uPPer   | 1    |              |
| 37       | 5R2-23111-00    | .BOLT, caP            | 1    |              |
| 38       | 93210-17490     | .O-RING               | 1    |              |
| 39       | 5R2-23340-00-33 | UNDER BRACKET COMP.   | 1    | yamaha black |
| 40       | 156-23411-00    | .RACE, ball 1         | 1    |              |
| 41       | 97321-10035     | BOLT                  | 2    |              |
| 42       | 92901-10100     | WASHER, sPrinG        | 2    |              |
| 43       | 5R2-23327-00-33 | STAY, flasher         | 1    | yamaha black |
| 44       | 5R2-23328-00-33 | STAY, flasher         | 1    | yamaha black |
| 45       | 3M7-23137-00    | GASKET, uPPer cover 1 | 2    |              |
| 46       | 3M7-23385-00    | WASHER, sPecial 1     | 2    |              |

C14

FIG. 26 FUEL TANK

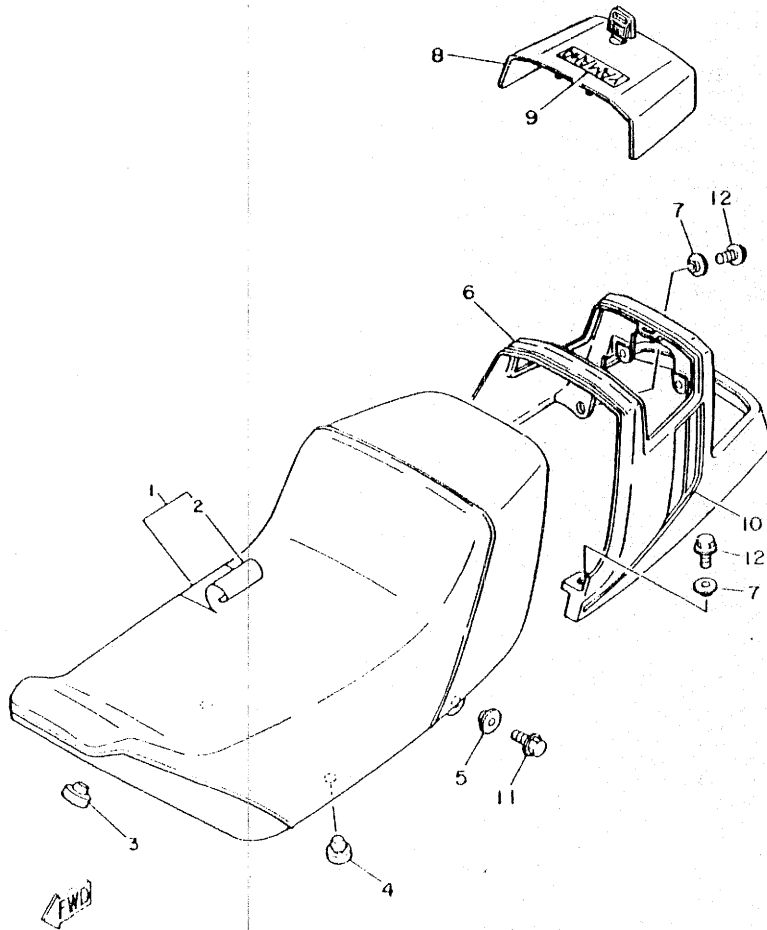


| REF. NO. | PART NO.        | DESCRIPTION        | Q'TY | REMARKS         |
|----------|-----------------|--------------------|------|-----------------|
| 1        | 5R2-24110-00-01 | FUEL TANK COMP.    | 1    | UR clean white  |
|          | 5R2-24110-00-02 | FUEL TANK COMP.    | 1    | UR yamaha black |
|          | 5R2-24110-00-03 | FUEL TANK COMP.    | 1    | UR sunshine red |
| 2        | 5R2-24240-00    | .GRAPHIC SET       | 1    | UR for w        |
|          | 5R2-24240-10    | .GRAPHIC SET       | 1    | UR for yb       |
|          | 5R2-24240-20    | .GRAPHIC SET       | 1    | UR for sr       |
| 3        | 5R2-2414G-00    | SEAL               | 1    |                 |
| 4        | 5R2-24669-00    | COVER, hinge       | 1    |                 |
| 5        | 5R2-W2463-00    | CAP ASSY           | 1    |                 |
| 6        | 98501-03008     | SCREW, Pan head    | 2    |                 |
| 7        | 92901-03100     | WASHER, sPrinB     | 2    |                 |
| 8        | 296-24610-00    | CAP ASSY           | 1    |                 |
| 9        | 4U5-24181-00    | DAMPER, locating 1 | 2    |                 |
| 10       | 5R2-24183-00    | DAMPER, locating 3 | 1    |                 |
| 11       | 90202-14077     | WASHER, Plate      | 1    |                 |
| 12       | 90387-07038     | COLLAR             | 1    |                 |
| 13       | 90201-06074     | WASHER, Plate      | 1    |                 |
| 14       | 97301-06025     | BOLT               | 1    |                 |
| 15       | 92901-06100     | WASHER, sPrinB     | 1    |                 |
| 16       | 5R2-24500-00    | FUEL COCK ASSY 1   | 1    |                 |
| 17       | 355-24523-00    | .VALVE             | 1    |                 |
| 18       | 102-24522-01    | .GASKET            | 1    |                 |
| 19       | 355-24515-00    | .NET, filter 2     | 1    |                 |
| 20       | 122-24532-00    | .GASKET            | 1    |                 |
| 21       | 4U7-24317-00    | PIPE 7             | 1    |                 |
| 22       | 90467-08003     | CLIP               | 2    |                 |

F.W.D.

C15

FIG. 27 SEAT

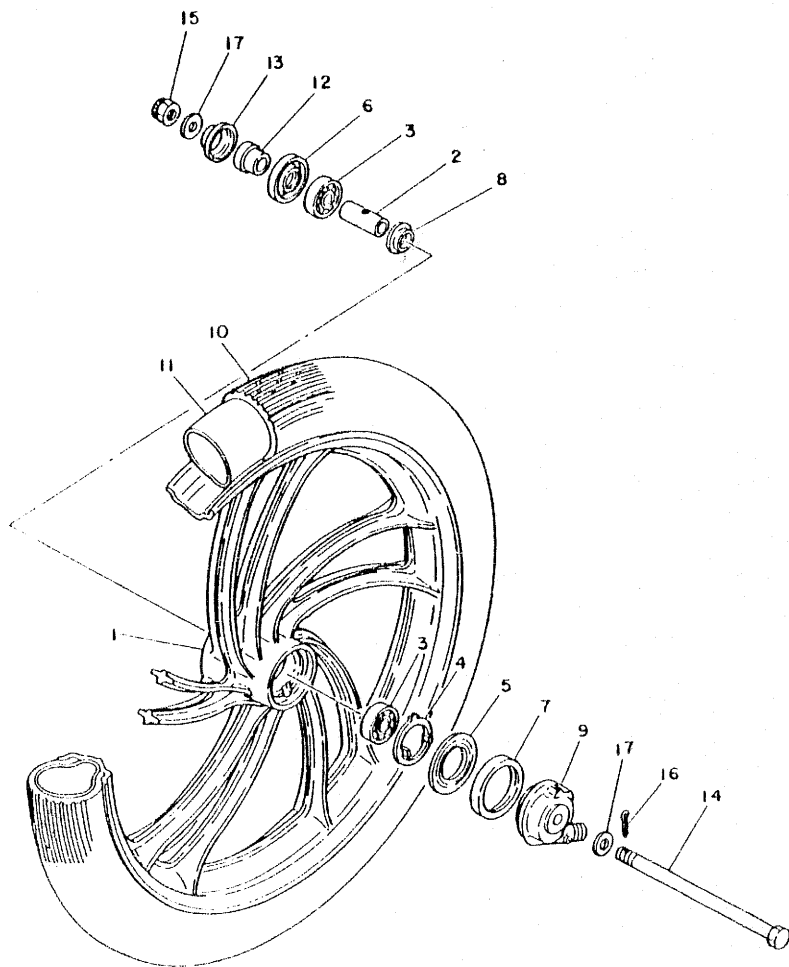


| REF. NO. | PART NO.     | DESCRIPTION             | Q'TY | REMARKS         |
|----------|--------------|-------------------------|------|-----------------|
| 1        | 5R2-W2473-00 | SEMI-DOUBLE SEAT ASSY   | 1    |                 |
| 2        | 5R2-24771-00 | COVER, semi-double seat | 1    |                 |
| 3        | 116-24741-00 | PAD, seat               | 2    |                 |
| 4        | 1M3-27114-00 | STOPPER, main stand     | 2    |                 |
| 5        | 90387-06500  | COLLAR                  | 2    |                 |
| 6        | 5R2-24756-00 | COVER, tail             | 1    | UR clean white  |
|          | 5R2-24756-10 | COVER, tail             | 1    | UR yamaha black |
|          | 5R2-24756-20 | COVER, tail             | 1    | UR sunshine red |
| 7        | 90387-06500  | COLLAR                  | 4    |                 |
| 8        | 5R2-W2476-00 | LID ASSY                | 1    | UR clean white  |
|          | 5R2-W2476-10 | LID ASSY                | 1    | UR yamaha black |
|          | 5R2-W2476-20 | LID ASSY                | 1    | UR sunshine red |
| 9        | 353-24786-02 | EMBLEM                  | 1    |                 |
| 10       | 5R2-2477L-00 | GRAPHIC SET, tail cover | 1    | UR for w        |
|          | 5R2-2477L-10 | GRAPHIC SET, tail cover | 1    | UR for yb       |
|          | 5R2-2477L-20 | GRAPHIC SET, tail cover | 1    | UR for sr       |
| 11       | 95801-06016  | BOLT, flange            | 2    |                 |
| 12       | 95801-06016  | BOLT, flange            | 4    |                 |

D2

FIG. 28 FRONT WHEEL

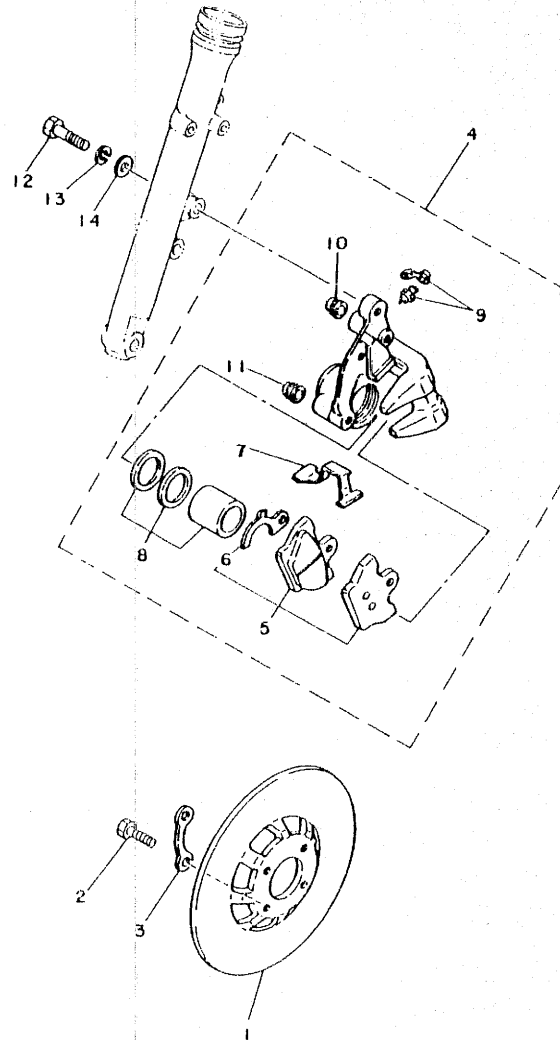
| REF. NO. | PART NO.        | DESCRIPTION       | Q'TY | REMARKS         |
|----------|-----------------|-------------------|------|-----------------|
| 1        | 5R6-25168-00-98 | CAST WHEEL, front | 1    | low gloss black |
| 2        | 90560-12138     | SPACER            | 1    |                 |
| 3        | 93306-30101     | BEARING (B6301)   | 2    |                 |
| 4        | 341-25149-00    | CLUTCH, meter     | 1    |                 |
| 5        | 341-25846-00    | RETAINER, clutch  | 1    |                 |
| 6        | 93106-20002     | OIL SEAL          | 1    |                 |
| 7        | 93105-45017     | OIL SEAL          | 1    |                 |
| 8        | 109-25315-00    | FLANGE, sPacer    | 1    |                 |
| 9        | 5R2-25190-00    | GEAR UNIT ASSY    | 1    |                 |
| 10       | 94125-18705     | TIRE (2.50-18)    | 1    |                 |
| 11       | 94225-18194     | TUBE (2.50-18)    | 1    |                 |
| 12       | 90387-12670     | COLLAR            | 1    |                 |
| 13       | 481-25118-01    | COVER, hub dust   | 1    |                 |
| 14       | 367-25381-00    | AXLE, wheel       | 1    |                 |
| 15       | 90171-12005     | NUT, castle       | 1    |                 |
| 16       | 91401-30025     | PIN, cotter       | 1    |                 |
| 17       | 92901-12600     | WASHER, Plate     | 2    |                 |



FWD

D3

FIG. 29 FRONT BRAKE CALIPER

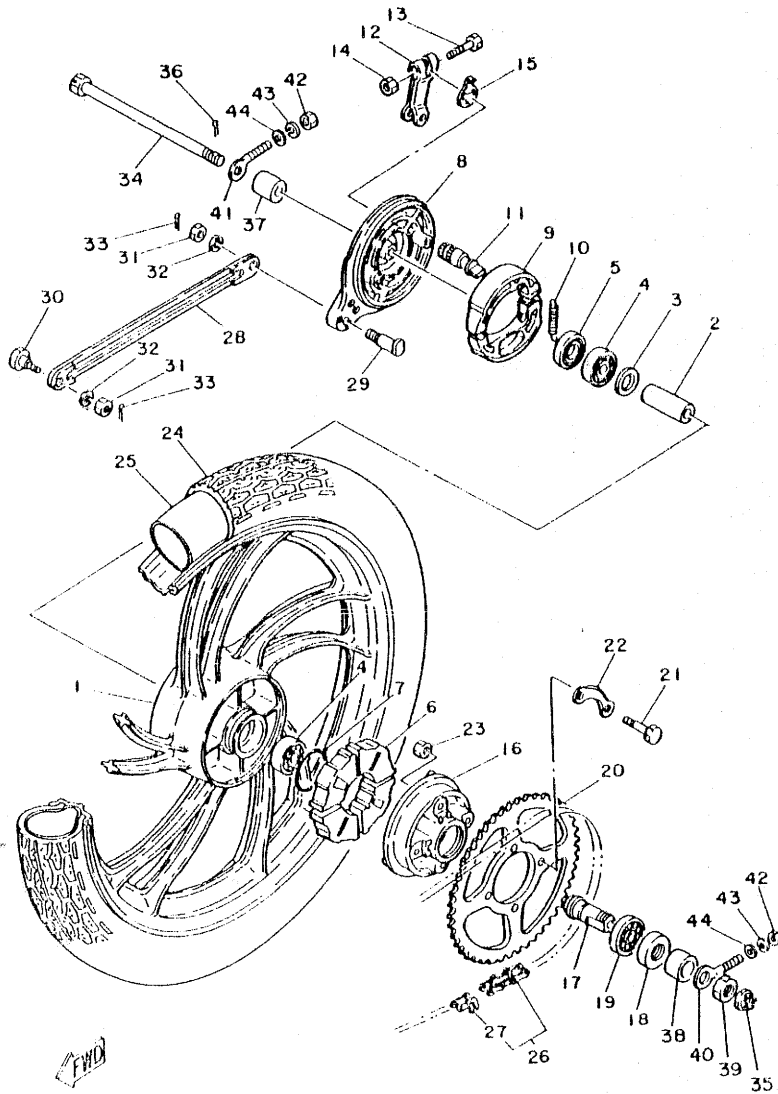


| REF. NO. | PART NO.     | DESCRIPTION           | Q'TY | REMARKS |
|----------|--------------|-----------------------|------|---------|
| 1        | 5G0-25831-00 | DISC, brake           | 1    |         |
| 2        | 90109-08367  | BOLT                  | 4    |         |
| 3        | 390-25412-01 | WASHER                | 2    |         |
| 4        | 5R2-25810-00 | CALIPER ASSY (RIGHT)  | 1    |         |
| 5        | 5R2-W0045-00 | .BRAKE PAD KIT, front | 1    |         |
| 6        | 4X8-25827-00 | ..SHIM, caliPer       | 1    |         |
| 7        | 4X8-25919-00 | .SUPPORT, Pad         | 1    |         |
| 8        | 4X8-W0057-00 | .PISTON ASSY, caliPer | 1    |         |
| 9        | 404-W0048-30 | .BREED SCREW KIT      | 1    |         |
| 10       | 4X8-25917-00 | .BOOT, caliPer        | 1    |         |
| 11       | 5R2-25937-00 | .BOOT 2               | 1    |         |
| 12       | 90101-10308  | BOLT                  | 2    |         |
| 13       | 92901-10100  | WASHER, sPrinB        | 2    |         |
| 14       | 92901-10200  | WASHER, Plain         | 2    |         |

FWD

D4

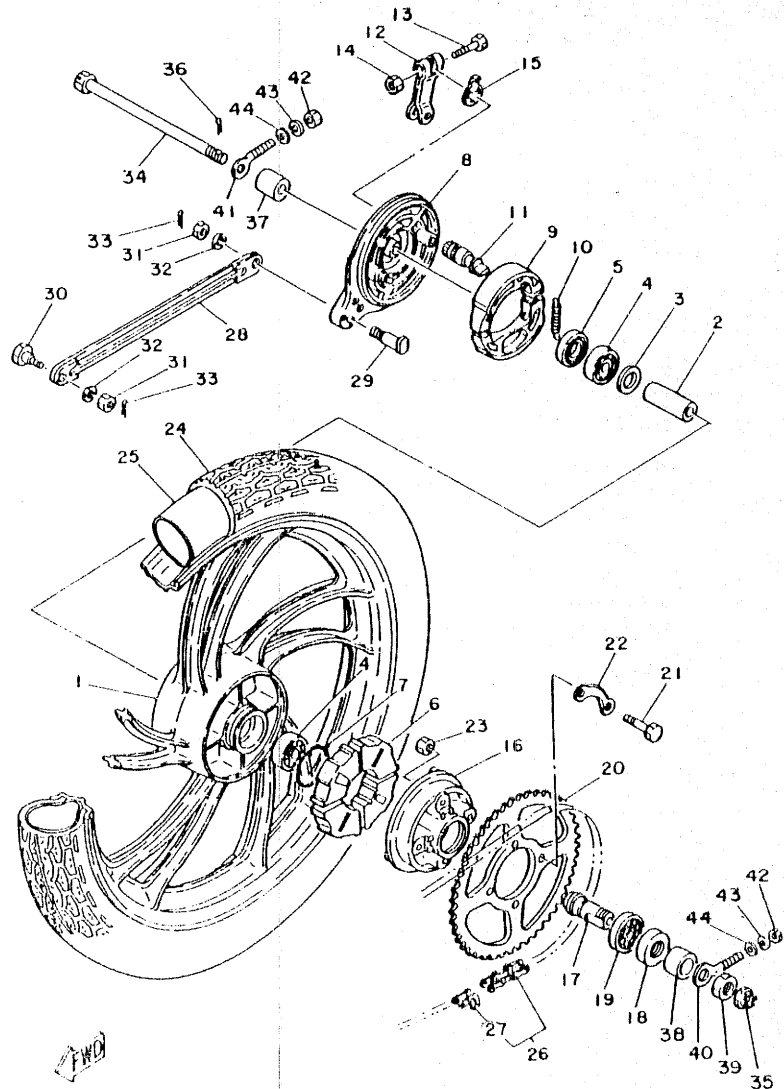
FIG. 30 REAR WHEEL



| REF. NO. | PART NO.        | DESCRIPTION                 | Q'TY | REMARKS         |
|----------|-----------------|-----------------------------|------|-----------------|
| 1        | 5R6-25338-00-98 | CAST WHEEL, rear            | 1    | low gloss black |
| 2        | 90560-12145     | SPACER                      | 1    |                 |
| 3        | 109-25315-00    | FLANGE, spacer              | 1    |                 |
| 4        | 93306-30101     | BEARING (B6301)             | 2    |                 |
| 5        | 93104-21016     | OIL SEAL                    | 1    |                 |
| 6        | 304-25364-01    | DAMPER                      | 4    |                 |
| 7        | 93210-41041     | O-RING                      | 1    |                 |
| 8        | 1M3-25321-01-98 | PLATE, brake shoe           | 1    | low gloss black |
| 9        | 326-25330-10    | BRAKE SHOE COMP.            | 2    |                 |
| 10       | 90506-16150     | SPRING, tension             | 2    |                 |
| 11       | 3Y6-25351-00    | CAMSHAFT                    | 1    |                 |
| 12       | 538-25355-00    | LEVER, camshaft             | 1    |                 |
| 13       | 90101-06278     | BOLT                        | 1    |                 |
| 14       | 95301-06600     | NUT                         | 1    |                 |
| 15       | 3Y6-2533A-01    | PLATE, indicator            | 1    |                 |
| 16       | 296-25366-01-98 | CLUTCH, hub                 | 1    | low gloss black |
| 17       | 102-25387-02    | AXLE, sprocket              | 1    |                 |
| 18       | 93106-30004     | OIL SEAL                    | 1    |                 |
| 19       | 93306-00406     | BEARING (B60042)            | 1    |                 |
| 20       | 5R2-25448-10-33 | SPROCKET, driven (48T)      | 1    | yamaha black    |
| 21       | 90109-08057     | BOLT                        | 4    |                 |
| 22       | 102-25412-00    | WASHER                      | 2    |                 |
| 23       | 90170-08157     | NUT                         | 4    |                 |
| 24       | 94127-18706     | TIRE (2.75-18)              | 1    |                 |
| 25       | 94227-18195     | TUBE (2.75-18)              | 1    |                 |
| 26       | 94580-13106     | CHAIN, drive (DID420M 106L) | 1    |                 |
| 27       | 94604-20001     | JOINT, chain                | 1    |                 |
| 28       | 5J0-25371-00    | BAR, tension                | 1    |                 |

D5

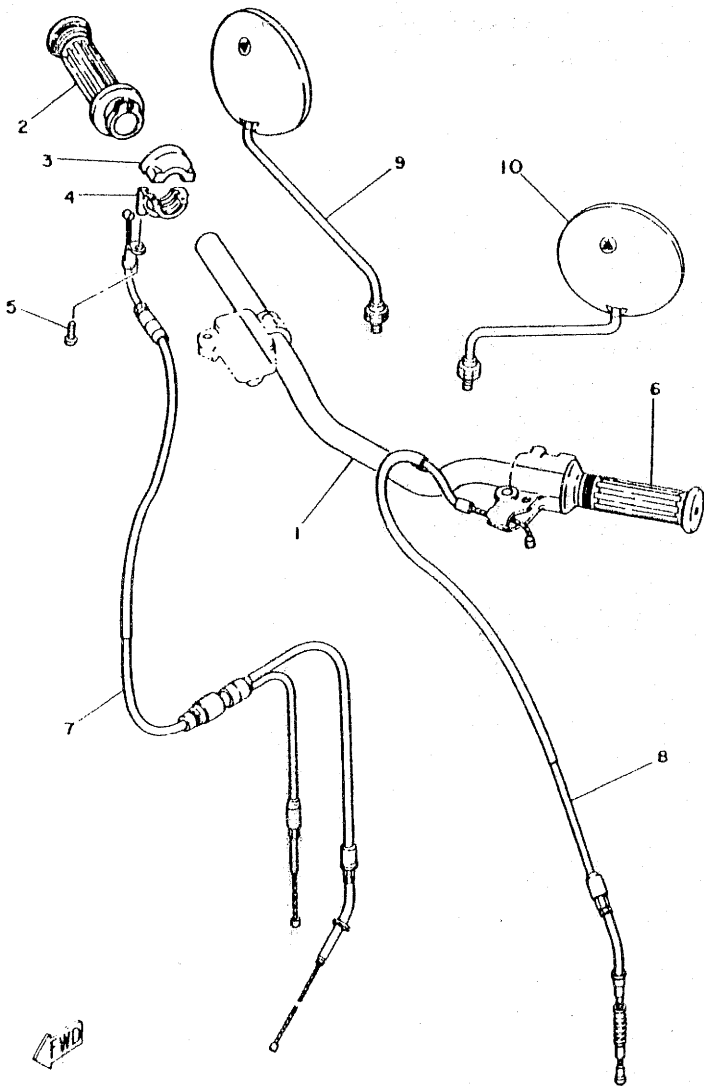
FIG. 30 REAR WHEEL



| REF. NO. | PART NO.     | DESCRIPTION     | Q'TY | REMARKS |
|----------|--------------|-----------------|------|---------|
| 29       | 90109-08183  | BOLT            | 1    |         |
| 30       | 90109-08368  | BOLT            | 1    |         |
| 31       | 95301-08700  | NUT             | 2    |         |
| 32       | 92901-08100  | WASHER, sPring  | 2    |         |
| 33       | 91401-20015  | PIN, cotter     | 2    |         |
| 34       | 401-25181-01 | AXLE, wheel     | 1    |         |
| 35       | 90171-12005  | NUT, castle     | 1    |         |
| 36       | 91401-30025  | PIN, cotter     | 1    |         |
| 37       | 90387-12412  | COLLAR          | 1    |         |
| 38       | 90387-18143  | COLLAR          | 1    |         |
| 39       | 90170-18165  | NUT             | 1    |         |
| 40       | 127-25388-01 | PULLER, chain 1 | 1    |         |
| 41       | 102-25389-00 | PULLER, chain 2 | 1    |         |
| 42       | 95301-06600  | NUT             | 2    |         |
| 43       | 92901-06100  | WASHER, sPring  | 2    |         |
| 44       | 92901-06600  | WASHER, Plate   | 2    |         |

D6

FIG. 31 HANDLEBAR.CABLE

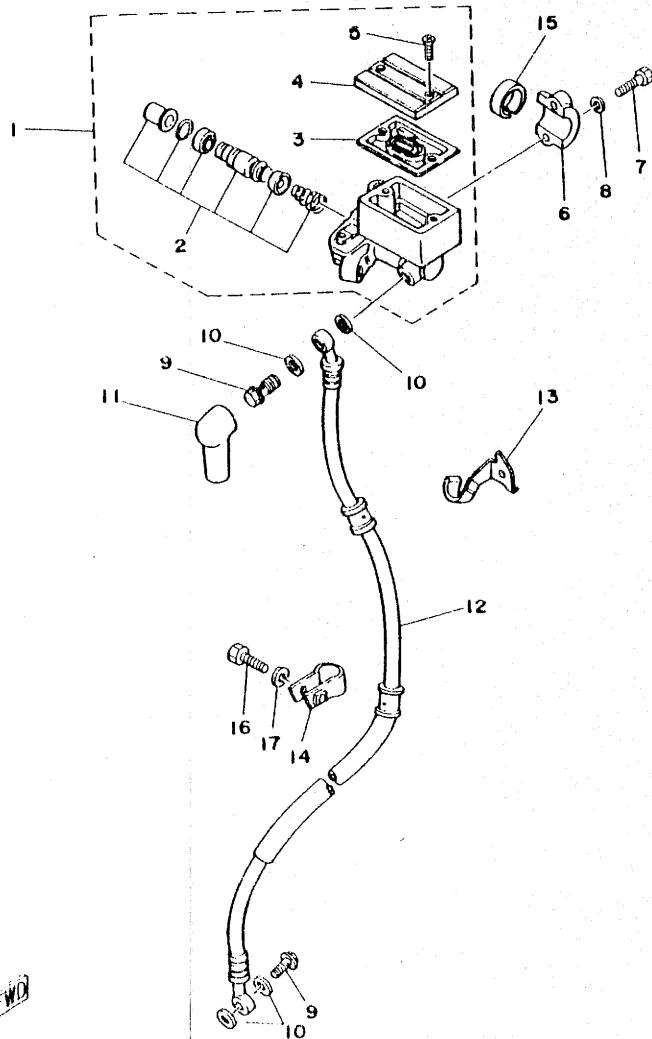


| REF. NO. | PART NO.     | DESCRIPTION                 | Q'TY | REMARKS |
|----------|--------------|-----------------------------|------|---------|
| 1        | 5R2-26111-00 | HANDLEBAR                   | 1    |         |
| 2        | 4U5-26240-00 | GRIP ASSY                   | 1    |         |
| 3        | 1V1-26281-00 | CAP, Grip upper             | 1    |         |
| 4        | 1V1-26282-00 | CAP, Grip lower             | 1    |         |
| 5        | 98506-05014  | SCREW, Pan head             | 2    |         |
| 6        | 2N3-26241-00 | GRIP (L.H)                  | 1    |         |
| 7        | 5R2-26260-00 | CABLE ASSY, throttle & Pump | 1    |         |
| 8        | 5R2-26335-00 | CABLE, clutch               | 1    |         |
| 9        | 1Y1-26290-00 | BACK MIRROR ASSY (R.H)      | 1    |         |
| 10       | 1Y1-26290-10 | BACK MIRROR ASSY (L.H)      | 1    |         |

FWD

D7

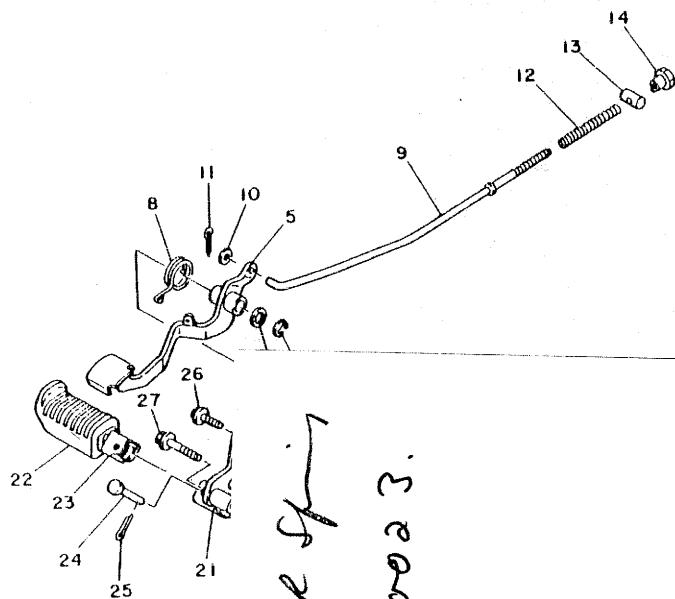
FIG. 32 FRONT MASTER CYLINDER



| REF. NO. | PART NO.     | DESCRIPTION              | Q'TY | REMARKS |
|----------|--------------|--------------------------|------|---------|
| 1        | 4L0-25850-02 | MASTER CYLINDER ASSY     | 1    |         |
| 2        | 4L0-W0041-00 | .CYLINDER KIT, master    | 1    |         |
| 3        | 4L0-25854-00 | .DIAPHRAGM, reservoir    | 1    |         |
| 4        | 4L0-25852-00 | .CAP, reservoir          | 1    |         |
| 5        | 98706-04012  | .SCREW, flat head        | 2    |         |
| 6        | 4L0-25867-00 | BRACKET, master cylinder | 1    |         |
| 7        | 97326-06025  | BOLT                     | 2    |         |
| 8        | 92906-06100  | WASHER, spring           | 2    |         |
| 9        | 90401-10034  | BOLT, union              | 2    |         |
| 10       | 90201-10118  | WASHER, Plate            | 4    |         |
| 11       | 360-25862-00 | BOOT, master cylinder    | 1    |         |
| 12       | 5R2-25872-00 | HOSE, brake 1            | 1    |         |
| 13       | 5R2-25875-00 | HOLDER, brake hose 1     | 1    |         |
| 14       | 2RB-25876-00 | HOLDER, brake hose 2     | 1    |         |
| 15       | 90387-22660  | COLLAR                   | 1    |         |
| 16       | 97301-06025  | BOLT                     | 1    |         |
| 17       | 92901-06100  | WASHER, spring           | 1    |         |

D8

FIG. 33 STAND FOOTREST



RZ 50 F/R Sp  
90508-20023

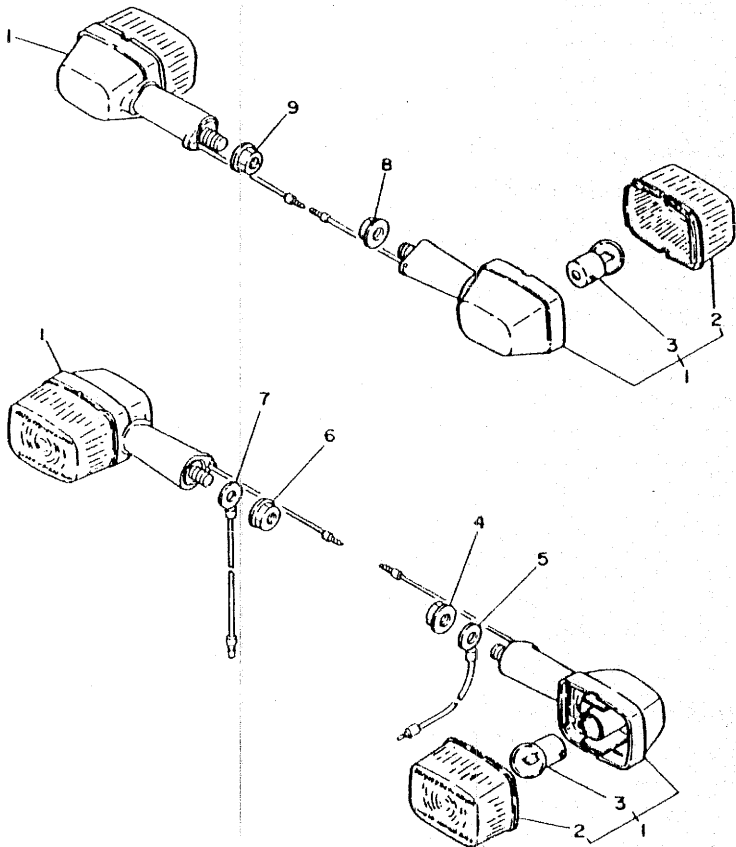
| REF. NO. | PART NO.     | DESCRIPTION         | QTY | REMARKS |
|----------|--------------|---------------------|-----|---------|
| 1        | 5R2-27311-00 | STAND, side         | 1   |         |
| 2        | 90506-25047  | SPRING, tension     | 1   |         |
| 3        | 90109-08031  | BOLT                | 1   |         |
| 4        | 90185-08055  | NUT, self-locking   | 1   |         |
| 5        | 5R2-27211-00 | PEDAL, brake        | 1   |         |
| 6        | 90201-14212  | WASHER, Plate       | 1   |         |
| 7        | 93430-10015  | CIRCLIP             | 1   |         |
| 8        | 90508-32498  | SPRING, torsion     | 1   |         |
| 9        | 5R2-27231-00 | ROD, brake          | 1   |         |
| 10       | 92901-06600  | WASHER, Plate       | 1   |         |
| 11       | 91401-20015  | PIN, cotter         | 1   |         |
| 12       | 90501-10245  | SPRING, compression | 1   |         |
| 13       | 90249-12008  | PIN                 | 1   |         |
| 14       | 90179-06176  | NUT                 | 1   |         |
| 15       | 5R2-27411-00 | FOOTREST 1          | 1   |         |
| 16       | 1A0-27413-00 | COVER, footrest     | 1   |         |
| 17       | 1L9-27451-01 | FOOTREST            | 1   |         |
| 18       | 91701-08038  | PIN, clevis         | 1   |         |
| 19       | 91401-20015  | PIN, cotter         | 1   |         |
| 20       | 95806-08016  | BOLT, flange        | 2   |         |
| 21       | 5R2-27421-01 | FOOTREST 2          | 1   |         |
| 22       | 1A0-27413-00 | COVER, footrest     | 1   |         |
| 23       | 1L9-27461-01 | FOOTREST            | 1   |         |
| 24       | 91701-08038  | PIN, clevis         | 1   |         |
| 25       | 91401-20015  | PIN, cotter         | 1   |         |
| 26       | 95806-08025  | BOLT, flange        | 1   |         |
| 27       | 95806-08045  | BOLT, flange        | 1   |         |
| 28       | 90508-20023  | F/REST SPRING       | 1   |         |

FWD

D9

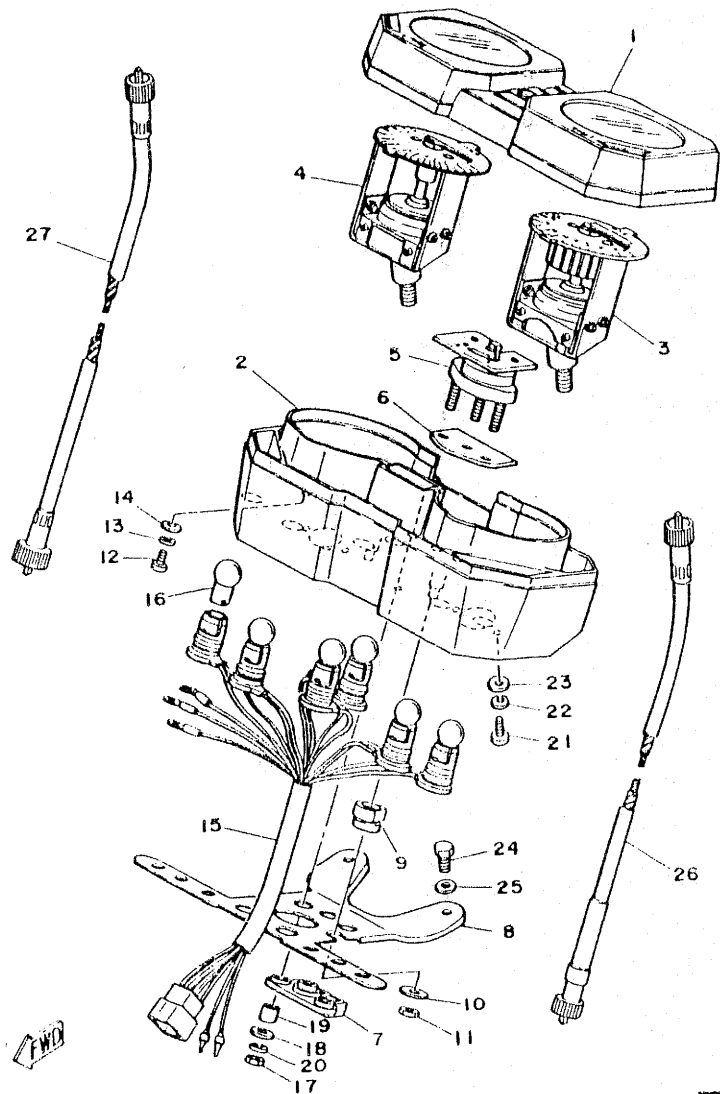
FIG. 34 FLASHER LIGHT

| REF. NO. | PART NO.     | DESCRIPTION                | Q'TY | REMARKS |
|----------|--------------|----------------------------|------|---------|
| 1        | 5R2-83310-00 | FRONT FLASHER LIGHT ASSY 1 | 4    |         |
| 2        | 3L5-83312-00 | LENS, flasher              | 1    |         |
| 3        | 152-83311-10 | BULB (6V-10W)              | 1    |         |
| 4        | 95702-08100  | NUT, flange                | 1    |         |
| 5        | 1U4-83354-00 | WIRE, earth lead 1         | 1    |         |
| 6        | 95702-08100  | NUT, flange                | 1    |         |
| 7        | 1U4-83354-00 | WIRE, earth lead 1         | 1    |         |
| 8        | 95702-08100  | NUT, flange                | 1    |         |
| 9        | 95702-08100  | NUT, flange                | 1    |         |



D10

FIG. 35 METER

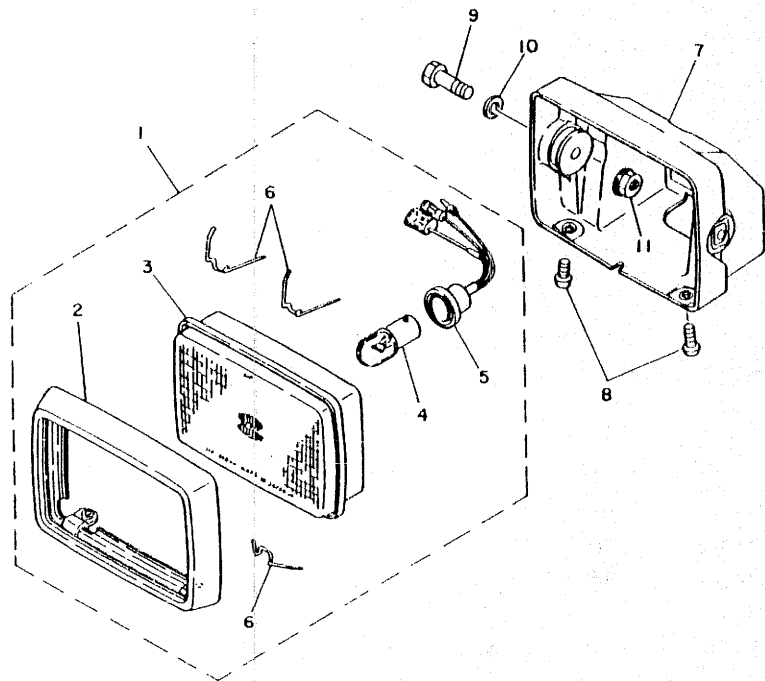


| REF. NO. | PART NO.     | DESCRIPTION            | Q'TY | REMARKS |
|----------|--------------|------------------------|------|---------|
| 1        | 5R2-8353E-00 | CASE, meter upper      | 1    |         |
| 2        | 5R2-8353F-00 | CASE, meter lower      | 1    |         |
| 3        | 10X-83510-F0 | SPEEDOMETER ASSY       | 1    |         |
| 4        | 5R2-83540-F0 | TACHOMETER ASSY        | 1    |         |
| 5        | 5R2-83590-00 | WATER TEMPERATURE ASSY | 1    |         |
| 6        | 5R2-83592-00 | DAMPER                 | 1    |         |
| 7        | 5R2-83526-00 | DAMPER 2               | 1    |         |
| 8        | 5R2-83519-00 | BRACKET, meter         | 1    |         |
| 9        | 5R2-83523-00 | DAMPER                 | 2    |         |
| 10       | 90201-052E2  | WASHER, Plate          | 2    |         |
| 11       | 95306-05600  | NUT                    | 2    |         |
| 12       | 98506-04010  | SCREW, Pan head        | 4    |         |
| 13       | 92906-04100  | WASHER, sPrinG         | 4    |         |
| 14       | 92906-04600  | WASHER, Plate          | 4    |         |
| 15       | 10X-83509-00 | SOCKET CORD ASSY       | 1    |         |
| 16       | 122-83516-10 | BULB (6V-3W)           | 6    |         |
| 17       | 95301-04700  | NUT                    | 3    |         |
| 18       | 92901-04200  | WASHER, Plain          | 3    |         |
| 19       | 4G0-83522-00 | COLLAR                 | 3    |         |
| 20       | 92901-06100  | WASHER, sPrinG         | 3    |         |
| 21       | 98501-04008  | SCREW, Pan head        | 4    |         |
| 22       | 92901-04100  | WASHER, sPrinG         | 4    |         |
| 23       | 92901-04600  | WASHER, Plate          | 4    |         |
| 24       | 97306-06012  | BOLT                   | 2    |         |
| 25       | 92906-06600  | WASHER, Plate          | 2    |         |
| 26       | 5R2-83550-00 | SPEEDOMETER CABLE ASSY | 1    |         |
| 27       | 5R2-83560-00 | TACHOMETER CABLE ASSY  | 1    |         |

D11

FIG. 36 HEADLIGHT

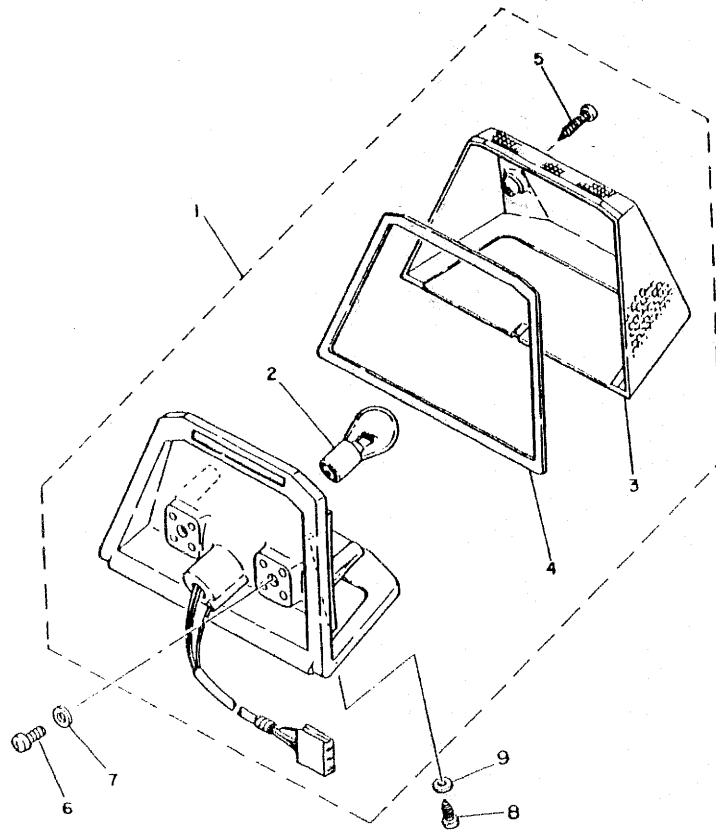
| REF. NO. | PART NO.     | DESCRIPTION          | Q'TY | REMARKS |
|----------|--------------|----------------------|------|---------|
| 1        | 5R2-84110-00 | HEADLIGHT UNIT ASSY  | 1    |         |
| 2        | 5R2-84115-00 | .RIM, headlight      | 1    |         |
| 3        | 5R2-84120-00 | .LENS ASSY           | 1    |         |
| 4        | 206-84114-60 | .BULB (6V-25/25W)    | 1    |         |
| 5        | 405-84112-00 | .SOCKET              | 1    |         |
| 6        | 507-84324-60 | .SPRING, reflector   | 3    |         |
| 7        | 5R2-84130-00 | BODY ASSY, headlight | 1    |         |
| 8        | 98501-05012  | SCREW, Pan head      | 2    |         |
| 9        | 97306-08035  | BOLT                 | 2    |         |
| 10       | 92906-08600  | WASHER, Plate        | 2    |         |
| 11       | 95702-08100  | NUT, flange          | 2    |         |



FWD

D12

FIG. 37 TAILLIGHT

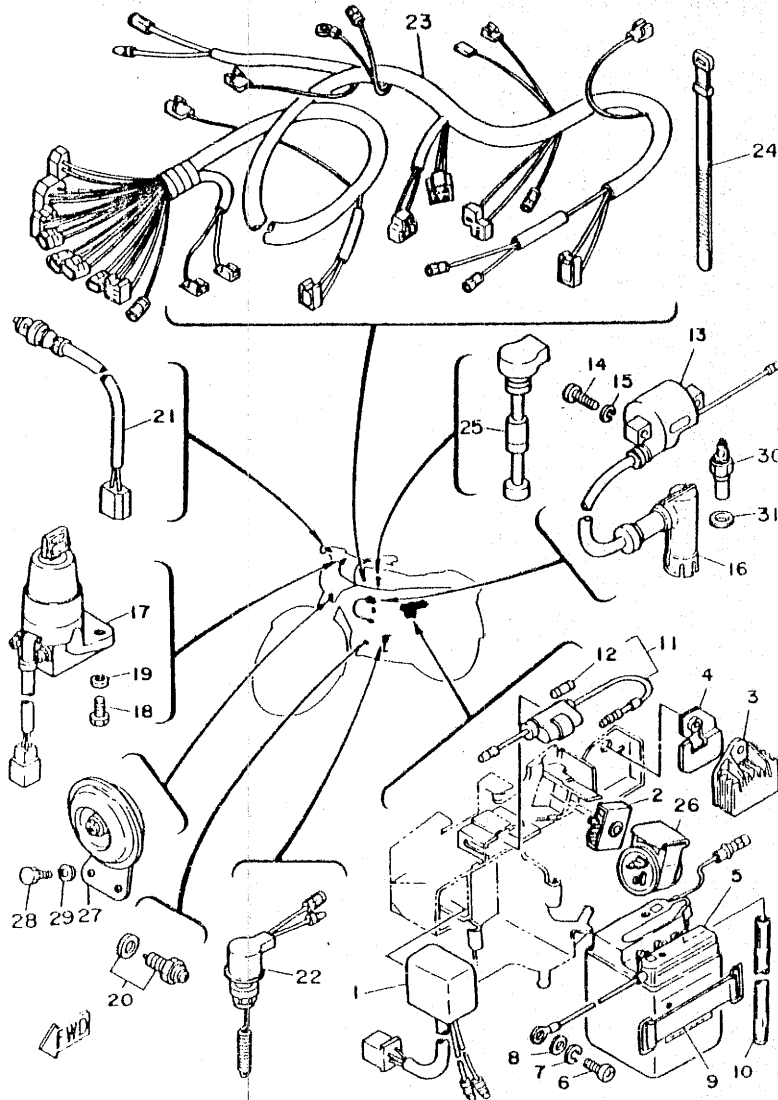


| REF. NO. | PART NO.     | DESCRIPTION       | QTY | REMARKS |
|----------|--------------|-------------------|-----|---------|
| 1        | 5R2-84500-00 | TAILLIGHT ASSY    | 1   |         |
| 2        | 122-84514-30 | BULB (6V-17/5.3W) | 1   |         |
| 3        | 5R2-84521-00 | LENS, taillight   | 1   |         |
| 4        | 5R2-84523-00 | GASKET, lens      | 1   |         |
| 5        | 97701-40525  | SCREW, tapping    | 2   |         |
| 6        | 92502-06016  | SCREW, Pan head   | 2   |         |
| 7        | 90201-06053  | WASHER, Plate     | 2   |         |
| 8        | 97701-50512  | SCREW, tapping    | 1   |         |
| 9        | 90201-05029  | WASHER, Plate     | 1   |         |

FWD

D13

FIG. 38 ELECTRICAL 1

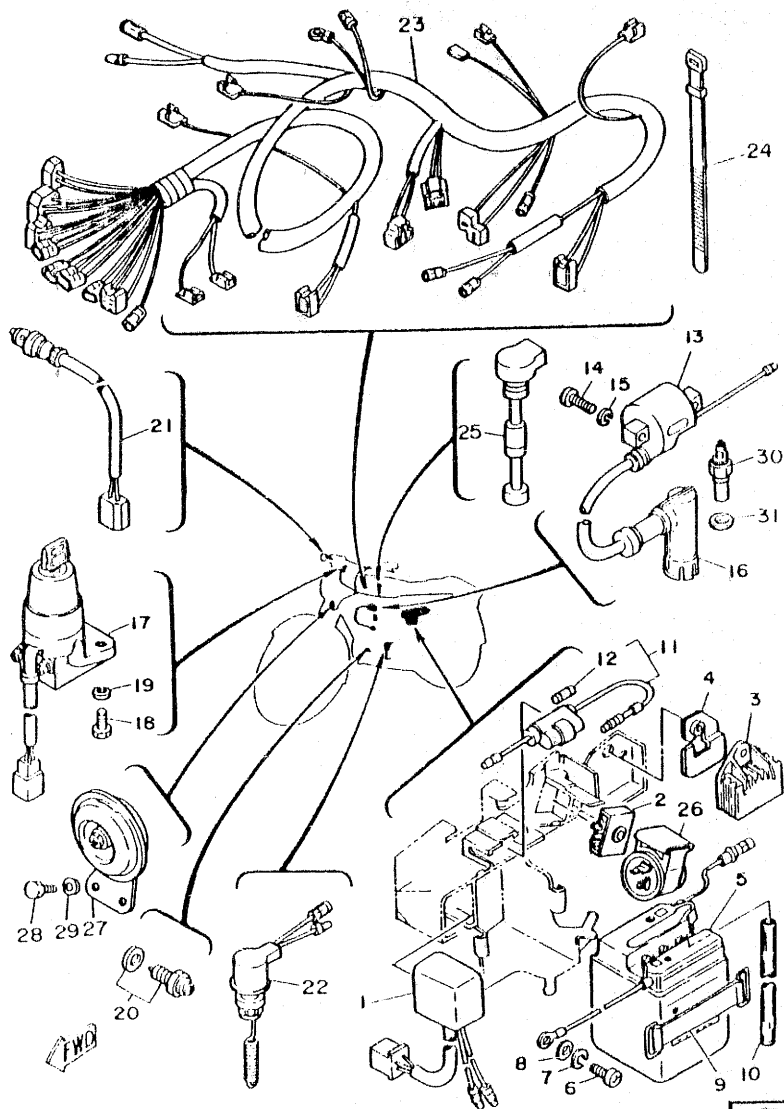


| REF. NO. | PART NO.     | DESCRIPTION              | Q'TY | REMARKS                    |
|----------|--------------|--------------------------|------|----------------------------|
| 1        | 5R2-85540-M0 | C.D.I. UNIT ASSY         | 1    |                            |
| 2        | 353-81970-50 | RECTIFIER ASSY           | 1    |                            |
| 3        | 4F4-81910-60 | VOLTAGE REGULATOR ASSY   | 1    | UR                         |
|          | 4F4-81910-90 | VOLTAGE REGULATOR ASSY   | 1    | UR                         |
| 4        | 5R2-81915-00 | PLATE, reBulator fitting | 1    |                            |
| 5        | 120-82110-29 | BATTERY ASSY (6N4-2A-2)  | 1    |                            |
| 6        | 92501-06015  | SCREW, Pan head          | 1    |                            |
| 7        | 92901-06100  | WASHER, sPrinB           | 1    |                            |
| 8        | 92901-06600  | WASHER, Plate            | 1    |                            |
| 9        | 2T4-82131-00 | BAND, battery            | 1    |                            |
| 10       | 90445-08172  | HOSE                     | 1    |                            |
| 11       | 116-82150-00 | FUSE HOLDER ASSY         | 1    |                            |
| 12       | 116-82151-00 | FUSE (6V-10A)            | 1    |                            |
| 13       | 2T4-82310-M0 | IGNITION COIL ASSY       | 1    |                            |
| 14       | 92501-06020  | SCREW, Pan head          | 2    |                            |
| 15       | 92902-06100  | WASHER, sPrinB           | 2    |                            |
| 16       | 512-82370-10 | PLUG CAP ASSY            | 1    | with noise sup-<br>Presser |
| 17       | 5R2-82508-00 | MAIN SWITCH ASSY         | 1    |                            |
| 18       | 97301-06016  | BOLT                     | 2    |                            |
| 19       | 92901-06100  | WASHER, sPrinB           | 2    |                            |
| 20       | 341-82540-01 | NEUTRAL SWITCH ASSY      | 1    |                            |
| 21       | 2U2-83980-30 | FRONT STOP SWITCH ASSY   | 1    |                            |
| 22       | 5R2-82530-00 | STOP SWITCH ASSY         | 1    |                            |
| 23       | 5R2-82590-20 | WIRE HARNESS ASSY        | 1    |                            |
| 24       | 437-83936-10 | BAND, switch cord        | 1    |                            |
| 25       | 5R2-85720-00 | OIL LEVEL GAUGE ASSY     | 1    |                            |
| 26       | 2M5-83350-11 | FLASHER RELAY ASSY       | 1    |                            |
| 27       | 2A7-83371-10 | HORN                     | 1    |                            |

D14

FIG. 38 ELECTRICAL I

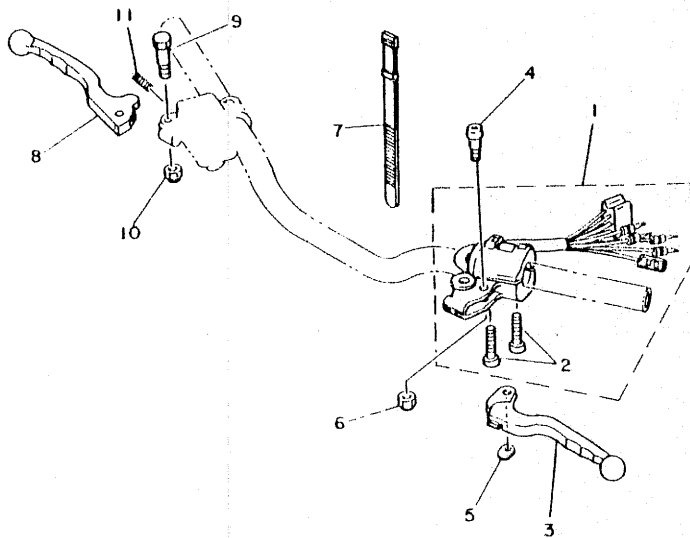
| REF. NO. | PART NO.     | DESCRIPTION    | Q'TY | REMARKS |
|----------|--------------|----------------|------|---------|
| 28       | 97301-06012  | BOLT           | 2    |         |
| 29       | 92901-06100  | WASHER, sPring | 2    |         |
| 30       | 5R2-83591-00 | THERMO UNIT    | 1    |         |
| 31       | 90430-10164  | GASKET         | 1    |         |



D15

FIG. 39 HANDLE SWITCH-LEVER

| REF. NO. | PART NO.     | DESCRIPTION             | Q'TY | REMARKS |
|----------|--------------|-------------------------|------|---------|
| 1        | 5R2-W8291-20 | LEVER HOLDER ASSY (L.H) | 1    |         |
| 2        | 98506-05030  | SCREW, Pan head         | 2    |         |
| 3        | 5R2-83912-00 | LEVER 1                 | 1    |         |
| 4        | 90149-05164  | SCREW                   | 1    |         |
| 5        | 3M5-83929-00 | PLATE, sPring           | 1    |         |
| 6        | 95606-05100  | NUT, u                  | 1    |         |
| 7        | 437-83936-00 | BAND, switch cord       | 1    |         |
| 8        | 5R2-83922-00 | LEVER 2                 | 1    |         |
| 9        | 90109-06577  | BOLT                    | 1    |         |
| 10       | 95606-06100  | NUT, u                  | 1    |         |
| 11       | 90501-10312  | SPRING, compression     | 1    |         |



FWD

E2

NUMERICAL INDEX

| PART NO.        | GRID NO. | PART NO.     | GRID NO. | PART NO.        | GRID NO. |
|-----------------|----------|--------------|----------|-----------------|----------|
| 4L0-W0041-00    | D 8      | 5R2-13565-00 | B 8      | 5R2-14737-00    | B 11     |
| 5R2-W0045-00    | D 4      | 5R2-13580-00 | B 8      | 5R2-14753-00    | B 11     |
| 404-W0048-30    | D 4      | 5R2-13584-00 | B 8      | 5R2-14759-00    | B 11     |
| 4X8-W0057-00    | D 4      | 314-13610-01 | B 8      | 5R2-15111-00    | B 12     |
| 5R2-W2463-00    | C 15     | 314-13613-01 | B 8      | 5R2-15113-00    | B 12     |
| 5R2-W2473-00    | D 2      | 314-13616-01 | B 8      | 5R2-15121-00    | B 12     |
| 5R2-W2476-00    | D 2      | 314-13621-02 | B 8      | 5R2-15316-00    | B 12     |
| 5R2-W2476-10    | D 2      | 5R2-14101-00 | B 9      | 5R2-15317-00    | B 12     |
| 5R2-W2476-20    | D 2      | 5L6-14112-20 | B 9      | 5R2-15328-00    | B 12     |
| 5R2-WB291-20    | E 2      | 2X0-14116-01 | B 9      | 3M7-15361-00    | C 6      |
| 5R2-11111-00    | B 2      | 296-14117-00 | B 9      | 3Y1-15363-00    | B 13     |
| 5R2-11181-00    | B 2      | 102-14122-00 | B 9      | 5R2-15421-00    | B 13     |
| 5R2-11311-00    | B 2      | 353-14123-00 | B 9      | 5R2-15431-00    | B 13     |
| 5R2-11351-00    | B 2      | 405-14126-00 | B 10     | 5R2-15441-00    | B 2      |
| 5R2-11400-00    | B 3      | 405-14131-00 | B 9      | 5R2-15441-00    | B 2      |
| 5R2-11412-00    | B 3      | 127-14134-00 | B 9      | 5R2-15461-00    | B 13     |
| 5R2-11422-00    | B 3      | 212-14136-00 | B 9      | 156-15618-01    | B 14     |
| 2W1-11610-00    | B 3      | 127-14137-00 | B 9      | 5R2-15620-00    | B 14     |
| 2W1-11610-10    | B 3      | 363-14137-00 | B 10     | 4V0-15641-00    | B 14     |
| 2W1-11610-20    | B 3      | 405-14141-10 | B 9      | 4V0-15651-00    | B 14     |
| 5R2-11631-00-97 | B 3      | 260-14142-25 | B 9      | 5R2-15660-00    | B 14     |
| 517-11633-00    | B 3      | 127-14143-24 | B 9      | 4V0-15664-00    | B 14     |
| 5R2-11635-00    | B 3      | 127-14143-25 | B 9      | 5R2-16111-00    | B 15     |
| 5R2-11636-00    | B 3      | 127-14143-26 | B 9      | 5R2-16150-00    | B 15     |
| 3R1-11651-01    | B 3      | 4A5-14145-00 | B 9      | 122-16164-00    | B 15     |
| 4V0-11681-00    | B 3      | 214-14147-00 | B 9      | 5R2-16300-00    | B 15     |
| 5R2-12422-00    | B 5      | 1T9-14155-00 | B 10     | 131-16321-00    | B 15     |
| 5R2-12428-00    | B 5      | 405-14158-00 | B 10     | 257-16324-00    | B 15     |
| 5R2-12434-00    | B 6      | 127-14161-00 | B 10     | 5R2-16351-00    | B 15     |
| 5R2-12446-00    | B 6      | 1M1-14169-00 | B 10     | 1W1-16356-00    | B 15     |
| 5R2-12450-00    | B 5      | 405-14171-00 | B 9      | 5R2-16357-00    | B 15     |
| 5R2-12459-00    | B 5      | 405-14181-08 | B 9      | 1W1-16358-00    | B 15     |
| 5R2-12460-00    | B 6      | 353-14184-00 | B 9      | 131-16367-00    | B 15     |
| 4L0-12462-00    | B 6      | 405-14185-00 | B 9      | 353-16371-00    | B 15     |
| 5R2-12467-00    | B 6      | 353-14186-00 | B 9      | 5R2-16380-00    | B 15     |
| 5R2-12481-00    | B 6      | 3L5-14190-01 | B 9      | 5R2-17121-00    | C 2      |
| 5R2-12482-00    | B 6      | 183-14196-00 | B 9      | 5R2-17131-00    | C 2      |
| 5R2-13101-00    | B 7      | 183-14197-01 | B 9      | 5R2-17151-00    | C 2      |
| 126-13116-00    | B 7      | 509-14198-00 | B 10     | 5R2-17161-00    | C 2      |
| 137-13137-00-03 | B 7      | 5R2-14411-00 | B 8      | 5R2-17211-00    | C 2      |
| 137-13137-00-05 | B 7      | 5R2-14412-00 | B 8      | 5R2-17221-00    | C 2      |
| 137-13138-01    | B 7      | 5R2-14437-00 | B 8      | 5R2-17231-00    | C 2      |
| 367-13146-01    | B 7      | 5R2-14451-00 | B 8      | 5R2-17241-00    | C 2      |
| 5R2-13174-00    | B 7      | 5R2-14453-00 | B 8      | 5R2-17251-00    | C 2      |
| 5R2-13175-00    | B 7      | 5R2-14472-00 | B 8      | 5R2-17261-00    | C 2      |
| 1E7-13176-00    | B 7      | 5R2-14613-00 | B 11     | 5R2-17271-00    | C 2      |
| 5R2-13178-00    | B 7      | 5R2-14643-00 | B 11     | 4V0-17421-00    | C 2      |
| 353-13552-01    | B 7      | 5R2-14710-00 | B 11     | 164-17427-00-10 | C 2      |

NUMERICAL INDEX

| PART NO.        | GRID NO. | PART NO.        | GRID NO. | PART NO.        | GRID NO. |
|-----------------|----------|-----------------|----------|-----------------|----------|
| 5R2-17461-21    | C 2      | 5R2-21781-10    | C 8      | 3M7-23385-00    | C 14     |
| 5R2-17471-00    | C 2      | 5R2-21781-20    | C 8      | 122-23411-00    | C 12     |
| 5R2-17841-00    | C 3      | 5R2-21782-00    | C 8      | 156-23411-00    | C 14     |
| 5R2-18101-00    | C 5      | 5R2-21782-10    | C 8      | 122-23412-00    | C 12     |
| 5R2-18111-00    | C 5      | 5R2-21782-20    | C 8      | 156-23412-00    | C 12     |
| 5R2-18112-00    | C 5      | 4L0-21815-01    | B 6      | 122-23416-00    | C 12     |
| 132-18113-01    | C 5      | 5R2-21871-00    | B 6      | 5R2-23435-00-98 | C 12     |
| 5R2-18115-00    | C 5      | 5R2-22110-00-33 | C 10     | 5R2-23441-00-98 | C 12     |
| 102-18137-00-10 | B 14     | 102-22123-00    | C 10     | 5R2-23442-00-98 | C 12     |
| 5R2-18140-00    | C 4      | 5R2-22126-00    | C 10     | 2H9-23469-00    | C 12     |
| 5R2-18154-00    | C 5      | 312-22141-01    | C 10     | 5R2-24110-00-01 | C 10     |
| 1W1-18177-00    | C 4      | 183-22151-00    | C 10     | 5R2-24110-00-02 | C 15     |
| 5R2-18185-00    | C 4      | 5R2-22210-00    | C 11     | 5R2-24110-00-03 | C 15     |
| 5R2-18511-00    | C 4      | 3M7-22214-00    | C 11     | 5R2-24146-00    | C 15     |
| 5R2-18512-00    | C 4      | 3M7-22216-00    | C 11     | 405-24181-00    | C 15     |
| 5R2-18513-00    | C 4      | 3M7-22223-00    | C 11     | 132-24183-00    | C 15     |
| 3R4-18531-00    | C 4      | 3M7-22224-00    | C 11     | 5R2-24240-00    | C 15     |
| 3R4-18535-00    | C 4      | 5R2-22311-00    | C 10     | 5R2-24240-10    | C 15     |
| 5R2-18540-00    | C 4      | 5R2-22401-00    | C 11     | 5R2-24240-20    | C 15     |
| 136-18542-00    | C 4      | 3M7-22409-00    | C 11     | 407-24317-00    | C 15     |
| 3R4-18561-00    | C 4      | 3M7-22472-00    | C 11     | 5R2-24500-00    | C 15     |
| 5R2-21110-01-33 | C 6      | 3M7-22493-00    | C 11     | 355-24515-00    | C 15     |
| 5R2-21165-00    | C 6      | 5R2-23102-00    | C 13     | 102-24522-01    | C 15     |
| 5H0-21308-00    | C 6      | 5R2-23103-00    | C 13     | 355-24523-00    | C 15     |
| 5R2-21511-00    | C 7      | 5R2-23111-00    | C 13     | 122-24532-00    | C 15     |
| 5R2-21511-10    | C 7      | 5R2-23116-00    | C 13     | 296-24610-00    | C 15     |
| 5R2-21511-20    | C 7      | 5R2-23117-00    | C 13     | 5R2-24669-00    | C 15     |
| 5R2-21513-00    | C 7      | 5R2-23124-00    | C 13     | 116-24741-00    | D 2      |
| 1A8-21518-00    | C 7      | 5R2-23126-00    | C 13     | 5R2-24756-00    | D 2      |
| 5R2-2160E-00    | C 7      | 5R2-23136-00    | C 13     | 5R2-24756-10    | D 2      |
| 5R2-21611-00    | C 7      | 3M7-23137-00    | C 14     | 5R2-24756-20    | D 2      |
| 1M1-21621-00    | C 7      | 5R2-23141-01    | C 13     | 5R2-2477L-00    | D 2      |
| 5R2-21629-00    | C 7      | 5R2-23142-00    | C 13     | 5R2-2477L-10    | D 2      |
| 5R2-21685-00    | C 7      | 5R2-23142-00    | C 13     | 5R2-2477L-20    | D 2      |
| 5R2-21711-00    | C 8      | 5R2-23142-00    | C 13     | 5R2-24771-00    | D 2      |
| 5R2-21711-10    | C 8      | 5R2-23144-00    | C 13     | 353-24786-02    | D 2      |
| 5R2-21711-20    | C 8      | 5R2-23151-00    | C 13     | 481-25118-01    | D 3      |
| 5R2-21721-00    | C 8      | 5R2-23157-00    | C 13     | 341-25149-00    | D 3      |
| 5R2-21721-10    | C 8      | 5R2-23157-00    | C 13     | 5R6-25168-00-98 | D 3      |
| 5R2-21721-20    | C 8      | 5R2-23166-00    | C 13     | 401-25181-01    | D 6      |
| 5R2-21731-00    | C 8      | 5R2-23166-00    | C 13     | 5R2-25190-00    | D 3      |
| 5R2-21751-00    | C 9      | 5R2-23171-00    | C 13     | 109-25315-00    | D 3      |
| 5R2-21761-00    | C 9      | 5R2-23171-00    | C 13     | 1M3-25321-01-98 | D 5      |
| 5R2-21766-00    | C 9      | 5R2-23327-00-33 | C 14     | 3Y6-2533A-01    | D 5      |
| 5R2-2177A-00    | C 9      | 5R2-23328-00-33 | C 14     | 326-25330-10    | D 5      |
| 5R2-21781-00    | C 8      | 5R2-23340-00-33 | C 14     | 5R6-25338-00-98 | D 5      |
|                 |          |                 |          | 3Y6-25351-00    | D 5      |

NUMERICAL INDEX

NUMERICAL INDEX

| PART NO.        | GRID NO. | PART NO.     | GRID NO. | PART NO.     | GRID NO. | PART NO.    | GRID NO. | PART NO.    | GRID NO. | PART NO.    | GRID NO. |
|-----------------|----------|--------------|----------|--------------|----------|-------------|----------|-------------|----------|-------------|----------|
| 538-25355-00    | D 5      | 4F4-81910-90 | D14      | 5R2-84500-00 | D13      | 90201-06074 | C15      | 90445-09111 | C 9      | 91830-21014 | B13      |
| 304-25364-01    | D 5      | 5R2-81915-00 | D14      | 122-84514-30 | D13      | 90201-06765 | C 7      | 90460-36174 | B 8      | 91830-22016 | B12      |
| 296-25366-01-98 | D 5      | 353-81970-50 | D14      | 5R2-84521-00 | D13      | 90201-081A6 | C 5      | 90460-41191 | B 8      | 92501-06010 | B12      |
| 5J0-25371-00    | D 5      | 120-82110-29 | D14      | 5R2-84523-00 | D13      | 90201-08512 | B 5      | 90461-05036 | B 4      | 92501-06012 | C 2      |
| 367-25381-00    | D 3      | 2T4-82131-00 | D14      | 3G1-85130-00 | C 7      | 90201-08624 | B 7      | 90465-10172 | B 7      | 92501-06015 | B 8      |
| 102-25387-02    | D 5      | 116-82150-00 | D14      | 5R2-85500-M0 | B 4      | 90201-08759 | B 5      | 90467-08003 | C 9      |             | C 9      |
| 127-25388-01    | D 6      | 116-82151-00 | D14      | 5R2-85520-M0 | B 4      | 90201-10118 | D 8      |             | C15      |             | D14      |
| 102-25389-00    | D 6      | 2T4-82310-M0 | D14      | 5R2-85540-M0 | D14      | 90201-10138 | B 7      | 90467-10008 | B 6      | 92501-06020 | C 8      |
| 102-25412-00    | D 5      | 512-82370-10 | D14      | 5R2-85550-M0 | B 4      | 90201-105E4 | C12      | 90467-19051 | B 8      |             | D14      |
| 390-25412-01    | D 4      | 5R2-82508-00 | D14      | 5R2-85561-M0 | B 4      | 90201-10746 | C11      | 90467-21058 | B 6      | 92501-06030 | B 8      |
| 5R2-25448-10-33 | D 5      | 5R2-82530-00 | D14      | 2T4-85569-M1 | B 4      | 90201-12593 | B 4      | 90467-23059 | B 6      |             | C 3      |
| 5R2-25810-00    | D 4      | 341-82540-01 | D14      | 5R2-85580-M0 | B 4      | 90201-12631 | B14      | 90468-02033 | B 7      | 92501-06035 | B12      |
| 4X8-25827-00    | D 4      | 5R2-82590-20 | D14      | 5R2-85720-00 | D14      | 90201-14212 | D 9      | 90468-08086 | B 7      | 92501-06045 | B12      |
| 5G0-25831-00    | D 4      | 5R2-83310-00 | D10      | 90101-06278  | D 5      | 90201-154A1 | B14      | 90468-26046 | B14      | 92502-06016 | D13      |
| 341-25846-00    | D 3      | 152-83311-10 | D10      | 90101-10308  | D 4      | 90201-157E7 | B11      | 90480-01141 | C 8      | 92506-06016 | B 6      |
| 4L0-25850-02    | D 8      | 3L5-83312-00 | D10      | 90105-10119  | C 6      | 90202-14077 | C15      | 90480-12053 | B 8      | 92506-06025 | B 5      |
| 4L0-25852-00    | D 8      | 2M5-83350-11 | D14      | 90105-10201  | C12      | 90206-15070 | C13      |             | C 8      |             | B13      |
| 4L0-25854-00    | D 8      | 1U4-83354-00 | D10      | 90109-06577  | E 2      | 90208-12015 | B15      | 90480-12236 | C 9      | 92506-06030 | B13      |
| 360-25862-00    | D 8      | 2A7-83371-10 | D14      | 90109-08031  | D 9      | 90209-16206 | C 2      | 90480-13197 | C 8      | 92506-06035 | B13      |
| 4L0-25867-00    | D 8      | 10X-83509-00 | D11      | 90109-08057  | D 5      | 90209-18112 | B 3      | 90480-14153 | B11      | 92701-06018 | C 6      |
| 5R2-25872-00    | D 8      | 10X-83510-F0 | D11      | 90109-08183  | D 6      | 90240-10069 | C11      | 90480-18276 | B 6      | 92702-06014 | B 4      |
| 5R2-25875-00    | D 8      | 122-83516-10 | D11      | 90109-08367  | D 4      | 90240-10072 | C11      | 90501-02217 | B 7      | 92901-03100 | C15      |
| 2R8-25876-00    | D 8      | 5R2-83519-00 | D11      | 90109-08368  | D 6      | 90249-12008 | D 9      | 90501-10245 | D 9      | 92901-04100 | B 4      |
| 4X8-25917-00    | D 4      | 4G0-83522-00 | D11      | 90116-08247  | D 6      | 90250-06013 | C 4      | 90501-10312 | E 2      |             | D11      |
| 4X8-25919-00    | D 4      | 5R2-83523-00 | D11      | 90116-08368  | B 2      | 90280-03017 | B 3      | 90501-12081 | B14      | 92901-04200 | D11      |
| 5R2-25937-00    | D 4      | 5R2-83526-00 | D11      | 90119-05001  | B15      | 90282-04036 | C 4      | 90501-20125 | B15      | 92901-04600 | D11      |
| 5R2-26111-00    | D 7      | 5R2-8353E-00 | D11      | 90119-06056  | B 8      | 90282-05034 | B15      | 90501-78582 | C11      | 92901-05100 | B 7      |
| 4U5-26240-00    | D 7      | 5R2-8353F-00 | D11      |              | C 7      | 90338-18122 | C 6      | 90506-16150 | D 5      |             | B11      |
| 2N3-26241-00    | D 7      | 5R2-83540-F0 | D11      | 90149-05164  | E 2      | 90340-12059 | B12      | 90506-25047 | D 9      | 92901-05600 | C 7      |
| 5R2-26260-00    | D 7      | 5R2-83550-00 | D11      | 90157-08026  | B11      | 90387-06372 | C 7      | 90508-18500 | B15      | 92901-06100 | B 6      |
| 1V1-26281-00    | D 7      | 5R2-83560-00 | D11      | 90159-06058  | C10      | 90387-06500 | D 2      | 90508-26462 | C 4      |             | C 7      |
| 1V1-26282-00    | D 7      | 5R2-83590-00 | D11      | 90170-08157  | D 5      | 90387-07038 | C15      | 90508-26464 | B14      |             | C 8      |
| 1Y1-26290-00    | D 7      | 5R2-83591-00 | D15      | 90170-12060  | B15      | 90387-08725 | C 5      | 90508-32465 | C 5      |             | C 9      |
| 1Y1-26290-10    | D 7      | 5R2-83592-00 | D11      | 90170-12175  | B 4      | 90387-12412 | D 6      | 90508-32498 | D 9      |             | C15      |
| 5R2-26335-00    | D 7      | 5R2-83912-00 | E 2      | 90170-18165  | D 6      | 90387-12670 | D 3      | 90560-12138 | D 3      |             | D 6      |
| 1M3-27114-00    | D 2      | 5R2-83922-00 | E 2      | 90171-12005  | D 3      | 90387-18143 | D 6      | 90560-12145 | D 5      |             | D 8      |
| 5R2-27211-00    | D 9      | 3M5-83929-00 | E 2      |              | D 6      | 90387-20346 | B15      | 90560-17147 | B15      |             | D11      |
| 5R2-27231-00    | D 9      | 437-83936-00 | B 4      | 90179-06176  | D 9      | 90387-22660 | D 8      | 91311-10025 | C13      |             | D14      |
| 5R2-27311-00    | D 9      |              | E 2      | 90179-08343  | B 2      | 90401-10034 | D 8      |             | C14      |             | D15      |
| 5R2-27411-00    | D 9      | 437-83936-10 | D14      | 90179-08357  | B11      | 90430-04004 | B 7      | 91316-06012 | B 2      | 92901-06200 | B15      |
| 1A0-27413-00    | D 9      | 2U2-83980 30 | D14      | 90179-12244  | B15      | 90430-06166 | B 2      | 91316-06045 | C12      |             | C 5      |
| 5R2-27421-01    | D 9      | 5R2-84110-00 | D12      | 90179-25051  | C12      |             | B 5      | 91401-20015 | C 5      | 92901-06600 | B 6      |
| 1L9-27451-01    | D 9      | 4U5-84112-00 | D12      | 90185-08055  | D 9      | 90430-10164 | D15      |             | D 6      |             | B 8      |
| 1L9-27461-01    | D 9      | 206-84114-60 | D12      | 90185-08097  | B11      | 90430-10171 | C13      |             | D 9      |             | C 8      |
| 5R2-28100-11    | C 6      | 5R2-84115-00 | D12      | 90201-05029  | D13      |             | C14      | 91401-25015 | C11      |             | D 6      |
| 5R2-8131X-M0    | B 4      | 5R2-84120-00 | D12      | 90201-052E2  | D11      | 90430-12038 | B12      | 91401-30025 | D 3      |             | D 9      |
| 5R2-81313-MJ    | B 4      | 5R2-84130-00 | D12      | 90201-06053  | D13      | 90445-05529 | B 7      |             | D 6      |             | D14      |
| 4F4-81910-60    | D14      | 507-84324-60 | D12      | 90201-06067  | C 9      | 90445-08172 | D14      | 91701-08038 | D 9      | 92901-08100 | C 6      |

NUMERICAL INDEX

| PART NO.    | GRID NO. | PART NO.    | GRID NO. | PART NO.    | GRID NO. |
|-------------|----------|-------------|----------|-------------|----------|
| 92901-08100 | D 6      | 93310-11268 | B 3      | 95801-06016 | D 2      |
| 92901-10100 | C 6      | 93310-418K1 | B 3      | 95806-08016 | D 9      |
|             | C10      | 93315-31502 | C 2      | 95806-08025 | D 9      |
|             | C14      | 93410-12003 | B14      | 95806-08045 | D 9      |
|             | D 4      | 93410-18062 | C 2      | 95821-08125 | C 6      |
| 92901-10200 | D 4      | 93410-20038 | C 2      | 95826-06010 | B 2      |
| 92901-10600 | C11      | 93430-07012 | B 5      | 95826-06025 | B 5      |
| 92901-12600 | D 3      | 93430-08006 | B 7      | 97301-06012 | D15      |
| 92902-04100 | B 9      | 93430-08007 | B14      | 97301-06016 | B 6      |
| 92902-06100 | C 7      | 93430-10015 | D 9      |             | C 7      |
|             | D14      | 93430-10016 | C 5      |             | D14      |
|             | B 4      | 93440-15012 | B12      | 97301-06020 | B 8      |
| 92902-12100 | D11      |             | C 2      | 97301-06025 | C15      |
| 92906-04100 | D11      | 93440-16089 | C 2      |             | D 8      |
| 92906-04600 | D 8      | 93440-32074 | C11      | 97302-06018 | C 7      |
| 92906-06100 | D11      | 93450-13022 | B 3      | 97306-06012 | D11      |
| 92906-06600 | C 5      | 93450-40070 | C13      | 97306-08016 | C 6      |
| 92906-08100 | C 6      | 93501-04011 | C12      | 97306-08035 | C 5      |
|             | B11      | 93503-16010 | B15      |             | D12      |
| 92906-08200 | C 6      |             | C12      | 97316-06025 | B14      |
| 92906-08600 | D12      | 93505-32002 | B 7      | 97321-10035 | C14      |
|             | B 7      | 93507-32009 | B14      | 97326-06020 | C 5      |
| 93101-10001 | C 2      | 93603-22028 | B 5      | 97326-06025 | D 3      |
| 93102-20143 | B 3      |             | B 7      | 97602-03108 | B 8      |
| 93102-20231 | B 5      | 93604-10011 | B 5      | 97701-40525 | D13      |
| 93103-10113 | B 3      | 93608-30128 | C 5      | 97701-50512 | D13      |
| 93103-28011 | D 5      | 94125-18705 | D 3      | 98501-03008 | C15      |
| 93104-21016 | D 3      | 94127-18706 | D 5      | 98501-04006 | B 4      |
| 93105-45017 | D 3      | 94225-18194 | D 3      | 98501-04008 | D11      |
| 93106-20002 | D 5      | 94227-18195 | D 5      | 98501-05008 | B 9      |
| 93106-30004 | C 3      | 94580-13106 | D 5      |             | B11      |
| 93109-08017 | C 5      | 94604-20001 | D 5      | 98501-05012 | D12      |
| 93109-12012 | B15      | 94701-00045 | B 2      | 98501-05016 | B 7      |
| 93109-14021 | B14      | 95301-04700 | D11      | 98502-04014 | B 9      |
| 93109-15001 | C13      | 95301-05600 | B 7      | 98503-04010 | B 4      |
| 93110-27010 | C 3      |             | C 7      | 98506-04010 | D11      |
| 93210-14104 | B 6      | 95301-06600 | B15      | 98506-05014 | D 7      |
| 93210-16275 | C13      |             | D 5      | 98506-05030 | E 2      |
| 93210-17490 | C14      |             | D 6      | 98511-04012 | B 4      |
|             | B13      | 95301-08600 | C 6      | 98511-04025 | B 4      |
| 93210-19123 | D 5      | 95301-08700 | D 6      | 98701-05016 | C 4      |
| 93210-41041 | B12      | 95301-10600 | C 6      | 98706-04012 | D 8      |
| 93306-00203 | D 5      |             | C10      | 98901-04008 | B 7      |
| 93306-00406 | C 2      | 95306-05600 | D11      | 98906-05012 | B 6      |
| 93306-20303 | C 2      | 95606-05100 | E 2      |             |          |
| 93306-20401 | B 3      | 95606-06100 | E 2      |             |          |
| 93306-20418 | D 3      | 95702-08100 | D10      |             |          |
| 93306-30101 | D 5      |             | D12      |             |          |

## PARTS NAME INDEX

| DESCRIPTION             | GRID NO. |
|-------------------------|----------|
| AIR CHAMBER ASSY        | B 8      |
| ARM, shift              | C 5      |
| AXLE, drive             | C 2      |
| AXLE, main (12T)        | C 2      |
| AXLE, sprocket          | D 5      |
| AXLE, wheel             | D 3      |
| *                       | D 6      |
| BACK MIRROR ASSY (L.H)  | D 7      |
| BACK MIRROR ASSY (R.H)  | D 7      |
| BALL                    | B 7      |
| *                       | B 14     |
| *                       | B 15     |
| *                       | C 12     |
| *                       | C 12     |
| *                       | C 12     |
| BAND, battery           | D 14     |
| BAND, switch cord       | B 4      |
| *                       | D 14     |
| *                       | E 2      |
| BAR, shift fork Guide 1 | C 4      |
| BAR, shift fork Guide 2 | C 4      |
| BAR, tension            | D 5      |
| BASE, magneto           | B 4      |
| BATTERY ASSY (6N4-2A-2) | D 14     |
| BEARING (B6002)         | B 12     |
| BEARING (B6004Z)        | D 5      |
| BEARING (B6203Z)        | C 2      |
| BEARING (B6204)         | C 2      |
| BEARING (B6204CS)       | B 3      |
| BEARING (B6301)         | D 3      |
| *                       | D 5      |
| BEARING, cylindrical    | B 3      |
| *                       | B 3      |
| *                       | C 2      |
| BODY ASSY, headlight    | D 12     |
| BODY, cap               | C 9      |
| BODY, float chamber 1   | B 9      |
| BOLT                    | B 2      |
| *                       | B 6      |
| *                       | B 8      |
| *                       | B 14     |
| *                       | C 5      |
| *                       | C 5      |
| *                       | C 6      |
| *                       | C 7      |
| *                       | C 7      |
| *                       | C 12     |
| *                       | C 13     |
| *                       | C 14     |

## PARTS NAME INDEX

| DESCRIPTION              | GRID NO. |
|--------------------------|----------|
| BOLT                     | C 14     |
| *                        | C 15     |
| *                        | D 4      |
| *                        | D 4      |
| *                        | D 5      |
| *                        | D 5      |
| *                        | D 6      |
| *                        | D 6      |
| *                        | D 6      |
| *                        | D 8      |
| *                        | D 8      |
| *                        | D 9      |
| *                        | D 11     |
| *                        | D 12     |
| *                        | D 14     |
| *                        | D 15     |
| *                        | E 2      |
| BOLT, cap                | C 13     |
| *                        | C 14     |
| BOLT, flange             | B 2      |
| *                        | B 5      |
| *                        | C 6      |
| *                        | D 2      |
| *                        | D 2      |
| *                        | D 9      |
| *                        | D 9      |
| *                        | D 9      |
| BOLT, stopper            | C 4      |
| BOLT, stud               | B 2      |
| *                        | B 11     |
| BOLT, union              | D 8      |
| BOLT, washer based       | C 6      |
| *                        | C 12     |
| BOLT, with washer        | B 8      |
| *                        | B 15     |
| *                        | C 7      |
| *                        | C 7      |
| *                        | C 7      |
| BOOT 2                   | D 4      |
| BOOT, caliper            | D 4      |
| BOOT, master cylinder    | D 8      |
| BOSS, clutch             | B 15     |
| BOX                      | C 7      |
| *                        | C 8      |
| *                        | C 8      |
| BRACKET, license         | C 7      |
| BRACKET, master cylinder | D 8      |
| BRACKET, meter           | D 11     |
| *                        | D 11     |
| BRAKE PAD KIT, front     | D 4      |
| BRAKE SHOE COMP.         | D 5      |
| BREED SCREW KIT          | D 4      |

## PARTS NAME INDEX

| DESCRIPTION                 | GRID NO. |
|-----------------------------|----------|
| BULB (6V-10W)               | D 10     |
| BULB (6V-17/5.3W)           | D 13     |
| BULB (6V-25/25W)            | D 12     |
| BULB (6V-3W)                | D 11     |
| BUMP, stop                  | C 11     |
| BUSH 1                      | C 10     |
| BUSH, rear shock absorber   | C 11     |
| *                           | C 11     |
| C.D.I. MAGNETO ASSY         | B 4      |
| C.D.I. UNIT ASSY            | D 14     |
| CABLE ASSY, throttle & Pump | D 7      |
| CABLE, clutch               | D 7      |
| CALIPER ASSY (RIGHT)        | D 4      |
| CAMSHAFT                    | D 5      |
| CAP                         | B 6      |
| *                           | B 10     |
| CAP ASSY                    | C 15     |
| *                           | C 15     |
| CAP, ball                   | C 12     |
| CAP, case                   | C 11     |
| CAP, cleaner case 1         | B 8      |
| CAP, grip lower             | D 7      |
| CAP, grip upper             | D 7      |
| CAP, radiator               | B 6      |
| CAP, reservoir              | D 8      |
| CARBURETOR ASSY 1           | B 9      |
| CASE, air cleaner 1         | B 8      |
| CASE, chain                 | C 10     |
| CASE, meter lower           | D 11     |
| CASE, meter upper           | D 11     |
| CAST WHEEL, front           | D 3      |
| CAST WHEEL, rear            | D 5      |
| CHAIN, drive (DID420M 106L) | D 5      |
| CIRCLIP                     | B 3      |
| *                           | B 5      |
| *                           | B 7      |
| *                           | B 12     |
| *                           | B 14     |
| *                           | C 2      |
| *                           | C 2      |
| *                           | C 2      |
| *                           | C 2      |
| *                           | C 5      |
| *                           | C 11     |
| *                           | C 13     |
| *                           | C 13     |
| *                           | D 9      |

## PARTS NAME INDEX

| DESCRIPTION          | GRID NO. |
|----------------------|----------|
| CLAMP                | B 4      |
| •                    | B 7      |
| CLAMP, hose          | B 8      |
| •                    | B 8      |
| CLIP                 | B 6      |
| •                    | B 6      |
| •                    | B 7      |
| •                    | B 7      |
| •                    | B 7      |
| •                    | B 8      |
| •                    | B 9      |
| •                    | B 10     |
| •                    | B 14     |
| •                    | C 9      |
| •                    | C 15     |
| CLUTCH ASSY          | B 15     |
| CLUTCH, hub          | D 5      |
| CLUTCH, meter        | D 3      |
| COIL, charge         | B 4      |
| COIL, lighting 1     | B 4      |
| COIL, Pulsar         | B 4      |
| COLLAR               | B 15     |
| •                    | C 5      |
| •                    | C 7      |
| •                    | C 15     |
| •                    | D 2      |
| •                    | D 2      |
| •                    | D 3      |
| •                    | D 6      |
| •                    | D 6      |
| •                    | D 8      |
| •                    | D 11     |
| COLLAR, distance     | C 10     |
| CORD ASSY            | B 4      |
| COVER, adjust Pulley | B 7      |
| COVER, ball race 2   | C 12     |
| COVER, crankcase 1   | B 13     |
| COVER, crankcase 2   | B 13     |
| COVER, crankcase 3   | B 13     |
| COVER, dust          | C 5      |
| COVER, footrest      | D 9      |
| •                    | D 9      |
| COVER, hinge         | C 15     |
| COVER, housing       | B 5      |
| COVER, hub dust      | D 3      |
| COVER, kick lever    | B 14     |
| COVER, radiator      | B 6      |

## PARTS NAME INDEX

| DESCRIPTION             | GRID NO. |
|-------------------------|----------|
| COVER, semi-double seat | D 2      |
| COVER, shift Pedal      | C 5      |
| COVER, side 1           | C 8      |
| •                       | C 8      |
| •                       | C 8      |
| COVER, side 2           | C 8      |
| •                       | C 8      |
| •                       | C 8      |
| •                       | C 8      |
| COVER, side 3           | C 8      |
| COVER, tail             | D 2      |
| •                       | D 2      |
| •                       | D 2      |
| CRANK 1                 | B 3      |
| CRANK 2                 | B 3      |
| CRANKCASE 1             | B 12     |
| CRANKCASE 2             | B 12     |
| CRANKSHAFT ASSY         | B 3      |
| CROWN, handle           | C 12     |
| CYLINDER KIT, master    | D 8      |
| CYLINDER 1              | B 2      |
| DAMPER                  | D 5      |
| •                       | D 11     |
| •                       | D 11     |
| DAMPER 2                | D 11     |
| •                       | B 12     |
| DAMPER, engine mount 1  | C 15     |
| DAMPER, locating 1      | C 15     |
| DAMPER, locating 3      | C 15     |
| DAMPER, muffler         | B 11     |
| •                       | D 8      |
| DIAPHRAGM, reservoir    | D 4      |
| DISC, brake             | B 8      |
| DUCT                    | B 8      |
| DUMPER SUB ASSY         | C 11     |
| ELEMENT, air cleaner    | B 8      |
| EMBLEM                  | D 2      |
| EMBLEM 1                | C 8      |
| •                       | C 8      |
| •                       | C 8      |
| EMBLEM 2                | C 8      |
| •                       | C 8      |
| •                       | C 8      |
| FENDER, front           | C 7      |
| •                       | C 7      |
| •                       | C 7      |
| FENDER, rear            | C 7      |
| FLANGE, spacer          | D 3      |
| •                       | D 5      |
| FLAP                    | C 7      |
| FLASHER RELAY ASSY      | D 14     |

## PARTS NAME INDEX

| DESCRIPTION                | GRID NO. |
|----------------------------|----------|
| FLOAT                      | B 9      |
| FOOTREST                   | D 9      |
| •                          | D 9      |
| FOOTREST 1                 | D 9      |
| FOOTREST 2                 | D 9      |
| FORK, shift 1              | C 4      |
| FORK, shift 2              | C 4      |
| FORK, shift 3              | C 4      |
| FRAME COMP.                | C 6      |
| FRONT FLASHER LIGHT ASSY 1 | D 10     |
| FRONT FORK ASSY (L.H.)     | C 13     |
| FRONT FORK ASSY (R.H.)     | C 13     |
| FRONT STOP SWITCH ASSY     | D 14     |
| FUEL COCK ASSY 1           | C 15     |
| FUEL TANK COMP.            | C 15     |
| •                          | C 15     |
| FUSE (6V-10A)              | D 14     |
| FUSE HOLDER ASSY           | D 14     |
| GASKET 1                   | B 2      |
| •                          | B 5      |
| •                          | B 6      |
| •                          | B 7      |
| •                          | B 10     |
| •                          | B 10     |
| •                          | B 12     |
| •                          | C 13     |
| •                          | C 14     |
| •                          | C 15     |
| •                          | C 15     |
| •                          | D 15     |
| GASKET 3                   | B 11     |
| GASKET, crankcase cover 2  | B 13     |
| GASKET, cylinder           | B 2      |
| GASKET, cylinder head 1    | B 2      |
| GASKET, exhaust Pipe       | B 11     |
| GASKET, float chamber      | B 9      |
| GASKET, housing cover 2    | B 5      |
| GASKET, lens               | D 13     |
| GASKET, Pump case          | B 7      |
| GASKET, upper cover 1      | C 14     |
| GASKET, valve seat         | B 8      |
| GAUGE, level               | C 6      |
| •                          | C 9      |
| GEAR UNIT ASSY             | D 3      |
| GEAR, drive (3T,2BT)       | B 7      |
| GEAR, driven (10T)         | C 3      |
| GEAR, impeller shaft (32T) | B 5      |

## PARTS NAME INDEX

| DESCRIPTION                    | GRID NO. |
|--------------------------------|----------|
| GEAR, kick (24T)               | B14      |
| GEAR, Primary drive (19T)      | B15      |
| GEAR, sProcket idle (25T)      | B14      |
| GEAR, 1st wheel (39T)          | C 2      |
| GEAR, 2nd Pinion (16T)         | C 2      |
| GEAR, 2nd wheel (34T)          | C 2      |
| GEAR, 3rd wheel (31T)          | C 2      |
| GEAR, 3rd/4th Pinion (20T,22T) | C 2      |
| GEAR, 4th wheel (27T)          | C 2      |
| GEAR, 5th Pinion (25T)         | C 2      |
| GEAR, 5th wheel (26T)          | C 2      |
| GEAR, 6th Pinion (26T)         | C 2      |
| GEAR, 6th wheel (24T)          | C 2      |
| GRAPHIC SET                    | C15      |
| +                              | C15      |
| +                              | C15      |
| GRAPHIC SET, tail cover        | D 2      |
| +                              | D 2      |
| +                              | D 2      |
| GRIP (L.H)                     | D 7      |
| GRIP ASSY                      | D 7      |
| GROMMET                        | B 6      |
| +                              | B 8      |
| +                              | B11      |
| +                              | C 8      |
| +                              | C 8      |
| +                              | C 8      |
| +                              | C 8      |
| +                              | C 8      |
| +                              | C 8      |
| +                              | C 9      |
| +                              | C 7      |
| GUARD, mud                     | B10      |
| GUIDE, cable                   | C13      |
| GUIDE, cover lower             | C13      |
| +                              | C13      |
| GUIDE, sPring                  | B14      |
| +                              | C13      |
| +                              | C13      |
| GUIDE, sPring 1                | C11      |
| GUIDE, sPring 2                | C11      |
| HANDLE, standing               | C 6      |
| HANDLEBAR                      | D 7      |
| HEAD, cylinder 1               | B 2      |
| HEADLIGHT UNIT ASSY            | D12      |
| HELMET HANGER ASSY             | C 6      |
| HOLDER, brake hose 1           | D 8      |
| HOLDER, brake hose 2           | D 8      |
| HOLDER, cable                  | C 7      |

## PARTS NAME INDEX

| DESCRIPTION             | GRID NO. |
|-------------------------|----------|
| HOLDER, clutch cable    | B 2      |
| HOLDER, handle lower    | C12      |
| HOLDER, handle upper    | C12      |
| HOLDER, oil Pipe        | B 7      |
| HORN                    | D14      |
| HOSE                    | B 7      |
| +                       | C 9      |
| +                       | D14      |
| +                       | D 8      |
| HOSE, brake 1           | D14      |
| IGNITION COIL ASSY      | B 5      |
| IMPELLER-SHAFT ASSY     | C 9      |
| JET, main (#120)        | B 9      |
| JET, main (#125)        | B 9      |
| JET, main (#130)        | B 9      |
| JET, Pilot (#25.0)      | B 9      |
| JOINT                   | B 6      |
| JOINT, air cleaner 1    | B 8      |
| JOINT, carburetor       | B 8      |
| JOINT, chain            | D 5      |
| KEY, straight           | B15      |
| +                       | C 4      |
| +                       | B 3      |
| KEY, woodruff           | B14      |
| KICK AXLE ASSY          | B14      |
| KICK CRANK ASSY         | D12      |
| LENS ASSY               | D10      |
| LENS, flasher           | D13      |
| LENS, taillight         | E 2      |
| LEVER HOLDER ASSY (L.H) | E 2      |
| LEVER 1                 | E 2      |
| LEVER 2                 | D 5      |
| LEVER, camshaft         | D 2      |
| LID ASSY                | D 2      |
| +                       | D 2      |
| +                       | D14      |
| MAIN SWITCH ASSY        | D 8      |
| MASTER CYLINDER ASSY    | B 7      |
| METAL, worm shaft outer | B11      |
| HUFFLER ASSY 1          | B 9      |
| NEEDLE                  | B 9      |
| NEEDLE VALVE ASSY       | C15      |
| NET, filter 2           | D14      |
| NEUTRAL SWITCH ASSY     | B 7      |
| NOZZLE                  | B 9      |
| NOZZLE, main            | B 2      |
| NUT                     | B 4      |
| +                       | B 7      |
| +                       | B11      |

## PARTS NAME INDEX

| DESCRIPTION          | GRID NO. |
|----------------------|----------|
| NUT                  | B15      |
| +                    | B15      |
| +                    | B15      |
| +                    | C 6      |
| +                    | C 6      |
| +                    | C 7      |
| +                    | C10      |
| +                    | C12      |
| +                    | D 5      |
| +                    | D 5      |
| +                    | D 6      |
| +                    | D 6      |
| +                    | D 6      |
| +                    | D 9      |
| +                    | D11      |
| +                    | D11      |
| NUT, cable adjusting | B10      |
| NUT, castle          | D 3      |
| +                    | D 6      |
| NUT, flange          | D10      |
| +                    | D10      |
| +                    | D10      |
| +                    | D12      |
| NUT, self-locking    | B11      |
| +                    | D 9      |
| NUT, u               | E 2      |
| +                    | E 2      |
| O-RING               | B 6      |
| +                    | B 9      |
| +                    | B13      |
| +                    | C 3      |
| +                    | C13      |
| +                    | C14      |
| +                    | D 5      |
| OIL LEVEL GAUGE ASSY | D14      |
| OIL PUMP ASSY        | B 7      |
| OIL SEAL             | B 3      |
| +                    | B 3      |
| +                    | B 5      |
| +                    | B 7      |
| +                    | B14      |
| +                    | B15      |
| +                    | C 2      |
| +                    | C 3      |
| +                    | C 5      |
| +                    | C13      |
| +                    | C13      |

## PARTS NAME INDEX

| DESCRIPTION               | GRID NO. |
|---------------------------|----------|
| OIL SEAL                  | D 3      |
| *                         | D 3      |
| *                         | D 5      |
| *                         | D 5      |
| PAD, seat                 | D 2      |
| PEDAL, brake              | D 9      |
| PEDAL, shift              | C 5      |
| PIN                       | D 9      |
| PIN, clevis               | C11      |
| *                         | D 9      |
| *                         | D 9      |
| PIN, cotter               | C 5      |
| *                         | C11      |
| *                         | D 3      |
| *                         | D 6      |
| *                         | D 6      |
| *                         | D 9      |
| *                         | D 9      |
| *                         | D 9      |
| PIN, crank 1              | B 3      |
| PIN, dowel                | B 5      |
| *                         | B 5      |
| *                         | B 7      |
| *                         | B12      |
| *                         | B13      |
| *                         | C 5      |
| PIN, float                | B 9      |
| PIN, piston               | B 3      |
| PIN, straight             | C 4      |
| PIPE                      | B 9      |
| *                         | B 9      |
| PIPE 1                    | B 6      |
| PIPE 2                    | B 6      |
| PIPE 7                    | C15      |
| PIPE, manifold            | B 8      |
| PIPE, oil                 | B 6      |
| PISTON (STD)              | B 3      |
| PISTON (1ST O/S 0.25MM)   | B 3      |
| PISTON (2ND O/S 0.50MM)   | B 3      |
| PISTON ASSY, caliper      | D 4      |
| PISTON RING SET (STD)     | B 3      |
| PISTON RING SET (1ST O/S) | B 3      |
| PISTON RING SET (2ND O/S) | B 3      |
| PISTON, front fork        | C13      |
| *                         | C14      |
| PLATE                     | B12      |
| PLATE, adjustin&          | B 7      |

## PARTS NAME INDEX

| DESCRIPTION                    | GRID NO. |
|--------------------------------|----------|
| PLATE, brake shoe              | D 5      |
| PLATE, clutch 1                | B15      |
| PLATE, cover                   | C 2      |
| PLATE, element                 | B 8      |
| PLATE, friction                | B15      |
| PLATE, indicator               | D 5      |
| PLATE, Pressure 1              | B15      |
| PLATE, Push                    | B15      |
| PLATE, regulator fillin&       | D14      |
| PLATE, side 1                  | C 4      |
| PLATE, sPrin&                  | E 2      |
| PLATE, thrust 2                | B15      |
| *                              | B15      |
| PLUG                           | C 6      |
| PLUG CAP ASSY                  | D14      |
| PLUG, oil                      | B13      |
| PLUG, sPark (NGK B8ES)         | B 2      |
| PLUG, straight screw           | B12      |
| PLUNGER, starter               | B 9      |
| POINT, neutral                 | C 4      |
| PRIMARY DRIVEN GEAR COMP.(68T) | B15      |
| PULLER, chain 1                | D 6      |
| PULLER, chain 2                | D 6      |
| PUSH LEVER ASSY                | B15      |
| RACE, ball 1                   | C12      |
| *                              | C14      |
| RACE, ball 2                   | C12      |
| *                              | C12      |
| RADIATOR ASSY                  | B 6      |
| REAR ARM COMP.                 | C10      |
| REAR REFLECTOR ASSY            | C 7      |
| RECTIFIER ASSY                 | D14      |
| REED VALVE ASSY                | B 8      |
| REED, valve                    | B 8      |
| RETAINER, clutch               | D 3      |
| RIM, headlight                 | D12      |
| RING, cushion                  | B15      |
| RING, piston                   | C13      |
| *                              | C14      |
| ROD, brake                     | D 9      |
| ROD, connectin&                | B 3      |
| ROD, Push 1                    | B15      |
| ROD, Push 2                    | B15      |
| ROD, shift                     | C 5      |
| ROTOR ASSY                     | B 4      |
| SCREW                          | E 2      |
| SCREW, air adjustin&           | B 9      |
| SCREW, bind                    | B 6      |

## PARTS NAME INDEX

| DESCRIPTION                 | GRID NO. |
|-----------------------------|----------|
| SCREW, bind                 | B 7      |
| SCREW, flat head            | B 4      |
| *                           | C 4      |
| *                           | C 6      |
| *                           | D 8      |
| SCREW, Pan head             | B 4      |
| *                           | B 4      |
| *                           | B 4      |
| *                           | B 4      |
| *                           | B 5      |
| *                           | B 6      |
| *                           | B 7      |
| *                           | B 8      |
| *                           | B 8      |
| *                           | B 8      |
| *                           | B 9      |
| *                           | B 9      |
| *                           | B11      |
| *                           | B11      |
| *                           | B12      |
| *                           | B12      |
| *                           | B12      |
| *                           | B13      |
| *                           | B13      |
| *                           | B13      |
| *                           | C 2      |
| *                           | C 3      |
| *                           | C 3      |
| *                           | C 8      |
| *                           | C 9      |
| *                           | C15      |
| *                           | D 7      |
| *                           | D11      |
| *                           | D11      |
| *                           | D12      |
| *                           | D13      |
| *                           | D14      |
| *                           | D14      |
| *                           | E 2      |
| SCREW, Pan head with washer | B 8      |
| SCREW, tappin&              | B13      |
| *                           | D13      |
| SCREW, throttle             | B 9      |
| SCREW, with washer          | C10      |
| SEAL                        | C15      |
| SEAL, dust                  | C13      |
| *                           | C13      |
| SEAL, Guard                 | C10      |
| SEAT, sPrin&                | B 9      |

## PARTS NAME INDEX

| DESCRIPTION               | GRID NO. |
|---------------------------|----------|
| SEAT, sPrinG lower        | C11      |
| SEAT, sPrinG upper        | C13      |
| +                         | C14      |
| +                         | C 4      |
| SEGMENT                   | D 2      |
| SEMI-DOUBLE SEAT ASSY     | D 2      |
| SETTER, needle Jet        | B 9      |
| SHAFT, Pivot              | C10      |
| SHAFT, worm               | B 7      |
| SHIFT CAM ASSY            | C 4      |
| SHIFT SHAFT ASSY          | C 5      |
| SHIM (0.3T)               | B 7      |
| SHIM (0.5T)               | B 7      |
| SHIM 1 (1.0T)             | C 2      |
| SHIM, caliPer             | D 4      |
| SHOCK ABSORBER ASSY, rear | C11      |
| SILENCER, exhaust         | B11      |
| SOCKET                    | D12      |
| SOCKET CORD ASSY          | D11      |
| SPACER                    | B15      |
| +                         | D 3      |
| +                         | D 5      |
| +                         | B12      |
| SPACER, damPer            | B12      |
| SPACER, engine mount      | B12      |
| SPACER, oil lock          | C13      |
| +                         | C14      |
| +                         | D11      |
| SPEEDOMETER ASSY          | D11      |
| SPEEDOMETER CABLE ASSY    | D11      |
| SPRING, air adjustinG     | B 9      |
| SPRING, compression       | B 7      |
| +                         | B14      |
| +                         | B15      |
| +                         | C11      |
| +                         | D 9      |
| +                         | E 2      |
| SPRING, front fork        | C13      |
| +                         | C14      |
| SPRING, rebound           | C13      |
| +                         | C14      |
| SPRING, reflector         | D12      |
| SPRING, tension           | D 5      |
| +                         | D 9      |
| SPRING, throttle valve    | B 9      |
| SPRING, torsion           | B14      |
| +                         | B15      |
| +                         | C 4      |
| +                         | C 5      |
| +                         | D 9      |
| +                         | C 2      |
| SPROCKET, drive (121)     | C 2      |

## PARTS NAME INDEX

| DESCRIPTION            | GRID NO. |
|------------------------|----------|
| SPROCKET, driven (48T) | D 5      |
| STAND, side            | D 9      |
| STAY, fender 1         | C 7      |
| STAY, flasher          | C14      |
| +                      | C14      |
| +                      | D14      |
| STOP SWITCH ASSY       | D14      |
| STOPPER LEVER ASSY     | C 4      |
| STOPPER, main stand    | D 2      |
| STOPPER, reed valve    | B 8      |
| SUPPORT, Pad           | D 4      |
| TACHOMETER ASSY        | D11      |
| TACHOMETER CABLE ASSY  | D11      |
| TAILLIGHT ASSY         | D13      |
| TANK, oil              | C 9      |
| TANK, recovery         | B 6      |
| TERMINAL, earth 2      | B 4      |
| THERMO UNIT            | B15      |
| TIRE (2.50-18)         | D 3      |
| TIRE (2.75-18)         | D 5      |
| TOOL KIT               | C 6      |
| TOP, mixing chamber    | B10      |
| TUBE (2.50-18)         | D 3      |
| TUBE (2.75-18)         | D 5      |
| TUBE, inner 1          | C13      |
| +                      | C13      |
| TUBE, outer 1          | C13      |
| TUBE, outer 2          | C13      |
| UNDER BRACKET COMP.    | C14      |
| UPPER BRACKET SUB ASSY | C11      |
| VALVE                  | C15      |
| VALVE, throttle 1      | B 9      |
| VOLTAGE REGULATOR ASSY | D14      |
| +                      | D14      |
| WASHER                 | B 3      |
| +                      | B11      |
| +                      | C 2      |
| +                      | D 4      |
| +                      | D 5      |
| WASHER 1               | B14      |
| +                      | C 3      |
| WASHER, conical sPrinG | B15      |
| +                      | B15      |
| WASHER, Plain          | B11      |
| +                      | B15      |
| +                      | C 5      |
| +                      | D 4      |
| +                      | D11      |
| +                      | B 4      |
| WASHER, Plate          | B 4      |

## PARTS NAME INDEX

| DESCRIPTION        | GRID NO. |
|--------------------|----------|
| WASHER, Plate      | B 5      |
| +                  | B 5      |
| +                  | B 6      |
| +                  | B 7      |
| +                  | B 7      |
| +                  | B 8      |
| +                  | B 8      |
| +                  | B 8      |
| +                  | B11      |
| +                  | B14      |
| +                  | B14      |
| +                  | C 5      |
| +                  | C 6      |
| +                  | C 7      |
| +                  | C 7      |
| +                  | C 8      |
| +                  | C 9      |
| +                  | C11      |
| +                  | C11      |
| +                  | C12      |
| +                  | C15      |
| +                  | C15      |
| +                  | D 3      |
| +                  | D 6      |
| +                  | D 8      |
| +                  | D 9      |
| +                  | D 9      |
| +                  | D11      |
| +                  | D11      |
| +                  | D11      |
| +                  | D11      |
| +                  | D12      |
| +                  | D13      |
| +                  | D13      |
| +                  | D14      |
| +                  | B 9      |
| WASHER, Plus screw | B 9      |
| WASHER, sPecial 1  | C14      |
| WASHER, sPrinG     | B 4      |
| +                  | B 4      |
| +                  | B 4      |
| +                  | B 6      |
| +                  | B 7      |
| +                  | B 9      |
| +                  | B11      |
| +                  | C 5      |
| +                  | C 6      |
| +                  | C 6      |
| +                  | C 6      |
| +                  | C 6      |