



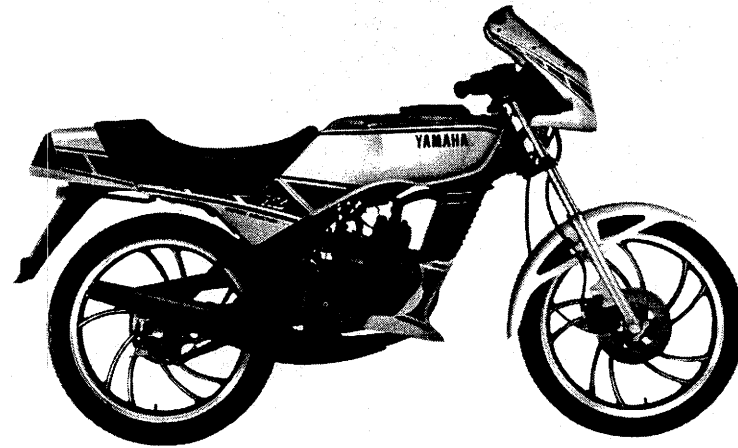
YAMAHA

PARTS CATALOGUE

RZ50 (55N)
S.AFRICA

1555N-664E1

A2



A3

FOREWORD

This Parts Catalogue is related to the parts in use for the Yamaha RZ50 (55N).
When you are ordering replacement parts for the RZ50 (55N), refer to this Parts Catalogue and quote both part numbers and part names correctly.

1. Modifications or additions which have been made after issue of the Parts Catalogue will be announced in the Yamaha Parts News.

It is advisable that according to the Yamaha Parts News you make necessary corrections to the Parts Catalogue on hand to keep it up-to-date.

2. Abbreviations

The following abbreviations are used in this Parts Catalogue.

- U.R. Use size (thickness) and/or number as required.
- U.N. Use as many as you need.
- A.P. Alternate Parts
- L.M. Local Made
- F# Frame No. (Applicable machine No.)

3. The parts marked with (*) in the parts number column of this Catalogue are not supplied with by Yamaha, those have to be found locally.

4. Parts, which are to be supplied in the form of assemblies, are listed with an indentation of one letter's space, and a dot (.) is put against the name of each part.

EXAMPLE CARBURETOR ASS'Y
 . JET, pilot
 . NOZZLE, main

5. Indication of No. of constituent parts for assembly

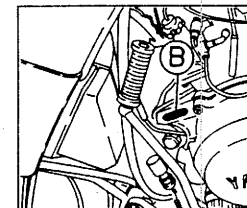
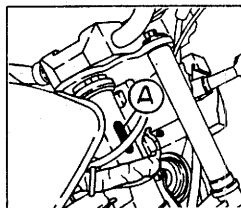
The numeral appearing to the right of each constituent part under the description indicates the quantity of such parts for each individual assembly unit.

EXAMPLE

Part No.	Description	Q'ty	Remarks
2F5-83310-60	FRONT FLASHER LIGHT ASS'Y	2	
115-83311-60	. BULB (6V-18W)	1	
1M1-83309-60	. REFLECTOR	1	

6. Initial Serial No. and Color Code

(A) Frame Serial No.	5R2-370101 and following
(B) Engine Serial No.	5R2-370101 and following



Color Code	Color Name	Abbreviate
36/66	Clean White/Sunshine Red	W/SR
36/J5	Clean White/Space Blue	W/SBE

7. Applicable colors of graphics are represented in the "Remarks" column by the letter(s) appropriately picked out of the full word(s) showing such colors.

EXAMPLE

Part No.	Description	Q'ty	Remarks
2N4-24110-00-X5	FUEL TANK COMP.	1	MAXIM RED
3J1-24240-10	. GRAPHIC, fuel tank set	1	for MXR

CONTENTS

ENGINE

Cylinder	B2
Crankshaft · Piston	B3
Water Pump	B4
Radiator · Hose	B5
Oil Pump	B6 ~ B7
Intake	B8
Carburetor	B9 ~ B10
Exhaust	B11
Crankcase	B12
Crankcase Cover 1	B13
Starter	B14
Clutch	B15
Transmission	C2
Tachometer Gear	C3
Shift Cam · Fork	C4
Shift Shaft	C5

CHASSIS

Frame	C6
Fender	C7
Side Cover	C8
Oil Tank	C9
Rear Arm	C10
Rear Suspension	C11
Steering	C12
Front Fork	C13 ~ C14
Fuel Tank	C15
Seat	D2
Front Wheel	D3
Front Brake Caliper	D4

Rear Wheel	D5 ~ D6
Steering Handle · Cable	D7
Front Master Cylinder	D8
Stand · Footrest	D9
Cowling 1	D10
Generator	D11
Flasher Light	D12
Meter	D13
Headlight	D14
Taillight	D15
Handle Switch · Lever	E2
Electrical 1	E3 ~ E4

INDEX

Numerical Index	M1 ~ M3
-----------------------	---------

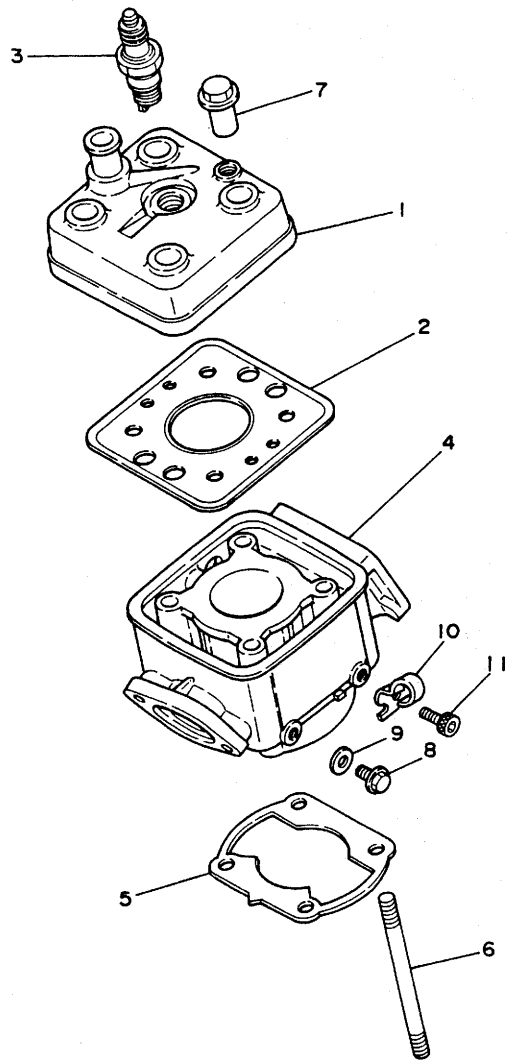


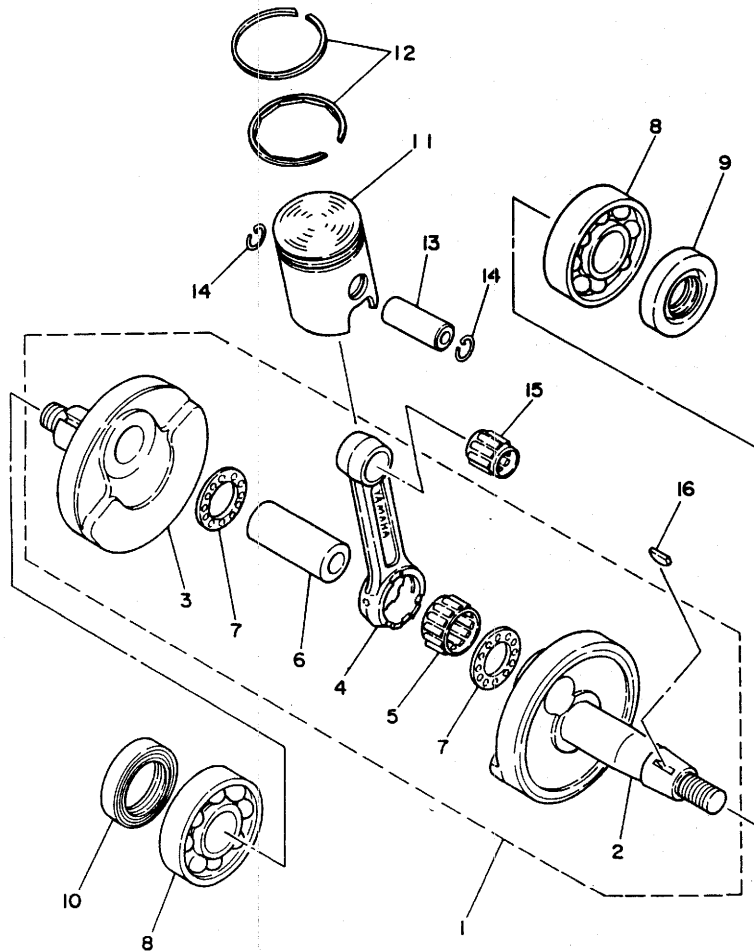
FIG. 1 CYLINDER

REF. NO.	PART NO.	DESCRIPTION	Q'TY	REMARKS
1	5R2-11111-00	HEAD, cylinder 1	1	
2	5R2-11181-01	GASKET, cylinder head 1	1	
3	94701-00045	PLUG, spark (NGK B-8ES)	1	
4	5R2-11311-01	CYLINDER 1	1	
5	5R2-11351-00	GASKET, cylinder	1	
6	90116-08368	BOLT, stud	4	
7	90179-08343	NUT	4	
8	95826-06010	BOLT, flange	1	
9	90430-06166	GASKET	1	
10	5R2-15441-00	HOLDER, clutch cable	1	
11	91316-06012	BOLT	1	



5R6010-1011

FIG. 2 CRANKSHAFT. PISTON



REF. NO.	PART NO.	DESCRIPTION	Q'TY	REMARKS
1	5R2-11400-00	CRANKSHAFT ASSY	1	
2	5R2-11412-00	.CRANK 1	1	
3	5R2-11422-00	.CRANK 2	1	
4	3R1-11651-01	.ROD, connecting	1	
5	93310-418K1	.BEARING, cylindrical	1	
6	4V0-11681-00	.PIN, crank 1	1	
7	90209-18112	.WASHER	2	
8	93306-20418	BEARING (B6204CS)	2	
9	93102-20231	OIL SEAL	1	
10	93103-28011	OIL SEAL	1	
11	5R2-11631-00-97	PISTON (STD)	1	
	5R2-11635-00	PISTON (0.25MM O/S)	1	AP
	5R2-11636-00	PISTON (0.50MM O/S)	1	AP
12	2W1-11610-00	PISTON RING SET (STD)	1	
	2W1-11610-10	PISTON RING SET (1ST O/S)	1	AP
	2W1-11610-20	PISTON RING SET (2ND O/S)	1	AP
13	517-11633-00	PIN, piston	1	
14	93450-13022	CIRCLIP	2	
15	93310-11268	BEARING, cylindrical	1	
16	90280-03017	KEY, woodruff	1	

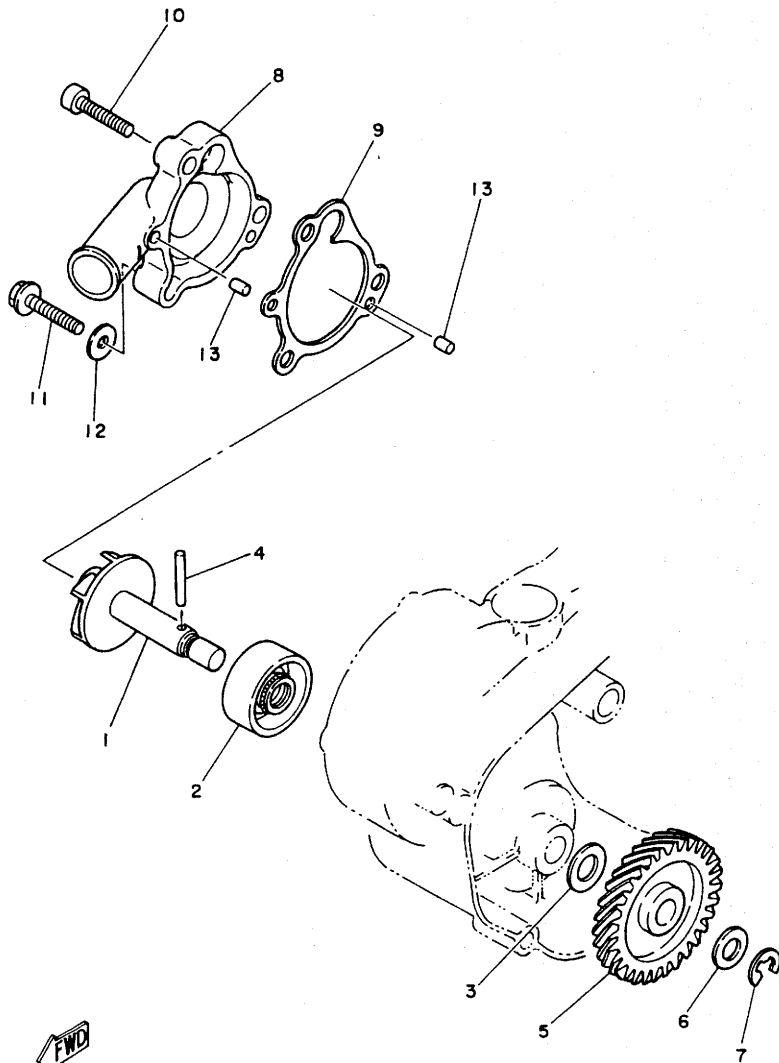


5R6010-1021

B3

FIG. 3 WATER PUMP

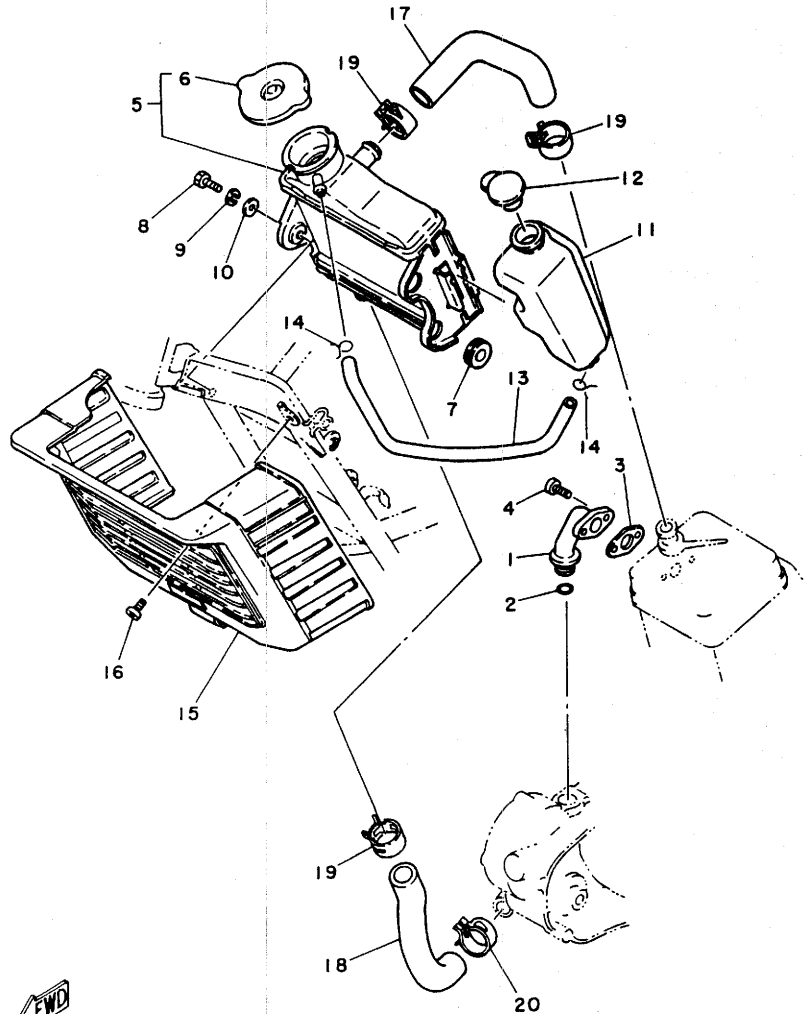
REF. NO.	PART NO.	DESCRIPTION	Q'TY	REMARKS
1	5R2-12450-00	IMPELLER SHAFT ASSY	1	
2	93103-10147	OIL SEAL	1	
3	90201-08759	WASHER, plate	1	
4	93603-22028	PIN, dowel	1	
5	5R2-12459-00	GEAR, impeller shaft (32T)	1	
6	90201-08512	WASHER, plate	1	
7	93430-07012	CIRCLIP	1	
8	5R2-12422-00	COVER, housing	1	
9	5R2-12428-00	GASKET, housing cover 2	1	
10	92506-06025	SCREW, pan head	2	
11	95826-06025	BOLT, flange	1	
12	90430-06166	GASKET	1	
13	93604-10011	PIN, dowel	2	



5R6010-1040

B4

FIG. 4 RADIATOR. HOSE



REF. NO.	PART NO.	DESCRIPTION	Q'TY	REMARKS
1	5R2-12446-00	JOINT	1	
2	93210-16275	O-RING	1	
3	5R2-12434-00	GASKET	1	
4	92506-06016	SCREW, pan head	2	
5	5R2-12460-01	RADIATOR ASSY	1	
6	4L0-12462-00	.CAP, radiator	1	
7	90480-18276	GROMMET	2	
8	97301-06016	BOLT	1	
9	92901-06100	WASHER, spring	1	
10	90201-061A5	WASHER, plate	1	
11	5R2-21871-00	TANK, recovery	1	
12	4L0-21815-01	CAP	1	
13	5R2-21766-00	PIPE, oil	1	
14	90467-10008	CLIP	2	
15	5R2-12467-00	COVER, radiator	1	
16	98906-05012	SCREW, bind	2	
17	5R2-12481-00	PIPE 1	1	
18	5R2-12482-00	PIPE 2	1	
19	90467-21058	CLIP	3	
20	90467-23067	CLIP	1	



5R6010-1050

B5

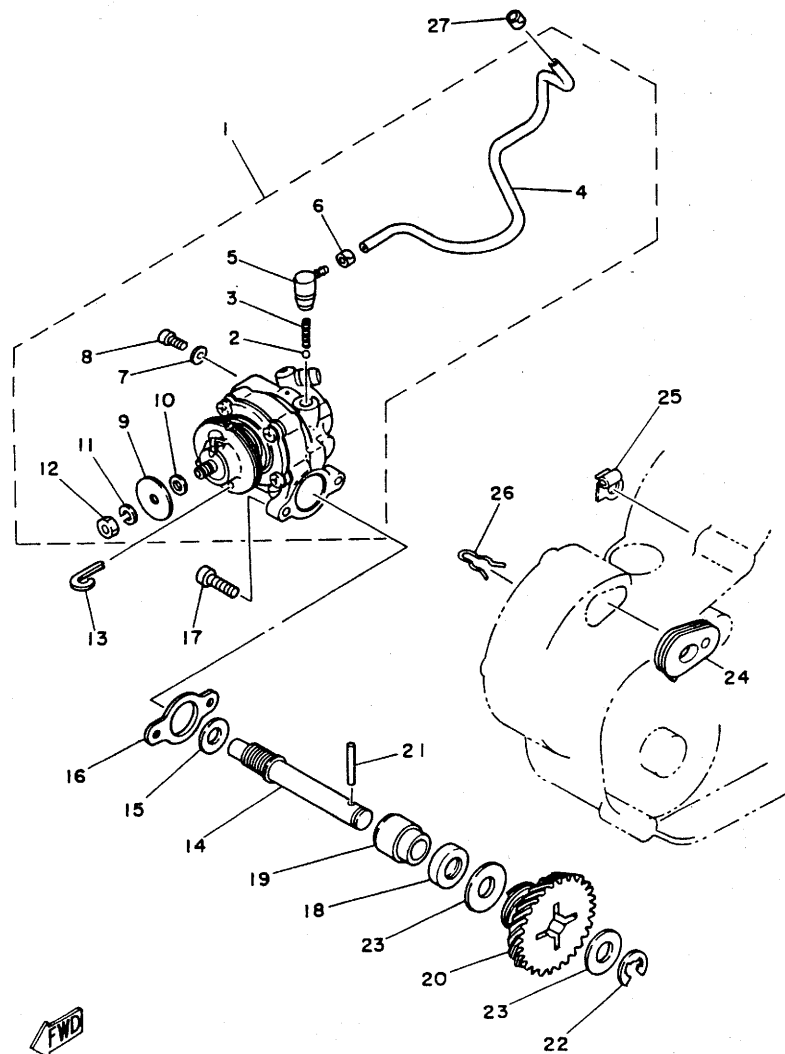


FIG. 5 OIL PUMP

REF. NO.	PART NO.	DESCRIPTION	Q'TY	REMARKS
1	5R2-13101-00	OIL PUMP ASSY	1	
2	93505-32002	.BALL	1	
3	90501-02217	.SPRING, compression	1	
4	90445-05529	.HOSE	1	
5	353-13552-01	.NOZZLE	1	
6	90468-02033	.CLIP	1	
7	90430-04004	.GASKET	1	
8	98901-04008	.SCREW, bind	1	
9	137-13138-01	.PLATE, adjusting	1	
10	137-13137-00-03	.SHIM (0.3T)	1	UR
	137-13137-00-05	.SHIM (0.5T)	1	UR
	137-13137-00-10	.SHIM (1.0T)	1	UR
11	92901-05100	.WASHER, spring	1	
12	95301-05600	.NUT	1	
13	367-13146-01	CLIP	1	
14	5R2-13175-00	SHAFT, worm	1	
15	90201-08624	WASHER, plate	1	
16	126-13116-00	GASKET, pump case	1	
17	98501-05016	SCREW, pan head	2	
18	93101-10001	OIL SEAL	1	
19	1E7-13176-00	METAL, worm shaft outer	1	
20	5R2-13178-00	GEAR, drive (3T,28T)	1	
21	93603-22028	PIN, dowel	1	
22	93430-08006	CIRCLIP	1	
23	90201-10138	WASHER, plate	2	
24	5R2-13174-00	HOLDER, oil pipe	1	
25	90465-10172	CLAMP	1	
26	90468-08086	CLIP	1	

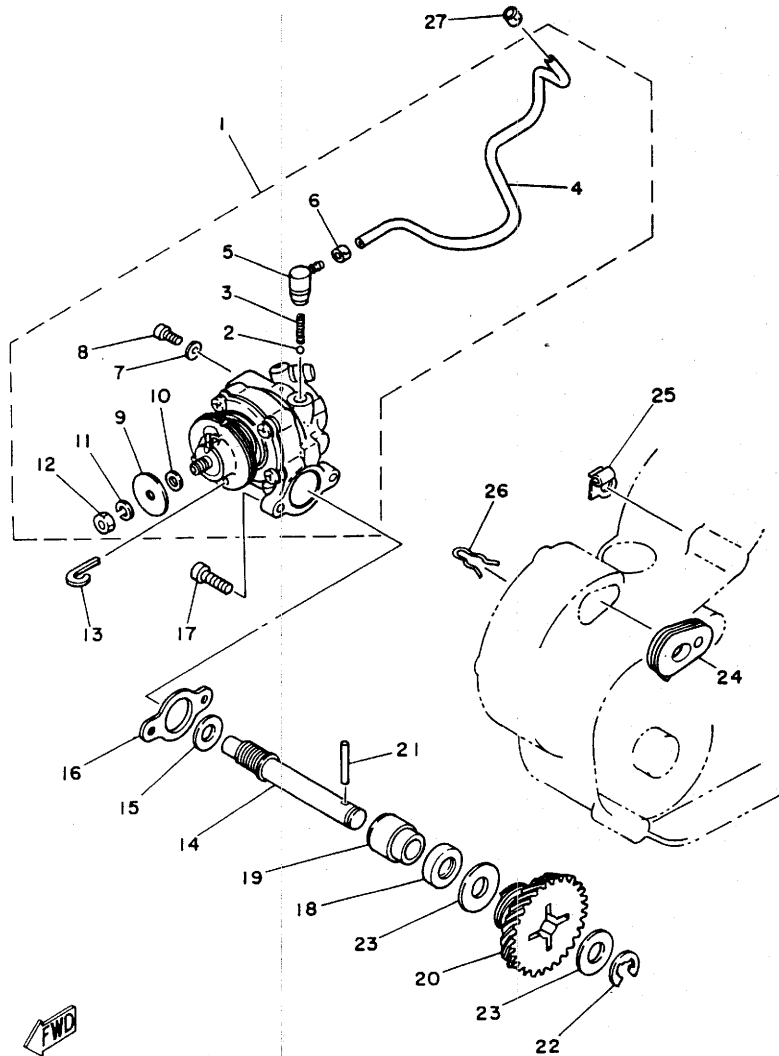


5R6010-1060

B6

FIG. 5 OIL PUMP

REF. NO.	PART NO.	DESCRIPTION	Q'TY	REMARKS
27	90468-02033	CLIP	1	

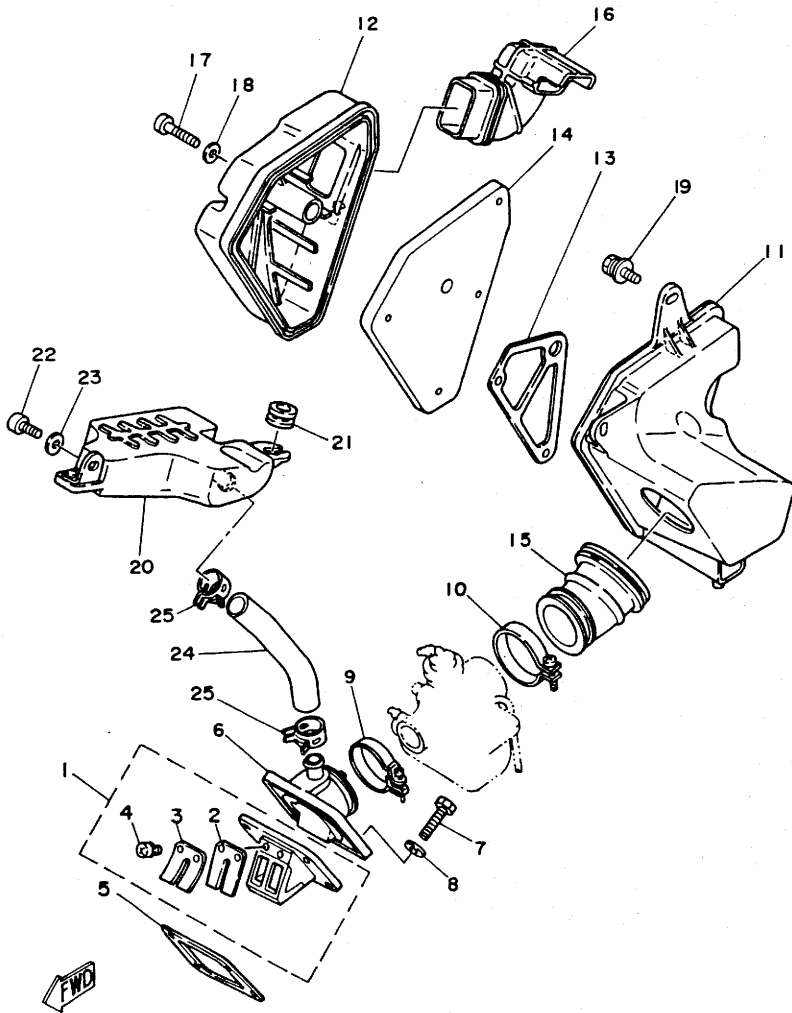


5R6010-1060

B7

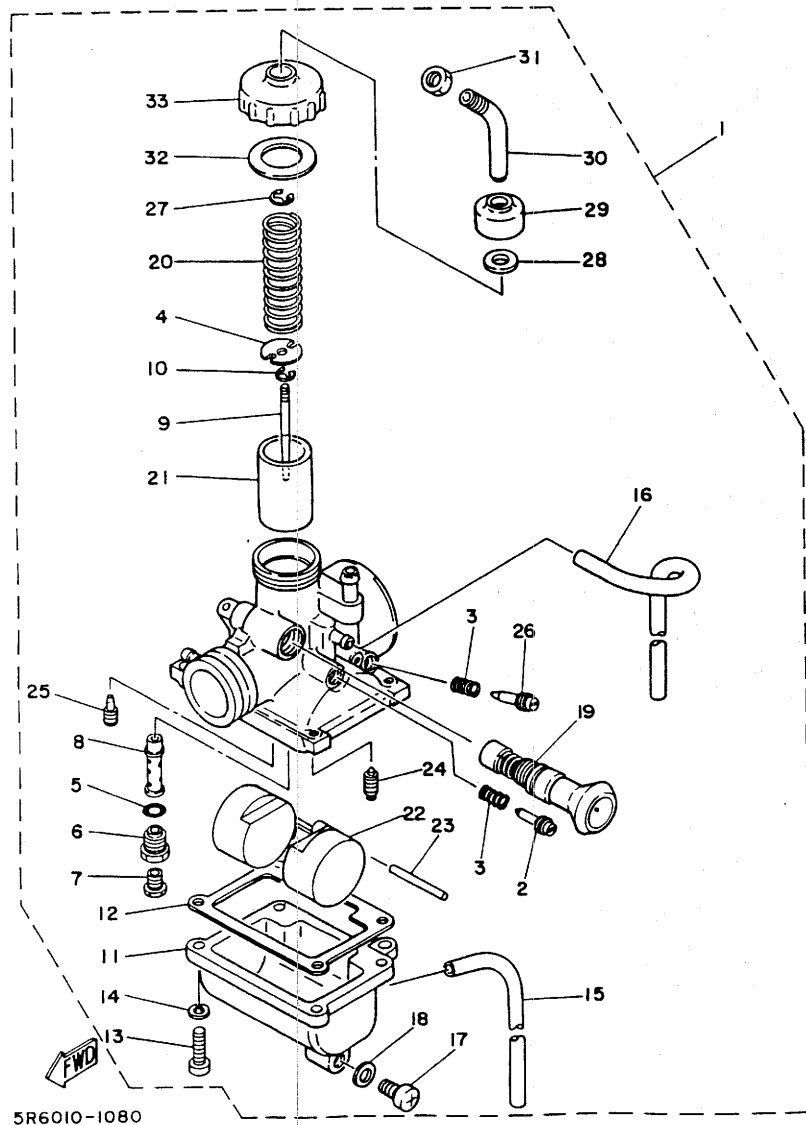
FIG. 6 INTAKE

REF. NO.	PART NO.	DESCRIPTION	QTY	REMARKS
1	314-13610-01	REED VALVE ASSY	1	
2	314-13613-01	.REED, valve	2	
3	314-13616-01	.STOPPER, reed valve	2	
4	97602-03108	.SCREW, pan head with washer	4	
5	314-13621-02	GASKET, valve seat	1	
6	5R2-13565-00	JOINT, carburetor	1	
7	97301-06020	BOLT	4	
8	90201-061A5	WASHER, plate	4	
9	90460-36174	CLAMP, hose	1	
10	90460-41191	CLAMP, hose	1	
11	5R2-14411-00	CASE, air cleaner 1	1	
12	5R2-14412-00	CAP, cleaner case 1	1	
13	5R2-14472-00	PLATE, element	1	
14	5R2-14451-00	ELEMENT, air cleaner	1	
15	5R2-14453-00	JOINT, air cleaner 1	1	
16	5R2-14437-00	DUCT	1	
17	92501-06030	SCREW, pan head	1	
18	90201-061A5	WASHER, plate	1	
19	90119-06056	BOLT, with washer	2	
20	5R2-13580-00	AIR CHAMBER ASSY	1	
21	90480-12053	GROMMET	1	
22	92501-06014	SCREW, pan head	1	
23	90201-061A5	WASHER, plate	1	
24	5R2-13584-00	PIPE, intake manifold	1	
25	90467-19051	CLIP	2	



5R6010-1071

FIG. 7 CARBURETOR



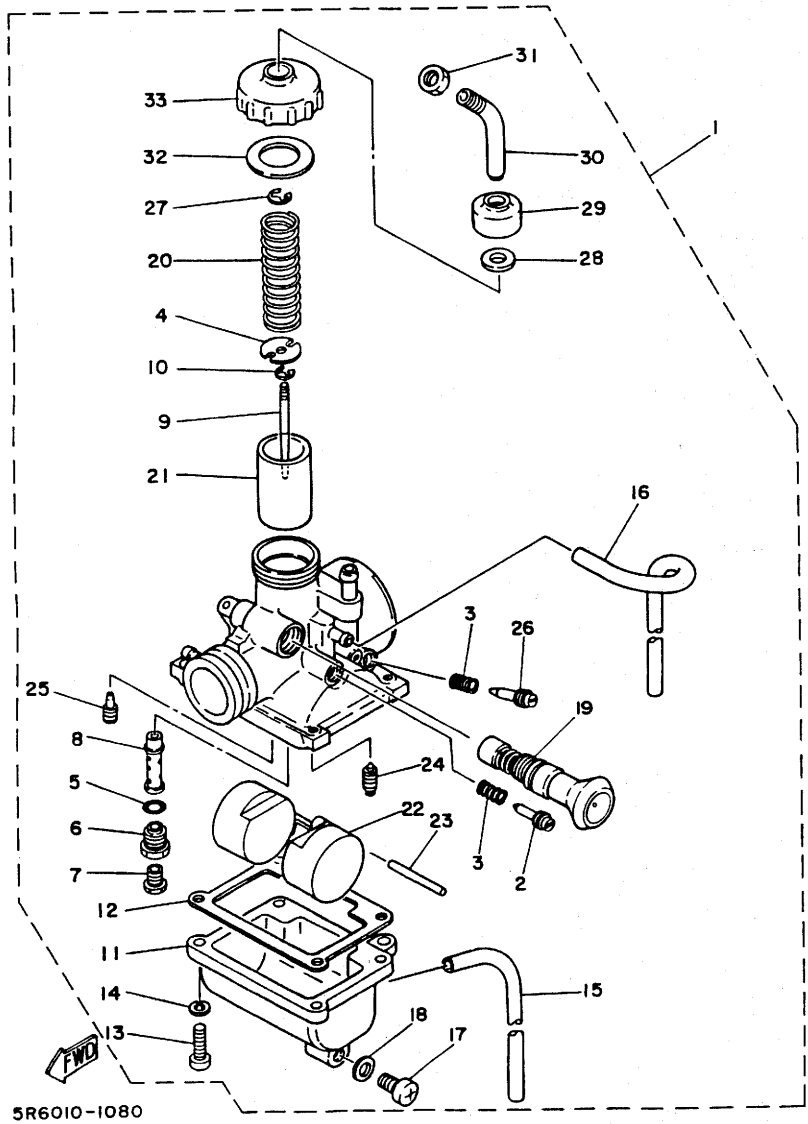
5R6010-1080

REF. NO.	PART NO.	DESCRIPTION	Q'TY	REMARKS
1	5R2-14101-00	CARBURETOR ASSY 1	1	
2	102-14122-00	.SCREW, throttle	1	
3	127-14134-00	.SPRING, air adjusting	2	
4	212-14136-00	.SEAT, spring	1	
5	214-14147-00	.O-RING	1	
6	4A5-14145-00	.SETTER, needle jet	1	
7	127-14143-25	.JET, main (#125)	1	UR STD
	127-14143-24	.JET, main (#120)	1	UR
	127-14143-26	.JET, main (#130)	1	UR
8	4U5-14141-10	.NOZZLE, main	1	
9	2X0-14116-01	.NEEDLE	1	
10	127-14137-00	.CLIP	1	
11	4U5-14181-08	.BODY, float chamber 1	1	
12	353-14184-00	.GASKET, float chamber	1	
13	98501-04014	.SCREW, pan head	4	
14	92902-04100	.WASHER, spring	4	
15	183-14196-00	.PIPE	1	
16	183-14197-01	.PIPE	1	
17	98501-05008	.SCREW, pan head	1	
18	296-14117-00	.WASHER, plug screw	1	
19	4U5-14171-00	.PLUNGER, starter	1	
20	4U5-14131-00	.SPRING, throttle valve	1	
21	5R2-14112-20	.VALVE, throttle 1	1	
22	4U5-14185-00	.FLOAT	1	
23	353-14186-00	.PIN, float	1	
24	3L5-14190-01	.NEEDLE VALVE ASSY	1	
25	260-14142-25	.JET, pilot (# 25)	1	
26	4N0-14191-00	.PLUG, drain	1	

B9

FIG. 7 CARBURETOR

REF. NO.	PART NO.	DESCRIPTION	QTY	REMARKS
27	363-14137-00	.CLIP	1	
28	509-14198-00	.GASKET	1	
29	1M1-14169-00	.CAP	1	
30	1T9-14155-00	.GUIDE, cable	1	
31	127-14161-00	.NUT, cable adjusting	1	
32	4U5-14126-00	.GASKET	1	
33	4U5-14158-00	.TOP, mixing chamber	1	

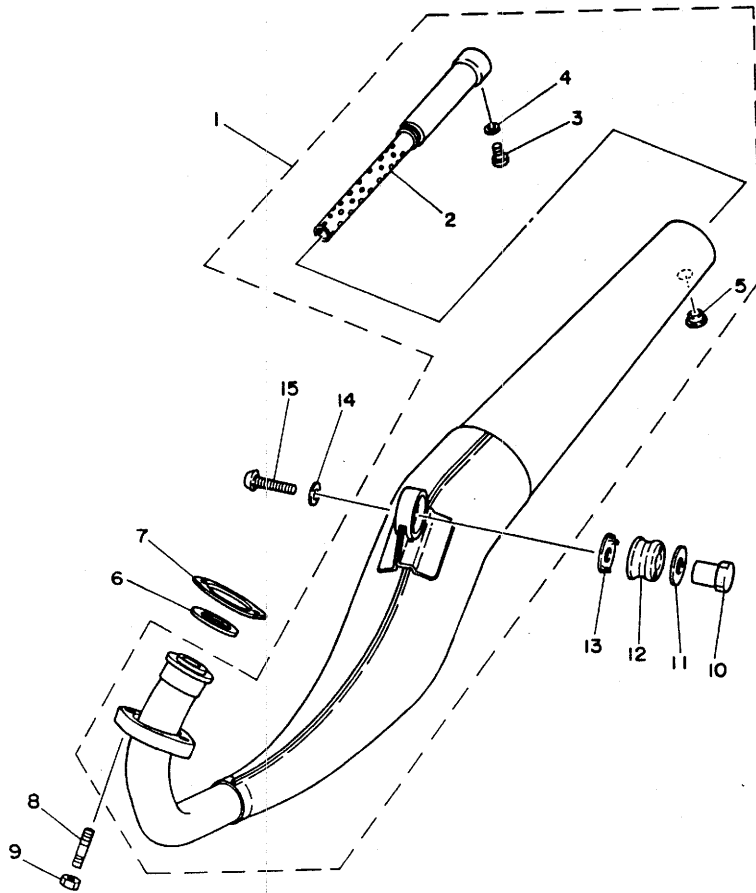


5R6010-1080

B10

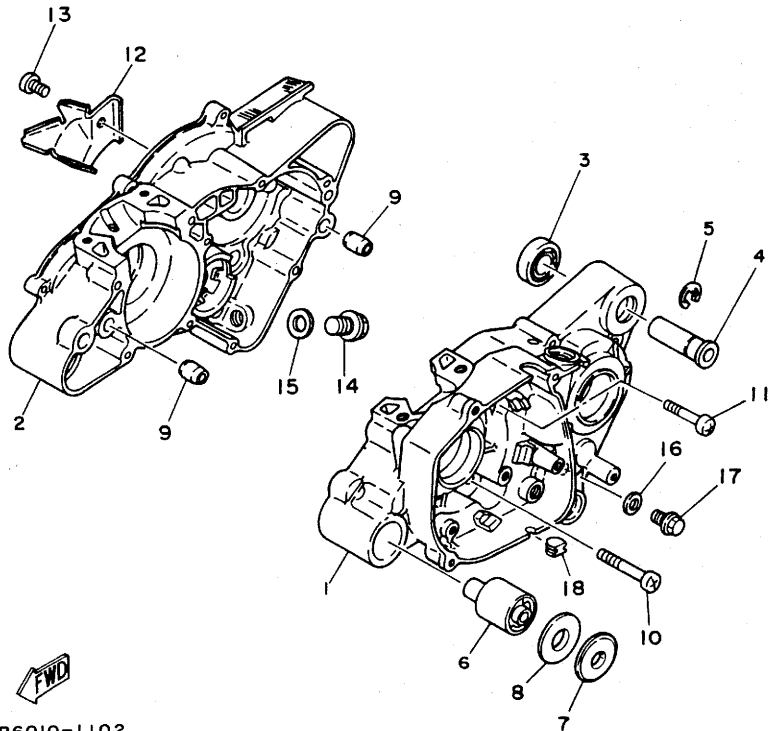
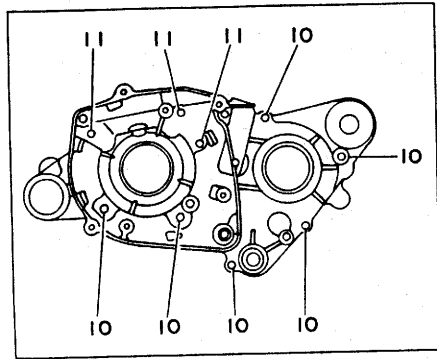
FIG. 8 EXHAUST

REF. NO.	PART NO.	DESCRIPTION	Q'TY	REMARKS
1	5R2-14710-00	MUFFLER ASSY 1	1	
2	5R2-14753-00	.SILENCER, exhaust	1	
3	98501-05008	.SCREW, pan head	1	
4	92901-05100	.WASHER, spring	1	
5	90480-14153	.GROMMET	1	
6	5R2-14613-00	GASKET, exhaust pipe	1	
7	5R2-14643-00	GASKET 3	1	
8	90116-08247	BOLT, stud	2	
9	90185-08097	NUT, self-locking	2	
10	90179-08357	NUT	1	
11	90201-157E7	WASHER, plate	1	
12	5R2-14737-00	DAMPER, muffler	1	
13	5R2-14759-00	WASHER	1	
14	92906-08200	WASHER, plain	1	
15	90157-08026	SCREW, pan head	1	



5R6010-1091

B11



5R6010-1102

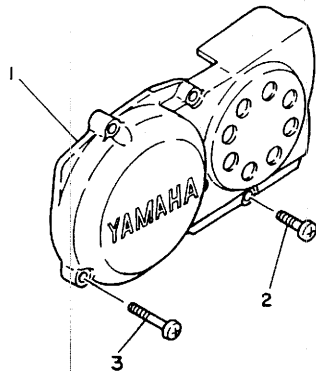
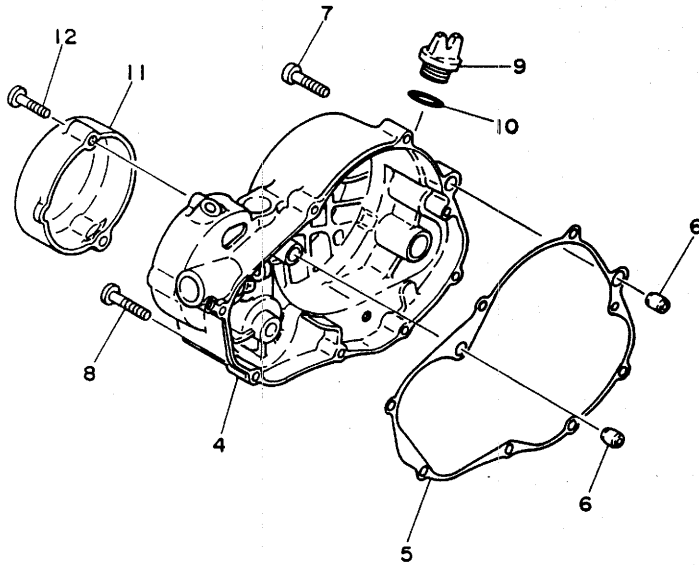
FIG. 9 CRANKCASE

REF. NO.	PART NO.	DESCRIPTION	Q'TY	REMARKS
1	5R2-15111-01	CRANKCASE 1	1	
2	5R2-15121-00	CRANKCASE 2	1	
3	93306-00203	BEARING (B6002)	2	
4	5R2-15317-01	SPACER, engine mount	2	
5	93440-15012	CIRCLIP	2	
6	5R2-15316-00	DAMPER, engine mount 1	2	
7	5R2-15328-00	SPACER, damper	1	
8	90209-16227	WASHER	1	
9	91830-22016	PIN, dowel	2	
10	92501-06045	SCREW, pan head	6	
11	92501-06035	SCREW, pan head	3	
12	5R2-15113-00	PLATE	1	
13	92501-06012	SCREW, pan head	1	
14	90340-12059	PLUG, straight screw	1	
15	90430-12038	GASKET	1	
16	90430-10171	GASKET	1	
17	95801-10014	BOLT, flange	1	
18	90480-08349	GROMMET	1	

B12

FIG. 10. CRANKCASE COVER 1

REF. NO.	PART NO.	DESCRIPTION	Q'TY	REMARKS
1	5R2-15411-01	COVER, crankcase 1	1	
2	92506-06025	SCREW, pan head	2	
3	92506-06040	SCREW, pan head	3	
4	5R2-15421-01	COVER, crankcase 2	1	
5	5R2-15461-00	GASKET, crankcase cover 2	1	
6	91830-21014	PIN, dowel	2	
7	92506-06030	SCREW, pan head	6	
8	92506-06035	SCREW, pan head	2	
9	3Y1-15363-00	PLUG, oil	1	
10	93210-19123	O-RING	1	
11	5R2-15431-00	COVER, crankcase 3	1	
12	92506-06030	SCREW, pan head	2	

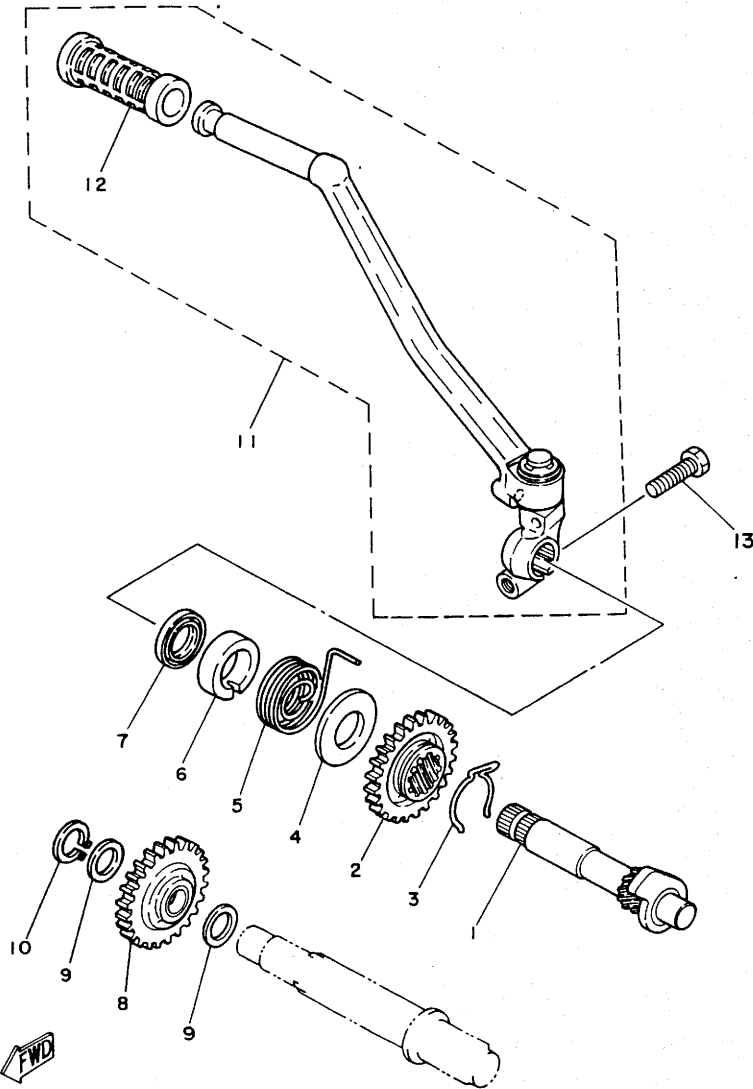


5R6010-1111

B13

FIG. 11 STARTER

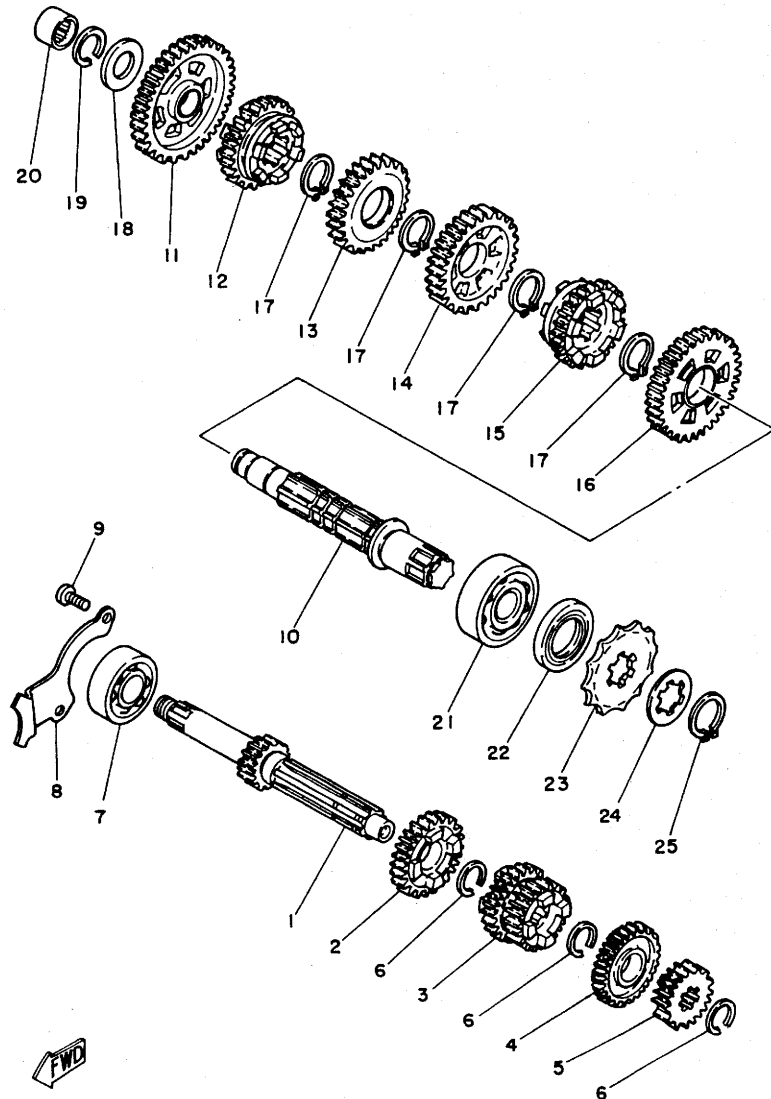
REF. NO.	PART NO.	DESCRIPTION	Q'TY	REMARKS
1	5R2-15660-01	KICK AXLE ASSY	1	
2	4V0-15641-00	GEAR, kick (24T)	1	
3	90468-26046	CLIP	1	
4	90201-154A1	WASHER, plate	1	
5	90508-26464	SPRING, torsion	1	
6	4V0-15664-00	GUIDE, spring	1	
7	93109-15001	OIL SEAL	1	
8	10X-15651-00	GEAR, sprocket idle (25T)	1	
9	90201-124F8	WASHER, plate	2	
10	93410-12003	CIRCLIP	1	
11	5R2-15620-01	KICK CRANK ASSY	1	
12	156-15618-01	.COVER, kick lever	1	
13	97316-06025	BOLT	1	



5R6010-1122

B14

FIG. 13 TRANSMISSION

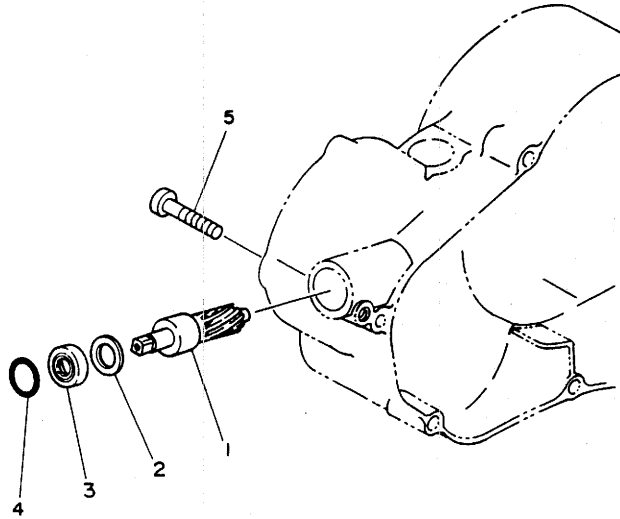


5R6010-1140

REF. NO.	PART NO.	DESCRIPTION	Q'TY	REMARKS
1	5R2-17411-00	AXLE, main (12T)	1	
2	5R2-17151-00	GEAR, 5th pinion (25T)	1	
3	5R2-17131-01	GEAR, 3rd/4th pinion (20/22T)	1	
4	5R2-17161-00	GEAR, 6th pinion (26T)	1	
5	5R2-17121-00	GEAR, 2nd pinion (16T)	1	
6	93440-16089	CIRCLIP	3	
7	93306-20303	BEARING (B6203Z)	1	
8	5R2-17471-00	PLATE, cover	1	
9	92501-06012	SCREW, pan head	2	
10	11A-17421-00	AXLE, drive	1	
11	5R2-17211-00	GEAR, 1st wheel (39T)	1	
12	5R2-17251-00	GEAR, 5th wheel (26T)	1	
13	5R2-17241-00	GEAR, 4th wheel (27T)	1	
14	5R2-17231-00	GEAR, 3rd wheel (31T)	1	
15	5R2-17261-00	GEAR, 6th wheel (24T)	1	
16	5R2-17221-00	GEAR, 2nd wheel (34T)	1	
17	93410-20038	CIRCLIP	4	
18	164-17427-00-10	SHIM 1 (1.0T)	1	
19	93440-15012	CIRCLIP	1	
20	93315-31502	BEARING, cylindrical	1	
21	93306-20401	BEARING (B6204)	1	
22	93102-20143	OIL SEAL	1	
23	517-17461-31	SPROCKET, drive (13T)	1	
24	90209-16206	WASHER	1	
25	93410-18062	CIRCLIP	1	

FIG. 14 TACHOMETER GEAR

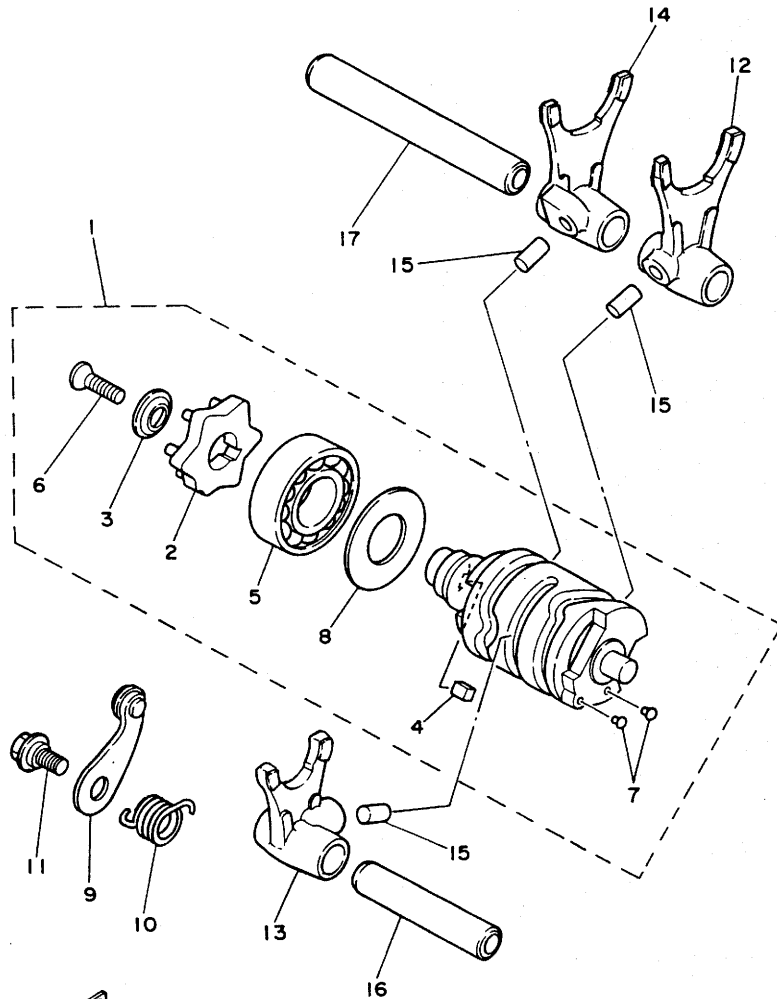
REF. NO.	PART NO.	DESCRIPTION	Q'TY	REMARKS
1	5R2-17841-00	GEAR, driven (10T)	1	
2	102-18137-00-10	WASHER 1	1	
3	93102-08307	OIL SEAL	1	
4	93210-14104	O-RING	1	
5	92501-06030	SCREW, pan head	1	



5R6010-1150

C3

FIG. 15 SHIFT CAM. FORK



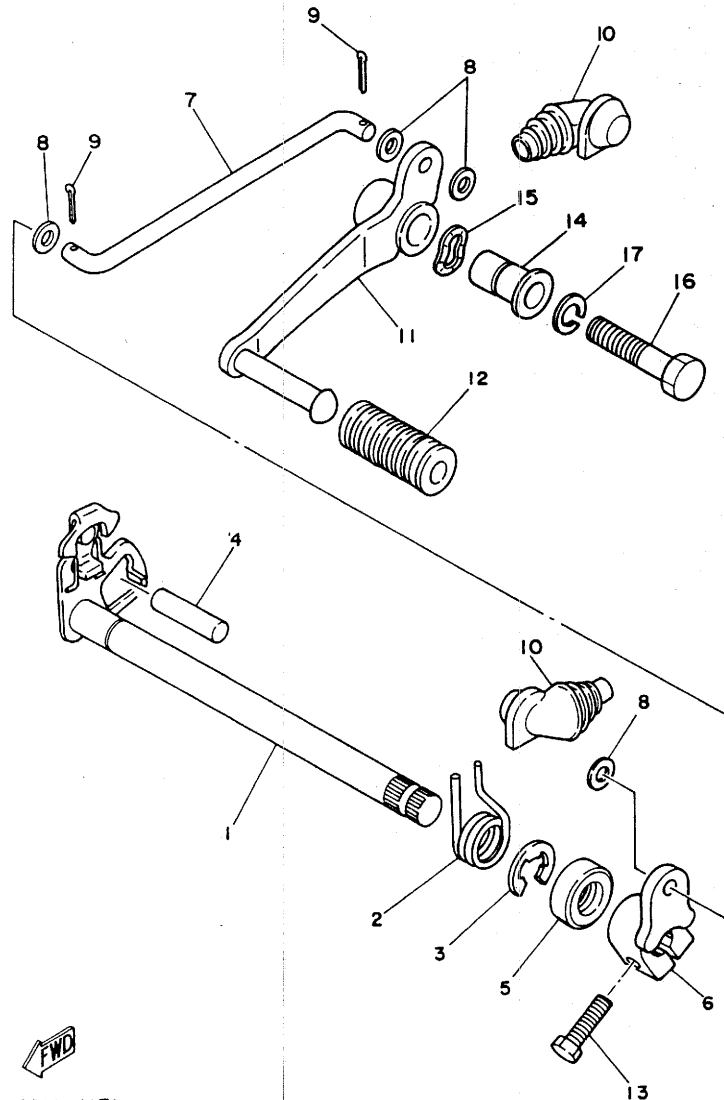
REF. NO.	PART NO.	DESCRIPTION	Q'TY	REMARKS
1	17W-18540-00	SHIFT CAM ASSY	1	
2	5R2-18185-00	.SEGMENT	1	
3	3R4-18561-00	.PLATE, side 1	1	
4	90282-04036	.KEY, straight	1	
5	93306-00422	.BEARING	1	
6	98701-05016	.SCREW, flat head	1	
7	136-18542-00	.POINT, neutral	2	
8	90201-203F0	.WASHER, plate	1	
9	5R2-18140-00	STOPPER LEVER ASSY	1	
10	90508-26561	SPRING, torsion	1	
11	1W1-18177-00	BOLT, stopper	1	
12	5R2-18511-00	FORK, shift 1	1	
13	5R2-18512-00	FORK, shift 2	1	
14	5R2-18513-00	FORK, shift 3	1	
15	90250-06013	PIN, straight	3	
16	5X5-18531-01	BAR, shift fork guide 1	1	
17	5X5-18535-01	BAR, shift fork guide 2	1	



5R6010-1161

C4

FIG. 16 SHIFT SHAFT



REF. NO.	PART NO.	DESCRIPTION	Q'TY	REMARKS
1	5R2-18101-01	SHIFT SHAFT ASSY	1	
2	90508-32642	SPRING, torsion	1	
3	93430-10016	CIRCLIP	1	
4	93608-30128	PIN, dowel	1	
5	93109-12012	OIL SEAL	1	
6	5R2-18112-00	ARM, shift	1	
7	5R2-18115-00	ROD, shift	1	
8	92901-06200	WASHER, plain	4	
9	91401-20015	PIN, cotter	2	
10	5R2-18154-00	COVER, dust	2	
11	5R2-18111-00	PEDAL, shift	1	
12	132-18113-01	COVER, shift pedal	1	
13	97326-06020	BOLT	1	
14	90387-082G1	COLLAR	1	
15	90206-12074	WASHER, wave	1	
16	97306-08035	BOLT	1	
17	92906-08100	WASHER, spring	1	



5R6010-1171

C5

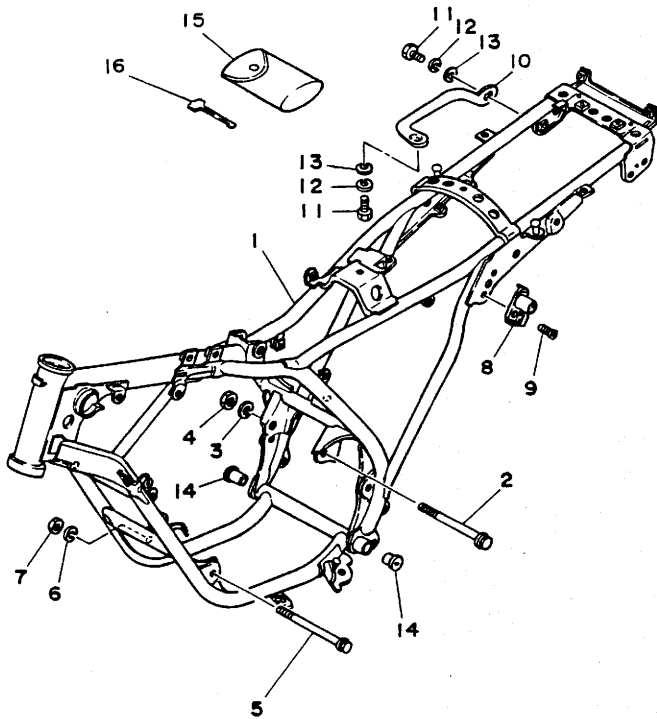


FIG. 17 FRAME

REF. NO.	PART NO.	DESCRIPTION	Q'TY	REMARKS
1	55N-21110-00-33	FRAME COMP.	1	yamaha black
2	90105-10119	BOLT, washer based	1	
3	92901-10100	WASHER, spring	1	
4	95301-10600	NUT	1	
5	95821-08125	BOLT, flange	1	
6	92901-08100	WASHER, spring	1	
7	95301-08600	NUT	1	
8	1E6-21308-00	HELMET HANGER ASSY	1	
9	92701-06018	SCREW, flat head	1	
10	5R2-21165-00	HANDLE, standing	1	
11	97306-08016	BOLT	2	
12	92906-08100	WASHER, spring	2	
13	92906-08600	WASHER, plate	2	
14	90338-18122	PLUG	2	
15	5R2-28100-01	TOOL KIT	1	
16	3M7-15361-00	GAUGE, level	1	

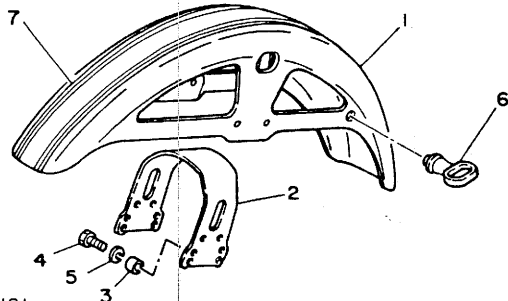
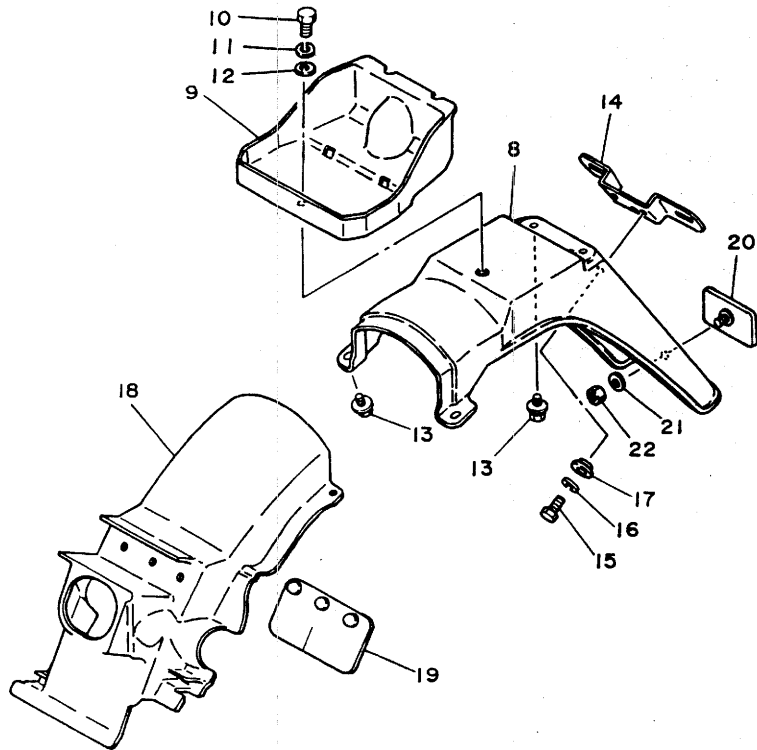


55N664-5170

C6

FIG. 18 FENDER

REF. NO.	PART NO.	DESCRIPTION	Q'TY	REMARKS
1	5R2-21511-00-36	FENDER, front	1	clean white
2	5R2-21513-00	STAY, fender 1	1	
3	90387-06372	COLLAR	4	
4	97301-06016	BOLT	4	
5	92901-06100	WASHER, spring	4	
6	1A8-21518-00	HOLDER, cable	1	
7	55N-21569-00	GRAPHIC 1	1	UR white/space blue
	55N-21569-10	GRAPHIC 1	1	UR white/sunshine red
8	5R2-21611-00	FENDER, rear	1	
9	5R2-2160E-00	BOX	1	
10	97302-06018	BOLT	1	
11	92902-06100	WASHER, spring	1	
12	90201-06765	WASHER, plate	1	
13	90119-06056	BOLT, with washer	4	
14	5R2-21685-00	BRACKET, license	1	
15	97301-06016	BOLT	2	
16	92902-06100	WASHER, spring	2	
17	90387-06500	COLLAR	2	
18	5R2-21629-00	GUARD, mud	1	
19	1M1-21621-00	FLAP	1	
20	3G1-85130-00	REAR REFLECTOR ASSY	1	
21	92901-05600	WASHER, plate	1	
22	95301-05600	NUT	1	



5R6664-1191

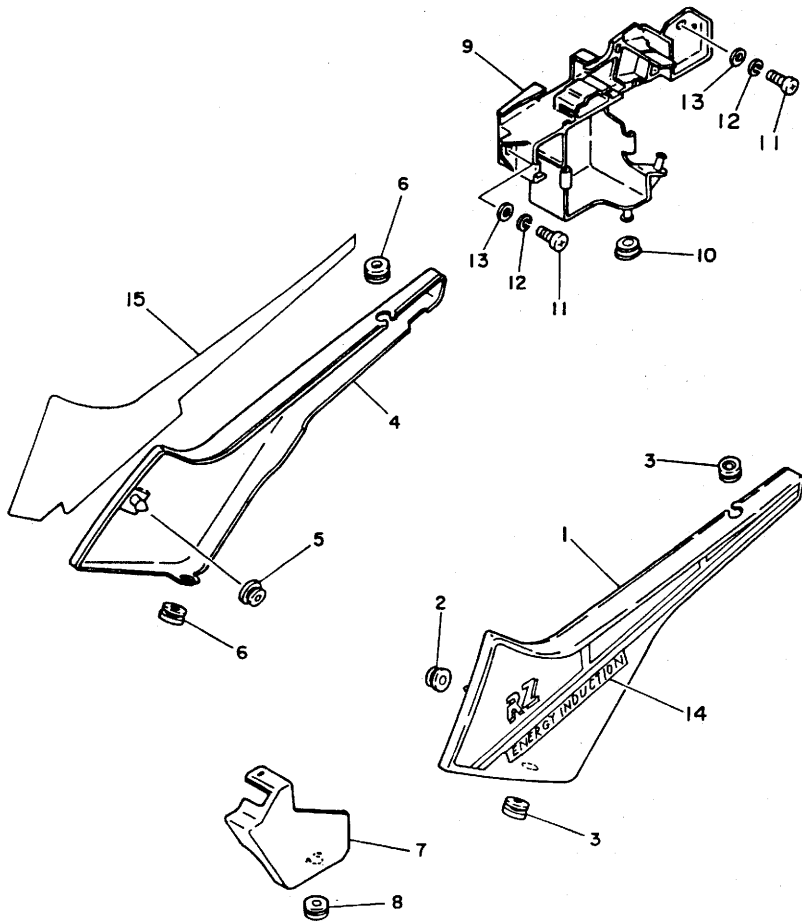


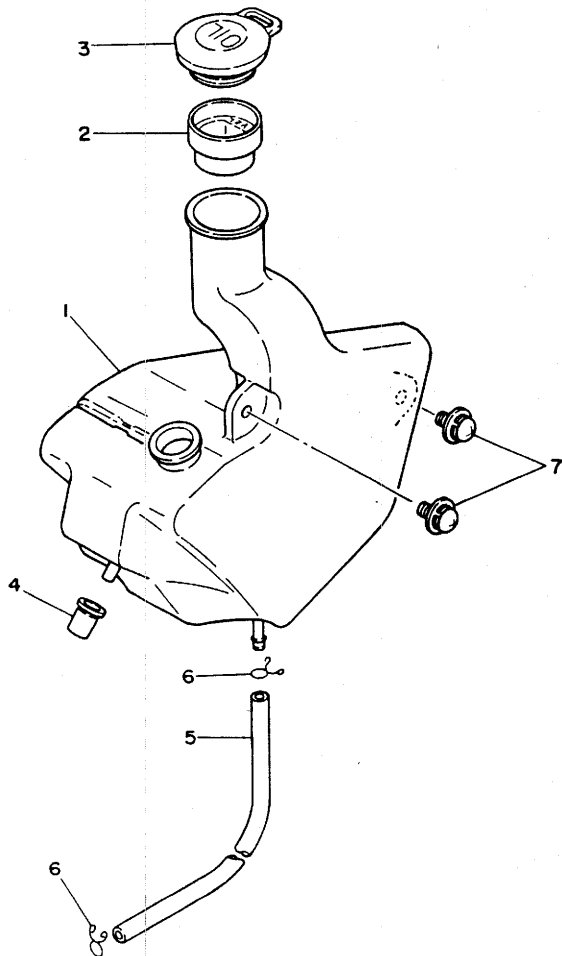
FIG. 19 SIDE COVER

REF. NO.	PART NO.	DESCRIPTION	Q'TY	REMARKS
1	5R2-21711-00-36	COVER, side 1	1	clean white
2	90480-13197	GROMMET	1	
3	90480-12053	GROMMET	2	
4	5R2-21721-00-36	COVER, side 2	1	clean white
5	90480-13197	GROMMET	1	
6	90480-12053	GROMMET	2	
7	5R2-21731-00	COVER, side 3	1	
8	90480-12053	GROMMET	1	
9	5R2-2177A-00	BOX	1	
10	90480-01141	GROMMET	1	
11	92501-06020	SCREW, pan head	2	
12	92901-06100	WASHER, spring	2	
13	90201-061A5	WASHER, plate	2	
14	55N-2173E-00	GRAPHIC 1	1	UR white/space blue
	55N-2173E-10	GRAPHIC 1	1	UR white/sunshine red
15	55N-2173F-00	GRAPHIC 2	1	UR white/space blue
	55N-2173F-10	GRAPHIC 2	1	UR white/sunshine red



55N664-5190

FIG. 20 OIL TANK



REF. NO.	PART NO.	DESCRIPTION	Q'TY	REMARKS
1	5R2-21751-00	TANK, oil	1	
2	5R2-21761-00	GAUGE, level	1	
3	5R2-21771-00	BODY, cap	1	
4	90480-12236	GROMMET	1	
5	90445-09111	HOSE	1	
6	90467-08003	CLIP	2	
7	90159-06060	SCREW, with washer	2	



5R6010-1211

C9

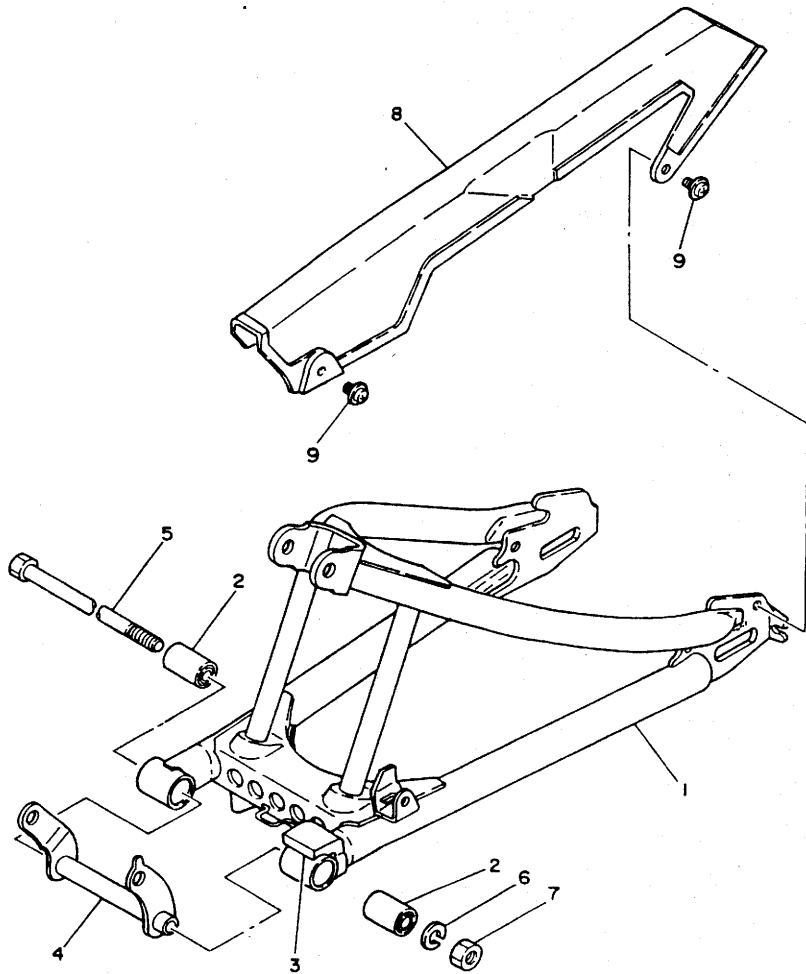


FIG. 21 REAR ARM

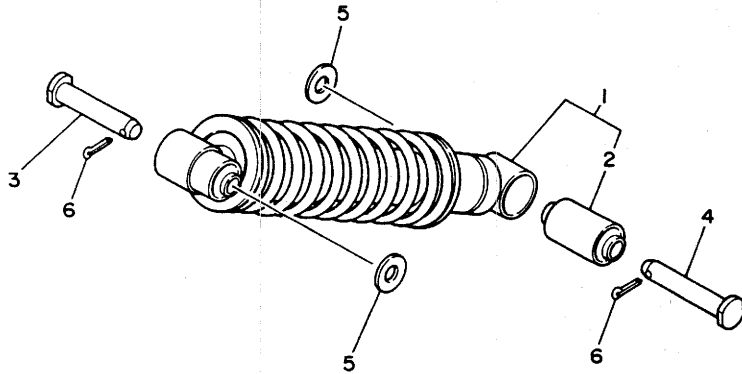
REF. NO.	PART NO.	DESCRIPTION	Q'TY	REMARKS
1	5R2-22110-00-33	REAR ARM COMP.	1	yamaha black
2	102-22123-00	BUSH 1	2	
3	183-22151-00	SEAL, guard	1	
4	5R2-22126-00	COLLAR, distance	1	
5	3T2-22141-01	SHAFT, pivot	1	
6	92901-10100	WASHER, spring	1	
7	95301-10600	NUT	1	
8	5R2-22311-00	CASE, chain	1	
9	90159-06058	SCREW, with washer	2	



55N664-5220

FIG. 22 REAR SUSPENSION

REF. NO.	PART NO.	DESCRIPTION	Q'TY	REMARKS
1	5R2-22210-00	SHOCK ABSORBER ASSY, rear	1	
2	3M7-22216-00	.BUSH, rear shock absorber	2	
3	90240-10069	PIN, clevis	1	
4	90240-10072	PIN, clevis	1	
5	92901-10600	WASHER, plate	2	
6	91401-25020	PIN, cotter	2	

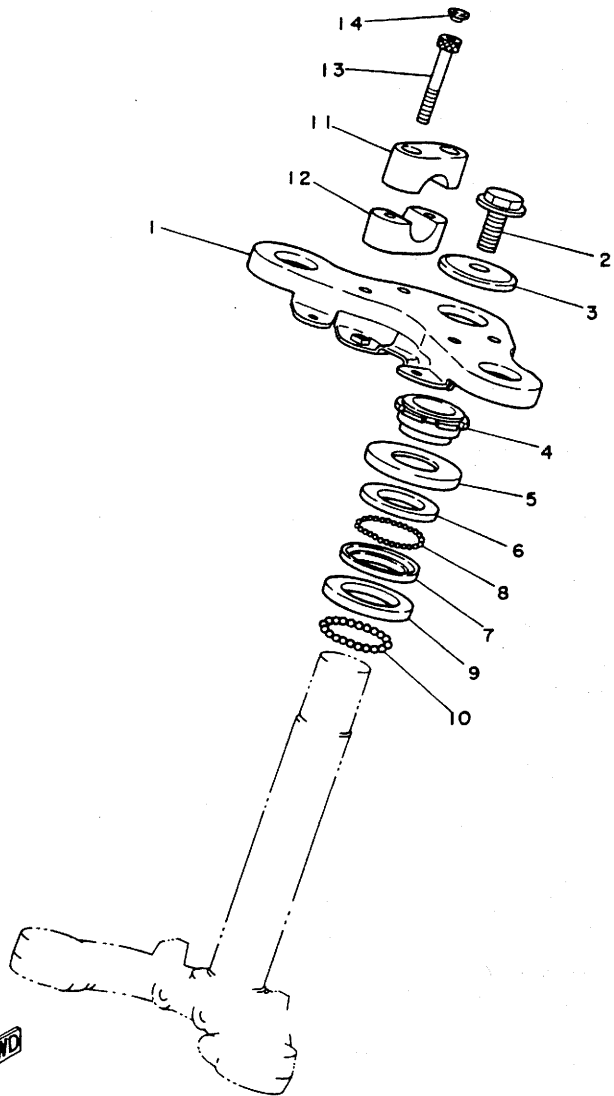


5R6010-2230

C11

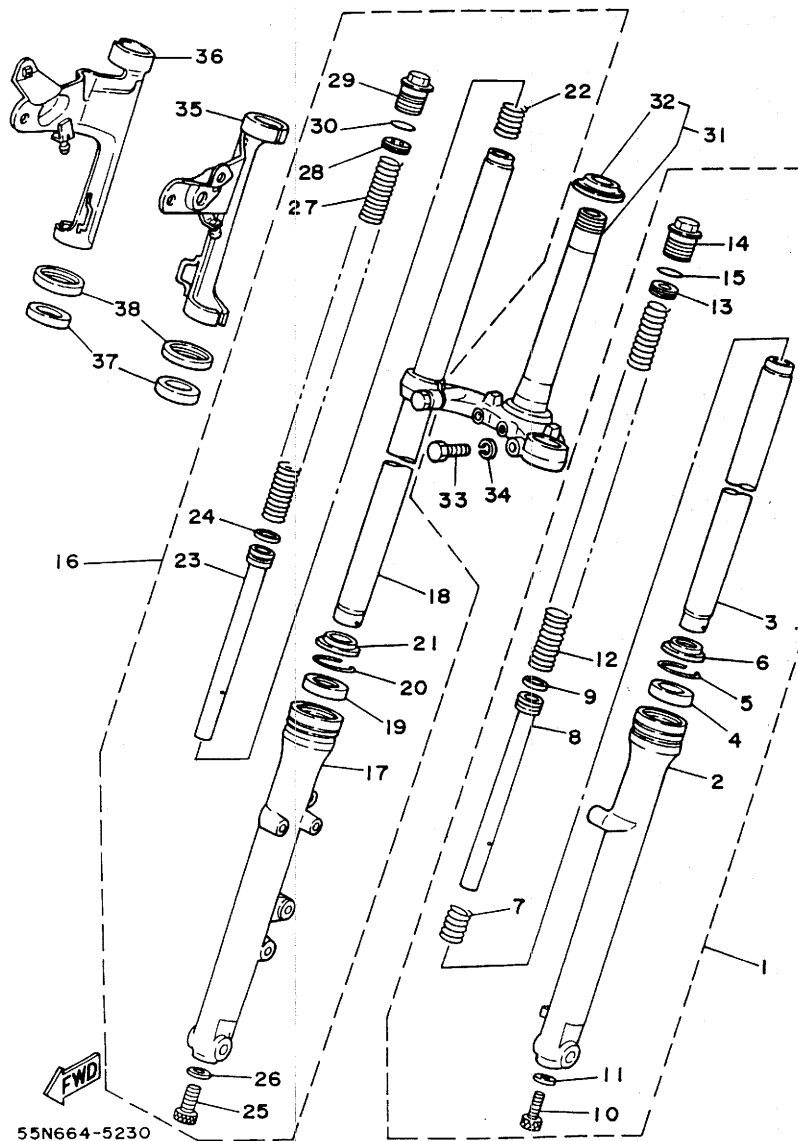
FIG. 23 STEERING

REF. NO.	PART NO.	DESCRIPTION	Q'TY	REMARKS
1	5R2-23435-00-98	CROWN, handle	1	low gloss black
2	90105-10201	BOLT, washer based	1	
3	90201-105E4	WASHER, plate	1	
4	90179-25051	NUT	1	
5	122-23416-00	COVER, ball race 2	1	
6	122-23411-00	RACE, ball 1	1	
7	122-23412-00	RACE, ball 2	1	
8	93503-16010	BALL	22	
9	156-23412-00	RACE, ball 2	1	
10	93501-04011	BALL	19	
11	5R2-23441-00-98	HOLDER, handle upper	2	low gloss black
12	5R2-23442-00-98	HOLDER, handle lower	2	low gloss black
13	91316-06045	BOLT	4	
14	2H9-23469-00	CAP, bolt	4	



5R6010-1240

C12



55N664-5230

FIG. 24 FRONT FORK

REF. NO.	PART NO.	DESCRIPTION	Q'TY	REMARKS
1	5R2-23102-00	FRONT FORK ASSY (L.H)	1	
2	5R2-23126-00-38	.TUBE, outer 1	1	clear buffing
3	5R2-23110-00	.INNER TUBE COMP.1	1	
4	93110-27010	.OIL SEAL	1	
5	93450-40070	.CIRCLIP	1	
6	5R2-23144-00	.SEAL, dust	1	
7	5R2-23151-00	.SPRING, rebound	1	
8	5R2-23171-00	.PISTON, front fork	1	
9	5R2-23157-00	.RING, piston	1	
10	91311-10025	.BOLT	1	
11	90430-10171	.GASKET	1	
12	5R2-23141-01	.SPRING, front fork	1	
13	5R2-23142-00	.SEAT, spring upper	1	
14	5R2-23111-00	.BOLT, cap	1	
15	93210-17490	.O-RING	1	
16	5R2-23103-00	FRONT FORK ASSY (R.H)	1	
17	5R2-23136-00-38	.TUBE, outer 2	1	clear buffing
18	5R2-23110-00	.INNER TUBE COMP.1	1	
19	93110-27010	.OIL SEAL	1	
20	93450-40070	.CIRCLIP	1	
21	5R2-23144-00	.SEAL, dust	1	
22	5R2-23151-00	.SPRING, rebound	1	
23	5R2-23171-00	.PISTON, front fork	1	
24	5R2-23157-00	.RING, piston	1	
25	91311-10025	.BOLT	1	
26	90430-10171	.GASKET	1	
27	5R2-23141-01	.SPRING, front fork	1	
28	5R2-23142-00	.SEAT, spring upper	1	

C13

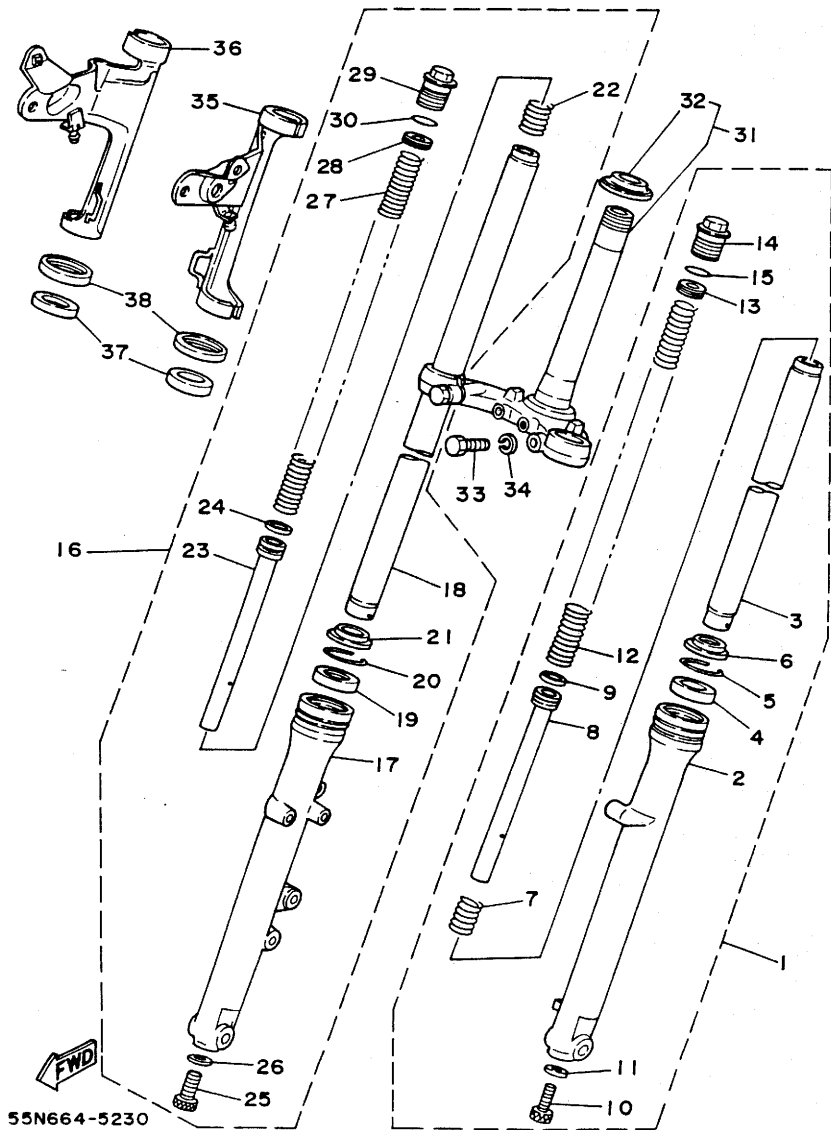
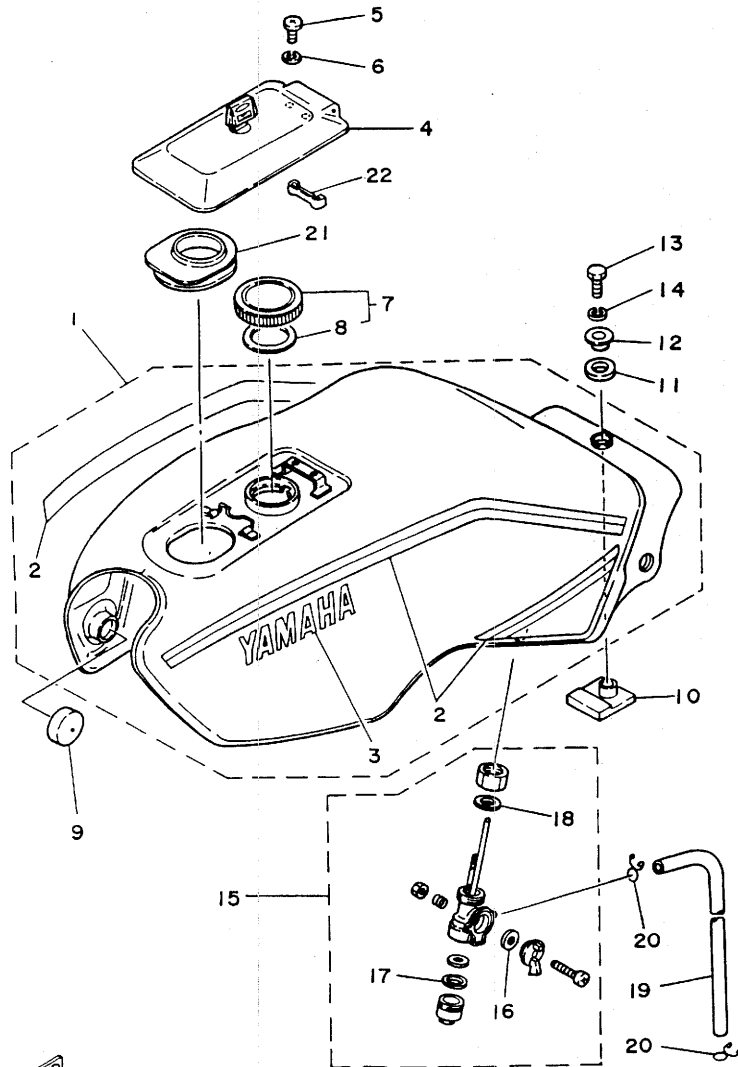


FIG. 24 FRONT FORK

REF. NO.	PART NO.	DESCRIPTION	Q'TY	REMARKS
29	5R2-23111-00	.BOLT, cap	1	
30	93210-17490	.O-RING	1	
31	5R2-23340-00-33	UNDER BRACKET COMP.	1	yamaha black
32	156-23411-00	.RACE, ball 1	1	
33	97321-10035	BOLT	2	
34	92901-10100	WASHER, spring	2	
35	10Y-23327-00-33	STAY, flasher	1	yamaha black
36	10Y-23328-00-33	STAY, flasher	1	yamaha black
37	3M7-23137-00	GASKET, upper cover 1	2	
38	3M7-23385-00	WASHER, special 1	2	

FIG. 25 FUEL TANK



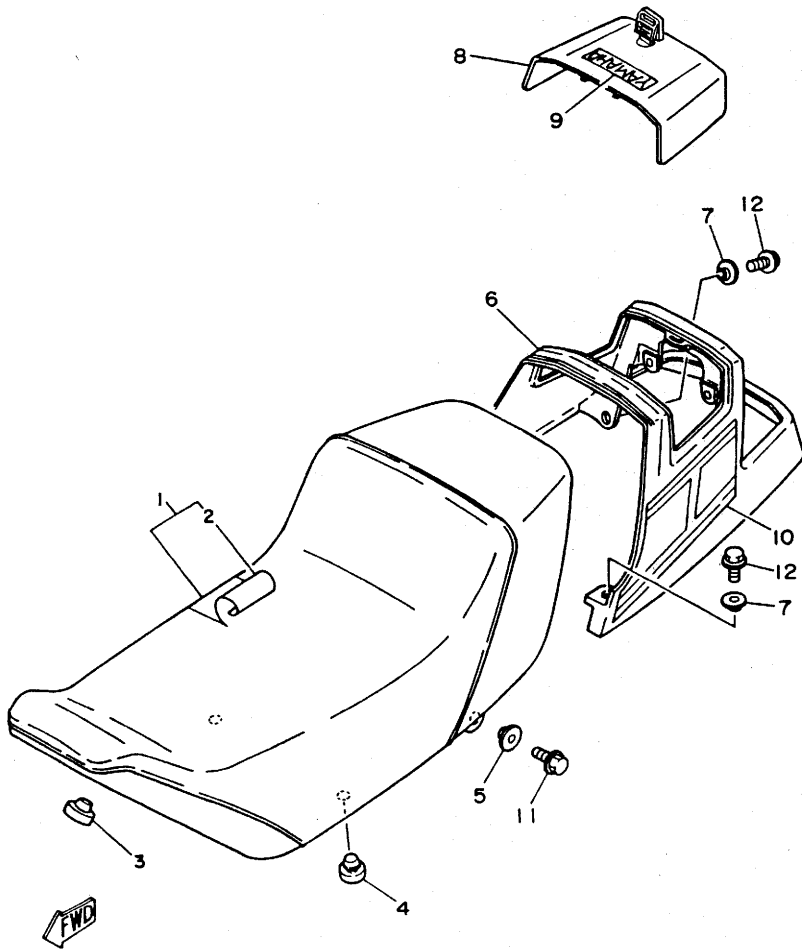
REF. NO.	PART NO.	DESCRIPTION	Q'TY	REMARKS
1	5R2-24110-00-08	FUEL TANK COMP.	1	UR white/space blue
	5R2-24110-00-09	FUEL TANK COMP.	1	UR white/sunshine red
2	55N-24240-01	.GRAPHIC SET	1	UR white/space blue
	55N-24240-11	.GRAPHIC SET	1	UR white/sunshine red
3	55N-24161-00	.EMBLEM 1	2	
4	5R2-W2463-00	CAP ASSY	1	
5	98501-03008	SCREW, pan head	2	
6	92903-03100	WASHER, spring	2	
7	22F-24610-01	CAP ASSY	1	
8	296-24612-00	.GASKET, cap	1	
9	4U5-24181-00	DAMPER, locating 1	2	
10	5R2-24183-00	DAMPER, locating 3	1	
11	90202-14077	WASHER, plate	1	
12	90387-075H4	COLLAR	1	
13	97301-06025	BOLT	1	
14	92901-06100	WASHER, spring	1	
15	5R2-24500-01	FUEL COCK ASSY 1	1	
16	355-24523-00	.VALVE	1	
17	102-24522-01	.GASKET	1	
18	122-24532-00	.GASKET	1	
19	90445-09651	HOSE	1	
20	90467-08003	CLIP	2	
21	5R2-2414G-00	SEAL	1	
22	5R2-24669-00	COVER, hinge	1	

55N664-5250

C15

FIG. 26 SEAT

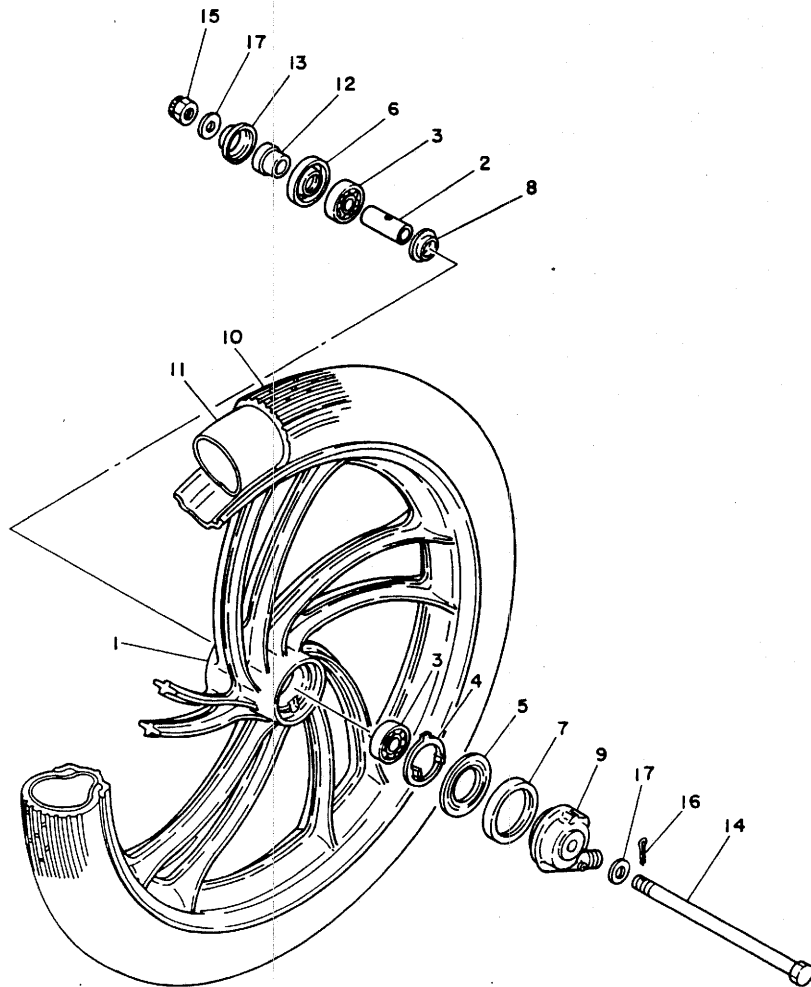
REF. NO.	PART NO.	DESCRIPTION	Q'TY	REMARKS
1	5R2-W2473-00	SEMI-DOUBLE SEAT ASSY	1	
2	5R2-24771-00	.COVER, semi-double seat	1	
3	116-24741-00	PAD, seat	2	
4	1M3-27114-00	STOPPER, main stand	2	
5	90387-06500	COLLAR	2	
6	5R2-24756-00-36	COVER, tail	1	clean white
7	90387-06500	COLLAR	4	
8	55N-W2476-00-36	LID ASSY	1	clean white
9	55N-24786-00	EMBLEM	1	
10	55N-2477L-00	GRAPHIC SET, tail cover	1	UR white/space blue
	55N-2477L-10	GRAPHIC SET, tail cover	1	UR white/sunshine red
11	95801-06016	BOLT, flange	2	
12	95801-06016	BOLT, flange	4	



55N664-5260

D2

FIG. 27 FRONT WHEEL



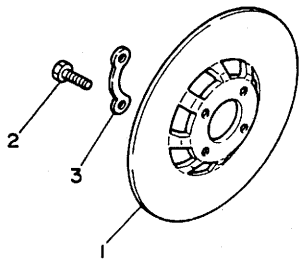
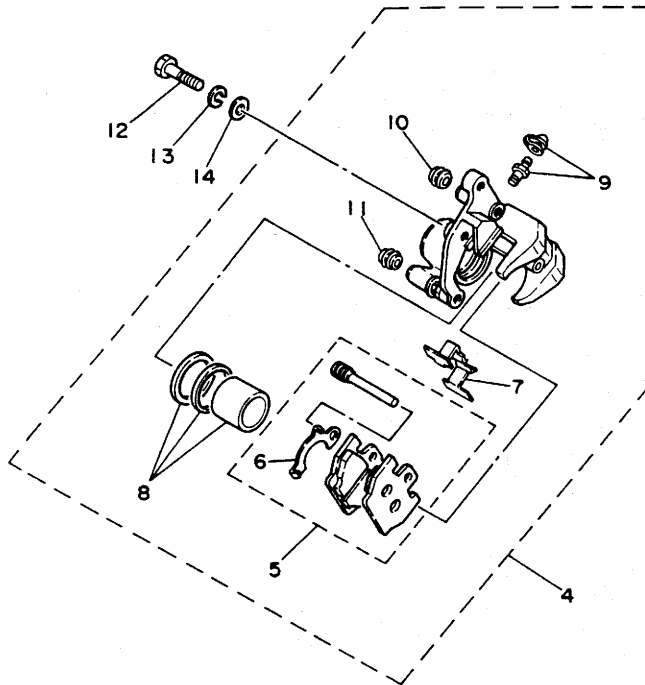
REF. NO.	PART NO.	DESCRIPTION	Q'TY	REMARKS
1	5R6-25168-00-98	CAST WHEEL, front	1	low gloss black
2	90560-12138	SPACER	1	
3	93306-30101	BEARING (B6301)	2	
4	341-25149-00	CLUTCH, meter	1	
5	341-25846-00	RETAINER, clutch	1	
6	93106-20002	OIL SEAL	1	
7	93105-45017	OIL SEAL	1	
8	109-25315-00	FLANGE, spacer	1	
9	5R2-25190-00	GEAR UNIT ASSY	1	
10	94125-18705	TIRE (2.50-18)	1	dunlop
11	94225-18194	TUBE (2.50-18)	1	dunlop
12	90387-12670	COLLAR	1	
13	481-25118-01	COVER, hub dust	1	
14	367-25381-00	AXLE, wheel	1	
15	90171-12005	NUT, castle	1	
16	91401-30025	PIN, cotter	1	
17	92901-12600	WASHER, plate	2	

FWD

5R6010-1280

D3

FIG. 28 FRONT BRAKE CALIPER

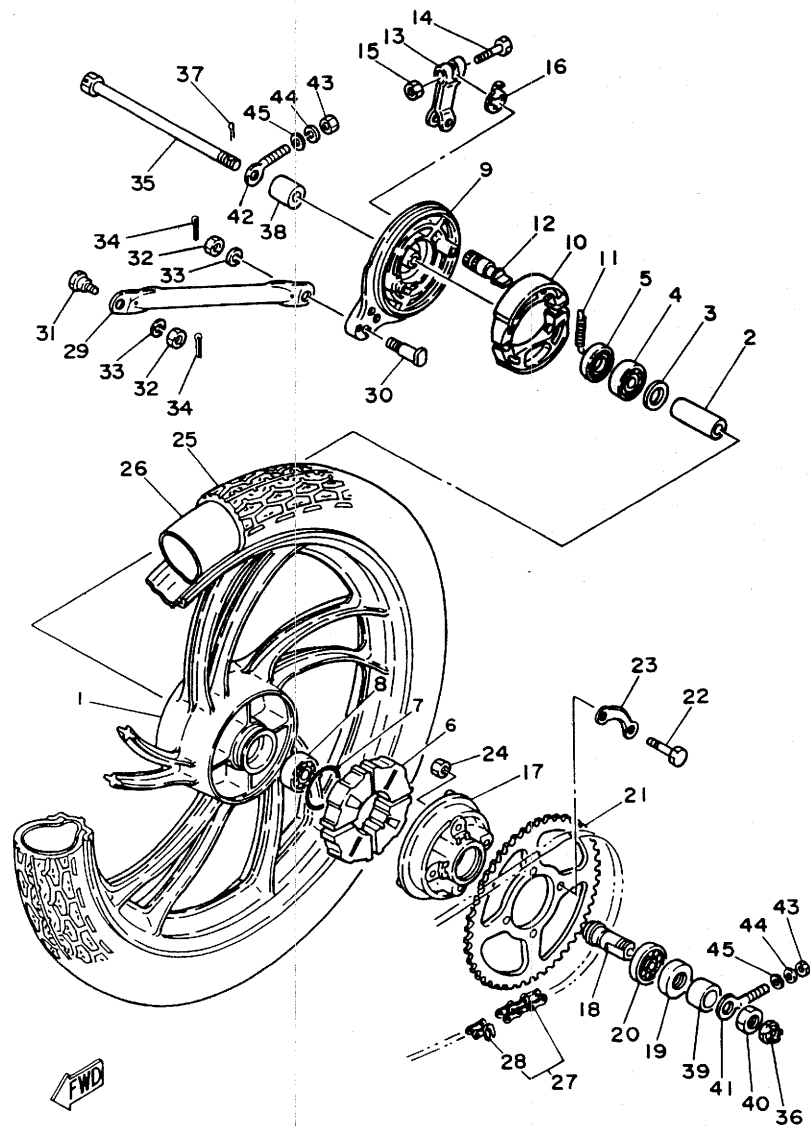


REF. NO.	PART NO.	DESCRIPTION	Q'TY	REMARKS
1	5G0-25831-00	DISC, brake (RIGHT)	1	
2	90109-08367	BOLT	4	
3	390-25412-01	WASHER	2	
4	5R2-25810-00	CALIPER ASSY (RIGHT)	1	
5	5R2-W0045-00	.BRAKE PAD KIT, front	1	
6	4X8-25827-00	..SHIM, caliper	1	
7	11H-25919-00	.SUPPORT, pad	1	
8	4X8-W0057-00	.PISTON ASSY, caliper	1	
9	404-W0048-30	.BREED SCREW KIT	1	
10	4X8-25917-00	.BOOT, caliper	1	
11	5R2-25937-00	.BOOT 2	1	
12	90101-10308	BOLT	2	
13	92901-10100	WASHER, spring	2	
14	92901-10200	WASHER, plain	2	



5R6010-1290

D4



5R6010-1302

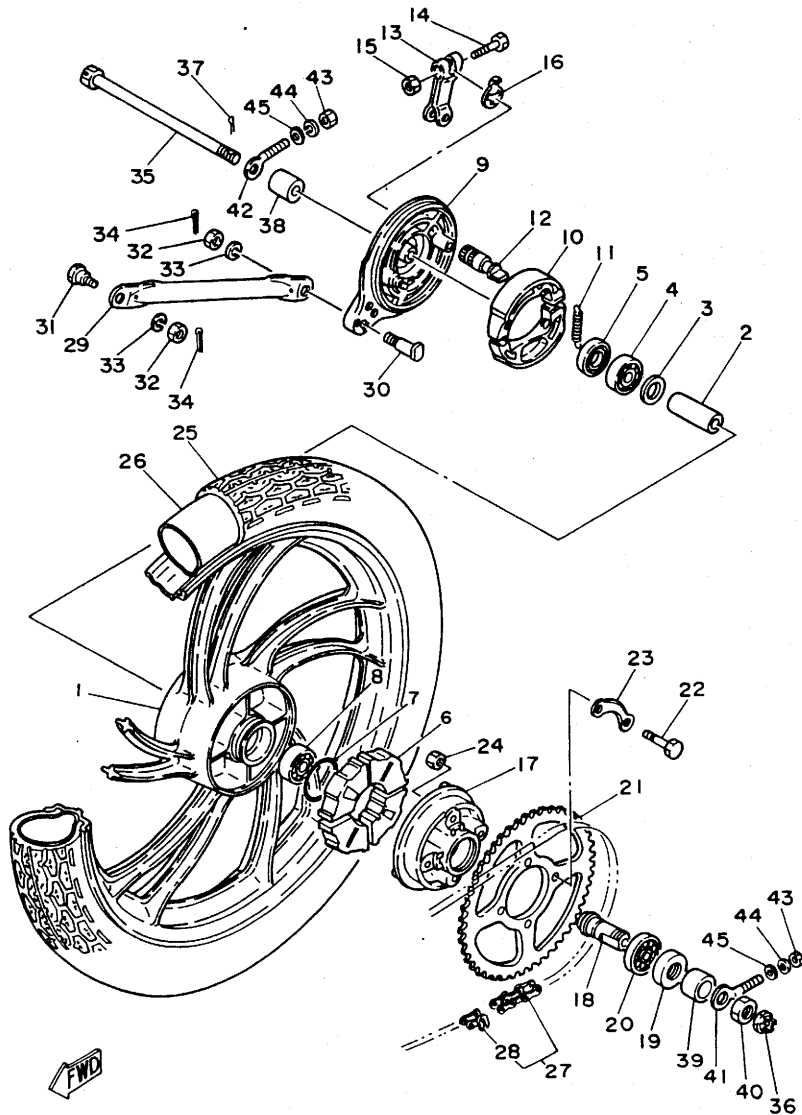
FIG. 29 REAR WHEEL

REF. NO.	PART NO.	DESCRIPTION	Q'TY	REMARKS
1	5R6-25338-00-98	CAST WHEEL, rear	1	low gloss black
2	90560-12145	SPACER	1	
3	109-25315-00	FLANGE, spacer	1	
4	93306-30101	BEARING (B6301)	1	
5	93104-21016	OIL SEAL	1	
6	304-25364-01	DAMPER	4	
7	93210-41041	O-RING	1	
8	93306-30103	BEARING (B6301Z)	1	
9	1M3-25321-02-98	PLATE, brake shoe	1	low gloss black
10	326-25330-10	BRAKE SHOE COMP.	2	
11	90506-16150	SPRING, tension	2	
12	3Y6-25351-00	CAMSHAFT	1	
13	538-25355-00	LEVER, camshaft	1	
14	90101-06278	BOLT	1	
15	95301-06600	NUT	1	
16	3Y6-2533A-01	PLATE, indicator	1	
17	296-25366-01-98	CLUTCH, hub	1	low gloss black
18	102-25387-02	AXLE, sprocket	1	
19	93106-30004	OIL SEAL	1	
20	93306-00406	BEARING (B6004Z)	1	
21	10X-25448-20-33	SPROCKET, driven (48T)	1	yamaha black
22	90109-08057	BOLT	4	
23	102-25412-00	WASHER	2	
24	90170-08157	NUT	4	
25	94127-18706	TIRE (2.75-18)	1	dunlop
26	94227-18195	TUBE (2.75-18)	1	dunlop
27	94580-52106	CHAIN (D.I.D.420M 106L)	1	
28	94680-52001	.JOINT, chain (D.I.D.-420M)	1	

D5

FIG. 29 REAR WHEEL

REF. NO.	PART NO.	DESCRIPTION	QTY	REMARKS
29	27L-25371-00	BAR, tension	1	
30	90109-08183	BOLT	1	
31	90109-08368	BOLT	1	
32	95301-08700	NUT	2	
33	92901-08100	WASHER, spring	2	
34	91401-20015	PIN, cotter	2	
35	401-25181-01	AXLE, wheel	1	
36	90171-12005	NUT, castle	1	
37	91401-30025	PIN, cotter	1	
38	90387-12412	COLLAR	1	
39	90387-18143	COLLAR	1	
40	90170-18300	NUT	1	
41	127-25388-01	PULLER, chain 1	1	
42	102-25389-00	PULLER, chain 2	1	
43	95301-06600	NUT	2	
44	92901-06100	WASHER, spring	2	
45	90201-061A5	WASHER, plate	2	



5R6010-1302

D6

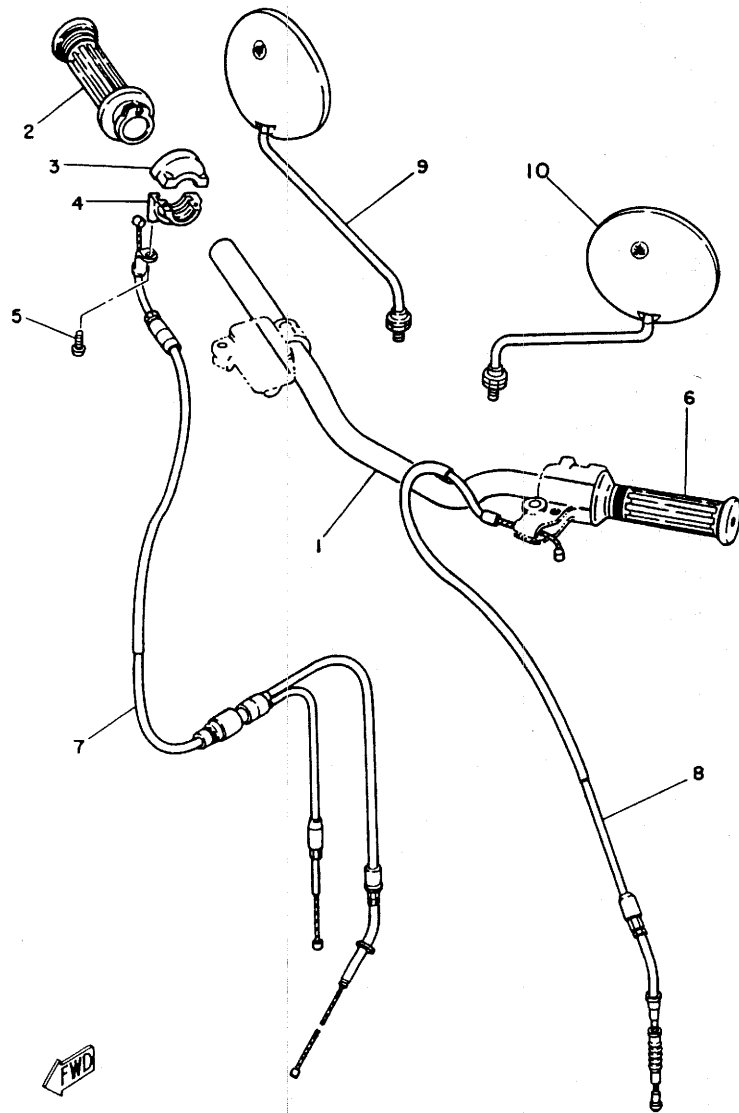


FIG. 30 STEERING HANDLE. CABLE

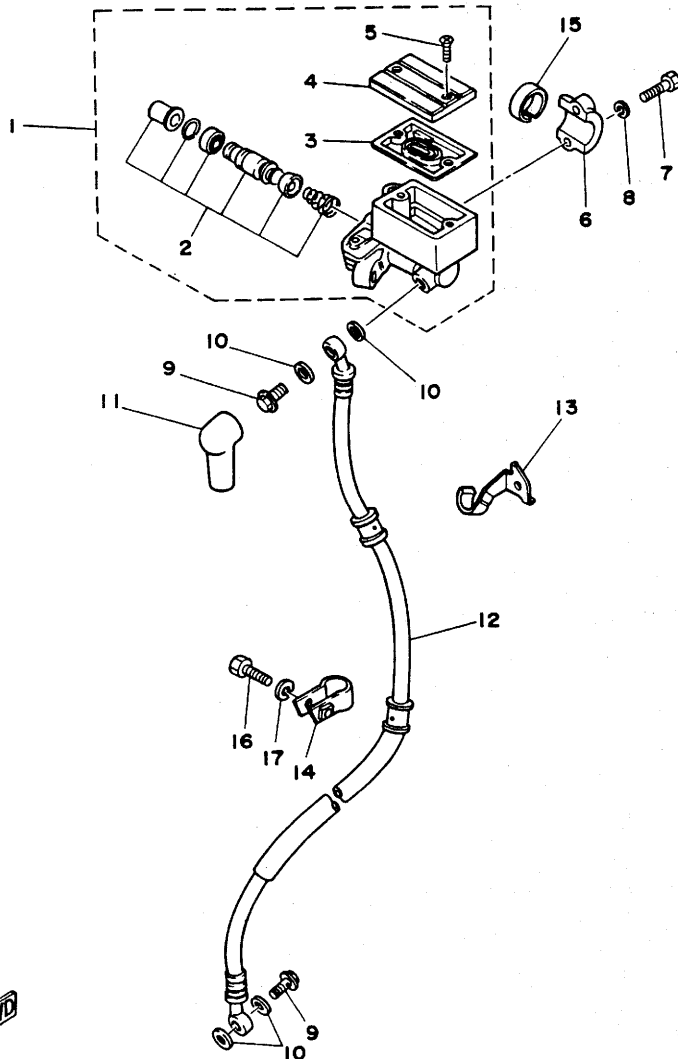
REF. NO.	PART NO.	DESCRIPTION	Q'TY	REMARKS
1	5R2-26111-00	HANDLEBAR	1	
2	4U5-26240-00	GRIP ASSY	1	
3	1V1-26281-00	CAP, grip upper	1	
4	1V1-26282-00	CAP, grip lower	1	
5	98506-05014	SCREW, pan head	2	
6	2N3-26241-00	GRIP (L.H)	1	
7	5R2-26260-00	CABLE ASSY, throttle & pump	1	
8	5R2-26335-00	CABLE, clutch	1	
9	1Y1-26290-00	BACK MIRROR ASSY (R.H)	1	
10	1Y1-26290-10	BACK MIRROR ASSY (L.H)	1	



5R6664-1300

D7

FIG. 31 FRONT MASTER CYLINDER



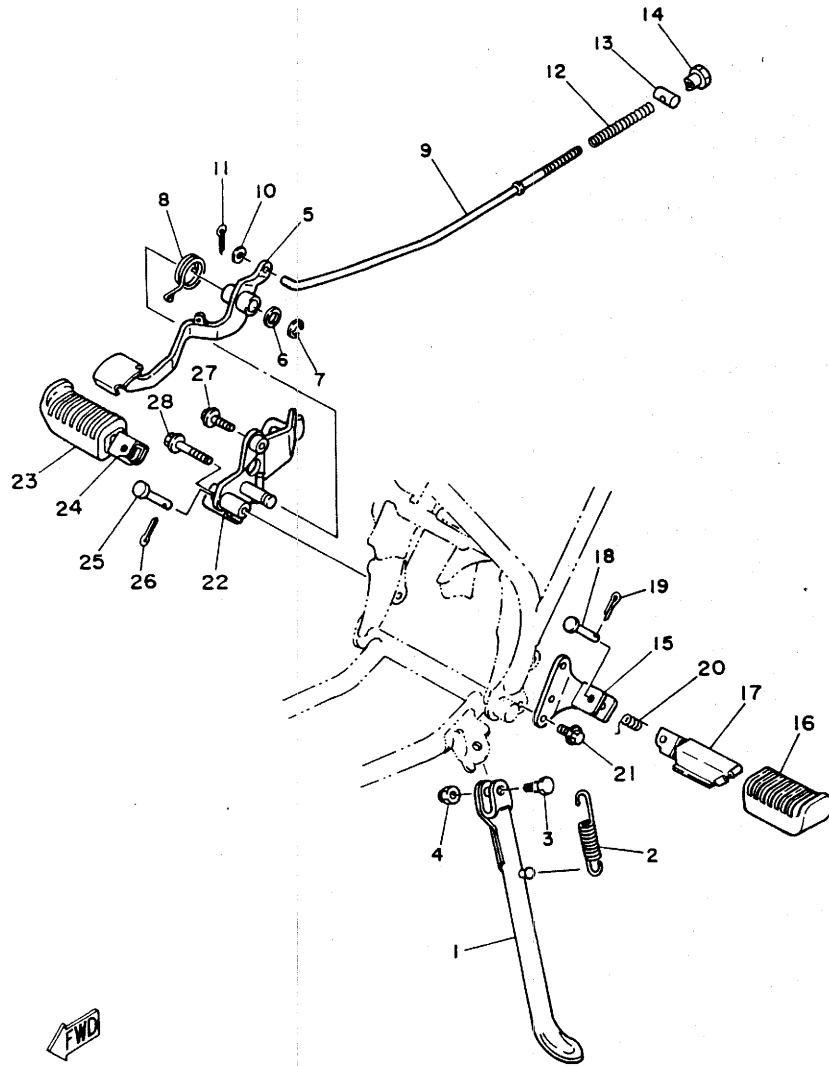
REF. NO.	PART NO.	DESCRIPTION	Q'TY	REMARKS
1	4L0-25850-02	MASTER CYLINDER ASSY	1	
2	4L0-W0041-00	.CYLINDER KIT, master	1	
3	4L0-25854-00	.DIAPHRAGM, reservoir	1	
4	4L0-25852-00	.CAP, reservoir	1	
5	98706-04012	.SCREW, flat head	2	
6	4L0-25867-00	BRACKET, master cylinder	1	
7	97326-06025	BOLT	2	
8	92906-06100	WASHER, spring	2	
9	90401-10034	BOLT, union	2	
10	90201-10118	WASHER, plate	4	
11	360-25862-00	BOOT, master cylinder	1	
12	5R2-25872-00	HOSE, brake 1	1	
13	5R2-25875-00	HOLDER, brake hose 1	1	
14	2R8-25876-00	HOLDER, brake hose 2	1	
15	90387-22660	COLLAR	1	
16	97301-06025	BOLT	1	
17	92901-06100	WASHER, spring	1	



5R6010-1320

D8

FIG. 32 STAND. FOOTREST



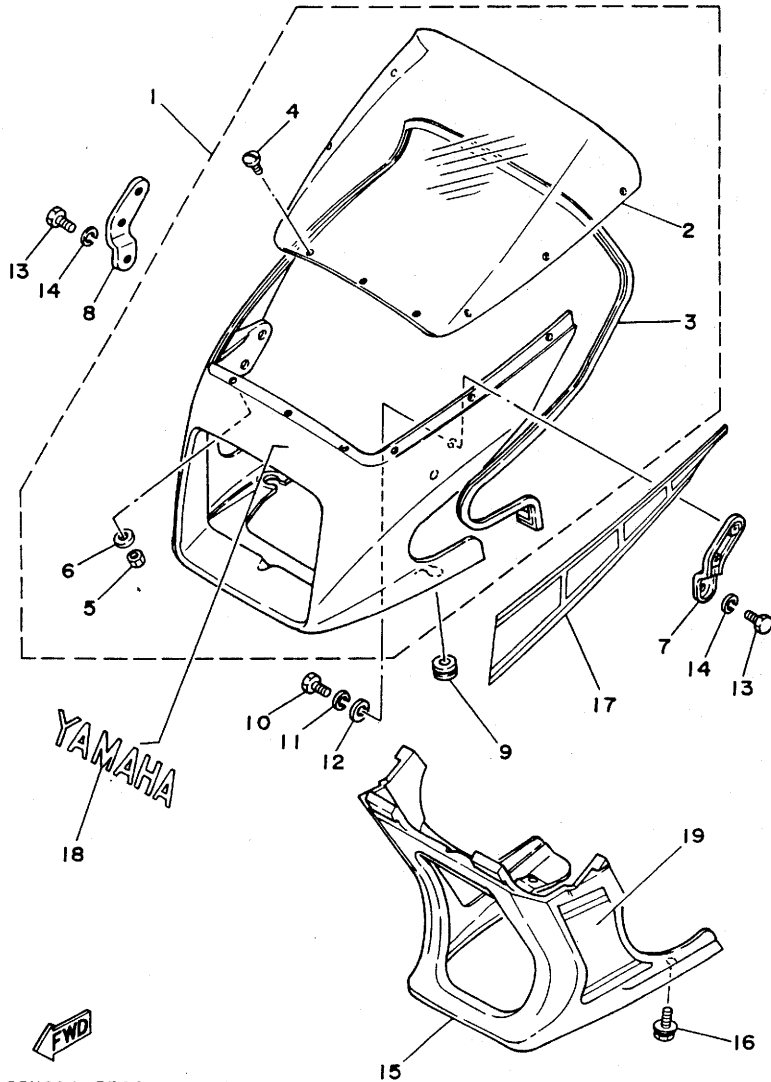
REF. NO.	PART NO.	DESCRIPTION	Q'TY	REMARKS
1	5R2-27311-00	STAND, side	1	
2	90506-25047	SPRING, tension	1	
3	90109-08031	BOLT	1	
4	90185-08055	NUT, self-locking	1	
5	5R2-27211-00	PEDAL, brake	1	
6	90201-14212	WASHER, plate	1	
7	93430-10015	CIRCLIP	1	
8	90508-32593	SPRING, torsion	1	
9	5R2-27231-00	ROD, brake	1	
10	90201-061A5	WASHER, plate	1	
11	91401-20015	PIN, cotter	1	
12	90501-10245	SPRING, compression	1	
13	90249-12008	PIN	1	
14	90179-06176	NUT	1	
15	5R2-27411-00	FOOTREST 1	1	
16	1A0-27413-00	COVER, footrest	1	
17	1L9-27451-01	FOOTREST	1	
18	91701-08038	PIN, clevis	1	
19	91401-20015	PIN, cotter	1	
20	90508-20023	SPRING, torsion	1	
21	95816-08016	BOLT, flange	2	
22	5R2-27421-01	FOOTREST 2	1	
23	1A0-27413-00	COVER, footrest	1	
24	1L9-27461-01	FOOTREST	1	
25	91701-08038	PIN, clevis	1	
26	91401-20015	PIN, cotter	1	
27	95816-08025	BOLT, flange	1	
28	95816-08045	BOLT, flange	1	



5R6010-1330

D9

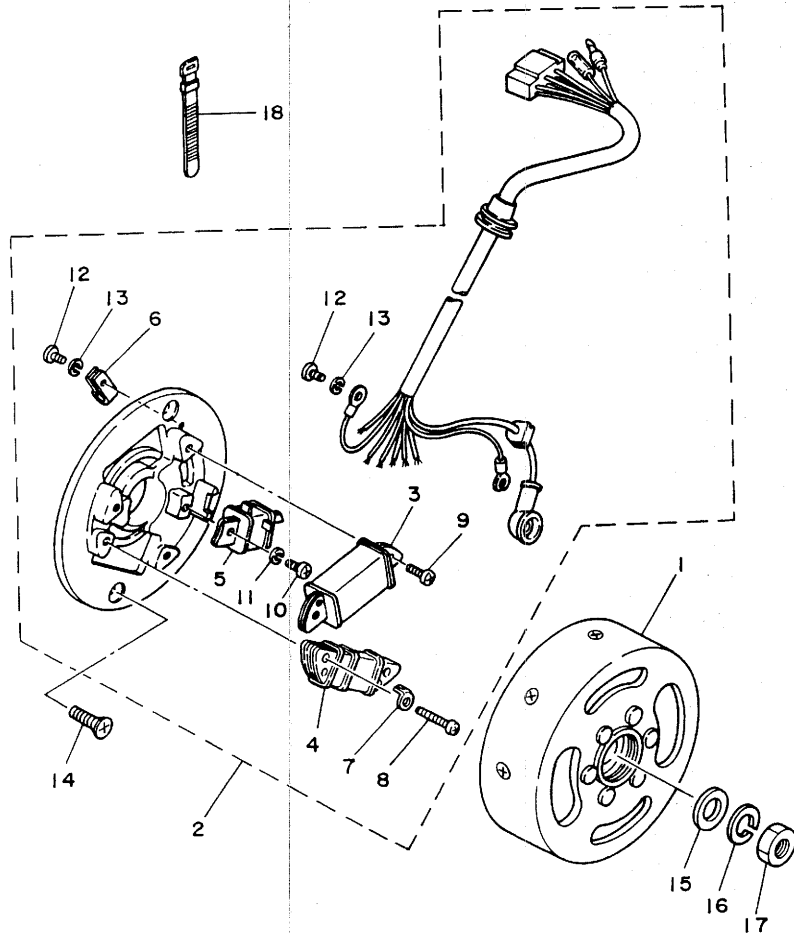
FIG. 33 COWLING 1



REF. NO.	PART NO.	DESCRIPTION	QTY	REMARKS
1	10X-28350-00-36	COWLING ASSY	1	clean white
2	10X-28381-10	.WINDSHIELD	1	
3	10X-28339-00	.MOLD, leg shield	1	
4	90140-04013	.SCREW, round head	9	
5	95306-04600	.NUT	9	
6	90201-047A2	.WASHER, plate	9	
7	10X-28356-00	STAY 1	1	
8	10X-28357-00	STAY 2	1	
9	90480-12053	GROMMET	2	
10	97306-06014	BOLT	4	
11	92906-06100	WASHER, spring	4	
12	90201-06059	WASHER, plate	4	
13	97306-06012	BOLT	2	
14	92906-06100	WASHER, spring	2	
15	10X-28385-00-36	COVER, lower	1	clean white
16	90119-06063	BOLT, with washer	2	
17	55N-28390-00	GRAPHIC SET, cowling	1	UR white/space blue
	55N-28390-10	GRAPHIC SET, cowling	1	UR white/sunshine red
18	55N-28338-00	EMBLEM	1	
19	55N-28301-00	GRAPHIC SET, lower cover	1	UR white/space blue
	55N-28301-10	GRAPHIC SET, lower cover	1	UR white/sunshine red

55N664-5320

FIG. 34 GENERATOR



REF. NO.	PART NO.	DESCRIPTION	Q'TY	REMARKS
1	5R2-85550-M0	ROTOR ASSY	1	
2	5R2-85560-M0	BASE ASSY	1	
3	5R2-85520-M0	.COIL, charge	1	
4	5R2-81313-M0	.COIL, lighting 1	1	
5	5R2-85580-M0	.COIL, pulser	1	
6	90461-05036	.CLAMP	1	
7	2T4-85569-M1	.TERMINAL, earth 2	1	
8	98511-04025	.SCREW, pan head	2	
9	98511-04012	.SCREW, pan head	2	
10	98503-04010	.SCREW, pan head	1	
11	92901-04100	.WASHER, spring	1	
12	98501-04006	.SCREW, pan head	2	
13	92901-04100	.WASHER, spring	2	
14	92701-06014	SCREW, flat head	2	
15	90201-12593	WASHER, plate	1	
16	92901-12100	WASHER, spring	1	
17	90170-12175	NUT	1	
18	437-83936-00	BAND, switch cord	1	

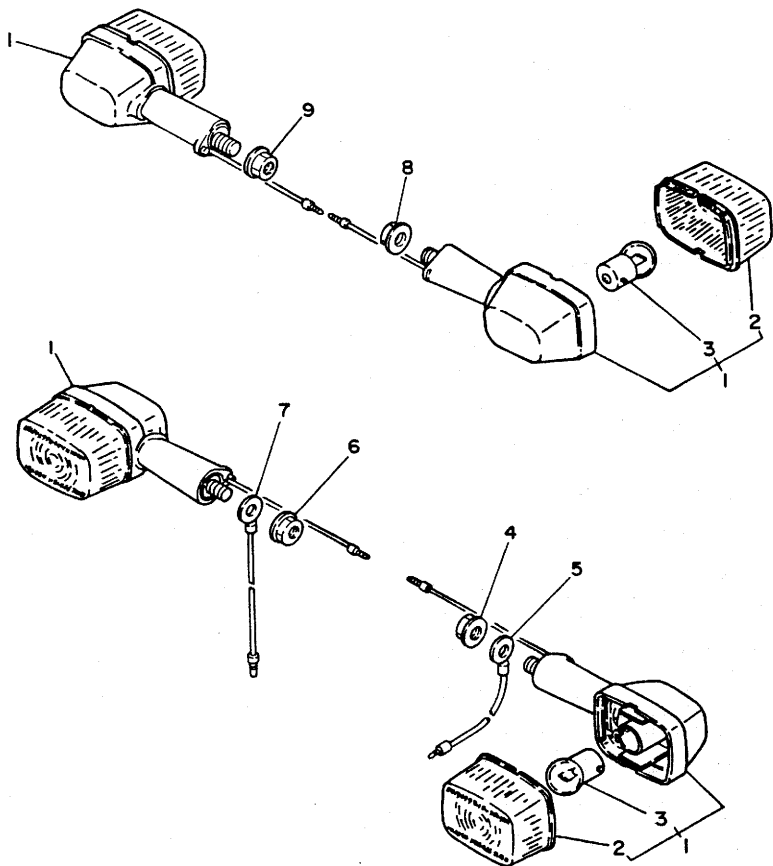


5R6010-1032

D11

FIG. 35 FLASHER LIGHT

REF. NO.	PART NO.	DESCRIPTION	Q'TY	REMARKS
1	5R2-83310-00	FRONT FLASHER LIGHT ASSY 1	4	
2	3L5-83312-00	.LENS, flasher	1	
3	152-83311-10	.BULB (6V-10W)	1	
4	95702-08100	NUT, flange	1	
5	1U4-83354-00	WIRE, earth lead 1	1	
6	95702-08100	NUT, flange	1	
7	1U4-83354-00	WIRE, earth lead 1	1	
8	95702-08100	NUT, flange	1	
9	95702-08100	NUT, flange	1	



5R6010-1340

D12

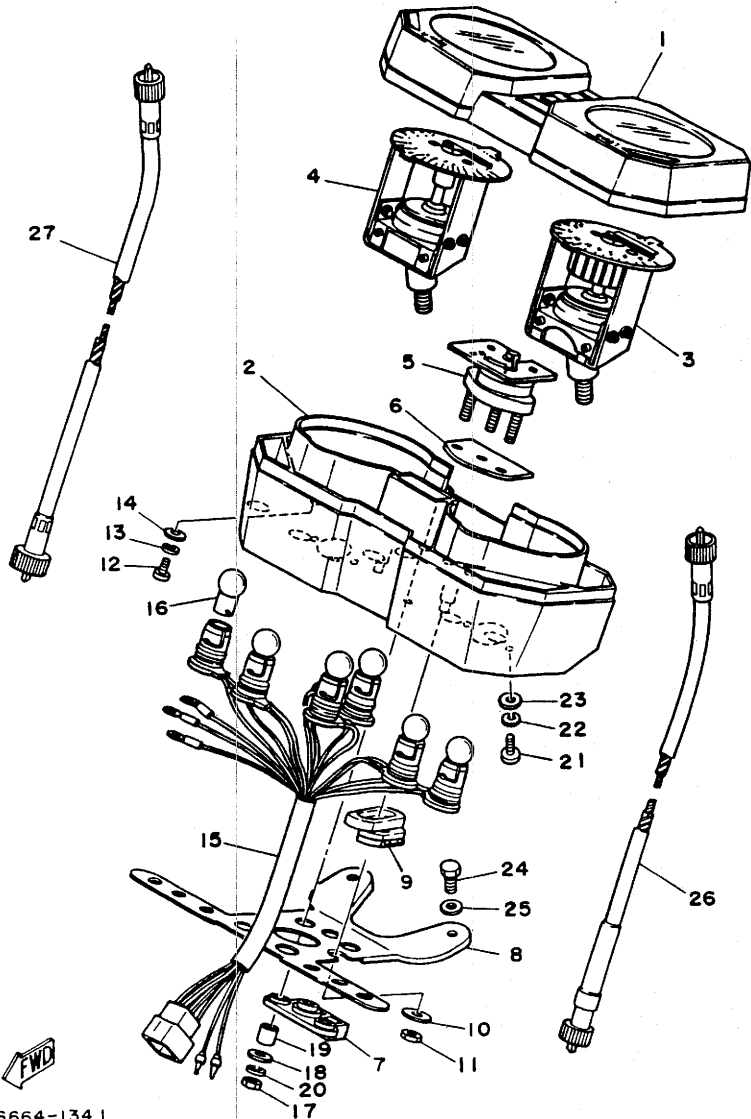


FIG. 36 METER

REF. NO.	PART NO.	DESCRIPTION	Q'TY	REMARKS
1	5R2-8353E-00	CASE, meter upper	1	
2	5R2-8353F-00	CASE, meter lower	1	
3	10X-83510-F0	SPEEDOMETER ASSY	1	
4	5R2-83540-F0	TACHOMETER ASSY	1	
5	5R2-83590-00	WATER TEMPERATURE ASSY	1	
6	5R2-83592-00	DAMPER	1	
7	10W-83526-00	DAMPER 2	1	
8	5R2-83519-00	BRACKET, meter	1	
9	10W-83523-00	DAMPER	2	
10	10W-83524-00	WASHER, special	2	
11	95306-05600	NUT	2	
12	98506-04010	SCREW, pan head	4	
13	92906-04100	WASHER, spring	4	
14	92906-04600	WASHER, plate	4	
15	10X-83509-00	SOCKET CORD ASSY	1	
16	122-83516-10	BULB (6V-3W)	6	
17	95301-04700	NUT	3	
18	92901-04200	WASHER, plain	3	
19	460-83522-00	COLLAR	3	
20	92901-06100	WASHER, spring	3	
21	98501-04008	SCREW, pan head	4	
22	92901-04100	WASHER, spring	4	
23	92901-04600	WASHER, plate	4	
24	97306-06012	BOLT	2	
25	92906-06600	WASHER, plate	2	
26	5R2-83550-00	SPEEDOMETER CABLE ASSY	1	
27	5R2-83560-00	TACHOMETER CABLE ASSY	1	

5R6664-134 I

D13

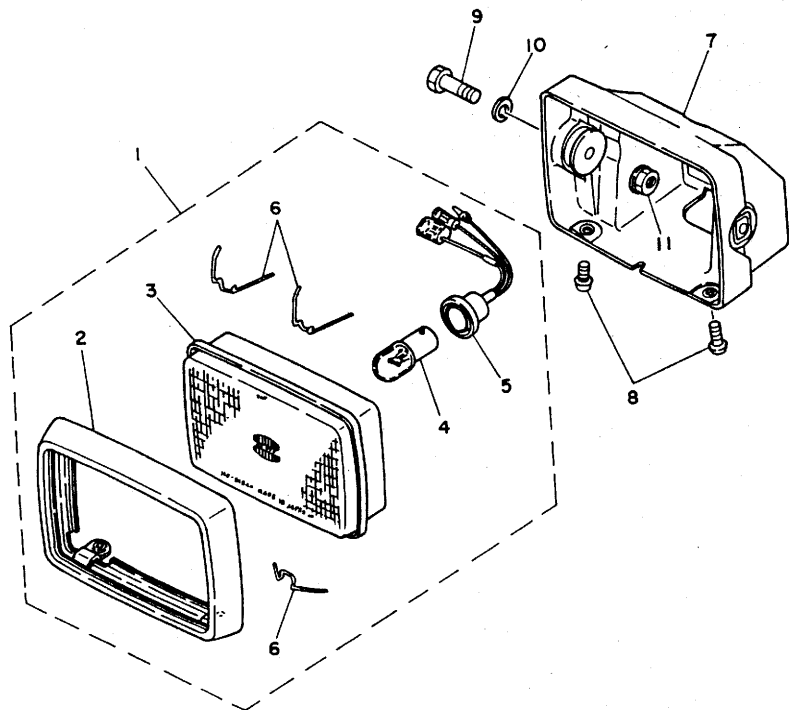


FIG. 37 HEADLIGHT

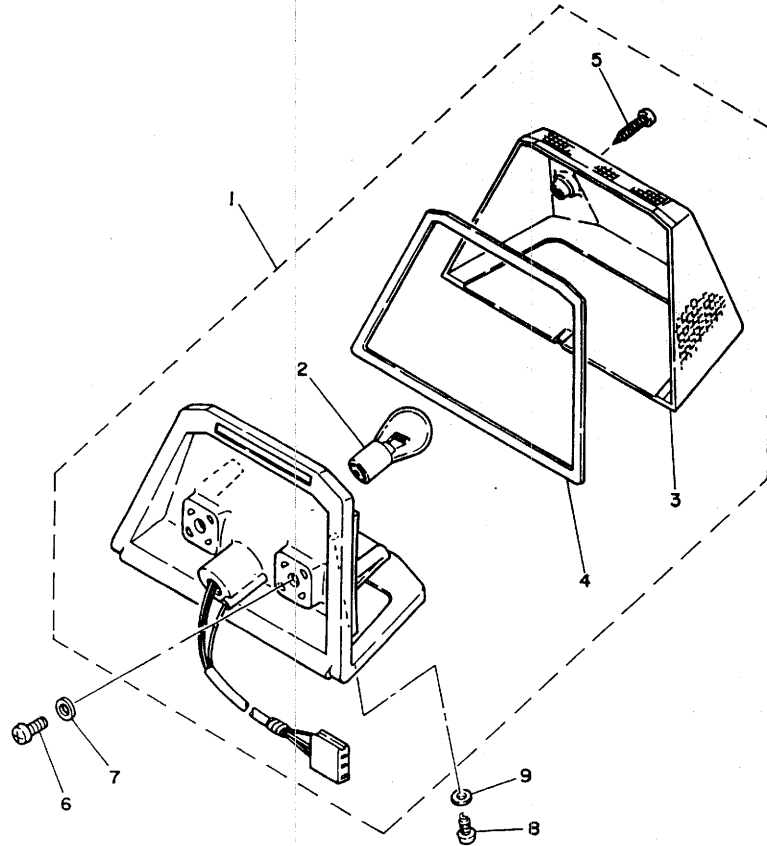
REF. NO.	PART NO.	DESCRIPTION	Q'TY	REMARKS
1	5R2-84110-00	HEADLIGHT UNIT ASSY	1	
2	5R2-84115-00	.RIM, headlight	1	
3	5R2-84120-00	.LENS ASSY	1	
4	206-84114-60	.BULB (6V-25/25W)	1	
5	4U5-84140-00	.SOCKET CORD ASSY	1	
6	507-84324-60	.SPRING, reflector	3	
7	5R2-84130-00	BODY ASSY, headlight	1	
8	98501-05012	SCREW, pan head	2	
9	97306-08035	BOLT	2	
10	92906-08600	WASHER, plate	2	
11	95702-08100	NUT, flange	2	



5R6010-1360

D14

FIG. 38 TAILLIGHT



REF. NO.	PART NO.	DESCRIPTION	Q'TY	REMARKS
1	5R2-84500-00	TAILLIGHT ASSY	1	
2	122-84514-30	.BULB (6V-17/5.3W)	1	
3	5R2-84521-00	.LENS, taillight	1	
4	5R2-84523-00	.GASKET, lens	1	
5	97701-40525	.SCREW, tapping	2	
6	92502-06016	SCREW, pan head	2	
7	90201-062A8	WASHER, plate	2	
8	97701-50512	SCREW, tapping	1	
9	90201-05029	WASHER, plate	1	

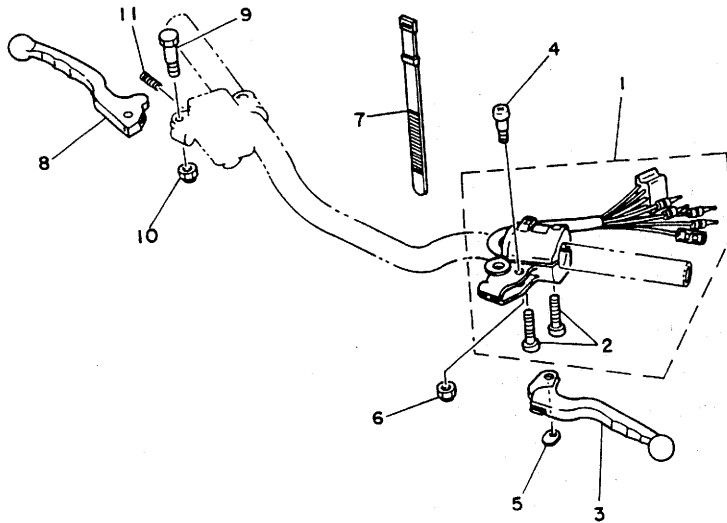


5R6010-1371

D15

FIG. 39 HANDLE SWITCH. LEVER

REF. NO.	PART NO.	DESCRIPTION	Q'TY	REMARKS
1	5R2-W8291-20	LEVER HOLDER ASSY (L.H)	1	
2	98506-05030	.SCREW, pan head	2	
3	5R2-83912-00	LEVER 1	1	
4	90149-05164	SCREW	1	
5	3M5-83929-00	PLATE, spring	1	
6	95606-05100	NUT, u	1	
7	437-83936-00	BAND, switch cord	1	
8	5R2-83922-00	LEVER 2	1	
9	90109-06577	BOLT	1	
10	95606-06100	NUT, u	1	
11	90501-10312	SPRING, compression	1	

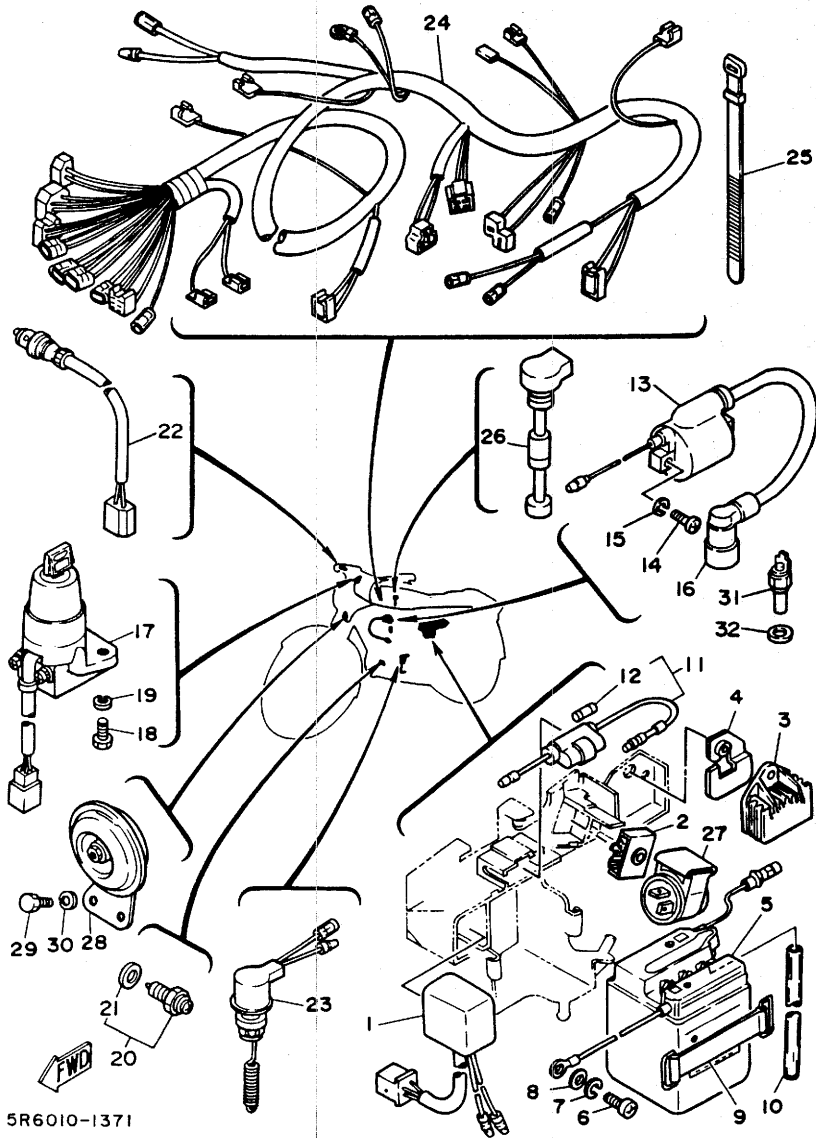


5R6010-1390

E2

FIG. 40 ELECTRICAL 1

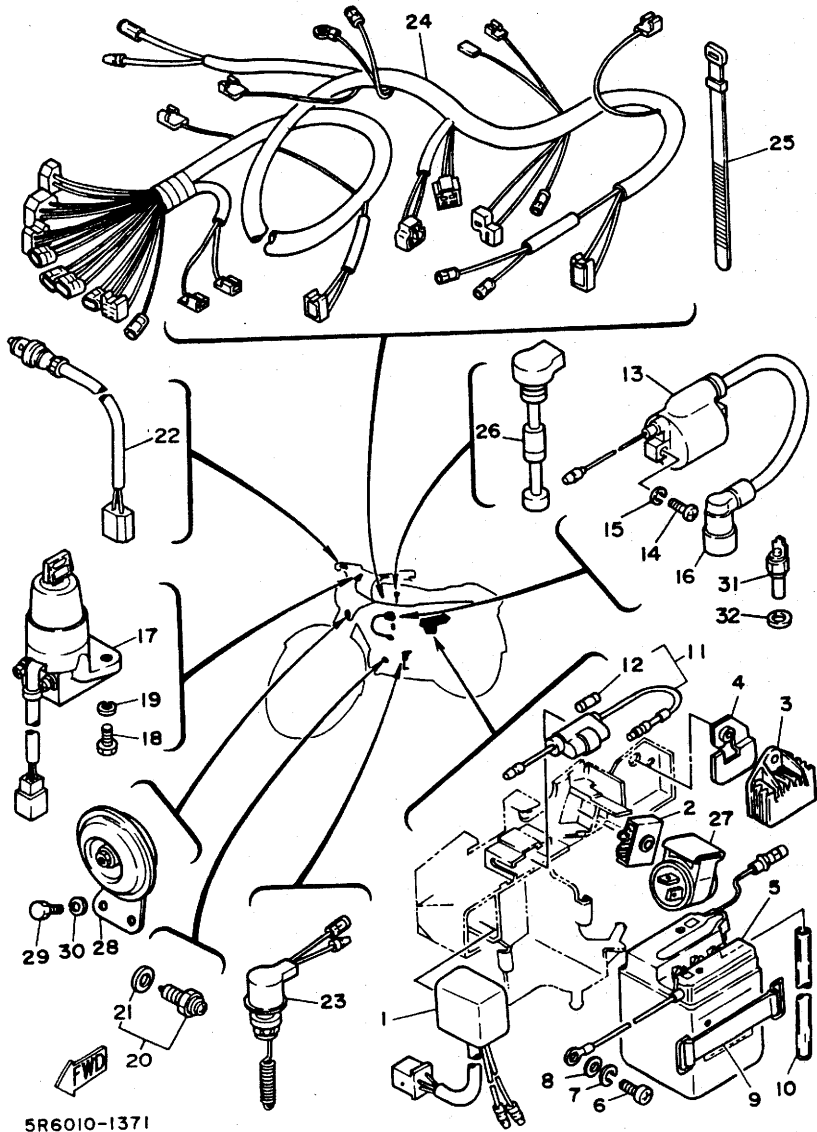
REF. NO.	PART NO.	DESCRIPTION	Q'TY	REMARKS
1	5R2-85540-M0	C.D.I. UNIT ASSY	1	
2	353-81970-63	RECTIFIER ASSY	1	stanley
3	4F4-81910-60	VOLTAGE REGULATOR ASSY	1	UR
	4F4-81910-91	VOLTAGE REGULATOR ASSY	1	UR
4	5R2-81915-00	PLATE, regulator fitting	1	
5	120-82110-29	BATTERY ASSY (6N4-2A-2)	1	
6	92501-06014	SCREW, pan head	1	
7	92901-06100	WASHER, spring	1	
8	90201-061A5	WASHER, plate	1	
9	2T4-82131-00	BAND, battery	1	
10	90445-08172	HOSE	1	
11	353-82150-00	FUSE HOLDER ASSY	1	
12	116-82151-00	.FUSE (6V-10A)	1	
13	2T4-82310-M0	IGNITION COIL ASSY	1	
14	92501-06020	SCREW, pan head	2	
15	92902-06100	WASHER, spring	2	
16	5R2-82370-20	PLUG CAP ASSY	1	UR with noise suppressor
	117-82370-20	PLUG CAP ASSY	1	UR
17	5R2-82508-00	MAIN SWITCH ASSY	1	
18	97301-06016	BOLT	2	
19	92901-06100	WASHER, spring	2	
20	341-82540-01	NEUTRAL SWITCH ASSY	1	
21	.GASKET	1		
22	2U2-83980-30	FRONT STOP SWITCH ASSY	1	
23	5R2-82530-00	STOP SWITCH ASSY	1	
24	5R2-82590-20	WIRE HARNESS ASSY	1	
25	437-83936-10	BAND, switch cord	1	
26	5R2-85720-00	OIL LEVEL GAUGE ASSY	1	



E3

FIG. 40 ELECTRICAL 1

REF. NO.	PART NO.	DESCRIPTION	Q'TY	REMARKS
27	4A6-83350-10	FLASHER RELAY ASSY	1	
28	2A7-83371-10	HORN	1	
29	97301-06012	BOLT	2	
30	92901-06100	WASHER, spring	2	
31	5R2-83591-00	THERMO UNIT	1	
32	90430-10164	GASKET	1	



5R6010-1371

E4

NUMERICAL INDEX

PART NO.	GRID NO.	PART NO.	GRID NO.	PART NO.	GRID NO.	PART NO.	GRID NO.	PART NO.	GRID NO.	PART NO.	GRID NO.
4L0-W0041-00	D- 8	5R2-13580-00	B- 8	5R2-14753-00	B-11	5R2-17471-00	C- 2	102-22123-00	C-10	55N-24240-11	C-15
5R2-W0045-00	D- 4	5R2-13584-00	B- 8	5R2-14759-00	B-11	5R2-17841-00	C- 3	5R2-22126-00	C-10	5R2-24500-01	C-15
404-W0048-30	D- 4	314-13610-01	B- 8	5R2-15111-01	B-12	5R2-18101-01	C- 5	3T2-22141-01	C-10	102-24522-01	C-15
4X8-W0057-00	D- 4	314-13613-01	B- 8	5R2-15113-00	B-12	5R2-18111-00	C- 5	183-22151-00	C-10	355-24523-00	C-15
5R2-W2463-00	C-15	314-13616-01	B- 8	5R2-15121-00	B-12	5R2-18112-00	C- 5	5R2-22210-00	C-11	122-24532-00	C-15
5R2-W2473-00	D- 2	314-13621-02	B- 8	5R2-15316-00	B-12	132-18113-01	C- 5	3M7-22216-00	C-11	22F-24610-01	C-15
55N-W2476-00-36	D- 2	5R2-14101-00	B- 9	5R2-15317-01	B-12	5R2-18115-00	C- 5	5R2-22311-00	C-10	296-24612-00	C-15
5R2-W8291-20	E- 2	5R2-14112-20	B- 9	5R2-15328-00	B-12	102-18137-00-10	C- 3	5R2-23102-00	C-13	5R2-24669-00	C-15
5R2-11111-00	B- 2	2X0-14116-01	B- 9	3M7-15361-00	C- 6	5R2-18140-00	C- 4	5R2-23103-00	C-13	116-24741-00	D- 2
5R2-11181-01	B- 2	296-14117-00	B- 9	3Y1-15363-00	B-13	5R2-18154-00	C- 5	5R2-23110-00	C-13	5R2-24756-00-36	D- 2
5R2-11311-01	B- 2	102-14122-00	B- 9	5R2-15411-01	B-13	1W1-18177-00	C- 4		C-13	55N-2477L-00	D- 2
5R2-11351-00	B- 2	4U5-14126-00	B-10	5R2-15421-01	B-13	5R2-18185-00	C- 4	5R2-23111-00	C-13	55N-2477L-10	D- 2
5R2-11400-00	B- 3	4U5-14131-00	B- 9	5R2-15431-00	B-13	5R2-18511-00	C- 4		C-14	5R2-24771-00	D- 2
5R2-11412-00	B- 3	127-14134-00	B- 9	5R2-15441-00	B- 2	5R2-18512-00	C- 4	5R2-23126-00-38	C-13	55N-24786-00	D- 2
5R2-11422-00	B- 3	212-14136-00	B- 9	5R2-15461-00	B-13	5R2-18513-00	C- 4	5R2-23136-00-38	C-13	481-25118-01	D- 3
2W1-11610-00	B- 3	127-14137-00	B- 9	156-15618-01	B-14	5X5-18531-01	C- 4	3M7-23137-00	C-14	341-25149-00	D- 3
2W1-11610-10	B- 3	363-14137-00	B-10	5R2-15620-01	B-14	5X5-18535-01	C- 4	5R2-23141-01	C-13	5R6-25168-00-98	D- 3
2W1-11610-20	B- 3	4U5-14141-10	B- 9	4V0-15641-00	B-14	17W-18540-00	C- 4		C-13	401-25181-01	D- 6
5R2-11631-00-97	B- 3	260-14142-25	B- 9	10X-15651-00	B-14	136-18542-00	C- 4	5R2-23142-00	C-13	5R2-25190-00	D- 3
517-11633-00	B- 3	127-14143-24	B- 9	5R2-15660-01	B-14	3R4-18561-00	C- 4		C-13	109-25315-00	D- 3
5R2-11635-00	B- 3	127-14143-25	B- 9	4V0-15664-00	B-14	55N-21110-00-33	C- 6	5R2-23144-00	C-13		D- 5
5R2-11636-00	B- 3	127-14143-26	B- 9	5R2-16111-00	B-15	5R2-21165-00	C- 6		C-13	1M3-25321-02-98	D- 5
3R1-11651-01	B- 3	4A5-14145-00	B- 9	5R2-16150-00	B-15	1E6-21308-00	C- 6	5R2-23151-00	C-13	3Y6-2533A-01	D- 5
4V0-11681-00	B- 3	214-14147-00	B- 9	122-16164-00	B-15	5R2-21511-00-36	C- 7		C-13	326-25330-10	D- 5
5R2-12422-00	B- 4	1T9-14155-00	B-10		B-15	5R2-21513-00	C- 7	5R2-23157-00	C-13	5R6-25338-00-98	D- 5
5R2-12428-00	B- 4	4U5-14158-00	B-10	131-16321-00	B-15	1A8-21518-00	C- 7		C-13	3Y6-25351-00	D- 5
5R2-12434-00	B- 5	127-14161-00	B-10	257-16324-00	B-15	55N-21569-00	C- 7	5R2-23171-00	C-13	538-25355-00	D- 5
5R2-12446-00	B- 5	1M1-14169-00	B-10	5R2-16351-00	B-15	55N-21569-10	C- 7		C-13	304-25364-01	D- 5
5R2-12450-00	B- 4	4U5-14171-00	B- 9	1W1-16356-01	B-15	5R2-2160E-00	C- 7	10Y-23327-00-33	C-14	296-25366-01-98	D- 5
5R2-12459-00	B- 4	4U5-14181-08	B- 9	5R2-16357-00	B-15	5R2-21611-00	C- 7	10Y-23328-00-33	C-14	27L-25371-00	D- 6
5R2-12460-01	B- 5	353-14184-00	B- 9	1W1-16358-00	B-15	1M1-21621-00	C- 7	5R2-23340-00-33	C-14	367-25381-00	D- 3
4L0-12462-00	B- 5	4U5-14185-00	B- 9	131-16367-00	B-15	5R2-21629-00	C- 7	3M7-23385-00	C-14	102-25387-02	D- 5
5R2-12467-00	B- 5	353-14186-00	B- 9	353-16371-00	B-15	5R2-21685-00	C- 7	122-23411-00	C-12	127-25388-01	D- 6
5R2-12481-00	B- 5	3L5-14190-01	B- 9	5R2-16380-00	B-15	5R2-21711-00-36	C- 8	156-23411-00	C-14	102-25389-00	D- 6
5R2-12482-00	B- 5	4N0-14191-00	B- 9	5R2-17121-00	C- 2	5R2-21721-00-36	C- 8	122-23412-00	C-12	102-25412-00	D- 5
5R2-13101-00	B- 6	183-14196-00	B- 9	5R2-17131-01	C- 2	55N-2173E-00	C- 8	156-23412-00	C-12	390-25412-01	D- 4
126-13116-00	B- 6	183-14197-01	B- 9	5R2-17151-00	C- 2	55N-2173E-10	C- 8	122-23416-00	C-12	10X-25448-20-33	D- 5
137-13137-00-03	B- 6	509-14198-00	B-10	5R2-17161-00	C- 2	55N-2173F-00	C- 8	5R2-23435-00-98	C-12	5R2-25810-00	D- 4
137-13137-00-05	B- 6	5R2-14411-00	B- 8	5R2-17211-00	C- 2	55N-2173F-10	C- 8	5R2-23441-00-98	C-12	4X8-25827-00	D- 4
137-13137-00-10	B- 6	5R2-14412-00	B- 8	5R2-17221-00	C- 2	5R2-21731-00	C- 8	5R2-23442-00-98	C-12	560-25831-00	D- 4
137-13138-01	B- 6	5R2-14437-00	B- 8	5R2-17231-00	C- 2	5R2-21751-00	C- 9	2H9-23469-00	C-12	341-25846-00	D- 3
367-13146-01	B- 6	5R2-14451-00	B- 8	5R2-17241-00	C- 2	5R2-21761-00	C- 9	5R2-24110-00-08	C-15	4L0-25850-02	D- 8
5R2-13174-00	B- 6	5R2-14453-00	B- 8	5R2-17251-00	C- 2	5R2-21766-00	B- 5	5R2-24110-00-09	C-15	4L0-25852-00	D- 8
5R2-13175-00	B- 6	5R2-14472-00	B- 8	5R2-17261-00	C- 2	5R2-2177A-00	C- 8	5R2-24146-00	C-15	4L0-25854-00	D- 8
1E7-13176-00	B- 6	5R2-14613-00	B-11	5R2-17411-00	C- 2	5R2-21771-00	C- 9	55N-24161-00	C-15	360-25862-00	D- 8
5R2-13178-00	B- 6	5R2-14643-00	B-11	11A-17421-00	C- 2	4L0-21815-01	B- 5	4U5-24181-00	C-15	4L0-25867-00	D- 8
353-13552-01	B- 6	5R2-14710-00	B-11	164-17427-00-10	C- 2	5R2-21871-00	B- 5	5R2-24183-00	C-15	5R2-25872-00	D- 8
5R2-13565-00	B- 8	5R2-14737-00	B-11	517-17461-31	C- 2	5R2-22110-00-33	C-10	55N-24240-01	C-15	5R2-25875-00	D- 8

NUMERICAL INDEX

PART NO.	GRID NO.	PART NO.	GRID NO.	PART NO.	GRID NO.	PART NO.	GRID NO.	PART NO.	GRID NO.	PART NO.	GRID NO.
2R8-25876-00	D- 8	5R2-82530-00	E- 3	5R2-85550-M0	D-11	90201-061A5	D- 9	90430-10171	B-12	90560-17147	B-15
4X8-25917-00	D- 4	341-82540-01	E- 3	5R2-85560-M0	D-11		E- 3		C-13	91311-10025	C-13
11H-25919-00	D- 4	341-82543-00	E- 3	274-85569-M1	D-11	90201-062A8	D-15		C-13		C-13
5R2-25937-00	D- 4	5R2-82590-20	E- 3	5R2-85580-M0	D-11	90201-06765	C- 7	90430-12038	B-12	91316-06012	B- 2
5R2-26111-00	D- 7	5R2-83310-00	D-12	5R2-85720-00	E- 3	90201-08512	B- 4	90445-05529	B- 6	91316-06045	C-12
4U5-26240-00	D- 7	152-83311-10	D-12	90101-06278	D- 5	90201-08624	B- 6	90445-08172	E- 3	91401-20015	C- 5
2N3-26241-00	D- 7	3L5-83312-00	D-12	90101-10308	D- 4	90201-08759	B- 4	90445-09111	C- 9		D- 6
5R2-26260-00	D- 7	4A6-83350-10	E- 4	90105-10119	C- 6	90201-10118	D- 8	90445-09651	C-15		D- 9
1V1-26281-00	D- 7	1U4-83354-00	D-12	90105-10201	D-12	90201-10138	B- 6	90460-36174	B- 8		D- 9
1V1-26282-00	D- 7		D-12	90109-06577	E- 2	90201-105E4	C-12	90460-41191	B- 8		D- 9
1Y1-26290-00	D- 7	2A7-83371-10	E- 4	90109-08031	D- 9	90201-124F8	B-14	90461-05036	D-11	91401-25020	C-11
1Y1-26290-10	D- 7	10X-83509-00	D-13	90109-08057	D- 5	90201-12593	D-11	90465-10172	B- 6	91401-30025	D- 3
5R2-26335-00	D- 7	10X-83510-F0	D-13	90109-08183	D- 6	90201-14212	D- 9	90467-08003	C- 9		D- 6
1M3-27114-00	D- 2	122-83516-10	D-13	90109-08367	D- 4	90201-154A1	B-14		C-15	91701-08038	D- 9
5R2-27211-00	D- 9	5R2-83519-00	D-13	90109-08368	D- 6	90201-157E7	B-11	90467-10008	B- 5		D- 9
5R2-27231-00	D- 9	4G0-83522-00	D-13	90116-08247	B-11	90201-203F0	C- 4	90467-19051	B- 8	91830-21014	B-13
5R2-27311-00	D- 9	10W-83523-00	D-13	90116-08368	B- 2	90202-14077	C-15	90467-21058	B- 5	91830-22016	B-12
5R2-27411-00	D- 9	10W-83524-00	D-13	90119-05001	B-15	90206-12074	C- 5	90467-23067	B- 5	92501-06012	B-12
1A0-27413-00	D- 9	10W-83526-00	D-13	90119-06056	B- 8	90208-12015	B- 8	90468-02033	B- 6		C- 2
	D- 9	5R2-8353E-00	D-13		C- 7		B-15		B- 7	92501-06014	B- 8
5R2-27421-01	D- 9	5R2-8353F-00	D-13	90119-06063	D-10	90209-16206	C- 2	90468-08086	B- 6		E- 3
1L9-27451-01	D- 9	5R2-83540-F0	D-13	90140-04013	D-10	90209-16227	B-12	90468-26046	B-14	92501-06020	C- 8
1L9-27461-01	D- 9	5R2-83550-00	D-13	90149-05164	E- 2	90209-18112	B- 3	90480-01141	C- 8		E- 3
5R2-28100-01	C- 6	5R2-83560-00	D-13	90157-08026	B-11	90240-10069	C-11	90480-08349	B-12	92501-06030	B- 8
55N-28301-00	D-10	5R2-83590-00	D-13	90159-06058	C-10	90240-10072	C-11	90480-12053	B- 8		C- 3
55N-28301-10	D-10	5R2-83591-00	E- 4	90159-06060	C- 9	90249-12008	D- 9		C- 8	92501-06035	B-12
55N-28338-00	D-10	5R2-83592-00	D-13	90170-08157	D- 5	90250-06013	C- 4		C- 8	92501-06045	B-12
10X-28339-00	D-10	5R2-83912-00	E- 2	90170-12060	B-15	90280-03017	B- 3		C- 8	92502-06016	D-15
10X-28350-00-36	D-10	5R2-83922-00	E- 2	90170-12175	D-11	90282-04036	C- 4		D-10	92506-06016	B- 5
10X-28356-00	D-10	3M5-83929-00	E- 2	90170-18300	D- 6	90282-05034	B-15	90480-12236	C- 9	92506-06025	B- 4
10X-28357-00	D-10	437-83936-00	D-11	90171-12005	D- 3	90338-18122	C- 6	90480-13197	C- 8		B-13
10X-28381-10	D-10		E- 2		D- 6	90340-12059	B-12		C- 8	92506-06030	B-13
10X-28385-00-36	D-10	437-83936-10	E- 3	90179-06176	D- 9	90387-06372	C- 7	90480-14153	B-11		B-13
55N-28390-00	D-10	2U2-83980-30	E- 3	90179-08343	B- 2	90387-06500	C- 7	90480-18276	B- 5	92506-06035	B-13
55N-28390-10	D-10	5R2-84110-00	D-14	90179-08357	B-11		D- 2	90501-02217	B- 6	92506-06040	B-13
5R2-81313-M0	D-11	206-84114-60	D-14	90179-12244	B-15		D- 2	90501-10245	D- 9	92701-06014	D-11
4F4-81910-60	E- 3	5R2-84115-00	D-14	90179-25051	C-12	90387-075H4	C-15	90501-10312	E- 2	92701-06018	C- 6
4F4-81910-91	E- 3	5R2-84120-00	D-14	90185-08055	D- 9	90387-082G1	C- 5	90501-20125	B-15	92900-06200	B-15
5R2-81915-00	E- 3	5R2-84130-00	D-14	90185-08097	B-11	90387-12412	D- 6	90506-16150	D- 5	92901-04100	D-11
353-81970-63	E- 3	4U5-84140-00	D-14	90201-047A2	D-10	90387-12670	D- 3	90506-25047	D- 9		D-11
120-82110-29	E- 3	507-84324-60	D-14	90201-05029	D-15	90387-18143	D- 6	90508-18500	B-15		D-13
2T4-82131-00	E- 3	5R2-84500-00	D-15	90201-06059	D-10	90387-20346	B-15	90508-20023	D- 9	92901-04200	D-13
353-82150-00	E- 3	122-84514-30	D-15	90201-061A5	B- 5	90387-22660	D- 8	90508-26464	B-14	92901-04600	D-13
116-82151-00	E- 3	5R2-84521-00	D-15		B- 8	90401-10034	D- 8	90508-26561	C- 4	92901-05100	B- 6
2T4-82310-M0	E- 3	5R2-84523-00	D-15		B- 8	90430-04004	B- 6	90508-32593	D- 9		B-11
117-82370-20	E- 3	3G1-85130-00	C- 7		B- 8	90430-06166	B- 2	90508-32642	C- 5	92901-05600	C- 7
5R2-82370-20	E- 3	5R2-85520-M0	D-11		C- 8		B- 4	90560-12138	D- 3	92901-06100	B- 5
5R2-82508-00	E- 3	5R2-85540-M0	E- 3		D- 6	90430-10164	E- 4	90560-12145	D- 5		C- 7

NUMERICAL INDEX

PART NO.	GRID NO.	PART NO.	GRID NO.	PART NO.	GRID NO.	PART NO.	GRID NO.	PART NO.	GRID NO.	PART NO.	GRID NO.
92901-06100	C- 8	93110-27010	C-13	95300-06600	B-15	97701-40525	D-15				
	C-15		C-13	95301-04700	D-13	97701-50512	D-15				
	D- 6	93210-14104	C- 3	95301-05600	B- 6	98501-03008	C-15				
	D- 8	93210-16275	B- 5		C- 7	98501-04006	D-11				
	D-13	93210-17490	C-13	95301-06600	D- 5	98501-04008	D-13				
	E- 3		C-14		D- 6	98501-04014	B- 9				
	E- 3	93210-19123	B-13	95301-08600	C- 6	98501-05008	B- 9				
	E- 4	93210-41041	D- 5	95301-08700	D- 6		B-11				
92901-06200	C- 5	93306-00203	B-12	95301-10600	C- 6	98501-05012	D-14				
92901-08100	C- 6	93306-00406	D- 5		C-10	98501-05016	B- 6				
	D- 6	93306-00422	C- 4	95306-04600	D-10	98503-04010	D-11				
92901-10100	C- 6	93306-20303	C- 2	95306-05600	D-13	98506-04010	D-13				
	C-10	93306-20401	C- 2	95606-05100	E- 2	98506-05014	D- 7				
	C-14	93306-20418	B- 3	95606-06100	E- 2	98506-05030	E- 2				
	D- 4	93306-30101	D- 3	95702-08100	D-12	98511-04012	D-11				
92901-10200	D- 4		D- 5		D-12	98511-04025	D-11				
92901-10600	C-11	93306-30103	D- 5		D-12	98701-05016	C- 4				
92901-12100	D-11	93310-11268	B- 3		D-12	98706-04012	D- 8				
92901-12600	D- 3	93310-418K1	B- 3		D-14	98901-04008	B- 6				
92902-04100	B- 9	93315-31502	C- 2	95801-06016	D- 2	98906-05012	B- 5				
92902-06100	C- 7	93410-12003	B-14		D- 2						
	C- 7	93410-18062	C- 2	95801-10014	B-12						
	E- 3	93410-20038	C- 2	95816-08016	D- 9						
92903-03100	C-15	93430-07012	B- 4	95816-08025	D- 9						
92906-04100	D-13	93430-08006	B- 6	95816-08045	D- 9						
92906-04600	D-13	93430-10015	D- 9	95821-08125	C- 6						
92906-06100	D- 8	93430-10016	C- 5	95826-06010	B- 2						
	D-10	93440-15012	B-12	95826-06025	B- 4						
	D-10		C- 2	97301-06012	E- 4						
92906-06600	D-13	93440-16089	C- 2	97301-06016	B- 5						
92906-08100	C- 5	93450-13022	B- 3		C- 7						
	C- 6	93450-40070	C-13		C- 7						
92906-08200	B-11		C-13		E- 3						
92906-08600	C- 6	93501-04011	C-12	97301-06020	B- 8						
	D-14	93503-16010	B-15	97301-06025	C-15						
93101-10001	B- 6		C-12		D- 8						
93102-08307	C- 3	93505-32002	B- 6	97302-06018	C- 7						
93102-20143	C- 2	93603-22028	B- 4	97306-06012	D-10						
93102-20231	B- 3		B- 6		D-13						
93103-10147	B- 4	93604-10011	B- 4	97306-06014	D-10						
93103-28011	B- 3	93608-30128	C- 5	97306-08016	C- 6						
93104-21016	D- 5	94125-18705	D- 3	97306-08035	C- 5						
93105-45017	D- 3	94127-18706	D- 5		D-14						
93106-20002	D- 3	94225-18194	D- 3	97316-06025	B-14						
93106-30004	D- 5	94227-18195	D- 5	97321-10035	C-14						
93109-12012	C- 5	94580-52106	D- 5	97326-06020	C- 5						
93109-14021	B-15	94680-52001	D- 5	97326-06025	D- 8						
93109-15001	B-14	94701-00045	B- 2	97602-03108	B- 8						