



PARTS CATALOGUE

XP500'09 (4B5C) EUROPE, SOUTH AFRICA



1H4B5-300E1

()

YP500Y/XP500
PARTS CATALOGUE
©2008 by Yamaha Motor Co., Ltd.
1st edition, August 2008
All rights reserved.
Any reprinting or unauthorized use
without the written permission of
Yamaha Motor Co., Ltd.
is expressly prohibited.
Printed in Japan.

FOREWORD

This Parts Catalogue is related to the parts for the model(s) on the cover page. When you are ordering replacement parts, please refer to this Parts Catalogue and quote both part numbers and part names correctly.

1. Modifications or additions which have been made after the issue of the Parts Catalogue will be announced in the Parts News.

It is advisable that you make the necessary corrections to the Parts Catalogue according to the Parts News.

2. Abbreviations

The following abbreviations are used in this Parts Catalogue.

“UR” Use specified parts number.

“UN” Use as many as needed.

“AP” Alternate Parts

“LM” Locally Made (Parts need to be ordered locally)

“F#” Frame No. (Applicable machine No.)

“O/S” Over Size

3. The number of components for assembly

- Parts, which are to be supplied in an assembly, are listed with a dot (.) in front of the part name as shown below.
- The numeral appearing to the right of each component part indicates the quantity of parts for each assembly unit.

PART NO.	DESCRIPTION	Q'TY	REMARKS
2F5-83310-60	FRONT FLASHER LIGHT ASSY	2	
115-83311-60	.BULB (6V-18W)	1	

4. Applicable colours of graphics are represented in the “REMARKS” as shown below.

PART NO.	DESCRIPTION	Q'TY	REMARKS
2N4-24110-00-X5	FUEL TANK COMP.	2	MXR
3J1-24240-10	.GRAPHIC, FUEL TANK	1	FOR MXR

5. Note that the illustrations for reference in finding parts numbers are not to be used for assembling. When assembling, please use the applicable service manual.

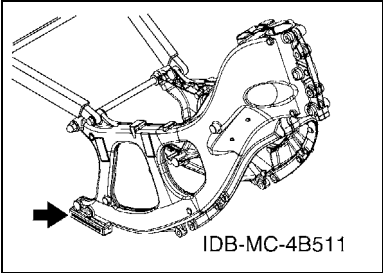
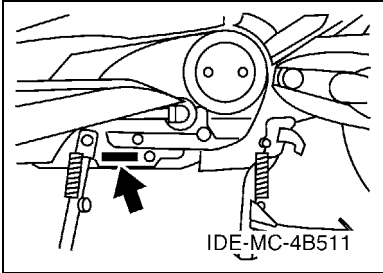
6. The asterisk (*) before a reference number indicates modified items after the first edition.

FOREWORD

7. Applicable Serial No.

Engine Serial No.

Frame Serial No.



8. Applicable Colour Code (The (*) mark shows Model colour.)

Abbreviation	Colour Name	Colour Code
HTS(*)	HI TECH SILVER	00WG
MBL2	MAT BLACK 2	0582
MBNM1	MAT BLUISH GRAY METALLIC 1	1088
MNM1(*)	MAT GRAY METALLIC 1	1089
RYC1(*)	REDDISH YELLOW COCKTAIL 1	0251
SM1	SILVER METALLIC 1	0660
SMX(*)	BLACK METALLIC X	0903
YB	YAMAHA BLACK	0033

CONTENTS

ENGINE

CYLINDER	1
CRANKSHAFT & PISTON	3
VALVE	5
CAMSHAFT & CHAIN	7
WATER PUMP	8
RADIATOR & HOSE	9
OIL PUMP	11
INTAKE	12
INTAKE 2	14
EXHAUST	15
CRANKCASE	17
CRANKCASE COVER 1	18
CRANKCASE COVER 2	19
STARTER	21
CLUTCH	22
CLUTCH 2	23
TRANSMISSION	25
SUB TRANSMISSION	26

CHASSIS

FRAME	28
FENDER	31
SIDE COVER	32
SIDE COVER 2	35
REAR ARM & SUSPENSION	38
STEERING	39
FRONT FORK	40
FUEL TANK	42
SEAT	43
SEAT 2	45
FRONT WHEEL	47
FRONT BRAKE CALIPER	48
REAR WHEEL	49
REAR BRAKE CALIPER	50
STEERING HANDLE & CABLE	51
FRONT MASTER CYLINDER	52
STAND & FOOTREST	54
STAND & FOOTREST 2	56
LEG SHIELD	58
WINDSHIELD	61
GENERATOR	64

FLASHER LIGHT	65
METER	66
HEADLIGHT	67
TAILLIGHT	68
HANDLE SWITCH & LEVER	69
ELECTRICAL 1	70
ELECTRICAL 2	73

INDEX

NUMERICAL INDEX	74
-----------------------	----



4B51300-G010

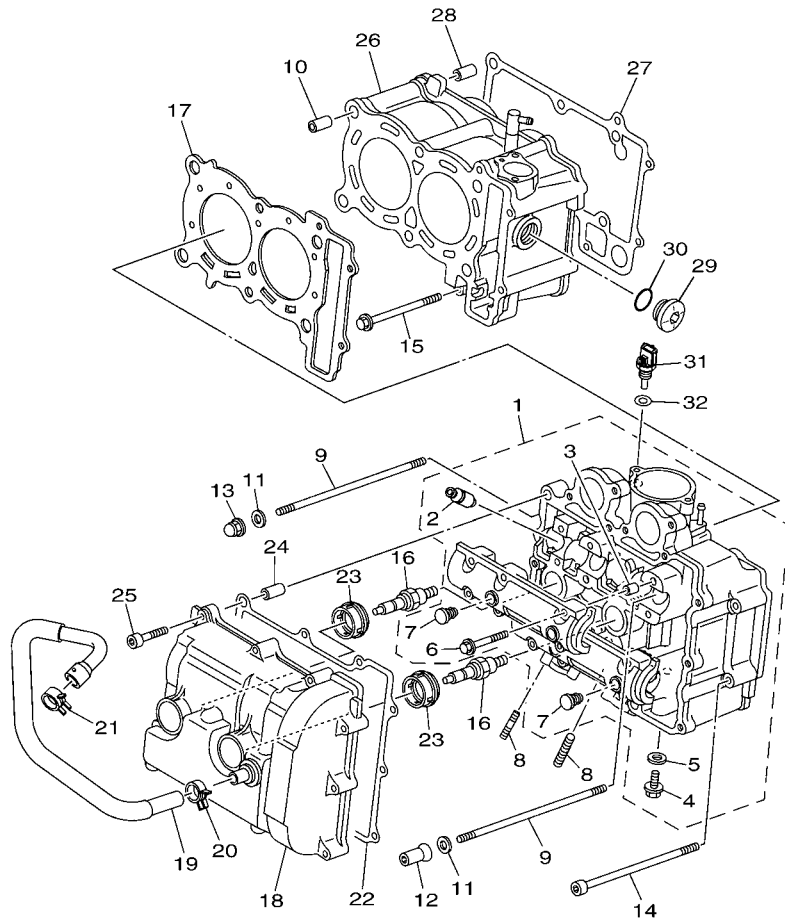
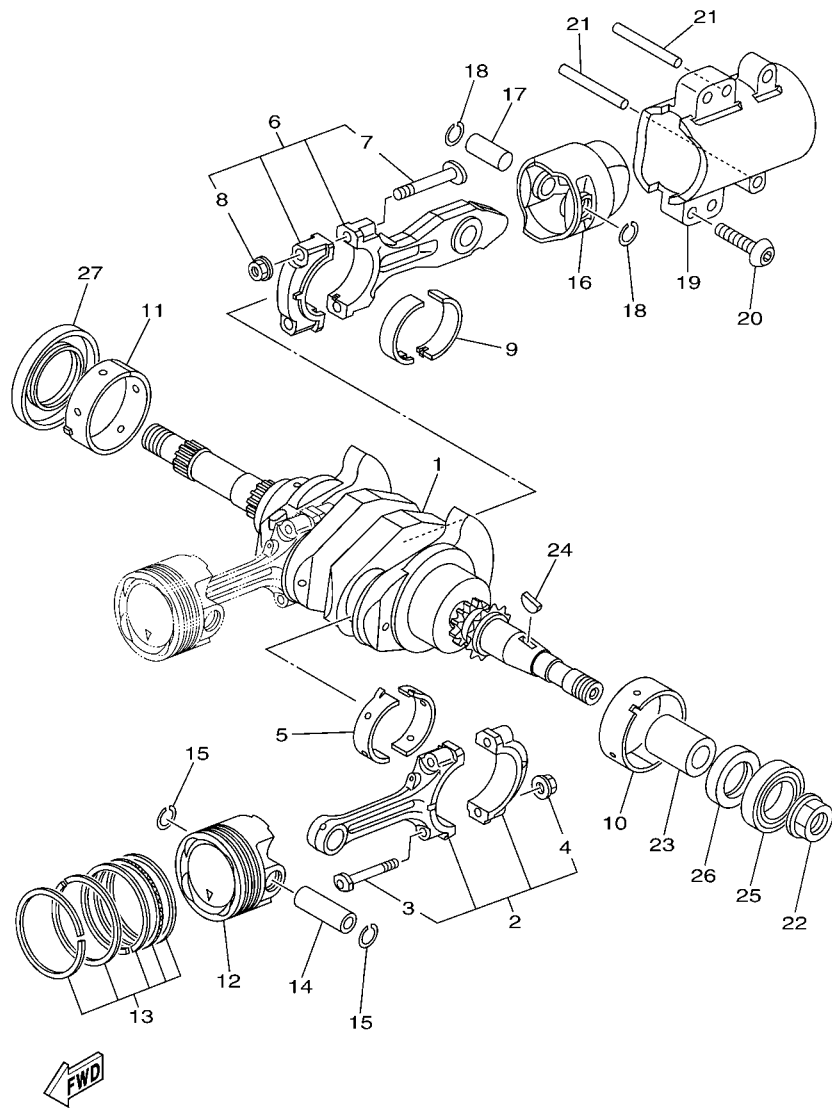


FIG. 1 CYLINDER

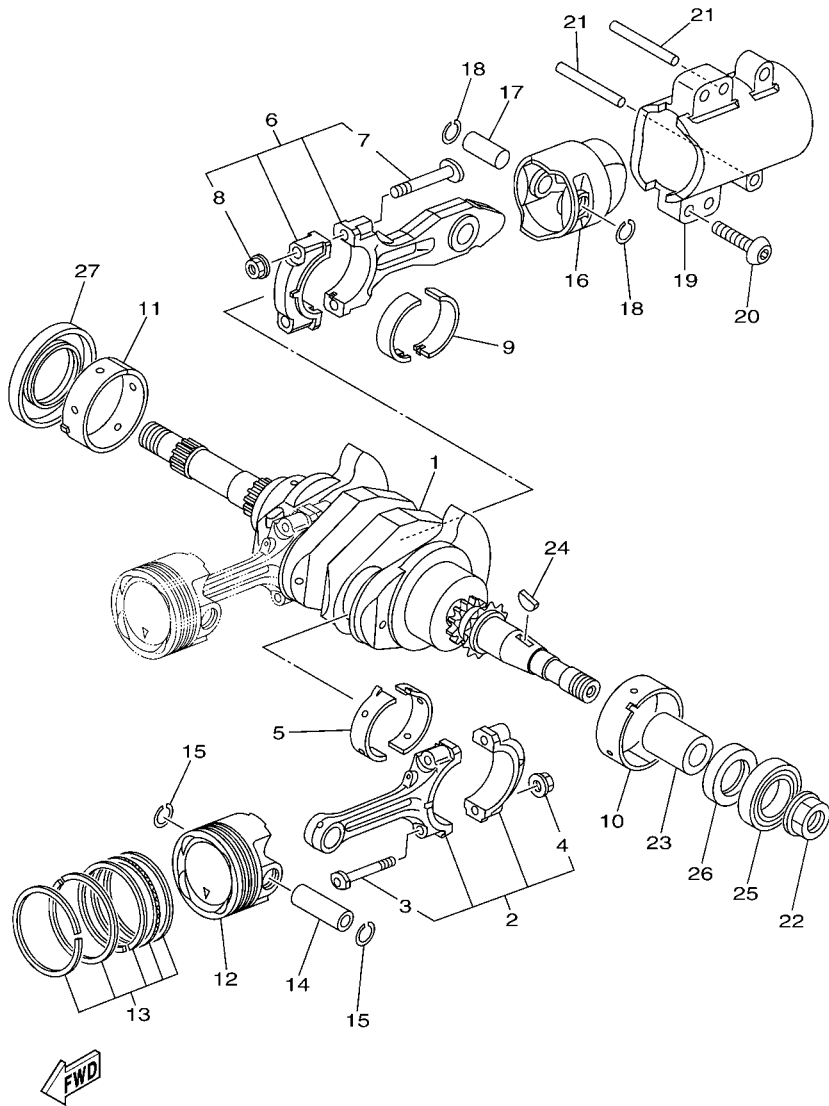
REF. NO.	PART NO.	DESCRIPTION	4B58	4B5C		REMARKS
1	4B5-11101-01	CYLINDER HEAD ASSY	1	1		
2	5GJ-11133-10	.GUIDE, VALVE 1	8	8		
3	91808-16023	.PIN, DOWEL	4	4		
4	95022-08012	.BOLT, FLANGE	1	1		
5	90430-08119	.GASKET	1	1		
6	90105-06026	.BOLT, FLANGE	12	12		
7	90338-08174	.PLUG	4	4		
8	95612-08620	BOLT, STUD	4	4		
9	90116-09584	BOLT, STUD	6	6		
10	93612-16254	PIN, DOWEL	2	2		
11	90201-090P4	WASHER, PLATE	6	6		
12	90179-09612	NUT	4	4		
13	90179-09003	NUT	2	2		
14	90110-06021	BOLT, HEXAGON SOCKET HEAD	2	2		
15	95022-06085	BOLT, FLANGE	1	1		
16	94701-00353	PLUG, SPARK (NGK CR7E)	2	2		
17	5GJ-11181-00	GASKET, CYLINDER HEAD 1	1	1		
18	15B-11190-00	COVER, CYLINDER HEAD 1	1	1		
19	4B5-11166-00	PIPE, BREATHER 1	1	1		
20	90467-13133	CLIP	1	1		
21	90467-16181	CLIP	1	1		
22	5GJ-11193-01	GASKET, HEAD COVER 1	1	1		
23	5GJ-11195-00	GASKET	2	2		
24	99530-10116	PIN, DOWEL	2	2		
25	91312-06035	BOLT	10	10		
26	15B-W1131-00	CYLINDER	1	1		
27	5GJ-11351-01	GASKET, CYLINDER	1	1		



15B1300-F020

FIG. 2 CRANKSHAFT & PISTON

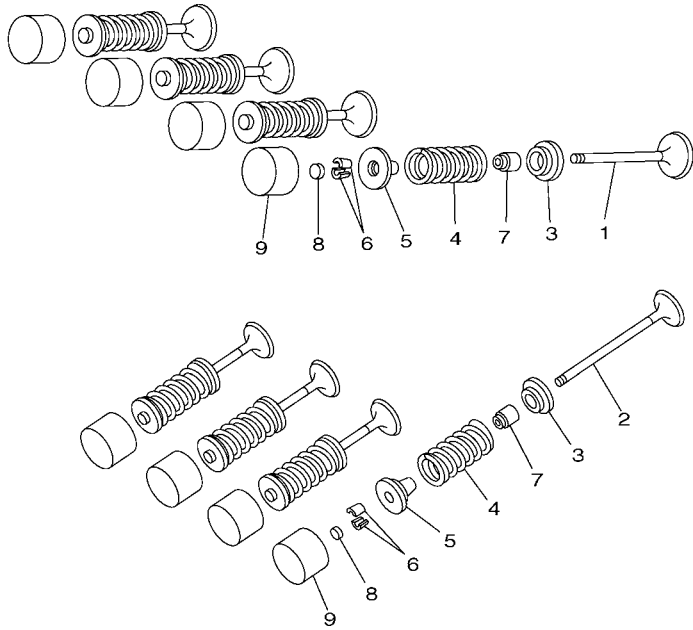
REF. NO.	PART NO.	DESCRIPTION	4B58	4B5C	REMARKS
1	5VU-11400-00	CRANKSHAFT ASSY	1	1	
2	5VU-11650-00	CONNECTING ROD ASSY	2	2	
3	5VU-11654-00	.BOLT, CONNECTING ROD	2	2	
4	90179-07652	.NUT	2	2	
5	5GJ-11656-00	PLANE BEARING, CONNECTING ROD	4	4	UR BLUE
5GJ-11656-10	PLANE BEARING, CONNECTING ROD	4	4	UR BLACK	
5GJ-11656-20	PLANE BEARING, CONNECTING ROD	4	4	UR BROWN	
5GJ-11656-30	PLANE BEARING, CONNECTING ROD	4	4	UR GREEN	
6	5GJ-11660-11	CONNECTING ROD ASSY	1	1	
7	4X7-11654-01	.BOLT, CONNECTING ROD	2	2	
8	90179-09379	.NUT	2	2	
9	5GJ-11656-00	PLANE BEARING, CONNECTING ROD	2	2	UR BLUE
5GJ-11656-10	PLANE BEARING, CONNECTING ROD	2	2	UR BLACK	
5GJ-11656-20	PLANE BEARING, CONNECTING ROD	2	2	UR BROWN	
5GJ-11656-30	PLANE BEARING, CONNECTING ROD	2	2	UR GREEN	
10	5GJ-11416-00	PLANE BEARING, CRANKSHAFT 1	1	1	UR BLUE
5GJ-11416-10	PLANE BEARING, CRANKSHAFT 1	1	1	UR BLACK	
5GJ-11416-20	PLANE BEARING, CRANKSHAFT 1	1	1	UR BROWN	
5GJ-11416-30	PLANE BEARING, CRANKSHAFT 1	1	1	UR GREEN	
5GJ-11416-40	PLANE BEARING, CRANKSHAFT 1	1	1	UR YELLOW	
5GJ-11416-A0	PLANE BEARING, CRANKSHAFT 1	1	1	UR WHITE	
11	5GJ-11417-00	PLANE BEARING, CRANKSHAFT 2	1	1	UR BLUE
5GJ-11417-10	PLANE BEARING, CRANKSHAFT 2	1	1	UR BLACK	
5GJ-11417-20	PLANE BEARING, CRANKSHAFT 2	1	1	UR BROWN	
5GJ-11417-30	PLANE BEARING, CRANKSHAFT 2	1	1	UR GREEN	
5GJ-11417-40	PLANE BEARING, CRANKSHAFT 2	1	1	UR YELLOW	
5GJ-11417-A0	PLANE BEARING, CRANKSHAFT 2	1	1	UR WHITE	



15B1300-F020

FIG. 2 CRANKSHAFT & PISTON

REF. NO.	PART NO.	DESCRIPTION	4B58	4B5C			REMARKS
12	5VU-11631-00	PISTON (STD)	2	2			
13	5GJ-11603-00	PISTON RING SET (STD)	2	2			
14	5VU-11633-00	PIN, PISTON	2	2			
15	93450-16159	CIRCLIP	4	4			
16	5GJ-11642-10-A0	PISTON 2 (STD)	1	1			
17	5GJ-11455-10	SHAFT 1	1	1			
18	93450-16068	CIRCLIP	2	2			
19	5GJ-11312-00	SLEEVE, CYLINDER	1	1			
20	90111-10026	BOLT, HEX. SOCKET BUTTON	4	4			
21	93608-60001	PIN, DOWEL	2	2			
22	90179-18007	NUT	1	1			
23	90387-18001	COLLAR	1	1			
24	90280-05013	KEY, WOODRUFF	1	1			
25	93306-90602	BEARING	1	1			
26	93101-30001	OIL SEAL	1	1			
27	93102-44008	OIL SEAL	1	1			



5GJ1300-1030

FIG. 3 VALVE

REF. NO.	PART NO.	DESCRIPTION	4B58	4B5C	REMARKS
1	5GJ-12111-00	VALVE, INTAKE	4	4	
2	5GJ-12121-01	VALVE, EXHAUST	4	4	
3	5EB-12126-00	SEAT, VALVE SPRING 2	8	8	
4	4GY-12113-00	SPRING, VALVE INNER	8	8	
5	5EB-12127-00	RETAINER, VALVE SPRING	8	8	
6	1HX-12118-00	COTTER, VALVE	16	16	
7	4TV-12119-00	SEAL, VALVE STEM	8	8	
8	1HX-12168-00	PAD, ADJUSTING 2 (1.20)	8	8	UR
	1HX-12168-20	PAD, ADJUSTING 2 (1.25)	8	8	UR
	1HX-12168-40	PAD, ADJUSTING 2 (1.30)	8	8	UR
	1HX-12168-60	PAD, ADJUSTING 2 (1.35)	8	8	UR
	1HX-12168-80	PAD, ADJUSTING 2 (1.40)	8	8	UR
	1HX-12168-A0	PAD, ADJUSTING 2 (1.45)	8	8	UR
	1HX-12168-F0	PAD, ADJUSTING 2 (1.50)	8	8	UR
	1HX-12168-H1	PAD, ADJUSTING 2 (1.55)	8	8	UR
	1HX-12168-K1	PAD, ADJUSTING 2 (1.60)	8	8	UR
	1HX-12168-M1	PAD, ADJUSTING 2 (1.65)	8	8	UR
	1HX-12168-R1	PAD, ADJUSTING 2 (1.70)	8	8	UR
	1HX-12168-U1	PAD, ADJUSTING 2 (1.75)	8	8	UR
	1HX-12168-W1	PAD, ADJUSTING 2 (1.80)	8	8	UR
	1HX-12168-Y1	PAD, ADJUSTING 2 (1.85)	8	8	UR
	1HX-12169-11	PAD, ADJUSTING 2 (1.90)	8	8	UR
	1HX-12169-31	PAD, ADJUSTING 2 (1.95)	8	8	UR
	1HX-12169-50	PAD, ADJUSTING 2 (2.00)	8	8	UR
	1HX-12169-70	PAD, ADJUSTING 2 (2.05)	8	8	UR
	1HX-12169-90	PAD, ADJUSTING 2 (2.10)	8	8	UR
	1HX-12169-E0	PAD, ADJUSTING 2 (2.15)	8	8	UR

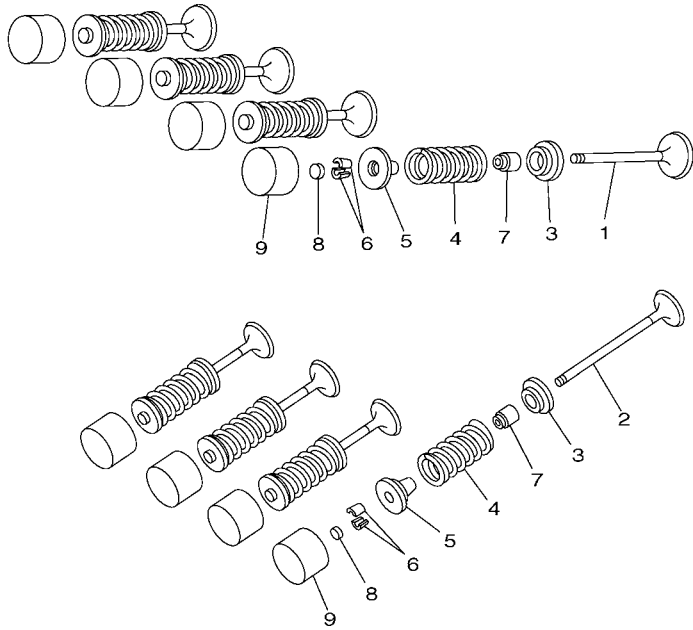


FIG. 3 VALVE

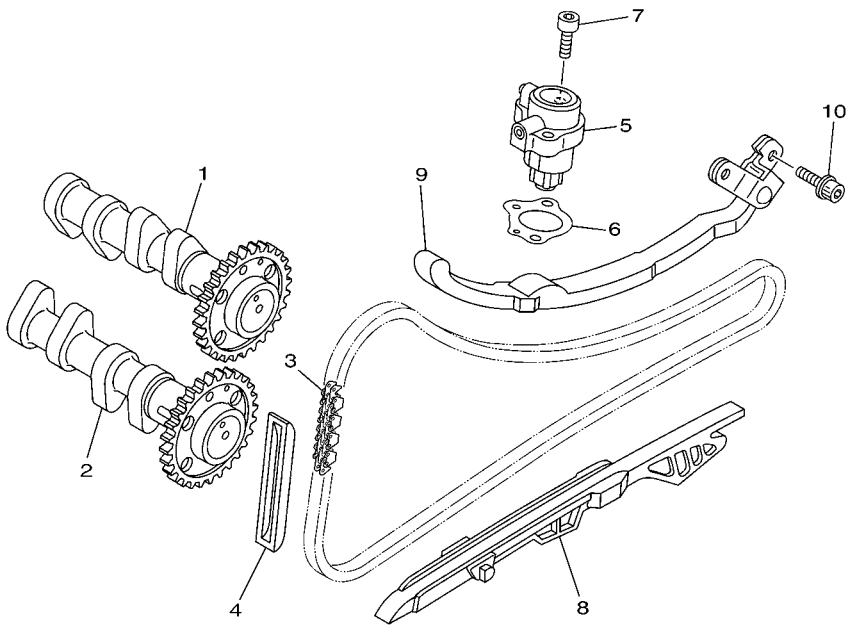
REF. NO.	PART NO.	DESCRIPTION	4B58	4B5C			REMARKS
8	1HX-12169-G0	PAD, ADJUSTING 2 (2.20)	8	8			UR
	1HX-12169-J0	PAD, ADJUSTING 2 (2.25)	8	8			UR
	1HX-12169-L0	PAD, ADJUSTING 2 (2.30)	8	8			UR
	1HX-12169-N0	PAD, ADJUSTING 2 (2.35)	8	8			UR
	1HX-12169-T0	PAD, ADJUSTING 2 (2.40)	8	8			UR
9	5EB-12153-10	LIFTER, VALVE	8	8			UR YELLOW
	5EB-12153-09	LIFTER, VALVE (O/S)		8			AP GREEN



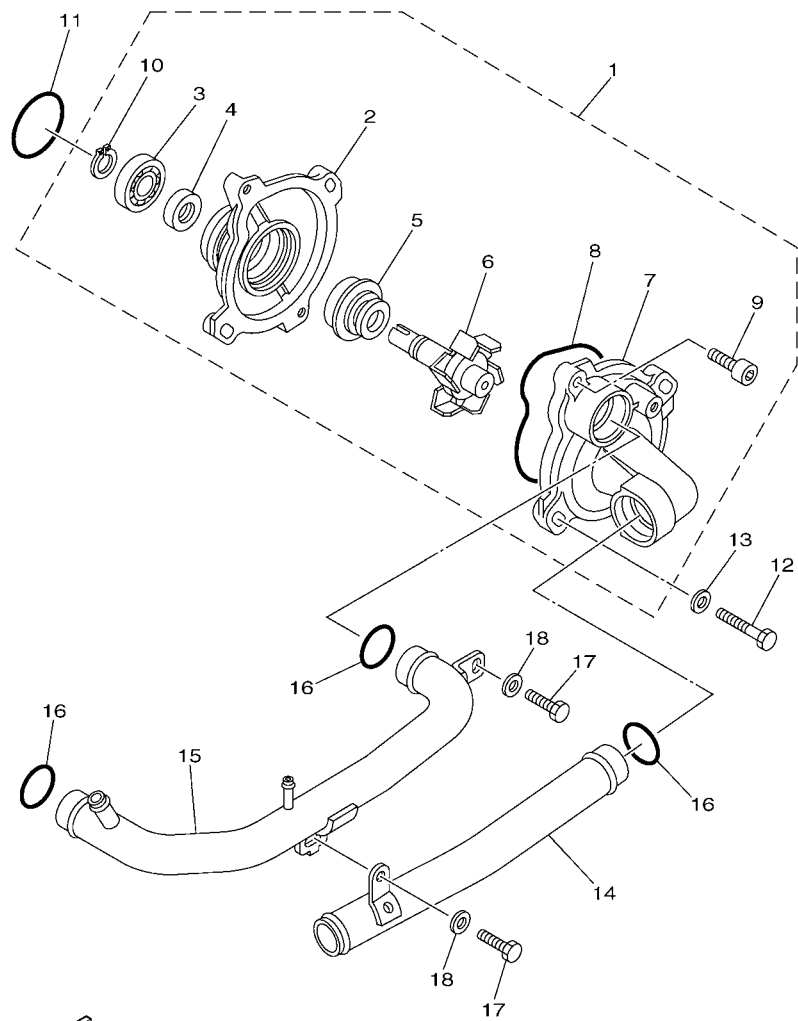
5GJ1300-1030

FIG. 4 CAMSHAFT & CHAIN

REF. NO.	PART NO.	DESCRIPTION	4B58	4B5C				REMARKS
1	5VU-12170-10	CAMSHAFT ASSY 1	1	1				
2	5VU-12180-10	CAMSHAFT ASSY 2	1	1				
3	94582-18132	CHAIN (DID SCR-409 SV 132LE)	1	1				DAIDO
4	5BE-12241-00	GUIDE, STOPPER 2	1	1				
5	15B-12210-10	TENSIONER ASSY, CAM CHAIN	1	1				
6	15B-12213-00	GASKET, TENSIONER CASE	1	1				
7	91312-06020	BOLT	2	2				
8	5VU-12251-00	DAMPER, CHAIN 1	1	1				
9	5GJ-12252-00	DAMPER, CHAIN 2	1	1				
10	90110-06218	BOLT, HEXAGON SOCKET HEAD	2	2				



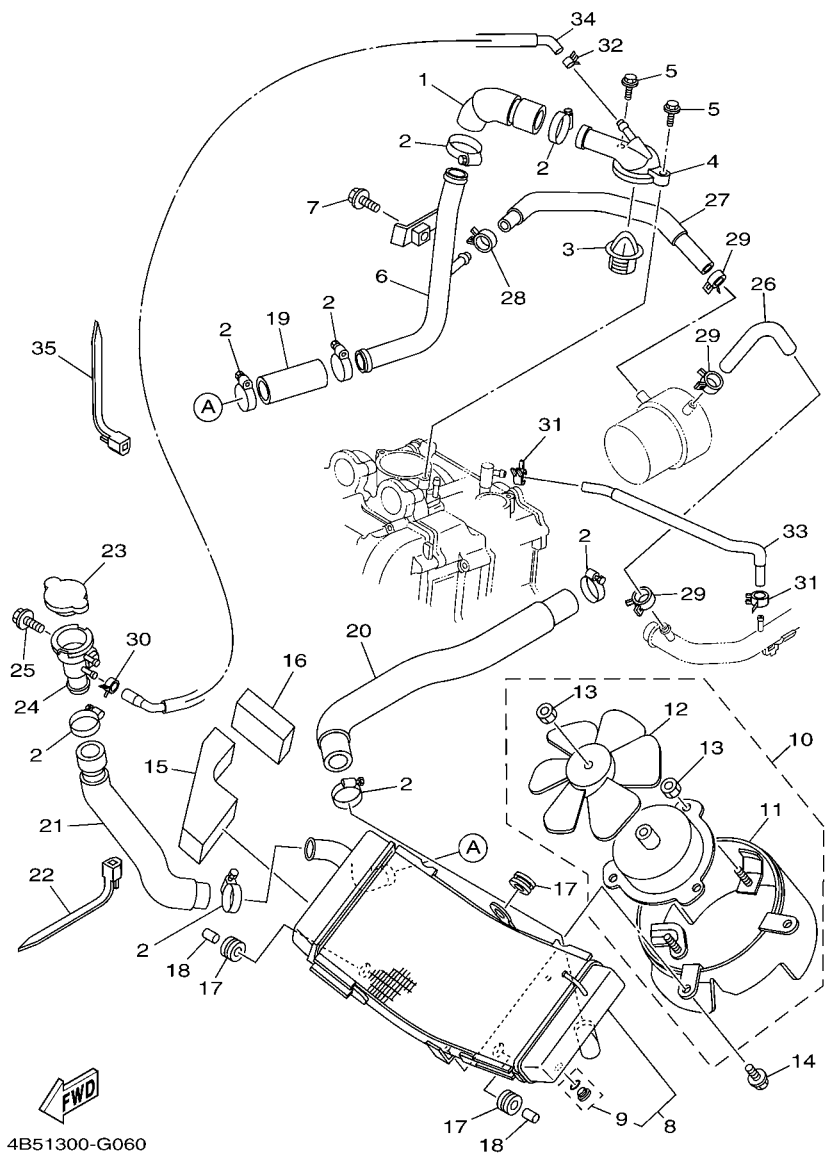
15B1300-F040



5GJ1300-1050

FIG. 5 WATER PUMP

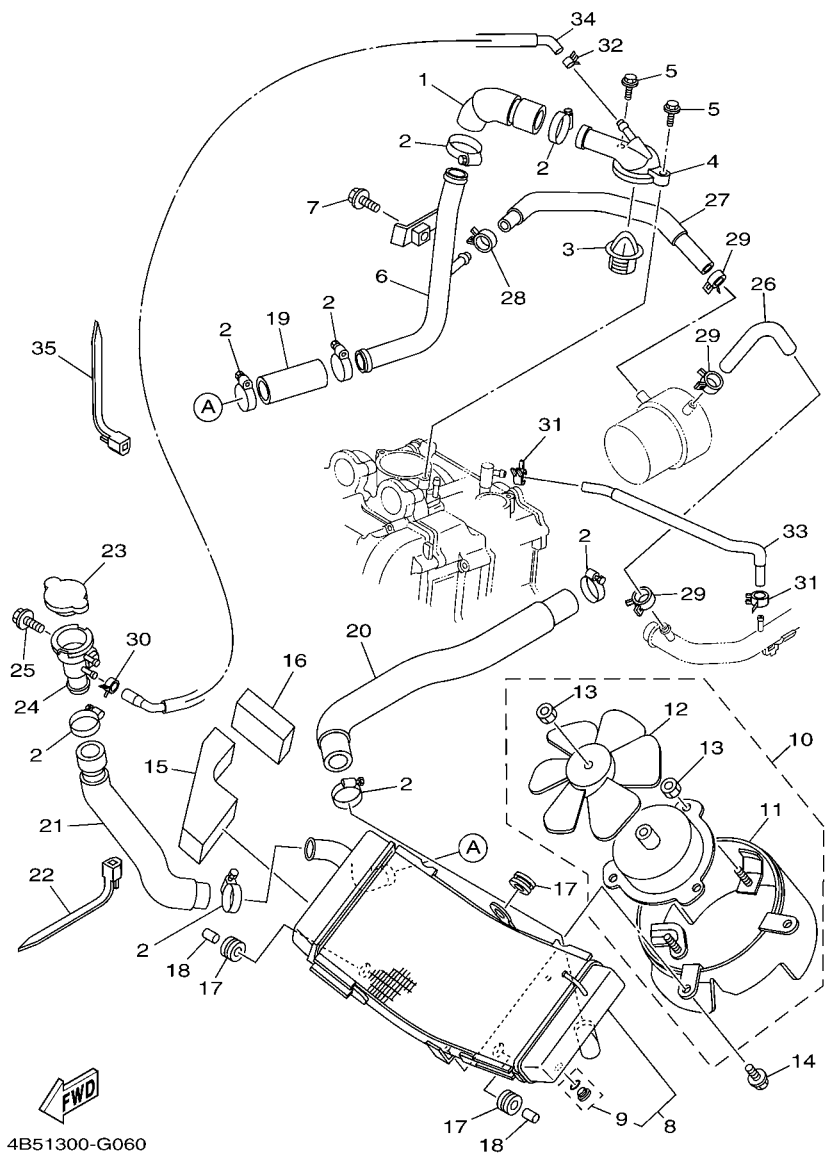
REF. NO.	PART NO.	DESCRIPTION	4B58	4B5C	REMARKS
1	15B-12420-00	WATER PUMP ASSY	1	1	
2	5VU-12421-00	.HOUSING, WATER PUMP	1	1	
3	93306-00106	.BEARING	1	1	
4	93102-12442	.OIL SEAL	1	1	
5	11H-12438-10	.SEAL, MECHANICAL	1	1	
6	5VU-12450-00	.IMPELLER SHAFT ASSY	1	1	
7	5GJ-12422-02	.COVER, HOUSING	1	1	
8	1WG-12439-00	.O-RING	1	1	
9	91312-06020	.BOLT	2	2	
10	99009-12400	.CIRCLIP	1	1	
11	93210-33133	O-RING	1	1	
12	97022-06030	BOLT	2	2	
13	92902-06600	WASHER, PLATE	2	2	
14	4B5-12481-00	PIPE 1	1	1	
15	4B5-12482-00	PIPE 2	1	1	
16	93210-21190	O-RING	3	3	
17	97022-06016	BOLT	2	2	
18	92902-06600	WASHER, PLATE	2	2	



4B51300-G060

FIG. 6 RADIATOR & HOSE

REF. NO.	PART NO.	DESCRIPTION	4B58	4B5C	REMARKS
			1	1	
1	4B5-12483-00	PIPE 3	1	1	
2	90450-32015	HOSE CLAMP ASSY	8	8	
3	4JH-12410-00	THERMOSTAT ASSY	1	1	
4	4B5-12413-00	COVER, THERMOSTAT	1	1	
5	95022-06025	BOLT, FLANGE	2	2	
6	4B5-12484-00	PIPE 4	1	1	
7	95022-06012	BOLT, FLANGE	1	1	
8	4B5-12461-00	RADIATOR ASSY	1	1	
9	5VU-12478-00	.COCK, DRAIN	1	1	
10	4B5-12405-00	BLOWER ASSY	1	1	
11	4B5-12620-00	.AIR SHROUD ASSY	1	1	
12	5VU-12611-00	.FAN	1	1	
13	95702-05500	.NUT, WITH WASHER	4	4	
14	5GJ-12675-00	BOLT, BLOWER HOLDING	3	3	
15	4B5-28455-00	DAMPER, 4	1	1	
16	4B5-2837J-00	DAMPER 5	1	1	
17	90480-16301	GROMMET	3	3	
18	90387-07020	COLLAR	2	2	
19	4B5-12485-00	PIPE 5	1	1	
20	4B5-12476-00	PIPE 6	1	1	
21	4B5-12477-00	PIPE 7	1	1	
22	90464-15195	CLAMP	1	1	
23	5SL-12462-00	CAP, RADIATOR	1	1	
24	5GJ-12591-00	SUPT, FILLER NECK	1	1	
25	95802-06012	BOLT, FLANGE	1	1	
26	5GJ-1243A-00	HOSE 1	1	1	
27	4B5-1243E-00	HOSE 2	1	1	



4B51300-G060

FIG. 6 RADIATOR & HOSE

REF. NO.	PART NO.	DESCRIPTION	4B58	4B5C			REMARKS
			1	1			
28	90467-15001	CLIP	1	1			
29	90467-15141	CLIP	3	3			
30	90467-10038	CLIP	1	1			
31	90467-10035	CLIP	2	2			
32	90467-09120	CLIP	1	1			
33	5GJ-12589-00	HOSE 6	1	1			
34	4B5-12551-00	HOSE 7	1	1			
35	90464-13073	CLAMP	1	1			

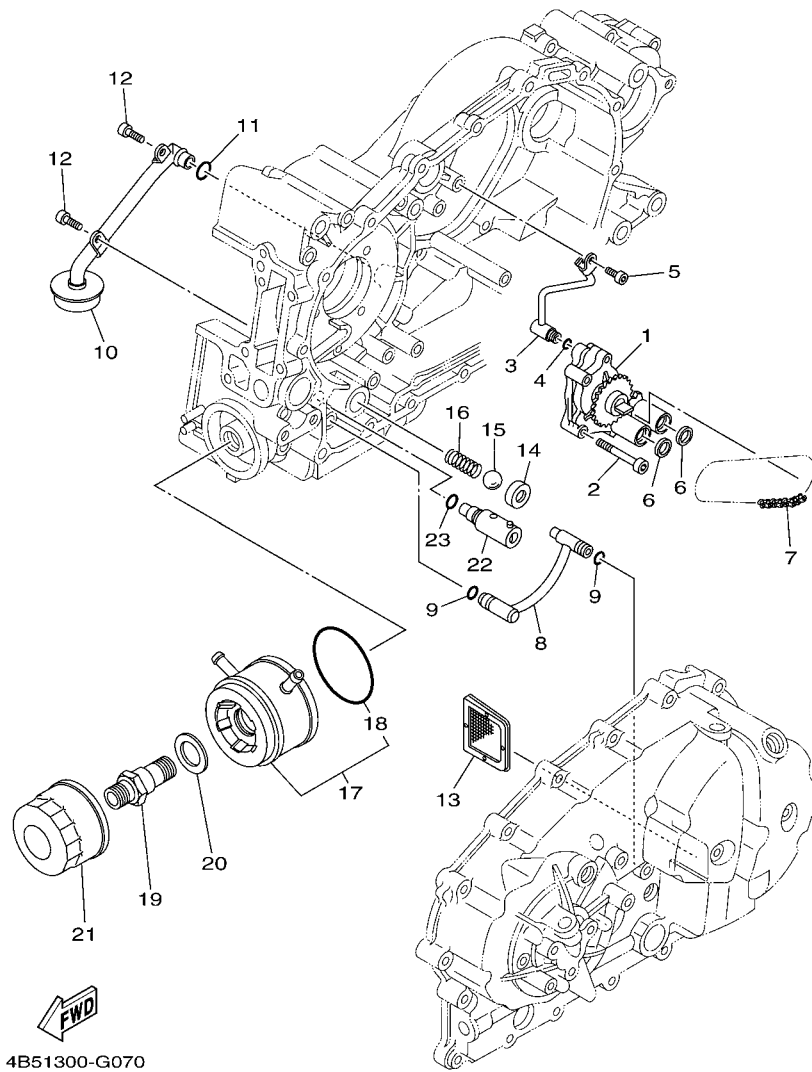


FIG. 7 OIL PUMP

REF. NO.	PART NO.	DESCRIPTION	4B58	4B5C			REMARKS
			1	1			
1	5GJ-13300-00	OIL PUMP ASSY	1	1			
2	92012-06050	BOLT, BUTTON HEAD	3	3			
3	5GJ-13161-00	PIPE, DELIVERY 1	1	1			
4	93210-06422	O-RING	1	1			
5	90110-06168	BOLT, HEXAGON SOCKET HEAD	1	1			
6	5GJ-13475-00	GASKET	2	2			
7	94580-25058	CHAIN (DID25 58L)	1	1			
8	5GJ-13405-00	OIL PIPE COMP. 1	1	1			
9	93210-09525	O-RING	2	2			
10	5GJ-13410-00	STRAINER HOUSING ASSY	1	1			
11	93210-14579	O-RING	1	1			
12	90110-06168	BOLT, HEXAGON SOCKET HEAD	2	2			
13	22F-13411-01	STRAINER, OIL	1	1			
14	3LD-13113-00	SEAT, CHECK BALL	1	1			
15	93505-08030	BALL	1	1			
16	90501-104F9	SPRING, COMPRESSION	1	1			
17	4B5-13470-00	OIL COOLER ASSY	1	1			
18	5JW-13473-00	O-RING	1	1			
19	90401-20005	BOLT, UNION	1	1			
20	90201-25017	WASHER, PLATE	1	1			
21	5DM-13440-00	ELEMENT ASSY, OIL CLEANER	1	1			
22	4G0-13490-01	RELIEF VALVE ASSY	1	1			
23	93210-10096	O-RING	1	1			

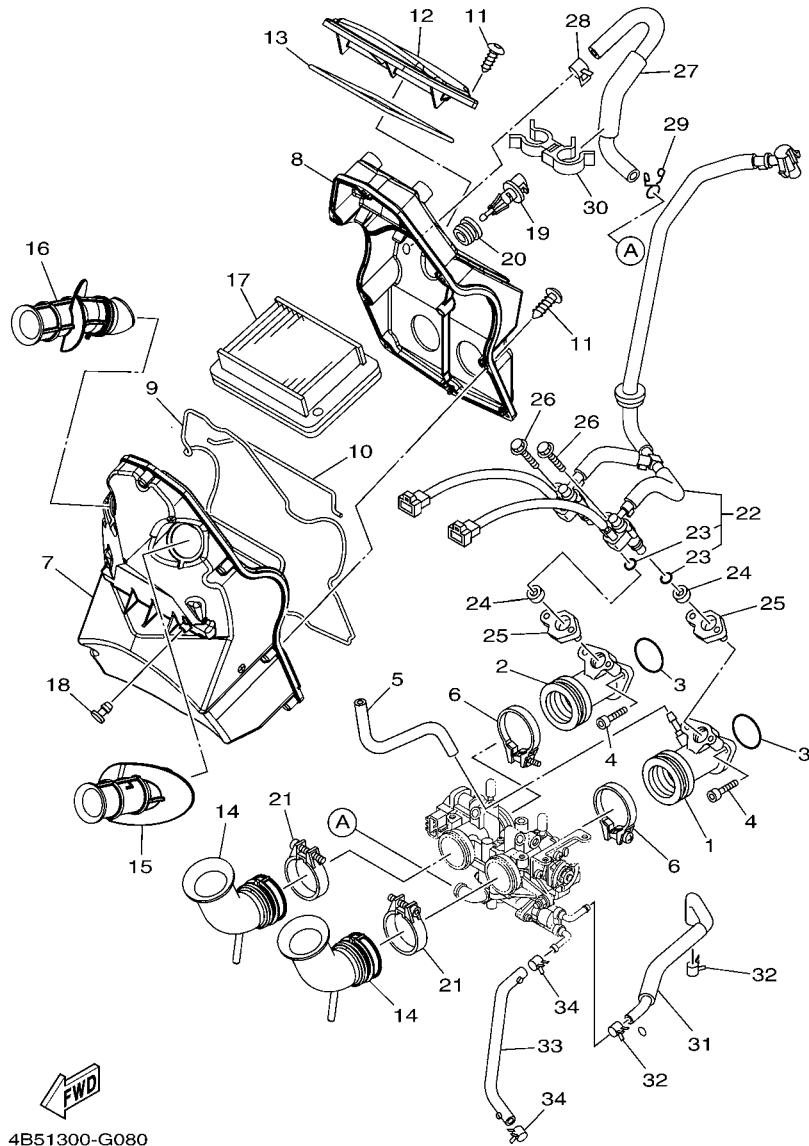


FIG. 8 INTAKE

REF. NO.	PART NO.	DESCRIPTION	4B58	4B5C	REMARKS
1	5VU-13586-01	JOINT, CARBURETOR 1	1	1	
2	5VU-13596-01	JOINT, CARBURETOR 2	1	1	
3	93210-32738	O-RING	2	2	
4	91312-06020	BOLT	4	4	
5	90445-08017	HOSE	1	1	
6	90450-47002	HOSE CLAMP ASSY	2	2	
7	4B5-14411-00	CASE, AIR CLEANER 1	1	1	
8	4B5-14412-00	CAP, CLEANER CASE 1	1	1	
9	4B5-14452-00	SEAL	1	1	
10	4B5-14457-00	SEAL	1	1	
11	97702-50025	SCREW, TAPPING	12	12	
12	4B5-1441A-00	COVER, CLEANER CASE 1	1	1	
13	4B5-14462-00	SEAL	1	1	
14	4B5-14453-00	JOINT, AIR CLEANER 1	2	2	
15	4B5-14437-00	DUCT	1	1	
16	4B5-1443A-00	DUCT	1	1	
17	4B5-14451-00	ELEMENT, AIR CLEANER	1	1	
18	90338-05056	PLUG	1	1	
19	5VU-85886-00	SENSOR, AIR TEMPRATURE	1	1	
20	5CA-14435-00	GROMMET	1	1	
21	90450-47002	HOSE CLAMP ASSY	2	2	
22	4B5-13930-00	PIPE INLET ASSEMBLY	1	1	
23	5CA-14147-00	.O-RING	2	2	
24	90430-09002	GASKET	2	2	
25	15B-13556-00	GASKET, MANIFOLD	2	2	
26	95812-06030	BOLT, FLANGE	2	2	
27	4B5-13545-00	HOSE 1	1	1	

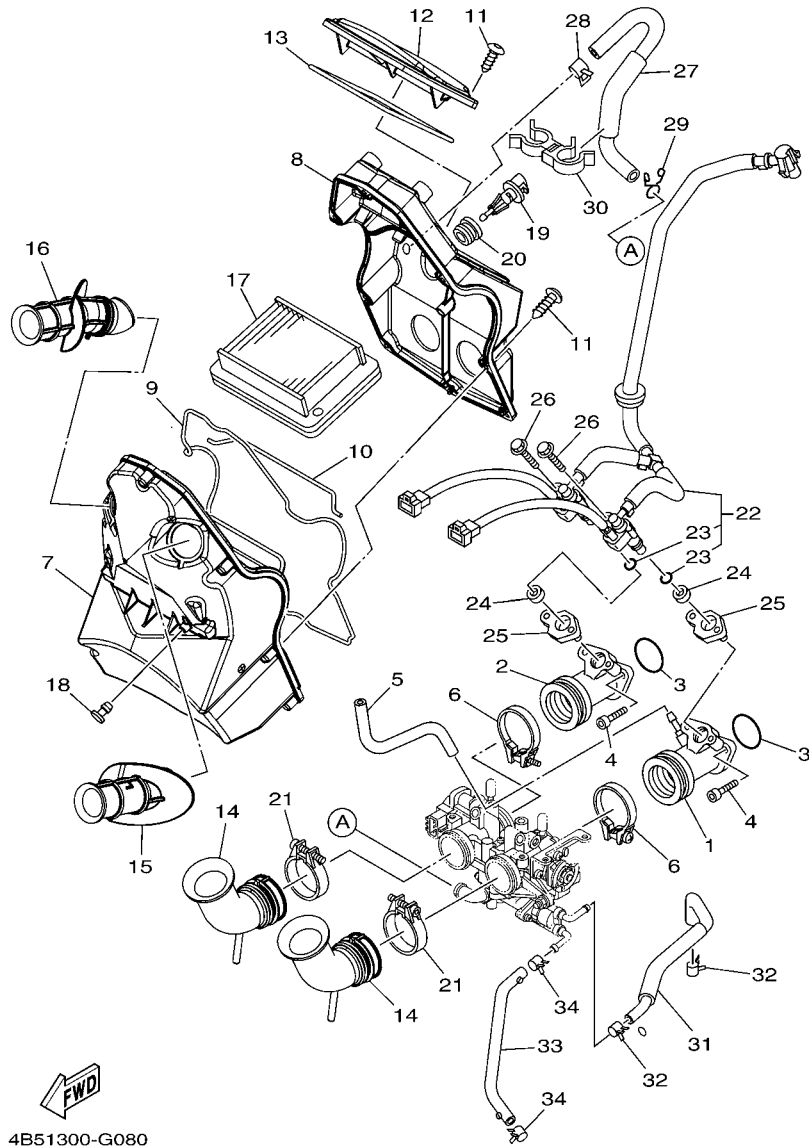


FIG. 8 INTAKE

REF. NO.	PART NO.	DESCRIPTION	4B58	4B5C			REMARKS
			1	1			
28	90467-17089	CLIP	1	1			
29	90467-150A2	CLIP	1	1			
30	90464-20015	CLAMP	1	1			
31	4B5-1243F-00	HOSE,3	1	1			
32	90467-10035	CLIP	2	2			
33	4B5-1244G-00	HOSE, 4	1	1			
34	90467-10035	CLIP	2	2			

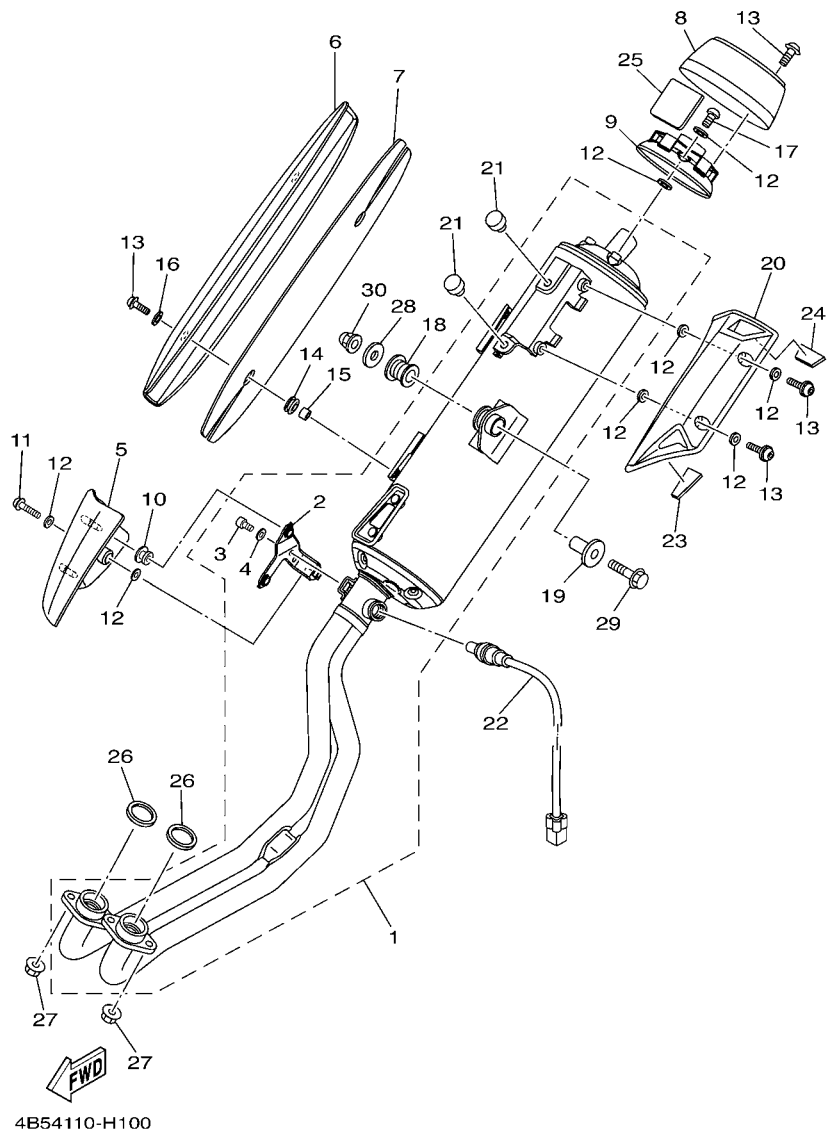
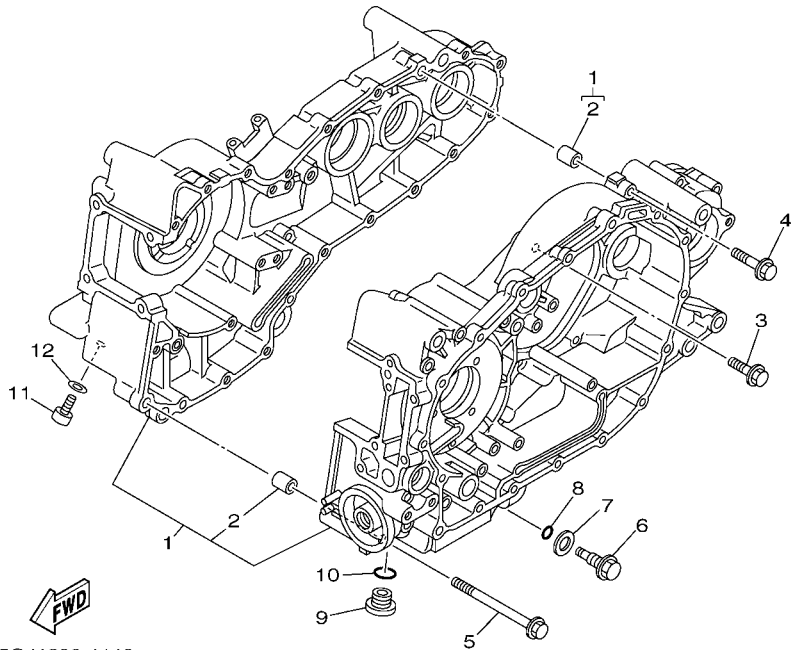
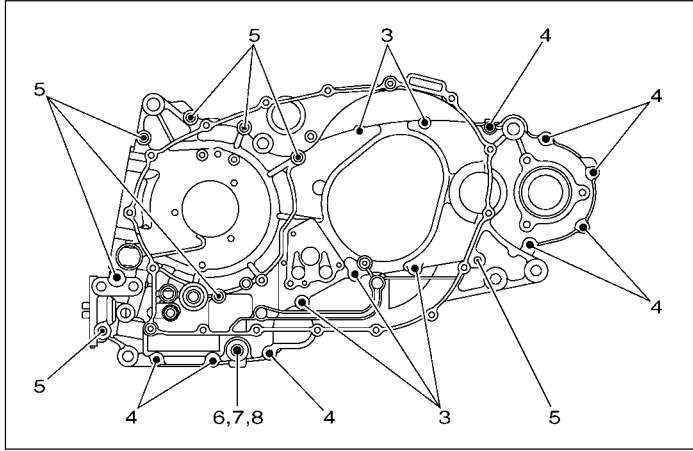


FIG. 10 EXHAUST

REF. NO.	PART NO.	DESCRIPTION	4B58	4B5C	REMARKS
1	4B5-14711-20	MUFFLER 1	1	1	
2	4B5-1471M-00	.BRACKET, 1-3	1	1	
3	91380-06012	.BOLT	2	2	
4	92990-06200	.WASHER, PLAIN	2	2	
5	4B5-1465R-00	PLATE, PROTECTOR	1	1	
6	5VU-1465T-00	PLATE, PROTECTOR	1	1	
7	5VU-1465U-00	PLATE, PROTECTOR 3	1	1	
8	5RU-14799-00	CAP	1	1	
9	4B5-14629-00	STAY, PROTECTOR	1	1	
10	90480-10332	GROMMET	2	2	
11	90111-06020	BOLT,HEX. SOCKET BUTTON	1	1	
12	5GM-14766-00	WASHER, PROTECTOR	12	12	
13	90111-06015	BOLT,HEX. SOCKET BUTTON	9	9	
14	90480-12581	GROMMET	2	2	
15	90387-06023	COLLAR	2	2	
16	90201-062G3	WASHER, PLATE	2	2	
17	98980-06010	SCREW, BIND	3	3	
18	36Y-27424-01	DAMPER, FOOTREST 2	1	1	
19	90387-10046	COLLAR	1	1	
20	4B5-14718-00	PROTECTOR, MUFFLER 1	1	1	
21	22W-24181-00	DAMPEN, LOCATING 1	2	2	
22	4B5-8592A-00	SENSOR, OXYGEN	1	1	
23	4B5-14728-00	PROTECTOR, MUFFLER 2	1	1	
24	4B5-14738-00	PROTECTOR, MUFFLER 3	1	1	
25	4B5-1465V-00	PLATE, PROTECTOR 4	1	1	
26	4BR-14613-00	GASKET, EXHAUST PIPE	2	2	
27	95602-08200	NUT, SELF-LOCKING	4	4	



5GJ1300-1110

FIG. 11 CRANKCASE

REF. NO.	PART NO.	DESCRIPTION	4B58	4B5C	REMARKS
			1	1	
1	4B5-15100-00	CRANKCASE ASSY	1	1	
2	99530-10114	.PIN, DOWEL	2	2	
3	95022-06035	BOLT, FLANGE	5	5	
4	95022-06050	BOLT, FLANGE	8	8	
5	95022-08110	BOLT, FLANGE	8	8	
6	15B-15481-00	BOLT 1	1	1	
7	214-11198-01	GASKET	1	1	
8	93210-48364	O-RING	1	1	
9	4H7-15189-00	PLUG	1	1	
10	93210-22382	O-RING	1	1	
11	90110-08077	BOLT, HEXAGON SOCKET HEAD	1	1	
12	90430-08119	GASKET	1	1	

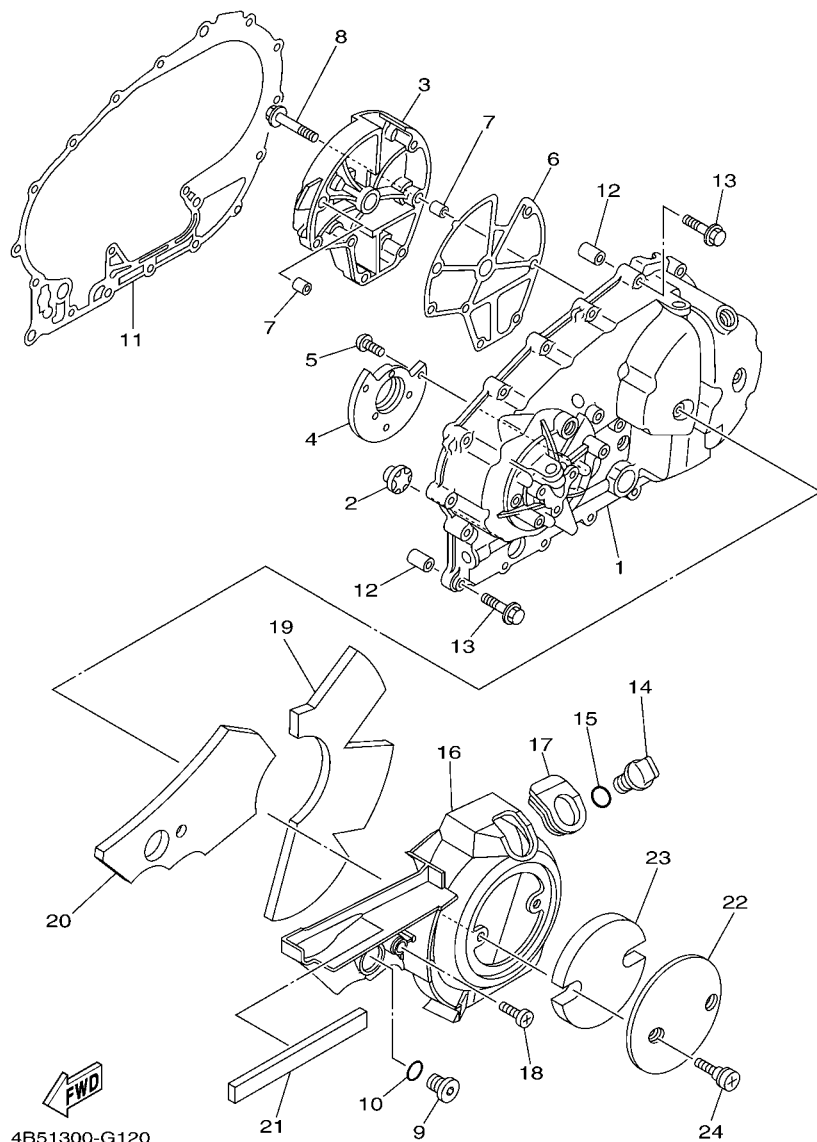
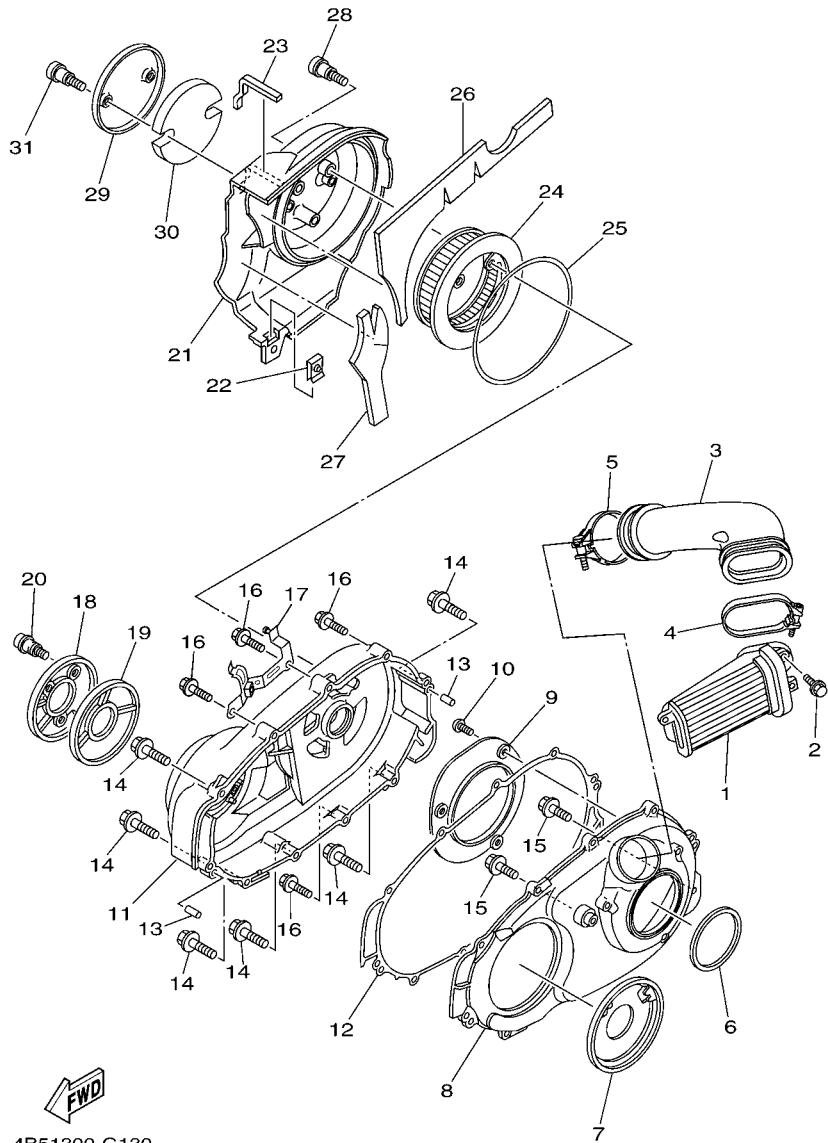


FIG. 12 CRANKCASE COVER 1

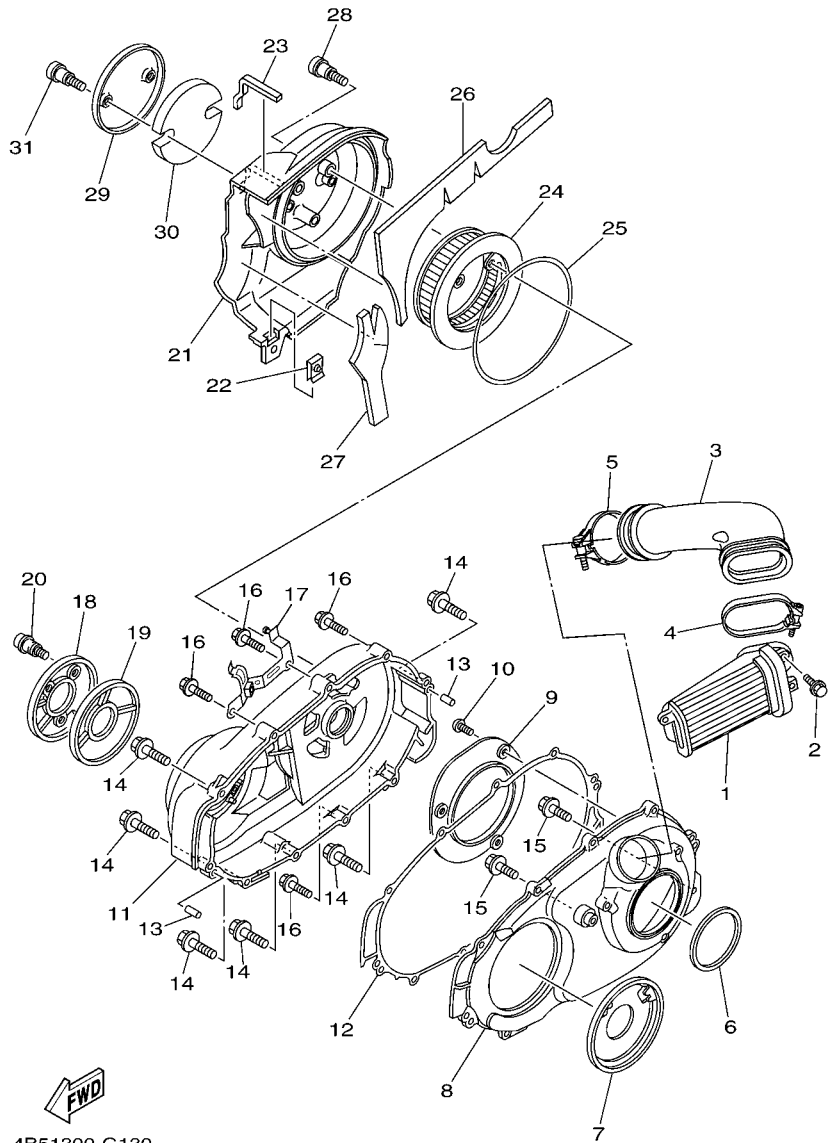
REF. NO.	PART NO.	DESCRIPTION	4B58	4B5C			REMARKS
			1	1			
1	5GJ-15411-02	COVER, CRANKCASE 1	1	1			
2	2H7-15361-00	GAUGE, LEVEL	1	1			
3	5GJ-15414-00	COVER 1	1	1			
4	5GJ-15417-00	COVER, CAP	1	1			
5	90149-06082	SCREW	3	3			
6	5GJ-15453-01	GASKET	1	1			
7	99530-10114	PIN, DOWEL	2	2			
8	95022-06035	BOLT, FLANGE	7	7			
9	36Y-15189-00	PLUG	1	1			
10	93210-16325	O-RING	1	1			
11	5GJ-15451-01	GASKET, CRANKCASE COVER 1	1	1			
12	99530-10114	PIN, DOWEL	2	2			
13	95022-06035	BOLT, FLANGE	19	19			
14	5GJ-15363-00	PLUG, OIL	1	1			
15	93210-19123	O-RING	1	1			
16	4B5-15415-00	COVER, GENERATOR	1	1			
17	5GJ-15486-00	GROMMET	1	1			
18	3KJ-15481-00	BOLT 1	1	1			
19	4B5-15316-00	DAMPER 1	1	1			
20	4B5-15335-00	DAMPER 3	1	1			
21	5GJ-15337-00	DAMPÉR 4	1	1			
22	5GJ-15499-10	PROTECTOR, COVER	1	1			
23	5GJ-15789-00	DAMPER	1	1			
24	3KJ-15481-00	BOLT 1	2	2			



4B51300-G130

FIG. 13 CRANKCASE COVER 2

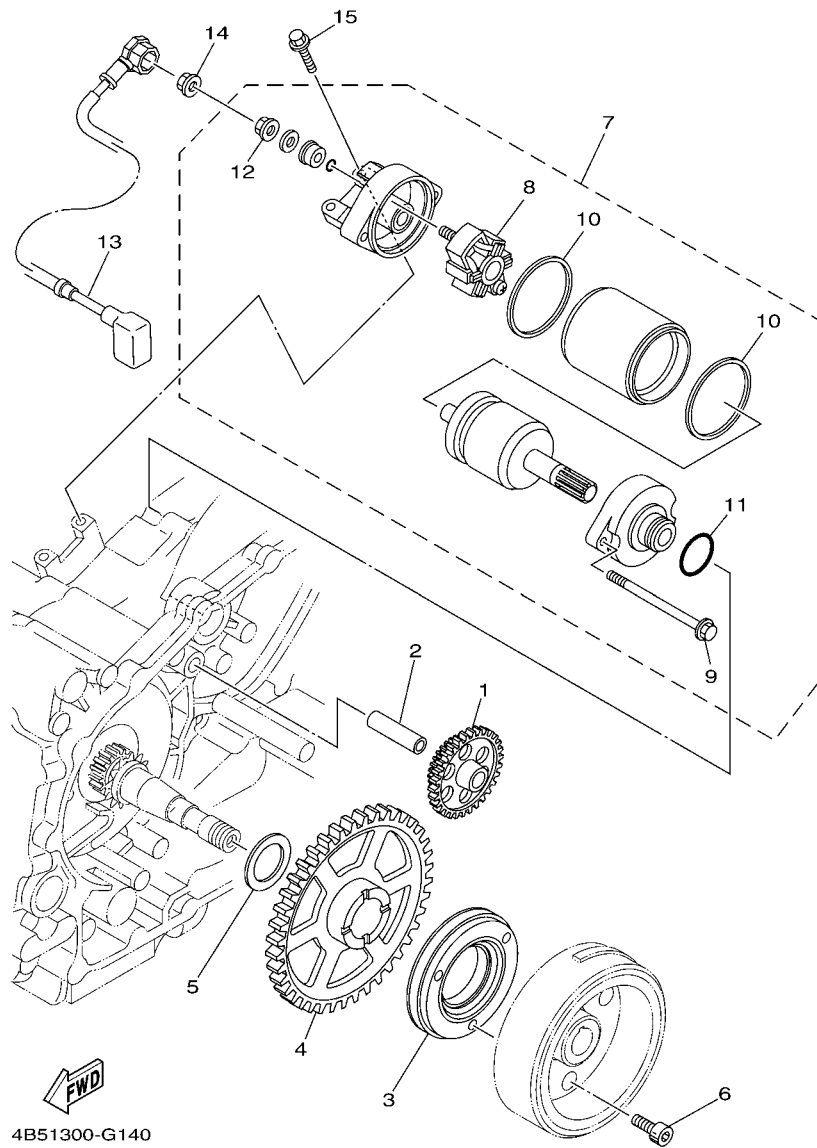
REF. NO.	PART NO.	DESCRIPTION	4B58	4B5C	REMARKS
1	4B5-15407-00	ELEMENT 1	1	1	
2	95822-06020	BOLT, FLANGE	2	2	
3	4B5-15473-00	DUCT, AIR	1	1	
4	90450-01001	HOSE CLAMP ASSY	1	1	
5	90450-72005	HOSE CLAMP ASSY	1	1	
6	5GJ-15474-00	SEAL, AIR DUCT	1	1	
7	15B-15191-00	PLATE	1	1	
8	5GJ-15431-00	COVER, CRANKCASE 3	1	1	
9	5GJ-15113-00	PLATE	1	1	
10	92012-06014	BOLT, BUTTON HEAD	3	3	
11	5GJ-15421-01	COVER, CRANKCASE 2	1	1	
12	5GJ-15461-01	GASKET, CRANKCASE COVER 2	1	1	
13	99480-08020	PIN	2	2	
14	95022-08040	BOLT, FLANGE	6	6	
15	95022-08025	BOLT, FLANGE	2	2	
16	95022-06035	BOLT, FLANGE	4	4	
17	4B5-26279-01	GUIDE, CABLE	1	1	
18	4B5-15492-00	COVER	1	1	
19	5GJ-1542A-00	DAMPER 1	1	1	
20	3KJ-15481-00	BOLT 1	3	3	
21	4B5-15423-00	COVER 2	1	1	
22	90183-05042	NUT, SPRING	1	1	
23	3CV-28378-00	PAD	1	1	
24	5GJ-15408-00	ELEMENT 2	1	1	
25	48U-14452-00	SEAL	1	1	
26	4B5-15326-00	DAMPER 2	1	1	
27	5GJ-1542B-00	DAMPER 2	1	1	



4B51300-G130

FIG. 13 CRANKCASE COVER 2

REF. NO.	PART NO.	DESCRIPTION	4B58	4B5C		REMARKS
28	3KJ-15481-00	BOLT 1	3	3		
29	5GJ-15499-10	PROTECTOR, COVER	1	1		
30	5GJ-15789-00	DAMPER	1	1		
31	3KJ-15481-00	BOLT 1	2	2		



4B51300-G140

FIG. 14 STARTER

REF. NO.	PART NO.	DESCRIPTION	4B58	4B5C	REMARKS
			1	1	
1	5GJ-15512-00	GEAR, IDLER 1	1	1	
2	36Y-15521-01	SHAFT 1	1	1	
3	4NK-15590-00	STARTER ONE-WAY ASSY	1	1	
4	5GJ-15517-00	GEAR, IDLER 2	1	1	
5	90201-25290	WASHER, PLATE	1	1	
6	90110-08080	BOLT, HEXAGON SOCKET HEAD	3	3	
7	4B5-81890-00	MOTOR ASSY	1	1	
8	4B5-81840-00	.BRUSH HOLDER ASSY	1	1	
9	4B5-81826-00	.BOLT	2	2	
10	4B5-81844-00	.GASKET	2	2	
11	1FK-81847-00	.O-RING	1	1	
12	4XV-8182A-00	.NUT	1	1	
13	4B5-81815-00	CORD, STARTER MOTOR	1	1	
14	4XV-8182A-00	NUT	1	1	
15	95812-06025	BOLT, FLANGE	2	2	

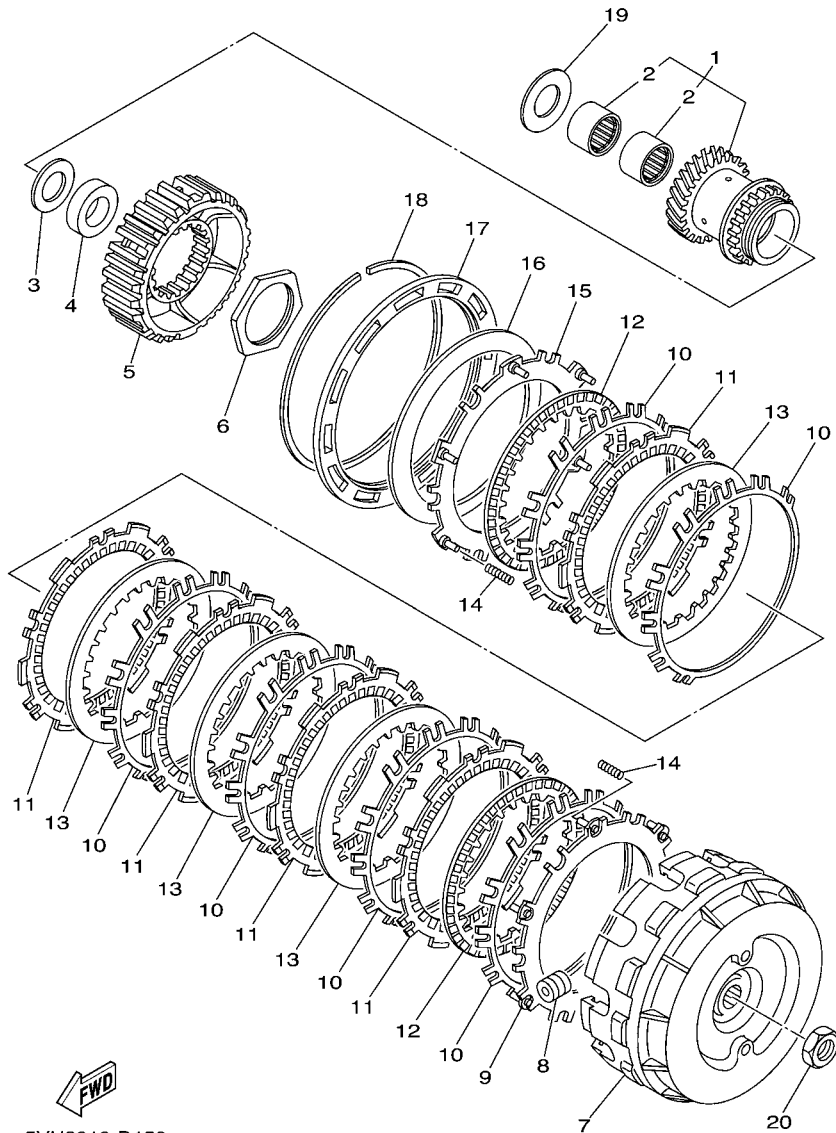
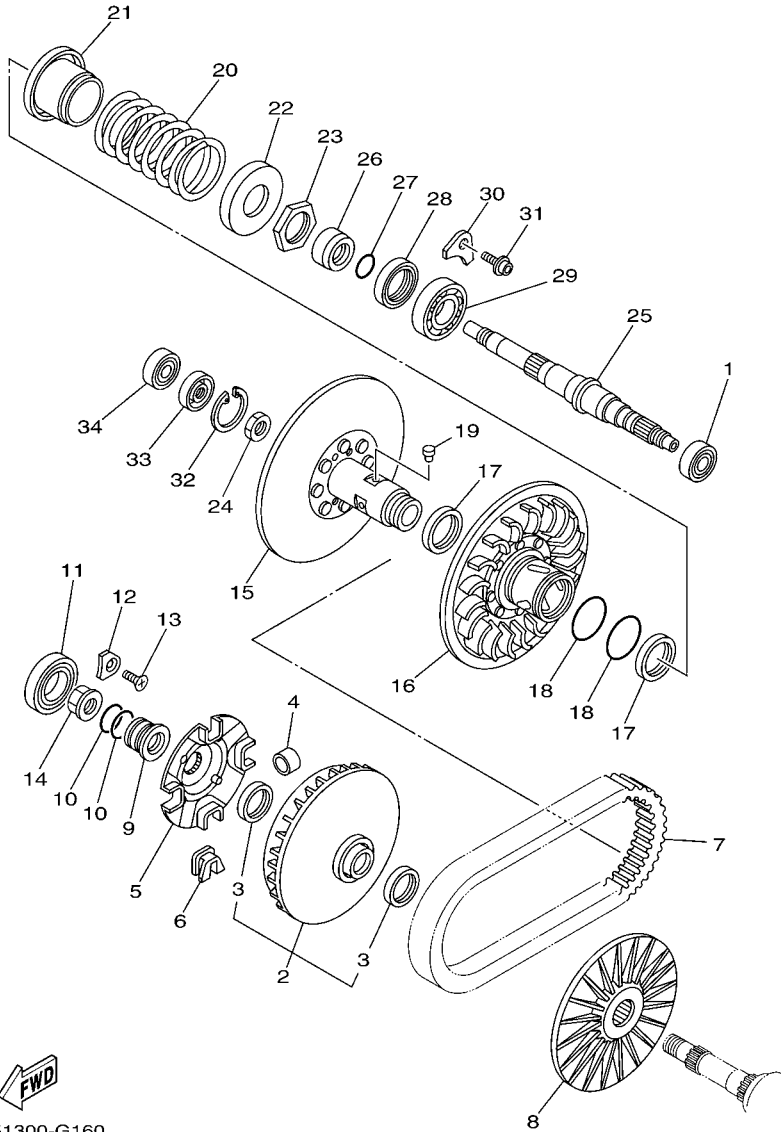


FIG. 15 CLUTCH

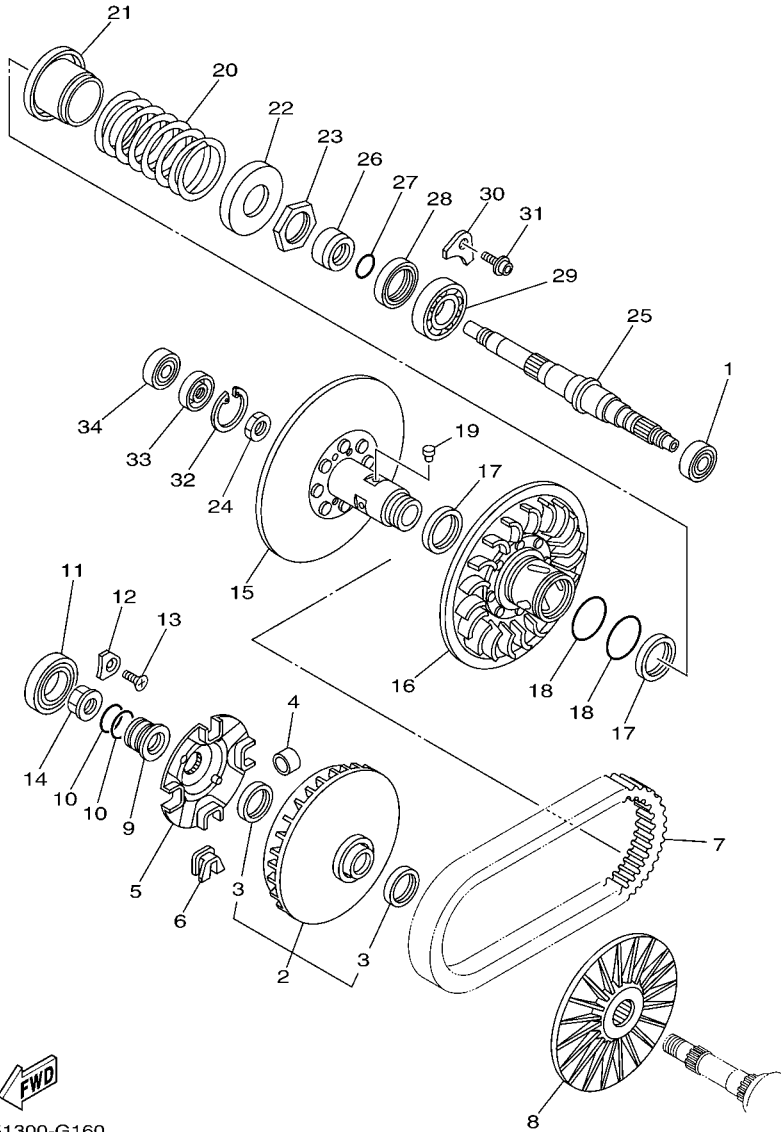
REF. NO.	PART NO.	DESCRIPTION	4B58	4B5C		REMARKS
1	5VU-16110-00	PRIMARY DRIVE GEAR ASSY	1	1		
2	93317-32493	.BEARING	2	2		
3	90201-244A9	WASHER, PLATE (2.05T)	1	1		
4	90387-20018	COLLAR	1	1		
5	5VU-16371-00	BOSS, CLUTCH	1	1		
6	90170-48003	NUT	1	1		
7	5GJ-16510-10	CLUTCH HOUSING COMP.	1	1		
8	5GJ-16540-00	ROLLER WEIGHT ASSY	12	12		
9	5GJ-16520-00	PLATE, THRUST WEIGHT	1	1		
10	5GJ-16533-00	SPRING, CLUTCH	6	6		
11	5GJ-16321-10	PLATE, FRICTION	5	5		
12	5GJ-16325-10	PLATE, CLUTCH 2	2	2		
13	5GJ-16324-00	PLATE, CLUTCH 1	4	4		
14	4B5-16539-00	SPRING	6	6		
15	5GJ-16550-00	PRESSURE PLATE ASSY	1	1		
16	5GJ-16334-00	SPRING, CLUTCH 2	1	1		
17	5GJ-16537-00	PLATE, SPRING STOPPER	1	1		UR
	5GJ-16537-10	PLATE, SPRING STOPPER	1	1		UR
	5GJ-16537-20	PLATE, SPRING STOPPER	1	1		UR
	5GJ-16537-30	PLATE, SPRING STOPPER	1	1		UR
18	5GJ-16529-00	CLIP	1	1		
19	90201-24017	WASHER, PLATE	1	1		
20	90170-16326	NUT	1	1		



4B51300-G160

FIG. 16 CLUTCH 2

REF. NO.	PART NO.	DESCRIPTION	4B58	4B5C	REMARKS
1	93306-30102	BEARING	1	1	
2	4B5-W1760-00	PRIMARY SLIDING SHEAVE ASSY.	1	1	
3	93101-35001	.OIL SEAL	2	2	
4	5VU-17632-00	WEIGHT	8	8	
5	5VU-17623-00	CAM	1	1	
6	5VU-17653-00	SLIDER	4	4	
7	5VU-17641-00	V-BELT	1	1	
8	4B5-17611-00	SHEAVE, PRIMARY FIXED	1	1	
9	5GJ-17649-00	SPACER	1	1	
10	93210-30611	O-RING	2	2	
11	93306-00713	BEARING	1	1	
12	4XM-15383-00	PLATE, BEARING COVER	1	1	
13	90151-06024	SCREW, COUNTERSUNK	1	1	
14	90179-20013	NUT	1	1	
15	5VU-17660-00	SECONDARY FIXED SHEAVE COMP.	1	1	
16	5GJ-17670-01	SECONDARY SLIDING SHEAVE	1	1	
17	93104-41119	OIL SEAL	2	2	
18	93210-44545	O-RING	2	2	
19	4CW-17664-00	PIN, GUIDE	4	4	
20	90501-600A0	SPRING, COMPRESSION	1	1	
21	5GJ-17690-00	SPRING SEAT COMP.	1	1	
22	4WV-17644-00	SEAT, SPRING	1	1	
23	90170-36279	NUT	1	1	
24	90170-18221	NUT	1	1	
25	5VU-17681-00	SHAFT, SECONDARY	1	1	
26	90387-26001	COLLAR	1	1	
27	93210-26001	O-RING	1	1	

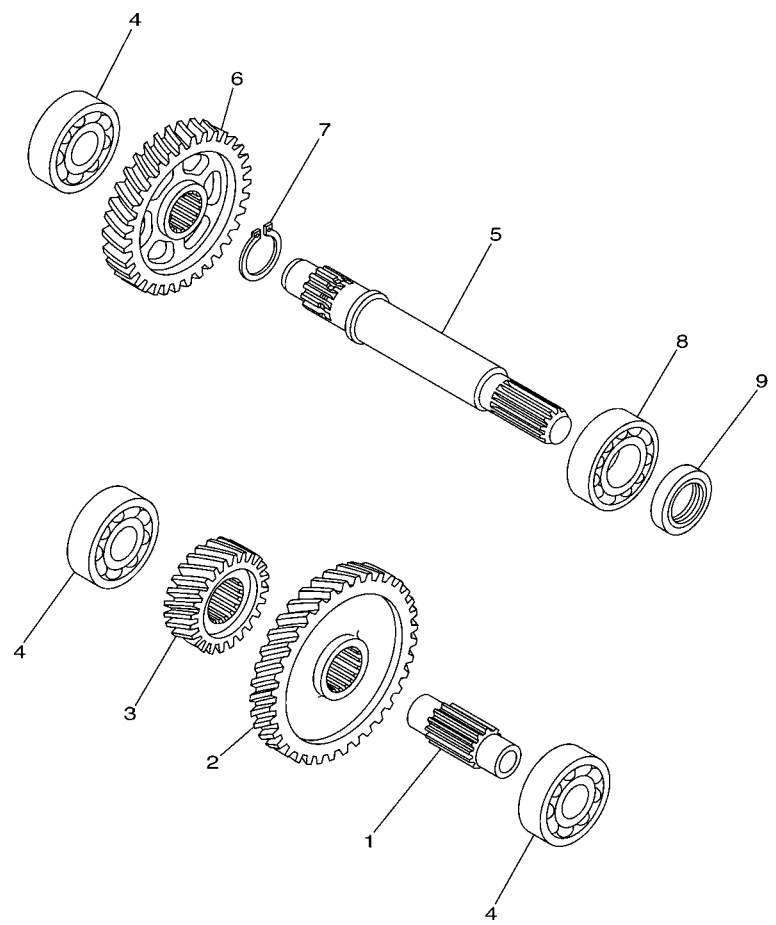


4B51300-G160

FIG. 16 CLUTCH 2

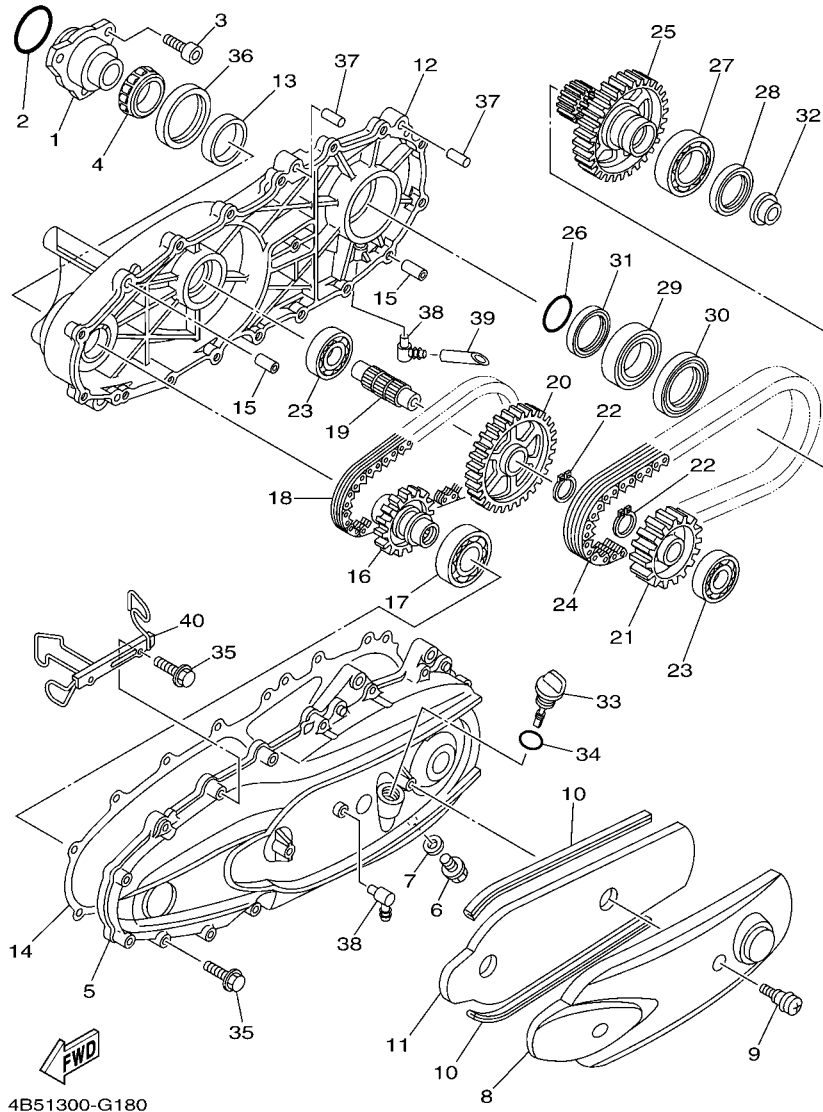
REF. NO.	PART NO.	DESCRIPTION	4B58	4B5C	REMARKS
			1	1	
28	93102-42004	OIL SEAL	1	1	
29	93306-20651	BEARING	1	1	
30	5GJ-15383-00	PLATE, BEARING COVER	2	2	
31	90110-06036	BOLT, HEXAGON SOCKET HEAD	2	2	
32	99009-42500	CIRCLIP	1	1	
33	93102-15004	OIL SEAL	1	1	
34	93306-30217	BEARING	1	1	

FIG. 17 TRANSMISSION



5VU3010-D170

REF. NO.	PART NO.	DESCRIPTION	4B58	4B5C			REMARKS
			1	1			
1	5VU-17411-00	AXLE, MAIN	1	1			
2	5VU-16151-00	GEAR, PRIMARY DRIVEN (52T)	1	1			
3	5VU-17111-00	GEAR, 1ST PINION (22T)	1	1			
4	93306-30427	BEARING	3	3			
5	5GJ-17421-00	AXLE, DRIVE	1	1			
6	5GJ-17211-00	GEAR, 1ST WHEEL (36T)	1	1			
7	99009-25400	CIRCLIP	1	1			
8	93306-205A8	BEARING	1	1			
9	93102-25064	OIL SEAL	1	1			



4B51300-G180

FIG. 18 SUB TRANSMISSION

REF. NO.	PART NO.	DESCRIPTION	4B58	4B5C	REMARKS
1	15B-17524-00	HOLDER	1	1	
2	93210-50553	O-RING	1	1	
3	91312-08020	BOLT	3	3	
4	93332-00086	BEARING	1	1	
5	5GJ-17541-10	CASE, TRANSFER 1	1	1	
6	90340-12006	PLUG, STRAIGHT SCREW	1	1	
7	812-11198-00	GASKET	1	1	
8	5GJ-15418-00	COVER, CHAIN CASE	1	1	
9	3KJ-15481-00	BOLT 1	2	2	
10	5GJ-15335-00	DAMPER 3	2	2	
11	5VU-15338-00	DAMPER 5	1	1	
12	5GJ-17542-10	CASE, TRANSFER 2	1	1	
13	5GJ-17554-00	RETAINER, BEARING	1	1	
14	5GJ-17818-02	GASKET	1	1	
15	99530-10114	PIN, DOWEL	2	2	
16	5GJ-17451-00	SPROCKET, DRIVE (25T)	1	1	
17	93306-20637	BEARING	1	1	
18	5GJ-16139-00	CHAIN, PRIMARY	1	1	
19	5GJ-17523-00	SHAFT	1	1	
20	5GJ-17452-00	SPROCKET, DRIVE (41T)	1	1	
21	5GJ-17459-00	SPROCKET, DRIVE (29T)	1	1	
22	99009-25400	CIRCLIP	2	2	
23	93306-30427	BEARING	2	2	
24	5GJ-11456-00	CHAIN, PRIMARY	1	1	
25	5GJ-17469-00	SPROCKET, DRIVE (40T)	1	1	
26	93210-34504	O-RING	1	1	
27	93306-00807	BEARING	1	1	

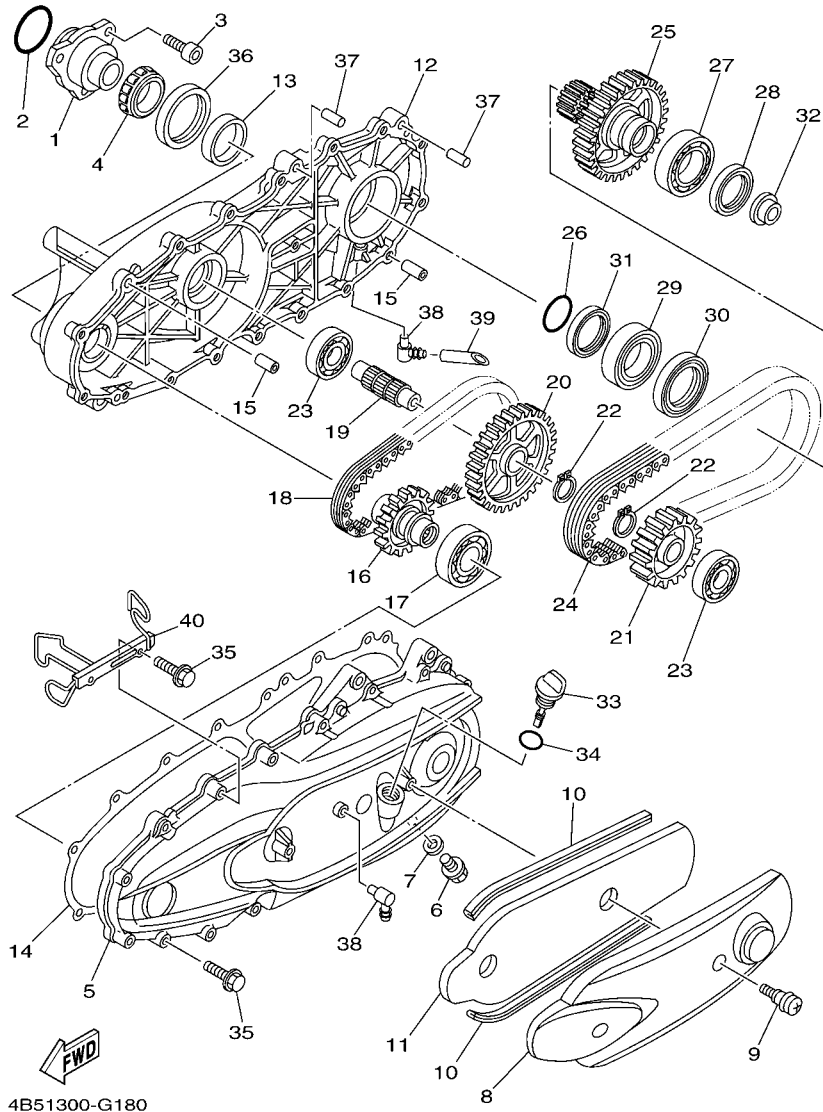


FIG. 18 SUB TRANSMISSION

REF. NO.	PART NO.	DESCRIPTION			REMARKS
			4B58	4B5C	
28	93102-40021	OIL SEAL	1	1	
29	93306-00808	BEARING	1	1	
30	93102-48004	OIL SEAL	1	1	
31	93105-45017	OIL SEAL	1	1	
32	15B-46153-00	COLLAR, GUIDE	1	1	
33	5GJ-15362-01	PLUG, OIL LEVEL	1	1	
34	93210-19123	O-RING	1	1	
35	95022-06035	BOLT, FLANGE	18	18	
36	93102-55004	OIL SEAL	1	1	
37	93608-30002	PIN, DOWEL	2	2	
38	3ES-15371-00	BREATHER	2	2	
39	5GJ-1531A-00	HOSE, BREATHER 1	1	1	
40	4B5-2587A-00	HOLDER, BRAKE HOSE	1	1	

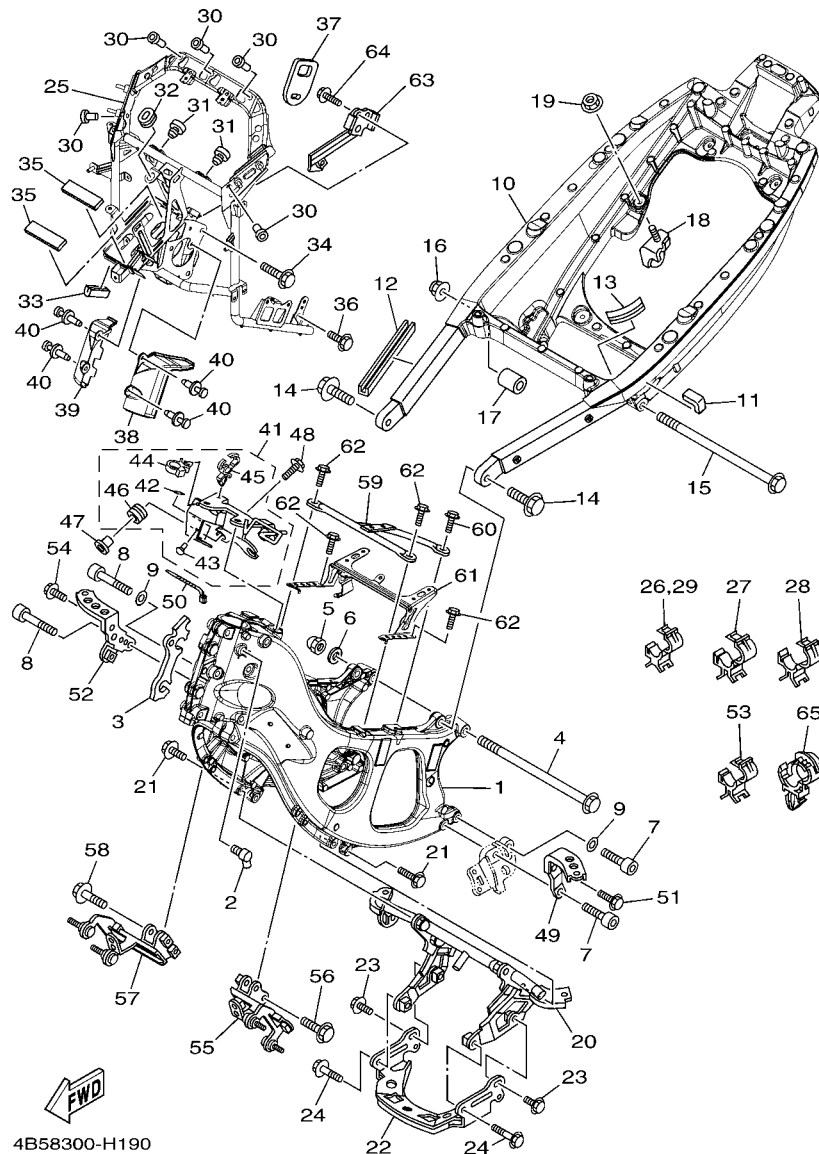


FIG. 19 FRAME

REF. NO.	PART NO.	DESCRIPTION	4B58	4B5C			REMARKS
			1	1			
1	4B5-21110-00	FRAME COMP.	1	1			
2	5VX-21279-10	PLUG, BLIND	1	1			
3	4B5-2113B-00	DAMPER	1	1			
4	90105-12787	BOLT, FLANGE	1	1			
5	90176-12002	NUT, CROWN	1	1			
6	90201-12043	WASHER, PLATE	1	1			
7	90110-10021	BOLT, HEXAGON SOCKET HEAD	2	2			
8	90110-10022	BOLT, HEXAGON SOCKET HEAD	2	2			
9	90201-10037	WASHER, PLATE	2	2			
10	4B5-21190-00	REAR FRAME COMP.	1	1			
11	4D9-2174X-00	DAMPER	1	1			
12	4B5-2171H-00	GUIDE	1	1			
13	31A-24188-01	MOLD, FUEL TANK	1	1			
14	90105-12058	BOLT, FLANGE	2	2			
15	90105-12052	BOLT, FLANGE	1	1			
16	95602-12200	NUT, SELF-LOCKING	1	1			
17	4B5-21116-00	COLLAR	1	1			
18	4B5-21445-00	STAY, MUFFLER 1	1	1			
19	95602-10200	NUT, U FLANGE	1	1			
20	4B5-2142K-00	BRACKET, RADIATOR	1	1			
21	95812-08030	BOLT, FLANGE	4	4			
22	4B5-2117G-00	PROTECTOR	1	1			
23	95802-06010	BOLT, FLANGE	2	2			
24	95802-06025	BOLT, FLANGE	2	2			
25	4B5-28356-02	STAY 1	1	1			
26	90464-10190	CLAMP	1	1			
27	90464-25217	CLAMP	3	3			

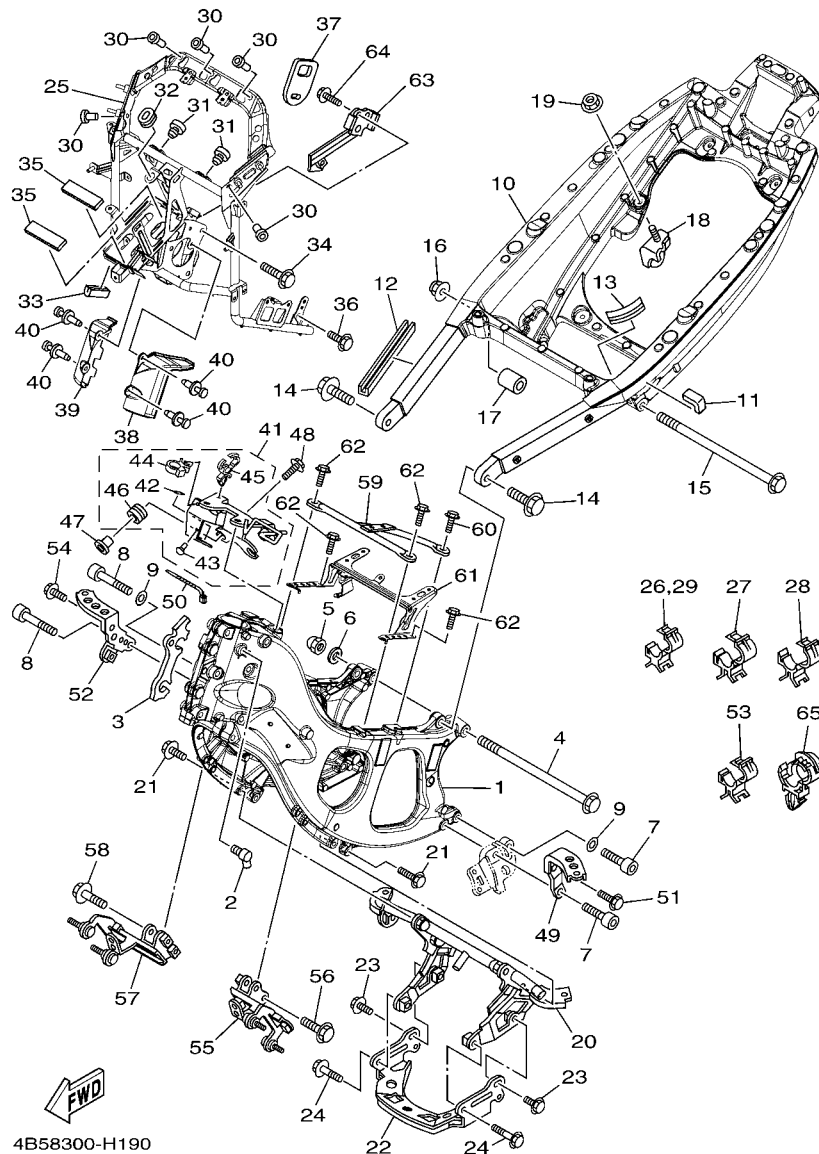


FIG. 19 FRAME

REF. NO.	PART NO.	DESCRIPTION	4B58	4B5C			REMARKS
28	90464-30252	CLAMP	5	5			
29	90464-10190	CLAMP	1	1			
30	90179-05523	NUT	5	5			
31	22W-24741-00	PAD, SEAT	2	2			
32	90480-01558	GROMMET	1	1			
33	3VD-24188-00	MOLD, FUEL TANK	1	1			
34	95822-10045	BOLT, FLANGE	2	2			
35	4B5-2317J-00	DAMPER 1	2	2			
36	95822-08020	BOLT, FLANGE	2	2			
37	4B5-2139W-00	COVER	1	1			
38	4B5-2117F-00	COVER	1	1			
39	4B5-2117M-00	COVER 2	1	1			
40	90269-07077	RIVET	4	4			
41	4B5-Y211K-01	BRACKET, AIR CLEANER 1 ASSY	1	1			
42	4B5-2112J-00	.DAMPER 4	1	1			
43	90338-05009	.PLUG	1	1			
44	90464-16006	.CLAMP	1	1			
45	90464-18246	.CLAMP	1	1			
46	90480-13003	.GROMMET	2	2			
47	90560-06201	SPACER	2	2			
48	95822-06016	BOLT, FLANGE	2	2			
49	4B5-2141A-00	BRACKET 1	1	1			
50	90464-13077	CLAMP	1	1			
51	95822-08016	BOLT, FLANGE	1	1			
52	4B5-2141E-00	BRACKET 2	1	1			
53	90464-20191	CLAMP	1	1			
54	95822-08016	BOLT, FLANGE	1	1			

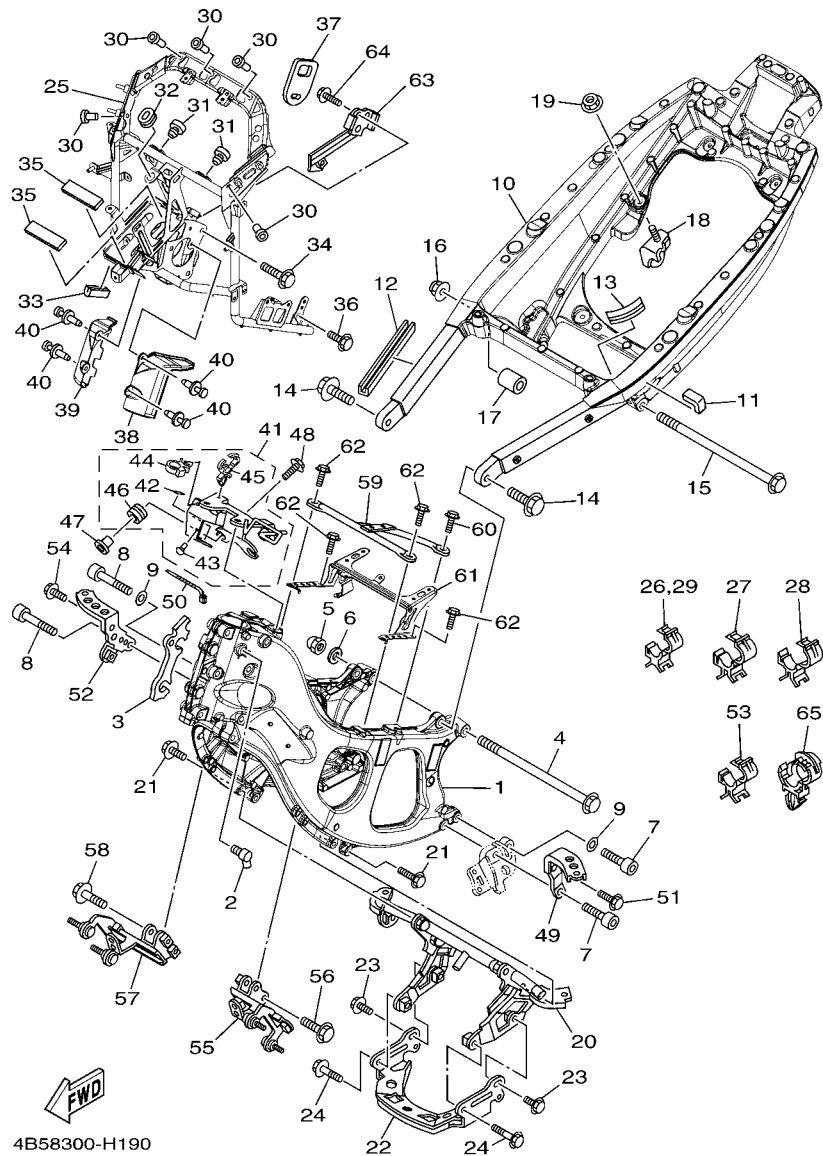
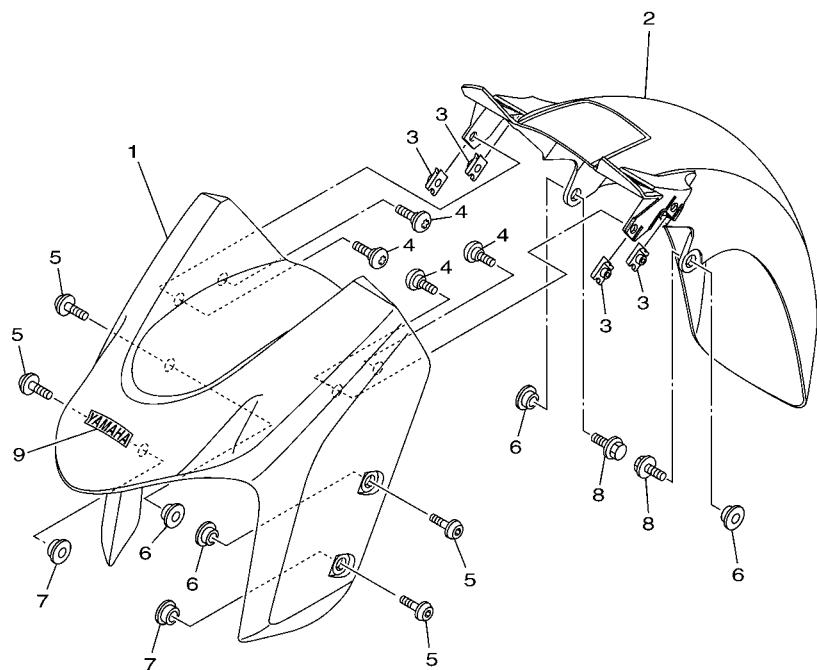


FIG. 19 FRAME

REF. NO.	PART NO.	DESCRIPTION	4B58	4B5C			REMARKS
			1	1			
55	4B5-2144H-00	BRACKET, FOOTREST 3	1	1			
56	95812-08030	BOLT, FLANGE	2	2			
57	4B5-2145H-00	BRACKET, FOOTREST 4	1	1			
58	95812-08030	BOLT, FLANGE	2	2			
59	4B5-2119A-00	PIPE, CROSS 6	1	1			
60	90119-06186	BOLT, WITH WASHER	1	1			
61	4B5-21345-00	BRACKET, TANK FITTING	1	1			
62	90119-06186	BOLT, WITH WASHER	4	4			
63	4B5-2117A-00	STAY	1	1			
64	95822-06012	BOLT, FLANGE	2	2			
65	90464-32002	CLAMP	1	1			

FIG. 20 FENDER




4B51300-G200

REF. NO.	PART NO.	DESCRIPTION	4B58	4B5C			REMARKS
1	4B5-21511-00-2X	FENDER, FRONT	1	1			RYC1/MBL2(RYC1)
	4B5-21511-00-P3	FENDER, FRONT		1			FOR SMX
	4B5-21511-00-WG	FENDER, FRONT	1	1			FOR HTS
2	4B5-21556-00	FENDER, FRONT 2	1	1			
3	90183-060A6	NUT, SPRING	4	4			
4	90149-06117	SCREW	4	4			
5	90111-06097	BOLT,HEX. SOCKET BUTTON	4	4			
6	90387-06153	COLLAR	4	4			
7	90387-08079	COLLAR	2	2			
8	95802-06016	BOLT, FLANGE	2	2			
9	3WF-2153E-40	EMBLEM, YAMAHA	1	1			UR FOR RYC1,HTS
	3WF-2153E-70	EMBLEM, YAMAHA		1			UR FOR SMX

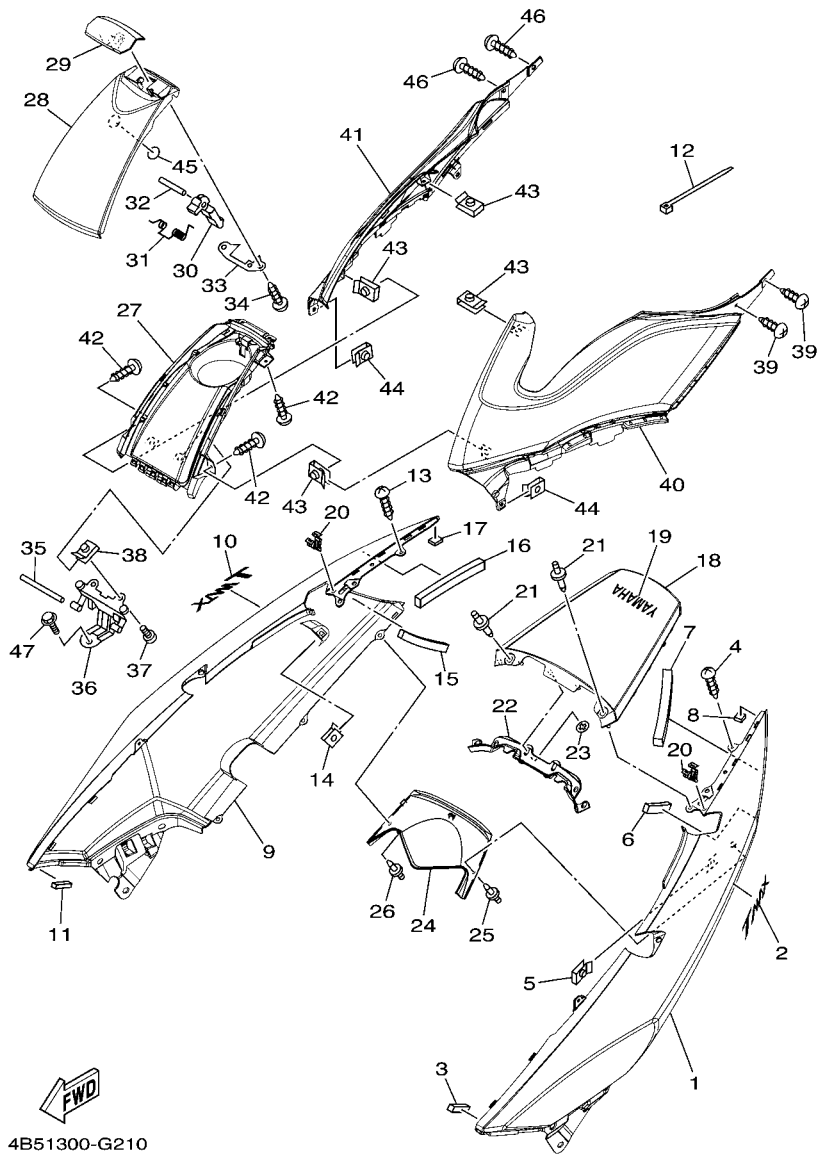


FIG. 21 SIDE COVER

REF. NO.	PART NO.	DESCRIPTION	4B58	4B5C	REMARKS
1	4B5-21711-00-P4	COVER, SIDE 1	1	1	UR FOR RYC1
	4B5-21711-00-P3	COVER, SIDE 1		1	UR FOR SMX
	4B5-21711-00-WG	COVER, SIDE 1	1	1	UR FOR HTS
2	5GJ-2173B-20	EMBLEM 3D	1	1	
3	4B5-21717-00	DAMPER	1	1	
4	97702-50016	SCREW, TAPPING	2	2	
5	90183-05042	NUT, SPRING	1	1	
6	4B5-2174X-00	DAMPER	1	1	
7	4B5-2174Y-00	DAMPER	1	1	
8	4B5-21747-00	DAMPER	1	1	
9	4B5-21721-00-P4	COVER, SIDE 2	1	1	UR FOR RYC1
	4B5-21721-00-P3	COVER, SIDE 2		1	UR FOR SMX
	4B5-21721-00-WG	COVER, SIDE 2	1	1	UR FOR HTS
10	5GJ-2173B-20	EMBLEM 3D	1	1	
11	4B5-21717-00	DAMPER	1	1	
12	5Y9-12491-00	CLAMP 1	1	1	
13	97702-50016	SCREW, TAPPING	2	2	
14	90183-05042	NUT, SPRING	1	1	
15	4B5-2174X-00	DAMPER	1	1	
16	4B5-2174Y-00	DAMPER	1	1	
17	4B5-21747-00	DAMPER	1	1	
18	4B5-2171A-00-P4	COVER, TOP	1	1	UR FOR RYC1
	4B5-2171A-00-P3	COVER, TOP		1	UR FOR SMX
	4B5-2171A-00-WG	COVER, TOP	1	1	UR FOR HTS

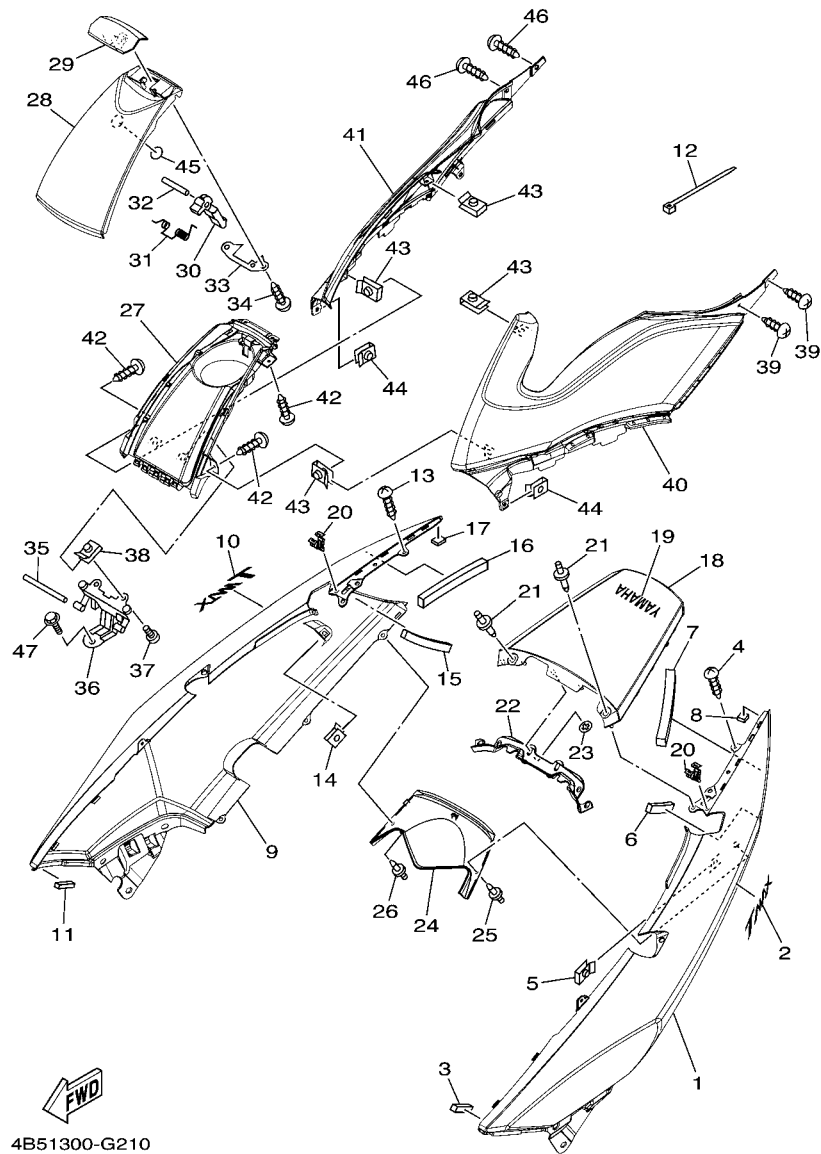


FIG. 21 SIDE COVER

REF. NO.	PART NO.	DESCRIPTION	4B58	4B5C	REMARKS
19	99244-00080	EMBLEM, YAMAHA	1	1	UR FOR RYC1,HTS
	99247-00080	EMBLEM, YAMAHA		1	UR FOR SMX
20	90468-040A0	CLIP	2	2	
21	90269-06008	RIVET	2	2	
22	4B5-2175N-00	COVER, FLANGE	1	1	
23	90183-05M02	NUT, SPRING	6	6	
24	4B5-2177B-00	LID, COVER	1	1	
25	90269-06001	RIVET	1	1	
26	90269-06001	RIVET	1	1	
27	4B5-2473F-00	COVER, SEAT COMP.	1	1	
28	4B5-2473T-00	LID 1	1	1	
29	4B5-2477F-00	LEVER, SEAT	1	1	
30	5GJ-24754-01	HOOK, SEAT	1	1	
31	4HC-24758-00	SPRING	1	1	
32	93603-50195	PIN, DOWEL	1	1	
33	4B5-24217-00	COVER	1	1	
34	97702-40010	SCREW, TAPPING	2	2	
35	5GJ-24774-00	PIN	1	1	
36	4B5-24762-00	REINFORCEMENT	1	1	
37	98902-05010	SCREW, BIND	2	2	
38	90183-050A7	NUT, SPRING	2	2	
39	97702-50016	SCREW, TAPPING	2	2	
40	4B5-24129-00	COVER, SIDE 1	1	1	
41	4B5-24139-00	COVER, SIDE 2	1	1	
42	97702-40010	SCREW, TAPPING	4	4	
43	90183-040A0	NUT, SPRING	4	4	

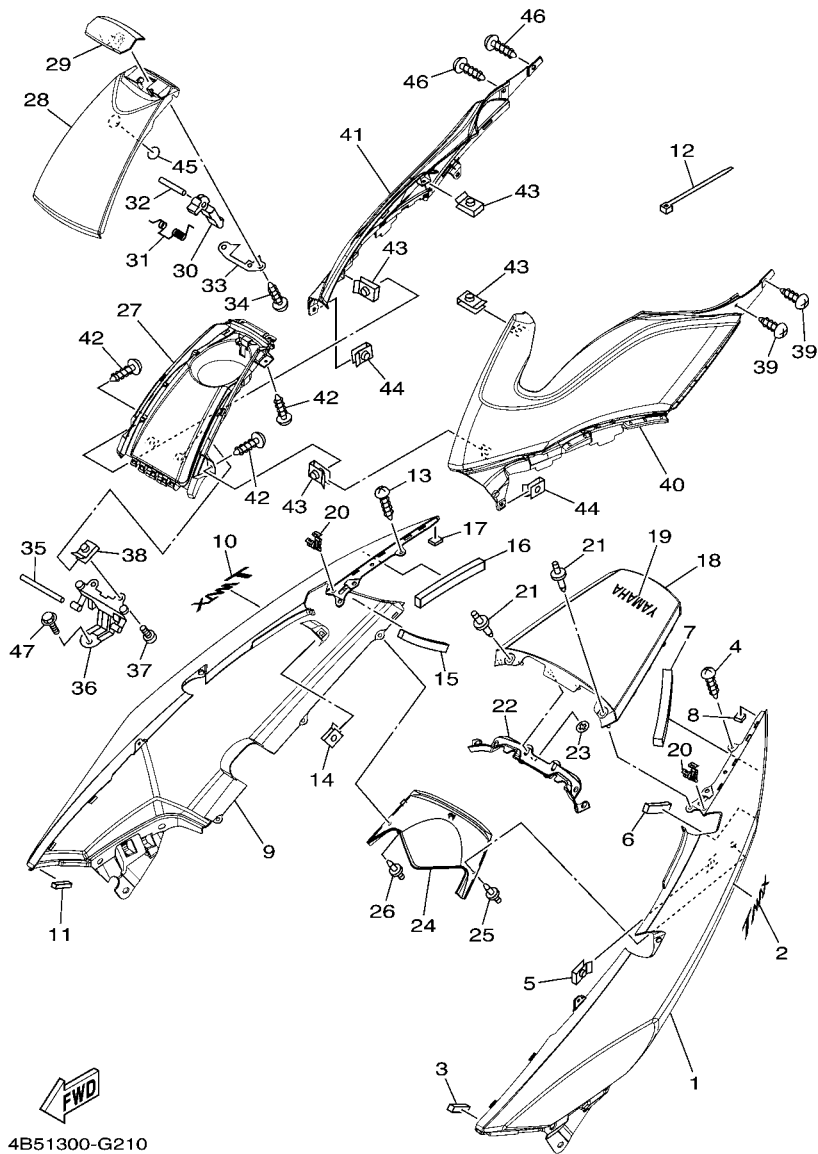


FIG. 21 SIDE COVER

REF. NO.	PART NO.	DESCRIPTION	4B58	4B5C			REMARKS
			2	2			
44	90183-05042	NUT, SPRING	2	2			
45	3ME-2415E-01	LABEL, CAUTION		1			
46	97702-50016	SCREW, TAPPING	6	6			
47	95802-06010	BOLT, FLANGE	1	1			

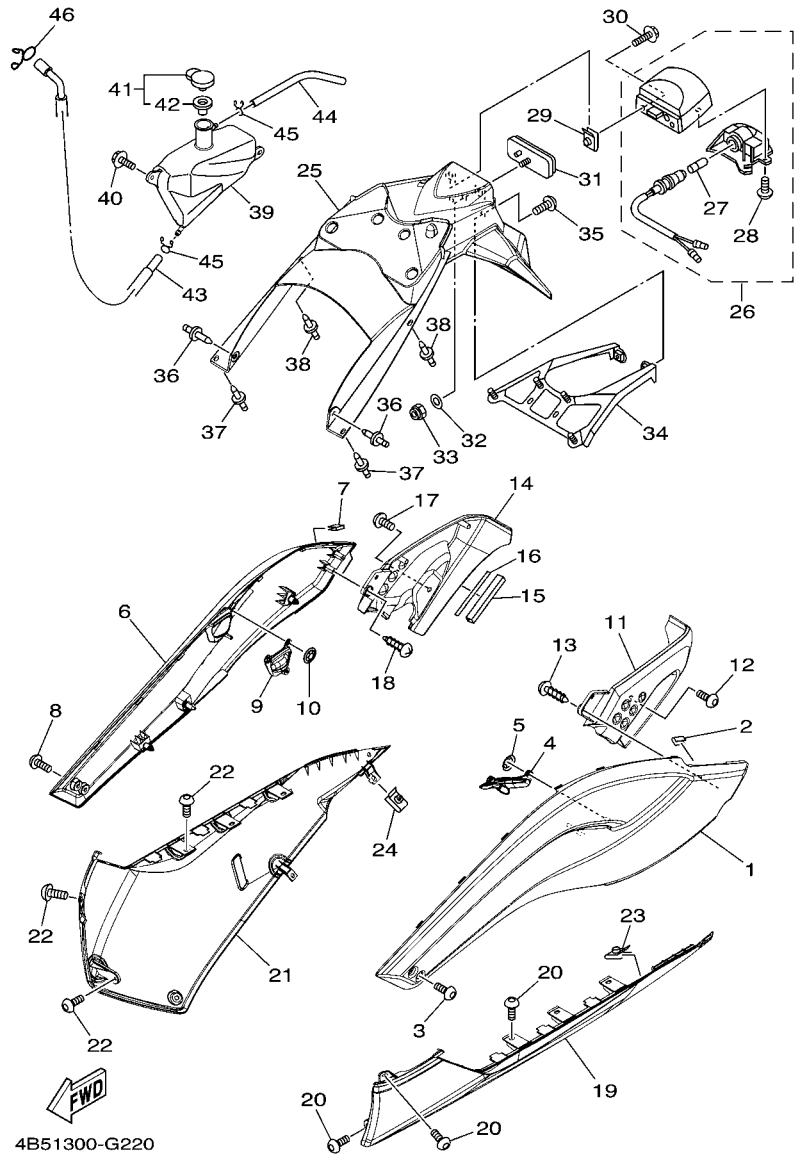


FIG. 22 SIDE COVER 2

REF. NO.	PART NO.	DESCRIPTION	4B58	4B5C	REMARKS
1	4B5-21731-00-P2	COVER, SIDE 3	1	1	MBL2(RYC1,SMX)
	4B5-21731-00-P3	COVER, SIDE 3	1	1	SM1(HTS)
2	4B5-21732-00	SEAL 1	1	1	
3	92014-06014	BOLT, BUTTON HEAD	2	2	
4	4B5-27475-00	CAP 1	1	1	
5	90183-05M02	NUT, SPRING	3	3	
6	4B5-21741-00-P2	COVER, SIDE 4	1	1	MBL2(RYC1,SMX)
	4B5-21741-00-P3	COVER, SIDE 4	1	1	SM1(HTS)
7	4B5-21732-00	SEAL 1	1	1	
8	92014-06014	BOLT, BUTTON HEAD	2	2	
9	4B5-27476-00	CAP 2	1	1	
10	90183-05M02	NUT, SPRING	3	3	
11	4B5-27413-00	COVER, FOOTREST	1	1	
12	90110-06200	BOLT, HEXAGON SOCKET HEAD	1	1	
13	97702-50016	SCREW, TAPPING	2	2	
14	4B5-27423-00	COVER, FOOTREST	1	1	
15	5KE-28345-10	MOLE 1	1	1	
16	4B5-21669-00	SEAL	1	1	
17	90110-06200	BOLT, HEXAGON SOCKET HEAD	1	1	
18	97702-50016	SCREW, TAPPING	2	2	
19	4B5-2171L-00-P4	MOLE, SIDE COVER 1	1	1	UR FOR RYC1
	4B5-2171L-00-P1	MOLE, SIDE COVER 1	1	1	UR FOR SMX
	4B5-2171L-00-WG	MOLE, SIDE COVER 1	1	1	UR FOR HTS
20	90167-05076	SCREW, TAPPING	6	6	

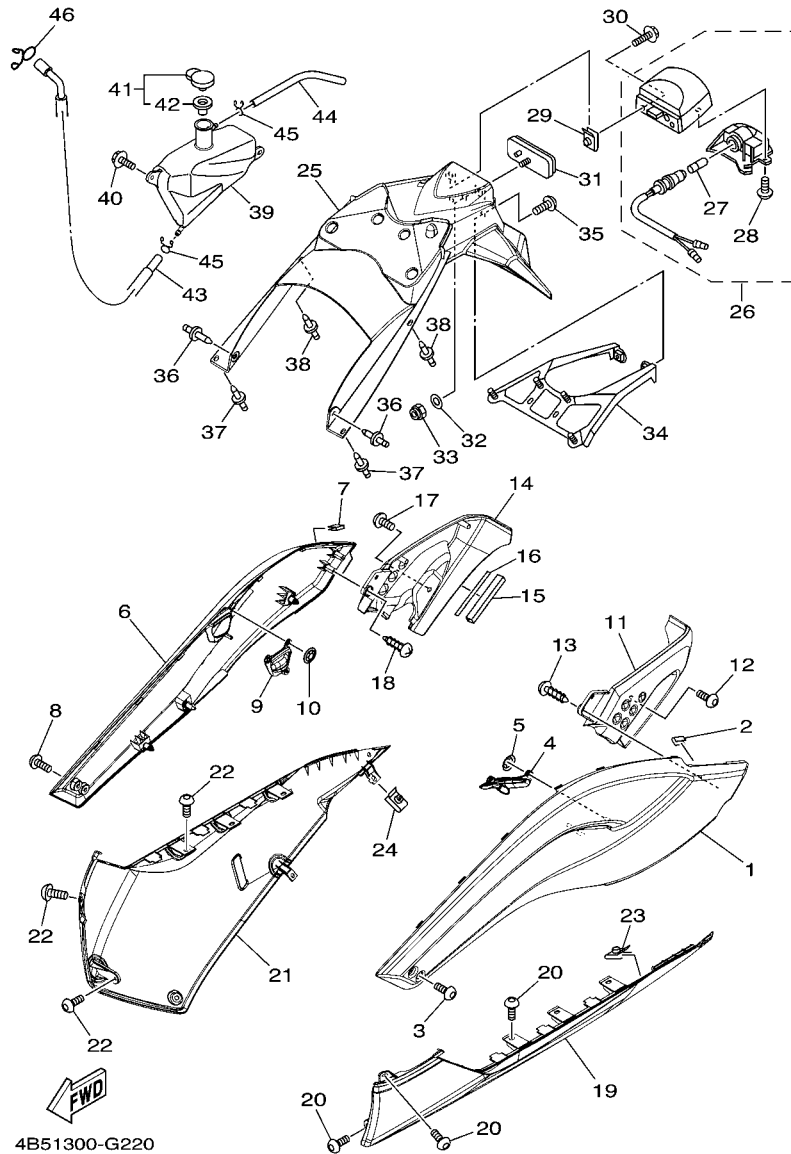


FIG. 22 SIDE COVER 2

REF. NO.	PART NO.	DESCRIPTION	4B58	4B5C	REMARKS
			1	1	
21	4B5-2171M-00-P4	MOLE, SIDE COVER 2	1	1	UR FOR RYC1
	4B5-2171M-00-P1	MOLE, SIDE COVER 2		1	UR FOR SMX
	4B5-2171M-00-WG	MOLE, SIDE COVER 2	1	1	UR FOR HTS
22	90167-05076	SCREW, TAPPING	6	6	
23	90183-05042	NUT, SPRING	1	1	
24	90183-050A6	NUT, SPRING	1	1	
25	4B5-2152R-00	GUARD, MUD	1	1	
26	4B5-84745-00	LICENCE LIGHT UNIT ASSY	1	1	
27	4HC-84744-00	.BULB (12V-5W)	1	1	
28	97707-40612	.SCREW, TAPPING	2	2	
29	90183-05014	NUT, SPRING	2	2	
30	90119-05023	BOLT, WITH WASHER	2	2	
31	3Y6-85130-02	REAR REFLECTOR ASSY	1	1	
32	90201-05043	WASHER, PLATE	1	1	
33	95602-05100	NUT, U	1	1	
34	4B5-2172K-00	BRACKET 1	1	1	
35	90111-06109	BOLT,HEX. SOCKET BUTTON	2	2	
36	90269-06001	RIVET	2	2	
37	90269-06001	RIVET	2	2	
38	90269-06001	RIVET	2	2	
39	4B5-21871-00	TANK, RECOVERY	1	1	
40	90119-06137	BOLT, WITH WASHER	2	2	
41	1AA-21815-00	CAP	1	1	
42	1AA-21874-00	.GASKET	1	1	
43	4B5-21816-00	PIPE 1	1	1	
44	90445-09094	HOSE (L210)	1	1	

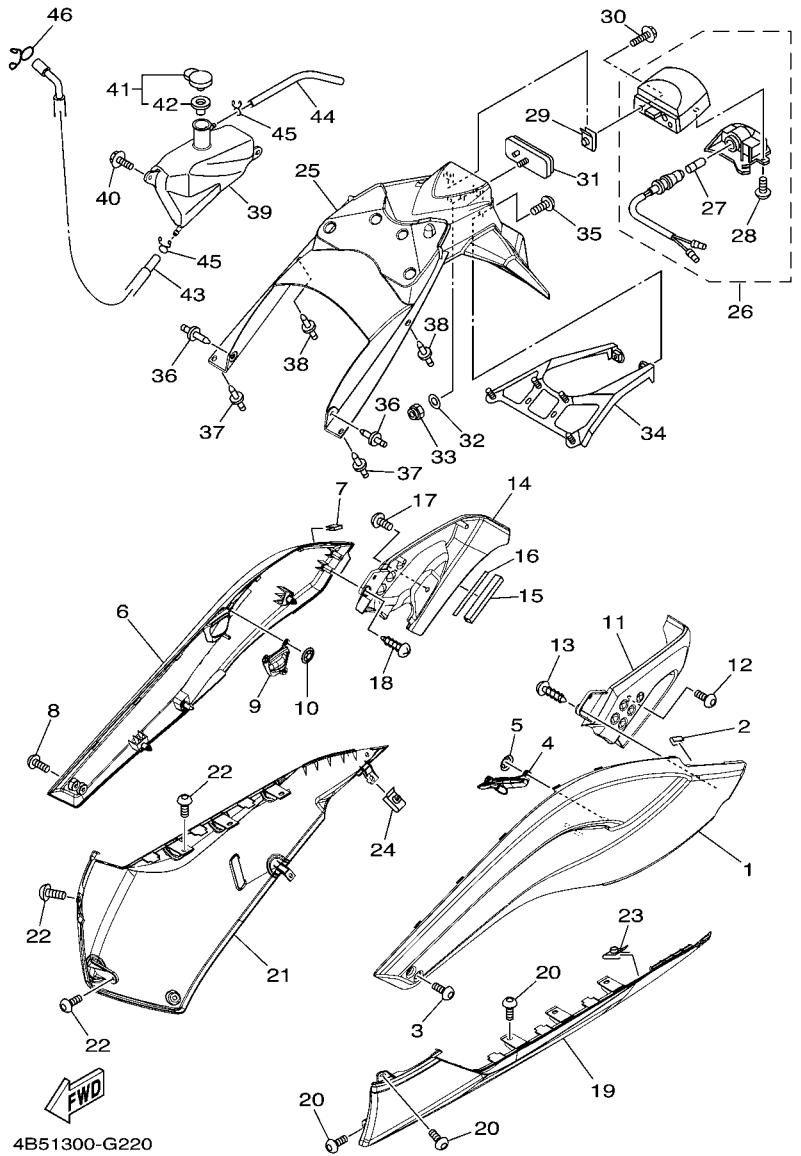
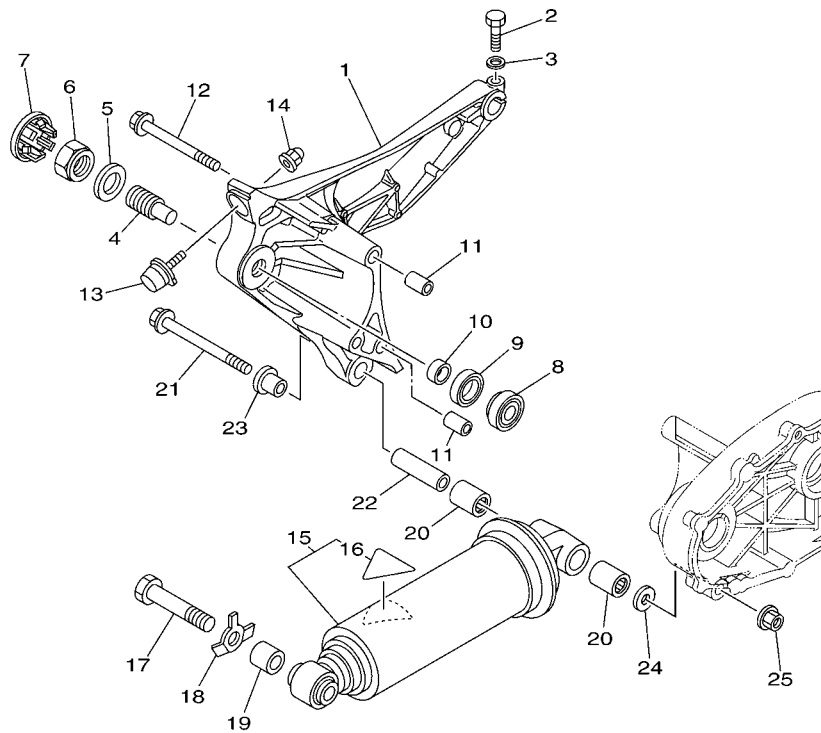


FIG. 22 SIDE COVER 2

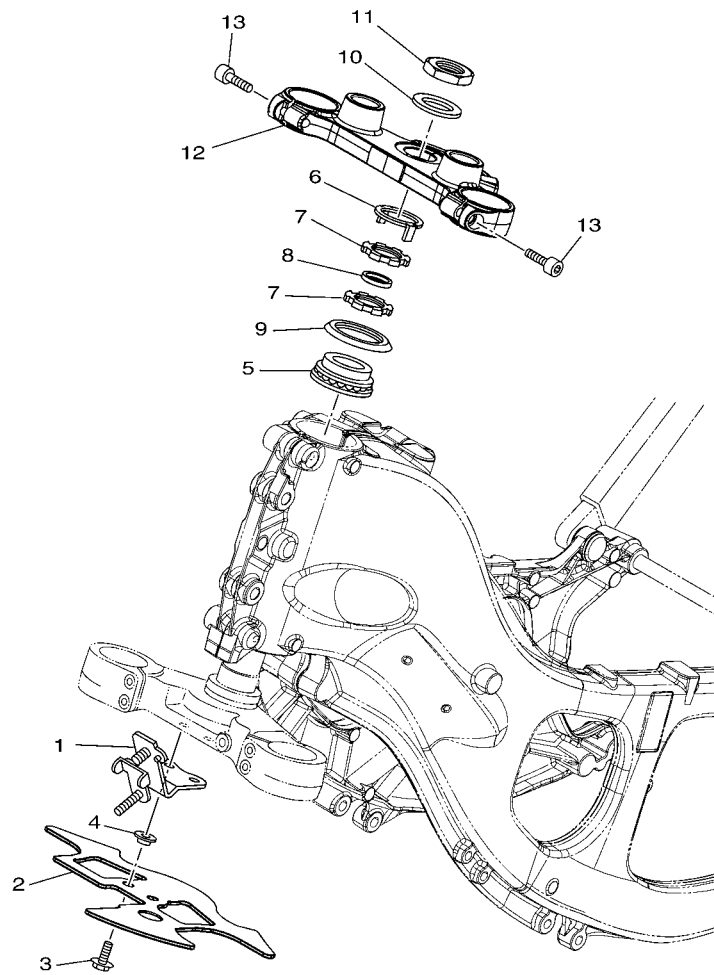
REF. NO.	PART NO.	DESCRIPTION	4B58	4B5C			REMARKS
			2	2			
45	90467-090A2	CLIP	2	2			
46	90467-100A1	CLIP	1	1			




 4B51300-G230

FIG. 23 REAR ARM & SUSPENSION

REF. NO.	PART NO.	DESCRIPTION	4B58	4B5C	REMARKS
1	4B5-22171-00-33	ARM, REAR 1	1	1	YB
2	97002-08035	BOLT	1	1	
3	92902-08600	WASHER, PLATE	1	1	
4	15B-22141-00	SHAFT, PIVOT	1	1	
5	90201-22018	WASHER, PLATE	1	1	
6	1J7-22143-00	NUT	1	1	
7	4BH-2219X-00	COVER	1	1	
8	93332-00010	BEARING	1	1	
9	93102-25017	OIL SEAL	1	1	
10	90387-17011	COLLAR	1	1	
11	99530-14016	PIN, DOWEL	2	2	
12	95812-10100	BOLT, FLANGE	3	3	
13	4B5-22426-00	BUMP, STOP	1	1	
14	90176-06016	NUT, CROWN	1	1	
15	5VU-22210-00	SHOCK ABSORBER ASSY, REAR	1	1	
16	4AA-22259-40	.LABEL, WARNING	1	1	
17	90101-16003	BOLT	1	1	
18	4B5-22243-00	WASHER 1	1	1	
19	90387-16019	COLLAR	1	1	
20	93317-41761	BEARING	2	2	
21	90105-12053	BOLT, FLANGE	1	1	
22	90387-12003	COLLAR	1	1	
23	90387-12039	COLLAR	1	1	
24	90201-12043	WASHER, PLATE	1	1	
25	95602-12200	NUT, SELF-LOCKING	1	1	




4B51300-G240

FIG. 24 STEERING

REF. NO.	PART NO.	DESCRIPTION	4B58	4B5C			REMARKS
			1	1			
1	4B5-23377-00	BRACKET, HORN	1	1			
2	4B5-23818-00	COVER, STEERING	1	1			
3	90119-06193	BOLT, WITH WASHER	2	2			
4	90387-062M9	COLLAR	2	2			
5	93399-99932	BEARING	1	1			
6	5VY-23418-00	WASHER, SPECIAL	1	1			
7	90179-30691	NUT	2	2			
8	90202-30235	WASHER, PLATE	1	1			
9	4XV-23415-01	COVER, BALL RACE 1	1	1			
10	90201-28017	WASHER, PLATE	1	1			
11	90170-28419	NUT	1	1			
12	4B5-Y2343-00	CROWN, HANDLE	1	1			
13	91312-08030	BOLT	2	2			

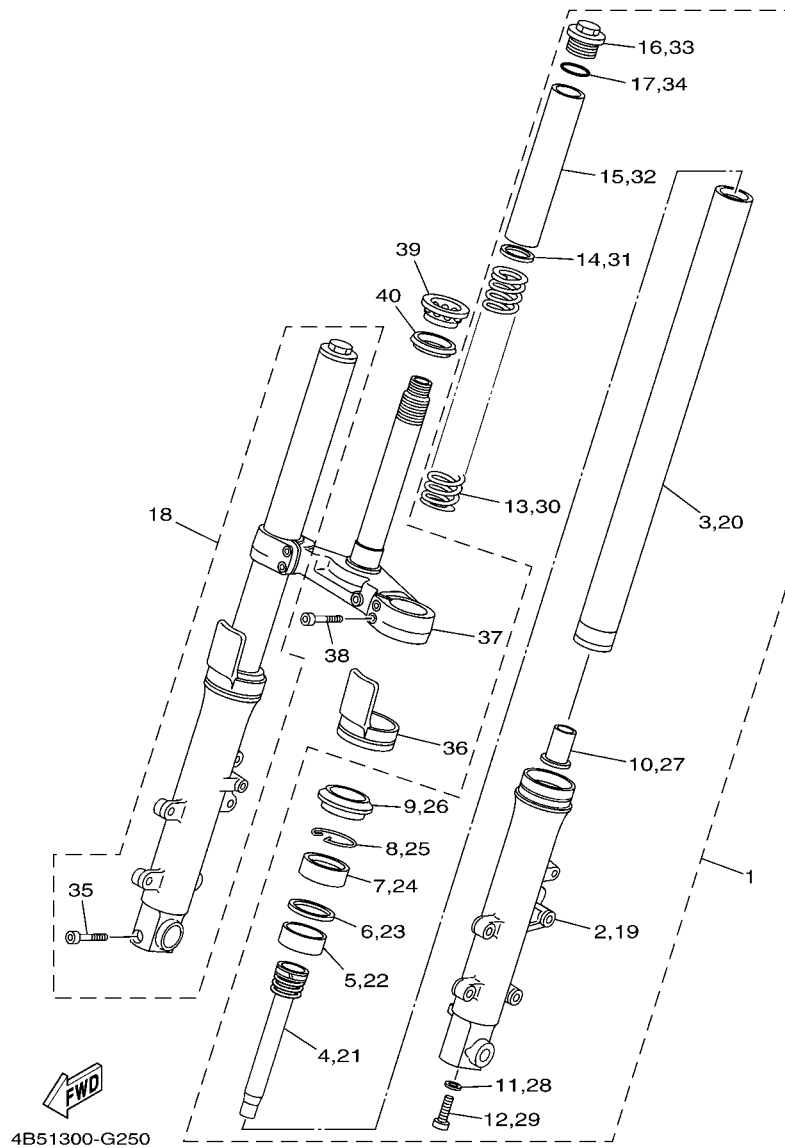


FIG. 25 FRONT FORK

REF. NO.	PART NO.	DESCRIPTION	4B58	4B5C	REMARKS
1	4B5-23102-00	FRONT FORK ASSY (L.H)	1	1	
2	4B5-23126-00	.TUBE, OUTER (LEFT)	1	1	
3	4B5-23110-00	.INNER TUBE COMP.1	1	1	
4	4B5-23170-00	.CYLINDER COMP., FRONT FORK	1	1	
5	5EB-23125-00	.METAL, SLIDE 1	1	1	
6	4V4-23146-L0	.WASHER, OIL SEAL	1	1	
7	4PU-23145-01	.OIL SEAL	1	1	
8	4V4-23153-L0	.RING, SNAP	1	1	
9	4PU-23144-00	.SEAL, DUST	1	1	
10	4YR-23173-00	.SPINDLE, TAPER	1	1	
11	509-23158-L0	.GASKET	1	1	
12	278-23181-50	.BOLT, HEXAGON SOCKET HEAD	1	1	
13	4B5-23141-00	.SPRING, FRONT FORK	1	1	
14	3LR-23149-00	.WASHER, SPRING UPPER	1	1	
15	5WM-23118-00	.SPACER	1	1	
16	3TJ-23111-00	.BOLT, CAP	1	1	
17	4V4-23188-L0	.O-RING	1	1	
18	4B5-23103-00	FRONT FORK ASSY (R.H)	1	1	
19	4B5-23136-00	.TUBE, OUTER (RIGHT)	1	1	
20	4B5-23110-00	.INNER TUBE COMP.1	1	1	
21	4B5-23170-00	.CYLINDER COMP., FRONT FORK	1	1	
22	5EB-23125-00	.METAL, SLIDE 1	1	1	
23	4V4-23146-L0	.WASHER, OIL SEAL	1	1	
24	4PU-23145-01	.OIL SEAL	1	1	
25	4V4-23153-L0	.RING, SNAP	1	1	
26	4PU-23144-00	.SEAL, DUST	1	1	
27	4YR-23173-00	.SPINDLE, TAPER	1	1	

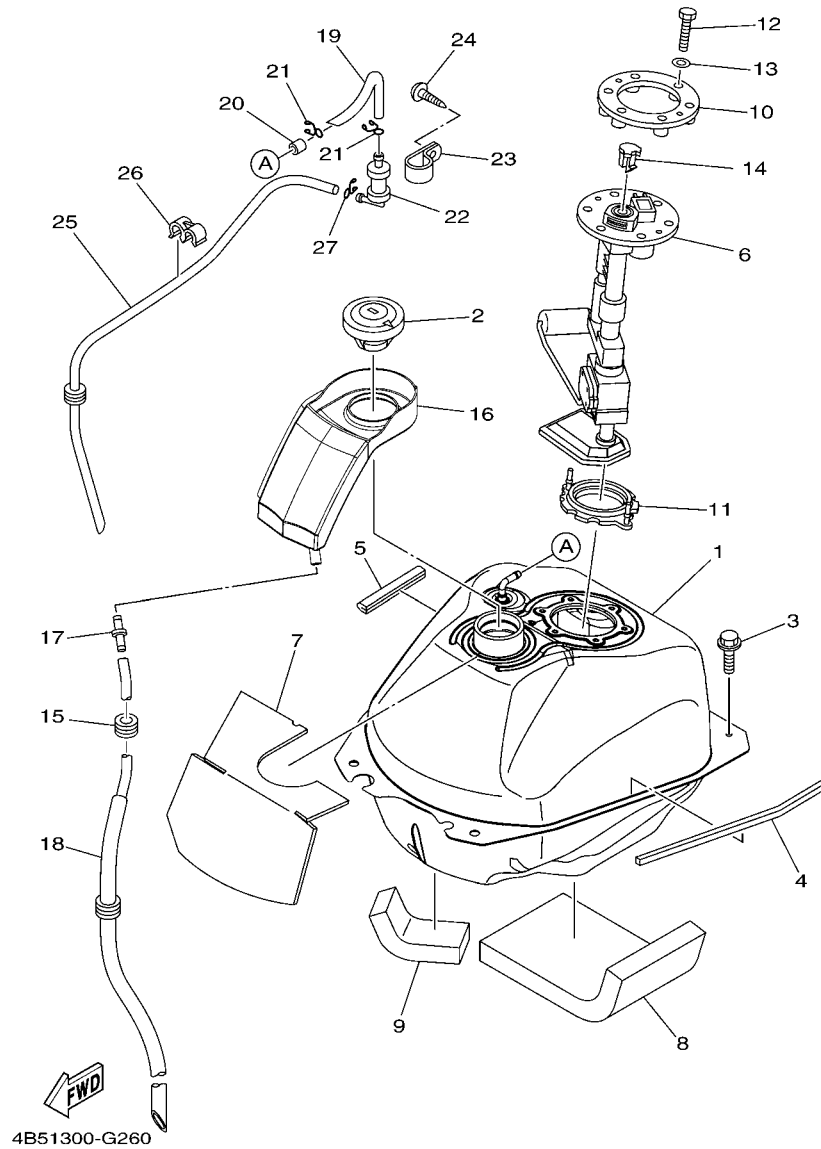
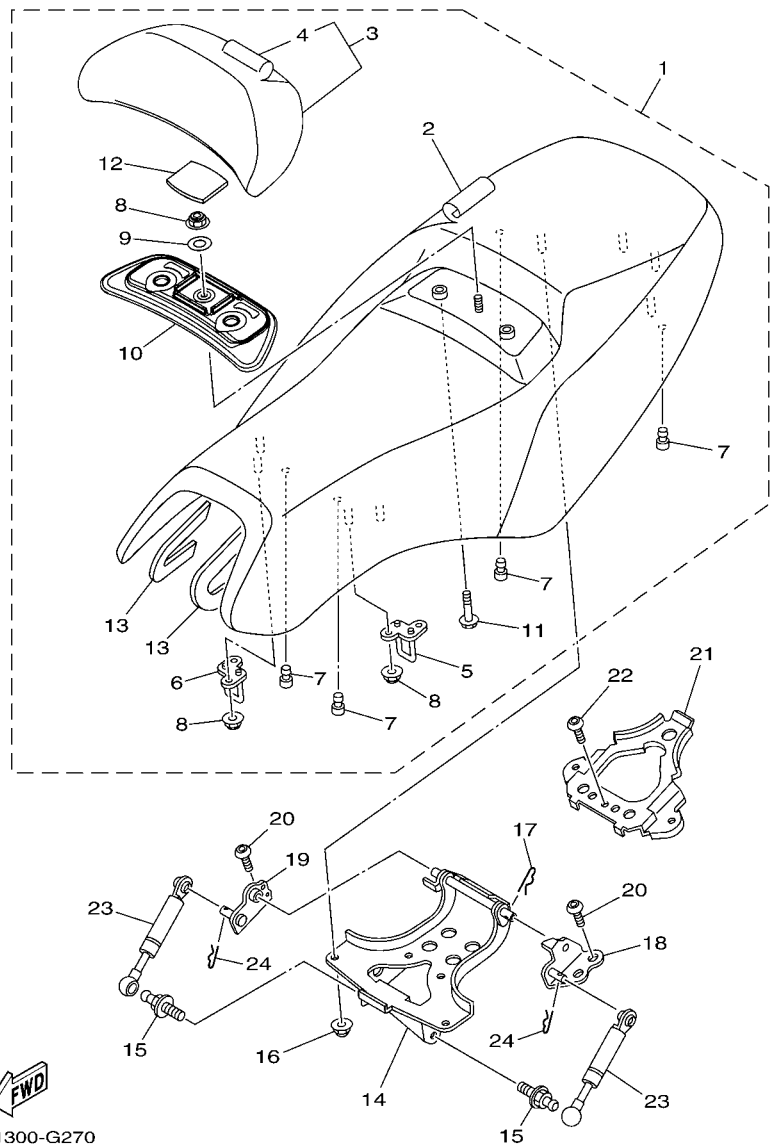


FIG. 26 FUEL TANK

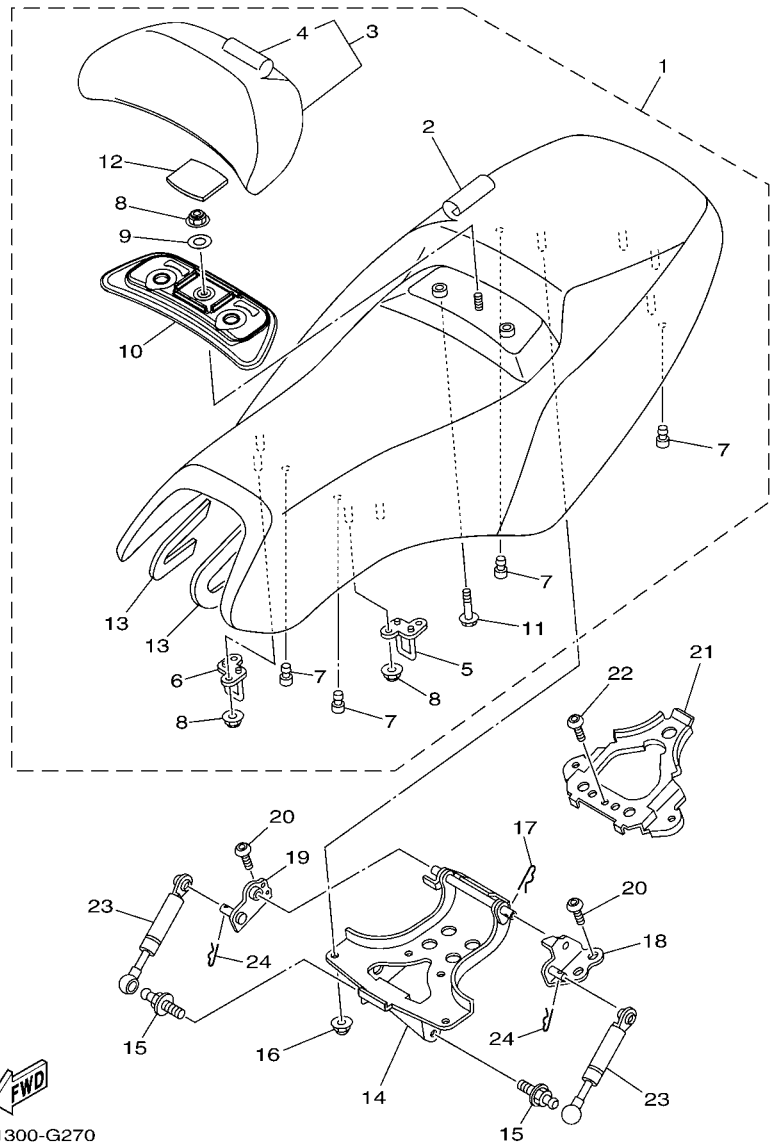
REF. NO.	PART NO.	DESCRIPTION	4B58	4B5C	REMARKS
1	4B5-24110-00	FUEL TANK COMP.	1	1	
2	54K-24602-00	CAP ASSY	1	1	
3	90119-06200	BOLT, WITH WASHER	4	4	
4	4B5-24181-00	DAMPER, LOCATING 1	1	1	
5	4BP-24188-00	MOLD, FUEL TANK	1	1	
6	4B5-13907-00	FUEL PUMP COMP.	1	1	
7	4B5-24182-00	DAMPER, LOCATING 2	1	1	
8	4B5-24184-00	DAMPER, LOCATING 4	1	1	
9	4B5-24185-00	DAMPER, LOCATING 5	1	1	
10	4B5-24491-00	BRACKET, FUEL PUMP	1	1	
11	5CA-2414G-01	SEAL	1	1	
12	97002-05020	BOLT	6	6	
13	92902-05600	WASHER, PLATE	6	6	
14	5VU-24135-00	CLAMP 1	1	1	
15	90480-13018	GROMMET	1	1	
16	4B5-2414A-00	COVER, FILLER	1	1	
17	4JP-21753-00	BOSS, CONNECTOR	1	1	
18	4B5-24318-00	PIPE, OVERFLOW	1	1	
19	4B5-24313-00	PIPE 3	1	1	
20	4B5-24141-00	PROTECTOR, FUEL TANK	1	1	
21	90467-090A2	CLIP	2	2	
22	5RB-24180-00	ROLL OVER VALVE ASSY	1	1	
23	4B5-24135-00	CLAMP 1	1	1	
24	97702-50014	SCREW, TAPPING	1	1	
25	4B5-24314-00	PIPE 4	1	1	
26	90464-10M38	CLAMP	1	1	
27	90467-090A2	CLIP	1	1	



4B51300-G270

FIG. 27 SEAT

REF. NO.	PART NO.	DESCRIPTION	4B58	4B5C	REMARKS
1	4B5-24730-20	DOUBLE SEAT ASSY	1	1	
2	4B5-24731-00	.COVER, SEAT	1	1	
3	4B5-24790-00	.SEAT BACK ASSY	1	1	
4	4B5-24791-00	..COVER, SEAT BACK	1	1	
5	4B5-24718-10	.BRACKET, SEAT	1	1	
6	4B5-24728-10	.BRACKET, SEAT	1	1	
7	5SL-24723-00	.DAMPER, SEAT	4	4	
8	95602-06200	.NUT, SELF-LOCKING	5	5	
9	4CY-24722-00	.WASHER, SPECIAL	1	1	
10	4B5-24752-00	.PLATE	1	1	
11	95802-06025	.BOLT, FLANGE	2	2	
12	4B5-24724-00	.DAMPER, SEAT	1	1	
13	4B5-24723-00	.DAMPER, SEAT	2	2	
14	4B5-24726-00	HINGE, SEAT	1	1	
15	4B5-2474E-00	ARM	2	2	
16	90176-06016	NUT, CROWN	4	4	
17	90468-18121	CLIP	1	1	
18	4B5-24769-00	HINGE, SEAT	1	1	
19	4B5-24779-00	HINGE, SEAT 2	1	1	
20	92012-08020	BOLT, BUTTON HEAD	4	4	
21	4B5-2475U-00	BRACKET, TAIL COVER	1	1	
22	92012-08020	BOLT, BUTTON HEAD	1	1	
23	4B5-2478G-00	STOPPER	2	2	



4B51300-G270

FIG. 27 SEAT

REF. NO.	PART NO.	DESCRIPTION	4B58	4B5C		REMARKS
24	90468-16001	CLIP	2	2		

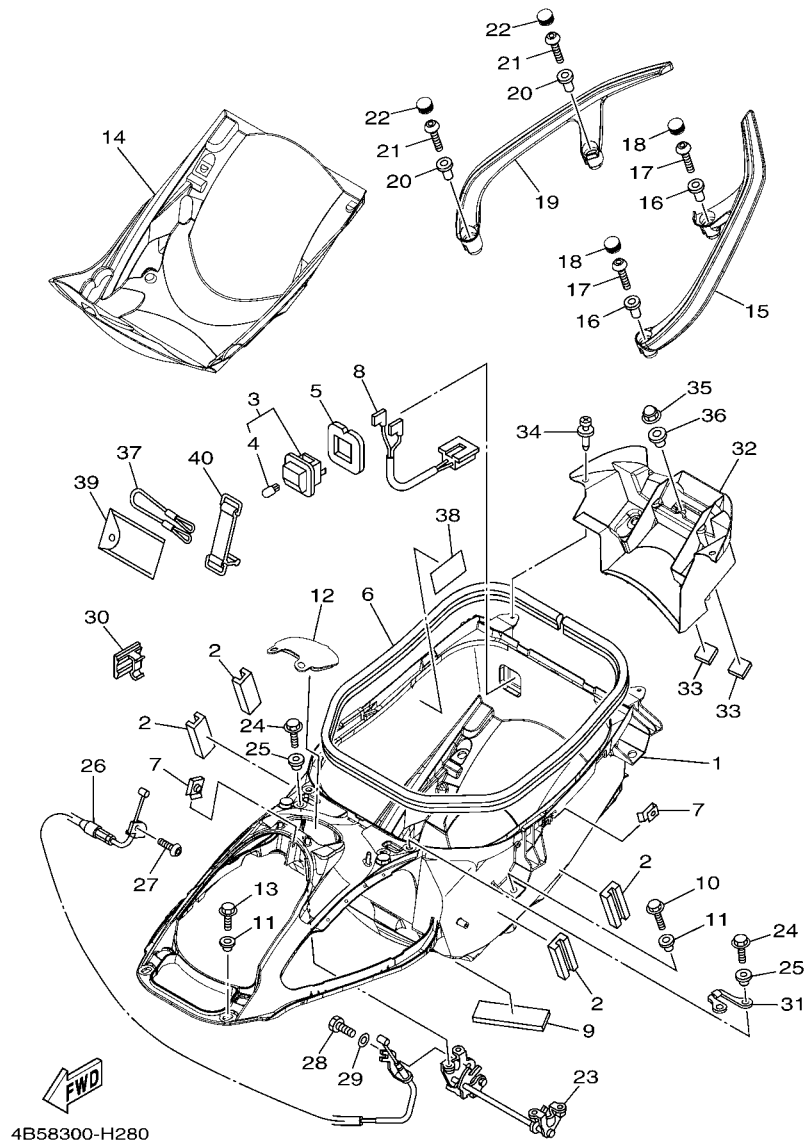


FIG. 28 SEAT 2

REF. NO.	PART NO.	DESCRIPTION	4B58	4B5C	REMARKS
1	4B5-2473R-01	BOX 1	1	1	
2	4B5-24737-00	DAMPER, SEAT	4	4	
3	4HC-84770-00	LIGHT, ACCESORY	1	1	
4	4HC-84347-00	.BULB (12V-2W)	1	1	
5	5GJ-2839M-00	SEAL, BOX 2	1	1	
6	4B5-2173M-00	SEAL 3	1	1	
7	90183-05042	NUT, SPRING	3	3	
8	4B5-82583-00	WIRE, SUB-LEAD	1	1	
9	1D6-22358-00	SEAL 1	1	1	
10	95822-06020	BOLT, FLANGE	8	8	
11	90387-06170	COLLAR	10	10	
12	4B5-2482H-00	CAP	1	1	
13	95022-06014	BOLT, FLANGE	2	2	
14	4B5-24747-00	DAMPER, SEAT	1	1	
15	4B5-2474A-00-P4	ASSIST, GRIP	1	1	UR MBL2 FOR RYC1
	4B5-2474A-00-P3	ASSIST, GRIP	1	1	UR FOR SMX
	4B5-2474A-00-WG	ASSIST, GRIP	1	1	UR FOR HTS
16	90387-08068	COLLAR	2	2	
17	92012-08035	BOLT, BUTTON HEAD	2	2	
18	4B5-2476U-00	PROTECTOR,1	2	2	
19	4B5-2474W-00-P4	ASSIST,GRIP 2	1	1	UR MBL2 FOR RY
	4B5-2474W-00-P3	ASSIST,GRIP 2	1	1	UR FOR SMX
	4B5-2474W-00-WG	ASSIST,GRIP 2	1	1	UR FOR HTS
20	90387-08068	COLLAR	2	2	
21	92012-08035	BOLT, BUTTON HEAD	2	2	

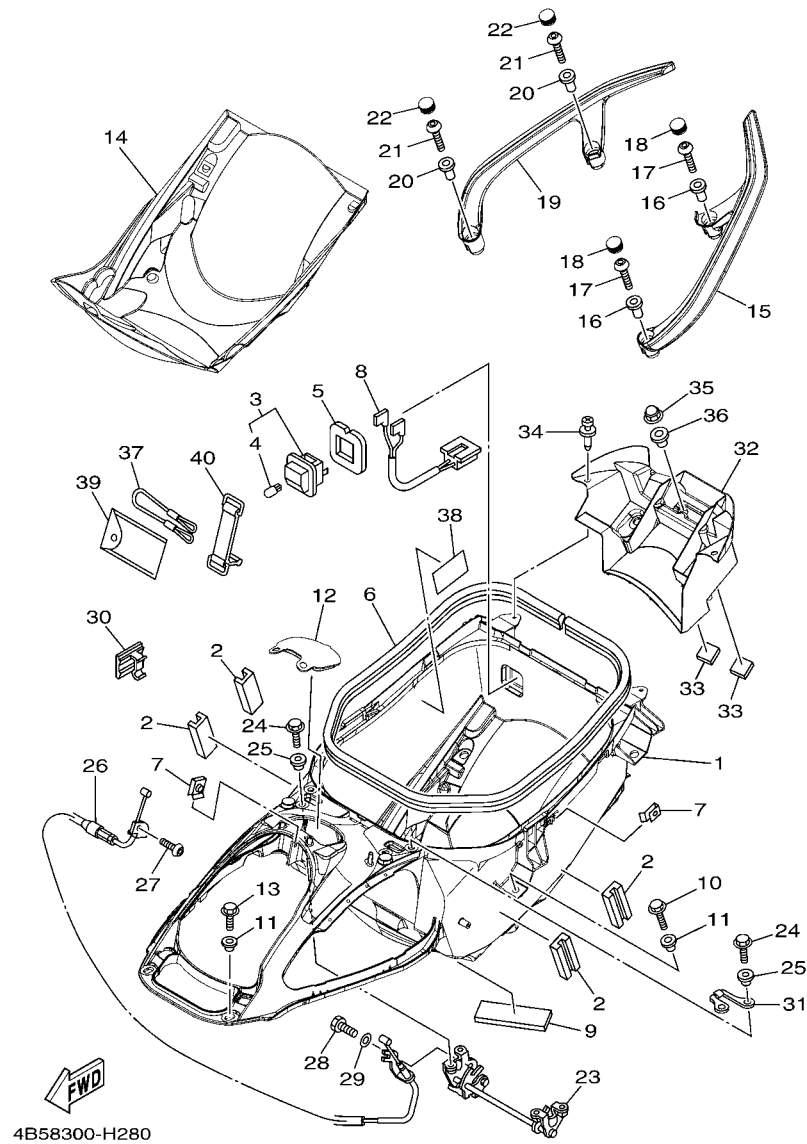
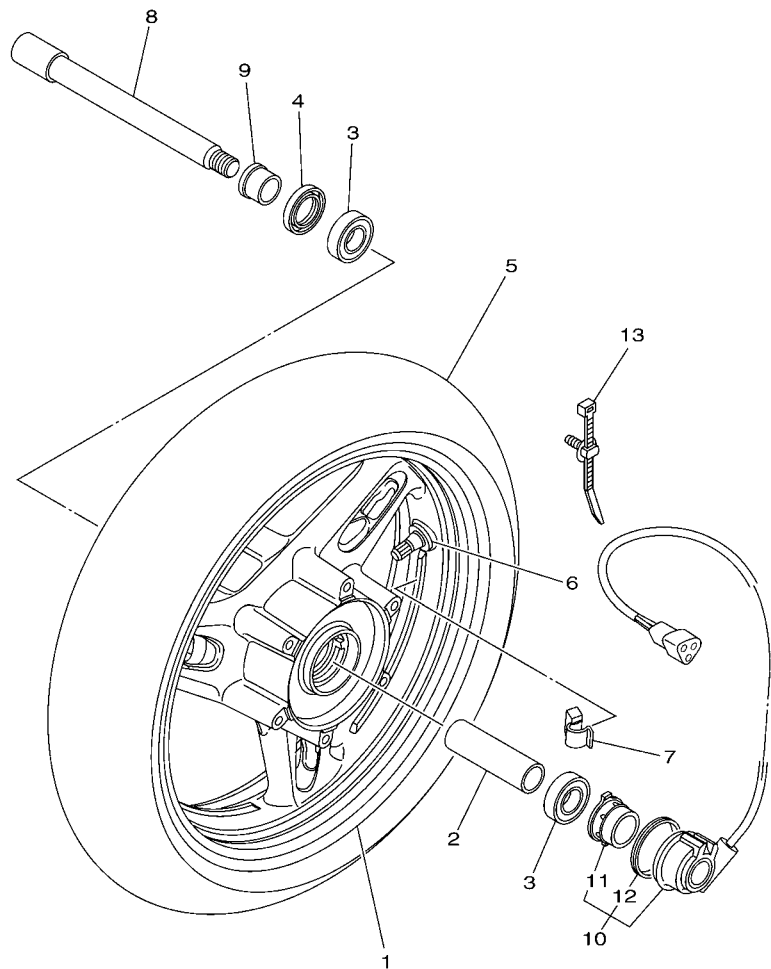


FIG. 28 SEAT 2

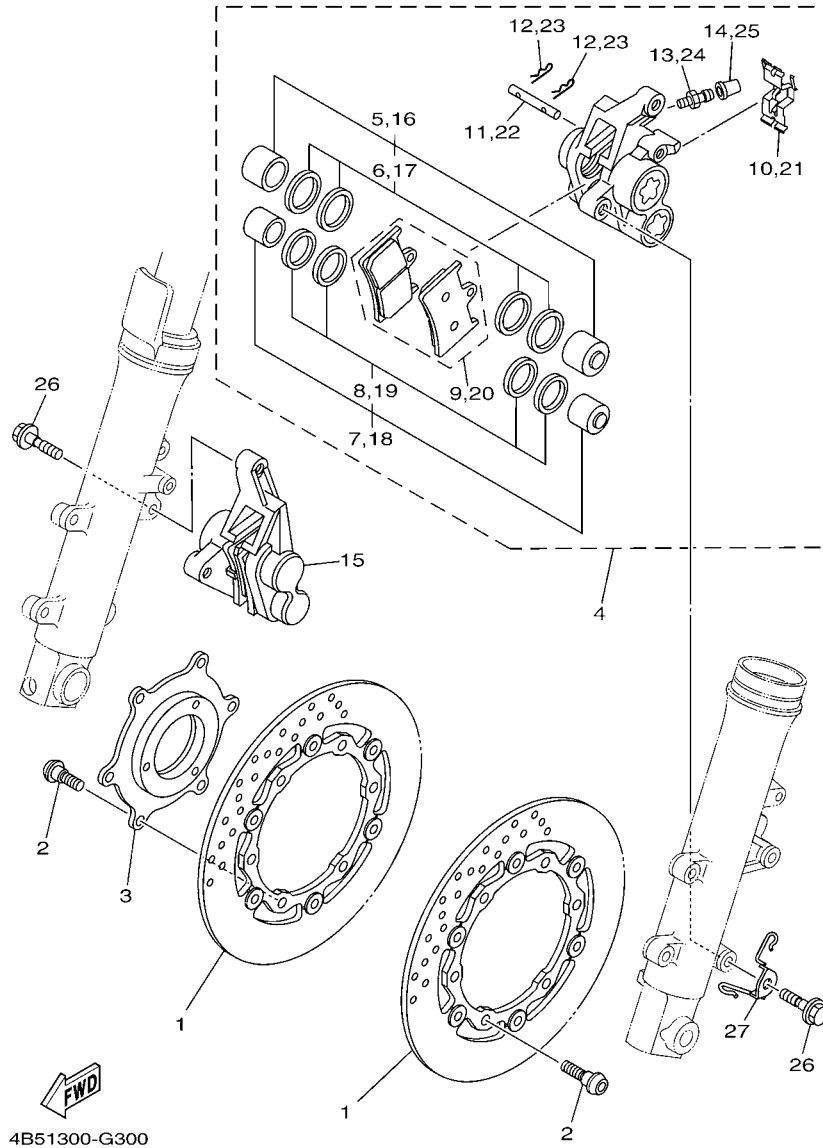
REF. NO.	PART NO.	DESCRIPTION	4B58	4B5C	REMARKS
22	4B5-2476U-00	PROTECTOR,1	2	2	
23	4B5-24780-11	SEAT LOCK ASSY	1	1	
24	95822-06016	BOLT, FLANGE	4	4	
25	90387-06170	COLLAR	4	4	
26	4B5-2478D-00	SEAT LOCK CABLE ASSY	1	1	
27	92012-05010	BOLT, BUTTON HEAD	1	1	
28	97002-05010	BOLT	1	1	
29	92902-05600	WASHER, PLATE	1	1	
30	90464-07002	CLAMP	1	1	
31	4B5-2475K-00	BRACKET 3	1	1	
32	4B5-2163A-00	COVER, REAR FENDER 1	1	1	
33	2TV-21639-00	DAMPER 2	2	2	
34	90269-06081	RIVET	2	2	
35	90176-06017	NUT, CROWN	4	4	
36	90560-08066	SPACER	4	4	
37	4B5-21398-10	HANGER, HELMET	1	1	
38	5VU-21668-00	LABEL, TIRE	1	1	
39	4B5-28100-00	TOOL KIT	1	1	
40	3TJ-82131-00	BAND, BATTERY	1	1	




4B51300-G290

FIG. 29 FRONT WHEEL

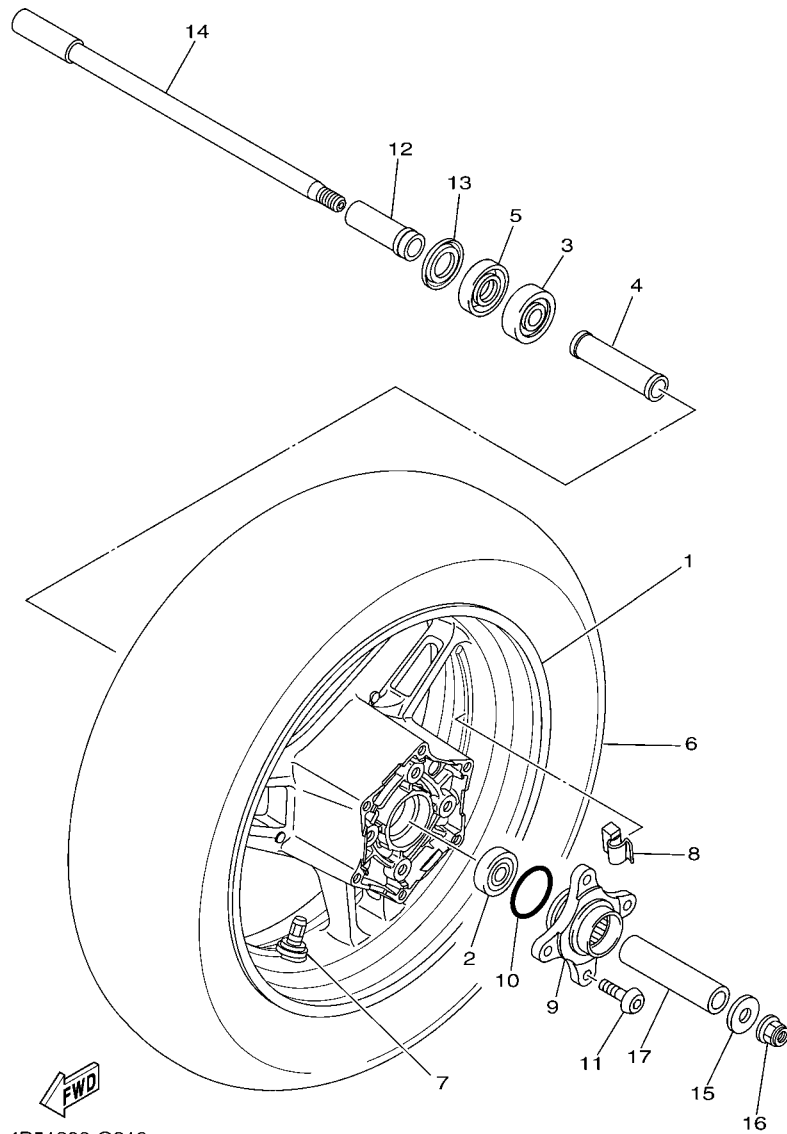
REF. NO.	PART NO.	DESCRIPTION	4B58	4B5C	REMARKS
1	4B5-25168-01	CAST WHEEL, FRONT	1	1	UR FOR JPN
	4B5-25168-20	CAST WHEEL, FRONT	1	1	UR FOR CHN
2	5EA-25117-00	SPACER, BEARING	1	1	
3	93306-00420	BEARING	2	2	
4	93106-28043	OIL SEAL	1	1	
5	94112-15008	TIRE(120/70R15M/C 56H BT011F)	1	1	UR BRIDGESTONE
6	93900-00030	VALVE, RIM (TR412)	1	1	TAIHEIYO
7	5MT-25398-00	BALANCER, WHEEL (10G)	1	1	UN
	5MT-25398-10	BALANCER, WHEEL (20G)	1	1	UN
	5MT-25398-20	BALANCER, WHEEL (30G)	1	1	UN
8	4XV-25181-10	AXLE, WHEEL	1	1	
9	90387-22016	COLLAR	1	1	
10	4B5-83755-02	SENSOR, SPEED	1	1	
11	5RB-2517G-10	.ROTOR, SENSOR	1	1	
12	5RB-2511B-00	.SEAL, OIL	1	1	
13	5RU-12491-00	CLAMP 1	1	1	



4B51300-G300

FIG. 30 FRONT BRAKE CALIPER

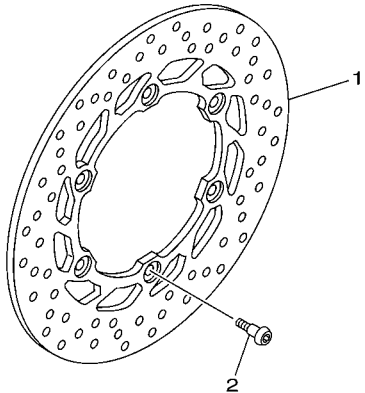
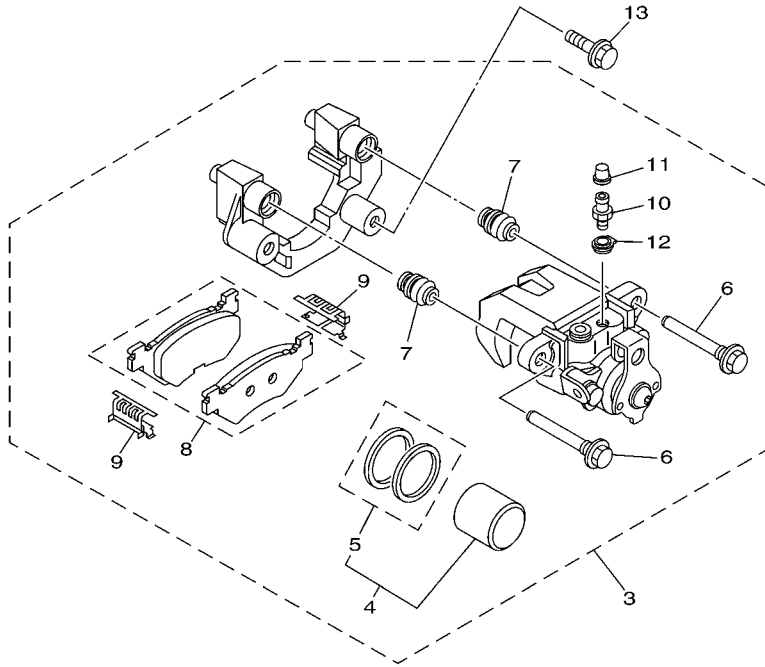
REF. NO.	PART NO.	DESCRIPTION	4B58	4B5C	REMARKS
1	4B5-2581T-00	DISK BRAKE ASSY	2	2	
2	90109-064G6	BOLT	12	12	
3	4B5-2514A-00	RING, WHEEL 1	1	1	
4	4B5-2580T-00	CALIPER ASSY (LEFT)	1	1	
5	4SV-W0057-10	.PISTON ASSY, CALIPER	1	1	
6	3GM-W0047-10	..CALIPER SEAL KIT	1	1	
7	4SV-W0057-00	.PISTON ASSY, CALIPER	1	1	
8	3MA-W0047-10	..CALIPER SEAL KIT	1	1	
9	4B5-W0045-00	.BRAKE PAD KIT	1	1	
10	13S-25919-00	.SUPPORT, PAD	1	1	
11	4SV-25924-00	.PIN, PAD	1	1	
12	3GM-25925-00	.CLIP	2	2	
13	1J3-25824-00	.SCREW, BLEED	1	1	
14	306-25825-01	.CAP	1	1	
15	4B5-2580U-00	CALIPER ASSY (RIGHT)	1	1	
16	4SV-W0057-10	.PISTON ASSY, CALIPER	1	1	
17	3GM-W0047-10	..CALIPER SEAL KIT	1	1	
18	4SV-W0057-00	.PISTON ASSY, CALIPER	1	1	
19	3MA-W0047-10	..CALIPER SEAL KIT	1	1	
20	4B5-W0045-00	.BRAKE PAD KIT	1	1	
21	13S-25919-00	.SUPPORT, PAD	1	1	
22	4SV-25924-00	.PIN, PAD	1	1	
23	3GM-25925-00	.CLIP	2	2	
24	1J3-25824-00	.SCREW, BLEED	1	1	
25	306-25825-01	.CAP	1	1	
26	90105-10638	BOLT, FLANGE	4	4	
27	5VU-23317-00	HOLDER, CABLE	1	1	



4B51300-G310

FIG. 31 REAR WHEEL

REF. NO.	PART NO.	DESCRIPTION	4B58	4B5C			REMARKS
			1	1			
1	4B5-25338-00	CAST WHEEL, REAR	1	1			UR FOR JPN
	4B5-25338-20	CAST WHEEL, REAR	1	1			UR FOR CHN
2	93306-20331	BEARING	1	1			
3	93306-30317	BEARING	1	1			
4	4B5-25317-00	SPACER, BEARING	1	1			
5	93102-25044	OIL SEAL	1	1			
6	94116-15011	TIRE(160/60R15M/C 67H BT012R)	1	1			UR BRIDGESTONE
7	93900-00030	VALVE, RIM (TR412)	1	1			TAIHEIYO
8	5MT-25398-00	BALANCER, WHEEL (10G)	1	1			UN
	5MT-25398-10	BALANCER, WHEEL (20G)	1	1			UN
	5MT-25398-20	BALANCER, WHEEL (30G)	1	1			UN
9	5GJ-25366-00	CLUTCH, HUB	1	1			
10	93210-44704	O-RING	1	1			
11	90111-10036	BOLT,HEX. SOCKET BUTTON	4	4			
12	4B5-25377-00	COLLAR, WHEEL	1	1			
13	24X-25367-00	COVER, HUB DUST	1	1			
14	5GJ-25381-10	AXLE, WHEEL	1	1			
15	90201-14022	WASHER, PLATE	1	1			
16	95602-14200	NUT, SELF-LOCKING	1	1			
17	90560-17306	SPACER	1	1			



4B51300-G320

FIG. 32 REAR BRAKE CALIPER

REF. NO.	PART NO.	DESCRIPTION	4B58	4B5C			REMARKS
			1	1			
1	4B5-2582V-00	DISC, REAR BRAKE 1	1	1			
2	90109-064G6	BOLT	6	6			
3	4B5-2580V-00	CALIPER ASSY, REAR 1	1	1			
4	4D9-W0057-00	.PISTON ASSY, CALIPER	1	1			
5	5GJ-W0047-01	..CALIPER SEAL KIT	1	1			
6	4D9-25914-10	.PIN, SLIDE	2	2			
7	4TT-25937-00	.BOOT 2	2	2			
8	5RU-W0046-00	.BRAKE PAD KIT 2	1	1			
9	4TT-25919-00	.SUPPORT, PAD	2	2			
10	5GM-25824-00	.SCREW, BLEED	1	1			
11	1D7-25825-00	.CAP	1	1			
12	5GM-25975-00	.RUBBER, BUSHING	1	1			
13	90105-10638	BOLT, FLANGE	2	2			

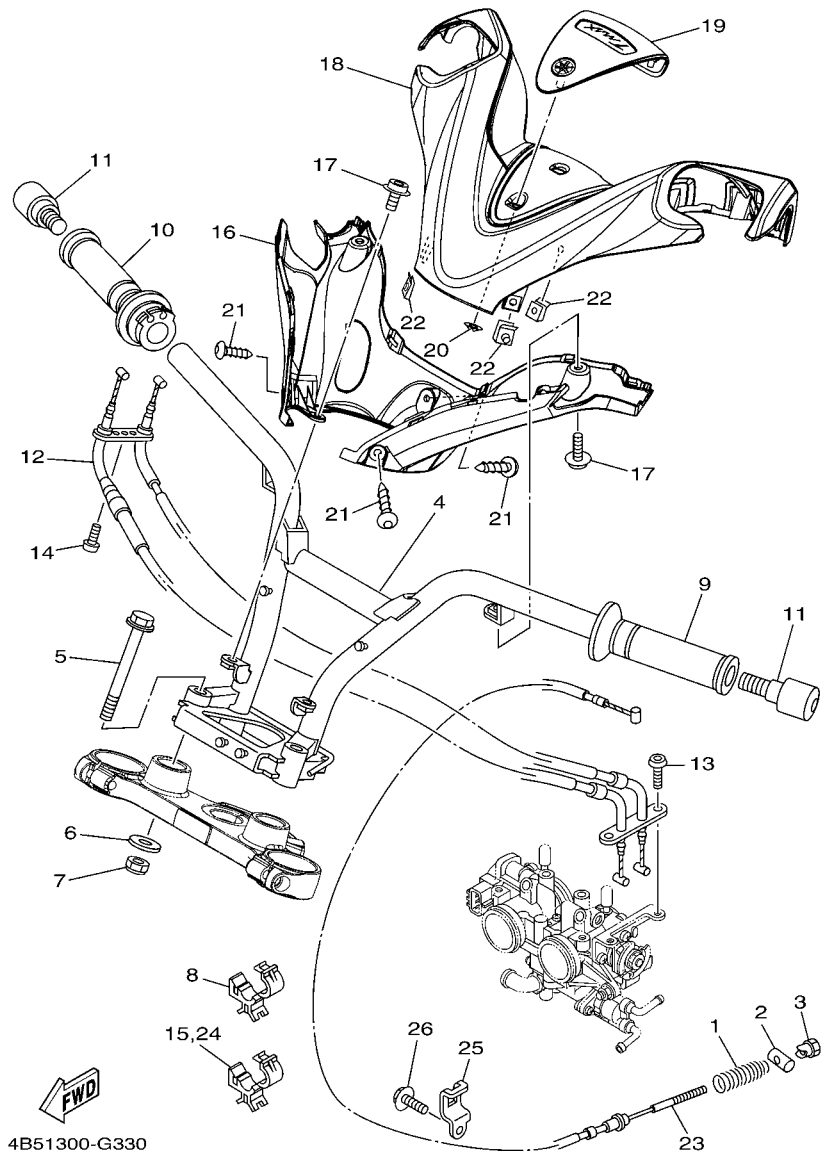


FIG. 33 STEERING HANDLE & CABLE

REF. NO.	PART NO.	DESCRIPTION	4B58	4B5C	REMARKS
1	5VU-25333-00	SPRING, RETURN	1	1	
2	90249-12004	PIN	1	1	
3	90179-06018	NUT	1	1	
4	4B5-26110-00	HANDLE COMP.	1	1	
5	90105-10150	BOLT, FLANGE	2	2	
6	90201-10043	WASHER, PLATE	2	2	
7	95602-10100	NUT, U	2	2	
8	90464-20191	CLAMP	1	1	
9	4YR-26241-02	GRIP (LEFT)	1	1	
10	4YR-26240-02	GRIP ASSY	1	1	
11	3HX-26246-10	END, GRIP	2	2	
12	4B5-26301-01	THROTTLE CABLE ASSY	1	1	
13	92012-05012	BOLT, BUTTON HEAD	2	2	
14	98502-05020	SCREW, PAN HEAD	1	1	
15	90464-15192	CLAMP	1	1	
16	4B5-26144-00	COVER, HANDLEBAR LOWER 1	1	1	
17	90159-05032	SCREW, WITH WASHER	4	4	
18	4B5-26143-00	COVER, HANDLEBAR UPPER 1	1	1	
19	4B5-26145-00	COVER, HANDLEBAR UPPER 2	1	1	
20	90183-05068	NUT, SPRING	3	3	
21	90167-05079	SCREW, TAPPING	3	3	
22	90183-05042	NUT, SPRING	3	3	
23	4B5-2835X-01	WIRE	1	1	
24	90464-15192	CLAMP	1	1	
25	4B5-26131-00	GUIDE, CABLE 1	1	1	
26	95802-06010	BOLT, FLANGE	1	1	

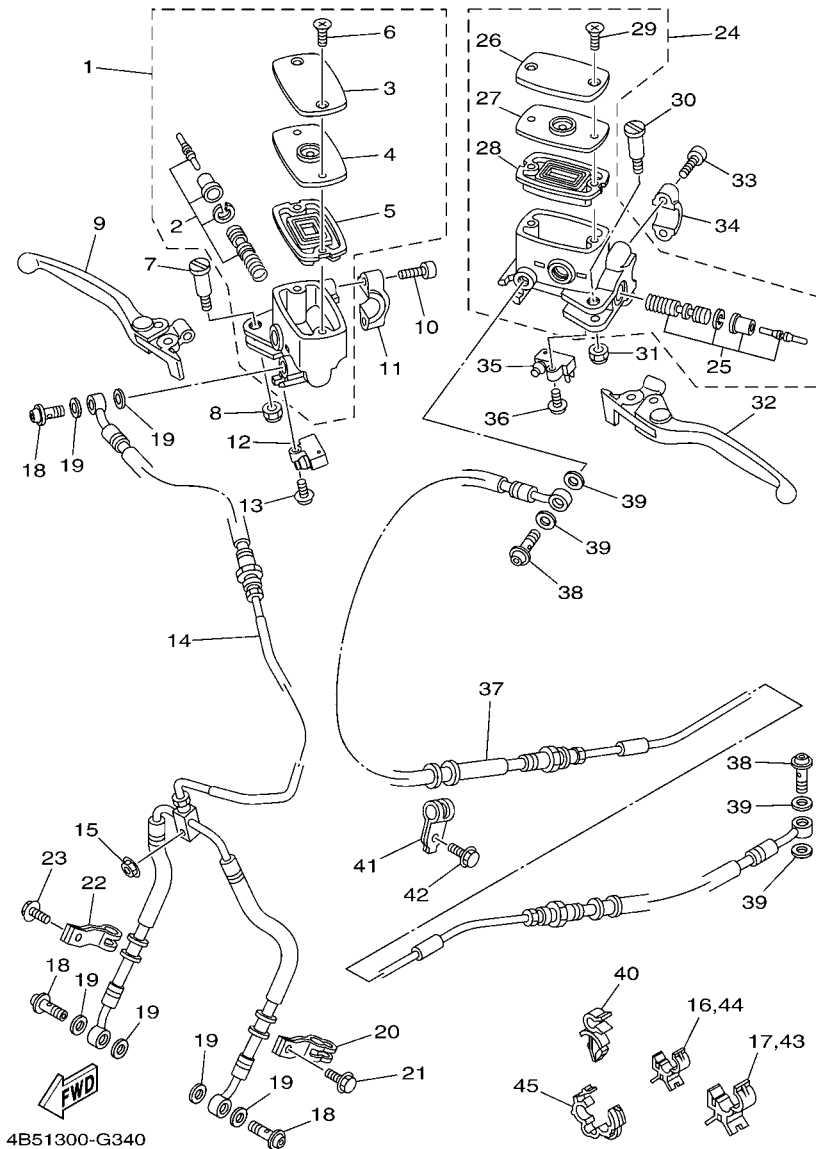


FIG. 34 FRONT MASTER CYLINDER

REF. NO.	PART NO.	DESCRIPTION	4B58	4B5C	REMARKS
1	4B5-W2587-00	MASTER CYLINDER SUB ASSY	1	1	
2	4B5-W0041-00	.CYLINDER KIT, MASTER	1	1	
3	4B5-25852-00	.CAP, RESERVOIR	1	1	
4	4B5-25855-00	.BUSH,DIAPHRAGM	1	1	
5	4B5-25854-00	.GASKET, DIAPHRAGM	1	1	
6	5VS-2589H-00	.SCREW	2	2	
7	5VS-2589F-00	BOLT, LEVER	1	1	
8	95617-06100	NUT, U	1	1	
9	4B5-83922-00	LEVER 2	1	1	
10	5VS-26332-00	BOLT	2	2	
11	5VS-25867-00	BRACKET, MASTER CYLINDER	1	1	
12	36Y-82917-00	SWITCH	1	1	
13	97602-04214	SCREW, PAN HEAD WITH WASHER	1	1	
14	4B5-25872-01	HOSE, BRAKE 1	1	1	
15	95702-06500	NUT, FLANGE	1	1	
16	90464-10190	CLAMP	1	1	
17	90464-15192	CLAMP	1	1	
18	90401-10172	BOLT, UNION	3	3	
19	90430-10005	GASKET	6	6	
20	4B5-25886-00	HOLDER, BRAKE HOSE	1	1	
21	95802-06012	BOLT, FLANGE	1	1	
22	4B5-25875-00	HOLDER, BRAKE HOSE 1	1	1	
23	95802-06012	BOLT, FLANGE	1	1	
24	4B5-W2587-10	RR. MASTER CYLINDER ASSY.	1	1	
25	4B5-W0041-10	.CYLINDER KIT, MASTER	1	1	
26	4B5-25852-00	.CAP, RESERVOIR	1	1	
27	4B5-25855-00	.BUSH,DIAPHRAGM	1	1	

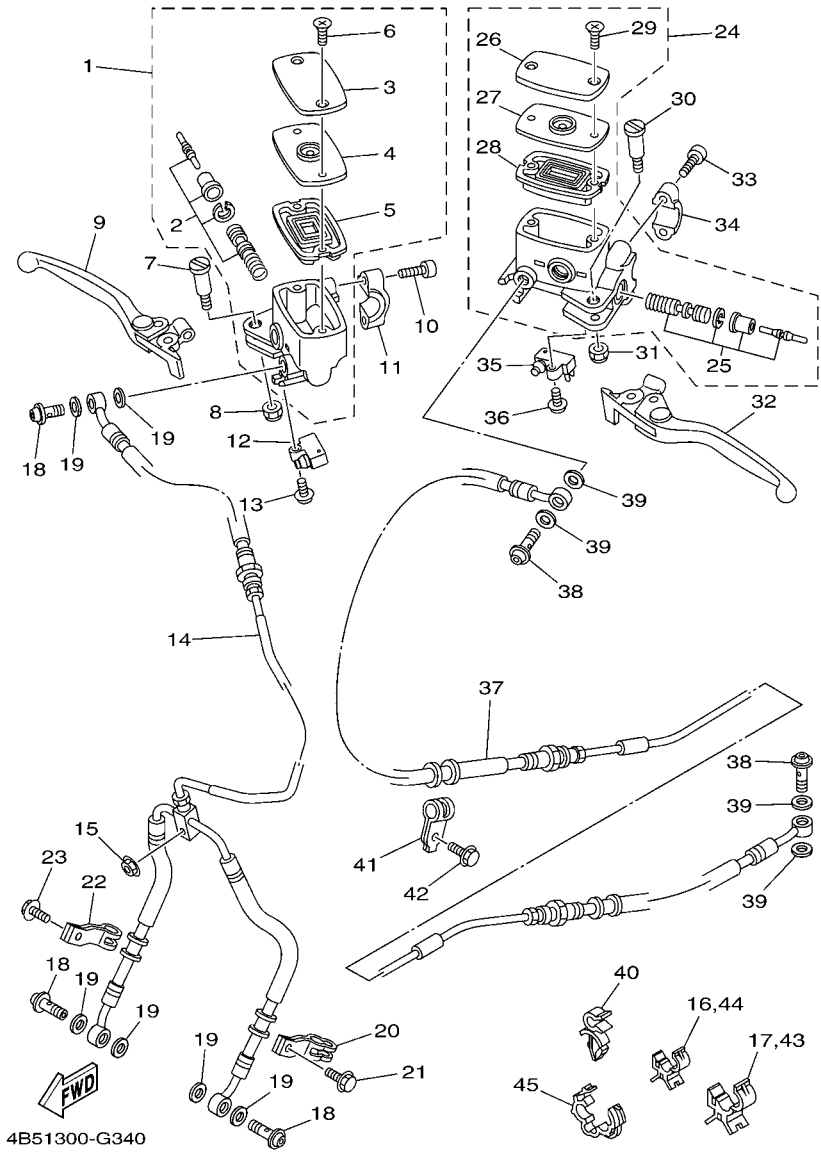


FIG. 34 FRONT MASTER CYLINDER

REF. NO.	PART NO.	DESCRIPTION	4B58	4B5C	REMARKS
28	4B5-25854-00	.GASKET, DIAPHRAGM	1	1	
29	5VS-2589H-00	.SCREW	2	2	
30	5VS-2589F-00	BOLT, LEVER	1	1	
31	95617-06100	NUT, U	1	1	
32	4B5-83912-00	LEVER 1	1	1	
33	5VS-26332-00	BOLT	2	2	
34	5VS-25867-00	BRACKET, MASTER CYLINDER	1	1	
35	36Y-83980-01	FRONT STOP SWITCH ASSY	1	1	
36	97602-04214	SCREW, PAN HEAD WITH WASHER	1	1	
37	4B5-2584A-01	BRAKE HOSE ASSY	1	1	
38	90401-10172	BOLT, UNION	2	2	
39	90430-10005	GASKET	4	4	
40	90464-10125	CLAMP	1	1	
41	4B5-25876-00	HOLDER, BRAKE HOSE 2	1	1	
42	95802-06010	BOLT, FLANGE	1	1	
43	90464-15192	CLAMP	1	1	
44	90464-10190	CLAMP	1	1	
45	90464-14003	CLAMP	2	2	

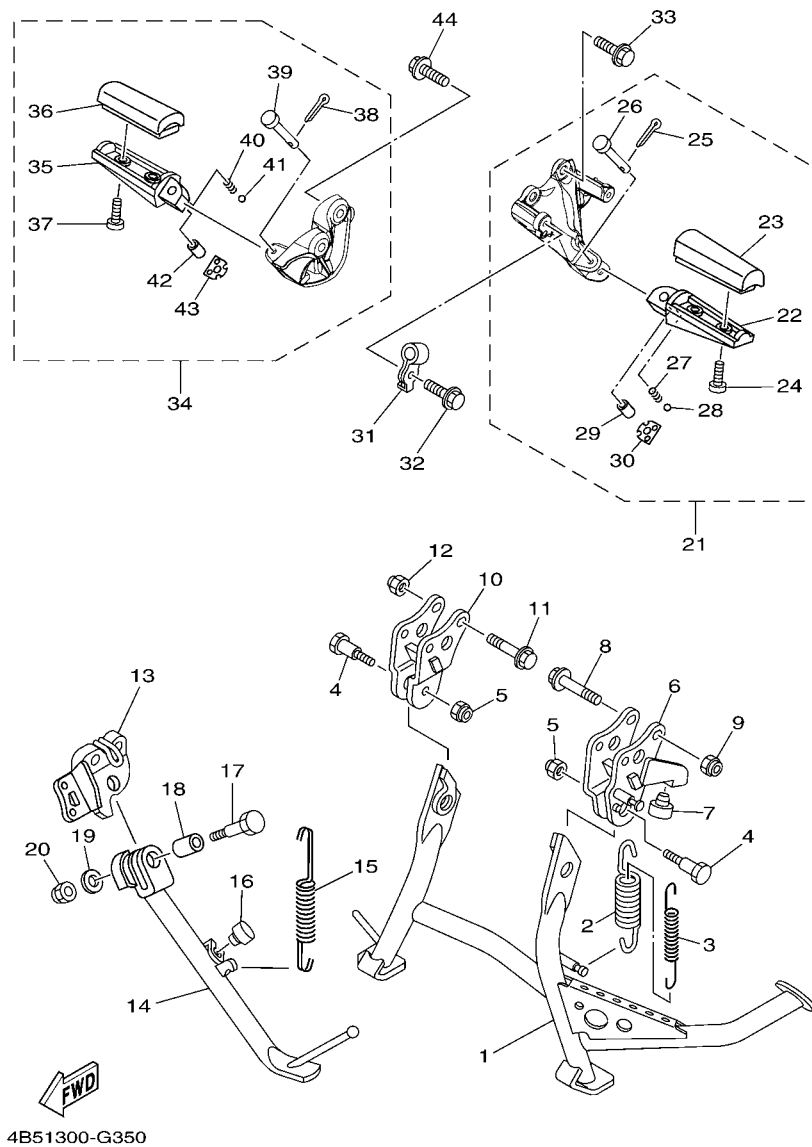


FIG. 35 STAND & FOOTREST

REF. NO.	PART NO.	DESCRIPTION	4B58	4B5C	REMARKS
1	4B5-27111-00	STAND, MAIN	1	1	
2	90506-40508	SPRING, TENSION	1	1	
3	90506-23509	SPRING, TENSION	1	1	
4	90109-10029	BOLT	2	2	
5	90185-10022	NUT, SELF-LOCKING	2	2	
6	4B5-27151-00	BRACKET, MAIN STAND	1	1	
7	4X4-27114-00	STOPPER, MAIN STAND	1	1	
8	90105-10283	BOLT, FLANGE	2	2	
9	90185-10022	NUT, SELF-LOCKING	2	2	
10	4B5-27152-00	BRACKET, MAIN STAND 2	1	1	
11	90105-10283	BOLT, FLANGE	2	2	
12	90185-10022	NUT, SELF-LOCKING	2	2	
13	4B5-27321-00	BRACKET, SIDE STAND	1	1	
14	4B5-27311-00	STAND, SIDE	1	1	
15	90506-20027	SPRING, TENSION	1	1	
16	4X4-27114-00	STOPPER, MAIN STAND	1	1	
17	90101-10025	BOLT	1	1	
18	90387-10018	COLLAR	1	1	
19	92902-10200	WASHER	1	1	
20	95602-10100	NUT, U	1	1	
21	4B5-27430-00	REAR FOOTREST ASSY 1	1	1	
22	4DN-27431-01	.FOOTREST, REAR 1	1	1	
23	4BP-27413-00	.COVER, FOOTREST	1	1	
24	90157-05025	.SCREW, PAN HEAD	2	2	
25	91402-20012	.PIN, COTTER	1	1	
26	91702-06038	.PIN, CLEVIS	1	1	
27	90501-15001	.SPRING, COMPRESSION	1	1	

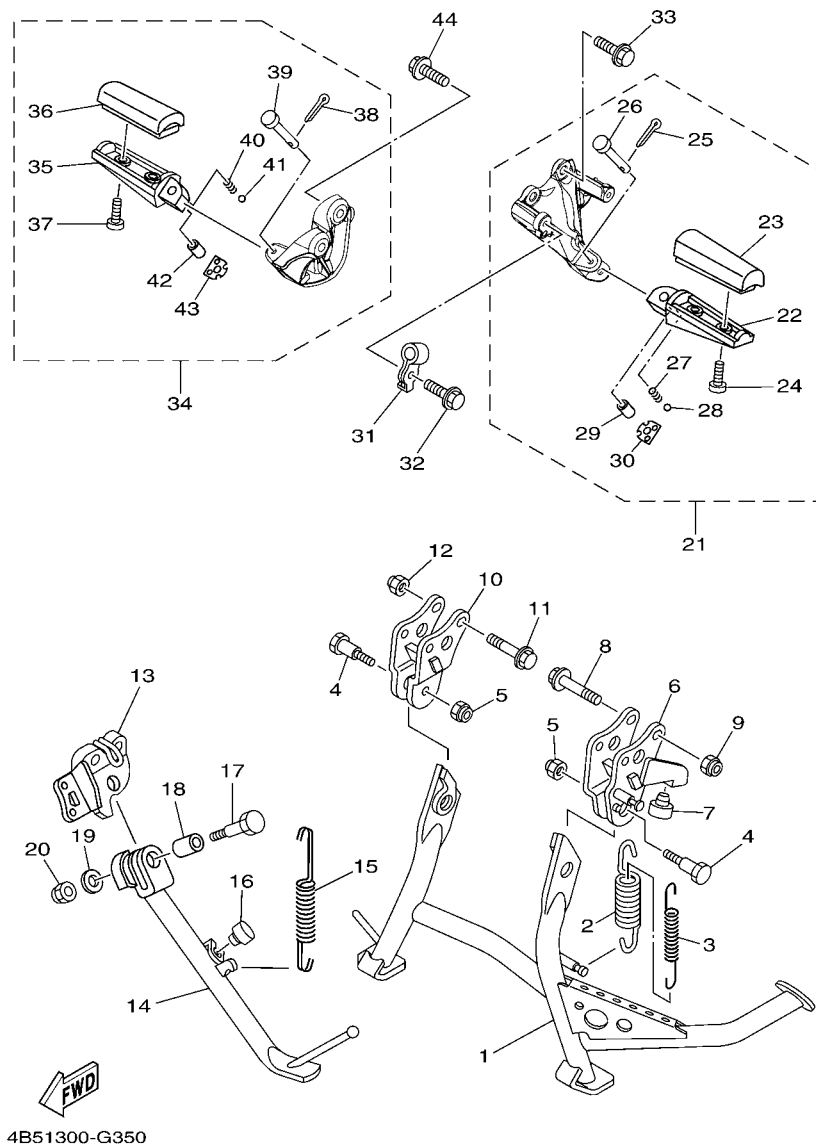


FIG. 35 STAND & FOOTREST

REF. NO.	PART NO.	DESCRIPTION	4B58	4B5C	REMARKS
28	93501-04011	.BALL	1	1	
29	90387-064H8	.COLLAR	1	1	
30	4B5-27437-00	.WASHER, SPECIAL	1	1	
31	4B5-25876-00	HOLDER, BRAKE HOSE 2	1	1	
32	95802-06014	BOLT, FLANGE	1	1	
33	95812-08025	BOLT, FLANGE	2	2	
34	4B5-27440-00	REAR FOOTREST ASSY 2	1	1	
35	4DN-27441-01	.FOOTREST, REAR 2	1	1	
36	4BP-27413-00	.COVER, FOOTREST	1	1	
37	90157-05025	.SCREW, PAN HEAD	2	2	
38	91402-20012	.PIN, COTTER	1	1	
39	91702-06038	.PIN, CLEVIS	1	1	
40	90501-15001	.SPRING, COMPRESSION	1	1	
41	93501-04011	.BALL	1	1	
42	90387-064H8	.COLLAR	1	1	
43	4B5-27437-00	.WASHER, SPECIAL	1	1	
44	95812-08025	BOLT, FLANGE	2	2	

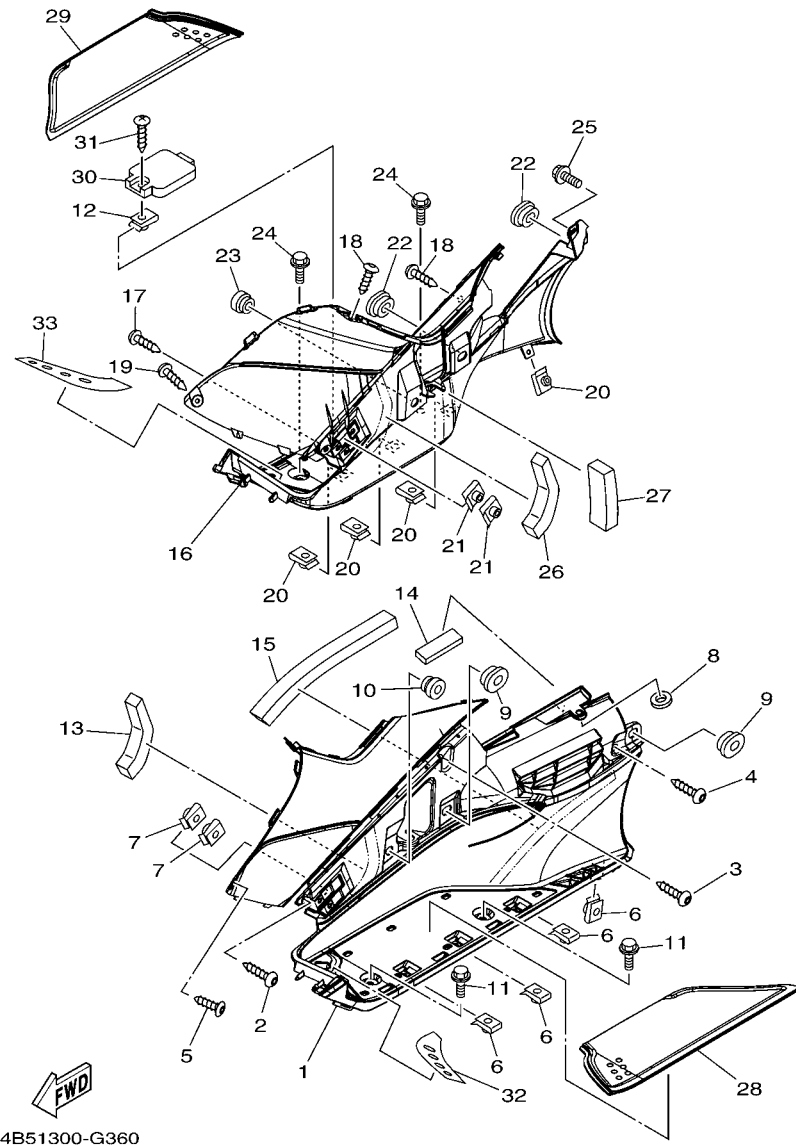
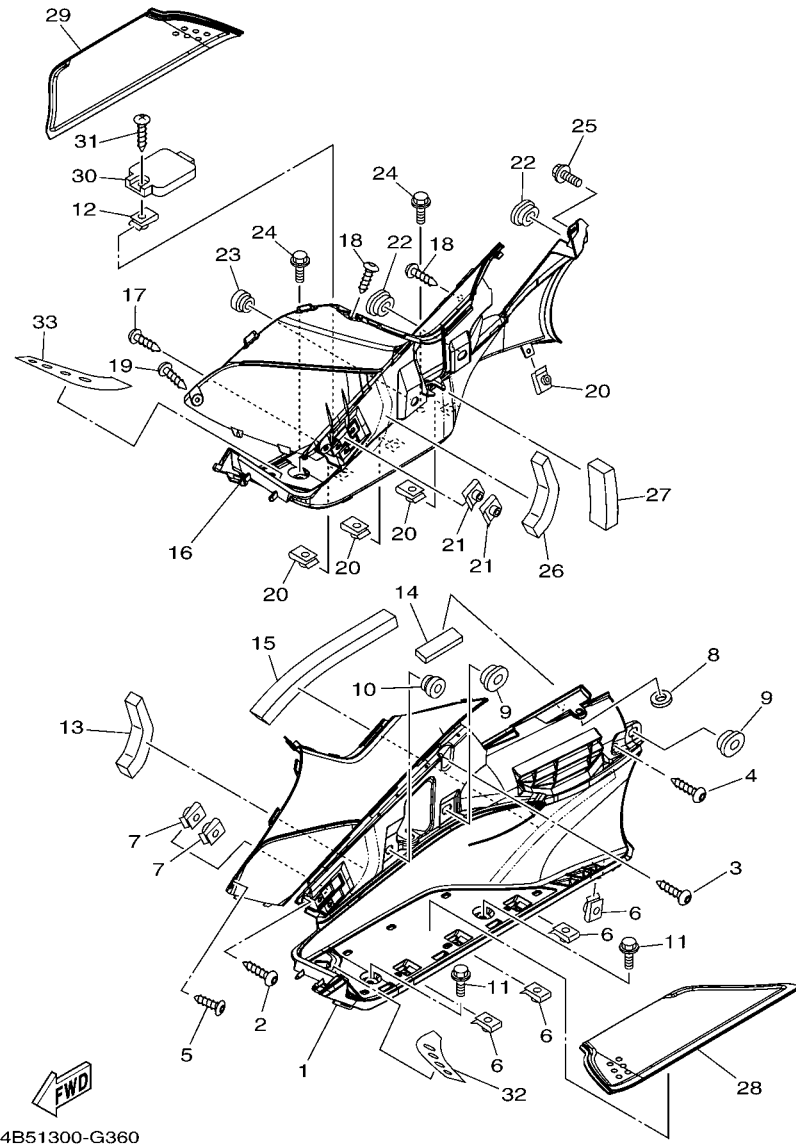


FIG. 36 STAND & FOOTREST 2

REF. NO.	PART NO.	DESCRIPTION	4B58	4B5C	REMARKS
1	4B5-27481-00	BOARD, FOOTREST	1	1	
2	97702-50016	SCREW, TAPPING	1	1	
3	97702-50016	SCREW, TAPPING	1	1	
4	97702-50016	SCREW, TAPPING	2	2	
5	90167-05076	SCREW, TAPPING	1	1	
6	90183-05042	NUT, SPRING	4	4	
7	90183-060A6	NUT, SPRING	2	2	
8	4B5-27485-00	SEAL	1	1	
9	90480-01558	GROMMET	2	2	
10	90480-13567	GROMMET	1	1	
11	90119-06209	BOLT, WITH WASHER	2	2	
12	90183-05042	NUT, SPRING	1	1	
13	4B5-28217-00	DAMPER 1	1	1	
14	4B5-28247-00	DAMPER 4	1	1	
15	4B5-28267-00	DAMPER 5	1	1	
16	4B5-27488-00	BOARD, FOOTREST 2	1	1	
17	97702-50016	SCREW, TAPPING	1	1	
18	97702-50016	SCREW, TAPPING	2	2	
19	90167-05076	SCREW, TAPPING	1	1	
20	90183-05042	NUT, SPRING	5	5	
21	90183-060A6	NUT, SPRING	2	2	
22	90480-01558	GROMMET	2	2	
23	90480-13567	GROMMET	1	1	
24	90119-06209	BOLT, WITH WASHER	2	2	
25	90119-06235	BOLT, WITH WASHER	1	1	
26	4B5-28217-00	DAMPER 1	1	1	
27	4B5-28227-00	DAMPER 2	1	1	



4B51300-G360

FIG. 36 STAND & FOOTREST 2

REF. NO.	PART NO.	DESCRIPTION	4B58	4B5C				REMARKS
			1	1				
28	4B5-27483-00	MAT 1	1	1				
29	4B5-27484-00	MAT 2	1	1				
30	5GJ-27463-00	COVER 2	1	1				
31	97702-50016	SCREW, TAPPING	1	1				
32	4B5-27451-00	FOOTREST	1	1				
33	4B5-27461-00	FOOTREST	1	1				

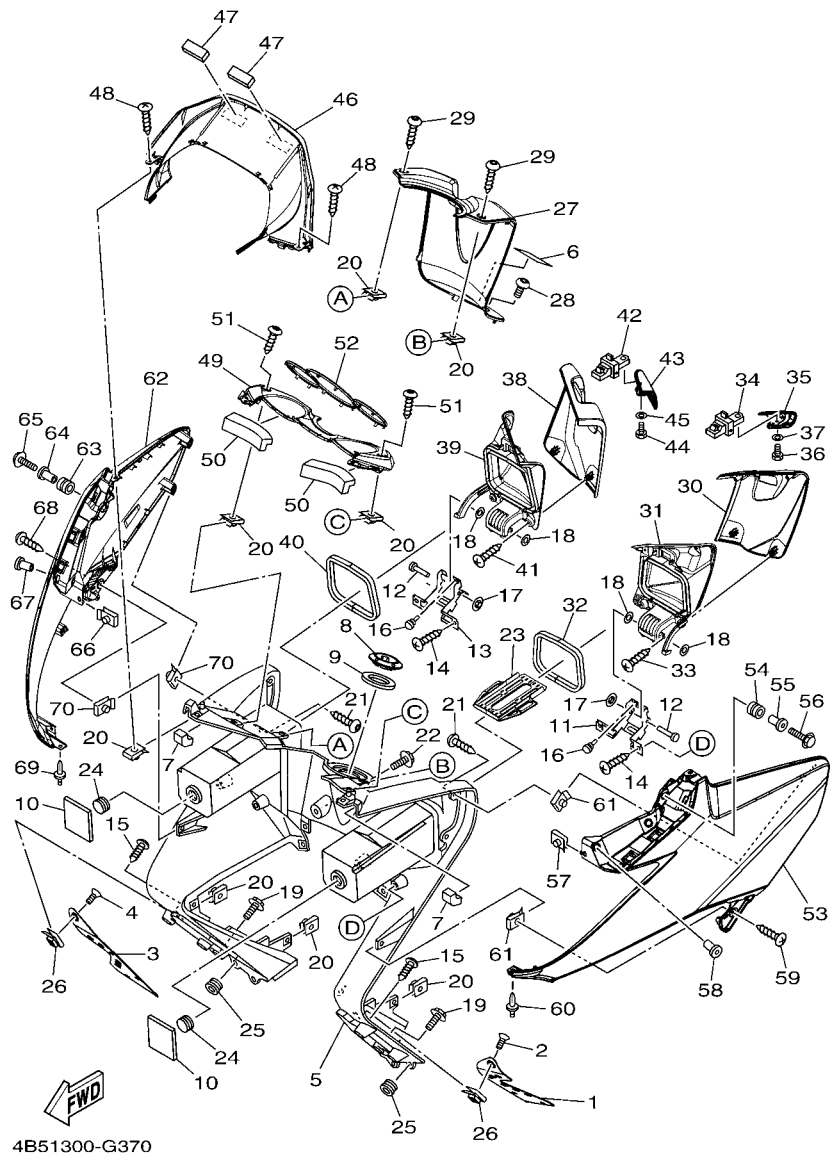


FIG. 37 LEG SHIELD

REF. NO.	PART NO.	DESCRIPTION	4B58	4B5C	REMARKS
1	4B5-27411-00	FOOTREST 1	1	1	
2	90151-06052	SCREW, COUNTERSUNK	4	4	
3	4B5-27421-00	FOOTREST 2	1	1	
4	90151-06052	SCREW, COUNTERSUNK	4	4	
5	4B5-28311-00	LEG SHIELD 1	1	1	
6	5RU-21568-01	LABEL, WARNING	1	1	
7	4B5-2836U-01	DAMPER, LOCATING 2	2	2	
8	4B5-82552-00	CAP, SWITCH	1	1	
9	5VU-28307-00	SEAL	1	1	
10	4B5-28416-00	DAMPER 2	2	2	
11	4B5-21796-01	HINGE	1	1	
12	90241-06002	PIN	2	2	
13	4B5-21797-00	HINGE	1	1	
14	90160-04008	SCREW, ROUND TAPPING	4	4	
15	97702-50016	SCREW, TAPPING	4	4	
16	90338-05009	PLUG	2	2	
17	90183-06008	NUT, SPRING	2	2	
18	90202-06004	WASHER, PLATE	4	4	
19	90119-06209	BOLT, WITH WASHER	2	2	
20	90183-05042	NUT, SPRING	16	16	
21	90167-05076	SCREW, TAPPING	2	2	
22	90119-06212	BOLT, WITH WASHER	2	2	
23	4B5-2839N-00	HOLDER	1	1	
24	90338-20113	PLUG	2	2	
25	90480-13567	GROMMET	2	2	
26	90183-060A8	NUT, SPRING	8	8	
27	4B5-28312-00	LEG SHIELD 2	1	1	

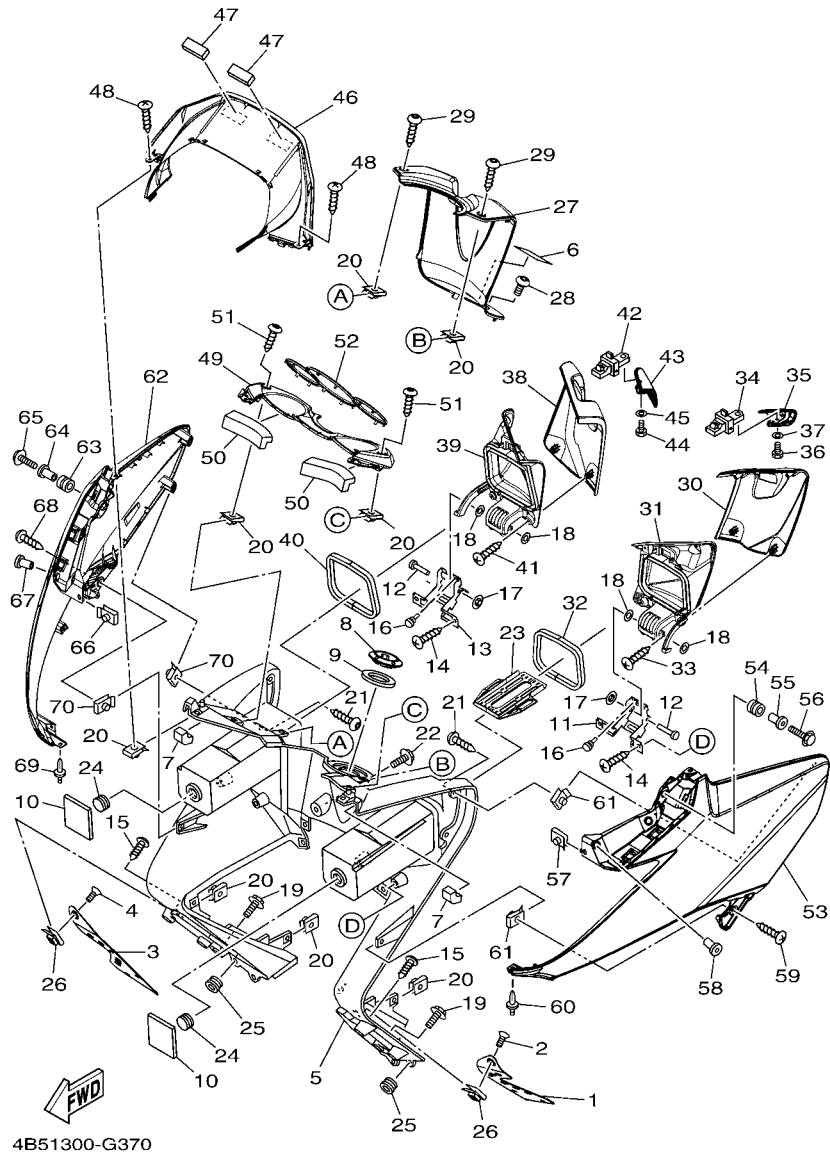


FIG. 37 LEG SHIELD

REF. NO.	PART NO.	DESCRIPTION	4B58	4B5C	REMARKS
			1	1	
28	90111-06095	BOLT,HEX. SOCKET BUTTON	1	1	
29	90169-05003	TAPPING SCREW	2	2	
30	4B5-28313-00	LID	1	1	
31	4B5-2836M-00	PANEL, INNER 3	1	1	
32	4B5-28371-00	DAMPER	1	1	
33	90160-04008	SCREW, ROUND TAPPING	4	4	
34	4B5-21780-00	LOCK ASSY	1	1	
35	4B5-2836X-00	KNOB, 1	1	1	
36	97022-05012	BOLT	1	1	
37	90201-05043	WASHER, PLATE	1	1	
38	4B5-2839K-00	LID 1	1	1	
39	4B5-2836N-00	PANEL, INNER 4	1	1	
40	4B5-28371-00	DAMPER	1	1	
41	90160-04008	SCREW, ROUND TAPPING	4	4	
42	4B5-21780-00	LOCK ASSY	1	1	
43	4B5-2836Y-00	KNOB, 2	1	1	
44	97022-05012	BOLT	1	1	
45	90201-05043	WASHER, PLATE	1	1	
46	4B5-2836K-00	PANEL, INNER 1	1	1	
47	4B5-2814E-00	HOOK	2	2	
48	97702-50016	SCREW, TAPPING	2	2	
49	4B5-28346-00	MOLE 2	1	1	
50	4B5-2834E-00	DAMPER 3	2	2	
51	90167-05076	SCREW, TAPPING	2	2	
52	4B5-2839R-00	PANEL, ACCESSORY	1	1	
53	4B5-28351-00-P4	BODY, COWLING	1	1	UR FOR RYC1

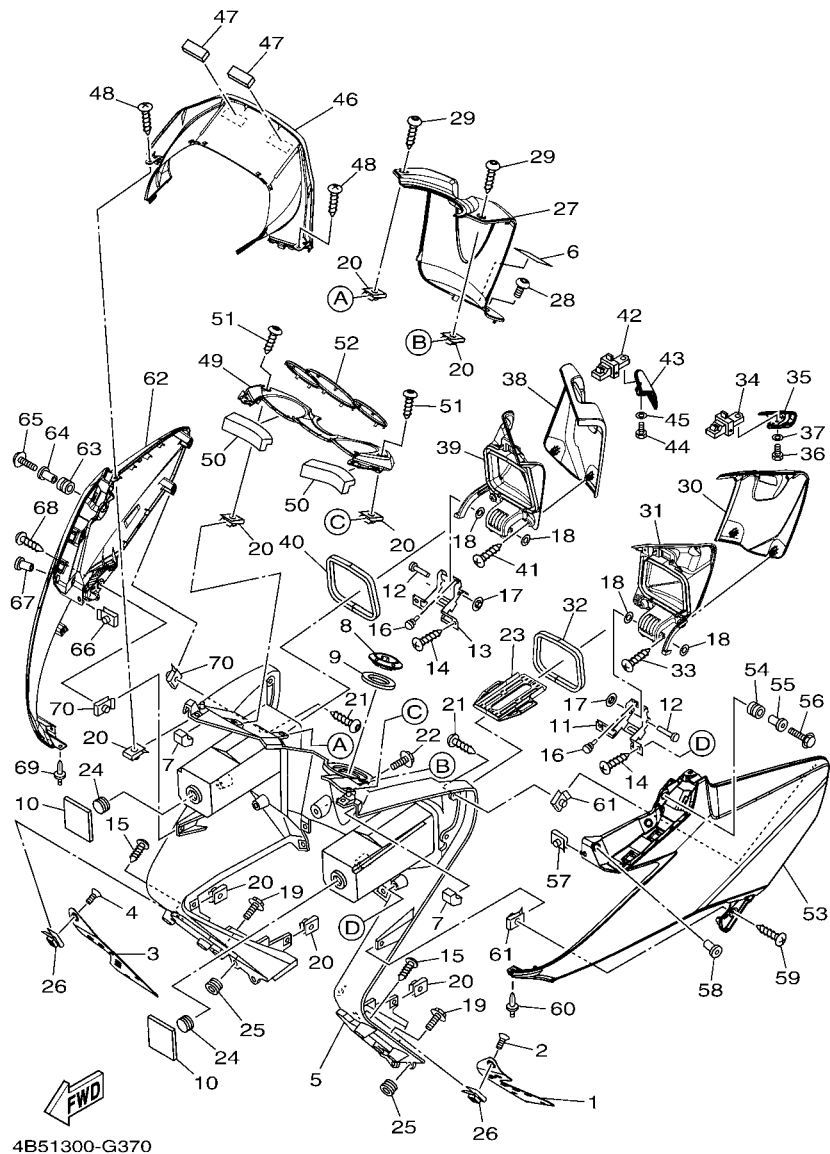


FIG. 37 LEG SHIELD

REF. NO.	PART NO.	DESCRIPTION	4B58	4B5C	REMARKS
53	4B5-28351-00-P3	BODY, COWLING		1	UR FOR SMX
	4B5-28351-00-WG	BODY, COWLING	1	1	UR FOR HTS
54	90480-14003	GROMMET	1	1	
55	90387-0602X	COLLAR	1	1	
56	95802-06020	BOLT, FLANGE	1	1	
57	90183-060A6	NUT, SPRING	3	3	
58	90179-05523	NUT	2	2	
59	97702-50016	SCREW, TAPPING	1	1	
60	90269-06008	RIVET	1	1	
61	90183-05042	NUT, SPRING	3	3	
62	4B5-28377-00-P4	BODY, COWLING 2	1	1	UR FOR RYC1
	4B5-28377-00-P3	BODY, COWLING 2		1	UR FOR SMX
	4B5-28377-00-WG	BODY, COWLING 2	1	1	UR FOR HTS
63	90480-14003	GROMMET	1	1	
64	90387-0602X	COLLAR	1	1	
65	95802-06020	BOLT, FLANGE	1	1	
66	90183-060A6	NUT, SPRING	3	3	
67	90179-05523	NUT	2	2	
68	97702-50016	SCREW, TAPPING	1	1	
69	90269-06008	RIVET	1	1	
70	90183-05042	NUT, SPRING	3	3	

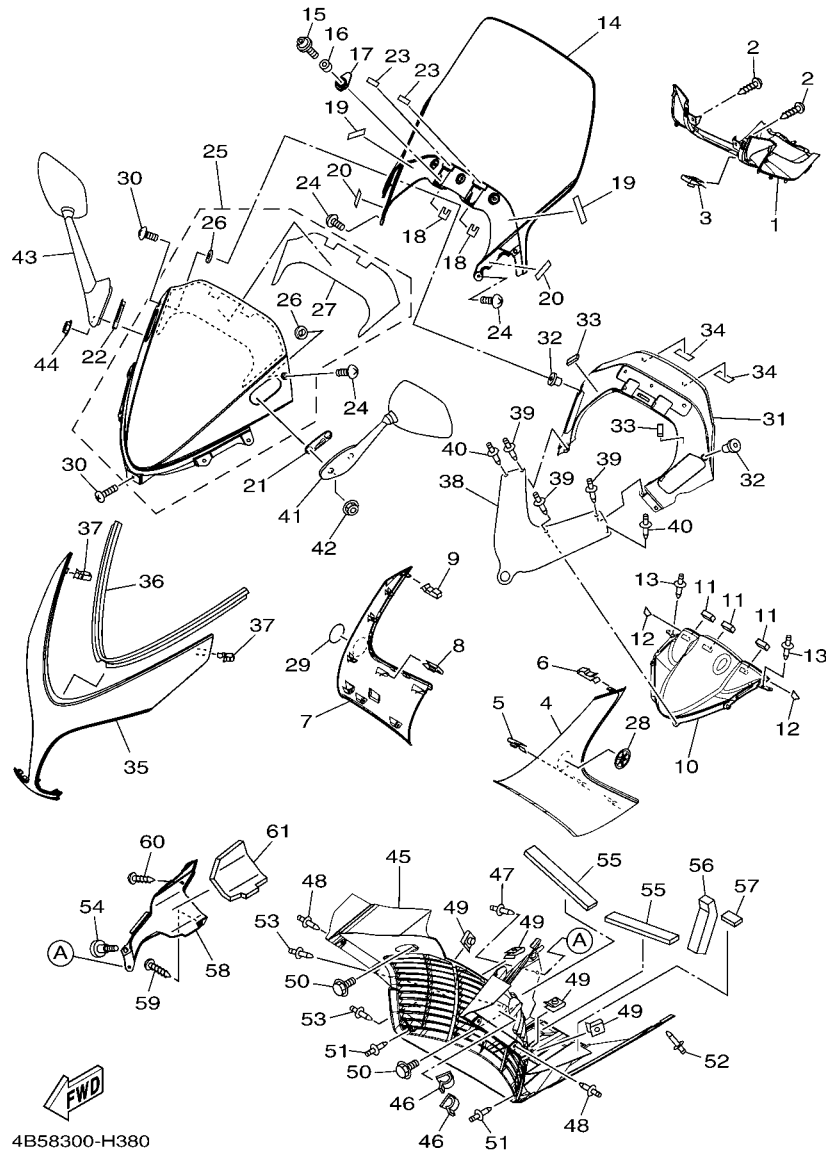


FIG. 38 WINDSHIELD

REF. NO.	PART NO.	DESCRIPTION	4B58	4B5C	REMARKS
1	4B5-28365-00	COVER	1	1	
2	97702-50016	SCREW, TAPPING	2	2	
3	90183-060A6	NUT, SPRING	1	1	
4	4B5-2835U-00	PANEL 1	1	1	
5	90183-05042	NUT, SPRING	2	2	
6	5GM-28379-00	HOOK	4	4	
7	4B5-2835V-00	PANEL 2	1	1	
8	90183-05042	NUT, SPRING	2	2	
9	5GM-28379-00	HOOK	4	4	
10	4B5-2836L-00	PANEL, INNER 2	1	1	
11	4B5-2836T-00	DAMPER, LOCATING 1	3	3	
12	4B5-2846F-00	SEAL 4	2	2	
13	90269-06001	RIVET	2	2	
14	4B5-2837U-00	SCREEN	1	1	
15	90111-06105	BOLT, HEX. SOCKET BUTTON	2	2	
16	90387-06105	COLLAR	2	2	
17	4B5-28335-00	PLATE	2	2	
18	4B5-2844E-00	SEAL 3	2	2	
19	4B5-2847N-00	DAMPER 8	2	2	
20	4B5-2847F-00	SEAL 5	2	2	
21	4B5-28372-00	DAMPER	1	1	
22	4B5-2837K-00	DAMPER 6	1	1	
23	4B5-2847P-00	DAMPER 9	2	2	
24	90150-05024	SCREW, ROUND HEAD	5	5	
25	4B5-Y284S-21	COVER 5 ASSY	1	1	
26	4B5-28307-00	.SEAL	2	2	
27	4B5-2832P-00	.GRAPHIC 18	1	1	

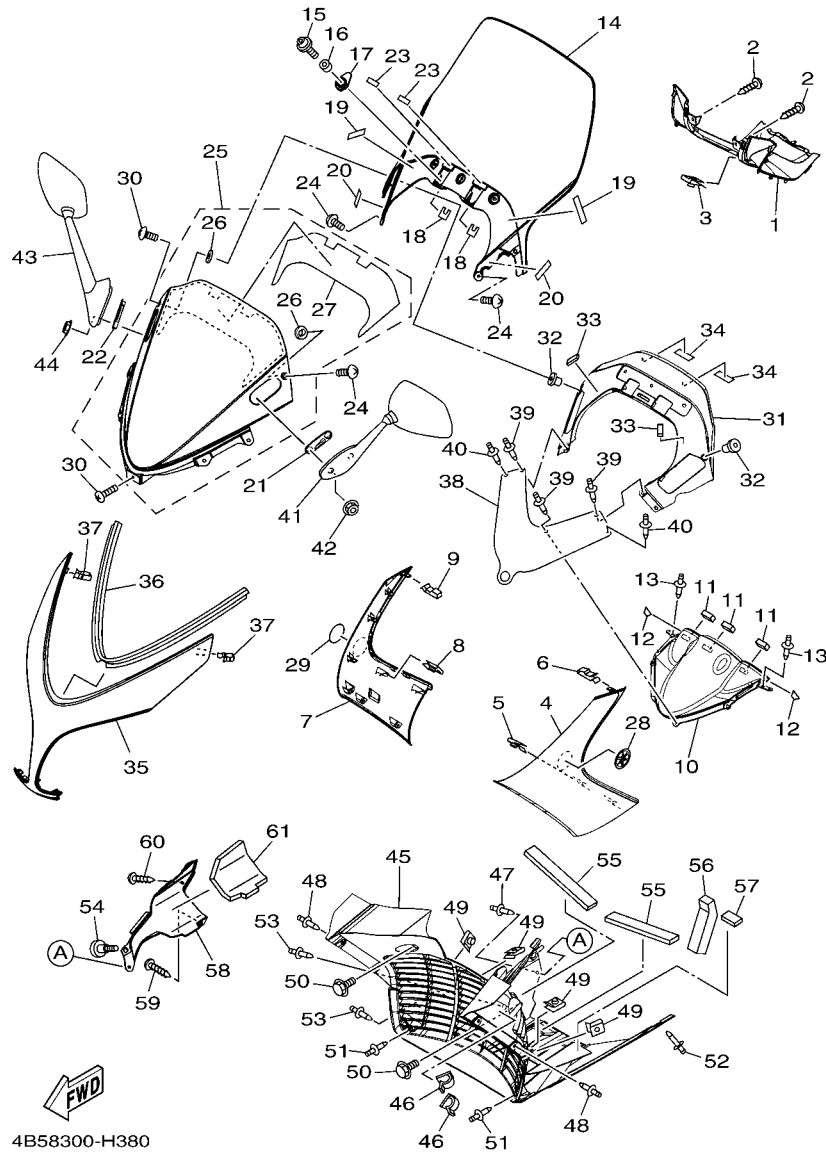
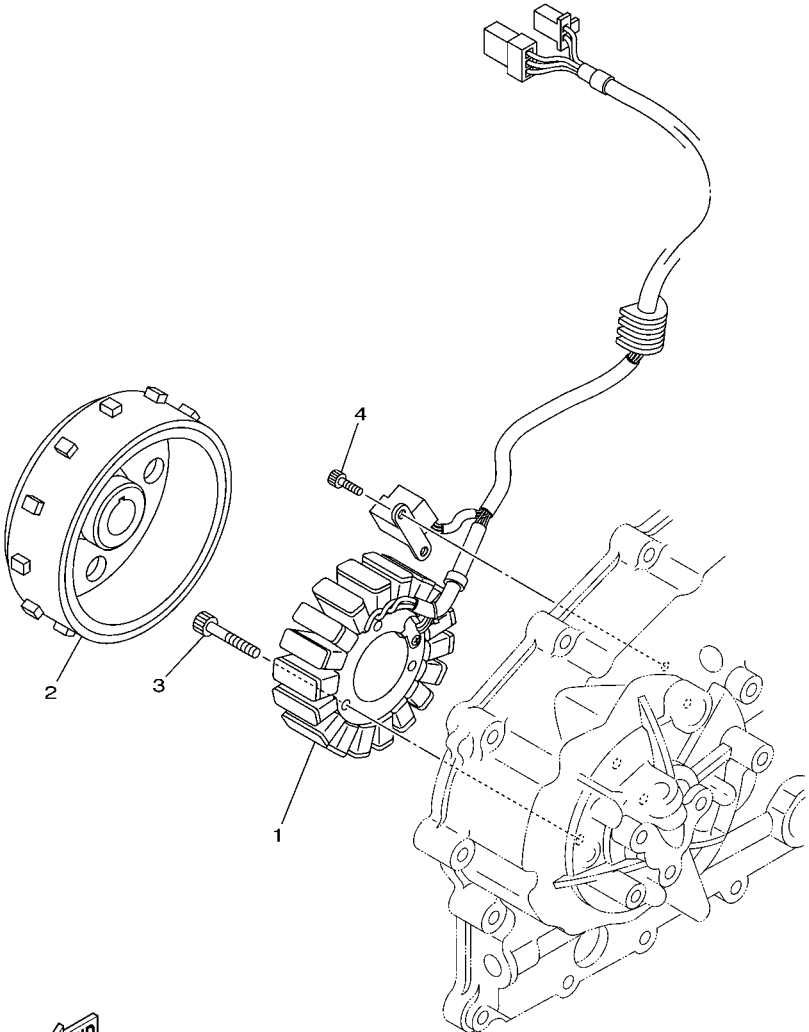


FIG. 38 WINDSHIELD

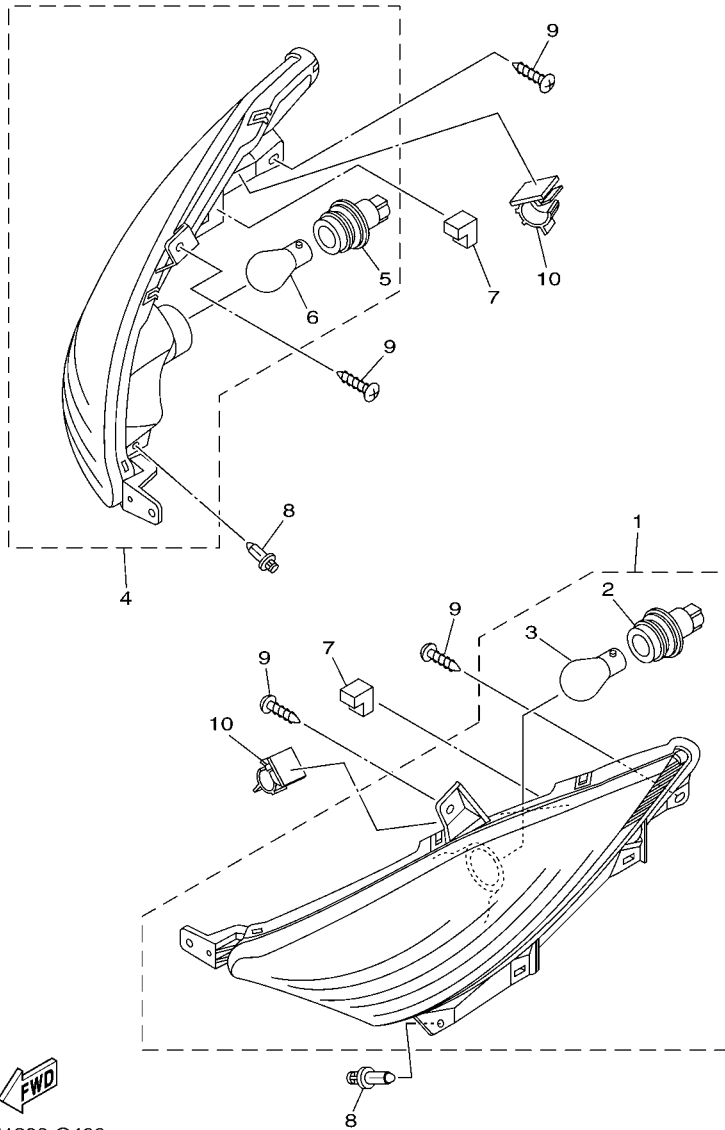
REF. NO.	PART NO.	DESCRIPTION	4B58	4B5C	REMARKS
28	5PW-2413B-00	EMBLEM	1	1	
29	5PW-2413B-00	EMBLEM	1	1	
30	90150-05024	SCREW, ROUND HEAD	7	7	
31	4B5-2836R-00	PANEL, INNER 5	1	1	
32	90179-05523	NUT	2	2	
33	4B5-2847R-00	DAMPER 10	2	2	
34	4B5-2814H-00	HOOK 1	2	2	
35	4B5-22865-00-P3	COVER, FRONT	1	1	MBL2(RYC1,SMX)
	4B5-22865-00-WG	COVER, FRONT	1	1	FOR HTS
36	4B5-28237-00	DAMPER 3	1	1	
37	5GM-28379-00	HOOK	2	2	
38	4B5-28336-00	PLATE	1	1	
39	90269-06008	RIVET	3	3	
40	90269-06008	RIVET	2	2	
41	4B5-26280-00	REAR VIEW MIRROR ASSY (LEFT)	1	1	
42	95702-06500	NUT, FLANGE	2	2	
43	4B5-26290-00	REAR VIEW MIRROR ASSY (RIGHT)	1	1	
44	95702-06500	NUT, FLANGE	2	2	
45	4B5-21557-00	DUCT, AIR	1	1	
46	90464-09009	CLAMP	2	2	
47	90269-06008	RIVET	1	1	
48	90269-06001	RIVET	4	4	
49	90183-05042	NUT, SPRING	4	4	
50	90119-06212	BOLT, WITH WASHER	2	2	
51	90269-06008	RIVET	2	2	
52	90269-06001	RIVET	1	1	

FIG. 39 GENERATOR



5VU1300-C380

REF. NO.	PART NO.	DESCRIPTION	4B58	4B5C			REMARKS
			1	1			
1	4B5-81410-00	STATOR ASSY	1	1			
2	5VU-81450-00	ROTOR ASSY	1	1			
3	90110-06208	BOLT, HEXAGON SOCKET HEAD	3	3			
4	90110-05032	BOLT, HEXAGON SOCKET HEAD	2	2			



4B51300-G400

FIG. 40 FLASHER LIGHT

REF. NO.	PART NO.	DESCRIPTION	4B58	4B5C	REMARKS
1	4B5-83310-00	FRONT FLASHER LIGHT ASSY 1	1	1	
2	4B5-8331J-00	.SOCKET COMP. 1	1	1	
3	5RU-83331-00	.BULB, FLASHER (12V-21W)	1	1	
4	4B5-83320-00	FRONT FLASHER LIGHT ASSY 2	1	1	
5	4B5-8331J-00	.SOCKET COMP. 1	1	1	
6	5RU-83331-00	.BULB, FLASHER (12V-21W)	1	1	
7	4B5-8338V-00	DAMPER	2	2	
8	90269-06001	RIVET	2	2	
9	97702-50016	SCREW, TAPPING	4	4	
10	90464-13004	CLAMP	2	2	

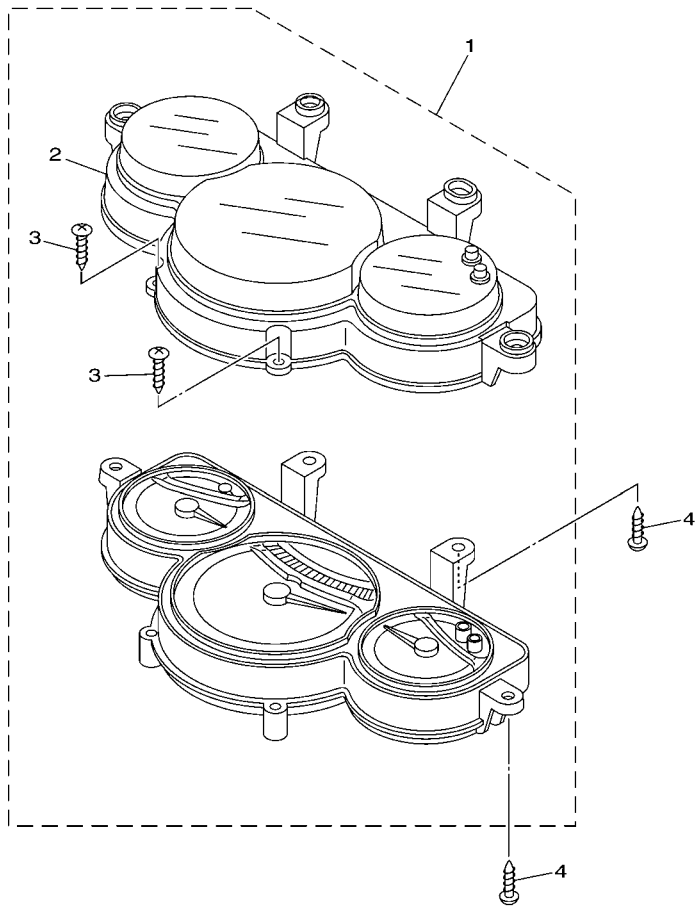
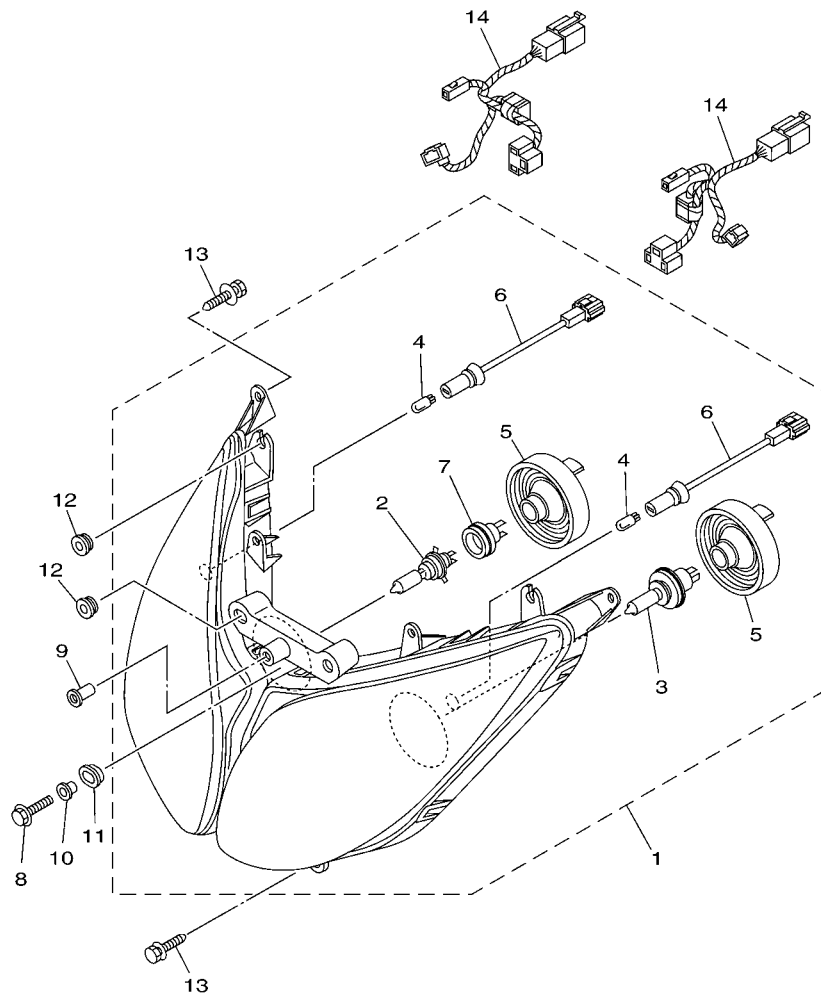


FIG. 41 METER

REF. NO.	PART NO.	DESCRIPTION	4B58	4B5C			REMARKS
			1	1			
1	4B5-83500-00	METER ASSY (KM/H)	1	1			UR KM/H
2	4B5-83511-00	.LENS, SPEEDOMETER	1	1			
3	4AS-83616-10	.SCREW, TAPPING	2	2			
4	97702-50016	SCREW, TAPPING	4	4			


4B51300-G410

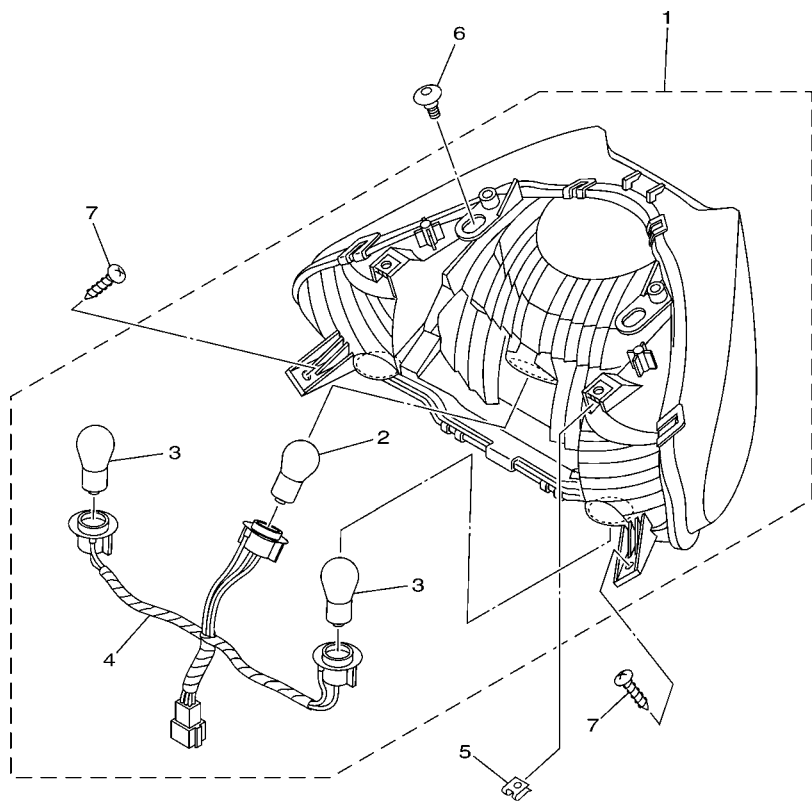


FWD
4B58300-H420

FIG. 42 HEADLIGHT

REF. NO.	PART NO.	DESCRIPTION	4B58	4B5C	REMARKS
1	4B5-84310-11	HEADLIGHT UNIT ASSY		1	FOR ZAF
2	4SV-84314-00	.BULB (12V-55W)	1	1	(H7)HALOGEN
3	8G9-84314-00	.BULB (12V-60/55W)	1	1	(H4)HALOGEN
4	4SV-84347-00	.BULB (12V-5W)	2	2	
5	5GJ-84397-00	.COVER, SOCKET	2	2	
6	4B5-84340-00	.SOCKET CORD ASSY 1	2	2	
7	4SV-84350-00	.SOCKET CORD ASSY 2	1	1	
8	95802-06020	BOLT, FLANGE	1	1	
9	90179-05523	NUT	1	1	
10	90387-06160	COLLAR	1	1	
11	90480-01559	GROMMET	1	1	
12	90480-13398	GROMMET	4	4	
13	90119-06156	BOLT, WITH WASHER	6	6	
14	4B5-84359-00	CORD, HEADLIGHT	2	2	

FIG. 43 TAILLIGHT



REF. NO.	PART NO.	DESCRIPTION	4B58	4B5C				REMARKS
			1	1				
1	4B5-84710-01	TAILLIGHT UNIT ASSY	1	1				
2	137-84714-60	.BULB (12V-21/5W)	1	1				
3	5RU-83331-00	.BULB, FLASHER (12V-21W)	2	2				
4	4B5-84312-00	.CORD ASSY	1	1				
5	90183-05042	NUT, SPRING	1	1				
6	90109-06249	BOLT	2	2				
7	97702-50016	SCREW, TAPPING	2	2				


 4B51300-G430

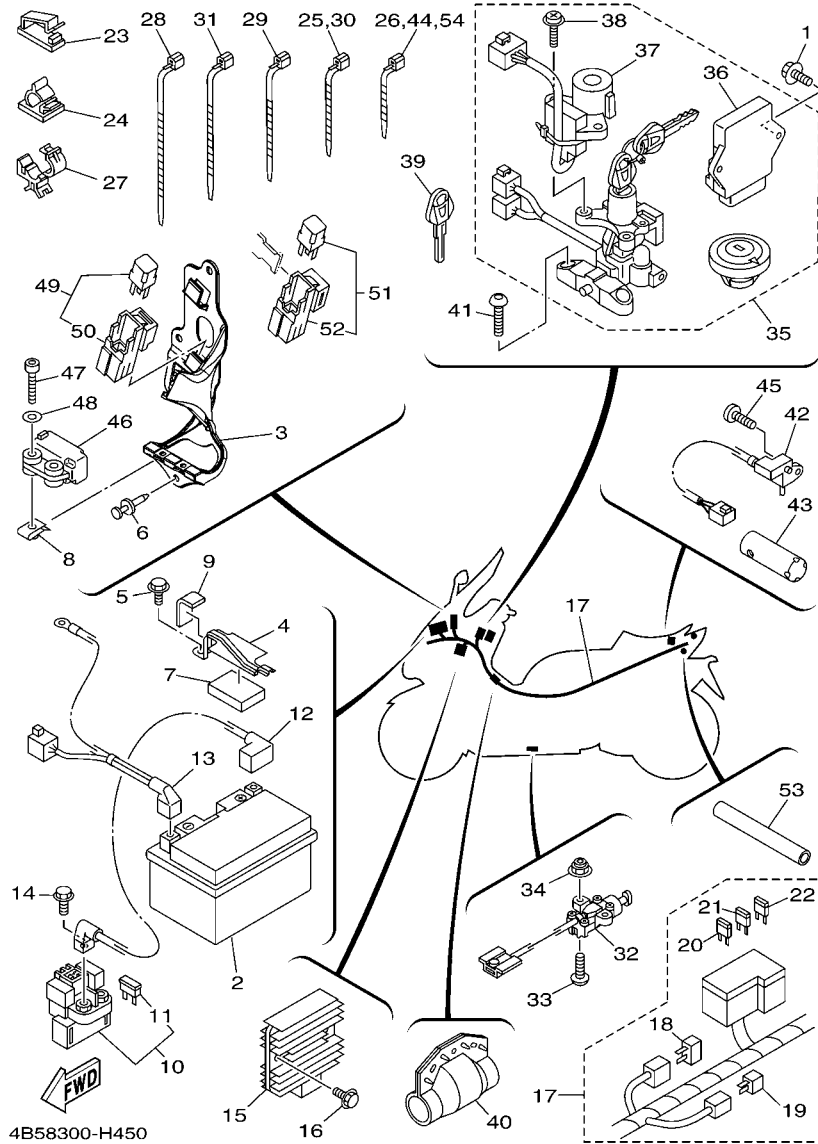


FIG. 45 ELECTRICAL 1

REF. NO.	PART NO.	DESCRIPTION	4B58	4B5C	REMARKS
1	95802-06016	BOLT, FLANGE	2	2	
2	5VY-82100-00	BATTERY ASSY (YUASA YTZ10S)	1	1	
3	4B5-2143E-00	BRACKET, RELAY 1	1	1	
4	4B5-2199G-00	BRACKET, BATTERY	1	1	
5	95822-06010	BOLT, FLANGE	1	1	
6	90269-06081	RIVET	3	3	
7	5SJ-27482-00	MOLD, FOOTREST	1	1	
8	90183-04039	NUT, SPRING	2	2	
9	5H0-8235Y-M0	DAMPER	1	1	
10	4B5-81940-00	STARTER RELAY ASSY	1	1	
11	1AE-82151-00	.FUSE (30A-BL)	2	2	
12	4B5-82115-00	WIRE, PLUS LEAD	1	1	
13	4B5-82116-00	WIRE, MINUS LEAD	1	1	
14	95022-06008	BOLT, FLANGE	2	2	
15	4XY-81960-00	RECTIFIER & REGULATOR ASSY	1	1	
16	95802-06020	BOLT, FLANGE	2	2	
17	4B5-82590-40	WIRE HARNESS ASSY	1	1	UR GBR,IRL,ZAF
18	4WA-81980-00	.DIODE ASSY	1	1	
19	3WP-81980-00	.DIODE ASSY	1	1	
20	5JJ-82151-10	.FUSE (15A-BL)	3	3	
21	5JJ-82151-20	.FUSE (20A-BL)	2	2	
22	5JJ-82151-30	.FUSE (10A-BL)	5	5	
23	90464-13011	CLAMP	4	4	
24	90464-13004	CLAMP	2	2	
25	90464-13073	CLAMP	1	1	
26	90464-13077	CLAMP	2	2	

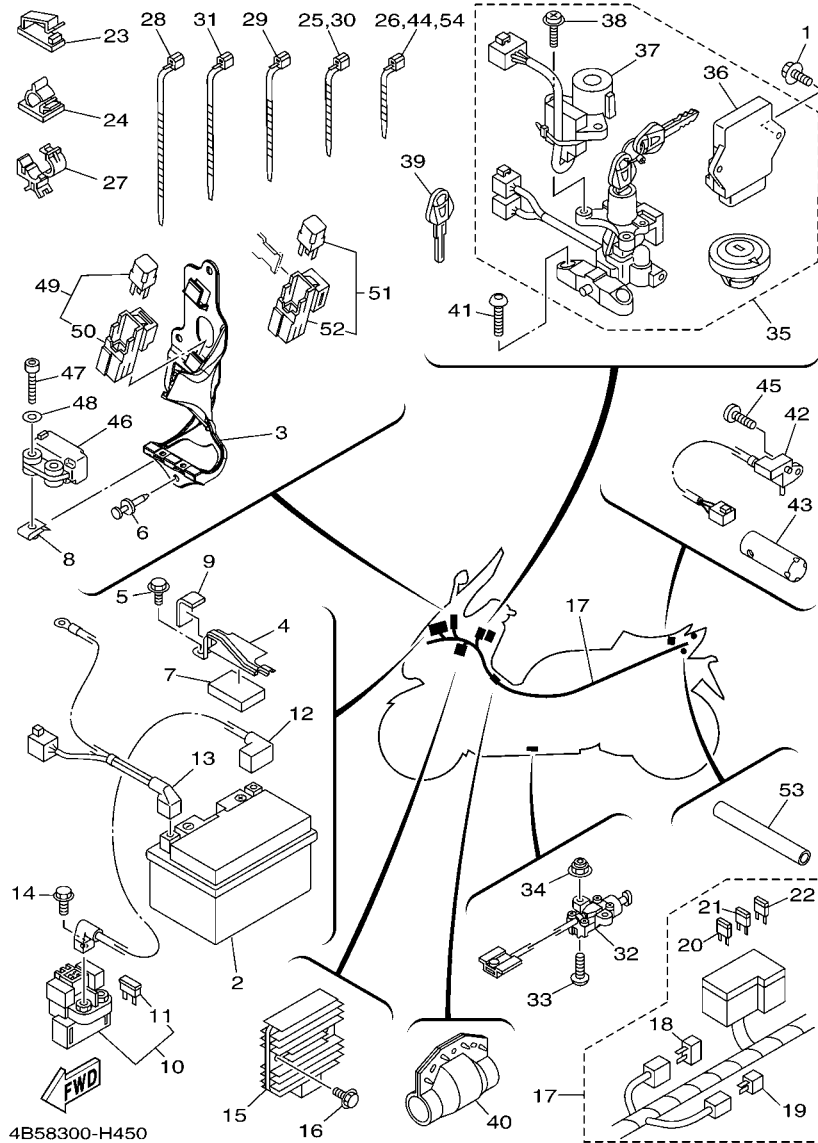
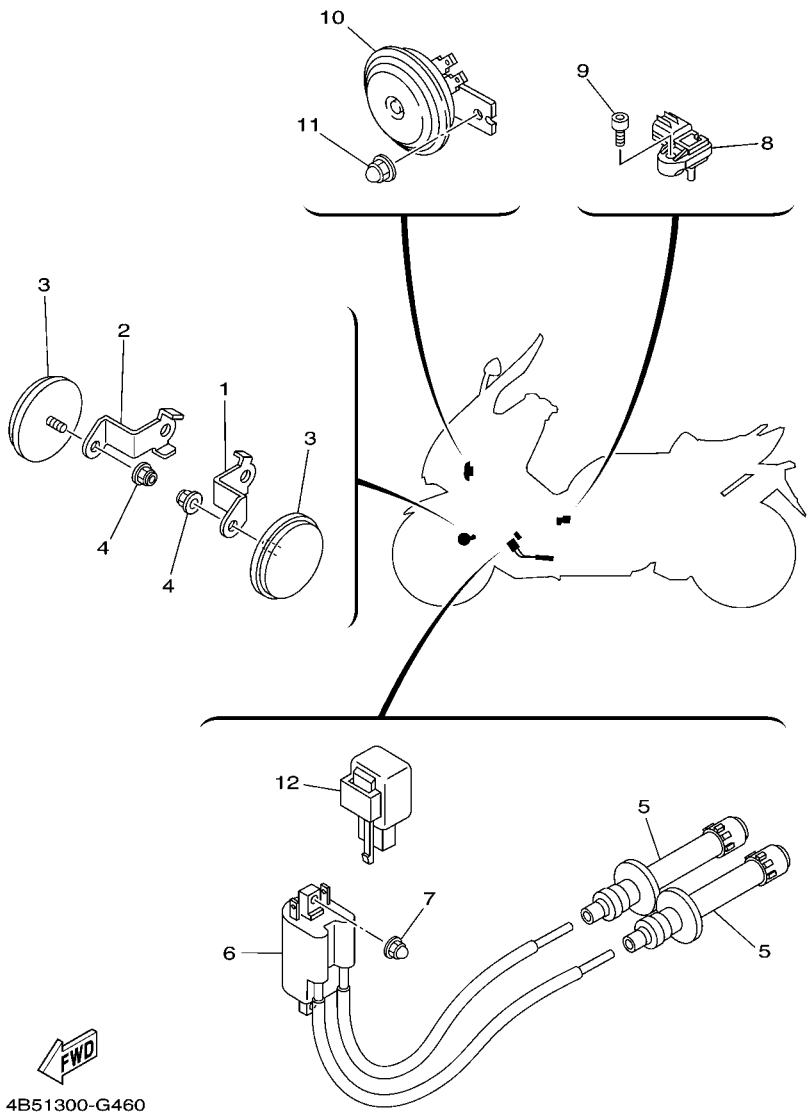


FIG. 45 ELECTRICAL 1

REF. NO.	PART NO.	DESCRIPTION	4B58	4B5C	REMARKS
27	90464-15192	CLAMP	1	1	
28	90460-15126	CLAMP, HOSE	1	1	
29	90464-15195	CLAMP	2	2	
30	90464-13073	CLAMP	1	1	
31	90464-12045	CLAMP	1	1	
32	4B5-82566-00	SWITCH, SIDE STAND	1	1	
33	92012-05020	BOLT, BUTTON HEAD	2	2	
34	95602-05200	NUT, SELF-LOCKING	2	2	
35	4B5-W8250-01	MAIN SW. IMMOBILIZER KIT	1	1	
36	4B5-8591A-00	.ENGINE CONTROL UNIT ASSY	1	1	
37	4B5-8255P-00	.IMMOBILIZER. UNIT COMP.	1	1	
38	5VU-82113-01	.SCREW	2	2	
39	5SL-82511-08	BLANK KEY	1	1	AP
40	5RU-8252U-00	COVER	1	1	
41	90149-08035	SCREW	2	2	
42	4B5-81860-00	SWITCH ASSY	1	1	
43	4B5-82599-00	COVER, CONNECTER	1	1	
44	90464-13077	CLAMP	1	1	
45	98902-03008	SCREW, BIND	1	1	
46	5VU-82576-01	LEAN ANGLE SENSOR	1	1	
47	91312-04025	BOLT	2	2	
48	90201-04325	WASHER, PLATE	2	2	
49	5EA-81950-20	RELAY ASSY	3	3	
50	5EA-81952-00	.HOLDER, RELAY	1	1	
51	5JJ-81950-20	RELAY ASSY	1	1	
52	5JJ-81952-00	.HOLDER, RELAY	1	1	
53	90446-15377	HOSE	1	1	



4B51300-G460

FIG. 46 ELECTRICAL 2

REF. NO.	PART NO.	DESCRIPTION	4B58	4B5C			REMARKS
1	N/A						
2	N/A						
3	N/A						
4	N/A						
5	5VU-82370-00	PLUG CAP ASSY	2	2			
6	4B5-82320-00	IGNITION COIL ASSY	1	1			
7	90176-06014	NUT, CROWN	2	2			
8	2C0-82380-00	SENSOR, PRESSURE	1	1			
9	91312-05020	BOLT	1	1			
10	4B5-83371-00	HORN	1	1			
11	90176-08008	NUT, CROWN	1	1			
12	3GM-83350-01	FLASHER RELAY ASSY	1	1			

NUMERICAL INDEX

PART NO.	REF. NO.	PART NO.	REF. NO.	PART NO.	REF. NO.	PART NO.	REF. NO.	PART NO.	REF. NO.	PART NO.	REF. NO.
4B5-11101-01	1 - 1	5EB-12127-00	3 - 5	4B5-12461-00	6 - 8	48U-14452-00	13 - 25	5GJ-1542B-00	13 - 27	5GJ-17452-00	18 - 20
5GJ-11133-10	1 - 2	5EB-12153-09	3 - 9	5SL-12462-00	6 - 23	4B5-14452-00	8 - 9	5GJ-15431-00	13 - 8	5GJ-17459-00	18 - 21
4B5-11166-00	1 - 19	5EB-12153-10	3 - 9	4B5-12476-00	6 - 20	4B5-14453-00	8 - 14	5GJ-15451-01	12 - 11	5GJ-17469-00	18 - 25
5GJ-11181-00	1 - 17	1HX-12168-00	3 - 8	4B5-12477-00	6 - 21	4B5-14457-00	8 - 10	5GJ-15453-01	12 - 6	5GJ-17523-00	18 - 19
15B-11190-00	1 - 18	1HX-12168-20	3 - 8	4B5-12478-00	6 - 9	4B5-14462-00	8 - 13	5GJ-15461-01	13 - 12	15B-17524-00	18 - 1
5GJ-11193-01	1 - 22	1HX-12168-40	3 - 8	4B5-12481-00	5 - 14	5VX-14503-00	9 - 5	4B5-15473-00	13 - 3	5GJ-17541-10	18 - 5
5GJ-11195-00	1 - 23	1HX-12168-60	3 - 8	4B5-12482-00	5 - 15	4BR-14613-00	10 - 26	5GJ-15474-00	13 - 6	5GJ-17542-10	18 - 12
812-11198-00	18 - 7	1HX-12168-80	3 - 8	4B5-12483-00	6 - 1	4B5-14629-00	10 - 9	15B-15481-00	11 - 6	5GJ-17554-00	18 - 13
214-11198-01	11 - 7	1HX-12168-A0	3 - 8	4B5-12484-00	6 - 6	4B5-1465R-00	10 - 5	3KJ-15481-00	12 - 18	4B5-17611-00	16 - 8
5GJ-11312-00	2 - 19	1HX-12168-F0	3 - 8	4B5-12485-00	6 - 19	5VU-1465T-00	10 - 6		12 - 24	5VU-17623-00	16 - 5
5GJ-11351-01	1 - 27	1HX-12168-H1	3 - 8	5GJ-12589-00	29 - 13	5VU-1465U-00	10 - 7		13 - 20	5VU-17632-00	16 - 4
5VU-11400-00	2 - 1	1HX-12168-K1	3 - 8	5Y9-12491-00	21 - 12	4B5-1465V-00	10 - 25		13 - 28	5VU-17641-00	16 - 7
5GJ-11416-00	2 - 10	1HX-12168-M1	3 - 8	4B5-12551-00	6 - 34	4B5-14711-20	10 - 1		13 - 31	4WV-17644-00	16 - 22
5GJ-11416-10	2 - 10	1HX-12168-R1	3 - 8	5GJ-12589-00	6 - 33	4B5-14718-00	10 - 20		18 - 9	5GJ-17649-00	16 - 9
5GJ-11416-20	2 - 10	1HX-12168-U1	3 - 8	5GJ-12591-00	6 - 24	4B5-1471M-00	10 - 2	5GJ-15486-00	12 - 17	5VU-17653-00	16 - 6
5GJ-11416-30	2 - 10	1HX-12168-W1	3 - 8	5VU-12611-00	6 - 12	4B5-14728-00	10 - 23	4B5-15492-00	13 - 18	5VU-17660-00	16 - 15
5GJ-11416-40	2 - 10	1HX-12168-Y1	3 - 8	4B5-12620-00	6 - 11	4B5-14738-00	10 - 24	5GJ-15499-10	12 - 22	4CW-17664-00	16 - 19
5GJ-11416-A0	2 - 10	1HX-12169-11	3 - 8	5GJ-12675-00	6 - 14	5GM-14766-00	10 - 12		13 - 29	5GJ-17670-01	16 - 16
5GJ-11417-00	2 - 11	1HX-12169-31	3 - 8	3LD-13113-00	7 - 14	5RU-14799-00	10 - 8	5GJ-15512-00	14 - 1	5VU-17681-00	16 - 25
5GJ-11417-10	2 - 11	1HX-12169-50	3 - 8	5GJ-13161-00	7 - 3	4B5-15100-00	11 - 1	5GJ-15517-00	14 - 4	5GJ-17690-00	16 - 21
5GJ-11417-20	2 - 11	1HX-12169-70	3 - 8	5GJ-13300-00	7 - 1	5GJ-15113-00	13 - 9	36Y-15521-01	14 - 2	5GJ-17818-02	18 - 14
5GJ-11417-30	2 - 11	1HX-12169-90	3 - 8	5GJ-13405-00	7 - 8	36Y-15189-00	12 - 9	4NK-15590-00	14 - 3	4B5-21110-00	19 - 1
5GJ-11417-40	2 - 11	1HX-12169-E0	3 - 8	5GJ-13410-00	7 - 10	4H7-15189-00	1 - 29	5GJ-15789-00	12 - 23	4B5-21116-00	19 - 17
5GJ-11417-A0	2 - 11	1HX-12169-G0	3 - 8	22F-13411-01	7 - 13		11 - 9		13 - 30	4B5-2112J-00	19 - 42
5GJ-11455-10	2 - 17	1HX-12169-J0	3 - 8	5DM-13440-00	7 - 21	15B-15191-00	13 - 7	5VU-16110-00	15 - 1	4B5-2113B-00	19 - 3
5GJ-11456-00	18 - 24	1HX-12169-L0	3 - 8	4B5-13470-00	7 - 17	4B5-15316-00	12 - 19	5GJ-16139-00	18 - 18	4B5-2117A-00	19 - 63
5GJ-11603-00	2 - 13	1HX-12169-N0	3 - 8	5JW-13473-00	7 - 18	5GJ-1531A-00	18 - 39	5VU-16151-00	17 - 2	4B5-2117F-00	19 - 38
5VU-11631-00	2 - 12	1HX-12169-T0	3 - 8	5GJ-13475-00	7 - 6	4B5-15326-00	13 - 26	5GJ-16321-10	15 - 11	4B5-2117G-00	19 - 22
5VU-11633-00	2 - 14	5VU-12170-10	4 - 1	4G0-13490-01	7 - 22	4B5-15335-00	12 - 20	5GJ-16324-00	15 - 13	4B5-2117M-00	19 - 39
5GJ-11642-10-A0	2 - 16	5VU-12180-10	4 - 2	4B5-13545-00	8 - 27	5GJ-15335-00	18 - 10	5GJ-16325-10	15 - 12	4B5-21190-00	19 - 10
5VU-11650-00	2 - 2	15B-12210-10	4 - 5	15B-13556-00	8 - 25	5GJ-15337-00	12 - 21	5GJ-16334-00	15 - 16	4B5-2119A-00	19 - 59
5VU-11654-00	2 - 3	15B-12213-00	4 - 6	5RB-13569-00	44 - 3	5VU-15338-00	18 - 11	5VU-16371-00	15 - 5	5VX-21279-10	19 - 2
4X7-11654-01	2 - 7	5BE-12241-00	4 - 4	5VU-13586-01	8 - 1	2H7-15361-00	12 - 2	5GJ-16510-10	15 - 7	4B5-21345-00	19 - 61
5GJ-11656-00	2 - 5	5VU-12251-00	4 - 8	5VU-13596-01	8 - 2	5GJ-15362-01	18 - 33	5GJ-16520-00	15 - 9	4B5-21398-10	28 - 37
	2 - 9	5GJ-12252-00	4 - 9	4B5-13750-00	9 - 1	5GJ-15363-00	12 - 14	5GJ-16529-00	15 - 18	4B5-2139W-00	19 - 37
5GJ-11656-10	2 - 5	4B5-12405-00	6 - 10	4B5-13907-00	26 - 6	3ES-15371-00	18 - 38	5GJ-16533-00	15 - 10	4B5-2141A-00	19 - 49
	2 - 9	4JH-12410-00	6 - 3	4B5-13930-00	8 - 22	4XM-15383-00	16 - 12	5GJ-16537-00	15 - 17	4B5-2141E-00	19 - 52
5GJ-11656-20	2 - 5	4B5-12413-00	6 - 4	5JW-14104-00	9 - 6	5GJ-15383-00	16 - 30	5GJ-16537-10	15 - 17	4B5-2142K-00	19 - 20
	2 - 9	15B-12420-00	5 - 1	5CA-14147-00	8 - 23	4B5-15407-00	13 - 1	5GJ-16537-20	15 - 17	4B5-2143E-00	45 - 3
5GJ-11656-30	2 - 5	5VU-12421-00	5 - 2	84M-14169-00	9 - 2	5GJ-15408-00	13 - 24	5GJ-16537-30	15 - 17	4B5-21445-00	19 - 18
	2 - 9	5GJ-12422-02	5 - 7	8CC-14216-10	9 - 4	5GJ-15411-02	12 - 1	4B5-16539-00	15 - 14	4B5-2144H-00	19 - 55
5GJ-11660-11	2 - 6	11H-12438-10	5 - 5	4B5-14411-00	8 - 7	5GJ-15414-00	12 - 3	5GJ-16540-00	15 - 8	4B5-2145H-00	19 - 57
5GJ-12111-00	3 - 1	1WG-12439-00	5 - 8	4B5-14412-00	8 - 8	4B5-15415-00	12 - 16	5GJ-16550-00	15 - 15	4B5-21511-00-2X	20 - 1
4GY-12113-00	3 - 4	5GJ-1243A-00	6 - 26	4B5-1441A-00	8 - 12	5GJ-15417-00	12 - 4	5VU-17111-00	17 - 3	4B5-21511-00-P0	20 - 1
1HX-12118-00	3 - 6	4B5-1243E-00	6 - 27	5CA-14435-00	8 - 20	5GJ-15418-00	18 - 8	5GJ-17211-00	17 - 6	4B5-21511-00-P3	20 - 1
4TV-12119-00	3 - 7	4B5-1243F-00	8 - 31	4B5-14437-00	8 - 15	5GJ-15421-01	13 - 11	5VU-17411-00	17 - 1	4B5-21511-00-WG	20 - 1
5GJ-12121-01	3 - 2	4B5-1244G-00	8 - 33	4B5-1443A-00	8 - 16	4B5-15423-00	13 - 21	5GJ-17421-00	17 - 5	4B5-2152R-00	22 - 25
5EB-12126-00	3 - 3	5VU-12450-00	5 - 6	4B5-14451-00	8 - 17	5GJ-1542A-00	13 - 19	5GJ-17451-00	18 - 16	4B5-2153E-00	20 - 9

NUMERICAL INDEX

PART NO.	REF. NO.	PART NO.	REF. NO.	PART NO.	REF. NO.	PART NO.	REF. NO.	PART NO.	REF. NO.	PART NO.	REF. NO.
3WF-2153E-40	20 - 9	4D9-2174X-00	19 - 11	3LR-23149-00	25 - 31	4B5-24718-10	27 - 5	4B5-2514A-00	30 - 3	5VS-2589H-00	34 - 29
3WF-2153E-70	20 - 9	4B5-2174Y-00	21 - 7	4V4-23153-L0	25 - 8	4CY-24722-00	27 - 9	4B5-25168-01	29 - 1	4D9-25914-10	32 - 6
4B5-21556-00	20 - 2		21 - 16		25 - 25	4B5-24723-00	27 - 13	4B5-25168-20	29 - 1	13S-25919-00	30 - 10
4B5-21557-00	38 - 45	4JP-21753-00	26 - 17	509-23158-L0	25 - 11	5SL-24723-00	27 - 7	5RB-2517G-10	29 - 11		30 - 21
5RU-21568-01	37 - 6	4B5-2175N-00	21 - 22		25 - 28	4B5-24724-00	27 - 12	4XV-25181-10	29 - 8	4TT-25919-00	32 - 9
2TV-21639-00	28 - 33	4B5-2177B-00	21 - 24	4B5-23170-00	25 - 4	4B5-24726-00	27 - 14	4B5-25317-00	31 - 4	4SV-25924-00	30 - 11
4B5-2163A-00	28 - 32	4B5-21780-00	37 - 34		25 - 21	4B5-24728-10	27 - 6	5VU-25333-00	33 - 1		30 - 22
5VU-21668-00	28 - 38		37 - 42	4YR-23173-00	25 - 10	4B5-24730-20	27 - 1	4B5-25338-00	31 - 1	3GM-25925-00	30 - 12
4B5-21669-00	22 - 16	4B5-21796-01	37 - 11		25 - 27	4B5-24730-30	27 - 1	4B5-25338-20	31 - 1		30 - 23
4B5-21711-00-P0	21 - 1	4B5-21797-00	37 - 13	4B5-2317J-00	19 - 35	4B5-24731-00	27 - 2	5GJ-25366-00	31 - 9	4TT-25937-00	32 - 7
4B5-21711-00-P3	21 - 1	1AA-21815-00	22 - 41	278-23181-50	25 - 12	4B5-24731-10	27 - 2	24X-25367-00	31 - 13	5GM-25975-00	32 - 12
4B5-21711-00-P4	21 - 1	4B5-21816-00	22 - 43		25 - 29	4B5-24737-00	28 - 2	4B5-25377-00	31 - 12	4B5-26110-00	33 - 4
4B5-21711-00-WG	21 - 1	4B5-21871-00	22 - 39	4V4-23188-L0	25 - 17	4B5-2473F-00	21 - 27	5GJ-25381-10	31 - 14	4B5-26131-00	33 - 25
4B5-21717-00	21 - 3	1AA-21874-00	22 - 42		25 - 34	4B5-2473R-01	28 - 1	5MT-25398-00	29 - 7	4B5-26143-00	33 - 18
	21 - 11	4B5-2199G-00	45 - 4	5VU-23317-00	30 - 27	4B5-2473T-00	21 - 28		31 - 8	4B5-26144-00	33 - 16
4B5-2171A-00-P0	21 - 18	15B-22141-00	23 - 4	4PU-2331G-00	25 - 36	22W-24741-00	19 - 31	5MT-25398-10	29 - 7	4B5-26145-00	33 - 19
4B5-2171A-00-P3	21 - 18	1J7-22143-00	23 - 6	4B5-23340-00	25 - 37	4B5-24747-00	28 - 14		31 - 8	4YR-26240-02	33 - 10
4B5-2171A-00-P4	21 - 18	4B5-22171-00-33	23 - 1	4B5-23377-00	24 - 1	4B5-2474A-00-P0	28 - 15	5MT-25398-20	29 - 7	4YR-26241-02	33 - 9
4B5-2171A-00-WG	21 - 18	4BH-2219X-00	23 - 7	4XV-23415-01	24 - 9	4B5-2474A-00-P3	28 - 15		31 - 8	3HX-26246-10	33 - 11
4B5-2171H-00	19 - 12	5VU-22210-00	23 - 15	5VY-23418-00	24 - 6	4B5-2474A-00-P4	28 - 15	4B5-2580T-00	30 - 4	4B5-26279-01	13 - 17
4B5-2171L-00-P0	22 - 19	4B5-22243-00	23 - 18	3FV-23462-00	25 - 40	4B5-2474A-00-WG	28 - 15	4B5-2580U-00	30 - 15	4B5-26280-00	38 - 41
4B5-2171L-00-P1	22 - 19	4AA-22259-40	23 - 16	4B5-23818-00	24 - 2	4B5-2474E-00	27 - 15	4B5-2580V-00	32 - 3	4B5-26290-00	38 - 43
4B5-2171L-00-P4	22 - 19	1D6-22358-00	28 - 9	4B5-24110-00	26 - 1	4B5-2474W-00-P0	28 - 19	4B5-2581T-00	30 - 1	4B5-26301-01	33 - 12
4B5-2171L-00-WG	22 - 19	4B5-22426-00	23 - 13	4B5-24129-00	21 - 40	4B5-2474W-00-P3	28 - 19	1J3-25824-00	30 - 13	5VS-26332-00	34 - 10
4B5-2171M-00-P0	22 - 21	4B5-22865-00-P0	38 - 35	4B5-24135-00	26 - 23	4B5-2474W-00-P4	28 - 19		30 - 24		34 - 33
4B5-2171M-00-P1	22 - 21	4B5-22865-00-P3	38 - 35	5VU-24135-00	26 - 14	4B5-2474W-00-WG	28 - 19	5GM-25824-00	32 - 10	5RB-26396-01	44 - 2
4B5-2171M-00-P4	22 - 21	4B5-22865-00-WG	38 - 35	4B5-24139-00	21 - 41	4B5-24752-00	27 - 10	1D7-25825-00	32 - 11	4B5-27111-00	35 - 1
4B5-2171M-00-WG	22 - 21	4B5-23102-00	25 - 1	5PW-2413B-00	38 - 28	5GJ-24754-01	21 - 30	306-25825-01	30 - 14	4X4-27114-00	35 - 7
4B5-21721-00-P0	21 - 9	4B5-23103-00	25 - 18		38 - 29	4HC-24758-00	21 - 31		30 - 25		35 - 16
4B5-21721-00-P3	21 - 9	4B5-23110-00	25 - 3	4B5-24141-00	26 - 20	4B5-2475K-00	28 - 31	4B5-2582V-00	32 - 1	4B5-27151-00	35 - 6
4B5-21721-00-P4	21 - 9		25 - 20	4B5-2414A-00	26 - 16	4B5-2475U-00	27 - 21	4B5-2584A-01	34 - 37	4B5-27152-00	35 - 10
4B5-21721-00-WG	21 - 9	3TJ-23111-00	25 - 16	5CA-2414G-01	26 - 11	4B5-24762-00	21 - 36	4B5-25852-00	34 - 3	4B5-27311-00	35 - 14
4B5-2172K-00	22 - 34		25 - 33	3ME-2415E-01	21 - 45	4B5-24769-00	27 - 18		34 - 26	4B5-27321-00	35 - 13
4B5-21731-00-P0	22 - 1	5WM-23118-00	25 - 15	5RB-24180-00	26 - 22	4B5-2476U-00	28 - 18	4B5-25854-00	34 - 5	4B5-27411-00	37 - 1
4B5-21731-00-P2	22 - 1		25 - 32	22W-24181-00	10 - 21		28 - 22		34 - 28	4B5-27413-00	22 - 11
4B5-21731-00-P3	22 - 1	5EB-23125-00	25 - 5	4B5-24181-00	26 - 4	5GJ-24774-00	21 - 35	4B5-25855-00	34 - 4	4BP-27413-00	35 - 23
4B5-21732-00	22 - 2		25 - 22	4B5-24182-00	26 - 7	4B5-24779-00	27 - 19		34 - 27		35 - 36
	22 - 7	4B5-23126-00	25 - 2	4B5-24184-00	26 - 8	4B5-2477F-00	21 - 29	5VS-25867-00	34 - 11	4B5-27421-00	37 - 3
5GJ-2173B-20	21 - 2	4B5-23136-00	25 - 19	4B5-24185-00	26 - 9	4B5-24780-11	28 - 23		34 - 34	4B5-27423-00	22 - 14
	21 - 10	4B5-23141-00	25 - 13	3VD-24188-00	19 - 33	4B5-2478D-00	28 - 26	4B5-25872-01	34 - 14	36Y-27424-01	10 - 18
4B5-2173M-00	28 - 6		25 - 30	4BP-24188-00	26 - 5	4B5-2478G-00	27 - 23	4B5-25875-00	34 - 22	4B5-27430-00	35 - 21
4B5-21741-00-P0	22 - 6	4PU-23144-00	25 - 9	31A-24188-01	19 - 13	4B5-24790-00	27 - 3	4B5-25876-00	34 - 41	4DN-27431-01	35 - 22
4B5-21741-00-P2	22 - 6		25 - 26	4B5-24217-00	21 - 33	4B5-24790-10	27 - 3		35 - 31	4B5-27437-00	35 - 30
4B5-21741-00-P3	22 - 6	4PU-23145-01	25 - 7	4B5-24313-00	26 - 19	4B5-24791-00	27 - 4	4B5-2587A-00	18 - 40		35 - 43
4B5-21747-00	21 - 8		25 - 24	4B5-24314-00	26 - 25	4B5-24791-10	27 - 4	4B5-25886-00	34 - 20	4B5-27440-00	35 - 34
	21 - 17	4V4-23146-L0	25 - 6	4B5-24318-00	26 - 18	4B5-2482H-00	28 - 12	5VS-2589F-00	34 - 7	4DN-27441-01	35 - 35
4B5-2174X-00	21 - 6		25 - 23	4B5-24491-00	26 - 10	5EA-25117-00	29 - 2		34 - 30	4B5-27451-00	36 - 32
	21 - 15	3LR-23149-00	25 - 14	54K-24602-00	26 - 2	5RB-2511B-00	29 - 12	5VS-2589H-00	34 - 6	4B5-27461-00	36 - 33

NUMERICAL INDEX

PART NO.	REF. NO.	PART NO.	REF. NO.	PART NO.	REF. NO.	PART NO.	REF. NO.	PART NO.	REF. NO.	PART NO.	REF. NO.
5GJ-27463-00	36 - 30	4B5-28371-00	37 - 32	3WP-81980-00	45 - 19	4B5-84310-11	42 - 1	90101-16003	23 - 17	90119-06212	37 - 22
4B5-27475-00	22 - 4		37 - 40	4WA-81980-00	45 - 18	4B5-84312-00	43 - 4	90105-06026	1 - 6		38 - 50
4B5-27476-00	22 - 9	4B5-28372-00	38 - 21	5VY-82100-00	45 - 2	4SV-84314-00	42 - 2	90105-10150	33 - 5	90119-06235	36 - 25
4B5-27481-00	36 - 1	4B5-28377-00-P0	37 - 62	5VU-82113-01	45 - 38	8G9-84314-00	42 - 3	90105-10283	35 - 8	90149-06082	12 - 5
5SJ-27482-00	45 - 7	4B5-28377-00-P3	37 - 62	4B5-82115-00	45 - 12	4B5-84340-00	42 - 6		35 - 11	90149-06117	20 - 4
4B5-27483-00	36 - 28	4B5-28377-00-P4	37 - 62	4B5-82116-00	45 - 13	4HC-84347-00	28 - 4	90105-10638	30 - 26	90149-08035	45 - 41
4B5-27484-00	36 - 29	4B5-28377-00-WG	37 - 62	3TJ-82131-00	28 - 40	4SV-84347-00	42 - 4		32 - 13	90150-05024	38 - 24
4B5-27485-00	36 - 8	3CV-28378-00	13 - 23	1AE-82151-00	45 - 11	4SV-84350-00	42 - 7	90105-12052	19 - 15		38 - 30
4B5-27488-00	36 - 16	5GM-28379-00	38 - 6	5JJ-82151-10	45 - 20	4B5-84359-00	42 - 14	90105-12053	23 - 21	90151-06024	16 - 13
4B5-28100-00	28 - 39		38 - 9	5JJ-82151-20	45 - 21	5GJ-84397-00	42 - 5	90105-12058	19 - 14	90151-06052	37 - 2
4B5-2814E-00	37 - 47		38 - 37	5JJ-82151-30	45 - 22	4B5-84710-01	43 - 1	90105-12787	19 - 4		37 - 4
4B5-2814H-00	38 - 34	4B5-2837J-00	6 - 16	4B5-82320-00	46 - 6	137-84714-60	43 - 2	90109-05012	38 - 54	90157-05025	35 - 24
4B5-28217-00	36 - 13	4B5-2837K-00	38 - 22	5H0-8235Y-M0	45 - 9	4HC-84744-00	22 - 27	90109-06249	43 - 6		35 - 37
	36 - 26	4B5-2837U-00	38 - 14	5VU-82370-00	46 - 5	4B5-84745-00	22 - 26	90109-064G6	30 - 2	90159-05032	33 - 17
4B5-28227-00	36 - 27	4B5-28395-00	38 - 58	2C0-82380-00	46 - 8	4HC-84770-00	28 - 3		32 - 2	90160-04008	37 - 14
4B5-28237-00	38 - 36	4B5-2839K-00	37 - 38	5SL-82511-08	45 - 39	4AG-85111-00	46 - 3	90109-10029	35 - 4		37 - 33
4B5-28247-00	36 - 14	5GJ-2839M-00	28 - 5	5RU-8252U-00	45 - 40	4B5-85112-00	46 - 1	90110-05032	39 - 4		37 - 41
4B5-28267-00	36 - 15	4B5-2839N-00	37 - 23	4B5-82552-00	37 - 8	4B5-85122-00	46 - 2	90110-06021	1 - 14	90167-05076	22 - 20
4B5-28307-00	38 - 26	4B5-2839R-00	37 - 52	4B5-8255P-00	45 - 37	3Y6-85130-02	22 - 31	90110-06036	16 - 31		22 - 22
5VU-28307-00	37 - 9	4B5-28415-00	38 - 55	4B5-82566-00	45 - 32	5PS-85790-00	1 - 31	90110-06168	7 - 5		36 - 5
4B5-28311-00	37 - 5	4B5-28416-00	37 - 10	5VU-82576-01	45 - 46	8GL-85885-00	9 - 3		7 - 12		36 - 19
4B5-28312-00	37 - 27	4B5-28425-00	38 - 56	4B5-82583-00	28 - 8	5VU-85886-00	8 - 19	90110-06200	22 - 12		37 - 21
4B5-28313-00	37 - 30	4B5-28435-00	38 - 57	4B5-82590-00	45 - 17	4B5-8591A-00	45 - 36		22 - 17		37 - 51
4B5-2832P-00	38 - 27	4B5-2844E-00	38 - 18	4B5-82590-40	45 - 17	4B5-8592A-00	10 - 22	90110-06208	39 - 3		38 - 59
4B5-28335-00	38 - 17	4B5-28455-00	6 - 15	4B5-82599-00	45 - 43	4B5-W0041-00	34 - 2	90110-06218	4 - 10		38 - 60
4B5-28336-00	38 - 38	4B5-2846F-00	38 - 12	36Y-82917-00	34 - 12	4B5-W0041-10	34 - 25	90110-08077	11 - 11	90167-05079	33 - 21
5KE-28345-10	22 - 15	4B5-2847F-00	38 - 20	4B5-83310-00	40 - 1	4B5-W0045-00	30 - 9	90110-08080	14 - 6	90169-05003	37 - 29
4B5-28346-00	37 - 49	4B5-2847N-00	38 - 19	4B5-8331J-00	40 - 2		30 - 20	90110-10021	19 - 7	90170-16326	15 - 20
4B5-2834E-00	37 - 50	4B5-2847P-00	38 - 23		40 - 5	5RU-W0046-00	32 - 8	90110-10022	19 - 8	90170-18221	16 - 24
4B5-2834F-00	38 - 61	4B5-2847R-00	38 - 33	4B5-83320-00	40 - 4	5GJ-W0047-01	32 - 5	90111-06015	10 - 13	90170-28419	24 - 11
4B5-28351-00-P0	37 - 53	15B-46153-00	18 - 32	5RU-83331-00	40 - 3	3GM-W0047-10	30 - 6	90111-06020	10 - 11	90170-36279	16 - 23
4B5-28351-00-P3	37 - 53	4B5-81410-00	39 - 1		40 - 6		30 - 17	90111-06095	37 - 28	90170-48003	15 - 6
4B5-28351-00-P4	37 - 53	5VU-81450-00	39 - 2		43 - 3	3MA-W0047-10	30 - 8	90111-06097	20 - 5	90176-06014	46 - 7
4B5-28351-00-WG	37 - 53	4B5-81815-00	14 - 13	3GM-83350-01	46 - 12		30 - 19	90111-06105	38 - 15	90176-06016	23 - 14
4B5-28356-02	19 - 25	4B5-81826-00	14 - 9	4B5-83371-00	46 - 10	4D9-W0057-00	32 - 4	90111-06109	22 - 35		27 - 16
4B5-2835U-00	38 - 4	4XV-8182A-00	14 - 12	4B5-8338V-00	40 - 7	4SV-W0057-00	30 - 7	90111-10026	2 - 20	90176-06017	28 - 35
4B5-2835V-00	38 - 7		14 - 14	4B5-83500-00	41 - 1		30 - 18	90111-10036	31 - 11	90176-08008	46 - 11
4B5-2835X-01	33 - 23	4B5-81840-00	14 - 8	4B5-83500-40	41 - 1	4SV-W0057-10	30 - 5	90116-09584	1 - 9	90176-10075	10 - 30
4B5-28365-00	38 - 1	4B5-81844-00	14 - 10	4B5-83511-00	41 - 2		30 - 16	90119-05023	22 - 30	90176-12002	19 - 5
4B5-2836K-00	37 - 46	1FK-81847-00	14 - 11	4AS-83616-10	41 - 3	15B-W1131-00	1 - 26	90119-06137	22 - 40	90179-05523	19 - 30
4B5-2836L-00	38 - 10	4B5-81860-00	45 - 42	4B5-83755-02	29 - 10	4B5-W1760-00	16 - 2	90119-06156	42 - 13		37 - 58
4B5-2836M-00	37 - 31	4B5-81890-00	14 - 7	4B5-83912-00	34 - 32	4B5-W2587-00	34 - 1	90119-06186	19 - 60		37 - 67
4B5-2836N-00	37 - 39	4B5-81940-00	45 - 10	4B5-83922-00	34 - 9	4B5-W2587-10	34 - 24		19 - 62		38 - 32
4B5-2836R-00	38 - 31	5EA-81950-20	45 - 49	5VU-83930-00	44 - 4	4B5-W8250-01	45 - 35	90119-06193	24 - 3		42 - 9
4B5-2836T-00	38 - 11	5JJ-81950-20	45 - 51	4B5-83963-00	44 - 8	4B5-Y211K-01	19 - 41	90119-06200	26 - 3	90179-06018	33 - 3
4B5-2836U-01	37 - 7	5EA-81952-00	45 - 50	4B5-83972-00	44 - 1	4B5-Y2343-00	24 - 12	90119-06209	36 - 11	90179-07652	2 - 4
4B5-2836X-00	37 - 35	5JJ-81952-00	45 - 52	36Y-83980-01	34 - 35	4B5-Y284S-21	38 - 25		36 - 24	90179-09003	1 - 13
4B5-2836Y-00	37 - 43	4XY-81960-00	45 - 15	4B5-84310-01	42 - 1	90101-10025	35 - 17		37 - 19	90179-09379	2 - 8

NUMERICAL INDEX

PART NO.	REF. NO.	PART NO.	REF. NO.	PART NO.	REF. NO.	PART NO.	REF. NO.	PART NO.	REF. NO.	PART NO.	REF. NO.
90179-09612	1 - 12	90201-10043	10 - 28	90387-06170	28 - 11	90464-13011	45 - 23	90480-10332	10 - 10	92014-06014	22 - 8
90179-18007	2 - 22		33 - 6		28 - 25	90464-13073	6 - 35	90480-12581	10 - 14	92902-05600	26 - 13
90179-20013	16 - 14	90201-12043	19 - 6	90387-062M9	24 - 4		44 - 10	90480-13003	19 - 46		28 - 29
90179-30691	24 - 7		23 - 24	90387-064H8	35 - 29		45 - 25	90480-13018	26 - 15	92902-06600	5 - 13
90183-04039	45 - 8	90201-14022	31 - 15		35 - 42		45 - 30	90480-13398	42 - 12		5 - 18
90183-040A0	21 - 43	90201-22018	23 - 5	90387-07020	6 - 18	90464-13077	19 - 50	90480-13567	36 - 10	92902-08600	23 - 3
90183-05014	22 - 29	90201-24017	15 - 19	90387-08068	28 - 16		45 - 26		36 - 23	92902-10200	35 - 19
90183-05042	13 - 22	90201-244A9	15 - 3		28 - 20		45 - 44		37 - 25	92990-06200	10 - 4
	21 - 5	90201-25017	7 - 20	90387-08079	20 - 7		45 - 54	90480-14003	37 - 54	93101-30001	2 - 26
	21 - 14	90201-25290	14 - 5	90387-10018	35 - 18	90464-14003	34 - 45		37 - 63	93101-35001	16 - 3
	21 - 44	90201-28017	24 - 10	90387-10046	10 - 19	90464-15192	33 - 15	90480-16301	6 - 17	93102-12442	5 - 4
	22 - 23	90202-06004	37 - 18	90387-12003	23 - 22		33 - 24	90501-104F9	7 - 16	93102-15004	16 - 33
	28 - 7	90202-30235	24 - 8	90387-12039	23 - 23		34 - 17	90501-15001	35 - 27	93102-25017	23 - 9
	33 - 22	90241-06002	37 - 12	90387-16019	23 - 19		34 - 43		35 - 40	93102-25044	31 - 5
	36 - 6	90249-12004	33 - 2	90387-17011	23 - 10		45 - 27	90501-600A0	16 - 20	93102-25064	17 - 9
	36 - 12	90269-06001	21 - 25	90387-18001	2 - 23	90464-15195	6 - 22	90506-20027	35 - 15	93102-40021	18 - 28
	36 - 20		21 - 26	90387-20018	15 - 4		45 - 29	90506-23509	35 - 3	93102-42004	16 - 28
	37 - 20		22 - 36	90387-22016	29 - 9	90464-16006	19 - 44	90506-40508	35 - 2	93102-44008	2 - 27
	37 - 61		22 - 37	90387-26001	16 - 26	90464-18246	19 - 45	90560-06201	19 - 47	93102-48004	18 - 30
	37 - 70		22 - 38	90401-10172	34 - 18	90464-20015	8 - 30	90560-08066	28 - 36	93102-55004	18 - 36
	38 - 5		38 - 13		34 - 38	90464-20191	19 - 53	90560-17306	31 - 17	93104-41119	16 - 17
	38 - 8		38 - 48	90401-20005	7 - 19		33 - 8	91312-04025	45 - 47	93105-45017	18 - 31
	38 - 49		38 - 52	90430-08119	1 - 5	90464-25217	19 - 27	91312-05020	46 - 9	93106-28043	29 - 4
	43 - 5		40 - 8		11 - 12	90464-30252	19 - 28	91312-06020	4 - 7	93210-06422	7 - 4
90183-05068	33 - 20	90269-06008	21 - 21	90430-09002	8 - 24	90464-32002	19 - 65		5 - 9	93210-09525	7 - 9
90183-050A6	22 - 24		37 - 60	90430-10005	34 - 19	90465-12356	44 - 7		8 - 4	93210-10096	7 - 23
90183-050A7	21 - 38		37 - 69		34 - 39	90467-090A2	22 - 45	91312-06035	1 - 25	93210-14579	7 - 11
90183-05M02	21 - 23		38 - 39	90430-12202	1 - 32		26 - 21	91312-08020	18 - 3	93210-16325	12 - 10
	22 - 5		38 - 40	90445-08017	8 - 5		26 - 27	91312-08030	24 - 13	93210-19123	12 - 15
	22 - 10		38 - 47	90445-09094	22 - 44	90467-09120	6 - 32	91314-08025	25 - 38		18 - 34
90183-06008	37 - 17		38 - 51	90446-15377	45 - 53	90467-10035	6 - 31	91314-08040	25 - 35	93210-21190	5 - 16
90183-060A6	20 - 3		38 - 53	90450-01001	13 - 4		8 - 32	91317-05055	44 - 5	93210-22382	1 - 30
	36 - 7	90269-06081	28 - 34	90450-32015	6 - 2		8 - 34	91380-06012	10 - 3		11 - 10
	36 - 21		45 - 6	90450-47002	8 - 6	90467-10038	6 - 30	91402-20012	35 - 25	93210-26001	16 - 27
	37 - 57	90269-07077	19 - 40		8 - 21	90467-100A1	22 - 46		35 - 38	93210-30611	16 - 10
	37 - 66	90280-05013	2 - 24	90450-72005	13 - 5	90467-13133	1 - 20	91702-06038	35 - 26	93210-32738	8 - 3
	38 - 3	90338-05009	19 - 43	90460-15126	45 - 28	90467-15001	6 - 28		35 - 39	93210-33133	5 - 11
90183-060A8	37 - 26		37 - 16	90464-07002	28 - 30	90467-150A2	8 - 29	91808-16023	1 - 3	93210-34504	18 - 26
90185-10022	35 - 5	90338-05056	8 - 18	90464-09009	38 - 46	90467-15141	6 - 29	92012-05010	28 - 27	93210-44545	16 - 18
	35 - 9	90338-08174	1 - 7	90464-10125	34 - 40	90467-16181	1 - 21	92012-05012	33 - 13	93210-44704	31 - 10
	35 - 12	90338-20113	37 - 24	90464-10190	19 - 26	90467-17089	8 - 28	92012-05020	45 - 33	93210-48364	11 - 8
90201-04325	45 - 48	90340-12006	18 - 6		19 - 29	90468-040A0	21 - 20	92012-06014	13 - 10	93210-50553	18 - 2
90201-05043	22 - 32	90387-06023	10 - 15		34 - 16	90468-16001	27 - 24	92012-06050	7 - 2	93306-00106	5 - 3
	37 - 37	90387-0602X	37 - 55		34 - 44	90468-18121	27 - 17	92012-08020	27 - 20	93306-00420	29 - 3
	37 - 45		37 - 64	90464-10M38	26 - 26	90480-01558	19 - 32		27 - 22	93306-00713	16 - 11
90201-062G3	10 - 16	90387-06105	38 - 16	90464-12045	45 - 31		36 - 9	92012-08035	28 - 17	93306-00807	18 - 27
90201-090P4	1 - 11	90387-06153	20 - 6	90464-13004	40 - 10		36 - 22		28 - 21	93306-00808	18 - 29
90201-10037	19 - 9	90387-06160	42 - 10		45 - 24	90480-01559	42 - 11	92014-06014	22 - 3	93306-20331	31 - 2

NUMERICAL INDEX

PART NO.	REF. NO.	PART NO.	REF. NO.	PART NO.	REF. NO.	PART NO.	REF. NO.	PART NO.	REF. NO.	PART NO.	REF. NO.
93306-205A8	17 - 8	95022-08110	11 - 5	95822-06020	13 - 2	99009-25400	18 - 22				
93306-20637	18 - 17	95602-05100	22 - 33	95602-05100	28 - 10	99009-42500	16 - 32				
93306-20651	16 - 29	95602-05200	45 - 34	95822-08016	19 - 51	99244-00080	21 - 19				
93306-30102	16 - 1	95602-06200	27 - 8		19 - 54	99246-00080	21 - 19				
93306-30217	16 - 34		46 - 4	95822-08020	19 - 36	99247-00080	21 - 19				
93306-30317	31 - 3	95602-08200	10 - 27	95822-10045	19 - 34	99480-08020	13 - 13				
93306-30427	17 - 4	95602-10100	33 - 7	97002-05010	28 - 28	99530-10114	11 - 2				
	18 - 23		35 - 20	97002-05020	26 - 12		12 - 7				
93306-90602	2 - 25	95602-10200	19 - 19	97002-08035	23 - 2		12 - 12				
93317-32493	15 - 2	95602-12200	19 - 16	97022-05012	37 - 36		18 - 15				
93317-41761	23 - 20		23 - 25		37 - 44	99530-10116	1 - 24				
93332-00010	23 - 8	95602-14200	31 - 16	97022-06016	5 - 17	99530-14016	23 - 11				
93332-00086	18 - 4	95612-08620	1 - 8	97022-06030	5 - 12						
93399-99932	24 - 5	95617-06100	34 - 8	97602-04214	34 - 13						
93399-99957	25 - 39		34 - 31		34 - 36						
93450-16068	2 - 18	95702-05500	6 - 13	97702-40010	21 - 34						
93450-16159	2 - 15	95702-06500	34 - 15		21 - 42						
93501-04011	35 - 28		38 - 42	97702-50014	26 - 24						
	35 - 41		38 - 44	97702-50016	21 - 4						
93505-08030	7 - 15	95802-06010	19 - 23		21 - 13						
93603-50195	21 - 32		21 - 47		21 - 39						
93608-30002	18 - 37		33 - 26		21 - 46						
93608-60001	2 - 21		34 - 42		22 - 13						
93612-16254	1 - 10	95802-06012	6 - 25		22 - 18						
	1 - 28		34 - 21		36 - 2						
93900-00030	29 - 6		34 - 23		36 - 3						
	31 - 7	95802-06014	35 - 32		36 - 4						
94112-15008	29 - 5	95802-06016	20 - 8		36 - 17						
94112-15009	29 - 5		45 - 1		36 - 18						
94116-15011	31 - 6	95802-06020	37 - 56		36 - 31						
94116-15012	31 - 6		37 - 65		37 - 15						
94580-25058	7 - 7		42 - 8		37 - 48						
94582-18132	4 - 3		45 - 16		37 - 59						
94701-00353	1 - 16	95802-06025	19 - 24		37 - 68						
95022-06008	45 - 14		27 - 11		38 - 2						
95022-06012	6 - 7	95812-06025	14 - 15		40 - 9						
95022-06014	28 - 13	95812-06030	8 - 26		41 - 4						
95022-06025	6 - 5	95812-08025	35 - 33		43 - 7						
95022-06035	11 - 3		35 - 44	97702-50025	8 - 11						
	12 - 8	95812-08030	19 - 21	97707-40612	22 - 28						
	12 - 13		19 - 56	98502-05020	33 - 14						
	13 - 16		19 - 58	98507-05012	44 - 6						
	18 - 35	95812-10040	10 - 29	98507-05050	44 - 9						
95022-06050	11 - 4	95812-10100	23 - 12	98902-03008	45 - 45						
95022-06085	1 - 15	95822-06010	45 - 5	98902-05010	21 - 37						
95022-08012	1 - 4	95822-06012	19 - 64	98980-06010	10 - 17						
95022-08025	13 - 15	95822-06016	19 - 48	99009-12400	5 - 10						
95022-08040	13 - 14		28 - 24	99009-25400	17 - 7						