

YAMAHA

PARTS CATALOGUE

TT600N'85 (59X)

1559X-700E1

CONTENTS

ENGINE

Cylinder Head	B2 ~ B3
Cylinder	B4
Crankshaft · Piston	B5 ~ B6
Valve	B7
Camshaft · Chain	B8
Oil Pump	B9 ~ B10
Intake	B11 ~ B12
Carburetor	B13 ~ B14
Exhaust	B15
Crankcase	C2
Crankcase Cover 1	C3 ~ C4
Starter	C5 ~ C6
Clutch	C7 ~ C8
Transmission	C9 ~ C10
Shift Cam · Fork	C11
Shift Shaft	C12

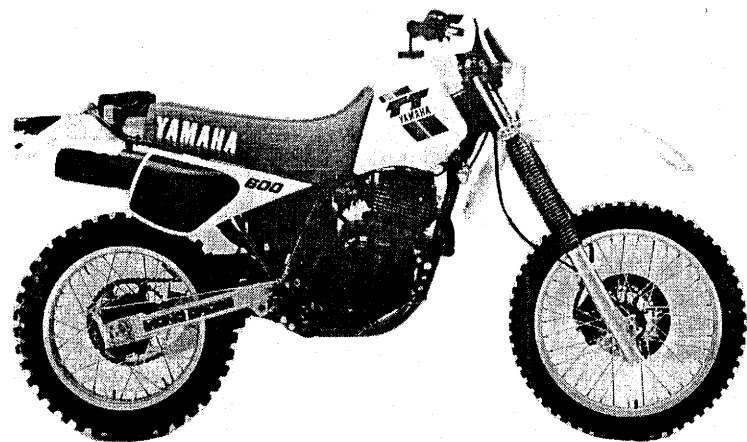
CHASSIS

Frame	C13 ~ C14
Fender	C15
Side Cover	D2
Rear Arm	D3 ~ D4
Rear Suspension	D5

Steering	D6
Front Fork	D7 ~ D8
Fuel Tank	D9
Seat	D10
Front Wheel	D11
Front Brake Caliper	D12
Rear Wheel	D13 ~ D14
Steering Handle · Cable	D15
Front Master Cylinder	E2
Stand · Footrest	E3 ~ E4
Generator	E5
Flasher Light	E6
Meter	E7
Headlight	E8
Taillight	E9
Handle Switch · Lever	E10
Electrical 1	E11 ~ E12
Electrical 2	E13

INDEX

NUMERICAL INDEX	M1 ~ M4
-----------------------	---------



A3

FOREWORD

This Parts Catalogue is related to the parts in use for the Yamaha TT600N'85 (59X).
When you are ordering replacement parts for the TT600N'85 (59X), refer to this Parts Catalogue and quote both part numbers and part names correctly.

1. Modifications or additions which have been made after issue of the Parts Catalogue will be announced in the Yamaha Parts News.
It is advisable that according to the Yamaha Parts News you make necessary corrections to the Parts Catalogue on hand to keep it up-to-date.

2. Abbreviations

The following abbreviations are used in this Parts Catalogue.

- U.R. Use size (thickness) and/or number as required.
- U.N. Use as many as you need.
- A.P. Alternate Parts
- L.M. Local Made
- F# Frame No. (Applicable machine No.)

3. The parts marked with (*) in the parts number column of this Catalogue are not supplied with by Yamaha, those have to be found locally.
4. Parts, which are to be supplied in the form of assemblies, are listed with an indentation of one letter's space, and a dot (.) is put against the name of each part.

EXAMPLE CARBURETOR ASS'Y
 . JET, pilot
 . NOZZLE, main

5. Indication of No. of constituent parts for assembly

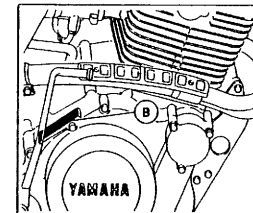
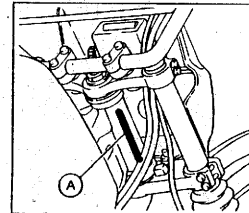
The numeral appearing to the right of each constituent part under the description indicates the quantity of such parts for each individual assembly unit.

EXAMPLE

Part No.	Description	Q'ty	Remarks
2F5-83310-60	FRONT FLASHER LIGHT ASS'Y	2	
115-83311-60	. BULB (6V-18W)	1	
1M1-83309-60	. REFLECTOR	1	

6. Initial Serial No. and Color Code

(A) Frame Serial No.	59X-000101 and following
(B) Engine Serial No.	59X-000101 and following



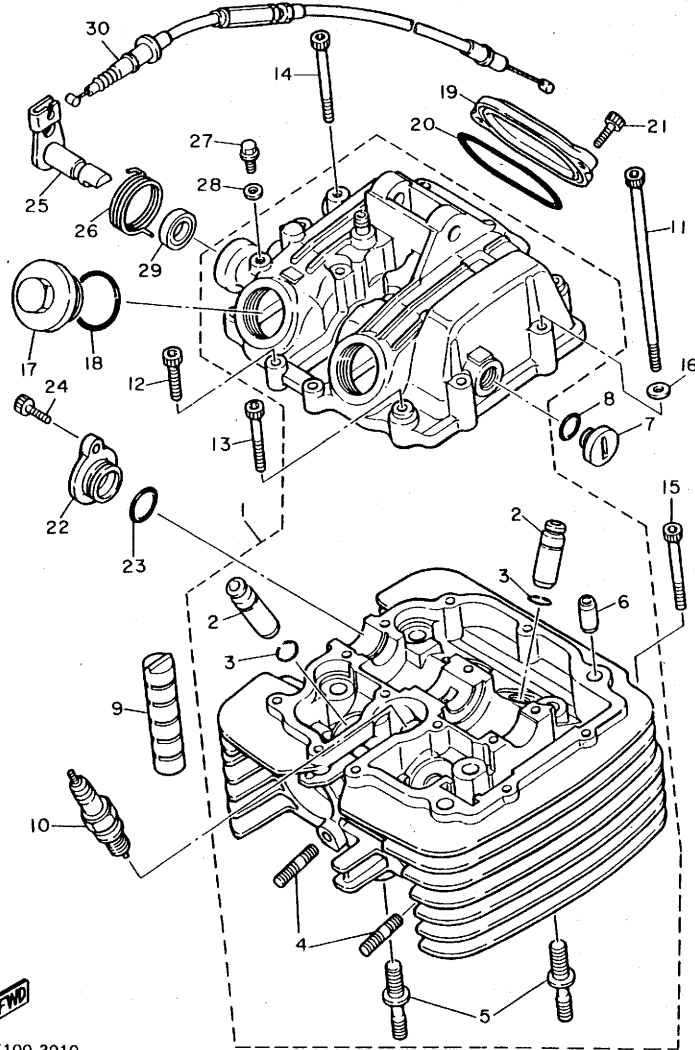
Color Code	Color Name	Abbreviate
36/FH	WHITE/FIRE RED	W/FIR

7. Applicable colors of graphics are represented in the "Remarks" column by the letter(s) appropriately picked out of the full word(s) showing such colors.

EXAMPLE

Part No.	Description	Q'ty	Remarks
2N4-24110-00-X5	FUEL TANK COMP.	1	MAXIM RED
3J1-24240-10	. GRAPHIC, fuel tank set	1	for MXR

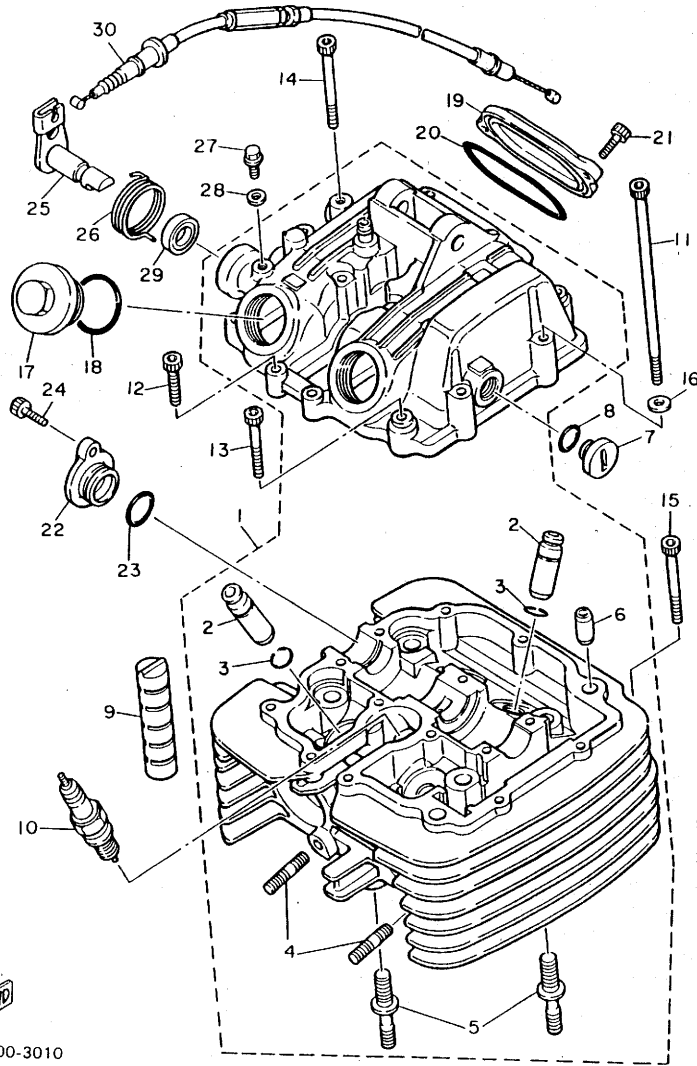
FIG. 1 CYLINDER HEAD



34K100-3010

REF. NO.	PART NO.	DESCRIPTION	Q'TY	REMARKS
1	34K-11101-00	CYLINDER HEAD ASSY	1	
2	4H7-11133-10	•GUIDE, intake valve	4	
3	93440-12052	•CIRCLIP	4	
4	95611-06620	•BOLT, stud	4	
5	90116-10378	•BOLT, stud	2	
6	91810-03014	•PIN, dowel	2	
7	90340-14079	PLUG, straight screw	1	
8	93210-14369	O-RING	1	
9	583-11127-00	ABSORBER 3	2	
10	94701-00263	PLUG, sPark (NGK DP7EA 9)	1	UR for other countries
	94701-00262	PLUG, sPark (NGK DPR7EA 9)	1	UR for s.africa
11	91316-06125	BOLT	2	
12	91316-06025	BOLT	4	
13	91316-06040	BOLT	3	
14	91316-06055	BOLT	7	
15	91316-06050	BOLT	1	
16	92906-06600	WASHER, Plate	2	
17	1H2-11186-00	COVER, cylinder head side 2	2	
18	93210-32172	O-RING	2	
19	5Y1-11187-00	COVER, cylinder head side 3	1	
20	93210-62446	O-RING	1	
21	91316-06018	BOLT	2	
22	34K-12215-01	CAP, tensioner case	1	
23	93210-19522	O-RING	1	
24	91316-06020	BOLT	1	
25	34K-12288-00	CAM, decompression	1	
26	90508-18551	SPRING, torsion	1	
27	90109-06418	BOLT	1	
28	90430-06014	GASKET	1	

FIG. 1 CYLINDER HEAD



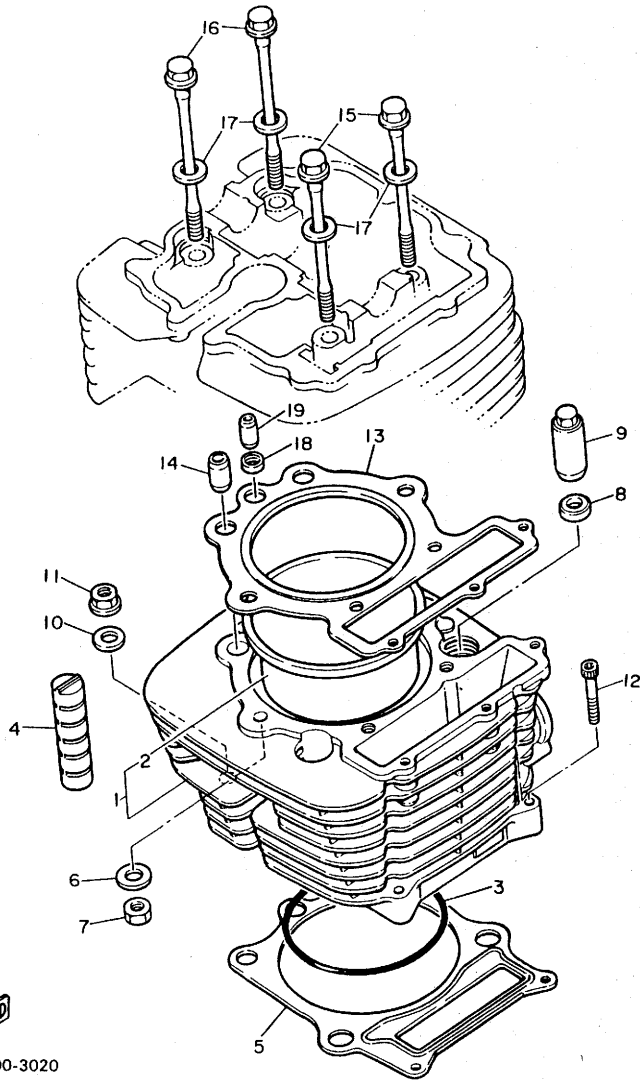
REF. NO.	PART NO.	DESCRIPTION	Q'TY	REMARKS
29	93102-12106	OIL SEAL	1	
30	5Y1-12292-00	CABLE, decomPression	1	



34K100-3010

B3

FIG. 2 CYLINDER



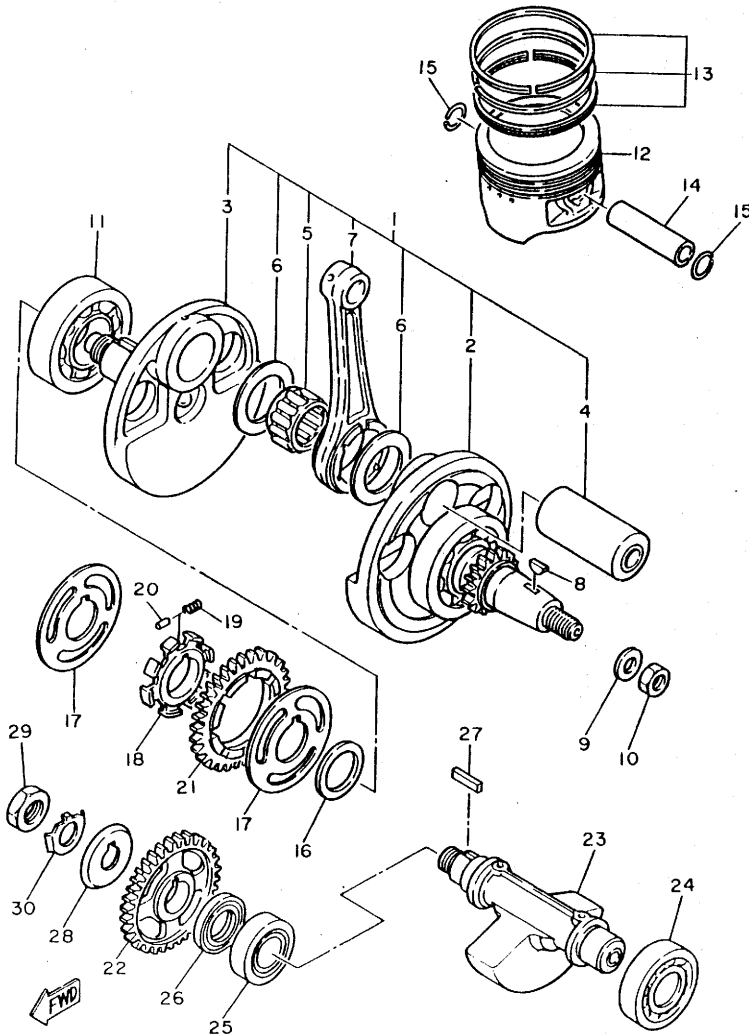
REF. NO.	PART NO.	DESCRIPTION	Q'TY	REMARKS
1	34K-11310-00	CYLINDER	1	
2	34K-11312-09	SLEEVE, cylinder	1	
3	93210-98473	O-RING	1	
4	583-11127-00	ABSORBER 3	2	
5	34K-11351-00	GASKET, cylinder	1	
6	90201-08760	WASHER, Plate	2	
7	90176-08026	NUT, crown	2	
8	90201-10590	WASHER, Plate	2	
9	90179-10201	NUT	2	
10	90201-10124	WASHER, Plate	2	
11	90179-10279	NUT	2	
12	91316-06030	BOLT	2	
13	34K-11181-00	GASKET, cylinder head 1	1	
14	91810-05018	PIN, dowel	2	
15	90105-08213	BOLT, washer based	2	
16	90105-08214	BOLT, washer based	2	
17	90201-08609	WASHER, Plate	4	
18	90430-08178	GASKET	1	
19	91810-18016	PIN, dowel	1	



34K100-3020

B4

FIG. 3 CRANKSHAFT, PISTON

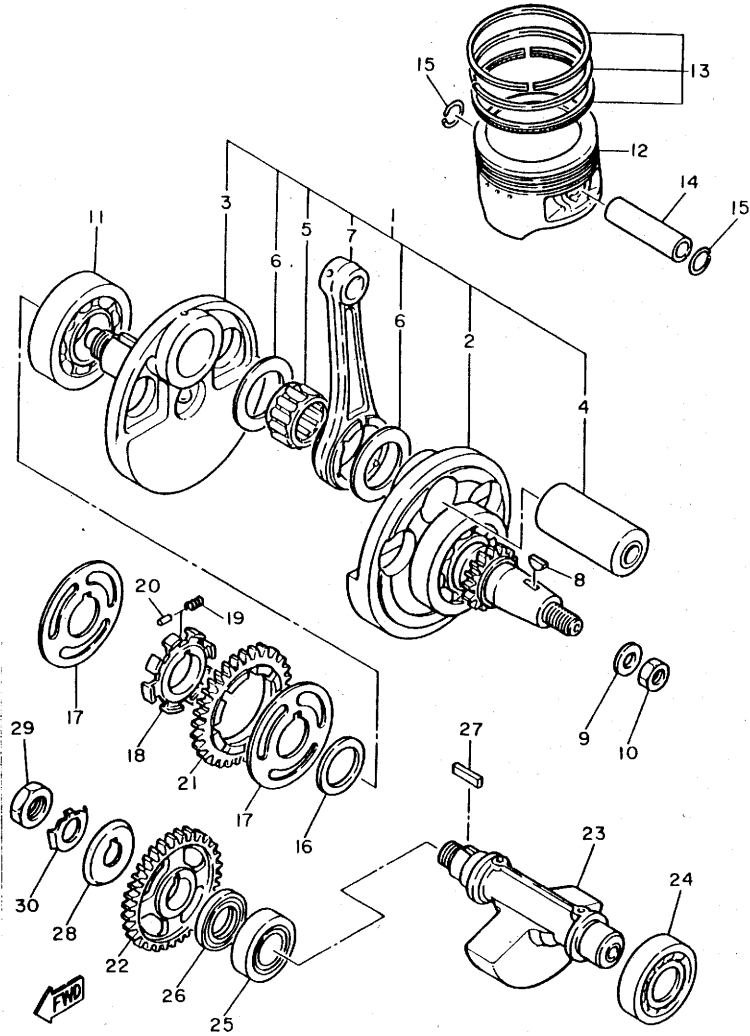


43F300-4030

REF. NO.	PART NO.	DESCRIPTION	Q'TY	REMARKS
1	34K-11400-00	CRANKSHAFT ASSY	1	
2	34K-W1141-00	•CRANK 1	1	
3	34K-11422-00	•CRANK 2	1	
4	34K-11681-00	•PIN, crank 1	1	
5	93310-634K2	•BEARING, cylindrical	1	
6	90209-34254	•WASHER	2	
7	34K-11651-00	•ROD, connectin8	1	
8	90280-05013	KEY, woodruff	1	
9	90201-14226	WASHER, Plate	1	
10	90179-14317	NUT	1	
11	93306-30702	BEARING (B6307)	1	
12	34K-11631-01-YO	PISTON (STD)	1	
13	34K-11610-00	PISTON RING SET (STD)	1	
14	34K-11633-00	PIN, Piston	1	
15	93450-24028	CIRCLIP	2	
16	90201-301F4	WASHER, Plate	1	
17	34K-11565-01	WASHER, bearing cover	2	
18	5Y1-11496-01	BOSS, buffer	1	
19	90501-22721	SPRING, compression	8	
20	93605-10090	PIN, dowel	4	
21	34K-11536-01	GEAR, drive → 2JT-11536-00	1	59x-011159~
22	5Y1-11531-00	GEAR, blance wt 44t	1	
23	34K-11454-00	WEIGHT 1	1	
24	93306-30525	BEARING (B6305)	1	
25	93306-30541	BEARING	1	
26	93101-25106	OIL SEAL	1	
27	90282-05065	KEY, straight	1	
28	34K-11145-00	PLATE, breather 2	1	

FIG. 3 CRANKSHAFT, PISTON

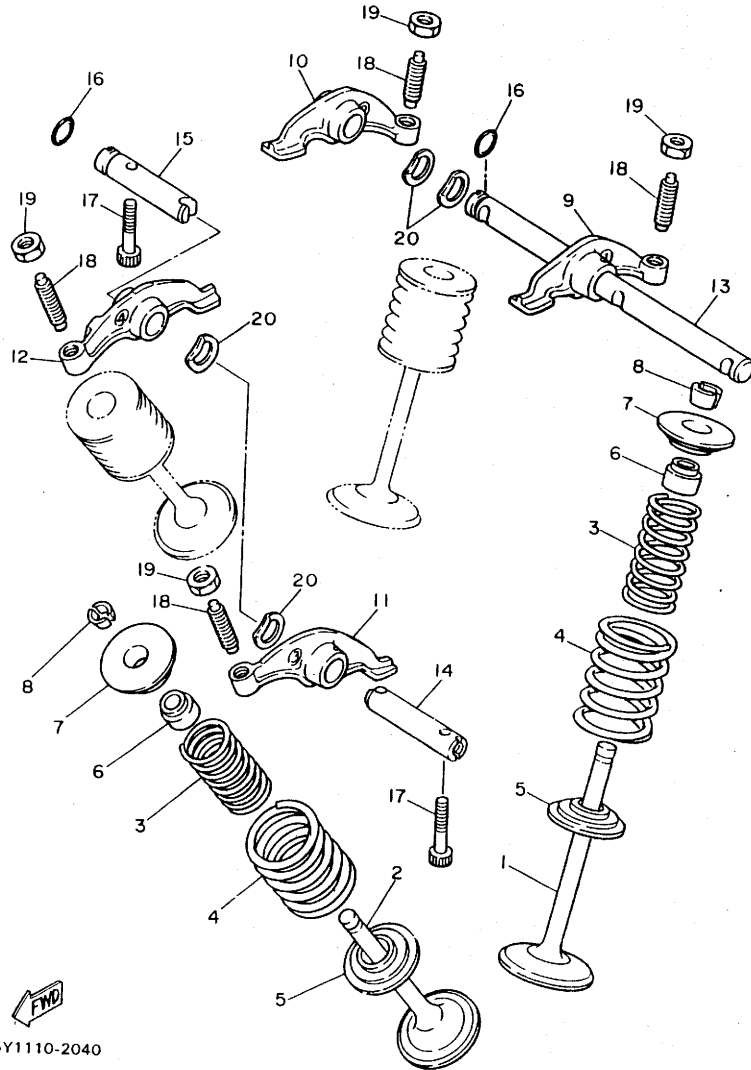
REF. NO.	PART NO.	DESCRIPTION	Q'TY	REMARKS
29	90170-16343	NUT	1	
30	90215-16242	WASHER, lock	1	



43F300-4030

B6

FIG. 4 VALVE

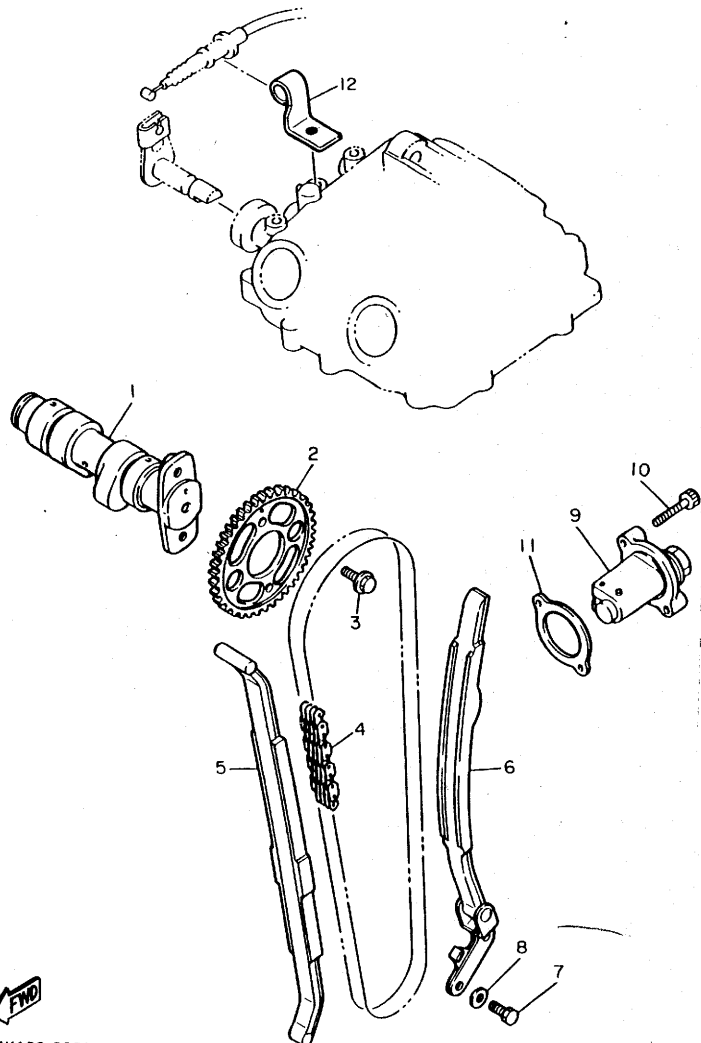


REF. NO.	PART NO.	DESCRIPTION	Q'TY	REMARKS
1	5Y1-12111-00	VALVE, intake	2	
2	34K-12121-00	VALVE, exhaust	2	
3	5Y1-12113-00	SPRING, valve inner	4	
4	5Y1-12114-00	SPRING, valve outer	4	
5	4H7-12116-00	SEAT, valve spring	4	
6	1J7-12119-01	SEAL, valve stem	4	
7	2F3-12117-00	RETAINER, valve spring	4	
8	1J7-12118-00	COTTER, valve	8	
9	34K-12151-00	ARM, valve rocker	1	
10	34K-12161-00	ARM, valve rocker 2	1	
11	34K-12162-00	ARM, valve rocker 3	1	
12	34K-12163-00	ARM, valve rocker 4	1	
13	5Y1-12146-00	SHAFT, rocker	1	
14	5Y1-12156-00	SHAFT, rocker 2	1	
15	5Y1-12166-00	SHAFT, rocker 3	1	
16	93210-08521	O-RING	2	
17	91316-06030	BOLT	2	
18	3Y1-12159-00	SCREW, valve adjusting	4	
19	90170-06128	NUT	4	
20	90206-12075	WASHER, wave	4	

5Y1110-2040

B7

FIG. 5 CAMSHAFT. CHAIN



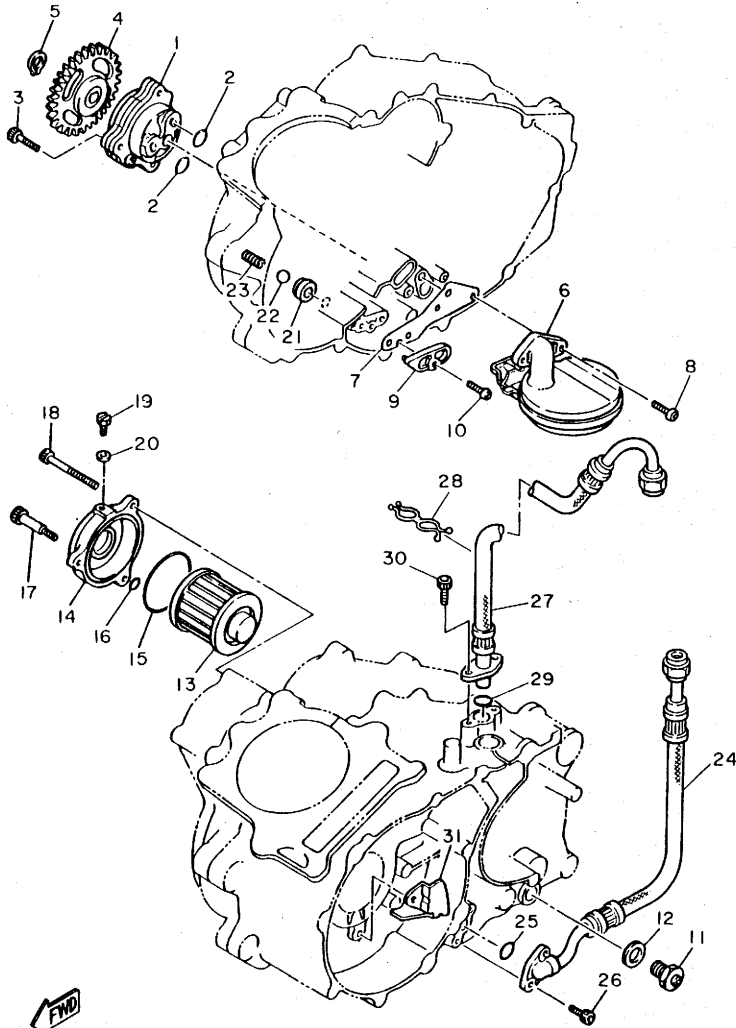
REF. NO.	PART NO.	DESCRIPTION	Q'TY	REMARKS
1	34K-12170-00	CAMSHAFT ASSY 1	1	
2	34K-12176-00	SPROCKET, cam chain	1	
3	90105-07087	BOLT, washer based	2	
4	94590-27126	CHAIN	1	
5	34K-12231-00	GUIDE, stoPPer 1	1	
6	34K-12241-00	GUIDE, stoPPer 2	1	
7	97321-06016	BOLT	2	
8	90201-061A5	WASHER, Plate	2	
9	34K-12210-00	TENSIONER ASSY, cam chain	1	
10	91316-06025	BOLT	2	
11	4X7-12213-00	GASKET, tensioner case	1	
12	5Y1-12283-00	BRACKET, decomPression	1	



34K100-3050

B8

FIG. 6 OIL PUMP



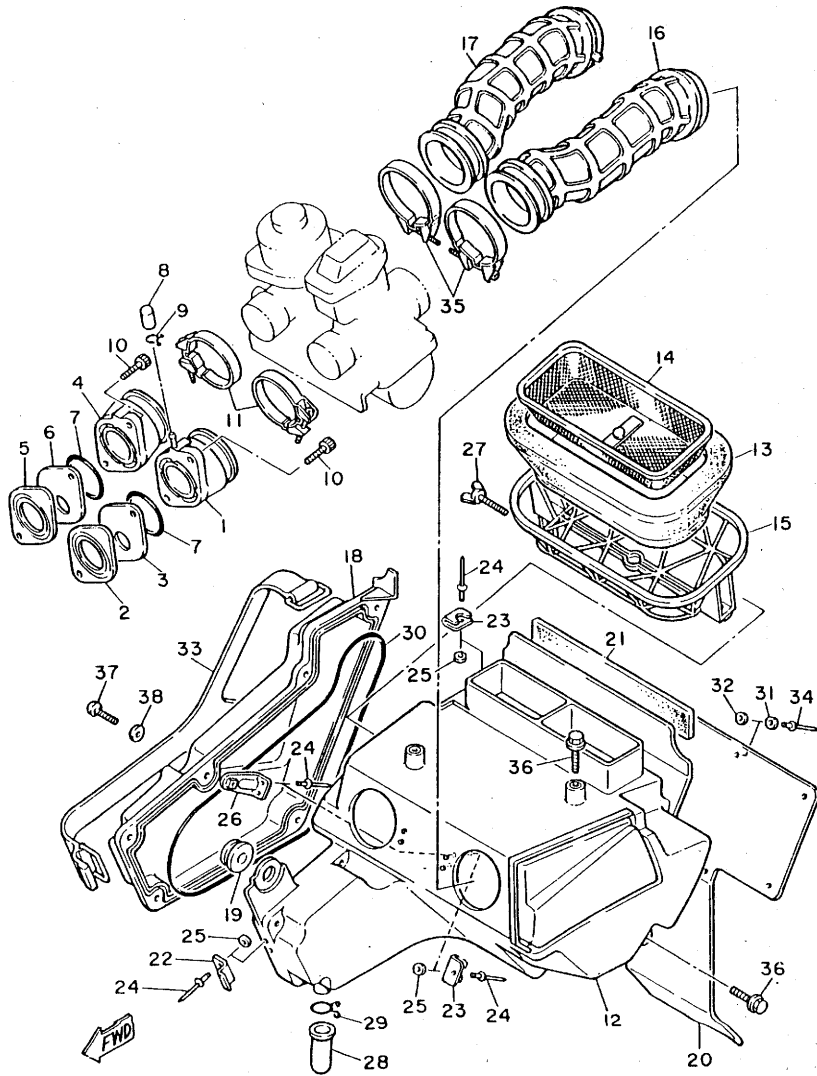
REF. NO.	PART NO.	DESCRIPTION	Q'TY	REMARKS
29	93210-15171	O-RING	1	
30	91316-06016	BOLT	2	
31	5Y1-13371-00	PLATE	1	



36A700-4060

B10

FIG. 7 INTAKE

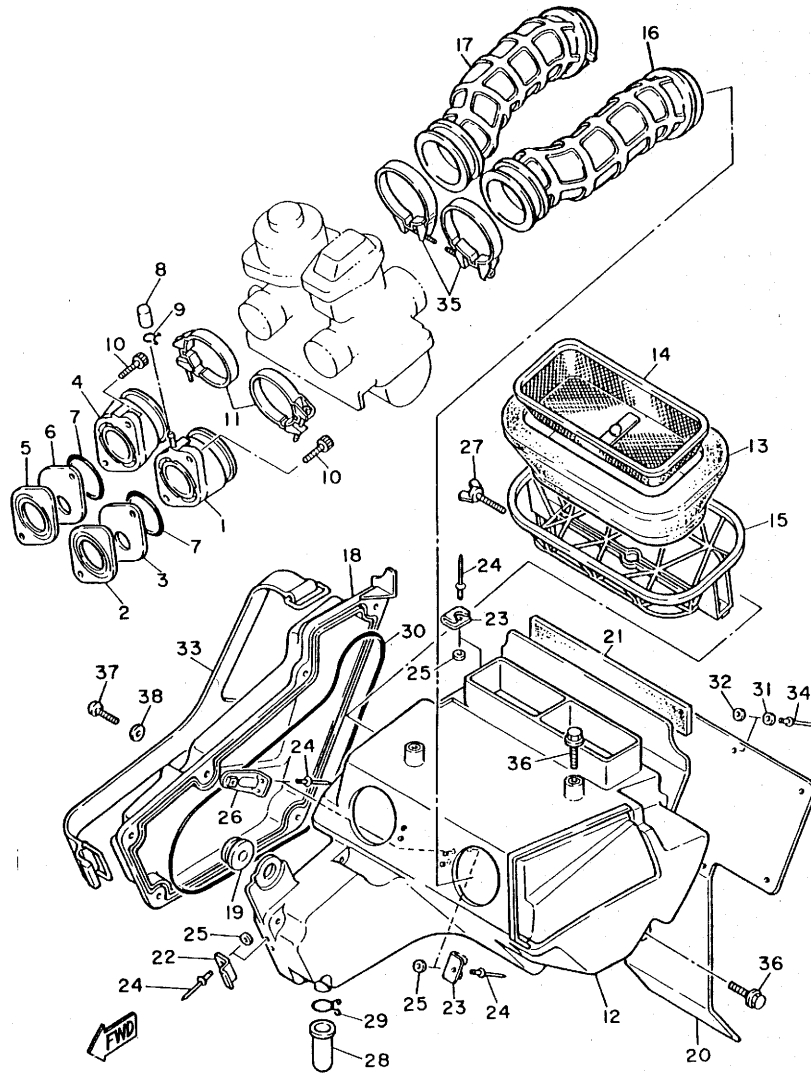


59X700-5070

REF. NO.	PART NO.	DESCRIPTION	Q'TY	REMARKS
1	43F-13586-00	JOINT, carburetor 1	1	
2	36A-13556-00	GASKET, manifold	1	
3	36A-13576-00	SPACER	1	
4	43F-13596-00	JOINT, carburetor 2	1	
5	36A-13556-00	GASKET, manifold	1	
6	36A-13576-00	SPACER	1	
7	93210-36549	O-RING	2	
8	16G-13569-00	PLUG, blind	1	
9	90467-10039	CLIP	1	
10	91316-06020	BOLT	4	
11	90460-46206	CLAMP, hose	2	
12	34K-14401-01	AIR CLEANER CASE ASSY	1	
13	34K-14451-01	ELEMENT, air cleaner	1	
14	34K-14458-02	GUIDE	1	
15	34K-14473-02	GUIDE	1	
16	43F-14453-00	JOINT, air cleaner 1	1	
17	43F-14454-00	JOINT	1	
18	34K-14412-01	CAP, cleaner case 1	1	
19	90480-13197	GROMMET	1	
20	34K-21621-01	FLAP	1	
21	34K-14426-00	DAMPER 2	1	
22	26A-14436-00	HOOK	1	
23	34K-14484-00	PLATE, cleaner case fitting	2	
24	90267-40073	RIVET, blind	6	
25	92901-04200	WASHER, Plain	4	
26	34K-14493-01	STAY 1	1	
27	90122-05010	BOLT, wing	1	
28	1W4-14457-00	SEAL	1	

B11

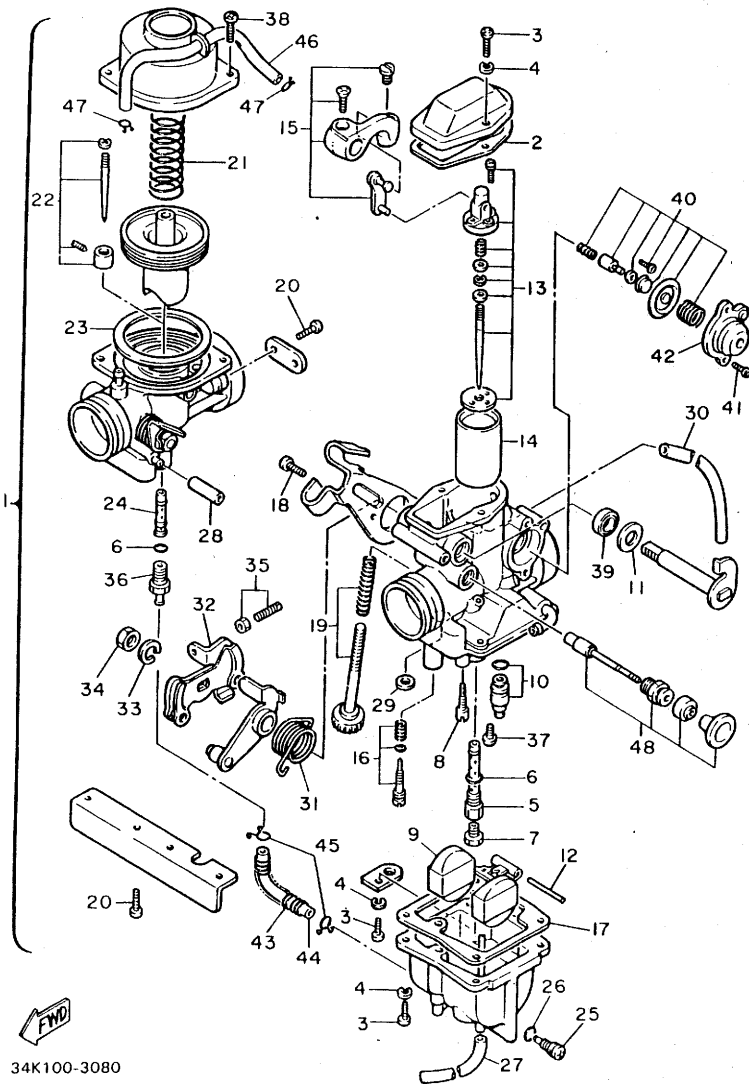
FIG. 7 INTAKE



59X700-5070

REF. NO.	PART NO.	DESCRIPTION	Q'TY	REMARKS
29	90467-20030	CLIP	1	
30	34K-14452-00	SEAL	1	
31	90201-047A2	WASHER, Plate	7	
32	92990-04200	WASHER, Plain	7	
33	34K-14455-00	BAND	1	
34	90267-40073	RIVET, blind	7	
35	90460-51059	CLAMP, hose	2	
36	95801-06012	BOLT, flange	3	
37	98506-05016	SCREW, Pan head	6	
38	92906-05600	WASHER, Plate	6	

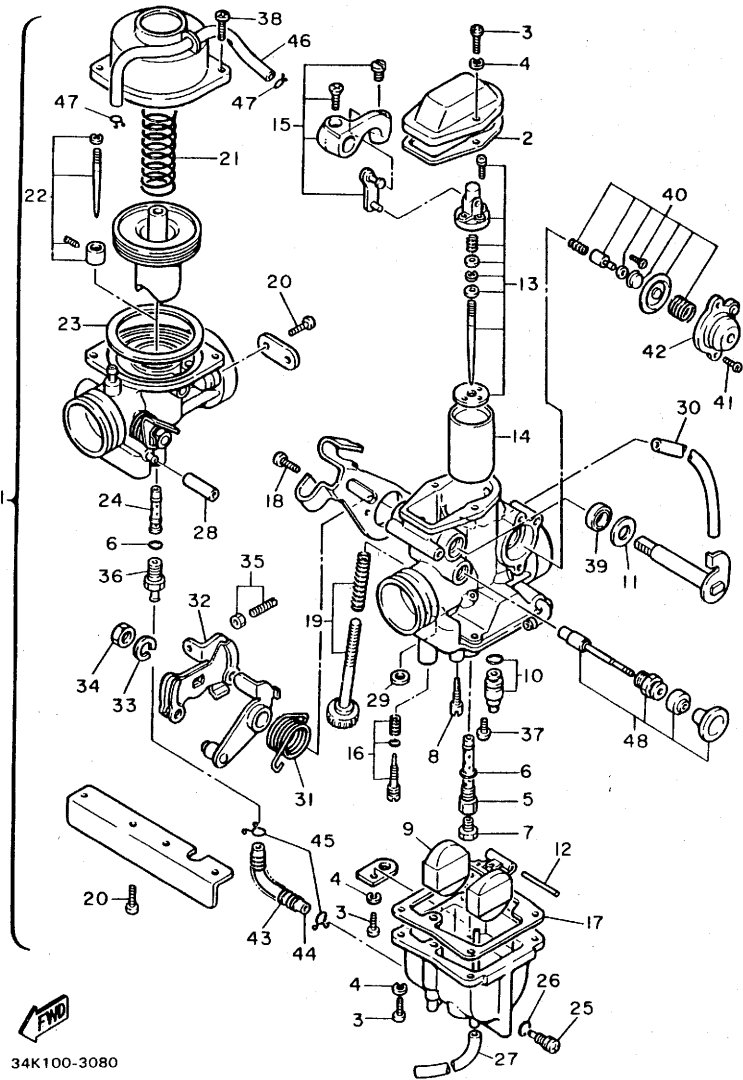
FIG. 8 CARBURETOR



34K100-3080

REF. NO.	PART NO.	DESCRIPTION	Q'TY	REMARKS
1	55U-14301-00	CARBURETOR ASSY 1	1	
2	5Y1-14198-00	•GASKET	1	
3	98501-04014	•SCREW, Pan head	6	
4	92901-04100	•WASHER, sPrInG	6	
5	5Y3-14341-00	•NOZZLE, main	1	
6	360-24512-00	•GASKET	2	
7	288-14343-68	•JET, main (#136)	1	
8	43F-14342-24	•JET, Pilot (# 48)	1	
9	5Y1-14385-00	•FLOAT	1	
10	5Y1-14107-00	•NEEDLE VALVE SET	1	
11	5Y1-14357-00	•WASHER, Plain	1	
12	6E5-14386-01	•PIN, float	1	
13	55U-1490J-10	•NEEDLE SET	1	
14	34K-14312-55	•VALVE, throttle 1	1	
15	5Y1-14203-00	•CABLE CONNECTOR SET	1	
16	5Y3-14105-00	•PILOT SCREW SET	1	
17	5Y1-14384-00	•GASKET, float chamber	1	
18	5Y1-14325-00	•SCREW, Pan head	2	
19	34K-14103-00	•THROTTLE SCREW SET	1	
20	98501-05010	•SCREW, Pan head	6	
21	5Y1-14286-00	•SPRING	1	
22	43F-1490J-01	•NEEDLE SET	1	
23	5Y1-14398-00	•GASKET	1	
24	5Y1-14355-00	•NOZZLE, main 2	1	
25	5Y1-14115-00	•PLUG, screw	1	
26	5Y1-14397-00	•O-RING	1	
27	5Y1-14396-00	•PIPE	1	
28	5Y1-14349-00	•PIPE	1	

FIG. 8 CARBURETOR

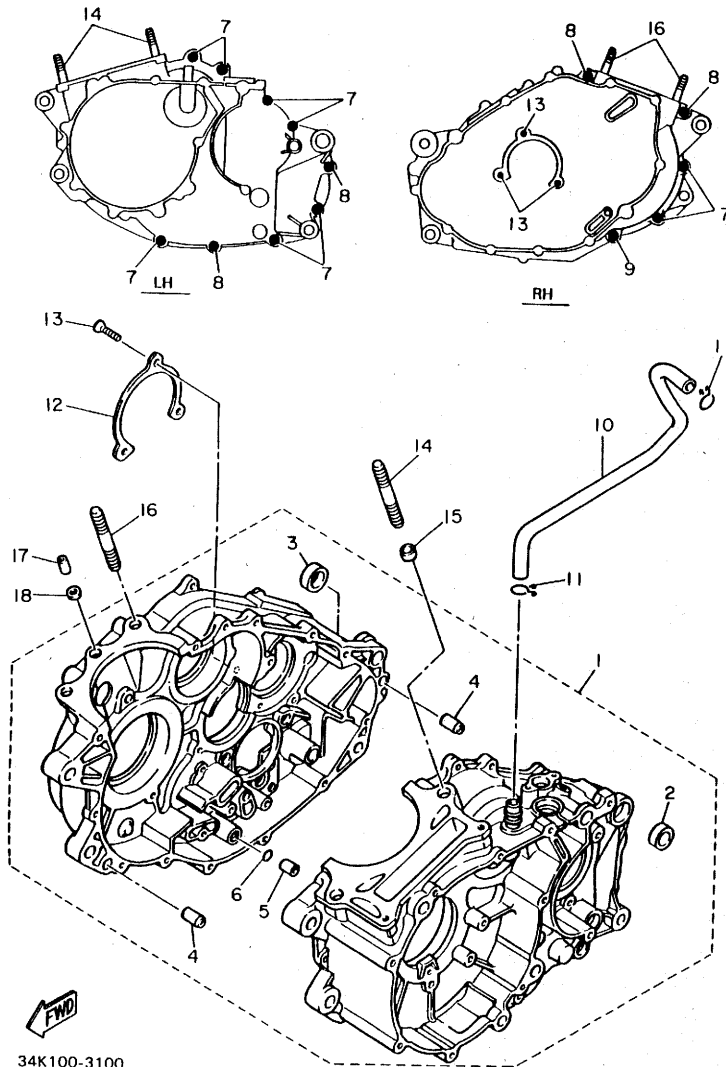


34K100-3080

REF. NO.	PART NO.	DESCRIPTION	Q'TY	REMARKS
29	5Y1-14536-00	•GASKET	1	
30	34K-14197-00	•PIPE	1	
31	5Y1-14131-00	•SPRING, throttle valve	1	
32	34K-14305-00	•THROTTLE LEVER COMP	1	
33	5Y1-14356-00	•WASHER, sPring	1	
34	5Y1-14358-00	•NUT	1	
35	34K-1490K-00	•STOP SCREW SET	1	
36	5Y1-14343-68	•JET, main (#136)	1	
37	98901-04006	•SCREW, bind	1	
38	5Y1-14216-00	•SCREW	2	
39	5Y1-14572-00	•SEAL	2	
40	5Y1-1490A-00	•DIAPHRAGM SET, 1	1	
41	98503-04010	•SCREW, Pan head	2	
42	5Y1-14293-01	•COVER 1	1	
43	5Y1-14556-00	•SPRING	1	
44	5Y1-14148-00	•PIPE	1	
45	5Y1-14137-00	•CLIP	2	
46	5Y1-14149-00	•PIPE	1	
47	5Y1-14159-00	•CLIP	2	
48	34K-14370-00	•PLANGER STARTER ASSY	1	

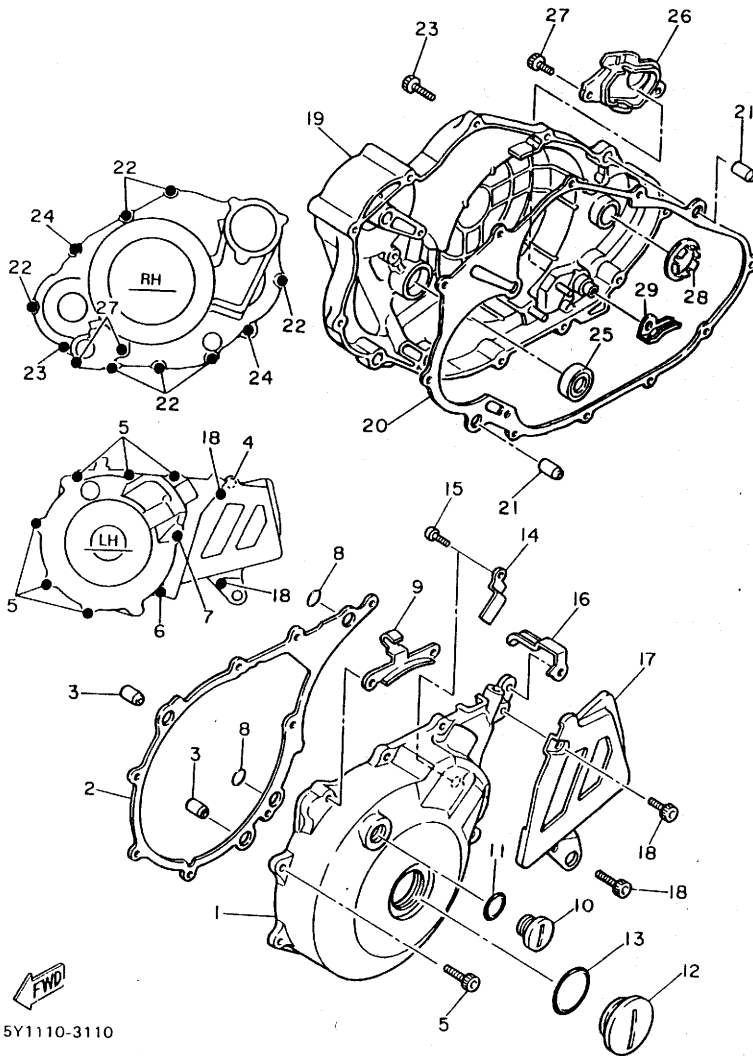
B14

FIG. 10 CRANKCASE



REF. NO.	PART NO.	DESCRIPTION	Q'TY	REMARKS
1	34L-15100-00	CRANKCASE ASSY	1	
2	90387-17783	•COLLAR	1	
3	90387-16782	•COLLAR	1	
4	91830-22016	•PIN, dowel	2	
5	91810-18016	•PIN, dowel	1	
6	93210-07135	•O-RING	1	
7	91316-06030	BOLT	9	
8	91316-06045	BOLT	4	
9	91316-06060	BOLT	1	
10	34L-11166-00	PIPE, breather 1	1	
11	90467-14015	CLIP	2	
12	5YI-15383-00	PLATE, bearing cover	1	
13	92701-06012	SCREW, flat head	3	
14	90116-10087	BOLT, stud	2	
15	91830-24016	PIN, dowel	2	
16	90116-10263	BOLT, stud	2	
17	91810-18016	PIN, dowel	1	
18	90430-08178	GASKET	1	

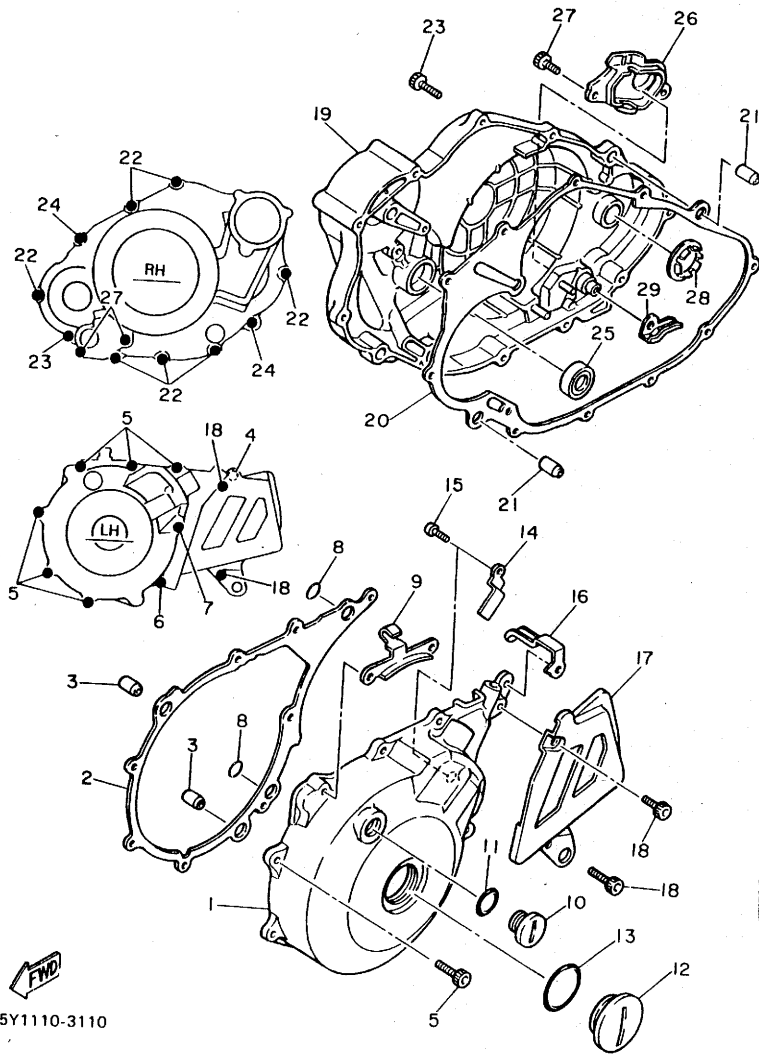
FIG. 11 CRANKCASE COVER 1



REF. NO.	PART NO.	DESCRIPTION	Q'TY	REMARKS
1	34K-15411-00	COVER, crankcase 1	1	
2	5Y1-15451-01	GASKET, crankcase cover 1	1	
3	91830-22016	PIN, dowel	2	
4	91316-06020	BOLT	1	
5	91316-06025	BOLT	6	
6	91316-06040	BOLT	1	
7	91316-06050	BOLT	1	
8	93210-13361	O-RING	2	
9	5Y1-15441-00	HOLDER, clutch cable	1	
10	90340-14079	PLUG, straight screw	1	
11	93210-14369	O-RING	1	
12	90340-36078	PLUG, straight screw	1	
13	93210-36510	O-RING	1	
14	90462-16102	CLAMP	1	
15	92501-06012	SCREW, Pan head	1	
16	90462-10107	CLAMP	1	
17	5Y1-15421-01	COVER, crankcase 2	1	
18	91316-06016	BOLT	2	
19	5Y1-15431-00	COVER, crankcase 3	1	
20	34K-15462-00	GASKET, crankcase cover 3	1	
21	91830-22016	PIN, dowel	2	
22	91316-06025	BOLT	7	
23	91316-06030	BOLT	1	
24	91316-06035	BOLT	2	
25	93101-14092	OIL SEAL	1	
26	5Y1-15417-00	COVER, cap	1	
27	91316-06016	BOLT	2	
28	5Y1-15645-00	SHIM, kick shaft	1	

5Y1110-3110

FIG. 11 CRANKCASE COVER 1

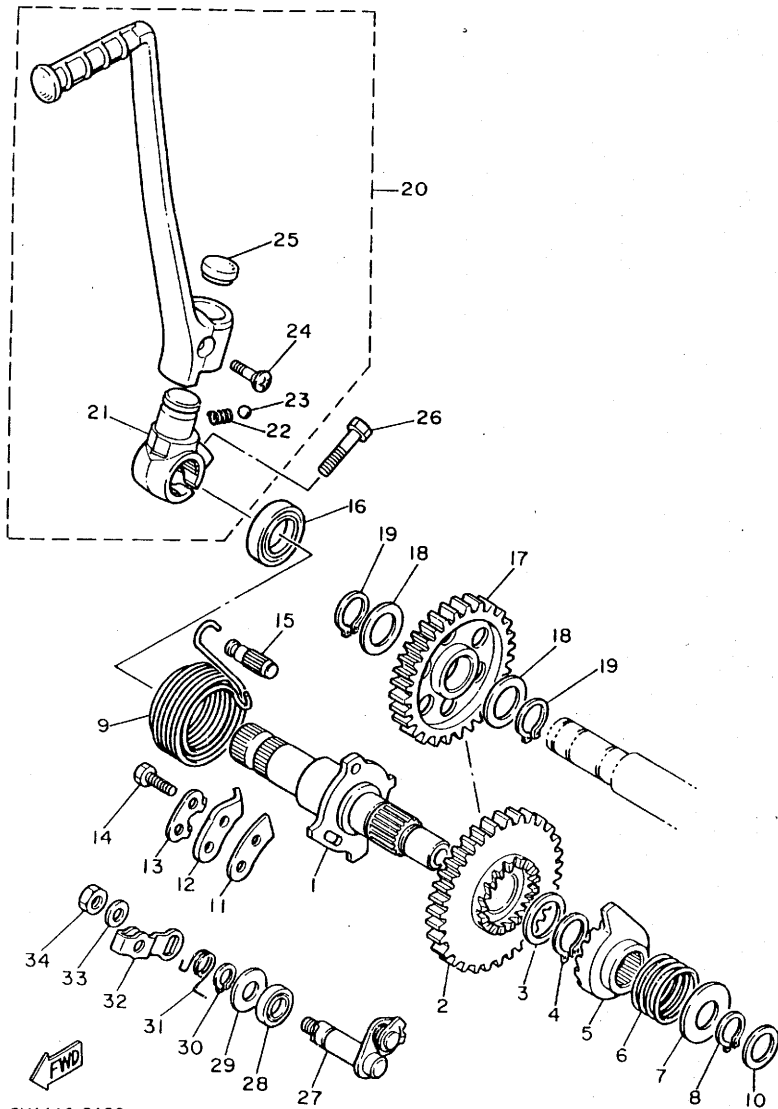


5Y1110-3110

REF. NO.	PART NO.	DESCRIPTION	Q'TY	REMARKS
29	5Y1-1562F-01	PLATE, decomP	1	

C4

FIG. 12 STARTER

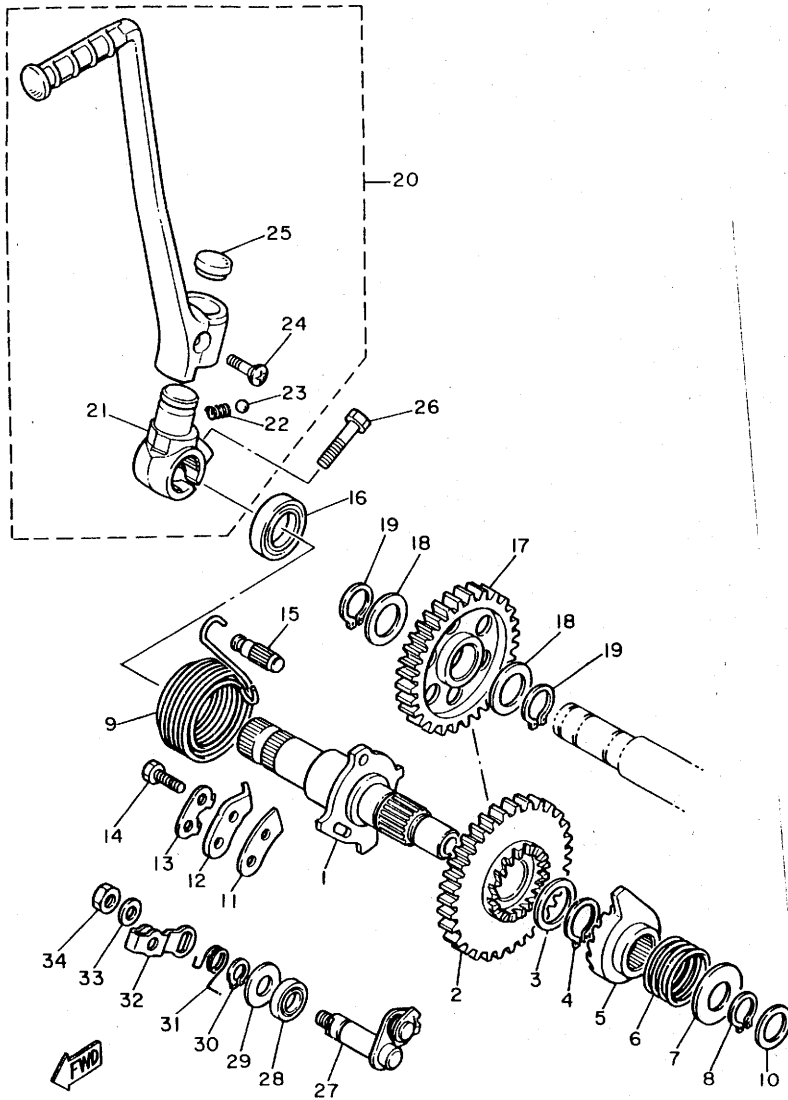


REF. NO.	PART NO.	DESCRIPTION	Q'TY	REMARKS
1	5Y1-15660-00	KICK AXLE ASSY	1	
2	34K-15641-00	GEAR, kick(35T)	1	
3	90201-20685	WASHER, Plate (0.5T)	1	
4	93410-20038	CIRCLIP	1	
5	5Y1-15671-00	WHEEL, ratchet	1	
6	90501-16107	SPRING, compression	1	
7	168-15676-00	COVER, spring	1	
8	99009-15400	CIRCLIP	1	
9	90508-32529	SPRING, torsion	1	
10	90201-15701	WASHER, Plate (1.0T)	1	
11	2K7-15668-00	STOPPER	1	
12	214-15674-00	GUIDE, ratchet wheel	1	
13	214-15686-00	WASHER, lock	1	
14	97321-06016	BOLT	2	
15	248-15668-00	STOPPER	1	
16	93102-20108	OIL SEAL	1	
17	5Y1-15651-01	GEAR, kick idle	1	
18	90201-20276	WASHER, Plate (1.0T)	2	
19	99009-20400	CIRCLIP	2	
20	5Y1-15620-00	KICK CRANK ASSY	1	
21	5Y1-15621-00	•BOSS, kick crank	1	
22	90501-12081	•SPRING, compression	1	
23	93507-32009	•BALL	1	
24	90152-06010	•SCREW, countersunk	1	
25	90336-18038	•PLUG, taper	1	
26	97311-08030	BOLT	1	
27	3Y1-1561A-02	DECOMP. LEVER ASSY	1	
28	93102-10207	OIL SEAL	1	

5Y1110-2130

C5

FIG. 12 STARTER

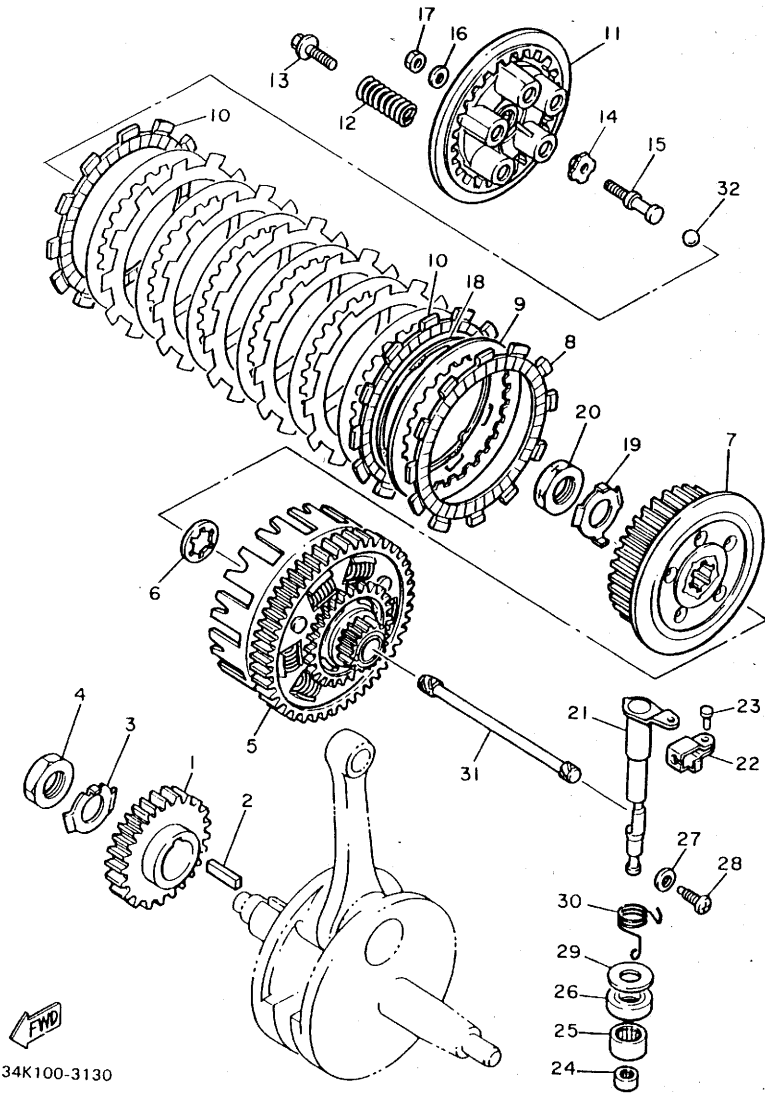


REF. NO.	PART NO.	DESCRIPTION	Q'TY	REMARKS
29	90201-10135	WASHER, Plate	1	
30	99009-10400	CIRCLIP	1	
31	90508-14524	SPRING, torsion	1	
32	5Y1-1561G-00	LEVER, cable	1	
33	90201-061A5	WASHER, Plate	1	
34	95311-06700	NUT	1	

5Y1110-2130

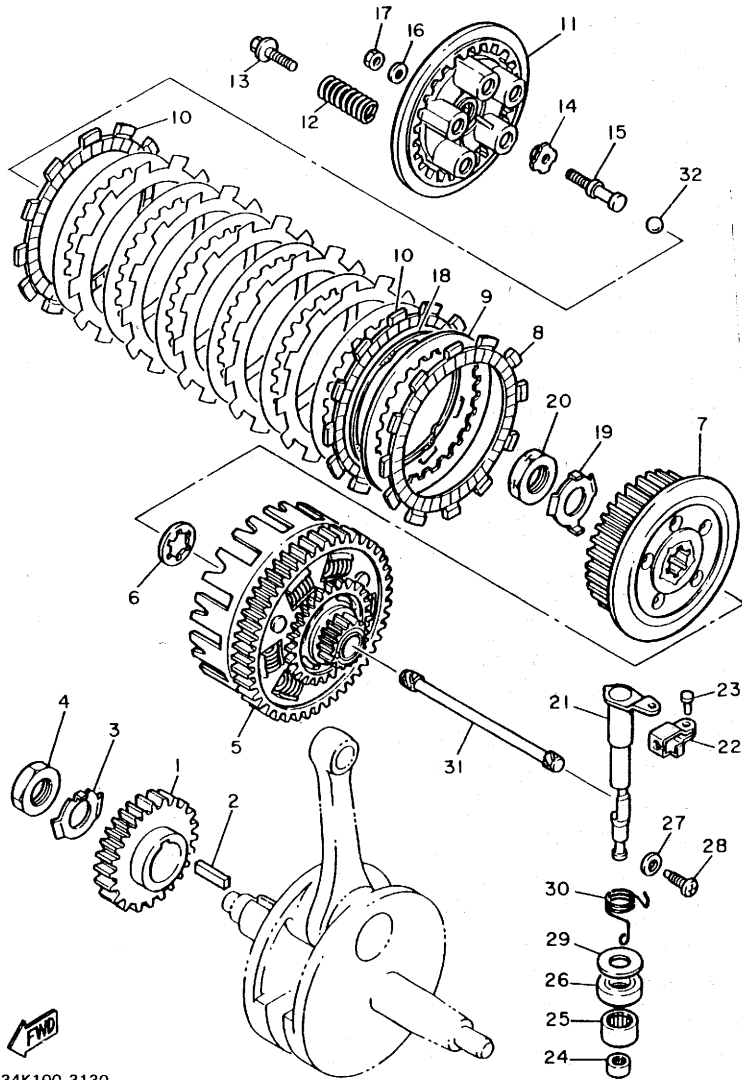
C6

FIG. 13 CLUTCH



REF. NO.	PART NO.	DESCRIPTION	Q'TY	REMARKS
1	34K-16111-00	GEAR, Primary drive(31T)	1	
2	90282-07042	KEY, straight	1	
3	90215-20197	WASHER, lock	1	
4	90170-20274	NUT	1	
5	34K-16150-00	PRIMARY DRIVEN GEAR COMP.(74T)	1	
6	3Y1-16154-00	PLATE, thrust 1	1	
7	34K-16371-00	BOSS, clutch	1	
8	5Y1-16321-00	PLATE, friction	6	
9	30X-16325-00	PLATE, clutch 2	7	
10	5Y1-16331-00	PLATE, friction 2	2	
11	5Y1-16351-00	PLATE, Pressure 1	1	
12	90501-26148	SPRING, compression	5	
13	90159-06016	SCREW, with washer	5	
14	30X-16358-00	PLATE, Push	1	
15	34K-16356-00	RDD, Push 1	1	
16	92901-06200	WASHER, Plain	1	
17	95301-06600	NUT	1	
18	5Y1-16383-00	SPRING, clutch boss	1	
19	90215-20231	WASHER, lock	1	
20	90170-20327	NUT	1	
21	5Y1-16381-00	PUSH LEVER COMP.	1	
22	214-16389-00	JOINT	1	
23	90243-06016	PIN	1	
24	93317-11020	BEARING, cylindrical	1	
25	93315-11720	BEARING, cylindrical	1	
26	93102-17148	OIL SEAL	1	
27	90430-08119	GASKET	1	
28	90149-08067	SCREW	1	

FIG. 13 CLUTCH



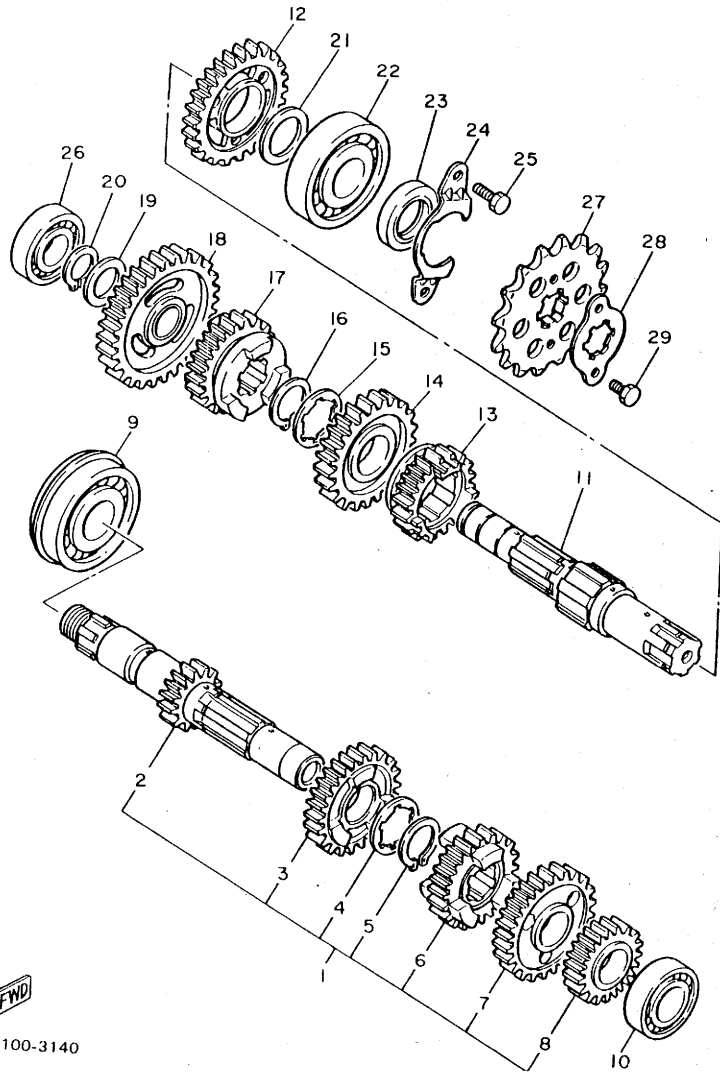
REF. NO.	PART NO.	DESCRIPTION	Q'TY	REMARKS
29	90201-17327	WASHER, Plate	1	
30	90508-14526	SPRING, torsion	1	
31	34K-16357-00	ROD, Push 2	1	
32	93515-32029	BALL	1	



34K100-3130

C8

FIG. 14 TRANSMISSION

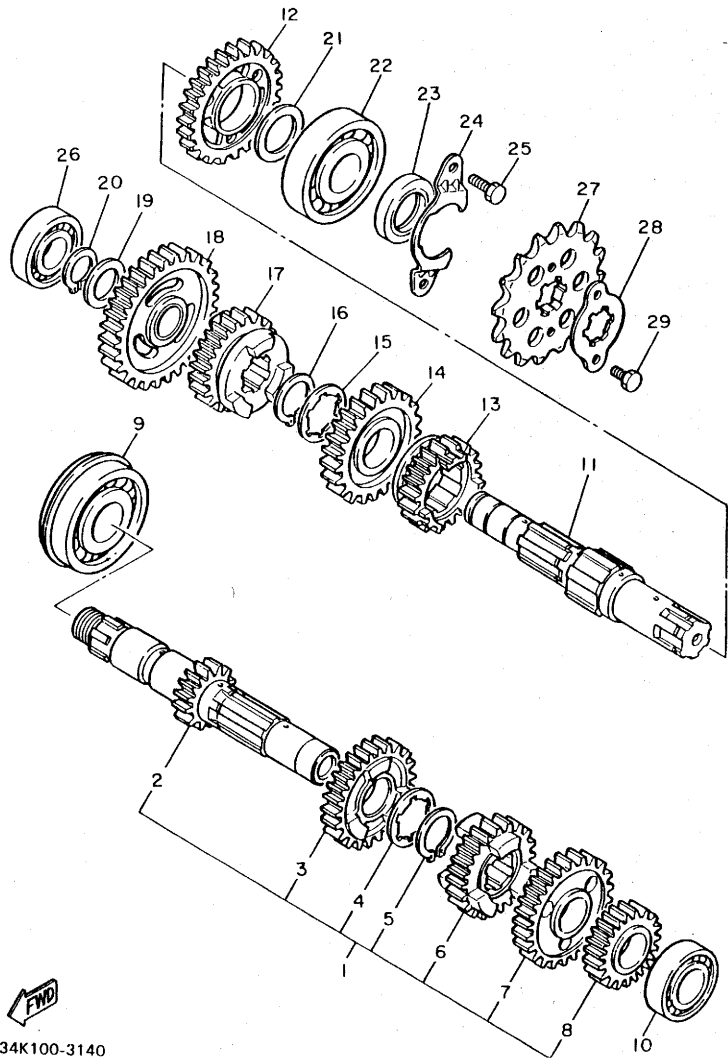


REF. NO.	PART NO.	DESCRIPTION	Q'TY	REMARKS
1	34K-17410-00	MAIN AXLE COMP.	1	
2	5Y1-17411-00	•AXLE, main 13t	1	
3	34K-17141-00	•GEAR, 4th Pinion(22T)	1	
4	90209-22191	•WASHER	1	
5	93440-25019	•CIRCLIP	1	
6	5Y1-17131-00	•GEAR, 3rd Pinion(20T)	1	
7	5Y1-17151-01	•GEAR, 5th Pinion (27T)	1	
8	34K-17121-01	•GEAR, 2nd Pinion (17T)	1	
9	93306-30540	BEARING	1	
10	93306-00431	BEARING	1	
11	34K-17402-00	DRIVE AXLE ASSY	1	
12	5Y1-17221-01	GEAR, 2nd wheel (27T)	1	
13	5Y1-17251-00	GEAR, 5th wheel(21T)	1	
14	55U-17231-00	GEAR, 3rd wheel(24T)	1	
15	90209-22191	WASHER	1	
16	93440-25019	CIRCLIP	1	
17	55U-17241-00	GEAR, 4th wheel (21T)	1	
18	34K-17211-00	GEAR, 1st wheel(30T)	1	
19	90201-20276	WASHER, Plate (1.0T)	1	
20	99009-20400	CIRCLIP	1	
21	117-15644-00	SHIM	1	
22	93306-30535	BEARING	1	
23	93102-25226	OIL SEAL	1	
24	34K-17471-00	PLATE, cover	1	
25	97321-06014	BOLT	2	
26	93306-00426	BEARING	1	
27	34K-17461-40	SPROCKET, drive (14T)	1	
28	3Y1-17456-00	HOLDER, sProcket	1	

FWD

34K100-3140

FIG. 14 TRANSMISSION

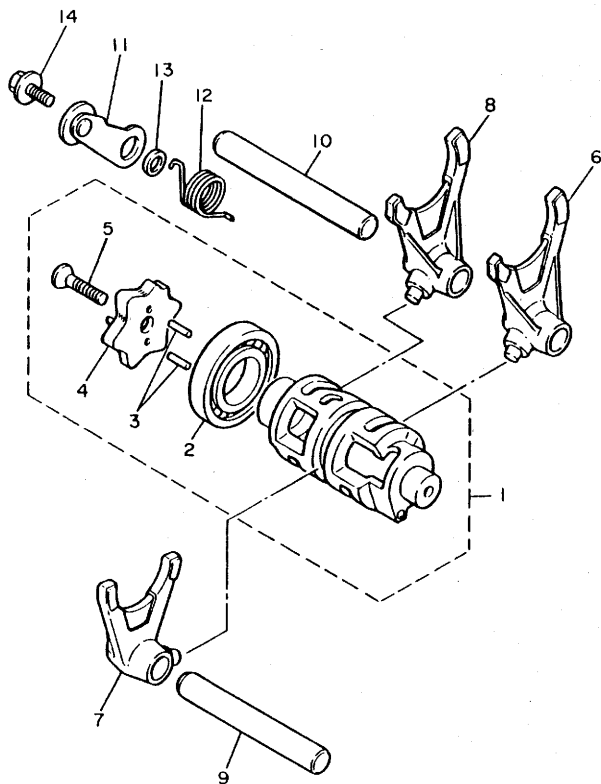


REF. NO.	PART NO.	DESCRIPTION	Q'TY	REMARKS
29	97322-06010	BOLT	2	

← FWD
34K100-3140

C10

FIG. 15 SHIFT CAM. FORK



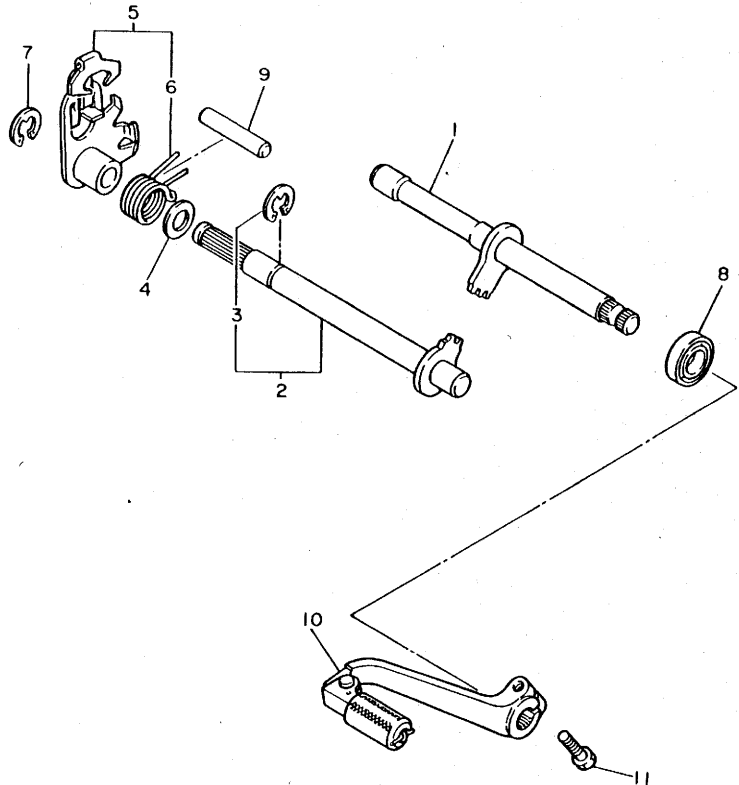
REF. NO.	PART NO.	DESCRIPTION	Q'TY	REMARKS
1	5Y1-18540-00	SHIFT CAM ASSY	1	
2	93316-00503	•BEARING, cylindrical	1	
3	93604-10011	•PIN, dowel	2	
4	5Y1-18185-00	•SEGMENT	1	
5	90151-06017	•SCREW, countersunk	1	
6	5Y1-18511-00	FORK, shift 1	1	
7	5Y1-18512-00	FORK, shift 2	1	
8	5Y1-18513-00	FORK, shift 3	1	
9	34K-18531-00	BAR, shift fork Guide 1	1	
10	34K-18535-00	BAR, shift fork Guide 2	1	
11	34K-18140-00	STOPPER LEVER ASSY	1	
12	90508-29527	SPRING, torsion	1	
13	90387-063F7	COLLAR	1	
14	90159-06078	SCREW, with washer	1	



34K100-3150

C11

FIG. 16 SHIFT SHAFT

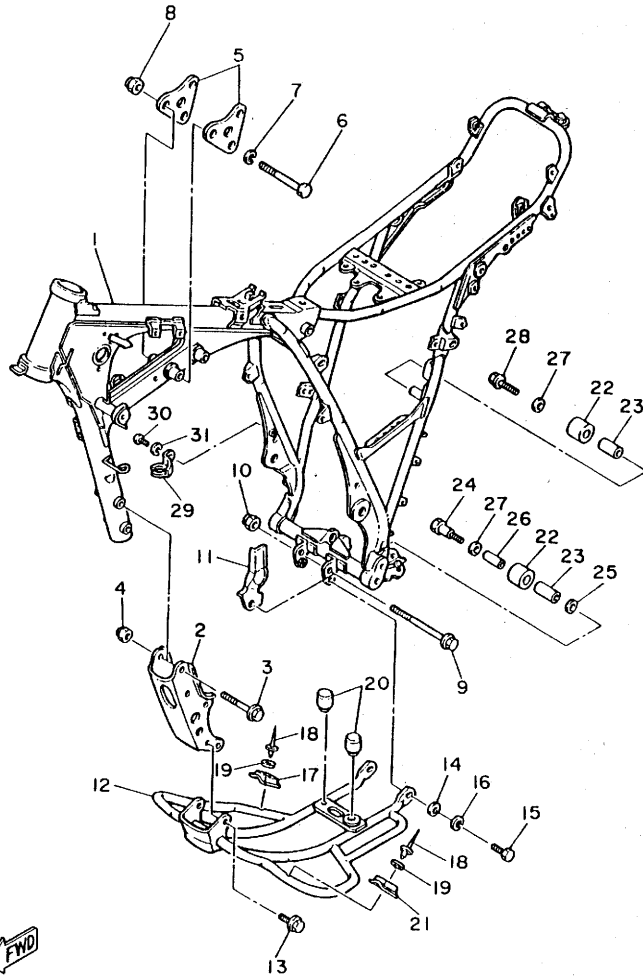


REF. NO.	PART NO.	DESCRIPTION	Q'TY	REMARKS
1	43F-18102-01	SHIFT SHAFT ASSY 2	1	
2	5Y1-18101-01	SHIFT SHAFT ASSY	1	
3	99001-10600	•CIRCLIP	1	
4	90201-12474	WASHER, Plate	1	
5	34K-18120-00	SHIFT LEVER ASSY	1	
6	90508-29629	•SPRING, torsion	1	
7	99001-09600	CIRCLIP	1	
8	93102-12106	OIL SEAL	1	
9	93608-33046	PIN, dowel	1	
10	34K-18110-02	SHIFT PEDAL ASSY	1	
11	97321-06025	BOLT	1	



55U110-5160

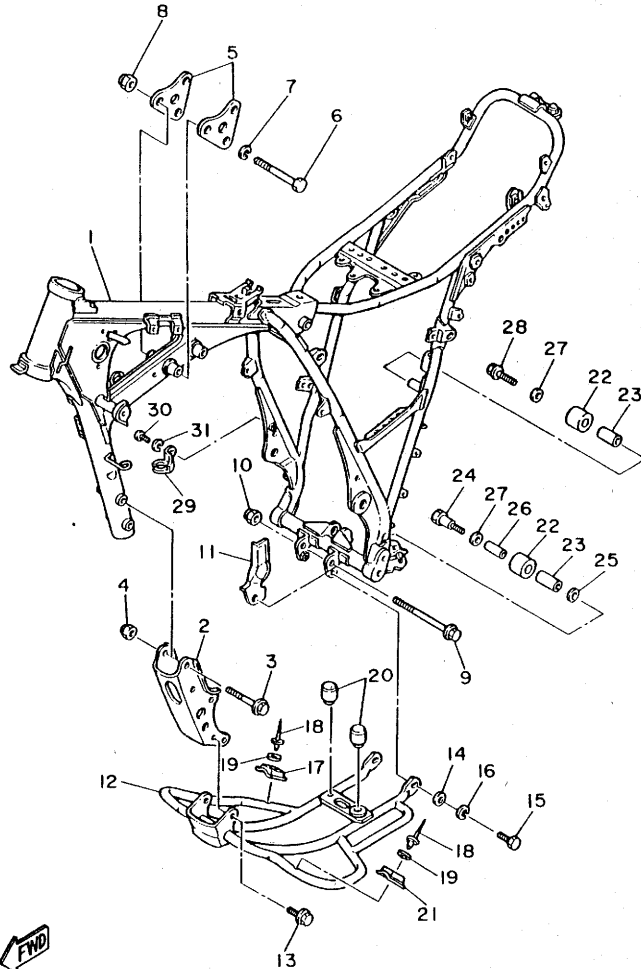
FIG. 17 FRAME



59X700-5170

REF. NO.	PART NO.	DESCRIPTION	Q'TY	REMARKS
1	59X-21110-00-FH	FRAME COMP.	1	fire red
2	34K-21316-00-FH	STAY, engine 3	1	fire red
3	90105-10286	BOLT, washer based	4	
4	90185-10060	NUT, self-locking	4	
5	34K-21315-00	STAY, engine 2	2	
6	97311-10080	BOLT	3	
7	92901-10100	WASHER, spring	3	
8	90185-10060	NUT, self-locking	3	
9	95811-10110	BOLT, flange	1	
10	90185-10060	NUT, self-locking	1	
11	34K-2176E-00	PLATE	1	
12	34K-21471-00-FH	PROTECTOR, engine	1	fire red
13	95801-08012	BOLT, flange	2	
14	90201-06778	WASHER, plate	2	
15	97321-06020	BOLT	2	
16	92901-06100	WASHER, spring	2	
17	34K-21485-00	DAMPER, rubber 1	1	
18	90267-40075	RIVET, blind	2	
19	90201-04M06	WASHER, plate	2	
20	4N0-27114-00	STOPPER, main stand	2	
21	34K-21486-00	DAMPER 2	1	
22	22W-22178-01	TENSIONER	2	
23	4V4-22184-00	BUSH	2	
24	90109-08705	BOLT	1	
25	90201-13202	WASHER, plate	1	
26	90387-085E1	COLLAR	1	
27	90201-08753	WASHER, plate	2	
28	95802-08016	BOLT, flange	1	

FIG. 17 FRAME

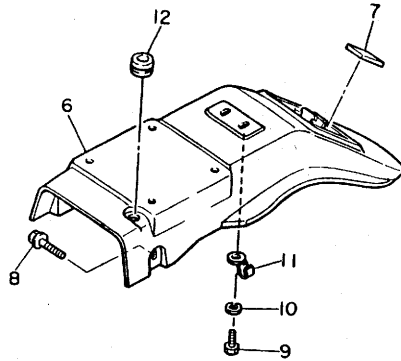


59X700-5170

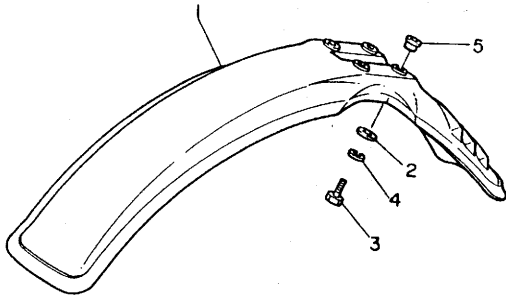
REF. NO.	PART NO.	DESCRIPTION	Q'TY	REMARKS
29	5Y1-21441-00	BRACKET, stoP switch	1	
30	92501-06012	SCREW, Pan head	1	
31	92901-06100	WASHER, sPring	1	

C14

FIG. 18 FENDER

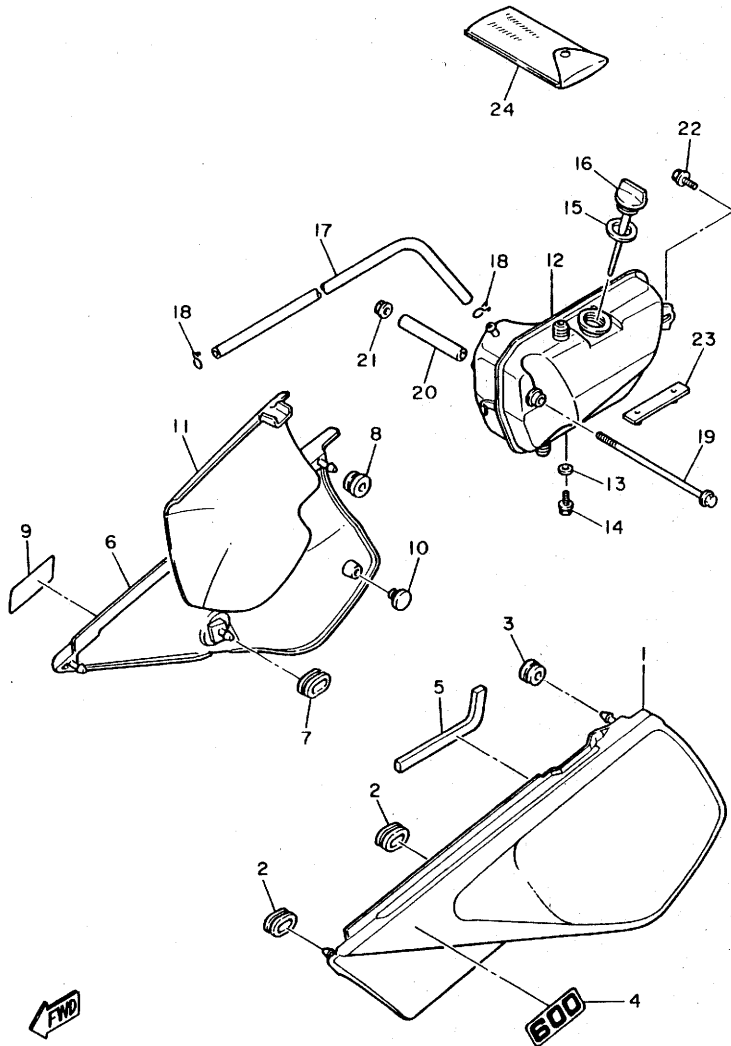


REF. NO.	PART NO.	DESCRIPTION	Q'TY	REMARKS
1	34K-21511-00	FENDER, front	1	clean white
2	90201-06067	WASHER, Plate	4	
3	97302-06020	BOLT	4	
4	92902-06100	WASHER, sPrin&	4	
5	90209-06187	WASHER	4	
6	36A-21610-00	REAR FENDER COMP.	1	
7	26A-21652-00	PROTECTOR	1	
8	90119-06056	BOLT, with washer	3	
9	97301-06016	BOLT	1	
10	92902-06100	WASHER, sPrin&	1	
11	34K-21615-00	WASHER, sPecial 1	1	
12	90480-13018	GROMMET	1	



55U110-5180

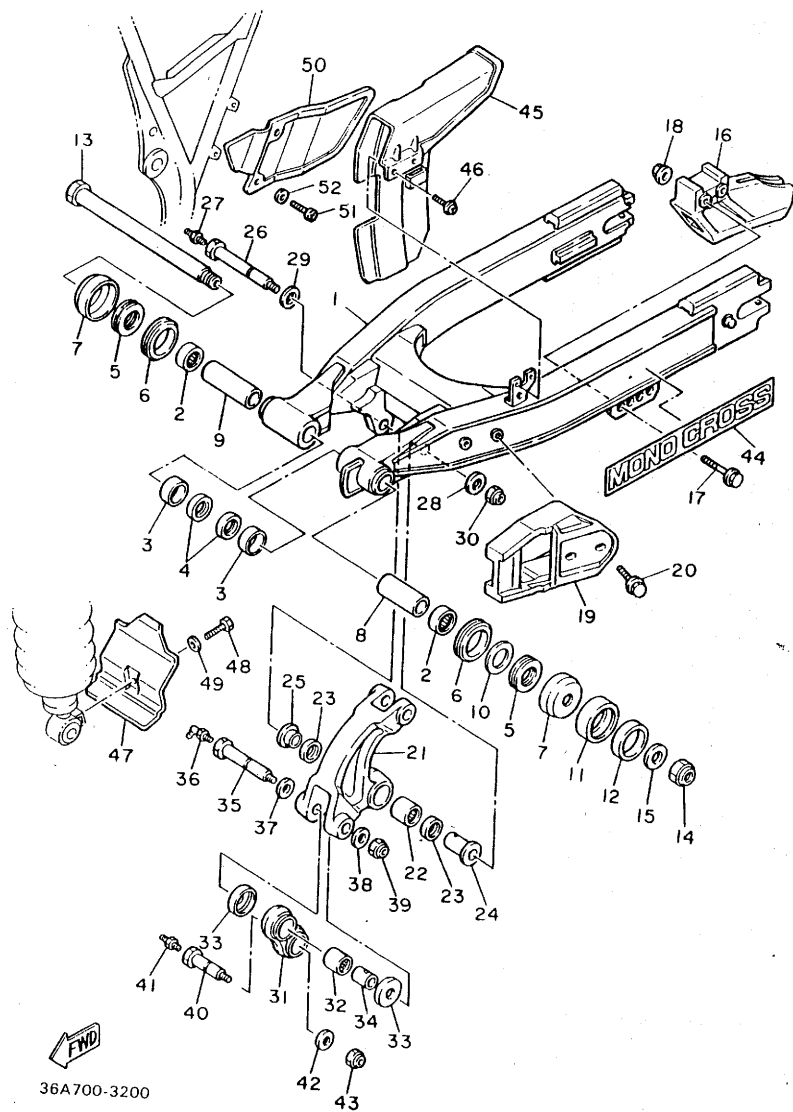
FIG. 19 SIDE COVER



59X700-5190

REF. NO.	PART NO.	DESCRIPTION	Q'TY	REMARKS
1	34K-21711-00-98	COVER, side 1	1	low gloss black
2	90480-01141	GROMMET	2	
3	90480-13197	GROMMET	1	
4	55U-21781-00	EMBLEM 1	1	
5	34K-21732-00	SEAL 1	1	
6	34K-21721-00-98	COVER, side 2	1	low gloss black
7	90480-01141	GROMMET	1	
8	90480-13197	GROMMET	1	
9	55U-21781-00	EMBLEM 1	1	
10	30X-24768-00	STOPPER	1	
11	34K-2174A-00	INSULATOR, side cover	1	
12	34K-21751-00	TANK, oil	1	
13	90430-08119	GASKET	1	
14	95801-08012	BOLT, flange	1	
15	90430-27124	GASKET	1	
16	34K-21771-00	BODY, cap	1	
17	90445-11748	HOSE	1	
18	90467-10008	CLIP	2	
19	95826-08205	BOLT, flange	1	
20	90387-081J3	COLLAR	1	
21	95706-08100	NUT, flange	1	
22	95822-08012	BOLT, flange	1	
23	34K-21778-00	DAMPER, locating 1	1	
24	34K-28100-00	TOOL KIT	1	

FIG. 20 REAR ARM

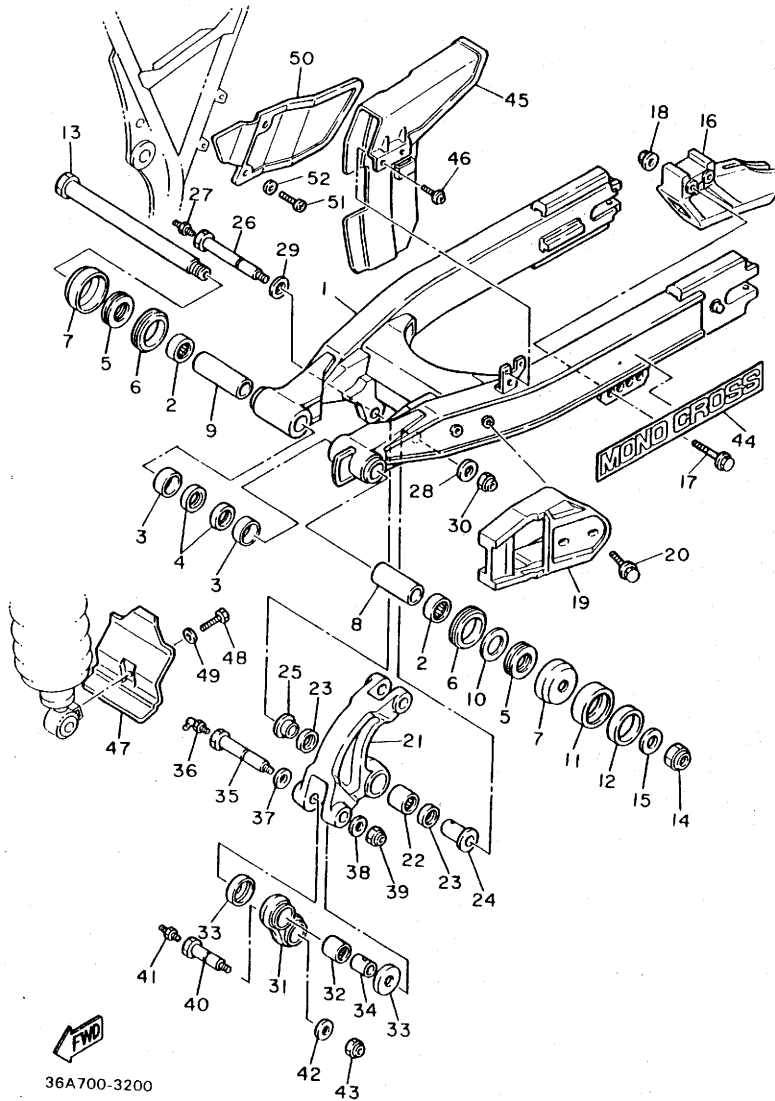


36A700-3200

REF. NO.	PART NO.	DESCRIPTION	Q'TY	REMARKS
1	34K-22110-00	REAR ARM COMP.	1	
2	93317-32231	BEARING, cylindrical	2	
3	90380-22111	BUSH, solid	2	
4	93106-22019	OIL SEAL	2	
5	93342-22208	BEARING	2	
6	93108-35004	OIL SEAL	2	
7	3R4-22129-00	COVER, thrust 2	2	
8	90380-16126	BUSH, solid	1	
9	90380-16127	BUSH, solid	1	
10	156-22127-00	SHIM (0.3T)	1	UN
11	5X6-22151-10	SEAL, Guard	1	
12	90387-440G3	COLLAR	1	
13	34K-22141-01	SHAFT, Pivot	1	
14	90185-14070	NUT, self-locking	1	
15	90201-15238	WASHER, Plate	1	
16	23X-22199-00	SUPPORT, chain	1	
17	95802-08055	BOLT, flange	2	
18	90185-08106	NUT, self-locking	2	
19	5X6-22147-01	PROTECTOR, chain	1	
20	95801-06016	BOLT, flange	2	
21	34K-2217A-00	ARM, relay	1	
22	93317-32034	BEARING, cylindrical	1	
23	93109-20029	OIL SEAL	2	
24	90387-147G6	COLLAR	1	
25	90387-147G7	COLLAR	1	
26	90109-12701	BOLT	1	
27	93700-06004	NIPPLE, Grease	1	
28	90201-120A5	WASHER, Plate	1	

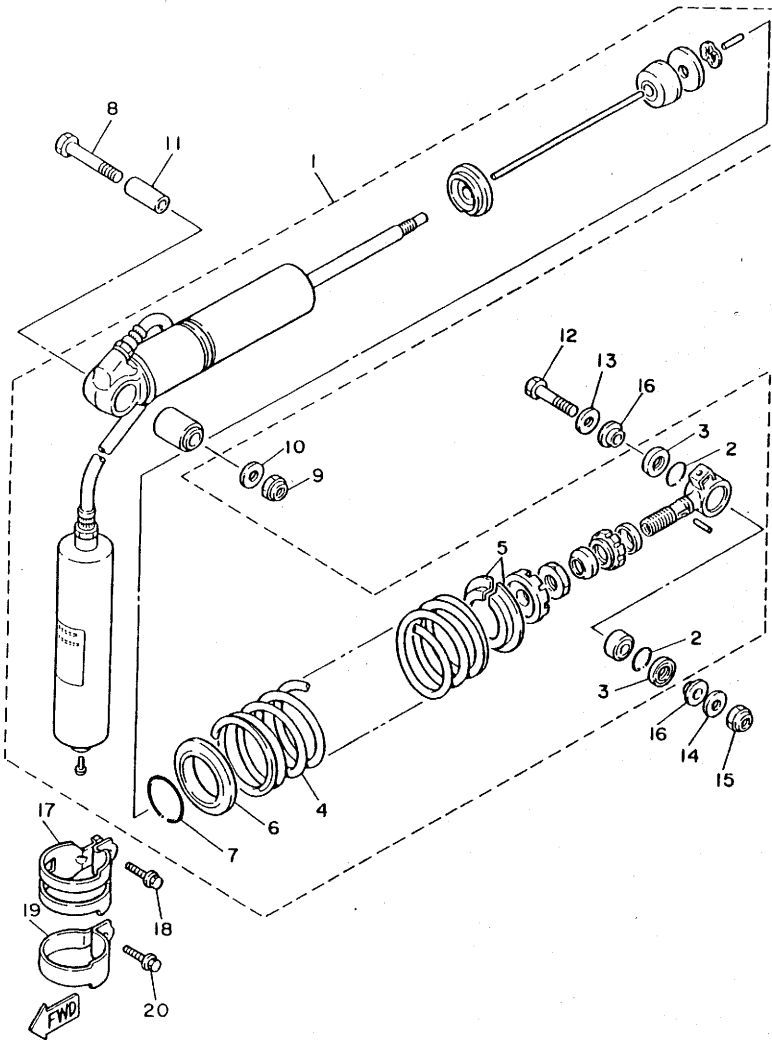
D3

FIG. 20 REAR ARM



REF. NO.	PART NO.	DESCRIPTION	Q'TY	REMARKS
29	90201-14222	WASHER, Plate	1	
30	90185-12119	NUT, self-locking	1	
31	23X-2217F-00	ROD, connecting 1	1	
32	93315-31732	BEARING, cylindrical	2	
33	23X-22129-00	COVER, thrust 2	4	
34	90387-121H1	COLLAR	2	
35	90109-10702	BOLT	1	
36	93700-06005	NIPPLE, Grease	1	
37	90201-120E6	WASHER, Plate	1	
38	90201-100E9	WASHER, Plate	1	
39	90185-10120	NUT, self-locking	1	
40	90109-10703	BOLT	1	
41	93700-06004	NIPPLE, Grease	1	
42	90201-10430	WASHER, Plate	1	
43	95611-10100	NUT, u	1	
44	5X3-2218A-00	EMBLEM, rear arm	2	
45	34K-22311-00	CASE, chain	1	
46	90159-06058	SCREW, with washer	2	
47	34K-21629-01	GUARD, mud	1	
48	91316-06012	BOLT	1	
49	90201-06059	WASHER, Plate	1	
50	29W-22318-00	GUARD, chain	1	
51	92506-06012	SCREW, Pan head	2	
52	90201-062A8	WASHER, Plate	2	

FIG. 21 REAR SUSPENSION

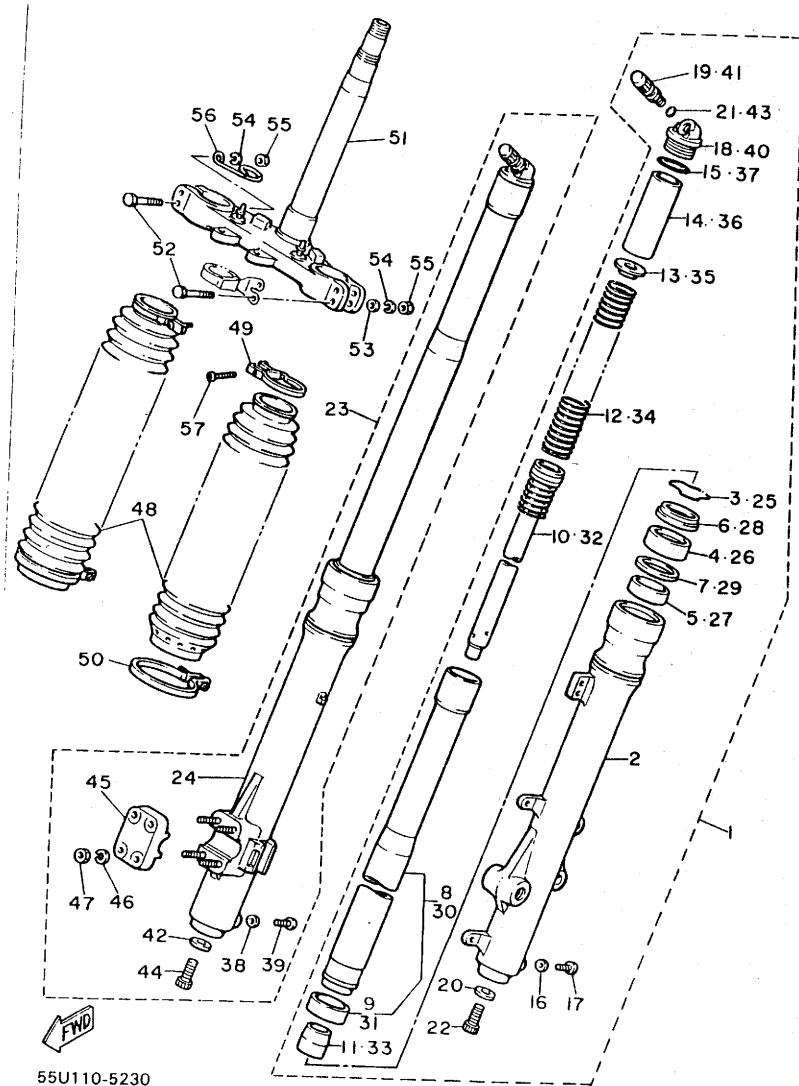


59X700-5210

REF. NO.	PART NO.	DESCRIPTION	Q'TY	REMARKS
1	59X-22210-00-6W	SHOCK ABSORBER ASSY, rear	1	native red
2	93440-30113	•CIRCLIP	2	
3	93104-18077	•OIL SEAL	2	
4	34K-22212-20-6W	•SPRING	1	native red
5	23X-22214-00	•GUIDE, sPring 1	2	
6	23X-22223-00	•SEAT, sPring lower	1	
7	93440-51103	•CIRCLIP	1	
8	90109-10690	BOLT	1	
9	90185-10120	NUT, self-locking	1	
10	90201-10430	WASHER, Plate	1	
11	90380-12094	BUSH, solid	1	
12	90109-10700	BOLT	1	
13	90201-120E6	WASHER, Plate	1	
14	90201-100E9	WASHER, Plate	1	
15	90185-10120	NUT, self-locking	1	
16	90387-126H8	COLLAR	2	
17	34K-22262-00	HOLDER, sub tank	1	
18	95802-06012	BOLT, flange	1	
19	36A-22262-00	HOLDER, sub tank	1	
20	95802-06012	BOLT, flange	1	

D5

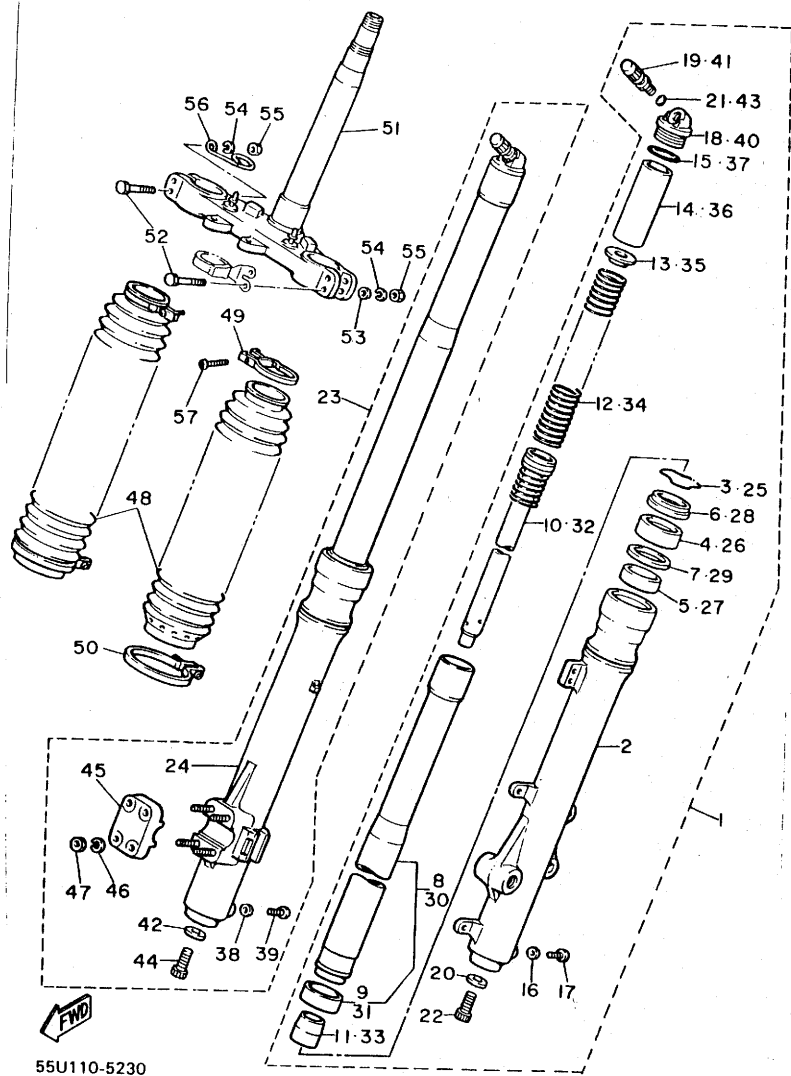
FIG. 23 FRONT FORK



55U110-5230

REF. NO.	PART NO.	DESCRIPTION	Q'TY	REMARKS
1	55U-23102-00	FRONT FORK ASSY (L.H)	1	
2	55U-23126-00-38	.TUBE, outer 1	1	clear buffing
3	4V4-23153-L0	.RING, snaP	1	
4	23X-23145-L0	.OIL SEAL	1	
5	4V4-23125-L0	.METAL, slide 1	1	
6	23X-23144-L0	.SEAL, dust	1	
7	4V4-23146-L0	.WASHER, oil seal	1	
8	55U-23110-00	.INNER TUBE COMP.1	1	
9	4V4-23171-L0	..PISTON FRONT FORK	1	
10	55U-23170-00	.CYLINDER COMP., front fork	1	
11	4V4-23173-L0	.SPINDLE, taPer	1	
12	55U-23141-00	.SPRING, front fork	1	
13	4V4-23142-L0	.SEAT, sPring uPPer	1	
14	5X6-23118-M0	.SPACER (L=110)	1	
15	4V4-23158-L0	.GASKET	1	
16	122-23129-00	.GASKET, drain Plug	1	
17	122-23119-01	.PLUG, drain	1	
18	43M-23111-L0	.BOLT, caP	1	
19	23X-23190-L0	.AIR VALVE COMP.	1	
20	4V4-23188-L0	.O-RING	1	
21	3J2-23147-00	.O-RING	1	
22	34K-23181-00	.BOLT, hexaBon socket head	1	
23	55U-23103-00	FRONT FORK ASSY (R.H)	1	
24	55U-23136-00-38	.TUBE, outer 2	1	clear buffing
25	4V4-23153-L0	.RING, snaP	1	
26	23X-23145-L0	.OIL SEAL	1	
27	4V4-23125-L0	.METAL, slide 1	1	
28	23X-23144-L0	.SEAL, dust	1	
29	4V4-23146-L0	.WASHER, oil seal	1	

FIG. 23 FRONT FORK

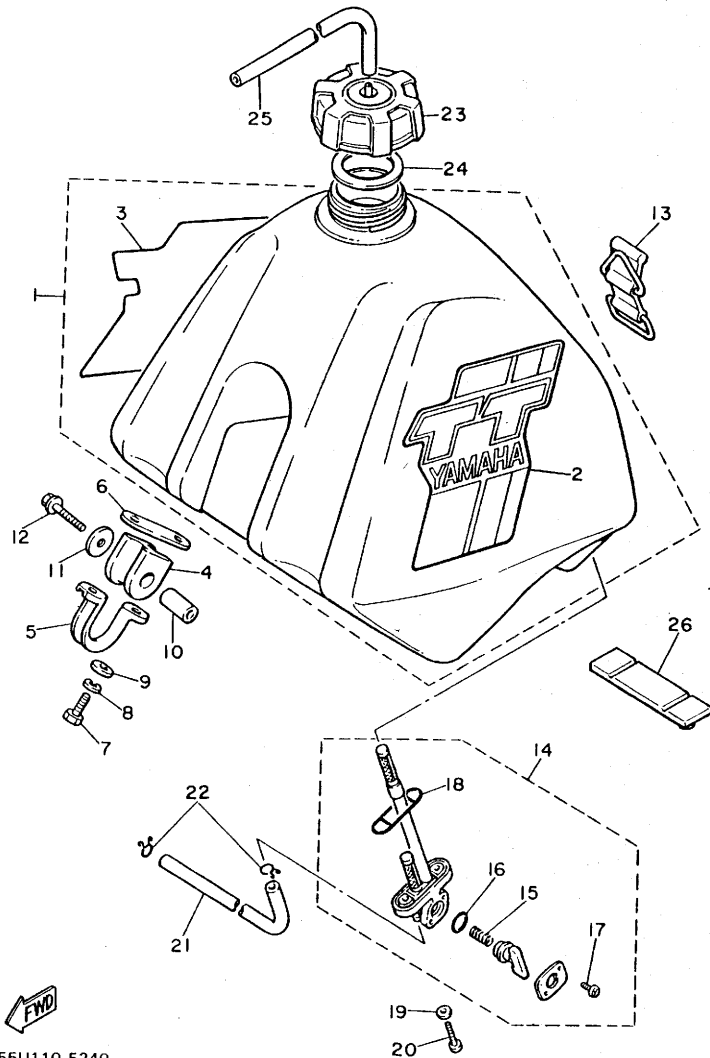


55U110-5230

REF. NO.	PART NO.	DESCRIPTION	Q'TY	REMARKS
30	55U-23110-00	•INNER TUBE COMP.	1	
31	4V4-23171-L0	•PISTON FRONT FORK	1	
32	55U-23170-00	•CYLINDER COMP., front fork	1	
33	4V4-23173-L0	•SPINDLE, taPer	1	
34	55U-23141-00	•SPRING, front fork	1	
35	4V4-23142-L0	•SEAT, sPring uPPer	1	
36	5X6-23118-M0	•SPACER (L=110)	1	
37	4V4-23158-L0	•GASKET	1	
38	122-23129-00	•GASKET, drain Plug	1	
39	122-23119-01	•PLUG, drain	1	
40	43M-23111-L0	•BOLT, caP	1	
41	23X-23190-L0	•AIR VALVE COMP.	1	
42	4V4-23188-L0	•O-RING	1	
43	3J2-23147-00	•O-RING	1	
44	34K-23181-00	•BOLT, hexaGon socket head	1	
45	43M-23167-L0	•HOLDER, axle	1	
46	92901-06100	•WASHER, sPring	4	
47	95311-06600	•NUT	4	
48	55U-23191-00	BOOT	2	chaPPy red
49	43M-23192-L0	BAND	2	
50	43M-23489-L0	BAND	2	
51	34K-23340-00-39	UNDER BRACKET COMP.	1	clear no buffing
52	90109-08397	BOLT	4	
53	90201-08544	WASHER, Plate	3	
54	92901-08100	WASHER, sPring	4	
55	95311-08600	NUT	4	
56	4V5-23389-00	GUIDE, cable	1	
57	98506-04018	SCREW, Pan head	2	

D8

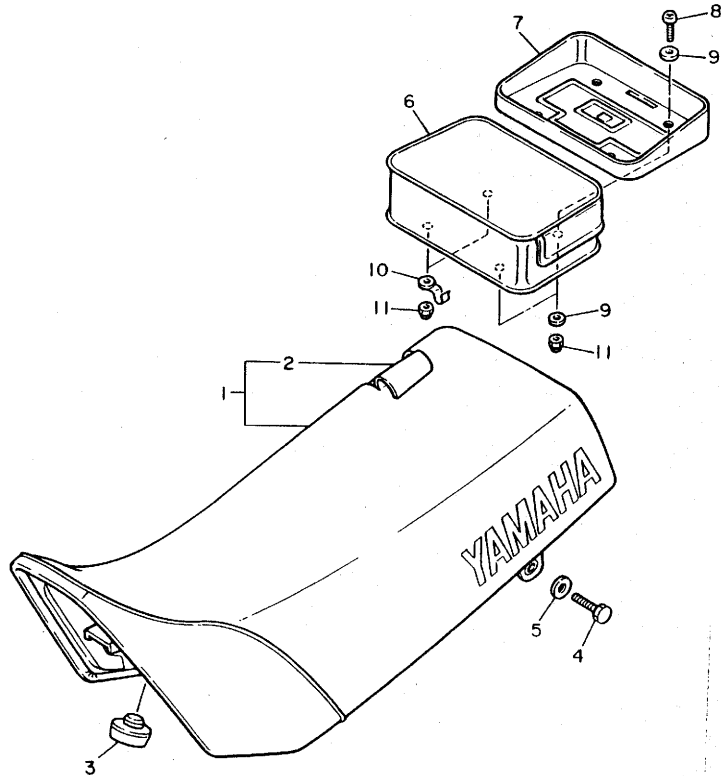
FIG. 24 FUEL TANK



REF. NO.	PART NO.	DESCRIPTION	Q'TY	REMARKS
1	34K-24110-00-03	FUEL TANK COMP.	1	white
2	55U-24254-00	•GRAPHIC, fuel tank 7	1	
3	55U-24255-00	•GRAPHIC, fuel tank 8	1	
4	1W1-24182-01	DAMPER, locatinē 2	2	
5	1W1-24144-01	HOLDER, damPer	2	
6	34K-2413X-00	PLATE	2	
7	97301-06016	BOLT	4	
8	92901-06100	WASHER, sPrinē	4	
9	90201-061A5	WASHER, Plate	4	
10	90387-07393	COLLAR	2	
11	90201-06407	WASHER, Plate	2	
12	90119-06022	BOLT, with washer	2	
13	3R3-24173-00	BAND, tank fittinē 1	1	
14	34K-24500-00	FUEL COCK ASSY 1	1	
15	357-24529-10	•SPRING	1	
16	4X8-24534-00	•SEAL, cock	1	
17	97801-06008	•SCREW, Pan head	2	
18	4X8-24512-00	•GASKET	1	
19	90202-06010	WASHER, Plate	2	
20	90149-06011	SCREW	2	
21	90445-10456	HOSE	1	
22	90467-09006	CLIP	2	
23	3R9-24611-01	BODY, caP	1	
24	3R9-24612-00	GASKET, caP	1	
25	90445-09777	HOSE	1	
26	34K-24181-00	DAMPER, locatinē 1	1	

FWD
55U110-5240

FIG. 25 SEAT



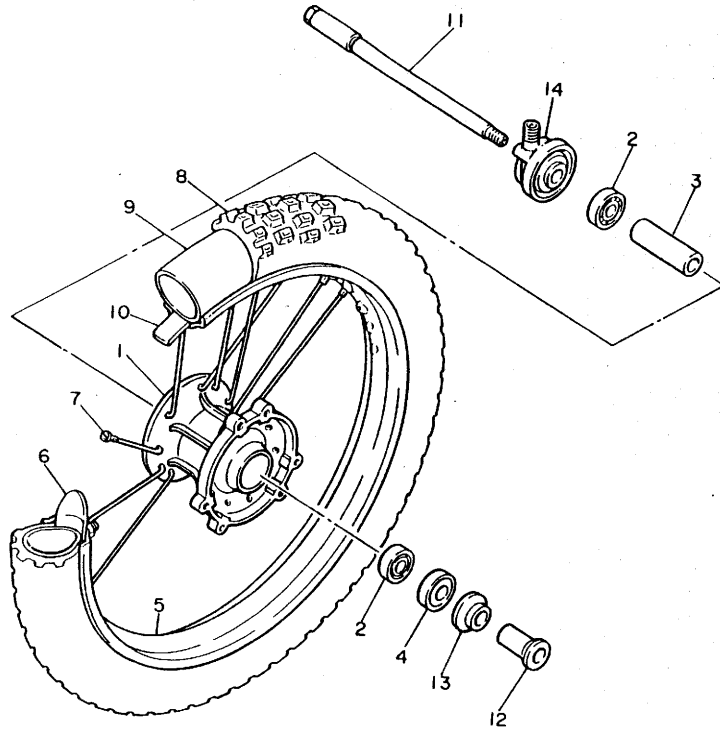
REF. NO.	PART NO.	DESCRIPTION	Q'TY	REMARKS
1	34K-W2471-11	SINGLE SEAT ASSY	1	chaPPy red
2	34K-24731-10	COVER, seat	1	chaPPy red
3	1L9-24741-00	PAD, seat	1	
4	97301-06016	BOLT	2	
5	90201-06008	WASHER, Plate	2	
6	4V5-24850-00	CARRIER BOX ASSY	1	
7	4V5-24833-00	BRACKET, carrier 2	1	
8	92501-06020	SCREW, Pan head	4	
9	90201-06571	WASHER, Plate	6	
10	34K-21615-00	WASHER, sPecial 1	2	
11	95602-06100	NUT, u	4	



34K100-3250

D10

FIG. 26 FRONT WHEEL



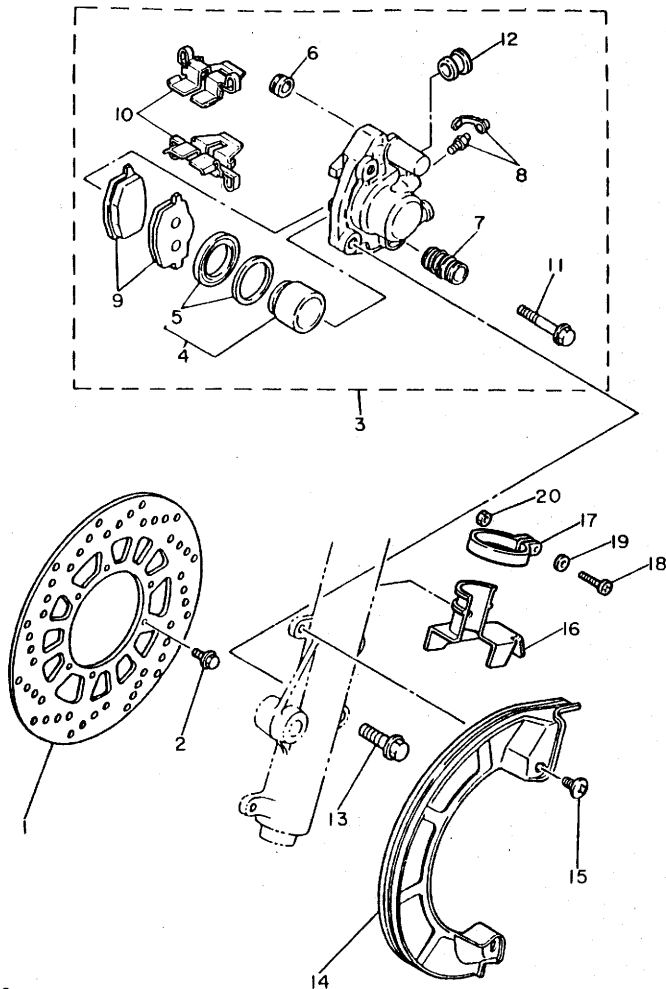
REF. NO.	PART NO.	DESCRIPTION	Q'TY	REMARKS
1	55U-25111-00-98	HUB, front	1	low gloss black
2	93306-20209	BEARING (B6202)	2	
3	136-25117-00	SPACER, bearing	1	
4	93102-20281	OIL SEAL	1	
5	94416-21410	RIM (1.60-21)	1	silver
6	4V5-25194-00	SPACER, bead	1	
7	55U-25104-00	SPOKE SET, front	1	
8	94110-210G5	TIRE (100/80-21)	1	inoue
9	94230-21126	TUBE (3.00-21)	1	inoue
10	94330-21088	BAND, rim (3.00-21)	1	inoue
11	55U-25181-00	AXLE, wheel	1	
12	90387-15600	COLLAR	1	
13	322-25118-00	COVER, hub dust	1	
14	1W2-25190-00	GEAR UNIT ASSY	1	



55U110-5260

D11

FIG. 27 FRONT BRAKE CALIPER



REF. NO.	PART NO.	DESCRIPTION	Q'TY	REMARKS
1	55U-25831-00	DISC, brake (RIGHT)	1	
2	90109-06757	BOLT	6	
3	59X-25810-10	CALIPER ASSY (LEFT)	1	
4	55U-W0057-00	•PISTON ASSY, caliPer	1	
5	34X-W0047-00	••CALIPER SEAL KIT	1	
6	5R2-25917-00	•BOOT, caliPer	1	
7	34X-25937-00	•BOOT 2	1	
8	51L-W0048-00	•BREED SCREW KIT	1	
9	38W-W0045-00	•BRAKE PAD KIT, front	1	
10	34X-25919-00	•SUPPORT, Pad	2	
11	34X-25926-00	•BOLT	1	
12	34X-25845-00	•CAP, indicator	1	
13	55U-25818-00	BOLT, caliPer	2	
14	55U-25715-00	COVER 1	1	
15	90149-06194	SCREW	2	
16	55U-25716-00	COVER 2	1	
17	55U-25719-00	BAND	1	
18	98501-05016	SCREW, Pan head	1	
19	92901-05600	WASHER, Plate	1	
20	95301-05600	NUT	1	

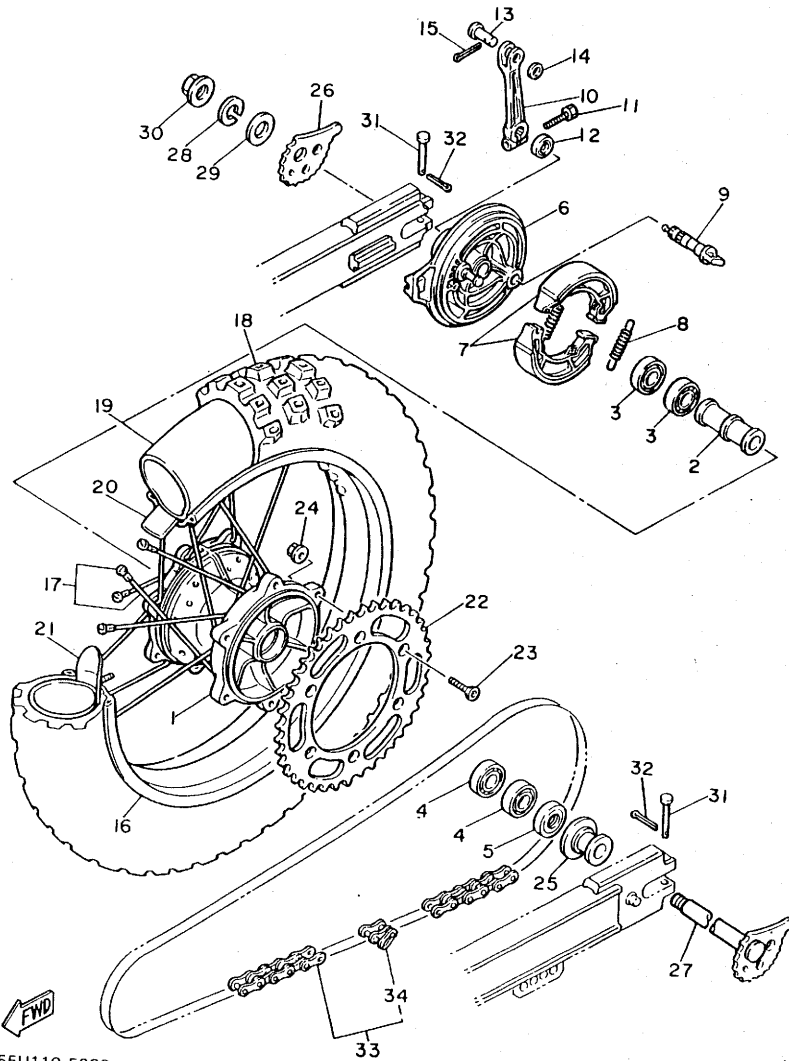


55U110-5270

D12

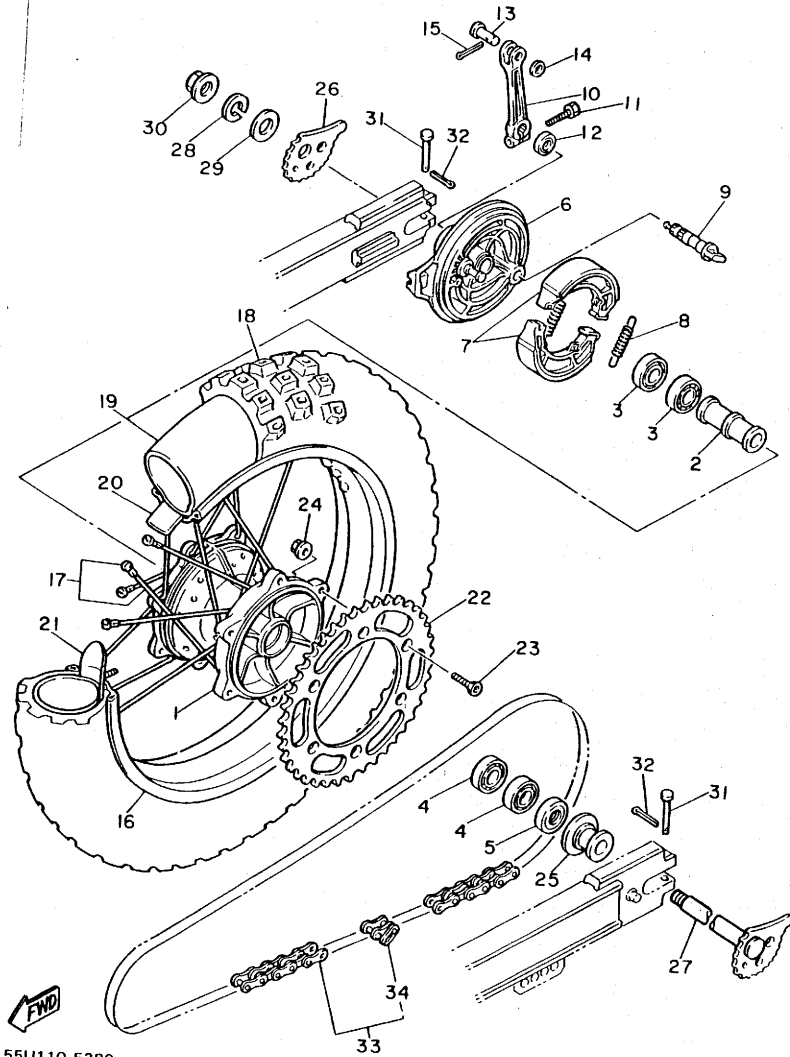
FIG. 28 REAR WHEEL

REF. NO.	PART NO.	DESCRIPTION	Q'TY	REMARKS
1	56A-25311-00-98	HUB, rear	1	low gloss black
2	90560-20226	SPACER	1	
3	93306-00430	BEARING	2	
4	93306-00406	BEARING (B6004Z)	2	
5	93106-28023	OIL SEAL	1	
6	26A-25321-00-98	PLATE, brake shoe	1	low gloss black
7	23X-25330-00	BRAKE SHOE COMP.	1	
8	90506-17328	SPRING, tension	2	
9	26A-25351-00	CAMSHAFT	1	
10	34K-25355-00	LEVER, camshaft	1	
11	90101-06291	BOLT	1	
12	148-25359-00	SEAL, camshaft	1	
13	1W2-27237-00	PIN, clevis	1	
14	90201-12631	WASHER, Plate	1	
15	91401-25022	PIN, cotter	1	
16	94425-18409	RIM (2.50-18)	1	silver
17	56A-25304-00	SPOKE SET, rear	1	
18	94114-186G1	TIRE (140/80-18)	1	inoue
19	94245-18125	TUBE (4.50-18)	1	inoue
20	94345-18081	BAND, rim (4.50-18)	1	inoue
21	2X5-25394-00	SPACER, bead	2	
22	26A-25450-50-33	SPROCKET, driven (50T)	1	
23	90109-08706	BOLT	6	
24	90185-08113	NUT, self-locking	6	
25	26A-25383-00	COLLAR, wheel	1	
26	4V5-25388-00	PULLER, chain 1	1	
27	26A-25381-00	AXLE, wheel	1	
28	92901-18100	WASHER, spring	1	



55U110-5280

FIG. 28 REAR WHEEL

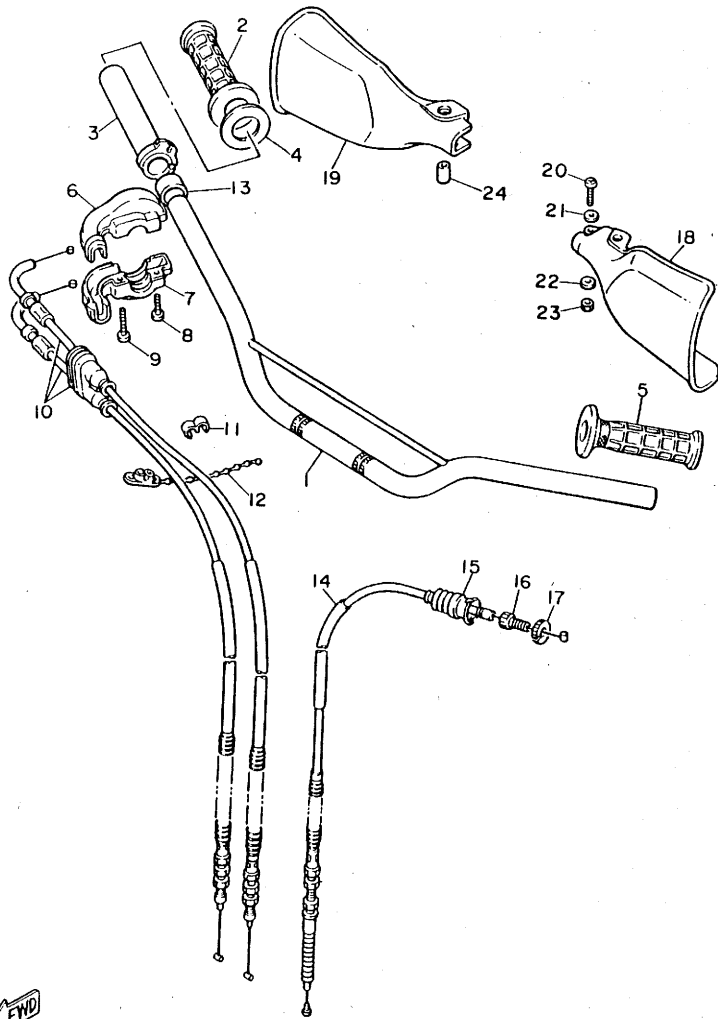


55U110-5280

REF. NO.	PART NO.	DESCRIPTION	Q'TY	REMARKS
29	92901-20600	WASHER	1	
30	90179-18332	NUT	1	
31	91701-05045	PIN, clevis	2	
32	91401-16012	PIN, cotter	2	
33	94580-40112	CHAIN	1	
34	94680-50011	JOINT, chain (D.I.D.50HDS)	1	

D14

FIG. 29 STEERING HANDLE. CABLE



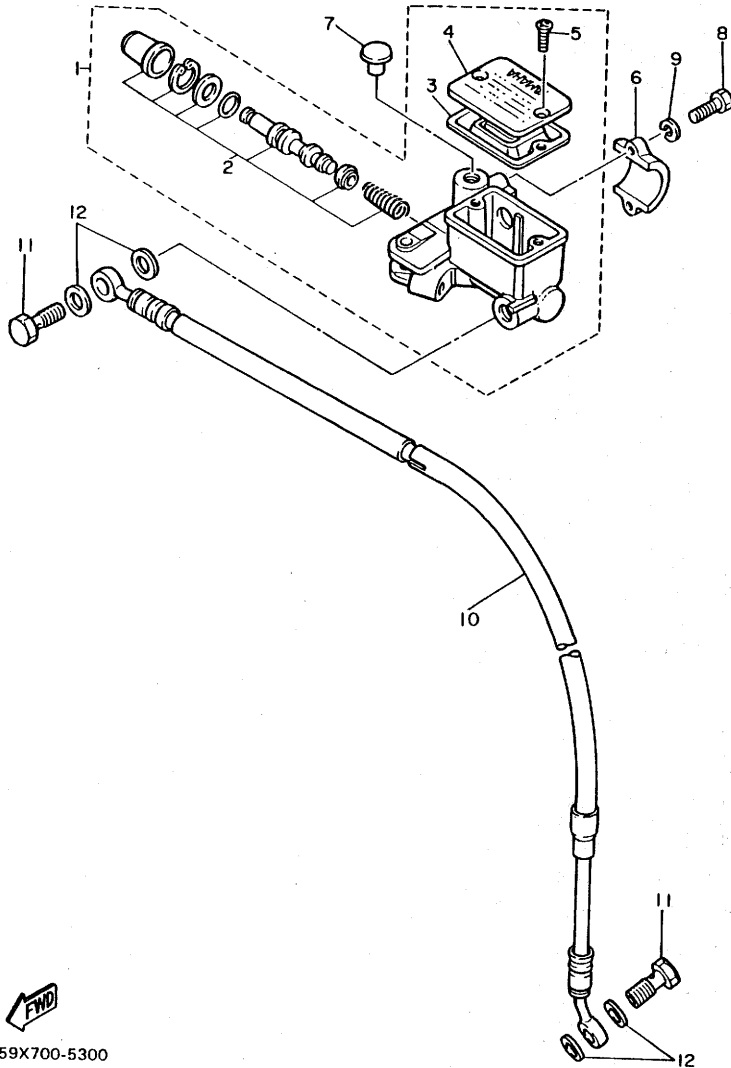
REF. NO.	PART NO.	DESCRIPTION	Q'TY	REMARKS
1	34K-26111-00	HANDLEBAR	1	
2	4V4-26242-01	GRIP (R.H)	1	
3	3Y1-26243-01	TUBE, throttle guide	1	
4	3Y1-26249-00	RING, leaf	1	
5	4V4-26241-01	GRIP (L.H)	1	
6	34K-26281-00	CAP, grip upper	1	
7	34K-26282-00	CAP, grip lower	1	
8	98506-05020	SCREW, Pan head	1	
9	98506-05025	SCREW, Pan head	1	
10	34K-26302-00	THROTTLE CABLE ASSY	1	
11	90468-15009	CLIP	1	
12	90464-20031	CLAMP	1	
13	90387-227H7	COLLAR	1	
14	55U-26335-00	CABLE, clutch	1	
15	1E6-26342-00	BOOT, cable	1	
16	90123-08090	BOLT	1	
17	90179-08401	NUT	1	
18	3Y0-26141-00	GUARD, brush 1	1	clean white
19	34L-26142-10	GUARD, brush 2	1	clean white
20	92501-06014	SCREW, Pan head	1	
21	90201-061A5	WASHER, Plate	1	
22	92901-06200	WASHER, Plain	1	
23	95301-06700	NUT	1	
24	90387-06500	COLLAR	1	

FWD

55U110-5290

D15

FIG. 30 FRONT MASTER CYLINDER



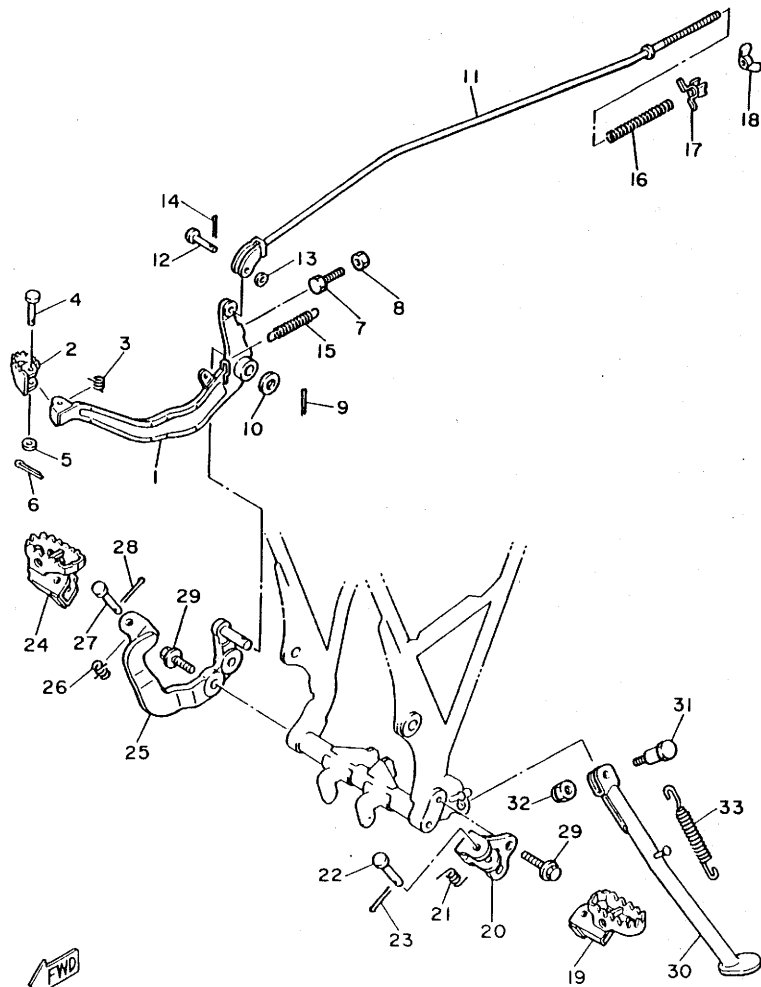
REF. NO.	PART NO.	DESCRIPTION	Q'TY	REMARKS
1	59X-25850-00	MASTER CYLINDER ASSY	1	
2	59X-W0041-00	•CYLINDER KIT, master	1	
3	55U-25854-00	•DIAPHRAGM, reservoir	1	
4	55U-25852-00	•CAP, reservoir	1	
5	98506-04012	•SCREW, Pan head	2	
6	56A-25867-00	BRACKET, master cylinder	1	
7	90338-09012	PLUG	1	
8	97326-06025	BOLT	2	
9	92906-06100	WASHER, sPring	2	
10	59X-25872-00	HOSE, brake 1	1	
11	90401-10034	BOLT, union	2	
12	90201-10118	WASHER, Plate	4	



59X700-5300

E2

FIG. 31 STAND. FOOTREST

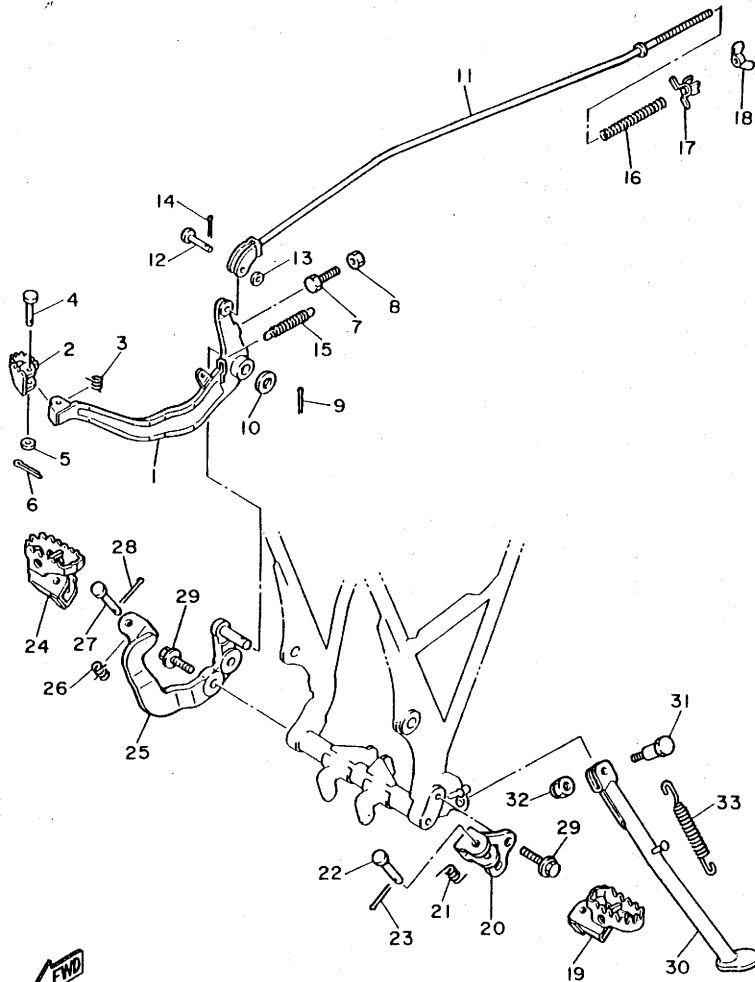


REF. NO.	PART NO.	DESCRIPTION	Q'TY	REMARKS
1	36A-27211-00-90	PEDAL, brake	1	uni chrome (black)
2	3R8-27242-00	PEDAL, brake	1	
3	90508-14429	SPRING, torsion	1	
4	91701-06028	PIN, clevis	1	
5	90201-061A5	WASHER, Plate	1	
6	91401-20015	PIN, cotter	1	
7	90101-06288	BOLT	1	
8	95301-06600	NUT	1	
9	91401-30020	PIN, cotter	1	
10	90201-14411	WASHER, Plate	1	
11	34K-27231-00	ROD, brake	1	
12	90240-06040	PIN, clevis	1	
13	92901-06200	WASHER, Plain	1	
14	91401-20015	PIN, cotter	1	
15	90506-18305	SPRING, tension	1	
16	90501-10245	SPRING, compression	1	
17	1W2-27239-00	SEAT, spring	1	
18	90175-06013	NUT, wing	1	
19	23X-27411-01	FOOTREST 1	1	
20	34K-27412-00-R4	BRACKET, footrest 1	1	black
21	90508-20583	SPRING, torsion	1	
22	90240-10101	PIN, clevis	1	
23	91401-25020	PIN, cotter	1	
24	34K-27421-00	FOOTREST 2	1	
25	34K-27422-00-R4	BRACKET, footrest 2	1	black
26	90508-20583	SPRING, torsion	1	
27	90240-10101	PIN, clevis	1	
28	91401-25020	PIN, cotter	1	

59X700-5310

E3

FIG. 31 STAND, FOOTREST

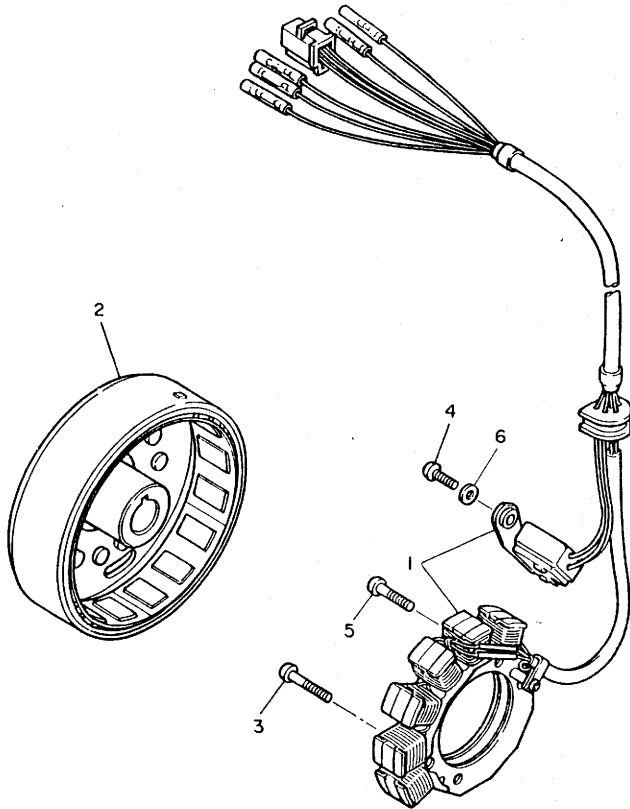


59X700-5310

REF. NO.	PART NO.	DESCRIPTION	Q'TY	REMARKS
29	95821-10025	BOLT, flange	4	
30	55U-27311-00-33	STAND, side	1	yamaha black
31	90109-124A7	BOLT	1	
32	90185-12119	NUT, self-locking	1	
33	90507-29008	SPRING, tension	1	

FIG. 32 GENERATOR

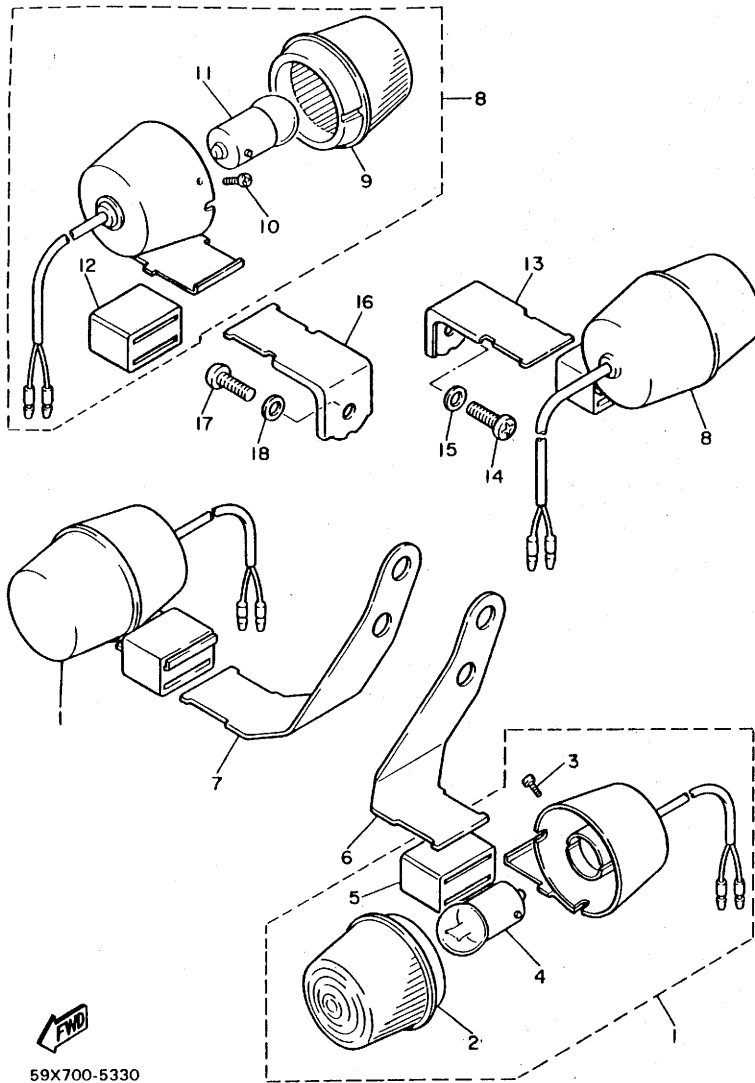
REF. NO.	PART NO.	DESCRIPTION	Q'TY	REMARKS
1	36A-85510-50	STATOR ASSY	1	
2	36A-85550-50	ROTOR ASSY	1	
3	92501-06025	SCREW, Pan head	2	
4	92501-06012	SCREW, Pan head	2	
5	92501-06020	SCREW, Pan head	2	
6	90201-06674	WASHER, Plate	2	



36A700-3300

E5

FIG. 33 FLASHER LIGHT



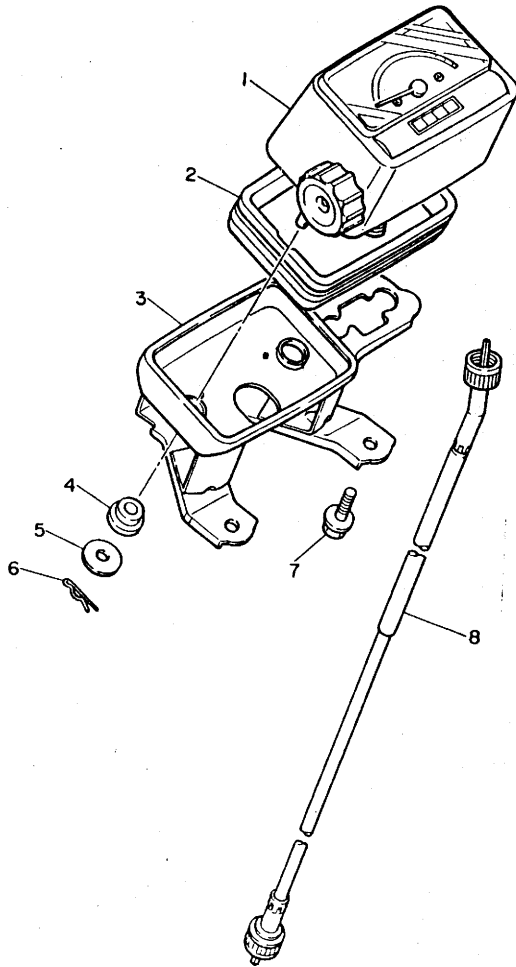
REF. NO.	PART NO.	DESCRIPTION	Q'TY	REMARKS
1	36X-83330-10	FRONT FLASHER LIGHT ASSY 1	2	
2	36X-83312-00	.LENS, flasher	1	
3	97706-30108	.SCREW, tapping	1	
4	185-83311-10	.BULB (6V-8W)	1	
5	36X-83321-00	.DAMPER, flasher 1	1	
6	36A-83318-00	STAY, flasher 1	1	
7	36A-83328-00	STAY, flasher 2	1	
8	36A-83330-10	REAR FLASHER LIGHT ASSY 1	2	
9	36X-83312-00	.LENS, flasher	1	
10	97706-30108	.SCREW, tapping	1	
11	185-83311-10	.BULB (6V-8W)	1	
12	36X-83321-00	.DAMPER, flasher 1	1	
13	36A-83368-00	STAY, flasher	1	
14	92506-06016	SCREW, Pan head	1	
15	92906-06600	WASHER, Plate	1	
16	36A-83368-00	STAY, flasher	1	
17	92506-06016	SCREW, Pan head	1	
18	92906-06600	WASHER, Plate	1	



59X700-5330

E6

FIG. 34 METER



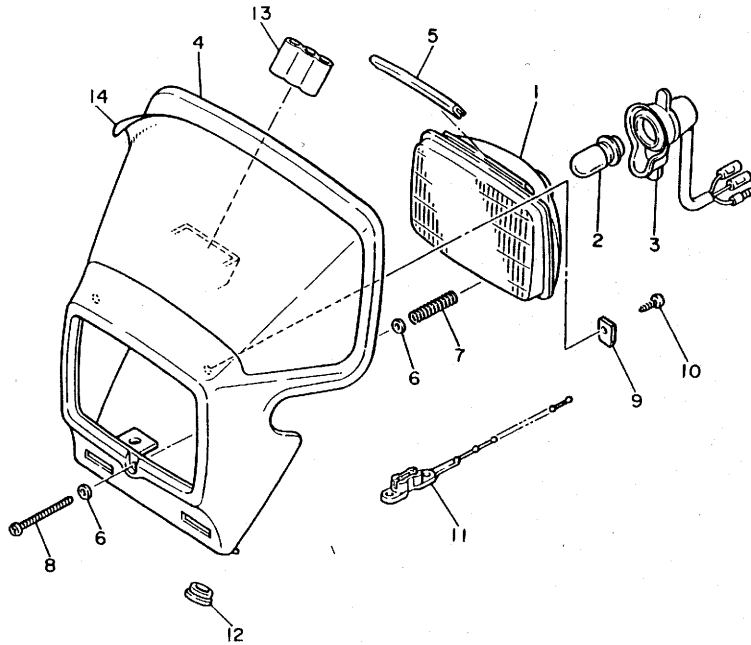
REF. NO.	PART NO.	DESCRIPTION	Q'TY	REMARKS
1	29W-83570-F1	SPEEDOMETER ASSY	1	
2	29W-83513-00	DAMPER	1	
3	29W-83519-00	BRACKET, meter	1	
4	1M1-83526-00	DAMPER 2	2	
5	1E6-83524-60	WASHER, sPecial	2	
6	437-83525-00	CLIP	2	
7	95802-06012	BOLT, flange	1	
8	4V5-83550-00	SPEEDOMETER CABLE ASSY	1	

FWD

59X700-5340

E7

FIG. 35 HEADLIGHT

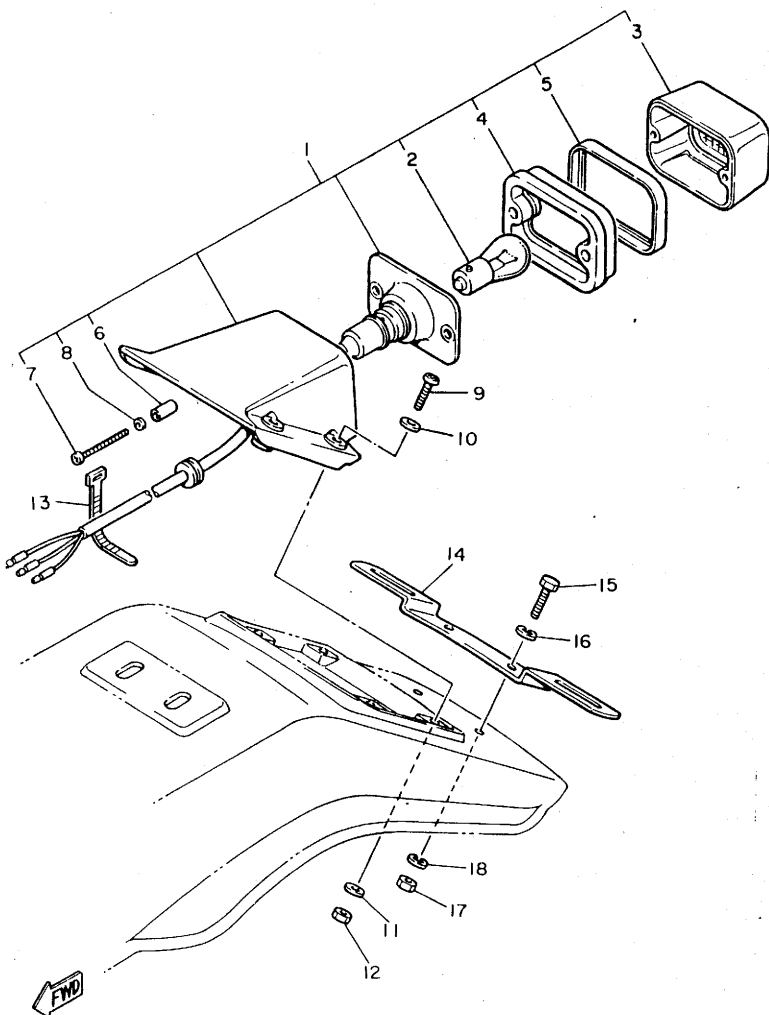


REF. NO.	PART NO.	DESCRIPTION	Q'TY	REMARKS
1	18A-84120-00	LENS ASSY	1	
2	4G2-84114-00	BULB, headlight (6V-25/25W)	1	
3	26A-84140-00	SOCKET CORD ASSY	1	
4	34K-84111-00	BODY, headlight	1	white
5	26A-84143-00	DAMPER, headlight stay	1	
6	92901-04600	WASHER, Plate	2	
7	18A-84132-00	SPRING, screw	1	
8	18A-84131-00	SCREW, rim adjuster	1	
9	26A-8411H-00	PLATE STOPPER	2	
10	97701-40510	SCREW, Panhead tapping	2	
11	90464-20031	CLAMP	1	
12	90480-12053	GROMMET	2	
13	4V5-83592-00	DAMPER	1	
14	34K-84141-00	EMBLEM, headlight	1	



59X700-5350

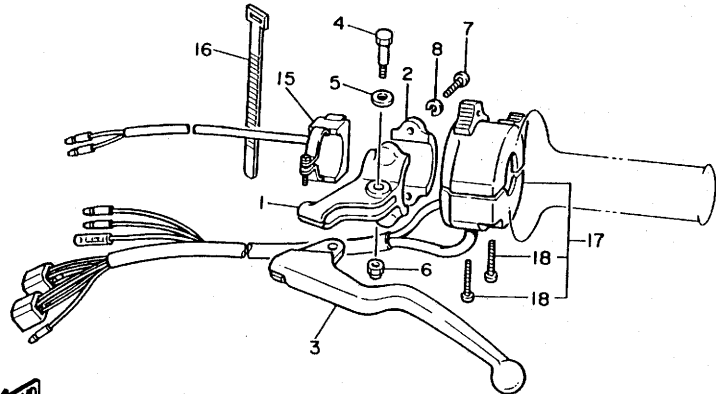
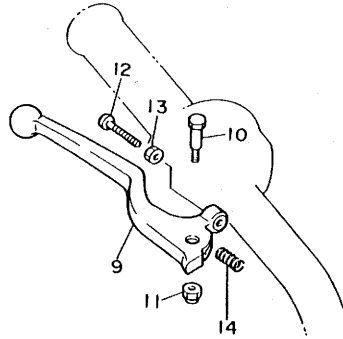
FIG. 36 TAILLIGHT



REF. NO.	PART NO.	DESCRIPTION	Q'TY	REMARKS
1	36A-84500-00	TAILLIGHT ASSY	1	
2	122-84514-00	•BULB (6V-10/3W)	1	
3	434-84521-69	•LENS, taillight	1	
4	29W-84527-00	•DAMPER	1	
5	434-84515-61	•RIM, taillight	1	
6	29W-84557-00	•COLLAR	2	
7	98502-04035	•SCREW, Pan head	2	
8	92901-04600	•WASHER, Plate	2	
9	92506-06035	SCREW, Pan head	4	
10	92906-06600	WASHER, Plate	4	
11	90201-06571	WASHER, Plate	4	
12	95301-06600	NUT	4	
13	437-83936-00	BAND, switch cord	2	
14	36A-84551-00	BRACKET, licence	1	
15	97306-06016	BOLT	2	
16	92906-06100	WASHER, sPring	2	
17	95302-06600	NUT	1	
18	92902-06100	WASHER, sPring	2	

36A700-3340

FIG. 37 HANDLE SWITCH. LEVER

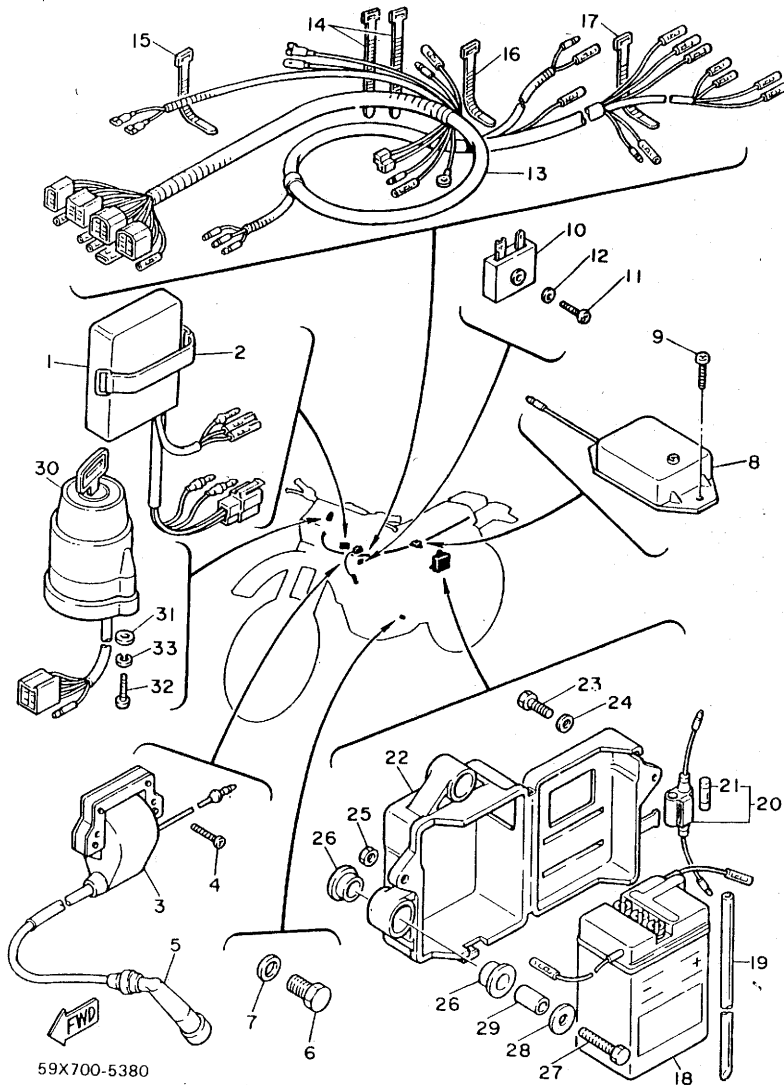


59X700-5370

REF. NO.	PART NO.	DESCRIPTION	Q'TY	REMARKS
1	33G-82911-00	HOLDER, lever 1	1	
2	33G-82913-00	HOLDER, lever lower 1	1	
3	23X-83912-00	LEVER 1	1	
4	90109-06576	BOLT	1	
5	90201-082A9	WASHER, Plate	1	
6	95606-06100	NUT, u	1	
7	98506-05020	SCREW, Pan head	2	
8	92906-05100	WASHER, sPrinG	2	
9	55Y-83922-00	LEVER 2	1	
10	90109-062A8	BOLT	1	
11	95606-06100	NUT, u	1	
12	90149-06153	SCREW	1	
13	90170-06010	NUT	1	
14	90501-10312	SPRING, comPression	1	
15	23X-83976-00	SWITCH, handle 1	1	
16	437-83936-00	BAND, switch cord	2	
17	5X9-83972-00	SWITCH, handle 4	1	
18	98506-05022	SCREW, Pan head	2	

E10

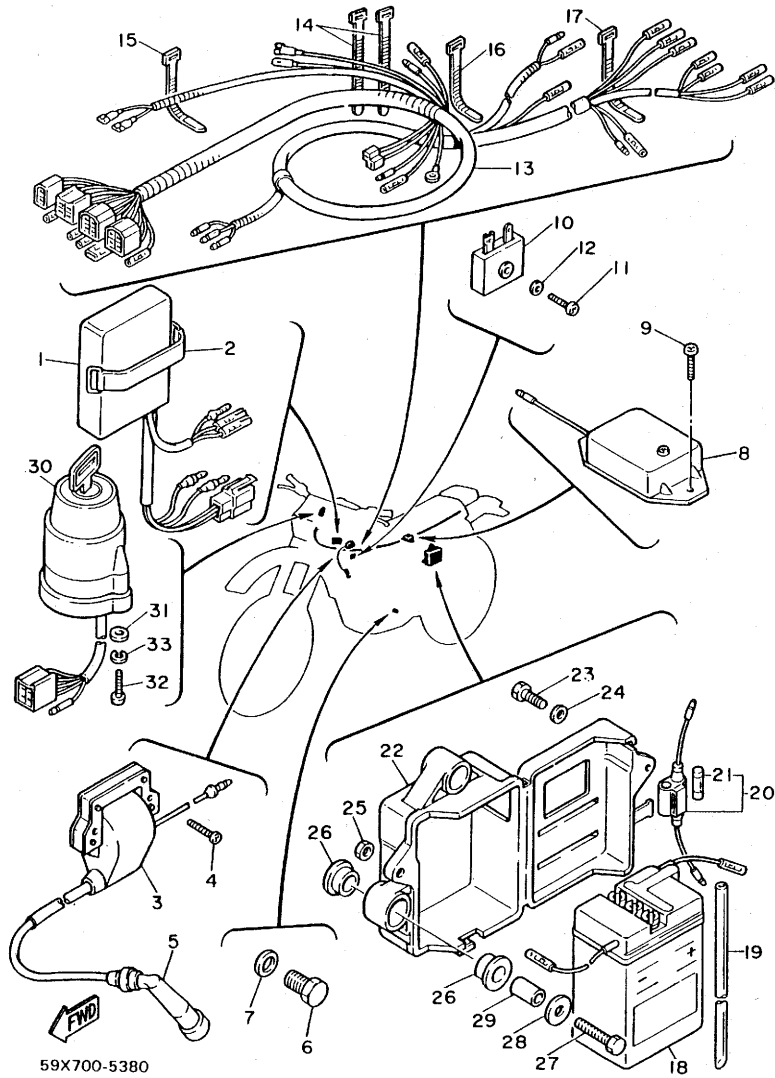
FIG. 38 ELECTRICAL 1



REF. NO.	PART NO.	DESCRIPTION	QTY	REMARKS
1	55U-85540-50	C.D.I. UNIT ASSY	1	
2	122-82131-00	BAND, battery	1	
3	34K-82310-51	IGNITION COIL ASSY	1	
4	92501-06020	SCREW, Pan head	2	
5	371-82370-00	PLUG CAP ASSY	1	
6	90340-10003	PLUG, straight screw	1	
7	90430-10148	GASKET	1	
8	498-81910-23	VOLTAGE REGULATOR ASSY	1	
9	92501-06012	SCREW, Pan head	2	
10	353-81970-63	RECTIFIER ASSY	1	stanley
11	98501-05020	SCREW, Pan head	1	
12	92901-05600	WASHER, Plate	1	
13	36A-82590-00	WIRE HARNESS ASSY	1	
14	437-83936-00	BAND, switch cord	4	
15	7F6-82591-00	BAND	2	
16	25G-83936-00	BAND, switch cord	1	
17	437-83936-10	BAND, switch cord	1	
18	2E9-82110-29	BATTERY ASSY	1	
19	90445-08048	HOSE	1	
20	1E6-82150-00	FUSE HOLDER ASSY	1	
21	1E6-82151-00	FUSE (6V-10A)	2	
22	36A-2177G-00	BOX, battery	1	
23	97301-06016	BOLT	1	
24	90201-061A5	WASHER, Plate	1	
25	95302-06600	NUT	1	
26	90480-15279	GROMMET	4	
27	97301-06040	BOLT	2	
28	90201-06067	WASHER, Plate	2	

E11

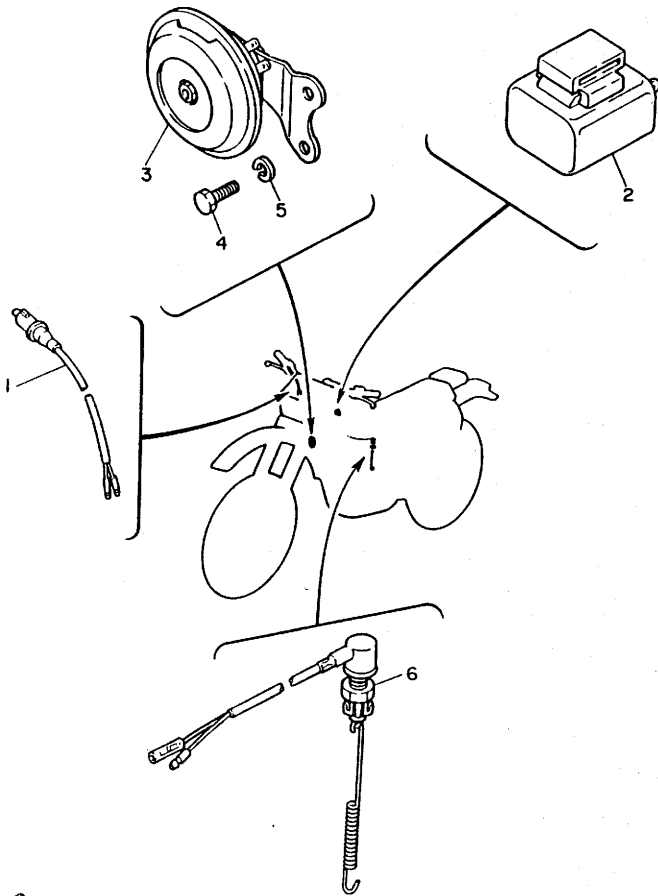
FIG. 38 ELECTRICAL 1



REF. NO.	PART NO.	DESCRIPTION	Q'TY	REMARKS
29	90387-06676	COLLAR	2	
30	5L4-82508-20	MAIN SWITCH ASSY	1	
31	90201-05033	WASHER, Plate	2	
32	98501-05025	SCREW, Pan head	2	
33	92901-05100	WASHER, sPrinG	2	

FIG. 39 ELECTRICAL 2

REF. NO.	PART NO.	DESCRIPTION	Q'TY	REMARKS
1	34X-83980-00	FRONT STOP SWITCH ASSY	1	
2	36X-83350-10	FLASHER RELAY ASSY	1	
3	36A-83371-10	HORN	1	
4	97301-06010	BOLT	2	
5	92901-06100	WASHER, sPrinG	2	
6	5Y1-82530-00	STOP SWITCH ASSY	1	



59X700-5390

E13

NUMERICAL INDEX

PART NO.	GRID NO.	PART NO.	GRID NO.
59X-W0041-00	E-2	5Y1-12166-00	B-7
38W-W0045-00	D-12	34K-12170-00	B-8
34X-W0047-00	D-12	34K-12176-00	B-8
51L-W0048-00	D-12	34K-12210-00	B-8
55U-W0057-00	D-12	4X7-12213-00	B-8
34K-W1141-00	B-5	34K-12215-01	B-2
5Y1-W1343-00	B-9	34K-12231-00	B-8
34K-W2471-11	D-10	34K-12241-00	B-8
34K-11101-00	B-2	5Y1-12283-00	B-8
583-11127-00	B-2	34K-12288-00	B-2
	B-4	5Y1-12292-00	B-3
4H7-11133-10	B-2	583-13113-00	B-9
34K-11145-00	B-5	5Y1-13300-00	B-9
34L-11166-00	C-2	5Y1-13325-00	B-9
34K-11181-00	B-4	5Y1-13371-00	B-10
1H2-11186-00	B-2	5Y1-13415-01	B-9
5Y1-11187-00	B-2	4X7-13440-90	B-9
214-11198-01	B-9	583-13447-01	B-9
34K-11310-00	B-4	11H-13455-00	B-9
34K-11312-09	B-4	34K-13464-00	B-9
34K-11351-00	B-4	34K-13465-00	B-9
34K-11400-00	B-5	36A-13556-00	B-11
34K-11422-00	B-5	16G-13569-00	B-11
34K-11454-00	B-5	36A-13576-00	B-11
5Y1-11496-01	B-5	43F-13586-00	B-11
5Y1-11531-00	B-5	43F-13596-00	B-11
34K-11536-01	B-5	34K-14103-00	B-13
34K-11565-01	B-5	5Y3-14105-00	B-13
34K-11610-00	B-5	5Y1-14107-00	B-13
34K-11631-01-Y0	B-5	5Y1-14115-00	B-13
34K-11633-00	B-5	5Y1-14131-00	B-14
34K-11651-00	B-5	5Y1-14137-00	B-14
34K-11681-00	B-5	5Y1-14148-00	B-14
5Y1-12111-00	B-7	5Y1-14149-00	B-14
5Y1-12113-00	B-7	5Y1-14159-00	B-14
5Y1-12114-00	B-7	34K-14197-00	B-14
4H7-12116-00	B-7	5Y1-14198-00	B-13
2F3-12117-00	B-7	5Y1-14203-00	B-13
1J7-12118-00	B-7	5Y1-14216-00	B-14
1J7-12119-01	B-7	5Y1-14286-00	B-13
34K-12121-00	B-7	5Y1-14293-01	B-14
5Y1-12146-00	B-7	55U-14301-00	B-13
34K-12151-00	B-7	34K-14305-00	B-14
5Y1-12156-00	B-7	34K-14312-55	B-13
3Y1-12159-00	B-7	5Y1-14325-00	B-13
34K-12161-00	B-7	5Y3-14341-00	B-13
34K-12162-00	B-7	43F-14342-24	B-13
34K-12163-00	B-7	288-14343-68	B-13

NUMERICAL INDEX

PART NO.	GRID NO.	PART NO.	GRID NO.	PART NO.	GRID NO.	PART NO.	GRID NO.
5Y1-14343-68	B-14	5Y1-15441-00	C-3	5Y1-18101-01	C-12	4V4-22184-00	C-13
5Y1-14349-00	B-13	5Y1-15451-01	C-3	43F-18102-01	C-12	23X-22199-00	D-3
5Y1-14355-00	B-13	34K-15462-00	C-3	34K-18110-02	C-12	59X-22210-00-6W	D-5
5Y1-14356-00	B-14	3Y1-1561A-02	C-5	34K-18120-00	C-12	34K-22212-20-6W	D-5
5Y1-14357-00	B-13	5Y1-1561G-00	C-6	34K-18140-00	C-11	23X-22214-00	D-5
5Y1-14358-00	B-14	5Y1-1562F-01	C-4	5Y1-18185-00	C-11	23X-22223-00	D-5
34K-14370-00	B-14	5Y1-15620-00	C-5	5Y1-18511-00	C-11	34K-22262-00	D-5
5Y1-14384-00	B-13	5Y1-15621-00	C-5	5Y1-18512-00	C-11	36A-22262-00	D-5
5Y1-14385-00	B-13	34K-15641-00	C-5	5Y1-18513-00	C-11	34K-22311-00	D-4
6E5-14386-01	B-13	117-15644-00	C-9	34K-18531-00	C-11	29W-22318-00	D-4
5Y1-14396-00	B-13	5Y1-15645-00	C-3	34K-18535-00	C-11	55U-23102-00	D-7
5Y1-14397-00	B-13	5Y1-15651-01	C-5	5Y1-18540-00	C-11	55U-23103-00	D-7
5Y1-14398-00	B-13	5Y1-15660-00	C-5	59X-21110-00-FH	C-13	55U-23110-00	D-7
34K-14401-01	B-11	2K7-15668-00	C-5	34K-21315-00	C-13		D-8
34K-14412-01	B-11	248-15668-00	C-5	34K-21316-00-FH	C-13	43M-23111-L0	D-7
34K-14426-00	B-11	5Y1-15671-00	C-5	5Y1-21441-00	C-14		D-8
26A-14436-00	B-11	214-15674-00	C-5	34K-21471-00-FH	C-13	5X6-23118-M0	D-7
34K-14451-01	B-11	168-15676-00	C-5	34K-21485-00	C-13		D-8
34K-14452-00	B-12	214-15686-00	C-5	34K-21486-00	C-13	122-23119-01	D-7
43F-14453-00	B-11	34K-16111-00	C-7	34K-21511-00	C-15		D-8
43F-14454-00	B-11	34K-16150-00	C-7	36A-21610-00	C-15	4V4-23125-L0	D-7
34K-14455-00	B-12	3Y1-16154-00	C-7	34K-21615-00	C-15	55U-23126-00-38	D-7
1W4-14457-00	B-11	5Y1-16321-00	C-7		D-10	122-23129-00	D-7
34K-14458-02	B-11	30X-16325-00	C-7	34K-21621-01	B-11		D-8
34K-14473-02	B-11	5Y1-16331-00	C-7	34K-21629-01	D-4	55U-23136-00-38	D-7
34K-14484-00	B-11	5Y1-16351-00	C-7	26A-21652-00	C-15	55U-23141-00	D-7
34K-14493-01	B-11	34K-16356-00	C-7	34K-21711-00-98	D-2		D-8
5Y1-14536-00	B-14	34K-16357-00	C-8	34K-21721-00-98	D-2	4V4-23142-L0	D-7
5Y1-14556-00	B-14	30X-16358-00	C-7	34K-21732-00	D-2		D-8
5Y1-14572-00	B-14	34K-16371-00	C-7	34K-2174A-00	D-2	23X-23144-L0	D-7
34K-14611-00	B-15	5Y1-16381-00	C-7	34K-21751-00	D-2	23X-23145-L0	D-7
5Y1-14613-00	B-15	5Y1-16383-00	C-7	34K-2176E-00	C-13	4V4-23146-L0	D-7
34K-14628-00	B-15	214-16389-00	C-7	36A-2177G-00	E-11	3J2-23147-00	D-7
34K-14711-01	B-15	34K-17121-01	C-9	34K-21771-00	D-2		D-8
34K-14714-00	B-15	5Y1-17131-00	C-9	34K-21778-00	D-2	4V4-23153-L0	D-7
34K-14752-00	B-15	34K-17141-00	C-9	55U-21781-00	D-2	4V4-23158-L0	D-7
30X-14766-00	B-15	5Y1-17151-01	C-9	34K-22110-00	D-3		D-8
5Y1-1490A-00	B-14	34K-17211-00	C-9	26A-22123-00	D-6	43M-23167-L0	D-8
43F-1490J-01	B-13	5Y1-17221-01	C-9	156-22127-00	D-3	55U-23170-00	D-7
55U-1490J-10	B-13	55U-17231-00	C-9	23X-22129-00	D-4		D-8
34K-1490K-00	B-14	55U-17241-00	C-9	3R4-22129-00	D-3	4V4-23171-L0	D-7
34L-15100-00	C-2	5Y1-17251-00	C-9	34K-22141-01	D-3		D-8
5Y1-15383-00	B-14	34K-17402-00	C-9	5X6-22147-01	D-3	4V4-23173-L0	D-7
34K-15411-00	C-3	34K-17410-00	C-9	5X6-22151-10	D-3		D-8
5Y1-15417-00	C-3	5Y1-17411-00	C-9	34K-2217A-00	D-3	34K-23181-00	D-7
5Y1-15421-01	C-3	3Y1-17456-00	C-9	23X-2217F-00	D-4		D-8
5Y1-15427-00	B-9	34K-17461-40	C-9	22W-22178-01	C-13	4V4-23188-L0	D-7
5Y1-15431-00	C-3	34K-17471-00	C-9	5X3-2218A-00	D-4		D-8
						34K-2319U-00	D-6
						23X-23190-L0	D-7



NUMERICAL INDEX

PART NO.	GRID NO.	PART NO.	GRID NO.	PART NO.	GRID NO.
23X-23190-L0	D- 8	26A-25383-00	D-13	1E6-82150-00	E-11
55U-23191-00	D- 8	4V5-25388-00	D-13	1E6-82151-00	E-11
43M-23192-L0	D- 8	2X5-25394-00	D-13	34K-82310-51	E-11
3R4-23317-00	D- 6	26A-25450-50-33	D-13	371-82370-00	E-11
26A-23318-00	D- 6	55U-25715-00	D-12	5L4-82508-20	E-12
34K-23340-00-39	D- 8	55U-25716-00	D-12	5Y1-82530-00	E-13
34K-23389-00	D- 6	55U-25719-00	D-12	36A-82590-00	E-11
4V5-23389-00	D- 8	59X-25810-10	D-12	7F6-82591-00	E-11
1W1-23416-00	D- 6	55U-25818-00	D-12	33G-82911-00	E-10
23X-23435-00-98	D- 6	55U-25813-00	D-12	33G-82913-00	E-10
1E6-23441-00	D- 6	34X-25845-00	D-12	185-83311-10	E- 6
1E6-23442-00	D- 6	59X-25850-00	E- 2	36X-83312-00	E- 6
43M-23489-L0	D- 8	55U-25852-00	E- 2	36A-83318-00	E- 6
34K-24110-00-03	D- 9	55U-25854-00	E- 2	36X-83321-00	E- 6
34K-2413X-00	D- 9	56A-25867-00	E- 2	36A-83328-00	E- 6
1W1-24144-01	D- 9	59X-25872-00	E- 2	36A-83330-10	E- 6
3R3-24173-00	D- 9	5R2-25917-00	D-12	36X-83330-10	E- 6
34K-24181-00	D- 9	34X-25919-00	D-12	36X-83350-10	E-13
1W1-24182-01	D- 9	34X-25926-00	D-12	36A-83368-00	E- 6
55U-24254-00	D- 9	34X-25937-00	D-12	36A-83371-10	E-13
55U-24255-00	D- 9	34K-26111-00	D-15	29W-83513-00	E- 7
34K-24500-00	D- 9	3Y0-26141-00	D-15	29W-83519-00	E- 7
360-24512-00	B-13	34L-26142-10	D-15	1E6-83524-60	E- 7
4X8-24512-00	D- 9	4V4-26241-01	D-15	437-83525-00	E- 7
357-24529-10	D- 9	4V4-26242-01	D-15	1M1-83526-00	E- 7
4X8-24534-00	D- 9	3Y1-26243-01	D-15	4V5-83550-00	E- 7
3R9-24611-01	D- 9	3Y1-26249-00	D-15	29W-83570-F1	E- 7
3R9-24612-00	D- 9	34K-26281-00	D-15	4V5-83592-00	E- 8
34K-24731-10	D-10	34K-26282-00	D-15	23X-83912-00	E-10
1L9-24741-00	D-10	34K-26302-00	D-15	55Y-83922-00	E-10
30X-24768-00	D- 2	55U-26335-00	D-15	25G-83936-00	E-11
4V5-24833-00	D-10	1E6-26342-00	D-15	437-83936-00	E- 9
4V5-24850-00	D-10	4N0-27114-00	C-13		E-10
55U-25104-00	D-11	36A-27211-00-90	E- 3		E-11
55U-25111-00-98	D-11	34K-27231-00	E- 3	437-83936-10	E-11
136-25117-00	D-11	1W2-27237-00	D-13	5X9-83972-00	E-10
322-25118-00	D-11	1W2-27239-00	E- 3	23X-83976-00	E-10
55U-25181-00	D-11	3R8-27242-00	E- 3	34X-83980-00	E-13
1W2-25190-00	D-11	55U-27311-00-33	E- 4	26A-8411H-00	E- 8
4V5-25194-00	D-11	23X-27411-01	E- 3	34K-84111-00	E- 8
56A-25304-00	D-13	34K-27412-00-R4	E- 3	4G2-84114-00	E- 8
56A-25311-00-98	D-13	34K-27421-00	E- 3	18A-84120-00	E- 8
26A-25321-00-98	D-13	34K-27422-00-R4	E- 3	18A-84131-00	E- 8
23X-25330-00	D-13	34K-28100-00	D- 2	18A-84132-00	E- 8
26A-25351-00	D-13	498-81910-23	E-11	26A-84140-00	E- 8
34K-25355-00	D-13	353-81970-63	E-11	34K-84141-00	E- 8
148-25359-00	D-13	2E9-82110-29	E-11	26A-84143-00	E- 8
26A-25381-00	D-13	122-82131-00	E-11	36A-84500-00	E- 9
				122-84514-00	E- 9

NUMERICAL INDEX

PART NO.	GRID NO.	PART NO.	GRID NO.	PART NO.	GRID NO.
90170-16343	B- 6	90201-100E9	D- 5	434-84515-61	E- 9
90170-20274	C- 7	90201-10118	E- 2	434-84521-69	E- 9
90170-20327	C- 7	90201-10124	B- 4	29W-84527-00	E- 9
90175-06013	E- 3	90201-10135	C- 6	36A-84551-00	E- 9
90176-08026	B- 4	90201-10141	D- 6	29W-84557-00	E- 9
90179-06499	B-15	90201-10430	D- 4	36A-85510-50	E- 5
90179-08401	D-15		D- 5	55U-85540-50	E-11
90179-10201	B- 4	90201-10590	B- 4	36A-85550-50	E- 5
90179-10279	B- 4	90201-120A5	D- 3	90101-06288	E- 3
90179-14317	B- 5	90201-120E6	D- 4	90101-06291	D-13
90179-18332	D-14		D- 5	90105-07087	B- 8
90179-22330	D- 6	90201-123E8	D- 6	90105-08213	B- 4
90179-25033	D- 6	90201-12474	C-12	90105-08214	B- 4
90185-08106	D- 3	90201-12631	D-13	90105-10286	C-13
90185-08113	D-13	90201-13202	C-13	90109-062A8	E-10
90185-10037	D- 6	90201-14222	D- 4	90109-06418	B- 2
90185-10060	C-13	90201-14226	B- 5	90109-06419	B- 9
90185-10120	D- 4	90201-14411	E- 3	90109-06576	E-10
	D- 5	90201-15238	D- 3	90109-06757	D-12
	D- 4	90201-15701	C- 5	90109-08397	D- 8
	E- 4	90201-17327	C- 8	90109-08705	C-13
	D- 3	90201-20276	C- 5	90109-08706	D-13
	C-13		C- 9	90109-10690	D- 5
	B-12	90201-20685	C- 5	90109-10700	D- 5
	E-12	90201-301F4	B- 5	90109-10702	D- 4
	D-10	90202-06010	D- 9	90109-10703	D- 4
	D- 4	90202-14077	D- 6	90109-124A7	E- 4
	C-15	90206-06060	B-15	90109-12701	D- 3
	E-11	90206-12075	B- 7	90116-10087	C- 2
	B- 8	90209-06187	C-15	90116-10263	C- 2
	C- 6	90209-22191	C- 9	90116-10378	B- 2
	D- 9	90209-34254	B- 5	90119-06022	D- 9
	D-15	90215-16242	B- 6	90119-06056	C-15
	E- 3	90215-20197	C- 7	90122-05010	B-11
	E-11	90215-20231	C- 7	90123-08090	D-15
	D- 4	90240-06040	E- 3	90149-05110	B- 9
	D- 9	90240-10101	E- 3	90149-06011	D- 9
	D-10	90243-06016	C- 7	90149-06153	E-10
	E- 9	90267-40073	B-11	90149-06194	D-12
	E- 5		B-12	90149-08067	C- 7
	C-13	90267-40075	C-13	90151-06017	C-11
	E-10	90280-05013	B- 5	90152-06010	C- 5
	B-15	90282-05065	B- 5	90159-06016	C- 7
	D- 8	90282-07042	C- 7	90159-06058	D- 4
	B- 4	90336-18038	C- 5	90159-06078	C-11
	B- 4	90338-09012	E- 2	90164-06017	B-15
	C-13		E-10	90170-06010	E-10
	D- 4	90340-10003	E-11	90170-06128	B- 7

NUMERICAL INDEX

PART NO.	GRID NO.	PART NO.	GRID NO.
90340-14079	B-2	90467-14015	C-2
	C-3	90467-20030	B-12
90340-36078	C-3	90468-15009	D-15
90380-12094	D-5	90480-01141	D-2
90380-16126	D-3	90480-12053	E-8
90380-16127	D-3	90480-13018	C-15
90380-22111	D-3	90480-13197	B-11
90387-063F7	C-11		D-2
90387-06500	D-15	90480-15279	E-11
90387-066J9	D-6	90501-05378	B-9
90387-06676	E-12	90501-10245	E-3
90387-07393	D-9	90501-10312	E-10
90387-081J3	D-2	90501-12081	C-5
90387-085E1	C-13	90501-16107	C-5
90387-121E8	D-6	90501-22721	B-5
90387-121H1	D-4	90501-26148	C-7
90387-126H8	D-5	90506-17328	D-13
90387-147G6	D-3	90506-18305	E-3
90387-147G7	D-3	90507-29008	E-4
90387-15600	D-11	90508-14429	E-3
90387-16782	C-2	90508-14524	C-6
90387-17783	C-2	90508-14526	C-8
90387-227H7	D-15	90508-18551	B-2
90387-440G3	D-3	90508-20583	E-3
90401-10034	E-2	90508-29527	C-11
90430-05126	B-9	90508-29629	C-12
90430-06014	B-2	90508-32529	C-5
90430-08119	C-7	90560-20226	D-13
	D-2	91316-06012	D-4
90430-08178	B-4		D-6
	C-2	91316-06016	B-9
	E-11		B-10
90430-10148	D-2		C-3
90430-27124	E-11	91316-06018	B-2
90445-08048	D-9	91316-06020	B-2
90445-09777	D-9		B-11
90445-10456	D-9		C-3
90445-11748	D-2		B-2
90460-46206	B-11	91316-06025	B-8
90460-51059	B-12		C-3
90462-10107	C-3		B-4
90462-16102	C-3	91316-06030	B-7
90464-20031	D-15		C-2
	E-8		C-3
90464-20064	B-9		B-9
90465-14242	D-6	91316-06035	C-3
90467-09006	D-9		C-3
90467-10008	D-2	91316-06040	B-2
90467-10039	B-11		C-3

PART NO.	GRID NO.	PART NO.	GRID NO.
91316-06045	C-2	91316-06055	B-2
91316-06050	B-12	91316-06060	C-2
	C-3	91316-06065	B-2
	D-2	91316-06068	B-9
	E-8	91316-06075	B-2
	C-15	91316-06080	B-2
	B-11	91401-16012	D-14
	D-2	91401-20015	E-3
	E-11	91401-25020	E-3
	B-9	91401-25022	D-13
	E-3	91401-30020	E-3
	E-10	91402-20018	D-6
	C-5	91701-05045	D-14
	C-5	91701-06028	E-3
	B-5	91810-03014	B-2
	C-7	91810-05018	B-4
	D-13	91810-18016	B-4
	E-3		C-2
	E-4	91830-22016	C-2
	E-3		C-3
	C-6		C-2
	C-8	91830-24016	B-15
	B-2	92501-06008	C-3
	E-3	92501-06012	C-14
	C-11		E-5
	C-12		E-11
	C-5		B-9
	D-13	92501-06014	D-15
	D-4		D-10
	D-6	92501-06020	E-5
	B-9		E-11
	B-10		E-5
	C-3	92501-06025	D-4
	B-2	92506-06012	E-6
	B-2	92506-06016	E-9
	B-11	92506-06035	C-2
	C-3	92701-06012	B-13
	B-2	92901-04100	B-11
	B-8	92901-04200	E-8
	C-3	92901-04600	E-9
	B-4		C-2
	B-7	92901-05100	E-12
	C-2	92901-05600	D-6
	C-3		D-12
	B-9		E-11
	C-3	92901-06100	B-15
	B-2		C-13
	C-3		C-14

NUMERICAL INDEX

PART NO.	GRID NO.	PART NO.	GRID NO.	PART NO.	GRID NO.
92901-06100	D-8	93210-64297	B-9	94701-00263	B-2
	D-9	93210-98473	B-4	95301-05600	D-6
	E-13	93306-00406	D-13		D-12
	C-7	93306-00426	C-9	95301-06600	C-7
92901-06200	D-15	93306-00430	D-13		E-3
	E-3	93306-00431	C-9		E-9
	D-8	93306-20209	D-11	95301-06700	D-15
92901-08100	C-13	93306-30525	B-5	95302-06600	E-9
92901-10100	D-13	93306-30535	C-9		E-11
92901-18100	D-14	93306-30540	C-9	95311-06600	D-8
92901-20600	C-15	93306-30541	B-5	95311-06700	C-6
92902-06100	E-9	93306-30702	B-5	95311-08600	D-8
	E-10	93310-634K2	B-5	95602-06100	D-10
92906-05100	B-12	93315-11720	C-7	95606-06100	E-10
92906-05600	E-2	93315-31732	D-4	95611-06620	B-2
92906-06100	E-9	93316-00503	C-11	95611-10100	D-4
	B-2	93317-11020	C-7	95706-08100	D-2
	E-6	93317-32034	D-3	95801-06012	B-12
	E-9	93317-32231	D-3	95801-06016	D-3
	B-12	93332-00008	D-6	95801-08012	C-13
92990-04200	C-3	93332-00023	D-6		D-2
93101-14092	B-5	93342-22208	D-3	95802-06012	D-5
93101-25106	C-5	93410-20038	C-5		E-7
93102-10207	B-3	93440-12052	B-2	95802-08016	C-13
93102-12106	C-14	93440-25019	C-9	95802-08055	D-3
	E-5	93440-30113	D-5	95811-08012	B-15
93102-17148	E-11	93440-51103	D-5	95811-10110	C-13
93102-20108	B-9	93450-24028	D-11	95816-08045	B-15
93102-20281	D-15	93503-08007	C-9	95821-08020	B-15
93102-25226	D-10	93507-32009	D-5	95821-08035	D-6
93104-18077	E-5	93515-32029	D-3	95821-08040	D-6
93106-22019	E-11	93604-10011	D-13	95821-10025	E-4
93106-28023	E-5	93605-10090	D-3	95822-08012	D-2
93108-35004	D-4	93608-33046	C-12	95826-08205	D-2
93109-20029	E-6	93700-06004	D-3	97301-06010	E-13
93210-07135	E-9		D-4	97301-06016	C-15
	C-2		D-4		D-9
93210-08521	B-7	93700-06005	D-11		D-10
93210-10197	B-9	94110-21065	D-13		E-11
93210-13361	B-9	94114-18661	D-11	97301-06040	E-11
	C-3	94230-21126	D-13	97302-06020	C-15
	B-2	94245-18125	D-11	97306-06016	E-9
	C-3	94330-21088	D-13	97311-08030	C-5
	B-10	94345-18081	D-11	97311-10080	C-13
	B-2	94416-21410	D-13	97321-06014	C-9
	B-2	94425-18409	D-14	97321-06016	B-8
	C-3	94580-40112	B-8		C-5
	B-11	94590-27126	D-14	97321-06020	C-13
	B-2	94680-50011	B-2		
		94701-00262			

NUMERICAL INDEX

PART NO.	GRID NO.	PART NO.	GRID NO.	PART NO.	GRID NO.
97321-06025	C-12				
97322-06010	C-10				
97326-06025	E- 2				
97701-40510	E- 8				
97706-30108	E- 6				
97801-06008	D- 9				
98501-04014	B-13				
98501-05010	B-13				
98501-05016	D-12				
98501-05020	E-11				
98501-05025	D- 6				
	E-12				
98502-04035	E- 9				
98503-04010	B-14				
98506-04012	E- 2				
98506-05016	B-12				
98506-05020	D-15				
	E-10				
98506-05022	E-10				
98506-05025	D-15				
98901-04006	B-14				
99001-09600	C-12				
99001-10600	C-12				
99009-10400	C- 6				
99009-11400	B- 9				
99009-15400	C- 5				
99009-20400	C- 5				
	C- 9				



