



YAMAHA

PARTS CATALOGUE

TW200D (3AWD)

CANADA

| 23AW-171E1

A2



A3

CONTENTS

ENGINE

Cylinder Head	B2
Cylinder	B3
Crankshaft, Piston	B4 ~ B5
Valve	B6
Camshaft, Chain	B7
Oil Pump	B8
Intake	B9
Carburetor	B10 ~ B11
Exhaust	B12
Crankcase	B13
Crankcase Cover 1	B14
Starter	B15 ~ C2
Clutch	C3
Transmission	C4 ~ C5
Shift Cam, Fork	C6
Shift Shaft	C7

CHASSIS

Frame	C8 ~ C9
Fender	C10
Side Cover	C11
Rear Arm	C12
Rear Suspension	C13
Steering	C14
Front Fork	C15 ~ D2
Fuel Tank	D3
Seat	D4
Front Wheel	D5 ~ D6
Rear Wheel	D7 ~ D8

Steering Handle, Cable	D9
Stand, Footrest	D10 ~ D11
Cowling 1	D12
Generator	D13
Starting Motor	D14
Flasher Light	D15
Meter	E2
Headlight	E3
Taillight	E4
Handle Switch, Lever	E5
Electrical 1	E6 ~ E7

INDEX

Numerical Index	M1 ~ M3
-----------------------	---------

FOREWORD

This Parts Catalogue is related to the parts in use for the Yamaha TW200D(3AWD).
When you are ordering replacement parts for the TW200D(3AWD), refer to this Parts Catalogue and quote both part numbers and part names correctly.

1. Modifications or additions which have been made after issue of the Parts Catalogue will be announced in the Yamaha Parts News.

It is advisable that according to the Yamaha Parts News you make necessary corrections to the Parts Catalogue on hand to keep it up-to-date.

2. Abbreviations

The following abbreviations are used in this Parts Catalogue.

- U.R. Use size (thickness) and/or number as required.
- U.N. Use as many as you need.
- A.P. Alternate Parts
- L.M. Local Made
- F# Frame No. (Applicable machine No.)

3. The parts marked with (*) in the parts number column of this Catalogue are not supplied with by Yamaha, those have to be found locally.

4. Parts, which are to be supplied in the form of assemblies, are listed with an indention of one letter's space, and a dot (.) is put against the name of each part.

EXAMPLE CARBURETOR ASS'Y
 . JET, pilot
 . NOZZLE, main

5. Indication of No. of constituent parts for assembly

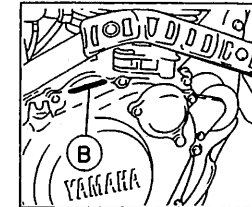
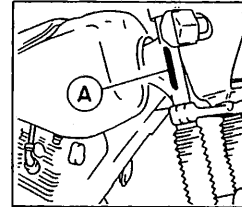
The numeral appearing to the right of each constituent part under the description indicates the quantity of such parts for each individual assembly unit.

EXAMPLE

Part No.	Description	Q'ty	Remarks
2F5-83310-60	FRONT FLASHER LIGHT ASS'Y	2	
115-83311-60	. BULB (6V-18W)	1	
1M1-83309-60	. REFLECTOR	1	

6. Initial Serial No. and Color Code

(A) Frame Serial No.	3AW-039101 and following
(B) Engine Serial No.	3AW-039101 and following



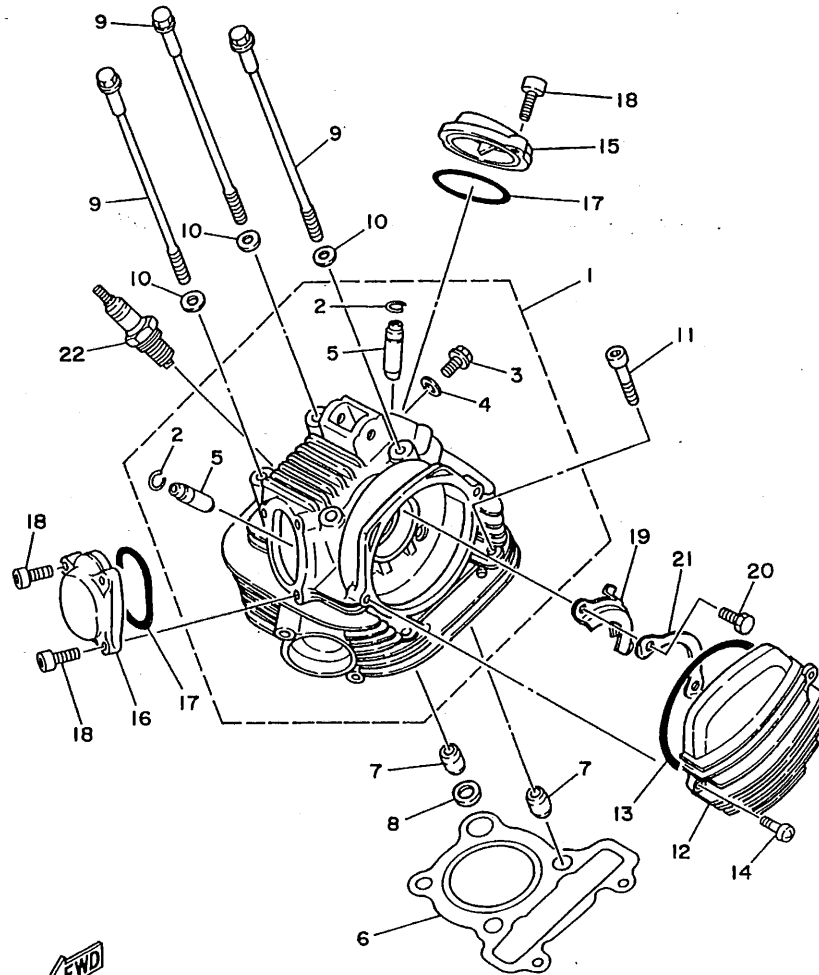
Color Code	Color Name	Abbreviate
0265	VERY PALE BLUE SOLID 1	VPBS1

7. Applicable colors of graphics are represented in the "Remarks" column by the letter(s) appropriately picked out of the full word(s) showing such colors.

EXAMPLE

Part No.	Description	Q'ty	Remarks
2N4-24110-00-X5	FUEL TANK COMP.	1	MAXIM RED
3J1-24240-10	. GRAPHIC, fuel tank set	1	for MXR

FIG. 1 CYLINDER HEAD



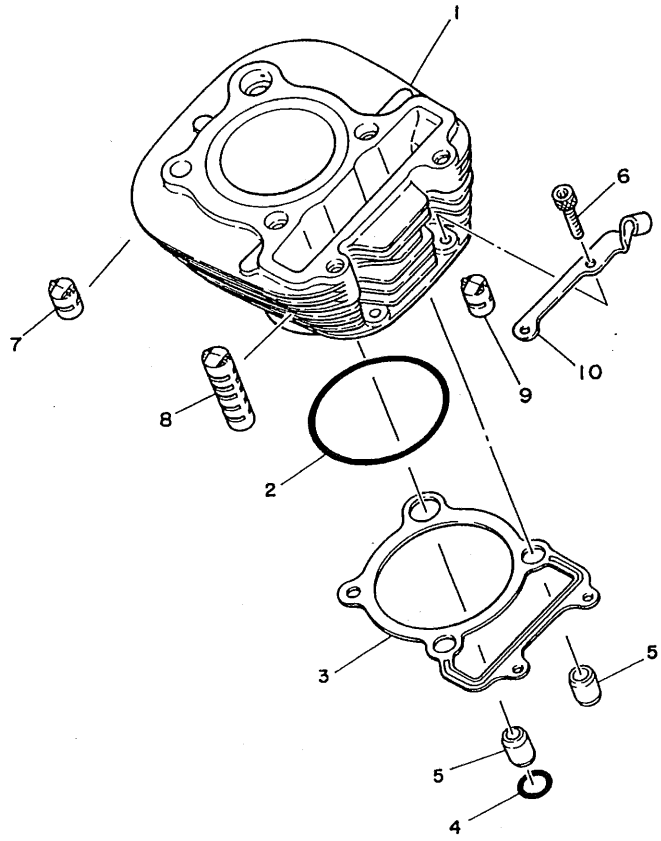
REF. NO.	PART NO.	DESCRIPTION	Q'TY	REMARKS
1	15A-11110-01	CYLINDER HEAD ASSY	1	
2	93440-10085	.CIRCLIP	2	
3	90153-06029	.SCREW, hexagon	1	
4	90430-06014	.GASKET	1	
5	5H0-11133-10	.GUIDE, intake valve	2	
6	1NU-11181-00	GASKET, cylinder head 1	1	
7	99530-14016	PIN, dowel	3	
8	90430-14131	GASKET	1	
9	90105-08195	BOLT, washer based	4	
10	90201-080L7	WASHER, plate	4	
11	91316-08045	BOLT	2	
12	15A-11185-00	COVER, cylinder head side 1	1	
13	93211-05471	O-RING	1	
14	98516-06020	SCREW, pan head	2	
15	15A-11186-00	COVER, cylinder head side 2	1	
16	15A-11187-00	COVER, cylinder head side 3	1	
17	93210-57634	O-RING	2	
18	91316-06018	BOLT	5	
19	5H0-1111F-00	PLATE	1	
20	97013-06012	BOLT	2	
21	90215-06184	WASHER, lock	1	
22	94701-00203	PLUG, spark (NGK DR8ES-L)	1	UR
	94701-00222	PLUG, spark (ND X24ESR-U)	1	UR



3AWB110-2010

FIG. 2 CYLINDER

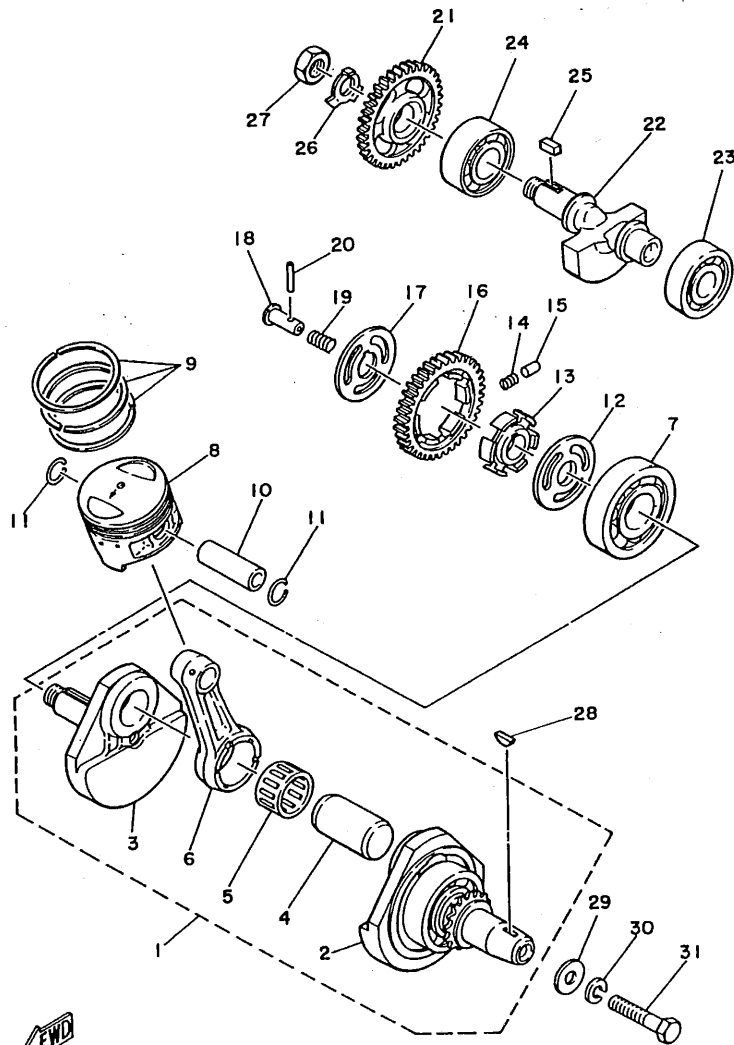
REF. NO.	PART NO.	DESCRIPTION	Q'TY	REMARKS
1	21V-11310-00	CYLINDER	1	
2	93210-72529	O-RING	1	
3	4CS-11351-00	GASKET, cylinder	1	
4	93210-13361	O-RING	1	
5	99530-14016	PIN, dowel	2	
6	90110-06138	BOLT, hexagon socket head	2	
7	15A-11162-00	ABSORBER 2	2	
8	5H0-11161-00	ABSORBER 1	2	
9	15A-11162-00	ABSORBER 2	1	
10	15A-15441-00	HOLDER, clutch cable	1	



54G100-6020

B3

FIG. 3 CRANKSHAFT. PISTON

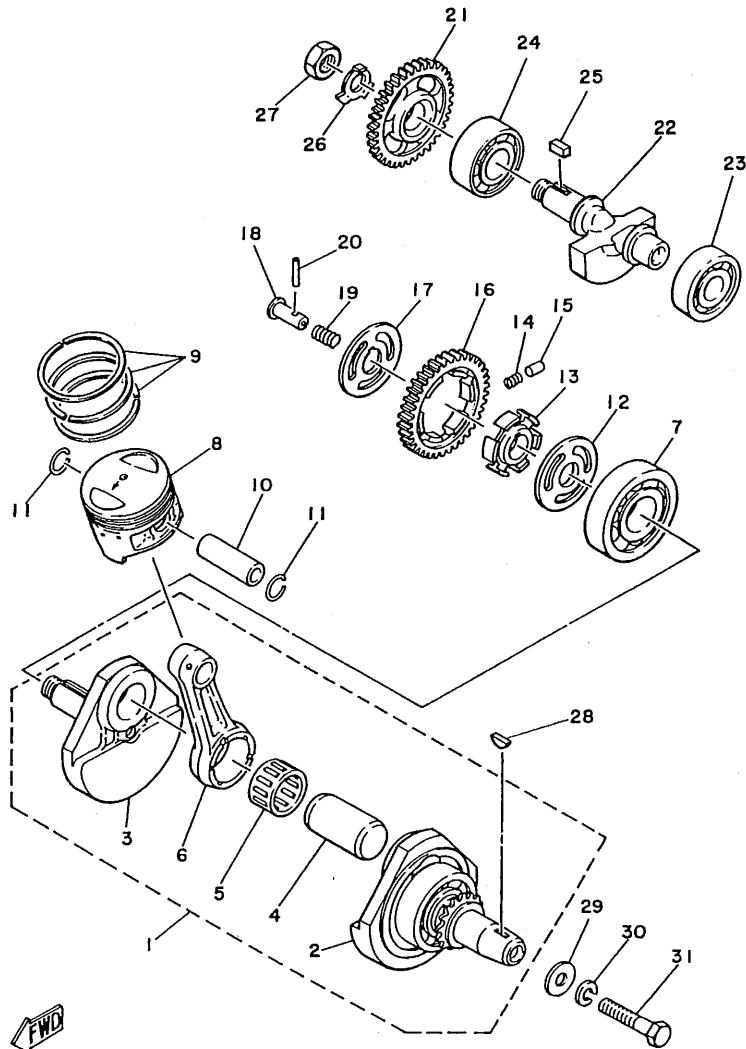


15X171-2030

REF. NO.	PART NO.	DESCRIPTION	Q'TY	REMARKS
1	5H0-11400-01	CRANKSHAFT ASSY	1	
2	5H0-11412-09	.CRANK 1	1	
3	5H0-11422-00	.CRANK 2	1	
4	5H0-11681-00	.PIN, crank 1	1	
5	93310-530J3	.BEARING, cylindrical	1	
6	15A-11651-00	.ROD, connecting	1	
7	93306-30615	BEARING (B6306)	1	
8	36X-11631-00-A0	PISTON (STD)	1	
	36X-11636-00	PISTON (0.50MM O/S)	1	AP
	36X-11638-00	PISTON (1.00MM O/S)	1	AP
9	15A-11603-00	PISTON RING SET (STD)	1	
	15A-11605-00	PISTON RING SET (2ND O/S)	1	AP
	15A-11607-00	PISTON RING SET (4TH O/S)	1	AP
10	58L-11633-00	PIN, piston	1	
11	93450-17044	CIRCLIP	2	
12	90201-201E4	WASHER, plate	1	
13	5H0-11496-00	BOSS, buffer	1	
14	90501-21133	SPRING, compression	6	
15	93605-10090	PIN, dowel	3	
16	5H0-11536-00	GEAR, drive (38T)	1	
17	90214-20023	WASHER, claw	1	
18	90240-07083	PIN, clevis	1	
19	90501-07629	SPRING, compression	1	
20	93602-13177	PIN, dowel	1	
21	5H0-11531-00	GEAR, balance weight (38T)	1	
22	15A-11454-00	WEIGHT 1	1	
23	93306-30427	BEARING	1	
24	93306-30427	BEARING	1	

B4

FIG. 3 CRANKSHAFT. PISTON



REF. NO.	PART NO.	DESCRIPTION	Q'TY	REMARKS
25	90282-05013	KEY, straight	1	
26	90215-14205	WASHER, lock	1	
27	90170-14284	NUT	1	
28	90280-16053	KEY, woodruff	1	
29	90201-102J5	WASHER, plate	1	
30	92901-10100	WASHER, spring	1	
31	90101-10188	BOLT	1	



15X171-2030

B5

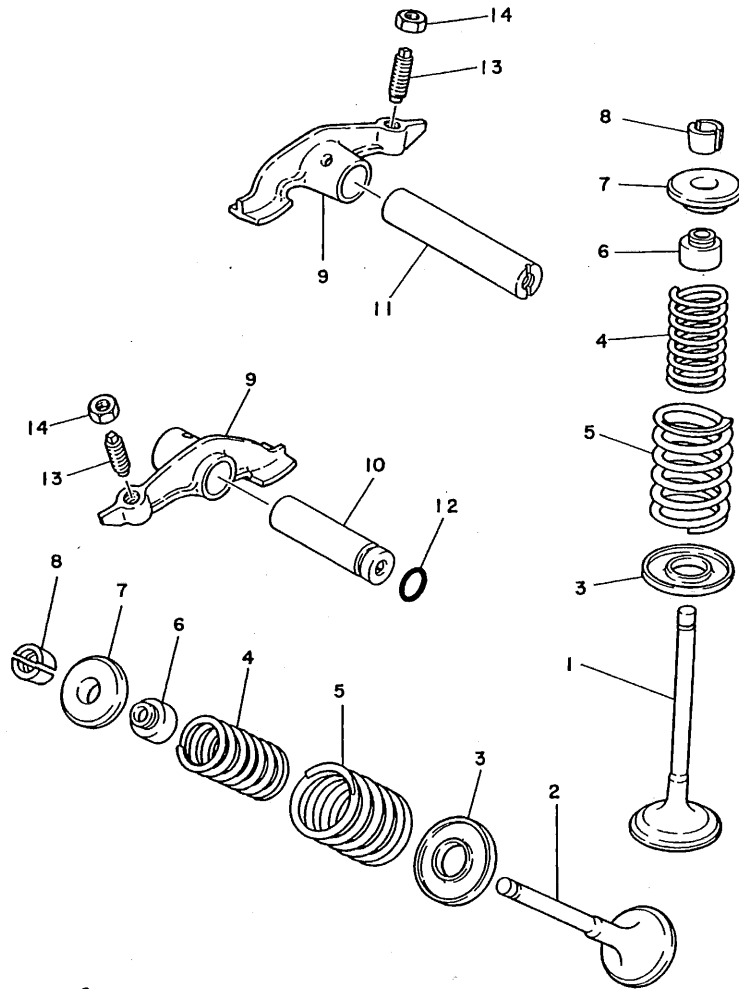


FIG. 4 VALVE

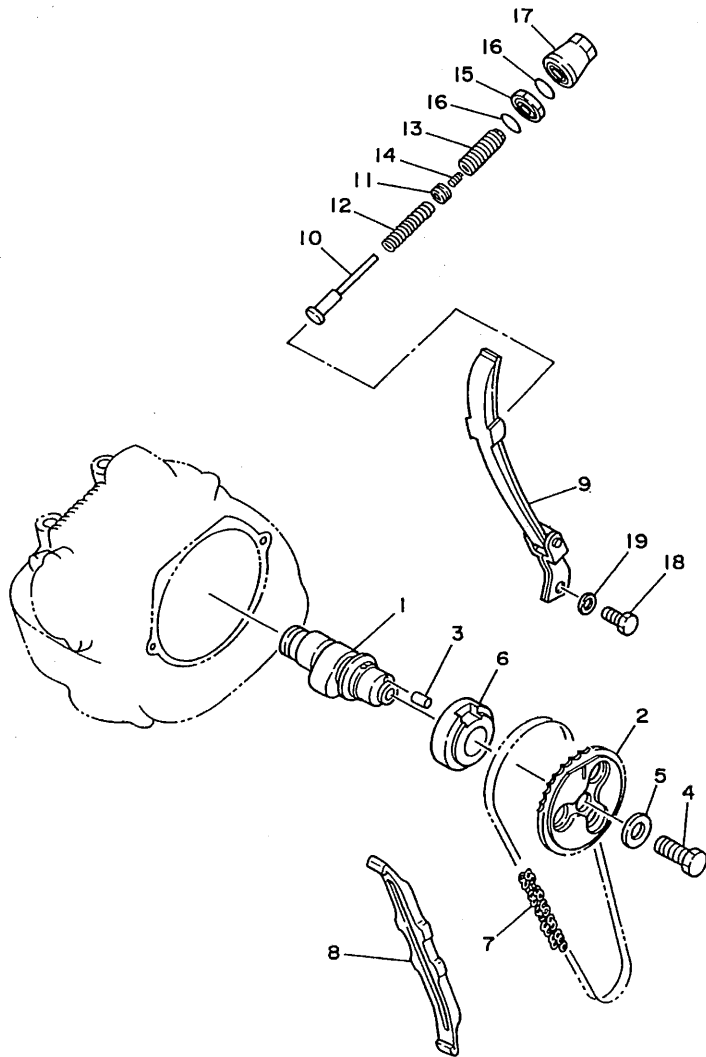
REF. NO.	PART NO.	DESCRIPTION	Q'TY	REMARKS
1	5H0-12111-00	VALVE, intake	1	
2	5H0-12121-00	VALVE, exhaust	1	
3	4G0-12116-01	SEAT, valve spring	2	
4	11H-12113-00	SPRING, valve inner	2	
5	11H-12114-00	SPRING, valve outer	2	
6	5H0-12119-00	SEAL, valve stem	2	
7	4G0-12117-00	RETAINER, valve spring	2	
8	4G0-12118-00	COTTER, valve	4	
9	36X-12151-00	ARM, valve rocker	2	
10	5H0-12156-00	SHAFT, rocker 2	1	
11	5H0-12146-00	SHAFT, rocker	1	
12	93210-09350	O-RING	1	
13	3Y1-12159-00	SCREW, valve adjusting	2	
14	90170-06128	NUT	2	



5H0110-0040

B6

FIG. 5 CAMSHAFT. CHAIN



REF. NO.	PART NO.	DESCRIPTION	Q'TY	REMARKS
1	36X-12171-00	CAMSHAFT 1	1	
2	1KH-12176-00	SPROCKET, cam chain	1	
3	93604-10011	PIN, dowel	1	
4	90101-10303	BOLT	1	
5	90201-10774	WASHER, plate	1	
6	90387-255F3	COLLAR	1	
7	94580-41104	CHAIN	1	
8	5H0-12231-00	GUIDE, stopper 1	1	
9	5N0-12241-00	GUIDE, stopper 2	1	
10	25A-12217-00	ROD, chain tensioner	1	
11	3Y1-12232-00	DAMPER	1	
12	90501-10587	SPRING, compression	1	
13	90149-14182	SCREW	1	
14	90501-22721	SPRING, compression	1	
15	90179-14298	NUT	1	
16	93210-16629	O-RING	2	
17	3Y1-12212-00	CASE, chain tensioner	1	
18	97021-06016	BOLT	2	
19	92901-06600	WASHER, plate	2	

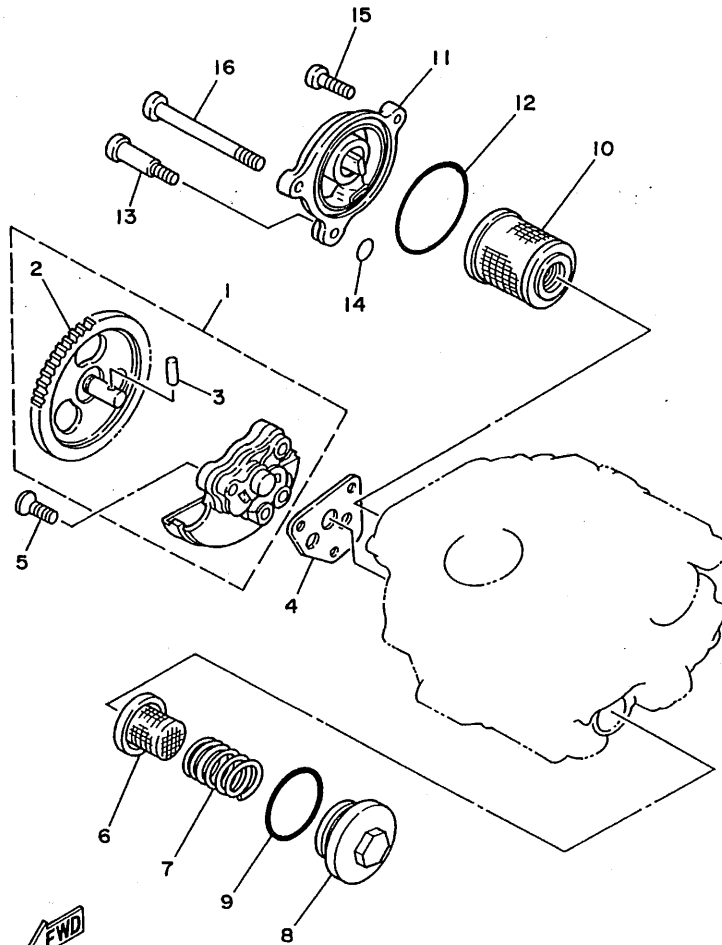


2JY110-7050

B7

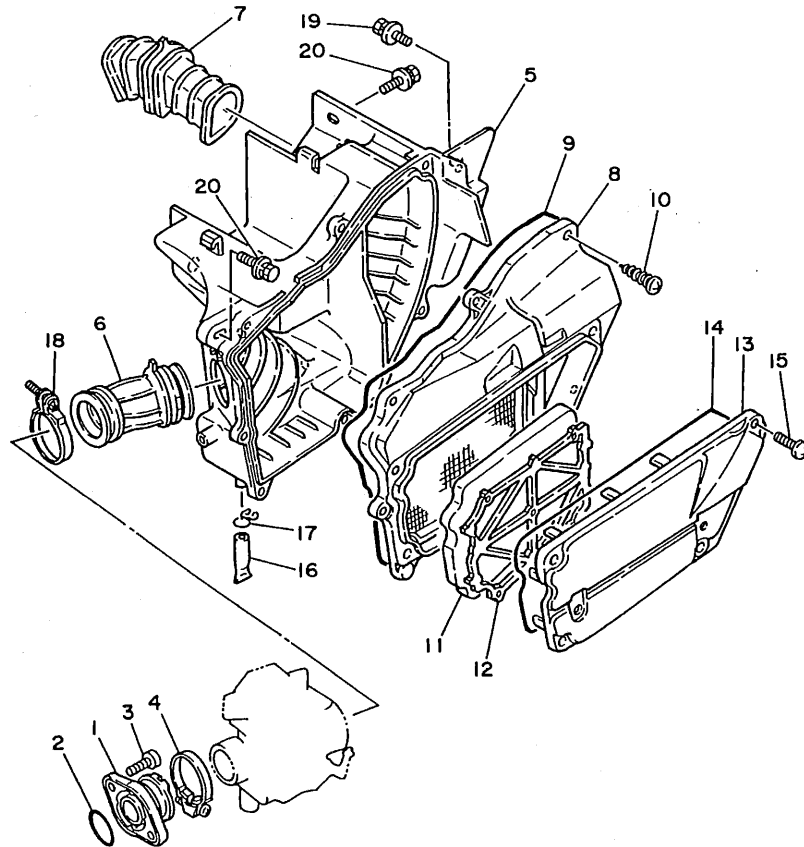
FIG. 6 OIL PUMP

REF. NO.	PART NO.	DESCRIPTION	Q'TY	REMARKS
1	5HO-13300-00	OIL PUMP ASSY	1	
2	5HO-13326-00	.GEAR, pump driven 2 (45T)	1	
3	93603-12030	.PIN, dowel	1	
4	4BE-13329-00	GASKET, pump cover	1	
5	98701-06030	SCREW, flat head	3	
6	51Y-13411-00	STRAINER, oil	1	
7	90501-18576	SPRING, compression	1	
8	5HO-15351-00	PLUG, drain	1	
9	93210-35389	O-RING	1	
10	5HO-13440-00	ELEMENT ASSY, oil cleaner	1	
11	3AW-13447-00	COVER, oil element	1	
12	93210-54175	O-RING	1	
13	90109-06419	BOLT	1	
14	93210-07135	O-RING	1	
15	98506-06025	SCREW, pan head	1	
16	92506-06075	SCREW, pan head	1	



2JY110-7060

FIG. 7 INTAKE



REF. NO.	PART NO.	DESCRIPTION	Q'TY.	REMARKS
1	2JX-13586-00	JOINT, carburetor 1	1	
2	93210-35537	O-RING	1	
3	91316-06020	BOLT	2	
4	1HX-13575-00	BAND	1	
5	2JX-14411-00	CASE, air cleaner 1	1	
6	2JX-14453-00	JOINT, air cleaner 1	1	
7	2JX-14437-00	DUCT	1	
8	2JX-14412-00	CAP, cleaner case 1	1	
9	1VJ-14462-00	SEAL	1	
10	97706-50520	SCREW, tapping	7	
11	2JX-14451-00	ELEMENT, air cleaner	1	
12	2JX-14458-00	GUIDE	1	
13	2JX-14422-00	CAP, cleaner case 2	1	
14	55K-14476-00	SEAL	1	
15	90154-05005	SCREW, binding	4	
16	34X-1443E-00	PIPE, drain	1	
17	90467-11102	CLIP	1	
18	90460-49058	CLAMP, hose	1	
19	90119-06056	BOLT, with washer	1	
20	90119-06063	BOLT, with washer	2	

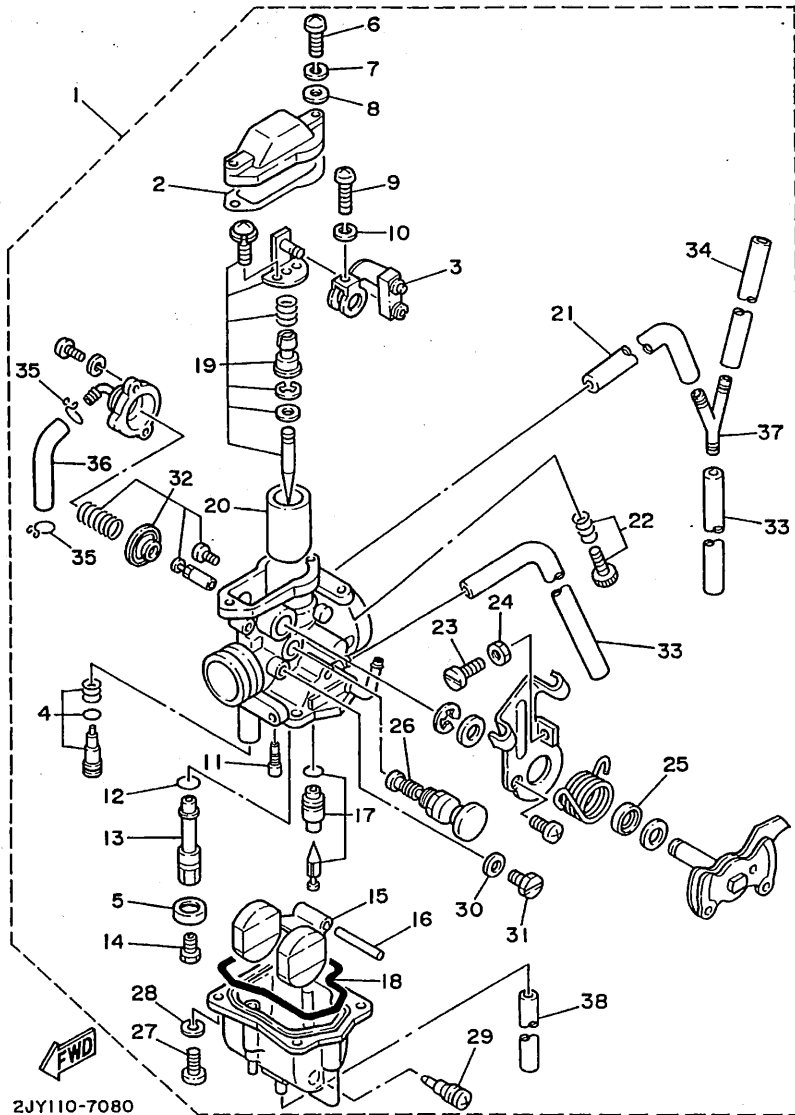


2JY110-7070

B9

FIG. 8 CARBURETOR

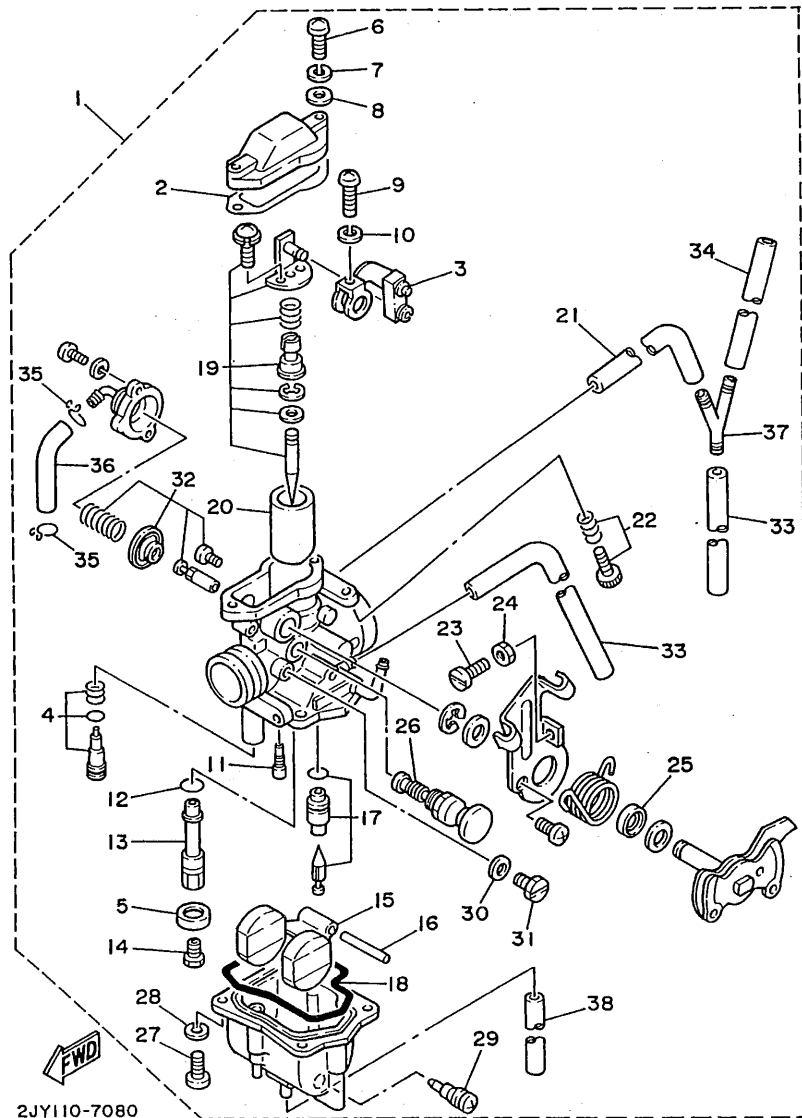
REF. NO.	PART NO.	DESCRIPTION	Q'TY	REMARKS
1	2JY-14301-00	CARBURETOR ASSY 1	1	
2	30X-14198-00	.GASKET	1	
3	1LN-14291-00	.BRACKET 1	1	
4	51Y-14105-00	.PILOT SCREW SET	1	
5	1KH-14153-00	.WASHER, main jet	1	
6	98511-04016	.SCREW, pan head	2	
7	92901-04100	.WASHER, spring	2	
8	92901-04600	.WASHER, plate	2	
9	98580-04016	.SCREW, pan head	1	
10	92990-04100	.WASHER, spring	1	
11	43F-14342-20	.JET, pilot (# 40)	1	
12	360-24512-00	.GASKET	1	
13	2JX-14341-00	.NOZZLE, main	1	
14	288-14343-57	.JET, main (#114)	1	
15	2JN-14385-00	.FLOAT	1	
16	6E5-14386-01	.PIN, float	1	
17	2JX-14107-00	.NEEDLE VALVE SET	1	
18	30X-14384-00	.GASKET, float chamber	1	
19	2JX-1490J-00	.NEEDLE SET	1	
20	2JX-14312-35	.VALVE, throttle 1	1	
21	56R-14196-00	.PIPE	1	
22	3WP-14103-00	.THROTTLE SCREW SET	1	
23	98580-04020	.SCREW, pan head	1	
24	30X-14358-00	.NUT	1	
25	5Y1-14572-00	.SEAL	1	
26	51Y-14371-00	.PLUNGER, starter	1	
27	98580-04012	.SCREW, pan head	4	
28	92901-04100	.WASHER, spring	4	



2JY110-7080

B10

FIG. 8 CARBURETOR

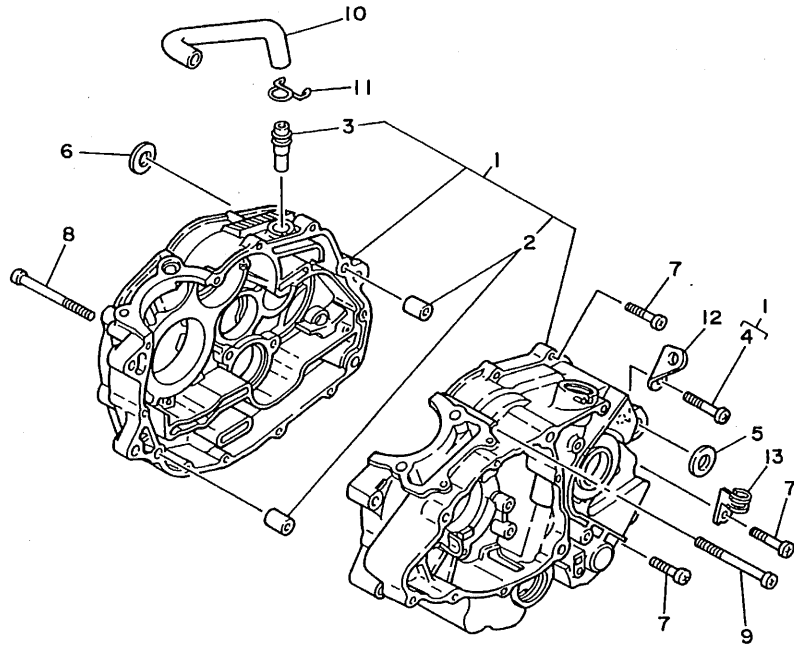


2JY110-7080

REF. NO.	PART NO.	DESCRIPTION	Q'TY	REMARKS
29	14T-14323-00	.PLUG, screw	1	
30	5H0-14126-00	.GASKET	1	
31	5H0-14991-00	.SCREW	1	
32	5Y1-1490A-00	.DIAPHRAGM SET, 1	1	
33	5Y1-14197-00	.PIPE	2	
34	5Y1-14197-00	.PIPE	1	
35	2JX-14159-00	.CLIP	2	
36	2JX-14149-00	.PIPE	1	
37	90413-05008	.WAY 3	1	
38	2JX-14396-00	.PIPE	1	

B11

FIG. 10 CRANKCASE



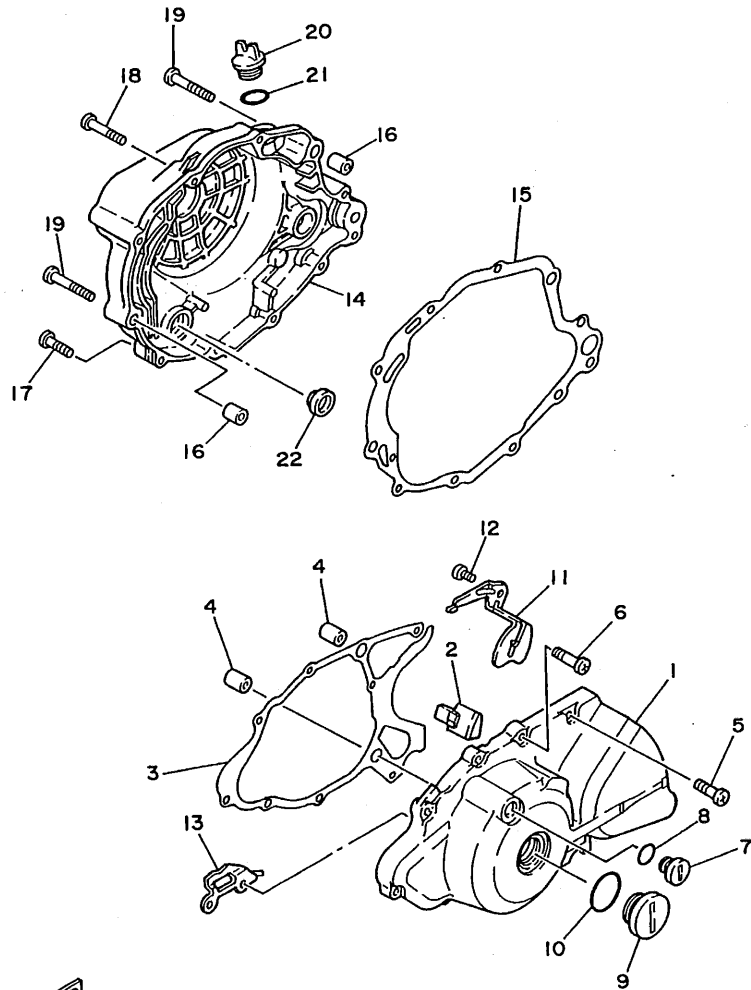
REF. NO.	PART NO.	DESCRIPTION	Q'TY	REMARKS
1	3AW-15100-00	CRANKCASE ASSY	1	
2	99510-12016	.PIN, dowel	2	
3	371-11167-01	.PIPE, breather 2	1	
4	98506-06040	.SCREW, pan head	2	
5	90387-125F1	COLLAR	1	
6	90387-125F1	COLLAR	1	
7	92516-06030	SCREW, pan head	7	
8	98506-06090	SCREW, pan head	2	
9	92506-06085	SCREW, pan head	1	
10	3Y1-11166-00	PIPE, breather 1	1	
11	90467-14015	CLIP	2	
12	90465-08200	CLAMP	1	
13	90462-06080	CLAMP	1	



2JY110-7100

B13

FIG. 11 CRANKCASE COVER 1



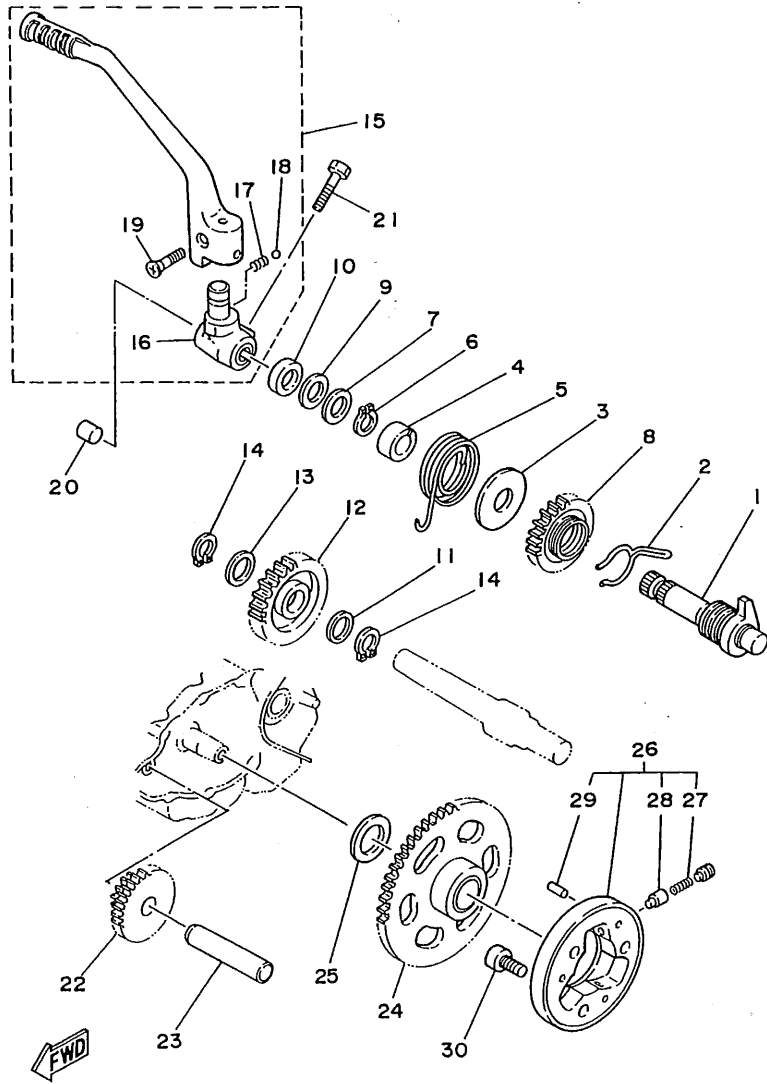
REF. NO.	PART NO.	DESCRIPTION	Q'TY	REMARKS:
1	2KA-15410-00	CRANKCASE COVER ASSY 1	1	
2	2JX-15377-00	GUIDE, inlet	1	
3	3AW-15451-00	GASKET, crankcase cover 1	1	
4	99510-12016	PIN, dowel	2	
5	92506-06025	SCREW, pan head	8	
6	92506-06035	SCREW, pan head	2	
7	90340-14120	PLUG, straight screw	1	CIRCUIT SILVER
8	93210-14369	O-RING	1	
9	90340-32123	PLUG, straight screw	1	
10	93210-32172	O-RING	1	
11	90465-08300	CLAMP	1	
12	98501-06010	SCREW, pan head	1	
13	90465-16187	CLAMP	1	
14	3AW-15431-01	COVER, crankcase 3	1	
15	4BE-15462-00	GASKET, crankcase cover 3	1	
16	99510-12016	PIN, dowel	2	
17	92506-06025	SCREW, pan head	5	
18	92506-06035	SCREW, pan head	3	
19	92506-06045	SCREW, pan head	2	
20	1RG-15363-00	PLUG, oil	1	
21	93210-19123	O-RING	1	
22	3Y1-15361-00	GAUGE, level	1	



2JY110-7110

B14

FIG. 12 STARTER



3AW7171-0120

REF. NO.	PART NO.	DESCRIPTION	Q'TY	REMARKS
1	15A-15660-01	KICK AXLE ASSY	1	
2	90468-26122	CLIP	1	
3	401-15676-00	COVER, spring	1	
4	15A-15666-00	SPACER	1	
5	90508-26538	SPRING, torsion	1	
6	99009-17400	CIRCLIP	1	
7	90201-175F6	WASHER, plate	1	
8	36X-15641-00	GEAR, kick	1	
9	90209-17226	WASHER	1	
10	93102-17263	OIL SEAL	1	
11	90201-173F4	WASHER, plate	1	
12	15A-15651-01	GEAR, kick idle (28T)	1	
13	90214-17028	WASHER, claw	1	
14	99009-17400	CIRCLIP	2	
15	54G-15620-00	KICK CRANK ASSY	1	
16	54G-15621-00	.BOSS, kick crank	1	
17	90501-12081	.SPRING, compression	1	
18	93507-32031	.BALL	1	
19	90152-06010	.SCREW, countersunk	1	
20	90338-18014	PLUG	1	
21	97313-08030	BOLT	1	
22	2HT-15512-00	GEAR, idler 1 (41T-10T)	1	
23	5H0-15521-00	SHAFT 1	1	
24	5H0-15517-00	GEAR, idler 2 (56T)	1	
25	4A0-17216-00-10	SHIM (1.0T)	1	
26	4H7-15580-10	STARTER CLUTCH OUTER ASSY	1	
27	90501-04596	.SPRING, compression	3	
28	341-15583-05	.CAP, starter clutch spring	3	

B15

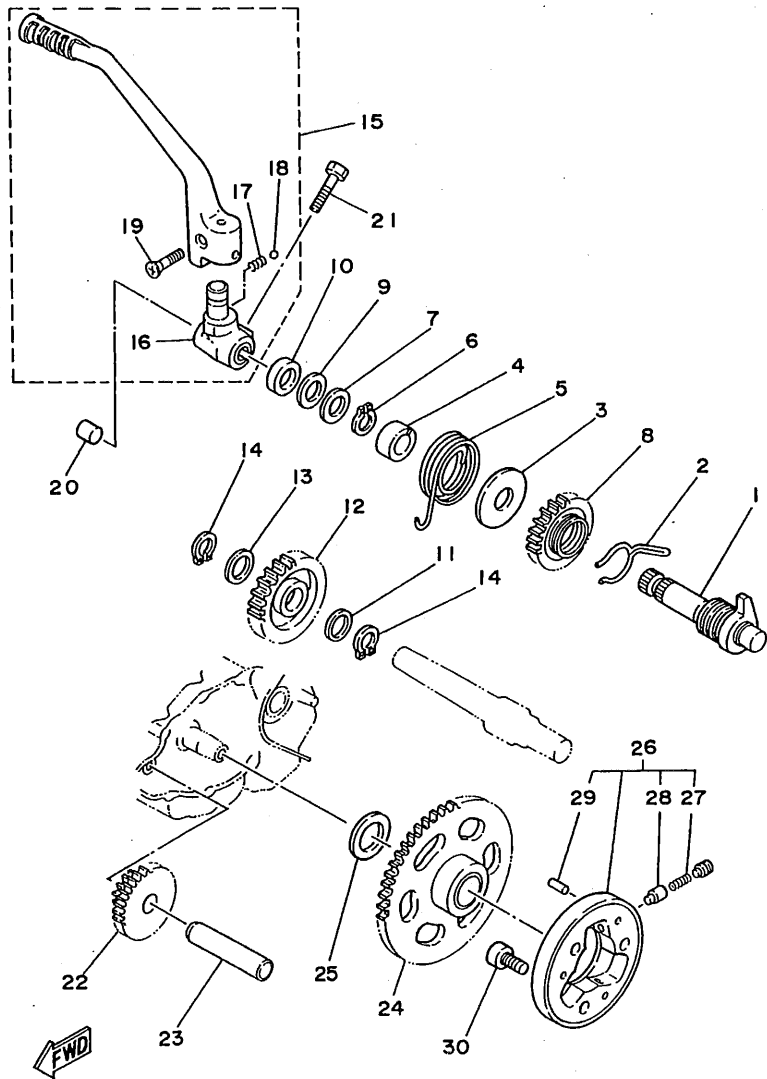


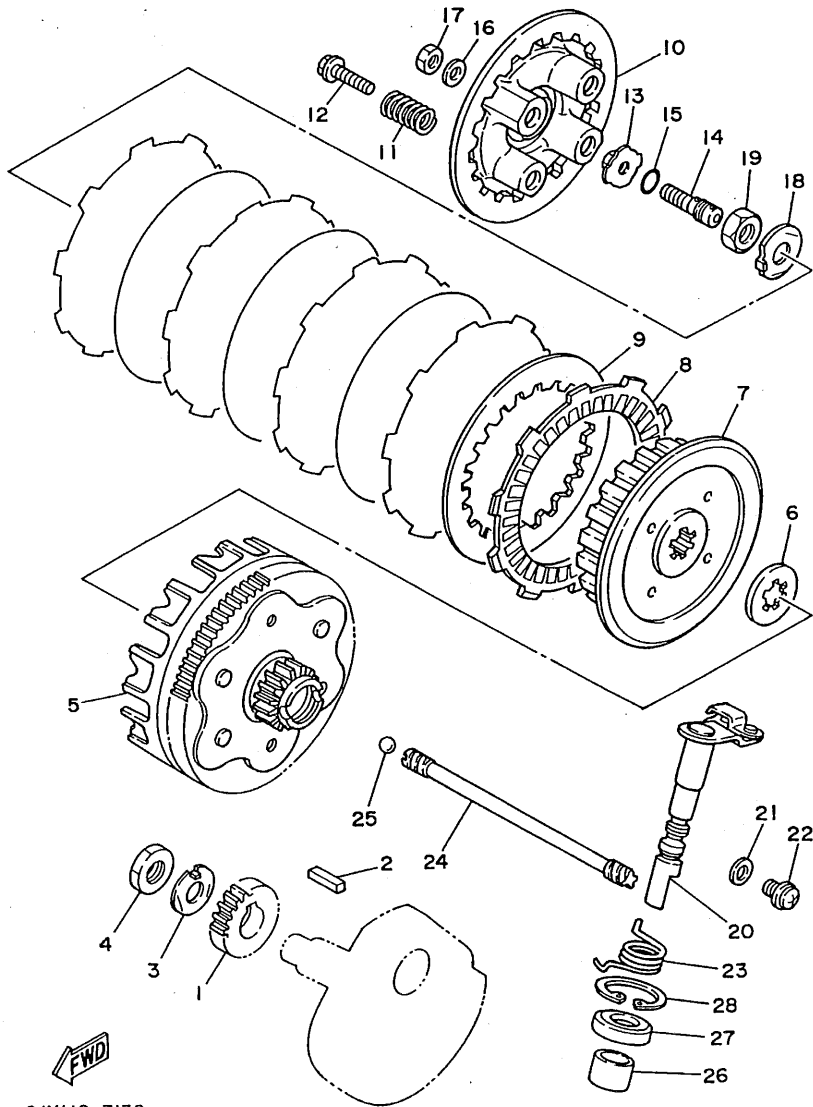
FIG. 12 STARTER

REF. NO.	PART NO.	DESCRIPTION	Q'TY	REMARKS
29	93615-12088	.PIN, dowl	3	
30	91316-08016	BOLT	3	

3AW7171-0120

FIG. 13 CLUTCH

REF. NO.	PART NO.	DESCRIPTION	Q'TY	REMARKS
1	5H0-16111-00	GEAR, primary drive (22T)	1	
2	90282-05043	KEY, straight	1	
3	90215-14205	WASHER, lock	1	
4	90170-14284	NUT	1	
5	3NS-16150-00	PRIMARY DRIVEN GEAR COMP.73T/17T	1	
6	5H0-16154-00	PLATE, thrust 1	1	
7	2JX-16371-00	BOSS, clutch	1	
8	537-16321-00	PLATE, friction	5	
9	137-16324-00	PLATE, clutch 1	4	
10	5H0-16351-00	PLATE, pressure 1	1	
11	90501-23700	SPRING, compression	4	
12	90159-05011	SCREW, with washer	4	
13	30X-16358-00	PLATE, push	1	
14	2JX-16356-00	ROD, push 1	1	
15	93210-48364	O-RING	1	
16	92901-06200	WASHER, plain	1	
17	95303-06600	NUT	1	
18	90215-14224	WASHER, lock	1	
19	90170-14284	NUT	1	
20	1KH-16380-01	PUSH LEVER ASSY	1	
21	90201-08087	WASHER, plate	1	
22	90149-08067	SCREW	1	
23	90508-18537	SPRING, torsion	1	
24	5H0-16357-00	ROD, push 2	1	
25	93505-16006	BALL	1	
26	90386-14103	BUSH	1	
27	93102-14209	OIL SEAL	1	
28	93420-28055	CIRCLIP	1	

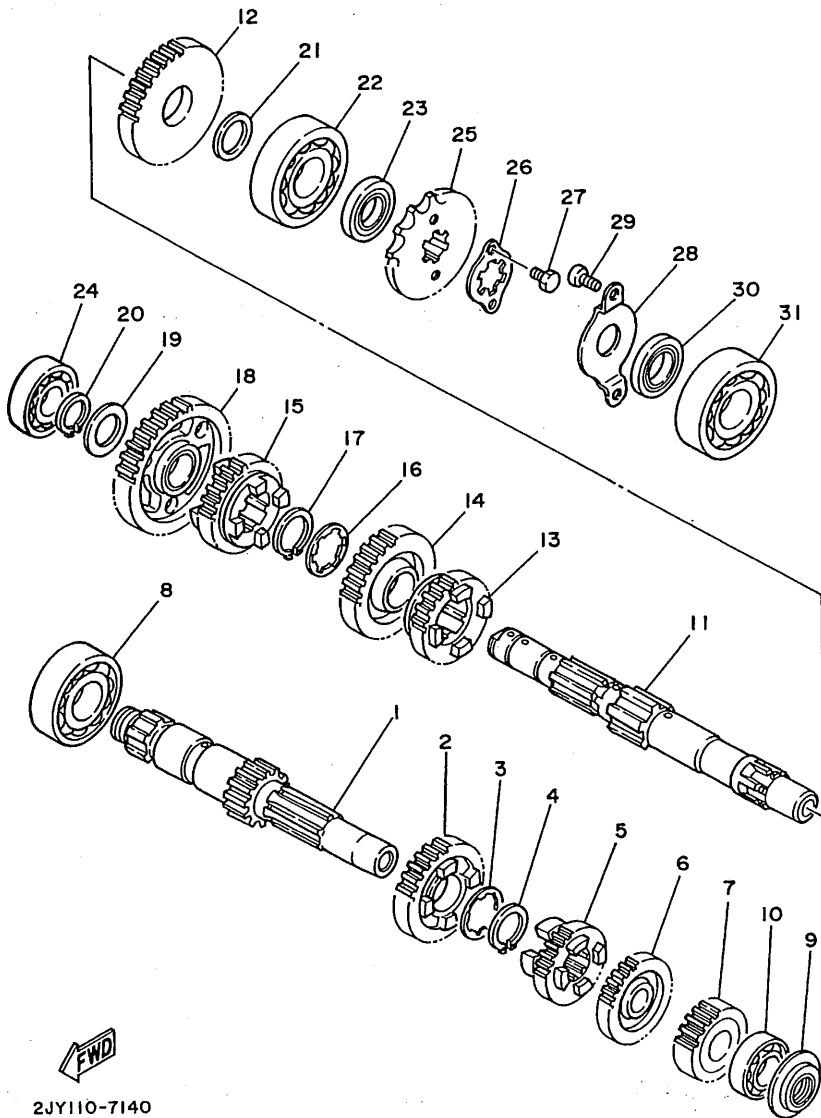


2JY110-7130

C3

FIG. 14 TRANSMISSION

REF. NO.	PART NO.	DESCRIPTION	Q'TY	REMARKS
1	15A-17411-01	AXLE, main	1	
2	15A-17151-00	GEAR, 5th pinion (28T)	1	
3	90209-16209	WASHER	1	
4	93410-20038	CIRCLIP	1	
5	5H0-17121-01	GEAR, 2nd pinion (22T)	1	
6	15A-17141-00	GEAR, 4th pinion (25T)	1	
7	15A-17121-00	GEAR, 2nd pinion (19T)	1	
8	93306-20401	BEARING (B6204)	1	
9	93101-15101	OIL SEAL	1	
10	93306-20201	BEARING (B6202)	1	
11	2JX-17402-00	DRIVE AXLE ASSY	1	
12	15A-17221-00	GEAR, 2nd wheel (34T)	1	
13	15A-17241-00	GEAR, 4th wheel (26T)	1	
14	15A-17231-00	GEAR, 3rd wheel (29T)	1	
15	1EV-17251-00	GEAR, 5th wheel (23T)	1	
16	90209-18208	WASHER	1	
17	93410-22039	CIRCLIP	1	
18	15A-17211-01	GEAR, 1st wheel (34T)	1	
19	90201-17257	WASHER, plate	1	
20	99009-17400	CIRCLIP	1	
21	90201-220J8	WASHER, plate	1	
22	93306-20580	BEARING	1	
23	93102-22389	OIL SEAL	1	
24	93306-20332	BEARING	1	
25	93823-14149	SPROCKET, drive (14T)	1	
26	2JX-17456-00	HOLDER, sprocket	1	
27	97301-05010	BOLT	2	
28	2JX-17471-00	PLATE, cover	1	

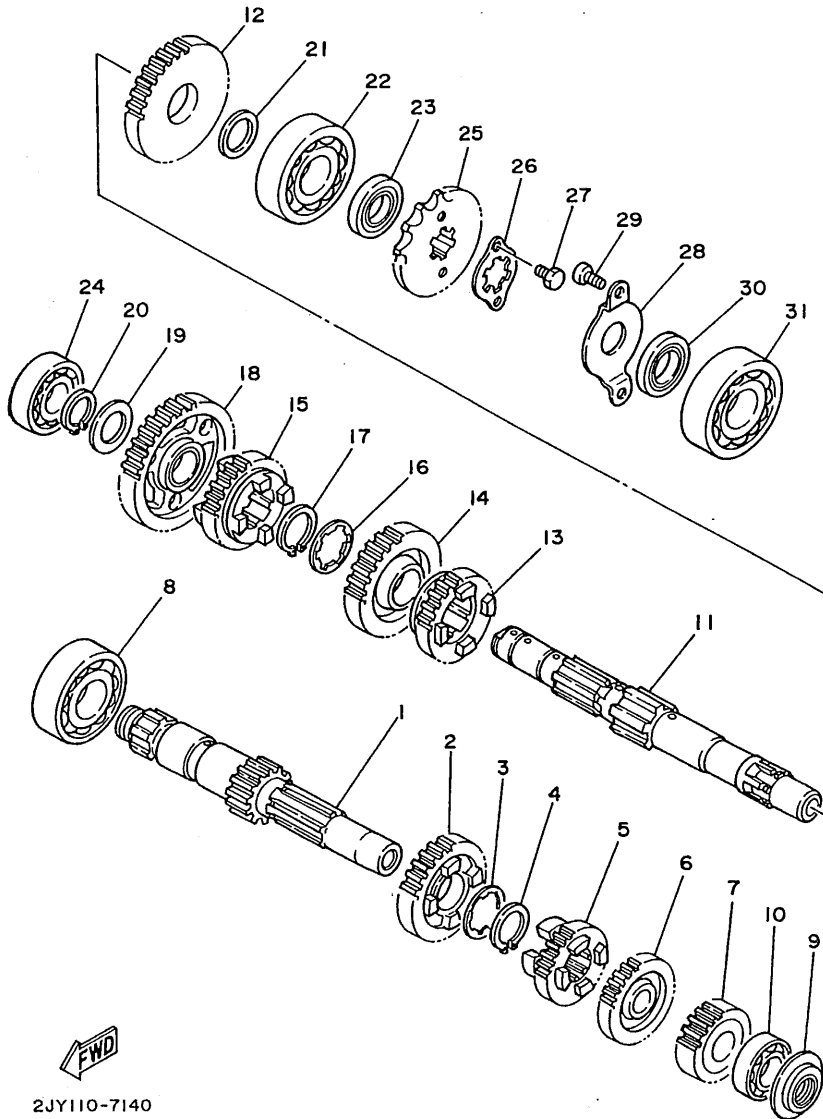


2JY110-7140

C4

FIG. 14 TRANSMISSION

REF. NO.	PART NO.	DESCRIPTION	Q'TY.	REMARKS
29	98501-06010	SCREW, pan head	2	
30	93102-17187	OIL SEAL	1	
31	93306-20313	BEARING (B6203C4)	1	

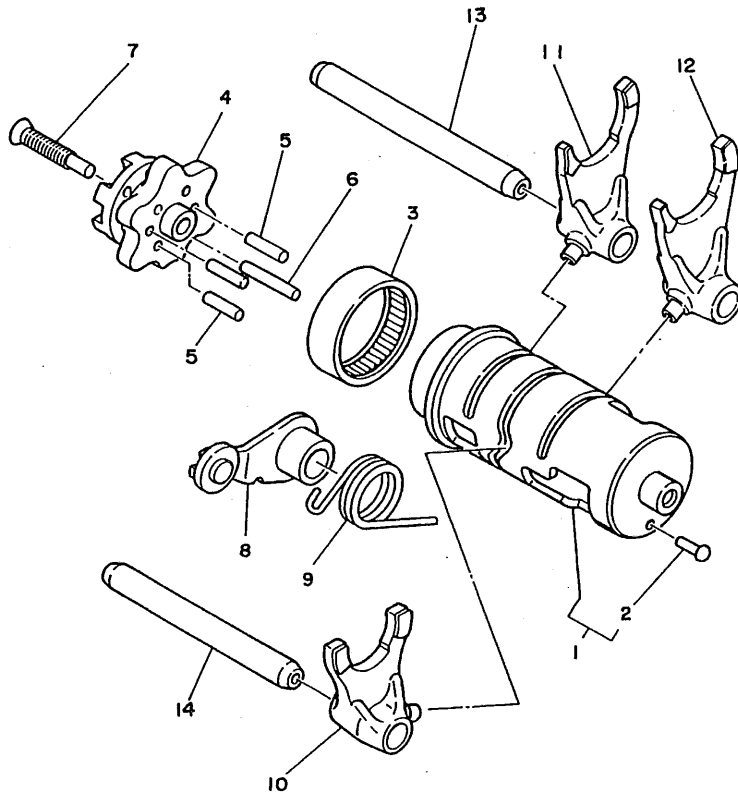


2JY110-7140

C5

FIG. 15 SHIFT CAM. FORK

REF. NO.	PART NO.	DESCRIPTION	Q'TY	REMARKS
1	5N0-18540-00	SHIFT CAM ASSY	1	
2	136-18542-00	.POINT, neutral	1	
3	93315-23607	BEARING, cylindrical	1	
4	1RH-18185-00	SEGMENT	1	
5	93604-16092	PIN, dowel	3	
6	93604-20156	PIN, dowel	1	
7	90151-06013	SCREW, countersunk	1	
8	1RH-18140-00	STOPPER LEVER ASSY	1	
9	90508-26539	SPRING, torsion	1	
10	5H0-18511-00	FORK, shift 1	1	
11	5H0-18512-00	FORK, shift 2	1	
12	5N0-18513-00	FORK, shift 3	1	
13	5H0-18531-00	BAR, shift fork guide 1	1	
14	3Y1-18535-00	BAR, shift fork guide 2	1	

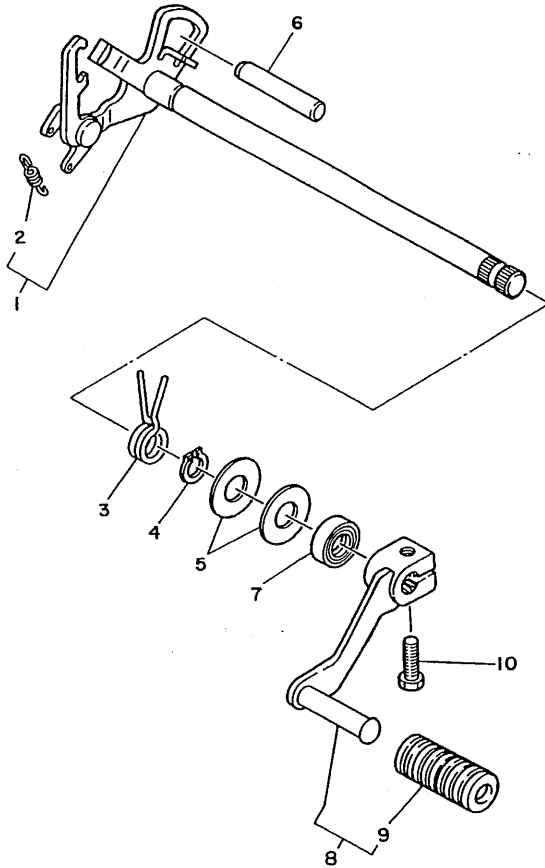


5N0010-0170

C6

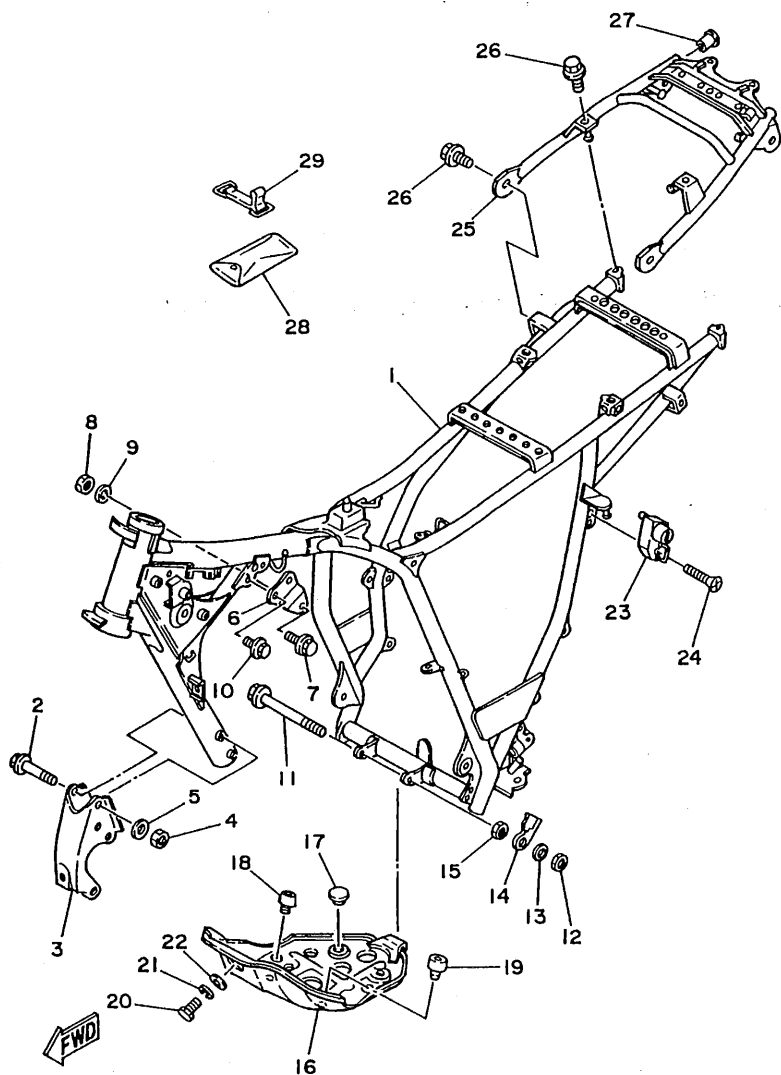
FIG. 16 SHIFT SHAFT

REF. NO.	PART NO.	DESCRIPTION	Q'TY	REMARKS
1	5H0-18120-02	SHIFT LEVER ASSY	1	
2	90506-08227	.SPRING, tension	1	
3	90508-29540	SPRING, torsion	1	
4	99006-10600	CIRCLIP	1	
5	90201-12588	WASHER, plate	2	
6	93608-50158	PIN, dowel	1	
7	93102-12106	OIL SEAL (SD 12-22-5 HS)	1	
8	1RL-18110-00	SHIFT PEDAL ASSY	1	
9	132-18113-01	.COVER, shift pedal	1	
10	97011-06020	BOLT	1	



25A310-3170

C7



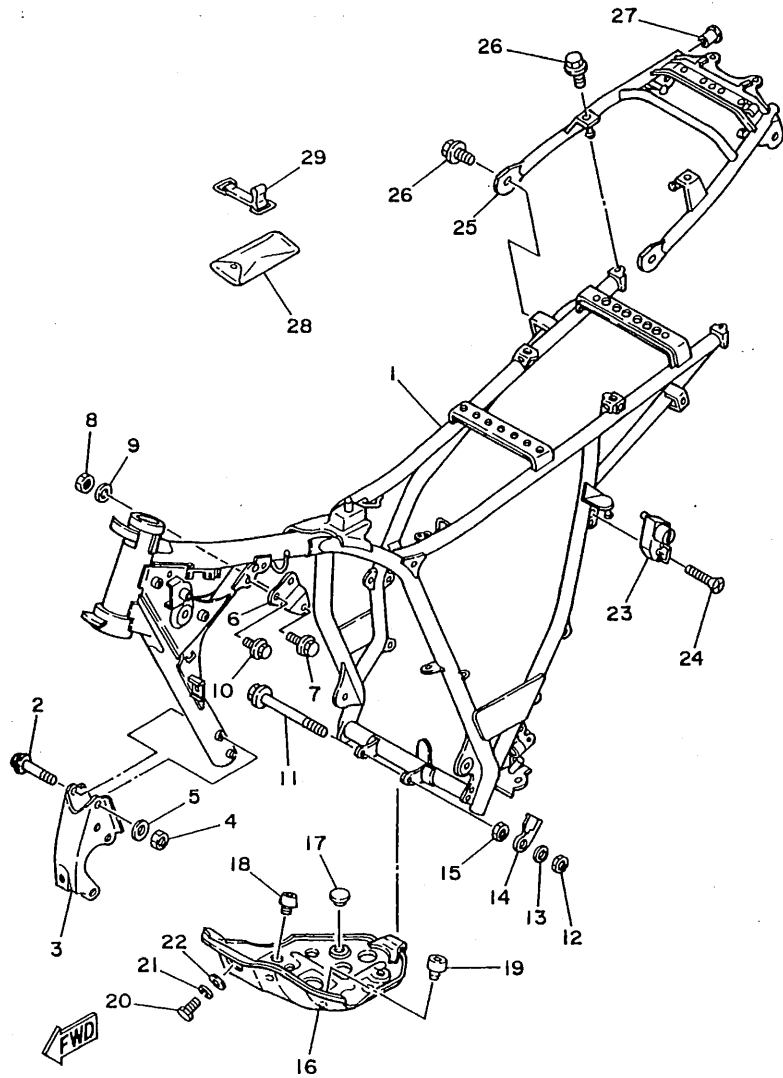
2JY110-7170

FIG. 17 FRAME

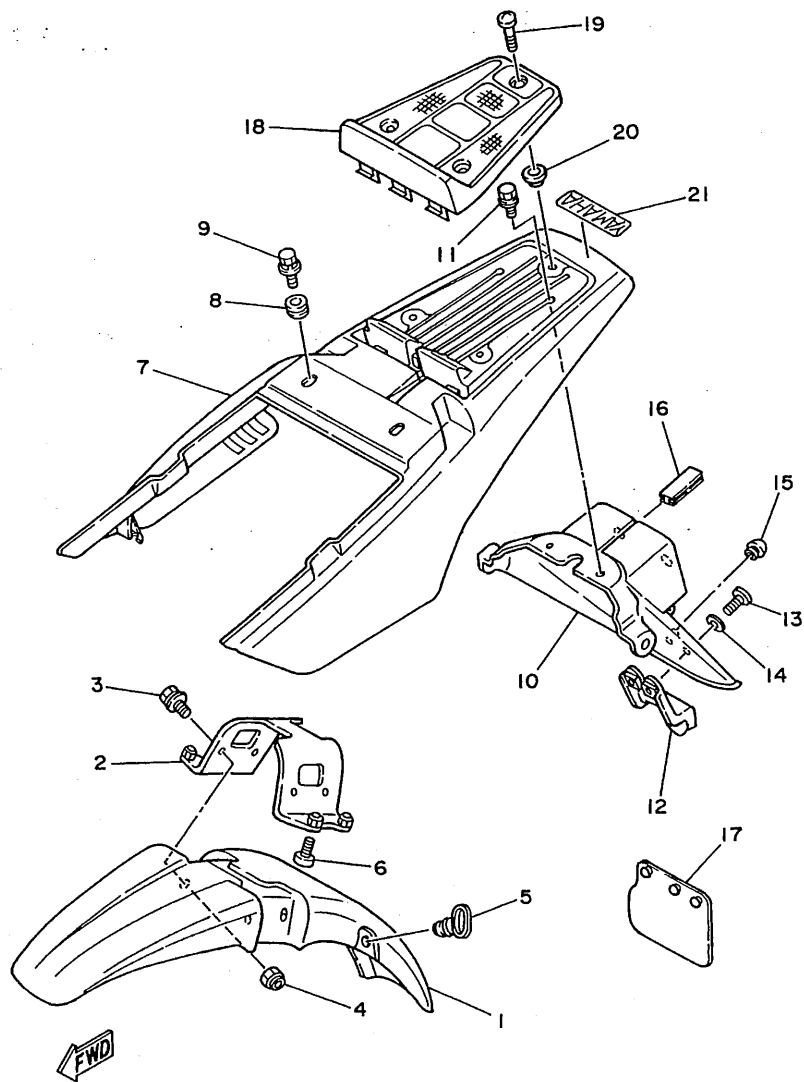
REF. NO.	PART NO.	DESCRIPTION	Q'TY	REMARKS
1	2JY-21110-00-33	FRAME COMP.	1	YAMAHA BLACK
2	95811-08065	BOLT, flange	4	
3	1RL-21316-00-33	STAY, engine 3	1	YAMAHA BLACK
4	90185-08089	NUT, self-locking	4	
5	90201-094G1	WASHER, plate	4	
6	2JX-21315-00	STAY, engine 2	1	
7	95811-08050	BOLT, flange	1	
8	90185-08089	NUT, self-locking	1	
9	90201-094G1	WASHER, plate	1	
10	90105-08155	BOLT, washer based	2	
11	95812-08120	BOLT, flange	1	
12	90185-08089	NUT, self-locking	1	
13	90201-094G1	WASHER, plate	1	
14	1RL-21337-00	CLAMP, cable	1	
15	90185-08055	NUT, self-locking	1	
16	1RL-21471-00-35	PROTECTOR, engine	1	SILVER
17	128-27114-00	STOPPER, main stand	2	
18	34L-21485-00	DAMPER, rubber 1	1	
19	4N0-27114-00	STOPPER, main stand	1	
20	97021-06016	BOLT	1	
21	92990-06100	WASHER, spring	1	
22	92990-06600	WASHER, plate	1	
23	26H-21308-00	HELMET HANGER ASSY	1	
24	90151-06038	SCREW, countersunk	1	
25	2JX-21190-00-33	REAR FRAME COMP.	1	YAMAHA BLACK
26	95811-06012	BOLT, flange	4	
27	90338-12081	PLUG	2	
28	2JX-28100-00	TOOL KIT	1	

FIG. 17 FRAME

REF. NO.	PART NO.	DESCRIPTION	Q'TY	REMARKS
29	3TJ-82131-00	BAND, battery	1	



2JY110-7170



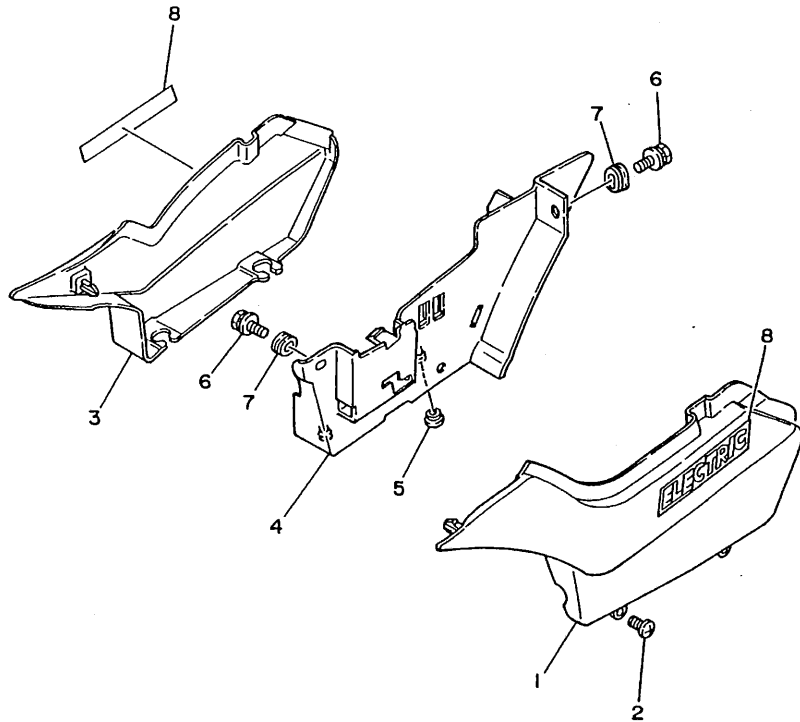
2JY110-7180

FIG. 18 FENDER

REF. NO.	PART NO.	DESCRIPTION	Q'TY	REMARKS
1	3AW-21511-30	FENDER, front	1	VERY PALE BLUE SOLID 1
2	2JX-21512-00	BRACKET, fender	1	
3	90119-05071	BOLT, with washer	4	
4	95601-05200	NUT, self-locking	4	
5	1A8-21518-00	HOLDER, cable	1	
6	91311-06020	BOLT	4	
7	3AW-21611-30	FENDER, rear	1	VERY PALE BLUE SOLID 1
8	90480-12053	GROMMET	2	
9	90119-06063	BOLT, with washer	4	
10	2JX-21685-00	BRACKET, license	1	
11	90119-06108	BOLT, with washer	2	
12	2JX-21641-00	BRACKET, reflector	1	
13	98506-05012	SCREW, pan head	2	
14	92906-05600	WASHER, plate	2	
15	4G0-21639-00	DAMPER 2	1	
16	2JX-21669-00	SEAL	1	
17	34X-21691-00	FLAP	1	
18	2JX-21651-00	COVER, rear fender	1	
19	98903-06014	SCREW, bind	3	
20	90387-06681	COLLAR	3	
21	99241-00020	EMBLEM, yamaha	1	

FIG. 19 SIDE COVER

REF. NO.	PART NO.	DESCRIPTION	Q'TY	REMARKS
1	3AW-21711-30-98	COVER, side 1	1	LOW GLOSS BLACK FOR VPBS 1
2	90154-05013	SCREW, binding	2	
3	3AW-21721-30-98	COVER, side 2	1	LOW GLOSS BLACK FOR VPBS 1
4	2JX-2177A-00	BOX	1	
5	90480-13398	GROMMET	2	
6	90119-06056	BOLT, with washer	2	
7	90480-01401	GROMMET	2	
8	3AW-21782-30	EMBLEM 2	2	

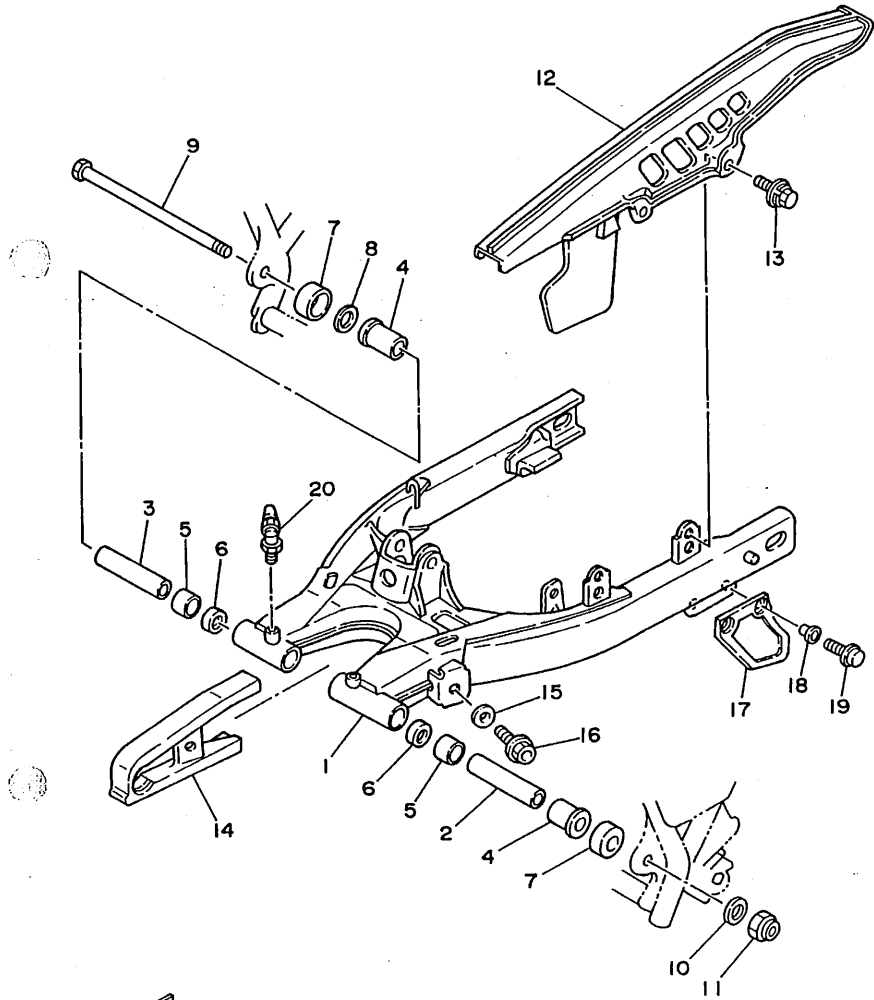


2KA171-7190

C11

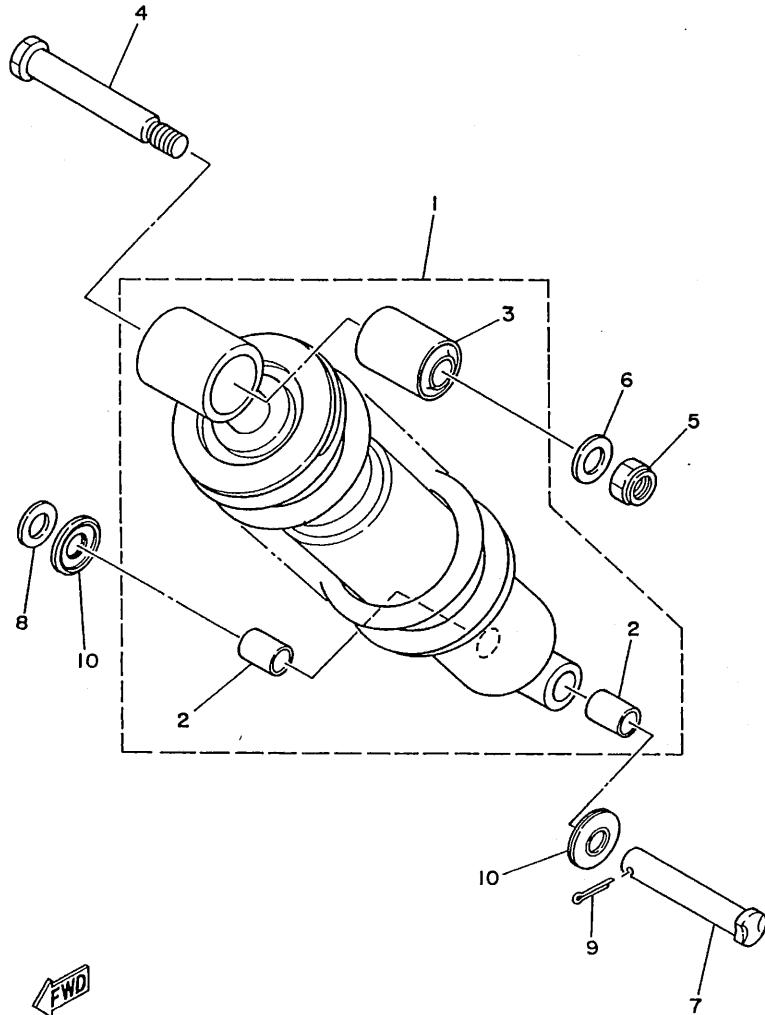
FIG. 20 REAR ARM

REF. NO.	PART NO.	DESCRIPTION	Q'TY	REMARKS
1	2JX-22110-00-35	REAR ARM COMP.	1	SILVER
2	2JX-22123-00	BUSH 1	1	
3	2JX-22124-00	BUSH 2	1	
4	90386-18146	BUSH	2	
5	90380-18139	BUSH, solid	2	
6	93109-18020	OIL SEAL	2	
7	401-22128-01	SEAL, guard	2	
8	401-22127-00	SHIM	1	UN
9	2JX-22141-00	SHAFT, pivot	1	
10	90201-126A7	WASHER, plate	1	
11	90185-12134	NUT, self-locking	1	
12	34X-22311-00	CASE, chain	1	
13	90119-05059	BOLT, with washer	2	
14	34X-22151-01	SEAL, guard	1	
15	90209-06223	WASHER	1	
16	90119-05062	BOLT, with washer	1	
17	38V-22199-00	SUPPORT, chain	1	
18	90387-06737	COLLAR	2	
19	95801-06020	BOLT, flange	2	
20	93700-06009	NIPPLE, grease	2	



2JY110-7200

FIG. 21 REAR SUSPENSION



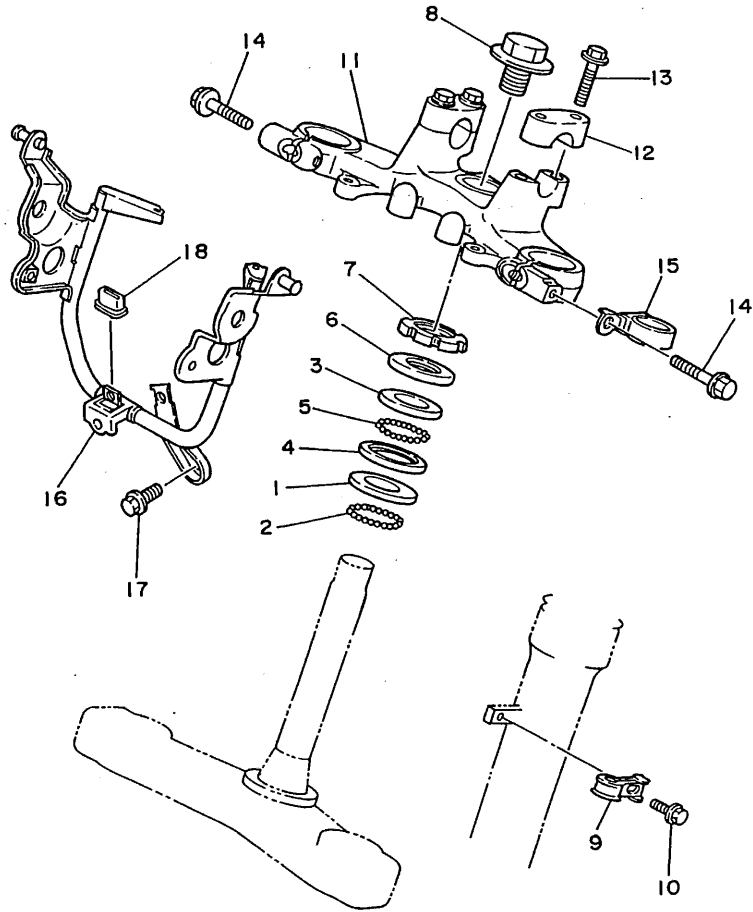
REF. NO.	PART NO.	DESCRIPTION	Q'TY	REMARKS
1	3AW-22210-10-33	SHOCK ABSORBER ASSY, rear	1	YAMAHA BLACK
2	90380-12051	.BUSH, solid	2	
3	1M1-22216-00	.BUSH, rear shock absorber	1	
4	90109-100E2	BOLT	1	
5	95612-10100	NUT, u	1	
6	90201-100E9	WASHER, plate	1	
7	90240-12075	PIN, clevis	1	
8	90201-12175	WASHER, plate	1	
9	91401-30030	PIN, cotter	1	
10	30X-22129-00	COVER, thrust 2	2	



2JY110-7210

C13

FIG. 22 STEERING

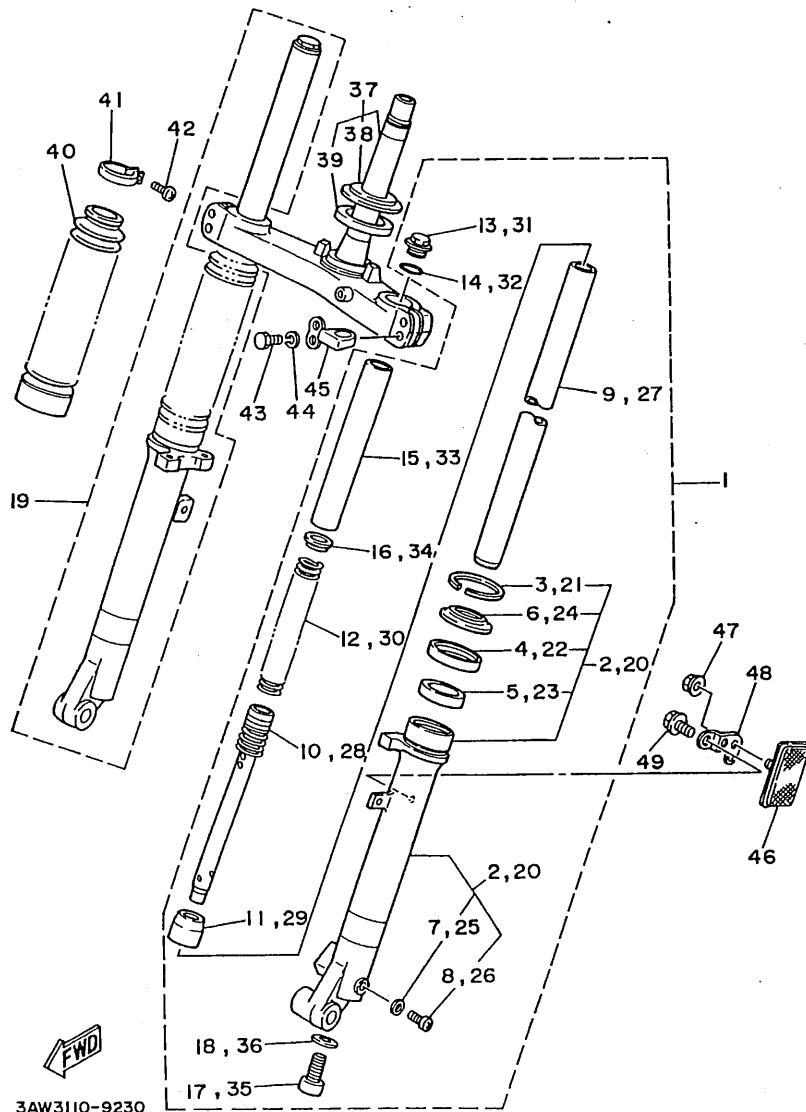


REF. NO.	PART NO.	DESCRIPTION	Q'TY	REMARKS
1	156-23412-00	RACE, ball 2	1	
2	93501-04011	BALL	19	
3	122-23411-00	RACE, ball 1	1	
4	122-23412-00	RACE, ball 2	1	
5	93503-16010	BALL	22	
6	122-23416-00	COVER, ball race 2	1	
7	90179-25033	NUT	1	
8	90105-14102	BOLT, washer based	1	
9	3Y1-23319-00	HOLDER, cable 2	1	
10	95801-06012	BOLT, flange	1	
11	2JX-23435-00-35	CROWN, handle	1	SILVER
12	1E6-23441-10-35	HOLDER, handle upper	2	SILVER
13	95811-08035	BOLT, flange	4	
14	95026-08050	BOLT, flange	2	
15	3R1-23317-00	HOLDER, cable	1	
16	2JX-23174-00	STAY, headlight	1	
17	95816-06012	BOLT, flange	1	
18	30X-23445-00	DAMPER	1	



2JY110-7220

FIG. 23 FRONT FORK



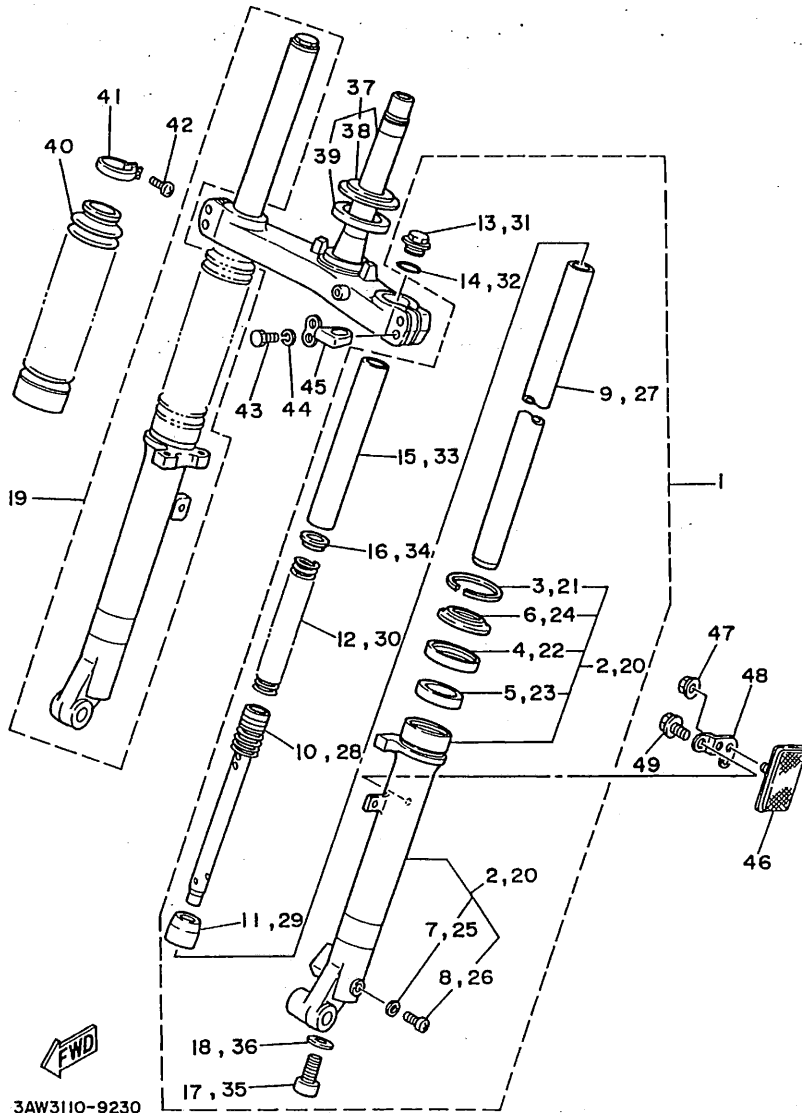
3AW3110-9230

REF. NO.	PART NO.	DESCRIPTION	QTY	REMARKS
1	2JX-23102-00	FRONT FORK ASSY (L.H)	1	
2	2JX-23126-00	.TUBE, outer 1	1	
3	22W-23153-L0	..RING, snap	1	
4	22W-23145-L0	..OIL SEAL	1	
5	51Y-23125-00	..METAL, slide 1	1	
6	54G-23144-00	..SEAL, dust	1	
7	122-23129-00	..GASKET, drain plug	1	
8	4H7-23119-00	..PLUG, drain	1	
9	2JX-23110-00	.INNER TUBE COMP.1	1	
10	2JX-23170-00	.CYLINDER COMP., front fork	1	
11	39K-23173-00	.SPINDLE, taper	1	
12	2JX-23141-00	.SPRING, front fork	1	
13	2JN-23111-00	.BOLT, cap	1	
14	3J2-23114-00	.O-RING	1	
15	22U-23118-01	.SPACER	1	
16	583-23142-00	.SEAT, spring upper	1	
17	278-23181-50	.BOLT, hexagon socket head	1	
18	509-23158-L0	.GASKET	1	
19	2JX-23103-00	FRONT FORK ASSY (R.H)	1	
20	2JX-23136-00	.TUBE, outer 2	1	
21	22W-23153-L0	..RING, snap	1	
22	22W-23145-L0	..OIL SEAL	1	
23	51Y-23125-00	..METAL, slide 1	1	
24	54G-23144-00	..SEAL, dust	1	
25	122-23129-00	..GASKET, drain plug	1	
26	4H7-23119-00	..PLUG, drain	1	
27	2JX-23110-00	.INNER TUBE COMP.1	1	
28	2JX-23170-00	.CYLINDER COMP., front fork	1	

C15

FIG. 23 FRONT FORK

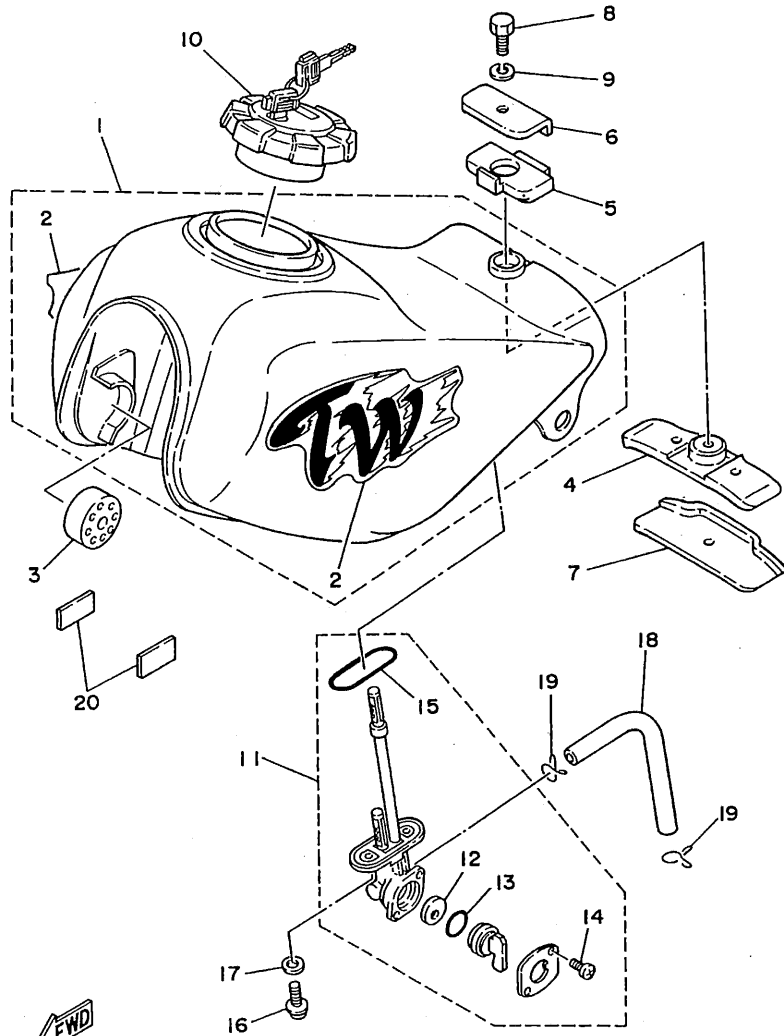
REF. NO.	PART NO.	DESCRIPTION	Q'TY	REMARKS
29	39K-23173-00	.SPINDLE, taper	1	
30	2JX-23141-00	.SPRING, front fork	1	
31	2JN-23111-00	.BOLT, cap	1	
32	3J2-23114-00	.O-RING	1	
33	22U-23118-01	.SPACER	1	
34	583-23142-00	.SEAT, spring upper	1	
35	278-23181-50	.BOLT, hexagon socket head	1	
36	509-23158-L0	.GASKET	1	
37	3LY-23340-00	UNDER BRACKET COMP.	1	
38	156-23411-00	.RACE, ball 1	1	
39	164-23462-00	.SEAL, steering	1	
40	3AW-23191-20	BOOT	2	INK BLUE
41	2K5-23192-00	BAND	2	
42	1W4-23194-L0	SCREW, boot band	2	
43	97313-08035	BOLT	4	
44	92990-08100	WASHER, spring	4	
45	5Y1-23317-00	HOLDER, cable	1	
46	23V-85110-00	FRONT REFLECTOR ASSY	2	
47	95701-05500	NUT, flange	2	
48	2JX-85112-00	BRACKET, reflector 1	2	
49	95801-06010	BOLT, flange	2	



3AW3110-9230

D2

FIG. 24 FUEL TANK



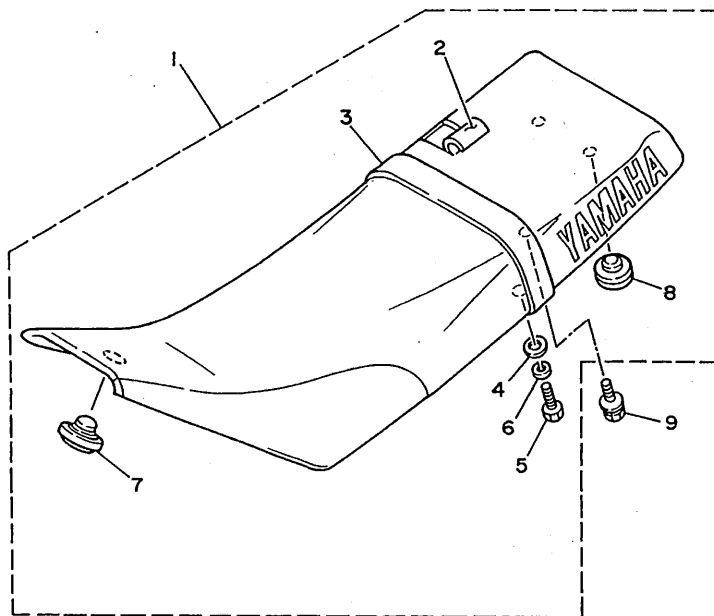
REF. NO.	PART NO.	DESCRIPTION	Q'TY	REMARKS
1	2JY-24110-00-09	FUEL TANK COMP.	1	STRONG BLUE
2	3AW-24244-41	.GRAPHIC, fuel tank 1	2	
3	4L0-24181-00	DAMPER, locating 1	2	
4	30X-24182-01	DAMPER, locating 2	1	
5	30X-24183-01	DAMPER, locating 3	1	
6	30X-24186-01	WASHER, special	1	
7	30X-24187-00	WASHER, special	1	
8	97003-06012	BOLT	1	
9	92990-06100	WASHER, spring	1	
10	48Y-24602-00	CAP ASSY	1	
11	15A-24500-03	FUEL COCK ASSY 1	1	
12	3AJ-24523-00	.VALVE	1	
13	3AJ-24534-00	.SEAL, cock	1	
14	98503-03008	.SCREW, pan head	2	
15	4X8-24512-00	.O-RING	1	
16	90149-06011	SCREW	2	
17	90202-05193	WASHER, plate	2	
18	90445-10638	HOSE	1	
19	90467-09006	CLIP	2	
20	2JX-24141-00	PROTECTOR, fuel tank	2	

3AW7171-0240

D3

FIG. 25 SEAT

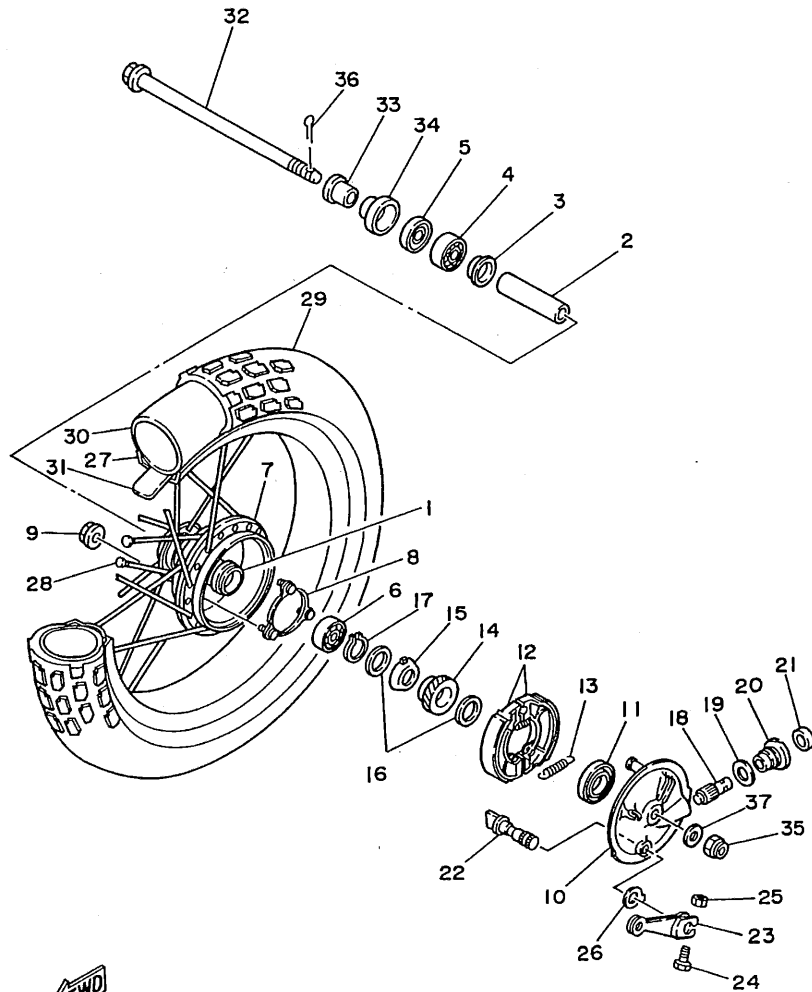
REF. NO.	PART NO.	DESCRIPTION	Q'TY	REMARKS
1	2JX-24770-40	SEMI-DOUBLE SEAT ASSY	1	INK BLUE
2	2JX-24731-40	.COVER, seat	1	INK BLUE
3	2JX-24734-40	.BAND, seat	1	INK BLUE
4	90201-06067	.WASHER, plate	2	
5	97001-06020	.BOLT	2	
6	92990-06100	.WASHER, spring	2	
7	18A-24723-00	.DAMPER, seat	1	
8	1L9-24741-00	.PAD, seat	1	
9	90119-06063	BOLT, with washer	2	



2JY110-7250

D4

FIG. 26 FRONT WHEEL



REF. NO.	PART NO.	DESCRIPTION	Q'TY	REMARKS
1	2JX-25111-00	HUB, front	1	
2	2JX-25117-00	SPACER, bearing	1	
3	146-25116-00	FLANGE, spacer 2	1	
4	93306-20209	BEARING (B6202)	1	
5	93102-20009	OIL SEAL	1	
6	93306-20213	BEARING	1	
7	2JX-2511E-00-35	DRUM, brake	1	SILVER
8	54G-25185-00	RING 1	1	
9	90179-08410	NUT	3	
10	3Y1-25121-01-35	PLATE, brake shoe	1	SILVER
11	93105-47007	OIL SEAL	1	
12	3LS-W2536-00	BRAKE SHOE SET	1	
13	90506-16447	SPRING, tension	2	
14	214-25135-00	GEAR, drive	1	
15	214-25149-01	CLUTCH, meter	1	
16	90201-22283	WASHER, plate	2	
17	99009-22400	CIRCLIP	1	
18	214-25138-00	GEAR, meter	1	
19	90201-07076	WASHER, plate	1	
20	109-25136-00	BUSH	1	
21	93104-07003	OIL SEAL	1	
22	3Y6-25351-00	CAMSHAFT	1	
23	3Y1-25155-01	LEVER, camshaft 1	1	
24	90101-06278	BOLT	1	
25	95303-06600	NUT	1	
26	3Y6-2533A-01	PLATE, indicator	1	
27	94425-18446	RIM (2.50-18)	1	
28	2JX-25104-00	SPOKE SET, front	1	

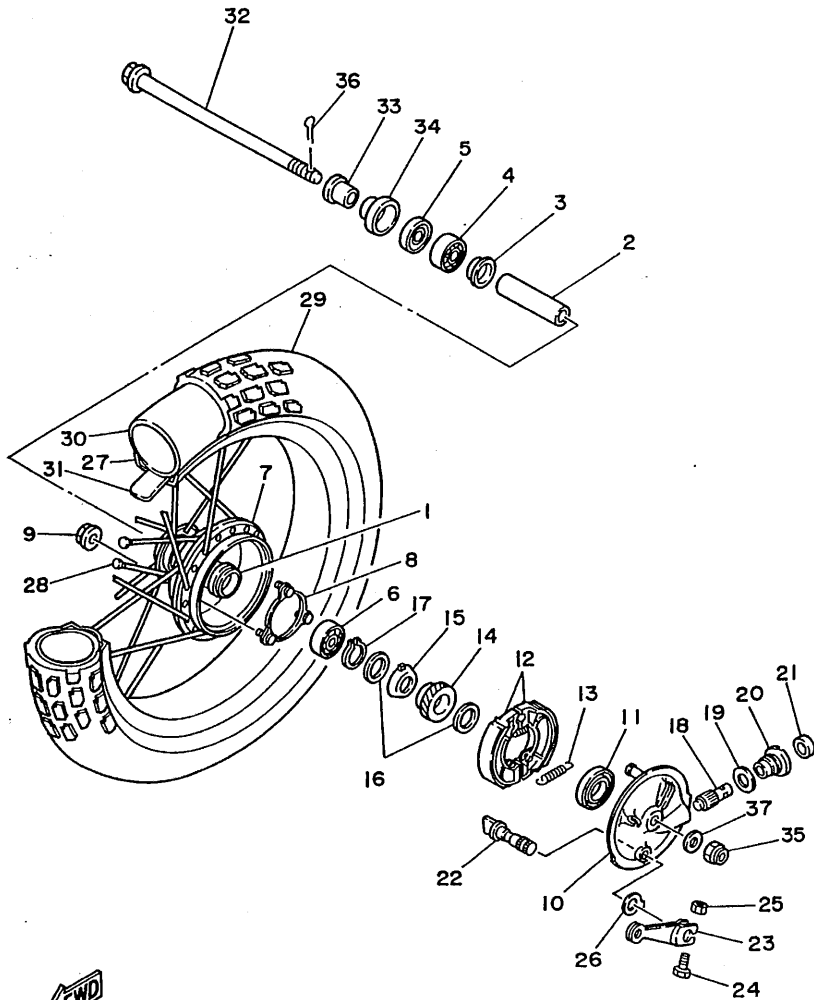


2JY110-7260

D5

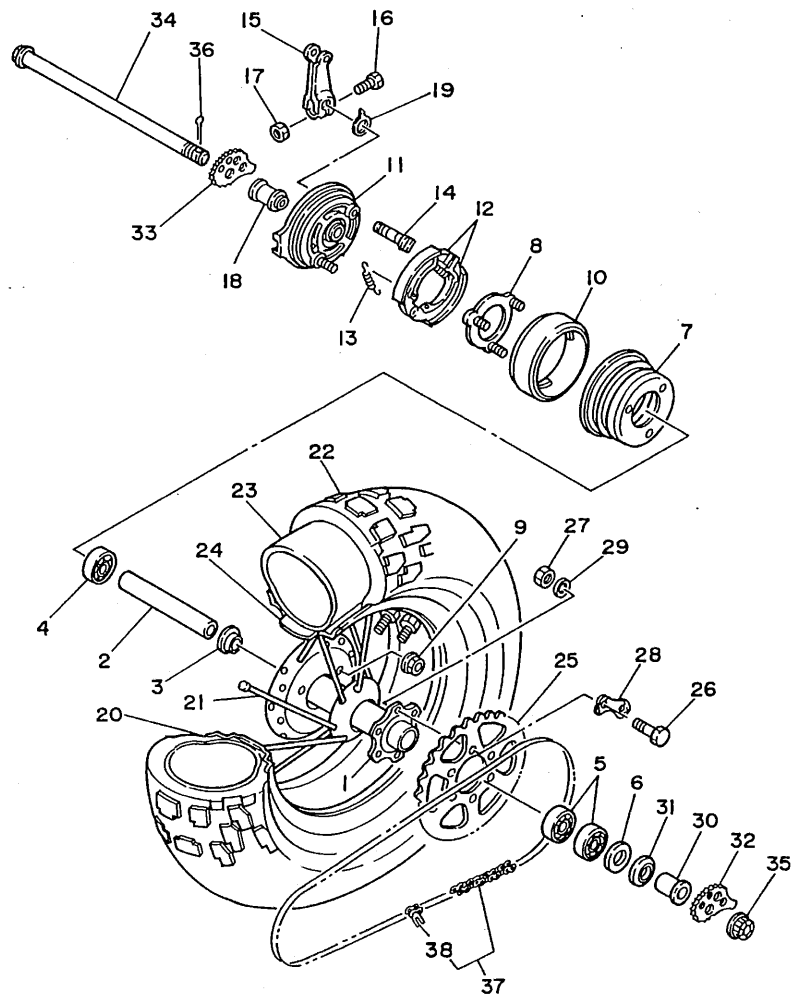
FIG. 26 FRONT WHEEL

REF. NO.	PART NO.	DESCRIPTION	Q'TY	REMARKS
29	94113-184R7	TIRE (66P 130/80-18 TW31 AM)	1	BRIDGESTONE
30	94213-18232	TUBE (MC130/80-18)	1	BRIDGESTONE
31	94340-18086	BAND, rim (4.00-18)	1	BRIDGESTONE
32	2JX-25181-00	AXLE, wheel	1	
33	90387-15600	COLLAR	1	
34	322-25118-00	COVER, hub dust	1	
35	90171-14020	NUT, castle	1	
36	91401-30030	PIN, cotter	1	
37	90201-15785	WASHER, plate	1	



2JY110-7260

D6



2JY110-7270

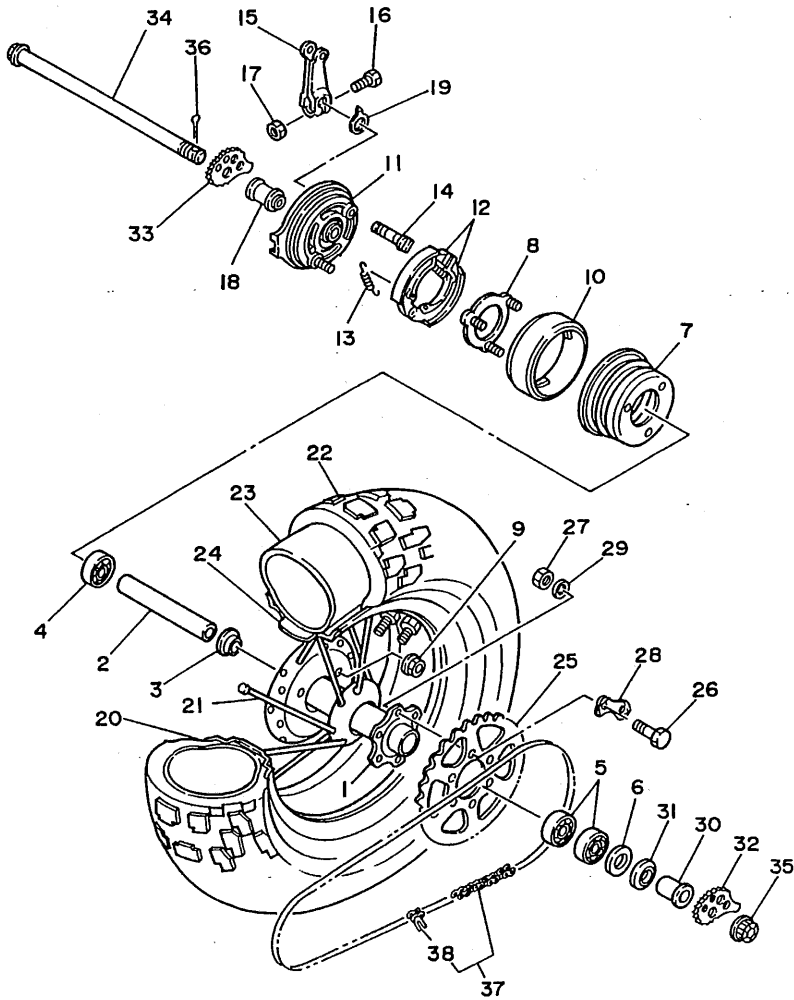
FIG. 27 REAR WHEEL

REF. NO.	PART NO.	DESCRIPTION	Q'TY	REMARKS
1	2JX-25311-00	HUB, rear	1	
2	90560-17305	SPACER	1	
3	146-25315-00	FLANGE, spacer	1	
4	93306-20310	BEARING (B6203DU)	1	
5	93306-20310	BEARING (B6203DU)	2	
6	93102-25311	OIL SEAL (FPJ 25-44-8 TS)	1	
7	5V7-2511E-00	DRUM, brake	1	
8	54G-25185-00	RING 1	1	
9	90179-08410	NUT	3	
10	2JX-25336-00	RING 2	1	
11	2JX-25321-01-35	PLATE, brake shoe	1	SILVER
12	2JL-W2536-01	BRAKE SHOE SET	1	
13	90506-18288	SPRING, tension	2	
14	3Y6-25351-00	CAMSHAFT	1	
15	2N3-25155-00	LEVER, camshaft 1	1	
16	90101-06278	BOLT	1	
17	95303-06600	NUT	1	
18	90387-171T1	COLLAR	1	
19	2JX-2533A-00	PLATE, indicator	1	
20	94445-14479	RIM	1	
21	2JX-25304-00	SPOKE SET, rear	1	
22	94118-145U2	TIRE (180/80-14M/C 78PTW32T/T)	1	BRIDGESTONE
23	94218-14251	TUBE (180/80-14 TR4)	1	BRIDGESTONE
24	94318-14149	BAND, rim	1	
25	15A-25450-10	SPROCKET, driven (50T)	1	
26	90109-08618	BOLT	6	
27	90185-08089	NUT, self-locking	6	
28	90215-08160	WASHER, lock	3	

D7

FIG. 27 REAR WHEEL

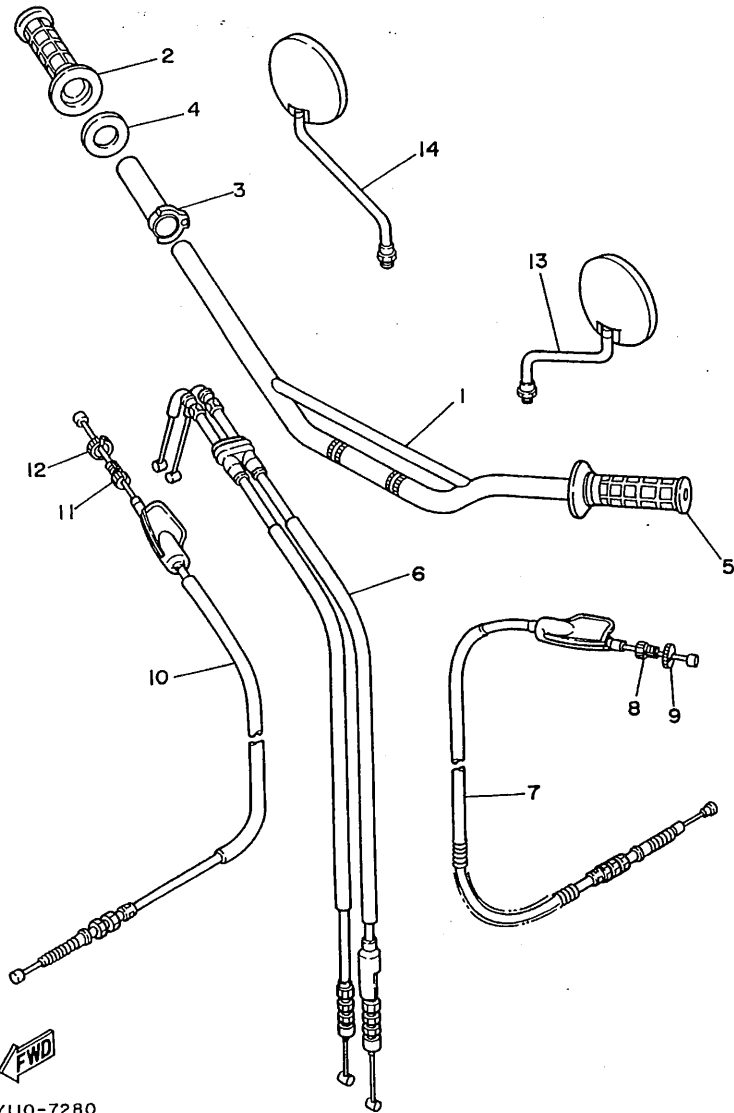
REF. NO.	PART NO.	DESCRIPTION	Q'TY	REMARKS
29	90201-081A6	WASHER, plate	6	
30	90387-171T2	COLLAR	1	
31	36R-25367-00	COVER, hub dust	1	
32	3Y1-25388-01	PULLER, chain 1	1	
33	3Y1-25389-00	PULLER, chain 2	1	
34	2JX-25381-00	AXLE, wheel	1	
35	90171-16024	NUT, castle	1	
36	91401-30030	PIN, cotter	1	
37	94580-33126	CHAIN (D.I.D.428DS-126L)	1	
38	94680-33001	.JOINT, chain (D.I.D.428DS)	1	



2JY110-7270

D8

FIG. 28 STEERING HANDLE. CABLE



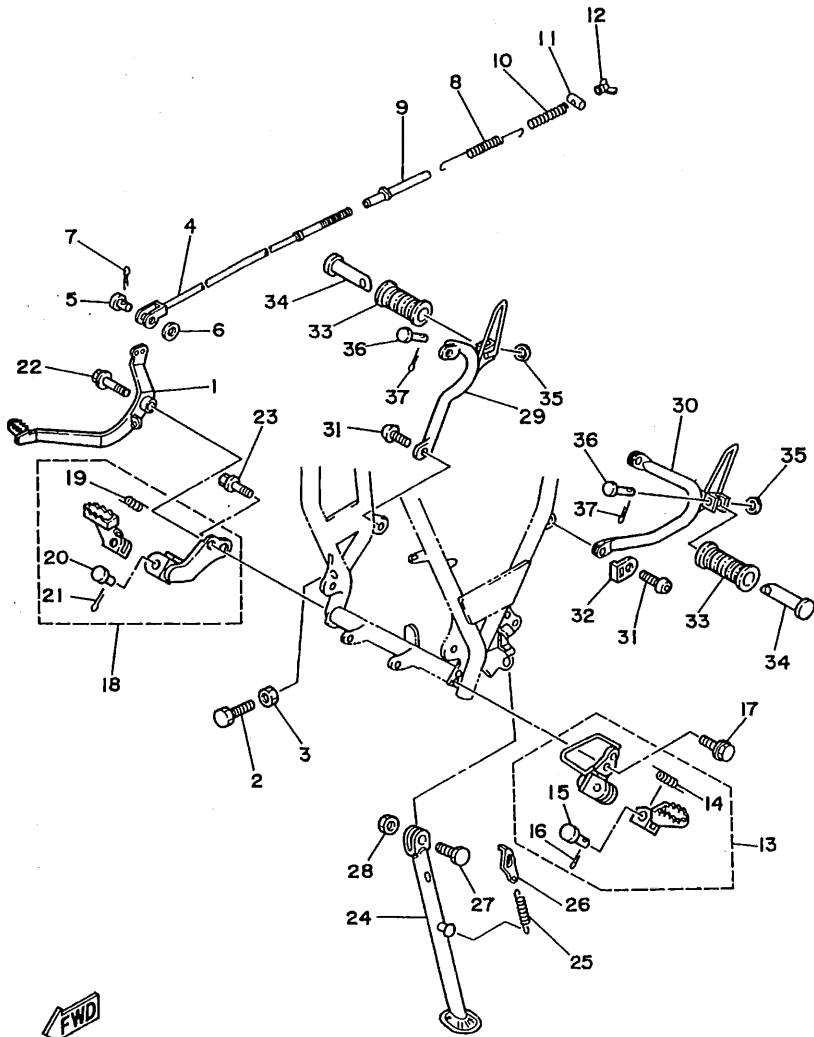
REF. NO.	PART NO.	DESCRIPTION	Q'TY	REMARKS
1	2JX-26111-00	HANDLEBAR	1	
2	33G-26242-00	GRIP (R.H)	1	
3	3Y1-26243-01	TUBE, throttle guide	1	
4	3Y1-26249-00	RING, leaf	1	
5	33G-26241-00	GRIP (L.H)	1	
6	2JX-26302-00	THROTTLE CABLE ASSY	1	
7	1RL-26335-00	CABLE, clutch	1	
8	90123-08046	BOLT	1	
9	90179-08148	NUT	1	
10	2JX-26341-00	CABLE, brake	1	
11	90123-08046	BOLT	1	
12	90179-08148	NUT	1	
13	5Y1-26290-10	BACK MIRROR ASSY (L.H)	1	
14	3Y1-26290-00	BACK MIRROR ASSY (R.H)	1	

2JY110-7280

D9

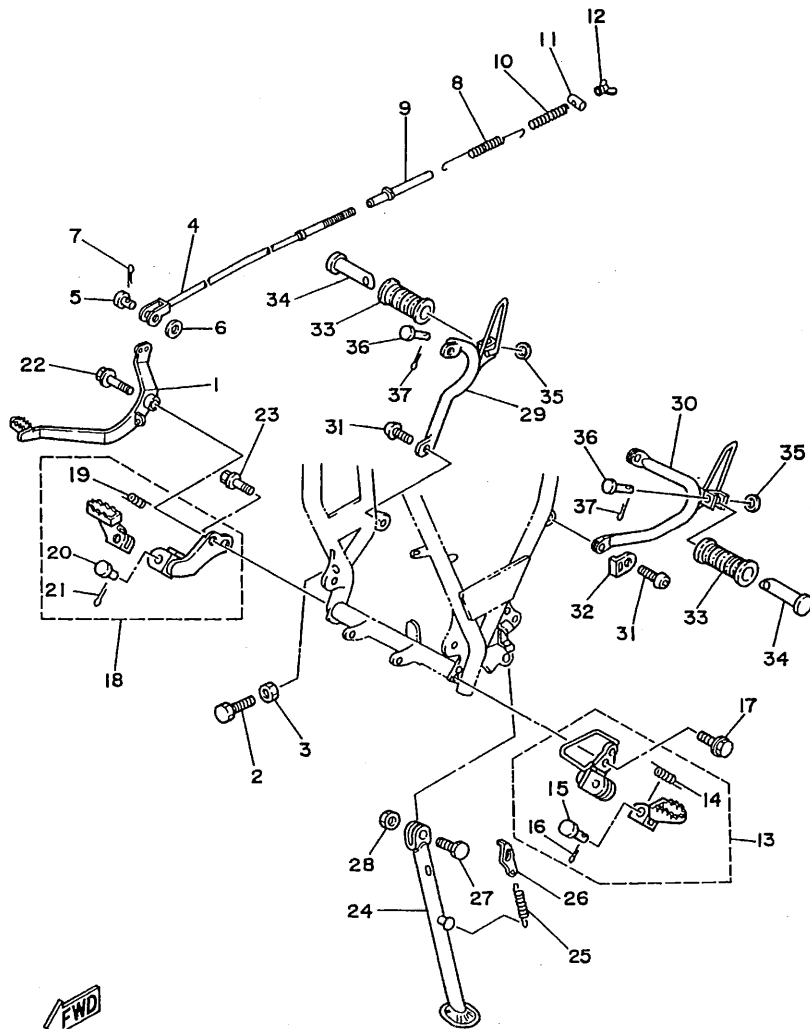
FIG. 29 STAND. FOOTREST

REF. NO.	PART NO.	DESCRIPTION	Q'TY	REMARKS
1	2JX-27211-00-90	PEDAL, brake	1	UNI-CROME (BLACK)
2	97001-06020	BOLT	1	
3	95303-06700	NUT	1	
4	2JX-27231-00	ROD, brake	1	
5	90240-06040	PIN, clevis	1	
6	92901-06200	WASHER, plain	1	
7	91401-20015	PIN, cotter	1	
8	90506-18289	SPRING, tension	1	
9	1M1-27244-00	COVER	1	
10	90501-10245	SPRING, compression	1	
11	90249-12008	PIN	1	
12	90175-06013	NUT, wing	1	
13	2JX-27410-00-90	FRONT FOOTREST ASSY (LEFT)	1	UNI-CROME (BLACK)
14	90508-20023	.SPRING, torsion	1	
15	91701-08038	.PIN, clevis	1	
16	91401-25020	.PIN, cotter	1	
17	95811-12025	BOLT, flange	1	
18	15A-27420-01-90	FRONT FOOTREST ASSY (RIGHT)	1	UNI-CROME (BLACK)
19	90508-20023	.SPRING, torsion	1	
20	91701-08038	.PIN, clevis	1	
21	91401-25020	.PIN, cotter	1	
22	95811-10035	BOLT, flange	1	
23	95811-10020	BOLT, flange	1	
24	2JX-27311-01-33	STAND, side	1	YAMAHA BLACK
25	90506-29360	SPRING, tension	1	
26	5Y1-27315-00	LINK, side stand	1	
27	90109-10590	BOLT	1	
28	90185-10037	NUT, self-locking	1	



2JY110-7290

FIG. 29 STAND. FOOTREST



REF. NO.	PART NO.	DESCRIPTION	Q'TY	REMARKS
29	2JX-27442-00-33	BRACKET 2	1	YAMAHA BLACK
30	26F-27432-00-33	BRACKET 1	1	YAMAHA BLACK
31	90109-08789	BOLT	4	
32	2JX-27437-00	WASHER, special	1	
33	120-27433-00	COVER, rear footrest	2	
34	120-27431-00	FOOTREST, rear 1	2	
35	90201-20279	WASHER, plate	2	
36	90240-06009	PIN, clevis	2	
37	91401-16015	PIN, cotter	2	

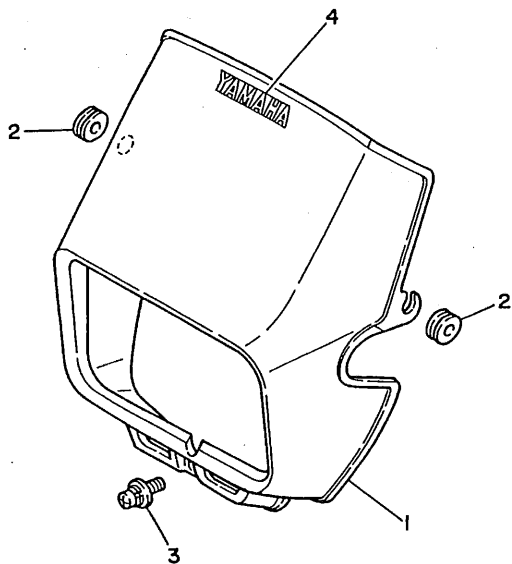


2JY110-7290

D11

FIG. 30 COWLING 1

REF. NO.	PART NO.	DESCRIPTION	Q'TY	REMARKS
1	3AW-28351-30	BODY, cowling	1	VERY PALE BLUE SOLID 1
2	90480-12053	GROMMET	2	
3	90159-06060	SCREW, with washer	1	
4	99241-00025	EMBLEM, yamaha	1	

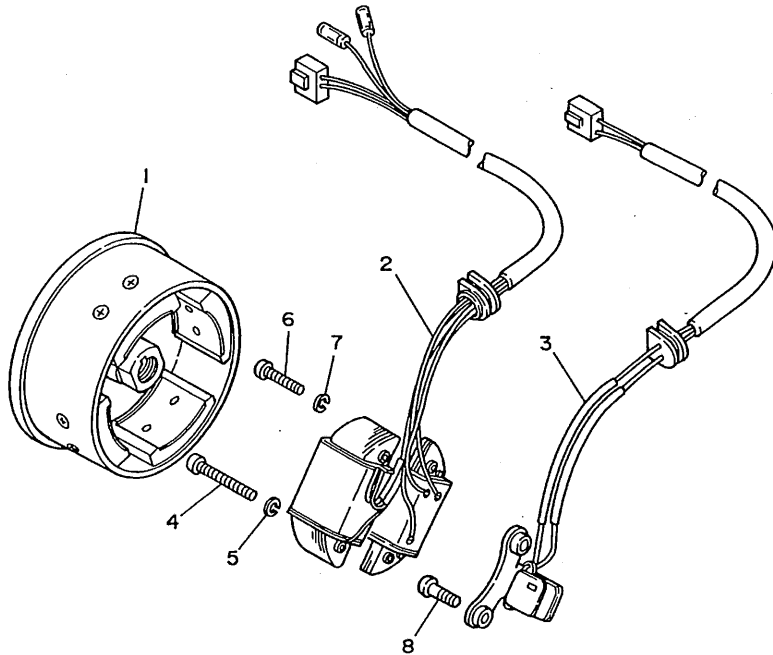


3AW7171-0300

D12

FIG. 31 GENERATOR

REF. NO.	PART NO.	DESCRIPTION	Q'TY	REMARKS
1	3NS-85550-00	ROTOR ASSY	1	
2	2JX-81410-M0	STATOR ASSY	1	
3	2JX-85580-M0	COIL, pulser	1	
4	98502-05040	SCREW, pan head	2	
5	92990-05100	WASHER, spring	2	
6	98503-05025	SCREW, pan head	2	
7	92990-05100	WASHER, spring	2	
8	98501-06020	SCREW, pan head	2	

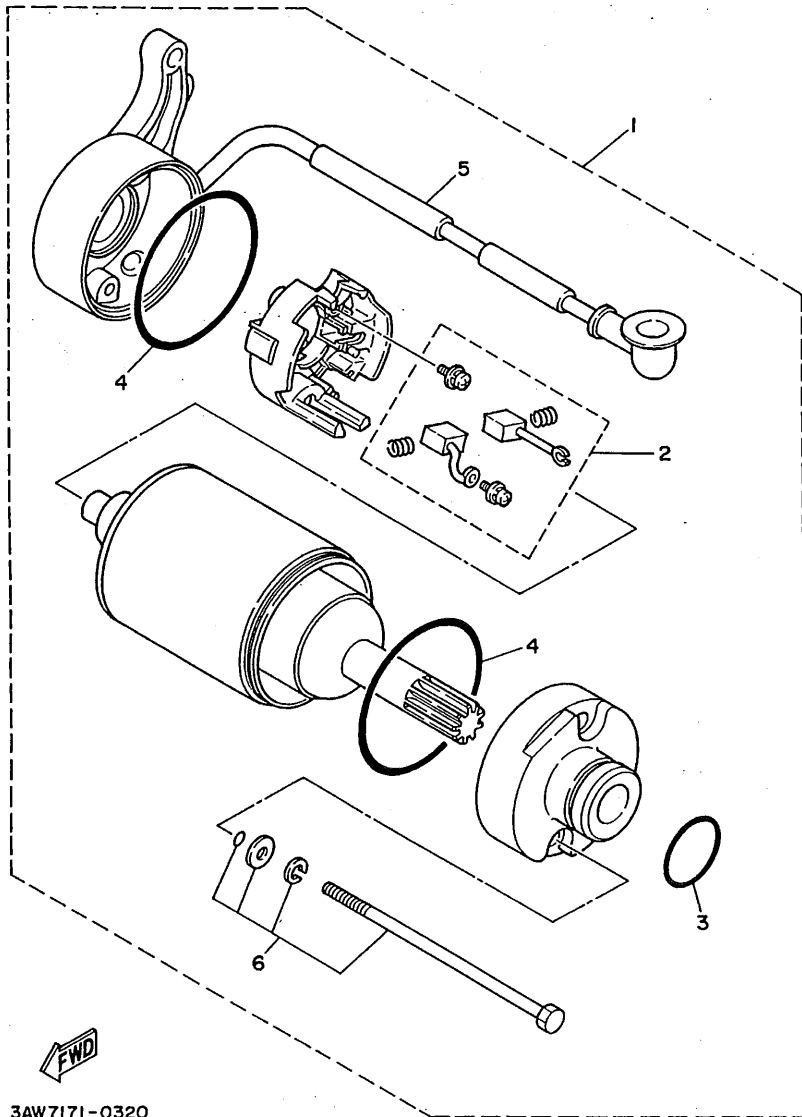


2JY110-7310

D13

FIG. 32 STARTING MOTOR

REF. NO.	PART NO.	DESCRIPTION	Q'TY	REMARKS
1	3AW-81800-00	STARTING MOTOR ASSY	1	
2	50M-81801-M0	.BRUSH SET	1	
3	93210-25711	.O-RING	1	
4	93210-55669	.O-RING	2	
5	2JX-8183G-M0	.CORD COMP.	1	
6	1RL-81828-M0	.BOLT 2	2	

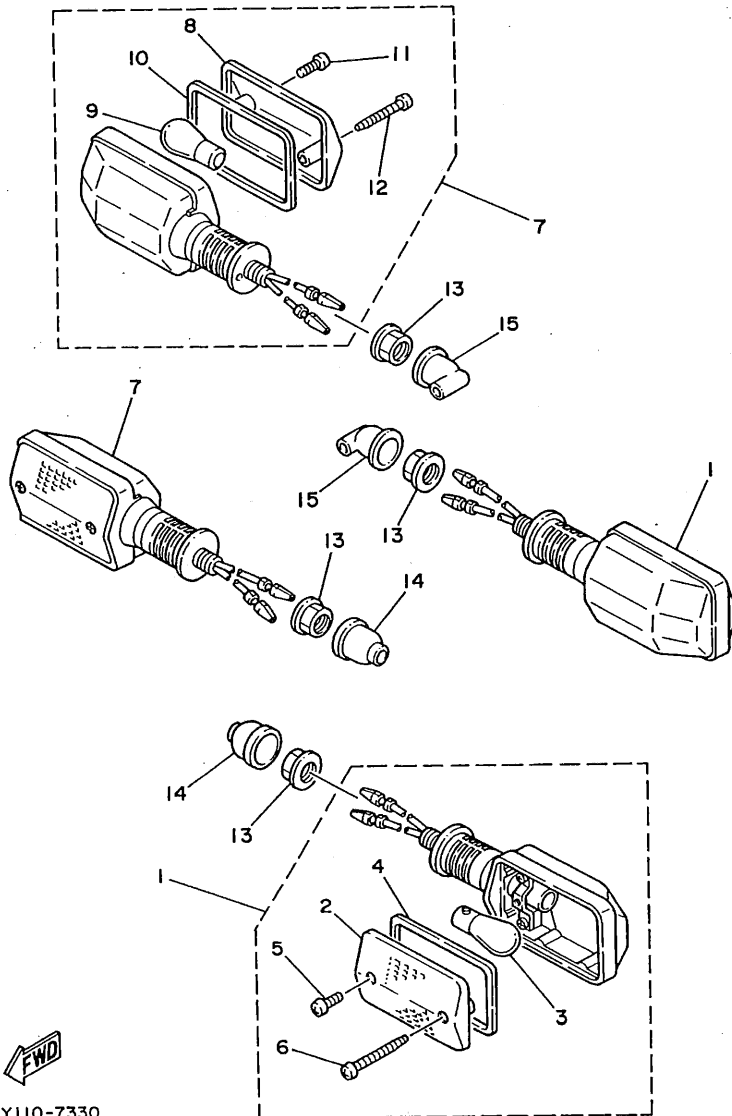


FWD

3AW7171-0320

D14

FIG. 33 FLASHER LIGHT



REF. NO.	PART NO.	DESCRIPTION	Q'TY	REMARKS
1	5Y1-83310-70	FRONT FLASHER LIGHT ASSY 1	2	
2	5Y1-83312-00	.LENS, flasher	1	
3	256-83311-70	.BULB (12V-27W)	1	
4	5Y1-83313-00	.GASKET, flasher lens	1	
5	98580-04010	.SCREW, pan head	1	
6	97706-40530	.SCREW, tapping	1	
7	5Y1-83310-70	FRONT FLASHER LIGHT ASSY 1	2	
8	5Y1-83312-00	.LENS, flasher	1	
9	256-83311-70	.BULB (12V-27W)	1	
10	5Y1-83313-00	.GASKET, flasher lens	1	
11	98580-04010	.SCREW, pan head	1	
12	97706-40530	.SCREW, tapping	1	
13	95316-12700	NUT	4	
14	10V-83365-00	CAP	2	
15	18G-83365-00	CAP	2	

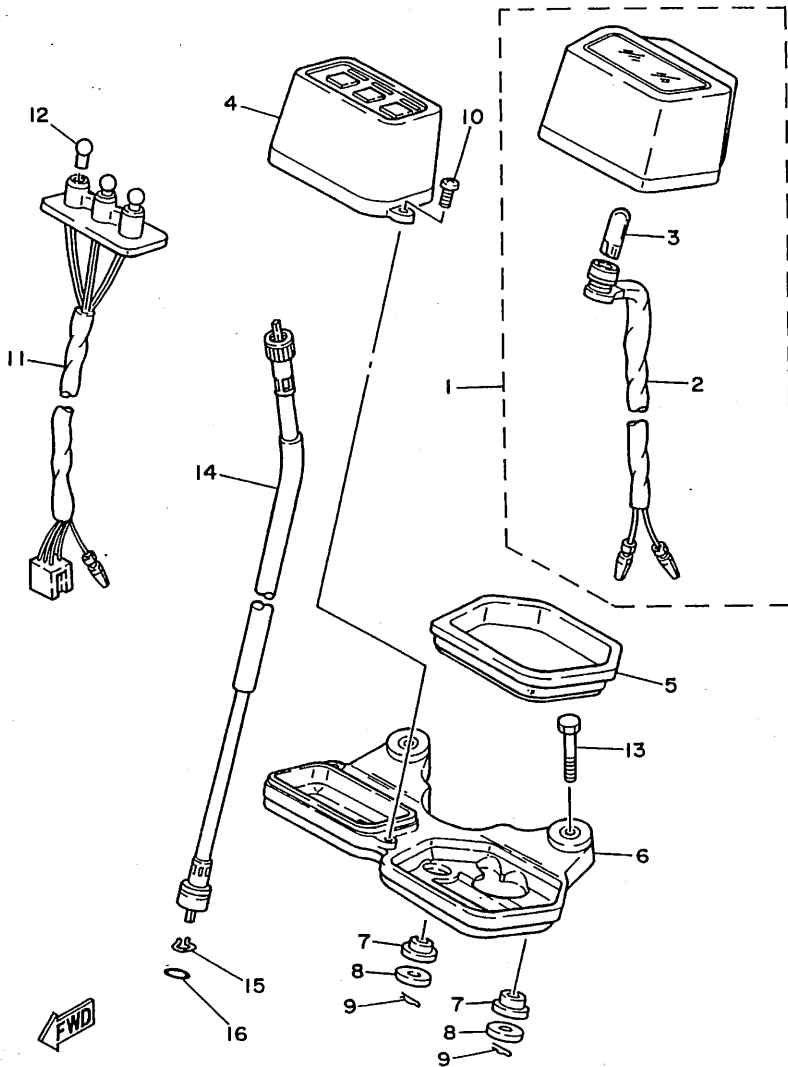


2JY110-7330

D15

FIG. 34 METER

REF. NO.	PART NO.	DESCRIPTION	Q'TY	REMARKS
1	2KA-83510-F0	SPEEDOMETER ASSY	1	
2	2JX-83536-A0	.SOCKET, meter	1	
3	4G1-84744-00	.BULB (12V-3.4W)	1	
4	15A-83568-00	PILOT BOX, upper	1	
5	5Y1-83513-00	DAMPER	1	
6	15A-83519-00	BRACKET, meter	1	
7	1M1-83526-00	DAMPER 2	2	
8	90201-05033	WASHER, plate	2	
9	90468-10050	CLIP	2	
10	90164-04008	SCREW, tapping	2	
11	15A-83509-00	SOCKET CORD ASSY	1	
12	123-83516-21	BULB (12V-3.4W)	3	
13	95811-06040	BOLT, flange	2	
14	1JN-83550-01	SPEEDOMETER CABLE ASSY	1	
15	102-25137-00	RING, stop	1	
16	93210-14104	O-RING	1	

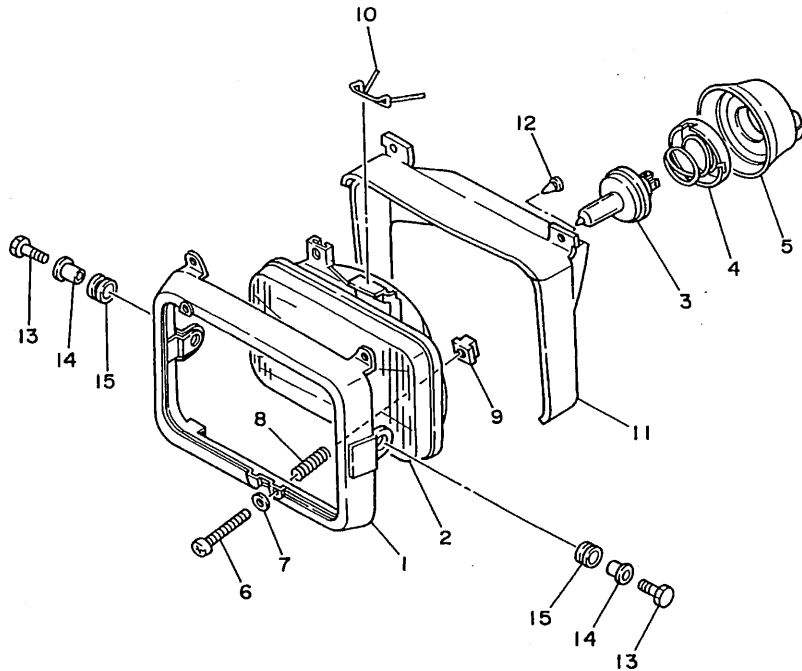


2JY110-7340

E2

FIG. 35 HEADLIGHT

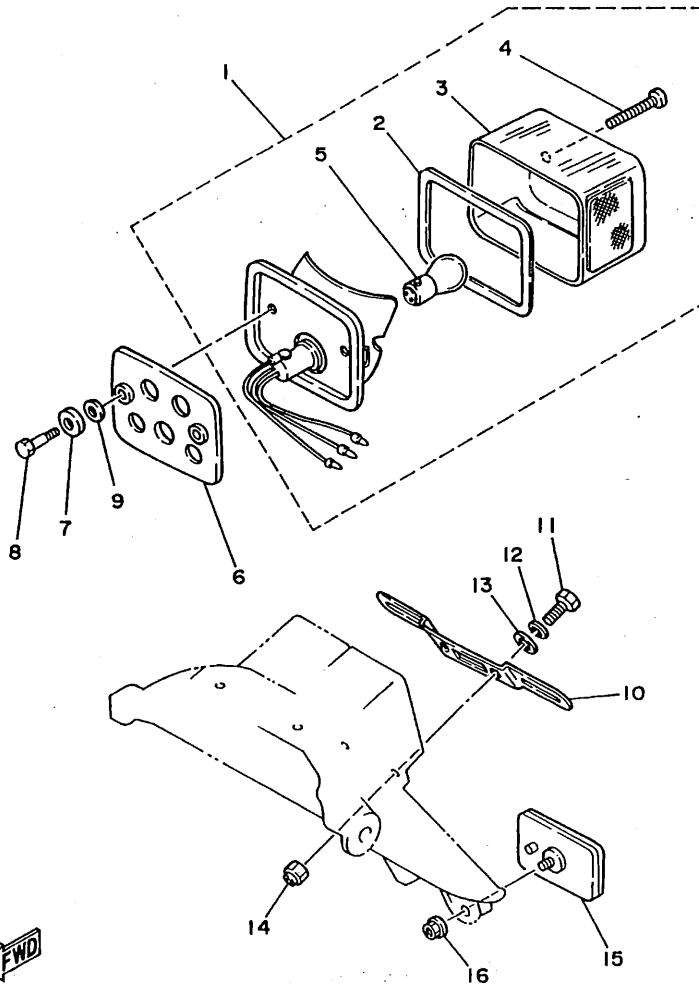
REF. NO.	PART NO.	DESCRIPTION	Q'TY	REMARKS
1	47J-84115-00	RIM, headlight	1	
2	2JX-84320-A0	LENS ASSY	1	
3	*	BULB (12V-35/35W)	1	LM HALOGEN
4	2F9-84375-00	FITTING PLATE, bulb	1	
5	2F9-84397-01	COVER, socket	1	
6	43F-84131-00	SCREW, rim adjuster	2	
7	233-84127-60	WASHER, special	2	
8	341-84332-60	SPRING, screw	2	
9	198-84334-60	NUT, adjusting	2	
10	5G2-84324-A0	SPRING, reflector	1	
11	10V-84196-00	COVER, socket	1	
12	10V-84198-00	CLIP, cover fitting	2	
13	97001-06025	BOLT	2	
14	90387-06388	COLLAR	2	
15	90480-14023	GROMMET	2	



2JY110-7350

E3

FIG. 36 TAILLIGHT



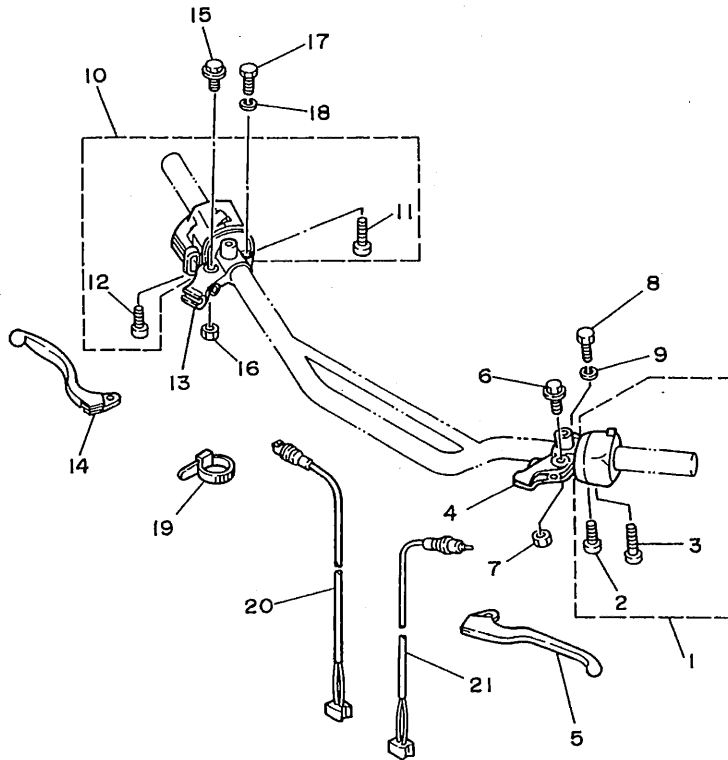
REF. NO.	PART NO.	DESCRIPTION	Q'TY	REMARKS
1	1W9-84710-60	TAILLIGHT UNIT ASSY	1	
2	1M1-84523-60	.GASKET, lens	1	
3	1M1-84521-60	.LENS, taillight	1	
4	1M1-84524-60	.SCREW, pan head	2	
5	256-84714-61	.BULB (12V-27/8W)	1	
6	4L0-84753-00	DAMPER	1	
7	90209-08125	WASHER	2	
8	90109-06005	BOLT	2	
9	90201-083A0	WASHER, plate	2	
10	36A-84551-00	BRACKET, licence	1	
11	97016-06016	BOLT	2	
12	92906-06100	WASHER, spring	2	
13	90201-065F3	WASHER, plate	2	
14	95601-06100	NUT, u	2	
15	3G1-85130-01	REAR REFLECTOR ASSY	1	
16	95701-05500	NUT, flange	1	

FWD

3AW7171-0360

E4

FIG. 37 HANDLE SWITCH. LEVER



REF. NO.	PART NO.	DESCRIPTION	Q'TY	REMARKS
1	2JX-83973-00	SWITCH, handle 3	1	
2	98506-05022	.SCREW, pan head	1	
3	98506-05030	.SCREW, pan head	1	
4	3Y6-82911-00	HOLDER, lever 1	1	
5	23X-83912-00	LEVER 1	1	
6	90109-06799	BOLT	1	
7	95616-06100	NUT, u	1	
8	97006-06022	BOLT	1	
9	92906-06100	WASHER, spring	1	
10	2JX-83976-00	SWITCH, handle 1	1	
11	98506-05035	.SCREW, pan head	1	
12	98506-05020	.SCREW, pan head	1	
13	83J-82910-00	LEVER, holder	1	
14	23X-83922-00	LEVER 2	1	
15	90109-06799	BOLT	1	
16	95616-06100	NUT, u	1	
17	97006-06022	BOLT	1	
18	92906-06100	WASHER, spring	1	
19	437-83936-01	BAND, switch cord	4	
20	5H0-83980-00	FRONT STOP SWITCH ASSY	1	
21	3Y6-82917-00	SWITCH	1	



3AW3110-9370

E5

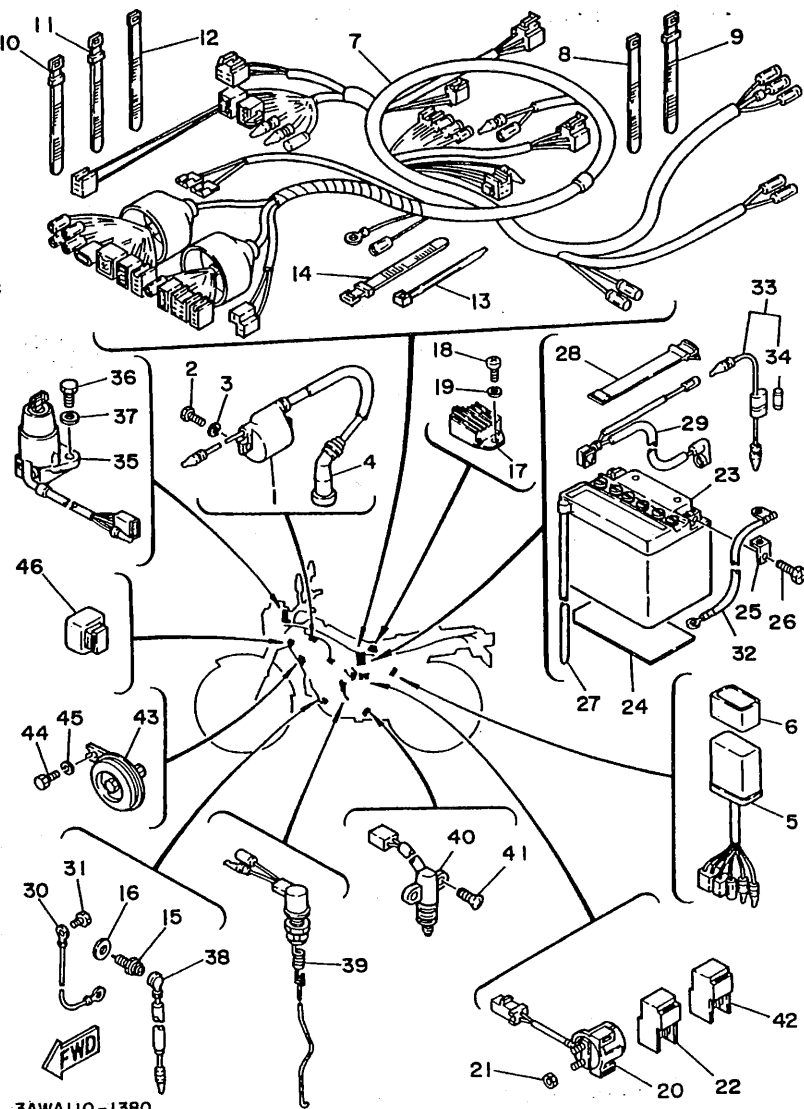
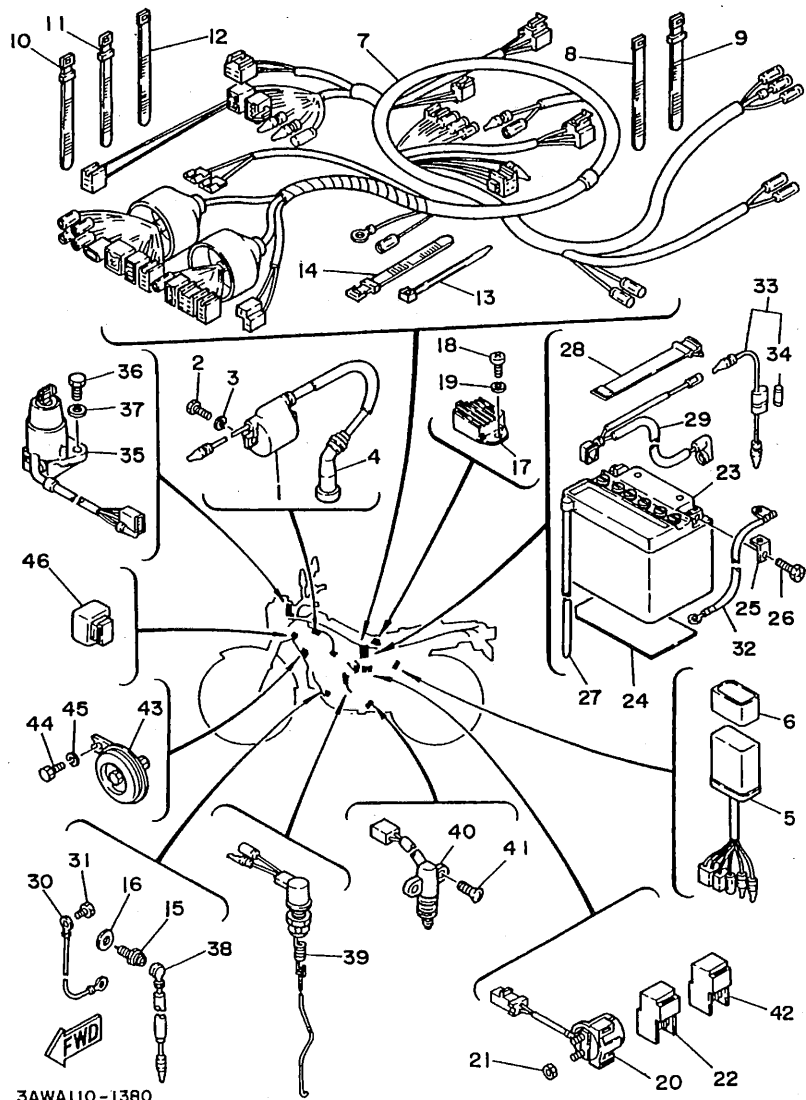


FIG. 38 ELECTRICAL 1

REF. NO.	PART NO.	DESCRIPTION	Q'TY	REMARKS
1	32N-82310-M0	IGNITION COIL ASSY	1	
2	97001-06020	BOLT	2	
3	92990-06100	WASHER, spring	2	
4	1UY-82370-20	PLUG CAP ASSY	1	
5	2JX-85540-M0	C.D.I. UNIT ASSY	1	
6	34X-85546-00	BAND	1	
7	2JX-82590-00	WIRE HARNESS ASSY	1	
8	437-83936-11	BAND, switch cord	1	
9	25G-83936-01	BAND, switch cord	1	
10	437-83936-01	BAND, switch cord	1	
11	437-83936-01	BAND, switch cord	1	
12	3TB-83936-00	BAND, switch cord	1	
13	90465-13169	CLAMP	2	
14	437-83936-01	BAND	1	
15	2H7-82540-00	NEUTRAL SWITCH ASSY	1	
16	90430-10171	GASKET	1	
17	1KH-81960-00	RECTIFIER & REGULATOR ASSY	1	
18	92501-06014	SCREW, pan head	1	
19	92990-06100	WASHER, spring	1	
20	3AY-81940-00	STARTER SWITCH ASSY	1	
21	95701-06500	NUT	2	
22	1RL-81950-91	RELAY ASSY	1	
23	1JE-82110-60	BATTERY ASSY (6S GM7CZ-3D)	1	
24	51Y-82122-00	SEAT, battery	1	
25	2JX-82103-00	TERMINAL 1	2	
26	90153-06032	SCREW, hexagon	2	
27	90445-082F3	HOSE	1	
28	120-82131-00	BAND, battery	1	

3AWA110-1380

E6



3AWA110-1380

FIG. 38 ELECTRICAL 1

REF. NO.	PART NO.	DESCRIPTION	Q'TY	REMARKS
29	2JX-82115-00	WIRE, plus lead	1	
30	5H0-82116-00	WIRE, minus lead	1	
31	90109-06557	BOLT	1	
32	2JX-82116-00	WIRE, minus lead	1	
33	55K-82150-01	FUSE HOLDER ASSY	1	
34	116-82151-00	.FUSE (10A)	2	
35	2GK-82501-01	MAIN SWITCH STEERING LOCK	1	
36	97021-06016	BOLT	2	
37	92990-06600	WASHER, plate	2	
38	2JX-82541-00	WIRE, lead	1	
39	2JX-82530-01	STOP SWITCH ASSY	1	
40	1VJ-82566-00	SWITCH, side stand	1	
41	90152-05021	SCREW, countersunk	2	
42	29U-81950-92	RELAY ASSY	1	FOR SIDE STAND
43	1HX-83371-00	HORN	1	
44	97003-06012	BOLT	1	
45	92990-06100	WASHER, spring	1	
46	30X-83350-20	FLASHER RELAY ASSY	1	

NUMERICAL INDEX

PART NO.	GRID NO.	PART NO.	GRID NO.	PART NO.	GRID NO.	PART NO.	GRID NO.	PART NO.	GRID NO.	PART NO.	GRID NO.
2JL-W2536-01	D- 7	5HO-12231-00	B- 7	4BE-14613-00	B-12	4A0-17216-00-10	B-15	30X-22129-00	C-13	5Y1-23317-00	D- 2
3LS-W2536-00	D- 5	3Y1-12232-00	B- 7	54G-14628-01	B-12	15A-17221-00	C- 4	2JX-22141-00	C-12	3Y1-23319-00	C-14
5HO-1111F-00	B- 2	5NO-12241-00	B- 7	2JX-14711-00	B-12	15A-17231-00	C- 4	34X-22151-01	C-12	3LY-23340-00	D- 2
15A-11110-01	B- 2	5HO-13300-00	B- 8	3YF-14714-00	B-12	15A-17241-00	C- 4	38V-22199-00	C-12	122-23411-00	C-14
5HO-11133-10	B- 2	5HO-13326-00	B- 8	2JX-14728-00	B-12	1EV-17251-00	C- 4	3AW-22210-10-33	C-13	156-23411-00	D- 2
5HO-11161-00	B- 3	4BE-13329-00	B- 8	1RH-14752-00	B-12	2JX-17402-00	C- 4	1M1-22216-00	C-13	122-23412-00	C-14
15A-11162-00	B- 3	5Y1-13411-00	B- 8	4BD-14766-00	B-12	15A-17411-01	C- 4	34X-22311-00	C-12	156-23412-00	C-14
	B- 3	5HO-13440-00	B- 8	5Y1-1490A-00	B-11	2JX-17456-00	C- 4	2JX-23102-00	C-15	122-23416-00	C-14
3Y1-11166-00	B-13	3AW-13447-00	B- 8	2JX-1490J-00	B-10	2JX-17471-00	C- 4	2JX-23103-00	C-15	2JX-23435-00-35	C-14
371-11167-01	B-13	1HX-13575-00	B- 9	5HO-14991-00	B-11	1RL-18110-00	C- 7	2JX-23110-00	C-15	1E6-23441-10-35	C-14
1NU-11181-00	B- 2	2JX-13586-00	B- 9	3AW-15100-00	B-13	132-18113-01	C- 7		C-15	30X-23445-00	C-14
15A-11185-00	B- 2	3WP-14703-00	B-10	5HO-15351-00	B- 8	5HO-18120-02	C- 7	2JN-23111-00	C-15	164-23462-00	D- 2
15A-11186-00	B- 2	5Y1-14105-00	B-10	3Y1-15361-00	B-14	1RH-18140-00	C- 6		D- 2	122-23416-00-09	D- 3
15A-11187-00	B- 2	2JX-14107-00	B-10	1RG-15363-00	B-14	1RH-18185-00	C- 6	3J2-23114-00	C-15	2JX-24141-00	D- 3
21V-11310-00	B- 3	5HO-14126-00	B-11	2JX-15377-00	B-11	5HO-18511-00	C- 6		D- 2	22W-24181-00	B-12
4CS-11351-00	B- 3	2JX-14149-00	B-11	2KA-15410-00	B-14	5HO-18512-00	C- 6	22U-23118-01	C-15	4L0-24181-00	D- 3
5HO-11400-01	B- 4	1KH-14153-00	B-10	3AW-15431-01	B-14	5HO-18513-00	C- 6		D- 2	30X-24182-01	D- 3
5HO-11412-09	B- 4	2JX-14159-00	B-11	15A-15441-00	B- 3	5HO-18531-00	C- 6	4H7-23119-00	C-15	30X-24183-01	D- 3
5HO-11422-00	B- 4	56R-14196-00	B-10	3AW-15451-00	B-14	3Y1-18535-00	C- 6		C-15	30X-24186-01	D- 3
15A-11454-00	B- 4	5Y1-14197-00	B-11	4BE-15462-00	B-14	5NO-18540-00	C- 6	51Y-23125-00	C-15	30X-24187-00	D- 3
5HO-11496-00	B- 4		B-11	2HT-15512-00	B-15	136-18542-00	C- 6		C-15	3AW-24244-41	D- 3
5HO-11531-00	B- 4	30X-14198-00	B-10	5HO-15517-00	B-15	2JY-21110-00-33	C- 8	2JX-23126-00	C-15	15A-24500-03	D- 3
5HO-11536-00	B- 4	1LN-14291-00	B-10	5HO-15521-00	B-15	2JX-21190-00-33	C- 8	122-23129-00	C-15	360-24512-00	B-10
15A-11603-00	B- 4	2JY-14301-00	B-10	4H7-15580-10	B-15	26H-21308-00	C- 8		C-15	4X8-24512-00	D- 3
15A-11605-00	B- 4	2JX-14312-35	B-10	341-15583-05	B-15	2JX-21315-00	C- 8	2JX-23136-00	C-15	3AJ-24523-00	D- 3
15A-11607-00	B- 4	14T-14323-00	B-11	54G-15620-00	B-15	1RL-21316-00-33	C- 8	2JX-23141-00	C-15	3AJ-24534-00	D- 3
36X-11631-00-A0	B- 4	2JX-14341-00	B-10	54G-15621-00	B-15	1RL-21337-00	C- 8		D- 2	48Y-24602-00	D- 3
58L-11633-00	B- 4	43F-14342-20	B-10	36X-15641-00	B-15	1RL-21471-00-35	C- 8	583-23142-00	C-15	18A-24723-00	D- 4
36X-11636-00	B- 4	288-14343-57	B-10	15A-15651-01	B-15	34L-21485-00	C- 8		D- 2	2JX-24731-40	D- 4
36X-11638-00	B- 4	30X-14358-00	B-10	15A-15660-01	B-15	3AW-21511-30	C-10	54G-23144-00	C-15	2JX-24734-40	D- 4
15A-11651-00	B- 4	5Y1-14371-00	B-10	15A-15666-00	B-15	2JX-21512-00	C-10		C-15	1L9-24741-00	D- 4
5HO-11681-00	B- 4	30X-14384-00	B-10	401-15676-00	B-15	1A8-21518-00	C-10	22W-23145-L0	C-15	2JX-24770-40	D- 4
5HO-12111-00	B- 6	2JN-14385-00	B-10	5HO-16111-00	C- 3	3AW-21611-30	C-10		C-15	2JX-25104-00	D- 5
11H-12113-00	B- 6	6E5-14386-01	B-10	3MS-16150-00	C- 3	460-21639-00	C-10	22W-23153-L0	C-15	2JX-2511E-00-35	D- 5
11H-12114-00	B- 6	2JX-14396-00	B-11	5HO-16154-00	C- 3	2JX-21641-00	C-10		C-15	5V7-2511E-00	D- 7
460-12116-01	B- 6	2JX-14411-00	B- 9	537-16321-00	C- 3	2JX-21651-00	C-10	509-23158-L0	C-15	2JX-25111-00	D- 5
460-12117-00	B- 6	2JX-14412-00	B- 9	137-16324-00	C- 3	2JX-21669-00	C-10		D- 2	146-25116-00	D- 5
460-12118-00	B- 6	2JX-14422-00	B- 9	5HO-16351-00	C- 3	2JX-21685-00	C-10	2JX-23170-00	C-15	2JX-25117-00	D- 5
5HO-12119-00	B- 6	34X-1443E-00	B- 9	2JX-16356-00	C- 3	34X-21691-00	C-10		C-15	322-25118-00	D- 6
5HO-12121-00	B- 6	2JX-14437-00	B- 9	5HO-16357-00	C- 3	3AW-21711-30-98	C-11	39K-23173-00	C-15	3Y1-25121-01-35	D- 5
5HO-12146-00	B- 6	2JX-14451-00	B- 9	30X-16358-00	C- 3	3AW-21721-30-98	C-11		D- 2	214-25135-00	D- 5
36X-12151-00	B- 6	2JX-14453-00	B- 9	2JX-16371-00	C- 3	2JX-2177A-00	C-11	2JX-23174-00	C-14	109-25136-00	D- 5
5HO-12156-00	B- 6	2JX-14458-00	B- 9	1KH-16380-01	C- 3	3AW-21782-30	C-11	278-23181-50	C-15	102-25137-00	E- 2
3Y1-12159-00	B- 6	1VJ-14462-00	B- 9	15A-17121-00	C- 4	2JX-22110-00-35	C-12		D- 2	214-25138-00	D- 5
36X-12171-00	B- 7	55K-14476-00	B- 9	5HO-17121-01	C- 4	2JX-22123-00	C-12	3AW-23191-20	D- 2	214-25149-01	D- 5
1KH-12176-00	B- 7	5Y1-14572-00	B-10	15A-17141-00	C- 4	2JX-22124-00	C-12	2K5-23192-00	D- 2	2N3-25155-00	D- 7
3Y1-12212-00	B- 7	2JX-14611-01	B-12	15A-17151-00	C- 4	401-22127-00	C-12	1W4-23194-L0	D- 2	3Y1-25155-01	D- 5
25A-12217-00	B- 7	15A-14612-00	B-12	15A-17211-01	C- 4	401-22128-01	C-12	3R1-23317-00	C-14	2JX-25181-00	D- 6

NUMERICAL INDEX

PART NO.	GRID NO.	PART NO.	GRID NO.	PART NO.	GRID NO.	PART NO.	GRID NO.	PART NO.	GRID NO.	PART NO.	GRID NO.
54G-25185-00	D- 5	1RL-81950-91	E- 6	3TB-83936-00	E- 6	90109-08789	D-11	90185-10037	D-10	90240-12075	C-13
	D- 7	29U-81950-92	E- 7	437-83936-01	E- 5	90109-100E2	C-13	90185-12134	C-12	90249-12008	D-10
2JX-25304-00	D- 7	1KH-81960-00	E- 6		E- 6	90109-10590	D-10	90201-05033	E- 2	90280-16053	B- 5
2JX-25311-00	D- 7	2JX-82103-00	E- 6		E- 6	90110-06138	B- 3	90201-06067	D- 4	90282-05013	B- 5
146-25315-00	D- 7	1JE-82110-60	E- 6		E- 6	90119-05059	C-12	90201-065F3	E- 4	90282-05043	C- 3
2JX-25321-01-35	D- 7	2JX-82115-00	E- 7	437-83936-11	E- 6	90119-05062	C-12	90201-07076	D- 5	90338-12081	C- 8
2JX-2533A-00	D- 7	2JX-82116-00	E- 7	2JX-83973-00	E- 5	90119-05071	C-10	90201-080L7	B- 2	90338-18014	B-15
3Y6-2533A-01	D- 5	5HO-82116-00	E- 7	2JX-83976-00	E- 5	90119-06056	B- 9	90201-08087	C- 3	90340-14120	B-14
2JX-25336-00	D- 7	51Y-82122-00	E- 6	5HO-83980-00	E- 5		C-11	90201-081A6	D- 8	90340-32123	B-14
3Y6-25351-00	D- 5	120-82131-00	E- 6	47J-84115-00	E- 3	90119-06063	B- 9	90201-083A0	E- 4	90380-12051	C-13
	D- 7	3TJ-82131-00	C- 9	233-84127-60	E- 3		C-10	90201-08326	B-12	90380-18139	C-12
36R-25367-00	D- 8	55K-82150-01	E- 7	43F-84131-00	E- 3		D- 4		B-12	90386-14103	C- 3
2JX-25381-00	D- 8	116-82151-00	E- 7	10V-84196-00	E- 3	90119-06108	C-10	90201-094G1	C- 8	90386-18146	C-12
3Y1-25388-01	D- 8	32N-82310-M0	E- 6	10V-84198-00	E- 3	90123-08046	D- 9		C- 8	90387-06388	E- 3
3Y1-25389-00	D- 8	1UY-82370-20	E- 6	2JX-84320-A0	E- 3		D- 9		C- 8	90387-06681	C-10
15A-25450-10	D- 7	2GK-82501-01	E- 7	562-84324-A0	E- 3	90149-06011	D- 3	90201-100E9	C-13	90387-06737	C-12
2JX-26111-00	D- 9	2JX-82530-01	E- 7	341-84332-60	E- 3	90149-08067	C- 3	90201-102J5	B- 5	90387-125F1	B-13
33G-26241-00	D- 9	2H7-82540-00	E- 6	198-84334-60	E- 3	90149-14182	B- 7	90201-10774	B- 7		B-13
33G-26242-00	D- 9	2JX-82541-00	E- 7	2F9-84375-00	E- 3	90151-06013	C- 6	90201-12175	C-13	90387-15600	D- 6
3Y1-26243-01	D- 9	1VJ-82566-00	E- 7	2F9-84397-01	E- 3	90151-06038	C- 8	90201-12588	C- 7	90387-171T1	D- 7
3Y1-26249-00	D- 9	2JX-82590-00	E- 6	1M1-84521-60	E- 4	90152-05021	E- 7	90201-126A7	C-12	90387-171T2	D- 8
3Y1-26290-00	D- 9	83J-82910-00	E- 5	1M1-84523-60	E- 4	90152-06010	B-15	90201-15785	D- 6	90387-255F3	B- 7
5Y1-26290-10	D- 9	3Y6-82911-00	E- 5	1M1-84524-60	E- 4	90153-06029	B- 2	90201-17257	C- 4	90413-05008	B-11
2JX-26302-00	D- 9	3Y6-82917-00	E- 5	36A-84551-00	E- 4	90153-06032	E- 6	90201-173F4	B-15	90430-06014	B- 2
1RL-26335-00	D- 9	5Y1-83310-70	D-15	1W9-84710-60	E- 4	90154-05005	B- 9	90201-175F6	B-15	90430-10171	E- 6
2JX-26341-00	D- 9		D-15	256-84714-61	E- 4	90154-05013	C-11	90201-201E4	B- 4	90430-14131	B- 2
128-27114-00	C- 8	256-83311-70	D-15	461-84744-00	E- 2	90159-05011	C- 3	90201-20279	D-11	90445-082F3	E- 6
4N0-27114-00	C- 8		D-15	4L0-84753-00	E- 4	90159-06060	D-12	90201-220J8	C- 4	90445-10638	D- 3
2JX-27211-00-90	D-10	5Y1-83312-00	D-15	23V-85110-00	D- 2	90164-04008	E- 2	90201-22283	D- 5	90460-49058	B- 9
2JX-27231-00	D-10		D-15	2JX-85112-00	D- 2	90164-06017	B-12	90202-05191	B-12	90462-06080	B-13
1M1-27244-00	D-10	5Y1-83313-00	D-15	3G1-85130-01	E- 4	90170-06128	B- 6	90202-05193	D- 3	90465-08200	B-13
2JX-27311-01-33	D-10		D-15	2JX-85540-M0	E- 6	90170-14284	B- 5	90206-06090	B-12	90465-08300	B-14
5Y1-27315-00	D-10	30X-83350-20	E- 7	34X-85546-00	E- 6		C- 3		B-12	90465-13169	E- 6
2JX-27410-00-90	D-10	10V-83365-00	D-15	3NS-85550-00	D-13		C- 3	90209-06223	C-12	90465-16187	B-14
15A-27420-01-90	D-10	18G-83365-00	D-15	2JX-85580-M0	D-13	90171-14020	D- 6	90209-08125	E- 4	90467-09006	D- 3
120-27431-00	D-11	1HX-83371-00	E- 7	90101-06278	D- 5	90171-16024	D- 8	90209-16209	C- 4	90467-11112	B- 9
26F-27432-00-33	D-11	15A-83509-00	E- 2		D- 7	90175-06013	D-10	90209-17226	B-15	90467-14015	B-13
120-27433-00	D-11	2KA-83510-F0	E- 2	90101-10188	B- 5	90179-08148	D- 9	90209-18208	C- 4	90468-10050	E- 2
2JX-27437-00	D-11	5Y1-83513-00	E- 2	90101-10303	B- 7		D- 9	90214-17028	B-15	90468-26122	B-15
2JX-27442-00-33	D-11	123-83516-21	E- 2	90105-08155	C- 8	90179-08410	D- 5	90214-20023	B- 4	90480-01401	C-11
2JX-28100-00	C- 8	15A-83519-00	E- 2	90105-08195	B- 2		D- 7	90215-06184	B- 2	90480-12053	C-10
3AW-28351-30	D-12	1M1-83526-00	E- 2	90105-14102	C-14	90179-14298	B- 7	90215-08160	D- 7		D-12
2JX-81410-M0	D-13	2JX-83536-A0	E- 2	90109-06005	E- 4	90179-25033	C-14	90215-14205	B- 5	90480-13398	C-11
3AW-81800-00	D-14	1JN-83550-01	E- 2	90109-06419	B- 8	90185-08055	C- 8		C- 3	90480-14023	E- 3
50M-81801-M0	D-14	15A-83568-00	E- 2	90109-06557	E- 7	90185-08089	C- 8	90215-14224	C- 3	90501-04596	B-15
1RL-81828-M0	D-14	23X-83912-00	E- 5	90109-06799	E- 5		C- 8	90240-06009	D-11	90501-07629	B- 4
2JX-8183G-M0	D-14	23X-83922-00	E- 5		E- 5		C- 8	90240-06040	D-10	90501-10245	D-10
3AY-81940-00	E- 6	25G-83936-01	E- 6	90109-08618	D- 7		D- 7	90240-07083	B- 4	90501-10587	B- 7

NUMERICAL INDEX

PART NO.	GRID NO.	PART NO.	GRID NO.	PART NO.	GRID NO.	PART NO.	GRID NO.	PART NO.	GRID NO.	PART NO.	GRID NO.
90501-12081	B-15	92901-06600	B- 7	93306-20201	C- 4	95303-06600	D- 5	98501-06010	C- 5		
90501-18576	B- 8	92901-10100	B- 5	93306-20209	D- 5		D- 7	98501-06020	D-13		
90501-21133	B- 4	92906-05600	C-10	93306-20213	D- 5	95303-06700	D-10	98502-05040	D-13		
90501-22721	B- 7	92906-06100	E- 4	93306-20310	D- 7	95316-12700	D-15	98503-03008	D- 3		
90501-23700	C- 3		E- 5		D- 7	95601-05200	C-10	98503-05025	D-13		
90506-08227	C- 7		E- 5	93306-20313	C- 5	95601-06100	E- 4	98506-05012	C-10		
90506-16447	D- 5	92906-08600	B-12	93306-20332	C- 4	95612-10100	C-13	98506-05020	E- 5		
90506-18288	D- 7	92990-04100	B-10	93306-20401	C- 4	95616-06100	E- 5	98506-05022	E- 5		
90506-18289	D-10	92990-05100	D-13	93306-20580	C- 4		E- 5	98506-05030	E- 5		
90506-29360	D-10		D-13	93306-30427	B- 4	95701-05500	D- 2	98506-05035	E- 5		
90508-18537	C- 3	92990-06100	B-12		B- 4		E- 4	98506-06025	B- 8		
90508-20023	D-10		C- 8	93306-30615	B- 4	95701-06500	E- 6	98506-06040	B-13		
	D-10		D- 3	93310-530J3	B- 4	95801-06010	D- 2	98506-06090	B-13		
90508-26538	B-15		D- 4	93315-23607	C- 6	95801-06012	C-14	98511-04016	B-10		
90508-26539	C- 6		E- 6	93410-20038	C- 4	95801-06020	C-12	98516-06020	B- 2		
90508-29540	C- 7		E- 6	93410-22039	C- 4	95811-06012	C- 8	98580-04010	D-15		
90560-17305	D- 7		E- 7	93420-28055	C- 3	95811-06040	E- 2		D-15		
91311-06020	C-10	92990-06600	C- 8	93440-10085	B- 2	95811-08016	B-12	98580-04012	B-10		
91316-06018	B- 2		E- 7	93450-17044	B- 4	95811-08035	C-14	98580-04016	B-10		
91316-06020	B- 9	92990-08100	D- 2	93501-04011	C-14	95811-08050	C- 8	98580-04020	B-10		
	B-12	93101-15101	C- 4	93503-16010	C-14	95811-08065	C- 8	98701-06030	B- 8		
91316-08016	B-12	93102-12106	C- 7	93505-16006	C- 3	95811-10020	D-10	98903-06014	C-10		
	C- 2	93102-14209	C- 3	93507-32031	B-15	95811-10035	D-10	98906-06010	B-12		
91316-08025	B-12	93102-17187	C- 5	93602-13177	B- 4	95811-12025	D-10	99006-10600	C- 7		
91316-08045	B- 2	93102-17263	B-15	93603-12030	B- 8	95812-08120	C- 8	99009-17400	B-15		
91401-16015	D-11	93102-20009	D- 5	93604-10011	B- 7	95816-06012	C-14		B-15		
91401-20015	D-10	93102-22389	C- 4	93604-16092	C- 6	97001-06020	D- 4		C- 4		
91401-25020	D-10	93102-25311	D- 7	93604-20156	C- 6		D-10	99009-22400	D- 5		
	D-10	93104-07003	D- 5	93605-10090	B- 4		E- 6	99241-00020	C-10		
91401-30030	C-13	93105-47007	D- 5	93608-50158	C- 7	97001-06025	E- 3	99241-00025	D-12		
	D- 6	93109-18020	C-12	93615-12088	C- 2	97003-06012	D- 3	99510-12016	B-13		
	D- 8	93210-07135	B- 8	93700-06009	C-12		E- 7		B-14		
91701-08038	D-10	93210-09350	B- 6	93823-14149	C- 4	97006-06022	E- 5		B-14		
	D-10	93210-13361	B- 3	94113-184R7	D- 6		E- 5	99530-14016	B- 2		
92501-06014	E- 6	93210-14104	E- 2	94118-145U2	D- 7	97011-06020	C- 7		B- 3		
92506-06025	B-14	93210-14369	B-14	94213-18232	D- 6	97013-06012	B- 2				
	B-14	93210-16629	B- 7	94218-14251	D- 7	97016-06016	E- 4				
92506-06035	B-14	93210-19123	B-14	94318-14149	D- 7	97021-06016	B- 7				
	B-14	93210-25711	D-14	94340-18086	D- 6		C- 8				
92506-06045	B-14	93210-32172	B-14	94425-18446	D- 5		E- 7				
92506-06075	B- 8	93210-35389	B- 8	94445-14479	D- 7	97301-05010	C- 4				
92506-06085	B-13	93210-35537	B- 9	94580-33126	D- 8	97313-08030	B-15				
92516-06030	B-13	93210-48364	C- 3	94580-41104	B- 7	97313-08035	D- 2				
92901-04100	B-10	93210-54175	B- 8	94680-33001	D- 8	97706-40530	D-15				
	B-10	93210-55669	D-14	94701-00203	B- 2		D-15				
92901-04600	B-10	93210-57634	B- 2	94701-00222	B- 2	97706-50520	B- 9				
92901-06200	C- 3	93210-72529	B- 3	95026-08050	C-14	98501-06010	B-12				
	D-10	93211-05471	B- 2	95303-06600	C- 3		B-14				

