



# PARTS CATALOGUE

## TW200'08 (10D8) SOUTH AFRICA

---

TW200X  
TW200XC/TW200  
PARTS CATALOGUE  
©2007 by Yamaha Motor Co., Ltd.  
1st edition, June 2007  
All rights reserved.  
Any reprinting or unauthorized use  
without the written permission of  
Yamaha Motor Co., Ltd.  
is expressly prohibited.

**A3**

# FOREWORD

This Parts Catalogue is related to the parts for the model(s) on the cover page. When you are ordering replacement parts, please refer to this Parts Catalogue and quote both part numbers and part names correctly.

1. Modifications or additions which have been made after the issue of the Parts Catalogue will be announced in the Parts News.

It is advisable that you make the necessary corrections to the Parts Catalogue according to the Parts News.

2. Abbreviations

The following abbreviations are used in this Parts Catalogue.

“UR” Use specified parts number.

“UN” Use as many as needed.

“AP” Alternate Parts

“LM” Locally Made (Parts need to be ordered locally)

“F#” Frame No. (Applicable machine No.)

“O/S” Over Size

3. The number of components for assembly

- Parts, which are to be supplied in an assembly, are listed with a dot (.) in front of the part name as shown below.
- The numeral appearing to the right of each component part indicates the quantity of parts for each assembly unit.

PART NO.	DESCRIPTION	Q'TY	REMARKS
2F5-83310-60	FRONT FLASHER LIGHT ASSY	2	
115-83311-60	.BULB (6V-18W)	1	

4. Applicable colours of graphics are represented in the “REMARKS” as shown below.

PART NO.	DESCRIPTION	Q'TY	REMARKS
2N4-24110-00-X5	FUEL TANK COMP.	2	MXR
3J1-24240-10	.GRAPHIC, FUEL TANK	1	FOR MXR

5. Note that the illustrations for reference in finding parts numbers are not to be used for assembling. When assembling, please use the applicable service manual.

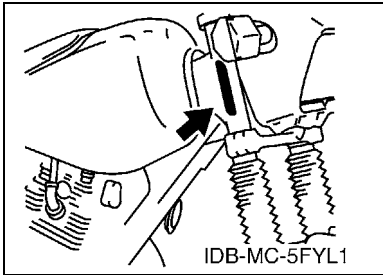
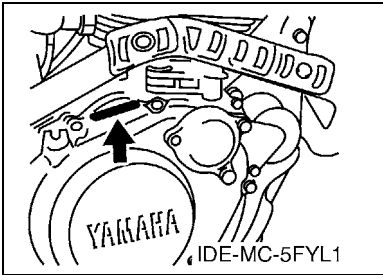
6. The asterisk (\*) before a reference number indicates modified items after the first edition.

# FOREWORD

7. Applicable Serial No.

Engine Serial No.

Frame Serial No.



8. Applicable Colour Code (The (\*) mark shows Model colour.)

Abbreviation	Colour Name	Colour Code
LGB	LOW GLOSS BLACK	0098
LRY51	LIGHT REDDISH YELLOW SOLID 1	0386
PWS1(*)	PURPLISH WHITE SOLID 1	0206
S8	SILVER 8	0895
SL	SILVER	0035
ZK	*UNI-CHROME (BLACK CHROMATE)	0090



# CONTENTS

## ENGINE

CYLINDER HEAD .....	B2
CYLINDER .....	B3
CRANKSHAFT & PISTON .....	B4
VALVE .....	B6
CAMSHAFT & CHAIN .....	B7
OIL PUMP .....	B8
INTAKE .....	B9
CARBURETOR .....	B10
EXHAUST .....	B12
CRANKCASE .....	B13
CRANKCASE COVER 1 .....	B14
STARTER .....	B15
CLUTCH .....	C3
TRANSMISSION .....	C5
SHIFT CAM & FORK .....	C7
SHIFT SHAFT .....	C8

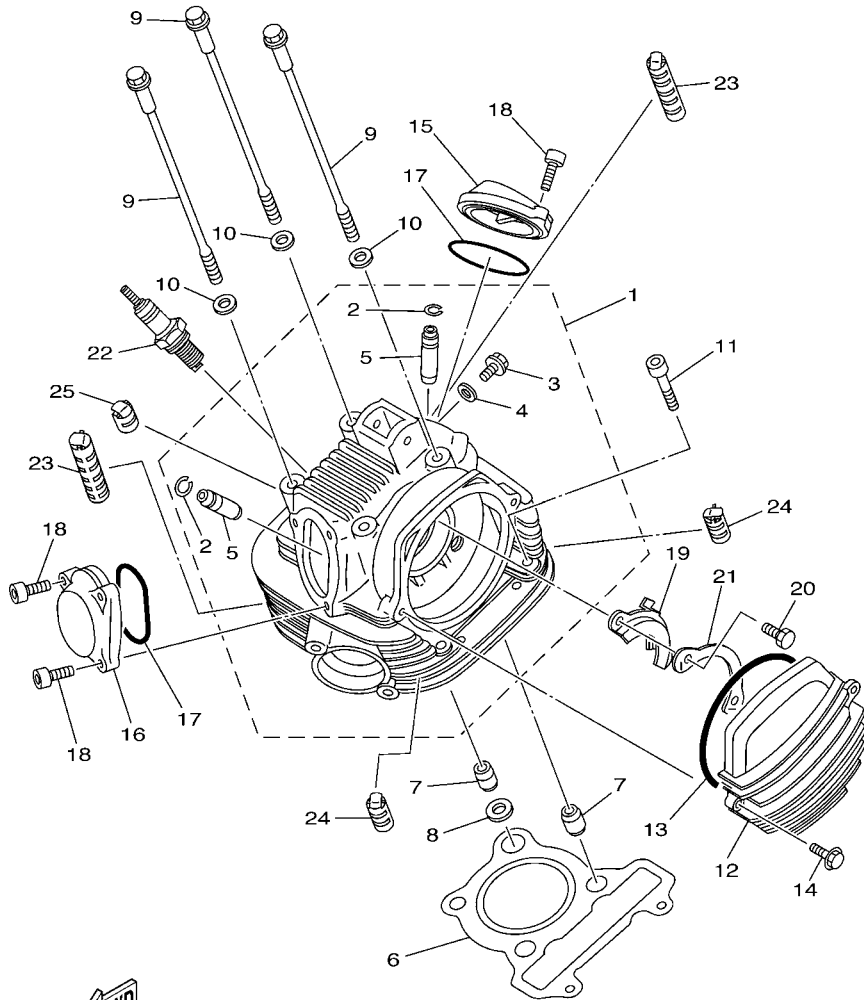
## CHASSIS

FRAME .....	C9
FENDER .....	C11
SIDE COVER .....	C13
REAR ARM .....	C14
REAR SUSPENSION .....	C15
STEERING .....	D2
FRONT FORK .....	D3
FUEL TANK .....	D5
SEAT .....	D7
FRONT WHEEL .....	D8
FRONT BRAKE CALIPER .....	D9
REAR WHEEL .....	D10
STEERING HANDLE & CABLE .....	D12
FRONT MASTER CYLINDER .....	D13
STAND & FOOTREST .....	D14
COWLING 1 .....	E2
GENERATOR .....	E3
STARTING MOTOR .....	E4
FLASHER LIGHT .....	E5
METER .....	E6
HEADLIGHT .....	E7
TAILLIGHT .....	E8
HANDLE SWITCH & LEVER .....	E9

ELECTRICAL 1 .....	E10
--------------------	-----

## INDEX

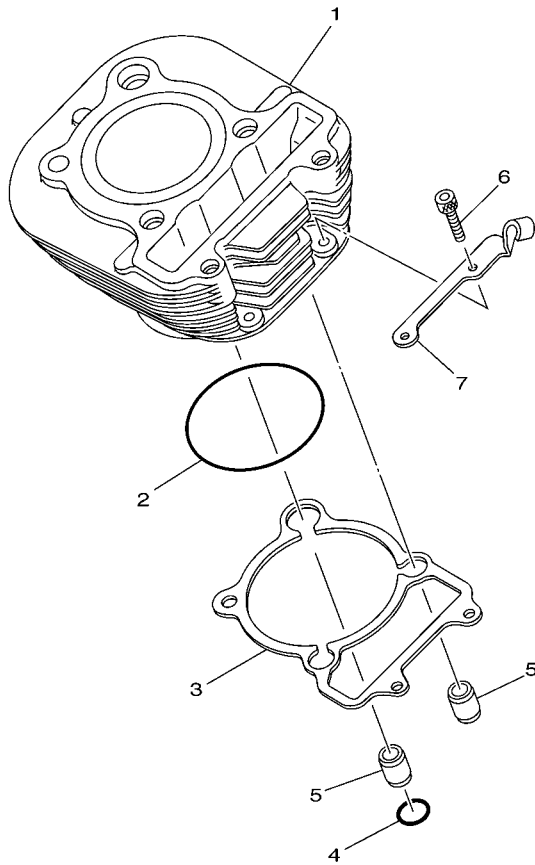
NUMERICAL INDEX .....	M1
-----------------------	----



5FY8100-1010

FIG. 1 CYLINDER HEAD

REF. NO.	PART NO.	DESCRIPTION	1005	1006	1007	1008	REMARKS
1	15A-11110-04	CYLINDER HEAD ASSY	1	1	1	1	
2	93440-10085	.CIRCLIP	2	2	2	2	
3	90153-06029	.SCREW, HEXAGON	1	1	1	1	
4	90430-06014	.GASKET	1	1	1	1	
5	5H0-11133-11	.GUIDE, VALVE 1	2	2	2	2	
6	1NU-11181-00	GASKET, CYLINDER HEAD 1	1	1	1	1	
7	99530-14016	PIN, DOWEL	3	3	3	3	
8	90430-14131	GASKET	1	1	1	1	
9	90105-08195	BOLT, FLANGE	4	4	4	4	
10	90201-08609	WASHER, PLATE	4	4	4	4	
11	91317-08045	BOLT	2	2	2	2	
12	15A-11185-00	COVER, CYLINDER HEAD SIDE 1	1	1	1	1	
13	93211-05471	O-RING	1	1	1	1	
14	95027-06020	BOLT, FLANGE	2	2	2	2	
15	15A-11186-00	COVER, CYLINDER HEAD SIDE 2	1	1	1	1	
16	15A-11187-00	COVER, CYLINDER HEAD SIDE 3	1	1	1	1	
17	93210-57634	O-RING	2	2	2	2	
18	91317-06018	BOLT	5	5	5	5	
19	5H0-1111F-00	PLATE	1	1	1	1	
20	97007-06012	BOLT	2	2	2	2	
21	90215-06184	WASHER, LOCK	1	1	1	1	
22	94701-00333	PLUG, SPARK (NGK DR8EA)	1	1	1	1	UR
	94701-00222	PLUG, SPARK (ND X24ESR-U)	1	1	1	1	UR
23	15A-11162-00	ABSORBER 2	2	2	2	2	
24	5H0-11162-00	ABSORBER 2	2	2	2	2	
25	15A-11161-01	ABSORBER 1	1	1	1	1	



5VC1010-A020

FIG. 2 CYLINDER

REF. NO.	PART NO.	DESCRIPTION	1005	1006	1007	1008	REMARKS
1	47J-11310-00	CYLINDER	1	1	1	1	
2	93210-72529	O-RING	1	1	1	1	
3	5VC-11351-01	GASKET, CYLINDER	1	1	1	1	
4	93210-13361	O-RING	1	1	1	1	
5	99530-14016	PIN, DOWEL	2	2	2	2	
6	91317-06030	BOLT	2	2	2	2	
7	15A-15441-00	HOLDER, CLUTCH CABLE	1	1	1	1	
-----							
-----							
-----							
-----							
-----							
-----							
-----							
-----							
-----							







5H0110-0040

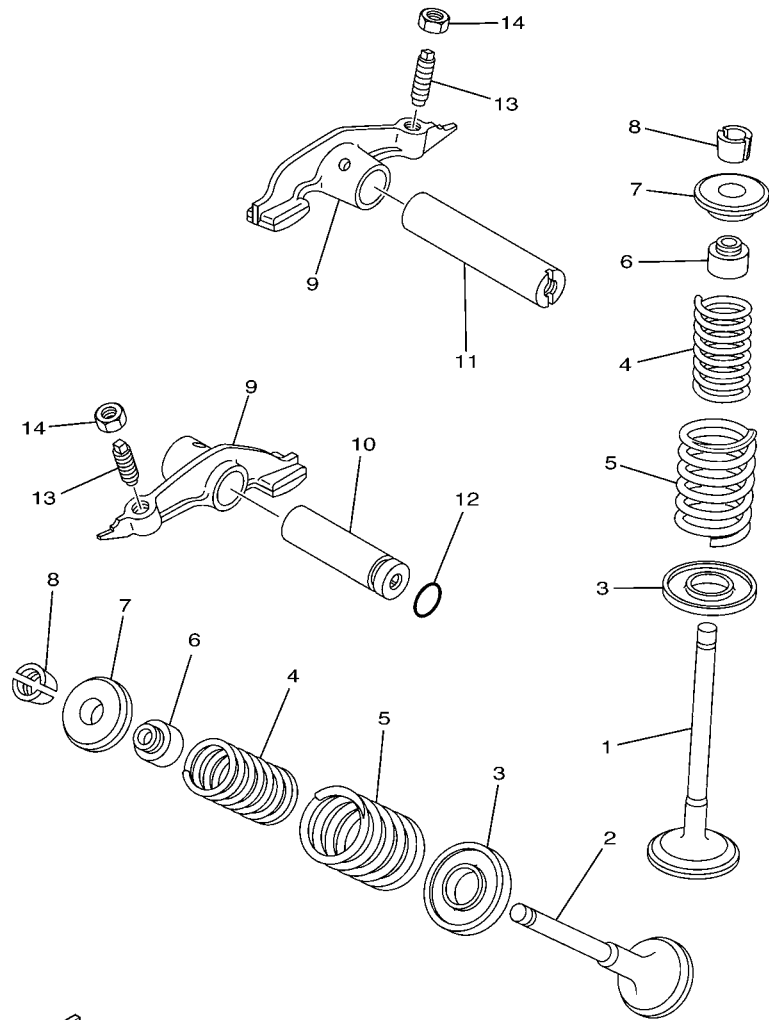
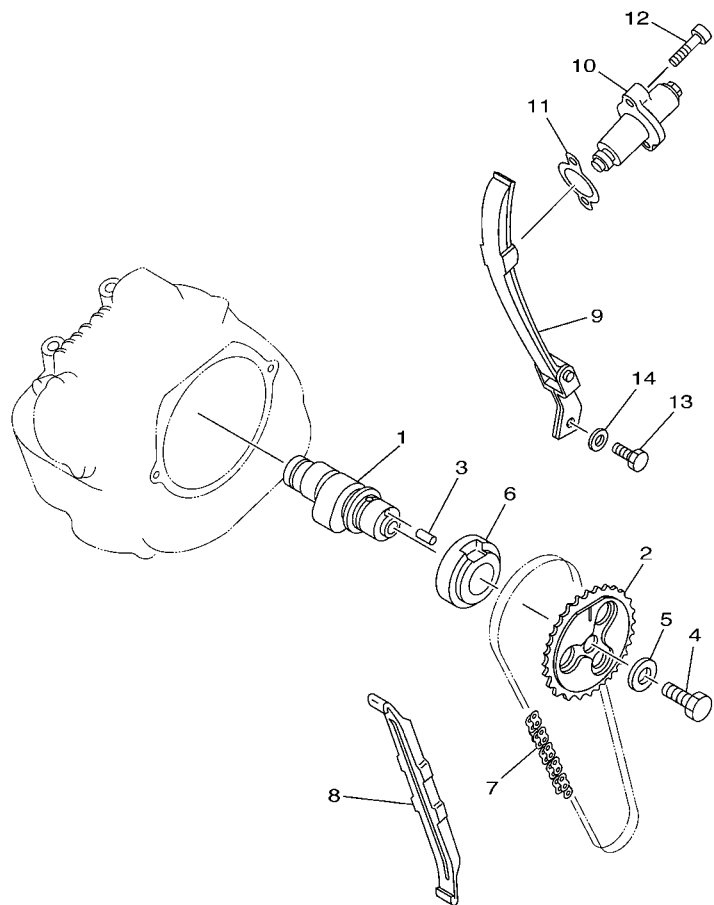


FIG. 4 VALVE

REF. NO.	PART NO.	DESCRIPTION	1005	1006	1007	1008	REMARKS
1	5H0-12111-02	VALVE, INTAKE	1	1	1	1	
2	5H0-12121-01	VALVE, EXHAUST	1	1	1	1	
3	4G0-12116-01	SEAT, VALVE SPRING	2	2	2	2	
4	11H-12113-00	SPRING, VALVE INNER	2	2	2	2	
5	11H-12114-00	SPRING, VALVE OUTER	2	2	2	2	
6	5H0-12119-00	SEAL, VALVE STEM	2	2	2	2	
7	4G0-12117-00	RETAINER, VALVE SPRING	2	2	2	2	
8	4G0-12118-00	COTTER, VALVE	4	4	4	4	
9	36X-12151-00	ARM, VALVE ROCKER	2	2	2	2	
10	5H0-12156-00	SHAFT, ROCKER 2	1	1	1	1	
11	5H0-12146-00	SHAFT, ROCKER	1	1	1	1	
12	93210-09165	O-RING	1	1	1	1	
13	2NX-12159-00	SCREW, VALVE ADJUSTING	2	2	2	2	
14	90170-06128	NUT	2	2	2	2	

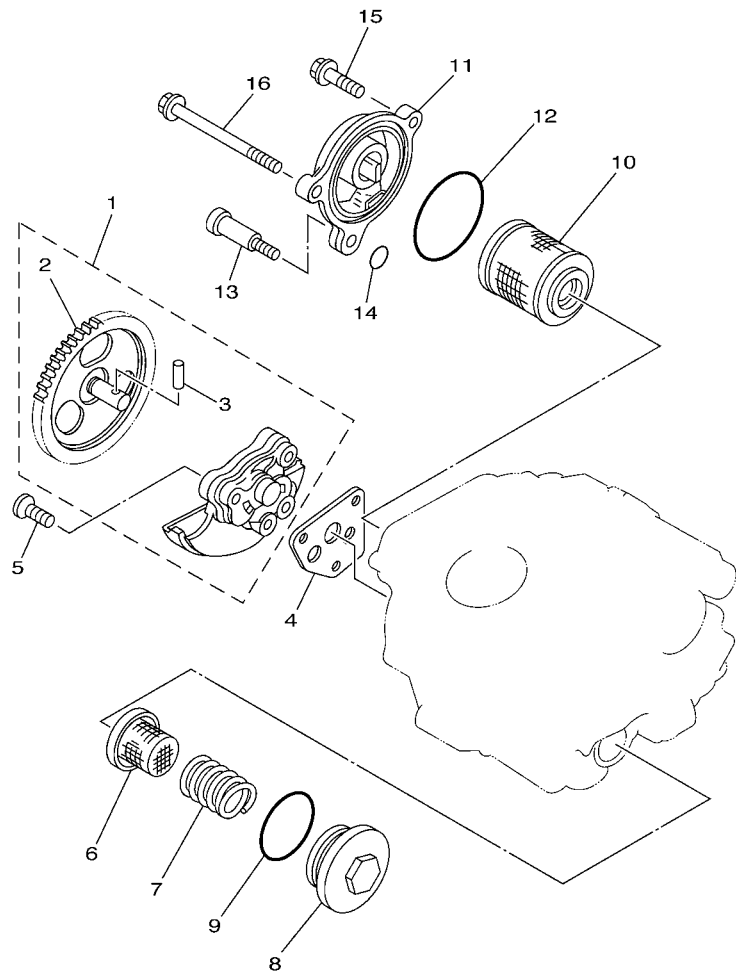
**FIG. 5 CAMSHAFT & CHAIN**



5FY8100-1050

REF. NO.	PART NO.	DESCRIPTION	1005	1006	1007	1008	REMARKS
1	36X-12171-00	CAMSHAFT 1	1	1	1	1	
2	1KH-12176-00	SPROCKET, CAM CHAIN	1	1	1	1	
3	93604-10011	PIN, DOWEL	1	1	1	1	
4	90101-10303	BOLT	1	1	1	1	
5	90201-10591	WASHER, PLATE	1	1	1	1	
6	90387-255F3	COLLAR	1	1	1	1	
7	94580-41104	CHAIN (DID25SH 104L)	1	1	1	1	
8	5H0-12231-00	GUIDE, STOPPER 1	1	1	1	1	
9	5N0-12241-00	GUIDE, STOPPER 2	1	1	1	1	
10	3GC-12210-10	TENSIONER ASSY, CAM CHAIN	1	1	1	1	
11	4FM-12213-00	GASKET, TENSIONER CASE	1	1	1	1	
12	91317-06025	BOLT	2	2	2	2	
13	97027-06016	BOLT	2	2	2	2	
14	92907-06600	WASHER, PLATE	2	2	2	2	

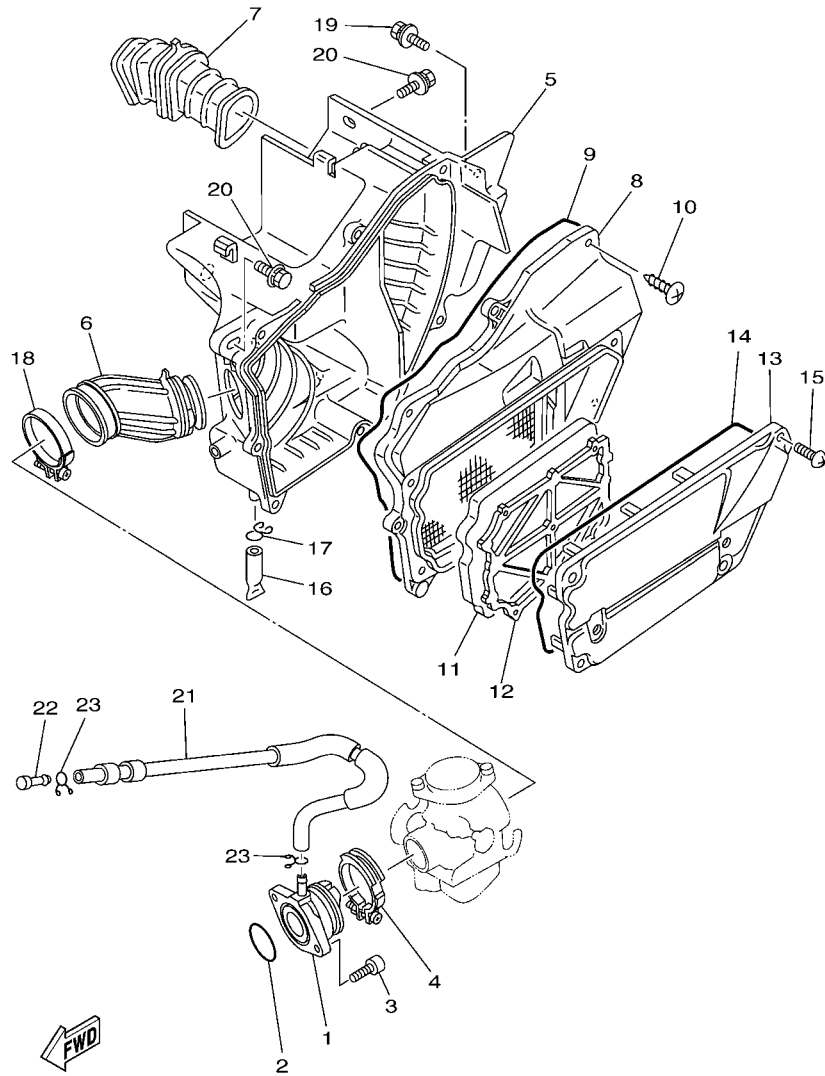
FIG. 6 OIL PUMP



5FY8100-1060

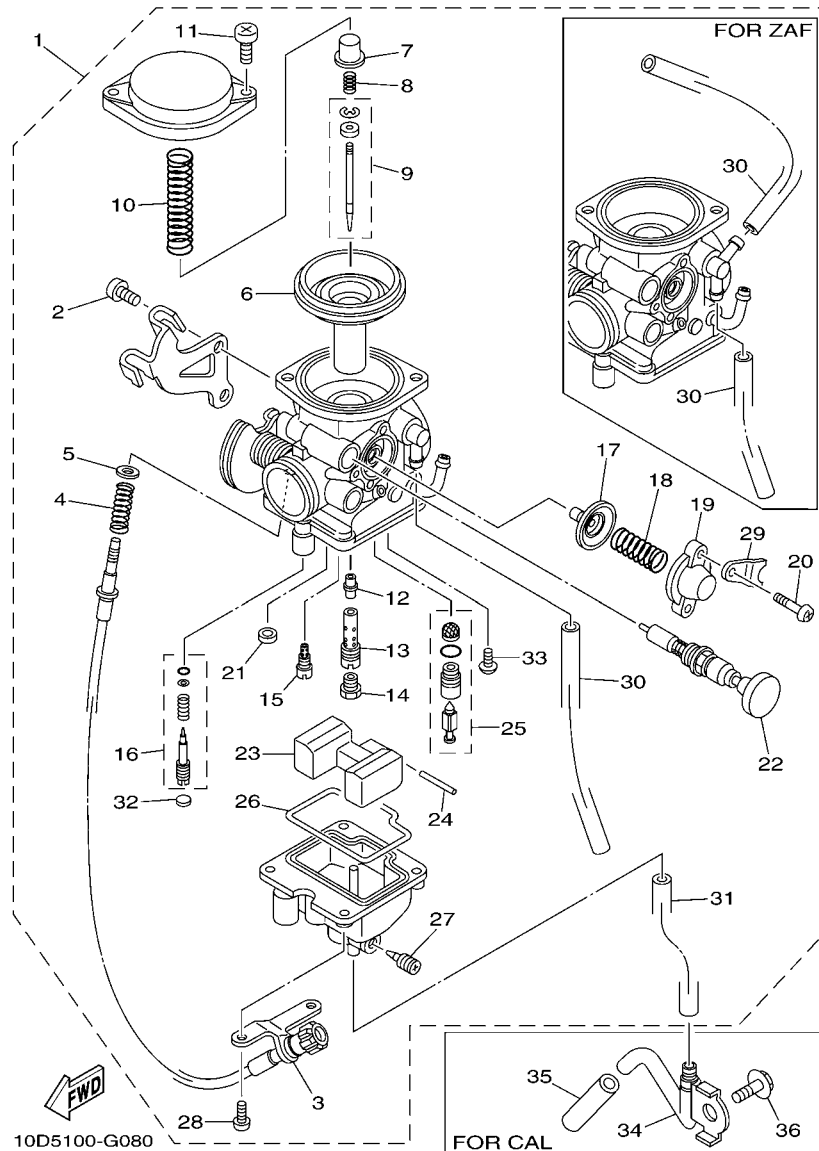
REF. NO.	PART NO.	DESCRIPTION	1005	1006	1007	1008	REMARKS
1	5H0-13300-02	OIL PUMP ASSY	1	1	1	1	
2	5H0-13326-01	.GEAR, PUMP DRIVEN 2 (45T)	1	1	1	1	
3	93603-12030	.PIN, DOWEL	1	1	1	1	
4	4BE-13329-01	GASKET, PUMP COVER	1	1	1	1	
5	98707-06030	SCREW, FLAT HEAD	3	3	3	3	
6	51Y-13411-00	STRAINER, OIL	1	1	1	1	
7	90501-18576	SPRING, COMPRESSION	1	1	1	1	
8	5H0-15351-00	PLUG, DRAIN	1	1	1	1	
9	93210-347A1	O-RING	1	1	1	1	
10	5H0-13440-09	ELEMENT ASSY, OIL CLEANER	1	1	1	1	
11	15A-13447-00	COVER, OIL ELEMENT	1	1	1	1	
12	93210-54175	O-RING	1	1	1	1	
13	90109-06419	BOLT	1	1	1	1	
14	93210-07135	O-RING	1	1	1	1	
15	95027-06025	BOLT, FLANGE	1	1	1	1	
16	90105-065A1	BOLT, FLANGE	1	1	1	1	

FIG. 7 INTAKE



5LB1010-0080

REF. NO.	PART NO.	DESCRIPTION	1005	1006	1007	1008	REMARKS
1	5LB-13586-02	JOINT, CARBURETOR 1	1	1	1	1	
2	93210-35537	O-RING	1	1	1	1	
3	91317-06020	BOLT	2	2	2	2	
4	90450-44062	HOSE CLAMP ASSY	1	1	1	1	
5	2JX-14411-02	CASE, AIR CLEANER 1	1	1	1	1	
6	5LB-14453-10	JOINT, AIR CLEANER 1	1	1	1	1	
7	2JL-14437-00	DUCT	1	1	1	1	
8	2JX-14412-00	CAP, CLEANER CASE 1	1	1	1	1	
9	2JX-14452-00	SEAL	1	1	1	1	
10	97707-50520	SCREW, TAPPING	7	7	7	7	
11	2JX-14451-00	ELEMENT, AIR CLEANER	1	1	1	1	
12	2JX-14458-00	GUIDE	1	1	1	1	
13	2JX-14422-00	CAP, CLEANER CASE 2	1	1	1	1	
14	5U8-14457-00	SEAL	1	1	1	1	
15	90154-05005	SCREW, BINDING	4	4	4	4	
16	34X-1443E-00	PIPE, DRAIN	1	1	1	1	
17	90467-11106	CLIP	1	1	1	1	
18	90460-51059	CLAMP, HOSE	1	1	1	1	
19	90119-06056	BOLT, WITH WASHER	1	1	1	1	
20	90119-06063	BOLT, WITH WASHER	2	2	2	2	
21	5LB-13584-00	PIPE, INTAKE MANIFOLD	1	1	1	1	
22	90338-08007	PLUG	1	1	1	1	
23	90467-10041	CLIP	2	2	2	2	



10D5100-G080

FIG. 8 CARBURETOR

REF. NO.	PART NO.	DESCRIPTION	10D5	10D6	10D7	10D8	REMARKS
1	5LB-14301-01	CARBURETOR ASSY 1				1	
2	97801-05010	.THROTTLE SCREW	2	2	2	2	
3	5LB-14321-00	.SCREW, THROTTLE	1	1	1	1	
4	2JX-14333-00	.SPRING, THROTTLE STOP	1	1	1	1	
5	5LB-14357-00	.WASHER, PLAIN	1	1	1	1	
6	5LB-1434A-00	.SUCTION PISTON ASSY	1	1	1	1	
7	5LB-14936-00	.SEAT, SPRING	1	1	1	1	
8	5LB-14275-00	.SPRING	1	1	1	1	
9	5LB-14336-00	.NEEDLE				1	
10	5LB-14286-00	.SPRING	1	1	1	1	
11	5LB-14216-00	.SCREW	2	2	2	2	
12	5LB-14341-00	.NOZZLE, MAIN	1	1	1	1	
13	5LB-14341-10	.BLEED, MAIN NOZZLE	1	1	1	1	
14	288-14343-66	.JET, MAIN (#132)				1	STD
	288-14343-64	.JET, MAIN (#128)				1	UR
15	5LB-14342-65	.JET, PILOT (#31)	1	1	1	1	
16	5LB-14105-00	.PILOT SCREW SET	1	1	1	1	
17	5LB-14368-00	.DIAPHRAGM ASSY 1	1	1	1	1	
18	5LB-14589-00	.SPRING	1	1	1	1	
19	5LB-14293-00	.COVER 1	1	1	1	1	
20	214-24535-00	.SCREW, LEVER FITTING	2	2	2	2	
21	50M-14355-00	.PLUG	1	1	1	1	
22	5FY-14371-00	.PLUNGER, STARTER	1	1	1	1	

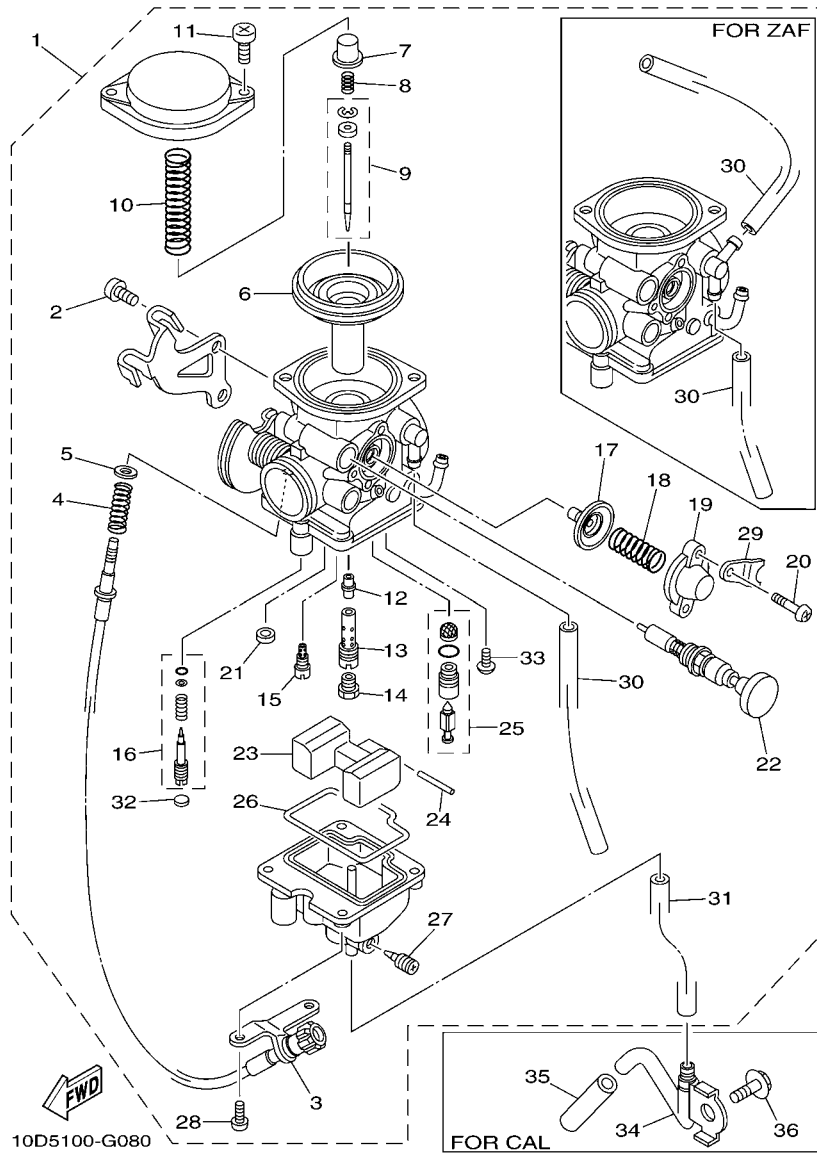
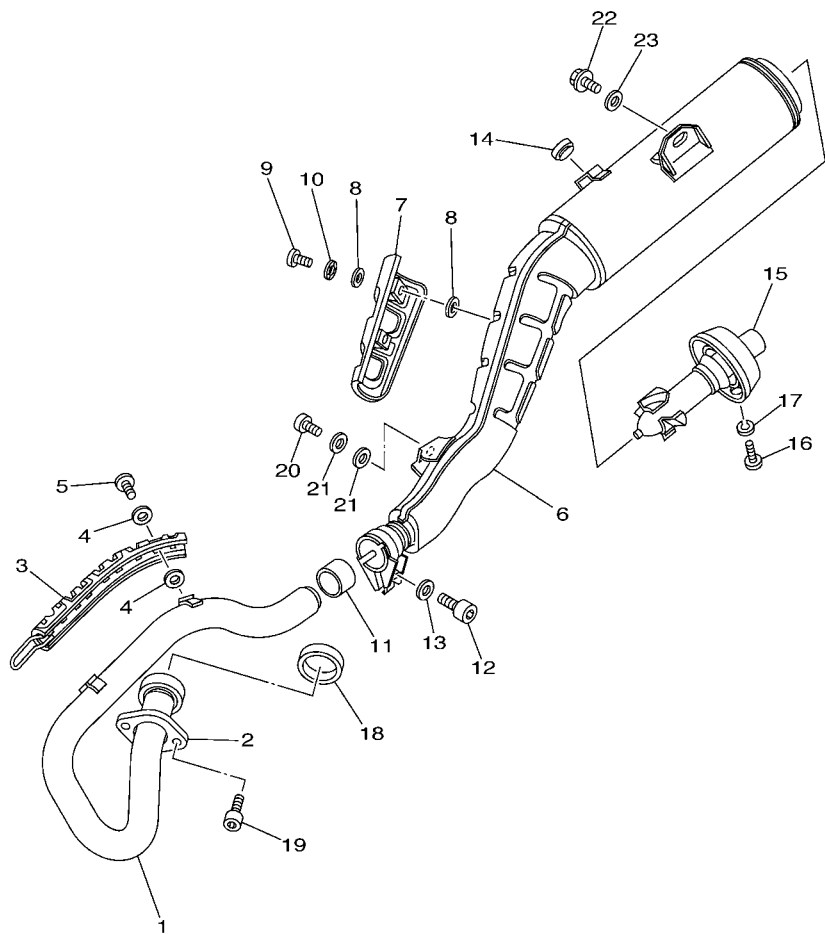


FIG. 8 CARBURETOR

REF. NO.	PART NO.	DESCRIPTION	10D5	10D6	10D7	10D8	REMARKS
23	5LB-14385-00	.FLOAT	1	1	1	1	
24	5LB-14386-00	.PIN, FLOAT	1	1	1	1	
25	5LB-14390-00	.NEEDLE VALVE ASSY	1	1	1	1	
26	5LB-14384-00	.GASKET, FLOAT CHAMBER	1	1	1	1	
27	4JP-14323-00	.DRAIN, SCRE	1	1	1	1	
28	5LB-14592-00	.SCREW	4	4	4	4	
29	5LB-14292-00	.BRACKET 2	1	1	1	1	
30	5LB-14197-00	.PIPE				2	
31	5LB-14196-00	.PIPE				1	
32	4KN-1432A-00	.PLUG	1	1	1		
33	98901-04006	.SCREW, BIND	1	1	1	1	
34	N/A						
35	N/A						
36	N/A						

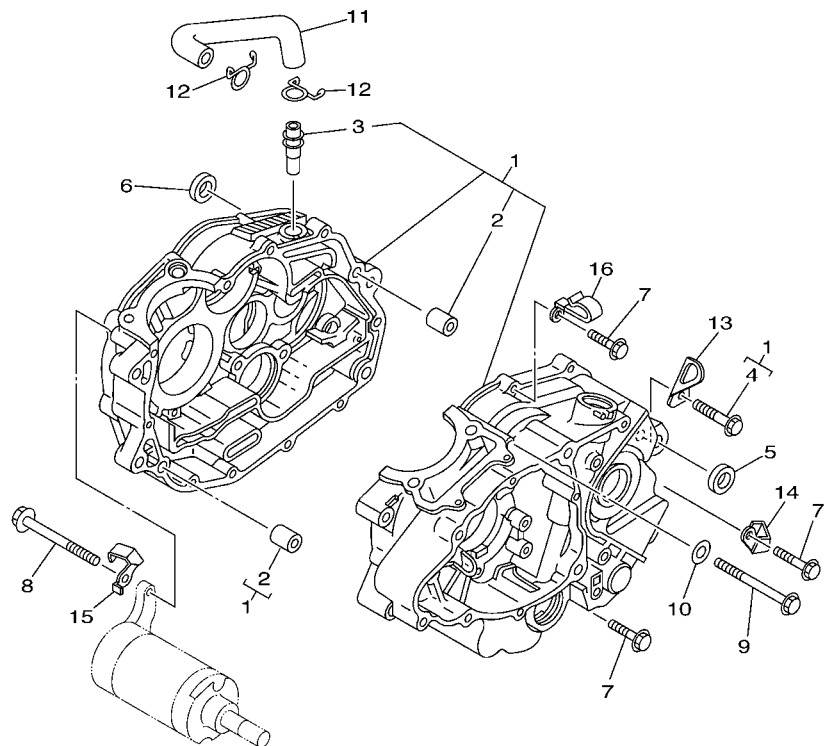


5FYG100-B090

FIG. 9 EXHAUST

REF. NO.	PART NO.	DESCRIPTION	1005	1006	1007	1008	REMARKS
1	2JX-14611-02	PIPE, EXHAUST 1	1	1	1	1	
2	5H0-14612-01	NUT, RING	1	1	1	1	
3	5LB-14628-00	PROTECTOR, EXHAUST PIPE	1	1	1	1	
4	90201-05015	WASHER, PLATE	4	4	4	4	
5	98907-06010	SCREW, BIND	2	2	2	2	
6	2JL-14711-21	MUFFLER 1				1	
7	2JX-14728-00	PROTECTOR, MUFFLER 2	1	1	1	1	
8	90202-05191	WASHER, PLATE	4	4	4	4	
9	98907-06010	SCREW, BIND	2	2	2	2	
10	90206-06090	WASHER, WAVE	2	2	2	2	
11	3YF-14714-00	GASKET, MUFFLER	1	1	1	1	
12	91317-08025	BOLT	1	1	1	1	
13	92907-08600	WASHER, PLATE	1	1	1	1	
14	22W-24181-00	DAMPER, LOCATING 1	1	1	1	1	
15	N/A						
16	N/A						
17	N/A						
18	4BE-14613-00	GASKET, EXHAUST PIPE	1	1	1	1	
19	91317-06020	BOLT	2	2	2	2	
20	91317-08016	BOLT	1	1	1	1	
21	90201-08326	WASHER, PLATE	2	2	2	2	
22	95817-08016	BOLT, FLANGE	1	1	1	1	
23	90201-08326	WASHER, PLATE	1	1	1	1	

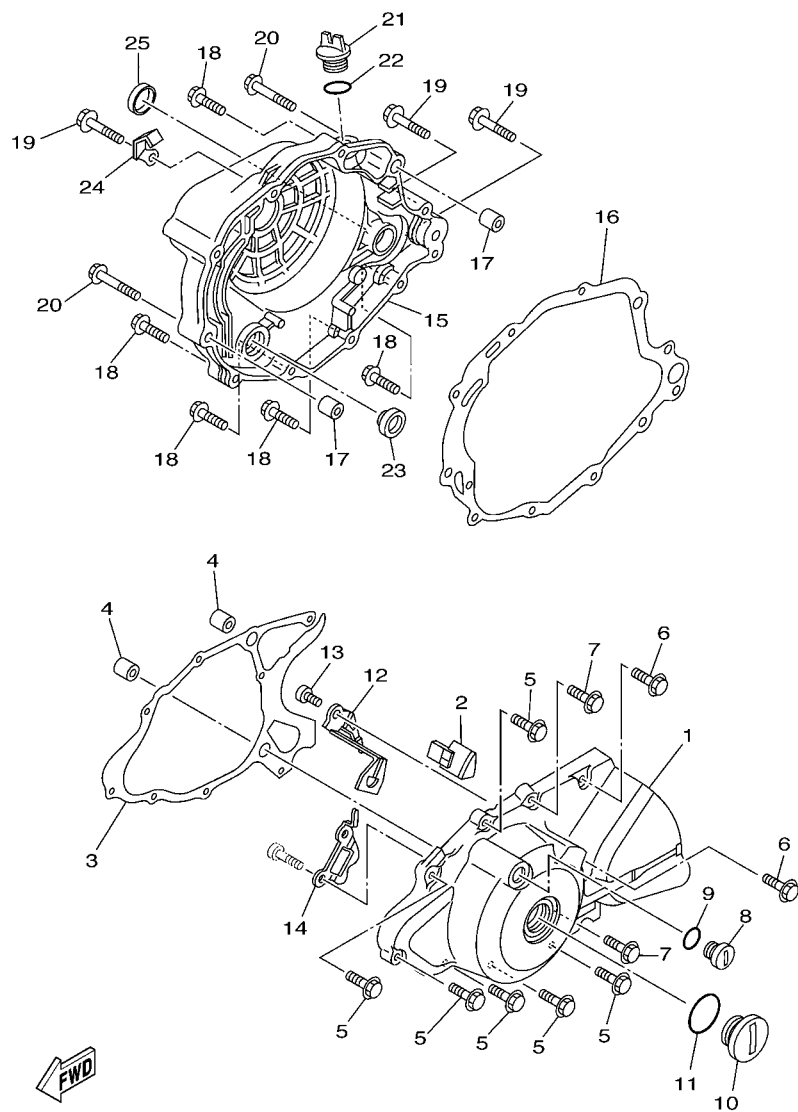
FIG. 10 CRANKCASE



REF. NO.	PART NO.	DESCRIPTION	1005	1006	1007	1008	REMARKS
1	1RL-15100-03	CRANKCASE ASSY	1	1	1	1	
2	99530-12016	.PIN, DOWEL	2	2	2	2	
3	371-11167-01	.PIPE, BREATHER 2	1	1	1	1	
4	95027-06040	.BOLT, FLANGE	2	2	2	2	
5	90387-125F1	COLLAR	1	1	1	1	
6	90387-125F1	COLLAR	1	1	1	1	
7	95027-06030	BOLT, FLANGE	7	7	7	7	
8	95027-06090	BOLT, FLANGE	2	2	2	2	
9	95027-06085	BOLT, FLANGE	1	1	1	1	
10	90430-06014	GASKET	1	1	1	1	
11	3Y1-11166-00	PIPE, BREATHER 1	1	1	1	1	
12	90467-14015	CLIP	2	2	2	2	
13	90465-08020	CLAMP	1	1	1	1	
14	90462-08225	CLAMP	1	1	1	1	
15	90462-08224	CLAMP	1	1	1	1	
16	90465-08127	CLAMP	1	1	1	1	

  
5FY8100-1100

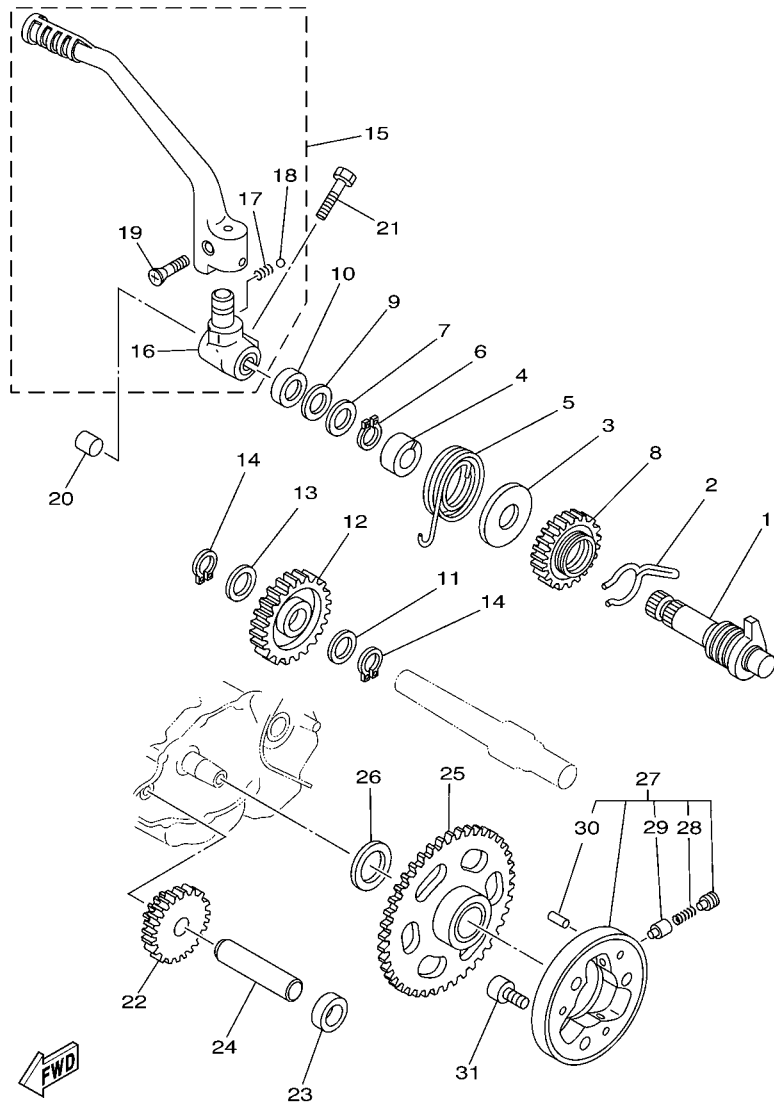
FIG. 11 CRANKCASE COVER 1



5FY8100-1110

REF. NO.	PART NO.	DESCRIPTION	1005	1006	1007	1008	REMARKS
1	5EK-15410-00	CRANKCASE COVER ASSY 1	1	1	1	1	
2	2JX-15377-00	GUIDE, INLET	1	1	1	1	
3	3AW-15451-03	GASKET, CRANKCASE COVER 1	1	1	1	1	
4	99530-12016	PIN, DOWEL	2	2	2	2	
5	95027-06025	BOLT, FLANGE	6	6	6	6	
6	90105-06017	BOLT, FLANGE	2	2	2	2	
7	90105-06014	BOLT, FLANGE	2	2	2	2	
8	90340-14117	PLUG, STRAIGHT SCREW	1	1	1	1	
9	93210-14369	O-RING	1	1	1	1	
10	90340-32080	PLUG, STRAIGHT SCREW	1	1	1	1	
11	93210-32172	O-RING	1	1	1	1	
12	90465-08364	CLAMP	1	1	1	1	
13	91317-06010	BOLT	1	1	1	1	
14	90465-16187	CLAMP	1	1	1	1	
15	15A-15431-01	COVER, CRANKCASE 3	1	1	1	1	
16	4BE-15462-00	GASKET, CRANKCASE COVER 3	1	1	1	1	
17	99530-12016	PIN, DOWEL	2	2	2	2	
18	95027-06025	BOLT, FLANGE	5	5	5	5	
19	95027-06035	BOLT, FLANGE	3	3	3	3	
20	95027-06045	BOLT, FLANGE	2	2	2	2	
21	3Y1-15363-00	PLUG, OIL	1	1	1	1	
22	93210-19123	O-RING	1	1	1	1	
23	3Y1-15361-00	GAUGE, LEVEL	1	1	1	1	
24	90462-08225	CLAMP	1	1	1	1	
25	N/A						

FIG. 12 STARTER



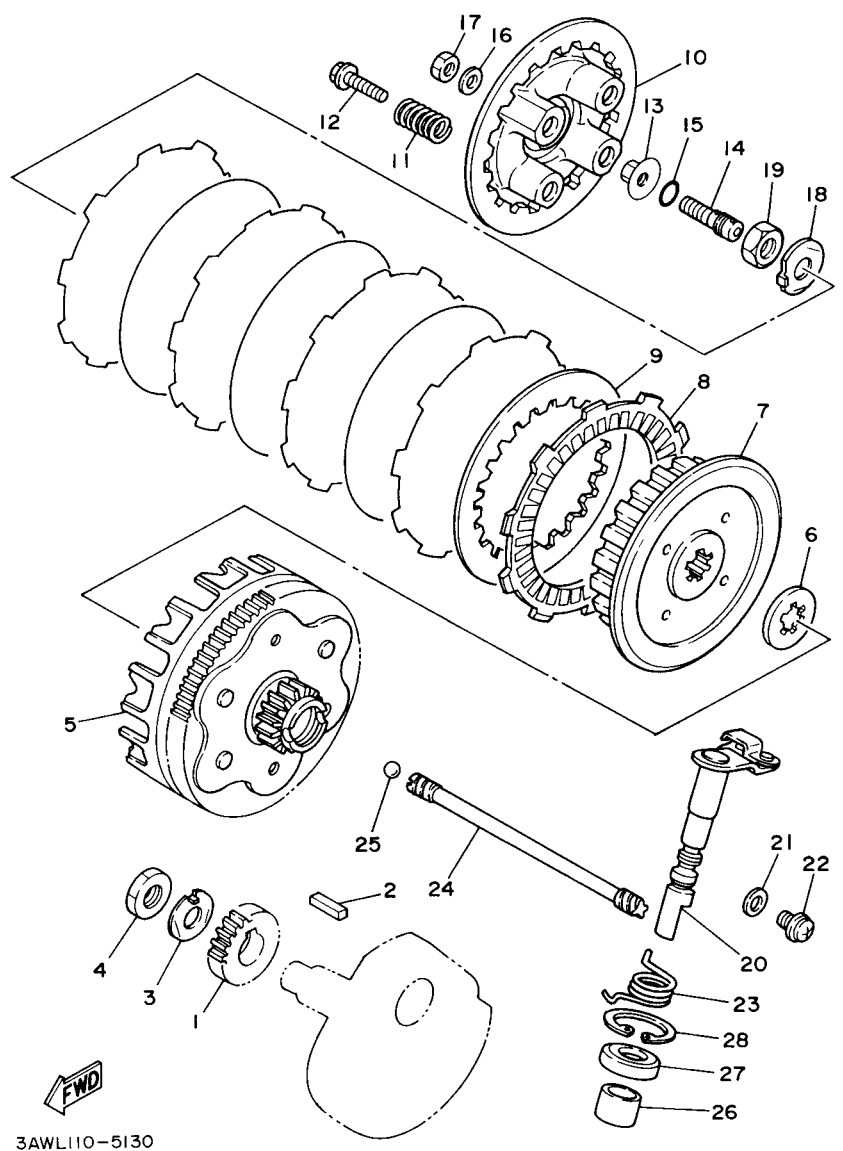
5LB1010-0141

REF. NO.	PART NO.	DESCRIPTION	1005	1006	1007	1008	REMARKS
1	15A-15660-01	KICK AXLE ASSY				1	
2	90468-26122	CLIP				1	
3	401-15676-00	COVER, SPRING				1	
4	15A-15666-00	SPACER				1	
5	90508-26538	SPRING, TORSION				1	
6	99009-17400	CIRCLIP				1	
7	90201-175F6	WASHER, PLATE				1	
8	36X-15641-00	GEAR, KICK (27T)				1	
9	90209-17226	WASHER				1	
10	93102-17263	OIL SEAL				1	
11	90201-173F4	WASHER, PLATE				1	
12	15A-15651-01	GEAR, KICK IDLE (28T)				1	
13	90214-17028	WASHER, CLAW				1	
14	99009-17400	CIRCLIP				2	
15	54G-15620-00	KICK CRANK ASSY				1	
16	54G-15621-00	.BOSS, KICK CRANK				1	
17	90501-12081	.SPRING, COMPRESSION				1	
18	93507-32009	.BALL				1	
19	90152-06010	.SCREW, COUNTERSUNK				1	
20	90338-18014	PLUG				1	
21	97027-08030	BOLT				1	
22	2HT-15512-00	GEAR, IDLER 1 (41T/10T)	1	1	1	1	
23	90387-125Y0	COLLAR	1	1	1	1	
24	5H0-15521-00	SHAFT 1	1	1	1	1	
25	5H0-15517-00	GEAR, IDLER 2 (56T)	1	1	1	1	
26	90201-25290	WASHER, PLATE	1	1	1	1	
27	4H7-15580-10	STARTER CLUTCH OUTER ASSY	1	1	1	1	



FIG. 13 CLUTCH

REF. NO.	PART NO.	DESCRIPTION	1005	1006	1007	1008	REMARKS
1	5H0-16111-00	GEAR, PRIMARY DRIVE (22T)	1	1	1	1	
2	90282-05043	KEY, STRAIGHT	1	1	1	1	
3	90215-14205	WASHER, LOCK	1	1	1	1	
4	90170-14284	NUT	1	1	1	1	
5	15A-16150-00	PRIMARY DRIVEN GEAR COMP.73/17	1	1	1	1	
6	5H0-16154-00	PLATE, THRUST 1	1	1	1	1	
7	2JX-16371-00	BOSS, CLUTCH	1	1	1	1	
8	537-16321-00	PLATE, FRICTION	5	5	5	5	
9	137-16324-00	PLATE, CLUTCH 1	4	4	4	4	
10	5H0-16351-00	PLATE, PRESSURE 1	1	1	1	1	
11	90501-23700	SPRING, COMPRESSION	4	4	4	4	
12	90159-05011	SCREW, WITH WASHER	4	4	4	4	
13	1W1-16358-01	PLATE, PUSH	1	1	1	1	
14	2JX-16356-00	ROD, PUSH 1	1	1	1	1	
15	93210-48364	O-RING	1	1	1	1	
16	92907-06200	WASHER	1	1	1	1	
17	95307-06600	NUT	1	1	1	1	
18	90215-14186	WASHER, LOCK	1	1	1	1	
19	90170-14284	NUT	1	1	1	1	
20	15A-16380-00	PUSH LEVER ASSY	1	1	1	1	
21	90430-08119	GASKET	1	1	1	1	
22	90149-08067	SCREW	1	1	1	1	
23	90508-18537	SPRING, TORSION	1	1	1	1	
24	5H0-16357-00	ROD, PUSH 2	1	1	1	1	
25	93505-16006	BALL	1	1	1	1	
26	90386-14103	BUSH	1	1	1	1	
27	93102-14209	OIL SEAL	1	1	1	1	



3AWL110-5130

FIG. 13 CLUTCH

REF. NO.	PART NO.	DESCRIPTION	1005	1006	1007	1008	REMARKS
28	93420-28055	CIRCLIP	1	1	1	1	

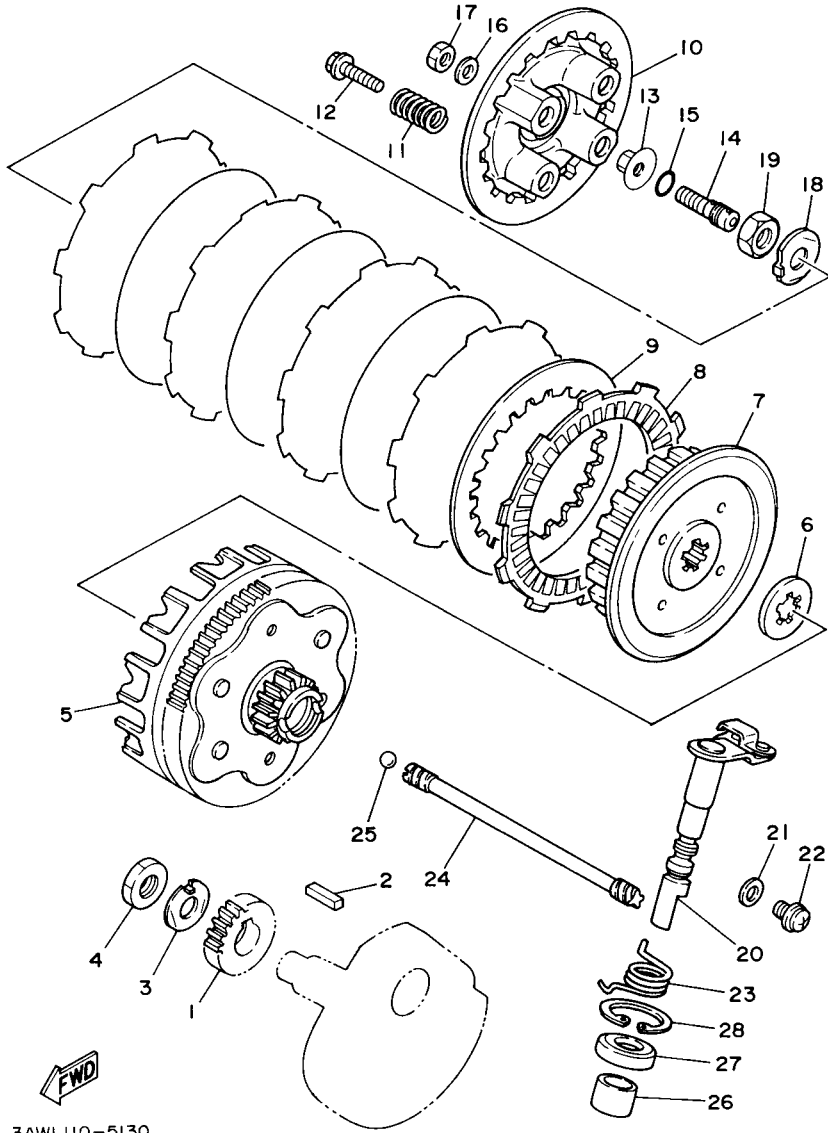
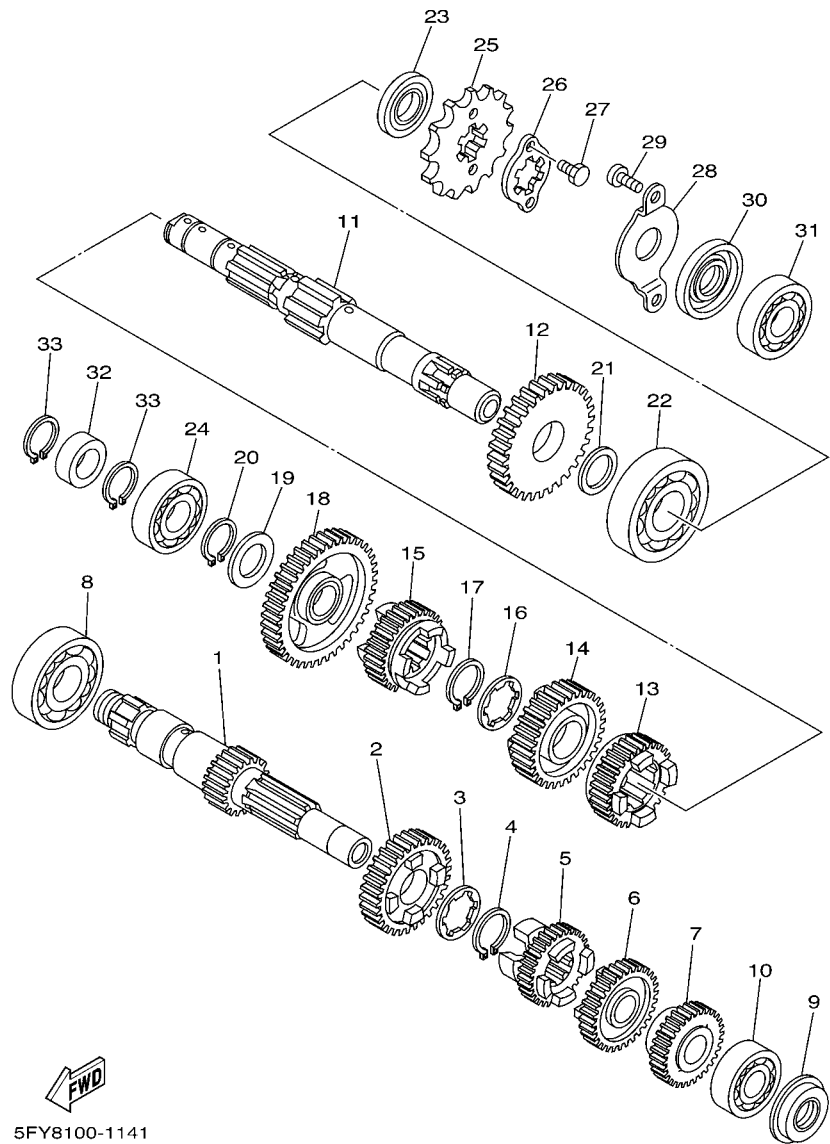


FIG. 14 TRANSMISSION



5FY8100-1141

REF. NO.	PART NO.	DESCRIPTION	1005	1006	1007	1008	REMARKS
1	15A-17411-01	AXLE, MAIN (12T)	1	1	1	1	
2	15A-17151-01	GEAR, 5TH PINION (28T)	1	1	1	1	
3	90209-16209	WASHER	1	1	1	1	
4	93410-20038	CIRCLIP	1	1	1	1	
5	5H0-17121-01	GEAR, 2ND PINION (22T)	1	1	1	1	
6	15A-17141-00	GEAR, 4TH PINION (25T)	1	1	1	1	
7	15A-17121-00	GEAR, 2ND PINION (19T)	1	1	1	1	
8	93306-20401	BEARING	1	1	1	1	
9	93101-15101	OIL SEAL	1	1	1	1	
10	93306-20201	BEARING	1	1	1	1	
11	2JX-17402-00	DRIVE AXLE ASSY	1	1	1	1	
12	15A-17221-00	GEAR, 2ND WHEEL (34T)	1	1	1	1	
13	15A-17241-00	GEAR, 4TH WHEEL (26T)	1	1	1	1	
14	15A-17231-00	GEAR, 3RD WHEEL (29T)	1	1	1	1	
15	1EV-17251-00	GEAR, 5TH WHEEL (23T)	1	1	1	1	
16	90209-18208	WASHER	1	1	1	1	
17	93410-22039	CIRCLIP	1	1	1	1	
18	15A-17211-01	GEAR, 1ST WHEEL (34T)	1	1	1	1	
19	90201-17257	WASHER, PLATE	1	1	1	1	
20	99009-17400	CIRCLIP	1	1	1	1	
21	90201-220J8	WASHER, PLATE	1	1	1	1	
22	93306-20580	BEARING	1	1	1	1	
23	93102-22389	OIL SEAL	1	1	1	1	
24	93306-20332	BEARING	1	1	1	1	
25	93823-14149	SPROCKET, DRIVE (14T)	1	1	1	1	
26	2JX-17456-00	HOLDER, SPROCKET	1	1	1	1	
27	97007-05010	BOLT	2	2	2	2	



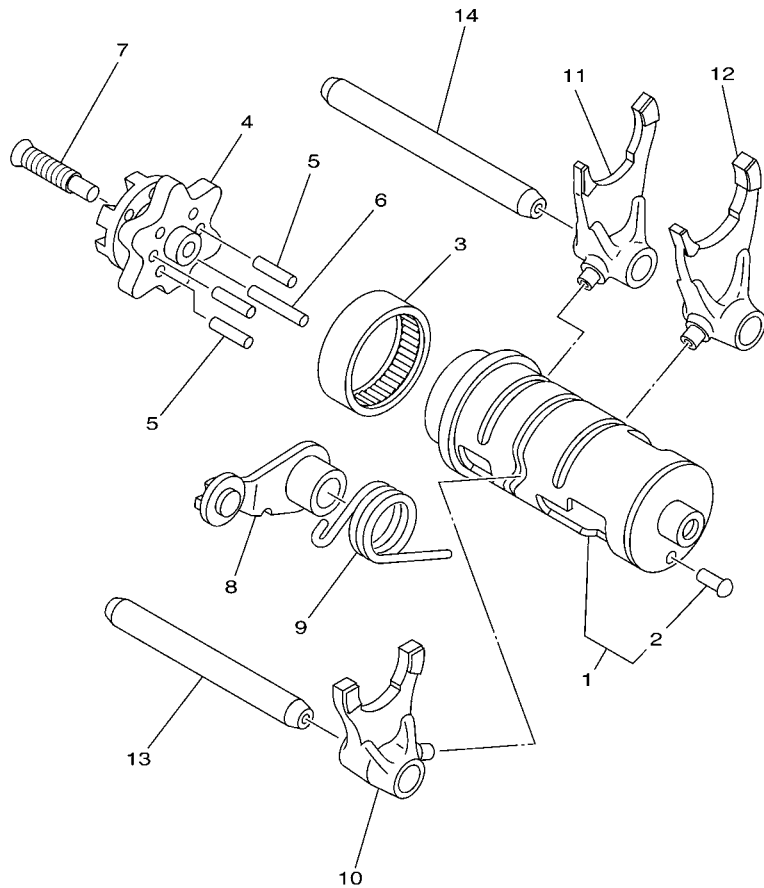
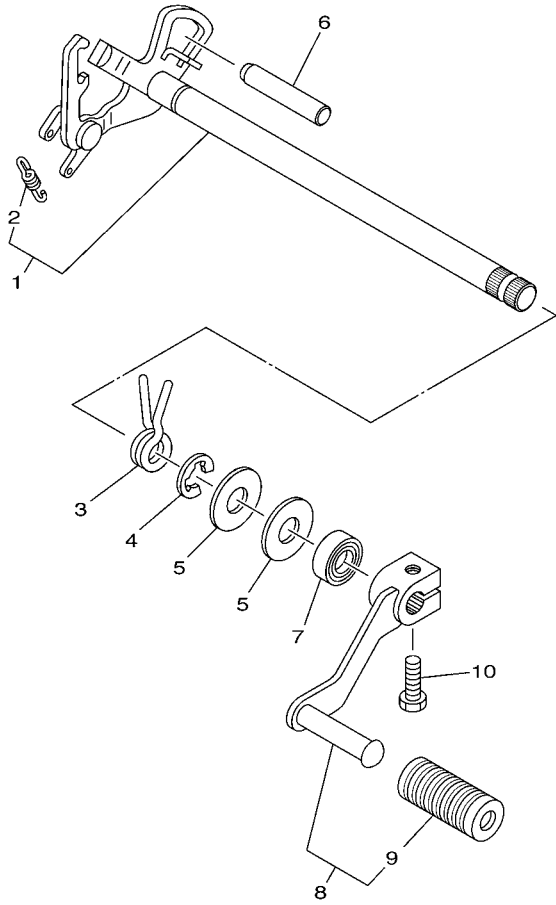


FIG. 15 SHIFT CAM & FORK

REF. NO.	PART NO.	DESCRIPTION	1005	1006	1007	1008	REMARKS
1	5N0-18540-00	SHIFT CAM ASSY	1	1	1	1	
2	136-18542-00	.POINT, NEUTRAL	1	1	1	1	
3	93315-23607	BEARING	1	1	1	1	
4	1RH-18185-00	SEGMENT	1	1	1	1	
5	93604-16092	PIN, DOWEL	3	3	3	3	
6	93604-20156	PIN, DOWEL	1	1	1	1	
7	90151-06013	SCREW, COUNTERSUNK	1	1	1	1	
8	1RH-18140-00	STOPPER LEVER ASSY	1	1	1	1	
9	90508-26539	SPRING, TORSION	1	1	1	1	
10	4JG-18511-00	FORK, SHIFT 1	1	1	1	1	
11	4JG-18512-01	FORK, SHIFT 2	1	1	1	1	
12	4JG-18513-00	FORK, SHIFT 3	1	1	1	1	
13	3GX-18531-00	BAR, SHIFT FORK GUIDE 1	1	1	1	1	
14	3GX-18535-00	BAR, SHIFT FORK GUIDE 2	1	1	1	1	



5N0010-0171

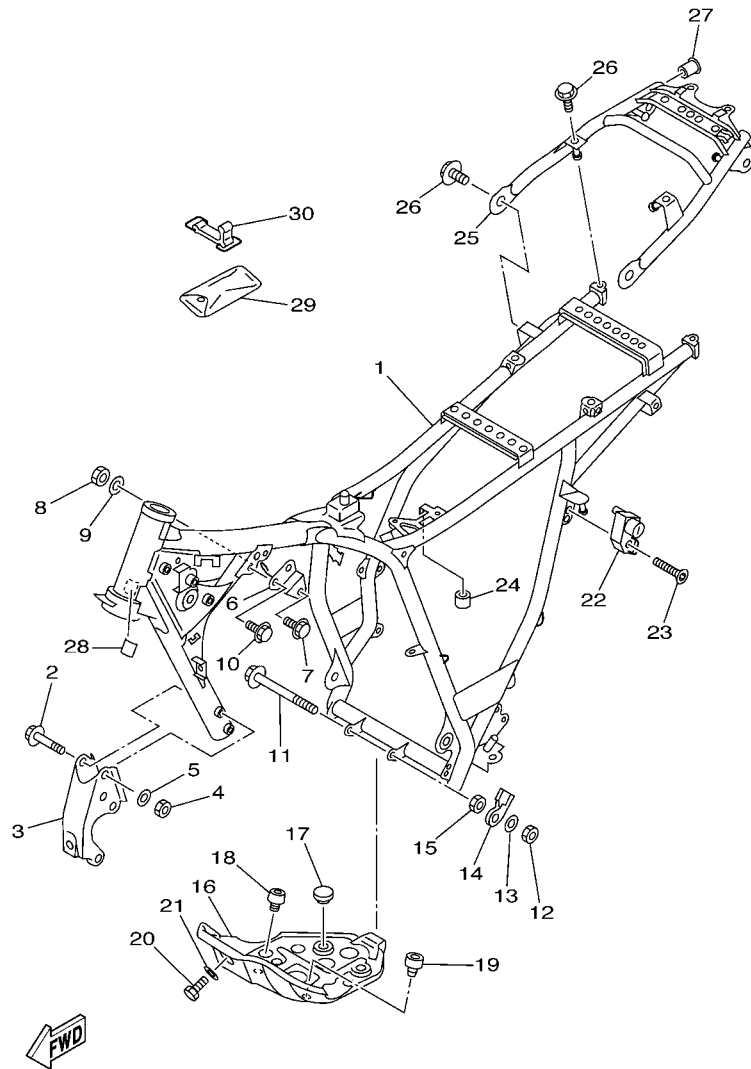


25A310-3171

FIG. 16 SHIFT SHAFT

REF. NO.	PART NO.	DESCRIPTION	1005	1006	1007	1008	REMARKS
1	5H0-18120-02	SHIFT LEVER ASSY	1	1	1	1	
2	90506-08227	.SPRING, TENSION	1	1	1	1	
3	90508-29540	SPRING, TORSION	1	1	1	1	
4	99001-10600	CIRCLIP	1	1	1	1	
5	90201-12588	WASHER, PLATE	2	2	2	2	
6	93608-50158	PIN, DOWEL	1	1	1	1	
7	93102-12106	OIL SEAL (SD 12-22-5 HS)	1	1	1	1	
8	1RL-18110-00	SHIFT PEDAL ASSY	1	1	1	1	
9	132-18113-01	.COVER, SHIFT PEDAL	1	1	1	1	
10	97027-06020	BOLT	1	1	1	1	

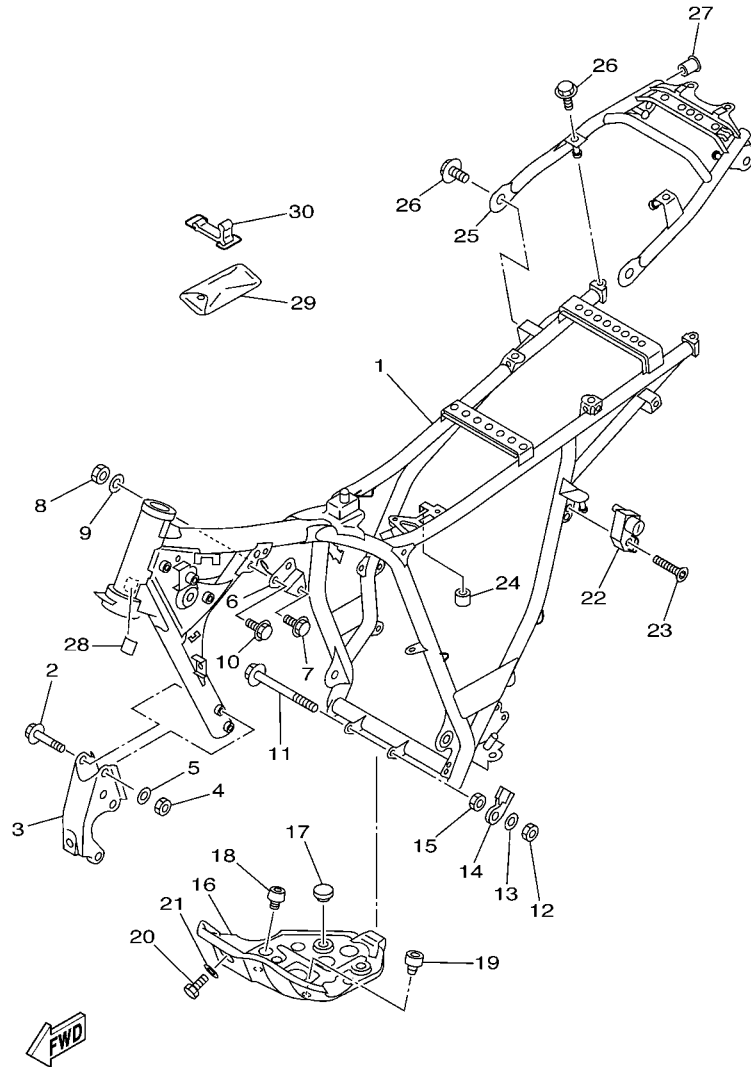
FIG. 17 FRAME



5FYG100-B170

REF. NO.	PART NO.	DESCRIPTION	1005	1006	1007	1008	REMARKS
1	5FY-21110-61	FRAME COMP.	1		1	1	
2	95817-08065	BOLT, FLANGE	4	4	4	4	
3	1RL-21316-00-P2	STAY, ENGINE 3	1		1	1	S8 FOR PWS1
4	90185-08089	NUT, SELF-LOCKING	4	4	4	4	
5	90201-08366	WASHER, PLATE	4	4	4	4	
6	5VC-21315-00	STAY, ENGINE 2	1	1	1	1	
7	95817-08050	BOLT, FLANGE	1	1	1	1	
8	90185-08089	NUT, SELF-LOCKING	1	1	1	1	
9	90201-08366	WASHER, PLATE	1	1	1	1	
10	90105-08066	BOLT, FLANGE	2	2	2	2	
11	95817-08120	BOLT, FLANGE	1	1	1	1	
12	90185-08089	NUT, SELF-LOCKING	1	1	1	1	
13	90201-08366	WASHER, PLATE	1	1	1	1	
14	1RL-21337-00	CLAMP, CABLE	1	1	1	1	
15	90185-08055	NUT, SELF-LOCKING	1	1	1	1	
16	1RL-21471-00-35	PROTECTOR, ENGINE	1	1	1	1	SL FOR PWS1
17	128-27114-00	STOPPER, MAIN STAND	2	2	2	2	
18	34L-21485-00	DAMPER, RUBBER 1	1	1	1	1	
19	4N0-27114-00	STOPPER, MAIN STAND	1	1	1	1	
20	97007-06016	BOLT	1	1	1	1	
21	92907-06600	WASHER, PLATE	1	1	1	1	
22	4R8-21308-01	HELMET HANGER ASSY	1	1	1	1	
23	90151-06018	SCREW, COUNTERSUNK	1	1	1	1	
24	90480-12299	GROMMET	1	1	1	1	
25	2JX-21190-00-P1	REAR FRAME COMP.	1	1	1	1	S8 FOR PWS1

FIG. 17 FRAME



5FYG100-B170

REF. NO.	PART NO.	DESCRIPTION	1005	1006	1007	1008	REMARKS
26	95827-06012	BOLT, FLANGE	4	4	4	4	
27	90338-12081	PLUG	2	2	2	2	
28	3MA-27491-00	PROTECTOR	1	1	1	1	
29	5VC-28100-00	TOOL KIT	1	1	1	1	
30	3TJ-82131-00	BAND, BATTERY	1	1	1	1	
-----							
-----							
-----							
-----							
-----							
-----							
-----							
-----							
-----							

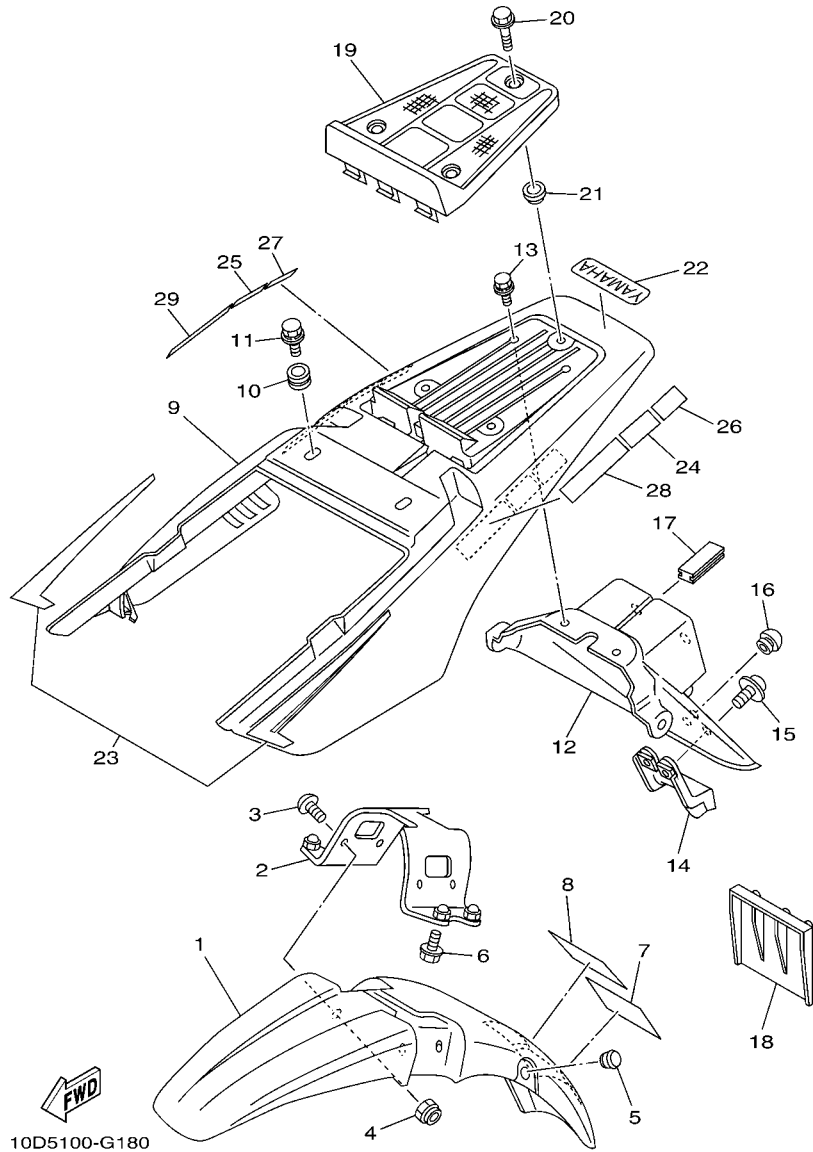
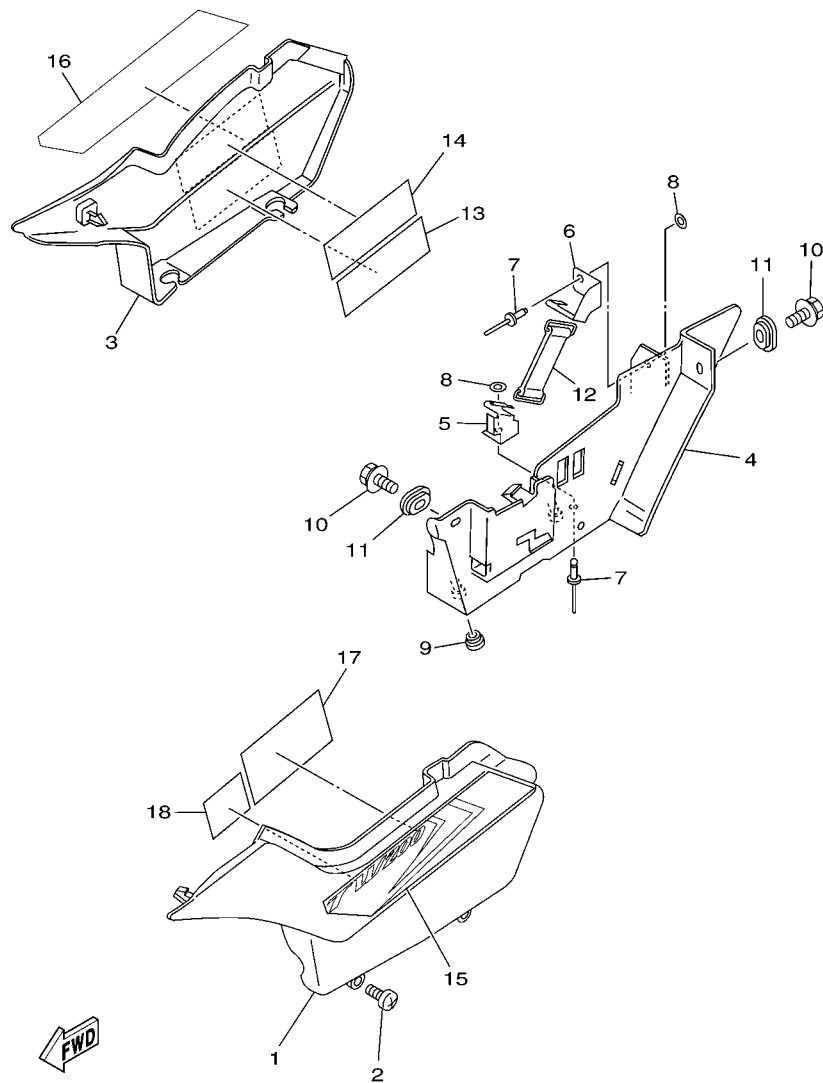


FIG. 18 FENDER

REF. NO.	PART NO.	DESCRIPTION	10D5	10D6	10D7	10D8	REMARKS
1	2YG-21511-00	FENDER, FRONT	1	1	1	1	YB
2	2JX-21512-00	BRACKET, FENDER	1	1	1	1	
3	90154-05004	SCREW, BINDING	4	4	4	4	
4	95607-05200	NUT, U FLANGE	4	4	4	4	
5	90338-12192	PLUG	1	1	1	1	
6	95807-06020	BOLT, FLANGE	4	4	4	4	
7	3XT-21668-A0	LABEL, TIRE	1	1	1	1	
8	N/A						
9	3AW-21611-20	FENDER, REAR	1	1	1	1	
10	90480-12053	GROMMET	2	2	2	2	
11	90119-06063	BOLT, WITH WASHER	4	4	4	4	
12	2JX-21685-00	BRACKET, LICENSE	1	1	1	1	
13	90119-06056	BOLT, WITH WASHER	2	2	2	2	
14	2JX-21641-00	BRACKET, REFLECTOR	1	1	1	1	
15	90159-05028	SCREW, WITH WASHER	2	2	2	2	
16	4G0-21639-00	DAMPER 2	1	1	1	1	
17	2JX-21669-00	SEAL	1	1	1	1	
18	5VC-21691-00	FLAP	1	1	1	1	
19	2JX-21651-10	COVER, REAR FENDER	1	1	1	1	
20	95024-06014	BOLT, FLANGE	3	3	3	3	
21	90387-06681	COLLAR	3	3	3	3	
22	99244-00080	EMBLEM, YAMAHA	1	1	1	1	
23	10D-21660-00	GRAPHIC	1	1	1	1	
24	N/A						

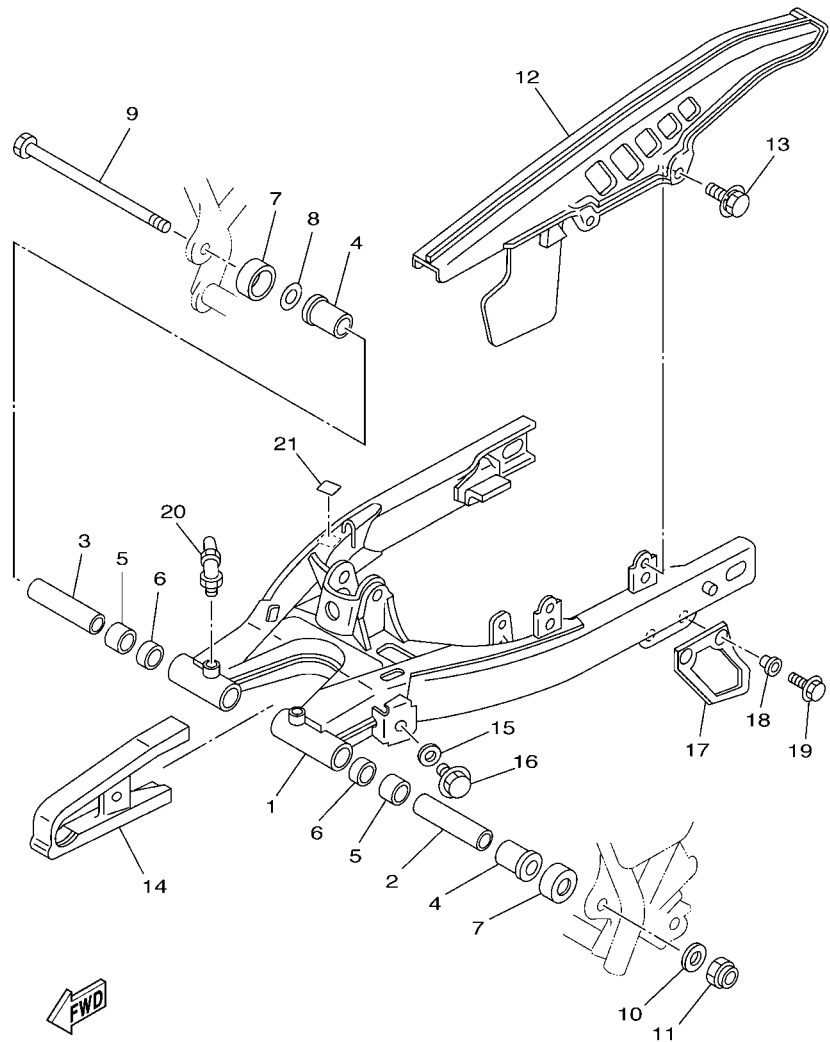
FIG. 19 SIDE COVER



10D5100-G190

REF. NO.	PART NO.	DESCRIPTION	10D5	10D6	10D7	10D8	REMARKS
1	3AW-21711-20-0X	COVER, SIDE 1	1	1	1	1	LGB FOR PWS1
2	90154-05013	SCREW, BINDING	2	2	2	2	
3	3AW-21721-20-0X	COVER, SIDE 2	1	1	1	1	LGB FOR PWS1
4	5EK-2177A-00	BOX	1	1	1	1	
5	5EK-2175T-00	BRACKET 1	1	1	1	1	
6	5EK-2175U-00	BRACKET 2	1	1	1	1	
7	90267-40075	RIVET, BLIND	2	2	2	2	
8	90201-04018	WASHER, PLATE	2	2	2	2	
9	90480-13197	GROMMET	2	2	2	2	
10	90119-06056	BOLT, WITH WASHER	2	2	2	2	
11	90480-01141	GROMMET	2	2	2	2	
12	116-82131-00	BAND, BATTERY	1	1	1	1	

**FIG. 20 REAR ARM**

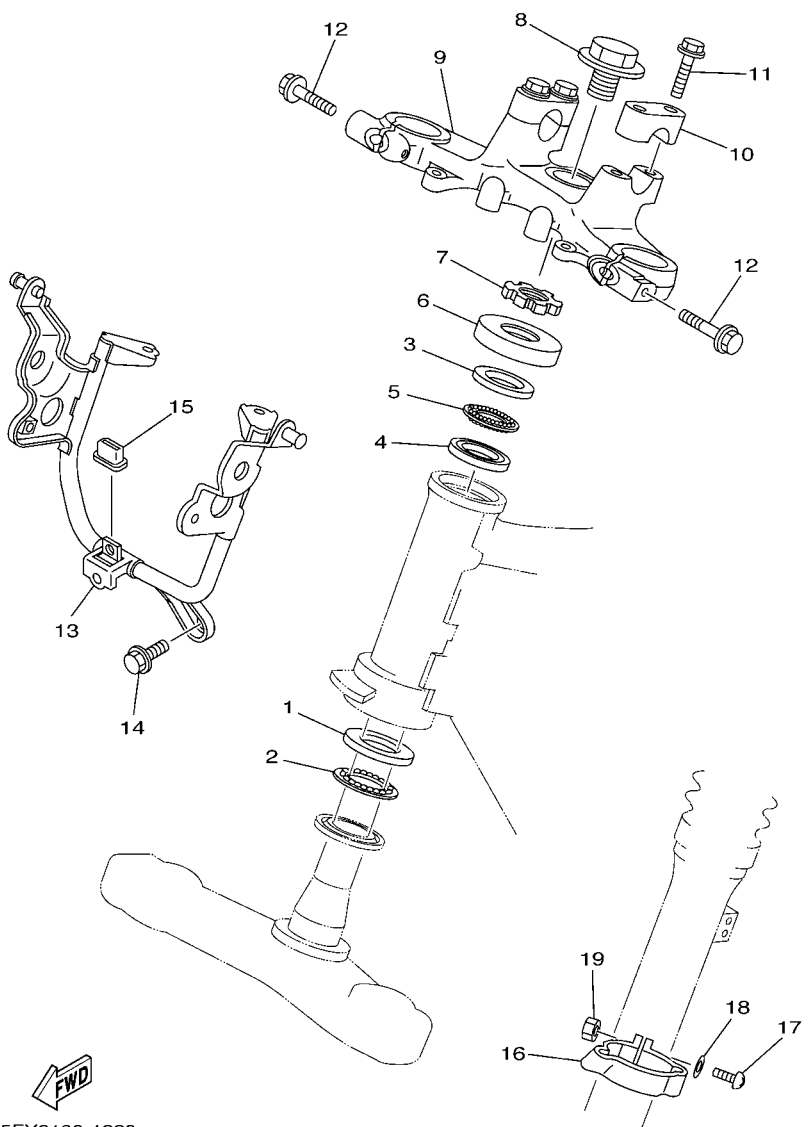


5FYG100-B200

REF. NO.	PART NO.	DESCRIPTION	1005	1006	1007	1008	REMARKS
1	2JX-22110-00-35	REAR ARM COMP.	1	1	1	1	SL FOR PWS1
2	2JX-22123-00	BUSH 1	1	1	1	1	
3	2JX-22124-00	BUSH 2	1	1	1	1	
4	90386-18146	BUSH	2	2	2	2	
5	90380-18139	BUSH, SOLID	2	2	2	2	
6	93109-18020	OIL SEAL	2	2	2	2	
7	401-22128-01	COVER, THRUST 1	2	2	2	2	
8	401-22127-00	SHIM	1	1	1	1	
9	2JX-22141-00	SHAFT, PIVOT	1	1	1	1	
10	90201-120E8	WASHER, PLATE	1	1	1	1	
11	90185-12134	NUT, SELF-LOCKING	1	1	1	1	
12	34X-22311-00	CASE, CHAIN	1	1	1	1	
13	90119-05059	BOLT, WITH WASHER	2	2	2	2	
14	34X-22151-01	SEAL, GUARD	1	1	1	1	
15	90209-06187	WASHER	1	1	1	1	
16	90119-05062	BOLT, WITH WASHER	1	1	1	1	
17	5BT-22199-00	SUPPORT, CHAIN	1	1	1	1	
18	90387-06737	COLLAR	2	2	2	2	
19	95807-06020	BOLT, FLANGE	2	2	2	2	
20	93700-06009	NIPPLE, GREASE	2	2	2	2	
21	3MA-27491-00	PROTECTOR	1	1	1	1	



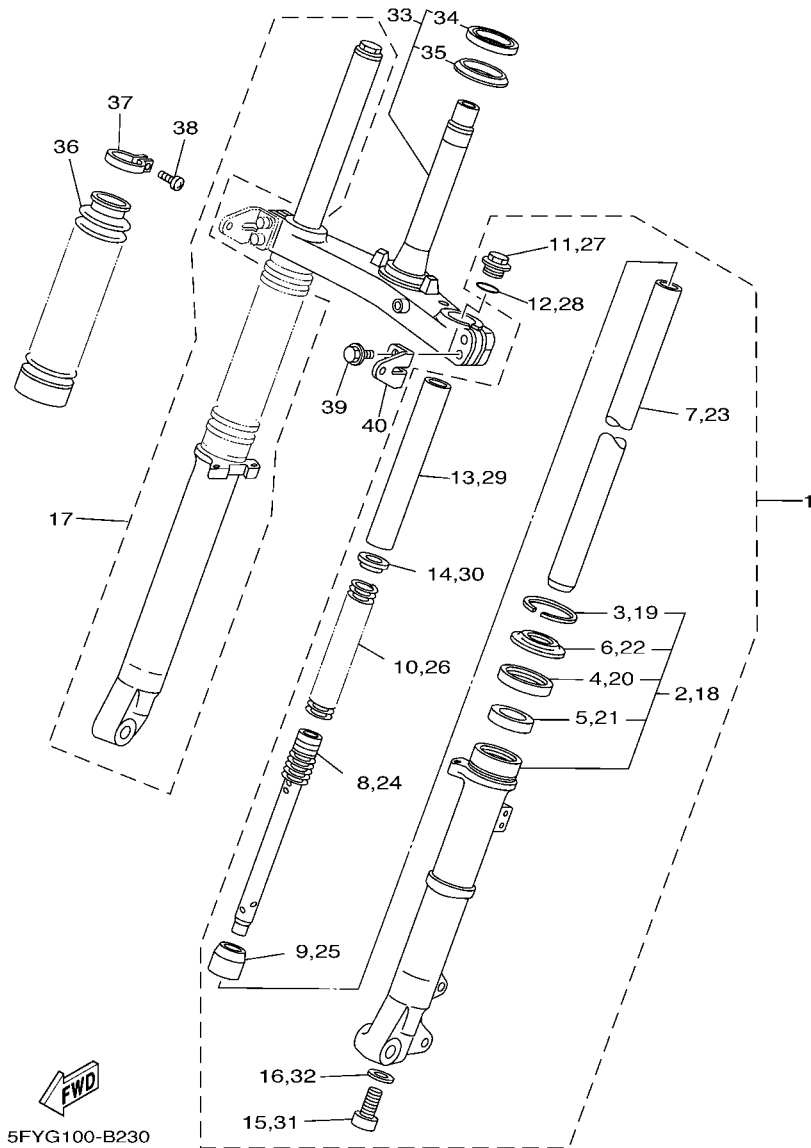
**FIG. 22 STEERING**



5FY8100-1220

REF. NO.	PART NO.	DESCRIPTION	1005	1006	1007	1008	REMARKS
1	156-23412-00	RACE, BALL 2	1	1	1	1	
2	156-2341E-00	RETAINER, BALL BEARING	1	1	1	1	
3	22F-23411-01	RACE, BALL 1	1	1	1	1	
4	22F-23412-01	RACE, BALL 2	1	1	1	1	
5	22F-2341E-00	RETAINER, BALL BEARING	1	1	1	1	
6	36X-23416-00	COVER, BALL RACE 2	1	1	1	1	
7	90179-25033	NUT	1	1	1	1	
8	90105-14102	BOLT, FLANGE	1	1	1	1	
9	2JX-23435-00-35	CROWN, HANDLE	1	1	1	1	SL FOR PWS1
10	1E6-23441-10-35	HOLDER, HANDLE UPPER	2	2	2	2	SL FOR PWS1
11	95824-08035	BOLT, FLANGE	4	4	4	4	
12	95024-08050	BOLT, FLANGE	2	2	2	2	
13	5FY-23174-00	STAY, HEADLIGHT	1	1	1	1	
14	95807-06012	BOLT, FLANGE	1	1	1	1	
15	30X-23445-00	DAMPER	1	1	1	1	
16	34X-23317-00	HOLDER, CABLE	1	1	1	1	
17	98507-05018	SCREW, PAN HEAD	1	1	1	1	
18	92907-05600	WASHER, PLATE	1	1	1	1	
19	95307-05600	NUT	1	1	1	1	

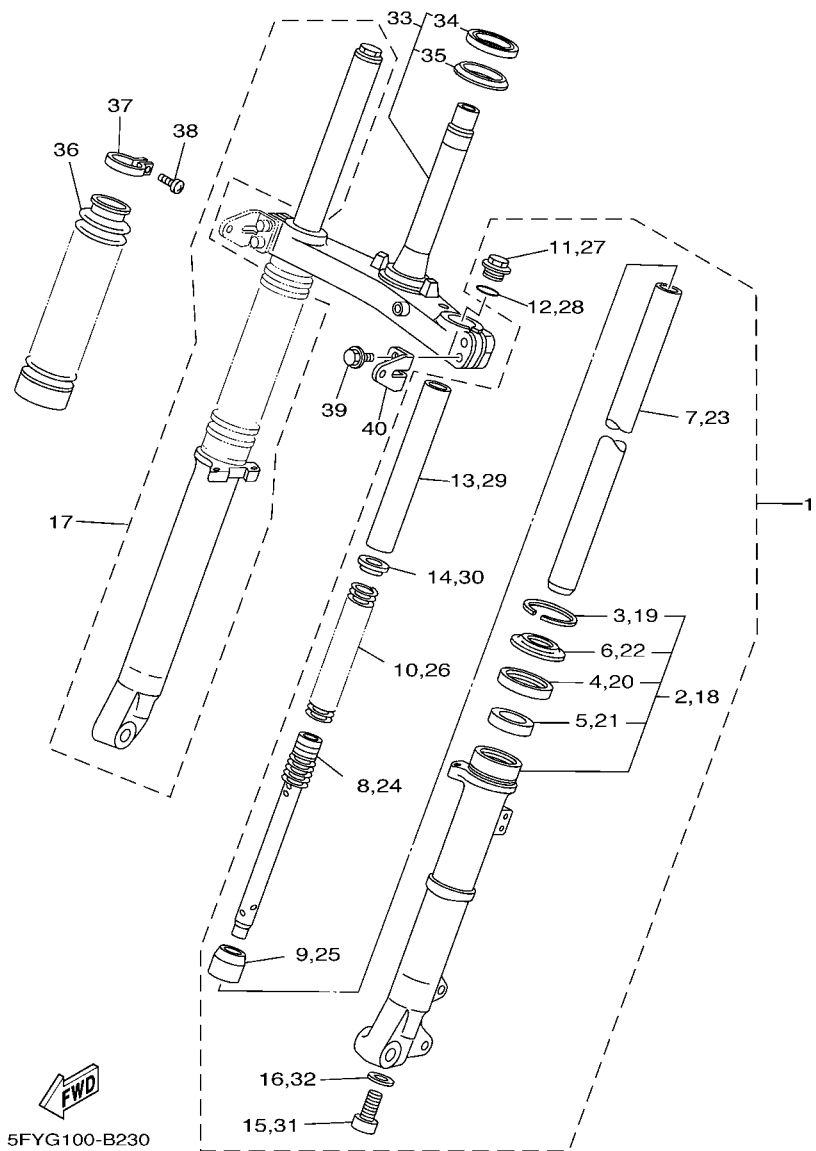
FIG. 23 FRONT FORK



5FYG100-B230

REF. NO.	PART NO.	DESCRIPTION	1005	1006	1007	1008	REMARKS
1	5FY-23102-20	FRONT FORK ASSY (L.H)	1	1	1	1	
2	5RS-23126-10	.TUBE, OUTER (LEFT)	1	1	1	1	
3	22W-23153-L0	..RING, SNAP	1	1	1	1	
4	22W-23145-L0	..OIL SEAL	1	1	1	1	
5	51Y-23125-00	..METAL, SLIDE 1	1	1	1	1	
6	54G-23144-00	..SEAL, DUST	1	1	1	1	
7	2JX-23110-00	.INNER TUBE COMP.1	1	1	1	1	
8	2JX-23170-00	.CYLINDER COMP., FRONT FORK	1	1	1	1	
9	3R6-23173-L0	.SPINDLE, TAPER	1	1	1	1	
10	2JX-23141-00	.SPRING, FRONT FORK	1	1	1	1	
11	2JN-23111-00	.BOLT, CAP	1	1	1	1	
12	3J2-23114-00	.O-RING	1	1	1	1	
13	22U-23118-01	.SPACER	1	1	1	1	
14	3DM-23149-10	.WASHER, SPRING UPPER	1	1	1	1	
15	278-23181-50	.BOLT, HEXAGON SOCKET HEAD	1	1	1	1	
16	509-23158-L0	.GASKET	1	1	1	1	
17	5FY-23103-20	FRONT FORK ASSY (R.H)	1	1	1	1	
18	5RS-23136-10	.TUBE, OUTER (RIGHT)	1	1	1	1	
19	22W-23153-L0	..RING, SNAP	1	1	1	1	
20	22W-23145-L0	..OIL SEAL	1	1	1	1	
21	51Y-23125-00	..METAL, SLIDE 1	1	1	1	1	
22	54G-23144-00	..SEAL, DUST	1	1	1	1	
23	2JX-23110-00	.INNER TUBE COMP.1	1	1	1	1	
24	2JX-23170-00	.CYLINDER COMP., FRONT FORK	1	1	1	1	
25	3R6-23173-L0	.SPINDLE, TAPER	1	1	1	1	
26	2JX-23141-00	.SPRING, FRONT FORK	1	1	1	1	
27	2JN-23111-00	.BOLT, CAP	1	1	1	1	

FIG. 23 FRONT FORK



REF. NO.	PART NO.	DESCRIPTION	1005	1006	1007	1008	REMARKS
28	3J2-23114-00	.O-RING	1	1	1	1	
29	22U-23118-01	.SPACER	1	1	1	1	
30	3DM-23149-10	.WASHER, SPRING UPPER	1	1	1	1	
31	278-23181-50	.BOLT, HEXAGON SOCKET HEAD	1	1	1	1	
32	509-23158-L0	.GASKET	1	1	1	1	
33	5LB-23340-01	UNDER BRACKET COMP.	1	1	1	1	
34	156-23411-00	.RACE, BALL 1	1	1	1	1	
35	164-23462-00	.SEAL, STEERING	1	1	1	1	
36	4CS-23191-20	BOOT	2	2	2	2	
37	2K5-23192-00	BAND	2	2	2	2	
38	1W4-23194-L0	SCREW, BOOT BAND	2	2	2	2	
39	5RS-23346-00	BOLT 1	4	4	4	4	
40	49R-85112-00	BRACKET, REFLECTOR 1	2	2	2	2	

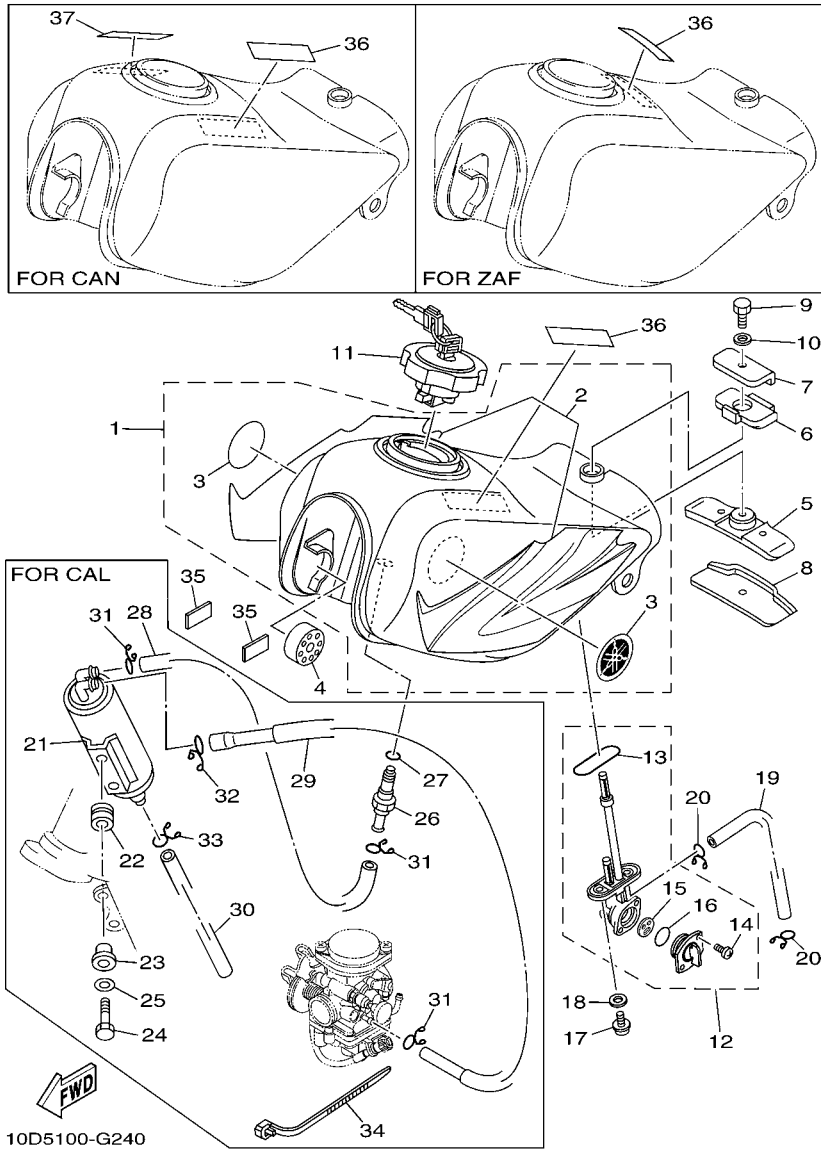


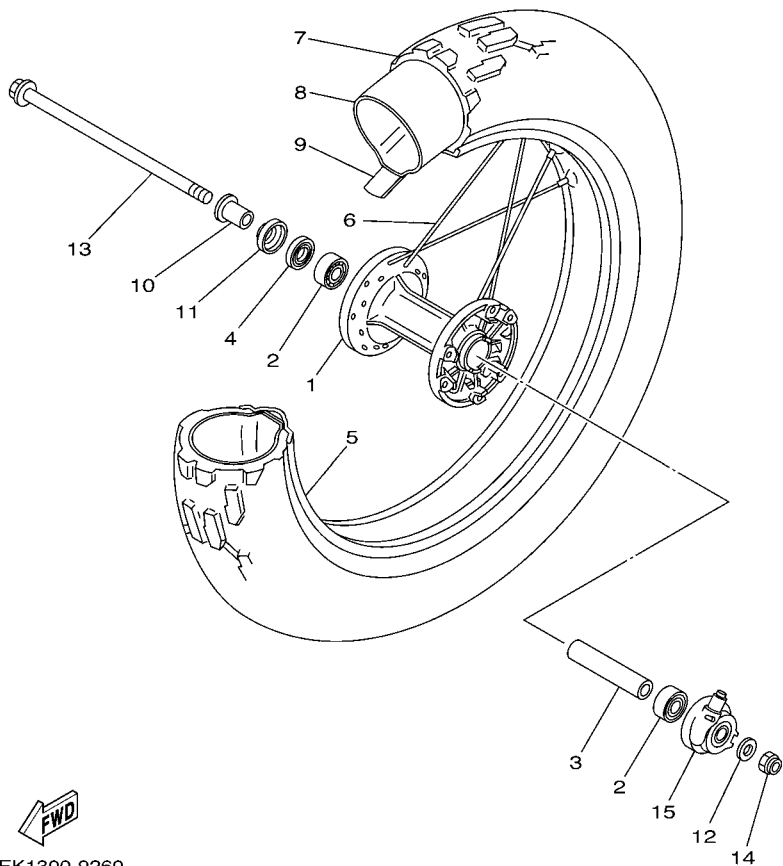
FIG. 24 FUEL TANK

REF. NO.	PART NO.	DESCRIPTION	10D5	10D6	10D7	10D8	REMARKS
1	5RS-Y2410-10-X5	FUEL TANK COMP.	1		1	1	FOR PWS1
2	10D-24240-00	.GRAPHIC SET	1	1	1	1	
3	5VX-2411B-00	.TUNING FORK MARK	2	2	2	2	
4	4L0-24181-00	DAMPER, LOCATING 1	2	2	2	2	
5	30X-24182-01	DAMPER, LOCATING 2	1	1	1	1	
6	30X-24183-01	DAMPER, LOCATING 3	1	1	1	1	
7	30X-24186-01	WASHER, SPECIAL	1	1	1	1	
8	30X-24187-00	WASHER, SPECIAL	1	1	1	1	
9	97007-06012	BOLT	1	1	1	1	
10	92907-06600	WASHER, PLATE	1	1	1	1	
11	11H-24602-03	CAP ASSY	1		1	1	
12	23F-24500-11	FUEL COCK ASSY 1	1	1	1	1	
13	4X8-24512-00	.O-RING	1	1	1	1	
14	98507-03008	.SCREW, PAN HEAD	2	2	2	2	
15	3AC-24523-00	.VALVE PACKING	1	1	1	1	
16	3AJ-24534-01	.SEAL, COCK	1	1	1	1	
17	90149-06011	SCREW	2	2	2	2	
18	90202-05193	WASHER, PLATE	2	2	2	2	
19	90445-10007	HOSE				1	
20	90467-09006	CLIP	2	2	2	2	
21	N/A						



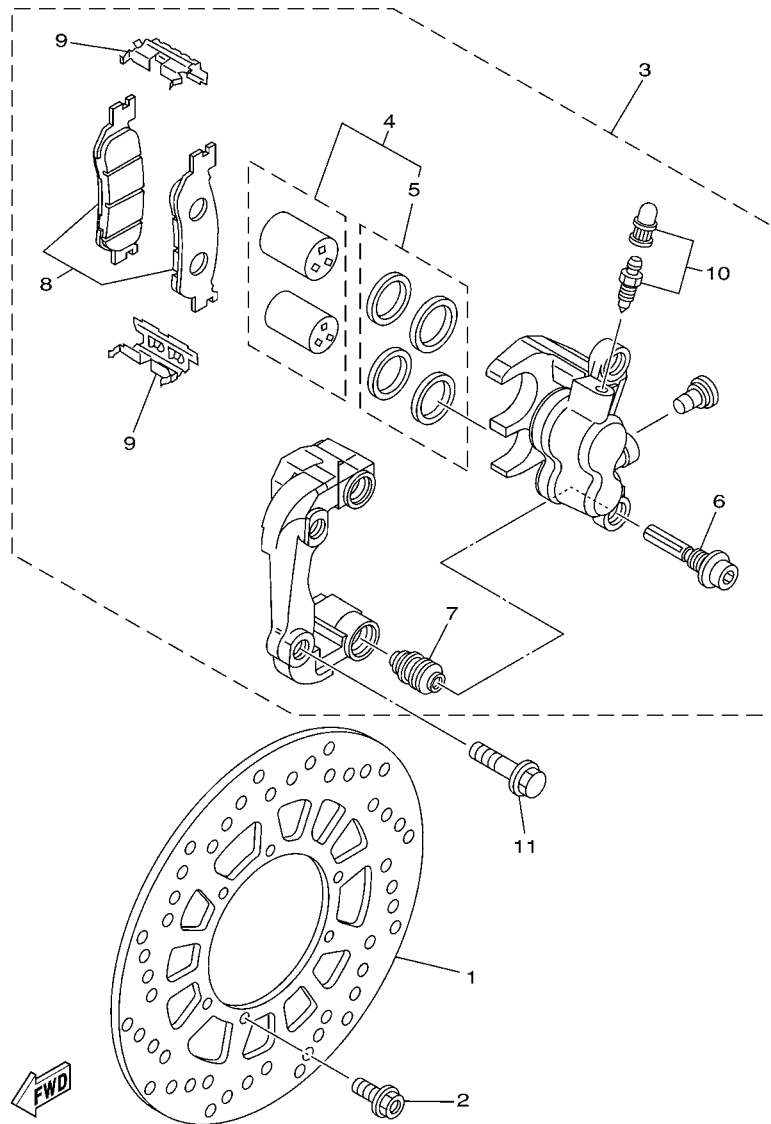


**FIG. 26 FRONT WHEEL**



5EK1300-9260

REF. NO.	PART NO.	DESCRIPTION	1005	1006	1007	1008	REMARKS
1	5EK-25111-00	HUB, FRONT	1	1	1	1	
2	93306-20203	BEARING	2	2	2	2	
3	90560-15312	SPACER	1	1	1	1	
4	93102-20281	OIL SEAL (SD 20-35-5)	1	1	1	1	
5	94425-18002	RIM (2.50-18)	1	1	1	1	
6	4TP-25304-10	SPOKE SET	1	1	1	1	
7	L.M.	TIRE (130/80-18 M/C 66P TW31)				1	BRIDGESTONE
8	L.M.	TUBE (130/80-18 M/C TR4)				1	BRIDGESTONE
9	94340-18086	BAND, RIM (2.50-18)	1	1	1	1	BRIDGESTONE
10	90387-15600	COLLAR	1	1	1	1	
11	322-25118-00	COVER, HUB DUST	1	1	1	1	
12	90201-14740	WASHER, PLATE	1	1	1	1	
13	2JX-25181-10	AXLE, WHEEL	1	1	1	1	
14	95607-14100	NUT, U	1	1	1	1	
15	5EK-25190-00	GEAR UNIT ASSY	1	1	1	1	

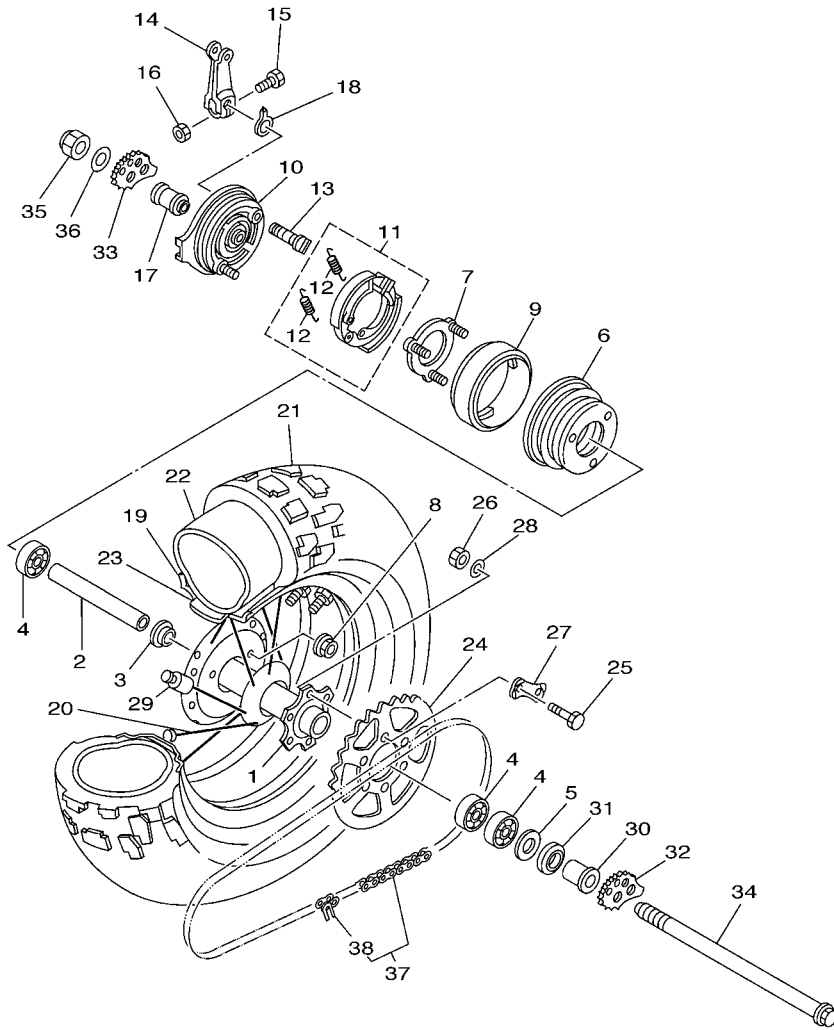


5EK1300-9270

**FIG. 27 FRONT BRAKE CALIPER**

REF. NO.	PART NO.	DESCRIPTION	1005	1006	1007	1008	REMARKS
1	5XT-2582T-00	DISC, BRAKE (LEFT)	1	1	1	1	
2	90109-065G4	BOLT	6	6	6	6	
3	5LB-2580T-01	CALIPER ASSY (LEFT)	1	1	1	1	
4	4JG-W0057-00	.PISTON ASSY, CALIPER	1	1	1	1	
5	4JG-W0047-00	..CALIPER SEAL KIT	1	1	1	1	
6	5JW-25914-10	.PIN, SLIDE	2	2	2	2	
7	4TT-25937-00	.BOOT 2	2	2	2	2	
8	5LB-W0045-01	.BRAKE PAD KIT	1	1	1	1	
9	4TT-25919-00	.SUPPORT, PAD	2	2	2	2	
10	51L-W0048-00	.BLEED SCREW KIT	1	1	1	1	
11	90105-10638	BOLT, FLANGE	2	2	2	2	

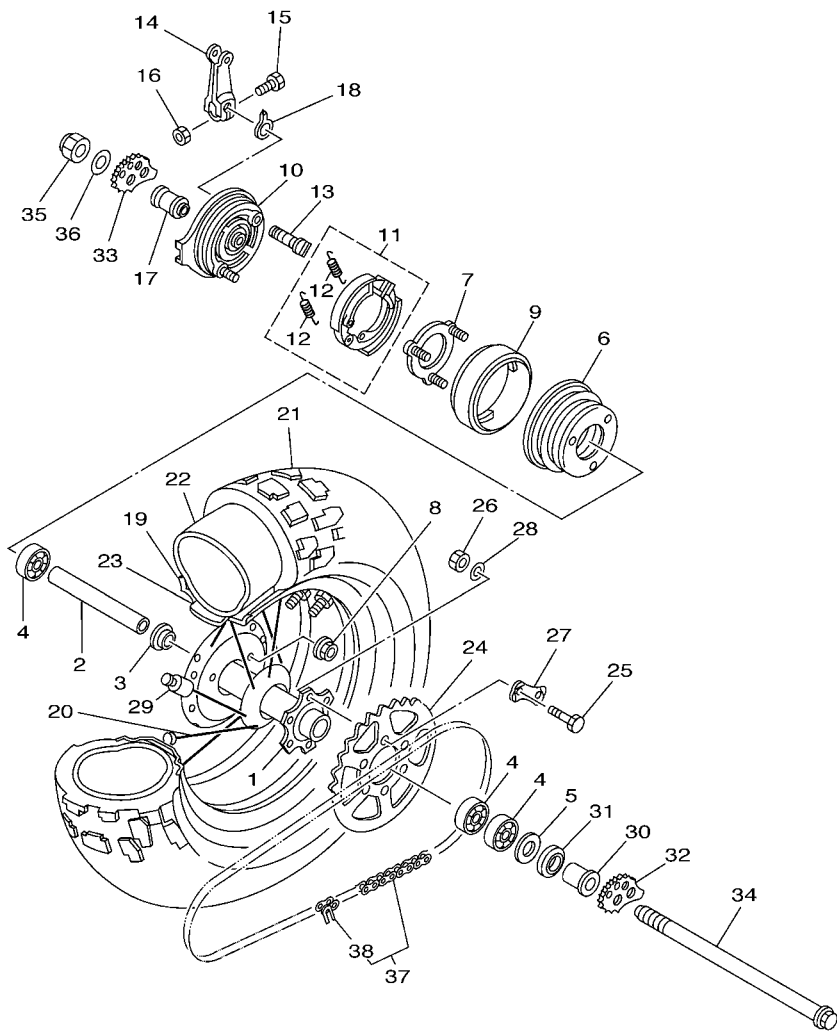
**FIG. 28 REAR WHEEL**



5FY8100-1280

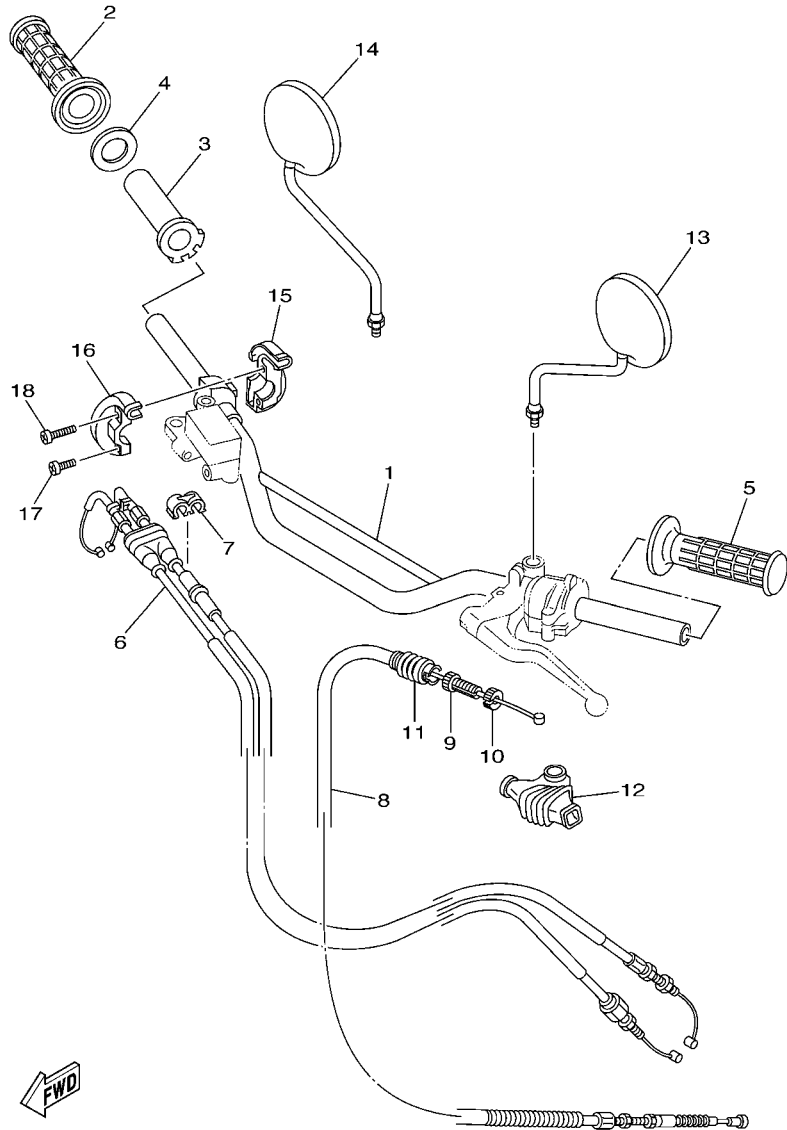
REF. NO.	PART NO.	DESCRIPTION	1005	1006	1007	1008	REMARKS
1	2JX-25311-00	HUB, REAR	1	1	1	1	
2	90560-17305	SPACER	1	1	1	1	
3	152-25115-00	FLANGE, SPACER 1	1	1	1	1	
4	93306-20348	BEARING	3	3	3	3	
5	93102-25311	OIL SEAL (FPJ 25-44-8 TS)	1	1	1	1	
6	5V7-2511E-00-35	DRUM, BRAKE	1	1	1	1	SL FOR PWS1
7	54G-25185-00	RING 1	1	1	1	1	
8	90179-08410	NUT	3	3	3	3	
9	2JX-25336-00	RING 2	1	1	1	1	
10	2JX-25321-02-35	PLATE, BRAKE SHOE	1	1	1	1	SL FOR PWS1
11	4KN-W253E-11	BRAKE SHOE KIT	1	1	1	1	
12	90506-15260	.SPRING, TENSION	2	2	2	2	
13	3Y6-25351-00	CAMSHAFT	1	1	1	1	
14	2N3-25155-00	LEVER, CAMSHAFT 1	1	1	1	1	
15	90101-06278	BOLT	1	1	1	1	
16	95307-06600	NUT	1	1	1	1	
17	90387-171T1	COLLAR	1	1	1	1	
18	2JX-2533A-00	PLATE, INDICATOR	1	1	1	1	
19	94445-14605	RIM (MT4.50-14 M/C)	1	1	1	1	
20	2JX-25304-21	SPOKE SET, REAR	1	1	1	1	
21	L.M.	TIRE (180/80-14 M/C 78P TW34)				1	
22	L.M.	TUBE (180/80-14 M/C TR4)				1	
23	94318-14149	BAND, RIM (4.50-14)	1	1	1	1	
24	15A-25450-20	SPROCKET, DRIVEN (50T)	1	1	1	1	
25	90109-08618	BOLT	6	6	6	6	
26	90185-08089	NUT, SELF-LOCKING	6	6	6	6	
27	90215-08160	WASHER, LOCK	3	3	3	3	

FIG. 28 REAR WHEEL



5FY8100-1280

REF. NO.	PART NO.	DESCRIPTION	1005	1006	1007	1008	REMARKS
28	90201-086P8	WASHER, PLATE	6	6	6	6	
29	3HT-25398-00	BALANCER, WHEEL (15G)	1	1	1	1	UN
30	90387-171T2	COLLAR	1	1	1	1	
31	36R-25367-00	COVER, HUB DUST	1	1	1	1	
32	3Y1-25388-01	PULLER, CHAIN 1	1	1	1	1	
33	3Y1-25389-00	PULLER, CHAIN 2	1	1	1	1	
34	2JX-25381-10	AXLE, WHEEL	1	1	1	1	
35	90185-16127	NUT, SELF-LOCKING	1	1	1	1	
36	90201-164H4	WASHER, PLATE	1	1	1	1	
37	94580-88122	CHAIN (DID 428HG-122L)	1	1	1	1	
38	94680-88001	JOINT, CHAIN (DID 428HG)	1	1	1	1	



5FYG100-B290

FIG. 29 STEERING HANDLE & CABLE

REF. NO.	PART NO.	DESCRIPTION	10D5	10D6	10D7	10D8	REMARKS
1	5LB-26111-00	HANDLEBAR	1	1	1	1	
2	1LX-26242-01	GRIP (RIGHT)	1	1	1	1	
3	5BE-26243-00	TUBE, THROTTLE GUIDE	1	1	1	1	
4	3Y1-26249-00	RING, LEAF	1	1	1	1	
5	1LX-26241-01	GRIP (LEFT)	1	1	1	1	
6	5LB-26302-02	THROTTLE CABLE ASSY	1	1	1	1	
7	90464-06214	CLAMP	1	1	1	1	
8	5EK-26335-00	CABLE, CLUTCH	1	1	1	1	
9	90123-08046	BOLT	1	1	1	1	
10	90179-08148	NUT	1	1	1	1	
11	1E6-26342-00	BOOT, CABLE	1	1	1	1	
12	1E6-26372-00	COVER, HANDLE LEVER 1	1	1	1	1	
13	3Y1-26290-10	BACK MIRROR ASSY (L.H)	1	1	1	1	
14	3Y1-26290-00	BACK MIRROR ASSY (R.H)	1	1	1	1	
15	3LN-26281-01	CAP, GRIP UPPER	1	1	1	1	
16	3LN-26282-01	CAP, GRIP LOWER	1	1	1	1	
17	98507-05020	SCREW, PAN HEAD	1	1	1	1	
18	98507-05025	SCREW, PAN HEAD	1	1	1	1	



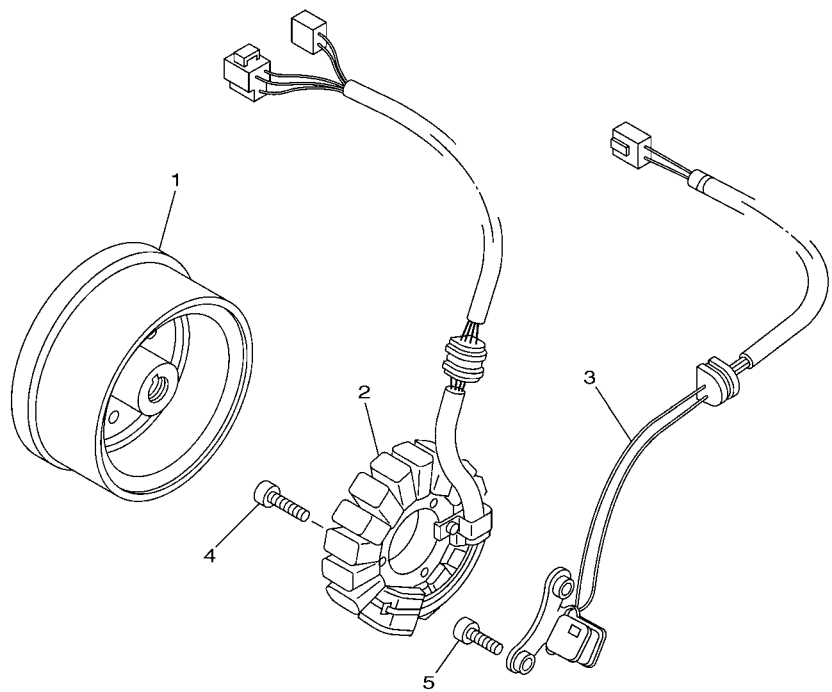






**FIG. 33 GENERATOR**

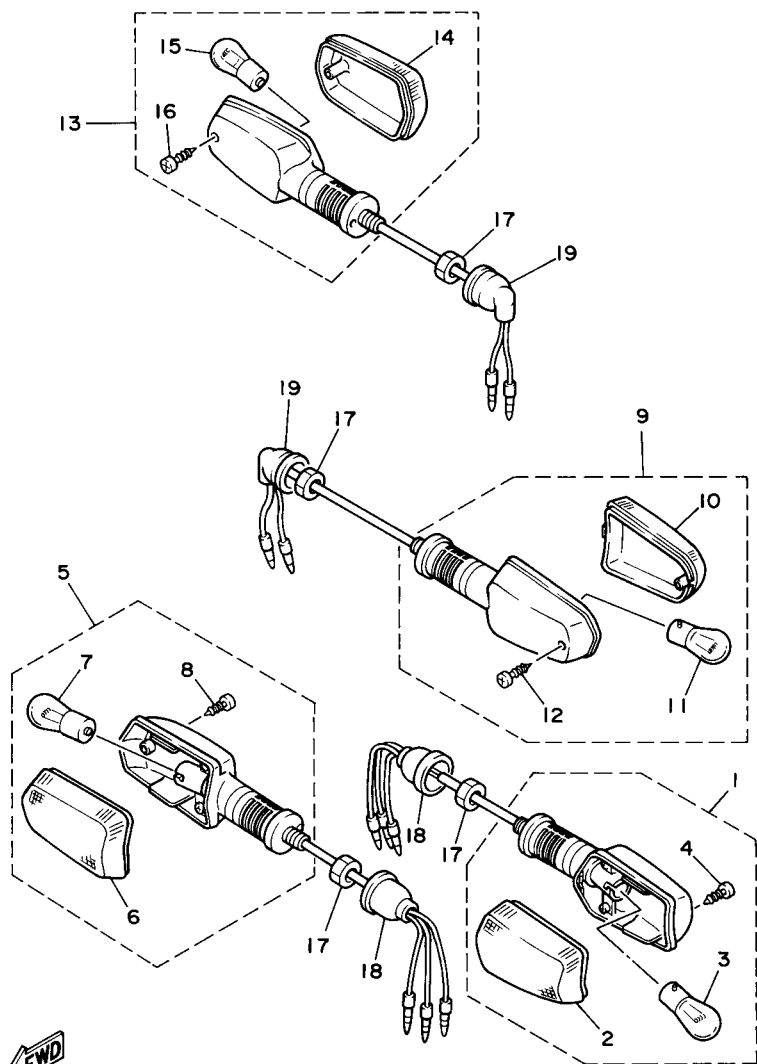
REF. NO.	PART NO.	DESCRIPTION	1005	1006	1007	1008	REMARKS
1	5BT-85550-01	ROTOR ASSY	1	1	1	1	
2	4WP-85510-10	STATOR ASSY	1	1	1	1	
3	4JG-85580-01	COIL, PULSER	1	1	1	1	
4	91317-06025	BOLT	3	3	3	3	
5	91317-06020	BOLT	2	2	2	2	
-----							
-----							
-----							
-----							
-----							
-----							
-----							
-----							
-----							
-----							



  
5EK5300-1330

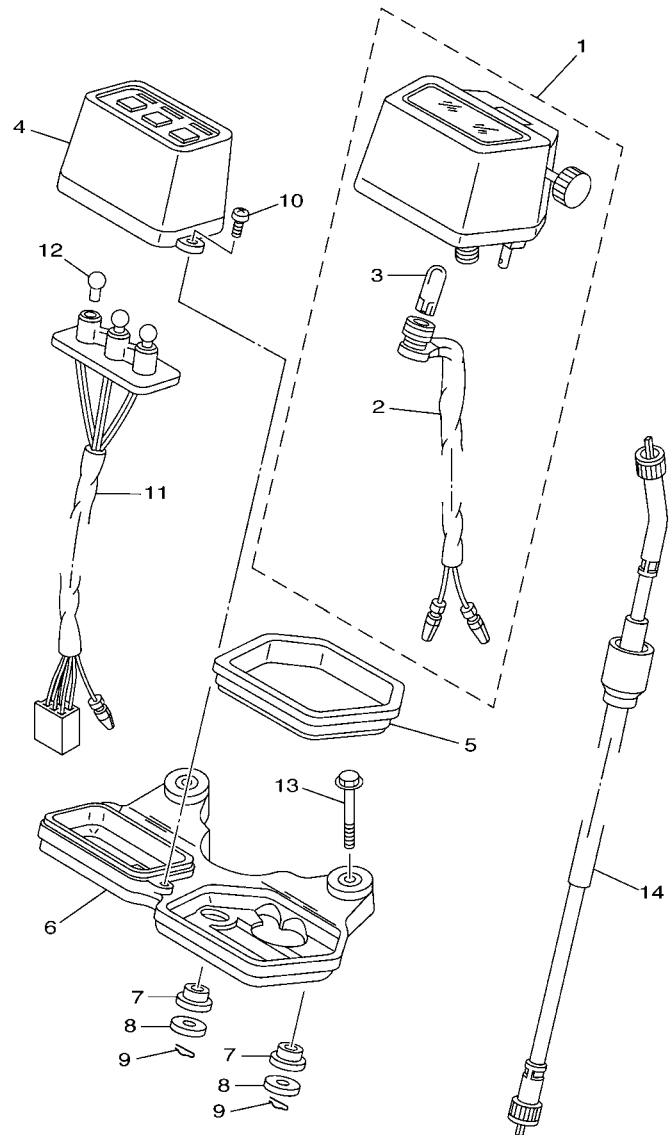


FIG. 35 FLASHER LIGHT



2YGI10-8330

REF. NO.	PART NO.	DESCRIPTION	1005	1006	1007	1008	REMARKS
1	1UF-83310-00	FRONT FLASHER LIGHT ASSY 1	1	1	1	1	
2	51L-83332-01	.LENS, FLASHER	1	1	1	1	
3	256-84714-61	.BULB (12V-27/8W)	1	1	1	1	
4	97707-40620	.SCREW, TAPPING	1	1	1	1	
5	1UF-83320-00	FRONT FLASHER LIGHT ASSY 2	1	1	1	1	
6	51L-83342-01	.LENS, FLASHER 2	1	1	1	1	
7	256-84714-61	.BULB (12V-27/8W)	1	1	1	1	
8	97707-40620	.SCREW, TAPPING	1	1	1	1	
9	1UF-83330-00	REAR FLASHER LIGHT ASSY 1	1	1	1	1	
10	51L-83342-00	.LENS, FLASHER 2	1	1	1	1	
11	256-83311-70	.BULB (12V-27W)	1	1	1	1	
12	97706-40620	.SCREW, TAPPING	1	1	1	1	
13	1UF-83340-00	REAR FLASHER LIGHT ASSY 2	1	1	1	1	
14	51L-83332-00	.LENS, FLASHER	1	1	1	1	
15	256-83311-70	.BULB (12V-27W)	1	1	1	1	
16	97706-40620	.SCREW, TAPPING	1	1	1	1	
17	95307-12700	NUT	4	4	4	4	
18	10V-83365-00	CAP	2	2	2	2	
19	18G-83365-00	CAP	2	2	2	2	

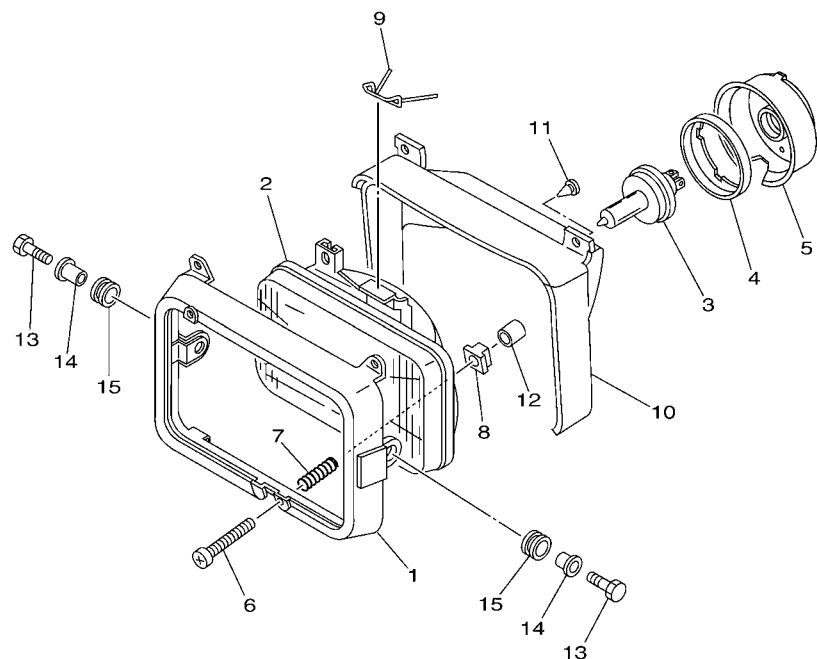


5FY8100-1360

FIG. 36 METER

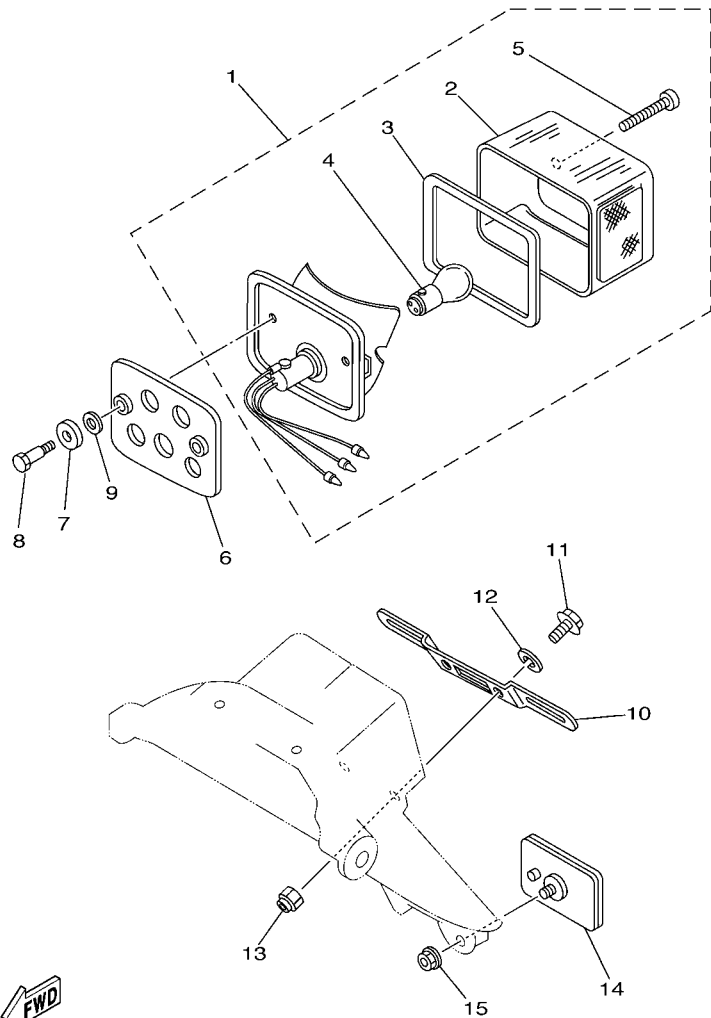
REF. NO.	PART NO.	DESCRIPTION	1005	1006	1007	1008	REMARKS
1	4CS-83510-00	SPEEDOMETER ASSY				1	
2	2JX-83536-A0	.SOCKET, METER	1	1	1	1	
3	4R0-83517-00	.BULB (12V-3.4W T10)	1	1	1	1	
4	5EK-83568-00	PILOT BOX, UPPER	1	1	1	1	
5	5Y1-83513-00	DAMPER	1	1	1	1	
6	15A-83519-00	BRACKET, METER	1	1	1	1	
7	1M1-83526-00	DAMPER 2	2	2	2	2	
8	90201-05033	WASHER, PLATE	2	2	2	2	
9	437-83525-00	CLIP	2	2	2	2	
10	90164-04008	SCREW, TAPPING	2	2	2	2	
11	15A-83509-00	SOCKET CORD ASSY	1	1	1	1	
12	123-83516-21	BULB (12V-3.4W)	3	3	3	3	
13	95807-06040	BOLT, FLANGE	2	2	2	2	
14	5LB-83550-00	SPEEDOMETER CABLE ASSY	1	1	1	1	

FIG. 37 HEADLIGHT



REF. NO.	PART NO.	DESCRIPTION	1005	1006	1007	1008	REMARKS
1	47J-84115-00	RIM, HEADLIGHT	1	1	1	1	
2	5FY-84320-00	LENS ASSY	1	1	1	1	
3	2F9-84314-00	BULB (12V-60/55W)	1	1	1	1	LM (H4)HALOGEN
4	2F9-84375-00	SETTING PLATE, BULB	1	1	1	1	
5	2F9-84397-01	COVER, SOCKET	1	1	1	1	
6	43F-84131-00	SCREW, RIM ADJUSTER	2	2	2	2	
7	5G2-84332-60	SPRING, SCREW	2	2	2	2	
8	198-84334-60	NUT, ADJUSTING	2	2	2	2	
9	5G2-84324-A0	SPRING, REFLECTOR	1	1	1	1	
10	30X-84196-00	COVER, SOCKET	1	1	1	1	
11	10V-84198-00	CLIP, COVER FITTING	2	2	2	2	
12	2RR-84178-00	PLUG	1	1	1	1	
13	97007-06025	BOLT	2	2	2	2	
14	90387-063E6	COLLAR	2	2	2	2	
15	90480-14023	GROMMET	2	2	2	2	

  
5FY8100-1371

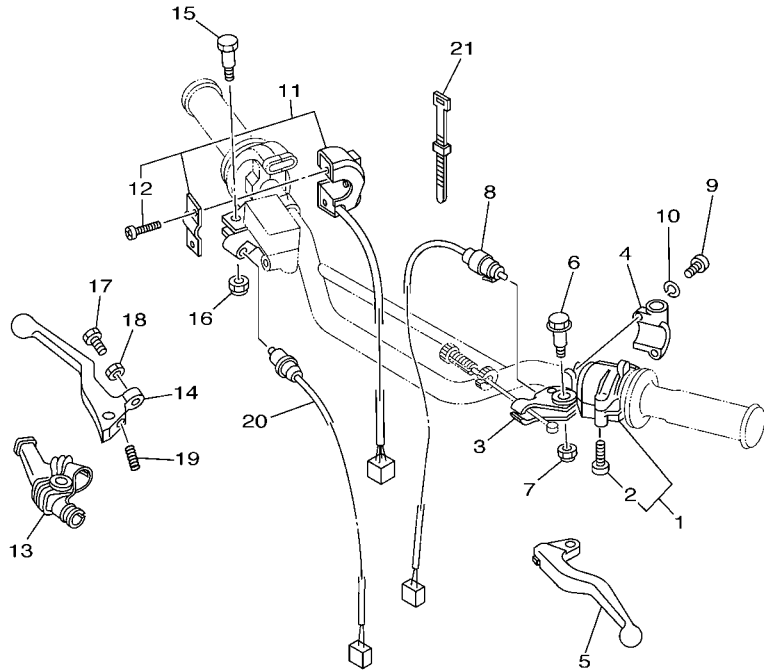


5FYG100-B390

FIG. 38 TAILLIGHT

REF. NO.	PART NO.	DESCRIPTION	1005	1006	1007	1008	REMARKS
1	1W9-84710-61	TAILLIGHT UNIT ASSY	1	1	1	1	
2	1M1-84521-60	.LENS, TAILLIGHT	1	1	1	1	
3	1M1-84523-60	.GASKET, LENS	1	1	1	1	
4	256-84714-61	.BULB (12V-27/8W)	1	1	1	1	
5	1M1-84524-60	.SCREW, LENS FITTING	2	2	2	2	
6	4L0-84753-00	DAMPER	1	1	1	1	
7	90209-08125	WASHER	2	2	2	2	
8	90109-06005	BOLT	2	2	2	2	
9	90201-083A0	WASHER, PLATE	2	2	2	2	
10	36A-84551-00	BRACKET, LICENCE	1	1	1	1	
11	95807-06016	BOLT, FLANGE	2	2	2	2	
12	90201-06557	WASHER, PLATE	2	2	2	2	
13	95607-06100	NUT, U	2	2	2	2	
14	3G1-85130-01	REAR REFLECTOR ASSY	1	1	1	1	
15	95707-05500	NUT, FLANGE	1	1	1	1	

**FIG. 39 HANDLE SWITCH & LEVER**



REF. NO.	PART NO.	DESCRIPTION	1005	1006	1007	1008	REMARKS
1	4CS-83973-00	SWITCH, HANDLE 3	1	1	1	1	
2	98507-05030	.SCREW, PAN HEAD	2	2	2	2	
3	1LN-82911-00	HOLDER, LEVER 1	1	1	1	1	
4	33G-82913-01	HOLDER, LEVER LOWER 1	1	1	1	1	
5	4GY-83912-00	LEVER 1	1	1	1	1	
6	90109-06799	BOLT	1	1	1	1	
7	95607-06100	NUT, U	1	1	1	1	
8	4GY-82917-01	SWITCH	1	1	1	1	
9	98507-05020	SCREW, PAN HEAD	2	2	2	2	
10	92907-05100	WASHER, SPRING	2	2	2	2	
11	5LB-83975-01	SWITCH, HANDLE 2	1	1	1	1	
12	98507-05018	.SCREW, PAN HEAD	2	2	2	2	
13	1T5-26372-00	COVER, HANDLE LEVER 1	1	1	1	1	
14	55Y-83922-00	LEVER 2	1	1	1	1	
15	90109-06577	BOLT	1	1	1	1	
16	95607-06100	NUT, U	1	1	1	1	
17	90149-06131	SCREW	1	1	1	1	
18	90170-06010	NUT	1	1	1	1	
19	90501-10312	SPRING, COMPRESSION	1	1	1	1	
20	3DM-83980-00	FRONT STOP SWITCH ASSY	1	1	1	1	
21	437-83936-01	BAND, SWITCH CORD	4	4	4	4	



5LB1010-0500

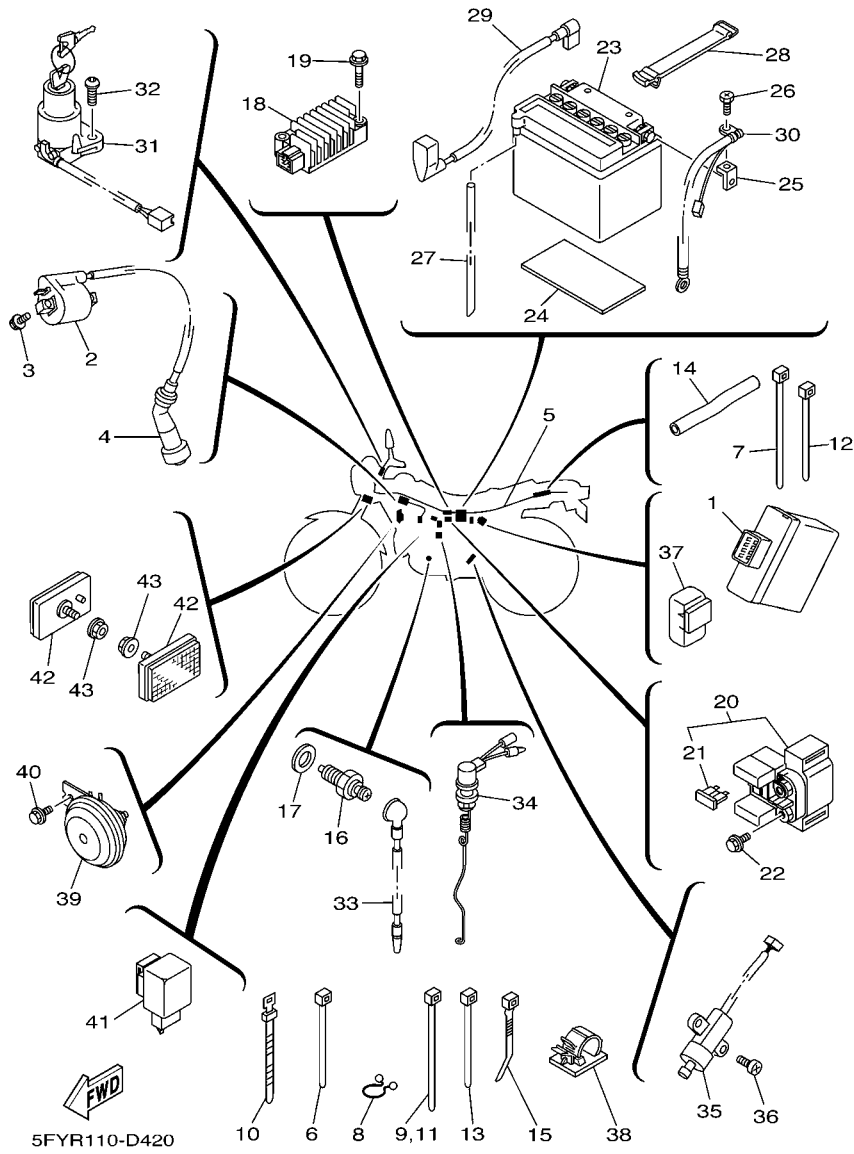
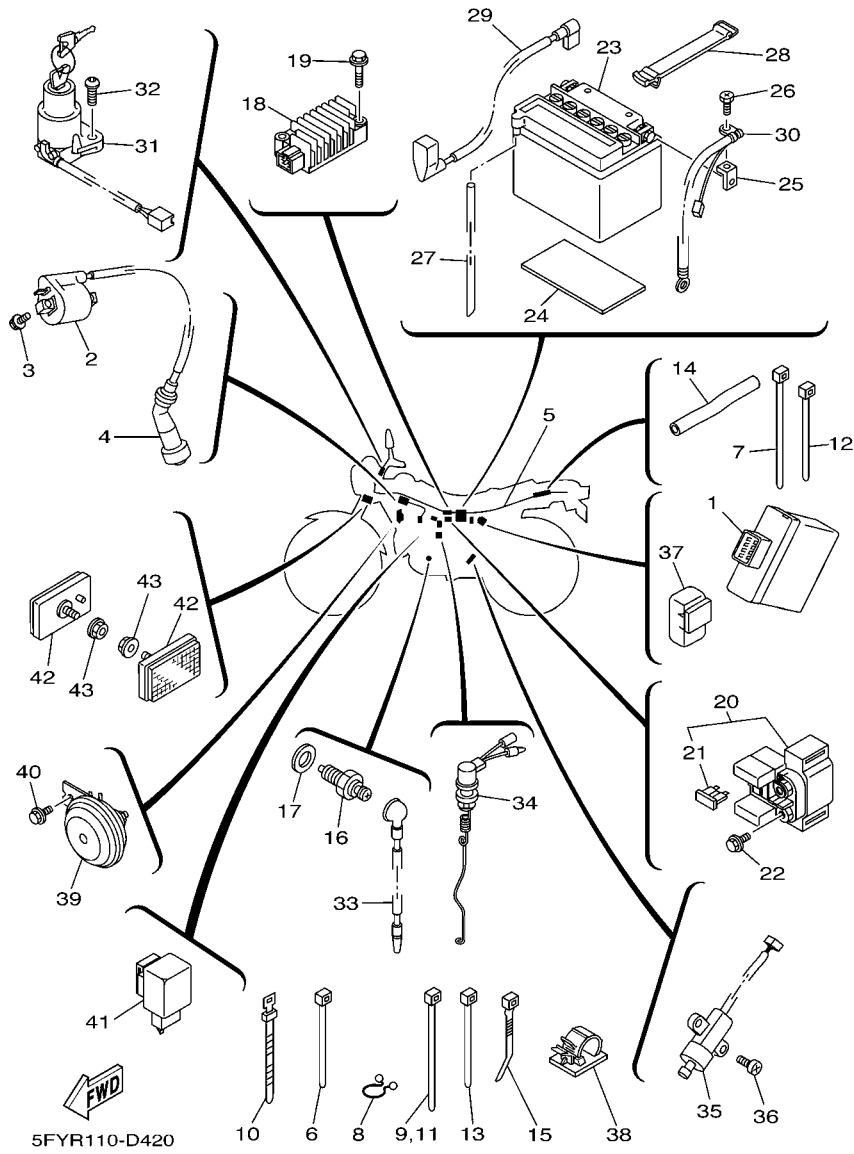


FIG. 40 ELECTRICAL 1

REF. NO.	PART NO.	DESCRIPTION	1005	1006	1007	1008	REMARKS
1	5LB-85540-00	C.D.I. UNIT ASSY	1	1	1	1	
2	3RW-82310-10	IGNITION COIL ASSY	1	1	1	1	
3	95027-06016	BOLT, FLANGE	2	2	2	2	
4	1UY-82370-20	PLUG CAP ASSY	1	1	1	1	
5	5FY-82590-10	WIRE HARNESS ASSY	1	1	1	1	
6	5Y9-12491-00	CLAMP 1	1	1	1	1	
7	1UA-82591-00	BAND	1	1	1	1	
8	341-82594-00	CLAMP	1	1	1	1	
9	1UA-82591-00	BAND	1	1	1	1	
10	25G-83936-01	BAND, SWITCH CORD	2	2	2	2	
11	1UA-82591-00	BAND	2	2	2	2	
12	5Y9-12491-00	CLAMP 1	1	1	1	1	
13	5Y9-12491-00	CLAMP 1	2	2	2	2	
14	90446-15377	HOSE	2	2	2	2	
15	90465-10098	CLAMP	3	3	3	3	
16	4GY-82540-10	NEUTRAL SWITCH ASSY	1	1	1	1	
17	90430-10148	GASKET	1	1	1	1	
18	3TJ-81960-02	RECTIFIER & REGULATOR ASSY	1	1	1	1	
19	95027-06025	BOLT, FLANGE	2	2	2	2	
20	5EK-81940-02	STARTER RELAY ASSY	1	1	1	1	
21	2GH-82151-00	FUSE (20A-BL)	2	2	2	2	
22	95027-06008	BOLT, FLANGE	2	2	2	2	
23	1JE-82110-61	BATTERY ASSY (GS GM7CZ-3D)	1	1	1	1	
24	51Y-82122-00	SEAT, BATTERY	1	1	1	1	
25	5LB-8215C-00	TERMINAL	2	2	2	2	
26	90153-06001	SCREW, HEXAGON	2	2	2	2	
27	90445-082F3	HOSE (L540)	1	1	1	1	



**FIG. 40 ELECTRICAL 1**

REF. NO.	PART NO.	DESCRIPTION	1005	1006	1007	1008	REMARKS
28	18G-82131-00	BAND, BATTERY	1	1	1	1	
29	5LB-82115-00	WIRE, PLUS LEAD	1	1	1	1	
30	5EK-82116-02	WIRE, MINUS LEAD	1	1	1	1	
31	5LB-82501-01	MAIN SWITCH STEERING LOCK	1	1	1	1	
32	90149-06228	SCREW	2	2	2	2	
33	5VC-82541-00	WIRE, LEAD	1	1	1	1	
34	5VC-82530-00	STOP SWITCH ASSY	1	1	1	1	
35	3LD-82566-60	SWITCH, SIDE STAND	1	1	1	1	
36	90157-05008	SCREW, PAN HEAD	2	2	2	2	
37	29U-81950-93	RELAY ASSY	1	1	1	1	
38	90464-13004	CLAMP	1	1	1	1	
39	5LB-83371-11	HORN	1	1	1	1	
40	95807-06012	BOLT, FLANGE	1	1	1	1	
41	4MY-83350-01	FLASHER RELAY ASSY	1	1	1	1	
42	20G-85110-00	REFLECTOR ASSY	2	2	2	2	
43	95707-05500	NUT, FLANGE	2	2	2	2	

NUMERICAL INDEX

PART NO.	GRID NO.	PART NO.	GRID NO.	PART NO.	GRID NO.	PART NO.	GRID NO.	PART NO.	GRID NO.	PART NO.	GRID NO.
15A-11110-04	B - 2	5Y9-12491-00	E - 10	2JL-14437-00	B - 9	2JX-16356-00	C - 3	2JX-21651-10	C - 11	509-23158-L0	D - 3
5H0-1111F-00	B - 2	5H0-13300-02	B - 8	34X-1443E-00	B - 9	5H0-16357-00	C - 3	10D-21660-00	C - 11	2JX-23170-00	D - 3
5H0-11133-11	B - 2	5H0-13326-01	B - 8	2JX-14451-00	B - 9	1W1-16358-01	C - 3	3XT-21668-A0	C - 11	3R6-23173-L0	D - 3
15A-11161-01	B - 2	4BE-13329-01	B - 8	2JX-14452-00	B - 9	2JX-16371-00	C - 3	3XT-21668-B0	C - 11	5FY-23174-00	D - 2
15A-11162-00	B - 2	51Y-13411-00	B - 8	5LB-14453-10	B - 9	15A-16380-00	C - 3	2JX-21669-00	C - 11	278-23181-50	D - 3
5H0-11162-00	B - 2	5H0-13440-09	B - 8	5U8-14457-00	B - 9	15A-17121-00	C - 5	2JX-21685-00	C - 11	4CS-23191-20	D - 4
3Y1-11166-00	B - 13	15A-13447-00	B - 8	2JX-14458-00	B - 9	5H0-17121-01	C - 5	4YN-21686-00	C - 13	2K5-23192-00	D - 4
371-11167-01	B - 13	5LB-13584-00	B - 9	5LB-14589-00	B - 10	15A-17141-00	C - 5	5VC-21691-00	C - 11	1W4-23194-L0	D - 4
1NU-11181-00	B - 2	5LB-13586-02	B - 9	5LB-14592-00	B - 11	15A-17151-01	C - 5	3AW-21711-20-0X	C - 13	34X-23317-00	D - 2
15A-11185-00	B - 2	5LB-14105-00	B - 10	2JX-14611-02	B - 12	15A-17211-01	C - 5	3AW-21721-20-0X	C - 13	5LB-23340-01	D - 4
15A-11186-00	B - 2	2JX-14148-01	B - 11	5H0-14612-01	B - 12	15A-17221-00	C - 5	10D-2173E-00	C - 13	5RS-23346-00	D - 4
15A-11187-00	B - 2	2JX-14193-00	B - 11	4BE-14613-00	B - 12	15A-17231-00	C - 5	10D-2173F-00	C - 13	156-23411-00	D - 4
47J-11310-00	B - 3	5FY-14196-00	B - 11	5LB-14628-00	B - 12	15A-17241-00	C - 5	5EK-2175T-00	C - 13	22F-23411-01	D - 2
5VC-11351-01	B - 3	5LB-14196-00	B - 11	2JX-14711-10	B - 12	1EV-17251-00	C - 5	5EK-2175U-00	C - 13	156-23412-00	D - 2
5H0-11400-01	B - 4	5FY-14197-00	B - 11	2JL-14711-21	B - 12	2JX-17402-00	C - 5	5EK-2177A-00	C - 13	22F-23412-01	D - 2
5H0-11412-09	B - 4	5LB-14197-00	B - 11	3YF-14714-00	B - 12	15A-17411-01	C - 5	10D-2179N-10	C - 13	36X-23416-00	D - 2
5H0-11422-00	B - 4	5LB-14216-00	B - 10	2JX-17428-00	B - 12	2JX-17456-00	C - 5	10D-2179W-00	C - 13	156-2341E-00	D - 2
15A-11454-00	B - 4	5LB-14275-00	B - 10	1RH-14752-01	B - 12	2JX-17471-00	C - 6	2JX-22110-00-35	C - 14	22F-2341E-00	D - 2
5H0-11496-00	B - 4	5LB-14286-00	B - 10	5LB-14936-00	B - 10	1RL-18110-00	C - 8	2JX-22123-00	C - 14	2JX-23435-00-35	D - 2
5H0-11531-00	B - 4	5LB-14292-00	B - 11	1RL-15100-03	B - 13	132-18113-01	C - 8	2JX-22124-00	C - 14	1E6-23441-10-35	D - 2
5H0-11536-00	B - 4	5LB-14293-00	B - 10	55X-15167-00	B - 14	5H0-18120-02	C - 8	401-22127-00	C - 14	30X-23445-00	D - 2
15A-11603-00	B - 4	5FY-14301-00	B - 10	5H0-15351-00	B - 8	1RH-18140-00	C - 7	401-22128-01	C - 14	164-23462-00	D - 4
15A-11605-00	B - 4	5LB-14301-01	B - 10	3Y1-15361-00	B - 14	1RH-18185-00	C - 7	30X-22129-00	C - 15	3TB-23467-01	D - 13
15A-11607-00	B - 4	5FY-14301-10	B - 10	3Y1-15363-00	B - 14	4JG-18511-00	C - 7	2JX-22141-00	C - 14	5VX-2411B-00	D - 5
36X-11631-00-A0	B - 4	5LB-14321-00	B - 10	2JX-15377-00	B - 14	4JG-18512-01	C - 7	34X-22151-01	C - 14	2JX-24141-00	D - 6
15A-11633-00	B - 4	4JP-14323-00	B - 11	5EK-15410-00	B - 14	4JG-18513-00	C - 7	5BT-22199-00	C - 14	4BE-24170-00	D - 5
36X-11636-00	B - 4	4KN-1432A-00	B - 11	15A-15431-01	B - 14	3GX-18531-00	C - 7	5FY-22210-00-P0	C - 15	20K-24180-00	D - 6
36X-11638-00	B - 4	2JX-14333-00	B - 10	15A-15441-00	B - 3	3GX-18535-00	C - 7	5FY-22210-10-P0	C - 15	22W-24181-00	B - 12
15A-11651-00	B - 4	5FY-14336-00	B - 10	3AW-15451-03	B - 14	5N0-18540-00	C - 7	5FY-22210-20-P0	C - 15	4L0-24181-00	D - 5
5H0-11681-00	B - 4	5LB-14336-00	B - 10	4BE-15462-00	B - 14	136-18542-00	C - 7	1M1-22216-00	C - 15	30X-24182-01	D - 5
5H0-12111-02	B - 6	5LB-14341-00	B - 10	2HT-15512-00	B - 15	5FY-21110-61	C - 9	4AA-22259-40	C - 15	30X-24183-01	D - 5
11H-12113-00	B - 6	5LB-14341-10	B - 10	5H0-15517-00	B - 15	5FY-21110-71	C - 9	4AA-22259-70	C - 15	30X-24186-01	D - 5
11H-12114-00	B - 6	5LB-14342-65	B - 10	5H0-15521-00	B - 15	5GK-2118K-00	D - 6	4AA-22259-80	C - 15	30X-24187-00	D - 5
4G0-12116-01	B - 6	288-14343-63	B - 10	4H7-15580-10	B - 15	5GK-2118K-10	D - 6	34X-22311-00	C - 14	10D-24240-00	D - 5
4G0-12117-00	B - 6	288-14343-64	B - 10	1J7-15583-01	C - 2	2JX-21190-00-P1	C - 9	5FY-23102-20	D - 3	23F-24500-11	D - 5
4G0-12118-00	B - 6	288-14343-66	B - 10	54G-15620-00	B - 15	4R8-21308-01	C - 9	5FY-23103-20	D - 3	4X8-24512-00	D - 5
5H0-12119-00	B - 6	5LB-1434A-00	B - 10	54G-15621-00	B - 15	5VC-21315-00	C - 9	2JX-23110-00	D - 3	3AC-24523-00	D - 5
5H0-12121-01	B - 6	50M-14355-00	B - 10	36X-15641-00	B - 15	1RL-21316-00-P2	C - 9	2JN-23111-00	D - 3	3AJ-24534-01	D - 5
5H0-12146-00	B - 6	5LB-14357-00	B - 10	15A-15651-01	B - 15	2JX-21316-01-P1	C - 9	3J2-23114-00	D - 3	214-24535-00	B - 10
36X-12151-00	B - 6	5LB-14368-00	B - 10	15A-15660-01	B - 15	1RL-21337-00	C - 9	22U-23118-01	D - 3	51K-24602-01	D - 5
5H0-12156-00	B - 6	5FY-14371-00	B - 10	15A-15666-00	B - 15	1RL-21471-00-35	C - 9	51Y-23125-00	D - 3	11H-24602-03	D - 5
2NX-12159-00	B - 6	5LB-14384-00	B - 11	401-15676-00	B - 15	34L-21485-00	C - 9	5RS-23126-10	D - 3	18A-24723-00	D - 7
36X-12171-00	B - 7	5LB-14385-00	B - 11	5H0-16111-00	C - 3	2YG-21511-00	C - 11	5RS-23136-10	D - 3	2JX-24731-C0	D - 7
1KH-12176-00	B - 7	5LB-14386-00	B - 11	15A-16150-00	C - 3	2JX-21512-00	C - 11	2JX-23141-00	D - 3	2JX-24734-B0	D - 7
3GC-12210-10	B - 7	5LB-14390-00	B - 11	5H0-16154-00	C - 3	5PA-21568-00	D - 6	54G-23144-00	D - 3	1L9-24741-A0	D - 7
4FM-12213-00	B - 7	2JX-14411-02	B - 9	537-16321-00	C - 3	3AW-21611-20	C - 11	22W-23145-L0	D - 3	5VC-24770-10	D - 7
5H0-12231-00	B - 7	2JX-14412-00	B - 9	137-16324-00	C - 3	4G0-21639-00	C - 11	3DM-23149-10	D - 3	3MX-24875-A0	C - 11
5N0-12241-00	B - 7	2JX-14422-00	B - 9	5H0-16351-00	C - 3	2JX-21641-00	C - 11	22W-23153-L0	D - 3	3MX-24875-B0	C - 11

NUMERICAL INDEX

PART NO.	GRID NO.	PART NO.	GRID NO.	PART NO.	GRID NO.	PART NO.	GRID NO.	PART NO.	GRID NO.	PART NO.	GRID NO.
3TB-24877-A0	C - 11	1E6-26342-00	D - 12	3LD-82566-60	E - 11	5G2-84332-60	E - 7	90119-06056	B - 9	90201-100E9	C - 15
3TB-24877-B0	C - 11	1E6-26372-00	D - 12	5FY-82590-10	E - 10	198-84334-60	E - 7		C - 11	90201-10118	D - 13
5EK-25111-00	D - 8	1T5-26372-00	E - 9	1UA-82591-00	D - 13	2F9-84375-00	E - 7		C - 13	90201-10508	B - 5
152-25115-00	D - 10	128-27114-00	C - 9		E - 10	2F9-84397-01	E - 7	90119-06063	B - 9	90201-10591	B - 7
322-25118-00	D - 8	4N0-27114-00	C - 9	341-82594-00	E - 10	1M1-84521-60	E - 8		C - 11	90201-120E8	C - 14
5V7-2511E-00-35	D - 10	2JX-27211-00-90	D - 14	1LN-82911-00	E - 9	1M1-84523-60	E - 8		D - 7	90201-12588	C - 8
2N3-25155-00	D - 10	2JX-27231-00	D - 14	33G-82913-01	E - 9	1M1-84524-60	E - 8	90123-08046	D - 12	90201-12749	C - 15
2JX-25181-10	D - 8	1M1-27244-00	D - 14	4GY-82917-01	E - 9	36A-84551-00	E - 8	90149-06011	D - 5	90201-14740	D - 8
54G-25185-00	D - 10	2JX-27311-02	D - 14	1UF-83310-00	E - 5	1W9-84710-61	E - 8	90149-06131	E - 9	90201-164H4	D - 11
50W-25188-00	C - 15	5RS-27315-00	D - 14	256-83311-70	E - 5	256-84714-61	E - 5	90149-06228	E - 11	90201-17257	C - 5
5EK-25190-00	D - 8	2JX-27410-00-90	D - 14	1UF-83320-00	E - 5		E - 8	90149-08067	C - 3	90201-173F4	B - 15
4TP-25304-10	D - 8	15A-27420-02-90	D - 14	1UF-83330-00	E - 5	4L0-84753-00	E - 8	90151-06013	C - 7	90201-175F6	B - 15
2JX-25304-21	D - 10	120-27431-00	D - 15	51L-83332-00	E - 5	20G-85110-00	E - 11	90151-06018	C - 9	90201-201E4	B - 4
2JX-25311-00	D - 10	5RS-27432-01	D - 15	51L-83332-01	E - 5	49R-85112-00	D - 4	90152-06010	B - 15	90201-20279	D - 15
2JX-25321-02-35	D - 10	120-27433-00	D - 15	1UF-83340-00	E - 5	3G1-85130-01	E - 8	90153-06001	E - 10	90201-220J8	C - 5
2JX-25336-00	D - 10	2JX-27437-00	D - 15	51L-83342-00	E - 5	4WP-85510-10	E - 3	90153-06029	B - 2	90201-25290	B - 15
2JX-2533A-00	D - 10	2JX-27442-11	D - 15	51L-83342-01	E - 5	5LB-85540-00	E - 10	90154-05004	C - 11	90202-05191	B - 12
3Y6-25351-00	D - 10	3MA-27491-00	C - 10	4MY-83350-01	E - 11	5BT-85550-01	E - 3	90154-05005	B - 9	90202-05193	D - 5
36R-25367-00	D - 11		C - 14	10V-83365-00	E - 5	4JG-85580-01	E - 3	90154-05013	C - 13	90206-06090	B - 12
2JX-25381-10	D - 11	5VC-28100-00	C - 10	18G-83365-00	E - 5	5CG-W0041-00	D - 13	90157-05008	E - 11	90209-06187	C - 14
3Y1-25388-01	D - 11	3JL-28177-A0	C - 13	5LB-83371-11	E - 11	5LB-W0045-01	D - 9	90159-05011	C - 3	90209-08125	E - 8
3Y1-25389-00	D - 11	3JL-28177-B0	C - 13	15A-83509-00	E - 6	4JG-W0047-00	D - 9	90159-05028	C - 11	90209-16209	C - 5
3HT-25398-00	D - 11	3AW-28351-20	E - 2	4CS-83510-00	E - 6	51L-W0048-00	D - 9	90159-06060	E - 2	90209-17226	B - 15
15A-25450-20	D - 10	10D-28390-00	E - 2	2JX-83510-B0	E - 6	4JG-W0057-00	D - 9	90164-04008	E - 6	90209-18208	C - 5
5LB-2580T-01	D - 9	3JJ-28446-A1	C - 12	5Y1-83513-00	E - 6	4KN-W253E-11	D - 10	90170-06010	E - 9	90214-17028	B - 15
5XT-2582T-00	D - 9	3JJ-28446-B1	C - 12	123-83516-21	E - 6	5RS-Y2410-10-X5	D - 5	90170-06128	B - 6	90214-20023	B - 4
4GY-25852-01	D - 13	50M-81801-M0	E - 4	4R0-83517-00	E - 6	5RS-Y2410-30-07	D - 5	90170-14284	B - 5	90215-06184	B - 2
5RB-25854-00	D - 13	59V-81828-M0	E - 4	15A-83519-00	E - 6	90101-06278	D - 10		C - 3	90215-08160	D - 10
3RW-25867-00	D - 13	4JG-8183G-00	E - 4	437-83525-00	E - 6	90101-10188	B - 5	90175-06013	D - 14	90215-14186	C - 3
5RS-25870-01	D - 13	2JX-81890-00	E - 4	1M1-83526-00	E - 6	90101-10303	B - 7	90179-08148	D - 12	90215-14205	B - 5
5RS-25872-00	D - 13	5EK-81940-02	E - 10	2JX-83536-A0	E - 6	90105-06014	B - 14	90179-08410	D - 10		C - 3
34X-25876-00	D - 13	29U-81950-93	E - 11	5LB-83550-00	E - 6	90105-06017	B - 14	90179-25033	D - 2	90240-06076	D - 14
5RS-25886-00	D - 13	3TJ-81960-02	E - 10	5EK-83568-00	E - 6	90105-065A1	B - 8	90185-08055	C - 9	90240-07083	B - 4
36Y-2589H-00	D - 13	1JE-82110-61	E - 10	4GY-83912-00	E - 9	90105-08066	C - 9	90185-08089	C - 9	90240-12075	C - 15
5JW-25914-10	D - 9	5LB-82115-00	E - 11	55Y-83922-00	E - 9	90105-08195	B - 2		D - 10	90249-12008	D - 14
4TT-25919-00	D - 9	5EK-82116-02	E - 11	25G-83936-01	E - 10	90105-10638	D - 9	90185-10037	D - 14	90267-40075	C - 13
4TT-25937-00	D - 9	51Y-82122-00	E - 10	437-83936-01	E - 9	90105-14102	D - 2	90185-12134	C - 14	90280-05013	B - 5
5LB-26111-00	D - 12	116-82131-00	C - 13	4CS-83973-00	E - 9	90109-06005	E - 8	90185-16127	D - 11	90282-05013	B - 5
1LX-26241-01	D - 12	18G-82131-00	E - 11	5LB-83975-01	E - 9	90109-06419	B - 8	90201-04018	C - 13	90282-05043	C - 3
1LX-26242-01	D - 12	3TJ-82131-00	C - 10	3DM-83980-00	E - 9	90109-06577	E - 9	90201-05015	B - 12	90338-08007	B - 9
5BE-26243-00	D - 12	2GH-82151-00	E - 10	47J-84115-00	E - 7	90109-065G4	D - 9	90201-05033	E - 6	90338-12081	C - 10
3Y1-26249-00	D - 12	5LB-8215C-00	E - 10	43F-84131-00	E - 7	90109-06799	E - 9	90201-06057	D - 7	90338-12192	C - 11
3LN-26281-01	D - 12	3RW-82310-10	E - 10	2RR-84178-00	E - 7	90109-08618	D - 10	90201-06557	E - 8	90338-18014	B - 15
3LN-26282-01	D - 12	1UY-82370-20	E - 10	30X-84196-00	E - 7	90109-100E2	C - 15	90201-08326	B - 12	90340-14117	B - 14
3Y1-26290-00	D - 12	5LB-82501-01	E - 11	10V-84198-00	E - 7	90109-10473	D - 14	90201-08366	C - 9	90340-32080	B - 14
3Y1-26290-10	D - 12	5VC-82530-00	E - 11	2F9-84314-00	E - 7	90111-10004	D - 14	90201-083A0	E - 8	90380-12051	C - 15
5LB-26302-02	D - 12	4GY-82540-10	E - 10	5FY-84320-00	E - 7	90119-05059	C - 14	90201-08609	B - 2	90380-18139	C - 14
5EK-26335-00	D - 12	5VC-82541-00	E - 11	5G2-84324-A0	E - 7	90119-05062	C - 14	90201-086P8	D - 11	90386-14103	C - 3

NUMERICAL INDEX

PART NO.	GRID NO.	PART NO.	GRID NO.	PART NO.	GRID NO.	PART NO.	GRID NO.	PART NO.	GRID NO.	PART NO.	GRID NO.
90386-18146	C - 14	90480-12299	C - 9	92907-06200	C - 3	93450-17044	B - 4	95607-14100	D - 8	98907-06010	B - 12
90387-063E6	E - 7	90480-13197	C - 13		D - 14	93505-16006	C - 3	95617-10100	C - 15	99001-10600	C - 8
90387-063G3	D - 5	90480-14023	E - 7	92907-06600	B - 7	93507-32009	B - 15	95707-05500	E - 8	99009-17400	B - 15
90387-06681	C - 11	90480-15342	D - 5		B - 12	93602-13177	B - 4		E - 11		C - 5
90387-06737	C - 14	90501-04596	C - 2		C - 9	93603-12030	B - 8	95807-06012	D - 2	99244-00080	C - 11
90387-125F1	B - 13	90501-07629	B - 4		D - 5	93604-10011	B - 7		D - 13	99244-00100	E - 2
90387-125Y0	B - 15	90501-10245	D - 14		D - 13	93604-16092	C - 7		E - 11	99530-12016	B - 13
90387-15600	D - 8	90501-10312	E - 9	92907-08600	B - 12	93604-20156	C - 7	95807-06016	E - 8		B - 14
90387-171T1	D - 10	90501-12081	B - 15	93101-15101	C - 5	93605-10090	B - 4	95807-06020	C - 11	99530-14016	B - 2
90387-171T2	D - 11	90501-18576	B - 8	93102-12106	C - 8	93608-50158	C - 8		C - 14		B - 3
90387-255F3	B - 7	90501-21133	B - 4	93102-14209	C - 3	93615-12088	C - 2	95807-06040	E - 6		
90401-10159	D - 13	90501-23700	C - 3	93102-17187	C - 6	93700-06009	C - 14	95807-08012	B - 11		
90430-06014	B - 2	90506-08227	C - 8	93102-17263	B - 15	93823-14149	C - 5	95817-08016	B - 12		
	B - 13	90506-15260	D - 10	93102-20281	D - 8	94113-184R7	D - 8	95817-08050	C - 9		
90430-08119	C - 3	90506-18289	D - 14	93102-22389	C - 5	94118-145U1	D - 10	95817-08065	C - 9		
90430-10148	E - 10	90506-29360	D - 14	93102-25311	D - 10	94213-18232	D - 8	95817-08120	C - 9		
90430-14131	B - 2	90508-18537	C - 3	93109-18020	C - 14	94218-14251	D - 10	95824-08035	D - 2		
90445-057G5	D - 13	90508-20023	D - 14	93210-07135	B - 8	94318-14149	D - 10	95827-06012	C - 10		
90445-082F3	E - 10	90508-26538	B - 15	93210-09165	B - 6	94340-18086	D - 8	95827-12025	D - 14		
90445-10007	D - 5	90508-26539	C - 7	93210-10166	D - 6	94425-18002	D - 8	97007-05010	C - 5		
90445-10017	D - 6	90508-29540	C - 8	93210-13361	B - 3	94445-14605	D - 10	97007-06012	B - 2		
90445-10041	D - 5	90560-15312	D - 8	93210-14369	B - 14	94580-41104	B - 7		D - 5		
90445-10045	D - 6	90560-17305	D - 10	93210-19123	B - 14	94580-88122	D - 11	97007-06016	C - 9		
90445-11M27	D - 6	90560-17368	C - 6	93210-25711	E - 4	94680-88001	D - 11	97007-06020	D - 14		
90446-15377	E - 10	91317-06010	B - 14	93210-32172	B - 14	94701-00222	B - 2	97007-06025	D - 5		
90450-44062	B - 9		D - 13	93210-347A1	B - 8	94701-00333	B - 2		D - 13		
90460-51059	B - 9	91317-06018	B - 2	93210-35537	B - 9	95024-06014	C - 11		E - 7		
90462-08224	B - 13	91317-06020	B - 9	93210-48364	C - 3	95024-08050	D - 2	97017-06020	D - 7		
90462-08225	B - 13		B - 12	93210-54175	B - 8	95027-06008	E - 10	97027-06016	B - 7		
	B - 14		E - 3	93210-55669	E - 4	95027-06016	E - 10	97027-06020	C - 8		
90464-06214	D - 12	91317-06025	B - 7	93210-57634	B - 2	95027-06020	B - 2	97027-08030	B - 15		
90464-13004	E - 11		E - 3	93210-72529	B - 3	95027-06025	B - 8	97706-40620	E - 5		
90464-13073	D - 6	91317-06030	B - 3	93211-05471	B - 2		B - 14	97707-40620	E - 5		
90465-08020	B - 13	91317-08016	B - 12	93306-20201	C - 5		E - 10	97707-50520	B - 9		
90465-08127	B - 13	91317-08020	C - 2	93306-20203	D - 8	95027-06030	B - 13	97801-05010	B - 10		
90465-08364	B - 14	91317-08025	B - 12	93306-20313	C - 6	95027-06035	B - 14	98507-03008	D - 5		
90465-10098	E - 10	91317-08045	B - 2	93306-20332	C - 5	95027-06040	B - 13	98507-04018	D - 13		
90465-16187	B - 14	91401-20012	D - 14	93306-20348	D - 10	95027-06045	B - 14	98507-05008	E - 4		
90467-09006	D - 5	91401-25015	D - 14	93306-20401	C - 5	95027-06085	B - 13	98507-05018	D - 2		
90467-10008	D - 6	91401-30025	C - 15	93306-20580	C - 5	95027-06090	B - 13		E - 9		
90467-10041	B - 9	91701-06032	D - 15	93306-30427	B - 4	95307-05600	D - 2	98507-05020	D - 12		
90467-11106	B - 9	91701-08038	D - 14	93306-30611	B - 4	95307-06600	C - 3		E - 9		
	D - 6	92017-08016	D - 15	93310-530J3	B - 4		D - 10	98507-05025	D - 12		
90467-14015	B - 13	92907-04600	D - 13	93315-23607	C - 7	95307-06700	D - 14	98507-05030	E - 9		
90468-26122	B - 15	92907-05100	E - 4	93410-20038	C - 5	95307-12700	E - 5	98507-06010	B - 12		
90480-01141	C - 13		E - 9	93410-22039	C - 5	95607-05200	C - 11		C - 6		
90480-12053	C - 11	92907-05600	D - 2	93420-28055	C - 4	95607-06100	E - 8	98707-06030	B - 8		
	E - 2	92907-06100	D - 7	93440-10085	B - 2		E - 9	98901-04006	B - 11		