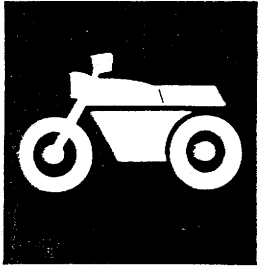


YAMAHA

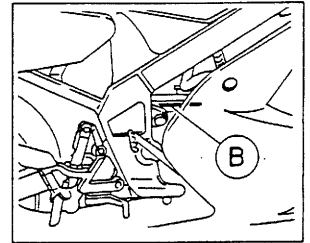
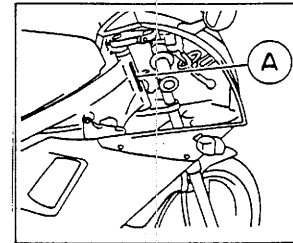


PARTS CATALOGUE

TZR50'93 (4JS1)

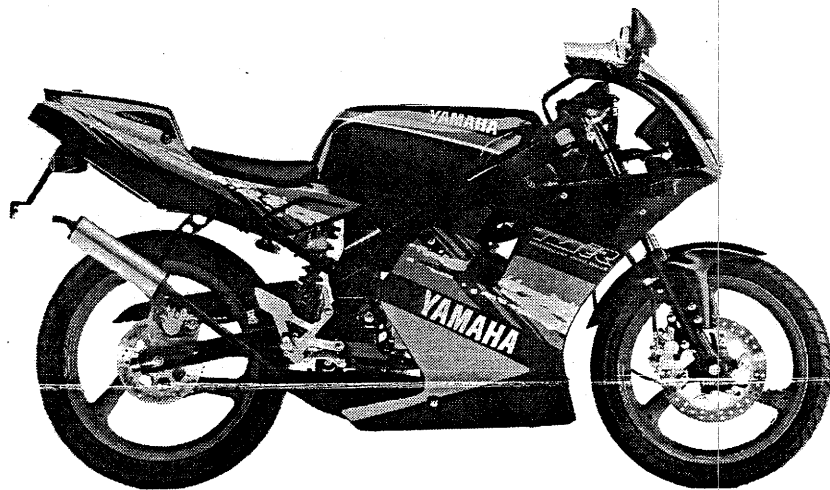
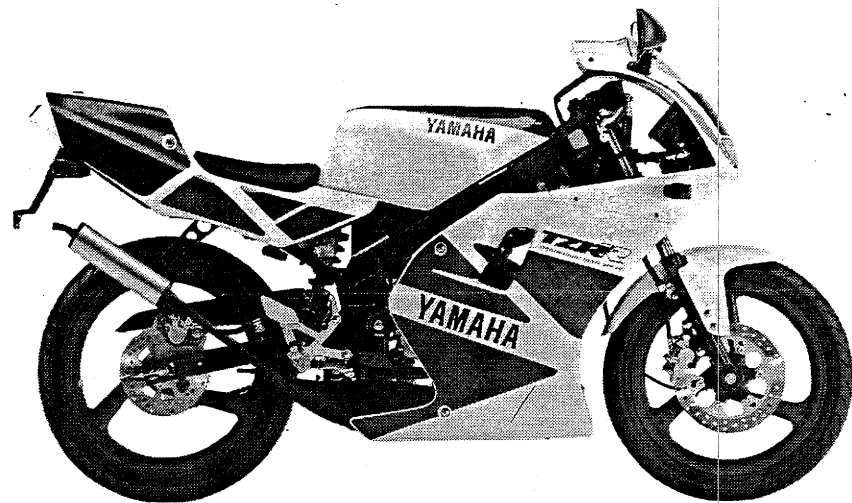
Initial Serial No. and Color Code

(A) Frame Serial No.	4JS-046101 and following
(B) Engine Serial No.	4EU-046101 and following



Color Code	Color Name	Abbreviate
0206	PURPLISH WHITE SOLID 1	PWS1
0033	YAMAHA BLACK	YB

134JS-664E1



CONTENTS

ENGINE

		<u>BLOCK</u>
Fig. 1	Cylinder	A-5
Fig. 2	Crankshaft. Piston	A-6,7
Fig. 3	Water Pump	A-8
Fig. 4	Radiator. Hose	A-9
Fig. 5	Oil Pump	A-10
Fig. 6	Intake	A-11
Fig. 7	Carburetor	A-12
Fig. 8	Exhaust	B-1
Fig. 9	Crankcase	B-2
Fig. 10	Crankcase Cover 1	B-3
Fig. 11	Starter Clutch	B-4
Fig. 12	Clutch	B-5
Fig. 13	Transmission	B-6
Fig. 14	Tachometer Gear	B-7
Fig. 15	Shift Cam. Fork	B-8
Fig. 16	Shifter	B-9

CHASSIS

Fig. 17	Frame	B-10
Fig. 18	Fender	B-11
Fig. 19	Side Cover	B-12
Fig. 20	Oil Tank	C-1
Fig. 21	Rear Arm	C-2
Fig. 22	Steering	C-3
Fig. 23	Front Fork	C-4,5
Fig. 24	Fuel Tank	C-6,7
Fig. 25	Seat	C-8
Fig. 26	Front Wheel	C-9
Fig. 27	Front Brake Caliper	C-10
Fig. 28	Rear Wheel	C-11

		<u>BLOCK</u>
Fig. 29	Rear Brake Caliper	C-12
Fig. 30	Steering Handle. Cable	D-1
Fig. 31	Front Master Cylinder	D-2
Fig. 32	Stand. Footrest	D-3,4
Fig. 33	Rear Master Cylinder	D-5
Fig. 34	Cowling 1	D-6
Fig. 35	Cowling 2	D-7,8
Fig. 36	Generator	D-9
Fig. 37	Flasher Light	D-10
Fig. 38	Meter	D-11
Fig. 39	Headlight	D-12
Fig. 40	Taillight	E-1
Fig. 41	Handle Switch. Lever	E-2
Fig. 42	Electrical 1	E-3
Fig. 43	Electrical 2	E-4

INDEX

	Numerical Index	J-1,2,3
--	-----------------------	---------

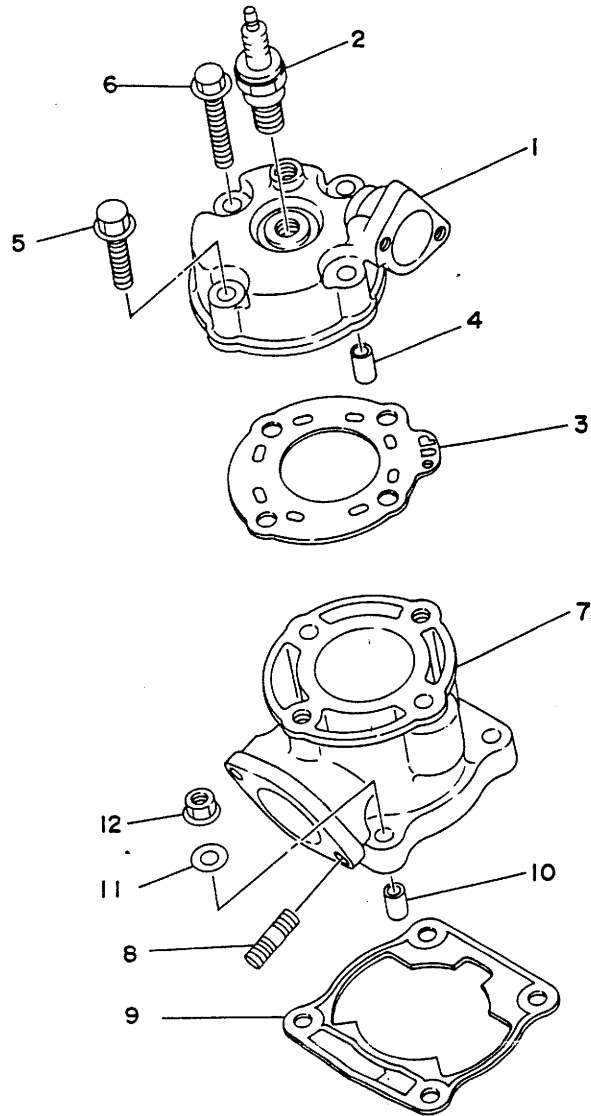
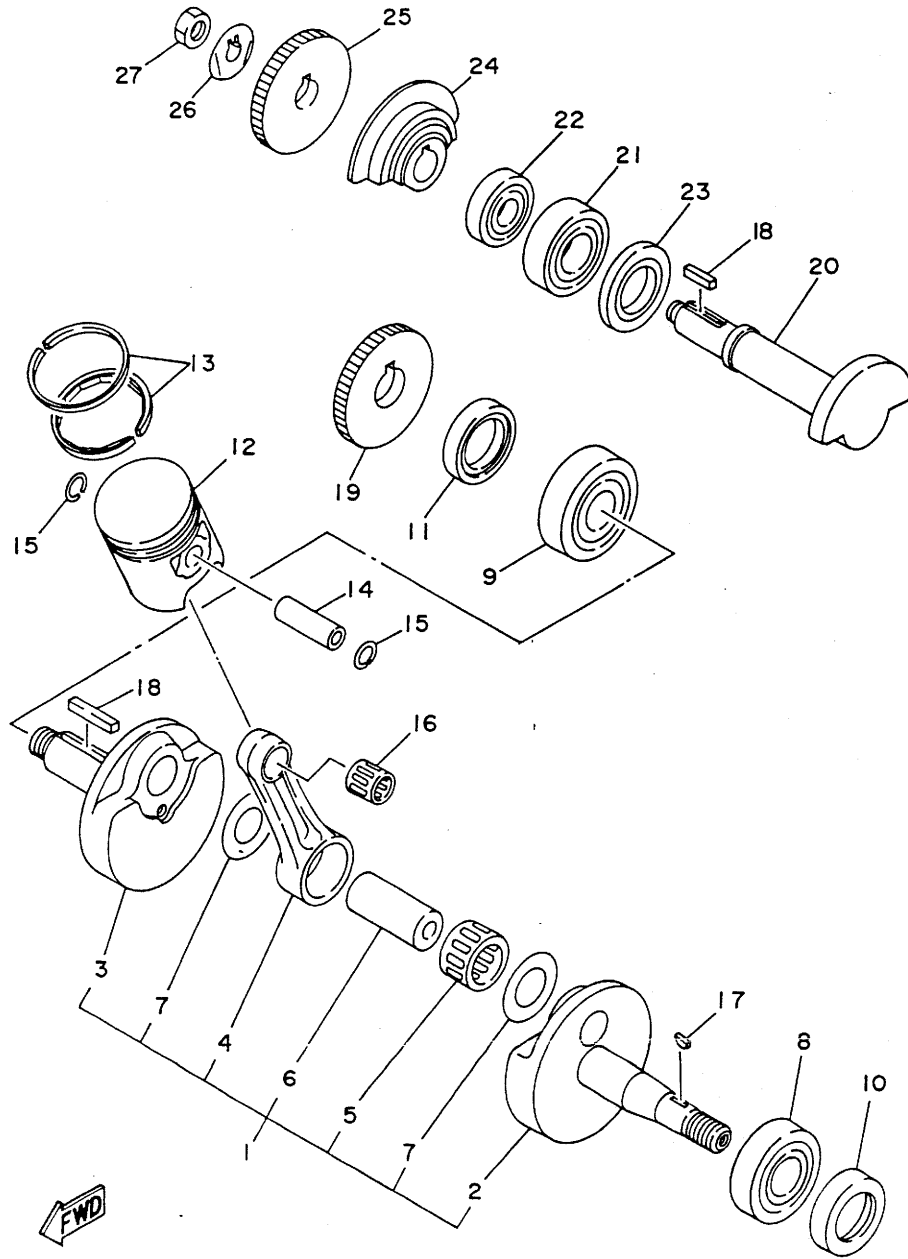


FIG. 1 CYLINDER

REF. NO.	PART NO.	DESCRIPTION	Q'TY	REMARKS
1	4EU-11111-00	HEAD, CYLINDER 1	1	
2	BR8ES	PULG, SPARK	1	
3	4EU-11181-00	GASKET, CYLINDER HEAD 1	1	
4	99510-10114	PIN, DOWEL	2	
5	95811-08035	BOLT, FLANGE	2	
6	95811-08045	BOLT, FLANGE	2	
7	4EU-11311-00	CYLINDER 1	1	
8	95612-08325	BOLT, STUD	2	
9	4BA-11351-00	GASKET, CYLINDER	1	
10	99510-10114	PIN, DOWEL	2	
11	92901-08200	WASHER, PLAIN	4	
12	90179-08491	NUT	4	

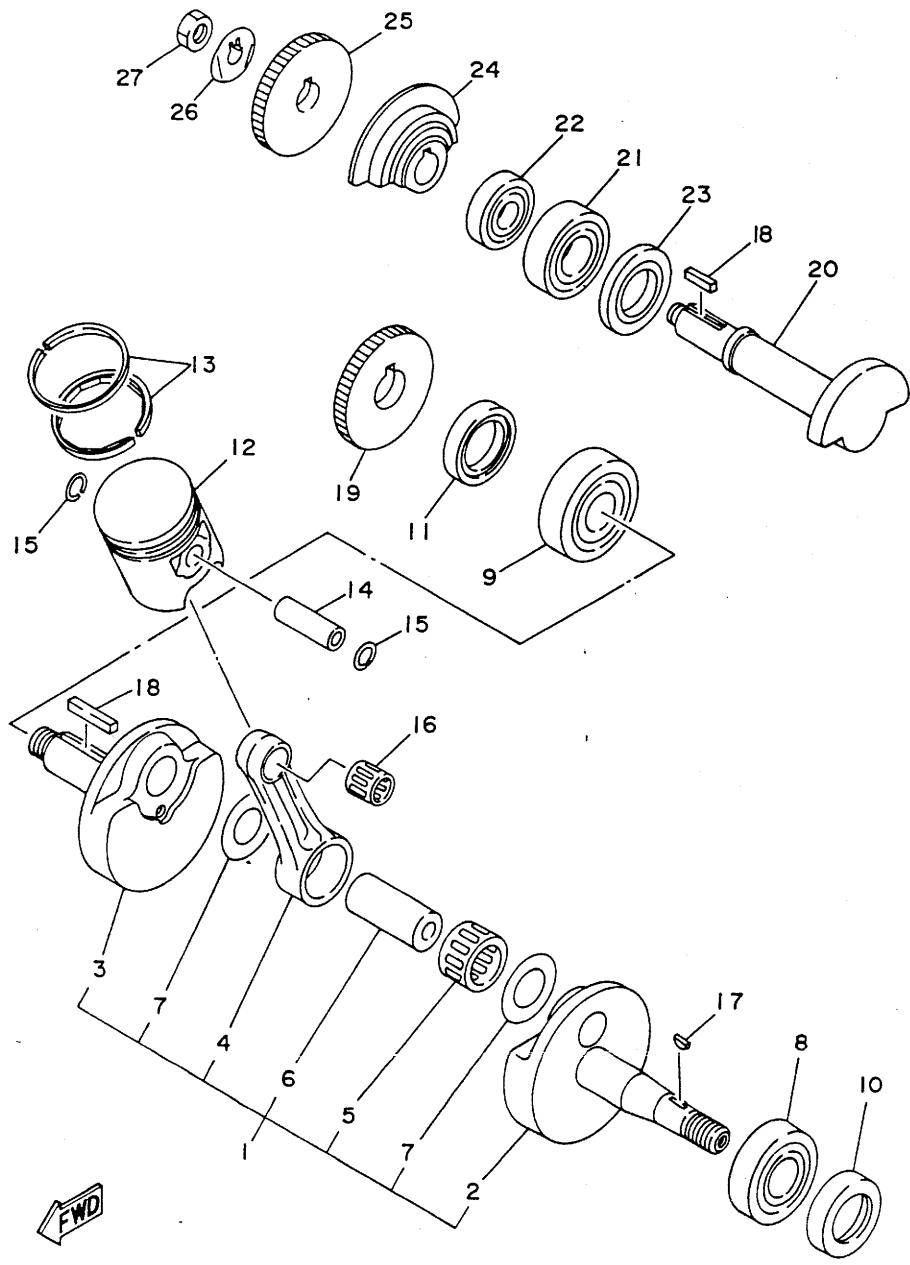
FWD

FIG. 2 CRANKSHAFT. PISTON



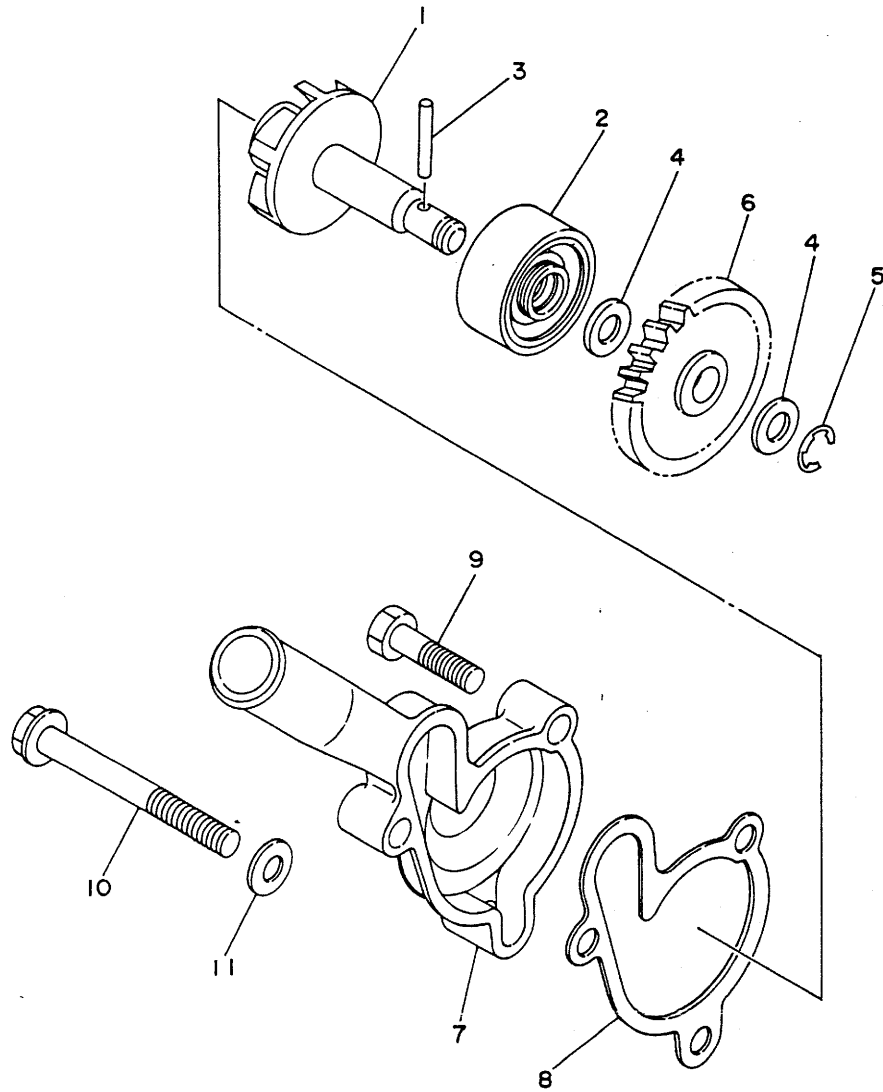
REF. NO.	PART NO.	DESCRIPTION	Q'TY	REMARKS
1	4EU-11400-00	CRANKSHAFT ASSY	1	
2	4EU-11412-00	.CRANK 1	1	
3	4EU-11422-00	.CRANK 2	1	
4	3R1-11651-01	.ROD, CONNECTING	1	
5	93310-418C4	.BEARING, CYLINDRICAL	1	
6	4V0-11681-00	.PIN, CRANK 1	1	
7	90209-18112	.WASHER	2	
8	93306-20458	BEARING	1	
9	93306-30421	BEARING (B6304C3)	1	
10	93102-20447	OIL SEAL	1	
11	93103-28011	OIL SEAL	1	
12	4EU-11631-00-A0	PISTON (STD)	1	
	4EU-11635-00	PISTON (0.25MM O/S)	1	AP
	4EU-11636-00	PISTON (0.50MM O/S)	1	AP
13	4EU-11603-00	PISTON RING SET (STD)	1	
	4EU-11604-00	PISTON RING SET (0.25MM O/S)	1	AP
	4EU-11605-00	PISTON RING SET (0.50MM O/S)	1	AP
14	102-11633-02	PIN, PISTON	1	
15	93450-13022	CIRCLIP	2	
16	93310-11268	BEARING, CYLINDRICAL	1	
17	90280-03017	KEY, WOODRUFF	1	
18	90282-05047	KEY, STRAIGHT	1	
19	4BA-11536-00	GEAR, DRIVE	1	
20	4EU-11454-00	WEIGHT 1	1	
21	93306-00423	BEARING	1	
22	93306-20211	BEARING (6202SH2-C3)	1	
23	93102-25446	OIL SEAL	1	
24	4EU-11464-00	WEIGHT 2	1	

FIG. 2 CRANKSHAFT. PISTON



REF. NO.	PART NO.	DESCRIPTION	Q'TY	REMARKS
25	4BA-11531-01	GEAR, BALANCE WT	1	
26	90215-10284	WASHER, LOCK	1	
27	90170-10405	NUT	1	

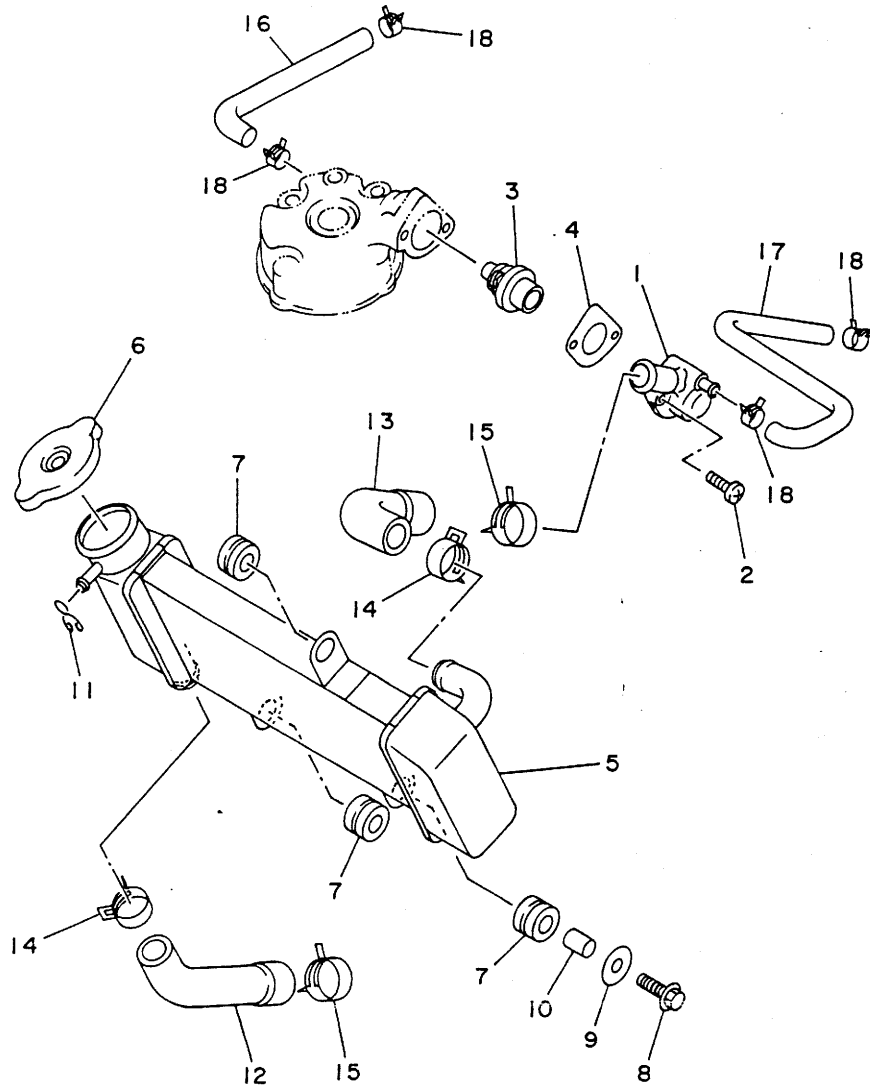
FIG. 3 WATER PUMP



REF. NO.	PART NO.	DESCRIPTION	Q'TY	REMARKS
1	36F-12450-00	IMPELLER SHAFT ASSY	1	
2	93103-10168	OIL SEAL	1	
3	93603-22028	PIN, DOWEL	1	
4	90201-08512	WASHER, PLATE	2	
5	99080-07600	CIRCLIP	1	
6	4BA-12459-00	GEAR, IMPELLER SHAFT	1	
7	4BA-12422-00	COVER, HOUSING	1	
8	4BA-12428-00	GASKET, HOUSING COVER 2	1	
9	95023-06025	BOLT	2	
10	95821-06060	BOLT, FLANGE	1	
11	90430-06166	GASKET	1	

FWD

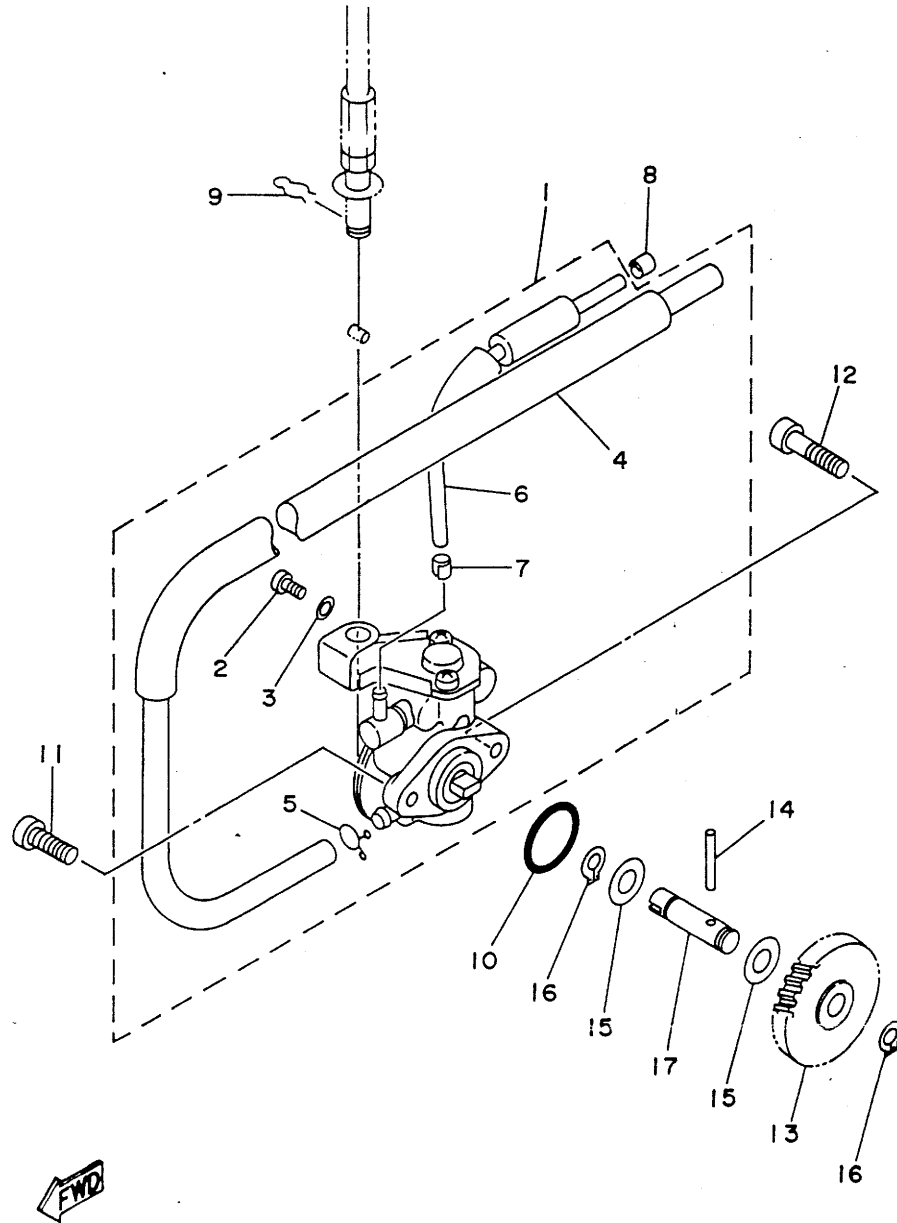
FIG. 4 RADIATOR. HOSE



REF. NO.	PART NO.	DESCRIPTION	Q'TY	REMARKS
1	4BA-12469-00	JOINT 1	1	
2	98506-06016	SCREW, PAN HEAD	2	
3	30Y-12411-00	THERMOSTAT	1	
4	4BA-12414-00	GASKET, COVER	1	
5	4EU-12461-00	RADIATOR ASSY	1	
6	22W-12462-00	CAP, RADIATOR	1	
7	90480-15363	GROMMET	3	
8	95826-06020	BOLT, FLANGE	1	
9	90201-060A3	WASHER, PLATE	1	
10	90387-07390	COLLAR	1	
11	90467-09006	CLIP	1	
12	4EU-12481-00	PIPE 1	1	
13	4EU-12482-00	PIPE 2	1	
14	90467-22100	CLIP	2	
15	90467-23109	CLIP	2	
16	4EU-12484-00	PIPE 4	1	
17	4EU-12485-00	PIPE 5	1	
18	90467-10035	CLIP	4	

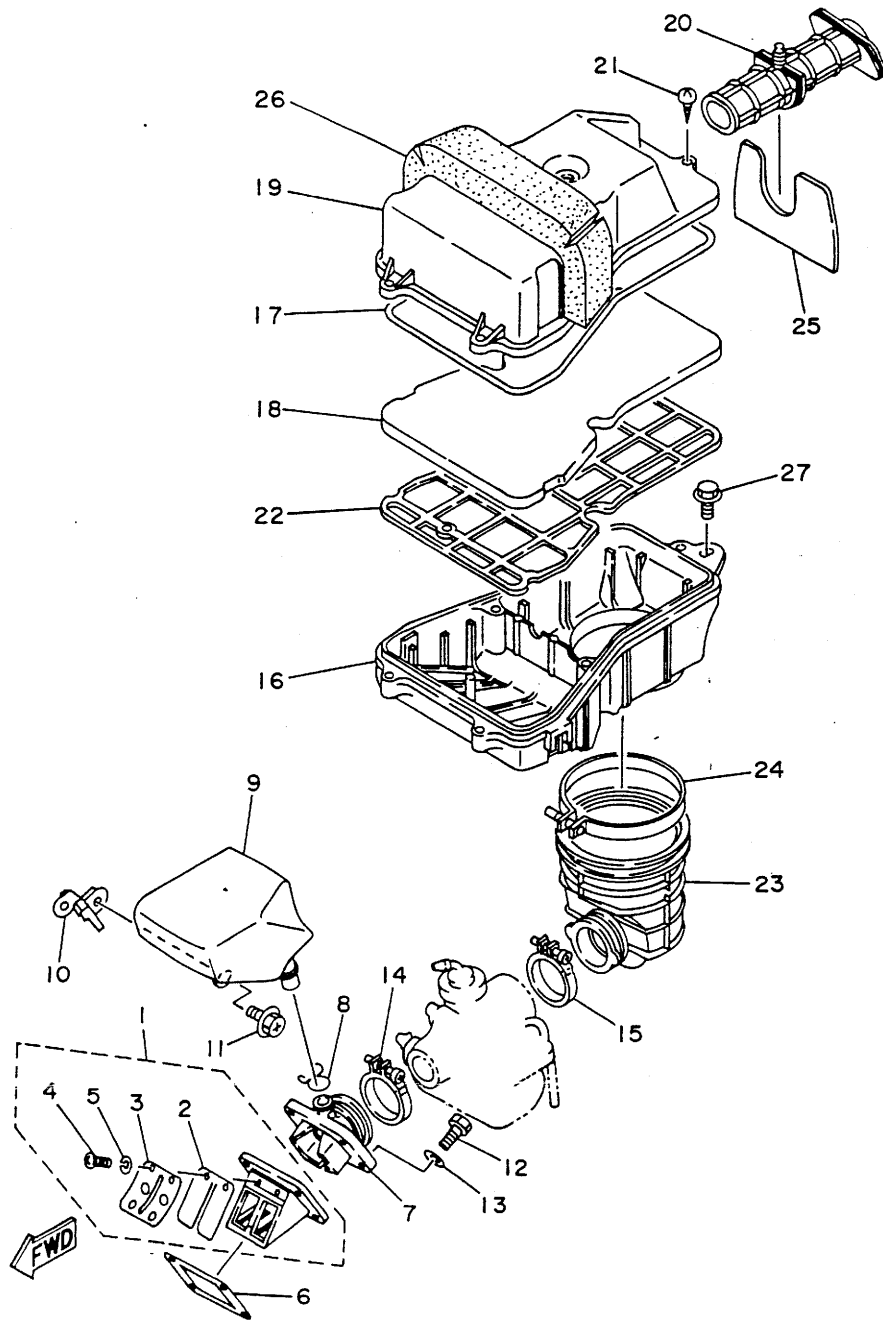
FWD

FIG. 5 OIL PUMP



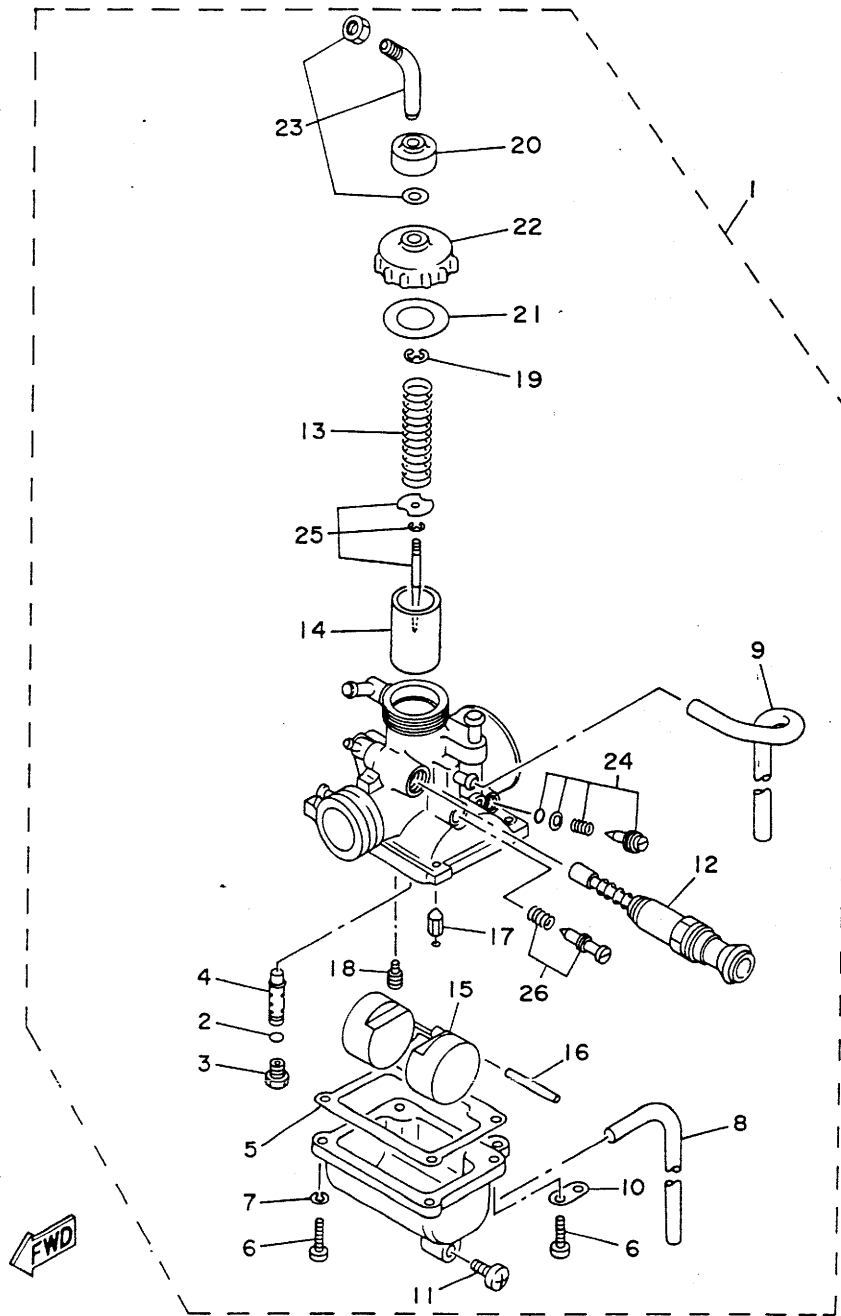
REF. NO.	PART NO.	DESCRIPTION	Q'TY	REMARKS
1	4EU-13100-00	OIL PUMP ASSY	1	
2	3WF-13185-00	.BOLT, BREATHER	1	
3	1YU-13187-00	.GASKET, BREATHER BOLT	1	
4	4EU-1316F-00	.HOSE, OIL 1	1	
5	90467-08003	.CLIP	1	
6	4EU-1316G-00	.HOSE, OIL 2	1	
7	4BA-13577-00	.CLIP	1	
8	90468-02033	CLIP	1	
9	90468-08086	CLIP	1	
10	93210-20712	O-RING	1	
11	98501-05016	SCREW, PAN HEAD	1	
12	98503-05025	SCREW, PAN HEAD	1	
13	4BA-13178-00	GEAR, PUMP DRIVE	1	
14	93603-22028	PIN, DOWEL	1	
15	90201-08512	WASHER, PLATE	2	
16	99080-07600	CIRCLIP	2	
17	4BA-13226-00	SHAFT, DRIVE GEAR	1	

FIG. 6 INTAKE



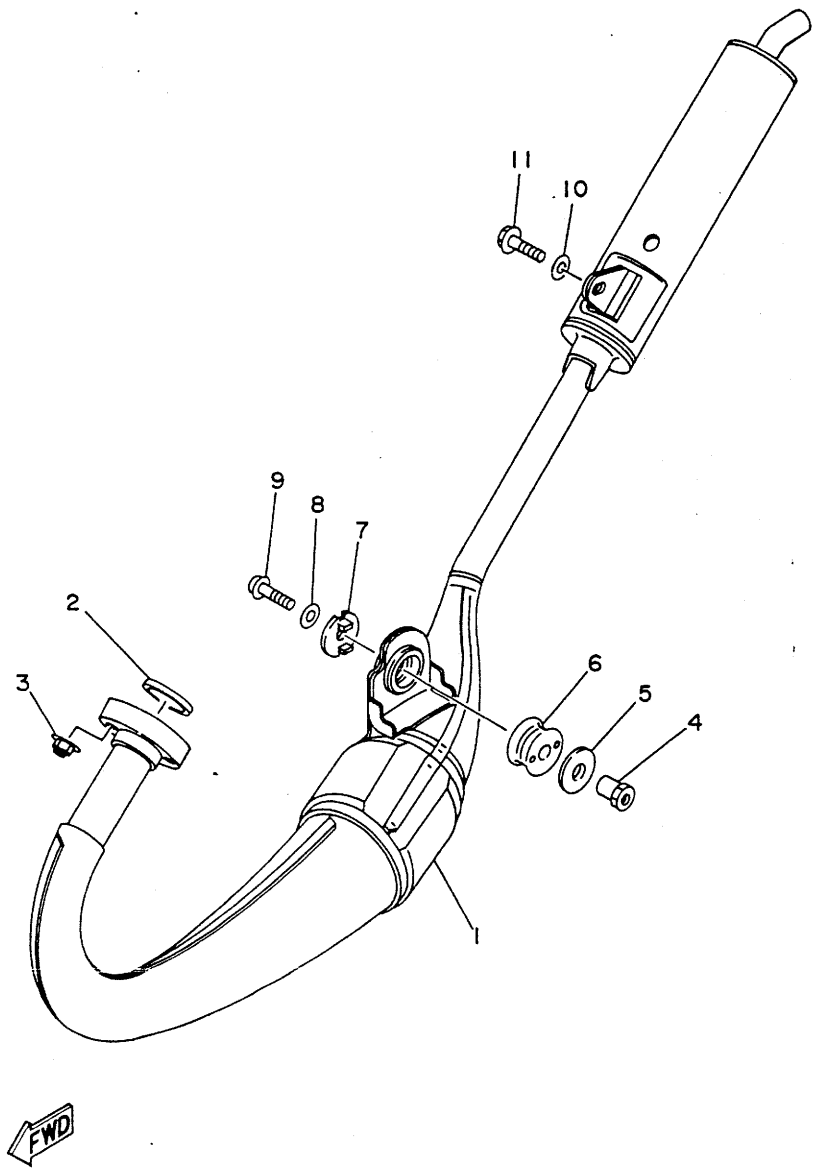
REF. NO.	PART NO.	DESCRIPTION	Q'TY	REMARKS
1	4EU-13610-00	REED VALVE ASSY	1	
2	3TU-13613-00	.REED, VALVE	2	
3	4EU-13616-00	.STOPPER, REED VALVE	2	
4	98580-03006	.SCREW, PAN HEAD	4	
5	92990-03100	.WASHER, SPRING	4	
6	4BA-13621-00	GASKET, VALVE SEAT	1	
7	4EU-13565-00	JOINT, CARBURETOR	1	
8	90467-15012	CLIP	1	
9	4EU-13581-00	CHAMBER, AIR	1	
10	4EU-14291-00	BRACKET 1	1	
11	90159-06016	SCREW, WITH WASHER	1	
12	97011-06020	BOLT	4	
13	92901-06600	WASHER, PLATE	4	
14	90460-36174	CLAMP, HOSE	1	
15	90460-41191	CLAMP, HOSE	1	
16	3TU-14411-00	CASE, AIR CLEANER 1	1	
17	1VJ-14462-00	SEAL	1	
18	2RH-14451-00	ELEMENT, AIR CLEANER	1	
19	2RH-14412-01	CAP, CLEANER CASE 1	1	
20	3TU-14437-00	DUCT	1	
21	97780-50125	SCREW, TAPPING	5	
22	2RH-14472-00	PLATE, ELEMENT	1	
23	4EU-14453-00	JOINT, AIR CLEANER 1	1	
24	90450-99050	HOSE CLAMP ASSY	1	
25	3TU-14458-00	GUIDE	1	
26	4EU-14467-00	SEAL	1	
27	90119-06118	BOLT, WITH WASHER	1	

FIG. 7 CARBURETOR

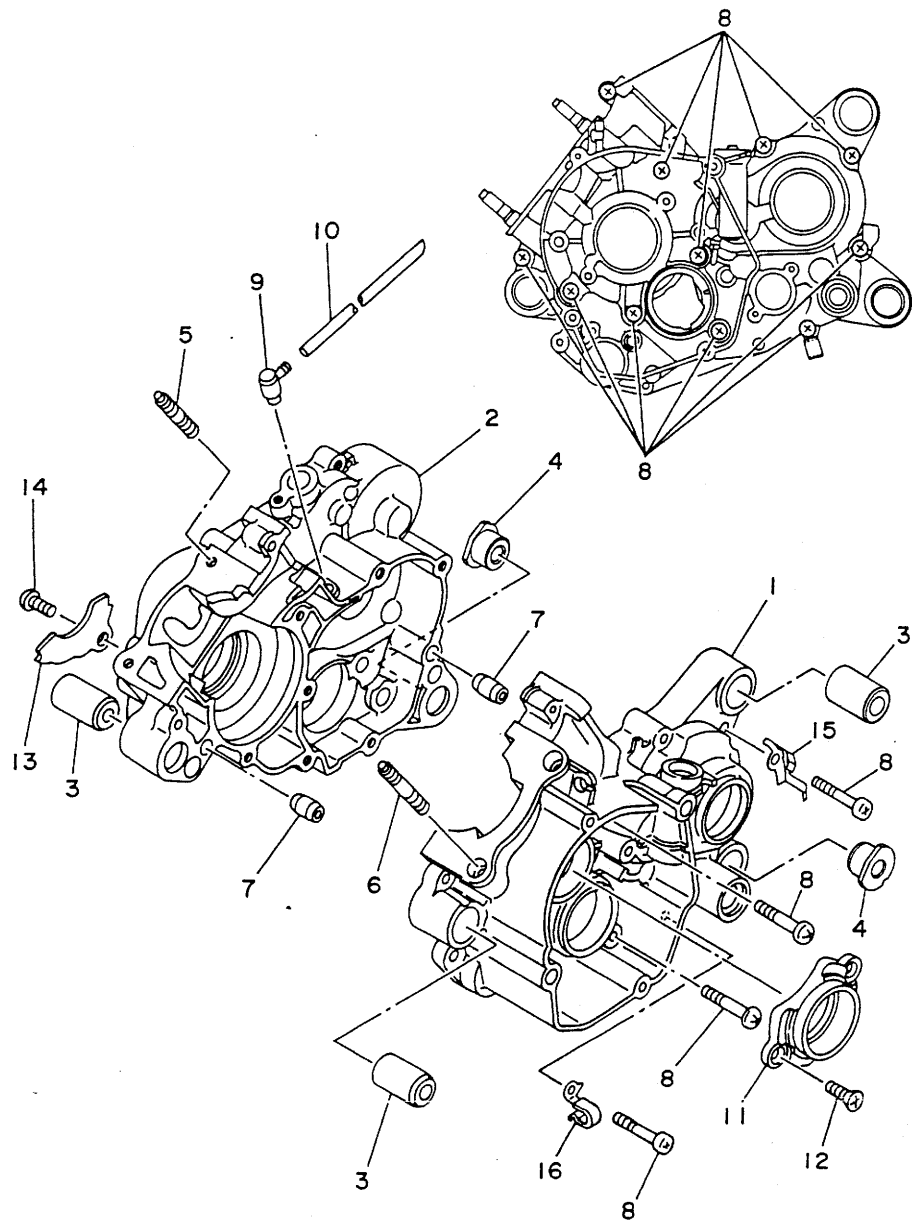


REF. NO.	PART NO.	DESCRIPTION	Q'TY	REMARKS
1	4EU-14101-00	CARBURETOR ASSY 1	1	
2	1AE-14227-00	O-RING	1	
3	620-14231-16	JET, MAIN (#77.5)	1	
4	4EU-14141-18	NOZZLE, MAIN	1	
5	353-14184-00	GASKET, FLOAT CHAMBER	1	
6	98503-04014	SCREW, PAN HEAD	4	
7	92902-04100	WASHER, SPRING	4	
8	3TU-14193-00	PIPE	1	
9	3TU-14149-00	PIPE	1	
10	132-14146-00	PLATE	1	
11	12R-14191-00	PLUG, DRAIN	1	
12	2GX-14171-00	PLUNGER, STARTER	1	
13	5L6-14131-00	SPRING, THROTTLE VALVE	1	
14	4EU-14112-20	VALVE, THROTTLE 1	1	
15	4U5-14185-00	FLOAT	1	
16	353-14186-00	PIN, FLOAT	1	
17	4EU-14150-00	NEEDLE ASSY	1	
18	1NT-14142-30	JET, PILOT (#30)	1	
19	363-14137-00	CLIP	1	
20	3X3-14169-00	CAP	1	
21	4U5-14126-00	GASKET	1	
22	4U5-14158-00	TOP, MIXING CHAMBER	1	
23	29U-14106-00	CABLE ADJUST SCREW SET	1	
24	4EU-14104-00	AIR SCREW SET	1	
25	4EU-1490J-00	NEEDLE SET	1	
26	53L-14103-00	THROTTLE SCREW SET	1	

FIG. 8 EXHAUST



REF. NO.	PART NO.	DESCRIPTION	Q'TY	REMARKS
1	4EU-14710-00	MUFFLER ASSY 1	1	
2	3MT-14613-00	GASKET, EXHAUST PIPE	1	
3	90185-08097	NUT, SELF-LOCKING	2	
4	90179-08611	NUT	1	
5	90201-157E7	WASHER, PLATE	1	
6	5R2-14737-00	DAMPER, MUFFLER	1	
7	5R2-14759-00	WASHER	1	
8	90201-08730	WASHER, PLATE	1	
9	90105-08467	BOLT, WASHER BASED	1	
10	90201-08730	WASHER, PLATE	1	
11	95816-08016	BOLT, FLANGE	1	

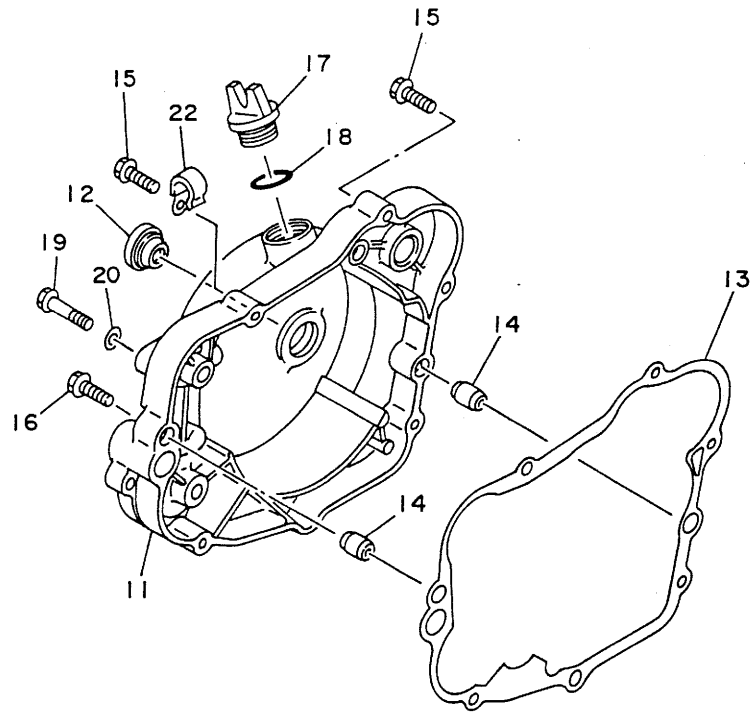


FWD

FIG. 9 CRANKCASE

REF. NO.	PART NO.	DESCRIPTION	Q'TY	REMARKS
1	4BA-15111-00	CRANKCASE 1	1	
2	4BA-15121-01	CRANKCASE 2	1	
3	4BA-15316-00	DAMPER, ENGINE MOUNT 1	3	
4	4EU-15317-00	SPACER, ENGINE MOUNT	2	
5	90116-08318	BOLT, STUD	2	
6	90116-08388	BOLT, STUD	2	
7	99530-10014	PIN, DOWEL	2	
8	98580-06040	SCREW, PAN HEAD	11	
9	583-15371-00	BREATHER	1	
10	90446-07365	HOSE	1	
11	4BA-15128-00	HOLDER	1	
12	90151-06041	SCREW, COUNTERSUNK	2	
13	4BA-15492-00	COVER	1	
14	90157-06071	SCREW, PAN HEAD	1	
15	90465-06363	CLAMP	1	
16	90465-06332	CLAMP	1	

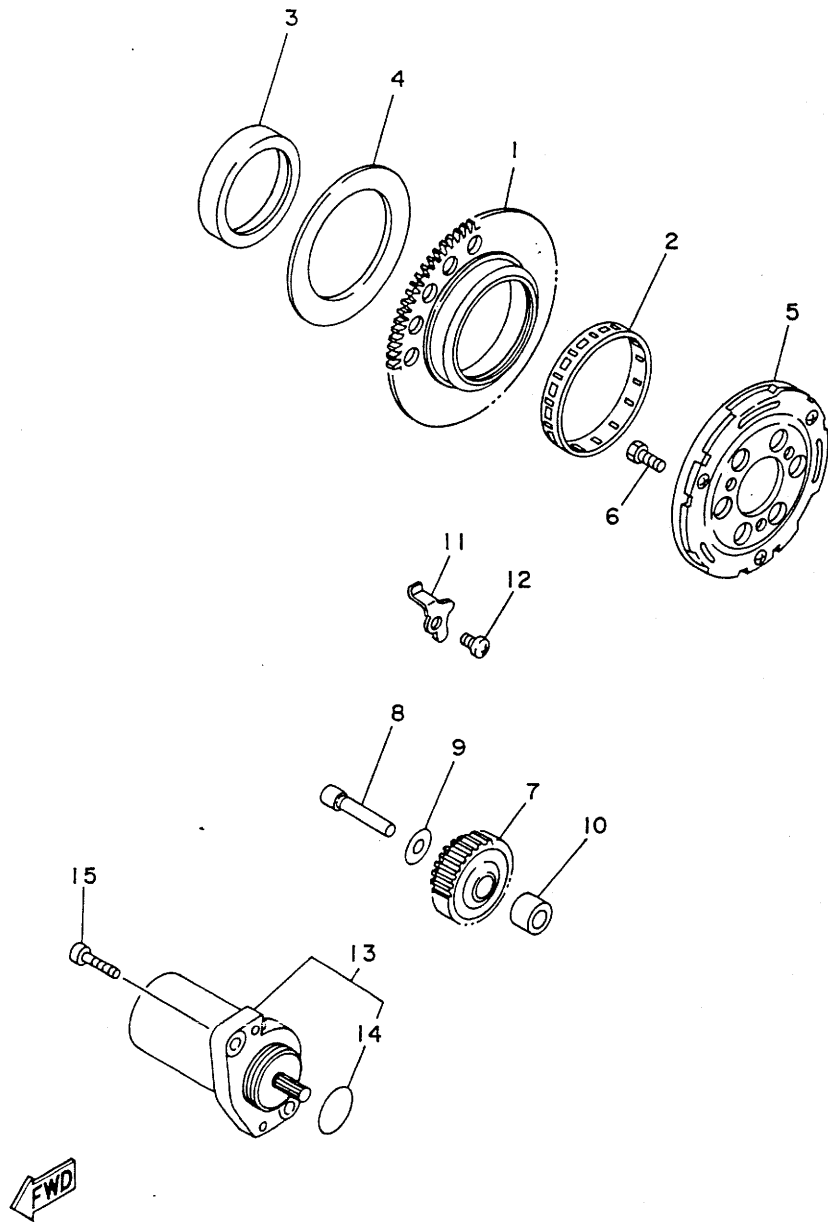
FIG. 10 CRANKCASE COVER 1



REF. NO.	PART NO.	DESCRIPTION	Q'TY	REMARKS
1	4BA-15411-00	COVER, CRANKCASE 1	1	
2	4EU-15431-00	COVER, CRANKCASE 3	1	
3	90480-12314	GROMMET	3	
4	90387-067V1	COLLAR	3	
5	95026-06020	BOLT, FLANGE	3	
6	90201-06059	WASHER, PLATE	3	
7	95023-06020	BOLT	2	
8	95023-06040	BOLT	2	
9	99530-10014	PIN, DOWEL	2	
10	98501-08010	SCREW, PAN HEAD	1	
11	4BA-15421-00	COVER, CRANKCASE 2	1	
12	3Y1-15361-00	GAUGE, LEVEL	1	
13	4BA-15461-00	GASKET, CRANKCASE COVER 2	1	
14	99530-10014	PIN, DOWEL	2	
15	95023-06030	BOLT	4	
16	95023-06040	BOLT	1	
17	1RG-15363-00	PLUG, OIL	1	
18	93210-19123	O-RING	1	
19	95021-08080	BOLT, FLANGE	1	
20	90201-08087	WASHER, PLATE	1	
21	90465-06332	CLAMP	1	
22	90465-08028	CLAMP	1	

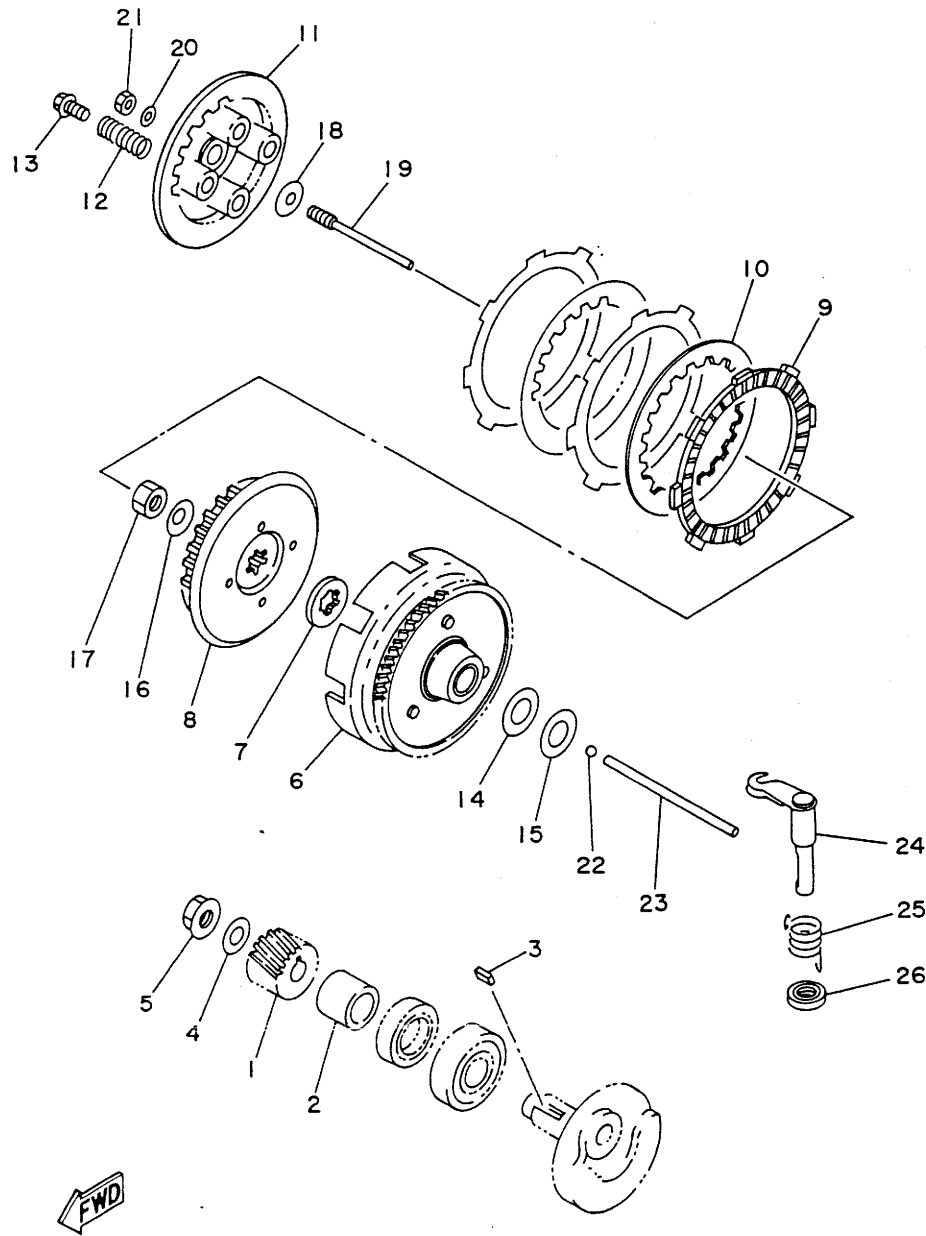
FWD

FIG. 11 STARTER CLUTCH



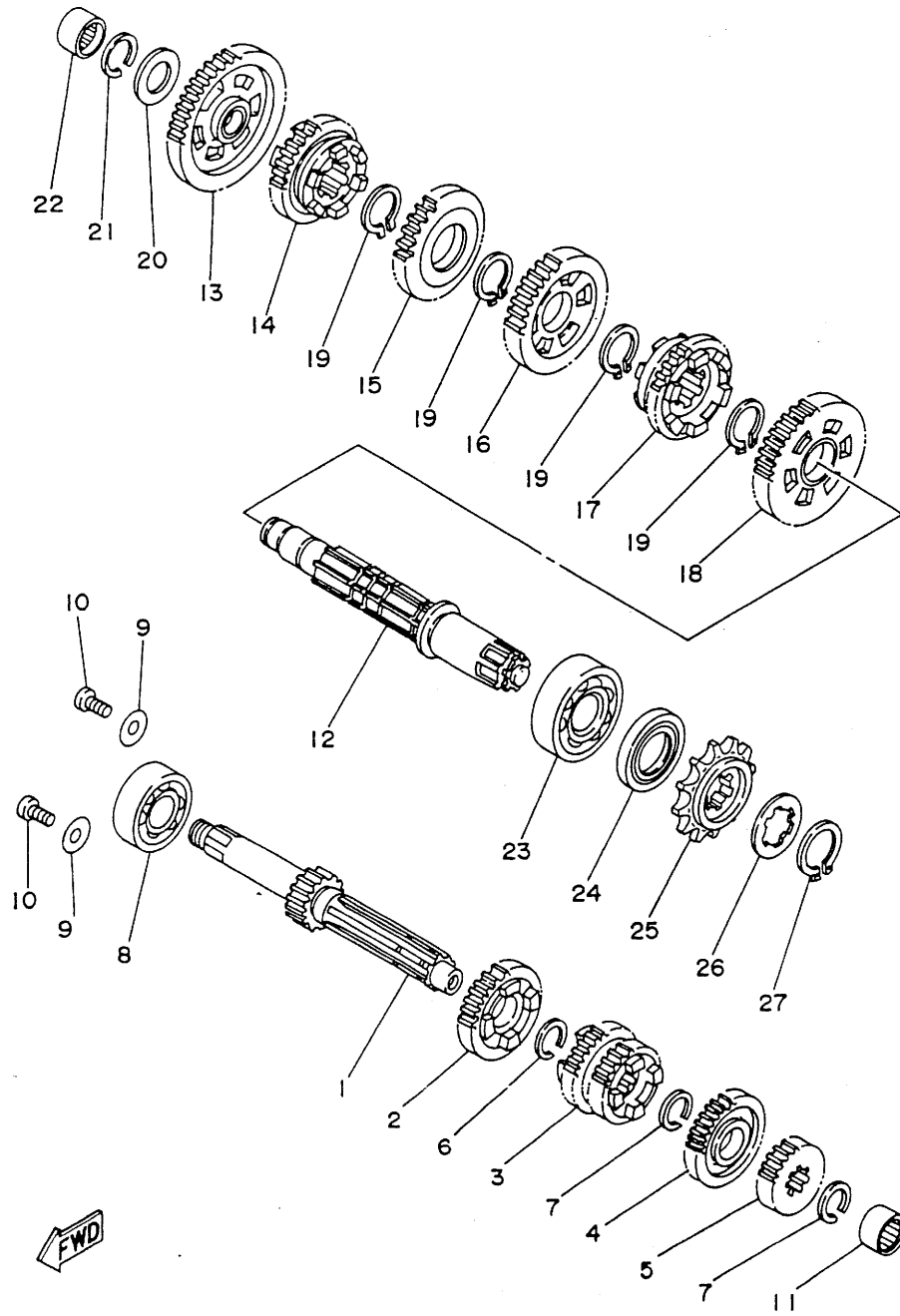
REF. NO.	PART NO.	DESCRIPTION	Q'TY	REMARKS
1	4EU-15524-00	WHEEL, STARTER	1	
2	93310-255B7	BEARING, CYLINDRICAL	1	
3	4BA-15538-00	BOSS, GEAR 2	1	
4	90201-551P8	WASHER, PLATE	1	
5	4BA-15570-00	STARTER CLUTCH ASSY	1	
6	90101-06664	BOLT	3	
7	3AA-15650-00	IDLE GEAR ASSY (65T)	1	
8	4BA-13342-00	SHAFT, IDLE GEAR	1	
9	90201-084M4	WASHER, PLATE	1	
10	90560-08387	SPACER	1	
11	4BA-15532-00	PLATE, IDLE GEAR	1	
12	90157-06071	SCREW, PAN HEAD	1	
13	3KJ-81800-01	STARTING MOTOR ASSY	1	YAMAHA
14	93210-23614	.O-RING	1	
15	91316-06018	BOLT	2	

FIG. 12 CLUTCH



REF. NO.	PART NO.	DESCRIPTION	Q'TY	REMARKS
1	401-16111-00-30	GEAR, PRIMARY DRIVE (C)	1	
2	90387-20346	COLLAR	1	
3	90282-05043	KEY, STRAIGHT	1	
4	90208-12015	WASHER, CONICAL SPRING	1	
5	90179-12244	NUT	1	
6	4EU-16150-00	PRIMARY DRIVEN GEAR COMP.	1	
7	4V0-16154-00	PLATE, THRUST 1	1	
8	353-16371-00	BOSS, CLUTCH	1	
9	4EU-16321-00	PLATE, FRICTION	3	
10	257-16324-00	PLATE, CLUTCH 1	2	
11	5R2-16351-00	PLATE, PRESSURE 1	1	
12	90501-20474	SPRING, COMPRESSION	4	
13	90119-05001	BOLT, WITH WASHER	4	
14	122-16164-00	PLATE, THRUST 2	1	
15	90208-17032	WASHER, CONICAL SPRING	1	
16	90208-12015	WASHER, CONICAL SPRING	1	
17	90170-12060	NUT	1	
18	30X-16358-00	PLATE, PUSH	1	
19	1W1-16356-02	ROD, PUSH 1	1	
20	92901-06200	WASHER, PLAIN	1	
21	95601-06200	NUT, SELF-LOCKING	1	
22	93503-16010	BALL	1	
23	4V0-16357-00	ROD, PUSH 2	1	
24	4BA-16382-00	AXLE, PUSH LEVER	1	
25	90508-142A5	SPRING, TORSION	1	
26	93102-12224	OIL SEAL	1	

FIG. 13 TRANSMISSION



REF. NO.	PART NO.	DESCRIPTION	Q'TY	REMARKS
1	4BA-17411-00	AXLE, MAIN	1	
2	4EU-17151-00	GEAR, 5TH PINION	1	
3	5R2-17131-01	GEAR, 3RD/4TH PINION (20/22T)	1	
4	4EU-17161-00	GEAR, 6TH PINION	1	
5	5R2-17121-00	GEAR, 2ND PINION (16T)	1	
6	93440-17064	CIRCLIP	1	
7	93440-16089	CIRCLIP	2	
8	93306-20333	BEARING	1	
9	90201-065F3	WASHER, PLATE	2	
10	90157-06071	SCREW, PAN HEAD	2	
11	93317-11245	BEARING, CYLINDRICAL	1	
12	3TU-17421-00	AXLE, DRIVE	1	
13	5R2-17211-00	GEAR, 1ST WHEEL (39T)	1	
14	4EU-17251-00	GEAR, 5TH WHEEL	1	
15	5R2-17241-00	GEAR, 4TH WHEEL (27T)	1	
16	5R2-17231-00	GEAR, 3RD WHEEL (31T)	1	
17	4EU-17261-00	GEAR, 6TH WHEEL	1	
18	5R2-17221-00	GEAR, 2ND WHEEL (34T)	1	
19	93410-20038	CIRCLIP	4	
20	164-17427-00-10	SHIM 1 (1.0T)	1	
21	93440-15012	CIRCLIP	1	
22	93315-31502	BEARING, CYLINDRICAL	1	
23	93306-20421	BEARING (B6204)	1	
24	93102-20143	OIL SEAL	1	
25	3TU-17460-00	DRIVE SPROCKET ASSY (12T)	1	
26	90209-16209	WASHER	1	
27	99009-18400	CIRCLIP	1	

FIG. 14 TACHOMETER GEAR

REF. NO.	PART NO.	DESCRIPTION	Q'TY	REMARKS
1	17F-17861-00	AXLE, DRIVE GEAR	1	
2	4BA-17831-00	GEAR, DRIVE	1	
3	90201-087H6	WASHER, PLATE	1	
4	17F-17841-00	GEAR, DRIVEN	1	
5	4L0-17811-00	HOUSING, TACHOMETER GEAR	1	
6	93210-12790	O-RING	1	
7	4L0-17818-00	GASKET	1	
8	97026-06010	BOLT	1	
9	92906-06600	WASHER, PLATE	1	

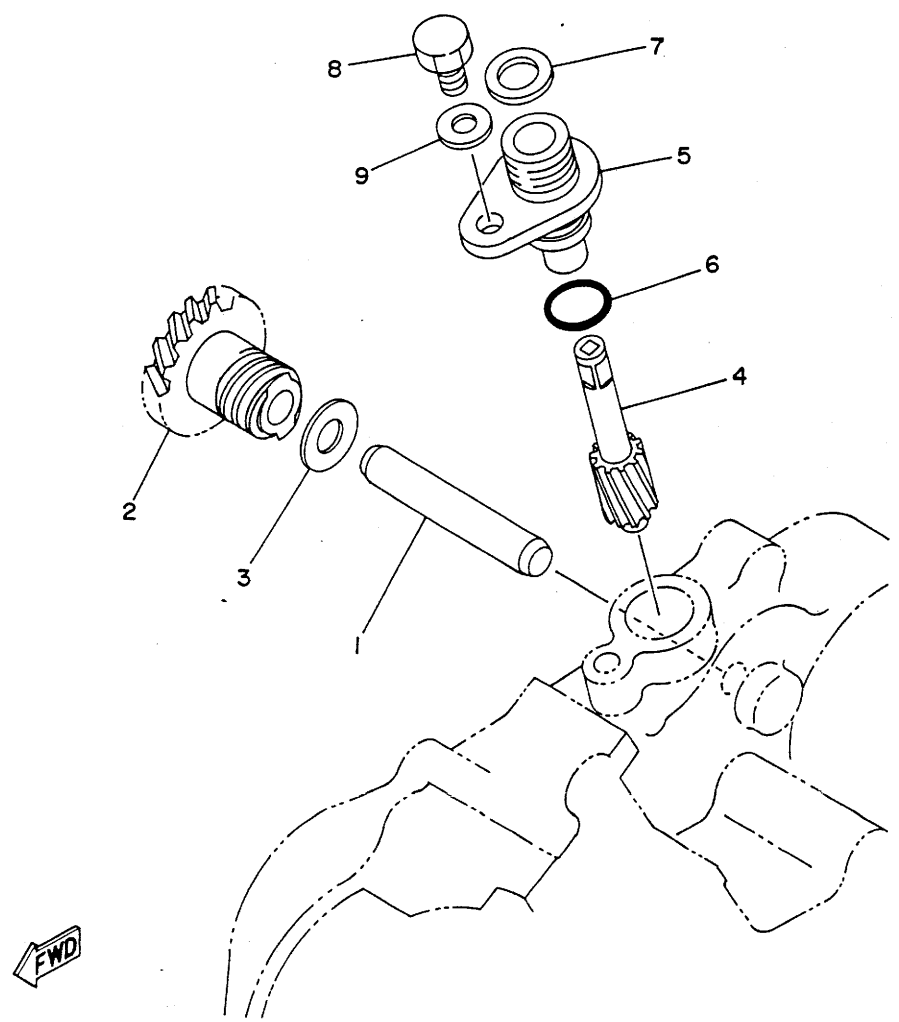
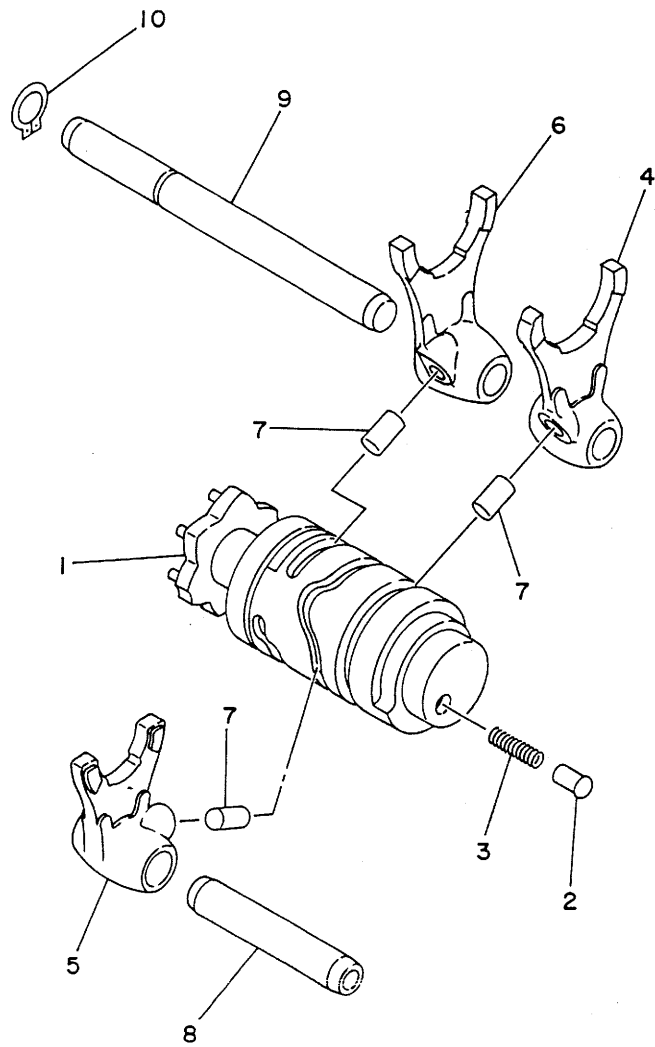


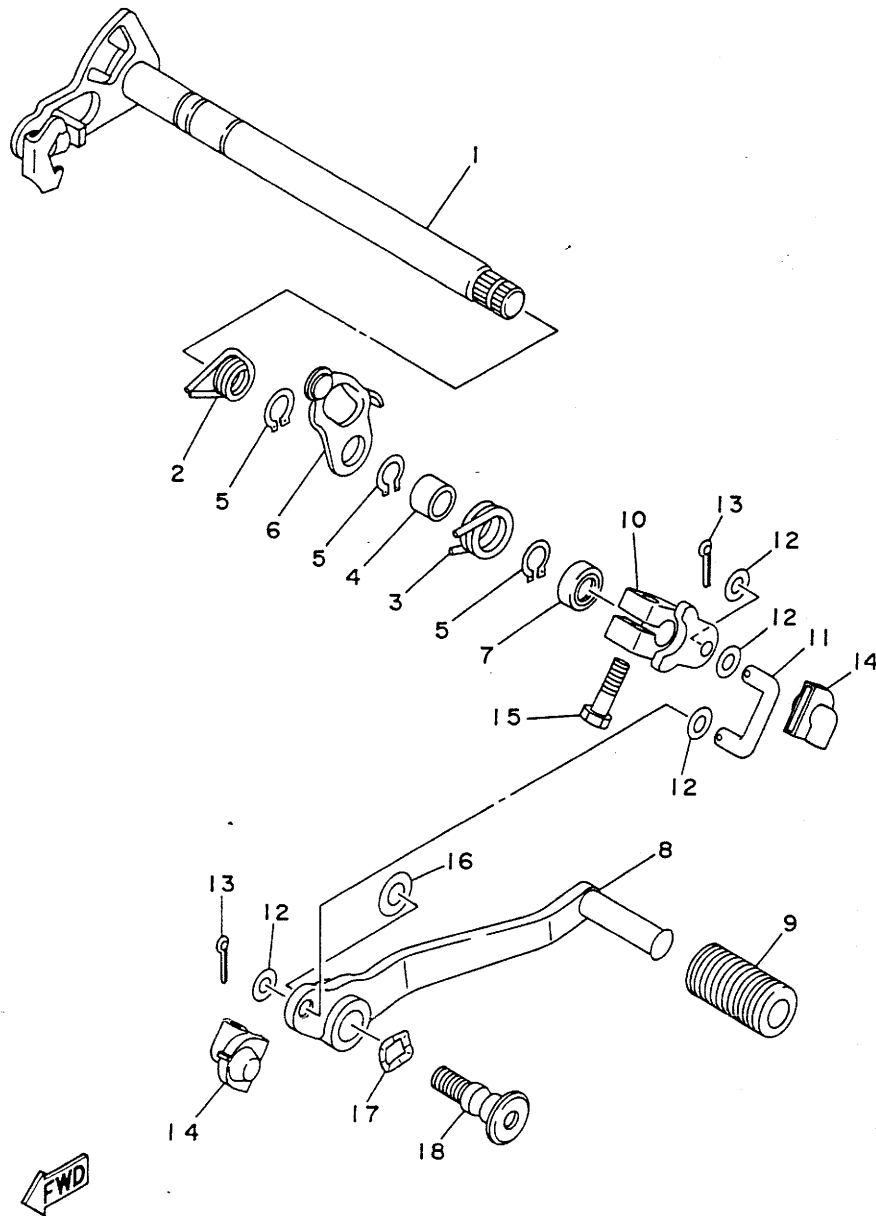
FIG. 15 SHIFT CAM. FÖRK



REF. NO.	PART NO.	DESCRIPTION	Q'TY	REMARKS
1	4BA-18540-00	SHIFT CAM ASSY	1	
2	4BA-18542-00	POINT, NEUTRAL	1	
3	90501-06022	SPRING, COMPRESSION	1	
4	4BA-18511-00	FORK, SHIFT 1	1	
5	4V0-18512-00	FORK, SHIFT 2	1	
6	4BA-18513-00	FORK, SHIFT 3	1	
7	90250-06013	PIN, STRAIGHT	3	
8	4BA-18531-00	BAR, SHIFT FORK GUIDE 1	1	
9	4BA-18535-00	BAR, SHIFT FORK GUIDE 2	1	
10	99009-10400	CIRCLIP	1	

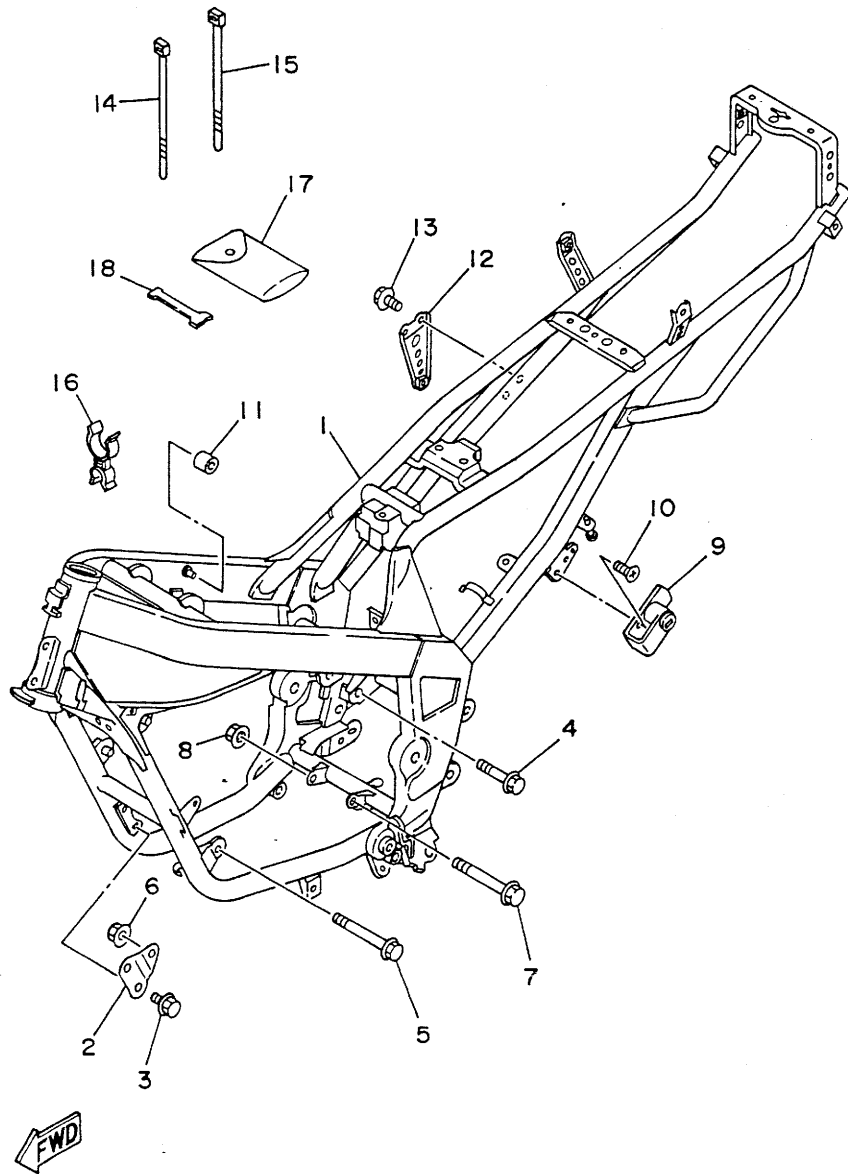


FIG. 16 SHIFT SHAFT



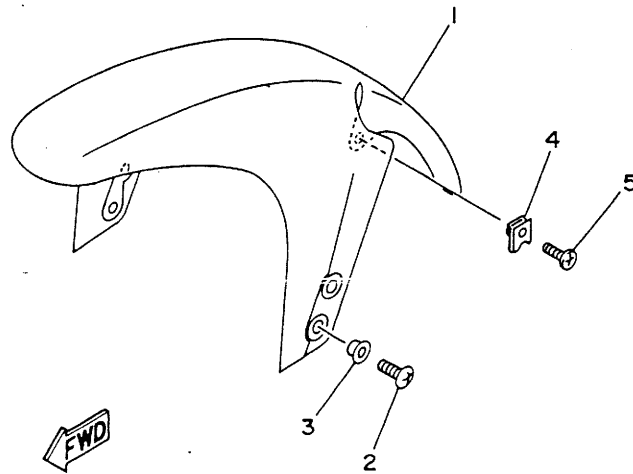
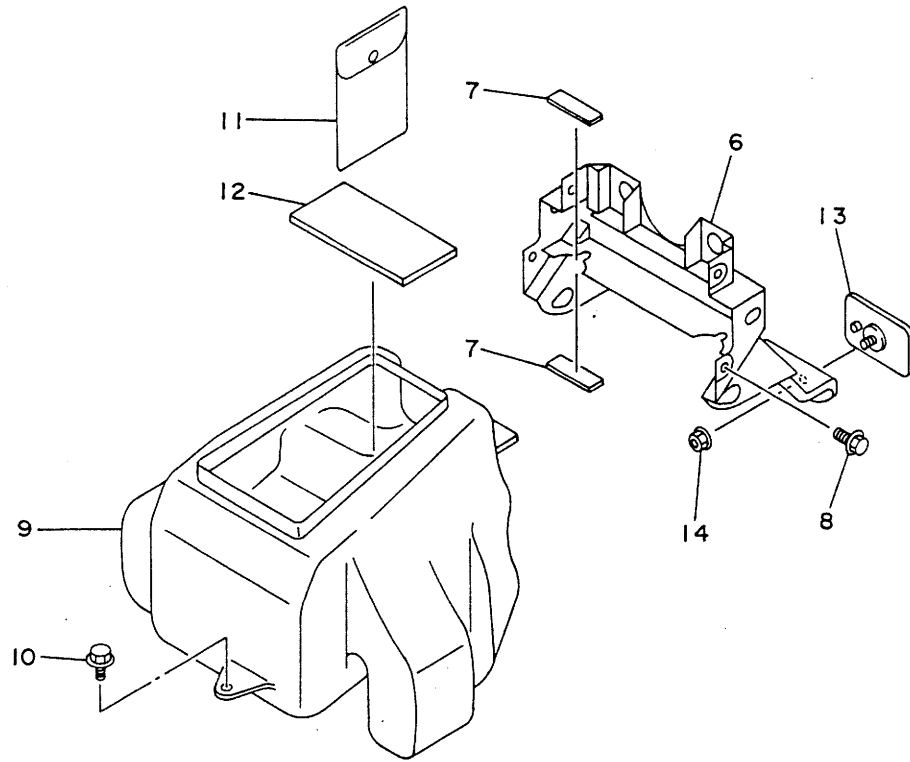
REF. NO.	PART NO.	DESCRIPTION	Q'TY	REMARKS
1	4BA-18101-00	SHIFT SHAFT ASSY	1	
2	90508-32553	SPRING, TORSION	1	
3	90508-242A6	SPRING, TORSION	1	
4	90387-126Y7	COLLAR	1	
5	99006-10600	CIRCLIP	3	
6	4BA-18140-00	STOPPER LEVER ASSY	1	
7	93101-12060	OIL SEAL	1	
8	4EU-18111-00	PEDAL, SHIFT	1	
9	132-18113-01	COVER, SHIFT PEDAL	1	
10	4EU-18112-00	ARM, SHIFT	1	
11	4EU-18115-00	ROD, SHIFT	1	
12	92901-06200	WASHER, PLAIN	4	
13	91490-20020	PIN, COTTER	2	
14	4EU-18154-00	COVER, DUST	2	
15	97011-06020	BOLT	1	
16	90201-081H4	WASHER, PLATE	1	
17	90206-12074	WASHER, WAVE	1	
18	2YK-27434-01	BOLT	1	

FIG. 17 FRAME



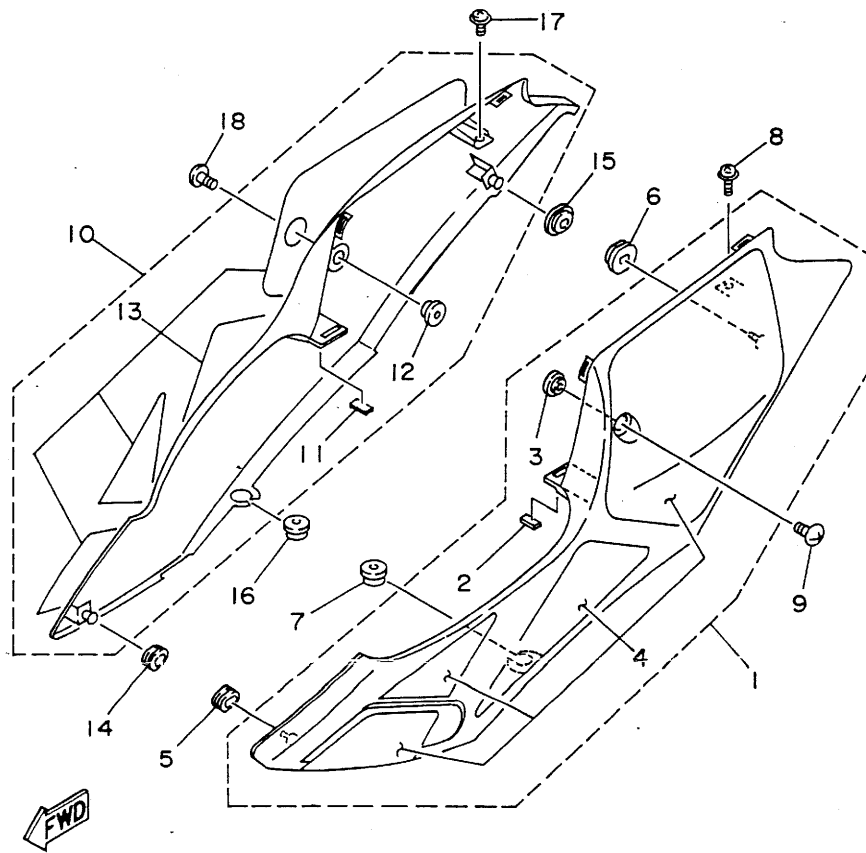
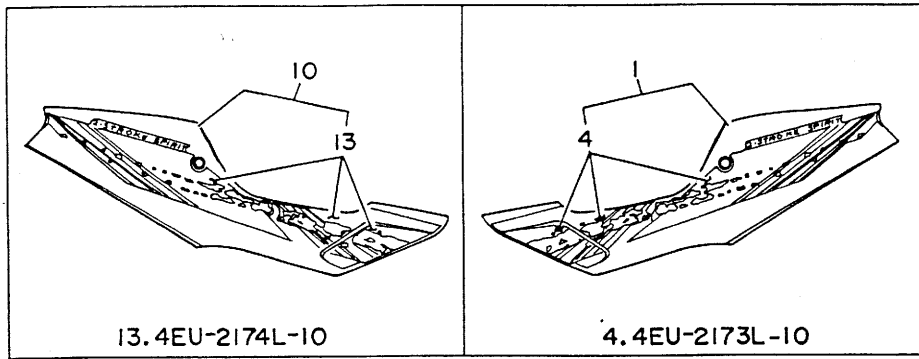
REF. NO.	PART NO.	DESCRIPTION	Q'TY	REMARKS
1	4EU-21110-00-7B	FRAME COMP.	1	BLUISH BLACK 2
2	4EU-21418-00	BRACKET, FRONT LOWER	2	
3	95811-08012	BOLT, FLANGE	2	
4	90105-08494	BOLT, WASHER BASED	1	
5	90105-08497	BOLT, WASHER BASED	1	
6	95611-08200	NUT, SELF-LOCKING	1	
7	90105-10392	BOLT, WASHER BASED	1	
8	95611-10200	NUT, SELF-LOCKING	1	
9	55E-21308-00	HELMET HANGER ASSY	1	
10	90151-06025	SCREW, COUNTERSUNK	1	
11	90445-12718	HOSE	2	
12	4EU-21460-00	STAY, MUFFLER	1	
13	95811-06010	BOLT, FLANGE	2	
14	12R-82591-00	BAND	1	
15	12R-82591-00	BAND	2	
16	90464-20197	CLAMP	1	
17	3TU-28100-00	TOOL KIT	1	
18	3M7-15361-00	GAUGE, LEVEL	1	

FIG. 18 FENDER



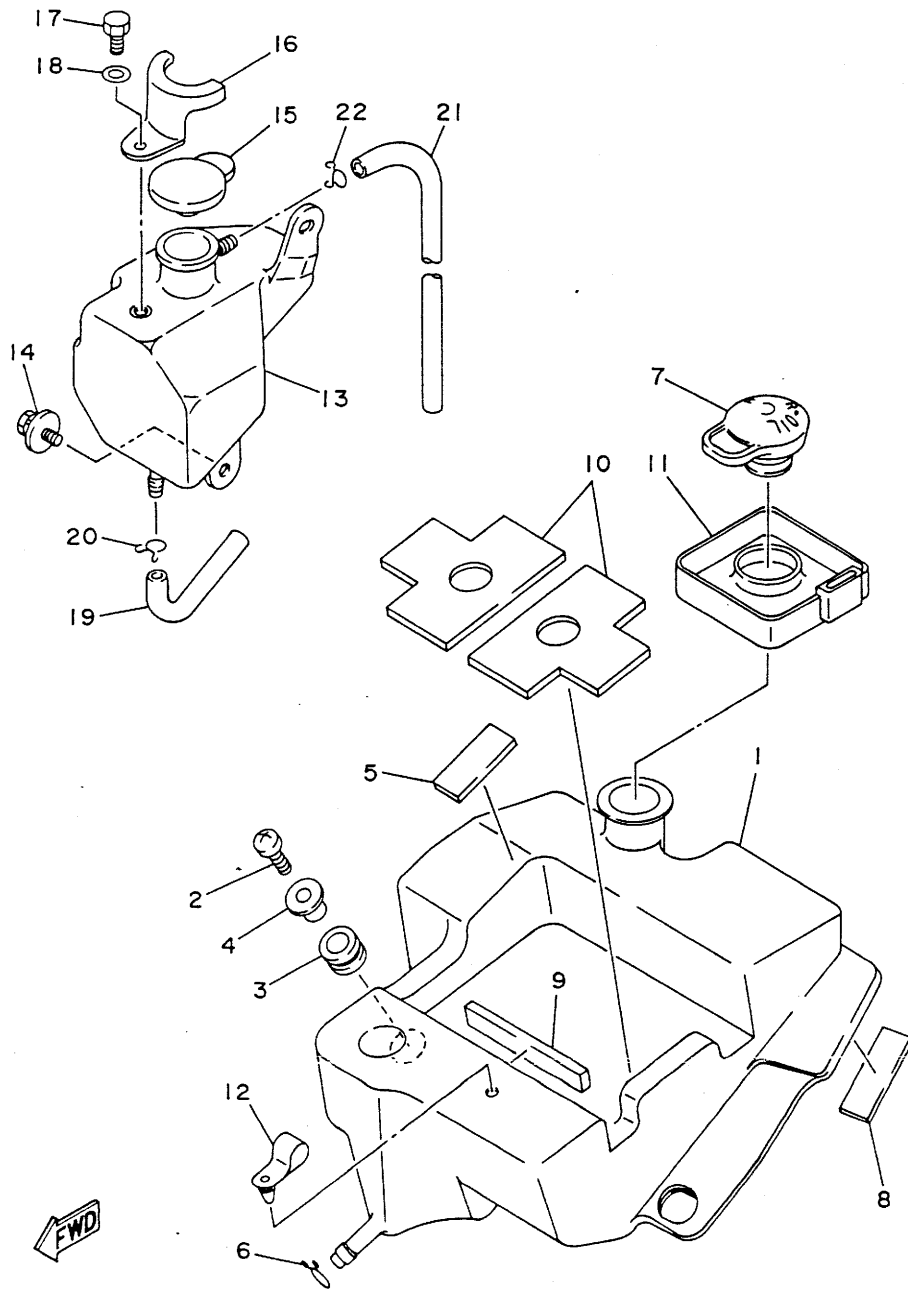
REF. NO.	PART NO.	DESCRIPTION	Q'TY	REMARKS
1	4EU-21511-00	FENDER, FRONT	1	UR PURPLISH WHITE SOLID 1
	4EU-21511-10	FENDER, FRONT	1	UR YAMAHA BLACK
2	90150-06031	SCREW, ROUND HEAD	4	
3	90387-06681	COLLAR	4	
4	90183-06053	NUT, SPRING	2	
5	98980-06016	SCREW, BIND	2	
6	4EU-21611-00	FENDER, REAR	1	
7	3XV-24198-00	SEAT, RUBBER	4	
8	90119-06114	BOLT, WITH WASHER	4	
9	4EU-2160A-00	BOX COMP.	1	
10	90119-06114	BOLT, WITH WASHER	1	
11	4U7-28186-00	POUCH	1	
12	4EU-21652-00	PROTECTOR	1	
13	3G1-85130-01	REAR REFLECTOR ASSY	1	
14	95706-05500	NUT, FLANGE	1	

FIG. 19 SIDE COVER



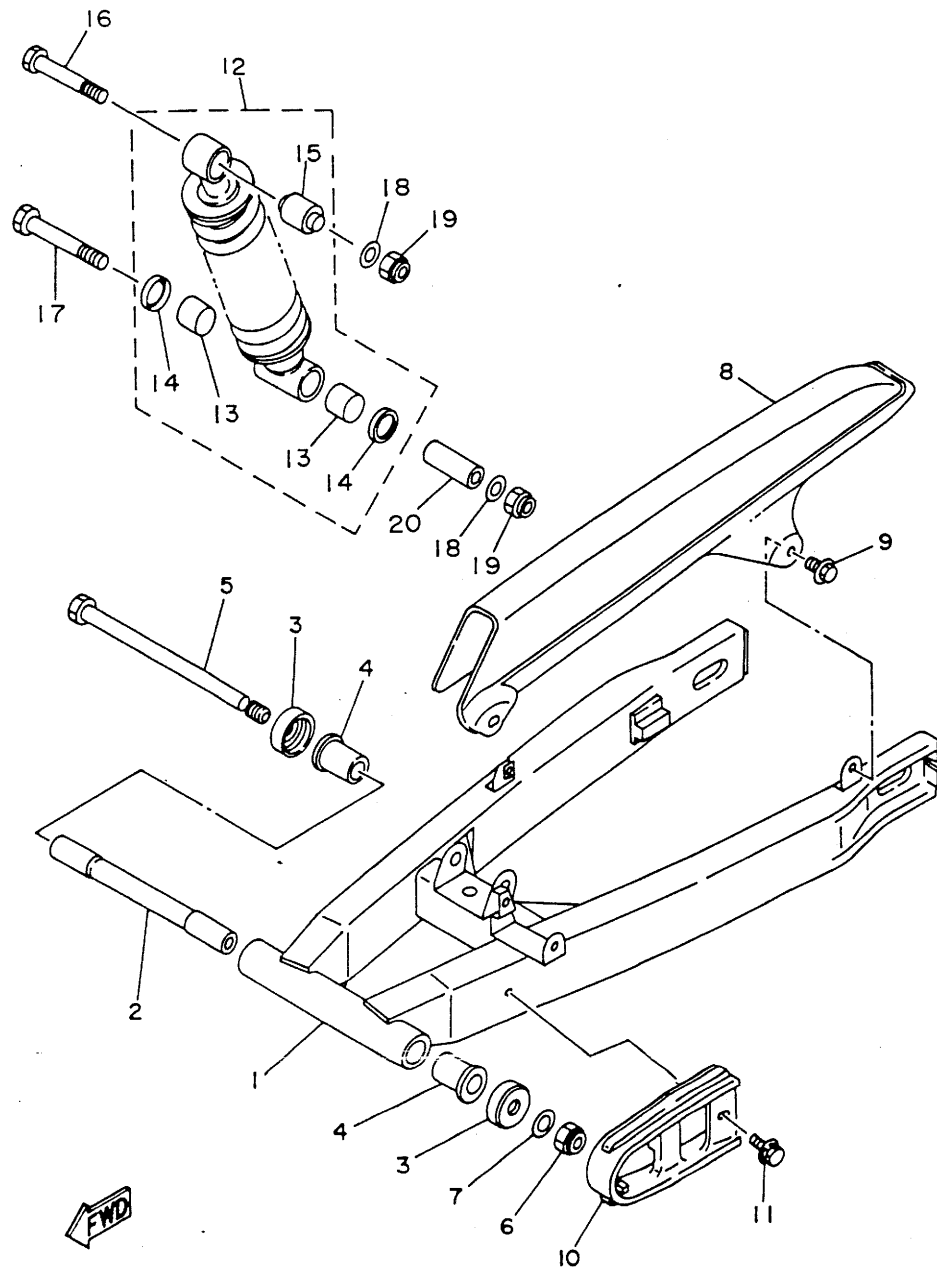
REF. NO.	PART NO.	DESCRIPTION	Q'TY	REMARKS
1	4EU-Y2171-00	COVER, SIDE 1	1	UR PURPLISH WHITE SOLID 1
	4EU-Y2171-10	COVER, SIDE 1	1	UR YAMAHA BLACK
2	3TU-2178A-00	LABEL	1	
3	90480-13398	GROMMET	1	
4	4EU-2173L-00	GRAPHIC SET 1	1	UR FOR PWS1
	4EU-2173L-10	GRAPHIC SET 1	1	UR FOR YB
5	90480-22084	GROMMET	1	
6	90480-01558	GROMMET	1	
7	90480-12320	GROMMET	1	
8	90159-06033	SCREW, WITH WASHER	1	
9	90150-06036	SCREW, ROUND HEAD	1	
10	4EU-Y2172-00	COVER, SIDE 2	1	UR PURPLISH WHITE SOLID 1
	4EU-Y2172-10	COVER, SIDE 2	1	UR YAMAHA BLACK
11	3TU-2178A-00	LABEL	1	
12	90480-13398	GROMMET	1	
13	4EU-2174L-00	GRAPHIC SET 2	1	UR FOR PWS1
	4EU-2174L-10	GRAPHIC SET 2	1	UR FOR YB
14	90480-22084	GROMMET	1	
15	90480-01558	GROMMET	1	
16	90480-12320	GROMMET	1	
17	90159-06033	SCREW, WITH WASHER	1	
18	90150-06036	SCREW, ROUND HEAD	1	

FIG. 20 OIL TANK



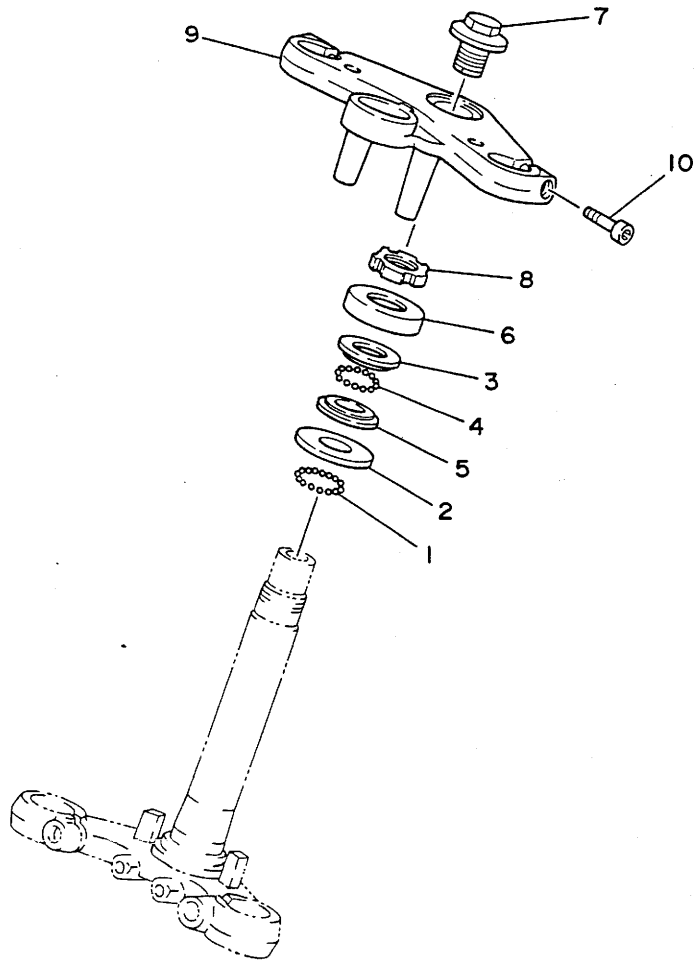
REF. NO.	PART NO.	DESCRIPTION	Q'TY	REMARKS
1	4EU-21751-00	TANK, OIL	1	
2	98580-06020	SCREW, PAN HEAD	2	
3	90480-14433	GROMMET	2	
4	90387-07391	COLLAR	2	
5	3XV-21717-00	DAMPER, SIDE COVER	1	
6	90467-09006	CLIP	1	
7	2N3-21771-01	BODY, CAP	1	
8	3XV-24198-00	SEAT, RUBBER	2	
9	3XV-2139X-00	DAMPER	2	
10	3XV-21541-00	DAMPER 1	2	
11	4EU-24198-00	SEAT, RUBBER	1	
12	90464-12158	CLAMP	1	
13	3TU-21871-00	TANK, RECOVERY	1	
14	90119-06056	BOLT, WITH WASHER	2	
15	1AA-21815-00	CAP	1	
16	3MA-2172N-00	BRACKET 4	1	
17	97026-06010	BOLT	1	
18	92906-06600	WASHER, PLATE	1	
19	3TU-21817-00	PIPE 2	1	
20	90467-09006	CLIP	1	
21	3TU-21826-00	PIPE, BREATHER	1	
22	90467-08003	CLIP	1	

FIG. 21 REAR ARM. SUSPENSION



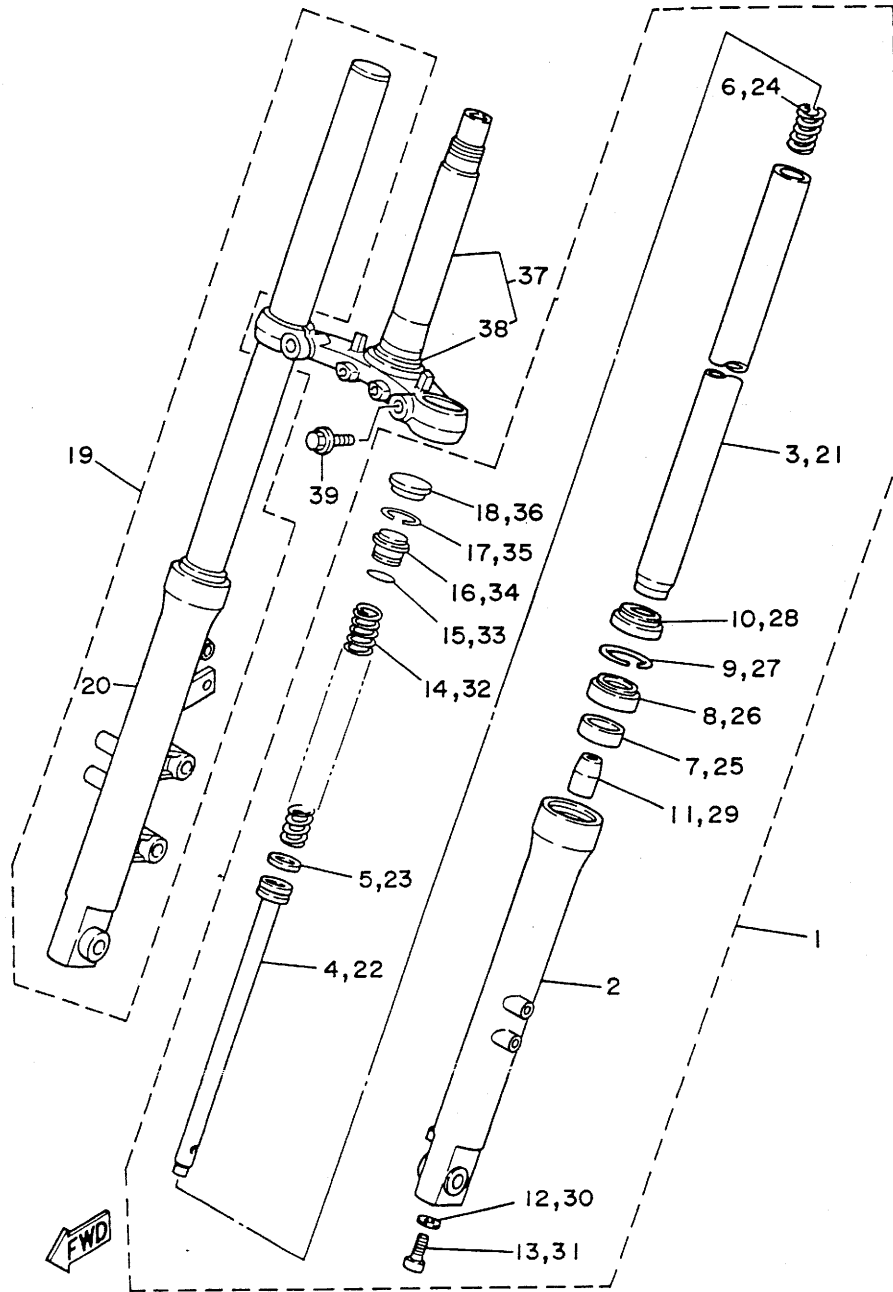
REF. NO.	PART NO.	DESCRIPTION	Q'TY	REMARKS
1	4EU-22110-00-7B	REAR ARM COMP.	1	BLUISH BLACK 2
2	3FY-22184-00	BUSH	1	
3	401-22128-01	SEAL, GUARD	2	
4	90386-18099	BUSH	2	
5	307-22141-10	SHAFT, PIVOT	1	
6	90185-12046	NUT, SELF-LOCKING	1	
7	90201-12535	WASHER, PLATE	1	
8	3TU-22311-00	CASE, CHAIN	1	
9	90119-06117	BOLT, WITH WASHER	2	
10	3TU-22151-00	SEAL, GUARD	1	
11	90119-06056	BOLT, WITH WASHER	1	
12	4JS-22210-00	SHOCK ABSORBER ASSY, REAR	1	
13	90384-18157	BUSH, BIMETAL FORMED	2	
14	93109-18020	OIL SEAL	2	
15	34L-22216-00	BUSH, REAR SHOCK ABSORBER	1	
16	90101-12558	BOLT	1	
17	90101-12676	BOLT	1	
18	90201-12535	WASHER, PLATE	2	
19	95601-12100	NUT, U	2	
20	90387-124H0	COLLAR	1	

FIG. 22 STEERING



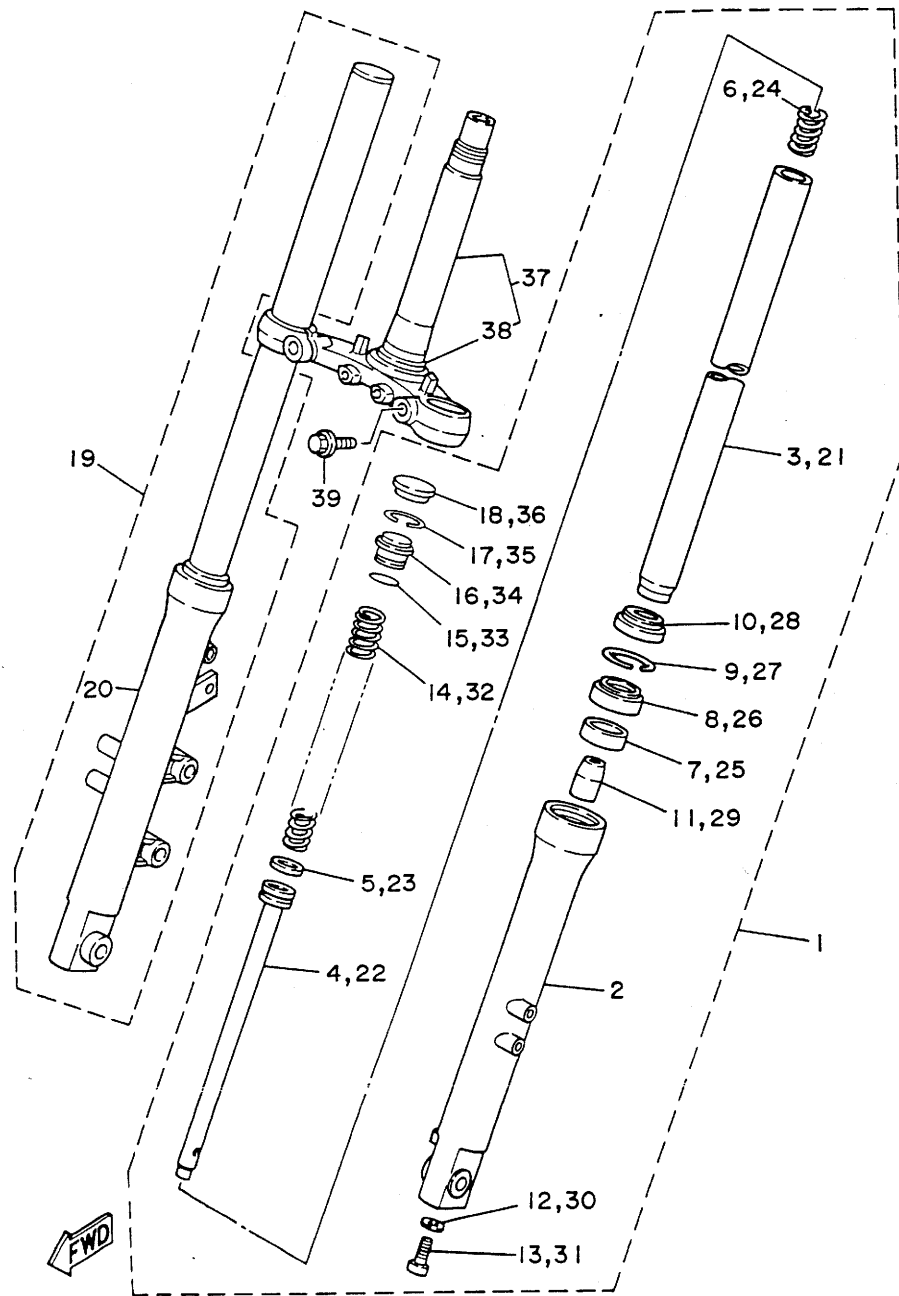
REF. NO.	PART NO.	DESCRIPTION	Q'TY	REMARKS
1	93501-04011	BALL	19	
2	156-23412-00	RACE, BALL 2	1	
3	22F-23411-01	RACE, BALL 1	1	
4	93503-16010	BALL	22	
5	22F-23412-01	RACE, BALL 2	1	
6	122-23416-00	COVER, BALL RACE 2	1	
7	90105-14365	BOLT, WASHER BASED	1	
8	90179-25033	NUT	1	
9	3TU-23435-10	CROWN, HANDLE	1	
10	91316-08030	BOLT	2	

FIG. 23 FRONT FORK



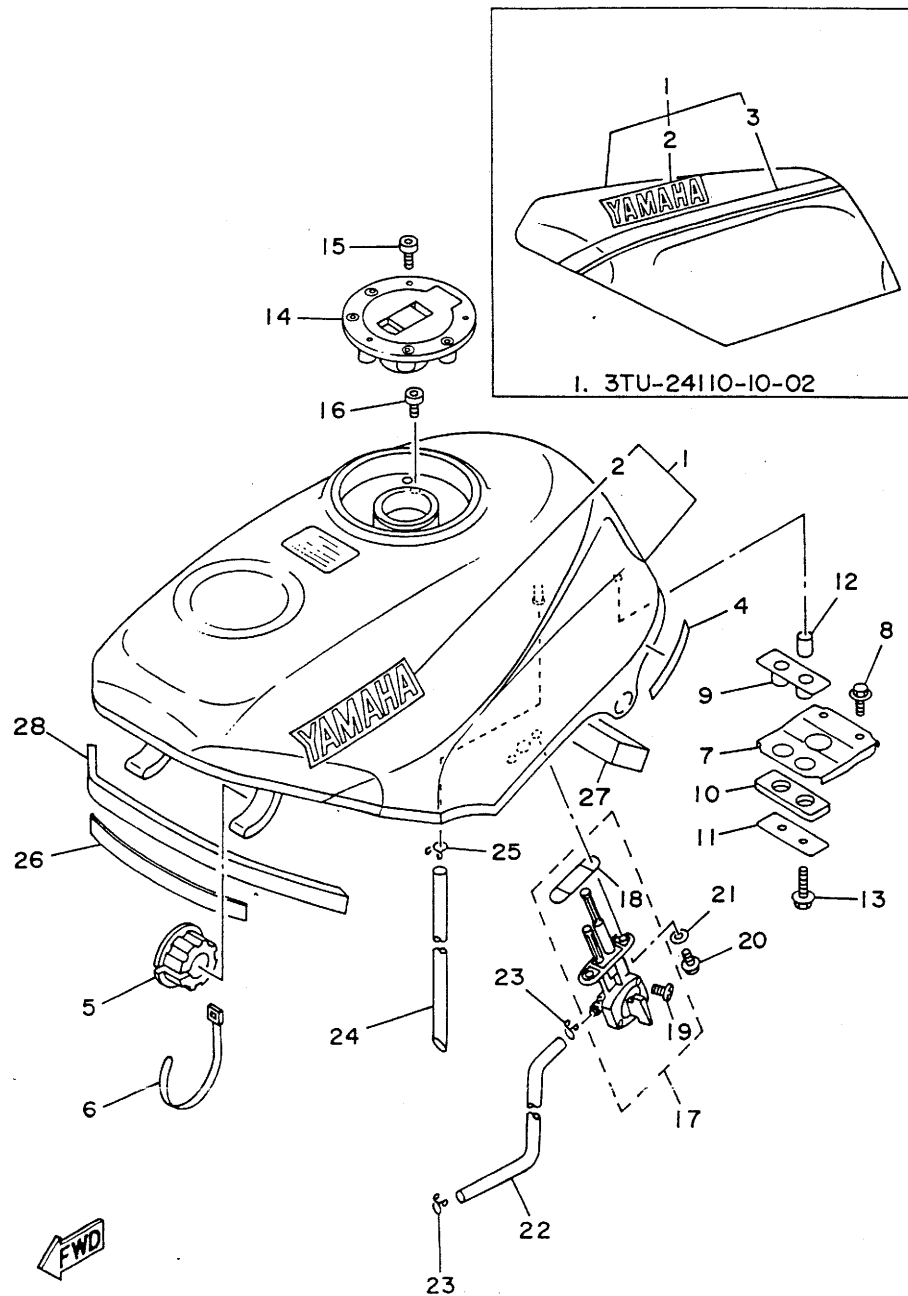
REF. NO.	PART NO.	DESCRIPTION	Q'TY	REMARKS
1	4EU-23102-00	FRONT FORK ASSY (L.H)	1	
2	4EU-23126-00	.TUBE, OUTER (LEFT)	1	
3	4EU-23110-00	.INNER TUBE COMP. 1	1	
4	4EU-23171-00	.PISTON, FRONT FORK	1	
5	4EU-23157-00	.RING, PISTON	1	
6	5H5-23151-00	.SPRING, REBOUND	1	
7	3FY-23125-00	.METAL, SLIDE 1	1	
8	93110-30008	.OIL SEAL	1	
9	93450-43072	.CIRCLIP	1	
10	10W-23144-F0	.SEAL, DUST	1	
11	5H5-23173-00	.SPINDLE, TAPER	1	
12	90430-08155	.GASKET	1	
13	91311-08025	.BOLT	1	
14	4EU-23141-00	.SPRING, FRONT FORK	1	
15	93210-21276	.O-RING	1	
16	5H5-23111-00	.BOLT, CAP	1	
17	93450-27071	.CIRCLIP	1	
18	5H5-23154-00	.PLUG, INNER TUBE	1	
19	4EU-23103-00	FRONT FORK ASSY (R.H)	1	
20	4EU-23136-00	.TUBE, OUTER (RIGHT)	1	
21	4EU-23110-00	.INNER TUBE COMP. 1	1	
22	4EU-23171-00	.PISTON, FRONT FORK	1	
23	4EU-23157-00	.RING, PISTON	1	
24	5H5-23151-00	.SPRING, REBOUND	1	
25	3FY-23125-00	.METAL, SLIDE 1	1	
26	93110-30008	.OIL SEAL	1	
27	93450-43072	.CIRCLIP	1	
28	10W-23144-F0	.SEAL, DUST	1	

FIG. 23 FRONT FORK



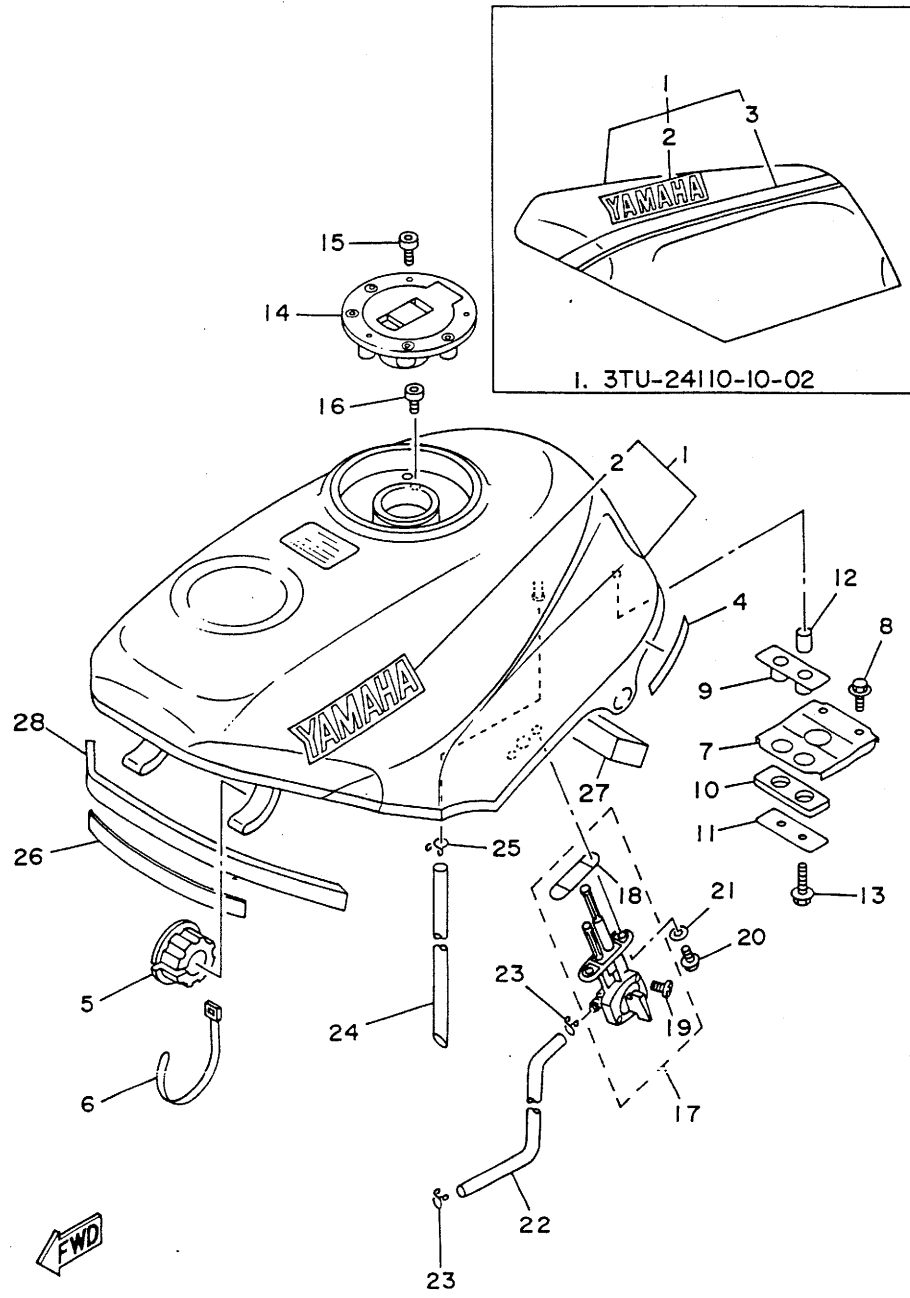
REF. NO.	PART NO.	DESCRIPTION	Q'TY	REMARKS
29	5H5-23173-00	.SPINDLE, TAPER	1	
30	90430-08155	.GASKET	1	
31	91311-08025	.BOLT	1	
32	4EU-23141-00	.SPRING, FRONT FORK	1	
33	93210-21276	.O-RING	1	
34	5H5-23111-00	.BOLT, CAP	1	
35	93450-27071	.CIRCLIP	1	
36	5H5-23154-00	.PLUG, INNER TUBE	1	
37	3TU-23340-00	UNDER BRACKET COMP.	1	
38	156-23411-00	.RACE, BALL 1	1	
39	95811-10030	BOLT, FLANGE	2	

FIG. 24 FUEL TANK



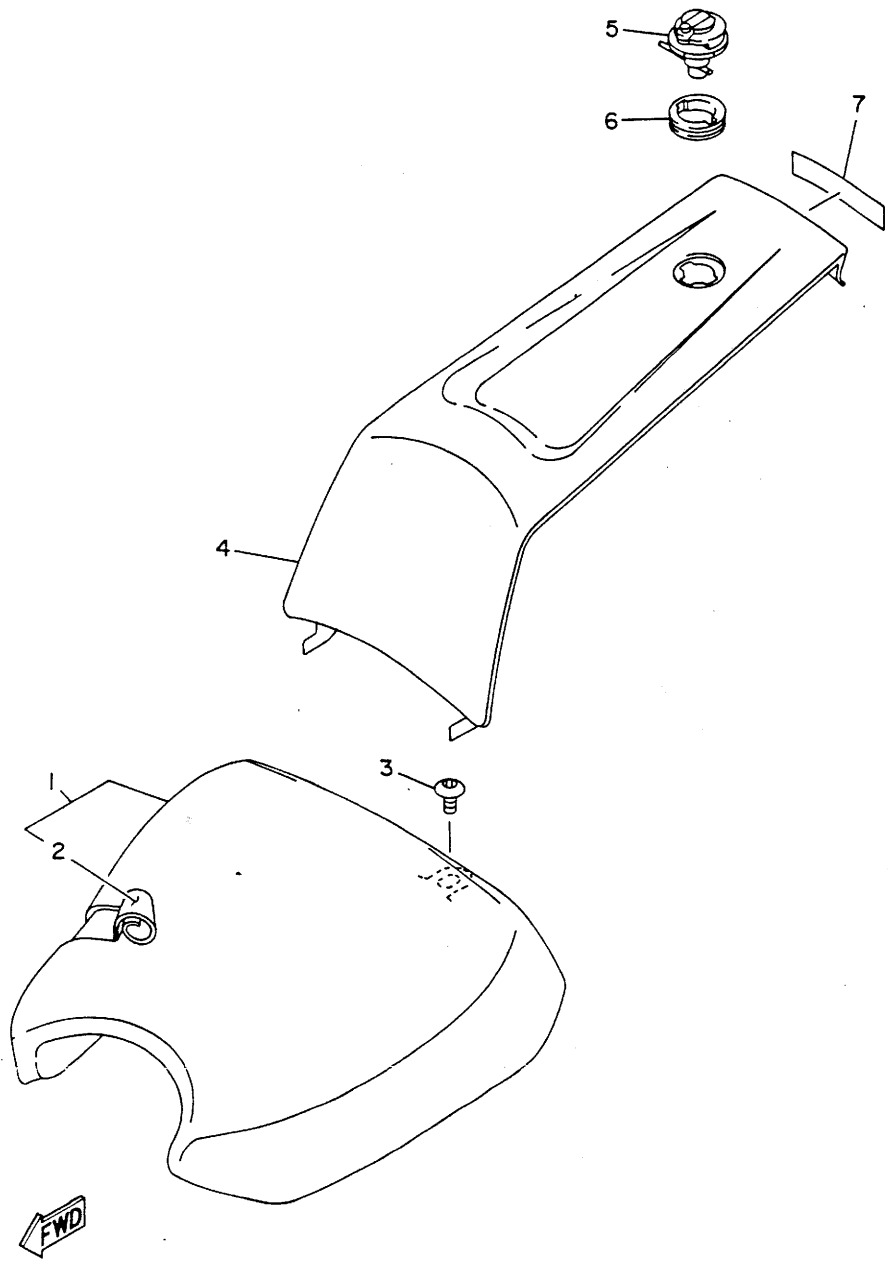
REF. NO.	PART NO.	DESCRIPTION	Q'TY	REMARKS
1	3TU-24110-10-01	FUEL TANK COMP.	1	UR PURPLISH WHITE SOLID 1
	3TU-24110-10-02	FUEL TANK COMP.	1	UR YAMAHA BLACK
2	99224-00160	.EMBLEM, YAMAHA	2	UR FOR PWS1
	99226-00160	.EMBLEM, YAMAHA	2	UR FOR YB
3	4EU-24244-00	.GRAPHIC, FUEL TANK 1	1	FOR YB
4	4EU-24141-00	PROTECTOR, FUEL TANK	2	
5	46X-24181-00	DAMPER, LOCATING 1	2	
6	12R-82591-00	BAND	2	
7	3TU-24192-00	BRACKET, FUEL TANK 2	1	
8	95811-06012	BOLT, FLANGE	2	
9	2GH-24181-00	DAMPER, LOCATING 1	1	
10	2GH-24183-00	DAMPER, LOCATING 3	1	
11	2GH-24186-00	WASHER, SPECIAL	1	
12	90387-06553	COLLAR	2	
13	91002-06025	BOLT, FLANGE	2	
14	3XM-24670-02	TANK CAP SET	1	
15	90110-05112	BOLT, HEXAGON SOCKET HEAD	3	
16	91311-05010	BOLT	1	
17	3TU-24500-00	FUEL COCK ASSY 1	1	
18	4X8-24512-00	.O-RING	1	
19	98503-03008	.SCREW, PAN HEAD	2	
20	90149-06011	SCREW	2	
21	90202-05187	WASHER, PLATE	2	
22	90445-09091	HOSE	1	
23	90467-08003	CLIP	2	
24	90445-10565	HOSE	1	
25	90467-09006	CLIP	1	
26	1HX-24188-01	MOLD, FUEL TANK	1	

FIG. 24 FUEL TANK



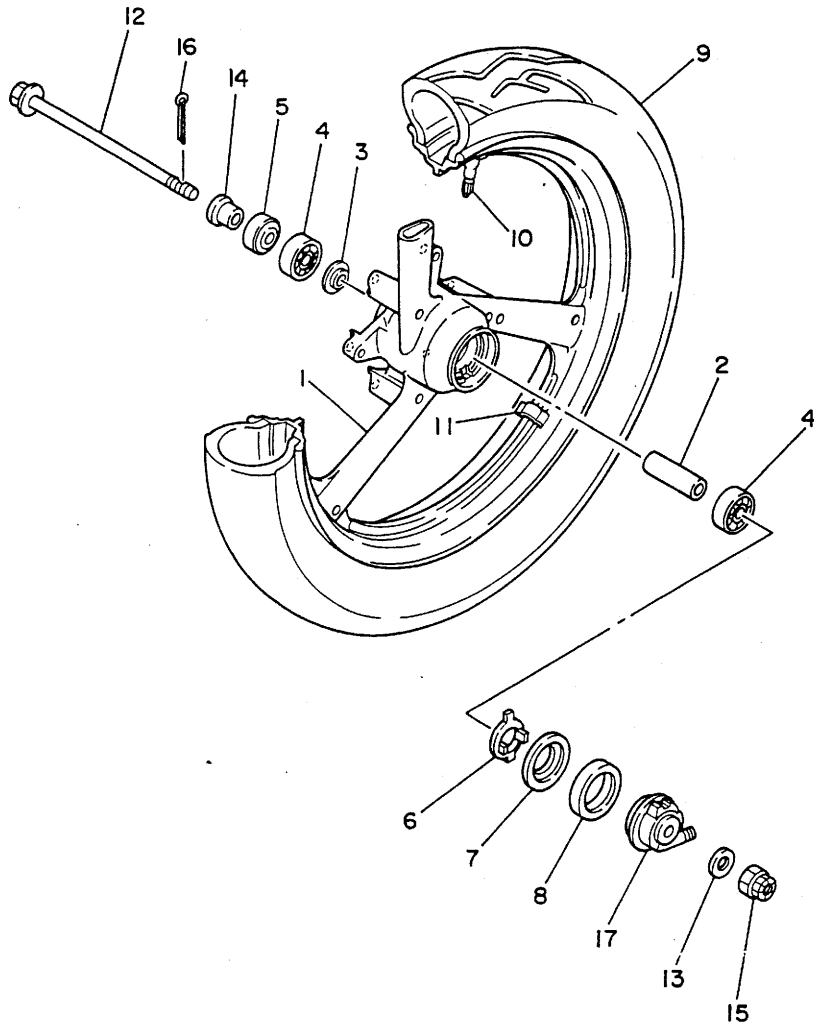
REF. NO.	PART NO.	DESCRIPTION	Q'TY	REMARKS
27	3TU-2414G-00	SEAL	1	
28	3TU-2414H-00	DAMPER, PLATE 1	1	

FIG. 25 SEAT



REF. NO.	PART NO.	DESCRIPTION	Q'TY	REMARKS
1	4EU-24710-00	SINGLE SEAT ASSY	1	
2	4EU-2470F-00	COVER, SEAT	1	
3	90110-06090	BOLT, HEXAGON SOCKET HEAD	1	
4	4EU-24756-00	COVER, TAIL	1	UR PURPLISH WHITE SOLID 1
	4EU-24756-10	COVER, TAIL	1	UR YAMAHA BLACK
5	3MA-21708-00	SIDE COVER LOCK ASSY	1	
6	90480-24186	GROMMET	1	
7	99234-00080	EMBLEM, YAMAHA	1	UR FOR PWS1
	99236-00080	EMBLEM, YAMAHA	1	UR YB

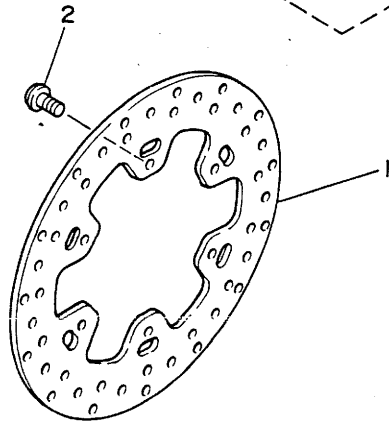
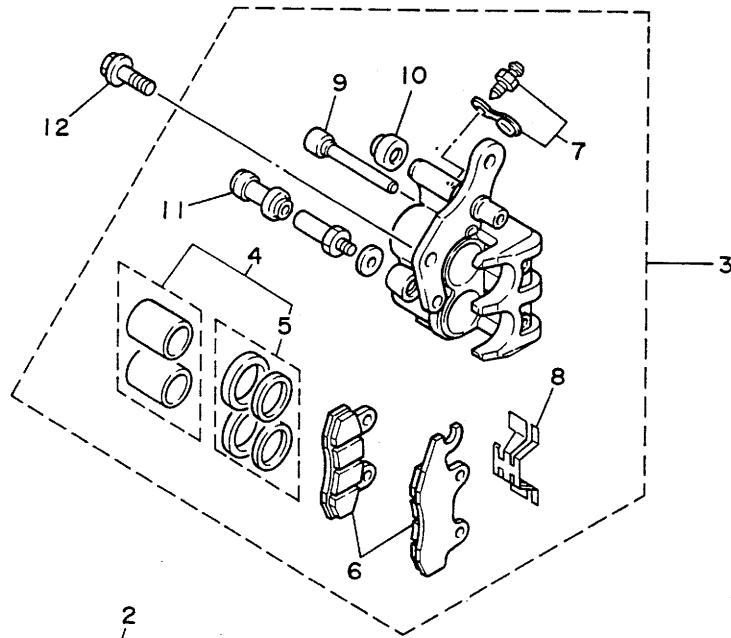
FIG. 26 FRONT WHEEL



FWD

REF. NO.	PART NO.	DESCRIPTION	Q'TY	REMARKS
1	3TU-25168-00-PO	CAST WHEEL, FRONT	1	UR DEEP VIOLET SOLID 1
	3TU-25168-00-TR	CAST WHEEL, FRONT	1	UR ROMANTIQUE ROUGE
2	90387-124R8	COLLAR	1	
3	109-25315-00	FLANGE, SPACER	1	
4	93306-30101	BEARING (B6301)	2	
5	93106-20033	OIL SEAL	1	
6	341-25149-00	CLUTCH, METER	1	
7	341-25846-00	RETAINER, CLUTCH	1	
8	93105-45017	OIL SEAL	1	
9	94108-1601S	TIRE (80/90-16 43P D102F)	1	UR DUNLOP
	94108-1601P	TIRE (80/90-16 43P G557)	1	UR BRIDGESTON
10	93900-00030	VALVE, RIM	1	
11	29L-25398-00	BALANCER, WHEEL (10G)	1	UN
	29L-25398-10	BALANCER, WHEEL (20G)	1	UN
	29L-25398-20	BALANCER, WHEEL (30G)	1	UN
12	2J5-25381-01	AXLE, WHEEL	1	
13	90201-122A7	WASHER, PLATE	1	
14	90387-123N2	COLLAR	1	
15	95301-12900	NUT, SLOTTED	1	
16	91401-30030	PIN, COTTER	1	
17	481-25190-01	GEAR UNIT ASSY	1	

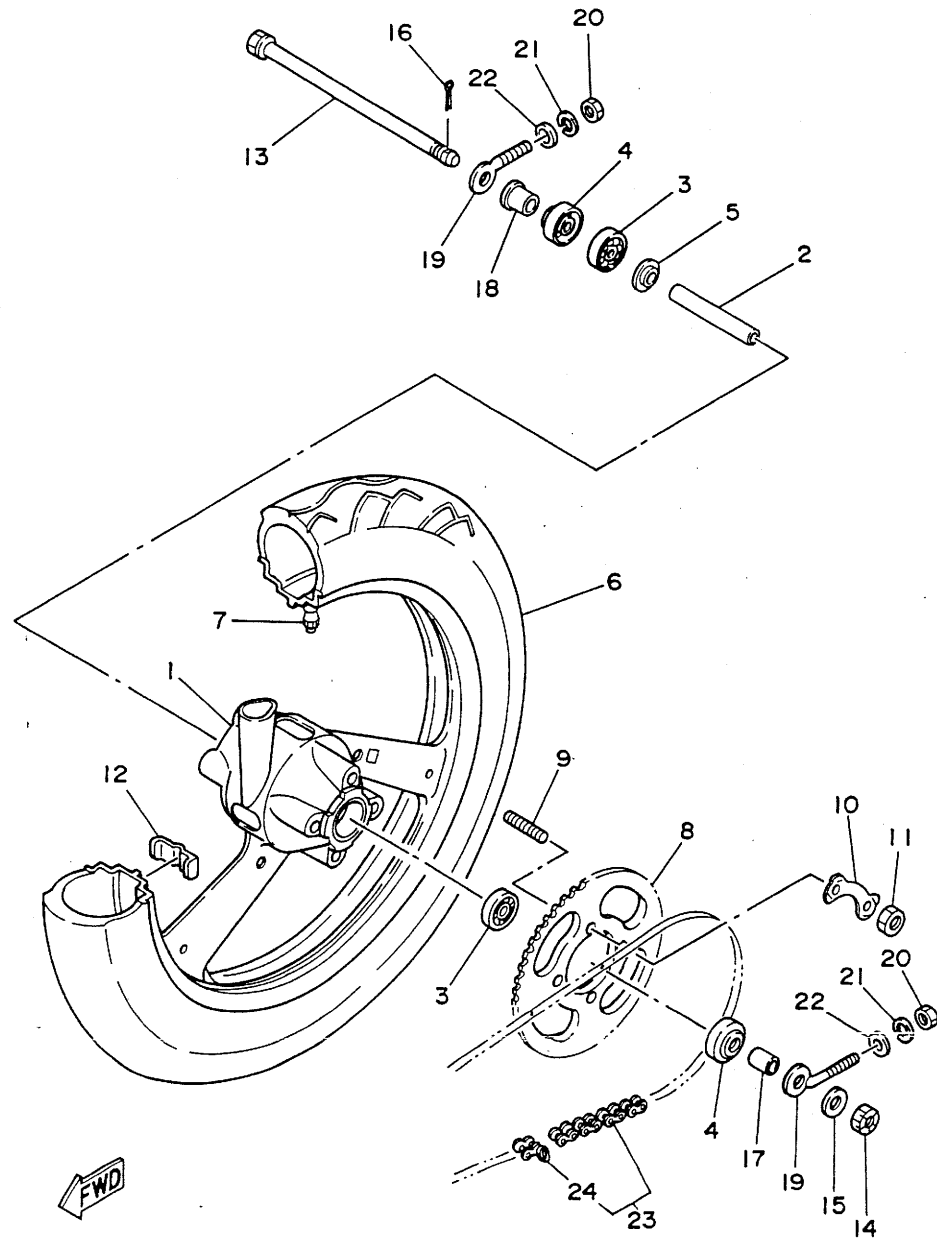
FIG. 27 FRONT BRAKE CALIPER



FWD

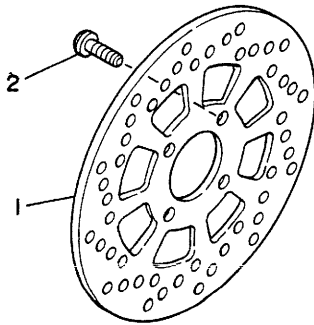
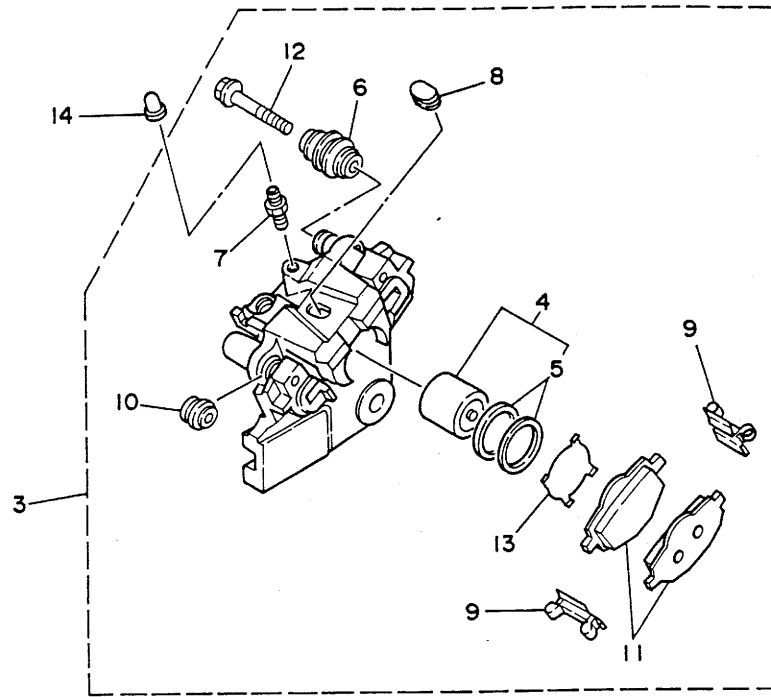
REF. NO.	PART NO.	DESCRIPTION	Q'TY	REMARKS
1	3TU-2582U-00	DISC, BRAKE (RIGHT)	1	
2	90109-081F0	BOLT	6	
3	3TU-2580U-00	CALIPER ASSY (RIGHT)	1	
4	3LD-W0057-00	PISTON ASSY, CALIPER	1	
5	3JD-W0047-00	CALIPER SEAL KIT	1	
6	3TU-W0045-00	BRAKE PAD KIT	1	
7	36Y-W0048-00	BREED SCREW KIT	1	
8	3LD-25934-00	SPRING, PAD	1	
9	3SP-25924-51	PIN, PAD	2	
10	3JD-25917-00	BOOT, CALIPER	1	
11	1UY-25937-51	BOOT 2	1	
12	90105-10638	BOLT, WASHER BASED	2	

FIG. 28 REAR WHEEL



REF. NO.	PART NO.	DESCRIPTION	Q'TY	REMARKS
1	3TU-25338-00-PO	CAST WHEEL, REAR	1	UR DEEP VIOLET SOLID 1
	3TU-25338-00-TR	CAST WHEEL, REAR	1	UR ROMANTIQUE ROUGE
2	90560-12370	SPACER	1	
3	93306-30101	BEARING (B6301)	2	
4	93106-20033	OIL SEAL	2	
5	109-25315-00	FLANGE, SPACER	1	
6	94109-1701T	TIRE (90/90-17 49P D102)	1	UR DUNLOP
	94109-1701R	TIRE (90/90-17 49P G558)	1	UR BRIDGESTON
7	93900-00030	VALVE, RIM	1	
8	3TU-25447-10	SPROCKET, DRIVEN (47T)	1	
9	90116-10390	BOLT, STUD	4	
10	10V-25412-00	WASHER	2	
11	95701-10500	NUT, FLANGE	4	
12	29L-25398-00	BALANCER, WHEEL (10G)	1	UN
	29L-25398-10	BALANCER, WHEEL (20G)	1	UN
	29L-25398-20	BALANCER, WHEEL (30G)	1	UN
13	5H5-25381-00	AXLE, WHEEL	1	
14	90171-12005	NUT, CASTLE	1	
15	90201-12362	WASHER, PLATE	1	
16	91401-30030	PIN, COTTER	1	
17	90387-12411	COLLAR	1	
18	90387-123N2	COLLAR	1	
19	102-25389-00	PULLER, CHAIN 2	1	
20	95601-06200	NUT, SELF-LOCKING	1	
21	92995-06100	WASHER	1	
22	90201-061A5	WASHER, PLATE	1	
23	428 x 126L	CHAIN	1	
24	428	JOINT, chain	1	

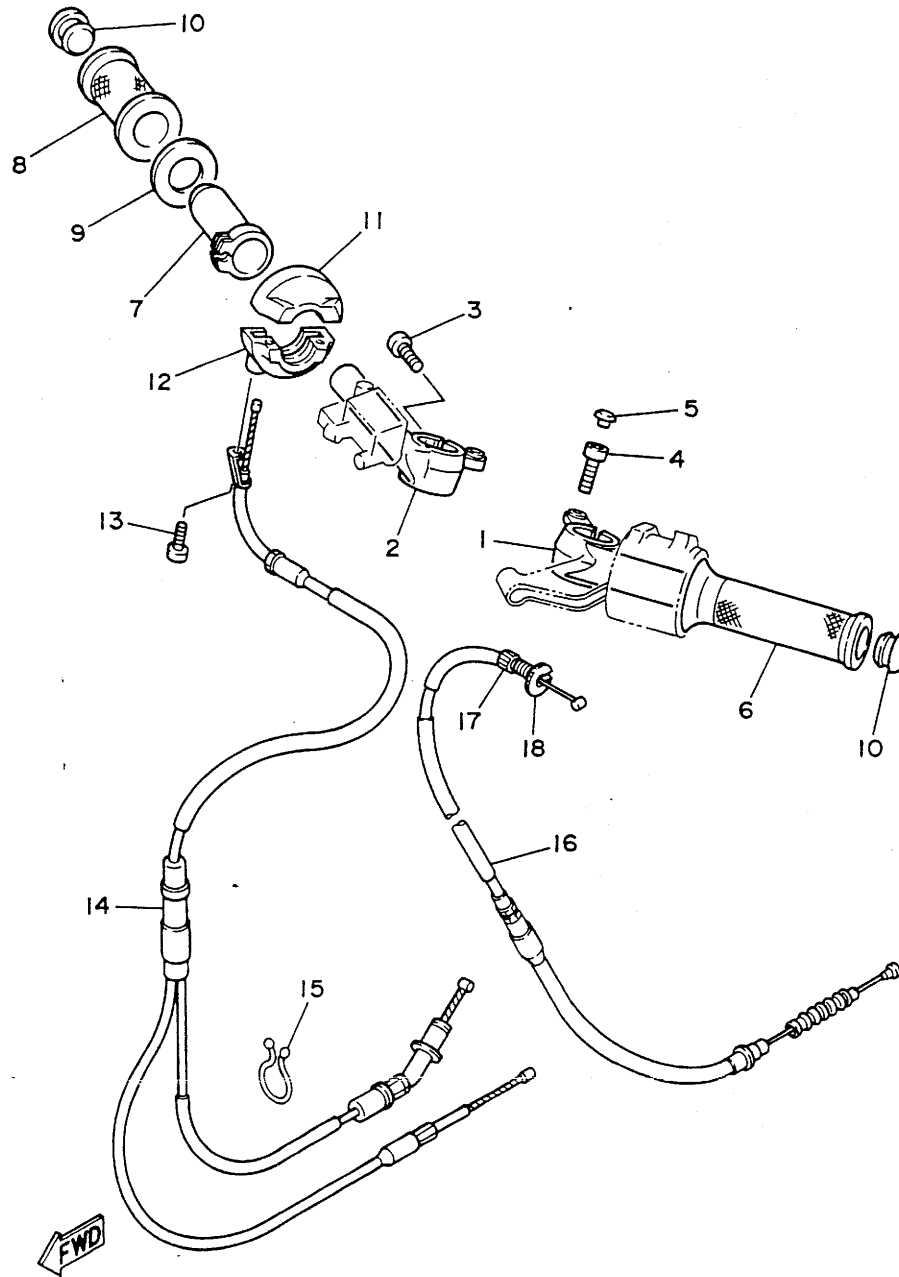
FIG. 29 REAR BRAKE CALIPER



REF. NO.	PART NO.	DESCRIPTION	Q'TY	REMARKS
1	3FY-2582W-00	DISC, REAR BRAKE 2	1	
2	90109-08718	BOLT	4	
3	3TU-2580W-00	CALIPER ASSY, REAR 2	1	
4	2VN-W0057-00	.PISTON ASSY, CALIPER	1	
5	2NA-W0047-00	..CALIPER SEAL KIT	1	
6	34X-25937-00	.BOOT 2	1	
7	47X-25824-00	.SCREW, BREED	1	
8	34X-25845-00	.CAP, INDICATOR	1	
9	34X-25919-00	.SUPPORT, PAD	2	
10	5R2-25937-00	.BOOT 2	1	
11	3FY-W0045-00	.BRAKE PAD KIT	1	
12	2GV-25926-00	.BOLT	1	
13	3FY-25827-00	.SHIM, CALIPER	1	
14	51L-25825-00	CAP	1	

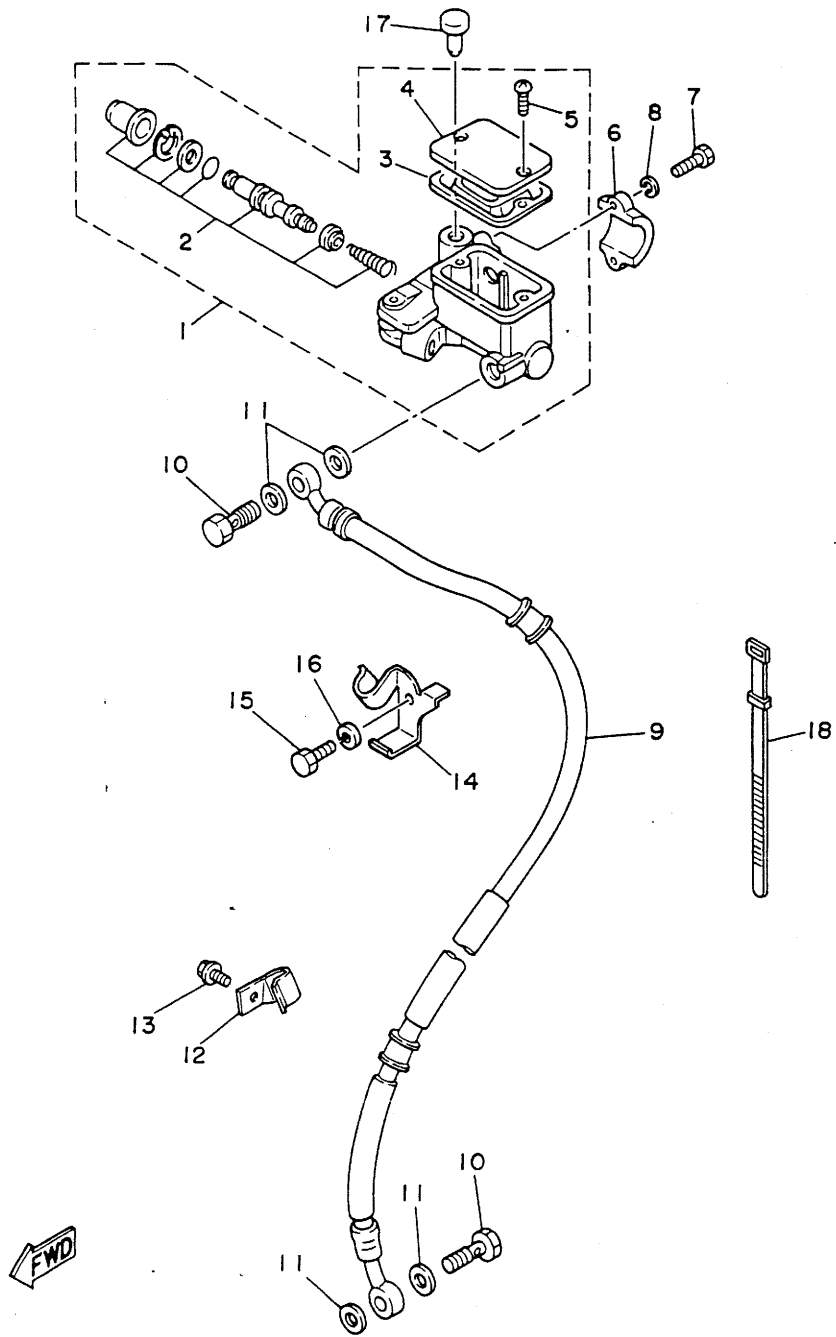
FWD

FIG. 30 STEERING HANDLE. CABLE



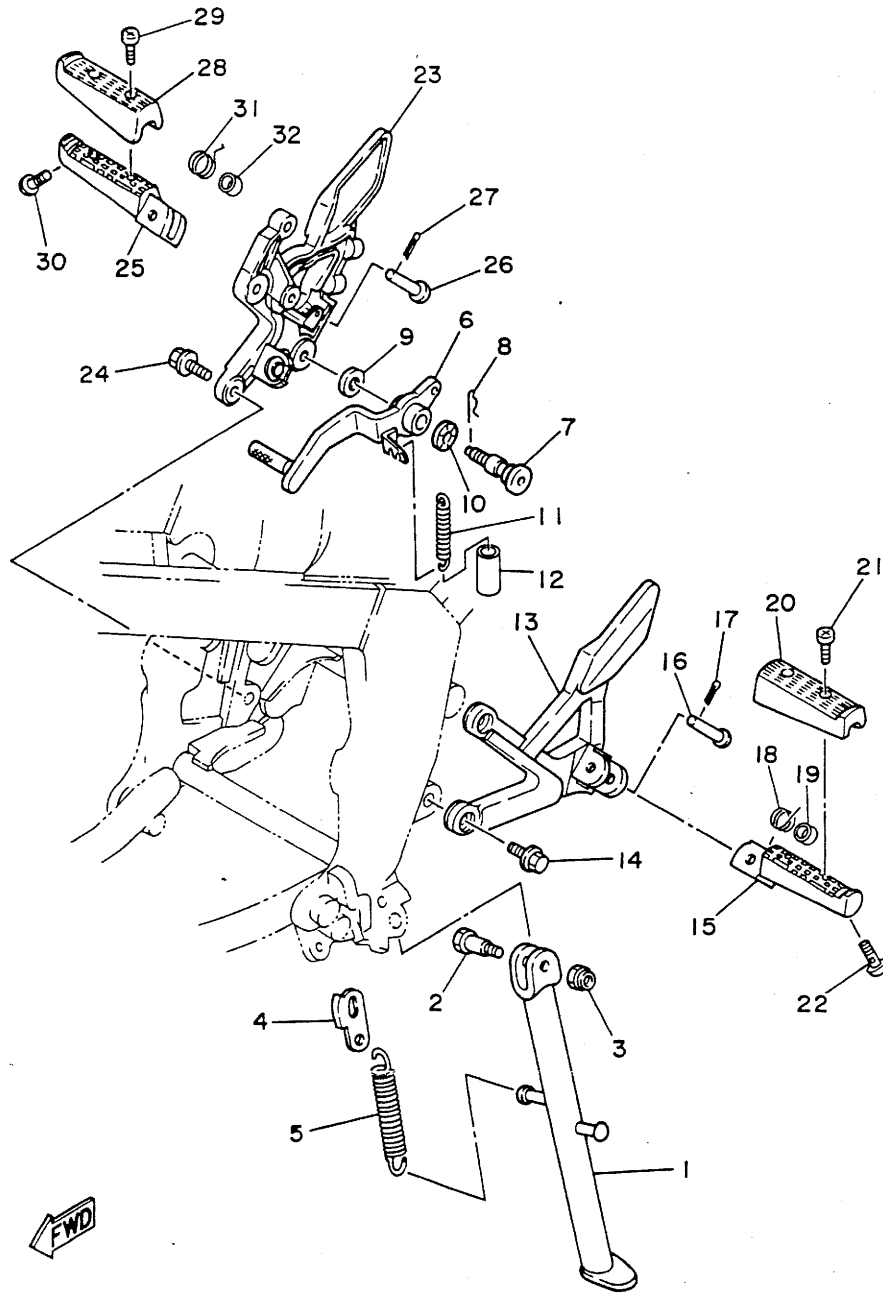
REF. NO.	PART NO.	DESCRIPTION	Q'TY	REMARKS
1	3TU-26121-11	HANDLEBAR (LEFT)	1	
2	3TU-26122-12	HANDLEBAR (RIGHT)	1	
3	91316-08025	BOLT	2	
4	91311-06025	BOLT	2	
5	2H9-23469-00	CAP, BOLT	2	
6	47X-26241-00	GRIP (LEFT)	1	
7	1V1-26243-00	TUBE, THROTTLE GUIDE	1	
8	47X-26242-00	GRIP (RIGHT)	1	
9	90201-261L1	WASHER, PLATE	1	
10	90338-19166	PLUG	2	
11	1V1-26281-00	CAP, GRIP UPPER	1	
12	1V1-26282-00	CAP, GRIP LOWER	1	
13	91316-05016	BOLT	2	
14	4EU-26301-00	THROTTLE CABLE ASSY	1	
15	90464-23041	CLAMP	1	
16	4EU-26335-00	CABLE, CLUTCH	1	
17	90123-08046	BOLT	1	
18	90179-08148	NUT	1	

FIG. 31 FRONT MASTER CYLINDER



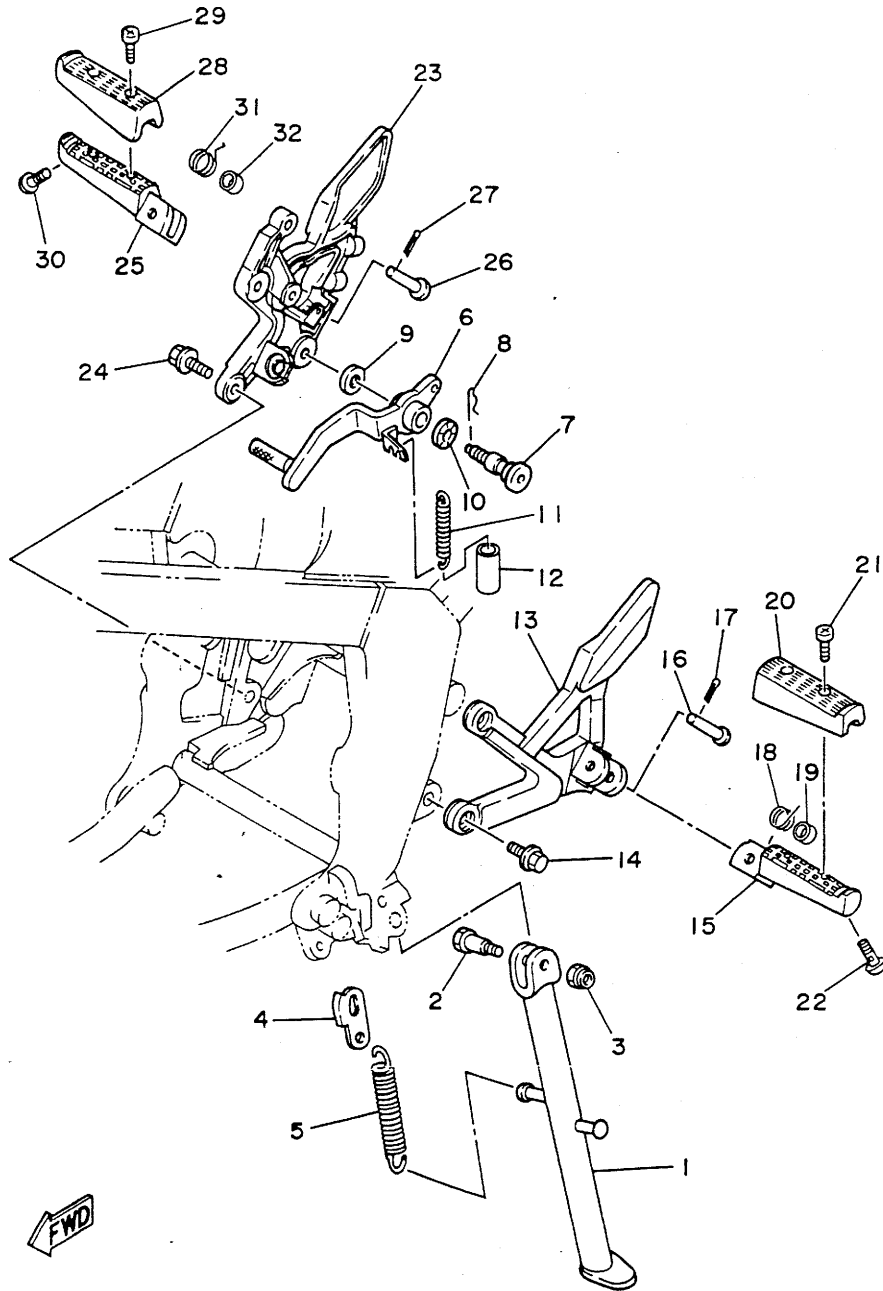
REF. NO.	PART NO.	DESCRIPTION	Q'TY	REMARKS
1	2KF-25850-00	MASTER CYLINDER ASSY	1	
2	59X-W0041-00	CYLINDER KIT, MASTER	1	
3	55U-25854-00	DIAPHRAGM, RESERVOIR	1	
4	2KF-25852-01	CAP, RESERVOIR	1	
5	98706-04012	SCREW, FLAT HEAD	2	
6	56A-25867-00	BRACKET, MASTER CYLINDER	1	
7	97016-06025	BOLT	2	
8	92906-06100	WASHER, SPRING	2	
9	4EU-25872-00	HOSE, BRAKE 1	1	
10	90401-10034	BOLT, UNION	2	
11	90201-10118	WASHER, PLATE	4	
12	2YK-25886-01	HOLDER, BRAKE HOSE	1	
13	95023-06012	BOLT	1	
14	3TU-25875-00	HOLDER, BRAKE HOSE 1	1	
15	97026-06012	BOLT	1	
16	92906-06100	WASHER, SPRING	1	
17	90338-09012	PLUG	1	
18	437-83936-11	BAND, SWITCH CORD	1	

FIG. 32 STAND. FOOTREST



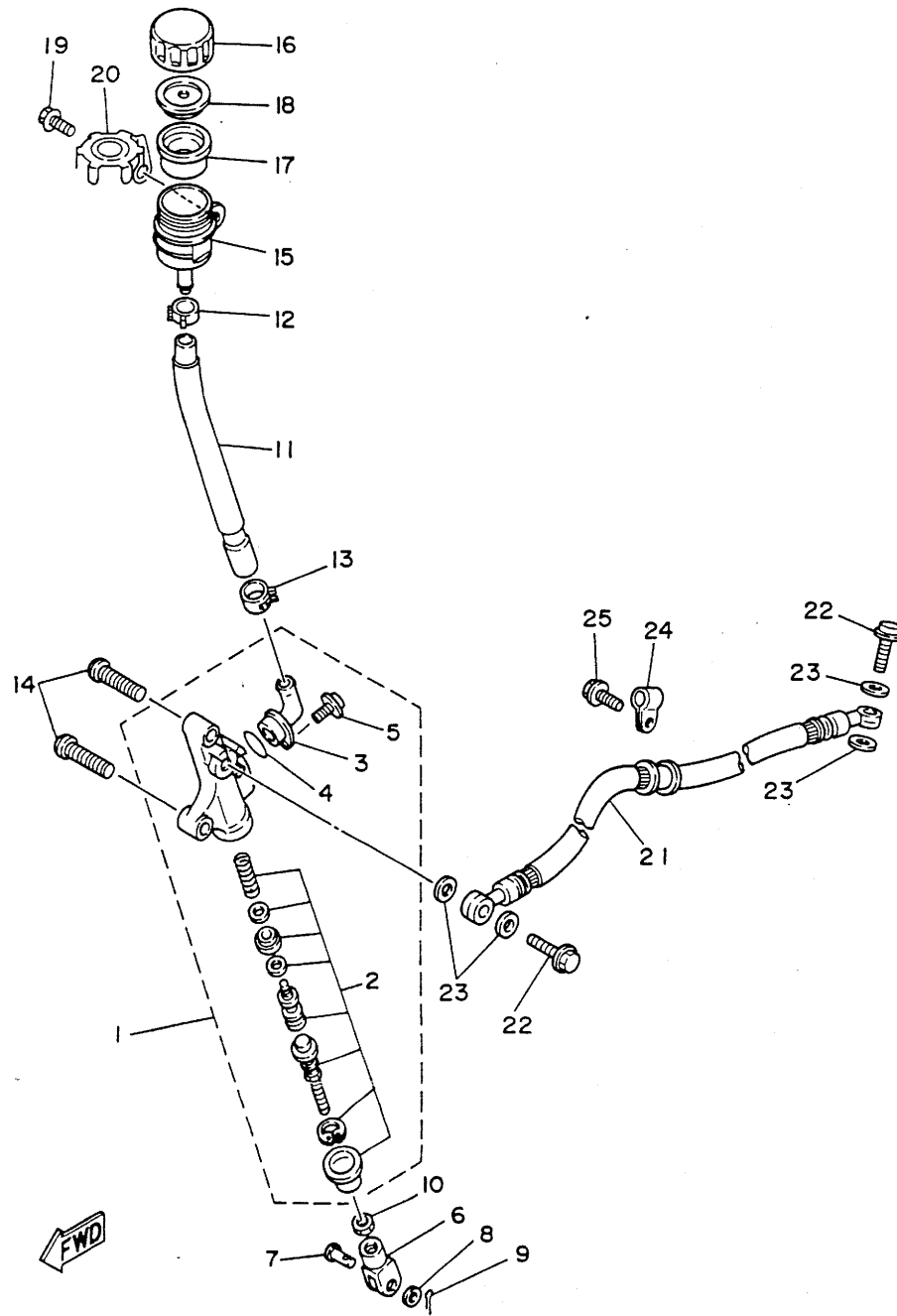
REF. NO.	PART NO.	DESCRIPTION	Q'TY	REMARKS
1	3TU-27311-00	STAND, SIDE	1	
2	90109-103A1	BOLT	1	
3	90185-10037	NUT, SELF-LOCKING	1	
4	3TU-27315-00	LINK, SIDE STAND	1	
5	90506-29266	SPRING, TENSION	1	
6	3TU-27211-00	PEDAL, BRAKE	1	
7	3YF-27261-00	SHAFT	1	
8	90468-10050	CLIP	1	
9	92901-10200	WASHER, PLAIN	1	
10	90206-14020	WASHER, WAVE	1	
11	90506-20369	SPRING, TENSION	1	
12	90445-162A0	HOSE	1	
13	3TU-27442-00	BRACKET 2	1	
14	90105-08705	BOLT, WASHER BASED	2	
15	1HX-27451-00	FOOTREST	1	
16	91701-08040	PIN, CLEVIS	1	
17	91401-25020	PIN, COTTER	1	
18	90508-20572	SPRING, TORSION	1	
19	90387-084N8	COLLAR	1	
20	2GH-27413-00	COVER, FOOTREST	1	
21	90157-05079	SCREW, PAN HEAD	2	
22	90109-083E0	BOLT	1	
23	4EU-27443-00	BRACKET 3	1	
24	90105-08705	BOLT, WASHER BASED	2	
25	1HX-27461-00	FOOTREST	1	
26	91701-08040	PIN, CLEVIS	1	
27	91401-25020	PIN, COTTER	1	
28	2GH-27413-00	COVER, FOOTREST	1	

FIG. 32 STAND. FOOTREST



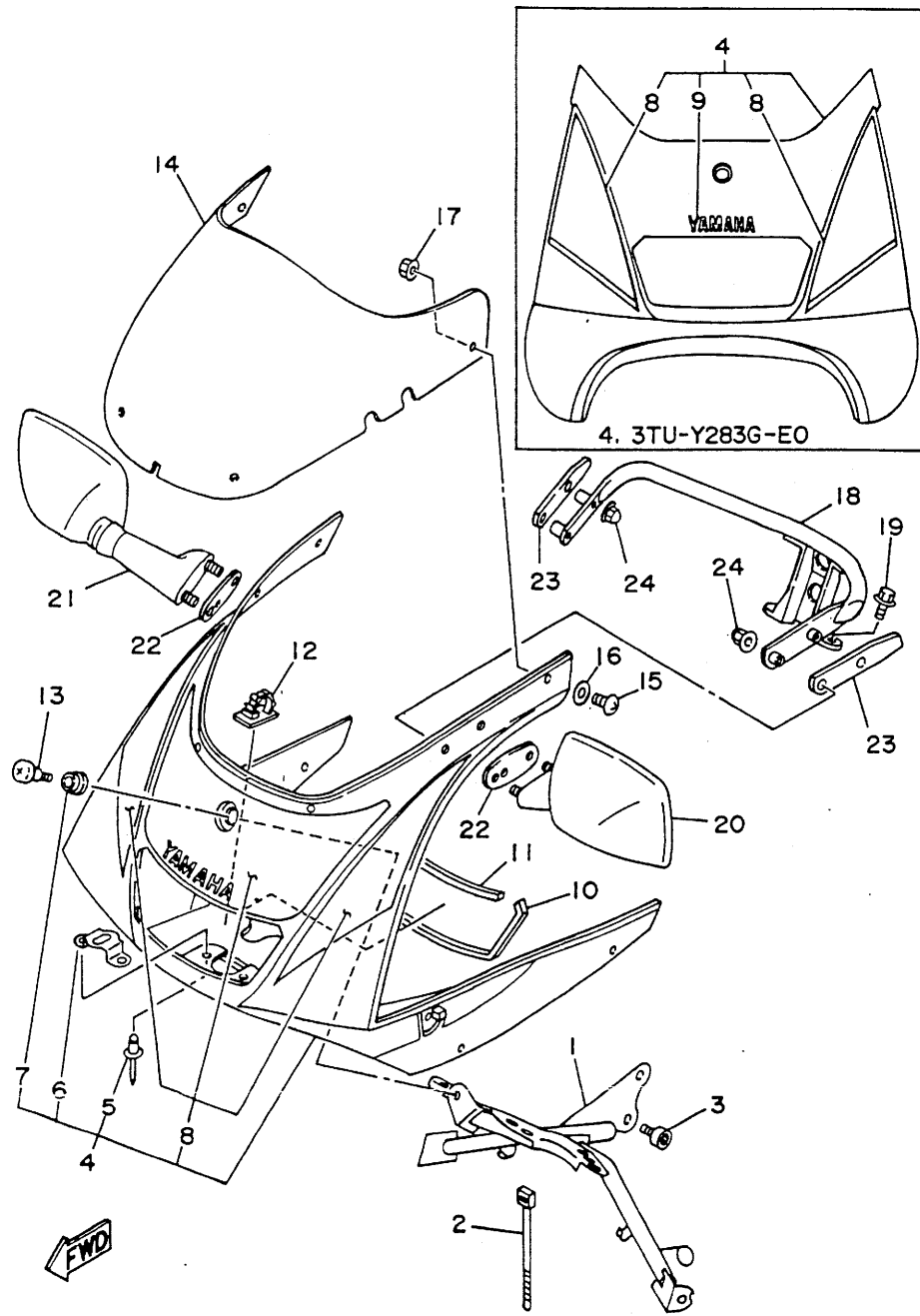
REF. NO.	PART NO.	DESCRIPTION	Q'TY	REMARKS
29	90157-05079	SCREW, PAN HEAD	2	
30	90109-083E0	BOLT	1	
31	90508-20572	SPRING, TORSION	1	
32	90387-084N8	COLLAR	1	

FIG. 33 REAR MASTER CYLINDER



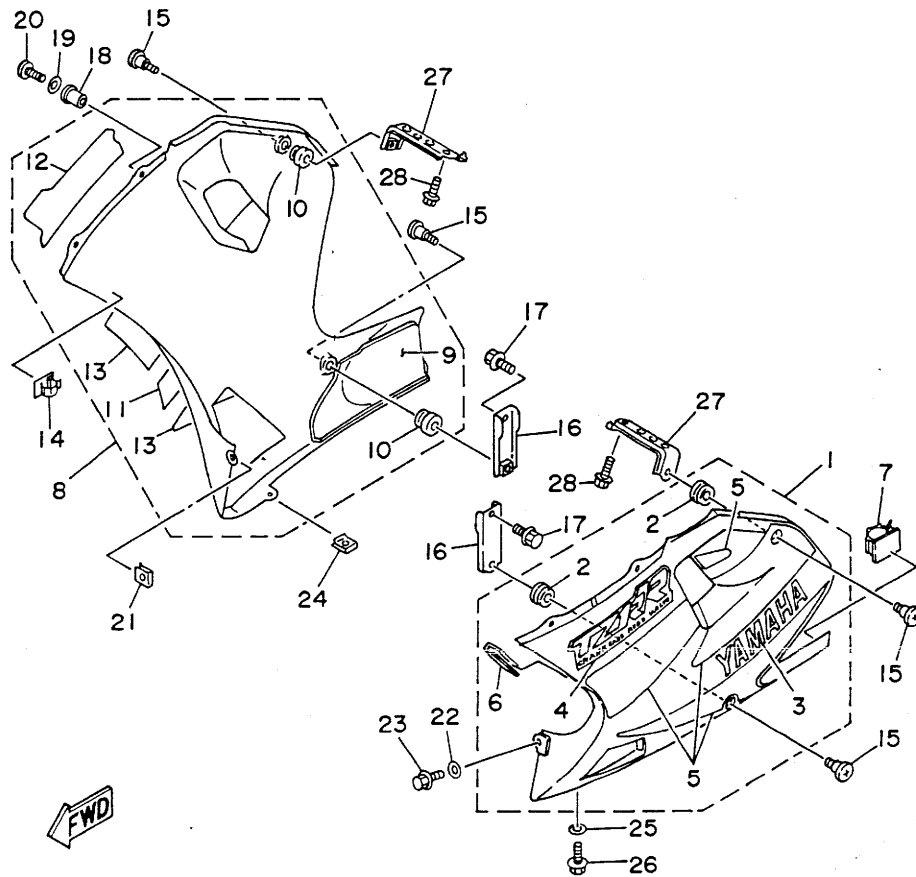
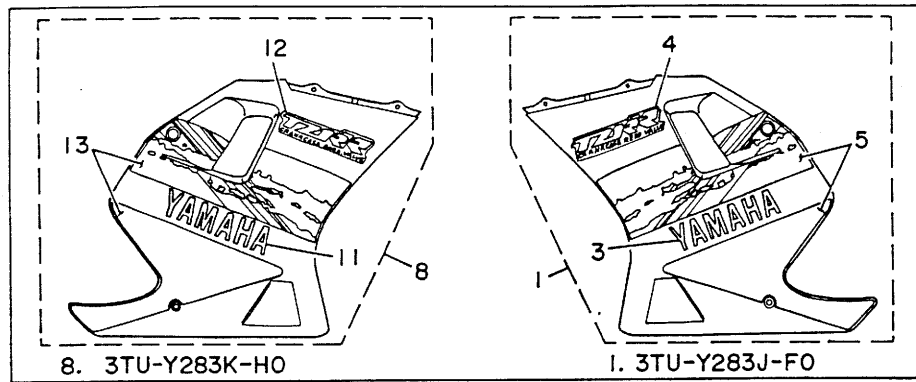
REF. NO.	PART NO.	DESCRIPTION	Q'TY	REMARKS
1	3TU-2583V-01	RR. MASTER CYLINDER ASSY	1	
2	3TU-W0042-51	.CYLINDER KIT, MASTER	1	
3	3LN-2582A-00	.JOINT	1	
4	3LN-2585F-00	.O-RING	1	
5	3LN-2585H-00	.SCREW, SET	1	
6	31A-27222-00	JOINT	1	
7	90240-08124	PIN, CLEVIS	1	
8	90201-08083	WASHER, PLATE	1	
9	91490-16020	PIN, COTTER	1	
10	95303-08700	NUT	1	
11	4EU-25895-00	HOSE, RESERVOIR	1	
12	90467-11044	CLIP	1	
13	90467-14057	CLIP	1	
14	92016-08030	SCREW	2	
15	2VN-25894-00	TANK, RESERVOIR	1	
16	2VN-25852-50	CAP, RESERVOIR	1	
17	2VN-25854-00	DIAPHRAGM, RESERVOIR	1	
18	2VN-25855-00	BUSH, DIAPHRAGM	1	
19	95811-06016	BOLT, FLANGE	1	
20	3ET-25888-00	COVER, RESERVOIR TANK	1	
21	3TU-2581J-01	HOSE, BRAKE 4	1	
22	90401-10034	BOLT, UNION	2	
23	90201-10118	WASHER, PLATE	4	
24	90461-08031	CLAMP	1	
25	95811-06016	BOLT, FLANGE	1	

FIG. 34 COWLING 1



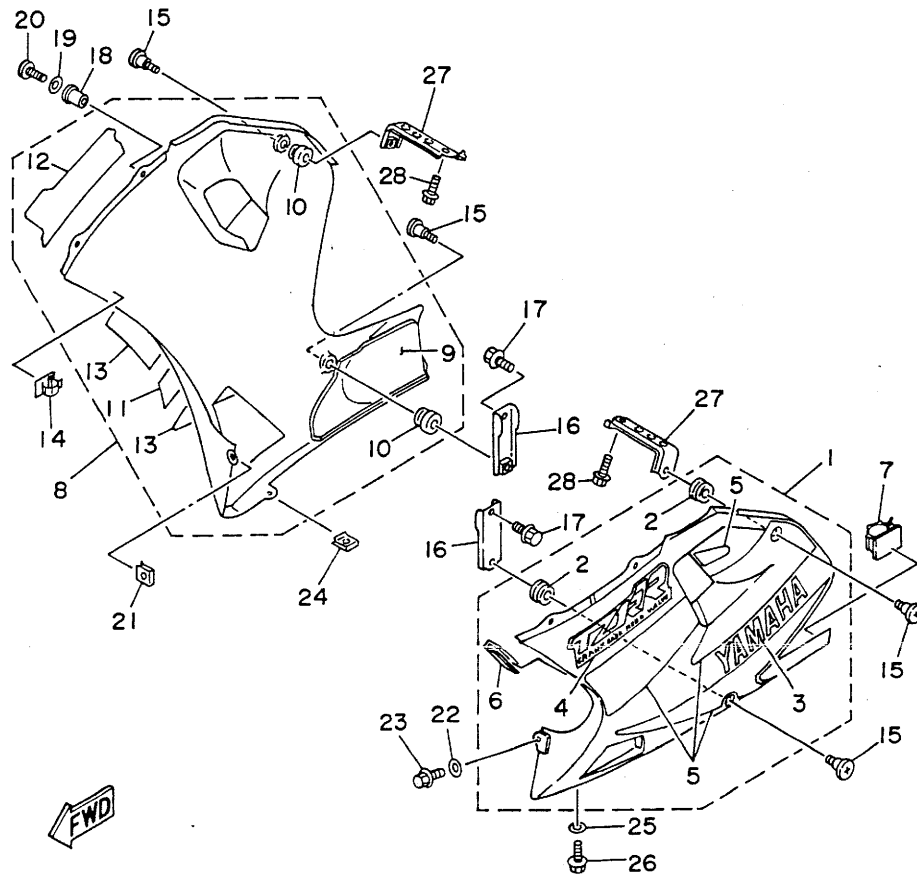
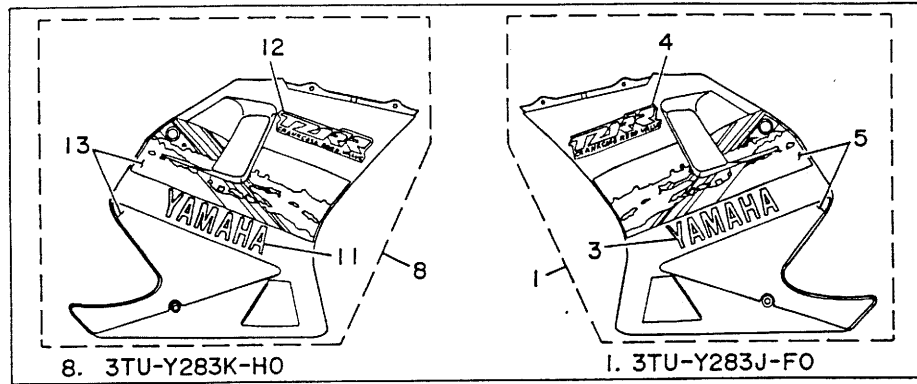
REF. NO.	PART NO.	DESCRIPTION	Q'TY	REMARKS
1	4EU-28356-00	STAY 1	1	
2	12R-82591-00	BAND	1	
3	92016-08016	SCREW	2	
4	3TU-Y283G-C0	BODY, FRONT UPPER 1	1	UR PURPLISH WHITE SOLID 1
	3TU-Y283G-E0	BODY, FRONT UPPER 1	1	UR YAMAHA BLACK
5	90267-32018	RIVET, BLIND	2	
6	3TU-2831V-00	STAY, HEAD LIGHT 1	1	
7	90480-13398	GROMMET	1	
8	4EU-28390-00	GRAPHIC SET, COWLING	1	UR FOR PWS1
	4EU-28390-10	GRAPHIC SET, COWLING	1	UR FOR YB
9	99236-00080	EMBLEM, YAMAHA	1	FOR YB
10	3TU-28371-00	DAMPER	1	
11	3TU-28372-00	DAMPER	1	
12	90464-25160	CLAMP	1	
13	90150-06036	SCREW, ROUND HEAD	1	
14	3TU-2837U-00	SCREEN	1	
15	90150-05020	SCREW, ROUND HEAD	4	
16	90202-05180	WASHER, PLATE	4	
17	95706-05500	NUT, FLANGE	4	
18	3TU-2831W-00	STAY, MIRROR 1	1	
19	95816-06016	BOLT, FLANGE	2	
20	2EL-26280-00	REAR VIEW MIRROR ASSY (LEFT)	1	BLACK
21	2EL-26290-00	REAR VIEW MIRROR ASSY (RIGHT)	1	BLACK
22	3TU-2834E-00	DAMPER	2	
23	3TU-2834F-00	DAMPER	2	
24	90176-06055	NUT, CROWN	4	

FIG. 35 COWLING 2



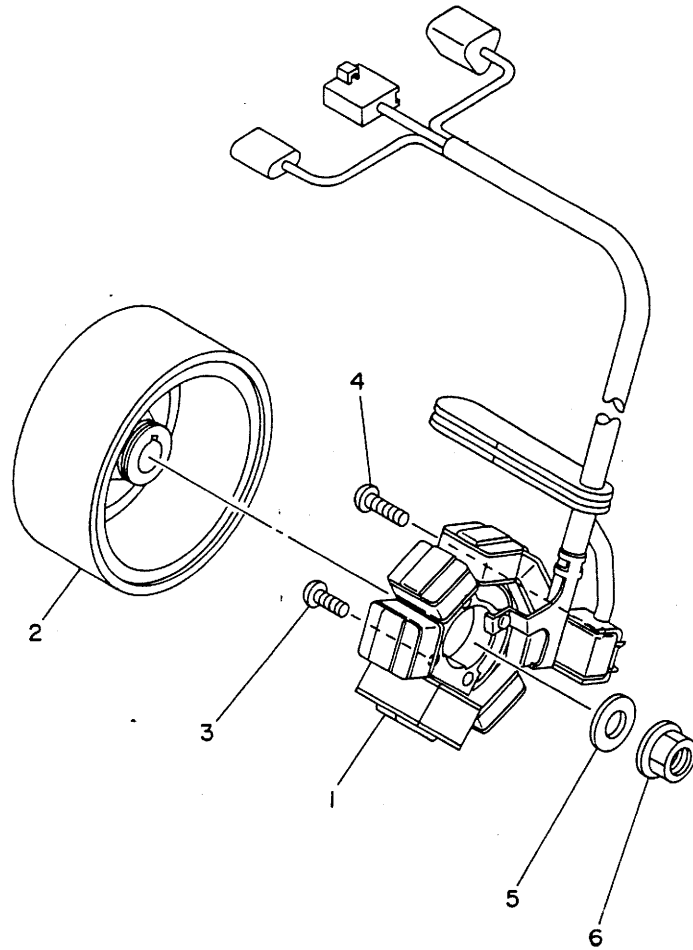
REF. NO.	PART NO.	DESCRIPTION	Q'TY	REMARKS
1	3TU-Y283J-E0	BODY, FRONT LOWER 1	1	UR PURPLISH WHITE SOLID 1
	3TU-Y283J-F0	BODY, FRONT LOWER 1	1	UR YAMAHA BLACK
2	90480-13398	GROMMET	2	
3	99234-00240	EMBLEM, YAMAHA	1	UR FOR PWS1
	99236-00240	EMBLEM, YAMAHA	1	UR FOR YB
4	4EU-28315-20	EMBLEM	1	UR FOR PWS1
	4EU-28315-30	EMBLEM	1	UR FOR YB
5	4EU-28301-01	GRAPHIC SET, LOWER COVER 1	1	UR FOR PWS1
	4EU-28301-11	GRAPHIC SET, LOWER COVER 1	1	UR FOR YB
6	3TU-28344-00	TAPE	1	
7	90464-20136	CLAMP	1	
8	3TU-Y283K-G0	BODY, FRONT LOWER 2	1	UR PURPLISH WHITE SOLID 1
	3TU-Y283K-H0	BODY, FRONT LOWER 2	1	UR YAMAHA BLACK
9	4EU-28371-00	DAMPER	1	
10	90480-13398	GROMMET	2	
11	99234-00240	EMBLEM, YAMAHA	1	UR FOR PWS1
	99236-00240	EMBLEM, YAMAHA	1	UR FOR YB
12	4EU-28315-20	EMBLEM	1	UR FOR PWS1
	4EU-28315-30	EMBLEM	1	UR FOR YB
13	4EU-28303-01	GRAPHIC SET, LOWER COVER 2	1	UR FOR PWS1
	4EU-28303-11	GRAPHIC SET, LOWER COVER 2	1	UR FOR YB
14	90464-25160	CLAMP	1	
15	90150-06036	SCREW, ROUND HEAD	4	
16	3TU-2831G-00	STAY, GUIDE 3	2	
17	95811-06016	BOLT, FLANGE	2	
18	90179-05523	NUT	4	
19	90202-06007	WASHER, PLATE	4	
20	90154-05059	SCREW, BINDING	4	

FIG. 35 COWLING 2



REF. NO.	PART NO.	DESCRIPTION	Q'TY	REMARKS
21	90183-05024	NUT, SPRING	1	
22	90202-06007	WASHER, PLATE	1	
23	90119-05202	BOLT, WITH WASHER	1	
24	90183-05024	NUT, SPRING	1	
25	90202-06007	WASHER, PLATE	1	
26	90119-05202	BOLT, WITH WASHER	1	
27	3TU-28321-00	STAY 1	2	
28	95811-06016	BOLT, FLANGE	2	

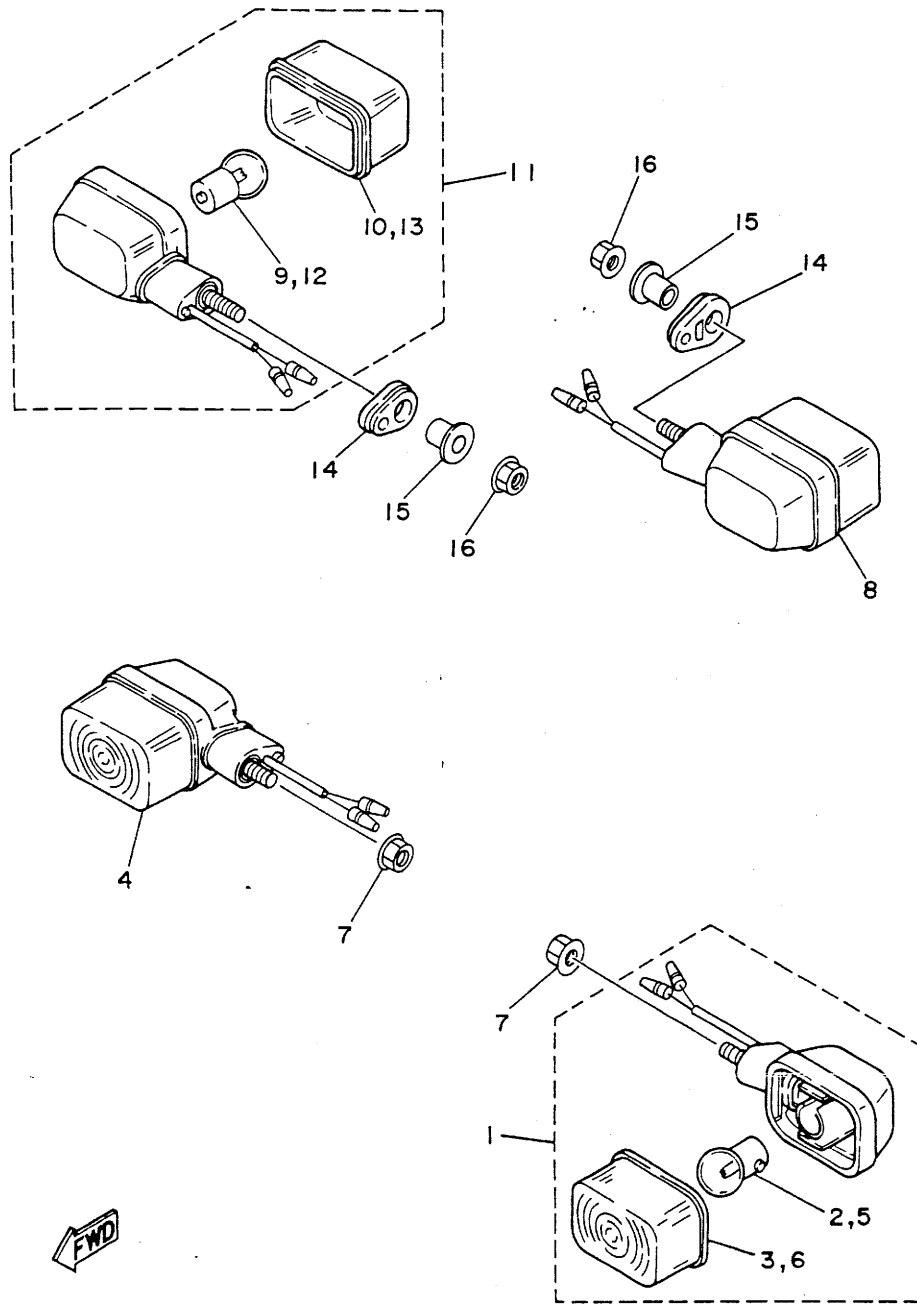
FIG. 36 GENERATOR



REF. NO.	PART NO.	DESCRIPTION	Q'TY	REMARKS
1	4EU-85510-00	STATOR ASSY	1	
2	4BA-85550-00	ROTOR ASSY	1	
3	98511-05020	SCREW, PAN HEAD	2	
4	98580-06016	SCREW, PAN HEAD	1	
5	90201-12699	WASHER, PLATE	1	
6	90179-12421	NUT	1	

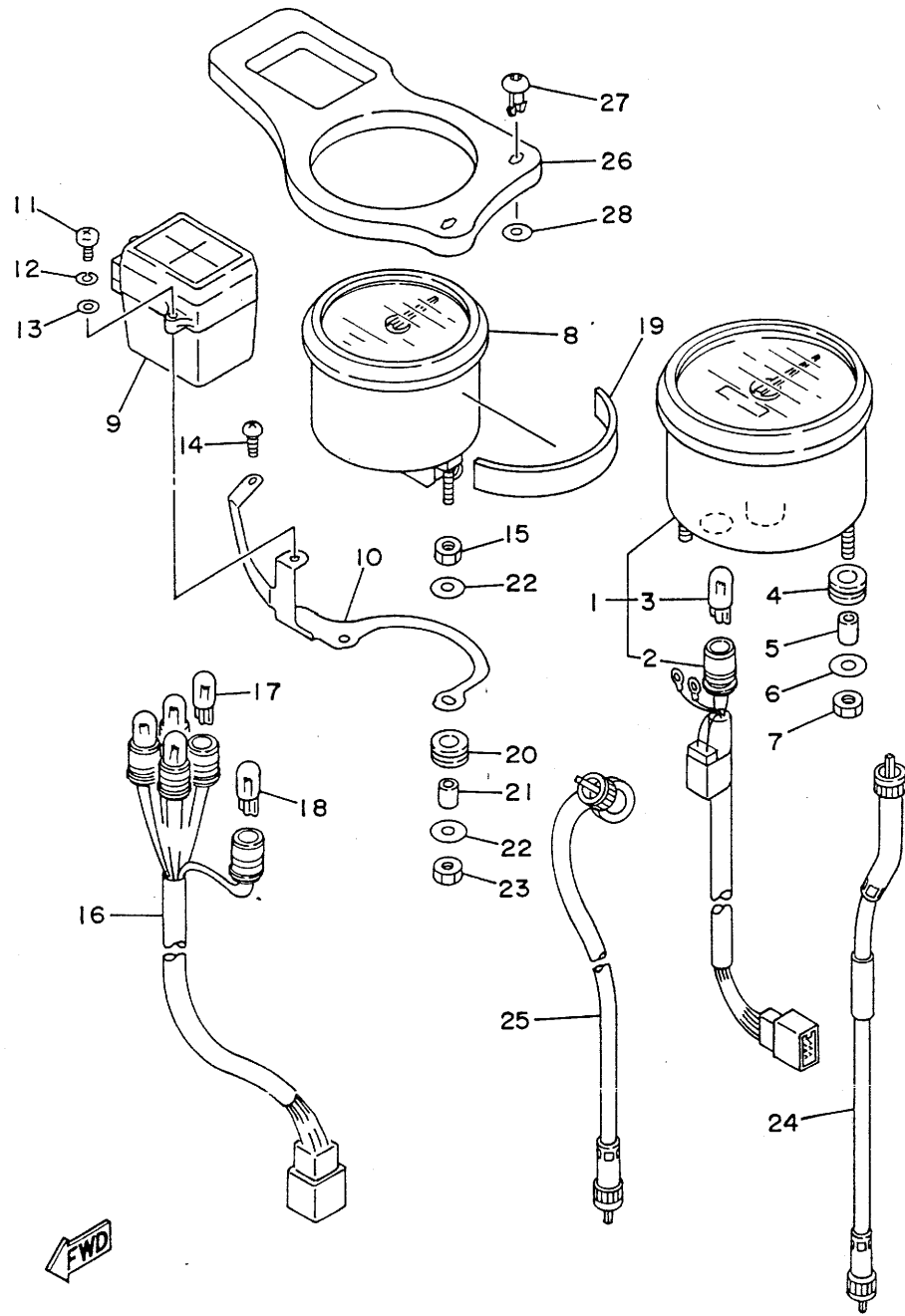
FWD

FIG. 37 FLASHER LIGHT



REF. NO.	PART NO.	DESCRIPTION	Q'TY	REMARKS
1	4EU-83310-00	FRONT FLASHER LIGHT ASSY 1	1	
2	851-84744-00	.BULB (12V-10W)	1	
3	2TV-83312-00	.LENS, FLASHER	1	
4	4EU-83320-00	FRONT FLASHER LIGHT ASSY 2	1	
5	851-84744-00	.BULB (12V-10W)	1	
6	2TV-83312-00	.LENS, FLASHER	1	
7	95706-08500	NUT, FLANGE	2	
8	4EU-83330-00	REAR FLASHER LIGHT ASSY 1	1	
9	851-84744-00	.BULB (12V-10W)	1	
10	2TV-83312-00	.LENS, FLASHER	1	
11	4EU-83340-00	FLASHER LIGHT ASSY 2	1	
12	851-84744-00	.BULB (12V-10W)	1	
13	2TV-83312-00	.LENS, FLASHER	1	
14	3XV-83321-00	DAMPER, FLASHER 1	2	
15	90387-085W0	COLLAR	2	
16	95706-08500	NUT, FLANGE	2	

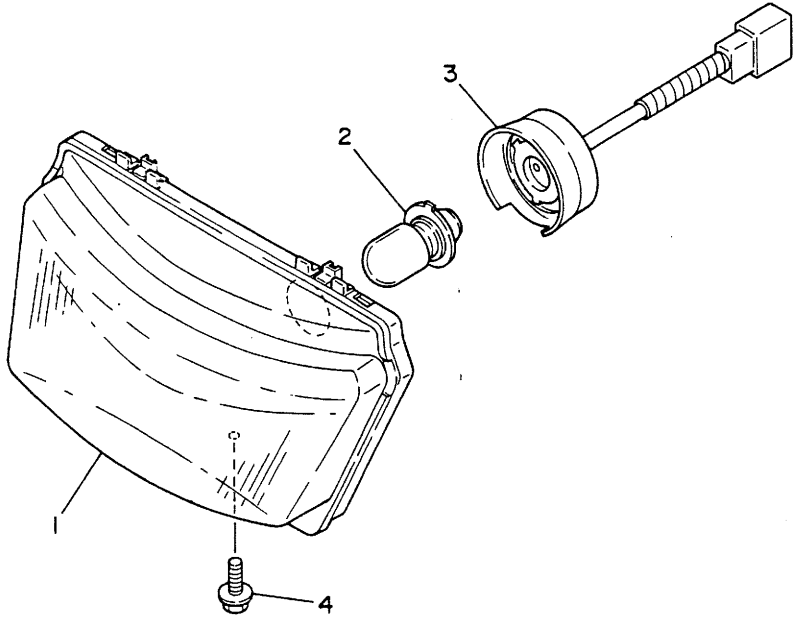
FIG. 38 METER



REF. NO.	PART NO.	DESCRIPTION	Q'TY	REMARKS
1	4JS-83580-00	SPEEDOMETER ASSY	1	
2	3YN-83509-00	.SOCKET CORD ASSY	1	
3	3GM-83517-00	.BULB (12V-1.7W)	1	
4	90480-10517	GROMMET	2	
5	90387-0501W	COLLAR	2	
6	92990-05200	WASHER, PLAIN	2	
7	95380-05600	NUT	2	
8	4EU-83540-00	TACHOMETER ASSY	1	
9	4EU-83530-00	PILOT LIGHT ASSY	1	
10	4EU-83519-00	BRACKET, METER	1	
11	98506-03012	SCREW, PAN HEAD	1	
12	92990-03100	WASHER, SPRING	1	
13	92902-03600	WASHER, PLATE	1	
14	90164-03027	SCREW, TAPPING	1	
15	95380-05600	NUT	2	
16	4EU-8350L-00	SOCKET ASSY	1	
17	4G1-84744-00	BULB (12V-3.4W)	4	
18	3GM-83517-00	BULB (12V-1.7W)	1	
19	53Y-82121-00	PAD, BATTERY	1	
20	90480-10517	GROMMET	2	
21	90387-0501W	COLLAR	2	
22	92990-05200	WASHER, PLAIN	4	
23	95380-05600	NUT	2	
24	3TU-83550-00	SPEEDOMETER CABLE ASSY	1	
25	4EU-83560-00	TACHOMETER CABLE ASSY	1	
26	4EU-83611-00	PANEL, METER	1	
27	3GM-83525-00	CLIP	2	
28	90201-06050	WASHER, PLATE	2	

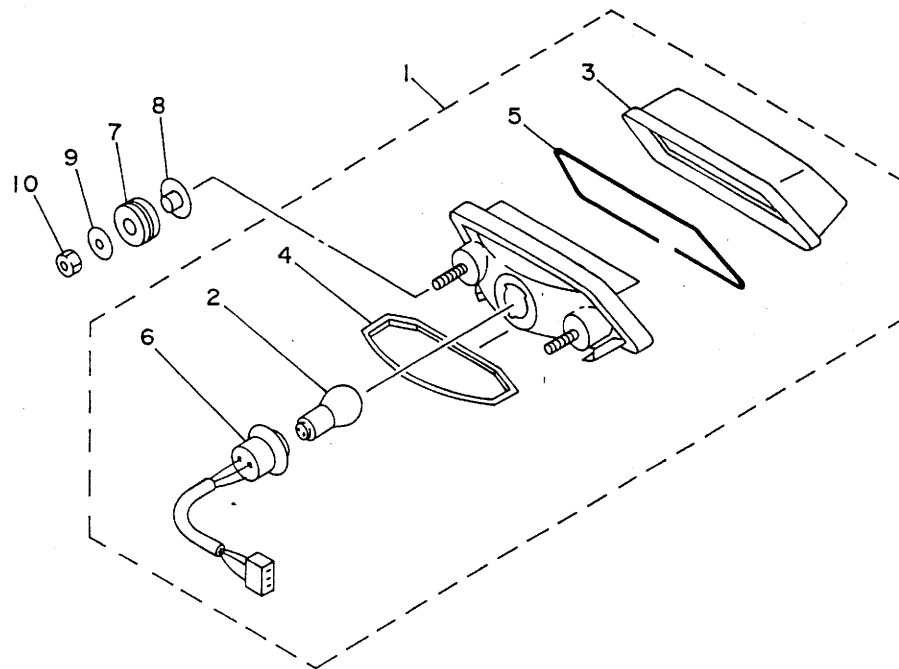
FIG. 39 HEADLIGHT

REF. NO.	PART NO.	DESCRIPTION	Q'TY	REMARKS
1	3TU-84320-00	LENS ASSY	1	
2	3NS-84314-00	BULB, HEAD LIGHT (12V-30/30W)	1	
3	3TU-84312-00	HOLDER, SOCKET	1	
4	90159-05155	SCREW, WITH WASHER	1	



FWD

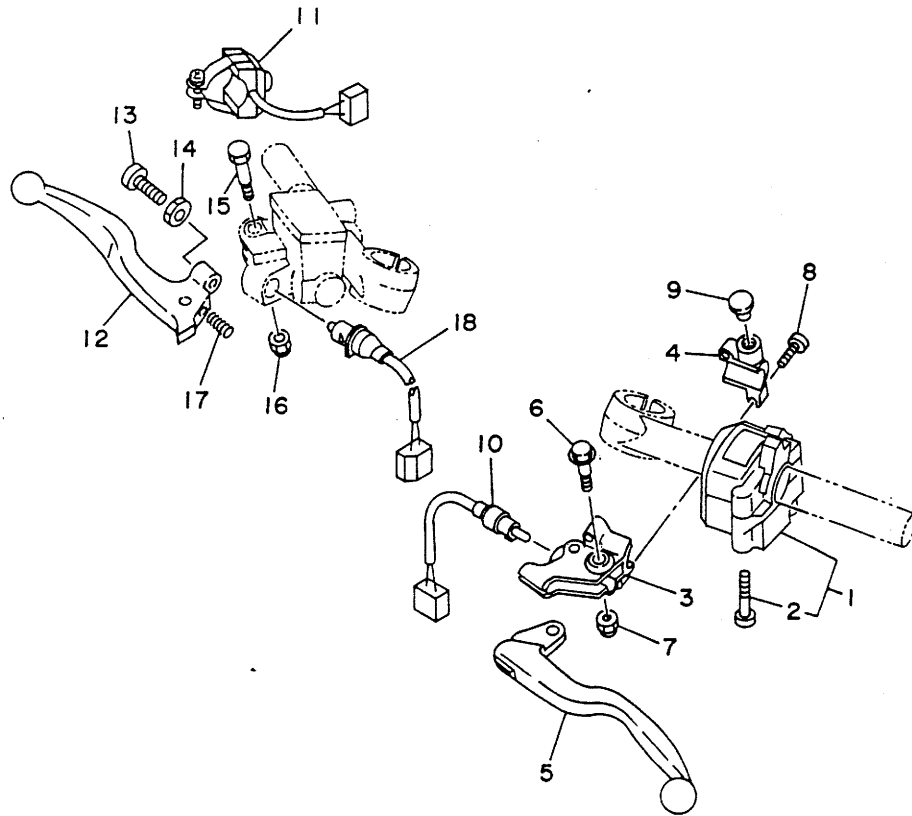
FIG. 40 TAILLIGHT



REF. NO.	PART NO.	DESCRIPTION	Q'TY	REMARKS
1	4EU-84710-00	TAILLIGHT UNIT ASSY	1	
2	31L-84714-00	.BULB, TAILLIGHT (12V-21/5W)	1	
3	3XV-84721-00	.LENS, TAILLIGHT	1	
4	3XV-84743-00	.LENS, LICENCE LIGHT	1	
5	3XV-84723-00	.GASKET, TAIL LENS	1	
6	2JA-84735-00	.CORD ASSY	1	
7	90480-18276	GROMMET	2	
8	90387-07037	COLLAR	2	
9	90201-063J2	WASHER, PLATE	2	
10	95601-06200	NUT, SELF-LOCKING	2	

FWD

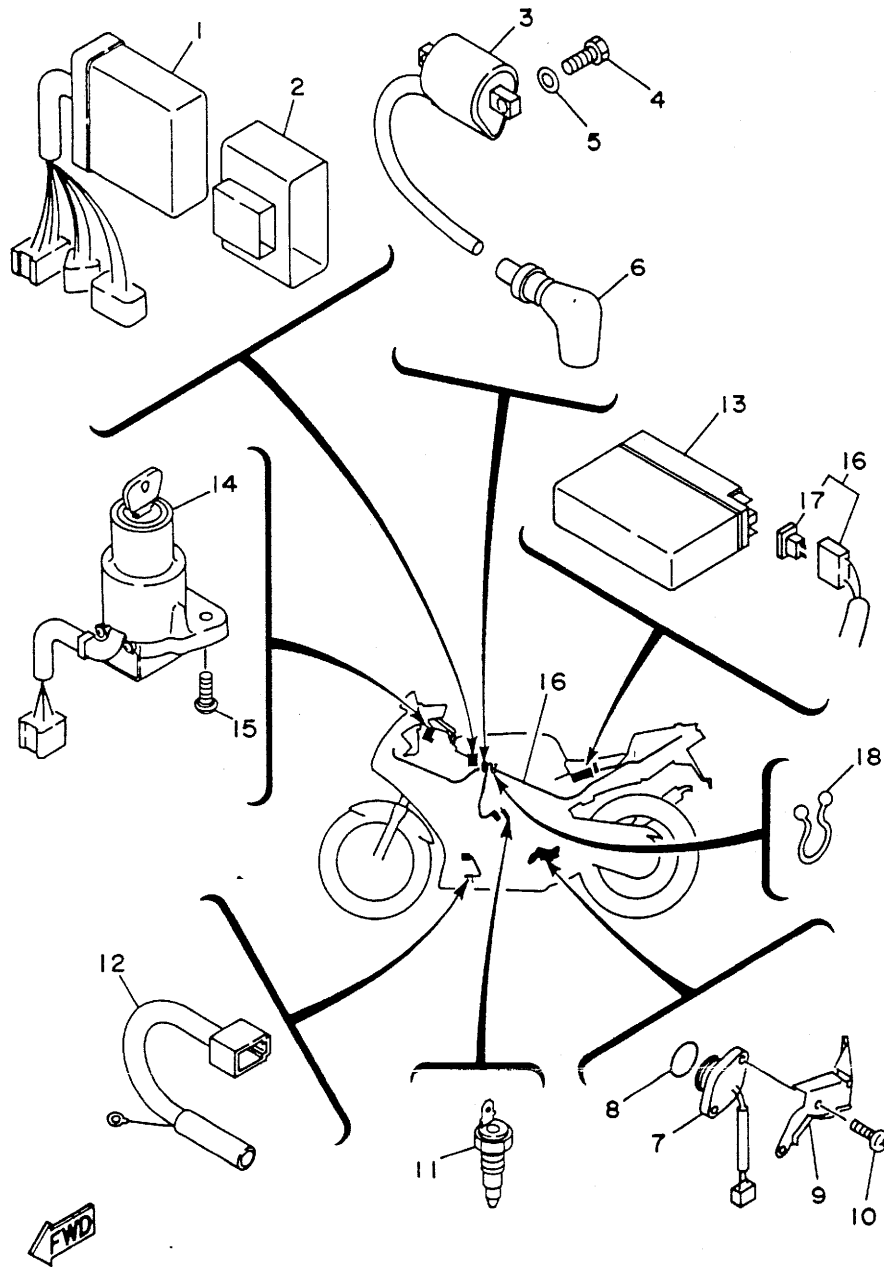
FIG. 41 HANDLE SWITCH. LEVER



REF. NO.	PART NO.	DESCRIPTION	Q'TY	REMARKS
1	3YN-83972-00	SWITCH, HANDLE 4	1	
2	98506-05030	.SCREW, PAN HEAD	2	
3	1LN-82911-00	HOLDER, LEVER 1	1	
4	33G-82913-00	HOLDER, LEVER LOWER 1	1	
5	23X-83912-00	LEVER 1	1	
6	90109-06799	BOLT	1	
7	95616-06100	NUT, U	1	
8	97706-50520	SCREW, TAPPING	2	
9	90338-09012	PLUG	1	
10	2UJ-82917-00	SWITCH	1	
11	4EU-83976-00	SWITCH, HANDLE 1	1	
12	55Y-83922-00	LEVER 2	1	
13	90149-06131	SCREW	1	
14	90170-06355	NUT	1	
15	90109-06577	BOLT	1	
16	95616-06100	NUT, U	1	
17	90501-10312	SPRING, COMPRESSION	1	
18	3YF-83980-00	FRONT STOP SWITCH ASSY	1	

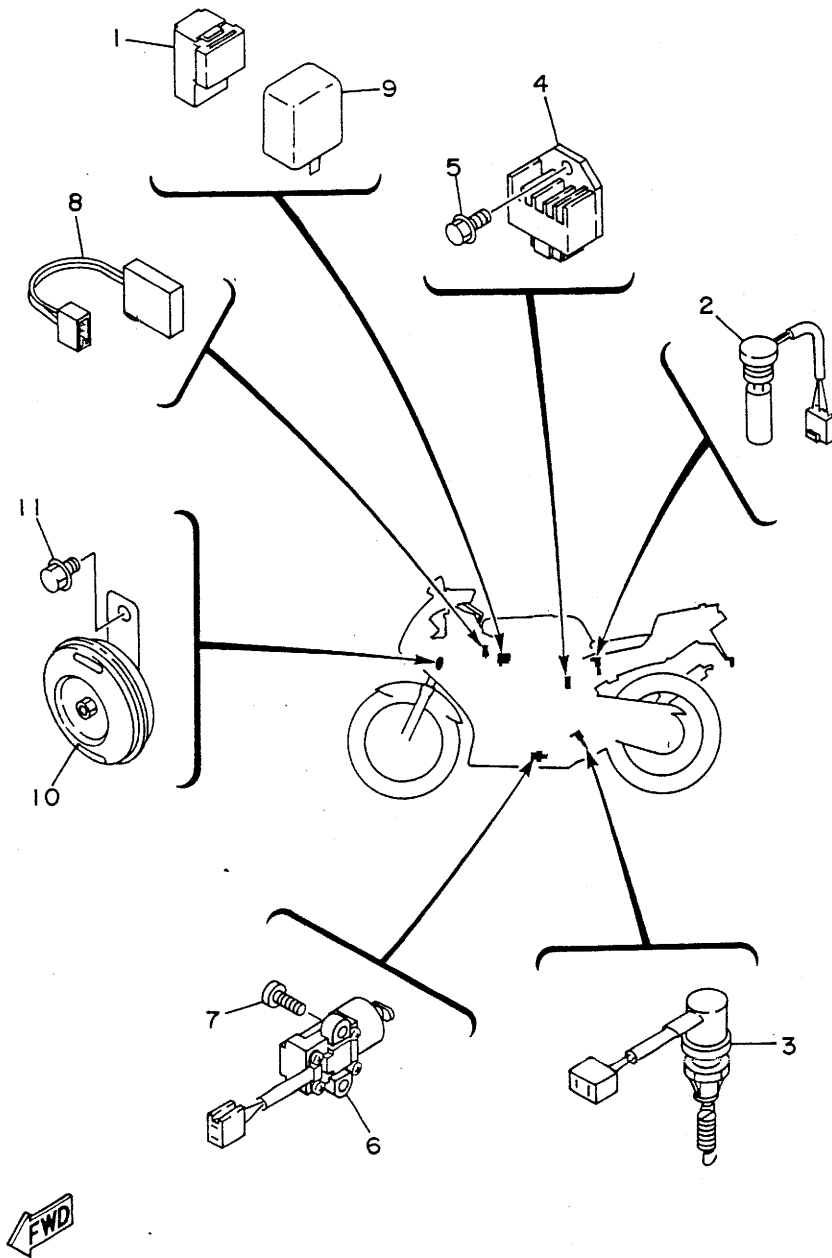
FWD

FIG. 42 ELECTRICAL 1



REF. NO.	PART NO.	DESCRIPTION	Q'TY	REMARKS
1	4JS-85540-00	C.D.I. UNIT ASSY	1	
2	4EU-85546-00	BAND	1	
3	3NS-82310-00	IGNITION COIL ASSY	1	
4	97313-06016	BOLT	2	
5	92901-06600	WASHER, PLATE	2	
6	81E-82370-20	PLUG CAP ASSY	1	
7	4EU-82540-00	NEUTRAL SWITCH ASSY	1	
8	93210-21276	O-RING	1	
9	4BA-15191-00	PLATE	1	
10	98501-05018	SCREW, PAN HEAD	2	
11	4BA-82560-00	THERMO SWITCH ASSY	1	
12	4EU-82541-00	WIRE, LEAD	1	
13	4JS-82100-00	BATTERY ASSY	1	
14	4EU-82501-00	MAIN SWITCH STEERING LOCK	1	
15	90149-06228	SCREW	2	
16	4JS-82590-00	WIRE HARNESS ASSY	1	
17	2KW-82151-00	.FUSE (12V-7.5A)	1	
18	90464-16039	CLAMP	1	

FIG. 43 ELECTRICAL 2



REF. NO.	PART NO.	DESCRIPTION	Q'TY	REMARKS
1	29U-81950-93	RELAY ASSY	2	
2	3XV-85720-00	OIL LEVEL GAUGE ASSY	1	
3	4EU-82530-00	STOP SWITCH ASSY	1	
4	4EU-81960-00	RECTIFIER & REGULATOR ASSY	1	
5	95023-06012	BOLT	1	
6	3LD-82566-90	SWITCH, SIDE STAND	1	
7	90157-05079	SCREW, PAN HEAD	2	
8	3TU-85370-00	RESISTOR ASSY	1	
9	35R-83350-20	FLASHER RELAY ASSY	1	
10	3XV-83371-00	HORN	1	
11	95811-06010	BOLT, FLANGE	1	

NUMERICAL INDEX

PART NO.	REF. NO.	PART NO.	REF. NO.	PART NO.	REF. NO.	PART NO.	REF. NO.	PART NO.	REF. NO.	PART NO.	REF. NO.
59X-W0041-00	31- 2	4EU-12481-00	4-12	3TU-14458-00	6-25	5R2-17241-00	13-15	1AA-21815-00	20-15	3TU-2414H-00	24-28
3TU-W0042-51	33- 2	4EU-12482-00	4-13	1VJ-14462-00	6-17	4EU-17251-00	13-14	3TU-21817-00	20-19	4EU-24141-00	24- 4
3FY-W0045-00	29-11	4EU-12484-00	4-16	4EU-14467-00	6-26	4EU-17261-00	13-17	3TU-21826-00	20-21	2GH-24181-00	24- 9
3TU-W0045-00	27- 6	4EU-12485-00	4-17	2RH-14472-00	6-22	4BA-17411-00	13- 1	3TU-21871-00	20-13	46X-24181-00	24- 5
2NA-W0047-00	29- 5	4EU-13100-00	5- 1	3MT-14613-00	8- 2	3TU-17421-00	13-12	4EU-22110-00-7B	21- 1	2GH-24183-00	24-10
3JD-W0047-00	27- 5	4EU-1316F-00	5- 4	4EU-14710-00	8- 1	164-17427-00-10	13-20	401-22128-01	21- 3	2GH-24186-00	24-11
36Y-W0048-00	27- 7	4EU-1316G-00	5- 6	5R2-14737-00	8- 6	3TU-17460-00	13-25	307-22141-10	21- 5	1HX-24188-01	24-26
2VN-W0057-00	29- 4	4BA-13178-00	5-13	5R2-14759-00	8- 7	4L0-17811-00	14- 5	3TU-22151-00	21-10	3TU-24192-00	24- 7
3LD-W0057-00	27- 4	3WF-13185-00	5- 2	4EU-1490J-00	7-25	4L0-17818-00	14- 7	3FY-22184-00	21- 2	3XV-24198-00	18- 7
4EU-Y2171-00	19- 1	1YU-13187-00	5- 3	4BA-15111-00	9- 1	4BA-17831-00	14- 2	4JS-22210-00	21-12		20- 8
4EU-Y2171-10	19- 1	4BA-13226-00	5-17	4BA-15121-01	9- 2	17F-17841-00	14- 4	4JS-22210-10	21-12	4EU-24198-00	20-11
4EU-Y2172-00	19-10	4BA-13342-00	11- 8	4BA-15128-00	9-11	17F-17861-00	14- 1	34L-22216-00	21-15	4EU-24244-00	24- 3
4EU-Y2172-10	19-10	4EU-13565-00	6- 7	4BA-15191-00	42- 9	4BA-18101-00	16- 1	3TU-22311-00	21- 8	3TU-24500-00	24-17
3TU-Y283G-C0	34- 4	4BA-13577-00	5- 7	4BA-15316-00	9- 3	4EU-18111-00	16- 8	4EU-23102-00	23- 1	4X8-24512-00	24-18
3TU-Y283G-E0	34- 4	4EU-13581-00	6- 9	4EU-15317-00	9- 4	4EU-18112-00	16-10	4EU-23103-00	23-19	3XM-24670-02	24-14
3TU-Y283J-E0	35- 1	4EU-13610-00	6- 1	3M7-15361-00	17-18	132-18113-01	16- 9	4EU-23110-00	23- 3	4EU-2470F-00	25- 2
3TU-Y283J-F0	35- 1	3TU-13613-00	6- 2	3Y1-15361-00	10-12	4EU-18115-00	16-11		23-21	4EU-24710-00	25- 1
3TU-Y283K-G0	35- 8	4EU-13616-00	6- 3	1RG-15363-00	10-17	4BA-18140-00	16- 6	5H5-23111-00	23-16	4EU-24756-00	25- 4
3TU-Y283K-H0	35- 8	4BA-13621-00	6- 6	583-15371-00	9- 9	4EU-18154-00	16-14		23-34	4EU-24756-10	25- 4
4EU-11111-00	1- 1	4EU-14101-00	7- 1	4BA-15411-00	10- 1	4BA-18511-00	15- 4	3FY-23125-00	23- 7	341-25149-00	26- 6
4EU-11181-00	1- 3	53L-14103-00	7-26	4BA-15421-00	10-11	4V0-18512-00	15- 5		23-25	3TU-25168-00-PO	26- 1
4EU-11311-00	1- 7	4EU-14104-00	7-24	4EU-15431-00	10- 2	4BA-18513-00	15- 6	4EU-23126-00	23- 2	3TU-25168-00-TR	26- 1
4BA-11351-00	1- 9	29U-14106-00	7-23	4BA-15461-00	10-13	4BA-18531-00	15- 8	4EU-23136-00	23-20	481-25190-01	26-17
4EU-11400-00	2- 1	4EU-14112-20	7-14	4BA-15492-00	9-13	4BA-18535-00	15- 9	4EU-23141-00	23-14	109-25315-00	26- 3
4EU-11412-00	2- 2	4U5-14126-00	7-21	4EU-15524-00	11- 1	4BA-18540-00	15- 1		23-32		28- 5
4EU-11422-00	2- 3	5L6-14131-00	7-13	4BA-15532-00	11-11	4BA-18542-00	15- 2	10W-23144-F0	23-10	3TU-25338-00-PO	28- 1
4EU-11454-00	2-20	363-14137-00	7-19	4BA-15538-00	11- 3	4EU-21110-00-7B	17- 1		23-28	3TU-25338-00-TR	28- 1
4EU-11464-00	2-24	4EU-14141-18	7- 4	4BA-15570-00	11- 5	55E-21308-00	17- 9	5H5-23151-00	23- 6	2J5-25381-01	26-12
4BA-11531-01	2-25	1NT-14142-30	7-18	3AA-15650-00	11- 7	3XV-2139X-00	20- 9		23-24	5H5-25381-00	28-13
4BA-11536-00	2-19	132-14146-00	7-10	401-16111-00-30	12- 1	4EU-21418-00	17- 2	5H5-23154-00	23-18	102-25389-00	28-19
4EU-11603-00	2-13	3TU-14149-00	7- 9	4EU-16150-00	12- 6	4EU-21460-00	17-12		23-36	29L-25398-00	26-11
4EU-11604-00	2-13	4EU-14150-00	7-17	4V0-16154-00	12- 7	4EU-21511-00	18- 1	4EU-23157-00	23- 5		28-12
4EU-11605-00	2-13	4U5-14158-00	7-22	122-16164-00	12-14	4EU-21511-10	18- 1		23-23	29L-25398-10	26-11
4EU-11631-00-A0	2-12	3X3-14169-00	7-20	4EU-16321-00	12- 9	3XV-21541-00	20-10	4EU-23171-00	23- 4		28-12
102-11633-02	2-14	2GX-14171-00	7-12	257-16324-00	12-10	4EU-2160A-00	18- 9		23-22	29L-25398-20	26-11
4EU-11635-00	2-12	353-14184-00	7- 5	5R2-16351-00	12-11	4EU-21611-00	18- 6	5H5-23173-00	23-11		28-12
4EU-11636-00	2-12	4U5-14185-00	7-15	1W1-16356-02	12-19	4EU-21652-00	18-12		23-29	10V-25412-00	28-10
3R1-11651-01	2- 4	353-14186-00	7-16	4V0-16357-00	12-23	3MA-21708-00	25- 5	3TU-23340-00	23-37	3TU-25447-10	28- 8
4V0-11681-00	2- 6	12R-14191-00	7-11	30X-16358-00	12-18	3XV-21717-00	20- 5	156-23411-00	23-38	3TU-2580U-00	27- 3
30Y-12411-00	4- 3	3TU-14193-00	7- 8	353-16371-00	12- 8	3MA-2172N-00	20-16	22F-23411-01	22- 3	3TU-2580W-00	29- 3
4BA-12414-00	4- 4	1AE-14227-00	7- 2	4BA-16382-00	12-24	4EU-2173L-00	19- 4	156-23412-00	22- 2	3TU-2581J-01	33-21
4BA-12422-00	3- 7	620-14231-16	7- 3	5R2-17121-00	13- 5	4EU-2173L-10	19- 4	22F-23412-01	22- 5	3LN-2582A-00	33- 3
4BA-12428-00	3- 8	4EU-14291-00	6-10	5R2-17131-01	13- 3	4EU-2174L-00	19-13	122-23416-00	22- 6	3TU-2582U-00	27- 1
36F-12450-00	3- 1	3TU-14411-00	6-16	4EU-17151-00	13- 2	4EU-2174L-10	19-13	3TU-23435-10	22- 9	3FY-2582W-00	29- 1
4BA-12459-00	3- 6	2RH-14412-01	6-19	4EU-17161-00	13- 4	4EU-21751-00	20- 1	2H9-23469-00	30- 5	47X-25824-00	29- 7
4EU-12461-00	4- 5	3TU-14437-00	6-20	5R2-17211-00	13-13	2N3-21771-01	20- 7	3TU-24110-10-01	24- 1	51L-25825-00	29-14
22W-12462-00	4- 6	2RH-14451-00	6-18	5R2-17221-00	13-18	3TU-2178A-00	19- 2	3TU-24110-10-02	24- 1	3FY-25827-00	29-13
4BA-12469-00	4- 1	4EU-14453-00	6-23	5R2-17231-00	13-16		19-11	3TU-2414G-00	24-27	3TU-2583V-01	33- 1

NUMERICAL INDEX

PART NO.	REF. NO.	PART NO.	REF. NO.	PART NO.	REF. NO.	PART NO.	REF. NO.	PART NO.	REF. NO.	PART NO.	REF. NO.
34X-25845-00	29- 8	3TU-28100-00	17-17	2TV-83312-00	37- 6	90101-06664	11- 6	90157-06071	9-14	90201-157E7	8- 5
341-25846-00	26- 7	4U7-28186-00	18-11		37-10	90101-12558	21-16		11-12	90201-261L1	30- 9
3LN-2585F-00	33- 4	4EU-28301-01	35- 5		37-13	90101-12676	21-17		13-10	90201-551P8	11- 4
3LN-2585H-00	33- 5	4EU-28301-11	35- 5	4EU-83320-00	37- 4	90105-08467	8- 9	90159-05155	39- 4	90202-05180	34-16
2KF-25850-00	31- 1	4EU-28303-01	35-13	3XV-83321-00	37-14	90105-08494	17- 4	90159-06016	6-11	90202-05187	24-21
2KF-25852-01	31- 4	4EU-28303-11	35-13	4EU-83330-00	37- 8	90105-08497	17- 5	90159-06033	19- 8	90202-06007	35-19
2VN-25852-50	33-16	3TU-2831G-00	35-16	4EU-83340-00	37-11	90105-08705	32-14		19-17		35-22
2VN-25854-00	33-17	3TU-2831V-00	34- 6	35R-83350-20	43- 9		32-24	90164-03027	38-14		35-25
55U-25854-00	31- 3	3TU-2831W-00	34-18	3XV-83371-00	43-10	90105-10392	17- 7	90170-06355	41-14	90206-12074	16-17
2VN-25855-00	33-18	4EU-28315-20	35- 4	4EU-8350L-00	38-16	90105-10638	27-12	90170-10405	2-27	90206-14020	32-10
56A-25867-00	31- 6		35-12	3YN-83509-00	38- 2	90105-14365	22- 7	90170-12060	12-17	90208-12015	12- 4
4EU-25872-00	31- 9	4EU-28315-30	35- 4	3GM-83517-00	38- 3	90109-06577	41-15	90171-12005	28-14		12-16
3TU-25875-00	31-14		35-12		38-18	90109-06799	41- 6	90176-06055	34-24	90208-17032	12-15
2YK-25886-01	31-12	3TU-28321-00	35-27	4EU-83519-00	38-10	90109-081F0	27- 2	90179-05523	35-18	90209-16209	13-26
3ET-25888-00	33-20	3TU-2834E-00	34-22	3GM-83525-00	38-27	90109-083E0	32-22	90179-08148	30-18	90209-18112	2- 7
2VN-25894-00	33-15	3TU-2834F-00	34-23	4EU-83530-00	38- 9		32-30	90179-08491	1-12	90215-10284	2-26
4EU-25895-00	33-11	3TU-28344-00	35- 6	4EU-83540-00	38- 8	90109-08718	29- 2	90179-08611	8- 4	90240-08124	33- 7
3JD-25917-00	27-10	4EU-28356-00	34- 1	3TU-83550-00	38-24	90109-103A1	32- 2	90179-12244	12- 5	90250-06013	15- 7
34X-25919-00	29- 9	3TU-2837U-00	34-14	4EU-83560-00	38-25	90110-05112	24-15	90179-12421	36- 6	90267-32018	34- 5
3SP-25924-51	27- 9	3TU-28371-00	34-10	4JS-83580-00	38- 1	90110-06090	25- 3	90179-25033	22- 8	90280-03017	2-17
2GV-25926-00	29-12	4EU-28371-00	35- 9	4EU-83611-00	38-26	90116-08318	9- 5	90183-05024	35-21	90282-05043	12- 3
3LD-25934-00	27- 8	3TU-28372-00	34-11	23X-83912-00	41- 5	90116-08388	9- 6		35-24	90282-05047	2-18
1UY-25937-51	27-11	4EU-28390-00	34- 8	55Y-83922-00	41-12	90116-10390	28- 9	90183-06053	18- 4	90338-09012	31-17
34X-25937-00	29- 6	4EU-28390-10	34- 8	437-83936-11	31-18	90119-05001	12-13	90185-08097	8- 3		41- 9
5R2-25937-00	29-10	3KJ-81800-01	11-13	3YN-83972-00	41- 1	90119-05202	35-23	90185-10037	32- 3	90338-19166	30-10
3TU-26121-11	30- 1	29U-81950-93	43- 1	4EU-83976-00	41-11		35-26	90185-12046	21- 6	90384-18157	21-13
3TU-26122-12	30- 2	4EU-81960-00	43- 4	3YF-83980-00	41-18	90119-06056	20-14	90201-060A3	4- 9	90386-18099	21- 4
47X-26241-00	30- 6	4JS-82100-00	42-13	3TU-84312-00	39- 3		21-11	90201-06050	38-28	90387-0501W	38- 5
47X-26242-00	30- 8	53Y-82121-00	38-19	3NS-84314-00	39- 2	90119-06114	18- 8	90201-06059	10- 6		38-21
1V1-26243-00	30- 7	2KW-82151-00	42-17	3TU-84320-00	39- 1		18-10	90201-06059	10- 6		38-21
2EL-26280-00	34-20	3NS-82310-00	42- 3	4EU-84710-00	40- 1	90119-06117	21- 9	90201-061A5	28-22	90387-06553	24-12
1V1-26281-00	30-11	81E-82370-20	42- 6	31L-84714-00	40- 2	90119-06118	6-27	90201-063J2	40- 9	90387-06681	18- 3
1V1-26282-00	30-12	4EU-82501-00	42-14	3XV-84721-00	40- 3	90123-08046	30-17	90201-065F3	13- 9	90387-067V1	10- 4
2EL-26290-00	34-21	4EU-82530-00	43- 3	3XV-84723-00	40- 5	90149-06011	24-20	90201-08083	33- 8	90387-07037	40- 8
4EU-26301-00	30-14	4EU-82540-00	42- 7	2JA-84735-00	40- 6	90149-06131	41-13	90201-08087	10-20	90387-07390	4-10
4EU-26335-00	30-16	4EU-82541-00	42-12	3XV-84743-00	40- 4	90149-06228	42-15	90201-081H4	16-16	90387-07391	20- 4
3TU-27211-00	32- 6	4BA-82560-00	42-11	4G1-84744-00	38-17	90150-05020	34-15	90201-084M4	11- 9	90387-084N8	32-19
31A-27222-00	33- 6	3LD-82566-90	43- 6	851-84744-00	37- 2	90150-06031	18- 2	90201-08512	3- 4		32-32
3YF-27261-00	32- 7	4JS-82590-00	42-16		37- 5	90150-06036	19- 9	90201-087H6	14- 3	90387-085W0	37-15
3TU-27311-00	32- 1	12R-82591-00	17-14		37- 9		19-18	90201-08730	8- 8	90387-123N2	26-14
3TU-27315-00	32- 4		17-15		37-12		34-13		8-10	90387-124H0	21-20
2GH-27413-00	32-20		24- 6	3G1-85130-01	18-13		35-15	90201-10118	31-11	90387-124R8	26- 2
	32-28		34- 2	3TU-85370-00	43- 8	90151-06025	17-10		33-23	90387-12411	28-17
2YK-27434-01	16-18	1LN-82911-00	41- 3	4EU-85510-00	36- 1	90151-06041	9-12	90201-122A7	26-13	90387-126Y7	16- 4
3TU-27442-00	32-13	33G-82913-00	41- 4	4JS-85540-00	42- 1	90154-05059	35-20	90201-12362	28-15	90387-20346	12- 2
4EU-27443-00	32-23	2UJ-82917-00	41-10	4EU-85546-00	42- 2	90157-05079	32-21	90201-12535	21- 7	90401-10034	31-10
1HX-27451-00	32-15	4EU-83310-00	37- 1	4BA-85550-00	36- 2		32-29		21-18		33-22
1HX-27461-00	32-25	2TV-83312-00	37- 3	3XV-85720-00	43- 2		43- 7	90201-12699	36- 5	90430-06166	3-11

NUMERICAL INDEX

PART NO.	REF. NO.	PART NO.	REF. NO.	PART NO.	REF. NO.	PART NO.	REF. NO.	PART NO.	REF. NO.	PART NO.	REF. NO.
90430-08155	23-12	90480-13398	35- 2	92906-06100	31-16	93450-43072	23- 9	95811-06016	33-25	99236-00240	35- 3
	23-30		35-10	92906-06600	14- 9		23-27		35-17		35-11
90445-09091	24-22	90480-14433	20- 3		20-18	93501-04011	22- 1		35-28	99510-10114	1- 4
90445-10565	24-24	90480-15363	4- 7	92990-03100	6- 5	93503-16010	12-22	95811-08012	17- 3		1-10
90445-12718	17-11	90480-18276	40- 7		38-12		22- 4	95811-08035	1- 5	99530-10014	9- 7
90445-162A0	32-12	90480-22084	19- 5	92990-05200	38- 6	93603-22028	3- 3	95811-08045	1- 6		10- 9
90446-07365	9-10		19-14		38-22		5-14	95811-10030	23-39		10-14
90450-99050	6-24	90480-24186	25- 6	92995-06100	28-21	93900-00030	26-10	95816-06016	34-19		
90460-36174	6-14	90501-06022	15- 3	93101-12060	16- 7		28- 7	95816-08016	8-11		
90460-41191	6-15	90501-10312	41-17	93102-12224	12-26	94108-1601P	26- 9	95821-06060	3-10		
90461-08031	33-24	90501-20474	12-12	93102-20143	13-24	94108-1601S	26- 9	95826-06020	4- 8		
90464-12158	20-12	90506-20369	32-11	93102-20447	2-10	94109-1701R	28- 6	97011-06020	6-12		
90464-16039	42-18	90506-29266	32- 5	93102-25446	2-23	94109-1701T	28- 6		16-15		
90464-20136	35- 7	90508-142A5	12-25	93103-10168	3- 2	94580-24126	28-23	97016-06025	31- 7		
90464-20197	17-16	90508-20572	32-18	93103-28011	2-11	94680-24001	28-24	97026-06010	14- 8		
90464-23041	30-15		32-31	93105-45017	26- 8	94702-00204	1- 2		20-17		
90464-25160	34-12	90508-242A6	16- 3	93106-20033	26- 5	95021-08080	10-19	97026-06012	31-15		
	35-14	90508-32553	16- 2		28- 4	95023-06012	31-13	97313-06016	42- 4		
90465-06332	9-16	90560-08387	11-10	93109-18020	21-14		43- 5	97706-50520	41- 8		
	10-21	90560-12370	28- 2	93110-30008	23- 8	95023-06020	10- 7	97780-50125	6-21		
90465-06363	9-15	91002-06025	24-13		23-26	95023-06025	3- 9	98501-05016	5-11		
90465-08028	10-22	91311-05010	24-16	93210-12790	14- 6	95023-06030	10-15	98501-05018	42-10		
90467-08003	5- 5	91311-06025	30- 4	93210-19123	10-18	95023-06040	10- 8	98501-08010	10-10		
	20-22	91311-08025	23-13	93210-20712	5-10		10-16	98503-03008	24-19		
	24-23		23-31	93210-21276	23-15	95026-06020	10- 5	98503-04014	7- 6		
90467-09006	4-11	91316-05016	30-13		23-33	95301-12900	26-15	98503-05025	5-12		
	20- 6	91316-06018	11-15		42- 8	95303-08700	33-10	98506-03012	38-11		
	20-20	91316-08025	30- 3	93210-23614	11-14	95380-05600	38- 7	98506-05030	41- 2		
	24-25	91316-08030	22-10	93306-00423	2-21		38-15	98506-06016	4- 2		
90467-10035	4-18	91401-25020	32-17	93306-20211	2-22		38-23	98511-05020	36- 3		
90467-11044	33-12		32-27	93306-20333	13- 8	95601-06200	12-21	98580-03006	6- 4		
90467-14057	33-13	91401-30030	26-16	93306-20421	13-23		28-20	98580-06016	36- 4		
90467-15012	6- 8		28-16	93306-20458	2- 8		40-10	98580-06020	20- 2		
90467-22100	4-14	91490-16020	33- 9	93306-30101	26- 4	95601-12100	21-19	98580-06040	9- 8		
90467-23109	4-15	91490-20020	16-13		28- 3	95611-08200	17- 6	98706-04012	31- 5		
90468-02033	5- 8	91701-08040	32-16	93306-30421	2- 9	95611-10200	17- 8	98980-06016	18- 5		
90468-08086	5- 9		32-26	93310-11268	2-16	95612-08325	1- 8	99006-10600	16- 5		
90468-10050	32- 8	92016-08016	34- 3	93310-25587	11- 2	95616-06100	41- 7	99009-10400	15-10		
90480-01558	19- 6	92016-08030	33-14	93310-418C4	2- 5		41-16	99009-18400	13-27		
	19-15	92901-06200	12-20	93315-31502	13-22	95701-10500	28-11	99080-07600	3- 5		
90480-10517	38- 4		16-12	93317-11245	13-11	95706-05500	18-14		5-16		
	38-20	92901-06600	6-13	93410-20038	13-19		34-17	99224-00160	24- 2		
90480-12314	10- 3		42- 5	93440-15012	13-21	95706-08500	37- 7	99226-00160	24- 2		
90480-12320	19- 7	92901-08200	1-11	93440-16089	13- 7		37-16	99234-00080	25- 7		
	19-16	92901-10200	32- 9	93440-17064	13- 6	95811-06010	17-13	99234-00240	35- 3		
90480-13398	19- 3	92902-03600	38-13	93450-13022	2-15		43-11		35-11		
	19-12	92902-04100	7- 7	93450-27071	23-17	95811-06012	24- 8	99236-00080	25- 7		
	34- 7	92906-06100	31- 8		23-35	95811-06016	33-19		34- 9		