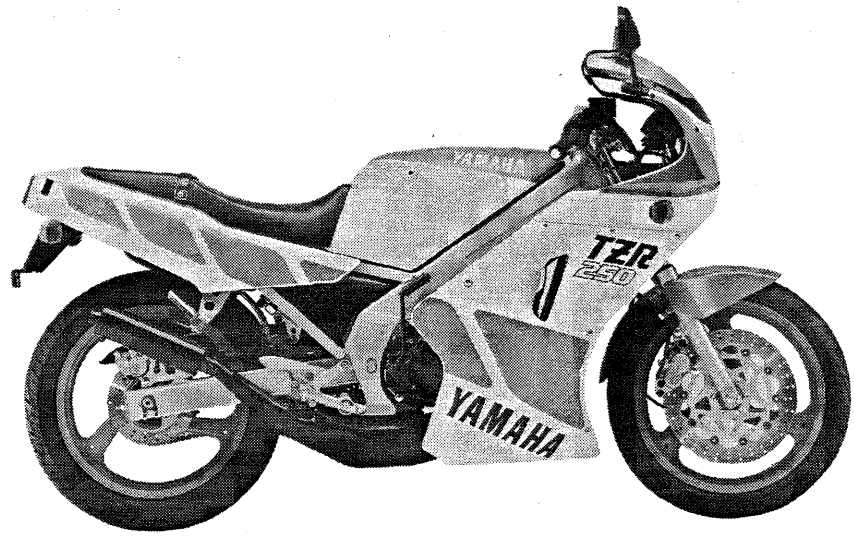


YAMAHA

PARTS CATALOGUE

TZR250T (2MY)

172MY-400E1



5N0110-0128

203-012

FOREWORD

This Parts Catalogue is related to the parts in use for the Yamaha TZR250T (2MY).
When you are ordering replacement parts for the TZR250T (2MY), refer to this Parts Catalogue and quote both part numbers and part names correctly.

1. Modifications or additions which have been made after issue of the Parts Catalogue will be announced in the Yamaha Parts News.

It is advisable that according to the Yamaha Parts News you make necessary corrections to the Parts Catalogue on hand to keep it up-to-date.

2. Abbreviations

The following abbreviations are used in this Parts Catalogue.

- U.R. Use size (thickness) and/or number as required.
- U.N. Use as many as you need.
- A.P. Alternate Parts
- L.M. Local Made
- F# Frame No. (Applicable machine No.)

3. The parts marked with (*) in the parts number column of this Catalogue are not supplied with by Yamaha, those have to be found locally.

4. Parts, which are to be supplied in the form of assemblies, are listed with an indention of one letter's space, and a dot (.) is put against the name of each part.

EXAMPLE CARBURETOR ASS'Y
 . JET, pilot
 . NOZZLE, main

5. Indication of No. of constituent parts for assembly

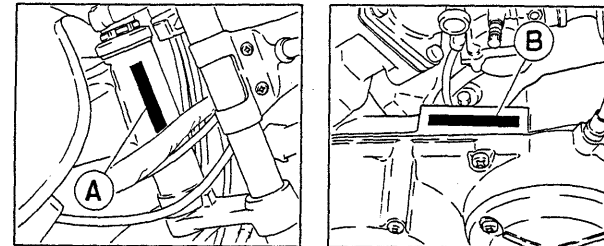
The numeral appearing to the right of each constituent part under the description indicates the quantity of such parts for each individual assembly unit.

EXAMPLE

Part No.	Description	Q'ty	Remarks
2F5-83310-60	FRONT FLASHER LIGHT ASS'Y	2	
115-83311-60	. BULB (6V-18W)	1	
1M1-83309-60	. REFLECTOR	1	

6. Initial Serial No. and Color Code

(A) Frame Serial No.	2MY-000101 and following
(B) Engine Serial No.	2MY-000101 and following



Color Code	Color Name	Abbreviate
36	CLEAN WHITE	W

7. Applicable colors of graphics are represented in the "Remarks" column by the letter(s) appropriately picked out of the full word(s) showing such colors.

EXAMPLE

Part No.	Description	Q'ty	Remarks
2N4-24110-00-X5	FUEL TANK COMP.	1	MAXIM RED
3J1-24240-10	. GRAPHIC, fuel tank set	1	for MXR

CONTENTS

ENGINE

Fig. 1	Cylinder	1
Fig. 2	Crankshaft, Piston	3
Fig. 3	Water Pump	4
Fig. 4	Radiator, Hose	5
Fig. 5	Oil Pump 1	6
Fig. 6	Oil Pump 2	7
Fig. 7	Intake	8
Fig. 8	Carburetor	9
Fig. 9	Exhaust	11
Fig. 10	Crankcase	12
Fig. 11	Crankcase Cover 1	13
Fig. 12	Starter	14
Fig. 13	Clutch	15
Fig. 14	Transmission	16
Fig. 15	Shift Cam, Fork	18
Fig. 16	Shift Shaft	19

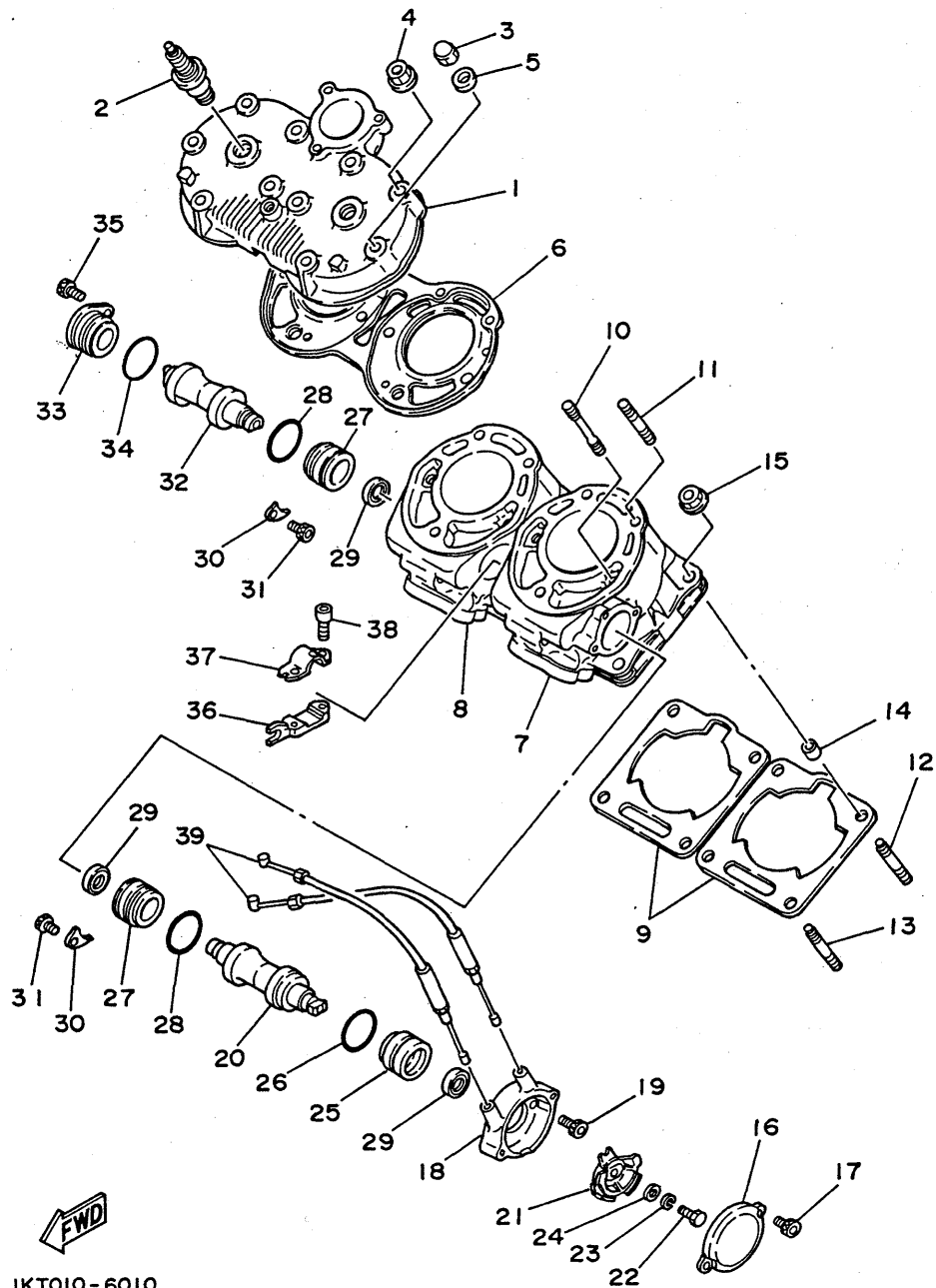
Fig. 31	Steering Handle, Cable	40
Fig. 32	Front Master Cylinder	41
Fig. 33	Stand, Footrest	42
Fig. 34	Rear Master Cylinder	44
Fig. 35	Cowling 1	46
Fig. 36	Generator	49
Fig. 37	Flasher Light	50
Fig. 38	Meter	51
Fig. 39	Headlight	53
Fig. 40	Taillight	54
Fig. 41	Handle Switch, Lever	55
Fig. 42	Electrical 1	56
Fig. 43	Electrical 2	57

INDEX

Numerical Index

CHASSIS

Fig. 17	Frame	20
Fig. 18	Fender	22
Fig. 19	Side Cover	23
Fig. 20	Oil Tank	25
Fig. 21	Rear Arm	26
Fig. 22	Rear Suspension	28
Fig. 23	Steering	29
Fig. 24	Front Fork	30
Fig. 25	Fuel Tank	32
Fig. 26	Seat	34
Fig. 27	Front Wheel	35
Fig. 28	Front Brake Caliper	36
Fig. 29	Rear Wheel	37
Fig. 30	Rear Brake Caliper	39



IKT010-6010

FIG. 1 CYLINDER

REF. NO.	PART NO.	DESCRIPTION	Q'TY	REMARKS
1	1KT-11111-00	HEAD, cylinder 1	1	
2	94701-00188	PLUG, spark (NGK BR9ES)	2	
3	90176-08026	NUT, crown	4	
4	90179-08299	NUT	6	
5	90201-08087	WASHER, plate	4	
6	1KT-11181-00	GASKET, cylinder head 1	1	
7	1KT-11311-00	CYLINDER 1	1	
8	1KT-11321-00	CYLINDER 2	1	
9	1KT-11351-00	GASKET, cylinder	2	
10	90116-08448	BOLT, stud	4	
11	90116-08392	BOLT, stud	6	
12	90116-08388	BOLT, stud	4	
13	90116-08318	BOLT, stud	4	
14	99510-10114	PIN, dowel	4	
15	90179-08299	NUT	8	
16	29L-1131R-00	CAP, seal	1	
17	91316-05012	BOLT	2	
18	29L-1131M-00	COVER	1	
19	91316-05012	BOLT	2	
20	1KT-1131A-00	VALVE 1	1	
21	29L-1132E-00	PULLEY 1	1	
22	97316-06020	BOLT	1	
23	92906-06100	WASHER, spring	1	
24	92906-06600	WASHER, plate	1	
25	29L-1131U-00	HOLDER 3	1	
26	93210-27370	O-RING	1	
27	47X-1131F-00	HOLDER 2	2	
28	93210-27370	O-RING	2	

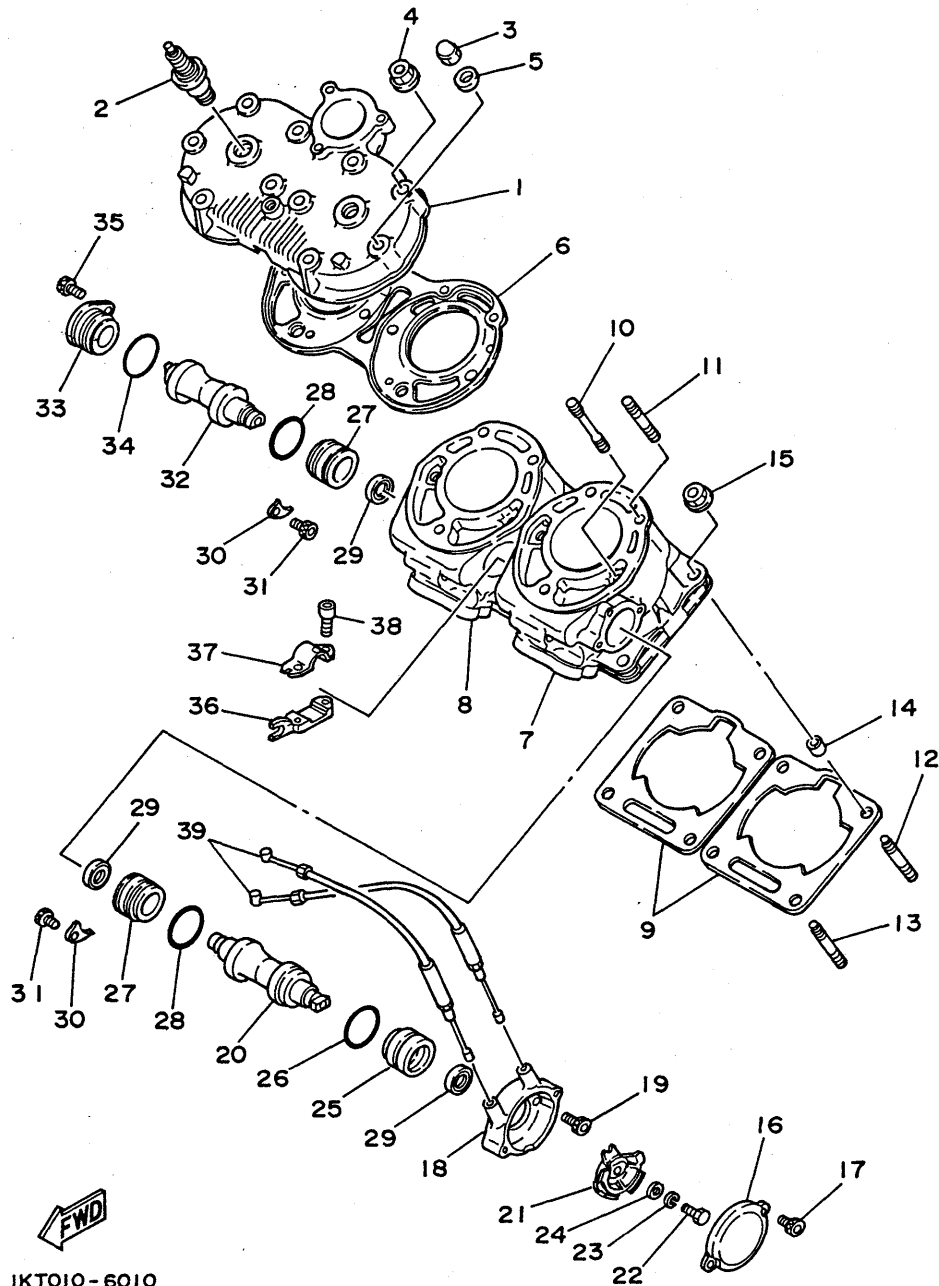
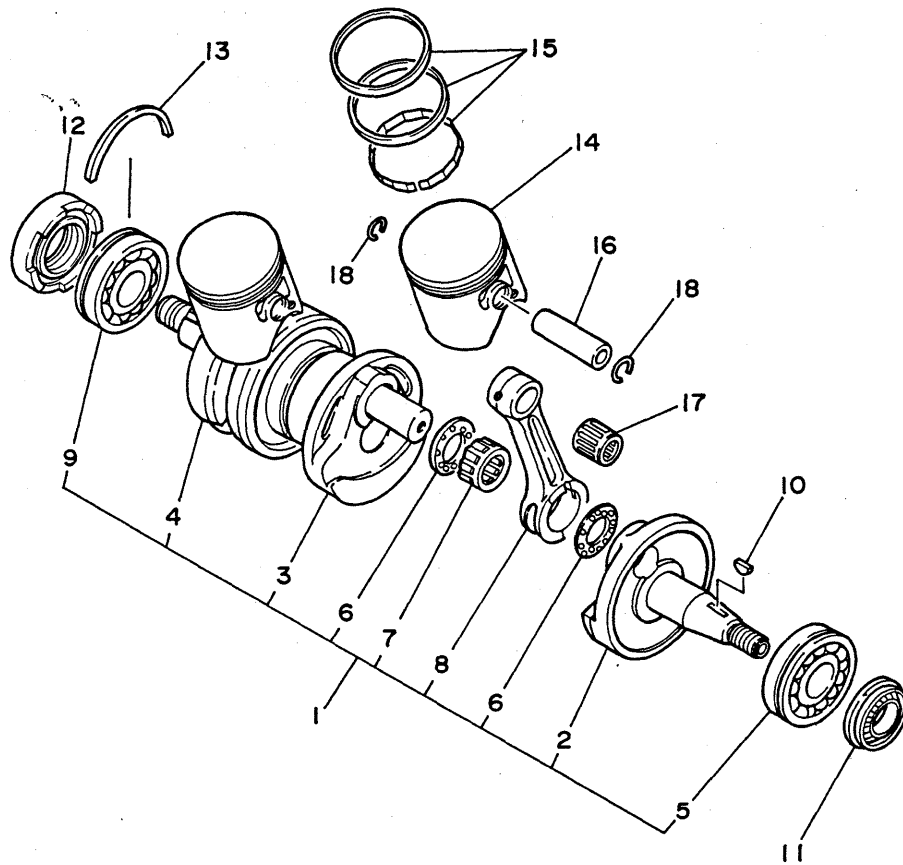


FIG. 1 CYLINDER

REF. NO.	PART NO.	DESCRIPTION	Q'TY	REMARKS
29	93108-23010	OIL SEAL	3	
30	47X-11915-00	PLATE, thrust 1	2	
31	91316-05008	BOLT	2	
32	1KT-1132A-00	VALVE 2	1	
33	47X-1131E-00	HOLDER 1	1	
34	93210-27370	O-RING	1	
35	91316-05012	BOLT	1	
36	47X-1131H-00	JOINT 1	1	
37	47X-1131J-00	JOINT 2	1	
38	91316-05012	BOLT	2	
39	1KT-1133E-00	CABLE, pulley 1	2	

FWD
IKTO10-6010

FIG. 2 CRANKSHAFT. PISTON

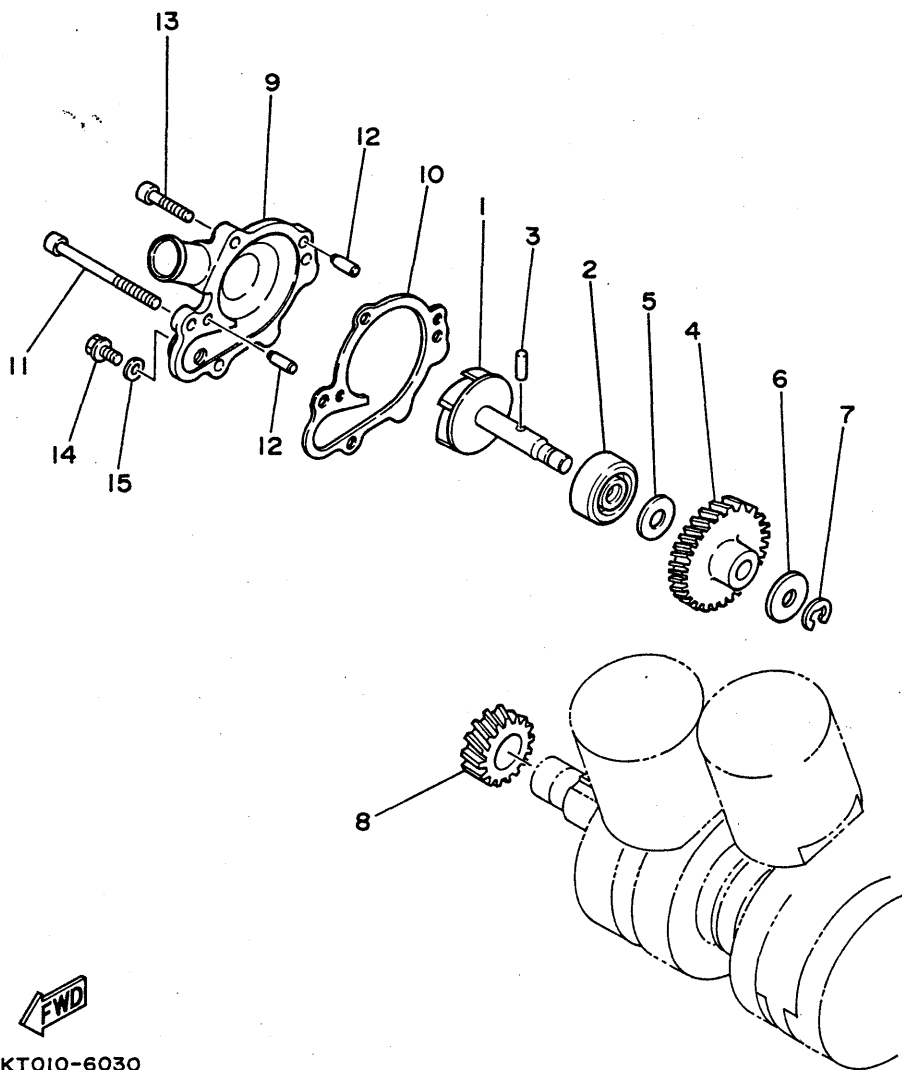


REF. NO.	PART NO.	DESCRIPTION	Q'TY	REMARKS
1	1KT-11400-00	CRANKSHAFT ASSY	1	
2	1KT-11412-00	.CRANK 1	1	
3	1KT-11409-00	.CRANK SUB ASSY	1	
4	1KT-11442-00	.CRANK 4	1	
5	93306-20577	.BEARING	1	
6	90209-22292	.WASHER	4	
7	93310-522L4	.BEARING, cylindrical	2	
8	1KT-11651-00	.ROD, connecting	2	
9	93306-20578	.BEARING	1	
10	90280-05033	KEY, woodruff	1	
11	93103-25108	OIL SEAL	1	
12	93103-35149	OIL SEAL	1	
13	93410-53068	CIRCLIP	1	
14	1KT-11631-00-35	PISTON (STD)	2	
	1KT-11635-00	PISTON (0.25MM O/S)	2	AP
	1KT-11636-00	PISTON (0.50MM O/S)	2	AP
15	1KT-11610-00	PISTON RING SET (STD)	2	
	1KT-11610-10	PISTON RING SET (1ST O/S)	2	AP
	1KT-11610-20	PISTON RING SET (2ND O/S)	2	AP
16	137-11633-00	PIN, piston	2	
17	93310-316H7	BEARING, cylindrical	2	
18	4V2-11634-00	CLIP, piston pin	4	


IKT010-6020

FIG. 3 WATER PUMP

REF. NO.	PART NO.	DESCRIPTION	Q'TY	REMARKS
1	1KT-12450-00	IMPELLER SHAFT ASSY	1	
2	93103-10147	OIL SEAL	1	
3	93603-22028	PIN, dowel	1	
4	4L0-12459-00	GEAR, impeller shaft	1	
5	90201-08759	WASHER, plate	1	
6	90201-08784	WASHER, plate	1	
7	99009-06600	CIRCLIP	1	
8	1KT-12436-00	GEAR, drive	1	
9	1KT-12422-00	COVER, housing	1	
10	1KT-12428-00	GASKET, housing cover 2	1	
11	91311-06065	BOLT	2	
12	93604-10011	PIN, dowel	2	
13	91311-06025	BOLT	2	
14	90105-08163	BOLT, washer based	1	
15	90430-08198	GASKET	1	



IKTO10-6030

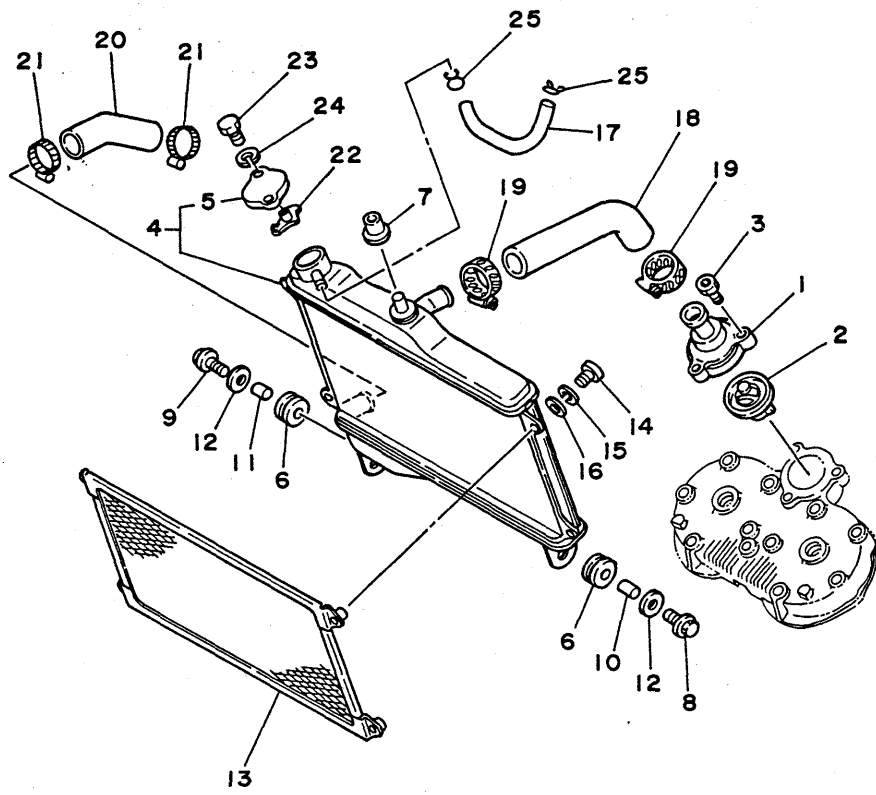


FIG. 4 RADIATOR. HOSE

REF. NO.	PART NO.	DESCRIPTION	Q'TY	REMARKS
1	29L-12446-00	JOINT	1	
2	47X-12411-00	THERMOSTAT	1	
3	91311-06020	BOLT	3	
4	1KT-12460-00	RADIATOR ASSY	1	
5	1KT-12462-00	.CAP, radiator	1	
6	90480-15363	GROMMET	2	
7	90480-16284	GROMMET	1	
8	95806-06025	BOLT, flange	1	
9	95806-06025	BOLT, flange	1	
10	90387-07392	COLLAR	1	
11	90387-07392	COLLAR	1	
12	90201-060A3	WASHER, plate	2	
13	1KT-12498-00	PROTECTOR	1	
14	92506-06012	SCREW, pan head	4	
15	92906-06100	WASHER, spring	4	
16	92906-06600	WASHER, plate	4	
17	90445-09078	HOSE	1	
18	1KT-12482-00	PIPE 2	1	
19	90460-27219	CLAMP, hose	2	
20	1KT-12481-00	PIPE 1	1	
21	90460-27219	CLAMP, hose	2	
22	1KT-12437-00	STOPPER	1	
23	97006-05012	BOLT	1	
24	92906-05100	WASHER, spring	1	
25	90467-09006	CLIP	2	



IKT010-6040

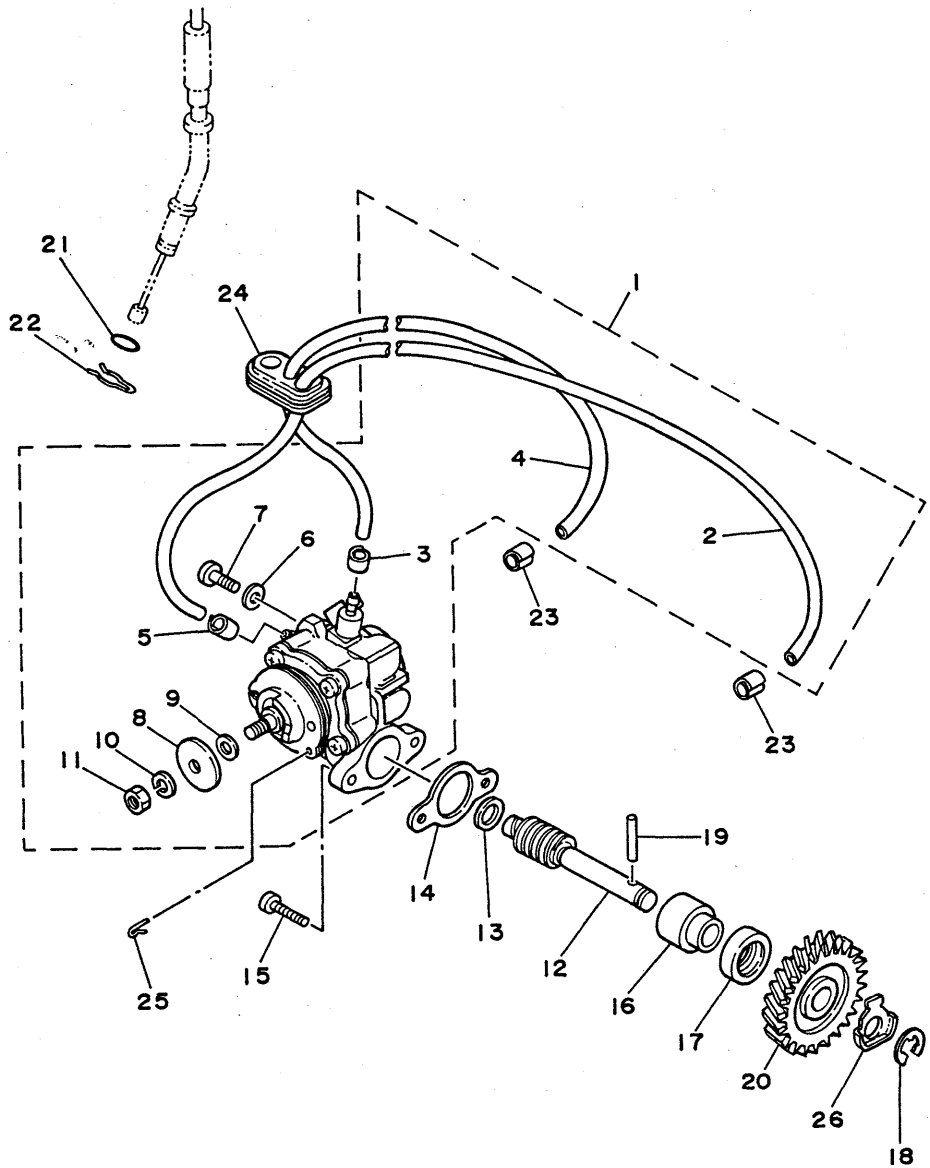


FIG. 5 OIL PUMP 1

REF. NO.	PART NO.	DESCRIPTION	Q'TY	REMARKS
1	1KT-13101-02	OIL PUMP ASSY	1	
2	90445-054E9	.HOSE	1	
3	90468-02033	.CLIP	1	
4	90445-05024	.HOSE	1	
5	90468-02033	.CLIP	1	
6	90430-04004	.GASKET	1	
7	98906-04006	.SCREW, bind	1	
8	137-13138-01	.PLATE, adjusting	1	
9	137-13137-00-03	.SHIM (0.3T)	1	UR
	137-13137-00-05	.SHIM (0.5T)	1	UR
	137-13137-00-10	.SHIM (1.0T)	1	UR
10	92901-05100	.WASHER, spring	1	
11	95301-05600	.NUT	1	
12	1KT-13175-00	SHAFT, worm	1	
13	90201-08624	WASHER, plate	1	
14	8Y0-13116-00	GASKET, pump case	1	
15	98501-05016	SCREW, pan head	2	
16	1E7-13176-00	METAL, worm shaft outer	1	
17	93101-10002	OIL SEAL	1	
18	93430-08036	CIRCLIP	1	
19	93603-22028	PIN, dowel	1	
20	4L0-13178-00	GEAR, pump drive	1	
21	93210-07100	O-RING	1	
22	90468-08086	CLIP	1	
23	90468-02033	CLIP	2	
24	1KT-13174-00	HOLDER, oil pipe	1	
25	363-13133-01	CLIP	1	
26	90215-10253	WASHER, lock	1	



2MY700-7050

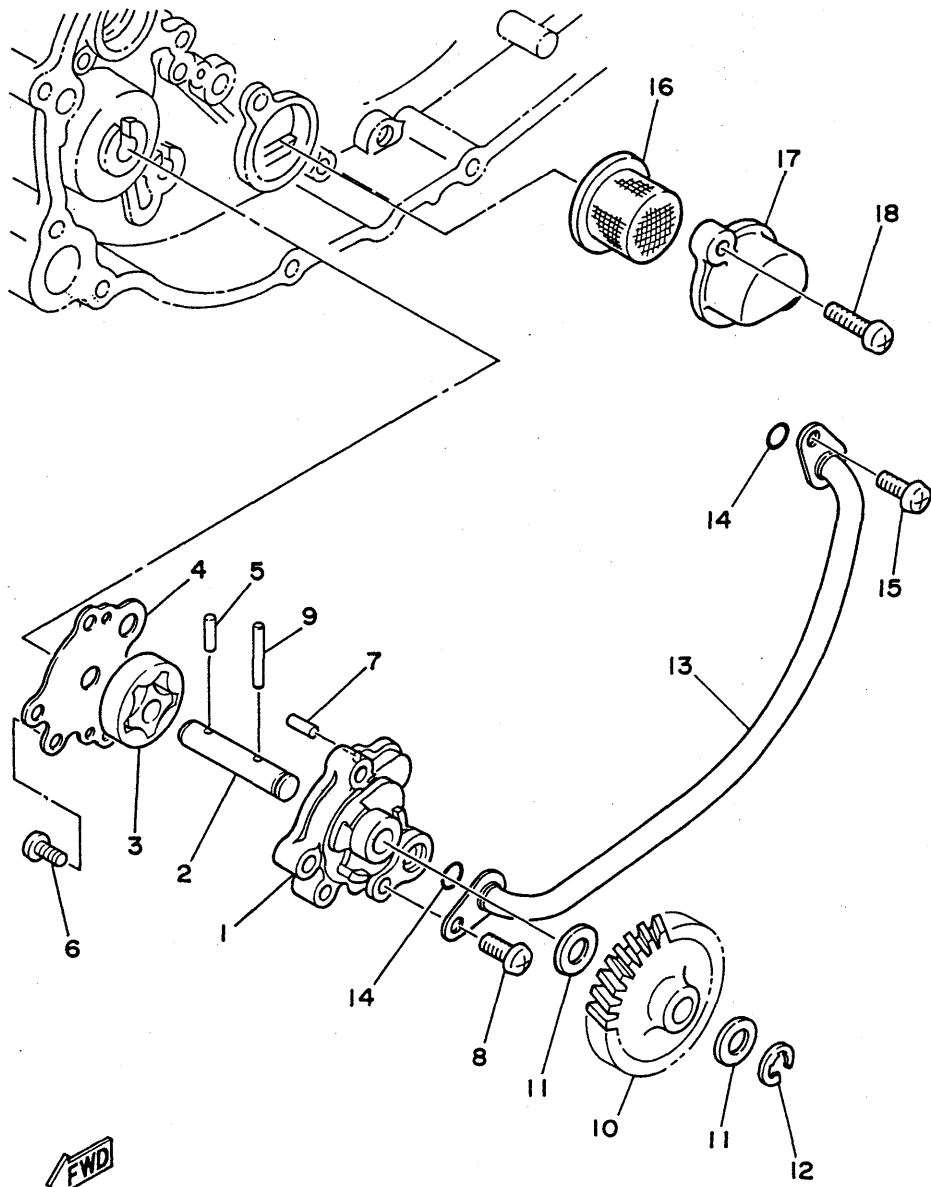
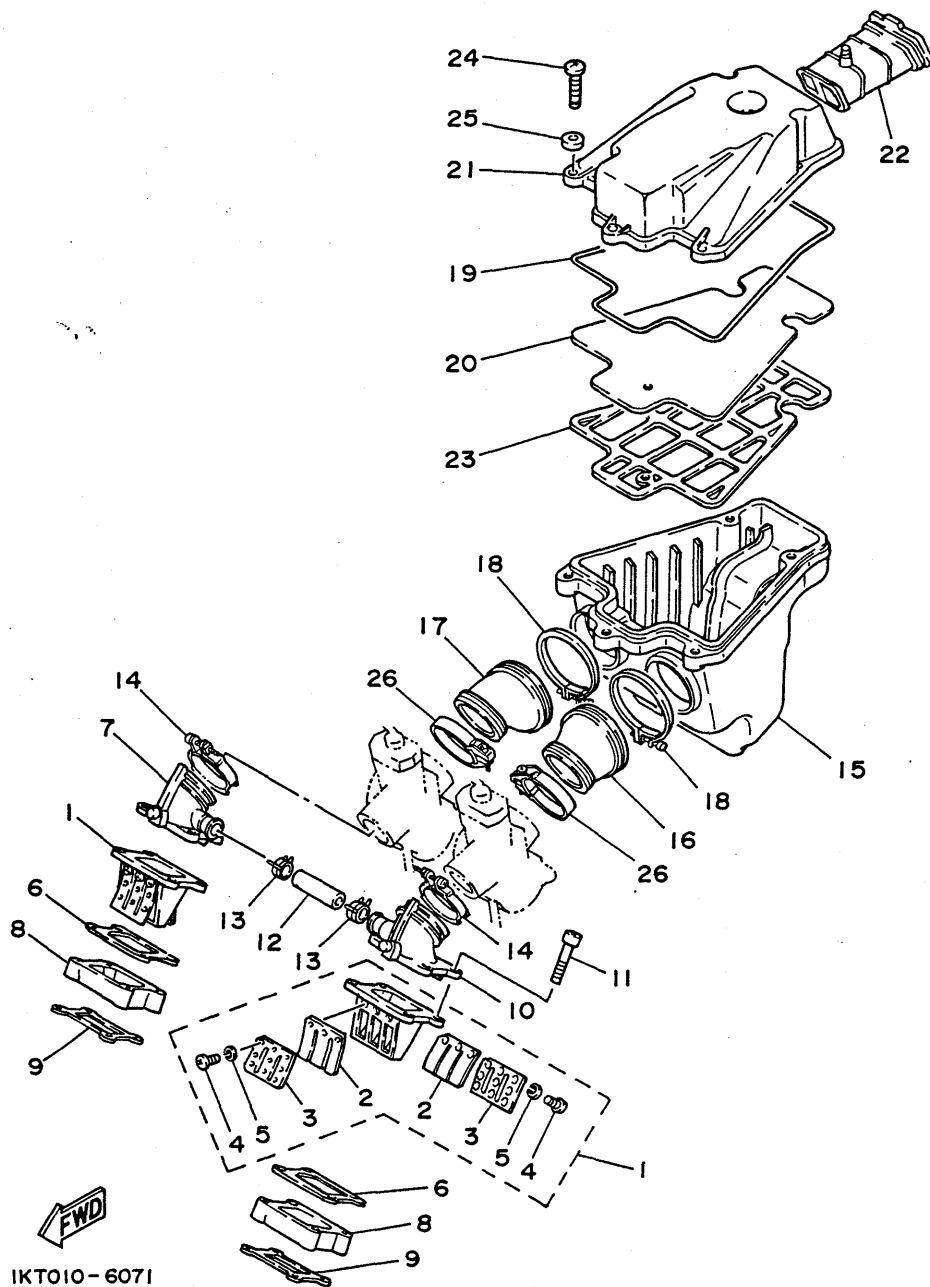


FIG. 6 OIL PUMP 2

REF. NO.	PART NO.	DESCRIPTION	Q'TY	REMARKS
1	1KT-13336-00	HOUSING, rotor	1	
2	1KT-13314-00	SHAFT, pump	1	
3	5H0-13310-00	ROTOR ASSY 1	1	
4	1KT-13316-01	COVER, pump	1	
5	93603-12030	PIN, dowel	1	
6	98501-05010	SCREW, pan head	1	
7	93604-10011	PIN, dowel	2	
8	98501-05020	SCREW, pan head	3	
9	93603-22028	PIN, dowel	1	
10	1KT-13325-00	GEAR, pump driven	1	
11	90201-08512	WASHER, plate	2	
12	99009-06600	CIRCLIP	1	
13	1KT-13161-00	PIPE, delivery 1	1	
14	93210-07540	O-RING	2	
15	98501-05010	SCREW, pan head	1	
16	51Y-13411-00	STRAINER, oil	1	
17	1KT-13417-00	COVER, strainer	1	
18	98501-05016	SCREW, pan head	2	

FWD
IKT010-6060

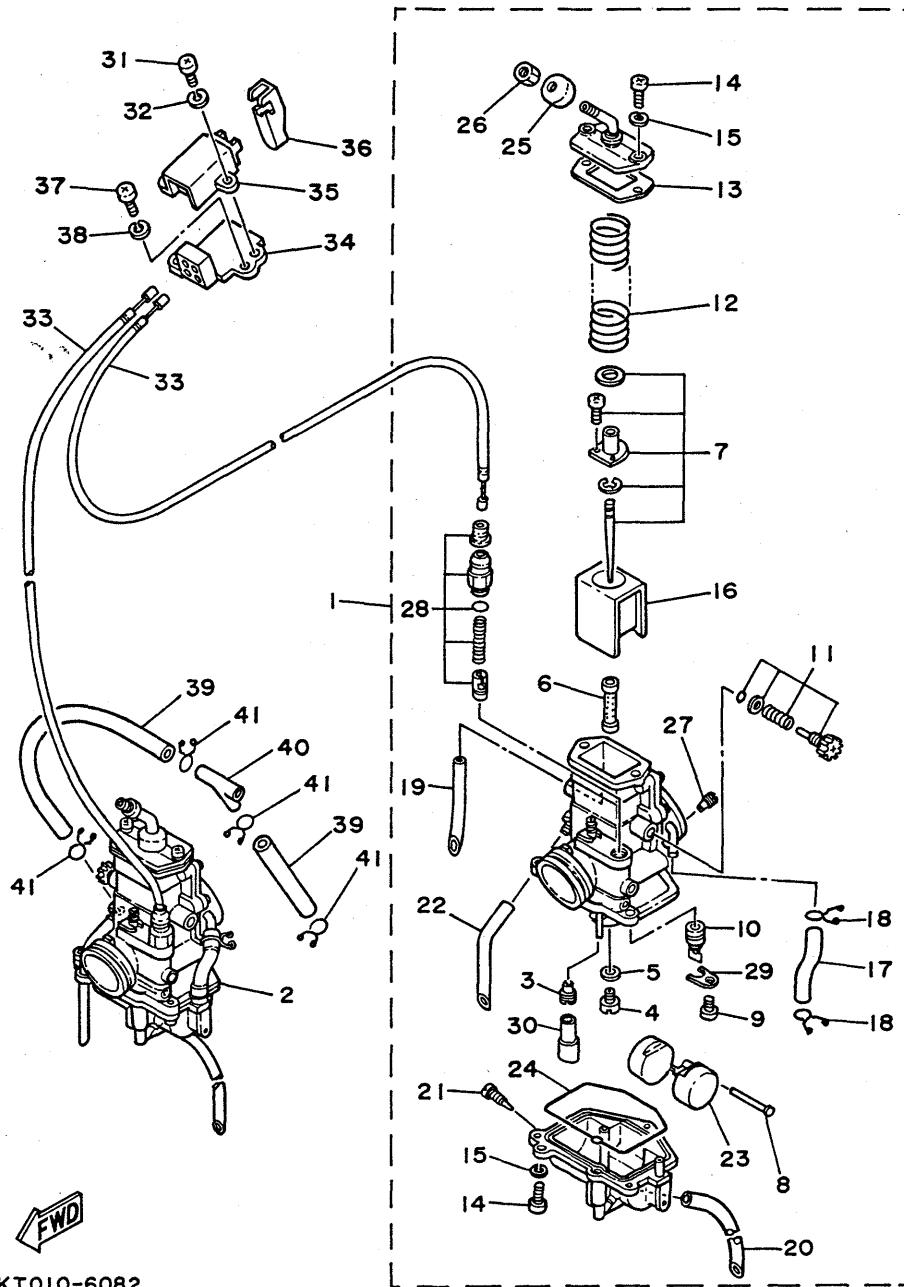


IKT010-6071

FIG. 7 INTAKE

REF. NO.	PART NO.	DESCRIPTION	Q'TY	REMARKS
1	1KT-13610-00	REED VALVE ASSY	2	
2	1KT-13613-00	.REED, valve	2	
3	1KT-13616-00	.STOPPER, reed valve	2	
4	98501-03008	.SCREW, pan head	6	
5	92990-03100	.WASHER, spring	6	
6	1KT-13621-00	GASKET, valve seat	2	
7	1KT-13565-00	JOINT, carburetor	1	
8	1KT-13661-00	SEAT, intake valve 1	2	
9	1KT-13645-00	GASKET, manifold 1	2	
10	1KT-13555-00	MANIFOLD, intake	1	
11	91311-06045	BOLT	8	
12	1KT-14465-00	PIPE	1	
13	90467-20085	CLIP	2	
14	90460-44108	CLAMP, hose	2	
15	1KT-14411-00	CASE, air cleaner 1	1	
16	1KT-14453-00	JOINT, air cleaner 1	1	
17	1KT-14463-00	JOINT, air cleaner 2	1	
18	90460-68230	CLAMP, hose	2	
19	11H-14452-00	SEAL	1	
20	1KT-14451-00	ELEMENT, air cleaner	1	
21	1KT-14412-00	CAP, cleaner case 1	1	
22	1KT-14437-00	DUCT	1	
23	1KT-14472-00	PLATE, element	1	
24	92501-06020	SCREW, pan head	5	
25	92901-06600	WASHER, plate	5	
26	1AE-13575-00	BAND	2	

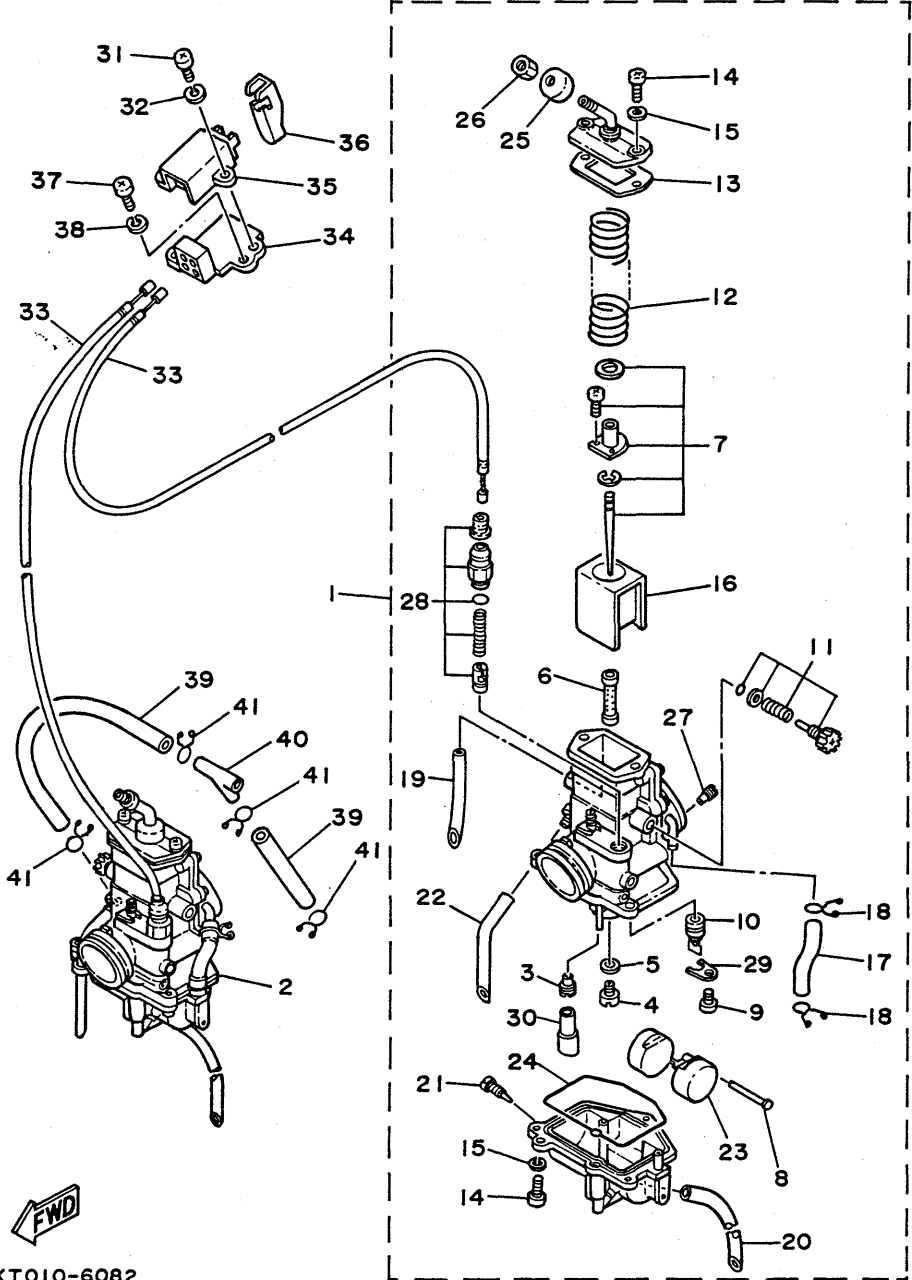
FIG. 8 CARBURETOR



IKT010-6082

REF. NO.	PART NO.	DESCRIPTION	Q'TY	REMARKS
1	2MA-14101-00	CARBURETOR ASSY 1	1	
2	2MA-14102-00	CARBURETOR ASSY 2	1	
3	193-14142-20	.JET, pilot (# 20)	1	
4	137-14143-46	.JET, main (#230)	1	
5	137-14153-00	.WASHER, main jet	1	
6	1KT-14141-52	.NOZZLE, main	1	
7	1KT-1490J-00	.NEEDLE SET	1	
8	537-14186-00	.PIN, float	1	
9	98501-04008	.SCREW, pan head	1	
10	1UA-14190-28	.NEEDLE VALVE ASSY	1	
11	1KT-14103-00	.THROTTLE SCREW SET	1	
12	1KT-14131-00	.SPRING, throttle valve	1	
13	1KT-14198-00	.GASKET	1	
14	98503-04014	.SCREW, pan head	5	
15	92902-04100	.WASHER, spring	5	
16	1KT-14112-25	.VALVE, throttle 1	1	
17	1KT-14149-00	.PIPE	1	
18	8A7-14139-00	.CLIP, pipe	2	
19	1KT-14197-00	.PIPE	1	
20	55X-14196-00	.PIPE	1	
21	12R-14191-00	.PLUG, drain	1	
22	1KT-14197-01	.PIPE	1	
23	1KT-14185-00	.FLOAT	1	
24	1KT-14147-00	.O-RING	1	
25	3X3-14169-00	.CAP	1	
26	127-14161-00	.NUT, cable adjusting	1	
27	239-14172-14	.PILOT JET, air (1.4)	1	
28	1KT-1410A-00	.STARTER SET	1	

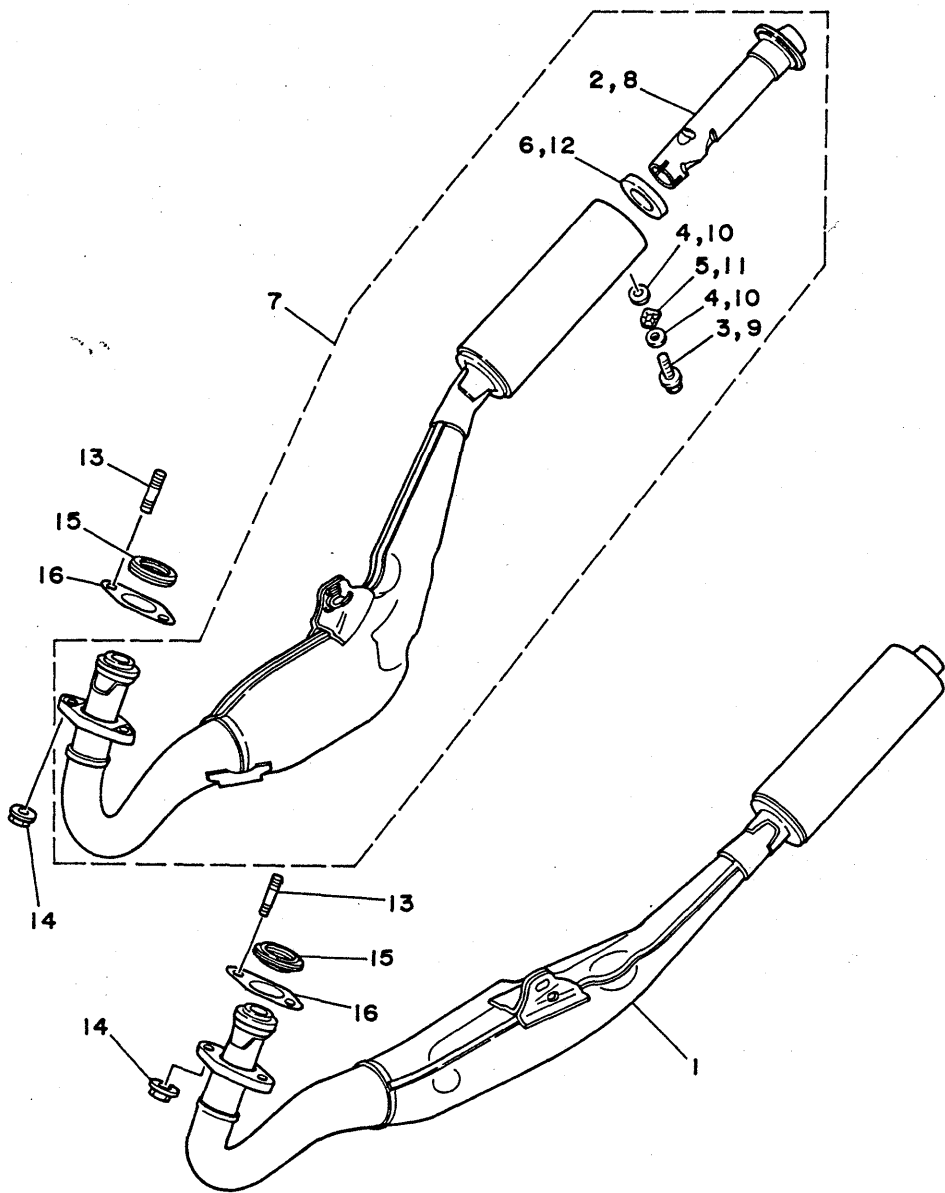
FIG. 8 CARBURETOR



REF. NO.	PART NO.	DESCRIPTION	Q'TY	REMARKS
29	2H0-14146-00	.PLATE	1	
30	1KT-14148-00	.PIPE	1	
31	98506-04010	SCREW, pan head	2	
32	92906-04100	WASHER, spring	2	
33	1KT-26331-00	CABLE, starter 1	2	
34	47X-14204-01	CASE, starter	1	
35	47X-14205-00	CAP, starter	1	
36	47X-14201-00	CHOKE LEVER COMP.	1	
37	98506-04012	SCREW, pan head	1	
38	92906-04100	WASHER, spring	1	
39	90445-11542	HOSE	2	
40	90413-07023	WAY 3	1	
41	90467-10008	CLIP	4	

FWD
IKT010-6082

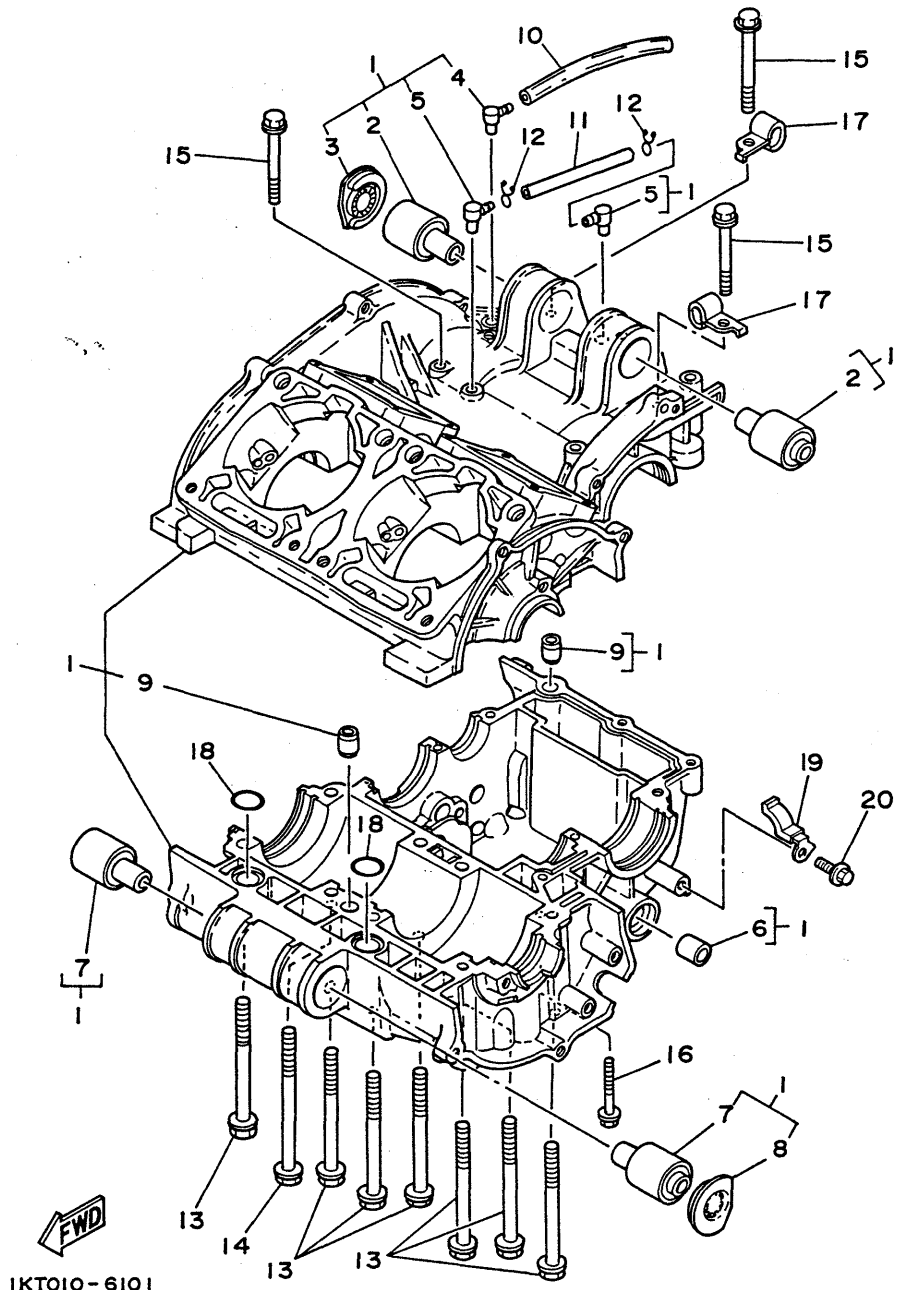
FIG. 9 EXHAUST



REF. NO.	PART NO.	DESCRIPTION	Q'TY	REMARKS
1	1KT-14710-00	MUFFLER ASSY 1	1	
2	1KT-14752-00	.PIPE, outlet	1	
3	95816-06035	.BOLT, flange	1	
4	90202-06010	.WASHER, plate	2	
5	90206-06060	.WASHER, wave	1	
6	1KT-14755-00	.GASKET, silencer	1	
7	1KT-14720-00	MUFFLER ASSY 2	1	
8	1KT-14752-00	.PIPE, outlet	1	
9	95816-06035	.BOLT, flange	1	
10	90202-06010	.WASHER, plate	2	
11	90206-06060	.WASHER, wave	1	
12	1KT-14755-00	.GASKET, silencer	1	
13	90116-08365	BOLT, stud	4	
14	90185-08097	NUT, self-locking	4	
15	29L-14613-00	GASKET, exhaust pipe	2	
16	29L-14643-00	GASKET 3	2	

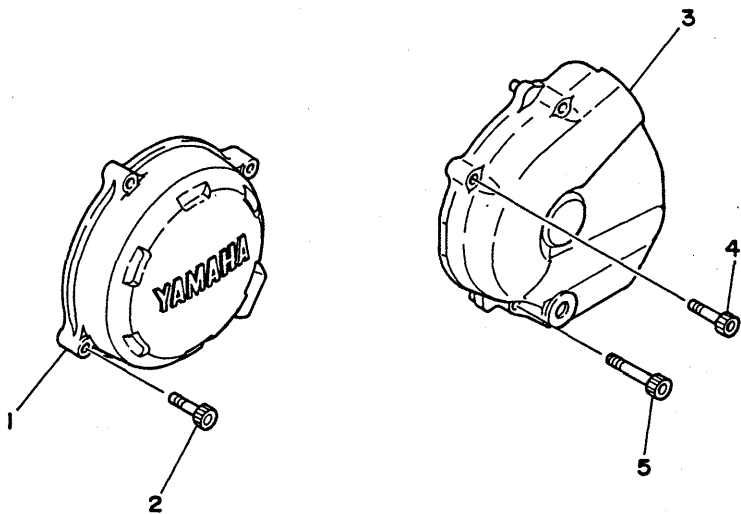
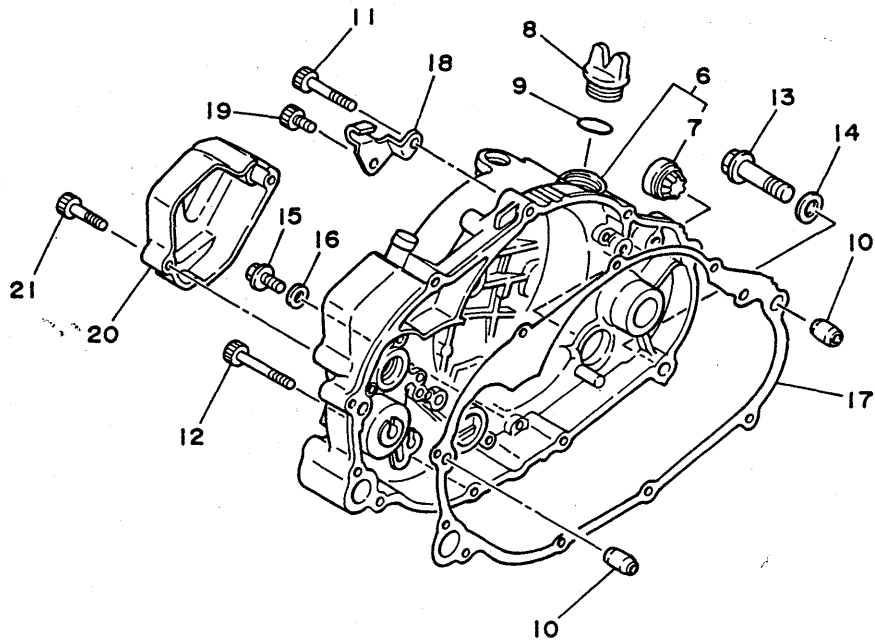

IKTO10-6090

FIG. 10 CRANKCASE



IKTO10-6101

REF. NO.	PART NO.	DESCRIPTION	Q'TY	REMARKS
1	1KT-15100-01	CRANKCASE ASSY	1	
2	1KT-15316-00	.DAMPER, engine mount 1	2	
3	4L0-15328-00	.SPACER, damper	1	
4	498-15371-00	.BREATHER	1	
5	278-13552-02	.NOZZLE	2	
6	90383-12022	.BUSH, formed	1	
7	4L0-15326-00	.DAMPER, engine mount 2	2	
8	4L0-15328-00	.SPACER, damper	1	
9	99530-10014	.PIN, dowel	2	
10	90446-07112	HOSE	1	
11	90445-084E6	HOSE	1	
12	90467-07029	CLIP	2	
13	95811-08090	BOLT, flange	7	
14	95811-08105	BOLT, flange	1	
15	95811-06055	BOLT, flange	7	
16	95811-06040	BOLT, flange	1	
17	90462-10166	CLAMP	2	
18	93210-15566	O-RING	2	
19	90465-08156	CLAMP	1	
20	91311-06010	BOLT	1	

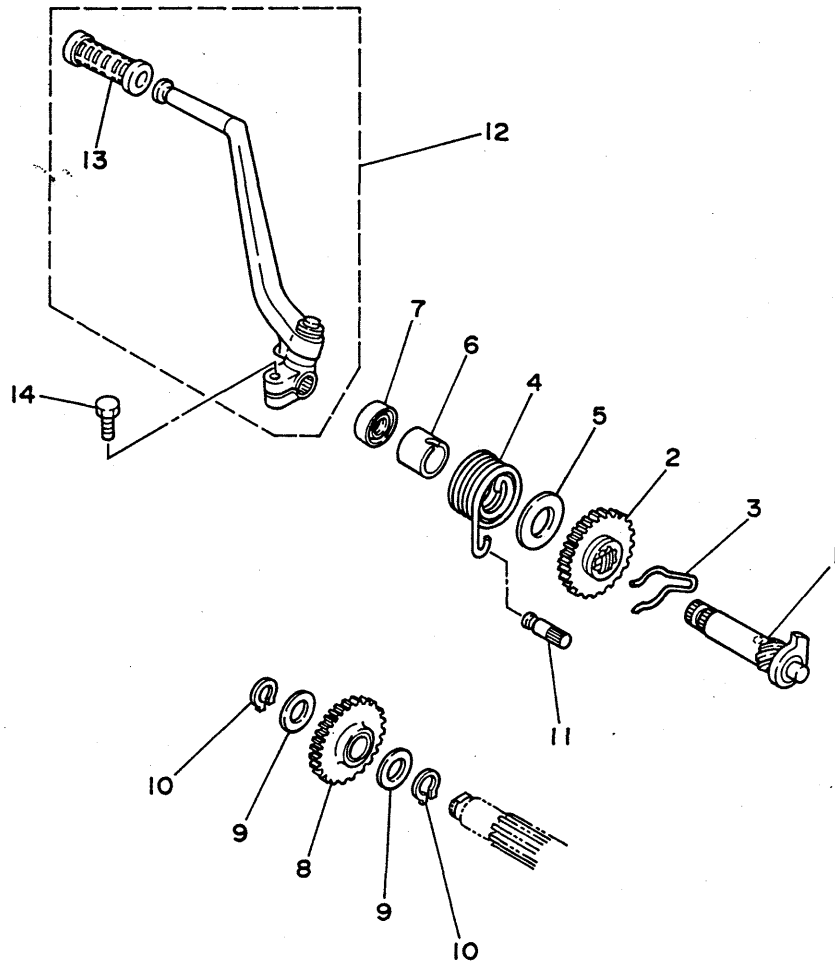


IKT010-6110

FIG. 11 CRANKCASE COVER 1

REF. NO.	PART NO.	DESCRIPTION	Q'TY	REMARKS
1	1KT-15415-00	COVER, generator	1	
2	91311-06025	BOLT	4	
3	1KT-15410-00	CRANKCASE COVER ASSY 1	1	
4	91311-06025	BOLT	1	
5	91311-06035	BOLT	2	
6	1KT-W1543-01	CRANKCASE COVER ASSY 2	1	
7	3Y1-15361-00	.GAUGE, level	1	
8	1RG-15363-00	PLUG, oil	1	
9	93210-19123	O-RING	1	
10	99530-10014	PIN, dowel	2	
11	91311-06035	BOLT	6	
12	91311-06045	BOLT	1	
13	95021-10040	BOLT, flange	1	
14	90430-10171	GASKET	1	
15	90105-08163	BOLT, washer based	1	
16	90430-08198	GASKET	1	
17	1KT-15461-00	GASKET, crankcase cover 2	1	
18	1KT-15441-00	HOLDER, clutch cable	1	
19	91311-06012	BOLT	1	
20	1KT-15416-00	COVER, oil pump	1	
21	91311-06025	BOLT	2	

FIG. 12 STARTER

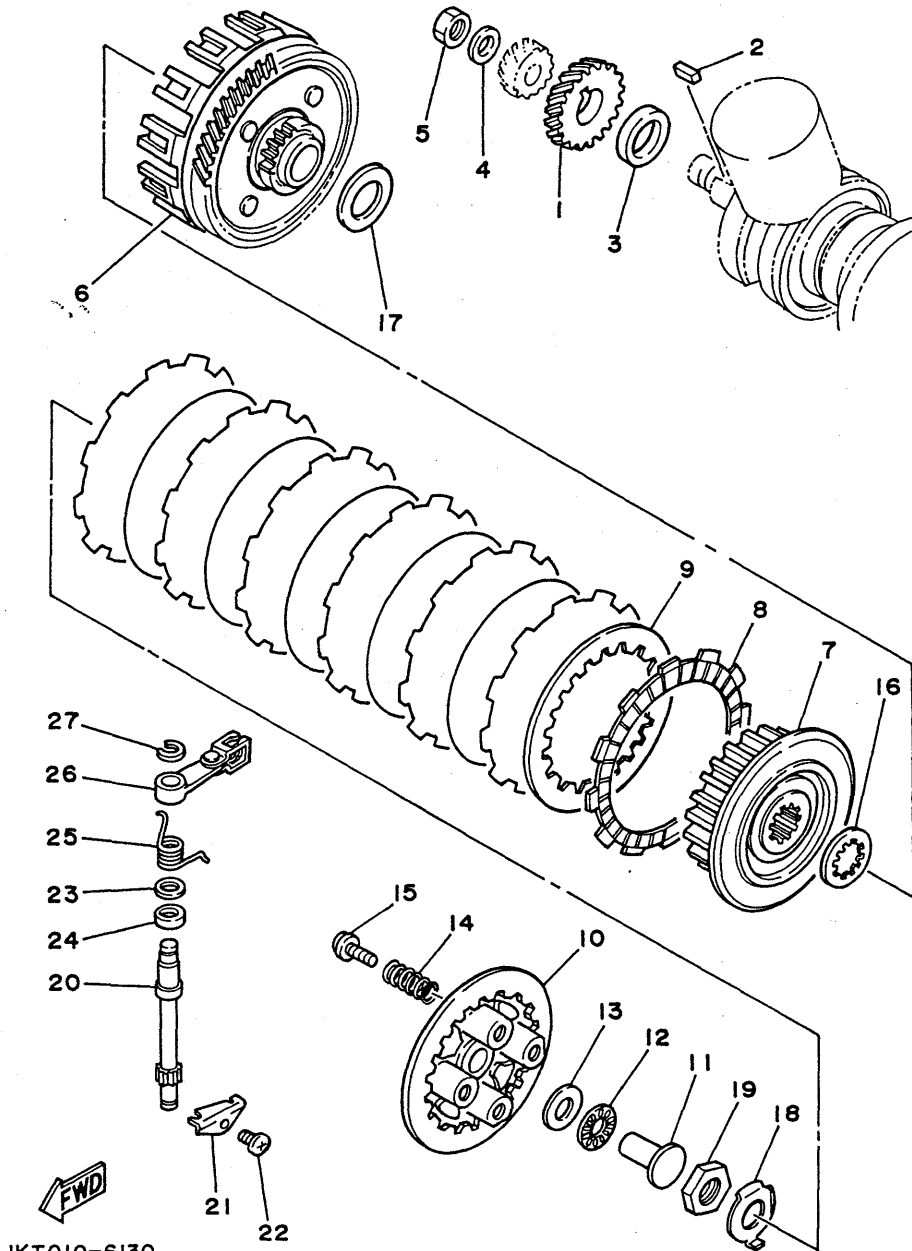


REF. NO.	PART NO.	DESCRIPTION	Q'TY	REMARKS
1	1KT-15660-01	KICK AXLE ASSY	1	
2	1KT-15641-00	GEAR, kick (26T)	1	
3	90468-26091	CLIP	1	
4	90508-28703	SPRING, torsion	1	
5	90201-202F9	WASHER, plate	1	
6	1KT-15666-00	SPACER	1	
7	93102-20108	OIL SEAL	1	
8	1KT-15651-00	GEAR, kick idle (24T)	1	
9	90201-20276	WASHER, plate (1.0T)	2	
10	99009-20400	CIRCLIP	2	
11	1M1-15668-01	STOPPER	1	
12	51L-15620-01	KICK CRANK ASSY	1	
13	156-15618-01	.COVER, kick lever	1	
14	97026-08030	BOLT	1	



IKTO10-6120

FIG. 13 CLUTCH



IKT010-6130

REF. NO.	PART NO.	DESCRIPTION	Q'TY	REMARKS
1	1KT-16111-00	GEAR, primary drive (22T)	1	
2	90282-07019	KEY, straight	1	
3	90560-25259	SPACER	1	
4	90208-16019	WASHER, conical spring	1	
5	90170-16182	NUT	1	
6	1KT-16150-01	PRIMARY DRIVEN GEAR COMP.	1	
7	1KT-16371-00	BOSS, clutch	1	
8	1KT-16321-00	PLATE, friction	7	
9	1KT-16324-00	PLATE, clutch 1	6	
10	1KT-16351-00	PLATE, pressure 1	1	
11	4H7-16356-00	ROD, push 1	1	
12	93340-21505	BEARING	1	
13	90201-150H2	WASHER, plate	1	
14	90501-23630	SPRING, compression	4	
15	90159-05011	SCREW, with washer	4	
16	47X-16164-00	PLATE, thrust 2	1	
17	360-16154-00	PLATE, thrust 1	1	
18	90215-20251	WASHER, lock	1	
19	90170-20195	NUT	1	
20	1KT-16382-00	AXLE, push lever	1	
21	1KT-16363-00	PLATE, lever hold	1	
22	97021-06010	BOLT	1	
23	90201-12163	WASHER, plate	1	
24	93102-12224	OIL SEAL	1	
25	90508-14709	SPRING, torsion	1	
26	4G0-16340-01	PUSH LEVER ASSY	1	
27	99001-09600	CIRCLIP	1	

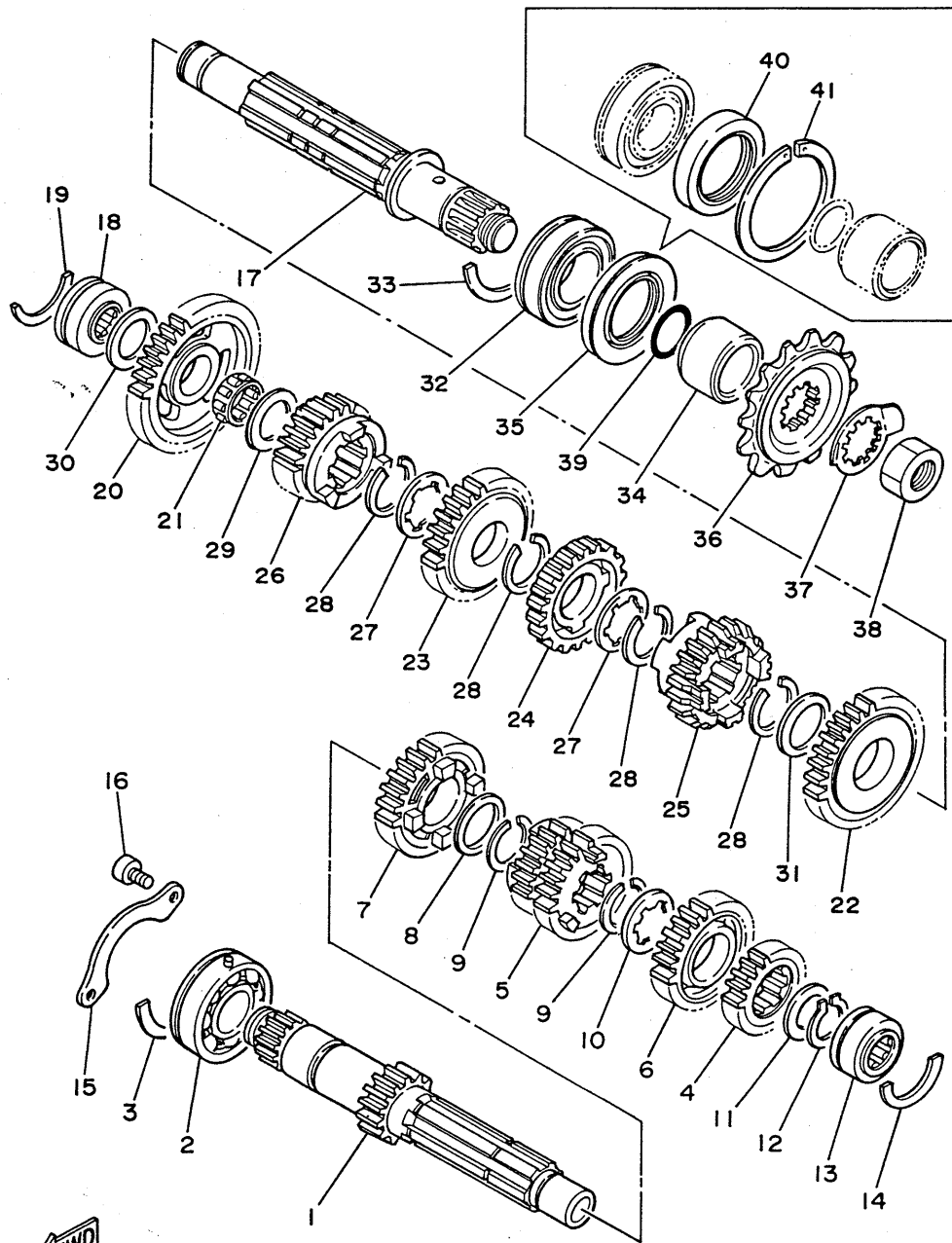


FIG. 14 TRANSMISSION

REF. NO.	PART NO.	DESCRIPTION	Q'TY	REMARKS
1	1KT-17411-00	AXLE, main (13T)	1	
2	93306-20575	BEARING	1	
3	93440-52118	CIRCLIP	1	
4	1KT-17121-00	GEAR, 2nd pinion (16T)	1	
5	1KT-17131-00	GEAR, 3rd/4th pinion (19T-24T)	1	
6	1KT-17151-00	GEAR, 5th pinion (26T)	1	
7	1KT-17160-00	GEAR, 6th pinion (27T)	1	
8	90201-256E4	WASHER, plate	1	
9	93440-25084	CIRCLIP	2	
10	90209-22082	WASHER	1	
11	90201-20266	WASHER, plate (1.0T)	1	
12	93410-20038	CIRCLIP	1	
13	93311-42045	BEARING, cylindrical	1	
14	278-17425-00	CIRCLIP 2	1	
15	4L0-17471-00	PLATE, cover	1	
16	91316-06012	BOLT	2	
17	1KT-17421-00	AXLE, drive (13T)	1	
18	93311-42045	BEARING, cylindrical	1	
19	278-17425-00	CIRCLIP 2	1	
20	1KT-17211-01	GEAR, 1st wheel (32T)	1	
21	93310-22057	BEARING, cylindrical	1	
22	1KT-17220-00	GEAR, 2nd wheel (28T)	1	
23	1KT-17231-00	GEAR, 3rd wheel (25T)	1	
24	1KT-17241-00	GEAR, 4th wheel (26T)	1	
25	1KT-17251-01	GEAR, 5th wheel (25T)	1	
26	1KT-17261-00	GEAR, 6th wheel (23T)	1	
27	90209-22082	WASHER	2	
28	93440-25084	CIRCLIP	4	

NOTE:

The Ref. No. 40 (oil seal) and Ref. No. 41 (circlip) are newly prepared for ease of servicing when the Ref. No. 35 (oil seal) is replaced (only the Ref. No. 33 can be replaced).

2MY700-7140

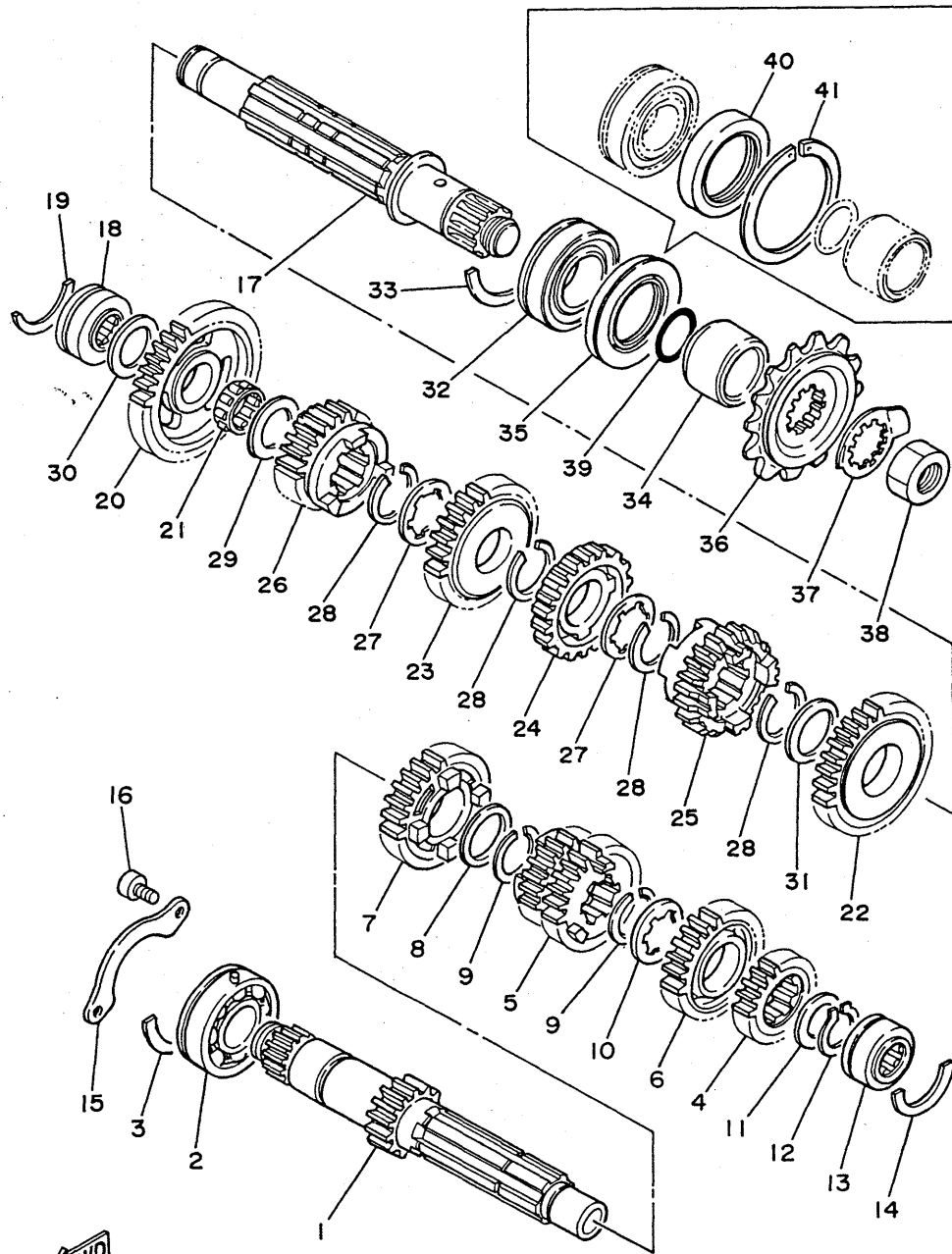


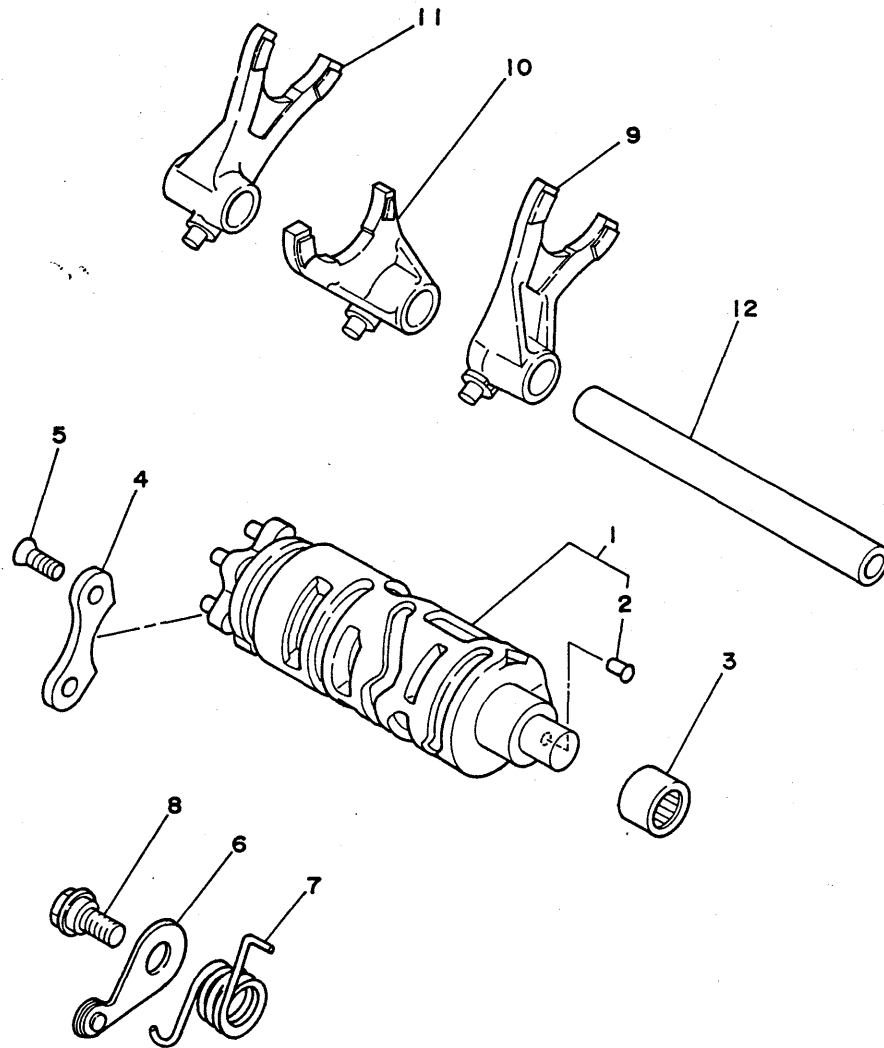
FIG. 14 TRANSMISSION

REF. NO.	PART NO.	DESCRIPTION	Q'TY	REMARKS
29	90201-20276	WASHER, plate (1.0T)	1	
30	90201-202L3	WASHER, plate (0.5T)	1	
31	90201-25490	WASHER, plate	1	
32	93306-20576	BEARING	1	
33	93440-52009	CIRCLIP	1	
34	90387-253N1	COLLAR	1	
35	93102-35361	OIL SEAL	1	
36	1KT-17460-00	SPROCKET, drive (14T)	1	
37	90215-21256	WASHER, lock	1	
38	90179-20255	NUT	1	
39	93210-22298	O-RING	1	
40	93102-35368	OIL SEAL	1	AP
41	99009-52500	CIRCLIP	1	AP

2MY700-7140

NOTE:
 The Ref. No. 40 (oil seal) and Ref. No. 41 (circlip) are newly prepared for ease of servicing when the Ref. No. 35 (oil seal) is replaced (only the Ref. No. 33 can be replaced).

FIG. 15 SHIFT CAM. FORK



REF. NO.	PART NO.	DESCRIPTION	Q'TY	REMARKS
1	1KT-18540-00	SHIFT CAM ASSY	1	
2	136-18542-00	.POINT, neutral	1	
3	93317-21236	BEARING, cylindrical	1	
4	1KT-18562-00	PLATE, stopper 2	1	
5	92701-06012	SCREW, flat head	2	
6	4L0-18140-00	STOPPER LEVER ASSY	1	
7	90508-26714	SPRING, torsion	1	
8	50W-21631-00	BOLT 1	1	
9	1KT-18511-00	FORK, shift 1	1	
10	1KT-18512-00	FORK, shift 2	1	
11	1KT-18513-00	FORK, shift 3	1	
12	1KT-18531-00	BAR, shift fork guide 1	1	



IKT010-6150

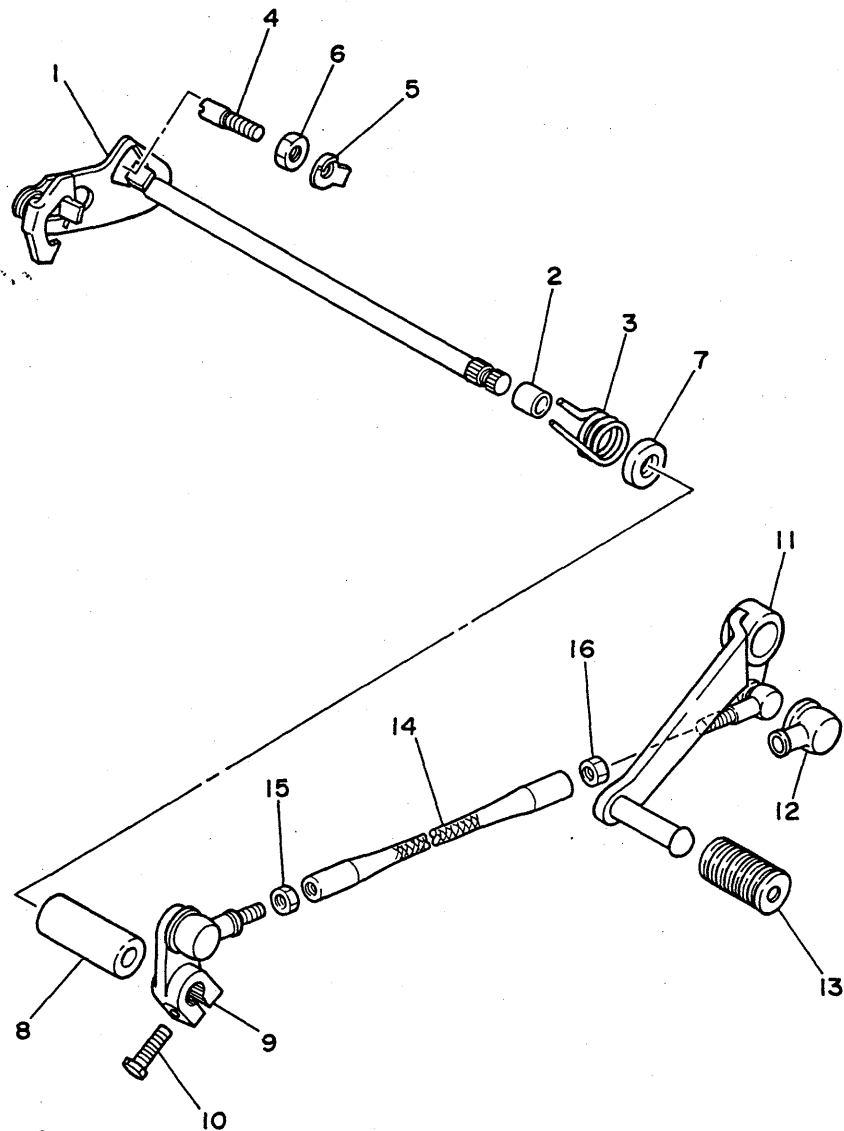
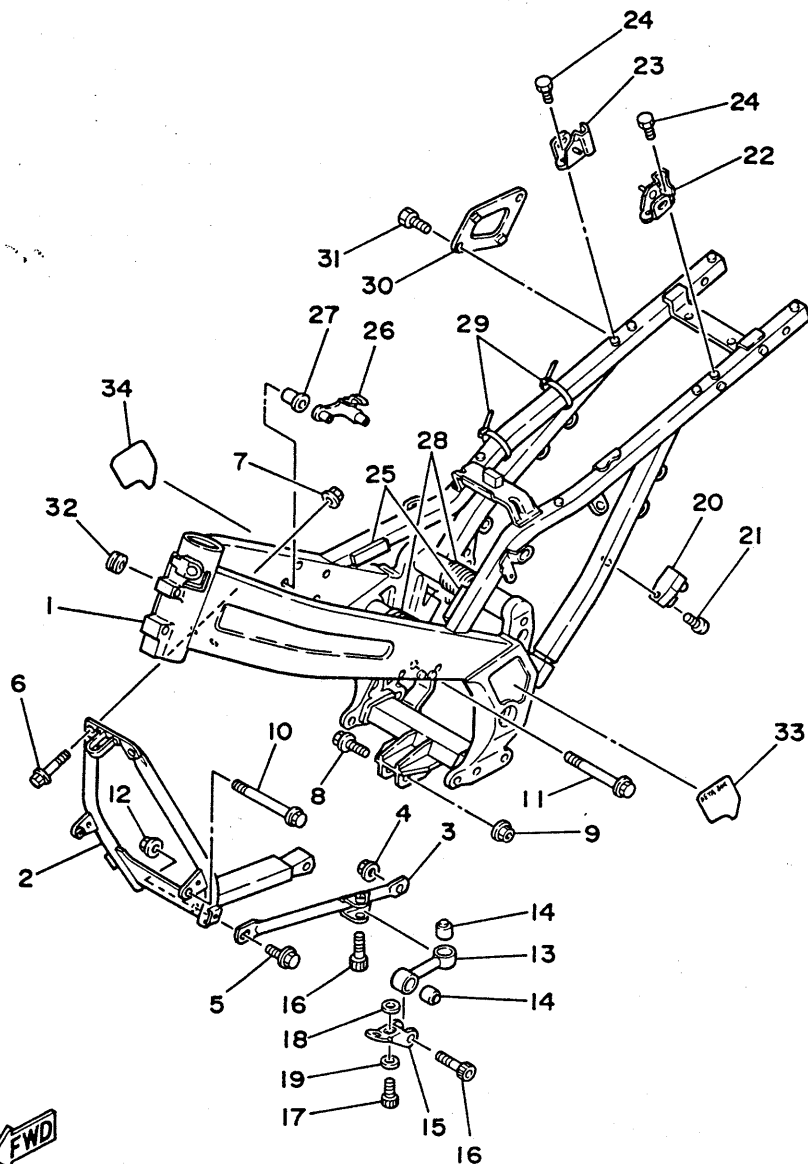


FIG. 16 SHIFT SHAFT

REF. NO.	PART NO.	DESCRIPTION	Q'TY	REMARKS
1	1KT-18101-00	SHIFT SHAFT ASSY	1	
2	90560-12171	SPACER	1	
3	90508-32374	SPRING, torsion	1	
4	90149-08094	SCREW	1	
5	90215-08174	WASHER, lock	1	
6	90170-08029	NUT	1	
7	93102-12106	OIL SEAL	1	
8	90387-125A8	COLLAR	1	
9	1KT-18112-00	ARM, shift	1	
10	97001-06020	BOLT	1	
11	1KT-18111-00	PEDAL, shift	1	
12	2H9-18154-00	COVER, dust	1	
13	132-18113-01	COVER, shift pedal	1	
14	1KT-18115-01	ROD, shift	1	
15	95303-08700	NUT	1	
16	90170-08358	NUT	1	

 IKTO10-6160



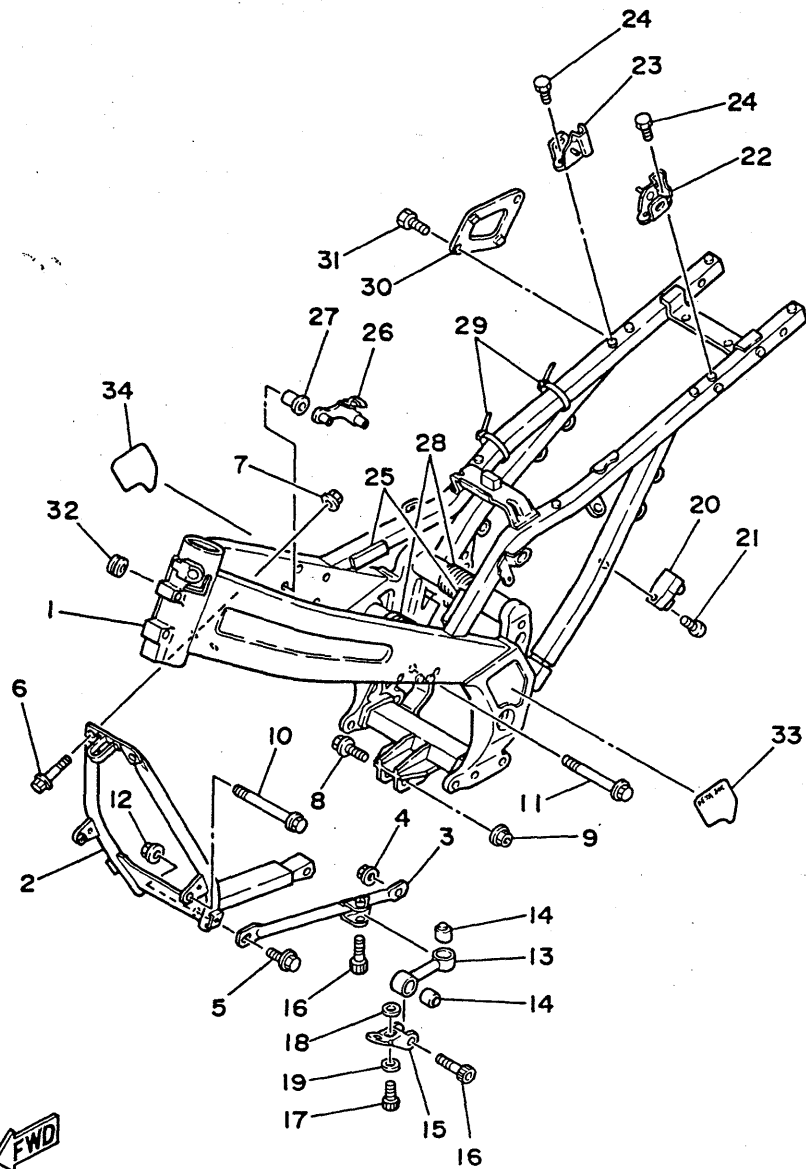
2MY700-7170

FIG. 17 FRAME

REF. NO.	PART NO.	DESCRIPTION	Q'TY	REMARKS
1	2MY-Y2111-00-35	FRAME COMP.	1	SILVER
2	1KT-21140-00	DOWN TUBE COMP.	1	
3	1KT-2131A-00	PIPE	1	
4	95706-10500	NUT, flange	1	
5	90105-08450	BOLT, washer based	1	
6	91026-08025	BOLT, flange	2	
7	95702-08500	NUT, flange	2	
8	91022-10055	BOLT, flange	1	
9	95702-10500	NUT, flange	1	
10	90105-10040	BOLT, washer based	1	
11	90105-10119	BOLT, washer based	1	
12	90179-10394	NUT	2	
13	1KT-21314-01	STAY, engine 1	1	
14	4L0-21485-00	DAMPER, rubber 1	2	
15	1KT-21317-00	STAY, engine 4	1	
16	90110-10125	BOLT, hexagon socket head	2	
17	91316-10025	BOLT	1	
18	90201-101J1	WASHER, plate	1	
19	90208-10043	WASHER, conical spring	1	
20	51X-21308-00	HELMET HANGER ASSY	1	
21	90149-06154	SCREW	1	
22	1KT-2139G-00	BRACKET 5	1	
23	1KT-2139H-00	BRACKET 6	1	
24	98001-06020	BOLT	4	
25	1KT-21268-00	SEAL	2	
26	1KT-21359-00	BRACKET, coil	1	
27	90179-06524	NUT	2	
28	1J7-24183-02	DAMPER, locating 3	2	

FIG. 17 FRAME

REF. NO.	PART NO.	DESCRIPTION	Q'TY	REMARKS
29	90465-13169	CLAMP	2	
30	1KT-21274-00	BRACKET, c.d.i. unit	1	
31	97006-06012	BOLT	2	
32	90338-20113	PLUG	1	
33	1KT-2118E-00	EMBLEM 1	1	
34	1KT-2118F-00	EMBLEM 2	1	



2MY700-7170

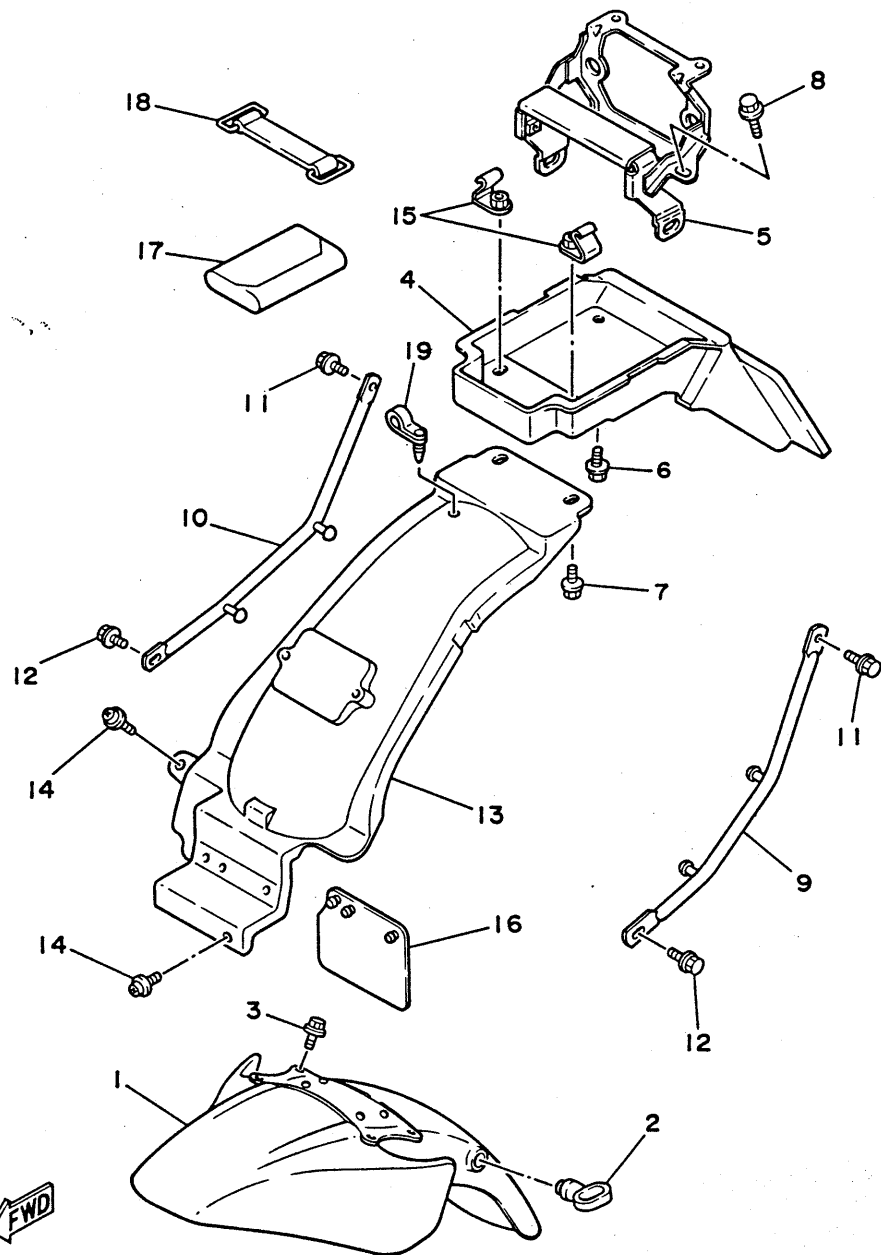
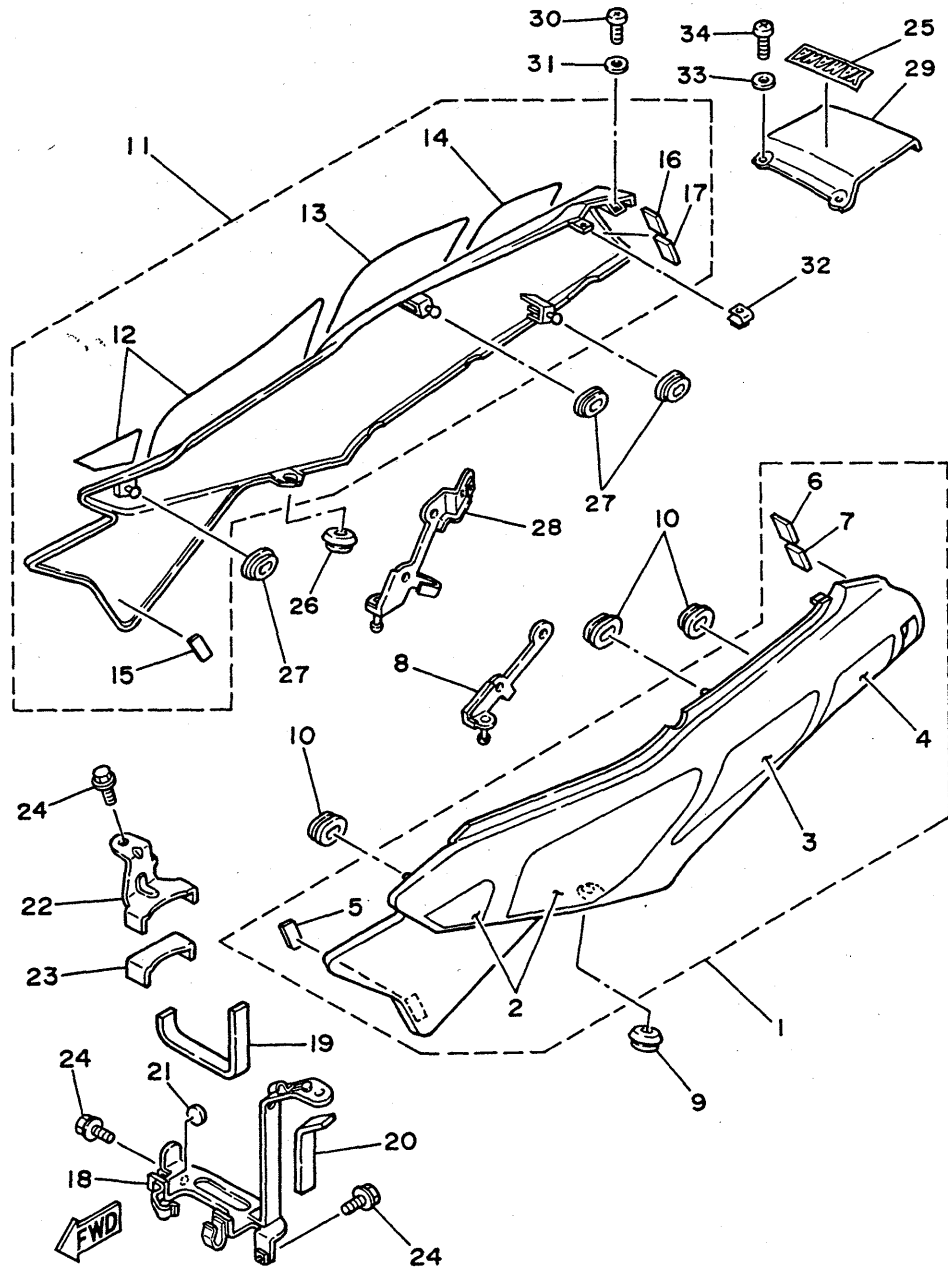


FIG. 18 FENDER

REF. NO.	PART NO.	DESCRIPTION	Q'TY	REMARKS
1	1KT-21510-00-1X	FRONT FENDER COMP.	1	CHAPPY RED
2	1A8-21518-00	HOLDER, cable	1	
3	95023-06012	BOLT, flange	4	
4	1KT-21611-00	FENDER, rear	1	
5	2MY-21613-00	STAY, fender 1	1	
6	90119-06108	BOLT, with washer	2	
7	95821-06014	BOLT, flange	2	
8	95801-08016	BOLT, flange	2	
9	1KT-2164F-00	STAY 1	1	
10	1KT-2164G-00	STAY 2	1	
11	95811-06035	BOLT, flange	2	
12	90119-06108	BOLT, with washer	2	
13	1KT-21629-00	GUARD, mud	1	
14	90159-06078	SCREW, with washer	2	
15	1KT-21689-00	BRACKET, rear stay 2	2	
16	34X-21691-00	FLAP	1	
17	1KT-28100-00	TOOL KIT	1	
18	120-82131-00	BAND, battery	1	
19	90464-12027	CLAMP	1	

2MY400-7180

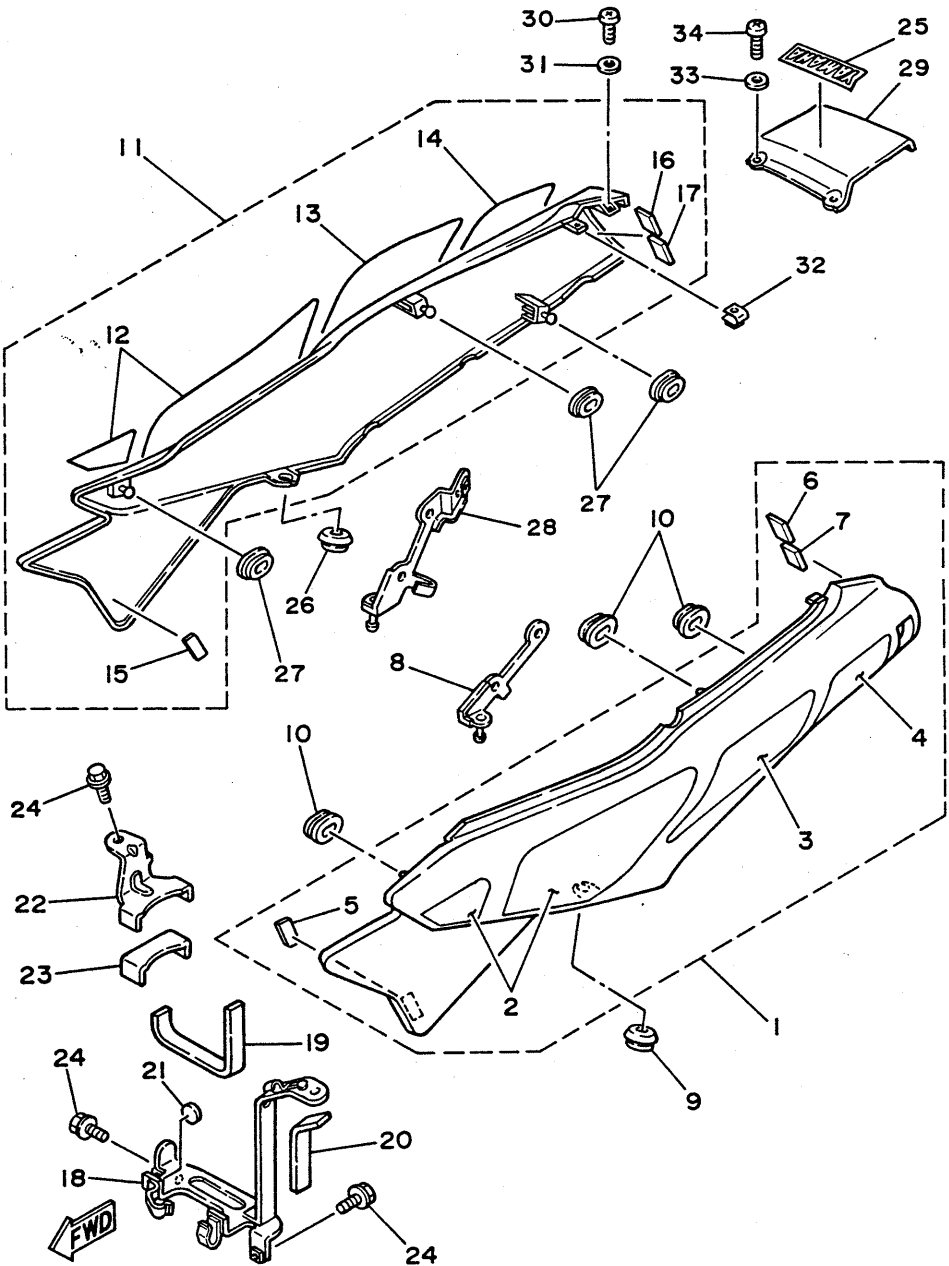
FIG. 19 SIDE COVER



IKTO10-6191

REF. NO.	PART NO.	DESCRIPTION	Q'TY	REMARKS
1	1KT-Y2171-00-1X	COVER, side 1	1	
2	1KT-2173E-00	.GRAPHIC 1	1	
3	1KT-2174G-00	.GRAPHIC 3	1	
4	1KT-2174J-00	.GRAPHIC 5	1	
5	1KT-21717-00	.DAMPER, side cover	1	
6	1KT-21746-00	.DAMPER	1	
7	1KT-21747-00	.DAMPER	1	
8	1KT-2172E-00	STAY, side cover 1	1	
9	90480-12320	GROMMET	1	
10	90480-01445	GROMMET	3	
11	1KT-Y2172-00-1X	COVER, side 2	1	
12	1KT-2173F-00	.GRAPHIC 2	1	
13	1KT-2174H-00	.GRAPHIC 4	1	
14	1KT-2174K-00	.GRAPHIC 6	1	
15	1KT-21717-00	.DAMPER, side cover	1	
16	1KT-21746-00	.DAMPER	1	
17	1KT-21747-00	.DAMPER	1	
18	1KT-21240-01	BOX COMP.	1	
19	1KT-82122-00	SEAT, battery	1	
20	1KT-82123-00	SEAT, battery	1	
21	1KT-2177M-00	DAMPER, locating 3	2	
22	1KT-21393-00	BRACKET, battery box	1	
23	1KT-2177N-00	DAMPER, locating 4	1	
24	91006-06016	BOLT, flange	3	
25	1KT-2163H-00	EMBLEM 2	1	
26	90480-12320	GROMMET	1	
27	90480-01445	GROMMET	3	
28	1KT-2174E-00	STAY, side cover 2	1	

FIG. 19 SIDE COVER



REF. NO.	PART NO.	DESCRIPTION	Q'TY	REMARKS
29	1KT-24756-00-36	COVER, tail	1	CLEAN WHITE
30	98501-05008	SCREW, pan head	2	
31	92901-05600	WASHER, plate	2	
32	90183-05024	NUT, spring	2	
33	90202-05088	WASHER, plate	2	
34	98901-05016	SCREW, bind	2	

IKTO10-6191

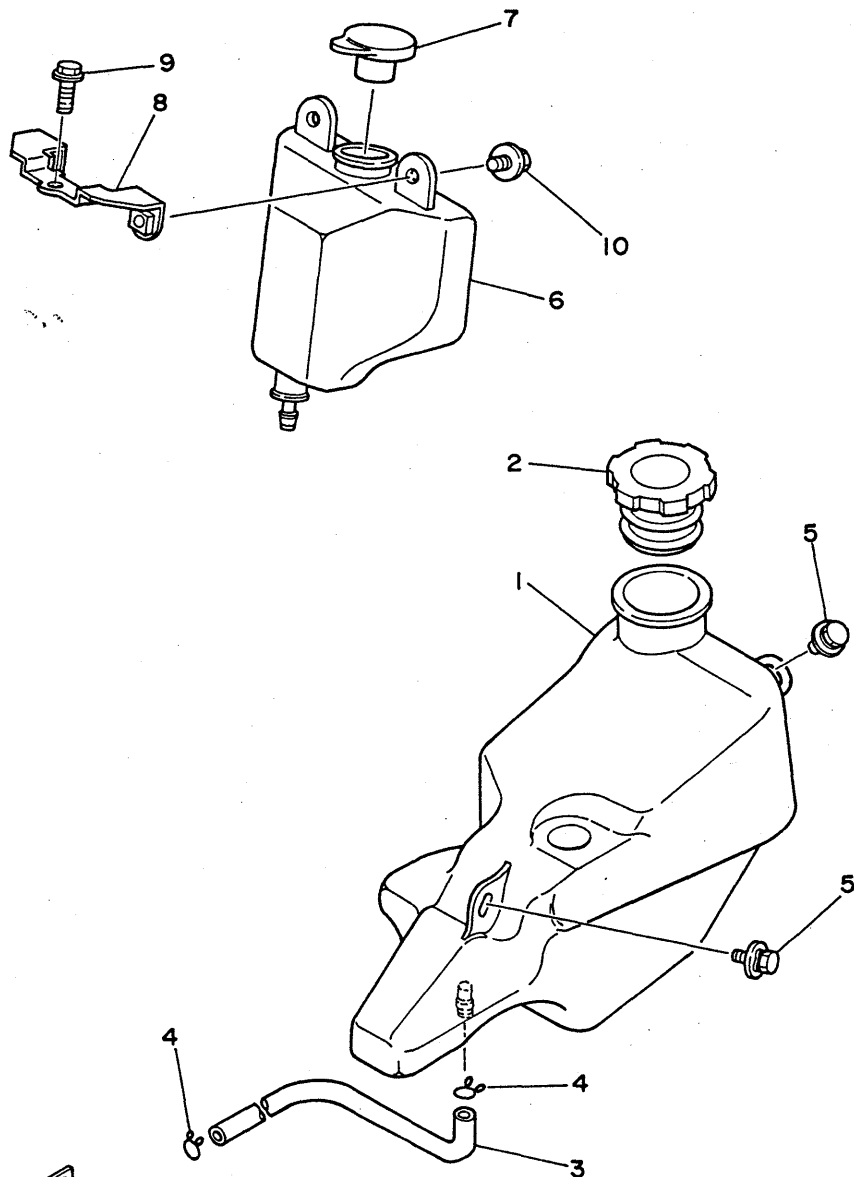


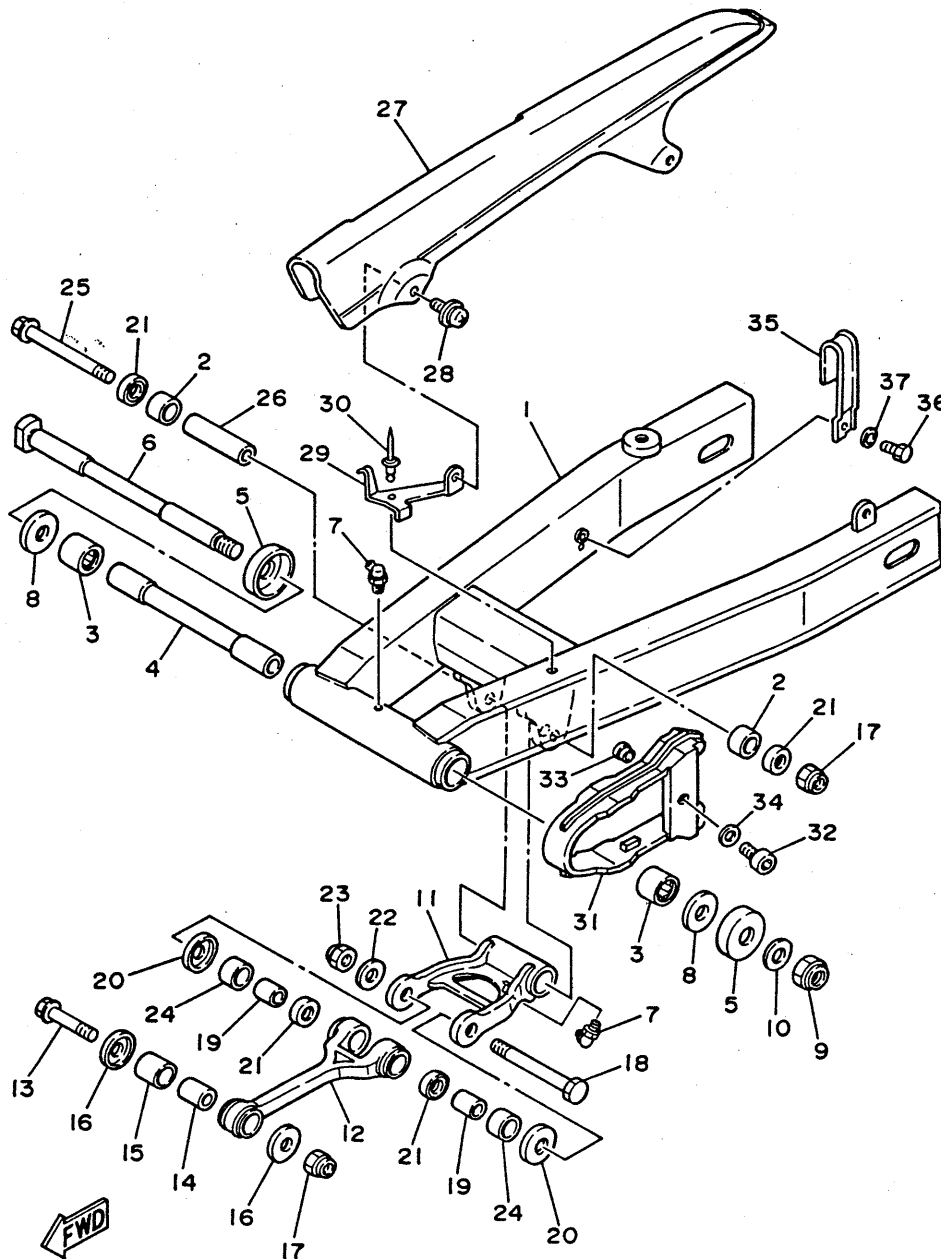
FIG. 20 OIL TANK

REF. NO.	PART NO.	DESCRIPTION	Q'TY	REMARKS
1	1KT-21751-00	TANK, oil	1	
2	14T-21770-00	OIL TANK CAP ASSY	1	
3	1KT-24316-00	PIPE 6	1	
4	90467-08003	CLIP	2	
5	90119-06085	BOLT, with washer	2	
6	1KT-21871-00	TANK, recovery	1	
7	4L0-21815-01	CAP	1	
8	1KT-21873-00	BRACKET, recovery tank	1	
9	91001-06016	BOLT, flange	1	
10	90119-06042	BOLT, with washer	2	



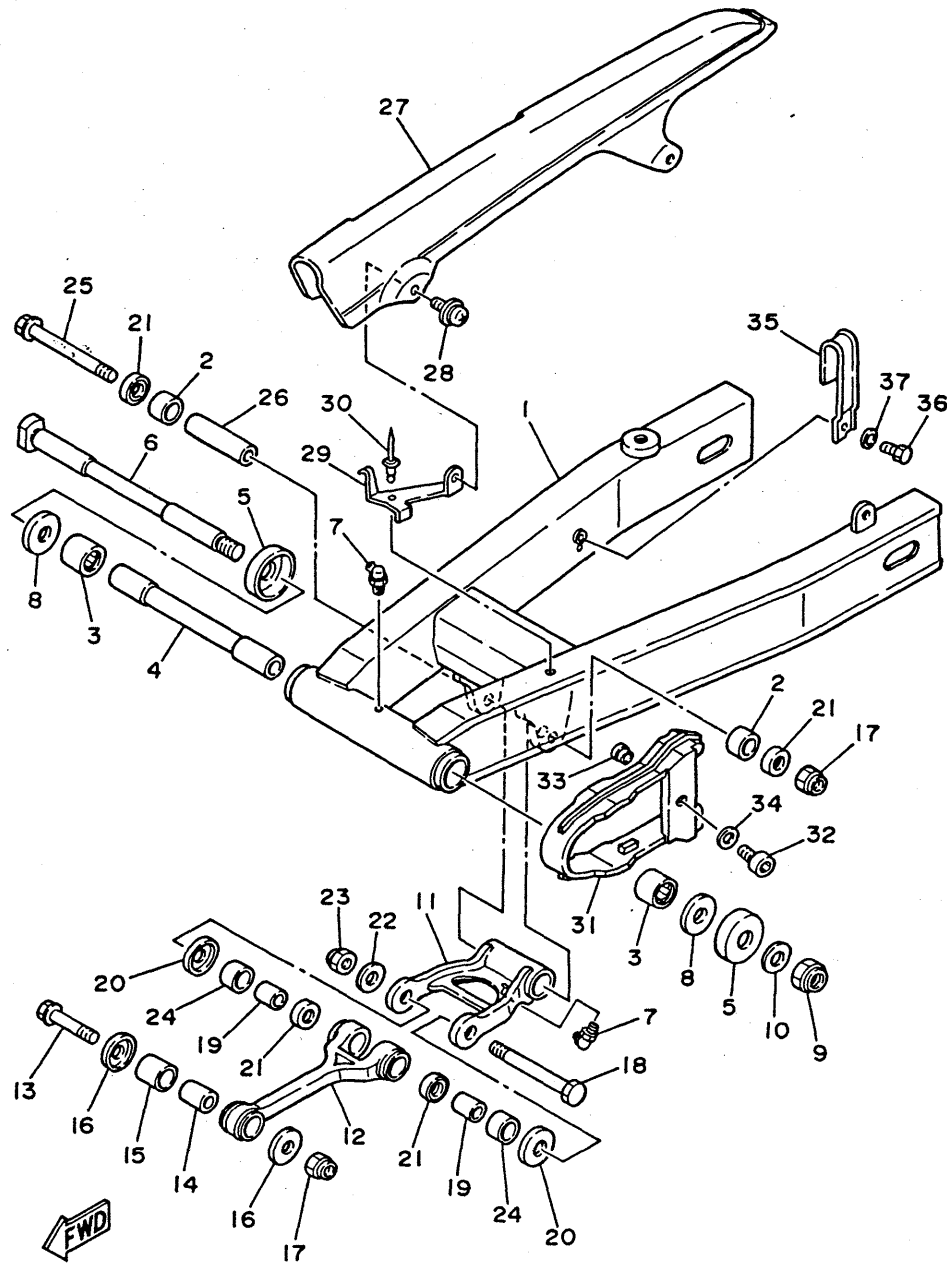
IKT010-6200

FIG. 21 REAR ARM



2MY700-7210

REF. NO.	PART NO.	DESCRIPTION	Q'TY	REMARKS
1	1KT-22110-01	REAR ARM COMP.	1	
2	93315-31843	BEARING, cylindrical	2	
3	93320-32403	BEARING	2	
4	51L-22184-00	BUSH	1	
5	47X-22129-00	COVER, thrust 2	2	
6	29L-22141-00	SHAFT, pivot	1	
7	93700-06005	NIPPLE, grease	2	
8	90201-161J2	WASHER, plate	2	
9	90185-14112	NUT, self-locking	1	
10	90201-140H8	WASHER, plate	1	
11	1KT-2217M-01	ARM 1	1	
12	1KT-2217A-00	ARM, relay	1	
13	90105-10402	BOLT, washer based	1	
14	90387-103N9	COLLAR	1	
15	90386-20130	BUSH	1	
16	1KT-22128-00	COVER, thrust 1	2	
17	95601-10200	NUT, self-locking	2	
18	90101-12645	BOLT	1	
19	90387-123N6	COLLAR	2	
20	23X-22129-00	COVER, thrust 2	2	
21	93109-18020	OIL SEAL	4	
22	90201-126A7	WASHER, plate	1	
23	90185-12119	NUT, self-locking	1	
24	90386-18149	BUSH	2	
25	90105-10409	BOLT, washer based	1	
26	90387-103N4	COLLAR	1	
27	1KT-22311-00	CASE, chain	1	
28	90159-06084	SCREW, with washer	2	



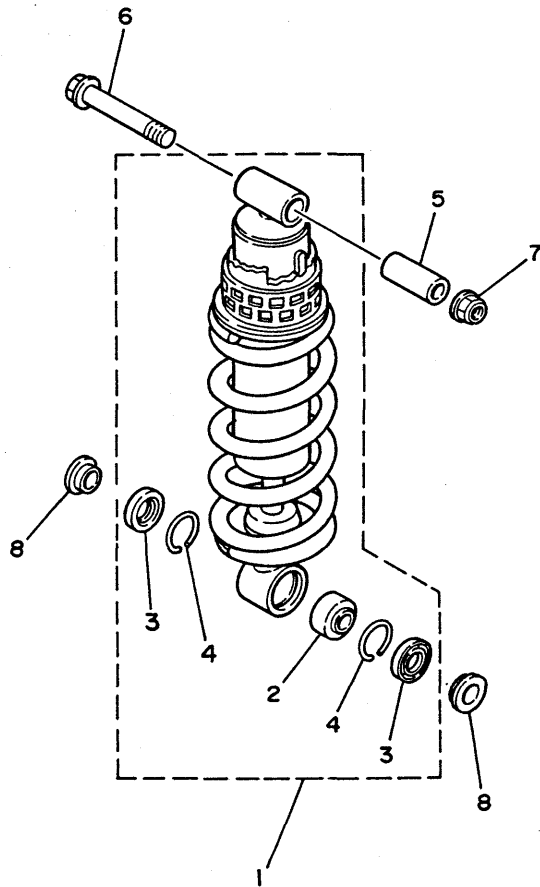
2MY700-7210

FIG. 21 REAR ARM

REF. NO.	PART NO.	DESCRIPTION	Q'TY	REMARKS
29	1KT-22321-00	STAY, chain case 1	1	
30	90267-48117	RIVET, blind	1	
31	1KT-22147-00	PROTECTOR, chain	1	
32	97001-06025	BOLT	1	
33	90387-07573	COLLAR	1	
34	90201-06568	WASHER, plate	1	
35	1KT-25875-00	HOLDER, brake hose 1	1	
36	97016-06016	BOLT	1	
37	92906-06700	WASHER	1	

FIG. 22 REAR SUSPENSION

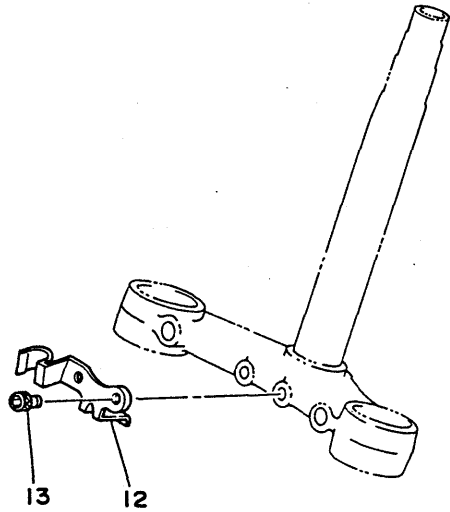
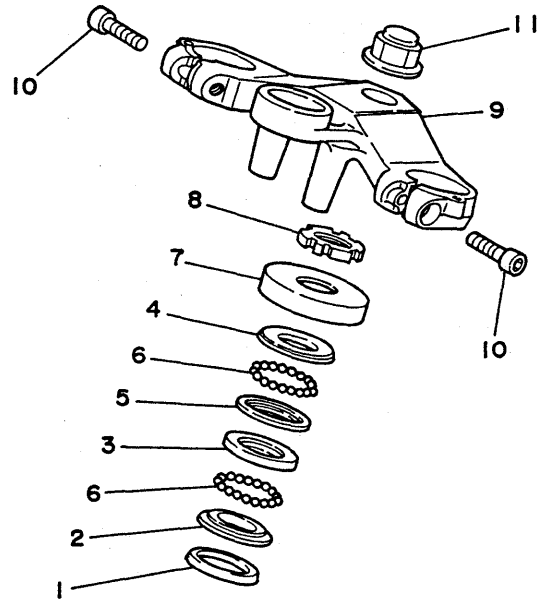
REF. NO.	PART NO.	DESCRIPTION	Q'TY	REMARKS
1	ZMY-22210-00	SHOCK ABSORBER ASSY, rear	1	
2	93399-99919	.BEARING	1	
3	93101-16131	.OIL SEAL	2	
4	93440-30113	.CIRCLIP	2	
5	90387-103N5	COLLAR	1	
6	90105-10340	BOLT, washer based	1	
7	95601-10200	NUT, self-locking	1	
8	90387-124L0	COLLAR	2	



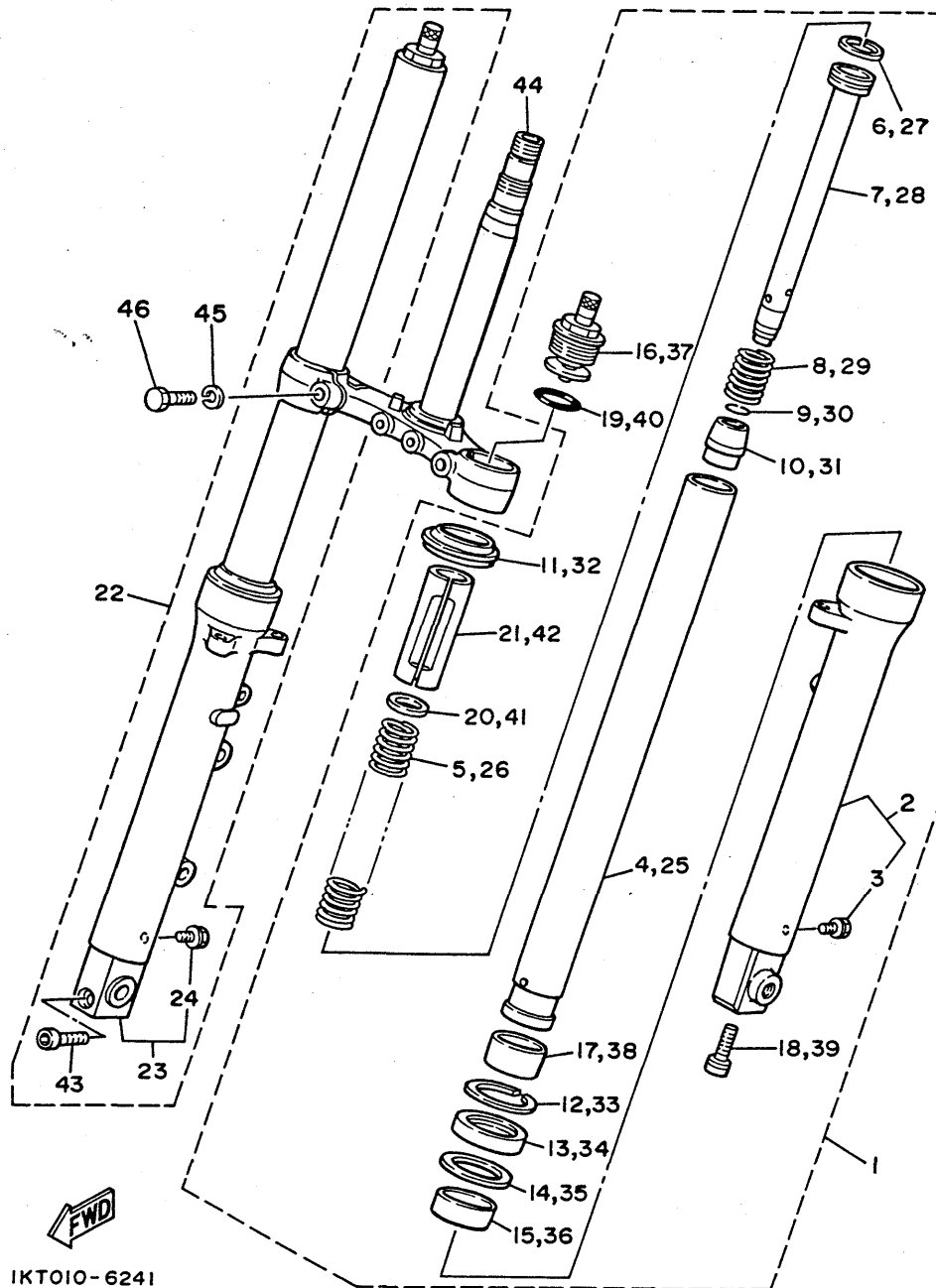
IKT010-6220

FIG. 23 STEERING

REF. NO.	PART NO.	DESCRIPTION	Q'TY	REMARKS
1	164-23462-00	SEAL, steering	1	
2	156-23411-00	RACE, ball 1	1	
3	156-23412-00	RACE, ball 2	1	
4	183-23411-00	RACE, ball 1	1	
5	183-23412-00	RACE, ball 2	1	
6	93501-04011	BALL	38	
7	1KT-23415-00	COVER, ball race 1	1	
8	90179-25033	NUT	1	
9	1KT-23435-01	CROWN, handle	1	
10	91311-08035	BOLT	2	
11	90176-22050	NUT, crown	1	
12	1KT-2134K-00	BRACKET, horn	1	
13	91316-06010	BOLT	2	



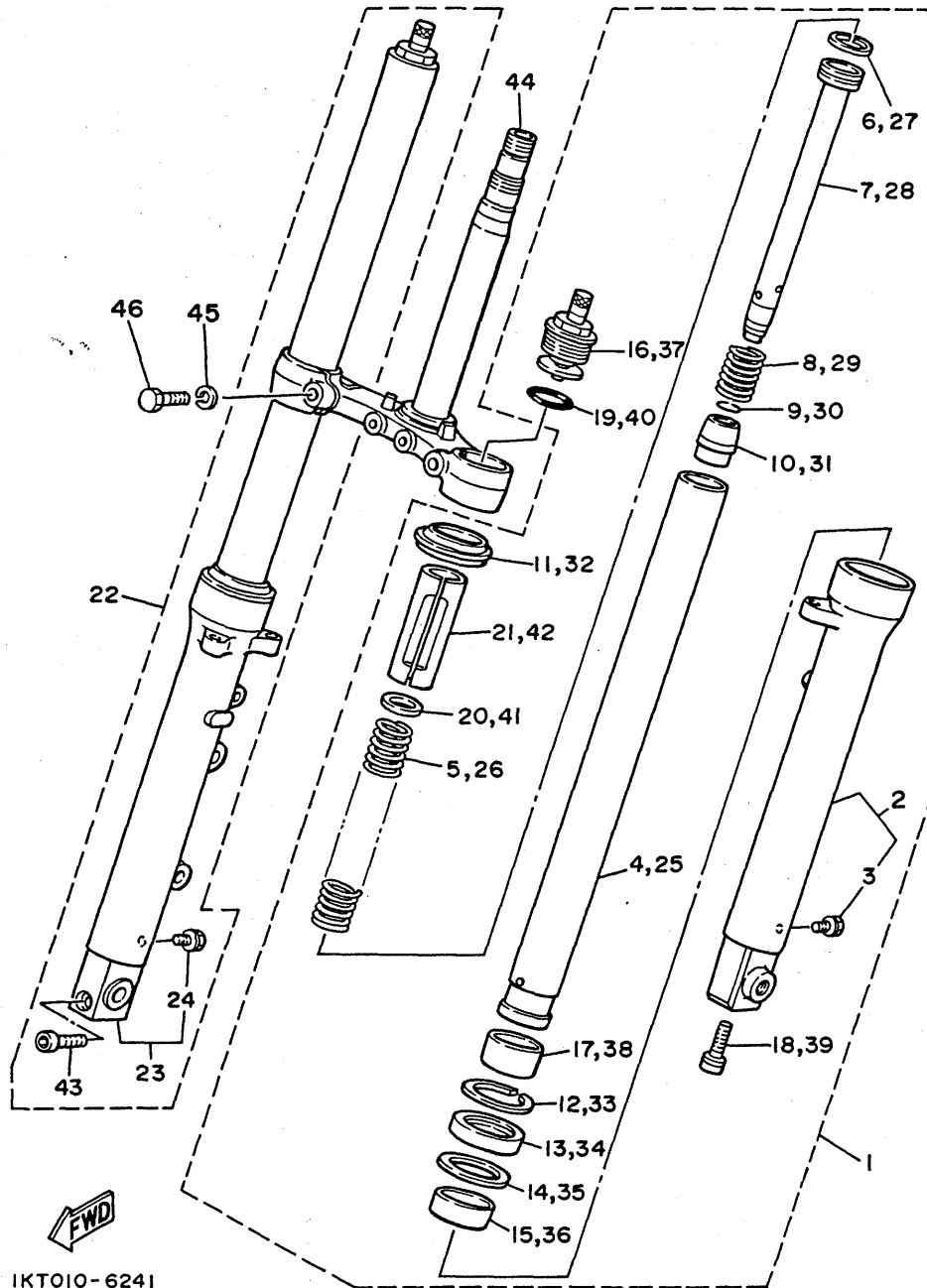
IKT010-6230



IKTO10-6241

FIG. 24 FRONT FORK

REF. NO.	PART NO.	DESCRIPTION	Q'TY	REMARKS
1	2MY-23102-00	FRONT FORK ASSY (L.H)	1	
2	1KT-23126-00-38	.TUBE, outer 1	1	CLEAR BUFFING
3	2A6-23119-00	..PLUG, drain	1	WITH WASHER
4	1KT-23110-00	.INNER TUBE COMP.1	1	
5	2MY-23141-00	.SPRING, front fork	1	
6	1RX-23157-00	.RING, piston	1	
7	2MY-23170-00	.CYLINDER COMP., front fork	1	
8	1KT-23151-00	.SPRING, rebound	1	
9	1KT-23153-00	.RING, snap	1	
10	1KT-23166-00	.SPACER, oil lock	1	
11	1KT-23144-00	.SEAL, dust	1	
12	1RX-23156-00	.CLIP, oil seal	1	
13	1KT-23145-00	.OIL SEAL	1	
14	1RX-23146-00	.WASHER, oil seal	1	
15	1KT-23125-00	.METAL, slide 1	1	
16	1KT-23111-00	.BOLT, cap	1	
17	1RX-23135-00	.METAL, slide 2	1	
18	3M7-23181-00	.BOLT, hexagon socket head	1	WITH WASHER
19	1KT-23147-00	.O-RING	1	
20	1KT-23142-00	.SEAT, spring upper	1	
21	1KT-23118-00	.SPACER	1	
22	2MY-23103-00	FRONT FORK ASSY (R.H)	1	
23	1KT-23136-00-38	.TUBE, outer 2	1	CLEAR BUFFING
24	2A6-23119-00	..PLUG, drain	1	WITH WASHER
25	1KT-23110-00	.INNER TUBE COMP.1	1	
26	2MY-23141-00	.SPRING, front fork	1	
27	1RX-23157-00	.RING, piston	1	
28	2MY-23170-00	.CYLINDER COMP., front fork	1	

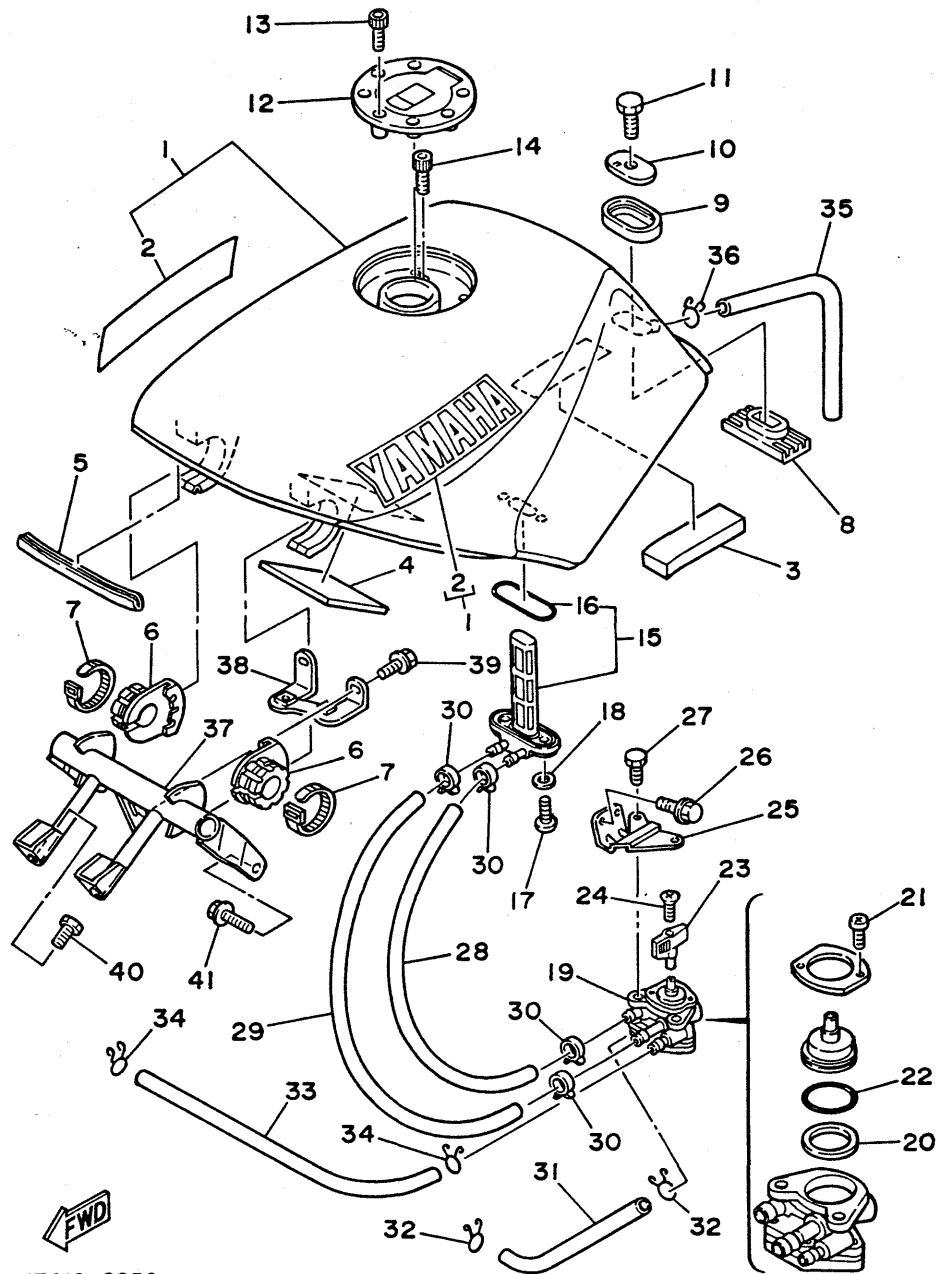


IKTO10-6241

FIG. 24 FRONT FORK

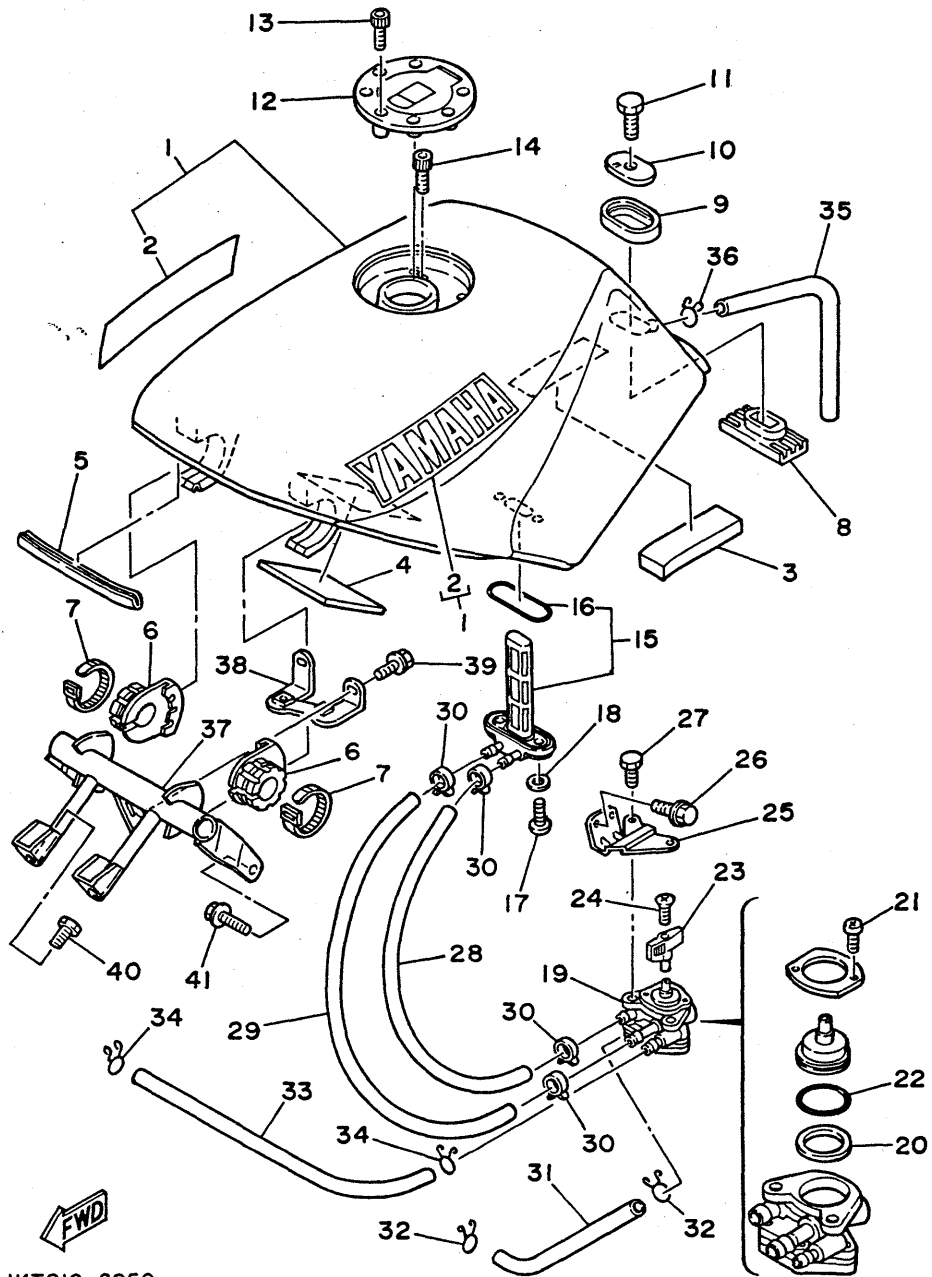
REF. NO.	PART NO.	DESCRIPTION	Q'TY	REMARKS
29	1KT-23151-00	.SPRING, rebound	1	
30	1KT-23153-00	.RING, snap	1	
31	1KT-23166-00	.SPACER, oil lock	1	
32	1KT-23144-00	.SEAL, dust	1	
33	1RX-23156-00	.CLIP, oil seal	1	
34	1KT-23145-00	.OIL SEAL	1	
35	1RX-23146-00	.WASHER, oil seal	1	
36	1KT-23125-00	.METAL, slide 1	1	
37	1KT-23111-00	.BOLT, cap	1	
38	1RX-23135-00	.METAL, slide 2	1	
39	3M7-23181-00	.BOLT, hexagon socket head	1	WITH WASHER
40	1KT-23147-00	.O-RING	1	
41	1KT-23142-00	.SEAT, spring upper	1	
42	1KT-23118-00	.SPACER	1	
43	1KT-23181-00	.BOLT, hexagon socket head	1	
44	1KT-23340-00-35	UNDER BRACKET COMP.	1	SILVER
45	92901-10100	WASHER, spring	2	
46	1KT-23346-00	BOLT 1	2	

FIG. 25 FUEL TANK



IKTO10-6250

REF. NO.	PART NO.	DESCRIPTION	Q'TY	REMARKS
1	1KT-24110-00-01	FUEL TANK COMP.	1	
2	1KT-24161-00	.EMBLEM 1	2	
3	1KT-24146-00	SEAL	1	
4	1KT-24198-00	SEAT, rubber	1	
5	1HX-24188-01	MOLD, fuel tank	1	
6	36Y-24181-01	DAMPER, locating 1	2	
7	5Y9-12491-00	CLAMP 1	2	
8	1AE-24183-00	DAMPER, locating 3	1	
9	3Y6-24183-00	DAMPER, locating 3	1	
10	12R-24186-00	WASHER, special	1	
11	98006-08016	BOLT	1	
12	1JK-24602-02	CAP ASSY	1	
13	90110-05112	BOLT, hexagon socket head	3	
14	91311-05010	BOLT	1	
15	47X-24560-00	FILTER ASSY	1	
16	2G2-24512-00	.O-RING	1	
17	90149-06008	SCREW	2	
18	90202-06010	WASHER, plate	2	
19	1KT-24500-00	FUEL COCK ASSY 1	1	
20	47X-24523-00	.VALVE	1	
21	97801-03008	.SCREW, pan head	2	
22	2G2-24534-00	.O-RING	1	
23	1HX-24524-00	LEVER, cock	1	
24	98606-04016	SCREW, oval head	1	
25	1KT-24544-00	BRACKET, fuel cock	1	
26	91006-06016	BOLT, flange	2	
27	98006-06008	BOLT	2	
28	1KT-24311-00	PIPE, fuel 1	1	



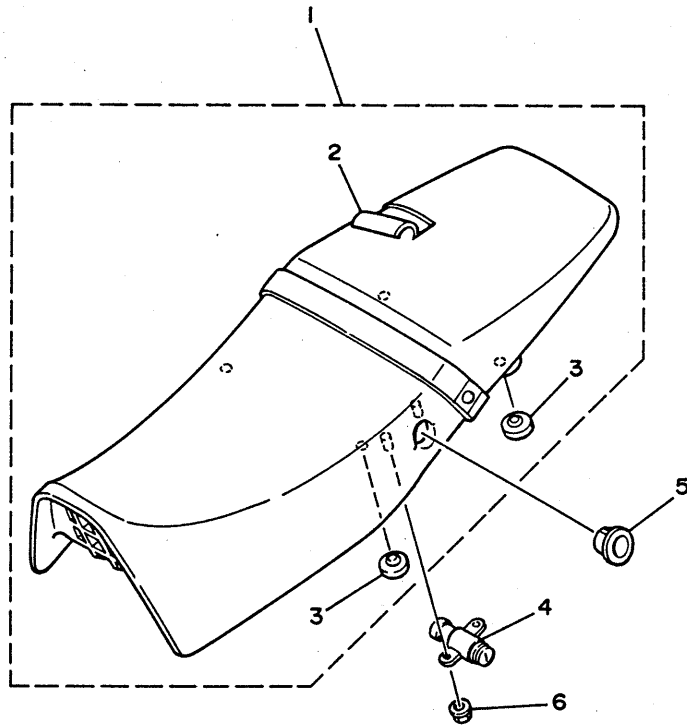
IKTO10-6250

FIG. 25 FUEL TANK

REF. NO.	PART NO.	DESCRIPTION	Q'TY	REMARKS
29	1KT-24312-00	PIPE 2	1	
30	90467-14057	CLIP	4	
31	1KT-24313-01	PIPE 3	1	
32	90467-10008	CLIP	2	
33	90445-095A1	HOSE	1	
34	90467-08021	CLIP	2	
35	90445-10366	HOSE	1	
36	90467-09006	CLIP	1	
37	1KT-24115-00	STAY, fuel tank 1	1	
38	1KT-24216-00	STAY	1	
39	91006-06010	BOLT, flange	2	
40	90109-060E9	BOLT	2	
41	91001-06020	BOLT, flange	2	

FIG. 26 SEAT

REF. NO.	PART NO.	DESCRIPTION	Q'TY	REMARKS
1	1KT-24730-00	DOUBLE SEAT ASSY	1	
2	1KT-24731-00	.COVER, seat	1	
3	116-24741-00	.PAD, seat	4	
4	51X-24705-00	SEAT LOCK ASSY	1	
5	47X-24796-00	COVER	1	
6	95701-05500	NUT, flange	2	



2AW010-6260

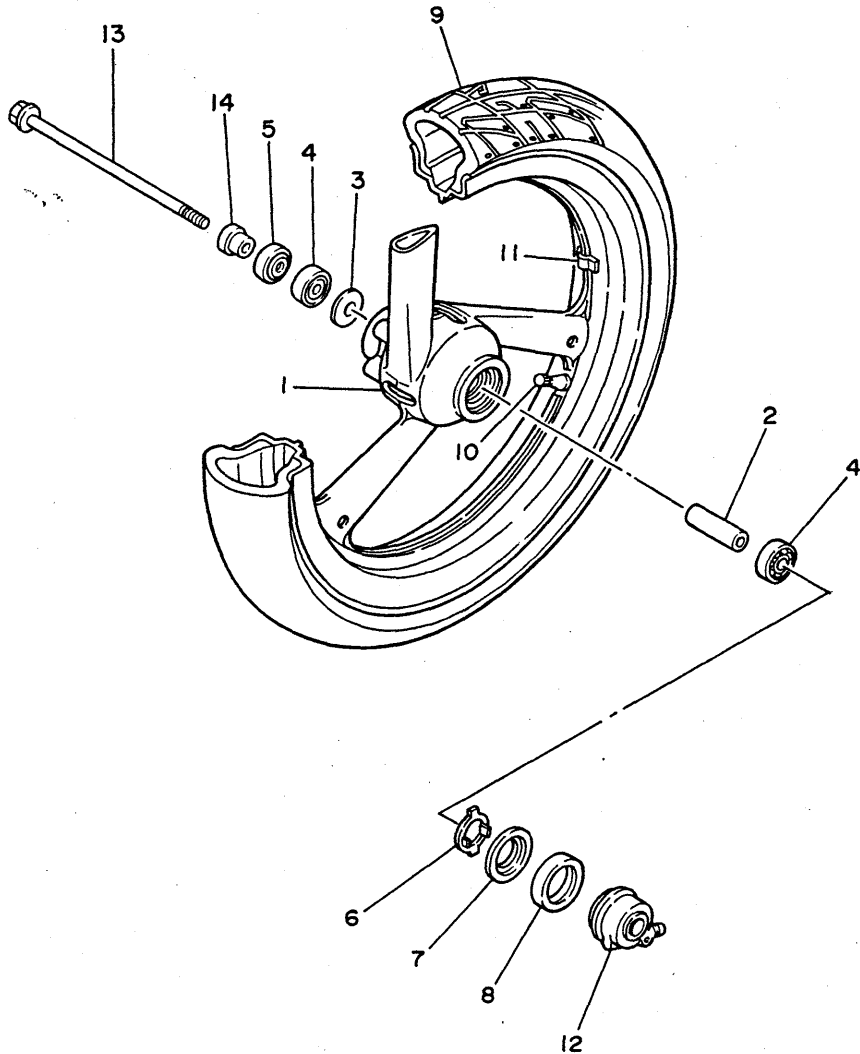
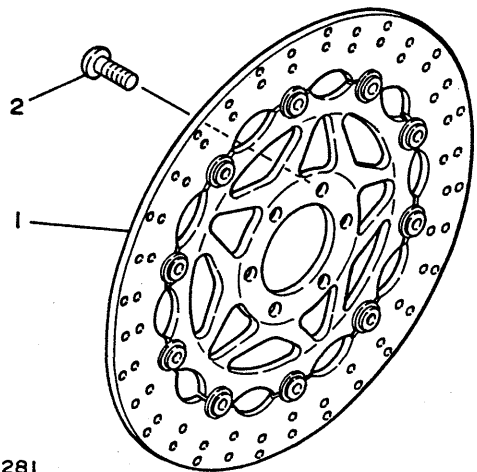
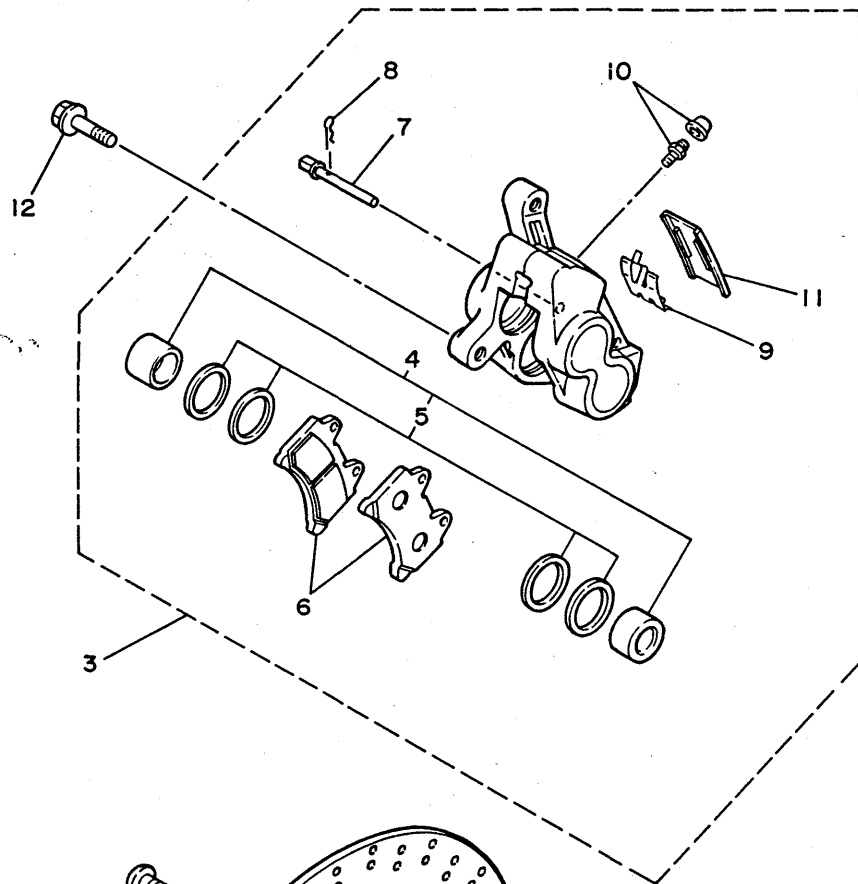


FIG. 27 FRONT WHEEL

REF. NO.	PART NO.	DESCRIPTION	Q'TY	REMARKS
1	1KT-25168-00-FH	CAST WHEEL, front	1	FIRE RED
2	90560-12276	SPACER	1	
3	2U2-25315-00	FLANGE, spacer	1	
4	93306-30101	BEARING (B6301)	2	
5	93106-20002	OIL SEAL	1	
6	341-25149-00	CLUTCH, meter	1	
7	341-25846-00	RETAINER, clutch	1	
8	93105-45017	OIL SEAL	1	
9	94110-175H7	TIRE (100/80-17 52H)	1	UR DUNLOP
	94110-175H6	TIRE (100/80-17 52H)	1	UR YOKOHAMA
10	93900-00015	VALVE, rim	1	UR DUNLOP
	93900-00022	VALVE, rim	1	UR TAIHEIYO
11	29L-25398-00	BALANCER, wheel (10G)	1	UN
	29L-25398-10	BALANCER, wheel (20G)	1	UN
	29L-25398-20	BALANCER, wheel (30G)	1	UN
12	2L4-25190-00	GEAR UNIT ASSY	1	
13	1KT-25181-00	AXLE, wheel	1	
14	90387-123N2	COLLAR	1	



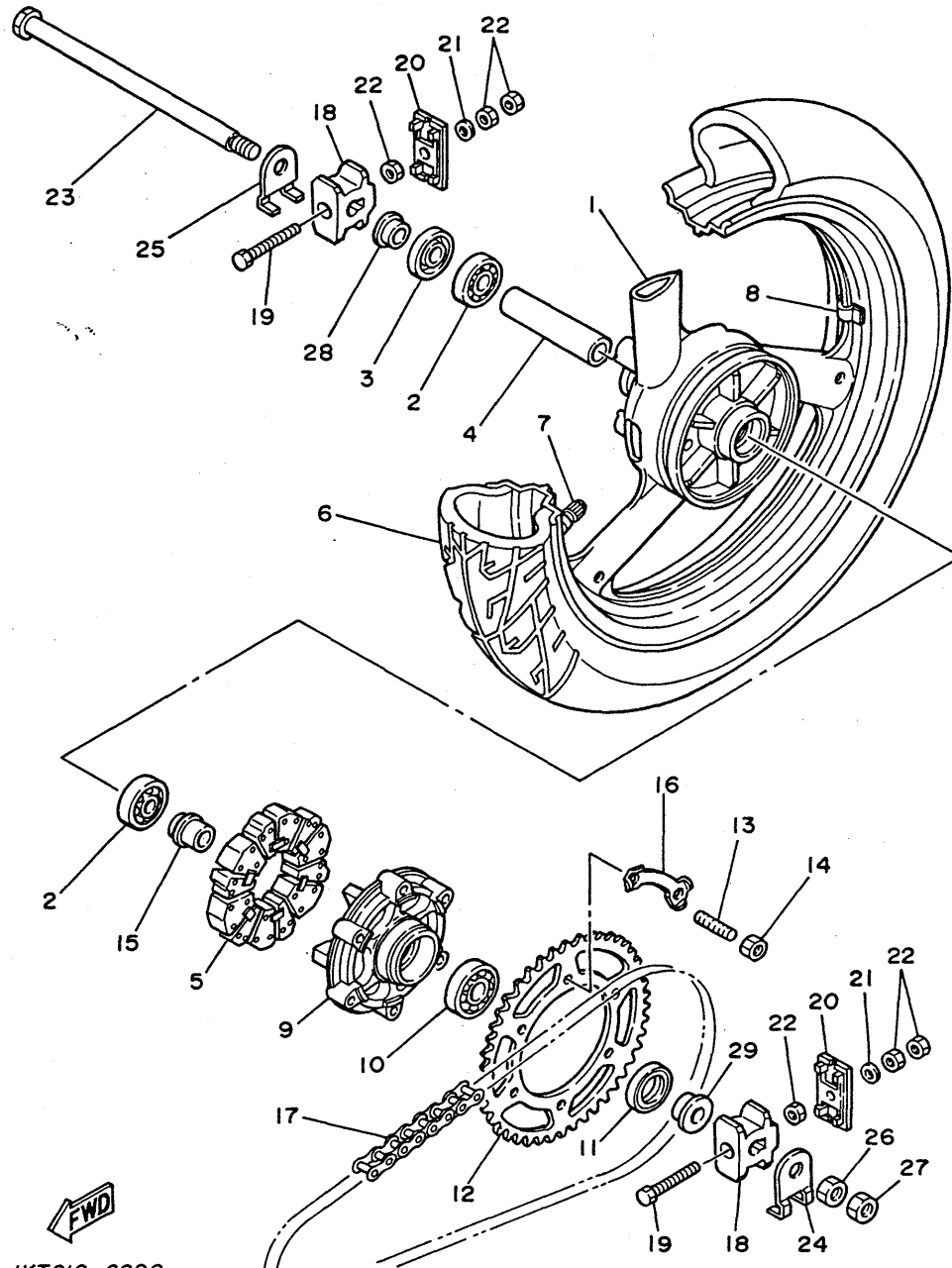
IKTO10-6270



IKTO10-6281

FIG. 28 FRONT BRAKE CALIPER

REF. NO.	PART NO.	DESCRIPTION	Q'TY	REMARKS
1	1KT-25830-01	DISK BRAKE ASSY	1	
2	90109-08718	BOLT	6	
3	1KT-25810-00	CALIPER ASSY (RIGHT)	1	
4	1KT-W0057-00	.PISTON ASSY, caliper	2	
5	1KT-W0047-00	..CALIPER SEAL KIT	1	
6	1KT-W0045-00	.BRAKE PAD KIT, front	1	
7	1KT-25924-00	.PIN, pad	2	
8	1KT-25925-00	.CLIP	2	
9	1KT-25919-00	.SUPPORT, pad	1	
10	26H-W0048-00	.BREED SCREW KIT	1	
11	1KT-25836-00	.COVER, dust	1	
12	90105-10308	BOLT, washer based	2	

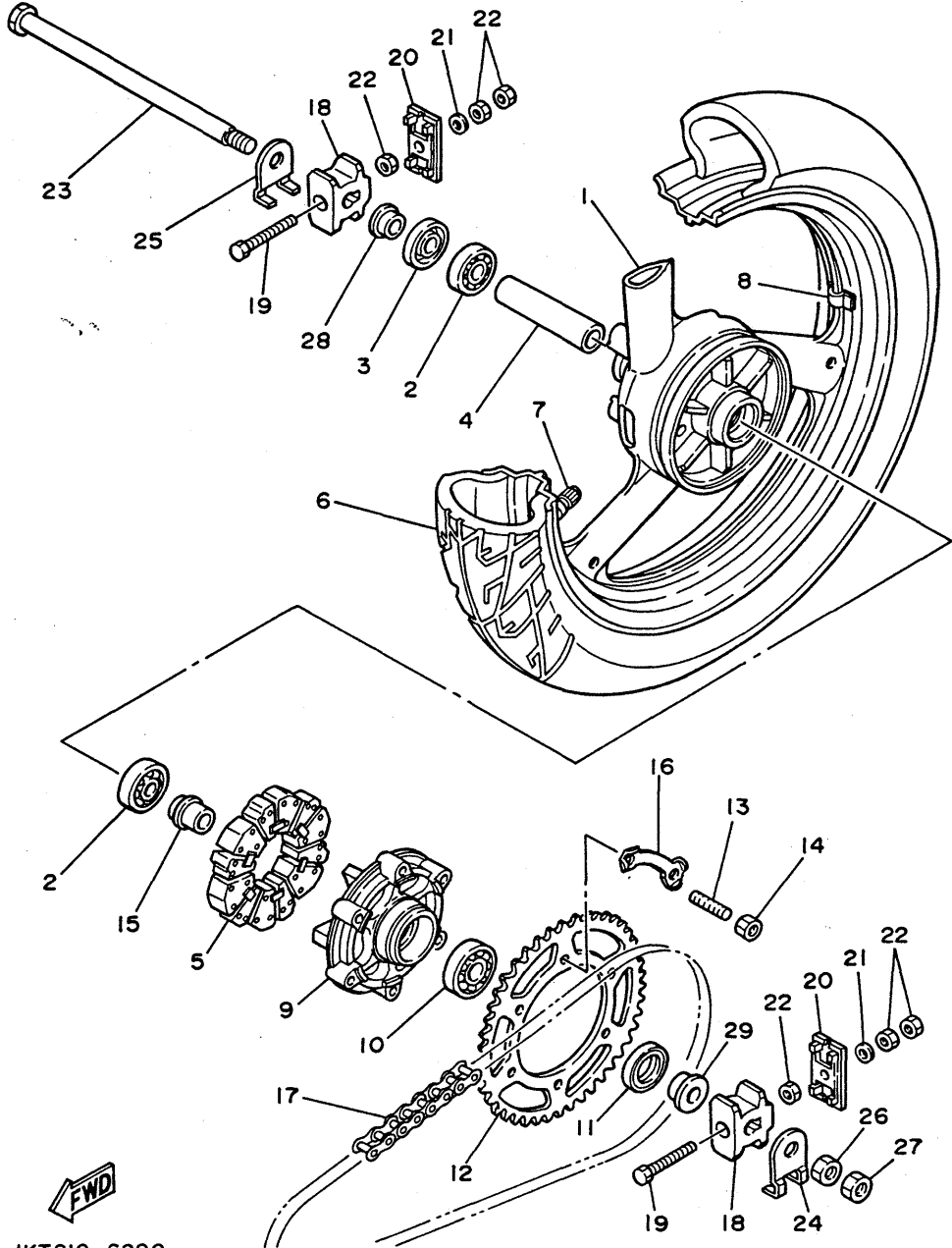


IKTO10-6290

FIG. 29 REAR WHEEL

REF. NO.	PART NO.	DESCRIPTION	Q'TY	REMARKS
1	1KT-25338-21-FH	CAST WHEEL, rear	1	FIRE RED
2	93306-20222	BEARING	2	
3	93102-22216	OIL SEAL	1	
4	90560-15277	SPACER	1	
5	1KT-25364-00	DAMPER	6	
6	94112-175H4	TIRE (120/80-17 61H)	1	UR DUNLOP
	94112-175H5	TIRE (120/80-17 61H)	1	UR YOKOHAMA
7	93900-00015	VALVE, rim	1	UR DUNLOP
	93900-00022	VALVE, rim	1	UR TAIHEIYO
8	29L-25398-00	BALANCER, wheel (10G)	1	UN
	29L-25398-10	BALANCER, wheel (20G)	1	UN
	29L-25398-20	BALANCER, wheel (30G)	1	UN
9	1KT-25366-02	CLUTCH, hub	1	LOW GLOSS BLACK
10	93306-20446	BEARING	1	
11	93102-28022	OIL SEAL	1	
12	1KT-25441-20-33	SPROCKET, driven (41T)	1	YAMAHA BLACK
13	90116-08218	BOLT, stud	6	
14	90170-08351	NUT	6	
15	90387-153N3	COLLAR	1	
16	1KT-25412-00	WASHER	3	
17	94580-93110	CHAIN (D.I.D 520-V.4 110L)	1	
18	1KT-25388-00	PULLER, chain 1	2	
19	90101-08647	BOLT	2	
20	1KT-22174-00	END 1	2	
21	92901-08600	WASHER, plate	2	
22	95303-08600	NUT	6	
23	1KT-25381-00	AXLE, wheel	1	
24	90214-14041	WASHER, claw	1	

FIG. 29 REAR WHEEL



REF. NO.	PART NO.	DESCRIPTION	Q'TY	REMARKS
25	90214-15042	WASHER, claw	1	
26	90170-14349	NUT	1	
27	90170-14350	NUT	1	
28	90387-153N7	COLLAR	1	
29	90387-153N8	COLLAR	1	



IKT010-6290

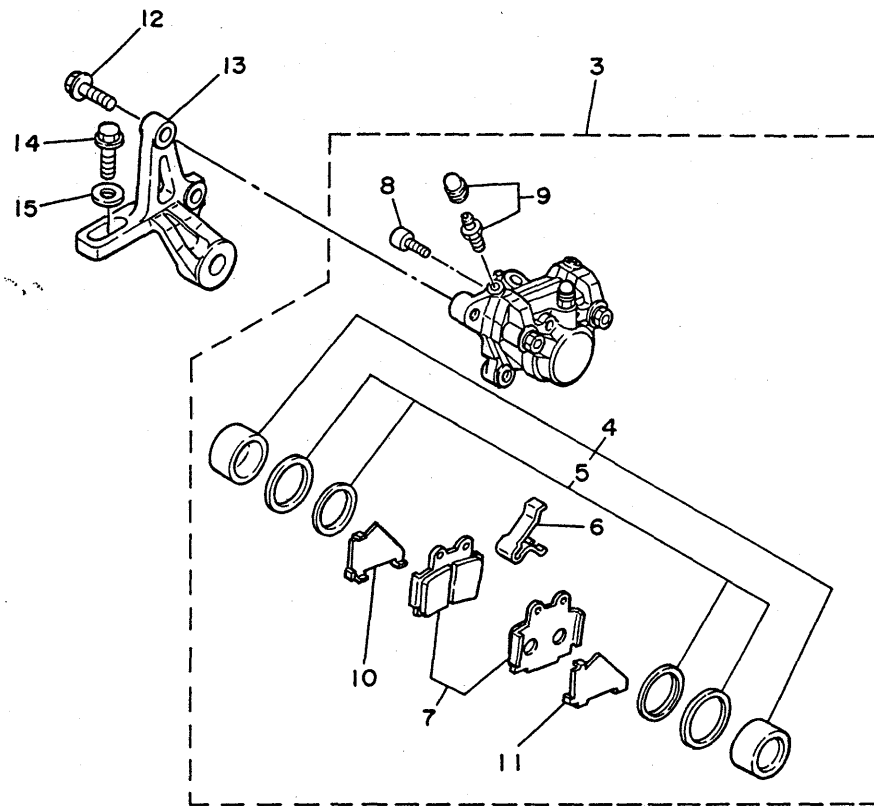
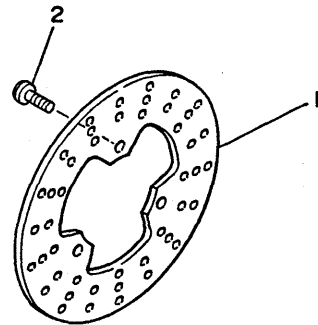


FIG. 30 REAR BRAKE CALIPER

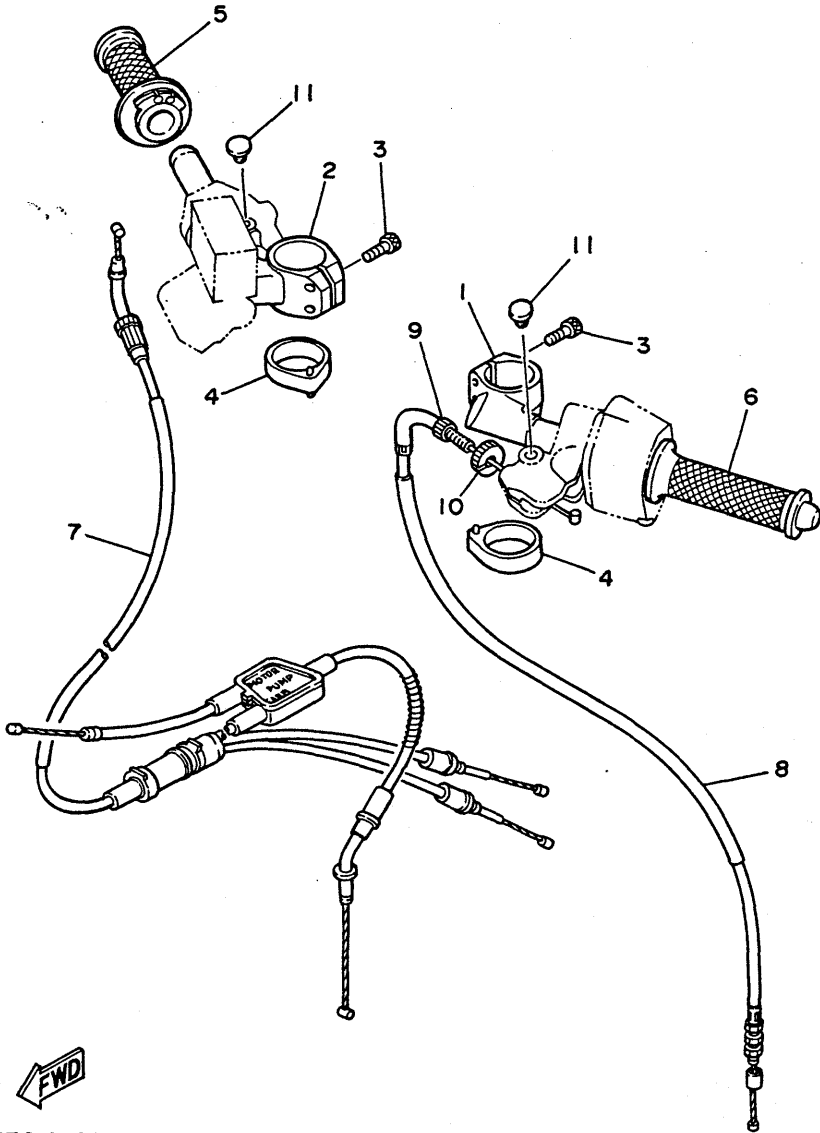
REF. NO.	PART NO.	DESCRIPTION	Q'TY	REMARKS
1	1KT-25831-50	DISC, brake	1	
2	90109-08718	BOLT	3	
3	1KT-25810-51	CALIPER ASSY	1	
4	51L-W0057-00	.PISTON ASSY, caliper	1	
5	51L-W0047-00	..CALIPER SEAL KIT	1	
6	51L-25919-00	.SUPPORT, pad	1	
7	1KT-W0046-51	.BRAKE PAD KIT, rear	1	
8	51L-25924-00	.PIN, pad	2	
9	1KT-W0048-00	.BREED SCREW KIT	2	
10	47X-25827-00	.SHIM, caliper	1	
11	47X-25827-10	.SHIM, caliper	1	
12	90105-10308	BOLT, washer based	2	
13	1KT-25819-00	BRACKET, caliper	1	
14	91021-10030	BOLT, flange	1	
15	90201-10437	WASHER, plate	1	



IKT010-6300

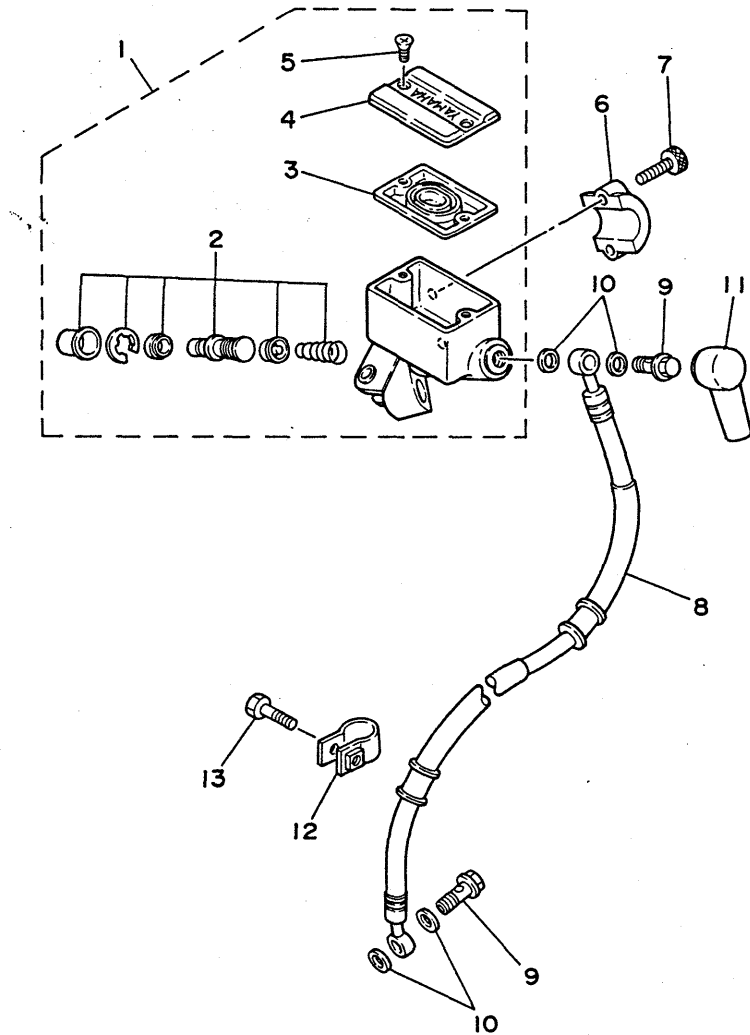
FIG. 31 STEERING HANDLE. CABLE

REF. NO.	PART NO.	DESCRIPTION	Q'TY	REMARKS
1	1KT-26121-00	HANDLEBAR (LEFT)	1	
2	1KT-26122-00	HANDLEBAR (RIGHT)	1	
3	91311-06020	BOLT	4	
4	1KT-26114-00	STOPPER, handle bar	2	
5	47X-26240-00	GRIP ASSY	1	
6	47X-26241-00	GRIP (L.H)	1	
7	1KT-26260-00	CABLE ASSY, throttle & pump	1	
8	1KT-26335-00	CABLE, clutch	1	
9	90123-08083	BOLT	1	
10	90179-08316	NUT	1	
11	90338-09012	PLUG	2	



FWD
IKTO10-6310

FIG. 32 FRONT MASTER CYLINDER

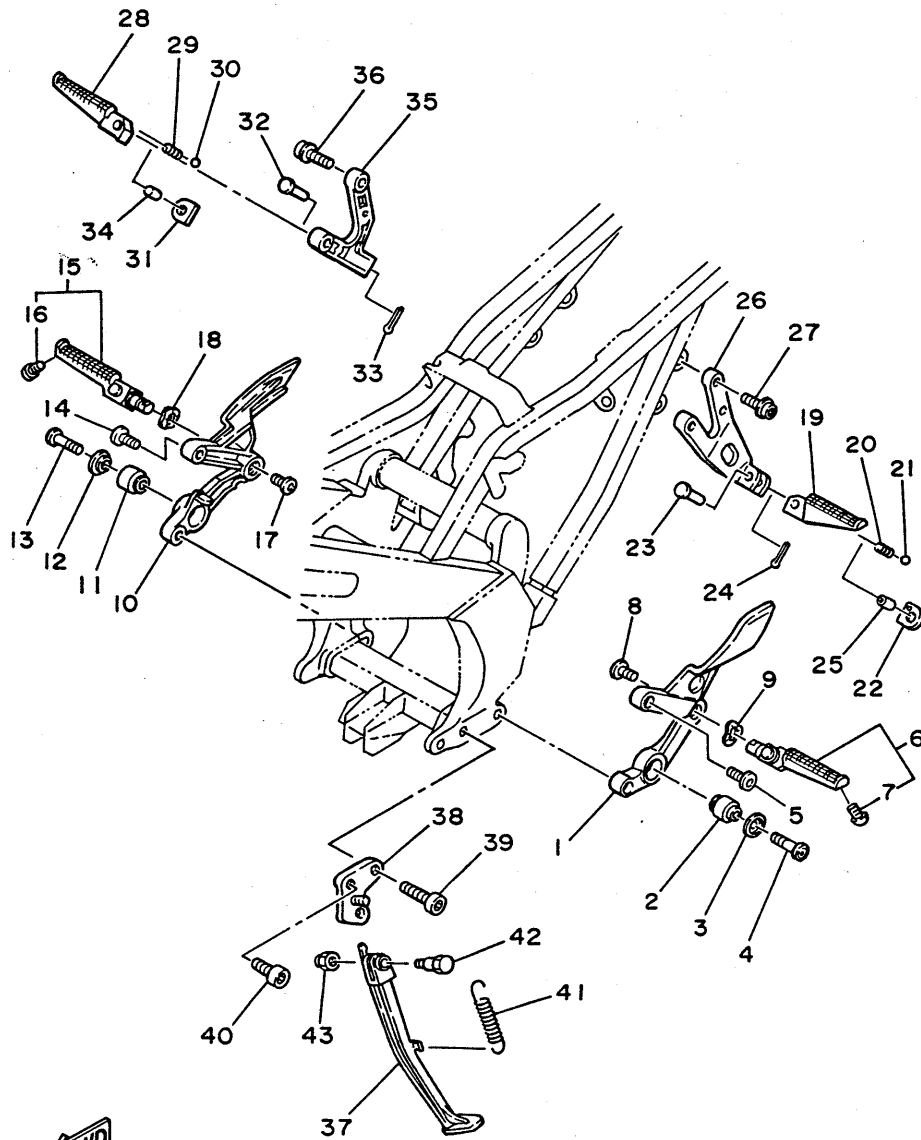


REF. NO.	PART NO.	DESCRIPTION	Q'TY	REMARKS
1	2MY-25850-00	MASTER CYLINDER ASSY	1	
2	4H7-W0041-00	.CYLINDER KIT, master	1	
3	4K0-25854-00	.DIAPHRAGM, reservoir	1	
4	4K0-25852-00	.CAP, reservoir	1	
5	98706-04012	.SCREW, flat head	2	
6	4L0-25867-00	BRACKET, master cylinder	1	
7	91316-06025	BOLT	2	
8	1KT-25872-00	HOSE, brake 1	1	
9	90401-10096	BOLT, union	2	
10	90201-10118	WASHER, plate	4	
11	4L0-25862-00	BOOT, master cylinder	1	
12	2R8-25876-00	HOLDER, brake hose 2	1	
13	97001-06025	BOLT	1	



IKT010-6320

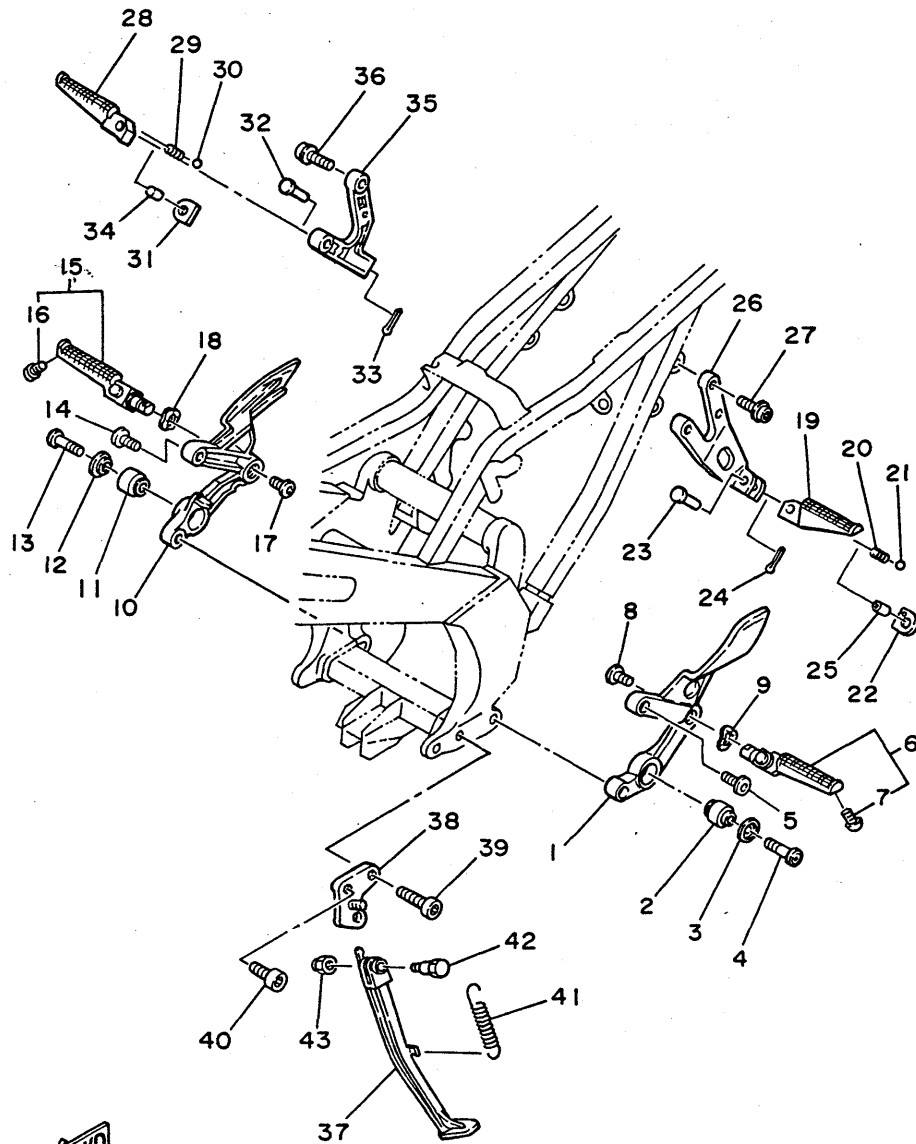
FIG. 33 STAND. FOOTREST



REF. NO.	PART NO.	DESCRIPTION	Q'TY	REMARKS
1	1KT-27442-00	BRACKET 2	1	
2	29L-27414-01	DAMPER, footrest	1	
3	90209-08249	WASHER	1	
4	90110-08057	BOLT, hexagon socket head	1	
5	90109-082A1	BOLT	2	
6	1KT-27410-00	FRONT FOOTREST ASSY (LEFT)	1	
7	90109-083A2	.BOLT	1	
8	90109-103A9	BOLT	1	
9	90206-17084	WASHER, wave	1	
10	1KT-27443-00	BRACKET 3	1	
11	29L-27414-01	DAMPER, footrest	1	
12	90209-08249	WASHER	1	
13	90110-08057	BOLT, hexagon socket head	1	
14	90109-082A1	BOLT	2	
15	1KT-27420-00	FRONT FOOTREST ASSY (RIGHT)	1	
16	90109-083A2	.BOLT	1	
17	90109-103A9	BOLT	1	
18	90206-17084	WASHER, wave	1	
19	1HX-27431-00	FOOTREST, rear 1	1	
20	90501-12743	SPRING, compression	1	
21	93501-04011	BALL	1	
22	1HX-27437-00	WASHER, special	1	
23	91701-06040	PIN, clevis	1	
24	91401-20015	PIN, cotter	1	
25	90387-061G0	COLLAR	1	
26	1KT-2741L-00	BRACKET 4	1	
27	90109-082A1	BOLT	2	
28	1HX-27441-00	FOOTREST, rear 2	1	

IKTO10-6331

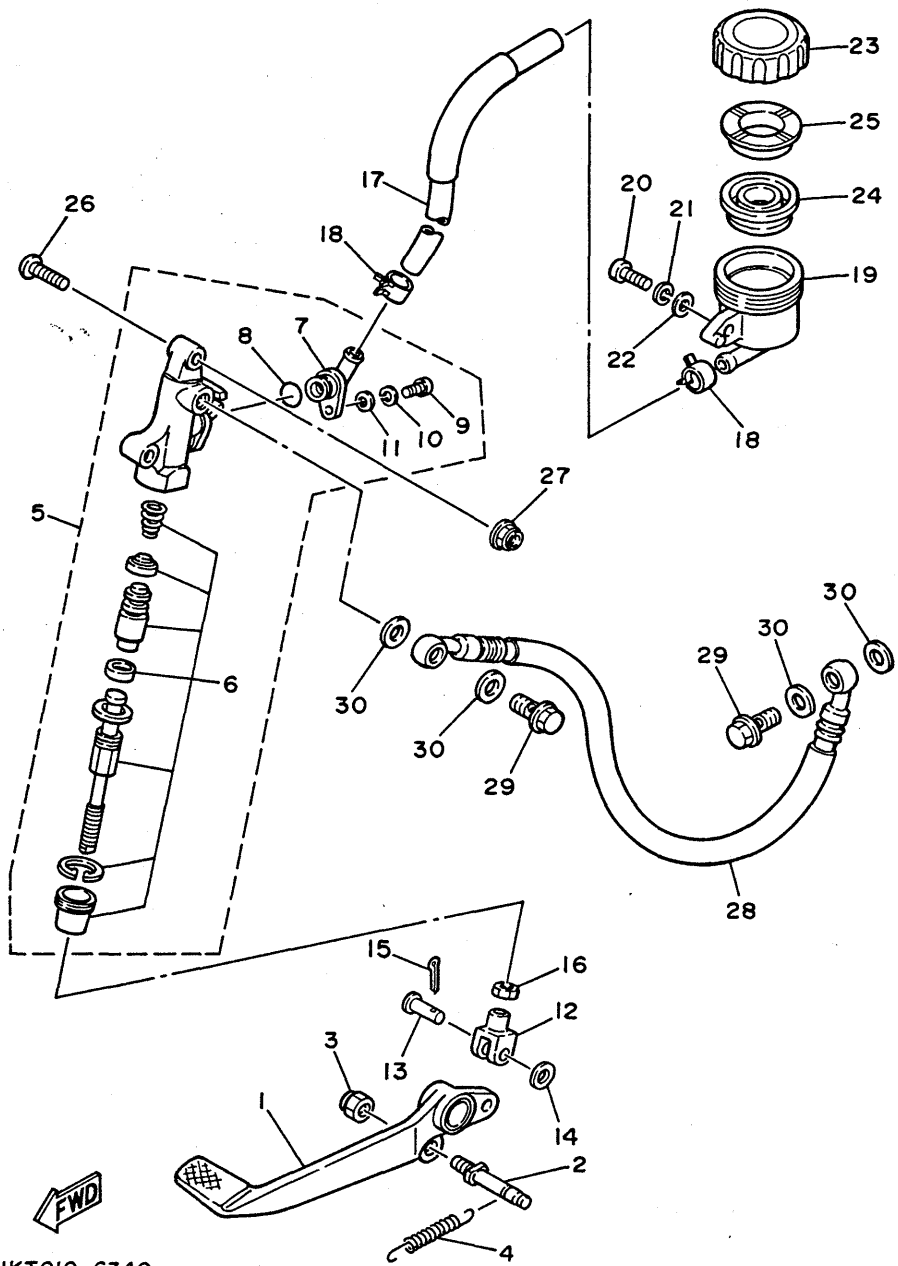
FIG. 33 STAND. FOOTREST



REF. NO.	PART NO.	DESCRIPTION	Q'TY	REMARKS
29	90501-12743	SPRING, compression	1	
30	93501-04011	BALL	1	
31	1HX-27437-00	WASHER, special	1	
32	91701-06040	PIN, clevis	1	
33	91401-20015	PIN, cotter	1	
34	90387-061G0	COLLAR	1	
35	1KT-2742L-00	BRACKET 5	1	
36	90109-082A1	BOLT	2	
37	1KT-27311-00	STAND, side	1	
38	1KT-27321-00	BRACKET, side stand	1	
39	91316-10030	BOLT	1	
40	90110-10118	BOLT, hexagon socket head	1	
41	90506-29358	SPRING, tension	1	
42	90109-100E8	BOLT	1	
43	90185-10037	NUT, self-locking	1	

IKTO10-6331

FIG. 34 REAR MASTER CYLINDER

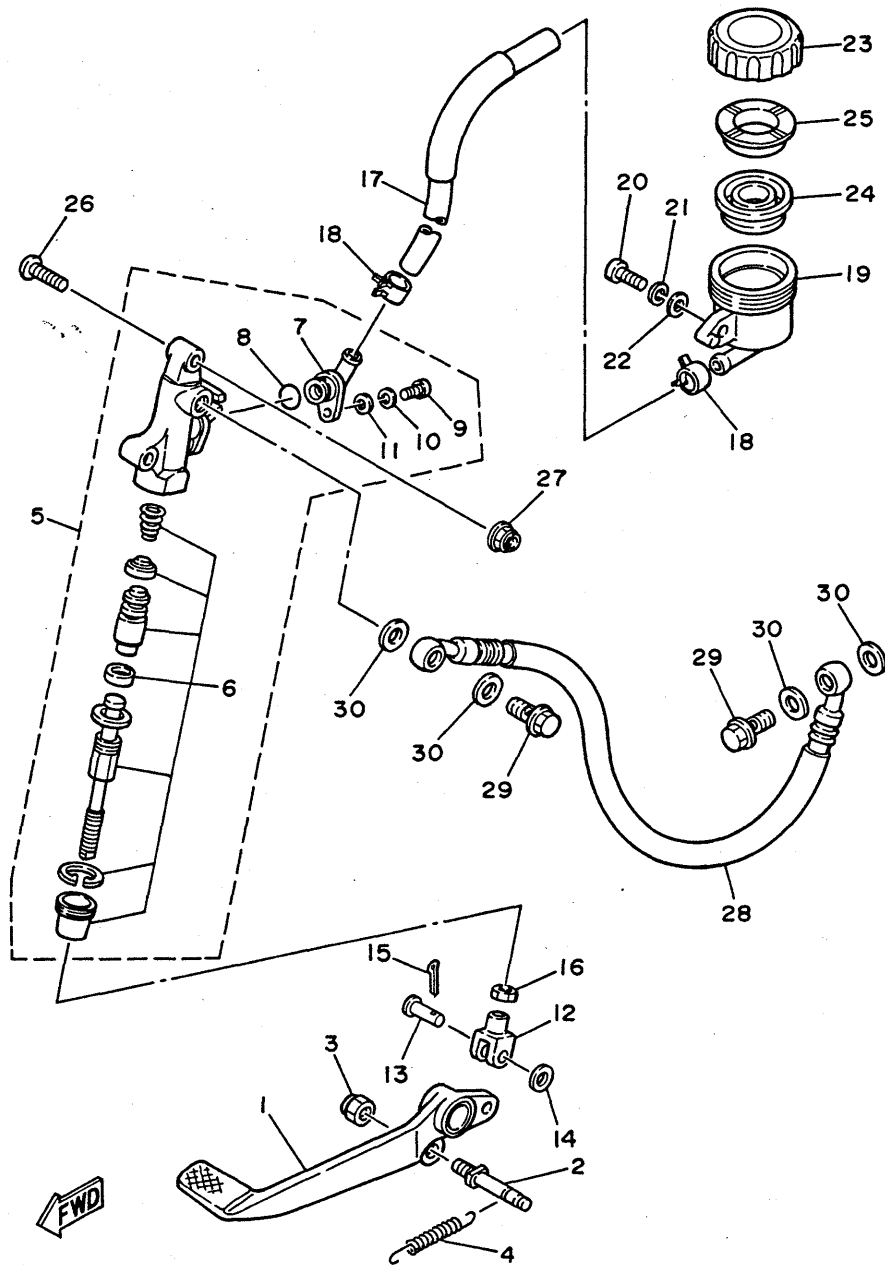


REF. NO.	PART NO.	DESCRIPTION	Q'TY	REMARKS
1	1KT-27200-00	PEDAL, brake	1	
2	1KT-27813-00	PIN, pedal crank	1	
3	95601-08100	NUT, u	1	
4	90506-20389	SPRING, tension	1	
5	1KT-25850-50	MASTER CYLINDER ASSY	1	
6	1KT-W0042-50	.CYLINDER KIT, master	1	
7	29L-2582A-50	.JOINT	1	
8	93210-15620	.O-RING	1	
9	98511-04012	.SCREW, pan head	1	
10	92902-04100	.WASHER, spring	1	
11	92901-04600	.WASHER, plate	1	
12	47X-27222-00	JOINT	1	
13	90240-08013	PIN, clevis	1	
14	90201-08083	WASHER, plate	1	
15	91401-16012	PIN, cotter	1	
16	95303-08700	NUT	1	
17	1KT-25895-00	HOSE, reservoir	1	
18	90467-14057	CLIP	2	
19	47X-25894-00	TANK, reservoir	1	
20	92501-06020	SCREW, pan head	1	
21	92990-06100	WASHER, spring	1	
22	92901-06600	WASHER, plate	1	
23	1A1-25852-00	CAP, reservoir	1	
24	360-25854-00	DIAPHRAGM, reservoir	1	
25	360-25855-01	BUSH, diaphragm	1	
26	92016-08035	SCREW	2	
27	90185-08097	NUT, self-locking	2	
28	1KT-25872-50	HOSE, brake 1	1	

IKTO10-6340

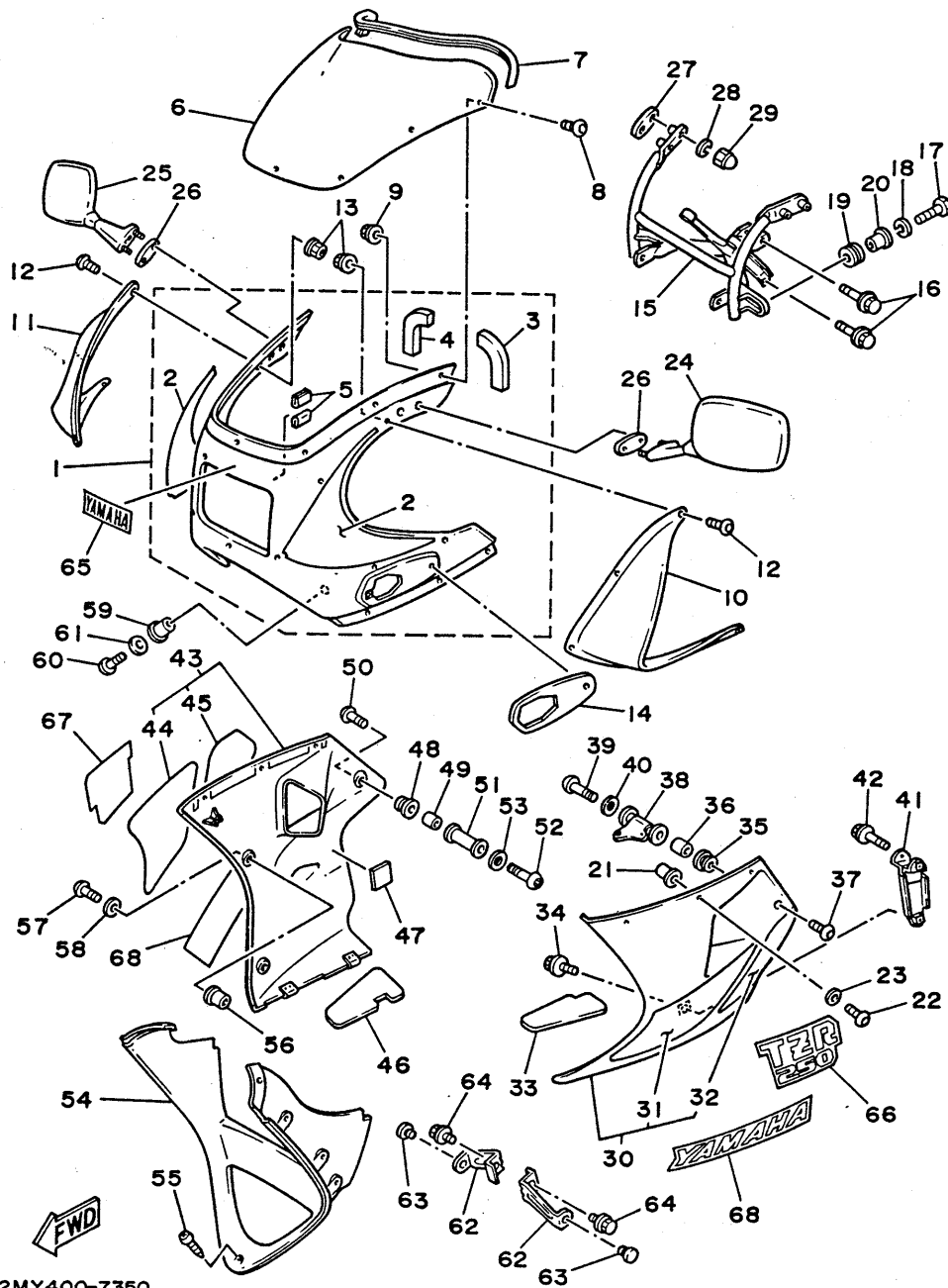


FIG. 34 REAR MASTER CYLINDER



REF. NO.	PART NO.	DESCRIPTION	Q'TY	REMARKS
29	90401-10096	BOLT, union	2	
30	90201-10118	WASHER, plate	4	

IKT010-6340

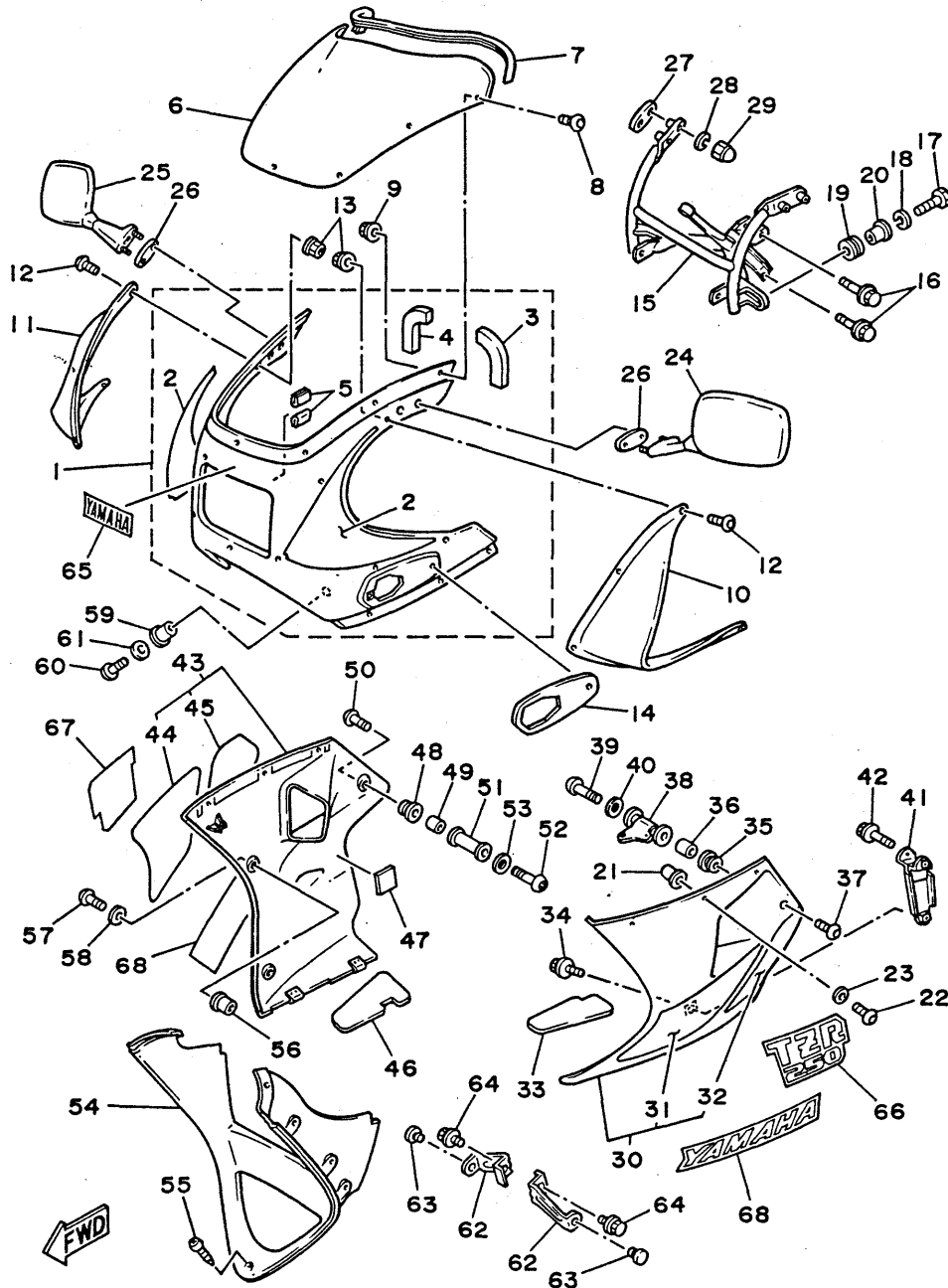


2MY400-7350

FIG. 35 COWLING 1

REF. NO.	PART NO.	DESCRIPTION	Q'TY	REMARKS
1	1KT-W2834-00-36	BODY, cowling	1	CLEAN WHITE
2	1KT-28390-00	.GRAPHIC SET, cowling	1	
3	1KT-2834E-00	.DAMPER (L.H)	1	
4	1KT-2834F-00	.DAMPER	1	
5	47X-28345-00	.MOLE 1	2	
6	1KT-2837U-00	SCREEN	1	
7	1KT-28346-00	MOLE 2	1	
8	90150-05020	SCREW, round head	7	
9	95706-05500	NUT, flange	7	
10	1KT-2834V-00	PROTECTOR 1	1	CHAPPY RED
11	1KT-2834W-00	PROTECTOR 2	1	CHAPPY RED
12	90150-05020	SCREW, round head	10	
13	95706-05500	NUT, flange	10	
14	1KT-2837J-00	DAMPER 5	2	
15	1KT-28356-00	STAY 1	1	
16	91006-08050	BOLT, flange	2	
17	97306-06022	BOLT	2	
18	92906-06100	WASHER, spring	2	
19	90480-14229	GROMMET	2	
20	90387-07391	COLLAR	2	
21	90179-05523	NUT	6	
22	90149-05224	SCREW	6	
23	90202-05180	WASHER, plate	6	
24	1KT-26280-00	BACK MIRROR ASSY (LEFT)	1	WHITE
25	1KT-26290-00	BACK MIRROR ASSY (RIGHT)	1	WHITE
26	1KT-28371-00	DAMPER	2	
27	1KT-28372-00	DAMPER	2	
28	92906-06100	WASHER, spring	4	

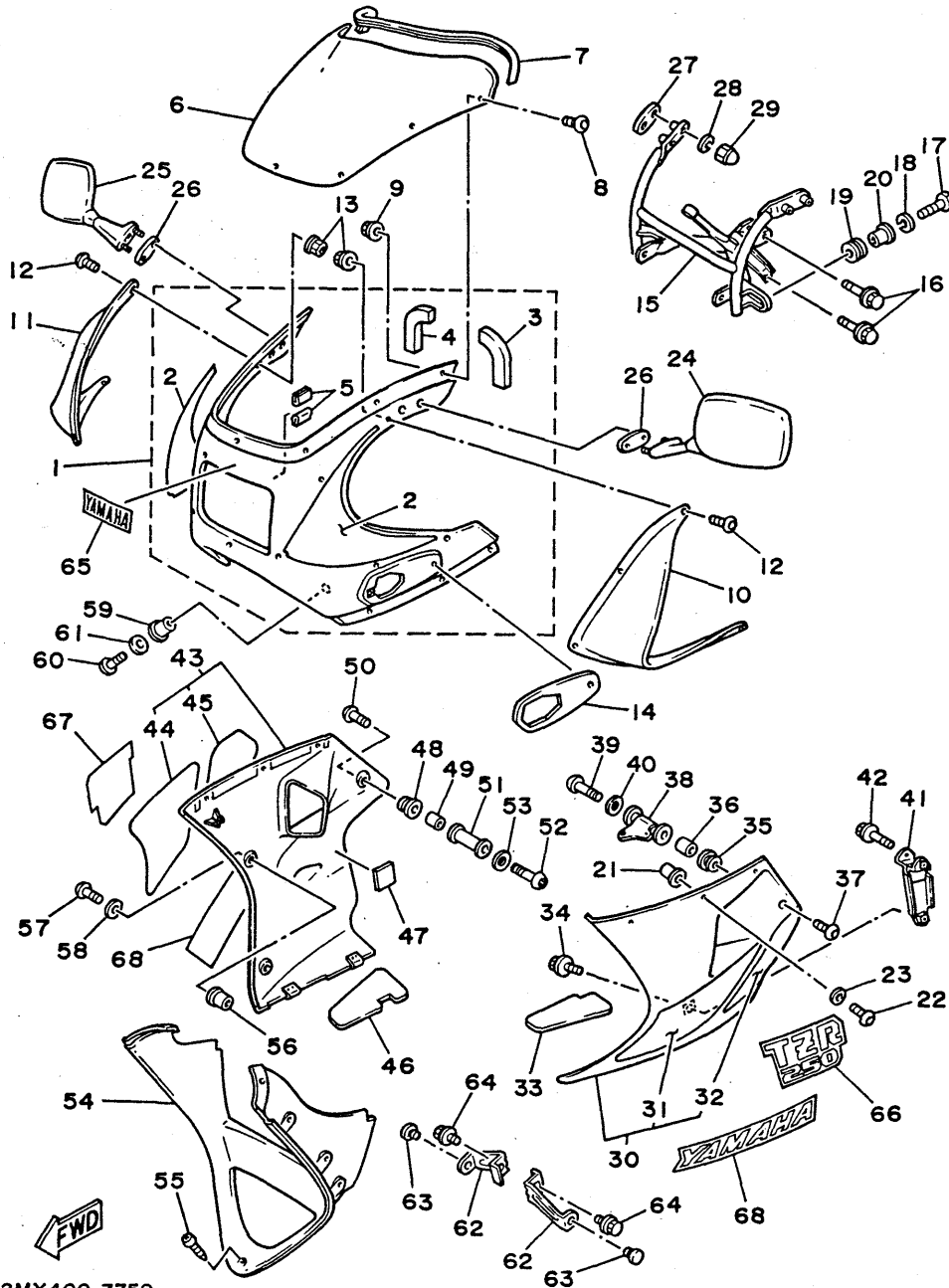
FIG. 35 COWLING 1



2MY400-7350

REF. NO.	PART NO.	DESCRIPTION	Q'TY	REMARKS
29	95306-06800	NUT	4	
30	1KT-W283E-00-36	BODY, front lower 1	1	CLEAN WHITE
31	1KT-28393-00	.GRAPHIC 3	1	
32	1KT-28398-00	.GRAPHIC 5	1	
33	1KT-2848K-00	SEAT 2	1	
34	90119-06083	BOLT, with washer	1	
35	90480-13398	GROMMET	1	
36	90387-067K6	COLLAR	1	
37	90110-06078	BOLT, hexagon socket head	1	
38	1KT-28321-00	STAY, leg shield (LEFT)	1	
39	90110-06130	BOLT, hexagon socket head	1	
40	90201-06059	WASHER, plate	1	
41	1KT-28358-00	STAY 3	1	
42	91001-06055	BOLT, flange	1	
43	1KT-W283F-00-36	BODY, front lower 2	1	CLEAN WHITE
44	1KT-28394-00	.GRAPHIC 4	1	
45	1KT-28399-00	.GRAPHIC 6	1	
46	1KT-2848L-00	SEAT 3	1	
47	51L-28371-00	DAMPER	1	
48	90480-13398	GROMMET	1	
49	90387-067K6	COLLAR	1	
50	90110-06078	BOLT, hexagon socket head	1	
51	1KT-28322-00	STAY, leg shield (RIGHT)	1	
52	90110-06130	BOLT, hexagon socket head	1	
53	90201-06059	WASHER, plate	1	
54	1KT-2836K-00-36	PANEL, inner 1	1	CLEAN WHITE
55	97706-50614	SCREW, tapping	5	
56	90179-05523	NUT	2	

FIG. 35 COWLING 1

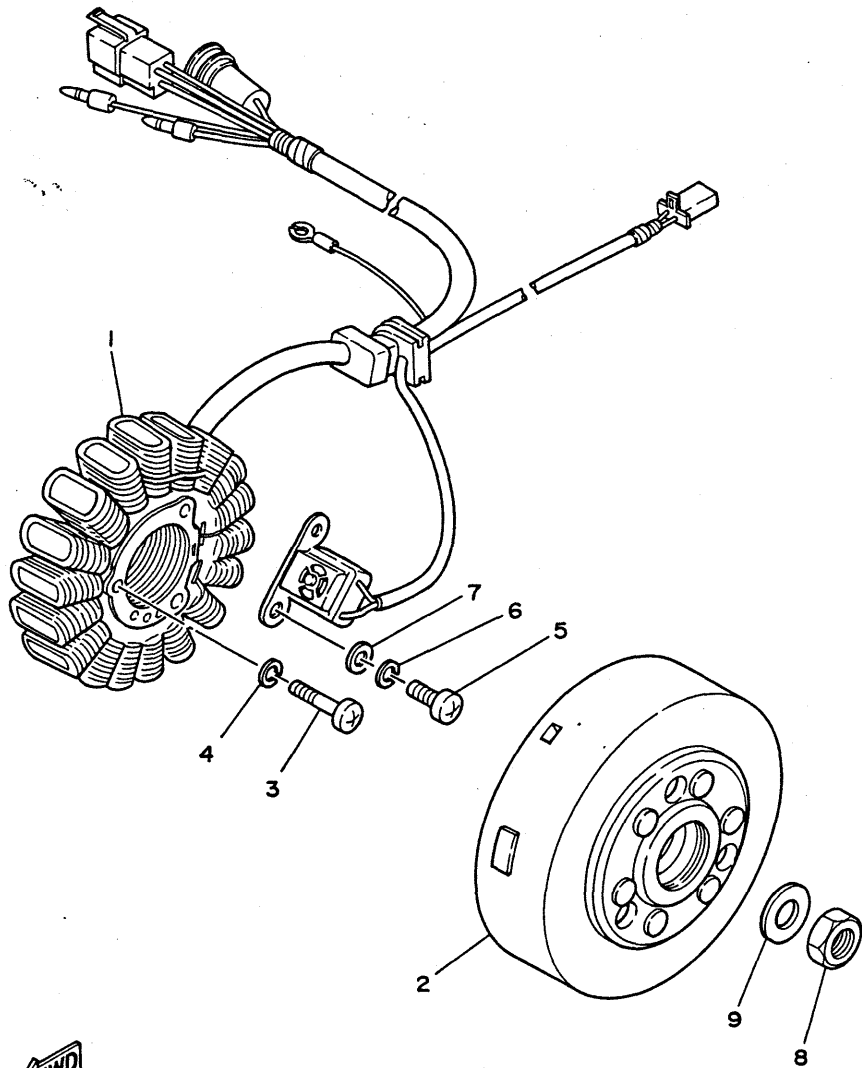


REF. NO.	PART NO.	DESCRIPTION	Q'TY	REMARKS
57	90149-05224	SCREW	2	
58	90202-05180	WASHER, plate	2	
59	90179-05523	NUT	2	
60	90149-05224	SCREW	2	
61	90202-05180	WASHER, plate	2	
62	1KT-2831G-00	STAY, guide 3	2	
63	141-21717-00	DAMPER, side cover	2	
64	91001-06010	BOLT, flange	2	
65	1KT-28338-00	EMBLEM	1	
66	1KT-28315-01	EMBLEM	1	
67	1KT-28368-01	EMBLEM	1	
68	1KT-28328-00	EMBLEM	2	

2MY400-7350

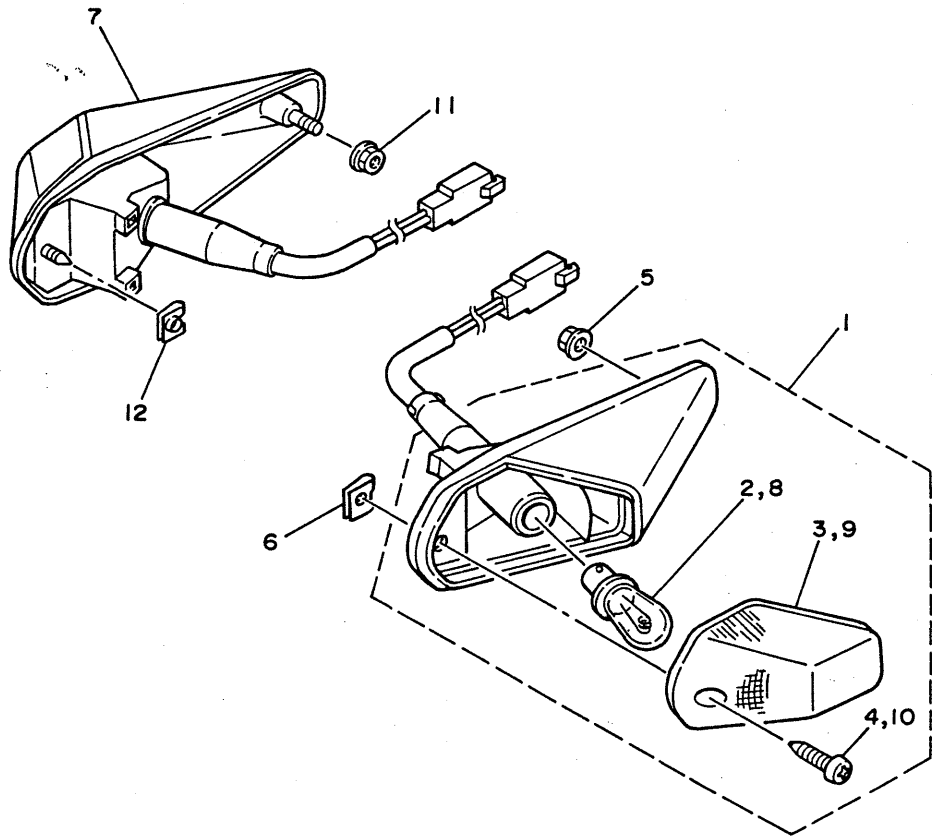
FIG. 36 GENERATOR

REF. NO.	PART NO.	DESCRIPTION	Q'TY	REMARKS
1	2MY-85510-50	STATOR ASSY	1	
2	2MY-85550-50	ROTOR ASSY	1	
3	92501-06025	SCREW, pan head	3	
4	92990-06100	WASHER, spring	3	
5	98501-05016	SCREW, pan head	2	
6	92901-05100	WASHER, spring	2	
7	92901-05600	WASHER, plate	2	
8	90179-12323	NUT	1	
9	90201-124E4	WASHER, plate	1	




2MY700-7360

FIG. 37 FLASHER LIGHT



REF. NO.	PART NO.	DESCRIPTION	Q'TY	REMARKS
1	1KT-83310-01-36	FRONT FLASHER LIGHT ASSY 1	1	CLEAN WHITE
2	50V-83331-00	.BULB, flasher (12V-21W)	1	
3	1HX-83312-00	.LENS, flasher	1	
4	97780-40520	.SCREW, tapping	1	
5	95706-05500	NUT, flange	1	
6	90183-04027	NUT, spring	1	
7	1KT-83320-01-36	FRONT FLASHER LIGHT ASSY 2	1	CLEAN WHITE
8	50V-83331-00	.BULB, flasher (12V-21W)	1	
9	1HX-83312-00	.LENS, flasher	1	
10	97780-40520	.SCREW, tapping	1	
11	95706-05500	NUT, flange	1	
12	90183-04027	NUT, spring	1	



IKTO10-6370

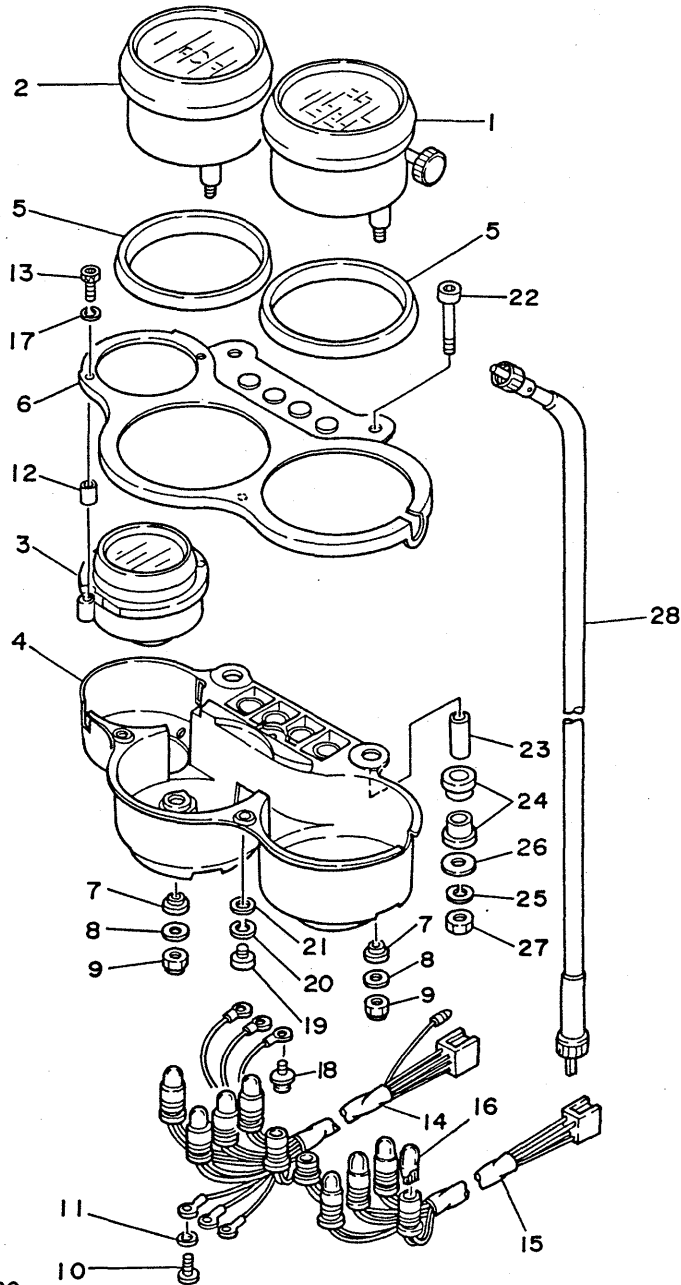
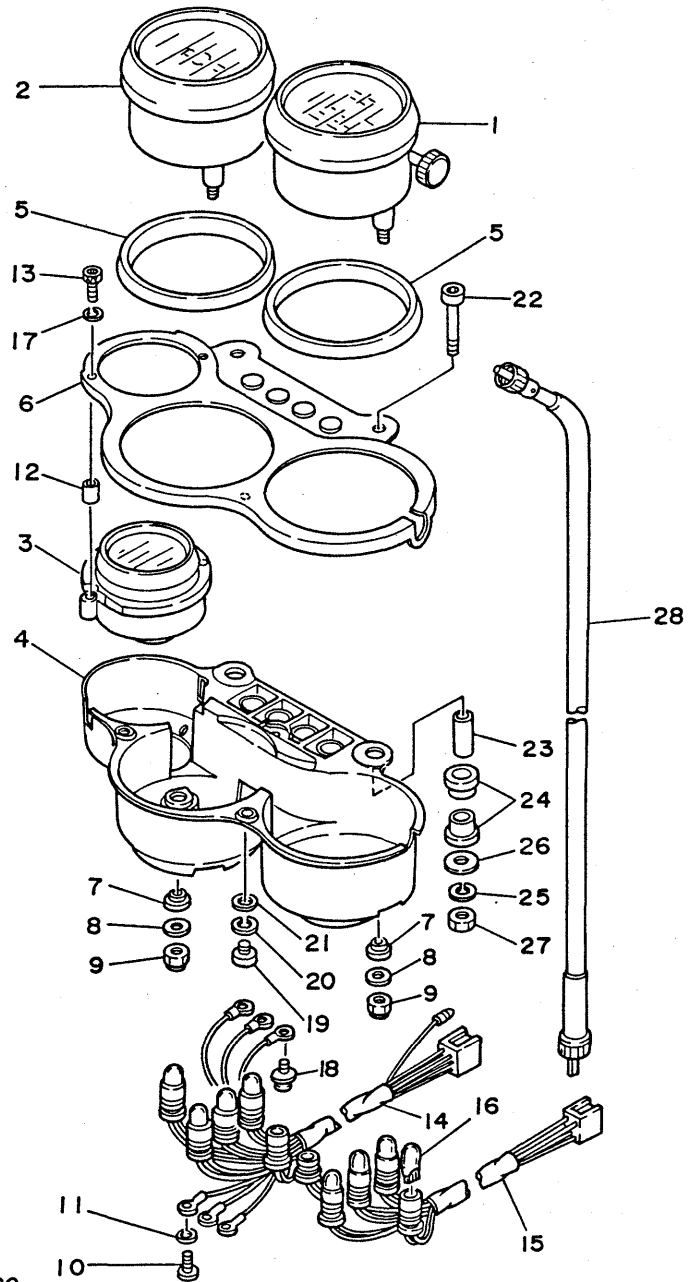


FIG. 38 METER

REF. NO.	PART NO.	DESCRIPTION	Q'TY	REMARKS
1	57V-83570-G0	SPEEDOMETER ASSY (MPH)	1	UR
	57V-83570-F0	SPEEDOMETER ASSY (KM/H)	1	UR
2	47X-83540-01	TACHOMETER ASSY	1	
3	1AR-83590-00	WATER TEMPERATURE ASSY	1	
4	1AR-83579-01	COVER, meter 2	1	
5	1AR-83513-00	DAMPER	2	
6	1AR-83611-00	PANEL, meter	1	
7	584-83523-00	DAMPER	4	
8	90201-052E2	WASHER, plate	4	
9	95306-05600	NUT	4	
10	98501-03012	SCREW, pan head	3	
11	92990-03100	WASHER, spring	3	
12	1AR-83522-00	COLLAR	1	
13	91316-03016	BOLT	2	
14	1JF-83509-00	SOCKET CORD ASSY	1	
15	1AR-83520-00	SOCKET CORD ASSY	1	
16	4G1-84744-00	BULB (12V-3.4W)	8	
17	92990-03100	WASHER, spring	2	
18	90159-03102	SCREW, with washer	3	
19	98506-04008	SCREW, pan head	3	
20	92906-04100	WASHER, spring	3	
21	92906-04600	WASHER, plate	3	
22	91316-06045	BOLT	2	
23	90387-06676	COLLAR	2	
24	584-83541-00	DAMPER	4	
25	92906-06100	WASHER, spring	2	
26	90201-06059	WASHER, plate	2	
27	95306-06600	NUT	2	

FIG. 38 METER



REF. NO.	PART NO.	DESCRIPTION	Q'TY	REMARKS
28	11L-83550-00	SPEEDOMETER CABLE ASSY	1	

FWD
2MY700-7380

233-218

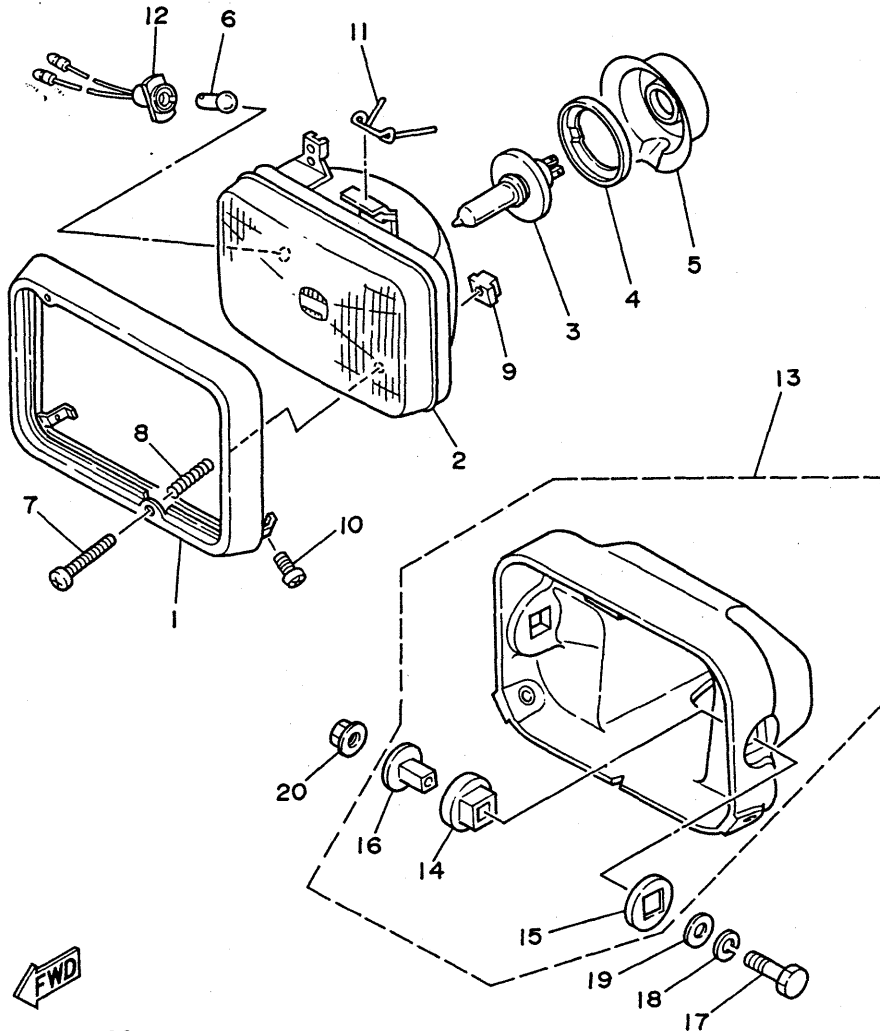


FIG. 39 HEADLIGHT

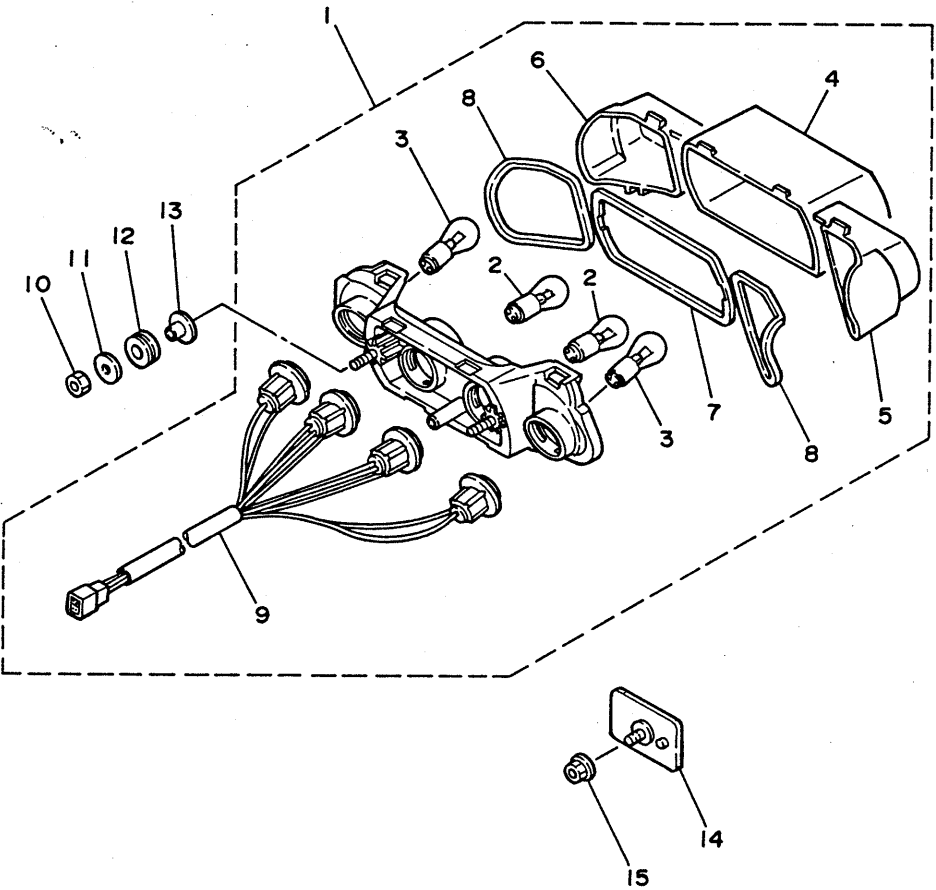
REF. NO.	PART NO.	DESCRIPTION	Q'TY	REMARKS
1	1KT-84315-00	RIM, headlight	1	
2	51Y-84320-H0	LENS ASSY	1	
3	*	BULB (12V-60/55W)	1	LM
4	2F9-84375-00	FITTING PLATE, bulb	1	
5	2F9-84397-01	COVER, socket	1	
6	123-83516-21	BULB (12V-3.4W)	1	
7	90110-04117	BOLT, hexagon socket head	2	
8	341-84332-60	SPRING, screw	2	
9	198-84334-60	NUT, adjusting	2	
10	98506-05012	SCREW, pan head	2	
11	14T-84124-00	SPRING, set	1	
12	34L-84346-00	SOCKET, pilot light	1	
13	1KT-84330-00	BODY ASSY	1	
14	498-84163-60	.DAMPER	2	
15	1M1-84164-60	.DAMPER	2	
16	498-84145-60	.COLLAR, body fitting	2	
17	91006-08035	BOLT, flange	2	
18	92902-08100	WASHER, spring	2	
19	90209-08098	WASHER	2	
20	95303-08600	NUT	2	



2MY700-7390

FIG. 40 TAILLIGHT

REF. NO.	PART NO.	DESCRIPTION	Q'TY	REMARKS
1	1KT-84710-00	TAILLIGHT UNIT ASSY	1	
2	31L-84714-00	.BULB, taillight (12V-21/5W)	2	
3	1KT-83311-00	.BULB (12V-21W)	2	
4	51X-84721-00	.LENS, taillight	1	
5	1KT-83332-00	.LENS, flasher	1	
6	1KT-83342-00	.LENS, flasher 2	1	
7	47X-84723-00	.GASKET, tail lens	1	
8	1KT-83343-00	.GASKET, flasher lens	2	
9	1KT-84735-00	.CORD ASSY	1	
10	95302-06600	NUT	2	
11	90201-066F3	WASHER, plate	2	
12	90480-18276	GROMMET	2	
13	90387-07037	COLLAR	2	
14	3G1-85130-01	REAR REFLECTOR ASSY	1	
15	95701-05500	NUT, flange	1	



IKTO10-6400

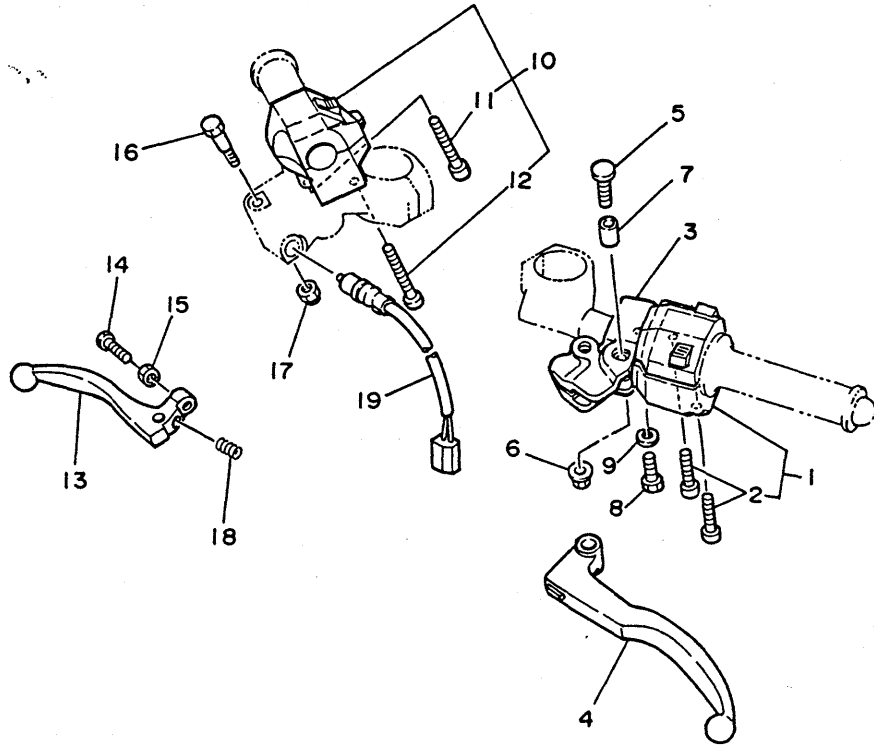
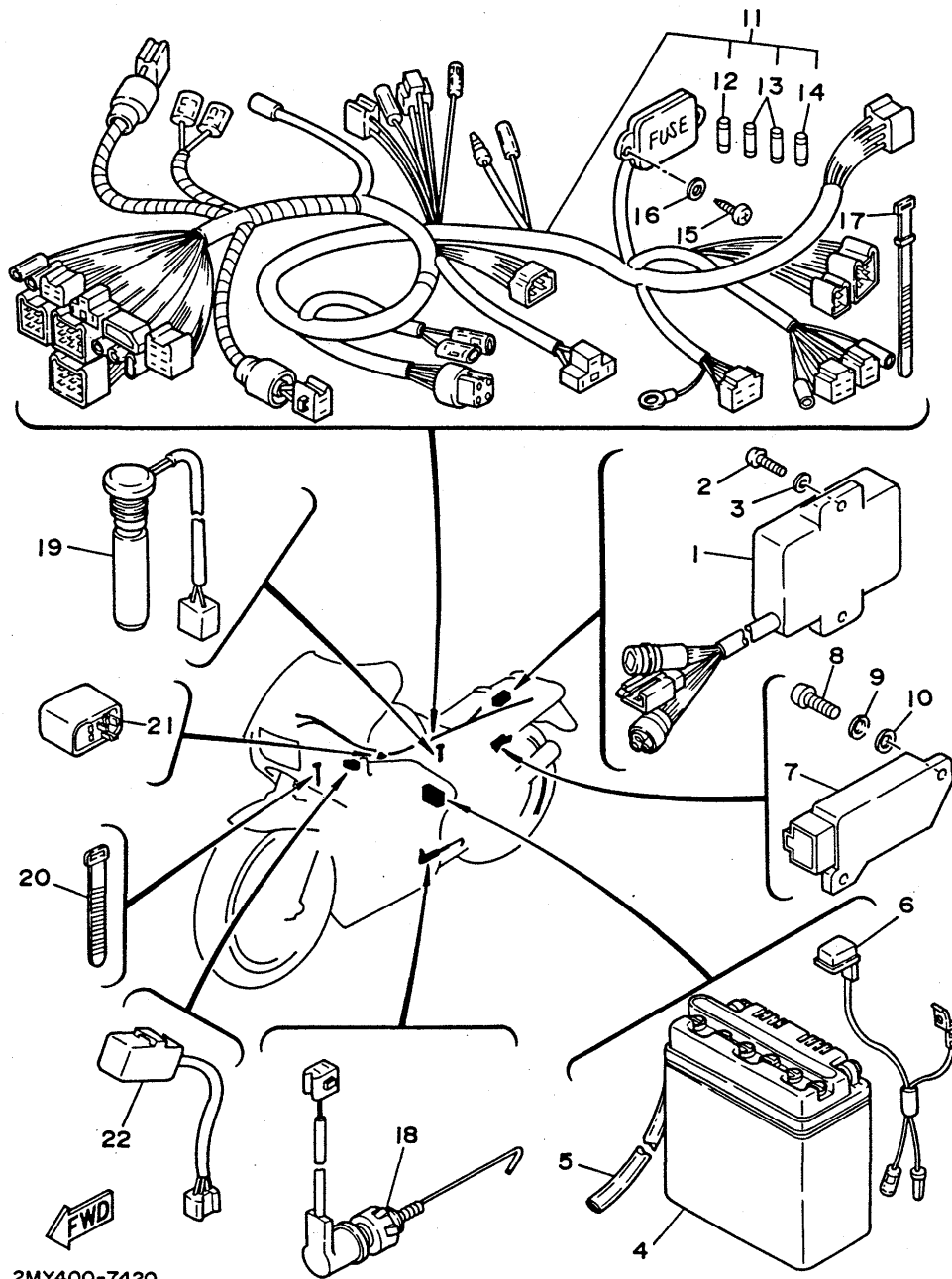


FIG. 41 HANDLE SWITCH. LEVER

REF. NO.	PART NO.	DESCRIPTION	Q'TY	REMARKS
1	47X-83972-00	SWITCH, handle 4	1	
2	98506-05035	.SCREW, pan head	2	
3	29L-82911-01	HOLDER, lever 1	1	
4	29L-83912-01	LEVER 1	1	
5	31A-83945-00	BOLT, lever	1	
6	95706-06100	NUT, flange	1	
7	31A-83913-00	COLLAR, lever 1	1	
8	97306-06025	BOLT	1	
9	92906-06100	WASHER, spring	1	
10	1KT-83975-00	SWITCH, handle 2	1	
11	91316-05040	.BOLT	1	
12	91316-05045	.BOLT	1	
13	31A-83922-00	LEVER 2	1	
14	90149-06131	SCREW	1	
15	90170-06010	NUT	1	
16	90109-06465	BOLT	1	
17	95601-06100	NUT, u	1	
18	90501-10312	SPRING, compression	1	
19	34X-83980-01	FRONT STOP SWITCH ASSY	1	



2MY700-7410

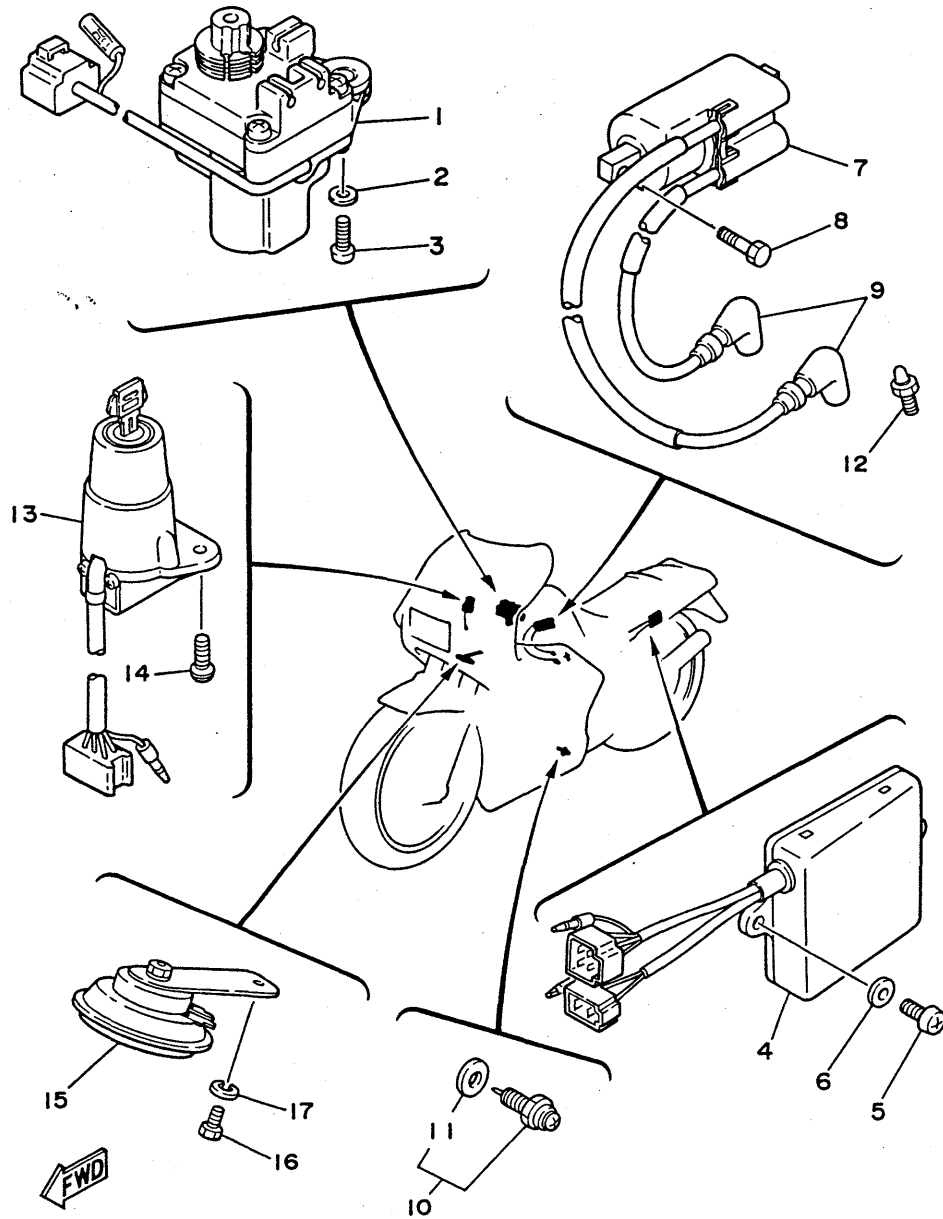


2MY400-7420

FIG. 42 ELECTRICAL 1

REF. NO.	PART NO.	DESCRIPTION	Q'TY	REMARKS
1	2MY-85540-50	C.D.I. UNIT ASSY	1	
2	92501-06020	SCREW, pan head	2	
3	92990-06600	WASHER, plate	2	
4	43F-82110-60	BATTERY ASSY (GM4A-3B)	1	
5	90445-08338	HOSE	1	
6	51X-82117-00	WIRE, lead	1	
7	47X-81960-A1	RECTIFIER & REGULATOR ASSY	1	
8	92501-06020	SCREW, pan head	2	
9	92990-06100	WASHER, spring	2	
10	92990-06600	WASHER, plate	2	
11	2MY-82590-11	WIRE HARNESS ASSY	1	
12	5G2-82151-00	.FUSE (5A)	1	
13	4X7-82151-00	.FUSE (15A)	2	
14	1A0-82161-00	.FUSE (20A)	1	
15	97780-60116	SCREW, tapping	2	
16	92901-06200	WASHER, plain	2	
17	437-83936-10	BAND, switch cord	4	
18	1KT-82530-00	STOP SWITCH ASSY	1	
19	1KT-85720-00	OIL LEVEL GAUGE ASSY	1	
20	12R-82591-00	BAND	1	
21	4K0-83350-20	FLASHER RELAY ASSY	1	
22	1A0-83395-03	FLASHER CANCELLING UNIT	1	

FIG. 43 ELECTRICAL 2



2MY700-7430

REF. NO.	PART NO.	DESCRIPTION	Q'TY	REMARKS
1	1KT-85820-01	SERVO MOTOR ASSY	1	
2	90201-06067	WASHER, plate	2	
3	92501-06025	SCREW, pan head	2	
4	1KT-85830-01	CONTROL UNIT ASSY	1	
5	92501-06025	SCREW, pan head	2	
6	92990-06600	WASHER, plate	2	
7	1KT-82310-50	IGNITION COIL ASSY	1	
8	98001-06050	BOLT	2	
9	1M1-82370-21	PLUG CAP ASSY	2	WITH NOISE SUPPRESSOR
10	341-82540-01	NEUTRAL SWITCH ASSY	1	
11	341-82543-00	.GASKET	1	
12	11H-83591-00	THERMO UNIT	1	
13	2MY-82501-00	MAIN SWITCH STEERING LOCK	1	
14	90149-06228	SCREW	2	
15	1KT-83371-30	HORN	1	
16	97006-06010	BOLT	1	
17	92906-06100	WASHER, spring	1	

NUMERICAL INDEX

PART NO.	REF. NO.	PART NO.	REF. NO.	PART NO.	REF. NO.	PART NO.	REF. NO.	PART NO.	REF. NO.	PART NO.	REF. NO.
4H7-W0041-00	32- 2	1KT-12422-00	3- 9	8A7-14139-00	8-18	498-15371-00	10- 4	1KT-18511-00	15- 9	1KT-21747-00	19-17
1KT-W0042-50	34- 6	1KT-12428-00	3-10	1KT-14141-52	8- 6	1KT-15410-00	11- 3	1KT-18512-00	15-10	1KT-21751-00	20- 1
1KT-W0045-00	28- 6	1KT-12436-00	3- 8	193-14142-20	8- 3	1KT-15415-00	11- 1	1KT-18513-00	15-11	1KT-2177M-00	19-21
1KT-W0046-51	30- 7	1KT-12437-00	4-22	137-14143-46	8- 4	1KT-15416-00	11-20	1KT-18531-00	15-12	1KT-2177N-00	19-23
1KT-W0047-00	28- 5	29L-12446-00	4- 1	2H0-14146-00	8-29	1KT-15441-00	11-18	1KT-18540-00	15- 1	14T-21770-00	20- 2
51L-W0047-00	30- 5	1KT-12450-00	3- 1	1KT-14147-00	8-24	1KT-15461-00	11-17	136-18542-00	15- 2	4L0-21815-01	20- 7
1KT-W0048-00	30- 9	4L0-12459-00	3- 4	1KT-14148-00	8-30	156-15618-01	12-13	1KT-18562-00	15- 4	1KT-21871-00	20- 6
26H-W0048-00	28-10	1KT-12460-00	4- 4	1KT-14149-00	8-17	51L-15620-01	12-12	1KT-21140-00	17- 2	1KT-21873-00	20- 8
1KT-W0057-00	28- 4	1KT-12462-00	4- 5	137-14153-00	8- 5	1KT-15641-00	12- 2	1KT-2118E-00	17-33	1KT-22110-01	21- 1
51L-W0057-00	30- 4	1KT-12481-00	4-20	127-14161-00	8-26	1KT-15651-00	12- 8	1KT-2118F-00	17-34	1KT-22128-00	21-16
1KT-W1543-01	11- 6	1KT-12482-00	4-18	3X3-14169-00	8-25	1KT-15660-01	12- 1	1KT-21240-01	19-18	23X-22129-00	21-20
1KT-W283E-00-36	35-30	5Y9-12491-00	25- 7	239-14172-14	8-27	1KT-15666-00	12- 6	1KT-21268-00	17-25	47X-22129-00	21- 5
1KT-W283F-00-36	35-43	1KT-12498-00	4-13	1KT-14185-00	8-23	1M1-15668-01	12-11	1KT-21274-00	17-30	29L-22141-00	21- 6
1KT-W2834-00-36	35- 1	1KT-13101-02	5- 1	537-14186-00	8- 8	1KT-16111-00	13- 1	51X-21308-00	17-20	1KT-22147-00	21-31
2MY-Y2111-00-35	17- 1	8Y0-13116-00	5-14	1UA-14190-28	8-10	1KT-16150-01	13- 6	1KT-2131A-00	17- 3	1KT-2217A-00	21-12
1KT-Y2171-00-1X	19- 1	363-13133-01	5-25	12R-14191-00	8-21	360-16154-00	13-17	1KT-21314-01	17-13	1KT-2217M-01	21-11
1KT-Y2172-00-1X	19-11	137-13137-00-03	5- 9	55X-14196-00	8-20	47X-16164-00	13-16	1KT-21317-00	17-15	1KT-22174-00	29-20
1KT-11111-00	1- 1	137-13137-00-05	5- 9	1KT-14197-00	8-19	1KT-16321-00	13- 8	1KT-2134K-00	23-12	51L-22184-00	21- 4
1KT-11181-00	1- 6	137-13137-00-10	5- 9	1KT-14197-01	8-22	1KT-16324-00	13- 9	1KT-21359-00	17-26	2MY-22210-00	22- 1
1KT-1131A-00	1-20	137-13138-01	5- 8	1KT-14198-00	8-13	460-16340-01	13-26	1KT-2139G-00	17-22	1KT-22311-00	21-27
47X-1131E-00	1-33	1KT-13161-00	6-13	47X-14201-00	8-36	1KT-16351-00	13-10	1KT-2139H-00	17-23	1KT-22321-00	21-29
47X-1131F-00	1-27	1KT-13174-00	5-24	47X-14204-01	8-34	4H7-16356-00	13-11	1KT-21393-00	19-22	2MY-23102-00	24- 1
47X-1131H-00	1-36	1KT-13175-00	5-12	47X-14205-00	8-35	1KT-16363-00	13-21	4L0-21485-00	17-14	2MY-23103-00	24-22
47X-1131J-00	1-37	1E7-13176-00	5-16	1KT-14411-00	7-15	1KT-16371-00	13- 7	1KT-21510-00-1X	18- 1	1KT-23110-00	24- 4
29L-1131M-00	1-18	4L0-13178-00	5-20	1KT-14412-00	7-21	1KT-16382-00	13-20	1A8-21518-00	18- 2	1KT-23111-00	24-25
29L-1131R-00	1-16	5H0-13310-00	6- 3	1KT-14437-00	7-22	1KT-17121-00	14- 4	1KT-21611-00	18- 4	1KT-23111-00	24-16
29L-1131U-00	1-25	1KT-13314-00	6- 2	1KT-14451-00	7-20	1KT-17131-00	14- 5	2MY-21613-00	18- 5	1KT-23118-00	24-37
1KT-11311-00	1- 7	1KT-13316-01	6- 4	11H-14452-00	7-19	1KT-17151-00	14- 6	1KT-21629-00	18-13	1KT-23118-00	24-21
1KT-1132A-00	1-32	1KT-13325-00	6-10	1KT-14453-00	7-16	1KT-17160-00	14- 7	1KT-2163H-00	19-25	1KT-23118-00	24-42
29L-1132E-00	1-21	1KT-13336-00	6- 1	1KT-14463-00	7-17	1KT-17211-01	14-20	50W-21631-00	15- 8	2A6-23119-00	24- 3
1KT-11321-00	1- 8	51Y-13411-00	6-16	1KT-14465-00	7-12	1KT-17220-00	14-22	1KT-2164F-00	18- 9	1KT-23119-00	24-24
1KT-1133E-00	1-39	1KT-13417-00	6-17	1KT-14472-00	7-23	1KT-17231-00	14-23	1KT-2164G-00	18-10	1KT-23125-00	24-15
1KT-11351-00	1- 9	278-13552-02	10- 5	29L-14613-00	9-15	1KT-17241-00	14-24	1KT-21689-00	18-15	1KT-23126-00-38	24- 2
1KT-11400-00	2- 1	1KT-13555-00	7-10	29L-14643-00	9-16	1KT-17251-01	14-25	34X-21691-00	18-16	1RX-23135-00	24-17
1KT-11409-00	2- 3	1KT-13565-00	7- 7	1KT-14710-00	9- 1	1KT-17261-00	14-26	1KT-21717-00	19- 5	1RX-23135-00	24-17
1KT-11412-00	2- 2	1AE-13575-00	7-26	1KT-14720-00	9- 7	1KT-17411-00	14- 1	1KT-21717-00	19-15	1RX-23135-00	24-38
1KT-11442-00	2- 4	1KT-13610-00	7- 1	1KT-14752-00	9- 2	1KT-17421-00	14-17	141-21717-00	35-63	1KT-23136-00-38	24-23
1KT-11610-00	2-15	1KT-13613-00	7- 2	1KT-14755-00	9- 8	278-17425-00	14-14	1KT-2172E-00	19- 8	2MY-23141-00	24- 5
1KT-11610-10	2-15	1KT-13616-00	7- 3	1KT-14755-00	9- 6	1KT-17460-00	14-19	1KT-2173E-00	19- 2	1KT-23142-00	24-26
1KT-11610-20	2-15	1KT-13621-00	7- 6	1KT-14755-00	9-12	1KT-17460-00	14-36	1KT-2173F-00	19-12	1KT-23142-00	24-20
1KT-11631-00-35	2-14	1KT-13645-00	7- 9	1KT-1490J-00	8- 7	4L0-17471-00	14-15	1KT-2174E-00	19-28	1KT-23144-00	24-41
137-11633-00	2-16	1KT-13661-00	7- 8	1KT-15100-01	10- 1	1KT-18101-00	16- 1	1KT-2174G-00	19- 3	1KT-23144-00	24-11
4V2-11634-00	2-18	1KT-1410A-00	8-28	1KT-15316-00	10- 2	1KT-18111-00	16-11	1KT-2174H-00	19-13	1KT-23145-00	24-32
1KT-11635-00	2-14	2MA-14101-00	8- 1	4L0-15326-00	10- 7	1KT-18112-00	16- 9	1KT-2174J-00	19- 4	1KT-23145-00	24-13
1KT-11636-00	2-14	2MA-14102-00	8- 2	4L0-15328-00	10- 3	132-18113-01	16-13	1KT-2174K-00	19-14	1KT-23145-00	24-34
1KT-11651-00	2- 8	1KT-14103-00	8-11	3Y1-15361-00	11- 7	1KT-18115-01	16-14	1KT-21746-00	19- 6	1RX-23146-00	24-14
47X-11915-00	1-30	1KT-14112-25	8-16	1RG-15363-00	11- 8	4L0-18140-00	15- 6	1KT-21746-00	19-16	1KT-23147-00	24-35
47X-12411-00	4- 2	1KT-14131-00	8-12	1RG-15363-00	11- 8	2H9-18154-00	16-12	1KT-21747-00	19- 7	1KT-23147-00	24-19

NUMERICAL INDEX

PART NO.	REF. NO.	PART NO.	REF. NO.	PART NO.	REF. NO.	PART NO.	REF. NO.	PART NO.	REF. NO.	PART NO.	REF. NO.
1KT-23147-00	24-40	1JK-24602-02	25-12	47X-25894-00	34-19	1KT-28358-00	35-41	123-83516-21	39- 6	90105-08163	3-14
1KT-23151-00	24- 8	51X-24705-00	26- 4	1KT-25895-00	34-17	1KT-2836K-00-36	35-54	1AR-83520-00	38-15		11-15
	24-29	1KT-24730-00	26- 1	1KT-25919-00	28- 9	1KT-28368-01	35-67	1AR-83522-00	38-12	90105-08450	17- 5
1KT-23153-00	24- 9	1KT-24731-00	26- 2	51L-25919-00	30- 6	1KT-2837J-00	35-14	584-83523-00	38- 7	90105-10040	17-10
	24-30	116-24741-00	26- 3	1KT-25924-00	28- 7	1KT-2837U-00	35- 6	47X-83540-01	38- 2	90105-10119	17-11
1RX-23156-00	24-12	1KT-24756-00-36	19-29	51L-25924-00	30- 8	1KT-28371-00	35-26	584-83541-00	38-24	90105-10308	28-12
	24-33	47X-24796-00	26- 5	1KT-25925-00	28- 8	51L-28371-00	35-47	11L-83550-00	38-28		30-12
1RX-23157-00	24- 6	34I-25149-00	27- 6	1KT-26114-00	31- 4	1KT-28372-00	35-27	57V-83570-F0	38- 1	90105-10340	22- 6
	24-27	1KT-25168-00-FH	27- 1	1KT-26121-00	31- 1	1KT-28390-00	35- 2	57V-83570-G0	38- 1	90105-10402	21-13
1KT-23166-00	24-10	1KT-25181-00	27-13	1KT-26122-00	31- 2	1KT-28393-00	35-31	1AR-83579-01	38- 4	90105-10409	21-25
	24-31	2L4-25190-00	27-12	47X-26240-00	31- 5	1KT-28394-00	35-44	1AR-83590-00	38- 3	90109-060E9	25-40
2MY-23170-00	24- 7	2U2-25315-00	27- 3	47X-26241-00	31- 6	1KT-28398-00	35-32	11H-83591-00	43-12	90109-06465	41-16
	24-28	1KT-25338-21-FH	29- 1	1KT-26260-00	31- 7	1KT-28399-00	35-45	1AR-83611-00	38- 6	90109-082A1	33- 5
1KT-23181-00	24-43	1KT-25364-00	29- 5	1KT-26280-00	35-24	1KT-2848K-00	35-33	29L-83912-01	41- 4		33-14
3M7-23181-00	24-18	1KT-25366-02	29- 9	1KT-26290-00	35-25	1KT-2848L-00	35-46	31A-83913-00	41- 7		33-27
	24-39	1KT-25381-00	29-23	1KT-26331-00	8-33	47X-81960-A1	42- 7	31A-83922-00	41-13		33-36
1KT-23340-00-35	24-44	1KT-25388-00	29-18	1KT-26335-00	31- 8	43F-82110-60	42- 4	437-83936-10	42-17	90109-083A2	33- 7
1KT-23346-00	24-46	29L-25398-00	27-11	1KT-27200-00	34- 1	51X-82117-00	42- 6	31A-83945-00	41- 5		33-16
156-23411-00	23- 2		29- 8	47X-27222-00	34-12	1KT-82122-00	19-19	47X-83972-00	41- 1	90109-08718	28- 2
183-23411-00	23- 4	29L-25398-10	27-11	1KT-27311-00	33-37	1KT-82123-00	19-20	1KT-83975-00	41-10		30- 2
156-23412-00	23- 3		29- 8	1KT-27321-00	33-38	120-82131-00	18-18	34X-83980-01	41-19	90109-100E8	33-42
183-23412-00	23- 5	29L-25398-20	27-11	1KT-2741L-00	33-26	47-82151-00	42-13	14T-84124-00	39-11	90109-103A9	33- 8
1KT-23415-00	23- 7		29- 8	1KT-27410-00	33- 6	5G2-82151-00	42-12	498-84145-60	39-16		33-17
1KT-23435-01	23- 9	1KT-25412-00	29-16	29L-27414-01	33- 2	1A0-82161-00	42-14	498-84163-60	39-14	90110-04117	39- 7
164-23462-00	23- 1	1KT-25441-20-33	29-12		33-11	1KT-82310-50	43- 7	1M1-84164-60	39-15	90110-05112	25-13
1KT-24110-00-01	25- 1	1KT-25810-00	28- 3	1KT-2742L-00	33-35	1M1-82370-21	43- 9	1KT-84315-00	39- 1	90110-06078	35-37
1KT-24115-00	25-37	1KT-25810-51	30- 3	1KT-27420-00	33-15	2MY-82501-00	43-13	51Y-84320-H0	39- 2		35-50
1KT-24146-00	25- 3	1KT-25819-00	30-13	1HX-27431-00	33-19	1KT-82530-00	42-18	1KT-84330-00	39-13	90110-06130	35-39
1KT-24161-00	25- 2	29L-2582A-50	34- 7	1HX-27437-00	33-22	341-82540-01	43-10	341-84332-60	39- 8		35-52
36Y-24181-01	25- 6	47X-25827-00	30-10		33-31	341-82543-00	43-11	198-84334-60	39- 9	90110-08057	33- 4
1AE-24183-00	25- 8	47X-25827-10	30-11	1HX-27441-00	33-28	2MY-82590-11	42-11	34L-84346-00	39-12		33-13
1J7-24183-02	17-28	1KT-25830-01	28- 1	1KT-27442-00	33- 1	12R-82591-00	42-20	2F9-84375-00	39- 4	90110-10118	33-40
3Y6-24183-00	25- 9	1KT-25831-50	30- 1	1KT-27443-00	33-10	29L-82911-01	41- 3	2F9-84397-01	39- 5	90110-10125	17-16
12R-24186-00	25-10	1KT-25836-00	28-11	1KT-27813-00	34- 2	1KT-83310-01-36	37- 1	1KT-84710-00	40- 1	90116-08218	29-13
1HX-24188-01	25- 5	34I-25846-00	27- 7	1KT-28100-00	18-17	1KT-83311-00	40- 3	31L-84714-00	40- 2	90116-08318	1-13
1KT-24198-00	25- 4	1KT-25850-50	34- 5	1KT-2831G-00	35-62	1HX-83312-00	37- 3	51X-84721-00	40- 4	90116-08365	9-13
1KT-24216-00	25-38	2MY-25850-00	32- 1	1KT-28315-01	35-66		37- 9	47X-84723-00	40- 7	90116-08388	1-12
1KT-24311-00	25-28	1A1-25852-00	34-23	1KT-28321-00	35-38	1KT-83320-01-36	37- 7	1KT-84735-00	40- 9	90116-08392	1-11
1KT-24312-00	25-29	4K0-25852-00	32- 4	1KT-28322-00	35-51	50V-83331-00	37- 2	46I-84744-00	38-16	90116-08448	1-10
1KT-24313-01	25-31	360-25854-00	34-24	1KT-28328-00	35-68		37- 8	3G1-85130-01	40-14	90119-06042	20-10
1KT-24316-00	20- 3	4K0-25854-00	32- 3	1KT-28338-00	35-65	1KT-83332-00	40- 5	2MY-85510-50	36- 1	90119-06083	35-34
1KT-24500-00	25-19	360-25855-01	34-25	1KT-2834E-00	35- 3	1KT-83342-00	40- 6	2MY-85540-50	42- 1	90119-06085	20- 5
2G2-24512-00	25-16	4L0-25862-00	32-11	1KT-2834F-00	35- 4	1KT-83343-00	40- 8	2MY-85550-50	36- 2	90119-06108	18- 6
47X-24523-00	25-20	4L0-25867-00	32- 6	1KT-2834V-00	35-10	4K0-83350-20	42-21	1KT-85720-00	42-19		18-12
1HX-24524-00	25-23	1KT-25872-00	32- 8	1KT-2834W-00	35-11	1KT-83371-30	43-15	1KT-85820-01	43- 1	90123-08083	31- 9
2G2-24534-00	25-22	1KT-25872-50	34-28	47X-28345-00	35- 5	1A0-83395-03	42-22	1KT-85830-01	43- 4	90149-05224	35-22
1KT-24544-00	25-25	1KT-25875-00	21-35	1KT-28346-00	35- 7	1JF-83509-00	38-14	90101-08647	29-19		35-57
47X-24560-00	25-15	2R8-25876-00	32-12	1KT-28356-00	35-15	1AR-83513-00	38- 5	90101-12645	21-18		35-60

NUMERICAL INDEX

PART NO.	REF. NO.	PART NO.	REF. NO.	PART NO.	REF. NO.	PART NO.	REF. NO.	PART NO.	REF. NO.	PART NO.	REF. NO.
90149-06008	25-17	90201-08083	34-14	90240-08013	34-13	90460-44108	7-14	91001-06055	35-42	92501-06025	36- 3
90149-06131	41-14	90201-08087	1- 5	90267-48117	21-30	90460-68230	7-18	91006-06010	25-39		43- 3
90149-06154	17-21	90201-08512	6-11	90280-05033	2-10	90462-10166	10-17	91006-06016	19-24		43- 5
90149-06228	43-14	90201-08624	5-13	90282-07019	13- 2	90464-12027	18-19		25-26	92506-06012	4-14
90149-08094	16- 4	90201-08759	3- 5	90338-09012	31-11	90465-08156	10-19	91006-08035	39-17	92701-06012	15- 5
90150-05020	35- 8	90201-08784	3- 6	90338-20113	17-32	90465-13169	17-29	91006-08050	35-16	92901-04600	34-11
	35-12	90201-101J1	17-18	90383-12022	10- 6	90467-07029	10-12	91021-10030	30-14	92901-05100	5-10
90159-03102	38-18	90201-10118	32-10	90386-18149	21-24	90467-08003	20- 4	91022-10055	17- 8		36- 6
90159-05011	13-15		34-30	90386-20130	21-15	90467-08021	25-34	91026-08025	17- 6	92901-05600	19-31
90159-06078	18-14	90201-10437	30-15	90387-06160	33-25	90467-09006	4-25	91311-05010	25-14		36- 7
90159-06084	21-28	90201-12163	13-23		33-34		25-36	91311-06010	10-20	92901-06200	42-16
90170-06010	41-15	90201-124E4	36- 9	90387-06676	38-23	90467-10008	8-41	91311-06012	11-19	92901-06600	7-25
90170-08029	16- 6	90201-126A7	21-22	90387-067K6	35-36		25-32	91311-06020	4- 3		34-22
90170-08351	29-14	90201-140H8	21-10		35-49	90467-14057	25-30		31- 3	92901-08600	29-21
90170-08358	16-16	90201-150H2	13-13	90387-07037	40-13		34-18	91311-06025	3-13	92901-10100	24-45
90170-14349	29-26	90201-161J2	21- 8	90387-07391	35-20	90467-20085	7-13		11- 2	92902-04100	8-15
90170-14350	29-27	90201-202F9	12- 5	90387-07392	4-10	90468-02033	5- 3		11- 4		34-10
90170-16182	13- 5	90201-202L3	14-30		4-11		5- 5		11-21	92902-08100	39-18
90170-20195	13-19	90201-20266	14-11	90387-07573	21-33		5-23	91311-06035	11- 5	92906-04100	8-32
90176-08026	1- 3	90201-20276	12- 9	90387-103N4	21-26	90468-08086	5-22		11-11		8-38
90176-22050	23-11		14-29	90387-103N5	22- 5	90468-26091	12- 3	91311-06045	7-11		38-20
90179-05523	35-21	90201-25490	14-31	90387-103N9	21-14	90480-01445	19-10		11-12	92906-04600	38-21
	35-56	90201-256E4	14- 8	90387-123N2	27-14		19-27	91311-06065	3-11	92906-05100	4-24
	35-59	90202-05088	19-33	90387-123N6	21-19	90480-12320	19- 9	91311-08035	23-10	92906-06100	1-23
90179-06524	17-27	90202-05180	35-23	90387-124L0	22- 8		19-26	91316-03016	38-13		4-15
90179-08299	1- 4		35-58	90387-125A8	16- 8	90480-13398	35-35	91316-05008	1-31		35-18
	1-15		35-61	90387-153N3	29-15		35-48	91316-05012	1-17		35-28
90179-08316	31-10	90202-06010	9- 4	90387-153N7	29-28	90480-14229	35-19		1-19		38-25
90179-10394	17-12		9-10	90387-153N8	29-29	90480-15363	4- 6		1-35		41- 9
90179-12323	36- 8		25-18	90387-253N1	14-34	90480-16284	4- 7		1-38		43-17
90179-20255	14-38	90206-06060	9- 5	90401-10096	32- 9	90480-18276	40-12	91316-05040	41-11	92906-06600	1-24
90179-25033	23- 8		9-11		34-29	90501-10312	41-18	91316-05045	41-12		4-16
90183-04027	37- 6	90206-17084	33- 9	90413-07023	8-40	90501-12743	33-20	91316-06010	23-13	92906-06700	21-37
	37-12		33-18	90430-04004	5- 6		33-29	91316-06012	14-16	92990-03100	7- 5
90183-05024	19-32	90208-10043	17-19	90430-08198	3-15	90501-23630	13-14	91316-06025	32- 7		38-11
90185-08097	9-14	90208-16019	13- 4		11-16	90506-20389	34- 4	91316-06045	38-22		38-17
	34-27	90209-08098	39-19	90430-10171	11-14	90506-29358	33-41	91316-10025	17-17	92990-06100	34-21
90185-10037	33-43	90209-08249	33- 3	90445-05024	5- 4	90508-14709	13-25	91316-10030	33-39		36- 4
90185-12119	21-23		33-12	90445-054E9	5- 2	90508-26714	15- 7	91401-16012	34-15		42- 9
90185-14112	21- 9	90209-22082	14-10	90445-08338	42- 5	90508-28703	12- 4	91401-20015	33-24	92990-06600	42- 3
90201-052E2	38- 8		14-27	90445-084E6	10-11	90508-32374	16- 3		33-33		42-10
90201-060A3	4-12	90209-22292	2- 6	90445-09078	4-17	90560-12171	16- 2	91701-06040	33-23		43- 6
90201-06059	35-40	90214-14041	29-24	90445-095A1	25-33	90560-12276	27- 2		33-32	93101-10002	5-17
	35-53	90214-15042	29-25	90445-10366	25-35	90560-15277	29- 4	92016-08035	34-26	93101-16131	22- 3
	38-26	90215-08174	16- 5	90445-11542	8-39	90560-25259	13- 3	92501-06020	7-24	93102-12106	16- 7
90201-06067	43- 2	90215-10253	5-26	90446-07112	10-10	91001-06010	35-64		34-20	93102-12224	13-24
90201-06568	21-34	90215-20251	13-18	90460-27219	4-19	91001-06016	20- 9		42- 2	93102-20108	12- 7
90201-066F3	40-11	90215-21256	14-37		4-21	91001-06020	25-41		42- 8	93102-22216	29- 3

NUMERICAL INDEX

PART NO.	REF. NO.	PART NO.	REF. NO.	PART NO.	REF. NO.	PART NO.	REF. NO.	PART NO.	REF. NO.	PART NO.	REF. NO.
93102-28022	29-11	93603-22028	3- 3	95811-08105	10-14	99009-06600	6-12				
93102-35361	14-35		5-19	95816-06035	9- 3	99009-20400	12-10				
93102-35368	14-40		6- 9		9- 9	99009-52500	14-41				
93103-10147	3- 2	93604-10011	3-12	95821-06014	18- 7	99510-10114	1-14				
93103-25108	2-11		6- 7	97001-06020	16-10	99530-10014	10- 9				
93103-35149	2-12	93700-06005	21- 7	97001-06025	21-32		11-10				
93105-45017	27- 8	93900-00015	27-10		32-13						
93106-20002	27- 5		29- 7	97006-05012	4-23						
93108-23010	1-29	93900-00022	27-10	97006-06010	43-16						
93109-18020	21-21		29- 7	97006-06012	17-31						
93210-07100	5-21	94110-175H6	27- 9	97016-06016	21-36						
93210-07540	6-14	94110-175H7	27- 9	97021-06010	13-22						
93210-15566	10-18	94112-175H4	29- 6	97026-08030	12-14						
93210-15620	34- 8	94112-175H5	29- 6	97306-06022	35-17						
93210-19123	11- 9	94580-93110	29-17	97306-06025	41- 8						
93210-22298	14-39	94701-00188	1- 2	97316-06020	1-22						
93210-27370	1-26	95021-10040	11-13	97706-50614	35-55						
	1-28	95023-06012	18- 3	97780-40520	37- 4						
	1-34	95301-05600	5-11		37-10						
93306-20222	29- 2	95302-06600	40-10	97780-60116	42-15						
93306-20446	29-10	95303-08600	29-22	97801-03008	25-21						
93306-20575	14- 2		39-20	98001-06020	17-24						
93306-20576	14-32	95303-08700	16-15	98001-06050	43- 8						
93306-20577	2- 5		34-16	98006-06008	25-27						
93306-20578	2- 9	95306-05600	38- 9	98006-08016	25-11						
93306-30101	27- 4	95306-06600	38-27	98501-03008	7- 4						
93310-22057	14-21	95306-06800	35-29	98501-03012	38-10						
93310-316H7	2-17	95601-06100	41-17	98501-04008	8- 9						
93310-522L4	2- 7	95601-08100	34- 3	98501-05008	19-30						
93311-42045	14-13	95601-10200	21-17	98501-05010	6- 6						
	14-18		22- 7		6-15						
93315-31843	21- 2	95701-05500	26- 6	98501-05016	5-15						
93317-21236	15- 3		40-15		6-18						
93320-32403	21- 3	95702-08500	17- 7		36- 5						
93340-21505	13-12	95702-10500	17- 9	98501-05020	6- 8						
93399-99919	22- 2	95706-05500	35- 9	98503-04014	8-14						
93410-20038	14-12		35-13	98506-04008	38-19						
93410-53068	2-13		37- 5	98506-04010	8-31						
93430-08036	5-18		37-11	98506-04012	8-37						
93440-25084	14- 9	95706-06100	41- 6	98506-05012	39-10						
	14-28	95706-10500	17- 4	98506-05035	41- 2						
93440-30113	22- 4	95801-08016	18- 8	98511-04012	34- 9						
93440-52009	14-33	95806-06025	4- 8	98606-04016	25-24						
93440-52118	14- 3		4- 9	98706-04012	32- 5						
93501-04011	23- 6	95811-06035	18-11	98901-05016	19-34						
	33-21	95811-06040	10-16	98906-04006	5- 7						
	33-30	95811-06055	10-15	99001-09600	13-27						
93603-12030	6- 5	95811-08090	10-13	99009-06600	3- 7						

COPY RIGHT: ALL RIGHTS RESERVED
NO PART OF THIS PUBLICATION MAY BE
REPRODUCED WITHOUT PERMISSION.



YAMAHA

YAMAHA MOTOR CO., LTD.
2500 SHINGAI IWATA-SHI SHIZUOKA-KEN JAPAN

PRINTED IN JAPAN
First edition Oct., 1986

T6