

# **YAMAHA**

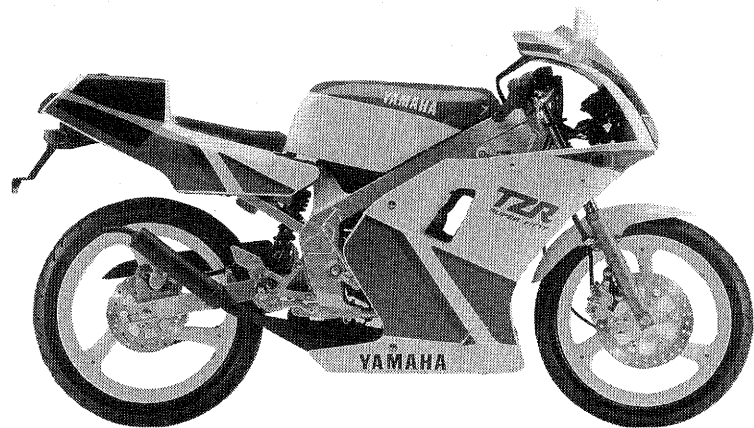
## **PARTS CATALOGUE**

### **TZR50 (3YN1)**

**PORTUGAL  
S.AFRICA**

**113YN-664E1**







# FOREWORD

This Parts Catalogue is related to the parts in use for the Yamaha TZR50(3YN1).

When you are ordering replacement parts for the TZR50(3YN1), refer to this Parts Catalogue and quote both part numbers and part names correctly.

1. Modifications or additions which have been made after issue of the Parts Catalogue will be announced in the Yamaha Parts News.

It is advisable that according to the Yamaha Parts News you make necessary corrections to the Parts Catalogue on hand to keep it up-to-date.

2. Abbreviations

The following abbreviations are used in this Parts Catalogue.

- U.R. Use size (thickness) and/or number as required.
- U.N. Use as many as you need.
- A.P. Alternate Parts
- L.M. Local Made
- F# Frame No. (Applicable machine No.)

3. The parts marked with (+) in the parts number column of this Catalogue are not supplied with by Yamaha, those have to be found locally.

4. Parts, which are to be supplied in the form of assemblies, are listed with an indentation of one letter's space, and a dot ( . ) is put against the name of each part.

**EXAMPLE** CARBURETOR ASS'Y  
                   . JET, pilot  
                   . NOZZLE, main

5. Indication of No. of constituent parts for assembly

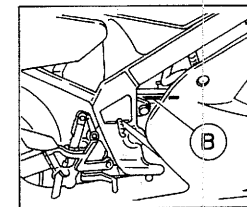
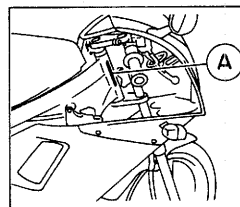
The numeral appearing to the right of each constituent part under the description indicates the quantity of such parts for each individual assembly unit.

**EXAMPLE**

Part No.	Description	Q'ty	Remarks
2F5-83310-60	FRONT FLASHER LIGHT ASS'Y	2	
115-83311-60	. BULB (6V-18W)	1	
1M1-83309-60	. REFLECTOR	1	

6. Initial Serial No. and Color Code

(A) Frame Serial No.	3YN-000101 and following
(B) Engine Serial No.	3YN-000101 and following



Color Code	Color Name	Abbreviate
0036	WHITE	W
0033	YAMAHA BLACK	YB

7. Applicable colors of graphics are represented in the "Remarks" column by the letter(s) appropriately picked out of the full word(s) showing such colors.

**EXAMPLE**

Part No.	Description	Q'ty	Remarks
2N4-24110-00-X5	FUEL TANK COMP.	1	MAXIM RED
3J1-24240-10	. GRAPHIC, fuel tank set	1	for MXR

# CONTENTS

## ENGINE

Fig. 1	Cylinder .....	1
Fig. 2	Crankshaft, Piston .....	2
Fig. 3	Water Pump .....	3
Fig. 4	Radiator, Hose .....	4
Fig. 5	Oil Pump .....	5
Fig. 6	Intake .....	6
Fig. 7	Carburetor .....	7
Fig. 8	Exhaust .....	8
Fig. 9	Crankcase .....	9
Fig. 10	Crankcase Cover 1 .....	10
Fig. 11	Starter .....	11
Fig. 12	Clutch .....	12
Fig. 13	Transmission .....	13
Fig. 14	Tachometer Gear .....	14
Fig. 15	Shift Cam, Fork .....	15
Fig. 16	Shifter .....	16

Fig. 28	Front Brake Caliper .....	30
Fig. 29	Rear Wheel .....	31
Fig. 30	Rear Brake Caliper .....	32
Fig. 31	Steering Handle, Cable .....	33
Fig. 32	Front Master Cylinder .....	34
Fig. 33	Stand, Footrest .....	35
Fig. 34	Rear Master Cylinder .....	37
Fig. 35	Cowling 1 .....	38
Fig. 36	Cowling 2 .....	40
Fig. 37	Generator .....	42
Fig. 38	Flasher Light .....	43
Fig. 39	Meter .....	44
Fig. 40	Headlight .....	45
Fig. 41	Taillight .....	46
Fig. 42	Handle Switch, Lever .....	47
Fig. 43	Electrical 1 .....	48
Fig. 44	Electrical 2 .....	49

## CHASSIS

Fig. 17	Frame .....	17
Fig. 18	Fender .....	18
Fig. 19	Side Cover .....	19
Fig. 20	Oil Tank .....	20
Fig. 21	Rear Arm .....	21
Fig. 22	Rear Suspension .....	22
Fig. 23	Steering .....	23
Fig. 24	Front Fork .....	24
Fig. 25	Fuel Tank .....	26
Fig. 26	Seat .....	28
Fig. 27	Front Wheel .....	29

## INDEX

Numerical Index

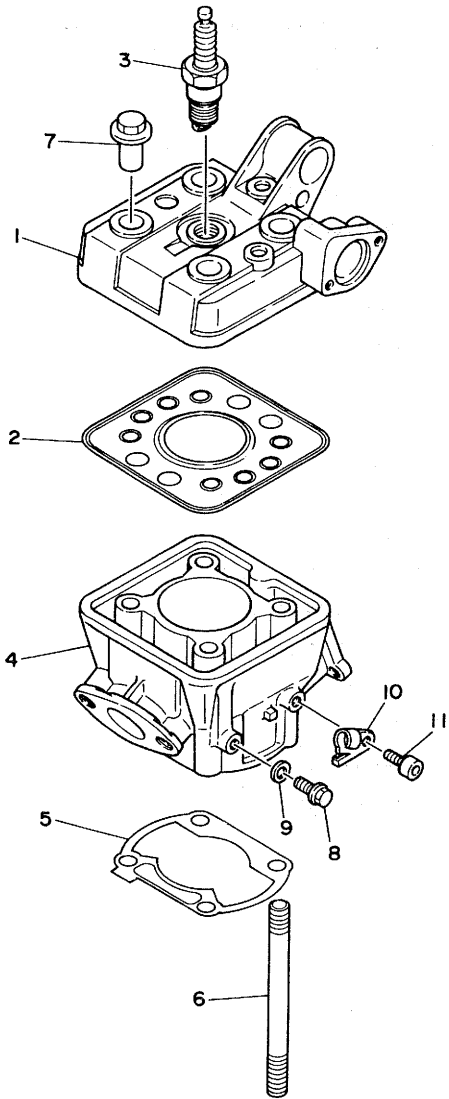


FIG. 1 CYLINDER

REF. NO.	PART NO.	DESCRIPTION	Q'TY	REMARKS
1	3TU-11111-00	HEAD, cylinder 1	1	
2	33J-11181-02	GASKET, cylinder head 1	1	
3	94702-00188	PLUG, spark (NGK BR9ES)	1	
4	3TU-11311-00	CYLINDER 1	1	
5	3TU-11351-00	GASKET, cylinder	1	
6	90116-08368	BOLT, stud	4	
7	90179-08343	NUT	4	
8	95826-06010	BOLT, flange	1	
9	90430-06166	GASKET	1	
10	5R2-15441-00	HOLDER, clutch cable	1	
11	91316-06012	BOLT	1	



3TU1010-0010

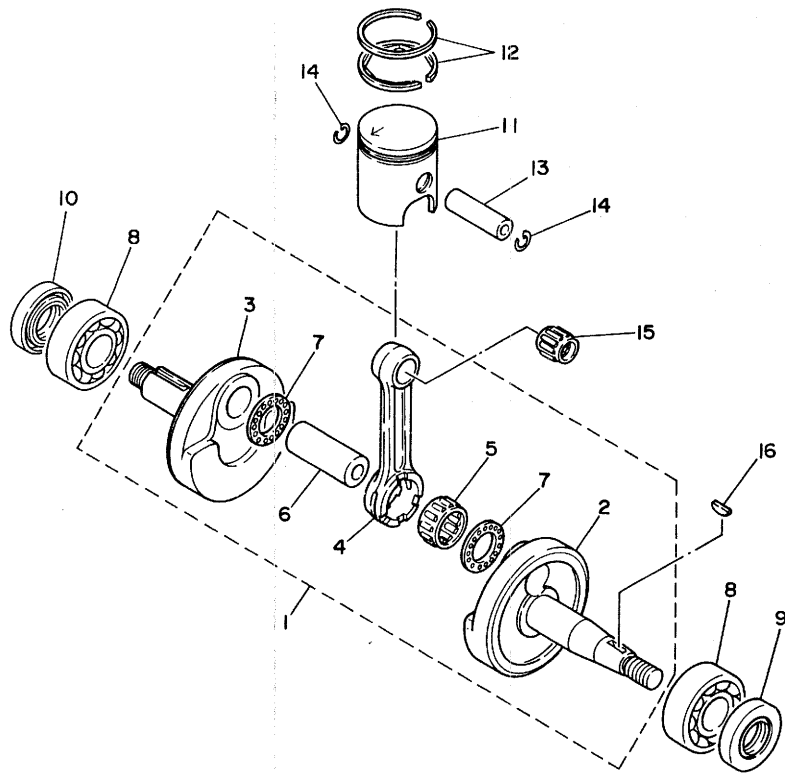


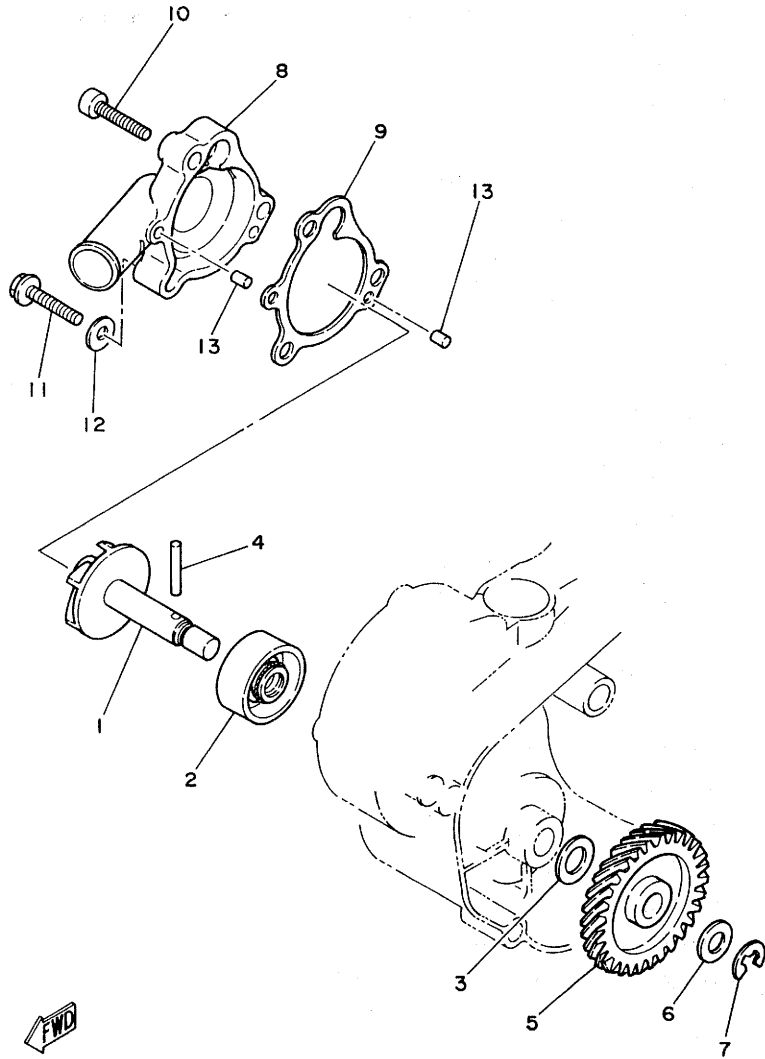
FIG. 2 CRANKSHAFT. PISTON

REF. NO.	PART NO.	DESCRIPTION	Q'TY	REMARKS
1	3TU-11400-00	CRANKSHAFT ASSY	1	
2	5R2-11412-00	.CRANK 1	1	
3	5R2-11422-00	.CRANK 2	1	
4	3R1-11651-01	.ROD, connecting	1	
5	93310-418C4	.BEARING, cylindrical	1	
6	4V0-11681-00	.PIN, crank 1	1	
7	90209-18112	.WASHER	2	
8	93306-20458	BEARING	2	
9	93102-20231	OIL SEAL	1	
10	93103-28011	OIL SEAL	1	
11	3FY-11631-00-96	PISTON (STD)	1	
	3FY-11635-00	PISTON (0.25MM O/S)	1	AP
	3FY-11636-00	PISTON (0.50MM O/S)	1	AP
12	2W1-11610-00	PISTON RING SET (STD)	1	
	2W1-11610-10	PISTON RING SET (0.25MM O/S)	1	AP
	2W1-11610-20	PISTON RING SET (0.50MM O/S)	1	AP
13	517-11633-00	PIN, piston	1	
14	93450-13022	CIRCLIP	2	
15	93310-11268	BEARING, cylindrical	1	
16	90280-03017	KEY, woodruff	1	



3TUI010-0020

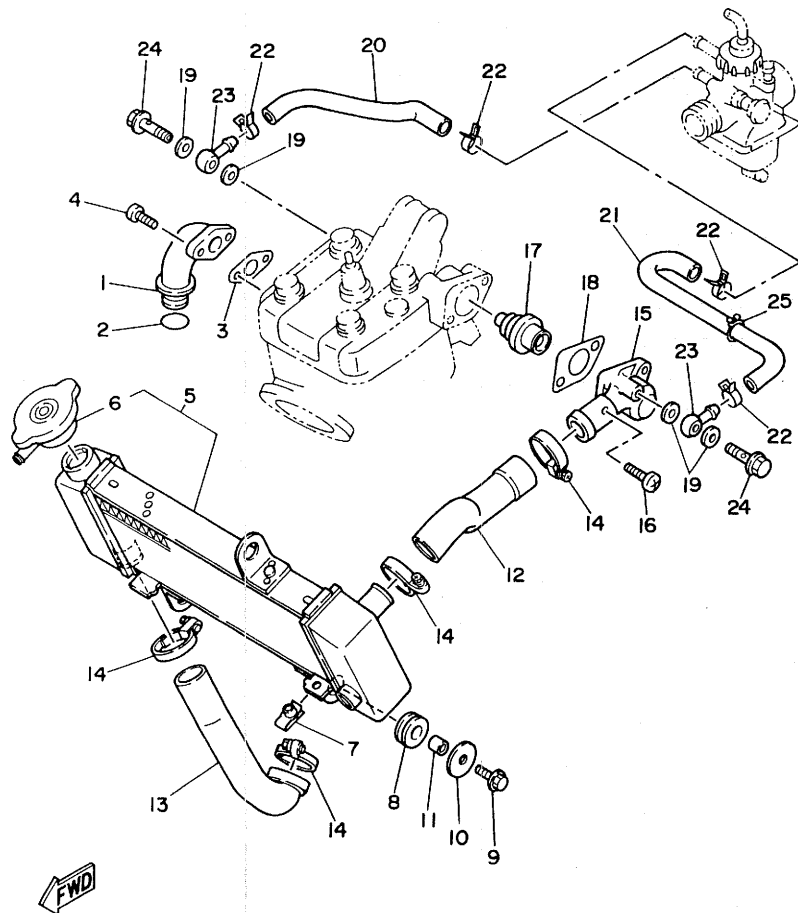
FIG. 3 WATER PUMP



REF. NO.	PART NO.	DESCRIPTION	Q'TY	REMARKS
1	5R2-12450-00	IMPELLER SHAFT ASSY	1	
2	93103-10147	OIL SEAL	1	
3	90201-08759	WASHER, plate	1	
4	93603-22028	PIN, dowel	1	
5	5R2-12459-00	GEAR, impeller shaft (32T)	1	
6	90201-08512	WASHER, plate	1	
7	99080-07600	CIRCLIP	1	
8	5R2-12422-00	COVER, housing	1	
9	5R2-12428-00	GASKET, housing cover 2	1	
10	98506-06025	SCREW, pan head	2	
11	95816-06025	BOLT, flange	1	
12	90430-06166	GASKET	1	
13	93604-10011	PIN, dowel	2	

  
17W010-2040

FIG. 4 RADIATOR. HOSE

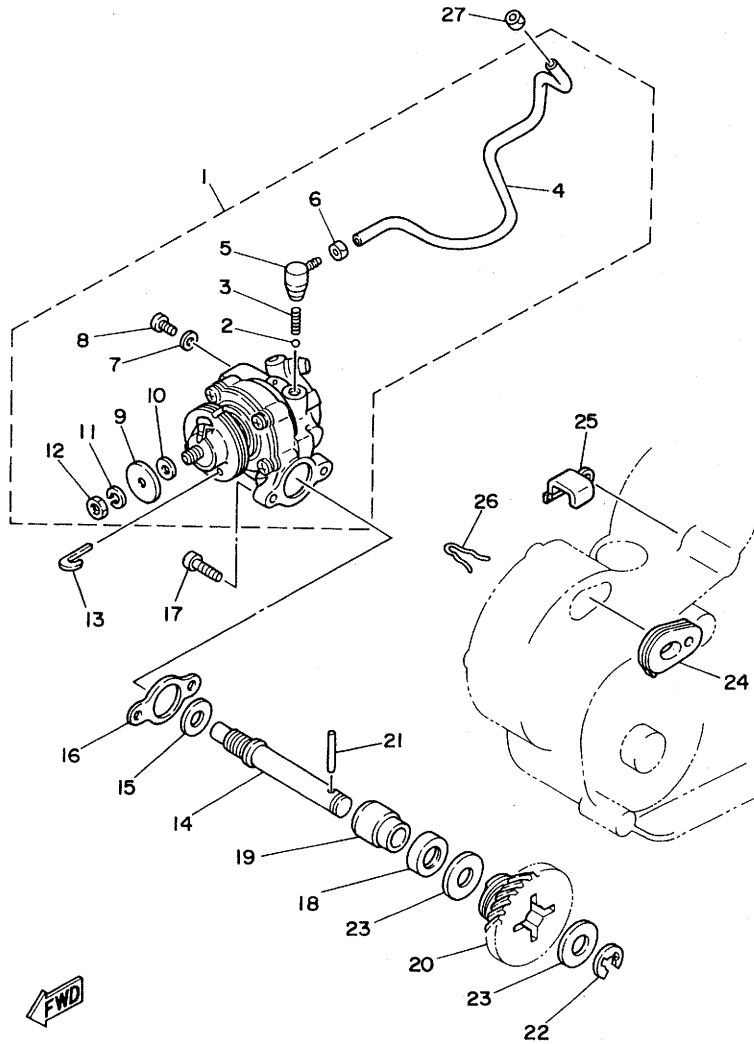


REF. NO.	PART NO.	DESCRIPTION	Q'TY	REMARKS
1	3TU-12446-00	JOINT	1	
2	93210-16275	O-RING	1	
3	5R2-12434-00	GASKET	1	
4	98506-06016	SCREW, pan head	2	
5	3TU-12460-00	RADIATOR ASSY	1	
6	22W-12462-00	.CAP, radiator	1	
7	90183-05044	NUT, spring	1	
8	90480-15363	GROMMET	3	
9	95826-06020	BOLT, flange	1	
10	90201-060A3	WASHER, plate	1	
11	90387-07390	COLLAR	1	
12	3TU-12481-00	PIPE 1	1	
13	3TU-12482-00	PIPE 2	1	
14	90450-28014	HOSE CLAMP ASSY	4	
15	30Y-12469-00	JOINT 1	1	
16	98506-06016	SCREW, pan head	2	
17	30Y-12411-00	THERMOSTAT	1	
18	1HK-12414-00	GASKET, cover	1	
19	90430-06166	GASKET	4	
20	3TU-12483-00	PIPE 3	1	
21	3TU-12476-00	PIPE 6	1	
22	90467-11108	CLIP	4	
23	90405-06037	UNION	2	
24	90401-06119	BOLT, union	2	
25	90464-20151	CLAMP	1	

3TUI010-0040

FIG. 5 OIL PUMP

REF. NO.	PART NO.	DESCRIPTION	Q'TY	REMARKS
1	5R2-13101-00	OIL PUMP ASSY	1	
2	93505-32002	.BALL	1	
3	90501-02217	.SPRING, compression	1	
4	90445-05278	.HOSE	1	
5	353-13552-01	.NOZZLE	1	
6	90468-02033	.CLIP	1	
7	90430-04004	.GASKET	1	
8	98901-04008	.SCREW, bind	1	
9	137-13138-01	.PLATE, adjusting	1	
10	137-13137-00-10	.SHIM (1.0T)	1	UN
11	92901-05100	.WASHER, spring	1	
12	95303-05600	.NUT	1	
13	367-13146-01	CLIP	1	
14	5R2-13175-00	SHAFT, worm	1	
15	90201-08624	WASHER, plate	1	
16	8Y0-13116-01	GASKET, pump case	1	
17	98501-05016	SCREW, pan-head	2	
18	93101-10090	OIL SEAL	1	
19	1E7-13176-00	METAL, worm shaft outer	1	
20	5R2-13178-01	GEAR, pump drive	1	
21	93603-22028	PIN, dowel	1	
22	99001-08600	CIRCLIP	1	
23	90201-105H9	WASHER, plate	2	
24	5R2-13174-00	HOLDER, oil pipe	1	
25	90465-10069	CLAMP	1	
26	90468-08086	CLIP	1	
27	90468-02033	CLIP	1	



3TU1010-0050

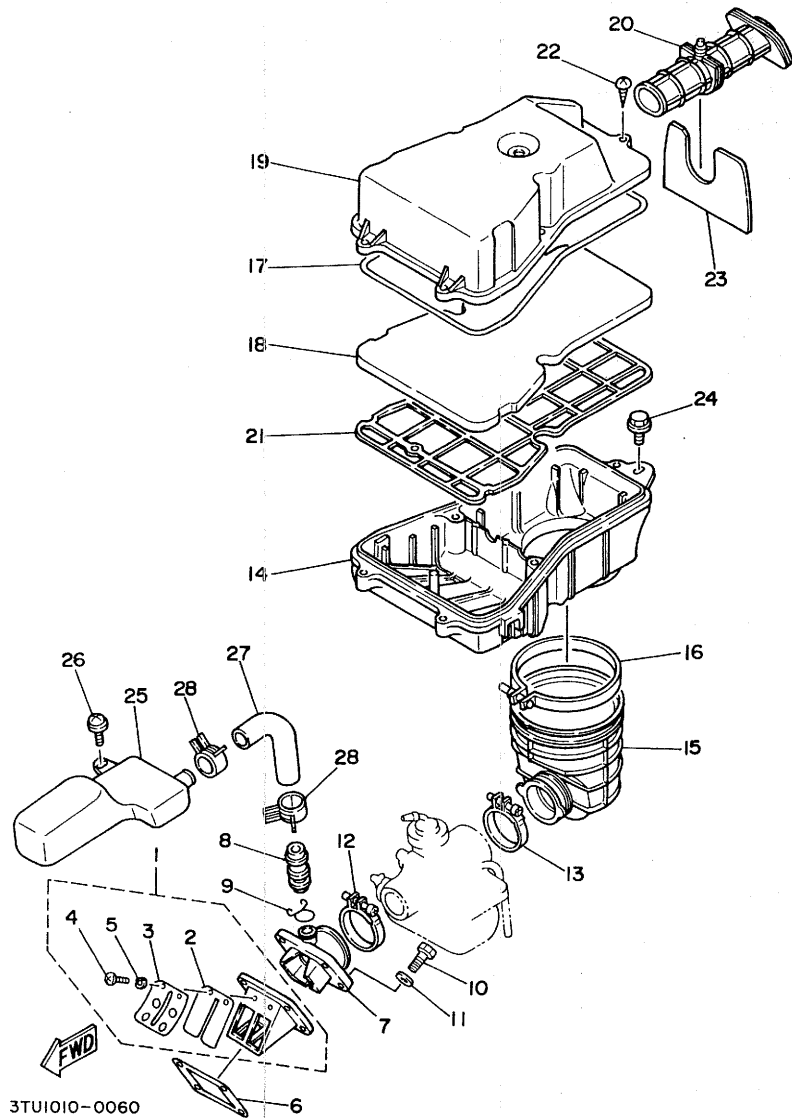
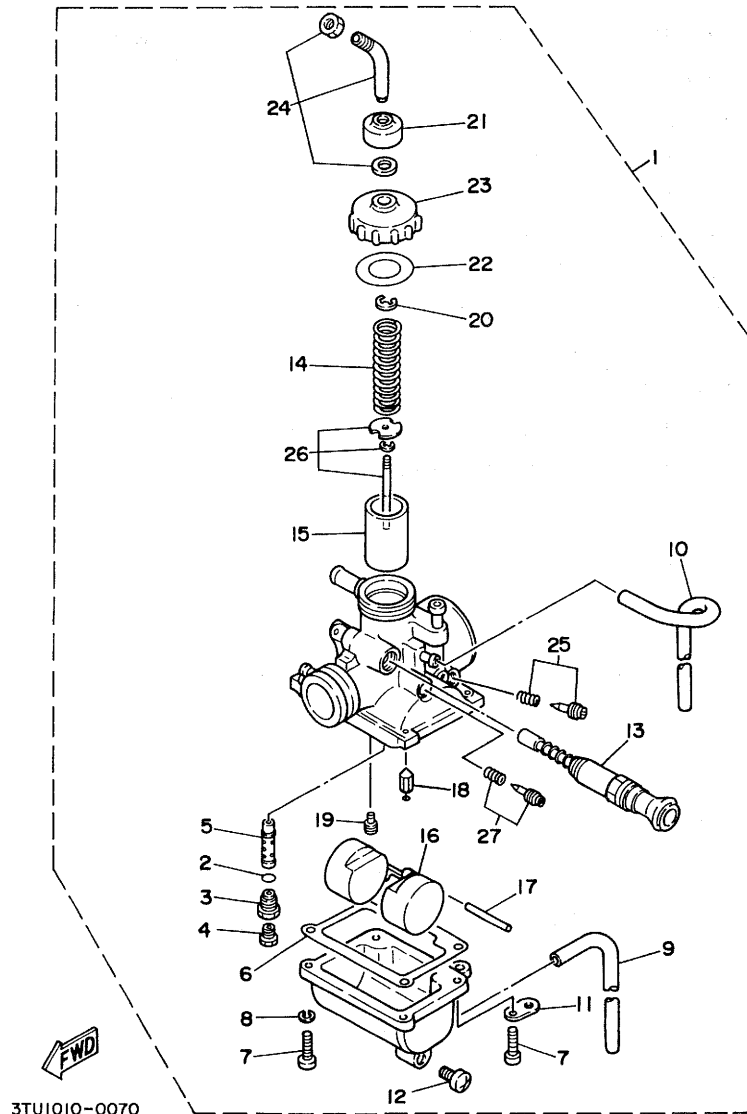


FIG. 6 INTAKE

REF. NO.	PART NO.	DESCRIPTION	Q'TY	REMARKS
1	3TU-13610-00	REED VALVE ASSY	1	
2	3TU-13613-00	.REED, valve	2	
3	3TU-13616-00	.STOPPER, reed valve	2	
4	98580-03006	.SCREW, pan head	4	
5	92990-03100	.WASHER, spring	4	
6	314-13621-02	GASKET, valve seat	1	
7	3TU-13565-00	JOINT, carburetor	1	
8	20L-13584-00	PIPE, intake manifold	1	
9	90467-15012	CLIP	1	
10	97011-06020	BOLT	4	
11	92901-06600	WASHER, plate	4	
12	90460-36174	CLAMP, hose	1	
13	90460-41191	CLAMP, hose	1	
14	3TU-14411-00	CASE, air cleaner 1	1	
15	3TU-14453-00	JOINT, air cleaner 1	1	
16	90450-99050	HOSE CLAMP ASSY	1	
17	1VJ-14462-00	SEAL	1	
18	2RH-14451-00	ELEMENT, air cleaner	1	
19	2RH-14412-01	CAP, cleaner case 1	1	
20	3TU-14437-00	DUCT	1	
21	2RH-14472-00	PLATE, element	1	
22	97780-50125	SCREW, tapping	5	
23	3TU-14458-00	GUIDE	1	
24	90119-06118	BOLT, with washer	1	
25	3TU-13581-00	CHAMBER, air	1	
26	90159-06033	SCREW, with washer	2	
27	3TU-13584-00	PIPE, intake manifold	1	
28	90467-19051	CLIP	2	

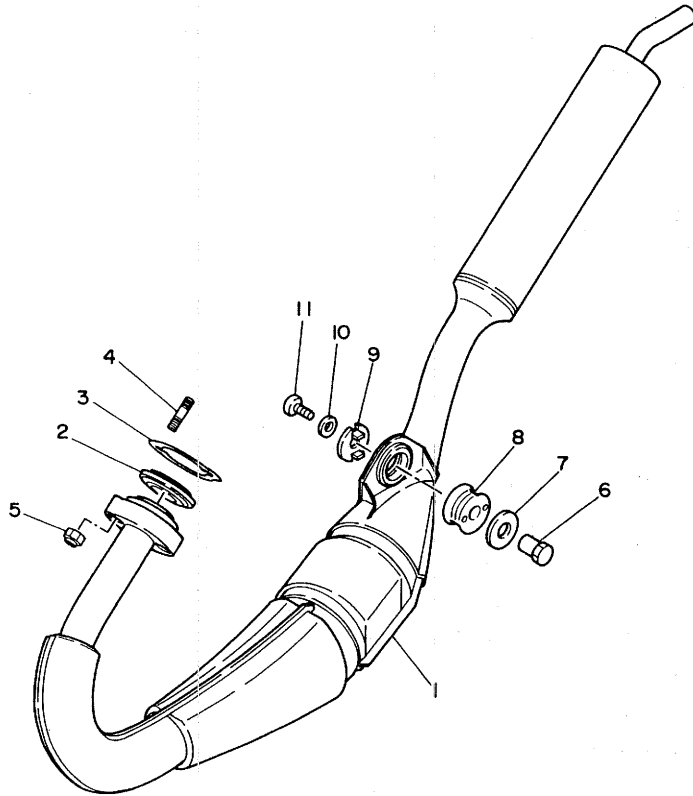


3TU1010-0070

FIG. 7 CARBURETOR

REF. NO.	PART NO.	DESCRIPTION	Q'TY	REMARKS
1	3TU-14101-00	CARBURETOR ASSY 1	1	
2	214-14147-00	.O-RING	1	
3	4A5-14145-00	.SETTER, needle jet	1	
4	127-14143-16	.JET, main (# 80)	1	
5	4U5-14141-10	.NOZZLE, main	1	
6	353-14184-00	.GASKET, float chamber	1	
7	98503-04014	.SCREW, pan head	4	
8	92902-04100	.WASHER, spring	4	
9	3TU-14193-00	.PIPE	1	
10	3TU-14149-00	.PIPE	1	
11	132-14146-00	.PLATE	1	
12	12R-14191-00	.PLUG, drain	1	
13	26X-14171-00	.PLUNGER, starter	1	
14	5L6-14131-00	.SPRING, throttle valve	1	
15	17W-14112-20	.VALVE, throttle 1	1	
16	4U5-14185-00	.FLOAT	1	
17	353-14186-00	.PIN, float	1	
18	3L5-14190-01	.NEEDLE VALVE ASSY	1	
19	260-14142-30	.JET, pilot (# 30)	1	
20	363-14137-00	.CLIP	1	
21	3X3-14169-00	.CAP	1	
22	4U5-14126-00	.GASKET	1	
23	4U5-14158-00	.TOP, mixing chamber	1	
24	29U-14106-00	.CABLE ADJUST SCREW SET	1	
25	12G-14104-00	.AIR SCREW SET	1	
26	12G-1490J-00	.NEEDLE SET (4I05)	1	
27	12G-14103-00	.THROTTLE SCREW SET	1	

FIG. 8 EXHAUST



REF. NO.	PART NO.	DESCRIPTION	Q'TY	REMARKS
1	3TU-14710-21	MUFFLER ASSY 1	1	
2	3TU-14613-01	GASKET, exhaust pipe	1	
3	3TU-14643-00	GASKET 3	1	
4	95611-08335	BOLT, stud	2	
5	90185-08097	NUT, self-locking	2	
6	90179-08611	NUT	1	
7	90201-157E7	WASHER, plate	1	
8	5R2-14737-00	DAMPER, muffler	1	
9	5R2-14759-00	WASHER	1	
10	90201-087F0	WASHER, plate	1	
11	90110-08192	BOLT, hexagon socket head	1	



3TU1010-0080

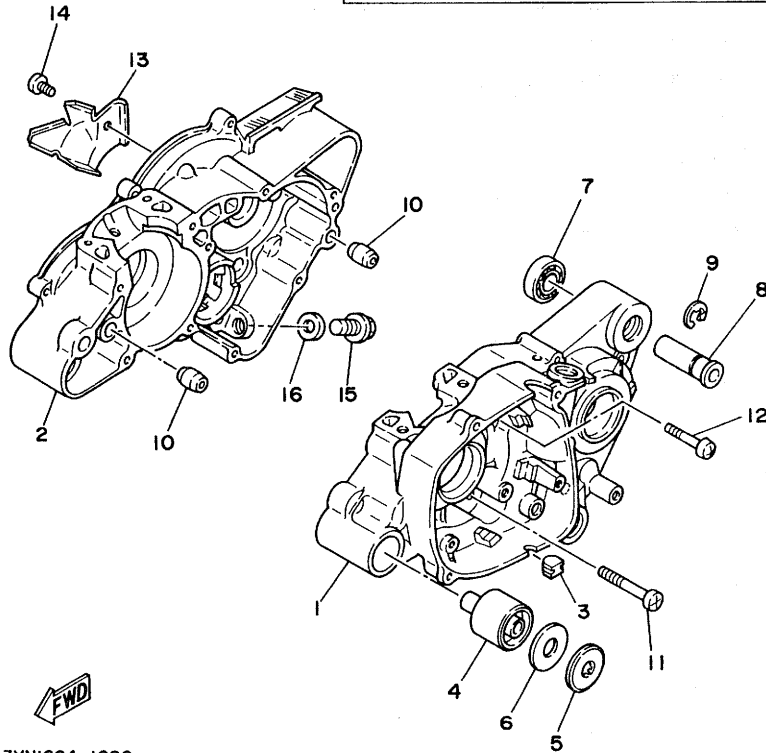
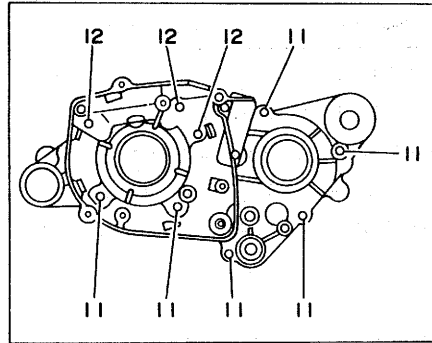


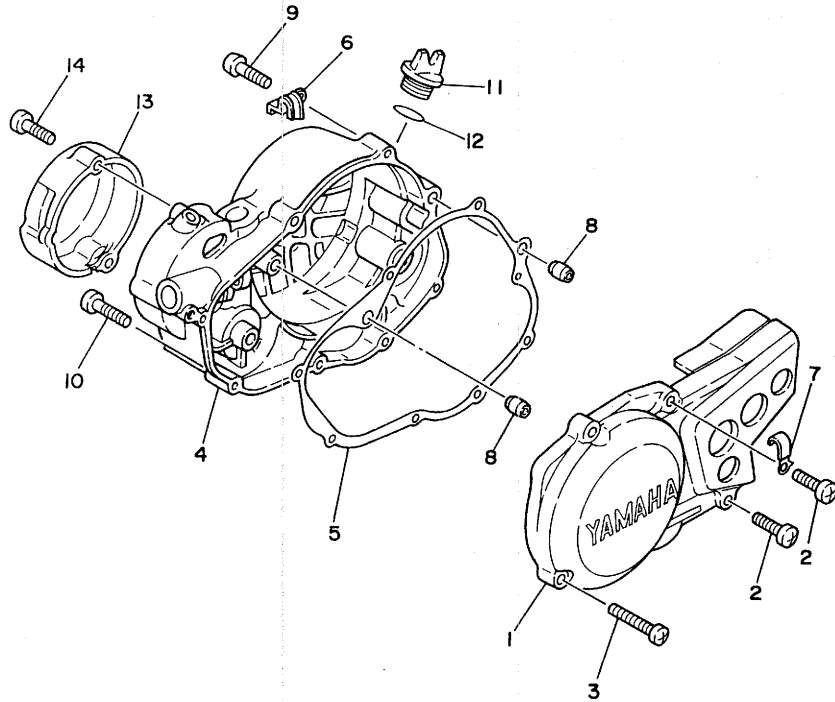
FIG. 9 CRANKCASE

REF. NO.	PART NO.	DESCRIPTION	Q'TY	REMARKS
1	5R2-15111-04	CRANKCASE 1	1	
2	5R2-15121-02	CRANKCASE 2	1	
3	90480-08349	GROMMET	1	
4	17W-15316-00	DAMPER, engine mount 1	2	
5	5R2-15328-00	SPACER, damper	1	
6	90209-16227	WASHER	1	
7	93306-00201	BEARING	2	
8	5R2-15317-01	SPACER, engine mount	2	
9	93440-15012	CIRCLIP	2	
10	99510-12016	PIN, dowel	2	
11	98503-06045	SCREW, pan head	6	
12	98501-06035	SCREW, pan head	3	
13	5R2-15113-00	PLATE	1	
14	98501-06012	SCREW, pan head	1	
15	90340-12097	PLUG, straight screw	1	
16	90430-12038	GASKET	1	



3YN1664-1090

FIG. 10 CRANKCASE COVER 1

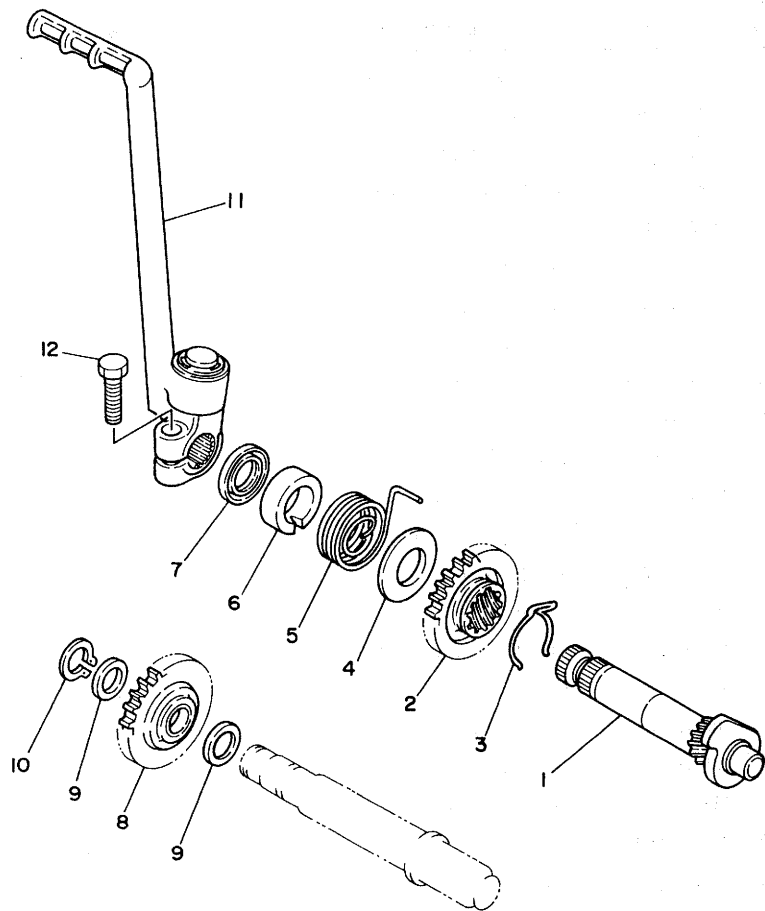


REF. NO.	PART NO.	DESCRIPTION	Q'TY	REMARKS
1	3TU-15411-00	COVER, crankcase 1	1	
2	98506-06025	SCREW, pan head	2	
3	98506-06040	SCREW, pan head	3	
4	2UV-15421-00	COVER, crankcase 2	1	
5	5R2-15461-01	GASKET, crankcase cover 2	1	
6	90462-10120	CLAMP	1	
7	90465-06332	CLAMP	1	
8	99530-10014	PIN, dowel	2	
9	92516-06030	SCREW, pan head	6	
10	98506-06035	SCREW, pan head	2	
11	1RG-15363-00	PLUG, oil	1	
12	93210-19123	O-RING	1	
13	3FY-15431-00	COVER, crankcase 3	1	
14	92516-06030	SCREW, pan head	2	



3TU1010-0100

FIG. 11 STARTER

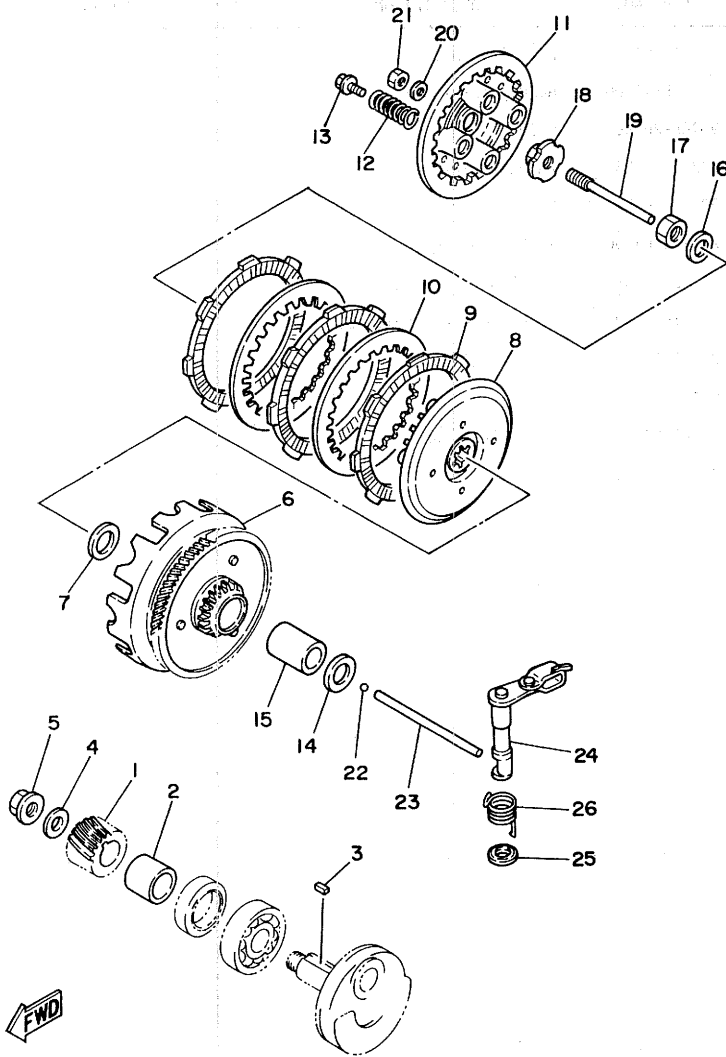


REF. NO.	PART NO.	DESCRIPTION	Q'TY	REMARKS
1	2UV-15660-01	KICK AXLE ASSY	1	
2	4V0-15641-00	GEAR, kick (24T)	1	
3	90468-26046	CLIP	1	
4	90201-176L4	WASHER, plate	1	
5	90508-26750	SPRING, torsion	1	
6	2UV-15664-00	GUIDE, spring	1	
7	93102-17004	OIL SEAL	1	
8	10X-15651-00	GEAR, sprocket idle (25T)	1	
9	90201-124F8	WASHER, plate	2	
10	99009-12400	CIRCLIP	1	
11	3MA-15620-00	KICK CRANK ASSY	1	
12	97013-08025	BOLT	1	



3TU1010-0110

FIG. 12 CLUTCH



3TU1010-0120

REF. NO.	PART NO.	DESCRIPTION	Q'TY	REMARKS
1	5R2-16111-00	GEAR, primary drive (19T)	1	
2	90387-20346	COLLAR	1	
3	90282-05034	KEY, straight	1	
4	90208-12015	WASHER, conical spring	1	
5	90179-12244	NUT	1	
6	3TU-16150-00	PRIMARY DRIVEN GEAR COMP. (68T)	1	
7	122-16164-00	PLATE, thrust 2	1	
8	353-16371-00	BOSS, clutch	1	
9	131-16321-00	PLATE, friction	3	
10	257-16324-00	PLATE, clutch 1	2	
11	5R2-16351-00	PLATE, pressure 1	1	
12	90501-20125	SPRING, compression	4	
13	90119-05001	BOLT, with washer	4	
14	122-16164-00	PLATE, thrust 2	1	
15	90560-17147	SPACER	1	
16	90208-12015	WASHER, conical spring	1	
17	90170-12060	NUT	1	
18	30X-16358-00	PLATE, push	1	
19	1W1-16356-02	ROD, push 1	1	
20	92901-06200	WASHER, plain	1	
21	95303-06600	NUT	1	
22	93503-16010	BALL	1	
23	5R2-16357-00	ROD, push 2	1	
24	5R2-16380-00	PUSH LEVER ASSY	1	
25	93109-14021	OIL SEAL	1	
26	90508-18738	SPRING, torsion	1	

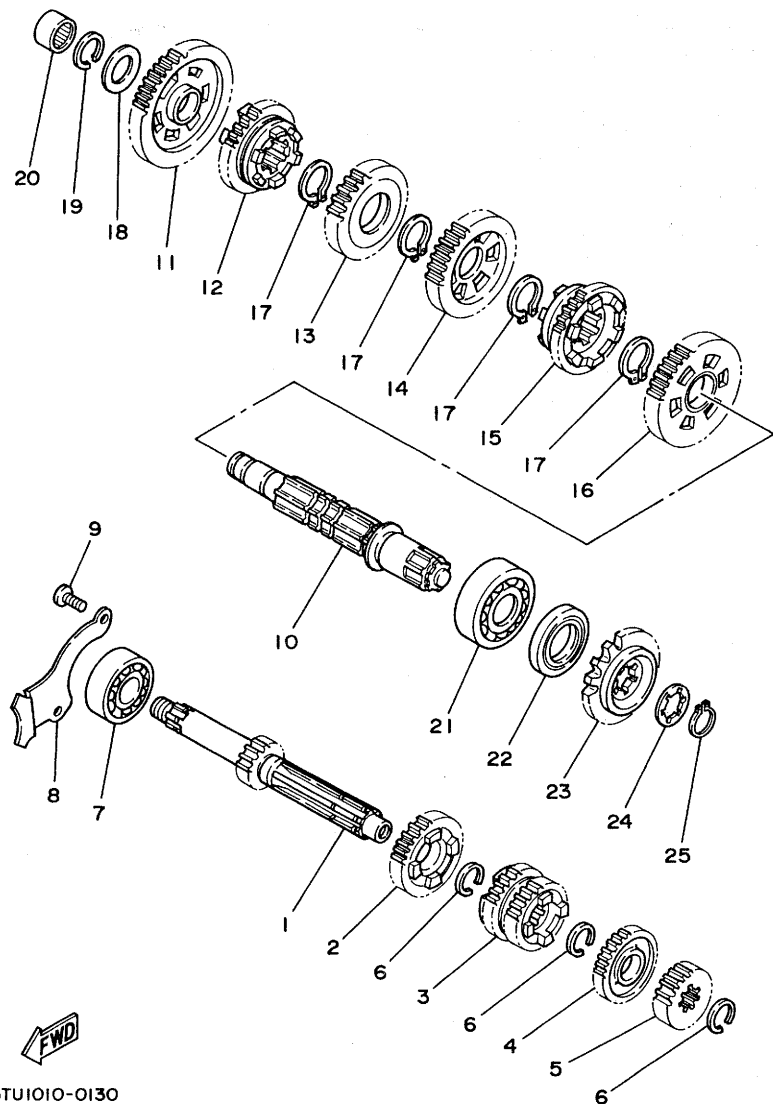


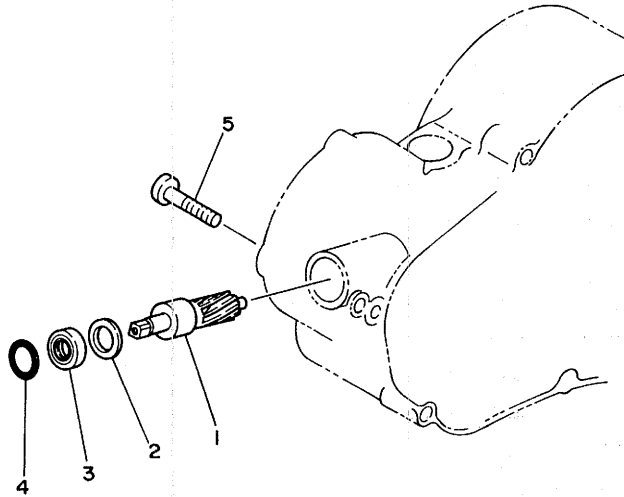
FIG. 13 TRANSMISSION

REF. NO.	PART NO.	DESCRIPTION	Q'TY	REMARKS
1	5R2-17411-00	AXLE, main (12T)	1	
2	5R2-17151-00	GEAR, 5th pinion (25T)	1	
3	5R2-17131-01	GEAR, 3rd/4th pinion (20/22T)	1	
4	5R2-17161-00	GEAR, 6th pinion (26T)	1	
5	5R2-17121-00	GEAR, 2nd pinion (16T)	1	
6	93440-16089	CIRCLIP	3	
7	93306-20333	BEARING	1	
8	5R2-17471-00	PLATE, cover	1	
9	98501-06012	SCREW, pan head	2	
10	3TU-17421-00	AXLE, drive	1	
11	5R2-17211-00	GEAR, 1st wheel (39T)	1	
12	5R2-17251-00	GEAR, 5th wheel (26T)	1	
13	5R2-17241-00	GEAR, 4th wheel (27T)	1	
14	5R2-17231-00	GEAR, 3rd wheel (31T)	1	
15	5R2-17261-00	GEAR, 6th wheel (24T)	1	
16	5R2-17221-00	GEAR, 2nd wheel (34T)	1	
17	93410-20038	CIRCLIP	4	
18	164-17427-00-06	SHIM 1 (0.6T)	1	UN
	164-17427-00-10	SHIM 1 (1.0T)	1	UN
19	93440-15012	CIRCLIP	1	
20	93315-31502	BEARING, cylindrical	1	
21	93306-20401	BEARING (B6204)	1	
22	93102-20143	OIL SEAL	1	
23	3TU-17460-00	DRIVE SPROCKET ASSY (12T)	1	
24	90209-16209	WASHER	1	
25	99009-18400	CIRCLIP	1	

3TU1010-0130

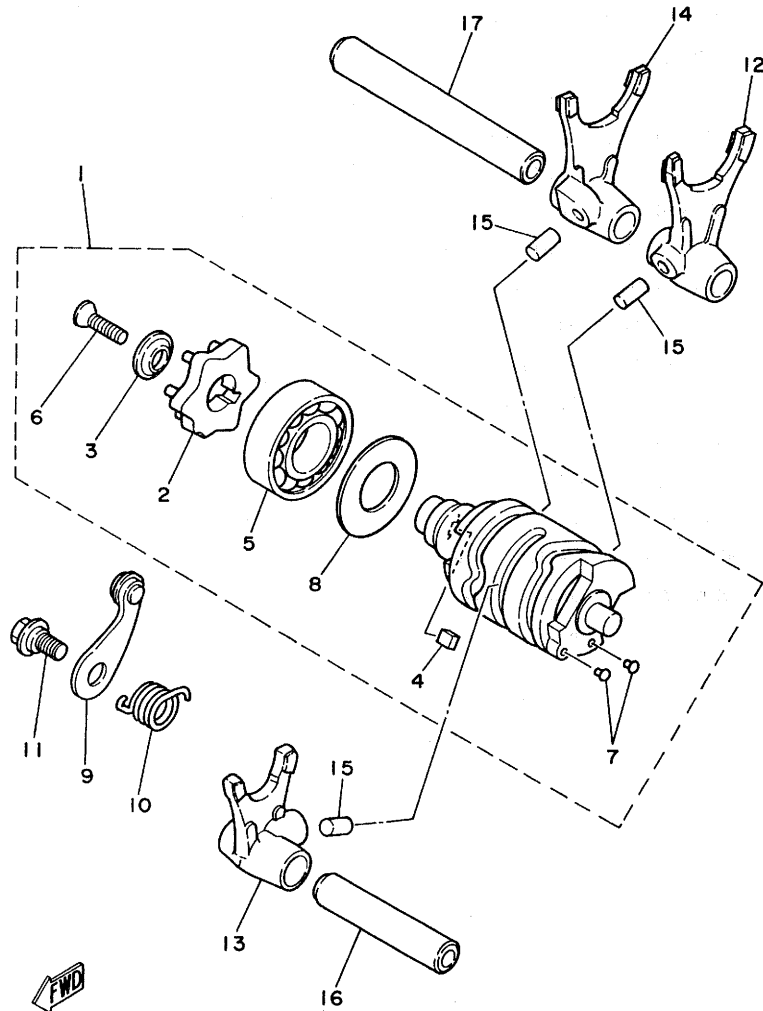
FIG. 14 TACHOMETER GEAR

REF. NO.	PART NO.	DESCRIPTION	Q'TY	REMARKS
1	5R2-17841-00	GEAR, driven (10T)	1	
2	90201-12M34	WASHER, plate	1	
3	93102-08307	OIL SEAL	1	
4	93210-14104	O-RING	1	
5	92516-06030	SCREW, pan head	1	



17W010-2150

FIG. 15 SHIFT CAM. FORK

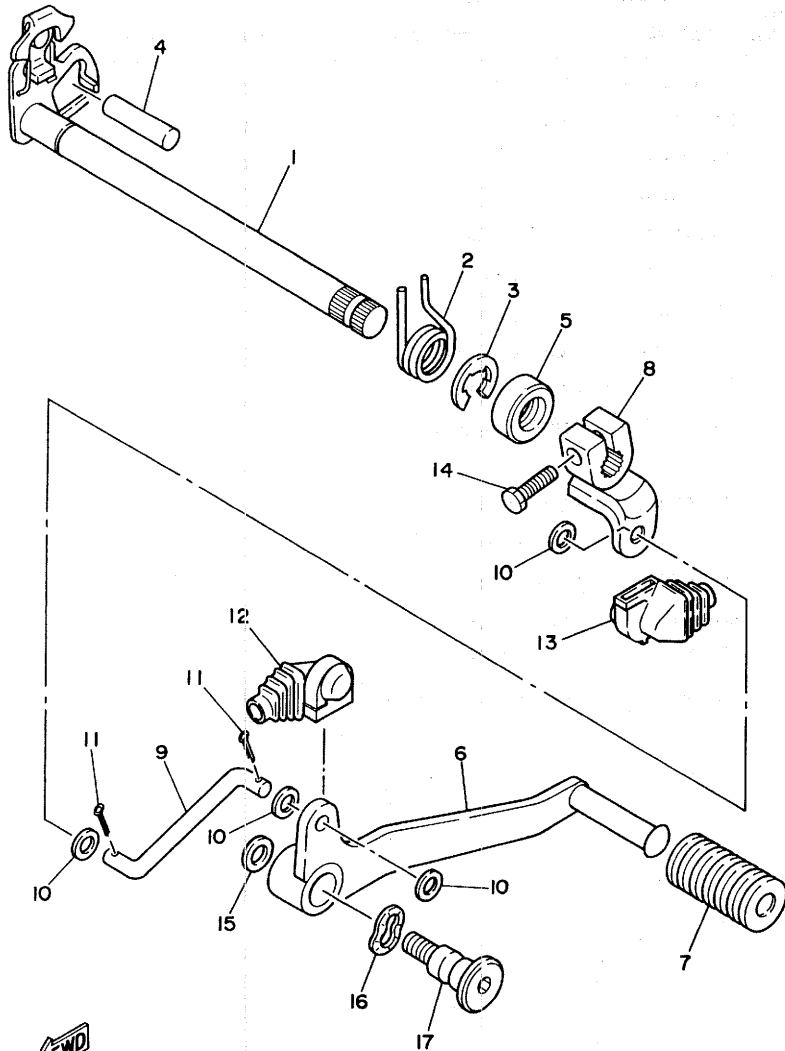


REF. NO.	PART NO.	DESCRIPTION	Q'TY	REMARKS
1	17W-18540-00	SHIFT CAM ASSY	1	
2	5R2-18185-00	.SEGMENT	1	
3	3R4-18561-00	.PLATE, side 1	1	
4	90282-04036	.KEY, straight	1	
5	93306-00406	.BEARING (B6004Z)	1	
6	98701-05016	.SCREW, flat head	1	
7	136-18542-00	.POINT, neutral	2	
8	90201-203F0	.WASHER, plate	1	
9	5R2-18140-00	STOPPER LEVER ASSY	1	
10	90508-26561	SPRING, torsion	1	
11	90109-063F7	BOLT	1	
12	4V0-18511-00	FORK, shift 1	1	
13	4V0-18512-00	FORK, shift 2	1	
14	4V0-18513-00	FORK, shift 3	1	
15	90250-06013	PIN, straight	3	
16	5X5-18531-01	BAR, shift fork guide 1	1	
17	5X5-18535-01	BAR, shift fork guide 2	1	



17W010-2160

FIG. 16 SHIFTER



3TU1010-0160

REF. NO.	PART NO.	DESCRIPTION	Q'TY	REMARKS
1	5R2-18101-03	SHIFT SHAFT ASSY	1	
2	90508-32642	SPRING, torsion	1	
3	99006-10600	CIRCLIP	1	
4	93608-30152	PIN, dowel	1	
5	93109-12012	OIL SEAL	1	
6	3TU-18111-00	PEDAL, shift	1	
7	132-18113-01	COVER, shift pedal	1	
8	3TU-18112-00	ARM, shift	1	
9	3TU-18115-00	ROD, shift	1	
10	92901-06200	WASHER, plain	4	
11	91401-20015	PIN, cotter	2	
12	5R2-18154-00	COVER, dust	1	
13	10W-18154-00	COVER, dust	1	
14	97016-06020	BOLT	1	
15	90201-081H4	WASHER, plate	1	
16	90206-12074	WASHER, wave	1	
17	2YK-27434-01	BOLT	1	

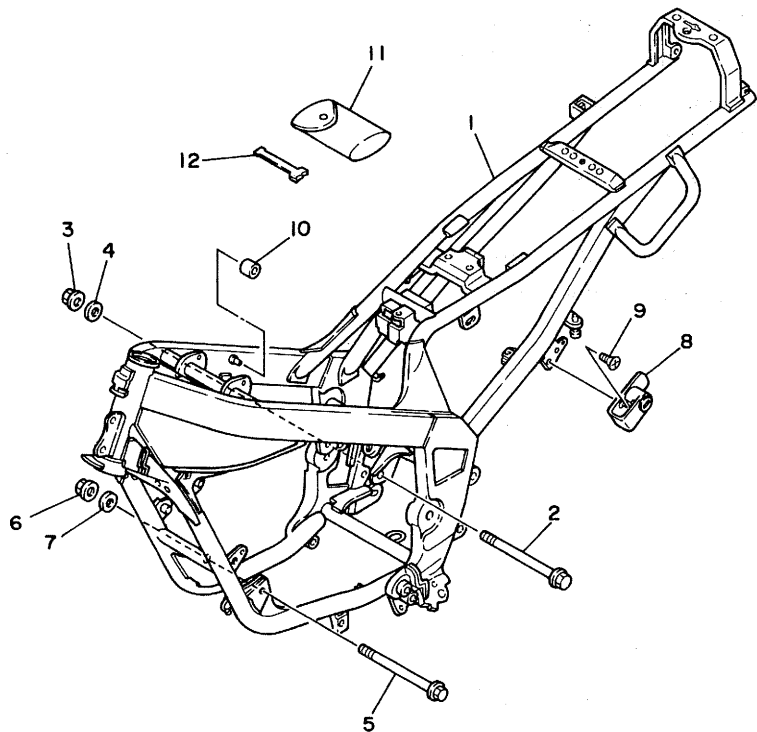
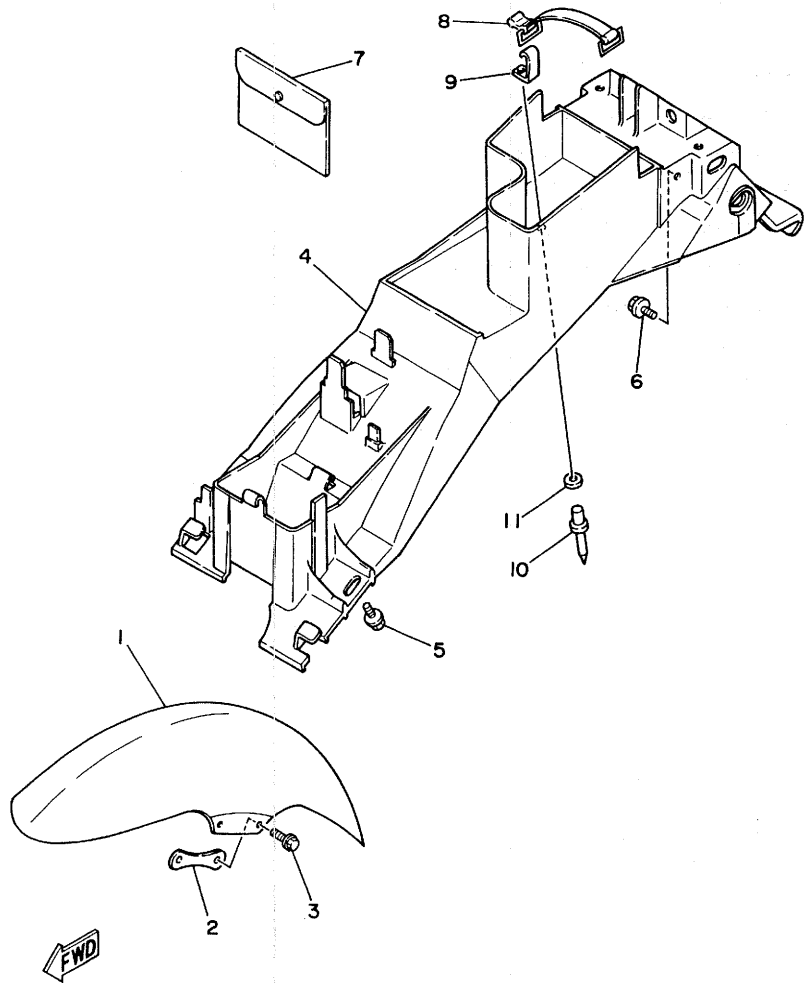


FIG. 17 FRAME

REF. NO.	PART NO.	DESCRIPTION	Q'TY	REMARKS
1	3TU-21110-00-35	FRAME COMP.	1	SILVER
2	90105-10052	BOLT, washer based	1	
3	90179-10394	NUT	1	
4	90201-102J5	WASHER, plate	1	
5	95811-08125	BOLT, flange	1	
6	90179-08572	NUT	1	
7	90201-09461	WASHER, plate	1	
8	55E-21308-00	HELMET HANGER ASSY	1	
9	90151-06025	SCREW, countersunk	1	
10	90445-12718	HOSE	2	
11	3TU-28100-00	TOOL KIT	1	
12	3M7-15361-00	GAUGE, level	1	



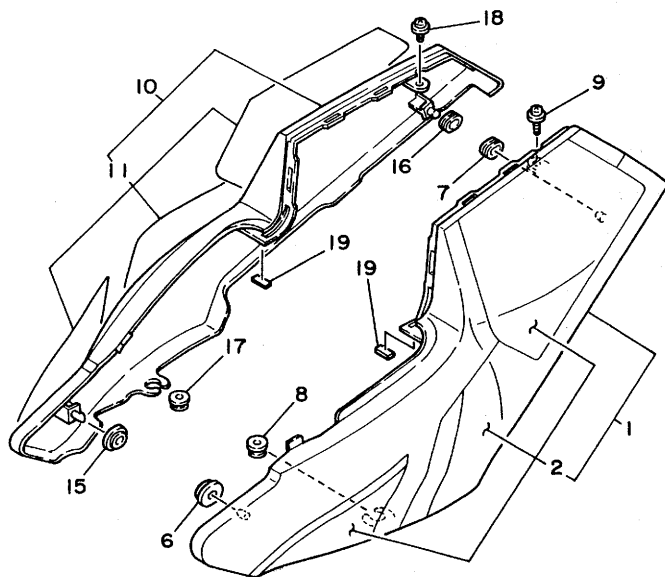
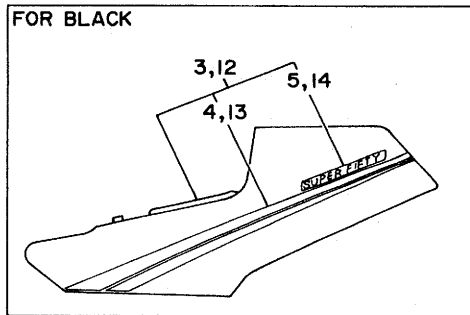
3TU1010-0170



3TU1010-0180

FIG. 18 FENDER

REF. NO.	PART NO.	DESCRIPTION	Q'TY	REMARKS
1	3TU-21511-00	FENDER, front	1	UR WHITE
	3TU-21511-10	FENDER, front	1	UR YAMAHA BLACK
2	2RR-21526-00	PLATE, stay fitting 1	2	
3	95023-06016	BOLT	4	
4	3TU-21611-00	FENDER, rear	1	
5	90119-06114	BOLT, with washer	2	
6	90119-06044	BOLT, with washer	2	
7	4U7-28186-00	POUCH	1	
8	3TJ-82131-00	BAND, battery	1	
9	2AL-2162A-00	HOOK	1	
10	90267-40073	RIVET, blind	1	
11	90201-04M06	WASHER, plate	1	

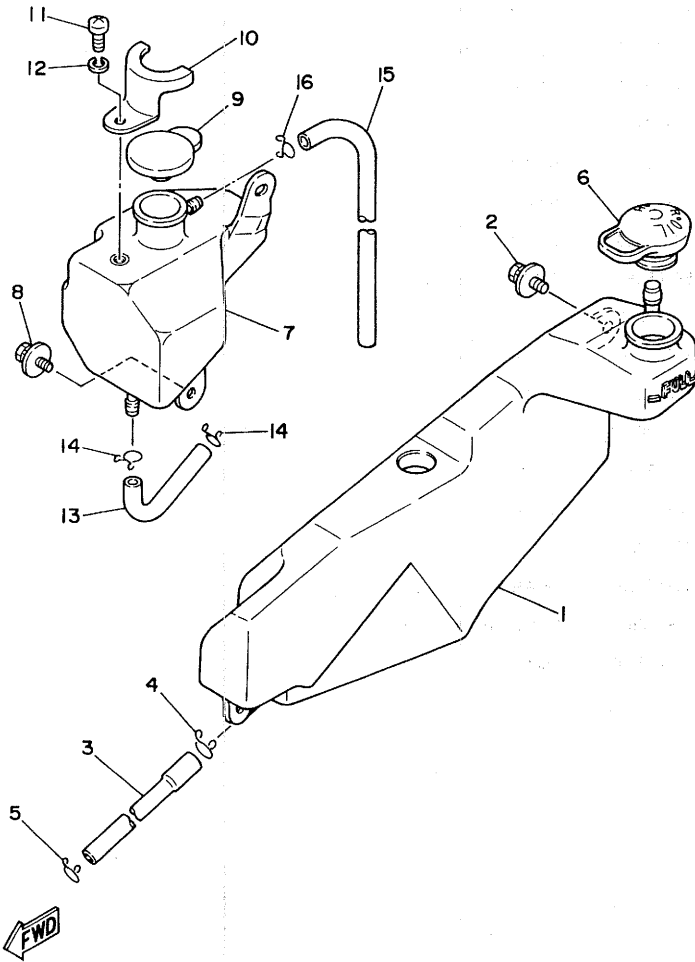


3TUI010-0191

FIG. 19 SIDE COVER

REF. NO.	PART NO.	DESCRIPTION	Q'TY	REMARKS
1	3TU-Y2171-00	COVER, side 1	1	UR WHITE
2	3TU-2173L-01	.GRAPHIC SET 1	1	
3	3TU-Y2171-10	COVER, side 1	1	UR YAMAHA BLACK
4	3TU-2173E-11	.GRAPHIC 1	1	
5	3TU-21737-10	.EMBLEM	1	
6	90480-01401	GROMMET	1	
7	90480-22084	GROMMET	1	
8	90480-12320	GROMMET	1	
9	90159-05061	SCREW, with washer	1	
10	3TU-Y2172-00	COVER, side 2	1	UR WHITE
11	3TU-2174L-01	.GRAPHIC SET 2	1	
12	3TU-Y2172-10	COVER, side 2	1	UR YAMAHA BLACK
13	3TU-2173F-11	.GRAPHIC 2	1	
14	3TU-21737-10	.EMBLEM	1	
15	90480-01401	GROMMET	1	
16	90480-22084	GROMMET	1	
17	90480-12320	GROMMET	1	
18	90159-05061	SCREW, with washer	1	
19	3TU-2178A-00	LABEL	2	

FIG. 20 OIL TANK



3TUI010-0200

REF. NO.	PART NO.	DESCRIPTION	Q'TY	REMARKS
1	3TU-21751-00	TANK, oil	1	
2	90119-06056	BOLT, with washer	2	
3	3TU-21766-00	PIPE, oil	1	
4	90467-10008	CLIP	1	
5	90467-08003	CLIP	1	
6	2N3-21771-01	BODY, cap	1	
7	3TU-21871-00	TANK, recovery	1	
8	90119-06056	BOLT, with washer	2	
9	1AA-21815-00	CAP	1	
10	3MA-2172N-00	BRACKET 4	1	
11	98506-06010	SCREW, pan head	1	
12	92906-06100	WASHER, spring	1	
13	3TU-21817-00	PIPE 2	1	
14	90467-09006	CLIP	2	
15	3TU-21826-00	PIPE, breather	1	
16	90467-08003	CLIP	1	

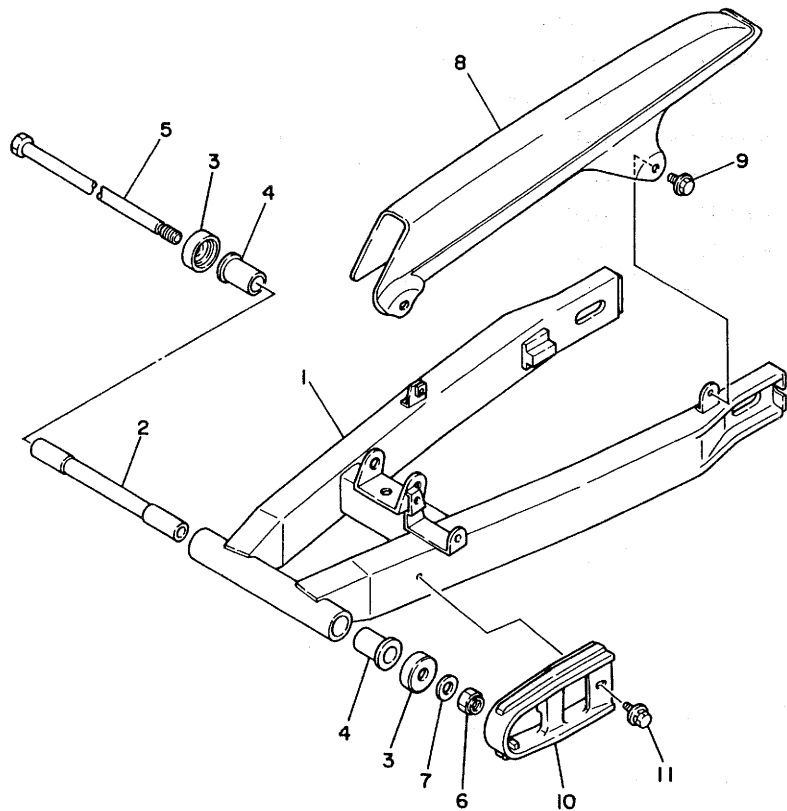


FIG. 21 REAR ARM

REF. NO.	PART NO.	DESCRIPTION	Q'TY	REMARKS
1	3TU-22110-00-35	REAR ARM COMP.	1	SILVER
2	3FY-22184-00	BUSH	1	
3	401-22128-01	SEAL, guard	2	
4	90386-18099	BUSH	2	
5	307-22141-10	SHAFT, pivot	1	
6	90185-12046	NUT, self-locking	1	
7	90201-12535	WASHER, plate	1	
8	3TU-22311-00	CASE, chain	1	
9	90119-06117	BOLT, with washer	2	
10	3TU-22151-00	SEAL, guard	1	
11	90119-06056	BOLT, with washer	1	



3YN1664-1210



3YNI664-1220

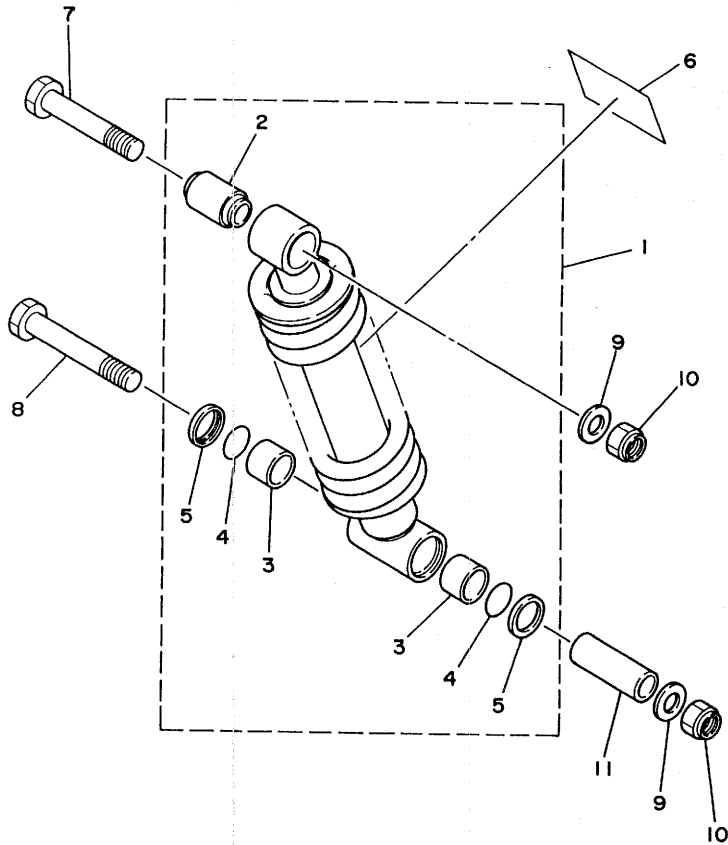


FIG. 22 REAR SUSPENSION

REF. NO.	PART NO.	DESCRIPTION	Q'TY	REMARKS
1	3TU-22210-00	SHOCK ABSORBER ASSY, rear	1	
2	34L-22216-00	.BUSH, rear shock absorber	1	
3	90384-18157	.BUSH, bimetal formed	2	
4	93210-18608	.O-RING	2	
5	31M-22473-00	.HOUSING, seal ring	2	
6	3LD-22259-10	LABEL, warning	1	
7	90101-12558	BOLT	1	
8	90101-12676	BOLT	1	
9	90201-12535	WASHER, plate	2	
10	95601-12100	NUT, u	2	
11	90387-124H0	COLLAR	1	

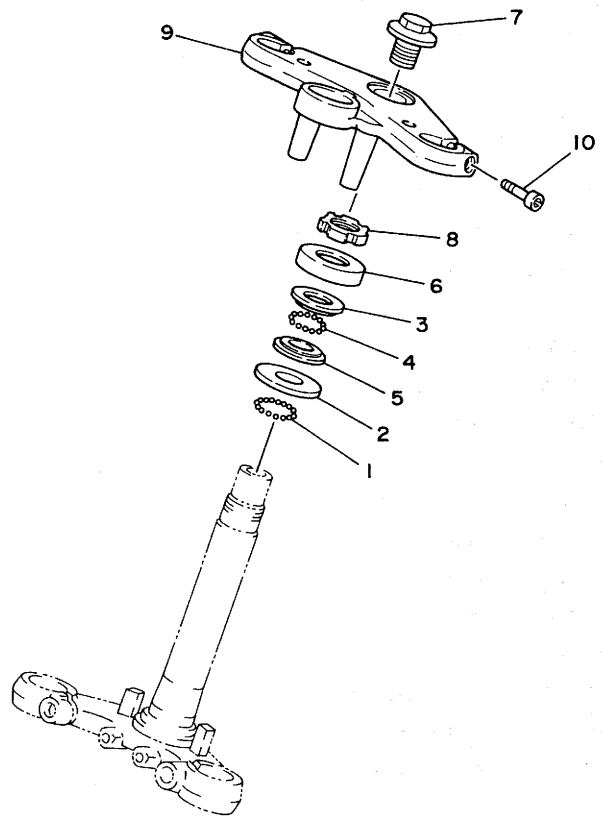
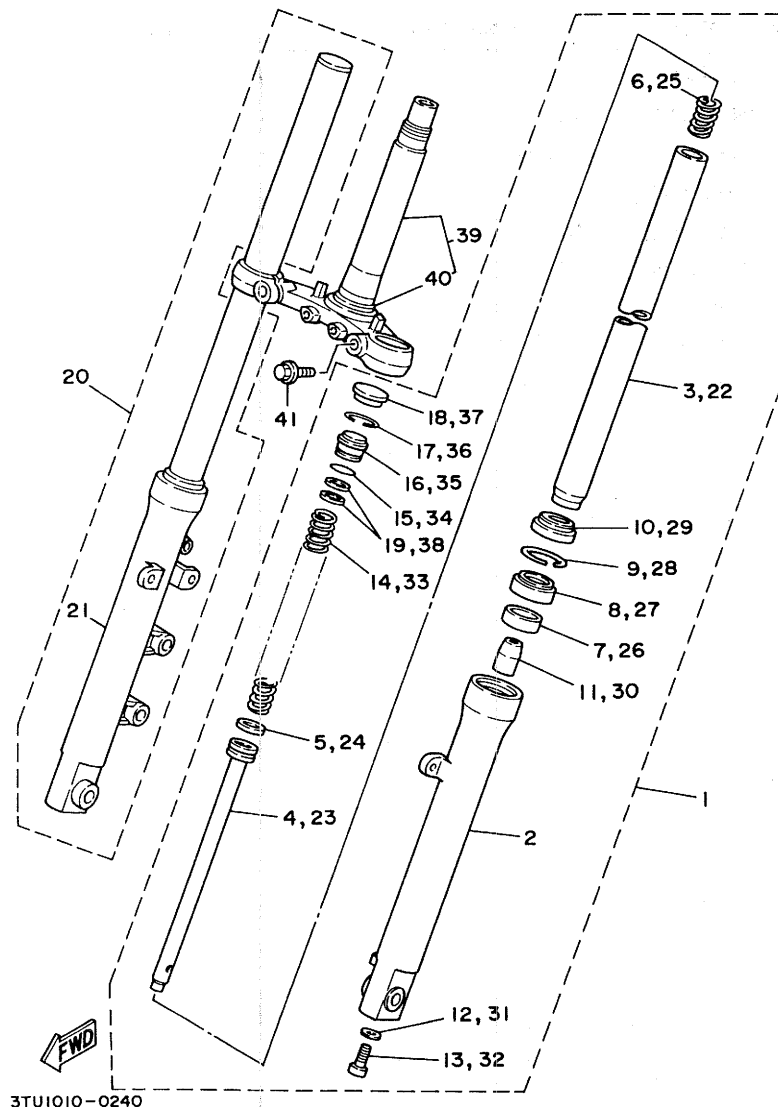


FIG. 23 STEERING

REF. NO.	PART NO.	DESCRIPTION	Q'TY	REMARKS
1	93501-04011	BALL	19	
2	156-23412-00	RACE, ball 2	1	
3	122-23411-00	RACE, ball 1	1	
4	93503-16010	BALL	22	
5	122-23412-00	RACE, ball 2	1	
6	122-23416-00	COVER, ball race 2	1	
7	90105-14102	BOLT, washer based	1	
8	90179-25033	NUT	1	
9	3TU-23435-00	CROWN, handle	1	
10	91311-08030	BOLT	2	



3TU1010-0230



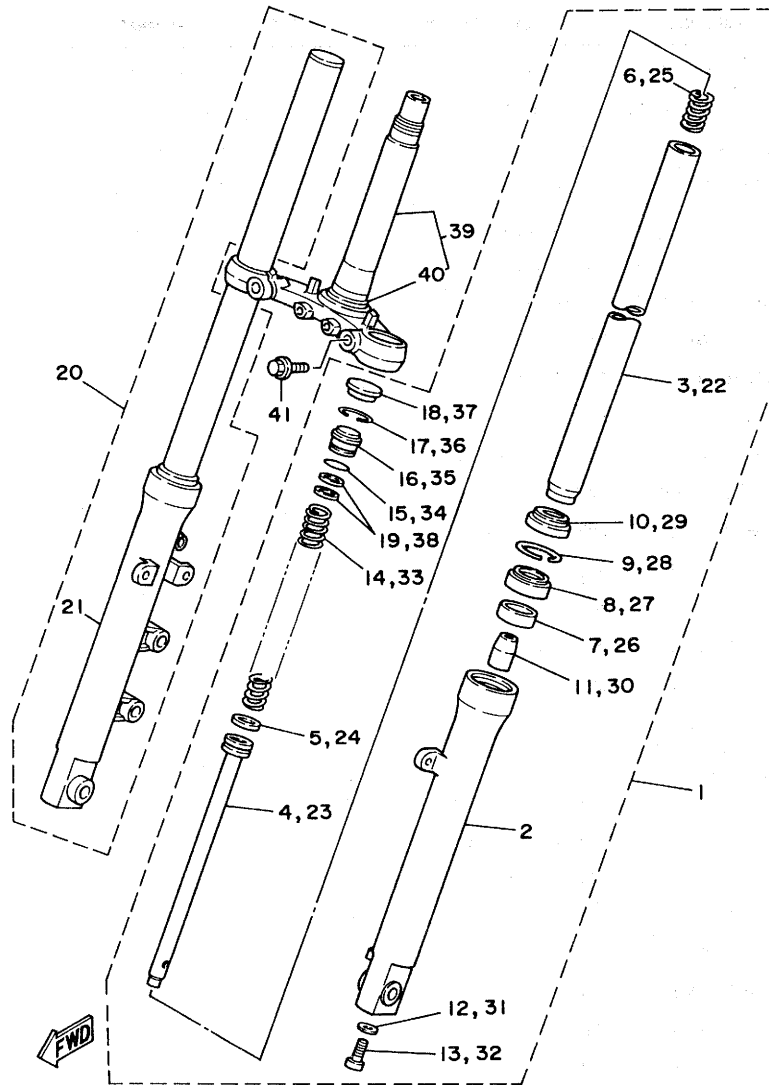
3TUI010-0240

FIG. 24 FRONT FORK

REF. NO.	PART NO.	DESCRIPTION	Q'TY	REMARKS
1	3TU-23102-00	FRONT FORK ASSY (L.H)	1	
2	3TU-23126-00	.TUBE, outer 1	1	
3	3TU-23110-00	.INNER TUBE COMP.1	1	
4	3TU-23171-00	.PISTON, front fork	1	
5	3TU-23157-00	.RING, piston	1	
6	3TU-23151-00	.SPRING, rebound	1	
7	3FY-23125-00	.METAL, slide 1	1	
8	93110-30008	.OIL SEAL	1	
9	93450-43072	.CIRCLIP	1	
10	10W-23144-F0	.SEAL, dust	1	
11	5H5-23173-00	.SPINDLE, taper	1	
12	90430-08155	.GASKET	1	
13	91311-08025	.BOLT	1	
14	3TU-23141-00	.SPRING, front fork	1	
15	93210-21276	.O-RING	1	
16	5H5-23111-00	.BOLT, cap	1	
17	93450-27071	.CIRCLIP	1	
18	5H5-23154-00	.PLUG, inner tube	1	
19	92990-14600	.WASHER	2	
20	3TU-23103-00	FRONT FORK ASSY (R.H)	1	
21	3TU-23136-00	.TUBE, outer 2	1	
22	3TU-23110-00	.INNER TUBE COMP.1	1	
23	3TU-23171-00	.PISTON, front fork	1	
24	3TU-23157-00	.RING, piston	1	
25	3TU-23151-00	.SPRING, rebound	1	
26	3FY-23125-00	.METAL, slide 1	1	
27	93110-30008	.OIL SEAL	1	
28	93450-43072	.CIRCLIP	1	

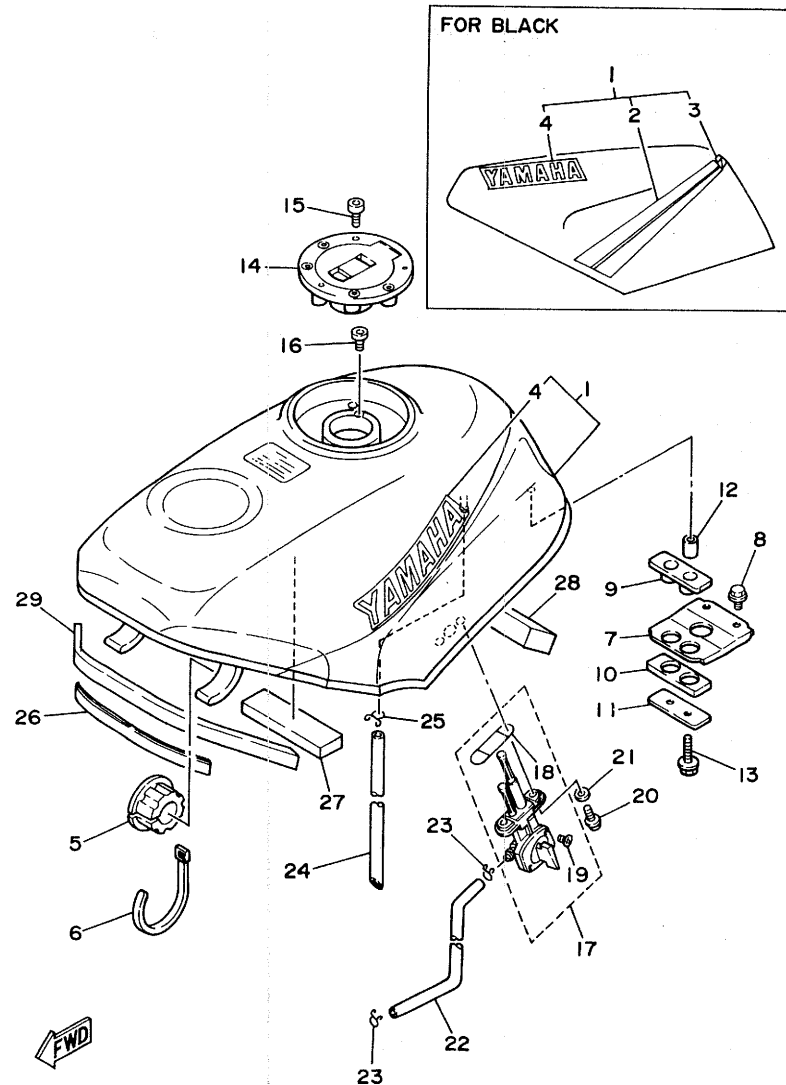
FIG. 24 FRONT FORK

REF. NO.	PART NO.	DESCRIPTION	Q'TY	REMARKS
29	10W-23144-F0	.SEAL, dust	1	
30	5H5-23173-00	.SPINDLE, taper	1	
31	90430-08155	.GASKET	1	
32	91311-08025	.BOLT	1	
33	3TU-23141-00	.SPRING, front fork	1	
34	93210-21276	.O-RING	1	
35	5H5-23111-00	.BOLT, cap	1	
36	93450-27071	.CIRCLIP	1	
37	5H5-23154-00	.PLUG, inner tube	1	
38	92990-14600	.WASHER	2	
39	3TU-23340-00	UNDER BRACKET COMP.	1	
40	156-23411-00	.RACE, ball 1	1	
41	95811-10030	BOLT, flange	2	



3TU1010-0240

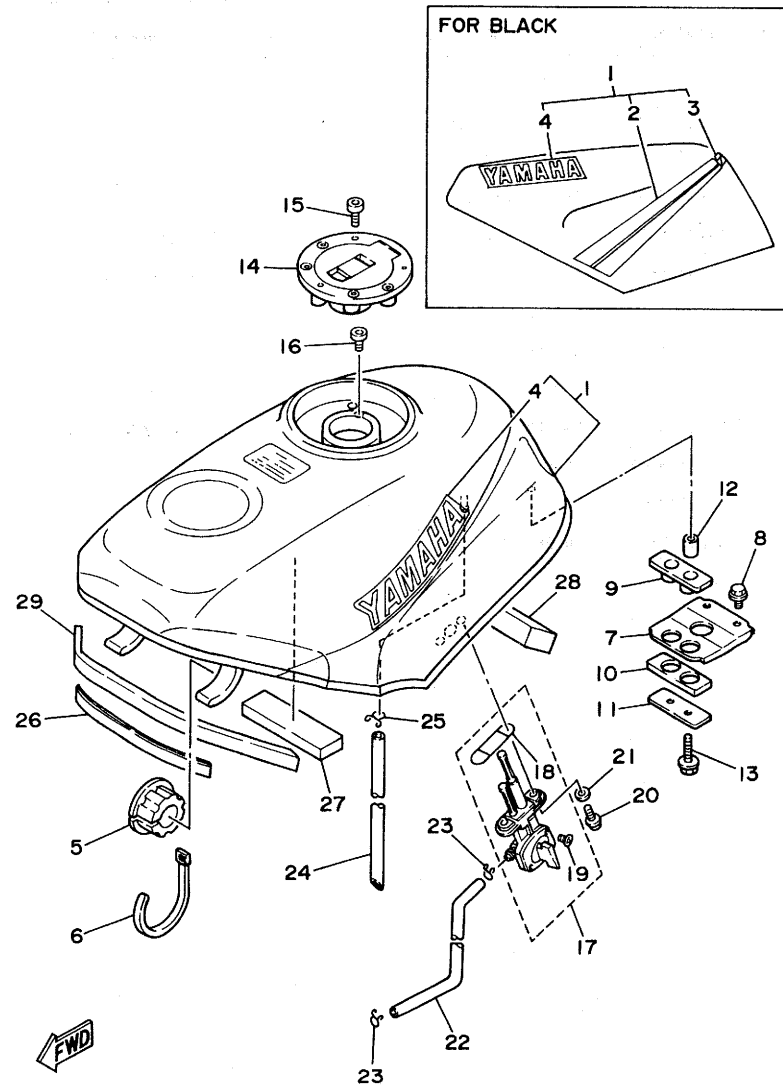
FIG. 25 FUEL TANK



3TUI010-0251

REF. NO.	PART NO.	DESCRIPTION	Q'TY	REMARKS
1	3TU-24110-00-02	FUEL TANK COMP.	1	UR YAMAHA BLACK
	3TU-24110-00-03	FUEL TANK COMP.	1	UR WHITE
2	3TU-24240-10	.GRAPHIC SET	1	UR FOR YAMAHA BLACK
3	3TU-24231-10	.EMBLEM 1	1	UR FOR YAMAHA BLACK
4	99226-00040	.EMBLEM, yamaha (SILVER)	2	UR FOR YAMAHA BLACK
	99221-00035	.EMBLEM, yamaha	2	UR FOR WHITE
5	46X-24181-00	DAMPER, locating 1	2	
6	12R-82591-00	BAND	2	
7	3TU-24192-00	BRACKET, fuel tank 2	1	
8	91001-06012	BOLT, flange	2	
9	2GH-24181-00	DAMPER, locating 1	1	
10	2GH-24183-00	DAMPER, locating 3	1	
11	2GH-24186-00	WASHER, special	1	
12	90387-06553	COLLAR	2	
13	91002-06025	BOLT, flange	2	
14	3XC-24602-00	CAP ASSY	1	
15	90110-05112	BOLT, hexagon socket head	3	
16	91311-05010	BOLT	1	
17	3TU-24500-00	FUEL COCK ASSY 1	1	
18	4X8-24512-00	.O-RING	1	
19	98503-03008	.SCREW, pan head	2	
20	90149-06011	SCREW	2	
21	90202-06010	WASHER, plate	2	
22	90445-09091	HOSE	1	
23	90467-08003	CLIP	2	
24	90445-10565	HOSE	1	
25	90467-09006	CLIP	1	
26	1HX-24188-01	MOLD, fuel tank	1	

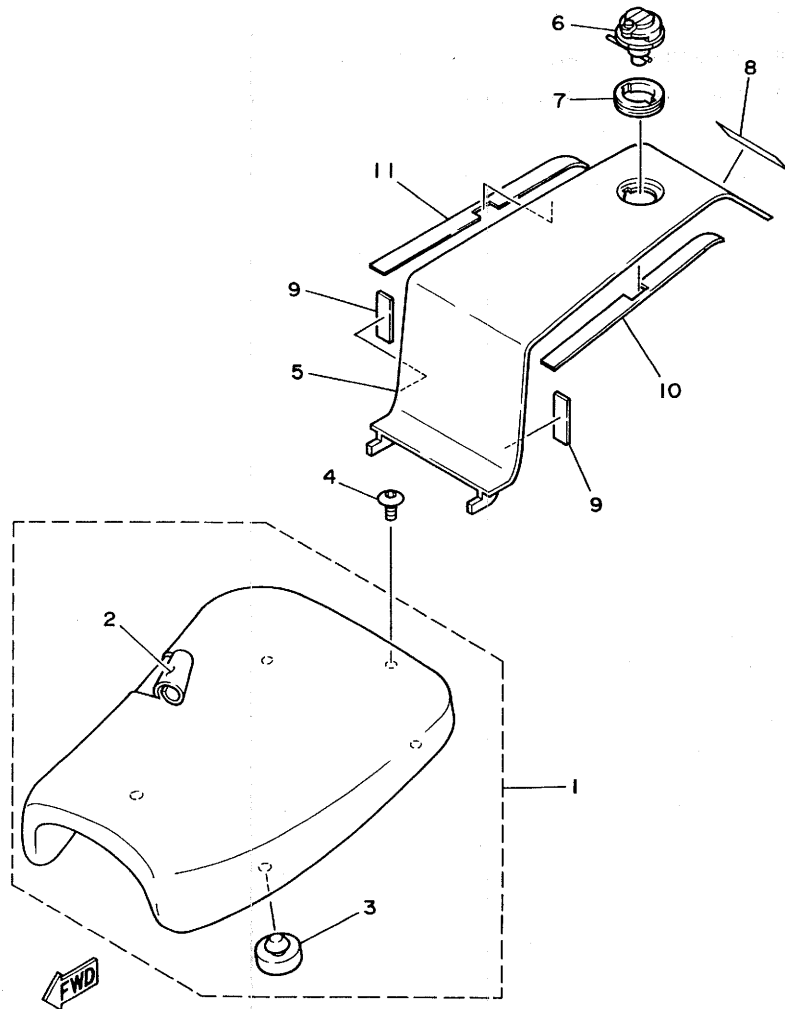
FIG. 25 FUEL TANK



3TUI010-0251

REF. NO.	PART NO.	DESCRIPTION	Q'TY	REMARKS
27	1KT-2414G-00	SEAL	1	
28	3TU-2414G-00	SEAL	1	
29	3TU-2414H-00	DAMPER, plate 1	1	

FIG. 26 SEAT



3TU1010-0260

REF. NO.	PART NO.	DESCRIPTION	Q'TY	REMARKS
1	3TU-24710-00	SINGLE SEAT ASSY	1	
2	3TU-24711-00	.COVER, single seat	1	
3	22W-24741-00	.PAD, seat	4	
4	90110-06090	BOLT, hexagon socket head	1	
5	3TU-24756-00	COVER, tail	1	UR WHITE
	3TU-24756-10	COVER, tail	1	UR YAMAHA BLACK
6	3MA-21708-00	SIDE COVER LOCK ASSY	1	
7	90480-24186	GROMMET	1	
8	3TU-24786-01	EMBLEM	1	UR FOR WHITE
	3TU-24786-11	EMBLEM	1	UR FOR YAMAHA BLACK
9	3TU-2475M-00	SEAL	2	
10	3TU-2477M-00	GRAPHIC SET, tail cover	1	
11	3TU-2477N-00	GRAPHIC SET, tail cover 2	1	

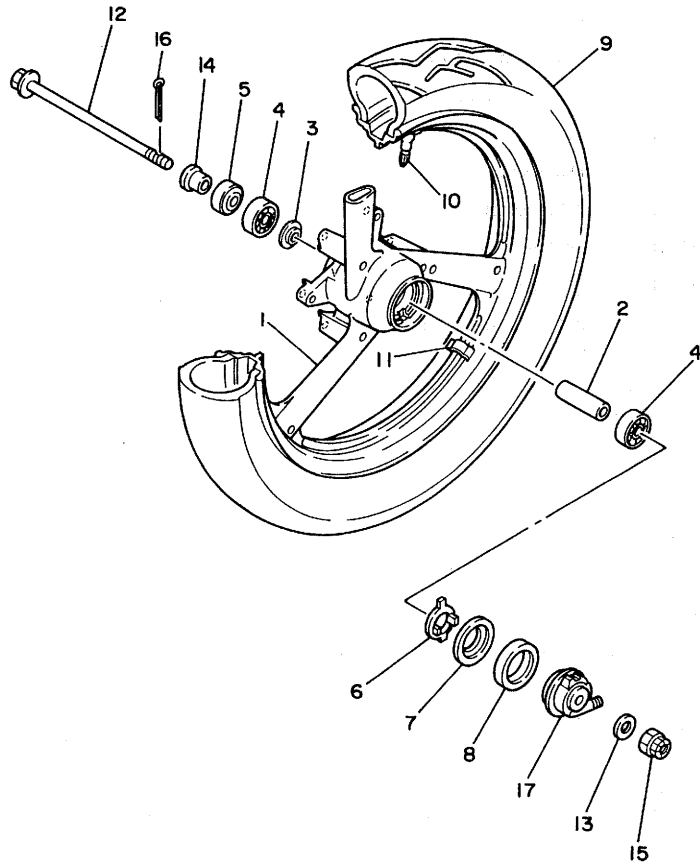


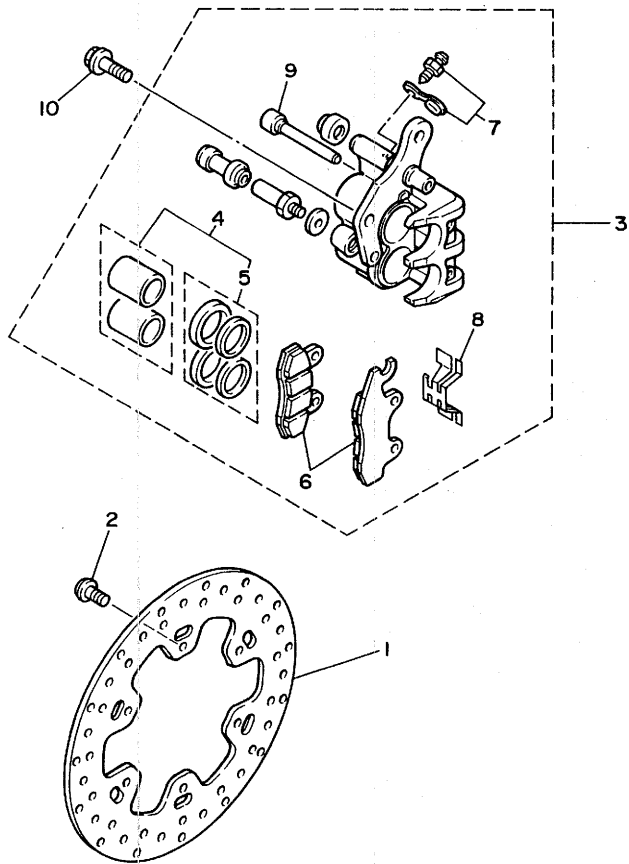
FIG. 27 FRONT WHEEL

REF. NO.	PART NO.	DESCRIPTION	Q'TY	REMARKS
1	3TU-25168-00-UA	CAST WHEEL, front	1	CAST WHEEL WHITE
2	90387-124R8	COLLAR	1	
3	109-25315-00	FLANGE, spacer	1	
4	93306-30101	BEARING (B6301)	2	
5	93106-20002	OIL SEAL	1	
6	341-25149-00	CLUTCH, meter	1	
7	341-25846-00	RETAINER, clutch	1	
8	93105-45017	OIL SEAL	1	
9	94108-163X8	TIRE (80/90-16)	1	DUNLOP
10	93900-00030	VALVE, rim	1	
11	29L-25398-00	BALANCER, wheel (10G)	1	UN
	29L-25398-10	BALANCER, wheel (20G)	1	UN
	29L-25398-20	BALANCER, wheel (30G)	1	UN
12	2J5-25381-01	AXLE, wheel	1	
13	90201-122A7	WASHER, plate	1	
14	90387-123N2	COLLAR	1	
15	95301-12900	NUT, slotted	1	
16	91401-30030	PIN, cotter	1	
17	481-25190-01	GEAR UNIT ASSY	1	



3TU1010-0270

FIG. 28 FRONT BRAKE CALIPER

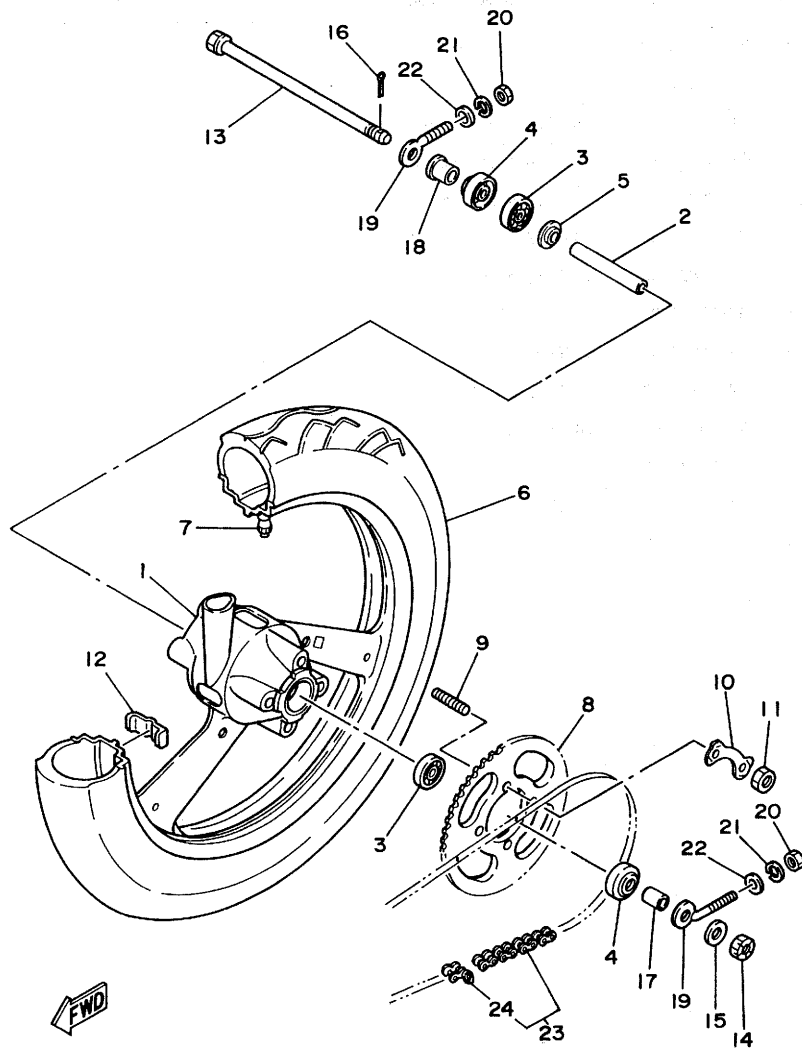


REF. NO.	PART NO.	DESCRIPTION	Q'TY	REMARKS
1	3TU-2582U-00	DISC, brake (RIGHT)	1	
2	90109-081F0	BOLT	6	
3	3TU-2580U-00	CALIPER ASSY (RIGHT)	1	
4	3LD-W0057-00	.PISTON ASSY, caliper	1	
5	3JD-W0047-00	..CALIPER SEAL KIT	1	
6	3TU-W0045-00	.BRAKE PAD KIT	1	
7	1UY-W0048-50	.BREED SCREW KIT	1	
8	3LD-25934-00	.SPRING, pad	1	
9	3LD-25924-00	.PIN, pad	2	
10	90105-10308	BOLT, washer based	2	



3TUI010-0280

FIG. 29 REAR WHEEL



3TU1010-0290

REF. NO.	PART NO.	DESCRIPTION	Q'TY	REMARKS
1	3TU-25338-00-UA	CAST WHEEL, rear	1	CAST WHEEL WHITE
2	90560-12370	SPACER	1	
3	93306-30101	BEARING (B6301)	2	
4	93106-20002	OIL SEAL	2	
5	109-25315-00	FLANGE, spacer	1	
6	94108-173X7	TIRE (90/90-17)	1	DUNLOP
7	93900-00030	VALVE, rim	1	
8	3TU-25447-10	SPROCKET, driven (47T)	1	
9	90116-10390	BOLT, stud	4	
10	10V-25412-00	WASHER	2	
11	90170-10219	NUT	4	
12	29L-25398-00	BALANCER, wheel (10G)	1	UN
	29L-25398-10	BALANCER, wheel (20G)	1	UN
	29L-25398-20	BALANCER, wheel (30G)	1	UN
13	5H5-25381-00	AXLE, wheel	1	
14	90171-12005	NUT, castle	1	
15	90201-12362	WASHER, plate	1	
16	91401-30030	PIN, cotter	1	
17	90387-12411	COLLAR	1	
18	90387-123N2	COLLAR	1	
19	102-25389-00	PULLER, chain 2	2	
20	95303-06600	NUT	2	
21	92990-06100	WASHER, spring	2	
22	90201-061A5	WASHER, plate	2	
23	94580-24126	CHAIN (D.I.D.428-126L)	1	
24	94680-24001	.JOINT, chain (DID 428)	1	

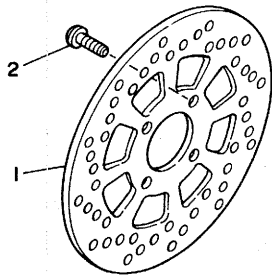
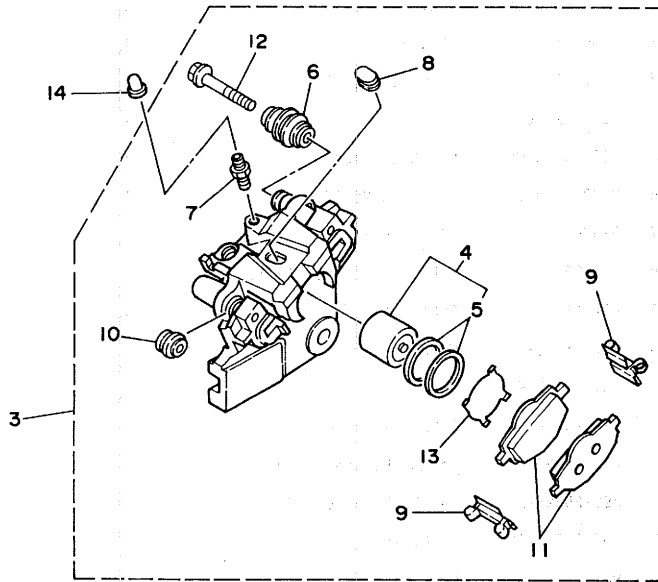


FIG. 30 REAR BRAKE CALIPER

REF. NO.	PART NO.	DESCRIPTION	Q'TY	REMARKS
1	3FY-2582W-00	DISC, rear brake 2	1	
2	90109-08718	BOLT	4	
3	3TU-2580W-00	CALIPER ASSY, rear 2	1	
4	2VN-W0057-00	.PISTON ASSY, caliper	1	
5	2NA-W0047-00	..CALIPER SEAL KIT	1	
6	34X-25937-00	.BOOT 2	1	
7	47X-25824-00	.SCREW, breed	1	
8	34X-25845-00	.CAP, indicator	1	
9	34X-25919-00	.SUPPORT, pad	2	
10	5R2-25937-00	.BOOT 2	1	
11	3FY-W0045-00	.BRAKE PAD KIT	1	
12	26V-25926-00	.BOLT	1	
13	3FY-25827-00	.SHIM, caliper	1	
14	51L-25825-00	CAP	1	



3FY1010-8300

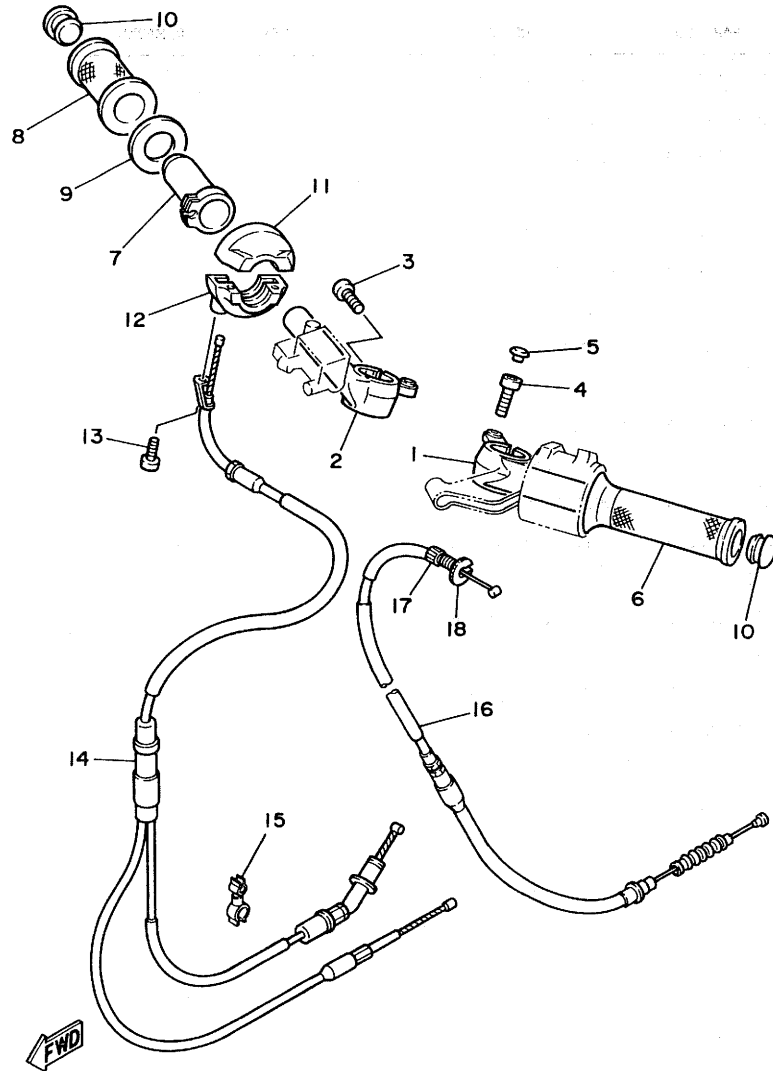
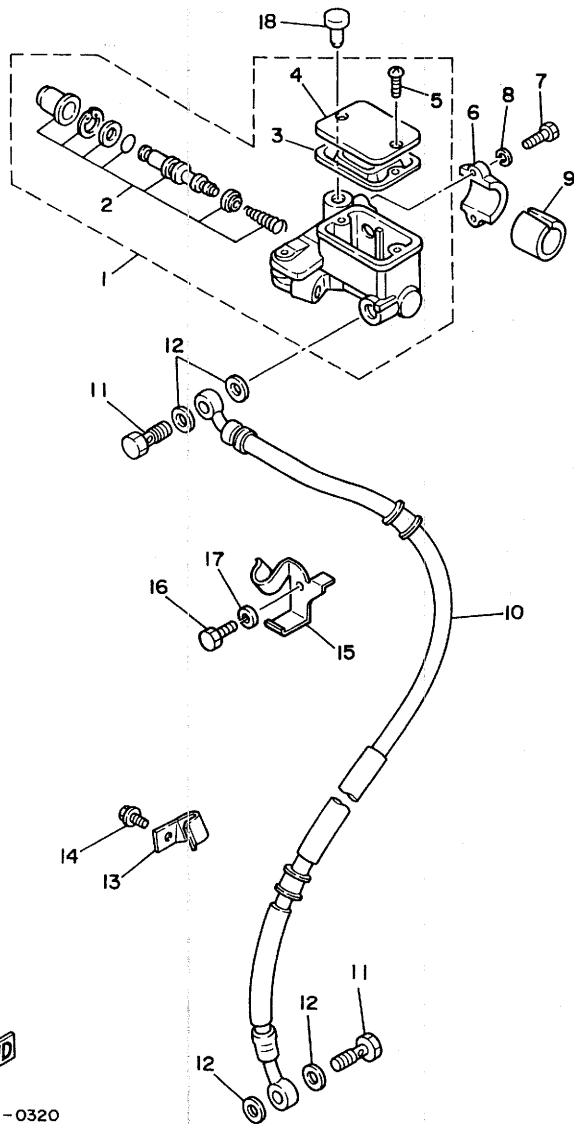


FIG. 31 STEERING HANDLE, CABLE

REF. NO.	PART NO.	DESCRIPTION	Q'TY	REMARKS
1	3TU-26121-00	HANDLEBAR (LEFT)	1	
2	3TU-26122-00	HANDLEBAR (RIGHT)	1	
3	91311-08025	BOLT	2	
4	91311-06025	BOLT	2	
5	2H9-23469-00	CAP, bolt	2	
6	47X-26241-00	GRIP (LEFT)	1	
7	1V1-26243-00	TUBE, throttle guide	1	
8	47X-26242-00	GRIP (RIGHT)	1	
9	90201-261L1	WASHER, plate	1	
10	90338-19166	PLUG	2	
11	1V1-26281-00	CAP, grip upper	1	
12	1V1-26282-00	CAP, grip lower	1	
13	91316-05016	BOLT	2	
14	3TU-26301-01	THROTTLE CABLE ASSY	1	
15	90464-20070	CLAMP	1	
16	3TU-26335-00	CABLE, clutch	1	
17	90123-08083	BOLT	1	
18	90179-08316	NUT	1	

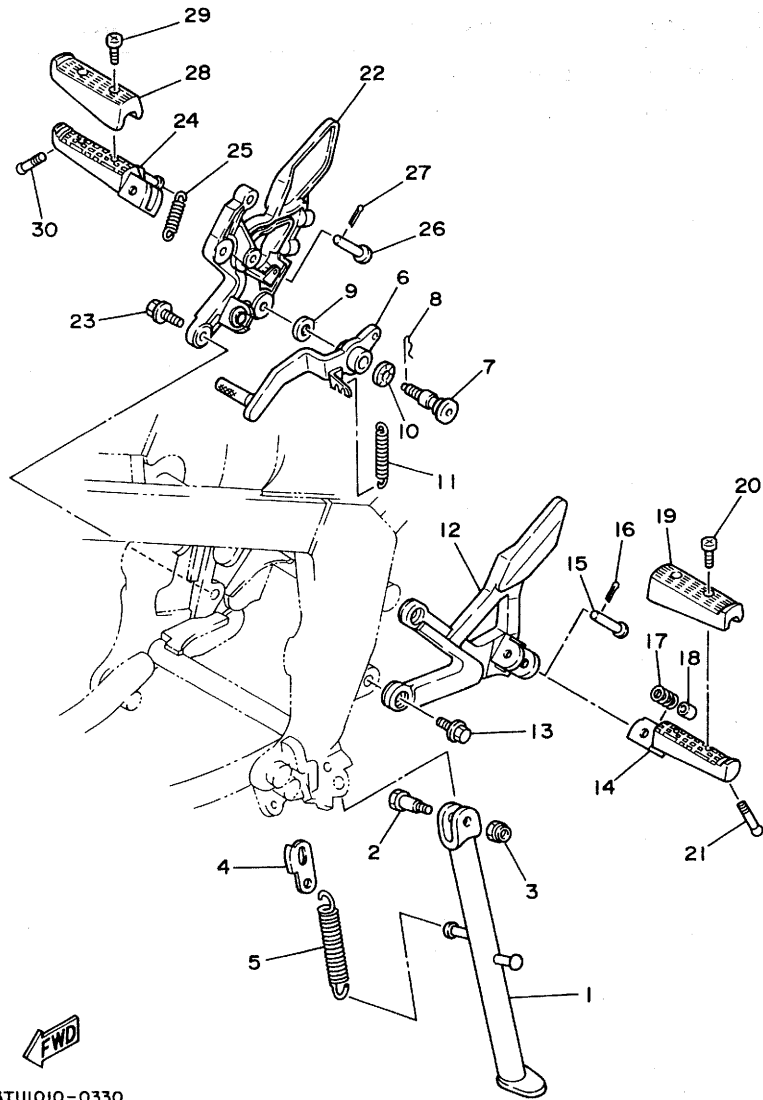
3TU1010-0310



3TUI010-0320

FIG. 32 FRONT MASTER CYLINDER

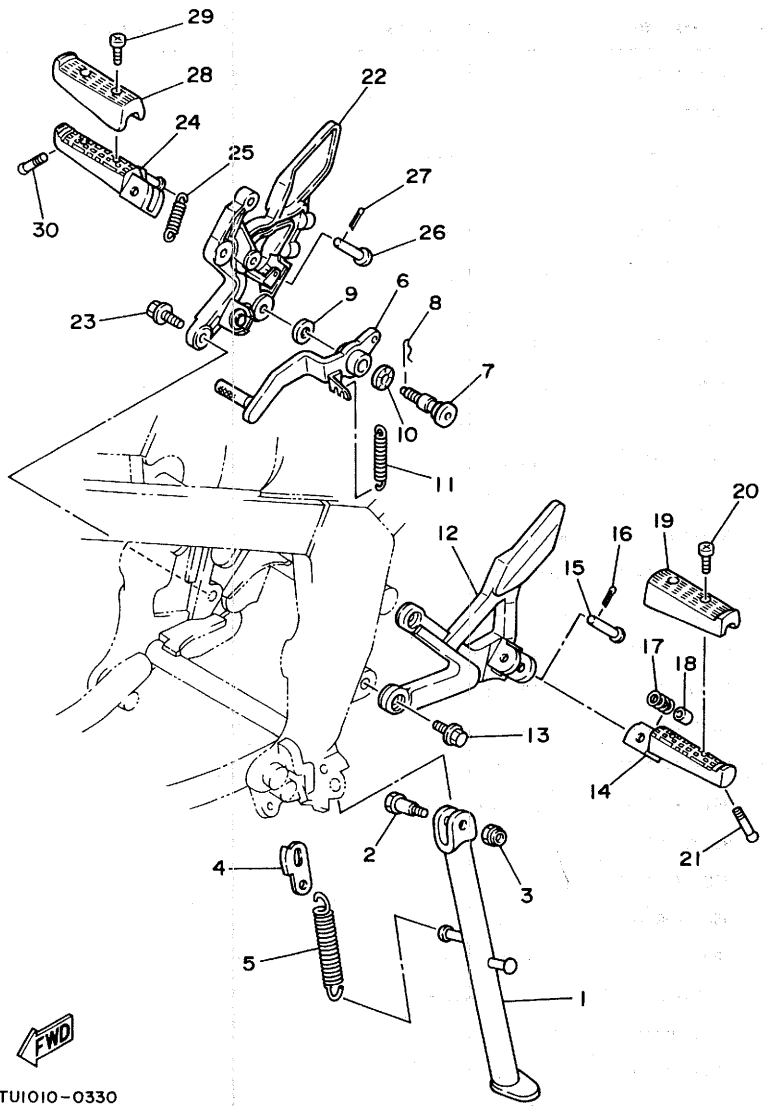
REF. NO.	PART NO.	DESCRIPTION	Q'TY	REMARKS
1	2KF-25850-00	MASTER CYLINDER ASSY	1	
2	59X-W0041-00	.CYLINDER KIT, master	1	
3	55U-25854-00	.DIAPHRAGM, reservoir	1	
4	2KF-25852-01	.CAP, reservoir	1	
5	98706-04012	.SCREW, flat head	2	
6	56A-25867-00	BRACKET, master cylinder	1	
7	97016-06025	BOLT	2	
8	92906-06100	WASHER, spring	2	
9	90387-225N2	COLLAR	1	
10	3TU-25872-01	HOSE, brake 1	1	
11	90401-10034	BOLT, union	2	
12	90201-10118	WASHER, plate	4	
13	2YK-25886-01	HOLDER, brake hose	1	
14	95023-06012	BOLT	1	
15	3TU-25875-00	HOLDER, brake hose 1	1	
16	97026-06012	BOLT	1	
17	92906-06100	WASHER, spring	1	
18	90338-09012	PLUG	1	



3TUI010-0330

FIG. 33 STAND. FOOTREST

REF. NO.	PART NO.	DESCRIPTION	Q'TY	REMARKS
1	3TU-27311-00	STAND, side	1	
2	90109-103A1	BOLT	1	
3	90185-10037	NUT, self-locking	1	
4	3TU-27315-00	LINK, side stand	1	
5	90506-29266	SPRING, tension	1	
6	3TU-27211-00	PEDAL, brake	1	
7	2YK-27261-00	SHAFT	1	
8	90468-10050	CLIP	1	
9	92901-10200	WASHER, plain	1	
10	90206-14020	WASHER, wave	1	
11	90506-20369	SPRING, tension	1	
12	3TU-27442-00	BRACKET 2	1	
13	95023-08016	BOLT	2	
14	1HX-27451-00	FOOTREST	1	
15	91701-08040	PIN, clevis	1	
16	91401-25015	PIN, cotter	1	
17	90508-20572	SPRING, torsion	1	
18	90387-084N8	COLLAR	1	
19	2GH-27413-00	COVER, footrest	1	
20	90157-05079	SCREW, pan head	2	
21	90109-083E2	BOLT	1	
22	3TU-27443-00	BRACKET 3	1	
23	95023-08016	BOLT	2	
24	2RM-27461-00	FOOTREST	1	
25	90506-16208	SPRING, tension	1	
26	91701-08040	PIN, clevis	1	
27	91401-25015	PIN, cotter	1	
28	2GH-27413-00	COVER, footrest	1	



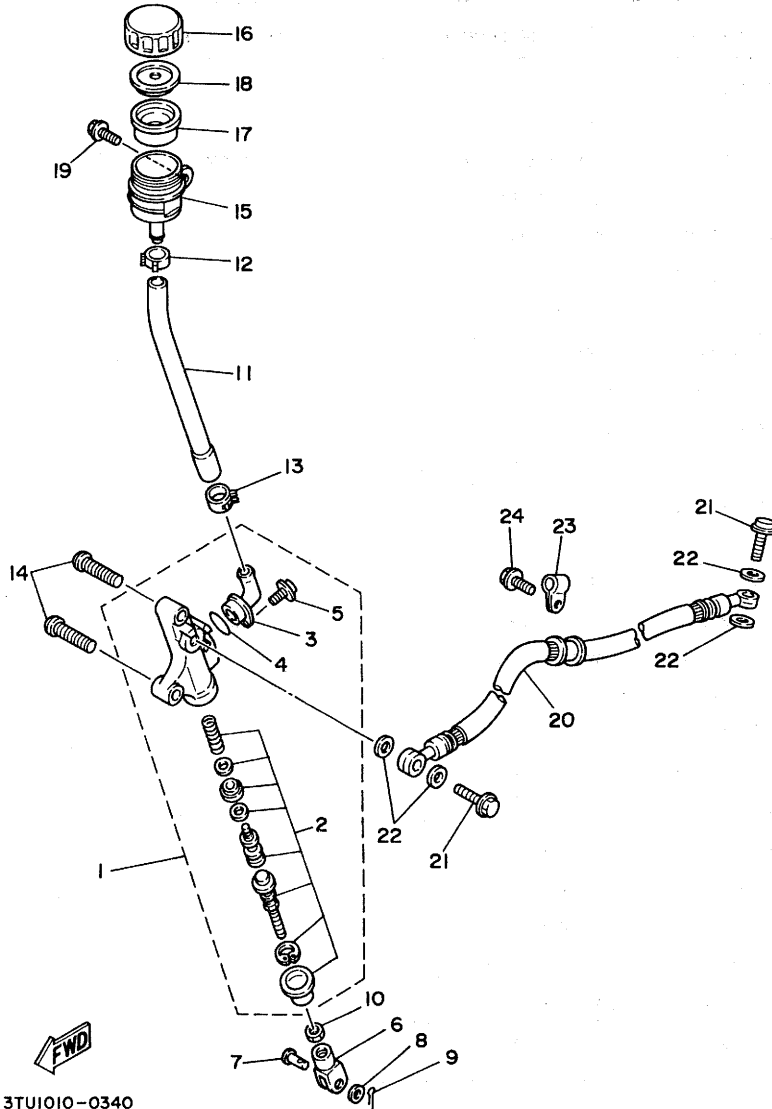
3TUI010-0330

FIG. 33 STAND. FOOTREST

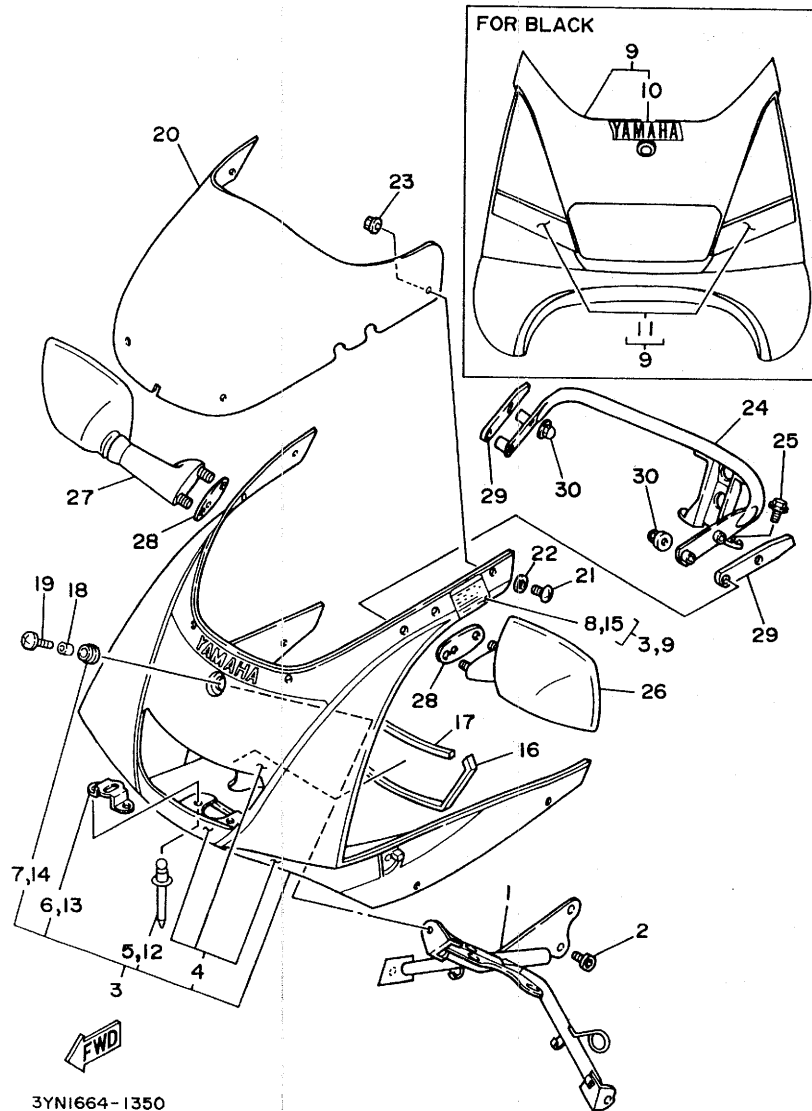
REF. NO.	PART NO.	DESCRIPTION	Q'TY	REMARKS
29	90157-05079	SCREW, pan head	2	
30	90109-083E2	BOLT	1	

FIG. 34 REAR MASTER CYLINDER

REF. NO.	PART NO.	DESCRIPTION	Q'TY	REMARKS
1	3TU-2583V-00	RR. MASTER CYLINDER ASSY.	1	
2	3TU-W0042-50	.CYLINDER KIT, master	1	
3	3LN-2582A-00	.JOINT	1	
4	3LN-2585F-00	.O-RING	1	
5	3LN-2585H-00	.SCREW, set	1	
6	31A-27222-00	JOINT	1	
7	90240-08124	PIN, clevis	1	
8	90201-08083	WASHER, plate	1	
9	91401-16015	PIN, cotter	1	
10	95303-08700	NUT	1	
11	3TU-25895-00	HOSE, reservoir	1	
12	90467-11044	CLIP	1	
13	90467-14057	CLIP	1	
14	92016-08030	SCREW	2	
15	2VN-25894-00	TANK, reservoir	1	
16	2VN-25852-50	CAP, reservoir	1	
17	2VN-25854-00	DIAPHRAGM, reservoir	1	
18	2VN-25855-00	BUSH, diaphragm	1	
19	95811-06016	BOLT, flange	1	
20	3TU-2581J-01	HOSE, brake 4	1	
21	90401-10034	BOLT, union	2	
22	90201-10118	WASHER, plate	4	
23	90461-08031	CLAMP	1	
24	95811-06016	BOLT, flange	1	



3TU1010-0340



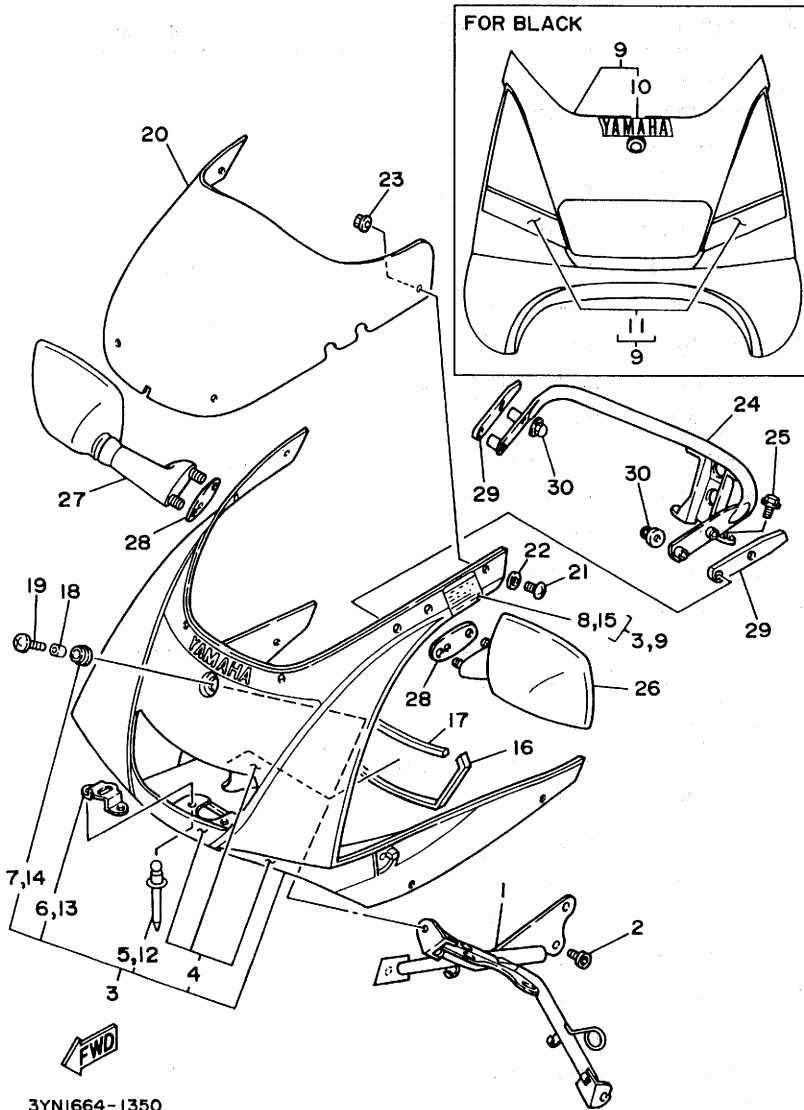
3YNI664-1350

FIG. 35 COWLING 1

REF. NO.	PART NO.	DESCRIPTION	Q'TY	REMARKS
1	3TU-28356-00	STAY 1	1	
2	92016-08016	SCREW	2	
3	3TU-Y283G-00	BODY, front upper 1	1	UR FOR WHITE
4	3TU-28390-01	.GRAPHIC SET, cowling	1	
5	90267-32018	.RIVET, blind	2	
6	3TU-2831V-00	.STAY, head light 1	1	
7	90480-13398	.GROMMET	1	
8	3JJ-2835Y-00	.LABEL, caution	1	ENGLISH
9	3TU-Y283G-10	BODY, front upper 1	1	UR FOR YAMAHA BLACK
10	99236-00020	.EMBLEM, yamaha (SILVER)	1	
11	3TU-28390-10	.GRAPHIC SET, cowling	1	
12	90267-32018	.RIVET, blind	2	
13	3TU-2831V-00	.STAY, head light 1	1	
14	90480-13398	.GROMMET	1	
15	3JJ-2835Y-00	.LABEL, caution	1	ENGLISH
16	3TU-28371-00	DAMPER	1	
17	3TU-28372-00	DAMPER	1	
18	90387-067K6	COLLAR	1	
19	90150-06021	SCREW, round head	1	
20	3TU-2837U-00	SCREEN	1	
21	90150-05020	SCREW, round head	4	
22	90202-05180	WASHER, plate	4	
23	95706-05500	NUT, flange	4	
24	3TU-2831W-00	STAY, mirror 1	1	
25	95811-06016	BOLT, flange	2	
26	2EL-26280-00	REAR VIEW MIRROR ASSY (LEFT)	1	UR BLACK
	3TU-26280-00	REAR VIEW MIRROR ASSY (LEFT)	1	UR WHITE
27	2EL-26290-00	REAR VIEW MIRROR ASSY (RIGHT)	1	UR BLACK

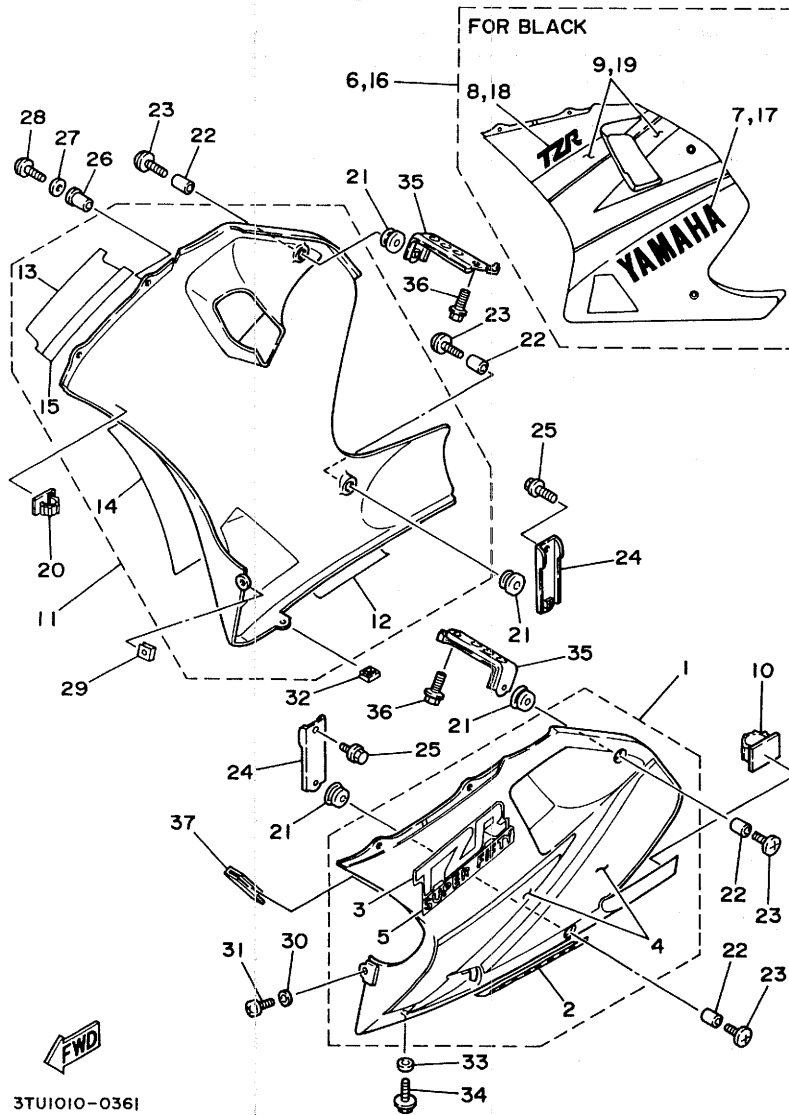
FIG. 35 COWLING 1

REF. NO.	PART NO.	DESCRIPTION	Q'TY	REMARKS
27	3TU-26290-00	REAR VIEW MIRROR ASSY (RIGHT)	1	UR WHITE
28	3TU-2834E-00	DAMPER	2	
29	3TU-2834F-00	DAMPER	2	
30	90176-06055	NUT, crown	4	



3YN1664-1350

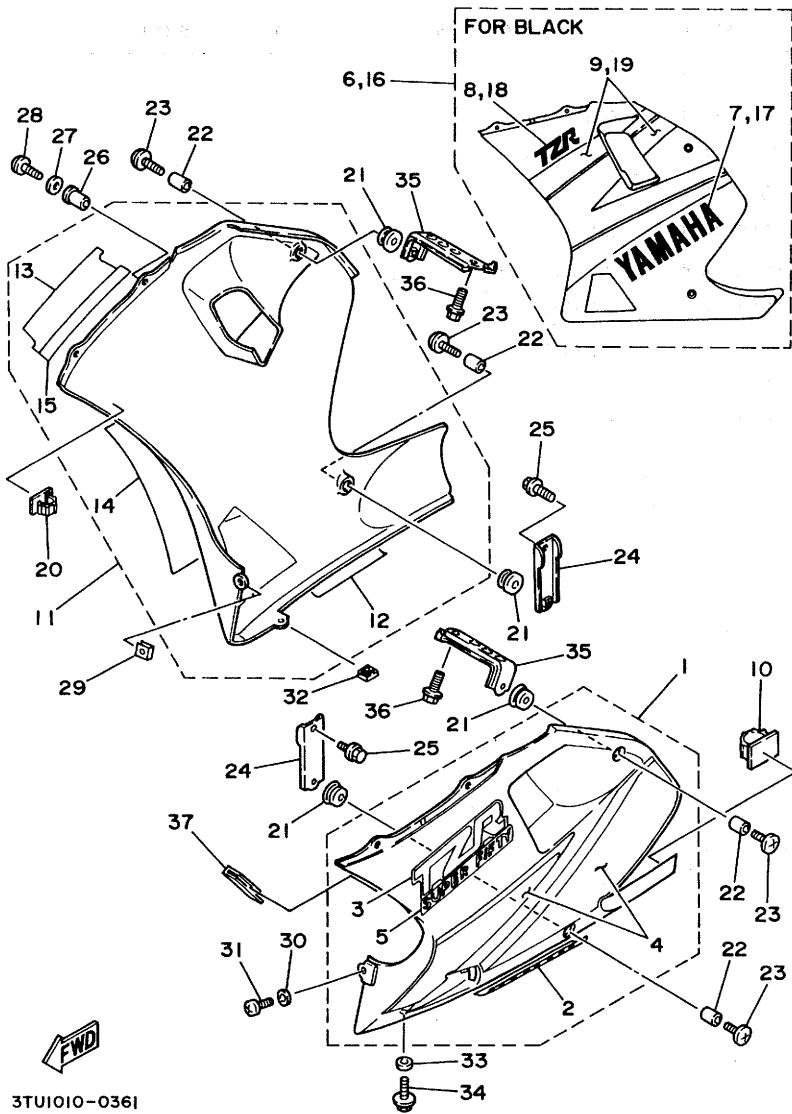
FIG. 36 COWLING 2



REF. NO.	PART NO.	DESCRIPTION	Q'TY	REMARKS
1	3TU-W283E-00	BODY, front lower 1	1	WHITE
2	99234-00055	.EMBLEM, yamaha	1	
3	3TU-28328-00	.EMBLEM	1	
4	3TU-28301-01	.GRAPHIC SET, lower cover 1	1	
5	3TU-28338-00	.EMBLEM	1	
6	3TU-W283E-10	BODY, front lower 1	1	YAMAHA BLACK
7	99236-00065	.EMBLEM, yamaha	1	
8	3TU-28328-11	.EMBLEM	1	
9	3TU-2836V-11	.GRAPHIC SET 3, cowling	1	
10	90464-20136	CLAMP	1	
11	3TU-W283F-00	BODY, front lower 2	1	WHITE
12	99234-00055	.EMBLEM, yamaha	1	
13	3TU-28328-00	.EMBLEM	1	
14	3TU-28303-01	.GRAPHIC SET, lower cover 2	1	
15	3TU-28338-00	.EMBLEM	1	
16	3TU-W283F-10	BODY, front lower 2	1	YAMAHA BLACK
17	99236-00065	.EMBLEM, yamaha	1	
18	3TU-28328-11	.EMBLEM	1	
19	3TU-2836W-10	.GRAPHIC SET 4, cowling	1	
20	90464-10084	CLAMP	1	
21	90480-13398	GROMMET	4	
22	90387-067K6	COLLAR	4	
23	90150-06021	SCREW, round head	4	
24	3TU-2831G-00	STAY, guide 3	2	
25	95811-06016	BOLT, flange	2	
26	90179-05523	NUT	4	
27	90202-06007	WASHER, plate	4	
28	90154-05001	SCREW, binding	4	

FIG. 36 COWLING 2

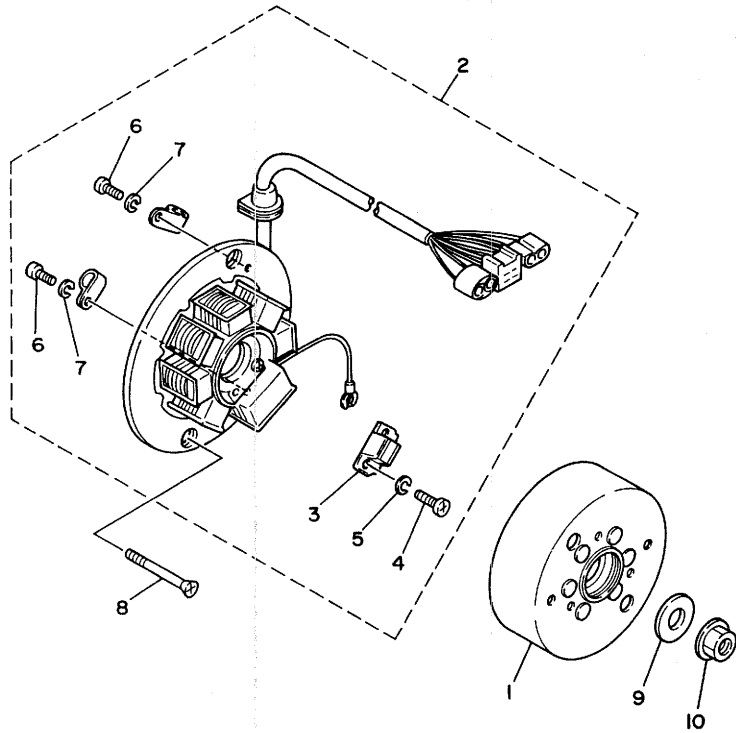
REF. NO.	PART NO.	DESCRIPTION	Q'TY	REMARKS
29	90183-05024	NUT, spring	1	
30	90202-06007	WASHER, plate	1	
31	90119-05202	BOLT, with washer	1	
32	90183-05024	NUT, spring	1	
33	90202-06007	WASHER, plate	1	
34	90119-05202	BOLT, with washer	1	
35	3TU-28321-00	STAY	2	
36	95811-06016	BOLT, flange	2	
37	3TU-28344-00	TAPE	1	



3TUI010-0361

FIG. 37 GENERATOR

REF. NO.	PART NO.	DESCRIPTION	Q'TY	REMARKS
1	3TU-85550-00	ROTOR ASSY	1	
2	3TU-85560-01	BASE ASSY	1	
3	3TU-85595-00	.COIL, pulser	1	
4	98511-04012	.SCREW, pan head	2	
5	92901-04100	.WASHER, spring	2	
6	98580-04008	.SCREW, pan head	2	
7	92901-04100	.WASHER, spring	2	
8	98701-06014	SCREW, flat head	2	
9	90201-123L6	WASHER, plate	1	
10	90179-12421	NUT	1	



3TU1010-0370

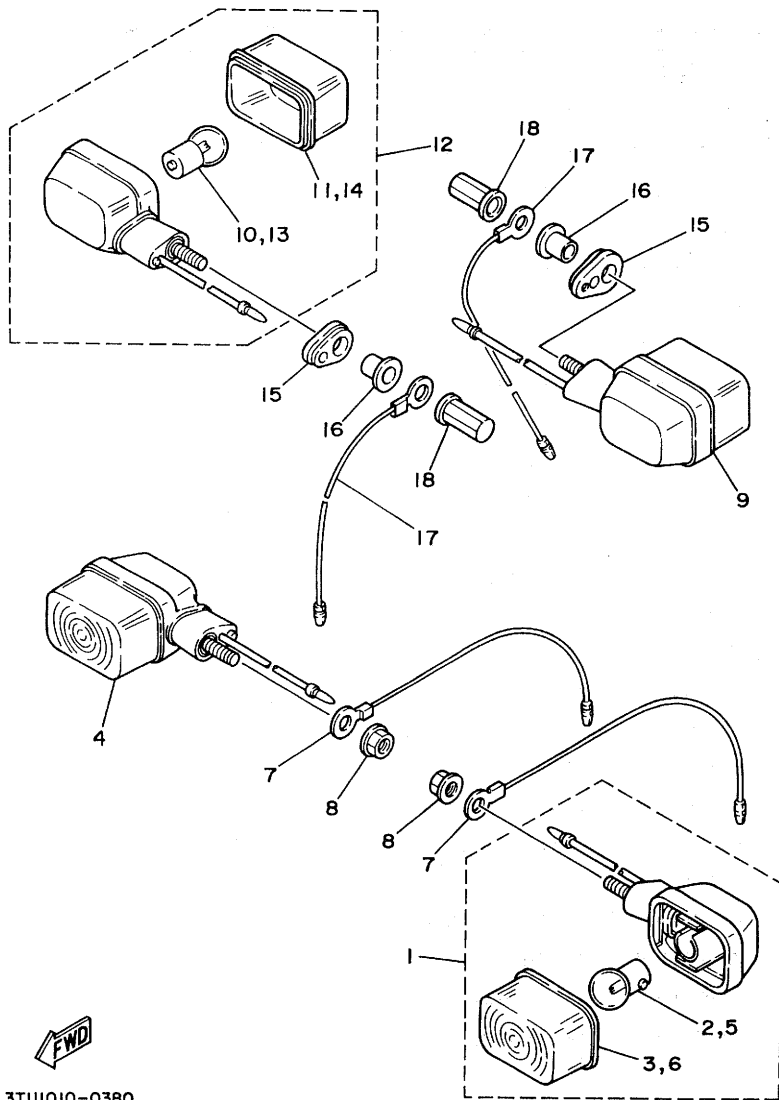
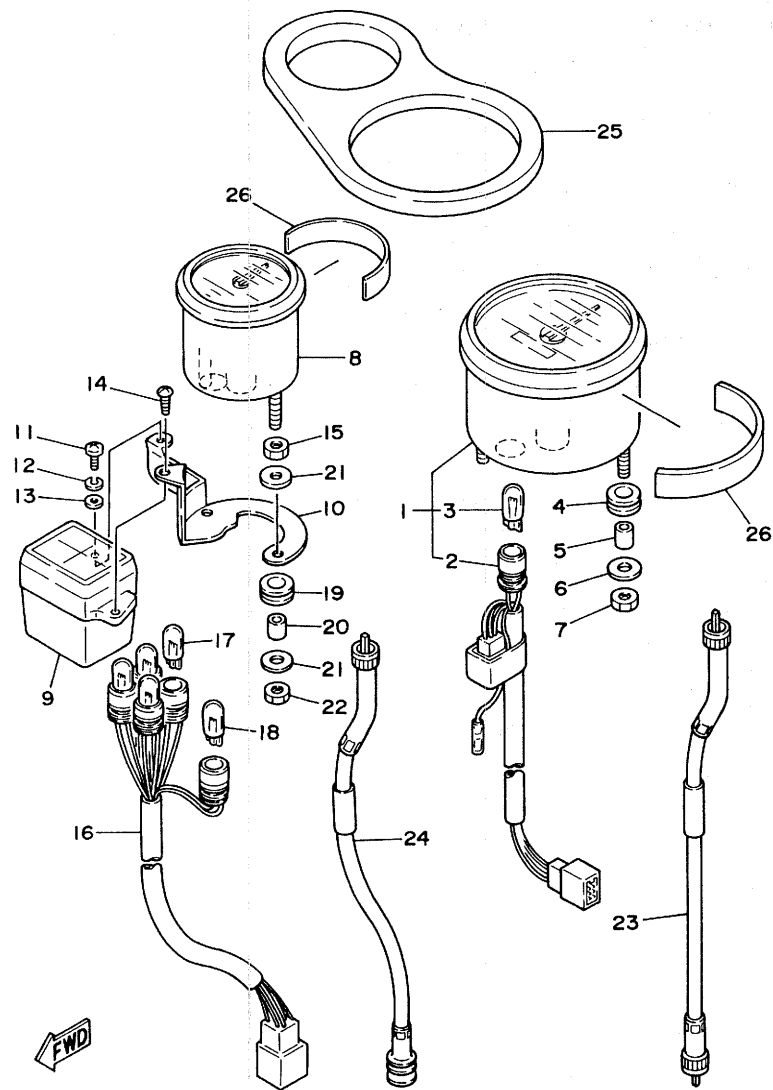


FIG. 38 FLASHER LIGHT

REF. NO.	PART NO.	DESCRIPTION	Q'TY	REMARKS
1	3TU-83310-00	FRONT FLASHER LIGHT ASSY 1	1	
2	851-84744-00	.BULB (12V-10W)	1	
3	2TV-83312-00	.LENS, flasher	1	
4	3TU-83320-00	FRONT FLASHER LIGHT ASSY 2	1	
5	851-84744-00	.BULB (12V-10W)	1	
6	2TV-83312-00	.LENS, flasher	1	
7	3TU-83354-00	WIRE, earth lead 1	2	
8	95706-08500	NUT, flange	2	
9	3HM-83310-00	FRONT FLASHER LIGHT ASSY 1	1	
10	851-84744-00	.BULB (12V-10W)	1	
11	2TV-83312-00	.LENS, flasher	1	
12	3HM-83320-00	FRONT FLASHER LIGHT ASSY 2	1	
13	851-84744-00	.BULB (12V-10W)	1	
14	2TV-83312-00	.LENS, flasher	1	
15	3HM-83321-00	DAMPER, flasher 1	2	
16	90387-085W0	COLLAR	2	
17	1H2-83346-00	CORD	2	
18	90176-08060	NUT, crown	2	



3TU1010-0380



3TU1010-0390

FIG. 39 METER

REF. NO.	PART NO.	DESCRIPTION	Q'TY	REMARKS
1	3TU-83580-01	SPEEDOMETER ASSY	1	
2	3TU-83509-00	.SOCKET CORD ASSY	1	
3	4G1-84744-00	.BULB (12V-3.4W)	1	
4	90480-13428	GROMMET	2	
5	90387-053H3	COLLAR	2	
6	90201-05031	WASHER, plate	2	
7	95303-05600	NUT	2	
8	3TU-83540-00	TACHOMETER ASSY	1	
9	3TU-83530-00	PILOT LIGHT ASSY	1	
10	3TU-83519-00	BRACKET, meter	1	
11	98506-03012	SCREW, pan head	1	
12	92990-03100	WASHER, spring	1	
13	92902-03600	WASHER, plate	1	
14	90164-03027	SCREW, tapping	1	
15	95303-05600	NUT	2	
16	3TU-8350L-00	SOCKET ASSY.	1	
17	4G1-84744-00	BULB (12V-3.4W)	4	
18	1YT-83517-00	BULB (12V-1.7W, T10)	1	
19	90480-13428	GROMMET	2	
20	90387-053H3	COLLAR	2	
21	90201-05031	WASHER, plate	4	
22	95303-05600	NUT	2	
23	3TU-83550-00	SPEEDOMETER CABLE ASSY	1	
24	5R2-83560-01	TACHOMETER CABLE ASSY	1	
25	3TU-83611-00	PANEL, meter	1	
26	53Y-82121-00	PAD, battery	2	

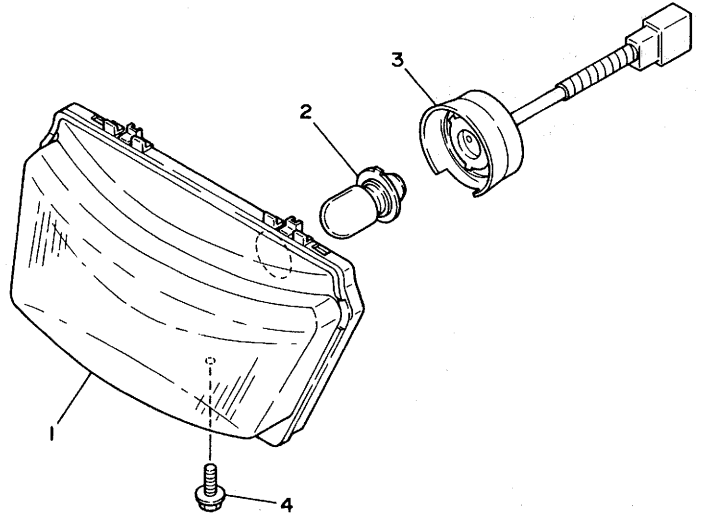


FIG. 40 HEADLIGHT

REF. NO.	PART NO.	DESCRIPTION	Q'TY	REMARKS
1	3TU-84320-00	LENS ASSY	1	
2	3NS-84314-00	BULB, head light (12V-30/30W)	1	
3	3TU-84312-00	SOCKET	1	
4	90159-05155	SCREW, with washer	1	



3TUI010-0400

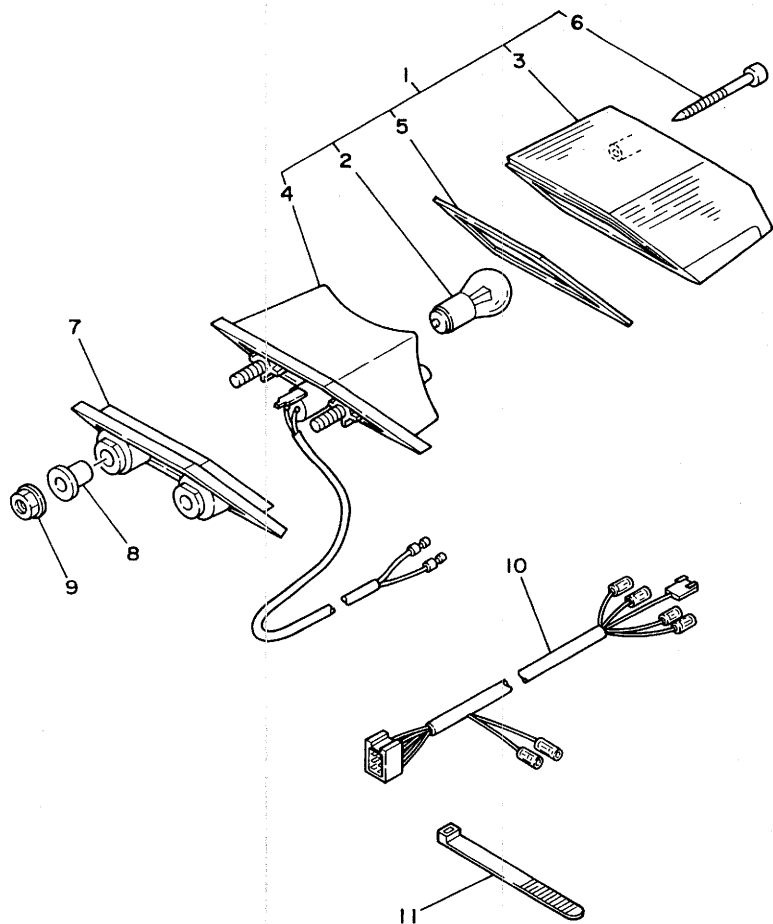


FIG. 41 TAILLIGHT

REF. NO.	PART NO.	DESCRIPTION	Q'TY	REMARKS
1	2YK-84710-00	TAILLIGHT UNIT ASSY	1	
2	31L-84714-00	.BULB, taillight (12V-21/5W)	1	
3	34Y-84721-E0	.LENS, taillight	1	
4	1JK-84720-00	.BASE ASSY	1	
5	34Y-84723-E0	.GASKET, tail lens	1	
6	97706-40530	.SCREW, tapping	1	
7	34X-84527-00	DAMPER	1	
8	90387-06388	COLLAR	2	
9	95701-06500	NUT, flange	2	
10	3TU-84717-00	CORD, taillight	1	
11	12R-82591-00	BAND	1	



3TU1010-0410

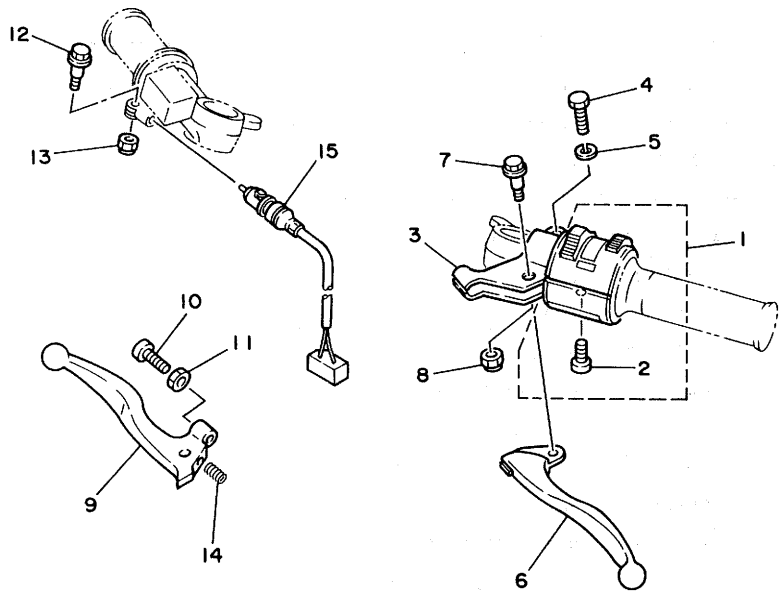


FIG. 42 HANDLE SWITCH. LEVER

REF. NO.	PART NO.	DESCRIPTION	Q'TY	REMARKS
1	3FY-83972-00	SWITCH, handle 4	1	
2	98506-05030	.SCREW, pan head	2	
3	461-82911-00	HOLDER, lever 1	1	
4	97006-06022	BOLT	1	
5	92906-06100	WASHER, spring	1	
6	23X-83912-00	LEVER 1	1	
7	90109-06799	BOLT	1	
8	95616-06100	NUT, u	1	
9	55Y-83922-00	LEVER 2	1	
10	90149-06153	SCREW	1	
11	90170-06010	NUT	1	
12	90109-06577	BOLT	1	
13	95616-06100	NUT, u	1	
14	90501-10312	SPRING, compression	1	
15	34X-83980-01	FRONT STOP SWITCH ASSY	1	



3TUI010-0420

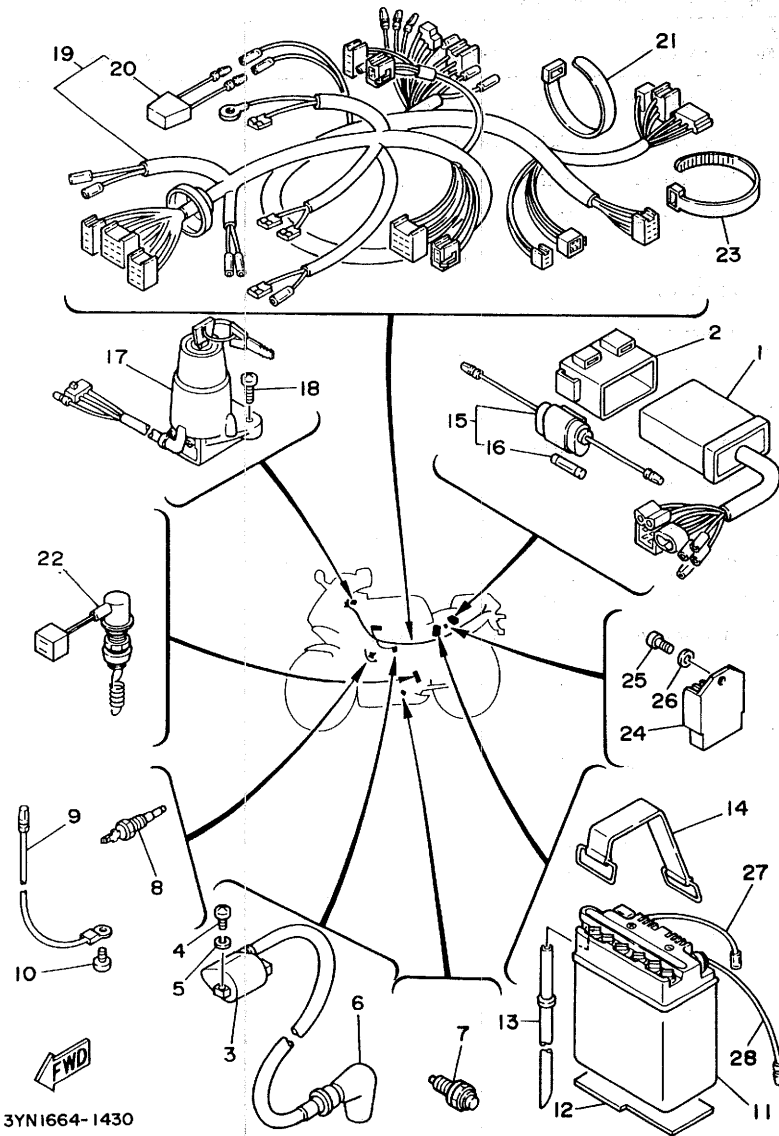
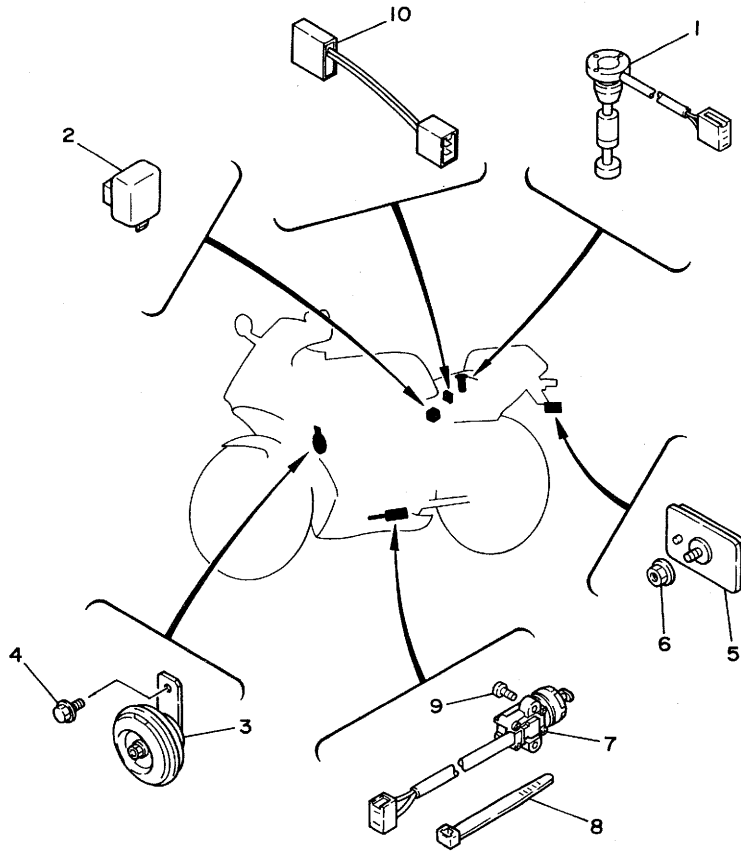


FIG. 43 ELECTRICAL 1

REF. NO.	PART NO.	DESCRIPTION	Q'TY	REMARKS
1	3YN-85540-00	C.D.I. UNIT ASSY	1	
2	3RW-85546-00	BAND	1	
3	3FA-82310-00	IGNITION COIL ASSY	1	
4	98501-06020	SCREW, pan head	2	
5	92990-06100	WASHER, spring	2	
6	2TV-82370-00	PLUG CAP ASSY	1	WITH NOISE SUPPRESSOR
7	3TU-82540-00	NEUTRAL SWITCH ASSY	1	
8	3FY-82560-00	THERMO SWITCH ASSY	1	
9	1VJ-82519-00	WIRE, earth lead	1	
10	98506-05010	SCREW, pan head	1	
11	30W-82110-79	BATTERY ASSY (FB3L-B)	1	
12	3FY-14425-00	DAMPER 1	1	
13	90445-084G9	HOSE	1	
14	120-82131-00	BAND, battery	1	
15	55K-82150-01	FUSE HOLDER ASSY	1	
16	116-82151-00	.FUSE (10A)	2	
17	3TU-82501-00	MAIN SWITCH STEERING LOCK	1	
18	90149-06228	SCREW	2	
19	3TU-82590-01	WIRE HARNESS ASSY	1	
20	38W-85774-00	.CHECKER, pilot lamp	1	
21	12R-82591-00	BAND	2	
22	50W-82530-01	STOP SWITCH ASSY	1	
23	437-83936-11	BAND, switch cord	1	
24	3AA-81960-00	RECTIFIER & REGULATOR ASSY	1	
25	92501-06014	SCREW, pan head	1	
26	92901-06600	WASHER, plate	1	
27	2RH-82115-00	WIRE, plus lead	1	
28	2J2-82116-00	WIRE, minus lead	1	

FIG. 44 ELECTRICAL 2

REF. NO.	PART NO.	DESCRIPTION	Q'TY	REMARKS
1	2E7-85720-02	OIL LEVEL GAUGE ASSY	1	
2	35R-83350-20	FLASHER RELAY ASSY	1	
3	3MA-83371-00	HORN	1	
4	91001-06016	BOLT, flange	1	
5	3G1-85130-01	REAR REFLECTOR ASSY	1	
6	95706-05500	NUT, flange	1	
7	3JB-82566-00	SWITCH, side stand	1	
8	12R-82591-00	BAND	1	
9	90157-05079	SCREW, pan head	2	
10	3TU-85370-00	RESISTOR ASSY	1	



3TUI010-0440



# INDEX

NUMERICAL INDEX

PART NO.	REF. NO.	PART NO.	REF. NO.	PART NO.	REF. NO.	PART NO.	REF. NO.	PART NO.	REF. NO.	PART NO.	REF. NO.
59X-W0041-00	32- 2	3TU-12482-00	4-13	2RH-14451-00	6-18	5R2-17241-00	13-13	3TU-21826-00	20-15	3TU-2414H-00	25-29
3TU-W0042-50	34- 2	3TU-12483-00	4-20	3TU-14453-00	6-15	5R2-17251-00	13-12	3TU-21871-00	20- 7	2GH-24181-00	25- 9
3FY-W0045-00	30-11	5R2-13101-00	5- 1	3TU-14458-00	6-23	5R2-17261-00	13-15	3TU-22110-00-35	21- 1	46X-24181-00	25- 5
3TU-W0045-00	28- 6	8Y0-13116-01	5-16	1VJ-14462-00	6-17	5R2-17411-00	13- 1	401-22128-01	21- 3	2GH-24183-00	25-10
2NA-W0047-00	30- 5	137-13137-00-10	5-10	2RH-14472-00	6-21	3TU-17421-00	13-10	307-22141-10	21- 5	2GH-24186-00	25-11
3JD-W0047-00	28- 5	137-13138-01	5- 9	3TU-14613-01	8- 2	164-17427-00-06	13-18	3TU-22151-00	21-10	1HX-24188-01	25-26
1UY-W0048-50	28- 7	367-13146-01	5-13	3TU-14643-00	8- 3	164-17427-00-10	13-18	3FY-22184-00	21- 2	3TU-24192-00	25- 7
2VN-W0057-00	30- 4	5R2-13174-00	5-24	3TU-14710-21	8- 1	3TU-17460-00	13-23	3TU-22210-00	22- 1	3TU-24231-10	25- 3
3LD-W0057-00	28- 4	5R2-13175-00	5-14	5R2-14737-00	8- 8	5R2-17471-00	13- 8	34L-22216-00	22- 2	3TU-24240-10	25- 2
3TU-W283E-00	36- 1	1E7-13176-00	5-19	5R2-14759-00	8- 9	5R2-17841-00	14- 1	3LD-22259-10	22- 6	3TU-24500-00	25-17
3TU-W283E-10	36- 6	5R2-13178-01	5-20	12G-1490J-00	7-26	5R2-18101-03	16- 1	3TU-22311-00	21- 8	4X8-24512-00	25-18
3TU-W283F-00	36-11	353-13552-01	5- 5	5R2-15111-04	9- 1	3TU-18111-00	16- 6	31M-22473-00	22- 5	3XC-24602-00	25-14
3TU-W283F-10	36-16	3TU-13565-00	6- 7	5R2-15113-00	9-13	3TU-18112-00	16- 8	3TU-23102-00	24- 1	3TU-24710-00	26- 1
3TU-Y2171-00	19- 1	3TU-13581-00	6-25	5R2-15121-02	9- 2	132-18113-01	16- 7	3TU-23103-00	24-20	3TU-24711-00	26- 2
3TU-Y2171-10	19- 3	20L-13584-00	6- 8	17W-15316-00	9- 4	3TU-18115-00	16- 9	3TU-23110-00	24- 3	22W-24771-00	26- 3
3TU-Y2172-00	19-10	3TU-13584-00	6-27	5R2-15317-01	9- 8	5R2-18140-00	15- 9		24-22	3TU-2475M-00	26- 9
3TU-Y2172-10	19-12	3TU-13610-00	6- 1	5R2-15328-00	9- 5	10W-18154-00	16-13	5H5-23111-00	24-16	3TU-24756-00	26- 5
3TU-Y283G-00	35- 3	3TU-13613-00	6- 2	3M7-15361-00	17-12	5R2-18154-00	16-12		24-35	3TU-24756-10	26- 5
3TU-Y283G-10	35- 9	3TU-13616-00	6- 3	1RG-15363-00	10-11	5R2-18185-00	15- 2	3FY-23125-00	24- 7	3TU-2477M-00	26-10
3TU-11111-00	1- 1	314-13621-02	6- 6	3TU-15411-00	10- 1	4V0-18511-00	15-12		24-26	3TU-2477N-00	26-11
33J-11181-02	1- 2	3TU-14101-00	7- 1	2UV-15421-00	10- 4	4V0-18512-00	15-13	3TU-23126-00	24- 2	3TU-24786-01	26- 8
3TU-11311-00	1- 4	12G-14103-00	7-27	3FY-15431-00	10-13	4V0-18513-00	15-14	3TU-23136-00	24-21	3TU-24786-11	26- 8
3TU-11351-00	1- 5	12G-14104-00	7-25	5R2-15441-00	1-10	5X5-18531-01	15-16	3TU-23141-00	24-14	3TU-24786-00-UA	27- 1
3TU-11400-00	2- 1	29U-14106-00	7-24	5R2-15461-01	10- 5	5X5-18535-01	15-17		24-33	3TU-25168-00-UA	27- 1
5R2-11412-00	2- 2	17W-14112-20	7-15	3MA-15620-00	11-11	17W-18540-00	15- 1	10W-23144-F0	24-10	481-25190-01	27-17
5R2-11422-00	2- 3	4U5-14126-00	7-22	4V0-15641-00	11- 2	136-18542-00	15- 7		24-29	109-25315-00	27- 3
2W1-11610-00	2-12	5L6-14131-00	7-14	10X-15651-00	11- 8	3R4-18561-00	15- 3	3TU-23151-00	24- 6		29- 5
2W1-11610-10	2-12	363-14137-00	7-20	2UV-15660-01	11- 1	3TU-21110-00-35	17- 1		24-25	3TU-25338-00-UA	29- 1
2W1-11610-20	2-12	4U5-14141-10	7- 5	2UV-15664-00	11- 6	55E-21308-00	17- 8	5H5-23154-00	24-18	2J5-25381-01	27-12
3FY-11631-00-96	2-11	260-14142-30	7-19	5R2-16111-00	12- 1	3TU-21511-00	18- 1		24-37	5H5-25381-00	29-13
517-11633-00	2-13	127-14143-16	7- 4	3TU-16150-00	12- 6	3TU-21511-10	18- 1	3TU-23157-00	24- 5	102-25389-00	29-19
3FY-11635-00	2-11	4A5-14145-00	7- 3	122-16164-00	12- 7	2RR-21526-00	18- 2		24-24	29L-25398-00	27-11
3FY-11636-00	2-11	132-14146-00	7-11		12-14	3TU-21611-00	18- 4	3TU-23171-00	24- 4		29-12
3R1-11651-01	2- 4	214-14147-00	7- 2	131-16321-00	12- 9	2AL-2162A-00	18- 9		24-23	29L-25398-10	27-11
4V0-11681-00	2- 6	3TU-14149-00	7-10	257-16324-00	12-10	3MA-21708-00	26- 6	5H5-23173-00	24-11		29-12
30Y-12411-00	4-17	4U5-14158-00	7-23	5R2-16351-00	12-11	3MA-2172N-00	20-10		24-30	29L-25398-20	27-11
1HK-12414-00	4-18	3X3-14169-00	7-21	1W1-16356-02	12-19	3TU-2173E-11	19- 4	3TU-23340-00	24-39		29-12
5R2-12422-00	3- 8	2GX-14171-00	7-13	5R2-16357-00	12-23	3TU-2173F-11	19-13	122-23411-00	23- 3	10V-25412-00	29-10
5R2-12428-00	3- 9	353-14184-00	7- 6	30X-16358-00	12-18	3TU-2173L-01	19- 2	156-23411-00	24-40	3TU-25447-10	29- 8
5R2-12434-00	4- 3	4U5-14185-00	7-16	353-16371-00	12- 8	3TU-21737-10	19- 5	122-23412-00	23- 5	3TU-2580U-00	28- 3
3TU-12446-00	4- 1	353-14186-00	7-17	5R2-16380-00	12-24		19-14	156-23412-00	23- 2	3TU-2580W-00	30- 3
5R2-12450-00	3- 1	3L5-14190-01	7-18	5R2-17121-00	13- 5	3TU-2174L-01	19-11	122-23416-00	23- 6	3TU-2581J-01	34-20
5R2-12459-00	3- 5	12R-14191-00	7-12	5R2-17131-01	13- 3	3TU-21751-00	20- 1	3TU-23435-00	23- 9	3LN-2582A-00	34- 3
3TU-12460-00	4- 5	3TU-14193-00	7- 9	5R2-17151-00	13- 2	3TU-21766-00	20- 3	2H9-23469-00	31- 5	3TU-2582U-00	28- 1
22W-12462-00	4- 6	3TU-14411-00	6-14	5R2-17161-00	13- 4	2N3-21771-01	20- 6	3TU-24110-00-02	25- 1	3FY-2582W-00	30- 1
30Y-12469-00	4-15	2RH-14412-01	6-19	5R2-17211-00	13-11	3TU-2178A-00	19-19	3TU-24110-00-03	25- 1	47X-25824-00	30- 7
3TU-12476-00	4-21	3FY-14425-00	43-12	5R2-17221-00	13-16	1AA-21815-00	20- 9	1KT-2414G-00	25-27	51L-25825-00	30-14
3TU-12481-00	4-12	3TU-14437-00	6-20	5R2-17231-00	13-14	3TU-21817-00	20-13	3TU-2414G-00	25-28	3FY-25827-00	30-13

NUMERICAL INDEX

PART NO.	REF. NO.	PART NO.	REF. NO.	PART NO.	REF. NO.	PART NO.	REF. NO.	PART NO.	REF. NO.	PART NO.	REF. NO.
3TU-2583V-00	34- 1	3TU-28100-00	17-11	12R-82591-00	43-21	3TU-85370-00	44-10	90159-05061	19- 9	90201-12535	22- 9
34X-25845-00	30- 8	4U7-28186-00	18- 7		44- 8	3YN-85540-00	43- 1		19-18	90201-157E7	8- 7
341-25846-00	27- 7	3TU-28301-01	36- 4	461-82911-00	42- 3	3RW-85546-00	43- 2	90159-05155	40- 4	90201-176L4	11- 4
3LN-2585F-00	34- 4	3TU-28303-01	36-14	3HM-83310-00	38- 9	3TU-85550-00	37- 1	90159-06033	6-26	90201-203F0	15- 8
3LN-2585H-00	34- 5	3TU-2831G-00	36-24	3TU-83310-00	38- 1	3TU-85560-01	37- 2	90164-03027	39-14	90201-261L1	31- 9
2KF-25850-00	32- 1	3TU-2831V-00	35- 6	2TV-83312-00	38- 3	3TU-85595-00	37- 3	90170-06010	42-11	90202-05180	35-22
2KF-25852-01	32- 4		35-13		38- 6	2E7-85720-02	44- 1	90170-10219	29-11	90202-06007	36-27
2VN-25852-50	34-16	3TU-2831W-00	35-24		38-11	38W-85774-00	43-20	90170-12060	12-17		36-30
2VN-25854-00	34-17	3TU-28321-00	36-35		38-14	90101-12558	22- 7	90171-12005	29-14		36-33
55U-25854-00	32- 3	3TU-28328-00	36- 3	3HM-83320-00	38-12	90101-12676	22- 8	90176-06055	35-30	90202-06010	25-21
2VN-25855-00	34-18		36-13	3TU-83320-00	38- 4	90105-10052	38- 4	90176-08060	38-18	90206-12074	16-16
56A-25867-00	32- 6	3TU-28328-11	36- 8	3HM-83321-00	38-15	90105-10308	28-10	90179-05523	36-26	90206-14020	33-10
3TU-25872-01	32-10		36-18	1H2-83346-00	38-17	90105-14102	23- 7	90179-08316	31-18	90208-12015	12- 4
3TU-25875-00	32-15	3TU-28338-00	36- 5	35R-83350-20	44- 2	90109-063F7	15-11	90179-08343	1- 7		12-16
2YK-25886-01	32-13		36-15	3TU-83354-00	38- 7	90109-06577	42-12	90179-08572	17- 6	90209-16209	13-24
2VN-25894-00	34-15	3TU-2834E-00	35-28	3MA-83371-00	44- 3	90109-06799	42- 7	90179-08611	8- 6	90209-16227	9- 6
3TU-25895-00	34-11	3TU-2834F-00	35-29	3TU-8350L-00	39-16	90109-081F0	28- 2	90179-10394	17- 3	90209-18112	2- 7
34X-25919-00	30- 9	3TU-28344-00	36-37	3TU-83509-00	39- 2	90109-083E2	33-21	90179-12244	12- 5	90240-08124	34- 7
3LD-25924-00	28- 9	3JJ-2835Y-00	35- 8	1YT-83517-00	39-18		33-30	90179-12421	37-10	90250-06013	15-15
26V-25926-00	30-12		35-15	3TU-83519-00	39-10	90109-08718	30- 2	90179-25033	23- 8	90267-32018	35- 5
3LD-25934-00	28- 8	3TU-28356-00	35- 1	3TU-83530-00	39- 9	90109-103A1	33- 2	90183-05024	36-29		35-12
34X-25937-00	30- 6	3TU-2836V-11	36- 9	3TU-83540-00	39- 8	90110-05112	25-15		36-32	90267-40073	18-10
5R2-25937-00	30-10	3TU-2836W-10	36-19	3TU-83550-00	39-23	90110-06090	26- 4	90183-05044	4- 7	90280-03017	2-16
3TU-26121-00	31- 1	3TU-2837U-00	35-20	5R2-83560-01	39-24	90110-08192	8-11	90185-08097	8- 5	90282-04036	15- 4
3TU-26122-00	31- 2	3TU-28371-00	35-16	3TU-83580-01	39- 1	90116-08368	1- 6	90185-10037	33- 3	90282-05034	12- 3
47X-26241-00	31- 6	3TU-28372-00	35-17	3TU-83611-00	39-25	90116-10390	29- 9	90185-12046	21- 6	90338-09012	32-18
47X-26242-00	31- 8	3TU-28390-01	35- 4	23X-83912-00	42- 6	90119-05001	12-13	90201-04M06	18-11	90338-19166	31-10
1V1-26243-00	31- 7	3TU-28390-10	35-11	55Y-83922-00	42- 9	90119-05202	36-31	90201-05031	39- 6	90340-12097	9-15
2EL-26280-00	35-26	3AA-81960-00	43-24	437-83936-11	43-23		36-34		39-21	90384-18157	22- 3
3TU-26280-00	35-26	30W-82110-79	43-11	3FY-83972-00	42- 1	90119-06044	18- 6	90201-060A3	4-10	90386-18099	21- 4
1V1-26281-00	31-11	2RH-82115-00	43-27	34X-83980-01	42-15	90119-06056	20- 2	90201-061A5	29-22	90387-053H3	39- 5
1V1-26282-00	31-12	2J2-82116-00	43-28	3TU-84312-00	40- 3		20- 8	90201-08083	34- 8		39-20
2EL-26290-00	35-27	53Y-82121-00	39-26	3NS-84314-00	40- 2		21-11	90201-081H4	16-15	90387-06388	41- 8
3TU-26290-00	35-27	120-82131-00	43-14	3TU-84320-00	40- 1	90119-06114	18- 5	90201-08512	3- 6	90387-06553	25-12
3TU-26301-01	31-14	3TU-82131-00	18- 8	34X-84527-00	41- 7	90119-06117	21- 9	90201-08624	5-15	90387-067K6	35-18
3TU-26335-00	31-16	55K-82150-01	43-15	2YK-84710-00	41- 1	90119-06118	6-24	90201-087F0	8-10		36-22
3TU-27211-00	33- 6	116-82151-00	43-16	31L-84714-00	41- 2	90123-08083	31-17	90201-08759	3- 3	90387-07390	4-11
31A-27222-00	34- 6	3FA-82310-00	43- 3	3TU-84717-00	41-10	90149-06011	25-20	90201-09461	17- 7	90387-084N8	33-18
2YK-27261-00	33- 7	2TV-82370-00	43- 6	1JK-84720-00	41- 4	90149-06153	42-10	90201-10118	32-12	90387-085W0	38-16
3TU-27311-00	33- 1	3TU-82501-00	43-17	34Y-84721-E0	41- 3	90149-06228	43-18		34-22	90387-123N2	27-14
3TU-27315-00	33- 4	1VJ-82519-00	43- 9	34Y-84723-E0	41- 5	90150-05020	35-21	90201-102J5	17- 4		29-18
2GH-27413-00	33-19	50W-82530-01	43-22	4G1-84744-00	39- 3	90150-06021	35-19	90201-105H9	5-23	90387-124H0	22-11
	33-28	3TU-82540-00	43- 7		39-17		36-23	90201-12M34	14- 2	90387-124R8	27- 2
2YK-27434-01	16-17	3FY-82560-00	43- 8	851-84744-00	38- 2	90151-06025	17- 9	90201-122A7	27-13	90387-12411	29-17
3TU-27442-00	33-12	3J8-82566-00	44- 7		38- 5	90154-05001	36-28	90201-123L6	37- 9	90387-20346	12- 2
3TU-27443-00	33-22	3TU-82590-01	43-19		38-10	90157-05079	33-20	90201-12362	29-15	90387-225N2	32- 9
1HX-27451-00	33-14	12R-82591-00	25- 6		38-13		33-29	90201-124F8	11- 9	90401-06119	4-24
2RM-27461-00	33-24		41-11	3G1-85130-01	44- 5		44- 9	90201-12535	21- 7	90401-10034	32-11

NUMERICAL INDEX

PART NO.	REF. NO.	PART NO.	REF. NO.	PART NO.	REF. NO.	PART NO.	REF. NO.	PART NO.	REF. NO.	PART NO.	REF. NO.
90401-10034	34-21	90480-13398	35-14	92901-05100	5-11	93410-20038	13-17	95811-06016	36-36	99236-00020	35-10
90405-06037	4-23		36-21	92901-06200	12-20	93440-15012	9- 9	95811-08125	17- 5	99236-00065	36- 7
90430-04004	5- 7	90480-13428	39- 4		16-10		13-19	95811-10030	24-41		36-17
90430-06166	1- 9		39-19	92901-06600	6-11	93440-16089	13- 6	95816-06025	3-11	99510-12016	9-10
	3-12	90480-15363	4- 8		43-26	93450-13022	2-14	95826-06010	1- 8	99530-10014	10- 8
	4-19	90480-22084	19- 7	92901-10200	33- 9	93450-27071	24-17	95826-06020	4- 9		
90430-08155	24-12		19-16	92902-03600	39-13		24-36	97006-06022	42- 4		
	24-31	90480-24186	26- 7	92902-04100	7- 8	93450-43072	24- 9	97011-06020	6-10		
90430-12038	9-16	90501-02217	5- 3	92906-06100	20-12		24-28	97013-08025	11-12		
90445-05278	5- 4	90501-10312	42-14		32- 8	93501-04011	23- 1	97016-06020	16-14		
90445-08469	43-13	90501-20125	12-12		32-17	93503-16010	12-22	97016-06025	32- 7		
90445-09091	25-22	90506-16208	33-25		42- 5		23- 4	97026-06012	32-16		
90445-10565	25-24	90506-20369	33-11	92990-03100	6- 5	93505-32002	5- 2	97706-40530	41- 6		
90445-12718	17-10	90506-29266	33- 5		39-12	93603-22028	3- 4	97780-50125	6-22		
90450-28014	4-14	90508-18738	12-26	92990-06100	29-21		5-21	98501-05016	5-17		
90450-99050	6-16	90508-20572	33-17		43- 5	93604-10011	3-13	98501-06012	9-14		
90460-36174	6-12	90508-26561	15-10	92990-14600	24-19	93608-30152	16- 4		13- 9		
90460-41191	6-13	90508-26750	11- 5		24-38	93900-00030	27-10	98501-06020	43- 4		
90461-08031	34-23	90508-32642	16- 2	93101-10090	5-18		29- 7	98501-06035	9-12		
90462-10120	10- 6	90560-12370	29- 2	93102-08307	14- 3	94108-163X8	27- 9	98503-03008	25-19		
90464-10084	36-20	90560-17147	12-15	93102-17004	11- 7	94108-173X7	29- 6	98503-04014	7- 7		
90464-20070	31-15	91001-06012	25- 8	93102-20143	13-22	94580-24126	29-23	98503-06045	9-11		
90464-20136	36-10	91001-06016	44- 4	93102-20231	2- 9	94680-24001	29-24	98506-03012	39-11		
90464-20151	4-25	91002-06025	25-13	93103-10147	3- 2	94702-00188	1- 3	98506-05010	43-10		
90465-06332	10- 7	91311-05010	25-16	93103-28011	2-10	95023-06012	32-14	98506-05030	42- 2		
90465-10069	5-25	91311-06025	31- 4	93105-45017	27- 8	95023-06016	18- 3	98506-06010	20-11		
90467-08003	20- 5	91311-08025	24-13	93106-20002	27- 5	95023-08016	33-13	98506-06016	4- 4		
	20-16		24-32		29- 4		33-23		4-16		
	25-23		31- 3	93109-12012	16- 5	95301-12900	27-15	98506-06025	3-10		
90467-09006	20-14	91311-08030	23-10	93109-14021	12-25	95303-05600	5-12		10- 2		
	25-25	91316-05016	31-13	93110-30008	24- 8		39- 7	98506-06035	10-10		
90467-10008	20- 4	91316-06012	1-11		24-27		39-15	98506-06040	10- 3		
90467-11044	34-12	91401-16015	34- 9	93210-14104	14- 4		39-22	98511-04012	37- 4		
90467-11108	4-22	91401-20015	16-11	93210-16275	4- 2	95303-06600	12-21	98580-03006	6- 4		
90467-14057	34-13	91401-25015	33-16	93210-18608	22- 4		29-20	98580-04008	37- 6		
90467-15012	6- 9		33-27	93210-19123	10-12	95303-08700	34-10	98701-05016	15- 6		
90467-19051	6-28	91401-30030	27-16	93210-21276	24-15	95601-12100	22-10	98701-06014	37- 8		
90468-02033	5- 6		29-16		24-34	95611-08335	8- 4	98706-04012	32- 5		
	5-27	91701-08040	33-15	93306-00201	9- 7	95616-06100	42- 8	98901-04008	5- 8		
90468-08086	5-26		33-26	93306-00406	15- 5		42-13	99001-08600	5-22		
90468-10050	33- 8	92016-08016	35- 2	93306-20333	13- 7	95701-06500	41- 9	99006-10600	16- 3		
90468-26046	11- 3	92016-08030	34-14	93306-20401	13-21	95706-05500	35-23	99009-12400	11-10		
90480-01401	19- 6	92501-06014	43-25	93306-20458	2- 8		44- 6	99009-18400	13-25		
	19-15	92516-06030	10- 9	93306-30101	27- 4	95706-08500	38- 8	99080-07600	3- 7		
90480-08349	9- 3		10-14		29- 3	95811-06016	34-19	99221-00035	25- 4		
90480-12320	19- 8		14- 5	93310-11268	2-15		34-24	99226-00040	25- 4		
	19-17	92901-04100	37- 5	93310-418C4	2- 5		35-25	99234-00055	36- 2		
90480-13398	35- 7		37- 7	93315-31502	13-20		36-25		36-12		