

# PARTS CATALOGUE

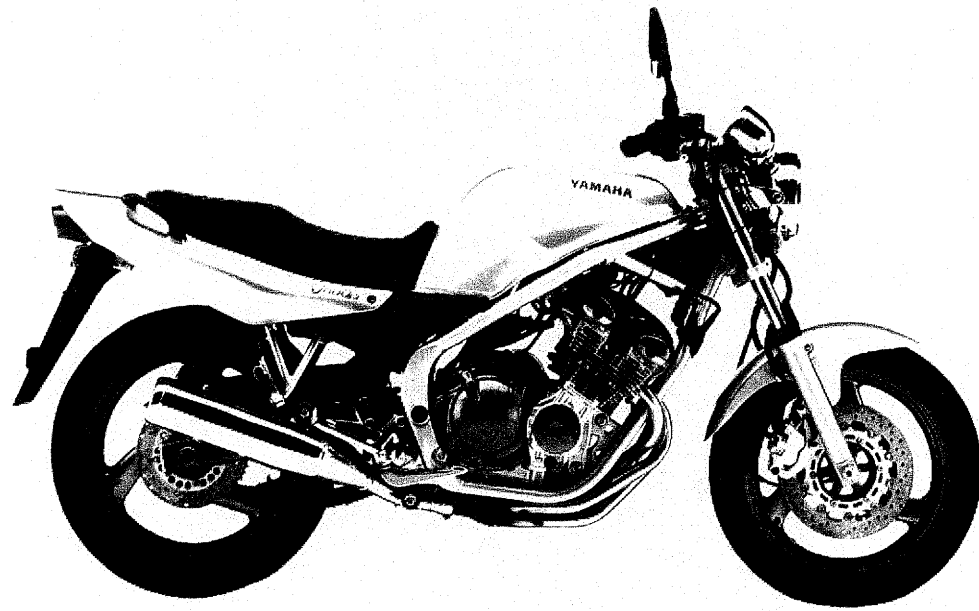
**XJ600N '02 (4KED)**

---

**YAMAHA**  
**GENUINE**  
Parts & Accessories

2A4KE-300E1

A1



A2

# FOREWORD

This Parts Catalogue is related to the parts for the model(s) in the below frame. When you are ordering replacement parts, please refer to this Parts Catalogue and quote both part numbers and part names correctly.

XJ600N(4KED/4MB9/4KF9)

1. Modifications or additions which have been made after issue of the Parts Catalogue will be announced in the Yamaha Parts News.  
It is advisable that you make necessary corrections to the Parts Catalogue according to the Yamaha Parts News.

2. Abbreviations

The Following abbreviations are used in this Parts Catalogue.

"UR" Use specified parts number.

"UN" Use as many as needed.

"AP" Alternate Parts

"LM" Local Made (Parts need to be ordered locally)

"F#" Frame No. (Applicable machine No.)

3. Parts, which are to be supplied in an assembly, are listed with a dot(.) in front of the part name as shown below.

EXAMPLE

CARBURETOR ASSY

.JET, PILOT

.NOZZLE, MAIN

4. Number of component for assembly

The numeral appearing to the right of each component part indicates the quantity of parts for each assembly unit.

EXAMPLE

| PART NO.     | DESCRIPTION              | Q'TY | REMARKS |
|--------------|--------------------------|------|---------|
| 2F5-83310-60 | FRONT FLASHER LIGHT ASSY | 2    |         |
| 115-83311-60 | .BULB (6V-18W)           | 1    |         |
| 1M1-83309-60 | .REFLECTOR               | 1    |         |

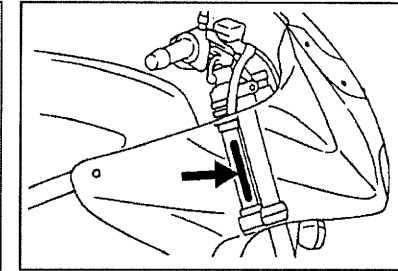
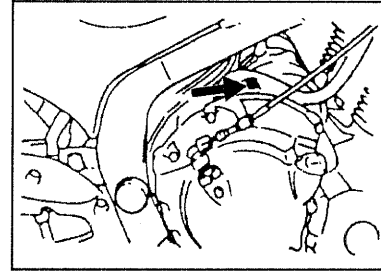
5. Applicable colors of graphics are represented in the "REMARKS" as shown below.

| PART NO.        | DESCRIPTION         | Q'TY | REMARKS |
|-----------------|---------------------|------|---------|
| 2N4-24110-00-X5 | .FUEL TANK COMP.    | 2    | MXR     |
| 3J1-24240-10    | .GRAPHIC, FUEL TANK | 1    | for MXR |

6. Applicable Serial No.

Engine Serial No.

Frame Serial No.



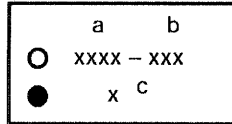
7. Note that the illustrations for reference in finding parts numbers, not to be used for assembling. When assembling, please use the applicable service manual.

8. The asterisk (\*) before a reference number indicates modification items after the first edition.

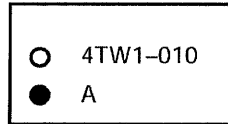
# MODEL LABEL

(1) A label called "Model Label" is affixed in the location as indicated in (3) below.  
When using this parts catalogue, please be sure to cross-refer the "model code – production code No." in the catalogue to the "model code – production code No." indicated on the Model Label affixed onto the product concerned.

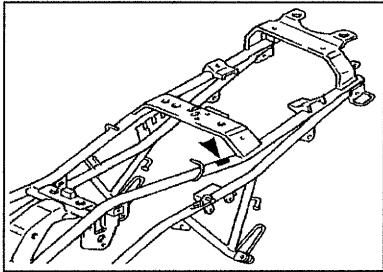
(2) "Model Label" Indication



a: Model Type Code  
b: Production Code No.  
c: Colouring Type



(3) Model Label Affixing Location



(4) Model Code – Production Code Number of Model Listed in This Parts Catalog

| Model Code | Production Code No. | Country (destination) | Model Code | Production Code No. | Country (destination) |
|------------|---------------------|-----------------------|------------|---------------------|-----------------------|
| 4KED       | 040                 | DENMARK               |            |                     |                       |
|            |                     |                       |            |                     |                       |
|            |                     |                       |            |                     |                       |
|            |                     |                       |            |                     |                       |
|            |                     |                       |            |                     |                       |
|            |                     |                       |            |                     |                       |
|            |                     |                       |            |                     |                       |
|            |                     |                       |            |                     |                       |
|            |                     |                       |            |                     |                       |
|            |                     |                       |            |                     |                       |
|            |                     |                       |            |                     |                       |
|            |                     |                       |            |                     |                       |
|            |                     |                       |            |                     |                       |

(5) Colouring Information

| Colouring type code | Colour code | Colour Name       | Abbreviation |
|---------------------|-------------|-------------------|--------------|
| B                   | 0660        | SILVER METALLIC 1 | SM1          |

# CONTENTS

## ENGINE

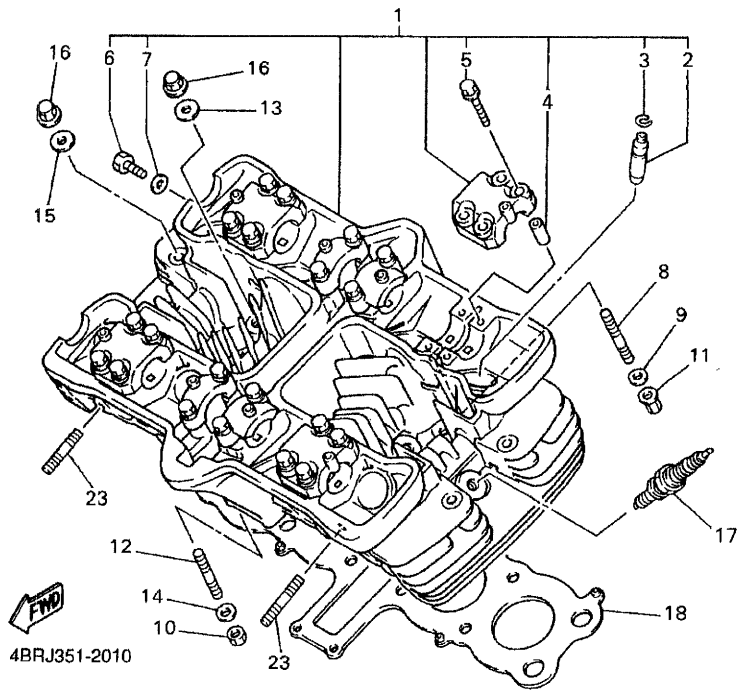
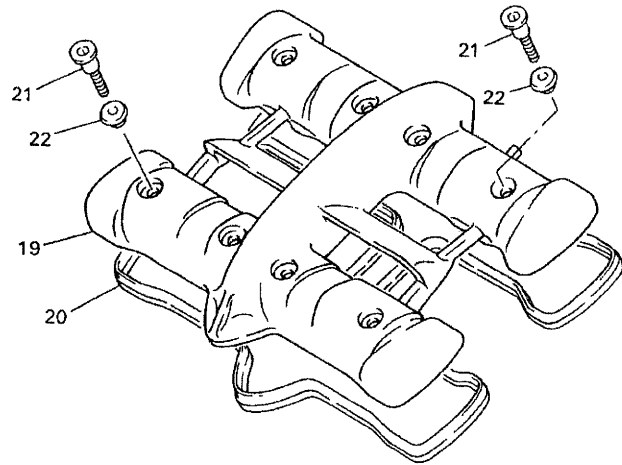
|                          |     |
|--------------------------|-----|
| CYLINDER HEAD .....      | B2  |
| CYLINDER .....           | B3  |
| CRANKSHAFT. PISTON ..... | B4  |
| VALVE .....              | B5  |
| CAMSHAFT. CHAIN .....    | B7  |
| OIL PUMP .....           | B8  |
| OIL COOLER .....         | B9  |
| OIL CLEANER .....        | B11 |
| INTAKE .....             | B12 |
| CARBURETOR .....         | B14 |
| EXHAUST .....            | C3  |
| CRANKCASE .....          | C4  |
| CRANKCASE COVER 1 .....  | C7  |
| STARTER CLUTCH .....     | C9  |
| CLUTCH .....             | C10 |
| TRANSMISSION .....       | C12 |
| SHIFT CAM. FORK .....    | C14 |
| SHIFTER .....            | C15 |

## CHASSIS

|                           |     |
|---------------------------|-----|
| FRAME .....               | D2  |
| FENDER .....              | D4  |
| SIDE COVER .....          | D6  |
| REAR ARM .....            | D7  |
| REAR SUSPENSION .....     | D8  |
| STEERING .....            | D9  |
| FRONT FORK .....          | D11 |
| FUEL TANK .....           | D13 |
| SEAT .....                | D15 |
| FRONT WHEEL .....         | E2  |
| FRONT BRAKE CALIPER ..... | E3  |
| REAR WHEEL .....          | E4  |

|                              |     |
|------------------------------|-----|
| REAR BRAKE CALIPER .....     | E6  |
| STEERING HANDLE. CABLE ..... | E7  |
| FRONT MASTER CYLINDER .....  | E8  |
| STAND. FOOTREST .....        | E10 |
| REAR MASTER CYLINDER .....   | E12 |
| GENERATOR .....              | E13 |
| PICK UP COIL. GOVERNOR ..... | E14 |
| STARTING MOTOR .....         | E15 |
| FLASHER LIGHT .....          | F2  |
| METER .....                  | F3  |
| HEADLIGHT .....              | F4  |
| TAILLIGHT .....              | F6  |
| HANDLE SWITCH. LEVER .....   | F7  |
| ELECTRICAL 1 .....           | F8  |
| ELECTRICAL 2 .....           | F10 |

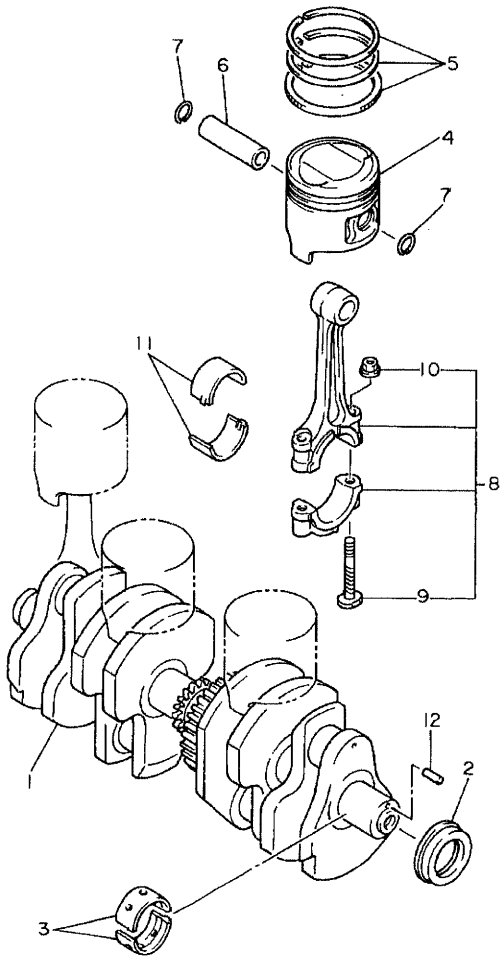
FIG. 1 CYLINDER HEAD



| REF. NO. | PART NO.     | DESCRIPTION             | 4KED | 4MB9 | 4KF9 | REMARKS |
|----------|--------------|-------------------------|------|------|------|---------|
|          |              |                         |      |      |      |         |
| 1        | 4BR-11101-10 | CYLINDER HEAD ASSY      | 1    | 1    | 1    |         |
| 2        | 4BR-11133-10 | .GUIDE, INTAKE VALVE    | 8    | 8    | 8    |         |
| 3        | 93440-09141  | .CIRCLIP                | 8    | 8    | 8    |         |
| 4        | 99510-08016  | .PIN, DOWEL             | 12   | 12   | 12   |         |
| 5        | 90105-06153  | .BOLT, FLANGE           | 24   | 24   | 24   |         |
| 6        | 90153-06029  | .SCREW, HEXAGON         | 1    | 1    | 1    |         |
| 7        | 90430-06014  | .GASKET                 | 1    | 1    | 1    |         |
| 8        | 95617-06618  | BOLT, STUD              | 2    | 2    | 2    |         |
| 9        | 92907-06200  | WASHER                  | 2    | 2    | 2    |         |
| 10       | 95317-06600  | NUT                     | 2    | 2    | 2    |         |
| 11       | 90179-06500  | NUT                     | 2    | 2    | 2    |         |
| 12       | 95617-06630  | BOLT, STUD              | 2    | 2    | 2    |         |
| 13       | 90201-08366  | WASHER, PLATE           | 10   | 10   | 10   |         |
| 14       | 92907-06200  | WASHER                  | 2    | 2    | 2    |         |
| 15       | 90201-08609  | WASHER, PLATE           | 2    | 2    | 2    |         |
| 16       | 90176-08080  | NUT, CROWN              | 12   | 12   | 12   |         |
| 17       | NGK-C8E-PK10 | PLUG, SPARK (NGK CR8E)  | 4    | 4    | 4    |         |
| 18       | 4BR-11181-00 | GASKET, CYLINDER HEAD 1 | 1    | 1    | 1    |         |
| 19       | 4DU-11191-00 | COVER, CYLINDER HEAD 1  | 1    | 1    | 1    |         |
| 20       | 4BR-11193-10 | GASKET, HEAD COVER 1    | 1    | 1    | 1    |         |
| 21       | 90109-066F0  | BOLT                    | 8    | 8    | 8    |         |
| 22       | 4KG-1111G-00 | RUBBER, MOUNT 1         | 8    | 8    | 8    |         |
| 23       | 90116-08360  | BOLT, STUD              | 8    | 8    | 8    |         |



FIG. 3 CRANKSHAFT, PISTON



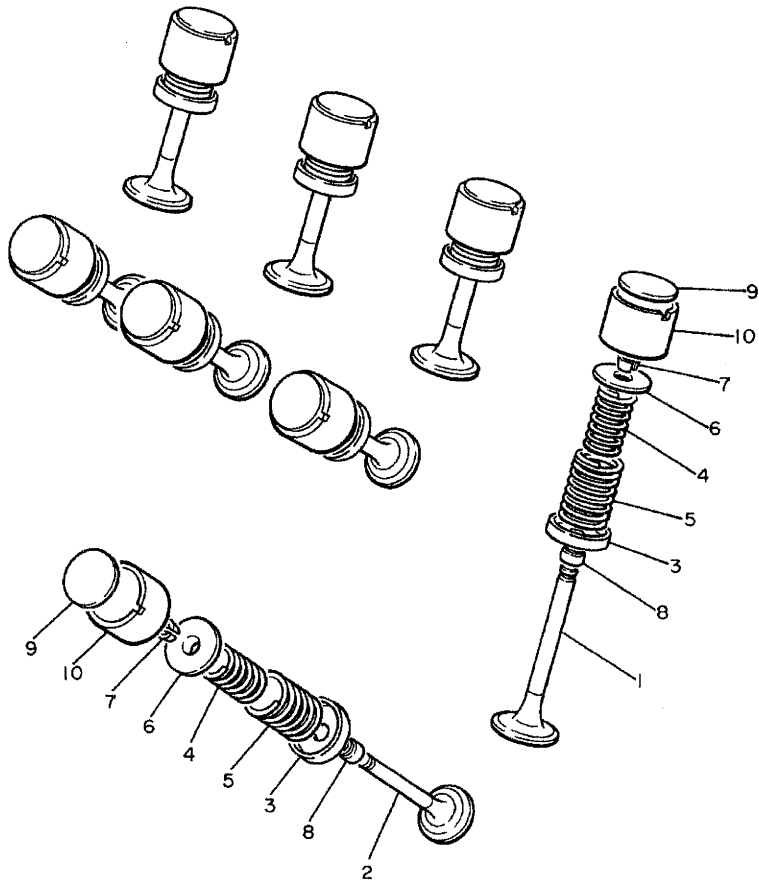
| REF. NO. | PART NO.        | DESCRIPTION                   | 4KED | 4MB9 | 4KF9 | REMARKS   |
|----------|-----------------|-------------------------------|------|------|------|-----------|
|          |                 |                               |      |      |      |           |
| 1        | 4BR-11411-00    | CRANKSHAFT                    | 1    | 1    | 1    |           |
| 2        | 93101-32088     | OIL SEAL                      | 1    | 1    | 1    |           |
| 3        | 4BR-11416-00    | PLANE BEARING, CRANKSHAFT 1   | 10   | 10   | 10   | UR BLUE   |
|          | 4BR-11416-10    | PLANE BEARING, CRANKSHAFT 1   | 10   | 10   | 10   | UR BLACK  |
|          | 4BR-11416-20    | PLANE BEARING, CRANKSHAFT 1   | 10   | 10   | 10   | UR BROWN  |
|          | 4BR-11416-30    | PLANE BEARING, CRANKSHAFT 1   | 10   | 10   | 10   | UR GREEN  |
|          | 4BR-11416-40    | PLANE BEARING, CRANKSHAFT 1   | 10   | 10   | 10   | UR YELLOW |
| 4        | 4BR-11631-00-A0 | PISTON (STD)                  | 4    | 4    | 4    |           |
|          | 4BR-11636-00    | PISTON (0.50MM O/S)           | 4    | 4    | 4    | AP        |
|          | 4BR-11638-00    | PISTON (1.00MM O/S)           | 4    | 4    | 4    | AP        |
| 5        | 4BR-11610-01    | PISTON RING SET (STD)         | 4    | 4    | 4    |           |
|          | 4BR-11610-21    | PISTON RING SET (0.50MM O/S)  | 4    | 4    | 4    | AP        |
|          | 4BR-11610-41    | PISTON RING SET (1.00MM O/S)  | 4    | 4    | 4    | AP        |
| 6        | 49A-11633-00    | PIN, PISTON                   | 4    | 4    | 4    |           |
| 7        | 93450-16068     | CIRCLIP                       | 8    | 8    | 8    |           |
| 8        | 4BR-11650-00    | CONNECTING ROD ASSY           | 4    | 4    | 4    |           |
| 9        | 4H7-11654-00    | BOLT, CONNECTING ROD          | 2    | 2    | 2    |           |
| 10       | 90179-07307     | NUT                           | 2    | 2    | 2    |           |
| 11       | 49A-11656-00    | PLANE BEARING, CONNECTING ROD | 8    | 8    | 8    | UR BLUE   |
|          | 49A-11656-10    | PLANE BEARING, CONNECTING ROD | 8    | 8    | 8    | UR BLACK  |
|          | 49A-11656-20    | PLANE BEARING, CONNECTING ROD | 8    | 8    | 8    | UR BROWN  |
|          | 49A-11656-30    | PLANE BEARING, CONNECTING ROD | 8    | 8    | 8    | UR GREEN  |
| 12       | 93604-10011     | PIN, DOWEL                    | 1    | 1    | 1    |           |



4BP010-1030

FIG. 4 VALVE

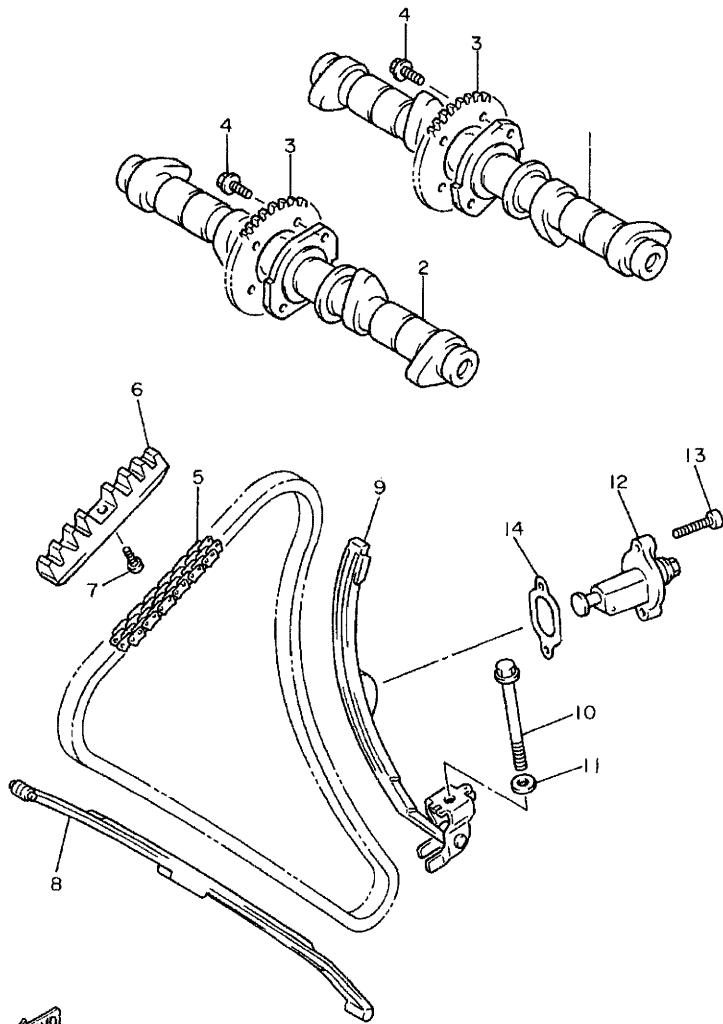
| REF. NO. | PART NO.     | DESCRIPTION            | 4KED | 4MB9 | 4KF9 | REMARKS |
|----------|--------------|------------------------|------|------|------|---------|
|          |              |                        |      |      |      |         |
| 1        | 4BR-12111-00 | VALVE, INTAKE          | 4    | 4    | 4    |         |
| 2        | 4BR-12121-00 | VALVE, EXHAUST         | 4    | 4    | 4    |         |
| 3        | 4BR-12116-00 | SEAT, VALVE SPRING     | 8    | 8    | 8    |         |
| 4        | 4BR-12113-00 | SPRING, VALVE INNER    | 8    | 8    | 8    |         |
| 5        | 4BR-12114-00 | SPRING, VALVE OUTER    | 8    | 8    | 8    |         |
| 6        | 33M-12117-00 | RETAINER, VALVE SPRING | 8    | 8    | 8    |         |
| 7        | 1AA-12118-00 | COTTER, VALVE          | 16   | 16   | 16   |         |
| 8        | 33M-12119-00 | SEAL, VALVE STEM       | 8    | 8    | 8    |         |
| 9        | 26H-12168-00 | PAD, ADJUSTING (2.00)  | 8    | 8    | 8    | UR      |
|          | 26H-12168-20 | PAD, ADJUSTING (2.05)  | 8    | 8    | 8    | UR      |
|          | 26H-12168-40 | PAD, ADJUSTING (2.10)  | 8    | 8    | 8    | UR      |
|          | 26H-12168-60 | PAD, ADJUSTING (2.15)  | 8    | 8    | 8    | UR      |
|          | 26H-12168-80 | PAD, ADJUSTING (2.20)  | 8    | 8    | 8    | UR      |
|          | 26H-12168-A0 | PAD, ADJUSTING (2.25)  | 8    | 8    | 8    | UR      |
|          | 26H-12168-F0 | PAD, ADJUSTING (2.30)  | 8    | 8    | 8    | UR      |
|          | 26H-12168-H0 | PAD, ADJUSTING (2.35)  | 8    | 8    | 8    | UR      |
|          | 26H-12168-K0 | PAD, ADJUSTING (2.40)  | 8    | 8    | 8    | UR      |
|          | 26H-12168-M0 | PAD, ADJUSTING (2.45)  | 8    | 8    | 8    | UR      |
|          | 26H-12168-R0 | PAD, ADJUSTING (2.50)  | 8    | 8    | 8    | UR      |
|          | 26H-12168-U0 | PAD, ADJUSTING (2.55)  | 8    | 8    | 8    | UR      |
|          | 26H-12168-W0 | PAD, ADJUSTING (2.60)  | 8    | 8    | 8    | UR      |
|          | 26H-12168-Y0 | PAD, ADJUSTING (2.65)  | 8    | 8    | 8    | UR      |
|          | 26H-12169-10 | PAD, ADJUSTING (2.70)  | 8    | 8    | 8    | UR      |
|          | 26H-12169-30 | PAD, ADJUSTING (2.75)  | 8    | 8    | 8    | UR      |
|          | 26H-12169-50 | PAD, ADJUSTING (2.80)  | 8    | 8    | 8    | UR      |
|          | 26H-12169-70 | PAD, ADJUSTING (2.85)  | 8    | 8    | 8    | UR      |
|          | 26H-12169-90 | PAD, ADJUSTING (2.90)  | 8    | 8    | 8    | UR      |



4BP010-1040



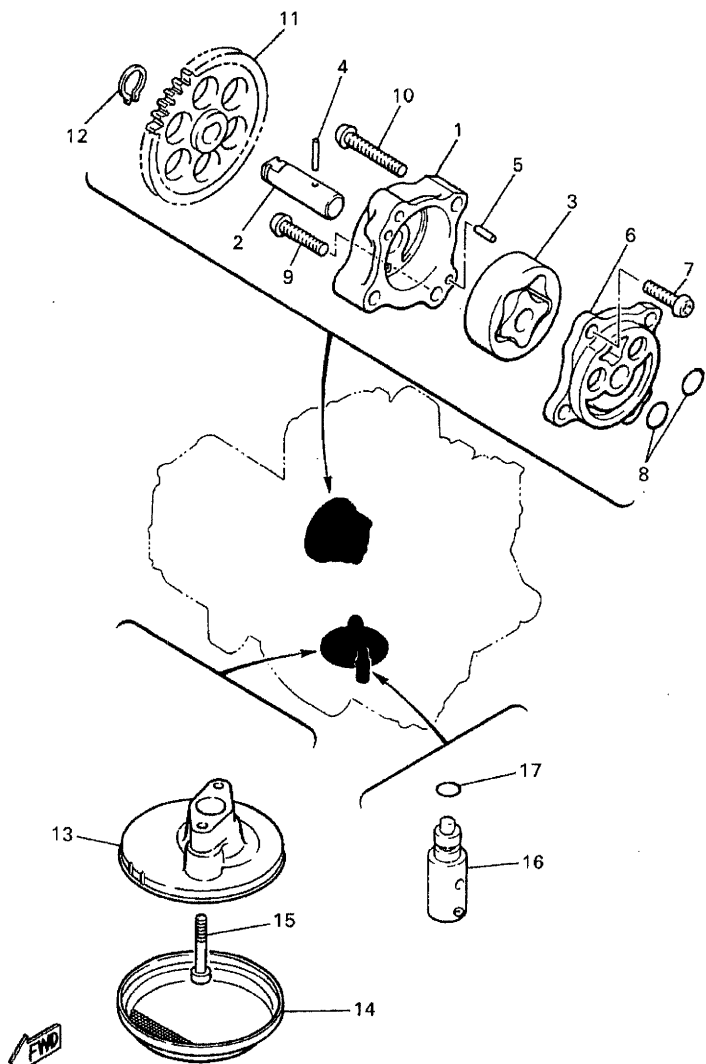
FIG. 5 CAMSHAFT. CHAIN



  
4BP010-1050

| REF. NO. | PART NO.     | DESCRIPTION               | 4KED | 4MB9 | 4KF9 | REMARKS |
|----------|--------------|---------------------------|------|------|------|---------|
|          |              |                           |      |      |      |         |
| 1        | 4BR-12171-00 | CAMSHAFT 1                | 1    | 1    | 1    |         |
| 2        | 4BR-12181-00 | CAMSHAFT 2                | 1    | 1    | 1    |         |
| 3        | 4BR-12176-00 | SPROCKET, CAM CHAIN       | 2    | 2    | 2    |         |
| 4        | 90105-07342  | BOLT, FLANGE              | 4    | 4    | 4    |         |
| 5        | 94890-04144  | CHAIN                     | 1    | 1    | 1    |         |
| 6        | 4BR-12241-00 | GUIDE, STOPPER 2          | 1    | 1    | 1    |         |
| 7        | 98907-06010  | SCREW, BIND               | 1    | 1    | 1    |         |
| 8        | 4BR-12251-00 | DAMPER, CHAIN 1           | 1    | 1    | 1    |         |
| 9        | 4BR-12252-00 | DAMPER, CHAIN 2           | 1    | 1    | 1    |         |
| 10       | 95827-08075  | BOLT, FLANGE              | 1    | 1    | 1    |         |
| 11       | 90201-080L8  | WASHER, PLATE             | 1    | 1    | 1    |         |
| 12       | 4BR-12210-00 | TENSIONER ASSY, CAM CHAIN | 1    | 1    | 1    |         |
| 13       | 91317-06025  | BOLT                      | 2    | 2    | 2    |         |
| 14       | 4BR-12213-00 | GASKET, TENSIONER CASE    | 1    | 1    | 1    |         |

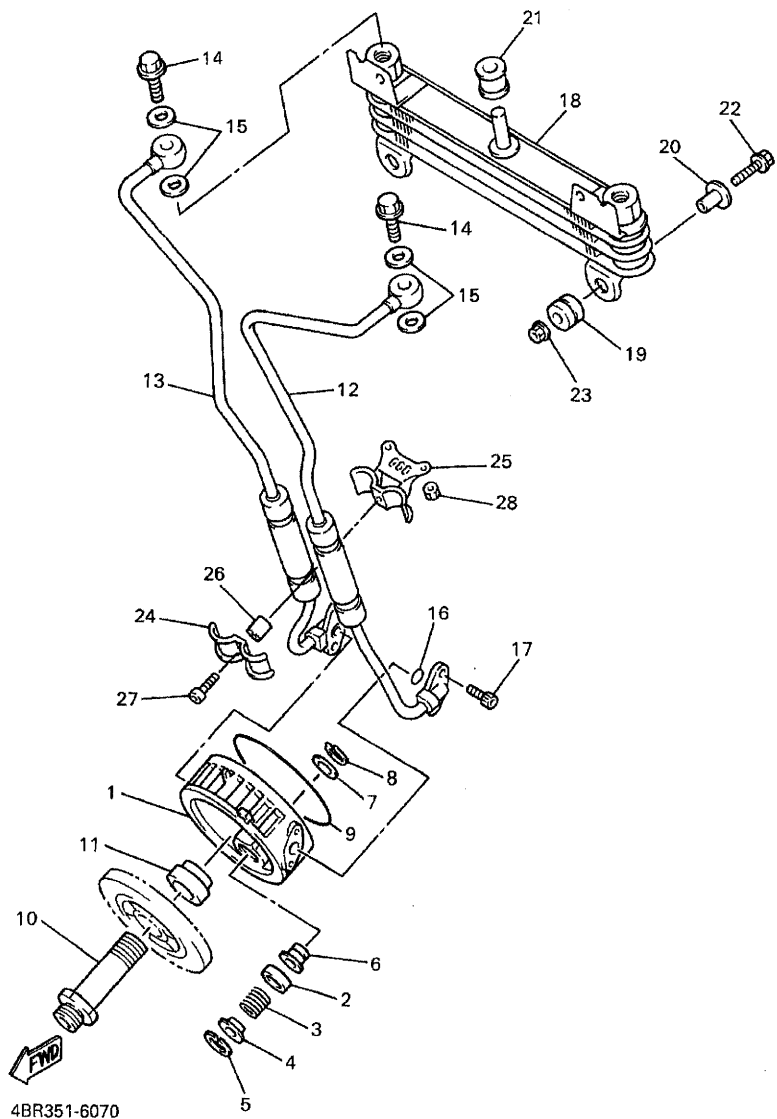
FIG. 6 OIL PUMP



4BR351-6060

| REF. NO. | PART NO.     | DESCRIPTION       | 4KED | 4MB9 | 4KF9 | REMARKS |
|----------|--------------|-------------------|------|------|------|---------|
| 1        | 33M-13336-00 | HOUSING, ROTOR    | 1    | 1    | 1    |         |
| 2        | 33M-13314-01 | SHAFT, PUMP       | 1    | 1    | 1    |         |
| 3        | 4H7-13310-00 | ROTOR ASSY 1      | 1    | 1    | 1    |         |
| 4        | 93603-17070  | PIN, DOWEL        | 1    | 1    | 1    |         |
| 5        | 93603-07073  | PIN, DOWEL        | 2    | 2    | 2    |         |
| 6        | 4G0-13316-00 | COVER, PUMP       | 1    | 1    | 1    |         |
| 7        | 98507-06016  | SCREW, PAN HEAD   | 1    | 1    | 1    |         |
| 8        | 93210-13361  | O-RING            | 2    | 2    | 2    |         |
| 9        | 98507-06025  | SCREW, PAN HEAD   | 1    | 1    | 1    |         |
| 10       | 98507-06035  | SCREW, PAN HEAD   | 2    | 2    | 2    |         |
| 11       | 4EB-13325-00 | GEAR, PUMP DRIVEN | 1    | 1    | 1    |         |
| 12       | 99009-11400  | CIRCLIP           | 1    | 1    | 1    |         |
| 13       | 4BR-13412-00 | HOUSING, STRAINER | 1    | 1    | 1    |         |
| 14       | 4H7-13411-02 | STRAINER, OIL     | 1    | 1    | 1    |         |
| 15       | 91317-06030  | BOLT              | 2    | 2    | 2    |         |
| 16       | 4G0-13490-01 | RELIEF VALVE ASSY | 1    | 1    | 1    |         |
| 17       | 93210-10096  | O-RING            | 1    | 1    | 1    |         |
|          |              |                   |      |      |      |         |
|          |              |                   |      |      |      |         |
|          |              |                   |      |      |      |         |
|          |              |                   |      |      |      |         |

FIG. 7 OIL COOLER



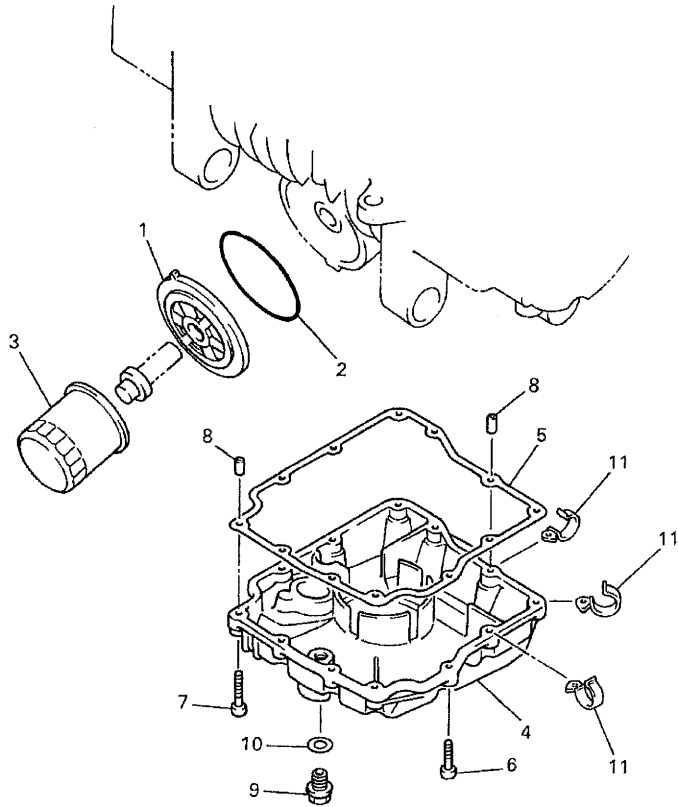
4BR351-6070

| REF. NO. | PART NO.     | DESCRIPTION         | 4KED | 4MB9 | 4KF9 | REMARKS |
|----------|--------------|---------------------|------|------|------|---------|
|          |              |                     |      |      |      |         |
| 1        | 4KM-13461-00 | PLATE, ADAPTOR      | 1    | 1    | 1    |         |
| 2        | 4KM-13493-00 | PLUNGER             | 1    | 1    | 1    |         |
| 3        | 90501-12413  | SPRING, COMPRESSION | 1    | 1    | 1    |         |
| 4        | 90209-06339  | WASHER              | 1    | 1    | 1    |         |
| 5        | 99009-17500  | CIRCLIP             | 1    | 1    | 1    |         |
| 6        | 4KM-13479-00 | SEAT, VALVE         | 1    | 1    | 1    |         |
| 7        | 90201-113K2  | WASHER, PLATE       | 1    | 1    | 1    |         |
| 8        | 99009-11400  | CIRCLIP             | 1    | 1    | 1    |         |
| 9        | 93210-87723  | O-RING              | 1    | 1    | 1    |         |
| 10       | 90401-20162  | BOLT, UNION         | 1    | 1    | 1    |         |
| 11       | 90387-2005R  | COLLAR              | 1    | 1    | 1    |         |
| 12       | 4EB-13464-01 | HOSE, OIL 1         | 1    | 1    | 1    |         |
| 13       | 4EB-13465-01 | HOSE, OIL 2         | 1    | 1    | 1    |         |
| 14       | 90401-12122  | BOLT, UNION         | 2    | 2    | 2    |         |
| 15       | 90430-12202  | GASKET              | 4    | 4    | 4    |         |
| 16       | 93210-100A9  | O-RING              | 2    | 2    | 2    |         |
| 17       | 91317-06016  | BOLT                | 4    | 4    | 4    |         |
| 18       | 4EB-13470-00 | OIL COOLER ASSY     | 1    | 1    | 1    |         |
| 19       | 90480-12475  | GROMMET             | 2    | 2    | 2    |         |
| 20       | 90387-067K8  | COLLAR              | 2    | 2    | 2    |         |
| 21       | 90480-16284  | GROMMET             | 1    | 1    | 1    |         |
| 22       | 95827-06025  | BOLT, FLANGE        | 2    | 2    | 2    |         |
| 23       | 95707-06500  | NUT, FLANGE         | 2    | 2    | 2    |         |
| 24       | 90462-10066  | CLAMP               | 1    | 1    | 1    |         |
| 25       | 90462-12140  | CLAMP               | 1    | 1    | 1    |         |
| 26       | 90387-07038  | COLLAR              | 1    | 1    | 1    |         |
| 27       | 91317-06025  | BOLT                | 1    | 1    | 1    |         |



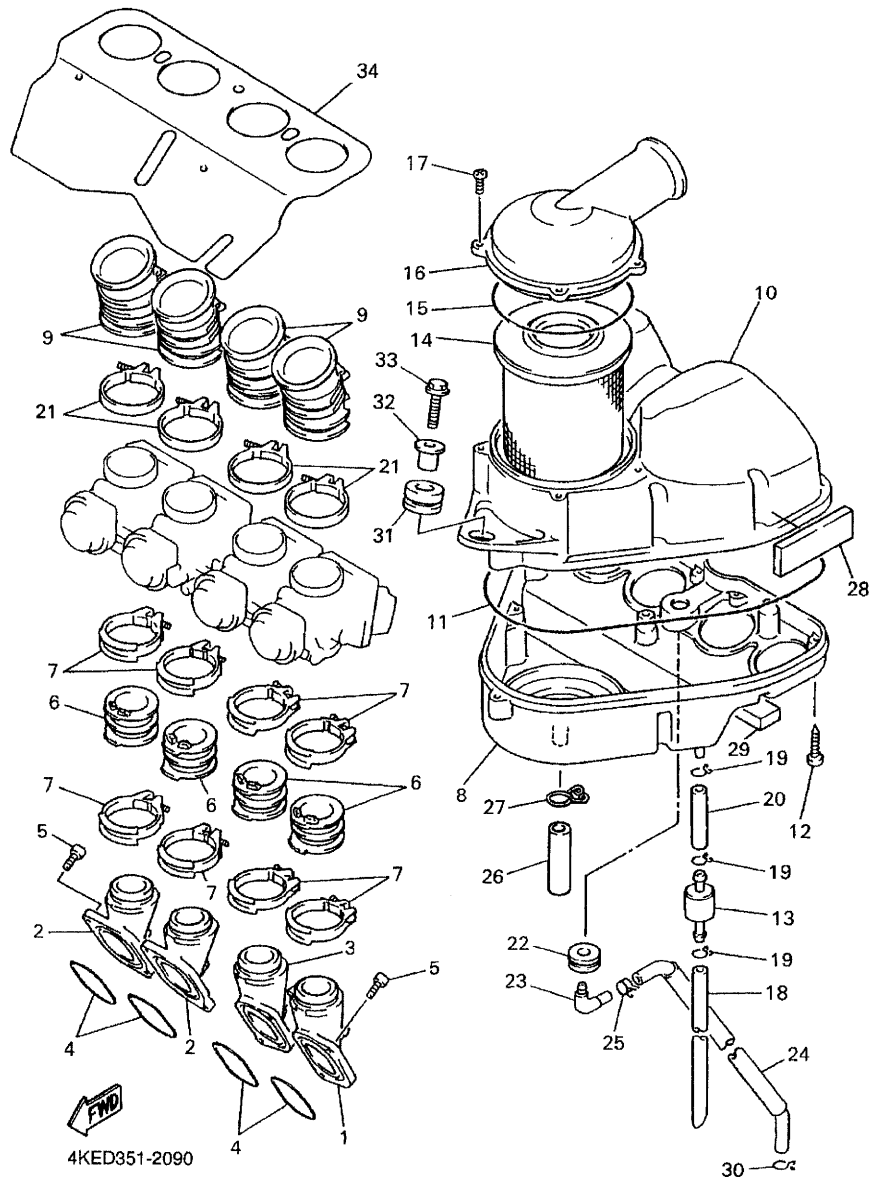
FIG. 8 OIL CLEANER

| REF. NO. | PART NO.     | DESCRIPTION               | 4KED | 4MBS | 4KF9 | REMARKS |
|----------|--------------|---------------------------|------|------|------|---------|
|          |              |                           |      |      |      |         |
| 1        | 3TJ-13461-00 | PLATE, ADAPTOR            | 1    | 1    | 1    |         |
| 2        | 93210-87723  | O-RING                    | 1    | 1    | 1    |         |
| 3        | 3FV-13440-10 | ELEMENT ASSY, OIL CLEANER | 1    | 1    | 1    |         |
| 4        | 4BR-13417-00 | COVER, STRAINER           | 1    | 1    | 1    |         |
| 5        | 4BR-13414-00 | GASKET, STRAINER COVER    | 1    | 1    | 1    |         |
| 6        | 91317-06030  | BOLT                      | 10   | 10   | 10   |         |
| 7        | 91317-06040  | BOLT                      | 2    | 2    | 2    |         |
| 8        | 99530-08016  | PIN, DOWEL                | 2    | 2    | 2    |         |
| 9        | 90340-14132  | PLUG, STRAIGHT SCREW      | 1    | 1    | 1    |         |
| 10       | 214-11198-01 | GASKET                    | 1    | 1    | 1    |         |
| 11       | 90462-08078  | CLAMP                     | 3    | 3    | 3    |         |
|          |              |                           |      |      |      |         |
|          |              |                           |      |      |      |         |
|          |              |                           |      |      |      |         |
|          |              |                           |      |      |      |         |
|          |              |                           |      |      |      |         |



4BR351-6080

FIG. 9 INTAKE



| REF. NO. | PART NO.     | DESCRIPTION          | 4KED | 4MB9 | 4KF9 | REMARKS |
|----------|--------------|----------------------|------|------|------|---------|
|          |              |                      |      |      |      |         |
| 1        | 4EB-13586-00 | JOINT, CARBURETOR 1  | 1    | 1    | 1    |         |
| 2        | 4EB-13596-00 | JOINT, CARBURETOR 2  | 2    | 2    | 2    |         |
| 3        | 4EB-13597-00 | JOINT, CARBURETOR 3  | 1    | 1    | 1    |         |
| 4        | 93210-37532  | O-RING               | 4    | 4    | 4    |         |
| 5        | 91317-06020  | BOLT                 | 8    | 8    | 8    |         |
| 6        | 4BR-13598-10 | JOINT, CARBURETOR 4  | 4    | 4    | 4    |         |
| 7        | 4BR-13575-00 | BAND                 | 8    | 8    | 8    |         |
| 8        | 4BR-14411-00 | CASE, AIR CLEANER 1  | 1    | 1    | 1    |         |
| 9        | 4EB-14453-00 | JOINT, AIR CLEANER 1 | 4    | 4    | 4    |         |
| 10       | 4BR-14421-00 | CASE, AIR CLEANER 2  | 1    | 1    | 1    |         |
| 11       | 4BR-14452-00 | SEAL                 | 1    | 1    | 1    |         |
| 12       | 97707-50130  | SCREW, TAPPING       | 10   | 10   | 10   |         |
| 13       | 4X7-2149Y-00 | FILTER ASSY          | 1    | 1    | 1    |         |
| 14       | 4BR-14451-00 | ELEMENT, AIR CLEANER | 1    | 1    | 1    |         |
| 15       | 1AE-14452-00 | SEAL                 | 1    | 1    | 1    |         |
| 16       | 4BR-14412-01 | CAP, CLEANER CASE 1  | 1    | 1    | 1    |         |
| 17       | 97707-50130  | SCREW, TAPPING       | 4    | 4    | 4    |         |
| 18       | 90445-11152  | HOSE (L270)          | 1    | 1    | 1    |         |
| 19       | 90467-10041  | CLIP                 | 3    | 3    | 3    |         |
| 20       | 90445-11699  | HOSE (L500)          | 1    | 1    | 1    |         |
| 21       | 90460-54085  | CLAMP, HOSE          | 4    | 4    | 4    |         |
| 22       | 31A-14435-00 | GROMMET              | 1    | 1    | 1    |         |
| 23       | 31A-14419-00 | PIPE                 | 1    | 1    | 1    |         |
| 24       | 4BR-11166-10 | PIPE, BREATHER 1     | 1    | 1    | 1    |         |
| 25       | 90467-15054  | CLIP                 | 1    | 1    | 1    |         |
| 26       | 90446-15233  | HOSE                 | 1    | 1    | 1    |         |
| 27       | 90467-15012  | CLIP                 | 1    | 1    | 1    |         |

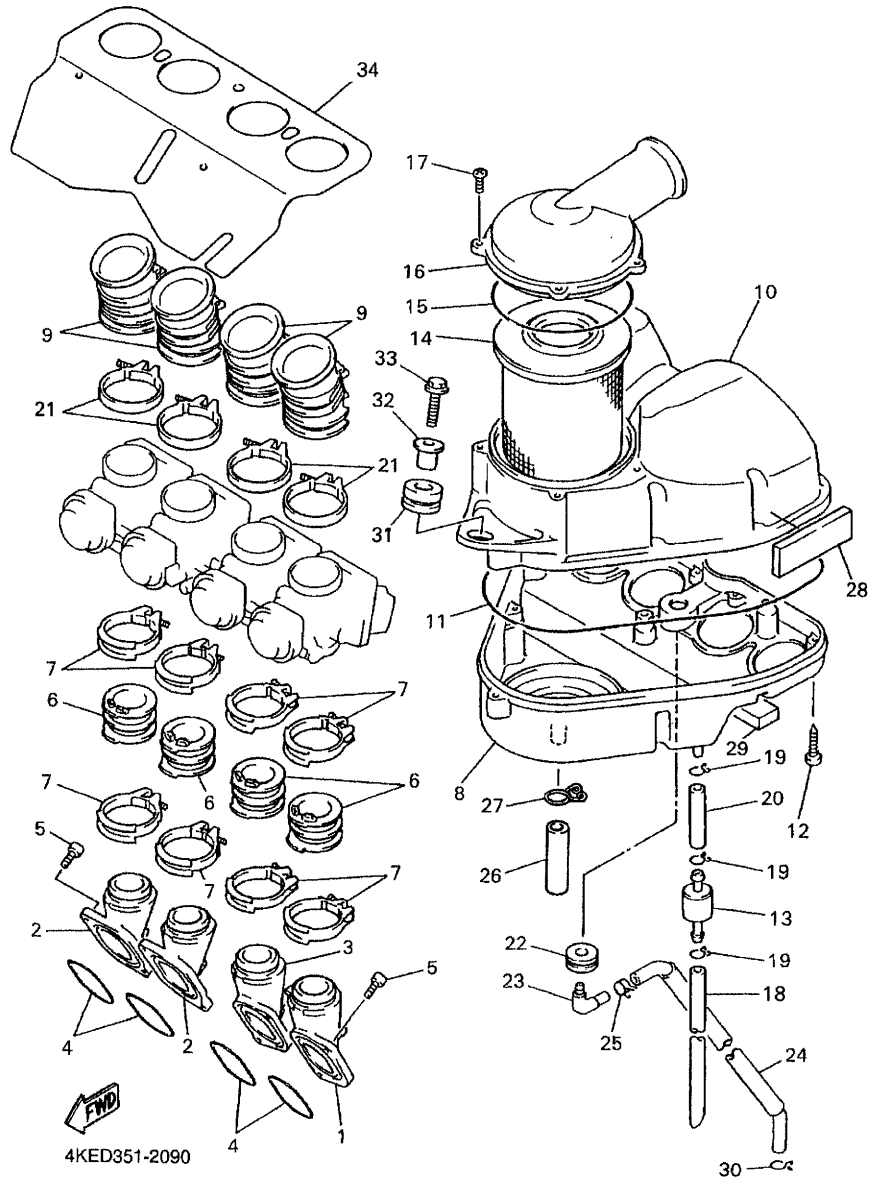
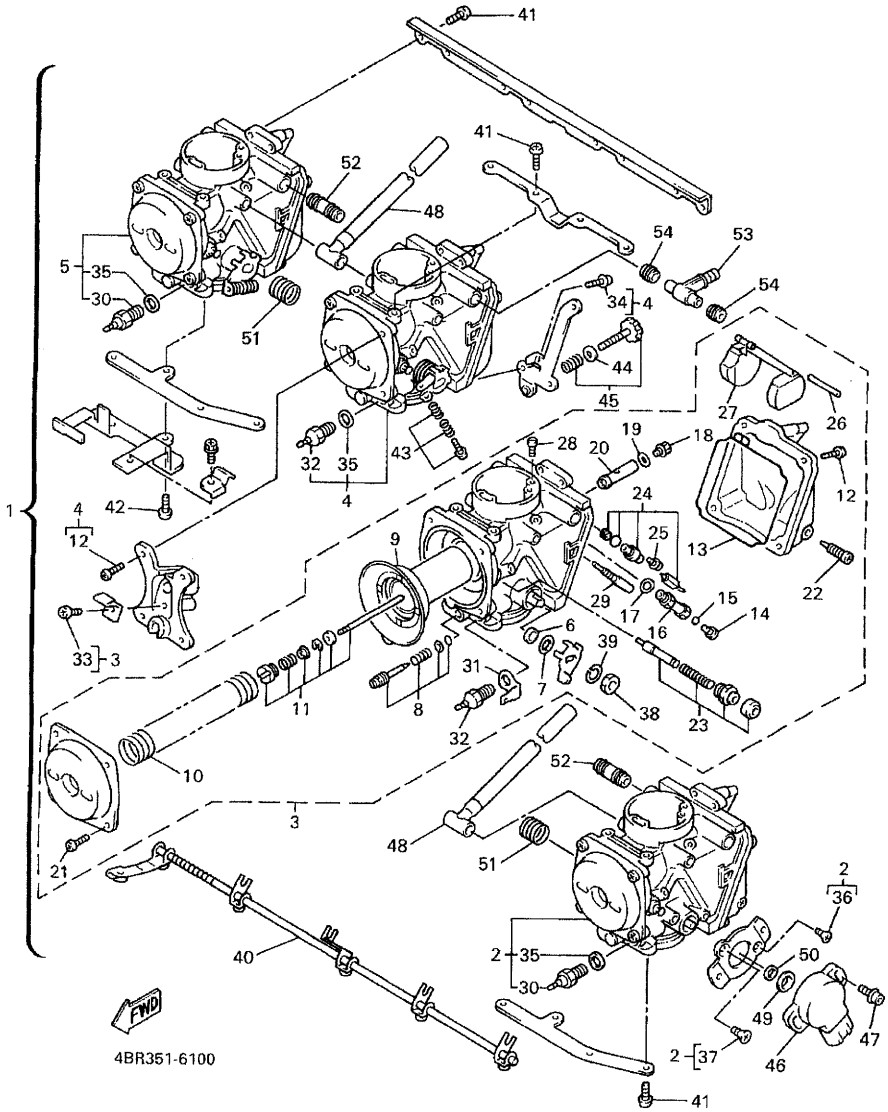


FIG. 9 INTAKE

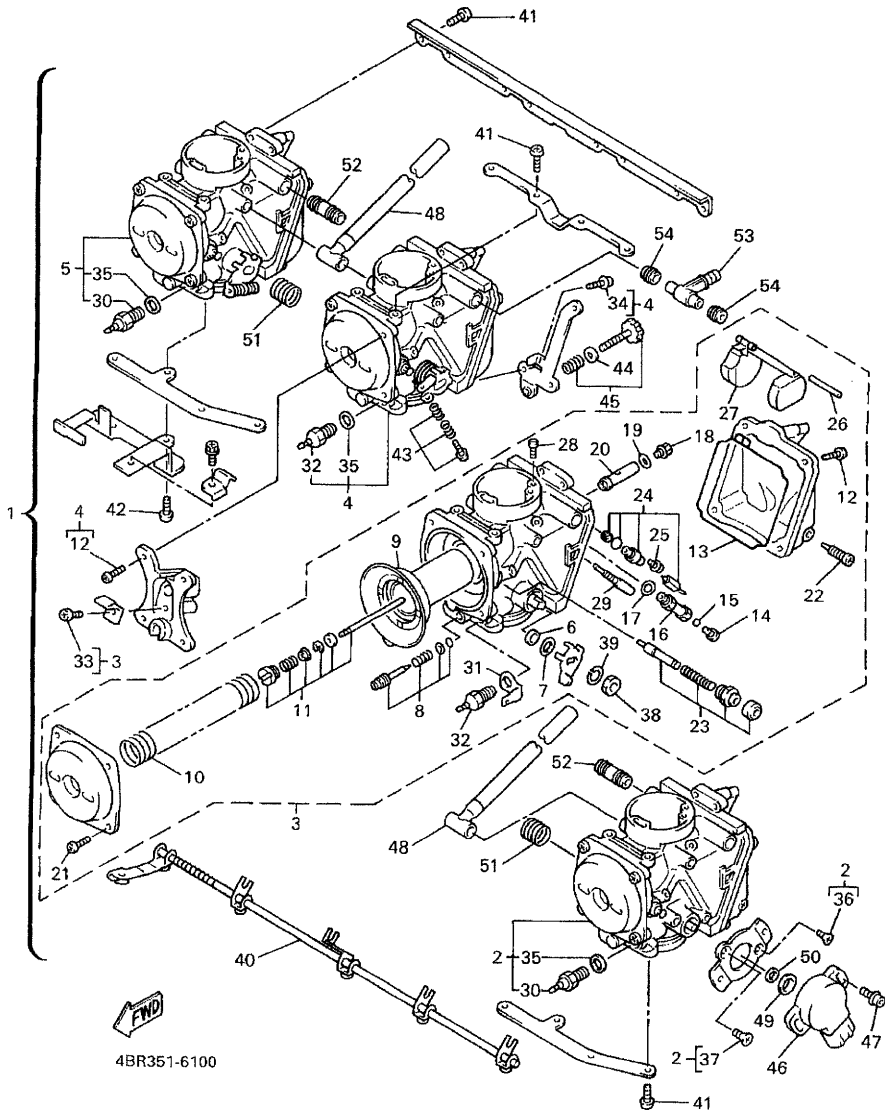
| REF. NO. | PART NO.     | DESCRIPTION     | 4KED | 4MB9 | 4KF9 | REMARKS |
|----------|--------------|-----------------|------|------|------|---------|
| 28       | 4KA-14425-00 | DAMPER 1        | 2    | 2    | 2    |         |
| 29       | 4KE-14426-00 | DAMPER 2        | 1    | 1    | 1    |         |
| 30       | 90467-14015  | CLIP            | 1    | 1    | 1    |         |
| 31       | 90480-14023  | GROMMET         | 1    | 1    | 1    |         |
| 32       | 90387-060M9  | COLLAR          | 1    | 1    | 1    |         |
| 33       | 95817-06030  | BOLT, FLANGE    | 1    | 1    | 1    |         |
| 34       | 4BR-12682-02 | PROTECTOR, HEAT | 1    | 1    | 1    |         |
|          |              |                 |      |      |      |         |
|          |              |                 |      |      |      |         |
|          |              |                 |      |      |      |         |
|          |              |                 |      |      |      |         |
|          |              |                 |      |      |      |         |
|          |              |                 |      |      |      |         |
|          |              |                 |      |      |      |         |
|          |              |                 |      |      |      |         |

FIG. 10 CARBURETOR



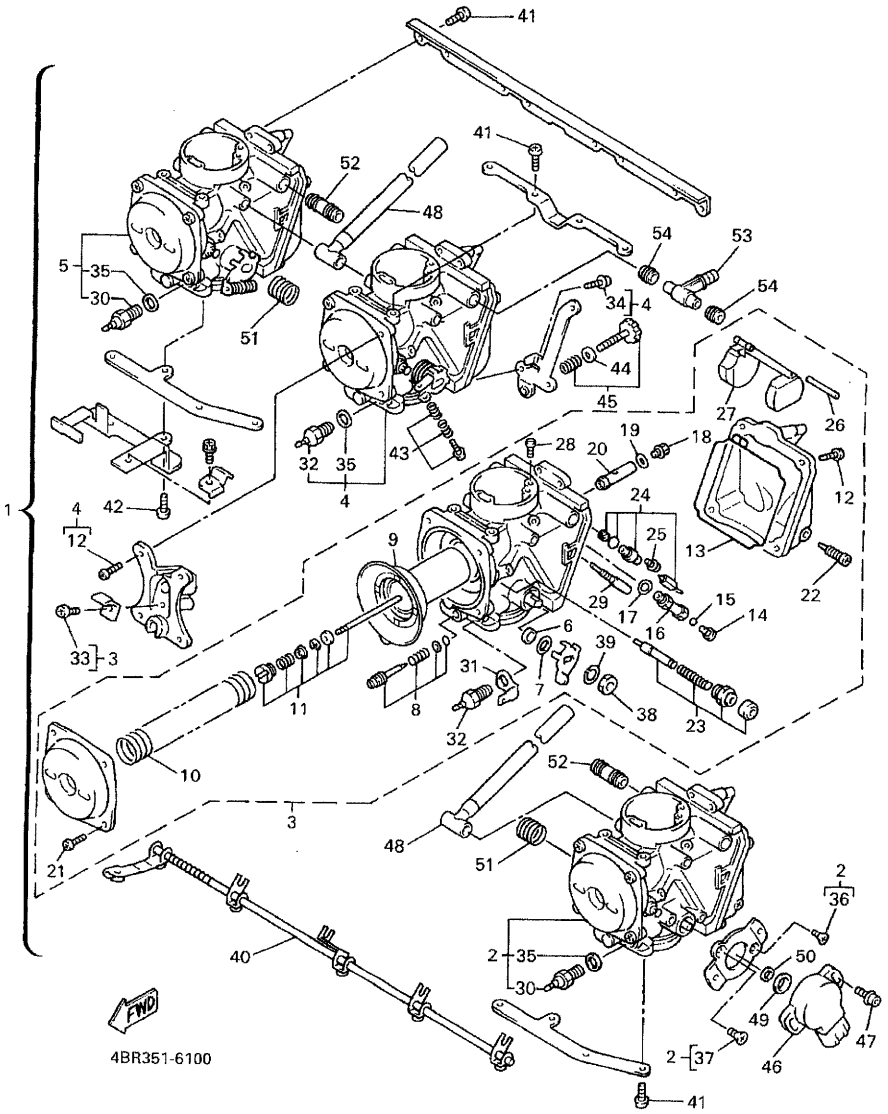
| REF. NO. | PART NO.     | DESCRIPTION         | 4KED | 4MB9 | 4KF9 | REMARKS   |
|----------|--------------|---------------------|------|------|------|-----------|
| 1        | 4BR-14900-22 | CARBURETOR ASSY     | 1    |      |      |           |
| 2        | 4BR-14901-22 | CARBURETOR ASSY 1   | 1    |      |      |           |
| 3        | 4BR-14902-22 | CARBURETOR ASSY 2   | 1    |      |      |           |
| 4        | 4BR-14903-22 | CARBURETOR ASSY 3   | 1    |      |      |           |
| 5        | 4BR-14904-22 | CARBURETOR ASSY 4   | 1    |      |      |           |
| 6        | 256-14997-00 | ..SEAL              | 1    | 1    | 1    | UR #4     |
|          | 256-14997-00 | ..SEAL              | 2    | 2    | 2    | UR #1,2,3 |
| 7        | 1A8-14953-00 | ..WASHER            | 1    | 1    | 1    |           |
| 8        | 12R-14105-00 | ..PILOT SCREW SET   | 1    | 1    | 1    |           |
| 9        | 4BR-14940-00 | ..DIAPHRAGM ASSY    | 1    |      |      |           |
| 10       | 1HX-14933-00 | ..SPRING, DIAPHRAGM | 1    | 1    |      |           |
| 11       | 4DS-1490J-00 | ..NEEDLE SET        | 1    | 1    |      |           |
| 12       | 98501-04014  | ..SCREW, PAN HEAD   | 4    | 4    | 4    | UR #1,2,4 |

FIG. 10 CARBURETOR



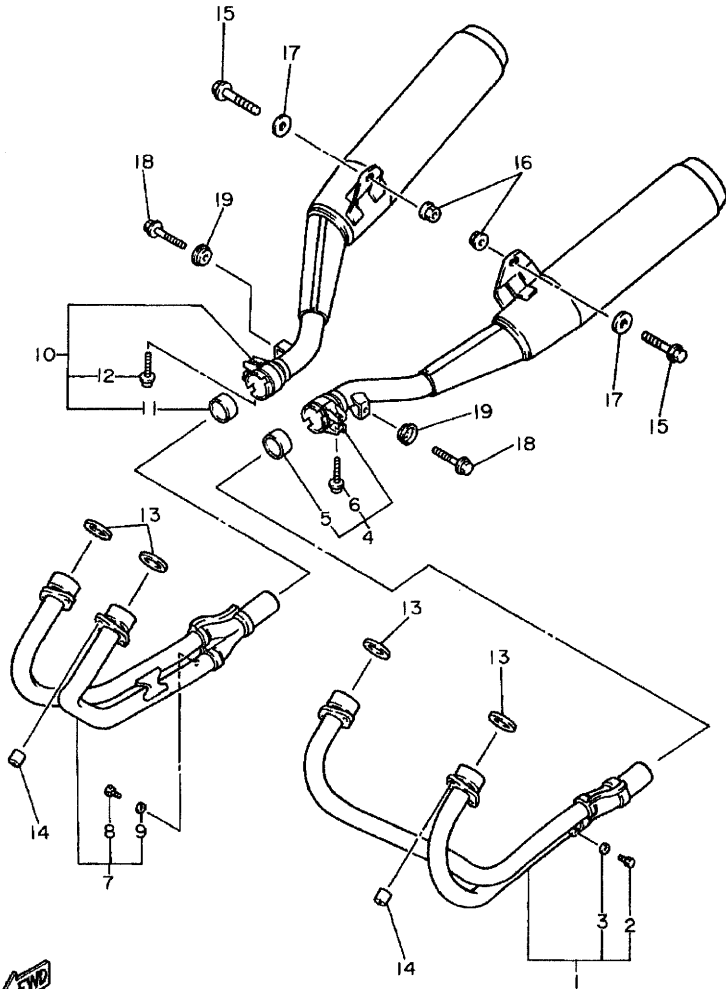
| REF. NO. | PART NO.     | DESCRIPTION           | 4KED | 4MB9 | 4KF9 | REMARKS |
|----------|--------------|-----------------------|------|------|------|---------|
| 12       | 98501-04014  | ..SCREW, PAN HEAD     | 5    | 5    | 5    | UR #3   |
| 13       | 1HX-14147-00 | ..O-RING              | 1    | 1    | 1    |         |
| 14       | 620-14231-20 | ..JET, MAIN (#100)    | 1    | 1    | 1    |         |
| 15       | 1AE-14227-00 | ..O-RING              | 1    | 1    | 1    |         |
| 16       | 1AE-14261-00 | ..HOLDER              | 1    | 1    | 1    |         |
| 17       | 1AE-14237-00 | ..GASKET              | 1    | 1    | 1    |         |
| 18       | 1HX-14565-00 | ..SCREW               | 1    | 1    | 1    |         |
| 19       | 137-14153-00 | ..WASHER, MAIN JET    | 1    | 1    | 1    |         |
| 20       | 3DM-14141-30 | ..MAIN NOZZLE(0-0)    | 1    | 1    | 1    |         |
| 21       | 98501-04008  | ..SCREW, PAN HEAD     | 2    | 2    | 2    | UR #2,3 |
|          | 98501-04008  | ..SCREW, PAN HEAD     | 4    | 4    | 4    | UR #1,4 |
| 22       | 12R-14191-00 | ..PLUG, DRAIN         | 1    | 1    | 1    |         |
| 23       | 4DU-1410A-00 | ..STARTER SET         | 1    | 1    | 1    |         |
| 24       | 3CF-14107-10 | ..NEEDLE VALVE SET    | 1    | 1    | 1    |         |
| 25       | 1FN-14565-00 | ..SCREW               | 1    | 1    | 1    |         |
| 26       | 353-14186-00 | ..PIN, FLOAT          | 1    | 1    | 1    |         |
| 27       | 1HX-14985-00 | ..FLOAT               | 1    | 1    | 1    |         |
| 28       | 1HX-14231-28 | ..JET, MAIN (#140)    | 1    |      |      | STD     |
|          | 1HX-14231-27 | ..JET, MAIN (#135)    | 1    |      |      | UR      |
|          | 1HX-14231-26 | ..JET, MAIN (#130)    | 1    |      |      | UR      |
| 29       | 22F-14142-17 | ..JET, PILOT (# 17.5) | 1    |      |      |         |
| 30       | 4EB-83790-00 | ..HEATER ASSY         | 1    | 1    | 1    |         |
| 31       | 4DH-82103-00 | ..TERMINAL 1          | 1    | 1    | 1    |         |
| 32       | 3AB-83790-00 | ..HEATER ASSY         | 1    | 1    | 1    |         |
| 33       | 98502-05008  | ..SCREW, PAN HEAD     | 1    | 1    | 1    |         |

FIG. 10 CARBURETOR



| REF. NO. | PART NO.     | DESCRIPTION              | 4KED | 4MB9 | 4KF9 | REMARKS |
|----------|--------------|--------------------------|------|------|------|---------|
| 34       | 4DU-14125-00 | ..SCREW                  | 1    | 1    | 1    | UR #3   |
|          | 4DU-14125-00 | ..SCREW                  | 2    | 2    | 2    | UR #2   |
| 35       | 90201-080S8  | ..WASHER, PLATE          | 1    | 1    | 1    |         |
| 36       | 98706-03008  | ..SCREW, FLAT HEAD       | 1    | 1    | 1    |         |
| 37       | 98706-05010  | ..SCREW, FLAT HEAD       | 1    | 1    | 1    |         |
| 38       | 812-14594-00 | ..NUT                    | 1    | 1    | 1    |         |
| 39       | 92902-08100  | ..WASHER, SPRING         | 1    | 1    | 1    |         |
| 40       | 4BR-1490L-00 | ..STARTER LEVER SET, 1   | 1    | 1    | 1    |         |
| 41       | 98502-05010  | ..SCREW, PAN HEAD        | 18   | 18   | 18   |         |
| 42       | 98502-05012  | ..SCREW, PAN HEAD        | 2    | 2    | 2    |         |
| 43       | 3KW-1490K-00 | ..STOP SCREW SET         | 3    | 3    | 3    |         |
| 44       | 22F-14117-00 | ..WASHER, PLUG SCREW     | 1    | 1    | 1    |         |
| 45       | 1HX-14103-00 | ..THROTTLE SCREW SET     | 1    | 1    | 1    |         |
| 46       | 4HD-85885-00 | ..THROTTLE SENSOR ASSY   | 1    | 1    | 1    |         |
| 47       | 4HM-14216-00 | ..SCREW                  | 2    | 2    | 2    |         |
| 48       | 4BR-14987-10 | ..HOSE                   | 2    | 2    | 2    |         |
| 49       | 4HM-14239-00 | ..SEAL                   | 1    | 1    | 1    |         |
| 50       | 4KG-14285-00 | ..WASHER                 | 1    | 1    | 1    |         |
| 51       | 1HX-14131-00 | ..SPRING, THROTTLE VALVE | 2    | 2    | 2    |         |
| 52       | 4BR-14389-00 | ..NIPPLE ASSY            | 2    | 2    | 2    |         |
| 53       | 3LN-14251-00 | ..NIPPLE                 | 1    | 1    | 1    |         |
| 54       | 3EN-14997-00 | ..SEAL                   | 2    | 2    | 2    |         |

FIG. 11 EXHAUST

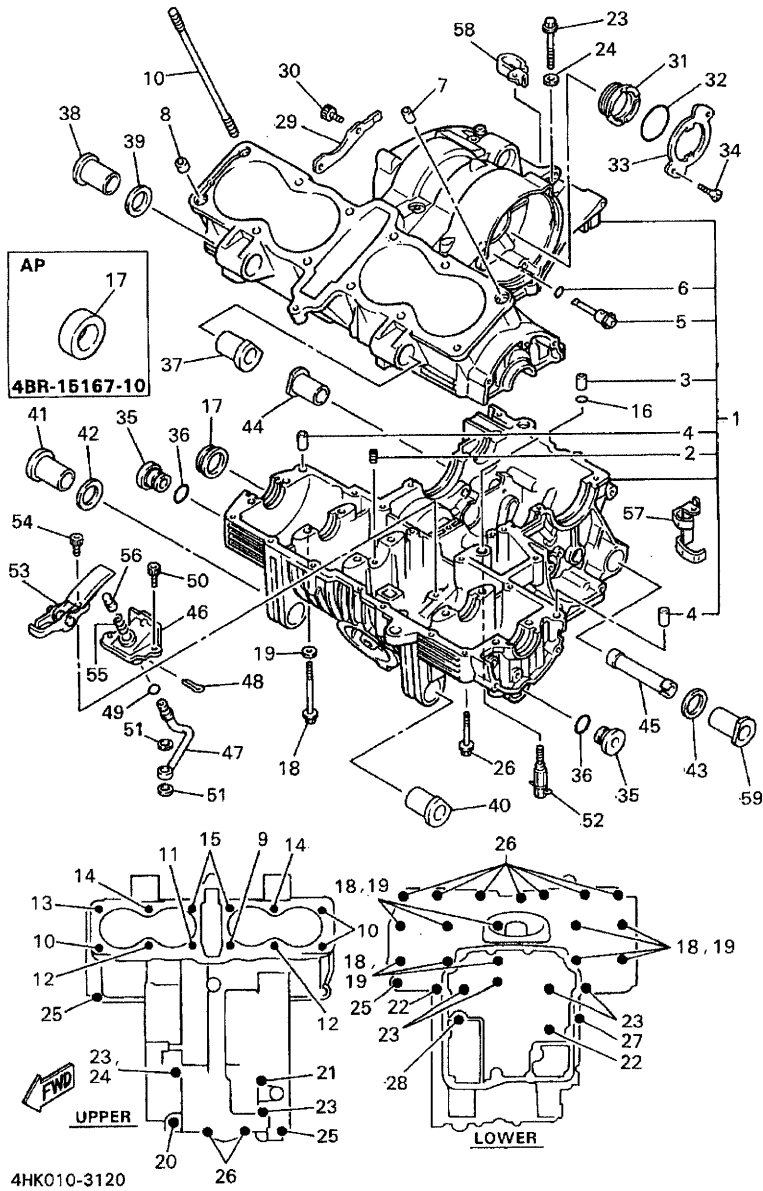


| REF. NO. | PART NO.     | DESCRIPTION          | 4KED | 4MB9 | 4KF9 | REMARKS |
|----------|--------------|----------------------|------|------|------|---------|
| 1        | 4BR-14610-02 | EXHAUST PIPE ASSY 1  | 1    | 1    | 1    |         |
| 2        | 90101-06576  | .BOLT                | 2    | 2    | 2    |         |
| 3        | 92990-06600  | .WASHER, PLATE       | 2    | 2    | 2    |         |
| 4        | 4EB-14710-02 | MUFFLER ASSY 1       | 1    | 1    | 1    |         |
| 5        | 3VD-14755-00 | .GASKET, SILENCER    | 1    | 1    | 1    |         |
| 6        | 95024-08030  | .BOLT, FLANGE        | 1    | 1    | 1    |         |
| 7        | 4BR-14620-02 | EXHAUST PIPE ASSY 2  | 1    | 1    | 1    |         |
| 8        | 90101-06576  | .BOLT                | 2    | 2    | 2    |         |
| 9        | 92990-06600  | .WASHER, PLATE       | 2    | 2    | 2    |         |
| 10       | 4EB-14720-02 | MUFFLER ASSY 2       | 1    | 1    | 1    |         |
| 11       | 3VD-14755-00 | .GASKET, SILENCER    | 1    | 1    | 1    |         |
| 12       | 95024-08030  | .BOLT, FLANGE        | 1    | 1    | 1    |         |
| 13       | 4BR-14613-00 | GASKET, EXHAUST PIPE | 4    | 4    | 4    |         |
| 14       | 90179-08673  | NUT                  | 8    | 8    | 8    |         |
| 15       | 95814-10040  | BOLT, FLANGE         | 2    | 2    | 2    |         |
| 16       | 95707-10500  | NUT, FLANGE          | 2    | 2    | 2    |         |
| 17       | 90201-10669  | WASHER, PLATE        | 2    | 2    | 2    |         |
| 18       | 95804-08035  | BOLT, FLANGE         | 2    | 2    | 2    |         |
| 19       | 90209-08249  | WASHER               | 2    | 2    | 2    |         |



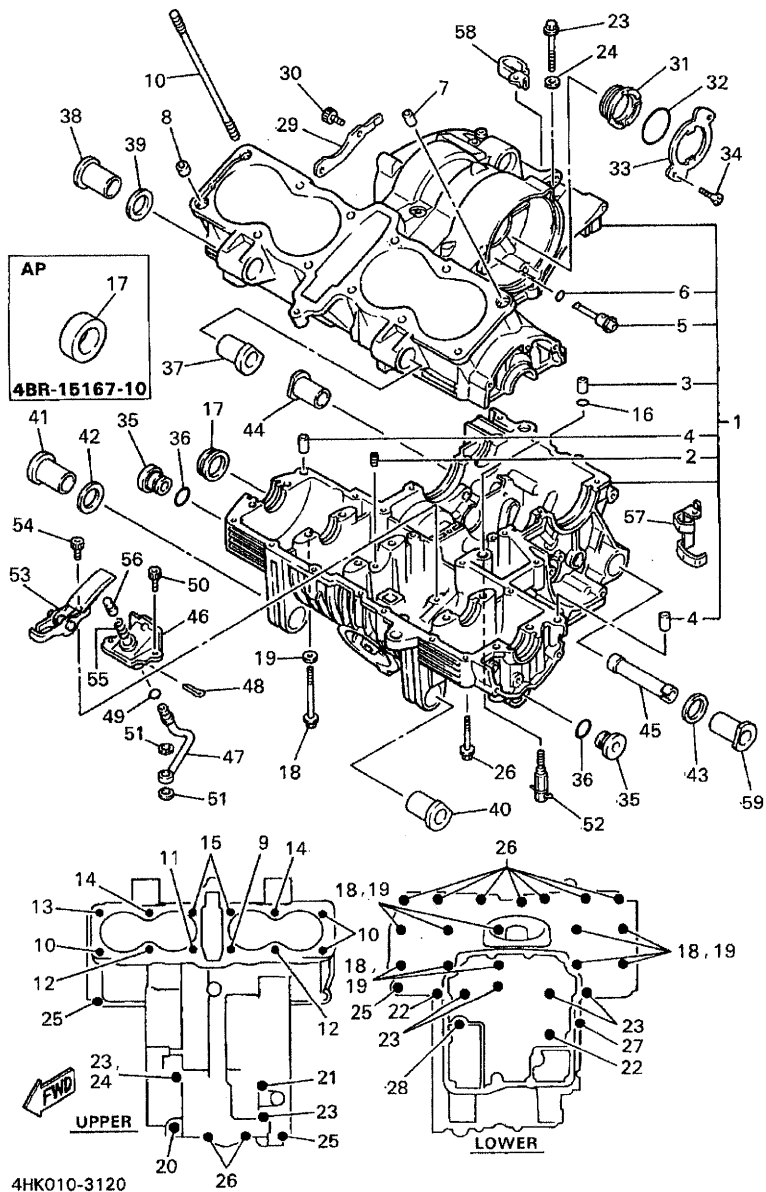
4BP010-1110

FIG. 12 CRANKCASE



| REF. NO. | PART NO.     | DESCRIPTION              | 4KED | 4MB9 | 4KF9 | REMARKS |
|----------|--------------|--------------------------|------|------|------|---------|
| 1        | 4BR-15100-01 | CRANKCASE ASSY           | 1    | 1    | 1    |         |
| 2        | 4G0-15138-00 | .NOZZLE 1                | 1    | 1    | 1    |         |
| 3        | 99530-10014  | .PIN, DOWEL              | 1    | 1    | 1    |         |
| 4        | 99530-12016  | .PIN, DOWEL              | 2    | 2    | 2    |         |
| 5        | 4BR-15148-00 | .NOZZLE 2                | 1    | 1    | 1    |         |
| <hr/>    |              |                          |      |      |      |         |
| 6        | 93210-11453  | .O-RING                  | 1    | 1    | 1    |         |
| 7        | 99530-14016  | PIN, DOWEL               | 1    | 1    | 1    |         |
| 8        | 90387-16547  | COLLAR                   | 1    | 1    | 1    |         |
| 9        | 90116-08338  | BOLT, STUD               | 1    | 1    | 1    |         |
| 10       | 90116-08566  | BOLT, STUD               | 3    | 3    | 3    |         |
| <hr/>    |              |                          |      |      |      |         |
| 11       | 90116-08339  | BOLT, STUD               | 1    | 1    | 1    |         |
| 12       | 90116-08340  | BOLT, STUD               | 2    | 2    | 2    |         |
| 13       | 4BR-11363-00 | BOLT, CYLINDER HOLDING 3 | 1    | 1    | 1    |         |
| 14       | 4G0-11364-00 | BOLT, CYLINDER HOLDING 4 | 2    | 2    | 2    |         |
| 15       | 4G0-11363-00 | BOLT, CYLINDER HOLDING 3 | 2    | 2    | 2    |         |
| <hr/>    |              |                          |      |      |      |         |
| 16       | 93210-09729  | O-RING                   | 1    | 1    | 1    |         |
| 17       | 90338-48229  | PLUG                     | 1    | 1    | 1    | UR      |
|          | 4BR-15167-10 | PLUG, BLIND 1            | 1    | 1    | 1    | AP      |
| 18       | 95814-08100  | BOLT, FLANGE             | 10   | 10   | 10   |         |
| 19       | 90201-08366  | WASHER, PLATE            | 10   | 10   | 10   |         |
| <hr/>    |              |                          |      |      |      |         |
| 20       | 95817-08080  | BOLT, FLANGE             | 1    | 1    | 1    |         |
| 21       | 95817-06135  | BOLT, FLANGE             | 1    | 1    | 1    |         |
| 22       | 95817-06095  | BOLT, FLANGE             | 2    | 2    | 2    |         |
| 23       | 95817-06065  | BOLT, FLANGE             | 6    | 6    | 6    |         |
| 24       | 90430-06166  | GASKET                   | 1    | 1    | 1    |         |
| <hr/>    |              |                          |      |      |      |         |
| 25       | 95814-06055  | BOLT, FLANGE             | 3    | 3    | 3    |         |
| 26       | 95814-06045  | BOLT, FLANGE             | 9    | 9    | 9    |         |

FIG. 12 CRANKCASE

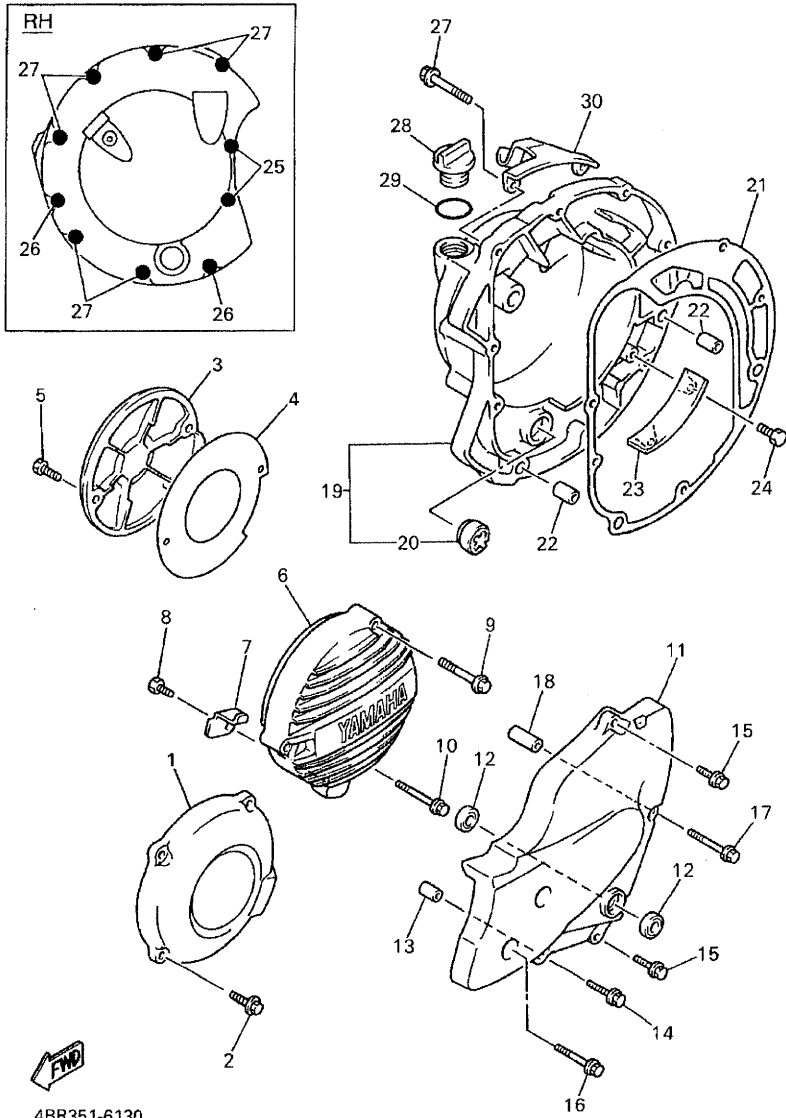


| REF. NO. | PART NO.     | DESCRIPTION               | 4KED | 4MB9 | 4KF9 | REMARKS |
|----------|--------------|---------------------------|------|------|------|---------|
| 27       | 95817-06040  | BOLT, FLANGE              | 1    | 1    | 1    |         |
| 28       | 95817-06035  | BOLT, FLANGE              | 1    | 1    | 1    |         |
| 29       | 4BR-15381-00 | PLATE, BEARING COVER      | 1    | 1    | 1    |         |
| 30       | 91317-06016  | BOLT                      | 2    | 2    | 2    |         |
| 31       | 4G0-15163-01 | HOUSING, BEARING 1        | 1    | 1    | 1    |         |
| 32       | 93210-45578  | O-RING                    | 1    | 1    | 1    |         |
| 33       | 4G0-15383-00 | PLATE, BEARING COVER      | 1    | 1    | 1    |         |
| 34       | 90151-06014  | SCREW, COUNTERSUNK        | 2    | 2    | 2    |         |
| 35       | 3KM-15189-00 | PLUG                      | 2    | 2    | 2    |         |
| 36       | 93210-207A0  | O-RING                    | 2    | 2    | 2    |         |
| 37       | 4G0-15336-00 | DAMPER, ENGINE MOUNT 3    | 1    | 1    | 1    |         |
| 38       | 33M-15336-00 | DAMPER, ENGINE MOUNT 3    | 1    | 1    | 1    |         |
| 39       | 90202-15153  | WASHER, PLATE             | 1    | 1    | 1    |         |
| 40       | 4G0-15316-00 | DAMPER, ENGINE MOUNT 1    | 1    | 1    | 1    |         |
| 41       | 33M-15337-00 | DAMPER 4                  | 1    | 1    | 1    |         |
| 42       | 90202-15153  | WASHER, PLATE             | 1    | 1    | 1    |         |
| 43       | 90202-17211  | WASHER, PLATE             | 1    | 1    | 1    |         |
| 44       | 4G0-15326-00 | DAMPER, ENGINE MOUNT 2    | 1    | 1    | 1    |         |
| 45       | 4BR-15327-00 | SPACER, ENGINE MOUNT      | 1    | 1    | 1    |         |
| 46       | 4G0-11592-00 | TENSIONER, CHAIN          | 1    | 1    | 1    |         |
| 47       | 4G0-13171-00 | PIPE, DELIVERY 2          | 1    | 1    | 1    |         |
| 48       | 91401-25020  | PIN, COTTER               | 1    | 1    | 1    |         |
| 49       | 93210-07540  | O-RING                    | 1    | 1    | 1    |         |
| 50       | 90110-06043  | BOLT, HEXAGON SOCKET HEAD | 2    | 2    | 2    |         |
| 51       | 90430-10027  | GASKET                    | 2    | 2    | 2    |         |
| 52       | 4G0-11575-00 | RELIEF VALVE ASSY         | 1    | 1    | 1    |         |
| 53       | 4BR-11492-00 | TENSIONER ARM COMP.       | 1    | 1    | 1    |         |



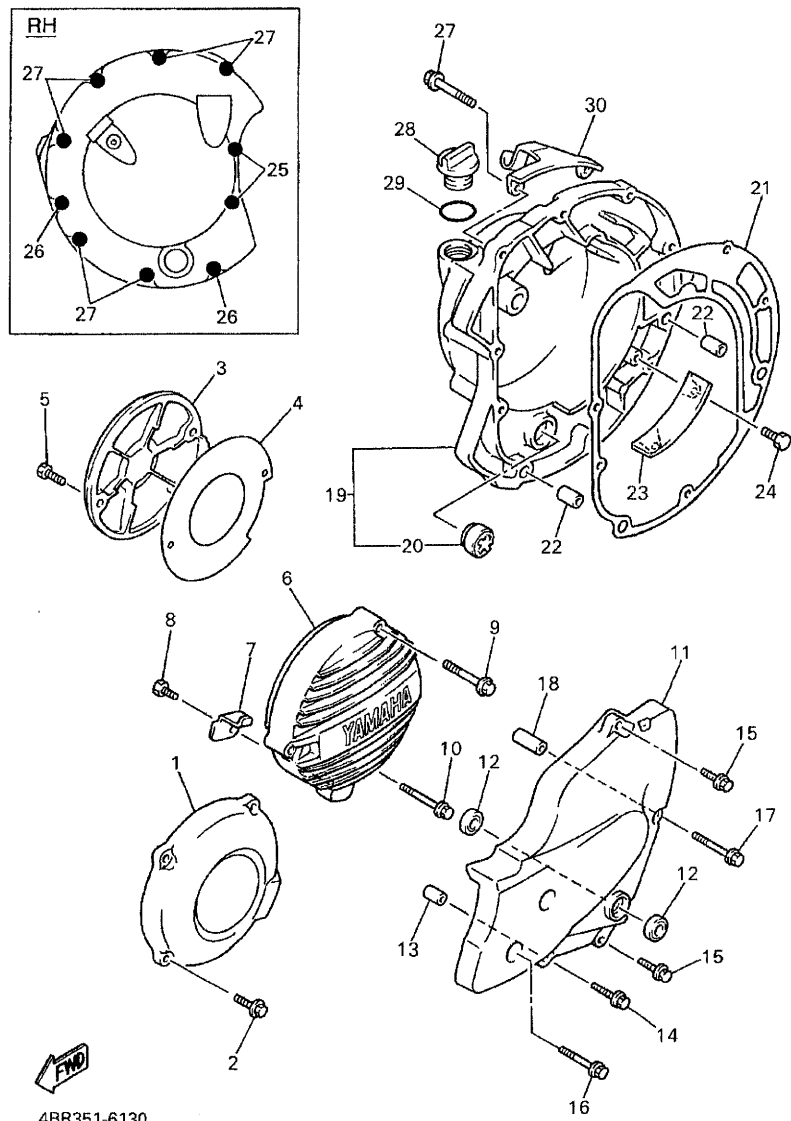
FIG. 13 CRANKCASE COVER 1

| REF. NO. | PART NO.     | DESCRIPTION                | 4KED | 4MB9 | 4KF9 | REMARKS |
|----------|--------------|----------------------------|------|------|------|---------|
| 1        | 4BR-15410-00 | CRANKCASE COVER ASSY 1     | 1    | 1    | 1    |         |
| 2        | 90105-06790  | BOLT, FLANGE               | 4    | 4    | 4    |         |
| 3        | 4BR-15420-10 | CRANKCASE COVER ASSY 2     | 1    | 1    | 1    |         |
| 4        | 4BR-15463-00 | GASKET, CARBURETOR COVER 2 | 1    | 1    | 1    |         |
| 5        | 90111-06010  | BOLT                       | 2    | 2    | 2    |         |
| -----    |              |                            |      |      |      |         |
| 6        | 4EB-15415-01 | COVER, GENERATOR           | 1    | 1    | 1    |         |
| 7        | 4BR-15484-00 | CLAMP 2                    | 1    | 1    | 1    |         |
| 8        | 91317-06010  | BOLT                       | 1    | 1    | 1    |         |
| 9        | 95024-06065  | BOLT, FLANGE               | 2    | 2    | 2    |         |
| 10       | 90105-06793  | BOLT, FLANGE               | 1    | 1    | 1    |         |
| -----    |              |                            |      |      |      |         |
| 11       | 4BR-15411-01 | COVER, CRANKCASE 1         | 1    | 1    | 1    |         |
| 12       | 93109-12075  | OIL SEAL                   | 2    | 2    | 2    |         |
| 13       | 99530-10114  | PIN, DOWEL                 | 2    | 2    | 2    |         |
| 14       | 95024-06035  | BOLT, FLANGE               | 1    | 1    | 1    |         |
| 15       | 95024-06030  | BOLT, FLANGE               | 2    | 2    | 2    |         |
| -----    |              |                            |      |      |      |         |
| 16       | 95024-06055  | BOLT, FLANGE               | 2    | 2    | 2    |         |
| 17       | 95024-06065  | BOLT, FLANGE               | 1    | 1    | 1    |         |
| 18       | 90387-064Y1  | COLLAR                     | 1    | 1    | 1    |         |
| 19       | 4BR-W1543-00 | CRANKCASE COVER ASSY 2     | 1    | 1    | 1    |         |
| 20       | 3Y1-15361-00 | .GAUGE, LEVEL              | 1    | 1    | 1    |         |
| -----    |              |                            |      |      |      |         |
| 21       | 4BR-15461-00 | GASKET, CRANKCASE COVER 2  | 1    | 1    | 1    |         |
| 22       | 99530-10114  | PIN, DOWEL                 | 2    | 2    | 2    |         |
| 23       | 49A-15412-00 | PLATE, OIL GUIDE           | 1    | 1    | 1    |         |
| 24       | 97027-06012  | BOLT                       | 2    | 2    | 2    |         |
| 25       | 90105-06794  | BOLT, FLANGE               | 2    | 2    | 2    |         |
| -----    |              |                            |      |      |      |         |
| 26       | 90105-06792  | BOLT, FLANGE               | 2    | 2    | 2    |         |
| 27       | 90105-06791  | BOLT, FLANGE               | 6    | 6    | 6    |         |

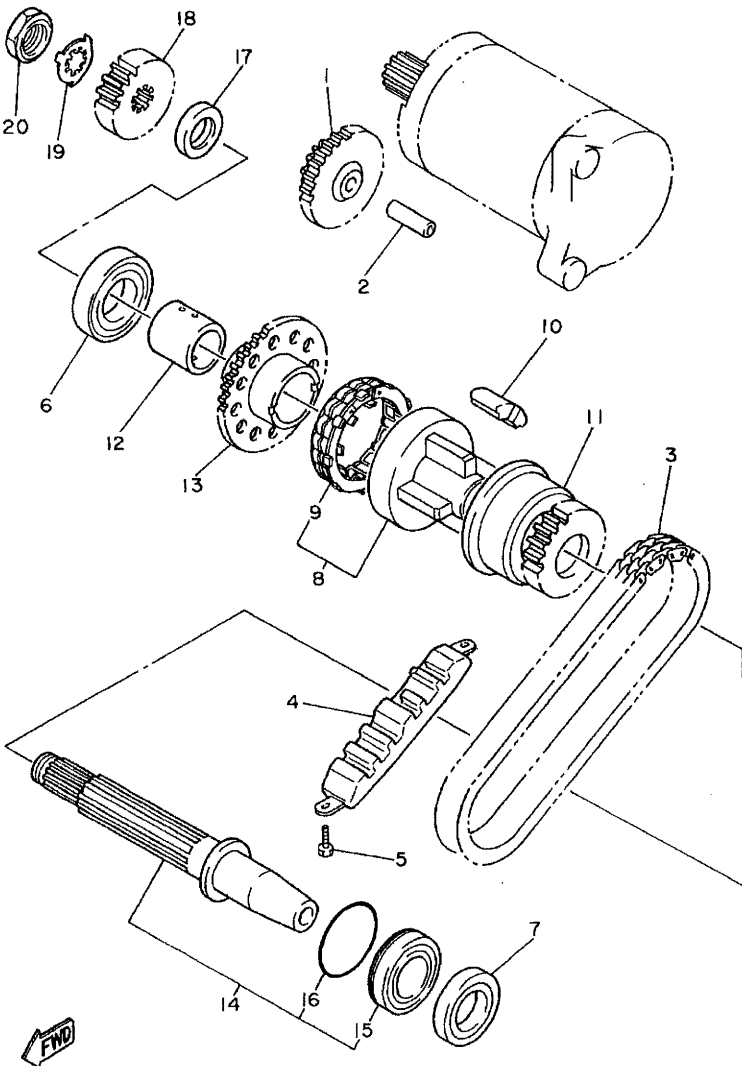


4BR351-6130

FIG. 13 CRANKCASE COVER 1



| REF. NO. | PART NO.     | DESCRIPTION          | 4KED | 4MB9 | 4KF9 | REMARKS |
|----------|--------------|----------------------|------|------|------|---------|
| 28       | 3F9-15362-00 | PLUG, OIL LEVEL      | 1    | 1    | 1    |         |
| 29       | 93210-27370  | O-RING               | 1    | 1    | 1    |         |
| 30       | 4BR-15441-00 | HOLDER, CLUTCH CABLE | 1    | 1    | 1    |         |
| -----    |              |                      |      |      |      |         |
| -----    |              |                      |      |      |      |         |
| -----    |              |                      |      |      |      |         |
| -----    |              |                      |      |      |      |         |
| -----    |              |                      |      |      |      |         |
| -----    |              |                      |      |      |      |         |
| -----    |              |                      |      |      |      |         |
| -----    |              |                      |      |      |      |         |
| -----    |              |                      |      |      |      |         |

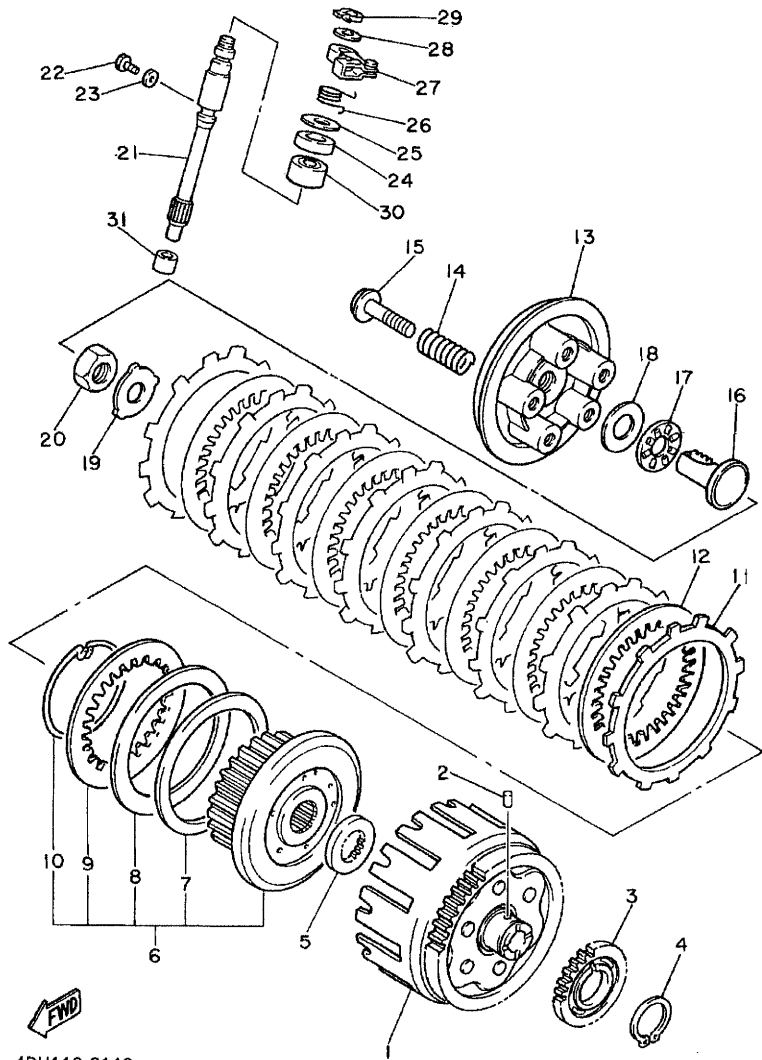


**FWD**  
4BR351-2140

**FIG. 14 STARTER CLUTCH**

| REF. NO. | PART NO.     | DESCRIPTION               | 4KED | 4MB9 | 4KF9 | REMARKS |
|----------|--------------|---------------------------|------|------|------|---------|
|          |              |                           |      |      |      |         |
| 1        | 4BP-15512-00 | GEAR, IDLER 1             | 1    | 1    | 1    |         |
| 2        | 33M-15521-00 | SHAFT 1                   | 1    | 1    | 1    |         |
| 3        | 4BR-16139-00 | CHAIN, PRIMARY            | 1    | 1    | 1    |         |
| 4        | 4BR-11474-00 | GUIDE, UPPER              | 1    | 1    | 1    |         |
| 5        | 97007-06014  | BOLT                      | 2    | 2    | 2    |         |
| 6        | 93306-30525  | BEARING (B6305)           | 1    | 1    | 1    |         |
| 7        | 93102-25253  | OIL SEAL                  | 1    | 1    | 1    |         |
| 8        | 4BR-15570-00 | STARTER CLUTCH ASSY       | 1    | 1    | 1    |         |
| 9        | 4BR-15580-01 | STARTER CLUTCH OUTER ASSY | 1    | 1    | 1    |         |
| 10       | 4BR-16155-10 | ABSORBER 1                | 4    | 4    | 4    |         |
| 11       | 4BR-11537-00 | GEAR, DRIVEN              | 1    | 1    | 1    |         |
| 12       | 90387-253Y6  | COLLAR                    | 1    | 1    | 1    |         |
| 13       | 4HM-15517-00 | GEAR, IDLER 2             | 1    | 1    | 1    |         |
| 14       | 4G0-11406-00 | SHAFT ASSY                | 1    | 1    | 1    |         |
| 15       | 93306-20545  | BEARING                   | 1    | 1    | 1    |         |
| 16       | 93210-47440  | O-RING                    | 1    | 1    | 1    |         |
| 17       | 90387-2103N  | COLLAR                    | 1    | 1    | 1    |         |
| 18       | 4U8-16111-00 | GEAR, PRIMARY DRIVE (28T) | 1    | 1    | 1    |         |
| 19       | 90215-19226  | WASHER, LOCK              | 1    | 1    | 1    |         |
| 20       | 90179-16319  | NUT                       | 1    | 1    | 1    |         |

FIG. 15 CLUTCH

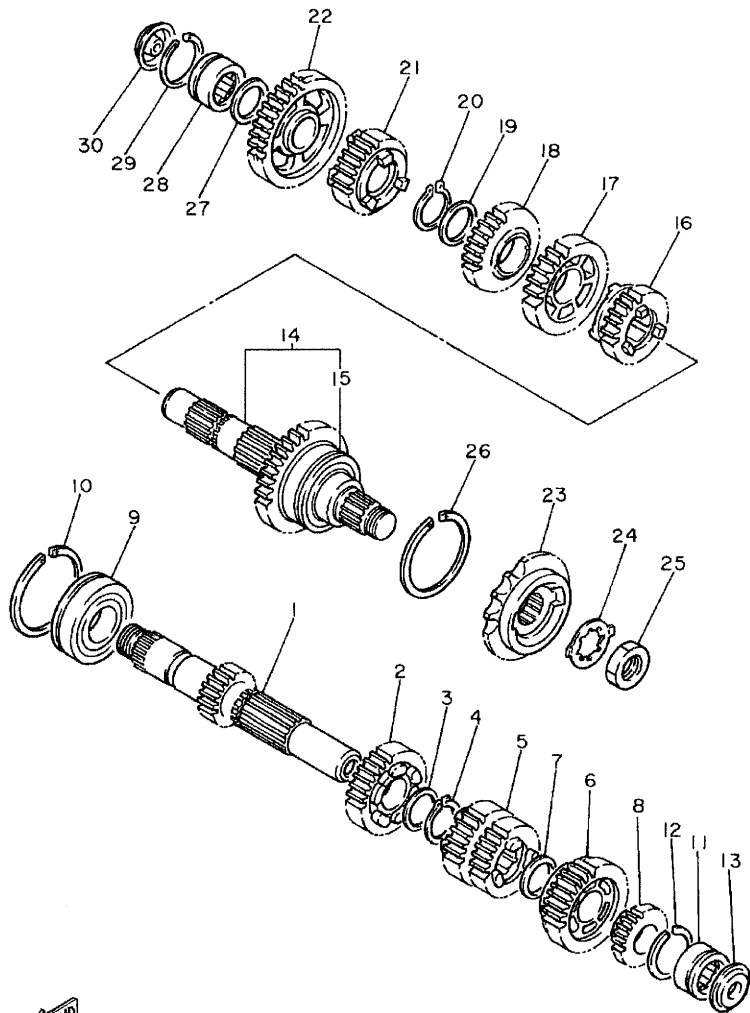


4DU110-3140

| REF. NO. | PART NO.     | DESCRIPTION                   | 4KED | 4MB9 | 4KF9 | REMARKS |
|----------|--------------|-------------------------------|------|------|------|---------|
|          |              |                               |      |      |      |         |
| 1        | 4U8-16170-01 | PRIMARY DRIVEN GEAR COMP(65T) | 1    | 1    | 1    |         |
| 2        | 93605-10108  | PIN, DOWEL                    | 1    | 1    | 1    |         |
| 3        | 4U8-13324-00 | GEAR, PUMP DRIVE              | 1    | 1    | 1    |         |
| 4        | 99009-40400  | CIRCLIP                       | 1    | 1    | 1    |         |
| 5        | 3Y1-16154-00 | PLATE, THRUST 1               | 1    | 1    | 1    |         |
| 6        | 4BR-16370-00 | CLUTCH BOSS ASSY              | 1    | 1    | 1    |         |
| 7        | 1J7-16384-00 | .PLATE, SEAT                  | 1    | 1    | 1    |         |
| 8        | 1J7-16383-01 | .SPRING, CLUTCH BOSS          | 1    | 1    | 1    |         |
| 9        | 168-16324-00 | .PLATE, CLUTCH 1 (T2.3)       | 1    | 1    | 1    |         |
| 10       | 1J7-16385-00 | .RING, CLUTCH BOSS            | 1    | 1    | 1    |         |
| 11       | 4H7-16321-02 | PLATE, FRICTION               | 8    | 8    | 8    |         |
| 12       | 168-16325-00 | PLATE, CLUTCH 2 (T1.6)        | 7    | 7    | 7    |         |
| 13       | 4BR-16351-00 | PLATE, PRESSURE 1             | 1    | 1    | 1    |         |
| 14       | 90501-23391  | SPRING, COMPRESSION           | 5    | 5    | 5    |         |
| 15       | 90159-06092  | SCREW, WITH WASHER            | 5    | 5    | 5    |         |
| 16       | 3LD-1637A-01 | ROD PUSH ASSY                 | 1    | 1    | 1    |         |
| 17       | 93340-21505  | BEARING                       | 1    | 1    | 1    |         |
| 18       | 90201-150U6  | WASHER, PLATE                 | 1    | 1    | 1    |         |
| 19       | 90215-20170  | WASHER, LOCK                  | 1    | 1    | 1    |         |
| 20       | 90170-20257  | NUT                           | 1    | 1    | 1    |         |
| 21       | 3JD-16382-00 | AXLE, PUSH LEVER              | 1    | 1    | 1    |         |
| 22       | 90105-06789  | BOLT, FLANGE                  | 1    | 1    | 1    |         |
| 23       | 90430-06014  | GASKET                        | 1    | 1    | 1    |         |
| 24       | 93102-15212  | OIL SEAL                      | 1    | 1    | 1    |         |
| 25       | 90201-15785  | WASHER, PLATE                 | 1    | 1    | 1    |         |
| 26       | 90508-142A8  | SPRING, TORSION               | 1    | 1    | 1    |         |
| 27       | 4BR-16340-00 | PUSH LEVER ASSY               | 1    | 1    | 1    |         |



FIG. 16 TRANSMISSION

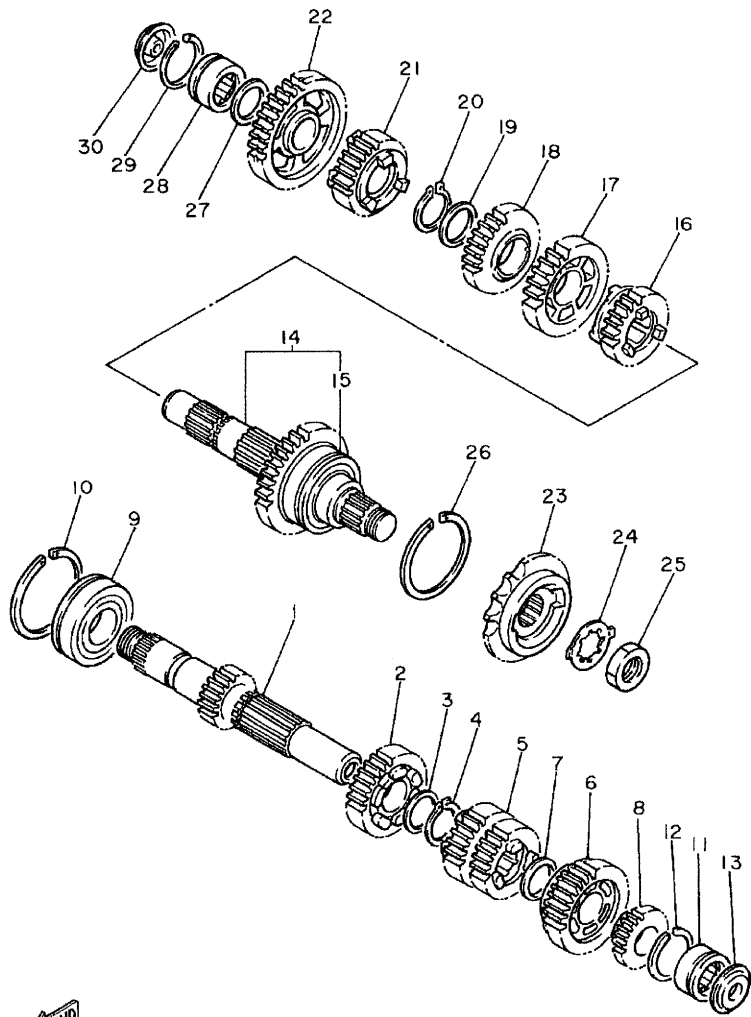


| REF. NO. | PART NO.     | DESCRIPTION               | 4KED | 4MB9 | 4KF9 | REMARKS |
|----------|--------------|---------------------------|------|------|------|---------|
| 1        | 4BR-17411-00 | AXLE, MAIN (15T)          | 1    | 1    | 1    |         |
| 2        | 4BR-17151-00 | GEAR, 5TH PINION (23T)    | 1    | 1    | 1    |         |
| 3        | 90209-22191  | WASHER                    | 1    | 1    | 1    |         |
| 4        | 93440-25084  | CIRCLIP                   | 1    | 1    | 1    |         |
| 5        | 4BR-17131-00 | GEAR, 3RD PINION (27T)    | 1    | 1    | 1    |         |
| 6        | 4BR-17161-01 | GEAR, 6TH PINION (28T)    | 1    | 1    | 1    |         |
| 7        | 90201-200K3  | WASHER, PLATE             | 1    | 1    | 1    |         |
| 8        | 4BR-17121-00 | GEAR, 2ND PINION (18T)    | 1    | 1    | 1    |         |
| 9        | 93306-30530  | BEARING (6305NC3)         | 1    | 1    | 1    |         |
| 10       | 278-17424-01 | CIRCLIP 1                 | 1    | 1    | 1    |         |
| 11       | 93311-42045  | BEARING (20NG3315NE)      | 1    | 1    | 1    |         |
| 12       | 278-17425-00 | CIRCLIP 2                 | 1    | 1    | 1    |         |
| 13       | 4G0-17433-01 | NOZZLE                    | 1    | 1    | 1    |         |
| 14       | 4BR-17402-01 | DRIVE AXLE ASSY           | 1    | 1    | 1    |         |
| 15       | 93102-35109  | .OIL SEAL (SD-35-62-6 HS) | 1    | 1    | 1    |         |
| 16       | 4BR-17261-00 | GEAR, 6TH WHEEL (23T)     | 1    | 1    | 1    |         |
| 17       | 4BR-17231-00 | GEAR, 3RD WHEEL (28T)     | 1    | 1    | 1    |         |
| 18       | 4BR-17241-00 | GEAR, 4TH WHEEL (29T)     | 1    | 1    | 1    |         |
| 19       | 90209-22191  | WASHER                    | 1    | 1    | 1    |         |
| 20       | 93440-25084  | CIRCLIP                   | 1    | 1    | 1    |         |
| 21       | 4BR-17251-01 | GEAR, 5TH WHEEL (21T)     | 1    | 1    | 1    |         |
| 22       | 4BR-17211-00 | GEAR, 1ST WHEEL (41T)     | 1    | 1    | 1    |         |
| 23       | 4BR-17460-00 | SPROCKET, DRIVE (16T)     | 1    | 1    | 1    |         |
| 24       | 90215-23265  | WASHER, LOCK              | 1    | 1    | 1    |         |
| 25       | 90179-18552  | NUT                       | 1    | 1    | 1    |         |
| 26       | 278-17424-01 | CIRCLIP 1                 | 1    | 1    | 1    |         |
| 27       | 90201-20276  | WASHER, PLATE (1.0T)      | 1    | 1    | 1    |         |



4BP010-1160

FIG. 16 TRANSMISSION

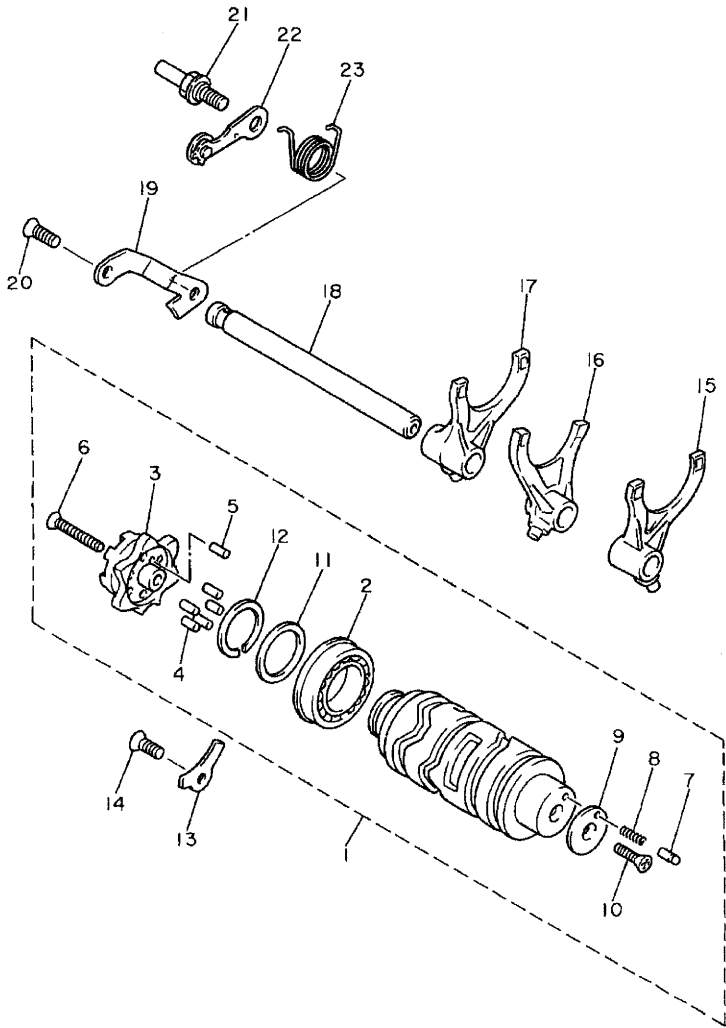


| REF. NO. | PART NO.     | DESCRIPTION          | 4KED | 4MB9 | 4KF9 | REMARKS |
|----------|--------------|----------------------|------|------|------|---------|
|          |              |                      |      |      |      |         |
| 28       | 93311-42045  | BEARING (20NG3315NE) | 1    | 1    | 1    |         |
| 29       | 278-17425-00 | CIRCLIP 2            | 1    | 1    | 1    |         |
| 30       | 4G0-17433-01 | NOZZLE               | 1    | 1    | 1    |         |
| -----    |              |                      |      |      |      |         |
| -----    |              |                      |      |      |      |         |
| -----    |              |                      |      |      |      |         |
| -----    |              |                      |      |      |      |         |
| -----    |              |                      |      |      |      |         |
| -----    |              |                      |      |      |      |         |
| -----    |              |                      |      |      |      |         |
| -----    |              |                      |      |      |      |         |



4BP010-1160

FIG. 17 SHIFT CAM. FORK



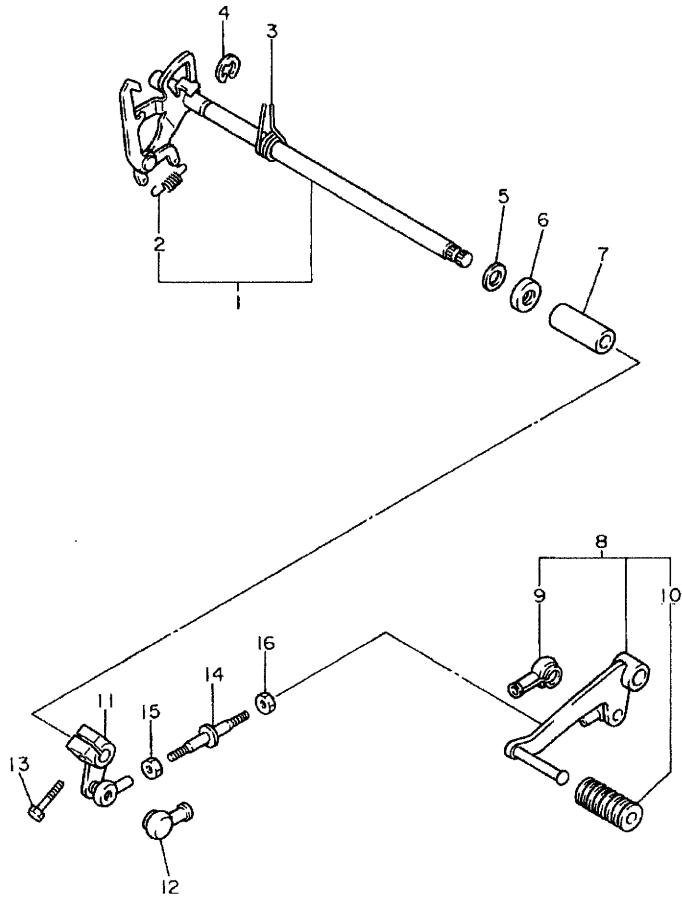
| REF. NO. | PART NO.     | DESCRIPTION             | 4KED | 4MB9 | 4KF9 | REMARKS |
|----------|--------------|-------------------------|------|------|------|---------|
|          |              |                         |      |      |      |         |
| 1        | 4BR-18540-03 | SHIFT CAM ASSY          | 1    | 1    | 1    |         |
| 2        | 93306-90503  | .BEARING                | 1    | 1    | 1    |         |
| 3        | 4BR-18185-00 | .SEGMENT                | 1    | 1    | 1    |         |
| 4        | 93604-12037  | .PIN, DOWEL             | 5    | 5    | 5    |         |
| 5        | 93604-10011  | .PIN, DOWEL             | 1    | 1    | 1    |         |
| 6        | 90151-06013  | .SCREW, COUNTERSUNK     | 1    | 1    | 1    |         |
| 7        | 4UN-18542-00 | .POINT, NEUTRAL         | 1    | 1    | 1    |         |
| 8        | 90501-06022  | .SPRING, COMPRESSION    | 1    | 1    | 1    |         |
| 9        | 4UN-18566-00 | .PLATE, SIDE 2          | 1    | 1    | 1    |         |
| 10       | 90149-05321  | .SCREW                  | 1    | 1    | 1    |         |
| 11       | 117-15644-00 | .SHIM                   | 1    | 1    | 1    |         |
| 12       | 93440-25084  | .CIRCLIP                | 1    | 1    | 1    |         |
| 13       | 49A-15383-00 | PLATE, BEARING COVER    | 1    | 1    | 1    |         |
| 14       | 98707-06016  | SCREW, FLAT HEAD        | 1    | 1    | 1    |         |
| 15       | 4BR-18511-00 | FORK, SHIFT 1           | 1    | 1    | 1    |         |
| 16       | 4BR-18512-00 | FORK, SHIFT 2           | 1    | 1    | 1    |         |
| 17       | 4BR-18513-00 | FORK, SHIFT 3           | 1    | 1    | 1    |         |
| 18       | 4BR-18531-00 | BAR, SHIFT FORK GUIDE 1 | 1    | 1    | 1    |         |
| 19       | 4BR-18536-00 | STOPPER, SHIFT BAR      | 1    | 1    | 1    |         |
| 20       | 98707-06016  | SCREW, FLAT HEAD        | 1    | 1    | 1    |         |
| 21       | 4BR-18127-00 | STOPPER, SCREW          | 1    | 1    | 1    |         |
| 22       | 4BR-18140-00 | STOPPER LEVER ASSY      | 1    | 1    | 1    |         |
| 23       | 90508-241A9  | SPRING, TORSION         | 1    | 1    | 1    |         |



4BP010-1170

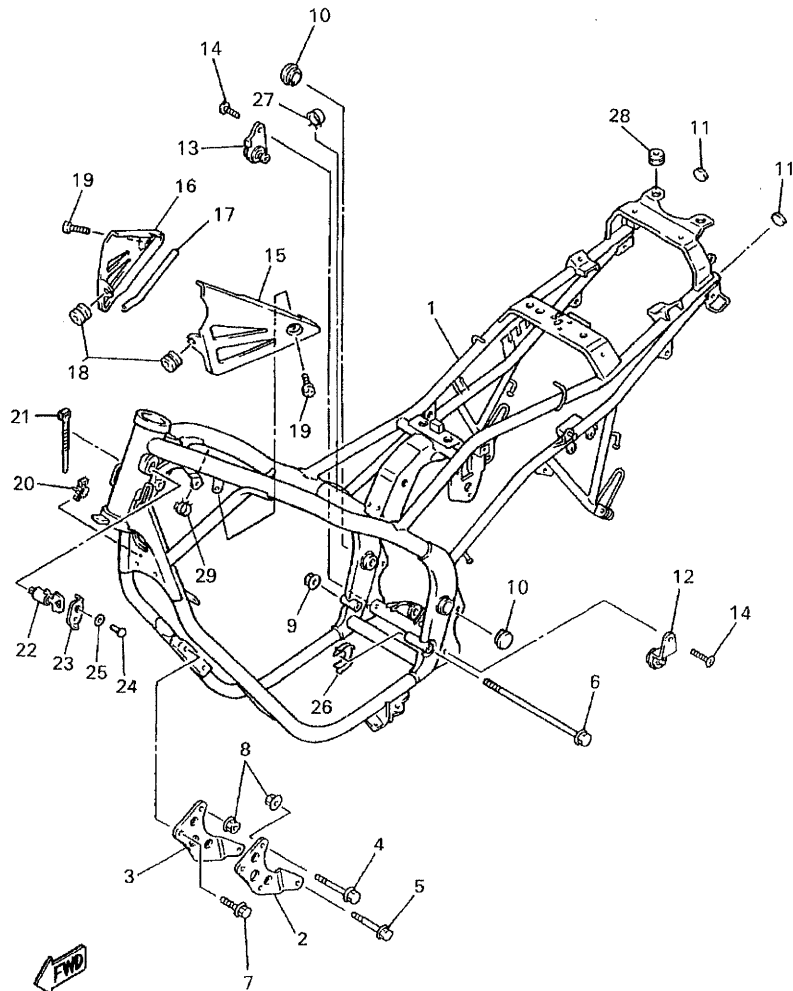
FIG. 18 SHIFTER

| REF. NO. | PART NO.     | DESCRIPTION              | 4KED | 4MB9 | 4KF9 | REMARKS |
|----------|--------------|--------------------------|------|------|------|---------|
| 1        | 4BR-18120-00 | SHIFT LEVER ASSY         | 1    | 1    | 1    |         |
| 2        | 90506-08227  | .SPRING, TENSION         | 1    | 1    | 1    |         |
| 3        | 90508-292A0  | SPRING, TORSION          | 1    | 1    | 1    |         |
| 4        | 99001-10600  | CIRCLIP                  | 1    | 1    | 1    |         |
| 5        | 90201-127J6  | WASHER, PLATE            | 1    | 1    | 1    |         |
| 6        | 93102-12106  | OIL SEAL (SD 12-22-5 HS) | 1    | 1    | 1    |         |
| 7        | 90560-12211  | SPACER                   | 1    | 1    | 1    |         |
| 8        | 4BR-18110-00 | SHIFT PEDAL ASSY         | 1    | 1    | 1    |         |
| 9        | 2H9-18154-00 | .COVER, DUST             | 1    | 1    | 1    |         |
| 10       | 132-18113-01 | .COVER, SHIFT PEDAL      | 1    | 1    | 1    |         |
| 11       | 4BR-18112-00 | ARM, SHIFT               | 1    | 1    | 1    |         |
| 12       | 2H9-18154-00 | COVER, DUST              | 1    | 1    | 1    |         |
| 13       | 97024-06020  | BOLT                     | 1    | 1    | 1    |         |
| 14       | 26H-18115-00 | ROD, SHIFT               | 1    | 1    | 1    |         |
| 15       | 95304-06700  | NUT                      | 1    | 1    | 1    |         |
| 16       | 90170-06228  | NUT(COUNTER CLOCKWISE)   | 1    | 1    | 1    |         |



  
4BP010-1180

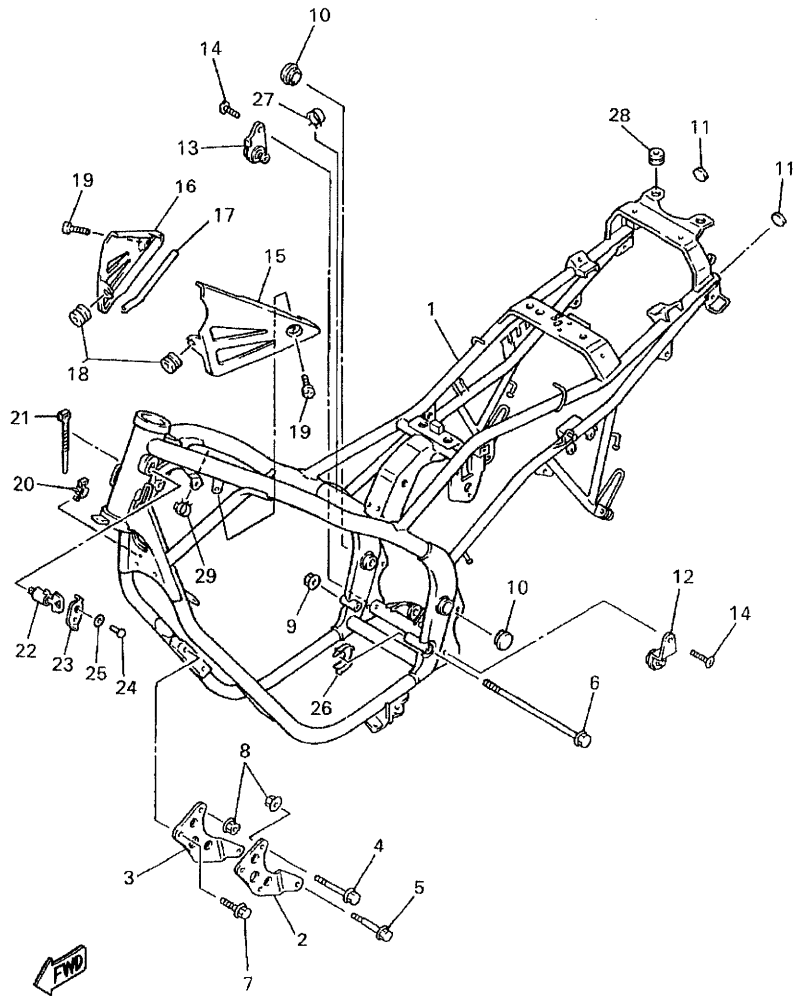
FIG. 19 FRAME



4KE9351-8190

| REF. NO. | PART NO.        | DESCRIPTION            | 4KED | 4MB9 | 4KF9 | REMARKS    |
|----------|-----------------|------------------------|------|------|------|------------|
|          |                 |                        |      |      |      |            |
| 1        | 4KA-21110-10-35 | FRAME COMP.            | 1    | 1    | 1    | SL FOR SM1 |
| 2        | 4BP-21315-00    | STAY, ENGINE 2         | 1    | 1    | 1    |            |
| 3        | 4BP-21316-00    | STAY, ENGINE 3         | 1    | 1    | 1    |            |
| 4        | 90105-10788     | BOLT, FLANGE           | 2    | 2    | 2    |            |
| 5        | 95814-10050     | BOLT, FLANGE           | 2    | 2    | 2    |            |
| 6        | 90105-12787     | BOLT, FLANGE           | 1    | 1    | 1    |            |
| 7        | 95824-10016     | BOLT, FLANGE           | 4    | 4    | 4    |            |
| 8        | 90179-10658     | NUT                    | 4    | 4    | 4    |            |
| 9        | 90179-12657     | NUT                    | 1    | 1    | 1    |            |
| 10       | 3SX-2135F-00    | COVER                  | 2    | 2    | 2    |            |
| 11       | 1AA-2143A-00    | CAP                    | 2    | 2    | 2    |            |
| 12       | 4BP-21445-01    | STAY, MUFFLER 1        | 1    | 1    | 1    |            |
| 13       | 4BP-21446-01    | STAY, MUFFLER 2        | 1    | 1    | 1    |            |
| 14       | 90157-08117     | SCREW, PAN HEAD        | 2    | 2    | 2    |            |
| 15       | 4BP-2117F-00    | COVER                  | 1    | 1    | 1    |            |
| 16       | 4BP-2117M-00    | COVER 2                | 1    | 1    | 1    |            |
| 17       | 4KE-28345-00    | MOLE 1                 | 1    | 1    | 1    |            |
| 18       | 90480-12550     | GROMMET                | 2    | 2    | 2    |            |
| 19       | 90149-06298     | SCREW                  | 2    | 2    | 2    |            |
| 20       | 90464-10190     | CLAMP                  | 1    | 1    | 1    |            |
| 21       | 1UA-82591-00    | BAND                   | 1    | 1    | 1    |            |
| 22       | *               | STEERING LOCK ASSY     | 1    | 1    | 1    | LM         |
| 23       | 134-23484-10    | CAP, HANDLE LOCK       | 1    | 1    | 1    |            |
| 24       | 90269-04003     | RIVET                  | 1    | 1    | 1    |            |
| 25       | 90208-04029     | WASHER, CONICAL SPRING | 1    | 1    | 1    |            |
| 26       | 90214-12070     | WASHER, CLAW           | 1    | 1    | 1    |            |

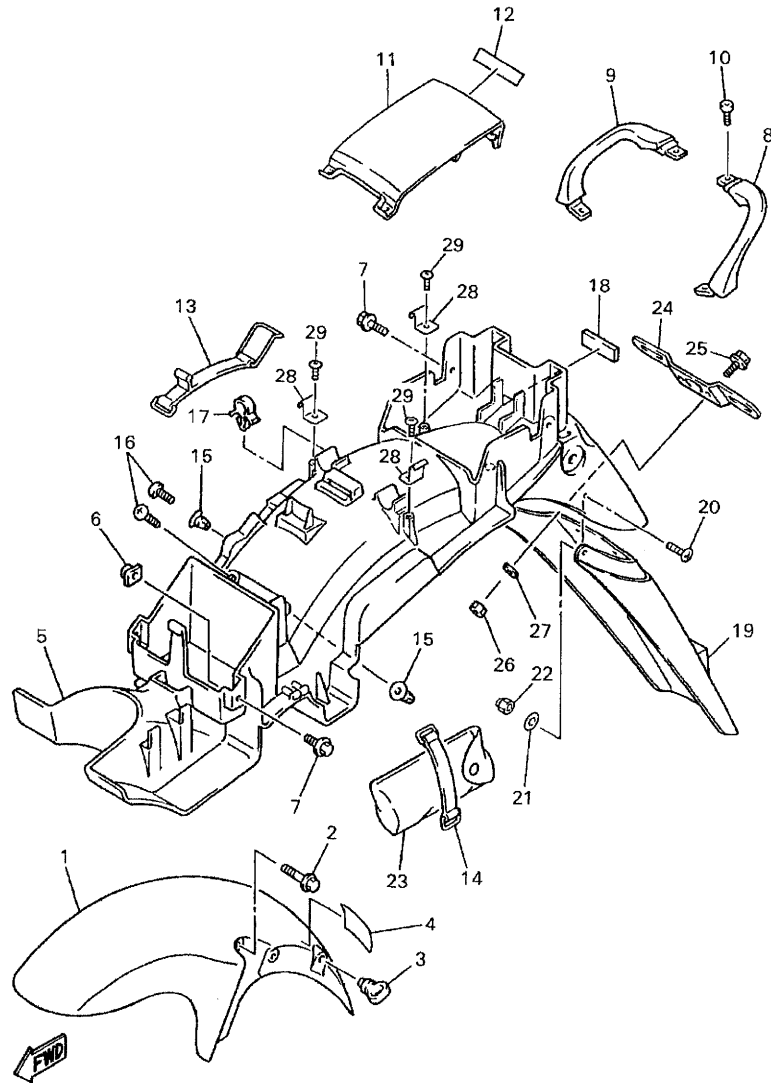
FIG. 19 FRAME



4KE9351-8190

| REF. NO. | PART NO.    | DESCRIPTION | 4KED | 4MB9 | 4KF9 | REMARKS |
|----------|-------------|-------------|------|------|------|---------|
| 27       | 90464-25217 | CLAMP       | 1    | 1    | 1    |         |
| 28       | 90480-14323 | GROMMET     | 2    | 2    | 2    |         |
| 29       | 90464-15192 | CLAMP       | 1    | 1    | 1    |         |
| -----    |             |             |      |      |      |         |
| -----    |             |             |      |      |      |         |
| -----    |             |             |      |      |      |         |
| -----    |             |             |      |      |      |         |
| -----    |             |             |      |      |      |         |
| -----    |             |             |      |      |      |         |
| -----    |             |             |      |      |      |         |
| -----    |             |             |      |      |      |         |
| -----    |             |             |      |      |      |         |
| -----    |             |             |      |      |      |         |

FIG. 20 FENDER

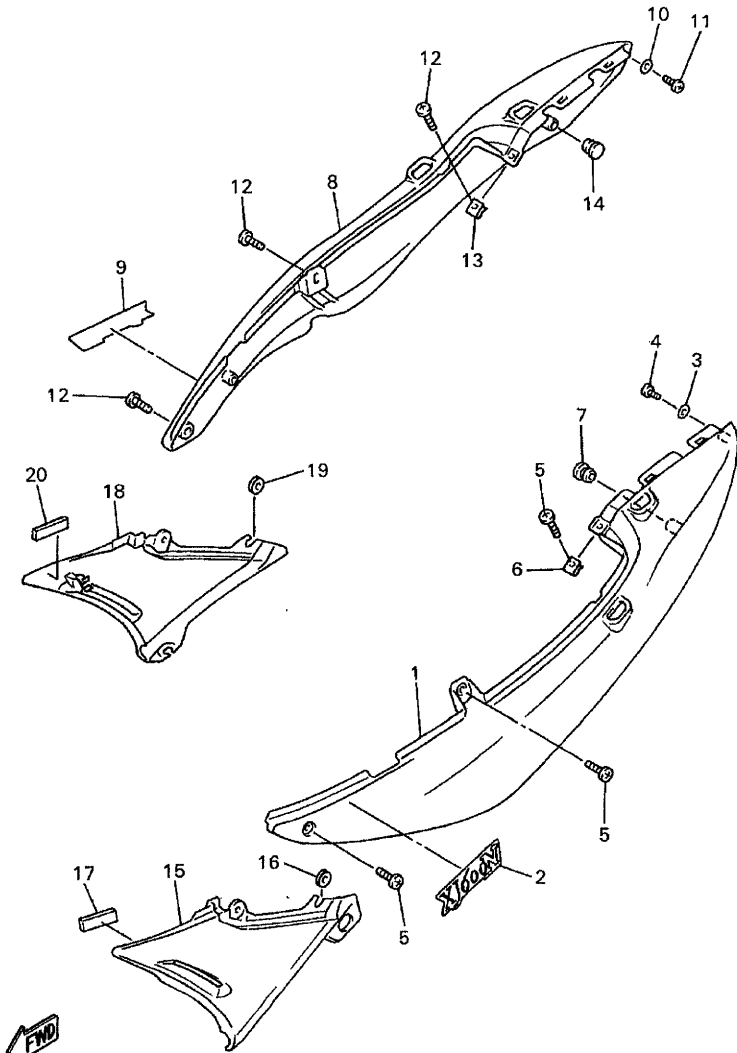


4KE9351-8200

| REF. NO. | PART NO.        | DESCRIPTION        | 4KED | 4MB9 | 4KF9 | REMARKS    |
|----------|-----------------|--------------------|------|------|------|------------|
| 1        | 4BP-21510-00-PG | FRONT FENDER COMP. | 1    | 1    | 1    | UR SM1     |
| 2        | 95024-06016     | BOLT, FLANGE       | 4    | 4    | 4    |            |
| 3        | 1A8-21518-00    | HOLDER, CABLE      | 1    | 1    | 1    |            |
| 4        | 1JK-21735-00    | SEAL 2             | 1    | 1    | 1    |            |
| 5        | 4BR-21611-02    | FENDER, REAR       | 1    | 1    | 1    |            |
| 6        | 31A-14477-00    | PLATE              | 2    | 2    | 2    |            |
| 7        | 90119-06044     | BOLT, WITH WASHER  | 4    | 4    | 4    |            |
| 8        | 4BP-21644-01    | STAY, REAR         | 1    | 1    | 1    |            |
| 9        | 4BP-21645-01    | STAY, REAR         | 1    | 1    | 1    |            |
| 10       | 90109-060E9     | BOLT               | 4    | 4    | 4    |            |
| 11       | 4EB-21651-00-P7 | COVER, REAR FENDER | 1    | 1    | 1    | UR SM1     |
| 12       | 99247-00080     | EMBLEM, YAMAHA     | 1    | 1    | 1    | UR FOR SM1 |
| 13       | 4BP-82131-00    | BAND, BATTERY      | 1    | 1    | 1    |            |
| 14       | 18G-82131-00    | BAND, BATTERY      | 1    | 1    | 1    |            |
| 15       | 90338-08226     | PLUG               | 4    | 4    | 4    |            |
| 16       | 97707-60016     | SCREW, TAPPING     | 4    | 4    | 4    |            |
| 17       | 90464-15157     | CLAMP              | 1    | 1    | 1    |            |
| 18       | 1YW-21717-01    | DAMPER             | 1    | 1    | 1    |            |
| 19       | 4BR-21621-00    | FLAP               | 1    | 1    | 1    |            |
| 20       | 90150-04041     | SCREW, ROUND HEAD  | 4    | 4    | 4    |            |
| 21       | 90201-04018     | WASHER, PLATE      | 4    | 4    | 4    |            |
| 22       | 95607-04100     | NUT, U             | 4    | 4    | 4    |            |
| 23       | 1HX-28100-01    | TOOL KIT           | 1    | 1    | 1    |            |
| 24       | 3YF-84751-00    | BRACKET, LICENSE   | 1    | 1    | 1    |            |



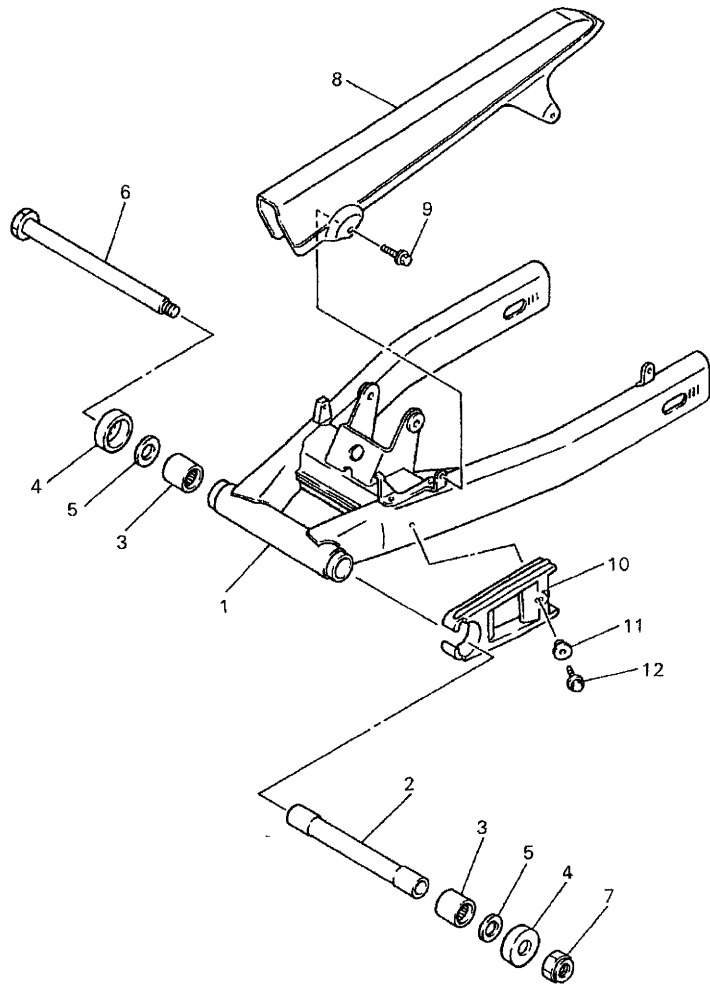
FIG. 21 SIDE COVER



4KE351-6210

| REF. NO. | PART NO.        | DESCRIPTION      | 4KED | 4MB9 | 4KF9 | REMARKS |
|----------|-----------------|------------------|------|------|------|---------|
|          |                 |                  |      |      |      |         |
| 1        | 4EB-21711-00-P7 | COVER, SIDE 1    | 1    | 1    | 1    | SM1     |
| 2        | 4KE-21781-80    | EMBLEM 1         | 1    | 1    | 1    | FOR SM1 |
| 3        | 92907-04200     | WASHER           | 1    | 1    | 1    |         |
| 4        | 97707-40010     | SCREW, TAPPING   | 1    | 1    | 1    |         |
| 5        | 90154-05059     | SCREW, BINDING   | 3    | 3    | 3    |         |
| 6        | 90183-05024     | NUT, SPRING      | 1    | 1    | 1    |         |
| 7        | 90338-10132     | PLUG             | 1    | 1    | 1    |         |
| 8        | 4EB-21721-00-P7 | COVER, SIDE 2    | 1    | 1    | 1    | SM1     |
| 9        | 4KE-21781-80    | EMBLEM 1         | 1    | 1    | 1    | FOR SM1 |
| 10       | 92907-04200     | WASHER           | 1    | 1    | 1    |         |
| 11       | 97707-40010     | SCREW, TAPPING   | 1    | 1    | 1    |         |
| 12       | 90154-05059     | SCREW, BINDING   | 3    | 3    | 3    |         |
| 13       | 90183-05024     | NUT, SPRING      | 1    | 1    | 1    |         |
| 14       | 90338-10132     | PLUG             | 1    | 1    | 1    |         |
| 15       | 4EB-2171E-00    | COVER, SIDE 5    | 1    | 1    | 1    |         |
| 16       | 90480-12320     | GROMMET          | 2    | 2    | 2    |         |
| 17       | 8U9-77162-00    | STRIP, WEATHER 2 | 1    | 1    | 1    |         |
| 18       | 4EB-2171X-00    | COVER, SIDE 6    | 1    | 1    | 1    |         |
| 19       | 90480-12320     | GROMMET          | 2    | 2    | 2    |         |
| 20       | 8U9-77162-00    | STRIP, WEATHER 2 | 1    | 1    | 1    |         |

FIG. 22 REAR ARM



| REF. NO. | PART NO.        | DESCRIPTION       | 4KED | 4MB9 | 4KF9 | REMARKS |
|----------|-----------------|-------------------|------|------|------|---------|
| 1        | 4BR-22110-01-WL | REAR ARM COMP.    | 1    | 1    | 1    | STDS    |
| 2        | 33M-22184-00    | BUSH              | 1    | 1    | 1    |         |
| 3        | 93320-32403     | BEARING           | 2    | 2    | 2    |         |
| 4        | 4X7-22129-00    | COVER, THRUST 2   | 2    | 2    | 2    |         |
| 5        | 90201-161J3     | WASHER, PLATE     | 2    | 2    | 2    |         |
| 6        | 3LN-22141-60    | SHAFT, PIVOT      | 1    | 1    | 1    |         |
| 7        | 90185-14070     | NUT, SELF-LOCKING | 1    | 1    | 1    |         |
| 8        | 1KT-22311-00    | CASE, CHAIN       | 1    | 1    | 1    |         |
| 9        | 90119-06044     | BOLT, WITH WASHER | 2    | 2    | 2    |         |
| 10       | 3YX-22151-00    | SEAL, GUARD       | 1    | 1    | 1    |         |
| 11       | 90387-083Y8     | COLLAR            | 1    | 1    | 1    |         |
| 12       | 95807-06016     | BOLT, FLANGE      | 1    | 1    | 1    |         |

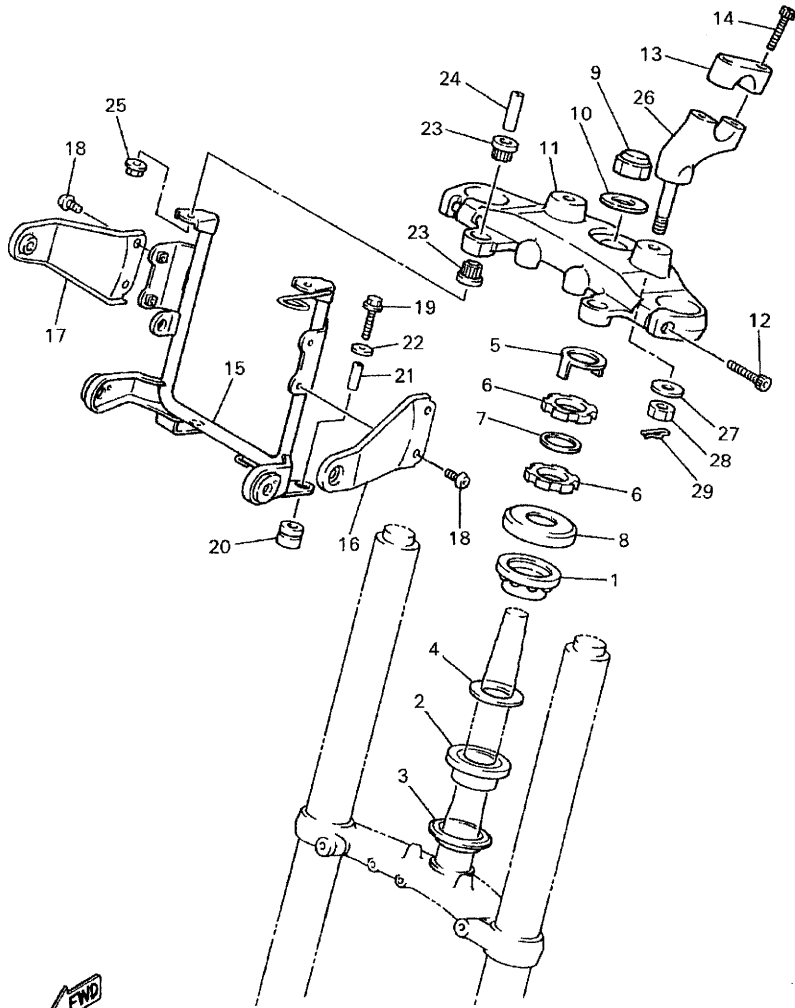


4BR351-5220

**D7**



FIG. 24 STEERING

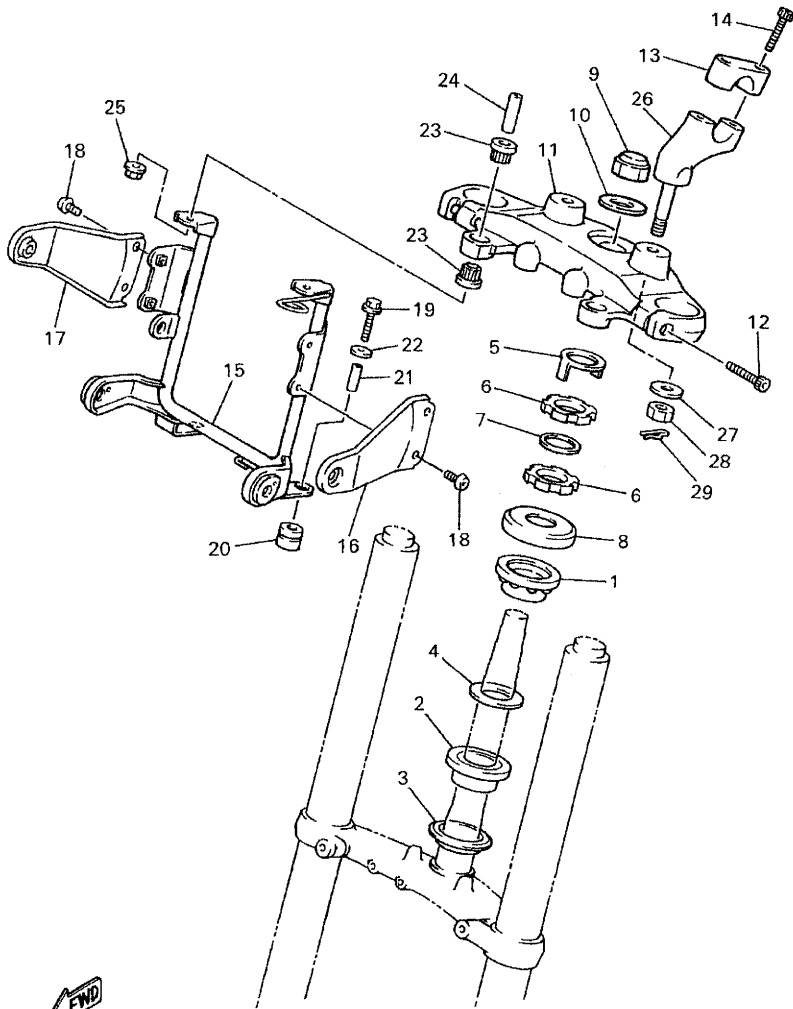


4KE9351-8240

| REF. NO. | PART NO.        | DESCRIPTION          | 4KED | 4MB9 | 4KF9 | REMARKS |
|----------|-----------------|----------------------|------|------|------|---------|
| 1        | 93399-99931     | BEARING              | 1    | 1    | 1    |         |
| 2        | 93399-99932     | BEARING              | 1    | 1    | 1    |         |
| 3        | 3FV-23462-00    | SEAL, STEERING       | 1    | 1    | 1    |         |
| 4        | 90202-24190     | WASHER, PLATE        | 1    | 1    | 1    |         |
| 5        | 26H-23418-01    | WASHER, SPECIAL      | 1    | 1    | 1    |         |
| 6        | 90179-25033     | NUT                  | 2    | 2    | 2    |         |
| 7        | 90202-26142     | WASHER, PLATE        | 1    | 1    | 1    |         |
| 8        | 1W1-23416-00    | COVER, BALL RACE 2   | 1    | 1    | 1    |         |
| 9        | 90176-22081     | NUT, CROWN           | 1    | 1    | 1    |         |
| 10       | 90201-220T0     | WASHER, PLATE        | 1    | 1    | 1    |         |
| 11       | 4KA-23435-00    | CROWN, HANDLE        | 1    | 1    | 1    |         |
| 12       | 91314-08030     | BOLT                 | 2    | 2    | 2    |         |
| 13       | 4H7-23441-00-P0 | HOLDER, HANDLE UPPER | 2    | 2    | 2    | LGM1    |
| 14       | 91314-08030     | BOLT                 | 4    | 4    | 4    |         |
| 15       | 4KA-23174-00    | STAY, HEADLIGHT      | 1    | 1    | 1    |         |
| 16       | 4DN-23121-00    | COVER, UPPER 1       | 1    | 1    | 1    |         |
| 17       | 4DN-23131-00    | COVER, UPPER 2       | 1    | 1    | 1    |         |
| 18       | 90149-06298     | SCREW                | 4    | 4    | 4    |         |
| 19       | 95807-06030     | BOLT, FLANGE         | 2    | 2    | 2    |         |
| 20       | 90480-14105     | GROMMET              | 2    | 2    | 2    |         |
| 21       | 90387-06554     | COLLAR               | 2    | 2    | 2    |         |
| 22       | 90201-06557     | WASHER, PLATE        | 2    | 2    | 2    |         |
| 23       | 1JK-83541-00    | DAMPER               | 4    | 4    | 4    |         |
| 24       | 90387-06676     | COLLAR               | 2    | 2    | 2    |         |
| 25       | 95707-06500     | NUT, FLANGE          | 2    | 2    | 2    |         |
| 26       | 3Y6-23442-00-P0 | HOLDER, HANDLE LOWER | 2    | 2    | 2    | LGM1    |
| 27       | 92907-10600     | WASHER, PLATE        | 2    | 2    | 2    |         |

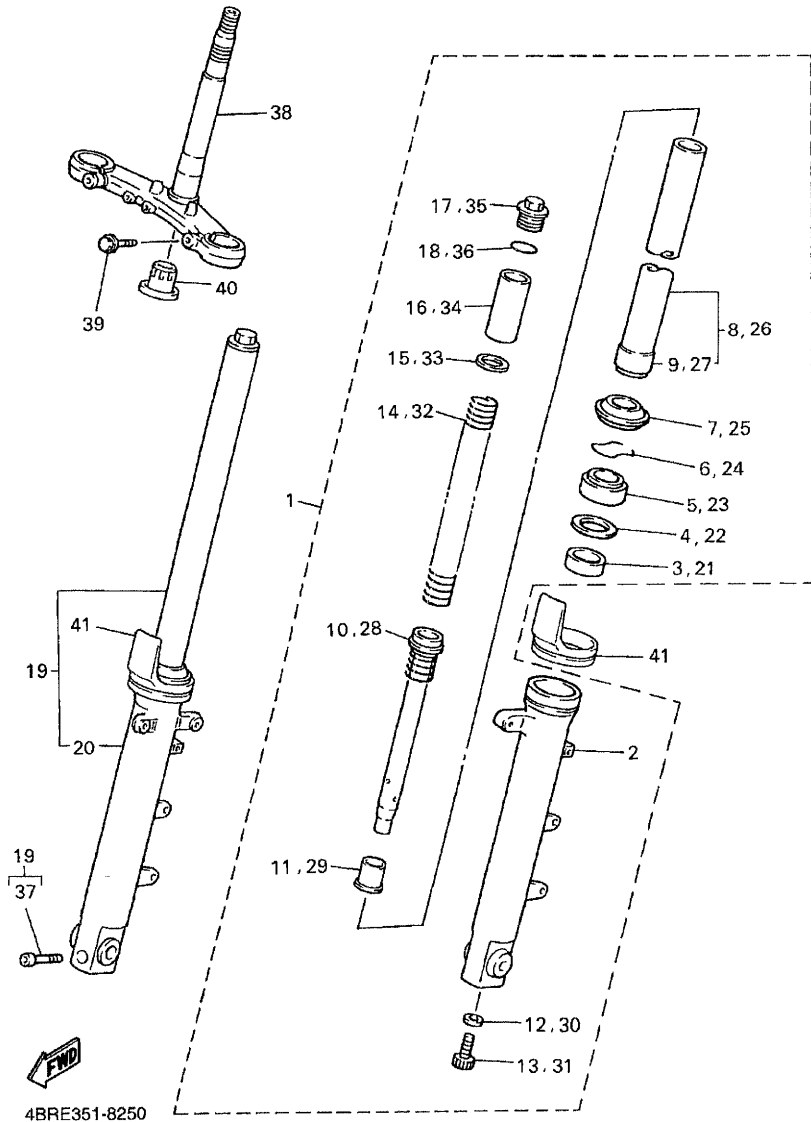
FIG. 24 STEERING

| REF. NO. | PART NO.    | DESCRIPTION | 4KED | 4MB9 | 4KF9 | REMARKS |
|----------|-------------|-------------|------|------|------|---------|
| 28       | 95307-10600 | NUT         | 2    | 2    | 2    |         |
| 29       | 90468-12006 | CLIP        | 2    | 2    | 2    |         |
| -----    |             |             |      |      |      |         |
| -----    |             |             |      |      |      |         |
| -----    |             |             |      |      |      |         |
| -----    |             |             |      |      |      |         |
| -----    |             |             |      |      |      |         |
| -----    |             |             |      |      |      |         |
| -----    |             |             |      |      |      |         |
| -----    |             |             |      |      |      |         |



4KE9351-8240

FIG. 25 FRONT FORK



| REF. NO. | PART NO.     | DESCRIPTION                 | 4KED | 4MB9 | 4KF9 | REMARKS |
|----------|--------------|-----------------------------|------|------|------|---------|
| 1        | 4EB-23102-00 | FRONT FORK ASSY (L.H)       | 1    | 1    | 1    |         |
| 2        | 4EB-23126-10 | .TUBE, OUTER (LEFT)         | 1    | 1    | 1    |         |
| 3        | 4FM-23125-40 | .METAL, SLIDE 1             | 1    | 1    | 1    |         |
| 4        | 36Y-23146-10 | .WASHER, OIL SEAL           | 1    | 1    | 1    |         |
| 5        | 4EB-23145-00 | .OIL SEAL                   | 1    | 1    | 1    |         |
| 6        | 26H-23156-00 | .CLIP, OIL SEAL             | 1    | 1    | 1    |         |
| 7        | 4EB-23144-00 | .SEAL, DUST                 | 1    | 1    | 1    |         |
| 8        | 4EB-23110-10 | .INNER TUBE COMP.1          | 1    | 1    | 1    |         |
| 9        | 4YR-23171-00 | .PISTON, FRONT FORK         | 1    | 1    | 1    |         |
| 10       | 4EB-23170-00 | .CYLINDER COMP., FRONT FORK | 1    | 1    | 1    |         |
| 11       | 4YR-23173-00 | .SPINDLE, TAPER             | 1    | 1    | 1    |         |
| 12       | 509-23158-L0 | .GASKET                     | 1    | 1    | 1    |         |
| 13       | 278-23181-50 | .BOLT, HEXAGON SOCKET HEAD  | 1    | 1    | 1    |         |
| 14       | 4EB-23141-10 | .SPRING, FRONT FORK         | 1    | 1    | 1    |         |
| 15       | 3EN-23149-50 | .WASHER, SPRING UPPER       | 1    | 1    | 1    |         |
| 16       | 4YR-23118-00 | .SPACER                     | 1    | 1    | 1    |         |
| 17       | 3EN-23111-51 | .BOLT, CAP                  | 1    | 1    | 1    |         |
| 18       | 43F-23188-10 | .O-RING                     | 1    | 1    | 1    |         |
| 19       | 4EB-23103-00 | FRONT FORK ASSY (R.H)       | 1    | 1    | 1    |         |
| 20       | 4EB-23136-10 | .TUBE, OUTER (RIGHT)        | 1    | 1    | 1    |         |
| 21       | 4FM-23125-40 | .METAL, SLIDE 1             | 1    | 1    | 1    |         |
| 22       | 36Y-23146-10 | .WASHER, OIL SEAL           | 1    | 1    | 1    |         |
| 23       | 4EB-23145-00 | .OIL SEAL                   | 1    | 1    | 1    |         |
| 24       | 26H-23156-00 | .CLIP, OIL SEAL             | 1    | 1    | 1    |         |
| 25       | 4EB-23144-00 | .SEAL, DUST                 | 1    | 1    | 1    |         |
| 26       | 4EB-23110-10 | .INNER TUBE COMP.1          | 1    | 1    | 1    |         |
| 27       | 4YR-23171-00 | .PISTON, FRONT FORK         | 1    | 1    | 1    |         |

FIG. 25 FRONT FORK

| REF. NO. | PART NO.     | DESCRIPTION                 | 4KED | 4MB9 | 4KF9 | REMARKS |
|----------|--------------|-----------------------------|------|------|------|---------|
| 28       | 4EB-23170-00 | .CYLINDER COMP., FRONT FORK | 1    | 1    | 1    |         |
| 29       | 4YR-23173-00 | .SPINDLE, TAPER             | 1    | 1    | 1    |         |
| 30       | 509-23158-L0 | .GASKET                     | 1    | 1    | 1    |         |
| 31       | 278-23181-50 | .BOLT, HEXAGON SOCKET HEAD  | 1    | 1    | 1    |         |
| 32       | 4EB-23141-10 | .SPRING, FRONT FORK         | 1    | 1    | 1    |         |
| 33       | 3EN-23149-50 | .WASHER, SPRING UPPER       | 1    | 1    | 1    |         |
| 34       | 4YR-23118-00 | .SPACER                     | 1    | 1    | 1    |         |
| 35       | 3EN-23111-51 | .BOLT, CAP                  | 1    | 1    | 1    |         |
| 36       | 43F-23188-10 | .O-RING                     | 1    | 1    | 1    |         |
| 37       | 91314-08040  | .BOLT                       | 1    | 1    | 1    |         |
| 38       | 4KA-23340-00 | UNDER BRACKET COMP.         | 1    | 1    | 1    |         |
| 39       | 4EB-23356-00 | BOLT 2                      | 2    | 2    | 2    |         |
| 40       | 4KM-23123-01 | COVER, LOWER 1              | 1    | 1    | 1    |         |
| 41       | 4PU-2331G-00 | COVER                       | 2    | 2    | 2    |         |

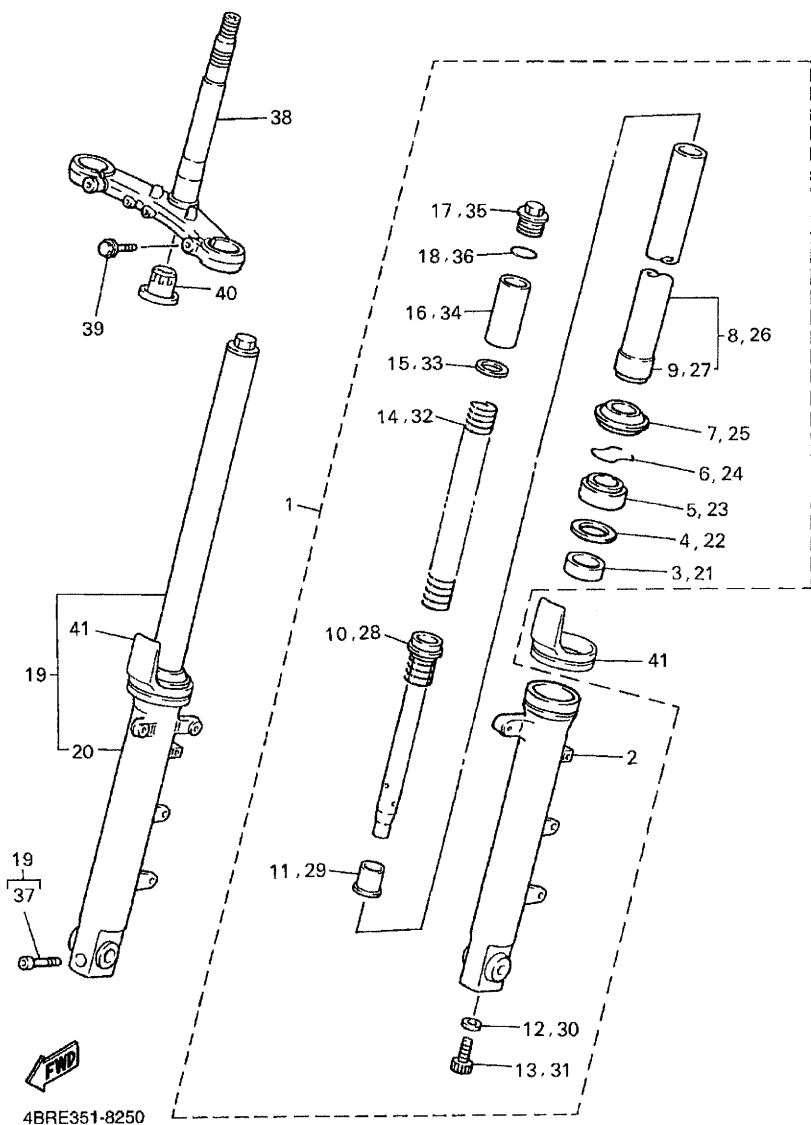


FIG. 26 FUEL TANK

| REF. NO. | PART NO.        | DESCRIPTION               | 4KED | 4MB9 | 4KF9 | REMARKS |
|----------|-----------------|---------------------------|------|------|------|---------|
| 1        | 4BP-Y2410-02-04 | FUEL TANK COMP.           | 1    | 1    | 1    | SM1     |
| 2        | 99227-00140     | .EMBLEM, YAMAHA           | 2    | 2    | 2    | FOR SM1 |
| 3        | 4BP-24188-00    | MOLD, FUEL TANK           | 1    | 1    | 1    |         |
| 4        | 4BP-24191-00    | BRACKET, FUEL TANK 1      | 1    | 1    | 1    |         |
| 5        | 90119-06213     | BOLT, WITH WASHER         | 1    | 1    | 1    |         |
| 6        | 2GH-24181-00    | DAMPER, LOCATING 1        | 1    | 1    | 1    |         |
| 7        | 2GH-24183-00    | DAMPER, LOCATING 3        | 1    | 1    | 1    |         |
| 8        | 2GH-24186-00    | WASHER, SPECIAL           | 1    | 1    | 1    |         |
| 9        | 90387-06299     | COLLAR                    | 2    | 2    | 2    |         |
| 10       | 97007-06025     | BOLT                      | 2    | 2    | 2    |         |
| 11       | 92907-06600     | WASHER, PLATE             | 2    | 2    | 2    |         |
| 12       | 4BP-24182-00    | DAMPER, LOCATING 2        | 1    | 1    | 1    |         |
| 13       | 3Y6-24183-00    | DAMPER, LOCATING 3        | 1    | 1    | 1    |         |
| 14       | 4BP-24186-00    | WASHER, SPECIAL           | 1    | 1    | 1    |         |
| 15       | 97007-08055     | BOLT                      | 1    | 1    | 1    |         |
| 16       | 4JH-24183-00    | DAMPER, LOCATING 3        | 2    | 2    | 2    |         |
| 17       | 4FM-24602-10    | CAP ASSY                  | 1    | 1    | 1    |         |
| 18       | 90110-05112     | BOLT, HEXAGON SOCKET HEAD | 3    | 3    | 3    |         |
| 19       | 91317-05010     | BOLT                      | 1    | 1    | 1    |         |
| 20       | 4BP-24500-01    | FUEL COCK ASSY 1          | 1    | 1    | 1    |         |
| 21       | 3AJ-24523-00    | .VALVE PACKING            | 1    | 1    | 1    |         |
| 22       | 3AJ-24534-00    | .SEAL, COCK               | 1    | 1    | 1    |         |
| 23       | 4X8-24512-00    | .O-RING                   | 1    | 1    | 1    |         |
| 24       | 90149-06008     | SCREW                     | 2    | 2    | 2    |         |
| 25       | 90202-05193     | WASHER, PLATE             | 2    | 2    | 2    |         |

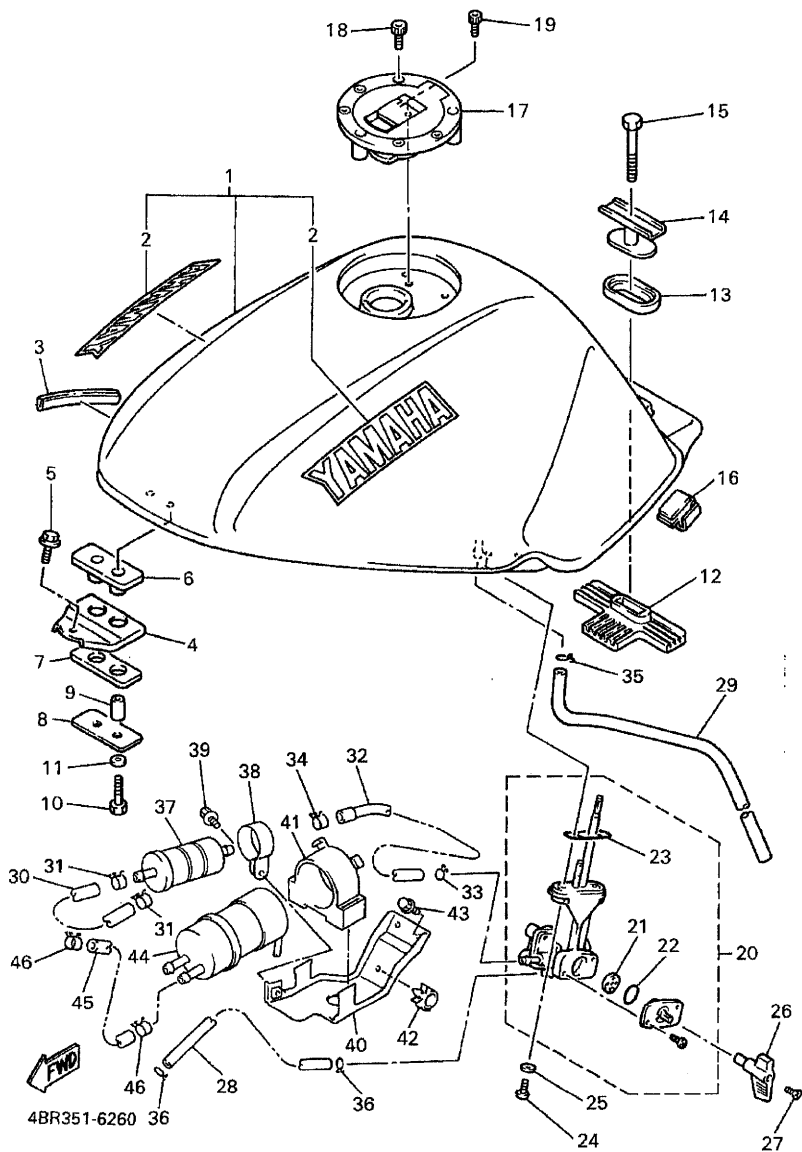
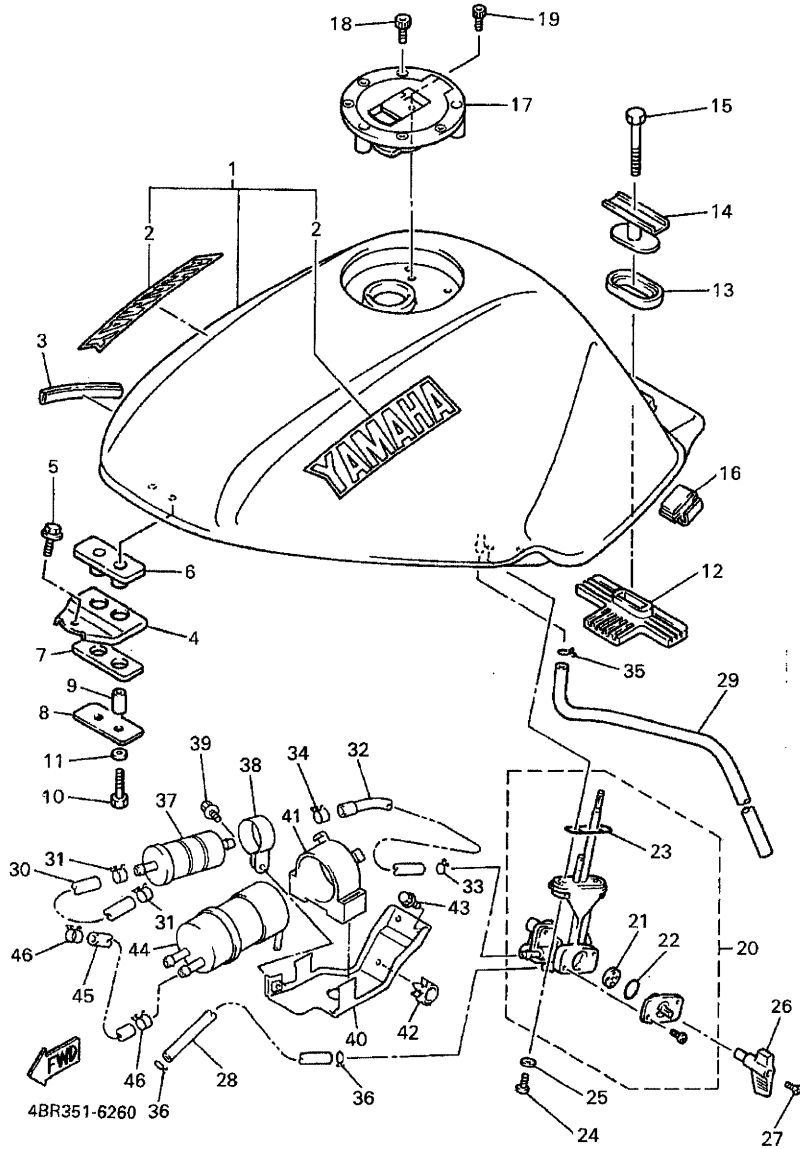
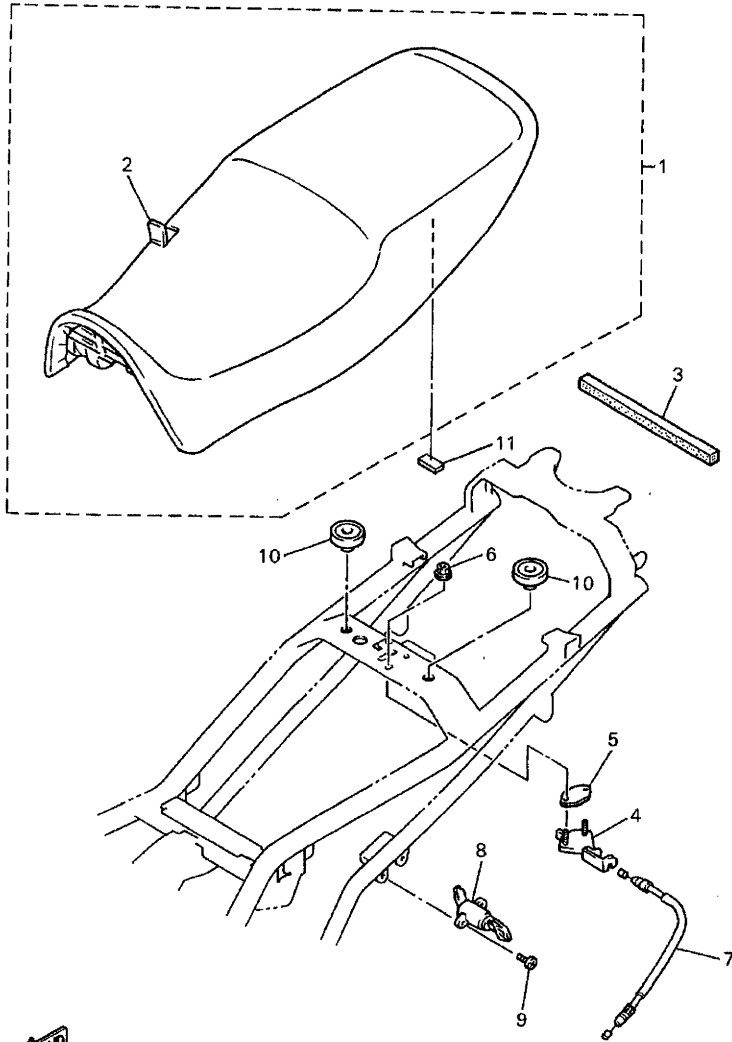


FIG. 26 FUEL TANK



| REF. NO. | PART NO.     | DESCRIPTION        | 4KED | 4MB9 | 4KF9 | REMARKS |
|----------|--------------|--------------------|------|------|------|---------|
| 26       | 3HE-24524-00 | LEVER, COCK        | 1    | 1    | 1    |         |
| 27       | 98707-04018  | SCREW, FLAT HEAD   | 1    | 1    | 1    |         |
| 28       | 90445-09683  | HOSE (L260)        | 1    | 1    | 1    |         |
| 29       | 90445-103E6  | HOSE (L515)        | 1    | 1    | 1    |         |
| 30       | 4EB-24313-00 | PIPE 3             | 1    | 1    | 1    |         |
| 31       | 90467-12053  | CLIP               | 2    | 2    | 2    |         |
| 32       | 4EB-24311-00 | PIPE, FUEL 1       | 1    | 1    | 1    |         |
| 33       | 90467-10041  | CLIP               | 1    | 1    | 1    |         |
| 34       | 90467-12053  | CLIP               | 1    | 1    | 1    |         |
| 35       | 90467-09006  | CLIP               | 1    | 1    | 1    |         |
| 36       | 90467-08021  | CLIP               | 2    | 2    | 2    |         |
| 37       | 1FK-24560-00 | FILTER ASSY        | 1    | 1    | 1    |         |
| 38       | 4BR-24366-00 | CLAMP, FUEL PIPE 1 | 1    | 1    | 1    |         |
| 39       | 95817-06010  | BOLT, FLANGE       | 1    | 1    | 1    |         |
| 40       | 4EB-24216-00 | STAY               | 1    | 1    | 1    |         |
| 41       | 4EB-24398-00 | BAND 1             | 1    | 1    | 1    |         |
| 42       | 90464-18205  | CLAMP              | 1    | 1    | 1    |         |
| 43       | 95027-06014  | BOLT, FLANGE       | 2    | 2    | 2    |         |
| 44       | 3YX-13907-01 | FUEL PUMP COMP.    | 1    | 1    | 1    |         |
| 45       | 90445-144J8  | HOSE (L135)        | 1    | 1    | 1    |         |
| 46       | 90467-13071  | CLIP               | 2    | 2    | 2    |         |

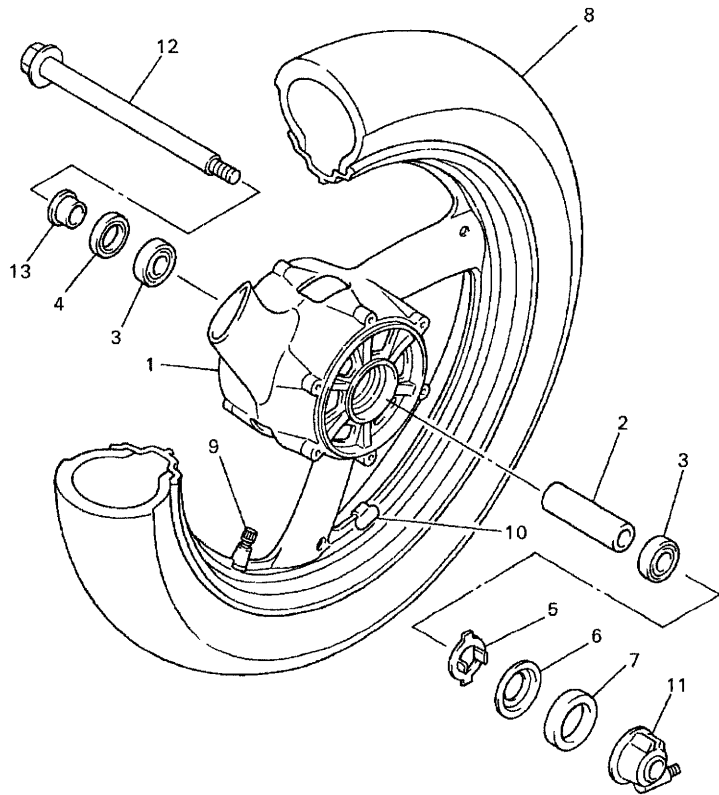
FIG. 27 SEAT



4BR351-6270

| REF. NO. | PART NO.     | DESCRIPTION      | 4KED | 4MB9 | 4KF9 | REMARKS |
|----------|--------------|------------------|------|------|------|---------|
| 1        | 4EB-24730-20 | DOUBLE SEAT ASSY | 1    | 1    | 1    | YB      |
| 2        | 4EB-2470F-20 | .COVER, SEAT     | 1    | 1    | 1    | YB      |
| 3        | 4BP-24737-00 | DAMPER, SEAT     | 1    | 1    | 1    |         |
| 4        | 4BP-24780-00 | SEAT LOCK ASSY   | 1    | 1    | 1    |         |
| 5        | 4BP-24792-00 | PLATE            | 1    | 1    | 1    |         |
| 6        | 95707-06500  | NUT, FLANGE      | 2    | 2    | 2    |         |
| 7        | 4EB-2478E-00 | CABLE, SEAT LOCK | 1    | 1    | 1    |         |
| 8        | 3CK-W2470-00 | SEAT LOCK ASSY   | 1    | 1    | 1    |         |
| 9        | 90149-06228  | SCREW            | 2    | 2    | 2    |         |
| 10       | 22W-24741-00 | PAD, SEAT        | 2    | 2    | 2    |         |
| 11       | 3XV-21717-00 | DAMPER           | 2    | 2    | 2    |         |
|          |              |                  |      |      |      |         |
|          |              |                  |      |      |      |         |
|          |              |                  |      |      |      |         |
|          |              |                  |      |      |      |         |
|          |              |                  |      |      |      |         |
|          |              |                  |      |      |      |         |

FIG. 28 FRONT WHEEL



| REF. NO. | PART NO.        | DESCRIPTION                 | 4KED | 4MB9 | 4KF9 | REMARKS  |
|----------|-----------------|-----------------------------|------|------|------|----------|
| 1        | 4EB-25168-00-WN | CAST WHEEL, FRONT           | 1    | 1    | 1    | CIS      |
| 2        | 90560-17241     | SPACER                      | 1    | 1    | 1    |          |
| 3        | 93306-20309     | BEARING (B6203)             | 2    | 2    | 2    |          |
| 4        | 93102-25017     | OIL SEAL                    | 1    | 1    | 1    |          |
| 5        | 341-25149-00    | CLUTCH, METER               | 1    | 1    | 1    |          |
| 6        | 341-25846-00    | RETAINER, CLUTCH            | 1    | 1    | 1    |          |
| 7        | 93105-45017     | OIL SEAL                    | 1    | 1    | 1    |          |
| 8        | *               | TYRE (110/80-17 57H D103FA) | 1    | 1    | 1    |          |
| 9        | 93900-00022     | VALVE, RIM                  | 1    | 1    | 1    | TAIHEIYO |
| 10       | 29L-25398-00    | BALANCER, WHEEL (10G)       | 1    | 1    | 1    | UR       |
|          | 29L-25398-10    | BALANCER, WHEEL (20G)       | 1    | 1    | 1    | UR       |
|          | 29L-25398-20    | BALANCER, WHEEL (30G)       | 1    | 1    | 1    | UR       |
| 11       | 4KG-25190-10    | GEAR UNIT ASSY              | 1    | 1    | 1    |          |
| 12       | 3GM-25181-03    | AXLE, WHEEL                 | 1    | 1    | 1    |          |
| 13       | 90387-177Y4     | COLLAR                      | 1    | 1    | 1    |          |



4BRE351-8280

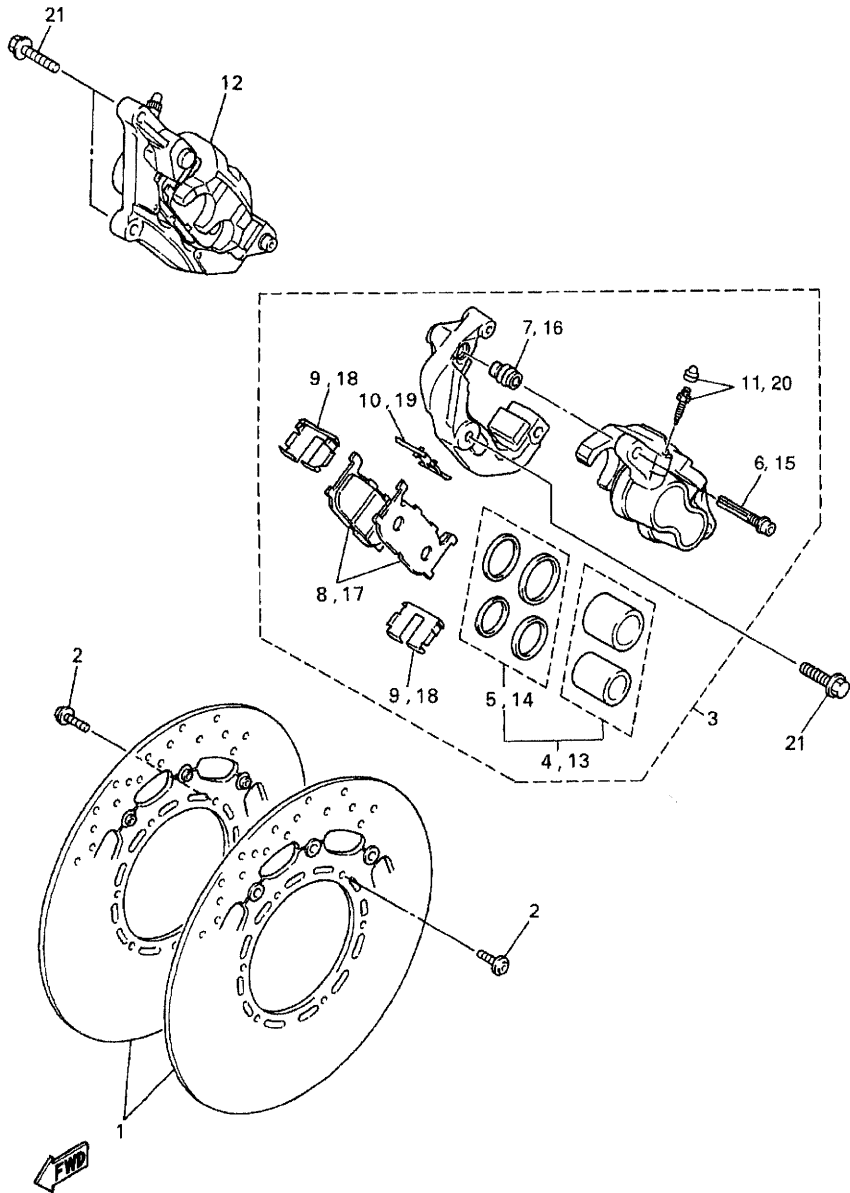
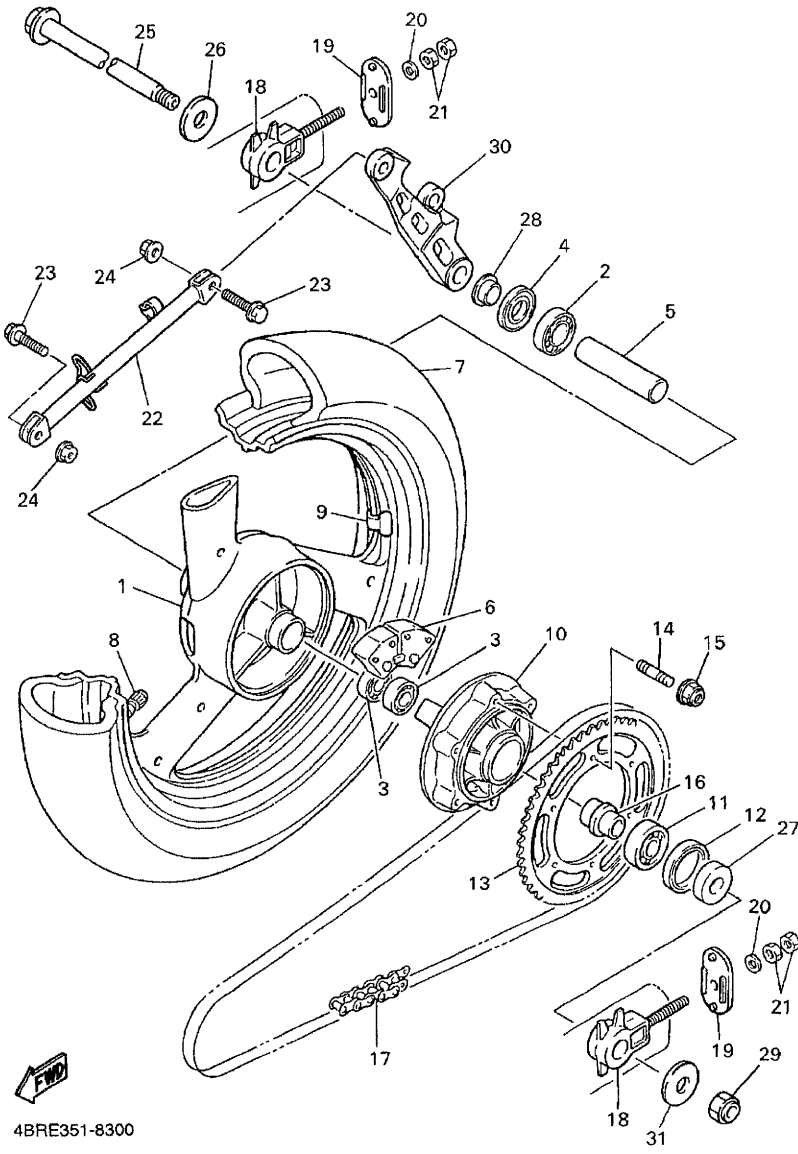


FIG. 29 FRONT BRAKE CALIPER

| REF. NO. | PART NO.     | DESCRIPTION           | 4KED | 4MB9 | 4KF9 | REMARKS |
|----------|--------------|-----------------------|------|------|------|---------|
| 1        | 3LR-2581T-00 | DISC BRAKE ASSY       | 2    | 2    | 2    |         |
| 2        | 90109-083G4  | BOLT                  | 12   | 12   | 12   |         |
| 3        | 5KS-2580T-00 | CALIPER ASSY (LEFT)   | 1    | 1    | 1    |         |
| 4        | 5KS-W0057-00 | .PISTON ASSY, CALIPER | 1    | 1    | 1    |         |
| 5        | 4FU-W0047-00 | ..CALIPER SEAL KIT    | 1    | 1    | 1    |         |
| 6        | 4TT-25914-00 | .PIN, SLIDE           | 2    | 2    | 2    |         |
| 7        | 4TT-25937-00 | .BOOT 2               | 2    | 2    | 2    |         |
| 8        | 4EB-W0045-00 | .BRAKE PAD KIT        | 1    | 1    | 1    |         |
| 9        | 4BP-25919-00 | .SUPPORT, PAD         | 2    | 2    | 2    |         |
| 10       | 3YX-25929-00 | .SPRING, ANTI RATTLE  | 1    | 1    | 1    |         |
| 11       | 51L-W0048-00 | .BLEED SCREW KIT      | 1    | 1    | 1    |         |
| 12       | 5KS-2580U-00 | CALIPER ASSY (RIGHT)  | 1    | 1    | 1    |         |
| 13       | 5KS-W0057-00 | .PISTON ASSY, CALIPER | 1    | 1    | 1    |         |
| 14       | 4FU-W0047-00 | ..CALIPER SEAL KIT    | 1    | 1    | 1    |         |
| 15       | 4TT-25914-00 | .PIN, SLIDE           | 2    | 2    | 2    |         |
| 16       | 4TT-25937-00 | .BOOT 2               | 2    | 2    | 2    |         |
| 17       | 4EB-W0045-00 | .BRAKE PAD KIT        | 1    | 1    | 1    |         |
| 18       | 4BP-25919-00 | .SUPPORT, PAD         | 2    | 2    | 2    |         |
| 19       | 3YX-25929-00 | .SPRING, ANTI RATTLE  | 1    | 1    | 1    |         |
| 20       | 51L-W0048-00 | .BLEED SCREW KIT      | 1    | 1    | 1    |         |
| 21       | 90105-10638  | BOLT, FLANGE          | 4    | 4    | 4    |         |

4KEC351-1290

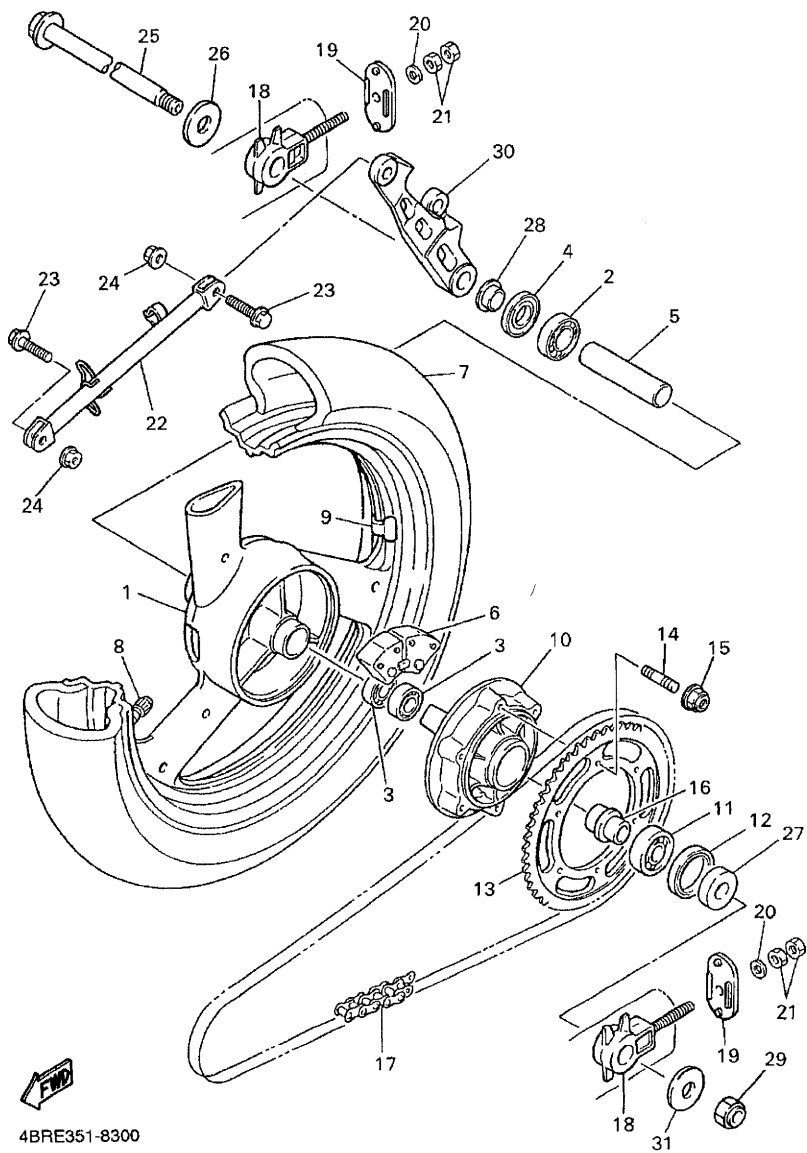
FIG. 30 REAR WHEEL



4BRE351-8300

| REF. NO. | PART NO.        | DESCRIPTION                | 4KED | 4MB9 | 4KF9 | REMARKS  |
|----------|-----------------|----------------------------|------|------|------|----------|
| 1        | 3HE-25338-00-WN | CAST WHEEL, REAR           | 1    | 1    | 1    | CIS      |
| 2        | 93306-30317     | BEARING                    | 1    | 1    | 1    |          |
| 3        | 93306-20314     | BEARING (B6203)            | 2    | 2    | 2    |          |
| 4        | 93102-25044     | OIL SEAL                   | 1    | 1    | 1    |          |
| 5        | 90387-174V8     | COLLAR                     | 1    | 1    | 1    |          |
| 6        | 4BP-25364-00    | DAMPER                     | 3    | 3    | 3    |          |
| 7        | *               | TYRE (130/70-18 63H D103A) | 1    | 1    | 1    |          |
| 8        | 93900-00022     | VALVE, RIM                 | 1    | 1    | 1    | TAIHEIYO |
| 9        | 29L-25398-00    | BALANCER, WHEEL (10G)      | 1    | 1    | 1    | UR       |
|          | 29L-25398-10    | BALANCER, WHEEL (20G)      | 1    | 1    | 1    | UR       |
|          | 29L-25398-20    | BALANCER, WHEEL (30G)      | 1    | 1    | 1    | UR       |
| 10       | 4BP-25366-00    | CLUTCH, HUB                | 1    | 1    | 1    |          |
| 11       | 93306-37207     | BEARING                    | 1    | 1    | 1    |          |
| 12       | 93105-42024     | OIL SEAL                   | 1    | 1    | 1    |          |
| 13       | 4BP-25448-20    | SPROCKET, DRIVEN (48T)     | 1    | 1    |      | STD      |
|          | 4BP-25446-20    | SPROCKET, DRIVEN (46T)     | 1    |      |      | UR       |
| 14       | 90116-10485     | BOLT, STUD                 | 6    | 6    | 6    |          |
| 15       | 95607-10200     | NUT, SELF-LOCKING          | 6    | 6    | 6    |          |
| 16       | 90387-177K0     | COLLAR                     | 1    | 1    | 1    |          |
| 17       | 94581-30110     | CHAIN (DID520VL2-110LE)    | 1    | 1    |      |          |
| 18       | 4BP-25388-00    | PULLER, CHAIN 1            | 2    | 2    | 2    |          |
| 19       | 3YX-22174-00    | END 1                      | 2    | 2    | 2    |          |
| 20       | 92903-08600     | WASHER, PLATE              | 2    | 2    | 2    |          |
| 21       | 95304-08600     | NUT                        | 4    | 4    | 4    |          |
| 22       | 4BR-25371-01    | BAR, TENSION               | 1    | 1    | 1    |          |

FIG. 30 REAR WHEEL



| REF. NO. | PART NO.     | DESCRIPTION       | 4KED | 4MB9 | 4KF9 | REMARKS |
|----------|--------------|-------------------|------|------|------|---------|
| 23       | 90105-083A9  | BOLT, FLANGE      | 2    | 2    | 2    |         |
| 24       | 95607-08200  | NUT, SELF-LOCKING | 2    | 2    | 2    |         |
| 25       | 4EB-25381-00 | AXLE, WHEEL       | 1    | 1    | 1    |         |
| 26       | 90201-170T3  | WASHER, PLATE     | 1    | 1    | 1    |         |
| 27       | 90387-177Y5  | COLLAR            | 1    | 1    | 1    |         |
| 28       | 90387-173L5  | COLLAR            | 1    | 1    | 1    |         |
| 29       | 90185-16127  | NUT, SELF-LOCKING | 1    | 1    | 1    |         |
| 30       | 3HE-25819-01 | BRACKET, CALIPER  | 1    | 1    | 1    |         |
| 31       | 90201-160T2  | WASHER, PLATE     | 1    | 1    | 1    |         |
|          |              |                   |      |      |      |         |
|          |              |                   |      |      |      |         |
|          |              |                   |      |      |      |         |
|          |              |                   |      |      |      |         |
|          |              |                   |      |      |      |         |
|          |              |                   |      |      |      |         |

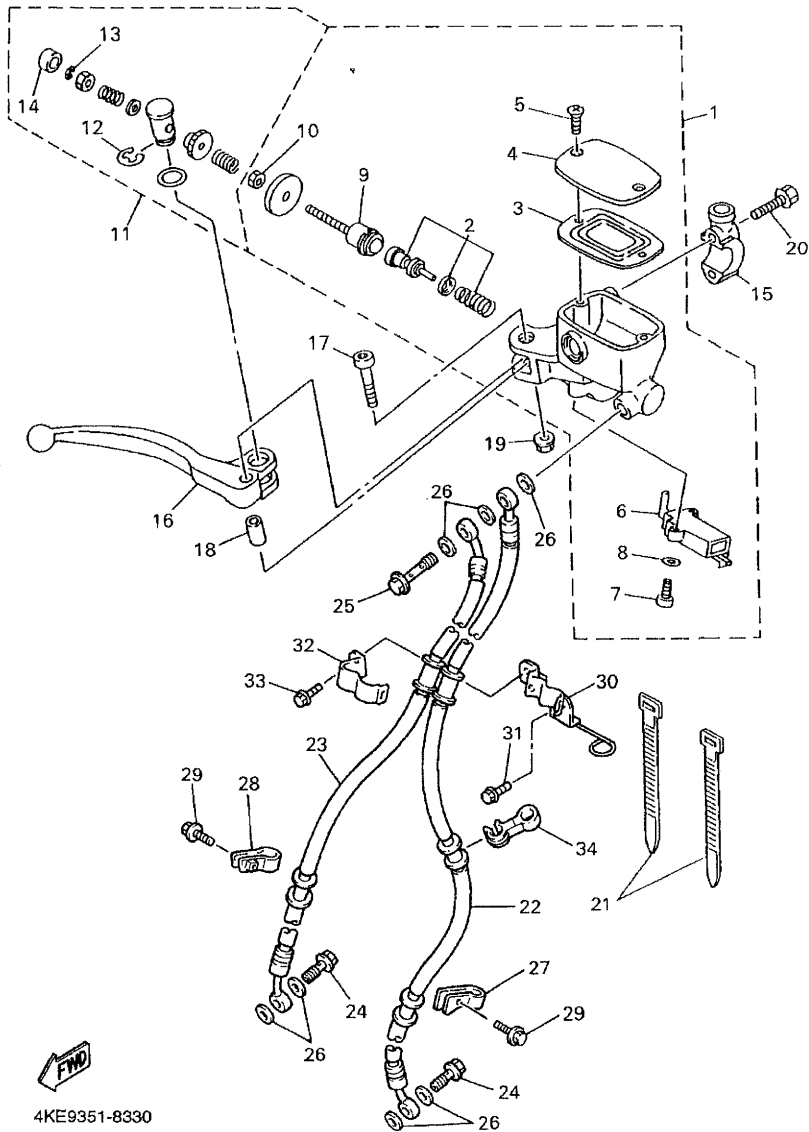
4BRE351-8300





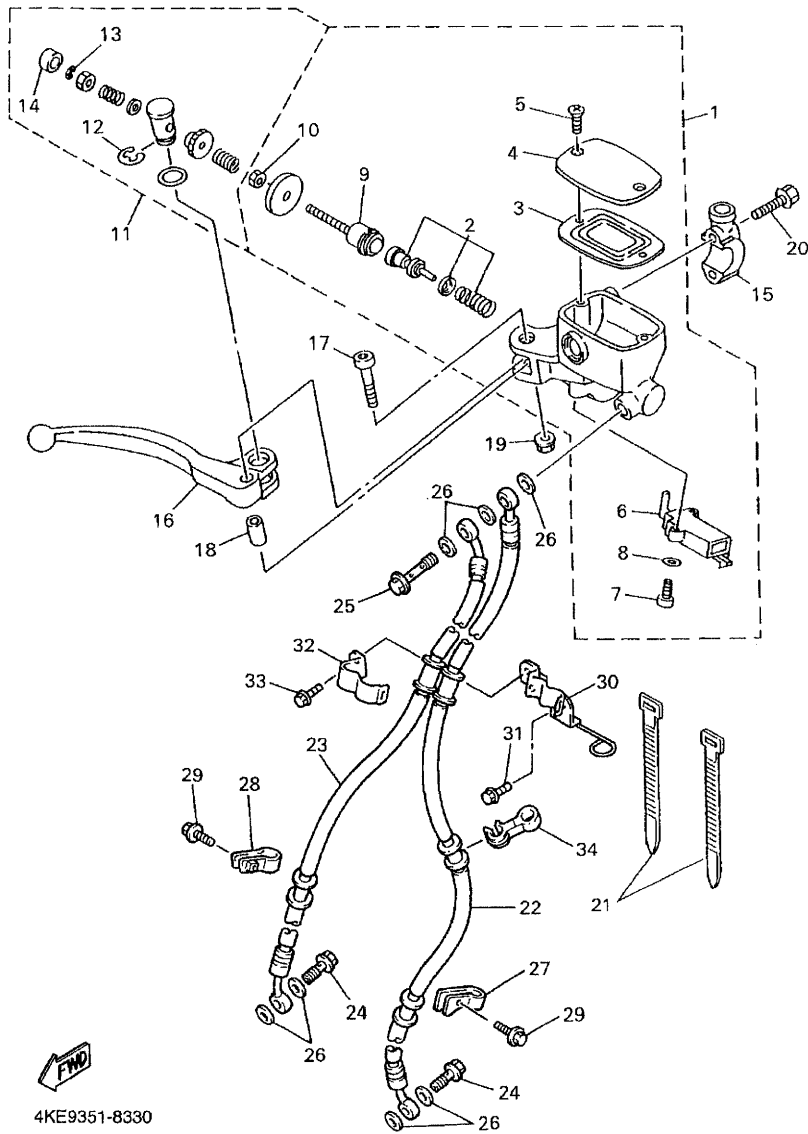
FIG. 33 FRONT MASTER CYLINDER

| REF. NO. | PART NO.     | DESCRIPTION               | 4KED | 4MB9 | 4KF9 | REMARKS |
|----------|--------------|---------------------------|------|------|------|---------|
| 1        | 4BR-W2587-01 | MASTER CYLINDER SUB ASSY  | 1    | 1    | 1    |         |
| 2        | 3YX-W0041-50 | .CYLINDER KIT, MASTER     | 1    | 1    | 1    |         |
| 3        | 3YX-25854-00 | .DIAPHRAGM, RESERVOIR     | 1    | 1    | 1    |         |
| 4        | 3YX-25852-00 | .CAP, RESERVOIR           | 1    | 1    | 1    |         |
| 5        | 36Y-2589H-00 | .SCREW                    | 2    | 2    | 2    |         |
| 6        | 4BH-83980-00 | .FRONT STOP SWITCH ASSY   | 1    | 1    | 1    |         |
| 7        | 98506-04012  | .SCREW, PAN HEAD          | 2    | 2    | 2    |         |
| 8        | 92906-04600  | .WASHER, PLATE            | 2    | 2    | 2    |         |
| 9        | 3YX-25880-00 | .PUSH ROD COMP.           | 1    | 1    | 1    |         |
| 10       | 95301-06600  | .NUT                      | 1    | 1    | 1    |         |
| 11       | 3YX-W0091-02 | SCREW KIT, MASTERCYLINDER | 1    | 1    | 1    |         |
| 12       | 3YX-25866-00 | .CIRCLIP                  | 1    | 1    | 1    |         |
| 13       | 3YX-25866-10 | .CIRCLIP                  | 1    | 1    | 1    |         |
| 14       | 3YX-2583H-00 | .BOOT                     | 1    | 1    | 1    |         |
| 15       | 3YX-25867-00 | BRACKET, MASTER CYLINDER  | 1    | 1    | 1    |         |
| 16       | 3YX-83922-00 | LEVER 2                   | 1    | 1    | 1    |         |
| 17       | 3YX-2589F-00 | BOLT, LEVER               | 1    | 1    | 1    |         |
| 18       | 3YX-25838-00 | SLEEVE, CALIPER           | 1    | 1    | 1    |         |
| 19       | 95606-06100  | NUT, U                    | 1    | 1    | 1    |         |
| 20       | 95026-06030  | BOLT, FLANGE              | 2    | 2    | 2    |         |
| 21       | 437-83936-01 | BAND, SWITCH CORD         | 2    | 2    | 2    |         |
| 22       | 4KA-25872-00 | HOSE, BRAKE 1             | 1    | 1    | 1    |         |
| 23       | 4KA-25873-00 | HOSE, BRAKE 2             | 1    | 1    | 1    |         |
| 24       | 90401-10159  | BOLT, UNION               | 2    | 2    | 2    |         |
| 25       | 90401-10160  | BOLT, UNION               | 1    | 1    | 1    |         |
| 26       | 90201-10118  | WASHER, PLATE             | 7    | 7    | 7    |         |
| 27       | 3EN-25875-10 | HOLDER, BRAKE HOSE 1      | 1    | 1    | 1    |         |



4KE9351-8330

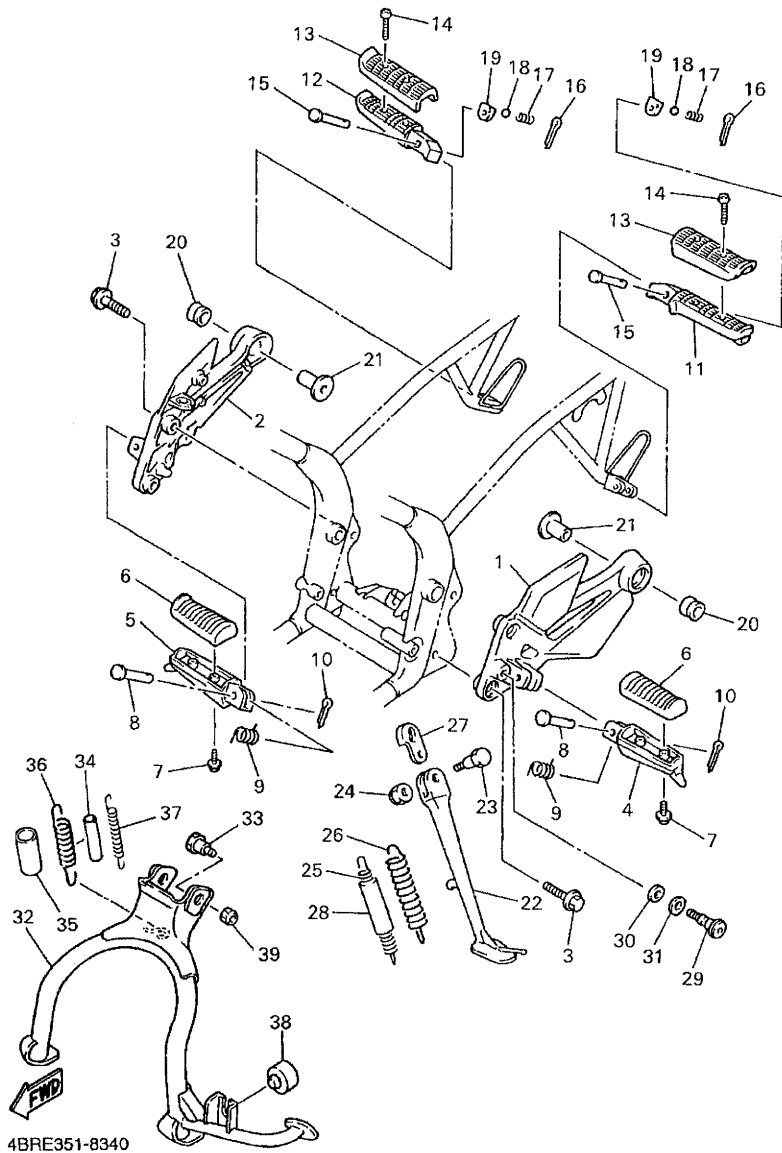
FIG. 33 FRONT MASTER CYLINDER



| REF. NO. | PART NO.     | DESCRIPTION          | 4KED | 4MB9 | 4KF9 | REMARKS |
|----------|--------------|----------------------|------|------|------|---------|
| 28       | 2R8-25876-10 | HOLDER, BRAKE HOSE 2 | 1    | 1    | 1    |         |
| 29       | 95024-06025  | BOLT, FLANGE         | 2    | 2    | 2    |         |
| 30       | 4KA-25875-10 | HOLDER, BRAKE HOSE 1 | 1    | 1    | 1    |         |
| 31       | 95027-06012  | BOLT, FLANGE         | 2    | 2    | 2    |         |
| 32       | 4KA-25876-10 | HOLDER, BRAKE HOSE 2 | 1    | 1    | 1    |         |
| 33       | 95027-06014  | BOLT, FLANGE         | 1    | 1    | 1    |         |
| 34       | 3MA-26279-00 | GUIDE, CABLE         | 1    | 1    | 1    |         |
|          |              |                      |      |      |      |         |
|          |              |                      |      |      |      |         |
|          |              |                      |      |      |      |         |
|          |              |                      |      |      |      |         |
|          |              |                      |      |      |      |         |
|          |              |                      |      |      |      |         |

FIG. 34 STAND, FOOTREST

| REF. NO. | PART NO.     | DESCRIPTION         | 4KED | 4MB9 | 4KF9 | REMARKS |
|----------|--------------|---------------------|------|------|------|---------|
| 1        | 4EB-27442-00 | BRACKET 2           | 1    | 1    | 1    |         |
| 2        | 4EB-27443-00 | BRACKET 3           | 1    | 1    | 1    |         |
| 3        | 90109-083G1  | BOLT                | 4    | 4    | 4    |         |
| 4        | 4BP-27451-01 | FOOTREST            | 1    | 1    | 1    |         |
| 5        | 4BP-27461-01 | FOOTREST            | 1    | 1    | 1    |         |
| 6        | 4BP-27413-00 | COVER, FOOTREST     | 2    | 2    | 2    |         |
| 7        | 90157-05079  | SCREW, PAN HEAD     | 4    | 4    | 4    |         |
| 8        | 90240-08140  | PIN, CLEVIS         | 2    | 2    | 2    |         |
| 9        | 90508-20572  | SPRING, TORSION     | 2    | 2    | 2    |         |
| 10       | 91401-25015  | PIN, COTTER         | 2    | 2    | 2    |         |
| 11       | 4BR-27431-00 | FOOTREST, REAR 1    | 1    | 1    | 1    |         |
| 12       | 4BR-27441-00 | FOOTREST, REAR 2    | 1    | 1    | 1    |         |
| 13       | 2GH-27413-00 | COVER, FOOTREST     | 2    | 2    | 2    |         |
| 14       | 90157-05079  | SCREW, PAN HEAD     | 4    | 4    | 4    |         |
| 15       | 90240-08141  | PIN, CLEVIS         | 2    | 2    | 2    |         |
| 16       | 91401-25015  | PIN, COTTER         | 2    | 2    | 2    |         |
| 17       | 90501-12743  | SPRING, COMPRESSION | 2    | 2    | 2    |         |
| 18       | 93501-04011  | BALL                | 2    | 2    | 2    |         |
| 19       | 4BP-27437-00 | WASHER, SPECIAL     | 2    | 2    | 2    |         |
| 20       | 2H7-27414-00 | DAMPER, FOOTREST    | 2    | 2    | 2    |         |
| 21       | 90387-10636  | COLLAR              | 2    | 2    | 2    |         |
| 22       | 4BP-27311-00 | STAND, SIDE         | 1    | 1    | 1    |         |
| 23       | 90109-106F9  | BOLT                | 1    | 1    | 1    |         |
| 24       | 90185-10037  | NUT, SELF-LOCKING   | 1    | 1    | 1    |         |
| 25       | 90506-18224  | SPRING, TENSION     | 1    | 1    | 1    |         |
| 26       | 90506-26225  | SPRING, TENSION     | 1    | 1    | 1    |         |
| 27       | 2KT-27315-00 | LINK, SIDE STAND    | 1    | 1    | 1    |         |

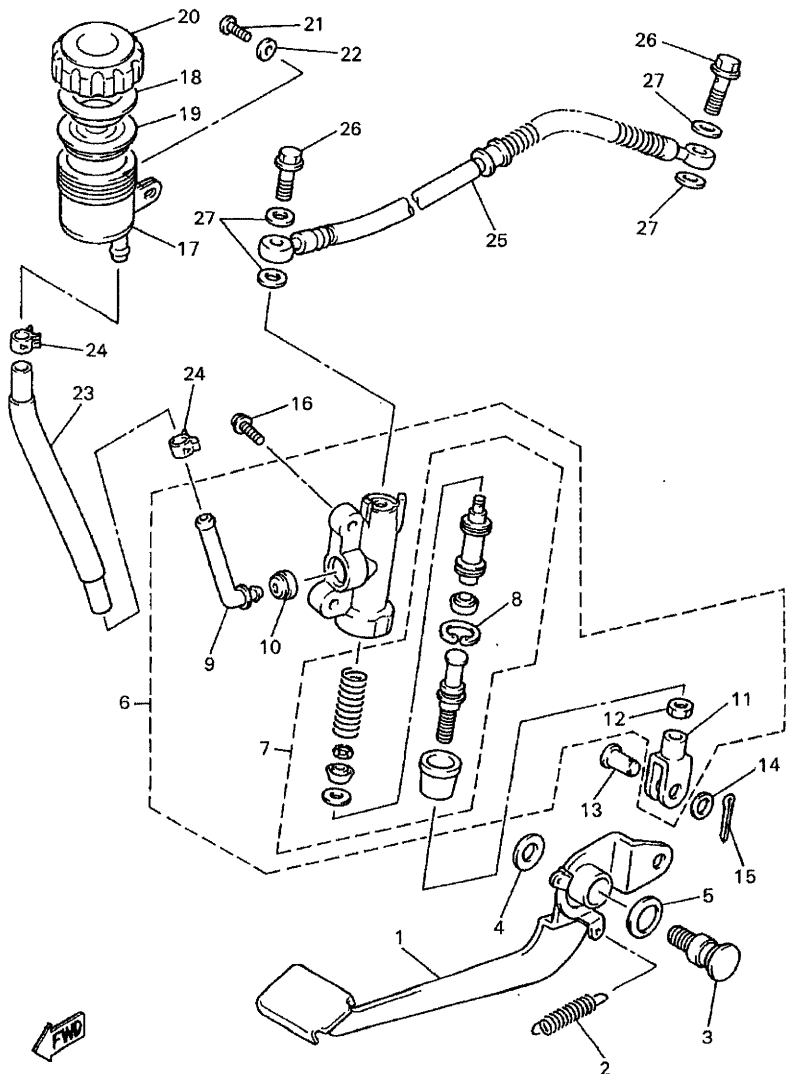


4BRE351-8340



FIG. 35 REAR MASTER CYLINDER

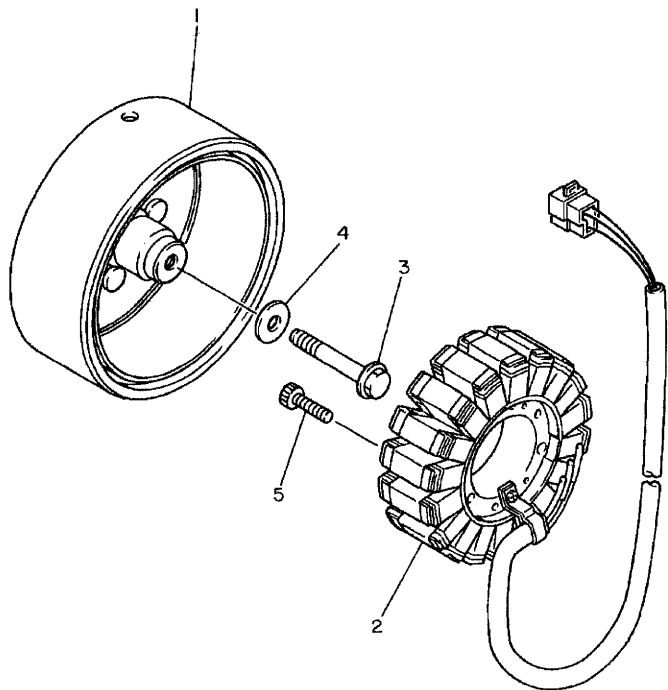
| REF. NO. | PART NO.     | DESCRIPTION               | 4KED | 4MB9 | 4KF9 | REMARKS |
|----------|--------------|---------------------------|------|------|------|---------|
| 1        | 4EB-27211-00 | PEDAL, BRAKE              | 1    | 1    | 1    |         |
| 2        | 90506-20192  | SPRING, TENSION           | 1    | 1    | 1    |         |
| 3        | 4BP-27261-00 | SHAFT                     | 1    | 1    | 1    |         |
| 4        | 92907-10200  | WASHER, PLAIN             | 1    | 1    | 1    |         |
| 5        | 90206-14086  | WASHER, WAVE              | 1    | 1    | 1    |         |
| 6        | 4BP-2583V-00 | RR. MASTER CYLINDER ASSY. | 1    | 1    | 1    |         |
| 7        | 4BP-W0042-50 | .CYLINDER KIT, MASTER     | 1    | 1    | 1    |         |
| 8        | 3LN-2585G-00 | .CIRCLIP                  | 1    | 1    | 1    |         |
| 9        | 4BP-2582A-00 | .JOINT                    | 1    | 1    | 1    |         |
| 10       | 4BP-2585F-00 | .BUSH                     | 1    | 1    | 1    |         |
| 11       | 4BP-27222-00 | .JOINT                    | 1    | 1    | 1    |         |
| 12       | 95307-08700  | .NUT                      | 2    | 2    | 2    |         |
| 13       | 90240-08124  | PIN, CLEVIS               | 1    | 1    | 1    |         |
| 14       | 90201-08083  | WASHER, PLATE             | 1    | 1    | 1    |         |
| 15       | 91401-20012  | PIN, COTTER               | 1    | 1    | 1    |         |
| 16       | 92014-08025  | BOLT, BUTTON HEAD         | 2    | 2    | 2    |         |
| 17       | 31A-25894-01 | TANK, RESERVOIR           | 1    | 1    | 1    |         |
| 18       | 2GU-25855-00 | BUSH, DIAPHRAGM           | 1    | 1    | 1    |         |
| 19       | 360-25854-01 | DIAPHRAGM, RESERVOIR      | 1    | 1    | 1    |         |
| 20       | 2KF-25852-50 | CAP, RESERVOIR            | 1    | 1    | 1    |         |
| 21       | 98507-06018  | SCREW, PAN HEAD           | 1    | 1    | 1    |         |
| 22       | 92907-06600  | WASHER, PLATE             | 1    | 1    | 1    |         |
| 23       | 4BP-25895-01 | HOSE, RESERVOIR           | 1    | 1    | 1    |         |
| 24       | 90467-14057  | CLIP                      | 2    | 2    | 2    |         |
| 25       | 4BP-2581K-01 | HOSE, BRAKE 5             | 1    | 1    | 1    |         |
| 26       | 90401-10159  | BOLT, UNION               | 2    | 2    | 2    |         |
| 27       | 90201-10118  | WASHER, PLATE             | 4    | 4    | 4    |         |



4BR351-6350

FIG. 36 GENERATOR

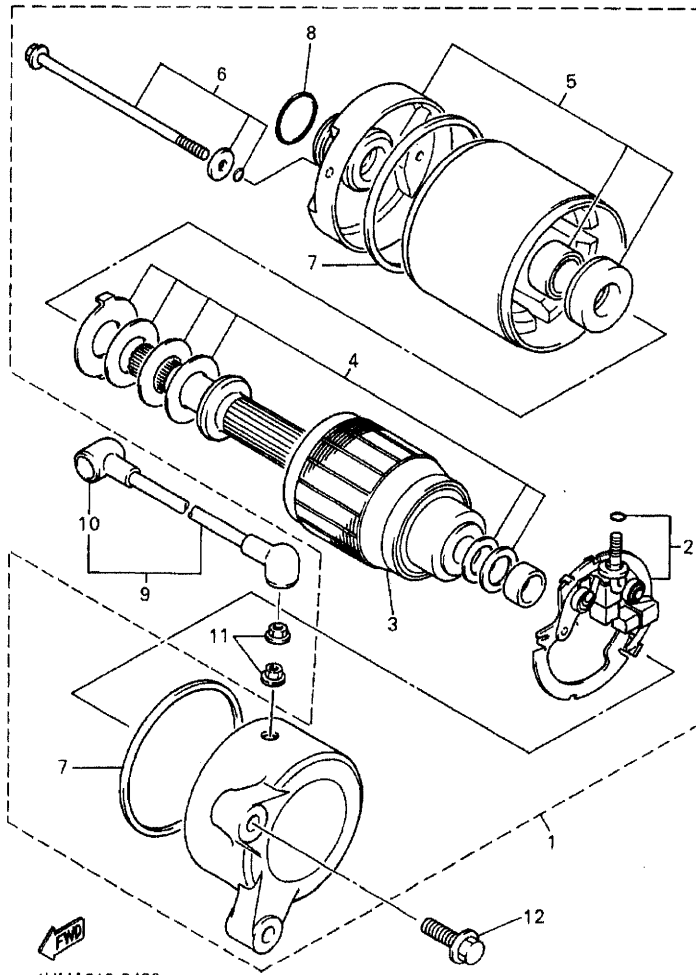
| REF. NO. | PART NO.     | DESCRIPTION   | 4KED | 4MB9 | 4KF9 | REMARKS |
|----------|--------------|---------------|------|------|------|---------|
| 1        | 4HM-81450-00 | ROTOR ASSY    | 1    | 1    | 1    |         |
| 2        | 4EB-81410-00 | STATOR ASSY   | 1    | 1    | 1    |         |
| 3        | 90105-10662  | BOLT, FLANGE  | 1    | 1    | 1    |         |
| 4        | 90201-10639  | WASHER, PLATE | 1    | 1    | 1    |         |
| 5        | 91317-06030  | BOLT          | 3    | 3    | 3    |         |
| -----    |              |               |      |      |      |         |
| -----    |              |               |      |      |      |         |
| -----    |              |               |      |      |      |         |
| -----    |              |               |      |      |      |         |
| -----    |              |               |      |      |      |         |
| -----    |              |               |      |      |      |         |
| -----    |              |               |      |      |      |         |
| -----    |              |               |      |      |      |         |
| -----    |              |               |      |      |      |         |
| -----    |              |               |      |      |      |         |



4BP010-1370



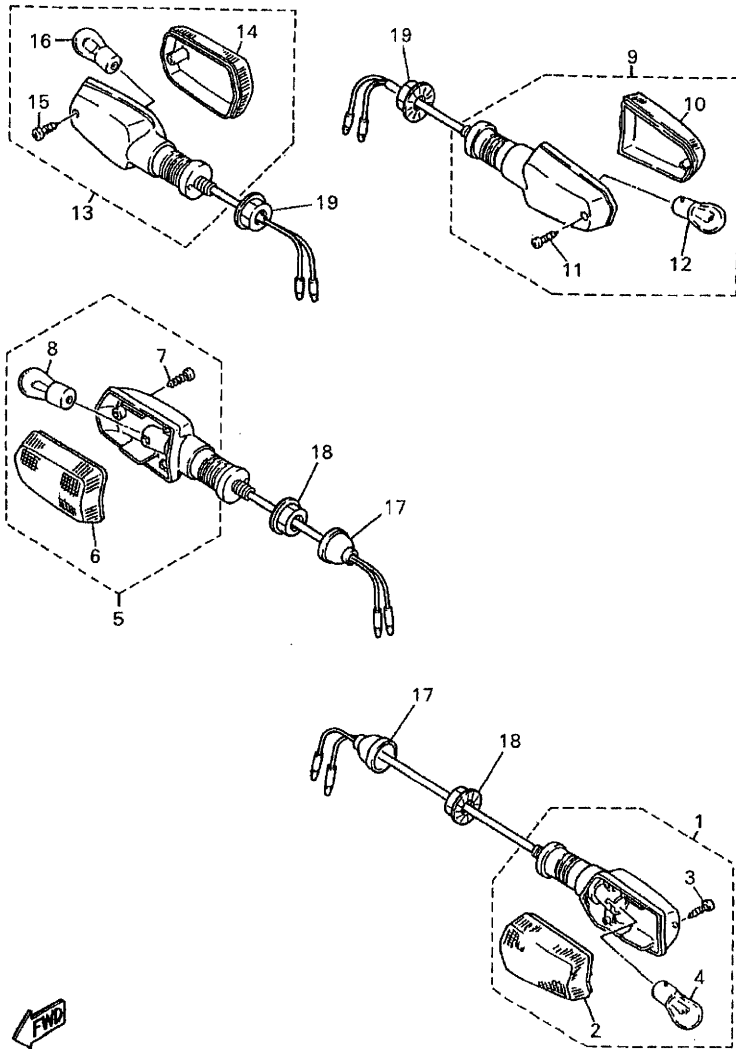
FIG. 38 STARTING MOTOR



 4HMA010-9400

| REF. NO. | PART NO.     | DESCRIPTION         | 4KED | 4MB9 | 4KF9 | REMARKS |
|----------|--------------|---------------------|------|------|------|---------|
| 1        | 4BR-81890-00 | MOTOR ASSY          | 1    | 1    | 1    |         |
| 2        | 3KS-81840-00 | .BRUSH HOLDER ASSY  | 1    | 1    | 1    |         |
| 3        | 3HE-81850-00 | .ARMATURE ASSY      | 1    | 1    | 1    |         |
| 4        | 3AJ-81809-00 | .WASHER KIT         | 1    | 1    | 1    |         |
| 5        | 3HE-81830-00 | .FRONT BRACKET ASSY | 1    | 1    | 1    |         |
| 6        | 3HE-81826-00 | .BOLT               | 2    | 2    | 2    |         |
| 7        | 11H-81844-00 | .GASKET             | 2    | 2    | 2    |         |
| 8        | 1FK-81847-00 | .O-RING             | 1    | 1    | 1    |         |
| 9        | 4BP-81815-00 | CORD, STARTER MOTOR | 1    | 1    | 1    |         |
| 10       | 4G0-81871-00 | .CAP                | 1    | 1    | 1    |         |
| 11       | 4XV-8182A-00 | NUT                 | 2    | 2    | 2    |         |
| 12       | 95824-06025  | BOLT, FLANGE        | 2    | 2    | 2    |         |
|          |              |                     |      |      |      |         |
|          |              |                     |      |      |      |         |
|          |              |                     |      |      |      |         |
|          |              |                     |      |      |      |         |
|          |              |                     |      |      |      |         |
|          |              |                     |      |      |      |         |

FIG. 39 FLASHER LIGHT

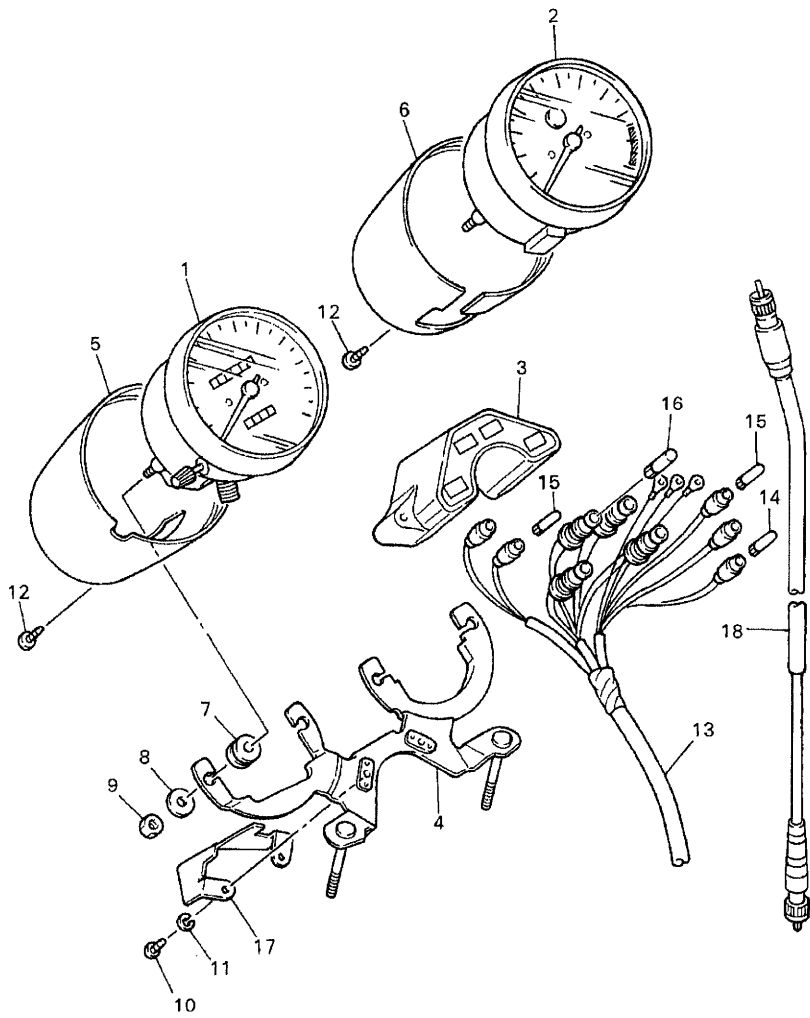


| REF. NO. | PART NO.     | DESCRIPTION                | 4KED | 4MB9 | 4KF9 | REMARKS |
|----------|--------------|----------------------------|------|------|------|---------|
| 1        | 51J-83310-00 | FRONT FLASHER LIGHT ASSY 1 | 1    | 1    | 1    |         |
| 2        | 51L-83332-01 | .LENS, FLASHER             | 1    | 1    | 1    |         |
| 3        | 97707-40620  | .SCREW, TAPPING            | 1    | 1    | 1    |         |
| 4        | 306-83311-40 | .BULB, FLASHER (12V-21W)   | 1    | 1    | 1    |         |
| 5        | 51J-83320-00 | FRONT FLASHER LIGHT ASSY 2 | 1    | 1    | 1    |         |
| 6        | 51L-83342-01 | .LENS, FLASHER 2           | 1    | 1    | 1    |         |
| 7        | 97707-40620  | .SCREW, TAPPING            | 1    | 1    | 1    |         |
| 8        | 306-83311-40 | .BULB, FLASHER (12V-21W)   | 1    | 1    | 1    |         |
| 9        | 51J-83330-00 | REAR FLASHER LIGHT ASSY 1  | 1    | 1    | 1    |         |
| 10       | 1VU-83332-00 | .LENS, FLASHER             | 1    | 1    | 1    |         |
| 11       | 97707-40620  | .SCREW, TAPPING            | 1    | 1    | 1    |         |
| 12       | 306-83311-40 | .BULB, FLASHER (12V-21W)   | 1    | 1    | 1    |         |
| 13       | 51J-83340-00 | FLASHER LIGHT ASSY 2       | 1    | 1    | 1    |         |
| 14       | 1VU-83342-00 | .LENS, FLASHER 2           | 1    | 1    | 1    |         |
| 15       | 97707-40620  | .SCREW, TAPPING            | 1    | 1    | 1    |         |
| 16       | 306-83311-40 | .BULB, FLASHER (12V-21W)   | 1    | 1    | 1    |         |
| 17       | 10V-83365-00 | CAP                        | 2    | 2    | 2    |         |
| 18       | 95307-12600  | NUT                        | 2    | 2    | 2    |         |
| 19       | 95707-12500  | NUT, FLANGE                | 2    | 2    | 2    |         |



4KE351-4390

FIG. 40 METER



| REF. NO. | PART NO.     | DESCRIPTION            | 4KED | 4MB9 | 4KF9 | REMARKS         |
|----------|--------------|------------------------|------|------|------|-----------------|
| 1        | 4KE-83570-00 | SPEEDOMETER ASSY       | 1    | 1    | 1    |                 |
| 2        | 4KE-83540-60 | TACHOMETER ASSY        | 1    | 1    | 1    |                 |
| 3        | 4KE-83530-20 | PILOT LIGHT ASSY       | 1    | 1    | 1    |                 |
| 4        | 4KE-83519-00 | BRACKET, METER         | 1    | 1    | 1    |                 |
| 5        | 42X-83507-00 | COVER, SPEEDOMETER     | 1    | 1    | 1    | METALLIC CHROME |
| 6        | 42X-83508-00 | COVER, TACHOMETER      | 1    | 1    | 1    | METALLIC CHROME |
| 7        | 1FG-83523-00 | DAMPER                 | 4    | 4    | 4    |                 |
| 8        | 90201-05031  | WASHER, PLATE          | 4    | 4    | 4    |                 |
| 9        | 95307-05600  | NUT                    | 4    | 4    | 4    |                 |
| 10       | 98507-04012  | SCREW, PAN HEAD        | 2    | 2    | 2    |                 |
| 11       | 92907-04100  | WASHER, SPRING         | 2    | 2    | 2    |                 |
| 12       | 90164-04009  | SCREW, TAPPING         | 2    | 2    | 2    |                 |
| 13       | 4KE-83509-40 | SOCKET CORD ASSY       | 1    | 1    | 1    |                 |
| 14       | 42X-83517-00 | BULB (12V-3W)          | 1    | 1    | 1    |                 |
| 15       | 2GV-83517-00 | BULB (12V-1.7W, T6.5)  | 4    | 4    | 4    |                 |
| 16       | 4R0-83517-00 | BULB (12V-3.4W T10)    | 4    | 4    | 4    |                 |
| 17       | 4KE-83579-00 | COVER, METER 2         | 1    | 1    | 1    |                 |
| 18       | 3MA-83550-02 | SPEEDOMETER CABLE ASSY | 1    | 1    | 1    |                 |



4KED351-2400

FIG. 41 HEADLIGHT

| REF. NO. | PART NO.        | DESCRIPTION           | 4KED | 4MB9 | 4KF9 | REMARKS        |
|----------|-----------------|-----------------------|------|------|------|----------------|
| 1        | 341-84315-40    | RIM, HEADLIGHT        | 1    | 1    | 1    |                |
| 2        | 2F9-84395-00    | RING, RETAINING       | 1    | 1    | 1    |                |
| 3        | 4KE-84320-10    | LENS ASSY             | 1    | 1    |      | FOR ZAF        |
| 4        | *               | .BULB (12V-60/55W)    | 1    | 1    | 1    | LM (H4)HALOGEN |
| 5        | *               | .BULB (12V-4W)        | 1    | 1    | 1    | LM             |
| 6        | 306-84346-40    | .SOCKET, PILOT LIGHT  | 1    | 1    | 1    |                |
| 7        | 3SX-84397-00    | .COVER, SOCKET        | 1    | 1    | 1    |                |
| 8        | 2F9-84394-00    | RING, MOUNTING        | 1    | 1    | 1    |                |
| 9        | 98502-04008     | SCREW, PAN HEAD       | 3    | 3    | 3    |                |
| 10       | 1JK-84365-09    | SCREW                 | 2    | 2    | 2    |                |
| 11       | 92902-05100     | WASHER, SPRING        | 2    | 2    | 2    |                |
| 12       | 95302-04600     | NUT                   | 2    | 2    | 2    |                |
| 13       | 2F9-84331-00    | SCREW, RIM ADJUSTING  | 1    | 1    | 1    |                |
| 14       | 341-84332-60    | SPRING, SCREW         | 1    | 1    | 1    |                |
| 15       | 198-84334-60    | NUT, ADJUSTING        | 1    | 1    | 1    |                |
| 16       | 1JK-84330-00-93 | BODY ASSY             | 1    | 1    | 1    | CM             |
| 17       | 584-84345-60    | .DAMPER, HEADLIGHT    | 2    | 2    | 2    |                |
| 18       | 584-84338-60    | .COLLAR, BODY FITTING | 2    | 2    | 2    |                |
| 19       | 214-84153-60    | .GROMMET, WIREHERNESS | 3    | 3    | 3    |                |
| 20       | 98704-05012     | SCREW, FLAT HEAD      | 2    | 2    | 2    |                |
| 21       | 95024-08030     | BOLT, FLANGE          | 2    | 2    | 2    |                |
| 22       | 90209-08098     | WASHER                | 2    | 2    | 2    |                |
| 23       | 95707-08500     | NUT, FLANGE           | 2    | 2    | 2    |                |
| 24       | 90183-06023     | NUT, SPRING           | 1    | 1    | 1    |                |
| 25       | 90480-14102     | GROMMET               | 1    | 1    | 1    |                |
| 26       | 90387-063E6     | COLLAR                | 1    | 1    | 1    |                |

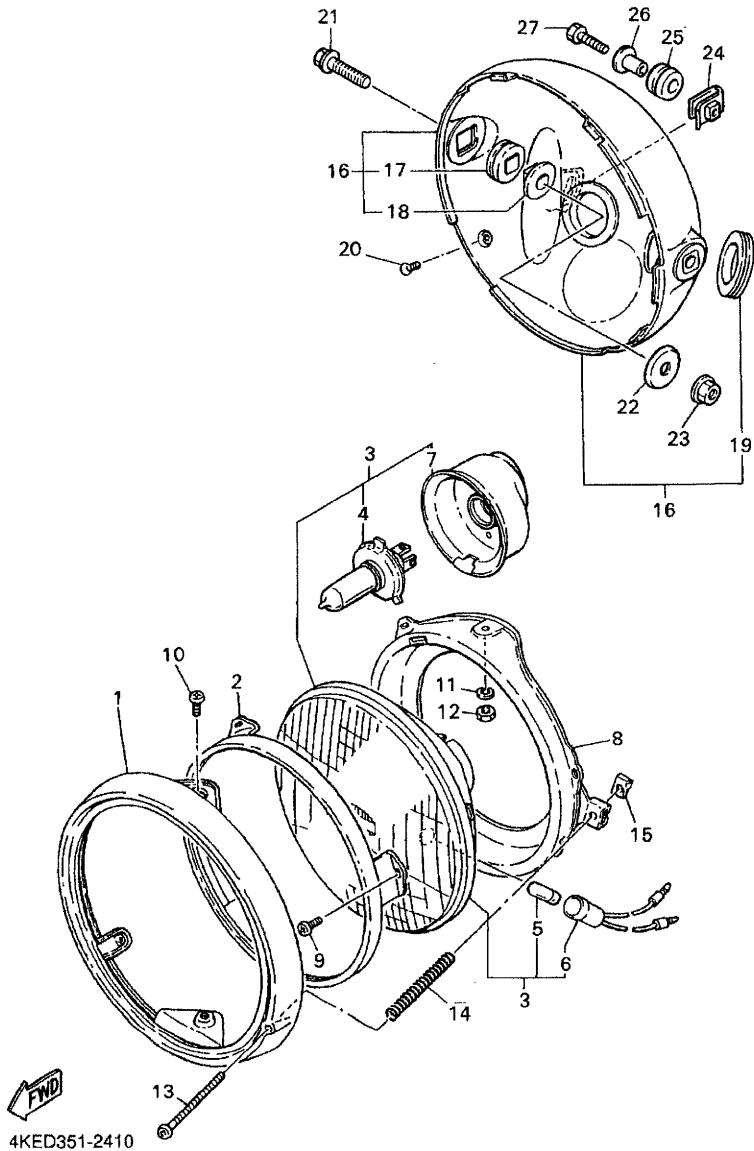
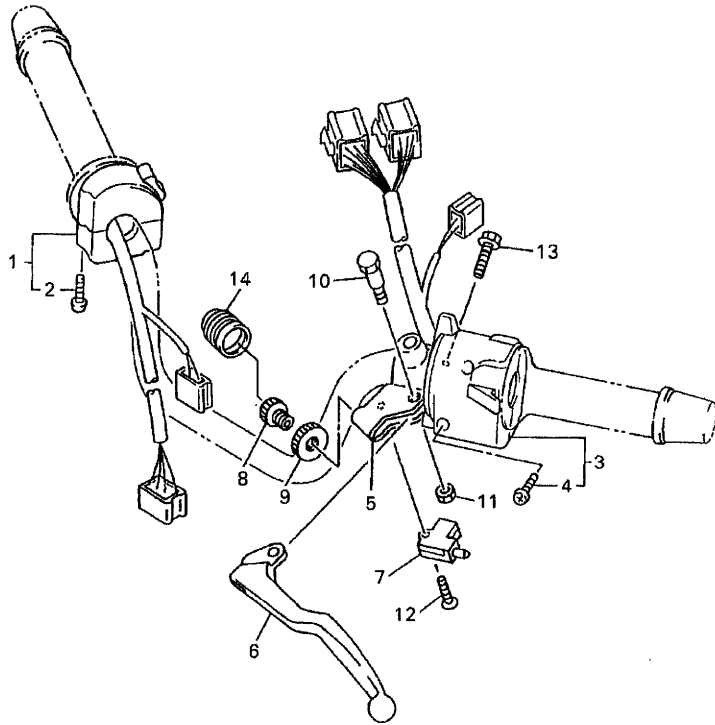






FIG. 43 HANDLE SWITCH. LEVER



| REF. NO. | PART NO.     | DESCRIPTION              | 4KED | 4MB9 | 4KF9 | REMARKS |
|----------|--------------|--------------------------|------|------|------|---------|
| 1        | 4KM-83963-00 | SWITCH, HANDLE 3 (RIGHT) | 1    | 1    | 1    |         |
| 2        | 98507-05045  | .SCREW, PAN HEAD         | 2    | 2    | 2    |         |
| 3        | 4EB-83969-00 | SWITCH, HANDLE 5         | 1    | 1    | 1    |         |
| 4        | 98507-05025  | .SCREW, PAN HEAD         | 2    | 2    | 2    |         |
| 5        | 4KM-82911-00 | HOLDER, LEVER 1          | 1    | 1    | 1    |         |
| 6        | 4KM-83912-00 | LEVER 1                  | 1    | 1    | 1    |         |
| 7        | 3YX-82917-00 | SWITCH                   | 1    | 1    | 1    |         |
| 8        | 90123-08096  | BOLT                     | 1    | 1    | 1    |         |
| 9        | 90179-08148  | NUT                      | 1    | 1    | 1    |         |
| 10       | 3YX-83945-00 | BOLT, LEVER              | 1    | 1    | 1    |         |
| 11       | 95607-06100  | NUT, U                   | 1    | 1    | 1    |         |
| 12       | 98707-03020  | SCREW, FLAT HEAD         | 1    | 1    | 1    |         |
| 13       | 95027-06020  | BOLT, FLANGE             | 1    | 1    | 1    |         |
| 14       | 1E6-26342-00 | BOOT, CABLE              | 1    | 1    | 1    |         |
|          |              |                          |      |      |      |         |
|          |              |                          |      |      |      |         |
|          |              |                          |      |      |      |         |
|          |              |                          |      |      |      |         |



4KE351-6430

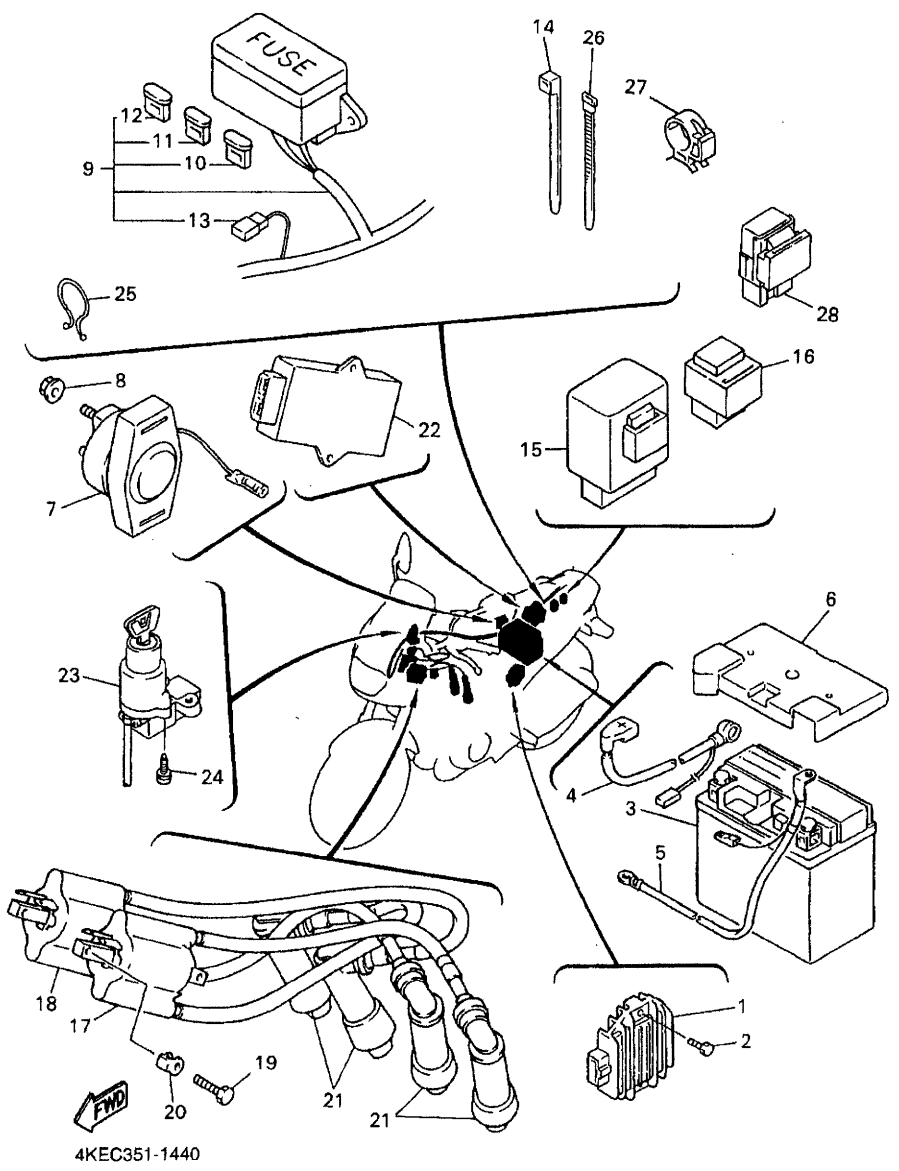


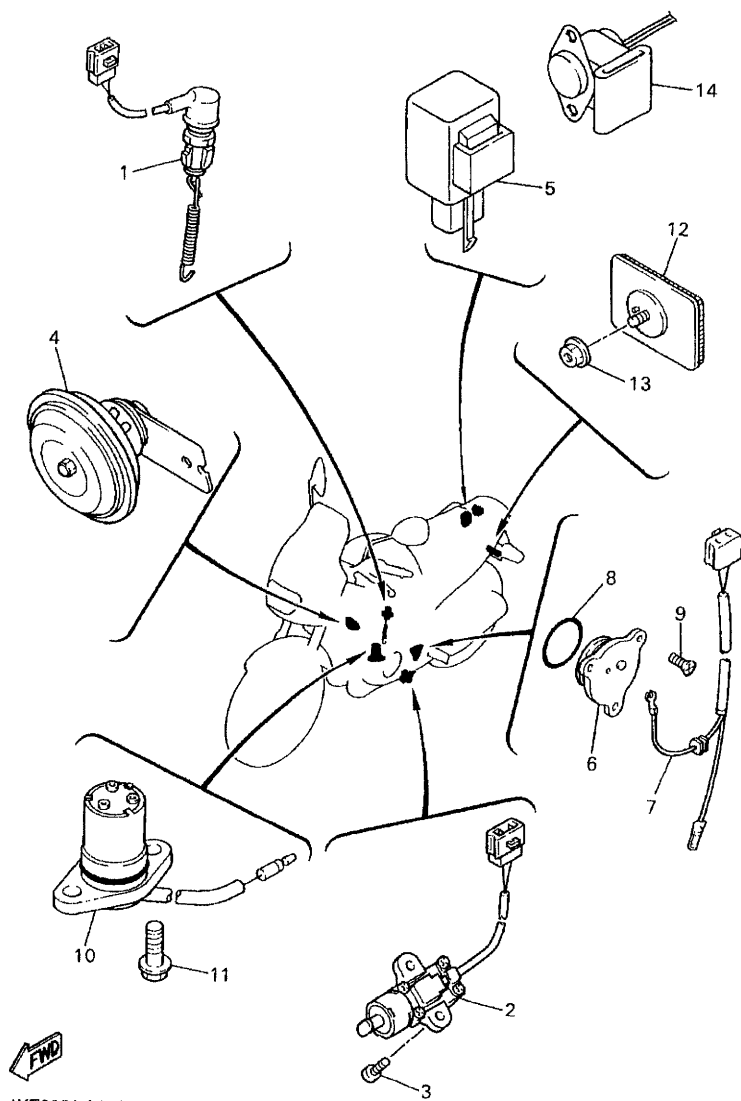
FIG. 44 ELECTRICAL 1

| REF. NO. | PART NO.     | DESCRIPTION                    | 4KED | 4MB9 | 4KF9 | REMARKS |
|----------|--------------|--------------------------------|------|------|------|---------|
| 1        | 4HM-81960-01 | RECTIFIER & REGULATOR ASSY     | 1    | 1    | 1    |         |
| 2        | 91317-06020  | BOLT                           | 2    | 2    | 2    |         |
| 3        | 3PK-82100-01 | BATTERY ASSY (YTX9-BS 12V-8AH) | 1    | 1    | 1    |         |
| 4        | 4EB-82115-00 | WIRE, PLUS LEAD                | 1    | 1    | 1    |         |
| 5        | 4BP-82116-00 | WIRE, MINUS LEAD               | 1    | 1    | 1    |         |
| 6        | 4EB-82129-00 | COVER, BATTERY                 | 1    | 1    | 1    |         |
| 7        | 4BP-81940-00 | STARTER RELAY ASSY             | 1    | 1    | 1    |         |
| 8        | 95707-06500  | NUT, FLANGE                    | 2    | 2    | 2    |         |
| 9        | 4KA-82590-30 | WIRE HARNESS ASSY              | 1    | 1    | 1    |         |
| 10       | 1AE-82151-00 | .FUSE (30A-BL)                 | 2    | 2    | 2    |         |
| 11       | 36Y-82151-00 | .FUSE (15A-BL)                 | 3    | 3    | 3    |         |
| 12       | 42X-82151-00 | .FUSE (10A-BL)                 | 3    | 3    | 3    |         |
| 13       | 3WP-81980-00 | .DIODE ASSY                    | 1    | 1    | 1    |         |
| 14       | 1UA-82591-00 | BAND                           | 7    | 7    | 7    |         |
| 15       | 3EN-81950-00 | RELAY ASSY                     | 1    | 1    | 1    |         |
| 16       | 4U8-81950-02 | RELAY ASSY                     | 1    | 1    | 1    |         |
| 17       | 4BR-82310-00 | IGNITION COIL ASSY             | 1    | 1    | 1    |         |
| 18       | 4BR-82320-00 | IGNITION COIL ASSY             | 1    | 1    | 1    |         |
| 19       | 97080-06020  | BOLT                           | 4    | 4    | 4    |         |
| 20       | 4BR-82317-00 | DAMPER, IGNITION COIL          | 4    | 4    | 4    |         |
| 21       | 4BP-82370-00 | PLUG CAP ASSY                  | 4    | 4    | 4    |         |
| 22       | 4BR-82305-10 | IGNITOR UNIT ASSY              | 1    | 1    | 1    |         |
| 23       | 4KA-82510-00 | MAIN SWITCH ASSY               | 1    | 1    | 1    |         |
| 24       | 90109-06616  | BOLT                           | 2    | 2    | 2    |         |
| 25       | 90464-23041  | CLAMP                          | 1    | 1    | 1    |         |
| 26       | 90464-13077  | CLAMP                          | 1    | 1    | 1    |         |



FIG. 45 ELECTRICAL 2

| REF. NO. | PART NO.     | DESCRIPTION          | 4KED | 4MB9 | 4KF9 | REMARKS |
|----------|--------------|----------------------|------|------|------|---------|
| 1        | 4BP-82530-01 | STOP SWITCH ASSY     | 1    | 1    | 1    |         |
| 2        | 3LD-82566-70 | SWITCH, SIDE STAND   | 1    | 1    | 1    |         |
| 3        | 90157-05079  | SCREW, PAN HEAD      | 2    | 2    | 2    |         |
| 4        | 3TB-83371-01 | HORN                 | 1    | 1    | 1    |         |
| 5        | 3GM-83350-01 | FLASHER RELAY ASSY   | 1    | 1    | 1    |         |
| <hr/>    |              |                      |      |      |      |         |
| 6        | 1L9-82540-00 | NEUTRAL SWITCH ASSY  | 1    | 1    | 1    |         |
| 7        | 4BP-82509-00 | WIRE, SUB LEAD       | 1    | 1    | 1    |         |
| 8        | 93210-29196  | O-RING               | 1    | 1    | 1    |         |
| 9        | 90149-05321  | SCREW                | 3    | 3    | 3    |         |
| 10       | 4BR-85720-00 | OIL LEVEL GAUGE ASSY | 1    | 1    | 1    |         |
| <hr/>    |              |                      |      |      |      |         |
| 11       | 95027-06016  | BOLT, FLANGE         | 2    | 2    | 2    |         |
| 12       | 4KM-85130-00 | REAR REFLECTOR ASSY  | 1    | 1    | 1    |         |
| 13       | 95707-05500  | NUT, FLANGE          | 1    | 1    | 1    |         |
| 14       | 3BT-82560-00 | THERMO SWITCH ASSY   | 1    | 1    | 1    |         |
| <hr/>    |              |                      |      |      |      |         |
| <hr/>    |              |                      |      |      |      |         |
| <hr/>    |              |                      |      |      |      |         |
| <hr/>    |              |                      |      |      |      |         |



4KE9351-8450

NUMERICAL INDEX

| PART NO.        | GRID NO. | PART NO.        | GRID NO. | PART NO.     | GRID NO. | PART NO.     | GRID NO. | PART NO.     | GRID NO. | PART NO.        | GRID NO. |
|-----------------|----------|-----------------|----------|--------------|----------|--------------|----------|--------------|----------|-----------------|----------|
| 3YX-W0041-50    | E - 8    | 4BR-11638-00    | B - 4    | 4BR-12251-00 | B - 7    | 1HX-14231-28 | B - 15   | 1HX-14933-00 | B - 14   | 168-16324-00    | C - 10   |
| 4BP-W0042-50    | E - 12   | 4BR-11650-00    | B - 4    | 4BR-12252-00 | B - 7    | 620-14231-20 | B - 15   | 4DS-14933-00 | B - 14   | 168-16325-00    | C - 10   |
| 4EB-W0045-00    | E - 3    | 4H7-11654-00    | B - 4    | 4BR-12682-02 | B - 13   | 1AE-14237-00 | B - 15   | 4BR-14940-00 | B - 14   | 4BR-16340-00    | C - 10   |
| 51L-W0046-01    | E - 6    | 49A-11656-00    | B - 4    | 4G0-13171-00 | C - 5    | 4HM-14239-00 | C - 2    | 4DG-14940-10 | B - 14   | 4BR-16351-00    | C - 10   |
| 4FU-W0047-00    | E - 3    | 49A-11656-10    | B - 4    | 4H7-13310-00 | B - 8    | 3LN-14251-00 | C - 2    | 4DS-14940-00 | B - 14   | 3LD-1637A-01    | C - 10   |
| 51L-W0047-00    | E - 6    | 49A-11656-20    | B - 4    | 33M-13314-01 | B - 8    | 1AE-14261-00 | B - 15   | 1A8-14953-00 | B - 14   | 4BR-16370-00    | C - 10   |
| 51L-W0048-00    | E - 3    | 49A-11656-30    | B - 4    | 4G0-13316-00 | B - 8    | 4KG-14285-00 | C - 2    | 1HX-14985-00 | B - 15   | 3JD-16382-00    | C - 10   |
|                 | E - 6    | 4BR-12111-00    | B - 5    | 4U8-13324-00 | C - 10   | 4BR-14389-00 | C - 2    | 4BR-14987-10 | C - 2    | 1J7-16383-01    | C - 10   |
| 5KS-W0057-00    | E - 3    | 4BR-12113-00    | B - 5    | 4EB-13325-00 | B - 8    | 4BR-14411-00 | B - 12   | 256-14997-00 | B - 14   | 1J7-16384-00    | C - 10   |
| 51L-W0057-00    | E - 6    | 4BR-12114-00    | B - 5    | 33M-13336-00 | B - 8    | 4BR-14412-01 | B - 12   | 3EN-14997-00 | C - 2    | 1J7-16385-00    | C - 10   |
| 3YX-W0091-02    | E - 8    | 4BR-12116-00    | B - 5    | 4H7-13411-02 | B - 8    | 31A-14419-00 | B - 12   | 4BR-15100-01 | C - 4    | 4BR-17121-00    | C - 12   |
| 4BR-W1543-00    | C - 7    | 33M-12117-00    | B - 5    | 4BR-13412-00 | B - 8    | 4BR-14421-00 | B - 12   | 4G0-15138-00 | C - 4    | 4BR-17131-00    | C - 12   |
| 3CK-W2470-00    | D - 15   | 1AA-12118-00    | B - 5    | 4BR-13414-00 | B - 11   | 4KA-14425-00 | B - 13   | 4BR-15148-00 | C - 4    | 4BR-17151-00    | C - 12   |
| 4BR-W2587-01    | E - 8    | 33M-12119-00    | B - 5    | 4BR-13417-00 | B - 11   | 4KE-14426-00 | B - 13   | 4G0-15163-01 | C - 5    | 4BR-17161-01    | C - 12   |
| 4BP-Y2410-02-02 | D - 13   | 4BR-12121-00    | B - 5    | 3FV-13440-10 | B - 11   | 31A-14435-00 | B - 12   | 4BR-15167-10 | C - 4    | 4BR-17211-00    | C - 12   |
| 4BP-Y2410-02-04 | D - 13   | 26H-12153-00-JO | B - 6    | 3TJ-13461-00 | B - 11   | 4BR-14451-00 | B - 12   | 3KM-15189-00 | C - 5    | 4BR-17231-00    | C - 12   |
| 4BR-11101-10    | B - 2    | 26H-12153-00-YO | B - 6    | 4KM-13461-00 | B - 9    | 1AE-14452-00 | B - 12   | 4G0-15316-00 | C - 5    | 4BR-17241-00    | C - 12   |
| 4KG-11111G-00   | B - 2    | 26H-12168-AO    | B - 5    | 4EB-13464-01 | B - 9    | 4BR-14452-00 | B - 12   | 4G0-15326-00 | C - 5    | 4BR-17251-01    | C - 12   |
| 4BR-11133-10    | B - 2    | 26H-12168-FO    | B - 5    | 4EB-13465-01 | B - 9    | 4EB-14453-00 | B - 12   | 4BR-15327-00 | C - 5    | 4BR-17261-00    | C - 12   |
| 4BR-11166-10    | B - 12   | 26H-12168-HO    | B - 5    | 4EB-13470-00 | B - 9    | 31A-14477-00 | D - 4    | 33M-15336-00 | C - 5    | 4BR-17402-01    | C - 12   |
| 4BR-11181-00    | B - 2    | 26H-12168-KO    | B - 5    | 4KM-13479-00 | B - 9    | 1FN-14565-00 | B - 15   | 4G0-15336-00 | C - 5    | 4BR-17411-00    | C - 12   |
| 4DU-11191-00    | B - 2    | 26H-12168-MO    | B - 5    | 4G0-13490-01 | B - 8    | 1HX-14565-00 | B - 15   | 33M-15337-00 | C - 5    | 278-17424-01    | C - 12   |
| 4BR-11193-10    | B - 2    | 26H-12168-RO    | B - 5    | 4KM-13493-00 | B - 9    | 812-14594-00 | C - 2    | 3Y1-15361-00 | C - 7    | 278-17425-00    | C - 12   |
| 214-11198-01    | B - 11   | 26H-12168-UO    | B - 5    | 4BR-13575-00 | B - 12   | 4BR-14610-02 | C - 3    | 3F9-15362-00 | C - 8    |                 |          |
| 4BR-11310-01    | B - 3    | 26H-12168-WO    | B - 5    | 4EB-13586-00 | B - 12   | 4BR-14613-00 | C - 3    | 4BR-15381-00 | C - 5    | 4G0-17433-01    | C - 12   |
| 4BR-11351-01    | B - 3    | 26H-12168-YO    | B - 5    | 4EB-13596-00 | B - 12   | 4BR-14620-02 | C - 3    | 4G0-15383-00 | C - 5    |                 |          |
| 4BR-11363-00    | C - 4    | 26H-12168-00    | B - 5    | 4EB-13597-00 | B - 12   | 4EB-14710-02 | C - 3    | 49A-15383-00 | C - 14   | 4BR-17460-00    | C - 12   |
| 4G0-11363-00    | C - 4    | 26H-12168-20    | B - 5    | 4BR-13598-10 | B - 12   | 4EB-14720-02 | C - 3    | 4BR-15410-00 | C - 7    | 4BR-18110-00    | C - 15   |
| 4G0-11364-00    | C - 4    | 26H-12168-40    | B - 5    | 3YX-13907-01 | D - 14   | 3VD-14755-00 | C - 3    | 4BR-15411-01 | C - 7    | 4BR-18112-00    | C - 15   |
| 4G0-11406-00    | C - 9    | 26H-12168-60    | B - 5    | 4DU-1410A-00 | B - 15   | 4DG-1490J-10 | B - 14   | 49A-15412-00 | C - 7    | 132-18113-01    | C - 15   |
| 4BR-11411-00    | B - 4    | 26H-12168-80    | B - 5    | 1HX-14103-00 | C - 2    | 4DS-1490J-00 | B - 14   | 4EB-15415-01 | C - 7    | 26H-18115-00    | C - 15   |
| 4BR-11416-00    | B - 4    | 26H-12169-E0    | B - 6    | 12R-14105-00 | B - 14   | 3KW-1490K-00 | C - 2    | 4BR-15420-10 | C - 7    | 4BR-18120-00    | C - 15   |
| 4BR-11416-10    | B - 4    | 26H-12169-G0    | B - 6    | 3CF-14107-10 | B - 15   | 4BR-1490L-00 | C - 2    | 4BR-15441-00 | C - 8    | 4BR-18127-00    | C - 14   |
| 4BR-11416-20    | B - 4    | 26H-12169-J0    | B - 6    | 22F-14117-00 | C - 2    | 4BR-14900-22 | B - 14   | 4BR-15461-00 | C - 7    | 4BR-18140-00    | C - 14   |
| 4BR-11416-30    | B - 4    | 26H-12169-L0    | B - 6    | 4DU-14125-00 | C - 2    | 4DG-14900-21 | B - 14   | 4BR-15463-00 | C - 7    | 4BR-18140-00    | C - 15   |
| 4BR-11416-40    | B - 4    | 26H-12169-N0    | B - 6    | 1HX-14131-00 | C - 2    | 4DS-14900-21 | B - 14   | 4BR-15484-00 | C - 7    | 4BR-18185-00    | C - 14   |
| 4BR-11474-00    | C - 9    | 26H-12169-T0    | B - 6    | 3DM-14141-30 | B - 15   | 4BR-14901-22 | B - 14   | 4BP-15512-00 | C - 9    | 4BR-18511-00    | C - 14   |
| 4BR-11492-00    | C - 5    | 26H-12169-10    | B - 5    | 22F-14142-12 | B - 15   | 4DG-14901-21 | B - 14   | 4HM-15517-00 | C - 9    | 4BR-18512-00    | C - 14   |
| 4BR-11537-00    | C - 9    | 26H-12169-30    | B - 5    | 22F-14142-15 | B - 15   | 4DS-14901-21 | B - 14   | 33M-15521-00 | C - 9    | 4BR-18513-00    | C - 14   |
| 4G0-11575-00    | C - 5    | 26H-12169-50    | B - 5    | 22F-14142-17 | B - 15   | 4BR-14902-22 | B - 14   | 4BR-15570-00 | C - 9    | 4BR-18531-00    | C - 14   |
| 4G0-11592-00    | C - 5    | 26H-12169-70    | B - 5    | 1HX-14147-00 | B - 15   | 4DG-14902-21 | B - 14   | 4BR-15580-01 | C - 9    | 4BR-18536-00    | C - 14   |
| 46X-11597-00    | C - 6    | 26H-12169-90    | B - 5    | 137-14153-00 | B - 15   | 4DS-14902-21 | B - 14   | 117-15644-00 | C - 14   | 4BR-18540-03    | C - 14   |
| 4BR-11610-01    | B - 4    | 4BR-12171-00    | B - 7    | 353-14186-00 | B - 15   | 4BR-14903-22 | B - 14   | 4U8-16111-00 | C - 9    | 4UN-18542-00    | C - 14   |
| 4BR-11610-21    | B - 4    | 4BR-12176-00    | B - 7    | 12R-14191-00 | B - 15   | 4DG-14903-21 | B - 14   | 4BR-16139-00 | C - 9    | 4UN-18566-00    | C - 14   |
| 4BR-11610-41    | B - 4    | 4BR-12181-00    | B - 7    | 4HM-14216-00 | C - 2    | 4DS-14903-21 | B - 14   | 3Y1-16154-00 | C - 10   | 4KA-21110-10-P2 | D - 2    |
| 4BR-11631-00-A0 | B - 4    | 4BR-12210-00    | B - 7    | 1AE-14227-00 | B - 15   | 4BR-14904-22 | B - 14   | 4BR-16155-10 | C - 9    | 4KA-21110-10-35 | D - 2    |
| 49A-11633-00    | B - 4    | 4BR-12213-00    | B - 7    | 1HX-14231-26 | B - 15   | 4DG-14904-21 | B - 14   | 4U8-16170-01 | C - 10   | 4BP-2117F-00    | D - 2    |
| 4BR-11636-00    | B - 4    | 4BR-12241-00    | B - 7    | 1HX-14231-27 | B - 15   | 4DS-14904-21 | B - 14   | 4H7-16321-02 | C - 10   | 4BP-2117M-00    | D - 2    |



NUMERICAL INDEX

| PART NO.        | GRID NO. | PART NO.        | GRID NO. | PART NO.        | GRID NO. | PART NO.     | GRID NO. | PART NO.     | GRID NO. | PART NO.     | GRID NO. |
|-----------------|----------|-----------------|----------|-----------------|----------|--------------|----------|--------------|----------|--------------|----------|
| 4BP-21315-00    | D - 2    | 4EB-23136-10    | D - 11   | 3HE-24524-00    | D - 14   | 2GU-25855-00 | E - 12   | 4BP-27437-00 | E - 10   | 4KA-82510-00 | F - 8    |
| 4BP-21316-00    | D - 2    | 4EB-23141-10    | D - 11   | 3AJ-24534-00    | D - 13   | 3YX-25866-00 | E - 8    | 4BR-27441-00 | E - 10   | 4BP-82530-01 | F - 10   |
| 3SX-2135F-00    | D - 2    |                 |          | 1FK-24560-00    | D - 14   | 3YX-25866-10 | E - 8    | 4EB-27442-00 | E - 10   | 1L9-82540-00 | F - 10   |
| 1AA-2143A-00    | D - 2    | 4EB-23144-00    | D - 11   | 4FM-24602-10    | D - 13   | 3YX-25867-00 | E - 8    | 4EB-27443-00 | E - 10   | 3BT-82560-00 | F - 10   |
| 4BP-21445-01    | D - 2    | 4EB-23145-00    | D - 11   | 4EB-2470F-20    | D - 15   | 4KA-25872-00 | E - 8    | 4BP-27451-01 | E - 10   | 3LD-82566-70 | F - 10   |
| 4BP-21446-01    | D - 2    | 36Y-23146-10    | D - 11   | 4EB-24730-20    | D - 15   | 4KA-25873-00 | E - 8    | 4BP-27461-01 | E - 10   | 4KA-82590-30 | F - 8    |
| 4X7-2149Y-00    | B - 12   | 3EN-23149-50    | D - 11   | 4BP-24737-00    | D - 15   | 3EN-25875-10 | E - 8    | 1HX-28100-01 | D - 4    | 1UA-82591-00 | D - 2    |
| 4BP-21510-00-PC | D - 4    |                 |          | 22W-24741-00    | D - 15   | 4KA-25875-10 | E - 9    | 4KE-28345-00 | D - 2    |              |          |
| 4BP-21510-00-PG | D - 4    | 26H-23156-00    | D - 11   | 4EB-2478E-00    | D - 15   | 2R8-25876-10 | E - 9    | 36F-28379-00 | D - 5    | 4KM-82911-00 | F - 7    |
| 1A8-21518-00    | D - 4    | 509-23158-L0    | D - 11   | 4BP-24780-00    | D - 15   | 4KA-25876-10 | E - 9    | 8U9-77162-00 | D - 6    | 3YX-82917-00 | F - 7    |
| 4BR-21611-02    | D - 4    |                 |          | 4BP-24792-00    | D - 15   | 3YX-25880-00 | E - 8    | 4EB-81410-00 | E - 13   | 51J-83310-00 | F - 2    |
| 4BR-21621-00    | D - 4    | 4EB-23170-00    | D - 11   | 341-25149-00    | E - 2    | 3YX-2589F-00 | E - 8    | 4HM-81450-00 | E - 13   | 306-83311-40 | F - 2    |
| 4BP-21644-01    | D - 4    |                 |          | 4EB-25168-00-WN | E - 2    | 36Y-2589H-00 | E - 8    | 4BR-81671-00 | E - 14   | 51J-83320-00 | F - 2    |
| 4BP-21645-01    | D - 4    | 4YR-23171-00    | D - 11   | 3GM-25181-03    | E - 2    | 31A-25894-01 | E - 12   | 4BR-81673-00 | E - 14   | 51J-83330-00 | F - 2    |
| 4EB-21651-00-P6 | D - 4    | 4YR-23173-00    | D - 11   | 4KG-25190-10    | E - 2    | 4BP-25895-01 | E - 12   | 3AJ-81809-00 | E - 15   | 1VU-83332-00 | F - 2    |
| 4EB-21651-00-P7 | D - 4    |                 |          | 3HE-25338-00-WN | E - 4    | 4TT-25914-00 | E - 3    | 4BP-81815-00 | E - 15   | 51L-83332-01 | F - 2    |
| 4EB-2171E-00    | D - 6    | 4KA-23174-00    | D - 9    | 4BP-25364-00    | E - 4    | 3LN-25919-10 | E - 6    | 4XV-8182A-00 | E - 15   | 51J-83340-00 | F - 2    |
| 4EB-2171X-00    | D - 6    | 278-23181-50    | D - 11   | 4BP-25366-00    | E - 4    | 4BP-25919-00 | E - 3    | 3HE-81826-00 | E - 15   | 1VU-83342-00 | F - 2    |
| 4EB-21711-00-P6 | D - 6    |                 |          | 4BR-25371-01    | E - 4    | 4FL-25924-00 | E - 6    | 3HE-81830-00 | E - 15   | 51L-83342-01 | F - 2    |
| 4EB-21711-00-P7 | D - 6    | 43F-23188-10    | D - 11   | 4EB-25381-00    | E - 5    | 3YX-25929-00 | E - 3    | 3KS-81840-00 | E - 15   | 3GM-83350-01 | F - 10   |
| 1YW-21717-01    | D - 4    |                 |          | 4BP-25388-00    | E - 4    | 4TT-25937-00 | E - 3    | 11H-81844-00 | E - 15   | 10V-83365-00 | F - 2    |
| 3XV-21717-00    | D - 15   | 4PU-2331G-00    | D - 12   | 29L-25398-00    | E - 2    | 4EB-26110-00 | E - 7    | 1FK-81847-00 | E - 15   | 3TB-83371-01 | F - 10   |
| 4EB-21721-00-P6 | D - 6    | 4KA-23340-00    | D - 12   |                 |          | 36Y-26240-00 | E - 7    | 3HE-81850-00 | E - 15   | 42X-83507-00 | F - 3    |
| 4EB-21721-00-P7 | D - 6    | 4EB-23356-00    | D - 12   | 29L-25398-10    | E - 2    | 31A-26241-00 | E - 7    | 4G0-81871-00 | E - 15   | 42X-83508-00 | F - 3    |
| 1JK-21735-00    | D - 4    | 1W1-23416-00    | D - 9    |                 |          | 4JH-26246-00 | E - 7    | 4BR-81890-00 | E - 15   | 4KE-83509-40 | F - 3    |
| 4KE-21781-50    | D - 6    | 26H-23418-01    | D - 9    | 29L-25398-20    | E - 2    | 3MA-26279-00 | E - 9    | 4BP-81940-00 | F - 8    | 2GV-83517-00 | F - 3    |
| 4KE-21781-80    | D - 6    | 4KA-23435-00    | D - 9    |                 |          | 4BR-26280-00 | E - 7    | 3EN-81950-00 | F - 8    | 4R0-83517-00 | F - 3    |
| 4BR-22110-01-WL | D - 7    | 4H7-23441-00-PO | D - 9    | 4BP-25446-20    | E - 4    | 3XW-26281-01 | E - 7    | 4U8-81950-02 | F - 8    | 42X-83517-00 | F - 3    |
| 4X7-22129-00    | D - 7    | 3Y6-23442-00-PO | D - 9    | 4BP-25448-20    | E - 4    | 3XW-26282-01 | E - 7    | 5DM-81950-00 | F - 9    | 4KE-83519-00 | F - 3    |
| 3LN-22141-60    | D - 7    | 3FV-23462-00    | D - 9    | 5KS-2580T-00    | E - 3    | 4BR-26290-00 | E - 7    | 4HM-81960-01 | F - 8    | 1FG-83523-00 | F - 3    |
| 3YX-22151-00    | D - 7    | 134-23484-10    | D - 2    | 5KS-2580U-00    | E - 3    | 4KA-26302-01 | E - 7    | 3WP-81980-00 | F - 8    | 4KE-83530-20 | F - 3    |
| 3YX-22174-00    | E - 4    | 2GH-24181-00    | D - 13   | 4BP-2580W-00    | E - 6    | 4EB-26331-00 | E - 7    | 3PK-82100-01 | F - 8    | 4KE-83540-60 | F - 3    |
| 33M-22184-00    | D - 7    | 4BP-24182-00    | D - 13   | 4BP-2581K-01    | E - 12   | 4KA-26335-10 | E - 7    | 4DH-82103-00 | B - 15   | 1JK-83541-00 | D - 9    |
| 4BR-22210-01    | D - 8    | 2GH-24183-00    | D - 13   | 3LR-2581T-00    | E - 3    | 1E6-26342-00 | F - 7    | 4EB-82115-00 | F - 8    | 3MA-83550-02 | F - 3    |
| 34L-22216-00    | D - 8    | 3Y6-24183-00    | D - 13   | 3HE-25819-01    | E - 5    | 4BR-27111-00 | E - 11   | 4BP-82116-00 | F - 8    | 4KE-83570-00 | F - 3    |
| 1KT-22311-00    | D - 7    | 4JH-24183-00    | D - 13   | 4BP-2582A-00    | E - 12   | 2GM-27114-00 | E - 11   | 4EB-82129-00 | F - 8    | 4KE-83570-10 | F - 3    |
| 4EB-23102-00    | D - 11   | 2GH-24186-00    | D - 13   | 4HM-2582W-00    | E - 6    | 4EB-27117-00 | E - 11   | 18G-82131-00 | D - 4    | 4KE-83579-00 | F - 3    |
| 4EB-23103-00    | D - 11   | 4BP-24186-00    | D - 13   | 4BP-25827-00    | E - 6    | 4EB-27211-00 | E - 12   | 4BP-82131-00 | D - 4    | 3AB-83790-00 | B - 15   |
| 4EB-23110-10    | D - 11   | 4BP-24188-00    | D - 13   | 3YX-2583H-00    | E - 8    | 4BP-27222-00 | E - 12   | 1AE-82151-00 | F - 8    | 4EB-83790-00 | B - 15   |
| 3EN-23111-51    | D - 11   | 4BP-24191-00    | D - 13   | 4BP-2583V-00    | E - 12   | 4BP-27261-00 | E - 12   | 36Y-82151-00 | F - 8    | 4KM-83912-00 | F - 7    |
|                 |          | 4EB-24216-00    | D - 14   | 3YX-25838-00    | E - 8    | 4BP-27311-00 | E - 10   | 42X-82151-00 | F - 8    | 3YX-83922-00 | E - 8    |
| 4YR-23118-00    | D - 11   | 4EB-24311-00    | D - 14   | 341-25846-00    | E - 2    | 2KT-27315-00 | E - 10   | 4BR-82305-10 | F - 8    | 437-83936-01 | E - 8    |
|                 |          | 4EB-24313-00    | D - 14   | 4BP-2585F-00    | E - 12   | 1TX-27351-00 | E - 11   | 4DG-82305-00 | F - 8    | 3YX-83945-00 | F - 7    |
| 4DN-23121-00    | D - 9    | 4BR-24366-00    | D - 14   | 3LN-2585G-00    | E - 12   | 2GH-27413-00 | E - 10   | 4BR-82310-00 | F - 8    | 4KM-83963-00 | F - 7    |
| 4KM-23123-01    | D - 12   | 4EB-24398-00    | D - 14   | 2KF-25852-50    | E - 12   | 4BP-27413-00 | E - 10   | 4BR-82317-00 | F - 8    | 4EB-83969-00 | F - 7    |
| 4FM-23125-40    | D - 11   | 4BP-24500-01    | D - 13   | 3YX-25852-00    | E - 8    | 2H7-27414-00 | E - 10   | 4BR-82320-00 | F - 8    | 4BH-83980-00 | E - 8    |
| 4EB-23126-10    | D - 11   | 4X8-24512-00    | D - 13   | 3YX-25854-00    | E - 8    | 4BR-27431-00 | E - 10   | 4BR-82370-00 | F - 8    | 214-84153-60 | F - 4    |
| 4DN-23131-00    | D - 9    | 3AJ-24523-00    | D - 13   | 360-25854-01    | E - 12   | 2YK-27434-01 | E - 11   | 4BP-82509-00 | F - 10   | 341-84315-40 | F - 4    |

NUMERICAL INDEX

| PART NO.        | GRID NO. | PART NO.    | GRID NO. | PART NO.    | GRID NO. | PART NO.    | GRID NO. | PART NO.    | GRID NO. | PART NO.    | GRID NO. |
|-----------------|----------|-------------|----------|-------------|----------|-------------|----------|-------------|----------|-------------|----------|
| 4KE-84320-00    | F - 4    | 90110-06043 | C - 5    | 90185-16127 | E - 5    | 90269-04003 | D - 2    | 90462-08078 | B - 11   | 90560-12211 | C - 15   |
| 4KE-84320-10    | F - 4    |             | C - 6    | 90201-04018 | D - 4    | 90338-08226 | D - 4    | 90462-08087 | C - 6    | 90560-17241 | E - 2    |
| 1JK-84330-00-93 | F - 4    | 90111-06010 | C - 7    | 90201-05031 | F - 3    | 90338-10132 | D - 6    | 90462-10066 | B - 9    | 91314-08030 | D - 9    |
| 2F9-84331-00    | F - 4    | 90116-08338 | C - 4    | 90201-06071 | F - 6    | 90338-48229 | C - 4    | 90462-12140 | B - 9    | 91314-08040 | D - 12   |
| 341-84332-60    | F - 4    | 90116-08339 | C - 4    | 90201-06557 | D - 5    | 90340-14132 | B - 11   | 90464-10190 | D - 2    | 91317-05010 | D - 13   |
| 198-84334-60    | F - 4    | 90116-08340 | C - 4    |             | D - 9    | 90384-18157 | D - 8    | 90464-13077 | F - 8    | 91317-06010 | C - 7    |
| 584-84338-60    | F - 4    | 90116-08360 | B - 2    | 90201-080L8 | B - 7    | 90387-060M9 | B - 13   | 90464-15157 | D - 4    | 91317-06016 | B - 9    |
| 584-84345-60    | F - 4    | 90116-08566 | C - 4    | 90201-080S8 | C - 2    | 90387-06299 | D - 13   | 90464-15192 | D - 3    |             | C - 5    |
| 306-84346-40    | F - 4    | 90116-10485 | E - 4    | 90201-08083 | E - 12   | 90387-063E6 | F - 4    | 90464-18205 | D - 14   | 91317-06020 | B - 12   |
| 1JK-84365-09    | F - 4    | 90119-06044 | D - 4    | 90201-08326 | E - 11   | 90387-064Y1 | C - 7    | 90464-20191 | F - 9    |             | F - 8    |
| 2F9-84394-00    | F - 4    |             | D - 7    | 90201-08366 | B - 2    | 90387-06554 | D - 9    | 90464-23041 | F - 8    | 91317-06025 | B - 7    |
| 2F9-84395-00    | F - 4    | 90119-06213 | D - 13   |             | C - 4    | 90387-06676 | D - 9    | 90464-25217 | D - 3    |             | B - 9    |
| 3SX-84397-00    | F - 4    | 90123-08096 | F - 7    | 90201-08382 | B - 3    | 90387-067K8 | B - 9    | 90465-10290 | C - 6    | 91317-06030 | B - 8    |
| 4BP-8471J-00    | F - 6    | 90149-05321 | C - 14   | 90201-08609 | B - 2    | 90387-07037 | F - 6    | 90467-08021 | D - 14   |             | B - 11   |
| 4BP-84710-00    | F - 6    |             | F - 10   | 90201-10118 | E - 8    | 90387-07038 | B - 9    | 90467-09006 | D - 14   |             | E - 13   |
| 4BP-84712-00    | F - 6    | 90149-06008 | D - 13   |             | E - 12   | 90387-083Y8 | D - 7    | 90467-10041 | B - 12   | 91317-06035 | E - 7    |
| 137-84714-60    | F - 6    | 90149-06228 | D - 15   | 90201-10119 | C - 11   | 90387-10636 | E - 10   |             | D - 14   | 91317-06040 | B - 11   |
| 4BP-84721-00    | F - 6    | 90149-06298 | D - 2    | 90201-10639 | E - 13   | 90387-123X6 | D - 8    | 90467-12053 | D - 14   | 91401-20012 | E - 12   |
| 3YF-84751-00    | D - 4    |             | D - 9    | 90201-10669 | C - 3    | 90387-125Y2 | C - 6    | 90467-13071 | D - 14   | 91401-25015 | E - 10   |
| 4KM-85130-00    | F - 10   | 90150-04041 | D - 4    | 90201-113K2 | B - 9    | 90387-16547 | C - 4    | 90467-14015 | B - 13   | 91401-25020 | C - 5    |
| 4BR-85720-00    | F - 10   | 90151-06013 | C - 14   | 90201-127J6 | C - 15   | 90387-173L5 | E - 5    | 90467-14057 | E - 12   | 92014-08025 | E - 12   |
| 4HD-85885-00    | C - 2    | 90151-06014 | C - 5    | 90201-150U6 | C - 10   | 90387-174V8 | E - 4    | 90467-15012 | B - 12   | 92902-05100 | F - 4    |
| 90101-06576     | C - 3    | 90153-06029 | B - 2    | 90201-15785 | C - 10   | 90387-177K0 | E - 4    | 90467-15054 | B - 12   | 92902-08100 | C - 2    |
| 90101-12558     | D - 8    | 90154-05059 | D - 6    | 90201-160T2 | E - 5    | 90387-177Y4 | E - 2    | 90468-12006 | D - 10   | 92903-08600 | E - 4    |
| 90105-06153     | B - 2    | 90157-05079 | E - 10   | 90201-161J3 | D - 7    | 90387-177Y5 | E - 5    | 90480-12320 | D - 6    | 92906-04600 | E - 8    |
| 90105-06789     | C - 10   |             | F - 10   | 90201-170T3 | E - 5    | 90387-2005R | B - 9    | 90480-12475 | B - 9    | 92907-04100 | F - 3    |
| 90105-06790     | C - 7    | 90157-08117 | D - 2    | 90201-200K3 | C - 12   | 90387-2103N | C - 9    | 90480-12550 | D - 2    | 92907-04200 | D - 6    |
| 90105-06791     | C - 7    | 90159-06092 | C - 10   | 90201-20276 | C - 12   | 90387-253Y6 | C - 9    | 90480-14023 | B - 13   | 92907-06200 | B - 2    |
| 90105-06792     | C - 7    | 90159-06107 | E - 14   | 90201-220T0 | D - 9    | 90401-10159 | E - 8    | 90480-14102 | F - 4    | 92907-06600 | D - 13   |
| 90105-06793     | C - 7    | 90164-04009 | F - 3    | 90202-05193 | D - 13   |             | E - 12   | 90480-14105 | D - 9    |             | E - 12   |
| 90105-06794     | C - 7    | 90170-06228 | C - 15   | 90202-15153 | C - 5    | 90401-10160 | E - 8    | 90480-14323 | D - 3    | 92907-10200 | E - 12   |
| 90105-07342     | B - 7    | 90170-20257 | C - 10   | 90202-17211 | C - 5    | 90401-12122 | B - 9    | 90480-16284 | B - 9    | 92907-10600 | D - 9    |
| 90105-083A9     | E - 5    | 90176-08080 | B - 2    | 90202-24190 | D - 9    | 90401-20162 | B - 9    | 90480-18276 | F - 6    | 92990-06600 | C - 3    |
| 90105-10445     | E - 14   | 90176-22081 | D - 9    | 90202-26142 | D - 9    | 90430-06014 | B - 2    | 90501-06022 | C - 14   | 93101-32088 | B - 4    |
| 90105-10638     | E - 3    | 90179-06500 | B - 2    | 90206-12074 | E - 11   |             | C - 10   | 90501-12413 | B - 9    | 93102-12106 | C - 15   |
|                 | E - 6    | 90179-07307 | B - 4    | 90206-14086 | E - 12   | 90430-06166 | C - 4    | 90501-12743 | E - 10   | 93102-15212 | C - 10   |
| 90105-10662     | E - 13   | 90179-08148 | F - 7    | 90208-04029 | D - 2    | 90430-10027 | C - 5    | 90501-143A8 | C - 6    | 93102-25017 | E - 2    |
| 90105-10788     | D - 2    | 90179-08673 | C - 3    | 90209-06339 | B - 9    | 90430-12202 | B - 9    | 90501-23391 | C - 10   | 93102-25044 | E - 4    |
| 90105-12787     | D - 2    | 90179-10658 | D - 2    | 90209-08098 | F - 4    | 90430-14240 | B - 3    | 90506-08227 | C - 15   | 93102-25253 | C - 9    |
| 90109-060E9     | D - 4    | 90179-12657 | D - 2    | 90209-08249 | C - 3    | 90445-09683 | D - 14   | 90506-18224 | E - 10   | 93102-35109 | C - 12   |
| 90109-066F0     | B - 2    | 90179-16319 | C - 9    | 90209-22191 | C - 12   | 90445-103E6 | D - 14   | 90506-20192 | E - 12   | 93105-42024 | E - 4    |
| 90109-06616     | F - 8    | 90179-18552 | C - 12   | 90214-12070 | D - 2    | 90445-11152 | B - 12   | 90506-23509 | E - 11   | 93105-45017 | E - 2    |
| 90109-083G1     | E - 10   | 90179-25033 | D - 9    | 90215-19226 | C - 9    | 90445-11699 | B - 12   | 90506-26225 | E - 10   | 93109-12075 | C - 7    |
| 90109-083G4     | E - 3    | 90183-05024 | D - 6    | 90215-20170 | C - 10   | 90445-144J8 | D - 14   | 90506-40508 | E - 11   | 93109-18020 | D - 8    |
|                 | E - 6    | 90183-06023 | F - 4    | 90215-23265 | C - 12   | 90445-170K9 | E - 11   | 90508-142A8 | C - 10   | 93210-07540 | C - 5    |
| 90109-106F9     | E - 10   | 90185-10037 | E - 10   | 90240-08124 | E - 12   | 90446-15233 | B - 12   | 90508-20572 | E - 10   | 93210-09729 | C - 4    |
| 90109-125F1     | D - 8    | 90185-10091 | E - 11   | 90240-08140 | E - 10   | 90446-29385 | E - 11   | 90508-241A9 | C - 14   | 93210-100A9 | B - 9    |
| 90110-05112     | D - 13   | 90185-14070 | D - 7    | 90240-08141 | E - 10   | 90460-54085 | B - 12   | 90508-292A0 | C - 15   | 93210-10096 | B - 8    |

NUMERICAL INDEX

| PART NO.    | GRID NO. | PART NO.    | GRID NO. | PART NO.    | GRID NO. | PART NO.    | GRID NO. | PART NO. | GRID NO. | PART NO. | GRID NO. |
|-------------|----------|-------------|----------|-------------|----------|-------------|----------|----------|----------|----------|----------|
| 93210-11453 | C - 4    | 95024-06025 | E - 9    | 95814-06055 | C - 4    | 98707-04018 | D - 14   |          |          |          |          |
| 93210-13361 | B - 8    | 95024-06030 | C - 7    | 95814-08100 | C - 4    | 98707-06016 | C - 14   |          |          |          |          |
| 93210-207A0 | C - 5    | 95024-06035 | C - 7    | 95814-10040 | C - 3    | 98907-06010 | B - 7    |          |          |          |          |
| 93210-27370 | C - 8    | 95024-06055 | C - 7    | 95814-10050 | D - 2    | 99001-10600 | C - 15   |          |          |          |          |
| 93210-29196 | F - 10   | 95024-06065 | C - 7    | 95817-06010 | D - 14   | 99009-10400 | C - 11   |          |          |          |          |
| 93210-37532 | B - 12   | 95024-08030 | C - 3    | 95817-06030 | B - 13   | 99009-11400 | B - 8    |          |          |          |          |
| 93210-45578 | C - 5    |             | F - 4    | 95817-06035 | C - 5    |             | B - 9    |          |          |          |          |
| 93210-47440 | C - 9    | 95026-06030 | E - 8    | 95817-06040 | C - 5    | 99009-17500 | B - 9    |          |          |          |          |
| 93210-63442 | B - 3    | 95027-06012 | E - 9    | 95817-06065 | C - 4    | 99009-40400 | C - 10   |          |          |          |          |
| 93210-87723 | B - 9    | 95027-06014 | D - 14   | 95817-06095 | C - 4    | 99226-00140 | D - 13   |          |          |          |          |
|             | B - 11   |             | E - 9    | 95817-06135 | C - 4    | 99227-00140 | D - 13   |          |          |          |          |
| 93306-20309 | E - 2    | 95027-06016 | D - 5    | 95817-08080 | C - 4    | 99246-00080 | D - 4    |          |          |          |          |
| 93306-20314 | E - 4    |             | F - 10   | 95824-06025 | E - 15   | 99247-00080 | D - 4    |          |          |          |          |
| 93306-20545 | C - 9    | 95027-06020 | F - 7    | 95824-10016 | D - 2    | 99510-08016 | B - 2    |          |          |          |          |
| 93306-30317 | E - 4    | 95301-06600 | E - 8    | 95827-06025 | B - 9    | 99530-08016 | B - 11   |          |          |          |          |
| 93306-30525 | C - 9    | 95302-04600 | F - 4    | 95827-08075 | B - 7    | 99530-10014 | C - 4    |          |          |          |          |
| 93306-30530 | C - 12   | 95304-06700 | C - 15   | 97007-06014 | C - 9    | 99530-10114 | C - 7    |          |          |          |          |
| 93306-37207 | E - 4    | 95304-08600 | E - 4    | 97007-06025 | D - 13   | 99530-12016 | C - 4    |          |          |          |          |
| 93306-90503 | C - 14   | 95307-05600 | F - 3    | 97007-08055 | D - 13   | 99530-14016 | B - 3    |          |          |          |          |
| 93311-42045 | C - 12   | 95307-06600 | F - 6    | 97024-06020 | C - 15   |             | C - 4    |          |          |          |          |
|             | C - 13   | 95307-08700 | E - 12   | 97027-06012 | C - 7    |             |          |          |          |          |          |
| 93315-10838 | C - 11   | 95307-10600 | D - 10   | 97027-06025 | F - 5    |             |          |          |          |          |          |
| 93315-31502 | C - 11   | 95307-12600 | F - 2    | 97080-06020 | F - 8    |             |          |          |          |          |          |
| 93320-32403 | D - 7    | 95317-06600 | B - 2    | 97707-40010 | D - 5    |             |          |          |          |          |          |
| 93340-21505 | C - 10   |             | B - 10   |             | D - 6    |             |          |          |          |          |          |
| 93399-99931 | D - 9    | 95317-08600 | B - 3    | 97707-40620 | F - 2    |             |          |          |          |          |          |
| 93399-99932 | D - 9    | 95606-06100 | E - 8    | 97707-50130 | B - 12   |             |          |          |          |          |          |
| 93440-09141 | B - 2    | 95607-04100 | D - 4    | 97707-60016 | D - 4    |             |          |          |          |          |          |
| 93440-25084 | C - 12   | 95607-06100 | D - 5    | 98501-04008 | B - 15   |             |          |          |          |          |          |
|             | C - 14   |             | F - 7    | 98501-04014 | B - 14   |             |          |          |          |          |          |
| 93450-16068 | B - 4    | 95607-08200 | E - 5    |             | B - 15   |             |          |          |          |          |          |
| 93501-04011 | E - 10   | 95607-10200 | E - 4    | 98502-04008 | F - 4    |             |          |          |          |          |          |
| 93603-07073 | B - 8    | 95607-12200 | D - 8    | 98502-05008 | B - 15   |             |          |          |          |          |          |
| 93603-17070 | B - 8    | 95617-06618 | B - 2    | 98502-05010 | C - 2    |             |          |          |          |          |          |
| 93604-10011 | B - 4    | 95617-06630 | B - 2    | 98502-05012 | C - 2    |             |          |          |          |          |          |
|             | C - 14   | 95627-08330 | B - 3    | 98506-04012 | E - 8    |             |          |          |          |          |          |
| 93604-12037 | C - 14   | 95707-05500 | F - 10   | 98507-04012 | F - 3    |             |          |          |          |          |          |
| 93605-10108 | C - 10   | 95707-06500 | B - 9    | 98507-05025 | F - 7    |             |          |          |          |          |          |
| 93900-00022 | E - 2    |             | D - 9    | 98507-05035 | E - 7    |             |          |          |          |          |          |
|             | E - 4    |             | D - 15   | 98507-05045 | F - 7    |             |          |          |          |          |          |
| 94111-1707Y | E - 2    |             | F - 8    | 98507-06016 | B - 8    |             |          |          |          |          |          |
| 94113-1807X | E - 4    | 95707-08500 | F - 4    | 98507-06018 | E - 12   |             |          |          |          |          |          |
| 94581-30108 | E - 4    | 95707-10500 | C - 3    | 98507-06025 | B - 8    |             |          |          |          |          |          |
| 94581-30110 | E - 4    | 95707-12500 | F - 2    | 98507-06035 | B - 8    |             |          |          |          |          |          |
| 94701-00329 | B - 2    | 95804-08035 | C - 3    | 98704-05012 | F - 4    |             |          |          |          |          |          |
| 94701-00330 | B - 2    | 95807-06016 | D - 7    | 98706-03008 | C - 2    |             |          |          |          |          |          |
| 94890-04144 | B - 7    | 95807-06030 | D - 9    | 98706-05010 | C - 2    |             |          |          |          |          |          |
| 95024-06016 | D - 4    | 95814-06045 | C - 4    | 98707-03020 | F - 7    |             |          |          |          |          |          |