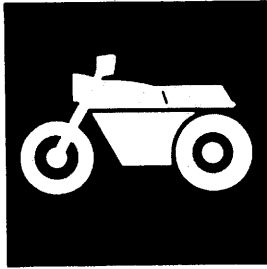


YAMAHA

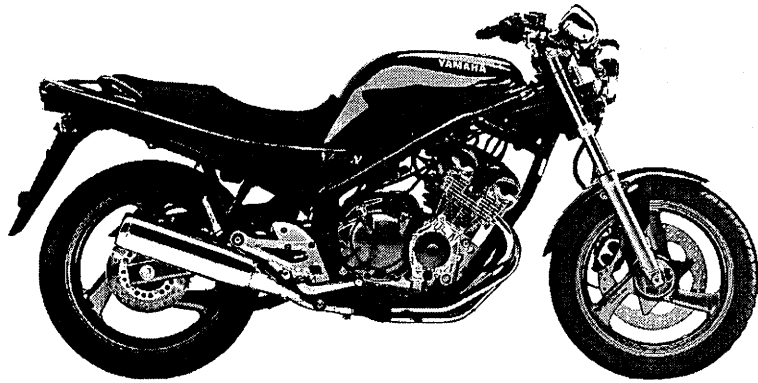


**PARTS
CATALOGUE**

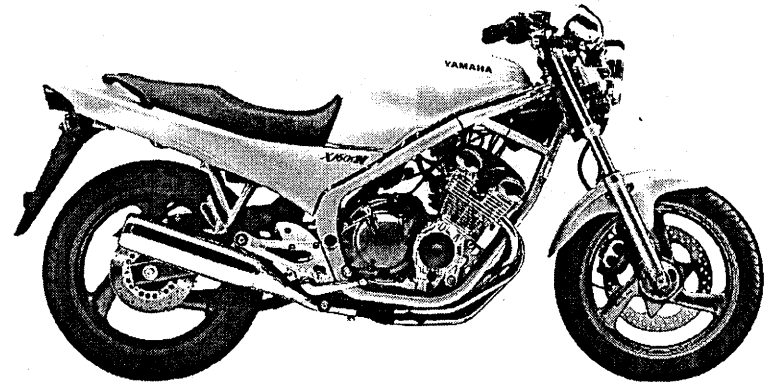
XJ600N'95 (4KE3) EUROPE ✓
XJ600N'95 (4KF2) SWITZERLAND, AUSTRIA
XJ600N'95 (4KA2) SWEDEN

YAMAHA
GENUINE
Parts & Accessories

154KE-300E1



BLACK 2 (004B)



REDDISH YELLOW COCKTAIL 1 (0251)

FOREWORD

This Parts Catalogue is related to the parts for the model(s) in the below frame. When you are ordering replacement parts, please refer to this Parts Catalogue and quote both part numbers and part names correctly.

XJ600N'95 (4KE3, 4KF2, 4KA2)

1. Modifications or additions which have been made after issue of the Parts Catalogue will be announced in the Yamaha Parts News.
It is advisable that you make necessary corrections to the Parts Catalogue according to the Yamaha Parts News.

2. Abbreviations

The following abbreviations are used in this Parts Catalogue.

- "UR" Use specified parts number.
- "UN" Use as many as needed.
- "AP" Alternate Parts
- "LM" Local Made (Parts need to be ordered locally)
- "F#" Frame No. (Applicable machine No.)

3. Parts, which are to be supplied in an assembly, are listed with a dot (.) in front of the part name as shown below.

EXAMPLE

- CARBURETOR ASSY
- . JET, PILOT
- . NOZZLE, MAIN

4. Number of component for assembly

The numeral appearing to the right of each component part indicates the quantity of parts for each assembly unit.

EXAMPLE

PART NO.	DESCRIPTION	Q'TY	REMARKS
2F5-83310-60	FRONT FLASHER LIGHT ASSY	2	
115-83311-60	. BULB (6V-18W)	1	

5. Applicable colors of graphics are represented in the "REMARKS" as shown below.

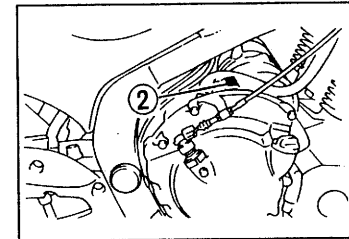
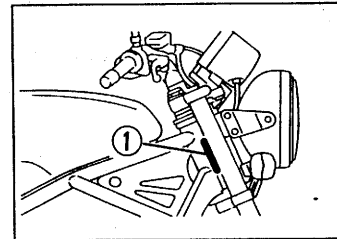
PART NO.	DESCRIPTION	Q'TY	REMARKS
2N4-24110-00-X5	FUEL TANK COMP.	1	MAXIM RED
3J1-24240-10	. GRAPHIC, FUEL TANK	1	for MXR

6. Applicable Serial No. and Color Code

4KE3	① Frame Serial No.	4BR-146101 ~
	② Engine Serial No.	4BR-146101 ~

4KF2	① Frame Serial No.	4DG-011101 ~
	② Engine Serial No.	4DG-011101 ~

4KA2	① Frame Serial No.	4BR-144101 ~
	② Engine Serial No.	4BR-144101 ~



Color Code	Color Name	Abbreviation
004B	BLACK 2	BL2
0251	REDDISH YELLOW COCKTAIL 1	RYC1

7. Note that the illustrations are for reference in finding parts numbers, not to be used for assembling. When assembling, please use the applicable service manual.

8. The asterisk (*) before a reference number indicates modification items after the first edition.

CONTENTS

GENERAL SPEC.

ENGINE

Cylinder Head	B2
Cylinder	B3
Crankshaft · Piston	B4
Valve	B5 ~ B6
Camshaft · Chain	B7
Oil Pump	B8
Oil Cleaner	B9
Intake	B10 ~ B11
Carburetor	B12 ~ B14
Carburetor 2	B15
Exhaust	C2
Crankcase	C3 ~ C5
Crankcase Cover 1	C6 ~ C7
Starter Clutch	C8
Clutch	C9 ~ C10
Transmission	C11 ~ C12
Shift Cam · Fork	C13
Shifter	C14

CHASSIS

Frame	C15
Fender	D2 ~ D3
Side Cover	D4
Rear Arm	D5
Rear Suspension	D6
Steering	D7 ~ D8
Front Fork	D9 ~ D10
Fuel Tank	D11 ~ D12

Seat	D13
Front Wheel	D14
Front Brake Caliper	D15
Rear Wheel	E2 ~ E3
Rear Brake Caliper	E4
Steering Handle · Cable	E5
Front Master Cylinder	E6
Stand · Footrest	E7 ~ E8
Rear Master Cylinder	E9
Generator	E10
Pick Up Coil · Governor	E11
Starting Motor	E12
Flasher Light	E13
Meter	E14
Headlight	E15 ~ F2
Taillight	F3
Handle Switch · Lever	F4
Electrical 1	F5
Electrical 2	F6

INDIVIDUAL SPEC.

FOR ENGLAND

Alternate (Electrical)	F8
------------------------------	----

FOR SWEDEN

Alternate (Engine)	F10
--------------------------	-----

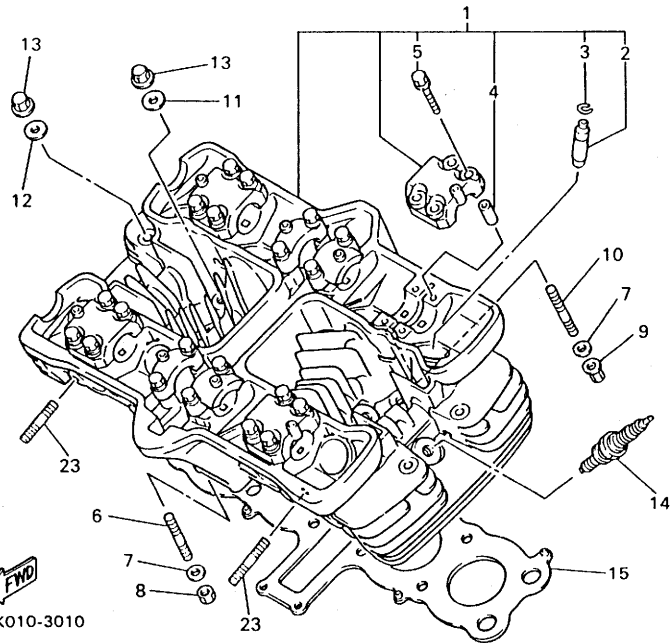
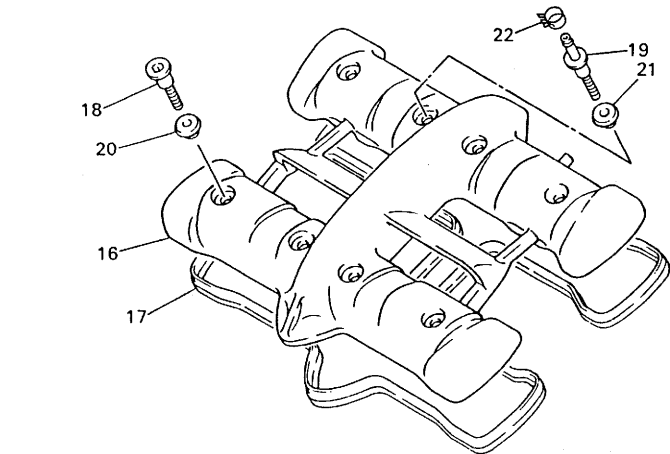
FOR SWITZERLAND, AUSTRIA

Alternate (Engine)	F12
Alternate (Chassis)	F13

INDEX

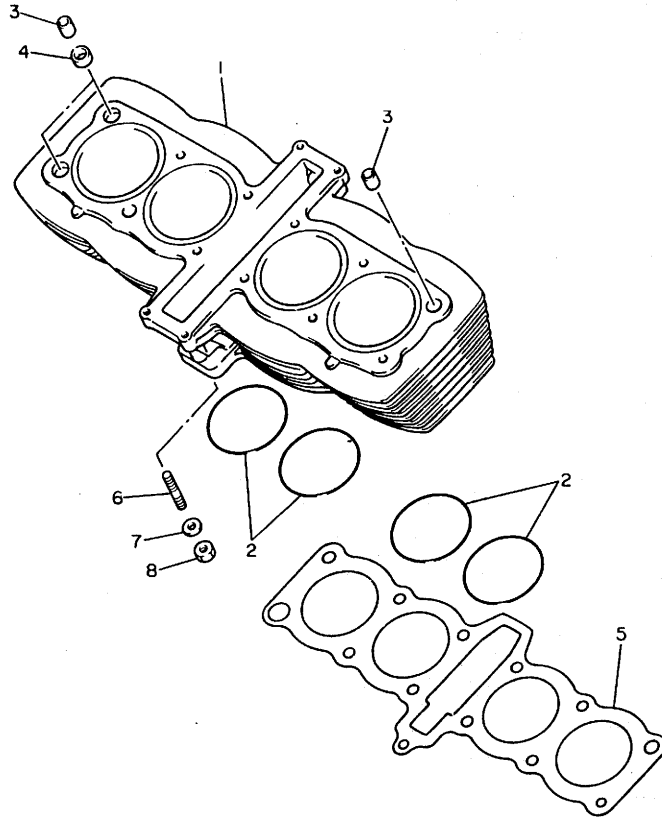
NUMERICAL INDEX	L1 ~ L4
-----------------------	---------

FIG. 1 CYLINDER HEAD



REF. NO.	PART NO.	DESCRIPTION	Q'TY	REMARKS
1	4BR-11101-00	CYLINDER HEAD ASSY	1	
2	4BR-11133-10	•GUIDE, INTAKE VALVE	8	
3	93440-09141	•CIRCLIP	8	
4	99510-08016	•PIN, DOWEL	12	
5	90105-06153	•BOLT, WASHER BASED	24	
6	95617-06618	BOLT, STUD	2	
7	92907-06600	WASHER, PLATE	4	
8	95317-06600	NUT	2	
9	90179-06499	NUT	2	
10	95627-06625	BOLT, STUD	2	
11	90201-094G1	WASHER, PLATE	10	
12	90201-080L7	WASHER, PLATE	2	
13	90176-08026	NUT, CROWN	12	
14	94701-00330	PLUG, SPARK (NGK-R CR8E)	4	UR
	94701-00329	PLUG, SPARK (U24ESR-N)	4	UR
15	4BR-11181-00	GASKET, CYLINDER HEAD 1	1	
16	4BR-11190-00	COVER, CYLINDER HEAD 1	1	
17	4BR-11193-00	GASKET, HEAD COVER 1	1	
18	90109-066F0	BOLT	7	
19	4BR-1118E-00	BOLT, COVER MOUNTING	1	
20	4BR-1111G-09	RUBBER, MOUNT 1	7	
21	4BR-1112G-00	RUBBER, MOUNT 2	1	
22	90467-11106	CLIP	1	
23	90116-08360	BOLT, STUD	8	

FIG. 2 CYLINDER

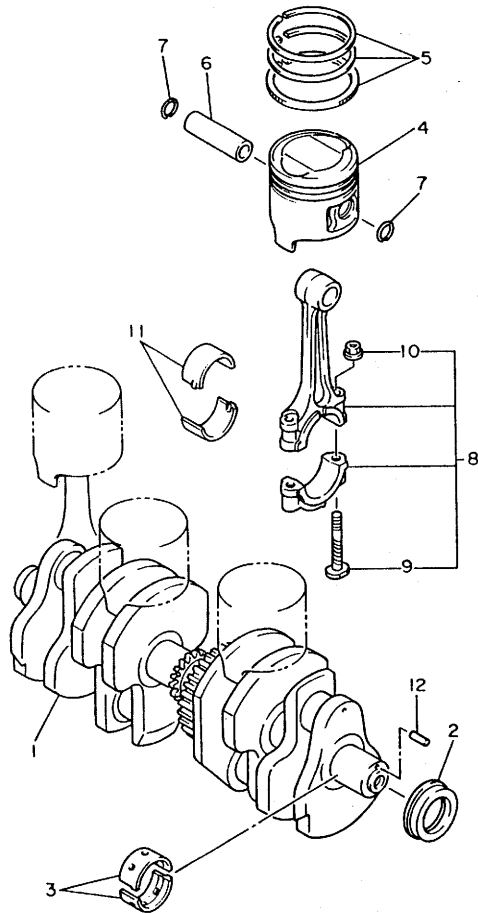


REF. NO.	PART NO.	DESCRIPTION	Q'TY	REMARKS
1	4BR-11310-00	CYLINDER	1	
2	93210-63442	O-RING	4	
3	99530-14016	PIN, DOWEL	4	
4	90430-14131	GASKET	2	
5	4BR-11351-01	GASKET, CYLINDER	1	
6	95627-08330	BOLT, STUD	1	
7	90201-084G3	WASHER, PLATE	1	
8	95317-08600	NUT	1	



4BP010-1020

FIG. 3 CRANKSHAFT • PISTON

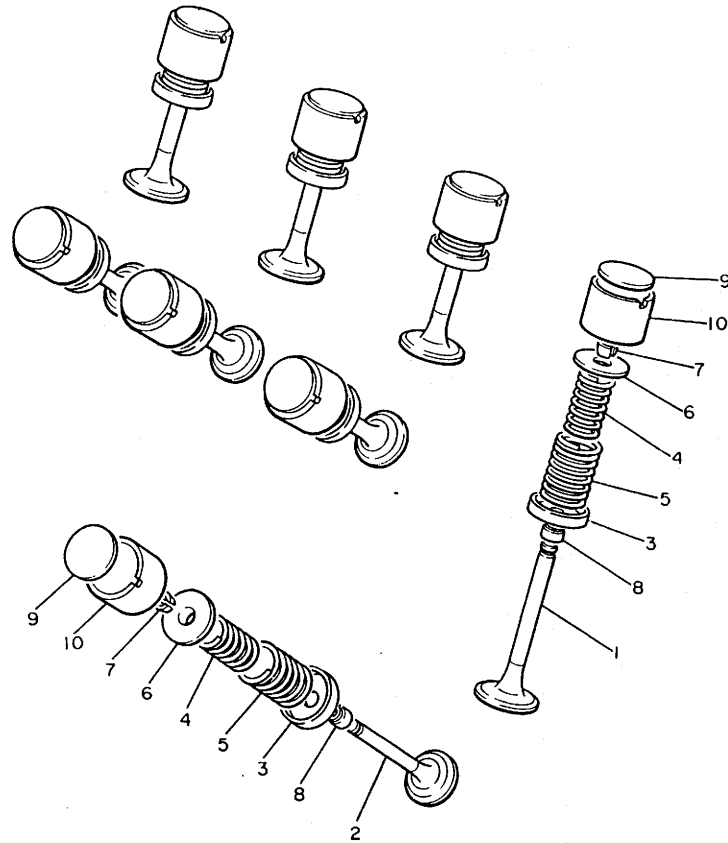


REF. NO.	PART NO.	DESCRIPTION	Q'TY	REMARKS
1	4BR-11411-00	CRANKSHAFT	1	
2	93101-32144	OIL SEAL	1	
3	4BR-11416-00	PLANE BEARING, CRANKSHAFT 1	10	UR BLUE
	4BR-11416-10	PLANE BEARING, CRANKSHAFT 1	10	UR BLACK
	4BR-11416-20	PLANE BEARING, CRANKSHAFT 1	10	UR BROWN
	4BR-11416-30	PLANE BEARING, CRANKSHAFT 1	10	UR GREEN
	4BR-11416-40	PLANE BEARING, CRANKSHAFT 1	10	UR YELLOW
4	4BR-11631-00-A0	PISTON (STD)	4	
	4BR-11636-00	PISTON (0.50MM O/S)	4	AP
	4BR-11638-00	PISTON (1.00MM O/S)	4	AP
5	4BR-11610-00	PISTON RING SET (STD)	4	
	4BR-11610-20	PISTON RING SET (0.50MM O/S)	4	AP
	4BR-11610-40	PISTON RING SET (1.00MM O/S)	4	AP
6	49A-11633-00	PIN, PISTON	4	
7	93450-16068	CIRCLIP	8	
8	4BR-11650-00	CONNECTING ROD ASS'Y	4	
9	4H7-11654-00	.BOLT, CONNECTING ROD	2	
	90179-07307	.NUT	2	
11	49A-11656-00	PLANE BEARING, CONNECTING ROD	8	UR BLUE
	49A-11656-10	PLANE BEARING, CONNECTING ROD	8	UR BLACK
	49A-11656-20	PLANE BEARING, CONNECTING ROD	8	UR BROWN
	49A-11656-30	PLANE BEARING, CONNECTING ROD	8	UR GREEN
12	93604-10011	PIN, DOWEL	1	



4BP010-1030

FIG. 4 VALVE

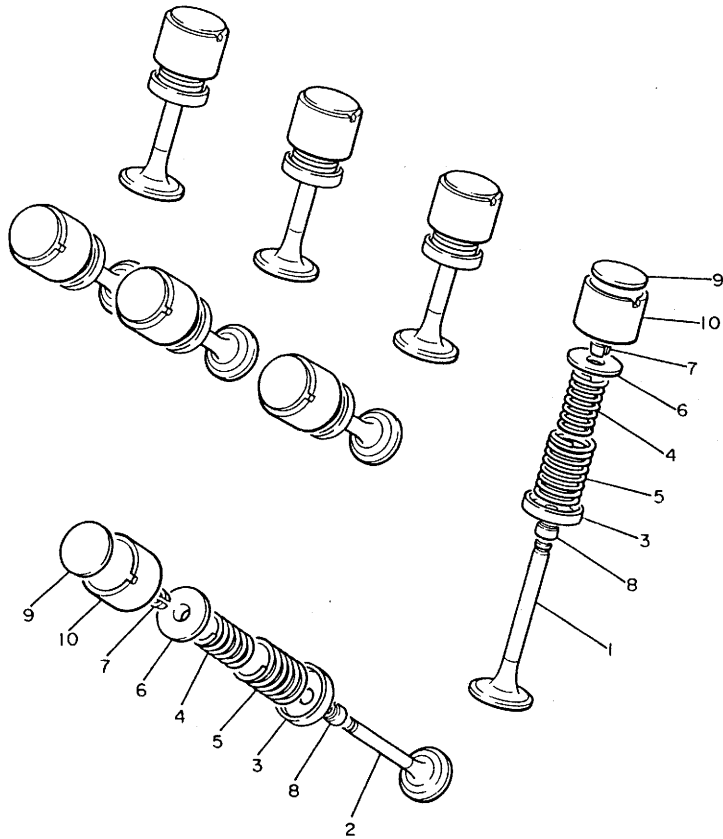


48P010-1040

REF. NO.	PART NO.	DESCRIPTION	Q'TY	REMARKS
1	4BR-12111-00	VALVE, INTAKE	4	
2	4BR-12121-00	VALVE, EXHAUST	4	
3	4BR-12116-00	SEAT, VALVE SPRING	8	
4	4BR-12113-00	SPRING, VALVE INNER	8	
5	4BR-12114-00	SPRING, VALVE OUTER	8	
6	33M-12117-00	RETAINER, VALVE SPRING	8	
7	1AA-12118-00	COTTER, VALVE	16	
8	33M-12119-00	SEAL, VALVE STEM	8	
9	26H-12168-00	PAD, ADJUSTING (2.00)	8	UR
	26H-12168-20	PAD, ADJUSTING (2.05)	8	UR
	26H-12168-40	PAD, ADJUSTING (2.10)	8	UR
	26H-12168-60	PAD, ADJUSTING (2.15)	8	UR
	26H-12168-80	PAD, ADJUSTING (2.20)	8	UR
	26H-12168-A0	PAD, ADJUSTING (2.25)	8	UR
	26H-12168-F0	PAD, ADJUSTING (2.30)	8	UR
	26H-12168-H0	PAD, ADJUSTING (2.35)	8	UR
	26H-12168-K0	PAD, ADJUSTING (2.40)	8	UR
	26H-12168-M0	PAD, ADJUSTING (2.45)	8	UR
	26H-12168-R0	PAD, ADJUSTING (2.50)	8	UR
	26H-12168-U0	PAD, ADJUSTING (2.55)	8	UR
	26H-12168-W0	PAD, ADJUSTING (2.60)	8	UR
	26H-12168-Y0	PAD, ADJUSTING (2.65)	8	UR
	26H-12169-10	PAD, ADJUSTING (2.70)	8	UR
	26H-12169-30	PAD, ADJUSTING (2.75)	8	UR
	26H-12169-50	PAD, ADJUSTING (2.80)	8	UR
	26H-12169-70	PAD, ADJUSTING (2.85)	8	UR
	26H-12169-90	PAD, ADJUSTING (2.90)	8	UR
	26H-12169-E0	PAD, ADJUSTING (2.95)	8	UR

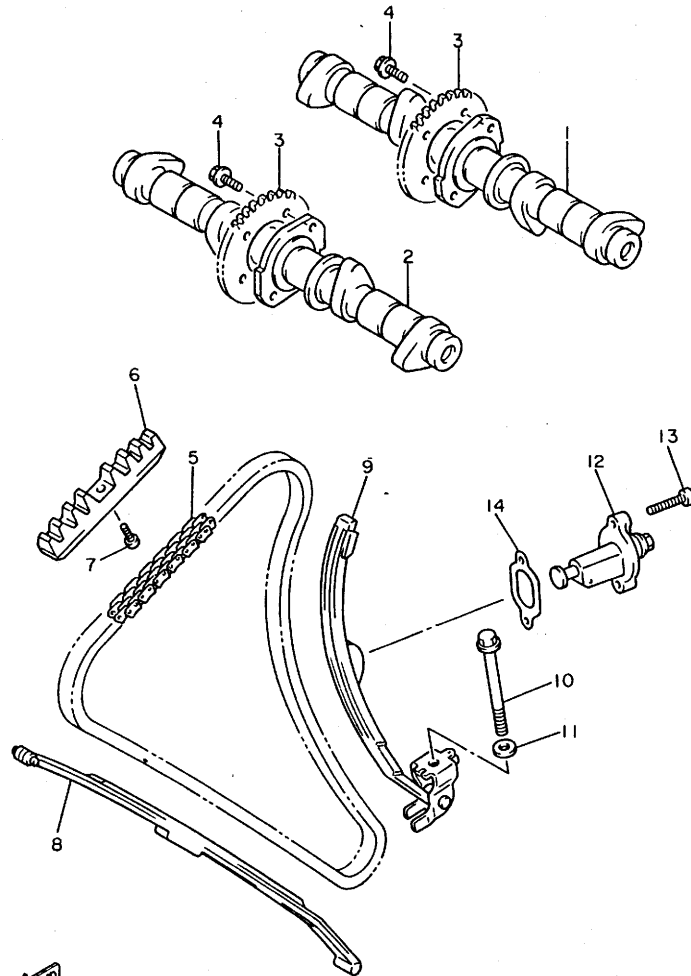
FIG. 4 VALVE

REF. NO.	PART NO.	DESCRIPTION	Q'TY	REMARKS
9	26H-12169-G0	PAD, ADJUSTING (3.00)	8	UR
	26H-12169-J0	PAD, ADJUSTING (3.05)	8	UR
	26H-12169-L0	PAD, ADJUSTING (3.10)	8	UR
	26H-12169-N0	PAD, ADJUSTING (3.15)	8	UR
	26H-12169-T0	PAD, ADJUSTING (3.20)	8	UR
10	26H-12153-00-Y0	LIFTER, VALVE	8	



4BP010-1040

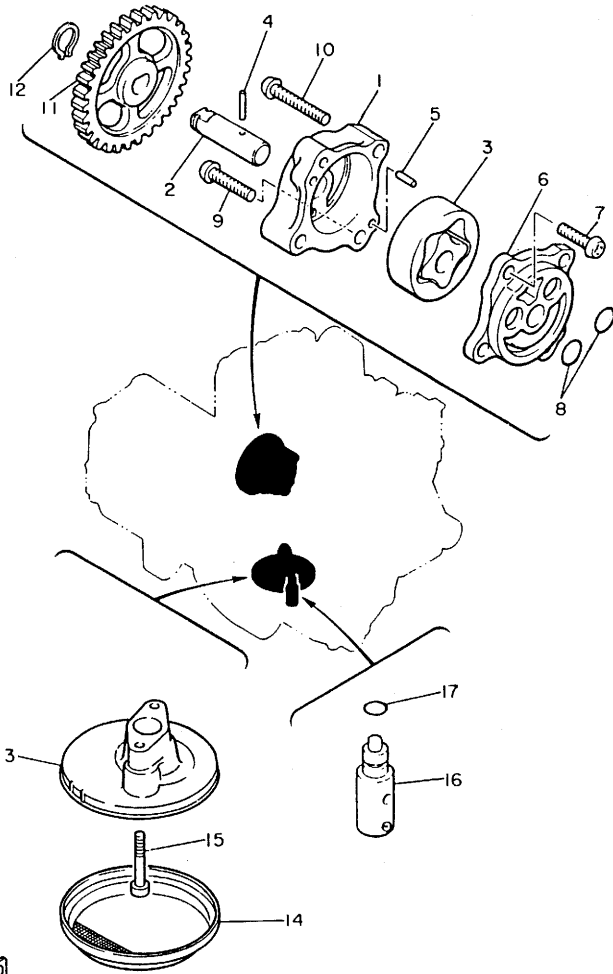
FIG. 5 CAMSHAFT • CHAIN



4BP010-1050

REF. NO.	PART NO.	DESCRIPTION	Q'TY	REMARKS
1	4BR-12171-00	CAMSHAFT 1	1	
2	4BR-12181-00	CAMSHAFT 2	1	
3	4BR-12176-00	SPROCKET, CAM CHAIN	2	
4	90105-07342	BOLT, WASHER BASED	4	
5	94890-04144	CHAIN	1	
6	4BR-12241-00	GUIDE, STOPPER 2	1	
7	98907-06010	SCREW, BIND	1	
8	4BR-12251-00	DAMPER, CHAIN 1	1	
9	4BR-12252-00	DAMPER, CHAIN 2	1	
10	95827-08075	BOLT, FLANGE	1	
11	90201-080L8	WASHER, PLATE	1	
12	4BR-12210-00	TENSIONER ASSY, CAM CHAIN	1	
13	91317-06025	BOLT	2	
14	4BR-12213-00	GASKET, TENSIONER CASE	1	

FIG. 6 OIL PUMP

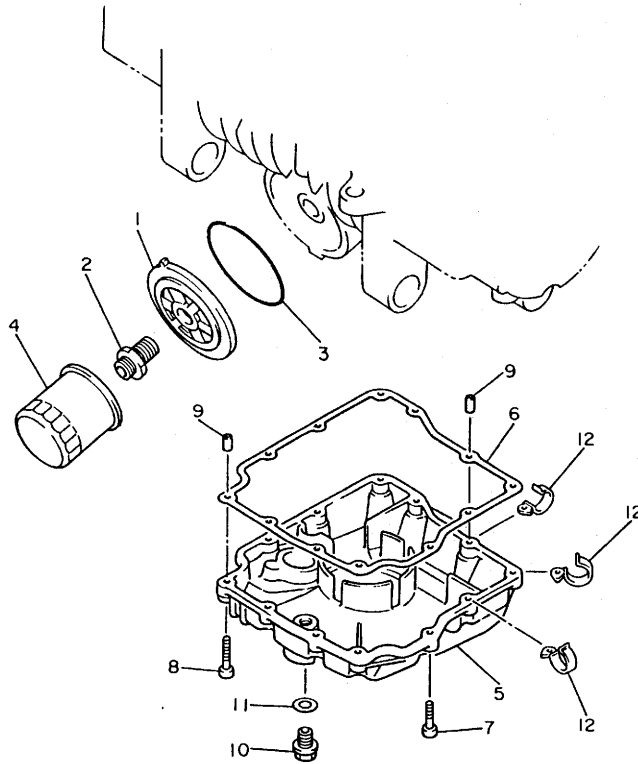


REF. NO.	PART NO.	DESCRIPTION	Q'TY	REMARKS
1	33M-13336-00	HOUSING, ROTOR	1	
2	33M-13314-01	SHAFT, PUMP	1	
3	4H7-13310-00	ROTOR ASSY 1	1	
4	93603-17070	PIN, DOWEL	1	
5	93603-07073	PIN, DOWEL	2	
6	4G0-13316-00	COVER, PUMP	1	
7	98507-06016	SCREW, PAN HEAD	1	
8	93210-13361	O-RING	2	
9	98507-06025	SCREW, PAN HEAD	1	
10	98507-06035	SCREW, PAN HEAD	2	
11	4G0-13325-01	GEAR, PUMP DRIVEN	1	
12	99009-11400	CIRCLIP	1	
13	4BR-13412-00	HOUSING, STRAINER	1	
14	4H7-13411-02	STRAINER, OIL	1	
15	91317-06030	BOLT	2	
16	11H-13490-00	RELIEF VALVE ASSY	1	
17	93210-10096	O-RING	1	

FWD

4BP010-1060

FIG. 7 OIL CLEANER

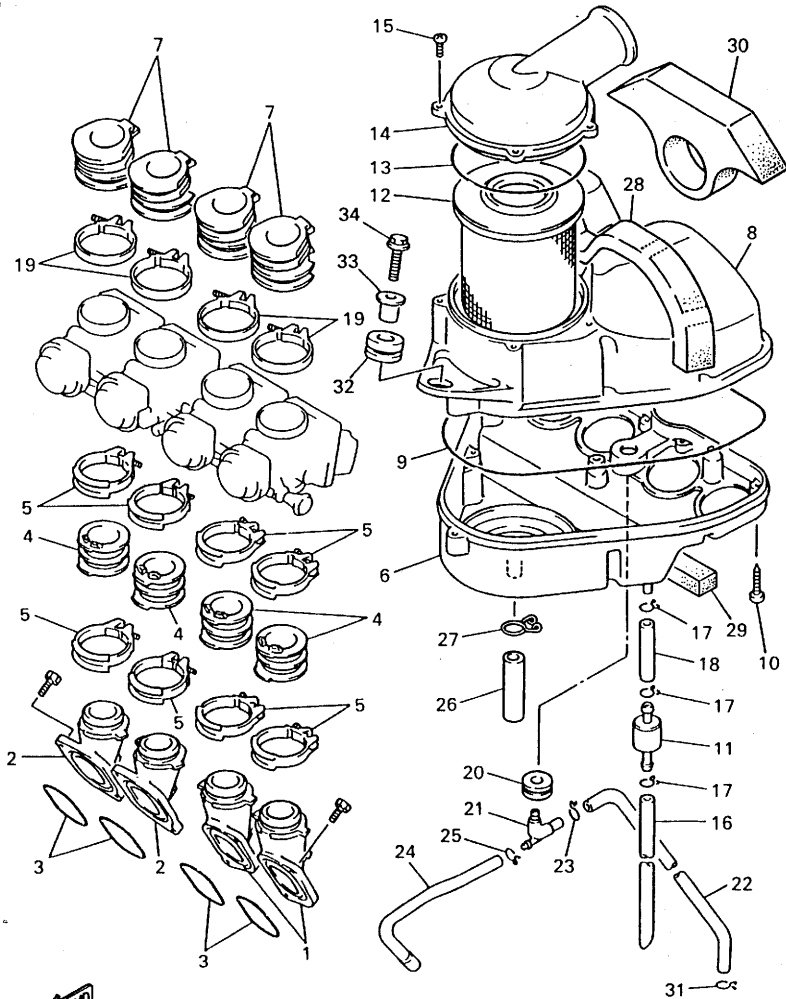


REF. NO.	PART NO.	DESCRIPTION	Q'TY	REMARKS
1	3TJ-13461-00	PLATE, ADAPTOR	1	
2	90401-20145	BOLT, UNION	1	
3	93210-87723	O-RING	1	
4	3FV-13440-00	ELEMENT ASSY, OIL CLEANER	1	
5	4BR-13417-00	COVER, STRAINER	1	
6	4BR-13414-00	GASKET, STRAINER COVER	1	
7	91317-06030	BOLT	10	
8	91317-06040	BOLT	2	
9	99510-08016	PIN, DOWEL	2	
10	3VD-13455-00	PLUG	1	
11	214-11198-01	GASKET	1	
12	90462-08078	CLAMP	3	



48P010-1070

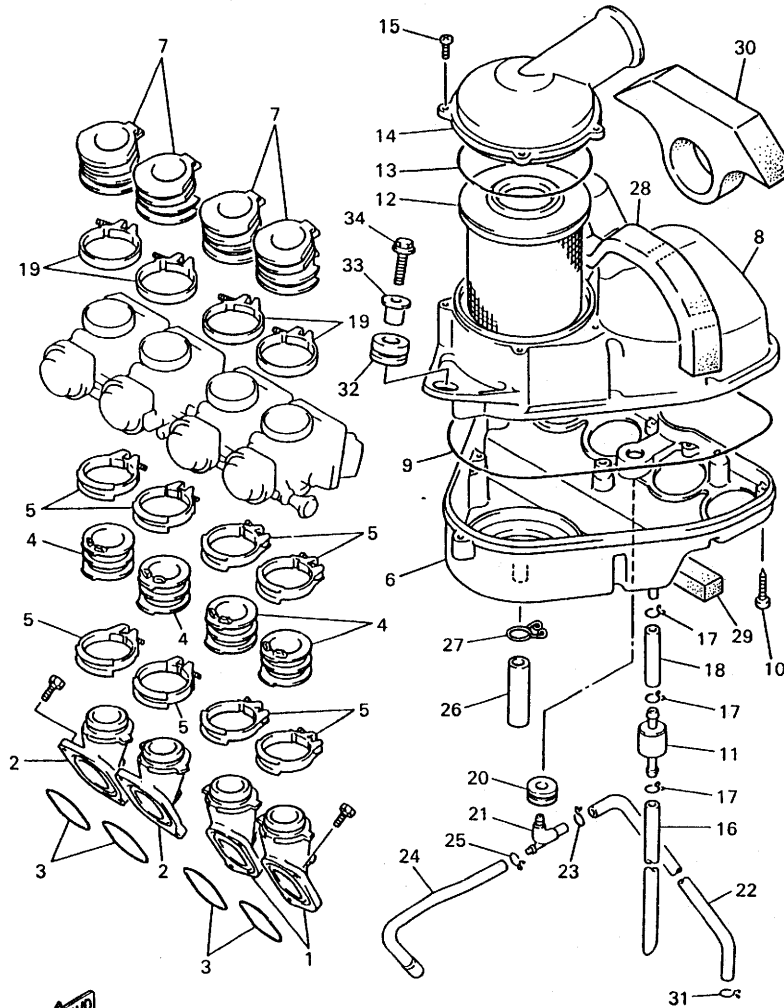
FIG. 8 INTAKE



REF. NO.	PART NO.	DESCRIPTION	Q'TY	REMARKS
1	4BR-13586-00	JOINT, CARBURETOR 1	2	
2	4BR-13596-00	JOINT, CARBURETOR 2	2	
3	93210-37532	O-RING	4	
4	4BR-13598-00	JOINT, CARBURETOR 4	4	
5	4BR-13575-00	BAND	8	
6	4BR-14411-00	CASE, AIR CLEANER 1	1	
7	4BR-14453-00	JOINT, AIR CLEANER 1	4	
8	4BR-14421-00	CASE, AIR CLEANER 2	1	
9	4BR-14452-00	SEAL	1	
10	97707-50130	SCREW, TAPPING	10	
11	4X7-2149Y-00	FILTER ASSY	1	
12	4BR-14451-00	ELEMENT, AIR CLEANER	1	
13	5T0-14457-00	SEAL	1	
14	4BR-14412-01	CAP, CLEANER CASE 1	1	
15	97707-50130	SCREW, TAPPING	4	
16	90445-11152	HOSE	1	
17	90467-10008	CLIP	3	
18	90445-11699	HOSE	1	
19	90460-54137	CLAMP, HOSE	4	
20	31A-14435-00	GROMMET	1	
21	4BR-14419-00	PIPE	1	
22	4BR-11166-00	PIPE, BREATHER 1	1	
23	90467-14015	CLIP	1	
24	4BR-14349-00	PIPE	1	
25	90467-10008	CLIP	1	
26	90446-15233	HOSE	1	
27	90467-15012	CLIP	1	
28	4KE-14425-00	DAMPER 1	1	

4KE351-4080

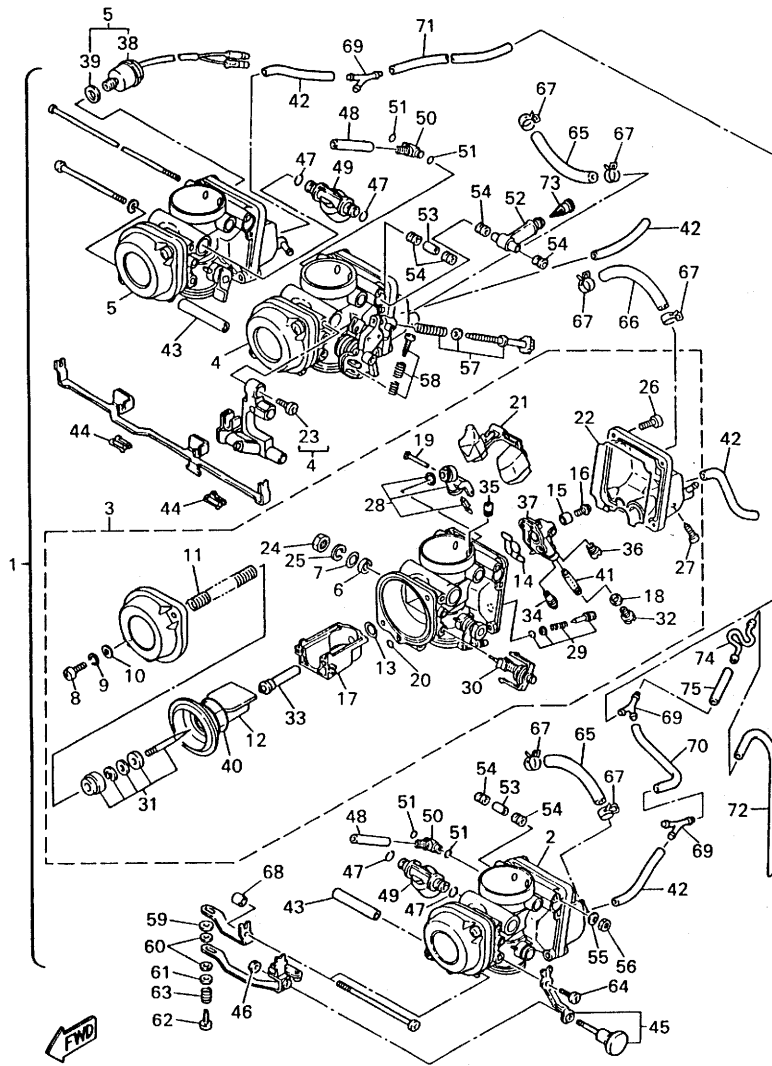
FIG. 8 INTAKE



REF. NO.	PART NO.	DESCRIPTION	Q'TY	REMARKS
29	4KE-14426-00	DAMPER 2	1	
30	4KE-1442G-00	DAMPER 3	1	
31	90467-14015	CLIP	1	
32	90480-14023	GROMMET	1	
33	90387-060M9	COLLAR	1	
34	95817-06030	BOLT, FLANGE	1	


4KE351-4080

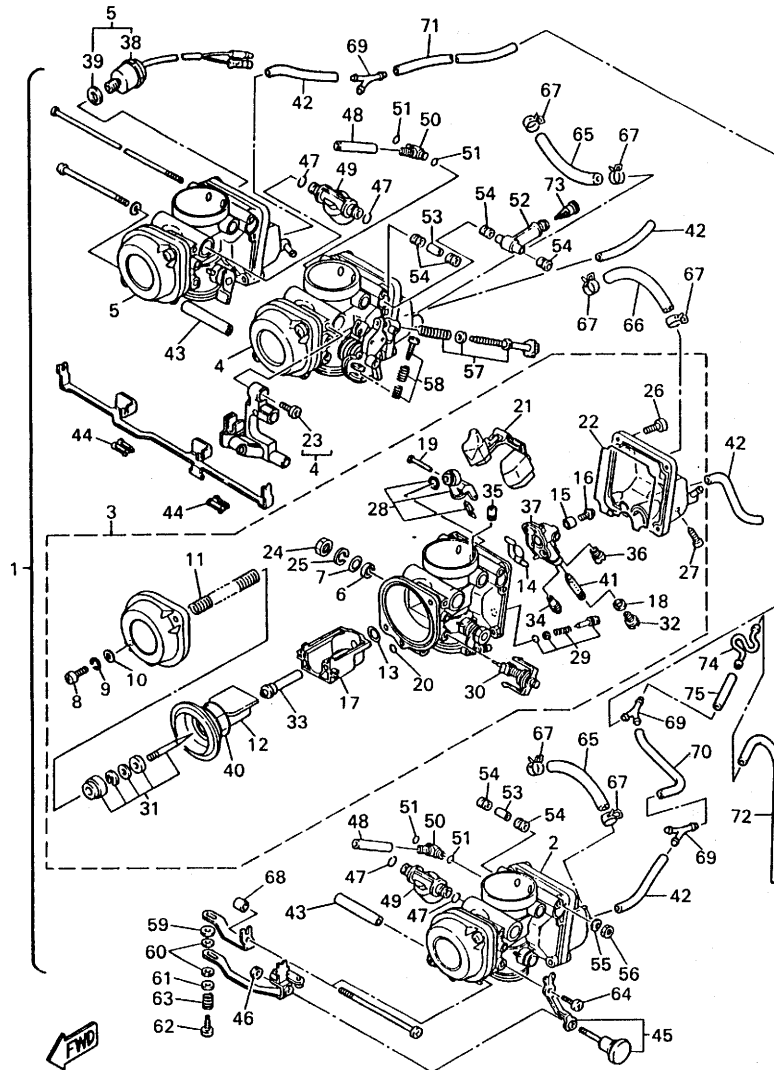
FIG. 9 CARBURETOR



REF. NO.	PART NO.	DESCRIPTION	Q'TY	REMARKS
1	4BR-14900-05	CARBURETOR ASSY	1	
2	4BR-14901-05	..CARBURETOR ASSY 1	1	
3	4BR-14902-05	..CARBURETOR ASSY 2	1	
4	4BR-14903-05	..CARBURETOR ASSY 3	1	
5	4BR-14904-05	..CARBURETOR ASSY 4	1	
6	256-14997-00	..SEAL	1	UR #1,4
	256-14997-00	..SEAL	2	UR #2,3
7	1A8-14953-00	..WASHER	1	
8	98507-05016	..SCREW, PAN HEAD	2	
9	92907-05100	..WASHER, SPRING	2	
10	92907-05600	..WASHER, PLATE	2	
11	3LN-14933-00	..SPRING, DIAPHRAGM	1	
12	3YX-14940-00	..DIAPHRAGM ASSY	1	
13	1AE-14147-00	..O-RING	1	
14	3LN-14147-00	..O-RING	1	
15	137-14153-00	..WASHER, MAIN JET	1	
16	1HX-14565-00	..SCREW	1	
17	4BR-1411E-01	..BLOCK, JET	1	
18	1AE-14227-00	..O-RING	1	
19	53L-14186-00	..PIN, FLOAT	1	
20	3FV-14147-00	..O-RING	1	
21	3GM-14985-00	..FLOAT	1	
22	3GM-14997-00	..SEAL	1	
23	98602-05014	..SCREW, OVAL HEAD	1	
24	812-14594-00	..NUT	1	
25	92902-08100	..WASHER, SPRING	1	
26	98507-05012	..SCREW, PAN HEAD	4	
27	12R-14191-00	..PLUG, DRAIN	1	

4BR351-5090

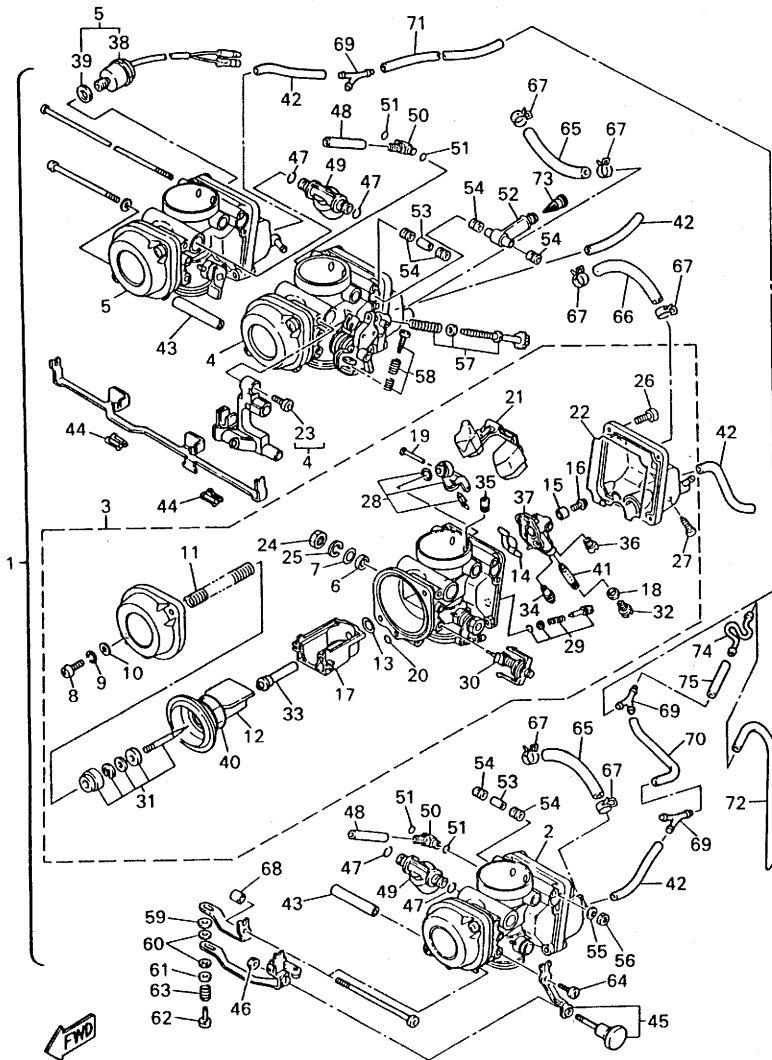
FIG. 9 CARBURETOR



4BR351-5090

REF. NO.	PART NO.	DESCRIPTION	Q'TY	REMARKS
28	4BP-14107-10	..NEEDLE VALVE SET	1	
29	12R-14105-00	..PILOT SCREW SET	1	
30	3LN-1410A-10	..STARTER SET	1	
31	4BR-1490J-01	..NEEDLE SET	1	
32	3G2-14231-21	..JET, MAIN (#105)	1	UR #1,4
	3G2-1423A-71	..JET, MAIN (#102.5)	1	UR #2,3
33	4BR-14141-35	..NOZZLE, MAIN	1	
34	1NT-14142-15	..JET, PILOT (# 15)	1	
35	830-14231-29	..JET, MAIN (#145)	1	
36	3G2-1423A-61	..JET, MAIN (# 52.5)	1	
37	4BR-1411A-00	..BLOCK JET ASSY	1	
38	4BR-82560-00	..THERMO SWITCH ASSY	1	
39	4BR-14952-00	..WASHER	1	
40	3YX-1416A-00	..O-RING	1	
41	4BR-14148-00	..PIPE	1	
42	7HU-14987-00	..HOSE	4	
43	3HE-14148-00	..PIPE	2	
44	3EN-14261-00	..HOLDER	2	
45	4BP-14978-00	..SHAFT, STARTER LEVER	1	
46	95301-04600	..NUT	1	
47	3LC-1416A-00	..O-RING	4	
48	4BP-14197-00	..PIPE	2	
49	4BP-14988-00	..PIPE, STARTER CONNECTING	2	
50	4V7-14988-00	..PIPE, STARTER CONNECTING	2	
51	822-14147-00	..O-RING	4	
52	3LN-14251-00	..NIPPLE	1	
53	3YX-14148-00	..PIPE	2	
54	3EN-14997-00	..SEAL	6	

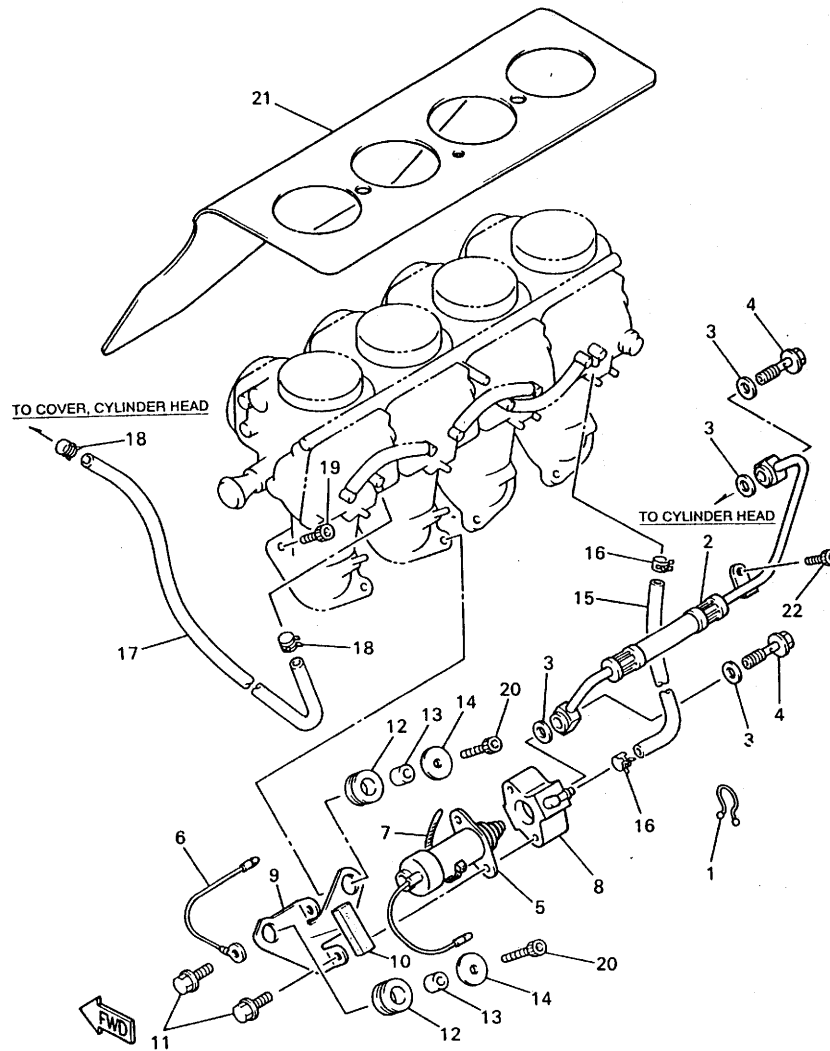
FIG. 9 CARBURETOR



4BR351-5090

REF. NO.	PART NO.	DESCRIPTION	Q'TY	REMARKS
55	92901-05600	.WASHER, PLATE	1	
56	95380-05600	.NUT	1	
57	3LN-14103-00	.THROTTLE SCREW SET	1	
58	3EN-1490K-00	.STOP SCREW SET	3	
59	256-14952-00	.WASHER	1	
60	1FK-14952-00	.WASHER	2	
61	1FK-14179-00	.WASHER, STARTER LEVER	1	
62	22F-14115-00	.PLUG, SCREW	1	
63	46X-14938-00	.SPRING	1	
64	98507-05008	.SCREW, PAN HEAD	1	
65	4BP-12483-01	.PIPE 3	2	
66	4BP-12484-01	.PIPE 4	1	
67	4BP-14139-01	.CLIP, PIPE	6	
68	4BR-14987-00	.HOSE	1	
69	90413-05008	.WAY 3	3	
70	4DS-14987-00	.HOSE	1	
71	4DG-14987-00	.HOSE	1	
72	4BR-14349-00	.PIPE	1	
73	1KT-14994-00	.NET, FILTER	1	
74	4BR-14193-00	.PIPE, OVER FLOW 2	1	
75	4BR-14396-00	.PIPE	1	

FIG. 10 CARBURETOR 2

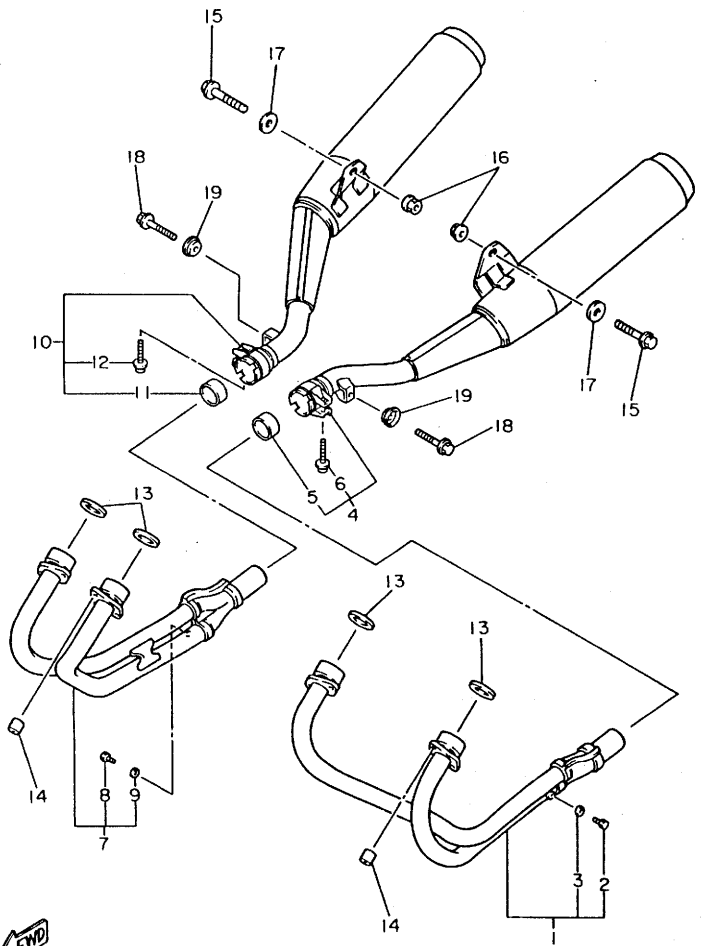


4HK010-3100

REF. NO.	PART NO.	DESCRIPTION	Q'TY	REMARKS
1	90464-16039	CLAMP	2	
2	4BR-13416-00	PIPE, OIL 1	1	
3	90430-06166	GASKET	4	
4	90401-06119	BOLT, UNION	2	
5	4BR-13183-00	VALVE, CHECK	1	
6	3YF-81971-00	WIRE, LEAD	1	
7	90464-35132	CLAMP	1	
8	4BR-14510-02	BODY ASSY	1	
9	4BR-14261-00	HOLDER	1	
10	3XV-21717-00	DAMPER, SIDE COVER	1	
11	95827-06016	BOLT, FLANGE	2	
12	90480-15557	GROMMET	2	
13	90387-064T3	COLLAR	2	
14	90201-06067	WASHER, PLATE	2	
15	4BR-13464-00	HOSE, OIL 1	1	
16	90467-11108	CLIP	2	
17	4BR-1316F-00	HOSE, OIL 1	1	
18	90467-11108	CLIP	2	
19	91317-06020	BOLT	5	
20	90110-06181	BOLT, HEXAGON SOCKET HEAD	2	
21	4BR-12682-01	PROTECTOR, HEAT	1	
22	91317-06025	BOLT	1	

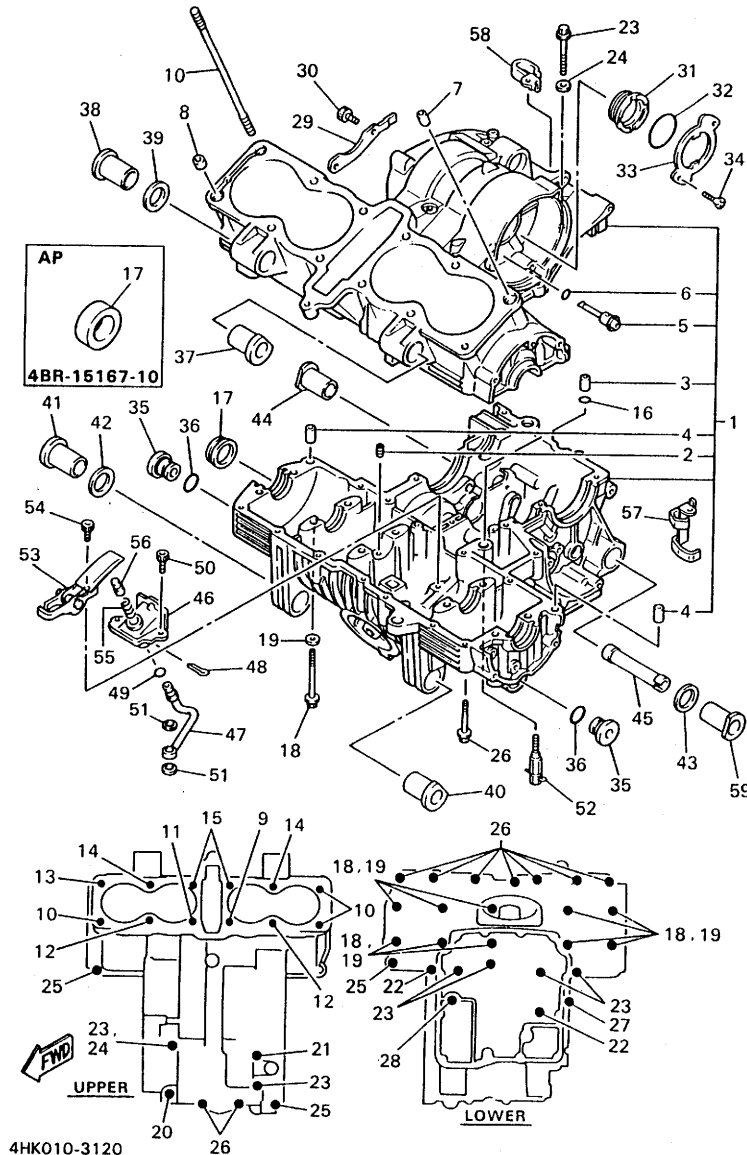
FIG. 11 EXHAUST

REF. NO.	PART NO.	DESCRIPTION	Q'TY	REMARKS
1	4BR-14610-01	EXHAUST PIPE ASSY 1	1	
2	90101-06576	•BOLT	2	
3	92907-06600	•WASHER, PLATE	2	
4	4BR-14710-00	MUFFLER ASSY 1	1	
5	3VD-14755-00	•GASKET, SILENCER	1	
6	95027-08030	•BOLT, FLANGE	1	
7	4BR-14620-01	EXHAUST PIPE ASSY 2	1	
8	90101-06576	•BOLT	2	
9	92907-06600	•WASHER, PLATE	2	
10	4BR-14720-00	MUFFLER ASSY 2	1	
11	3VD-14755-00	•GASKET, SILENCER	1	
12	95027-08030	•BOLT, FLANGE	1	
13	4BR-14613-00	GASKET, EXHAUST PIPE	4	
14	90179-08507	NUT	8	
15	95807-10040	BOLT, FLANGE	2	
16	95707-10500	NUT, FLANGE	2	
17	90201-10669	WASHER, PLATE	2	
18	95807-08035	BOLT, FLANGE	2	
19	90209-08249	WASHER	2	



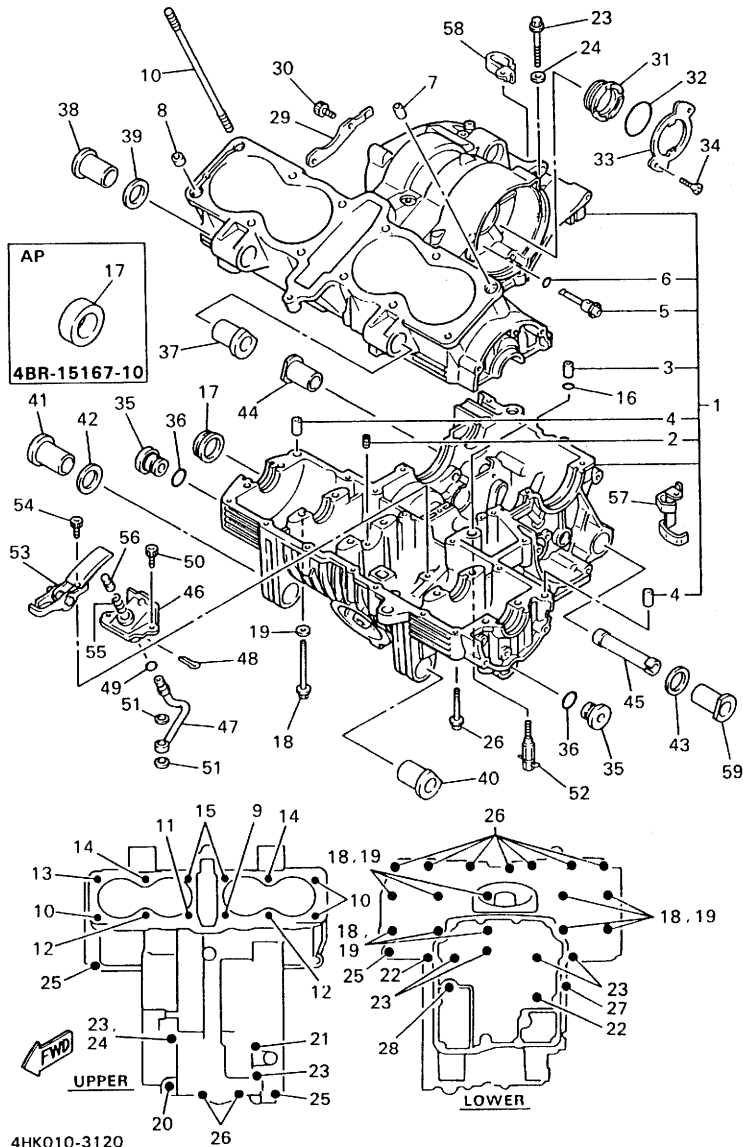
 4BP010-1110

FIG. 12 CRANKCASE



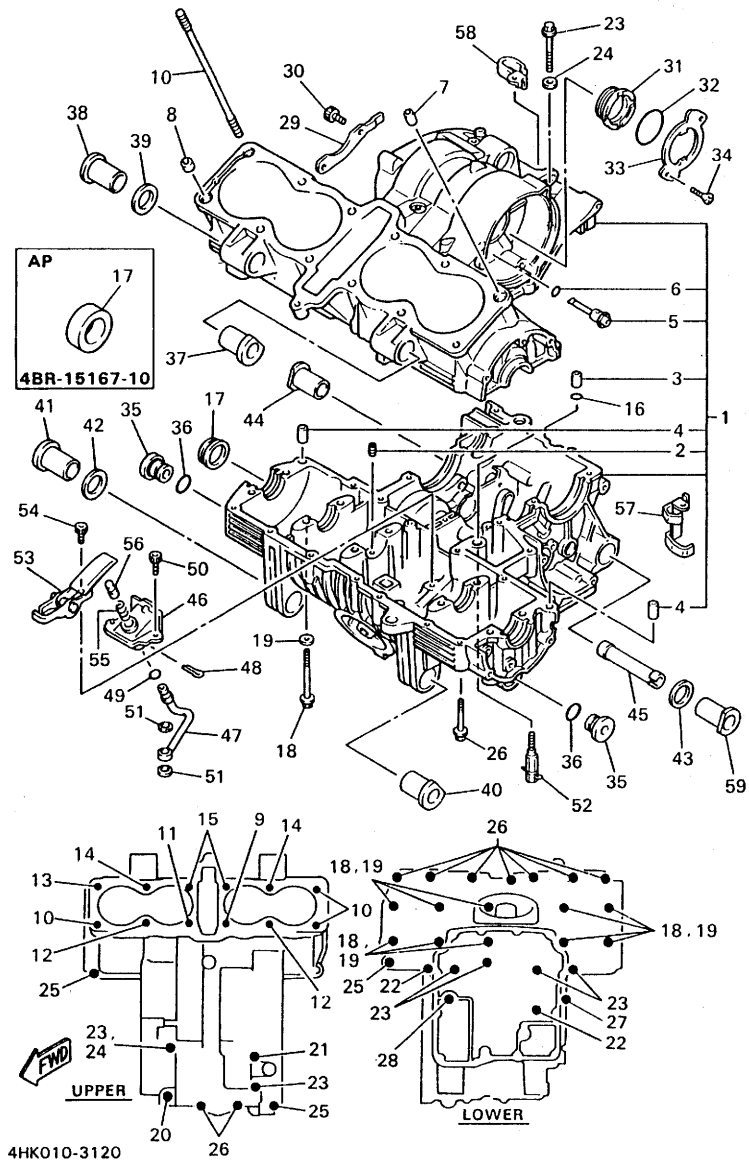
REF. NO.	PART NO.	DESCRIPTION	Q'TY	REMARKS
1	4BR-15100-01	CRANKCASE ASSY	1	
2	4G0-15138-00	.NOZZLE 1	1	
3	99530-10014	.PIN, DOWEL	1	
4	99510-12016	.PIN, DOWEL	2	
5	4BR-15148-00	.NOZZLE 2	1	
6	93210-11453	.O-RING	1	
7	99530-14016	PIN, DOWEL	1	
8	90387-16547	COLLAR	1	
9	90116-08338	BOLT, STUD	1	
10	90116-08566	BOLT, STUD	3	
11	90116-08339	BOLT, STUD	1	
12	90116-08340	BOLT, STUD	2	
13	4BR-11363-00	BOLT, CYLINDER HOLDING 3	1	
14	4G0-11364-00	BOLT, CYLINDER HOLDING 4	2	
15	4G0-11363-00	BOLT, CYLINDER HOLDING 3	2	
16	93210-09350	O-RING	1	
17	90338-48229	PLUG	1	UR
	4BR-15167-10	PLUG, BLIND 1	1	AP
18	95817-08100	BOLT, FLANGE	10	
19	90201-094G1	WASHER, PLATE	10	
20	95817-08080	BOLT, FLANGE	1	
21	95817-06135	BOLT, FLANGE	1	
22	95817-06095	BOLT, FLANGE	2	
23	95817-06065	BOLT, FLANGE	6	
24	90430-06166	GASKET	1	
25	95817-06055	BOLT, FLANGE	3	
26	95817-06045	BOLT, FLANGE	9	
27	95817-06040	BOLT, FLANGE	1	

FIG. 12 CRANKCASE



REF. NO.	PART NO.	DESCRIPTION	Q'TY	REMARKS
28	95817-06035	BOLT, FLANGE	1	
29	4BR-15381-00	PLATE, BEARING COVER	1	
30	91317-06016	BOLT	2	
31	4G0-15163-01	HOUSING, BEARING 1	1	
32	93210-48460	O-RING	1	
33	4G0-15383-00	PLATE, BEARING COVER	1	
34	90151-06014	SCREW, COUNTERSUNK	2	
35	3KM-15189-00	PLUG	2	
36	93210-20573	O-RING	2	
37	4G0-15336-00	DAMPER, ENGINE MOUNT 3	1	
38	33M-15336-00	DAMPER, ENGINE MOUNT 3	1	
39	90202-15153	WASHER, PLATE	1	
40	4G0-15316-00	DAMPER, ENGINE MOUNT 1	1	
41	33M-15337-00	DAMPER 4	1	
42	90202-15153	WASHER, PLATE	1	
43	90202-17211	WASHER, PLATE	1	
44	46X-15326-00	DAMPER, ENGINE MOUNT 2	1	
45	4BR-15327-00	SPACER, ENGINE MOUNT	1	
46	4G0-11592-00	TENSIONER, CHAIN	1	
47	4G0-13171-00	PIPE, DELIVERY 2	1	
48	91401-25020	PIN, COTTER	1	
49	93210-07540	O-RING	1	
50	90110-06158	BOLT, HEXAGON SOCKET HEAD	2	
51	90430-10171	GASKET	2	
52	4G0-11575-00	RELIEF VALVE ASS'Y	1	
53	4BR-11492-00	TENSIONER ARM COMP.	1	
54	90110-06158	BOLT, HEXAGON SOCKET HEAD	2	
55	90501-143A8	SPRING, COMPRESSION	1	

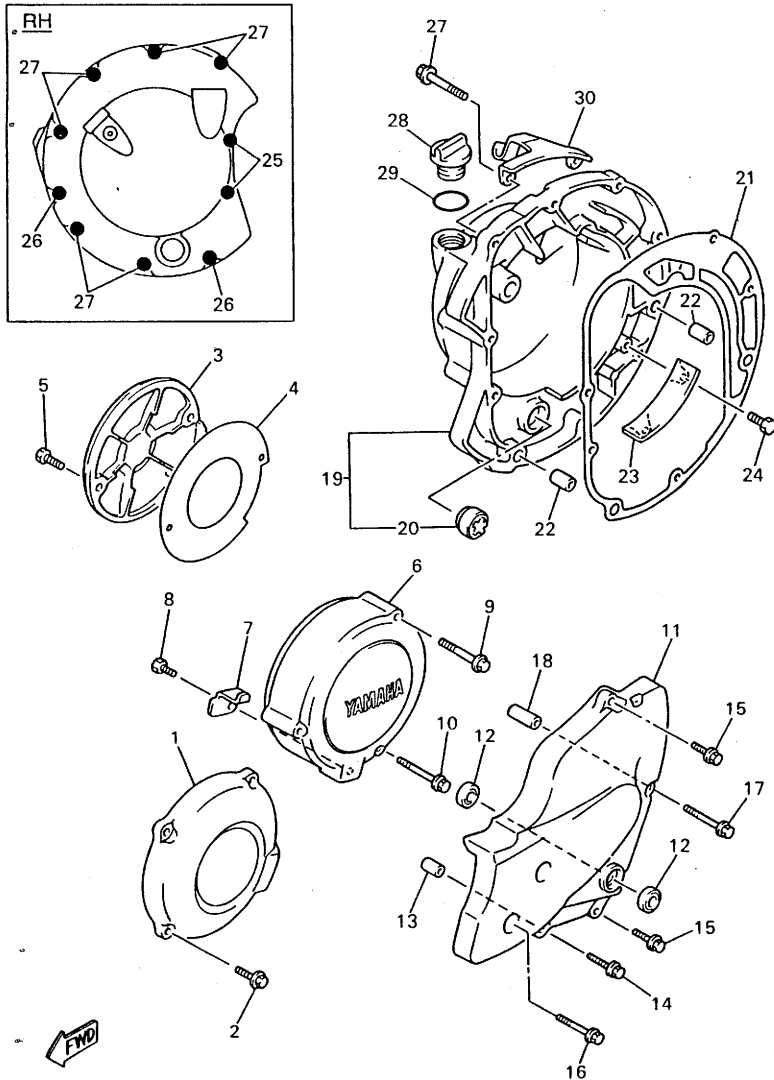
FIG. 12 CRANKCASE



REF. NO.	PART NO.	DESCRIPTION	Q'TY	REMARKS
56	46X-11597-00	PLUNGER, TENSIONER	1	
57	90462-08087	CLAMP	1	
58	90465-10290	CLAMP	1	
59	90387-125Y2	COLLAR	1	

4HK010-3120

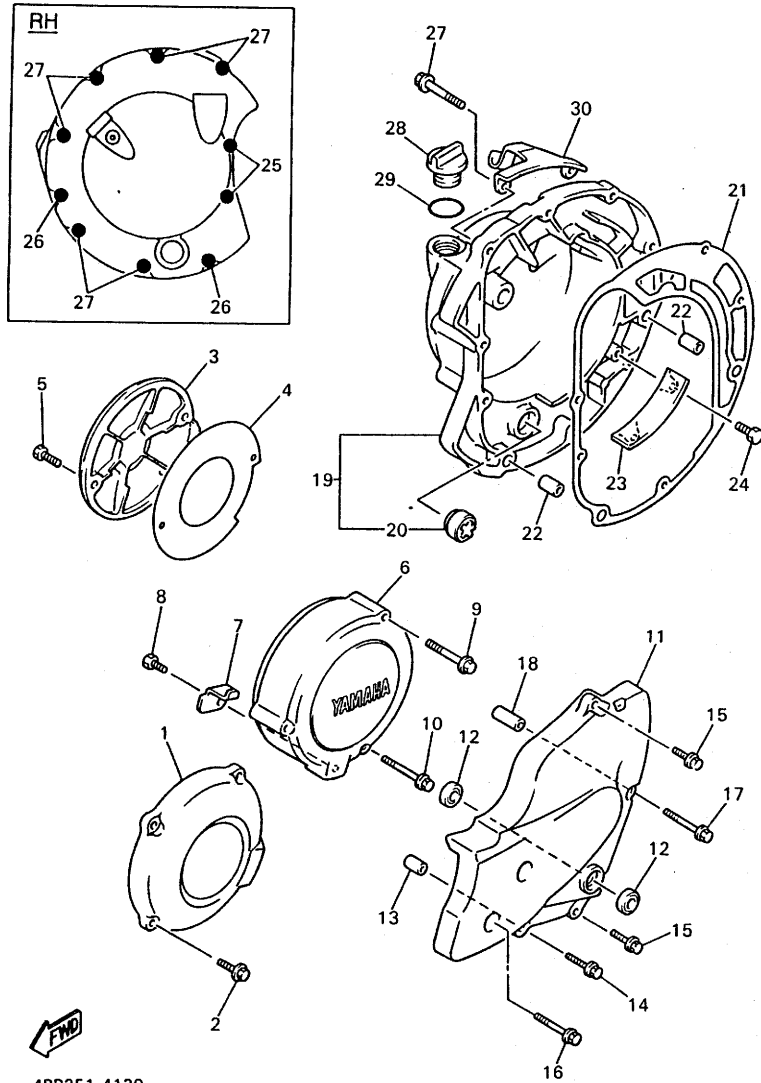
FIG. 13 CRANKCASE COVER 1



REF. NO.	PART NO.	DESCRIPTION	Q'TY	REMARKS
1	4BR-15410-00	CRANKCASE COVER ASSY 1	1	
2	95027-06020	BOLT, FLANGE	4	
3	4BR-15420-10	CRANKCASE COVER ASSY 2	1	
4	4BR-15463-00	GASKET, CARBURETOR COVER 2	1	
5	90111-06005	BOLT	2	
6	4BR-15415-00	COVER, GENERATOR	1	
7	4BR-15484-00	CLAMP 2	1	
8	91317-06010	BOLT	1	
9	95027-06065	BOLT, FLANGE	2	
10	90105-06671	BOLT, WASHER BASED	1	
11	4BR-15411-00	COVER, CRANKCASE 1	1	
12	93109-12053	OIL SEAL (SDO 12/18/4-1)	2	
13	99530-10014	PIN, DOWEL	2	
14	95027-06035	BOLT	1	
15	95027-06030	BOLT	2	
16	95027-06055	BOLT, FLANGE	2	
17	95027-06065	BOLT, FLANGE	1	
18	90387-064Y1	COLLAR	1	
19	4BR-W1543-00	CRANKCASE COVER ASSY 2	1	
20	3Y1-15361-00	GAUGE, LEVEL	1	
21	4BR-15461-00	GASKET, CRANKCASE COVER 2	1	
22	99530-10014	PIN, DOWEL	2	
23	49A-15412-00	PLATE, OIL GUIDE	1	
24	97027-06012	BOLT	2	
25	95027-06070	BOLT, FLANGE	2	
26	95027-06040	BOLT, FLANGE	2	
27	95027-06030	BOLT, FLANGE	6	
28	3F9-15362-00	PLUG, OIL LEVEL	1	

4BR351-4130

FIG. 13 CRANKCASE COVER 1



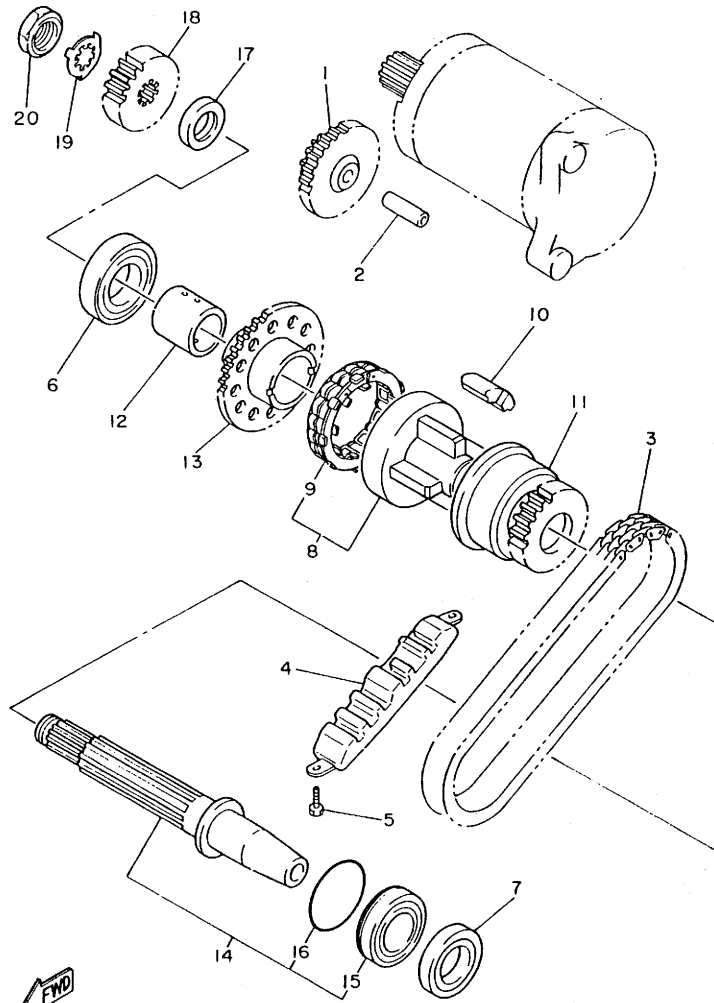
REF. NO.	PART NO.	DESCRIPTION	Q'TY	REMARKS
29	93210-27778	O-RING	1	
30	4BR-15441-00	HOLDER, CLUTCH CABLE	1	

4BR351-4130

C7

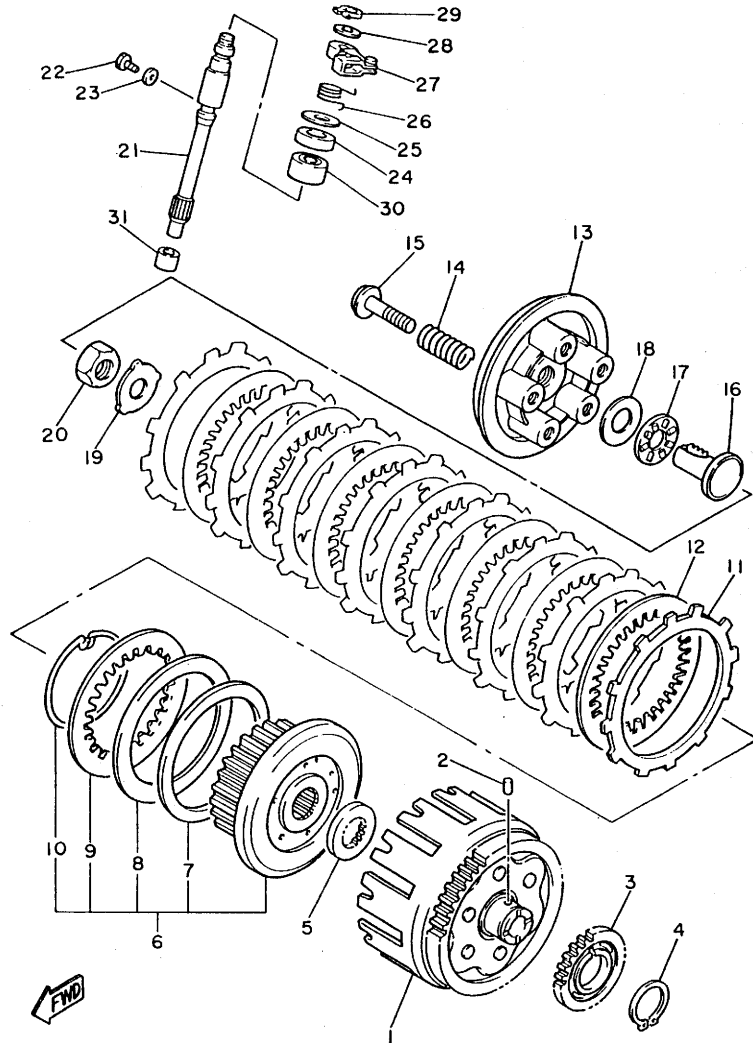
FIG. 14 STARTER CLUTCH

REF. NO.	PART NO.	DESCRIPTION	Q'TY	REMARKS
1	4BP-15512-00	GEAR, IDLER 1	1	
2	33M-15521-00	SHAFT 1	1	
3	4BR-16139-00	CHAIN, PRIMARY	1	
4	4BR-11474-00	GUIDE, UPPER	1	
5	97007-06014	BOLT	2	
6	93306-30525	BEARING (B6305)	1	
7	93102-25253	OIL SEAL	1	
8	4BR-15570-00	STARTER CLUTCH ASSY	1	
9	4BR-15580-01	STARTER CLUTCH OUTER ASSY	1	
10	4BR-16155-00	ABSORBER 1	4	
11	4BR-11537-00	GEAR, DRIVEN	1	
12	90387-253Y6	COLLAR	1	
13	4BP-15517-00	GEAR, IDLER 2	1	
14	4G0-11406-00	SHAFT ASSY	1	
15	93306-20545	BEARING	1	
16	93210-47440	O-RING	1	
17	90387-2103N	COLLAR	1	
18	4U8-16111-00	GEAR, PRIMARY DRIVE (28T)	1	
19	90215-19226	WASHER, LOCK	1	
20	90179-16319	NUT	1	



4BR351-2140

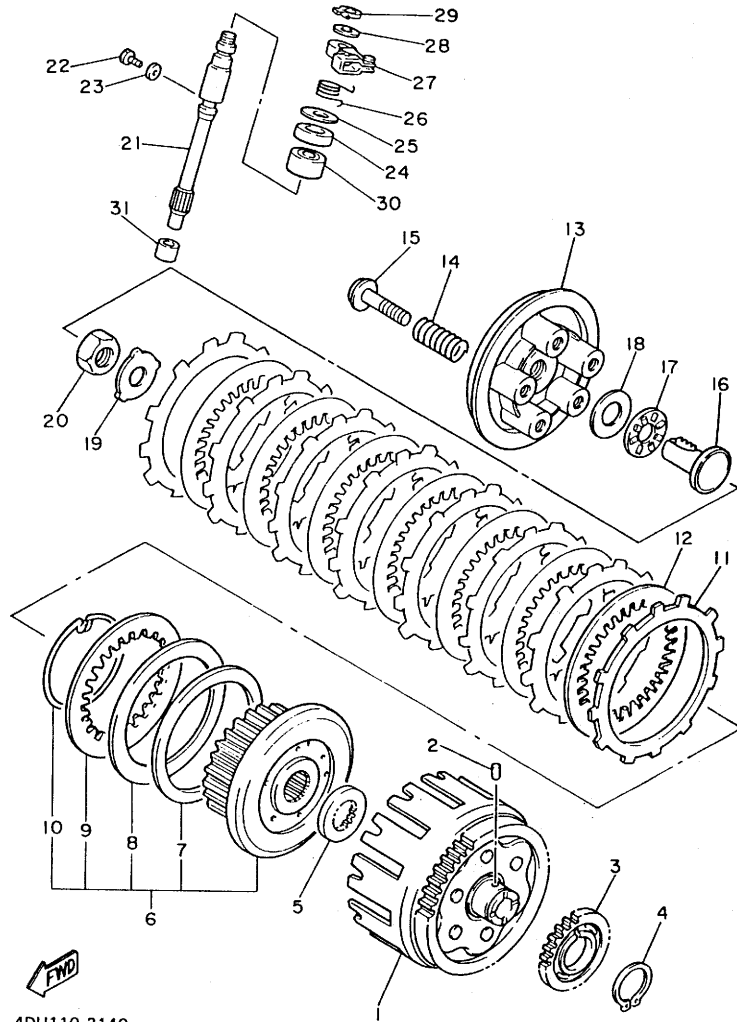
FIG. 15 CLUTCH



4DU110-3140

REF. NO.	PART NO.	DESCRIPTION	Q'TY	REMARKS
1	4U8-16170-01	PRIMARY DRIVEN GEAR COMP(65T)	1	
2	93605-10108	PIN, DOWEL	1	
3	4G0-13324-09	GEAR, PUMP DRIVE	1	
4	93410-40059	CIRCLIP	1	
5	3Y1-16154-00	PLATE, THRUST 1	1	
6	4BR-16370-00	CLUTCH BOSS ASSY	1	
7	1J7-16384-00	PLATE, SEAT	1	
8	1J7-16383-01	SPRING, CLUTCH BOSS	1	
9	168-16324-00	PLATE, CLUTCH 1	1	
10	1J7-16385-00	RING, CLUTCH BOSS	1	
11	4H7-16321-01	PLATE, FRICTION	8	
12	4H7-16325-00	PLATE, CLUTCH 2	7	
13	4BR-16351-00	PLATE, PRESSURE 1	1	
14	90501-23391	SPRING, COMPRESSION	5	
15	90159-06092	SCREW, WITH WASHER	5	
16	3LD-1637A-01	ROD PUSH ASSY	1	
17	93340-21505	BEARING, THRUST	1	
18	90201-150H2	WASHER, PLATE	1	
19	90215-20231	WASHER, LOCK	1	
20	90170-20327	NUT	1	
21	3JD-16382-00	AXLE, PUSH LEVER	1	
22	90109-06778	BOLT	1	
23	90430-06014	GASKET	1	
24	93102-15212	OIL SEAL	1	
25	90201-15785	WASHER, PLATE	1	
26	90508-142A8	SPRING, TORSION	1	
27	4BR-16340-00	PUSH LEVER ASSY	1	
28	90201-10119	WASHER, PLATE	1	

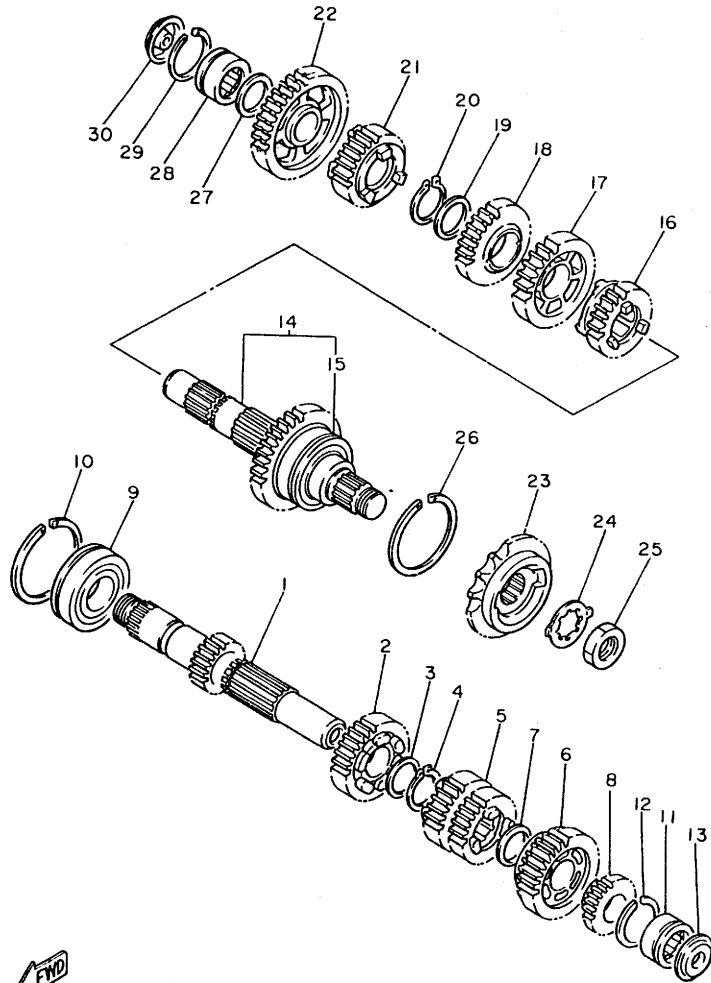
FIG. 15 CLUTCH



REF. NO.	PART NO.	DESCRIPTION	Q'TY	REMARKS
29	99009-10400	CIRCLIP	1	
30	93315-31502	BEARING, CYLINDRICAL	1	
31	93315-10838	BEARING, CYLINDRICAL	1	

4DU110-3140

FIG. 16 TRANSMISSION



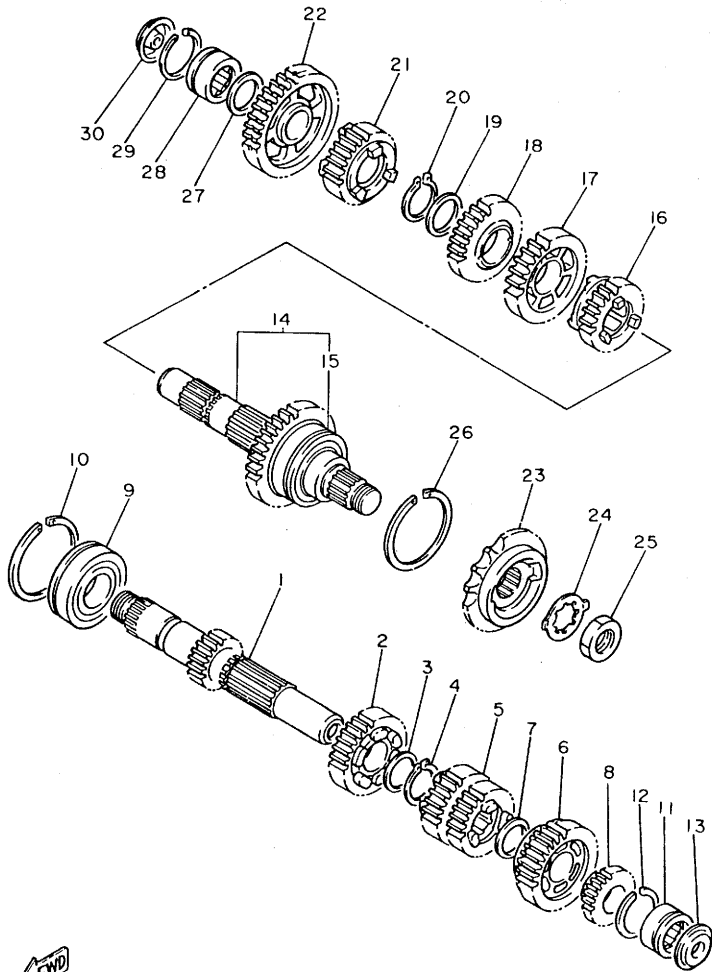
4BP010-1160

REF. NO.	PART NO.	DESCRIPTION	Q'TY	REMARKS
1	4BR-17411-00	AXLE, MAIN (15T)	1	
2	4BR-17151-00	GEAR, 5TH PINION (23T)	1	
3	90209-22191	WASHER	1	
4	93440-25084	CIRCLIP	1	
5	4BR-17131-00	GEAR, 3RD PINION (27T)	1	
6	4BR-17161-02	GEAR, 6TH PINION (28T)	1	
7	90201-200K3	WASHER, PLATE	1	
8	4BR-17121-00	GEAR, 2ND PINION (18T)	1	
9	93306-30530	BEARING (6305NC3)	1	
10	278-17424-01	CIRCLIP 1	1	
11	93311-42045	BEARING (20NG3315NE)	1	
12	278-17425-00	CIRCLIP 2	1	
13	4G0-17433-01	NOZZLE	1	
14	4BR-17402-01	DRIVE AXLE ASSY	1	
15	93102-35109	OIL SEAL (SD-35-62-6 HS)	1	
16	4BR-17261-00	GEAR, 6TH WHEEL (23T)	1	
17	4BR-17231-00	GEAR, 3RD WHEEL (28T)	1	
18	4BR-17241-00	GEAR, 4TH WHEEL (29T)	1	
19	90209-22191	WASHER	1	
20	93440-25084	CIRCLIP	1	
21	4BR-17251-01	GEAR, 5TH WHEEL (21T)	1	
22	4BR-17211-00	GEAR, 1ST WHEEL (41T)	1	
23	4BR-17460-00	SPROCKET, DRIVE (16T)	1	
24	90215-23265	WASHER, LOCK	1	
25	90179-18552	NUT	1	
26	278-17424-01	CIRCLIP 1	1	
27	90201-20276	WASHER, PLATE (1.0T)	1	
28	93311-42045	BEARING (20NG3315NE)	1	

FIG. 16 TRANSMISSION

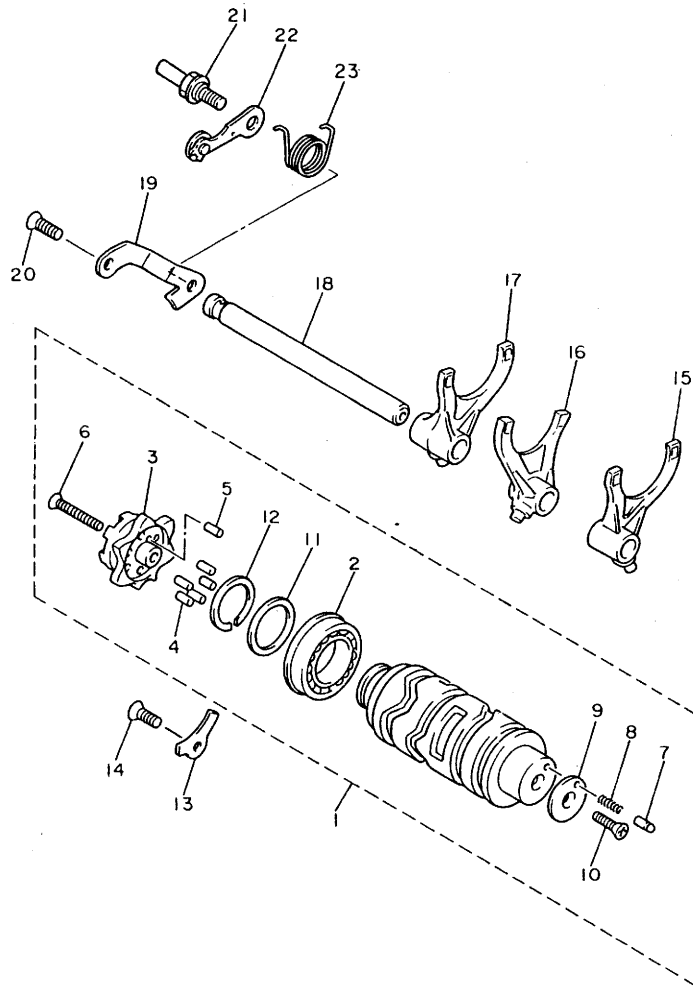
REF. NO.	PART NO.	DESCRIPTION	Q'TY	REMARKS
----------	----------	-------------	------	---------

29	278-17425-00	CIRCLIP 2	1	
30	4G0-17433-01	NOZZLE	1	



4BP010-1160

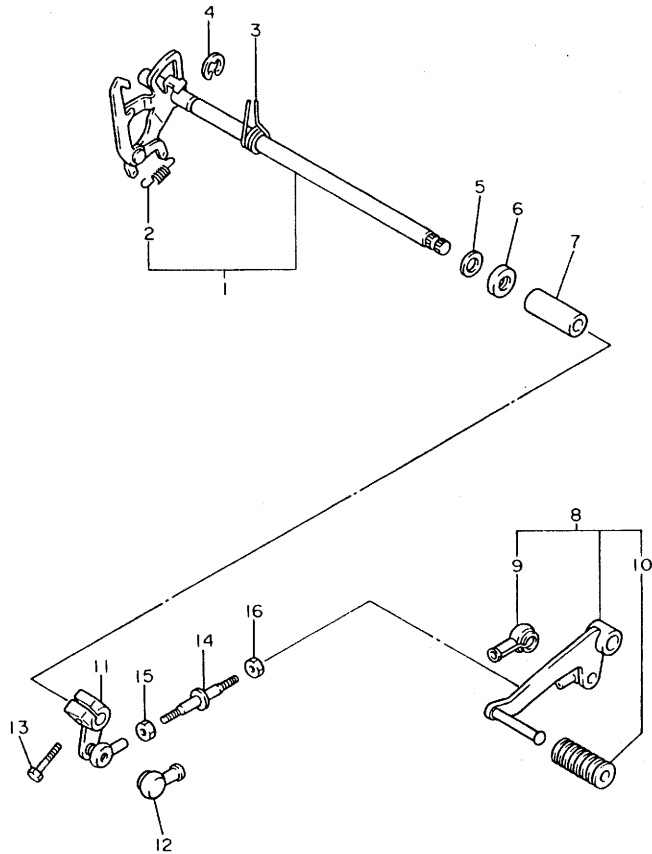
FIG. 17 SHIFT CAM • FORK



4BP010-1170

REF. NO.	PART NO.	DESCRIPTION	Q'TY	REMARKS
1	4BR-18540-01	SHIFT CAM ASSY	1	
2	93306-90503	•BEARING	1	
3	4BR-18185-00	•SEGMENT	1	
4	93604-12037	•PIN, DOWEL	5	
5	93604-10011	•PIN, DOWEL	1	
6	90151-06013	•SCREW, COUNTERSUNK	1	
7	278-18542-00	•POINT, NEUTRAL	1	
8	90501-06022	•SPRING, COMPRESSION	1	
9	278-18566-00	•PLATE, SIDE 2	1	
10	98707-05016	•SCREW, FLAT HEAD	1	
11	117-15644-00	•SHIM	1	
12	93440-25084	•CIRCLIP	1	
13	49A-15383-00	PLATE, BEARING COVER	1	
14	98707-06016	SCREW, FLAT HEAD	1	
15	4BR-18511-00	FORK, SHIFT 1	1	
16	4BR-18512-00	FORK, SHIFT 2	1	
17	4BR-18513-00	FORK, SHIFT 3	1	
18	4BR-18531-00	BAR, SHIFT FORK GUIDE 1	1	
19	4BR-18536-00	STOPPER, SHIFT BAR	1	
20	98707-06016	SCREW, FLAT HEAD	1	
21	4BR-18127-00	STOPPER, SCREW	1	
22	4BR-18140-00	STOPPER LEVER ASSY	1	
23	90508-241A9	SPRING, TORSION	1	

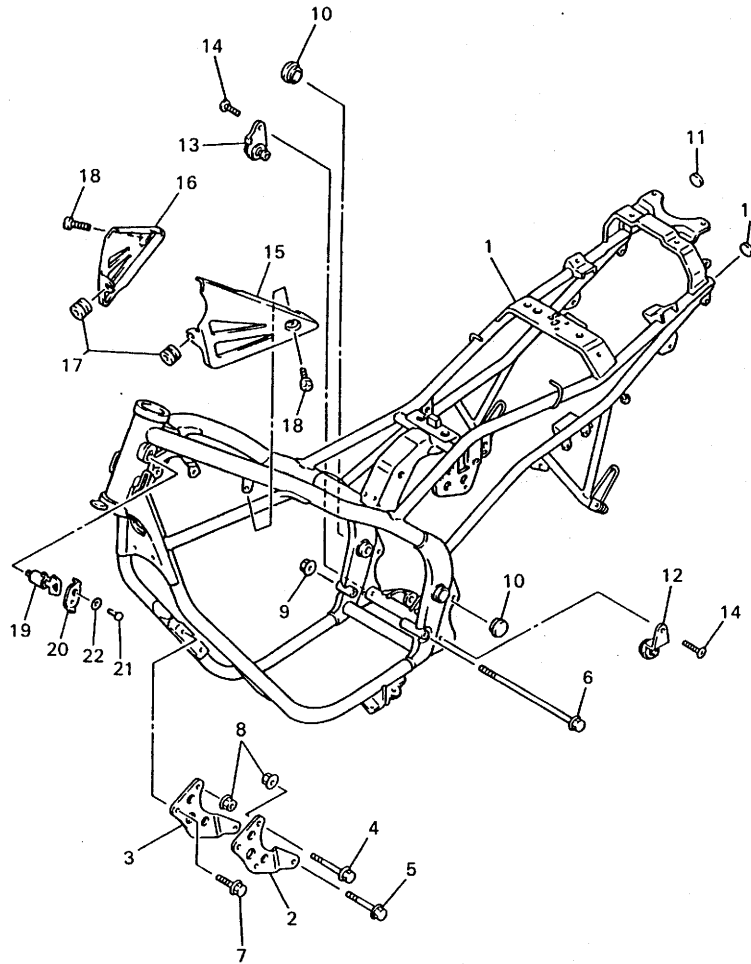
FIG. 18 SHIFTER



REF. NO.	PART NO.	DESCRIPTION	Q'TY	REMARKS
1	4BR-18120-00	SHIFT LEVER ASSY	1	
2	90506-08227	.SPRING, TENSION	1	
3	90508-292A0	SPRING, TORSION	1	
4	99006-10600	CIRCLIP	1	
5	90201-127J6	WASHER, PLATE	1	
6	93102-12106	OIL SEAL	1	
7	90560-12211	SPACER	1	
8	4BR-18110-00	SHIFT PEDAL ASSY	1	
9	2H9-18154-00	.COVER, DUST	1	
10	132-18113-01	.COVER, SHIFT PEDAL	1	
11	4BR-18112-00	ARM, SHIFT	1	
12	2H9-18154-00	COVER, DUST	1	
13	97027-06020	BOLT	1	
14	26H-18115-00	ROD, SHIFT	1	
15	95304-06700	NUT	1	
16	90170-06228	NUT(COUNTER CLOCKWISE)	1	

FWD
4BP010-1180

FIG. 19 FRAME



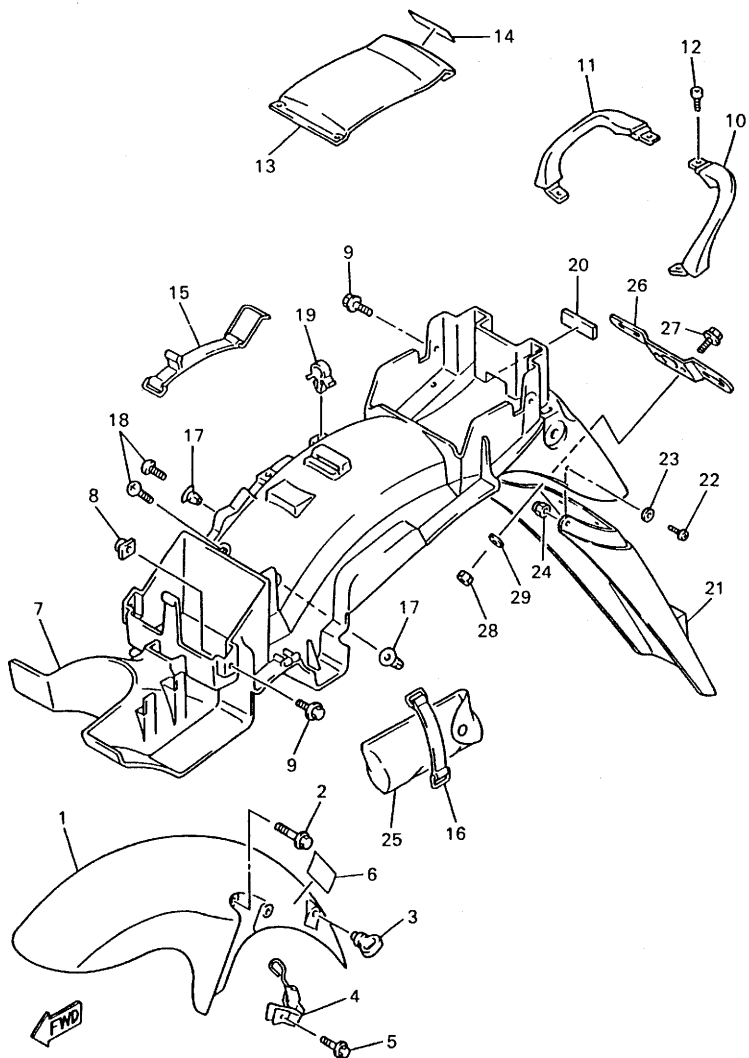
REF. NO.	PART NO.	DESCRIPTION	Q'TY	REMARKS
1	4KE-21110-00-P0	FRAME COMP.	1	UR REDDISH YELLOW COCKTAIL 1 UR YAMAHA BLACK
	4KE-21110-00-33	FRAME COMP.	1	
2	4BP-21315-00	STAY, ENGINE 2	1	
3	4BP-21316-00	STAY, ENGINE 3	1	
4	90105-10253	BOLT, WASHER BASED	2	
5	95817-10050	BOLT, FLANGE	2	
6	90105-12523	BOLT, WASHER BASED	1	
7	95827-10016	BOLT, FLANGE	4	
8	90179-10247	NUT	4	
9	90179-12421	NUT	1	
10	3SX-2135F-00	COVER	2	
11	3YJ-24481-00	PLUG	2	
12	4BP-21445-00	STAY, MUFFLER 1	1	
13	4BP-21446-00	STAY, MUFFLER 2	1	
14	90157-08117	SCREW, PAN HEAD	2	
15	4BP-2117F-00	COVER	1	
16	4BP-2117M-00	COVER 2	1	
17	90480-12320	GROMMET	2	
18	90149-06298	SCREW	2	
19	*	STEERING LOCK ASSY	1	LM
20	134-23484-10	CAP, HANDLE LOCK	1	
21	90269-04003	RIVET	1	
22	90208-04029	WASHER, CONICAL SPRING	1	



4KE351-4190

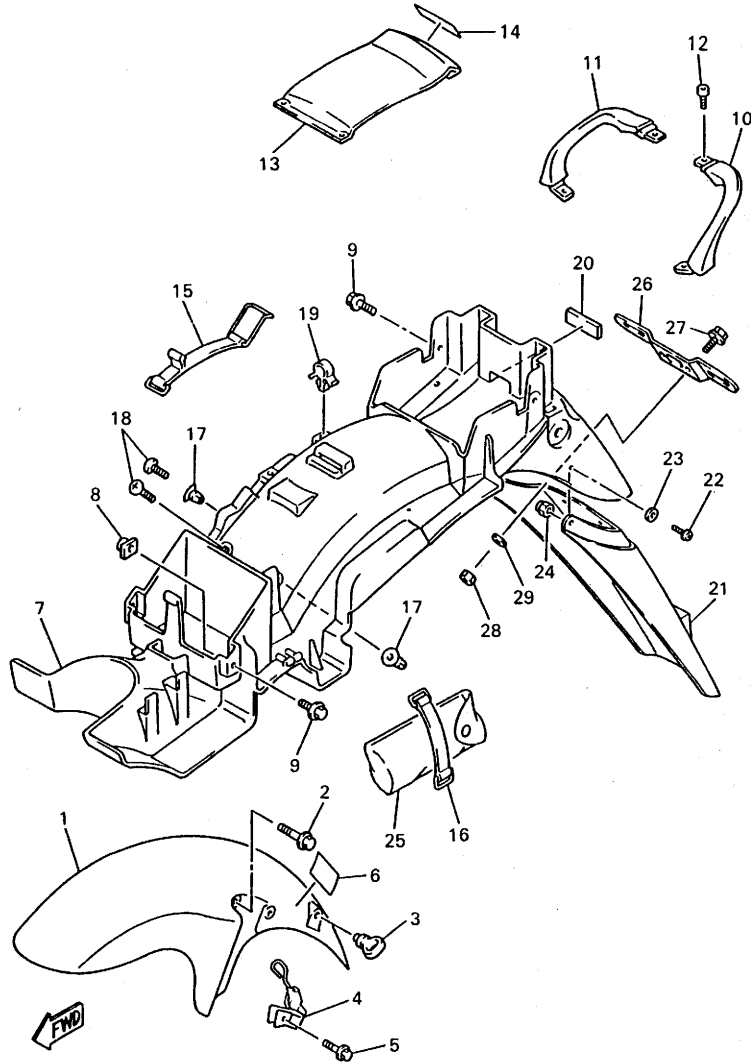
FIG. 20 FENDER

REF. NO.	PART NO.	DESCRIPTION	Q'TY	REMARKS
1	4BP-21510-00-P4	FRONT FENDER COMP.	1	UR REDDISH YELLOW COCKTAIL 1 UR BLACK 2
	4BP-21510-00-4B	FRONT FENDER COMP.	1	
2	95027-06016	BOLT	4	
3	1A8-21518-00	HOLDER, CABLE	1	
4	4BP-25875-01	HOLDER, BRAKE HOSE 1	1	
5	95027-06025	BOLT	1	
6	1JK-21735-00	JOINT 2	1	
7	4BR-21611-00	FENDER, REAR	1	
8	31A-14477-00	PLATE	2	
9	90119-06043	BOLT, WITH WASHER	4	
10	4BP-21644-00	STAY, REAR	1	
11	4BP-21645-00	STAY, REAR	1	
12	90109-060E9	BOLT	4	
13	4BP-21651-00-P4	COVER, REAR FENDER	1	UR REDDISH YELLOW COCKTAIL 1 UR BLACK 2
	4BP-21651-00-4B	COVER, REAR FENDER	1	
14	3WF-2153E-70	EMBLEM, YAMAHA	1	UR FOR RYC1
	3WF-2153E-60	EMBLEM, YAMAHA	1	UR FOR BL2
15	4BP-82131-00	BAND, BATTERY	1	
16	120-82131-00	BAND, BATTERY	1	
17	90338-08226	PLUG	4	
18	97707-60016	SCREW, TAPPING	4	
19	90464-15157	CLAMP	1	
20	8U9-77162-00	STRIP, WEATHER 2	1	
21	4BR-21621-00	FLAP	1	
22	90149-04278	SCREW	4	
23	90201-04325	WASHER, PLATE	4	
24	95607-04100	NUT, U	4	
25	1HX-28100-01	TOOL KIT	1	



4KE351-5200

FIG. 20 FENDER

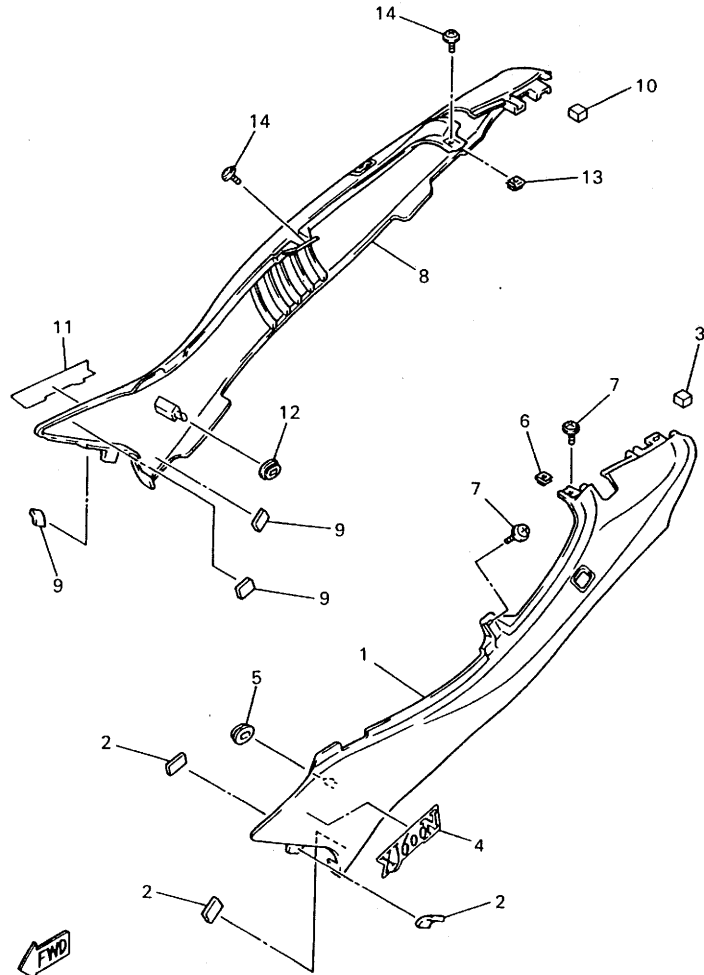


4KE351-5200

REF. NO.	PART NO.	DESCRIPTION	Q'TY	REMARKS
26	3YF-84751-00	BRACKET, LICENSE	1	
27	95027-06016	BOLT, FLANGE	2	
28	95607-06100	NUT, U	2	
29	90201-06059	WASHER, PLATE	2	

D3

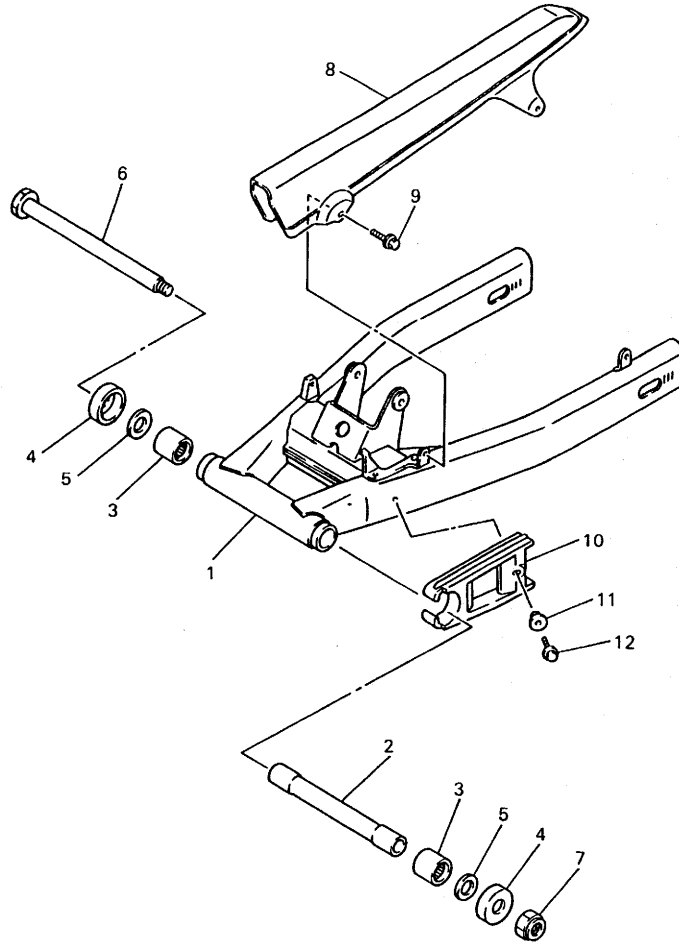
FIG. 21 SIDE COVER



REF. NO.	PART NO.	DESCRIPTION	Q'TY	REMARKS
1	4BP-21711-01-P4	COVER, SIDE 1	1	UR REDDISH YELLOW COCKTAIL 1 UR BLACK 2
	4BP-21711-01-4B	COVER, SIDE 1	1	
2	18A-21778-00	DAMPER, LOCATING 1	3	
3	34M-2139X-00	DAMPER	1	
4	4KE-21781-10	EMBLEM 1	1	UR FOR RYC1
	4KE-21781-20	EMBLEM 1	1	UR FOR BL2
5	90480-01401	GROMMET	1	
6	90183-05024	NUT, SPRING	1	
7	90159-05163	SCREW, WITH WASHER	2	
8	4BP-21721-01-P4	COVER, SIDE 2	1	UR REDDISH YELLOW COCKTAIL 1 UR BLACK 2
	4BP-21721-01-4B	COVER, SIDE 2	1	
9	18A-21778-00	DAMPER, LOCATING 1	3	
10	34M-2139X-00	DAMPER	1	
11	4KE-21781-10	EMBLEM 1	1	UR FOR RYC1
	4KE-21781-20	EMBLEM 1	1	UR FOR BL2
12	90480-01401	GROMMET	1	
13	90183-05024	NUT, SPRING	1	
14	90159-05163	SCREW, WITH WASHER	2	

4KE351-4210

FIG. 22 REAR ARM



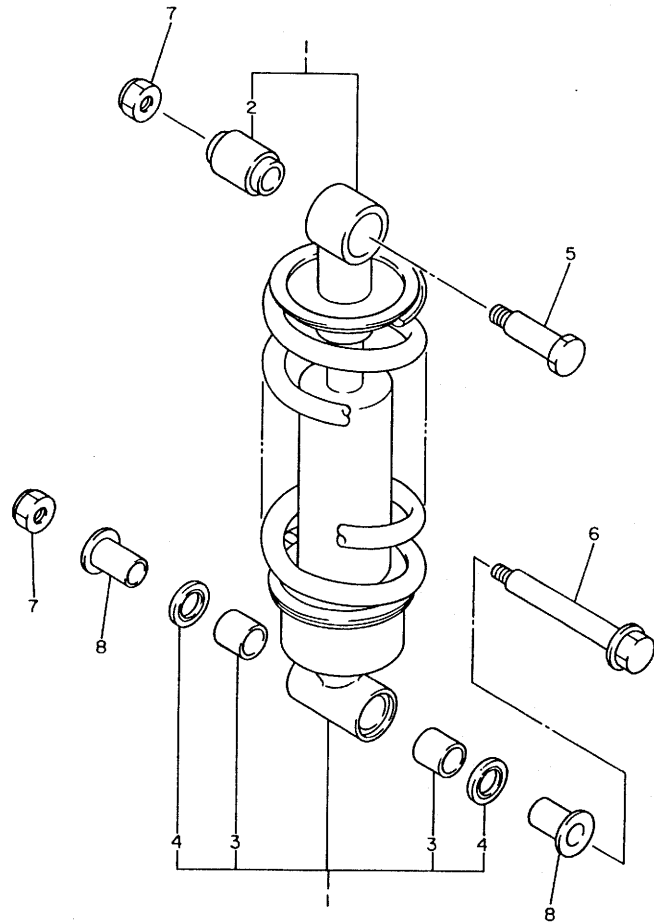
REF. NO.	PART NO.	DESCRIPTION	Q'TY	REMARKS
1	4BR-22110-01-WL	REAR ARM COMP.	1	STARDUST SILVER
2	33M-22184-00	BUSH	1	
3	93320-32403	BEARING	2	
4	4X7-22129-00	COVER, THRUST 2	2	
5	90201-161J3	WASHER, PLATE	2	
6	3LN-22141-60	SHAFT, PIVOT	1	
7	90185-14070	NUT, SELF-LOCKING	1	
8	1KT-22311-00	CASE, CHAIN	1	
9	90119-06044	BOLT, WITH WASHER	2	
10	3YX-22151-00	SEAL, GUARD	1	
11	90387-083Y8	COLLAR	1	
12	95807-06016	BOLT, FLANGE	1	



4BR351-5220

D5

FIG. 23 REAR SUSPENSION



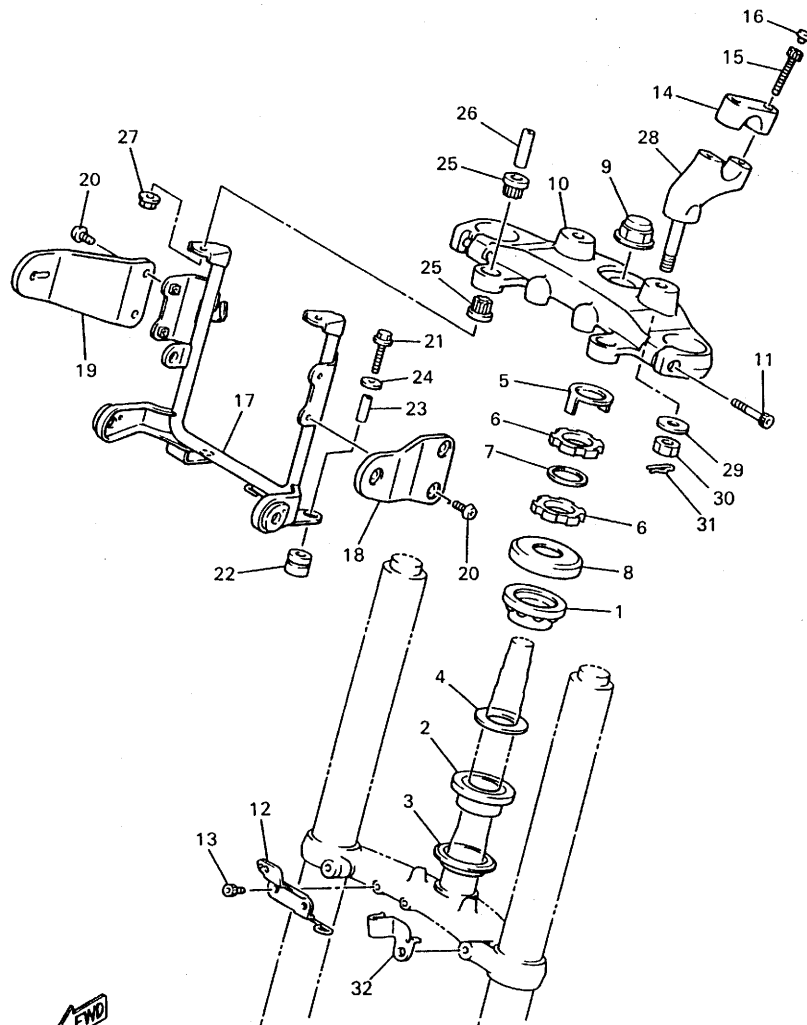
REF. NO.	PART NO.	DESCRIPTION	Q'TY	REMARKS
1	4BR-22210-01	SHOCK ABSORBER ASSY, REAR	1	
2	34L-22216-00	•BUSH, REAR SHOCK ABSORBER	1	
3	93109-18020	•OIL SEAL	2	
4	90384-18157	•BUSH, BIMETAL FORMED	2	
5	90101-12558	BOLT	1	
6	90105-12612	BOLT, WASHER BASED	1	
7	95607-12200	NUT, SELF-LOCKING	2	
8	90387-123X6	COLLAR	2	



4BP010-1230

D6

FIG. 24 STEERING

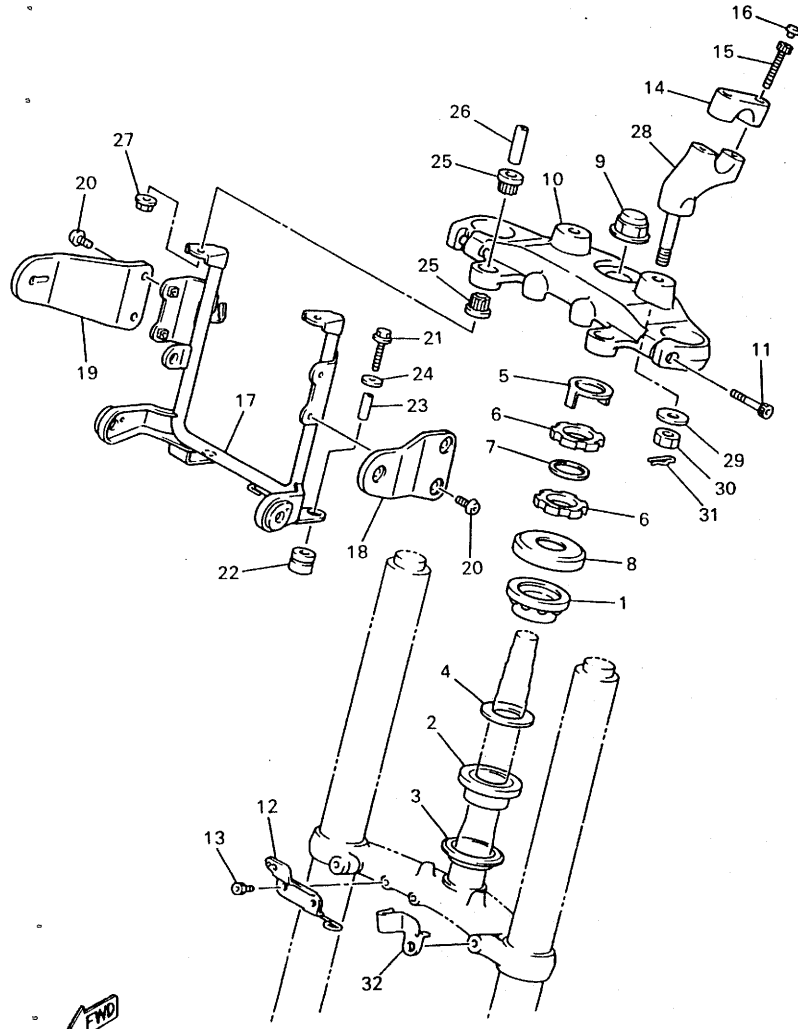


4KE351-4240

REF. NO.	PART NO.	DESCRIPTION	Q'TY	REMARKS
1	93399-99931	BEARING	1	
2	93399-99932	BEARING	1	
3	3FV-23462-00	SEAL, STEERING	1	
4	90202-24190	WASHER, PLATE	1	
5	26H-23418-01	WASHER, SPECIAL	1	
6	90179-25033	NUT	2	
7	90202-26142	WASHER, PLATE	1	
8	3HE-23416-00	COVER, BALL RACE 2	1	
9	90176-22050	NUT, CROWN	1	
10	4BP-23435-11	CROWN, HANDLE	1	
11	91317-08030	BOLT	2	
12	4BP-21343-10	BRACKET, HORN	1	
13	91317-06016	BOLT	2	
14	4H7-23441-00-P0	HOLDER, HANDLE UPPER	2	LIGHT GRAY METALLIC 1
15	91317-08030	BOLT	4	
16	341-23469-00	CAP, BOLT	4	
17	4KE-23174-00	STAY, HEADLIGHT	1	
18	1JK-23121-01	COVER, UPPER 1	1	
19	1JK-23131-01	COVER, UPPER 2	1	
20	90149-06298	SCREW	4	
21	95807-06030	BOLT, FLANGE	2	
22	90480-14105	GROMMET	2	
23	90387-06554	COLLAR	2	
24	90201-06059	WASHER, PLATE	2	
25	1JK-83541-00	DAMPER	4	
26	90387-06676	COLLAR	2	
27	95707-06500	NUT, FLANGE	2	
28	3Y6-23442-00-P0	HOLDER, HANDLE LOWER	2	LIGHT GRAY METALLIC 1

D7

FIG. 24 STEERING

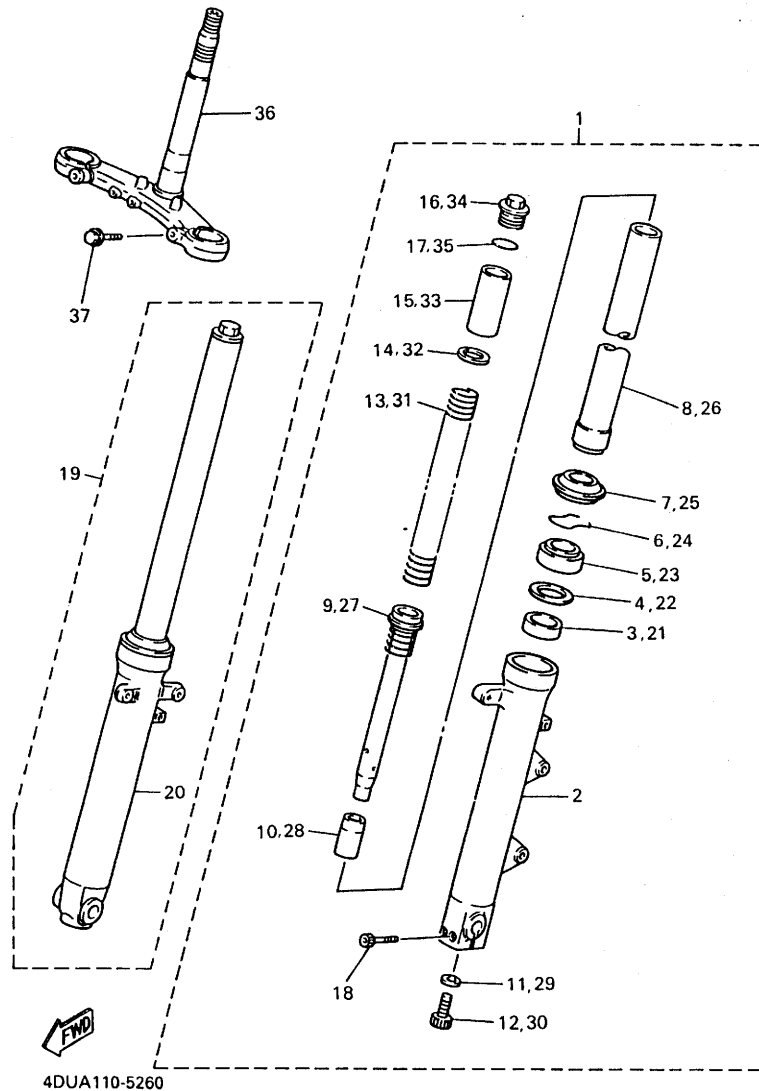


REF. NO.	PART NO.	DESCRIPTION	Q'TY	REMARKS
29	92907-10600	WASHER, PLATE	2	
30	95307-10600	NUT	2	
31	90468-12006	CLIP	2	
32	4BP-25886-10	HOLDER, BRAKE HOSE	1	

4KE351-4240

D8

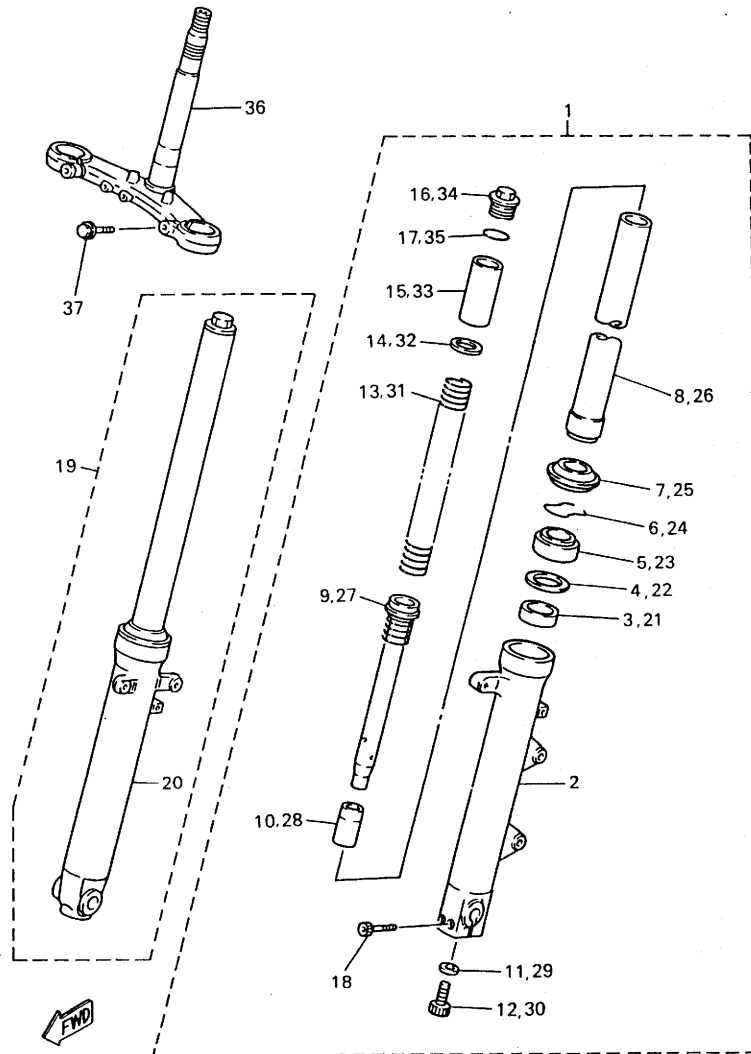
FIG. 25 FRONT FORK



REF. NO.	PART NO.	DESCRIPTION	Q'TY	REMARKS
1	4BR-23102-00	FRONT FORK ASSY (L.H)	1	
2	4BP-23126-00	•TUBE, OUTER (LEFT)	1	
3	3YX-23125-00	•METAL, SLIDE 1	1	
4	4V2-23146-L0	•WASHER, OIL SEAL	1	
5	3EN-23145-00	•OIL SEAL	1	
6	3R4-23153-00	•RING, SNAP	1	
7	3EN-23144-00	•SEAL, DUST	1	
8	3YX-23110-00	•INNER TUBE COMP.1	1	
9	4BR-23170-00	•CYLINDER COMP, FRONT FORK	1	
10	2YK-23173-00	•SPINDLE, TAPER	1	
11	509-23158-L0	•GASKET	1	
12	278-23181-50	•BOLT, HEXAGON SOCKET HEAD	1	
13	4BP-23141-00	•SPRING, FRONT FORK	1	
14	4DN-23149-40	•WASHER, SPRING UPPER	1	
15	26H-23118-00	•SPACER	1	
16	3EN-23111-00	•BOLT, CAP	1	
17	1W4-23114-L0	•GASKET	1	
18	91311-08035	•BOLT	2	
19	4BR-23103-00	FRONT FORK ASSY (R.H)	1	
20	4BP-23136-00	•TUBE, OUTER (RIGHT)	1	
21	3YX-23125-00	•METAL, SLIDE 1	1	
22	4V2-23146-L0	•WASHER, OIL SEAL	1	
23	3EN-23145-00	•OIL SEAL	1	
24	3R4-23153-00	•RING, SNAP	1	
25	3EN-23144-00	•SEAL, DUST	1	
26	3YX-23110-00	•INNER TUBE COMP.1	1	
27	4BR-23170-00	•CYLINDER COMP, FRONT FORK	1	
28	2YK-23173-00	•SPINDLE, TAPER	1	

D9

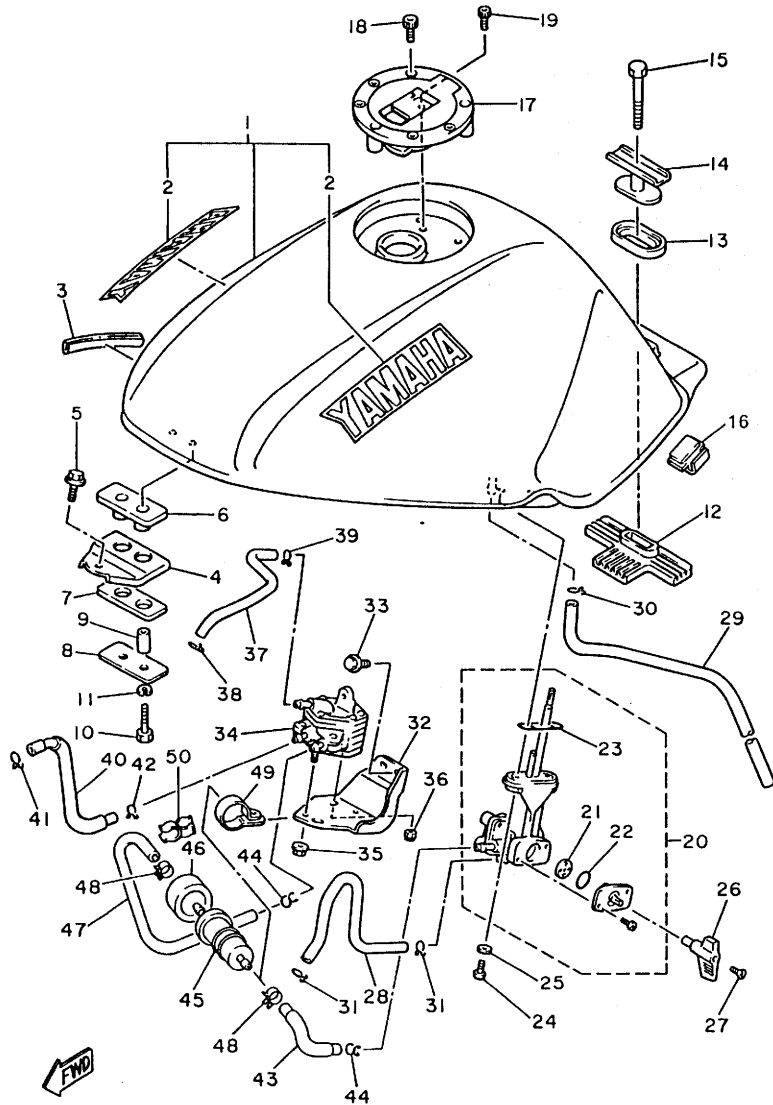
FIG. 25 FRONT FORK



4DUA110-5260

REF. NO.	PART NO.	DESCRIPTION	Q'TY	REMARKS
29	509-23158-L0	•GASKET	1	
30	278-23181-50	•BOLT, HEXAGON SOCKET HEAD	1	
31	4BP-23141-00	•SPRING, FRONT FORK	1	
32	4DN-23149-40	•WASHER, SPRING UPPER	1	
33	26H-23118-00	•SPACER	1	
34	3EN-23111-00	•BOLT, CAP	1	
35	1W4-23114-L0	•GASKET	1	
36	4KE-23340-00	UNDER BRACKET COMP.	1	
37	2NX-23356-00	BOLT 2	2	

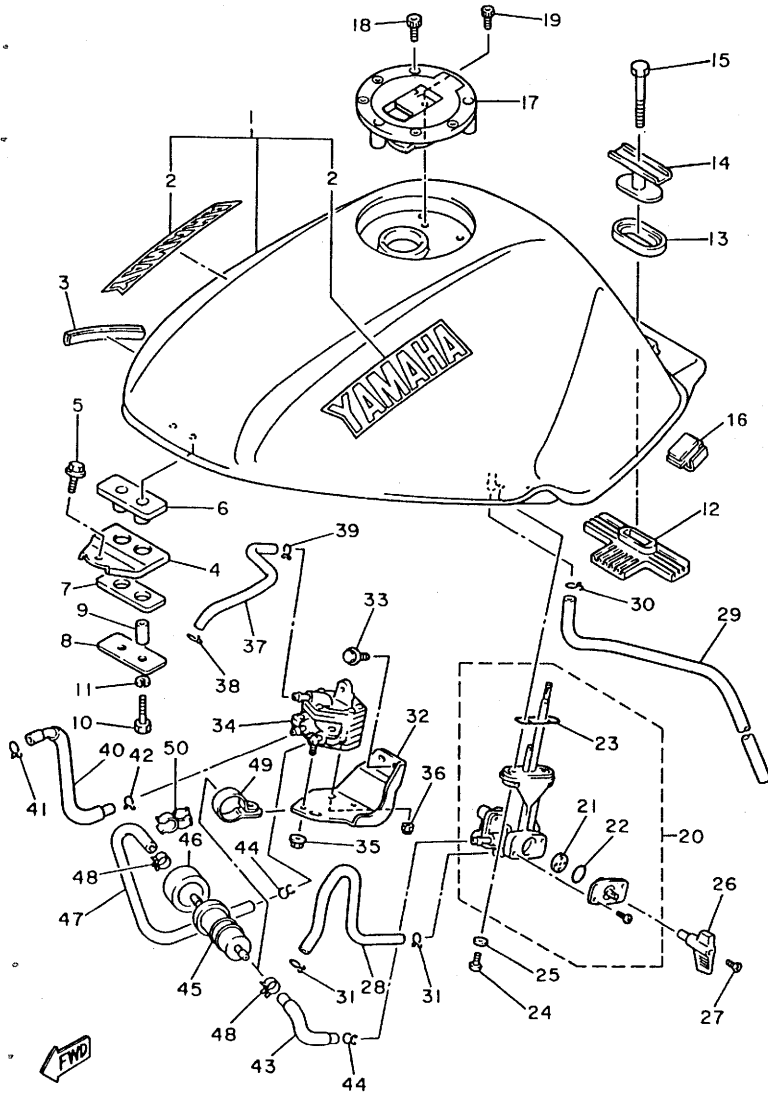
FIG. 26 FUEL TANK



4KE351-5260

REF. NO.	PART NO.	DESCRIPTION	Q'TY	REMARKS
1	4BP-24110-00-X7	FUEL TANK COMP.	1	UR BLACK 2
	4BP-24110-00-X5	FUEL TANK COMP.	1	UR REDDISH YELLOW COCKTAIL 1
2	99226-00140	·EMBLEM, YAMAHA	2	UR FOR BL2
	99227-00140	·EMBLEM, YAMAHA	2	UR FOR RYC1
3	4BP-24188-00	MOLD, FUEL TANK	1	
4	4BP-24191-00	BRACKET, FUEL TANK 1	1	
5	90119-06213	BOLT, WITH WASHER	1	
6	2GH-24181-00	DAMPER, LOCATING 1	1	
7	2GH-24183-00	DAMPER, LOCATING 3	1	
8	2GH-24186-00	WASHER, SPECIAL	1	
9	90387-06299	COLLAR	2	
10	97007-06025	BOLT	2	
11	92907-06100	WASHER	2	
12	4BP-24182-00	DAMPER, LOCATING 2	1	
13	3Y6-24183-00	DAMPER, LOCATING 3	1	
14	4BP-24186-00	WASHER, SPECIAL	1	
15	97007-08055	BOLT	1	
16	4JH-24183-00	DAMPER, LOCATING 3	2	
17	4FU-24602-00	CAP ASSY	1	
18	90110-05112	BOLT, HEXAGON SOCKET HEAD	3	
19	91317-05010	BOLT	1	
20	4BP-24500-00	FUEL COCK ASSY 1	1	
21	3AJ-24523-00	·VALVE	1	
22	3AJ-24534-00	·SEAL, COCK	1	
23	4X8-24512-00	·O-RING	1	
24	90149-06008	SCREW	2	
25	90202-05187	WASHER, PLATE	2	
26	3HE-24524-00	LEVER, COCK	1	

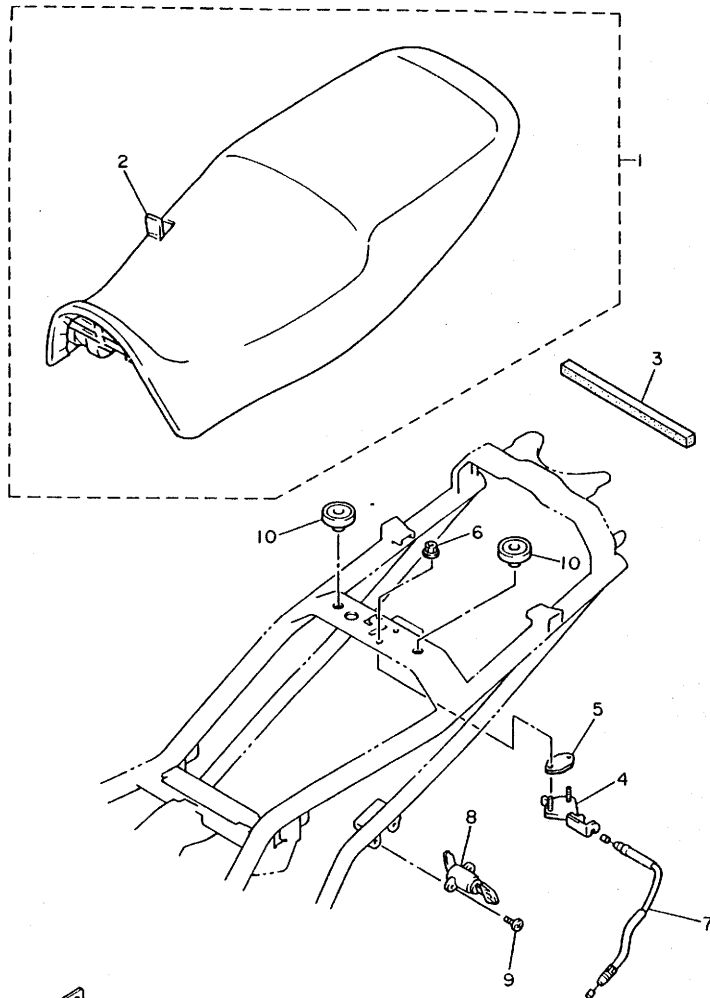
FIG. 26 FUEL TANK



4KE351-5260

REF. NO.	PART NO.	DESCRIPTION	Q'TY	REMARKS
27	98707-04018	SCREW, OVAL HEAD	1	
28	90445-09683	HOSE	1	
29	90445-103E6	HOSE	1	
30	90467-09006	CLIP	1	
31	90467-08021	CLIP	2	
32	4BP-24216-00	STAY	1	
33	95027-06014	BOLT, FLANGE	2	
34	4BR-13910-00	FUEL PUMP ASSY	1	
35	95707-05500	NUT, FLANGE	1	
36	95607-05200	NUT, SELF-LOCKING	1	
37	90445-10752	HOSE	1	
38	90467-08017	CLIP	1	
39	90467-09006	CLIP	1	
40	4BR-14294-00	HOSE	1	
41	90467-11106	CLIP	1	
42	90467-10008	CLIP	1	
43	4BR-24311-00	PIPE, FUEL 1	1	
44	90467-10008	CLIP	2	
45	1FK-24560-00	FILTER ASSY	1	
46	8Y1-21998-00	SPACER	1	
47	1HX-24312-00	PIPE 2	1	
48	90467-11044	CLIP	2	
49	4BR-24366-00	CLAMP, FUEL PIPE 1	1	
50	90464-17176	CLAMP	1	

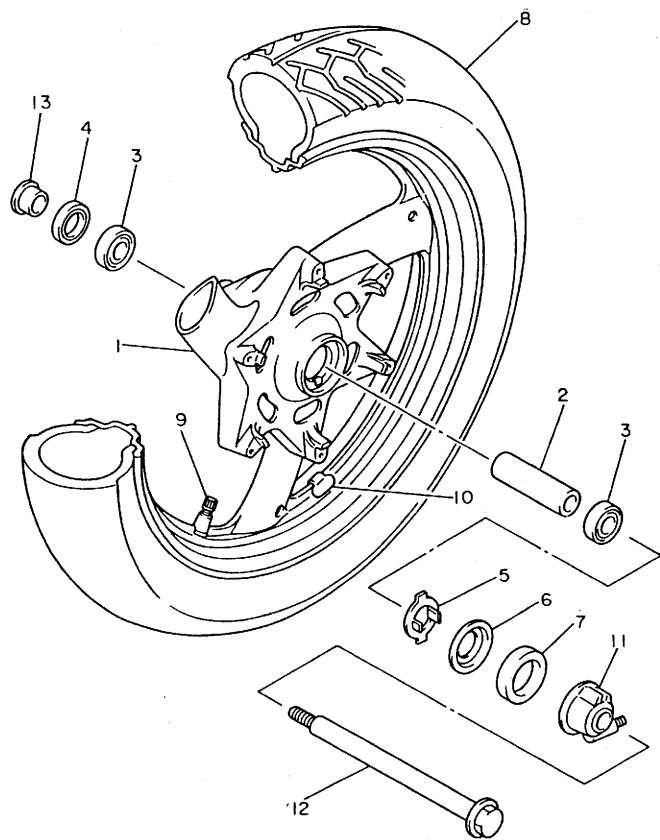
FIG. 27 SEAT



REF. NO.	PART NO.	DESCRIPTION	Q'TY	REMARKS
1	4BR-24730-00	DOUBLE SEAT ASSY	1	UR LOW GLOSS GRAY FOR RYC 1 UR YAMAHA BLACK FOR BL2
	4BR-24730-10	DOUBLE SEAT ASSY	1	
2	4BP-24731-00	-COVER, SEAT	1	UR LOW GLOSS GRAY FOR RYC 1 UR YAMAHA BLACK FOR BL2
	4BR-24731-10	-COVER, SEAT	1	
3	4BP-24737-00	DAMPER, SEAT	1	
4	4BP-24780-00	SEAT LOCK ASSY	1	
5	4BP-24792-00	PLATE	1	
6	95707-06500	NUT, FLANGE	2	
7	4BP-2478E-00	WIRE, SEAT HOOK	1	
8	3CK-W2470-00	SEAT LOCK ASSY	1	
9	90149-06228	SCREW	2	
10	22W-24741-00	PAD, SEAT	2	


4BR351-2270

FIG. 28 FRONT WHEEL

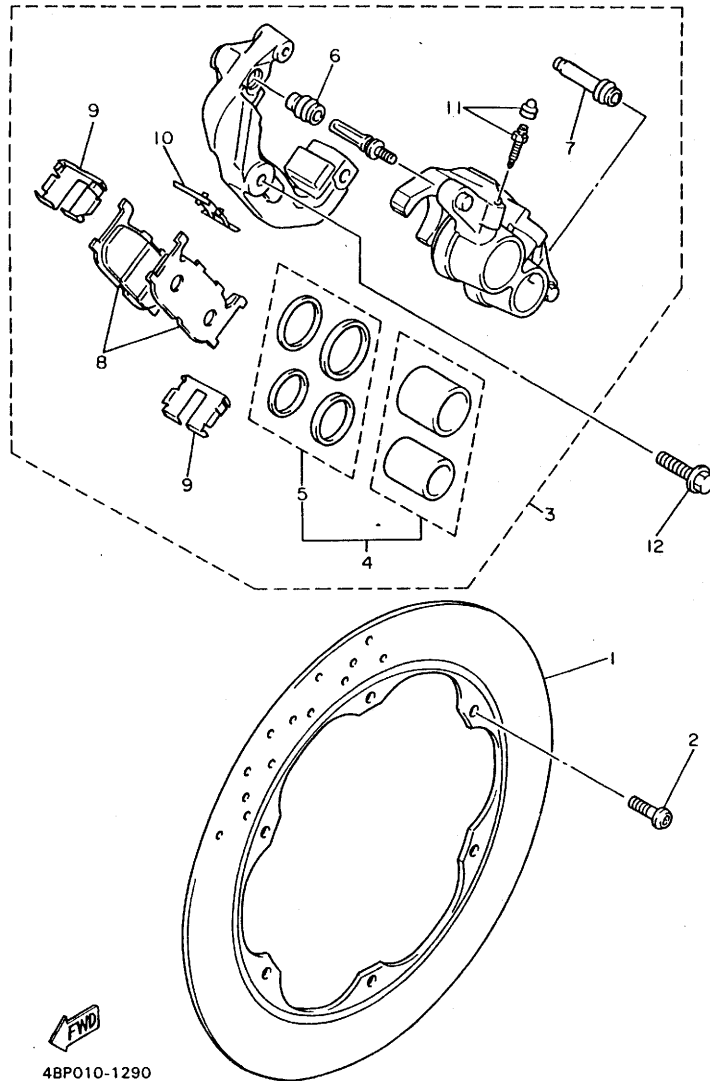


REF. NO.	PART NO.	DESCRIPTION	Q'TY	REMARKS
1	4BP-25168-00-WN	CAST WHEEL, FRONT	1	CIRCUIT SILVER
2	90560-17241	SPACER	1	
3	93306-20310	BEARING (B6203DU)	2	
4	93102-25017	OIL SEAL	1	
5	341-25149-00	CLUTCH, METER	1	
6	341-25846-00	RETAINER, CLUTCH	1	
7	93105-45017	OIL SEAL	1	
8	94111-172Y9	TIRE (110/80-17 57H K275F)	1	UR DUNLOP
	94111-173Y1	TIRE (110/80-17 57H F209)	1	UR YOKOHAMA
9	93900-00030	VALVE, RIM	1	
10	29L-25398-00	BALANCER, WHEEL (10G)	1	UR
	29L-25398-10	BALANCER, WHEEL (20G)	1	UR
	29L-25398-20	BALANCER, WHEEL (30G)	1	UR
11	3GM-25190-00	GEAR UNIT ASSY	1	
12	3GM-25181-00	AXLE, WHEEL	1	
13	90387-177Y4	COLLAR	1	



4BP010-1280

FIG. 29 FRONT BRAKE CALIPER

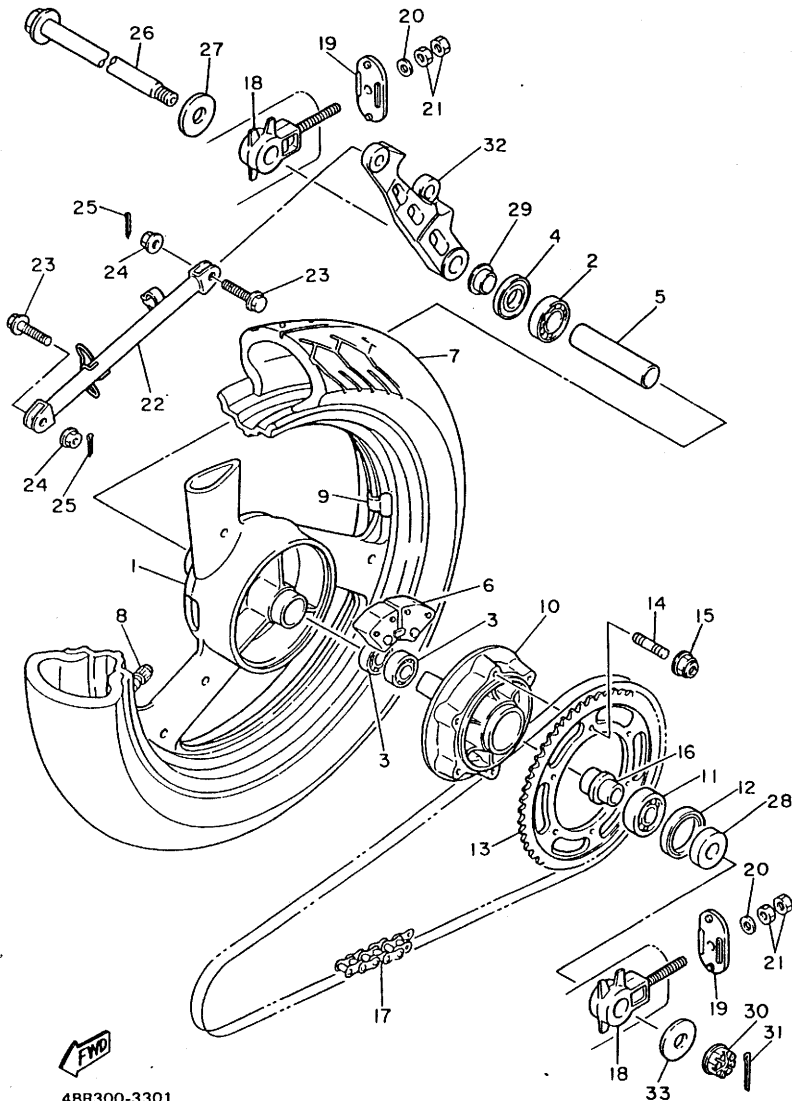


REF. NO.	PART NO.	DESCRIPTION	Q'TY	REMARKS
1	4BP-2582T-00	DISC, BRAKE	1	
2	90109-08718	BOLT	6	
3	4BP-2580T-00	CALIPER ASSY (LEFT)	1	
4	3YX-W0057-50	•PISTON ASSY, CALIPER	1	
5	3YX-W0047-50	••CALIPER SEAL KIT	1	
6	5R2-25937-00	•BOOT 2	1	
7	3YX-25937-00	•BOOT 2	1	
8	4BP-W0045-00	•BRAKE PAD KIT	1	
9	4BP-25919-00	•SUPPORT, PAD	2	
10	3YX-25929-00	•SPRING, ANTI RATTLE	1	
11	51L-W0048-00	•BREED SCREW KIT	1	
12	90105-10638	BOLT, WASHER BASED	2	



4BP010-1290

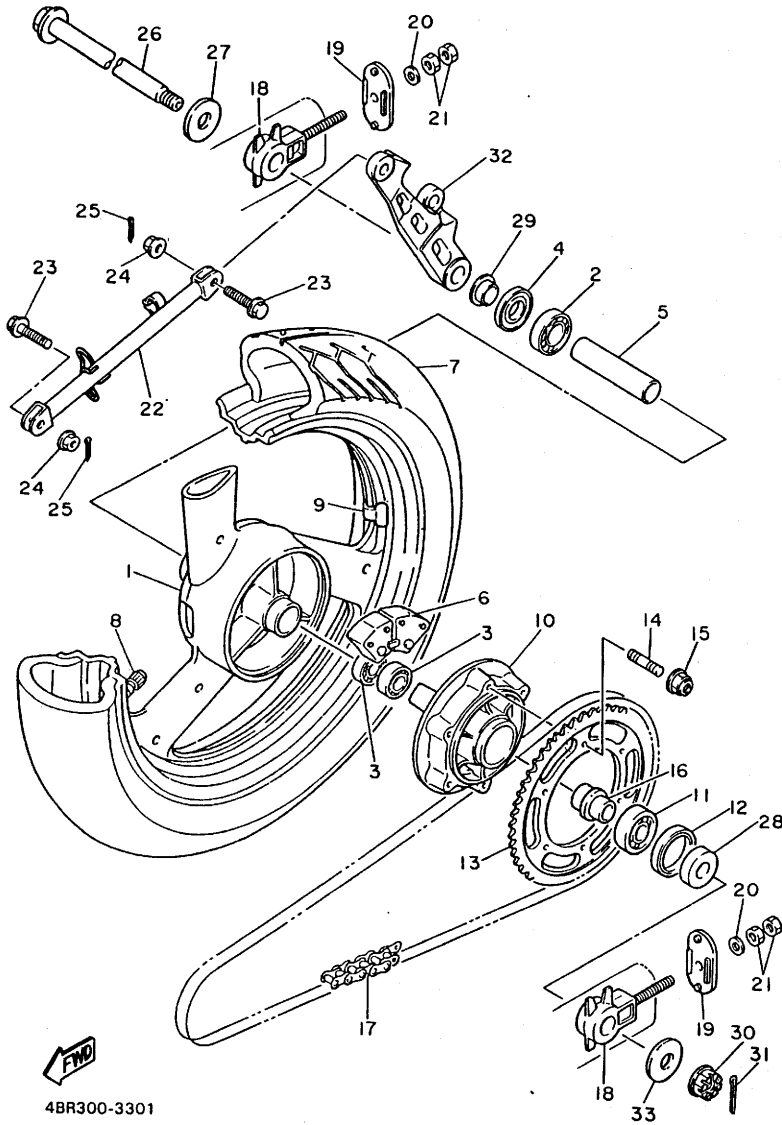
FIG. 30 REAR WHEEL



REF. NO.	PART NO.	DESCRIPTION	Q'TY	REMARKS
1	3HE-25338-00-WN	CAST WHEEL, REAR	1	CIRCUIT SILVER
2	93306-30309	BEARING (B6303ZZ)	1	
3	93306-20314	BEARING (B6203)	2	
4	93102-25044	OIL SEAL	1	
5	90387-174V8	COLLAR	1	
6	4BP-25364-00	DAMPER	3	
7	94113-183Y0	TIRE (130/70-18 63H K275)	1	UR DUNLOP
	94113-183Y2	TIRE (130/70-18 63H R209)	1	UR YOKOHAMA
8	93900-00030	VALVE, RIM	1	
9	29L-25398-00	BALANCER, WHEEL (10G)	1	UR
	29L-25398-10	BALANCER, WHEEL (20G)	1	UR
	29L-25398-20	BALANCER, WHEEL (30G)	1	UR
10	4BP-25366-00	CLUTCH, HUB	1	
11	93306-37207	BEARING	1	
12	93105-42024	OIL SEAL	1	
13	4BP-25448-20	SPROCKET, DRIVEN (48T)	1	
14	90116-10485	BOLT, STUD	6	
15	95607-10200	NUT, SELF-LOCKING	6	
16	90387-177K0	COLLAR	1	
17	94581-30110	CHAIN (DID520VL2-110LE)	1	
18	4BP-25388-00	PULLER, CHAIN 1	2	
19	3YX-22174-00	END 1	2	
20	92907-08600	WASHER, PLATE	2	
21	95307-08600	NUT	4	
22	4BR-25371-00	BAR, TENSION	1	
23	90105-08321	BOLT, WASHER BASED	2	
24	95707-08500	NUT, FLANGE	2	
25	91490-20020	PIN, COTTER	2	

FWD
4BR300-3301

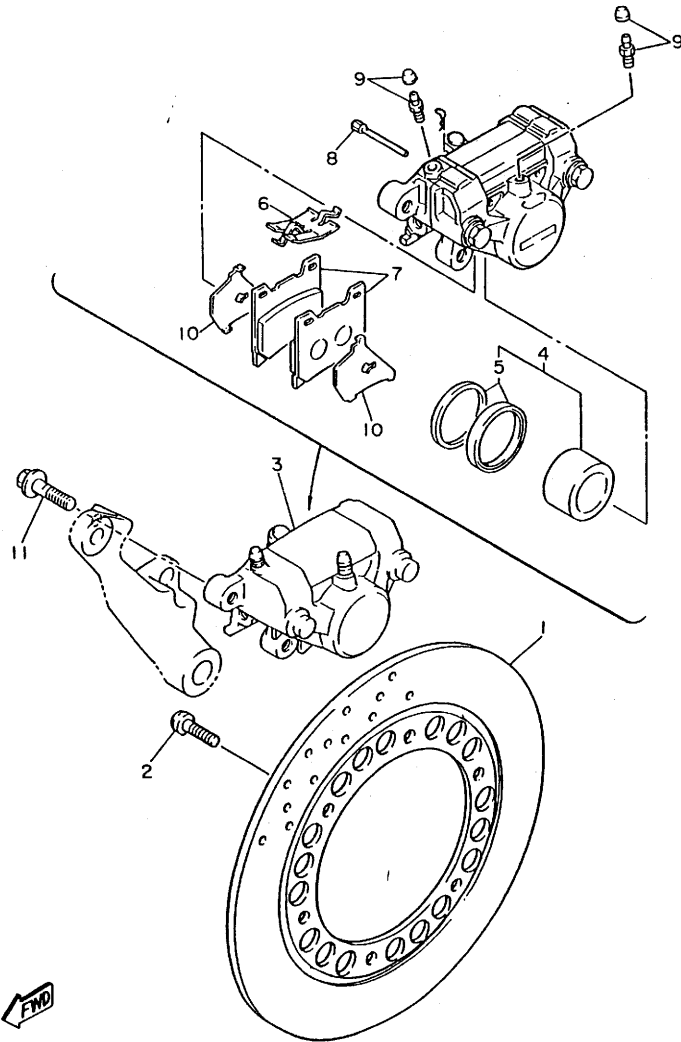
FIG. 30 REAR WHEEL



4BR300-3301

REF. NO.	PART NO.	DESCRIPTION	Q'TY	REMARKS
26	3HE-25381-00	AXLE, WHEEL	1	
27	90201-177K7	WASHER, PLATE	1	
28	90387-177Y5	COLLAR	1	
29	90387-173L5	COLLAR	1	
30	90171-16024	NUT, CASTLE	1	
31	91401-30030	PIN, COTTER	1	
32	3HE-25819-01	BRACKET, CALIPER	1	
33	90201-165L8	WASHER, PLATE	1	

FIG. 31 REAR BRAKE CALIPER

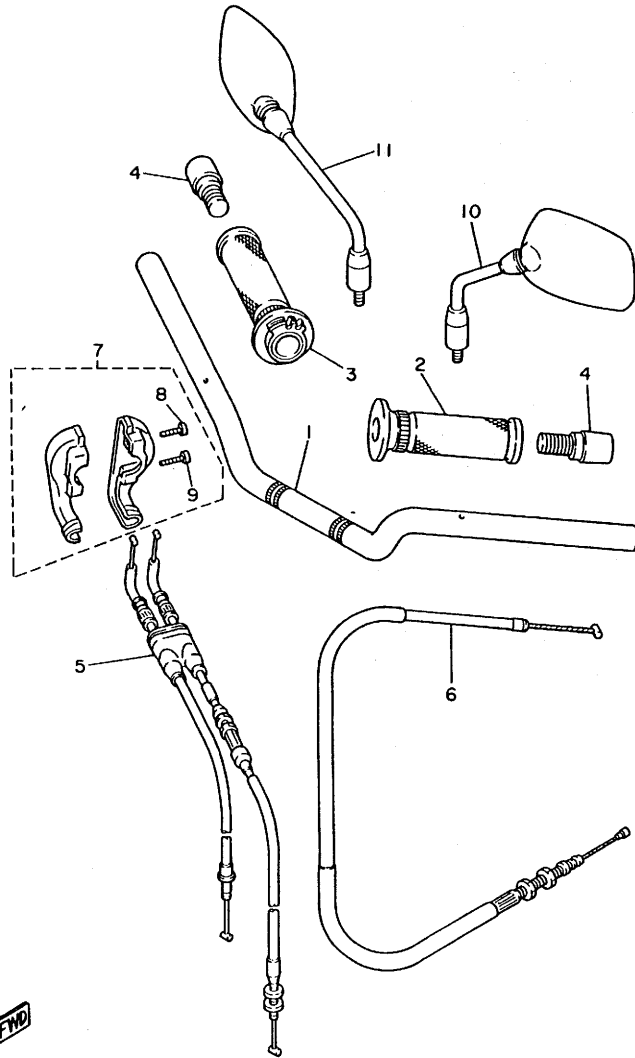


REF. NO.	PART NO.	DESCRIPTION	Q'TY	REMARKS
1	4DU-2582W-00	DISC, REAR BRAKE 2	1	
2	90109-08718	BOLT	6	
3	4BP-2580W-00	CALIPER ASSY, REAR 2	1	
4	51L-W0057-00	.PISTON ASSY, CALIPER	1	
5	51L-W0047-11	..CALIPER SEAL KIT	1	
6	3LN-25919-10	.SUPPORT, PAD	1	
7	51L-W0046-02	.BRAKE PAD KIT 2	1	
8	4FL-25924-00	.PIN, PAD	2	
9	51L-W0048-00	.BREED SCREW KIT	2	
10	4BP-25827-00	.SHIM, CALIPER	2	
11	90105-10638	BOLT, WASHER BASED	2	



4DU110-2300

FIG. 32 STEERING HANDLE • CABLE

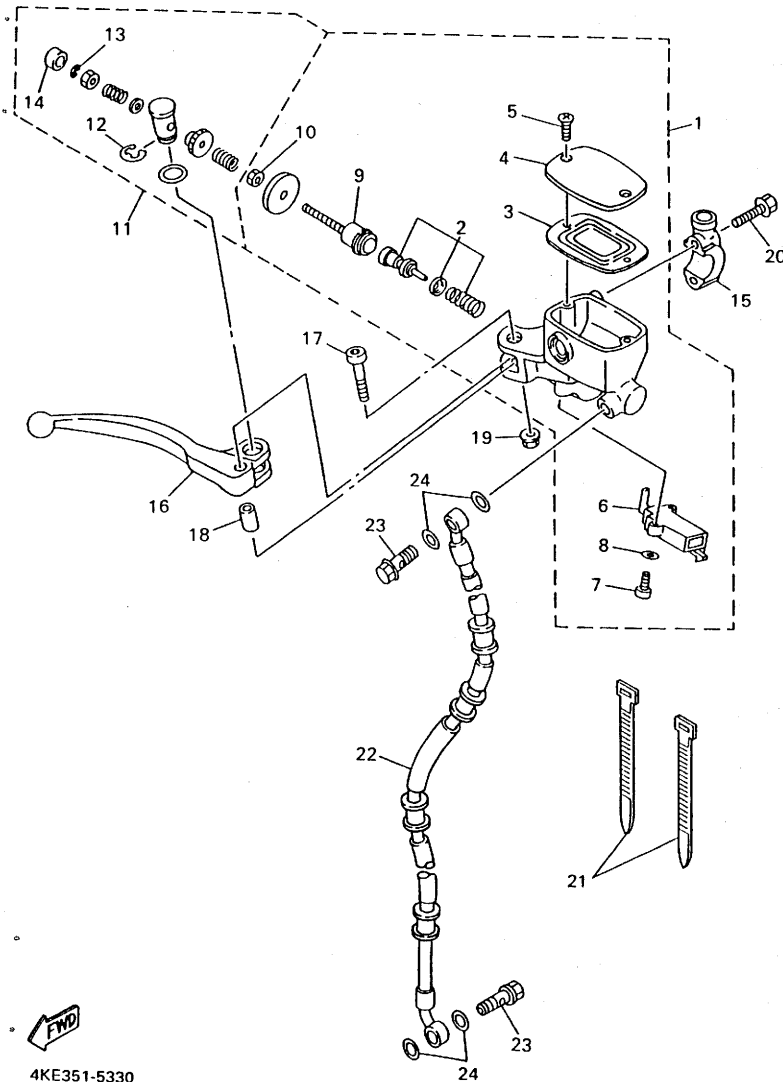


REF. NO.	PART NO.	DESCRIPTION	Q'TY	REMARKS
1	4BP-26111-00	HANDLEBAR	1	
2	31A-26241-00	GRIP (LEFT)	1	
3	36Y-26240-00	GRIP ASSY	1	
4	51J-26246-00	END, GRIP	2	
5	4KE-26302-00	THROTTLE CABLE ASSY	1	
6	4KE-26335-00	CABLE, CLUTCH	1	
7	4BP-26270-00	CABLE CONNECTOR CAP ASSY	1	
8	98507-05020	•SCREW, PAN HEAD	1	
9	98507-05025	•SCREW, PAN HEAD	1	
10	4BR-26280-00	REAR VIEW MIRROR ASSY(LEFT)	1	
11	4BR-26290-00	REAR VIEW MIRROR ASSY(RIGHT)	1	



4BR300-2321

FIG. 33 FRONT MASTER CYLINDER

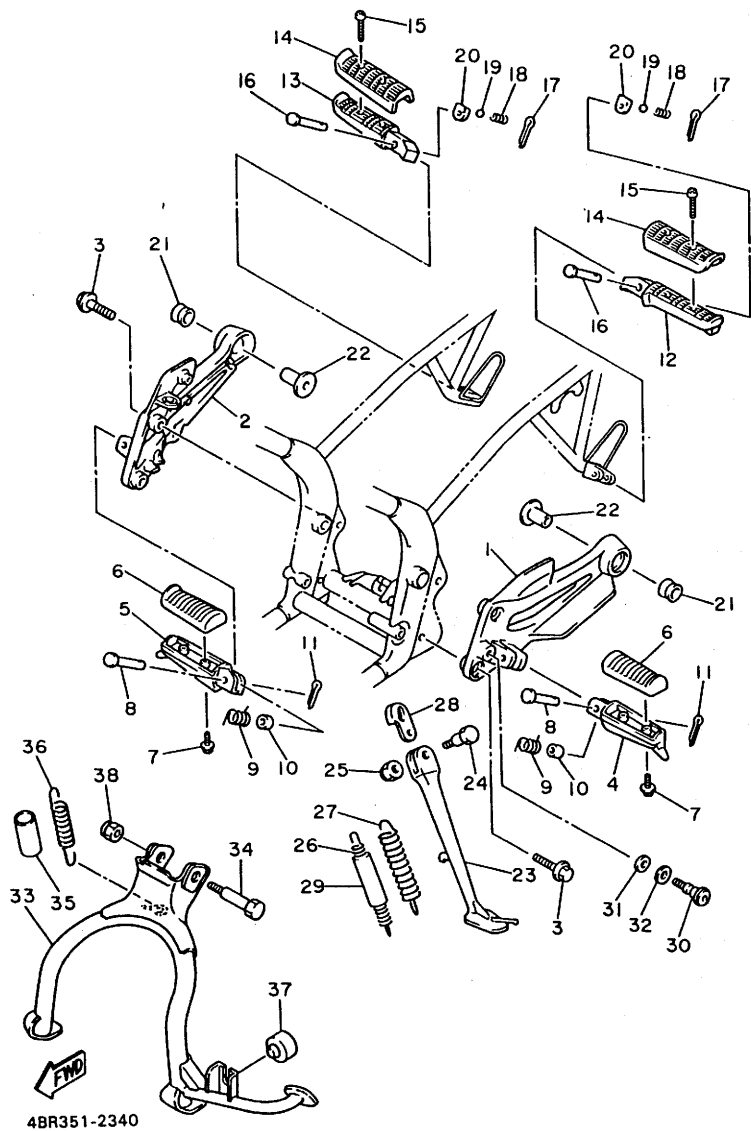


REF. NO.	PART NO.	DESCRIPTION	Q'TY	REMARKS
1	4BR-W2587-00	MASTER CYLINDER SUB ASSY	1	
2	3YX-W0041-50	.CYLINDER KIT, MASTER	1	
3	3YX-25854-00	.DIAPHRAGM, RESERVOIR	1	
4	3YX-25852-00	.CAP, RESERVOIR	1	
5	98706-04012	.SCREW, FLAT HEAD	2	
6	4BH-83980-00	.FRONT STOP SWITCH ASSY	1	
7	98506-04012	.SCREW, PAN HEAD	2	
8	92906-04600	.WASHER, PLATE	2	
9	3YX-25880-00	.PUSH ROD COMP.	1	
10	95380-06600	.NUT	1	
11	3YX-W0091-02	SCREW KIT, MASTERCYLINDER	1	
12	3YX-25866-00	.CIRCLIP	1	
13	3YX-25866-10	.CIRCLIP	1	
14	3YX-2583H-00	.BOOT	1	
15	3YX-25867-00	BRACKET, MASTER CYLINDER	1	
16	3YX-83922-09	LEVER 2	1	
17	3YX-2589F-00	BOLT, LEVER	1	
18	3YX-25838-00	SLEEVE, CALIPER	1	
19	95617-06100	NUT, U	1	
20	95026-06030	BOLT, FLANGE	2	
21	437-83936-01	BAND, SWITCH CORD	2	
22	4KE-25872-00	HOSE, BRAKE 1	1	
23	90401-10096	BOLT, UNION	2	
24	90201-10118	WASHER, PLATE	4	



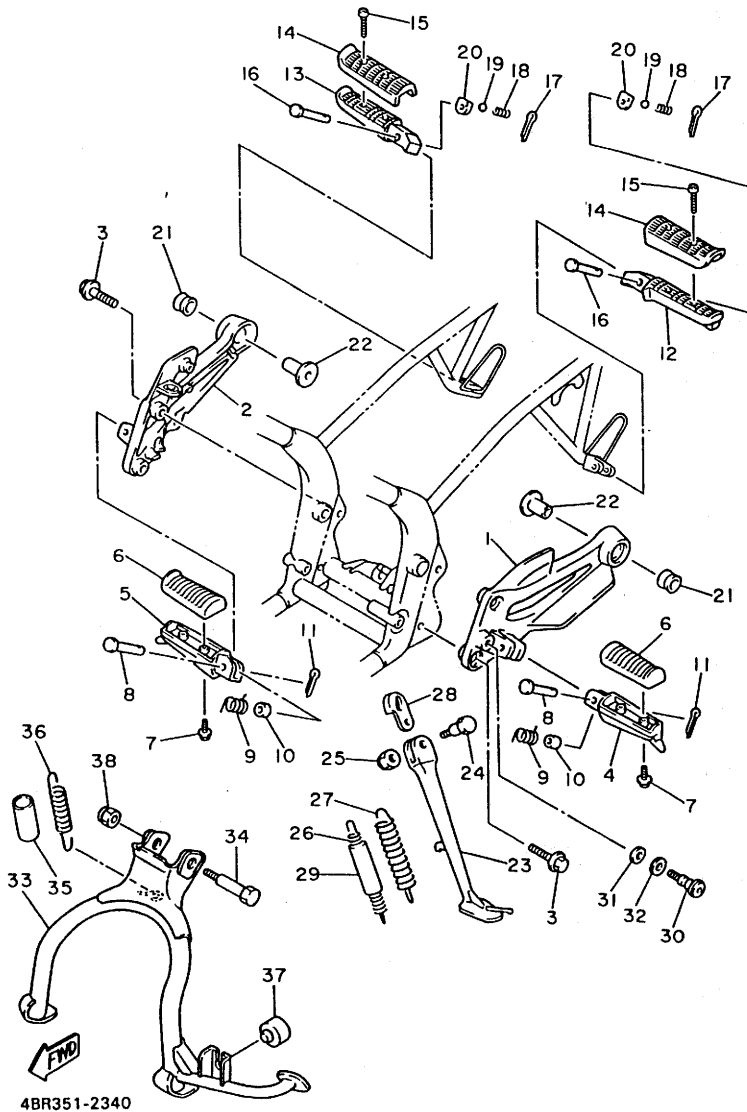
4KE351-5330

FIG. 34 STAND • FOOTREST



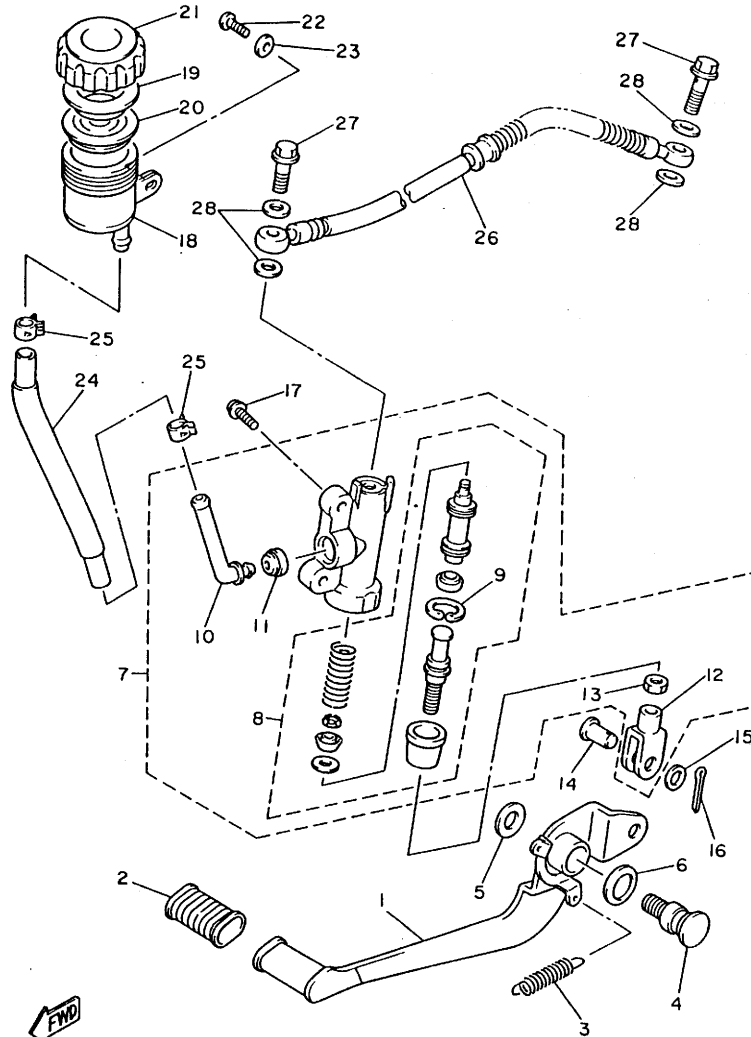
REF. NO.	PART NO.	DESCRIPTION	Q'TY	REMARKS
1	4BR-27442-01	BRACKET 2	1	
2	4BR-27443-01	BRACKET 3	1	
3	90109-082A1	BOLT	4	
4	4BP-27451-00	FOOTREST	1	
5	4BP-27461-00	FOOTREST	1	
6	4BP-27413-00	COVER, FOOTREST	2	
7	90159-05122	SCREW, WITH WASHER	4	
8	91701-08042	PIN, CLEVIS	2	
9	90508-20572	SPRING, TORSION	2	
10	90387-084N8	COLLAR	2	
11	91401-25020	PIN, COTTER	2	
12	4BR-27431-00	FOOTREST, REAR 1	1	
13	4BR-27441-00	FOOTREST, REAR 2	1	
14	2GH-27413-00	COVER, FOOTREST	2	
15	90157-05079	SCREW, PAN HEAD	4	
16	91701-08038	PIN, CLEVIS	2	
17	91401-25020	PIN, COTTER	2	
18	90501-12743	SPRING, COMPRESSION	2	
19	93501-04011	BALL	2	
20	4BP-27437-00	WASHER, SPECIAL	2	
21	2H7-27414-00	DAMPER, FOOTREST	2	
22	90387-10636	COLLAR	2	
23	4BP-27311-00	STAND, SIDE	1	
24	90109-106F9	BOLT	1	
25	90185-10037	NUT, SELF-LOCKING	1	
26	90506-18224	SPRING, TENSION	1	
27	90506-26225	SPRING, TENSION	1	
28	2KT-27315-00	LINK, SIDE STAND	1	

FIG. 34 STAND • FOOTREST



REF. NO.	PART NO.	DESCRIPTION	Q'TY	REMARKS
29	1TX-27351-00	GUIDE, SIDE STAND	1	
30	4BP-27434-01	BOLT	1	
31	90201-08326	WASHER, PLATE	1	
32	90201-127J6	WASHER, PLATE	1	
33	4BR-27111-00	STAND, MAIN	1	
34	90109-101E6	BOLT	2	
35	90445-252G5	HOSE	1	
36	90506-35297	SPRING, TENSION	1	
37	2GM-27114-00	STOPPER, MAIN STAND	1	
38	90185-10091	NUT, SELF-LOCKING	2	

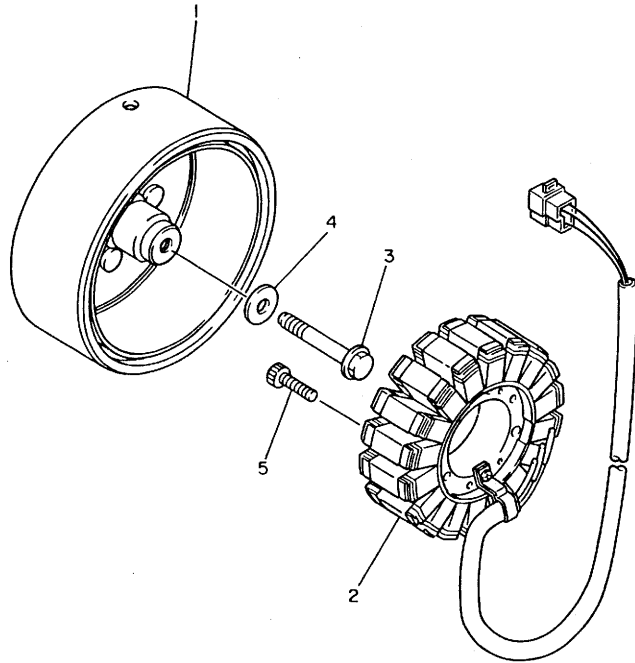
FIG. 35 REAR MASTER CYLINDER



4BR351-2350

REF. NO.	PART NO.	DESCRIPTION	Q'TY	REMARKS
1	4BP-27211-00	PEDAL, BRAKE	1	
2	22N-18113-00	COVER, SHIFT PEDAL	1	
3	90506-20192	SPRING, TENSION	1	
4	4BP-27261-00	SHAFT	1	
5	92907-10200	WASHER, PLAIN	1	
6	90206-14086	WASHER, WAVE	1	
7	4BP-2583V-00	RR. MASTER CYLINDER ASSY.	1	
8	4BP-W0042-50	•CYLINDER KIT, MASTER	1	
9	3LN-2585G-00	••CIRCLIP	1	
10	4BP-2582A-00	•JOINT	1	
11	4BP-2585F-00	•BUSH	1	
12	4BP-27222-00	•JOINT	1	
13	95307-08700	•NUT	2	
14	90240-08124	PIN, CLEVIS	1	
15	90201-08083	WASHER, PLATE	1	
16	91490-20020	PIN, COTTER	1	
17	92017-08025	BOLT, BUTTON HEAD	2	
18	31A-25894-01	TANK, RESERVOIR	1	
19	2GU-25855-00	BUSH, DIAPHRAGM	1	
20	360-25854-00	DIAPHRAGM, RESERVOIR	1	
21	2KF-25852-50	CAP, RESERVOIR	1	
22	98507-06018	SCREW, PAN HEAD	1	
23	92907-06600	WASHER, PLATE	1	
24	4BP-25895-01	HOSE, RESERVOIR	1	
25	90467-14057	CLIP	2	
26	4BP-2581K-00	HOSE, BRAKE 5	1	
27	90401-10096	BOLT, UNION	2	
28	90201-10118	WASHER, PLATE	4	

FIG. 36 GENERATOR



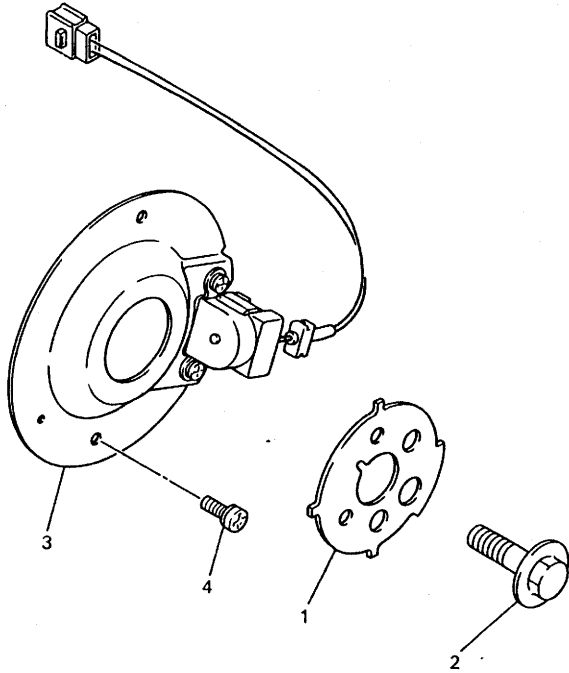
REF. NO.	PART NO.	DESCRIPTION	Q'TY	REMARKS
1	4BR-81450-00	ROTOR ASSY	1	
2	4BR-81410-00	STATOR ASSY	1	
3	90105-10662	BOLT, WASHER BASED	1	
4	90201-10639	WASHER, PLATE	1	
5	91317-06030	BOLT	3	



4BP010-1370

FIG. 37 PICK UP COIL • GOVERNOR

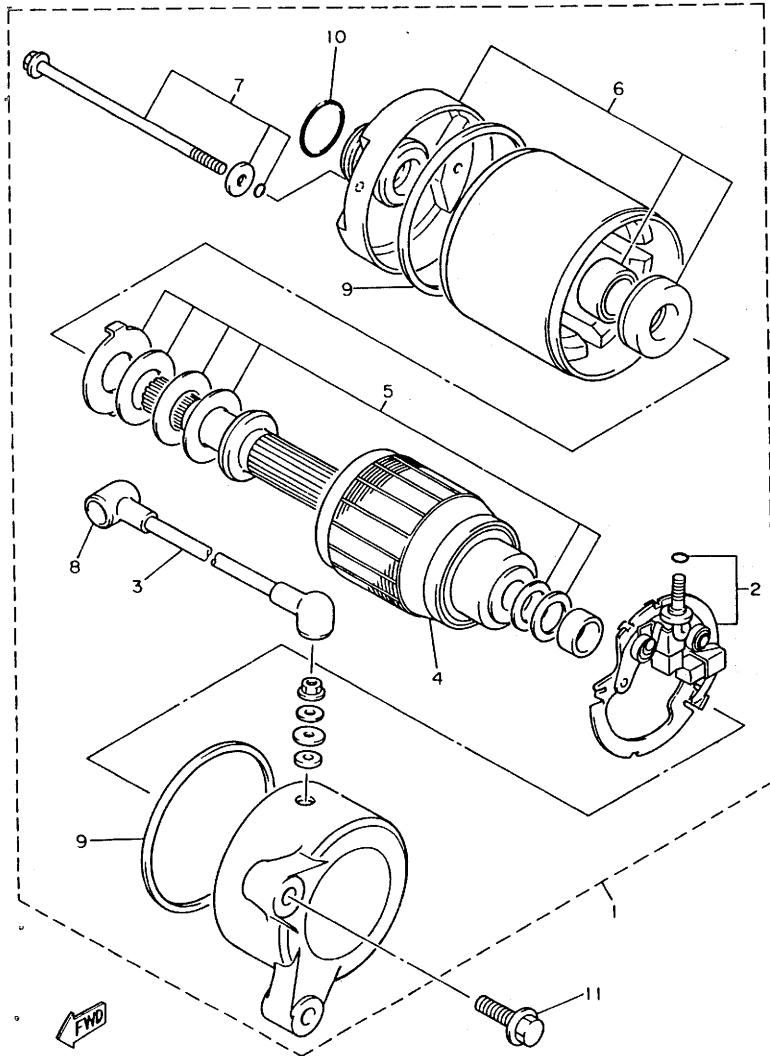
REF. NO.	PART NO.	DESCRIPTION	Q'TY	REMARKS
1	4BR-81673-00	ROTOR	1	
2	90105-10445	BOLT, WASHER BASED	1	
3	4BR-81671-00	BASE, PICKUP	1	
4	90159-06107	SCREW, WITH WASHER	2	



4HK010-3380

E11

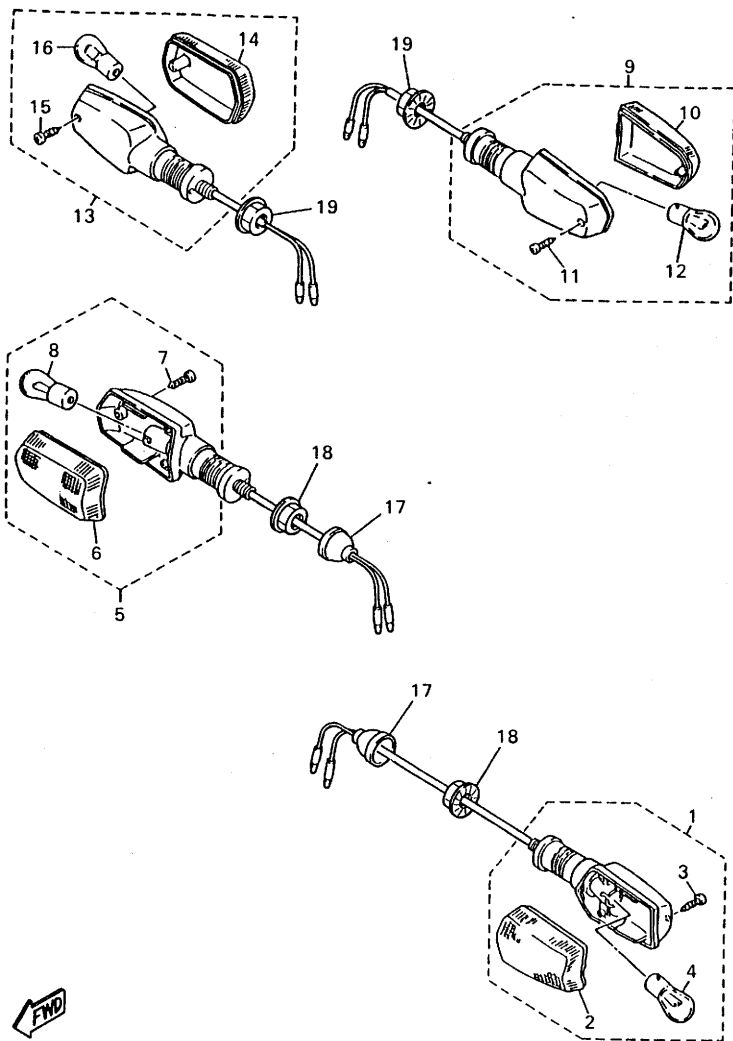
FIG. 38 STARTING MOTOR



4BP010-1390

REF. NO.	PART NO.	DESCRIPTION	Q'TY	REMARKS
1	4BR-81800-00	STARTING MOTOR ASSY	1	
2	3KS-81840-00	.BRUSH HOLDER ASSY	1	
3	4BP-81815-00	.CORD, STARTER MOTOR	1	
4	3HE-81850-00	.ARMATURE ASSY	1	
5	3AJ-81809-00	.WASHER KIT	1	
6	3HE-81830-00	.FRONT BRACKET ASSY	1	
7	3HE-81826-00	.BOLT	2	
8	5H0-81871-00	.CAP	1	
9	11H-81844-00	.GASKET	2	
10	26H-81847-00	.O-RING	1	
11	95827-06025	BOLT, FLANGE	2	

FIG. 39 FLASHER LIGHT

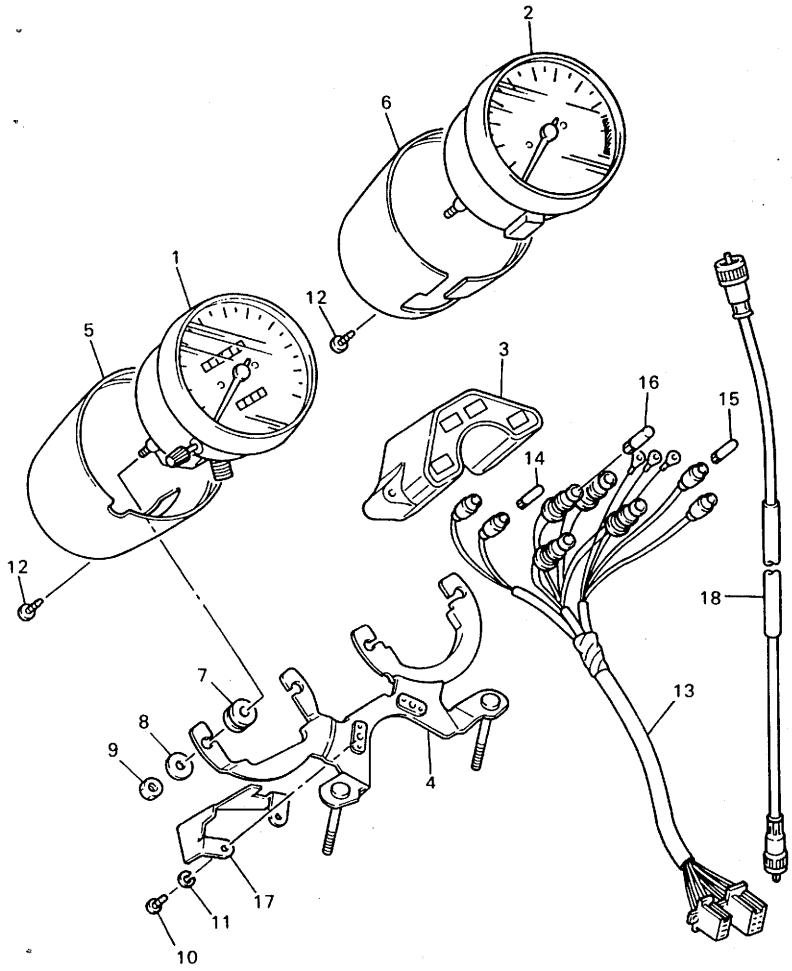


REF. NO.	PART NO.	DESCRIPTION	Q'TY	REMARKS
1	51J-83310-00	FRONT FLASHER LIGHT ASSY 1	1	
2	51L-83332-01	.LENS, FLASHER	1	
3	97707-40620	.SCREW, TAPPING	1	
4	306-83311-40	.BULB, FLASHER (12V-21W)	1	
5	51J-83320-00	FRONT FLASHER LIGHT ASSY 2	1	
6	51L-83342-01	.LENS, FLASHER 2	1	
7	97707-40620	.SCREW, TAPPING	1	
8	306-83311-40	.BULB, FLASHER (12V-21W)	1	
9	51J-83330-00	REAR FLASHER LIGHT ASSY 1	1	
10	1VU-83332-00	.LENS, FLASHER	1	
11	97707-40620	.SCREW, TAPPING	1	
12	306-83311-40	.BULB, FLASHER (12V-21W)	1	
13	51J-83340-00	FLASHER LIGHT ASSY 2	1	
14	1VU-83342-00	.LENS, FLASHER 2	1	
15	97707-40620	.SCREW, TAPPING	1	
16	306-83311-40	.BULB, FLASHER (12V-21W)	1	
17	10V-83365-00	CAP	2	
18	95707-12500	NUT, FLANGE	2	
19	95707-12500	NUT, FLANGE	2	



4KE351-4390

FIG. 40 METER

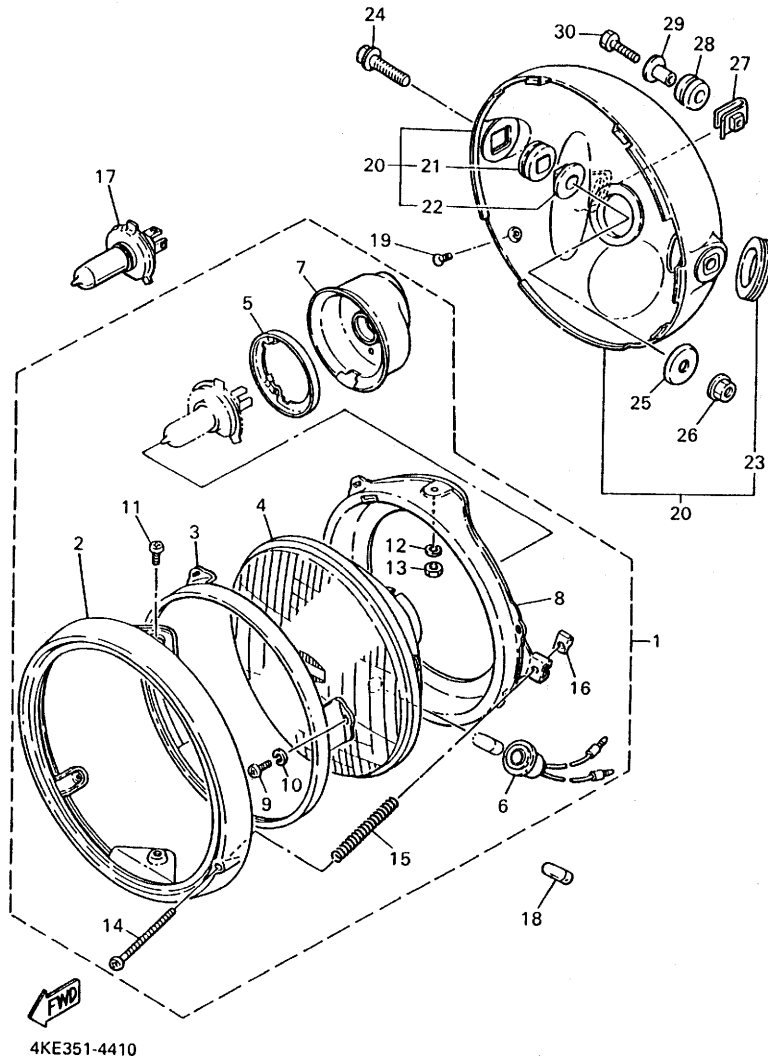


REF. NO.	PART NO.	DESCRIPTION	Q'TY	REMARKS
1	4KE-83570-00	SPEEDOMETER ASSY	1	
2	4KE-83540-00	TACHOMETER ASSY	1	
3	4KE-83530-00	PILOT LIGHT ASSY	1	
4	4KE-83519-00	BRACKET, METER	1	
5	42X-83507-00	COVER, SPEEDOMETER	1	METALLIC CHROME
6	42X-83508-00	COVER, TACHOMETER	1	METALLIC CHROME
7	1FG-83523-00	DAMPER	4	
8	90201-05031	WASHER, PLATE	4	
9	95307-05600	NUT	4	
10	98507-04012	SCREW, PAN HEAD	2	
11	92907-04100	WASHER, SPRING	2	
12	90164-04009	SCREW, TAPPING	2	
13	4KE-83509-00	SOCKET CORD ASSY	1	
14	42X-83517-00	BULB (12V-3W)	2	
15	2GV-83517-00	BULB, (12V-1.7W, T6.5)	2	
16	4G1-84744-00	BULB (12V-3.4W)	4	
17	4KE-83579-00	COVER, METER 2	1	
18	3MA-83550-00	SPEEDOMETER CABLE ASSY	1	



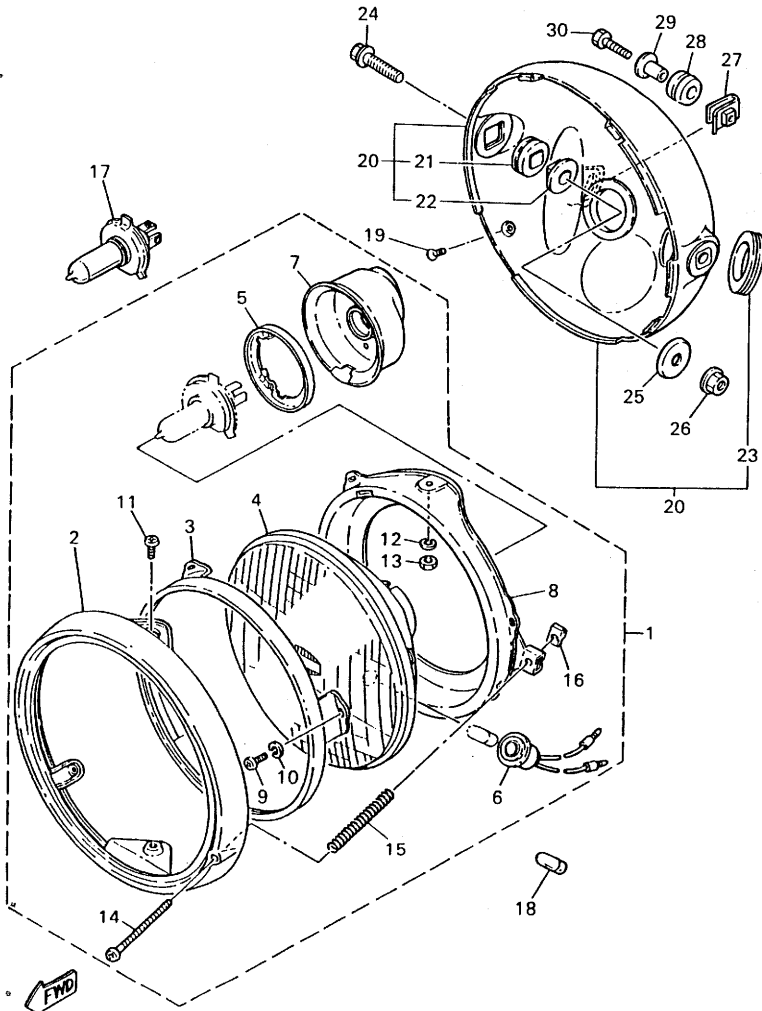
4KE351-4400

FIG. 41 HEADLIGHT



REF. NO.	PART NO.	DESCRIPTION	Q'TY	REMARKS
1	1XL-84303-G0	HEADLIGHT UNIT ASSY	1	
2	341-84315-40	.RIM, HEADLIGHT	1	
3	2F9-84395-00	.RING, RETAINING	1	
4	2K3-84321-40	.LENS ASSY	1	
5	2F9-84375-00	.SETTING PLATE, BULB	1	
6	34L-84346-00	.SOCKET, PILOT LIGHT	1	
7	2F9-84397-01	.COVER, SOCKET	1	
8	2F9-84394-00	.RING, MOUNTING	1	
9	98580-04008	.SCREW, PAN HEAD	3	
10	92990-04100	.WASHER, SPRING	3	
11	1JK-84365-09	.SCREW	2	
12	92990-05100	.WASHER, SPRING	2	
13	95301-04600	.NUT	2	
14	98580-04055	.SCREW, PAN HEAD	1	
15	341-84332-60	.SPRING, SCREW	1	
16	198-84334-60	.NUT, ADJUSTING	1	
17	*	BULB (12V-60/55W)	1	LM (H4)HALOGEN
18	*	BULB (12V-4W)	1	LM
19	90152-05005	SCREW, COUNTERSUNK	2	
20	1JK-84330-00-93	BODY ASSY	1	CHROME PLATED
21	584-84345-60	.DAMPER, HEADLIGHT	2	
22	584-84338-60	.COLLAR, BODY FITTING	2	
23	214-84153-60	.GROMMET, WIREHERNESS	3	
24	95024-08030	BOLT	2	
25	90209-08098	WASHER	2	
26	95707-08500	NUT, FLANGE	2	
27	90183-06023	NUT, SPRING	1	
28	90480-14023	GROMMET	1	

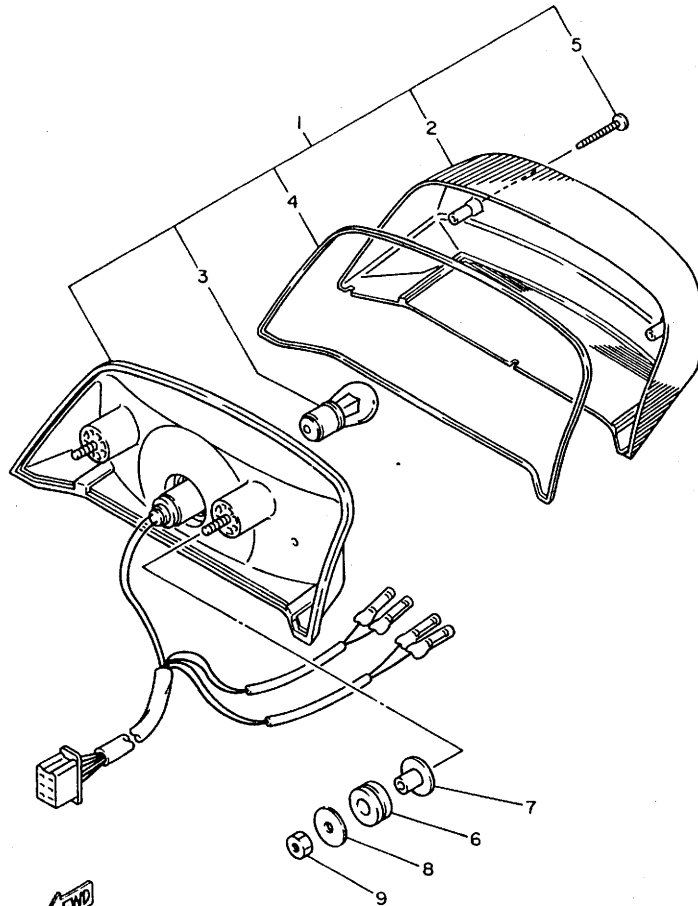
FIG. 41 HEADLIGHT



REF. NO.	PART NO.	DESCRIPTION	Q'TY	REMARKS
29	90387-06388	COLLAR	1	
30	97027-06025	BOLT	1	

4KE351-4410

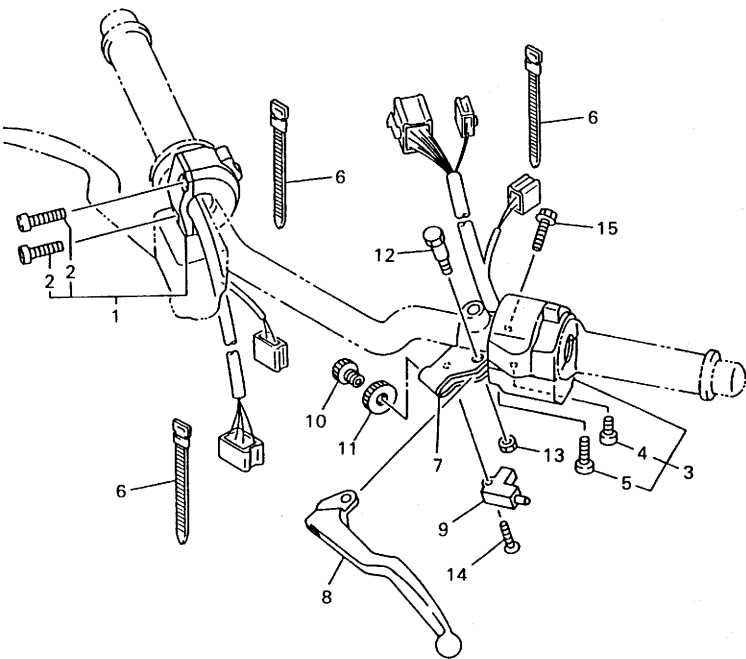
FIG. 42 TAILLIGHT



4BP010-1430

REF. NO.	PART NO.	DESCRIPTION	Q'TY	REMARKS
1	4BP-84710-00	TAILLIGHT UNIT ASSY	1	
2	4BP-84721-00	.LENS, TAILLIGHT	1	
3	137-84714-61	.BULB (12V-23/8W)	1	
4	4BP-84712-00	.GASKET, TAILLIGHT	1	
5	4BP-8471J-00	.SCREW, TAILLIGHT	2	
6	90480-18276	GROMMET	2	
7	90387-07037	COLLAR	2	
8	90201-063J2	WASHER, PLATE	2	
9	95307-06600	NUT	2	

FIG. 43 HANDLE SWITCH • LEVER

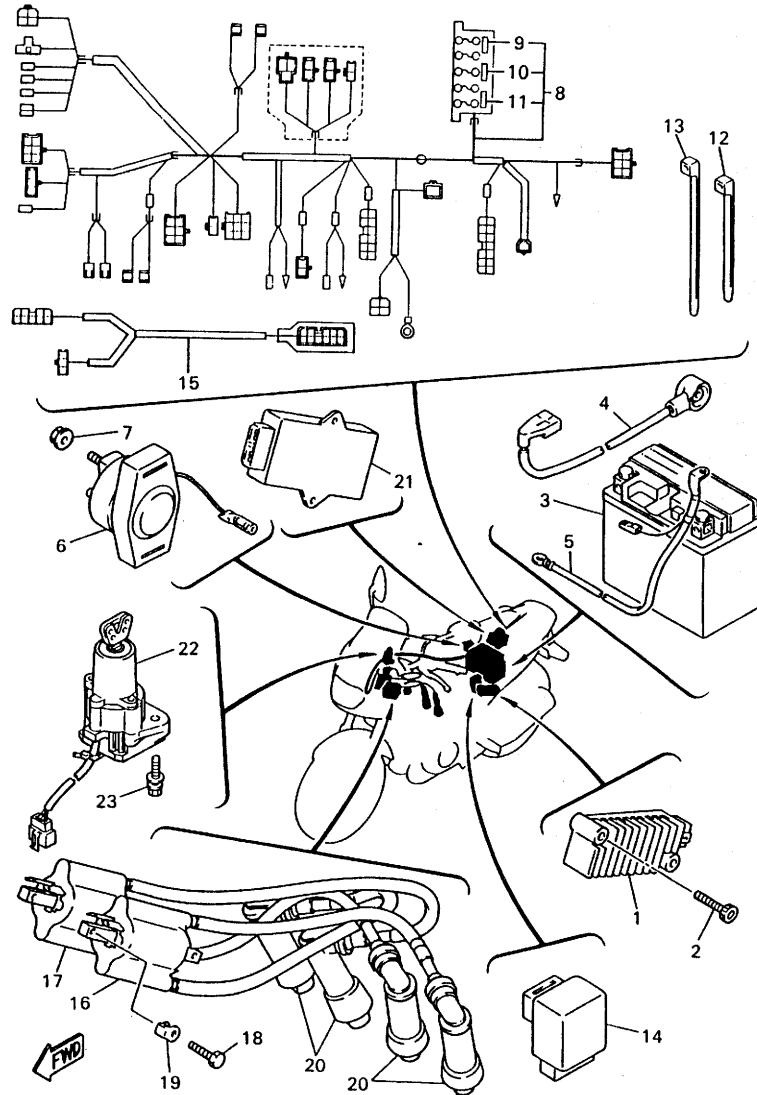


REF. NO.	PART NO.	DESCRIPTION	Q'TY	REMARKS
1	4BP-83975-00	SWITCH, HANDLE 2	1	
2	90157-05057	•SCREW, PAN HEAD	2	
3	4BR-83969-01	SWITCH, HANDLE 5	1	
4	98506-05030	•SCREW, PAN HEAD	1	
5	98506-05040	•SCREW, PAN HEAD	1	
6	437-83936-01	BAND, SWITCH CORD	3	
7	3YX-82911-00	HOLDER, LEVER 1	1	
8	3YX-83912-00	LEVER 1	1	
9	3YX-82917-00	SWITCH	1	
10	90123-08096	BOLT	1	
11	90179-08316	NUT	1	
12	3YX-83945-00	BOLT, LEVER	1	
13	95607-06100	NUT, U	1	
14	98707-03020	SCREW, FLAT HEAD	1	
15	95027-06020	BOLT, FLANGE	1	



4KE351-4430

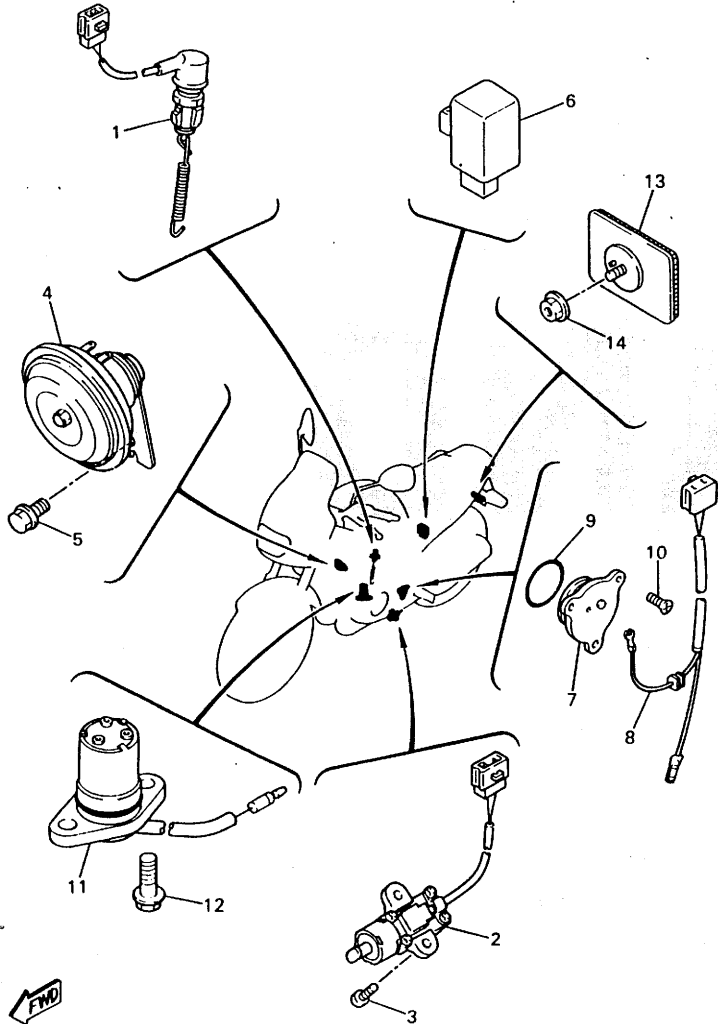
FIG. 44 ELECTRICAL 1



4KE351-5440

REF. NO.	PART NO.	DESCRIPTION	Q'TY	REMARKS
1	3TJ-81960-01	RECTIFIER & REGULATOR ASSY	1	
2	91317-06025	BOLT	2	
3	3PK-82100-00	BATTERY ASSY (YTX9-BS 12V-8AH)	1	
4	4BP-82115-00	WIRE, PLUS LEAD	1	
5	4BP-82116-00	WIRE, MINUS LEAD	1	
6	4BP-81940-00	STARTER RELAY ASSY	1	
7	95707-06500	NUT, FLANGE	2	
8	4KE-82590-00	WIRE HARNESS ASSY	1	
9	1AE-82151-00	.FUZE (30A-BL)	2	
10	36Y-82151-00	.FUZE (15A-BL)	3	
11	42X-82151-00	.FUZE (10A-BL)	2	
12	90464-13080	CLAMP	3	
13	90465-13355	CLAMP	3	
14	2UJ-81950-00	RELAY ASSY	1	
15	4BP-82541-00	WIRE, LEAD	1	
16	4BR-82310-00	IGNITION COIL ASSY	1	
17	4BR-82320-00	IGNITION COIL ASSY	1	
18	97080-06020	BOLT	4	
19	4BR-82317-00	DAMPER, IGNITION COIL	4	
20	4BP-82370-00	PLUG CAP ASSY	4	
21	4BR-82305-00	IGNITOR UNIT ASSY	1	
22	4KE-82510-00	MAIN SWITCH ASSY	1	
23	90109-06616	BOLT	2	

FIG. 45 ELECTRICAL 2



REF. NO.	PART NO.	DESCRIPTION	Q'TY	REMARKS
1	4BP-82530-01	STOP SWITCH ASSY	1	
2	3LD-82566-70	SWITCH, SIDE STAND	1	
3	90157-05079	SCREW, PAN HEAD	2	
4	34Y-83371-00	HORN	1	
5	95807-06010	BOLT, FLANGE	1	
6	3YA-83350-00	FLASHER RELAY ASSY	1	UR OMRON
	3YA-83350-10	FLASHER RELAY ASSY	1	UR N.D.
7	1L9-82540-00	NEUTRAL SWITCH ASSY	1	
8	4BP-82509-00	WIRE, SUB LEAD	1	
9	93210-29196	O-RING	1	
10	98707-05012	SCREW, FLAT HEAD	3	
11	4BR-85720-00	OIL LEVEL GAUGE ASSY	1	
12	95027-06016	BOLT, FLANGE	2	
13	3G1-85130-01	REAR REFLECTOR ASSY	1	
14	95707-05500	NUT, FLANGE	1	

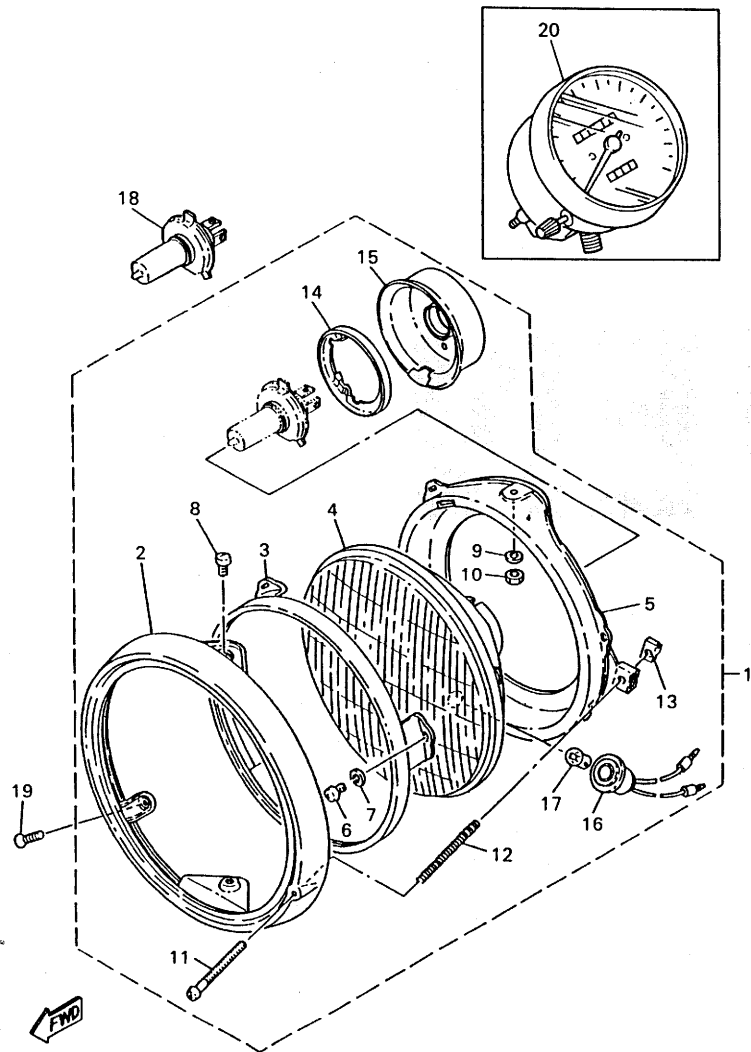
FWD

4BR351-4460

FOR ENGLAND

The following pages provides a listing of only the parts that meet the specifications peculiar to your market. For those parts not appearing in these pages, refer to the "GENERAL SPEC." section.

FIG. 46 ALTERNATE (ELECTRICAL)



REF. NO.	PART NO.	DESCRIPTION	Q'TY	REMARKS
1	2J4-84303-30	HEADLIGHT UNIT ASSY	1	
2	341-84315-40	.RIM, HEADLIGHT	1	
3	2F9-84395-00	.RING, RETAINING	1	
4	2F9-84321-00	.LENS ASSY	1	
5	2F9-84394-00	.RING, MOUNTING	1	
6	98580-04008	.SCREW, PAN HEAD	3	
7	92901-04100	.WASHER, SPRING	3	
8	1JK-84365-09	.SCREW	2	
9	92901-05100	.WASHER, SPRING	2	
10	95380-05600	.NUT	2	
11	98580-04055	.SCREW, PAN HEAD	1	
12	341-84332-60	.SPRING, SCREW	1	
13	198-84334-60	.NUT, ADJUSTING	1	
14	2F9-84375-00	.SETTING PLATE, BULB	1	
15	2F9-84397-01	.COVER, SOCKET	1	
16	34L-84346-00	.SOCKET, PILOT LIGHT	1	
17	123-83516-21	.BULB (12V-3.4W)	1	
18	2F9-84314-00	BULB (12V-60/55W)	1	(H4)HALOGEN
19	90152-05005	SCREW, COUNTERSUNK	2	
20	4KE-83570-10	SPEEDOMETER ASSY	1	

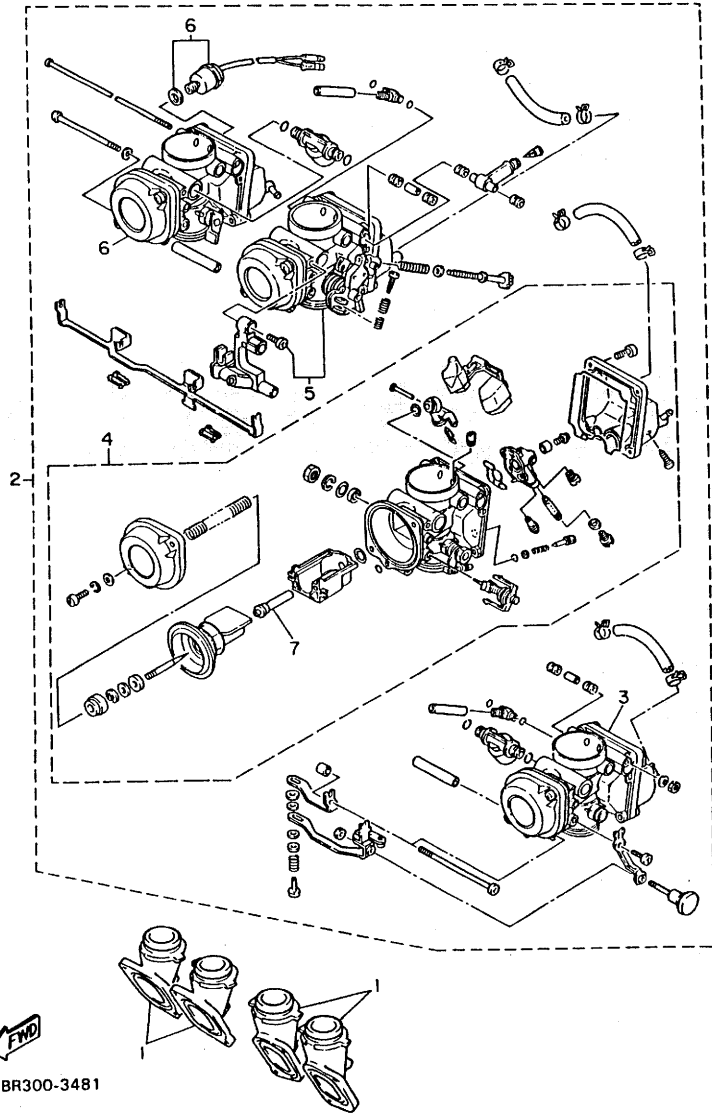
4KE300-4460

FOR SWEDEN

The following pages provides a listing of only the parts that meet the specifications peculiar to your market. For those parts not appearing in these pages, refer to the "GENERAL SPEC." section.

FIG. 47 ALTERNATE (ENGINE)

REF. NO.	PART NO.	DESCRIPTION	Q'TY	REMARKS
1	4EB-13598-01	JOINT, CARBURETOR 4	4	
2	4EB-14900-04	CARBURETOR ASSY	1	
3	4EB-14901-04	..CARBURETOR ASSY 1	1	
4	4EB-14902-04	..CARBURETOR ASSY 2	1	
5	4EB-14903-04	..CARBURETOR ASSY 3	1	
6	4EB-14904-04	..CARBURETOR ASSY 4	1	
7	4DS-14141-34	..NOZZLE, MAIN	1	

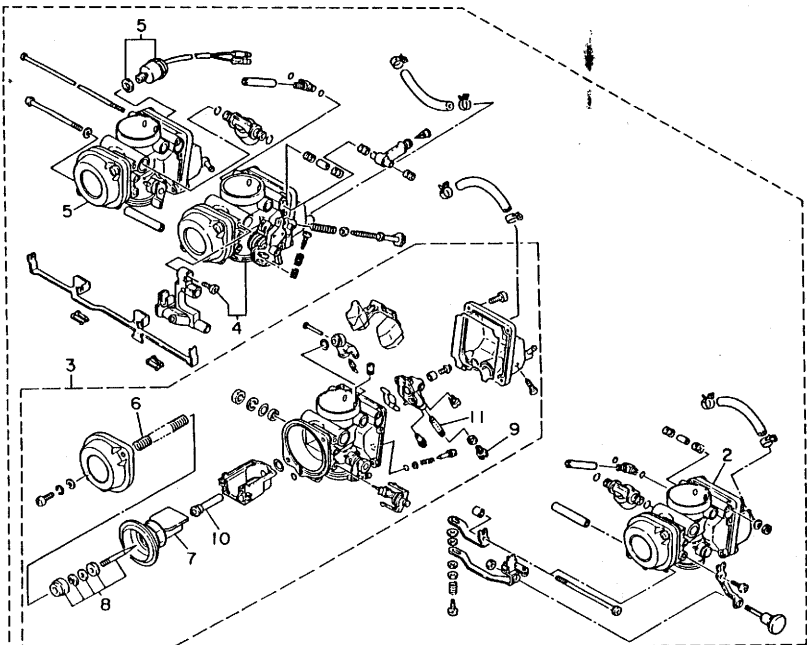


4BR300-3481

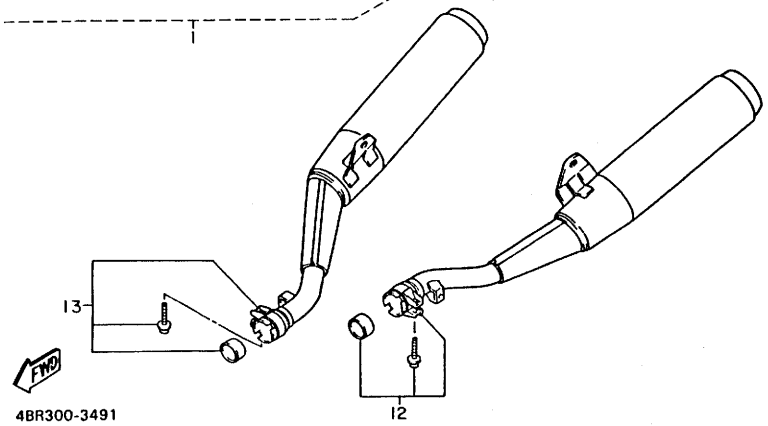
FOR SWITZERLAND AUSTRIA

The following pages provides a listing of only the parts that meet the specifications peculiar to your market. For those parts not appearing in these pages, refer to the "GENERAL SPEC." section.

FIG. 48 ALTERNATE (ENGINE)

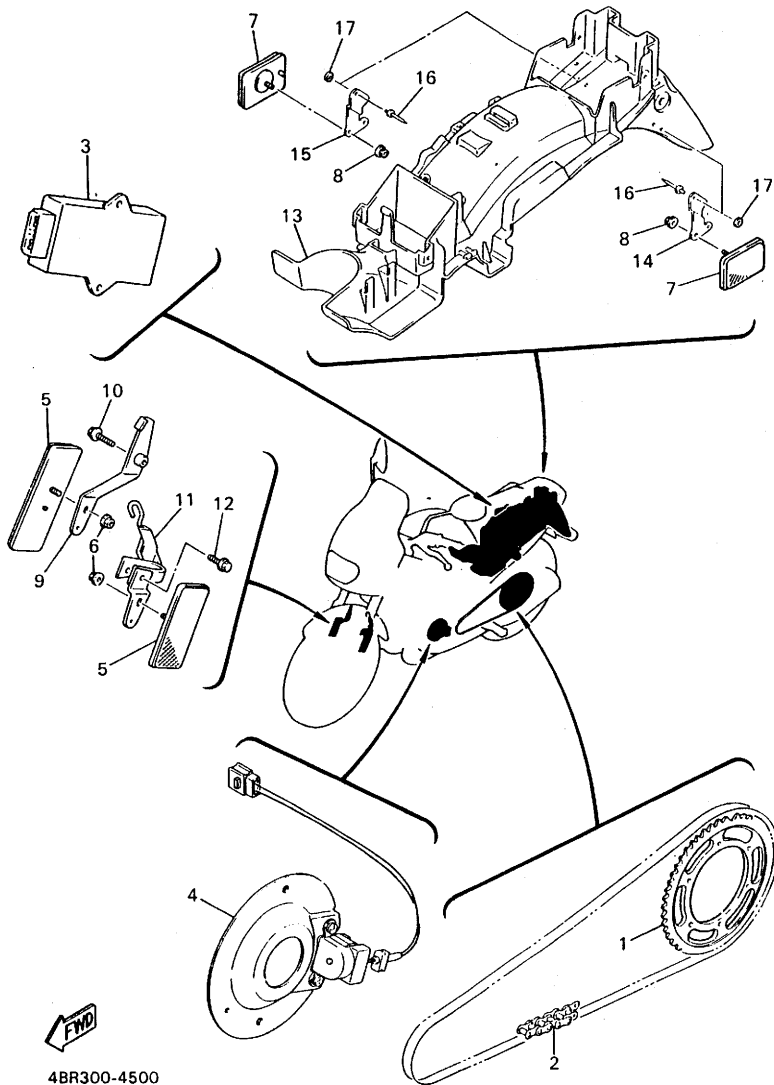


REF. NO.	PART NO.	DESCRIPTION	Q'TY	REMARKS
1	4DG-14900-04	CARBURETOR ASSY	1	
2	4DG-14901-04	..CARBURETOR ASSY 1	1	
3	4DG-14902-04	..CARBURETOR ASSY 2	1	
4	4DG-14903-04	..CARBURETOR ASSY 3	1	
5	4DG-14904-04	..CARBURETOR ASSY 4	1	
6	4DG-14933-00	..SPRING, DIAPHRAGM	1	
7	4DG-14940-00	..DIAPHRAGM ASSY	1	
8	4DG-1490J-00	..NEEDLE SET	1	
9	4DG-1423A-71	..JET, MAIN (#102.5)	1	UR #1,4
	4DG-14231-20	..JET, MAIN (#100)	1	UR #2,3
10	4DG-14141-39	..NOZZLE, MAIN	1	
11	4DG-14148-00	..PIPE	1	
12	4DG-14710-00	MUFFLER ASSY 1	1	
13	4DG-14720-00	MUFFLER ASSY 2	1	



4BR300-3491

FIG. 49 ALTERNATE (CHASSIS)



REF. NO.	PART NO.	DESCRIPTION	Q'TY	REMARKS
1	4BP-25446-20	SPROCKET, DRIVEN (46T)	1	
2	94581-30108	CHAIN	1	
3	4DU-82305-00	IGNITOR UNIT ASSY	1	
4	4DU-81671-00	BASE, PICKUP	1	
5	11H-85110-01	REFLECTOR ASSY	2	FOR AUSTRIA
6	95707-05500	NUT, FLANGE	2	FOR AUSTRIA
7	23V-85110-00	REFLECTOR ASSY	2	FOR AUSTRIA
8	95707-05500	NUT, FLANGE	2	FOR AUSTRIA
9	4DU-25875-00	HOLDER, BRAKE HOSE 1	1	FOR AUSTRIA
10	95027-06025	BOLT	1	FOR AUSTRIA
11	4DU-21597-00	HOLDER, WIRE 1	1	FOR AUSTRIA
12	95027-06025	BOLT	1	FOR AUSTRIA
13	4DU-21611-00	FENDER, REAR	1	FOR AUSTRIA
14	3LK-21688-00	BRACKET, REAR STAY	1	FOR AUSTRIA
15	3LK-21689-00	BRACKET, REAR STAY 2	1	FOR AUSTRIA
16	90267-40076	RIVET, BLIND	4	FOR AUSTRIA
17	90201-044A2	WASHER, PLATE	4	FOR AUSTRIA

NUMERICAL INDEX

PART NO.	GRID NO.	PART NO.	GRID NO.
3YX-W0041-50	E - 6	4BR-11638-00	B - 4
4BP-W0042-50	E - 9	4BR-11650-00	B - 4
4BP-W0045-00	D-15	4H7-11654-00	B - 4
51L-W0046-02	E - 4	49A-11656-00	B - 4
3YX-W0047-50	D-15	49A-11656-10	B - 4
51L-W0047-11	E - 4	49A-11656-20	B - 4
51L-W0048-00	D-15	49A-11656-30	B - 4
	E - 4	4BR-12111-00	B - 5
	D-15	4BR-12113-00	B - 5
3YX-W0057-50	E - 4	4BR-12114-00	B - 5
51L-W0057-00	E - 4	4BR-12116-00	B - 5
3YX-W0091-02	E - 6	4BR-12116-00	B - 5
4BR-W1543-00	C - 6	33M-12117-00	B - 5
3CK-W2470-00	D-13	1AA-12118-00	B - 5
4BR-W2587-00	E - 6	33M-12119-00	B - 5
4BR-11101-00	B - 2	4BR-12121-00	B - 5
4BR-1111G-09	B - 2	26H-12153-00-Y0	B - 6
4BR-1112G-00	B - 2	26H-12168-A0	B - 5
4BR-11133-10	B - 2	26H-12168-F0	B - 5
4BR-11166-00	B-10	26H-12168-H0	B - 5
4BR-1118E-00	B - 2	26H-12168-K0	B - 5
4BR-11181-00	B - 2	26H-12168-M0	B - 5
4BR-11190-00	B - 2	26H-12168-R0	B - 5
4BR-11193-00	B - 2	26H-12168-U0	B - 5
214-11198-01	B - 9	26H-12168-W0	B - 5
4BR-11310-00	B - 3	26H-12168-Y0	B - 5
4BR-11351-01	B - 3	26H-12168-00	B - 5
4BR-11363-00	C - 3	26H-12168-20	B - 5
4G0-11363-00	C - 3	26H-12168-40	B - 5
4G0-11364-00	C - 3	26H-12168-60	B - 5
4G0-11406-00	C - 8	26H-12168-80	B - 5
4BR-11411-00	B - 4	26H-12169-E0	B - 5
4BR-11416-00	B - 4	26H-12169-G0	B - 6
4BR-11416-10	B - 4	26H-12169-J0	B - 6
4BR-11416-20	B - 4	26H-12169-L0	B - 6
4BR-11416-30	B - 4	26H-12169-N0	B - 6
4BR-11416-40	B - 4	26H-12169-T0	B - 6
4BR-11474-00	C - 8	26H-12169-10	B - 5
4BR-11492-00	C - 4	26H-12169-30	B - 5
4BR-11537-00	C - 8	26H-12169-50	B - 5
4G0-11575-00	C - 4	26H-12169-70	B - 5
4G0-11592-00	C - 4	26H-12169-90	B - 5
46X-11597-00	C - 5	4BR-12171-00	B - 7
4BR-11610-00	B - 4	4BR-12176-00	B - 7
4BR-11610-20	B - 4	4BR-12181-00	B - 7
4BR-11610-40	B - 4	4BR-12210-00	B - 7
4BR-11631-00-A0	B - 4	4BR-12213-00	B - 7
49A-11633-00	B - 4	4BR-12241-00	B - 7
4BR-11636-00	B - 4	4BR-12251-00	B - 7

NUMERICAL INDEX

PART NO.	GRID NO.	PART NO.	GRID NO.	PART NO.	GRID NO.	PART NO.	GRID NO.
4DG-14148-00	F -12	4DG-14148-00	F -12	4DG-1490J-00	F -12	4G0-15336-00	C - 4
137-14153-00	B -12	4BP-12483-01	B -14	3EN-1490K-00	B -14	33M-15337-00	C - 4
3LC-14164-00	B -14	4BP-12484-01	B -14	4BR-14900-05	B -12	3Y1-15361-00	C - 6
3YX-1416A-00	B -13	4BR-12682-01	B -15	4DG-14900-04	F -12	3F9-15362-00	C - 6
1FK-14179-00	B -14	4BR-1316F-00	B -15	4EB-14900-04	F -10	4BR-15381-00	C - 4
53L-14186-00	B -12	4G0-13171-00	C - 4	4BR-14901-05	B -12	4G0-15383-00	C - 4
12R-14191-00	B -12	4BR-13183-00	B -15	4DG-14901-04	F -12	49A-15383-00	C -13
4BR-14193-00	B -14	4H7-13310-00	B - 8	4EB-14901-04	F -10	4BR-15410-00	C - 6
4BP-14197-00	B -13	33M-13314-01	B - 8	4BR-14902-05	B -12	4BR-15411-00	C - 6
1AE-14227-00	B -12	4G0-13316-00	B - 8	4DG-14902-04	F -12	49A-15412-00	C - 6
3G2-1423A-61	C - 9	4G0-13324-09	C - 9	4EB-14902-04	F -10	4BR-15415-00	C - 6
3G2-1423A-71	B - 8	4G0-13325-01	B - 8	4BR-14903-05	B -12	4BR-15420-10	C - 6
4DG-1423A-71	F -12	33M-13336-00	B - 8	4DG-14903-04	F -12	4BR-15441-00	C - 7
3G2-14231-21	B -13	4H7-13411-02	B - 8	4EB-14903-04	F -10	4BR-15461-00	C - 6
4DG-14231-20	F -12	4BR-13412-00	B - 8	4BR-14904-05	B -12	4BR-15463-00	C - 6
830-14231-29	B -13	4BR-13414-00	B - 9	4DG-14904-04	F -12	4BR-15484-00	C - 6
3LN-14251-00	B -13	4BR-13416-00	B -15	4EB-14904-04	F -10	4BP-15512-00	C - 8
3EN-14261-00	B -13	4BR-13417-00	B - 9	3LN-14933-00	B -12	4BP-15517-00	C - 8
4DG-14933-00	B -15	3FV-13440-00	B - 9	4DG-14933-00	F -12	33M-15521-00	C - 8
4BR-14294-00	D -12	3VD-13455-00	B - 9	46X-14938-00	B -14	4BR-15570-00	C - 8
4BR-14349-00	B -10	3TJ-13461-00	B - 9	3YX-14940-00	B -12	4BR-15580-01	C - 8
	B -14	4BR-13464-00	B -15	4DG-14940-00	F -12	117-15644-00	C -13
	B -14	11H-13490-00	B - 8	1FK-14952-00	B -14	4U8-16111-00	C - 8
	B -10	4BR-13475-00	B -10	4BR-14952-00	B -14	4BR-16139-00	C - 8
	B -10	4BR-13586-00	B -10	4BR-14952-00	B -13	3Y1-16154-00	C - 9
	B -10	4BR-13596-00	B -10	1A8-14953-00	B -12	4BR-16155-00	C - 8
	B -10	4BR-13598-00	B -10	4BP-14978-00	B -13	4U8-16170-01	C - 9
	F -10	4EB-13598-01	F -10	3GM-14985-00	B -12	4H7-16321-01	C - 9
	D -12	4BR-13910-00	D -12	4BR-14987-00	B -14	168-16324-00	C - 9
	B -13	3LN-1410A-10	B -13	4KE-14426-00	B -11	4DG-14987-00	B -14
	B -14	3LN-14103-00	B -14	31A-14435-00	B -10	4DS-14987-00	B -14
	B -13	12R-14105-00	B -13	4BR-14451-00	B -10	7HU-14987-00	B -13
	B -13	4BP-14107-10	B -13	4BR-14452-00	B -10	4BP-14988-00	B -13
	B -13	4BR-1411A-00	B -13	4BR-14453-00	B -10	4V7-14988-00	B -13
	B -12	4BR-1411E-01	B -12	5T0-14457-00	B -10	1KT-14994-00	B -14
	B -14	22F-14115-00	B -14	31A-14477-00	D - 2	256-14997-00	B -12
	B -14	4BR-14139-01	B -14	4BR-14510-02	B -15	3EN-14997-00	B -13
	B -13	4BR-14141-35	B -13	1HX-14565-00	B -12	3GM-14997-00	B -12
	F -12	4DG-14141-39	F -12	812-14594-00	B -12	4BR-15100-01	C - 3
	F -10	4DS-14141-34	F -10	4BR-14610-01	C - 2	4G0-15138-00	C - 3
	B -13	1NT-14142-15	B -13	4BR-14613-00	C - 2	4BR-15148-00	C - 3
	B -12	1AE-14147-00	B -12	4BR-14620-01	C - 2	4G0-15163-01	C - 4
	B -12	3FV-14147-00	B -12	4BR-14710-00	C - 2	4BR-15167-10	C - 3
	B -12	3LN-14147-00	B -12	4DG-14710-00	F -12	3KM-15189-00	C - 4
	B -13	822-14147-00	B -13	4BR-14720-00	C - 2	4G0-15316-00	C - 4
	B -13	3HE-14148-00	B -13	4DG-14720-00	F -12	46X-15326-00	C - 4
	B -13	3YX-14148-00	B -13	3VD-14755-00	C - 2	4BR-15327-00	C - 4
	B -13	4BR-14148-00	B -13	4BR-1490J-01	B -13	33M-15336-00	C - 4

NUMERICAL INDEX

PART NO.	GRID NO.	PART NO.	GRID NO.
4BR-17411-00	C-11	4BP-21651-00-P4	D-2
278-17424-01	C-11	4BP-21651-00-4B	D-2
278-17425-00	C-11	3LK-21688-00	F-13
	C-12	3LK-21689-00	F-13
4G0-17433-01	C-11	4BP-21711-01-P4	D-4
	C-12	4BP-21711-01-4B	D-4
4BR-17460-00	C-11	3XV-21717-00	B-15
4BR-18110-00	C-14	4BP-21721-01-P4	D-4
4BR-18112-00	C-14	4BP-21721-01-4B	D-4
132-18113-01	C-14	1JK-21735-00	D-2
22N-18113-00	E-9	18A-21778-00	D-4
26H-18115-00	C-14	4KE-21781-10	D-4
4BR-18120-00	C-14	4KE-21781-20	D-4
4BR-18127-00	C-13	8Y1-21998-00	D-12
4BR-18140-00	C-13	4BR-22110-01-WL	D-5
2H9-18154-00	C-14	4X7-22129-00	D-5
4BR-18185-00	C-13	3LN-22141-60	D-5
4BR-18511-00	C-13	3YX-22151-00	D-5
4BR-18512-00	C-13	3YX-22174-00	E-2
4BR-18513-00	C-13	33M-22184-00	D-5
4BR-18531-00	C-13	4BR-22210-01	D-6
4BR-18536-00	C-13	34L-22216-00	D-6
4BR-18540-01	C-13	1KT-22311-00	D-5
278-18542-00	C-13	4BR-23102-00	D-9
278-18566-00	C-13	4BR-23103-00	D-9
4KE-21110-00-P0	C-15	3YX-23110-00	D-9
4KE-21110-00-33	C-15	3EN-23111-00	D-9
4BP-2117F-00	C-15		D-10
4BP-2117M-00	C-15	1W4-23114-L0	D-9
4BP-21315-00	C-15		D-10
4BP-21316-00	C-15	26H-23118-00	D-9
4BP-21343-10	D-7		D-10
3SX-2135F-00	C-15	1JK-23121-01	D-7
34M-2139X-00	D-4	3YX-23125-00	D-9
4BP-21445-00	C-15	4BP-23126-00	D-9
4BP-21446-00	C-15	1JK-23131-01	D-7
4X7-2149Y-00	B-10	4BP-23136-00	D-9
4BP-21510-00-P4	D-2	4BP-23141-00	D-9
4BP-21510-00-4B	D-2		D-10
1A8-21518-00	D-2	3EN-23144-00	D-9
3WF-2153E-60	D-2	3EN-23145-00	D-9
3VF-2153E-70	D-2	4V2-23146-L0	D-9
4DU-21597-00	F-13	4DN-23149-40	D-9
4BR-21611-00	D-2		D-10
4DU-21611-00	F-13	3R4-23153-00	D-9
4BR-21621-00	D-2	509-23158-L0	D-9
4BP-21644-00	D-2		D-10
4BP-21645-00	D-2	4BR-23170-00	D-9

PART NO.	GRID NO.	PART NO.	GRID NO.
2YK-23173-00	D-9	4KE-23174-00	D-7
4KE-23174-00	D-7	278-23181-50	D-9
3HE-25338-00-WN	E-2		D-10
4BP-25364-00	E-2	4KE-23340-00	D-10
4BP-25366-00	E-2	2NX-23356-00	D-10
4BR-25371-00	E-2	3HE-23416-00	D-7
3HE-25381-00	E-3	26H-23418-01	D-7
4BP-25388-00	E-2	4BP-23435-11	D-7
29L-25398-00	D-14	4H7-23441-00-P0	D-7
	E-2	3Y6-23442-00-P0	D-7
29L-25398-10	D-14	3FV-23462-00	D-7
	E-2	341-23469-00	D-7
	D-14	134-23484-10	C-15
	E-2	4BP-24110-00-X5	D-11
	F-13	4BP-24110-00-X7	D-11
4BP-25446-20	F-13	2GH-24181-00	D-11
4BP-25448-20	E-2	4BP-24182-00	D-11
4BP-2580T-00	D-15	2GH-24183-00	D-11
4BP-2580W-00	E-4	3Y6-24183-00	D-11
4BP-2581K-00	E-9	4JH-24183-00	D-11
4BP-25819-01	E-3	2GH-24186-00	D-11
4BP-2582A-00	E-9	4BP-24186-00	D-11
4BP-2582T-00	D-15	4BP-24188-00	D-11
4DU-2582W-00	E-4	4BP-24191-00	D-11
4BP-25827-00	E-4	4BP-24216-00	D-12
2H7-27414-00	E-7	4BR-24311-00	D-12
4BR-27431-00	E-7	1HX-24312-00	D-12
4BP-27434-01	E-8	4BR-24366-00	D-12
4BP-27437-00	E-7	3YJ-24481-00	C-15
4BR-27441-00	E-7	4BP-24500-00	D-11
4BR-27442-01	E-9	4X8-24512-00	D-11
4BR-27443-01	E-9	3AJ-24523-00	D-11
4BP-27451-00	E-9	3HE-24524-00	D-11
4BP-27461-00	E-6	3AJ-24534-00	D-11
4BR-27461-00	E-6	1FK-24560-00	D-12
1HX-28100-01	D-2	4FU-24602-00	D-11
8U9-77162-00	E-9	4BR-24730-00	D-13
4BR-81410-00	E-9	4BR-24730-10	D-13
4BR-81450-00	E-6	4BP-24731-00	D-13
4BR-81671-00	E-6	4BR-24737-00	D-13
4DU-81671-00	F-13	22W-24741-00	D-13
4BR-81673-00	E-6	4BP-2478E-00	D-13
4BR-81800-00	D-2	4BP-24780-00	D-13
3AJ-81809-00	F-13	4BP-24792-00	D-13
4BP-81815-00	E-6	341-25149-00	D-14
3HE-81826-00	D-8	4BP-25168-00-WN	D-14
3HE-81830-00	E-6		
3KS-81840-00	E-9		
11H-81844-00	E-9		
26H-81847-00	E-4		
3HE-81850-00	D-15		

NUMERICAL INDEX

PART NO.	GRID NO.	PART NO.	GRID NO.
4FL-25924-00	E-4	5H0-81871-00	E-12
3YX-25929-00	D-15	4BP-81940-00	F-5
3YX-25937-00	D-15	2UJ-81950-00	F-5
5R2-25937-00	D-15	3TJ-81960-01	F-5
4BP-26111-00	E-5	3YF-81971-00	B-15
36Y-26240-00	E-5	3PK-82100-00	F-5
31A-26241-00	E-5	4BP-82115-00	F-5
51J-26246-00	E-5	4BP-82116-00	F-5
4BP-26270-00	E-5	120-82131-00	D-2
4BR-26280-00	E-5	4BP-82131-00	D-2
4BR-26290-00	E-5	1AE-82151-00	F-5
4KE-26302-00	E-5	36Y-82151-00	F-5
4KE-26335-00	E-5	42X-82151-00	F-5
4BR-27111-00	E-8	4BR-82305-00	F-5
2GM-27114-00	E-8	4DU-82305-00	F-13
4BP-27211-00	E-2	4BR-82310-00	F-5
4BP-27222-00	E-9	4BR-82317-00	F-5
4BP-27261-00	E-9	4BR-82320-00	F-5
4BP-27311-00	E-7	4BP-82370-00	F-5
2KT-27315-00	E-7	4BP-82509-00	F-6
1TX-27351-00	E-8	4KE-82510-00	F-5
2GH-27413-00	E-7	4BP-82530-01	F-6
4BP-27413-00	E-7	1L9-82540-00	F-6
2H7-27414-00	E-7	4BP-82541-00	F-5
4BR-27431-00	E-7	4BR-82560-00	B-13
4BP-27434-01	E-8	3LD-82566-70	F-6
4BP-27437-00	E-7	4KE-82590-00	F-5
4BR-27441-00	E-7	3YX-82911-00	F-4
4BR-27442-01	E-7	3YX-82917-00	F-4
4BR-27443-01	E-7	51J-83310-00	E-13
4BP-27451-00	E-7	306-83311-40	E-13
4BP-27461-00	E-7	51J-83320-00	E-13
1HX-28100-01	D-2	51J-83330-00	E-13
8U9-77162-00	D-2	1VU-83332-00	E-13
4BR-81410-00	E-10	51L-83332-01	E-13
4BR-81450-00	E-10	51J-83340-00	E-13
4BR-81671-00	E-6	1VU-83342-00	E-13
4DU-81671-00	F-13	51L-83342-01	E-13
4BR-81673-00	E-11	3YA-83350-00	F-6
4BR-81800-00	E-12	3YA-83350-10	F-6
3AJ-81809-00	E-12	10V-83365-00	E-13
4BP-81815-00	E-12	34Y-83371-00	F-6
3HE-81826-00	E-12	42X-83507-00	E-14
3HE-81830-00	E-12	42X-83508-00	E-14
3KS-81840-00	E-12	4KE-83509-00	E-14
11H-81844-00	E-12	123-83516-21	F-8
26H-81847-00	E-12	2GV-83517-00	E-14
3HE-81850-00	E-12	42X-83517-00	E-14

NUMERICAL INDEX

NUMERICAL INDEX

PART NO.	GRID NO.	PART NO.	GRID NO.	PART NO.	GRID NO.	PART NO.	GRID NO.	PART NO.	GRID NO.	PART NO.	GRID NO.
4KE-83519-00	E-14	4BP-84721-00	F-3	90151-06013	C-13	90201-10119	C-9	90387-177Y4	D-14	90480-14023	E-15
1FG-83523-00	E-14	4G1-84744-00	E-14	90151-06014	C-4	90201-10639	E-10	90387-177Y5	E-3	90480-14105	D-7
4KE-83530-00	E-14	3YF-84751-00	D-3	90152-05005	E-15	90201-10669	C-2	90387-2103N	C-8	90480-15557	B-15
4KE-83540-00	E-14	11H-85110-01	F-13		F-8	90201-127J6	C-14	90387-253Y6	C-8	90480-18276	F-3
1JK-83541-00	D-7	23V-85110-00	F-13	90157-05057	F-4		E-8	90401-06119	B-15	90501-06022	C-13
3MA-83550-00	E-14	3G1-85130-01	F-6	90157-05079	E-7	90201-150H2	C-9	90401-10096	E-6	90501-12743	E-7
4KE-83570-00	E-14	4BR-85720-00	F-6		F-6	90201-15785	C-9		E-9	90501-143A8	C-4
4KE-83570-10	F-8	90101-06576	C-2	90157-08117	C-15	90201-161J3	D-5	90401-20145	B-9	90501-23391	C-9
4KE-83579-00	E-14	90101-12558	D-6	90159-05122	E-7	90201-165L8	E-3	90413-05008	B-14	90506-08227	C-14
3YX-83912-00	F-4	90105-06153	B-2	90159-05163	D-4	90201-177K7	E-3	90430-06014	C-9	90506-18224	E-7
3YX-83922-09	E-6	90105-06671	C-6	90159-06092	C-9	90201-200K3	C-11	90430-06166	B-15	90506-20192	E-9
437-83936-01	E-6	90105-07342	B-7	90159-06107	E-11	90201-202T6	C-11		C-3	90506-26225	E-7
	F-4	90105-08321	E-2	90164-04009	E-14	90202-05187	D-11	90430-10171	C-4	90506-35297	E-8
3YX-83945-00	F-4	90105-10253	C-15	90170-06228	C-14	90202-15153	C-4	90430-14131	B-3	90508-142A8	C-9
4BR-83969-01	F-4	90105-10445	E-11	90170-20327	C-9	90202-17211	C-4	90445-09683	D-12	90508-20572	E-7
4BP-83975-00	F-4	90105-10638	D-15	90171-16024	E-3	90202-24190	D-7	90445-103E6	D-12	90508-241A9	C-13
4BH-83980-00	E-6		E-4	90176-08026	B-2	90202-26142	D-7	90445-10752	D-12	90508-292A0	C-14
214-84153-60	E-15	90105-10662	E-10	90176-22050	D-7	90206-14086	E-9	90445-11152	B-10	90560-12211	C-14
1XL-84303-G0	E-15	90105-12523	C-15	90179-06499	B-2	90208-04029	C-15	90445-11699	B-10	90560-17241	D-14
2J4-84303-30	F-8	90105-12612	D-6	90179-07307	B-4	90209-08098	E-15	90445-252G5	E-8	91311-08035	D-9
2F9-84314-00	F-8	90109-060E9	D-2	90179-08316	F-4	90209-08249	C-2	90446-15233	B-10	91317-05010	D-11
341-84315-40	E-15	90109-066F0	B-2	90179-08507	C-2	90209-22191	C-11	90460-54137	B-10	91317-06010	C-6
	F-8	90109-06616	F-5	90179-10247	C-15	90215-19226	C-8	90462-08078	B-9	91317-06016	C-4
2F9-84321-00	F-8	90109-06778	C-9	90179-12421	C-15	90215-20231	C-9	90462-08087	C-5		D-7
2K3-84321-40	E-15	90109-082A1	E-7	90179-16319	C-8	90215-23265	C-11	90464-13080	F-5	91317-06020	B-15
1JK-84330-00-93	E-15	90109-08718	D-15	90179-18552	C-11	90240-08124	E-9	90464-15157	D-2	91317-06025	B-7
341-84332-60	E-15		E-4	90179-25033	D-7	90267-40076	F-13	90464-16039	B-15		B-15
	F-8	90109-101E6	E-8	90183-05024	D-4	90269-04003	C-15	90464-17176	D-12		F-5
198-84334-60	E-15	90109-106F9	E-7	90183-06023	E-15	90338-08226	D-2	90464-35132	B-15	91317-06030	B-8
	F-8	90110-05112	D-11	90185-10037	E-7	90338-48229	C-3	90465-10290	C-5		B-9
584-84338-60	E-15	90110-06158	C-4	90185-10091	E-8	90384-18157	D-6	90465-13355	F-5		E-10
584-84345-60	E-15	90110-06181	B-15	90185-14070	D-5	90387-060M9	B-11	90467-08017	D-12	91317-06040	B-9
34L-84346-00	E-15	90111-06005	C-6	90201-04325	D-2	90387-06299	D-11	90467-08021	D-12	91317-08030	D-7
	F-8	90116-08338	C-3	90201-044A2	F-13	90387-06388	F-2	90467-09006	D-12	91401-25020	C-4
1JK-84365-09	E-15	90116-08339	C-3	90201-05031	E-14	90387-064T3	B-15	90467-10008	B-10		E-7
	F-8	90116-08340	C-3	90201-06059	D-3	90387-064Y1	C-6		D-12	91401-30030	E-3
2F9-84375-00	E-15	90116-08360	B-2		D-7	90387-06554	D-7	90467-11044	D-12	91490-20020	E-2
	F-8	90116-08566	C-3	90201-06067	B-15	90387-06676	D-7	90467-11106	B-2		E-9
2F9-84394-00	E-15	90116-10485	E-2	90201-063J2	F-3	90387-07037	F-3		D-12	91701-08038	E-7
	F-8	90119-06043	D-2	90201-080L7	B-2	90387-083Y8	D-5	90467-11108	B-15	91701-08042	E-7
2F9-84395-00	E-15	90119-06044	D-5	90201-080L8	B-7	90387-084N8	E-7	90467-14015	B-10	92017-08025	E-9
	F-8	90119-06213	D-11	90201-08083	E-9	90387-10636	E-7		B-11	92901-04100	F-8
2F9-84397-01	E-15	90123-08096	F-4	90201-08326	E-8	90387-123X6	D-6	90467-14057	E-9	92901-05100	F-8
	F-8	90149-04278	D-2	90201-084G3	B-3	90387-125Y2	C-5	90467-15012	B-10	92901-05600	B-14
4BP-8471J-00	F-3	90149-06008	D-11	90201-094G1	B-2	90387-16547	C-3	90468-12006	D-8	92902-08100	B-12
4BP-84710-00	F-3	90149-06228	D-13		C-3	90387-173L5	E-3	90480-01401	D-4	92906-04600	E-6
4BP-84712-00	F-3	90149-06298	C-15	90201-10118	E-6	90387-174V8	E-2	90480-12320	C-15	92907-04100	E-14
137-84714-61	F-3		D-7		E-9	90387-177K0	E-2	90480-14023	B-11	92907-05100	B-12

NUMERICAL INDEX

NUMERICAL INDEX

PART NO.	GRID NO.	PART NO.	GRID NO.	PART NO.	GRID NO.	PART NO.	GRID NO.	PART NO.	GRID NO.	PART NO.	GRID NO.
92907-05600	B -12	93399-99932	D - 7	95307-10600	D - 8	97007-08055	D -11				
92907-06100	D -11	93410-40059	C - 9	95317-06600	B - 2	97027-06012	C - 6				
92907-06600	B - 2	93440-09141	B - 2	95317-08600	B - 3	97027-06020	C -14				
	C - 2	93440-25084	C -11	95380-05600	B -14	97027-06025	F - 2				
	E - 9		C -13		F - 8	97080-06020	F - 5				
92907-08600	E - 2	93450-16068	B - 4	95380-06600	E - 6	97707-40620	E -13				
92907-10200	E - 9	93501-04011	E - 7	95607-04100	D - 2	97707-50130	B -10				
92907-10600	D - 8	93603-07073	B - 8	95607-05200	D -12	97707-60016	D - 2				
92990-04100	E -15	93603-17070	B - 8	95607-06100	D - 3	98506-04012	E - 6				
92990-05100	E -15	93604-10011	B - 4		F - 4	98506-05030	F - 4				
93101-32144	B - 4		C -13	95607-10200	E - 2	98506-05040	F - 4				
93102-12106	C -14	93604-12037	C -13	95607-12200	D - 6	98507-04012	E -14				
93102-15212	C - 9	93605-10108	C - 9	95617-06100	E - 6	98507-05008	B -14				
93102-25017	D -14	93900-00030	D -14	95617-06618	B - 2	98507-05012	B -12				
93102-25044	E - 2		E - 2	95627-06625	B - 2	98507-05016	B -12				
93102-25253	C - 8	94111-172Y9	D -14	95627-08330	B - 3	98507-05020	E - 5				
93102-35109	C -11	94111-173Y1	D -14	95707-05500	D -12	98507-05025	E - 5				
93105-42024	E - 2	94113-183Y0	E - 2		F - 6	98507-06016	B - 8				
93105-45017	D -14	94113-183Y2	E - 2		F -13	98507-06018	E - 9				
93109-12053	C - 6	94581-30108	F -13	95707-06500	D - 7	98507-06025	B - 8				
93109-18020	D - 6	94581-30110	E - 2		D -13	98507-06035	B - 8				
93210-07540	C - 4	94701-00329	B - 2		F - 5	98580-04008	E -15				
93210-09350	C - 3	94701-00330	B - 2	95707-08500	E - 2		F - 8				
93210-10096	B - 8	94890-04144	B - 7		E -15	98580-04055	E -15				
93210-11453	C - 3	95024-08030	E -15	95707-10500	C - 2		F - 8				
93210-13361	B - 8	95026-06030	E - 6	95707-12500	E -13	98602-05014	B -12				
93210-20573	C - 4	95027-06014	D -12	95807-06010	F - 6	98706-04012	E - 6				
93210-27778	C - 7	95027-06016	D - 2	95807-06016	D - 5	98707-03020	F - 4				
93210-29196	F - 6		D - 3	95807-06030	D - 7	98707-04018	D -12				
93210-37532	B -10		F - 6	95807-08035	C - 2	98707-05012	F - 6				
93210-47440	C - 8	95027-06020	C - 6	95807-10040	C - 2	98707-05016	C -13				
93210-48460	C - 4		F - 4	95817-06030	B -11	98707-06016	C -13				
93210-63442	B - 3	95027-06025	D - 2	95817-06035	C - 4	98907-06010	B - 7				
93210-87723	B - 9		F -13	95817-06040	C - 3	99006-10600	C -14				
93306-20310	D -14	95027-06030	C - 6	95817-06045	C - 3	99009-10400	C -10				
93306-20314	E - 2	95027-06035	C - 6	95817-06055	C - 3	99009-11400	B - 8				
93306-20545	C - 8	95027-06040	C - 6	95817-06065	C - 3	99226-00140	D -11				
93306-30309	E - 2	95027-06055	C - 6	95817-06095	C - 3	99227-00140	D -11				
93306-30525	C - 8	95027-06065	C - 6	95817-06135	C - 3	99510-08016	B - 2				
93306-30530	C -11	95027-06070	C - 6	95817-08080	C - 3		B - 9				
93306-37207	E - 2	95027-08030	C - 2	95817-08100	C - 3	99510-12016	C - 3				
93306-90503	C -13	95301-04600	B -13	95817-10050	C -15	99530-10014	C - 3				
93311-42045	C -11		E -15	95827-06016	B -15		C - 6				
93315-10838	C -10	95304-06700	C -14	95827-06025	E -12	99530-14016	B - 3				
93315-31502	C -10	95307-05600	E -14	95827-08075	B - 7		C - 3				
93320-32403	D - 5	95307-06600	F - 3	95827-10016	C -15						
93340-21505	C - 9	95307-08600	E - 2	97007-06014	C - 8						
93399-99931	D - 7	95307-08700	E - 9	97007-06025	D -11						



*COPY RIGHT: All rights reserved. No part of this publication
may be reproduced without permission.*

YAMAHA

YAMAHA MOTOR CO., LTD.
2500 SHINGA I IWATA SHIZUOKA JAPAN
SERVICE INFORMATION DIV.

Printed in Japan
First edition MAY., 1994