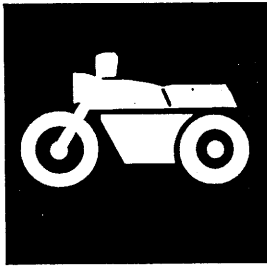


YAMAHA



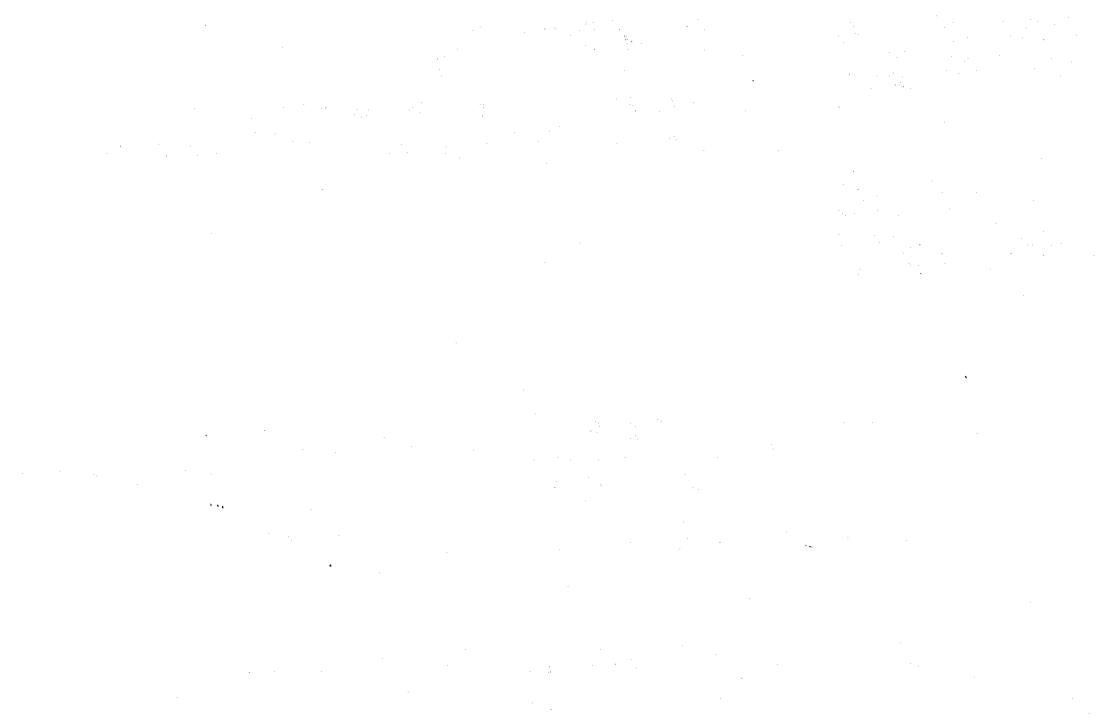
**PARTS
CATALOGUE**

- XJ600N'96 (4KE5)** EUROPE ✓
- XJ600N'96 (4KF3)** SWITZERLAND, AUSTRIA
- XJ600N'96 (4KA3)** SWEDEN
-

164KE-300E2

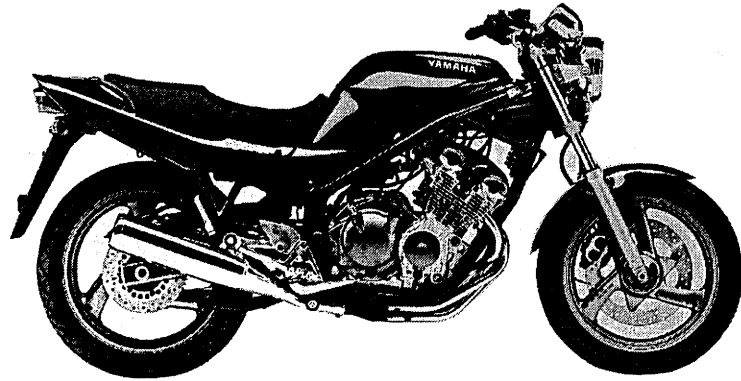
YAMAHA
GENUINE
Parts & Accessories

1997-1998



Page 25

Page 26



A3

FOREWORD

This Parts Catalogue is related to the parts for the model(s) in the below frame. When you are ordering replacement parts, please refer to this Parts Catalogue and quote both part numbers and part names correctly.

XJ600N'96(4KE5,4KF3,4KA3)

1. Modifications or additions which have been made after issue of the Parts Catalogue will be announced in the Yamaha Parts News.
It is advisable that you make necessary corrections to the Parts Catalogue according to the Yamaha Parts News.

2. Abbreviations

The following abbreviations are used in this Parts Catalogue.

- "UR" Use specified parts number.
- "UN" Use as many as needed.
- "AP" Alternate Parts
- "LM" Local Made (Parts need to be ordered locally)
- "F#" Frame No. (Applicable machine No.)

3. Parts, which are to be supplied in an assembly, are listed with a dot (.) in front of the part name as shown below.

EXAMPLE

- CARBURETOR ASSY
- . JET, PILOT
- . NOZZLE, MAIN

4. Number of component for assembly

The numeral appearing to the right of each component part indicates the quantity of parts for each assembly unit.

EXAMPLE

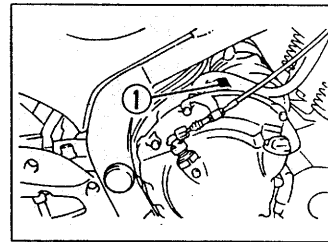
PART NO.	DESCRIPTION	Q'TY	REMARKS
2F5-83310-60	FRONT FLASHER LIGHT ASSY	2	
115-83311-60	. BULB (6V-18W)	1	

5. Applicable colors of graphics are represented in the "REMARKS" as shown below.

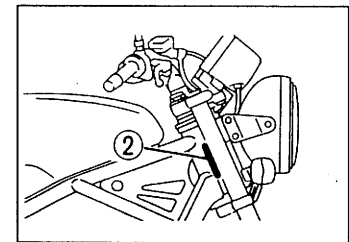
PART NO.	DESCRIPTION	Q'TY	REMARKS
2N4-24110-00-X5	FUEL TANK COMP.	1	MAXIM RED
3J1-24240-10	. GRAPHIC, FUEL TANK	1	for MXR

6. Applicable Serial No.

① Engine Serial No.



② Frame Serial No.



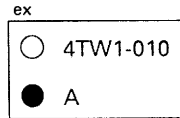
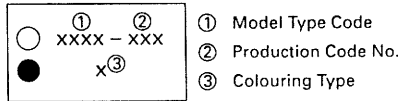
7. Note that the illustrations are for reference in finding parts numbers, not to be used for assembling. When assembling, please use the applicable service manual.

8. The asterisk (*) before a reference number indicates modification items after the first edition.

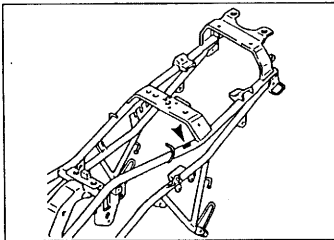
MODEL LABEL

(1) A label called "Model Label" is affixed in the location as indicated in (3) below. When using this parts catalogue, please be sure to cross-refer the "model code - production code No." in the catalogue to the "model code - production code No." indicated on the Model Label affixed onto the product concerned.

(2) "Model Label" Indication



(3) Model Label Affixing Location



(4) Model Code - Production Code Number of Model Listed in This Parts Catalog

Model code	Production code No.	Country (destination)	Model code	Production code No.	Country (destination)
4KE5	020	BELGIUM			
	030	DENMARK			
	040	FINLAND			
	050	ENGLAND			
	060	GREECE			
	070	IRELAND			
	080	ITALY			
	090	HOLLAND			
	100	NORWAY			
	110	PORTUGAL			
4KF3	010	SWITZERLAND			
	020	AUSTRIA			
4KA3	020	SWEDEN			

(5) Colouring Information

Colouring type code	Colour code	Colour Name	Abbreviation
A	004B	BLACK 2	BL2
B	00FE	MATURE RED	MRE

CONTENTS

GENERAL SPEC.

ENGINE

Cylinder Head	B2
Cylinder	B3
Crankshaft · Piston	B4
Valve	B5 ~ B6
Camshaft · Chain	B7
Oil Pump	B8
Oil Cooler	B9
Oil Cleaner	B10
Intake	B11 ~ B12
Carburetor	B13 ~ B15
Exhaust	C2
Crankcase	C3 ~ C5
Crankcase Cover 1	C6 ~ C7
Starter Clutch	C8
Clutch	C9 ~ C10
Transmission	C11 ~ C12
Shift Cam · Fork	C13
Shifter	C14

CHASSIS

Frame	C15
Fender	D2 ~ D3
Side Cover	D4
Rear Arm	D5
Rear Suspension	D6
Steering	D7 ~ D8
Front Fork	D9 ~ D10
Fuel Tank	D11 ~ D12

Seat	D13
Front Wheel	D14
Front Brake Caliper	D15
Rear Wheel	E2 ~ E3
Rear Brake Caliper	E4
Steering Handle · Cable	E5
Front Master Cylinder	E6
Stand · Footrest	E7 ~ E8
Rear Master Cylinder	E9
Generator	E10
Pick Up Coil · Governor	E11
Starting Motor	E12
Flasher Light	E13
Meter	E14
Headlight	E15 ~ F2
Taillight	F3
Handle Switch · Lever	F4
Electrical 1	F5
Electrical 2	F6

INDIVIDUAL SPEC.

FOR ENGLAND

Alternate (Electrical)	F8
------------------------------	----

FOR SWEDEN

Alternate (Engine)	F10
--------------------------	-----

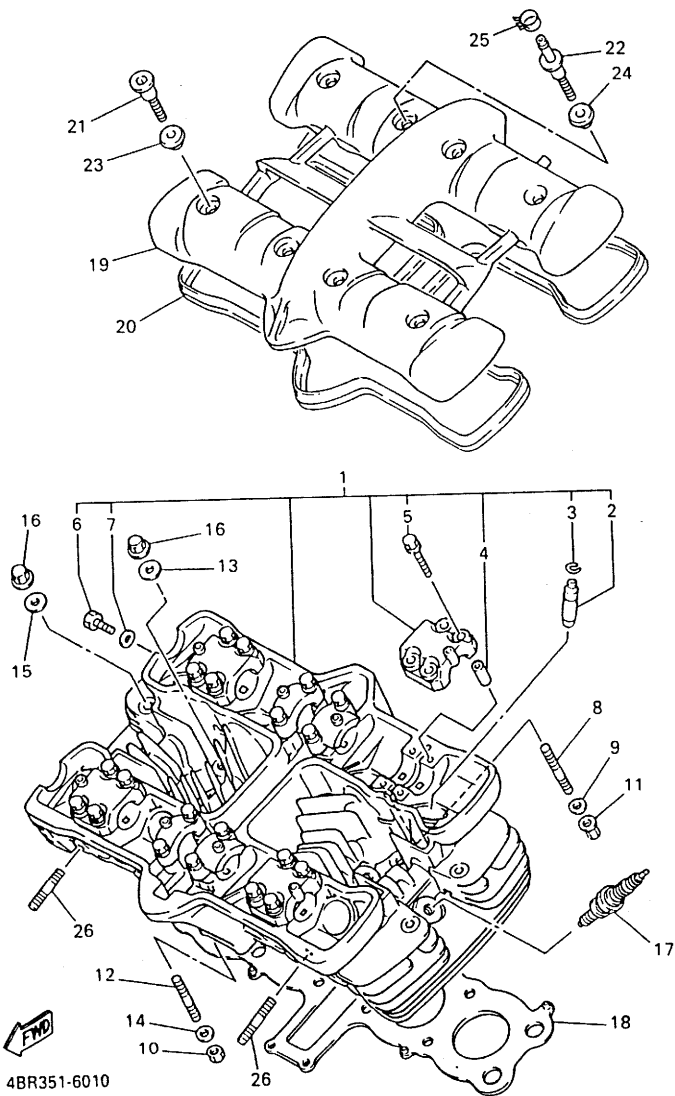
FOR SWITZERLAND, AUSTRIA

Alternate (Engine)	F12
Alternate (Chassis)	F13

INDEX

NUMERICAL INDEX	L1 ~ L4
-----------------------	---------

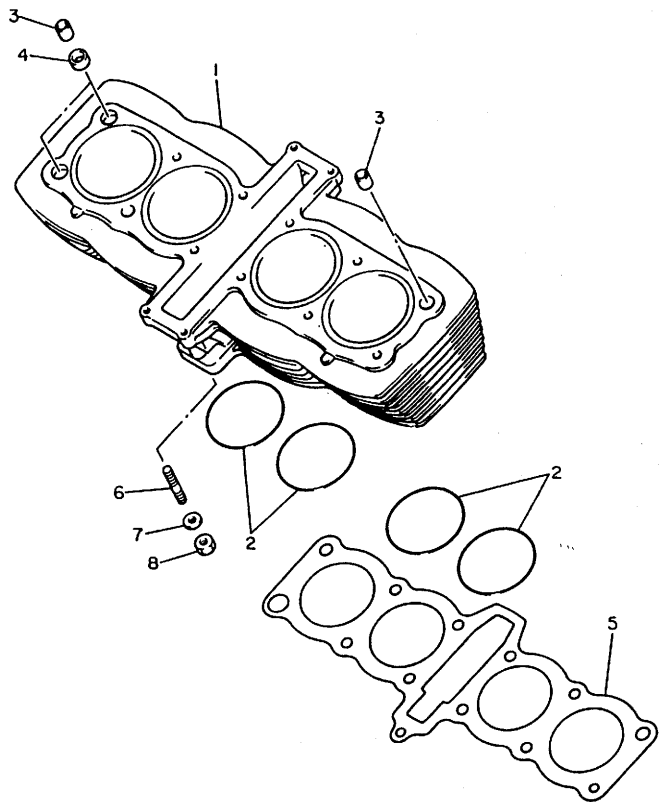
FIG. 1 CYLINDER HEAD



REF. NO.	PART NO.	DESCRIPTION	Q'TY	REMARKS
1	4BR-11101-10	CYLINDER HEAD ASSY	1	
2	4BR-11133-10	.GUIDE, INTAKE VALVE	8	
3	93440-09141	.CIRCLIP	8	
4	99510-08016	.PIN, DOWEL	12	
5	90105-06153	.BOLT, WASHER BASED	24	
6	90153-06029	.SCREW, HEXAGON	1	
7	90430-06014	.GASKET	1	
8	95617-06618	BOLT, STUD	2	
9	92907-06600	WASHER, PLATE	4	
10	95317-06600	NUT	2	
11	90179-06500	NUT	2	
12	95617-06630	BOLT, STUD	2	
13	90201-094G1	WASHER, PLATE	10	
14	92907-06200	WASHER	2	
15	90201-080L7	WASHER, PLATE	2	
16	90176-08080	NUT, CROWN	12	
17	94701-00330	PLUG, SPARK (NGK-R CR8E)	4	UR
	94701-00329	PLUG, SPARK (U24ESR-N)	4	UR
18	4BR-11181-00	GASKET, CYLINDER HEAD 1	1	
19	4DU-11191-00	COVER, CYLINDER HEAD 1	1	
20	4BR-11193-00	GASKET, HEAD COVER 1	1	
21	90109-066F0	BOLT	7	
22	4BR-1118E-00	BOLT, COVER MOUNTING	1	
23	4KG-1111G-00	RUBBER, MOUNT 1	7	
24	4BR-1112G-00	RUBBER, MOUNT 2	1	
25	90467-11106	CLIP	1	
26	90116-08360	BOLT, STUD	8	

FIG. 2 CYLINDER

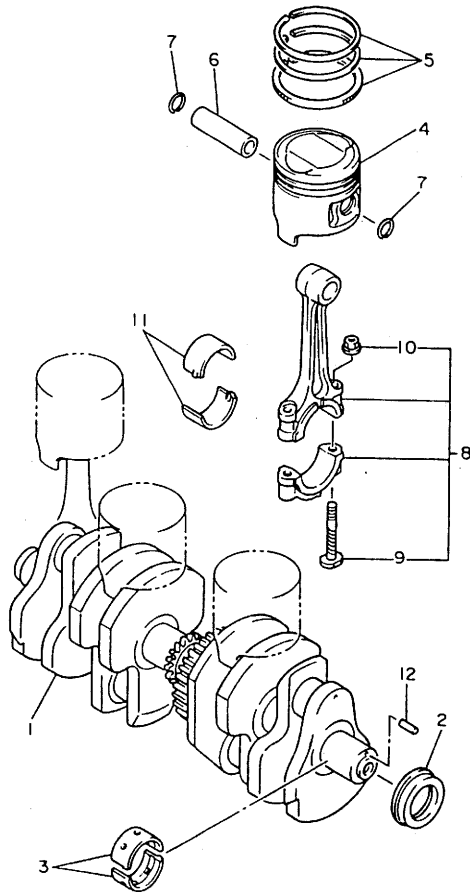
REF. NO.	PART NO.	DESCRIPTION	Q'TY	REMARKS
1	4BR-11310-01	CYLINDER	1	
2	93210-63442	O-RING	4	
3	99530-14016	PIN, DOWEL	4	
4	90430-14131	GASKET	2	
5	4BR-11351-01	GASKET, CYLINDER	1	
6	95627-08330	BOLT, STUD	1	
7	90201-084G3	WASHER, PLATE	1	
8	95317-08600	NUT	1	



4BP010-1020

B3

FIG. 3 CRANKSHAFT • PISTON

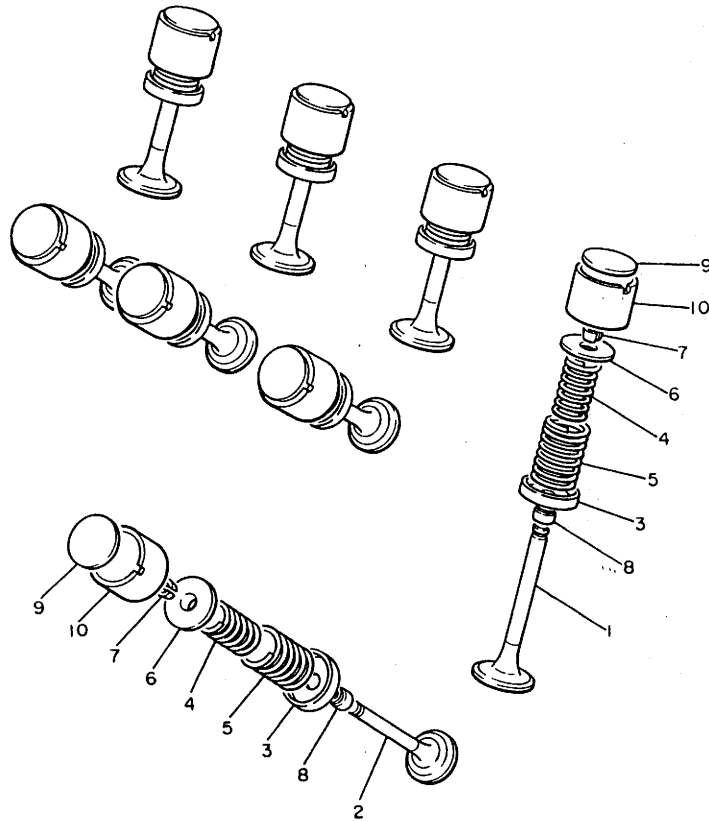


REF. NO.	PART NO.	DESCRIPTION	Q'TY	REMARKS
1	4BR-11411-00	CRANKSHAFT	1	
2	93101-32144	OIL SEAL	1	
3	4BR-11416-00	PLANE BEARING, CRANKSHAFT 1	10	UR BLUE
	4BR-11416-10	PLANE BEARING, CRANKSHAFT 1	10	UR BLACK
	4BR-11416-20	PLANE BEARING, CRANKSHAFT 1	10	UR BROWN
	4BR-11416-30	PLANE BEARING, CRANKSHAFT 1	10	UR GREEN
	4BR-11416-40	PLANE BEARING, CRANKSHAFT 1	10	UR YELLOW
4	4BR-11631-00-A0	PISTON (STD)	4	
	4BR-11636-00	PISTON (0.50MM O/S)	4	AP
	4BR-11638-00	PISTON (1.00MM O/S)	4	AP
5	4BR-11610-00	PISTON RING SET (STD)	4	
	4BR-11610-20	PISTON RING SET (0.50MM O/S)	4	AP
	4BR-11610-40	PISTON RING SET (1.00MM O/S)	4	AP
6	49A-11633-00	PIN, PISTON	4	
7	93450-16068	CIRCLIP	8	
8	4BR-11650-00	CONNECTING ROD ASSY	4	
9	4H7-11654-00	•BOLT, CONNECTING ROD	2	
10	90179-07307	•NUT	2	
11	49A-11656-00	PLANE BEARING, CONNECTING ROD	8	UR BLUE
	49A-11656-10	PLANE BEARING, CONNECTING ROD	8	UR BLACK
	49A-11656-20	PLANE BEARING, CONNECTING ROD	8	UR BROWN
	49A-11656-30	PLANE BEARING, CONNECTING ROD	8	UR GREEN
12	93604-10011	PIN, DOWEL	1	



4BP010-1030

FIG. 4 VALVE



REF. NO.	PART NO.	DESCRIPTION	Q'TY	REMARKS
1	4BR-12111-00	VALVE, INTAKE	4	
2	4BR-12121-00	VALVE, EXHAUST	4	
3	4BR-12116-00	SEAT, VALVE SPRING	8	
4	4BR-12113-00	SPRING, VALVE INNER	8	
5	4BR-12114-00	SPRING, VALVE OUTER	8	
6	33M-12117-00	RETAINER, VALVE SPRING	8	
7	1AA-12118-00	COTTER, VALVE	16	
8	33M-12119-00	SEAL, VALVE STEM	8	
9	26H-12168-00	PAD, ADJUSTING (2.00)	8	UR
	26H-12168-20	PAD, ADJUSTING (2.05)	8	UR
	26H-12168-40	PAD, ADJUSTING (2.10)	8	UR
	26H-12168-60	PAD, ADJUSTING (2.15)	8	UR
	26H-12168-80	PAD, ADJUSTING (2.20)	8	UR
	26H-12168-A0	PAD, ADJUSTING (2.25)	8	UR
	26H-12168-F0	PAD, ADJUSTING (2.30)	8	UR
	26H-12168-H0	PAD, ADJUSTING (2.35)	8	UR
	26H-12168-K0	PAD, ADJUSTING (2.40)	8	UR
	26H-12168-M0	PAD, ADJUSTING (2.45)	8	UR
	26H-12168-R0	PAD, ADJUSTING (2.50)	8	UR
	26H-12168-U0	PAD, ADJUSTING (2.55)	8	UR
	26H-12168-W0	PAD, ADJUSTING (2.60)	8	UR
	26H-12168-Y0	PAD, ADJUSTING (2.65)	8	UR
	26H-12169-10	PAD, ADJUSTING (2.70)	8	UR
	26H-12169-30	PAD, ADJUSTING (2.75)	8	UR
	26H-12169-50	PAD, ADJUSTING (2.80)	8	UR
	26H-12169-70	PAD, ADJUSTING (2.85)	8	UR
	26H-12169-90	PAD, ADJUSTING (2.90)	8	UR
	26H-12169-E0	PAD, ADJUSTING (2.95)	8	UR

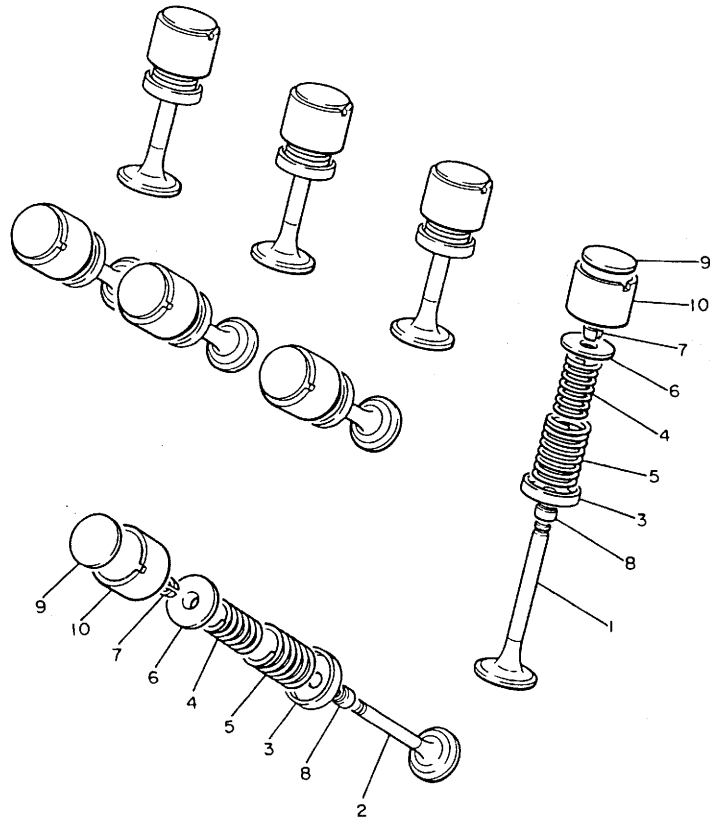


4BP010-1040

B5

FIG. 4 VALVE

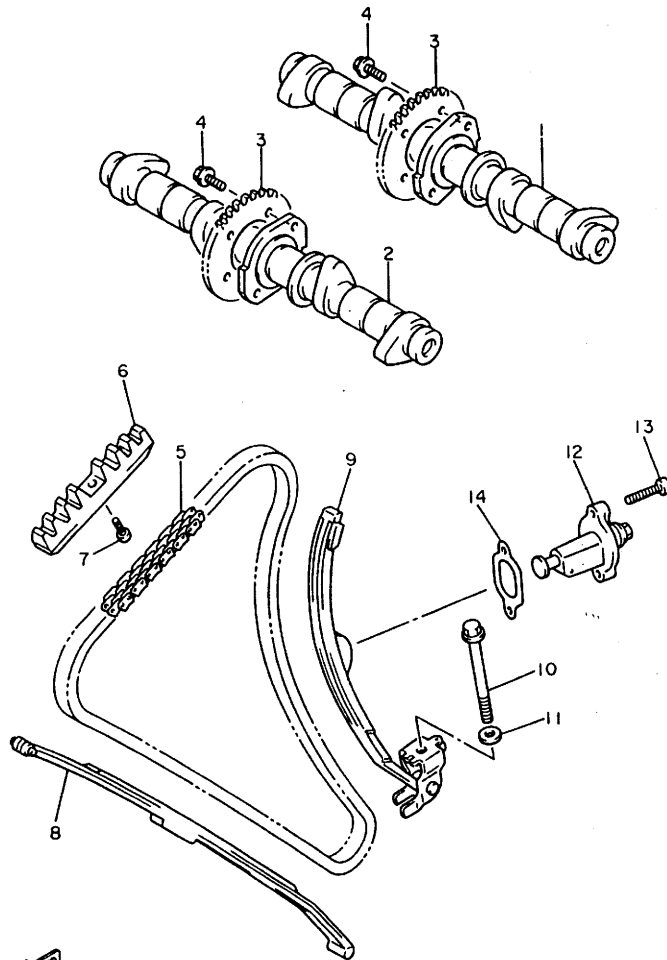
REF. NO.	PART NO.	DESCRIPTION	Q'TY	REMARKS
9	26H-12169-G0	PAD, ADJUSTING (3.00)	8	UR
	26H-12169-J0	PAD, ADJUSTING (3.05)	8	UR
	26H-12169-L0	PAD, ADJUSTING (3.10)	8	UR
	26H-12169-N0	PAD, ADJUSTING (3.15)	8	UR
	26H-12169-T0	PAD, ADJUSTING (3.20)	8	UR
10	26H-12153-00-Y0	LIFTER, VALVE	8	



4BP010-1040

B6

FIG. 5 CAMSHAFT • CHAIN

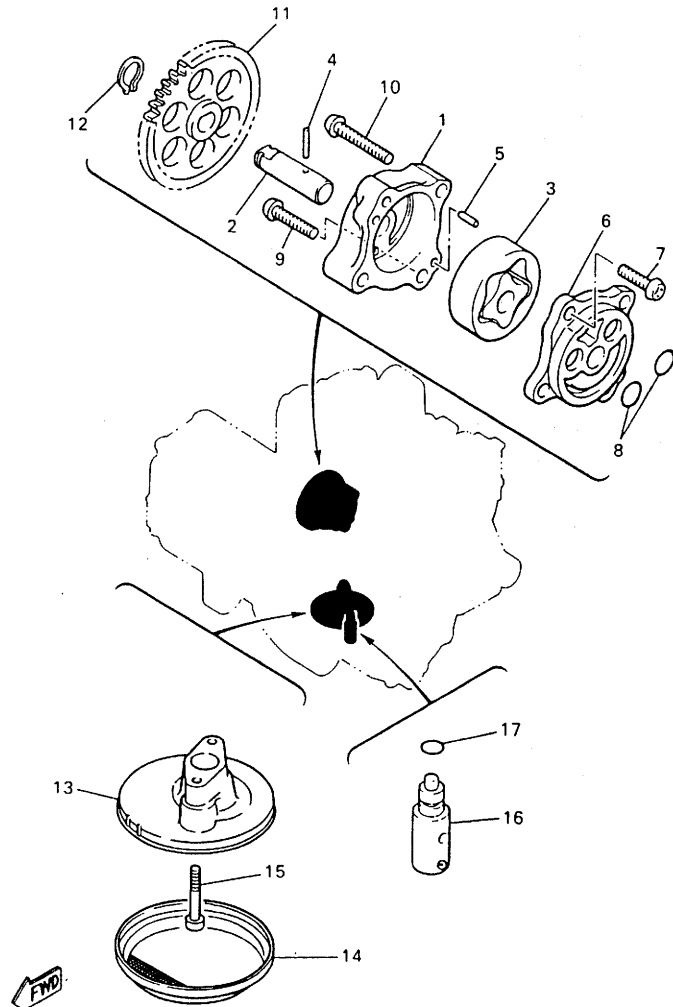


REF. NO.	PART NO.	DESCRIPTION	Q'TY	REMARKS
1	4BR-12171-00	CAMSHAFT 1	1	
2	4BR-12181-00	CAMSHAFT 2	1	
3	4BR-12176-00	SPROCKET, CAM CHAIN	2	
4	90105-07342	BOLT, WASHER BASED	4	
5	94890-04144	CHAIN	1	
6	4BR-12241-00	GUIDE, STOPPER 2	1	
7	98907-06010	SCREW, BIND	1	
8	4BR-12251-00	DAMPER, CHAIN 1	1	
9	4BR-12252-00	DAMPER, CHAIN 2	1	
10	95827-08075	BOLT, FLANGE	1	
11	90201-080L8	WASHER, PLATE	1	
12	4BR-12210-00	TENSIONER ASSY, CAM CHAIN	1	
13	91317-06025	BOLT	2	
14	4BR-12213-00	GASKET, TENSIONER CASE	1	


 4BP010-1050

B7

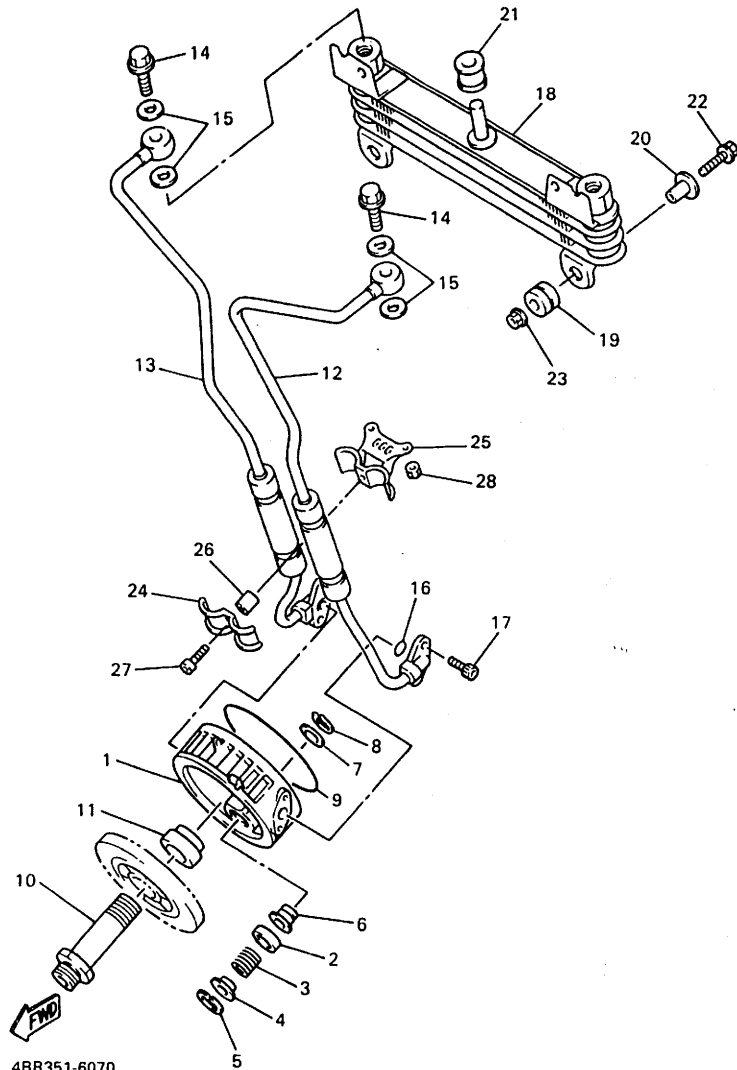
FIG. 6 OIL PUMP



4BR351-6060

REF. NO.	PART NO.	DESCRIPTION	Q'TY	REMARKS
1	33M-13336-00	HOUSING, ROTOR	1	
2	33M-13314-01	SHAFT, PUMP	1	
3	4H7-13310-00	ROTOR ASSY 1	1	
4	93603-17070	PIN, DOWEL	1	
5	93603-07073	PIN, DOWEL	2	
6	4G0-13316-00	COVER, PUMP	1	
7	98507-06016	SCREW, PAN HEAD	1	
8	93210-13361	O-RING	2	
9	98507-06025	SCREW, PAN HEAD	1	
10	98507-06035	SCREW, PAN HEAD	2	
11	4EB-13325-00	GEAR, PUMP DRIVEN	1	
12	99009-11400	CIRCLIP	1	
13	4BR-13412-00	HOUSING, STRAINER	1	
14	4H7-13411-02	STRAINER, OIL	1	
15	91317-06030	BOLT	2	
16	11H-13490-00	RELIEF VALVE ASSY	1	
17	93210-10096	O-RING	1	

FIG. 7 OIL COOLER

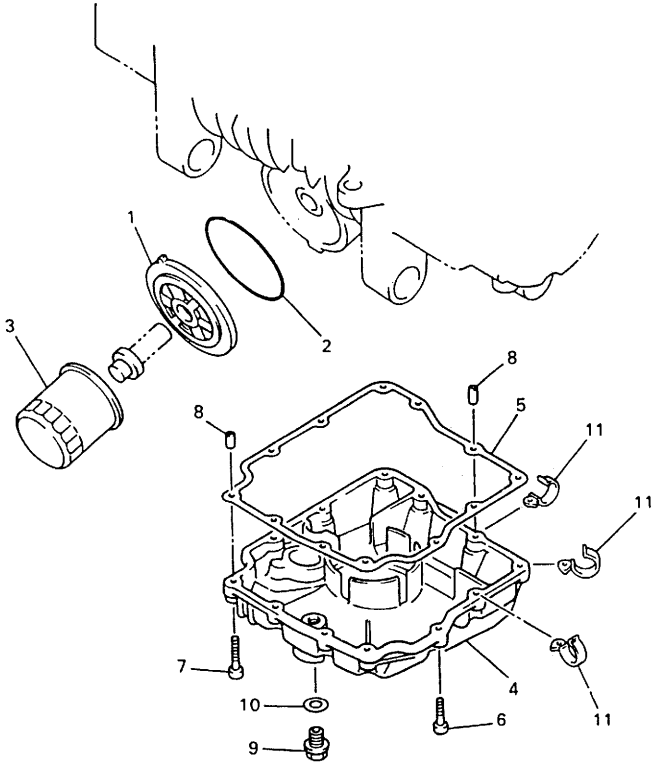


4BR351-6070

REF. NO.	PART NO.	DESCRIPTION	Q'TY	REMARKS
1	4KM-13461-00	PLATE, ADAPTOR	1	
2	4KM-13493-00	PLUNGER	1	
3	90501-12413	SPRING, COMPRESSION	1	
4	90209-06339	WASHER	1	
5	99009-17500	CIRCLIP	1	
6	4KM-13479-00	SEAT, VALVE	1	
7	90201-113K2	WASHER, PLATE	1	
8	99009-11400	CIRCLIP	1	
9	93210-87723	O-RING	1	
10	90401-20162	BOLT, UNION	1	
11	90387-2005R	COLLAR	1	
12	4EB-13464-00	HOSE, OIL 1	1	
13	4EB-13465-00	HOSE, OIL 2	1	
14	90401-12122	BOLT, UNION	2	
15	90430-12202	GASKET	4	
16	93210-10197	O-RING	2	
17	91317-06016	BOLT	4	
18	4EB-13470-00	OIL COOLER ASSY	1	
19	90480-12475	GROMMET	2	
20	90387-067K8	COLLAR	2	
21	90480-16284	GROMMET	1	
22	95827-06025	BOLT, FLANGE	2	
23	95707-06500	NUT, FLANGE	2	
24	90462-10066	CLAMP	1	
25	90462-12140	CLAMP	1	
26	90387-07598	COLLAR	1	
27	91317-06025	BOLT	1	
28	95317-06600	NUT	2	

FIG. 8 OIL CLEANER

REF. NO.	PART NO.	DESCRIPTION	Q'TY	REMARKS
1	3TJ-13461-00	PLATE, ADAPTOR	1	
2	93210-87723	O-RING	1	
3	3FV-13440-00	ELEMENT ASSY, OIL CLEANER	1	
4	4BR-13417-00	COVER, STRAINER	1	
5	4BR-13414-00	GASKET, STRAINER COVER	1	
6	91317-06030	BOLT	10	
7	91317-06040	BOLT	2	
8	99510-08016	PIN, DOWEL	2	
9	3VD-13455-00	PLUG	1	
10	214-11198-01	GASKET	1	
11	90462-08078	CLAMP	3	



4BR351-6080

FIG. 9 INTAKE

REF. NO.	PART NO.	DESCRIPTION	Q'TY	REMARKS
1	4EB-13586-00	JOINT, CARBURETOR 1	1	
2	4EB-13596-00	JOINT, CARBURETOR 2	2	
3	4EB-13597-00	JOINT, CARBURETOR 3	1	
4	93210-37532	O-RING	4	
5	91317-06020	BOLT, SOCKET HEAD	8	
6	4BR-13598-00	JOINT, CARBURETOR 4	4	
7	4BR-13575-00	BAND	8	
8	4BR-14411-00	CASE, AIR CLEANER 1	1	
9	4EB-14453-00	JOINT, AIR CLEANER 1	4	
10	4BR-14421-00	CASE, AIR CLEANER 2	1	
11	4BR-14452-00	SEAL	1	
12	97707-50130	SCREW, TAPPING	10	
13	4X7-2149Y-00	FILTER ASSY	1	
14	4BR-14451-00	ELEMENT, AIR CLEANER	1	
15	5T0-14457-00	SEAL	1	
16	4BR-14412-01	CAP, CLEANER CASE 1	1	
17	97707-50130	SCREW, TAPPING	4	
18	90445-11152	HOSE	1	
19	90467-10008	CLIP	3	
20	90445-11699	HOSE	1	
21	90460-54137	CLAMP, HOSE	4	
22	31A-14435-00	GROMMET	1	
23	4BR-14419-00	PIPE	1	
24	4BR-11166-00	PIPE, BREATHER 1	1	
25	90467-15054	CLIP	1	
26	4BR-14349-00	PIPE	1	
27	90467-10008	CLIP	1	
28	90446-15233	HOSE	1	

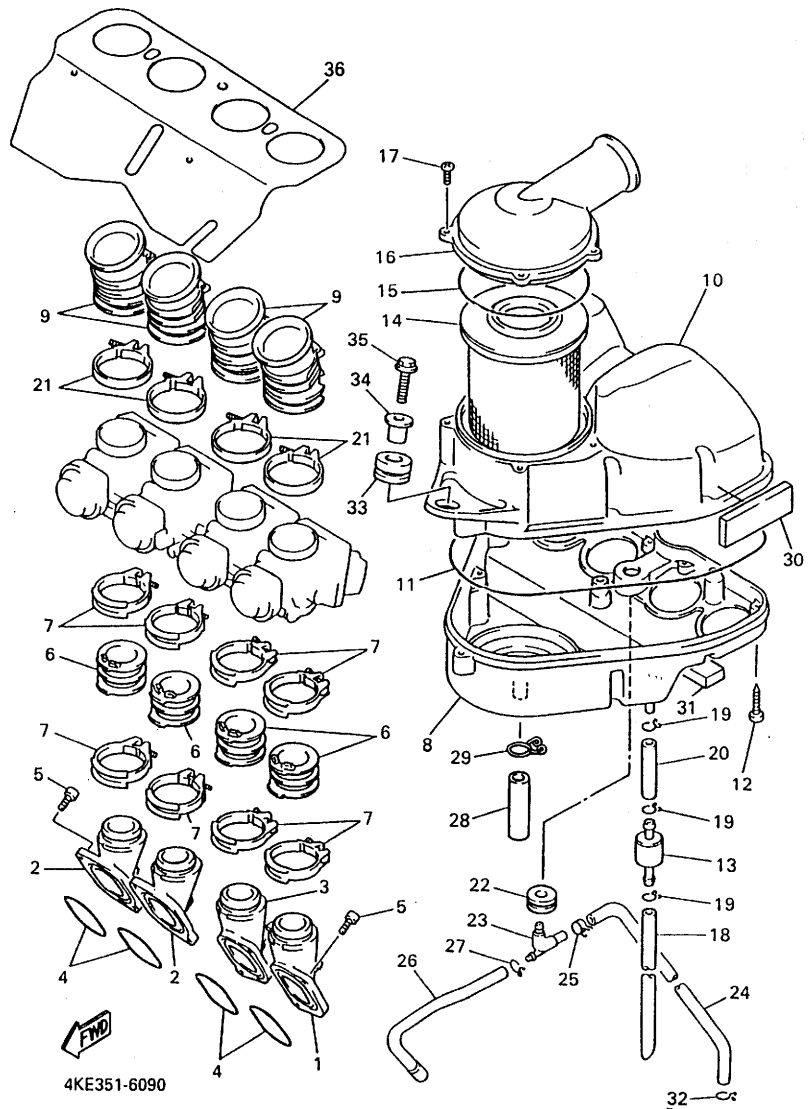
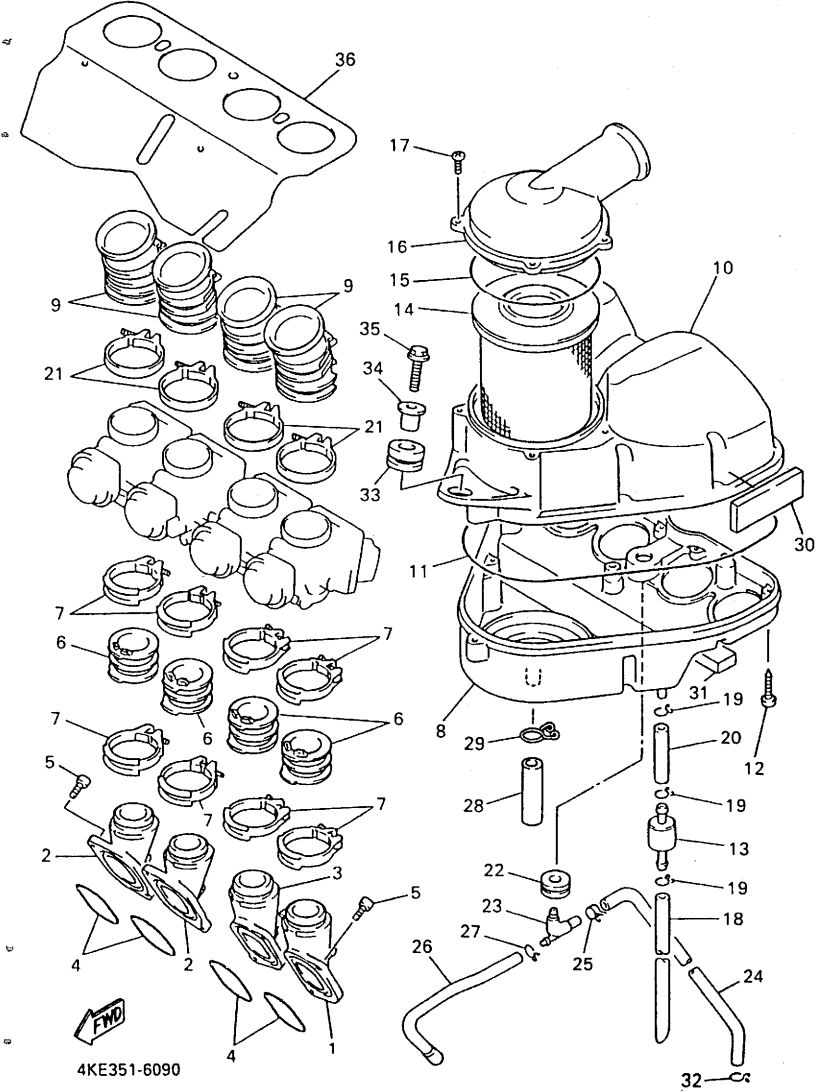


FIG. 9 INTAKE



REF. NO.	PART NO.	DESCRIPTION	Q'TY	REMARKS
29	90467-15012	CLIP	1	
30	4KA-14425-00	DAMPER 1	2	
31	4KE-14426-00	DAMPER 2	1	
32	90467-14015	CLIP	1	
33	90480-14023	GROMMET	1	
34	90387-060M9	COLLAR	1	
35	95817-06030	BOLT, FLANGE	1	
36	4BR-12682-02	PROTECTOR, HEAT	1	

FIG. 10 CARBURETOR

REF. NO.	PART NO.	DESCRIPTION	Q'TY	REMARKS
1	4BR-14900-20	CARBURETOR ASSY	1	
2	4BR-14901-20	.CARBURETOR ASSY 1	1	
3	4BR-14902-20	.CARBURETOR ASSY 2	1	
4	4BR-14903-20	.CARBURETOR ASSY 3	1	
5	4BR-14904-20	.CARBURETOR ASSY 4	1	
6	256-14997-00	..SEAL	1	UR #4
	256-14997-00	..SEAL	2	UR #1, 2, 3
7	1A8-14953-00	..WASHER	1	
8	12R-14105-00	..PILOT SCREW SET	1	
9	4BR-14940-00	..DIAPHRAGM ASSY	1	
10	1HX-14933-00	..SPRING, DIAPHRAGM	1	
11	4BR-1490J-10	..NEEDLE SET	1	
12	98580-04014	..SCREW, PAN HEAD	4	UR #1, 2, 4
	98580-04014	..SCREW, PAN HEAD	5	UR #3
13	1HX-14147-00	..O-RING	1	
14	620-14231-20	..JET, MAIN (#100)	1	
15	1AE-14227-00	..O-RING	1	
16	1AE-14261-00	..HOLDER	1	
17	1AE-14237-00	..GASKET	1	
18	1HX-14565-00	..SCREW	1	
19	137-14153-00	..WASHER, MAIN JET	1	
20	3DM-14141-30	..MAIN NOZZLE	1	
21	98580-04008	..SCREW, PAN HEAD	2	UR #2, 3
	98580-04008	..SCREW, PAN HEAD	4	UR #1, 4
22	12R-14191-00	..PLUG, DRAIN	1	
23	4DU-1410A-00	..STARTER SET	1	
24	3CF-14107-10	..NEEDLE VALVE SET	1	
25	1FN-14565-00	..SCREW	1	

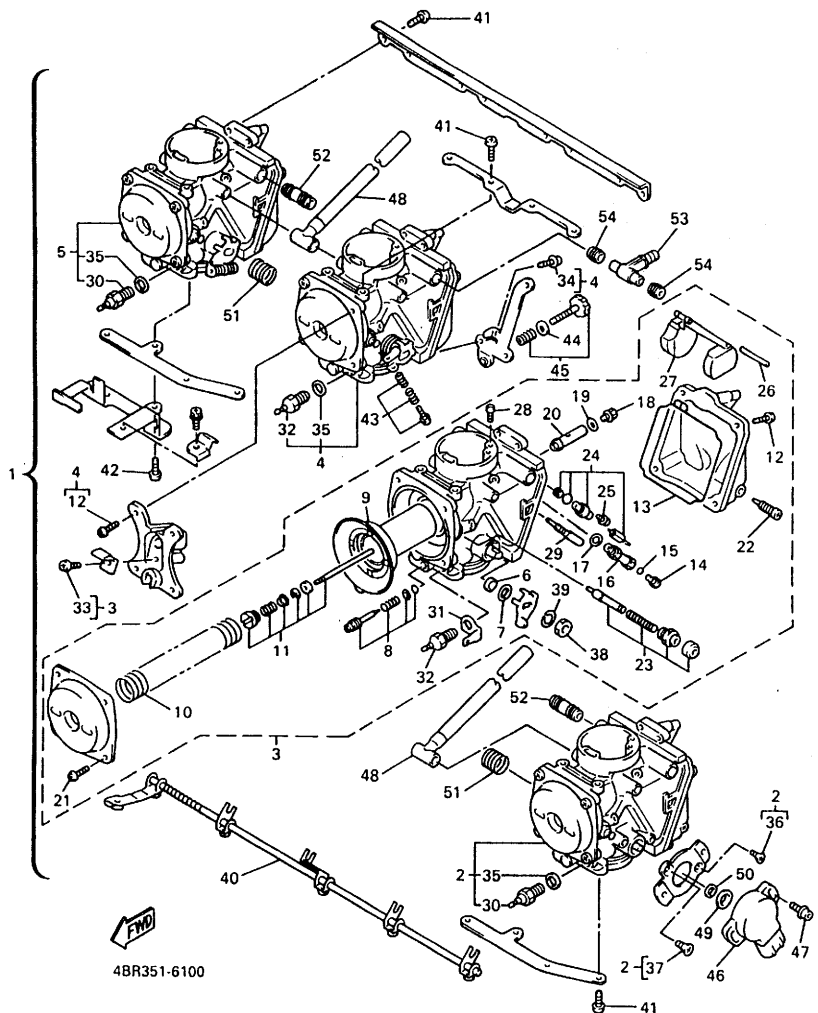
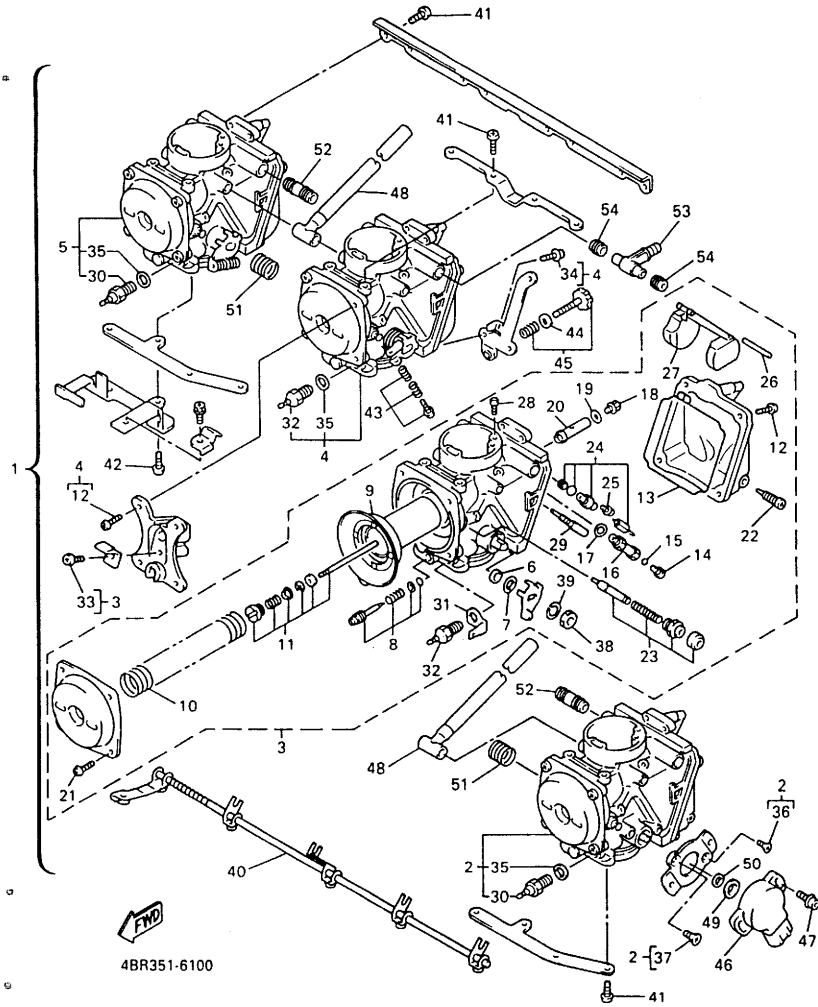


FIG. 10 CARBURETOR

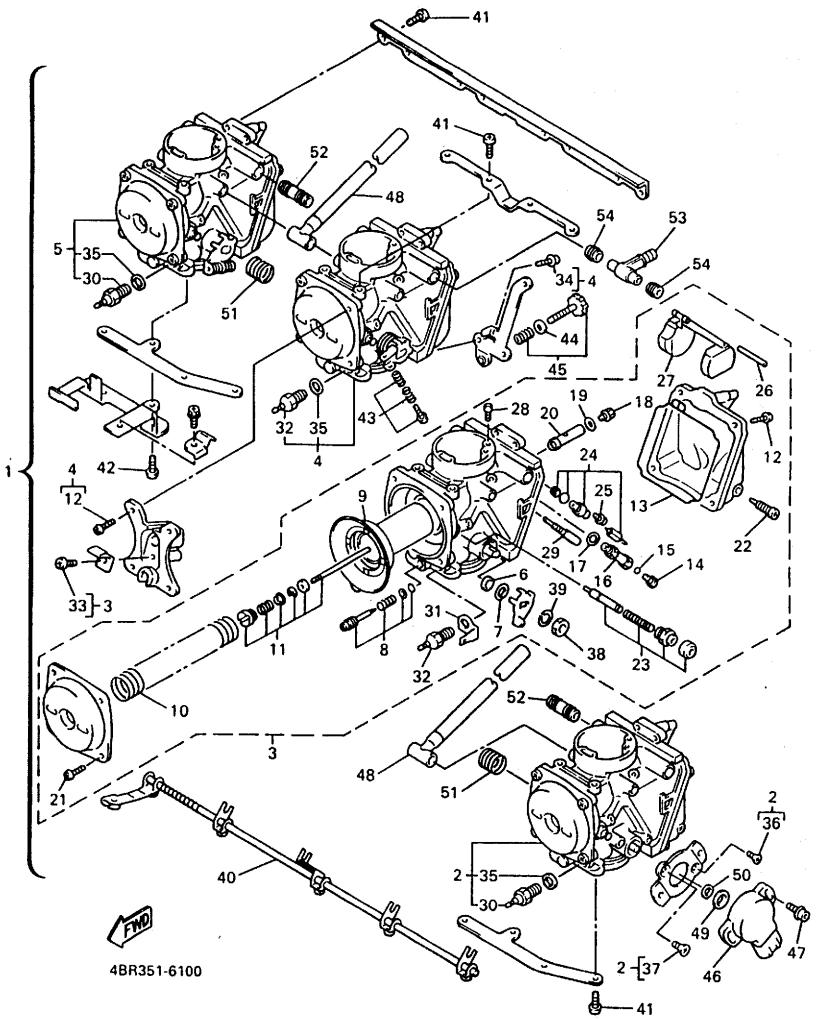


REF. NO.	PART NO.	DESCRIPTION	Q'TY	REMARKS
26	353-14186-00	..PIN, FLOAT	1	
27	1HX-14985-00	..FLOAT	1	
28	1HX-14231-28	..JET, MAIN (#140)	1	
29	22F-14142-17	..JET, PILOT (#17.5)	1	
30	4EB-83790-00	..HEATER ASSY	1	
31	4DH-82103-00	..TERMINAL 1	1	
32	3AB-83790-00	..HEATER ASSY	1	
33	98507-05008	..SCREW, PAN HEAD	1	
34	4DU-14125-00	..SCREW	1	UR #3
	4DU-14125-00	..SCREW	2	UR #2
35	90201-080S8	..WASHER, PLATE	1	
36	98706-03008	..SCREW, FLAT HEAD	1	
37	98706-05010	..SCREW, FLAT HEAD	1	
38	812-14594-00	..NUT	1	#2, 3
39	92907-08100	..WASHER, SPRING	1	#2, 3
40	4BR-1490L-00	..STARTER LEVER SET, 1	1	
41	98507-05010	..SCREW, PAN HEAD	18	
42	98517-05012	..SCREW, PAN HEAD	2	
43	3KW-1490K-00	..STOP SCREW SET	3	
44	22F-14117-00	..WASHER, PLUG SCREW	1	
45	1HX-14103-00	..THROTTLE SCREW SET	1	
46	4HD-85885-00	..THROTTLE SENSOR ASSY	1	
47	4HM-14216-00	..SCREW	2	
48	4BR-14987-10	..HOSE	2	
49	4HM-14239-00	..SEAL	1	
50	4KG-14285-00	..WASHER	1	
51	1HX-14131-00	..SPRING, THROTTLE VALVE	2	
52	4BR-14389-00	..NIPPLE ASSY	2	

FIG. 10 CARBURETOR

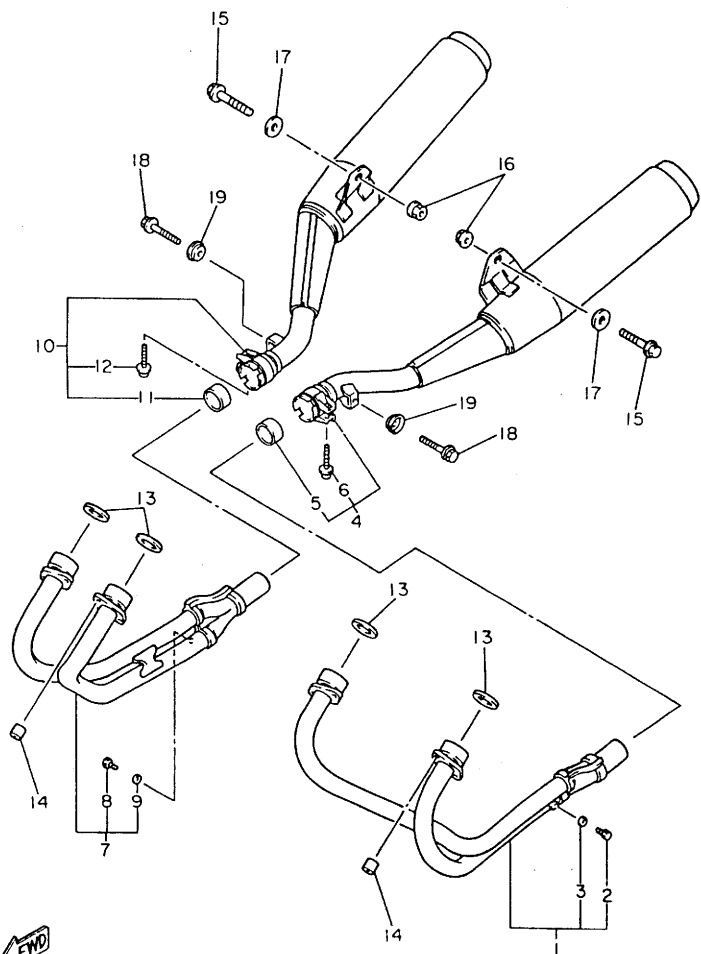
REF. NO.	PART NO.	DESCRIPTION	Q'TY	REMARKS
----------	----------	-------------	------	---------

53	3LN-14251-00	-NIPPLE	1	
54	3EN-14997-00	-SEAL	2	



4BR351-6100

FIG. 11 EXHAUST

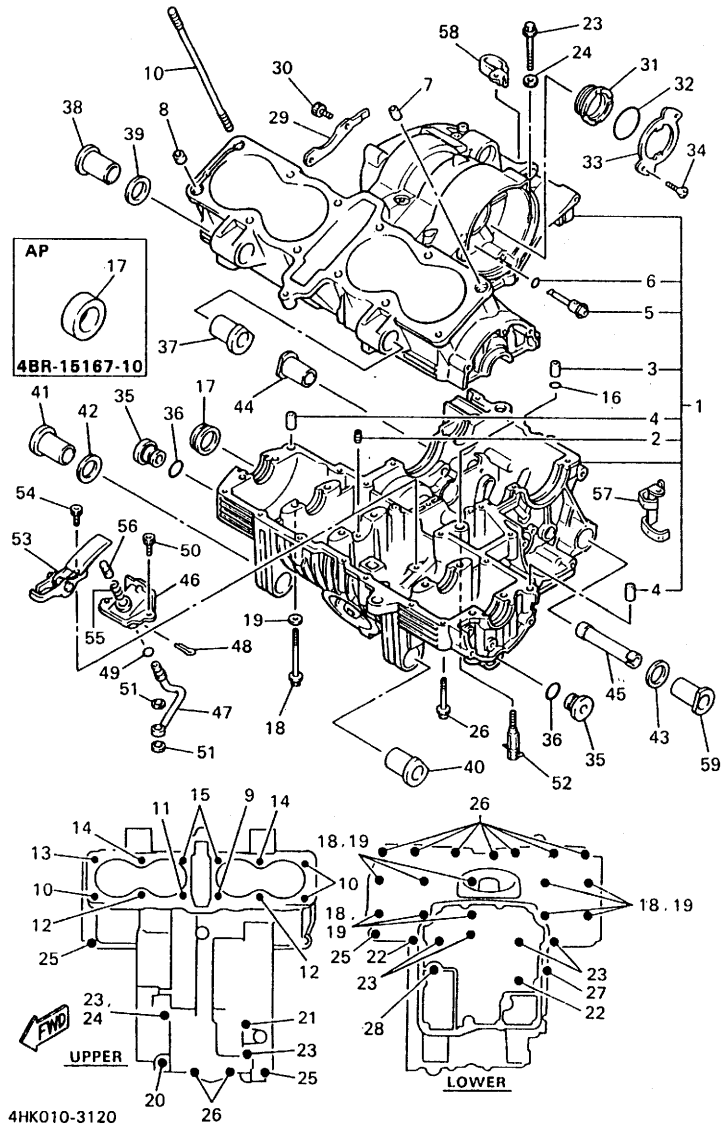


REF. NO.	PART NO.	DESCRIPTION	Q'TY	REMARKS
1	4BR-14610-01	EXHAUST PIPE ASSY 1	1	
2	90101-06576	.BOLT	2	
3	92990-06600	.WASHER, PLATE	2	
4	4EB-14710-01	MUFFLER ASSY 1	1	
5	3VD-14755-00	.GASKET, SILENCER	1	
6	95024-08030	.BOLT, FLANGE	1	
7	4BR-14620-02	EXHAUST PIPE ASSY 2	1	
8	90101-06576	.BOLT	2	
9	92907-06600	.WASHER, PLATE	2	
10	4BR-14720-00	MUFFLER ASSY 2	1	
11	3VD-14755-00	.GASKET, SILENCER	1	
12	95027-08030	.BOLT, FLANGE	1	
13	4BR-14613-00	GASKET, EXHAUST PIPE	4	
14	90179-08507	NUT	8	
15	95807-10040	BOLT, FLANGE	2	
16	95707-10500	NUT, FLANGE	2	
17	90201-10669	WASHER, PLATE	2	
18	95807-08035	BOLT, FLANGE	2	
19	90209-08249	WASHER	2	



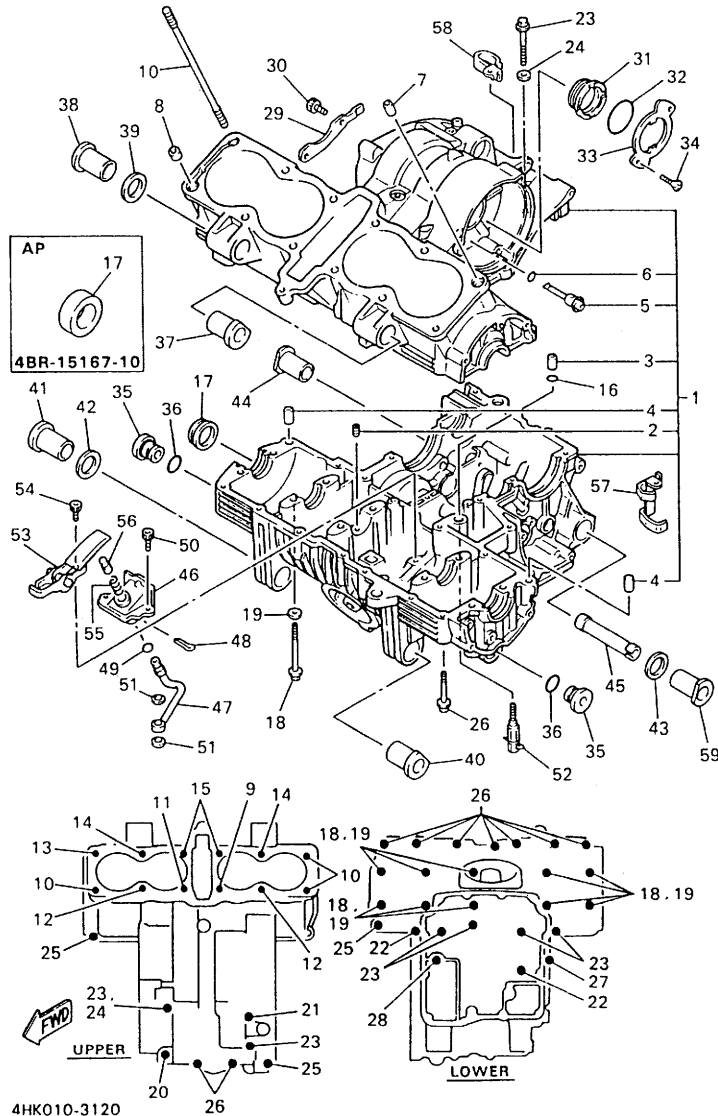
4BP010-1110

FIG. 12 CRANKCASE



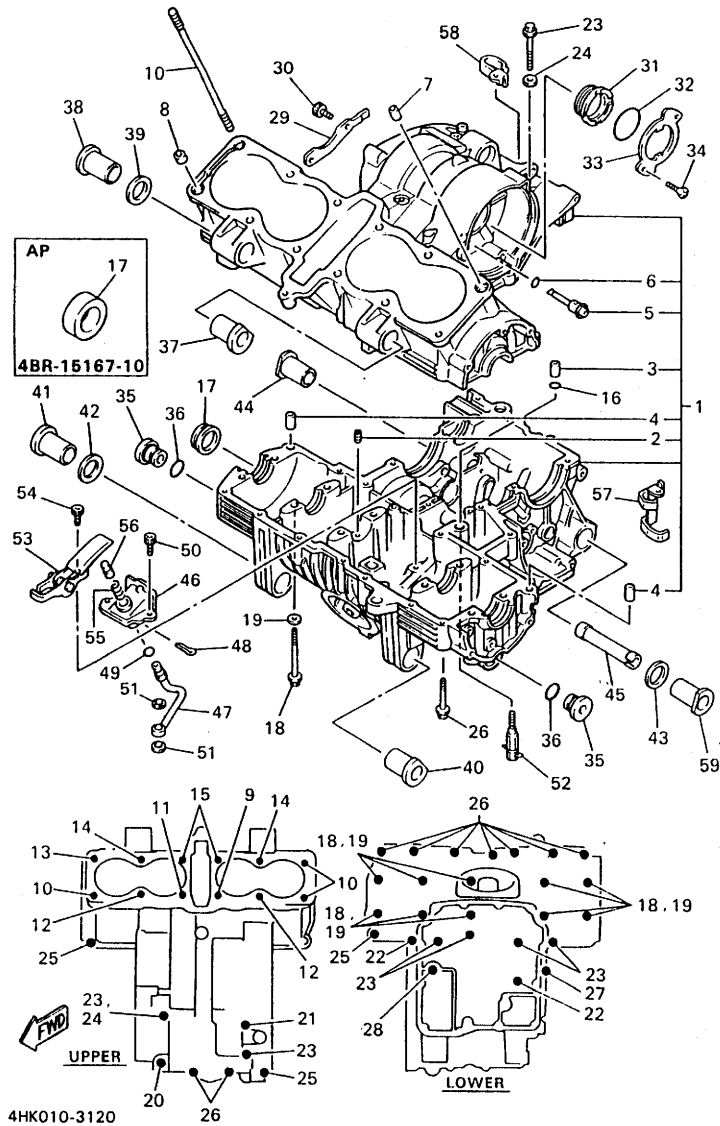
REF. NO.	PART NO.	DESCRIPTION	Q'TY	REMARKS
1	4BR-15100-01	CRANKCASE ASSY	1	
2	4G0-15138-00	.NOZZLE 1	1	
3	99530-10014	.PIN, DOWEL	1	
4	99510-12016	.PIN, DOWEL	2	
5	4BR-15148-00	.NOZZLE 2	1	
6	93210-11453	.O-RING	1	
7	99530-14016	PIN, DOWEL	1	
8	90387-16547	COLLAR	1	
9	90116-08338	BOLT, STUD	1	
10	90116-08566	BOLT, STUD	3	
11	90116-08339	BOLT, STUD	1	
12	90116-08340	BOLT, STUD	2	
13	4BR-11363-00	BOLT, CYLINDER HOLDING 3	1	
14	4G0-11364-00	BOLT, CYLINDER HOLDING 4	2	
15	4G0-11363-00	BOLT, CYLINDER HOLDING 3	2	
16	93210-09350	O-RING	1	
17	90338-48229	PLUG	1	UR
	4BR-15167-10	PLUG, BLIND 1	1	AP
18	95814-08100	BOLT, FLANGE	10	
19	90201-094G1	WASHER, PLATE	10	
20	95817-08080	BOLT, FLANGE	1	
21	95817-06135	BOLT, FLANGE	1	
22	95817-06095	BOLT, FLANGE	2	
23	95817-06065	BOLT, FLANGE	6	
24	90430-06166	GASKET	1	
25	95814-06055	BOLT, FLANGE	3	
26	95814-06045	BOLT, FLANGE	9	
27	95817-06040	BOLT, FLANGE	1	

FIG. 12 CRANKCASE



REF. NO.	PART NO.	DESCRIPTION	Q'TY	REMARKS
28	95817-06035	BOLT, FLANGE	1	
29	4BR-15381-00	PLATE, BEARING COVER	1	
30	91317-06016	BOLT	2	
31	4G0-15163-01	HOUSING, BEARING 1	1	
32	93210-48460	O-RING	1	
33	4G0-15383-00	PLATE, BEARING COVER	1	
34	90151-06014	SCREW, COUNTERSUNK	2	
35	3KM-15189-00	PLUG	2	
36	93210-20573	O-RING	2	
37	4G0-15336-00	DAMPER, ENGINE MOUNT 3	1	
38	33M-15336-00	DAMPER, ENGINE MOUNT 3	1	
39	90202-15153	WASHER, PLATE	1	
40	4G0-15316-00	DAMPER, ENGINE MOUNT 1	1	
41	33M-15337-00	DAMPER 4	1	
42	90202-15153	WASHER, PLATE	1	
43	90202-17211	WASHER, PLATE	1	
44	46X-15326-00	DAMPER, ENGINE MOUNT 2	1	
45	4BR-15327-00	SPACER, ENGINE MOUNT	1	
46	4G0-11592-00	TENSIONER, CHAIN	1	
47	4G0-13171-00	PIPE, DELIVERY 2	1	
48	91401-25020	PIN, COTTER	1	
49	93210-07540	O-RING	1	
50	90110-06158	BOLT, HEXAGON SOCKET HEAD	2	
51	90430-10171	GASKET	2	
52	4G0-11575-00	RELIEF VALVE ASS'Y	1	
53	4BR-11492-00	TENSIONER ARM COMP.	1	
54	90110-06158	BOLT, HEXAGON SOCKET HEAD	2	
55	90501-143A8	SPRING, COMPRESSION	1	

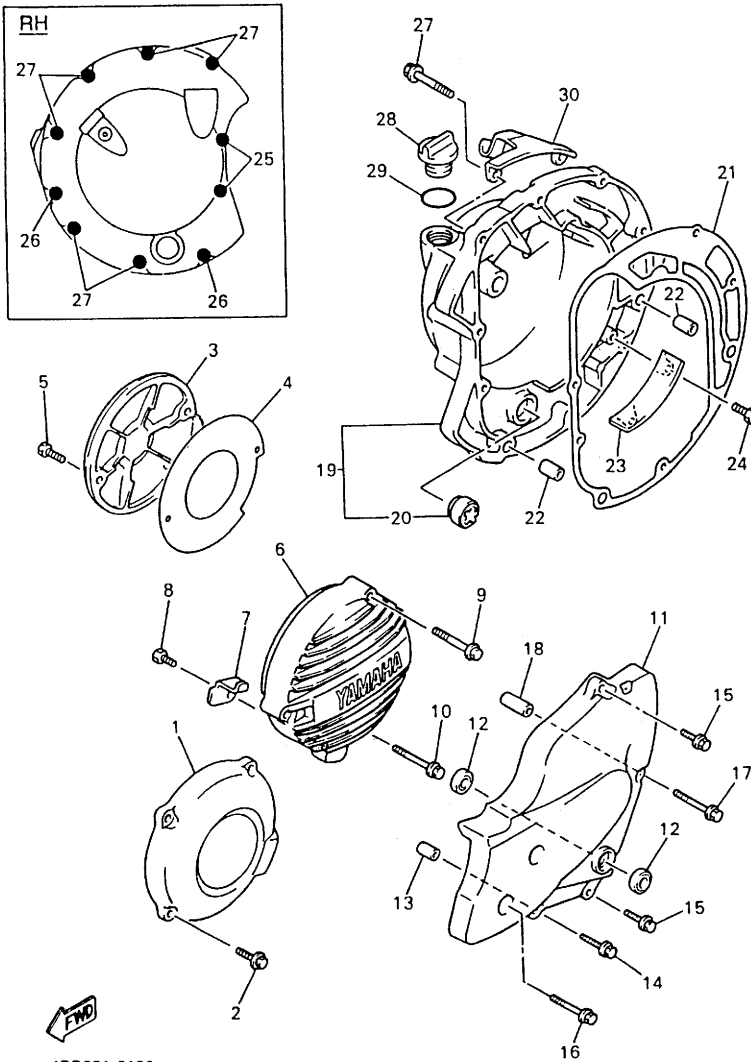
FIG. 12 CRANKCASE



4HK010-3120

REF. NO.	PART NO.	DESCRIPTION	Q'TY	REMARKS
56	46X-11597-00	PLUNGER, TENSIONER	1	
57	90462-08087	CLAMP	1	
58	90465-10290	CLAMP	1	
59	90387-125Y2	COLLAR	1	

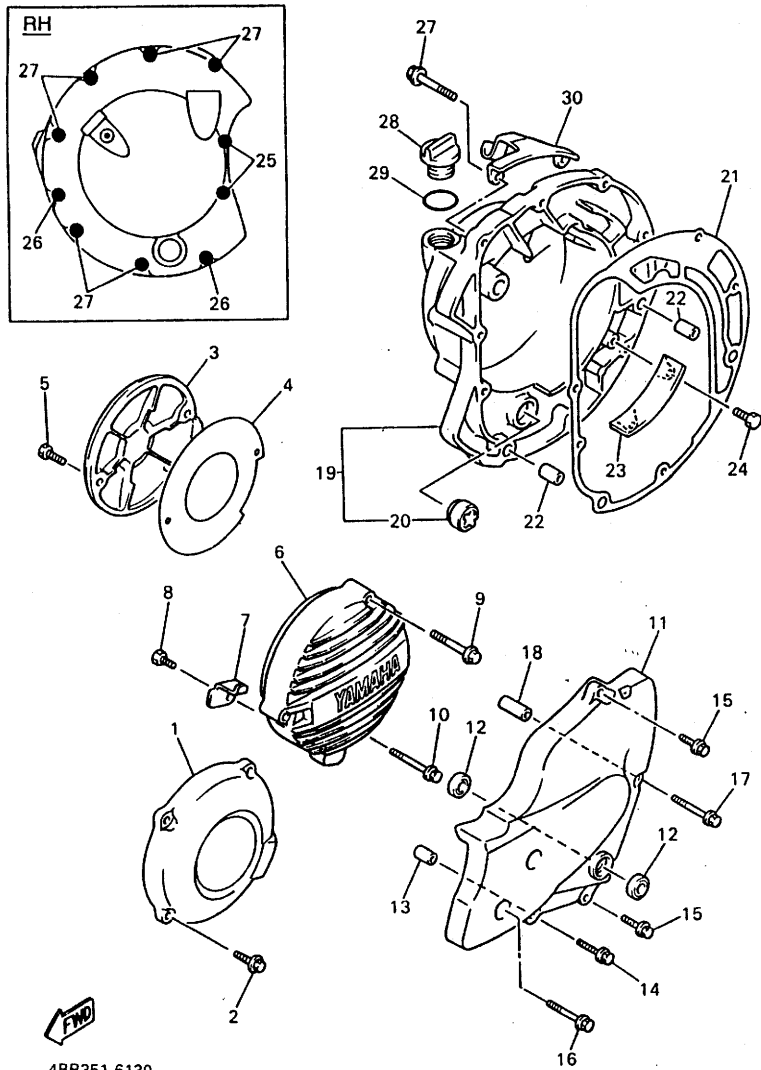
FIG. 13 CRANKCASE COVER 1



4BR351-6130

REF. NO.	PART NO.	DESCRIPTION	Q'TY	REMARKS
1	4BR-15410-00	CRANKCASE COVER ASSY 1	1	
2	90105-06790	BOLT, WASHER BASED	4	
3	4BR-15420-10	CRANKCASE COVER ASSY 2	1	
4	4BR-15463-00	GASKET, CARBURETOR COVER 2	1	
5	90111-06010	BOLT	2	
6	4EB-15415-00	COVER, GENERATOR	1	
7	4BR-15484-00	CLAMP 2	1	
8	91317-06010	BOLT	1	
9	95024-06065	BOLT, FLANGE	2	
10	90105-06793	BOLT, WASHER BASED	1	
11	4BR-15411-01	COVER, CRANKCASE 1	1	
12	93109-12053	OIL SEAL (SDO 12/18/4-1)	2	
13	99530-10014	PIN, DOWEL	2	
14	95024-06035	BOLT	1	
15	95024-06030	BOLT	2	
16	95024-06055	BOLT, FLANGE	2	
17	95024-06065	BOLT, FLANGE	1	
18	90387-064Y1	COLLAR	1	
19	4BR-W1543-00	CRANKCASE COVER ASSY 2	1	
20	3Y1-15361-00	GAUGE, LEVEL	1	
21	4BR-15461-00	GASKET, CRANKCASE COVER 2	1	
22	99530-10014	PIN, DOWEL	2	
23	49A-15412-00	PLATE, OIL GUIDE	1	
24	97027-06012	BOLT	2	
25	90105-06794	BOLT, WASHER BASED	2	
26	90105-06792	BOLT, WASHER BASED	2	
27	90105-06791	BOLT, WASHER BASED	6	
28	3F9-15362-00	PLUG, OIL LEVEL	1	

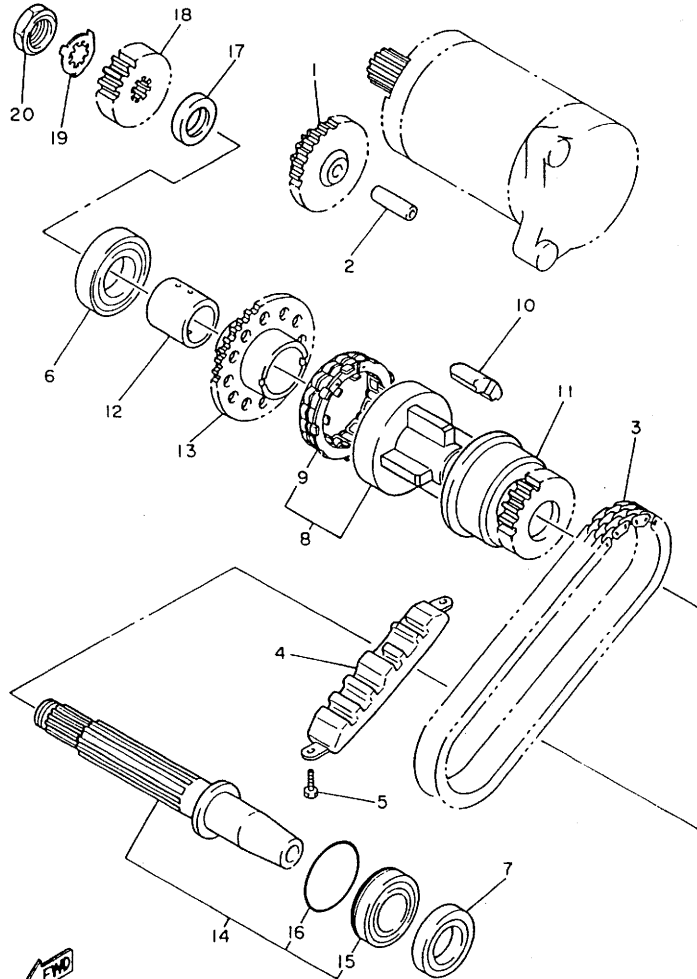
FIG. 13 CRANKCASE COVER 1



4BR351-6130

C7

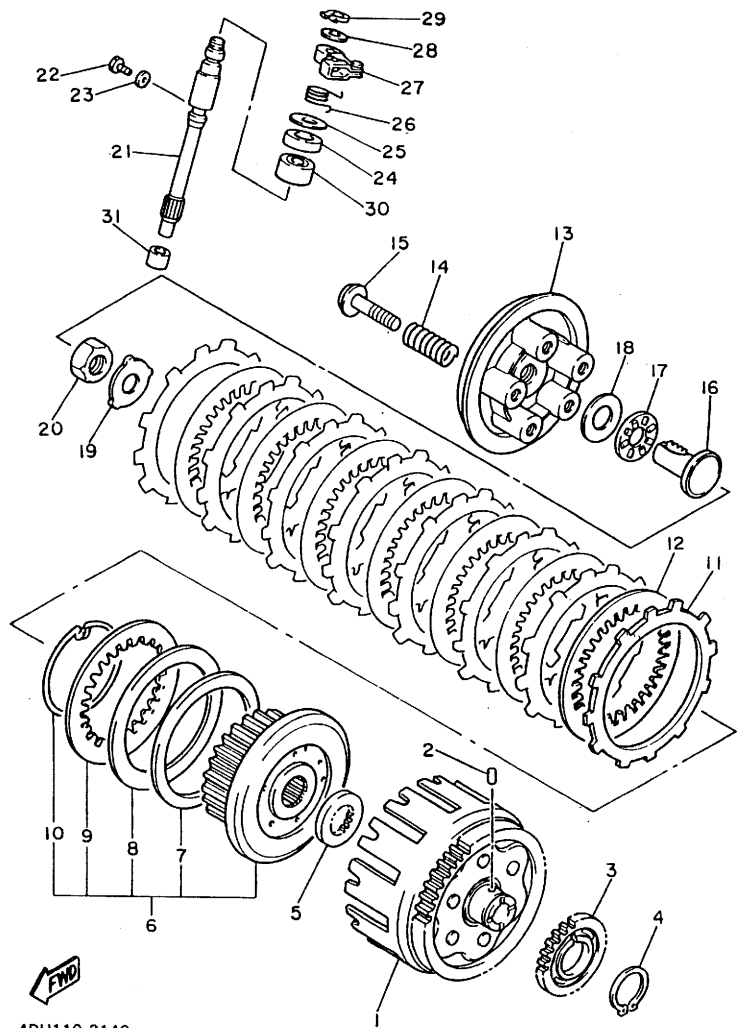
FIG. 14 STARTER CLUTCH



REF. NO.	PART NO.	DESCRIPTION	Q'TY	REMARKS
1	4BP-15512-00	GEAR, IDLER 1	1	
2	33M-15521-00	SHAFT 1	1	
3	4BR-16139-00	CHAIN, PRIMARY	1	
4	4BR-11474-00	GUIDE, UPPER	1	
5	97007-06014	BOLT	2	
6	93306-30525	BEARING (B6305)	1	
7	93102-25253	OIL SEAL	1	
8	4BR-15570-00	STARTER CLUTCH ASSY	1	
9	4BR-15580-01	STARTER CLUTCH OUTER ASSY	1	
10	4BR-16155-00	ABSORBER 1	4	
11	4BR-11537-00	GEAR, DRIVEN	1	
12	90387-253Y6	COLLAR	1	
13	4BP-15517-00	GEAR, IDLER 2	1	
14	4G0-11406-00	SHAFT ASSY	1	
15	93306-20545	BEARING	1	
16	93210-47440	O-RING	1	
17	90387-2103N	COLLAR	1	
18	4U8-16111-00	GEAR, PRIMARY DRIVE (28T)	1	
19	90215-19226	WASHER, LOCK	1	
20	90179-16319	NUT	1	

4BR351-2140

FIG. 15 CLUTCH



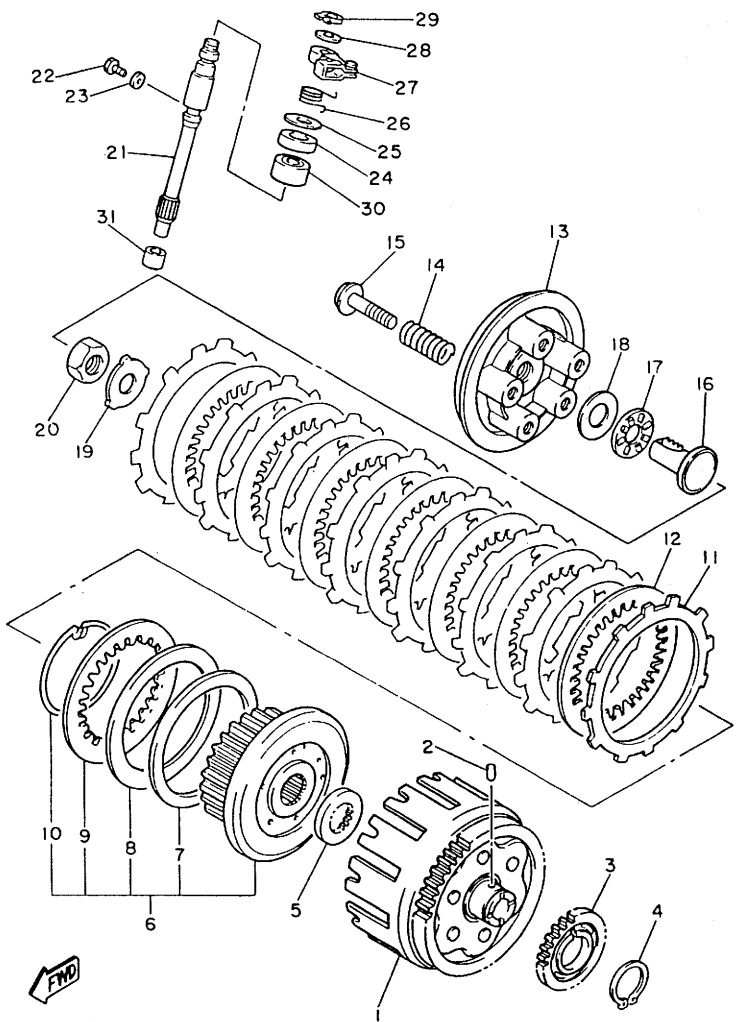
4DU110-3140

REF. NO.	PART NO.	DESCRIPTION	Q'TY	REMARKS
1	4U8-16170-01	PRIMARY DRIVEN GEAR COMP(65T)	1	
2	93605-10108	PIN, DOWEL	1	
3	4G0-13324-09	GEAR, PUMP DRIVE	1	
4	99009-40400	CIRCLIP	1	
5	3Y1-16154-00	PLATE, THRUST 1	1	
6	4BR-16370-00	CLUTCH BOSS ASSY	1	
7	1J7-16384-00	PLATE, SEAT	1	
8	1J7-16383-01	SPRING, CLUTCH BOSS	1	
9	168-16324-00	PLATE, CLUTCH 1	1	
10	1J7-16385-00	RING, CLUTCH BOSS	1	
11	4H7-16321-01	PLATE, FRICTION	8	
12	168-16325-00	PLATE, CLUTCH 2	7	
13	4BR-16351-00	PLATE, PRESSURE 1	1	
14	90501-23391	SPRING, COMPRESSION	5	
15	90159-06092	SCREW, WITH WASHER	5	
16	3LD-1637A-01	ROD PUSH ASSY	1	
17	93340-21505	BEARING, THRUST	1	
18	90201-150H2	WASHER, PLATE	1	
19	90215-20231	WASHER, LOCK	1	
20	90170-20327	NUT	1	
21	3JD-16382-00	AXLE, PUSH LEVER	1	
22	90105-06789	BOLT, WASHER BASED	1	
23	90430-06014	GASKET	1	
24	93102-15212	OIL SEAL	1	
25	90201-15785	WASHER, PLATE	1	
26	90508-142A8	SPRING, TORSION	1	
27	4BR-16340-00	PUSH LEVER ASSY	1	
28	90201-10119	WASHER, PLATE	1	

C9

FIG. 15 CLUTCH

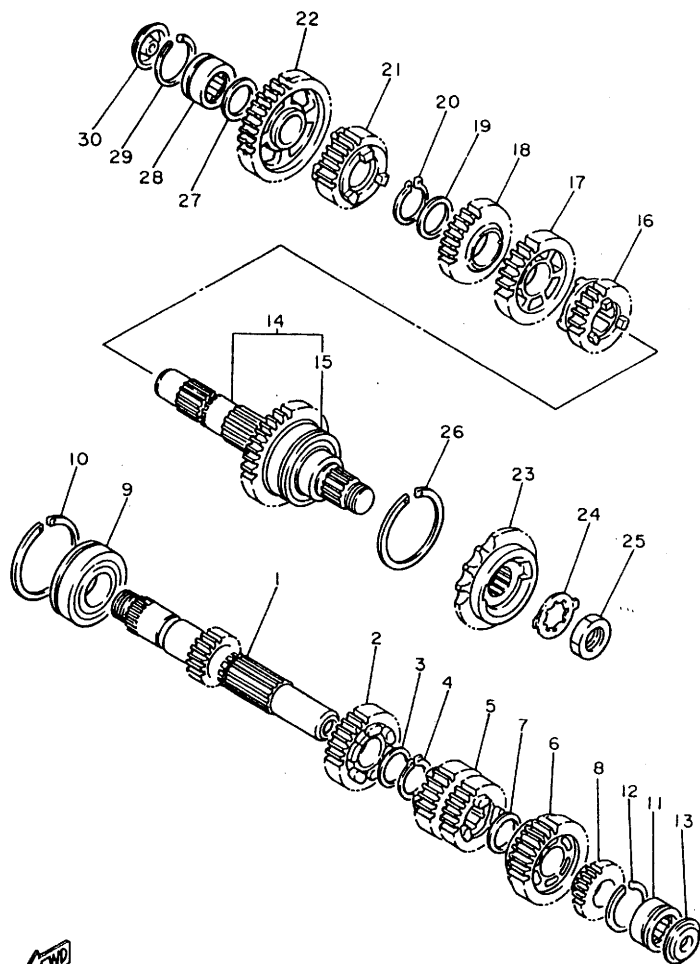
REF. NO.	PART NO.	DESCRIPTION	Q'TY	REMARKS
29	99009-10400	CIRCLIP	1	
30	93315-31502	BEARING, CYLINDRICAL	1	
31	93315-10838	BEARING, CYLINDRICAL	1	



4DU110-3140

C10

FIG. 16 TRANSMISSION



REF. NO.	PART NO.	DESCRIPTION	Q'TY	REMARKS
1	4BR-17411-00	AXLE, MAIN (15T)	1	
2	4BR-17151-00	GEAR, 5TH PINION (23T)	1	
3	90209-22191	WASHER	1	
4	93440-25084	CIRCLIP	1	
5	4BR-17131-00	GEAR, 3RD PINION (27T)	1	
6	4BR-17161-02	GEAR, 6TH PINION (28T)	1	
7	90201-200K3	WASHER, PLATE	1	
8	4BR-17121-00	GEAR, 2ND PINION (18T)	1	
9	93306-30530	BEARING (6305NC3)	1	
10	278-17424-01	CIRCLIP 1	1	
11	93311-42045	BEARING (20NG3315NE)	1	
12	278-17425-00	CIRCLIP 2	1	
13	4G0-17433-01	NOZZLE	1	
14	4BR-17402-01	DRIVE AXLE ASSY	1	
15	93102-35109	OIL SEAL (SD-35-62-6 HS)	1	
16	4BR-17261-00	GEAR, 6TH WHEEL (23T)	1	
17	4BR-17231-00	GEAR, 3RD WHEEL (28T)	1	
18	4BR-17241-00	GEAR, 4TH WHEEL (29T)	1	
19	90209-22191	WASHER	1	
20	93440-25084	CIRCLIP	1	
21	4BR-17251-01	GEAR, 5TH WHEEL (21T)	1	
22	4BR-17211-00	GEAR, 1ST WHEEL (41T)	1	
23	4BR-17460-00	SPROCKET, DRIVE (16T)	1	
24	90215-23265	WASHER, LOCK	1	
25	90179-18552	NUT	1	
26	278-17424-01	CIRCLIP 1	1	
27	90201-20276	WASHER, PLATE (1.0T)	1	
28	93311-42045	BEARING (20NG3315NE)	1	



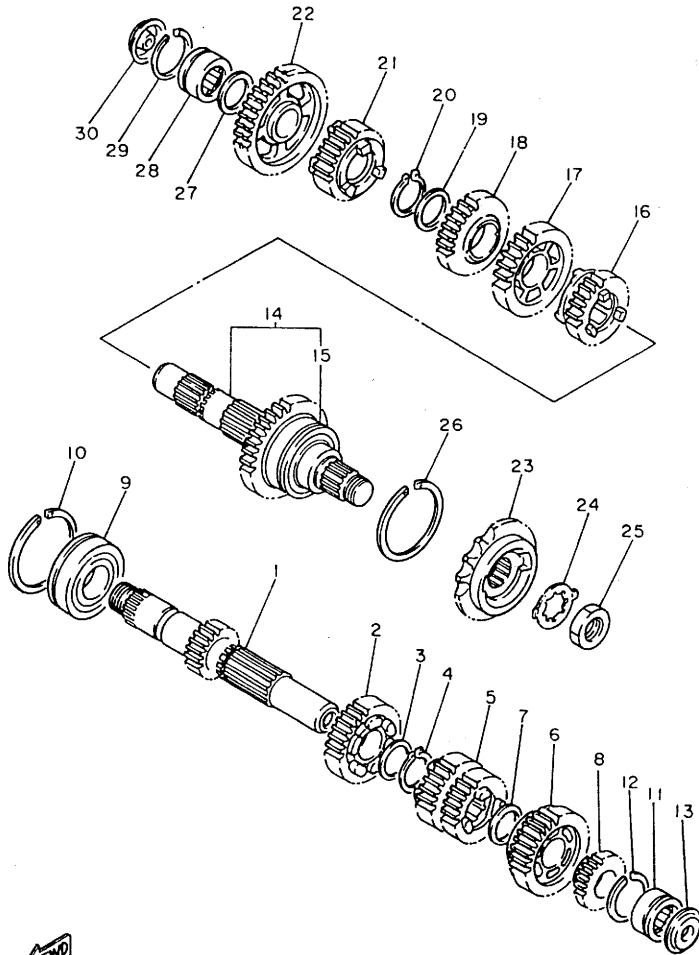
4BP010-1160

C11

FIG. 16 TRANSMISSION

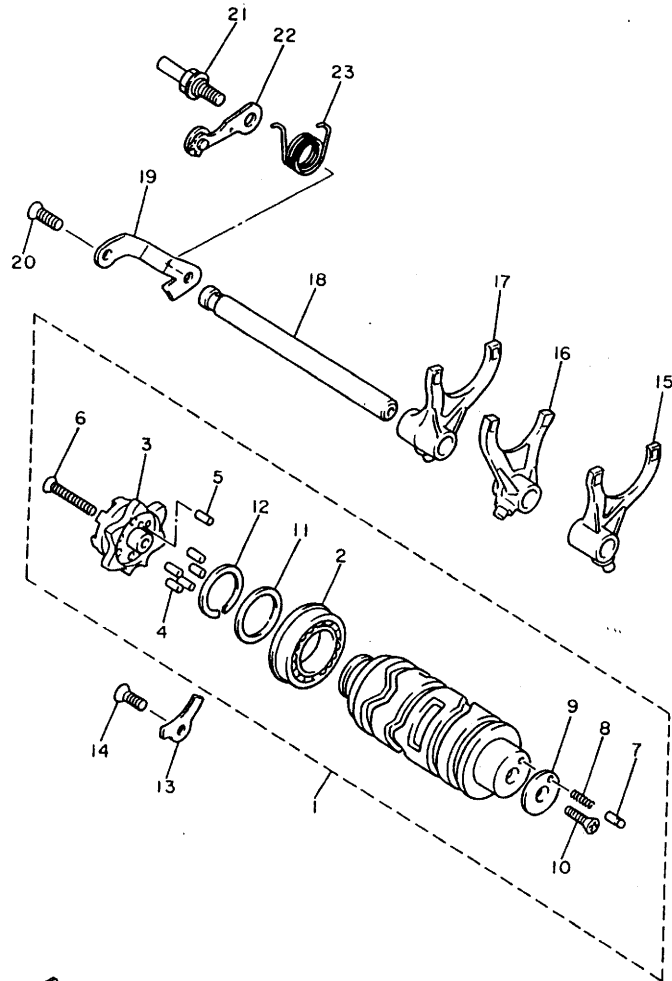
REF. NO.	PART NO.	DESCRIPTION	Q'TY	REMARKS
----------	----------	-------------	------	---------

29	278-17425-00	CIRCLIP 2	1	
30	4G0-17433-01	NOZZLE	1	



FWD
4BP010-1160

FIG. 17 SHIFT CAM • FORK



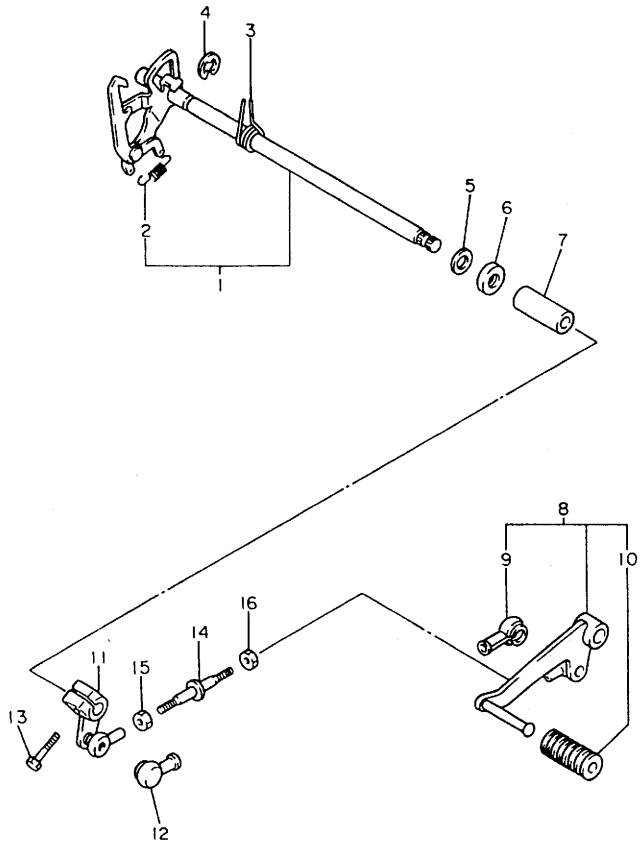
REF. NO.	PART NO.	DESCRIPTION	Q'TY	REMARKS
1	4BR-18540-01	SHIFT CAM ASSY	1	
2	93306-90503	.BEARING	1	
3	4BR-18185-00	.SEGMENT	1	
4	93604-12037	.PIN, DOWEL	5	
5	93604-10011	.PIN, DOWEL	1	
6	90151-06013	.SCREW, COUNTERSUNK	1	
7	278-18542-00	.POINT, NEUTRAL	1	
8	90501-06022	.SPRING, COMPRESSION	1	
9	278-18566-00	.PLATE, SIDE 2	1	
10	98707-05016	.SCREW, FLAT HEAD	1	
11	117-15644-00	.SHIM	1	
12	93440-25084	.CIRCLIP	1	
13	49A-15383-00	PLATE, BEARING COVER	1	
14	98707-06016	SCREW, FLAT HEAD	1	
15	4BR-18511-00	FORK, SHIFT 1	1	
16	4BR-18512-00	FORK, SHIFT 2	1	
17	4BR-18513-00	FORK, SHIFT 3	1	
18	4BR-18531-00	BAR, SHIFT FORK GUIDE 1	1	
19	4BR-18536-00	STOPPER, SHIFT BAR	1	
20	98707-06016	SCREW, FLAT HEAD	1	
21	4BR-18127-00	STOPPER, SCREW	1	
22	4BR-18140-00	STOPPER LEVER ASSY	1	
23	90508-241A9	SPRING, TORSION	1	



4BP010-1170

C13

FIG. 18 SHIFTER



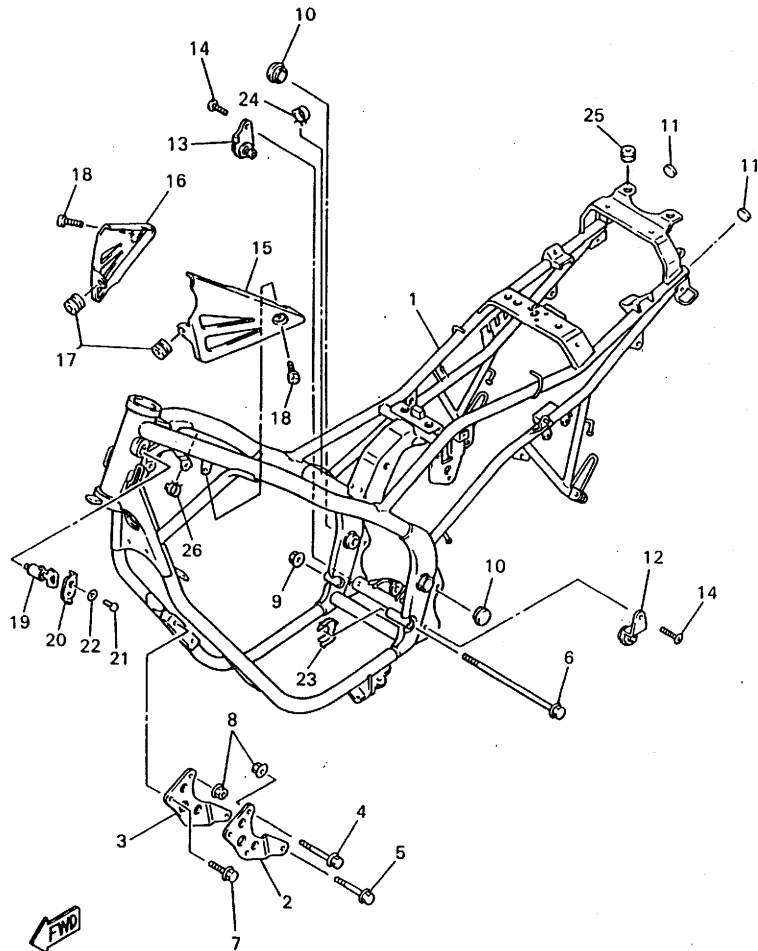
REF. NO.	PART NO.	DESCRIPTION	Q'TY	REMARKS
1	4BR-18120-00	SHIFT LEVER ASSY	1	
2	90506-08227	.SPRING, TENSION	1	
3	90508-292A0	SPRING, TORSION	1	
4	99006-10600	CIRCLIP	1	
5	90201-127J6	WASHER, PLATE	1	
6	93102-12106	OIL SEAL	1	
7	90560-12211	SPACER	1	
8	4BR-18110-00	SHIFT PEDAL ASSY	1	
9	2H9-18154-00	.COVER, DUST	1	
10	132-18113-01	.COVER, SHIFT PEDAL	1	
11	4BR-18112-00	ARM, SHIFT	1	
12	2H9-18154-00	COVER, DUST	1	
13	97027-06020	BOLT	1	
14	26H-18115-00	ROD, SHIFT	1	
15	95304-06700	NUT	1	
16	90170-06228	NUT(COUNTER CLOCKWISE)	1	



4BP010-1180

C14

FIG. 19 FRAME

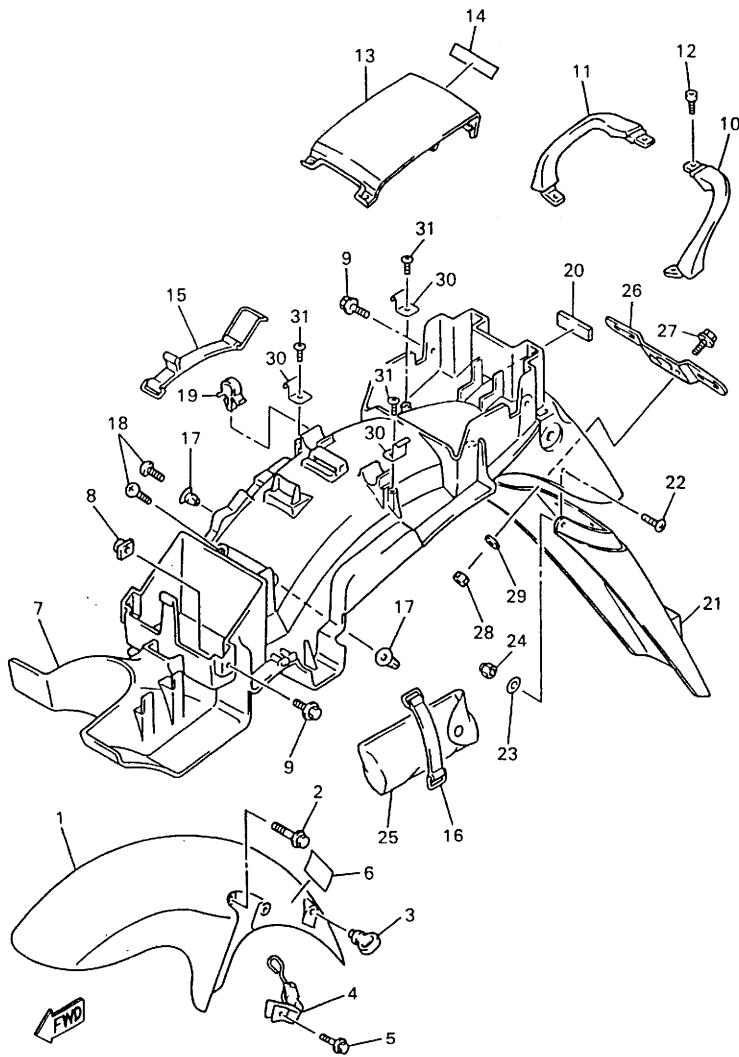


4KE351-6190

REF. NO.	PART NO.	DESCRIPTION	Q'TY	REMARKS
1	4KA-21110-00-FE	FRAME COMP.	1	UR MATURE RED
	4KA-21110-00-33	FRAME COMP.	1	UR YAMAHA BLACK
2	4BP-21315-00	STAY, ENGINE 2	1	
3	4BP-21316-00	STAY, ENGINE 3	1	
4	90105-10788	BOLT, WASHER BASED	2	
5	95824-10050	BOLT, FLANGE	2	
6	90105-12787	BOLT, WASHER BASED	1	
7	95824-10016	BOLT, FLANGE	4	
8	90179-10658	NUT	4	
9	90179-12657	NUT	1	
10	3SX-2135F-00	COVER	2	
11	3YJ-24481-00	PLUG	2	
12	4BP-21445-01	STAY, MUFFLER 1	1	
13	4BP-21446-01	STAY, MUFFLER 2	1	
14	90157-08117	SCREW, PAN HEAD	2	
15	4BP-2117F-00	COVER	1	
16	4BP-2117M-00	COVER 2	1	
17	90480-12550	GROMMET	2	
18	90149-06298	SCREW	2	
19	*	STEERING LOCK ASSY	1	LM
20	134-23484-10	CAP, HANDLE LOCK	1	
21	90269-04003	RIVET	1	
22	90208-04029	WASHER, CONICAL SPRING	1	
23	90214-12070	WASHER, CLAW	1	
24	90464-25217	CLAMP	1	
25	90480-14323	GROMMET	2	
26	90464-15192	CLAMP	1	

C15

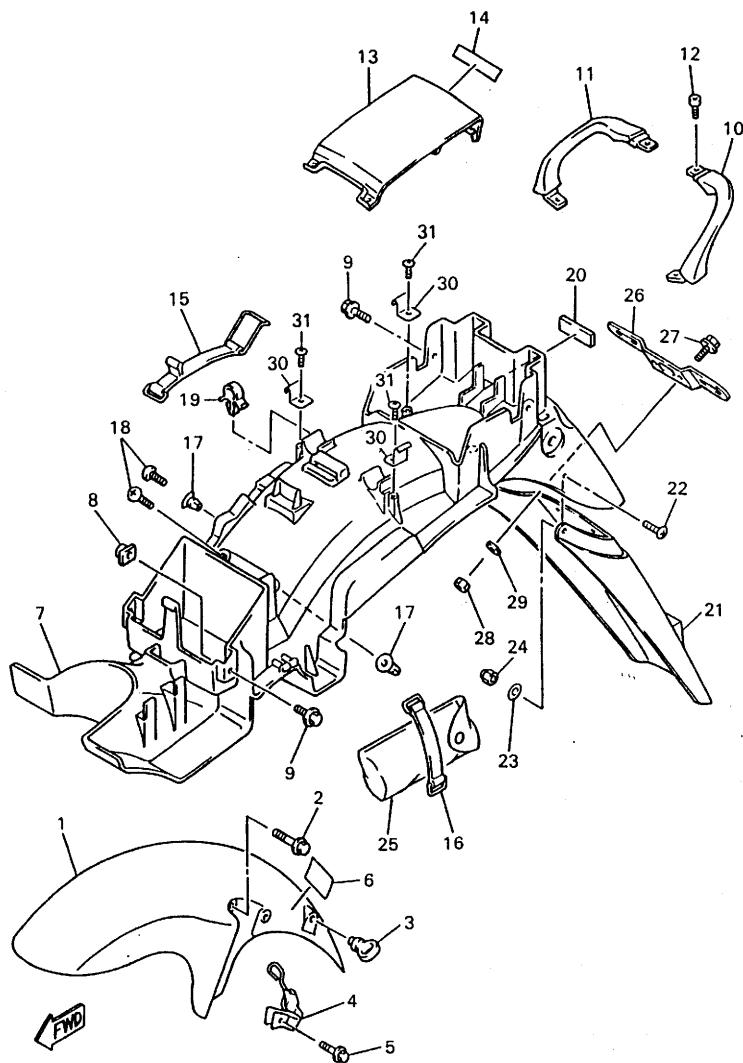
FIG. 20 FENDER



4KE351-6200

REF. NO.	PART NO.	DESCRIPTION	Q'TY	REMARKS
1	4BP-21510-00-FE	FRONT FENDER COMP.	1	UR MATURE RED
	4BP-21510-00-4B	FRONT FENDER COMP.	1	UR BLACK 2
2	95024-06016	BOLT	4	
3	1A8-21518-00	HOLDER, CABLE	1	
4	4BP-25875-01	HOLDER, BRAKE HOSE 1	1	
5	95024-06025	BOLT	1	
6	1JK-21735-00	JOINT 2	1	
7	4BP-21611-01	FENDER, REAR	1	
8	31A-14477-00	PLATE	2	
9	90119-06044	BOLT, WITH WASHER	4	
10	4BP-21644-00	STAY, REAR	1	
11	4BP-21645-00	STAY, REAR	1	
12	90109-060E9	BOLT	4	
13	4EB-21651-00-FE	COVER, REAR FENDER	1	UR MATURE RED
	4EB-21651-00-4B	COVER, REAR FENDER	1	UR BLACK 2
14	99236-00080	EMBLEM, YAMAHA	1	UR FOR BL2
	99237-00080	EMBLEM, YAMAHA	1	UR FOR MRE
15	4BP-82131-00	BAND, BATTERY	1	
16	7H3-82131-00	BAND, BATTERY	1	
17	90338-08226	PLUG	4	
18	97707-60016	SCREW, TAPPING	4	
19	90464-15157	CLAMP	1	
20	3FC-2139R-00	COVER 2	1	
21	4BR-21621-00	FLAP	1	
22	90150-04041	SCREW, ROUND HEAD	4	
23	90201-04018	WASHER, PLATE	4	
24	95607-04100	NUT, U	4	
25	1HX-28100-01	TOOL KIT	1	

FIG. 20 FENDER

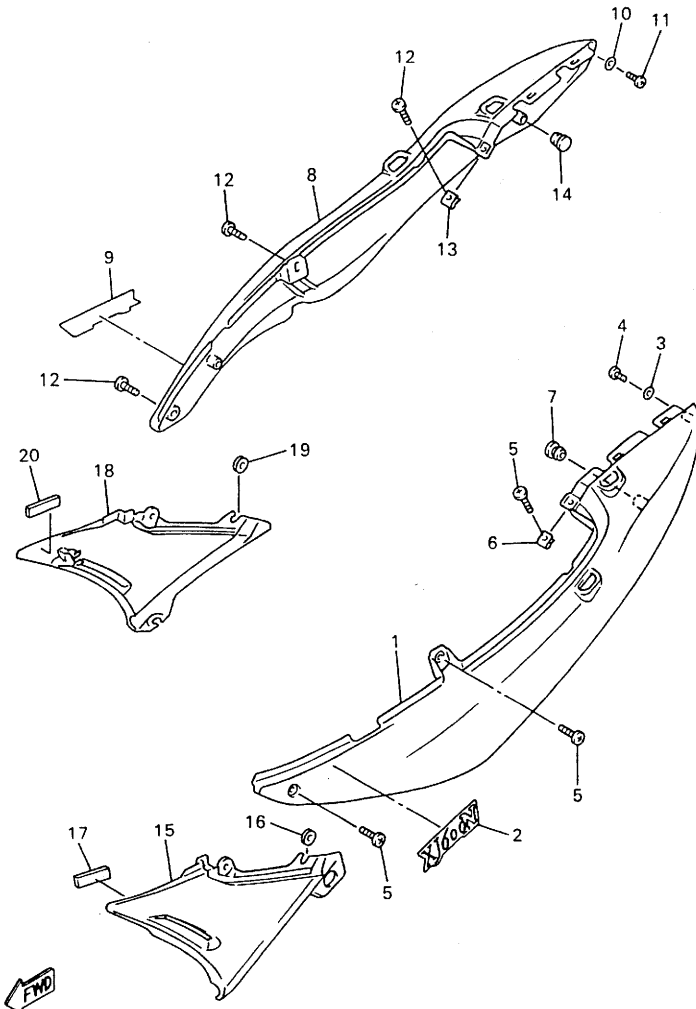


4KE351-6200

REF. NO.	PART NO.	DESCRIPTION	Q'TY	REMARKS
26	3YF-84751-00	BRACKET, LICENSE	1	
27	95027-06016	BOLT, FLANGE	2	
28	95607-06100	NUT, U	2	
29	90201-06059	WASHER, PLATE	2	
30	36F-28379-00	HOOK	4	
31	97707-40010	SCREW, TAPPING	4	

D3

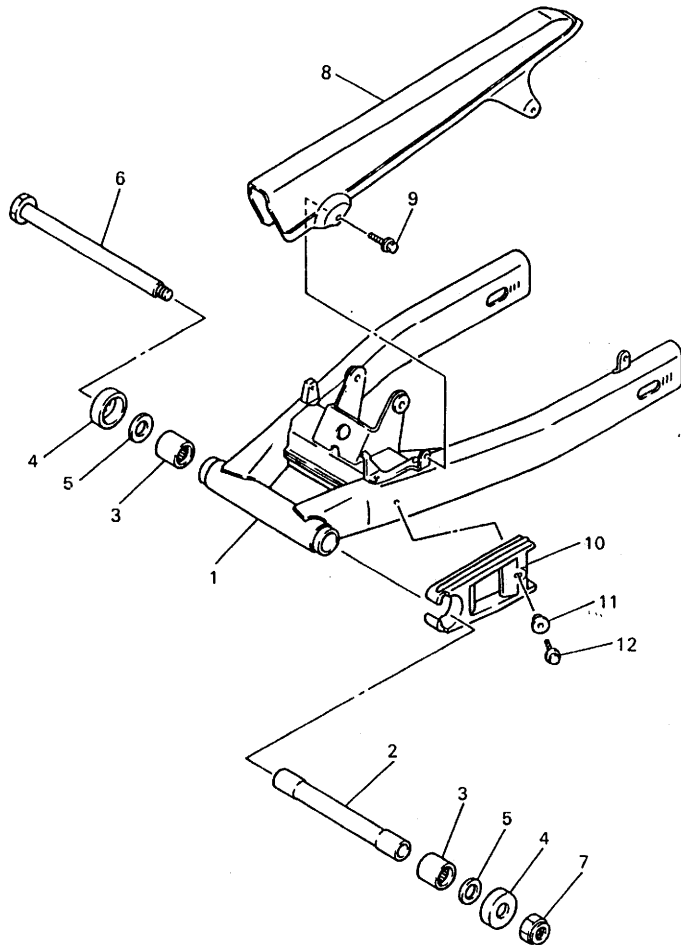
FIG. 21 SIDE COVER



4KE351-6210

REF. NO.	PART NO.	DESCRIPTION	Q'TY	REMARKS
1	4EB-21711-00-FE	COVER, SIDE 1	1	UR MATURE RED
	4EB-21711-00-4B	COVER, SIDE 1	1	UR BLACK 2
2	4KE-21781-20	EMBLEM 1	1	UR FOR BL2
	4KE-21781-30	EMBLEM 1	1	UR FOR MRE
3	92907-04200	WASHER	1	
4	97707-40010	SCREW, TAPPING	1	
5	90154-05059	SCREW, BINDING	3	
6	90183-05024	NUT, SPRING	1	
7	90338-10132	PLUG	1	
8	4EB-21721-00-FE	COVER, SIDE 2	1	UR MATURE RED
*	4EB-21721-00-4B	COVER, SIDE 2	1	UR BLACK 2
9	4KE-21781-20	EMBLEM 1	1	UR FOR BL2
	4KE-21781-30	EMBLEM 1	1	UR FOR MRE
10	92907-04200	WASHER	1	
11	97707-40010	SCREW, TAPPING	1	
12	90154-05059	SCREW, BINDING	3	
13	90183-05024	NUT, SPRING	1	
14	90338-10132	PLUG	1	
15	4EB-2171E-00	COVER, SIDE 5	1	
16	90480-12320	GROMMET	2	
17	8U9-77162-00	STRIP, WEATHER 2	1	
18	4EB-2171X-00	COVER, SIDE 6	1	
19	90480-12320	GROMMET	2	
20	8U9-77162-00	STRIP, WEATHER 2	1	

FIG. 22 REAR ARM



REF. NO.	PART NO.	DESCRIPTION	Q'TY	REMARKS
1	4BR-22110-01-WL	REAR ARM COMP.	1	STARDUST SILVER
2	33M-22184-00	BUSH	1	
3	93320-32403	BEARING	2	
4	4X7-22129-00	COVER, THRUST 2	2	
5	90201-161J3	WASHER, PLATE	2	
6	3LN-22141-60	SHAFT, PIVOT	1	
7	90185-14070	NUT, SELF-LOCKING	1	
8	1KT-22311-00	CASE, CHAIN	1	
9	90119-06044	BOLT, WITH WASHER	2	
10	3YX-22151-00	SEAL, GUARD	1	
11	90387-083Y8	COLLAR	1	
12	95807-06016	BOLT, FLANGE	1	

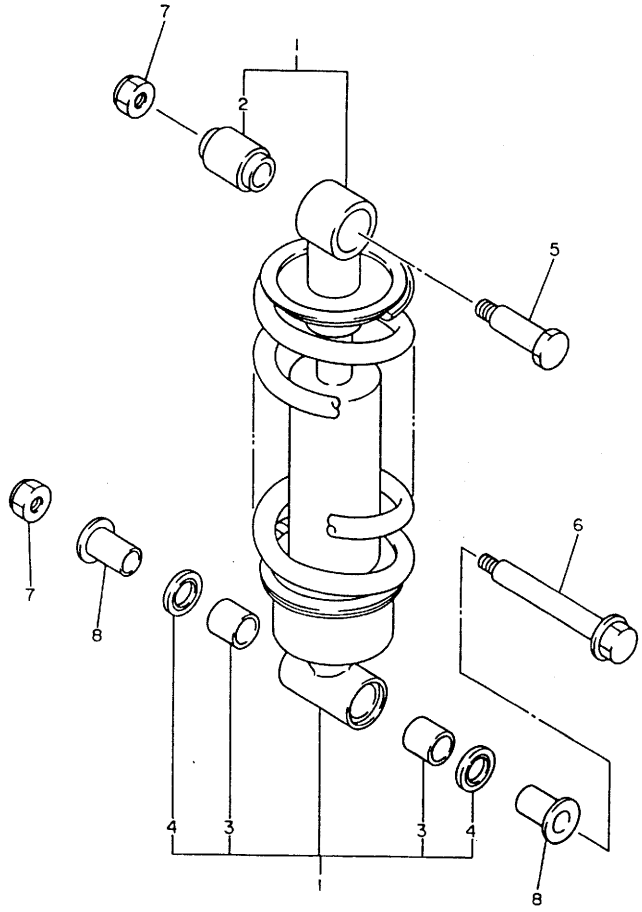


4BR351-5220

D5

FIG. 23 REAR SUSPENSION

REF. NO.	PART NO.	DESCRIPTION	Q'TY	REMARKS
1	4BR-22210-01	SHOCK ABSORBER ASSY, REAR	1	
2	34L-22216-00	.BUSH, REAR SHOCK ABSORBER	1	
3	93109-18020	.OIL SEAL	2	
4	90384-18157	.BUSH, BIMETAL FORMED	2	
5	90101-12558	BOLT	1	
6	90105-12612	BOLT, WASHER BASED	1	
7	95607-12200	NUT, SELF-LOCKING	2	
8	90387-123X6	COLLAR	2	

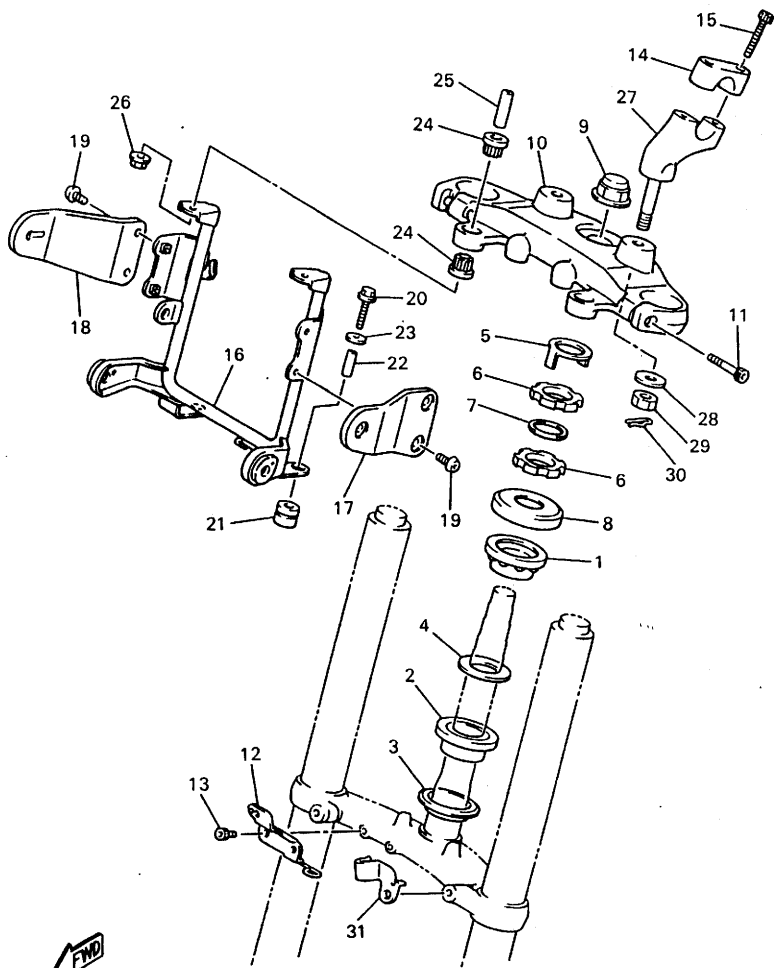


FWD
4BP010-1230

D6

FIG. 24 STEERING

REF. NO.	PART NO.	DESCRIPTION	Q'TY	REMARKS
1	93399-99931	BEARING	1	
2	93399-99932	BEARING	1	
3	3FV-23462-00	SEAL, STEERING	1	
4	90202-24190	WASHER, PLATE	1	
5	26H-23418-01	WASHER, SPECIAL	1	
6	90179-25033	NUT	2	
7	90202-26142	WASHER, PLATE	1	
8	3HE-23416-00	COVER, BALL RACE 2	1	
9	90176-22050	NUT, CROWN	1	
10	4BP-23435-11	CROWN, HANDLE	1	
11	91314-08030	BOLT	2	
12	4BP-21343-10	BRACKET, HORN	1	
13	91317-06016	BOLT	2	
14	4H7-23441-00-P0	HOLDER, HANDLE UPPER	2	LIGHT GRAY METALLIC 1
15	91314-08030	BOLT	4	
16	4KE-23174-00	STAY, HEADLIGHT	1	
17	3XC-23121-01	COVER, UPPER 1	1	
18	1JK-23131-01	COVER, UPPER 2	1	
19	90149-06298	SCREW	4	
20	95807-06030	BOLT, FLANGE	2	
21	90480-14105	GROMMET	2	
22	90387-06554	COLLAR	2	
23	90201-06059	WASHER, PLATE	2	
24	1JK-83541-00	DAMPER	4	
25	90387-06676	COLLAR	2	
26	95707-06500	NUT, FLANGE	2	
27	3Y6-23442-00-P0	HOLDER, HANDLE LOWER	2	LIGHT GRAY METALLIC 1
28	92907-10600	WASHER, PLATE	2	

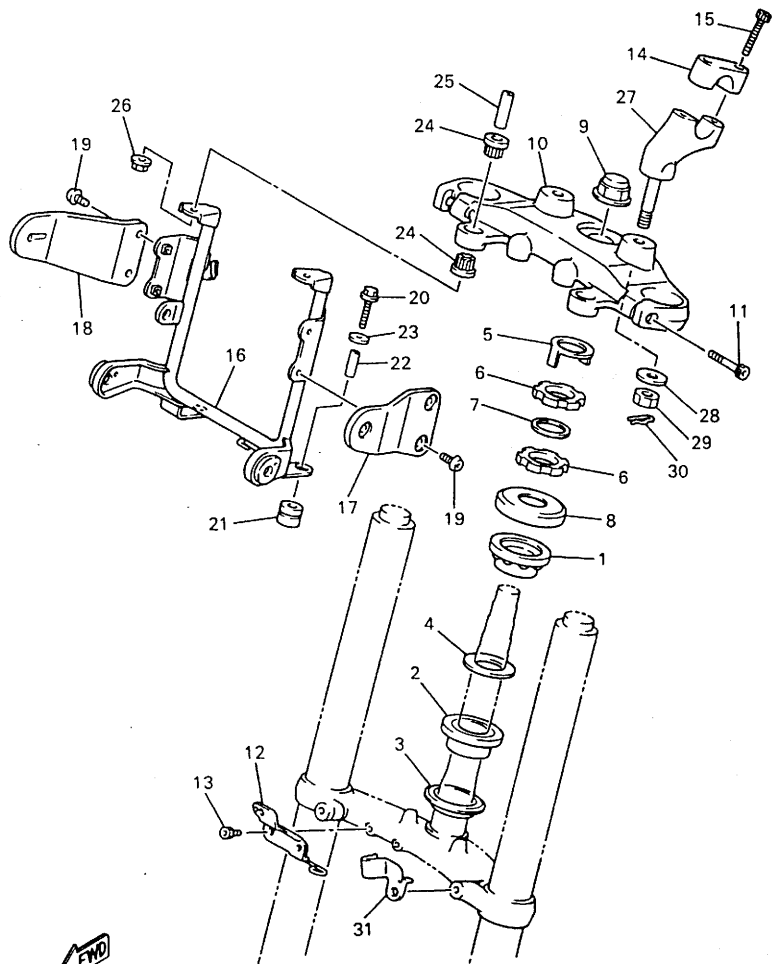


4KE351-6240

D7

FIG. 24 STEERING

REF. NO.	PART NO.	DESCRIPTION	Q'TY	REMARKS
29	95307-10600	NUT	2	
30	90468-12006	CLIP	2	
31	4BP-25886-10	HOLDER, BRAKE HOSE	1	

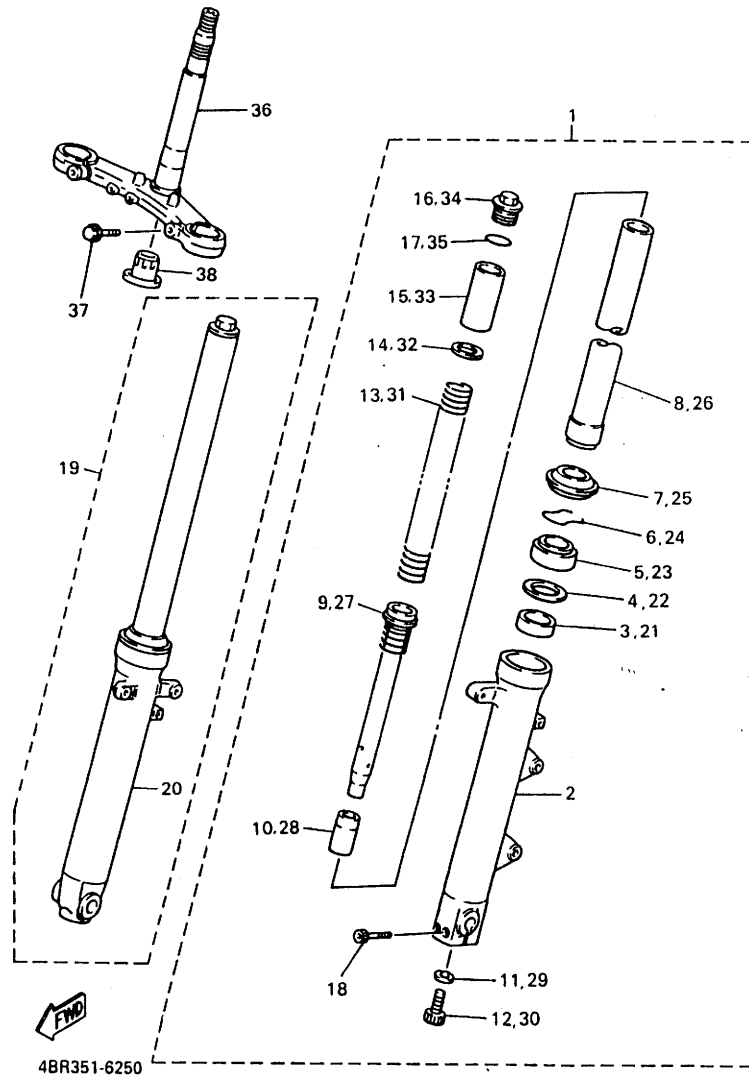


FWD

4KE351-6240

D8

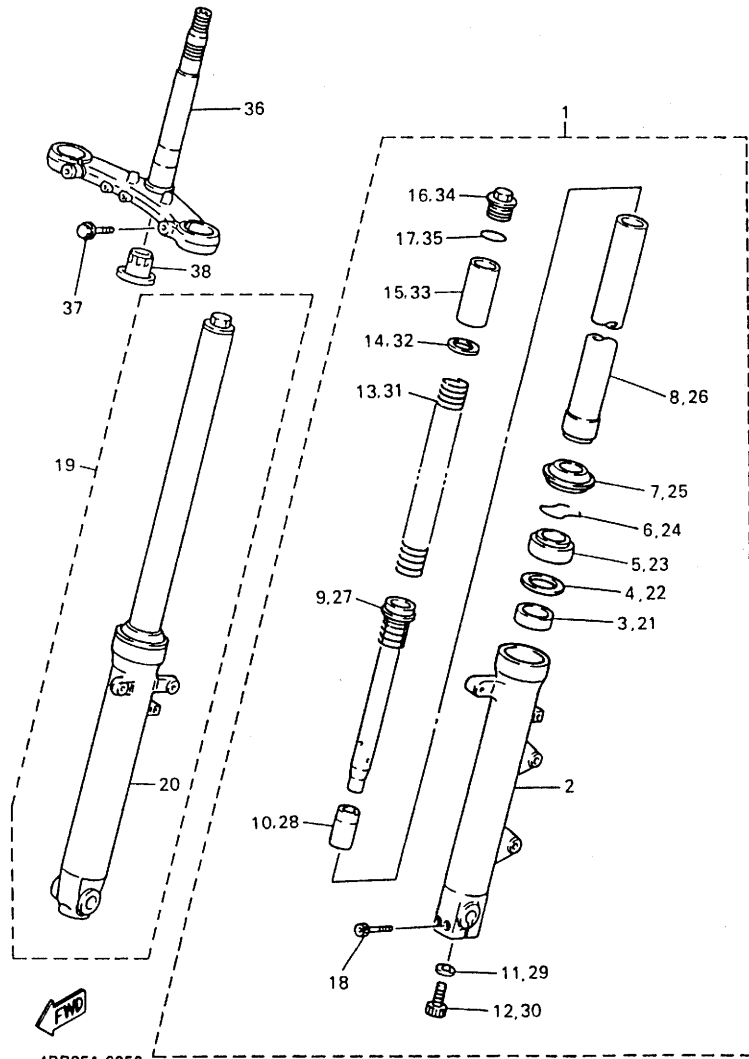
FIG. 25 FRONT FORK



REF. NO.	PART NO.	DESCRIPTION	Q'TY	REMARKS
1	4BR-23102-00	FRONT FORK ASSY (L.H)	1	
2	4BP-23126-00	.TUBE, OUTER (LEFT)	1	
3	3YX-23125-00	.METAL, SLIDE 1	1	
4	4V2-23146-L0	.WASHER, OIL SEAL	1	
5	3EN-23145-00	.OIL SEAL	1	
6	3R4-23153-00	.RING, SNAP	1	
7	3EN-23144-00	.SEAL, DUST	1	
8	3YX-23110-00	.INNER TUBE COMP.1	1	
9	4BR-23170-00	.CYLINDER COMP, FRONT FORK	1	
10	2YK-23173-00	.SPINDLE, TAPER	1	
11	509-23158-L0	.GASKET	1	
12	278-23181-50	.BOLT, HEXAGON SOCKET HEAD	1	
13	4BP-23141-00	.SPRING, FRONT FORK	1	
14	4DN-23149-40	.WASHER, SPRING UPPER	1	
15	26H-23118-00	.SPACER	1	
16	3EN-23111-00	.BOLT, CAP	1	
17	1W4-23114-L0	.GASKET	1	
18	91314-08035	.BOLT	2	
19	4BR-23103-00	FRONT FORK ASSY (R.H)	1	
20	4BP-23136-00	.TUBE, OUTER (RIGHT)	1	
21	3YX-23125-00	.METAL, SLIDE 1	1	
22	4V2-23146-L0	.WASHER, OIL SEAL	1	
23	3EN-23145-00	.OIL SEAL	1	
24	3R4-23153-00	.RING, SNAP	1	
25	3EN-23144-01	.SEAL, DUST	1	
26	3YX-23110-00	.INNER TUBE COMP.1	1	
27	4BR-23170-00	.CYLINDER COMP, FRONT FORK	1	
28	2YK-23173-00	.SPINDLE, TAPER	1	

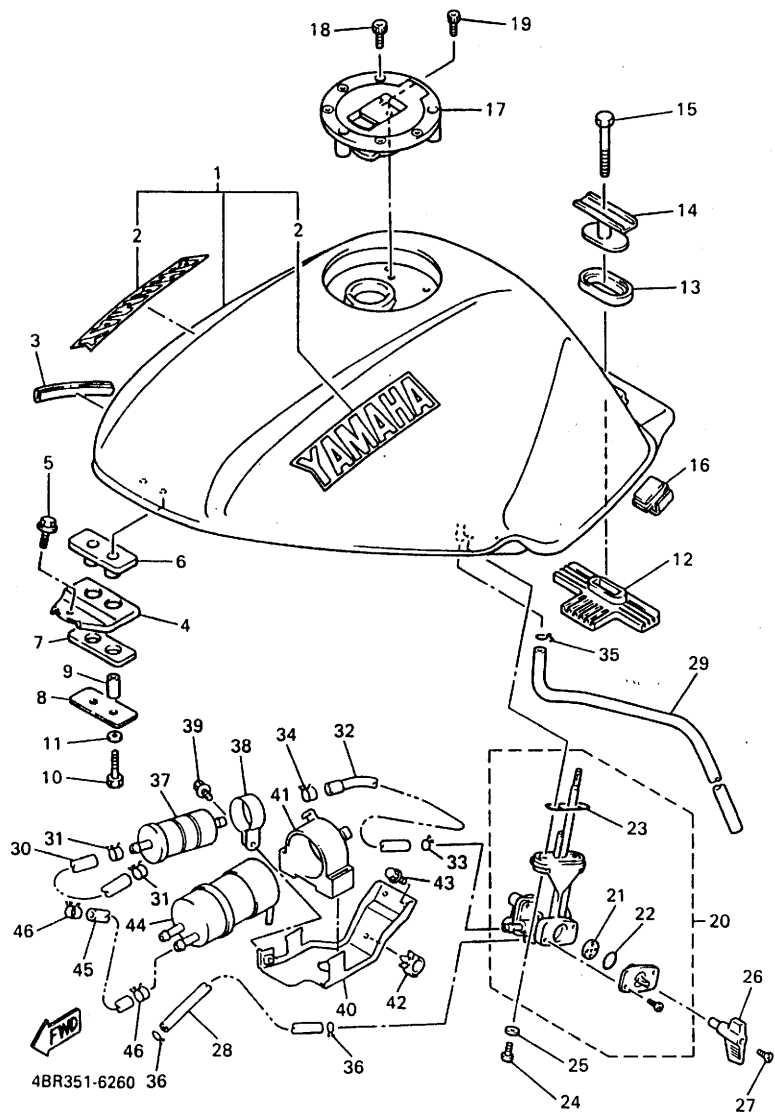
D9

FIG. 25 FRONT FORK



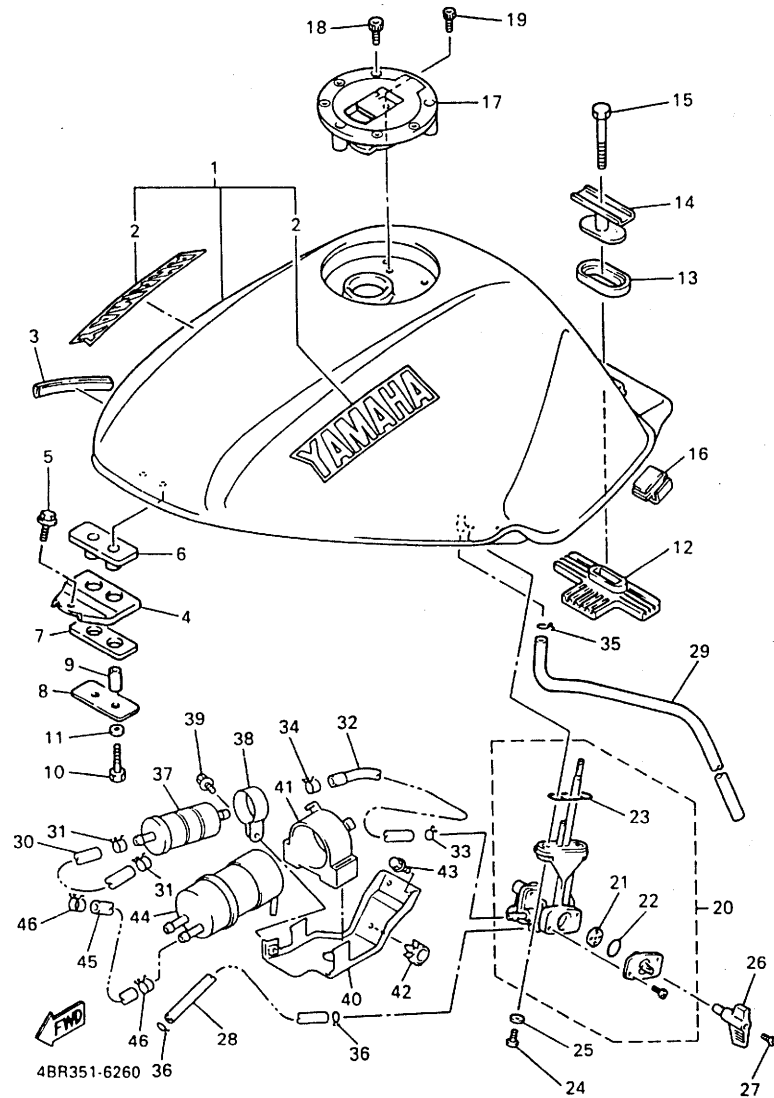
REF. NO.	PART NO.	DESCRIPTION	Q'TY	REMARKS
29	509-23158-L0	.GASKET	1	
30	278-23181-50	.BOLT, HEXAGON SOCKET HEAD	1	
31	4BP-23141-00	.SPRING, FRONT FORK	1	
32	4DN-23149-40	.WASHER, SPRING UPPER	1	
33	26H-23118-00	.SPACER	1	
34	3EN-23111-00	.BOLT, CAP	1	
35	1W4-23114-L0	.GASKET	1	
36	4KE-23340-00	UNDER BRACKET COMP.	1	
37	4EB-23356-00	BOLT 2	2	
38	4KM-23123-01	COVER, LOWER 1	1	

FIG. 26 FUEL TANK



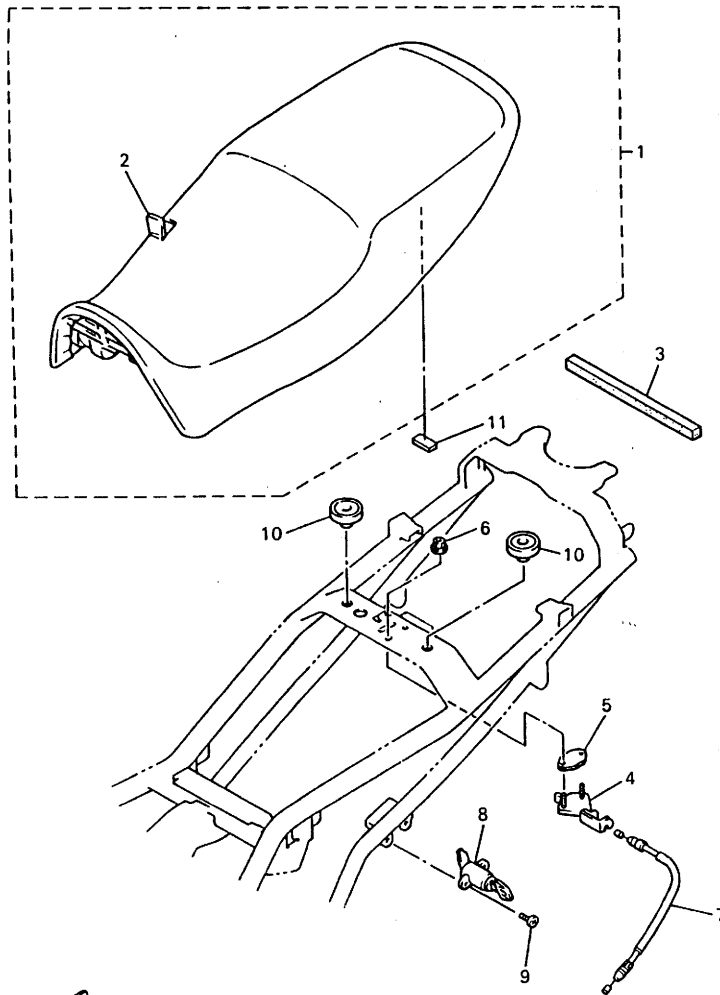
REF. NO.	PART NO.	DESCRIPTION	Q'TY	REMARKS
1	4BP-24110-01-X7	FUEL TANK COMP.	1	UR MATURE RED
	4BP-24110-01-04	FUEL TANK COMP.	1	UR BLACK 2
2	99226-00140	.EMBLEM, YAMAHA	2	UR FOR BL2
	99227-00140	.EMBLEM, YAMAHA	2	UR FOR MRE
3	4BP-24188-00	MOLD, FUEL TANK	1	
4	4BP-24191-00	BRACKET, FUEL TANK 1	1	
5	90119-06213	BOLT, WITH WASHER	1	
6	2GH-24181-00	DAMPER, LOCATING 1	1	
7	2GH-24183-00	DAMPER, LOCATING 3	1	
8	2GH-24186-00	WASHER, SPECIAL	1	
9	90387-06299	COLLAR	2	
10	97007-06025	BOLT	2	
11	92907-06600	WASHER	2	
12	4BP-24182-00	DAMPER, LOCATING 2	1	
13	3Y6-24183-00	DAMPER, LOCATING 3	1	
14	4BP-24186-00	WASHER, SPECIAL	1	
15	97007-08055	BOLT	1	
16	4JH-24183-00	DAMPER, LOCATING 3	2	
17	4FM-24602-00	CAP ASSY	1	
18	90110-05112	BOLT, HEXAGON SOCKET HEAD	3	
19	91317-05010	BOLT	1	
20	4BP-24500-00	FUEL COCK ASSY 1	1	
21	3AJ-24523-00	.VALVE	1	
22	3AJ-24534-00	.SEAL, COCK	1	
23	4X8-24512-00	.O-RING	1	
24	90149-06008	SCREW	2	
25	90202-05187	WASHER, PLATE	2	
26	3HE-24524-00	LEVER, COCK	1	

FIG. 26 FUEL TANK



REF. NO.	PART NO.	DESCRIPTION	Q'TY	REMARKS
27	98707-04018	SCREW, OVAL HEAD	1	
28	90445-09683	HOSE	1	
29	90445-103E6	HOSE	1	
30	4EB-24313-00	PIPE 3	1	
31	90467-11044	CLIP	2	
32	4EB-24311-00	PIPE, FUEL 1	1	
33	90467-10008	CLIP	1	
34	90467-11044	CLIP	1	
35	90467-09006	CLIP	1	
36	90467-08021	CLIP	2	
37	1FK-24560-00	FILTER ASSY	1	
38	4BR-24366-00	CLAMP, FUEL PIPE 1	1	
39	95817-06010	BOLT, FLANGE	1	
40	4EB-24216-00	STAY	1	
41	4EB-24398-00	BAND 1	1	
42	90464-18205	CLAMP	1	
43	95027-06014	BOLT, FLANGE	2	
44	3YX-13907-01	FUEL PUMP COMP.	1	
45	90445-144J8	HOSE	1	
46	90467-13123	CLIP	2	

FIG. 27 SEAT



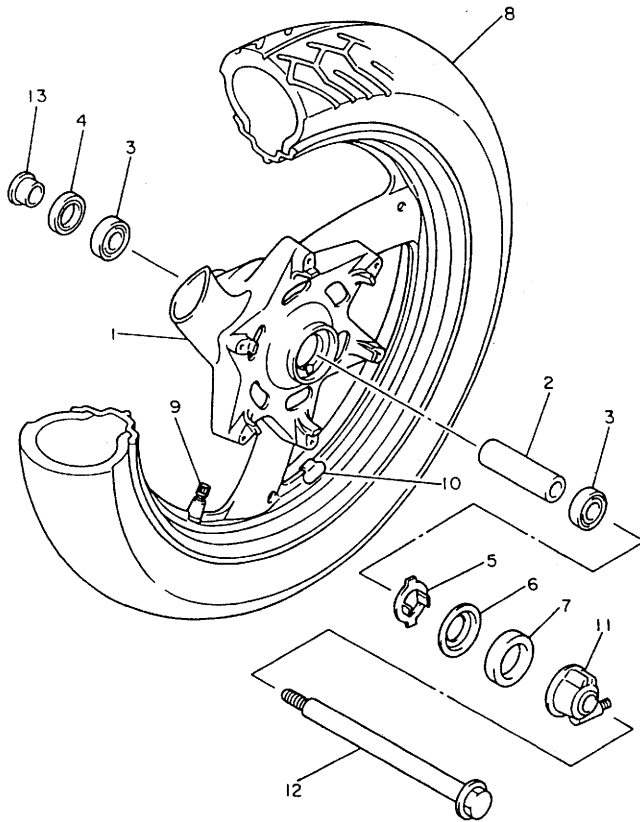
REF. NO.	PART NO.	DESCRIPTION	Q'TY	REMARKS
1	4EB-24730-00	DOUBLE SEAT ASSY	1	UR YAMAHA BLACK FOR BL2 UR LOW GLOSS GRAY FOR MRE
	4EB-24730-10	DOUBLE SEAT ASSY	1	
2	4BR-24731-10	.COVER, SEAT	1	UR YAMAHA BLACK FOR BL2 UR LOW GLOSS GRAY FOR MRE
	4BP-24731-00	.COVER, SEAT	1	
3	4BP-24737-00	DAMPER, SEAT	1	
4	4BP-24780-00	SEAT LOCK ASSY	1	
5	4BP-24792-00	PLATE	1	
6	95707-06500	NUT, FLANGE	2	
7	4EB-2478E-00	WIRE, SEAT HOOK	1	
8	3CK-W2470-00	SEAT LOCK ASSY	1	
9	90149-06228	SCREW	2	
10	22W-24741-00	PAD, SEAT	2	
11	3XV-21717-00	DAMPER	2	



4BR351-6270

D13

FIG. 28 FRONT WHEEL



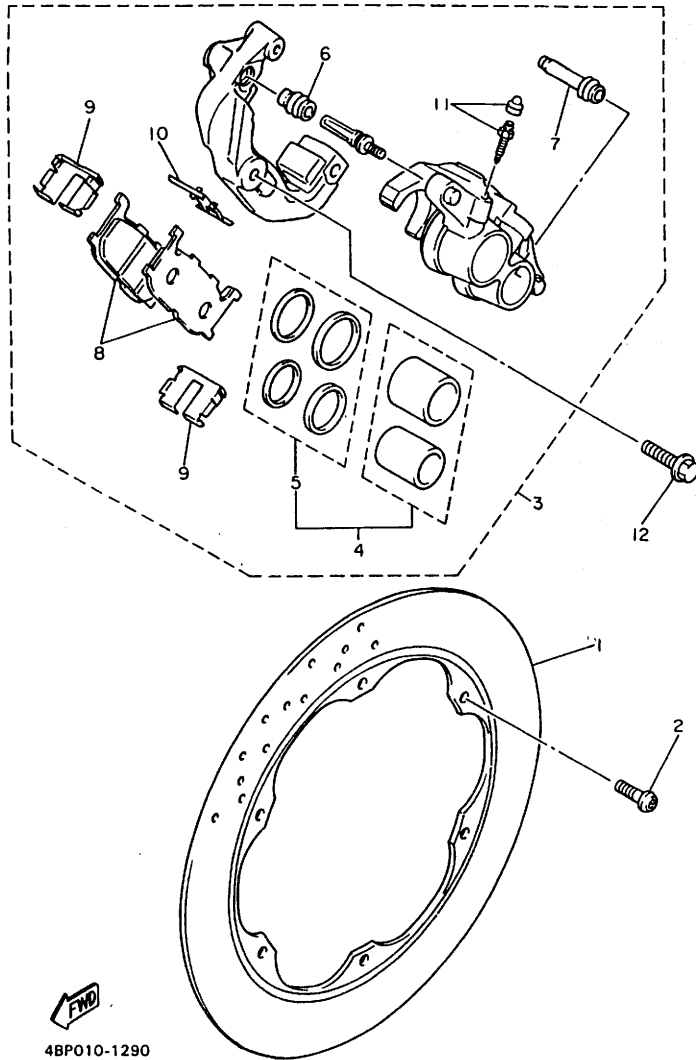
REF. NO.	PART NO.	DESCRIPTION	Q'TY	REMARKS
1	4BP-25168-00-WN	CAST WHEEL, FRONT	1	CIRCUIT SILVER
2	90560-17241	SPACER	1	
3	93306-20310	BEARING (B6203DU)	2	
4	93102-25017	OIL SEAL	1	
5	341-25149-00	CLUTCH, METER	1	
6	341-25846-00	RETAINER, CLUTCH	1	
7	93105-45017	OIL SEAL	1	
8	94111-1707Y	TIRE (110/80-17 57H D103FA)	1	UR DUNLOP
	*	TIRE (110/80-17 57H MACADAM 50)	1	UR MICHELIN
9	93900-00030	VALVE, RIM	1	
10	29L-25398-00	BALANCER, WHEEL (10G)	1	UR
	29L-25398-10	BALANCER, WHEEL (20G)	1	UR
	29L-25398-20	BALANCER, WHEEL (30G)	1	UR
11	4KG-25190-01	GEAR UNIT ASSY	1	
12	3GM-25181-01	AXLE, WHEEL	1	
13	90387-177Y4	COLLAR	1	



4BP010-1280

D14

FIG. 29 FRONT BRAKE CALIPER



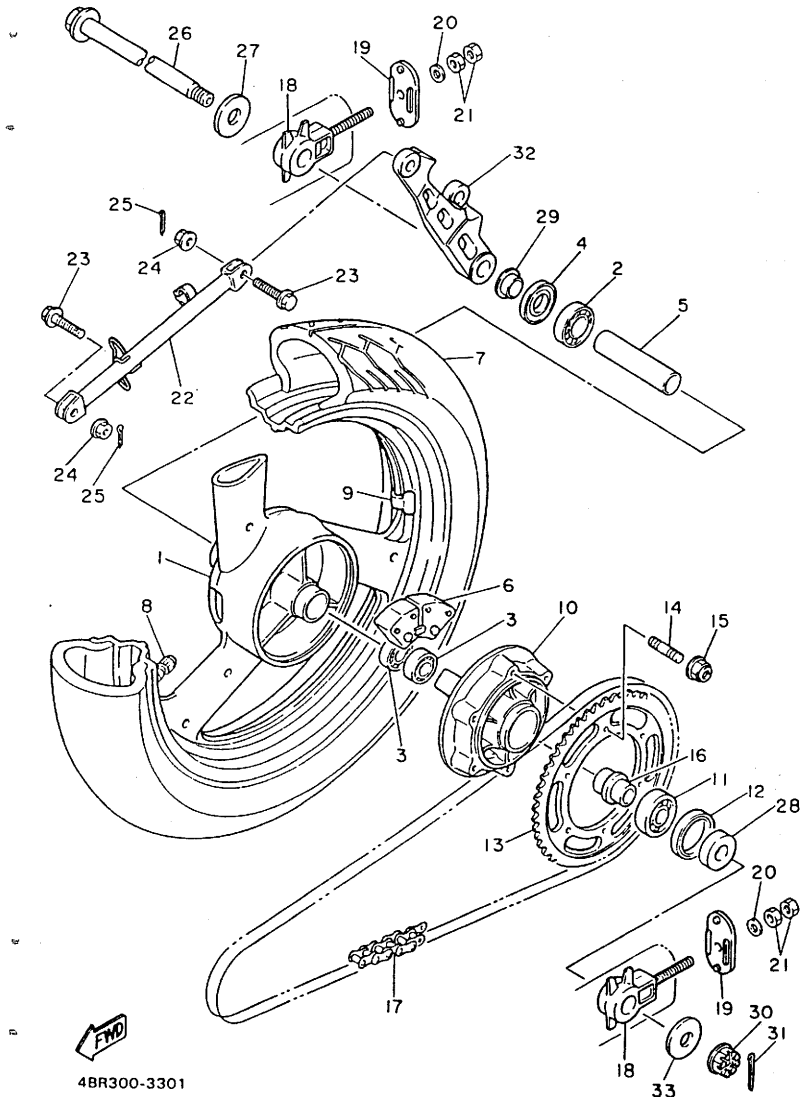
REF. NO.	PART NO.	DESCRIPTION	Q'TY	REMARKS
1	4BP-2582T-00	DISC, BRAKE	1	
2	90109-083G4	BOLT	6	
3	4BP-2580T-00	CALIPER ASSY (LEFT)	1	
4	3YX-W0057-50	PISTON ASSY, CALIPER	1	
5	3JB-W0047-00	CALIPER SEAL KIT	1	
6	5R2-25937-00	BOOT 2	1	
7	3YX-25937-00	BOOT 2	1	
8	4BP-W0045-00	BRAKE PAD KIT	1	
9	4BP-25919-00	SUPPORT, PAD	2	
10	3YX-25929-00	SPRING, ANTI RATTLE	1	
11	51L-W0048-00	BREED SCREW KIT	1	
12	90105-10638	BOLT, WASHER BASED	1	



4BP010-1290

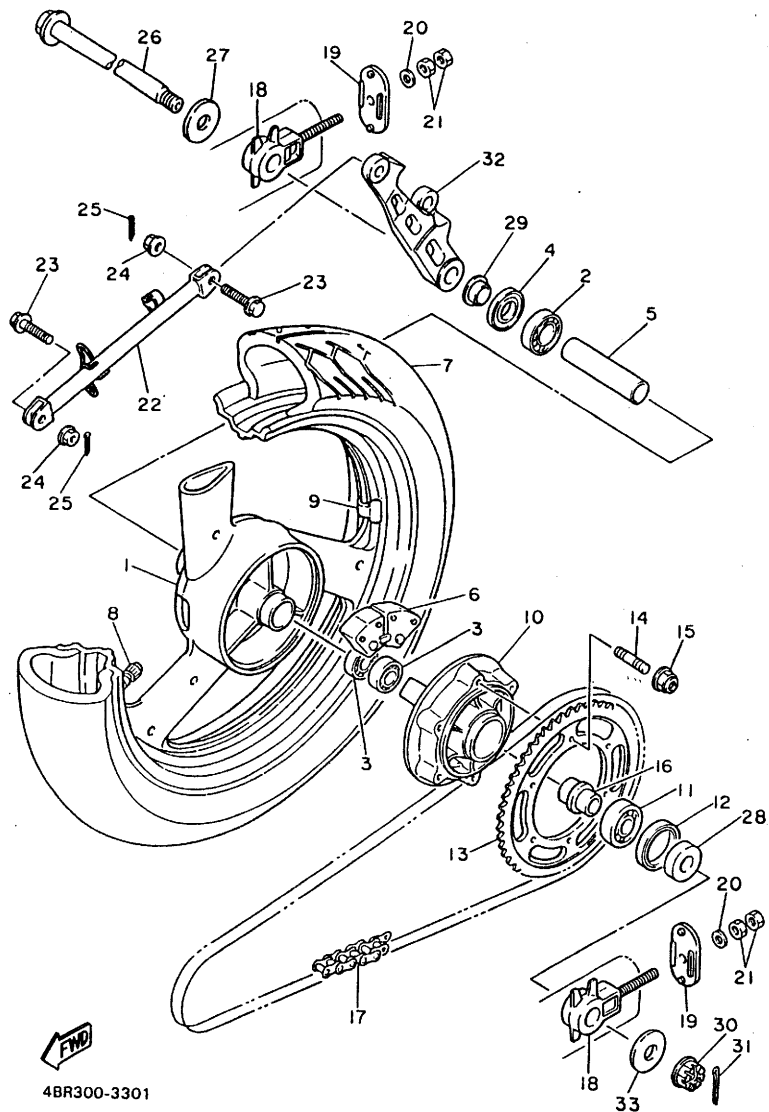
FIG. 30 REAR WHEEL

REF. NO.	PART NO.	DESCRIPTION	Q'TY	REMARKS
1	3HE-25338-00-WN	CAST WHEEL, REAR	1	CIRCUIT SILVER
2	93306-30317	BEARING (B6303ZZ)	1	
3	93306-20314	BEARING (B6203)	2	
4	93102-25044	OIL SEAL	1	
5	90387-174V8	COLLAR	1	
6	4BP-25364-00	DAMPER	3	
7	94113-1807X	TIRE (130/70-18 63H D103F)	1	UR DUNLOP
	*	TIRE (130/70-18 63H MACADAM 50)	1	UR MICHELIN
8	93900-00030	VALVE, RIM	1	
9	29L-25398-00	BALANCER, WHEEL (10G)	1	UR
	29L-25398-10	BALANCER, WHEEL (20G)	1	UR
	29L-25398-20	BALANCER, WHEEL (30G)	1	UR
10	4BP-25366-00	CLUTCH, HUB	1	
11	93306-37207	BEARING	1	
12	93105-42024	OIL SEAL	1	
13	4BP-25448-20	SPROCKET, DRIVEN (48T)	1	
14	90116-10485	BOLT, STUD	6	
15	95607-10200	NUT, SELF-LOCKING	6	
16	90387-177K0	COLLAR	1	
17	94581-30110	CHAIN (DID520VL2-110LE)	1	
18	4BP-25388-00	PULLER, CHAIN 1	2	
19	3YX-22174-00	END 1	2	
20	92990-08600	WASHER, PLATE	2	
21	95380-08600	NUT	4	
22	4BR-25371-01	BAR, TENSION	1	
23	90105-08777	BOLT, WASHER BASED	2	
24	95704-08500	NUT, FLANGE	2	
25	91490-20020	PIN, COTTER	2	



4BR300-3301

FIG. 30 REAR WHEEL

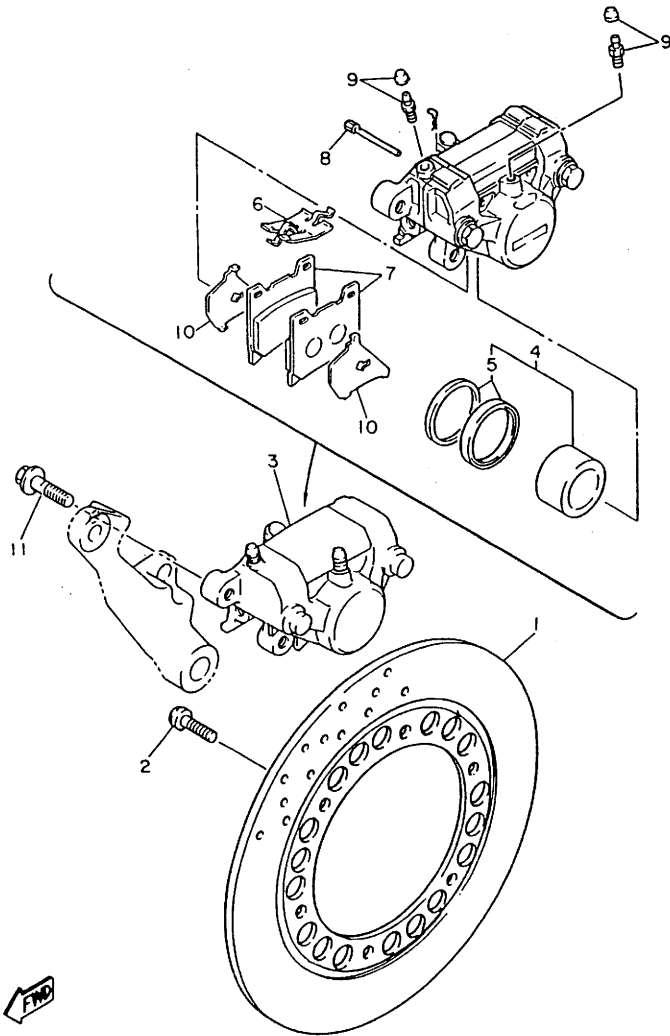


4BR300-3301

REF. NO.	PART NO.	DESCRIPTION	Q'TY	REMARKS
26	3HE-25381-01	AXLE, WHEEL	1	
27	90201-170T3	WASHER, PLATE	1	
28	90387-177Y5	COLLAR	1	
29	90387-173L5	COLLAR	1	
30	90171-16024	NUT, CASTLE	1	
31	91401-30030	PIN, COTTER	1	
32	3HE-25819-01	BRACKET, CALIPER	1	
33	90201-160T2	WASHER, PLATE	1	

E3

FIG. 31 REAR BRAKE CALIPER

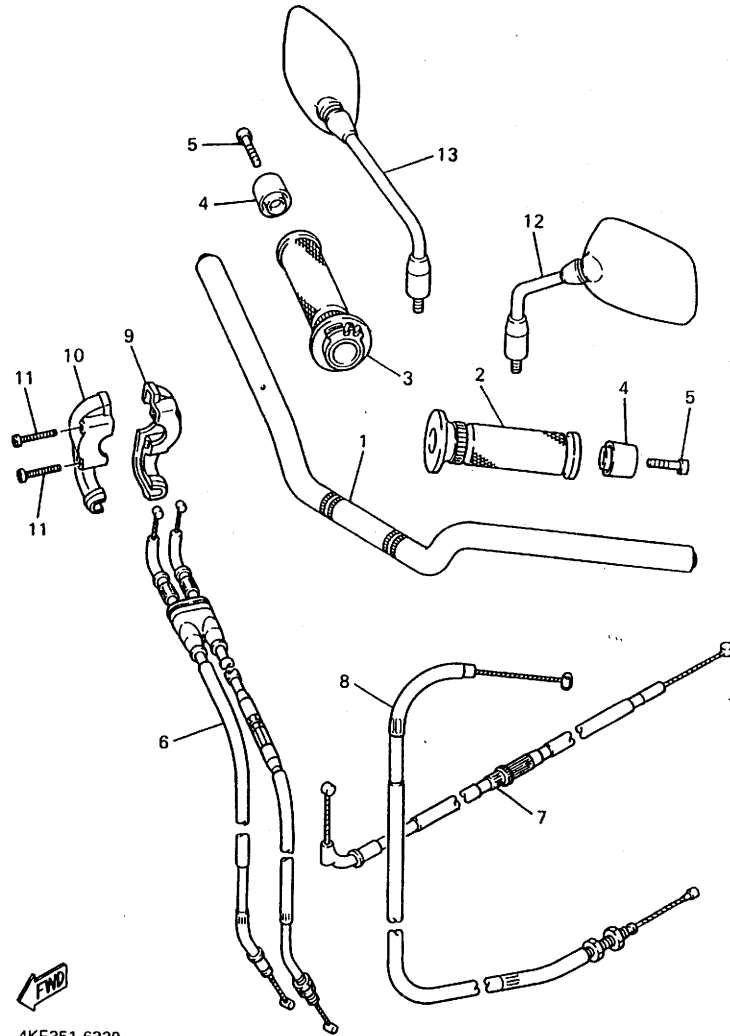


REF. NO.	PART NO.	DESCRIPTION	Q'TY	REMARKS
1	4HM-2582W-00	DISC, REAR BRAKE 2	1	
2	90109-083G4	BOLT	6	
3	4BP-2580W-00	CALIPER ASSY, REAR 2	1	
4	51L-W0057-00	PISTON ASSY, CALIPER	1	
5	51L-W0047-11	CALIPER SEAL KIT	1	
6	3LN-25919-10	SUPPORT, PAD	1	
7	51L-W0046-02	BRAKE PAD KIT 2	1	
8	4FL-25924-00	PIN, PAD	2	
9	51L-W0048-00	BREED SCREW KIT	2	
10	4BP-25827-00	SHIM, CALIPER	2	
11	90105-10638	BOLT, WASHER BASED	2	



4DU110-2300

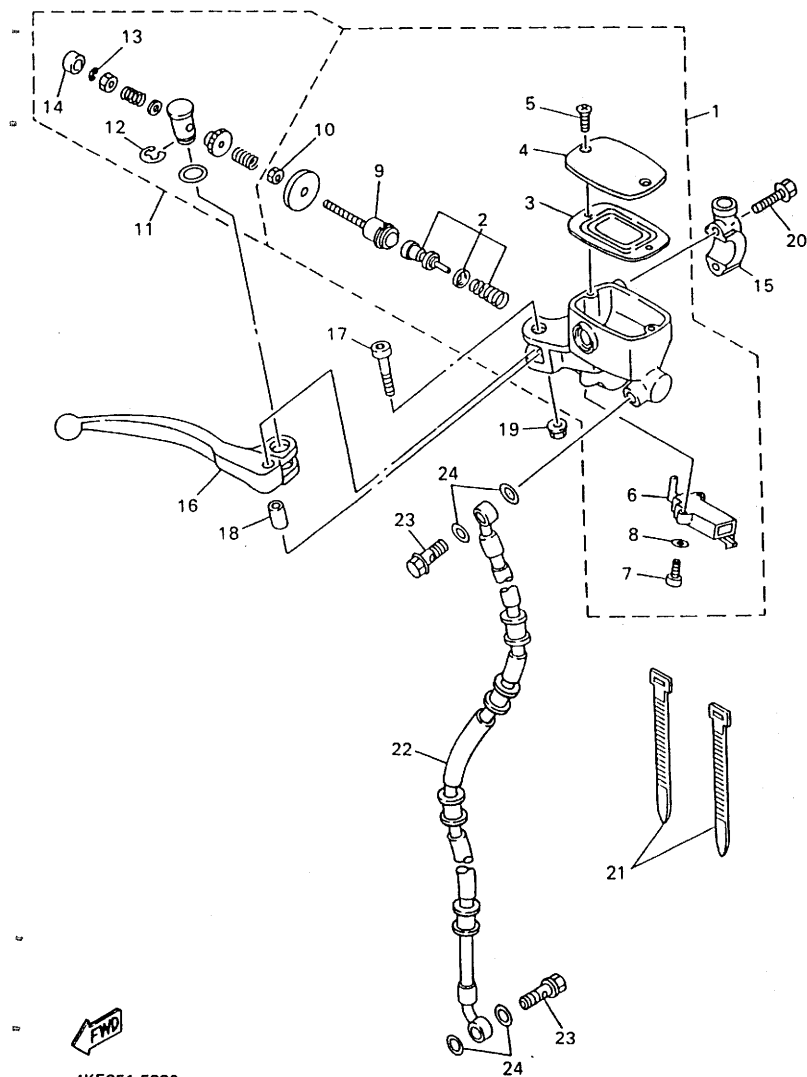
FIG. 32 STEERING HANDLE • CABLE



4KE351-6320

REF. NO.	PART NO.	DESCRIPTION	Q'TY	REMARKS
1	4EB-26110-00	HANDLEBAR	1	
2	31A-26241-00	GRIP (LEFT)	1	
3	36Y-26240-00	GRIP ASSY	1	
4	4JH-26246-00	END, GRIP	2	
5	91317-06035	BOLT, SOCKET HEAD	2	
6	4KA-26302-00	THROTTLE CABLE ASSY	1	
7	4EB-26331-00	CABLE, STARTER 1	1	
8	4KA-26335-00	CABLE, CLUTCH	1	
9	3XW-26281-01	CAP, GRIP UPPER	1	
10	3XW-26282-01	CAP, GRIP LOWER	1	
11	98507-05035	SCREW, PAN HEAD	2	
12	4BR-26280-00	REAR VIEW MIRROR ASSY(LEFT)	1	
13	4BR-26290-00	REAR VIEW MIRROR ASSY(RIGHT)	1	

FIG. 33 FRONT MASTER CYLINDER

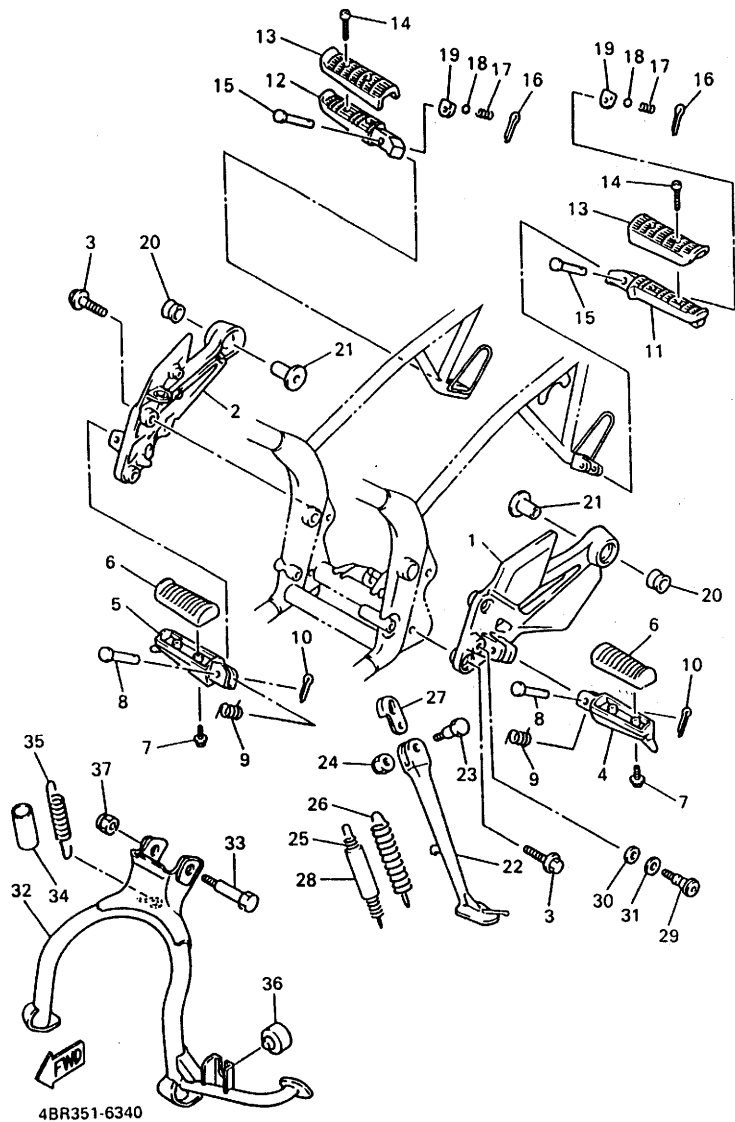


REF. NO.	PART NO.	DESCRIPTION	Q'TY	REMARKS
1	4BR-W2587-00	MASTER CYLINDER SUB ASSY	1	
2	3YX-W0041-50	.CYLINDER KIT, MASTER	1	
3	3YX-25854-00	.DIAPHRAGM, RESERVOIR	1	
4	3YX-25852-00	.CAP, RESERVOIR	1	
5	98707-04012	.SCREW, FLAT HEAD	2	
6	4BH-83980-00	.FRONT STOP SWITCH ASSY	1	
7	98517-04012	.SCREW, PAN HEAD	2	
8	92906-04600	.WASHER, PLATE	2	
9	3YX-25880-00	.PUSH ROD COMP.	1	
10	95380-06600	.NUT	1	
11	3YX-W0091-02	SCREW KIT, MASTERCYLINDER	1	
12	3YX-25866-00	.CIRCLIP	1	
13	3YX-25866-10	.CIRCLIP	1	
14	3YX-2583H-00	.BOOT	1	
15	3YX-25867-00	BRACKET, MASTER CYLINDER	1	
16	3YX-83922-09	LEVER 2	1	
17	3YX-2589F-00	BOLT, LEVER	1	
18	3YX-25838-00	SLEEVE, CALIPER	1	
19	95617-06100	NUT, U	1	
20	95027-06030	BOLT, FLANGE	2	
21	437-83936-01	BAND, SWITCH CORD	2	
22	4KE-25872-01	HOSE, BRAKE 1	1	
23	90401-10159	BOLT, UNION	2	
24	90201-10118	WASHER, PLATE	4	



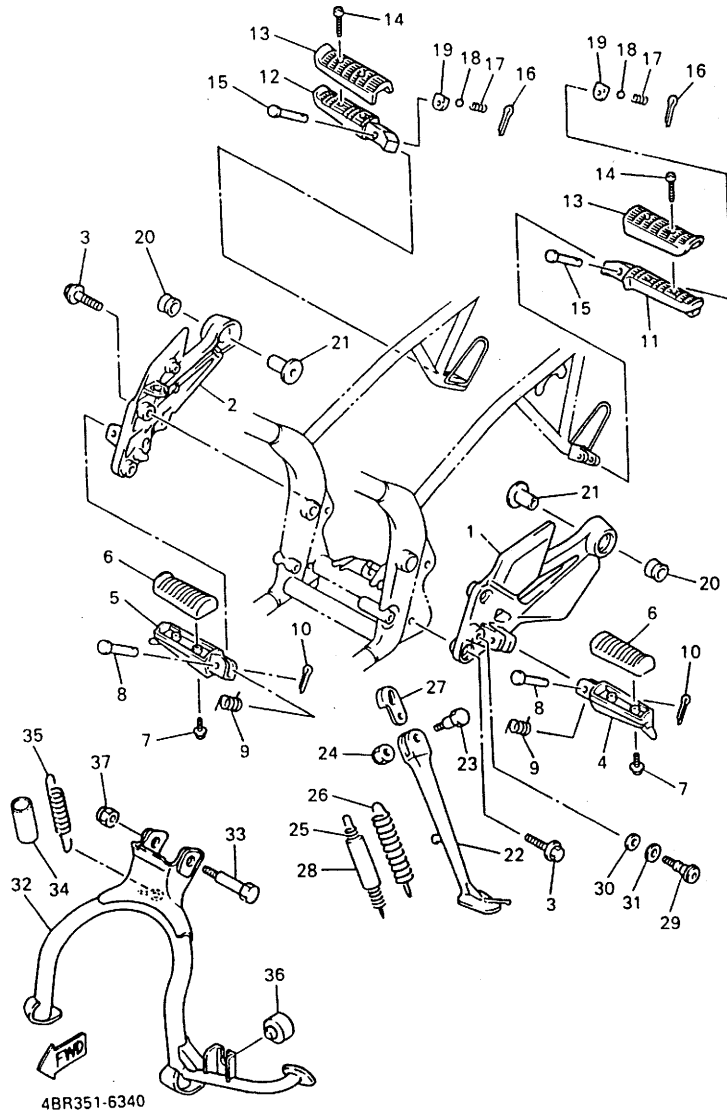
4KE351-5330

FIG. 34 STAND • FOOTREST



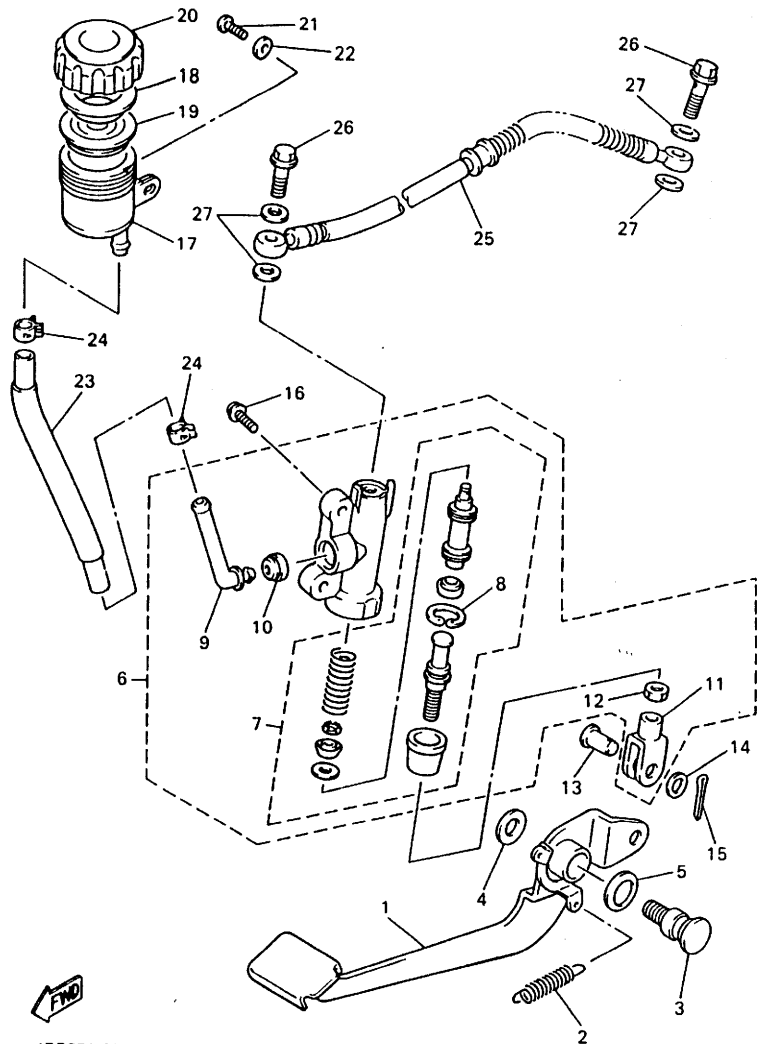
REF. NO.	PART NO.	DESCRIPTION	Q'TY	REMARKS
1	4EB-27442-00	BRACKET 2	1	
2	4EB-27443-00	BRACKET 3	1	
3	90109-083G1	BOLT	4	
4	4BP-27451-01	FOOTREST	1	
5	4BP-27461-01	FOOTREST	1	
6	4BP-27413-00	COVER, FOOTREST	2	
7	90157-05079	SCREW, PAN HEAD	4	
8	90240-08140	PIN, CLEVIS	2	
9	90508-20572	SPRING, TORSION	2	
10	91401-25020	PIN, COTTER	2	
11	4BR-27431-00	FOOTREST, REAR 1	1	
12	4BR-27441-00	FOOTREST, REAR 2	1	
13	2GH-27413-00	COVER, FOOTREST	2	
14	90157-05079	SCREW, PAN HEAD	4	
15	90240-08141	PIN, CLEVIS	2	
16	91401-25020	PIN, COTTER	2	
17	90501-12743	SPRING, COMPRESSION	2	
18	93501-04011	BALL	2	
19	4BP-27437-00	WASHER, SPECIAL	2	
20	2H7-27414-00	DAMPER, FOOTREST	2	
21	90387-10636	COLLAR	2	
22	4BP-27311-00	STAND, SIDE	1	
23	90109-106F9	BOLT	1	
24	90185-10037	NUT, SELF-LOCKING	1	
25	90506-18224	SPRING, TENSION	1	
26	90506-26225	SPRING, TENSION	1	
27	2KT-27315-00	LINK, SIDE STAND	1	
28	1TX-27351-00	GUIDE, SIDE STAND	1	

FIG. 34 STAND • FOOTREST



REF. NO.	PART NO.	DESCRIPTION	Q'TY	REMARKS
29	4BP-27434-01	BOLT	1	
30	90201-08326	WASHER, PLATE	1	
31	90201-127J6	WASHER, PLATE	1	
32	4BR-27111-00	STAND, MAIN	1	
33	90109-101E6	BOLT	2	
34	90445-252G5	HOSE	1	
35	90506-35297	SPRING, TENSION	1	
36	2GM-27114-00	STOPPER, MAIN STAND	1	
37	90185-10091	NUT, SELF-LOCKING	2	

FIG. 35 REAR MASTER CYLINDER

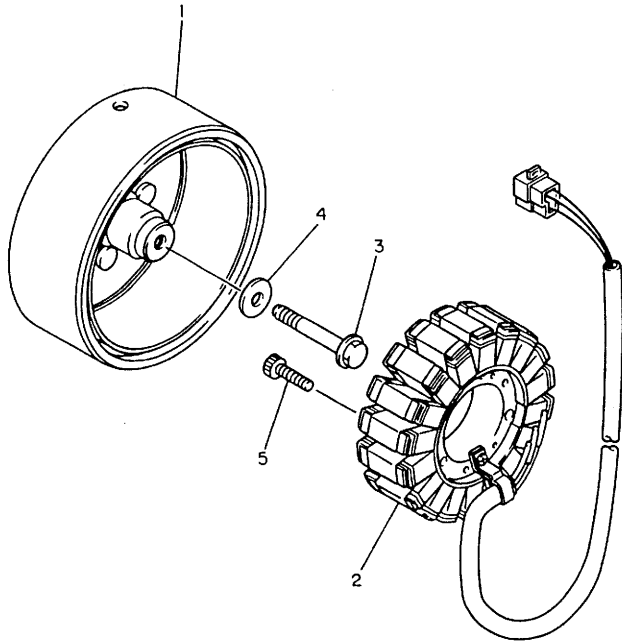


4BR351-6350

REF. NO.	PART NO.	DESCRIPTION	Q'TY	REMARKS
1	4EB-27211-00	PEDAL, BRAKE	1	
2	90506-20192	SPRING, TENSION	1	
3	4BP-27261-00	SHAFT	1	
4	92907-10200	WASHER, PLAIN	1	
5	90206-14086	WASHER, WAVE	1	
6	4BP-2583V-00	RR. MASTER CYLINDER ASSY.	1	
7	4BP-W0042-50	.CYLINDER KIT, MASTER	1	
8	3LN-2585G-00	..CIRCLIP	1	
9	4BP-2582A-00	.JOINT	1	
10	4BP-2585F-00	.BUSH	1	
11	4BP-27222-00	.JOINT	1	
12	95304-08700	.NUT	2	
13	90240-08124	PIN, CLEVIS	1	
14	90201-08083	WASHER, PLATE	1	
15	91490-20020	PIN, COTTER	1	
16	92014-08025	BOLT, BUTTON HEAD	2	
17	31A-25894-01	TANK, RESERVOIR	1	
18	2GU-25855-00	BUSH,DIAPHRAGM	1	
19	360-25854-00	DIAPHRAGM, RESERVOIR	1	
20	2KF-25852-50	CAP, RESERVOIR	1	
21	98507-06018	SCREW, PAN HEAD	1	
22	92907-06600	WASHER, PLATE	1	
23	4BP-25895-01	HOSE, RESERVOIR	1	
24	90467-14057	CLIP	2	
25	4BP-2581K-01	HOSE, BRAKE 5	1	
26	90401-10159	BOLT, UNION	2	
27	90201-10118	WASHER, PLATE	4	

FIG. 36 GENERATOR

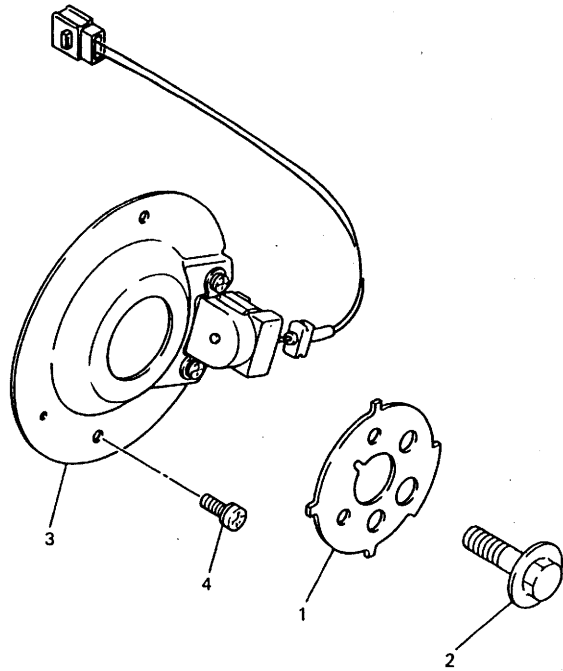
REF. NO.	PART NO.	DESCRIPTION	Q'TY	REMARKS
1	4HM-81450-00	ROTOR ASSY	1	
2	4EB-81410-00	STATOR ASSY	1	
3	90105-10662	BOLT, WASHER BASED	1	
4	90201-10639	WASHER, PLATE	1	
5	91317-06030	BOLT	3	



4BP010-1370

FIG. 37 PICK UP COIL • GOVERNOR

REF. NO.	PART NO.	DESCRIPTION	Q'TY	REMARKS
1	4BR-81673-00	ROTOR	1	
2	90105-10445	BOLT, WASHER BASED	1	
3	4BR-81671-00	BASE, PICKUP	1	
4	90159-06107	SCREW, WITH WASHER	2	

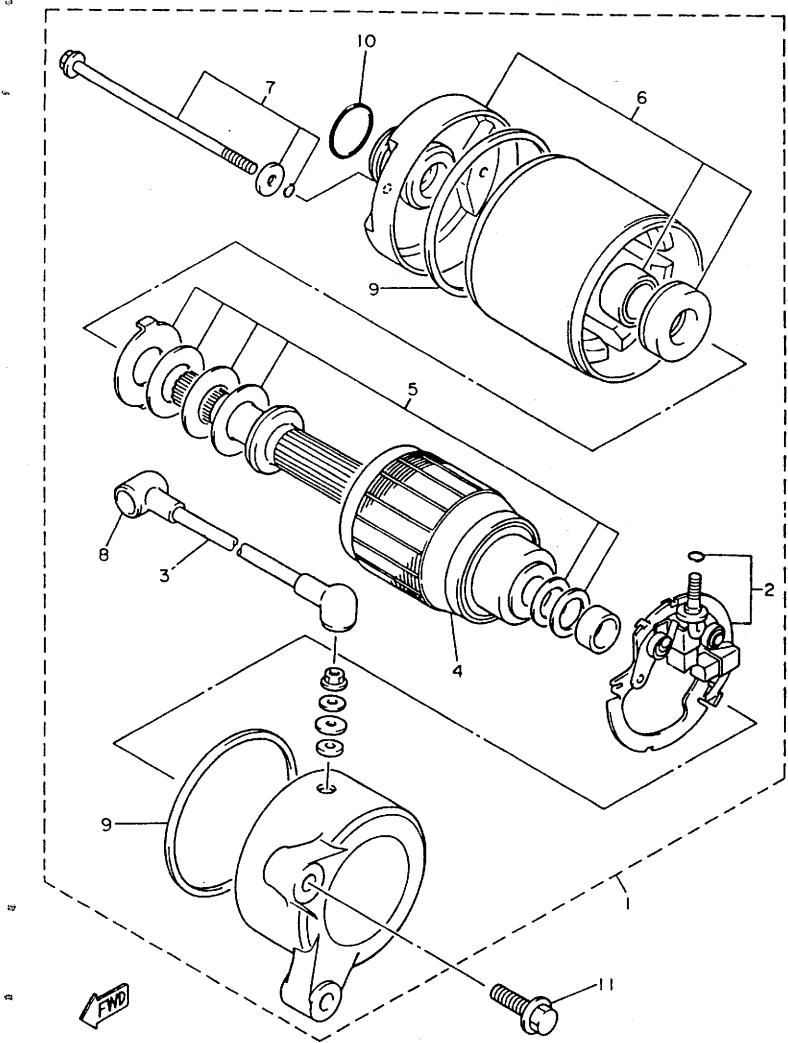


4HK010-3380

E11

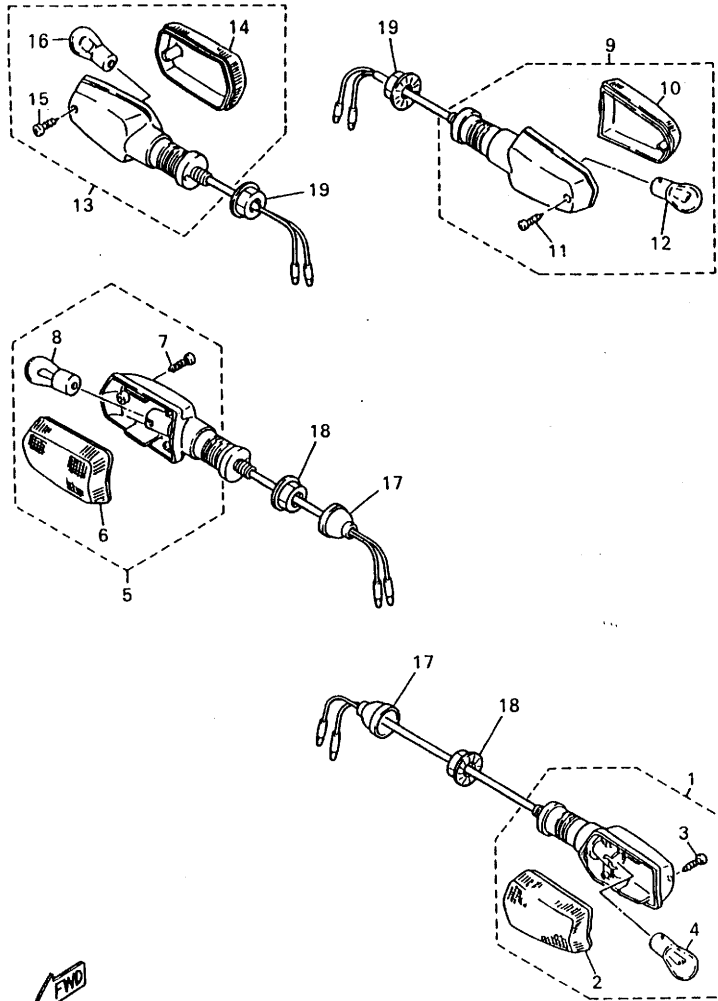
FIG. 38 STARTING MOTOR

REF. NO.	PART NO.	DESCRIPTION	Q'TY	REMARKS
1	4BR-81800-00	STARTING MOTOR ASSY	1	
2	3KS-81840-00	.BRUSH HOLDER ASSY	1	
3	4BP-81815-00	.CORD, STARTER MOTOR	1	
4	3HE-81850-00	.ARMATURE ASSY	1	
5	3AJ-81809-00	.WASHER KIT	1	
6	3HE-81830-00	.FRONT BRACKET ASSY	1	
7	3HE-81826-00	.BOLT	2	
8	5H0-81871-00	.CAP	1	
9	11H-81844-00	.GASKET	2	
10	26H-81847-00	.O-RING	1	
11	95824-06025	BOLT, FLANGE	2	



4BP010-1390

FIG. 39 FLASHER LIGHT

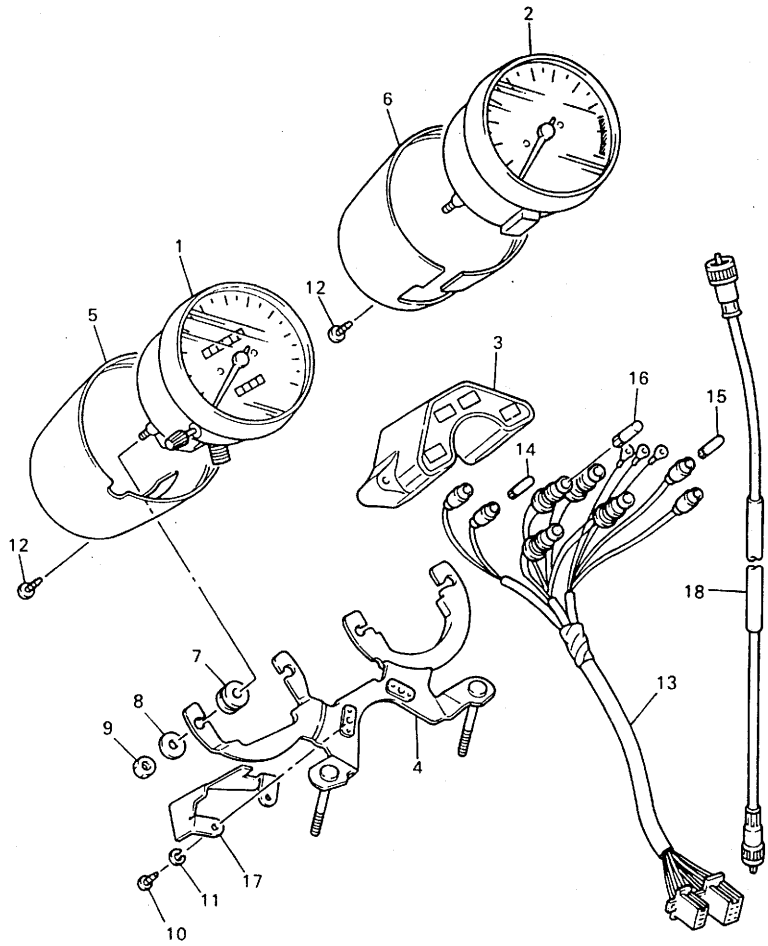


4KE351-4390

REF. NO.	PART NO.	DESCRIPTION	Q'TY	REMARKS
1	51J-83310-00	FRONT FLASHER LIGHT ASSY 1	1	
2	51L-83332-01	.LENS, FLASHER	1	
3	97707-40620	.SCREW, TAPPING	1	
4	306-83311-40	.BULB, FLASHER (12V-21W)	1	
5	51J-83320-00	FRONT FLASHER LIGHT ASSY 2	1	
6	51L-83342-01	.LENS, FLASHER 2	1	
7	97707-40620	.SCREW, TAPPING	1	
8	306-83311-40	.BULB, FLASHER (12V-21W)	1	
9	51J-83330-00	REAR FLASHER LIGHT ASSY 1	1	
10	1VU-83332-00	.LENS, FLASHER	1	
11	97707-40620	.SCREW, TAPPING	1	
12	306-83311-40	.BULB, FLASHER (12V-21W)	1	
13	51J-83340-00	FLASHER LIGHT ASSY 2	1	
14	1VU-83342-00	.LENS, FLASHER 2	1	
15	97707-40620	.SCREW, TAPPING	1	
16	306-83311-40	.BULB, FLASHER (12V-21W)	1	
17	10V-83365-00	CAP	2	
18	95317-12600	NUT	2	
19	95707-12500	NUT, FLANGE	2	

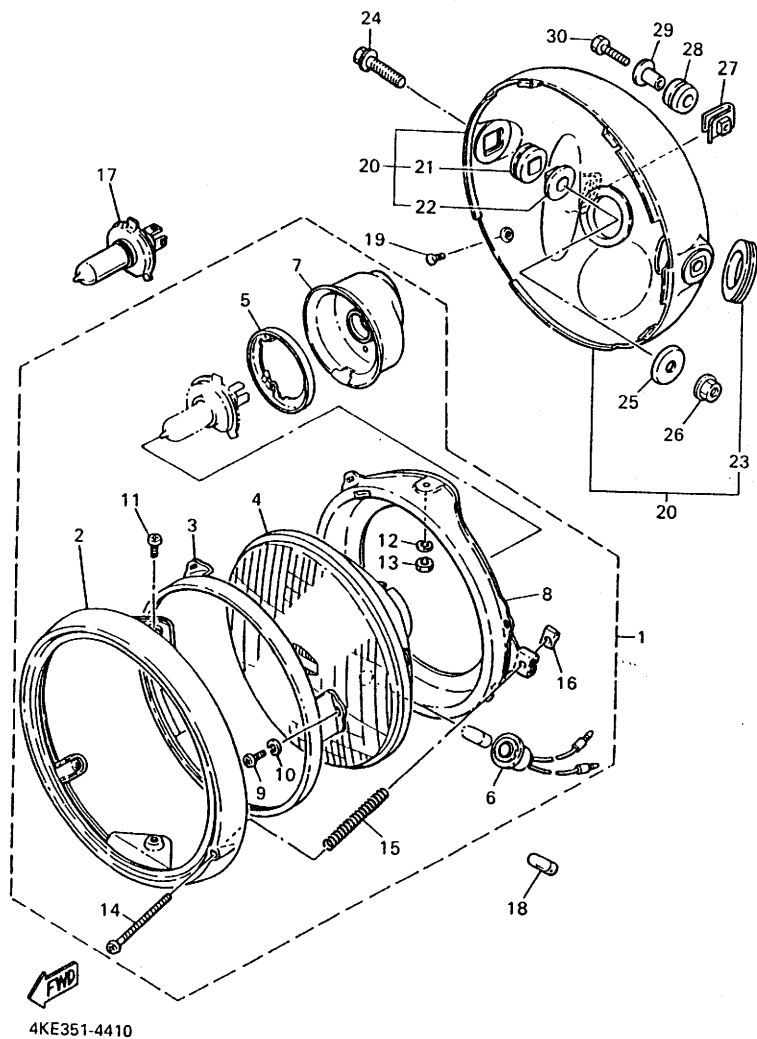
FIG. 40 METER

REF. NO.	PART NO.	DESCRIPTION	Q'TY	REMARKS
1	4KE-83570-00	SPEEDOMETER ASSY	1	
2	4KE-83540-00	TACHOMETER ASSY	1	
3	4KE-83530-10	PILOT LIGHT ASSY	1	
4	4KE-83519-00	BRACKET, METER	1	
5	42X-83507-00	COVER, SPEEDOMETER	1	METALLIC CHROME
6	42X-83508-00	COVER, TACHOMETER	1	METALLIC CHROME
7	1FG-83523-00	DAMPER	4	
8	90201-05725	WASHER, PLATE	4	
9	95307-05600	NUT	4	
10	98507-04012	SCREW, PAN HEAD	2	
11	92907-04100	WASHER, SPRING	2	
12	90164-04009	SCREW, TAPPING	2	
13	4KE-83509-00	SOCKET CORD ASSY	1	
14	42X-83517-00	BULB (12V-3W)	2	
15	2GV-83517-00	BULB, (12V-1.7W, T6.5)	2	
16	4G1-84744-00	BULB (12V-3.4W)	4	
17	4KE-83579-00	COVER, METER 2	1	
18	3MA-83550-01	SPEEDOMETER CABLE ASSY	1	



FWD
4KE351-4400

FIG. 41 HEADLIGHT

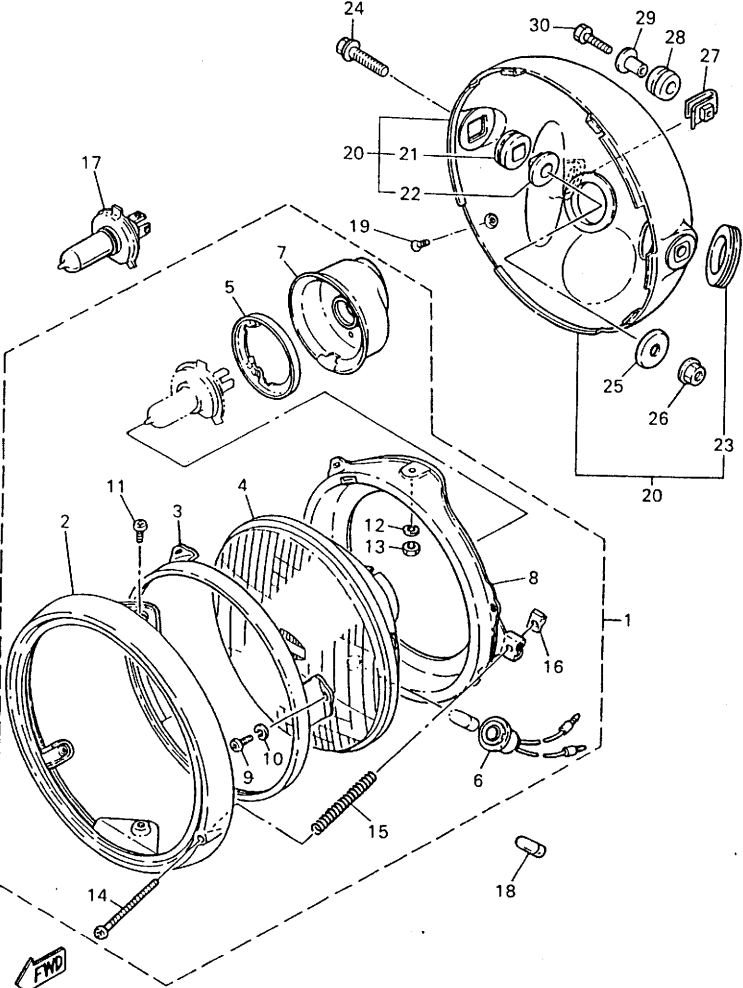


REF. NO.	PART NO.	DESCRIPTION	Q'TY	REMARKS
1	1XL-84303-G0	HEADLIGHT UNIT ASSY	1	
2	341-84315-40	.RIM, HEADLIGHT	1	
3	2F9-84395-00	.RING, RETAINING	1	
4	2K3-84321-40	.LENS ASSY	1	
5	2F9-84375-00	.SETTING PLATE, BULB	1	
6	34L-84346-00	.SOCKET, PILOT LIGHT	1	
7	2F9-84397-01	.COVER, SOCKET	1	
8	2F9-84394-00	.RING, MOUNTING	1	
9	98580-04008	.SCREW, PAN HEAD	3	
10	92990-04100	.WASHER, SPRING	3	
11	1JK-84365-09	.SCREW	2	
12	92990-05100	.WASHER, SPRING	2	
13	95301-04600	.NUT	2	
14	98580-04055	.SCREW, PAN HEAD	1	
15	341-84332-60	.SPRING, SCREW	1	
16	198-84334-60	.NUT, ADJUSTING	1	
17	*	BULB (12V-60/55W)	1	LM (H4)HALOGEN
18	*	BULB (12V-4W)	1	LM
19	98704-05012	SCREW, FLAT HEAD	2	
20	1JK-84330-00-93	BODY ASSY	1	CHROME PLATED
21	584-84345-60	.DAMPER, HEADLIGHT	2	
22	584-84338-60	.COLLAR, BODY FITTING	2	
23	214-84153-60	.GROMMET, WIREHERNESS	3	
24	95024-08030	BOLT	2	
25	90209-08098	WASHER	2	
26	95707-08500	NUT, FLANGE	2	
27	90183-06023	NUT, SPRING	1	
28	90480-14023	GROMMET	1	

FIG. 41 HEADLIGHT

REF. NO.	PART NO.	DESCRIPTION	Q'TY	REMARKS
----------	----------	-------------	------	---------

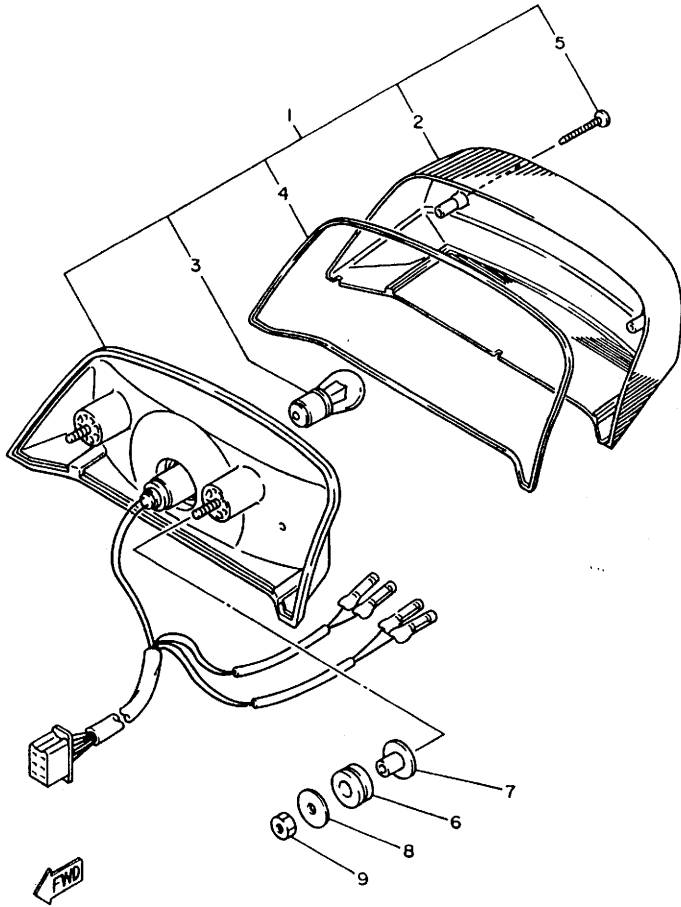
29	90387-06388	COLLAR	1	
30	97027-06025	BOLT	1	



4KE351-4410

FIG. 42 TAILLIGHT

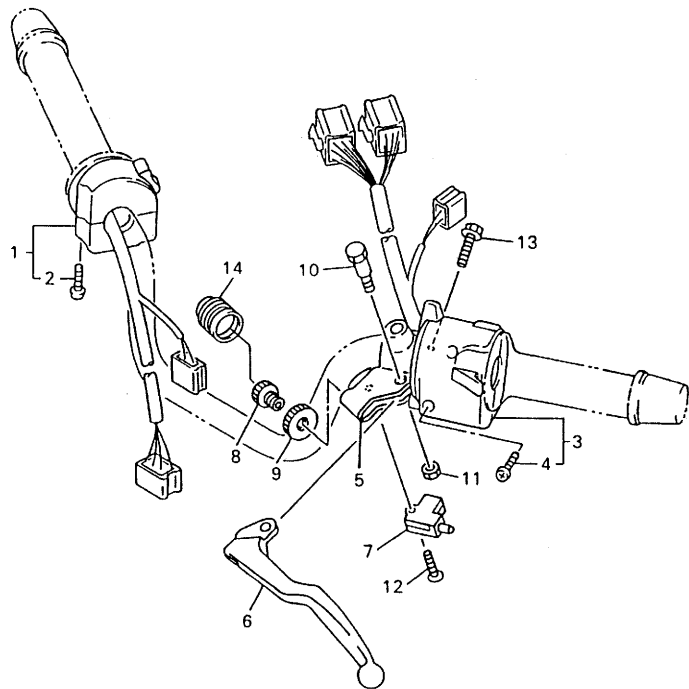
REF. NO.	PART NO.	DESCRIPTION	Q'TY	REMARKS
1	4BP-84710-00	TAILLIGHT UNIT ASSY	1	
2	4BP-84721-00	LENS, TAILLIGHT	1	
3	137-84714-61	BULB (12V-23/8W)	1	
4	4BP-84712-00	GASKET, TAILLIGHT	1	
5	4BP-8471J-00	SCREW, TAILLIGHT	2	
6	90480-18276	GROMMET	2	
7	90387-07037	COLLAR	2	
8	90201-063J2	WASHER, PLATE	2	
9	95307-06600	NUT	2	



4BP010-1430

F3

FIG. 43 HANDLE SWITCH • LEVER



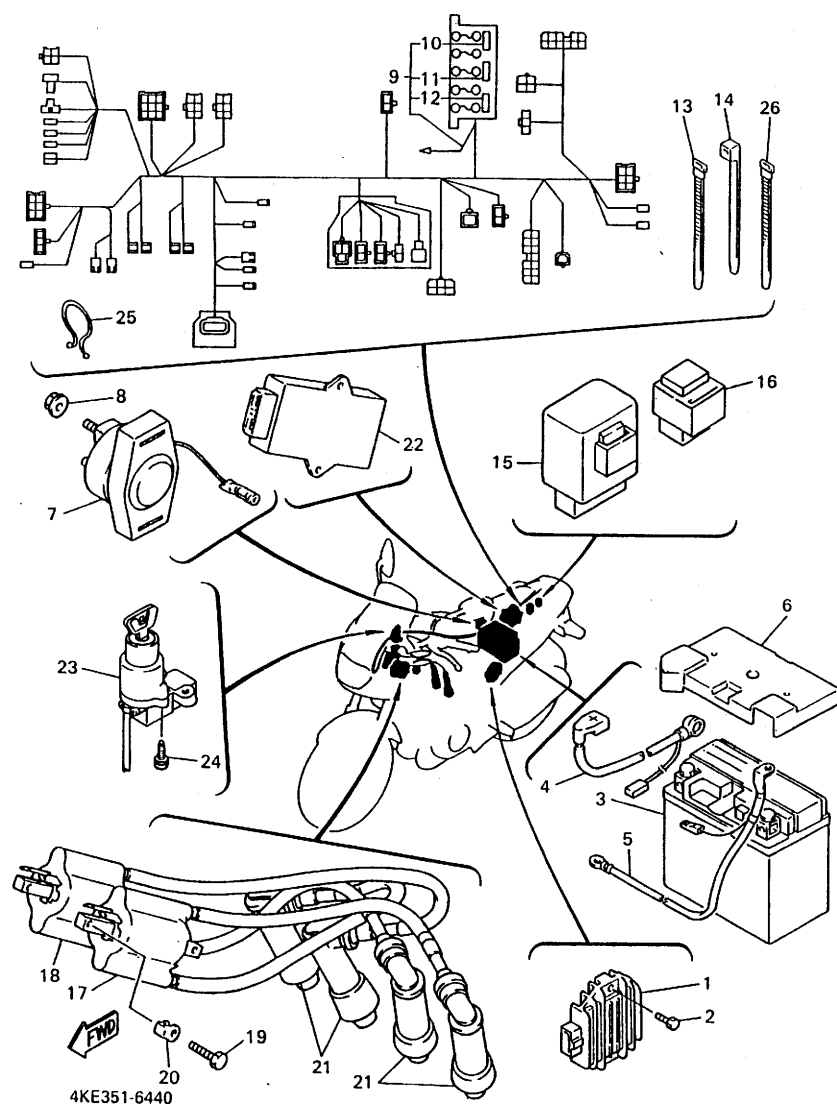
REF. NO.	PART NO.	DESCRIPTION	Q'TY	REMARKS
1	4KM-83963-00	SWITCH, HANDLE 3	1	
2	98507-05045	.SCREW, PAN HEAD	2	
3	4EB-83972-00	SWITCH, HANDLE 4	1	
4	98507-05025	.SCREW, PAN HEAD	2	
5	4KM-82911-00	HOLDER, LEVER 1	1	
6	4KM-83912-00	LEVER 1	1	
7	3YX-82917-00	SWITCH	1	
8	90123-08096	BOLT	1	
9	90179-08148	NUT	1	
10	3YX-83945-00	BOLT, LEVER	1	
11	95607-06100	NUT, U	1	
12	98707-03020	SCREW, FLAT HEAD	1	
13	95027-06020	BOLT, FLANGE	1	
14	1E6-26342-00	BOOT, CABLE	1	



4KE351-6430

FIG. 44 ELECTRICAL 1

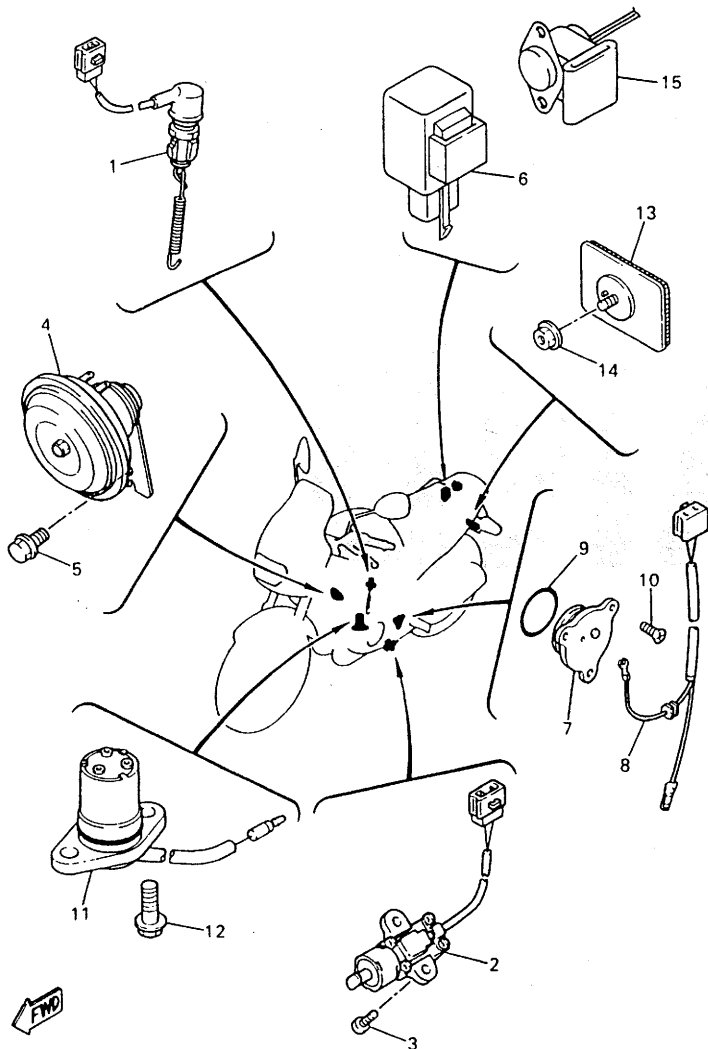
REF. NO.	PART NO.	DESCRIPTION	Q'TY	REMARKS
1	4HM-81960-00	RECTIFIER & REGULATOR ASSY	1	
2	91317-06020	BOLT	2	
3	3PK-82100-00	BATTERY ASSY (YTX9-BS 12V-8AH)	1	
4	4EB-82115-00	WIRE, PLUS LEAD	1	
5	4BP-82116-00	WIRE, MINUS LEAD	1	
6	4EB-82129-00	COVER, BATTERY	1	
7	4BP-81940-00	STARTER RELAY ASSY	1	
8	95707-06500	NUT, FLANGE	2	
9	4KA-82590-00	WIRE HARNESS ASSY	1	
10	1AE-82151-00	.FUSE (30A-BL)	2	
11	36Y-82151-00	.FUSE (15A-BL)	3	
12	42X-82151-00	.FUSE (10A-BL)	2	
13	90464-13080	CLAMP	3	
14	1UA-82591-00	CLAMP	3	
15	3EN-81950-00	RELAY ASSY	1	
16	4U8-81950-02	RELAY ASSY	1	FOR HEATER
17	4BR-82310-00	IGNITION COIL ASSY	1	
18	4BR-82320-00	IGNITION COIL ASSY	1	
19	97080-06020	BOLT	4	
20	4BR-82317-00	DAMPER, IGNITION COIL	4	
21	4BP-82370-00	PLUG CAP ASSY	4	
22	4BR-82305-10	IGNITOR UNIT ASSY	1	
23	4KA-82510-00	MAIN SWITCH ASSY	1	
24	90109-06616	BOLT	2	
25	90464-23041	CLAMP	1	
26	437-83936-01	BAND, SWITCH CORD	1	



4KE351-6440

F5

FIG. 45 ELECTRICAL 2



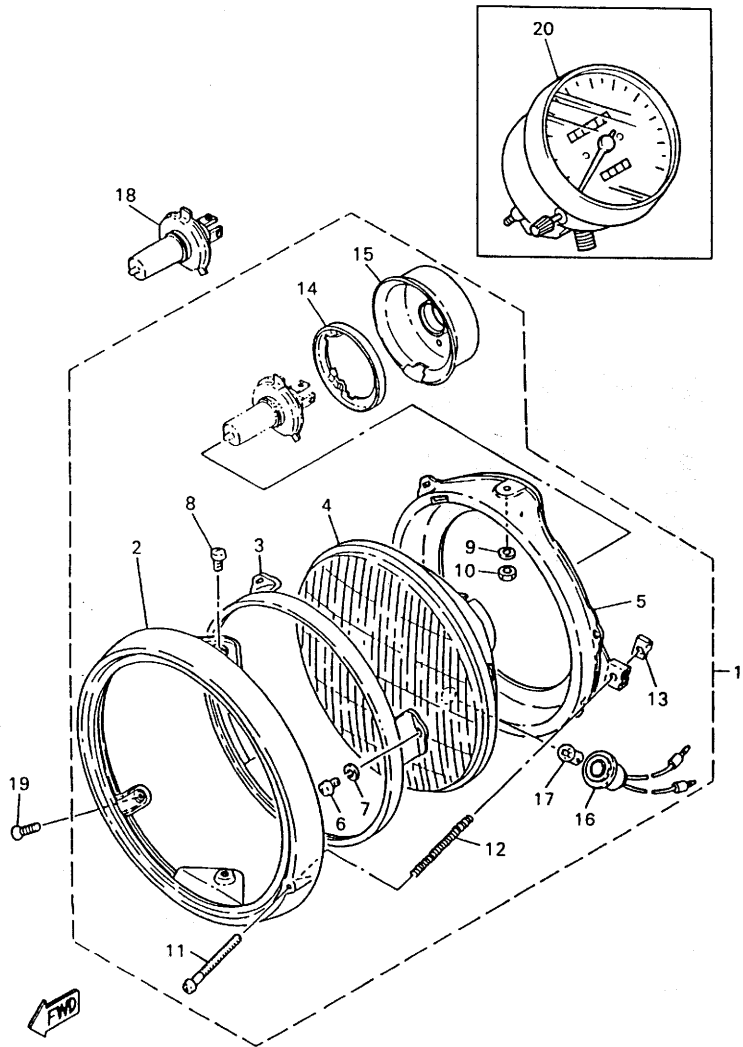
REF. NO.	PART NO.	DESCRIPTION	Q'TY	REMARKS
1	4BP-82530-01	STOP SWITCH ASSY	1	
2	3LD-82566-70	SWITCH, SIDE STAND	1	
3	90157-05079	SCREW, PAN HEAD	2	
4	3BN-83371-00	HORN	1	
5	95807-06010	BOLT, FLANGE	1	
6	3GM-83350-01	FLASHER RELAY ASSY	1	
7	1L9-82540-00	NEUTRAL SWITCH ASSY	1	
8	4BP-82509-00	WIRE, SUB LEAD	1	
9	93210-29196	O-RING	1	
10	98707-05012	SCREW, FLAT HEAD	3	
11	4BR-85720-00	OIL LEVEL GAUGE ASSY	1	
12	95027-06016	BOLT, FLANGE	2	
13	3G1-85130-01	REAR REFLECTOR ASSY	1	
14	95707-05500	NUT, FLANGE	1	
15	3BT-82560-00	THERMO SWITCH ASSY	1	

FWD
4BR351-6460

FOR ENGLAND

The following pages provides a listing of only the parts that meet the specifications peculiar to your market. For those parts not appearing in these pages, refer to the "GENERAL SPEC." section.

FIG. 46 ALTERNATE (ELECTRICAL)



4KE300-4460

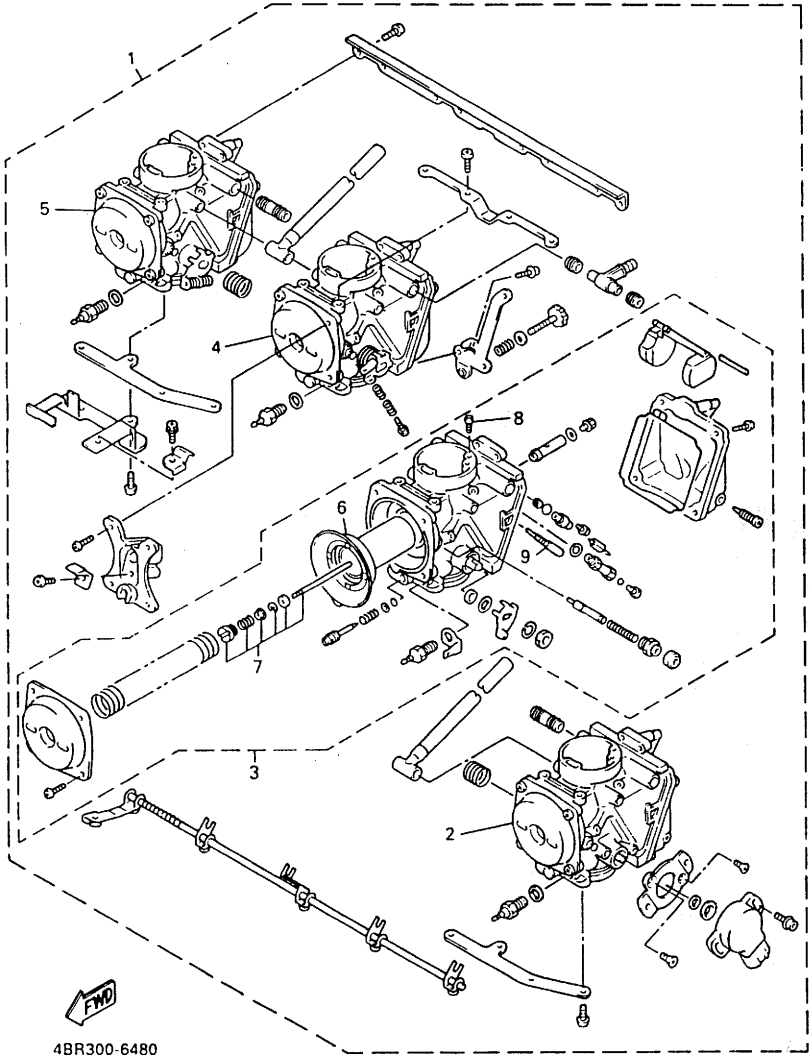
REF. NO.	PART NO.	DESCRIPTION	Q'TY	REMARKS
1	2J4-84303-30	HEADLIGHT UNIT ASSY	1	
2	341-84315-40	.RIM, HEADLIGHT	1	
3	2F9-84395-00	.RING, RETAINING	1	
4	2F9-84321-00	.LENS ASSY	1	
5	2F9-84394-00	.RING, MOUNTING	1	
6	98580-04008	.SCREW, PAN HEAD	3	
7	92901-04100	.WASHER, SPRING	3	
8	1JK-84365-09	.SCREW	2	
9	92901-05100	.WASHER, SPRING	2	
10	95380-05600	.NUT	2	
11	98580-04055	.SCREW, PAN HEAD	1	
12	341-84332-60	.SPRING, SCREW	1	
13	198-84334-60	.NUT, ADJUSTING	1	
14	2F9-84375-00	.SETTING PLATE, BULB	1	
15	2F9-84397-01	.COVER, SOCKET	1	
16	34L-84346-00	.SOCKET, PILOT LIGHT	1	
17	123-83516-21	.BULB (12V-3.4W)	1	
18	2F9-84314-00	BULB (12V-60/55W)	1	(H4)HALOGEN
19	98704-05012	SCREW, FLAT HEAD	2	
20	4KE-83570-10	SPEEDOMETER ASSY	1	

FOR SWEDEN

The following pages provides a listing of only the parts that meet the specifications peculiar to your market. For those parts not appearing in these pages, refer to the "GENERAL SPEC." section.

FIG. 47 ALTERNATE (ENGINE)

REF. NO.	PART NO.	DESCRIPTION	Q'TY	REMARKS
1	4EB-14900-20	CARBURETOR ASSY	1	
2	4EB-14901-20	.CARBURETOR ASSY 1	1	
3	4EB-14902-20	.CARBURETOR ASSY 2	1	
4	4EB-14903-20	.CARBURETOR ASSY 3	1	
5	4EB-14904-20	.CARBURETOR ASSY 4	1	
6	4EB-14940-00	..DIAPHRAGM ASSY	1	
7	4EB-1490J-10	..NEEDLE SET	1	
8	1HX-14231-27	..JET, MAIN (#135)	1	
9	22F-14142-15	..JET, PILOT (#15)	1	



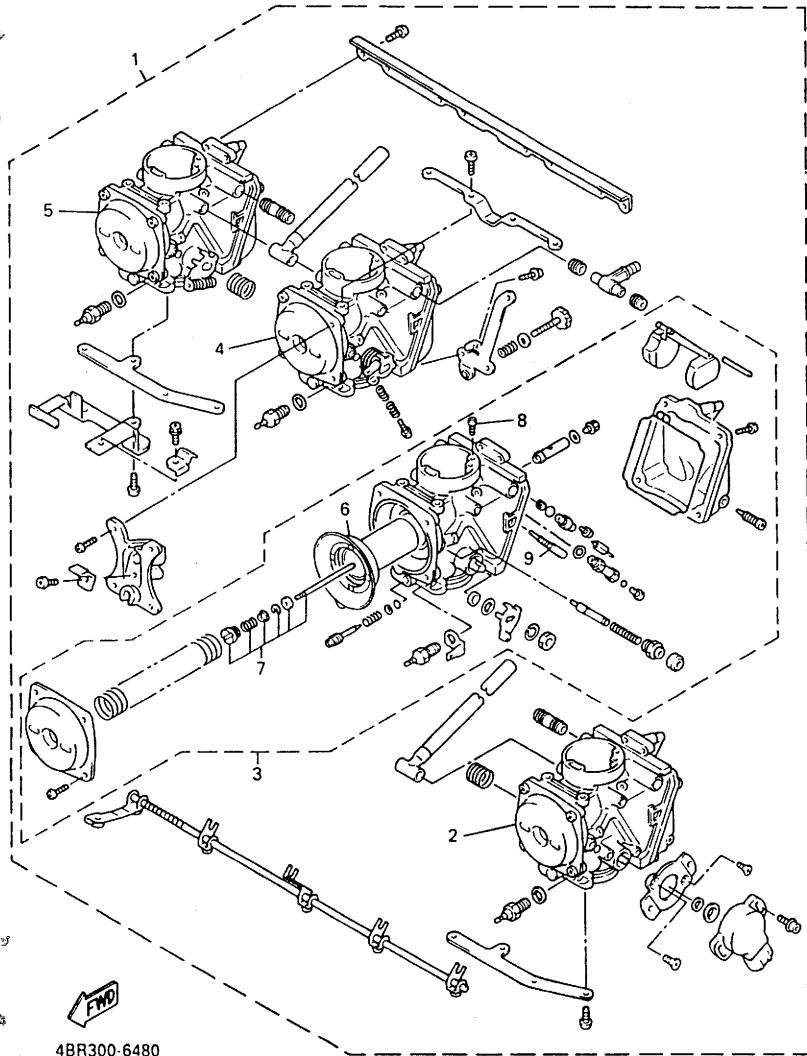
4BR300-6480

FOR SWITZERLAND AUSTRIA

The following pages provides a listing of only the parts that meet the specifications peculiar to your market. For those parts not appearing in these pages, refer to the "GENERAL SPEC." section.

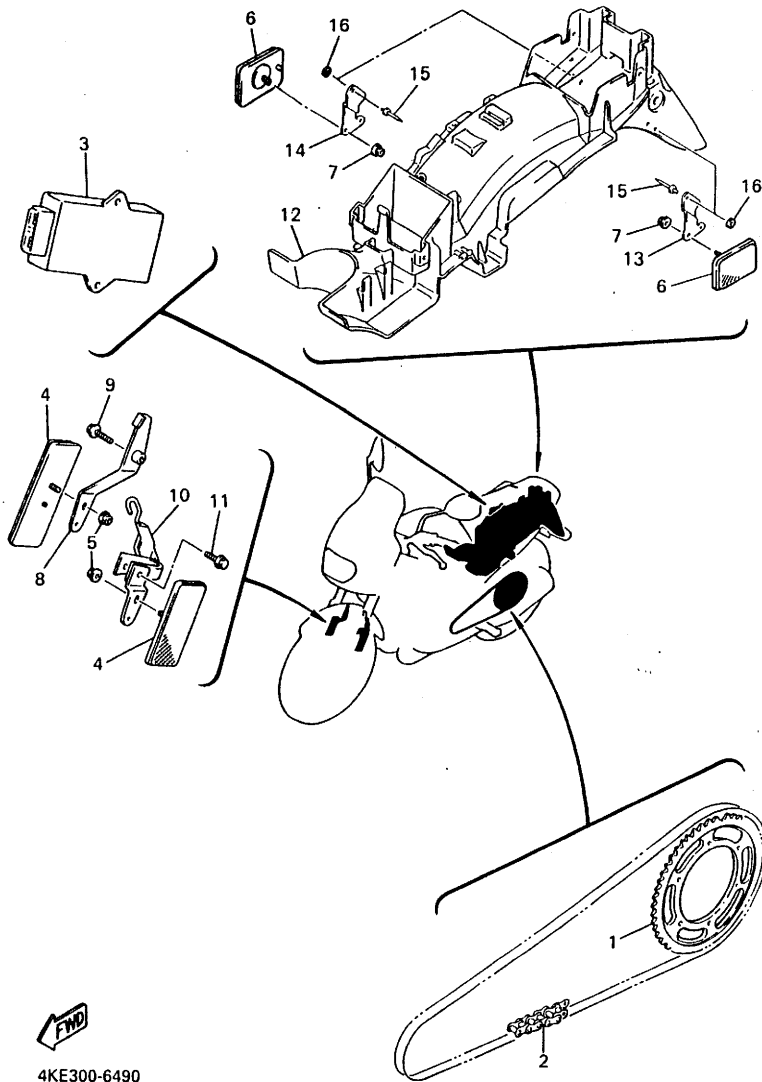
FIG. 48 ALTERNATE (ENGINE)

REF. NO.	PART NO.	DESCRIPTION	Q'TY	REMARKS
1	4DG-14900-20	CARBURETOR ASSY	1	
2	4DG-14901-20	.CARBURETOR ASSY 1	1	
3	4DG-14902-20	.CARBURETOR ASSY 2	1	
4	4DG-14903-20	.CARBURETOR ASSY 3	1	
5	4DG-14904-20	.CARBURETOR ASSY 4	1	
6	4DG-14940-10	..DIAPHRAGM ASSY	1	
7	4DG-1490J-10	..NEEDLE SET	1	
8	1HX-14231-26	..JET, MAIN (#130)	1	
9	22F-14142-12	..JET, PILOT (#12.5)	1	



4BR300-6480

FIG. 49 ALTERNATE (CHASSIS)



REF. NO.	PART NO.	DESCRIPTION	Q'TY	REMARKS
1	4BP-25446-20	SPROCKET, DRIVEN (46T)	1	
2	94581-30108	CHAIN	1	
3	4DG-82305-00	IGNITOR UNIT ASSY	1	
4	11H-85110-01	REFLECTOR ASSY	2	FOR AUSTRIA
5	95707-05500	NUT, FLANGE	2	FOR AUSTRIA
6	23V-85110-00	REFLECTOR ASSY	2	FOR AUSTRIA
7	95707-05500	NUT, FLANGE	2	FOR AUSTRIA
8	4DU-25875-00	HOLDER, BRAKE HOSE 1	1	FOR AUSTRIA
9	95027-06025	BOLT	1	FOR AUSTRIA
10	4DU-21597-00	HOLDER,WIRE 1	1	FOR AUSTRIA
11	95027-06025	BOLT	1	FOR AUSTRIA
12	4DU-21611-01	FENDER, REAR	1	FOR AUSTRIA
13	3LK-21688-00	BRACKET, REAR STAY	1	FOR AUSTRIA
14	3LK-21689-00	BRACKET, REAR STAY 2	1	FOR AUSTRIA
15	90267-40076	RIVET, BLIND	4	FOR AUSTRIA
16	90201-04018	WASHER, PLATE	4	FOR AUSTRIA



4KE300-6490

F13



*COPYRIGHT: All rights reserved. No part of this publication
may be reproduced without permission.*

YAMAHA

YAMAHA MOTOR CO., LTD.
2500 SHINGA I IWATA SHIZUOKA JAPAN
SERVICE INFORMATION DIV.

Printed in Japan
Second edition JAN., 1996