

**YAMAHA**

**PARTS CATALOGUE**

**XJ650LJ (17Y)**

*R.S.A. MODEL*

2217Y-664E1

**A2**



# FOREWORD

This Parts Catalogue is related to the parts in use for the Yamaha XJ650LJ (17Y)

When you are ordering replacement parts for the XJ650LJ (17Y), refer to this Parts Catalogue and quote both part numbers and part names correctly.

1. Modifications or additions which have been made after issue of the Parts Catalogue will be announced in the Yamaha Parts News.

It is advisable that according to the Yamaha Parts News you make necessary corrections to the Parts Catalogue on hand to keep it up-to-date.

2. Abbreviations

The following abbreviations are used in this Parts Catalogue.

- U.R. Use size (thickness) and/or number as required.
- U.N. Use as many as you need.
- A.P. Alternate Parts
- L.M. Local Made
- F# Frame No. (Applicable machine No.)

3. The parts marked with ( \* ) in the parts number column of this Catalogue are not supplied with by Yamaha, those have to be found locally.
4. Parts, which are to be supplied in the form of assemblies, are listed with an indention of one letter's space, and a dot ( . ) is put against the name of each part.

**EXAMPLE** CARBURETOR ASS'Y  
 . JET, pilot  
 . NOZZLE, main

5. Indication of No. of constituent parts for assembly

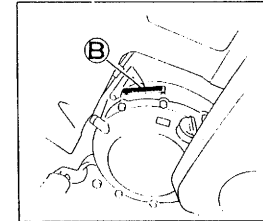
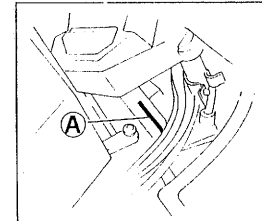
The numeral appearing to the right of each constituent part under the description indicates the quantity of such parts for each individual assembly unit.

**EXAMPLE**

Part No.	Description	Q'ty	Remarks
2F5-83310-60	FRONT FLASHER LIGHT ASS'Y	2	
115-83311-60	. BULB (6V-18W)	1	
1M1-83309-60	. REFLECTOR	1	

6. Initial Serial No. and Color Code

(A) Frame Serial No.	17Y-000101 and following
(B) Engine Serial No.	17Y-000101 and following



Color Code	Color Name	Abbreviate
20	CRYSTAL SILVER	CSL

7. Applicable colors of graphics are represented in the "Remarks" column by the letter(s) appropriately picked out of the full word(s) showing such colors.

**EXAMPLE**

Part No.	Description	Q'ty	Remarks
2N4-24110-00-X5	FUEL TANK COMP.	1	MAXIM RED
3J1-24240-10	. GRAPHIC, fuel tank set	1	for MXR

# CONTENTS

## ENGINE

Cylinder Head .....	B2 ~ B3
Cylinder .....	B4
Crankshaft · Piston .....	B5
Camshaft · Chain .....	B6
Valve .....	B7 ~ B8
Oil Pump .....	B9
Oil Cleaner .....	B10
Oil Cooler .....	B11
Oil Pipe For Turbo Unit .....	B12
Intake .....	B13
Carburetor .....	B14 ~ B15
Surge Tank .....	C2 ~ C3
Fuel Pump .....	C4 ~ C5
Exhaust .....	C6 ~ C7
Crankcase .....	C8 ~ C9
Crankcase Cover .....	C10 ~ C11
A.C. Generator .....	C12
Pickup Coil · Governor .....	C13
Starting Motor .....	C14
Starter Clutch .....	C15
Clutch .....	D2 ~ D3
Transmission .....	D4 ~ D5
Middle Drive Gear .....	D6 ~ D7
Shift Cam · Fork .....	D8
Shift Shaft · Pedal .....	D9

## CHASSIS

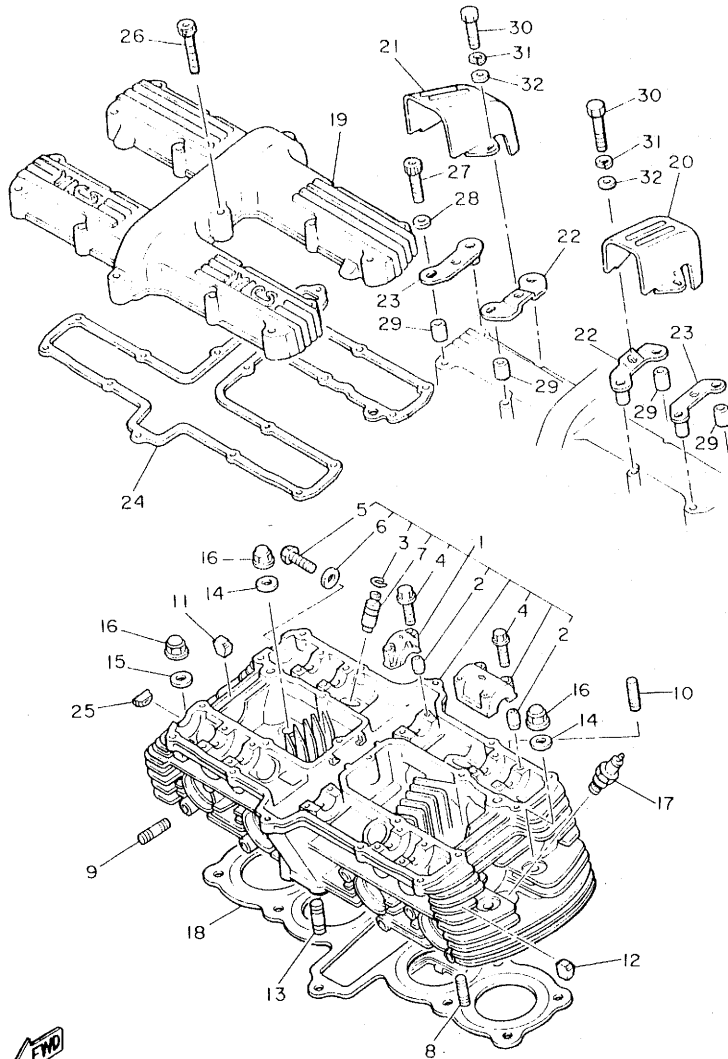
Frame .....	D10
Front Fender · Rear Fender .....	D11
Side Cover · Tool .....	D12

Rear Arm · Suspension .....	D13
Drive Shaft .....	D14 ~ E2
Front Fork .....	E3 ~ E4
Steering .....	E5
Fuel Tank .....	E6
Seat .....	E7
Front Wheel .....	E8
Front Brake Caliper .....	E9
Rear Wheel .....	E10 ~ E11
Handlebar · Cable .....	E12 ~ E13
Front Master Cylinder .....	E14
Stand · Footrest .....	E15 ~ F2
Cowling 1 .....	F3 ~ F6
Cowling 2 .....	F7 ~ F8
Flasher Light .....	F9
Speedometer · Tachometer .....	F10 ~ F11
Headlight .....	F12
Taillight .....	F13
Electrical 1 .....	F14 ~ F15
Electrical 2 .....	G2 ~ G3
Handle Switch · Lever .....	G4

## INDEX

NUMERICAL INDEX .....	M1 ~ M5
PARTS NAME INDEX .....	M6 ~ M16

FIG. 1 CYLINDER HEAD

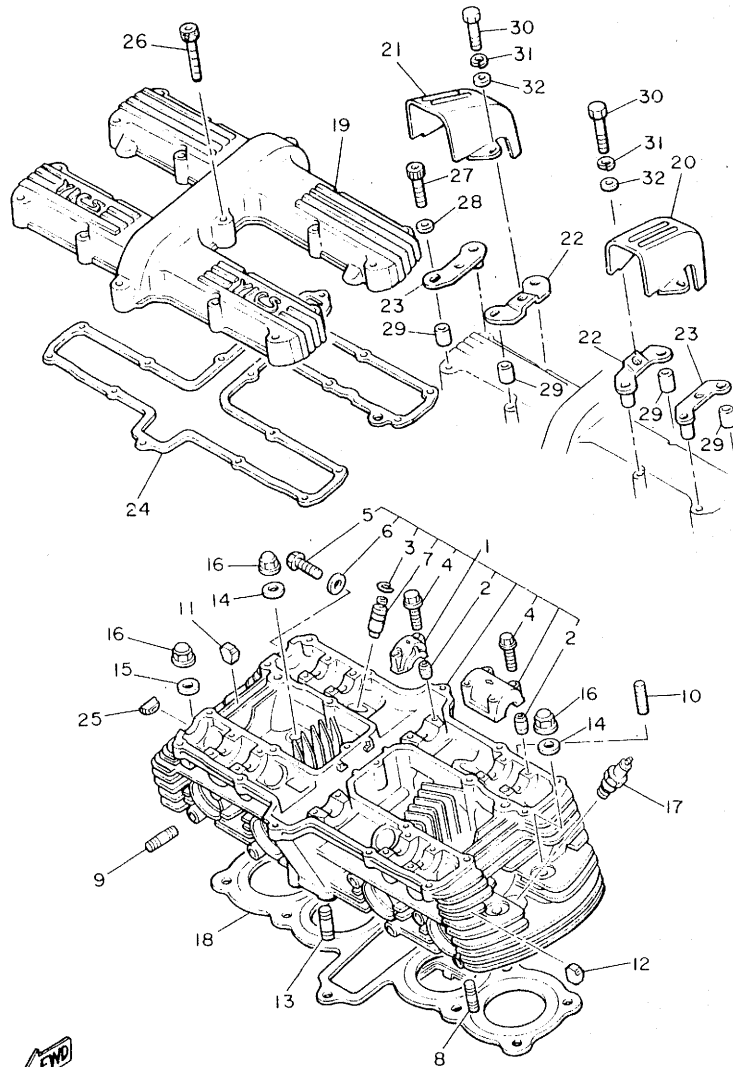


REF. NO.	PART NO.	DESCRIPTION	Q'TY	REMARKS
1	16G-11101-00	CYLINDER HEAD ASSY	1	
2	91810-18016	•PIN, dowel	12	
3	93440-12052	•CIRCLIP	8	
4	90105-06153	•BOLT, washer based	20	
5	90153-06029	•SCREW, hexagon	1	
6	90430-06014	•GASKET	1	
7	4H7-11133-10	•GUIDE, intake valve (1ST D/S)	8	
8	95611-06625	BOLT, stud	2	
9	95611-06630	BOLT, stud	8	
10	95621-08330	BOLT, stud	2	
11	434-11161-00	ABSORBER 1	8	
12	4H7-11161-00	ABSORBER 1	14	
13	95611-06630	BOLT, stud	2	
14	90201-11597	WASHER, Plate	10	
15	90201-10128	WASHER, Plate	2	
16	90176-10033	NUT, crown	12	
17	94701-00209	PLUG, sPark (DN W24EP-U)	4	
18	16G-11181-00	GASKET, cylinder head 1	1	
19	16G-11191-01	COVER, cylinder head 1	1	
20	11T-11192-00	COVER, cylinder head 2	1	
21	11T-1112E-00	COVER, cylinder head 3	1	
22	16G-11142-00	BRACKET, cylinder head cover 2	2	
23	16G-11152-00	BRACKET, cylinder head cover	2	
24	16G-11193-00	GASKET, head cover 1	1	
25	1J7-11138-00	PLUG	2	
26	91316-06035	BOLT	12	
27	91316-06055	BOLT	8	
28	92906-06600	WASHER, Plate	8	



16G110-3010

FIG. 1 CYLINDER HEAD



REF. NO.	PART NO.	DESCRIPTION	Q'TY	REMARKS
29	90387-062G5	COLLAR	4	
30	97326-06012	BOLT	4	
31	92906-06100	WASHER, sPring	4	
32	92906-06600	WASHER, Plate	4	



16G110-3010

**B3**

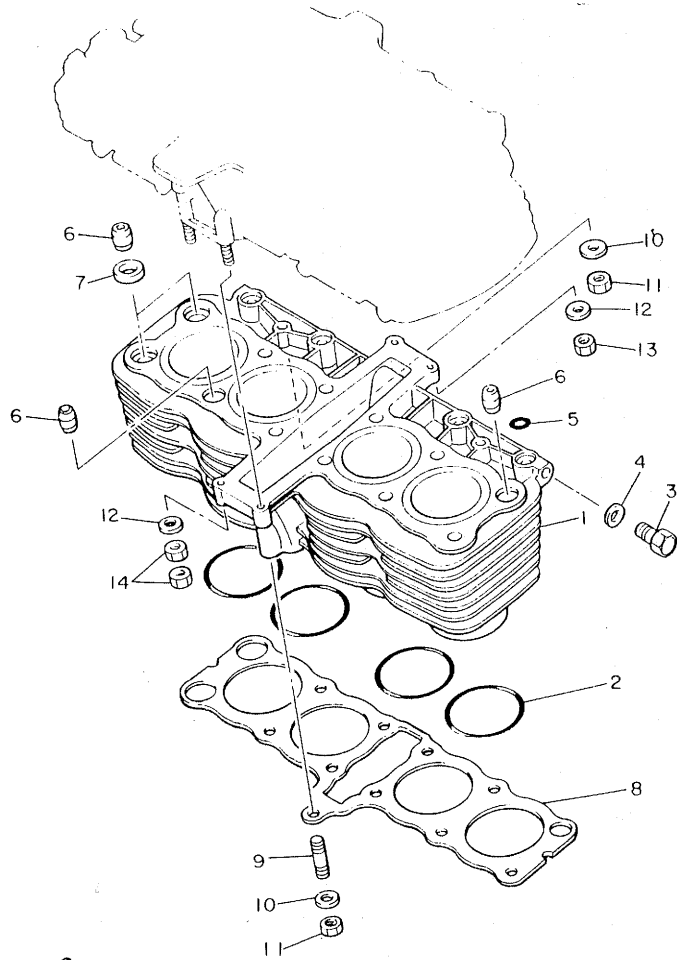


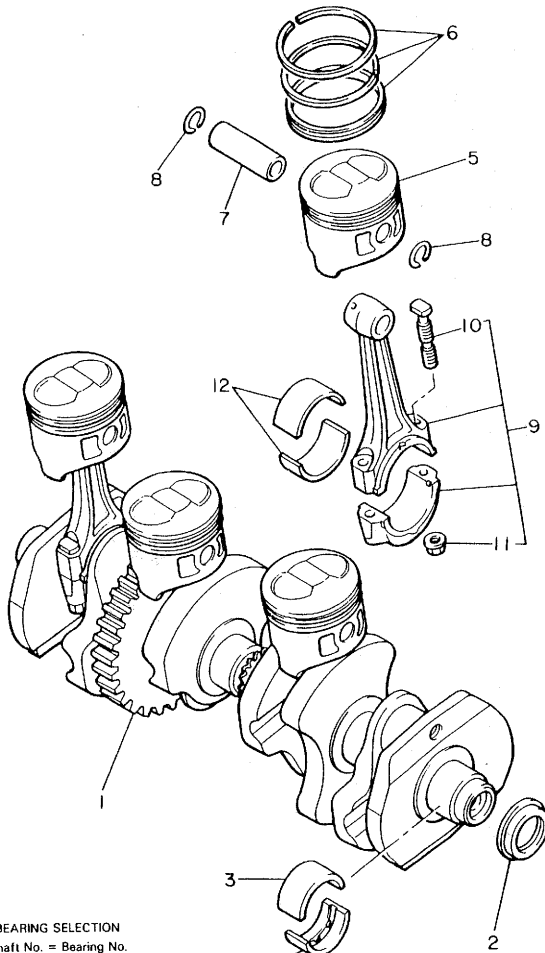
FIG. 2 CYLINDER

REF. NO.	PART NO.	DESCRIPTION	Q'TY	REMARKS
1	11T-11310-00	CYLINDER	1	
2	93210-69434	O-RING	4	
3	90340-12065	PLUG, straight screw	2	
4	90201-12790	WASHER, Plate	2	
5	93210-10560	O-RING	4	
6	91830-24016	PIN, dowel	4	
7	90430-14131	GASKET	2	
8	16G-11351-01	GASKET, cylinder	1	
9	95621-08330	BOLT, stud	1	
10	90201-08382	WASHER, Plate	3	
11	95311-08600	NUT	3	
12	92901-06600	WASHER, Plate	4	
13	95311-06600	NUT	2	
14	95311-06600	NUT	4	



16G110-3020

FIG. 3 CRANKSHAFT·PISTON



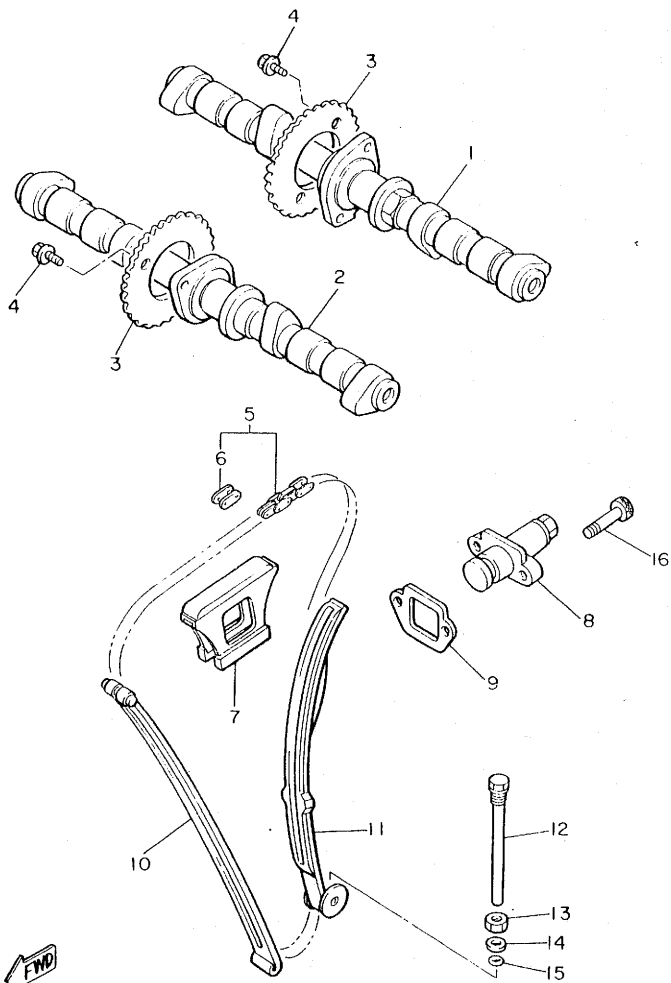
5G2110-1030

CRANKSHAFT BEARING SELECTION  
Housing No. - Shaft No. = Bearing No.

BEARING No.	PART No.	COLOUR
BEARING 1	4H7-11416-01	BLUE
BEARING 2	4H7-11416-11	BLACK
BEARING 3	4H7-11416-21	BROWN
BEARING 4	4H7-11416-31	GREEN
BEARING 5	4H7-11416-41	YELLOW

REF. NO.	PART NO.	DESCRIPTION	Q'TY	REMARKS
1	16G-11411-00	CRANKSHAFT	1	
2	4H7-15389-10	SEAL, Push rod	1	
3	4H7-11416-01	PLANE BEARING, crankshaft 1	5	UR blue
	4H7-11416-11	PLANE BEARING, crankshaft 1	5	UR black
	4H7-11416-21	PLANE BEARING, crankshaft 1	5	UR brown
	4H7-11416-31	PLANE BEARING, crankshaft 1	5	UR green
	4H7-11416-41	PLANE BEARING, crankshaft 1	5	UR yellow
4	5G2-11418-00	PLANE BEARING, crankshaft 3	5	UR blue
	5G2-11418-10	PLANE BEARING, crankshaft 3	5	UR black
	5G2-11418-20	PLANE BEARING, crankshaft 3	5	UR brown
	5G2-11418-30	PLANE BEARING, crankshaft 3	5	UR green
	5G2-11418-40	PLANE BEARING, crankshaft 3	5	UR yellow
5	16G-11631-02	PISTON (STD)	4	UR
	16G-11636-02	PISTON (2ND O/S 0.50MM)	4	AP
	16G-11638-02	PISTON (4TH O/S 1.00MM)	4	AP
6	16G-11610-00	PISTON RING SET (STD)	4	UR
	16G-11610-20	PISTON RING SET (2ND O/S)	4	AP
	16G-11610-40	PISTON RING SET (4TH O/S)	4	AP
7	4H7-11633-00	PIN, Piston	4	
8	93450-17044	CIRCLIP	8	
9	16G-Y1165-01	CONNECTING ROD ASSY	4	
10	4H7-11654-00	.BOLT, connecting rod	2	
11	90179-07307	.NUT	2	
12	16G-11656-00	PLANE BEARING, connecting rod	8	UR blue
	16G-11656-10	PLANE BEARING, connecting rod	8	UR black
	16G-11656-20	PLANE BEARING, connecting rod	8	UR brown
	16G-11656-30	PLANE BEARING, connecting rod	8	UR green

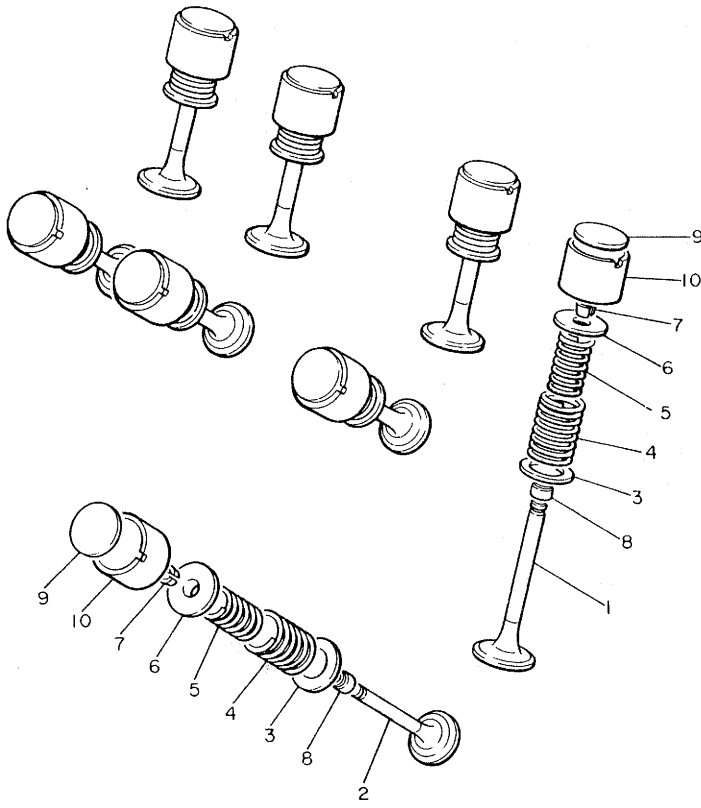
FIG. 4 CAMSHAFT.CHAIN



REF. NO.	PART NO.	DESCRIPTION	Q'TY	REMARKS
1	16G-12171-00	CAMSHAFT 1	1	
2	16G-12181-00	CAMSHAFT 2	1	
3	4G0-12176-00	SPROCKET, cam chain (32T)	2	
4	90105-07087	BOLT, washer based	4	
5	94500-02120	CHAIN (BF05M-120L)	1	
6	94600-02001	.JOINT, chain	1	
7	4H7-12241-00	GUIDE, stopPer 2	1	
8	5G2-12210-10	TENSIONER ASSY, cam chain	1	
9	5G2-12213-00	GASKET, tensioner case	1	
10	4H7-12251-00	DAMPER, chain 1	1	
11	4H7-12252-00	DAMPER, chain 2	1	
12	90109-10570	BOLT	1	
13	95301-10700	NUT	1	
14	92901-08600	WASHER, Plate	1	
15	93210-08006	O-RING	1	
16	91316-06025	BOLT	2	

5G2110-1040

FIG. 5 VALVE

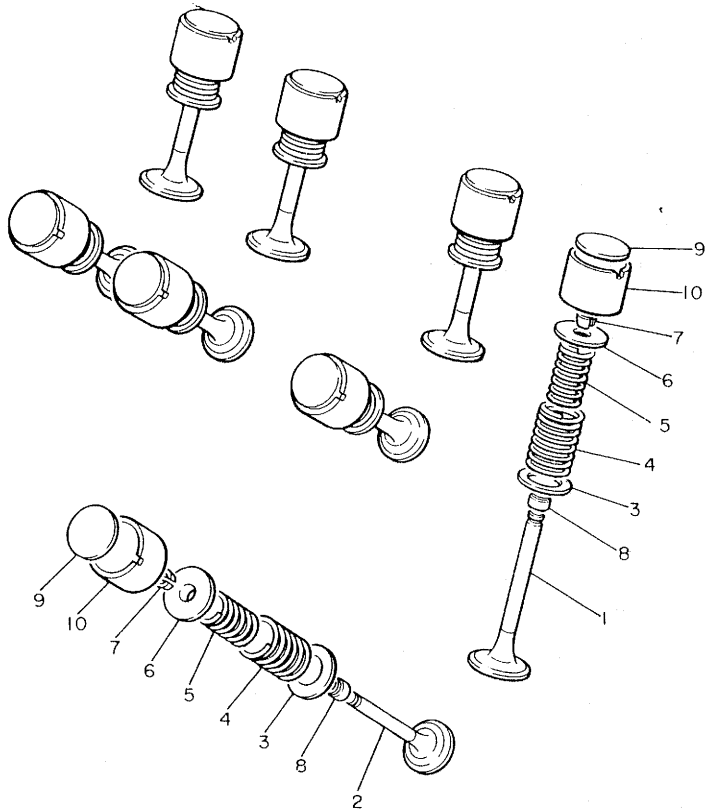


REF. NO.	PART NO.	DESCRIPTION	Q'TY	REMARKS
1	16G-12111-00	VALVE, intake	4	
2	4H7-12121-00	VALVE, exhaust	4	
3	4H7-12116-00	SEAT, valve sPring	8	
4	4H7-12114-00	SPRING, valve outer	8	
5	4H7-12113-00	SPRING, valve inner	8	
6	2F3-12117-00	RETAINER, valve sPring	8	
7	1J7-12118-00	COTTER, valve	16	
8	1J7-12119-01	SEAL, valve stem	8	
9	1J7-12169-01	PAD, adjustinG (2.00)	8	UR
	1J7-12169-11	PAD, adjustinG (2.05)	8	UR
	1J7-12169-21	PAD, adjustinG (2.10)	8	UR
	1J7-12169-31	PAD, adjustinG (2.15)	8	UR
	1J7-12169-41	PAD, adjustinG (2.20)	8	UR
	1J7-12169-51	PAD, adjustinG (2.25)	8	UR
	1J7-12169-61	PAD, adjustinG (2.30)	8	UR
	1J7-12169-71	PAD, adjustinG (2.35)	8	UR
	1J7-12169-81	PAD, adjustinG (2.40)	8	UR
	1J7-12169-91	PAD, adjustinG (2.45)	8	UR
	1J7-12169-A1	PAD, adjustinG (2.50)	8	UR
	1J7-12169-E1	PAD, adjustinG (2.55)	8	UR
	1J7-12169-F1	PAD, adjustinG (2.60)	8	UR
	1J7-12169-G1	PAD, adjustinG (2.65)	8	UR
	1J7-12169-H1	PAD, adjustinG (2.70)	8	UR
	1J7-12169-J1	PAD, adjustinG (2.75)	8	UR
	1J7-12169-K1	PAD, adjustinG (2.80)	8	UR
	1J7-12169-L1	PAD, adjustinG (2.85)	8	UR
	1J7-12169-M1	PAD, adjustinG (2.90)	8	UR
	1J7-12169-N1	PAD, adjustinG (2.95)	8	UR

4H7110-0050

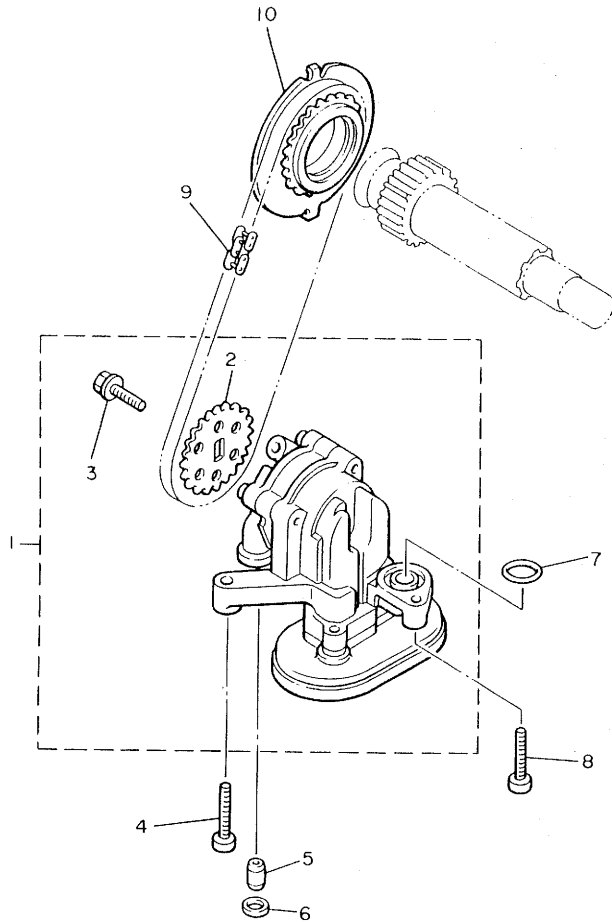
FIG. 5 VALVE

REF. NO.	PART NO.	DESCRIPTION	Q'TY	REMARKS
9	1J7-12169-R1	PAD, adjusting (3.00)	8	UR
	1J7-12169-T1	PAD, adjusting (3.05)	8	UR
	1J7-12169-U1	PAD, adjusting (3.10)	8	UR
	1J7-12169-V1	PAD, adjusting (3.15)	8	UR
	1J7-12169-W1	PAD, adjusting (3.20)	8	UR
10	4H7-12153-01	LIFTER, valve	8	



4H7110-0050

FIG. 6 OIL PUMP

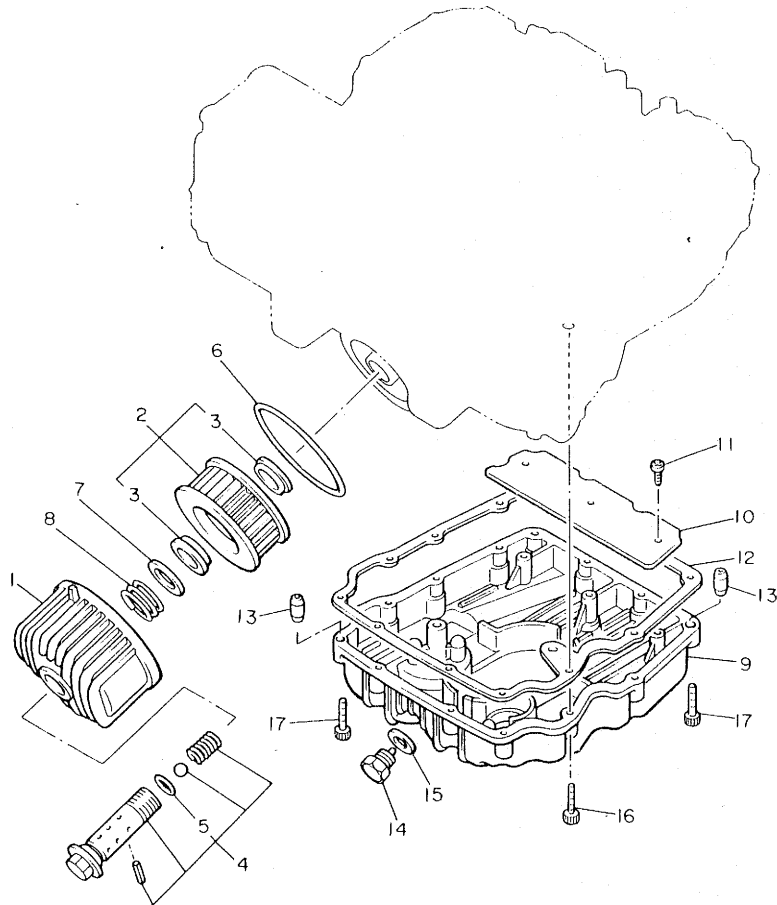


REF. NO.	PART NO.	DESCRIPTION	Q'TY	REMARKS
1	16G-13300-00	OIL PUMP ASSY	1	
2	16G-13355-00	•SPROCKET, driven (23T)	1	
3	90105-06154	•BOLT, washer based	1	
4	90110-06035	BOLT, hexagon socket head	2	
5	91810-18016	PIN, dowel	1	
6	90430-07179	GASKET	1	
7	93210-18319	O-RING	1	
8	91316-06025	BOLT	1	
9	94580-25058	CHAIN (DID25 58L)	1	
10	4H7-13354-00	SPROCKET, drive (25T)	1	



16G110-3060

FIG. 7 OIL CLEANER

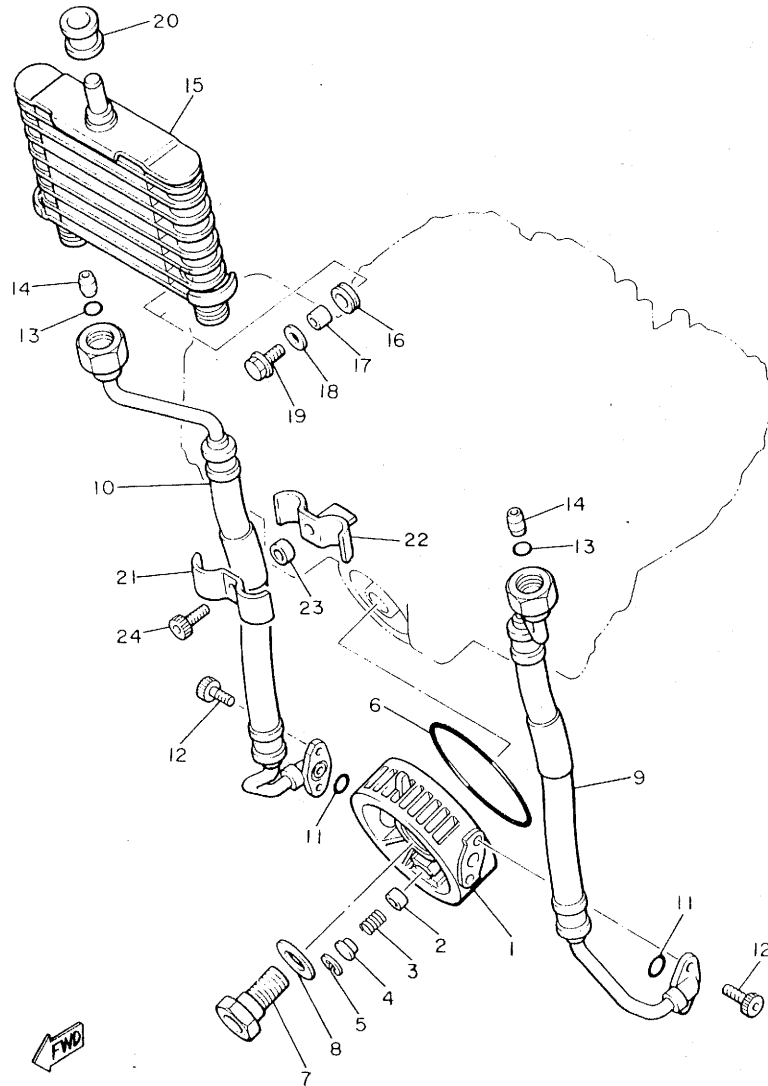


REF. NO.	PART NO.	DESCRIPTION	Q'TY	REMARKS
1	4K0-13447-00	COVER, oil element	1	
2	1L9-13440-91	ELEMENT ASSY, oil cleaner	1	
3	90480-23193	•GROMMET	2	
4	1L9-13340-01	BY-PASS VALVE ASSY	1	
5	93210-16325	•O-RING	1	
6	93210-88324	O-RING	1	
7	90201-21608	WASHER, Plate	1	
8	90501-20422	SPRING, comPression	1	
9	16G-13417-02	COVER, strainer	1	
10	4H7-13337-00	PLATE, baffle lower	1	
11	92501-06010	SCREW, Pan head	3	
12	4H7-13414-01	GASKET, strainer cover	1	
13	91810-18016	PIN, dowel	2	
14	4X7-13455-00	PLUG	1	
15	214-11198-01	GASKET	1	
16	91316-06030	BOLT	11	
17	91316-06040	BOLT	2	



16G110-3070

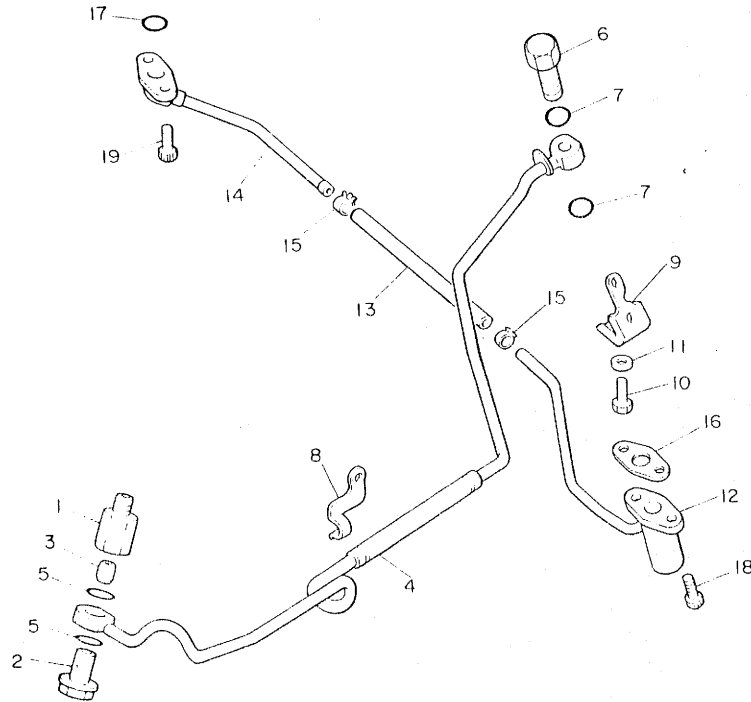
FIG. 8 OIL COOLER



16G110-3080

REF. NO.	PART NO.	DESCRIPTION	Q'TY	REMARKS
1	4K0-13461-00	PLATE, adaPtor	1	
2	2H9-13493-00	PLUNGER	1	
3	90501-12413	SPRING, comPression	1	
4	90209-06173	WASHER	1	
5	93420-17046	CIRCLIP	1	
6	93210-88324	O-RING	1	
7	90401-20053	BOLT, union	1	
8	90201-25526	WASHER, Plate (T2.0)	1	
9	16G-13464-00	HOSE, oil 1	1	
10	16G-13465-00	HOSE, oil 2	1	
11	93210-10197	O-RING	2	
12	91316-06016	BOLT	4	
13	93210-12152	O-RING	2	
14	91810-08016	PIN, dowel	2	
15	16G-13470-01	OIL COOLER ASSY	1	
16	90480-15235	GROMMET	2	
17	90387-060A7	COLLAR	2	
18	90209-06174	WASHER	2	
19	95826-06020	BOLT, flange	2	
20	90480-16284	GROMMET	1	
21	90462-10066	CLAMP	1	
22	90462-10095	CLAMP	1	
23	90387-07038	COLLAR	1	
24	91316-06025	BOLT	1	

FIG. 9 OIL PIPE FOR TURBO UNIT

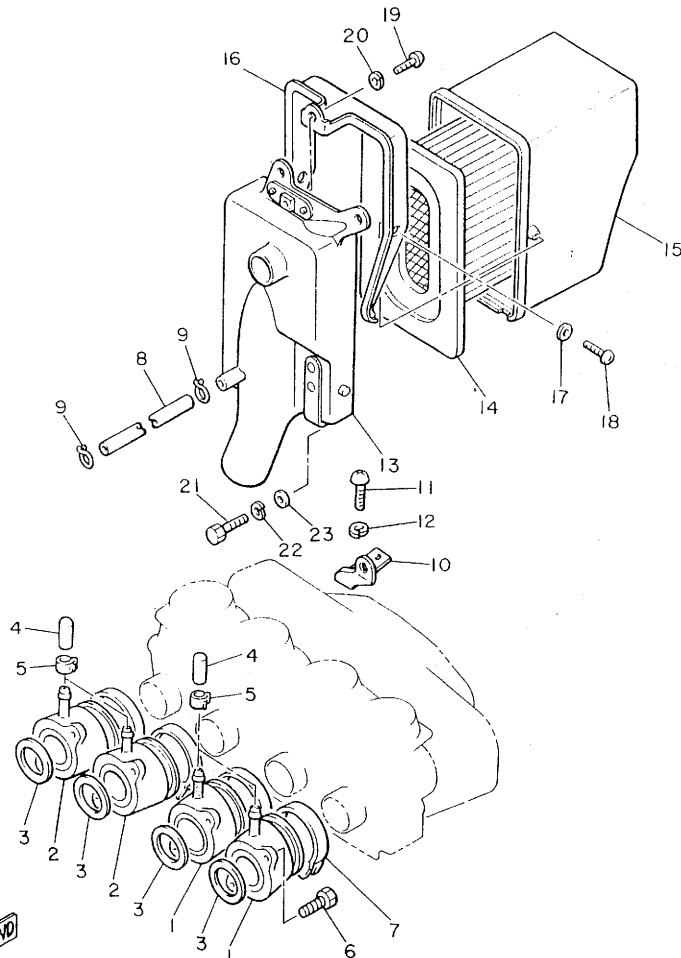


REF. NO.	PART NO.	DESCRIPTION	Q'TY	REMARKS
1	16G-13479-00	SEAT, valve	1	
2	16G-13490-00	RELIEF VALVE ASSY	1	
3	16G-13421-00	STRAINER 2	1	
4	16G-13161-01	PIPE, delivery 1	1	
5	90430-16142	GASKET	2	
6	90401-10084	BOLT, union	1	
7	90430-10027	GASKET	2	
8	90465-04197	CLAMP	1	
9	90465-10212	CLAMP	1	
10	97306-06012	BOLT	1	
11	92906-06600	WASHER, Plate	1	
12	16G-13416-00	PIPE, oil 1	1	
13	16G-13431-00	PIPE, oil drain 1	1	
14	16G-13418-00	PIPE, oil 2	1	
15	90467-13071	CLIP	2	
16	16G-13475-00	GASKET	1	
17	93210-10197	O-RING	1	
18	91316-06012	BOLT	2	
19	91316-06016	BOLT	2	



17Y700-2090

FIG. 10 INTAKE



REF. NO.	PART NO.	DESCRIPTION	Q'TY	REMARKS
1	16G-13586-00	JOINT, carburetor 1	2	
2	16G-13596-00	JOINT, carburetor 2	2	
3	93210-36549	O-RING	4	
4	16G-13569-00	PLUG, blind	4	
5	90467-10039	CLIP	4	
6	91316-06020	BOLT	8	
7	90460-49198	CLAMP, hose	4	
8	90445-08633	HOSE	1	
9	90467-08021	CLIP	2	
10	16G-13997-01	STAY, regulator	1	
11	92502-06010	SCREW, Pan head	2	
12	92902-06100	WASHER, sPring	2	
13	16G-14401-00	AIR CLEANER CASE ASSY	1	
14	16G-14451-00	ELEMENT, air cleaner	1	
15	16G-14421-00	CASE, air cleaner 2	1	
16	16G-14499-00	STAY 2	1	
17	90201-05764	WASHER, Plate	2	
18	97702-50510	SCREW, tapping	2	
19	92502-06016	SCREW, Pan head	1	
20	92902-06100	WASHER, sPring	1	
21	97302-06012	BOLT	1	
22	92902-06100	WASHER, sPring	1	
23	92902-06600	WASHER	1	

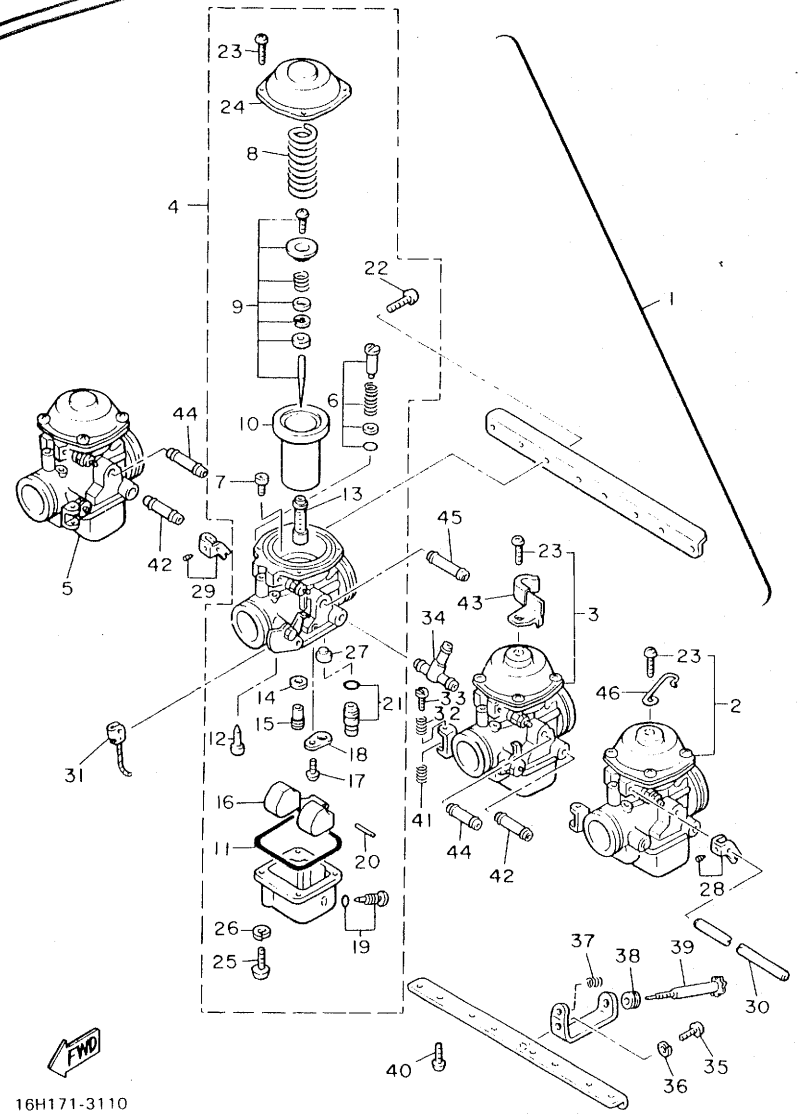
FWD

16G110-3101

JETS ( #1 + 4 Cyl = 127.5 ) REF 15 }  
 MAIN ( 2 + 3 " = 132.5 ) REF 7 }

FIG. 11 CARBURETOR

SHOULD BE



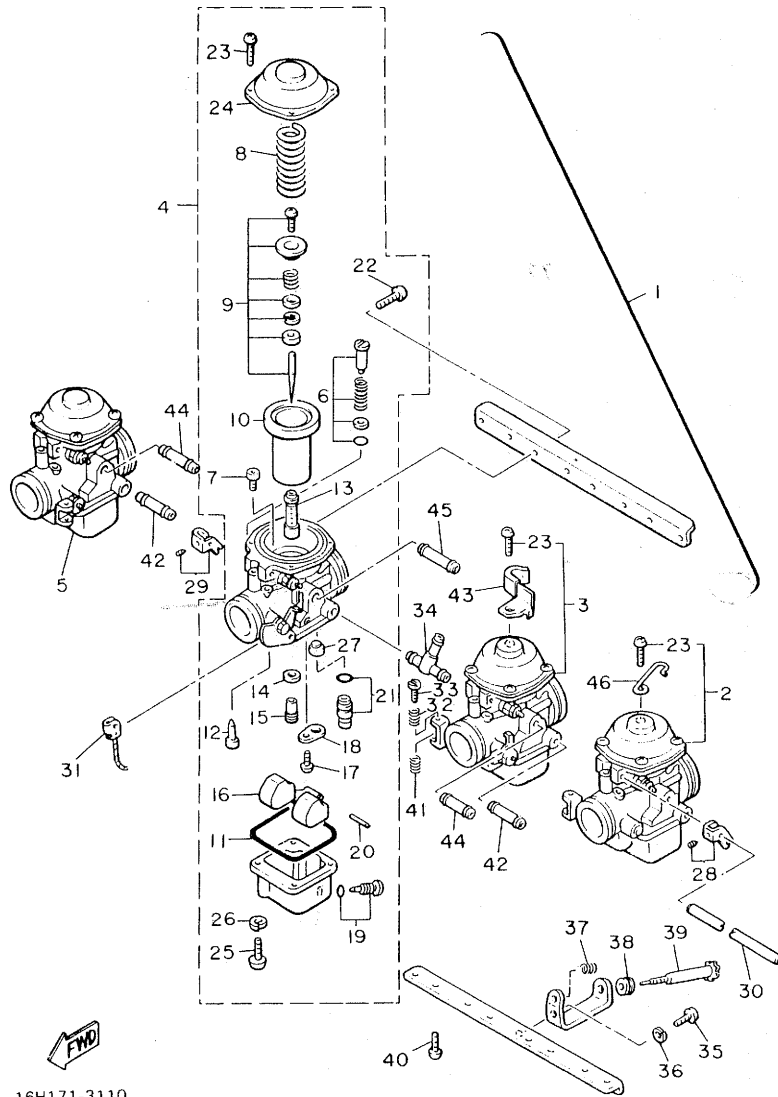
REF. NO.	PART NO.	DESCRIPTION	Q'TY	REMARKS
1	16H-14900-00	CARBURETOR ASSY	1	
2	16H-14901-00	..CARBURETOR ASSY 1	1	
3	16H-14902-00	..CARBURETOR ASSY 2	1	
4	16H-14903-00	..CARBURETOR ASSY 3	1	
5	16H-14904-00	..CARBURETOR ASSY 4	1	
6	16G-W1494-00	..PILOT SCREW SET	1	
7	256-14944- <del>33</del> <sup>77</sup>	..JET, main ( <del>#132.5</del> ) (132.5)	4	
8	2A2-14933-00	..SPRING, diaPhraGm	4	
9	16H-W1418-00	..NEEDLE SET	4	
10	16G-14940-00	..DIAPHRAGM ASSY	4	
11	16G-14147-00	..O-RING	4	
12	4G0-14142- <del>33</del> <sup>37-A0</sup>	..JET, Pilot ( <del>#37.5</del> ) (37.5)	4	
13	16H-14941-36	..NOZZLE, main	4	
14	137-14153-00	..WASHER, main Jet	4	
15	620-14231- <del>25</del> <sup>76-A0</sup>	..JET, main ( <del>#127.5</del> ) (127.5)	4	
16	16G-14985-00	..FLOAT	4	
17	98502-04006	..SCREW, Pan head	4	
18	2H0-14146-00	..PLATE	4	
19	2L1-W1413-00	..PLUG SCREW SET	4	
20	537-14186-00	..PIN, float	4	
21	16G-W1496-00	..VALVE SEAT SET	4	
22	97801-05010	..SCREW, Pan head	8	
23	97801-05010	..SCREW, Pan head	16	
24	16G-W1414-00	..STARTER PLUNGER SET	4	
25	98501-05016	..SCREW, Pan head	16	
26	92901-05100	..WASHER, sPring	16	
27	1J7-14994-00	..NET, filter	4	
28	16G-W1495-00	..STARTER LEVER SET	2	



16H171-3110

B14

FIG. 11 CARBURETOR

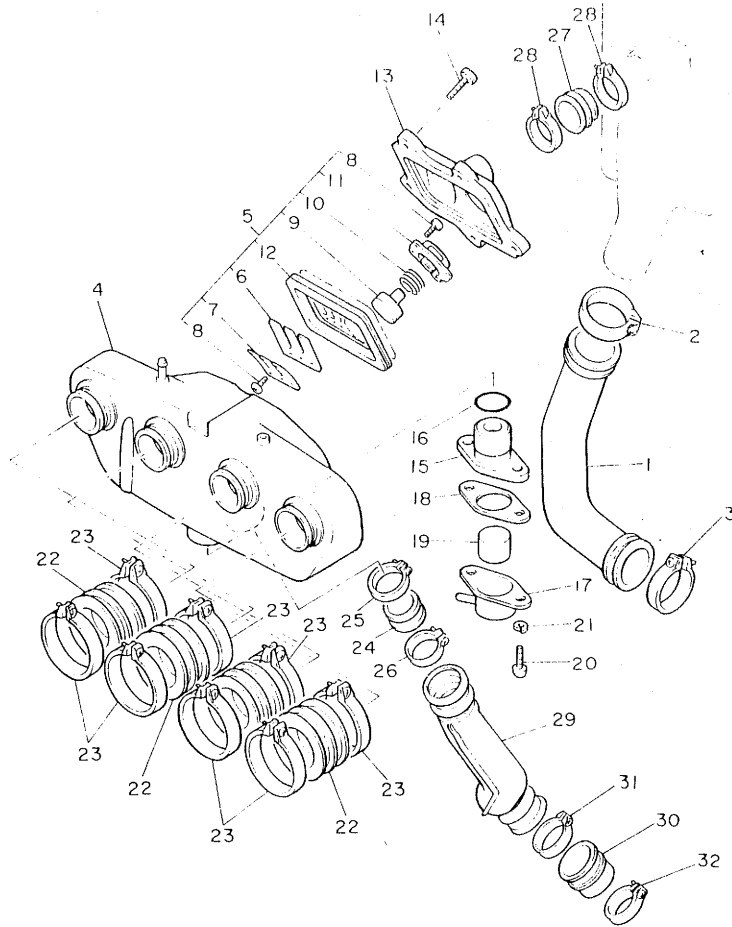


REF. NO.	PART NO.	DESCRIPTION	Q'TY	REMARKS
29	16G-W1495-10	.STARTER LEVER SET	1	
30	16G-14977-00	.SHAFT, starter lever	1	
31	16G-14130-00	.CABLE	1	
32	3F7-14133-00	.SPRING, throttle stop	3	
33	820-14121-00	.SCREW, throttle stop	3	
34	16G-14988-00	.PIPE, starter connecting	1	
35	98501-05008	.SCREW, Pan head	1	
36	92901-05100	.WASHER, spring	1	
37	143-14133-00	.SPRING, throttle stop	1	
38	4G0-14998-00	.BUSH	1	
39	4U8-14122-00	.SCREW, throttle	1	
40	97801-06014	.SCREW, Pan head	8	
41	137-14134-00	.SPRING, air adjusting	3	
42	16H-14988-00	.PIPE, starter connecting	2	
43	16G-14139-00	.CLIP, Pipe	1	
44	16G-14251-00	.NIPPLE	2	
45	16H-14251-00	.NIPPLE	1	
46	11T-14139-00	.CLIP, Pipe	1	

16H171-3110

**B15**

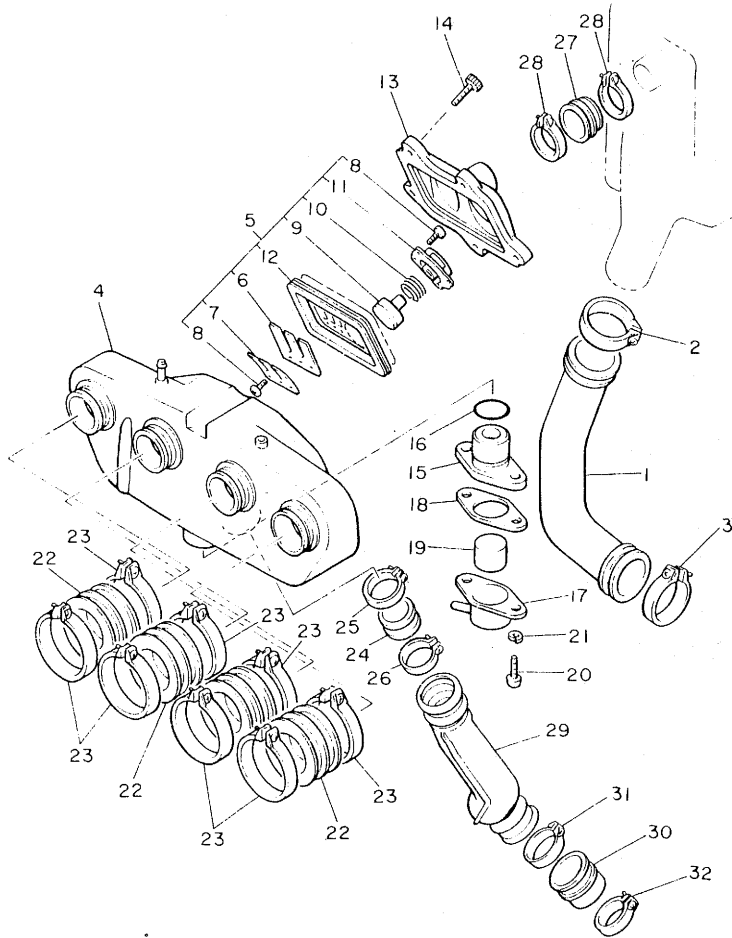
FIG. 12 SURGE TANK



REF. NO.	PART NO.	DESCRIPTION	Q'TY	REMARKS
1	16G-1447A-00	DUCT, turbo 1	1	
2	90460-52215	CLAMP, hose	1	
3	90460-45040	CLAMP, hose	1	
4	16G-1446E-01	TANK, surge	1	
5	16G-13610-00	REED VALVE ASSY	1	
6	16G-13613-00	.REED, valve	1	
7	16G-13616-00	.STOPPER, reed valve	1	
8	97602-03108	.SCREW, Pan head with washer	7	
9	16G-1446J-00	.VALVE, relief	1	
10	90501-16678	.SPRING, compression	1	
11	16G-1446H-00	.COVER, relief valve	1	
12	16G-13631-00	.SEAL, rubber	1	
13	16G-1446K-00	COVER, reed valve	1	
14	91316-06018	BOLT	5	
15	16G-1446L-00	DRAIN VALVE ASSY	1	
16	93210-13016	O-RING	1	
17	16G-1446M-00	COVER, drain valve	1	
18	16G-1446N-00	GASKET	1	
19	16G-1446R-00	SEAL	1	
20	98506-05016	SCREW, Pan head	2	
21	92906-05100	WASHER, spring	2	
22	16G-1446F-00	JOINT, surge tank 1	4	
23	90460-60165	CLAMP, hose	8	
24	16G-1446G-01	JOINT, surge tank 2	1	
25	90460-46206	CLAMP, hose	1	
26	90460-42212	CLAMP, hose	1	
27	16G-1440F-00	JOINT, air filter 1	1	
28	90460-41191	CLAMP, hose	2	

FWD  
16G110-3121

FIG. 12 SURGE TANK

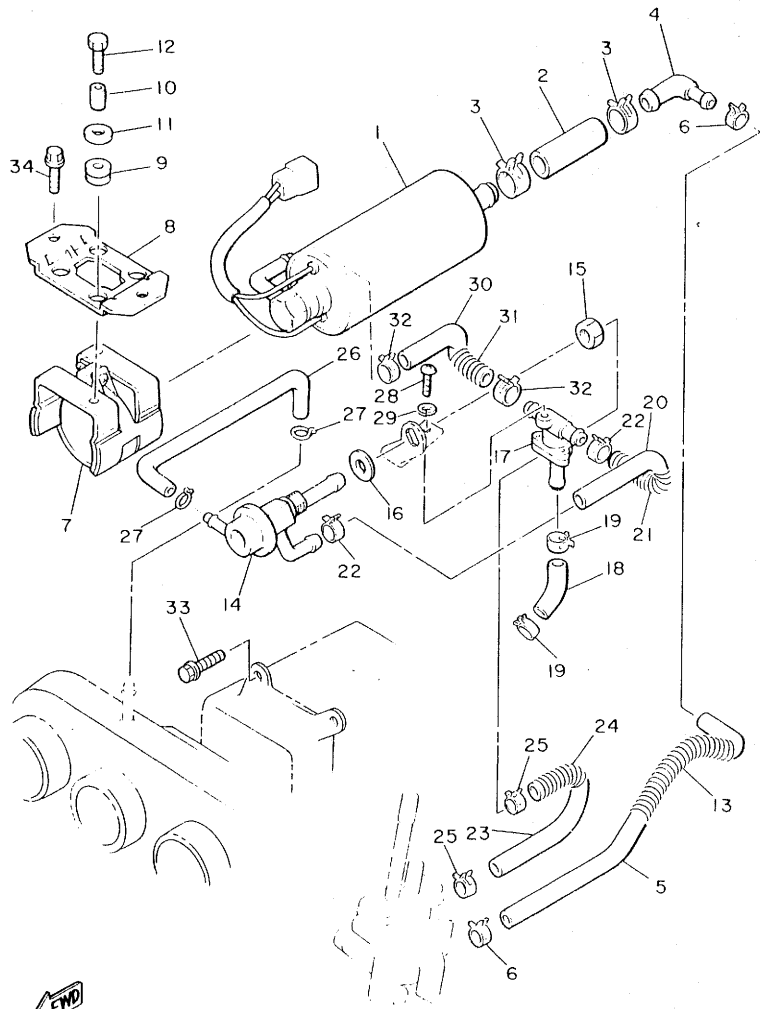


REF. NO.	PART NO.	DESCRIPTION	Q'TY	REMARKS
29	16G-1448A-00	DUCT, turbo 2	1	
30	16G-1448E-00	JOINT, turbo 2	1	
31	90460-41191	CLAMP, hose	1	
32	90460-39052	CLAMP, hose	1	



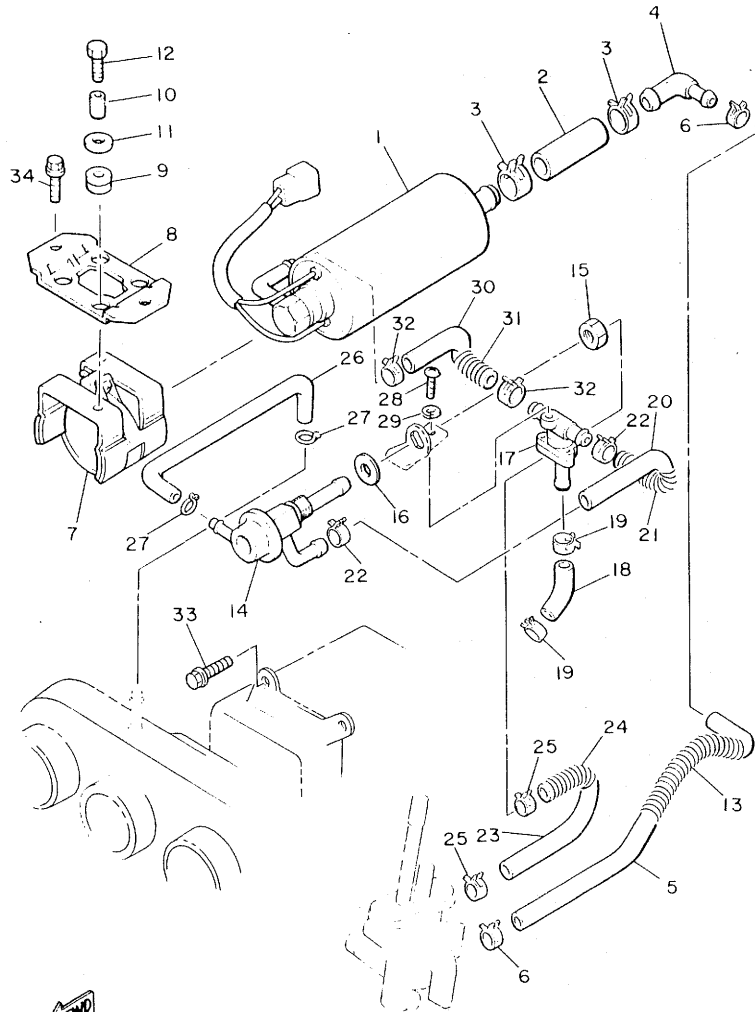
16G110-3121

FIG. 13 FUEL PUMP



REF. NO.	PART NO.	DESCRIPTION	Q'TY	REMARKS
1	16G-13907-00	FUEL PUMP COMP.	1	
2	16G-13972-01	PIPE, fuel 2	1	
3	90468-08104	CLIP	2	
4	16G-13758-00	PIPE, Joint	1	
5	16G-13971-01	PIPE, fuel 1	1	
6	90467-13064	CLIP	2	
7	16G-13994-01	STAY, damPer	1	
8	16G-14493-01	STAY 1	1	
9	90480-15235	GROMMET	4	
10	90387-060A7	COLLAR	2	
11	90209-06174	WASHER	2	
12	97301-06016	BOLT	2	
13	90501-08704	SPRING, comPression	1	
14	16G-13906-01	REGULATOR, Pressure	1	
15	95301-12700	NUT	1	
16	92901-12600	WASHER, Plate	1	
17	16G-13940-02	CHECK VALVE ASSY	1	
18	16G-13974-01	PIPE, fuel 4	1	
19	90467-13064	CLIP	2	
20	16G-13975-01	PIPE, fuel 5	1	
21	90501-08706	SPRING, comPression	1	
22	90467-13064	CLIP	2	
23	16G-13976-00	HOSE, fuel 6	1	
24	90501-08707	SPRING, comPression	1	
25	90467-13064	CLIP	2	
26	16G-13978-01	PIPE, reGulator	1	
27	90467-08040	CLIP	2	
28	98501-05010	SCREW, Pan head	1	

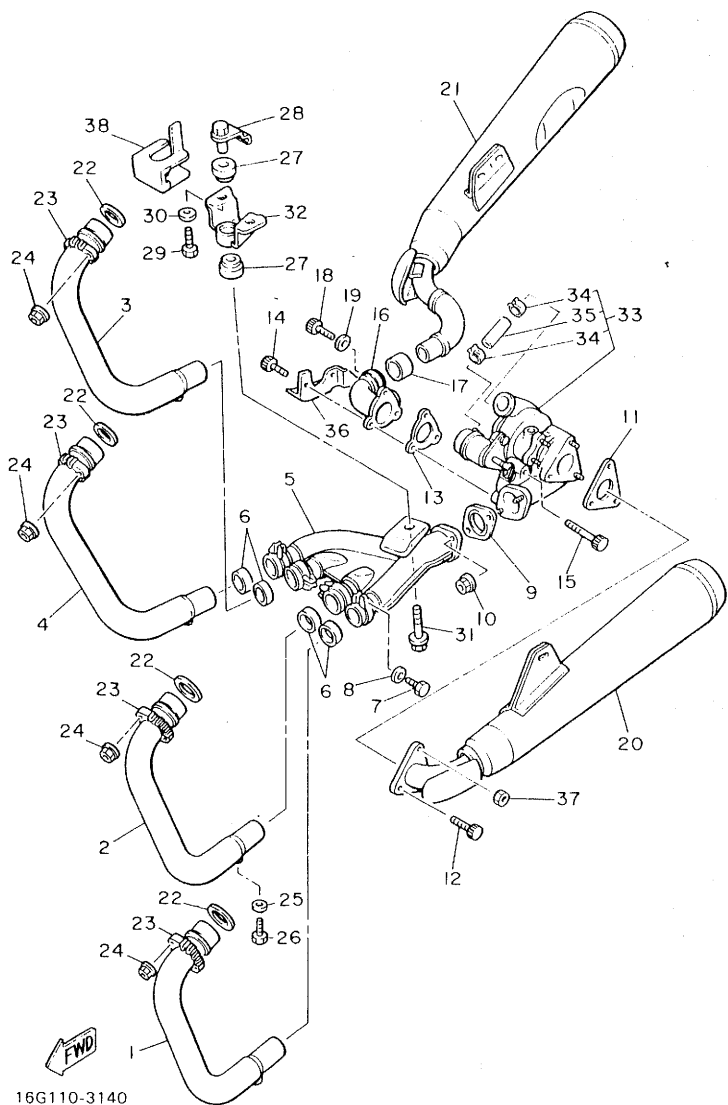
FIG. 13 FUEL PUMP



REF. NO.	PART NO.	DESCRIPTION	Q'TY	REMARKS
29	92902-05100	WASHER, sPrInG	1	
30	16G-13973-01	PIPE, fuel 3	1	
31	90501-08705	SPRING, comPression	1	
32	90467-13064	CLIP	2	
33	90119-06029	BOLT, with washer	2	
34	95802-06010	BOLT, flange	2	

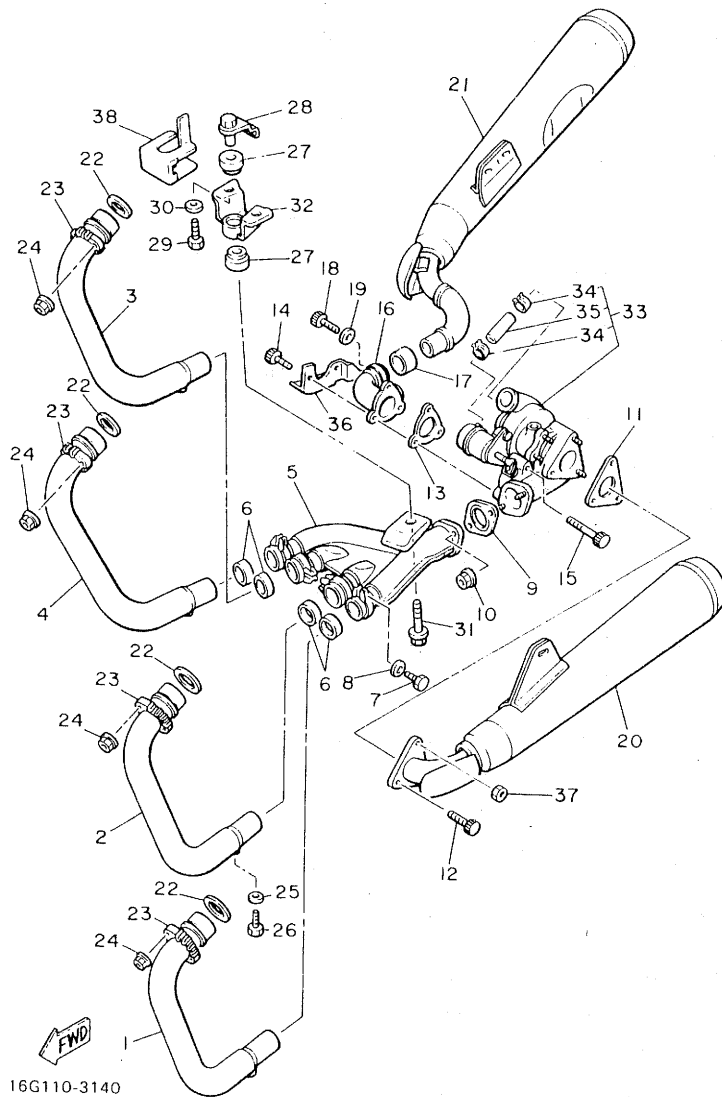
  
17Y700-2130

FIG. 14 EXHAUST



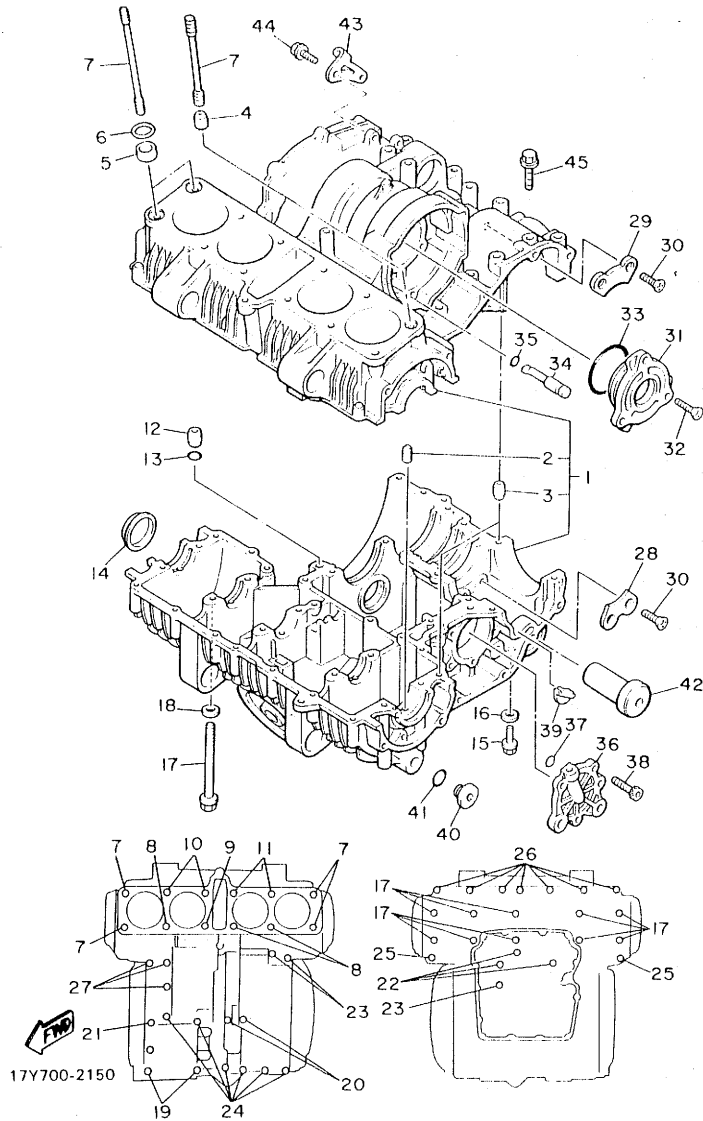
REF. NO.	PART NO.	DESCRIPTION	Q'TY	REMARKS
1	16G-14611-00	PIPE, exhaust 1	1	
2	16G-14621-00	PIPE, exhaust 2	1	
3	16G-14631-00	PIPE, exhaust 3	1	
4	16G-14641-00	PIPE, exhaust 4	1	
5	16G-14615-00	JOINT, exhaust 1	1	
6	16G-14714-00	GASKET, muffler	4	
7	97311-08020	BOLT	4	
8	92901-08600	WASHER, Plate	4	
9	16G-14623-01	GASKET, exhaust Pipe	1	
10	95701-08100	NUT, flange	2	
11	11T-14643-00	GASKET 3	1	
12	91311-08020	BOLT	1	
13	16G-14653-00	GASKET, exhaust 4	1	
14	91311-06016	BOLT	1	
15	91311-06050	BOLT	2	
16	16G-14625-00	JOINT, exhaust 2	1	
17	16G-14755-00	GASKET, silencer	1	
18	97311-08025	BOLT	1	
19	92901-08600	WASHER, Plate	1	
20	11T-14711-00	MUFFLER 1	1	
21	16G-14721-00	MUFFLER 2	1	
22	4H7-14613-00	GASKET, exhaust Pipe	4	
23	4W5-14612-00	NUT, ring	4	
24	4W5-14681-00	NUT	8	
25	90201-065E9	WASHER, Plate	4	
26	97326-06008	BOLT	4	
27	4K0-14747-00	DAMPER, muffler	2	
28	4K0-14638-00	COLLAR	1	

FIG. 14 EXHAUST



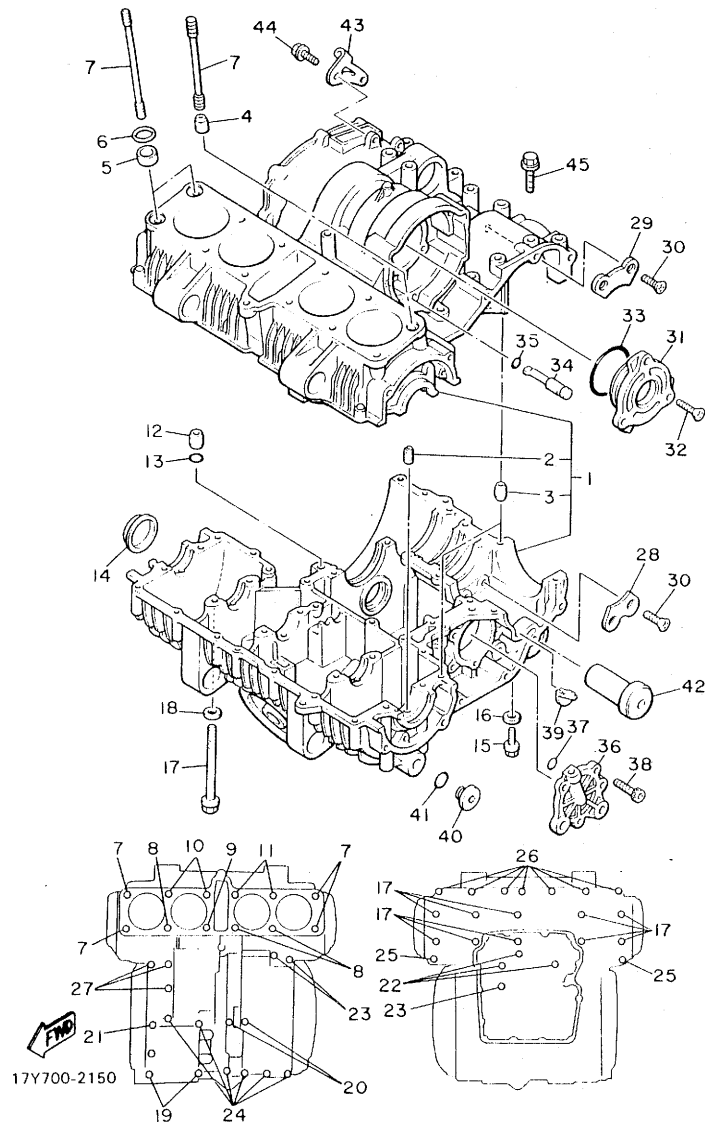
REF. NO.	PART NO.	DESCRIPTION	Q'TY	REMARKS
29	97311-08025	BOLT	2	
30	92901-08600	WASHER, Plate	2	
31	95801-10040	BOLT, flange	1	
32	4K0-14791-00	STAY, muffler	1	
33	11T-14690-00	TURBO SUPERCHARGER ASSY	1	
34	90467-08070	.CLIP	2	
35	16G-14752-00	.PIPE, outlet	1	
36	16G-14628-01	PROTECTOR, exhaust pipe	1	
37	90179-08273	NUT	2	
38	16G-1479U-00	GUIDE 1	1	

FIG. 15 CRANKCASE



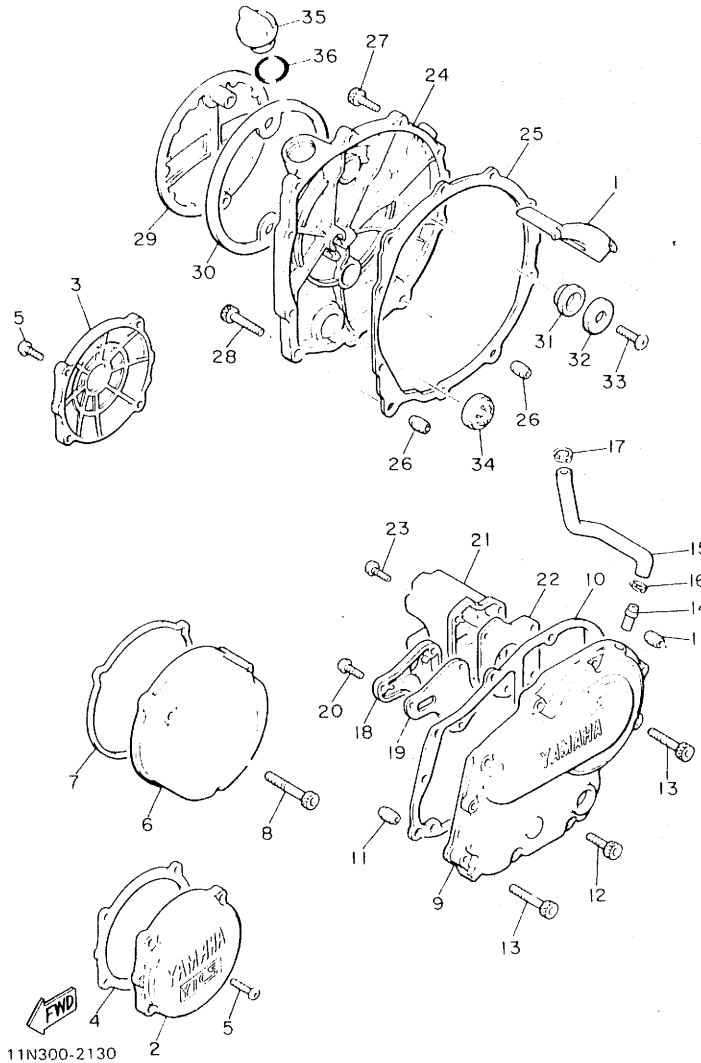
REF. NO.	PART NO.	DESCRIPTION	Q'TY	REMARKS
1	16G-15100-00	CRANKCASE ASSY	1	
2	4H7-15138-00	.NOZZLE 1	3	
3	91830-22016	.PIN, dowel	3	
4	91830-24016	PIN, dowel	1	
5	90387-16547	COLLAR	2	
6	93210-18559	O-RING	2	
7	90116-10330	BOLT, stud	4	
8	90116-10329	BOLT, stud	3	
9	90116-10328	BOLT, stud	1	
10	4H7-11363-00	BOLT, cylinder holding 3	2	
11	16G-11363-00	BOLT, cylinder holding 3	2	
12	91830-22016	PIN, dowel	1	
13	93210-11124	O-RING	1	
14	4H7-15167-10	PLUG, blind 1	1	
15	90105-08003	BOLT, washer based	1	
16	90201-08087	WASHER, Plate	1	
17	95811-08105	BOLT, flange	10	
18	90201-08366	WASHER, Plate	8	
19	95811-08065	BOLT, flange	2	
20	95811-06135	BOLT, flange	2	
21	95811-06120	BOLT, flange	1	
22	95811-06080	BOLT, flange	3	
23	95811-06070	BOLT, flange	3	
24	95811-06060	BOLT, flange	6	
25	95811-06055	BOLT, flange	2	
26	95811-08045	BOLT, flange	7	
27	95811-06035	BOLT, flange	3	
28	4H7-15381-00	PLATE, bearing cover	1	

FIG. 15 CRANKCASE



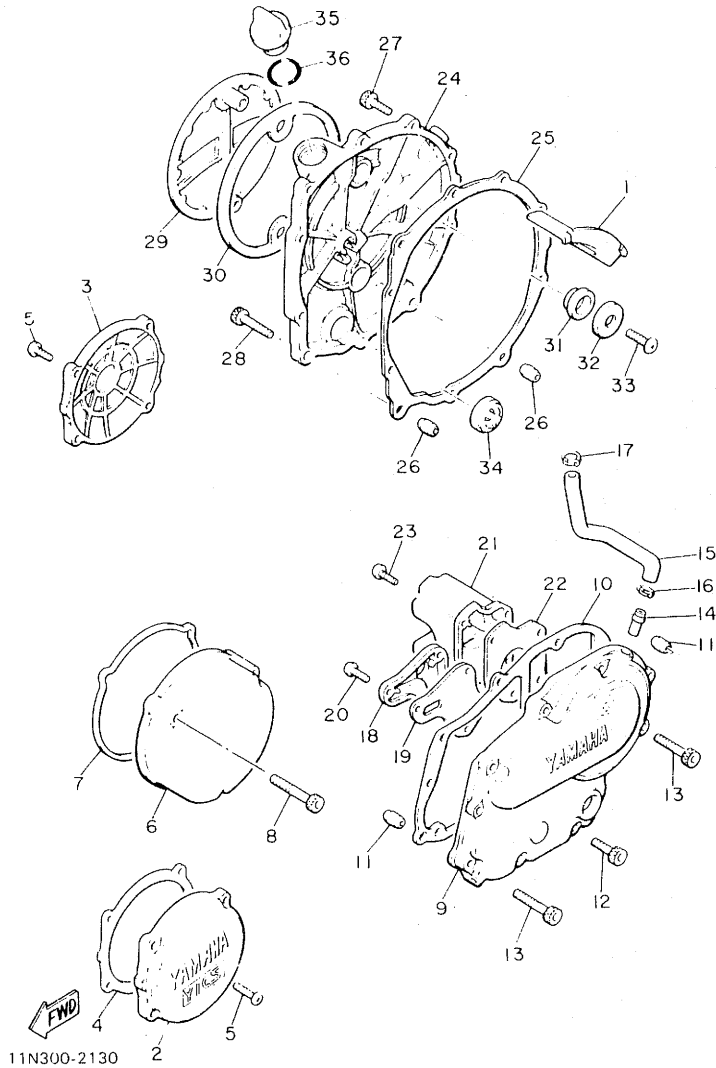
REF. NO.	PART NO.	DESCRIPTION	Q'TY	REMARKS
29	4H7-15383-00	PLATE, bearing cover	1	
30	90149-08152	SCREW	4	
31	4H7-15163-01	HOUSING, bearing 1	1	
32	90151-06014	SCREW, countersunk	3	
33	93210-62439	O-RING	1	
34	4H7-13454-00	NOZZLE	1	
35	93210-07540	O-RING	1	
36	16G-15164-00	HOUSING, bearing 2	1	
37	93210-07438	O-RING	1	
38	91311-06020	BOLT	3	
39	4H7-15365-00	GROMMET	1	
40	4K0-15189-00	PLUG	2	
41	93210-21276	O-RING	2	
42	90387-125A2	COLLAR	2	
43	4K0-15441-00	HOLDER, clutch cable	1	
44	91316-06012	BOLT	2	
45	95801-06060	BOLT, flange	1	

FIG. 16 CRANKCASE COVER



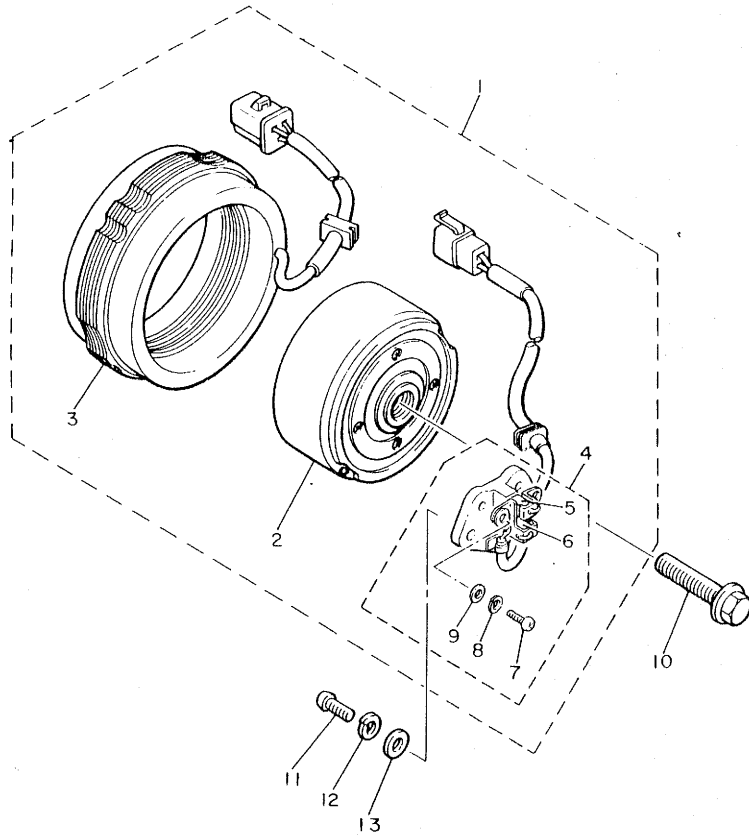
REF. NO.	PART NO.	DESCRIPTION	Q'TY	REMARKS
1	4H7-15412-01	SCRAPER, oil	1	
2	16G-15416-00	COVER, oil Pump	1	
3	16G-15426-00	COVER, oil Pump 2	1	
4	4H7-15456-00	GASKET, oil Pump cover 1	1	
5	98906-06020	SCREW, bind	8	
6	4K0-15415-00	COVER, Generator	1	
7	4H7-15455-00	GASKET 1	1	
8	91316-06070	BOLT	3	
9	5G9-15411-00	COVER, crankcase 1	1	
10	4H7-15451-00	GASKET, crankcase cover	1	
11	91830-21014	PIN, dowel	2	
12	91316-06025	BOLT	8	
13	91316-06040	BOLT	2	
14	371-11167-01	PIPE, breather 2	1	
15	16G-11166-00	PIPE, breather 1	1	
16	90467-14015	CLIP	1	
17	90468-08104	CLIP	1	
18	4H7-15346-00	BREATHER 1	1	
19	4H7-15457-00	GASKET	1	
20	92501-06015	SCREW, Pan head	3	
21	4H7-15347-00	BREATHER 2	1	
22	4H7-15467-00	GASKET	1	
23	92501-06015	SCREW, Pan head	4	
24	4K0-15421-01	COVER, crankcase 2	1	
25	4H7-15461-01	GASKET, crankcase cover 2	1	
26	91830-21014	PIN, dowel	2	
27	91316-06025	BOLT	8	
28	91316-06040	BOLT	2	

FIG. 16 CRANKCASE COVER



REF. NO.	PART NO.	DESCRIPTION	Q'TY	REMARKS
29	16G-15417-00	COVER, caP	1	
30	4H7-15449-00	RING, rubber	1	
31	4H7-15486-00	GROMMET	2	
32	90209-06096	WASHER	2	
33	92501-06015	SCREW, Pan head	2	
34	2H7-15361-00	GAUGE, level	1	
35	2H9-15363-00	PLUG, oil	1	
36	93210-27370	O-RING	1	

FIG. 17 A.C.GENERATOR

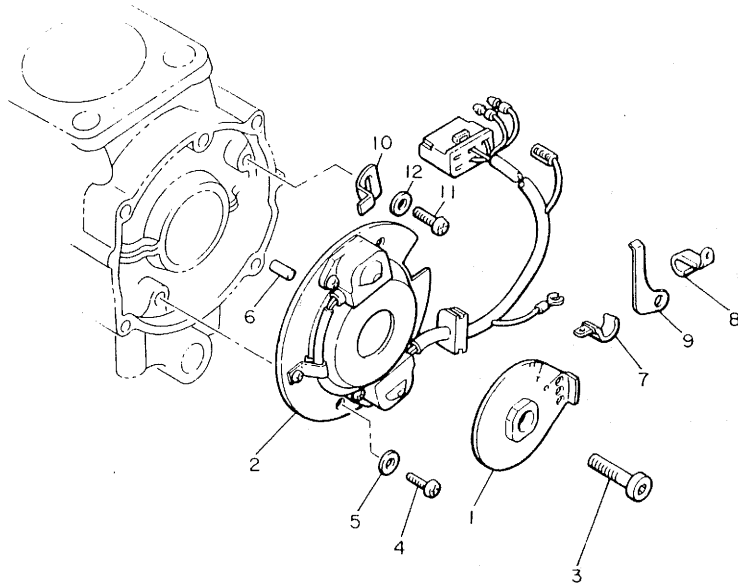


REF. NO.	PART NO.	DESCRIPTION	Q'TY	REMARKS
1	4H7-81600-10	A.C. GENERATOR ASSY	1	
2	4H7-81650-10	•ROTOR ASSY	1	
3	4H7-81610-10	•STATOR ASSY	1	
4	4H7-81619-10	•BRUSH HOLDER ASSY	1	
5	4H7-81611-10	••BRUSH 1	1	
6	4H7-81612-10	••BRUSH 2	1	
7	98501-04012	••SCREW, Pan head	2	
8	92902-04100	••WASHER, sPring	2	
9	92901-04600	••WASHER, Plate	2	
10	90105-10152	BOLT, washer based	1	
11	92502-06016	SCREW, Pan head	2	
12	92902-06100	WASHER, sPring	2	
13	92902-06600	WASHER	2	



4H7110-1130

FIG. 18 PICKUP COIL GOVERNOR

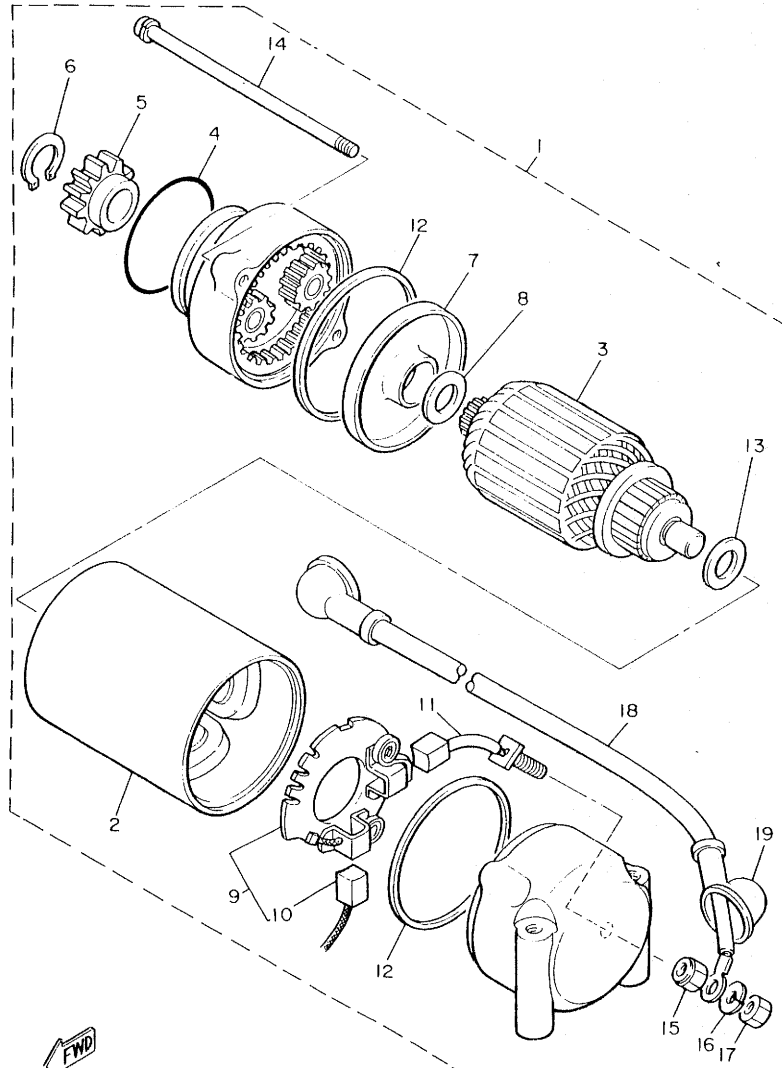


REF. NO.	PART NO.	DESCRIPTION	Q'TY	REMARKS
1	16G-81673-10	ROTOR	1	
2	16G-81671-10	BASE, Pickup	1	
3	91316-08030	BOLT	1	
4	92501-06012	SCREW, Pan head	2	
5	92902-06600	WASHER	2	
6	93604-08071	PIN, dowel	1	
7	90465-08122	CLAMP	1	
8	90465-08156	CLAMP	1	
9	90465-12160	CLAMP	1	
10	4H7-81632-00	PLATE, timing	1	
11	92501-06012	SCREW, Pan head	1	
12	92901-06200	WASHER, Plain	1	



5G2110-2140

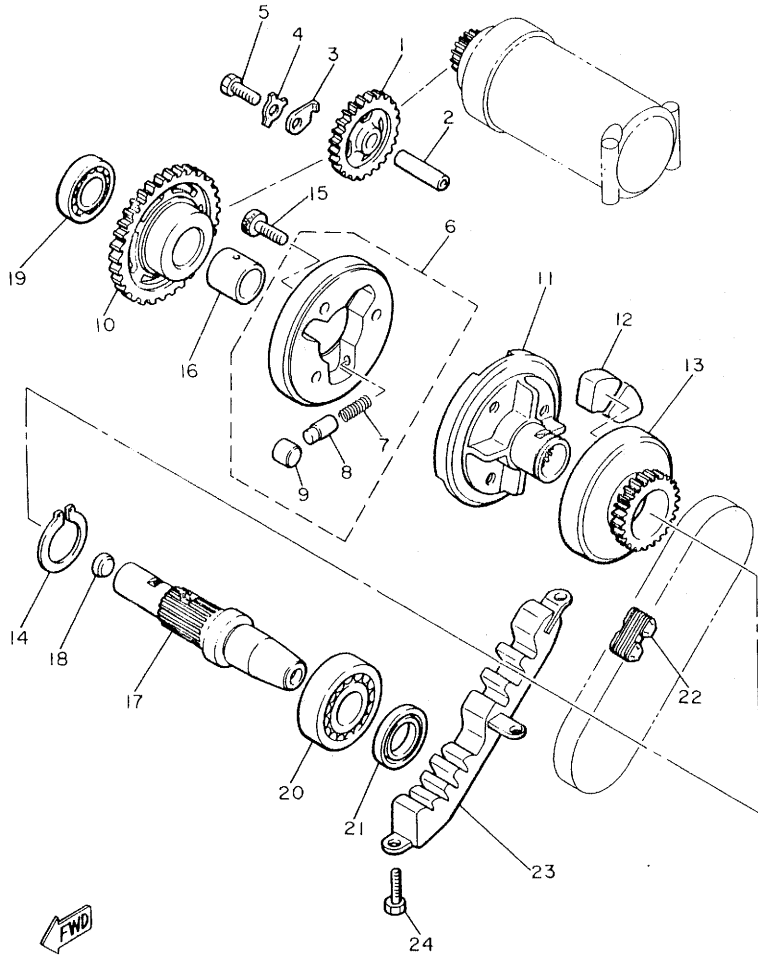
FIG. 19 STARTING MOTOR



REF. NO.	PART NO.	DESCRIPTION	Q'TY	REMARKS
1	4K0-81800-50	STARTING MOTOR ASSY	1	
2	4K0-81810-01	•STATOR ASSY	1	
3	4H7-81850-00	•ARMATURE ASSY	1	
4	4H7-81847-01	•O-RING	1	
5	4H7-15511-00	•GEAR, startin& motor (13T)	1	
6	4H7-81819-00	•CIRCLIP	1	
7	4H7-81845-00	•PLATE	1	
8	4H7-81843-00	•WASHER 1	1	
9	4H7-81840-01	•BRUSH HOLDER ASSY	1	
10	4H7-81811-00	•BRUSH 1	1	
11	4H7-81812-01	•BRUSH 2	1	
12	4H7-81844-00	•GASKET	2	
13	4H7-81824-00	•WASHER 2	1	
14	4K0-81826-01	•BOLT	2	
15	4H7-81872-00	•NUT, sPecial	1	
16	92901-06100	•WASHER, sPring	1	
17	95302-06600	•NUT	1	
18	4H7-81815-00	•WIRE, starter	1	
19	4H7-81871-00	•CAP	2	

← FWD  
4H7110-1151

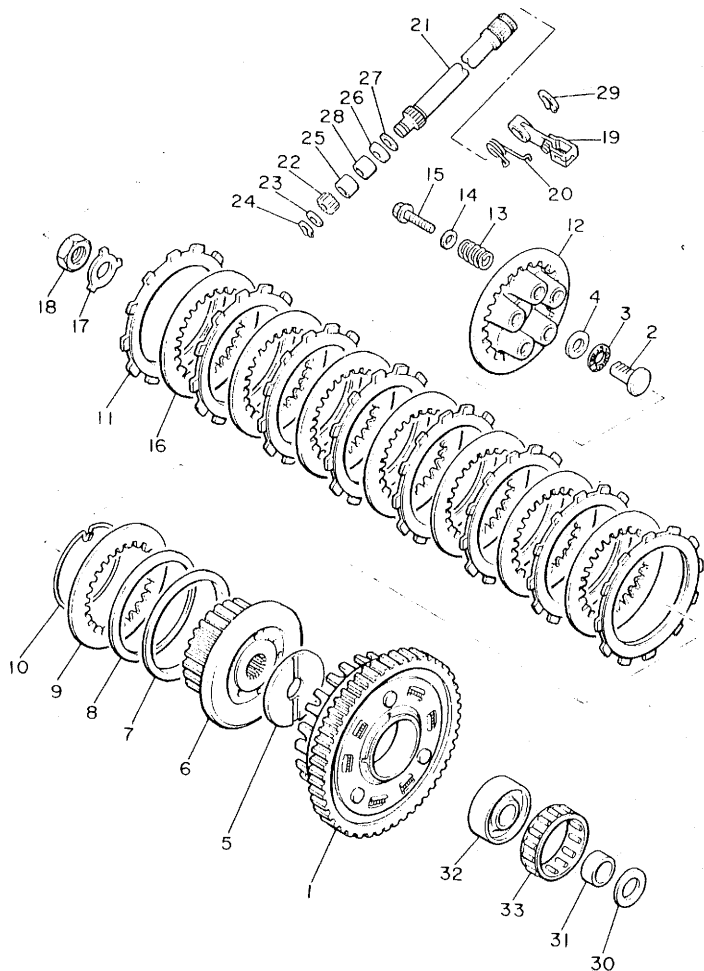
FIG. 20 STARTER CLUTCH



REF. NO.	PART NO.	DESCRIPTION	Q'TY	REMARKS
1	4H7-15512-00	GEAR, idler 1 (27T)	1	
2	4H7-15521-00	SHAFT 1	1	
3	2H7-15531-00	PLATE, stopPer	1	
4	90215-06040	WASHER, lock	1	
5	97301-06016	BOLT	1	
6	4H7-15580-10	STARTER CLUTCH OUTER ASSY	1	
7	90501-04596	.SPRING, compression	3	
8	341-15583-05	.CAP, starter clutch spring	3	
9	93615-12088	.PIN, dowel	3	
10	4H7-15517-00	GEAR, idler 2 (43T)	1	
11	4H7-15524-00	WHEEL, starter	1	
12	4H7-16155-01	ABSORBER 1	4	
13	4H7-15519-00	SPROCKET, starter (21T)	1	
14	93410-32052	CIRCLIP	1	
15	91316-08014	BOLT	3	
16	90387-202A7	COLLAR	1	
17	4H7-15522-00	SHAFT 2	1	
18	90331-12028	PLUG	1	
19	93306-00401	BEARING (B6004)	1	
20	93306-20541	BEARING (B6205)	1	
21	93102-25218	OIL SEAL	1	
22	4H7-11456-00	CHAIN, Primary	1	
23	4H7-11474-00	GUIDE, upper	1	
24	97301-06014	BOLT	3	

  
17Y700-2200

FIG. 21 CLUTCH

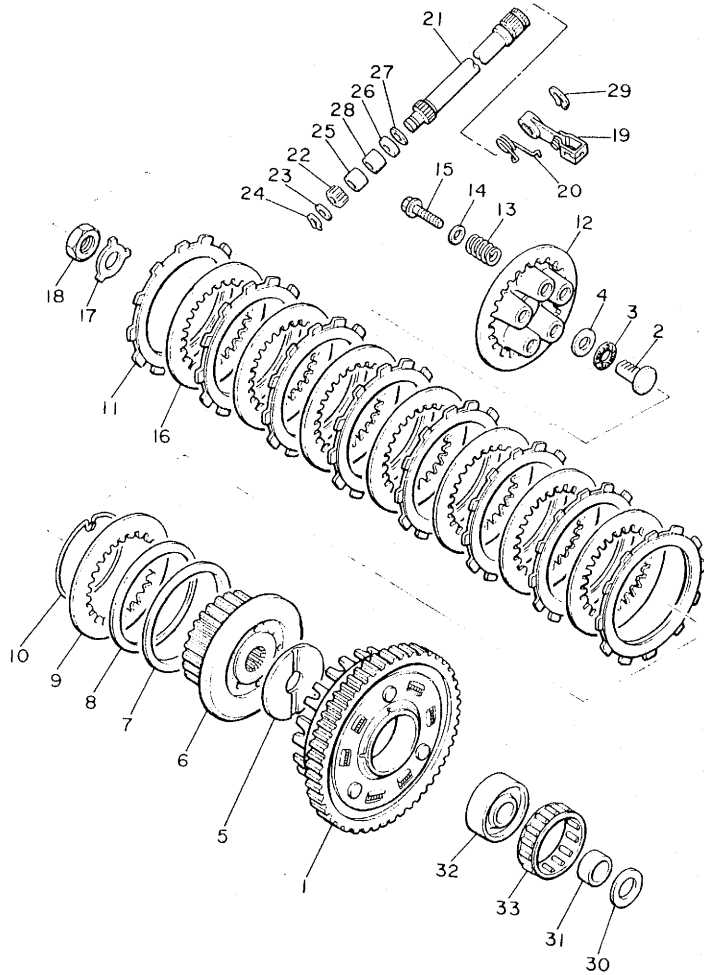


REF. NO.	PART NO.	DESCRIPTION	Q'TY	REMARKS
1	4H7-16150-10	PRIMARY DRIVEN GEAR COMP (97T)	1	
2	4H7-16356-00	ROD, Push 1	1	
3	93340-21505	BEARING	1	
4	90201-157F6	WASHER, Plate	1	
5	4H7-16154-00	PLATE, thrust 1	1	
6	4H7-16371-01	BOSS, clutch	1	
7	1J7-16384-00	PLATE, seat	1	
8	5G2-16383-00	SPRING, clutch boss	1	
9	168-16324-00	PLATE, clutch 1	1	
10	1J7-16385-00	RING, clutch boss	1	
11	4H7-16321-00	PLATE, friction	8	
12	4H7-16351-00	PLATE, Pressure 1	1	
13	90501-23694	SPRING, compression	5	
14	90201-061A5	WASHER, Plate	5	
15	95821-06025	BOLT, flange	5	
16	4H7-16325-00	PLATE, clutch 2	7	
17	90215-20170	WASHER, lock	1	
18	90170-20257	NUT	1	
19	4H7-16340-00	PUSH LEVER ASSY	1	
20	90508-16459	SPRING, torsion	1	
21	4H7-16382-01	AXLE, Push lever	1	
22	4H7-16398-00	PINION, releas (16T)	1	
23	92901-08600	WASHER, Plate	1	
24	93430-07012	CIRCLIP	1	
25	93317-11020	BEARING, cylindrical	1	
26	93102-12224	OIL SEAL	1	
27	102-18137-00-10	WASHER 1	1	
28	93315-11206	BEARING, cylindrical	1	



5G2110-1171

FIG. 21 CLUTCH

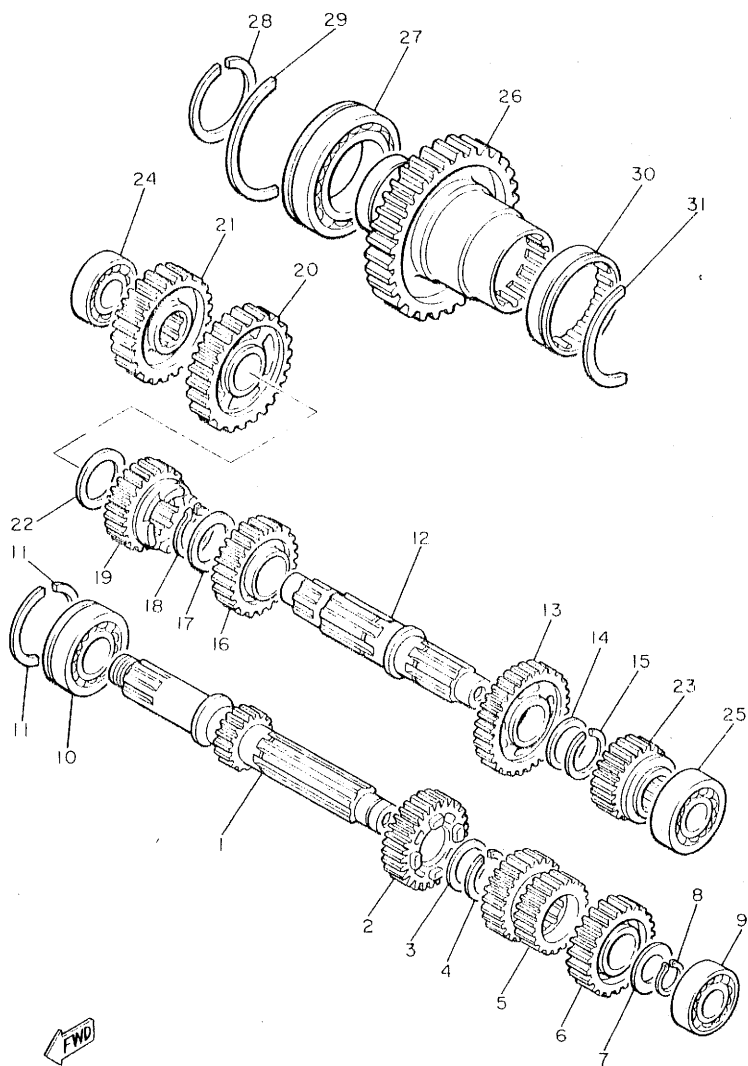


REF. NO.	PART NO.	DESCRIPTION	Q'TY	REMARKS
29	93430-09035	CIRCLIP	1	
30	2K7-16154-00	PLATE, thrust 1	1	
31	90387-252A8	COLLAR	1	
32	4H7-16181-00	SPACER 1	1	
33	93310-365H3	BEARING, cylindrical	1	

  
5G2110-1171

**D3**

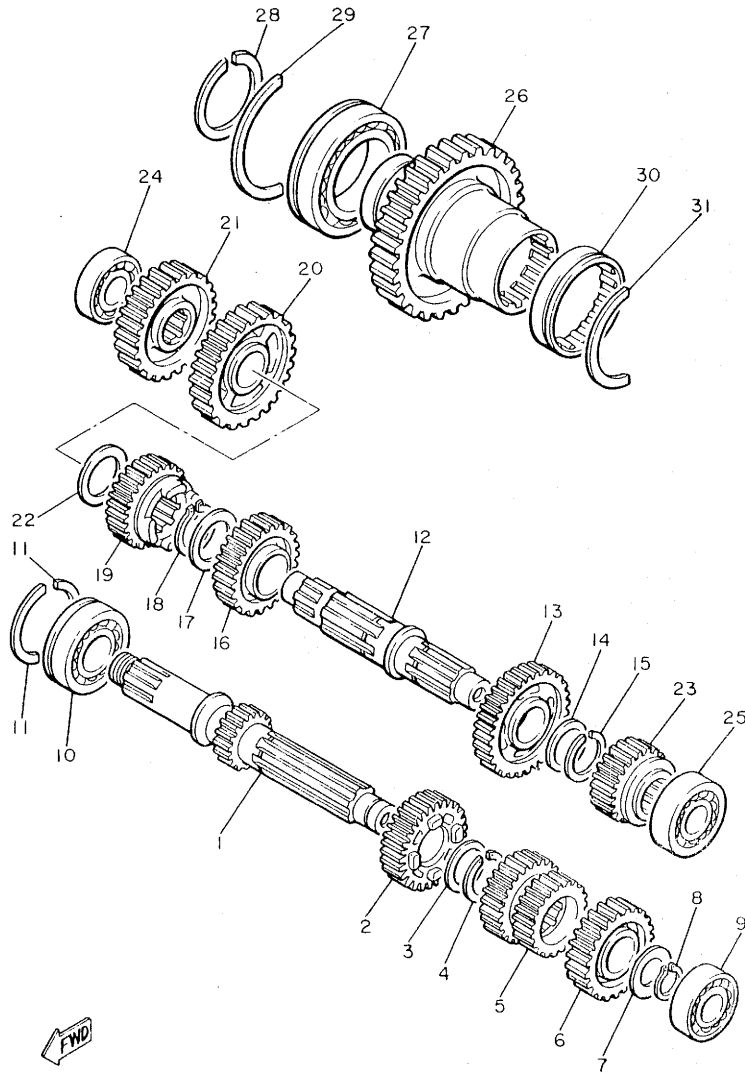
FIG. 22 TRANSMISSION



5N1700-2190

REF. NO.	PART NO.	DESCRIPTION	Q'TY	REMARKS
1	4H7-17401-00	MAIN AXLE ASSY (16T)	1	
2	4H7-17141-00	GEAR, 4th Pinion (30T)	1	
3	90209-22191	WASHER	1	
4	93440-25019	CIRCLIP	1	
5	4H7-17121-00	GEAR, 2nd/3rd Pinion (20/26T)	1	
6	4H7-17151-00	GEAR, 5th Pinion (32T)	1	
7	90201-20276	WASHER, Plate	1	
8	93410-20009	CIRCLIP	1	
9	93306-20434	BEARING (B6204)	1	
10	93306-30528	BEARING (B6305Z)	1	UR
	93306-30532	BEARING (B6305Z)	1	UR
11	278-17424-01	CIRCLIP 1	2	
12	4H7-17402-01	DRIVE AXLE ASSY	1	
13	4H7-17221-01	GEAR, 2nd wheel (30T)	1	
14	90209-22191	WASHER	1	
15	93440-25019	CIRCLIP	1	
16	4H7-17231-01	GEAR, 3rd wheel (30T)	1	
17	90209-25196	WASHER	1	
18	93440-28062	CIRCLIP	1	
19	4H7-17241-00	GEAR, 4th wheel (28T)	1	
20	4H7-17211-01	GEAR, 1st wheel (35T)	1	
21	4L6-17582-00	GEAR, middle drive (37T)	1	
22	90201-243A2	WASHER, Plate	1	
23	16G-17251-00	GEAR, 5th wheel (26T)	1	
24	93306-30311	BEARING	1	
25	93306-20439	BEARING	1	
26	4L6-17583-00	GEAR, middle driven (48T)	1	
27	93306-91101	BEARING (B6911)	1	

FIG. 22 TRANSMISSION



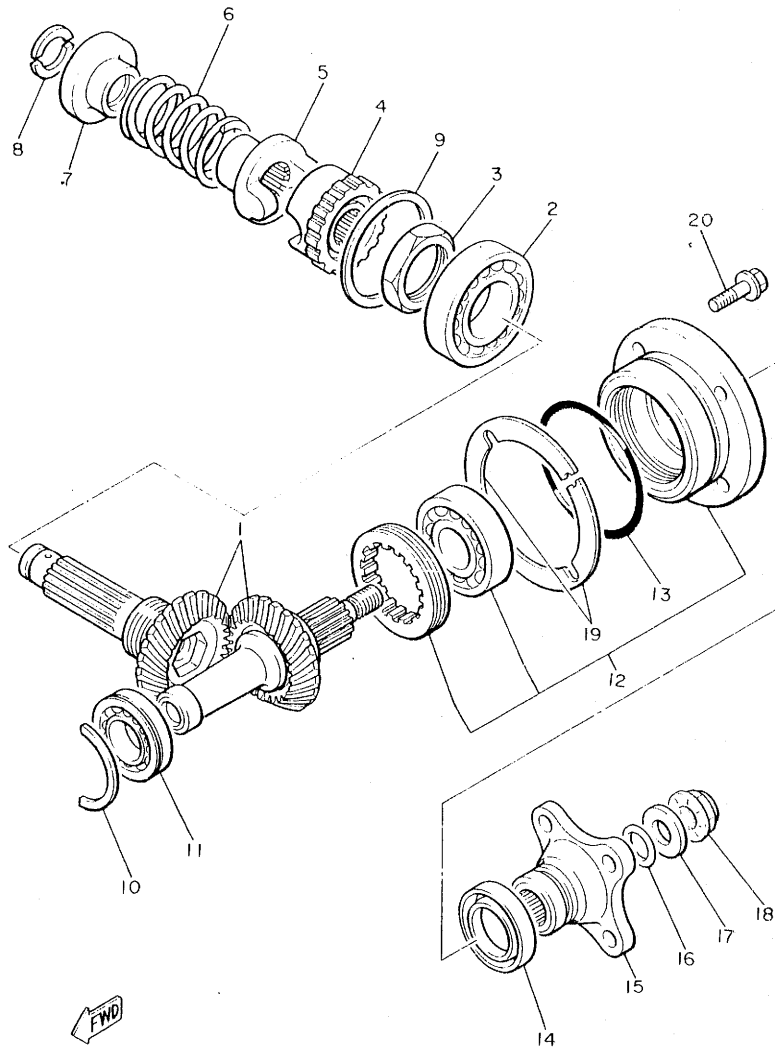
REF. NO.	PART NO.	DESCRIPTION	Q'TY	REMARKS
28	93410-55057	CIRCLIP	1	
29	93440-80082	CIRCLIP	1	
30	93311-36042	BEARING, cylindrical	1	
31	93440-72049	CIRCLIP	1	



5N1700-2190

D5

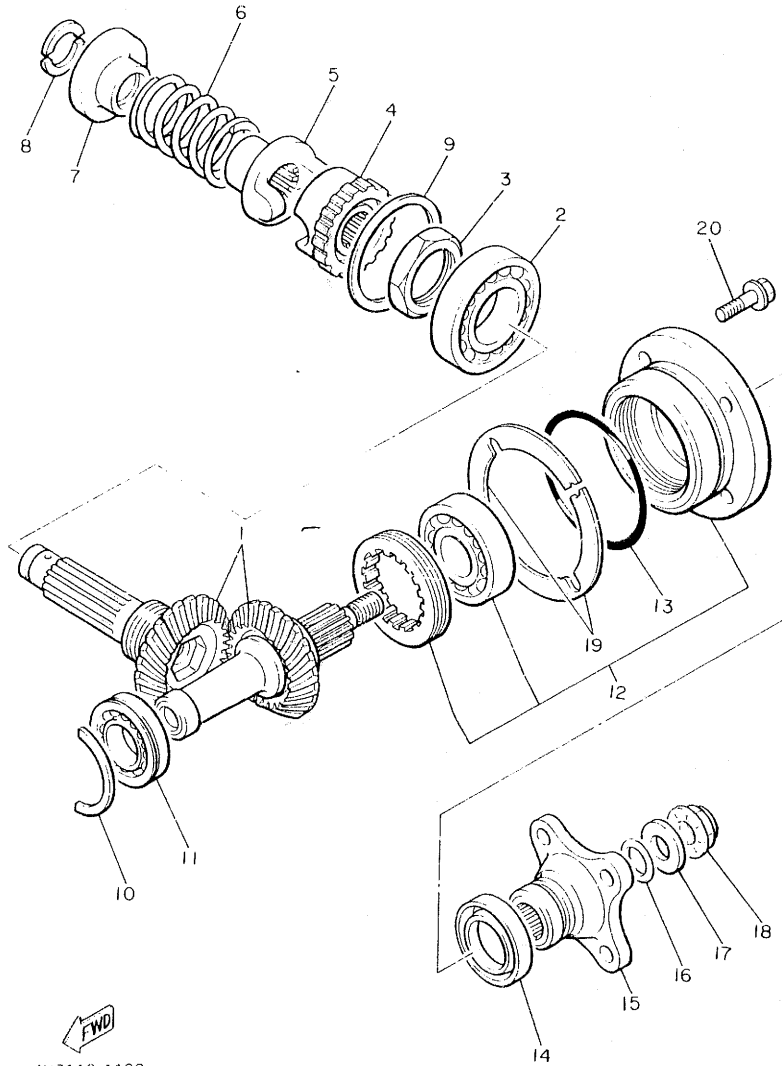
FIG. 23 MIDDLE DRIVE GEAR



4H7110-1190

REF. NO.	PART NO.	DESCRIPTION	Q'TY	REMARKS
1	4H7-W1751-N0	MIDDLE GEAR COMP	1	
2	93306-20709	BEARING (B6207)	1	
3	90179-34304	NUT	1	
4	16G-17526-00	CAM, drive	1	
5	4H7-17527-00	CAM, driven	1	
6	90501-65575	SPRING, comPression	1	
7	4H7-17524-00	HOLDER	1	
8	3H5-17529-00	WASHER, thrust	2	
9	4H7-17537-00-15	SHIM, thrust (0.15T)	1	UR
	4H7-17537-00-20	SHIM, thrust (0.20T)	1	UR
	4H7-17537-00-30	SHIM, thrust (0.30T)	1	UR
	4H7-17537-00-40	SHIM, thrust (0.40T)	1	UR
	4H7-17537-00-50	SHIM, thrust (0.50T)	1	UR
10	93440-47081	CIRCLIP	1	
11	93306-00508	BEARING (B6005)	1	
12	4H7-W1752-00	HOUSHING COMP.	1	
13	93210-71360	O-RING	1	
14	93101-35097	OIL SEAL	1	
15	4H7-17555-00	FLANGE, middle Gear	1	
16	93210-14359	O-RING	1	
17	90201-14633	WASHER, Plate	1	
18	90179-14317	NUT	1	
19	4H7-17531-00-10	SHIM, Pinion (0.10T)	1	UR
	4H7-17531-00-15	SHIM, Pinion (0.15T)	1	UR
	4H7-17531-00-20	SHIM, Pinion (0.20T)	1	UR
	4H7-17531-00-30	SHIM, Pinion (0.30T)	1	UR
	4H7-17531-00-40	SHIM, Pinion (0.40T)	1	UR
	4H7-17531-00-50	SHIM, Pinion (0.50T)	1	UR

FIG. 23 MIDDLE DRIVE GEAR

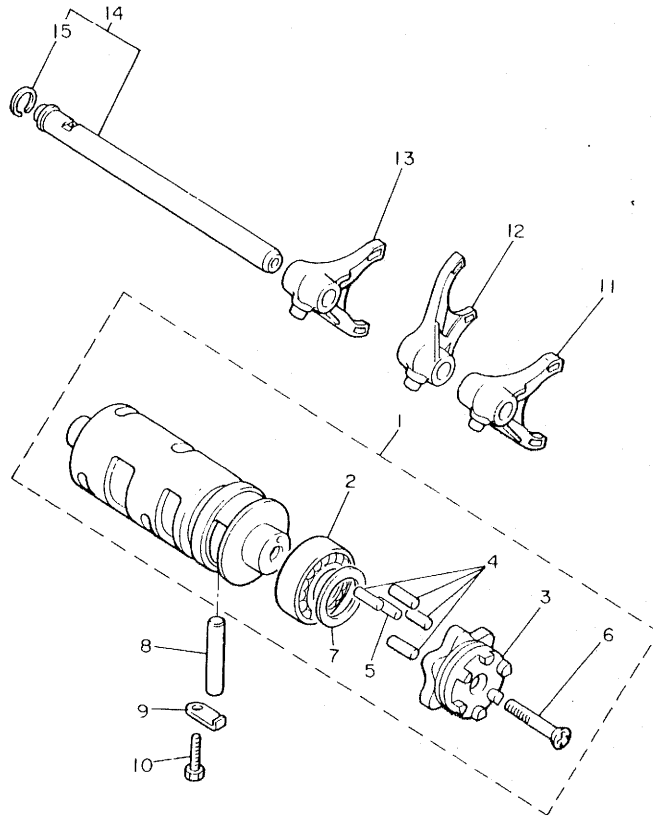


REF. NO.	PART NO.	DESCRIPTION	Q'TY	REMARKS
20	95821-08030	BOLT, flange	4	

← FWD  
4H7110-1190

**D7**

FIG. 24 SHIFT CAM·FORK



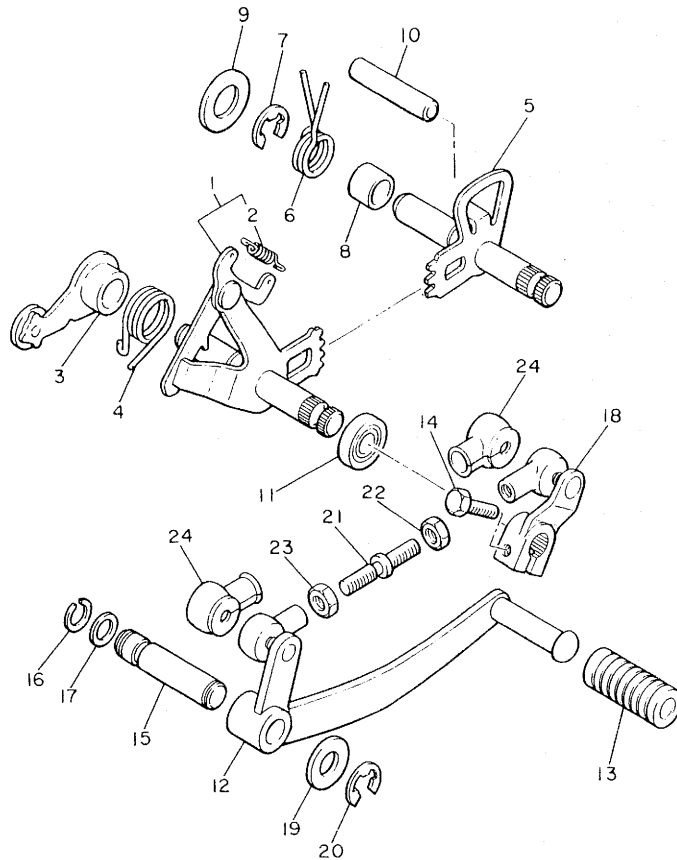
REF. NO.	PART NO.	DESCRIPTION	Q'TY	REMARKS
1	16G-18540-00	SHIFT CAM ASSY	1	
2	93306-90501	•BEARING	1	
3	16G-18185-00	•SEGMENT	1	
4	93604-16092	•PIN, dowel	4	
5	93604-10011	•PIN, dowel	1	
6	98701-05035	•SCREW, flat head	1	
7	117-15644-00	•SHIM	1	
8	93608-43157	PIN, dowel	1	
9	2H7-15531-00	PLATE, stopPer	1	
10	97301-06016	BOLT	1	
11	4H7-18511-01	FORK, shift 1	1	
12	4H7-18512-01	FDRK, shift 2	1	
13	4H7-18513-01	FORK, shift 3	1	
14	4H7-18531-00	BAR, shift fork guide 1	1	
15	93440-11029	•CIRCLIP	1	



16G110-3241

D8

FIG. 25 SHIFT SHAFT•PEDAL



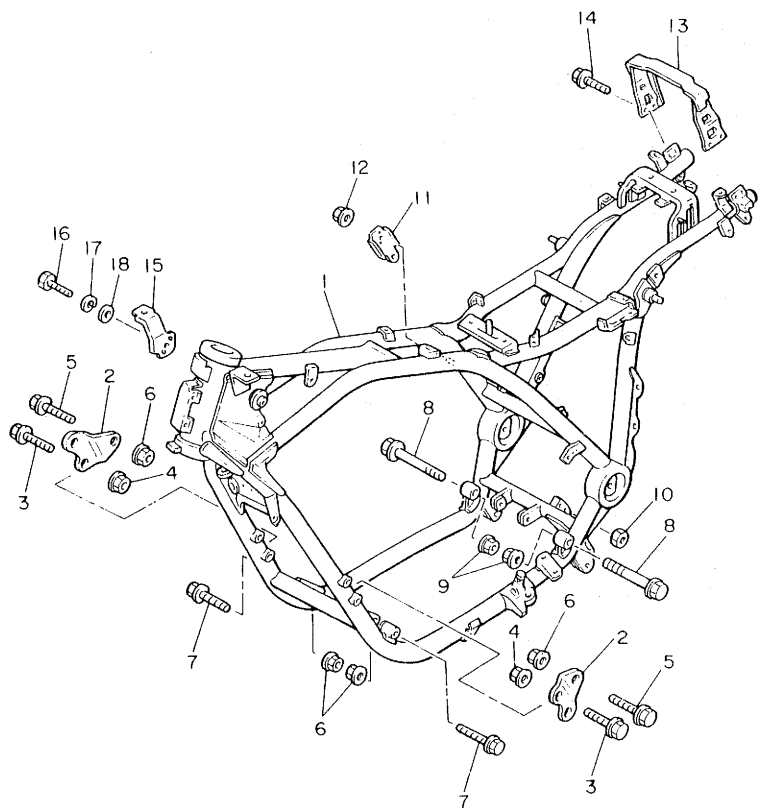
REF. NO.	PART NO.	DESCRIPTION	Q'TY	REMARKS
1	16G-18101-00	SHIFT SHAFT ASSY	1	
2	90506-08227	•SPRING, tension	1	
3	4H7-18140-00	STOPPER LEVER ASSY	1	
4	90508-29530	SPRING, torsion	1	
5	4K0-18120-01	SHIFT LEVER ASSY	1	
6	90508-32535	SPRING, torsion	1	
7	93430-10016	CIRCLIP	1	
8	90387-124F4	COLLAR	1	
9	90201-12166	WASHER, Plate	1	
10	93608-50158	PIN, dowel	1	
11	93102-12106	OIL SEAL	1	
12	16G-18111-00	PEDAL, shift	1	
13	132-18113-01	COVER, shift Pedal	1	
14	97306-06020	BOLT	1	
15	16G-18197-00	SHAFT	1	
16	93440-12066	CIRCLIP	1	
17	93210-09350	O-RING	1	
18	5K7-18112-00	ARM, shift	1	
19	90201-124E4	WASHER, Plate	1	
20	93430-10034	CIRCLIP	1	
21	16G-18115-00	ROD, shift	1	
22	95306-06700	NUT	1	
23	90170-06289	NUT	1	
24	2H9-18154-00	COVER, dust	2	



11N300-2220

**D9**

FIG. 26 FRAME

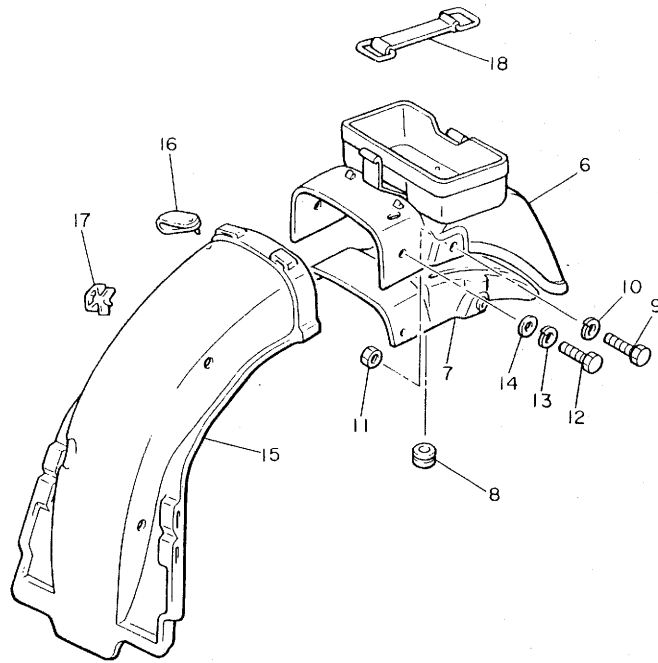


REF. NO.	PART NO.	DESCRIPTION	Q'TY	REMARKS
1	17Y-21110-00-98	FRAME COMP	1	low gloss black
2	5G2-21315-00	STAY, engine 2	2	
3	90105-08107	BOLT, washer based	4	
4	90179-08246	NUT	4	
5	90105-10169	BOLT, washer based	2	
6	95701-10100	NUT, flange	4	
7	90105-10038	BOLT, washer based	2	
8	90105-12168	BOLT, washer based	2	
9	95701-12100	NUT, flange	2	
10	90179-08388	NUT	2	
11	16G-2142G-00	STAY 1	1	
12	95706-06100	NUT, flange	1	
13	16G-21151-00	BRACKET, rear fender 1	1	
14	91316-06010	BOLT	4	
15	16G-2134V-01	BRACKET	1	
16	97306-06016	BOLT	1	
17	92906-06100	WASHER, spring	1	
18	92906-06600	WASHER, Plate	1	

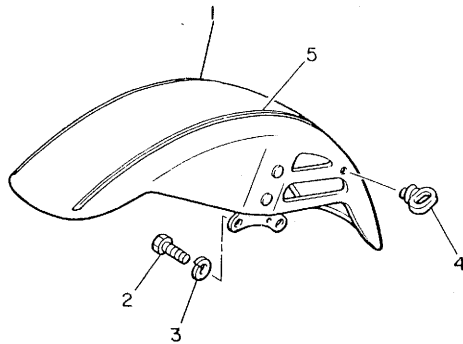


16G110-3260

FIG. 27 FRONT FENDER•REAR FENDER



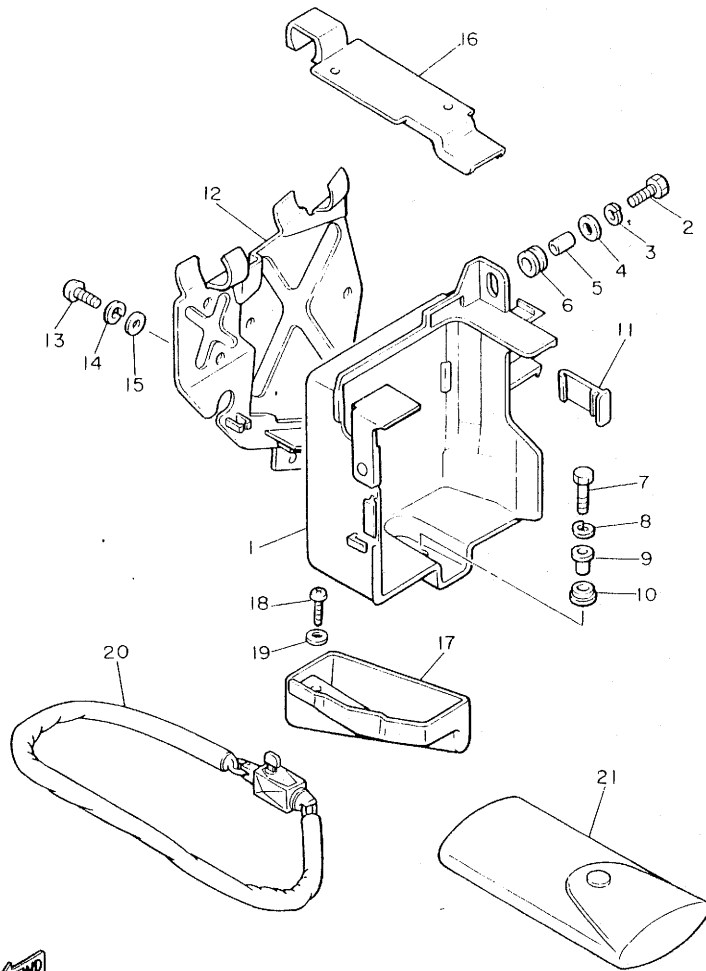
REF. NO.	PART NO.	DESCRIPTION	Q'TY	REMARKS
1	16G-21510-00-20	FRONT FENDER COMP.	1	crystal silver
2	97301-08020	BOLT	4	
3	92901-08100	WASHER, sPring	4	
4	1A8-21518-00	HOLDER, cable	1	
5	16G-21570-10	GRAPHIC SET, front fender	1	
6	16G-W2161-11	REAR FENDER COMP.	1	
7	16G-21670-00	REINF. COMP.	1	
8	90480-15061	GROMMET	1	
9	95826-08025	BOLT, flange	2	
10	92906-08100	WASHER, sPring	2	
11	95306-08600	NUT	2	
12	97326-06016	BOLT	2	
13	92906-06100	WASHER, sPring	2	
14	92906-06200	WASHER, Plain	2	
15	4H7-21629-00	GUARD, mud	1	
16	90464-12027	CLAMP	1	
17	90464-16021	CLAMP	1	
18	116-82131-00	BAND, battery	1	



17Y700-2270

D11

FIG. 28 SIDE COVER. TOOL

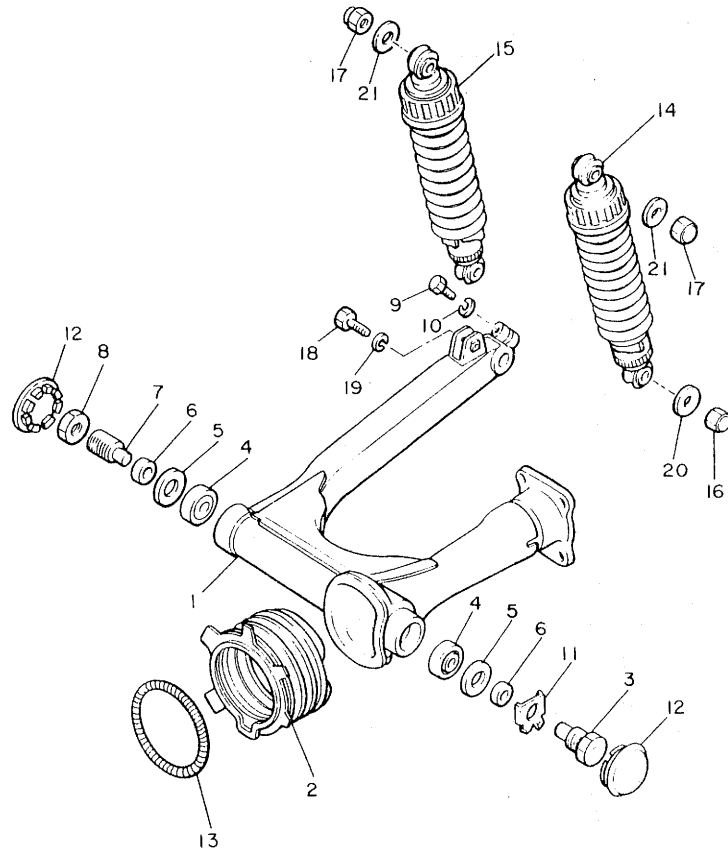


REF. NO.	PART NO.	DESCRIPTION	Q'TY	REMARKS
1	16G-21240-00	BOX COMP.	1	
2	97322-06025	BOLT	1	
3	92902-06100	WASHER, sPring	1	
4	90201-06407	WASHER, Plate	1	
5	90387-060A7	COLLAR	1	
6	90480-16233	GROMMET	1	
7	97322-08025	BOLT	1	
8	92902-08100	WASHER, sPring	1	
9	90387-09617	COLLAR	1	
10	4H7-21746-00	DAMPER	1	
11	4H7-2175R-00	HOOK, bank	1	
12	16G-21243-01	PLATE, bridge	1	
13	92501-06020	SCREW, Pan head	1	
14	92902-06100	WASHER, sPring	1	
15	90201-06557	WASHER, Plate	1	
16	16G-21361-01	HOLDER, fuse	1	
17	16G-21258-00	BOX	1	
18	98506-05010	SCREW, Pan head	2	
19	92906-05600	WASHER, Plate	2	
20	4R0-W2171-00	WHEEL LOCK ASSY	1	
21	16G-28100-10	TOOL KIT	1	



16G110-3280

FIG. 29 REAR ARM SUSPENSION



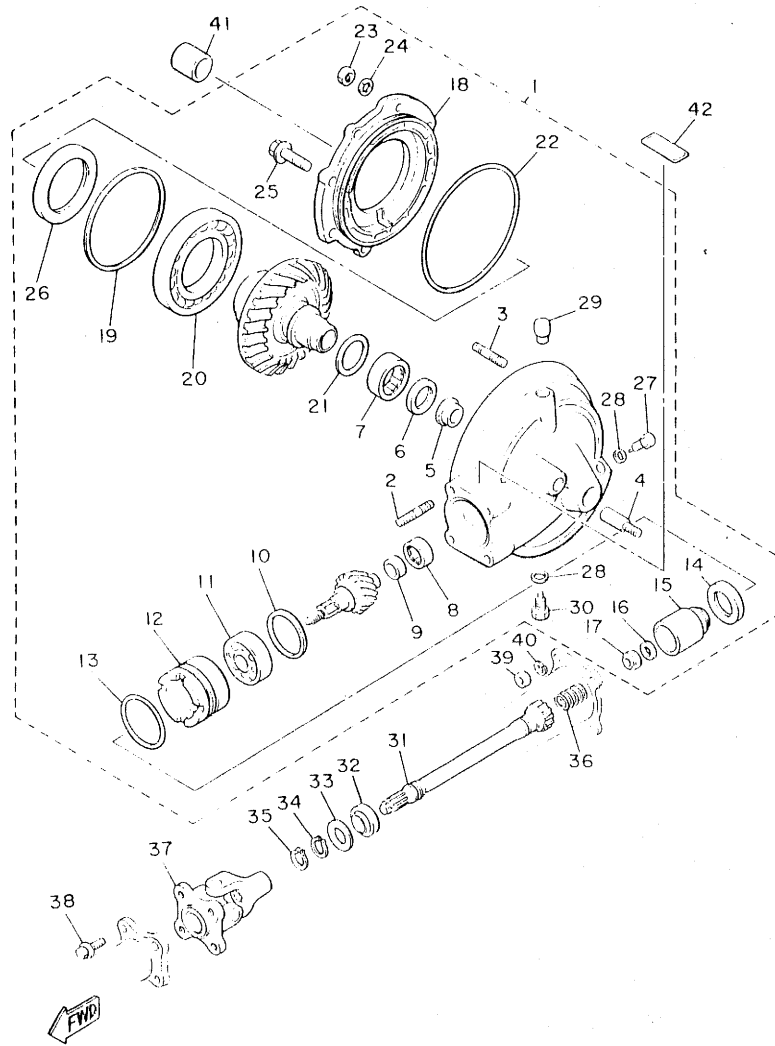
REF. NO.	PART NO.	DESCRIPTION	Q'TY	REMARKS
1	4K0-22110-00-98	REAR ARM COMP.	1	low gloss black
2	4H7-22189-00	BOOT, rubber	1	
3	4H7-22141-00	SHAFT, Pivot	1	
4	93332-00010	BEARING	2	
5	93102-25017	OIL SEAL	2	
6	90387-17543	COLLAR	2	
7	1J7-22141-00	SHAFT, Pivot	1	
8	1J7-22143-00	NUT	1	
9	97306-08035	BOLT	1	
10	92906-08100	WASHER, sPring	1	
11	90215-22171	WASHER, lock	1	
12	2H7-2219X-00	COVER	2	
13	90506-07136	SPRING, tension	1	
14	11T-22210-00	SHOCK ABSORBER ASSY, rear	1	
15	11T-22210-10	SHOCK ABSORBER ASSY, rear	1	
16	90176-10013	NUT, crown	1	
17	90176-10009	NUT, crown	2	
18	90106-10030	BOLT	1	
19	92903-10100	WASHER, sPring	1	
20	90201-10140	WASHER, Plate	1	
21	90201-10142	WASHER, Plate	2	



17Y700-2290

**D13**

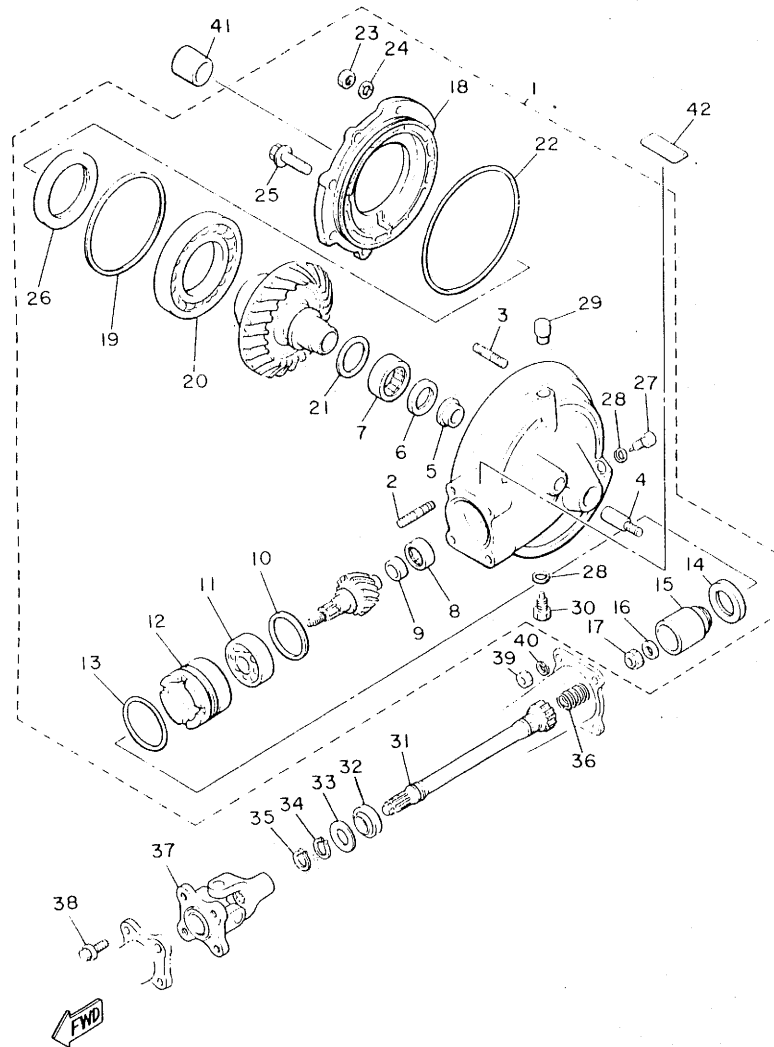
FIG. 30 DRIVE SHAFT



16G110-3300

REF. NO.	PART NO.	DESCRIPTION	Q'TY	REMARKS
1	16G-46101-NO	REAR AXLE GEAR CASE ASSY	1	
2	90116-10362	.BOLT, stud	4	
3	90116-08360	.BOLT, stud	6	
4	90116-10249	.BOLT, stud	1	
5	4H7-46153-00	.COLLAR, guide	1	
6	93101-30084	.OIL SEAL	1	
7	93311-43729	.BEARING, cylindrical	1	
8	93317-41510	.BEARING, cylindrical	1	
9	2H7-46122-00	.RACE, inner	1	
10	1J7-17537-Y0-15	.SHIM, thrust (0.15T)	1	UR
	1J7-17537-Y0-30	.SHIM, thrust (0.30T)	1	UR
	1J7-17537-Y0-40	.SHIM, thrust (0.40T)	1	UR
	1J7-17537-Y0-50	.SHIM, thrust (0.50T)	1	UR
	1J7-17537-Y0-60	.SHIM, thrust (0.60T)	1	UR
11	93306-30533	.BEARING (B6305RB1 SPECIAL)	1	
12	4H7-46125-00	.RETAINER, bearing	1	
13	93210-60426	.O-RING	1	
14	93101-38098	.OIL SEAL	1	
15	4H7-46123-00	.COUPLING, gear	1	
16	90201-14632	.WASHER, Plate	1	
17	90185-14070	.NUT, self-locking	1	
18	4H7-46152-00	.HOUSING, bearing	1	
19	1J7-46117-Y0-25	.SHIM, ring gear (0.25T)	1	UR
	1J7-46117-Y0-30	.SHIM, ring gear (0.30T)	1	UR
	1J7-46117-Y0-35	.SHIM, ring gear (0.35T)	1	UR
	1J7-46117-Y0-40	.SHIM, ring gear (0.40T)	1	UR
	1J7-46117-Y0-45	.SHIM, ring gear (0.45T)	1	UR
	1J7-46117-Y0-50	.SHIM, ring gear (0.50T)	1	UR

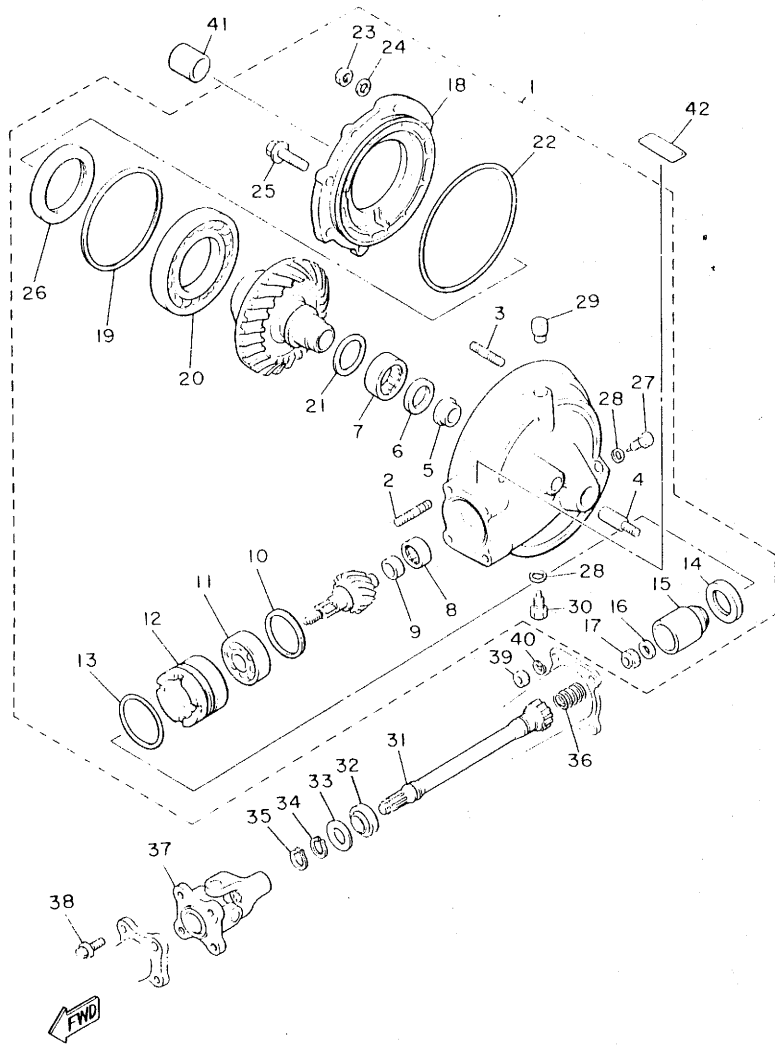
FIG. 30 DRIVE SHAFT



16G110-3300

REF. NO.	PART NO.	DESCRIPTION	Q'TY	REMARKS
20	93316-01403	.BEARING, cylindrical	1	
21	1J7-46118-Y0-18	.WASHER, thrust (1.8T)	1	UR
	1J7-46118-Y0-19	.WASHER, thrust (1.9T)	1	UR
	1J7-46118-Y0-20	.WASHER, thrust (2.0T)	1	UR
	1J7-46118-Y0-21	.WASHER, thrust (2.1T)	1	UR
	4H7-46118-00-14	.WASHER, thrust (1.4T)	1	UR
	4H7-46118-00-15	.WASHER, thrust (1.5T)	1	UR
	4H7-46118-00-16	.WASHER, thrust (1.6T)	1	UR
	4H7-46118-00-17	.WASHER, thrust (1.7T)	1	UR
	4H7-46118-00-22	.WASHER, thrust (2.2T)	1	UR
	4H7-46118-00-23	.WASHER, thrust (2.3T)	1	UR
22	93211-44348	.D-RING	1	
23	95311-08600	.NUT	6	
24	92901-08700	.WASHER, wave	6	
25	95821-10025	.BOLT, flange	2	
26	93102-70167	.OIL SEAL	1	
27	90340-14063	.PLUG, straight screw	1	
28	214-11198-01	.GASKET	2	
29	4H3-17590-00	.BREATHER COMP.	1	
30	90340-14042	.PLUG, straight screw	1	
31	5G2-46172-00	SHAFT, drive	1	
32	93108-23007	OIL SEAL	1	
33	90201-231A2	WASHER, Plate	1	
34	93410-23056	CIRCLIP	1	
35	93410-22039	CIRCLIP	1	
36	90501-16491	SPRING, comPression	1	
37	4H7-46180-00	CROSS JOINT COMP.	1	
38	90105-08066	BOLT, washer based	4	

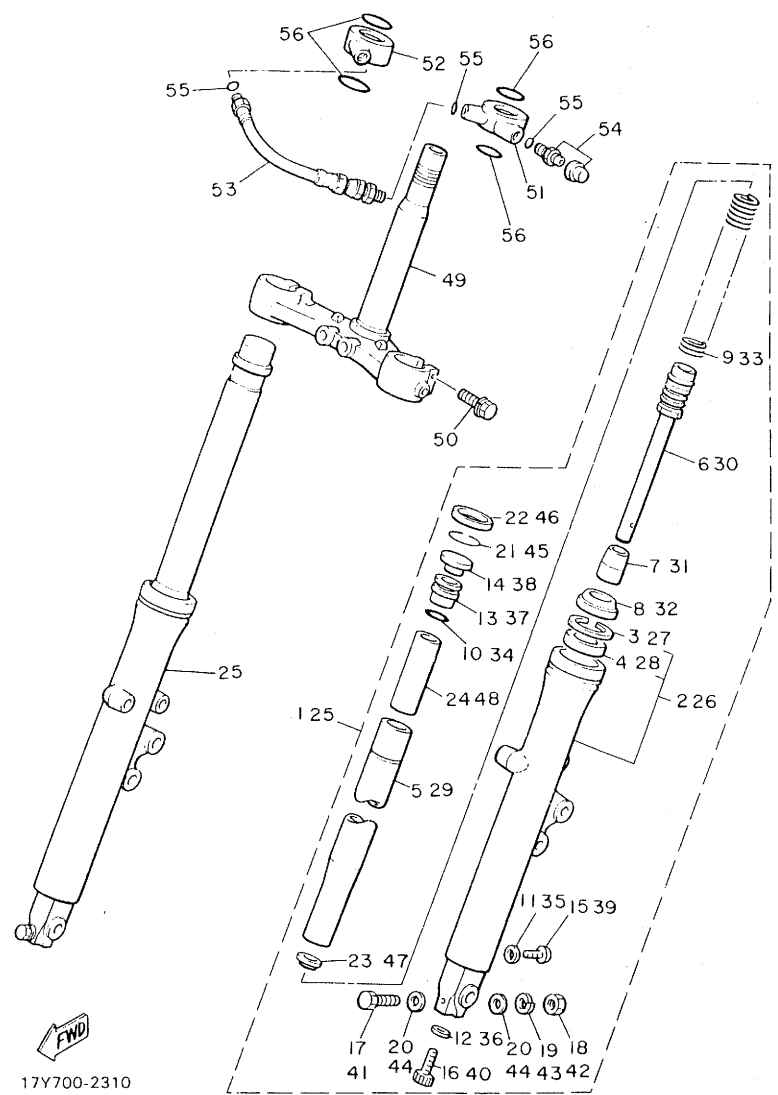
FIG. 30 DRIVE SHAFT



REF. NO.	PART NO.	DESCRIPTION	Q'TY	REMARKS
39	95316-10600	NUT	4	
40	92906-10100	WASHER, sPring	4	
41	90387-172A5	COLLAR	1	
42	4H7-46181-10	LABEL, oil caution	1	

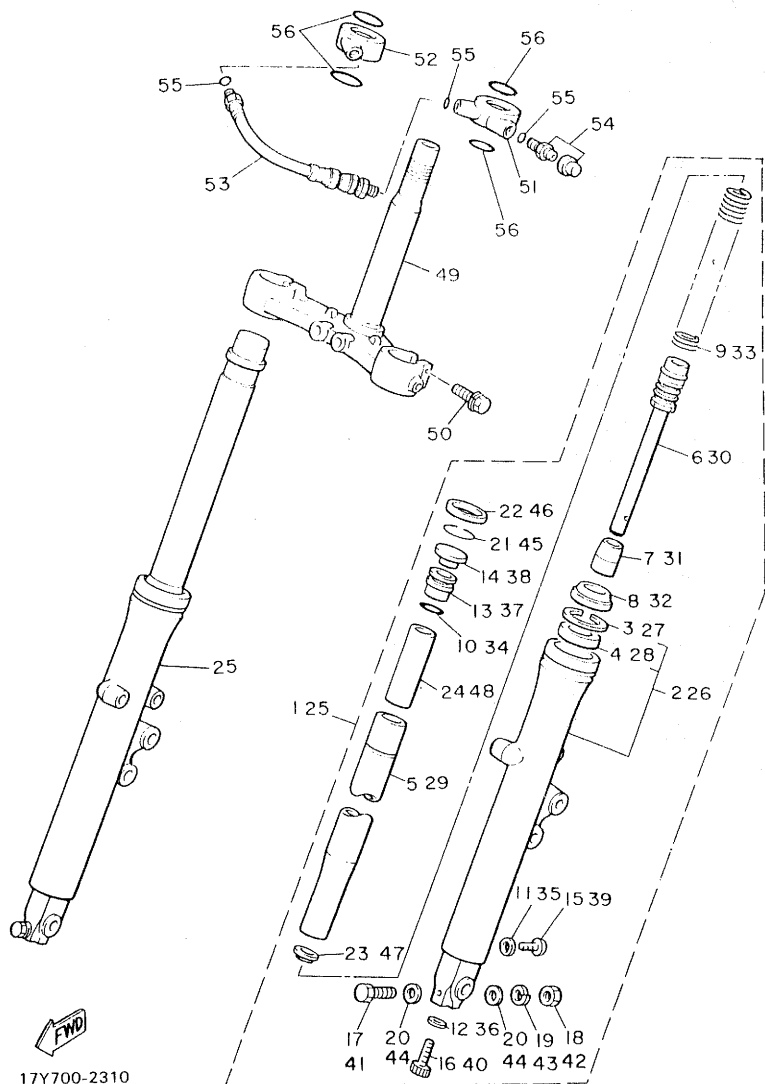
16G110-3300

FIG. 31 FRONT FORK



REF. NO.	PART NO.	DESCRIPTION	Q'TY	REMARKS
1	11T-23102-00	FRONT FORK ASSY (L.H)	1	
2	11T-23126-00-6G	.TUBE, outer 1	1	new yamaha black
3	3R4-23153-00	..RING, snaP	1	
4	2H7-23145-00	..OIL SEAL	1	
5	11T-23110-00	.INNER TUBE COMP.1	1	
6	16G-23170-01	.CYLINDER COMP., front fork	1	
7	1W1-23173-L0	.SPINDLE, taPer	1	
8	3H5-23144-00	.SEAL, dust	1	
9	16G-23141-01	.SPRING, front fork	1	
10	240-23114-00	.GASKET	1	
11	122-23129-00	.GASKET, drain Plug	1	
12	509-23158-L0	.GASKET	1	
13	11H-23111-00	.BOLT, caP	1	
14	16G-23168-00	.CAP, front fork	1	
15	4H1-23119-00	.PLUG, drain	1	
16	278-23181-50	.BOLT, hexaGon socket head	1	
17	4G0-23356-00	.BOLT 2	1	
18	95316-08600	.NUT	1	
19	92906-08100	.WASHER, sPring	1	
20	90201-08544	.WASHER, Plate	2	
21	15R-23153-00	.RING, snaP	1	
22	2H7-23163-00	.WASHER	1	
23	583-23142-00	.SEAT, sPring uPPer	1	
24	15R-23118-00	.SPACER	1	
25	11T-23103-00	FRONT FORK ASSY (R.H)	1	
26	11T-23136-00-6G	.TUBE, outer 2	1	new yamaha black
27	3R4-23153-00	..RING, snaP	1	
28	2H7-23145-00	..OIL SEAL	1	

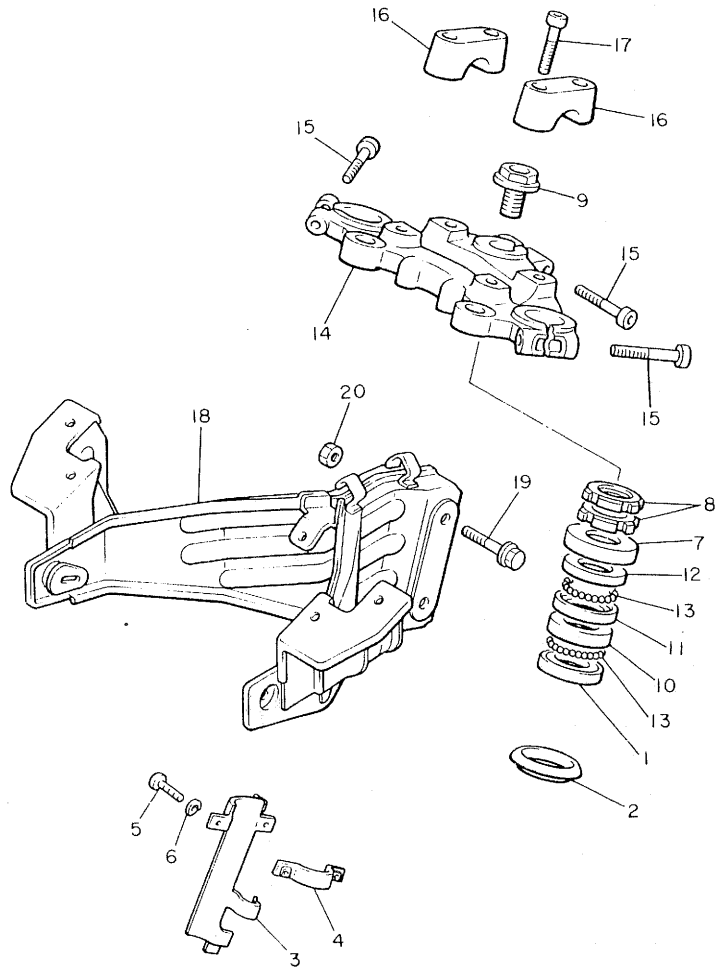
FIG. 31 FRONT FORK



17Y700-2310

REF. NO.	PART NO.	DESCRIPTION	Q'TY	REMARKS
29	11T-23110-00	•INNER TUBE COMP.1	1	
30	16G-23170-01	•CYLINDER COMP., front fork	1	
31	1W1-23173-L0	•SPINDLE, taPer	1	
32	3H5-23144-00	•SEAL, dust	1	
33	16G-23141-01	•SPRING, front fork	1	
34	240-23114-00	•GASKET	1	
35	122-23129-00	•GASKET, drain PLUG	1	
36	509-23158-L0	•GASKET	1	
37	11H-23111-00	•BOLT, caP	1	
38	16G-23168-00	•CAP, front fork	1	
39	4H1-23119-00	•PLUG, drain	1	
40	278-23181-50	•BOLT, hexaGon socket head	1	
41	4G0-23356-00	•BOLT 2	1	
42	95316-08600	•NUT	1	
43	92906-08100	•WASHER, sPring	1	
44	90201-08544	•WASHER, Plate	2	
45	15R-23153-00	•RING, snaP	1	
46	2H7-23163-00	•WASHER	1	
47	583-23142-00	•SEAT, sPring uPPer	1	
48	15R-23118-00	•SPACER	1	
49	11T-23340-00	UNDER BRACKET COMP.	1	
50	90116-08012	BOLT, stud	4	
51	11T-2318A-00	JOINT, air 1	1	
52	11T-2319A-00	JOINT, air 2	1	
53	16G-2318F-01	HOSE, air	1	
54	4V4-23190-L0	AIR VALVE COMP.	1	
55	3J2-23147-00	O-RING	3	
56	11T-23188-00	O-RING	4	

FIG. 32 STEERING



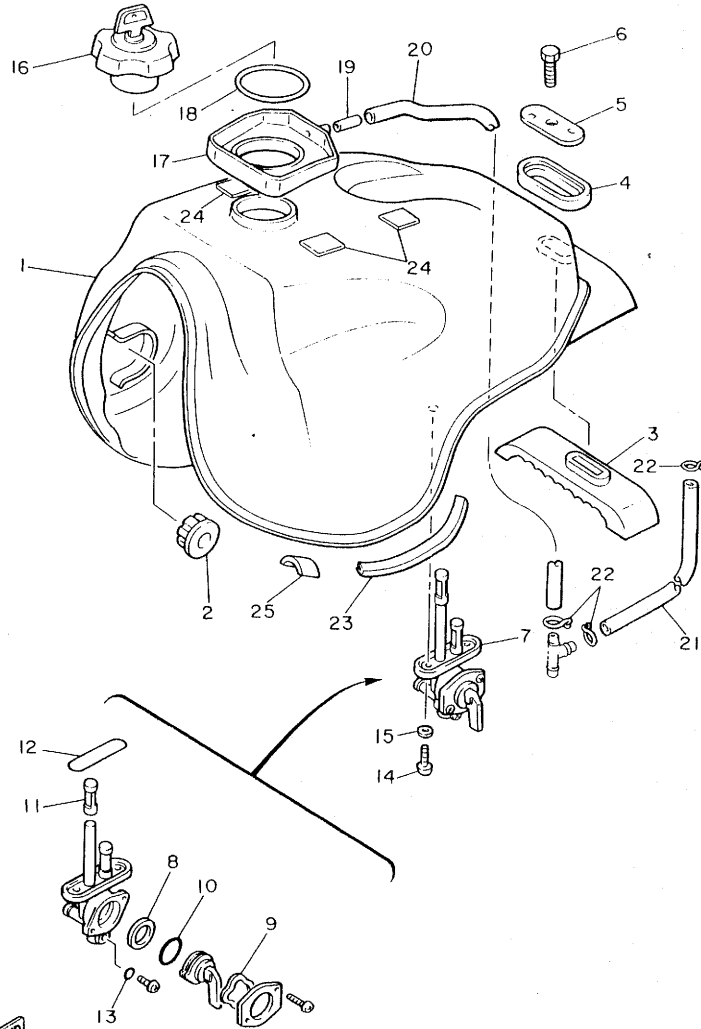
REF. NO.	PART NO.	DESCRIPTION	Q'TY	REMARKS
1	256-23411-00	RACE, ball 1	1	
2	164-23462-00	SEAL, steering	1	
3	11T-25887-00	HOLDER, brake hose	1	
4	16G-25886-00	HOLDER, brake hose	1	
5	92501-06012	SCREW, Pan head	2	
6	92901-06100	WASHER, sPring	2	
7	4K0-23415-00	COVER, ball race 1	1	
8	4H3-23454-00	NUT, fitting 2	2	
9	4H3-23451-00	BOLT, fitting 1	1	
10	256-23412-00	RACE, ball 2	1	
11	256-23413-00	RACE, ball 3	1	
12	256-23414-00	RACE, ball 4	1	
13	93501-04011	BALL	38	
14	11T-23435-00-98	CROWN, handle	1	low gloss black
15	91316-08045	BOLT	3	
16	360-23441-01-98	HOLDER, handle upper	2	low gloss black
17	91316-08030	BOLT	4	
18	16G-23174-00	STAY, headlight	1	
19	90105-08107	BOLT, washer based	2	
20	90179-08246	NUT	2	



16G110-3320

E5

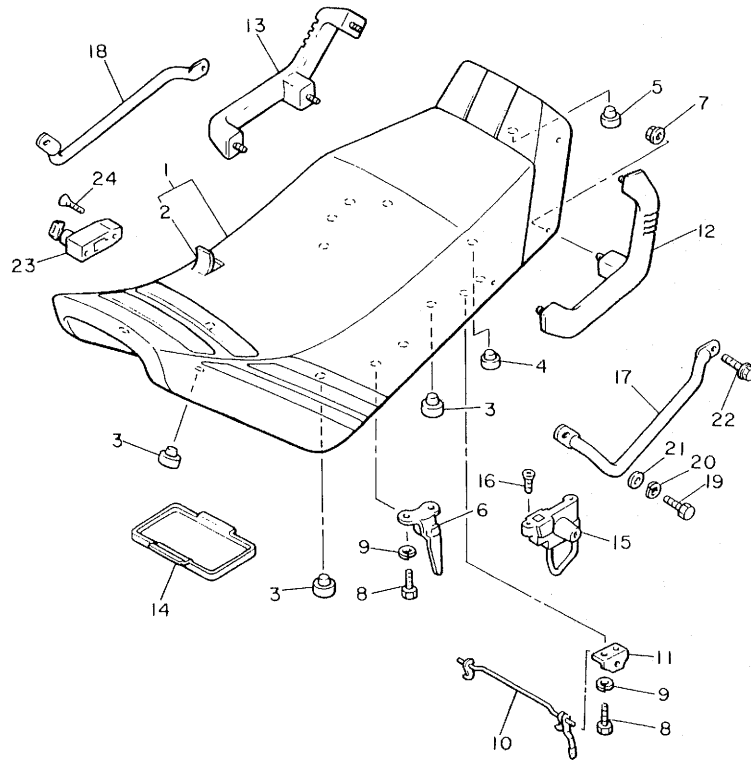
FIG. 33 FUEL TANK



REF. NO.	PART NO.	DESCRIPTION	Q'TY	REMARKS
1	16G-24110-10-33	FUEL TANK COMP.	1	yamaha black
2	4H7-24181-00	DAMPER, locatin# 1	2	
3	4H7-24182-01	DAMPER, locatin# 2	1	
4	4H7-24183-00	DAMPER, locatin# 3	1	
5	4H7-24186-00	WASHER, sPecial	1	
6	97320-08012	BOLT	1	
7	16G-24500-01	FUEL COCK ASSY 1	1	
8	2G2-24523-00	•VALVE	1	
9	16G-24518-00	•WASHER, wave	1	
10	2G2-24534-00	•O-RING	1	
11	4X8-24536-01	•STRAINER	1	
12	2G2-24512-00	•O-RING	1	
13	2G2-24522-00	•GASKET	1	
14	90149-06011	SCREW	2	
15	90202-06010	WASHER, Plate	2	
16	11H-24602-00	CAP ASSY	1	
17	16G-2414A-10	COVER, filler	1	
18	93450-58087	CIRCLIP	1	
19	90560-03220	SPACER	1	
20	90445-07664	HOSE	1	
21	90445-07665	HOSE	1	
22	90467-07029	CLIP	3	
23	16G-28345-00	MOLE 1	2	
24	16G-24141-10	PROTECTOR, fuel tank	4	
25	5G3-21747-00	DAMPER	1	

17Y700-2330

FIG. 34 SEAT

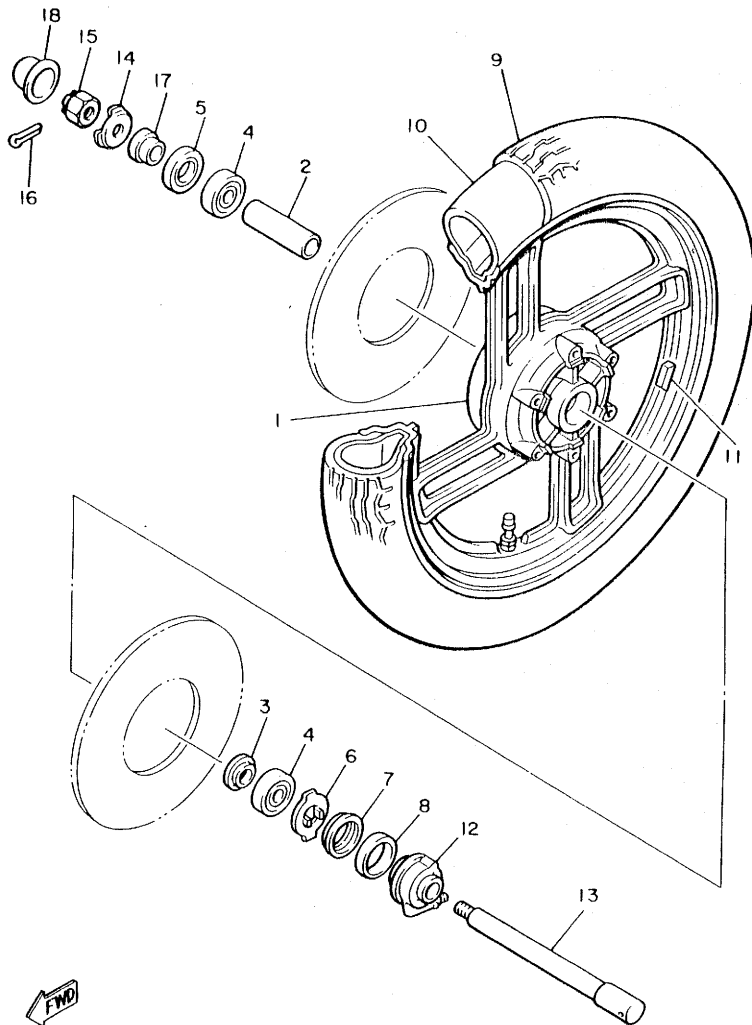


REF. NO.	PART NO.	DESCRIPTION	Q'TY	REMARKS
1	16G-W2472-10	DOUBLE SEAT ASSY	1	
2	16G-24731-10	.COVER, double seat	1	
3	1T4-24741-00	PAD, seat	4	
4	371-27114-00	STOPPER, main stand	3	
5	1M3-27114-00	STOPPER, main stand	1	
6	4K0-24728-00	BRACKET, seat	1	
7	95702-08100	NUT, flange	6	
8	97306-06016	BOLT	6	
9	92906-06100	WASHER, sPring	6	
10	16G-24776-00	LEVER, seat	1	
11	5A8-24738-00	BRACKET, seat	2	
12	16G-24773-00	HANDLE, seat	1	
13	16G-2474A-00	ASSIST, grip	1	
14	395-28185-00	LID	1	
15	16G-24705-00	SEAT LOCK ASSY	1	
16	98906-06008	SCREW, bind	2	
17	16G-21165-01	HANDLE, standing	1	
18	16G-21275-01	STAY, rear	1	
19	97306-06016	BOLT	2	
20	92906-06100	WASHER, sPring	2	
21	92906-06600	WASHER, Plate	2	
22	95806-08012	BOLT, flange	2	
23	4R8-21308-00	HELMET HANGER ASSY	1	
24	90149-06150	SCREW	1	



17Y700-2340

FIG. 35 FRONT WHEEL

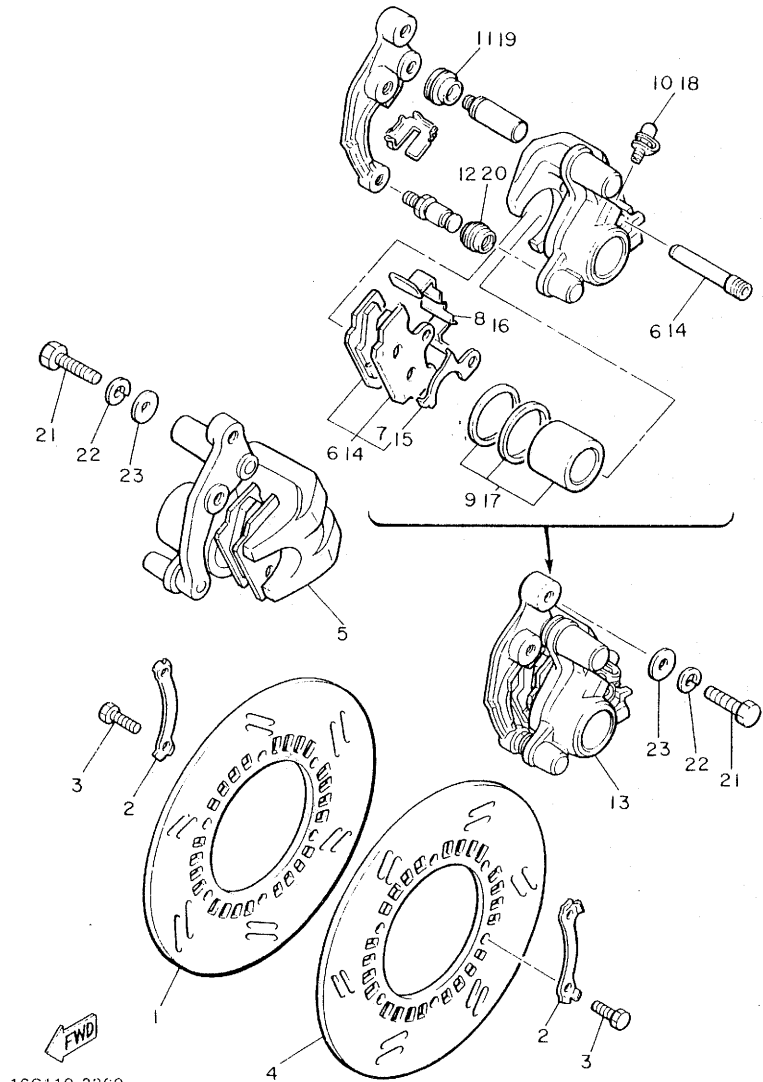


REF. NO.	PART NO.	DESCRIPTION	Q'TY	REMARKS
1	11T-25168-20-4N	CAST WHEEL, front	1	
2	90560-15116	SPACER	1	
3	146-25115-00	FLANGE, sPacer 1	1	
4	93306-30203	BEARING (B6302Z)	2	
5	93102-22014	OIL SEAL	1	
6	341-25149-00	CLUTCH, meter	1	
7	341-25846-00	RETAINER, clutch	1	
8	93105-45017	OIL SEAL	1	
9	94132-19798	TIRE (3.25-19)	1	UR bridgestone
	94132-19799	TIRE (3.25-19)	1	UR dunlop
10	94232-19122	TUBE (3.25-19)	1	UR bridgestone
	94232-19167	TUBE (3.25-19)	1	UR dunlop
11	1A1-25398-01	BALANCER, wheel (20G)	1	UN
	1A1-25399-00	BALANCER, wheel (10G)	1	UN
	2M0-25399-00	BALANCER, wheel (30G)	1	UN
12	4K0-25190-00	GEAR UNIT ASSY	1	
13	4H7-25181-01	AXLE, wheel	1	
14	92901-14200	WASHER, Plain	1	
15	90171-14020	NUT, castle	1	
16	91401-30030	PIN, cotter	1	
17	90387-15550	COLLAR	1	
18	521-25188-00	CAP	1	



17Y700-2350

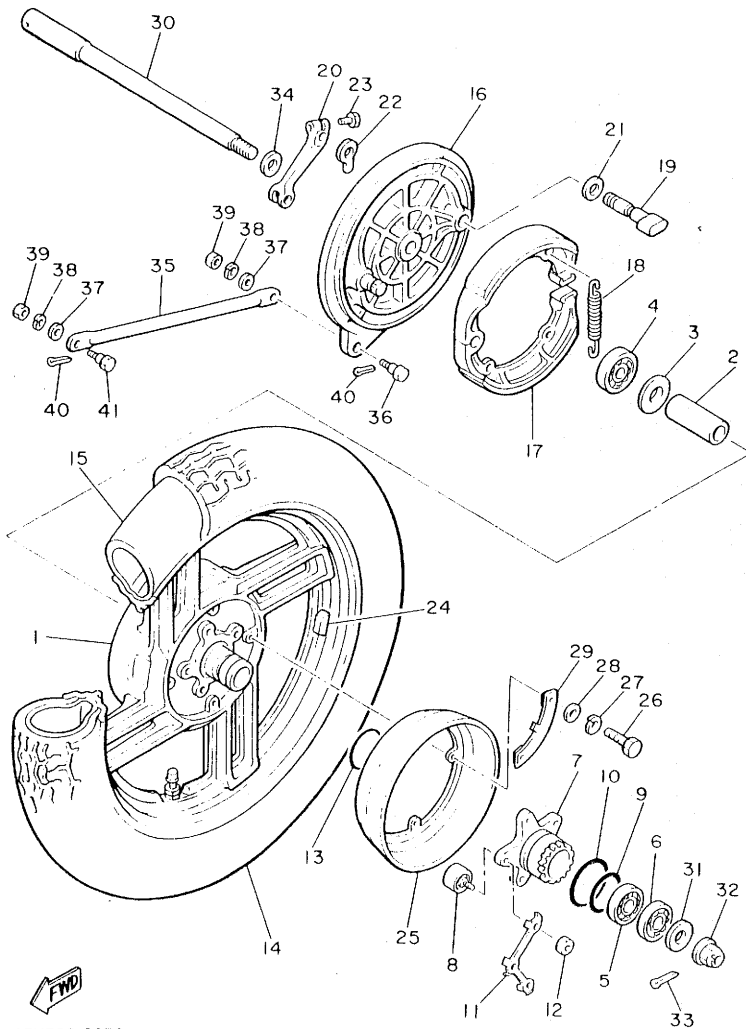
FIG. 36 FRONT BRAKE CALIPER



16G110-3360

REF. NO.	PART NO.	DESCRIPTION	Q'TY	REMARKS
1	16G-25831-00	DISC, brake	1	
2	11H-25834-00	WASHER, lock	6	
3	90101-08312	BOLT	12	
4	16G-25831-10	DISC, brake	1	
5	11U-25810-00	CALIPER ASSY (RIGHT)	1	
6	11U-W0045-00	.BRAKE PAD KIT, front	1	
7	11U-25827-00	..SHIM, caliPer	1	
8	11H-25919-00	.SUPPORT, Pad	1	
9	4X8-W0057-00	.PISTON ASSY, caliPer	1	
10	404-W0048-30	.BREED SCREW KIT	1	
11	4X8-25917-00	.BOOT, caliPer	1	
12	5R2-25937-00	.BOOT 2	1	
13	11U-25810-10	CALIPER ASSY (LEFT)	1	
14	11U-W0045-10	.BRAKE PAD KIT, front	1	
15	11U-25827-10	..SHIM, caliPer	1	
16	11H-25919-00	.SUPPORT, Pad	1	
17	4X8-W0057-00	.PISTON ASSY, caliPer	1	
18	404-W0048-30	.BREED SCREW KIT	1	
19	4X8-25917-00	.BOOT, caliPer	1	
20	5R2-25937-00	.BOOT 2	1	
21	90101-10500	BOLT	4	
22	92906-10100	WASHER, sPring	4	
23	92906-10200	WASHER	4	

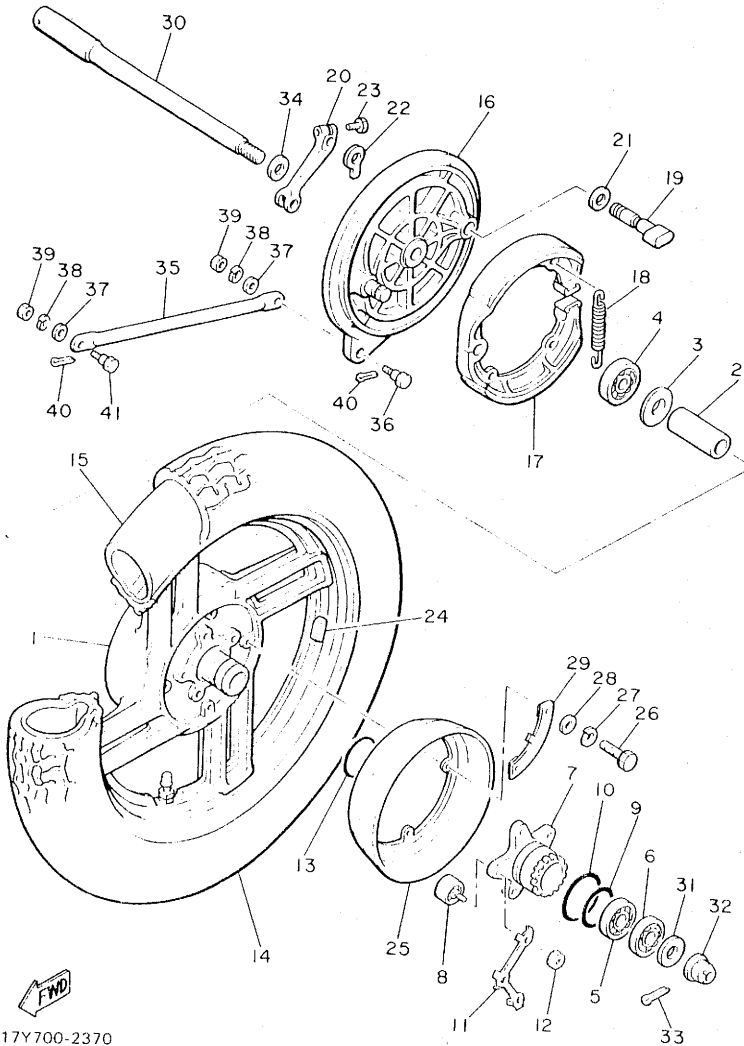
FIG. 37 REAR WHEEL



17Y700-2370

REF. NO.	PART NO.	DESCRIPTION	Q'TY	REMARKS
1	11T-25338-21-4N	CAST WHEEL, rear	1	
2	90560-17125	SPACER	1	
3	148-25315-00	FLANGE, sPacer	1	
4	93306-30306	BEARING (B6303)	1	
5	93306-20316	BEARING (B6203)	1	
6	93306-20310	BEARING (B6203RS)	1	
7	16G-25366-00	CLUTCH, hub	1	
8	16G-25364-00	DAMPER	6	
9	93210-48530	O-RING	1	
10	93210-59531	O-RING	1	
11	16G-25412-00	WASHER	2	
12	90170-10219	NUT	6	
13	93210-57428	O-RING	1	
14	94112-18796	TIRE	1	UR bridgestone
	94112-18797	TIRE	1	UR dunlop
15	94212-18171	TUBE (120/90-18)	1	UR bridgestone
	94212-18188	TUBE (120/90-18)	1	UR dunlop
16	16G-25321-00	PLATE, brake shoe	1	
17	16G-25330-00	BRAKE SHOE COMP.	2	
18	90507-20002	SPRING, tension	2	
19	4H7-25351-00	CAMSHAFT	1	
20	341-25355-00	LEVER, camshaft	1	
21	90201-14577	WASHER, Plate	1	
22	4H7-2533A-02	PLATE, indicator	1	
23	90101-06291	BOLT	1	
24	1A1-25398-01	BALANCER, wheel (20G)	1	UN
	1A1-25399-00	BALANCER, wheel (10G)	1	UN
	2M0-25399-00	BALANCER, wheel (30G)	1	UN

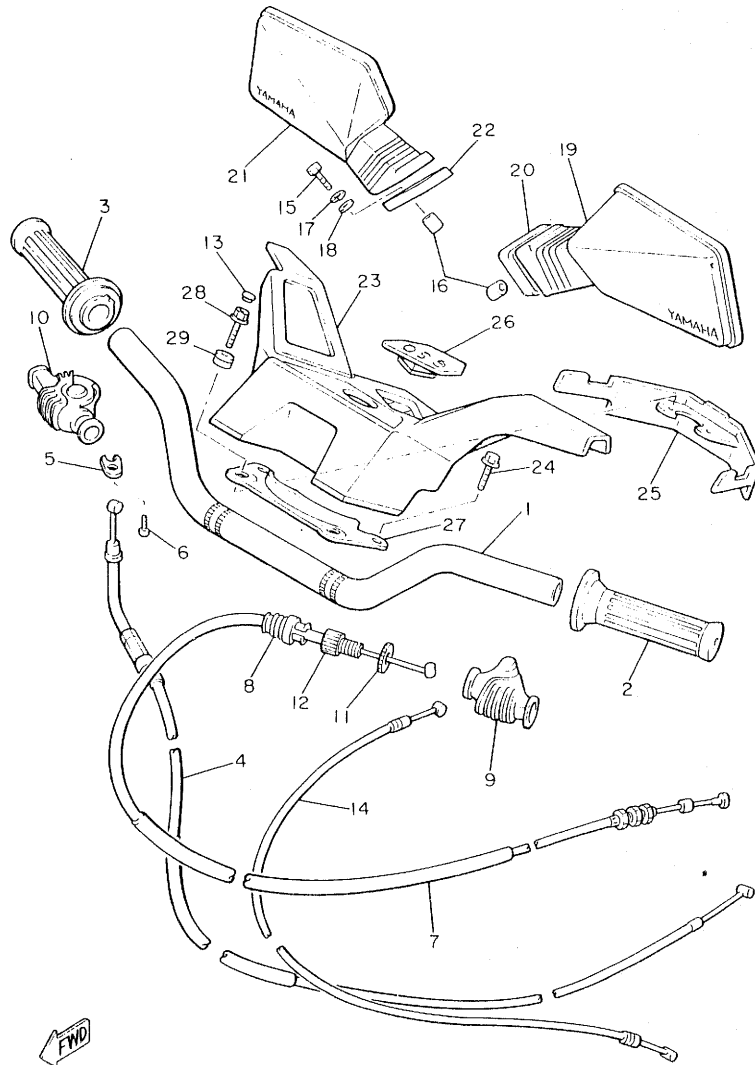
FIG. 37 REAR WHEEL



17Y700-2370

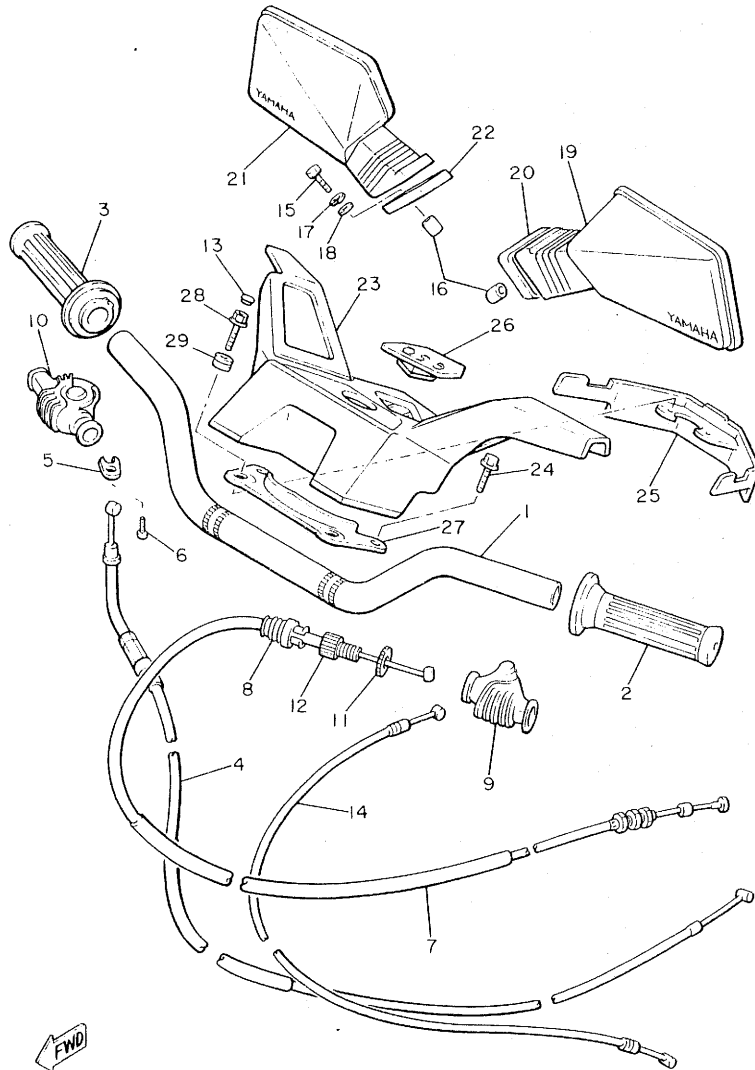
REF. NO.	PART NO.	DESCRIPTION	Q'TY	REMARKS
25	4H7-25327-00	COVER, Plate	1	
26	97321-05020	BOLT	4	
27	92901-05100	WASHER, sPrinG	4	
28	92901-05600	WASHER, Plate	4	
29	16G-2531A-00	STOPPER, damPer	2	
30	4H7-25381-00	AXLE, wheel	1	
31	90201-141A3	WASHER, Plate	1	
32	90179-14217	NUT	1	
33	91401-30030	PIN, cotter	1	
34	4H7-25377-00	COLLAR, wheel	1	
35	3H0-25371-00	BAR, tension	1	
36	90109-08406	BOLT	1	
37	92901-08600	WASHER, Plate	2	
38	92901-08100	WASHER, sPrinG	2	
39	95301-08700	NUT	2	
40	91401-20015	PIN, colter	2	
41	90109-08368	BOLT	1	

FIG. 38 HANDLEBAR CABLE



REF. NO.	PART NO.	DESCRIPTION	Q'TY	REMARKS
1	16G-26111-00	HANDLEBAR	1	
2	5G2-26241-00	GRIP (L.H)	1	
3	5G2-26240-00	GRIP ASSY	1	
4	16G-26311-00	CABLE, throttle 1	1	
5	5H0-26393-00	HOLDER	1	
6	98506-05008	SCREW, Pan head	1	
7	4K0-26335-00	CABLE, clutch	1	
8	1E6-26342-00	BOOT, cable	1	
9	11H-26372-00	COVER, handle lever 1	1	
10	1T5-26372-00	COVER, handle lever 1	1	
11	90179-08148	NUT	1	
12	90123-08046	BOLT	1	
13	341-23469-00	CAP, bolt	2	
14	16G-26331-00	CABLE, starter 1	1	
15	90153-06018	SCREW, hexagon	4	
16	90387-060E7	COLLAR	4	
17	92901-06100	WASHER, spring	4	
18	92901-06200	WASHER, Plain	4	
19	17Y-26290-10	BACK MIRROR ASSY	1	UR for australia
	16G-26290-10	BACK MIRROR ASSY	1	UR
20	16G-2629T-01	BOOT 1	1	
21	17Y-26290-00	BACK MIRROR ASSY	1	UR for australia
	16G-26290-00	BACK MIRROR ASSY	1	UR
22	16G-2629U-01	BOOT 2	1	
23	16G-26143-00	COVER, handlebar upper 1	1	
24	90119-06060	BOLT, with washer	2	
25	16G-26145-00	COVER, handlebar upper 2	1	
26	16G-26216-00	CAP, handlebar cover	1	

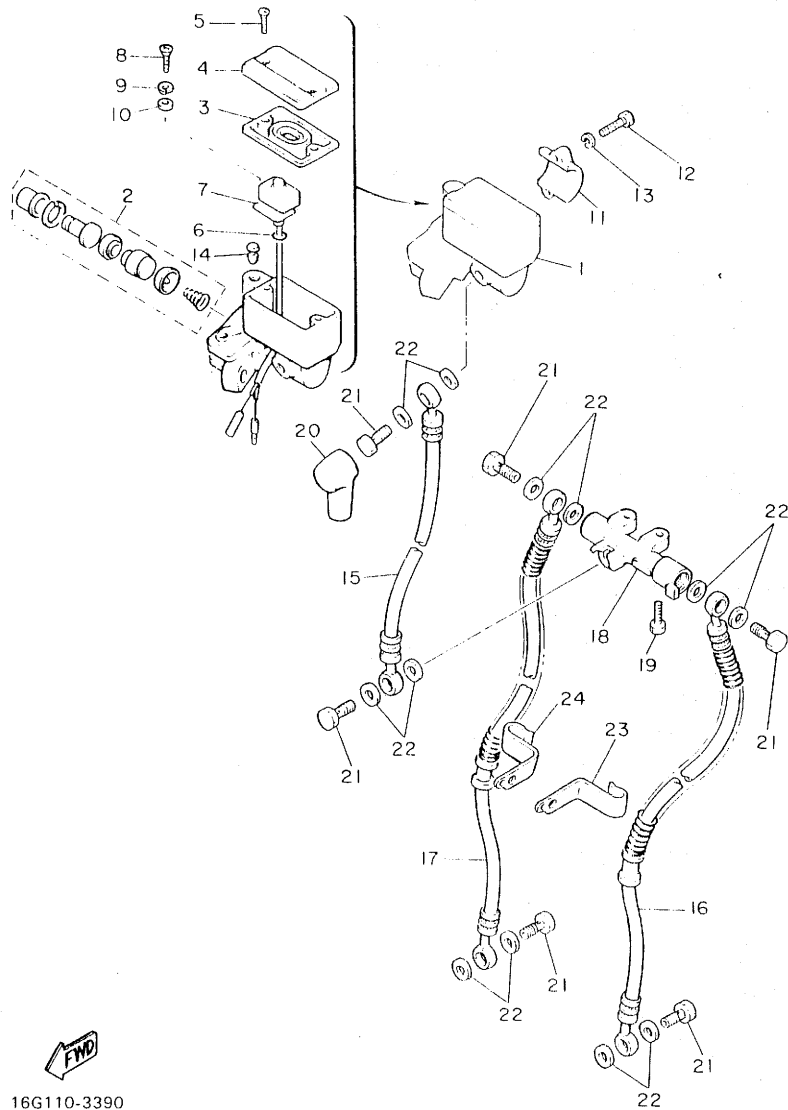
FIG. 38 HANDLEBAR•CABLE



REF. NO.	PART NO.	DESCRIPTION	Q'TY	REMARKS
27	16G-26226-00	BRACKET, handle cover 1	1	
28	95802-06012	BOLT, flange	2	
29	90480-01176	GROMMET	2	

17Y700-2380

FIG. 39 FRONT MASTER CYLINDER

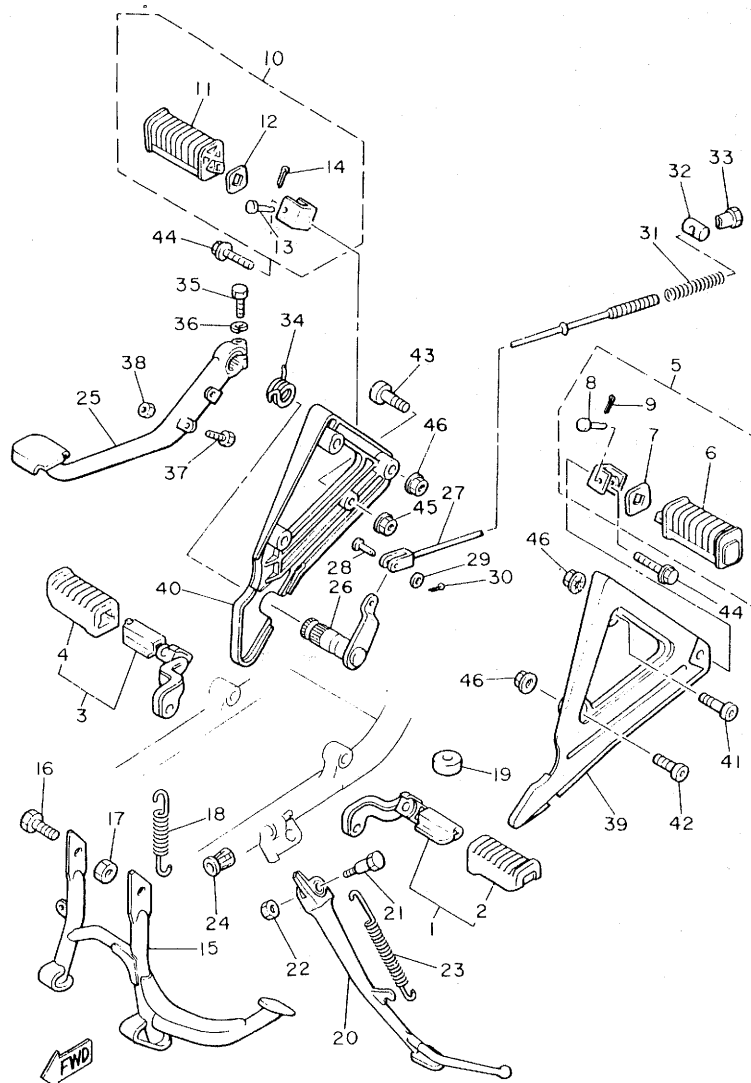


REF. NO.	PART NO.	DESCRIPTION	Q'TY	REMARKS
1	16G-25850-00	MASTER CYLINDER ASSY	1	
2	4K0-W0041-50	•CYLINDER KIT, master	1	
3	4K0-25854-00	•DIAPHRAGM, reservoir	1	
4	4K0-25852-00	•CAP, reservoir	1	
5	98706-04012	•SCREW, flat head	2	
6	93210-08493	•O-RING	1	
7	16G-85702-00	•LEAD SWITCH ASSY	1	
8	98501-04012	•SCREW, Pan head	1	
9	92901-04100	•WASHER, sPring	1	
10	92901-04600	•WASHER, Plate	1	
11	4L0-25867-00	BRACKET, master cylinder	1	
12	97326-06025	BOLT	2	
13	92906-06100	WASHER, sPring	2	
14	90338-09012	PLUG	2	
15	11T-25872-00	HOSE, brake 1	1	
16	16G-25873-00	HOSE, brake 2	1	
17	16G-25874-00	HOSE, brake	1	
18	4K0-25885-00	JOINT	1	
19	91316-06020	BOLT	2	
20	4L0-25862-00	BOOT, master cylinder	1	
21	90401-10034	BOLT, union	6	
22	90201-10118	WASHER, Plate	12	
23	16G-25875-00	HOLDER, brake hose 1	1	
24	16G-25876-00	HOLDER, brake hose 2	1	



16G110-3390

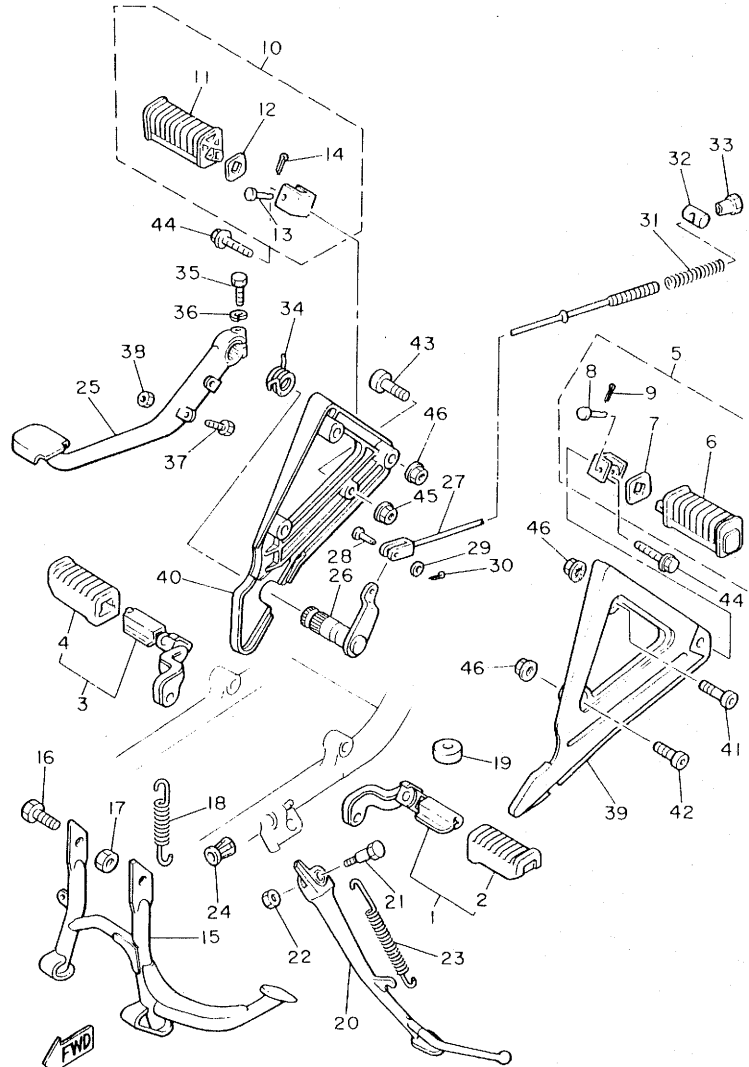
FIG. 40 STAND.FOOTREST



16G110-3400

REF. NO.	PART NO.	DESCRIPTION	Q'TY	REMARKS
1	4K0-27410-00-R4	FRONT FOOTREST ASSY (L.H)	1	black
2	1J7-27413-01	.COVER, footrest	1	
3	4K0-27420-00-R4	FRONT FOOTREST ASSY (R.H)	1	black
4	1J7-27413-01	.COVER, footrest	1	
5	5A8-27430-00	REAR FOOTREST ASSY 1	1	
6	1J7-27433-00	.COVER, rear footrest	1	
7	90209-18070	.WASHER	1	
8	91701-06035	.PIN, clevis	1	
9	91401-16012	.PIN, cotter	1	
10	5A8-27440-00	REAR FOOTREST ASSY 2	1	
11	1J7-27444-00	.COVER, rear footrest	1	
12	90209-18070	.WASHER	1	
13	91701-06035	.PIN, clevis	1	
14	91401-16012	.PIN, cotter	1	
15	16G-27111-00-R4	STAND, main	1	black
16	90109-10658	BOLT	2	
17	90185-10091	NUT, self-locking	2	
18	90506-40284	SPRING, tension	1	
19	371-27114-00	STOPPER, main stand	1	
20	5V2-27311-00-R4	STAND, side	1	black
21	90109-10590	BOLT	1	
22	95301-10700	NUT	1	
23	90507-29033	SPRING, tension	1	
24	5G2-27351-00	GUIDE, side stand	1	
25	16G-27211-00-5R	PEDAL, brake	1	chrome-Plated (black)
26	16G-27212-00	SHAFT, brake Pedal	1	
27	4K0-27231-01	ROD, brake	1	
28	90240-08067	PIN, clevis	1	

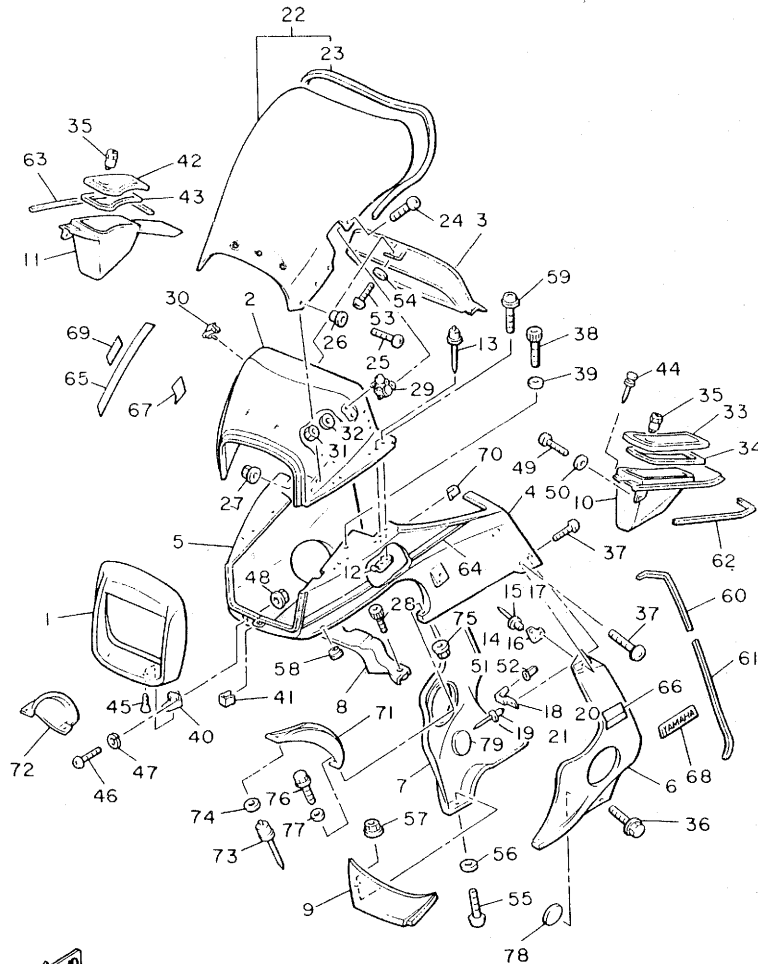
FIG. 40 STAND•FOOTREST



REF. NO.	PART NO.	DESCRIPTION	Q'TY	REMARKS
29	90201-08083	WASHER, Plate	1	
30	91401-20015	PIN, cotter	1	
31	90501-10245	SPRING, comPression	1	
32	90249-12008	PIN	1	
33	90179-06176	NUT	1	
34	90508-40550	SPRING, torsion	1	
35	90101-06494	BOLT	1	
36	92906-06100	WASHER, sPring	1	
37	90153-06008	SCREW, hexaGon	1	
38	90170-06184	NUT	1	
39	16G-27442-00	BRACKET 2	1	
40	16G-27443-00	BRACKET 3	1	
41	91311-10035	BOLT	2	
42	91316-10030	BOLT	2	
43	91311-08030	BOLT	1	
44	95801-10045	BOLT, flange	2	
45	95702-08100	NUT, flange	1	
46	95702-10100	NUT, flange	2	

16G110-3400

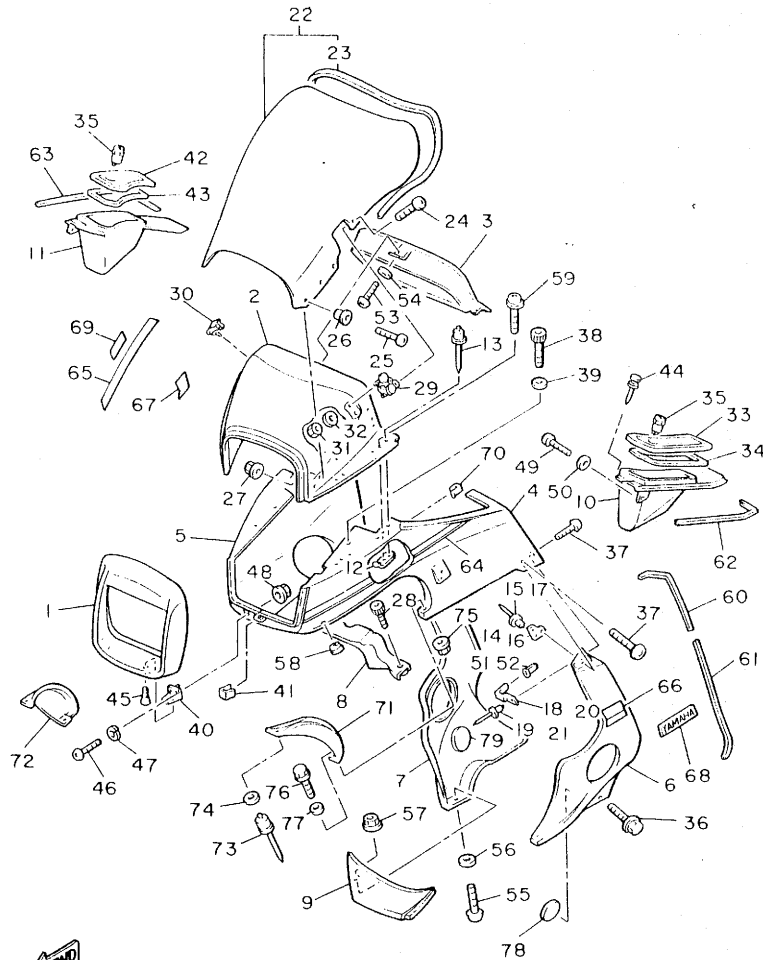
FIG. 41 COWLING 1



17Y664-2410

REF. NO.	PART NO.	DESCRIPTION	Q'TY	REMARKS
1	16G-2835A-00-20	RIM, headlight	1	crystal silver
2	16G-2835E-00-98	HOOD 1	1	low gloss black
3	16G-2835F-00	HOOD 2	1	
4	16G-2835G-00-20	BODY, front upper 1	1	crystal silver
5	16G-2835H-00-20	BODY, front upper 2	1	crystal silver
6	16G-2835J-00-20	BODY, front lower 1	1	crystal silver
7	16G-2835K-00-20	BODY, front lower 2	1	crystal silver
8	16G-2835L-01-20	COVER, cooler	1	crystal silver
9	16G-2835M-00-20	FIN	1	crystal silver
10	16G-2835U-00	PANEL, 1	1	
11	16G-2835V-00	PANEL, 2	1	
12	16G-2836G-00	BRACKET 4	4	
13	90267-32072	RIVET, blind	4	
14	16G-2836H-00	BRACKET 5	1	
15	90267-32096	RIVET, blind	2	
16	16G-2836J-00	BRACKET 6	1	
17	90267-32096	RIVET, blind	2	
18	16G-28356-00	STAY 1	1	
19	90267-32096	RIVET, blind	2	
20	16G-28357-00	STAY 2	1	
21	90267-32096	RIVET, blind	2	
22	11T-28380-00	WINDSCREEN ASSY X	1	
23	16G-28376-02	•TRIM	1	
24	90157-05032	SCREW, Pan head	2	
25	90157-05033	SCREW, Pan head	6	
26	90381-05041	BUSH, solid	6	
27	95702-05100	NUT, flange	6	

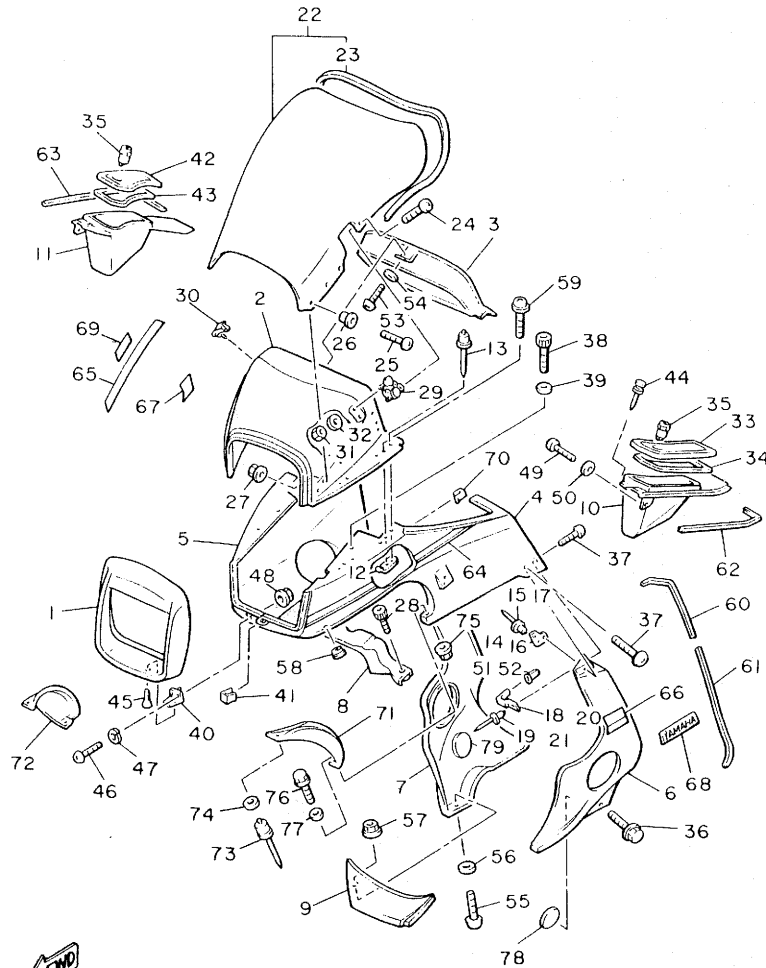
FIG. 41 COWLING 1



REF. NO.	PART NO.	DESCRIPTION	Q'TY	REMARKS
28	90159-06016	SCREW, with washer	2	
29	16G-2629N-00	BRACKET, mirror 1	1	
30	16G-2629R-00	BRACKET, mirror 1	1	
31	95302-06700	NUT	4	
32	92902-06200	WASHER	4	
33	16G-28396-00	PLATE 1	1	
34	16G-2837J-00	DAMPER 5	1	
35	16G-W2172-00	POCKET LOCK ASSY	2	
36	90119-06043	BOLT, with washer	2	
37	90150-06012	SCREW, round head	4	
38	91316-08025	BOLT	2	
39	92906-08200	WASHER, Plain	2	
40	16G-28367-00	BRACKET	1	
41	16G-2836F-00	BRACKET 3	1	
42	16G-28397-00	PLATE 2	1	
43	16G-2837K-00	DAMPER 6	1	
44	16G-28372-00	DAMPER	2	
45	98701-05012	SCREW, flat head	1	
46	98506-05016	SCREW, Pan head	1	
47	92906-05100	WASHER, sPring	1	
48	95706-05100	NUT, flange	1	
49	97701-50512	SCREW, taPPing	6	
50	92906-05200	WASHER, Plain	6	
51	90480-16185	GROMMET	1	
52	90480-16185	GROMMET	1	
53	97701-50516	SCREW, Panhead taPPing	3	
54	92906-05200	WASHER, Plain	3	
55	92501-06020	SCREW, Pan head	2	

17Y664-2410

FIG. 41 COWLING 1



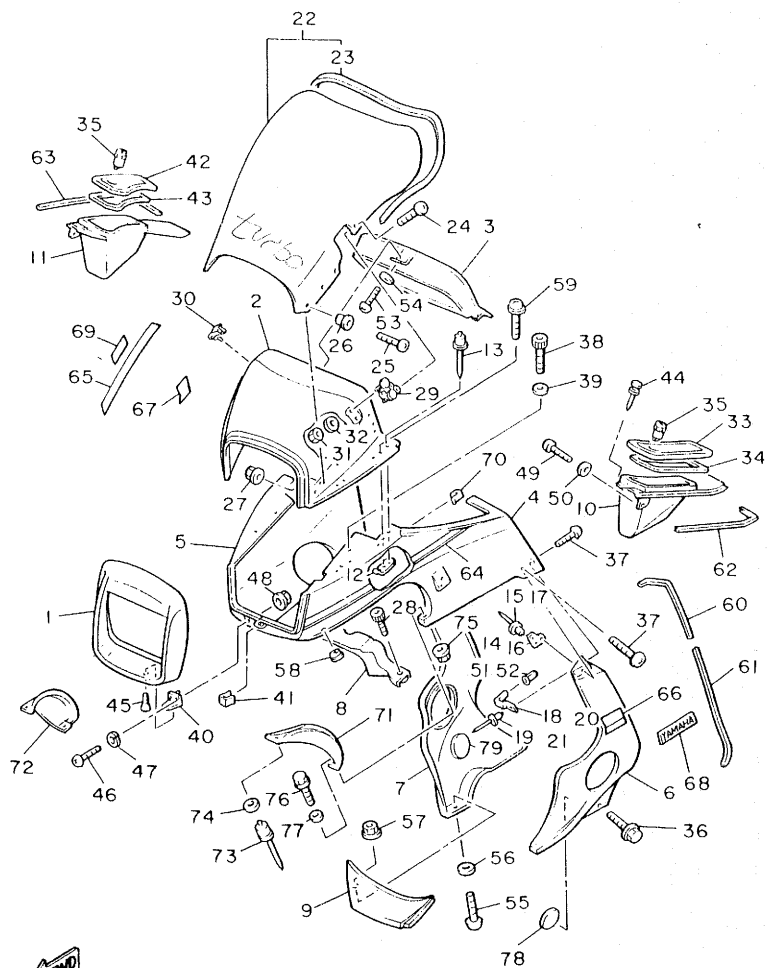
REF. NO.	PART NO.	DESCRIPTION	Q'TY	REMARKS
56	92901-06600	WASHER, Plate	2	
57	95701-06100	NUT, flange	2	
58	90480-10068	GROMMET	2	
59	90159-06014	SCREW, with washer	4	
60	16G-28345-00	MOLE 1	2	
61	16G-28346-00	MOLE 2	2	
62	16G-2830L-00	MOLE COMP. 1	1	
63	16G-2830M-00	MOLE COMP. 2	1	
64	16G-28393-00	GRAPHIC 3	1	
65	16G-28394-00	GRAPHIC 4	1	
66	16G-28398-00	GRAPHIC 5	1	
67	16G-28399-00	GRAPHIC 6	1	
68	3X0-24161-20	EMBLEM 1	1	ib
69	3X0-24161-20	EMBLEM 1	1	ib
70	16G-28334-00	CLIP, cowling	1	
71	16G-2137W-00	SCOOD, air 1	1	
72	16G-2137X-00	SCOOD, air 2	1	
73	90267-32072	RIVET, blind	4	
74	92906-03200	WASHER	4	
75	95706-06100	NUT, flange	2	
76	95806-06040	BOLT, flange	2	
77	90201-06059	WASHER, Plate	2	

17Y664-2410

**F5**

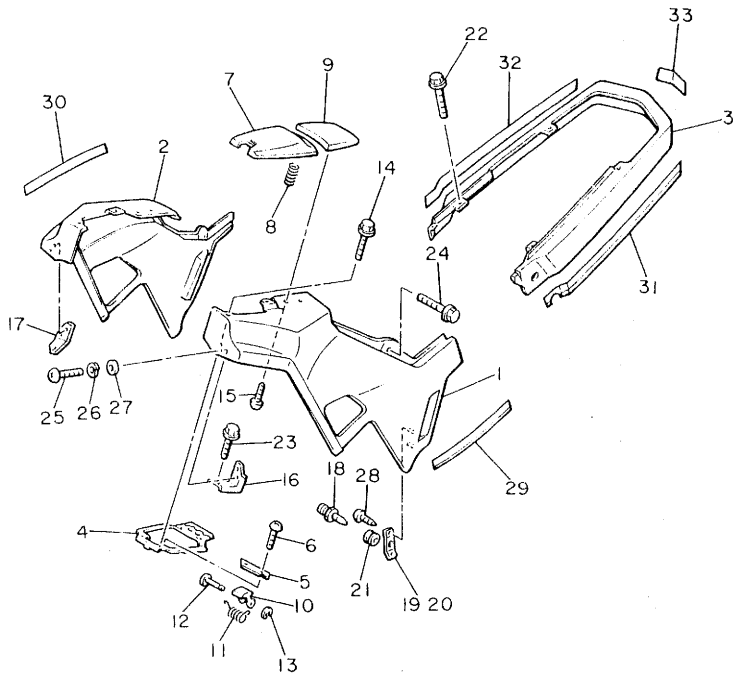
FIG. 41 COWLING 1

REF. NO.	PART NO.	DESCRIPTION	Q'TY	REMARKS
78	16G-28371-00	DAMPER	1	
79	16G-28371-00	DAMPER	1	



17Y664-2410

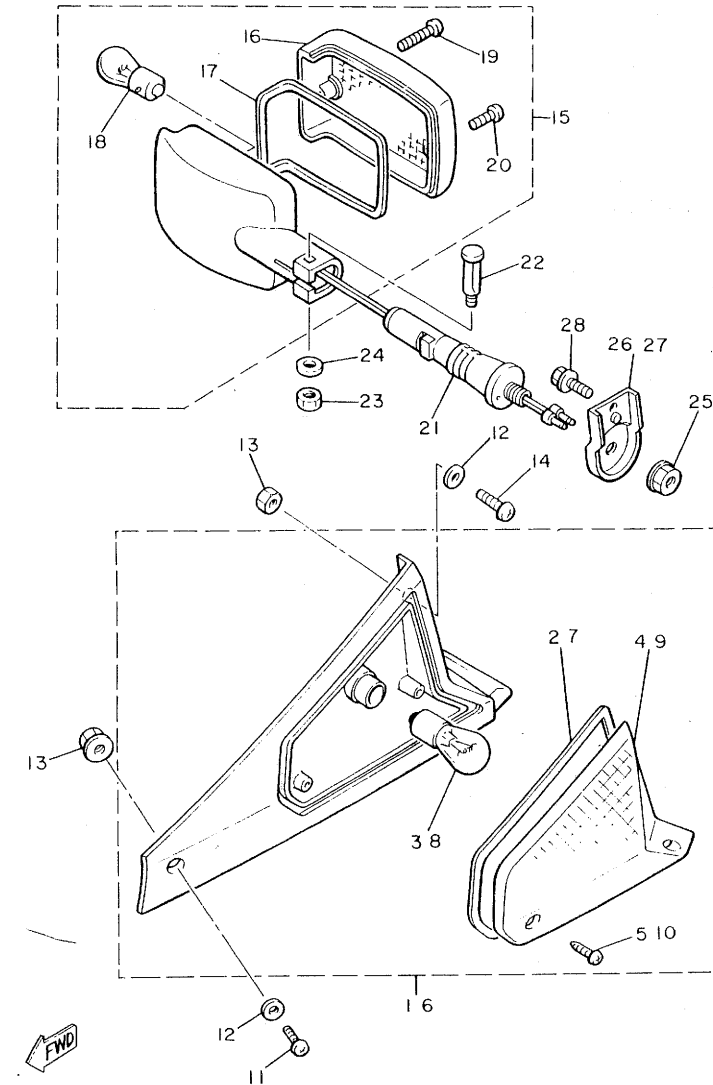
FIG. 42 COWLING 2



17Y700-2420

REF. NO.	PART NO.	DESCRIPTION	Q'TY	REMARKS
1	16G-2835N-00-20	BODY, rear 1	1	crystal silver
2	16G-2835R-00-20	BODY, rear 2	1	crystal silver
3	16G-2835T-00-20	BODY, rear 3	1	crystal silver
4	16G-28366-00	BRACKET	1	
5	16G-28336-00	PLATE	1	
6	98506-03006	SCREW, Pan head	2	
7	16G-28365-00	COVER	1	
8	90501-14280	SPRING, compression	1	
9	16G-28378-00	PAD	1	
10	16G-28379-00	HOOK	1	
11	90508-12395	SPRING, torsion	1	
12	813-24624-00	PIN 2	1	
13	93430-02001	CIRCLIP	1	
14	90119-06042	BOLT, with washer	4	
15	97702-50112	SCREW, tapping	4	
16	16G-28321-00	STAY, leg shield (L.H)	1	
17	16G-28322-00	STAY, leg shield (R.H)	1	
18	16G-28342-00	JOINT	2	
19	16G-2833E-00	BRACET 8	1	
20	16G-2833A-00	BRACET 7	1	
21	90480-01141	GROMMET	2	
22	90119-06043	BOLT, with washer	4	
23	90119-06044	BOLT, with washer	2	
24	90119-06043	BOLT, with washer	2	
25	98501-05012	SCREW, Pan head	4	
26	92901-05100	WASHER, spring	4	
27	92901-05600	WASHER, Plate	4	
28	97701-50512	SCREW, tapping	4	

FIG. 43 FLASHER LIGHT

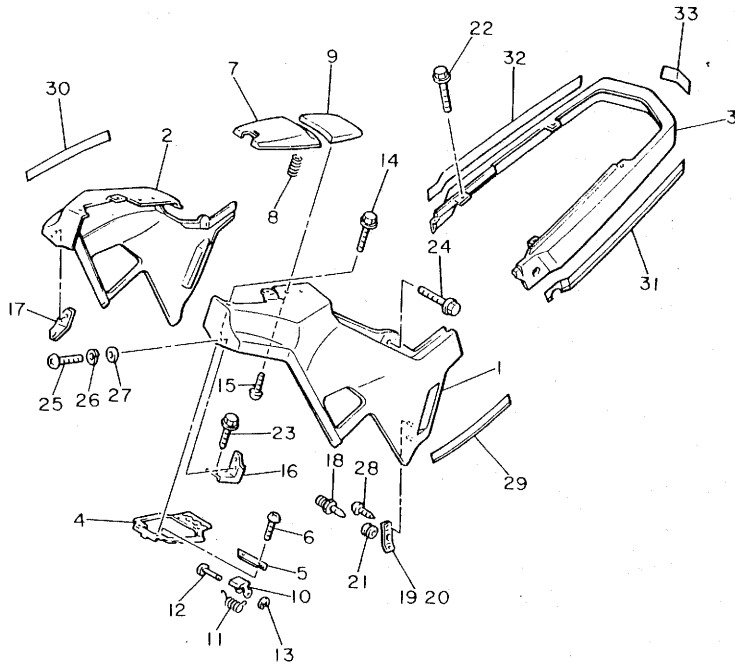


17Y700-2430

REF. NO.	PART NO.	DESCRIPTION	QTY	REMARKS
1	16G-83310-70	FRONT FLASHER LIGHT ASSY 1	1	LH ✓
2	16G-83313-20	.GASKET, flasher lens	1	
3	256-83311-70	.BULB (12V-27W)	1	
4	16G-83312-20	.LENS, flasher (RH) ✓	1	
5	97702-40512	.SCREW, tapping	3	
6	16G-83320-70	FRONT FLASHER LIGHT ASSY	1	RH ✓
7	16G-83313-10	.GASKET, flasher lens	1	
8	256-83311-70	.BULB (12V-27W)	1	
9	16G-83312-10	.LENS, flasher (LH) ✓	1	
10	97702-40512	.SCREW, tapping	3	
11	98506-05020	SCREW, Pan head	2	
12	92906-05200	WASHER, Plain	6	
13	95702-05100	NUT, flange	2	
14	98506-05025	SCREW, Pan head	4	
15	5G2-83303-70	REAR FLASHER LIGHT ASSY	2	
16	5G2-83312-00	.LENS, flasher	1	
17	5G2-83313-00	.GASKET, flasher lens	1	
18	256-83311-70	.BULB (12V-27W)	1	
19	97701-40535	.SCREW, tapping	1	
20	98501-04018	.SCREW, Pan head	1	
21	4G0-83318-00	STAY, flasher 1	2	
22	5G2-83317-00	BOLT, flasher 1	2	
23	95306-05600	NUT	2	
24	92906-05600	WASHER, Plate	2	
25	95701-12100	NUT, flange	2	
26	5G2-83368-00	STAY, flasher	1	
27	5G2-83369-00	STAY, flasher	1	
28	95826-08016	BOLT, flange	2	

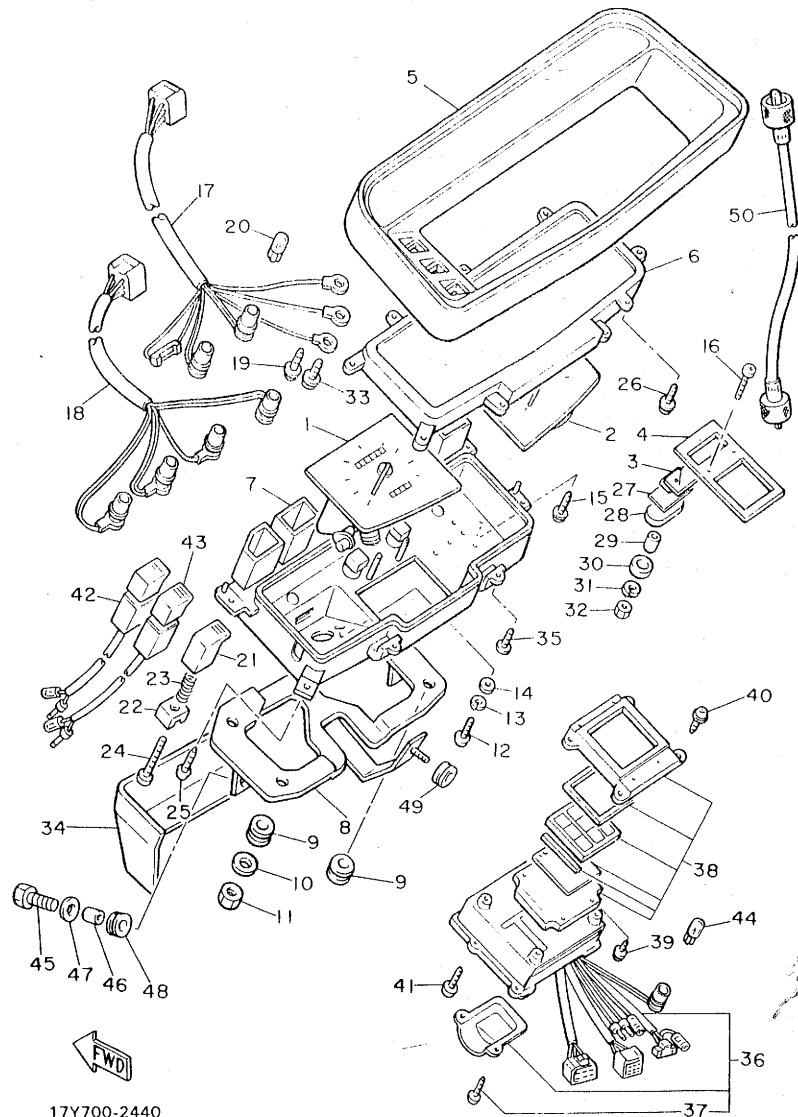
FIG. 42 COWLING 2

REF. NO.	PART NO.	DESCRIPTION	Q'TY	REMARKS
29	11T-2839A-00	GRAPHIC 7	1	
30	11T-2839E-00	GRAPHIC 8	1	
31	16G-2839F-00	GRAPHIC 9	1	
32	16G-2839G-00	GRAPHIC 10	1	
33	16G-2839H-00	EMBLEM 1	1	



FWD  
17Y700-2420

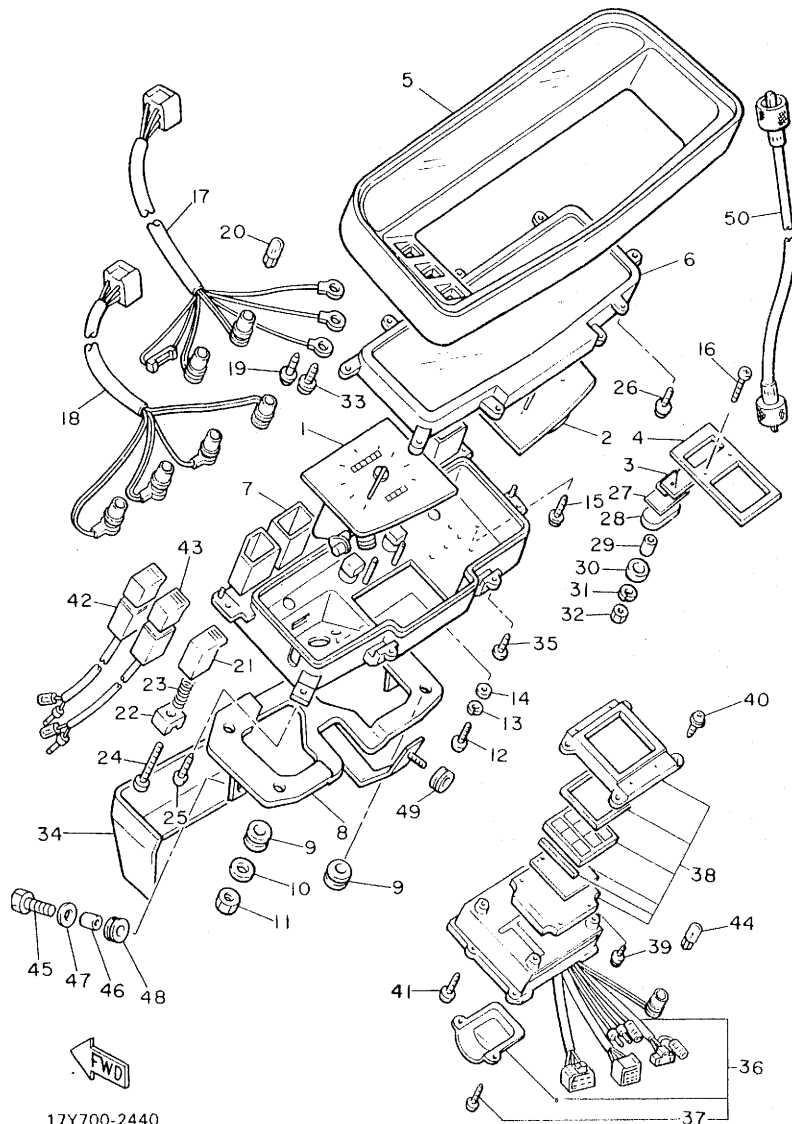
FIG. 44 SPEEDOMETER • TACHOMETER



17Y700-2440

REF. NO.	PART NO.	DESCRIPTION	Q'TY	REMARKS
1	11T-83570-F0	SPEEDOMETER ASSY	1	
2	11T-83540-00	TACHOMETER ASSY	1	
3	16G-83680-00	BOOST PRESSURE METER ASSY	1	
4	16G-83613-00	PANEL, meter 2	1	
5	16G-83559-00	COVER, meter	1	
6	16G-8353G-00	CASE, uPPER	1	
7	16G-8353H-00	CASE, inner	1	
8	16G-83519-00	BRACKET, meter	1	
9	5G2-83523-00	DAMPER	4	
10	90201-06557	WASHER, Plate	2	
11	95301-06700	NUT	2	
12	98501-04008	SCREW, Pan head	2	
13	92901-04100	WASHER, sPring	2	
14	92901-04600	WASHER, Plate	2	
15	90159-04043	SCREW, with washer	2	
16	90164-02012	SCREW, taPPing	2	
17	16G-83520-10	SOCKET CORD ASSY	1	
18	16G-83509-00	SOCKET CORD ASSY	1	
19	90159-03044	SCREW, with washer	3	
20	4G1-84744-00	BULB (12V-3.4W)	6	
21	16G-83578-00	KNOB, triP meter	1	
22	16G-8353Y-00	LEVER, triP meter	1	
23	16G-83515-00	SPRING, meter	1	
24	90164-03010	SCREW, taPPing	1	
25	90164-04011	SCREW, taPPing	6	
26	90164-03010	SCREW, taPPing	2	
27	16G-83544-00	PLATE, fitting	1	
28	16G-83523-00	DAMPER	1	

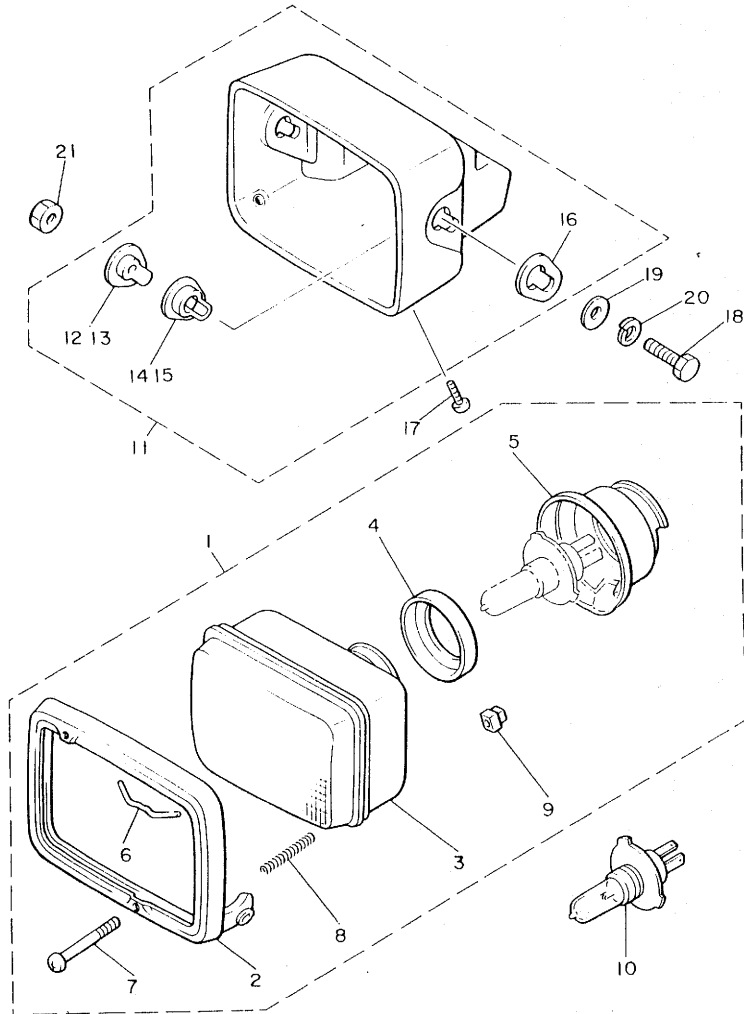
FIG. 44 SPEEDOMETER • TACHOMETER



17Y700-2440

REF. NO.	PART NO.	DESCRIPTION	Q'TY	REMARKS
29	16G-83522-00	COLLAR	2	
30	4G0-83526-00	DAMPER 2	2	
31	92901-04100	WASHER, sPring	2	
32	95301-04700	NUT	2	
33	90159-03044	SCREW, with washer	3	
34	16G-83579-00	COVER, meter 2	1	
35	90164-04006	SCREW, taPPing	2	
36	10M-W8352-00	PRINT BOARD ASSY	1	
37	97702-40508	•SCREW, taPPing	2	
38	16G-W8351-01	LCD UNIT SET	1	
39	90159-04055	SCREW, with washer	4	
40	90159-03054	SCREW, with washer	4	
41	90164-04006	SCREW, taPPing	4	
42	16G-8358J-10	SWITCH, meter control	1	
43	16G-8358J-20	SWITCH, meter control	1	
44	4G1-84744-00	BULB (12V-3.4W)	1	
45	97302-06025	BOLT	2	
46	90560-07007	SPACER	2	
47	90201-06067	WASHER, Plate	2	
48	90480-14102	GROMMET	2	
49	90480-01288	GROMMET	1	
50	4V5-83550-00	SPEEDOMETER CABLE ASSY	1	

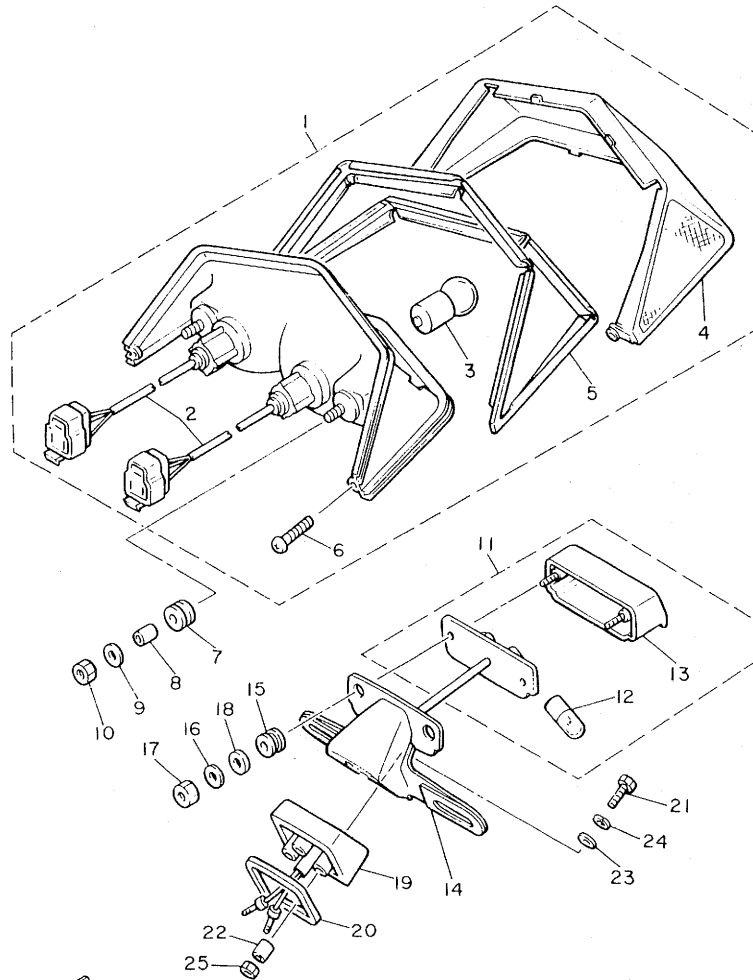
FIG. 45 HEADLIGHT



REF. NO.	PART NO.	DESCRIPTION	Q'TY	REMARKS
1	11T-84303-E0	HEADLIGHT UNIT ASSY	1	
2	16G-84315-00	•RIM, headlight	1	
3	11U-84321-E0	•LENS, headlight	1	
4	2F9-84375-00	•FITTING PLATE, bulb	1	
5	2F9-84397-01	•COVER, socket	1	
6	5G2-84324-A0	•SPRING, reflector	1	
7	10X-84331-00	•SCREW, rim adjusting	2	
8	341-84332-60	•SPRING, screw	2	
9	198-84334-60	•NUT, adjusting	2	
10	*	BULB (12V-60/55W)	1	LM
11	15R-84330-00	BODY ASSY	1	
12	5G2-84388-00	•COLLAR 1	1	
13	5G2-84398-00	•COLLAR 2	1	
14	5G2-84366-00	•DAMPER, headlight 1	1	
15	5G2-84367-00	•DAMPER, headlight 2	1	
16	5G2-84368-00	•DAMPER 3	2	
17	98506-05012	SCREW, Pan head	2	
18	97326-08030	BOLT	2	
19	90201-08114	WASHER, Plate	2	
20	92902-08100	WASHER, sPring	2	
21	95302-08600	NUT	2	

17Y700-2450

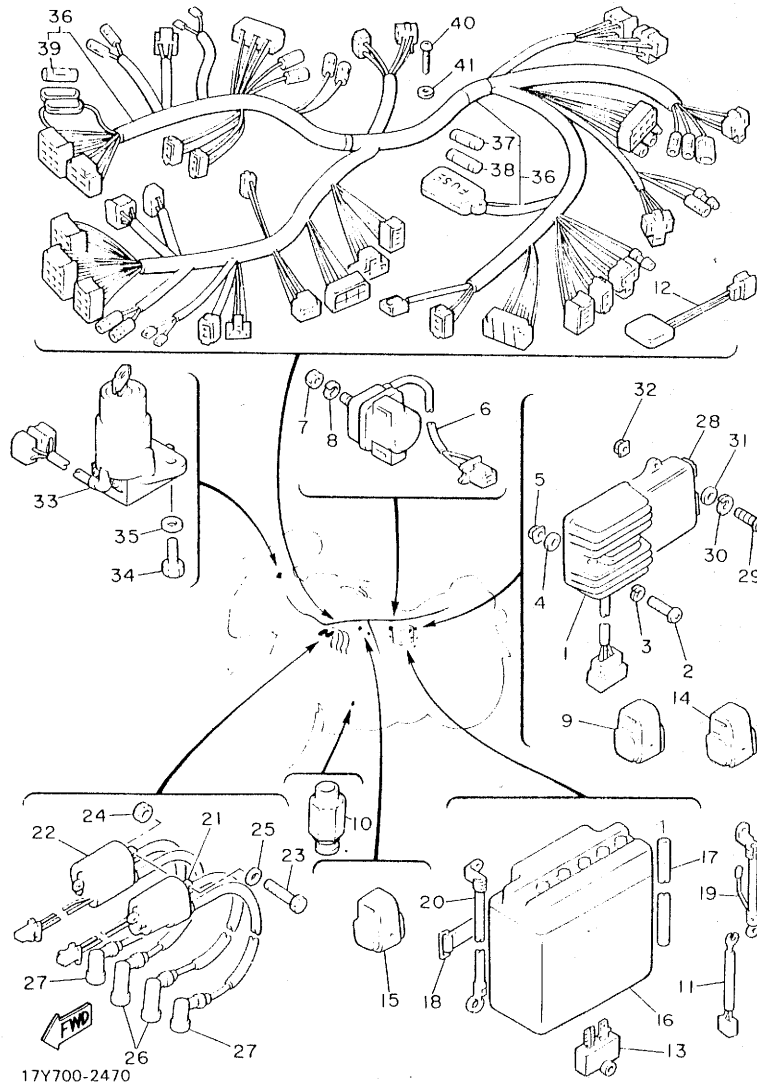
FIG. 46 TAILLIGHT



16G110-3451

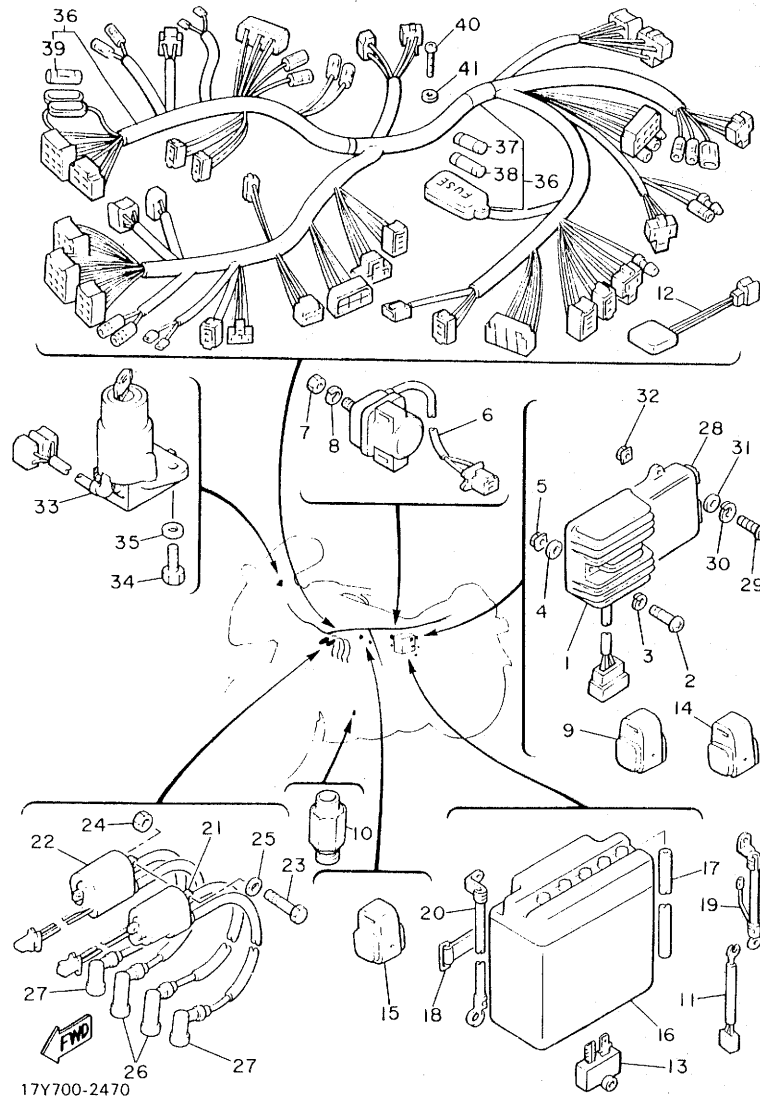
REF. NO.	PART NO.	DESCRIPTION	Q'TY	REMARKS
1	16G-84710-60	TAILLIGHT UNIT ASSY	1	
2	4G0-84735-00	.CORD ASSY	1	
3	256-84714-61	.BULB (12V-27/8W)	2	
4	16G-84721-60	.LENS, taillight	1	
5	16G-84723-00	.GASKET, tail lens	1	
6	97702-40510	.SCREW, tapping	2	
7	16G-84736-00	DAMPER, tail l	2	
8	90387-065G1	COLLAR	2	
9	90201-066F3	WASHER, Plate	4	
10	95302-06600	NUT	2	
11	11H-84745-60	LICENCE LIGHT UNIT ASSY	1	
12	3F9-84744-00	.BULB (12V-2CP)	2	
13	11H-84749-00	.BODY, licence light	1	
14	11H-84751-00	BRACKET, licence	1	
15	3G1-84553-00	DAMPER	2	
16	3G1-84754-00	WASHER, sPecial	2	
17	95303-05800	NUT, crown	2	
18	3G1-84729-00	SPACER	2	
19	16G-84753-00	DAMPER	1	
20	3G1-84753-60	DAMPER	3	
21	97302-06050	BOLT	3	
22	90387-064G4	COLLAR	3	
23	92902-08200	WASHER	3	
24	92902-06100	WASHER, sPring	3	
25	95302-06600	NUT	3	

FIG. 47 ELECTRICAL 1



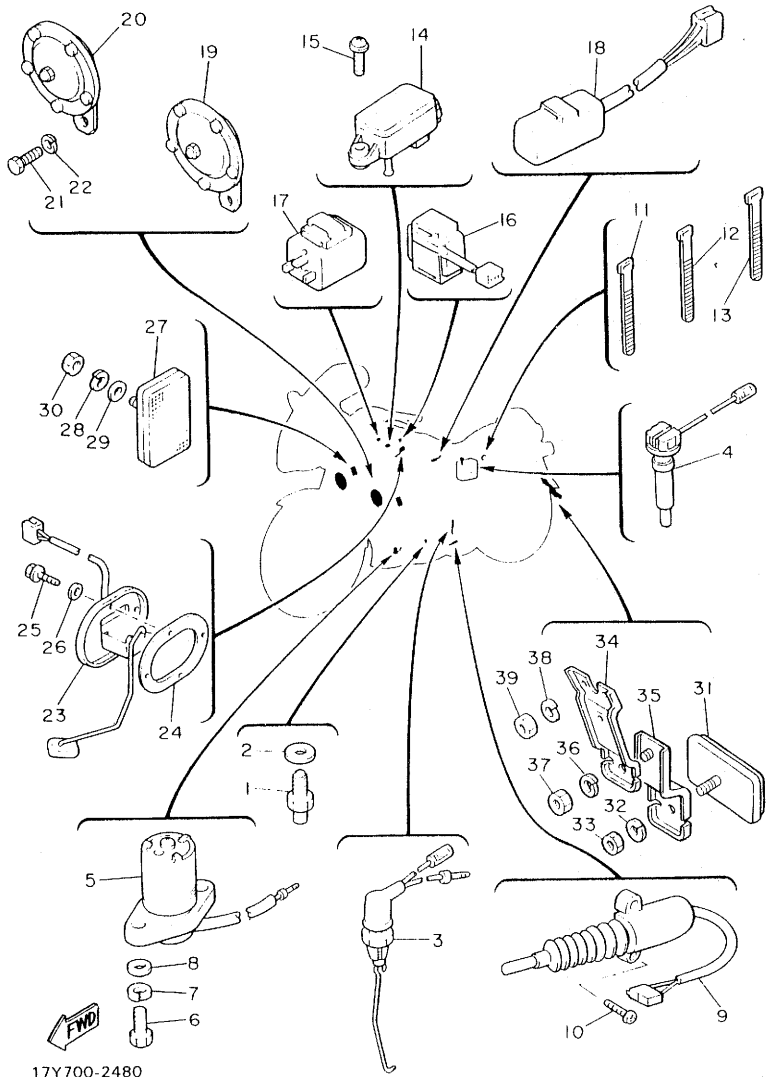
REF. NO.	PART NO.	DESCRIPTION	Q'TY	REMARKS
1	4H7-81960-50	RECTIFIER & REGULATOR ASSY	1	
2	92502-06025	SCREW, Pan head	2	
3	92902-06100	WASHER, sPring	2	
4	92902-06600	WASHER	2	
5	4G0-21736-00	NUT, Plate	2	
6	3H5-81940-00	STARTER SWITCH ASSY	1	
7	95301-06700	NUT	2	
8	92901-06100	WASHER, sPring	2	
9	12R-81950-00	STARTER CURCUIT CUT-OFF RELAY	1	
10	16G-85780-10	SENSOR, knock — $\frac{1}{2} \times 6500 = 275.4?$	1	
11	16G-82509-00	WIRE, sub lead	1	
12	16G-81980-M0	DIDDE	1	
13	1M1-81970-60	RECTIFIER ASSY	1	
14	5A8-81950-00	RELAY ASSY	1	
15	4U8-81950-00	SIDE STAND RELAY ASSY	1	
16	366-82110-79	BATTERY ASSY (12N12A-4A)	1	
17	90445-08336	HOSE	1	
18	1E6-82131-00	BAND, battery	1	
19	16G-82115-00	WIRE, Plus lead	1	
20	16G-82116-00	WIRE, minus lead	1	
21	4H7-82310-60	IGNITION COIL ASSY	1	
22	4H7-82320-60	IGNITION COIL ASSY	1	
23	97302-06080	BOLT	2	
24	95302-06600	NUT	2	
25	92901-06200	WASHER, Plain	2	
26	1J7-82370-00	PLUG CAP ASSY	2	
27	256-82370-00	PLUG CAP ASSY	2	
28	16G-82305-10	IGNITOR UNIT ASSY	1	

FIG. 47 ELECTRICAL 1



REF. NO.	PART NO.	DESCRIPTION	Q'TY	REMARKS
29	92502-06014	SCREW, Pan head	2	
30	92902-06100	WASHER, sPring	2	
31	90201-06055	WASHER, Plate	2	
32	4G0-21736-00	NUT, Plate	2	
33	11T-W8251-80	MAIN SWITCH ASSY	1	
34	97322-06016	BOLT	2	
35	92902-06600	WASHER	2	
36	11T-82590-80	WIRE HARNESS ASSY	1	
37	1A0-82151-00	.FUSE (12V-10A)	3	
38	1A0-82161-00	.FUSE (12V-20A)	1	
39	5G2-82151-00	.FUSE (12V-5A)	1	
40	97702-50514	SCREW, taPPinG	2	
41	92902-05200	WASHER	2	

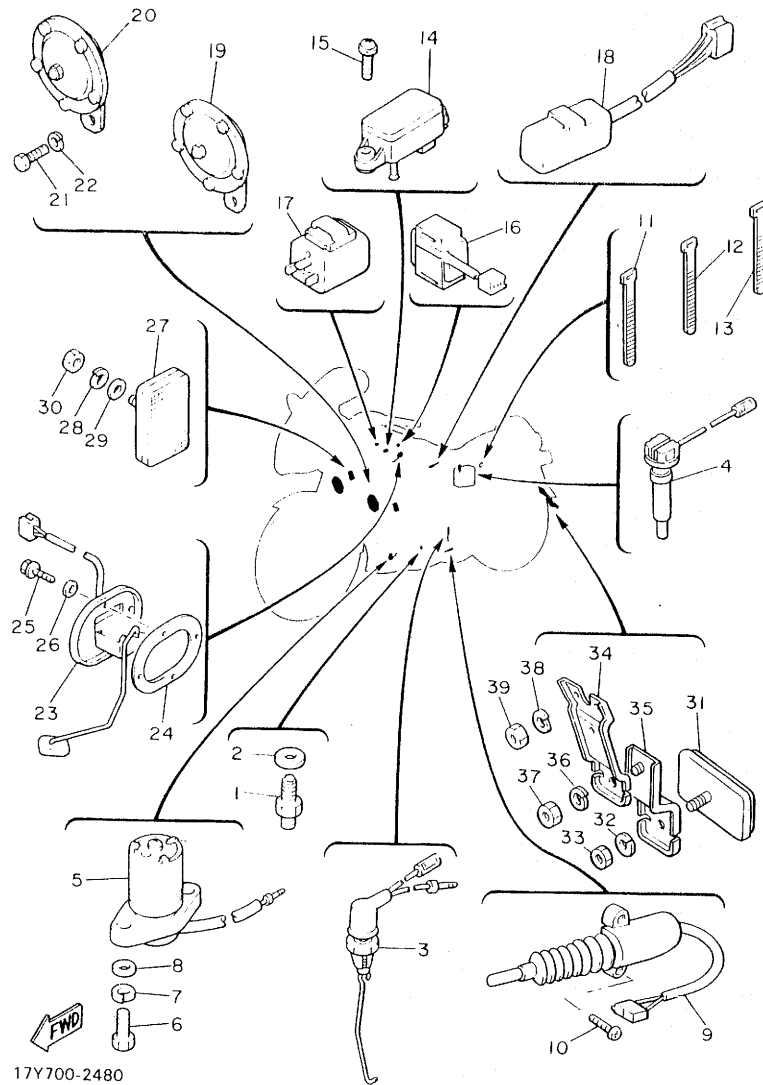
FIG. 48 ELECTRICAL 2



17Y700-2480

REF. NO.	PART NO.	DESCRIPTION	Q'TY	REMARKS
1	2H7-82540-00	NEUTRAL SWITCH ASSY	1	
2	90430-10148	GASKET	1	
3	16G-82530-00	STOP SWITCH ASSY	1	
4	16G-82120-00	SENDER, battery	1	
5	5G2-85720-00	OIL LEVEL GAUGE ASSY	1	
6	97321-06020	BOLT	2	
7	92901-06100	WASHER, sPring	2	
8	92901-06600	WASHER, Plate	2	
9	5G8-82566-00	SWICH, side stand	1	
10	98706-05016	SCREW, flat head	2	
11	437-83936-10	BAND, switch cord	2	
12	447-82591-00	BAND	1	
13	341-26397-01	BAND	1	
14	10M-82380-10	SENSOR, Pressure	1	
15	90159-06010	SCREW, with washer	2	
16	2H7-82576-00	EMERGENCY STOP SWITCH ASSY	1	
17	4H7-83350-70	FLASHER RELAY ASSY	1	
18	1A0-83395-03	FLASHER CANCELLING UNIT	1	
19	11T-83371-20	HORN	1	
20	11T-83371-30	HORN	1	
21	97306-08014	BOLT	2	
22	92906-08100	WASHER, sPring	2	
23	16G-85752-00	SENDER UNIT ASSY, fuel meter	1	
24	2H7-85753-00	GASKET, sender unit	1	
25	95802-06014	BOLT, flange	4	
26	90202-06010	WASHER, Plate	4	
27	4X7-85110-00	FRONT REFLECTOR ASSY	2	
28	92902-05100	WASHER, sPring	2	

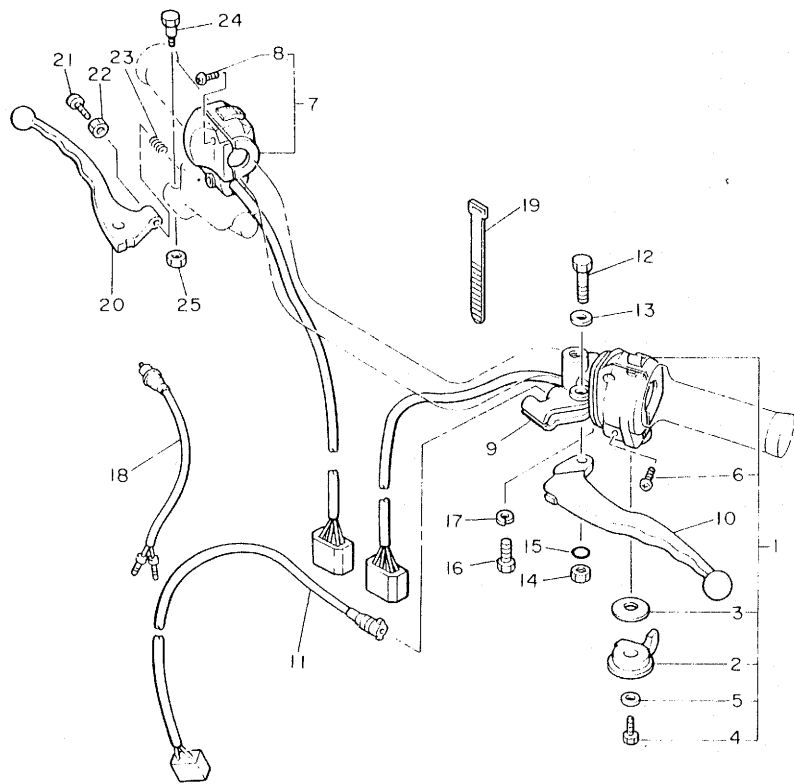
FIG. 48 ELECTRICAL 2



17Y700-2480

REF. NO.	PART NO.	DESCRIPTION	Q'TY	REMARKS
29	92902-05200	WASHER	2	
30	95302-05600	NUT	2	
31	3Y6-85130-00	REAR REFLECTOR ASSY	1	
32	92902-05100	WASHER, sPrin8	1	
33	95302-05600	NUT	1	
34	16G-85132-00	BRACKET, reflector 1	1	
35	16G-85142-00	BRACKET, reflector 2	1	
36	92902-05100	WASHER, sPrin8	1	
37	95302-05600	NUT	1	
38	92902-06100	WASHER, sPrin8	1	
39	95302-06600	NUT	1	

FIG. 49 HANDLE SWITCH-LEVER



REF. NO.	PART NO.	DESCRIPTION	Q'TY	REMARKS
1	11T-83972-00	SWITCH, handle 4	1	
2	10M-83941-00	.LEVER, starter	1	
3	90209-10131	.WASHER	1	
4	97323-06008	.BOLT	1	
5	92901-06200	.WASHER, Plain	1	
6	98506-05020	.SCREW, Pan head	2	
7	11T-83963-00	SWITCH, handle 3	1	
8	98506-05020	.SCREW, Pan head	2	
9	11H-82911-00	HOLDER, lever 1	1	
10	10M-83912-00	LEVER 1	1	
11	3Y6-82917-00	SWITCH	1	
12	90109-06576	BOLT	1	
13	90201-082A9	WASHER, Plate	1	
14	95606-06100	NUT, u	1	
15	93210-11368	O-RING	1	
16	97306-06022	BOLT	1	
17	92906-06100	WASHER, sPring	1	
18	1A0-83980-30	FRONT STOP SWITCH ASSY	1	
19	437-83936-00	BAND, switch cord	2	
20	2J2-83922-00	LEVER 2	1	
21	90149-06131	SCREW	1	
22	90170-06010	NUT	1	
23	90501-10510	SPRING, comPression	1	
24	90109-06465	BOLT	1	
25	95601-06100	NUT, u	1	



16G110-3480

NUMERICAL INDEX

PART NO.	GRID NO.	PART NO.	GRID NO.
4K0-W0041-50	E 14	5G2-11418-00	B 5
11U-W0045-00	E 9	5G2-11418-10	B 5
11U-W0045-10	E 9	5G2-11418-20	B 5
404-W0048-30	E 9	5G2-11418-30	B 5
4X8-W0057-00	E 9	5G2-11418-40	B 5
2L1-W1413-00	B 14	4H7-11456-00	C 15
16G-W1414-00	B 14	4H7-11474-00	C 15
16H-W1418-00	B 14	16G-11610-00	B 5
16G-W1494-00	B 14	16G-11610-20	B 5
16G-W1495-00	B 14	16G-11610-40	B 5
16G-W1495-10	B 15	16G-11631-02	B 5
16G-W1496-00	B 14	4H7-11633-00	B 5
4H7-W1751-N0	D 6	16G-11636-02	B 5
4H7-W1752-00	D 6	16G-11638-02	B 5
16G-W2161-11	D 11	4H7-11654-00	B 5
4R0-W2171-00	D 12	16G-11656-00	B 5
16G-W2172-00	F 4	16G-11656-10	B 5
16G-W2472-10	E 7	16G-11656-20	B 5
11T-W8251-80	F 15	16G-11656-30	B 5
16G-W8351-01	F 11	16G-12111-00	B 7
10M-W8352-00	F 11	4H7-12113-00	B 7
16G-Y1165-01	B 5	4H7-12114-00	B 7
16G-11101-00	B 2	4H7-12116-00	B 7
11T-1112E-00	B 2	2F3-12117-00	B 7
4H7-11133-10	B 2	1J7-12118-00	B 7
1J7-11138-00	B 2	1J7-12119-01	B 7
16G-11142-00	B 2	4H7-12121-00	B 7
16G-11152-00	B 2	4H7-12153-01	B 8
4H7-11161-00	B 2	1J7-12169-A1	B 7
434-11161-00	B 2	1J7-12169-E1	B 7
16G-11166-00	C 10	1J7-12169-F1	B 7
371-11167-01	C 10	1J7-12169-G1	B 7
16G-11181-00	B 2	1J7-12169-H1	B 7
16G-11191-01	B 2	1J7-12169-J1	B 7
11T-11192-00	B 2	1J7-12169-K1	B 7
16G-11193-00	B 2	1J7-12169-L1	B 7
214-11198-01	B 10	1J7-12169-M1	B 7
	D 15	1J7-12169-N1	B 7
11T-11310-00	B 4	1J7-12169-R1	B 8
16G-11351-01	B 4	1J7-12169-T1	B 8
16G-11363-00	C 8	1J7-12169-U1	B 8
4H7-11363-00	C 8	1J7-12169-V1	B 8
16G-11411-00	B 5	1J7-12169-W1	B 8
4H7-11416-01	B 5	1J7-12169-01	B 7
4H7-11416-11	B 5	1J7-12169-11	B 7
4H7-11416-21	B 5	1J7-12169-21	B 7
4H7-11416-31	B 5	1J7-12169-31	B 7
4H7-11416-41	B 5	1J7-12169-41	B 7

NUMERICAL INDEX

PART NO.	GRID NO.	PART NO.	GRID NO.	PART NO.	GRID NO.	PART NO.	GRID NO.
1J7-12169-51	B 7	16G-13971-01	C 4	16G-14621-00	C 6	5G9-15411-00	C 10
1J7-12169-61	B 7	16G-13972-01	C 4	16G-14623-01	C 6	4H7-15412-01	C 10
1J7-12169-71	B 7	16G-13973-01	C 5	16G-14625-00	C 6	4K0-15415-00	C 10
1J7-12169-81	B 7	16G-13974-01	C 4	16G-14628-01	C 7	16G-15416-00	C 10
1J7-12169-91	B 7	16G-13975-01	C 4	16G-14631-00	C 6	16G-15417-00	C 11
16G-12171-00	B 6	16G-13976-00	C 4	4K0-14638-00	C 6	4K0-15421-01	C 10
4G0-12176-00	C 15	16G-13978-01	C 4	16G-14641-00	C 6	16G-15426-00	C 10
16G-12181-00	B 6	16G-13994-01	C 4	11T-14643-00	C 6	4K0-15441-00	C 9
5G2-12210-10	B 6	16G-13997-01	B 13	16G-14653-00	C 6	4H7-15449-00	C 11
5G2-12213-00	B 6	820-14121-00	B 15	4W5-14681-00	C 6	4H7-15451-00	C 10
4H7-12241-00	B 6	4U8-14122-00	B 15	11T-14690-00	C 7	4H7-15455-00	C 10
4H7-12251-00	B 6	16G-14130-00	B 15	11T-14711-00	C 6	4H7-15456-00	C 10
4H7-12252-00	B 6	143-14133-00	B 15	16G-14714-00	C 6	4H7-15457-00	C 10
16G-13161-01	B 12	3F7-14133-00	B 15	16G-14721-00	C 6	4H7-15461-01	C 10
16G-13300-00	B 9	137-14134-00	B 15	4K0-14747-00	C 6	4H7-15467-00	C 10
4H7-13337-00	B 10	11T-14139-00	B 15	16G-14752-00	C 7	4H7-15486-00	C 11
1L9-13340-01	B 10	16G-14139-00	B 15	16G-14755-00	C 6	4H7-15511-00	C 14
4H7-13354-00	B 9	4G0-14142-35	B 14	16G-14790-00	C 7	4H7-15512-00	C 15
16G-13355-00	B 9	2H0-14146-00	B 14	4K0-14791-00	C 7	4H7-15517-00	C 15
4H7-13414-01	B 10	16G-14147-00	B 14	16H-14900-00	B 14	4H7-15519-00	C 15
16G-13416-00	B 12	137-14153-00	B 14	16H-14901-00	B 14	4H7-15521-00	C 15
16G-13417-02	B 10	537-14186-00	B 14	16H-14902-00	B 14	4H7-15522-00	C 15
16G-13418-00	B 12	620-14231-25	B 14	16H-14903-00	B 14	4H7-15524-00	C 15
16G-13421-00	B 12	16G-14251-00	B 15	16H-14904-00	B 14	2H7-15531-00	C 15
16G-13431-00	B 12	16H-14251-00	B 15	2A2-14933-00	B 14		D 8
1L9-13440-91	B 10	16G-14940-00	C 2	16G-14940-00	B 14	4H7-15580-10	D 8
4K0-13447-00	B 10	16G-14401-00	B 13	16H-14941-36	B 14	341-15583-05	C 15
4H7-13454-00	C 9	16G-14421-00	B 13	256-14944-33	B 14	117-15644-00	D 8
4X7-13455-00	B 10	16G-14451-00	B 13	16G-14977-00	B 15	4H7-16150-10	D 2
4K0-13461-00	B 11	16G-1446E-01	C 2	16G-14985-00	B 14	2K7-16154-00	D 3
16G-13464-00	B 11	16G-1446F-00	C 2	16G-14988-00	B 15	4H7-16154-00	D 2
16G-13465-00	B 7	16G-1446G-01	C 2	16H-14988-00	B 15	4H7-16155-01	C 15
16G-13470-01	B 11	16G-1446H-00	C 2	1J7-14994-00	B 14	4H7-16181-00	D 3
16G-13475-00	B 12	16G-1446J-00	C 2	4G0-14998-00	B 15	4H7-16321-00	D 2
16G-13479-00	B 12	16G-1446K-00	C 2	16G-15100-00	C 8	168-16324-00	D 2
16G-13490-00	B 12	16G-1446L-00	C 2	4H7-15138-00	C 8	4H7-16325-00	D 2
2H9-13493-00	B 11	16G-1446M-00	C 2	4H7-15163-01	C 9	4H7-16340-00	D 2
16G-13569-00	B 13	16G-1446N-00	C 2	16G-15164-00	C 9	4H7-16351-00	D 2
16G-13586-00	B 13	16G-1446R-00	C 2	4H7-15167-10	C 8	4H7-16356-00	D 2
16G-13596-00	B 13	16G-1447A-00	C 2	4K0-15189-00	C 9	4H7-16371-01	D 2
16G-13610-00	C 2	16G-1448A-00	C 3	4H7-15346-00	C 10	4H7-16382-01	D 2
16G-13613-00	C 2	16G-1448E-00	C 3	4H7-15347-00	C 10	5G2-16383-00	D 2
16G-13616-00	C 2	16G-14493-01	C 4	2H7-15361-00	C 11	1J7-16384-00	D 2
16G-13631-00	C 2	16G-14499-00	B 13	2H9-15363-00	C 11	1J7-16385-00	D 2
16G-13758-00	C 4	16G-14611-00	C 6	4H7-15365-00	C 9	4H7-16398-00	D 2
16G-13906-01	C 4	4W5-14612-00	C 6	4H7-15381-00	C 8	4H7-17121-00	D 2
16G-13907-00	C 4	4H7-14613-00	C 6	4H7-15383-00	C 9	4H7-17141-00	D 2
16G-13940-02	C 4	16G-14615-00	C 6	4H7-15389-10	B 5	4H7-17151-00	D 2

NUMERICAL INDEX

NUMERICAL INDEX

PART NO.	GRID NO.	PART NO.	GRID NO.	PART NO.	GRID NO.	PART NO.	GRID NO.	PART NO.	GRID NO.	PART NO.	GRID NO.
4H7-17211-01	D 4	17Y-21110-00-98	D10	11T-23136-00-6G	E 3	4H7-24181-00	E 6	11U-25810-00	E 9	1M3-27114-00	E 7
4H7-17221-01	D 4	16G-21151-00	D10	16G-23141-01	E 3	4H7-24182-01	E 6	11U-25810-10	E 9	371-27114-00	E 7
4H7-17231-01	D 4	16G-21165-01	E 7		E 4	4H7-24183-00	E 6	11U-25827-00	E 9		E15
4H7-17241-00	D 4	16G-21240-00	D12	583-23142-00	E 3	4H7-24186-00	E 6	11U-25827-10	E 9	16G-27211-00-5R	E15
16G-17251-00	D 4	16G-21243-01	D12		E 4	16G-24500-01	E 6	16G-25831-00	E 9	16G-27212-00	E15
4H7-17401-00	D 4	16G-21258-00	D12	3H5-23144-00	E 3	2G2-24512-00	E 6	16G-25831-10	E 9	4K0-27231-01	E15
4H7-17402-01	D 4	16G-21275-01	E 7		E 4	16G-24518-00	E 6	11H-25834-00	E 9	5V2-27311-00-R4	E15
278-17424-01	D 4	4R8-21308-00	E 7	2H7-23145-00	E 3	2G2-24522-00	E 6	341-25846-00	E 8	5G2-27351-00	E15
4H7-17524-00	D 6	5G2-21315-00	D10	3J2-23147-00	E 4	2G2-24523-00	E 6	16G-25850-00	E14	4K0-27410-00-R4	E15
16G-17526-00	D 6	16G-2134V-01	D10	15R-23153-00	E 3	2G2-24534-00	E 6	4K0-25852-00	E14	1J7-27413-01	E15
4H7-17527-00	D 6	16G-21361-01	D12		E 4	4X8-24536-01	E 6	4K0-25854-00	E14	4K0-27420-00-R4	E15
3H5-17529-00	D 6	16G-2137W-00	F 5	3R4-23153-00	E 3	11H-24602-00	E 6	4L0-25862-00	E14	5A8-27430-00	E15
4H7-17531-00-10	D 6	16G-2137X-00	F 5	509-23158-L0	E 3	813-24624-00	E 7	4L0-25867-00	E14	1J7-27433-00	E15
4H7-17531-00-15	D 6	16G-2142G-00	D10		E 4	16G-24705-00	E 7	11T-25872-00	E14	5A8-27440-00	E15
4H7-17531-00-20	D 6	16G-21510-00-20	D11	2H7-23163-00	E 3	4K0-24728-00	E 7	16G-25873-00	E14	16G-27442-00	F 2
4H7-17531-00-30	D 6	1A8-21518-00	D11		E 4	16G-24731-10	E 7	16G-25874-00	E14	16G-27443-00	F 2
4H7-17531-00-40	D 6	16G-21570-10	D11	16G-23168-00	E 3	5A8-24738-00	E 7	16G-25875-00	E14	1J7-27444-00	E15
4H7-17531-00-50	D 6				E 4	16G-2474A-00	E 7	16G-25876-00	E14	16G-28100-10	D12
1J7-17537-Y0-15	D14	4H7-21629-00	D11	16G-23170-01	E 3	1T4-24741-00	E 7	4K0-25885-00	E14	395-28185-00	E 7
1J7-17537-Y0-30	D14	16G-21670-00	D11		E 4	16G-24773-00	E 7	16G-25886-00	E 5	16G-2830L-00	F 5
1J7-17537-Y0-40	D14	4G0-21736-00	F14	1W1-23173-L0	E 3	16G-24776-00	E 7	11T-25887-00	E 5	16G-2830M-00	F 5
1J7-17537-Y0-50	D14		F15		E 4	146-25115-00	E 8	4X8-25917-00	E 9	16G-28321-00	F 7
1J7-17537-Y0-60	D14	4H7-21746-00	D12	16G-23174-00	E 5	341-25149-00	E 8	11H-25919-00	E 9	16G-28322-00	F 7
4H7-17537-00-15	D 6	5G3-21747-00	E 6	11T-2318A-00	E 4	11T-25168-20-4N	E 8	5R2-25937-00	E 9	16G-2833A-00	F 7
4H7-17537-00-20	D 6	4H7-2175R-00-98	D12	16G-2318F-01	E 4	4H7-25181-01	E 8	16G-26111-00	E12	16G-2833E-00	F 7
4H7-17537-00-30	D 6	4K0-22110-00-98	D13	278-23181-50	E 3	521-25188-00	E 8	16G-26143-00	E12	16G-28334-00	F 5
4H7-17537-00-40	D 6	1J7-22141-00	D13		E 4	4K0-25190-00	E 8	16G-26145-00	E12	16G-28336-00	F 7
4H7-17537-00-50	D 6	4H7-22141-00	D13	11T-23188-00	E 4	16G-2531A-00	E11	16G-26216-00	E12	16G-28342-00	F 7
4H7-17555-00	D 6	1J7-22143-00	D13	11T-2319A-00	E 4	148-25315-00	E10	16G-26226-00	E13	16G-28345-00	E 6
4L6-17582-00	D 4	4H7-22189-00	D13	4V4-23190-L0	E 4	16G-25321-00	E10	5G2-26240-00	E12		F 5
4L6-17583-00	D 4	2H7-2219X-00	D13	11T-23340-00	E 4	4H7-25327-00	E11	5G2-26241-00	E12	16G-28346-00	F 5
4H3-17590-00	D15	11T-22210-00	D13	4G0-23356-00	E 3	4H7-2533A-02	E10	16G-2629N-00	F 4	16G-28346-00	F 5
16G-18101-00	D 9	11T-22210-10	D13		E 4	16G-25330-00	E10	16G-2629R-00	F 4	16G-2835A-00-20	F 3
16G-18111-00	D 9	11T-23102-00	E 3	256-23411-00	E 5	11T-25338-21-4N	E10	16G-2629T-01	E12	16G-2835E-00-98	F 3
5K7-18112-00	D 9	11T-23103-00	E 3	256-23412-00	E 5	4H7-25351-00	E10	16G-2629U-01	E12	16G-2835F-00	F 3
132-18113-01	D 9	11T-23110-00	E 3	256-23413-00	E 5	341-25355-00	E10	16G-26290-00	E12	16G-2835G-00-20	F 3
16G-18115-00	D 9		E 4	256-23414-00	E 5	16G-25364-00	E10	16G-26290-10	E12	16G-2835H-00-20	F 3
4K0-18120-01	D 9	11H-23111-00	E 3	4K0-23415-00	E 5	16G-25366-00	E10	17Y-26290-00	E12	16G-2835J-00-20	F 3
102-18137-00-10	D 2		E 4	11T-23435-00-98	E 5	3H0-25371-00	E11	17Y-26290-10	E12	16G-2835K-00-20	F 3
4H7-18140-00	D 9	240-23114-00	E 3	360-23441-01-98	E 5	4H7-25377-00	E11	16G-26311-00	E12	16G-2835L-01-20	F 3
2H9-18154-00	D 9		E 4	4H3-23451-00	E 5	4H7-25381-00	E11	16G-26331-00	E12	16G-2835M-00-20	F 3
16G-18185-00	D 8	15R-23118-00	E 3	4H3-23454-00	E 5	1A1-25398-01	E 8	4K0-26335-00	E12	16G-2835N-00-20	F 7
16G-18197-00	D 9		E 4	164-23462-00	E 5		E10	1E6-26342-00	E12	16G-2835R-00-20	F 7
4H7-18511-01	D 8	4H1-23119-00	E 3	341-23469-00	E12	1A1-25399-00	E 8	1T5-26372-00	E12	16G-2835T-00-20	F 7
4H7-18512-01	D 8		E 4	16G-24110-10-33	E 6		E10	11H-26372-00	E12	16G-2835U-00	F 3
4H7-18513-01	D 8	11T-23126-00-6G	E 3	16G-2414A-10	E 6	2M0-25399-00	E 8	5H0-26393-00	E12	16G-2835V-00	F 3
4H7-18531-00	D 8	122-23129-00	E 3	16G-24141-10	E 6		E10	341-26397-01	G 2	16G-28356-00	F 3
16G-18540-00	D 8		E 4	3X0-24161-20	F 5	16G-25412-00	E10	16G-27111-00-R4	E15	16G-28357-00	F 3

NUMERICAL INDEX

PART NO.	GRID NO.	PART NO.	GRID NO.
16G-2836F-00	F 4	5G2-46172-00	D15
16G-2836G-00	F 3	4H7-46180-00	D15
16G-2836H-00	F 3	4H7-46181-10	E 2
16G-2836J-00	F 3	4H7-81600-10	C12
16G-28365-00	F 7	4H7-81610-10	C12
16G-28366-00	F 7	4H7-81611-10	C12
16G-28367-00	F 4	4H7-81612-10	C12
16G-2837J-00	F 4	4H7-81619-10	C12
16G-2837K-00	F 4	4H7-81632-00	C13
16G-28371-00	F 6	4H7-81650-10	C12
16G-28372-00	F 4	16G-81671-10	C13
16G-28376-02	F 3	16G-81673-10	C13
16G-28378-00	F 7	4K0-81800-50	C14
16G-28379-00	F 7	4K0-81810-01	C14
11T-28380-00	F 3	4H7-81811-00	C14
11T-2839A-00	F 8	4H7-81812-01	C14
11T-2839E-00	F 8	4H7-81815-00	C14
16G-2839F-00	F 8	4H7-81819-00	C14
16G-2839G-00	F 8	4H7-81824-00	C14
16G-2839H-00	F 8	4K0-81826-01	C14
16G-28393-00	F 5	4H7-81840-01	C14
16G-28394-00	F 5	4H7-81843-00	C14
16G-28396-00	F 4	4H7-81844-00	C14
16G-28397-00	F 4	4H7-81845-00	C14
16G-28398-00	F 5	4H7-81847-01	C14
16G-28399-00	F 5	4H7-81850-00	C14
16G-46101-NO	D14	4H7-81871-00	C14
1J7-46117-Y0-25	D14	4H7-81872-00	C14
1J7-46117-Y0-30	D14	3H5-81940-00	F14
1J7-46117-Y0-35	D14	12R-81950-00	F14
1J7-46117-Y0-40	D14	4U8-81950-00	F14
1J7-46117-Y0-45	D14	5A8-81950-00	F14
1J7-46117-Y0-50	D14	4H7-81960-50	F14
1J7-46118-Y0-18	D15	1M1-81970-60	F14
1J7-46118-Y0-19	D15	16G-81980-M0	F14
1J7-46118-Y0-20	D15	366-82110-79	F14
1J7-46118-Y0-21	D15	16G-82115-00	F14
4H7-46118-00-14	D15	16G-82116-00	F14
4H7-46118-00-15	D15	16G-82120-00	G 2
4H7-46118-00-16	D15	1E6-82131-00	F14
4H7-46118-00-17	D15	116-82131-00	D11
4H7-46118-00-22	D15	1A0-82151-00	F15
4H7-46118-00-23	D15	5G2-82151-00	F15
2H7-46122-00	D14	1A0-82161-00	F15
4H7-46123-00	D14	16G-82305-10	F14
4H7-46125-00	D14	4H7-82310-60	F14
4H7-46152-00	D14	4H7-82320-60	F14
4H7-46153-00	D14	1J7-82370-00	F14

PART NO.	GRID NO.	PART NO.	GRID NO.
256-82370-00	F14	16G-83515-00	F10
10M-82380-10	G 2	16G-83519-00	F10
16G-82509-00	F14	16G-83520-10	F10
16G-82530-00	G 2	16G-83522-00	F11
2H7-82540-00	G 2	16G-83523-00	F10
568-82566-00	G 2	4G0-83526-00	F11
2H7-82576-00	G 2	16G-83536-00	F10
11T-82590-80	F15	16G-8353H-00	F10
447-82591-00	G 2	16G-8353Y-00	F10
11H-82911-00	G 4	11T-83540-00	F10
3Y6-82917-00	G 4	16G-83544-00	F10
5G2-83303-70	F 9	4Y5-83550-00	F11
16G-83310-70	F 9	16G-83559-00	F10
256-83311-70	F 9	11T-83570-F0	F10
16G-83312-10	F 9	16G-83578-00	F10
16G-83312-20	F 9	16G-83579-00	F11
5G2-83312-00	F 9	16G-8358J-10	F11
16G-83313-10	F 9		
16G-83313-20	F 9		
5G2-83313-00	F 9		
5G2-83317-00	F 9		
4G0-83318-00	F 9		
16G-83320-70	F 9		
4H7-83350-70	G 2		
5G2-83368-00	F 9		
5G2-83369-00	F 9		
11T-83371-20	G 2		
11T-83371-30	G 2		
1A0-83395-03	G 2		
16G-83509-00	F10		
16G-83515-00	F10		
16G-83519-00	F10		
16G-83520-10	F10		
16G-83522-00	F11		
16G-83523-00	F10		
5G2-83523-00	F10		
4G0-83526-00	F11		
16G-83536-00	F10		
16G-8353H-00	F10		
16G-8353Y-00	F10		
11T-83540-00	F10		
16G-83544-00	F10		
4Y5-83550-00	F11		
16G-83559-00	F10		
11T-83570-F0	F10		
16G-83578-00	F10		
16G-83579-00	F11		
16G-8358J-10	F11		

NUMERICAL INDEX

PART NO.	GRID NO.	PART NO.	GRID NO.
16G-85702-00	E14	90151-06014	C 9
5G2-85720-00	G 2	90153-06008	F 2
16G-85752-00	G 2	90153-06018	E12
2H7-85753-00	G 2	90153-06029	B 2
16G-85780-10	F14	90157-05032	F 3
90101-06291	E10	90157-05033	F 3
90101-06494	F 2	90159-03044	F10
90101-08312	E 9		F11
90101-10500	E 9	90159-03054	F11
90105-06153	B 2	90159-04043	F10
90105-06154	B 9	90159-04055	F11
90105-07087	B 6	90159-06010	G 2
90105-08003	C 8	90159-06014	F 5
90105-08066	D15	90159-06016	F 4
90105-08107	D10	90164-02012	F10
	E 5	90164-03010	F10
90105-10038	D10	90164-04006	F11
90105-10152	C12	90164-04011	F10
90105-10169	D10	90170-06010	G 4
90105-12168	D10	90170-06184	F 2
90106-10030	D13	90170-06289	D 9
90109-06465	G 4	90170-10219	E10
90109-06576	G 4	90170-20257	D 2
90109-08368	E11	90171-14020	E 8
90109-08406	E11	90176-10009	D13
90109-10570	B 6	90176-10013	D13
90109-10590	E15	90176-10033	B 2
90109-10658	E15	90179-06176	F 2
90110-06035	B 9	90179-07307	B 5
90116-08012	E 4	90179-08148	E12
90116-08360	D14	90179-08246	D10
90116-10249	D14		E 5
90116-10328	C 8	90179-08273	C 7
90116-10329	C 8	90179-08388	D10
90116-10330	C 8	90179-14217	E11
90116-10362	D14	90179-14317	D 6
90119-06029	C 5	90179-34304	D 6
90119-06042	F 7	90185-10091	E15
90119-06043	F 4	90185-14070	D14
	F 7	90201-05764	B13
	F 7	90201-06055	F15
90119-06044	E12		
90119-06060	E12	90201-06067	F11
90123-08046	E 6	90201-061A5	D 2
90149-06011	G 4	90201-06407	D12
90149-06131	E 7	90201-065E9	C 6
90149-08152	C 9	90201-06557	D12
90150-06012	F 4		F10

NUMERICAL INDEX

PART NO.	GRID NO.	PART NO.	GRID NO.
90201-066F3	F13	90340-12065	B 4
90201-08083	F 2	90340-14042	D15
90201-08087	C 8	90340-14063	D15
90201-08114	F12	90381-05041	F 3
90201-082A9	G 4	90387-060A7	B11
90201-08366	C 8		C 4
90201-08382	B 4		D12
90201-08544	E 3	90387-060E7	E12
	E 4	90387-062G5	B 3
	E14	90387-064G4	F13
90201-10118	B 2	90387-065G1	F13
90201-10128	D13	90387-07038	B11
90201-10140	D13	90387-09617	D12
90201-10142	D13	90387-124F4	D 9
90201-11597	B 2	90387-125A2	C 9
90201-12166	D 9	90387-125A2	C 9
90201-124E4	D 9	90387-15550	E 8
90201-12790	B 4	90387-16547	C 8
90201-141A3	E11	90387-172A5	E 2
90201-14577	E10	90387-17543	D13
90201-14632	D14	90387-202A7	C15
90201-14633	D 6	90387-252A8	D 3
90201-157F6	D 2	90401-10034	E14
90201-20276	D 4	90401-10084	B12
90201-21608	B10	90401-20053	B11
90201-231A2	D15	90430-06014	B 2
90201-243A2	D 4	90430-07179	B 9
90201-25526	B11	90430-10027	B12
90202-06010	E 6	90430-10148	G 2
	G 2	90430-14131	B 4
		90430-16142	B12
		90445-07664	E 6
90209-06096	C11	90445-07665	E 6
90209-06173	B11	90445-07665	E 6
90209-06174	B11	90445-08336	F14
	C 4	90445-08633	B13
	G 4	90460-39052	C 3
90209-10131	E15	90460-41191	C 2
90209-18070	D 4		C 3
90209-22191	D 4		C 3
90209-25196	D 4	90460-42212	C 2
90215-06040	C15	90460-45040	C 2
90215-20170	D 2	90460-46206	C 2
90215-22171	D13	90460-49198	B13
90240-08067	E15	90460-52215	C 2
90249-12008	F 2	90460-60165	C 2
90267-32072	F 3	90462-10066	B11
	F 5	90462-10095	B11
	F 3	90464-12027	D11
90267-32096	C15	90464-16021	D11
90331-12028	E14	90465-04197	B12
90338-09012			

PART NO.	GRID NO.
90465-08122	C13
90465-08156	C13
90465-10212	B12
90465-12160	C13
90467-07029	E 6
90467-08021	B13
90467-08040	C 4
90467-08070	C 7
90467-10039	B13
90467-13064	C 4
	C 5
90467-13071	B12
90467-14015	C10
90468-08104	C 4
	C10
90480-01141	F 7
90480-01176	E13
90480-01288	F11
90480-10068	F 5
90480-14102	F11
90480-15061	D11
90480-15235	B11
	C 4
90480-16185	F 4
90480-16233	D12
90480-16284	B11
90480-23193	B10
90501-04596	C15
90501-08704	C 4
90501-08705	C 5
90501-08706	C 4
90501-08707	C 4
90501-10245	F 2
90501-10510	G 4
90501-12413	B11
90501-14280	F 7
90501-16491	D15
90501-16678	C 2
90501-20422	B10
90501-23694	D 2
90501-65575	D 6
90506-07136	D13
90506-08227	D 9
90506-40284	E15
90507-20002	E10
90507-29033	E15
90508-12395	F 7
90508-16459	D 2

PART NO.	GRID NO.
90508-29530	D 9
90508-32535	D 9
90508-40550	F 2
90560-03220	E 6
90560-07007	F11
90560-15116	E 8
90560-17125	E10
91311-06016	C 6
91311-06020	C 9
91311-06050	C 6
91311-08020	C 6
91311-08030	F 2
91311-10035	F 2
91316-06010	D10
91316-06012	B12
	C 9
91316-06016	B11
	B12
91316-06018	C 2
91316-06020	B13
	E14
91316-06025	B 6
	B 9
	B11
	C10
91316-06030	B10
91316-06035	B 2
91316-06040	B10
	C10
91316-06055	B 2
91316-06070	C10
91316-08014	C15
91316-08025	F 4
91316-08030	C13
	E 5
91316-08045	E 5
91316-10030	F 2
91401-16012	E15
91401-20015	E11
	F 2
91401-30030	E 8
	E11
91701-06035	E15
91810-08016	B11
91810-18016	B 2
	E15
	B 9
	B10
91830-21014	C10

NUMERICAL INDEX

PART NO.	GRID NO.	PART NO.	GRID NO.
91830-22016	C 8	92901-14200	E 8
91830-24016	B 4	92902-04100	C12
	C 8	92902-05100	C 5
92501-06010	B10		G 2
92501-06012	C13		G 3
	E 5	92902-05200	F15
	C10		G 3
92501-06015	C11	92902-06100	B13
92501-06020	D12		C12
	F 4		D12
92502-06010	B13		F13
92502-06014	F15		F14
92502-06016	B13		F15
	C12		G 3
92502-06025	F14	92902-06200	F 4
92901-04100	E14	92902-06600	B13
	F10		C12
	F11		C13
92901-04600	C12		F14
	E14		F15
	F10	92902-08100	D12
92901-05100	B14		F12
	B15	92902-08200	F13
	E11	92903-10100	D13
	F 7	92906-03200	F 5
92901-05600	E11	92906-05100	C 2
	F 7		F 4
92901-06100	C14	92906-05200	F 4
	E 5		F 9
	E12	92906-05600	D12
	F14		F 9
	G 2	92906-06100	B 3
92901-06200	C13		D10
	E12		D11
	F14		E 7
	G 4		E14
92901-06600	B 4		F 2
	F 5		
	G 2		G 4
92901-08100	D11	92906-06200	D11
	E11	92906-06600	B 2
92901-08600	B 6		B 3
	C 6		B12
	C 7		D10
	D 2		E 7
	E11	92906-08100	D11
	D15		D13
92901-08700	C 4		E 3
92901-12600			

NUMERICAL INDEX

PART NO.	GRID NO.	PART NO.	GRID NO.	PART NO.	GRID NO.
92906-08100	E 4	93306-20310	E10	93608-43157	D 8
	G 2	93306-20316	E10	93608-50158	D 9
92906-08200	F 4	93306-20434	D 4	93615-12088	C15
92906-10100	E 2	93306-20439	D 4	94112-18796	E10
	E 9	93306-20541	C15	94112-18797	E10
92906-10200	E 9	93306-20709	D 6	94132-19798	E 8
93101-30084	D14	93306-30203	E 8	94132-19799	E 8
93101-35097	D 6	93306-30306	E10	94212-18171	E10
93101-38098	D14	93306-30311	D 4	94212-18188	E10
93102-12106	D 9	93306-30528	D 4	94232-19122	E 8
93102-12224	D 2	93306-30532	D 4	94232-19167	E 8
93102-22014	E 8	93306-30533	D14	94500-02120	B 6
93102-25017	D13	93306-90501	D 8	94580-25058	B 9
93102-25218	C15	93306-91101	D 4	94600-02001	B 6
93102-70167	D15	93310-365H3	D 3	94701-00209	B 2
93105-45017	E 8	93311-36042	D 5	95301-04700	F11
93108-23007	D15	93311-43729	D14	95301-06700	F10
93210-07438	C 9	93315-11206	D 2		F14
93210-07540	C 9	93316-01403	D15	95301-08700	E11
93210-08006	B 6	93317-11020	D 2	95301-10700	B 6
93210-08493	E14	93317-41510	D14		E15
93210-09350	D 9	93332-00010	D13	95301-12700	C 4
93210-10197	B11	93340-21505	D 2	95302-05600	G 3
	B12	93410-20009	D 4	95302-06600	C14
93210-10560	B 4	93410-22039	D15		F13
93210-11124	C 8	93410-23056	D15		F14
93210-11368	G 4	93410-32052	C15		G 3
93210-12152	B11	93410-55057	D 5	95302-06700	F 4
93210-13016	C 2	93420-17046	B11	95302-08600	F12
93210-14359	D 6	93430-02001	F 7	95303-05800	F13
93210-16325	B10	93430-07012	D 2	95306-05600	F 9
93210-18319	B 9	93430-09035	D 3		
93210-18559	C 8	93430-10016	D 9	95306-06700	D 9
93210-21276	C 9	93430-10034	D 9	95306-08600	D11
93210-27370	C11	93440-11029	D 8	95311-06600	B 4
93210-36549	B13	93440-12052	B 2	95311-08600	B 4
93210-48530	E10	93440-12066	D 9		D15
93210-57428	E10	93440-25019	D 4	95316-08600	E 3
93210-59531	E10	93440-28062	D 4		E 4
93210-60426	D14	93440-47081	D 6	95316-10600	E 2
93210-62439	C 9	93440-72049	D 5	95601-06100	G 4
93210-69434	B 4	93440-80082	D 5	95606-06100	G 4
93210-71360	D 6	93450-17044	B 5	95611-06625	B 2
93210-88324	B10	93450-58087	E 6	95611-06630	B 2
	B11	93501-04011	E 5	95621-08330	B 2
	D15	93604-08071	C13		B 4
93306-00401	C15	93604-10011	D 8	95701-06100	F 5
93306-00508	D 6	93604-16092	D 8	95701-08100	C 6

NUMERICAL INDEX

PART NO.	GRID NO.	PART NO.	GRID NO.	PART NO.	GRID NO.
95701-10100	D10	97306-06020	D 9	98506-05020	G 4
95701-12100	D10	97306-06022	G 4	98506-05025	F 9
	F 9	97306-08014	G 2	98701-05012	F 4
95702-05100	F 3	97306-08035	D13	98701-05035	D 8
	F 9	97311-08020	C 6	98706-04012	E14
95702-08100	E 7	97311-08025	C 6	98706-05016	G 2
	F 2		C 7	98906-06008	E 7
95702-10100	F 2	97320-08012	E 6	98906-06020	C10
95706-05100	F 4	97321-05020	E11		
95706-06100	D10	97321-06020	G 2		
	F 5	97322-06016	F15		
95801-06060	C 9	97322-06025	D12		
95801-10040	C 7	97322-08025	D12		
95801-10045	F 2	97323-06008	G 4		
95802-06010	C 5	97326-06008	C 6		
95802-06012	E13	97326-06012	B 3		
95802-06014	G 2	97326-06016	D11		
95806-06040	F 5	97326-06025	E14		
95806-08012	E 7	97326-08030	F12		
95811-06035	C 8	97602-03108	C 2		
95811-06055	C 8	97701-40535	F 9		
95811-06060	C 8	97701-50512	F 4		
95811-06070	C 8		F 7		
95811-06080	C14	97701-50516	F 4		
95811-06120	C 8	97702-40508	F11		
95811-06135	C 8	97702-40510	F13		
95811-08045	C 8	97702-40512	F 9		
95811-08065	C 8	97702-50112	F 7		
95811-08105	C 8	97702-50510	B13		
95821-06025	D 2	97702-50514	F15		
95821-08030	D 7	97801-05010	B14		
95821-10025	D15	97801-06014	B15		
95826-06020	B11	98501-04008	F10		
95826-08016	F 9	98501-04012	C12		
95826-08025	D11		E14		
97301-06014	C15	98501-04018	F 9		
97301-06016	C 4	98501-05008	B15		
	C15	98501-05010	C 4		
	D 8	98501-05012	F 7		
97301-08020	D11	98501-05016	B14		
97302-06012	B13	98502-04006	B14		
97302-06025	F11	98506-03006	F 7		
97302-06050	B 2	98506-05008	E12		
97302-06080	F14	98506-05010	D12		
97306-06012	B12	98506-05012	F12		
97306-06016	D10	98506-05016	C 2		
	E 7		F 4		
		98506-05020	F 9		

## PARTS NAME INDEX

DESCRIPTION	GRID NO.
A.C. GENERATOR ASSY	C12
ABSORBER 1	B 2
*	B 2
*	C15
AIR CLEANER CASE ASSY	B13
AIR VALVE COMP.	E 4
ARM, shift	D 9
ARMATURE ASSY	C14
ASSIST, grip	E 7
AXLE, push lever	D 2
AXLE, wheel	E 8
*	E11
BACK MIRROR ASSY	E12
*	E12
*	E12
*	E12
BALANCER, wheel (10G)	E 8
*	E10
BALANCER, wheel (20G)	E 8
*	E10
BALANCER, wheel (30G)	E 8
*	E10
BALL	E 5
BAND	G 2
*	G 2
BAND, battery	D11
*	F14
BAND, switch cord	G 2
*	G 4
BAR, shift fork guide 1	D 8
BAR, tension	E11
BASE, Pickup	C13
BATTERY ASSY (12N12A-4A)	F14
BEARING	D 2
*	D 4
*	D 4
*	D 8
*	D13
BEARING (B6004)	C15
BEARING (B6005)	D 6
BEARING (B6203)	E10
BEARING (B6203RS)	E10
BEARING (B6204)	D 4
BEARING (B6205)	C15
BEARING (B6207)	D 6
BEARING (B6302Z)	E 8
BEARING (B6303)	E10

## PARTS NAME INDEX

DESCRIPTION	GRID NO.
BEARING (B6305RB1 SPECIAL)	D14
BEARING (B6305Z)	D 4
*	D 4
*	D 4
BEARING (B6911)	D 4
BEARING, cylindrical	D 2
*	D 2
*	D 3
*	D 5
*	D14
*	D14
*	D15
BODY ASSY	F12
BODY, front lower 1	F 3
BODY, front lower 2	F 3
BODY, front upper 1	F 3
BODY, front upper 2	F 3
BODY, licence light	F13
BODY, rear 1	F 7
BODY, rear 2	F 7
BODY, rear 3	F 7
BOLT	B 2
*	B 2
*	B 3
*	B 6
*	B 6
*	B 6
*	B 9
*	B10
*	B10
*	B11
*	B11
*	B12
*	B12
*	B12
*	B13
*	B13
*	C 2
*	C 4
*	C 6
*	C 6
*	C 6
*	C 6
*	C 6
*	C 6
*	C 7
*	C 9
*	C 9
*	C10
*	C10

## PARTS NAME INDEX

DESCRIPTION	GRID NO.
BOLT	C10
*	C10
*	C10
*	C13
*	C14
*	C15
*	C15
*	C15
*	D 8
*	D 9
*	D10
*	D10
*	D11
*	D11
*	D12
*	D12
*	D13
*	D13
*	E 5
*	E 5
*	E 6
*	E 7
*	E 7
*	E 9
*	E 9
*	E10
*	E11
*	E11
*	E11
*	E12
*	E14
*	E14
*	E15
*	E15
*	F 2
*	F 2
*	F 2
*	F 2
*	F 4
*	F 4
*	F11
*	F12
*	F13
*	F14
*	F15
*	G 2
*	G 2
*	G 4

## PARTS NAME INDEX

DESCRIPTION	GRID NO.
BOLT	G 4
*	G 4
*	G 4
BOLT 2	E 3
*	E 4
BOLT, cap	E 3
*	E 4
BOLT, connecting rod	B 5
BOLT, cylinder holding 3	C 8
*	C 8
BOLT, fitting 1	E 5
BOLT, flange	B11
*	C 5
*	C 7
*	C 8
*	C 8
*	C 8
*	C 8
*	C 8
*	C 8
*	C 8
*	C 8
*	C 8
*	C 8
*	C 8
*	C 8
*	C 9
*	D 2
*	D 7
*	D11
*	D15
*	E 7
*	E13
*	F 2
*	F 5
*	F 9
*	G 2
BOLT, flasher 1	F 9
BOLT, hexagon socket head	B 9
*	E 3
*	E 4
BOLT, stud	B 2
*	B 2
*	B 2
*	B 2
*	B 4
*	C 8
*	C 8
*	C 8
*	C 8
*	C 8
*	D14

## PARTS NAME INDEX

DESCRIPTION	GRID NO.
BOLT, stud	D14
*	D14
*	E 4
BOLT, union	B11
*	B12
*	E14
BOLT, washer based	B 2
*	B 6
*	B 9
*	C 8
*	C12
*	D10
*	D10
*	D10
*	D15
*	E 5
BOLT, with washer	C 5
*	E12
*	F 4
*	F 7
*	F 7
*	F 7
*	F 7
BOOST PRESSURE METER ASSY	F10
BOOT 1	E12
BOOT 2	E 9
*	E 9
*	E12
BOOT, cable	E12
BOOT, caliper	E 9
*	E 9
BOOT, master cylinder	E14
BOOT, rubber	D13
BOSS, clutch	D 2
BOX	D12
BOX COMP.	D12
BRACET 7	F 7
BRACET 8	F 7
BRACKET	D10
*	F 4
*	F 7
BRACKET 2	F 2
BRACKET 3	F 2
*	F 4
BRACKET 4	F 3
BRACKET 5	F 3
BRACKET 6	F 3

## PARTS NAME INDEX

DESCRIPTION	GRID NO.
BRACKET, cylinder head cover	B 2
BRACKET, cylinder head cover 2	B 2
BRACKET, handle cover 1	E13
BRACKET, licence	F13
BRACKET, master cylinder	E14
BRACKET, meter	F10
BRACKET, mirror 1	F 4
*	F 4
BRACKET, rear fender 1	D10
BRACKET, reflector 1	G 3
BRACKET, reflector 2	G 3
BRACKET, seat	E 7
*	E 7
BRAKE PAD KIT, front	E 9
*	E 9
BRAKE SHOE COMP.	E10
BREATHER COMP.	D15
BREATHER 1	C10
BREATHER 2	C10
BREED SCREW KIT	E 9
*	E 9
BRUSH HOLDER ASSY	C12
*	C14
BRUSH 1	C12
*	C14
BRUSH 2	C12
*	C14
BULB (12V 3.4W)	F10
*	F11
BULB (12V-2CP)	F13
BULB (12V-27/8W)	F13
BULB (12V-27W)	F 9
*	F 9
*	F 9
BULB (12V-60/55W)	F12
BUSH	B15
BUSH, solid	F 3
BY-PASS VALVE ASSY	B10
CABLE	B15
CABLE, clutch	E12
CABLE, starter 1	E12
CABLE, throttle 1	E12
CALIPER ASSY (LEFT)	E 9
CALIPER ASSY (RIGHT)	E 9
CAM, drive	D 6
CAM, driven	D 6
CAMSHAFT	E10
CAMSHAFT 1	B 6

## PARTS NAME INDEX

DESCRIPTION	GRID NO.
CAMSHAFT 2	B 6
CAP	C14
*	E 8
*	E 6
CAP ASSY	E12
CAP, bolt	E 3
CAP, front fork	E 4
*	E12
CAP, handlebar cover	E14
CAP, reservoir	C15
CAP, starter clutch spring	B14
CARBURETOR ASSY	B14
CARBURETOR ASSY 1	B14
CARBURETOR ASSY 2	B14
CARBURETOR ASSY 3	B14
CARBURETOR ASSY 4	B14
CASE, air cleaner 2	B13
CASE, inner	F10
CASE, upper	F10
CAST WHEEL, front	E 8
CAST WHEEL, rear	E10
CHAIN (BF05M-120L)	B 6
CHAIN (D1D25 58L)	B 9
CHAIN, Primary	C15
CHECK VALVE ASSY	C 4
CIRCLIP	B 2
*	B 5
*	B11
*	C14
*	C15
*	D 2
*	D 3
*	D 4
*	D 4
*	D 4
*	D 4
*	D 5
*	D 5
*	D 5
*	D 6
*	D 8
*	D 9
*	D 9
*	D 9
*	D15
*	D15
*	E 6
*	F 7
CIRCLIP 1	D 4

## PARTS NAME INDEX

DESCRIPTION	GRID NO.
CLAMP	B11
*	B11
*	B12
*	B12
*	C13
*	C13
*	C13
*	D11
*	D11
CLAMP, hose	B13
*	C 2
*	C 2
*	C 2
*	C 2
*	C 2
*	C 3
*	C 3
CLIP	B12
*	B13
*	B13
*	C 4
*	C 4
*	C 4
*	C 4
*	C 4
*	C 4
*	C 5
*	C 7
*	C10
*	C10
*	E 6
CLIP, cowling	F 5
CLIP, Pipe	B15
*	B15
CLUTCH, hub	E10
CLUTCH, meter	E 8
COLLAR	B 3
*	B11
*	B11
*	C 4
*	C 6
*	C 8
*	C 9
*	C15
*	D 3
*	D 9
*	D12

## PARTS NAME INDEX

DESCRIPTION	GRID NO.
COLLAR	D12
*	D13
*	E 2
*	E 8
*	E12
*	F11
*	F13
*	F13
COLLAR 1	F12
COLLAR 2	F12
COLLAR, Guide	D14
COLLAR, wheel	E11
CONNECTING ROD ASSY	B 5
CORD ASSY	F13
COTTER, valve	B 7
COUPLING, Gear	D14
COVER	D13
*	F 7
COVER, ball race 1	E 5
COVER, caP	C11
COVER, cooler	F 3
COVER, crankcase 1	C10
COVER, crankcase 2	C10
COVER, cylinder head 1	B 2
COVER, cylinder head 2	B 2
COVER, cylinder head 3	B 2
COVER, double seat	E 7
COVER, drain valve	C 2
COVER, dust	D 9
COVER, filler	E 6
COVER, footrest	E15
*	E15
COVER, Generator	C10
COVER, handle lever 1	E12
*	E12
COVER, handlebar upper 1	E12
COVER, handlebar upper 2	E12
COVER, meter	F10
COVER, meter 2	F11
COVER, oil element	B10
COVER, oil Pump	C10
COVER, oil Pump 2	C10
COVER, Plate	E11
COVER, rear footrest	E15
*	E15
COVER, reed valve	C 2
COVER, relief valve	C 2
COVER, shift Pedal	D 9

## PARTS NAME INDEX

DESCRIPTION	GRID NO.
COVER, socket	F12
COVER, strainer	B10
CRANKCASE ASSY	C 8
CRANKSHAFT	B 5
CROSS JOINT COMP.	D15
CROWN, handle	E 5
CYLINDER	B 4
CYLINDER COMP., front fork	E 3
*	E 4
CYLINDER HEAD ASSY	B 2
CYLINDER KIT, master	E14
DAMPER	D12
*	E 6
*	E10
*	F 4
*	F 6
*	F 6
*	F10
*	F10
*	F13
*	F13
*	F13
DAMPER 2	F11
DAMPER 3	F12
DAMPER 5	F 4
DAMPER 6	F 4
DAMPER, chain 1	B 6
DAMPER, chain 2	B 6
DAMPER, headlight 1	F12
DAMPER, headlight 2	F12
DAMPER, locating 1	E 6
DAMPER, locating 2	E 6
DAMPER, locating 3	E 6
DAMPER, muffler	C 6
DAMPER, tail 1	F13
DIAPHRAGM ASSY	B14
DIAPHRAGM, reservoir	E14
DIODE	F14
DISC, brake	E 9
*	E 9
DOUBLE SEAT ASSY	E 7
DRAIN VALVE ASSY	C 2
DRIVE AXLE ASSY	D 4
DUCT, turbo 1	C 2
DUCT, turbo 2	C 3
ELEMENT ASSY, oil cleaner	B10
ELEMENT, air cleaner	B13
EMBLEM 1	F 5

## PARTS NAME INDEX

DESCRIPTION	GRID NO.
EMBLEM 1	F 5
*	F 8
EMERGENCY STOP SWITCH ASSY	G 2
FIN	F 3
FITTING PLATE, bulb	F12
FLANGE, middle gear	D 6
FLANGE, spacer	E10
FLANGE, spacer 1	E 8
FLASHER CANCELLING UNIT	G 2
FLASHER RELAY ASSY	G 2
FLOAT	B14
FORK, shift 1	D 8
FORK, shift 2	D 8
FORK, shift 3	D 8
FRAME COMP	D10
FRONT FENDER COMP.	D11
FRONT FLASHER LIGHT ASSY	F 9
FRONT FLASHER LIGHT ASSY 1	F 9
FRONT FOOTREST ASSY (L.H)	E15
FRONT FOOTREST ASSY (R.H)	E15
FRONT FORK ASSY (L.H)	E 3
FRONT FORK ASSY (R.H)	E 3
FRONT REFLECTOR ASSY	G 2
FRONT STOP SWITCH ASSY	G 4
FUEL COCK ASSY 1	E 6
FUEL PUMP COMP.	C 4
FUEL TANK COMP.	E 6
FUSE (12V 5A)	F15
FUSE (12V-10A)	F15
FUSE (12V-20A)	F15
GASKET	B 2
*	B 4
*	B 9
*	B10
*	B12
*	B12
*	B12
*	C 2
*	C10
*	C10
*	C14
*	D15
*	E 3
*	E 3
*	E 4
*	E 4
*	E 6
*	E 6
*	G 2

## PARTS NAME INDEX

DESCRIPTION	GRID NO.
GASKET 1	C10
GASKET 3	C 6
GASKET, crankcase cover	C10
GASKET, crankcase cover 2	C10
GASKET, cylinder	B 4
GASKET, cylinder head 1	B 2
GASKET, drain Plug	E 3
*	E 4
GASKET, exhaust Pipe	C 6
*	C 6
GASKET, exhaust 4	C 6
GASKET, flasher lens	F 9
*	F 9
*	F 9
GASKET, head cover 1	B 2
GASKET, muffler	C 6
GASKET, oil Pump cover 1	C10
GASKET, sender unit	G 2
GASKET, silencer	C 6
GASKET, strainer cover	B10
GASKET, tail lens	F13
GASKET, tensioner case	B 6
GAUGE, level	C11
GEAR UNIT ASSY	E 8
GEAR, idler 1 (27T)	C15
GEAR, idler 2 (43T)	C15
GEAR, middle drive (37T)	D 4
GEAR, middle driven (48T)	D 4
GEAR, starting motor (13T)	C14
GEAR, 1st wheel (35T)	D 4
GEAR, 2nd wheel (30T)	D 4
GEAR, 2nd/3rd Pinion (20/26T)	D 4
GEAR, 3rd wheel (30T)	D 4
GEAR, 4th Pinion (30T)	D 4
GEAR, 4th wheel (28T)	D 4
GEAR, 5th Pinion (32T)	D 4
GEAR, 5th wheel (26T)	D 4
GRAPHIC SET, front fender	D11
GRAPHIC 10	F 8
GRAPHIC 3	F 5
GRAPHIC 4	F 5
GRAPHIC 5	F 5
GRAPHIC 6	F 5
GRAPHIC 7	F 8
GRAPHIC 8	F 8
GRAPHIC 9	F 8
GRIP (L.H)	E12
GRIP ASSY	E12

## PARTS NAME INDEX

DESCRIPTION	GRID NO.
GROMMET	B10
*	B11
*	B11
*	C 4
*	C 9
*	C11
*	D11
*	D12
*	E13
*	F 4
*	F 4
*	F 5
*	F 7
*	F11
*	F11
GUARD, mud	D11
GUIDE 1	C 7
GUIDE, intake valve (1ST O/S)	B 2
GUIDE, side stand	E15
GUIDE, stopper 2	B 6
GUIDE, upper	C15
HANDLE, seat	E 7
HANDLE, standing	E 7
HANDLEBAR	E12
HEADLIGHT UNIT ASSY	F12
HELMET HANGER ASSY	E 7
HOLDER	D 6
*	E12
HOLDER, brake hose	E 5
*	E 5
HOLDER, brake hose 1	E14
HOLDER, brake hose 2	E14
HOLDER, cable	D11
HOLDER, clutch cable	C 9
HOLDER, fuse	D12
HOLDER, handle upper	E 5
HOLDER, lever 1	G 4
HOOD 1	F 3
HOOD 2	F 3
HOOK	F 7
HOOK, bank	D12
HORN	G 2
*	G 2
HOSE	B13
*	E 6
*	E 6
*	E 6
*	F14
HOSE, air	E 4

## PARTS NAME INDEX

DESCRIPTION	GRID NO.
HOSE, brake	E14
HOSE, brake 1	E14
HOSE, brake 2	E14
HOSE, fuel 6	C 4
HOSE, oil 1	B11
HOSE, oil 2	B11
HOUSING COMP.	D 6
HOUSING, bearing	D14
HOUSING, bearing 1	C 9
HOUSING, bearing 2	C 9
IGNITION COIL ASSY	F14
*	F14
IGNITOR UNIT ASSY	F14
INNER TUBE COMP.1	E 3
*	E 4
JET, main (#125.0)	B14
JET, main (#165.0)	B14
JET, Pilot (#35.0)	B14
JOINT	E14
*	F 7
JOINT, air filter 1	C 2
JOINT, air 1	E 4
JOINT, air 2	E 4
JOINT, carburetor 1	B13
JOINT, carburetor 2	B13
JOINT, chain	B 6
JOINT, exhaust 1	C 6
JOINT, exhaust 2	C 6
JOINT, surge tank 1	C 2
JOINT, surge tank 2	C 2
JOINT, turbo 2	C 3
KNOB, trip meter	F10
LABEL, oil caution	E 2
LCD UNIT SET	F11
LEAD SWITCH ASSY	E14
LENS, flasher	F 9
*	F 9
*	F 9
LENS, headlight	F12
LENS, taillight	F13
LEVER 1	G 4
LEVER 2	G 4
LEVER, camshaft	E10
LEVER, seat	E 7
LEVER, starter	G 4
LEVER, trip meter	F10
LICENCE LIGHT UNIT ASSY	F13
LID	E 7

## PARTS NAME INDEX

DESCRIPTION	GRID NO.
LIFTER, valve	B 8
MAIN AXLE ASSY (16T)	D 4
MAIN SWITCH ASSY	F15
MASTER CYLINDER ASSY	E14
MIDDLE GEAR COMP	D 6
MOLE COMP. 1	F 5
MOLE COMP. 2	F 5
MOLE 1	E 6
*	F 5
MOLE 2	F 5
MUFFLER 1	C 6
MUFFLER 2	C 6
NEEDLE SET	B14
NET, filter	B14
NEUTRAL SWITCH ASSY	G 2
NIPPLE	B15
*	B15
NOZZLE	C 9
NOZZLE 1	C 8
NOZZLE, main	B14
NUT	B 4
*	B 4
*	B 4
*	B 5
*	B 6
*	C 4
*	C 6
*	C 7
*	C14
*	D 2
*	D 6
*	D 6
*	D 9
*	D 9
*	D10
*	D10
*	D11
*	D13
*	D15
*	E 2
*	E 3
*	E 4
*	E 5
*	E10
*	E11
*	E11
*	E12
*	E15

## PARTS NAME INDEX

DESCRIPTION	GRID NO.
NUT	F 2
*	F 2
*	F 4
*	*
*	F 9
*	F10
*	F11
*	F12
*	F13
*	F13
*	F14
*	F14
*	G 3
*	G 3
*	G 3
*	G 3
*	G 4
NUT, adjusting	F12
NUT, castle	E 8
NUT, crown	B 2
*	D13
*	D13
*	F13
NUT, fitting 2	E 5
NUT, flange	C 6
*	D10
*	D10
*	D10
*	E 7
*	F 2
*	F 2
*	F 3
*	F 4
*	F 5
*	F 5
*	F 9
*	F 9
NUT, ring	C 6
NUT, self-locking	D14
*	E15
NUT, sPecial	C14
NUT, u	G 4
*	G 4
NUT, Plate	F14
*	F15
O-RING	B 4
*	B 4
*	B 6

## PARTS NAME INDEX

DESCRIPTION	GRID NO.
O-RING	B 9
*	B10
*	B10
*	B11
*	B11
*	B11
*	B12
*	B13
*	B14
*	C 2
*	C 8
*	C 8
*	C 9
*	C 9
*	C 9
*	C 9
*	C11
*	C14
*	D 6
*	D 6
*	D 9
*	D14
*	D15
*	E 4
*	E 4
*	E 6
*	E 6
*	E10
*	E10
*	E10
*	E14
*	G 4
OIL COOLER ASSY	B11
OIL LEVEL GAUGE ASSY	G 2
OIL PUMP ASSY	B 9
OIL SEAL	C15
*	D 2
*	D 6
*	D 9
*	D13
*	D14
*	D14
*	D14
*	D15
*	D15
*	E 3
*	E 3
*	E 8
*	E 8

## PARTS NAME INDEX

DESCRIPTION	GRID NO.
PAD	F 7
PAD, adjusting (2.00)	B 7
PAD, adjusting (2.05)	B 7
PAD, adjusting (2.10)	B 7
PAD, adjusting (2.15)	B 7
PAD, adjusting (2.20)	B 7
PAD, adjusting (2.25)	B 7
PAD, adjusting (2.30)	B 7
PAD, adjusting (2.35)	B 7
PAD, adjusting (2.40)	B 7
PAD, adjusting (2.45)	B 7
PAD, adjusting (2.50)	B 7
PAD, adjusting (2.55)	B 7
PAD, adjusting (2.60)	B 7
PAD, adjusting (2.65)	B 7
PAD, adjusting (2.70)	B 7
PAD, adjusting (2.75)	B 7
PAD, adjusting (2.80)	B 7
PAD, adjusting (2.85)	B 7
PAD, adjusting (2.90)	B 7
PAD, adjusting (2.95)	B 7
PAD, adjusting (3.00)	B 8
PAD, adjusting (3.05)	B 8
PAD, adjusting (3.10)	B 8
PAD, adjusting (3.15)	B 8
PAD, adjusting (3.20)	B 8
PAD, seat	E 7
PANEL, meter 2	F10
PANEL, 1	F 3
PANEL, 2	F 3
PEDAL, brake	E15
PEDAL, shift	D 9
PILOT SCREW SET	B14
PIN	F 2
PIN 2	F 7
PIN, clevis	E15
*	E15
*	E15
PIN, cotter	E 8
*	E11
*	E11
*	E15
*	E15
*	F 2
PIN, dowel	B 2
*	B 4
*	B 9
*	B10

## PARTS NAME INDEX

DESCRIPTION	GRID NO.
PIN, dowel	B11
*	C 8
*	C 8
*	C 8
*	C10
*	C10
*	C13
*	C15
*	D 8
*	D 8
*	D 8
*	D 9
*	B14
PIN, float	B 5
PIN, piston	D 2
PINION, releas (16T)	C10
PIPE, breather 1	C10
PIPE, breather 2	B12
PIPE, delivery 1	C 6
PIPE, exhaust 1	C 6
PIPE, exhaust 2	C 6
PIPE, exhaust 3	C 6
PIPE, exhaust 4	C 6
PIPE, fuel 1	C 4
PIPE, fuel 2	C 4
PIPE, fuel 3	C 5
PIPE, fuel 4	C 4
PIPE, fuel 5	C 4
PIPE, joint	C 4
PIPE, oil drain 1	B12
PIPE, oil 1	B12
PIPE, oil 2	B12
PIPE, outlet	C 7
PIPE, regulator	C 4
PIPE, starter connecting	B15
*	B15
PISTON (STD)	B 5
PISTON (2ND O/S 0.50MM)	B 5
PISTON (4TH O/S 1.00MM)	B 5
PISTON ASSY, caliPer	E 9
*	E 9
PISTON RING SET (STD)	B 5
PISTON RING SET (2ND O/S)	B 5
PISTON RING SET (4TH O/S)	B 5
PLANE BEARING, connecting rod	B 5
*	B 5
*	B 5
*	B 5
PLANE BEARING, crankshaft 1	B 5

## PARTS NAME INDEX

DESCRIPTION	GRID NO.
PLANE BEARING, crankshaft 1	B 5
*	B 5
*	B 5
*	B 5
PLANE BEARING, crankshaft 3	B 5
*	B 5
*	B 5
*	B 5
*	B 5
PLATE	B14
*	C14
*	F 7
PLATE 1	F 4
PLATE 2	F 4
PLATE, adaPtor	B11
PLATE, baffle lower	B10
PLATE, bearing cover	C 8
*	C 9
PLATE, brake shoe	E10
PLATE, bridge	D12
PLATE, clutch 1	D 2
PLATE, clutch 2	D 2
PLATE, fitting	F10
PLATE, friction	D 2
PLATE, indicator	E10
PLATE, Pressure 1	D 2
PLATE, seat	D 2
PLATE, stopPer	C15
*	D 8
PLATE, thrust 1	D 2
*	D 3
PLATE, timing	C13
PLUG	B 2
*	B10
*	C 9
*	C15
*	E14
PLUG CAP ASSY	F14
*	F14
PLUG SCREW SET	B14
PLUG, blind	B13
PLUG, blind 1	C 8
PLUG, drain	E 3
*	E 4
PLUG, oil	C11
PLUG, sPark (DN W24EP-U)	B 2
PLUG, straight screw	B 4
*	D15

## PARTS NAME INDEX

DESCRIPTION	GRID NO.
PLUG, straight screw	D15
PLUNGER	B11
POCKET LOCK ASSY	F 4
PRIMARY DRIVEN GEAR COMP (97T)	D 2
PRINT BOARD ASSY	F11
PROTECTOR, exhaust Pipe	C 7
PROTECTOR, fuel tank	E 6
PUSH LEVER ASSY	D 2
RACE, ball 1	E 5
RACE, ball 2	E 5
RACE, ball 3	E 5
RACE, ball 4	E 5
RACE, inner	D14
REAR ARM COMP.	D13
REAR AXLE GEAR CASE ASSY	D14
REAR FENDER COMP.	D11
REAR FLASHER LIGHT ASSY	F 9
REAR FOOTREST ASSY 1	E15
REAR FOOTREST ASSY 2	E15
REAR REFLECTOR ASSY	G 3
RECTIFIER & REGULATOR ASSY	F14
RECTIFIER ASSY	F14
REED VALVE ASSY	C 2
REED, valve	C 2
REGULATOR, Pressure	C 4
REINF. COMP.	D11
RELAY ASSY	F14
RELIEF VALVE ASSY	B12
RETAINER, bearing	D14
RETAINER, clutch	E 8
RETAINER, valve sPring	B 7
RIM, headlight	F 3
*	F12
RING, clutch boss	D 2
RING, rubber	C11
RING, snap	E 3
*	E 3
*	E 3
*	E 4
RIVET, blind	F 3
*	F 3
*	F 3
*	F 3
*	F 3
*	F 5
ROD, brake	E15
ROD, Push 1	D 2
ROD, shift	D 9

## PARTS NAME INDEX

DESCRIPTION	GRID NO.
ROTOR .....	C13
ROTOR ASSY .....	C12
SCOOP, air 1 .....	F 5
SCOOP, air 2 .....	F 5
SCRAPER, oil .....	C10
SCREW .....	C 9
*	E 6
*	E 7
*	G 4
SCREW, bind .....	C10
*	E 7
SCREW, countersunk .....	C 9
SCREW, flat head .....	D 8
*	E14
*	F 4
*	G 2
SCREW, hexagon .....	B 2
*	E12
*	F 2
SCREW, Pan head .....	B10
*	B13
*	B13
*	B14
*	B14
*	B14
*	B14
*	B15
*	B15
*	C 2
*	C 4
*	C10
*	C10
*	C11
*	C12
*	C12
*	C13
*	C13
*	D12
*	D12
*	E 5
*	E12
*	E14
*	F 3
*	F 3
*	F 4
*	F 4
*	F 7
*	F 7

## PARTS NAME INDEX

DESCRIPTION	GRID NO.
SCREW, Pan head .....	F 9
*	F 9
*	F 9
*	F10
*	F12
*	F14
*	F15
*	G 4
*	G 4
SCREW, Pan head with washer .....	C 2
SCREW, Panhead tapping .....	F 4
SCREW, rim adjusting .....	F12
SCREW, round head .....	F 4
SCREW, tapping .....	B13
*	F 4
*	F 7
*	F 7
*	F 9
*	F 9
*	F 9
*	F10
*	F10
*	F10
*	F10
*	F11
*	F11
*	F11
*	F13
*	F15
SCREW, throttle .....	B15
SCREW, throttle stop .....	B15
SCREW, with washer .....	F 4
*	F 5
*	F10
*	F10
*	F11
*	F11
*	F11
*	G 2
SEAL .....	C 2
SEAL, dust .....	E 3
*	E 4
SEAL, Push rod .....	B 5
SEAL, rubber .....	C 2
SEAL, steering .....	E 5
SEAL, valve stem .....	B 7
SEAT LOCK ASSY .....	E 7
SEAT, sPring uPPer .....	E 3

## PARTS NAME INDEX

DESCRIPTION	GRID NO.
SEAT, sPring uPPer .....	E 4
SEAT, valve .....	B12
SEAT, valve sPring .....	B 7
SEGMENT .....	D 8
SENDER UNIT ASSY, fuel meter .....	G 2
SENDER, battery .....	G 2
SENSOR, knock .....	F14
SENSOR, Pressure .....	G 2
SHAFT .....	D 9
SHAFT 1 .....	C15
SHAFT 2 .....	C15
SHAFT, brake Pedal .....	E15
SHAFT, drive .....	D15
SHAFT, Pivot .....	D13
*	D13
SHAFT, starter lever .....	B15
SHIFT CAM ASSY .....	D 8
SHIFT LEVER ASSY .....	D 9
SHIFT SHAFT ASSY .....	D 9
SHIM .....	D 8
SHIM, caliper .....	E 9
*	E 9
SHIM, Pinion (0.10T) .....	D 6
SHIM, Pinion (0.15T) .....	D 6
SHIM, Pinion (0.20T) .....	D 6
SHIM, Pinion (0.30T) .....	D 6
SHIM, Pinion (0.40T) .....	D 6
SHIM, Pinion (0.50T) .....	D 6
SHIM, ring gear (0.25T) .....	D14
SHIM, ring gear (0.30T) .....	D14
SHIM, ring gear (0.35T) .....	D14
SHIM, ring gear (0.40T) .....	D14
SHIM, ring gear (0.45T) .....	D14
SHIM, ring gear (0.50T) .....	D14
SHIM, thrust (0.15T) .....	D 6
*	D14
SHIM, thrust (0.20T) .....	D 6
SHIM, thrust (0.30T) .....	D 6
*	D14
SHIM, thrust (0.40T) .....	D 6
*	D14
SHIM, thrust (0.50T) .....	D 6
*	D14
SHIM, thrust (0.60T) .....	D14
SHOCK ABSORBER ASSY, rear .....	D13
*	D13
SIDE STAND RELAY ASSY .....	F14
SOCKET CORD ASSY .....	F10

## PARTS NAME INDEX

DESCRIPTION	GRID NO.
SOCKET CORD ASSY	F10
SPACER	E 3
*	E 4
*	E 6
*	E 8
*	E10
*	F11
*	F13
SPACER 1	D 3
SPEEDOMETER ASSY	F10
SPEEDOMETER CABLE ASSY	F11
SPINDLE, tapered	E 3
*	E 4
SPRING, air adjusting	B15
SPRING, clutch boss	D 2
SPRING, compression	B10
*	B11
*	C 2
*	C 4
*	C 4
*	C 4
*	C 4
*	C 5
*	C15
*	D 2
*	D 6
*	D15
*	F 2
*	F 7
*	G 4
SPRING, diaphragm	B14
SPRING, front fork	E 3
*	E 4
SPRING, meter	F10
SPRING, reflector	F12
SPRING, screw	F12
SPRING, tension	D 9
*	D13
*	E10
*	E15
*	E15
SPRING, throttle stop	B15
*	B15
SPRING, torsion	D 2
*	D 9
*	D 9
*	F 2
*	F 7
*	F 7
SPRING, valve inner	B 7

## PARTS NAME INDEX

DESCRIPTION	GRID NO.
SPRING, valve outer	B 7
SPROCKET, cam chain (32T)	B 6
SPROCKET, drive (25T)	B 9
SPROCKET, driven (23T)	B 9
SPROCKET, starter (21T)	C15
STAND, main	E15
STAND, side	E15
STARTER CLUTCH OUTER ASSY	C15
STARTER CIRCUIT CUT-OFF RELAY	F14
STARTER LEVER SET	B14
*	B15
STARTER PLUNGER SET	B14
STARTER SWITCH ASSY	F14
STARTING MOTOR ASSY	C14
STATOR ASSY	C12
*	C14
STAY 1	C 4
*	D10
*	F 3
STAY 2	B13
*	F 3
STAY, damper	C 4
STAY, engine 2	D10
STAY, flasher	F 9
*	F 9
STAY, flasher 1	F 9
STAY, headlight	E 5
STAY, leg shield (L.H.)	F 7
STAY, leg shield (R.H.)	F 7
STAY, muffler	C 7
STAY, rear	E 7
STAY, regulator	B13
STOP SWITCH ASSY	G 2
STOPPER LEVER ASSY	D 9
STOPPER, damper	E11
STOPPER, main stand	E 7
*	E 7
*	E15
STOPPER, reed valve	C 2
STRAINER	E 6
STRAINER 2	B12
SUPPORT, pad	E 9
*	E 9
SWITCH, side stand	G 2
SWITCH	G 4
SWITCH, handle 3	G 4
SWITCH, handle 4	G 4

## PARTS NAME INDEX

DESCRIPTION	GRID NO.
SWITCH, meter control	F11
*	F11
TACHOMETER ASSY	F10
TAILLIGHT UNIT ASSY	F13
TANK, surge	C 2
TENSIONER ASSY, cam chain	B 6
TIRE	E10
*	E10
TIRE (3.25-19)	E 8
*	E 8
TOOL KIT	D12
TRIM	F 3
TUBE (120/90-18)	E10
*	E10
TUBE (3.25-19)	E 8
*	E 8
TUBE, outer 1	E 3
TUBE, outer 2	E 3
TURBO SUPERCHARGER ASSY	C 7
UNDER BRACKET COMP.	E 4
VALVE	E 6
VALVE SEAT SET	B14
VALVE, exhaust	B 7
VALVE, intake	B 7
VALVE, relief	C 2
WASHER	B11
*	B11
*	B13
*	C 4
*	C11
*	C12
*	C13
*	D 4
*	D 4
*	D 4
*	D 4
*	E 3
*	E 4
*	E 9
*	E10
*	E15
*	E15
*	F 4
*	F 5
*	F13
*	F14
*	F15
*	F15
*	G 3

## PARTS NAME INDEX

DESCRIPTION	GRID NO.
WASHER	G 4
WASHER 1	C14
*	D 2
WASHER 2	C14
WASHER, lock	C15
*	D 2
*	D13
*	E 9
WASHER, main Jet	B14
WASHER, Plain	C13
*	D11
*	E 8
*	E12
*	F 4
*	F 4
*	F 4
*	F 9
*	F14
*	G 4
WASHER, Plate	B 2
*	B 2
*	B 2
*	B 3
*	B 4
*	B 4
*	B 4
*	B 4
*	B 6
*	B10
*	B12
*	B13
*	C 4
*	C 6
*	C 6
*	C 6
*	C 7
*	C 8
*	C 8
*	C12
*	D 2
*	D 2
*	D 2
*	D 4
*	D 4
*	D 6
*	D 9
*	D 9
*	D10
*	D12

## PARTS NAME INDEX

DESCRIPTION	GRID NO.
WASHER, Plate	D12
*	D12
*	D13
*	D13
*	D14
*	D14
<i>AK520-10M1-26263-00</i>	D15
*	E 3
*	E 4
*	E 6
<i>BH235 73210-10117</i>	E 7
*	E10
*	E11
*	E11
*	E11
*	E14
*	E14
*	F 2
*	F 5
*	F 5
*	F 7
*	F 9
*	F10
*	F10
*	F11
*	F12
*	F13
*	F13
*	F15
*	G 2
*	G 2
*	G 4
WASHER, Plate (T2.0)	B11
WASHER, sPecial	E 6
*	F13
WASHER, sPring	B 3
*	B13
*	B13
*	B13
*	B14
*	B15
*	C 2
*	C 5
*	C12
*	C12
*	C14
*	D10
*	D11

## PARTS NAME INDEX

DESCRIPTION	GRID NO.
WASHER, sPring	D11
*	D11
*	D12
*	D12
*	D12
*	D12
*	D13
*	D13
*	E 2
*	E 2
*	E 4
*	E 4
*	E 4
*	E 9
*	E 9
*	E11
*	E11
*	E12
*	E14
*	E14
*	F 2
*	F 4
*	F 7
*	F10
*	F11
*	F12
*	F13
*	F14
*	F14
*	F15
*	G 2
*	G 2
*	G 2
*	G 3
*	G 3
*	G 3
*	G 4
*	G 4
WASHER, thrust	D 6
WASHER, thrust (1.4T)	D15
WASHER, thrust (1.5T)	D15
WASHER, thrust (1.6T)	D15
WASHER, thrust (1.7T)	D15
WASHER, thrust (1.8T)	D15
WASHER, thrust (1.9T)	D15
WASHER, thrust (2.0T)	D15
WASHER, thrust (2.1T)	D15
WASHER, thrust (2.2T)	D15
WASHER, thrust (2.3T)	D15