

# YAMAHA

## PARTS LIST



### MODEL XS400 SF

(MODEL CODE 2L1)

COPY RIGHT: ALL RIGHTS RESERVED  
NO PART OF THIS PUBLICATION MAY BE REPRODUCED WITHOUT PERMISSION.

2U3-18198-05



## FOREWORD

"SF"

This Parts List is related to the parts in use for the Yamaha XS250F(2U3) ~~XS400F(2L1)~~.  
 When you are ordering replacement parts for the XS250F(2U3), XS400F(2L1), refer to this Parts List and quote both part numbers and part names correctly.

1. Modifications or additions which have been made after issue of the Parts List will be announced in the Yamaha Parts News.  
 It is advisable that according to the Yamaha Parts News you make necessary corrections to the Parts List on hand to keep it up-to-date.

### 2. Abbreviations

The following abbreviations are used in this Parts List.

- U.R. Use size (thickness) and/or number as required.
- U.N. Use as many as you need.
- F# Frame No. (Applicable machine No.)

3. Parts, which are to be supplied in the form of assemblies, are listed with an indentation of one letter's space, and a dot (.) is put against the name of each part.

EXAMPLE CARBURETOR ASS'Y  
 . JET, pilot  
 . NOZZLE, main

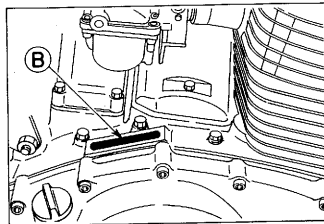
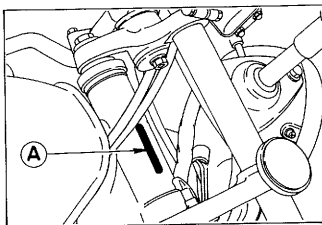
### 4. Initial Serial No. and Color Code

XS250F

(A) Frame Serial No.	1M0-010101 and following	✓
(B) Engine Serial No.	1M0-010101 and following	

XS400F

(A) Frame Serial No.	2L0-070101 and following	✓
(B) Engine Serial No.	2L0-070101 and following	



Color Code	Color Name	Color Code	Color Name
33	Yamaha Black	R4	Heat Proof Black
91	Uni-Chrome Plated	6E	Magnum Marron
93	Chrome Plated	8E	Star Blue Metallic
98	Low Gloss Black		

# CONTENTS

## ENGINE

Fig. 1	Cylinder Head · Cylinder	1
Fig. 2	Valve · Rocker Arm	3
Fig. 3	Crank · Piston	4
Fig. 4	Camshaft · Chain Tensioner	6
Fig. 5	A.C. Generator	7
Fig. 6	Contact Breaker · Governor	8
Fig. 7	Starting Motor Unit	9
Fig. 8	Starting Motor	10
Fig. 9	Oil Pump · Oil Cleaner	11
Fig. 10	Clutch	12
Fig. 11	Transmission	13
Fig. 12	Shifter 1	15
Fig. 13	Shifter 2	16
Fig. 14	Kick Starter	17
Fig. 15	Crankcase	18
Fig. 16	Crankcase Cover	19
Fig. 17	Intake	20
Fig. 18	Carburetor (XS250)	21
Fig. 19	Carburetor (XS400)	24
Fig. 20	Exhaust	27

## CHASSIS

Fig. 21	Frame	28
Fig. 22	Side Cover · Battery Box	29
Fig. 23	Stand · Footrest	30
Fig. 24	Brake Pedal · Rear Master Cylinder	32
Fig. 25	Rear Arm · Rear Cushion · Chain Case	33
Fig. 26	Front Fender · Rear Fender	34
Fig. 27	Steering	35

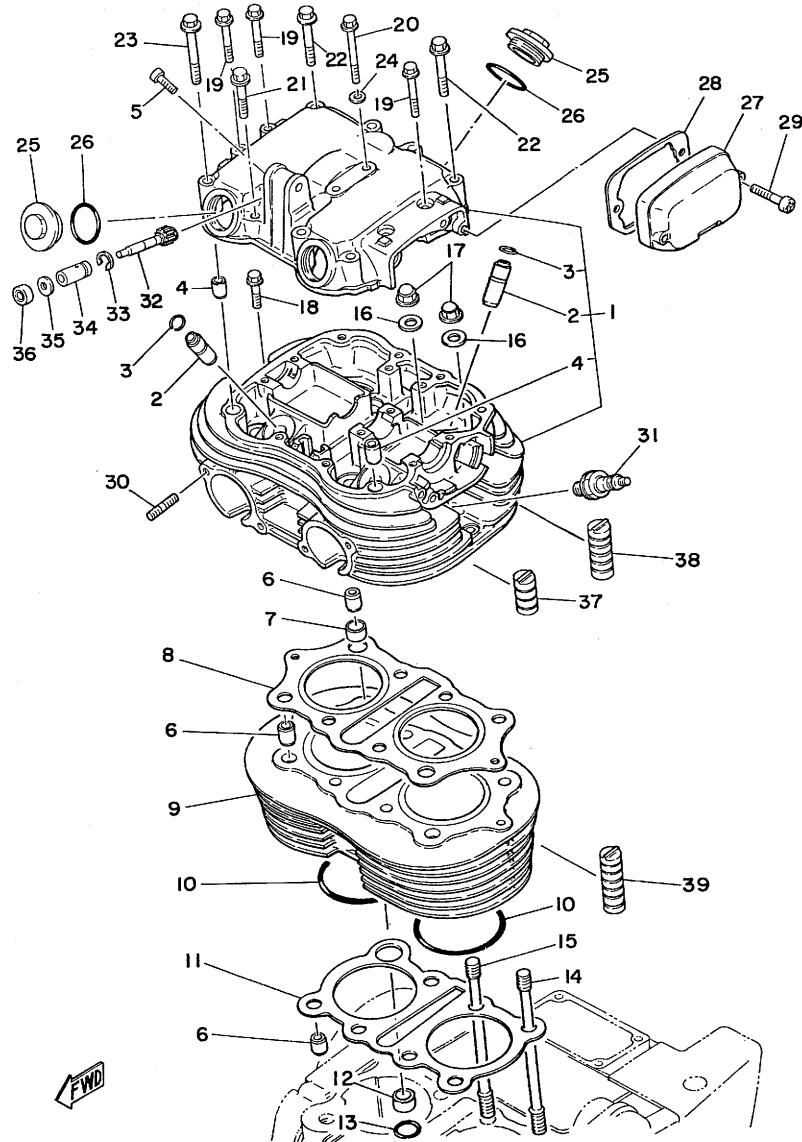
Fig. 28	Front Fork	36
Fig. 29	Handle · Wire	38
Fig. 30	Master Cylinder · Brake Hose	39
Fig. 31	Fuel Tank	40
Fig. 32	Seat	42
Fig. 33	Front Wheel	43
Fig. 34	Front Disk Brake · Caliper	45
Fig. 35	Rear Wheel	46
Fig. 36	Rear Disk Brake · Caliper	48
Fig. 37	Head Lamp	49
Fig. 38	Speedometer · Tachometer	50
Fig. 39	Tail Lamp	52
Fig. 40	Flasher Lamp	53
Fig. 41	Electrical 1	54
Fig. 42	Electrical 2	55

## ACCESSORY PARTS

Fig. 43	Bumper · Carrier	58
---------	------------------	----

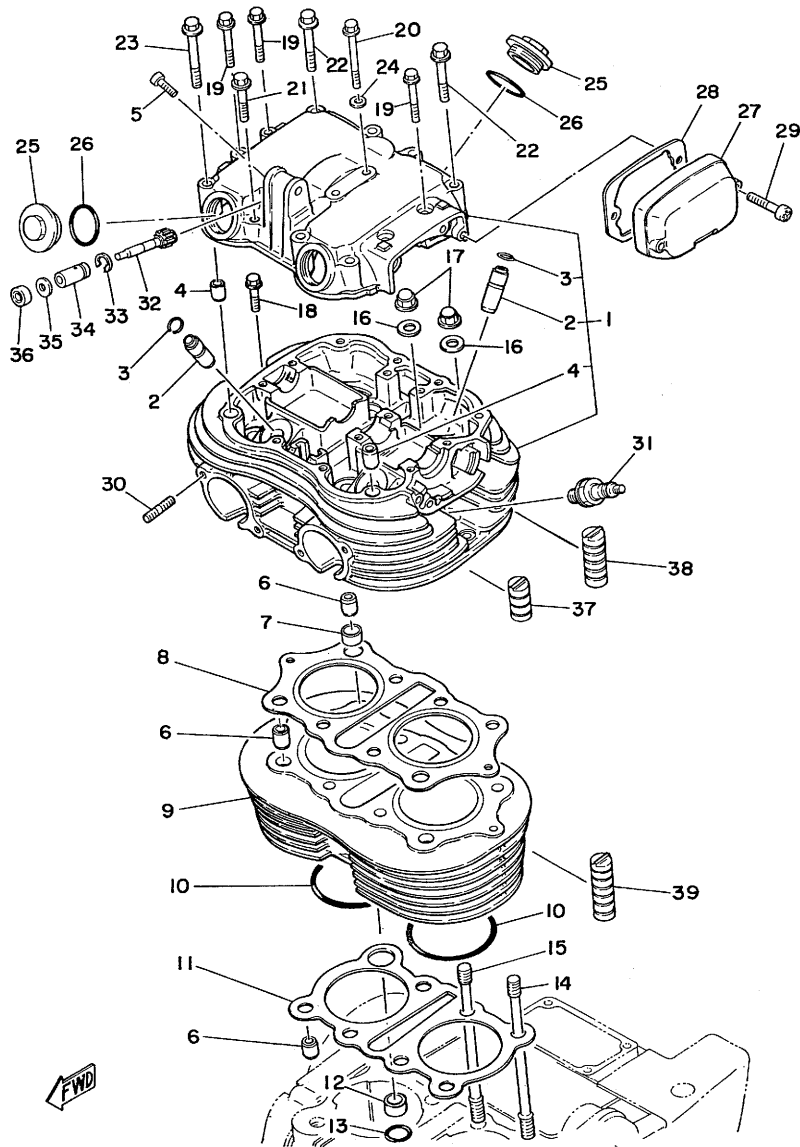
## NUMERICAL INDEX

Fig.1 CYLINDER HEAD · CYLINDER



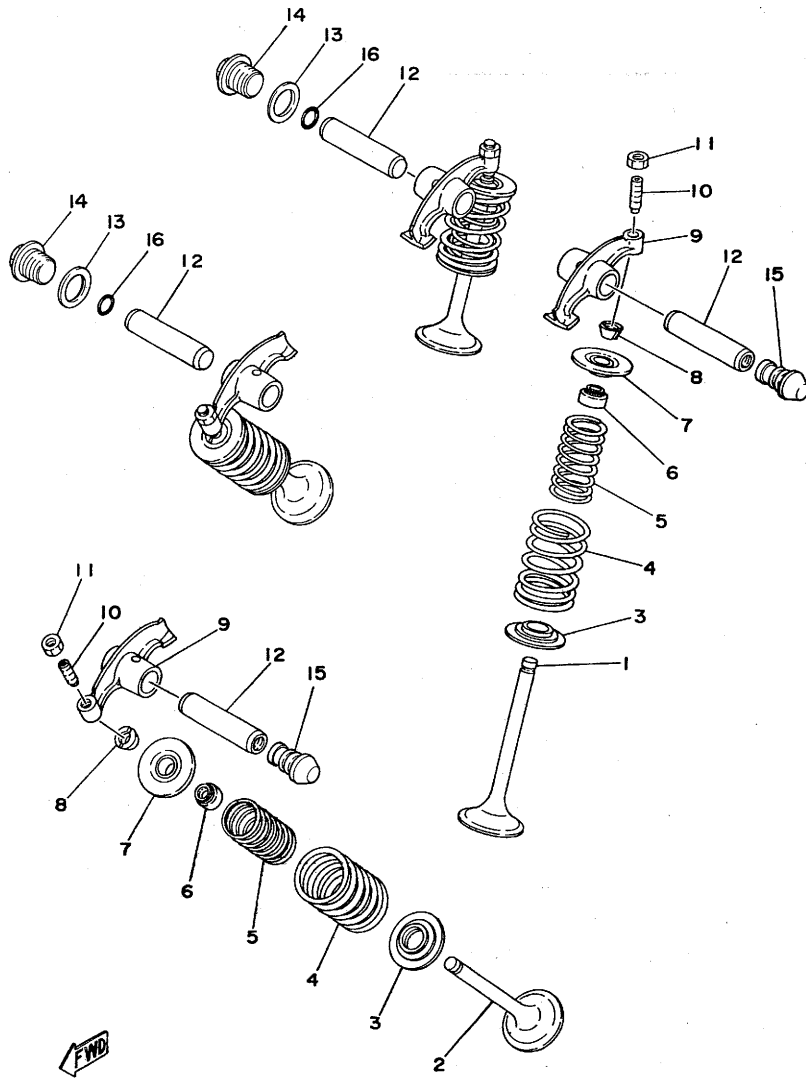
Ref. No.	Part No.	Description	Q'ty	Applicable Machine No.	Remarks
1-1	✓ 2L0-11101-00	CYLINDER HEAD ASS'Y	1		
2	✓ 1L9-11133-10	. GUIDE, valve intake (1st O.S)	4		
3	✓ 93440-12052	. CIRCLIP	4		
4	✓ 91830-21014	. PIN, dowel	2		
5	✓ 98501-05025	SCREW, panhead	1		
6	✓ 91830-24016	PIN, dowel	5		
7	✓ 90430-14131	GASKET	1		
8	✓ 2A2-11181-00	GASKET, cylinder head	1		
9	✓ 2L0-11311-00	CYLINDER	1		
10	<del>93210-62323</del>	<del>O-RING</del>			
	✓ 93210-74316	O-RING	2		
11	<del>1M0-11351-00</del>	<del>GASKET, cylinder</del>			
	✓ 2A2-11351-00	GASKET, cylinder	1		
12	✓ 90387-16547	COLLAR	1		
13	✓ 93210-18322	O-RING	1		
14	✓ 1L9-11361-00	BOLT, cylinder holding 1	4		
15	✓ 1L9-11362-00	BOLT, cylinder holding 2	4		
16	✓ 90201-10128	WASHER, plate	8		
17	✓ 1L9-11171-00	NUT, cylinder holding	8		
18	✓ 90105-06070	BOLT, washer based head hexagon	2		
19	✓ 90105-06073	BOLT, washer based head hexagon	4		
20	✓ 90105-06075	BOLT, washer based head hexagon	2		
21	✓ 90105-08078	BOLT, washer based head hexagon	1		
22	✓ 90105-08079	BOLT, washer based head hexagon	5		
23	✓ 90105-08080	BOLT, washer based head hexagon	2		
24	✓ 90201-06630	WASHER, plate	2		

Fig. 1 CYLINDER HEAD · CYLINDER



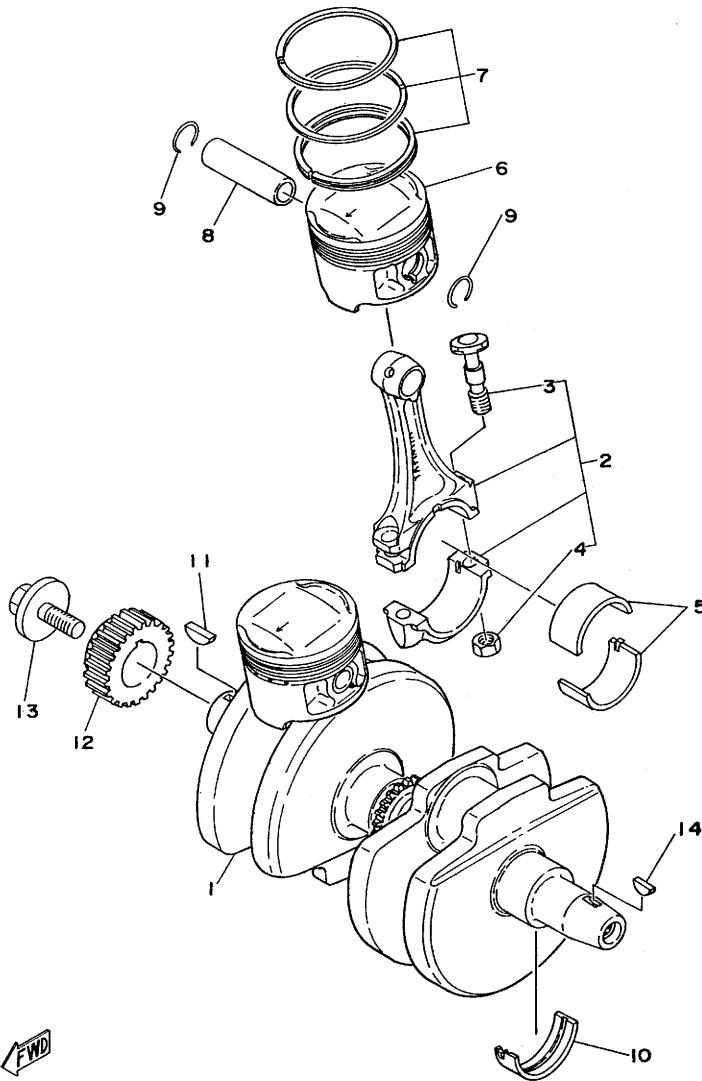
Ref. No.	Part No.	Description	Q'ty	Applicable Machine No.	Remarks
1-25	<del>1L9-11186-00</del>	<del>PLUG, viewer</del>		400	
	✓ 1H2-11186-00	PLUG, viewer	4		
	✓ 93210-32172	O-RING	4		
27	<del>1L9-11157-00</del>	<del>COVER, breaker</del>			
	✓ 2L0-11157-00	COVER, breaker	1		
	✓ 1L9-11146-00	GASKET, breaker cover	1		
	✓ 98501-05035	SCREW, panhead	2		
	✓ 90116-08046	BOLT, stud	4		
	✓ <b>BP-7ES</b>	PLUG, spark	2		
	✓ 1L9-17841-00	GEAR, driven (15T)	1		
	✓ 93440-12051	CIRCLIP	1		
	✓ 1L9-17811-00	HOUSING	1		
	✓ 90201-06605	WASHER, plate	1		
	✓ 93109-07016	OIL SEAL (SDO-6.5-14.5-7.0)	1		
	✓ 1L9-11162-10	ABSORBER 1	2		
	<b>NCT APPLICABLE</b>				
	✓ 1L9-11162-30	ABSORBER 2	4		

Fig. 2 VALVE ROCKER ARM



Ref. No.	Part No.	Description	Q'ty	Applicable Machine No.	Remarks
2- 1	<del>1L9-12111-00</del>	<del>VALVE, intake</del>			
	✓ 1L9-12111-02	VALVE, intake	2		
2	<del>1L9-12121-00</del>	<del>VALVE, exhaust</del>			
	✓ 1L9-12121-02	VALVE, exhaust	2		
3	✓ 1L9-12116-00	SEAT, valve spring	4		
4	✓ 1L9-12114-00	SPRING, outer	4		
5	✓ 1L9-12113-00	SPRING, inner	4		
6	✓ 1L9-12119-00	SEAL, valve stem	4		
7	✓ 1L9-12117-00	RETAINER, valve spring	4		
8	✓ 1J7-12118-00	LOCK, valve spring retainer	8		
9	✓ 1L9-12151-00	ARM, valve rocker	4		
10	✓ 1L9-12159-01	SCREW, valve adjusting	4		
11	✓ 90170-06128	NUT, hexagon	4		
12	✓ 1L9-12156-00	SHAFT, rocker arm	4		
13	✓ 90430-16142	GASKET	2		
14	✓ 1L9-11177-01	PLUG, rocker	2		
15	✓ 1L9-11197-00	PLUG	2		
16	✓ 93210-07242	O-RING	2		

Fig. 3 CRANK · PISTON



Ref. No.	Part No.	Description	Q'ty	Applicable Machine No.	Remarks
----------	----------	-------------	------	------------------------	---------

3- 1	<del>1L9-11650-00</del>	<del>CRANKSHAFT</del>			
	✓ 2A2-11411-00	CRANKSHAFT .....	1		
2	✓ 1L9-11650-00	CONNECTING ROD ASS'Y .....	2		
3	✓ 371-11654-01	BOLT, connecting rod .....	4		
4	✓ 90170-08129	NUT, hexagon .....	4		
5	✓ 1L9-11656-00	BEARING, connecting rod 1 ....	4	u.R.	Blue
	✓ 1L9-11656-10	BEARING, connecting rod 2 ....	4	u.R.	Black
	✓ 1L9-11656-20	BEARING, connecting rod 3 ....	4	u.R.	Brown
	✓ 1L9-11656-30	BEARING, connecting rod 4 ....	4	u.R.	Green

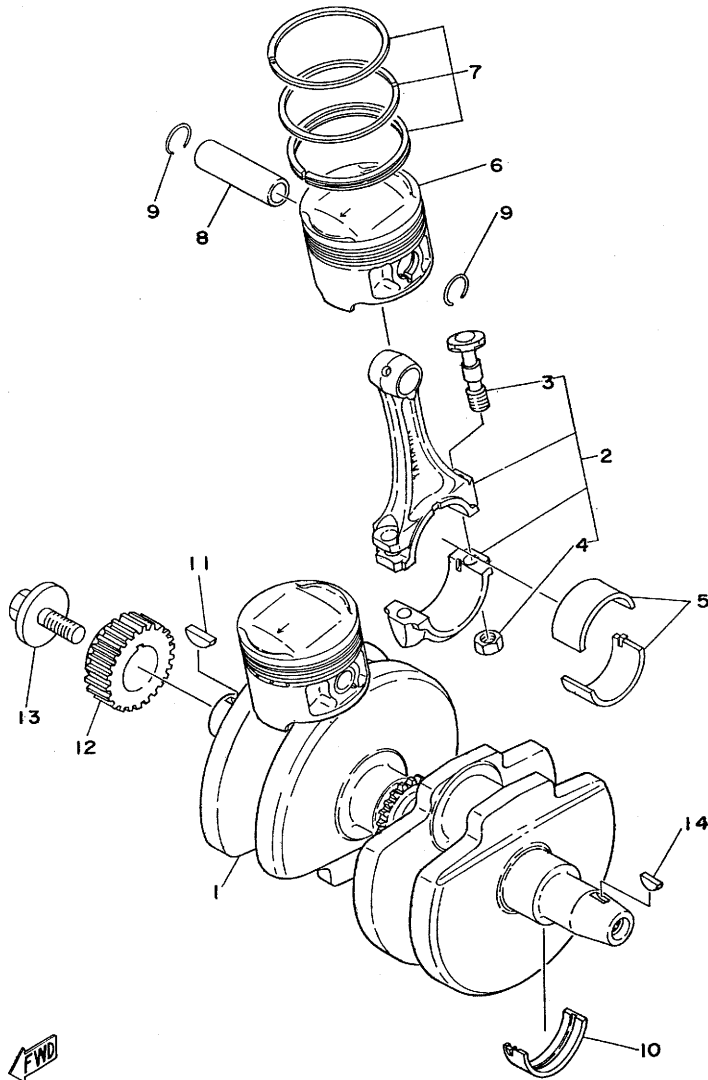
TABLE 1 CONNECTING ROD BEARING SELECTION

	Center thickness T	Housing diameter	No.	Shaft diameter	No.	Oil clearance
BEARING 1	1.5 +0.004 0	41φ +0.024 +0.016	3	38φ <sup>0</sup> -0.008	1	0.017-0.040
BEARING 2	1.5 0 -0.004	41φ +0.016 +0.008	4	38φ <sup>0</sup> -0.016	2	0.017-0.040
BEARING 3	1.5 -0.004 -0.008	41φ +0.008 0	5			0.017-0.040
BEARING 4	1.5 -0.008 -0.012					0.017-0.040

Bearing Selection: Housing No. - Shaft No. = Bearing No.

<del>1M0-11631-00</del>	<del>X0 PISTON (SIZE A STD)</del>	<del>2</del>	U.R.
<del>1M0-11631-00</del>	<del>Y0 PISTON (SIZE B STD)</del>	<del>2</del>	
<del>1M0-11635-00</del>	<del>PISTON (69.25mm 1st O.S)</del>	<del>2</del>	Alternate Parts
<del>1M0-11636-00</del>	<del>PISTON (69.50mm 2nd O.S)</del>	<del>2</del>	Alternate Parts
<del>1M0-11637-00</del>	<del>PISTON (69.75mm 3rd O.S)</del>	<del>2</del>	Alternate Parts
<del>1M0-11638-00</del>	<del>PISTON (70.00mm 4th O.S)</del>	<del>2</del>	Alternate Parts
6 ✓	2L0-11631-00-X0 PISTON (SIZE A STD) .....	2	
	✓ 2L0-11631-00-Y0 PISTON (SIZE B STD) .....	2	
	✓ 2L0-11635-00 PISTON (69.25mm 1st O.S) .....	2	Alternate Parts
	✓ 2L0-11636-00 PISTON (69.50mm 2nd O.S) .....	2	Alternate Parts
	✓ 2L0-11637-00 PISTON (69.75mm 3rd O.S) .....	2	Alternate Parts
	✓ 2L0-11638-00 PISTON (70.00mm 4th O.S) .....	2	Alternate Parts

Fig. 3 CRANK · PISTON



Ref. No.	Part No.	Description	Q'ty	Applicable Machine No.	Remarks
----------	----------	-------------	------	------------------------	---------

	<del>LM0-11610-01</del>	<del>PISTON RING SET (STD)</del>	<del>2s</del>		
	<del>LM0-11610-11</del>	<del>PISTON RING SET (1st O.S)</del>	<del>2s</del>		<del>Alternate Parts</del>
	<del>LM0-11610-21</del>	<del>PISTON RING SET (2nd O.S)</del>	<del>2s</del>		<del>Alternate Parts</del>
	<del>LM0-11610-31</del>	<del>PISTON RING SET (3rd O.S)</del>	<del>2s</del>		<del>Alternate Parts</del>
	<del>LM0-11610-41</del>	<del>PISTON RING SET (4th O.S)</del>	<del>2s</del>		<del>Alternate Parts</del>
3-7	✓ 2A2-11610-00	PISTON RING SET (STD)	2		
	✓ 2A2-11610-10	PISTON RING SET (1st O.S)	2		Alternate Parts
	✓ 2A2-11610-20	PISTON RING SET (2nd O.S)	2		Alternate Parts
	✓ 2A2-11610-30	PISTON RING SET (3rd O.S)	2		Alternate Parts
	✓ 2A2-11610-40	PISTON RING SET (4th O.S)	2		Alternate Parts
8	<del>LM0-11633-00</del>	<del>PIN, piston</del>	<del>2</del>		
	✓ 2A2-11633-00	PIN, piston	2		
9	✓ 93450-17044	CLIP, piston pin	4		
10	✓ 1L9-11416-00	BEARING, crankshaft 1	6	u.r.	Blue
	✓ 1L9-11416-10	BEARING, crankshaft 2	6	u.r.	Black
	✓ 1L9-11416-20	BEARING, crankshaft 3	6	u.r.	Brown
	✓ 1L9-11416-30	BEARING, crankshaft 4	6	u.r.	Green

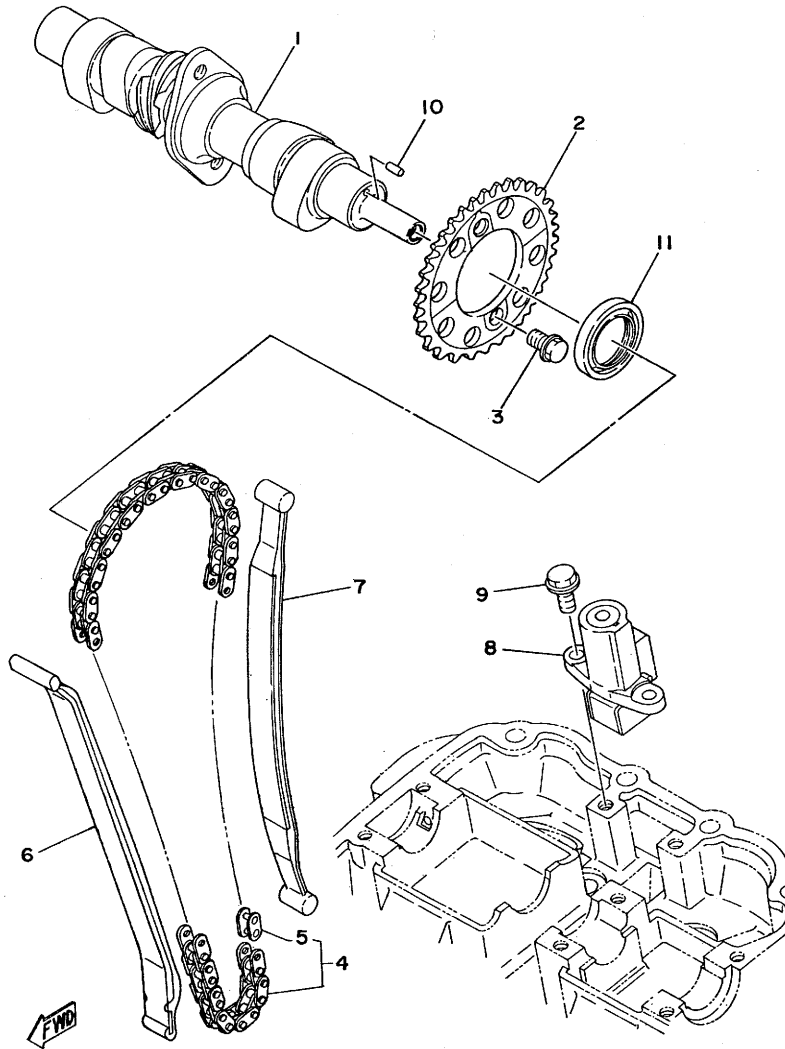
TABLE 2 CRANKSHAFT BEARING SECTION

	Center thickness T	Housing diameter	No.	Shaft diameter	No.
BEARING 1	1.5 <sup>+0.012</sup> <sub>+0.008</sub>	37 $\phi$ <sup>+0.024</sup> <sub>+0.016</sub>	3	34 $\phi$ <sup>0</sup> <sub>-0.008</sub>	1
BEARING 2	1.5 <sup>+0.008</sup> <sub>+0.004</sub>	37 $\phi$ <sup>+0.015</sup> <sub>+0.008</sub>	4	34 $\phi$ <sup>-0.008</sup> <sub>-0.016</sub>	2
BEARING 3	1.5 <sup>+0.004</sup> <sub>0</sub>	37 $\phi$ <sup>+0.007</sup> <sub>0</sub>	5		
BEARING 4	1.5 <sup>0</sup> <sub>-0.004</sub>				

Bearing Selection: Housing No. - Shaft No. = Bearing No.

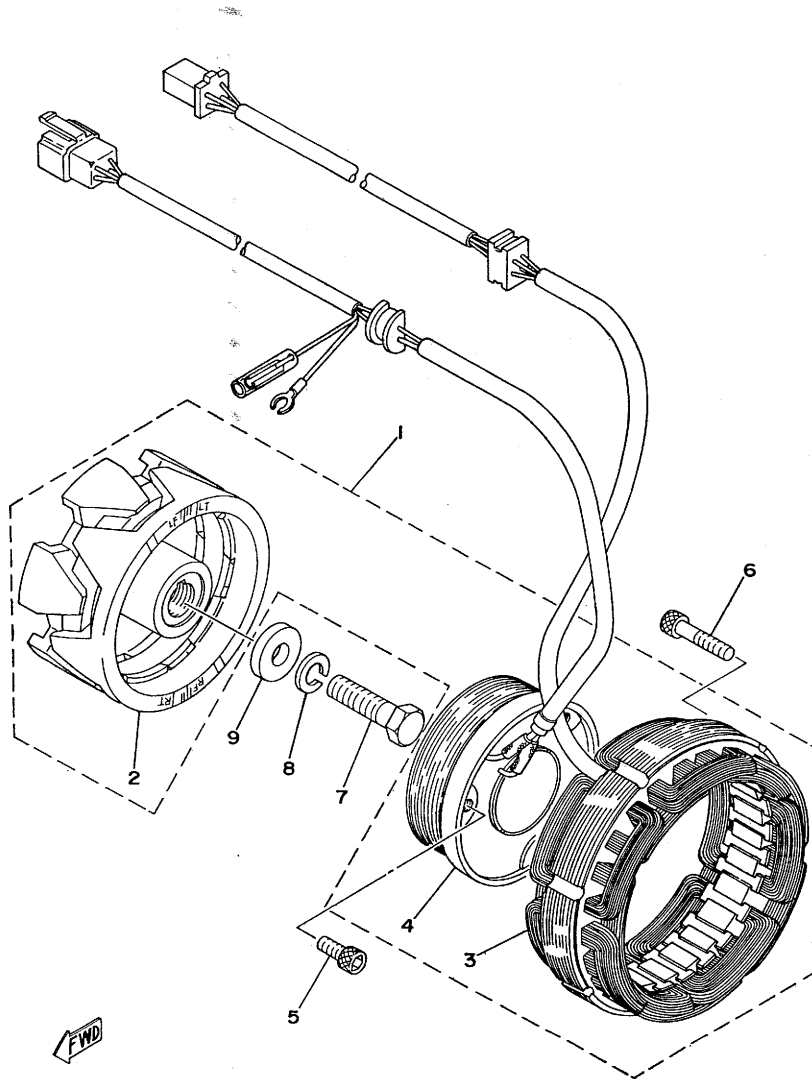
11	✓ 90280-05015	KEY, woodruff	1		
12	✓ 1L9-16111-00	GEAR, primary drive (24T)	1		
13	✓ 90105-10085	BOLT, washer based head hexagon	1		
14	✓ 90280-04005	KEY, woodruff	1		

Fig. 4 CAMSHAFT · CHAIN TENSIONER



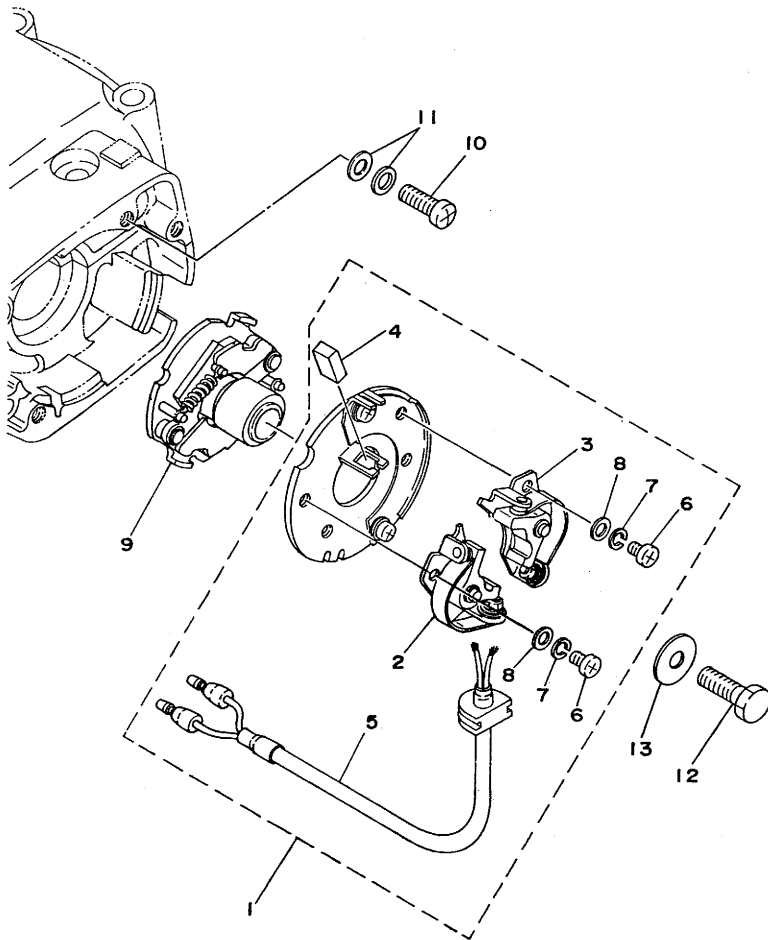
Ref. No.	Part No.	Description	Q'ty	Applicable Machine No.	Remarks
4- 1	✓ 1M0-12171-00	SHAFT, cam .....	1		
2	✓ 1L9-12176-00	SPROCKET, camshaft .....	1		
3	✓ 90105-07087	BOLT, washer based head hexagon .....	2		
4	✓ 94500-02092	CHAIN (BF05M-92L) .....	1		
5	✓ 94600-02001	. JOINT, chain .....	1		
6	✓ 1L9-12231-00	GUIDE, stopper 1 .....	1		
7	✓ 1L9-12241-02	GUIDE, stopper 2 .....	1		
8	✓ 1L9-12210-01	TENSIONER ASS'Y .....	1		
9	✓ 95801-06016	BOLT, flange .....	2		
10	✓ 93603-07073	PIN, dowel .....	1		
11	✓ 93102-23190	OIL SEAL (SD-23-35-5) .....	1		

Fig. 5 A. C. GENERATOR



Ref. No.	Part No.	Description	Q'ty	Applicable Machine No.	Remarks
5- 1	✓ 1L9-81600-50	A. C. GENERATOR ASS'Y .....	1	400	
2	✓ 1L9-81650-50	. ROTOR ASS'Y .....	1		
3	✓ 1L9-81610-50	. STATOR ASS'Y .....	1		
4	✓ 1L9-81660-50	. FIELD COIL ASS'Y .....	1		
5	✓ 91316-06015	BOLT, hexagon socket head .....	3		
6	✓ 91316-06030	BOLT, hexagon socket head .....	3		
7	✓ 90101-10105	BOLT, hexagon .....	1		
8	✓ 92901-10100	WASHER, spring .....	1		
9	✓ 90201-10508	WASHER, plate .....	1		

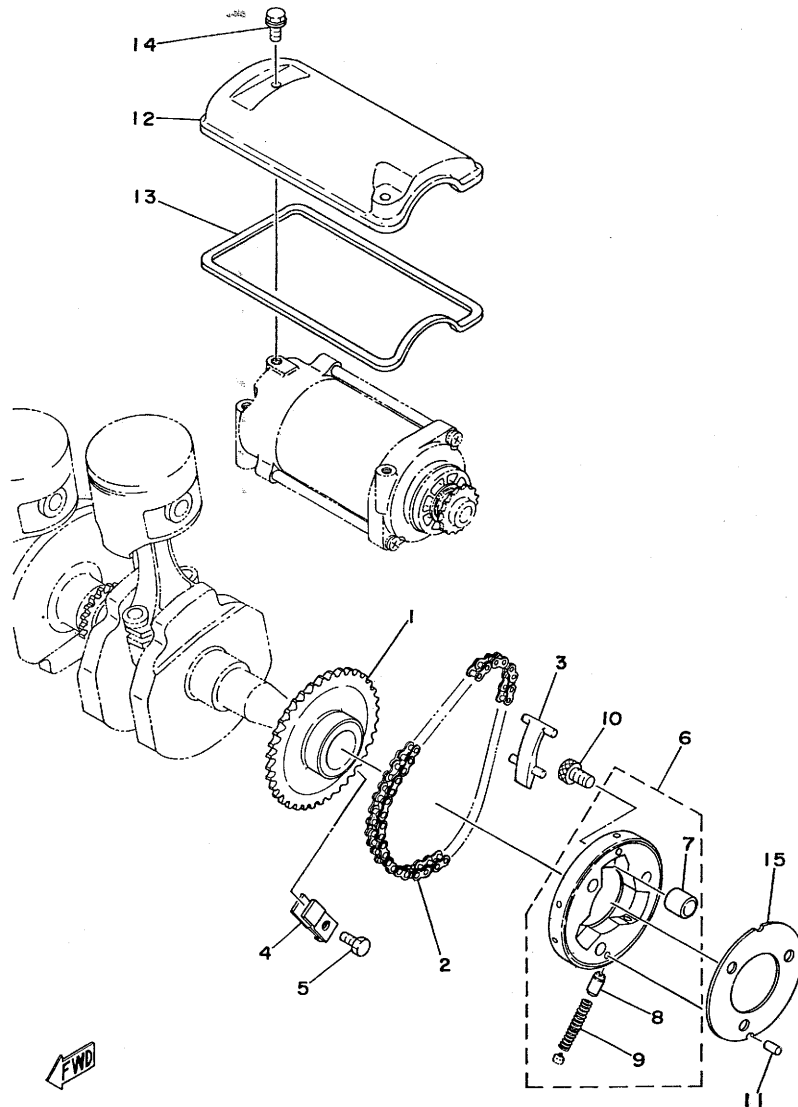
Fig. 6 CONTACT BREAKER GOVERNOR



Ref. No.	Part No.	Description	Q'ty <del>200</del> 400	Applicable Machine No.	Remarks
6- 1	✓ 1L9-81620-50	BREAKER PLATE ASS'Y .....	1		
2	✓ 1L9-81621-54	. CONTACT BREAKER ASS'Y, left	1		
3	✓ 1L9-81622-51	. CONTACT BREAKER ASS'Y, right	1		
4	✓ 1L9-81631-50	. LUBRICATOR .....	1		
5	✓ 1L9-81634-50	. LEAD WIRE ASS'Y .....	1		
6	✓ 583-81645-50	. SCREW, panhead .....	4		
7	✓ 92901-04100	. WASHER, spring .....	4		
8	✓ 92901-04200	. WASHER, plain .....	4		
9	✓ 1L9-81653-50	GOVERNOR ASS'Y .....	1		
10	✓ 97801-06014	SCREW, panhead .....	2		
11	✓ 92901-06200	WASHER, plate .....	4		
12	✓ 97301-06020	BOLT .....	1		
13	✓ 90201-06060	WASHER .....	1		

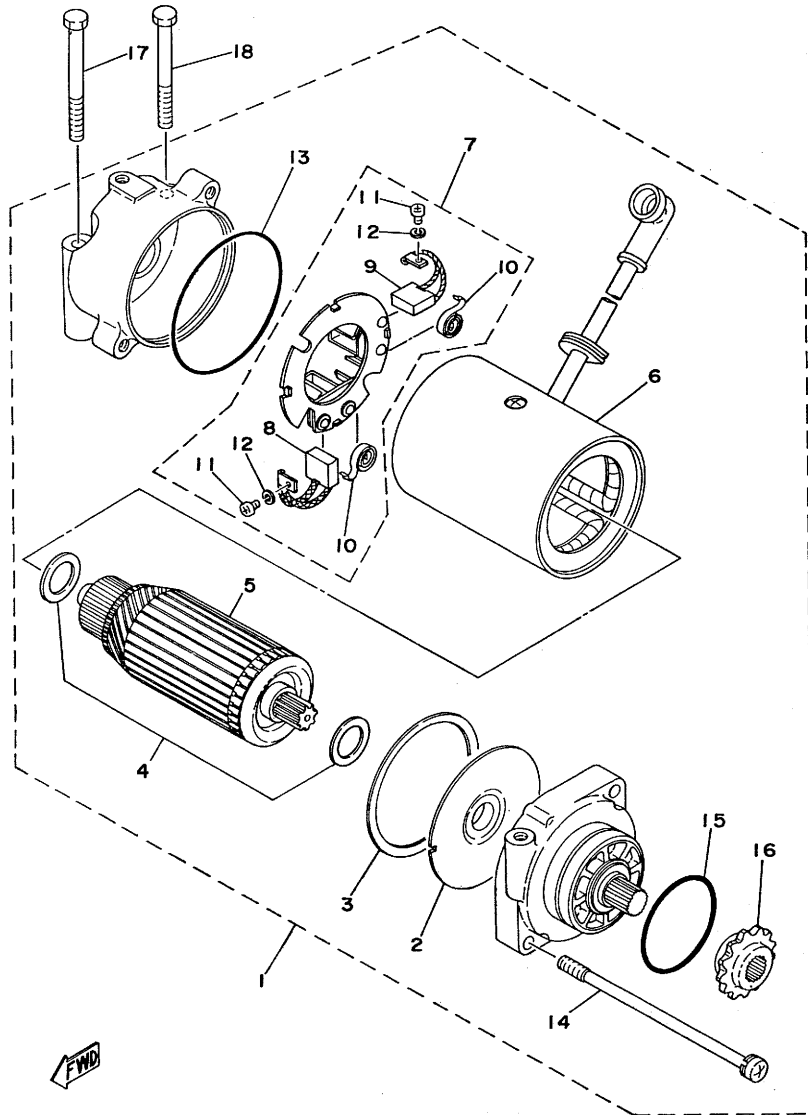
FWD

Fig. 7 STARTING MOTOR UNIT



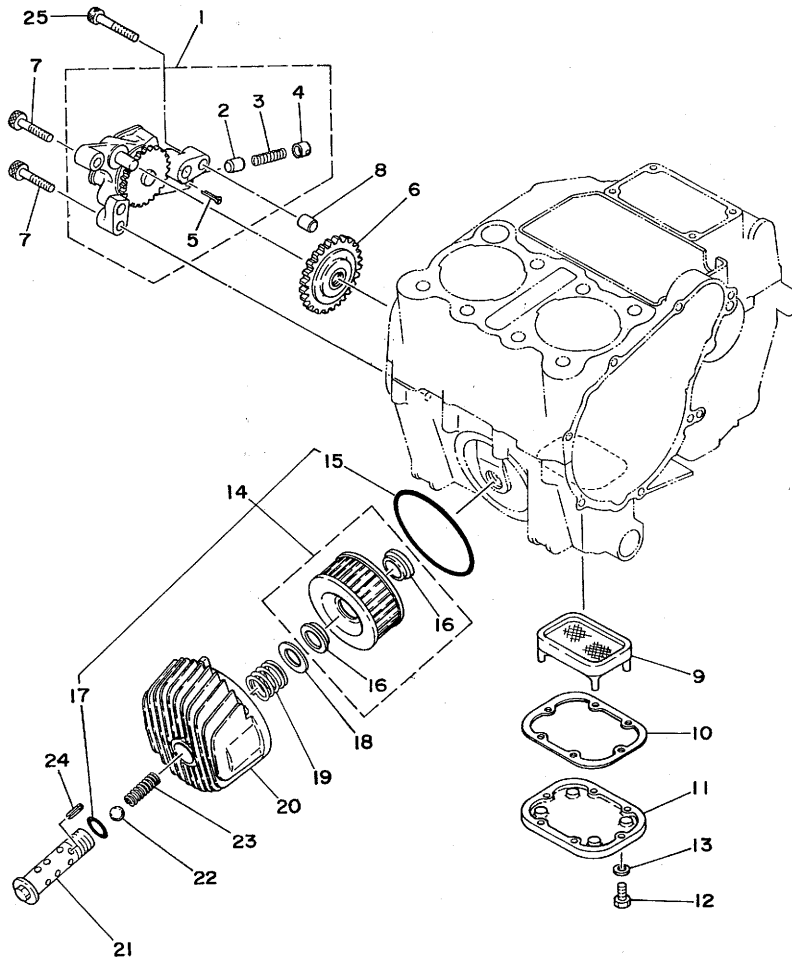
Ref. No.	Part No.	Description	Qty	Applicable Machine No.	Remarks
7- 1	✓ 1L9-15519-00	SPROCKET, starter .....	1	400	
2	✓ 94552-19058	CHAIN (DK219-HT-58L) .....	1		
3	✓ 1L9-15591-00	GUIDE, starter chain .....	1		
4	✓ 1L9-15592-01	GUIDE, starter sprocket .....	1		
5	✓ 97301-06014	BOLT, hexagon .....	1		
6	✓ 341-15580-05	STARTER CLUTCH OUTER ASS'Y	1		
7	✓ 93615-12088	. PIN, dowel .....	3		
8	✓ 341-15583-04	. CAP, starter clutch spring .....	3		
9	✓ 90501-03298	. SPRING, starter clutch roller ...	3		
10	✓ 91310-08015	BOLT, hexagon socket head .....	3		
11	✓ 93605-10090	PIN, dowel .....	2		
12	✓ 1L9-15436-00	COVER, electric motor .....	1		
13	✓ 1L9-15446-00	GASKET, cover .....	1		
14	✓ 90105-06069	BOLT, washer based head hexagon	2		
15	✓ 1L9-15589-00	PLATE, starter clutch cover .....	1		

Fig. 8 STARTING MOTOR



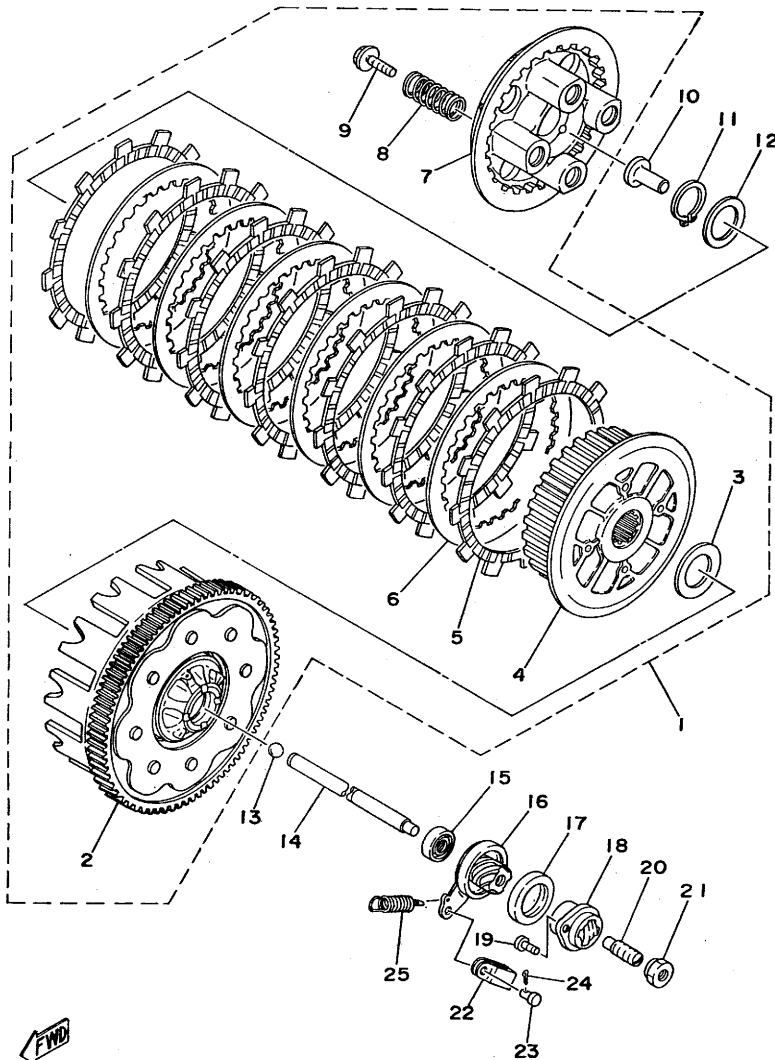
Ref. No.	Part No.	Description	Q'ty	Applicable Machine No.	Remarks
8- 1	✓ 1L9-81800-60	STARTING MOTOR ASS'Y	1		
2	✓ 371-81845-20	. PLATE	1		
3	✓ 371-81844-20	. GASKET	1		
4	✓ 371-81809-20	. WASHER KIT	1		
5	✓ 1L9-81850-20	. ARMATURE ASS'Y	1		
6	✓ 1L9-81810-60	. STATOR ASS'Y	1		
7	✓ 1L9-81840-60	. BRUSH HOLDER ASS'Y	1		
8	✓ 1L9-81811-60	. BRUSH (+)	1		
9	✓ 1L9-81812-60	. BRUSH (-)	1		
10	✓ 1L9-81813-20	. SPRING, brush	2		
11	✓ 98501-03008	. SCREW, panhead	2		
12	✓ 92901-03100	. WASHER, spring	2		
13	✓ 371-81847-20	. O-RING	1		
14	✓ 371-81826-20	. BOLT	2		
15	✓ 1L9-81847-60	. O-RING	1		
16	✓ 1L9-15518-60	. SPROCKET, starter (13T)	1		
17	✓ 97301-06060	BOLT	1		
18	✓ 97301-06055	BOLT	1		

Fig. 9 OIL PUMP · OIL CLEANER



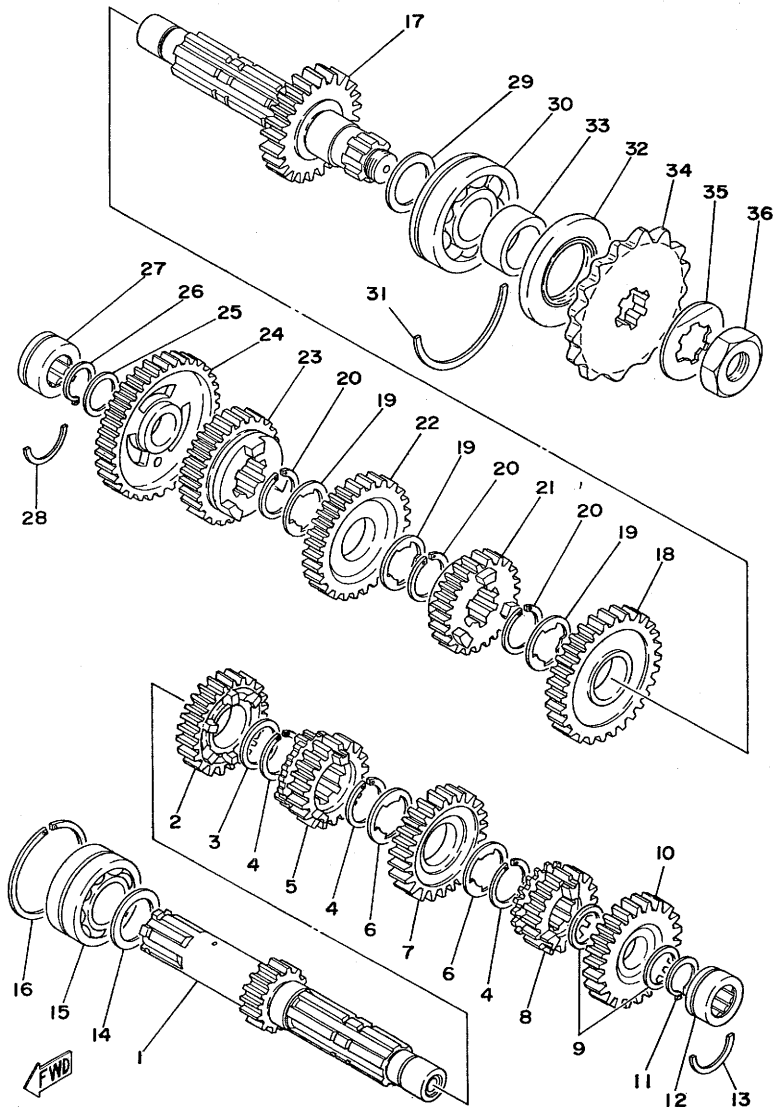
Ref. No.	Part No.	Description	Q'ty	Applicable Machine No.	Remarks
9-	1	✓ 1L9-13300-00	OIL PUMP ASS'Y	1	
	2	✓ 1L9-13483-00	. PLUNGER	1	
	3	✓ 1L9-13484-00	. SPRING, relief	1	
	4	✓ 1L9-13486-00	. RETAINER, relief valve	1	
	5	✓ 91401-25030	. PIN, cotter	1	
	6	✓ 1L9-13341-01	GEAR, idle	1	
	7	✓ 91318-08035	BOLT, hexagon socket head	2	
	8	✓ 91810-03014	PIN, dowel	1	
	9	✓ 1L9-13411-00	STRAINER, oil	1	
	10	✓ 1L9-13414-00	GASKET, strainer cover	1	
	11	✓ 1L9-13417-00	COVER, strainer	1	
	12	✓ 97301-05016	BOLT, hexagon	6	
	13	✓ 92901-05600	WASHER, plate	6	
	14	✓ 1L9-13440-90	ELEMENT, oil filter	1	
	15	✓ 93210-88324	. O-RING	1	
	16	✓ 90480-23193	. GROMMET	2	
	17	✓ 93210-16325	. O-RING	1	
	18	✓ 90201-21608	WASHER, plate	1	
	19	✓ 90501-20422	SPRING, compression	1	
	20	✓ 1L9-13447-01	COVER, element	1	
	21	✓ 90401-20055	BOLT, union	1	
	22	✓ 93501-02018	BALL (1/2 inch)	1	
	23	✓ 90501-12413	SPRING, compression	1	
	24	✓ 91609-20018	PIN, spring	1	
	25	✓ 91318-08045	BOLT, hexagon socket head	1	

Fig. 10 CLUTCH



Ref. No.	Part No.	Description	Q'ty	Applicable Machine No.	Remarks
10- 1	✓ 1L9-16301-00	CLUTCH ASS'Y	1	400	
2	✓ 1L9-16150-01	PRIMARY DRIVEN GEAR COMP. (78T)	1		
3	✓ 90201-25291	WASHER, plate	1		
4	✓ 1L9-16371-00	BOSS, clutch	1		
5	✓ 383-16321-00	PLATE, friction	7		
6	✓ 168-16325-00	PLATE, clutch	6		
7	✓ 1L9-16351-00	PLATE, pressure	1		
8	✓ 90501-26148	SPRING, compression	4		
9	✓ 90159-06010	SCREW, with washer	4		
10	✓ 1L9-16356-00	ROD, push 1	1		
11	✓ 93410-24042	CIRCLIP	1		
12	✓ 168-17428-01-03	SHIM, drive axle	1		u. r.
	✓ 168-17428-01-05	SHIM, drive axle	1		u. r.
13	✓ 5/16 INCH	BALL	1		
14	<del>328-16357-00</del>	<del>ROD, push 2</del>			
	✓ 371-16357-02	ROD, push 2	1		
15	✓ 93102-09151	OIL SEAL (SD-8.8-22-7.5)	1		
16	✓ 1L9-16340-00	PUSH LEVER ASS'Y	1		
17	✓ 214-16347-01	SEAL, dust	1		
18	✓ 371-16396-00	HOUSING, push screw	1		
19	✓ 98501-05012	SCREW, panhead	2		
20	✓ 90113-08021	SCREW, adjusting	1		
21	✓ 90179-08179	NUT	1		
22	✓ 214-16389-00	JOINT	1		
23	✓ 90240-06005	PIN, with hole	1		
24	✓ 91401-10010	PIN, cotter	1		
25	✓ 90506-10023	SPRING, tension	1		

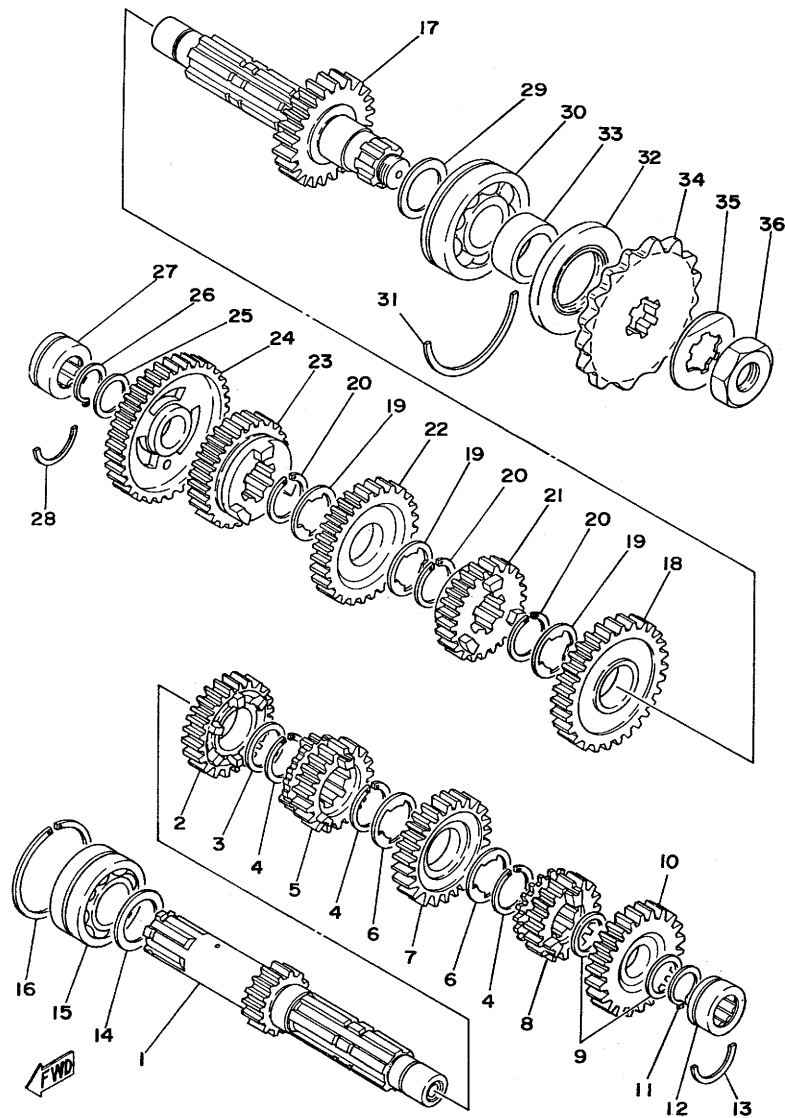
Fig. 11 TRANSMISSION



Ref. No.	Part No.	Description	Q'ty	Applicable Machine No.	Remarks
11- 1	✓ 1L9-17401-00	MAIN AXLE COMP. (14T) .....	1		
2	✓ 1L9-17141-00	GEAR, 4th pinion (24T) .....	1		
3	✓ 90201-25287	WASHER, plate .....	1		
4	✓ 93440-25019	CIRCLIP .....	3		
5	✓ 1L9-17131-00	GEAR, 3rd pinion (21T) .....	1		
6	✓ 90209-21105	WASHER, gear hold 1 .....	2		
7	✓ 1L9-17161-00	GEAR, 6th pinion (30T) .....	1		
8	✓ 1A1-17121-00	GEAR, 2nd pinion (18T) .....	1		
9	✓ 90201-20266	WASHER, plate .....	2		
10	✓ 1L9-17151-00	GEAR, 5th pinion (26T) .....	1		
11	✓ 93410-20009	CIRCLIP .....	1		
12	✓ 93311-22027	BEARING .....	1		
13	✓ 93450-32042	CIRCLIP .....	1		
14	✓ 168-17428-01-03	SHIM, drive axle .....	1		u.r.
	✓ 168-17428-01-05	SHIM, drive axle .....	1		u.r.
15	✓ 93305-20502	BEARING .....	1		
16	✓ 93440-52009	CIRCLIP .....	1		
17	✓ 1L9-17420-00	DRIVE AXLE ASS'Y (25T) .....	1		
18	✓ 1L9-17221-00	GEAR, 2nd wheel (32T) .....	1		
19	✓ 90209-21105	WASHER, gear hold 1 .....	3		
20	✓ 93440-25019	CIRCLIP .....	3		
21	✓ 1L9-17261-00	GEAR, 6th wheel (26T) .....	1		
22	✓ 2A2-17231-00	GEAR, 3rd wheel (29T) .....	1		
23	✓ 2A2-17241-00	GEAR, 4th wheel (27T) .....	1		
24	✓ 1L9-17210-00	1ST WHEEL GEAR COMP. (35T) .....	1		
25	✓ 90201-20266	WASHER, plate .....	1		
26	✓ 93410-20009	CIRCLIP .....	1		
27	✓ 93311-42032	BEARING .....	1		
28	✓ 278-17425-00	CIRCLIP .....	1		

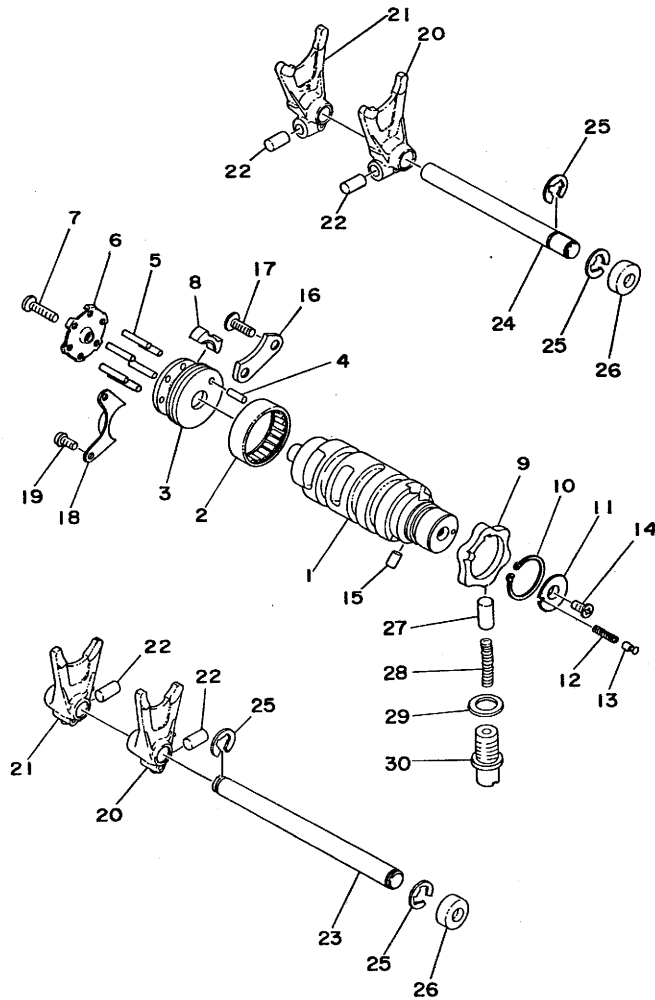
Fig. 11 TRANSMISSION

10



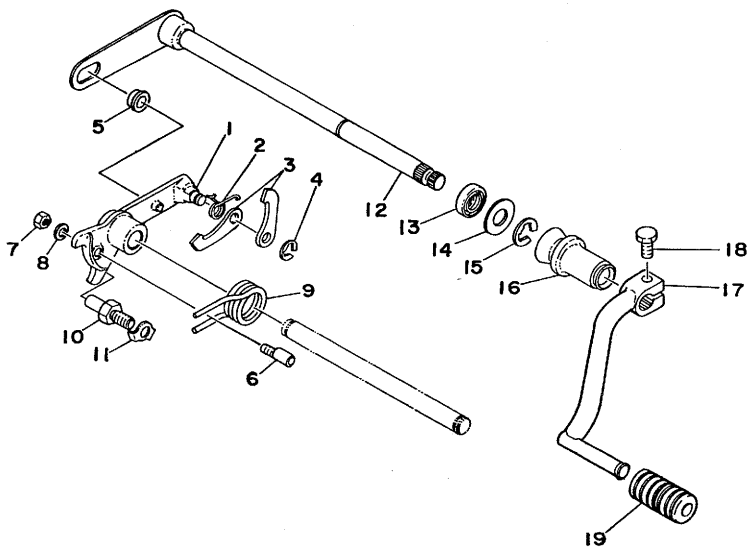
Ref. No.	Part No.	Description	Q'ty	Applicable Machine No.	Remarks
11-29	✓ 168-17428-01-03	SHIM, drive axle	...		u.r.
	✓ 168-17428-01-05	SHIM, drive axle	...		u.r.
30	✓ 93306-30504	BEARING	.....	1	
31	✓ 278-17424-00	CIRCLIP	.....	1	
32	✓ 93102-35109	OIL SEAL (SD-35-62-6)	.....	1	
33	✓ 90387-25192	COLLAR	.....	1	
34	<del>1A1-17461-60</del>	<del>SPROCKET, drive (16T)</del>			
	✓ 1A1-17461-60	SPROCKET, drive (16T)	.....	1	
35	✓ 90215-21121	WASHER, lock	.....	1	
36	✓ 90179-18020	NUT, lock	.....	1	

Fig. 12 SHIFTER 1



Ref. No.	Part No.	Description	Q'ty	Applicable Machine No.	Remarks
12- 1	✓ 360-18541-00	CAM, shift .....	1		
2	✓ 93315-23612	BEARING .....	1		
3	✓ 328-18185-00	SEGMENT .....	1		
4	✓ 93604-14012	PIN, dowel .....	1		
5	✓ 93604-22050	PIN, dowel .....	6		
6	✓ 328-18561-00	PLATE, side 1 .....	1		
7	✓ 98701-05020	SCREW, flathead .....	1		
8	✓ 328-18352-10	PLATE, pawl .....	1		
9	✓ 1L9-18141-00	PLATE, stopper .....	1		
10	✓ 93410-30012	CIRCLIP .....	1		
11	✓ 278-18566-00	PLATE, side 2 .....	1		
12	✓ 90501-06022	SPRING .....	1		
13	✓ 278-18542-00	POINT, neutral .....	1		
14	✓ 98701-05012	SCREW, flathead .....	1		
15	✓ 93604-08071	PIN, dowel .....	1		
16	✓ 328-18562-00	PLATE, stopper 2 .....	1		
17	✓ 92701-06015	SCREW, flathead .....	2		
18	✓ 328-18179-00	GUIDE, change lever .....	1		
19	✓ 98501-05010	SCREW, panhead .....	2		
20	✓ 328-18511-01	FORK, shift 1 .....	2		
21	✓ 328-18512-01	FORK, shift 2 .....	2		
22	✓ 90250-08017	PIN .....	4		
23	✓ 278-18531-00	BAR, shift fork guide 1 .....	1		
24	✓ 278-18535-00	BAR, shift fork guide 2 .....	1		
25	✓ 93430-10016	CIRCLIP .....	4		
26	✓ 90338-22021	PLUG .....	2		
27	✓ 278-18547-02	STOPPER, cam .....	1		
28	✓ 90501-10062	SPRING .....	1		
29	✓ 90430-14106	GASKET, drain plug .....	1		
30	✓ 90149-14031	SCREW .....	1		

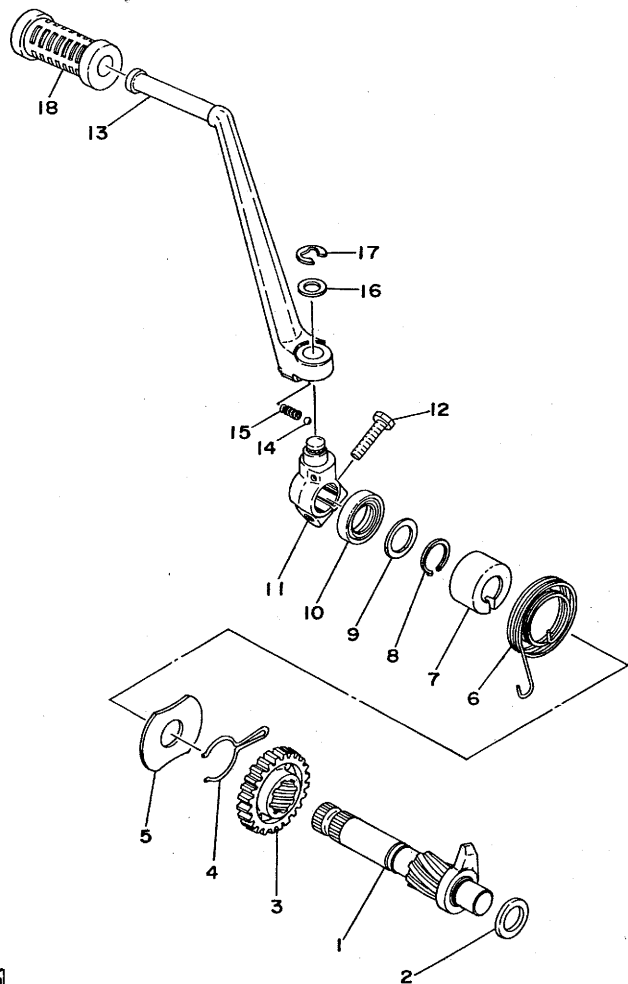
Fig.13 SHIFTER 2



Ref. No.	Part No.	Description	Q'ty	Applicable Machine No.	Remarks
13- 1	✓ 328-18128-00	BRACKET	1	400	
2	✓ 90508-08007	SPRING, torsion	1		
3	✓ 328-18151-00	LEVER, change 3	2		
4	✓ 93430-07012	CIRCLIP	1		
5	✓ 214-18178-00	ROLLER, change lever	1		
6	✓ 90149-06017	SCREW	1		
7	✓ 95301-06600	NUT	1		
8	✓ 92901-06100	WASHER, spring	1		
9	✓ 90508-32055	SPRING	1		
10	✓ 278-18127-00	STOPPER, screw	1		
11	✓ 90215-08015	WASHER	1		
12	✓ 278-18101-01	CHANGE SHAFT ASS'Y	1		
13	✓ 93102-12106	OIL SEAL (SD-12-22-5)	1		
14	✓ 90201-12575	WASHER	1		
15	✓ 93430-10016	CIRCLIP	1		
16	✓ 278-18131-00	BOOT, sealing	1		
17	✓ 2L1-18111-00	PEDAL, change	1		
18	✓ 97321-06020	BOLT	1		
19	✓ 132-18113-01	COVER, change pedal	1		

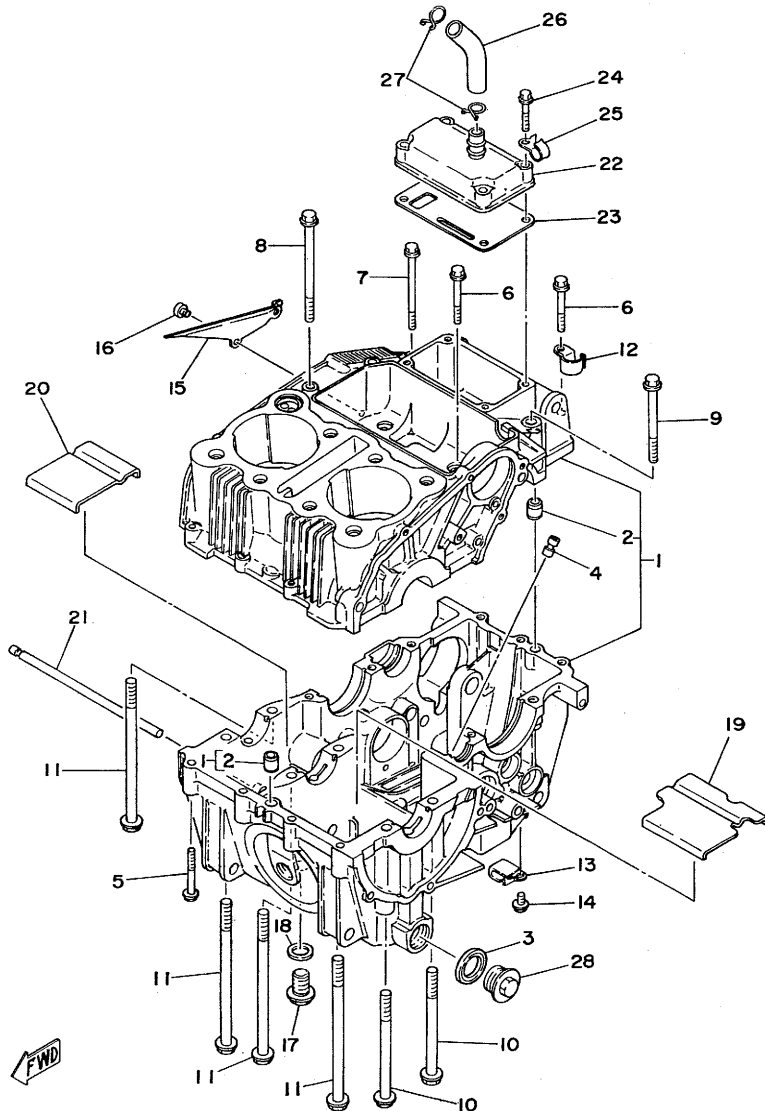


Fig. 14 KICK STARTER



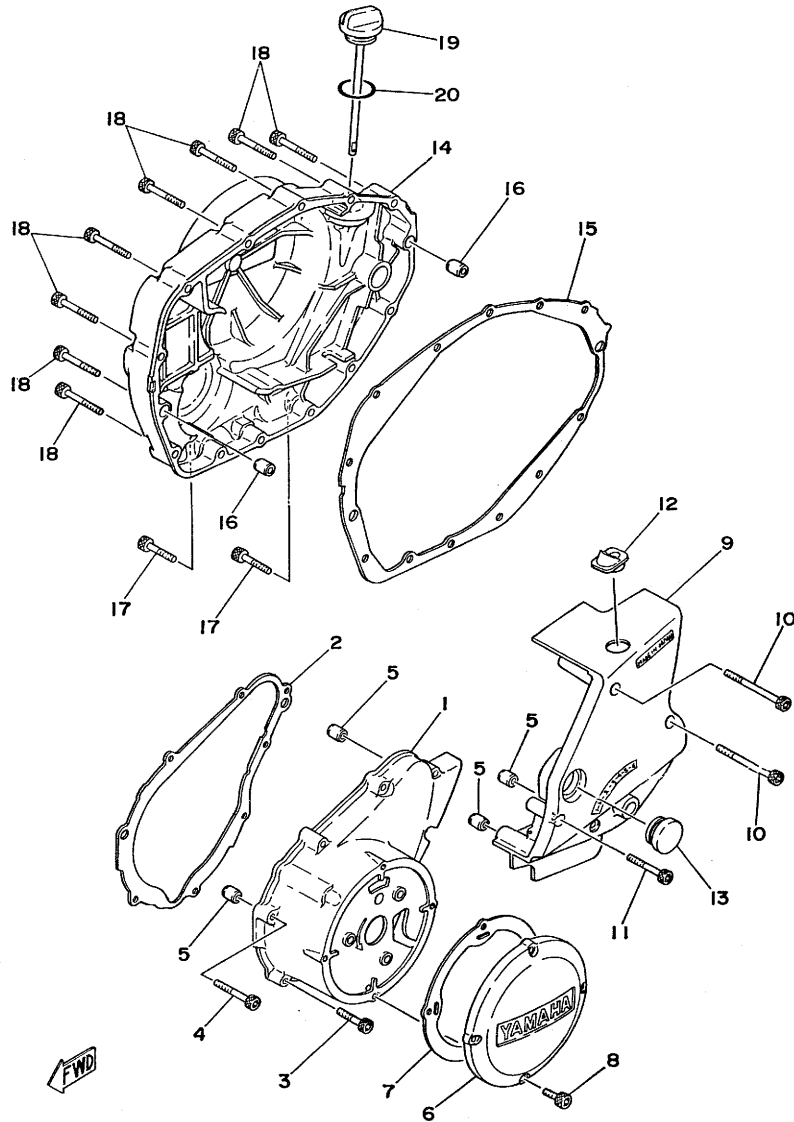
Ref. No.	Part No.	Description	Q'ty	Applicable Machine No.	Remarks
14- 1	✓ 1L9-15660-00	KICK AXLE ASS'Y	1	400	
2	✓ 136-17417-00-10	SHIM, main axle	1		
3	✓ 371-15641-01	GEAR, kick (23T)	1		
4	✓ 90468-26045	CLIP	1		
5	✓ 278-15676-00	COVER, spring	1		
6	✓ 90508-30051	SPRING, torsion	1		
7	✓ 371-15666-00	SPACER	1		
8	✓ 93410-20009	CIRCLIP	1		
9	✓ 90201-20266	WASHER, plate	1		
10	✓ 93102-20108	OIL SEAL (SD-20-30-7)	1		
11	✓ 278-15621-00	BOSS, kick crank	1		
12	✓ 97321-08030	BOLT	1		
13	✓ 1L9-15611-01-93	CRANK, kick	1		
14	✓ 7/32 INCH	BALL	1		
15	✓ 90501-12081	SPRING, compression	1		
16	✓ 90201-15340	WASHER, special	1		
17	✓ 93430-10016	CIRCLIP	1		
18	✓ 156-15618-01	COVER, kick lever	1		

Fig. 15 CRANKCASE



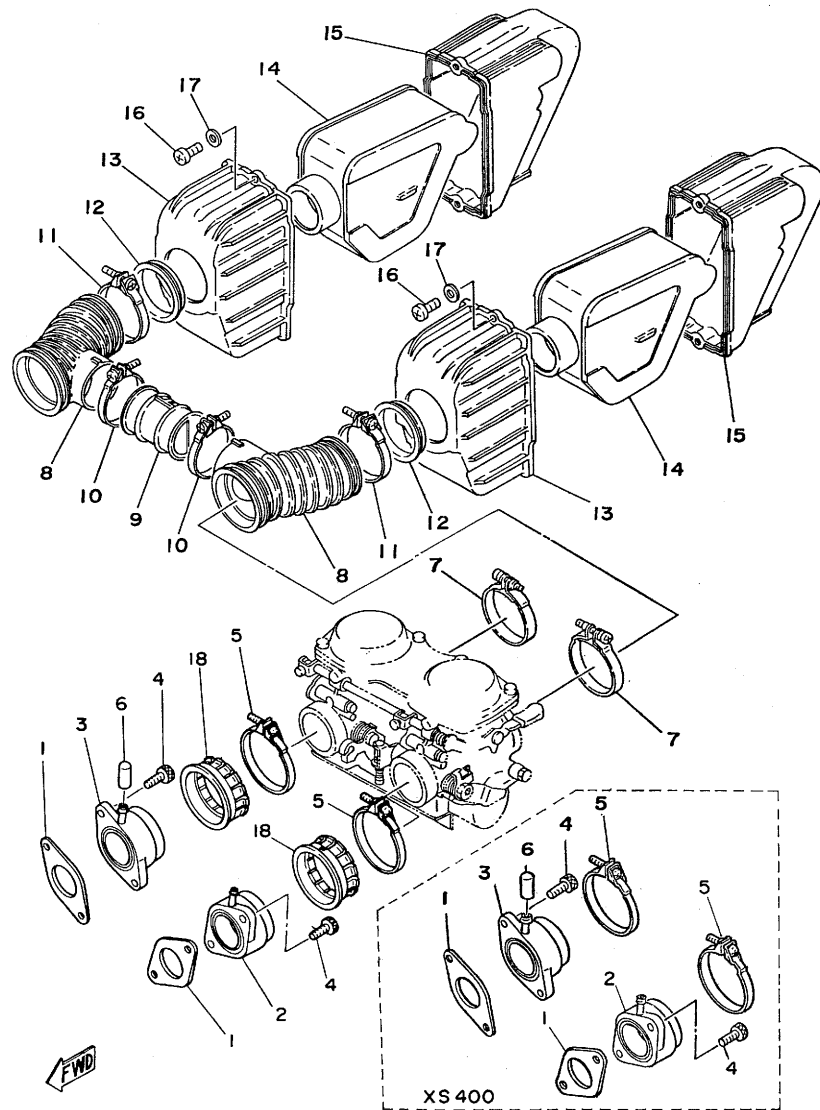
Ref. No.	Part No.	Description	Q'ty	Applicable Machine No.	Remarks
15- 1	✓ 1L9-15100-01	CRANKCASE ASS'Y	1		
2	✓ <del>91830-21014</del>	. PIN, dowel	2		
3	✓ 90430-22144	GASKET	1		
4	✓ 1L9-15138-00	NOZZLE	1		
5	✓ 90105-06073	BOLT, washer based head hexagon	5		
6	✓ 90105-06074	BOLT, washer based head hexagon	6		
7	✓ 90105-06076	BOLT, washer based head hexagon	1		
8	✓ 90105-06077	BOLT, washer based head hexagon	2		
9	✓ 90105-08081	BOLT, washer based head hexagon	1		
10	✓ 90105-08082	BOLT, washer based head hexagon	2		
11	✓ 90105-08084	BOLT, washer based head hexagon	4		
12	✓ 90465-10092	CLAMP	1		
13	✓ 90465-10110	CLAMP	1		
14	✓ 90105-06069	BOLT, washer based head hexagon	1		
15	✓ 1L9-15412-00	PLATE, oil guide	1		
16	✓ 98501-05010	SCREW, panhead	2		
17	✓ 90340-14034	PLUG, straight screw	1		
18	✓ 90430-14042	GASKET	1		
19	✓ 1L9-15123-00	PLATE, baffle 1	1		
20	✓ 1L9-15124-00	PLATE, baffle 2	1		
21	✓ 1L9-15122-00	BAR, baffle plate fixed	1		
22	✓ 1L9-11108-00	BREATHER COVER ASS'Y	1		
23	✓ 1L9-11169-00	GASKET, breather cover	1		
24	✓ 90105-06071	BOLT, washer based head hexagon	4		
25	✓ 90465-08111	CLAMP	1		
26	✓ 2L0-11166-00	PIPE, breather 1	1		
27	✓ 90467-14015	CLIP	2		
28	✓ 90340-22047	PLUG, straight screw	1		

Fig. 16 CRANKCASE COVER



Ref. No.	Part No.	Description	Q'ty	Applicable Machine No.	Remarks
16-	1	✓ 1L9-15411-10	COVER, crankcase left 1 .....	1	
	2	✓ 1L9-15461-00	GASKET, crankcase cover left....	1	
	3	✓ 91316-06030	BOLT, hexagon socket head .....	5	
	4	✓ 91316-06040	BOLT, hexagon socket head .....	3	
	5	✓ 91830-21014	PIN, dowel .....	4	
	6	✓ 1L9-15415-01	COVER, generator .....	1	
	7	✓ 1L9-15455-01	GASKET, generator cover .....	1	
	8	✓ 91316-05015	BOLT, hexagon socket head .....	4	
	9	✓ 1L9-15421-10	COVER, crankcase left 2 .....	1	
	10	✓ 91316-06065	BOLT, hexagon socket head .....	4	
	11	✓ 91316-06040	BOLT, hexagon socket head .....	1	
	12	✓ 1L9-15441-00	HOLDER, clutch wire .....	1	
	13	✓ 1L9-15417-00	COVER, cap .....	1	
	14	✓ 1L9-15431-10	COVER, crankcase 3 .....	1	
	15	✓ 1L9-15451-00	GASKET, crankcase cover right ..	1	
	16	✓ 91830-21014	PIN, dowel .....	2	
	17	✓ 91316-06030	BOLT, hexagon socket head .....	3	
	18	✓ 91316-06040	BOLT, hexagon socket head .....	11	
	19	✓ 1L9-15362-00	PLUG, oil level .....	1	
	20	✓ 93210-27194	O-RING .....	1	

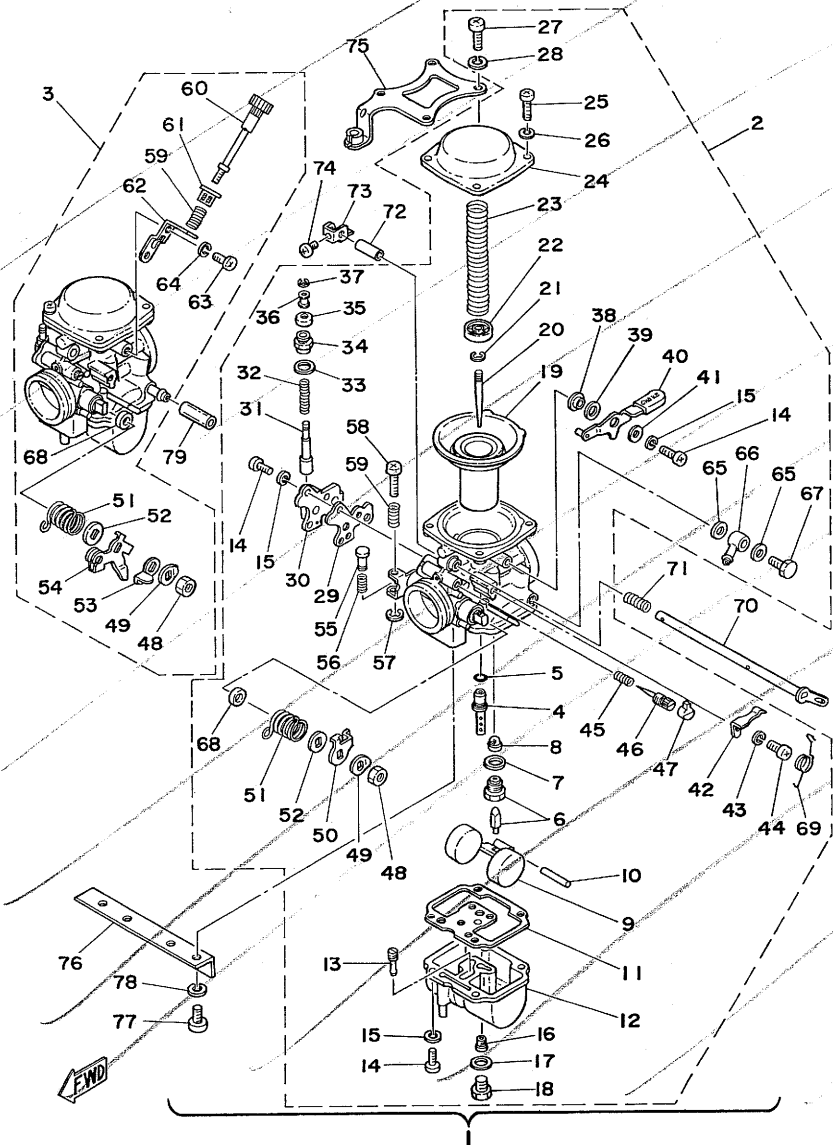
Fig. 17 INTAKE



Ref. No.	Part No.	Description	Q'ty	Applicable Machine No.	Remarks
17- 1	✓ 1L9-13556-00	GASKET .....	2		
2	<del>1L9-13556-00</del>	<del>JOINT, carburetor left .....</del>			
	✓ 2A2-13586-00	JOINT, carburetor left .....	1		
3	<del>1L9-13596-00</del>	<del>JOINT, carburetor right .....</del>			
	✓ 2A2-13596-00	JOINT, carburetor right .....	1		
4	✓ 91316-06020	BOLT, hexagon socket head .....	4		
5	<del>90460-55106</del>	<del>CLAMP, hose .....</del>			
	✓ 90460-51131	CLAMP, hose .....	2		
6	✓ 1J7-13569-00	PLUG, blind .....	1		
7	<del>90460-51111</del>	<del>CLAMP, hose .....</del>			
	✓ 90460-58124	CLAMP, hose .....	2		
8	<del>1L9-14453-00</del>	<del>JOINT 1 .....</del>			
	✓ 2L0-14453-00	JOINT 1 .....	2		
9	✓ 90413-40002	WAY 3 .....	1		
10	✓ 90460-45040	CLAMP, hose .....	2		
11	✓ 90460-49058	CLAMP, hose .....	2		
12	✓ 90480-50194	GROMMET .....	2		
13	✓ 2A2-14411-00	CASE, air filter .....	2		
14	✓ 1L9-14451-00	ELEMENT, air filter .....	2		
15	✓ 2A2-14421-00	CASE, air filter .....	2		
16	✓ 98501-04016	SCREW, panhead .....	4		
17	✓ 92901-04600	WASHER, plate .....	4		
18	<del>NOT APPLICABLE</del>	<del>COVER, manifold .....</del>			

Fig. 18 CARBURETOR (XS250)

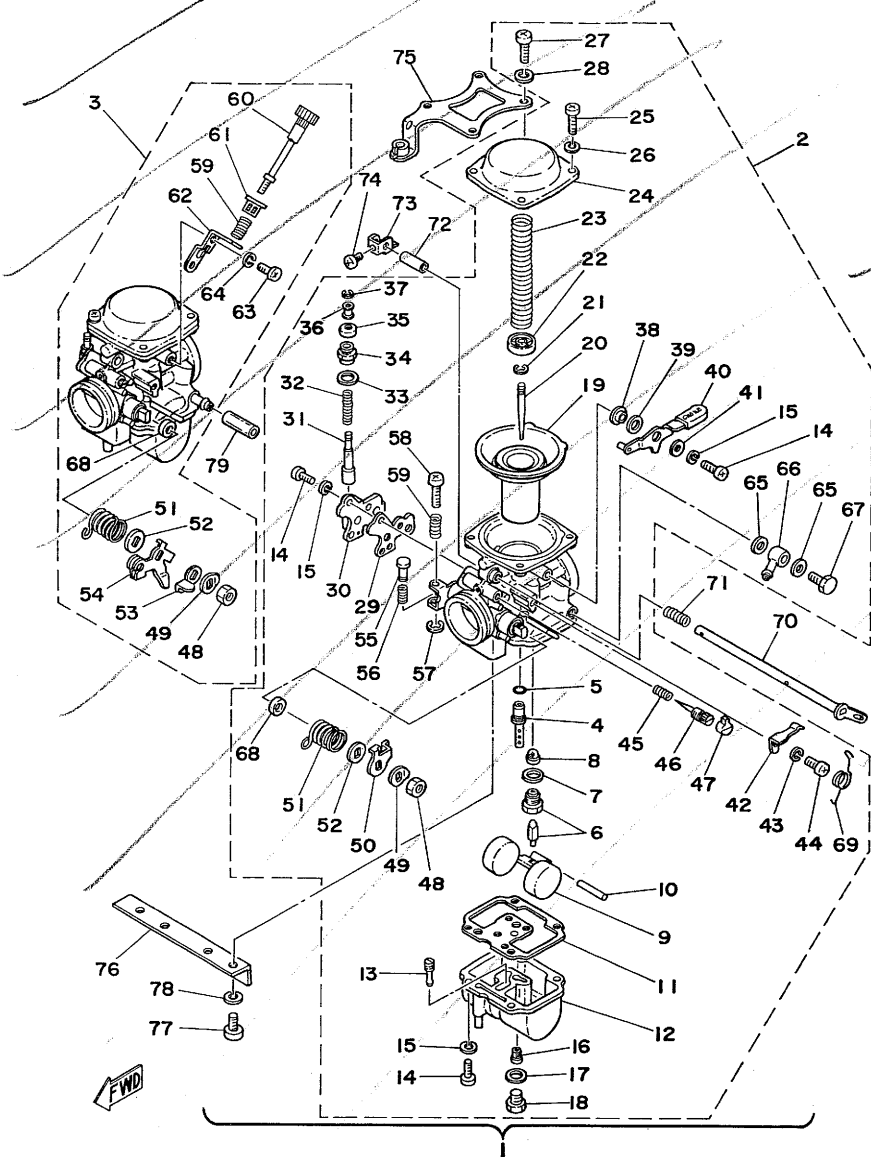
NOT FOR S.A.



Ref. No.	Part No.	Description	Q'ty	Applicable Machine No.	Remarks
18-1	1M0-14900-00	CARBURETOR ASS'Y L/R SET ...	1s		
2	1M0-14901-00	. CARBURETOR ASS'Y, left	1		
3	1M0-14902-00	. CARBURETOR ASS'Y, right	1		
4	341-14941-08	. . NOZZLE, main (X-8)	2		
5	93210-03142	. . O-RING	2		
6	1J7-14190-20	. . VALVE SEAT ASS'Y	2		
7	239-14195-00	. . WASHER, valve seat	2		
8	1J7-14994-00	. . NET, filter	2		
9	1J7-14985-00	. . FLOAT	2		
10	537-14186-00	. . PIN, float	2		
11	1J7-14984-00	. . GASKET, float chamber	2		
12	1J7-14981-05	. . BODY, float chamber	2		
13	584-14142-20	. . JET, pilot (#20)	2		
14	98501-04012	. . SCREW, panhead	15		
15	92901-04100	. . WASHER, spring	15		
16	256-14944-23	. . JET, main (#115)	2	U.R.	STD
	256-14944-74	. . JET, main (#117.5)			
	256-14944-24	. . JET, main (#120)			
17	256-14956-01	. . WASHER	2		
18	1A8-14991-00	. . SCREW, plug	2		
19	1J7-14940-00	. . DIAPHRAGM ASS'Y	2		
20	1M0-14116-02	. . NEEDLE (4Z1-4)	2		
21	256-14919-00	. . CLIP	2		
22	1J7-14946-00	. . PLATE, needle fitting	2		
23	1M0-14933-00	. . SPRING, diaphragm	2		
24	1M0-14958-01	. . COVER, diaphragm	2		
25	98501-05016	. . SCREW, panhead	4		
26	92901-05100	. . WASHER, spring	4		
27	98501-05016	. . SCREW, panhead	4		

Fig. 18 CARBURETOR (XS250)

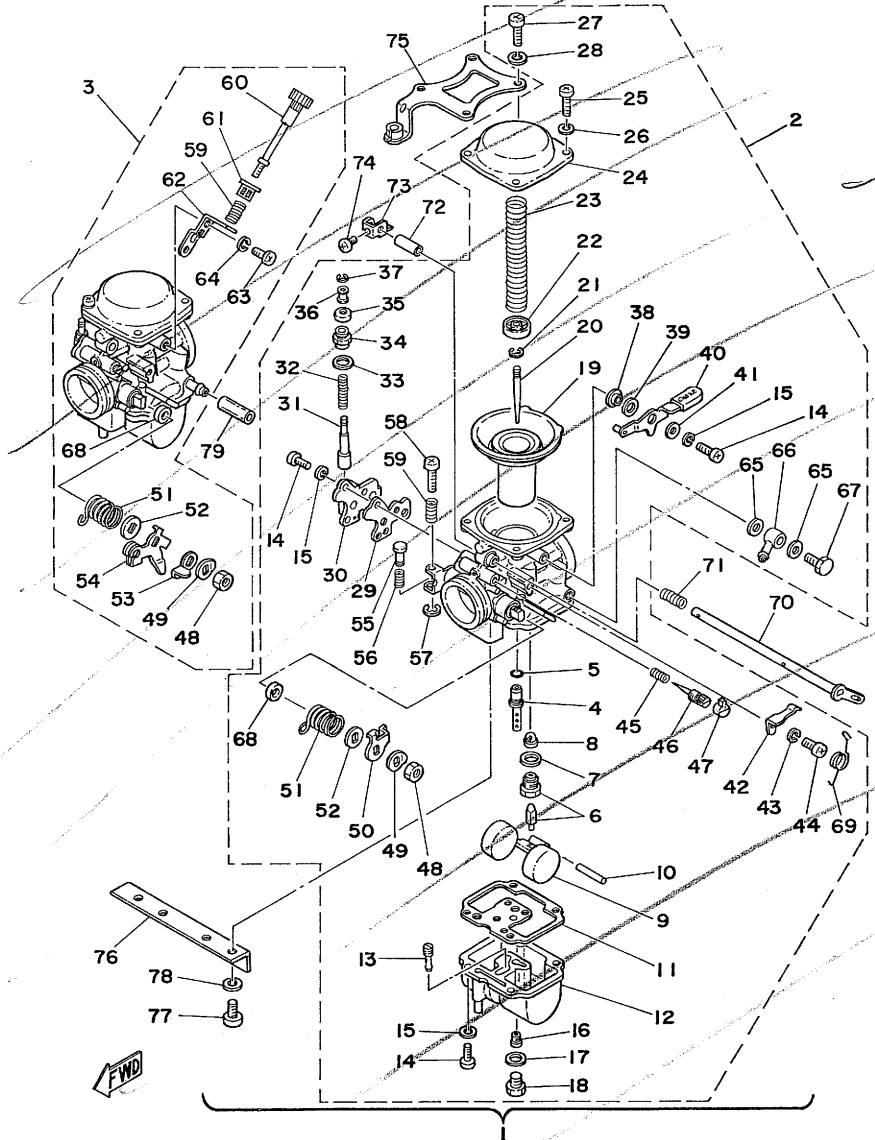
NOT FOR S.A



Ref. No.	Part No.	Description	Q'ty	Applicable Machine No.	Remarks
18-28	92901-05100	.. WASHER, spring .....	1	250 400	
29	1J7-14979-00	.. GASKET, starter body .....	2		
30	1L9-14907-00	.. BODY, starter .....	2		
31	1J7-14171-00	.. PLUNGER, starter .....	2		
32	256-14135-00	.. SPRING, plunger .....	2		
33	256-14954-00	.. WASHER .....	2		
34	584-14176-00	.. CAP, plunger .....	2		
35	2A2-14173-00	.. COVER, plunger cap .....	2		
36	737-14241-00	.. BUSHING, plunger starter ....	2		
37	737-14137-00	.. CLIP .....	2		
38	1L9-14918-00	.. RING .....	1		
39	584-14955-00	.. WASHER .....	1		
40	1J7-14905-00	.. LEVER ASS'Y .....	1		
41	256-14952-00	.. WASHER .....	1		
42	584-14938-00	.. PLATE, starter lever .....	1		
43	92901-04100	.. WASHER, spring .....	1		
44	98501-04006	.. SCREW, panhead .....	1		
45	127-14134-00	.. SPRING, pilot screw .....	2		
46	1J7-14923-00	.. SCREW, pilot .....	2		
47	584-14969-00	.. CAP, pilot screw .....	2		
48	95301-12600	.. NUT .....	2		
49	256-14953-00	.. WASHER .....	2		
50	1J7-14964-00	.. LEVER, throttle left .....	1		
51	2A2-14932-00	.. SPRING, throttle .....	2		
52	306-14970-00	.. COLLAR, spring .....	2		
53	1L9-14963-00	.. LEVER, throttle right .....	1		
54	1J7-14913-00	.. LEVER, throttle right .....	1		
55	584-14992-00	.. ROD, push .....	1		
56	584-14934-00	.. SPRING, adjust .....	1		

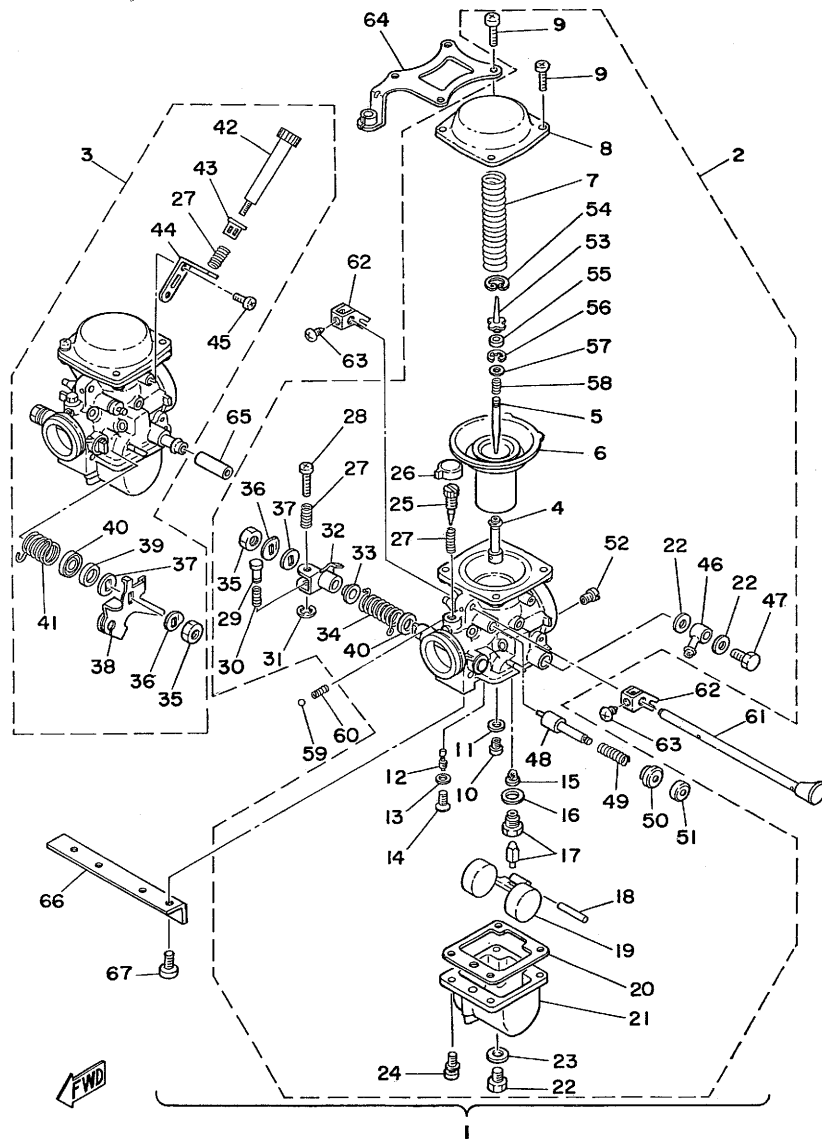
Fig. 18 CARBURETOR (XS250)

NO1 FOR 2.00



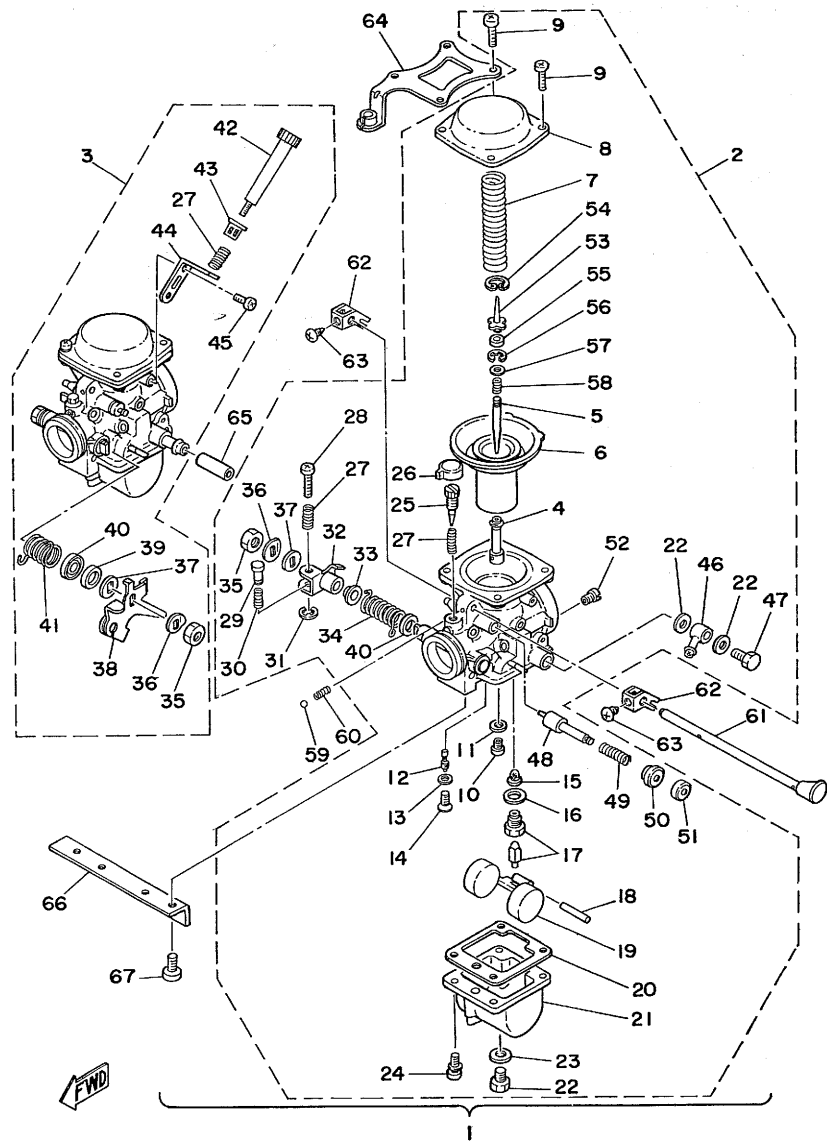
Ref. No.	Part No.	Description	Q'ty	Applicable Machine No.	Remarks
18-57	584-14937-00	.. CIRCLIP .....	1	250-400	
58	256-14922-01	.. SCREW, throttle stop .....	1		
59	256-14934-01	.. SPRING, throttle stop .....	2		
60	2A2-14922-00	.. ADJUSTER ASS'Y .....	1		
61	1J7-14998-00	.. BUSHING .....	1		
62	1J7-14995-00	.. BRACKET .....	1		
63	98501-04008	.. SCREW, panhead .....	2		
64	92901-04100	.. WASHER, spring .....	2		
65	1L9-14952-00	.. WASHER .....	2		
66	1L9-14988-00	.. BANJO .....	1		
67	1L9-14166-00	.. BOLT, banjo .....	1		
68	256-14997-00	.. SEAL .....	2		
69	1L9-14938-00	.. SPRING .....	1		
70	1L9-14977-01	.. SHAFT, starter lever .....	1		
71	1J7-14938-00	.. SPRING, starter lever shaft ....	1		
72	1J7-14996-01	.. PIPE, starter lever shaft .....	1		
73	1J7-14986-00	.. LEVER, starter .....	2		
74	584-14991-00	.. SCREW .....	2		
75	1L9-14926-00	.. PLATE, upper .....	1		
76	1L9-14146-00	.. PLATE, lower .....	1		
77	92501-06015	.. SCREW, panhead .....	4		
78	92901-06100	.. WASHER, spring .....	4		
79	1L9-14987-00	.. HOSE .....	1		

Fig. 19 CARBURETOR



Ref. No.	Part No.	Description	Q'ty	Applicable Machine No.	Remarks
19- 1	✓ 2L0-14900-60	CARBURETOR ASS'Y L/R SET	1		
2	✓ 2L0-14901-60	CARBURETOR ASS'Y, left	1		
3	✓ 2L0-14902-60	CARBURETOR ASS'Y, right	1		
4	✓ 2A2-14941-06	NOZZLE, main	2		
5	✓ 2A2-14116-01	NEEDLE	2		
6	✓ 2F3-14940-00	DIAPHRAGM ASS'Y	2		
7	✓ 2A2-14933-00	SPRING, diaphragm	2		
8	✓ 2A2-14958-00	COVER, diaphragm	2		
9	✓ 98501-05016	SCREW, panhead	8		
10	✓ 620-14231-99-A0	JET, main (#132.5)	2		
11	✓ 137-14153-00	WASHER	2		
12	✓ 256-14142-42-A0	JET, pilot (#42.5)	2		
13	✓ 341-14952-00	WASHER	2		
14	✓ 2F1-14991-00	SCREW, plug	2		
15	✓ 1J7-14994-00	NET, filter	2		
16	✓ 239-14195-00	WASHER, valve seat	2		
17	✓ 1J7-14190-20	VALVE SEAT ASS'Y (#20)	2		
18	✓ 537-14186-00	PIN, float	2		
19	✓ 2A2-14985-00	FLOAT	2		
20	✓ 2A2-14984-01	GASKET, float chamber	2		
21	✓ 2A2-14981-06	BODY, float chamber	2		
22	✓ 1A8-14991-00	SCREW, plug	2		
23	✓ 1L9-14952-00	WASHER	4		
24	✓ 97601-05114	SCREW, panhead	8		
25	✓ 2A2-14923-00	SCREW, pilot	2		
26	✓ 8A7-14969-00	CAP, pilot screw	2		
27	✓ 256-14934-01	SPRING, pilot screw	4		
28	✓ 256-14922-01	SCREW, throttle stop	1		
29	✓ 584-14992-00	ROD, push	1		

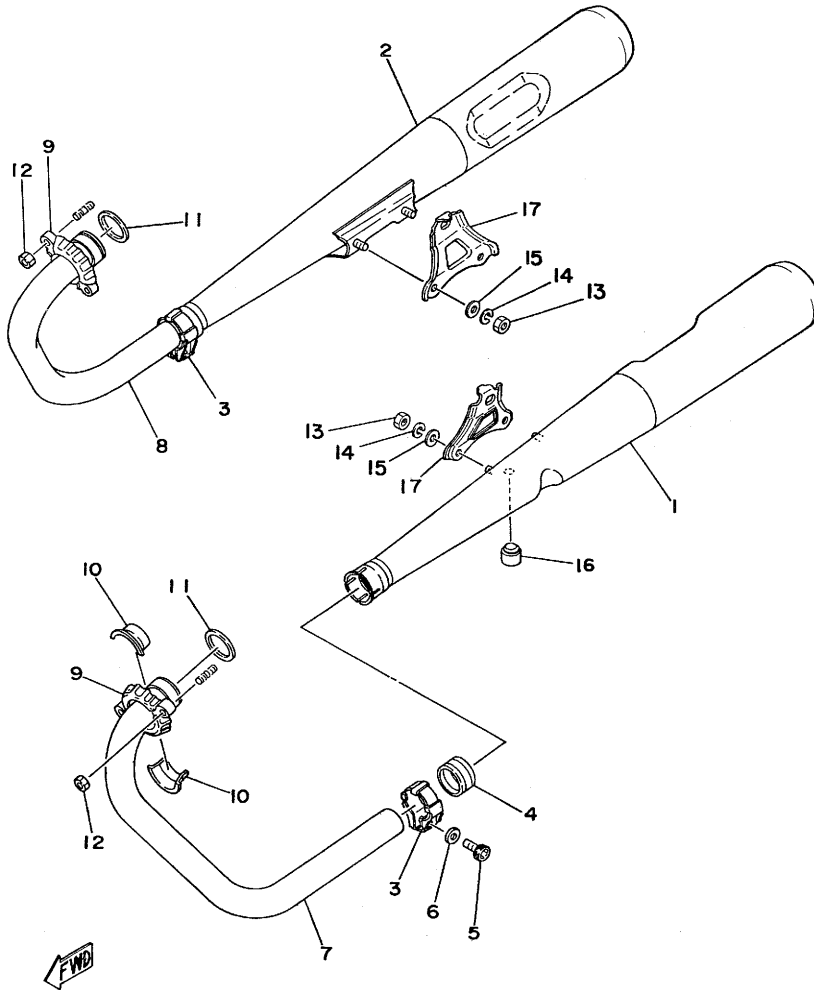
Fig. 19 CARBURETOR



Ref. No.	Part No.	Description	Q'ty	Applicable Machine No.	Remarks
19-30	✓ 584-14934-00	.. SPRING, adjust .....	1		
31	✓ 256-14937-00	.. CLIP .....	1		
32	✓ 2A2-14964-00	.. LEVER, throttle left .....	1		
33	✓ 1L9-14918-00	.. RING .....	1		
34	✓ 2A2-14931-00	.. SPRING, throttle left .....	1		
35	✓ 98802-12200	.. NUT .....	2		
36	✓ 256-14953-00	.. WASHER .....	2		
37	✓ 306-14970-00	.. COLLAR, spring .....	2		
38	✓ 2A2-14963-00	.. LEVER, throttle right .....	1		
39	✓ 2A2-14918-00	.. RING .....	1		
40	✓ 2A2-14997-00	.. SEAL .....	2		
41	✓ 2A2-14932-00	.. SPRING, throttle right .....	1		
42	✓ 2A2-14922-00	.. ADJUSTER ASS'Y .....	1		
43	✓ 1J7-14998-00	.. BUSHING .....	1		
44	✓ 2A2-14995-00	.. BRACKET .....	1		
45	✓ 97801-04008	.. SCREW, panhead .....	2		
46	✓ 1L9-14988-00	.. BANJO .....	1		
47	✓ 1L9-14166-00	.. BOLT, banjo .....	1		
48	✓ 2A2-14171-00	.. PLUNGER STARTER ASS'Y ...	2		
49	✓ 256-14135-00	.. SPRING, plunger .....	2		
50	✓ 2A2-14174-00	.. CAP, plunger .....	2		
51	✓ 2A2-14173-00	.. COVER, plunger cap .....	2		
52	✓ 2A2-14172-34	.. JET, airpilot (#170) .....	2		
53	✓ 2F3-14946-00	.. PLATE, set needle .....	2		
54	✓ 2F0-14919-00	.. CLIP .....	2		
55	✓ 2F0-14918-00	.. RING .....	2		
56	✓ 256-14919-00	.. CLIP .....	2		
57	✓ 2F3-14952-00	.. WASHER .....	2		
58	✓ 2F0-14589-00	.. SPRING .....	2		

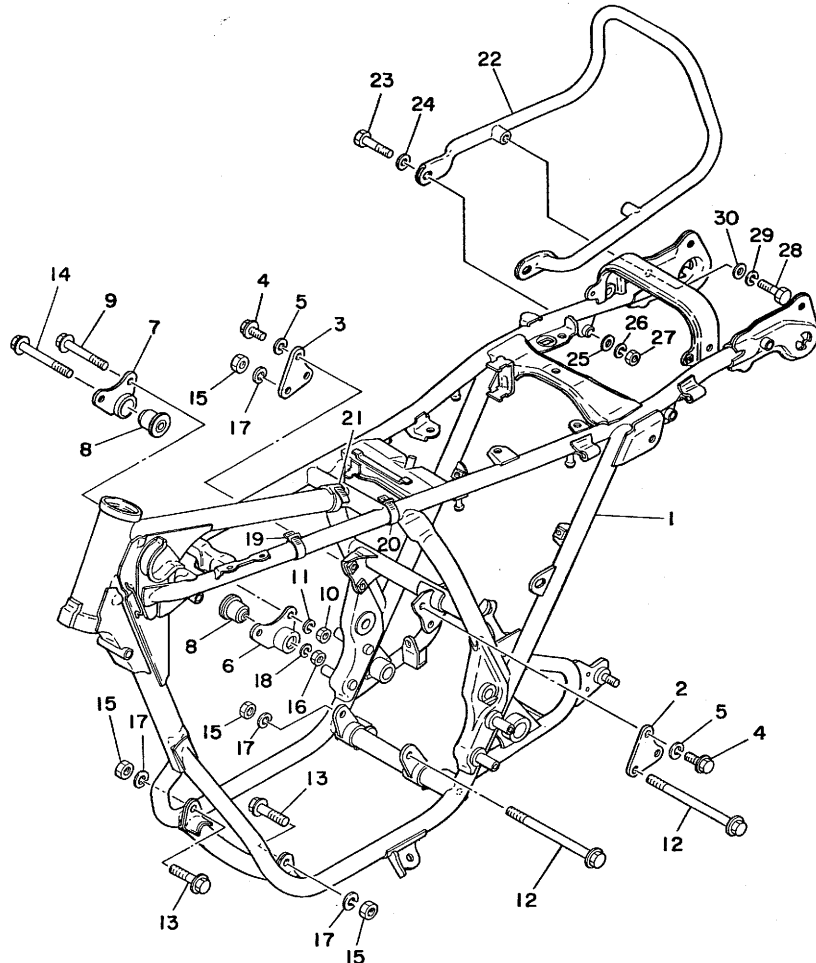


Fig. 20 EXHAUST



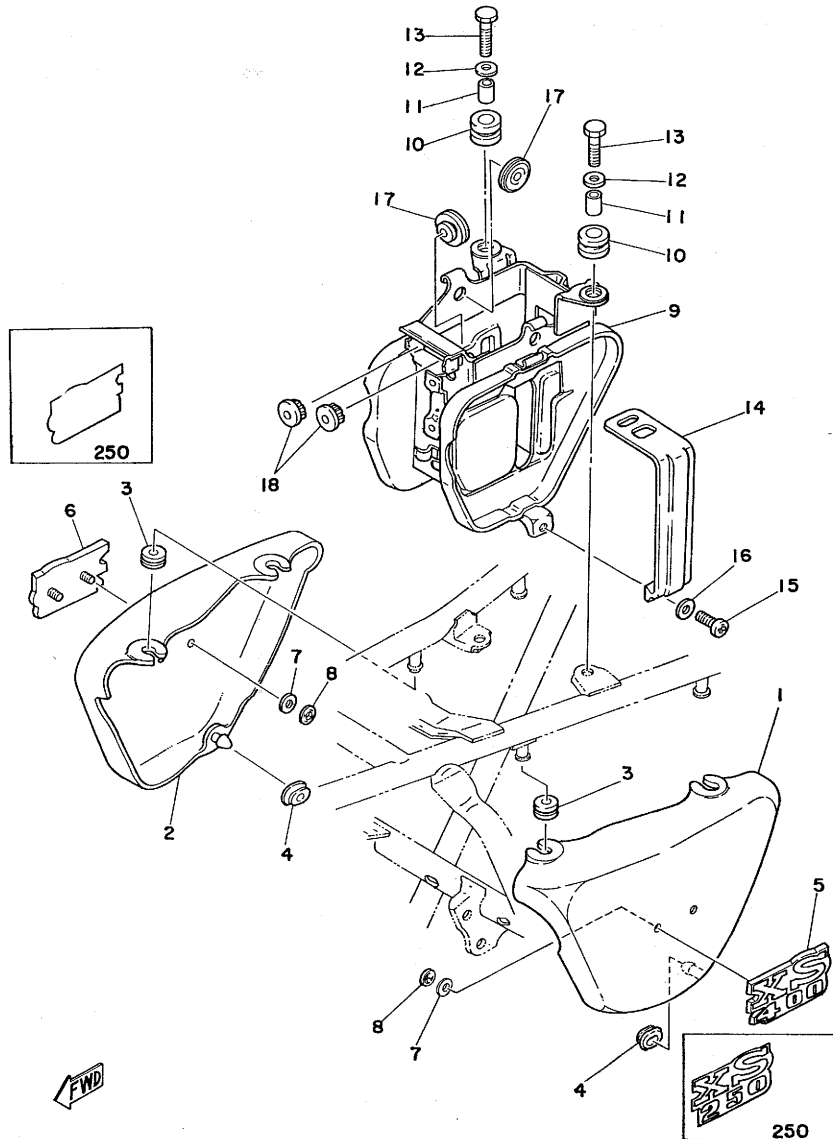
Ref. No.	Part No.	Description	Q'ty 400	Applicable Machine No.	Remarks
20- 1	✓ 2L0-14711-00	MUFFLER, left .....	1		
2	✓ 2L0-14721-00	MUFFLER, right .....	1		
3	✓ 1L9-14788-10	BAND .....	2		
4	✓ 1L9-14714-01	GASKET, muffler joint .....	2		
5	✓ 91316-08025	BOLT, hexagon socket head .....	2		
6	✓ 92901-08600	WASHER, plate .....	2		
7	✓ 2L0-14611-00	PIPE, exhaust, left .....	1		
8	✓ 2L0-14621-00	PIPE, exhaust, right .....	1		
9	✓ 2L0-14612-01	NUT, ring .....	2		
10	✓ 1J7-14614-00	FLANGE, exhaust pipe .....	4		
11	✓ 1L9-14613-00	GASKET, exhaust .....	2		
12	✓ 95301-08600	NUT .....	4		
13	✓ 95301-08600	NUT .....	4		
14	✓ 92901-08100	WASHER, spring .....	4		
15	✓ 92901-08200	WASHER, plain .....	4		
16	✓ 371-27114-00	STOPPER, main stand .....	1		
17	✓ 2L0-21445-00	STAY, muffler .....	2		

Fig. 21 FRAME



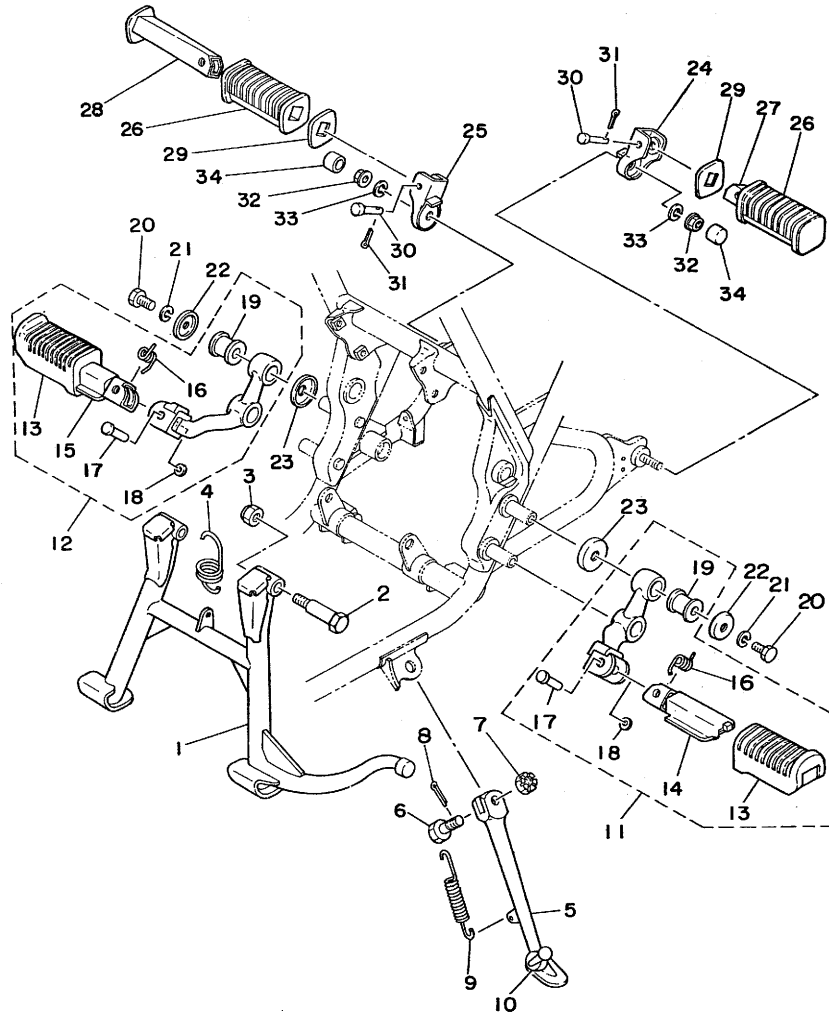
Ref. No.	Part No.	Description	Q'ty	Applicable Machine No.	Remarks
21- 1	✓ 2L0-21110-00-33	FRAME COMP.	1		Yamaha Black
2	✓ 2A2-21315-00	STAY, engine rear upper left	1		
3	✓ 1L9-21315-00	STAY, engine rear upper right	1		
4	✓ 95821-08018	BOLT, flange	4		
5	✓ 92901-08100	WASHER, spring	4		
6	✓ 1L9-21316-01	STAY, engine left	1		
7	✓ 1L9-21317-01	STAY, engine right	1		
8	✓ 1A1-15316-00	DAMPER 1	2		
9	✓ 95821-08070	BOLT, flange	2		
10	✓ 95301-08600	NUT	2		
11	✓ 92901-08100	WASHER, spring	2		
12	✓ 95821-10145	BOLT, flange	2		
13	✓ 95821-10045	BOLT, flange	2		
14	✓ <del>90105-08022</del>	BOLT	1		
15	✓ 90170-10159	NUT, hexagon	4		
16	✓ 95301-08600	NUT	1		
17	✓ 92901-10100	WASHER, spring	4		
18	✓ 92901-08100	WASHER, spring	1		
19	✓ 437-83936-00	BAND, switch cord	1		
20	✓ 341-26397-01	BAND	1		
21	✓ 437-83936-10	BAND, switch cord	2		
22	✓ 2L0-21645-00	STAY, fender	1		
23	✓ 97303-08050	BOLT	2		
24	✓ 92903-08200	WASHER, plain	2		
25	✓ 92901-08600	WASHER, plate	2		
26	✓ 92901-08100	WASHER, spring	2		
27	✓ 95301-08600	NUT, hexagon	2		
28	✓ 97301-08045	BOLT	2		
29	✓ 92901-08100	WASHER, spring	2		
30	✓ 92901-08600	WASHER, plate	2		

Fig. 22 SIDE COVER - BATTERY BOX



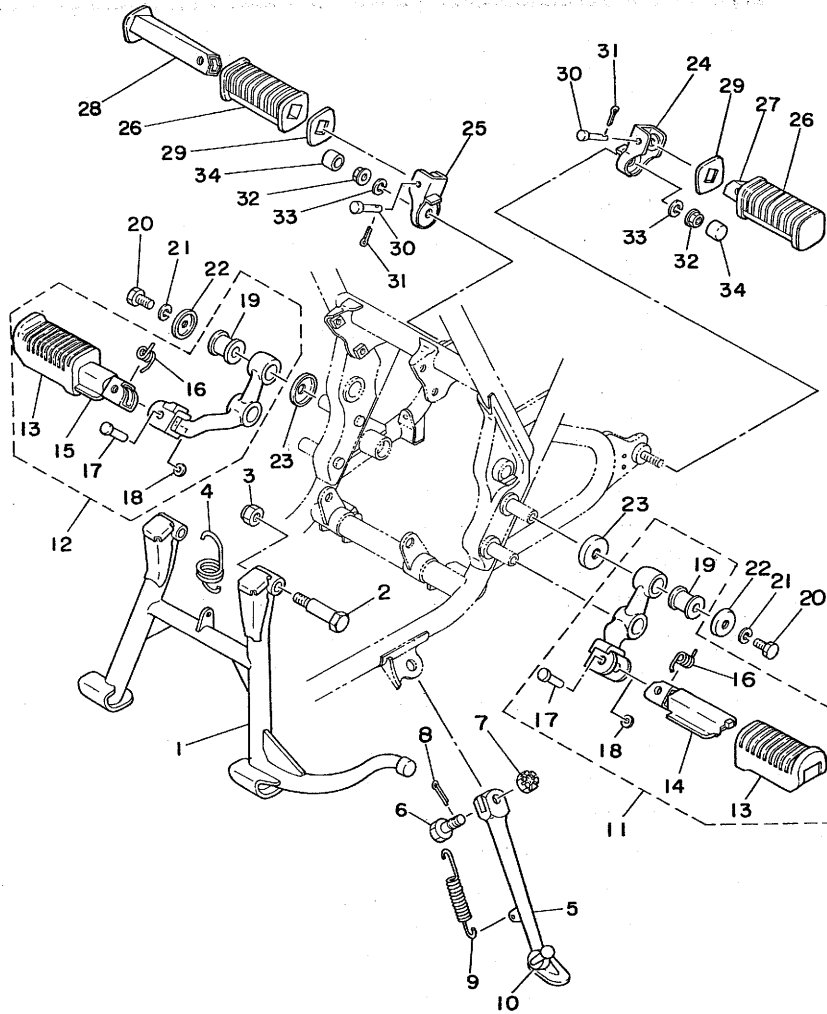
Ref. No.	Part No.	Description	Q'ty	Applicable Machine No.	Remarks
22- 1	✓ 2L0-21711-00-6E	COVER, side left	1		Magnum Maroon
	✓ 2L0-21711-00-8E	COVER, side left	1		Star Blue Metallic
2	✓ 2L0-21721-00-6E	COVER, side right	1		Magnum Maroon
	✓ 2L0-21721-00-8E	COVER, side right	1		Star Blue Metallic
3	✓ 90480-12053	GROMMET, side cover	4		
4	✓ 90480-01141	GROMMET	2		
5	<del>2L0-21781-00</del>	<del>EMBLEM 1</del>			
	✓ 2L0-21781-00	EMBLEM 1	1		
6	<del>2L0-21782-00</del>	<del>EMBLEM 2</del>			
	✓ 2L0-21782-00	EMBLEM 2	1		
7	✓ 90202-04003	WASHER, plate	4		
8	✓ 90183-04005	NUT, spring	4		
9	✓ 2L0-21240-00	BOX, battery	1		
10	✓ 90480-14102	GROMMET	2		
11	✓ 90387-07390	COLLAR	2		
12	✓ 90201-06067	WASHER, plate	2		
13	✓ 97302-06025	BOLT	1		
14	✓ 1L9-21776-01	BAND, fitting	2		
15	✓ 92501-06030	SCREW, panhead	2		
16	✓ 92901-06600	WASHER, plate	2		
17	✓ 371-82121-00	PAD, battery box	4		
18	✓ 1J7-21746-00	DAMPER, battery box	2		

Fig. 23 STAND · FOOTREST <sup>12</sup>



Ref. No.	Part No.	Description	Q'ty	Applicable Machine No.	Remarks
23- 1	✓ 2L0-27111-01	STAND, main	1	400	
2	✓ 90109-10440	BOLT, main stand	2		
3	✓ 95601-10100	NUT U	2		
4	✓ 90506-45063	SPRING, tension	1		
5	✓ 1L9-27311-02-33	STAND, side	1		
6	✓ 90102-10006	BOLT	1		
7	✓ 90171-10012	NUT, castle	1		
8	✓ 91401-20025	PIN, cotter	1		
9	✓ 90506-28100	SPRING, tension	1		
10	✓ 1T4-27314-00	STOPPER, side stand	1		
11	✓ 2L0-27410-00	FOOTREST ASS'Y, left	1		
12	✓ 2L0-27420-00	FOOTREST ASS'Y, right	1		
13	✓ 1J7-27413-01	COVER, footrest	2		
14	✓ 1T3-27451-00	BRACKET, footrest left	1		
15	✓ 1T3-27461-00	BRACKET, footrest right	1		
16	✓ 90508-20023	SPRING, torsion	2		
17	✓ 90243-08006	PIN	2		
18	✓ 90201-06042	WASHER, plate	2		
19	✓ 90480-20195	GROMMET	4		
20	✓ 97321-08016	BOLT, hexagon	4		
21	✓ 92901-08100	WASHER, spring	4		
22	✓ 90209-08150	WASHER, plate	4		
23	✓ 2L0-27417-00	WASHER	4		
24	✓ 2L0-27432-00	BRACKET, rear footrest left	1		
25	✓ 2L0-27442-00	BRACKET, rear footrest right	1		
26	✓ 447-27433-00	COVER, rear footrest	2		
27	✓ 447-27431-00	FOOTREST, rear left	1		
28	✓ 447-27441-00	FOOTREST, rear right	1		
29	✓ 90209-18070	WASHER, plate	2		

Fig. 23 STAND · FOOTREST

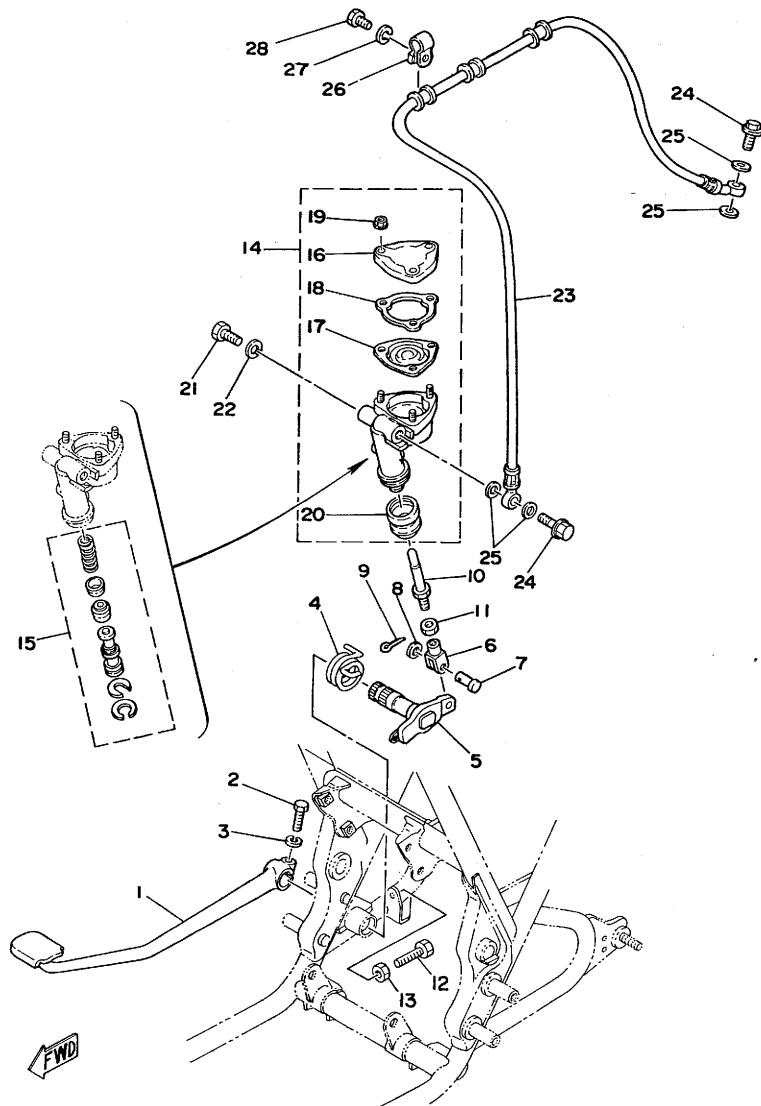


Ref. No.	Part No.	Description	Q'ty	Applicable Machine No.	Remarks
----------	----------	-------------	------	------------------------	---------

23-30	✓ 90240-06042	PIN, with hole	2		
31	✓ 91401-16020	PIN, cotter	2		
32	✓ 95701-10100	NUT, flange	2		
33	✓ 92901-10100	WASHER, spring	2		
34	✓ 262-21399-00	CAP	2		

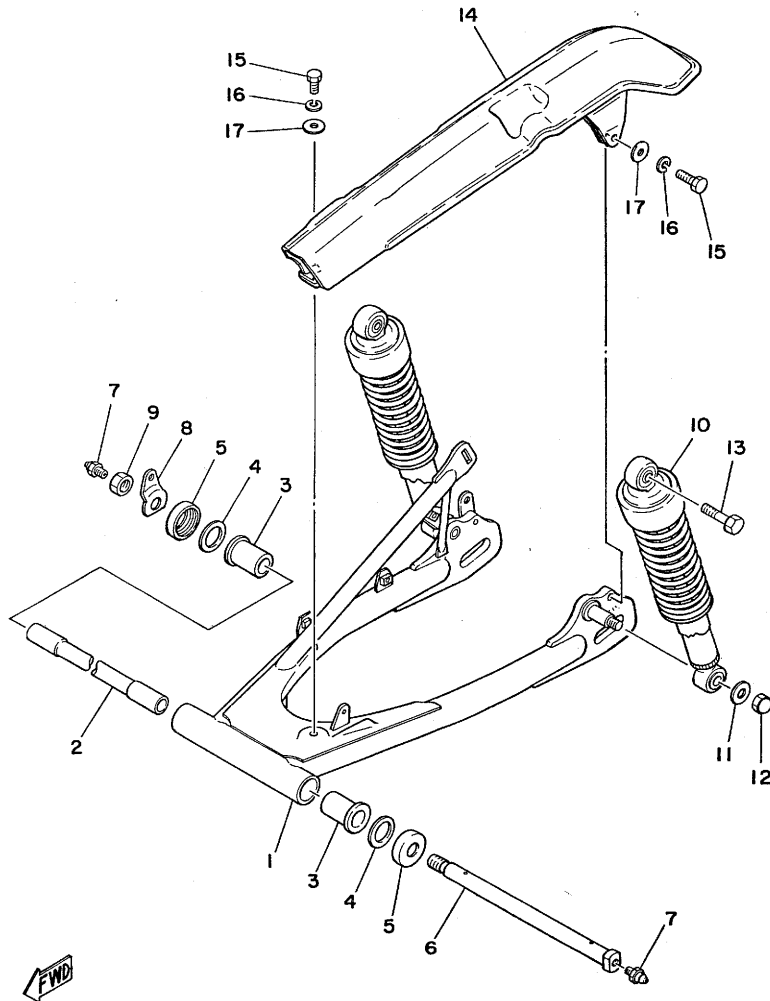


Fig. 24 BRAKE PEDAL REAR MASTER CYLINDER



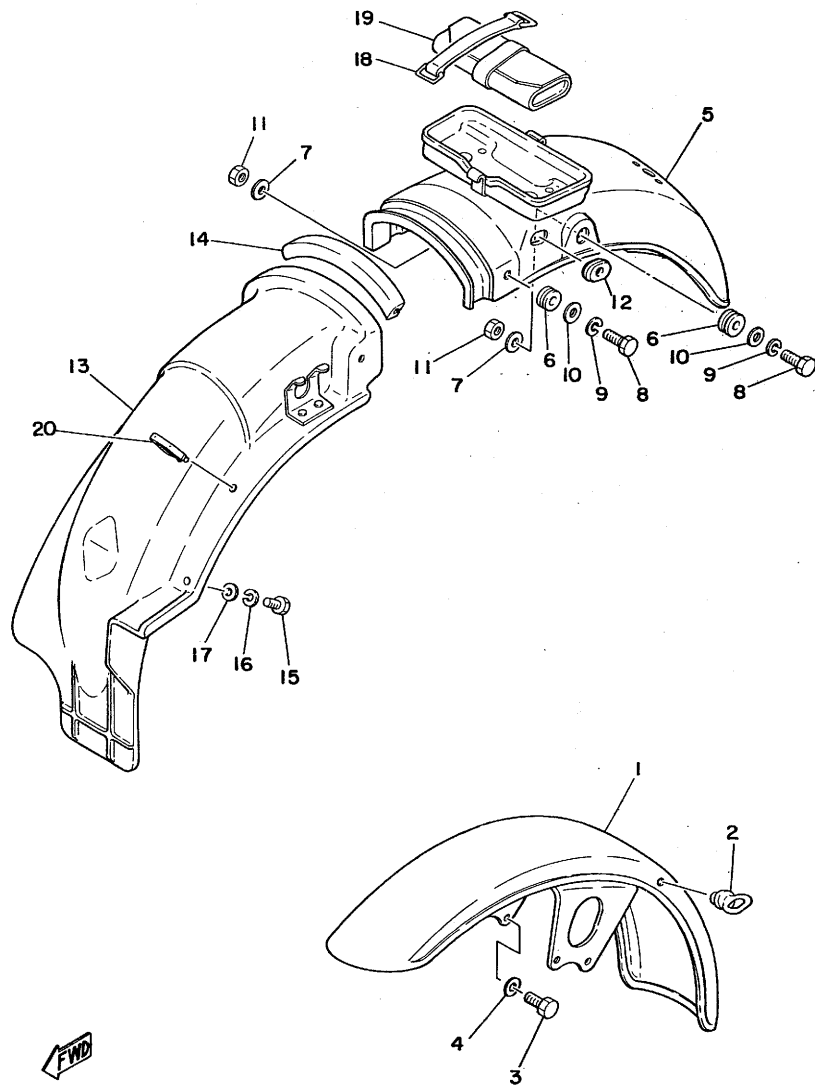
Ref. No.	Part No.	Description	Q'ty	Applicable Machine No.	Remarks
24-	1	✓ 1L9-27211-00-93 PEDAL, brake	1	400	
2	✓ 90109-06468	BOLT	1		
3	✓ 92901-06100	WASHER, spring	1		
4	✓ 90508-40344	SPRING, torsion	1		
5	✓ 1U4-27212-00	SHAFT, brake pedal	1		
6	✓ 1J3-27222-00	JOINT	1		
7	✓ 90240-08013	PIN	1		
8	✓ 90201-08083	WASHER, plate	1		
9	✓ 91401-16020	PIN, cotter	1		
10	✓ 1J3-27231-00	ROD, brake	1		
11	✓ 95301-08700	NUT, hexagon	1		
12	✓ 90153-06008	SCREW	1		
13	✓ 90170-06184	NUT, adjusting	1		
14	✓ 1U4-25850-51	MASTER CYLINDER ASS'Y, rear	1		
15	✓ 1U4-W0042-50	. CYLINDER KIT, master	1		
16	✓ 1J3-25852-52	. CAP, reservoir	1		
17	✓ 1J3-25854-51	. DIAPHRAGM, reservoir	1		
18	✓ 1J3-25855-51	. BUSHING, diaphragm	1		
19	✓ 95701-05100	. NUT	3		
20	✓ 1J3-25862-51	. BOOT, master cylinder	1		
21	✓ 97321-08016	BOLT, hexagon	2		
22	✓ 92901-08100	WASHER, spring	2		
23	✓ 2L0-25872-50	HOSE, rear brake	1		
24	✓ 90401-10034	BOLT, union	2		
25	✓ 90201-10118	WASHER, plain	4		
26	✓ 90461-10034	CLAMP	3		
27	✓ 92901-06100	WASHER, spring	3		
28	✓ 97306-06012	BOLT	3		

Fig. 25 REAR ARM · REAR CUSHION · CHAIN CASE



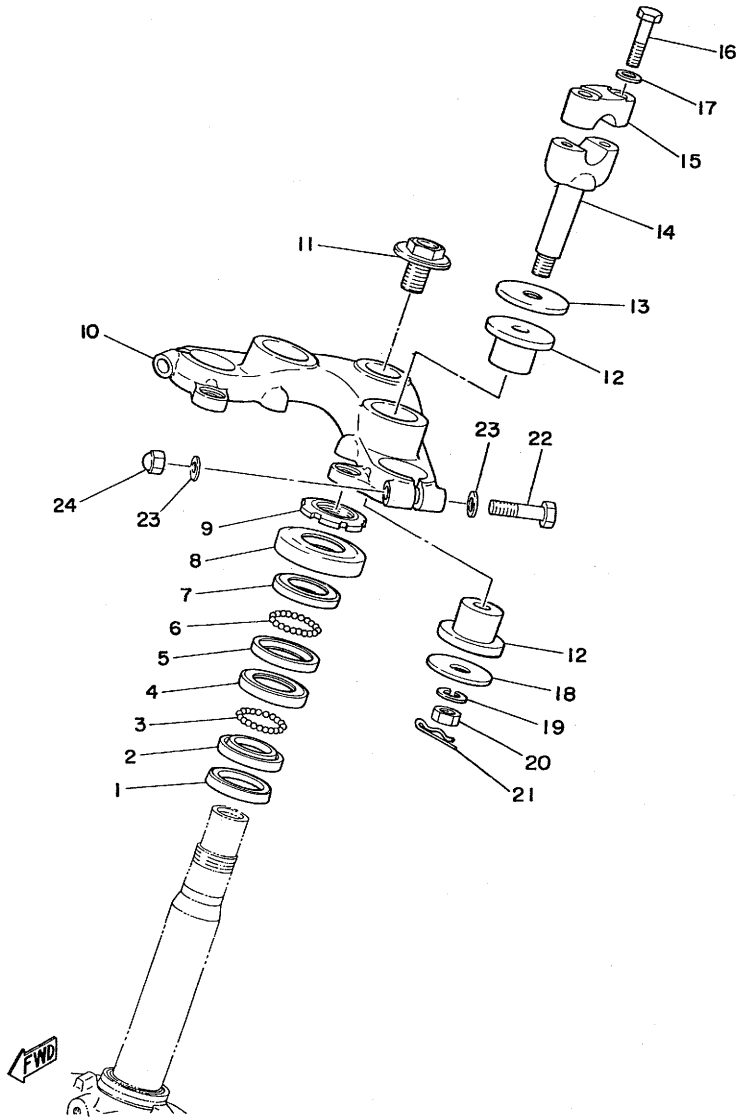
Ref. No.	Part No.	Description	Q'ty	Applicable Machine No.	Remarks
25- 1	✓ 2L0-22110-00-33	REAR ARM COMP.	1	400	Yamaha Black
2	✓ 341-22184-00	COLLAR	1		
3	✓ 90386-22029	BUSHING	2		
4	✓ 240-22127-00	SHIM, rear arm	2		u.r.
5	✓ 371-22128-00	COVER, thrust 1	2		
6	✓ 371-22141-00	SHAFT, pivot	1		
7	✓ 93700-06004	NIPPLE, grease	2		
8	✓ 90215-14113	WASHER, lock	1		
9	✓ 90170-14174	NUT, hexagon	1		
10	✓ 2L0-22210-00	REAR CUSHION ASS'Y	2		
11	✓ 90201-10140	WASHER, plate	2		
12	✓ 90176-10013	NUT, cap	2		
13	✓ 90106-10025	BOLT, round head	2		
14	✓ 2L0-22311-00-93	CASE, chain	1		
15	✓ 92501-06015	SCREW, panhead	2		
16	✓ 92901-06100	WASHER, spring	2		
17	✓ 92901-06600	WASHER, plate	2		

Fig. 26 FRONT FENDER · REAR FENDER



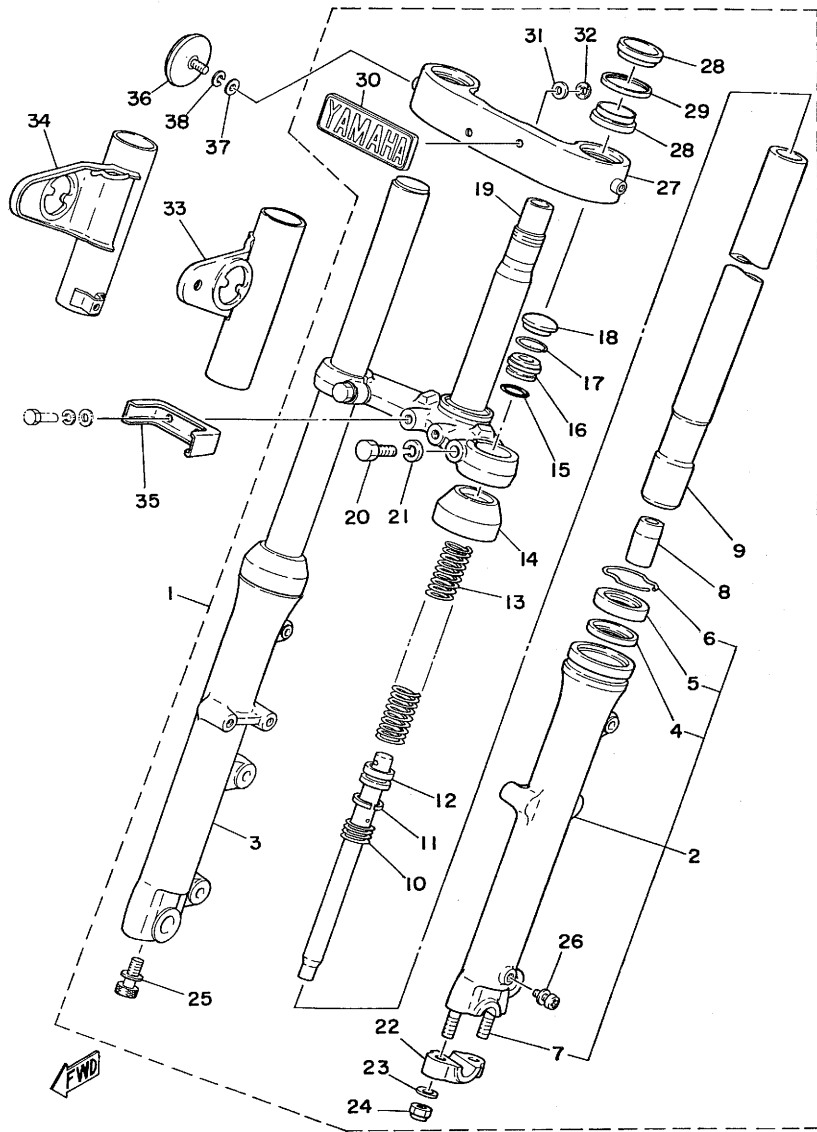
Ref. No.	Part No.	Description	Q'ty	Applicable Machine No.	Remarks
26- 1	✓ 2L0-21510-00-93	FRONT FENDER COMP.	1	400	
2	✓ 1A0-21518-00	HOLDER, wire	1		
3	✓ 90101-08253	BOLT	4		
4	✓ 92901-08200	WASHER, plain	4		
5	✓ 2L0-W2161-00-93	REAR FENDER COMP.	1		
6	✓ 168-21638-00	DAMPER	4		
7	✓ 92901-12200	WASHER, plain	4		
8	✓ 97303-08025	BOLT	4		
9	✓ 92901-08100	WASHER, spring	4		
10	✓ 92901-08600	WASHER, plate	4		
11	✓ 248-21635-00	NUT	4		
12	✓ 90480-15061	GROMMET, front	1		
13	✓ 2L0-21620-00	GUARD MUD ASS'Y	1		
14	✓ 2L0-21268-00	SEAL	1		
15	✓ 97301-06014	BOLT	4		
16	✓ 92901-06100	WASHER, spring	4		
17	✓ 92901-06557	WASHER, plate	4		
18	✓ 116-82131-00	BAND, battery	1		
19	✓ 1L9-28100-10	TOOL ASS'Y	1		
20	✓ 90464-16025	CLAMP	1		

Fig. 27 STEERING 8



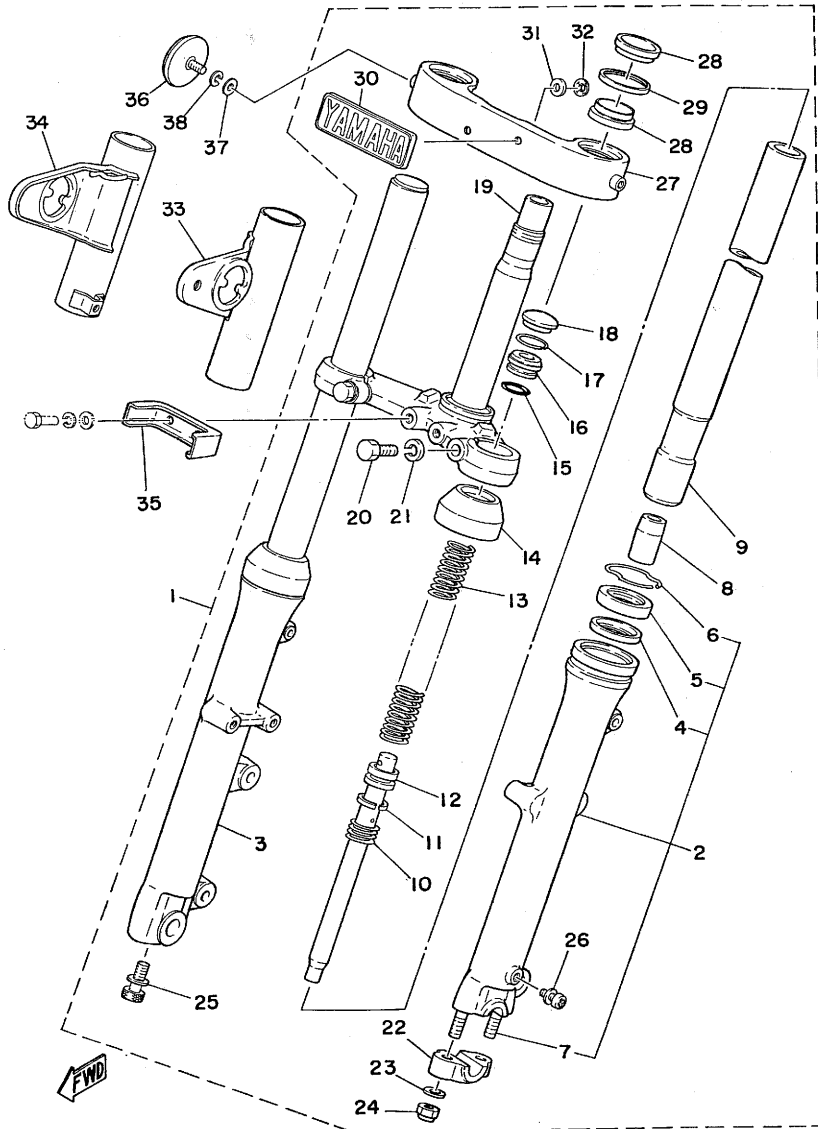
Ref. No.	Part No.	Description	Q'ty	Applicable Machine No.	Remarks
27- 1	✓ 164-23462-00	SEAL, dust	1	400	
2	✓ 156-23411-00	RACE, ball 1	1		
3	✓ 1/4 INCH	BALL	19		
4	✓ 156-23412-00	RACE, ball 2	1		
5	✓ 183-23412-00	RACE, ball 2	1		
6	✓ 1/4 INCH	BALL	19		
7	✓ 183-23411-00	RACE, ball 1	1		
8	✓ 136-23415-00	COVER, ball race	1		
9	✓ 90179-25033	NUT	1		
10	✓ 2L0-23435-00-98	CROWN, handle	1		Low Gloss Black
11	✓ 90105-14102	BOLT, based head hexagon	1		
12	✓ 256-23434-01	BUSHING, rubber	4		
13	✓ 90209-12151	WASHER	2		
14	✓ 1E6-23442-00	HOLDER, handle under	2		
15	✓ 1E6-23441-00	HOLDER, handle upper	2		
16	✓ 90106-08032	BOLT, round hexagon	4		
17	✓ 90201-08600	WASHER, plate	4		
18	✓ 90201-10149	WASHER	2		
19	✓ 92901-10100	WASHER, spring	2		
20	✓ 95302-10700	NUT	2		
21	✓ 90468-12006	CLIP	2		
22	✓ 97303-08055	BOLT	2		
23	✓ 92901-08600	WASHER, spring	4		
24	✓ 95303-08800	NUT, crown	2		

Fig. 28 FRONT FORK



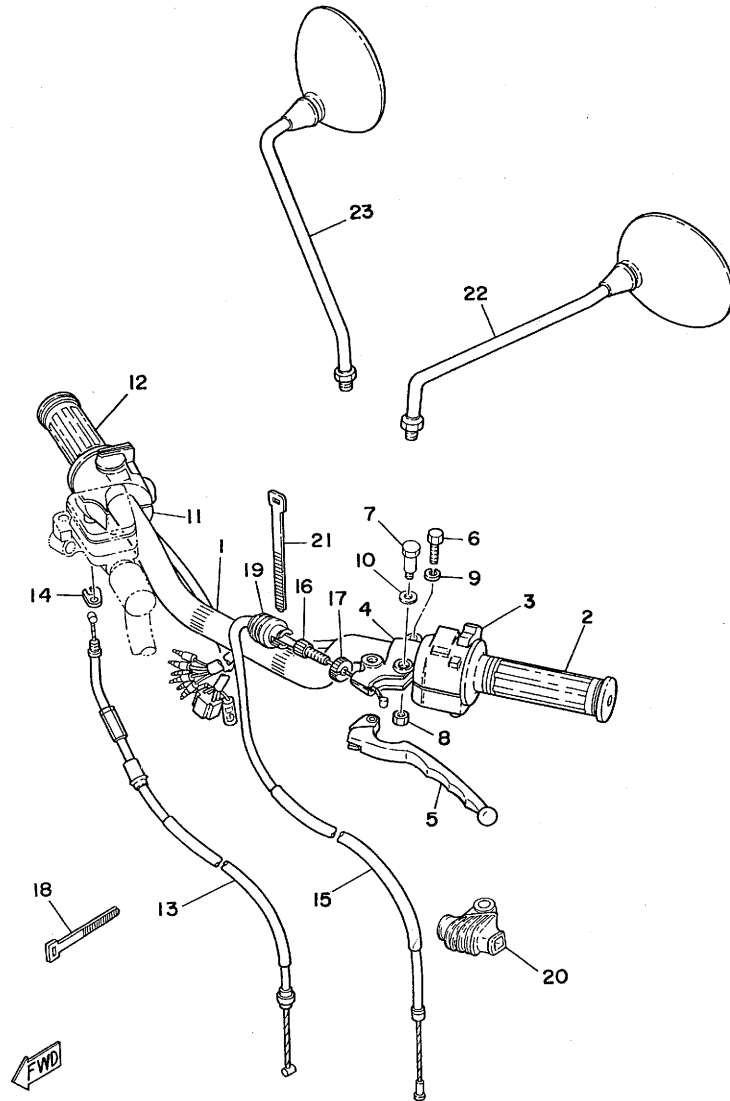
Ref. No.	Part No.	Description	Q'ty	Applicable Machine No.	Remarks
28- 1	✓ 2L0-23101-00	FRONT FORK ASS'Y	1		
2	✓ 2L0-23126-00	. TUBE, outer left	1		
3	✓ 1L9-23136-01	. TUBE, outer right	1		
4	✓ 1L9-23146-00	. SEAL, spacer	2		
5	✓ 1L9-23145-00	. OIL SEAL	2		
6	✓ 1L9-23156-00	. CLIP	2		
7	✓ 90116-08260	. BOLT, stud	2		
8	✓ 1L9-23166-00	. TAPER, spindle	2		
9	✓ 2L0-23110-00	. INNER TUBE COMP.	2		
10	✓ 1E7-23151-00	. SPRING, rebound	2		
11	✓ 1E7-23157-00	. RING, piston	2		
12	✓ 1L9-23170-02	. CYLINDER COMP. front fork	2		
13	✓ 2L0-23141-00	. SPRING, front fork	2		
14	✓ 1L9-23144-00	. SEAL, dust	2		
15	✓ 1L9-23114-00	. O-RING	2		
16	✓ 1L9-23111-00	. SEAT, spring	2		
17	✓ 1L9-23183-00	. RING, stopper	2		
18	✓ 1L9-23168-00	. CAP, fornt fork	2		
19	✓ 2L0-23340-00-00	. UNDER BRACKET COMP.	1		Yamaha Black
20	✓ 97323-10035	. BOLT, hexagon	2		
21	✓ 92901-10100	. WASHER, spring	2		
22	✓ 1E7-23167-00	. HOLDER, axle	1		
23	✓ 92901-08600	. WASHER, plate	2		
24	✓ 90185-08054	. NUT U	2		
25	✓ 1E7-23181-00	. BOLT, with gasket	2		
26	✓ 1E7-23119-00	. PLUG, drain with gasket	2		
27	✓ 2L0-23122-00-93	. COVER, outer	1		
28	✓ 2L0-23163-00	. GASKET	4		
29	✓ 2L0-23116-00	. GUIDE, cover upper	2		

Fig. 28 FRONT FORK



Ref. No.	Part No.	Description	Q'ty	Applicable Machine No.	Remarks
28-30	✓ 2M0-23395-00	EMBLEM	1		
31	✓ 90202-04003	WASHER, plate	2		
32	✓ 90183-04005	NUT, spring	2		
33	✓ 2L0-23121-00-93	COVER, upper left	1		
34	✓ 2L0-23131-00-93	COVER, upper right	1		
35	✓ 2L0-23318-00	HOLDER, wire	1		
36	✓ 355-85111-00	REFLECTOR	2		
37	✓ 92901-05200	WASHER, plain	2		
38	✓ 92901-05100	WASHER, spring	2		

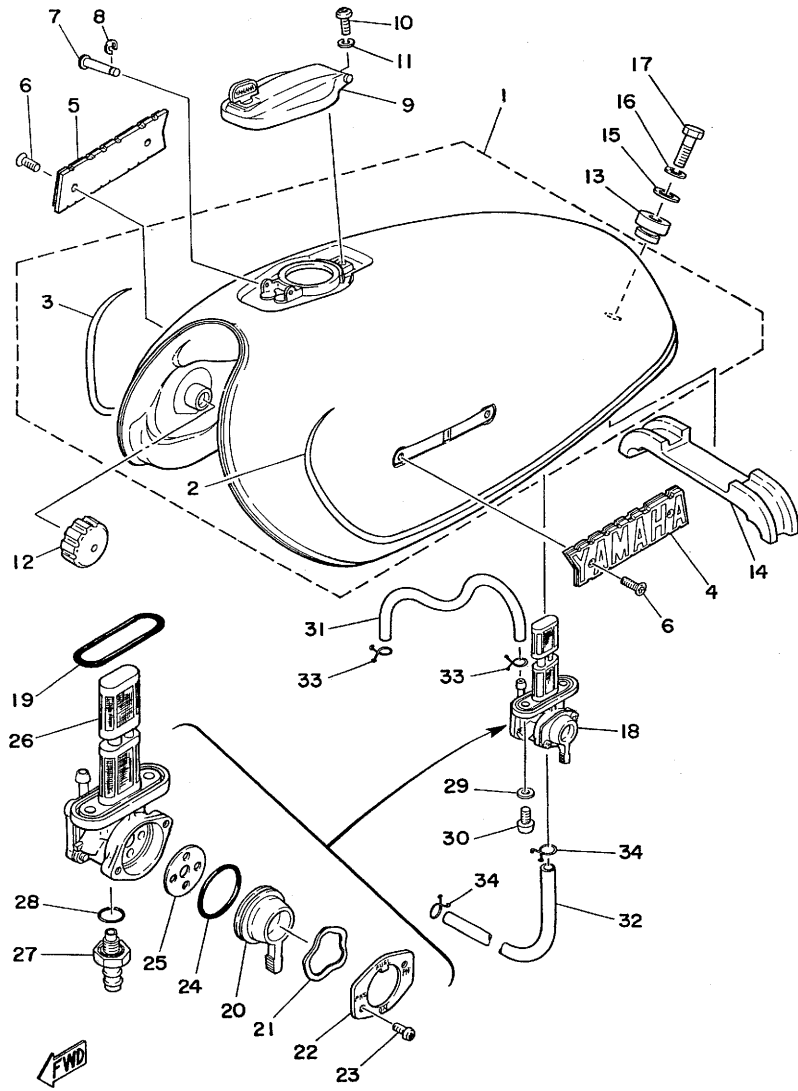
Fig. 29 HANDLE · WIRE



Ref. No.	Part No.	Description	Q'ty	Applicable Machine No.	Remarks
29-1	✓ 2L0-26111-00	HANDLE .....	1		
2	✓ 2H7-26241-00	GRIP, left .....	1		
3	✓ 2L1-83972-00-98	SWITCH, handle 4 .....	1		Low Gloss Black
4	✓ 341-82911-00	HOLDER, lever left .....	1		
5	✓ 2H7-83912-00	LEVER, left .....	1		
6	✓ 97303-06022	BOLT .....	1		
7	✓ 90109-06410	BOLT .....	1		
8	✓ 95601-06100	NUT U .....	1		
9	✓ 92903-06100	WASHER, spring .....	1		
10	✓ 90201-08083	WASHER, plate .....	1		
11	✓ 2L1-83963-40-98	SWITCH, handle 3 right .....	1		Low Gloss Black
12	✓ 2H7-26240-00	GRIP ASS'Y, right .....	1		
13	✓ 1L9-26311-00	WIRE, throttle .....	1		
14	✓ 584-26393-01	HOLDER, wire guide .....	1		
15	✓ 2L0-26335-00	WIRE, clutch .....	1		
16	✓ 90123-08046	BOLT, wire adjusting .....	1		
17	✓ 90179-08148	NUT .....	1		
18	✓ 437-83936-00	BAND, switch cord .....	4		
19	✓ 1E6-26342-00	BOOT .....	1		
20	✓ 1E6-26372-00	COVER, lever left .....	1		
21	✓ 341-26397-01	BAND, switch cord .....	1		
22	✓ 2H7-26290-10	BACK MIRROR ASS'Y, left .....	1		
23	✓ 2H7-26290-00	BACK MIRROR ASS'Y, right .....	1		

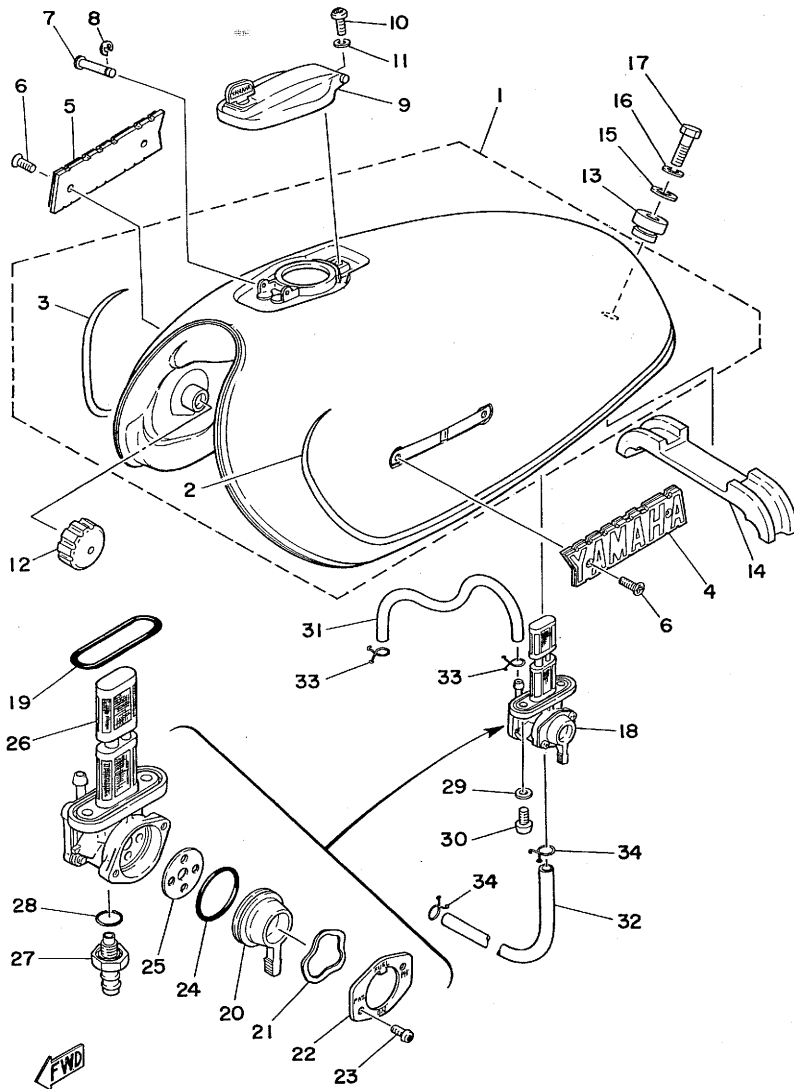


Fig. 31 FUEL TANK



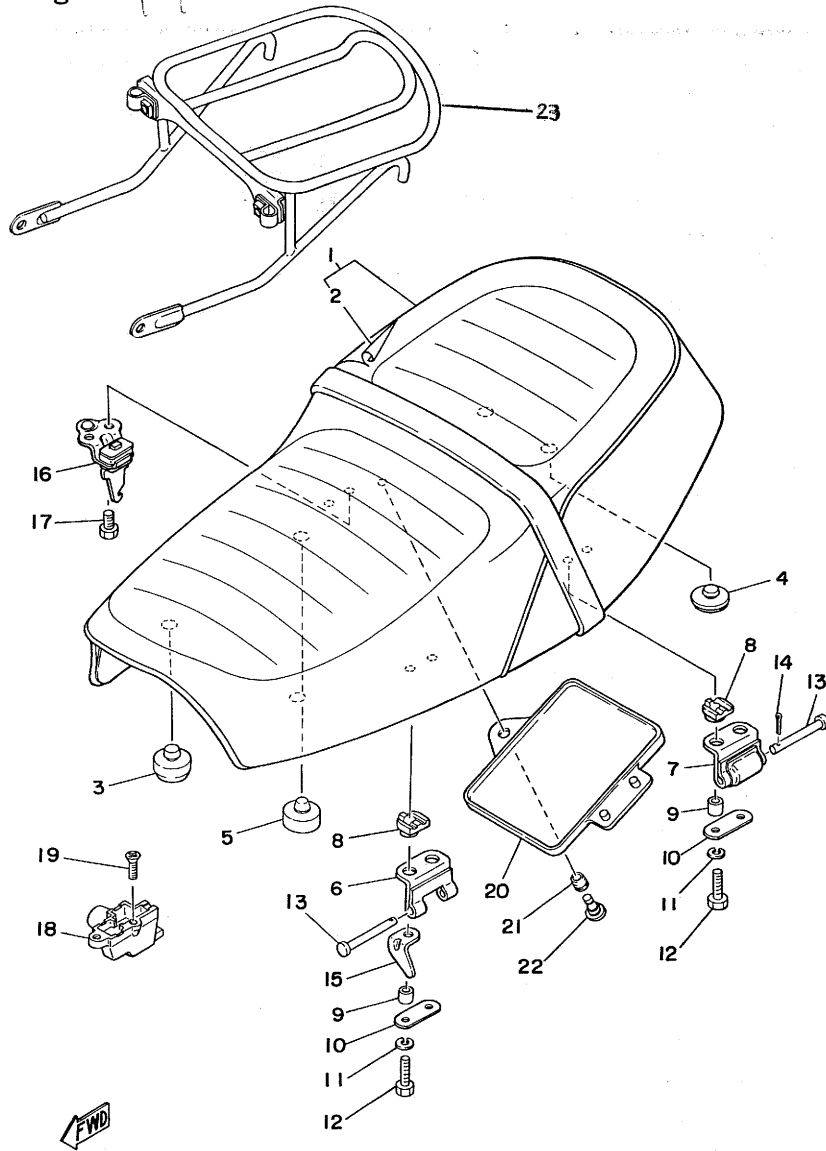
Ref. No.	Part No.	Description	Q'ty	Applicable Machine No.	Remarks
31- 1	✓ 2L0-24110-00-02	FUEL TANK COMP. ....	1		Magnum Maroon
	✓ 2L0-24110-00-01	FUEL TANK COMP. ....	1		Star Blue Metallic
2	✓ 2L0-24244-00	. GRAPHIC, fuel tank left .....	1		
3	✓ 2L0-24245-00	. GRAPHIC, fuel tank right .....	1		
4	✓ 2L0-24161-00	EMBLEM 1, left .....	1		
5	✓ 2L0-24162-00	EMBLEM2, right .....	1		
6	✓ 90152-04006	SCREW, flathead .....	4		
7	✓ 90249-03123	PIN .....	1		
8	✓ 93430-02001	CIRCLIP .....	1		
9	✓ 2L0-24602-00	FUEL TANK CAP ASS'Y .....	1		
10	✓ 98501-05008	SCREW, panhead .....	1		
11	✓ 92901-05100	WASHER, spring .....	1		
12	✓ 1L9-24181-00	DAMPER, locating front 1 .....	2		
13	✓ 2L0-24182-00	DAMPER, tank locating 2 .....	1		
14	✓ 2L0-24183-00	DAMPER, tank locating 3 .....	1		
15	✓ 156-24186-00	WASHER .....	1		
16	✓ 92901-08100	WASHER, spring .....	1		
17	✓ 97301-08016	BOLT, hexagon .....	1		
18	✓ 2L0-24500-01	FUEL COCK ASS'Y .....	1		
19	✓ 2G2-24512-00	. O-RING .....	1		
20	✓ 2G2-24524-00	. LEVER, cock .....	1		
21	✓ 2G2-24518-00	. WASHER, wave .....	1		
22	✓ 2G2-24525-00	. PLATE, lever fitting .....	1		
23	✓ 98501-03008	. SCREW, panhead .....	2		
24	✓ 2G2-24534-00	. GASKET, body .....	1		
25	✓ 2G2-24523-00	. GASKET, cock body .....	1		
26	✓ 2L0-24514-00	. FILTER .....	1		
27	✓ 2L0-24551-00	. JOINT .....	1		
28	✓ 2L0-24522-00	. O-RING .....	1		

Fig. 31 FUEL TANK



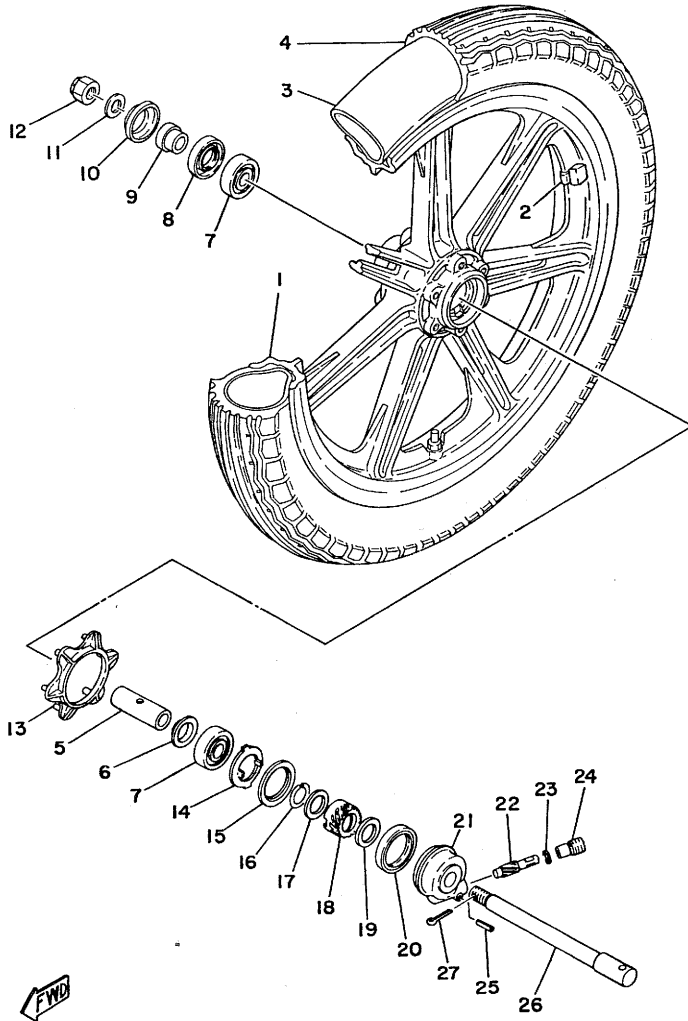
Ref. No.	Part No.	Description	Q'ty	Applicable Machine No.	Remarks
31-29	✓ 90202-06010	WASHER, plate	...	400	2
30	✓ 90149-06008	SCREW	.....		2
31	✓ 90445-07177	HOSE	.....		1
32	✓ 90445-10133	HOSE	.....		1
33	✓ 90467-07029	CLIP	.....		2
34	✓ 806-24356-00	CLIP	.....		2

Fig. 32 SEAT



Ref. No.	Part No.	Description	Q'ty	Applicable Machine No.	Remarks
32- 1	✓ 2L0-24730-90	DOUBLE SEAT ASS'Y	1		
2	✓ 2L0-24731-00	COVER, double seat	1		
3	✓ 1T4-24741-00	PAD, seat front	2		
4	✓ 1L9-24741-00	PAD, seat rear	2		
5	✓ 371-27114-00	STOPPER, main stand	1		
6	✓ 1L9-24769-00	HINGE, seat	1		
7	✓ 1L9-24726-02	HINGE, seat	1		
8	✓ 1L9-24723-00	DAMPER	4		
9	✓ 90387-07390	COLLAR	4		
10	✓ 1L9-24746-00	WASHER, special	2		
11	✓ 92901-06100	WASHER, spring	4		
12	✓ 97301-06025	BOLT, hexagon	4		
13	✓ 91701-05055	PIN, with hole	2		
14	✓ 90468-10050	CLIP	1		
15	✓ 2L0-24768-00	STOPPER, pin	1		
16	✓ 371-24728-02	BRACKET, seat	1		
17	✓ 90101-06304	BOLT, hexagon	2		
18	✓ 1L9-24705-00	SEAT LOCK ASS'Y	1		
19	✓ 92701-06012	SCREW, flathead	2		
20	✓ 2R6-28185-00	LID	1		
21	✓ 90480-06007	GROMMET	1		
22	✓ 341-28188-00	PLUNGER	1		
23	✓ 2L1-W0036-00	✓ SUB CARRIER SET	1		

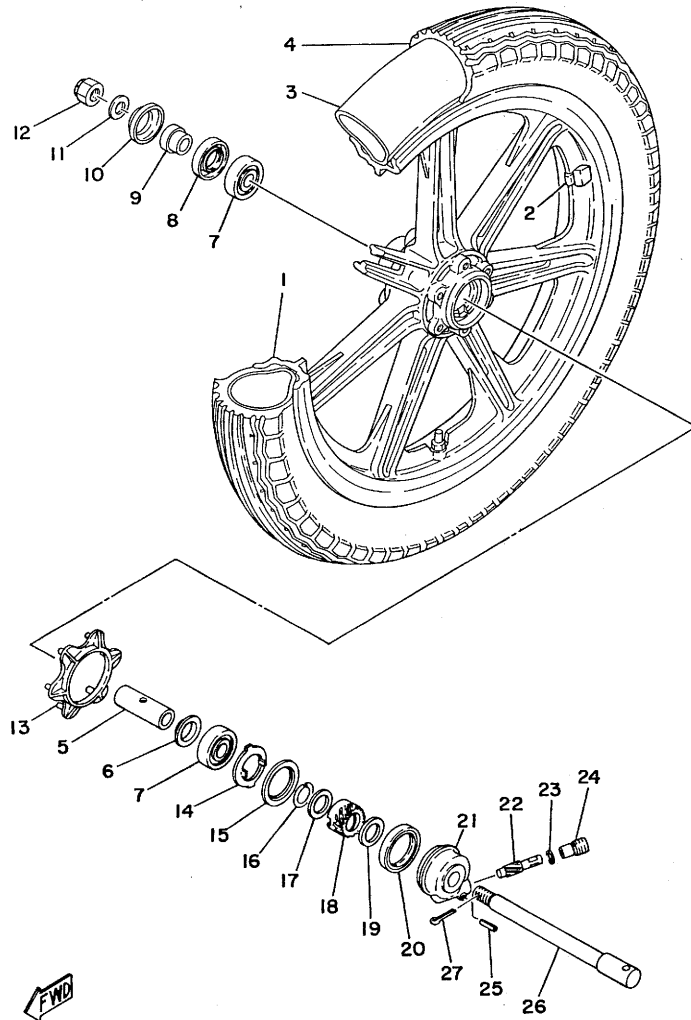
Fig. 33 FRONT WHEEL



Ref. No.	Part No.	Description	Q'ty	Applicable Machine No.	Remarks
33-1	✓ 2V0-25168-00-18	CASTING WHEEL, front	✓ 1		
2	✓ 1A1-25398-01	BALANCER, wheel	u.r.		20g
	✓ 1A1-25399-00	BALANCER, wheel	u.r.		10g
	✓ 2M0-25399-00	BALANCER, wheel	✓ u.r.		30g
3	✓ 275-18	TUBE, front	1		
4	✓ 300-18	TIRE, front	1		
5	✓ 90560-15161	SPACER	1		
6	✓ 146-25115-00	FLANGE, spacer	1		
7	✓ 6302 ZZ	BEARING	2		
8	✓ 93102-22014	OIL SEAL (SD-22-42-7)	1		
9	✓ 90387-15550	COLLAR	1		
10	✓ 401-25367-00	COVER, hub dust	1		
11	✓ 92901-14200	WASHER, plate	1		
12	✓ 90171-14006	NUT, castle	1		
13	✓ 1U4-25847-00	COVER, housing	1		
14	✓ 341-25149-00	CLUTCH, meter	1		
15	✓ 341-25846-00	RETAINER, clutch meter	1		
16	✓ 341-25137-00	RING, stop	1		
17	✓ 90201-25286	WASHER	1		
18	✓ 351-25135-00	GEAR, drive (27T)	1		
19	✓ 90201-25490	WASHER	1		
20	✓ 93105-45017	OIL SEAL (SDD-45-56-6)	1		
21	✓ 404-25191-00	HOUSING, gear unit	1		
22	✓ 351-25138-00	GEAR, meter (10T)	1		
23	✓ 102-18416-00	SHIM, rod	1		
24	✓ 306-25136-00	BUSHING	1		

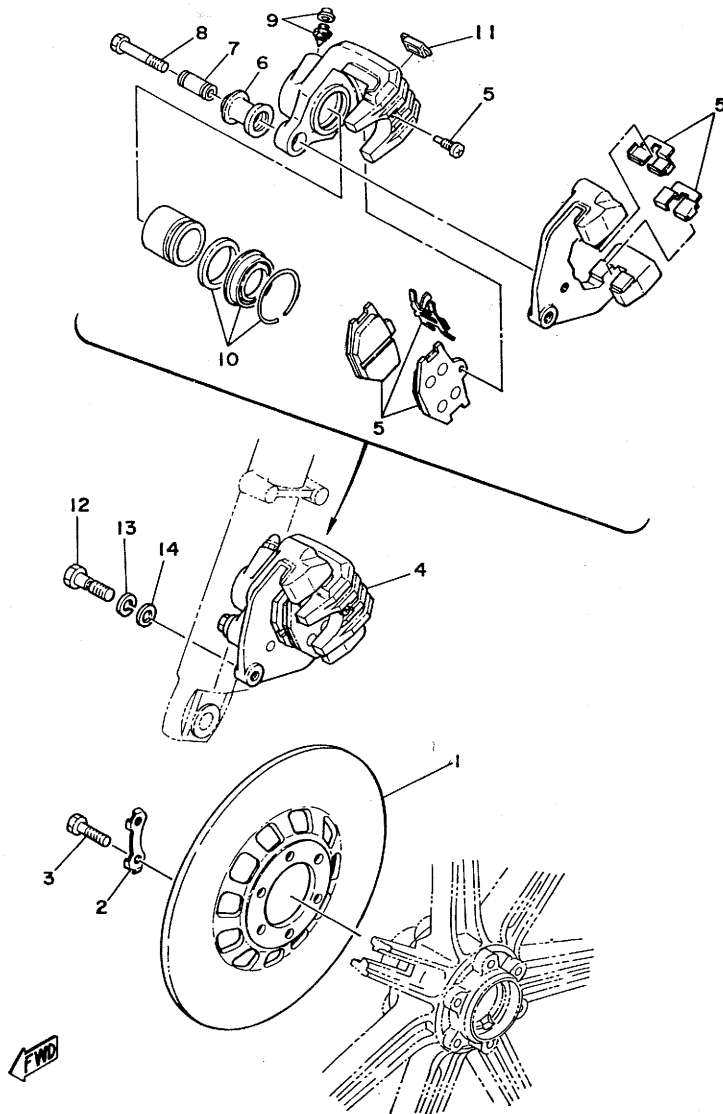
Fig. 33 FRONT WHEEL

10



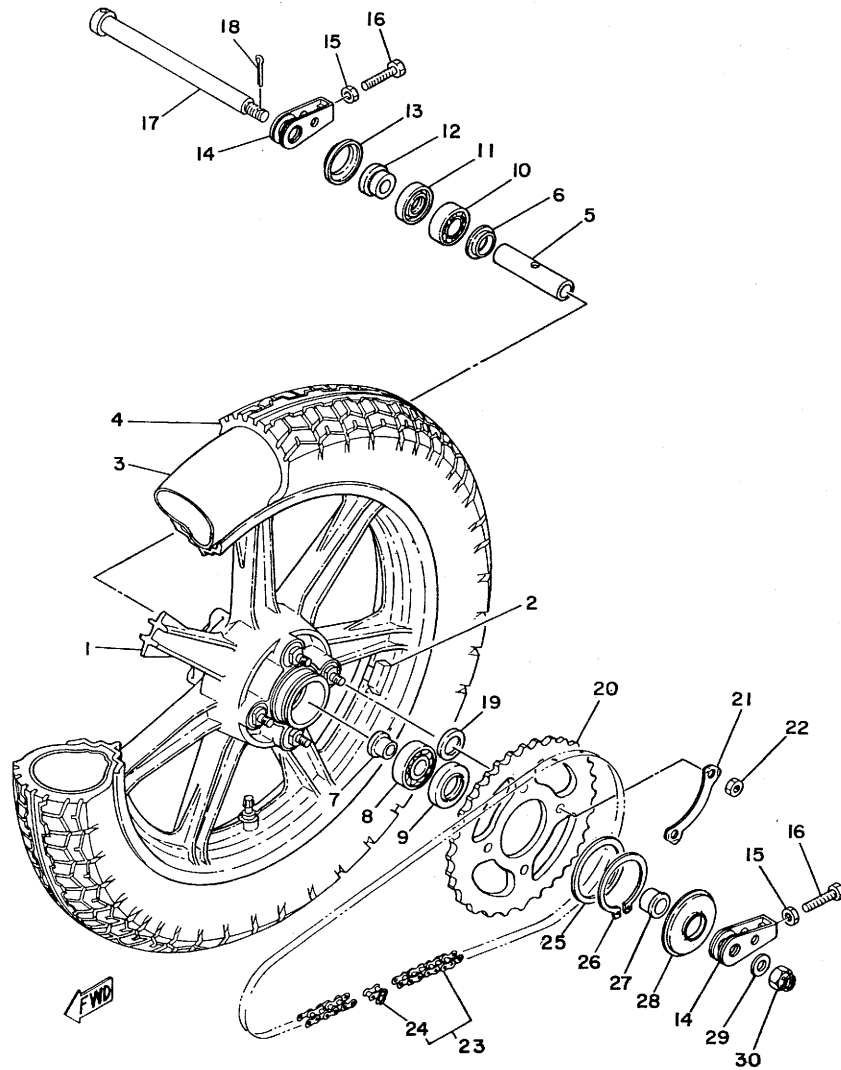
Ref. No.	Part No.	Description	Q'ty	Applicable Machine No.	Remarks
33-25	✓ 91609-20014	PIN, spring	1		
26	✓ 1L9-25181-00	SHAFT, wheel	1		
27	✓ 91401-30030	PIN, cotter	1		

Fig. 34 FRONT DISC BRAKE - CALIPER



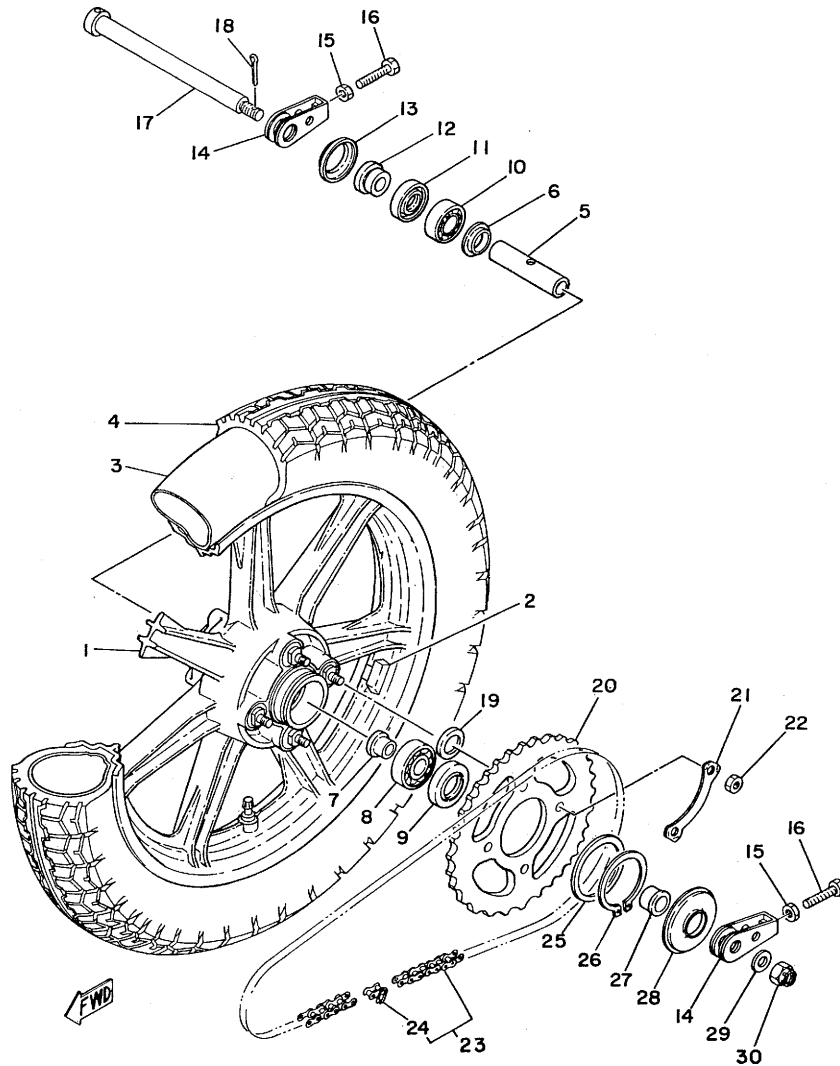
Ref. No.	Part No.	Description	Q'ty		Remarks
			250	400	
34- 1	✓ 1L9-25831-00	DISC, brake	1		
2	✓ 1J3-25834-01	WASHER, lock	3		
3	✓ 90101-08312	BOLT, hexagon	6		
4	✓ 1L9-25810-03	CALIPER ASS'Y	1		
5	✓ 1L9-W0045-00	PAD KIT, caliper	1		
6	✓ 1J3-25917-00	BUSHING, boot	1		
7	✓ 1J3-25838-00	SLEEVE	1		
8	✓ 90105-08092	BOLT, support	1		
9	✓ 1J3-W0048-00	BLEED SCREW, with cap	1		
10	✓ 1J3-W0047-00	CALIPER SEAL KIT	1		
11	✓ 1J3-25845-01	CAP, indicator	1		
12	✓ 90101-10308	BOLT, hexagon	2		
13	✓ 92901-10100	WASHER, spring	2		
14	✓ 92901-10200	WASHER, plain	2		

Fig. 35 REAR WHEEL



Ref. No.	Part No.	Description	Q'ty	Applicable Machine No.	Remarks
35- 1	✓ 2A2-W2533-00-98	CASTING WHEEL, rear	1		
2	✓ 1A1-25398-01	BALANCER, wheel	u.r.		20g
	✓ 1A1-25399-00	BALANCER, wheel	u.r.		10g
	✓ 2M0-25399-00	BALANCER, wheel	u.r.		30g
3	✓ 325-18	TUBE, rear	1		
4	✓ 350-18	TYRE, rear	1		
5	✓ 1J3-25317-00	SPACER, bearing	1		
6	✓ 1A1-25115-00	FLANGE, spacer	1		
7	✓ 1A1-25377-00	COLLAR, shaft	1		
8	63042	BEARING	1		
9	✓ 93104-27026	OIL SEAL (SO-27-52-5)	1		
10	✓ 93306-30309	BEARING	1		
11	✓ 93102-28022	OIL SEAL (SD-28-47-7)	1		
12	✓ 90387-17536	COLLAR	1		
13	✓ 1J3-25118-00	COVER, hub dust	1		
14	✓ 168-25389-00	FULLER, chain	2		
15	✓ 95301-08700	NUT, hexagon	2		
16	✓ 90101-08034	BOLT	2		
17	✓ 1J3-25381-00	SHAFT, wheel	1		
18	✓ 91401-30030	PIN, cotter	1		
19	✓ 90387-20565	COLLAR	4		
20	<del>94380-10104</del>	<del>GEAR, sprocket wheel (39T)</del>			
	✓ 1J3-25439-20	GEAR, sprocket wheel (39T)	1		
21	✓ 1J3-25412-00	WASHER, lock	2		
22	✓ 95301-12700	NUT	4		
23	<del>94380-10104</del>	<del>CHAIN (5/8x3/8x104)</del>			
	530-104	CHAIN (5/8x3/8x104)	1		
24	530	JOINT, chain	1		

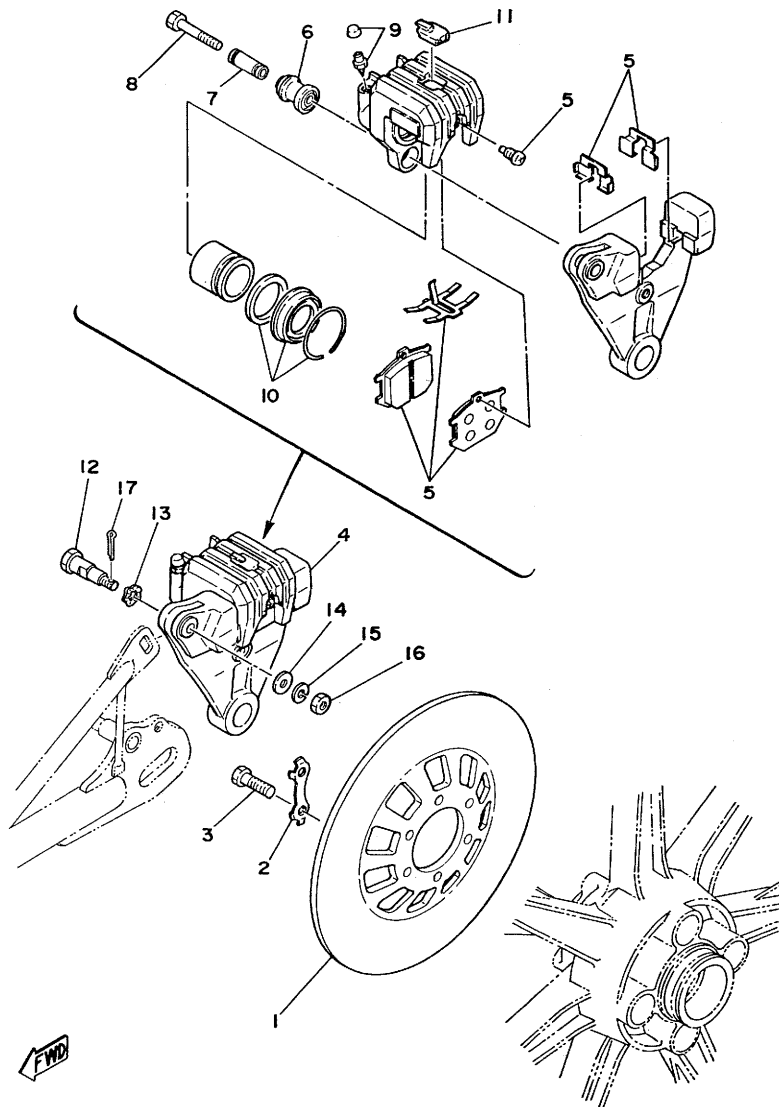
Fig. 35 REAR WHEEL



Ref. No.	Part No.	Description	Q'ty	Applicable Machine No.	Remarks
----------	----------	-------------	------	------------------------	---------

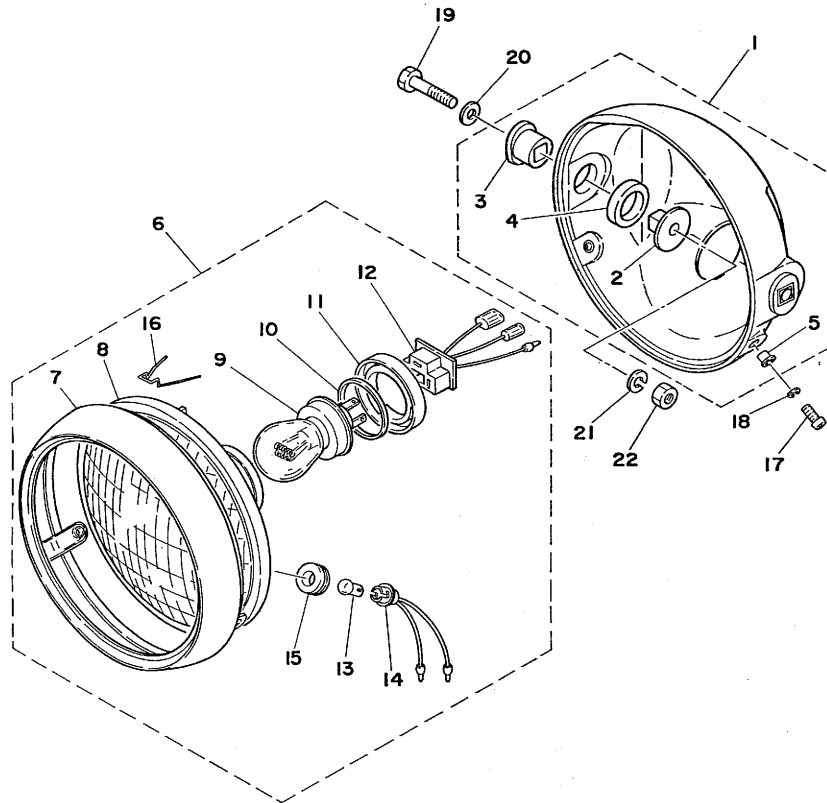
35-25	✓ 90201-66585	WASHER, plate	1		
26	✓ 93410-65040	CIRCLIP	1		
27	✓ 90387-17551	COLLAR	1		
28	✓ 1L9-25367-00	COVER, hub dust	1		
29	✓ 92901-14200	WASHER, plate	1		
30	✓ 90171-14020	NUT, castle	1		

Fig. 36 REAR DISC BRAKE CALIPER



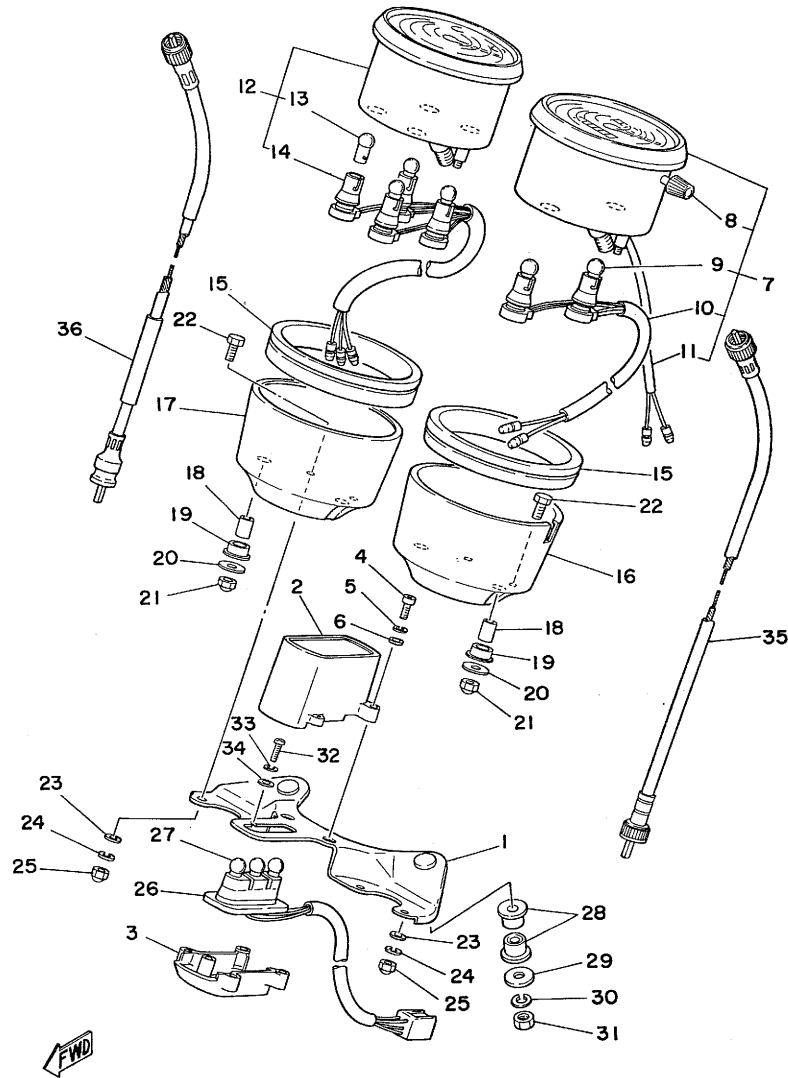
Ref. No.	Part No.	Description	Q'ty	Applicable Machine No.	Remarks
36- 1	✓ 1L9-25831-00	DISC, rear brake	1	400	
2	✓ 1J3-25834-01	WASHER, lock	3		
3	✓ 90101-08312	BOLT, hexagon	6		
4	✓ 1U4-25810-51	CALIPER ASS'Y, rear	1		
5	✓ 1U4-W0046-02	PAD KIT, caliper	1		
6	✓ 1J3-25917-00	BUSHING, boot	1		
7	✓ 1J3-25838-00	SLEEVE	1		
8	✓ 90105-08092	BOLT, support	1		
9	✓ 1J3-W0048-00	BLEED SCREW, with cap	1		
10	✓ 1J3-W0047-00	CALIPER SEAL KIT	1		
11	✓ 1J3-25845-01	CAP, indicator	1		
12	✓ 90109-08454	BOLT	1		
13	✓ 90206-12034	WASHER, wave	1		
14	✓ 92901-08600	WASHER, plate	1		
15	✓ 92901-08100	WASHER, spring	1		
16	✓ 90170-08158	NUT, hexagon	1		
17	✓ 91401-2002C	PIN, cotter	1		

Fig. 37 HEAD LAMP



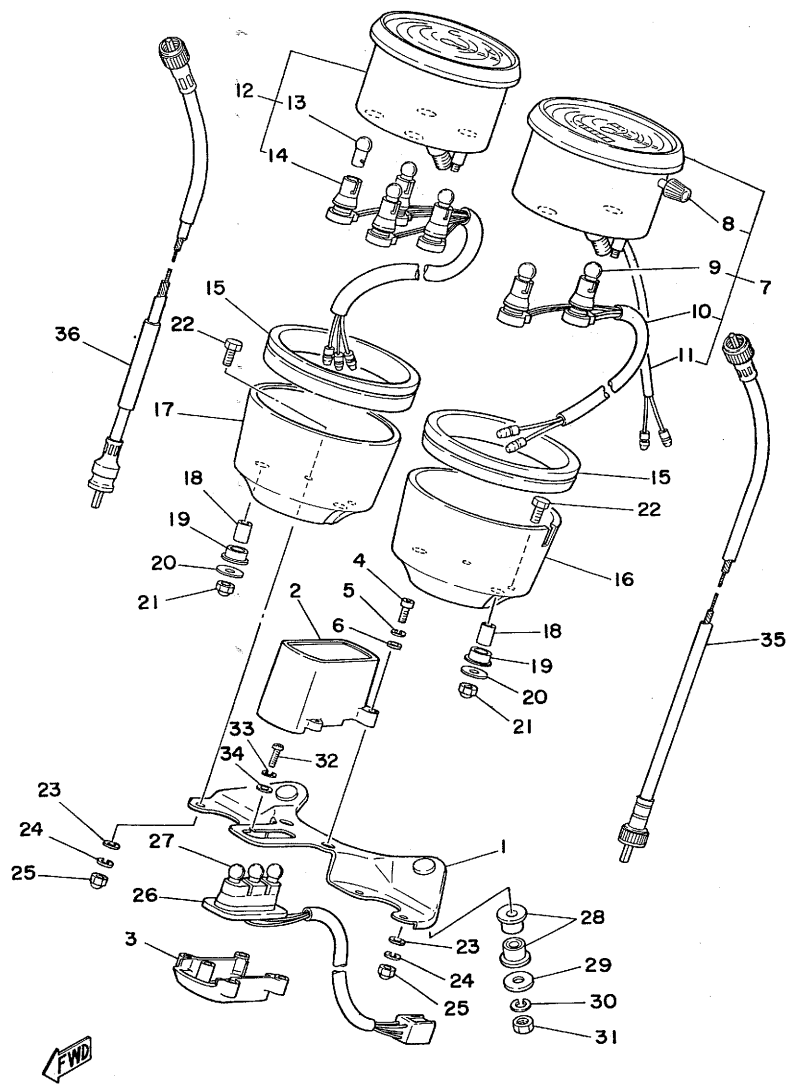
Ref. No.	Part No.	Description	Q'ty	Applicable Machine No.	Remarks
37- 1	✓ 1L9-84330-61-33	HEAD LAMP BODY ASS'Y	1		Yamaha Black
2	✓ 1L9-84338-60	. COLLAR, body fitting	2		
3	✓ 1L9-84366-61	. BUSHING	2		
4	✓ 1L9-84367-61	. BUSHING	2		
5	✓ 1L9-84327-60	. WASHER, special	2		
6	✓ 1L9-84310-00	HEAD LAMP UNIT ASS'Y	1		
7	✓ 1L9-84315-00	. RIM, head lamp	1		
8	✓ 1L9-84320-00	. LENS ASS'Y	1		
9	✓ 1L9-84314-00	. BULB (12V-50/40W)	1		
10	✓ 1L9-84344-00	. WASHER, plain	1		
11	✓ 1L9-84342-00	. HOLDER, cap	1		
12	✓ 1L9-84350-00	. SOCKET CORD ASS'Y	1		
13	✓ 1L9-84347-00	. BULB (12V-3W)	1		
14	✓ 1L9-84340-00	. SOCKET CORD ASS'Y	1		
15	✓ 1L9-84354-00	. GROMMET	1		
16	✓ 1L9-84324-00	. SPRING, reflector set	4		
17	✓ 98503-05015	SCREW, rim fitting	2		
18	✓ 92901-05100	WASHER, spring	2		
19	✓ 97303-08035	BOLT, hexagon	2		
20	✓ 92901-08200	WASHER, plain	2		
21	✓ 92901-08100	WASHER, spring	2		
22	✓ 95301-08600	NUT, hexagon	2		

Fig. 38 SPEEDOMETER · TACHOMETER



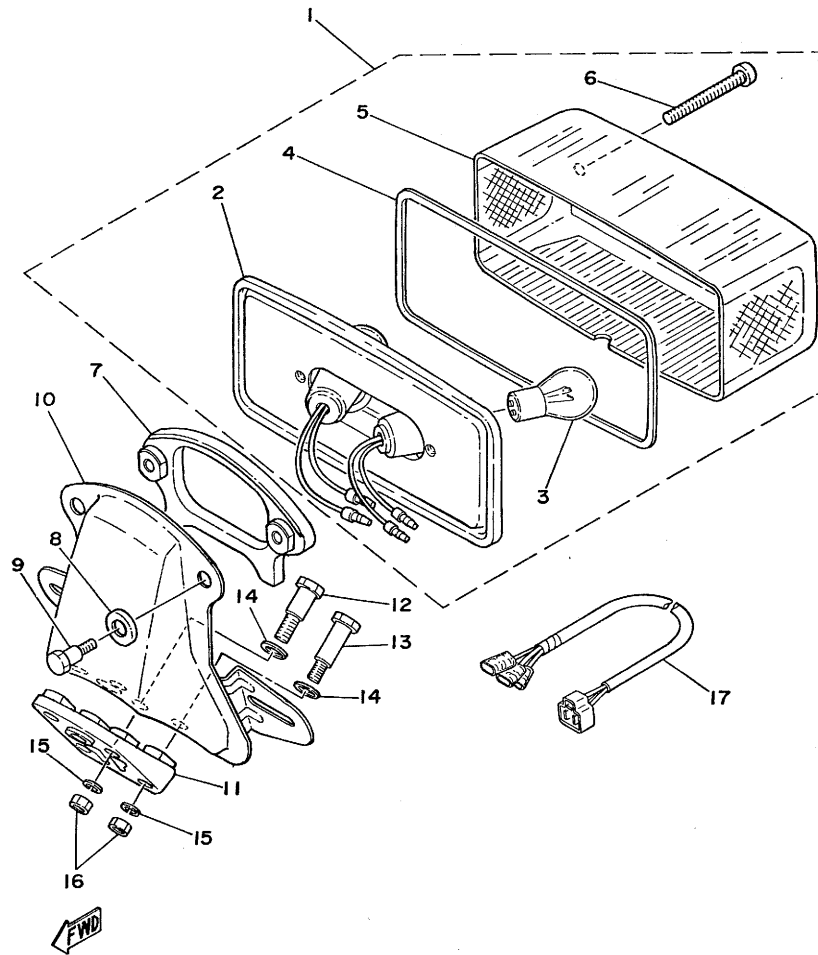
Ref. No.	Part No.	Description	Q'ty	Applicable Machine No.	Remarks
38- 1	✓ 2L0-83519-01	BRACKET, meter	1		
2	✓ 2L0-83568-A0	PILOT BOX, upper	1		
3	✓ 2G2-83569-A0	PILOT BOX, under	1		
4	✓ 98506-04012	SCREW, panhead	4		
5	✓ 92906-04100	WASHER, spring	4		
6	✓ 92906-04600	WASHER, plate	4		
7	<del>2L0-83570-F0</del>	<del>SPEEDOMETER ASS'Y</del>			<del>Km/h</del>
	✓ 2L1-83570-F0	SPEEDOMETER ASS'Y	1		Km/h
8	✓ 584-83578-71	. KNOB, trip meter	1		
9	✓ 123-83516-21	. BULB (12V-3 W)	2		
10	✓ 2L0-83536-A0	. SOCKET CORD ASS'Y, speedometer	1		
11	✓ 1A0-83556-01	. SOCKET CORD ASS'Y	1		
12	<del>2L0-83540-F0</del>	<del>TACHOMETER ASS'Y</del>			
	✓ 2L1-83540-F0	TACHOMETER ASS'Y	1		
13	✓ 123-83516-21	. BULB (12V-3 W)	3		
14	✓ 2L0-83520-A0	. SOCKET CORD ASS'Y, tachometer	1		
15	✓ 1A0-83513-00	DAMPER, meter	2		
16	✓ 2L0-83507-00	COVER, speedometer	1		
17	✓ 2L0-83508-00	COVER, tachometer	1		
18	✓ 1A0-83522-00	COLLAR	4		
19	✓ 584-83523-00	DAMPER, metercover fitting	4		
20	✓ 90201-05031	WASHER, plate	4		
21	✓ 95301-05800	NUT, crown	4		
22	✓ 584-83546-00	BOLT	4		
23	✓ 92901-06200	WASHER, plain	4		
24	✓ 92901-06100	WASHER, spring	4		
25	✓ 95301-06800	NUT, crown	4		
26	✓ 2L0-83509-A0	SOCKET CORD ASS'Y, indicator	1		

Fig. 38 SPEEDOMETER · TACHOMETER



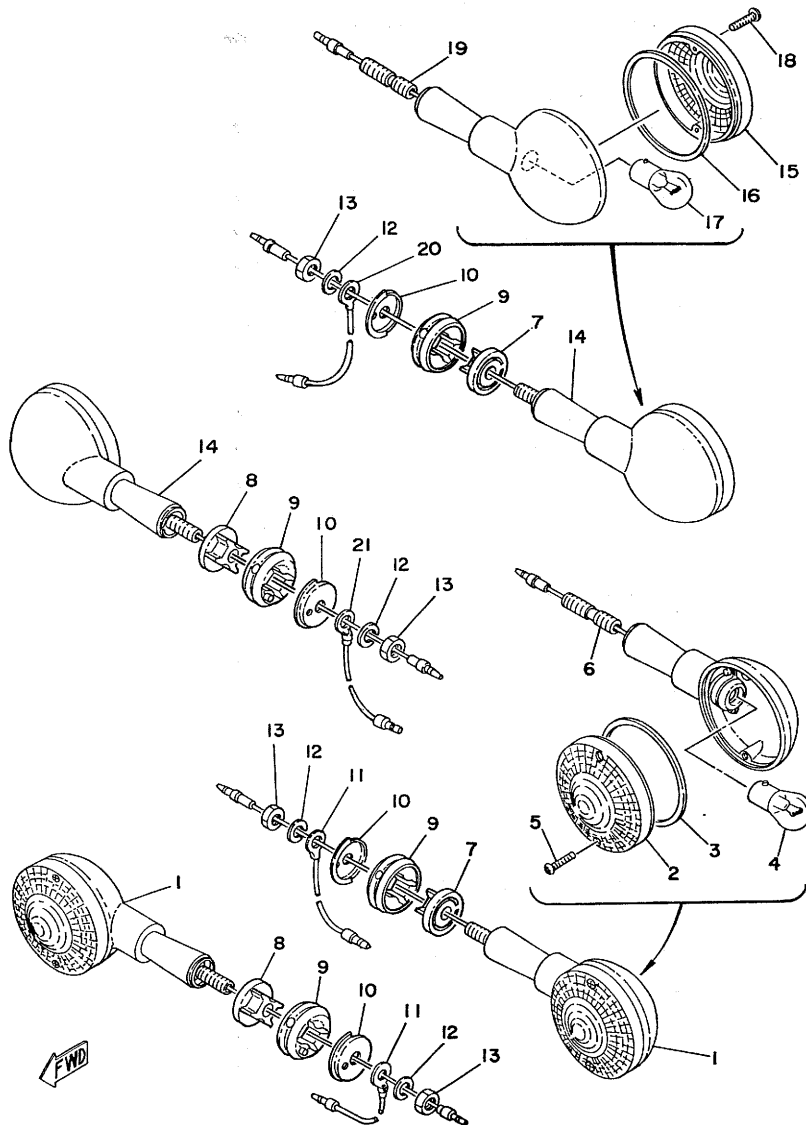
Ref. No.	Part No.	Description	Q'ty	Applicable Machine No.	Remarks
38-27	✓ 123-83516-21	BULB (12V-3 W)	3		
28	✓ 1A0-83523-00	DAMPER	4		
29	✓ 90201-06067	WASHER, plate	2		
30	✓ 92901-06100	WASHER, spring	2		
31	✓ 95301-06600	NUT, hexagon	2		
32	✓ 92501-04008	SCREW, panhead	1		
33	✓ 92901-04100	WASHER, spring	1		
34	✓ 92901-04600	WASHER, plate	1		
35	✓ 2L0-83550-00	SPEEDOMETER CABLE ASS'Y	1		
36	✓ 2L0-83560-00	TACHOMETER CABLE ASS'Y	1		

Fig. 39 TAIL LAMP



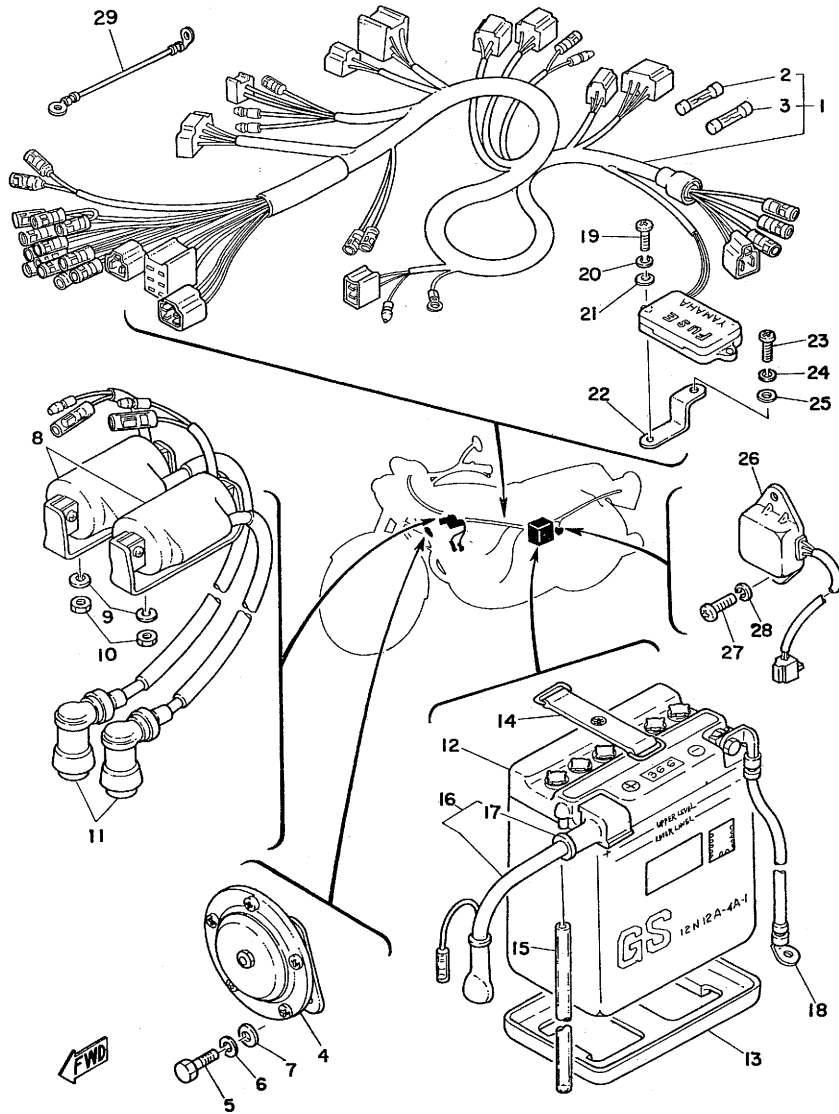
Ref. No.	Part No.	Description	Q'ty	Applicable Machine No.	Remarks
39- 1	✓ 2A2-84710-60	TAIL LAMP UNIT ASS'Y .....	1	400	
2	✓ 2A2-84711-60	. BASE, tail lamp .....	1		
3	✓ 137-84714-61	. BULB, tail lamp (12V-23/8W) .....	2		
4	✓ 1A0-84723-60	. GASKET, tail lens .....	1		
5	✓ 1A0-84721-60	. LENS, tail lamp .....	1		
6	✓ 1A0-84724-60	. SCREW, lens fitting .....	2		
7	✓ 1A0-84712-60	SEAT, base .....	1		
8	<del>2H7-84754-00</del>	WASHER, special .....	2		
9	✓ 1A0-84726-60	BOLT, tail lamp .....	2		
10	✓ 2A2-84751-60-93	BRACKET, license .....	1		
11	✓ 2A2-84753-01	DAMPER .....	1		
12	✓ 90109-06465	BOLT .....	2		
13	✓ 90109-06489	BOLT .....	2		
14	✓ 92901-08200	WASHER, plain .....	4		
15	✓ 92901-06100	WASHER, spring .....	4		
16	✓ 95301-06600	NUT, hexagon .....	4		
17	✓ 2L0-84717-00	CORD, tail lamp .....	1		

Fig. 40 FLASHER LAMP



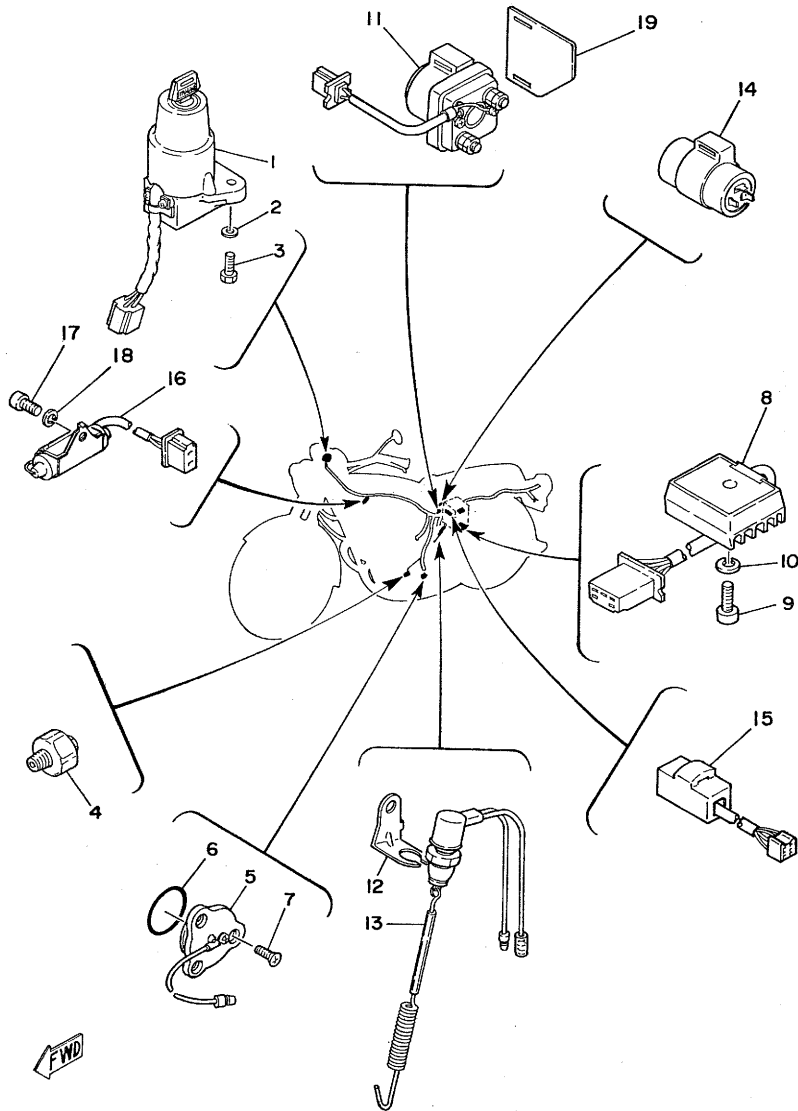
Ref. No.	Part No.	Description	Q'ty	Applicable	Remarks
40- 1	✓ 1L9-83320-K0-93	FRONT FLASHER LAMP ASS'Y ...	2	400	
2	✓ 1A0-83312-K0	. LENS, flasher	2		
3	✓ 341-83313-70	. GASKET, flasher lens	2		
4	✓ 183-83311-70	. BULB (12V-5w)	2		
5	✓ 341-83333-70	. SCREW, lens fitting	4		
6	✓ 1A0-83367-K0	. BOLT, stud	2		
7	✓ 1U4-83326-00	COLLAR, flasher left	2		
8	✓ 1U4-83316-00	COLLAR, flasher right	2		
9	✓ 1U4-83321-00	DAMPER, flasher	4		
10	✓ 90209-08098	WASHER	4		
11	✓ 584-82519-00	WIRE, earth lead	2		
12	✓ 92901-08100	WASHER, spring	4		
13	✓ 95301-08600	NUT, hexagon	4		
14	✓ 2L0-83340-E0-93	REAR FLASHER LAMP ASS'Y ...	2		
15	✓ 1A0-83312-K0	. LENS, flasher	2		
16	✓ 341-83313-70	. GASKET, flasher lens	2		
17	✓ 183-83311-70	. BULB (12V-5w)	2		
18	✓ 341-83333-70	. SCREW, lens fitting	4		
19	✓ 1A0-83367-K0	. BOLT, stud	2		
20	✓ 2L0-83354-00	WIRE, earth lead	1		
21	✓ 2L0-83364-00	WIRE, earth lead	1		

Fig. 41 ELECTRICAL 1



Ref. No.	Part No.	Description	Q'ty	Applicable Machine No.	Remarks
41- 1	✓ 2L1-82590-80	WIRE HARNESS ASS'Y	1	400	
2	✓ 1A0-82161-00	. FUSE (12V-20A)	2		
3	✓ 1A0-82151-00	. FUSE (12V-10A)	4		
4	✓ 2L0-83371-21	HORN	1		
5	✓ 97301-06012	BOLT, hexagon	2		
6	✓ 92901-06100	WASHER, spring	2		
7	✓ 92901-06600	WASHER, plain	2		
8	✓ 2A2-82310-50	IGNITION COIL ASS'Y	2		
9	✓ 92901-06100	WASHER, spring	4		
10	✓ 95301-06600	NUT, hexagon	4		
11	✓ 512-82370-10	PLUG CAP ASS'Y	2		
12	✓ 12N12A-4A-1	BATTERY ASS'Y	1		
13	✓ 1L9-82122-00	SEAT, battery	1		
14	✓ 122-82131-00	BAND, battery	1		
15	PURCHASE Locally	HOSE	1		
16	✓ 2L0-82115-00	WIRE, plus lead	1		
17	✓ 1L9-82119-00	COVER, lead wire	1		
18	✓ 1L9-82116-01	WIRE, minus lead	1		
19	✓ 98501-05016	SCREW, panhead	2		
20	✓ 92901-05100	WASHER, spring	2		
21	✓ 92901-05600	WASHER, plate	2		
22	✓ 2L0-82171-10	STAY, fuse box	1		
23	✓ 98501-05016	SCREW, panhead	1		
24	✓ 92901-05100	WASHER, spring	1		
25	✓ 92901-05600	WASHER, plate	1		
26	✓ 2L0-81910-50	VOLTAGE REGULATOR ASS'Y	1		
27	✓ 92501-06012	SCREW, panhead	2		
28	✓ 92901-06100	WASHER, spring	2		
29	✓ 2A2-82318-00	WIRE, sub lead	1		

Fig. 42 ELECTRICAL 2

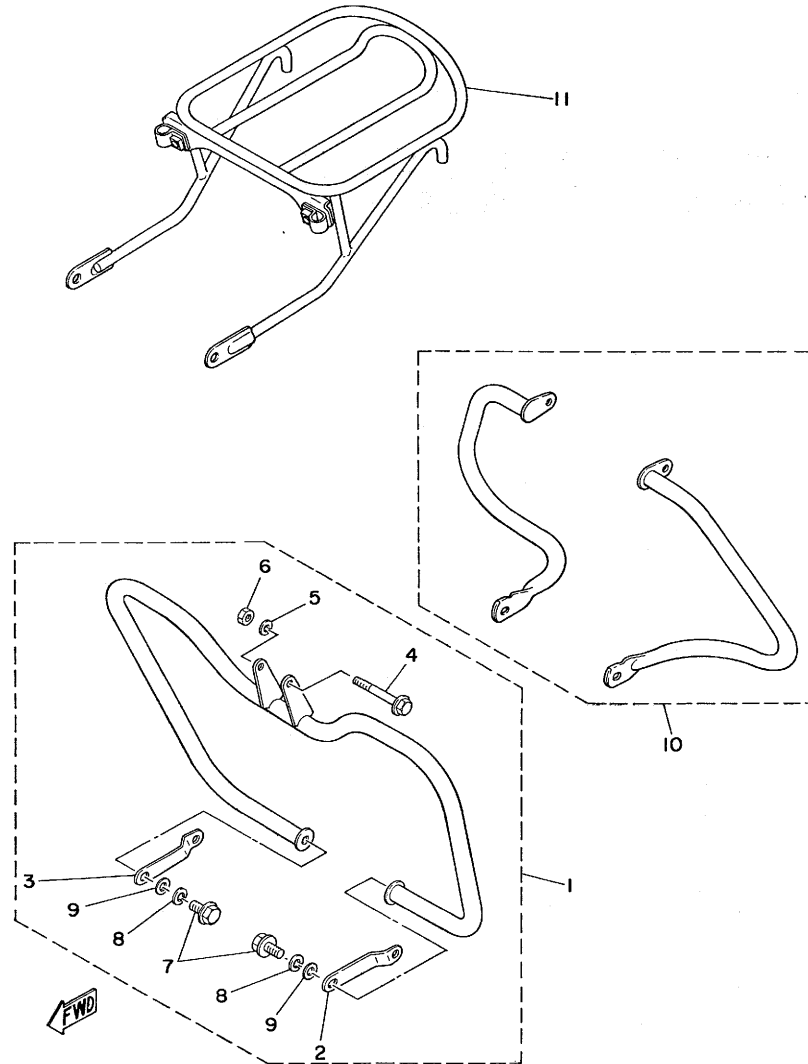


Ref. No.	Part No.	Description	Q'ty	Applicable Machine No.	Remarks
42- 1	✓ 2L1-82508-80	MAIN SWITCH ASS'Y .....	1	400	
2	✓ 92901-06600	WASHER, plate .....	2		
3	✓ 97301-06016	BOLT, hexagon .....	2		
4	✓ 341-82504-02	OIL PRESSURE SWITCH ASS'Y ...	1		
5	✓ 1L9-82540-00	NEUTRAL SWITCH ASS'Y .....	1		
6	✓ 93210-29196	O-RING .....	1		
7	✓ 98701-05012	SCREW, flathead .....	3		
8	✓ 1L9-81970-60	RECTIFIER ASS'Y .....	1		
9	✓ 92501-06020	SCREW, panhead .....	1		
10	✓ 92901-06100	WASHER, spring .....	1		
11	✓ 1J7-81940-10	STARTER SWITCH ASS'Y .....	1		
12	✓ 1L9-82539-01	STAY, stop switch .....	1		
13	✓ 1L9-82530-00	STOP SWITCH ASS'Y .....	1		
14	✓ 1A0-83350-70	FLASHER RELAY ASS'Y .....	1		
15	✓ 1A0-83395-02	FLASHER CANCELLING UNIT ....	1		
16	✓ 1L9-81625-50	CONDENSER .....	1		
17	✓ 92501-06015	SCREW, panhead .....	1		
18	✓ 92901-06100	WASHER, spring .....	1		
19	✓ 1L9-81916-00	COVER, terminal .....	1		



# **ACCESSORY PARTS**

Fig. 43 BUMPER CARRIER



Ref. No.	Part No.	Description	Qty		Remarks
			250	400	
43- 1	1L9-W0031-00	FRONT BUMPER KIT	1	1	
2	1L9-24872-00	. STAY, bumper front left	1	1	
3	1L9-24873-00	. STAY, bumper front right	1	1	
4	98501-08070	. BOLT, flange	1	1	
5	92901-08100	. WASHER, spring	1	1	
6	95301-08600	. NUT, hexagon	1	1	
7	95821-10025	. BOLT, flange	2	2	
8	92901-10100	. WASHER, spring	2	2	
9	92901-10200	. WASHER, plain	2	2	
10	1L9-W0032-00	REAR BUMPER KIT	1	1	
11	2L1-W0036-00	SUB CARRIER SET	1	1	

# **NUMERICAL INDEX**

# NUMERICAL INDEX

Part No.	Ref No.	Part No.	Ref No.	Part No.	Ref No.	Part No.	Ref No.	Part No.	Ref No.	Part No.	Ref No.
1A0-21518-00	26- 2	1E7-23181-00	28-25	1J7-14938-00	18-71	1L9-11416-20	3-10	1L9-14613-00	20-11	1L9-15592-01	7- 4
1A0-82151-00	41- 3	1H2-11186-00	1-25	1J7-14940-00	18-19	1L9-11416-30	3-10	1L9-14714-01	20- 4	1L9-15611-01-93	14-13
1A0-82161-00	41- 2	1J3-W0048-00	34- 9	1J7-14946-00	18-22	1L9-11650-00	3- 2	1L9-14788-10	20- 3	1L9-15660-00	14- 1
1A0-83312-K0	40- 2		36- 9	1J7-14964-00	18-50	1L9-11656-00	3- 5	1L9-14907-00	18-30	1L9-16111-00	3-12
	40-15	1J3-20000-20	34-10	1J7-14979-00	18-29	1L9-11656-10	3- 5	1L9-14918-00	18-38	1L9-16150-01	10- 2
1A0-83350-70	42-14		36-10	1J7-14981-05	18-12	1L9-11656-20	3- 5		19-33	1L9-16301-00	10- 1
1A0-83367-K0	40- 6	1J3-25118-00	35-13	1J7-14984-00	18-11	1L9-11656-30	3- 5	1L9-14926-00	18-75	1L9-16340-00	10-16
	40-19	1J3-25317-00	35- 5	1J7-14985-00	18- 9	1L9-12111-02	2- 1	1L9-14938-00	18-69	1L9-16351-00	10- 7
1A0-83395-02	42-15	1J3-25381-00	35-17	1J7-14986-00	18-73	1L9-12113-00	2- 5	1L9-14952-00	18-65	1L9-16356-00	10-10
1A0-83513-00	38-15	1J3-25412-00	35-21	1J7-14994-00	18- 8	1L9-12114-00	2- 4		19-23	1L9-16371-00	10- 4
1A0-83522-00	38-18	1J3-25439-20	35-20		19-15	1L9-12116-00	2- 3	1L9-14963-00	18-53	1L9-17131-00	11- 5
1A0-83523-00	38-28	1J3-25443-21	35-20	1J7-14995-00	18-62	1L9-12117-00	2- 7	1L9-14977-01	18-70	1L9-17141-00	11- 2
1A0-83556-01	38-11	1J3-25834-01	34- 2	1J7-14996-01	18-72	1L9-12119-00	2- 6	1L9-14987-00	18-79	1L9-17151-00	11-10
1A0-83980-30	30-23		36- 2	1J7-14998-00	18-61	1L9-12121-02	2- 2		19-65	1L9-17161-00	11- 7
1A0-84712-60	39- 7	1J3-25838-00	34- 7		19-43	1L9-12151-00	2- 9	1L9-14988-00	18-66	1L9-17210-00	11-24
1A0-84721-60	39- 5		26- 7	1J7-21746-00	22-18	1L9-12156-00	2-12		19-46	1L9-17221-00	11-18
1A0-84723-60	39- 4	1J3-25845-01	34-11	1J7-26290-40	29-23	1L9-12159-01	2-10	1L9-15100-01	15- 1	1L9-17261-00	11-21
1A0-84724-60	39- 6		36-11	1J7-26290-50	29-22	1L9-12176-00	4- 2	1L9-15122-00	15-21	1L9-17401-00	11- 1
1A0-84726-60	39- 9	1J3-25852-01	30- 3	1J7-27413-01	23-13	1L9-12210-01	4- 8	1L9-15123-00	15-19	1L9-17420-00	11-17
1A1-15316-00	21- 8	1J3-25852-52	24-16	1J7-81940-10	42-11	1L9-12231-00	4- 6	1L9-15124-00	15-20	1L9-17811-00	1-34
1A1-17121-00	11- 8	1J3-25854-01	30- 5	1L9-W0031-00	43- 1	1L9-12241-02	4- 7	1L9-15138-00	15- 4	1L9-17841-00	1-32
1A1-17461-50	11-34	1J3-25854-51	24-17	1L9-W0032-00	43-10	1L9-13300-00	9- 1	1L9-15362-00	16-19	1L9-18141-00	12- 9
1A1-17461-60	11-34	1J3-25855-01	30- 4	1L9-W0045-00	34- 5	1L9-13341-01	9- 6	1L9-15411-10	16- 1	1L9-21315-00	21- 3
1A1-25377-00	35- 7	1J3-25855-51	24-18	1L9-11108-00	15-22	1L9-13411-00	9- 9	1L9-15412-00	15-15	1L9-21316-01	21- 6
1A1-25398-01	33- 2	1J3-25862-51	24-20	1L9-11133-10	1- 2	1L9-13414-00	9-10	1L9-15415-01	16- 6	1L9-21317-01	21- 7
	35- 2	1J3-25867-00	30- 7	1L9-11146-00	1-28	1L9-13417-00	9-11	1L9-15417-00	16-13	1L9-21776-01	22-14
1A1-25399-00	33- 2	1J3-25917-00	34- 6	1L9-11157-00	1-27	1L9-13440-90	9-14	1L9-15421-10	16- 9	1L9-23111-00	28-16
	35- 2		36- 6	1L9-11162-10	1-37	1L9-13447-01	9-20	1L9-15431-10	16-14	1L9-23114-00	28-15
1A1-25115-00	35- 6	1J3-27222-00	24- 6	1L9-11162-20	1-38	1L9-13483-00	9- 2	1L9-15436-00	7-12	1L9-23136-01	28- 3
1A8-14991-00	18-18	1J3-27231-00	24-10	1L9-11162-30	1-39	1L9-13484-00	9- 3	1L9-15441-00	16-12	1L9-23144-00	28-14
1A8-14991-00	19-22	1J7-12118-00	2- 8	1L9-11169-00	15-23	1L9-13486-00	9- 4	1L9-15446-00	7-13	1L9-23145-00	28- 5
1E6-23441-00	27-15	1J7-13569-00	17- 6	1L9-11171-00	1-17	1L9-13556-00	17- 1	1L9-15451-00	16-15	1L9-23146-00	28- 4
1E6-23442-00	27-14	1J7-14171-00	18-31	1L9-11177-01	2-14	1L9-13564-01	17-18	1L9-15455-01	16- 7	1L9-23156-00	28- 6
1E6-26342-00	29-19	1J7-14190-20	18- 6	1L9-11186-00	1-25	1L9-14146-00	18-76	1L9-15461-00	16- 2	1L9-23166-00	28- 8
1E6-26372-00	29-20		19-17	1L9-11197-00	2-15		19-66	1L9-15518-60	8-16	1L9-23168-00	28-18
1E7-23119-00	28-26	1J7-14614-00	20-10	1L9-11361-00	1-14	1L9-14166-00	18-67	1L9-15519-00	7- 1	1L9-23170-02	28-12
1E7-23151-00	28-10	1J7-14905-00	18-40	1L9-11362-00	1-15		19-47	1L9-15589-00	7-15	1L9-23183-00	28-17
1E7-23157-00	28-11	1J7-14913-00	18-54	1L9-11411-00	3- 1	1L9-14453-00	17- 8	1L9-15591-00	7- 3	1L9-24181-00	31-12
1E7-23167-00	28-22	1J7-14923-00	18-46	1L9-11416-00	3-10	1L9-14451-00	17-14			1L9-24705-00	32-18
				1L9-11416-10	3-10						

# NUMERICAL INDEX

Part No.	Ref No.	Part No.	Ref No.	Part No.	Ref No.	Part No.	Ref No.	Part No.	Ref No.	Part No.	Ref No.
1L9-24723-00	32- 8	1L9-82116-01	41-18	1M0-11638-00	3- 6	146-25115-00	33- 6	2A2-14918-00	19-39	2G2-24524-00	31-20
1L9-24726-02	32- 7	1L9-82119-00	46-17	1M0-12111-00	2- 1	156-15618-01	14-18	2A2-14922-00	18-60	2G2-24525-00	31-22
1L9-24741-00	32- 4	1L9-82122-00	41-13	1M0-12121-01	2- 2	156-23411-00	27- 2		19-42	2G2-24534-00	31-24
1L9-24746-00	32-10		41-11	1M0-12171-00	4- 1	156-23412-00	27- 4	2A2-14923-00	19-25	2G2-83569-A0	38- 3
1L9-24769-00	32- 6	1L9-82530-00	42-13	1M0-13586-00	17- 2	156-24186-00	31-15	2A2-14926-00	19-64	2H7-26240-00	29-12
1L9-24872-00	43- 2	1L9-82539-01	42-12	1M0-13596-00	17- 3	164-23462-00	27- 1	2A2-14931-00	19-34	2H7-26241-00	29- 2
1L9-24873-00	43- 3	1L9-82540-00	42- 5	1M0-14116-02	18-20	168-16325-00	10- 6	2A2-14932-00	18-51	2H7-83912-00	29- 5
1L9-25181-00	33-26	1L9-83320-K0-93	40- 1	1M0-14900-00	18- 1	168-17428-01-03	10-12		19-41	2J2-83922-10	30-10
1L9-25367-00	35-28	1L9-84310-00	37- 6	1M0-14901-00	18- 2		11-14	2A2-14933-00	19- 7	2L0-W2161-00-93	26- 5
1L9-25810-03	34- 4	1L9-84314-00	37- 9	1M0-14902-00	18- 3		11-29	2A2-14941-06	19- 4	2L0-11101-00	1- 1
1L9-25831-00	34- 1	1L9-84315-00	37- 7	1M0-14933-00	18-23	168-17428-01-05	10-12	2A2-14958-00	19- 8	2L0-11157-00	1-27
	36- 1	1L9-84320-00	37- 8	1M0-14958-01	18-24		11-14	2A2-14963-00	19-38	2L0-11166-00	15-26
1L9-25876-00	30-20	1L9-84324-00	37-16	1T3-27451-00	23-14		11-29	2A2-14964-00	19-32	2L0-11311-00	1- 9
1L9-27211-00-93	24- 1	1L9-84327-60	37- 5	1T3-27461-00	23-15	168-21638-00	26- 6	2A2-14977-00	19-61	2L0-11631-00-X0	3- 6
1L9-27311-01	23- 5	1L9-84330-61-33	37- 1	1T4-24741-00	32- 3	168-25389-00	35-14	2A2-14981-06	19-21	2L0-11631-00-Y0	3- 6
1L9-28100-10	26-19	1L9-84338-60	37- 2	1T4-27314-00	23-10	183-23411-00	27- 7	2A2-14984-01	19-20	2L0-11635-00	3- 6
1L9-81600-50	5- 1	1L9-84340-00	37-14	1T5-26373-00	30-24	183-23412-00	27- 5	2A2-14985-00	19-19	2L0-11636-00	3- 6
1L9-81610-50	5- 3	1L9-84342-00	37-11	1U4-W0042-50	24-15	2A2-W2533-00	35- 1	2A2-14995-00	19-44	2L0-11637-00	3- 6
1L9-81620-50	6- 1	1L9-84344-00	37-10	1U4-W0046-02	36- 5		35- 1	2A2-14997-00	19-40	2L0-11638-00	3- 6
1L9-81621-50	6- 2	1L9-84347-00	37-13	1U4-25810-51	36- 4	2A2-11181-00	1- 8	2A2-17231-00	11-22	2L0-14453-00	17- 8
1L9-81622-50	6- 3	1L9-84350-00	37-12	1U4-25847-00	33-13	2A2-11351-00	1-11	2A2-17241-00	11-23	2L0-14611-00	20- 7
1L9-81625-50	42-16	1L9-84354-00	37-15	1U4-25850-01	30- 1	2A2-11411-00	3- 1	2A2-21315-00	21- 2	2L0-14612-01	20- 9
1L9-81631-50	6- 4	1L9-84366-61	37- 3	1U4-25850-51	24-14	2A2-11610-00	3- 7	2A2-82310-50	41- 8	2L0-14621-00	20- 8
1L9-81634-50	6- 5	1L9-84367-61	37- 4	1U4-26311-00	29-13	2A2-11610-10	3- 7	2A2-82318-00	41-29	2L0-14711-00	20- 1
1L9-81645-50	6- 6	1M0-11101-00	1- 1	1U4-27212-00	24- 5	2A2-11610-20	3- 7	2A2-84710-60	39- 1	2L0-14721-00	20- 2
1L9-81650-50	5- 2	1M0-11181-00	1- 8	1U4-83316-00	40- 8	2A2-11610-30	3- 7	2A2-84711-60	39- 2	2L0-14900-60	19- 1
1L9-81653-50	6- 9	1M0-11311-00	1- 9	1U4-83321-00	40- 9	2A2-11610-40	3- 7	2A2-84751-60-93	39-10	2L0-14901-60	19- 2
1L9-81655-50	6- 8	1M0-11351-00	1-11	1U4-83326-00	40- 7	2A2-11633-00	3- 8	2A2-84753-01	39-11	2L0-14902-60	19- 3
1L9-81660-50	5- 4	1M0-11610-01	3- 7	102-18416-00	33-23	2A2-13586-00	17- 2	2F0-14589-00	19-58	2L0-21110-00-33	21- 1
1L9-81800-60	8- 1	1M0-11610-11	3- 7	116-82131-00	26-18	2A2-13596-00	17- 3	2F0-14918-00	19-55	2L0-21445-00	20-17
1L9-81810-60	8- 6	1M0-11610-21	3- 7	122-82131-00	41-14	2A2-14116-01	19- 5	2F0-14919-00	19-54	2L0-21240-00	22- 9
1L9-81811-60	8- 8	1M0-11610-31	3- 7	123-83516-21	38-13	2A2-14171-00	19-48	2F1-14991-00	19-14	2L0-21268-00	26-14
1L9-81812-60	8- 9	1M0-11610-41	3- 7		38-27	2A2-14172-34	19-52	2F3-14940-00	19- 6	2L0-21510-00-93	26- 1
1L9-81813-20	8-10	1M0-11631-00-X0	3- 6	127-14134-00	18-45	2A2-14173-00	18-35	2F3-14946-00	19-53	2L0-21620-00	26-13
1L9-81840-60	8- 7	1M0-11631-00-Y0	3- 6	132-18113-01	13-19		19-51	2F3-14952-00	19-57	2L0-21645-00	21-22
1L9-81847-60	8-15	1M0-11633-00	3- 8	136-17417-00-10	14- 2	2A2-14174-00	19-50	2F3-14991-00	19-63	2L0-21711-00-6E	22- 1
1L9-81850-20	8- 5	1M0-11635-00	3- 6	136-23415-00	27- 8	2A2-14411-00	17-13	2G2-24512-00	31-19	2L0-21711-00-8E	22- 1
1L9-81916-00	42-19	1M0-11636-00	3- 6	137-14153-00	19-11	2A2-14421-00	17-15	2G2-24518-00	31-21	2L0-21721-00-6E	22- 2
1L9-81970-60	42- 8	1M0-11637-00	3- 6	137-15353-00	12-29	2A2-14905-00	19-62	2G2-24523-00	31-25	2L0-21721-00-8E	22- 2

# NUMERICAL INDEX

Part No.	Ref No.	Part No.	Ref No.	Part No.	Ref No.	Part No.	Ref No.	Part No.	Ref No.	Part No.	Ref No.
2L0-21781-00	22- 5	2L0-27432-00	23-24	2V0-25168-20	33- 1	278-18531-00	12-23	355-85111-00	28-36	584-14938-00	18-42
2L0-21782-00	22- 6	2L0-27442-00	23-25	214-16347-01	10-17	278-18535-00	12-24	360-18541-00	12- 1	584-14955-00	18-39
2L0-22110-00-33	25- 1	2L0-81910-50	41-26	214-16389-00	10-22	278-18542-00	12-13	366-82110-61	41-12	584-14969-00	18-47
2L0-22210-00	25-10	2L0-82115-00	41-16	214-18178-00	13- 5	278-18547-02	12-27	371-11654-01	3- 3	584-14991-00	18-74
2L0-22311-00-93	25-14	2L0-82171-10	41-22	239-14195-00	18- 7	278-18566-00	12-11	371-15641-01	14- 3	584-14992-00	18-55
2L0-23101-00	28- 1	2L0-83340-E0-93	40-14		19-16	306-14970-00	18-52	371-15666-00	14- 7		19-29
2L0-23110-00	28- 9	2L0-83354-00	40-20	240-22127-00	25- 4		19-37	371-16357-02	10-14	584-26393-01	29-14
2L0-23116-00	28-29	2L0-83364-00	40-21	248-21635-00	26-11	306-25136-00	33-24	371-16396-00	10-18	584-82519-00	40-11
2L0-23121-00-93	28-33	2L0-83371-21	41- 4	256-14135-00	18-32	328-16357-00	10-14	371-22128-00	25- 5	584-83523-00	38-19
2L0-23122-00-93	28-27	2L0-83507-00	38-16	256-14135-00	19-49	328-18128-00	13- 1	371-22141-00	25- 6	584-83546-00	38-22
2L0-23126-00	28- 2	2L0-83508-00	38-17	256-14142-42-A0	19-12	328-18151-00	13- 3	371-27114-00	20-16	584-83578-71	38- 8
2L0-23131-00-93	28-34	2L0-83509-A0	38-26	256-14919-00	18-21	328-18179-00	12-18		32- 5	620-14231-99-A0	19-10
2L0-23141-00	28-13	2L0-83519-01	38- 1		19-56	328-18185-00	12- 3	371-24728-01	32-16	737-14137-00	18-37
2L0-23163-00	28-28	2L0-83520-A0	38-14	256-14922-01	18-58	328-18352-10	12- 8	371-81809-20	8- 4	737-14241-00	18-36
2L0-23318-00	28-35	2L0-83536-A0	38-10		19-28	328-18511-01	12-20	371-81826-20	8-14	8A7-14969-00	19-26
2L0-23340-00-33	28-19	2L0-83550-00	38-35	256-14934-01	18-59	328-18512-01	12-21	371-81844-20	8- 3	806-24351-00	31-34
2L0-23435-00-98	27-10	2L0-83560-00	38-36		19-27	328-18561-00	12- 6	371-81845-20	8- 2	90101-06304	32-17
2L0-24110-00-01	31- 1	2L0-83568-A0	38- 2	256-14937-00	19-31	328-18562-00	12-16	371-81847-20	8-13	90101-08034	35-16
2L0-24110-00-02	31- 1	2L0-84717-00	39-17	256-14944-23	18-16	341-14941-08	18- 4	371-82121-00	22-17	90101-08253	26- 3
2L0-24161-00	31- 4	2L1-W0036-00	43-11	256-14944-24	18-16	341-14952-00	19-13	383-16321-00	10- 5	90101-08312	34- 3
2L0-24612-00	31- 5	2L1-18111-00-93	13-17	256-14944-74	18-16	341-15580-05	7- 6	401-25367-00	33-10		36- 3
2L0-24182-00	31-13		26- 1	256-14952-00	18-41	341-15583-04	7- 8	404-25191-00	33-21	90101-10105	5- 7
2L0-24183-00	31-14	2L1-25872-00	30-19	256-14953-00	18-49	341-22184-00	25- 2	437-83936-00	21-19	90101-10308	34-12
2L0-24244-00	31- 2	2L1-26335-00	29-15		19-36	341-25137-00	33-16		29-18	90102-10006	23- 6
2L0-24245-00	31- 3	2L1-82508-80	42- 1	256-14954-00	18-33	341-25149-00	33-14	437-83936-10	21-21	90105-06069	7-14
2L0-24500-01	31-18	2L1-82590-80	41- 1	256-14956-01	18-17	341-25846-00	33-15	437-84525-60	39- 8		15-14
2L0-24514-00	31-26	2L1-83540-F0	38-12	256-14997-00	18-68	341-25862-20	30-18	447-27431-00	23-27	90105-06070	1-18
2L0-24522-00	31-28	2L1-83570-F0	38- 7	256-23434-01	27-12	341-26397-01	21-20	447-27433-00	23-26	90105-06071	15-24
2L0-24551-00	31-27	2L1-83963-40-98	29-11	256-83311-70	40- 4		29-21	447-27441-00	23-28	90105-06073	1-19
2L0-24602-00	31- 9	2L1-83972-00-98	29- 3		40-17	341-28185-00	32-20	512-82370-10	41-11		15- 5
2L0-24730-90	32- 1	2L6-26111-20	29- 1	256-84714-61	39- 3	341-28188-00	32-22	535-20000-60	30- 2	90105-06074	15- 6
2L0-24731-00	32- 2	2M0-23395-00	28-30	262-21399-00	23-34	341-82501-02	42- 4	537-14186-00	18-10	90105-06075	1-20
2L0-24768-00	32-15	2M0-25399-00	33- 2	278-15621-00	14-11	341-82911-00	29- 4		19-18	90105-06076	15- 7
2L0-25872-50	24-23		35- 2	278-15676-00	14- 5	341-83313-70	40- 3	583-14589-00	19-60	90105-06077	15- 8
2L0-25875-00	30-25	2U3-21781-10	22- 5	278-17424-00	11-31		40-16	584-14142-20	18-13	90105-07087	4- 3
2L0-27111-01	23- 1		22- 6	278-17425-00	11-28	341-83333-70	40- 5	584-14176-00	18-34	90105-08078	1-21
2L0-27410-00	23-11	2U3-83540-F0	38-12	278-18101-01	13-12		40-18	584-14934-00	18-56	90105-08079	1-22
2L0-27417-00	23-23	2U3-83570-F0	38- 7	278-18127-00	13-10	351-25135-00	33-18		19-30	90105-08080	1-23
2L0-27420-00	23-12	2V0-25168-00	33- 1	278-18131-00	13-16	351-25138-00	33-22	584-14937-00	18-57		

# NUMERICAL INDEX

Part No.	Ref No.	Part No.	Ref No.	Part No.	Ref No.	Part No.	Ref No.	Part No.	Ref No.	Part No.	Ref No.
90105-08081	15- 9	90171-14020	35-30	90206-12034	36-13	90445-08348	41-15	90508-30051	14- 6	92501-06015	42-17
90105-08082	15-10	90176-10013	25-12	90209-08098	40-10	90445-10133	31-32	90508-32055	13- 9	92501-06020	42- 9
90105-08084	15- 2	90179-08148	29-17	90209-08150	23-22	90460-45040	17-10	90508-40344	24- 4	92501-06030	22-15
	15-11	90179-08179	10-21	90209-12151	27-13	90460-49058	17-11	90560-15161	33- 5	92701-06012	32-19
90105-08092	34- 8	90179-18020	11-36	90209-18070	23-29	90460-51131	17- 5	91310-08015	7-10	92701-06015	12-17
	36- 8	90179-25033	27- 9	90209-21105	11- 6	90460-53106	17- 5	91316-05015	16- 8	92901-03100	8-12
90105-10085	3-13	90183-04005	22- 8		11-19	90460-54111	17- 7	91316-06015	5- 5	92901-04100	6- 7
90105-14102	27-11		28-32	90215-08015	13-11	90460-58124	17- 7	91316-06020	17- 4		18-15
90106-08032	27-16	90185-08054	28-24	90215-14113	25- 8	90461-10034	24-26	91316-06030	5- 6		18-43
90106-10025	25-13	90201-05031	38-20	90215-21121	11-35	90464-16025	26-20		16- 3		18-64
90109-06410	29- 7	90201-06042	23-18	90240-06005	10-23	90465-08111	15-25		16-17		38- 5
90109-06465	30-14	90201-06060	6-13	90240-06042	23-30	90465-10092	15-12	91316-06040	16- 4		38-33
	39-12	90201-06067	22-12	90240-08013	24- 7	90465-10110	15-13		16-11	92901-04600	17-17
90109-06468	24- 2		38-29	90243-08006	23-17	90467-07029	31-33		16-18		38-34
90109-06489	39-13	90201-06605	1-35	90249-03123	31- 7	90467-14015	15-27	91316-06065	16-10	92901-05100	18-26
90109-08038	21-14	90201-06630	1-24	90250-08017	12-22	90468-10050	32-14	91316-08025	20- 5		18-28
90109-08454	36-12	90201-08083	24- 8	90280-04005	3-14	90468-12006	27-21	91318-08035	9- 7		28-38
90109-10440	23- 2		29-10	90280-05015	3-11	90468-26045	14- 4	91318-08045	9-25		31-11
90113-08021	10-20	90201-08600	27-17	90338-22021	12-26	90480-01141	22- 4	91401-10010	10-24		37-18
90116-08046	1-30	90201-10118	24-25	90340-14034	15-17	90480-06007	32-21	91401-16012	23-31		41-20
90116-08260	28- 7		30-16	90340-22047	15-28	90480-12053	22- 3		24- 9		41-24
90123-08046	29-16	90201-10128	1-16	90386-22029	25- 3	90480-14102	22-10	91401-20015	36-17	92901-05200	28-37
90146-06131	30-11	90201-10140	25-11	90387-07390	22-11	90480-15061	26-12	91401-20025	23- 8	92901-05600	9-13
90149-06008	31-30	90201-10149	27-18		32- 9	90480-20195	23-19	91401-25030	9- 5		41-21
90149-06017	13- 6	90201-10508	5- 9	90387-15550	33- 9	90480-23193	9-16	91401-30030	33-27		41-25
90149-14031	12-30	90201-12575	13-14	90387-16547	1-12	90480-50194	17-12		35-18	92901-06100	13- 8
90151-05008	30- 6	90201-15340	14-16	90387-17536	35-12	90501-03298	7- 9	91609-20014	33-25		18-78
90152-04006	31- 6	90201-20266	11- 9	90387-17551	35-27	90501-06022	12-12	91609-20018	9-24		24- 3
90153-06008	24-12		11-25	90387-20565	35-19	90501-10062	12-28	91701-05055	32-13		24-27
90159-06010	10- 9		14- 9	90387-25192	11-33	90501-10312	30-13	91810-03014	1- 4		25-16
90170-06010	30-12	90201-21608	9-18	90401-10034	24-24	90501-12081	14-15		9- 8		26-16
90170-06128	2-11	90201-25286	33-17		30-17	90501-12413	9-23		15- 2		30- 9
90170-06184	24-13	90201-25287	11- 3	90401-20055	9-21	90501-20422	9-19		16- 5		30-22
90170-08129	3- 4	90201-25291	10- 3	90413-40002	17- 9	90501-26148	10- 8		16-16		30-27
90170-08158	36-16	90201-25490	33-19	90430-14042	15-18	90506-10023	10-25	91810-16016	1- 6		32-11
90170-10159	21-15	90201-66585	35-25	90430-14131	1- 7	90506-28100	23- 9	92501-04008	38-32		38-24
90170-14174	25- 9	90202-04003	22- 7	90430-16142	2-13	90506-45063	23- 4	92501-06012	41-27		38-30
90171-10012	23- 7		28-31	90430-22144	15- 3	90508-08007	13- 2	92501-06015	18-77		39-15
90171-14006	33-12	90202-06010	31-29	90445-07177	31-31	90508-20023	23-16		25-15		41- 6

# NUMERICAL INDEX

Part No.	Ref No.	Part No.	Ref No.	Part No.	Ref No.	Part No.	Ref No.	Part No.	Ref No.	Part No.	Ref No.
92901-06100	41- 9	92901-10100	27-19	93315-23612	12- 2	94235-18085	35- 3	97301-06012	41- 5	98501-05015	19- 9
	41-28		28-21	93410-20009	11-11	94500-02092	4- 4	97301-06014	7- 5	98501-05016	18-25
	42-10		34-13		11-26	94552-19058	7- 2		26-15		18-27
	42-18		43- 8		14- 8	94580-10102	35-23	97301-06016	42- 3		41-19
92901-06200	6-11	92901-10200	34-14	93410-24042	10-11	94580-10104	35-23	97301-06020	6-12		41-23
	38-23		43- 9	93410-30012	12-10	94600-02001	4- 5	97301-06025	30-21	98501-05025	1- 5
92901-06557	26-17		26- 7	93410-65040	35-26	94685-30011	35-24	97301-06025	32-12	98501-05035	1-29
92901-06600	22-16	92901-14200	33-11	93430-02001	31- 8	94701-00117	1-31	97301-06055	8-18	98501-08070	43- 4
	25-17		35-29	93430-07012	13- 4	95301-05800	38-21	97301-06060	8-17	98503-05015	37-17
	41- 7	92903-06100	29- 9	93430-10016	12-25	95301-06600	13- 7	97301-08016	31-17	98506-04012	38- 4
	42- 2	92903-08200	21-24		13-15	95301-06600	38-31	97301-08045	21-28	98701-05020	12- 7
92901-08100	20-14	92906-04600	38- 6		14-17		39-16	97302-06025	22-13	98701-06012	12-14
	21- 5	93102-09151	10-15	93440-12051	1-33		41-10	97303-06022	29- 6		42- 7
	21-11	93102-12106	13-13	93440-12052	1- 3	95301-06800	38-25	97303-08025	26- 8	98802-12200	19-35
	21-18	93102-20108	14-10	93440-25019	11- 4	95301-08600	20-12	97303-08035	37-19		
	21-26	93102-22014	33- 8		11-20		20-13	97303-08050	21-23		
	21-29	93102-23190	4-11	93440-52009	11-16		21-10	97303-08055	27-22		
	23-21	93102-28022	35-11	93450-17044	3- 9		21-16	97306-06012	24-28		
	24-22	93102-35109	11-32	93450-32042	11-13		21-27	97321-06012	30-26		
	26- 9	93104-27026	35- 9	93501-02018	9-22		37-22	97321-06020	13-18		
	31-16	93105-45017	33-20	93501-04011	27- 3		40-13	97321-08016	23-20		
	36-15	93109-07016	1-36		27- 6		43- 6		24-21		
	37-21	93210-03142	18- 5	93501-08001	19-59	95301-08700	24-11	97321-08030	14-12		
	40-12	93210-07242	2-16	93505-16006	10-13		35-15	97323-06025	30- 8		
	43- 5	93210-16325	9-17	93507-32009	14-14	95301-12600	18-48	97323-10035	28-20		
92901-08200	20-15	93210-18322	1-13	93603-07073	4-10	95301-12700	35-22	97601-05114	19-24		
	26- 4	93210-27194	16-20	93604-08071	12-15	95302-10700	27-20	97801-04008	19-45		
	37-20	93210-29196	42- 6	93604-14012	12- 4	95303-08800	27-24	97801-06014	6-10		
	39-14	93210-32172	1-26	93604-22050	12- 5	95601-06100	29- 8		19-67		
92901-08600	20- 6	93210-62323	1-10	93605-10090	7-11		30-15	98501-03008	8-11		
	21-25	93210-74316	1-10	93615-12088	7- 7	95601-10100	23- 3		31-23		
	21-30	93210-88324	9-15	93700-06004	25- 7	95701-05100	24-19	98501-04006	18-44		
	26-10	93305-20502	11-15	94130-18239	33- 4	95701-10100	23-32	98501-04008	18-63		
	27-23	93306-30206	33- 7	94130-18243	33- 4	95801-06016	4- 9	98501-04012	18-14		
	28-23	93306-30309	35-10	94135-18240	35- 4	95821-08018	21- 4	98501-04016	17-16		
	36-14	93306-30417	35- 8	94135-18280	35- 4	95821-08070	21- 9	98501-05008	31-10		
92901-10100	5- 8	93306-30504	11-30	94227-18118	33- 3	95821-10025	43- 7	98501-05010	12-19		
	21-17	93311-22027	11-12	94230-18084	33- 3	95821-10045	21-13		15-16		
	23-33	93311-42032	11-27	94232-18119	35- 3	95821-10145	21-12	98501-05012	10-19		
						97301-05016	9-12				