

**YAMAHA**

**PARTS CATALOGUE**

---

**XS400** <sup>RL.</sup> (17X) (E02)

---

2217X-700E1



# CONTENTS

## ENGINE

Cylinder Head .....	B2
Cylinder .....	B3
Crankshaft · Piston .....	B4
Camshaft · Chain .....	B5
Valve .....	B6 ~ B7
Oil Pump .....	B8
Oil Cleaner .....	B9
Intake .....	B10 ~ B11
Carburetor .....	B12 ~ B13
Exhaust .....	B14
Crankcase .....	B15 ~ C2
Crankcase Cover .....	C3
A.C. Generator .....	C4
Pickup Coil · Governor .....	C5
Starting Motor .....	C6
Starter Clutch .....	C7
Clutch .....	C8
Transmission .....	C9 ~ C10
Tachometer Gear .....	C11
Shift Cam · Fork .....	C12
Shift Shaft · Pedal .....	C13

## CHASSIS

Frame .....	C14
Front Fender · Rear Fender .....	C15 ~ D2
Side Cover · Tool .....	D3
Rear Arm · Suspension .....	D4
Front Fork .....	D5 ~ D6
Steering .....	D7 ~ D8
Fuel Tank .....	D9
Seat .....	D10

Front Wheel .....	D11
Front Brake Caliper .....	D12
Rear Wheel .....	D13 ~ D14
Handlebar · Cable .....	D15
Front Master Cylinder .....	E2
Stand · Footrest .....	E3 ~ E4
Flasher Light .....	E5
Speedometer · Tachometer .....	E6
Headlight .....	E7
Taillight .....	E8
Electrical 1 .....	E9
Electrical 2 .....	E10
Handle Switch · Lever .....	E11

## FOR S. AFRICA

Alternate (Chassis) .....	F3
---------------------------	----

## FOR NEW ZEALAND

Alternate (Chassis) .....	F5
---------------------------	----

## FOR HONG KONG

Alternate (Electrical) .....	F7
------------------------------	----

## INDEX

NUMERICAL INDEX .....	M1 ~ M4
PARTS NAME INDEX .....	M10 ~ M16

# FOREWORD

This Parts Catalogue is related to the parts in use for the Yamaha XS400 (17X)  
When you are ordering replacement parts for the XS400 (17X), refer to this Parts Catalogue  
and quote both part numbers and part names correctly.

1. Modifications or additions which have been made after issue of the Parts Catalogue will be announced in the Yamaha Parts News.  
It is advisable that according to the Yamaha Parts News you make necessary corrections to the Parts Catalogue on hand to keep it up-to-date.

## 2. Abbreviations

The following abbreviations are used in this Parts Catalogue.

- U.R. Use size (thickness) and/or number as required.
- U.N. Use as many as you need.
- A.P. Alternate Parts
- L.M. Local Made
- F# Frame No. (Applicable machine No.)

3. The parts marked with ( \* ) in the parts number column of this Catalogue are not supplied with by Yamaha, those have to be found locally.
4. Parts, which are to be supplied in the form of assemblies, are listed with an indention of one letter's space, and a dot ( . ) is put against the name of each part.

**EXAMPLE** CARBURETOR ASS'Y  
     . JET, pilot  
     . NOZZLE, main

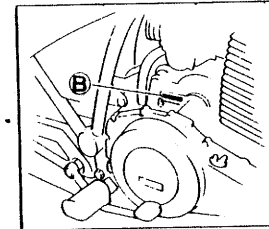
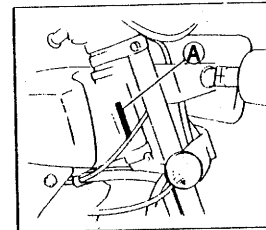
## 5. Indication of No. of constituent parts for assembly

The numeral appearing to the right of each constituent part under the description indicates the quantity of such parts for each individual assembly unit.

Part No.	Description	Q'ty	Remarks
2F5-83310-60	FRONT FLASHER LIGHT ASS'Y	2	
115-83311-60	. BULB (6V-18W)	1	
1M1-83309-60	. REFLECTOR	1	

## 6. Initial Serial No. and Color Code

(A) Frame Serial No.	17X-000101 and following
(B) Engine Serial No.	17X-000101 and following



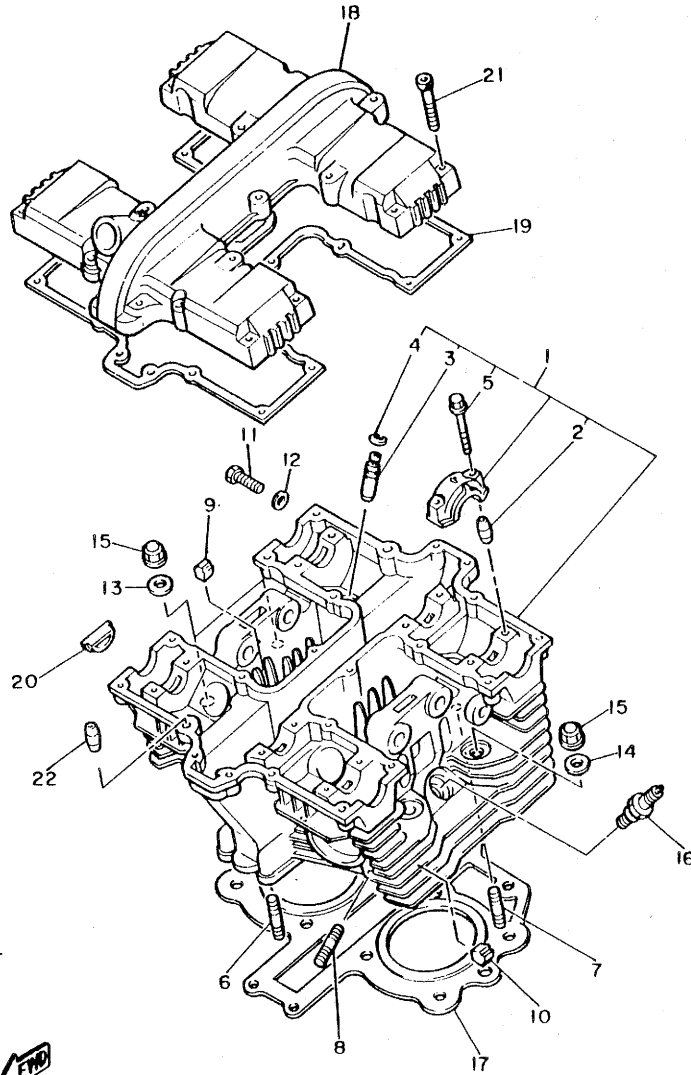
Color Code	Color Name	Abbreviate
2U	SUPER RED	SUR

7. Applicable colors of graphics are represented in the "Remarks" column by the letter(s) appropriately picked out of the full word(s) showing such colors.

### EXAMPLE

Part No.	Description	Q'ty	Remarks
2N4-24110-00-X5	FUEL TANK COMP.	1	MAXIM RED
3J1-24240-10	. GRAPHIC, fuel tank set	1	for MXR

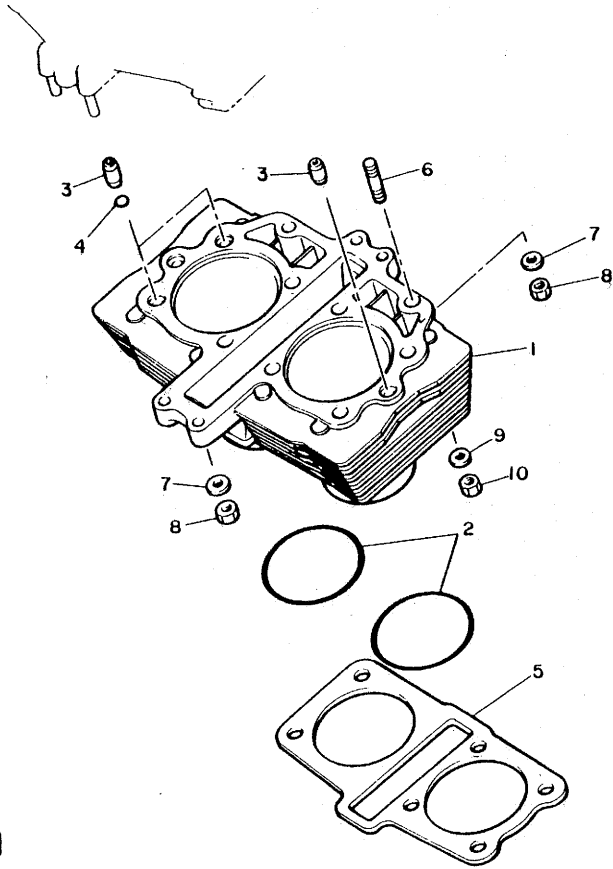
FIG. 1 CYLINDER HEAD



REF. NO.	PART NO.	DESCRIPTION	Q'TY	REMARKS
1	12E-11101-00	CYLINDER HEAD ASSY	1	
2	91810-18016	.PIN, dowel	8	
3	4H7-11133-10	.GUIDE, intake valve (1ST D/S)	4	
4	93440-12052	.CIRCLIP	4	
5	90105-06153	.BOLT, washer based	8	
6	95611-06625	BOLT, stud	2	
7	95621-06620	BOLT, stud	2	
8	95621-08640	BOLT, stud	3	
9	434-11161-00	ABSORBER 1	4	
10	4H7-11161-00	ABSORBER 1	9	
11	90153-06029	SCREW, hexagon	1	
12	90430-06014	GASKET	1	
13	90201-10128	WASHER, Plate	2	
14	90201-11597	WASHER, Plate	6	
15	90179-10277	NUT	8	
16	94701-00157	PLUG, sPark (NGK D8EA)	2	UR
	94701-00181	PLUG, sPark (ND X24ES-U)	2	UR
17	12R-11181-00	GASKET, cylinder head 1	1	
18	12E-11191-00	COVER, cylinder head 1	1	
19	12R-11193-00	GASKET, head cover 1	1	
20	1J7-11138-00	PLUG	4	
21	91316-06035	BOLT	22	
22	91810-02014	PIN, dowel	2	

FIG. 2 CYLINDER

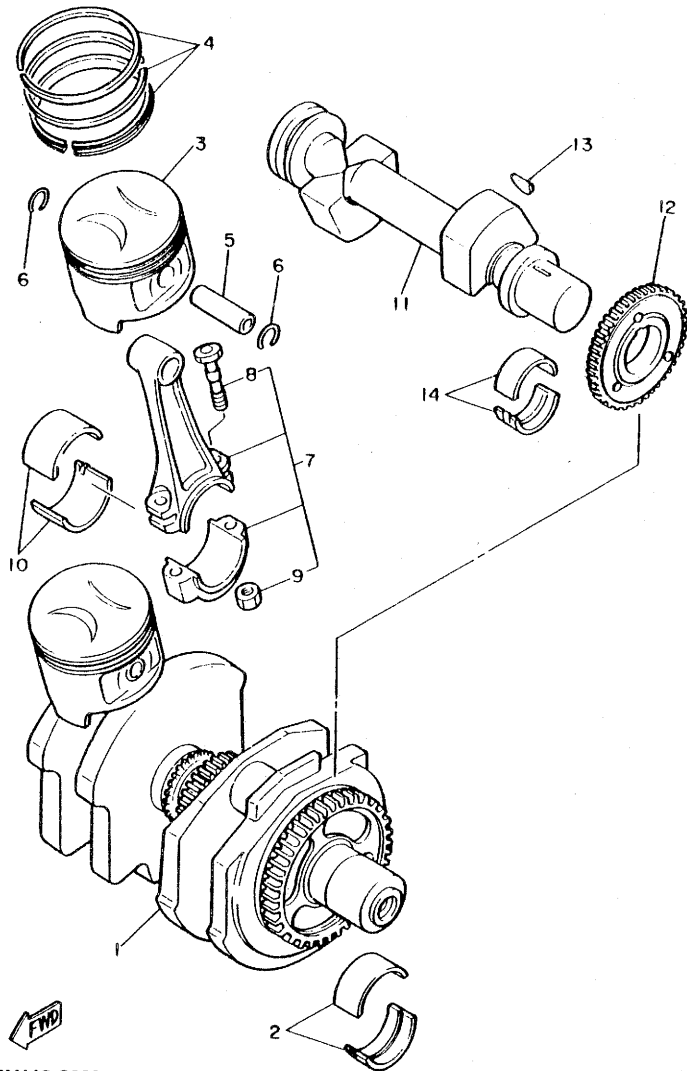
REF. NO.	PART NO.	DESCRIPTION	Q'TY	REMARKS
1	12E-11310-00	CYLINDER	1	
2	93210-74316	O-RING	2	
3	91830-24016	PIN, dowel	4	
4	90430-14131	CASKET .	2	
5	12R-11351-00	GASKET, cylinder	1	
6	95621-08330	BOLT, stud	2	
7	92901-06600	WASHER, Plate	4	
8	95311-06600	NUT	4	
9	90201-08382	WASHER, Plate	2	
10	95311-08600	NUT	2	



12R110-3020

**B3**

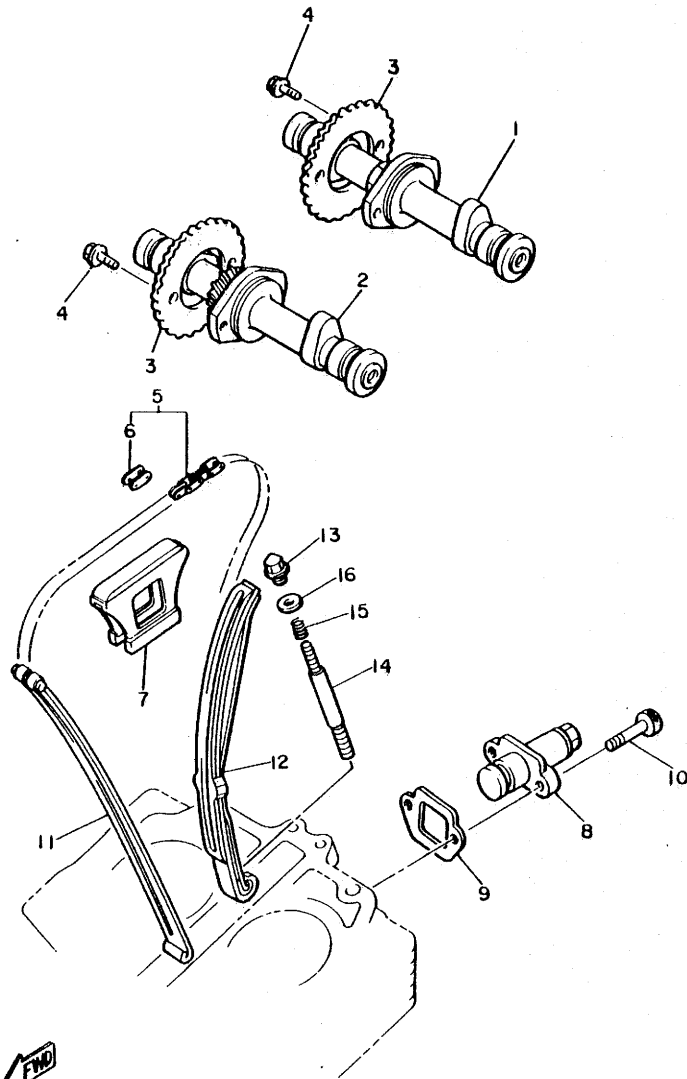
FIG. 3 CRANKSHAFT·PISTON



16M110-3030

REF. NO.	PART NO.	DESCRIPTION	Q'TY	REMARKS
1	16M-11400-00	CRANKSHAFT ASSY	1	
2	12R-11416-00	PLANE BEARING, crankshaft 1	6	UR blue
	12R-11416-10	PLANE BEARING, crankshaft 1	6	UR black
	12R-11416-20	PLANE BEARING, crankshaft 1	6	UR brown
	12R-11416-30	PLANE BEARING, crankshaft 1	6	UR green
3	12R-11631-00	PISTON (STD)	2	UR
	12R-11636-00	PISTON (2ND O/S 0.50MM)	2	AP
	12R-11638-00	PISTON (4TH O/S 1.00MM)	2	AP
4	12R-11610-00	PISTON RING SET (STD)	2	UR
	12R-11610-20	PISTON RING SET (2ND O/S)	2	AP
	12R-11610-40	PISTON RING SET (4TH O/S)	2	AP
5	2A2-11633-00	PIN, Piston	2	
6	93450-17044	CIRCLIP	4	
7	12E-Y1165-00	CONNECTING ROD ASSY	2	
8	12R-11654-00	BOLT, connectin& rod	2	
9	90179-08327	NUT	2	
10	12E-11656-00	PLANE BEARING, connectin& rod	4	UR
	12E-11656-10	PLANE BEARING, connectin& rod	4	UR
	12E-11656-20	PLANE BEARING, connectin& rod	4	UR
11	12R-11454-00	WEIGHT 1	1	
12	12R-11530-00	BALANCER WEIGHT GEAR COMP.	1	
13	90280-04005	KEY, woodruff	1	
14	12R-11413-00	METAL, balance weight	4	UR blue
	12R-11413-10	METAL, balance weight	4	UR black
	12R-11413-20	METAL, balance weight	4	UR brown

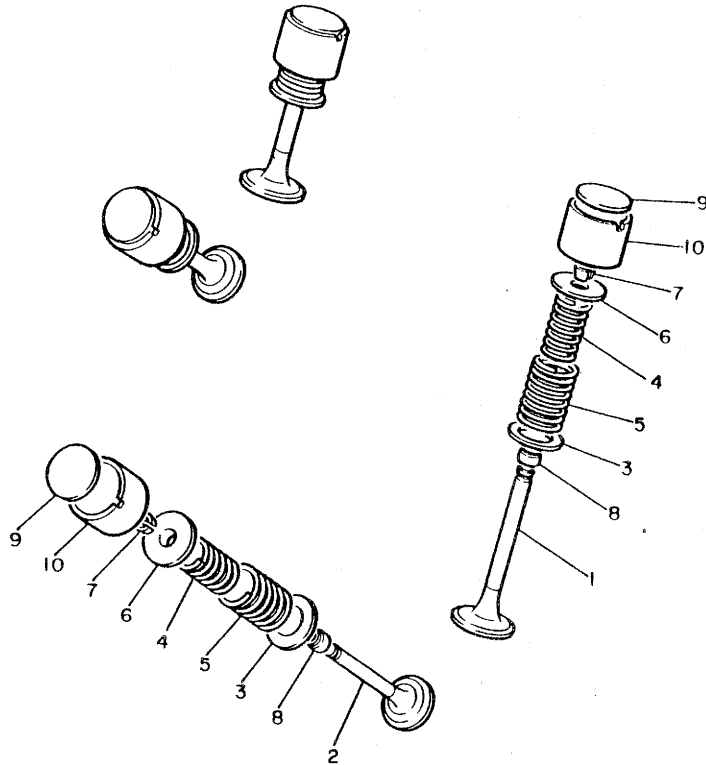
FIG. 4 CAMSHAFT.CHAIN



REF. NO.	PART NO.	DESCRIPTION	Q'TY	REMARKS
1	12R-12171-00	CAMSHAFT 1	1	
2	12R-12181-00	CAMSHAFT 2	1	
3	4G0-12176-00	SPROCKET, cam chain (32T)	2	
4	90105-07087	BOLT, washer based	4	
5	94590-44122	CHAIN	1	
6	94600-02001	JDINT, chain	1	
7	4H7-12241-00	GUIDE, stopper 2	1	
8	12R-12210-10	TENSIONER ASSY, cam chain	1	
9	5G2-12213-00	GASKET, tensioner case	1	
10	91316-06025	BOLT	2	
11	4H7-12251-00	DAMPER, chain 1	1	
12	4H7-12252-00	DAMPER, chain 2	1	
13	90340-10085	PLUG, straight screw	1	
14	90249-08157	PIN	1	
15	90501-15603	SPRING, compression	1	
16	90201-10118	WASHER, Plate	1	

12R110-3040

FIG. 5 VALVE



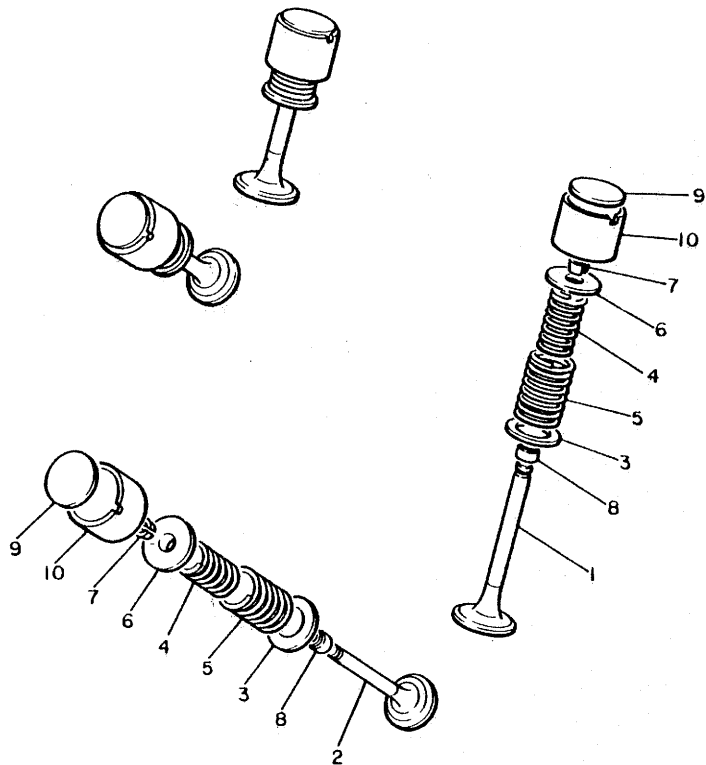
REF. NO.	PART NO.	DESCRIPTION	Q'TY	REMARKS
1	1J7-12111-01	VALVE, intake	2	
2	12R-12121-00	VALVE, exhaust	2	
3	4H7-12116-00	SEAT, valve sPrin&	4	
4	12R-12113-01	SPRING, valve inner	4	
5	12R-12114-01	SPRING, valve outer	4	
6	2F3-12117-00	RETAINER, valve sPrin&	4	
7	1J7-12118-00	COTTER, valve	8	
8	1J7-12119-01	SEAL, valve stem	4	
9	1J7-12169-01	PAD, adjustin& (2.00)	4	UR
	1J7-12169-11	PAD, adjustin& (2.05)	4	UR
	1J7-12169-21	PAD, adjustin& (2.10)	4	UR
	1J7-12169-31	PAD, adjustin& (2.15)	4	UR
	1J7-12169-41	PAD, adjustin& (2.20)	4	UR
	1J7-12169-51	PAD, adjustin& (2.25)	4	UR
	1J7-12169-61	PAD, adjustin& (2.30)	4	UR
	1J7-12169-71	PAD, adjustin& (2.35)	4	UR
	1J7-12169-81	PAD, adjustin& (2.40)	4	UR
	1J7-12169-91	PAD, adjustin& (2.45)	4	UR
	1J7-12169-A1	PAD, adjustin& (2.50)	4	UR
	1J7-12169-E1	PAD, adjustin& (2.55)	4	UR
	1J7-12169-F1	PAD, adjustin& (2.60)	4	UR
	1J7-12169-G1	PAD, adjustin& (2.65)	4	UR
	1J7-12169-H1	PAD, adjustin& (2.70)	4	UR
	1J7-12169-J1	PAD, adjustin& (2.75)	4	UR
	1J7-12169-K1	PAD, adjustin& (2.80)	4	UR
	1J7-12169-L1	PAD, adjustin& (2.85)	4	UR
	1J7-12169-M1	PAD, adjustin& (2.90)	4	UR
	1J7-12169-N1	PAD, adjustin& (2.95)	4	UR



12R110-3050

FIG. 5 VALVE

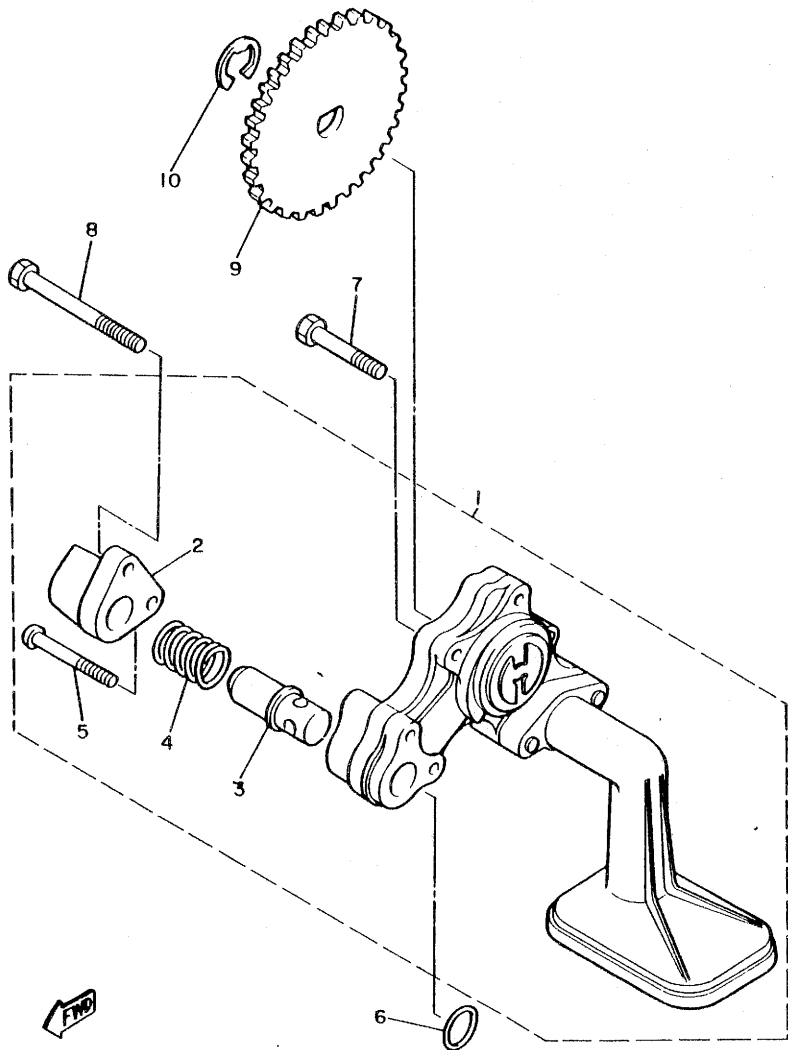
REF. NO.	PART NO.	DESCRIPTION	Q'TY	REMARKS
9	1J7-12169-R1	PAD, adjusting (3.00)	4	UR
	1J7-12169-T1	PAD, adjusting (3.05)	4	UR
	1J7-12169-U1	PAD, adjusting (3.10)	4	UR
	1J7-12169-V1	PAD, adjusting (3.15)	4	UR
	1J7-12169-W1	PAD, adjusting (3.20)	4	UR
10	4H7-12153-01	LIFTER, valve	4	



12R110-3050

**B7**

FIG. 6 OIL PUMP



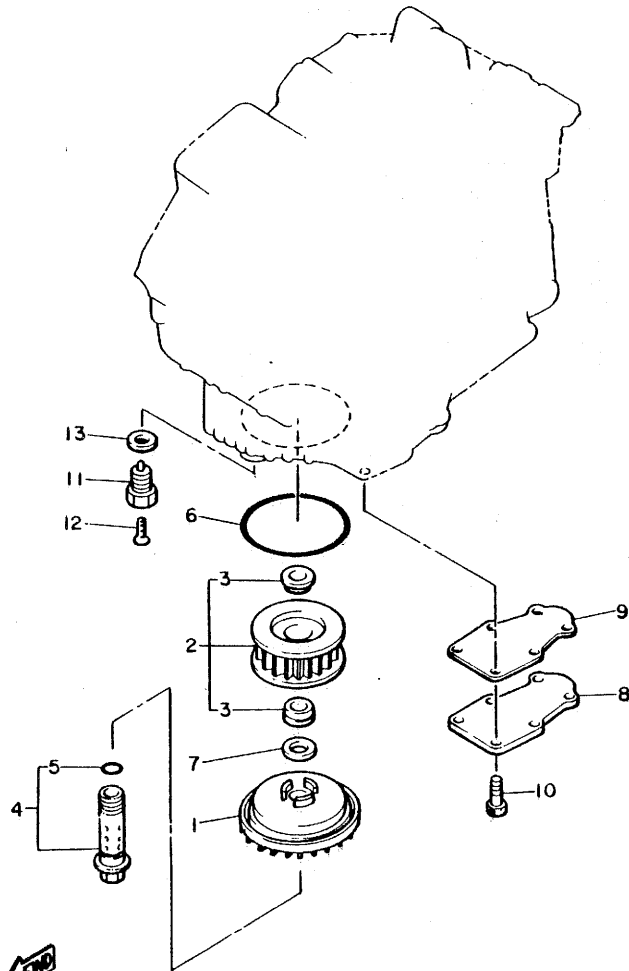
REF. NO.	PART NO.	DESCRIPTION	Q'TY	REMARKS
1	12R-13300-00	OIL PUMP ASSY	1	
2	12R-13486-00	•RETAINER, relief valve	1	
3	2H7-13483-00	•PLUNGER, relief	1	
4	90501-18499	•SPRING, compression	1	
5	92501-06040	•SCREW, Pan head	1	
6	93210-13361	O-RING	1	
7	91316-06030	BOLT	2	
8	91316-06050	BOLT	1	
9	12R-13325-00	GEAR, Pump driven	1	
10	93410-11002	CIRCLIP	1	



12R110-3060

FIG. 7 OIL CLEANER

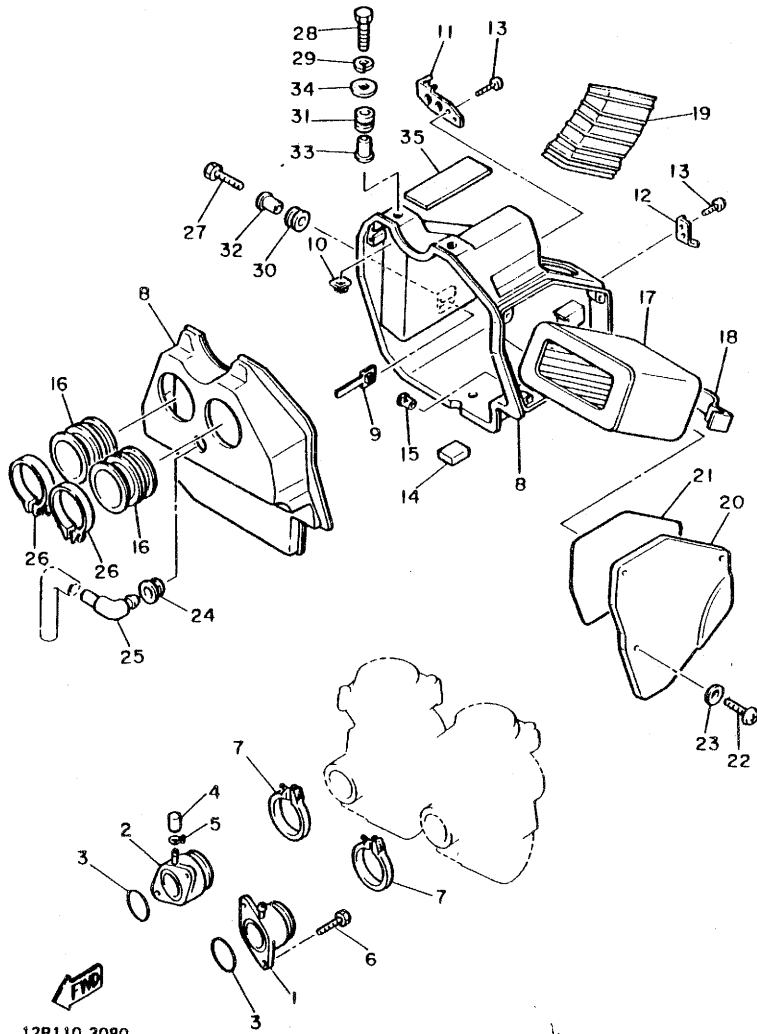
REF. NO.	PART NO.	DESCRIPTION	Q'TY	REMARKS
1	12R-13447-00	COVER, oil element	1	
2	1L9-13440-91	ELEMENT ASSY, oil cleaner	1	
3	90480-23193	.GROMMET	2	
4	1L9-13340-01	BY-PASS VALVE ASSY	1	
5	93210-16325	.O-RING	1	
6	93210-88324	D-RING	1	
7	90201-21608	WASHER, Plate	1	
8	12R-13417-01	COVER, strainer	1	
9	12R-13414-00	GASKET, strainer cover	1	
10	91316-06014	BOLT	6	
11	11H-13455-00	PLUG	1	
12	98901-06008	SCREW, bind	1	
13	214-11198-01	GASKET	1	



12R110-3070

**B9**

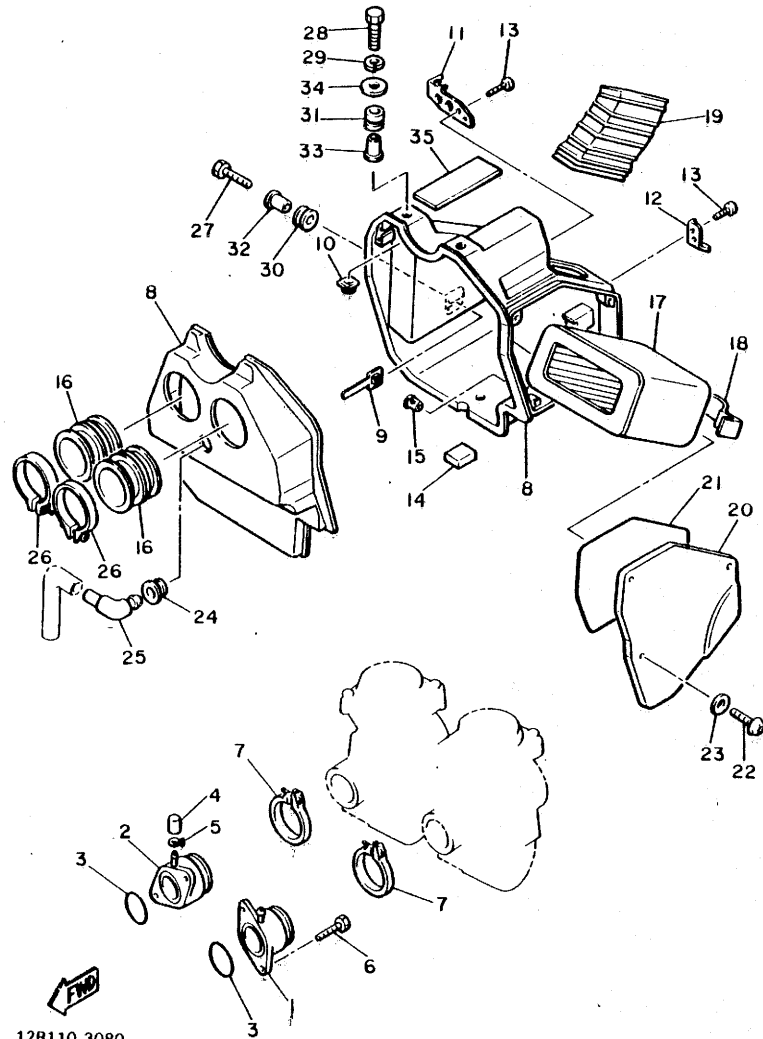
FIG. 8 INTAKE



12R110-3080

REF. NO.	PART NO.	DESCRIPTION	Q'TY	REMARKS
1	12R-13586-00	JOINT, carburetor 1	1	
2	12R-13596-00	JOINT, carburetor 2	1	
3	93210-37532	O-RING	2	
4	1J7-13569-00	PLUG, blind	1	
5	90467-10039	CLIP	1	
6	91316-06020	BOLT	4	
7	90460-52215	CLAMP, hose	2	
8	12R-14401-00	AIR CLEANER CASE ASSY	1	
9	12R-14477-00	PLATE	1	
10	12R-14484-01	PLATE, cleaner case fitting	3	
11	12R-14493-01	STAY 1	1	
12	12R-2144G-00	STAY, stop switch	1	
13	97702-50512	SCREW, tapping	4	
14	3Y1-14462-00	SEAL	1	
15	90179-05380	NUT	3	
16	12R-14453-00	JOINT, air cleaner 1	2	
17	12R-14451-00	ELEMENT, air cleaner	1	
18	3Y6-14468-01	PLATE, element fitting	1	
19	12R-14437-00	DUCT	1	
20	12R-14412-00	CAP, cleaner case 1	1	
21	12R-14452-00	SEAL	1	
22	98501-05016	SCREW, Pan head	3	
23	92902-05200	WASHER	3	
24	90480-16278	GROMMET	1	
25	4H7-14419-00	PIPE	1	
26	90460-58124	CLAMP, hose	2	
27	90109-08510	BOLT	1	
28	97302-06025	BOLT	2	

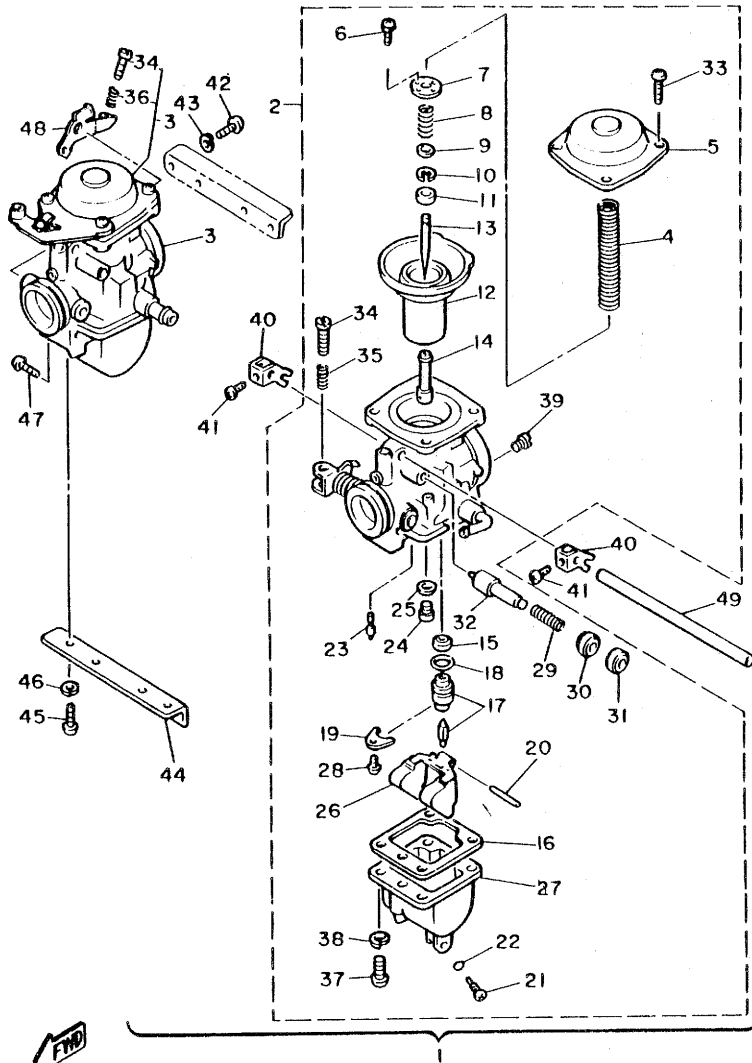
FIG. 8 INTAKE



12R110-3080

REF. NO.	PART NO.	DESCRIPTION	Q'TY	REMARKS
29	92902-06100	WASHER, sPring	2	
30	90480-20337	GROMMET	1	
31	90480-14323	GROMMET	2	
32	90387-096F4	COLLAR	1	
33	90387-07037	COLLAR	2	
34	90201-06067	WASHER, Plate	2	
35	12R-21747-00	DAMPER	1	

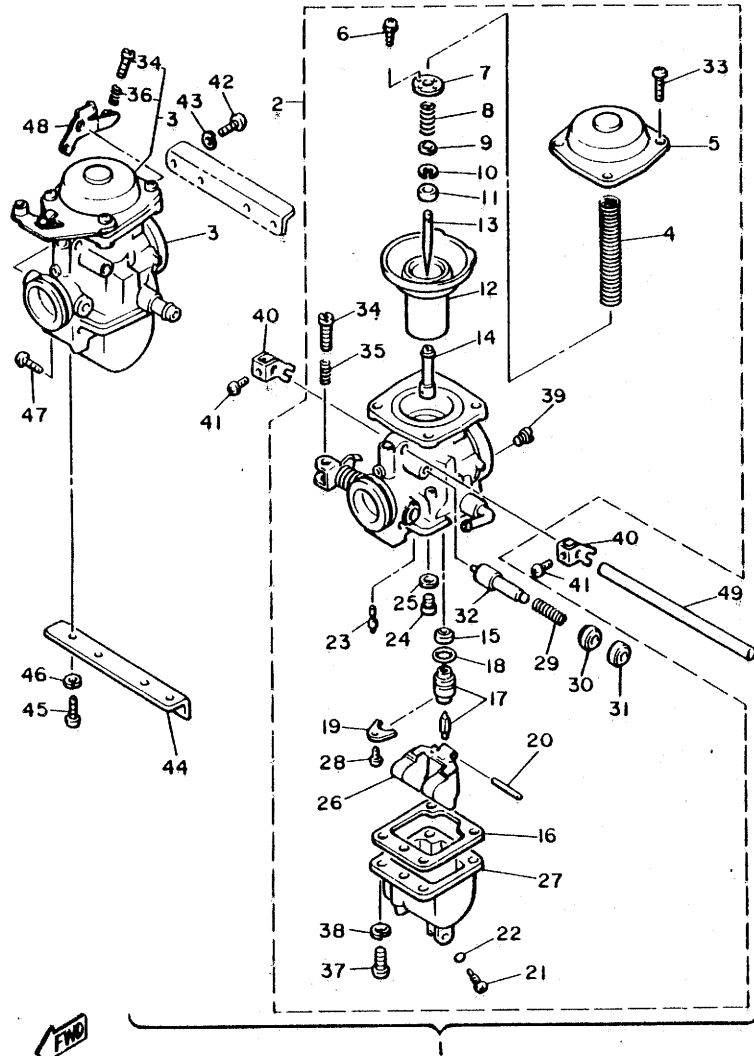
FIG. 9 CARBURETOR



REF. NO.	PART NO.	DESCRIPTION	Q'TY	REMARKS
1	16N-14900-00	CARBURETOR ASSY	1	
2	16N-14901-00	..CARBURETOR ASSY 1	1	
3	16N-14902-00	..CARBURETOR ASSY 2	1	
4	3G1-14933-00	..SPRING, diaPhra&m	2	
5	12R-14958-00	..COVER, diaPhra&m	2	
6	97602-03108	..SCREW, Pan head with washer	4	
7	3F7-14936-00	..SEAT, sPrin&	2	
8	3F7-14589-00	..SPRING	2	
9	3F7-14952-00	..WASHER	2	
10	256-14919-00	..CLIP	2	
11	3F7-14918-00	..RING	2	
12	3F7-14940-01	..DIAPHRAGM ASSY	2	
13	1J7-14116-20	..NEEDLE	2	
14	16H-14941-08	..NOZZLE, main	2	
15	1J7-14994-00	..NET, filter	2	
16	12R-14984-00	..GASKET, float chamber	2	
17	16G-14190-20	..NEEDLE VALVE ASSY	2	
18	8F2-14147-00	..O-RING	2	
19	2H0-14146-00	..PLATE	2	
20	127-14186-00	..PIN, float	2	
21	2L1-14191-00	..PLUG, drain	2	
22	214-14147-00	..O-RING	2	
23	4G0-14142-45	..JET, Pilot (#45.0)	2	
24	620-14231-76	..JET, main (#127.5)	1	for left
	620-14231-74	..JET, main (#117.5)	1	for right
25	137-14153-00	..WASHER, main Jet	2	
26	12R-14985-00	..FLOAT	2	
27	12R-14981-00	..BODY, float chamber	2	

NOT FOR SALE

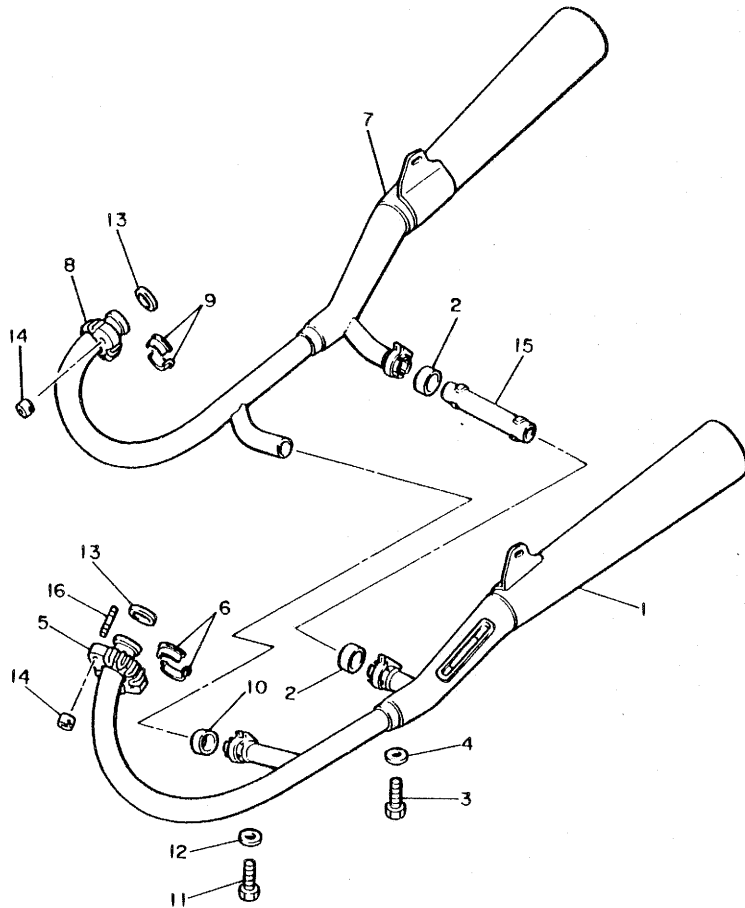
FIG. 9 CARBURETOR



REF. NO.	PART NO.	DESCRIPTION	Q'TY	REMARKS
28	98502-04006	..SCREW, Pan head	2	
29	3F7-14135-00	..SPRING, Plunger	2	
30	3F7-14174-00	..CAP, Plunger	2	
31	3F7-14173-00	..COVER, Plunger cap	2	
32	3F7-14171-00	..PLUNGER, starter	2	
33	97801-05010	..SCREW, Pan head	8	
34	3F7-14922-00	..SCREW, throttle	2	
35	3F7-14133-00	..SPRING, throttle stop	1	
36	3F7-14934-00	..SPRING, throttle stop	1	
37	98501-05016	..SCREW, Pan head	8	
38	92901-05100	..WASHER, sPring	8	
39	256-14944-34	..JET, main (#170.0)	2	
40	3F7-14905-00	..LEVER, starter	2	
41	584-14991-00	..SCREW	3	
42	98501-05012	..SCREW, Pan head	4	
43	92901-05100	..WASHER, sPring	4	
44	12R-14146-00	..PLATE	1	
45	92501-06014	..SCREW, Pan head	4	
46	92901-06100	..WASHER, sPring	4	
47	98302-05006	..SCREW, cylinder head	1	
48	12R-14964-00	..LEVER, throttle 2	1	
49	12R-14977-00	..SHAFT, starter lever	1	

16M110-3090

FIG. 10 EXHAUST

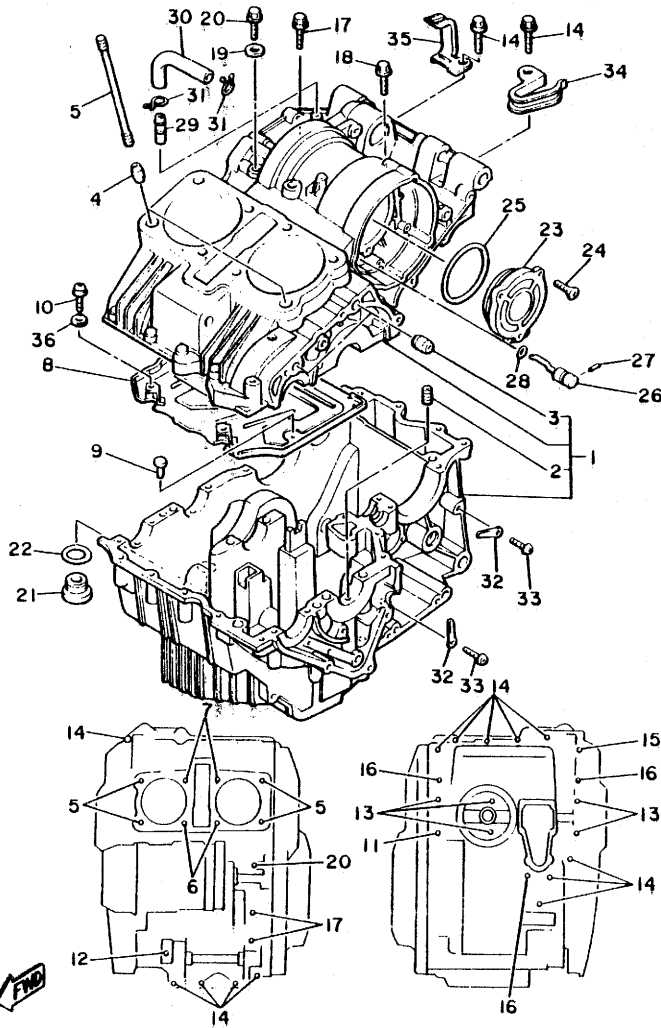


REF. NO.	PART NO.	DESCRIPTION	Q'TY	REMARKS
1	16M-14711-00	MUFFLER 1	1	
2	2G2-14714-00	GASKET, muffler	2	
3	97321-08025	BOLT	2	
4	92901-08600	WASHER, Plate	2	
5	12R-14612-00	NUT, ring	1	
6	12R-14614-00	FLANGE, exhaust Pipe	2	
7	16M-14721-00	MUFFLER 2	1	
8	12R-14612-00	NUT, ring	1	
9	12R-14614-00	FLANGE, exhaust Pipe	2	
10	2G2-14714-00	GASKET, muffler	1	
11	97321-08025	BOLT	1	
12	92901-08600	WASHER, Plate	1	
13	341-14613-00	GASKET, exhaust Pipe	2	
14	90179-08273	NUT	4	
15	16M-1475J-00	PIPE	1	
16	90116-08401	BOLT, stud	1	



16M110-3100

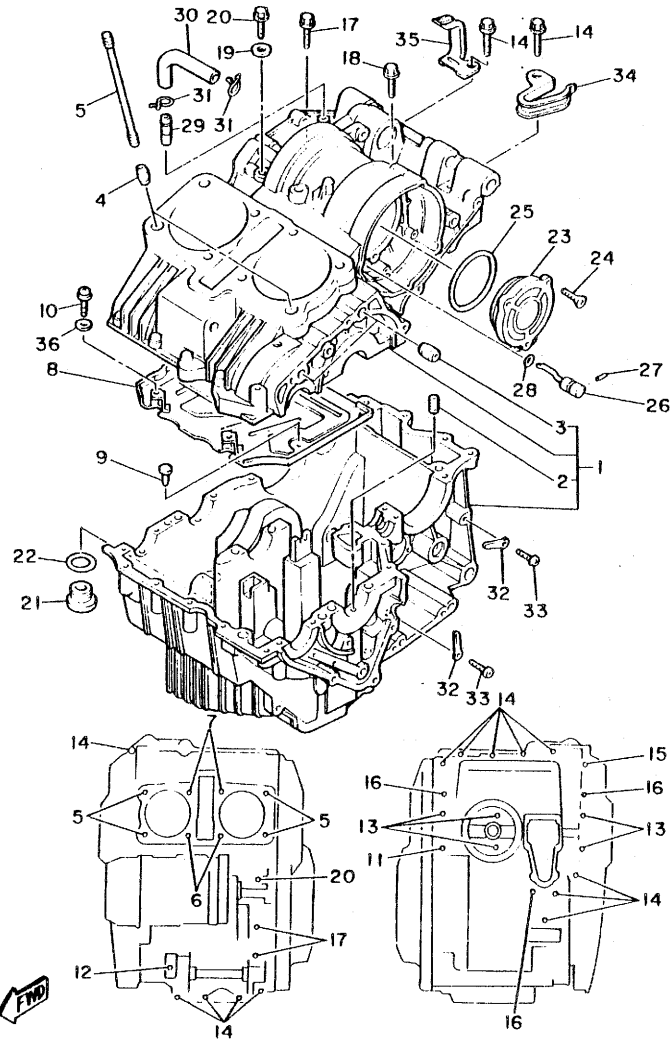
FIG. 11 CRANKCASE



17X700-2110

REF. NO.	PART NO.	DESCRIPTION	Q'TY	REMARKS
1	12E-15100-00	CRANKCASE ASSY	1	
2	4H7-15138-00	NOZZLE 1	1	
3	91830-21014	PIN, dowel	3	
4	91830-24016	PIN, dowel	2	
5	90116-10385	BOLT, stud	4	
6	90116-10386	BOLT, stud	2	
7	90116-10387	BOLT, stud	2	
8	12R-15123-01	PLATE, baffle 1	1	
9	12R-15338-00	DAMPER, engine mount 5	2	
10	97601-06012	SCREW, Pan head with washer	5	
11	95811-08075	BOLT, flange	1	
12	95811-08090	BOLT, flange	1	
13	90105-08114	BOLT, washer based	5	
14	95811-06045	BOLT, flange	13	
15	95811-06055	BOLT, flange	1	
16	95811-06080	BOLT, flange	3	
17	90105-06231	BOLT, washer based	2	
18	95811-06125	BOLT, flange	1	
19	90430-06166	GASKET	1	
20	95811-06135	BOLT, flange	1	
21	90340-22083	PLUG, straight screw	1	
22	93210-23326	O-RING	1	
23	4H7-15163-01	HOUSING, bearing 1	1	
24	90151-06014	SCREW, countersunk	3	
25	93210-62439	O-RING	1	
26	12R-13454-01	NOZZLE	1	
27	91609-12008	PIN, spring	1	
28	93210-07435	O-RING	1	

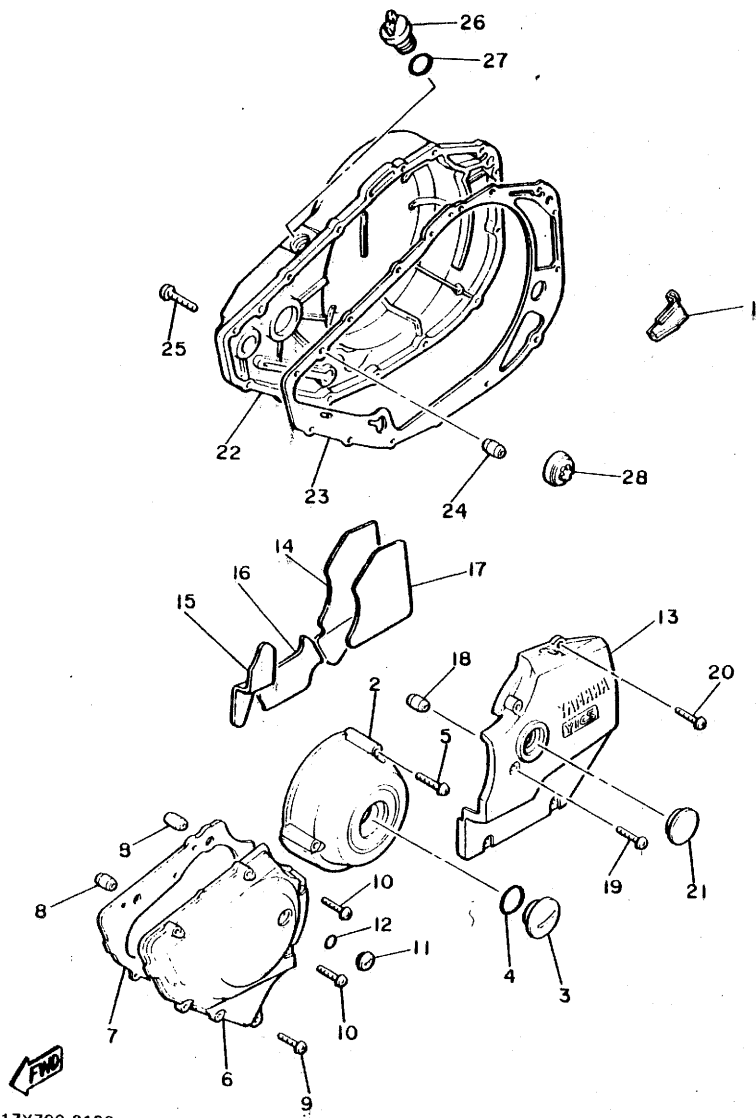
FIG. 11 CRANKCASE



REF. NO.	PART NO.	DESCRIPTION	Q'TY	REMARKS
29	371-11167-01	PIPE, breather 2	1	
30	12R-11166-00	PIPE, breather 1	1	
31	90467-14015	CLIP	2	
32	90465-08193	CLAMP	2	
33	92501-06010	SCREW, Pan head	2	
34	90465-08194	CLAMP	1	
35	90465-08204	CLAMP	1	
36	92901-06600	WASHER	1	

17X700-2110

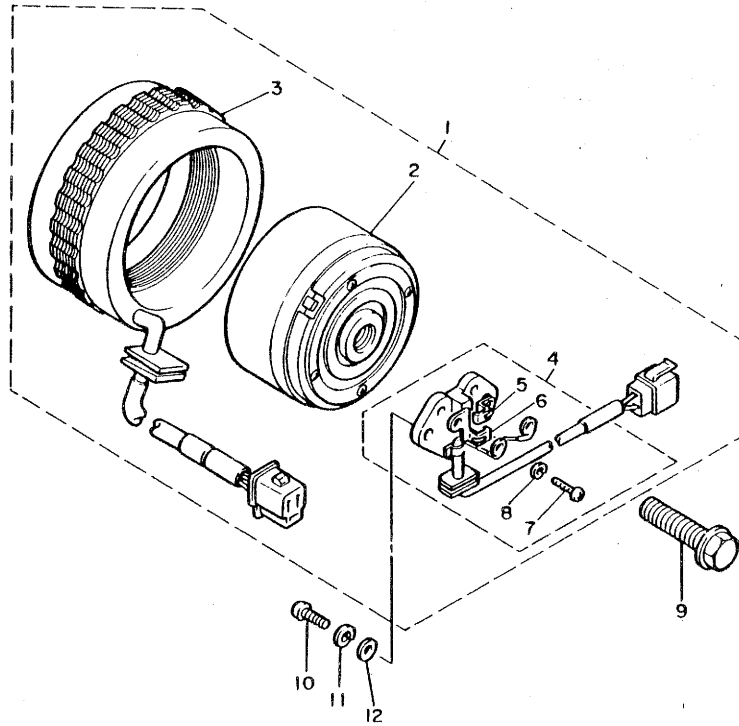
FIG. 12 CRANKCASE COVER



17X700-2120

REF. NO.	PART NO.	DESCRIPTION	Q'TY	REMARKS
1	12R-15437-00	SCRAPER, oil	1	
2	12E-15415-01	COVER, Generator	1	
3	90340-32080	PLUG, straight screw	1	
4	93210-32172	O-RING	1	
5	92506-06070	SCREW, Pan head	3	
6	12E-15411-00	COVER, crankcase 1	1	
7	12R-15451-00	GASKET, crankcase cover	1	
8	91830-21014	PIN, dowel	2	
9	92506-06020	SCREW, Pan head	5	
10	92506-06030	SCREW, Pan head	2	
11	90340-14079	PLUG, straight screw	1	
12	93210-14369	O-RING	1	
13	12E-15420-00	CRANKCASE COVER ASSY 2	1	
14	12R-15316-01	DAMPER, engine mount 1	1	
15	12R-15326-01	DAMPER, engine mount 2	1	
16	12R-15336-01	DAMPER, engine mount 3	1	
17	12R-15337-01	DAMPER, engine mount 4	1	
18	91830-21014	PIN, dowel	2	
19	92506-06065	SCREW, Pan head	2	
20	92506-06025	SCREW, Pan head	3	
21	1L9-15417-00	COVER, cap	1	
22	17E-15431-00	COVER, crankcase 3	1	
23	12R-15462-00	GASKET, crankcase cover 3	1	
24	91830-21014	PIN, dowel	2	
25	92506-06025	SCREW, Pan head	14	
26	3Y1-15363-00	PLUG, oil	1	
27	93210-19123	O-RING	1	
28	3Y1-15361-00	GAUGE, level	1	

FIG. 13 A.C. GENERATOR



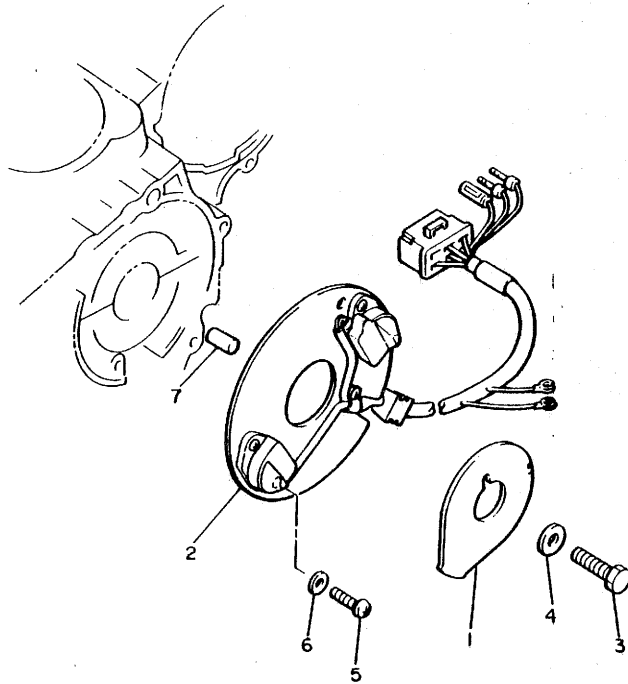
REF. NO.	PART NO.	DESCRIPTION	Q'TY	REMARKS
1	12R-81600-10	A.C. GENERATOR ASSY	1	
2	12R-81650-10	.ROTOR ASSY	1	
3	12R-81610-10	.STATOR ASSY	1	
4	12R-81619-10	.BRUSH HOLDER ASSY	1	
5	4G0-81611-10	..BRUSH 1	1	
6	4G0-81612-10	..BRUSH 2	1	
7	98501-04012	..SCREW, Pan head	2	
8	92902-04100	..WASHER, sPrin&	2	
9	90105-10152	BOLT, washer based	1	
10	92502-06016	SCREW, Pan head	2	
11	92902-06100	WASHER, sPrin&	2	
12	92902-06600	WASHER	2	



12R110-3130



FIG. 14 PICKUP COIL GOVERNOR

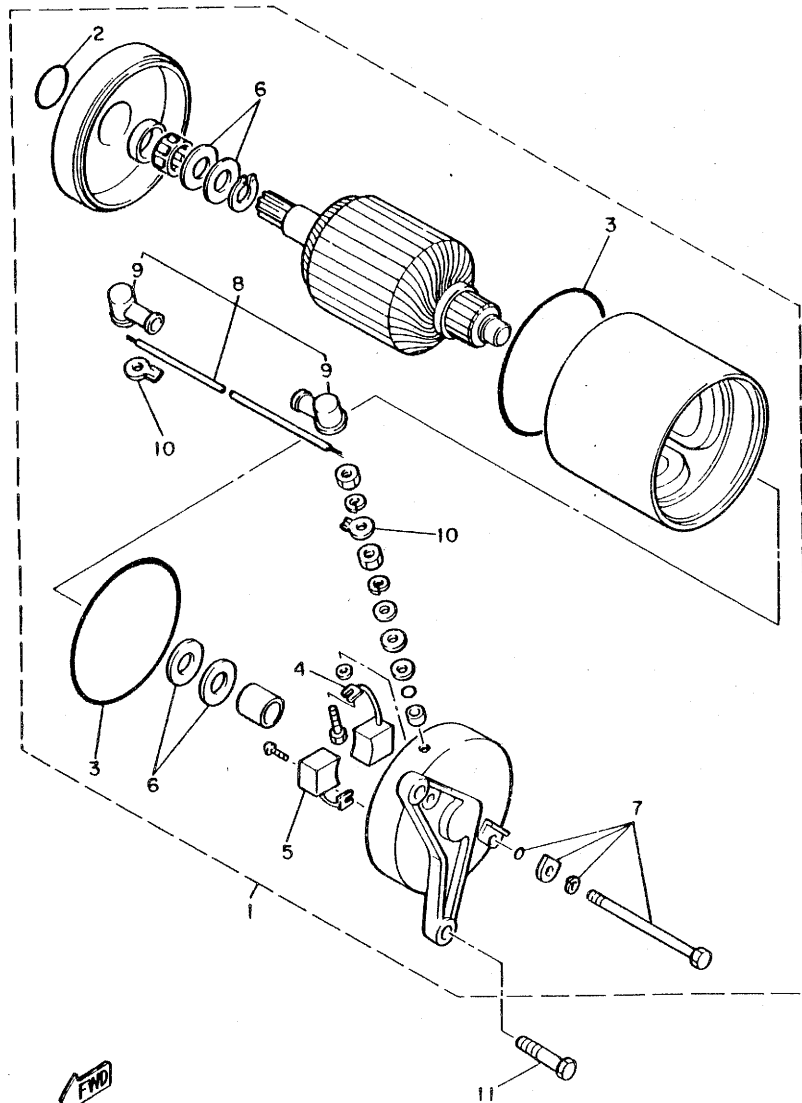


REF. NO.	PART NO.	DESCRIPTION	Q'TY	REMARKS
1	12R-81673-10	ROTOR	1	
2	12R-81671-10	BASE, Pickup	1	
3	90101-10524	BOLT	1	
4	90201-105A2	WASHER, Plate	1	
5	92501-06012	SCREW, Pan head	2	
6	92902-06600	WASHER	2	
7	93604-08071	PIN, dowel	1	



12R110-3140

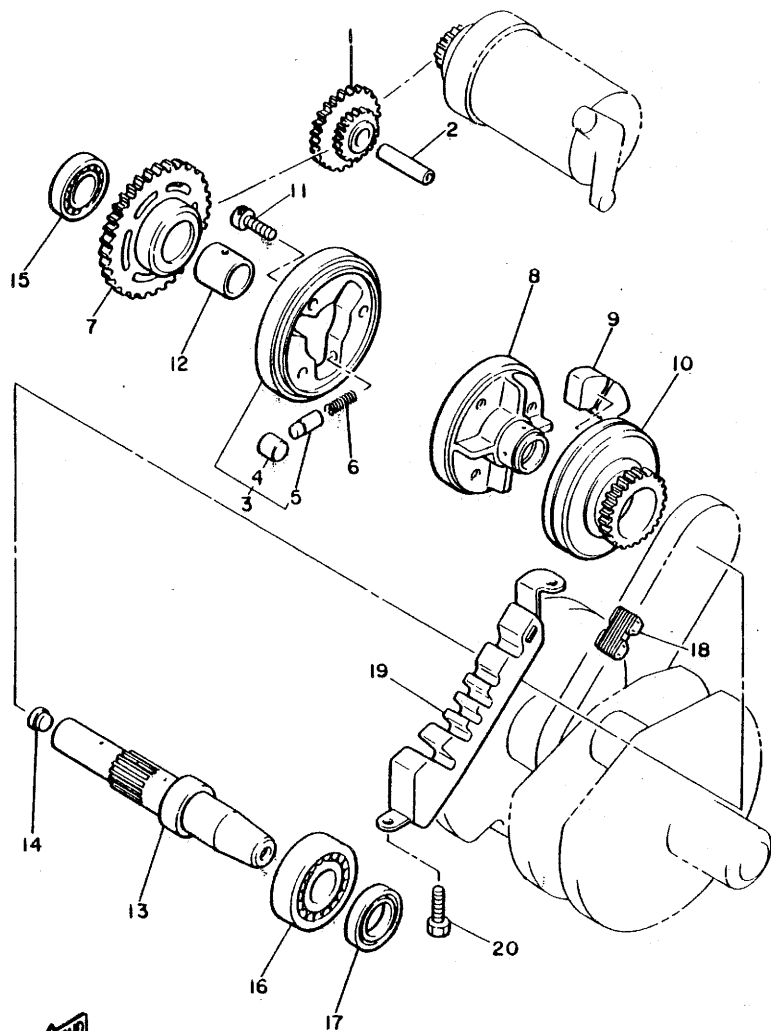
FIG. 15 STARTING MOTOR



REF. NO.	PART NO.	DESCRIPTION	Q'TY	REMARKS
1	12E-81800-60	STARTING MOTOR ASSY	1	
2	5H0-81847-00	.O-RING	1	
3	5H0-81844-00	.GASKET	2	
4	5H0-81811-00	.BRUSH 1	1	
5	5H0-81812-00	.BRUSH 2	1	
6	5H0-81809-00	.WASHER KIT	1	
7	12E-81826-00	.BOLT	1	
8	12R-81815-00	.WIRE, starter	1	
9	5H0-81871-00	..CAP	2	
10	5H0-81818-00	.TERMINAL SET	1	
11	95826-06025	BOLT, flange	2	



FIG. 16 STARTER CLUTCH

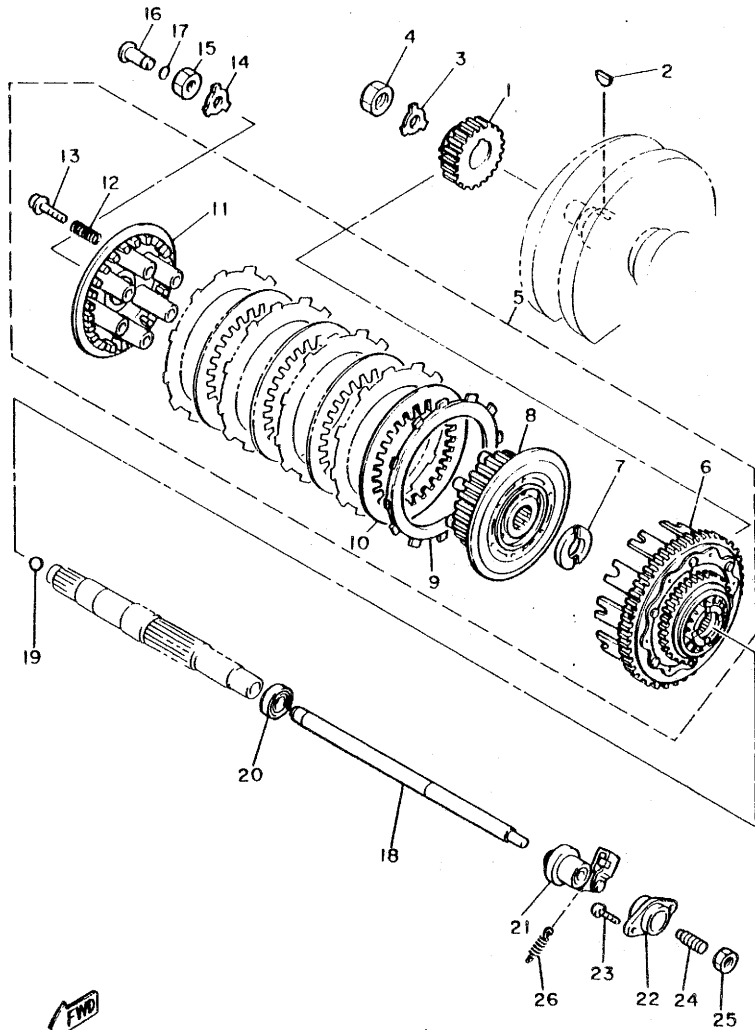


REF. NO.	PART NO.	DESCRIPTION	Q'TY	REMARKS
1	12R-15512-00	GEAR, idler 1	1	
2	12R-15521-00	SHAFT 1	1	
3	4G0-15580-00	STARTER CLUTCH OUTER ASSY	1	
4	93615-12088	.PIN, dowel	3	
5	1J7-15583-01	.CAP, starter clutch spring	3	
6	90501-04623	SPRING, compression	3	
7	12R-15517-00	GEAR, idler 2	1	
8	12R-15524-00	WHEEL, starter	1	
9	4H7-16155-01	ABSORBER 1	4	
10	12R-15519-00	SPROCKET, starter 2	1	
11	91316-08014	BOLT	3	
12	90387-202A7	COLLAR	1	
13	12R-15522-00	SHAFT 2	1	
14	90331-12028	PLUG	1	
15	93306-00401	BEARING (B6004)	1	
16	93306-20541	BEARING (B6205)	1	
17	93102-25218	OIL SEAL	1	
18	12R-11456-01	CHAIN, Primary	1	
19	12R-11474-00	GUIDE, upper	1	
20	90110-06043	BOLT, hexagon socket head	2	



12E341-3160

FIG. 17 CLUTCH

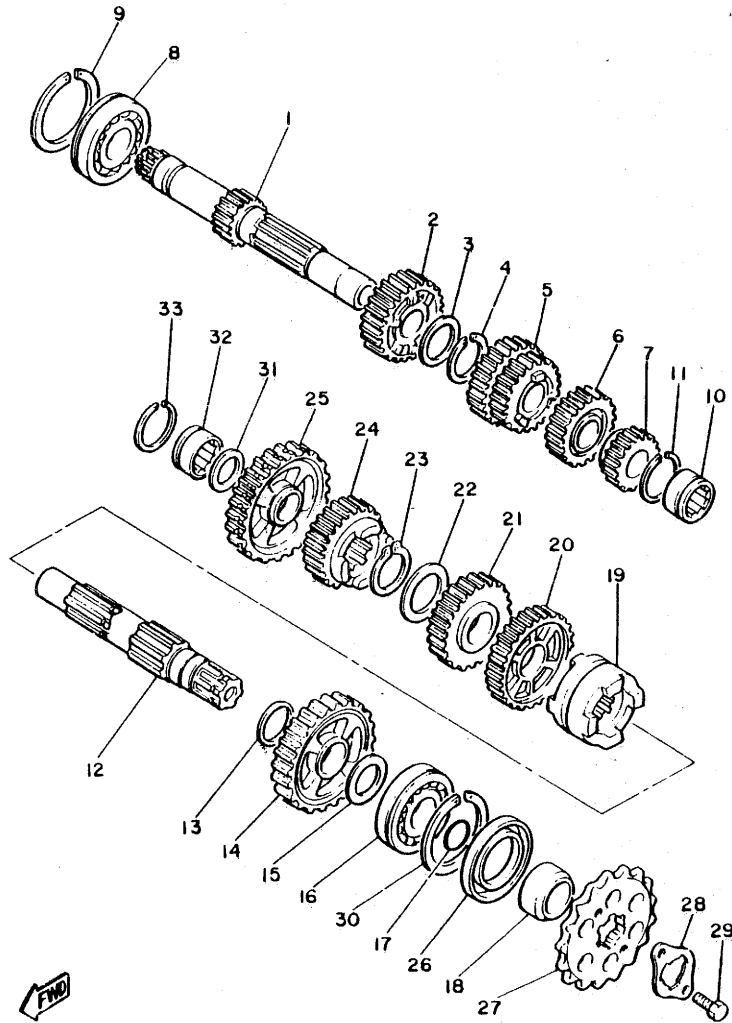


REF. NO.	PART NO.	DESCRIPTION	Q'TY	REMARKS
1	12R-16111-00	GEAR, Primary drive	1	
2	90280-05015	KEY, woodruff	1	
3	90215-20170	WASHER, lock	1	
4	90170-20257	NUT	1	
5	12R-16300-00	CLUTCH ASSY	1	
6	12R-16150-00	.PRIMARY DRIVEN GEAR COMP.	1	
7	3Y1-16154-00	.PLATE, thrust 1	1	
8	12R-16371-00	.BOSS, clutch	1	
9	341-16321-13	.PLATE, friction	5	
10	2H7-16325-00	.PLATE, clutch 2	4	
11	12R-16351-00	.PLATE, Pressure 1	1	
12	90501-26148	.SPRING, compression	6	
13	90159-06016	.SCREW, with washer	6	
14	90215-20170	WASHER, lock	1	
15	90170-20257	NUT	1	
16	12R-16356-00	ROD, Push 1	1	
17	93210-06422	O-RING	1	
18	12R-16357-00	ROD, Push 2	1	
19	93511-32017	BALL	1	
20	371-15389-00	SEAL, Push rod	1	
21	12R-16340-00	PUSH LEVER ASSY	1	
22	371-16396-00	HOUSING, Push screw	1	
23	98501-05012	SCREW, Pan head	2	
24	90113-08021	BOLT, set	1	
25	90179-08179	NUT	1	
26	90506-10069	SPRING, tension	1	

  
12R110-3170



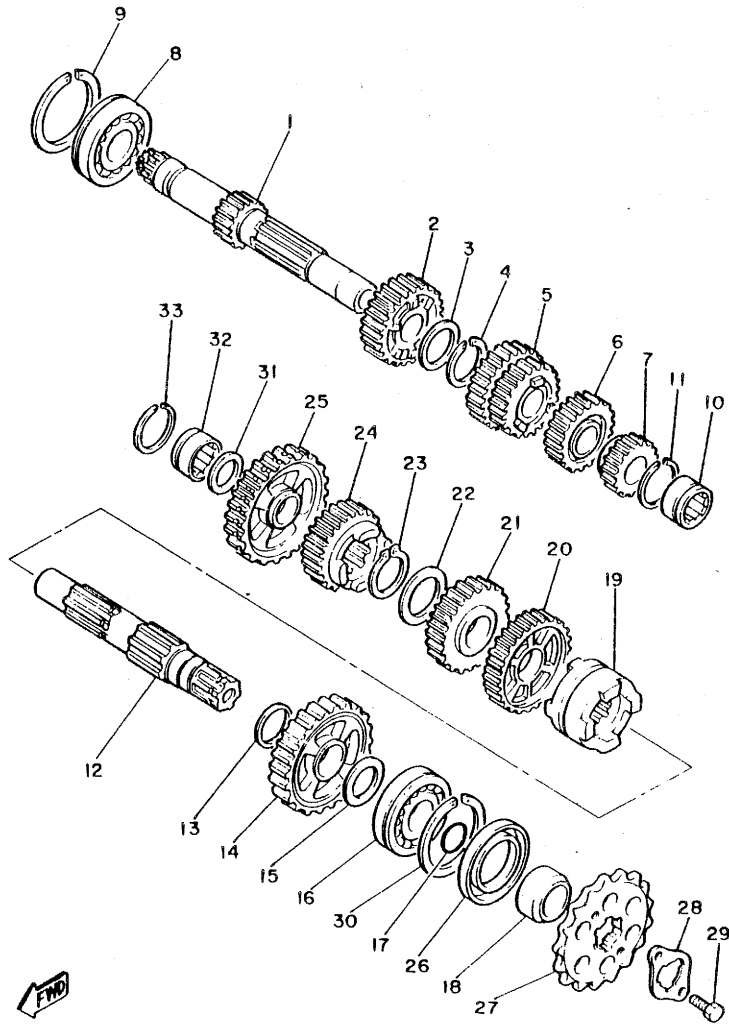
FIG. 18 TRANSMISSION



REF. NO.	PART NO.	DESCRIPTION	Q'TY	REMARKS
1	16M-17410-00	MAIN AXLE COMP.	1	
2	12R-17151-00	GEAR, 5th Pinion (28T)	1	
3	90209-22191	WASHER	1	
4	93440-25019	CIRCLIP	1	
5	4G0-17131-00	GEAR, 3rd/4th Pinion (22/25T)	1	
6	16M-17161-00	GEAR, 6th Pinion (29T)	1	
7	4U8-17121-00	GEAR, 2nd Pinion (19T)	1	
8	93306-30530	BEARING (6305NC3)	1	
9	278-17424-01	CIRCLIP 1	1	
10	93311-42045	BEARING, cylindrical	1	
11	278-17425-00	CIRCLIP 2	1	
12	16M-17402-00	DRIVE AXLE ASSY	1	
13	90201-273A9	WASHER, Plate	1	
14	4G0-17221-00	GEAR, 2nd wheel (37T)	1	
15	90201-25290	WASHER, Plate	1	
16	93306-30529	BEARING	1	
17	93210-22298	O-RING	1	
18	90387-256F2	COLLAR	1	
19	16M-17261-00	GEAR, 6th wheel (27T)	1	
20	4G0-17231-00	GEAR, 3rd wheel (34T)	1	
21	4G0-17241-00	GEAR, 4th wheel (31T)	1	
22	90209-22191	WASHER	1	
23	93440-25019	CIRCLIP	1	
24	12R-17251-00	GEAR, 5th wheel (29T)	1	
25	4G0-17211-00	GEAR, 1st wheel (41T)	1	
26	93102-35109	OIL SEAL	1	
27	4G0-17461-61	SPROCKET, drive (16T)	1	
28	3Y1-17456-00	HOLDER, sPcket	1	

16M110-3180

FIG. 18 TRANSMISSION



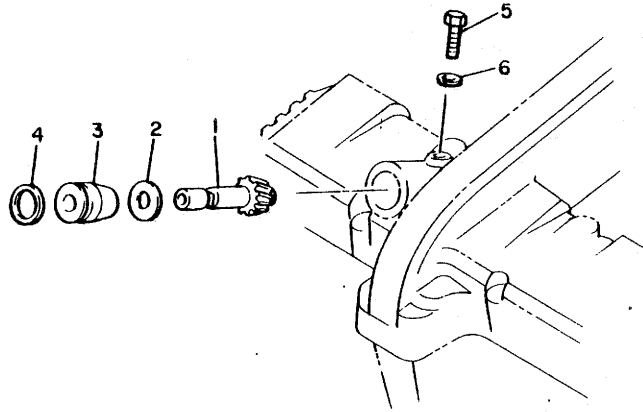
REF. NO.	PART NO.	DESCRIPTION	Q'TY	REMARKS
29	97322-06012	BOLT	2	
30	278-17424-01	CIRCLIP 1	1	
31	90201-20276	WASHER, Plate	1	
32	93311-42045	BEARING, cylindrical	1	
33	278-17425-00	CIRCLIP 2	1	

16M110-3180



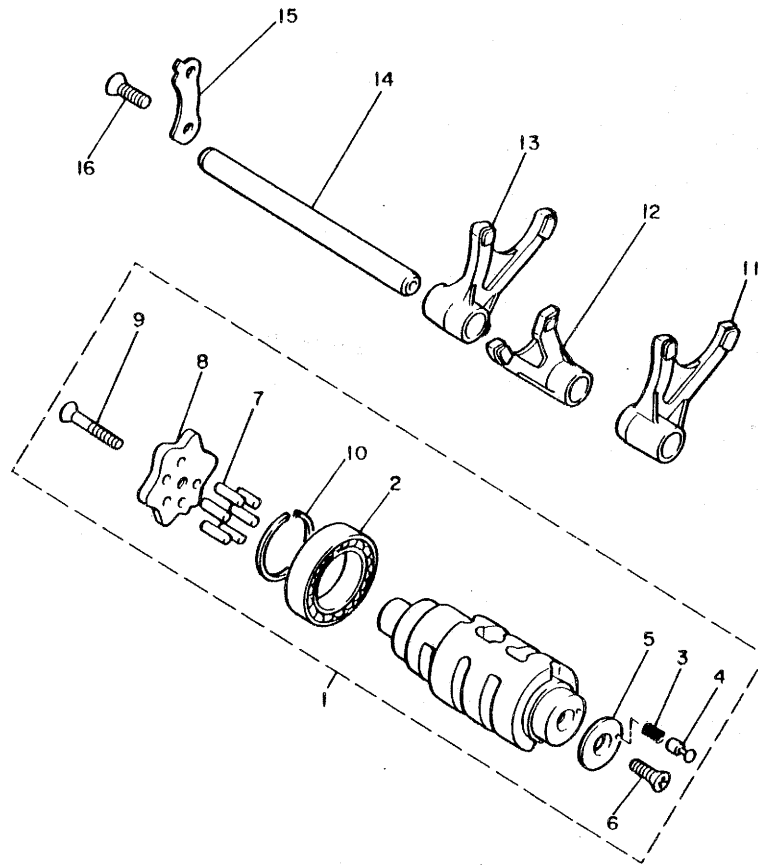
FIG. 19 TACHOMETER GEAR

REF. NO.	PART NO.	DESCRIPTION	Q'TY	REMARKS
1	3Y3-17841-00	GEAR, driven	1	
2	90201-08624	WASHER, Plate	1	
3	3Y3-17843-00	BUSH, driven Gear outer	1	
4	93104-08055	OIL SEAL	1	
5	90109-06418	BOLT	1	
6	90430-06014	GASKET	1	



12R110-3190

FIG. 20 SHIFT CAM-FORK

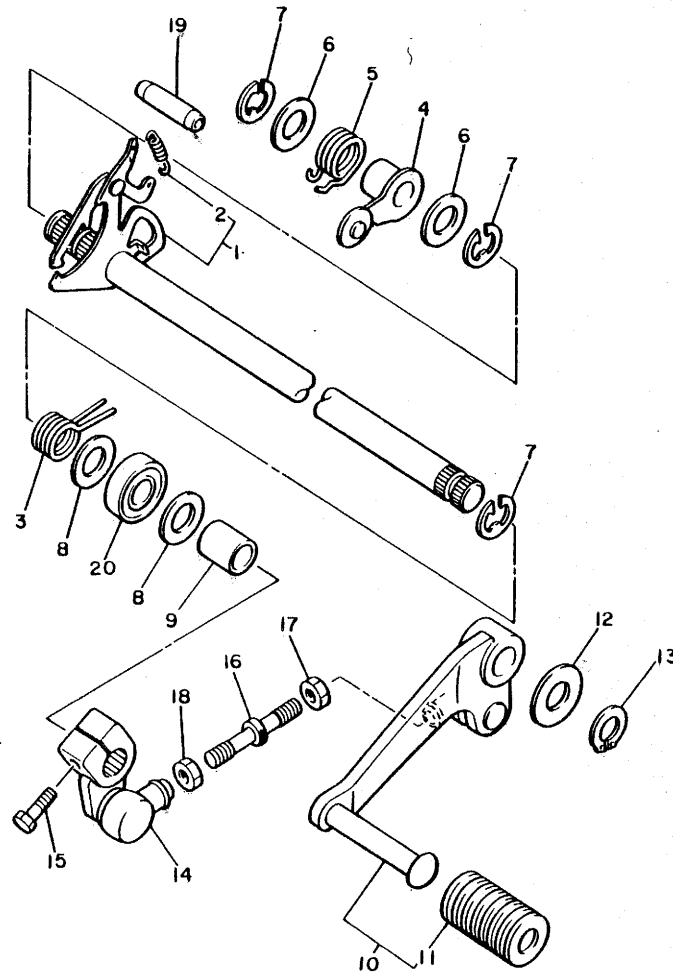


REF. NO.	PART NO.	DESCRIPTION	Q'TY	REMARKS
1	16M-18540-00	SHIFT CAM ASSY	1	
2	93306-90602	.BEARING	1	
3	90501-06022	.SPRING, compression	1	
4	278-18542-00	.POINT, neutral	1	
5	278-18566-00	.PLATE, side 2	1	
6	98701-05016	.SCREW, flat head	1	
7	93604-22050	.PIN, dowel	6	
8	12R-18185-00	.SEGMENT	1	
9	90151-06017	.SCREW, countersunk	1	
10	93440-30077	.CIRCLIP	1	
11	12R-18511-00	FORK, shift 1	1	
12	12R-18512-00	FORK, shift 2	1	
13	12R-18513-00	FORK, shift 3	1	
14	12R-18531-00	BAR, shift fork guide 1	1	
15	12R-18536-00	STOPPER, shift bar	1	
16	92701-06015	SCREW, flat head	2	



12R110-3200

FIG. 21 SHIFT SHAFT.PEDAL



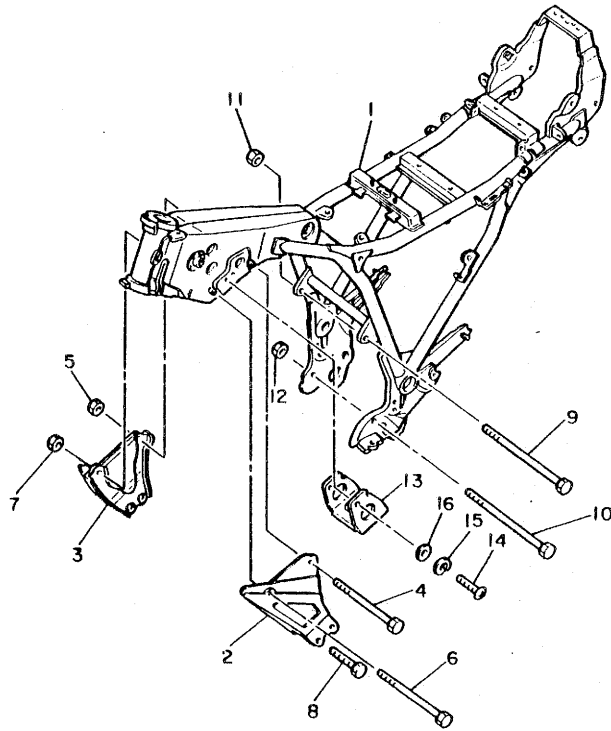
REF. NO.	PART NO.	DESCRIPTION	Q'TY	REMARKS
1	12R-18120-00	SHIFT LEVER ASSY	1	
2	90506-08227	.SPRING, tension	1	
3	90508-29547	SPRING, torsion	1	
4	12R-18140-01	STOPPER LEVER ASSY	1	
5	90508-29546	SPRING, torsion	1	
6	90201-12588	WASHER, Plate	2	
7	93430-10016	CIRCLIP	3	
8	90201-12588	WASHER, Plate	2	
9	90387-125A8	COLLAR	1	
10	16M-18110-00	SHIFT PEDAL ASSY	1	
11	132-18113-01	.COVER, shift Pedal	1	
12	90201-12688	WASHER, Plate	1	
13	93410-12003	CIRCLIP	1	
14	16M-18112-00	ARM, shift	1	
15	97321-06020	BOLT	1	
16	4K0-18115-00	ROD, shift	1	
17	90170-06228	NUT	1	
18	95303-06700	NUT	1	
19	93608-50158	PIN, dowel	1	
20	93102-12106	OIL SEAL	1	



16M110-3210

C13

FIG. 22 FRAME

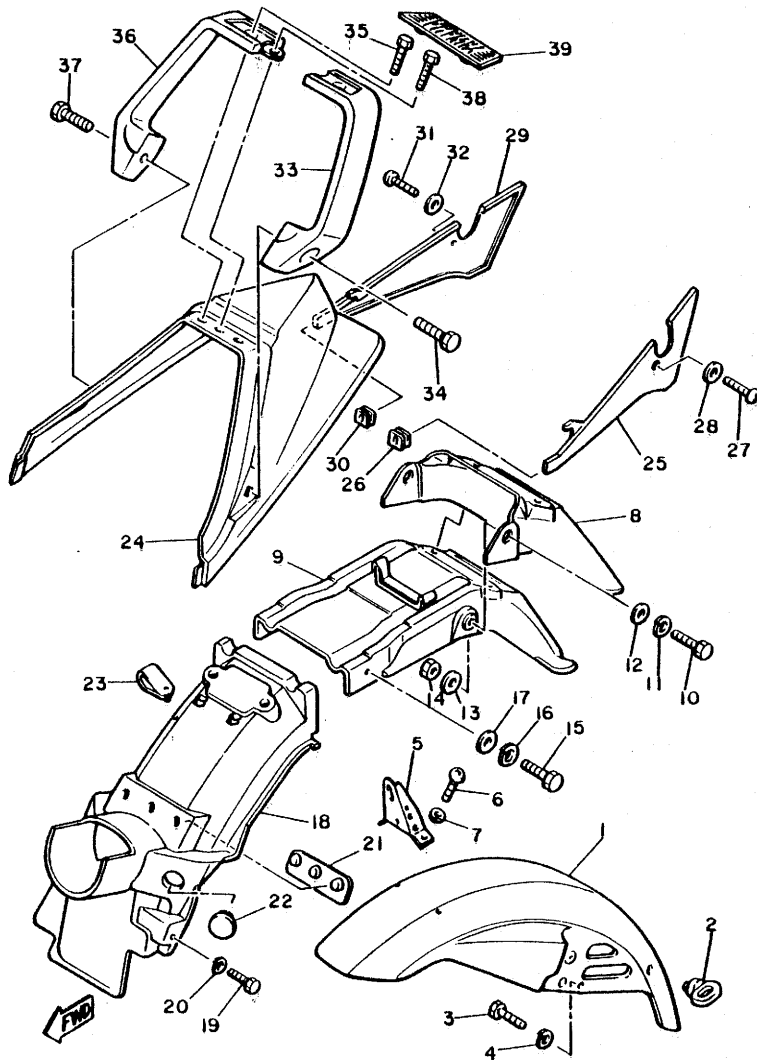


REF. NO.	PART NO.	DESCRIPTION	Q'TY	REMARKS
1	17X-21110-00-98	FRAME COMP	1	low gloss black
2	16M-21315-00-98	STAY, engine 2	1	low gloss black
3	16M-21316-00-98	STAY, engine 3	1	low gloss black
4	90105-10119	BOLT, washer based	1	
5	90179-10247	NUT	1	
6	90105-10227	BOLT, washer based	1	
7	90179-10277	NUT	1	
8	90105-10218	BOLT, washer based	4	
9	90105-10235	BOLT, washer based	1	
10	90105-12230	BOLT, washer based	1	
11	90179-10247	NUT	1	
12	90179-12248	NUT	1	
13	12R-21336-00	CLAMP, wire harness 2	1	
14	92506-06012	SCREW, Pan head	2	
15	92906-06100	WASHER, spring	2	
16	92906-06600	WASHER, Plate	2	



12E332-3220

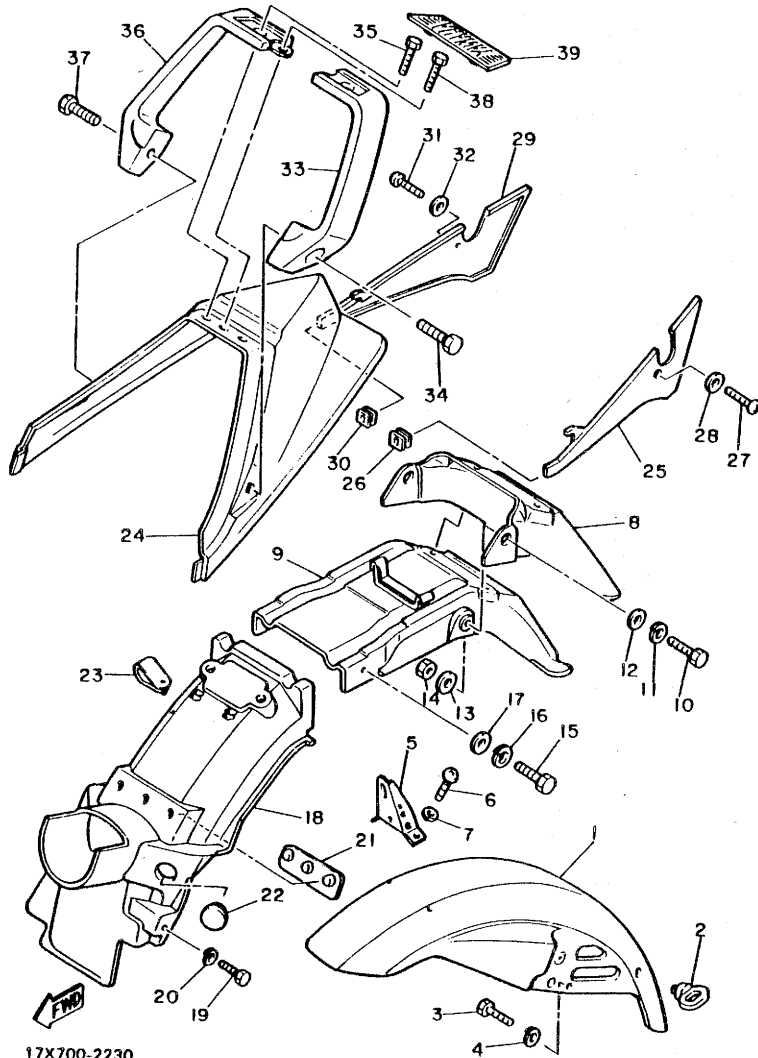
FIG. 23 FRONT FENDER-REAR FENDER



17X700-2230

REF. NO.	PART NO.	DESCRIPTION	Q'TY	REMARKS
1	17X-21510-00-2U	FRONT FENDER COMP.	1	suPer red
2	1A8-21518-00	HOLDER, cable	1	
3	97301-08020	BOLT	4	
4	92901-08100	WASHER, sPrinG	4	
5	16R-21581-00	STAY, Plate fitting 1	1	
6	92501-06015	SCREW, Pan head	2	
7	92901-06100	WASHER, sPrinG	2	
8	16M-21611-00	FENDER, rear	1	
9	16M-21670-00	REINF. COMP.	1	
10	97302-08030	BOLT	2	
11	92902-08100	WASHER, sPrinG	2	
12	92902-08600	WASHER, Plate	2	
13	90201-08748	WASHER, Plate	2	
14	95302-08600	NUT	2	
15	97302-06012	BOLT	2	
16	92902-06100	WASHER, sPrinG	2	
17	92902-06200	WASHER	2	
18	12R-21629-00	GUARD, mud	1	
19	97301-06016	BOLT	2	
20	92902-06100	WASHER, sPrinG	2	
21	1M1-21621-00	FLAP	1	
22	90480-30167	GROMMET	2	
23	90464-12027	CLAMP	1	
24	16M-21651-00-2U	COVER, rear fender	1	suPer red
25	12E-2163A-00	COVER, rear fender 2	1	
26	16M-21649-00	DAMPER	1	
27	98506-05012	SCREW, Pan head	1	
28	92906-05600	WASHER, Plate	1	

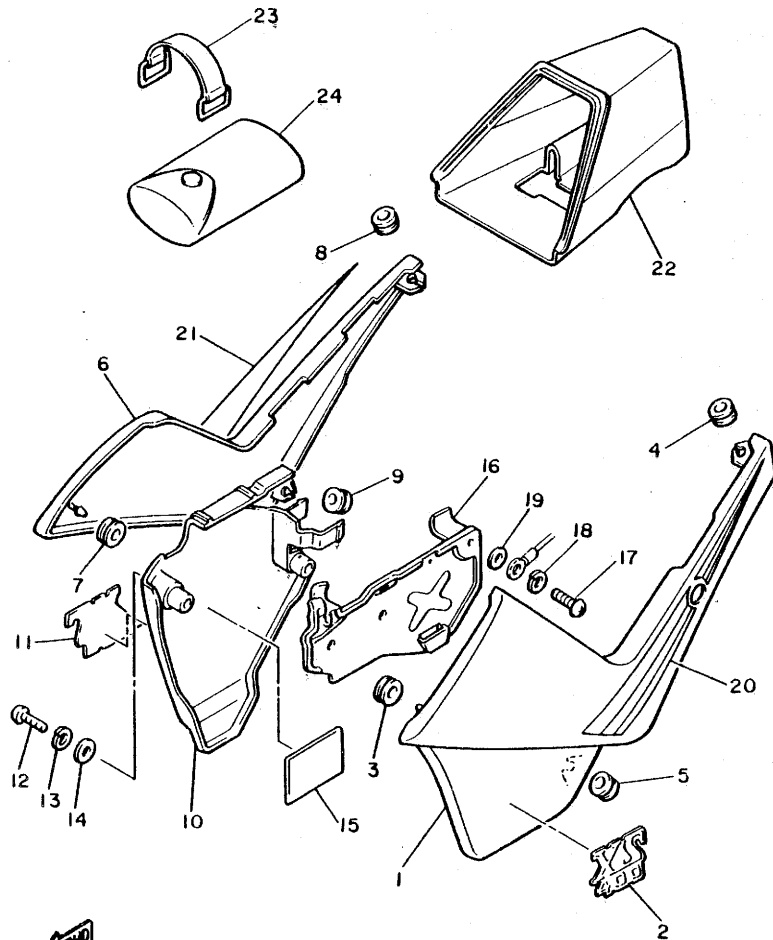
FIG. 23 FRONT FENDER•REAR FENDER



17X700-2230

REF. NO.	PART NO.	DESCRIPTION	Q'TY	REMARKS
29	12E-2163E-00	COVER, rear fender 3	1	
30	16M-21649-00	DAMPER	1	
31	98506-05012	SCREW, Pan head	1	
32	92906-05600	WASHER, Plate	1	
33	16M-21644-01	STAY, rear	1	
34	91316-08016	BOLT	1	
35	91316-06016	BOLT	2	
36	16M-21645-01	STAY, rear	1	
37	91316-08016	BOLT	1	
38	91316-06016	BOLT	1	
39	12E-21609-00	EMBLEM	1	

FIG. 24 SIDE COVER. TOOL



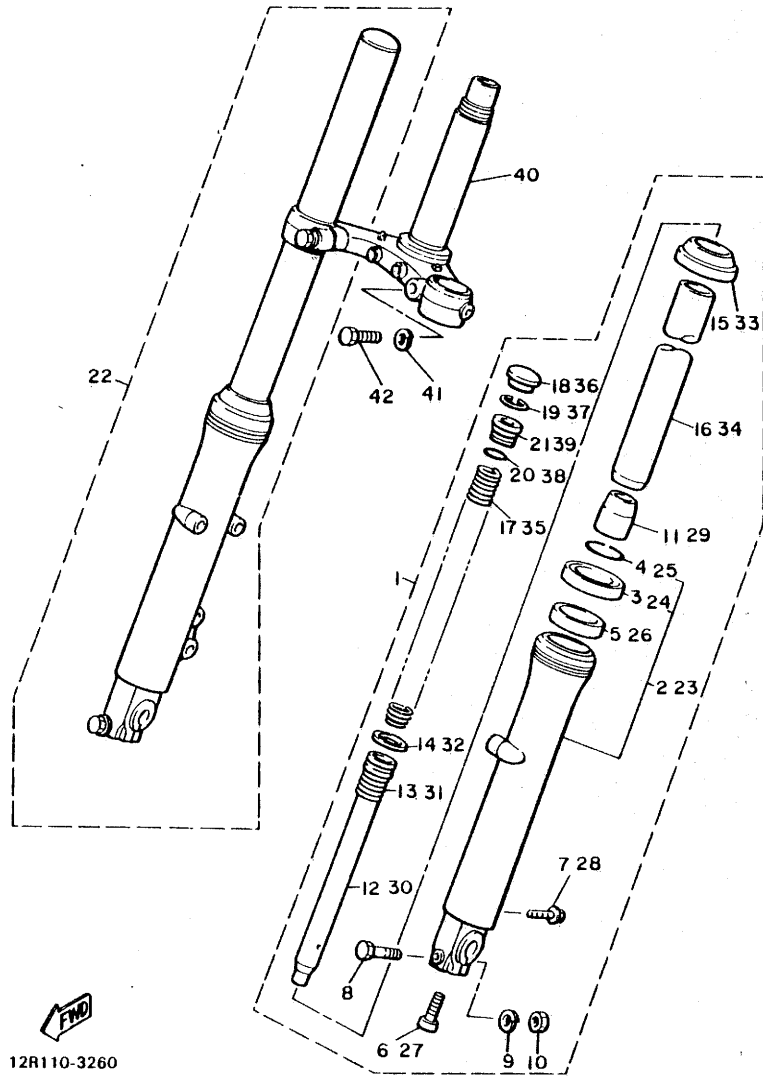
REF. NO.	PART NO.	DESCRIPTION	Q'TY	REMARKS
1	16M-21711-00-2U	COVER, side 1	1	suPer red
2	12E-21781-00	EMBLEM 1	1	
3	90480-13197	GROMMET	1	
4	90480-12053	GROMMET	1	
5	90480-12296	GROMMET	1	
6	16M-21721-00-2U	COVER, side 2	1	suPer red
7	90480-13197	GROMMET	1	
8	90480-12053	GROMMET	1	
9	90480-12296	GROMMET	1	
10	12R-28185-01	LID	1	
11	12E-21782-00	EMBLEM 2	1	
12	92506-06035	SCREW, Pan head	2	
13	92906-06100	WASHER, sPring	2	
14	90201-062A8	WASHER, Plate	2	
15	12R-21747-00	DAMPER	1	
16	12R-21243-01	PLATE, bridge	1	
17	92502-06016	SCREW, Pan head	1	
18	92902-06100	WASHER, sPring	1	
19	90201-06750	WASHER, Plate	1	
20	12E-2173E-00	GRAPHIC 1	1	for sur
21	12E-2173F-00	GRAPHIC 2	1	for sur
22	16M-2177A-00	BOX	1	
23	122-82131-00	BAND, battery	1	
24	11H-28100-10	TOOL KIT	1	



12E332-3240



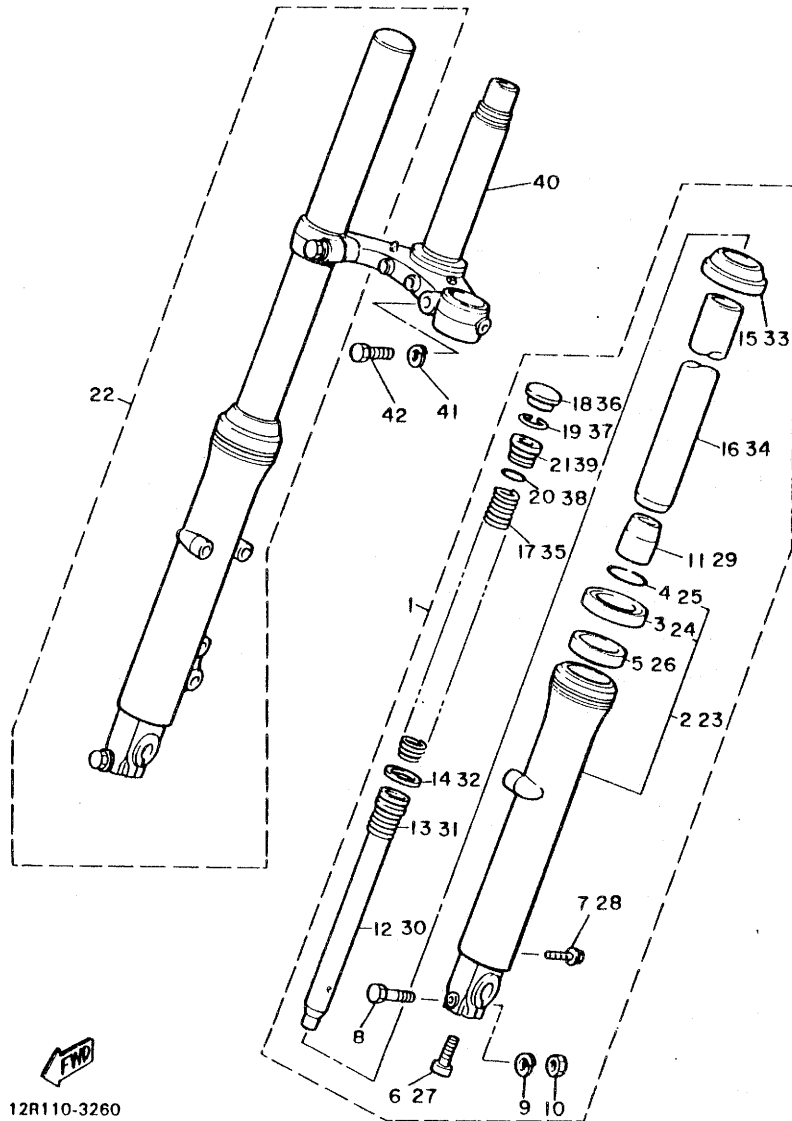
FIG. 26 FRONT FORK



12R110-3260

REF. NO.	PART NO.	DESCRIPTION	Q'TY	REMARKS
1	12E-23102-00	FRONT FORK ASSY (L.H)	1	
2	12R-23130-00	.FORK UNIT ASSY	1	
3	10V-23145-00	..OIL SEAL	1	
4	1J3-23156-00	..CLIP, oil seal	1	
5	12R-23125-00	..METAL, slide 1	1	
6	3M7-23181-00	.BOLT, hexagon socket head	1	
7	2A6-23119-00	.PLUG, drain	1	
8	97321-08055	.BOLT	1	
9	92901-08100	.WASHER, sPring	1	
10	95311-08600	.NUT	1	
11	10V-23166-00	.SPACER, oil lock	1	
12	12E-23171-00	.PISTON, front fork	1	
13	10M-23151-00	.SPRING, rebound	1	
14	1T4-23157-01	.RING, Piston	1	
15	12R-23144-00	.SEAL, dust	1	
16	12R-23110-00	.INNER TUBE COMP.1	1	
17	12E-23141-00	.SPRING, front fork	1	
18	1J3-23168-00	.CAP, front fork	1	
19	1J3-23183-01	.RING, stopPer	1	
20	2F3-23114-00	.GASKET	1	
21	1T4-23111-00	.SEAT, sPring	1	
22	12E-23103-00	FRONT FORK ASSY (R.H)	1	
✓ 23	12R-23140-00	.FORK UNIT ASSY 2	1	
✓ 24	10V-23145-00	..OIL SEAL	1	
✓ 25	1J3-23156-00	..CLIP, oil seal	1	
✓ 26	12R-23125-00	..METAL, slide 1	1	
× 27	3M7-23181-00	.BOLT, hexagon socket head	1	
✓ 28	2A6-23119-00	.PLUG, drain	1	

FIG. 26 FRONT FORK



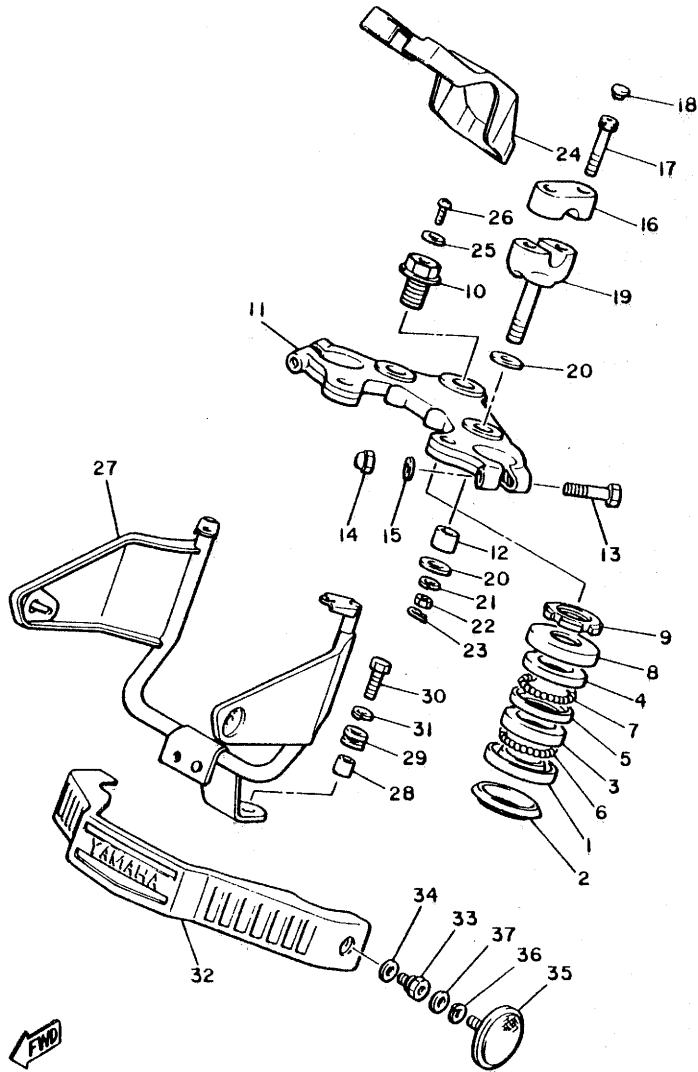
REF. NO.	PART NO.	DESCRIPTION	Q'TY	REMARKS
X 29	10V-23166-00	•SPACER, oil lock	1	
X 30	12E-23171-00	•PISTON, front fork	1	
X 31	10M-23151-00	•SPRING, rebound	1	
X 32	1T4-23157-01	•RING, Piston	1	
X 33	12R-23144-00	•SEAL, dust	1	
X 34	12R-23110-00	•INNER TUBE COMP.1	1	
X 35	12E-23141-00	•SPRING, front fork	1	
X 36	1J3-23168-00	•CAP, front fork	1	
X 37	1J3-23183-01	•RING, stopper	1	
X 38	2F3-23114-00	•GASKET	1	
39	1T4-23111-00	•SEAT, sPrinG	1	
40	12R-23340-00-90	UNDER BRACKET COMP.	1	uni chrome (black)
41	92901-12100	WASHER, sPrinG	2	
42	97321-12035	BOLT	2	



12R110-3260



FIG. 27 STEERING



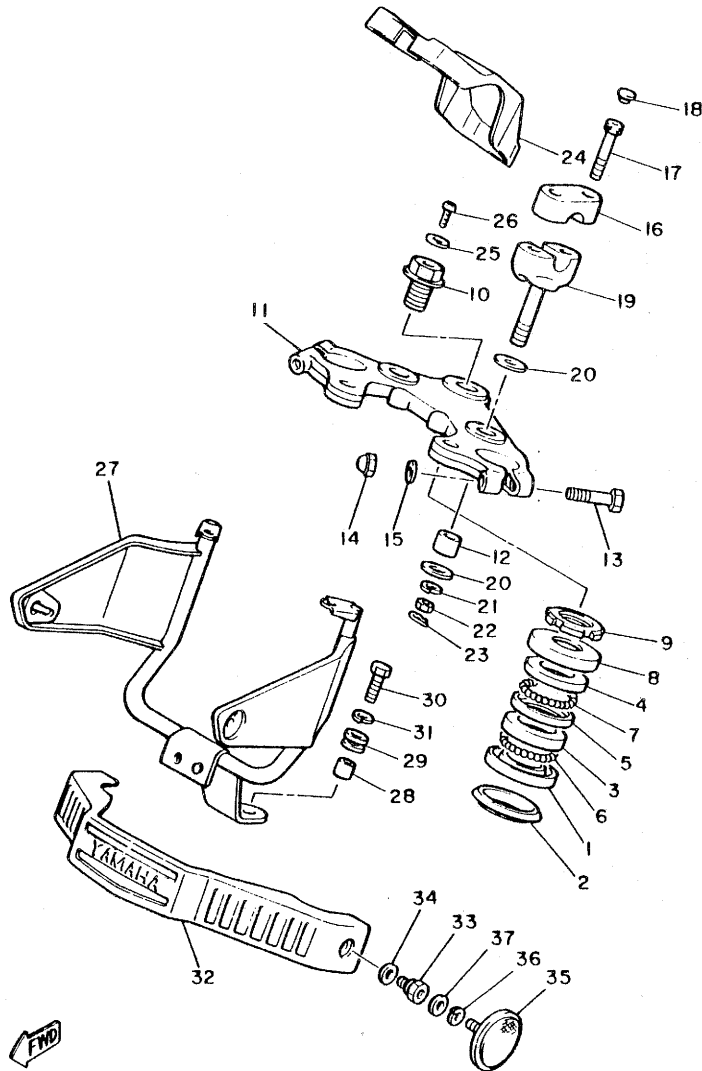
REF. NO.	PART NO.	DESCRIPTION	Q'TY	REMARKS
1	156-23411-00	RACE, ball 1	1	
2	164-23462-00	SEAL, steering	1	
3	156-23412-00	RACE, ball 2	1	
4	183-23411-00	RACE, ball 1	1	
5	183-23412-00	RACE, ball 2	1	
6	93501-04011	BALL	19	
7	93501-04011	BALL	19	
8	4K0-23415-00	COVER, ball race 1	1	
9	4H3-23454-00	NUT, fitting 2	1	
10	90109-14602	BOLT	1	
11	12R-23435-00-98	CROWN, handle	1	low gloss black
12	3Y6-23434-00	HOLDER, damPer	2	
13	97326-08055	BOLT	2	
14	95306-08800	NUT	2	
15	92906-08600	WASHER, Plate	2	
16	4H7-23441-00-98	HOLDER, handle upper	2	low gloss black
17	91316-08030	BOLT	4	
18	341-23469-00	CAP, bolt	4	
19	3Y6-23442-00-98	HOLDER, handle lower	2	low gloss black
20	90201-10141	WASHER, Plate	4	
21	92901-10100	WASHER, spring	2	
22	95301-10700	NUT	2	
23	90468-12006	CLIP	2	
24	16M-26213-00	COVER, upper	1	
25	90201-06075	WASHER, Plate	1	
26	92501-06010	SCREW, Pan head	1	
27	16M-23174-00-98	STAY, headlight	1	low gloss black
28	90387-065A6	COLLAR	1	



16M110-3270

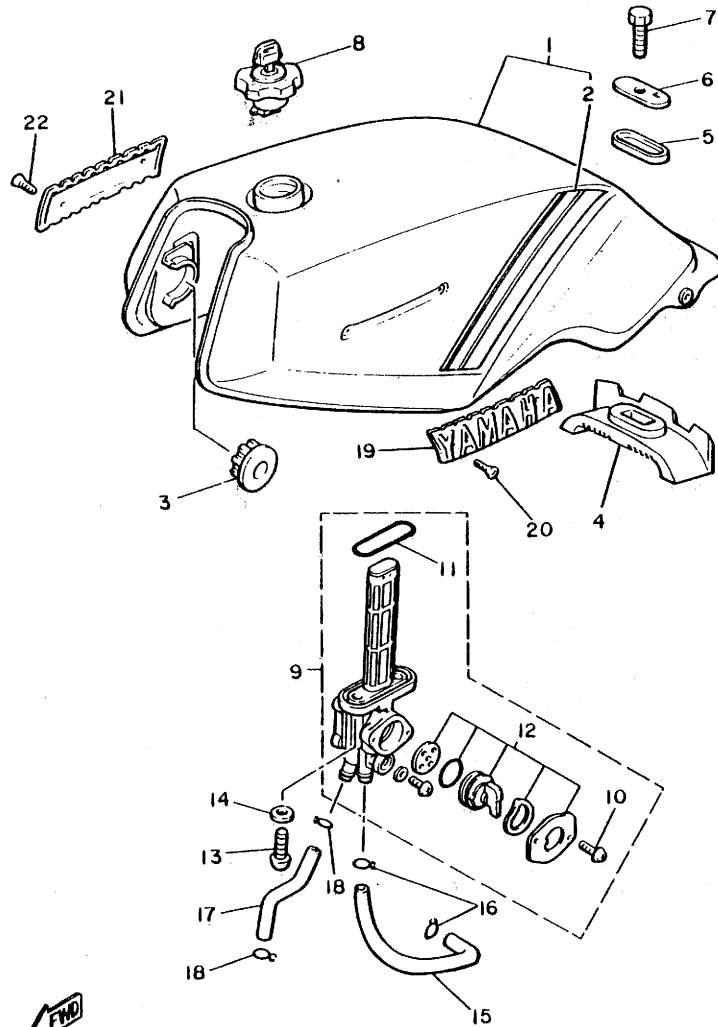
D7

FIG. 27 STEERING



REF. NO.	PART NO.	DESCRIPTION	Q'TY	REMARKS
29	90480-14101	GROMMET	1	
30	97306-06025	BOLT	1	
31	92906-06100	WASHER, sPring	1	
32	16M-23122-01	COVER, outer 1	1	
33	90109-06583	BOLT	2	
34	92901-10200	WASHER, Plain	2	
35	2N8-85111-00	REFLECTOR, front 1	2	
36	92902-05100	WASHER, sPring	2	
37	92902-05200	WASHER	2	

FIG. 28 FUEL TANK



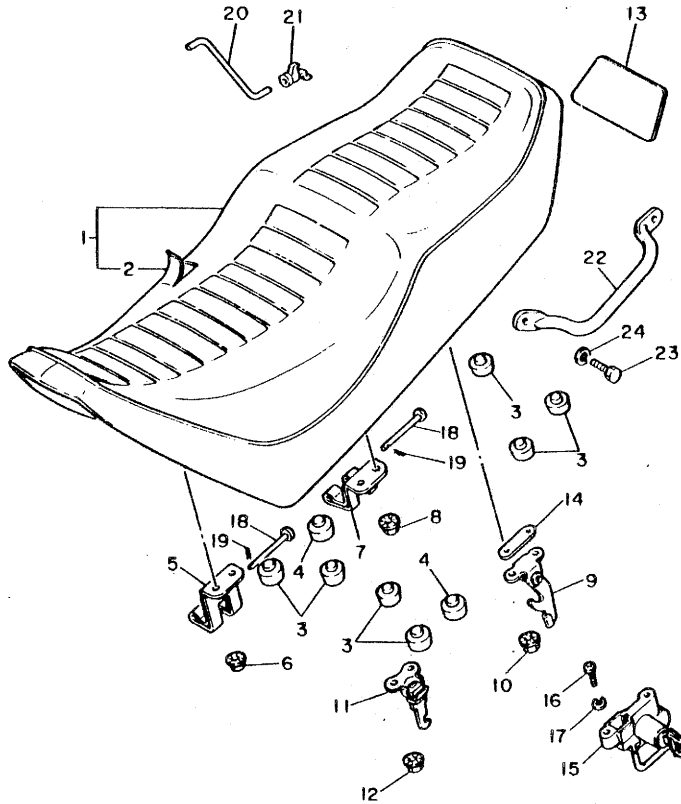
REF. NO.	PART NO.	DESCRIPTION	Q'TY	REMARKS
1	16M-24110-00-03	FUEL TANK COMP.	1	super red
2	12E-24240-00	.GRAPHIC SET	1	
3	4H7-24181-00	DAMPER, locating 1	2	
4	16M-24182-00	DAMPER, locating 2	1	
5	3Y6-24183-00	DAMPER, locating 3	1	
6	12R-24186-00	WASHER, special	1	
7	97302-08030	BOLT	1	
8	11H-24602-00	CAP ASSY	1	
9	16M-24500-00	FUEL COCK ASSY 1	1	
10	98501-03008	.SCREW, Pan head	2	
11	2W6-24512-00	.O-RING	1	
12	10L-W0092-00	.FUEL COCK VALVE SET	1	
13	90149-06011	SCREW	2	
14	90202-06010	WASHER, Plate	2	
15	90445-11626	HOSE	1	
16	90467-10008	CLIP	2	
17	90445-09661	HOSE	1	
18	90467-08003	CLIP	2	
19	12E-24161-00	EMBLEM 1	1	
20	90152-04006	SCREW, countersunk	2	
21	12E-24162-00	EMBLEM 2	1	
22	90152-04006	SCREW, countersunk	2	



12E332-3280

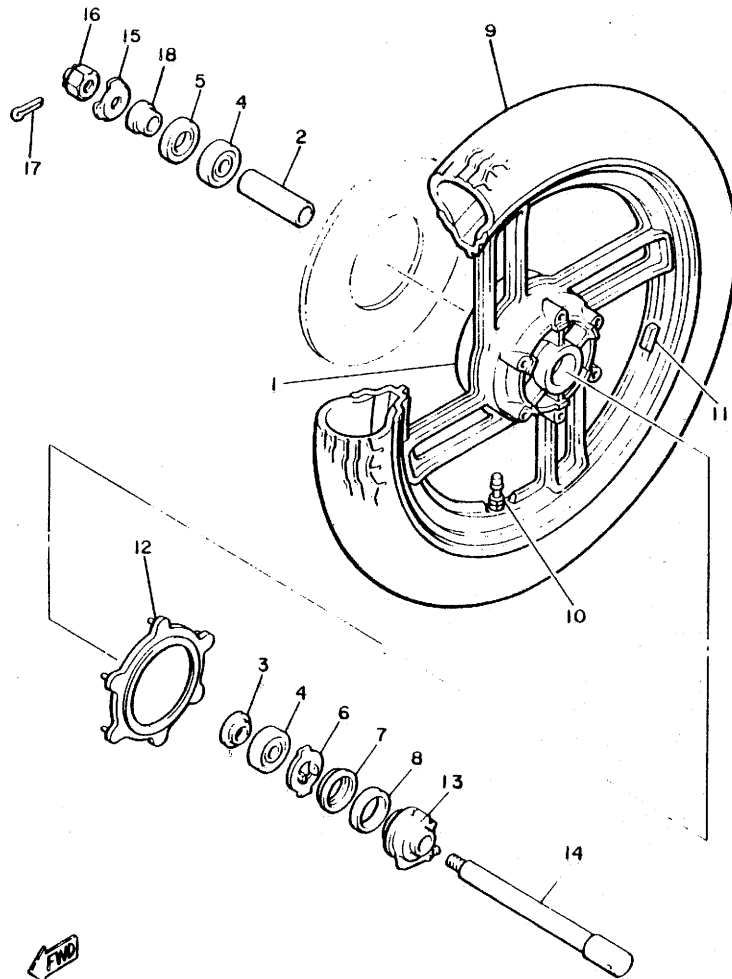
D9

FIG. 29 SEAT



REF. NO.	PART NO.	DESCRIPTION	Q'TY	REMARKS
1	16M-W2472-00	DOUBLE SEAT ASSY	1	
2	16M-24731-00	.COVER, double seat	1	
3	116-24741-00	PAD, seat	7	
4	371-27114-00	STOPPER, main stand	2	
5	16M-24726-00	HINGE, seat	1	
6	95701-06100	NUT, flange	2	
7	16M-24769-00	HINGE, seat	1	
8	95701-06100	NUT, flange	2	
9	4K0-24760-00	SEAT LEVER ASSY	1	
10	95701-06100	NUT, flange	2	
11	4K0-24728-00	BRACKET, seat	1	
12	95701-06100	NUT, flange	2	
13	16M-24714-00	STOPPER, cushion	1	
14	16M-24746-00	WASHER, seat	1	
15	4K0-24705-00	SEAT LOCK ASSY	1	
16	92501-06012	SCREW, Pan head	2	
17	92902-06100	WASHER, spring	2	
18	91701-05055	PIN, clevis	2	
19	90468-10050	CLIP	2	
20	4K0-24768-01	STOPPER	1	
21	1J7-24718-00	HOLDER, rod 1	1	
22	16M-21165-00	HANDLE, standing	1	
23	97306-08016	BOLT	2	
24	92906-08100	WASHER, spring	2	

FIG. 30 FRONT WHEEL

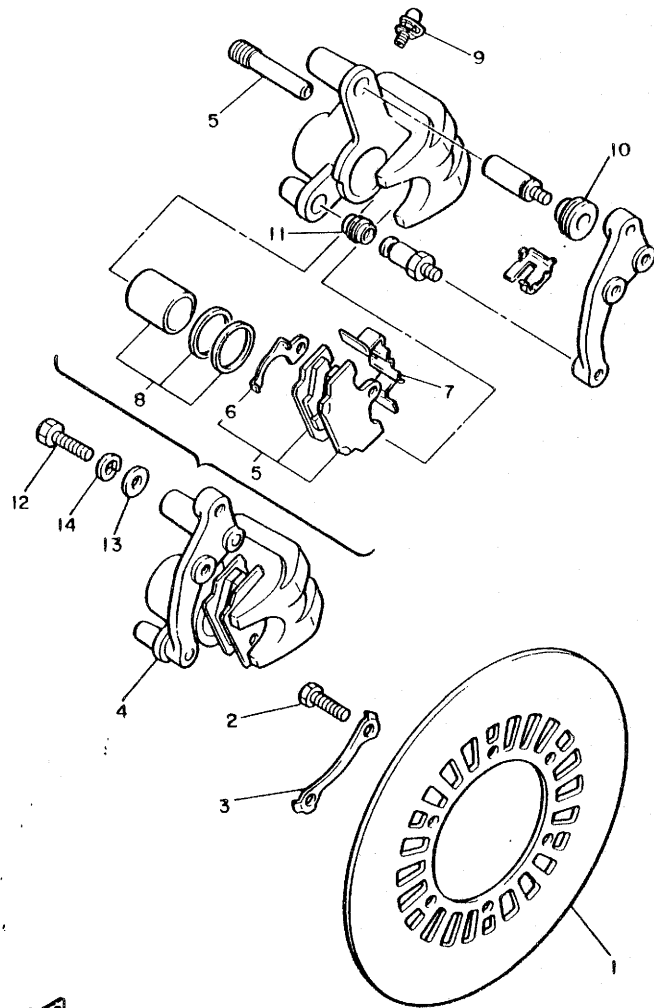


REF. NO.	PART NO.	DESCRIPTION	Q'TY	REMARKS
1	11U-25168-20-98	CAST WHEEL, front	1	low gloss black
2	90560-15116	SPACER	1	
3	146-25115-00	FLANGE, sPacer 1	1	
4	93306-30203	BEARING (B6302Z)	2	
5	93102-22014	OIL SEAL	1	
6	341-25149-00	CLUTCH, meter	1	
7	341-25846-00	RETAINER, clutch	1	
8	93105-45017	OIL SEAL	1	
9	94130-18765	TIRE (3.00-18)	1	bridgestone
	94130-18767	TIRE (3.00-18)	1	dunlop
10	94227-18118	TUBE (2.75-18)	1	bridgestone
	94227-18195	TUBE (2.75-18)	1	dunlop
11	1A1-25398-01	BALANCER, wheel (20G)	1	UR
	1A1-25399-00	BALANCER, wheel (10G)	1	UR
	2M0-25399-00	BALANCER, wheel (30G)	1	UR
12	11H-25847-00	COVER, housing	1	
13	1L9-25190-00	GEAR UNIT ASSY	1	
14	4H7-25181-01	AXLE, wheel	1	
15	92901-14200	WASHER, Plain	1	
16	90171-14020	NUT, castle	1	
17	91401-30030	PIN, cotter	1	
18	90387-15550	COLLAR	1	

16M110-3300

D11

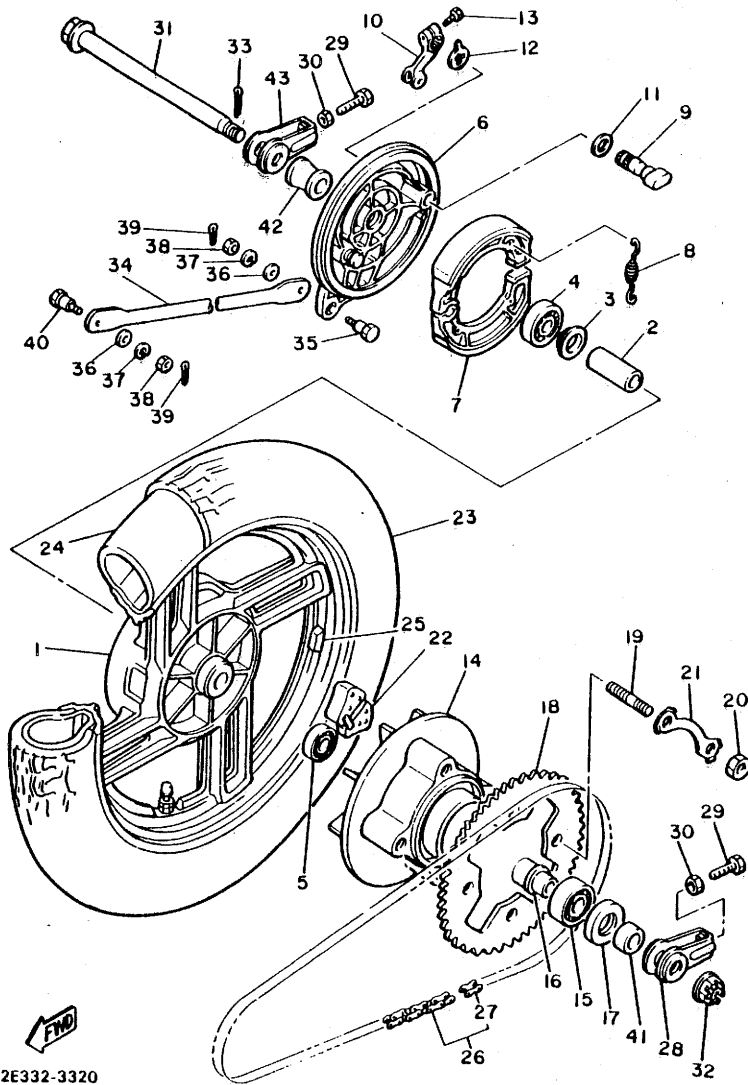
FIG. 31 FRONT BRAKE CALIPER



REF. NO.	PART NO.	DESCRIPTION	Q'TY	REMARKS
1	11U-25831-00	DISC, brake	1	
2	90101-08312	BOLT	6	
3	11H-25834-00	WASHER, lock	3	
4	11U-25810-00	CALIPER ASSY (RIGHT)	1	
5	11U-W0045-00	•BRAKE PAD KIT, front	1	
6	11U-25827-00	•SHIM, caliPer	1	
7	11H-25919-00	•SUPPORT, Pad	1	
8	4X8-W0057-00	•PISTON ASSY, caliPer	1	
9	404-W0048-30	•BREED SCREW KIT	1	
10	4X8-25917-00	•BOOT, caliPer	1	
11	5R2-25937-00	•BOOT 2	1	
12	90101-10308	BOLT	2	
13	92901-10200	WASHER, Plain	2	
14	92901-10100	WASHER, sPring	2	

FWD  
16M110-3310

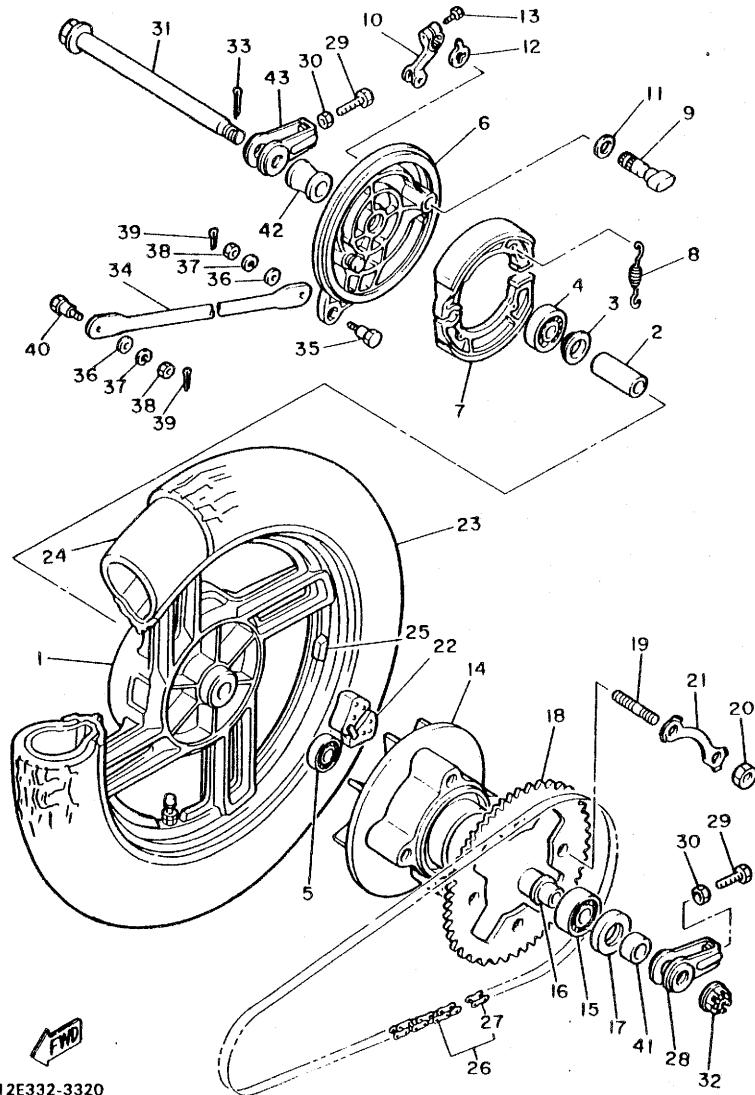
FIG. 32 REAR WHEEL



REF. NO.	PART NO.	DESCRIPTION	Q'TY	REMARKS
1	12E-25338-20-98	CAST WHEEL, rear	1	low gloss black
2	90560-17125	SPACER	1	
3	148-25315-00	FLANGE, spacer	1	
4	93306-30306	BEARING (B6303)	1	
5	93306-20310	BEARING (B6203RS)	1	
6	4G0-25321-00	PLATE, brake shoe	1	
7	4G0-25330-00	BRAKE SHOE COMP.	2	
8	90507-20002	SPRING, tension	2	
9	4R4-25351-00	CAMSHAFT	1	
10	4VB-25355-00	LEVER, camshaft	1	
11	148-25353-00	SHIM, camshaft	1	
12	4G0-2533A-00	PLATE, indicator	1	
13	90101-06291	BOLT	1	
14	12R-25366-00-38	CLUTCH, hub	1	clear buffing
15	93306-30423	BEARING	1	
16	90387-176A0	COLLAR	1	
17	93102-30072	OIL SEAL	1	
18	12R-25438-20	SPROCKET, driven (38T)	1	
19	90116-10348	BOLT, stud	4	
20	90170-10219	NUT	4	
21	12R-25412-00	WASHER	2	
22	4G0-25364-00	DAMPER	6	
23	94141-18766	TIRE (4.10-18)	1	bridgestone
	94141-18768	TIRE (4.10-18)	1	dunlop
24	94241-18153	TUBE (4.10-18)	1	bridgestone
	94232-18096	TUBE (3.25-18)	1	dunlop
25	1A1-25398-01	BALANCER, wheel (20G)	1	UR
	1A1-25399-00	BALANCER, wheel (10G)	1	UR

12E332-3320

FIG. 32 REAR WHEEL

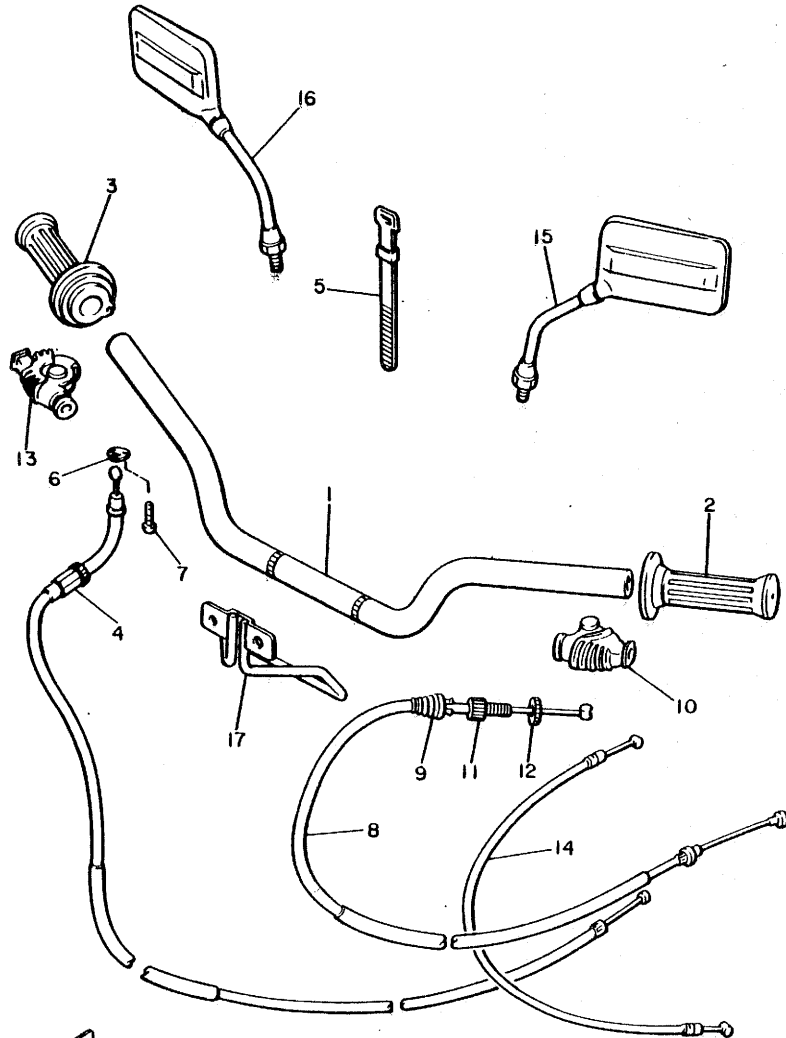


REF. NO.	PART NO.	DESCRIPTION	Q'TY	REMARKS
25	2M0-25399-00	BALANCER, wheel (30G)	1	UR
26	94580-20102	CHAIN, drive (DID50HDSS 102L)	1	
27	94680-20011	JOINT, chain	1	
28	12R-25388-00	PULLER, chain 1	1	
29	90101-08034	BOLT	2	
30	95301-08700	NUT	2	
31	12R-25381-00	AXLE, wheel	1	
32	90171-14031	NUT, castle	1	
33	91401-30030	PIN, cotter	1	
34	4G0-25371-00	BAR, tension	1	
35	90109-08406	BOLT	1	
36	92901-08600	WASHER, Plate	2	
37	92901-08100	WASHER, sPring	2	
38	95301-08700	NUT	2	
39	91401-20015	PIN, cotter	2	
40	90109-08368	BOLT	1	
41	90387-175A9	COLLAR	1	
42	148-25383-00	COLLAR, wheel	1	
43	12R-25389-00	PULLER, chain 2	1	

12E332-3320



FIG. 33 HANDLEBAR.CABLE

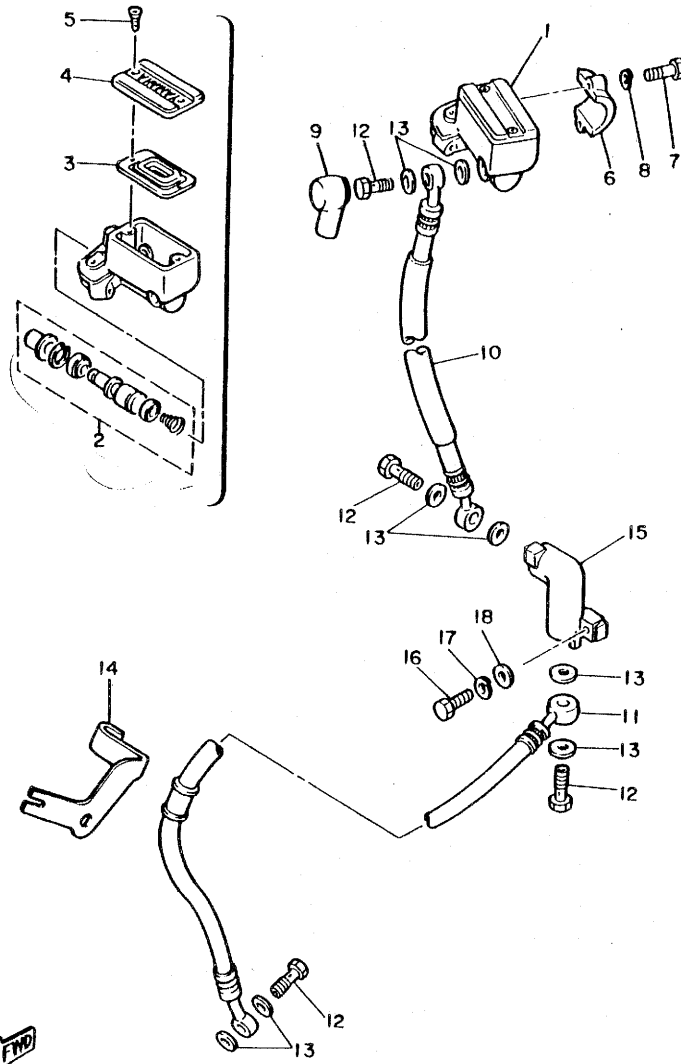


REF. NO.	PART NO.	DESCRIPTION	Q'TY	REMARKS
1	1T5-26111-00	HANDLEBAR	1	
2	5G2-26241-00	GRIP (L.H)	1	
3	5G2-26240-00	GRIP ASSY	1	
4	16M-26311-00	CABLE, throttle 1	1	
5	12R-26397-00	BAND	1	
6	5H0-26393-00	HOLDER	1	
7	98506-05008	SCREW, Pan head	1	
8	16M-26335-00	CABLE, clutch	1	
9	1E6-26342-00	BOOT, cable	1	
10	11H-26372-00	COVER, handle lever 1	1	
11	90123-08046	BDLT	1	
12	90179-08148	NUT	1	
13	1T5-26372-00	COVER, handle lever 1	1	
14	16M-26331-00	CABLE, starter 1	1	
15	16R-26290-41	BACK MIRROR ASSY	1	
16	16R-26290-31	BACK MIRROR ASSY	1	
17	16M-26399-00	GUIDE, cable	1	



16M110-3330

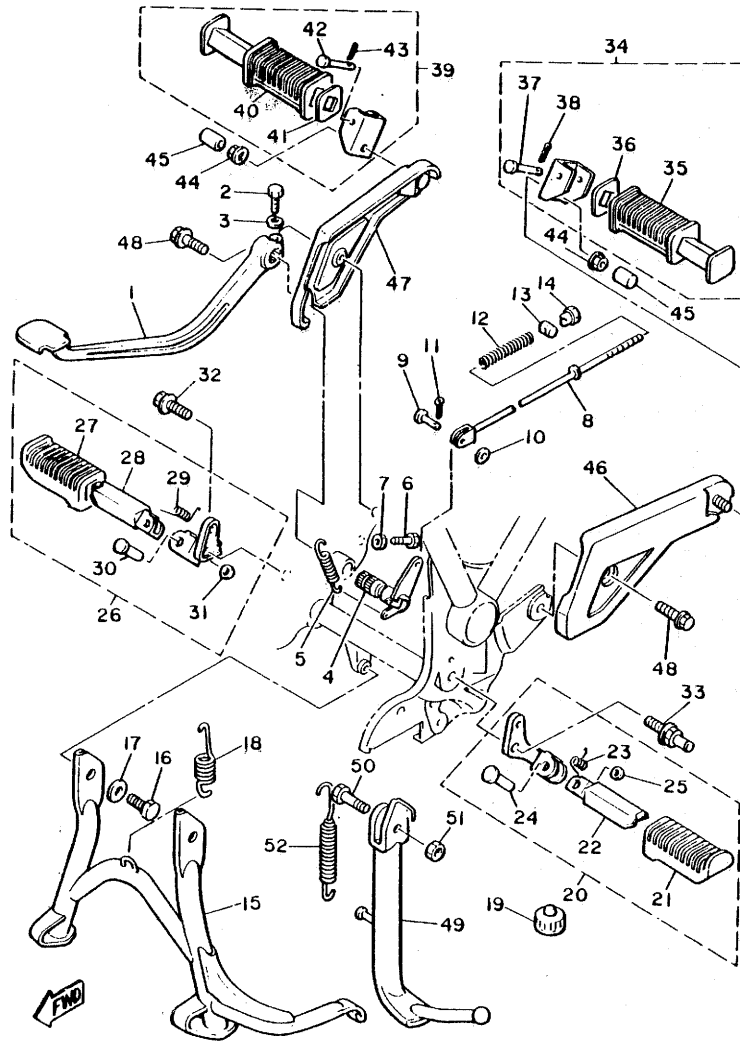
FIG. 34 FRONT MASTER CYLINDER



REF. NO.	PART NO.	DESCRIPTION	Q'TY	REMARKS
1	4L0-25850-02	MASTER CYLINDER ASSY	1	
2	4L0-W0041-00	.CYLINDER KIT, master	1	
3	4L0-25854-00	.DIAPHRAGM, reservoir	1	
4	4L0-25852-00	.CAP, reservoir	1	
5	98706-04012	.SCREW, flat head	2	
6	4L0-25867-00	BRACKET, master cylinder	1	
7	97326-06025	BOLT	2	
8	92906-06100	WASHER, sPring	2	
9	4L0-25862-00	BOOT, master cylinder	1	
10	16M-25872-00	HOSE, brake 1	1	
11	16M-25873-00	HOSE, brake 2	1	
12	90401-10034	BOLT, union	4	
13	90201-10118	WASHER, Plate	8	
14	16M-25875-00	HOLDER, brake hose 1	1	
15	1J7-25885-01	JOINT	1	
16	97301-06025	BOLT	1	
17	92901-06100	WASHER, sPring	1	
18	92901-06600	WASHER, Plate	1	

16M110-3340

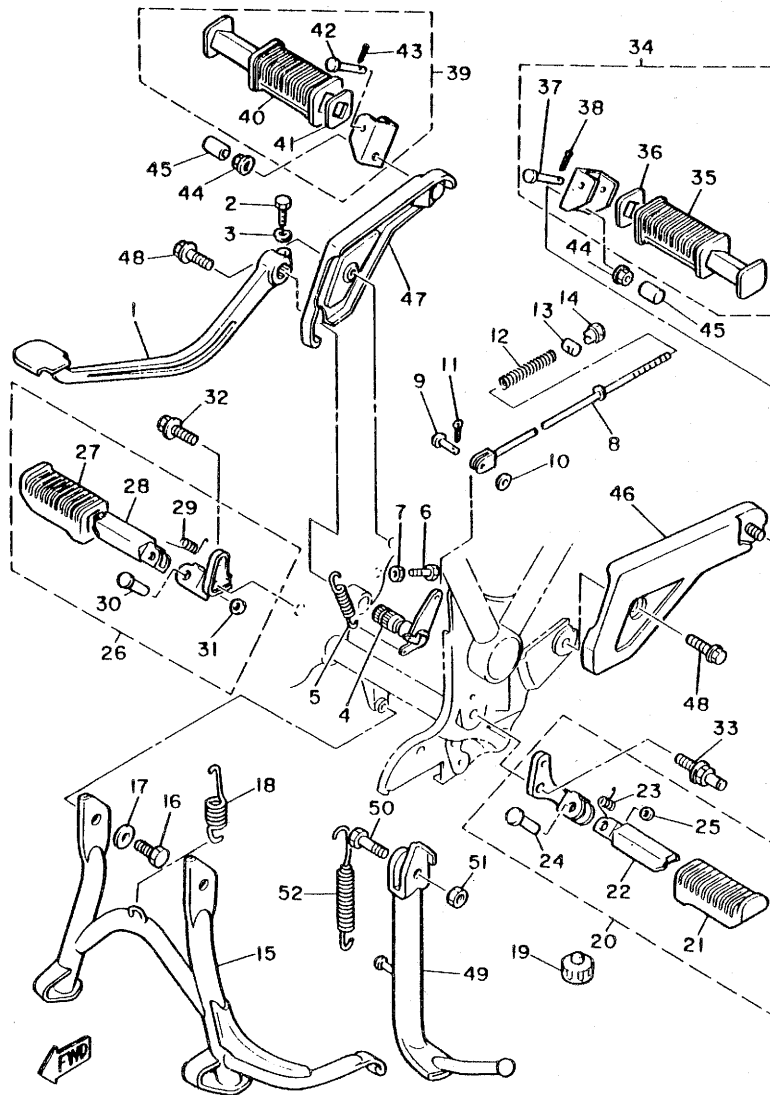
FIG. 35 STAND.FOOTREST



16M110-3350

REF. NO.	PART NO.	DESCRIPTION	Q'TY	REMARKS
1	16M-27211-00-93	PEDAL, brake	1	chrome-Plated
2	90109-06468	BOLT	1	
3	92901-06100	WASHER, sPrinG	1	
4	16M-27212-00	SHAFT, brake Pedal	1	
5	90506-20192	SPRING, tension	1	
6	90101-06478	BOLT	1	
7	90170-06184	NUT	1	
8	16M-27231-00	ROD, brake	1	
9	90240-06040	PIN, clevis	1	
10	92901-06200	WASHER, Plain	1	
11	91401-20015	PIN, cotter	1	
12	90501-10245	SPRING, compression	1	
13	90249-12008	PIN	1	
14	90179-06176	NUT	1	
15	12R-27111-00-R4	STAND, main	1	black
16	97302-10016	BOLT	2	
17	90201-10752	WASHER, Plate	2	
18	90506-45278	SPRING, tension	1	
19	371-27114-00	STOPPER, main stand	1	
20	16M-27410-00-R4	FRONT FOOTREST ASSY (L.H)	1	black
21	1J7-27413-01	.COVER, footrest	1	
22	1T3-27451-00	.FOOTREST	1	
23	90508-20023	.SPRING, torsion	1	
24	90243-08006	.PIN	1	
25	90201-06042	.WASHER, Plate	1	
26	16M-27420-00-R4	FRONT FOOTREST ASSY (R.H)	1	black
27	1J7-27413-01	.COVER, footrest	1	
28	1T3-27461-00	.FOOTREST	1	

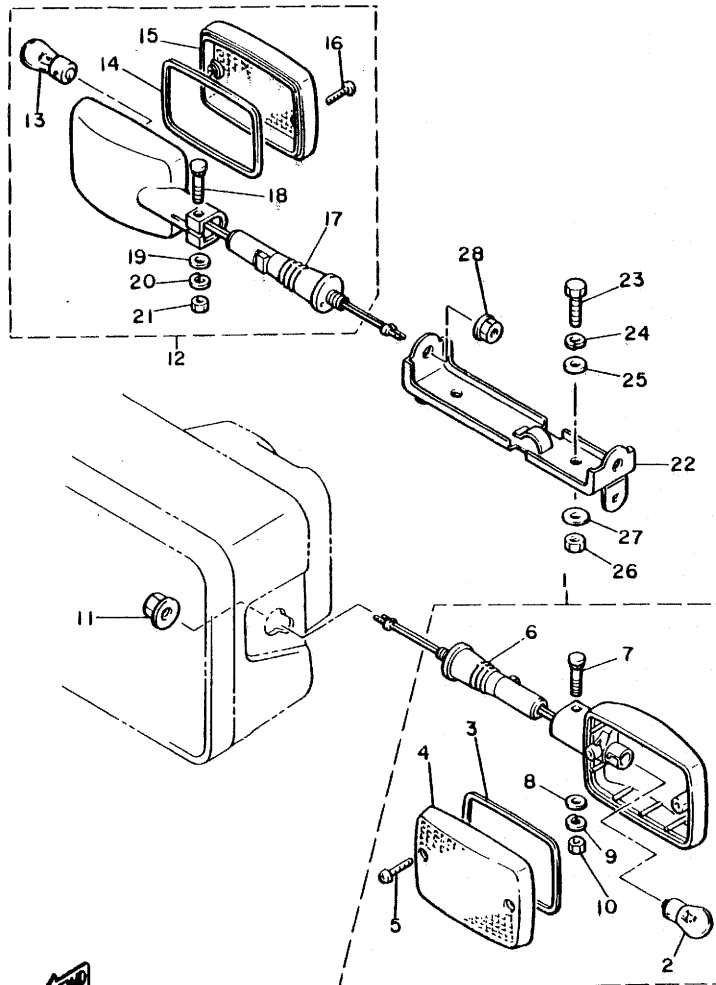
FIG. 35 STAND.FOOTREST



16M110-3350

REF. NO.	PART NO.	DESCRIPTION	Q'TY	REMARKS
29	90508-20023	.SPRING, torsion	1	
30	90243-08006	.PIN	1	
31	90201-06042	.WASHER, Plate	1	
32	95821-12030	BOLT, flange	1	
33	90109-12663	BOLT	1	
34	4G0-27430-00	REAR FOOTREST ASSY 1	1	
35	447-27433-00	.COVER, rear footrest	1	
36	90209-18070	.WASHER	1	
37	90240-06042	.PIN, clevis	1	
38	91401-16012	.PIN, cotter	1	
39	4G0-27440-00	REAR FOOTREST ASSY 2	1	
40	447-27433-00	.COVER, rear footrest	1	
41	90209-18070	.WASHER	1	
42	90240-06042	.PIN, clevis	1	
43	91401-16012	.PIN, cotter	1	
44	95701-10100	NUT, flange	2	
45	262-21399-00	CAP	2	
46	16M-27442-00-93	BRACKET 2	1	chrome-Plated
47	16M-27443-00-93	BRACKET 3	1	chrome-Plated
48	95801-06010	BOLT, flange	2	
49	12R-27311-00-R4	STAND, side	1	black
50	90109-10474	BOLT	1	
51	95301-10700	NUT	1	
52	90507-29009	SPRING, tension	1	

FIG. 36 FLASHER LIGHT

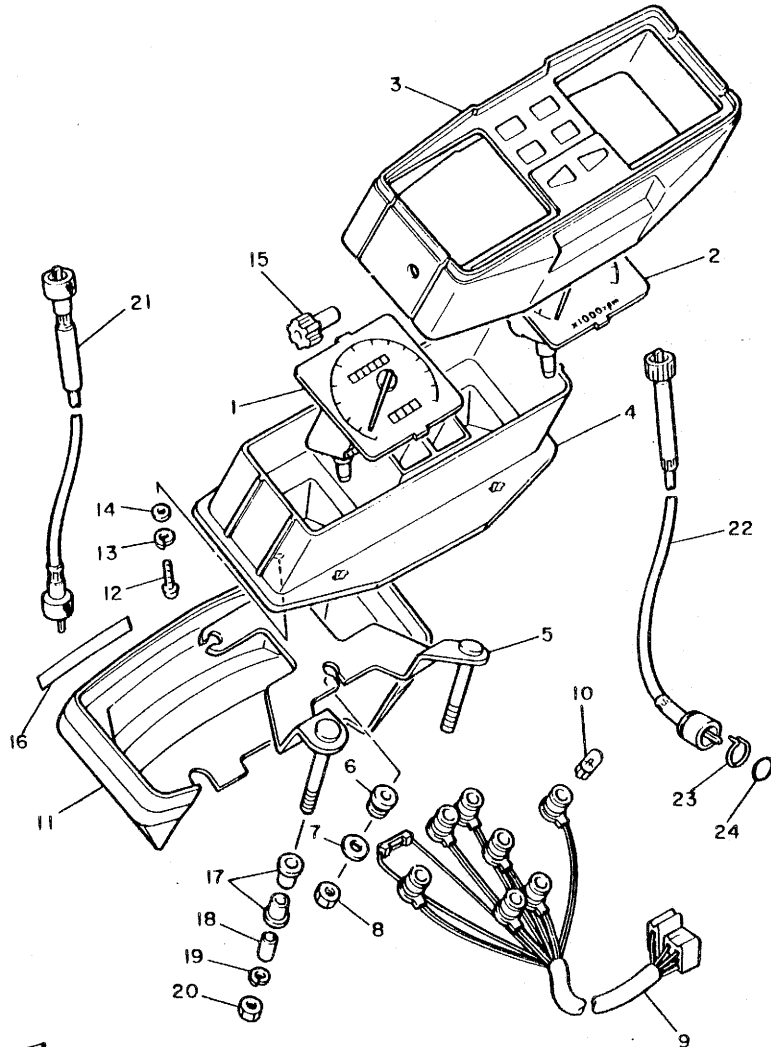


REF. NO.	PART NO.	DESCRIPTION	Q'TY	REMARKS
1	16M-83310-70	FRONT FLASHER LIGHT ASSY 1	2	
2	256-83311-70	.BULB (12V-27W)	1	
3	4G0-83313-00	.GASKET, flasher lens	1	
4	4G0-83312-00	.LENS, flasher	1	
5	97701-40518	.SCREW, tapping	2	
6	16M-83318-00	.STAY, flasher l	1	
7	5G2-83317-00	.BOLT, flasher l	1	
8	92906-05600	.WASHER, Plate	1	
9	92906-05100	.WASHER, sPring	1	
10	95306-05600	.NUT	1	
11	95702-12100	NUT, flange	2	
12	16M-83330-70	REAR FLASHER LIGHT ASSY 1	2	
13	256-83311-70	.BULB (12V-27W)	1	
14	4G0-83313-00	.GASKET, flasher lens	1	
15	4G0-83312-00	.LENS, flasher	1	
16	97701-40518	.SCREW, tapping	2	
17	4G0-83318-00	.STAY, flasher l	1	
18	5G2-83317-00	.BOLT, flasher l	1	
19	92906-05600	.WASHER, Plate	1	
20	92906-05100	.WASHER, sPring	1	
21	95306-05600	.NUT	1	
22	16M-83368-00	STAY, flasher	1	
23	97302-08020	BOLT	2	
24	92902-08100	WASHER, sPring	2	
25	92902-08600	WASHER, Plate	2	
26	95302-08600	NUT	2	
27	90201-08748	WASHER, Plate	2	
28	95706-12100	NUT, flange	2	



17X700-2360

FIG. 37 SPEEDOMETER, TACHOMETER

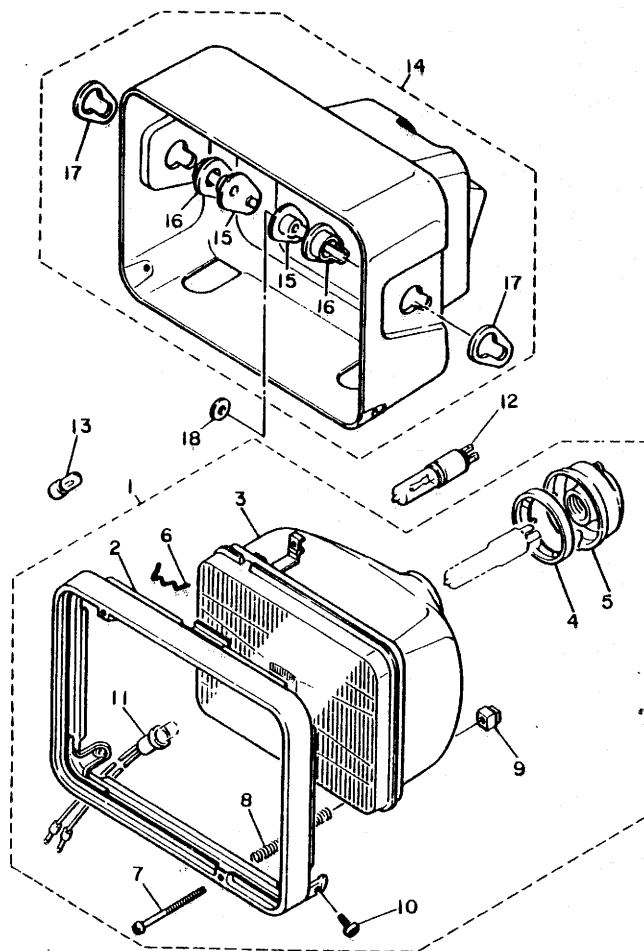


REF. NO.	PART NO.	DESCRIPTION	Q'TY	REMARKS
1	12E-83570-F0	SPEEDOMETER ASSY	1	
2	12E-83540-F0	TACHOMETER ASSY	1	
3	16M-83559-00	COVER, meter	1	
4	16M-8353H-00	CASE, inner	1	
5	16M-83519-00	BRACKET, meter	1	
6	4X7-83523-00	DAMPER	3	
7	90201-052E2	WASHER, Plate	3	
8	95301-05600	NUT	3	
9	16M-83509-00	SOCKET CORD ASSY	1	
10	4G1-84744-00	BULB (12V-3.4W)	7	
11	16M-83579-00	COVER, meter 2	1	
12	98501-04008	SCREW, Pan head	4	
13	92901-04100	WASHER, sPring	4	
14	92901-04600	WASHER, Plate	4	
15	12R-83578-00	KNOB, triP meter	1	
16	3L6-21781-00	EMBLEM 1	1	
17	2J2-83541-00	DAMPER	4	
18	90387-06249	COLLAR	2	
19	92902-06100	WASHER, sPring	2	
20	95302-06600	NUT	2	
21	16M-83550-00	SPEEDOMETER CABLE ASSY	1	
22	16M-83560-00	TACHOMETER CABLE ASSY	1	
23	102-25137-00	RING, stoP	1	
24	93210-14104	O-RING	1	



12E332-3370

FIG. 38 HEADLIGHT

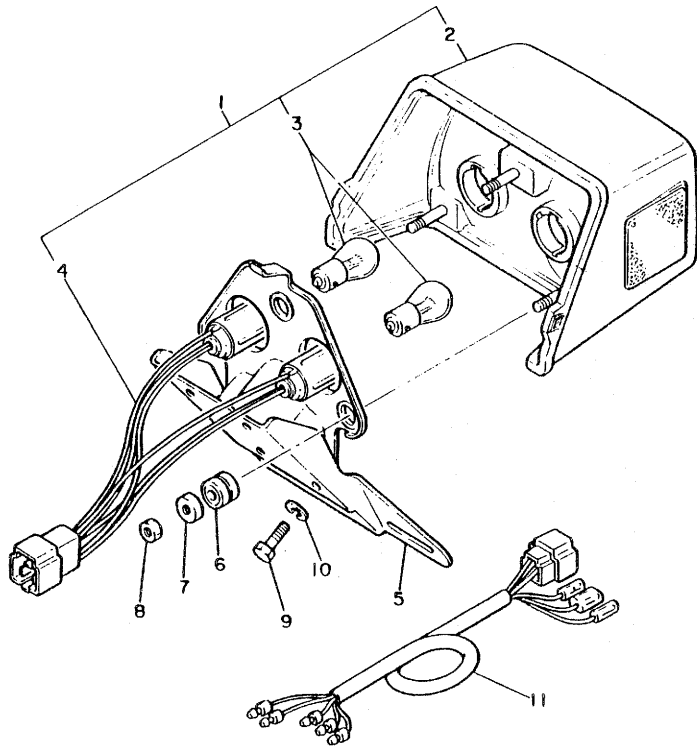


REF. NO.	PART NO.	DESCRIPTION	Q'TY	REMARKS
1	11U-84303-E0	HEADLIGHT UNIT ASSY	1	
2	11H-84315-00	.RIM, headlight	1	
3	11U-84321-E0	.LENS, headlight	1	
4	2F9-84375-00	.FITTING PLATE, bulb	1	
5	2F9-84397-01	.COVER, socket	1	
6	5G2-84324-A0	.SPRING, reflector	1	
7	2F9-84331-00	.SCREW, rim adjusting	2	
8	341-84332-60	.SPRING- screw	2	
9	198-84334-60	.NUT, adjusting	2	
10	98506-05012	.SCREW, Pan head	2	
11	123-83516-21	.BULB (12V-3.4W)	1	
12	457-84146-85	.SOCKET, Pilot light	1	
13	*	BULB (12V-60/55W)	1	LM
14	16M-84330-00	BODY ASSY	1	
15	16M-84388-00	.COLLAR 1	2	
16	16M-84366-00	.DAMPER, headlight 1	2	
17	16M-84368-00	.DAMPER 3	2	
18	92902-12200	WASHER	2	



12F332-2380

FIG. 39 TAILLIGHT

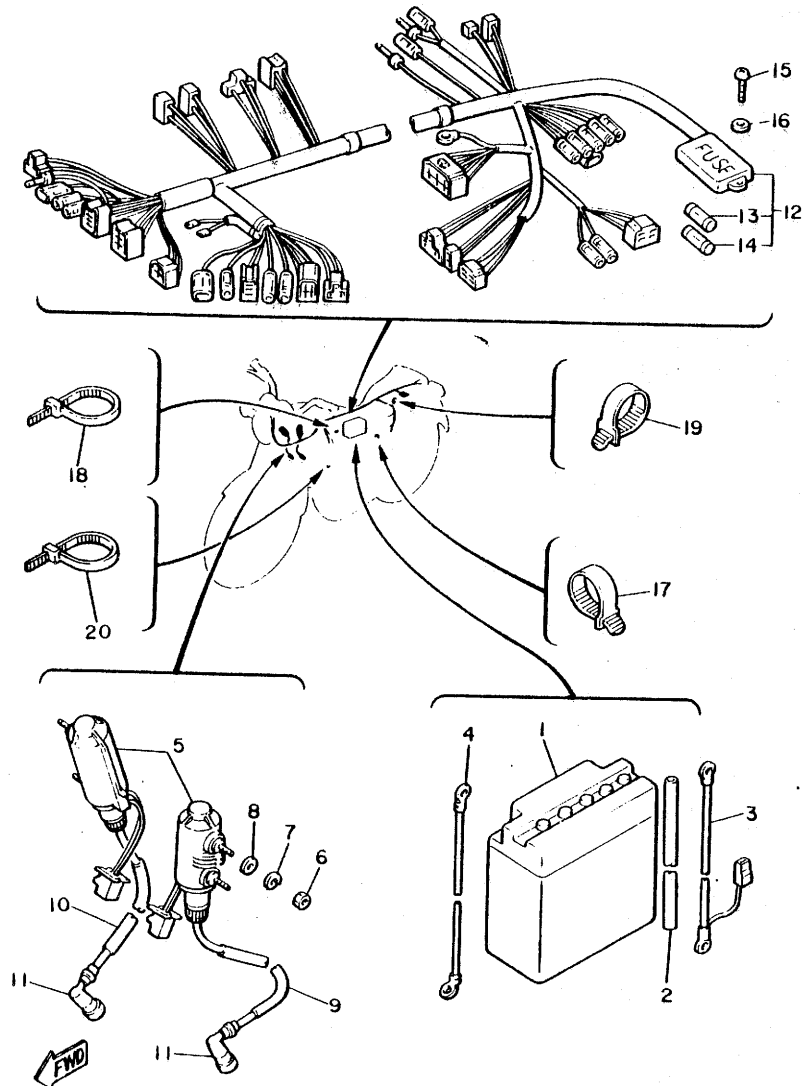


REF. NO.	PART NO.	DESCRIPTION	Q'TY	REMARKS
1	4G0-84710-00	TAILLIGHT UNIT ASSY	1	
2	4G0-84721-00	•LENS, taillight	1	
3	4G0-84714-00	•BULB (12V-27/8W)	2	
4	4G0-84735-00	•CORD ASSY	1	
5	17X-84751-00	BRACKET, licence	1	
6	4G0-84725-00	WASHER, sPecial	3	
7	4G0-84754-00	WASHER, sPecial	3	
8	95301-06600	NUT	3	
9	97302-06012	BOLT	4	
10	92902-06100	WASHER, sPring	4	
11	16M-84717-00	CORD, taillight	1	



17X700-2390

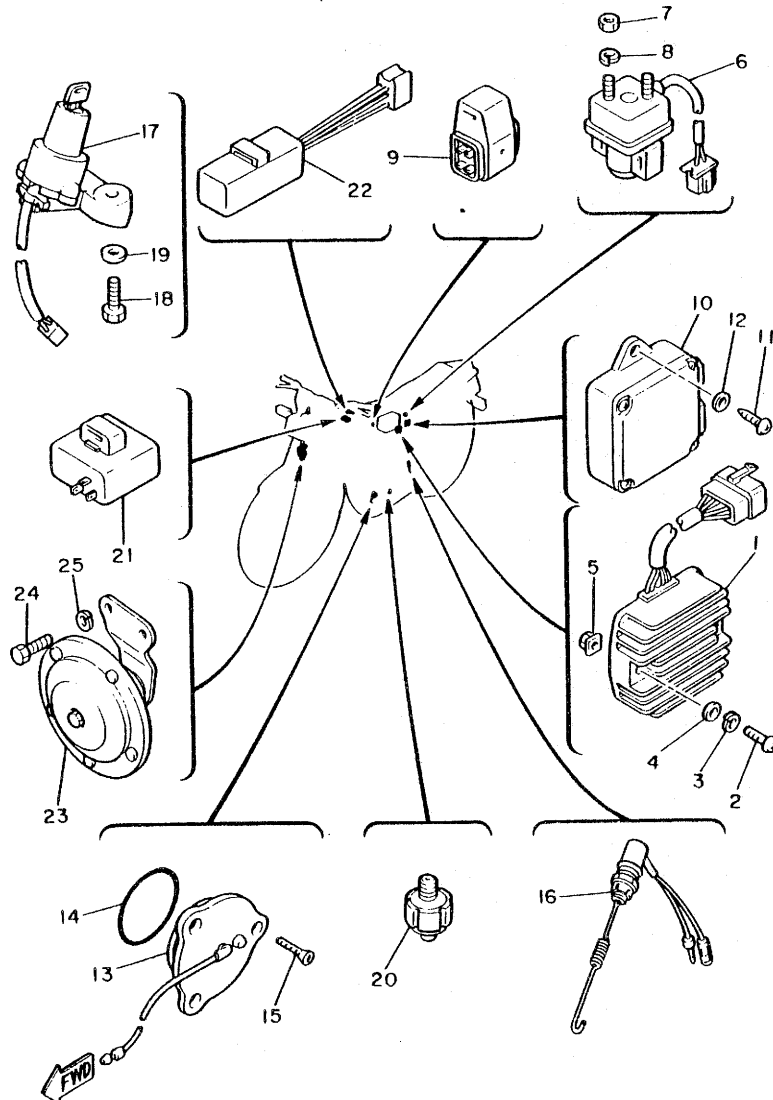
FIG. 40 ELECTRICAL 1



REF. NO.	PART NO.	DESCRIPTION	Q'TY	REMARKS
1	366-82110-79	BATTERY ASSY (12N12A-4A)	1	
2	90445-08660	HOSE	1	
3	12R-82115-00	WIRE, Plus lead	1	
4	12R-82116-00	WIRE, minus lead	1	
5	3Y6-82310-60	IGNITION COIL ASSY	2	
6	95306-06600	NUT	4	
7	92906-06100	WASHER, sPring	4	
8	92906-06200	WASHER, Plain	4	
9	12R-82341-00	CORD, high tension 1	1	
10	12R-82342-00	CORD, high tension 2	1	
11	4G0-82370-20	PLUG CAP ASSY	2	
12	12E-82590-70	WIRE HARNESS ASSY	1	
13	1A0-82161-00	.FUSE (12V-20A)	1	
14	1A0-82151-00	.FUSE (12V-10A)	3	
15	97702-50116	SCREW, taPPing	2	
16	92901-05600	WASHER, Plate	2	
17	437-83936-00	BAND, switch cord	1	
18	5A8-82591-00	BAND	1	
19	437-83936-10	BAND, switch cord	1	
20	12R-82591-00	BAND	2	

12E332-3400

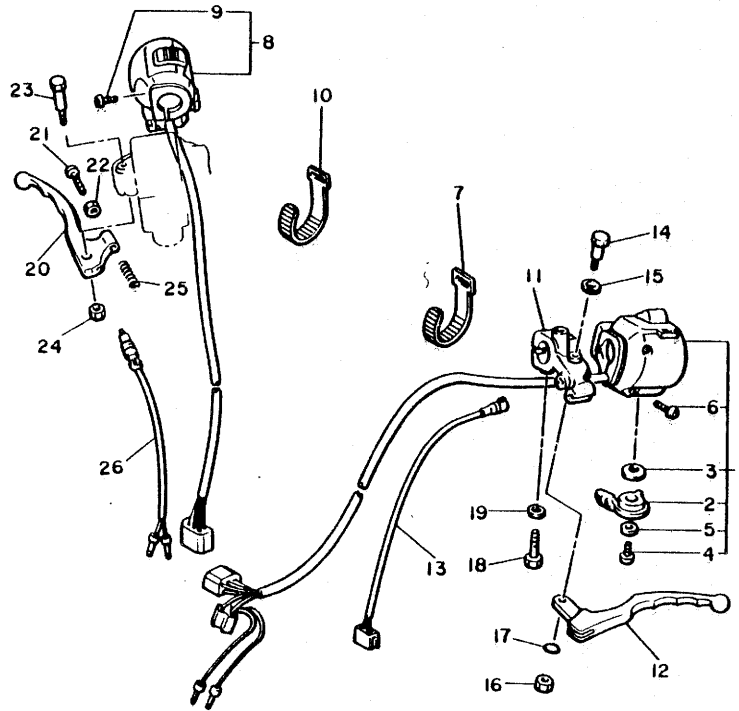
FIG. 41 ELECTRICAL 2



REF. NO.	PART NO.	DESCRIPTION	Q'TY	REMARKS
1	12R-81960-A0	RECTIFIER & REGULATOR ASSY	1	
2	92502-06030	SCREW, Pan head	2	
3	92902-06100	WASHER, sPring	2	
4	92902-06600	WASHER	2	
5	4G0-21736-00	NUT, Plate	2	
6	1J7-81940-10	STARTER SWITCH ASSY	1	
7	95302-06700	NUT	2	
8	92902-06100	WASHER, sPring	2	
9	12R-81950-00	STARTER CURCUIT CUT-OFF RELAY	1	
10	12R-82305-10	IGNITOR UNIT ASSY	1	
11	97701-60516	SCREW, tapping	1	
12	92902-06200	WASHER	1	
13	1L9-82540-00	NEUTRAL SWITCH ASSY	1	
14	93210-29196	O-RING	1	
15	98702-05012	SCREW, flat head	3	
16	1T2-82530-00	STOP SWITCH ASSY	1	
17	3Y6-82508-80	MAIN SWITCH ASSY	1	
18	97322-06016	BOLT	2	
19	92902-06600	WASHER	2	
20	341-82504-02	OIL PRESSURE SWITCH ASSY	1	
21	4H7-83350-70	FLASHER RELAY ASSY	1	
22	1A0-83395-03	FLASHER CANCELLING UNIT	1	
23	16M-83371-20	HORN	1	
24	97306-06014	BOLT	2	
25	92906-06100	WASHER, sPring	2	

12E341-3410

FIG. 42 HANDLE SWITCH-LEVER



REF. NO.	PART NO.	DESCRIPTION	Q'TY	REMARKS
1	11U-83972-00	SWITCH, handle 4	1	
2	10M-83941-00	.LEVER, starter	1	
3	90209-10131	.WASHER	1	
4	92501-06008	.SCREW, Pan head	1	
5	92901-06200	.WASHER, Plain	1	
6	98506-05020	.SCREW, Pan head	2	
7	437-83936-00	BAND, switch cord	1	
8	11U-83963-00	SWITCH, handle 3	1	
9	98506-05020	.SCREW, Pan head	2	
10	437-83936-00	BAND, switch cord	1	
11	11U-82911-00	HOLDER, lever 1	1	
12	11U-83912-00	LEVER 1	1	
13	3Y6-82917-00	SWITCH	1	
14	90109-06576	BOLT	1	
15	90201-082A9	WASHER, Plate	1	
16	95606-06100	NUT, u	1	
17	93210-11368	O-RING	1	
18	97306-06022	BOLT	1	
19	92906-06100	WASHER, sPring	1	
20	2J2-83922-00	LEVER 2	1	
21	90149-06131	SCREW	1	
22	90170-06010	NUT	1	
23	90109-06465	BOLT	1	
24	95601-06100	NUT, u	1	
25	90501-10312	SPRING, compResion	1	
26	1A0-83980-30	FRONT STOP SWITCH ASSY	1	

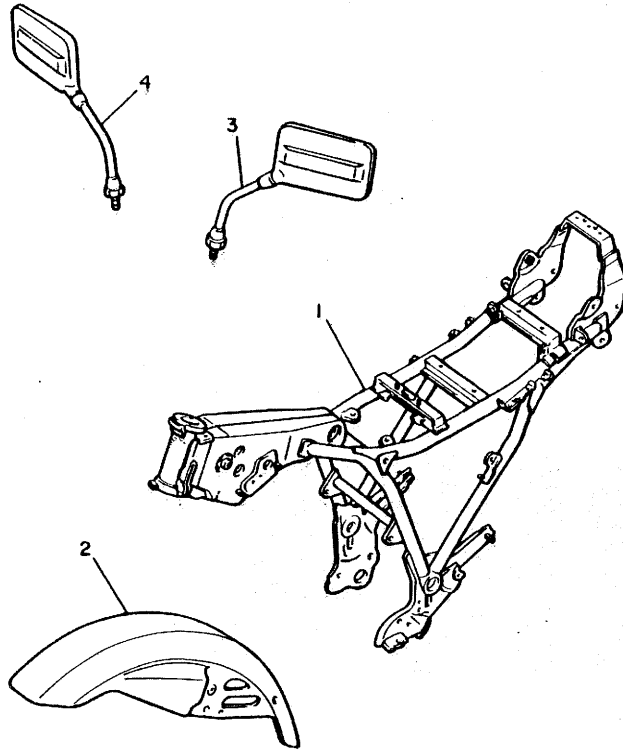


16M110-3420

**FOR**

**S. AFRICA**

FIG. 43 ALTERNATE (CHASSIS)



REF. NO.	PART NO.	DESCRIPTION	Q'TY	REMARKS
1	16M-21110-00-98	FRAME COMP	1	low gloss black
2	16M-21510-00-2U	FRONT FENDER COMP.	1	suPer red
3	11U-26290-11	BACK MIRROR ASSY	1	
4	11U-26290-01	BACK MIRROR ASSY	1	



17X700-2430

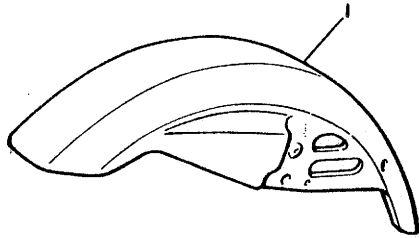
**FOR**

**NEW**

**ZEALAND**

FIG. 44 ALTERNATE (CHASSIS)

REF. NO.	PART NO.	DESCRIPTION	Q'TY	REMARKS
	1 16M-21510-00-2U	FRONT FENDER COMP.	1	suPer red

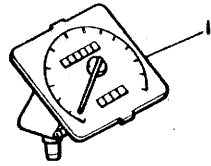


17X700-2440

**FOR  
HONG KONG**

FIG. 45 ALTERNATE (ELECTRICAL)

REF. NO.	PART NO.	DESCRIPTION	Q'TY	REMARKS
1	12E-83570-G0	SPEEDMETER ASSY	1	



17X700-2450

NUMERICAL INDEX

PART NO.	GRID NO.	PART NO.	GRID NO.
4L0-W0041-00	E 2	1J7-12118-00	B 6
11U-W0045-00	D12	1J7-12119-01	B 6
404-W0048-30	D12	12R-12121-00	B 6
4XB-W0057-00	D12	4H7-12153-01	B 7
10L-W0092-00	D 9	1J7-12169-A1	B 6
16M-W2472-00	D10	1J7-12169-E1	B 6
12E-Y1165-00	B 4	1J7-12169-F1	B 6
12E-11101-00	B 2	1J7-12169-G1	B 6
4H7-11133-10	B 2	1J7-12169-H1	B 6
1J7-11138-00	B 2	1J7-12169-J1	B 6
4H7-11161-00	B 2	1J7-12169-K1	B 6
434-11161-00	B 2	1J7-12169-L1	B 6
12R-11166-00	C 2	1J7-12169-M1	B 6
371-11167-01	C 2	1J7-12169-N1	B 6
12R-11181-00	B 2	1J7-12169-R1	B 7
12E-11191-00	B 2	1J7-12169-T1	B 7
12R-11193-00	B 2	1J7-12169-U1	B 7
214-11198-01	B 9	1J7-12169-V1	B 7
12E-11310-00	B 3	1J7-12169-W1	B 7
12R-11351-00	B 3	1J7-12169-01	B 6
16M-11400-00	B 4	1J7-12169-11	B 6
12R-11413-00	B 4	1J7-12169-21	B 6
12R-11413-10	B 4	1J7-12169-31	B 6
12R-11413-20	B 4	1J7-12169-41	B 6
12R-11416-00	B 4	1J7-12169-51	B 6
12R-11416-10	B 4	1J7-12169-61	B 6
12R-11416-20	B 4	1J7-12169-71	B 6
12R-11416-30	B 4	1J7-12169-81	B 6
12R-11454-00	B 4	1J7-12169-91	B 6
12R-11456-01	C 7	12R-12171-00	B 5
12R-11474-00	C 7	4G0-12176-00	B 5
12R-11530-00	B 4	12R-12181-00	B 5
12R-11610-00	B 4	12R-12210-10	B 5
12R-11610-20	B 4	5G2-12213-00	B 5
12R-11610-40	B 4	4H7-12241-00	B 5
12R-11631-00	B 4	4H7-12251-00	B 5
2A2-11633-00	B 4	4H7-12252-00	B 5
12R-11636-00	B 4	12R-13300-00	B 8
12R-11638-00	B 4	12R-13325-00	B 8
12R-11654-00	B 4	1L9-13340-01	B 9
12E-11656-00	B 4	12R-13414-00	B 9
12E-11656-10	B 4	12R-13417-01	B 9
12E-11656-20	B 4	1L9-13440-91	B 9
1J7-12111-01	B 6	12R-13447-00	B 9
12R-12113-01	B 6	12R-13454-01	B 5
12R-12114-01	B 6	11H-13455-00	B 9
4H7-12116-00	B 6	2H7-13483-00	B 8
2F3-12117-00	B 6	12R-13486-00	B 8

PART NO.	GRID NO.	PART NO.	GRID NO.
1J7-13569-00	B10	1J7-14116-20	B12
12R-13586-00	B10	3F7-14133-00	B13
12R-13596-00	B10	3F7-14135-00	B13
1J7-14116-20	B12	4G0-14142-45	B12
3F7-14133-00	B13	12R-14146-00	B13
3F7-14135-00	B13	2H0-14146-00	B12
4G0-14142-45	B12	214-14147-00	B12
12R-14146-00	B13	8F2-14147-00	B12
2H0-14146-00	B12	137-14153-00	B12
214-14147-00	B12	3F7-14171-00	B13
8F2-14147-00	B12	3F7-14173-00	B13
137-14153-00	B12	3F7-14174-00	B13
3F7-14171-00	B13	127-14186-00	B12
3F7-14173-00	B13	16G-14190-20	B12
3F7-14174-00	B13	2L1-14191-00	B12
127-14186-00	B12	620-14231-74	B12
16G-14190-20	B12	620-14231-76	B12
2L1-14191-00	B12	12R-14401-01	B10
620-14231-74	B12	12R-14412-00	B10
620-14231-76	B12	4H7-14419-00	B10
12R-14401-01	B10	12R-14437-00	B10
12R-14412-00	B10	12R-14451-00	B10
4H7-14419-00	B10	12R-14452-00	B10
12R-14437-00	B10	12R-14453-00	B10
12R-14451-00	B10	3Y1-14462-00	B10
12R-14452-00	B10	3Y6-14468-01	B10
12R-14453-00	B10	12R-14477-00	B10
3Y1-14462-00	B10	12R-14484-01	B10
3Y6-14468-01	B10	12R-14493-01	B10
12R-14477-00	B10	3F7-14589-00	B12
12R-14484-01	B10	12R-14612-00	B14
12R-14493-01	B10	341-14613-00	B14
3F7-14589-00	B12	12R-14614-00	B14
12R-14612-00	B14	16M-14711-00	B14
341-14613-00	B14	2G2-14714-00	B14
12R-14614-00	B14	16M-14721-00	B14
16M-14711-00	B14	16M-1475J-00	B14
2G2-14714-00	B14	16N-14900-00	B12
16M-14721-00	B14	16N-14901-00	B12
16M-1475J-00	B14	16N-14902-00	B12
16N-14900-00	B12	3F7-14905-00	B13
16N-14901-00	B12	3F7-14918-00	B12
16N-14902-00	B12	256-14919-00	B12
3F7-14905-00	B13	3F7-14922-00	B13
3F7-14918-00	B12	3G1-14933-00	B12

NUMERICAL INDEX

PART NO.	GRID NO.	PART NO.	GRID NO.
3F7-14934-00	B13	2H7-16325-00	C 8
3F7-14936-00	B12	12R-16340-00	C 8
3F7-14940-01	B12	12R-16351-00	C 8
16H-14941-08	B12	12R-16356-00	C 8
256-14944-34	B13	12R-16357-00	C 8
3F7-14952-00	B12	12R-16371-00	C 8
12R-14958-00	B12	371-16396-00	C 8
12R-14964-00	B13	4U8-17121-00	C 9
12R-14977-00	B13	4G0-17131-00	C 9
12R-14981-00	B12	12R-17151-00	C 9
12R-14984-00	B12	16M-17161-00	C 9
12R-14985-00	B12	4G0-17211-00	C 9
584-14991-00	B13	4G0-17221-00	C 9
1J7-14994-00	B12	4G0-17231-00	C 9
12E-15100-00	B15	4G0-17241-00	C 9
12R-15123-01	B15	12R-17251-00	C 9
4H7-15138-00	B15	16H-17261-00	C 9
4H7-15163-01	B15	16M-17402-00	C 9
12R-15316-01	C 3	16M-17410-00	C 9
12R-15326-01	C 3	278-17424-01	C 9
12R-15336-01	C 3		
12R-15337-01	C 3	278-17425-00	C 9
12R-15338-00	B15		
3Y1-15361-00	C 3	3Y1-17456-00	C 9
3Y1-15363-00	C 3	4G0-17461-61	C 9
371-15389-00	C 8	3Y3-17841-00	C11
12E-15411-00	C 3	3Y3-17843-00	C11
12E-15415-01	C 3	16M-18110-00	C13
1L9-15417-00	C 3	16M-18112-00	C13
12E-15420-00	C 3	132-18113-01	C13
17E-15431-00	C 3	4K0-18115-00	C13
12R-15437-00	C 3	12R-18120-00	C13
12R-15451-00	C 3	12R-18140-01	C13
12R-15462-00	C 3	12R-18185-00	C12
12R-15512-00	C 7	12R-18511-00	C12
12R-15517-00	C 7	12R-18512-00	C12
12R-15519-00	C 7	12R-18513-00	C12
12R-15521-00	C 7	12R-18531-00	C12
12R-15522-00	C 7	12R-18536-00	C12
12R-15524-00	C 7	16M-18540-00	C12
4G0-15580-00	C 7	278-18542-00	C12
1J7-15583-01	C 7	278-18566-00	C12
12R-16111-00	C 8	16M-21110-00-98	E12
12R-16150-00	C 8	17X-21110-00-98	C14
3Y1-16154-00	C 8	16M-21165-00	D10
4H7-16155-01	C 7	12R-21243-01	D 3
12R-16300-00	C 8	16M-21315-00-98	C14
341-16321-13	C 8	16M-21316-00-98	C14

PART NO.	GRID NO.	PART NO.	GRID NO.
12R-21336-00	C14	17X-21510-00-2U	C15
262-21399-00	E 4	1A8-21518-00	C15
12R-2144G-00	B10	16R-21581-00	C15
16M-21510-00-2U	E12	12E-21609-00	D 2
	E13	16M-21611-00	C15
	C15	1M1-21621-00	C15
	C15	12R-21629-00	C15
	C15	12E-2163A-00	C15
	D 2	12E-2163E-00	D 2
	D 2	16M-21644-01	D 2
	C15	16M-21645-01	D 2
	D 2	16M-21649-00	C15
	C15		
	C15	16M-21651-00-2U	C15
	D 3	16M-21670-00	C15
	D 3	16M-21711-00-2U	D 3
	D 3	16M-21721-00-2U	D 3
	D 3	12E-2173E-00	D 3
	D 3	12E-2173F-00	D 3
	E10	4G0-21736-00	E10
	B11	12R-21747-00	B11
	D 3		
	D 3	16M-2177A-00	D 3
	D 3	12E-21781-00	D 3
	E 6	3L6-21781-00	E 6
	D 3	12E-21782-00	D 3
	D 4	12R-22110-00-35	D 4
	D 4	322-22128-01	D 4
	D 4	12R-22141-00	D 4
	D 4	12R-22184-00	D 4
	D 4	12R-2219X-00	D 4
	D 4	12E-22210-00	D 4
	D 4	1W1-22216-00	D 4
	D 4	16M-22311-00	D 4
	D 5	12E-23102-00	D 5
	D 5	12E-23103-00	D 5
	D 5	12R-23110-00	D 5
	D 6		
	D 5	1T4-23111-00	D 5
	D 6	16M-21165-00	D 6
	D 5	12R-21243-01	D 5
	D 6	16M-21315-00-98	D 6
	D 5	2A6-23119-00	D 5

NUMERICAL INDEX

PART NO.	GRID NO.	PART NO.	GRID NO.
16M-23122-01	D 8	4K0-24705-00	D10
12R-23125-00	D 5	16M-24714-00	D10
12R-23130-00	D 5	1J7-24718-00	D10
12R-23140-00	D 5	16M-24726-00	D10
12E-23141-00	D 5	4K0-24728-00	D10
	D 6	16M-24731-00	D10
12R-23144-00	D 5	116-24741-00	D10
	D 6	16M-24746-00	D10
10V-23145-00	D 5	4K0-24760-00	D10
10M-23151-00	D 5	4K0-24768-01	D10
	D 6	16M-24769-00	D10
1J3-23156-00	D 5	146-25115-00	D11
1T4-23157-01	D 5	102-25137-00	E 6
	D 6	341-25149-00	D11
10V-23166-00	D 5	11U-25168-20-98	D11
	D 6	4H7-25181-01	D11
1J3-23168-00	D 5	1L9-25190-00	D11
	D 6	148-25315-00	D13
12E-23171-00	D 5	4G0-25321-00	D13
	D 6	4G0-2533A-00	D13
16M-23174-00-98	D 7	4G0-25330-00	D13
3M7-23181-00	D 5	12E-25338-20-98	D13
1J3-23183-01	D 5	4R4-25351-00	D13
	D 6	148-25353-00	D13
12R-23340-00-90	D 6	4V8-25355-00	D13
156-23411-00	D 7	4G0-25364-00	D13
183-23411-00	D 7	12R-25366-00-38	D13
156-23412-00	D 7	4G0-25371-00	D14
183-23412-00	D 7	12R-25381-00	D14
4K0-23415-00	D 7	148-25383-00	D14
3Y6-23434-00	D 7	12R-25388-00	D14
12R-23435-00-98	D 7	12R-25389-00	D14
4H7-23441-00-98	D 7	1A1-25398-01	D11
3Y6-23442-00-98	D 7		D13
4H3-23454-00	D 7	1A1-25399-00	D11
164-23462-00	D 7		D13
341-23469-00	D 7	2M0-25399-00	D11
16M-24110-00-03	D 9		D14
12E-24161-00	D 9	12R-25412-00	D13
12E-24162-00	D 9	12R-25438-20	D13
4H7-24181-00	D 9	11U-25810-00	D12
16M-24182-00	D 9	11U-25827-00	D12
3Y6-24183-00	D 9	11U-25831-00	D12
12R-24186-00	D 9	11H-25834-00	D12
12E-24240-00	D 9	341-25846-00	D11
16M-24500-00	D 9	11H-25847-00	D11
2W6-24512-00	D 9	4L0-25850-02	E 2
11H-24602-00	D 9	4L0-25852-00	E 2

PART NO.	GRID NO.	PART NO.	GRID NO.
4L0-25854-00	E 2	4L0-25862-00	E 2
4L0-25867-00	E 2	4L0-25872-00	E 2
16M-25873-00	E 2	16M-25875-00	E 2
1J7-25885-01	E 2	4X8-25917-00	D12
11H-25919-00	D12	5R2-25937-00	D12
1T5-26111-00	D15	16M-26213-00	D 7
5G2-26240-00	D15	5G2-26241-00	D15
11U-26290-01	E12	11U-26290-11	E12
16R-26290-31	D15	16R-26290-41	D15
16M-26311-00	D15	16M-26331-00	D15
16M-26335-00	D15	1E6-26342-00	D15
1T5-26372-00	D15	11H-26372-00	D15
5H0-26393-00	D15	12R-26397-00	D15
16M-26399-00	D15	12R-27111-00-R4	E 3
371-27114-00	D10		E 3
16M-27211-00-93	E 3	16M-27212-00	E 3
16M-27231-00	E 3	12R-27311-00-R4	E 4
16M-27410-00-R4	E 3	16M-27410-00-R4	E 3
1J7-27413-01	E 3	16M-27420-00-R4	E 3
4G0-27430-00	E 4	4G0-27430-00	E 4
447-27433-00	E 4	4G0-27440-00	E 4
16M-27442-00-93	E 4	16M-27443-00-93	E 4
1T3-27451-00	E 3	1T3-27461-00	E 3
11H-28100-10	D 3	12R-28185-01	D 3
12R-81600-10	C 4		C 4
12R-81610-10	C 4		C 4

PART NO.	GRID NO.	PART NO.	GRID NO.
4G0-81611-10	C 4	4G0-81612-10	C 4
12R-81619-10	C 4	12R-81650-10	C 4
12R-81671-10	C 5	12R-81673-10	C 5
12E-81800-60	C 6	5H0-81809-00	C 6
5H0-81811-00	C 6	5H0-81812-00	C 6
12R-81815-00	C 6	5H0-81818-00	C 6
12E-81826-00	C 6	5H0-81844-00	C 6
5H0-81847-00	C 6	12R-81850-00	E10
12R-81960-A0	E10	366-82110-79	E 9
12R-82115-00	E 9	12R-82116-00	E 9
122-82131-00	D 3	1A0-82151-00	E 9
1A0-82161-00	E 9	1A0-82161-00	E 9
12R-82305-10	E10	3Y6-82310-60	E 9
12R-82341-00	E 9	12R-82342-00	E 9
4G0-82370-20	E 9	341-82504-02	E10
3Y6-82508-80	E10	1T2-82530-00	E10
1L9-82540-00	E10	12E-82590-70	E 9
12R-82591-00	E 9	5A8-82591-00	E 9
11U-82911-00	E11	3Y6-82917-00	E11
16M-83310-70	E 5	256-83311-70	E 5
4G0-83312-00	E 5	4G0-83313-00	E 5
5G2-83317-00	E 5	16M-83318-00	E 5
4G0-83318-00	E 5	16M-83330-70	E 5
4H7-83350-70	E10		E10

NUMERICAL INDEX

PART NO.	GRID NO.	PART NO.	GRID NO.
16M-83368-00	E 5	17X-84751-00	E 8
16M-83371-20	E10	4G0-84754-00	E 8
1A0-83395-03	E10	2N8-85111-00	D 8
16M-83509-00	E 6	90101-06291	D13
123-83516-21	E 7	90101-06478	E 3
16M-83519-00	E 6	90101-08034	D14
4X7-83523-00	E 6	90101-08312	D12
16M-8353H-00	E 6	90101-10308	D12
12E-83540-F0	E 6	90101-10524	C 5
2J2-83541-00	E 6	90105-06153	E 6
16M-83550-00	E 6	90105-06231	E 6
16M-83559-00	E 6	90105-07087	D 5
16M-83560-00	E 6	90105-08114	B15
12E-83570-F0	E 6	90105-10119	C14
12E-83570-G0	E14	90105-10152	C 4
12R-83578-00	E 6	90105-10218	C14
16M-83579-00	E 6	90105-10227	C14
11U-83912-00	E11	90105-10235	C14
2J2-83922-00	E11	90105-12230	C14
437-83936-00	E 9	90109-06418	C11
437-83936-10	E 9	90109-06465	E11
10M-83941-00	E11	90109-06468	E 3
11U-83963-00	E11	90109-06578	E11
11U-83972-00	E11	90109-06583	D 8
1A0-83980-30	E11	90109-08368	D14
457-84146-85	E 7	90109-08406	D14
11U-84303-E0	E 7	90109-08510	B10
	E 7	90109-10474	E 4
11H-84315-00	E 7	90109-10654	D 4
11U-84321-E0	E 7	90109-12663	E 4
5G2-84324-A0	E 7	90109-14602	D 7
16M-84330-00	E 7	90110-06043	C 7
2F9-84331-00	E 7	90113-08021	C 8
341-84332-60	E 7	90116-08401	B14
198-84334-60	E 7	90116-10348	D13
16M-84366-00	E 7	90116-10385	B15
16M-84368-00	E 7	90116-10386	B15
2F9-84375-00	E 7	90116-10387	B15
16M-84388-00	E 7	90123-08046	D15
2F9-84397-01	E 7	90149-06011	E 7
4G0-84710-00	E 8	90149-06131	E 7
4G0-84714-00	E 8	90151-06014	B15
16M-84717-00	E 8	90151-06017	C12
4G0-84721-00	E 8	90152-04006	D 9
4G0-84725-00	E 8	90153-06029	B 2
4G0-84735-00	E 8	90159-06016	C 8
4G1-84744-00	E 6	90170-06010	E11
		90170-06184	E 3

NUMERICAL INDEX

PART NO.	GRID NO.	PART NO.	GRID NO.
90170-06228	C13	90209-22191	C 9
90170-10219	D13	90215-20170	C 8
90170-20257	C 8	90240-06040	E 3
90171-14020	D11	90240-06042	E 4
90171-14031	D14	90240-12091	D 4
90179-05380	B10	90243-08006	E 3
90179-06176	E 3		E 4
90179-C8148	D15	90249-08157	B 5
90179-08179	C 8	90249-12008	E 3
90179-08273	B14	90280-04005	B 4
90179-08327	B 4	90280-05015	C 8
90179-10247	C14	90331-12028	C 7
90179-10277	B 2	90340-10085	B 5
	C14	90340-14079	C 3
90179-12248	C14	90340-22083	B15
90185-14070	D 4	90340-32080	C 3
90201-052E2	E 6	90387-06249	E 6
90201-06042	E 3	90387-065A6	D 7
	E 4	90387-07037	B11
90201-06067	B11	90387-096F4	B11
90201-06075	D 7	90387-125A8	C13
90201-062A8	D 3	90387-15550	D11
90201-06750	D 3	90387-175A9	D14
90201-082A9	E11	90387-176A0	D13
90201-08382	B 3	90387-202A7	C 7
90201-08624	C11	90387-256F2	C 9
90201-08748	C15	90401-10034	E 2
	E 5	90430-06014	B 2
90201-10118	B 5		C11
	E 2	90430-06166	B15
90201-10126	D 4	90430-14131	B 3
90201-10128	B 2	90445-08660	E 9
90201-10141	D 7	90445-09661	D 9
90201-105A2	C 5	90445-11626	D 9
90201-10752	E 3	90460-52215	B10
90201-11597	B 2	90460-58124	B10
90201-12588	C13	90464-12027	C15
90201-12688	C13	90465-08193	C 2
90201-20276	C10	90465-08194	C 2
90201-21608	B 9	90465-08204	C 2
90201-222F4	D 4	90467-08003	D 9
90201-222F5	D 4	90467-10008	D 9
90201-222F6	D 4	90467-10039	B10
90201-25290	C 9	90467-14015	C 2
90201-273A9	C 9	90468-10050	D10
90202-06010	D 9	90468-12006	D 7
90209-10131	E11	90480-12053	D 3
90209-18070	E 4	90480-12296	D 3

PART NO.	GRID NO.	PART NO.	GRID NO.
90480-13197	D 3	90501-06022	C12
90480-14101	D 8	90501-10245	E 3
90480-14323	B11	90501-10312	E11
90480-16278	B10	90501-15603	B 5
90480-20337	B11	90501-18499	B 8
90480-23193	B 9	90501-26148	C 8
90480-30167	C15	90506-08227	C13
90501-04623	C 7	90506-10069	C 8
90501-06022	C12	90506-20192	E 3
90501-10245	E 3	90506-45278	E 3
90501-10312	E11	90507-20002	D13
90501-15603	B 5	90507-29009	E 4
90501-18499	B 8	90508-20023	E 3
90501-26148	C 8		E 4
90506-08227	C13	90508-29546	C13
90506-10069	C 8	90508-29547	C13
90506-20192	E 3	90560-15116	D11
90506-45278	E 3	90560-17125	D13
90507-20002	D13	91316-06014	B 9
90507-29009	E 4	91316-06016	D 2
90508-20023	E 3	91316-06020	B10
	E 4	91316-06025	B 5
90508-29546	C13	91316-06030	B 8
90508-29547	C13	91316-06035	B 2
90560-15116	D11	91316-06050	B 8
90560-17125	D13	91316-08014	C 7
91316-06014	B 9	91316-08016	D 2
91316-06016	D 2	91316-08016	D 2
91316-06020	B10	91316-08030	D 7
91316-06025	B 5	91401-16012	E 4
91316-06030	B 8	91401-20015	D14
91316-06035	B 2		E 3
91316-06050	B 8	91401-30025	D 4
91316-08014	C 7	91401-30030	D11
91316-08016	D 2		D14
91316-08030	D 7	91609-12008	B15
91401-16012	E 4	91701-05055	D10
91401-20015	D14	91810-02014	B 2
	E 3	91810-18016	B 2
91401-30025	D 4	91830-21014	B15
91401-30030	D11		C 3
	D14		
91609-12008	B15		
91701-05055	D10		
91810-02014	B 2		
91810-18016	B 2		
91830-21014	B15		
	C 3		

PART NO.	GRID NO.	PART NO.	GRID NO.
91830-24016	B 3	92501-06008	E11
	B15	92501-06010	C 2
	B15		D 7
	E11	92501-06012	C 5
	C 4		D10
	C15		E 6
	D 3	92501-06014	B13
	D 7	92501-06015	C15
	C 5	92501-06040	B 8
	D10	92502-06016	C 4
	E 6		D 3
	E 8	92502-06030	E10
	E10	92506-06012	C14
	C15	92506-06020	C 3
	B 8	92506-06025	C 3
	C 4	92506-06030	C 3
	D 3	92506-06035	D 3
	E10	92506-06065	C 3
	C14	92506-06070	C 3
	E10	92701-06015	C12
	C 5	92901-04100	E 6
	C 4	92901-04600	E 6
	C 4	92901-05100	B13
	C 4	92901-05600	E 9
	C 4	92901-06100	B13
	D 3		C15
	E10		E 2
	E 6		E 3
	E 6		E 3
	B13	92901-06200	E11
	E 9		B 3
	B13	92901-06600	B15
	C15		E 2
	E 2		C15
	E 3		D10
	E 3		D 5
	E11	92901-08100	D14
	B 3		B14
	B15		D14
	E 2		D 7
	C15	92901-08600	D12
	D10		D 8
	D 7		D12
	D14	92901-10100	D12
	D14		D 8
	D 7	92901-10200	D12
	D14		D 6
	D 7	92901-12100	D 4
	D12	92901-12600	D 4
	D12	92901-14200	D11
	D12	92902-04100	C 4
	D 6	92902-05100	D 8
	D 4		B10
	D11		
	C 4		
	D 8		
	B10		

NUMERICAL INDEX

PART NO.	GRID NO.	PART NO.	GRID NO.
92902-05200	D 8	93210-14369	C 3
92902-06100	B11	93210-16325	B 9
	C 4	93210-19123	C 3
	C15	93210-22298	C 9
	D 3	93210-23326	B15
	D10	93210-29196	E10
	E 6	93210-32172	C 3
	E 8	93210-37532	B10
	E10	93210-62439	B15
	C15	93210-74316	B 3
	E10	93210-88324	B 9
	C 4	93306-00401	C 7
	C 5	93306-20310	D13
	E10	93306-20541	C 7
	C15	93306-30203	D11
	E 5	93306-30306	D13
	C15	93306-30423	D13
	E 5	93306-30529	C 9
	E 7	93306-30530	C 9
	E 5	93306-90602	C12
	C15	93311-42045	C 9
	D 2		C10
	E 5	93317-22204	D 4
	C14	93410-11002	B 8
	D 3	93410-12003	C13
	D 4	93430-10016	C13
	D 8	93440-12052	B 2
	E 2	93440-25019	C 9
	E 9	93440-30077	C12
	E10	93450-17044	B 4
	E11	93501-04011	D 7
	E 9	93511-32017	C 8
	C14	93604-08071	C 5
	D 4	93604-22050	C12
	D10	93608-50158	C13
	D 7	93615-12088	C 7
	C13	94130-18765	D11
	D11	94130-18767	D11
	D14	94141-18766	D13
	D 7	94141-18768	D13
	D12	94227-18118	D11
	D 8	94227-18195	D11
	D12	94232-18096	D13
	D 6	94241-18153	D13
	D 4	94580-20102	D14
	D11	94590-44122	B 5
	C 4	94600-02001	B 5
	D 8	94680-20011	D14
	B10		

NUMERICAL INDEX

PART NO.	GRID NO.	PART NO.	GRID NO.	PART NO.	GRID NO.
94701-00157	B 2	97302-10016	E 3		
94701-00181	B 2	97306-06014	E10		
95301-05600	E 6	97306-06022	E11		
95301-06600	E 8	97306-06025	D 8		
95301-08700	D14	97306-08016	D10		
95301-10700	D 7	97321-06020	C13		
	E 4	97321-08025	B14		
95302-06600	E 6	97321-08055	D 5		
95302-06700	E10	97321-12035	D 6		
95302-08600	C15	97322-06012	C10		
	E 5	97322-06016	E10		
95303-06700	C13	97326-06014	D 4		
95306-05600	E 5	97326-06025	E 2		
95306-06600	E 9	97326-08055	D 7		
95306-08800	D 7	97601-06012	B15		
95311-06600	B 3	97602-03108	B12		
95311-08600	B 3	97701-40518	E 5		
	D 5	97701-60516	E10		
95601-06100	E11	97702-50116	E 9		
95602-10100	D 4	97702-50512	B10		
95606-06100	E11	97801-05010	B13		
95611-06625	B 2	98302-05006	B13		
95621-06620	B 2	98501-03008	D 9		
95621-08330	B 3	98501-04008	E 6		
95621-08640	B 2	98501-04012	C 4		
95701-06100	D10	98501-05012	B13		
95701-10100	E 4		C 8		
95702-12100	E 5	98501-05016	B10		
95706-12100	E 5		B13		
95801-06010	E 4	98502-04006	B13		
95811-06045	B15	98506-05008	D15		
95811-06055	B15	98506-05012	C15		
95811-06080	B15		D 2		
95811-06125	B15		E 7		
95811-06135	B15	98506-05020	E11		
95811-08075	B15	98701-05016	C12		
95811-08090	B15	98702-05012	E10		
95821-12030	E 4	98706-04012	E 2		
95826-06025	C 6	98901-06008	B 9		
97301-06016	C15				
97301-06025	E 2				
97301-08020	C15				
97302-06012	C15				
	E 8				
97302-06025	B10				
97302-08020	E 5				
97302-08030	C15				
	D 9				