



YAMAHA

PARTS LIST

MODEL XS500C

NOTICE

ALL PART NUMBERS CONTAINED IN THIS CATALOGUE ARE COMPRISED OF TEN DIGITS. WHEN ORDERING, PLEASE ADD TWO ZEROS TO THE END OF EACH PART NUMBER REQUIRED TO CONVERT THE TEN DIGITS INTO THE NEW TWELVE DIGIT NUMBERS.

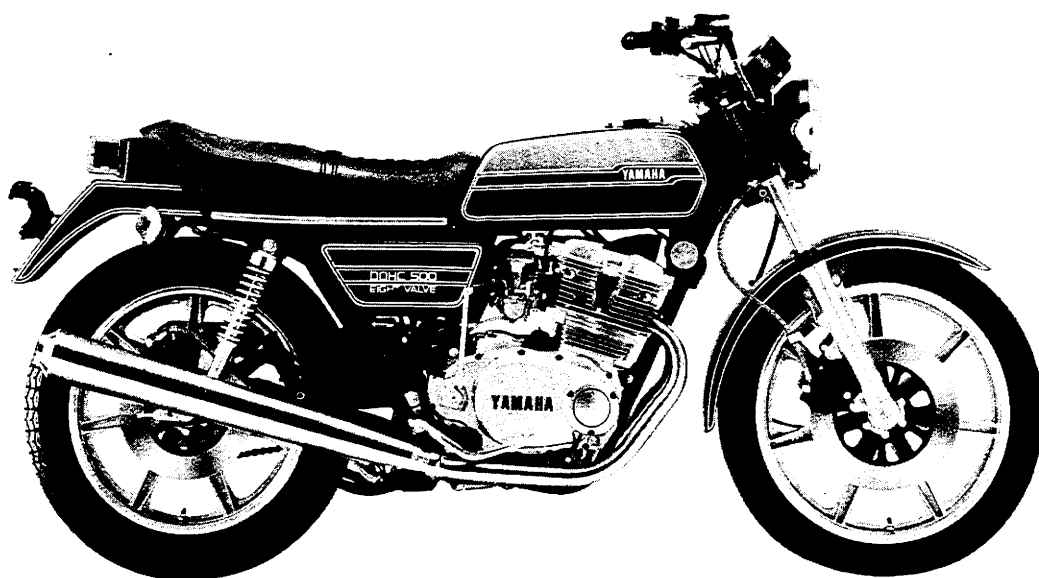
YAMAHA MOTOR CO., LTD.

COPY RIGHT: ALL RIGHTS RESERVED
NO PART OF THIS PUBLICATION MAY BE REPRODUCED WITHOUT PERMISSION.

YAMAHA

PARTS LIST

MODEL XS500C

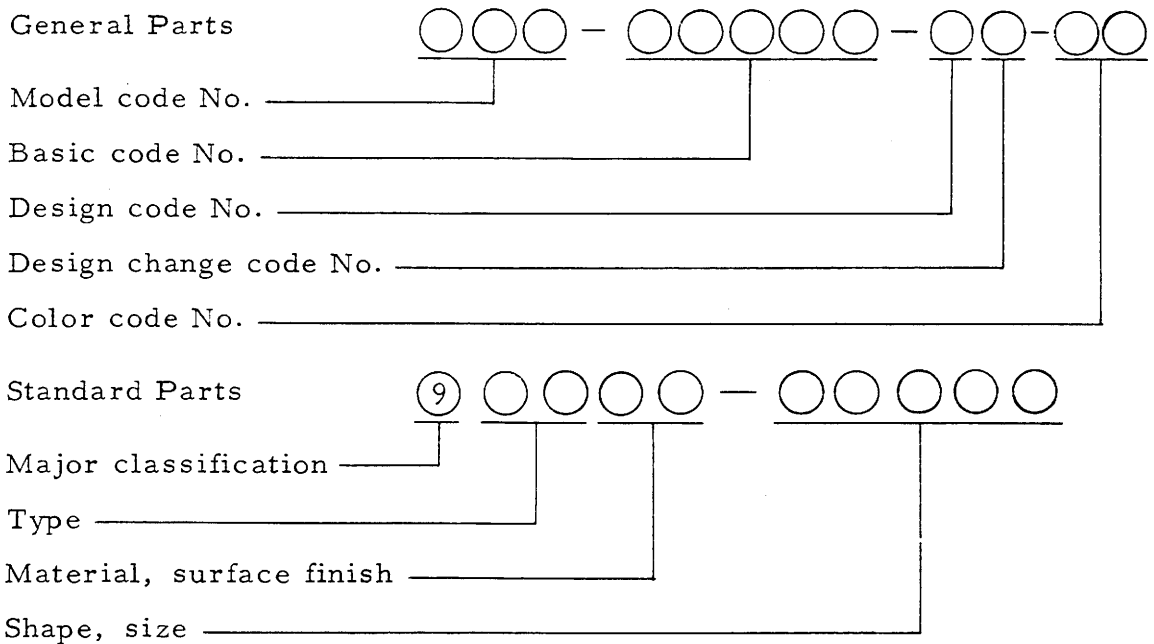


FOREWORD

This Parts List relates to the parts in use for the YAMAHA XS500C. When you are ordering replacement parts for the XS500C, refer to this Parts List and quote both part numbers and part names correctly.

1. Structure of Part No.

Yamaha parts are divided largely into two categories; general parts and standard parts, and each part No. has the following structure:



Note: Every standard No. begins with 9.

2. How to Use this Parts List

(1) Except for steel balls (whose size is indicated in inches), the size of all parts is indicated in millimeters in the following manner.

Hose (rubber or vinyl) Inside diameter - length

O-ring Section area - inside diameter

Washer, shim, collar Inside diameter - outside diameter - thickness (length)

(2) Parts, which are to be supplied in the form of assemblies, are listed with an indention of one letter's space, and a dot (.) is put

against the name of each part. If any two different assemblies (e. g. , right and left side components) consist of almost the same type components, these two assemblies are listed in two lines, and then the names of component parts are listed in the subsequent lines with an indentation as mentioned earlier. The quantity of parts is given in the following manner; that is, in the case of parts being the same in type between the right and left, a total quantity of parts is given. On the other hand, if the right and left side parts are different in type, the quantity of part(s) on each side is given.

Example

Description	Q'ty
CARBURETOR ASS'Y, left	1
CARBURETOR ASS'Y, right	1
. JET, pilot	2
. NOZZLE, main	2
:	
:	
:	
. LEVER, starter, left	1
. LEVER, starter, right	1

(3) Key to Symbols

U. R.	Use size (thickness) and/or number as required
U. N.	Use as many as you need
T	Number of teeth in a gear
V	Voltage for light bulbs
S	"S" type oil seal or "S" type circlip
SD	"SD" type oil seal
SO	"SO" type oil seal
SW	"SW" type oil seal
E	"E" type circlip
R	"R" type circlip
F/No.	Frame No. (Applicable machine No.)

- (4) The right and left in relation to parts are determined on the basis of the rider facing toward the front.
- (5) This Parts List is based on the model in the production line on Oct., 30, 1975. Accordingly, if any modifications which have been made to parts will be announced in the Yamaha Parts News. It is advisable that according to the Yamaha Parts News, You will make necessary corrections to the Parts List on hand to keep it up-to dated.

CONTENTS

ENGINE

Fig. 1	Cylinder Head Cover	1
Fig. 2	Cylinder Head · Cylinder	3
Fig. 3	Valve · Rocker Arm	5
Fig. 4	Crank · Piston	7
Fig. 5	Camshaft · Chain Tensioner	13
Fig. 6	Crank Balancer	15
Fig. 7	A. C. Generator	17
Fig. 8	Contact Breaker · Governor	19
Fig. 9	Starting Motor Unit	21
Fig. 10	Starting Motor	23
Fig. 11	Oil Pump · Oil Cleaner	25
Fig. 12	Tachometer Gear	29
Fig. 13	Clutch	31
Fig. 14	Transmission	33
Fig. 15	Shifter 1	37
Fig. 16	Shifter 2	39
Fig. 17	Kick Starter	41
Fig. 18	Crankcase	43
Fig. 19	Crankcase Cover (Left)	47
Fig. 20	Crankcase Cover (Right)	49
Fig. 21	Intake	51
Fig. 22	Carburetor	53
Fig. 23	Exhaust	59

CHASSIS

Fig. 24	Frame	63
Fig. 25	Battery Box · Side Cover	65
Fig. 26	Stand · Footrest	67
Fig. 27	Brake Pedal · Rear Master Cylinder	69

Fig. 28	Rear Arm · Rear Cushion · Chain Case	71
Fig. 29	Front Fender · Rear Fender	73
Fig. 30	Steering	77
Fig. 31	Front Fork	79
Fig. 32	Handle · Wire	81
Fig. 33	Front Master Cylinder · Brake Hose	83
Fig. 34	Fuel Tank	85
Fig. 35	Seat	89
Fig. 36	Front Wheel	91
Fig. 37	Front Disk Brake · Caliper	93
Fig. 38	Rear Wheel	95
Fig. 39	Rear Disk Brake · Caliper	97
Fig. 40	Head Lamp	99
Fig. 41	Speedometer · Tachometer	101
Fig. 42	Tail Lamp	103
Fig. 43	Flasher Lamp	105
Fig. 44	Electrical 1	107
Fig. 45	Electrical 2	109
Fig. 46	Exclusive Parts For Canada	113

NUMERICAL INDEX

ENGINE

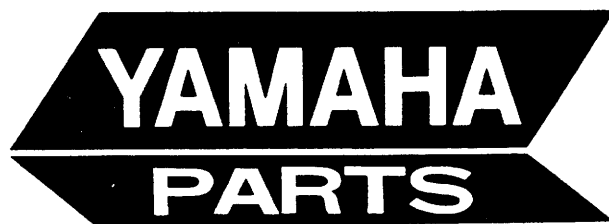
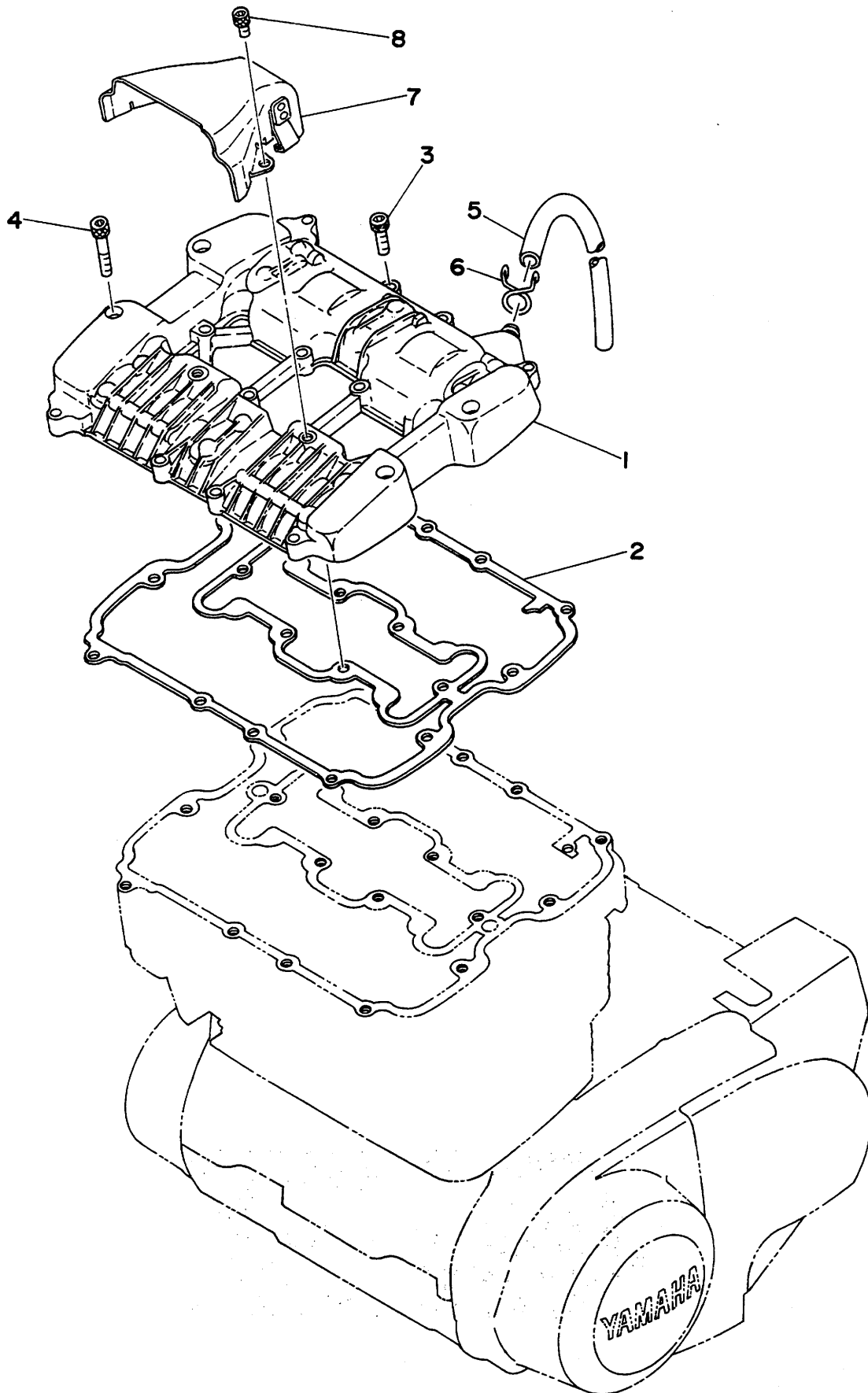


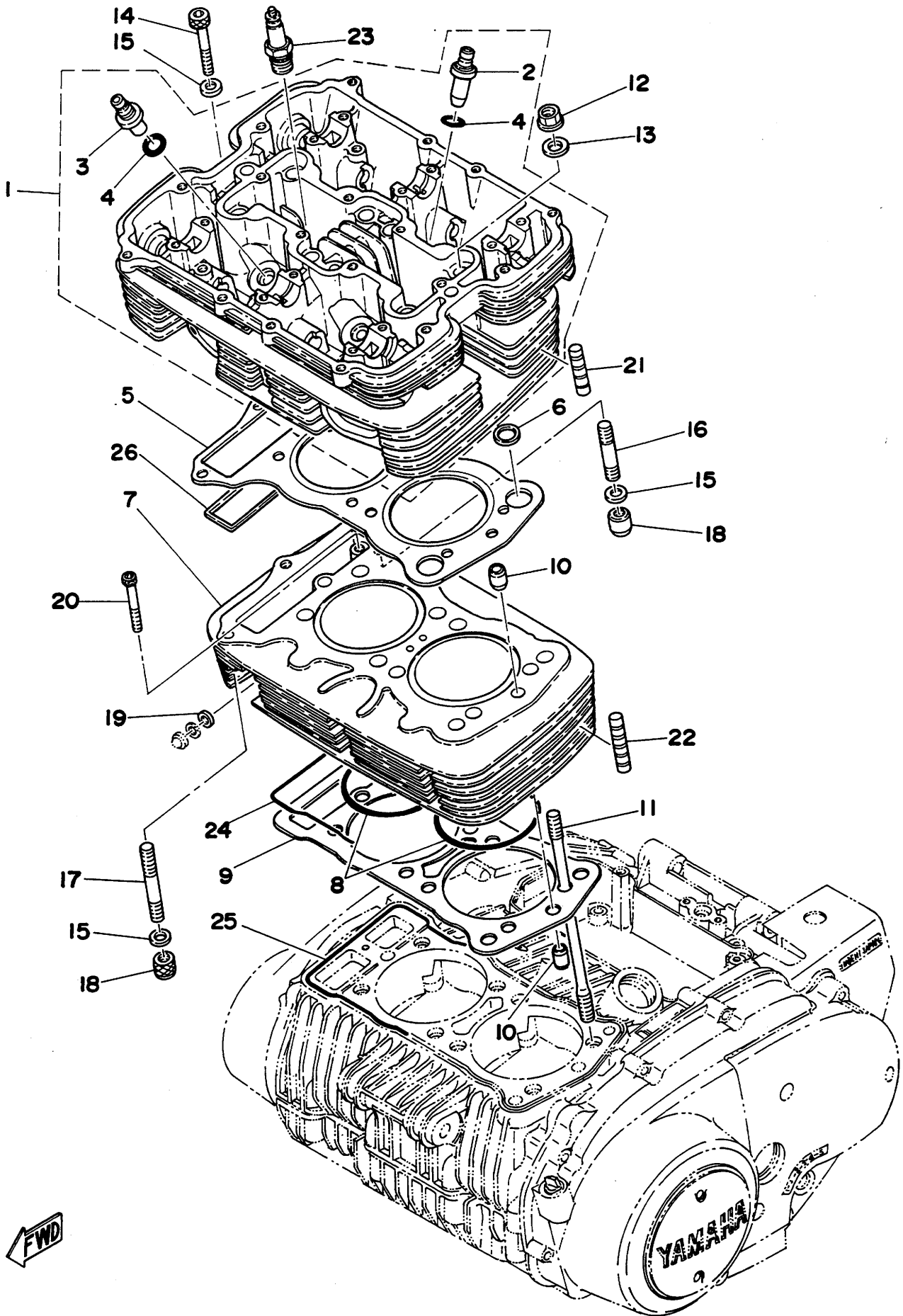
Fig. 1 CYLINDER HEAD COVER



FWD

Ref. No.	Parts No.	Description	Q'ty	Applicable Machine No.	Remarks
1- 1	1A8-11191-00	COVER, cylinder head 1	1		
2	1A8-11193-00	GASKET, head cover 1	1		
3	91316-06025	BOLT, hexagon socket head	14		
4	91316-06040	BOLT, hexagon socket head	4		
5	90445-16162	PIPE, breather 1 (371-11177-00)	1		12-155
6	90467-14015	CLIP, pipe	1		
7	1A8-11192-01	COVER, cylinder head 2	1		
8	91316-06010	BOLT, hexagon socket head	2		

Fig. 2 CYLINDER HEAD · CYLINDER

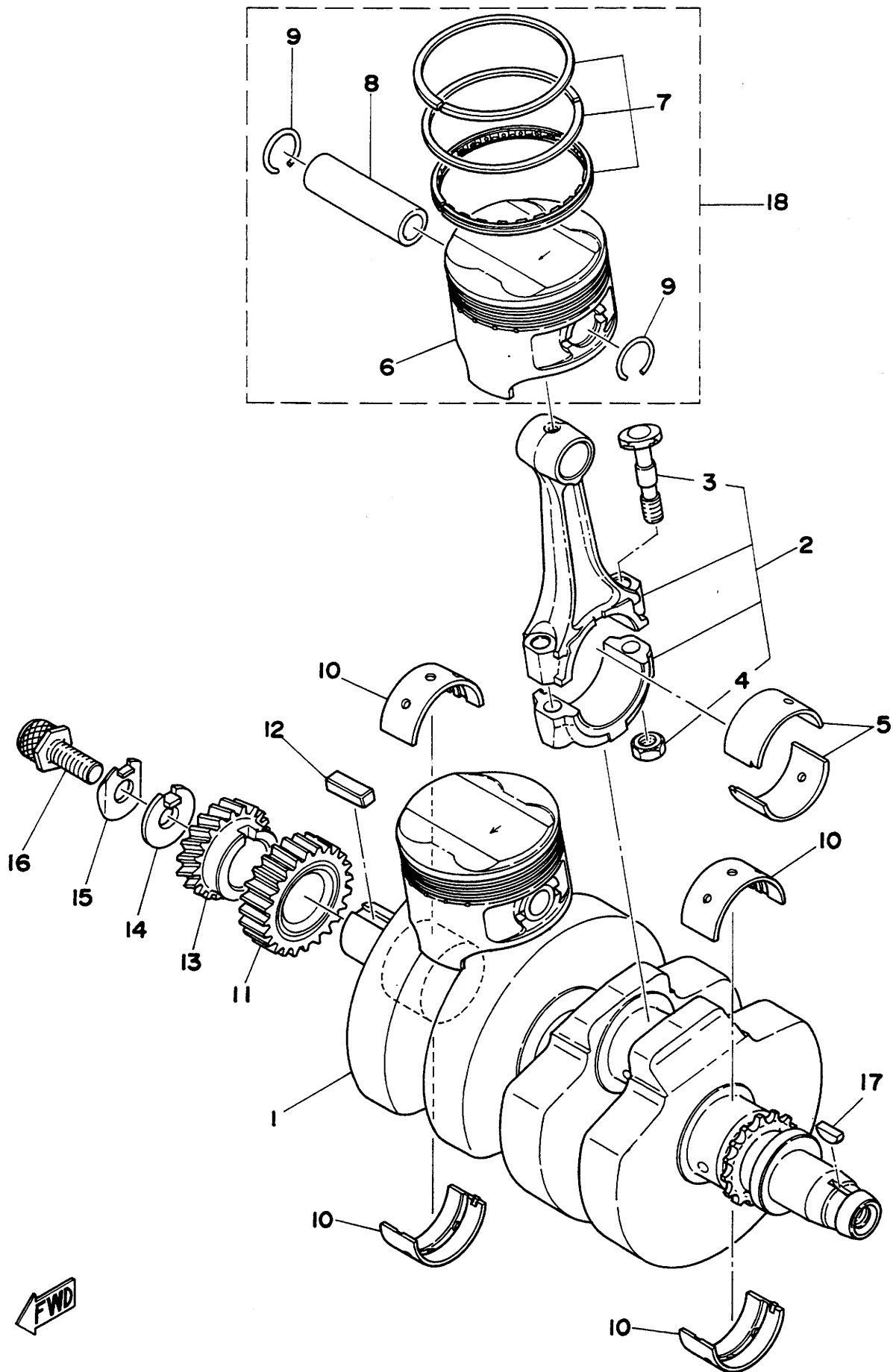


FWD

Ref. No.	Parts No.	Description	Q'ty	Applicable Machine No.	Remarks
2- 1	1A8-11111-00	HEAD, Cylinder 1	1		
2	371-11133-12	. GUIDE, intake valve (1st O.S)	4		
3	371-11134-12	. GUIDE, exhaust valve (1st O.S)	4		
4	93210-11124	. O-RING (1.6-10.6)	8		
5	1A8-11181-00	GASKET, cylinder head 1	1		
6	1A8-11358-01	SEAL, cylinder 3	2		
7	¹³³ 371 11311-05	CYLINDER	1		76006
8	93210-79200	O-RING (1.9-78.5)	2		
9	371-11351-00	GASKET, cylinder	1		
10	91810-02015	PIN, dowel (6.4-10-14)	4		
11	90116-10167	BOLT, stud (371-11361-01)	8		
12	90179-10205	NUT, holding	8		
13	90201-10124	WASHER (371-11175-00)	8		
14	91316-08050	BOLT, hexagon socket head	1		
15	90201-08382	WASHER, plate (8.2-14-1.6)	3		
16	90116-08057	BOLT, stud	1		
17	90116-08196	BOLT, stud	1		
18	90179-08004	NUT	2		
19	93104-08040	OIL SEAL (SO-8-12-3)	1		
20	91316-06050	BOLT, hexagon socket head	1		
21	1A8-11161-00 01.	ABSORBER 1	10		76006
22	1A8-11162-00	ABSORBER 2	10		
23	94701-00073	PLUG, spark (D-8ESL)	2		
24	371-11355-00	SEAL, cylinder 1	1		
25	371-11356-00	SEAL, cylinder 2	1		
26	1A8-11357-00	GASKET, cylinder head 2	1		

Ref. No.	Parts No.	Description	Q'ty	Applicable Machine No.	Remarks
3- 1	371-12111-00	VALVE, intake	4		
2	371-12121-01	VALVE, exhaust	4		
3	371-12116-01	SEAT, valve spring	8		
4	90501-32211	SPRING, outer (371-12114-01)	8		
5	90501-20210	SPRING, inner (371-12113-01)	8		
6	371-12119-01	SEAT, valve stem oil	8		
7	371-12117-02	RETAINER, valve spring	8		
8	371-12118-02	LOCK, valve spring retainer	16		
9	1A8-12151-00	ARM, valve rocker	4		
10	371-12159-00	SCREW, valve adjusting	8		
11	90170-06128	NUT, hexagon (371-12158-00)	8		
12	371-12156-00	SHAFT, rocker	4		
13	90109-06099	BOLT (371-12157-00)	4		
14	93210-15171	O-RING (1.9-14.5)	4		
15	371-11177-01	PLUG, rocker	4		

Fig. 4 CRANK · PISTON



Ref. No.	Parts No.	Description	Q'ty	Applicable Machine No.	Remarks
4- 1	1A8-11411-00	CRANKSHAFT	1		
2	371-11650-02	CONNECTING ROD ASS'Y	2		
3	371-11654-01	. BOLT, connecting rod	4		
4	90170-08129	. NUT, hexagon (371-11655-00)	4		
5	371-11656-03	BEARING, connecting rod 1	}	U. R 4	
	371-11656-13	BEARING, connecting rod 2			
	371-11656-23	BEARING, connecting rod 3			
	371-11656-33	BEARING, connecting rod 4			
	371-11656-43	BEARING, connecting rod 5			
	371-11656-53	BEARING, connecting rod 6			

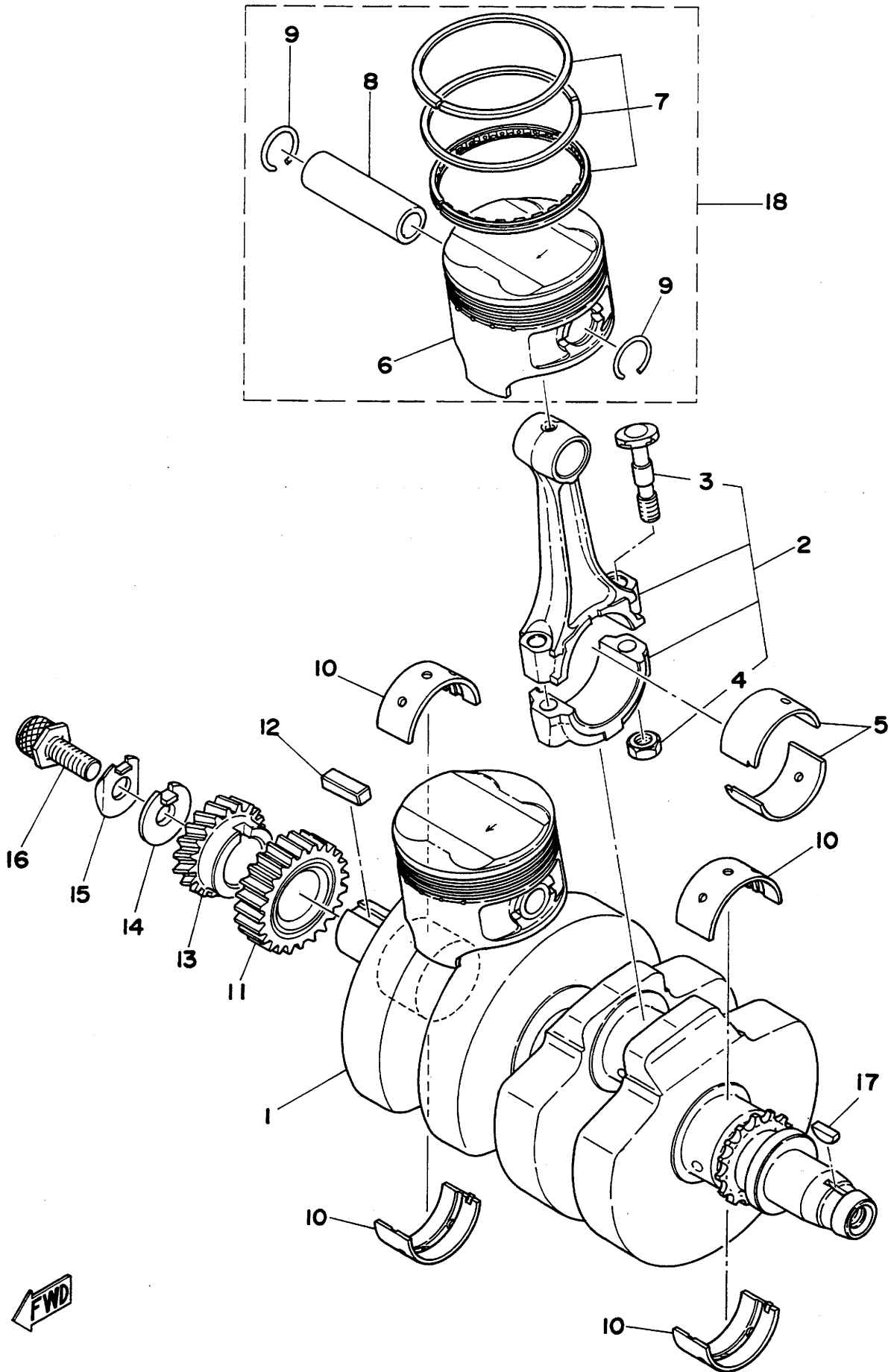
	Center thickness T	Housing diameter	No.	Shaft diameter	No.	Oil clearance
BEARING 1	1.5 +0.005 +0.001	39 ϕ +0.024 +0.016	5	36 ϕ -0.001 -0.008	1	0.041~0.064
BEARING 2	1.5 +0.001 -0.003	39 ϕ +0.016 +0.008	6	36 ϕ -0.009 -0.016	2	0.041~0.064
BEARING 3	1.5 -0.003 -0.007	39 ϕ +0.008 0	7	36 ϕ -0.017 -0.024	3	0.041~0.064
BEARING 4	1.5 -0.007 -0.011					0.041~0.064
BEARING 5	1.5 -0.011 -0.015					0.041~0.064
BEARING 6	1.5 -0.015 -0.019					0.041~0.064

Bearing Selection: Housing No. - Shaft No. = Bearing No.

6	371-11631-05-96	PISTON (72.96mm STD)	}	U. R 2	
	371-11631-05-97	PISTON (72.97mm STD)			
	371-11635-05	PISTON (73.25mm 1st O. S)	2		Alternate Parts
	371-11636-05	PISTON (73.50mm 2nd O. S)	2		Alternate Parts
	371-11637-05	PISTON (73.75mm 3rd O. S)	2		Alternate Parts
	371-11638-05	PISTON (74.00mm 4th O. S)	2		Alternate Parts



Fig. 4 CRANK · PISTON



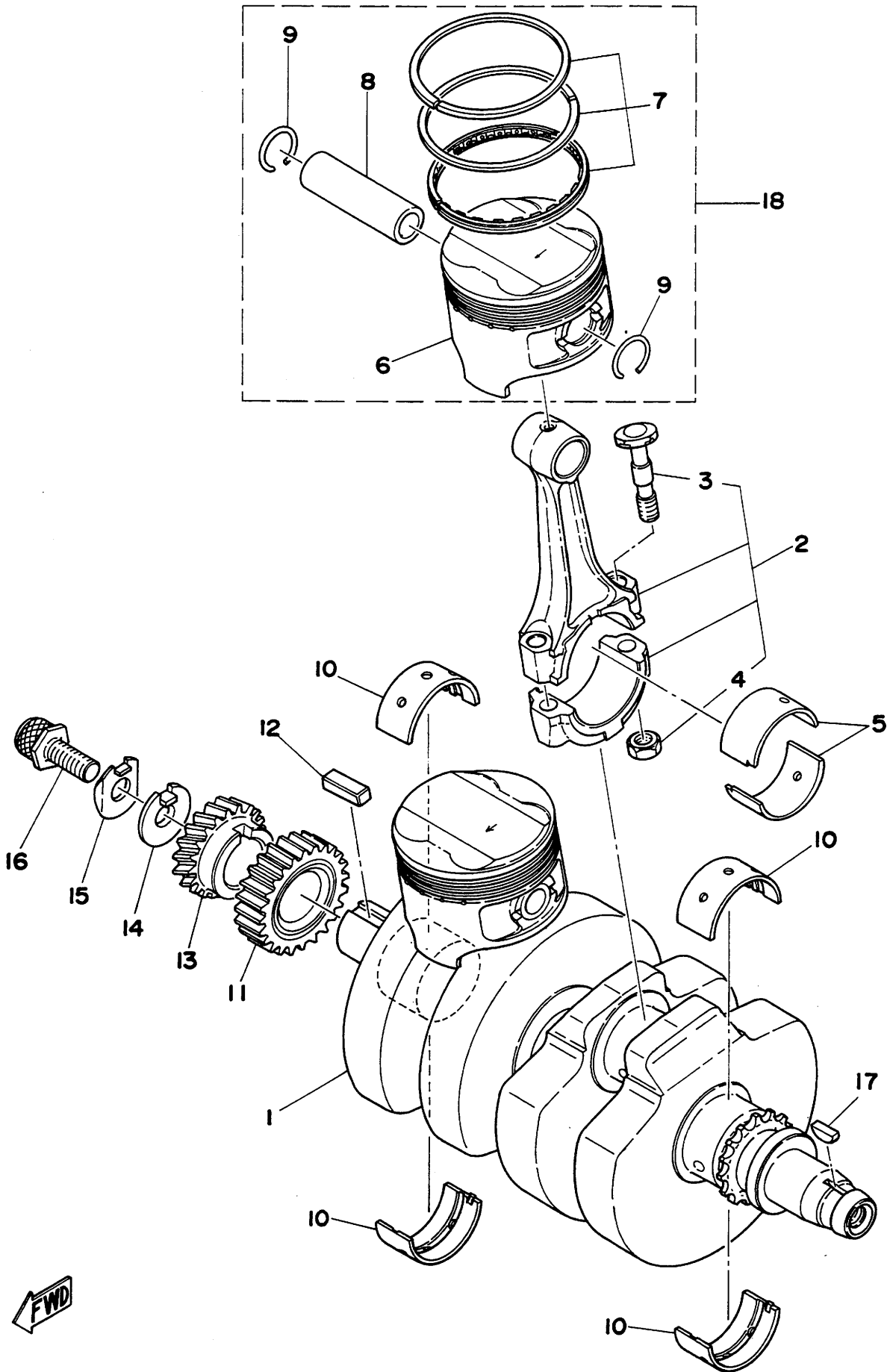
Ref. No.	Parts No.	Description	Q'ty	Applicable Machine No.	Remarks
4- 7	371-11610-04	PISTON RING SET (STD)	2s		
	371-11610-14	PISTON RING SET (1st O.S)	2s		Alternate Parts
	371-11610-24	PISTON RING SET (2nd O.S)	2s		Alternate Parts
	371-11610-34	PISTON RING SET (3rd O.S)	2s		Alternate Parts
	371-11610-44	PISTON RING SET (4th O.S)	2s		Alternate Parts
8	214-11633-00	PIN, piston	2		
9	93450-20035	CLIP, piston pin (371-11634-00)	4		
10	341-11416-90	BEARING, crank shaft 0	} U. R 6		
	341-11416-00	BEARING, crank shaft 1			
	341-11416-10	BEARING, crank shaft 2			
	341-11416-20	BEARING, crank shaft 3			
	341-11416-30	BEARING, crank shaft 4			
	341-11416-40	BEARING, crank shaft 5			

	Center thickness T	Housing diameter	No.	Shaft diameter	No.	Oil clearance
BEARING 0	1.5 $\begin{matrix} +0.010 \\ +0.006 \end{matrix}$	41 ϕ $\begin{matrix} +0.024 \\ +0.016 \end{matrix}$	3	38 ϕ $\begin{matrix} -0.001 \\ -0.008 \end{matrix}$	1	0.028 ~ 0.051
BEARING 1	1.5 $\begin{matrix} +0.006 \\ +0.002 \end{matrix}$	41 ϕ $\begin{matrix} +0.016 \\ +0.008 \end{matrix}$	4	38 ϕ $\begin{matrix} -0.009 \\ -0.016 \end{matrix}$	2	0.028 ~ 0.051
BEARING 2	1.5 $\begin{matrix} +0.002 \\ -0.002 \end{matrix}$	41 ϕ $\begin{matrix} +0.008 \\ 0 \end{matrix}$	5	38 ϕ $\begin{matrix} -0.017 \\ -0.024 \end{matrix}$	3	0.028 ~ 0.051
BEARING 3	1.5 $\begin{matrix} -0.002 \\ -0.006 \end{matrix}$					0.028 ~ 0.051
BEARING 4	1.5 $\begin{matrix} -0.006 \\ -0.010 \end{matrix}$					0.028 ~ 0.051
BEARING 5	1.5 $\begin{matrix} -0.010 \\ -0.014 \end{matrix}$					0.028 ~ 0.051

Bearing Selection: Housing No. - Shaft No. = Bearing No.

11	371-16111-00	GEAR, primary drive (26T)	1		
12	90282-07006	KEY, straight (278-11546-00)	1		
13	371-11536-03	GEAR, breaker drive (19T)	1		

Fig. 4 CRANK · PISTON



Ref. No.	Parts No.	Description	Q'ty	Applicable Machine No.	Remarks
4-14	90214-11007	WASHER, claw	1		
15	371-16135-00	WASHER, lock	1		
16	90109-10171	BOLT	1		
17	90280-04005	KEY, woodruff (341-11545-00)	1		

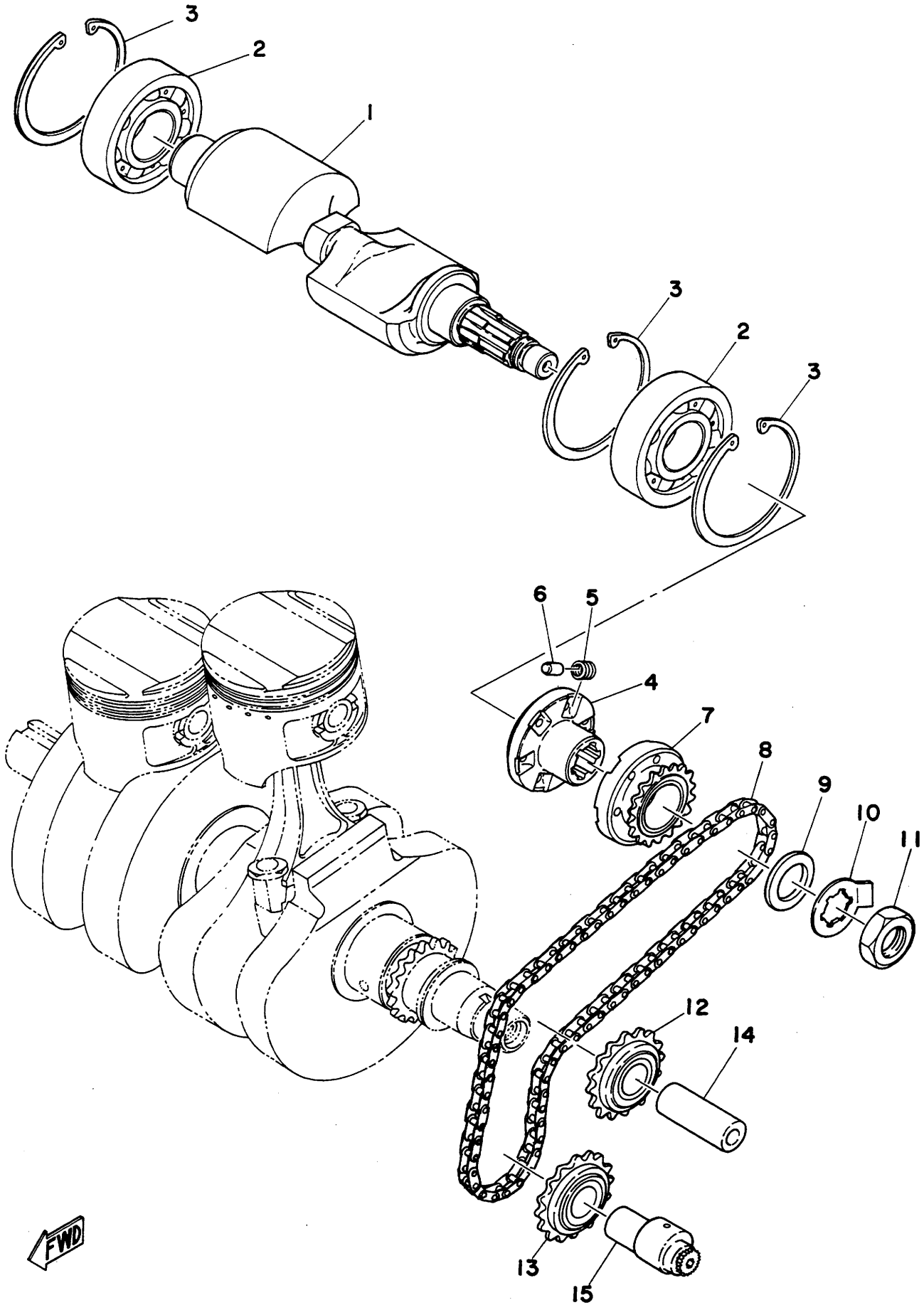
ALTERNATE PARTS

4-18	371-11630-00	PISTON ASS'Y (STD)	1s	} Ref. No. 6,7,8,9
	371-11630-10	PISTON ASS'Y (1st O.S)	1s	
	371-11630-20	PISTON ASS'Y (2nd O.S)	1s	
	371-11630-30	PISTON ASS'Y (3rd O.S)	1s	
	371-11630-40	PISTON ASS'Y (4th O.S)	1s	

Ref. No.	Parts No.	Description	Q'ty	Applicable Machine No.	Remarks
5- 1	371-12170-01	INTAKE CAMSHAFT ASS'Y	1		
2	371-12180-01	EXHAUST CAMSHAFT ASS'Y	1		
3	93501-04011	. BALL (1/4 inch)	4		
4	371-12173-00	CAP, camshaft	6		
5	371-11145-03	PLATE, breather 2	1		
6	90116-06098	BOLT, stud (371-12174-00)	12		
7	371-12175-00	WASHER, lock	6		
8	95301-06600	NUT	12		
9	94862-09104	CHAIN (RK209-2104L)	1		
10	94912-09001	. JOINT, chain	1		
11	371-12264-01	SPROCKET, idle	1		
12	371-12251-01	DAMPER, chain 1	4		
13	371-11455-00	SHAFT 1	1		
14	93420-16032	CIRCLIP (R-16)	1		
15	90338-16003	PLUG	1		
16	371-12210-02	TENSIONER ASS'Y	1		
17	90201-07384	WASHER, plate (7.2-18-2.0)	1		
18	90176-07018	NUT	1		
19	371-11540-02	CAM CHAIN SPROCKET ASS'Y	1		
20	90201-25291	WASHER (371-11558-00)	2		25.2-39-1.0
21	371-12231-00	GUIDE, stopper 1	1		
22	90109-06229	BOLT, reamer	1		
23	93604-14012	PIN, dowel (4-14)	1		
24	1A8-12241-00	GUIDE, stopper 2	1		
25	371-11165-01	PLATE, breather 1	1		
26	90215-06040	WASHER, lock	1		

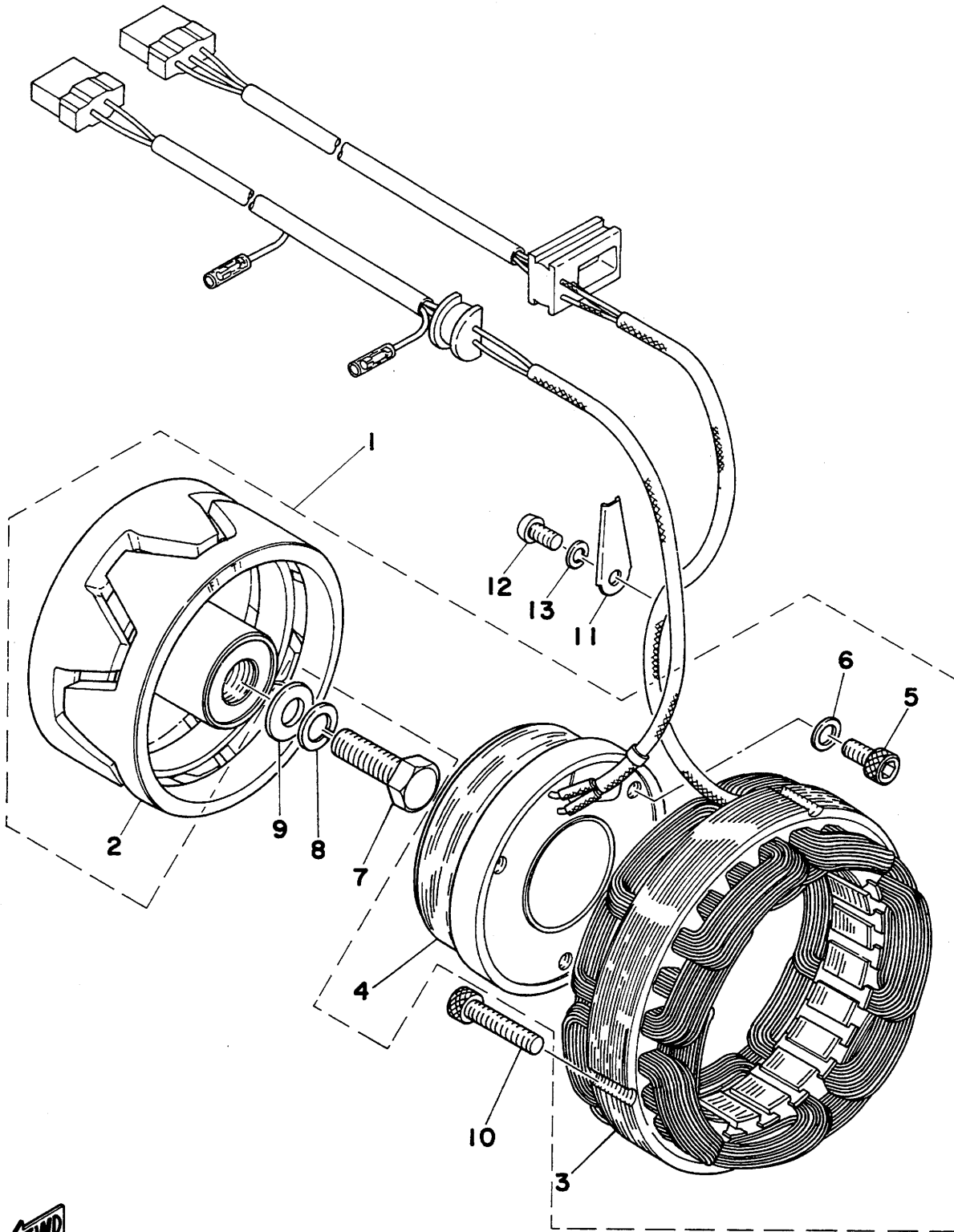


Fig. 6 CRANK BALANCER



Ref. No.	Parts No.	Description	Q'ty	Applicable Machine No.	Remarks
6- 1	371-11454-02	WEIGHT	1		
2	93306-30518	BEARING (B6305CS)	2		
3	93420-62017	CIRCLIP (R-62)	3		
4	371-11496-01	BOSS, buffer	1		
5	90501-21133	SPRING, compression (341-11488-00)	3		
6	93605-09090	PIN, dowel (4.5-9.4)	3		
7	371-11458-02	WHEEL, sprocket	1		
8	94510-01062	CHAIN (BF05T 62T)	1		
9	90560-20038	SPACER (248-17429-00)	1		
10	90215-16046	WASHER, lock (371-11449-00)	1		
11	90179-16018	NUT (102-17463-00)	1		
12	371-11437-00	SPROCKET, idle 1 (15T)	1		
13	371-11438-02	SPROCKET, idle 2 (16T)	1		
14	371-11455-00	SHAFT 1	1		
15	371-11465-00	SHAFT 2	1		

Fig. 7 A. C. GENERATOR

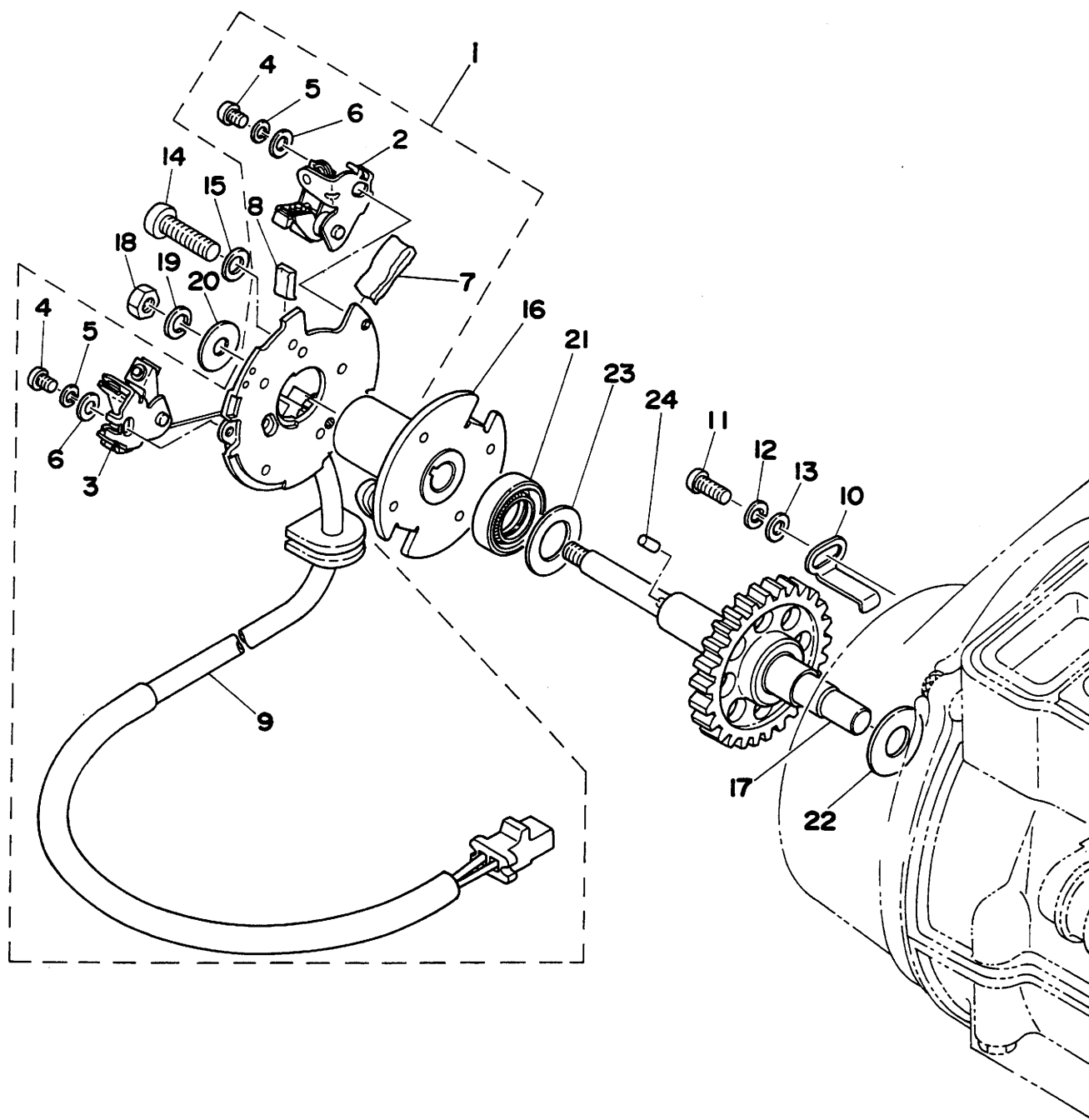


FWD

Ref. No.	Parts No.	Description	Qty	Applicable Machine No.	Remarks
7- 1	371-81600-11	A. C. GENERATOR ASS'Y	1		
2	371-81650-11	. ROTOR COMP.	1		
3	371-81610-10	. STATOR ASS'Y	1		
4	371-81660-10	. FIELD COIL ASS'Y	1		
5	91316-06015	. BOLT, hexagon socket head	3		
6	90430-06014	. GASKET (256-11396-00)	3		
7	90101-10105	BOLT (341-81652-00)	1		
8	92901-10100	WASHER, spring	1		
9	90201-10133	WASHER, plain (341-81663-00)	1		
10	91316-06030	BOLT, hexagon socket head	3		
11	90465-10058	CLAMP (371-82594-00)	1		
12	98501-05010	SCREW, panhead	1		
13	92901-05100	WASHER, spring	1		

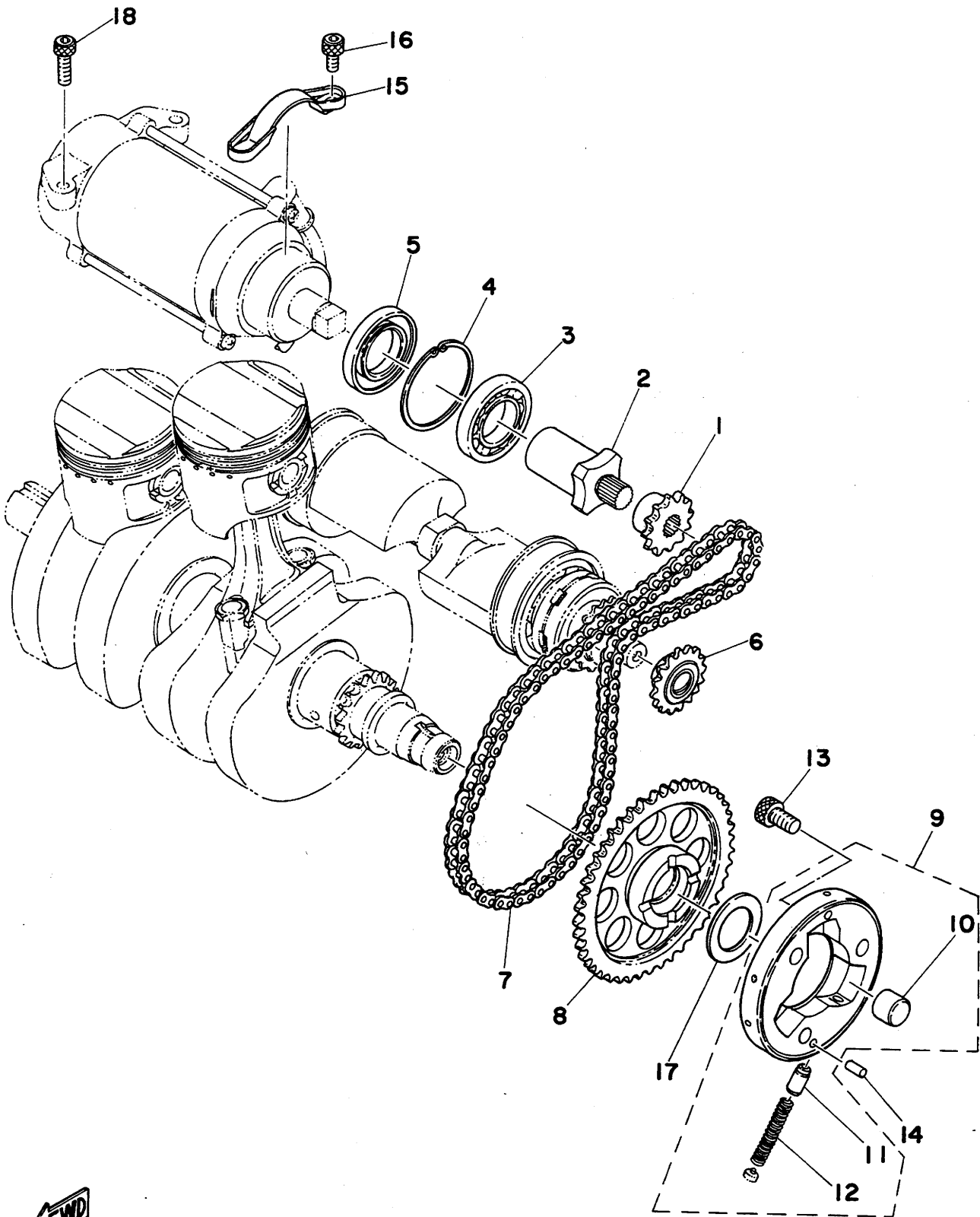


Fig. 8 CONTACT BREAKER - GOVERNOR



Ref. No.	Parts No.	Description	Q'ty	Applicable Machine No.	Remarks
8- 1	371-81620-10	BREAKER PLATE ASS'Y	1		
2	371-81621-10	. CONTACT BREAKER ASS'Y, left	1		
3	371-81622-10	. CONTACT BREAKER ASS'Y, right	1		
4	110-81345-20	. SCREW, panhead (4-6)	2		
5	92901-04100	. WASHER, spring	2		
6	92901-04200	. WASHER, plain	2		
7	371-81631-10	. LUBRICATOR	1		
8	207-81331-10	. LUBRICATOR	1		
9	371-81615-10	. LEAD WIRE ASS'Y	1		
10	371-81632-00	PLATE, timing	1		
11	98301-05012	SCREW, cylinderhead	1		
12	92901-05100	WASHER, spring	1		
13	92901-05200	WASHER, plain	1		
14	90147-06001	SCREW (256-11151-00)	2		
15	92901-06200	WASHER, plain	2		
16	1A8-81653-10	GOVERNOR ASS'Y	1		
17	371-11150-02	BREAKER SHAFT ASS'Y	1		
18	95301-06600	NUT	1		
19	92901-06100	WASHER, spring	1		
20	90201-06412	WASHER	1		6.5-19-1.2
21	93102-14107	OIL SEAL (SD-14-26-6)	1		
22	90201-10373	WASHER (371-11557-00)	1		10.5-24-1.5
23	90201-14216	WASHER (820-47384-00)	1		14.4-25-0.9
24	93603-07073	PIN, dowel	1		

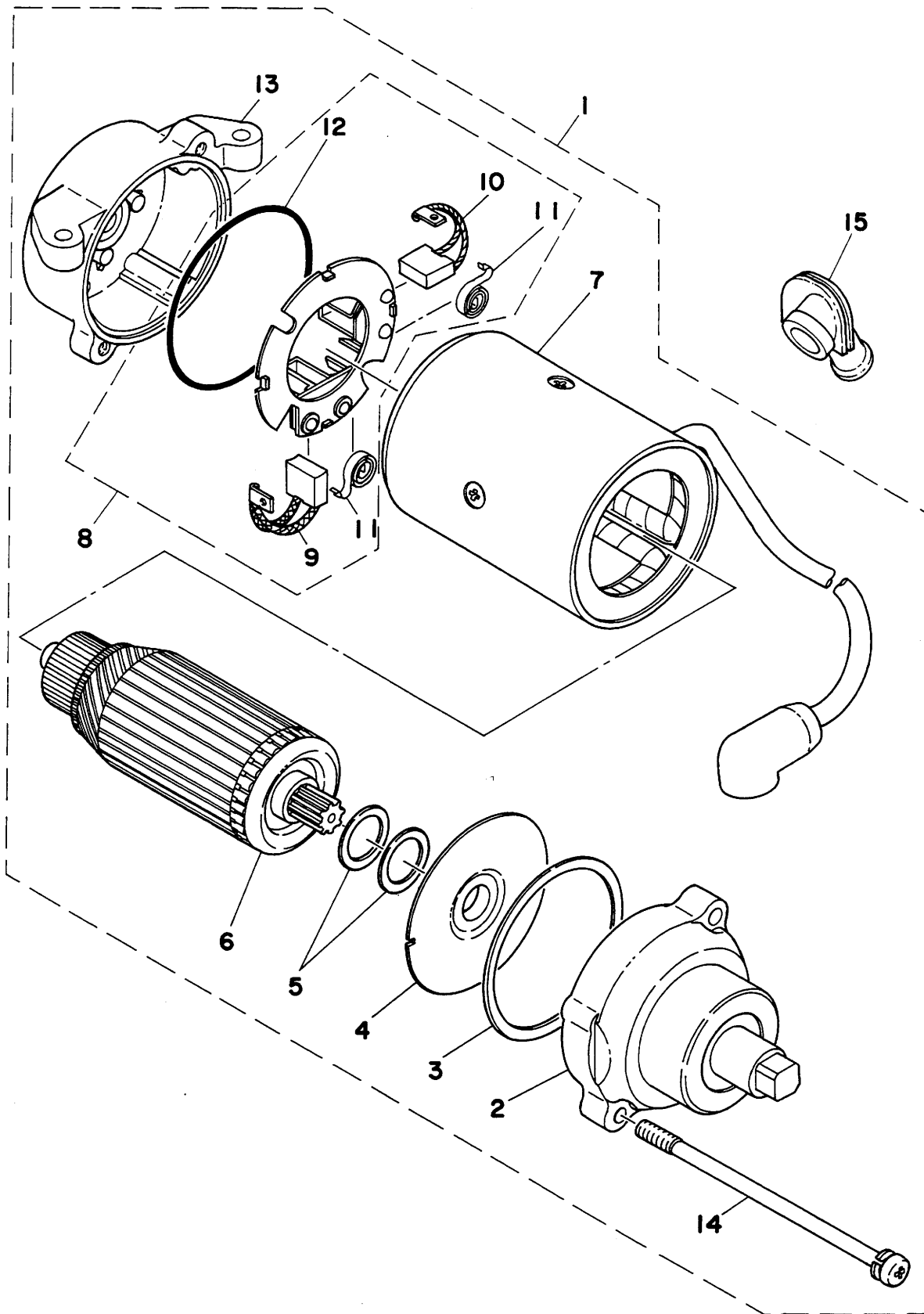
Fig. 9 STARTING MOTOR UNIT



FWD

Ref. No.	Parts No.	Description	Q'ty	Applicable Machine No.	Remarks
9- 1	371-15518-00	SPROCKET, starter 1	1		
2	371-15521-00	SHAFT	1		
3	93306-00501	BEARING (B6005)	1		
4	93420-47010	CIRCLIP (R-47)	1		
5	93102-25113	OIL SEAL (SD-25-45-7)	1		
6	371-15525-00	SPROCKET, starter idle	1		
7	94552-19082	CHAIN (DK219HT 82L)	1		
8	371-15520-02	STARTER WHEEL ASS'Y	1		
9	371-15580-02	STARTER CLUTCH OUTER ASS'Y	1		
10	93615-15114	. PIN, dowel (15-15)	3		
11	341-15583-04	. CAP, starter clutch spring	3		
12	90501-03298	. SPRING, starter clutch roller	3		
13	91310-08015	BOLT	3		
14	93605-09095	PIN, dowel (4.5-9.3)	2		
15	371-15564-00	HOLDER, starting motor	1		
16	91316-06010	BOLT, hexagon socket head	2		
17	90201-25290	WASHER, plate (25.2-36-1.0)	1		
18	91316-06020	BOLT, hexagon socket head	2		

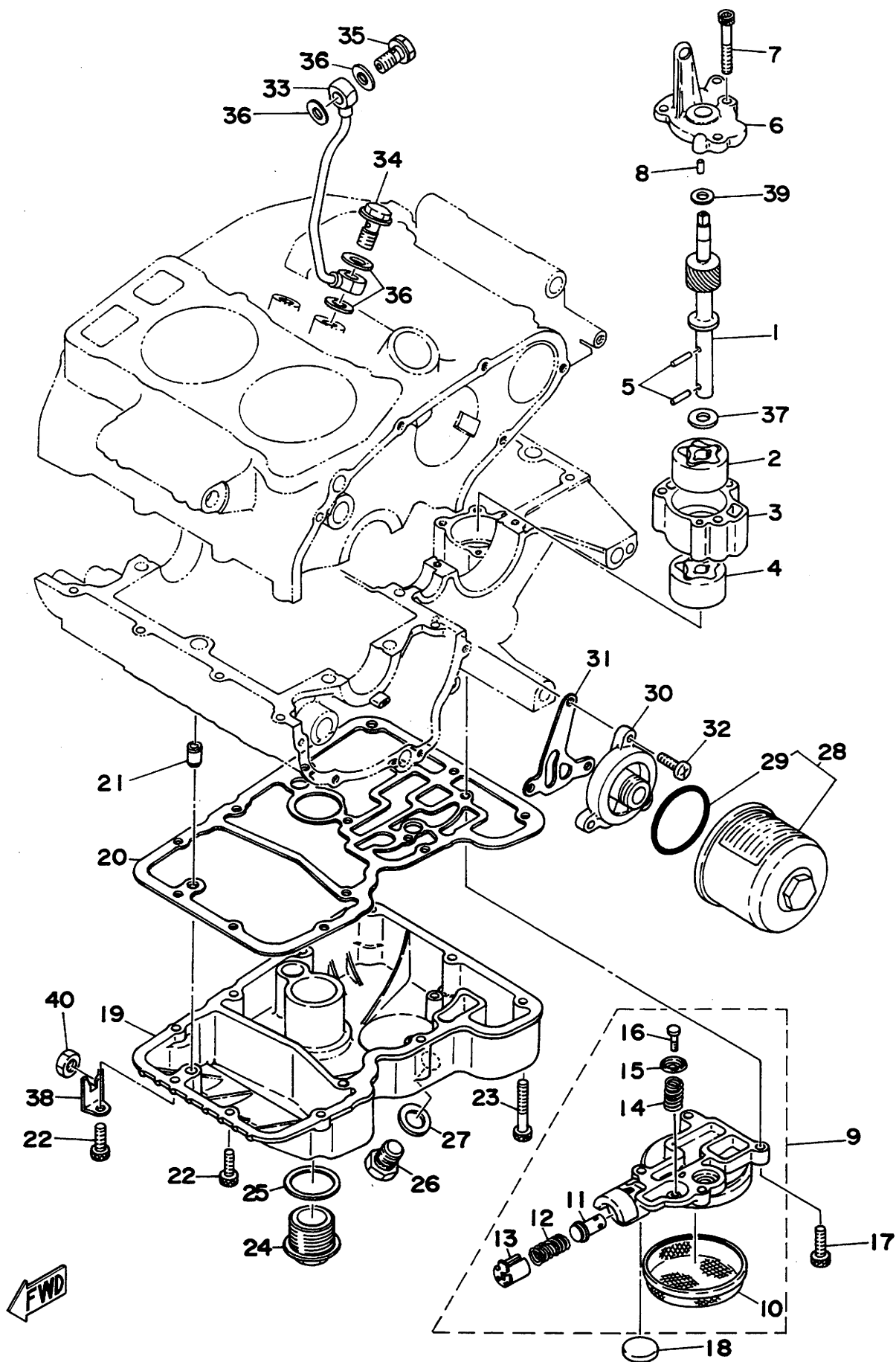
Fig. 10 STARTING MOTOR



Ref. No.	Parts No.	Description	Q'ty	Applicable Machine No.	Remarks
10- 1	371-81800-20	STARTING MOTOR ASS'Y	1		
2	371-81830-20	. FRONT BRACKET ASS'Y	1		
3	371-81844-20	✓ . GASKET	1		
4	371-81845-20	✓ . PLATE	1		
5	371-81809-20	✓ . WASHER KIT	1		
6	371-81850-20	✓ . ARMATURE ASS'Y	1		
7	371-81810-20	✓ . STATOR ASS'Y	1		
8	371-81840-20	✓ . BRUSH HOLDER ASS'Y	1		
9	371-81811-20	. . BRUSH (+)	1		
10	371-81812-20	. . BRUSH (-)	1		
11	371-81813-20	. . SPRING, brush	2		
12	371-81847-20	✓ . . O-RING	1		
13	371-81820-20	. REAR BRACKET ASS'Y	1		
14	371-81826-20	✓ . BOLT	2		
15	371-81829-20	GROMMET	1		

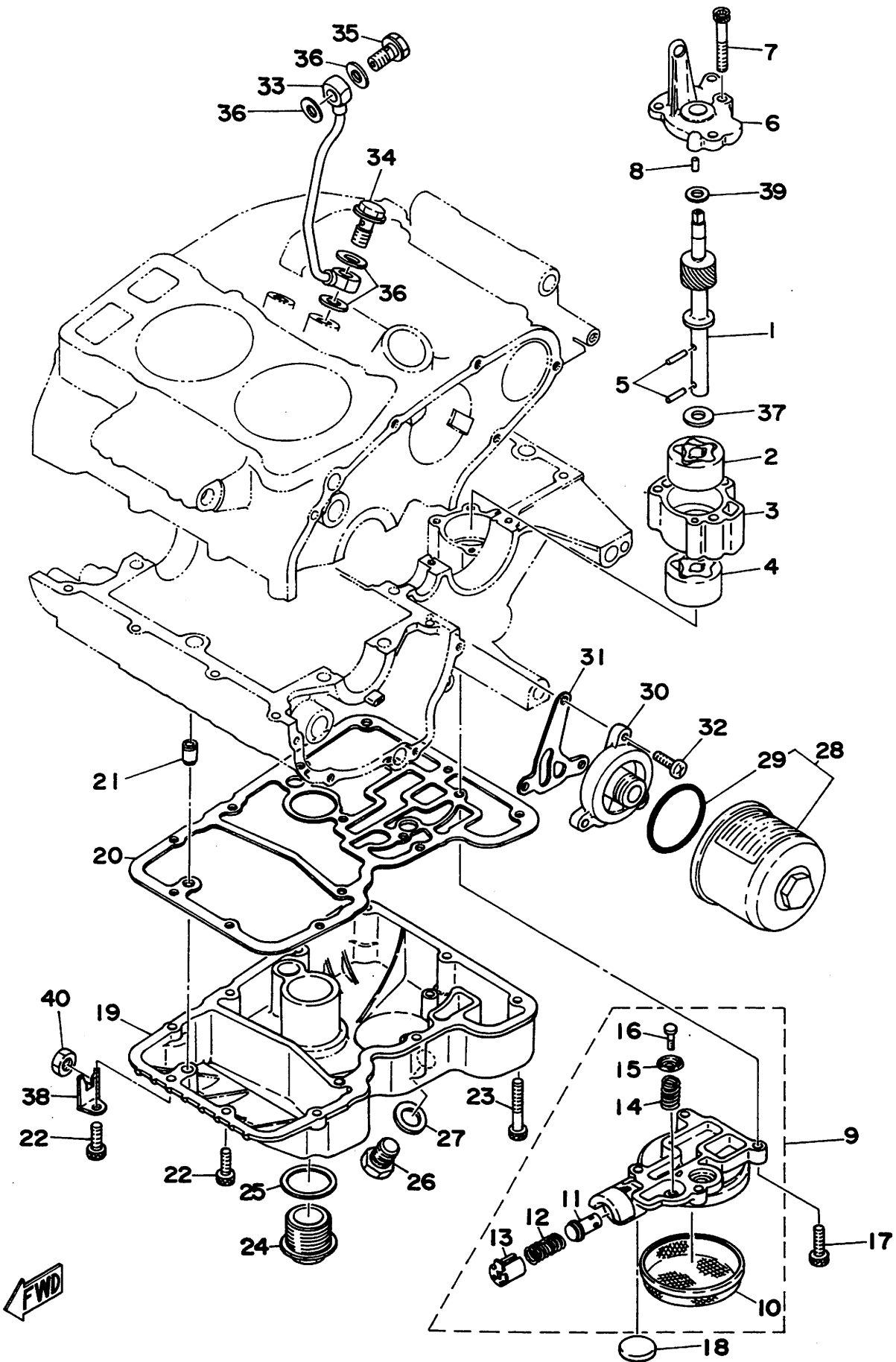


Fig. 11 OIL PUMP · OIL CLEANER



Ref. No.	Parts No.	Description	Q'ty	Applicable Machine No.	Remarks
11- 1	1A8-13314-01	SHAFT, pump	1		
2	341-13320-02	ROTOR 2 ASS'Y	1		
3	371-13336-01	HOUSING, rotor	1		
4	371-13320-00	ROTOR 2 ASS'Y	1		
5	93603-17070	PIN, dowel (3-17)	2		
6	371-13316-01	COVER, pump	1		
7	91316-06045	BOLT, hexagon socket head	3		
8	93604-10011	PIN, dowel (4-10)	4		
9	1A8-13410-00	STRAINER HOUSING ASS'Y	1		
10	371-13411-00	. STRAINER	1		
11	371-13483-01	. PLUNGER, relief	1		
12	90501-14390	. SPRING, compression	1		
13	371-13486-01	. RETAINER, relief valve	1		
14	90501-10389	. SPRING, bypass	1		
15	371-13497-00	. PLUG, bypass	1		
16	90249-04026	. PIN (371-13498-00)	1		
17	91316-06020	BOLT, hexagon socket head	4		
18	371-13419-00	MAGNET	1		
19	371-13407-01	COVER, strainer	1		
20	371-13414-02	GASKET, strainer cover	1		
21	91810-02015	PIN, dowel (6.4-10-15)	1		
22	91316-06020	BOLT, hexagon socket head	4		
23	91316-06040	BOLT, hexagon socket head	7		
24	90340-30020	PLUG, straight screw (371-15351-00)	1		
25	256-15353-00	GASKET, drain plug	1		
26	90340-14034	PLUG, straight screw (431-15351-00)	1		
27	90430-14042	GASKET (341-15396-00)	1		14.1-21-1.0
28	371-13440-90	OIL CLEANER ASS'Y	1		
29	93210-45199	. O-RING (3.5-52.5)	1		
30	371-13447-01	COVER, element	1		
31	371-13449-01	GASKET, element cover	1		
32	92501-06020	SCREW, panhead	3		

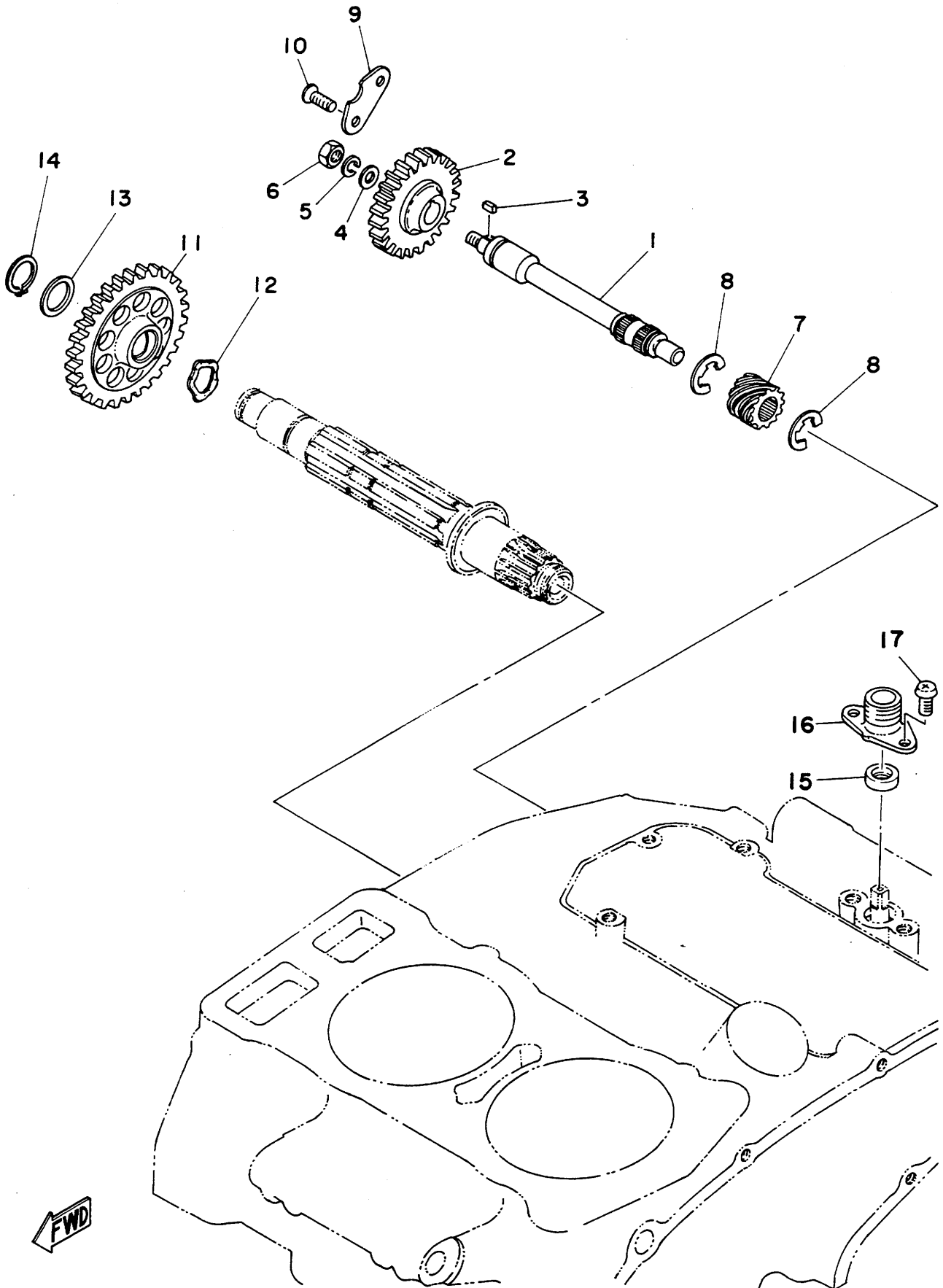
Fig. 11 OIL PUMP · OIL CLEANER



Ref. No.	Parts No.	Description	Q'ty	Applicable Machine No.	Remarks
11-33	371-13161-00	PIPE, delivery	1		
34	90401-10004	BOLT, union (256-13166-00)	1		
35	90401-10013	BOLT, union (371-13166-00)	1		
36	90430-10027	GASKET (256-13168-00)	4		10-15-1.2
37	90201-12179	WASHER (12.3-22-0.5)	1		
38	371-15118-00	HOLDER, nut	2		
39	90201-08544	WASHER	1		
40	90170-10159	NUT	2		



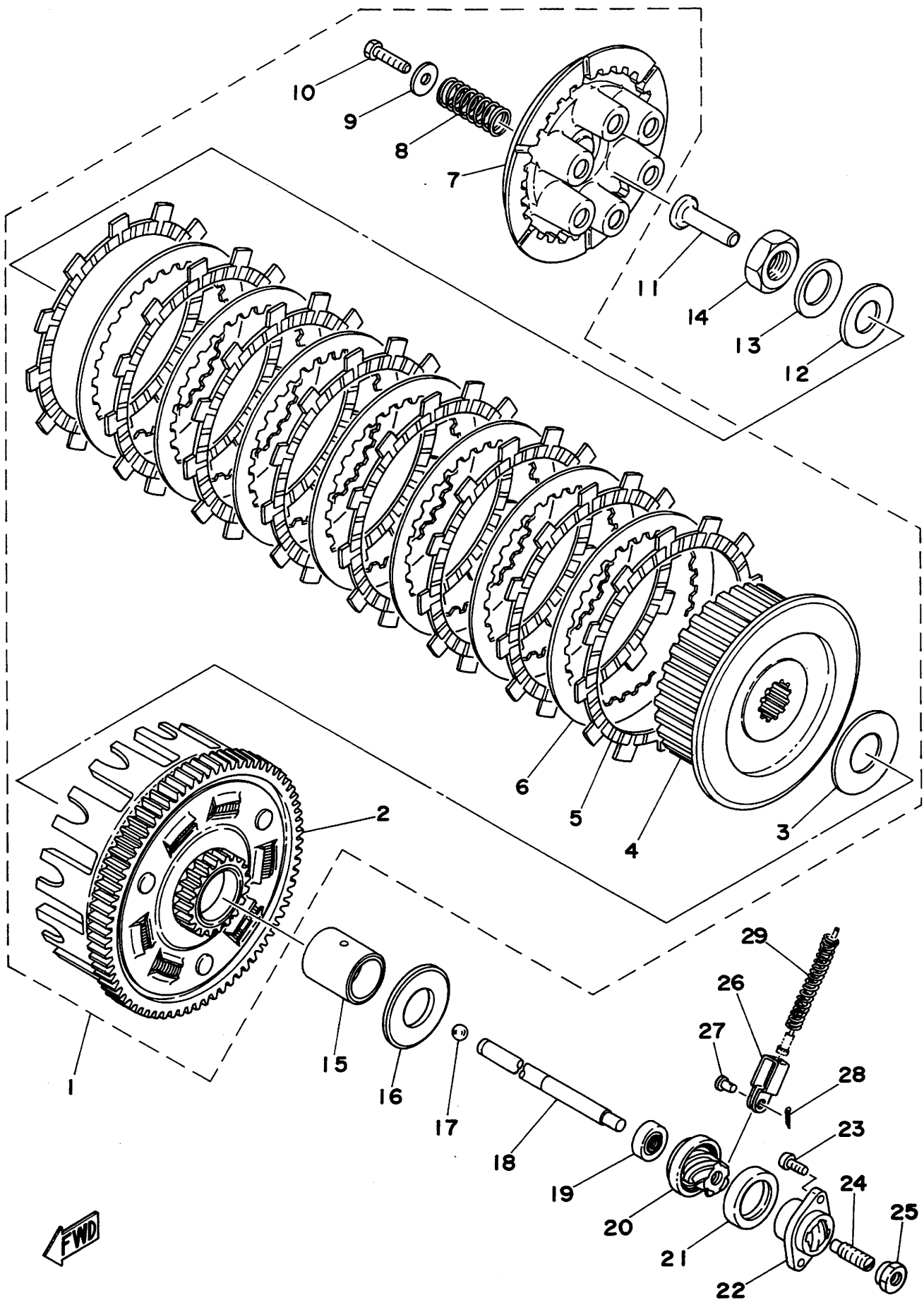
Fig. 12 TACHOMETER GEAR



FWD

Ref. No.	Parts No.	Description	Q'ty	Applicable Machine No.	Remarks
12- 1	371-17861-00	AXLE, tachometer gear	1		
2	371-17851-02	GEAR, primary	1		
3	90282-03003	KEY, straight (341-13335-00)	1		
4	92901-06600	WASHER, plain	1		
5	92901-06100	WASHER, spring	1		
6	95301-06600	NUT	1		
7	1A8-17831-00	GEAR, tachometer drive (13T)	1		
8	93430-10016	CIRCLIP (E-10)	2		
9	278-17812-00	STOPPER	1		
10	98701-05012	SCREW, flathead	2		
11	371-15651-01	GEAR, kick idle (39T)	1		
12	90206-15021	WASHER, wave (137-15643-00)	1		
13	164-17417-00-10	SHIM, main axle (15.2-20-1.0)	1		
14	93410-15005	CIRCLIP (S-15)	1		
15	93104-07036	OIL SEAL (SO-7-13-4)	1		
16	1A8-17811-00	HOUSING	1		
17	92501-06010	SCREW, panhead	2		

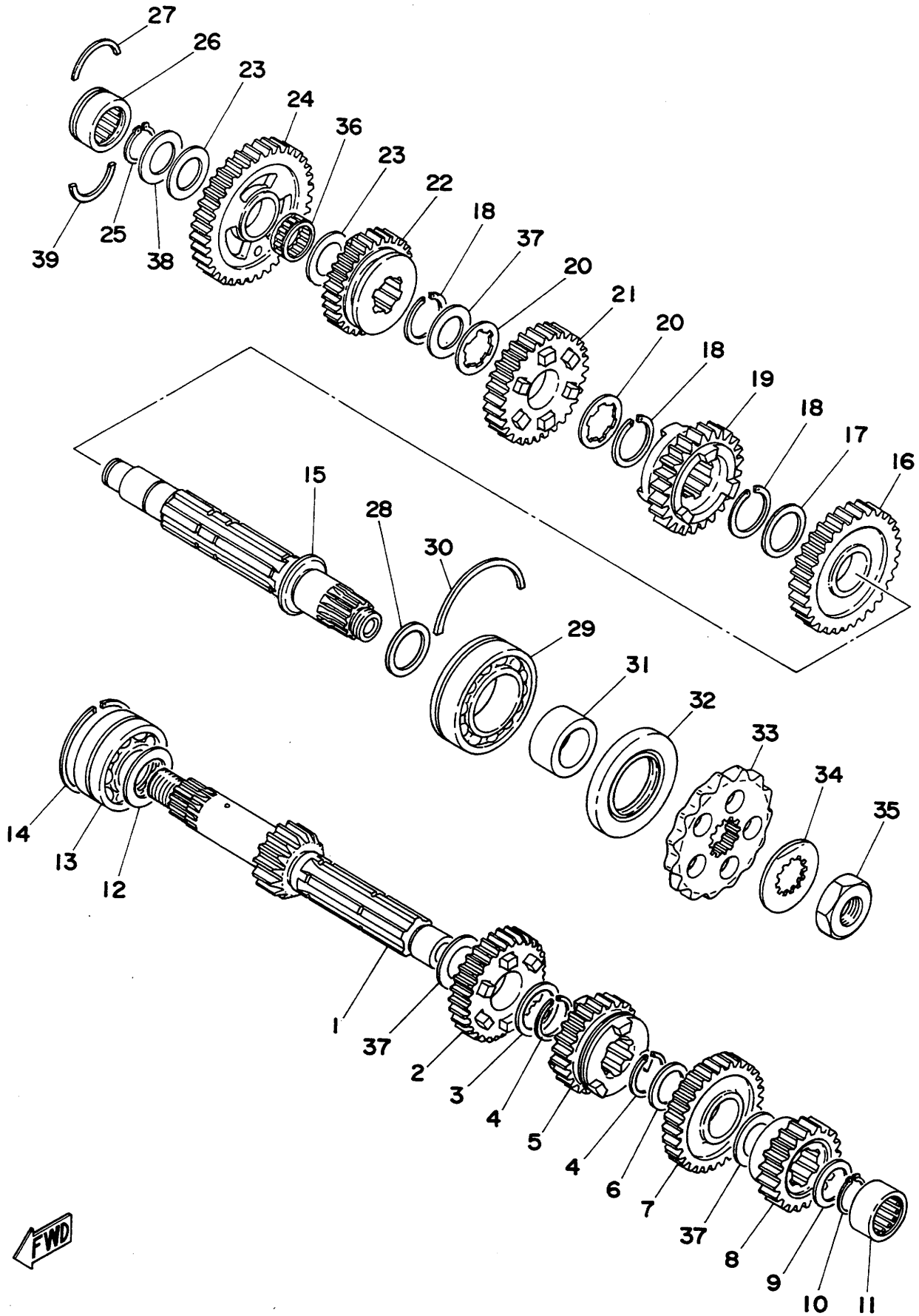
Fig. 13 CLUTCH



Ref. No.	Parts No.	Description	Q'ty	Applicable Machine No.	Remarks
13- 1	1A8-16301-00	CLUTCH ASS'Y	1		
2	1A8-16150-00	. PRIMARY DRIVEN GEAR COMP. (79T)	1		
3	170-16164-00	. PLATE, thrust 2 (25-50-2)	1		
4	371-16371-00	. BOSS, clutch	1		
5	383-16321-00	. PLATE, friction	8		
6	371-16325-00	. PLATE, clutch 2	7		
7	371-16351-00	. PLATE, pressure	1		
8	90501-23142	. SPRING, compression (256-16333-10)	6		
9	90201-06557	. WASHER (101-24187-00)	6		6.2-18-1.6
10	90153-06010	. SCREW, crossrecess hexagon	6		
11	174-16356-00	ROD, push 1	1		
12	92901-18200	WASHER, plain	1		
13	214-16119-00	SPRING, belleville	1		
14	90170-18089	NUT, hexagon (156-16174-00)	1		
15	278-16181-01	SPACER	1		
16	278-16154-00	PLATE, thrust 1	1		
17	93505-16006	BALL (5/16 inch)	2		
18	371-16357-02	ROD, push 2	1		
19	371-15389-00	SEAL, push rod	1		
20	371-16340-00	PUSH LEVER ASS'Y	1		
21	214-16347-01	SEAL, dust	1		
22	371-16396-00	HOUSING, push screw	1		
23	98501-05012	SCREW, panhead	2		
24	90113-08021	SCREW, adjusting (256-16343-01)	1		
25	90179-08179	NUT	1		
26	214-16389-00	JOINT	1		
27	90240-06005	PIN with hole (214-16379-00)	1		
28	91401-10010	PIN, cotter	1		
29	90501-08209	SPRING, compression (371-16345-00)	1		



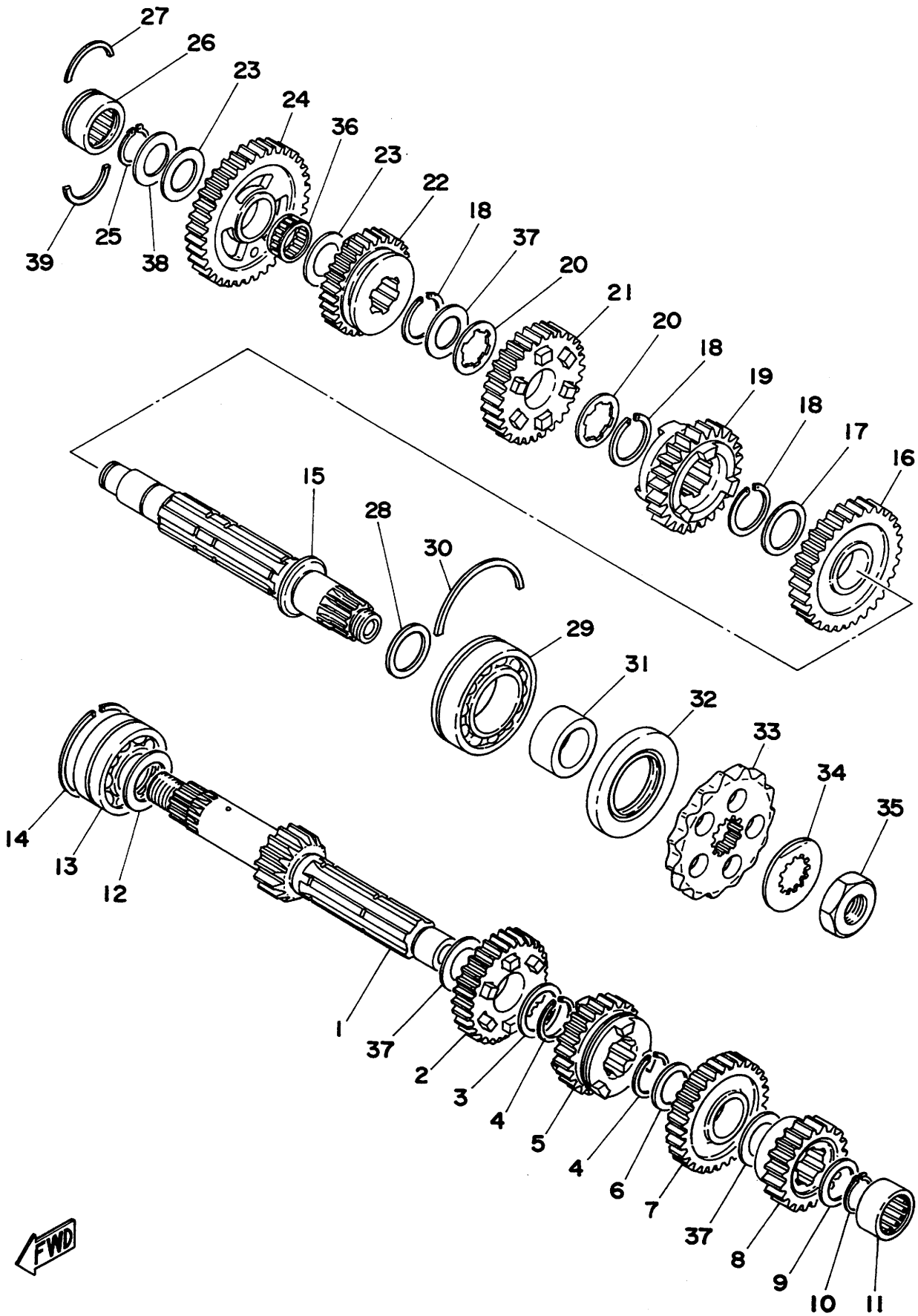
Fig.14 TRANSMISSION



Ref. No.	Parts No.	Description	Q'ty	Applicable Machine No.	Remarks
14- 1	371-17411-01	AXLE, main (15T)	1		
2	371-17141-00	GEAR, 4th pinion (29T)	1		
3	90201-25490	WASHER (152-17226-00)	1		25-32-1.0
4	93440-25019	CIRCLIP (25 ϕ special)	2		
5	1A8-17131-00	GEAR, 3rd pinion (26T)	1		
6	90209-21106	WASHER (278-17216-00)	1		
7	1A8-17151-00	GEAR, 5th pinion (31T)	1		
8	371-17121-01	GEAR, 2nd pinion (20T)	1		
9	90201-20276	WASHER (328-17116-00)	1		20.2-30-1.0
10	93410-20009	CIRCLIP (S-20)	1		
11	93311-22 027	BEARING	1		
12	168-17428-01-03	SHIM, drive axle (25-34-0.3)	}	U.N	
	168-17428-01-05	SHIM, drive axle (25-34-0.5)			
13	93305-20502	BEARING (B5205 special)	1		
14	93440-52009	CIRCLIP (52 ϕ special)	1		
15	371-17421-00	AXLE, drive	1		
16	371-17221-02	GEAR, 2nd wheel (31T)	1		
17	90201-25490	WASHER (152-17226-00)	1		25-32-1.0
18	93440-25019	CIRCLIP (25 ϕ special)	3		
19	1A8-17251- 86 ⁸⁶	GEAR, 5th wheel (25T)	1		76006.
20	90209-21106	WASHER (278-17216-00)	2		
21	371-17231-00	GEAR, 3rd wheel (31T)	1		
22	371 ^{1A8} -17241-00	GEAR, 4th wheel (28T)	1		76006.
23	90201-20278	WASHER (168-17116-00)	2		20.2-30-1.5
24	371-17211-01	GEAR, 1st wheel (35T)	1		
25	93410-20009	CIRCLIP (S-20)	1		
26	93311-42006	BEARING	1		
27	278-17425-00	CIRCLIP	1		
28	168-17428-01-03	SHIM, drive axle (25-34-0.3)	}	U.N	
	168-17428-01-05	SHIM, drive axle (25-34-0.5)			
29	93306-30504	BEARING (B6305 special)	1		
30	278-17424-00	CIRCLIP	1		

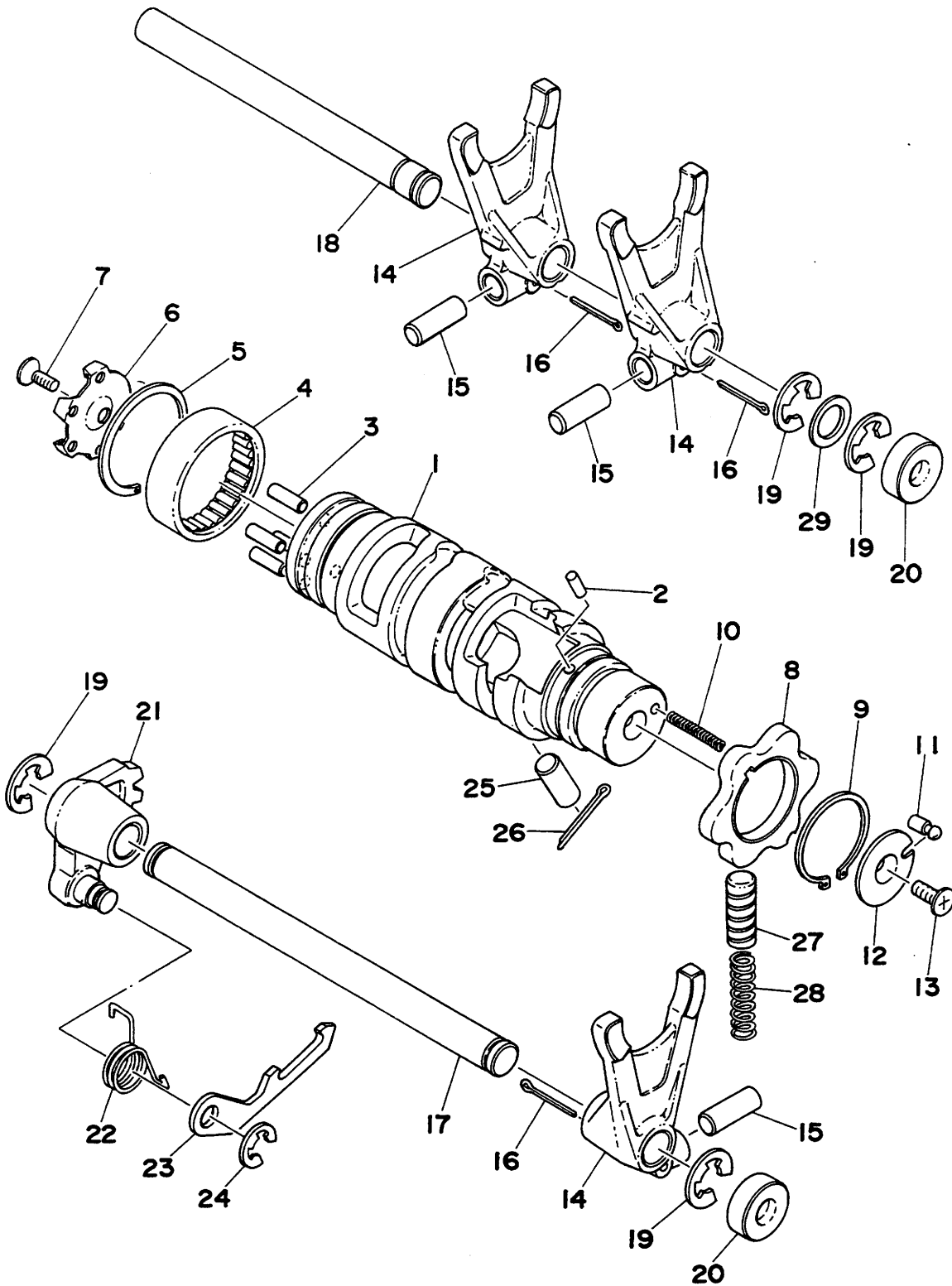


Fig. 14 TRANSMISSION



Ref. No.	Parts No.	Description	Q'ty	Applicable Machine No.	Remarks
14-31	90387-25193	COLLAR (214-17462-00)	1		25-35-15.1
32	93102-35109	OIL SEAL (SD-35-62-6)	1		
33	168-17461-50	SPROCKET, drive (15T)	}	U. R 1	STD
	168-17461-60	SPROCKET, drive (16T)			
	168-17461-70	SPROCKET, drive (17T)			
34	90215-21022	WASHER, lock (156-17464-01)	1		
35	90179-18020	NUT (152-17463-00)	1		
36	93310-22057	BEARING	1		
37	156-17417-00-01	SHIM, main axle (25-31-0.1)	}	U. N	
	156-17417-00-02	SHIM, main axle (25-31-0.2)			
	156-17417-00-03	SHIM, main axle (25-31-0.3)			
38	328-17427-00-01	SHIM, main axle (20-31-0.1)	}	U. N	
	328-17427-00-02	SHIM, main axle (20-31-0.2)			
	328-17427-00-03	SHIM, main axle (20-31-0.3)			
39	93450-32042	CIRCLIP	1		

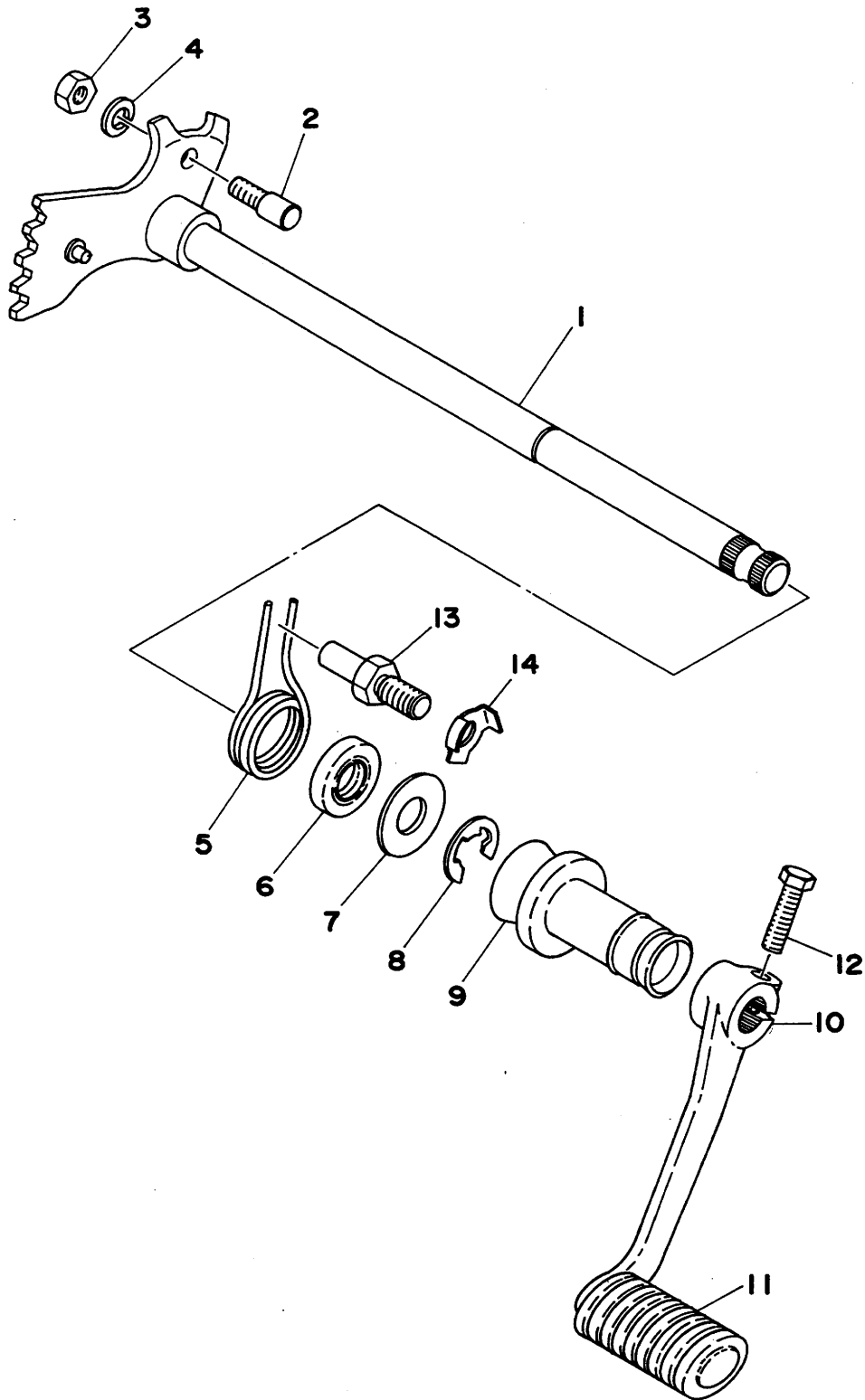
Fig. 15 SHIFTER 1



Ref. No.	Parts No.	Description	Q'ty	Applicable Machine No.	Remarks
15- 1	371-18541-00	CAM, shift	1		
2	93604-08071	PIN, dowel (4-8)	1		
3	93604-18058	PIN dowel (4-17.8)	4		
4	93315-23612	BEARING	1		
5	93440-34025	CIRCLIP (34 ϕ special)	1		
6	371-18561-00	PLATE, side	1		
7	98701-05012	SCREW, flathead	1		
8	360-18141-01	PLATE, stopper	1		
9	93410-30012	CIRCLIP (E-30)	1		
10	90501-06022	SPRING, compression (278-18545-00)	1		
11	278-18542-00	POINT, neutral	1		
12	278-18566-00	PLATE, side 2	1		
13	98701-05012	SCREW, flathead	1		
14	371-18511-00	FORK, shift 1	3		
15	90250-08017	PIN (278-18552-00)	3		8-15
16	91401-25025	PIN, cotter	3		
17	278-18531-00	BAR, shift fork guide 1	1		
18	278-18535-00	BAR, shift fork guide 2	1		
19	93430-10016	CIRCLIP (E-10)	4		
20	90338-22030	PLUG (371-18149-01)	2		
21	371-18122-01	LEVER, shift 2	1		
22	90508-08009	SPRING, torsion (371-18123-00)	1		
23	371-18151-00	LEVER, shift 3	1		
24	93430-07012	CIRCLIP (E-7)	1		
25	90250-08022	PIN, straight (371-18552-01)	1		8-20.8
26	91401-25025	PIN, cotter	1		
27	278-18547-02	STOPPER, cam	1		
28	90501-10196	SPRING, cam stopper	1		
29	90201-12161	WASHER (647-45534-00)	1		12.1-16.5-0.5



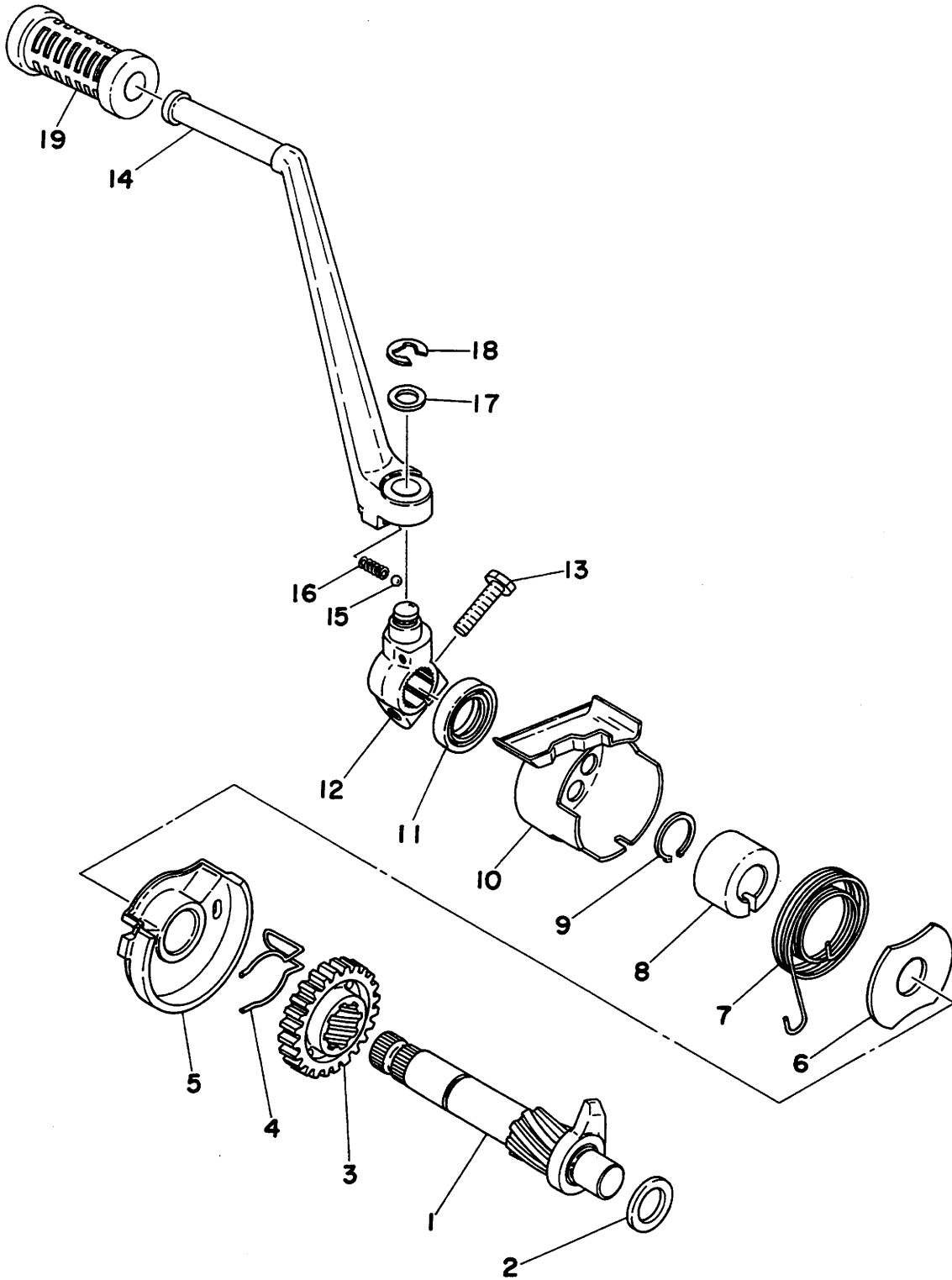
Fig. 16 SHIFTER 2



Ref. No.	Parts No.	Description	Q'ty	Applicable Machine No.	Remarks
16- 1	371-18101-00	SHIFT SHAFT ASS'Y	1		
2	90149-06017	SCREW (214-18186-00)	1		
3	95301-06600	NUT	1		
4	92901-06100	WASHER, spring	1		
5	90508-32052	SPRING, torsion (214-18124-00)	1		
6	93102-12106	OIL SEAL (SD-12-22-5)	1		
7	90201-12183	WASHER (132-18137-00)	1		12.1-25.8-1.6
8	93430-10016	CIRCLIP (E-10)	1		
9	371-18131-00	BOOT, sealing	1		
10	371-18111-00-93	PEDAL, shift	1		
11	132-18113-01	COVER, shift pedal	1		
12	97321-06020	BOLT	1		
13	278-18127-00	SCREW, stopper	1		
14	90215-08015	WASHER, lock (214-18139-02)	1		



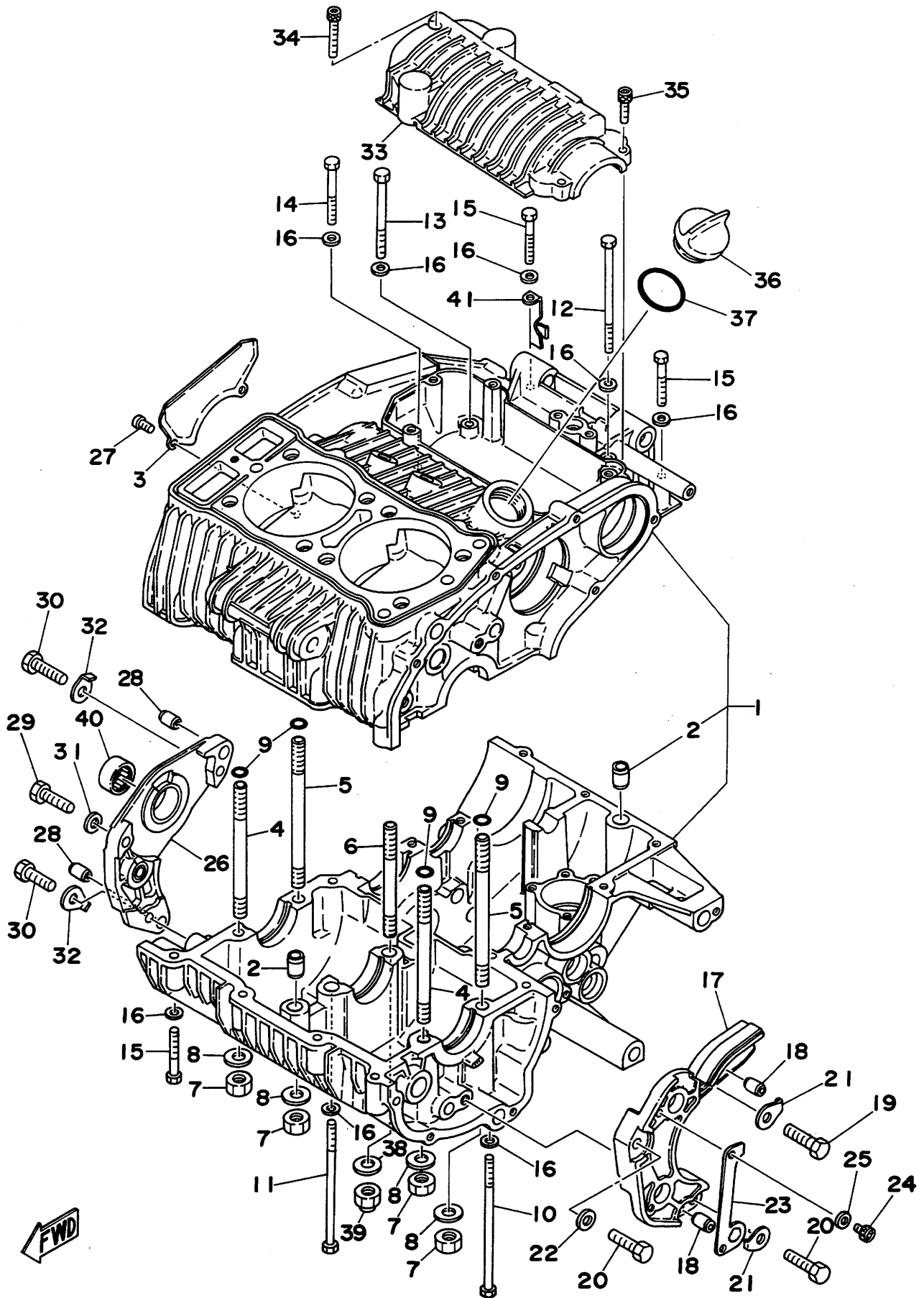
Fig. 17 KICK STARTER



Ref. No.	Parts No.	Description	Q'ty	Applicable Machine No.	Remarks
17- 1	371-15660-00	KICK AXLE ASS'Y	1		
2	90387-17129	COLLAR (137-17158-00)	1		16.5-22.5-62
3	371-15641-01	GEAR, kick (23T)	1		
4	371-15687-00	CLIP	1		
5	371-15664-00	GUIDE, spring	1		
6	278-15676-00	COVER, spring	1		
7	90508-30051	SPRING, torsion (278-15665-00)	1		
8	371-15666-00	SPACER.....	1		
9	93410-20009	CIRCLIP (S-20)	1		
10	371-15646-00	COVER, spring	1		
11	93102-20108	OIL SEAL (SD-20-30-7)	1		
12	278-15621-00	BOSS, kick crank	1		
13	97321-08030	BOLT	1		
14	278-15611-00-93	CRANK, kick	1		
15	93507-32009	BALL (7/32 inch)	1		
16	90501-12081	SPRING, compression (278-15622-00)	1		
17	90201-15234	WASHER, plate (278-15613-00)	1		15.5-24-1.5
18	93430-10016	CIRCLIP (E-10)	1		
19	156-15618-01	COVER, kick lever	1		

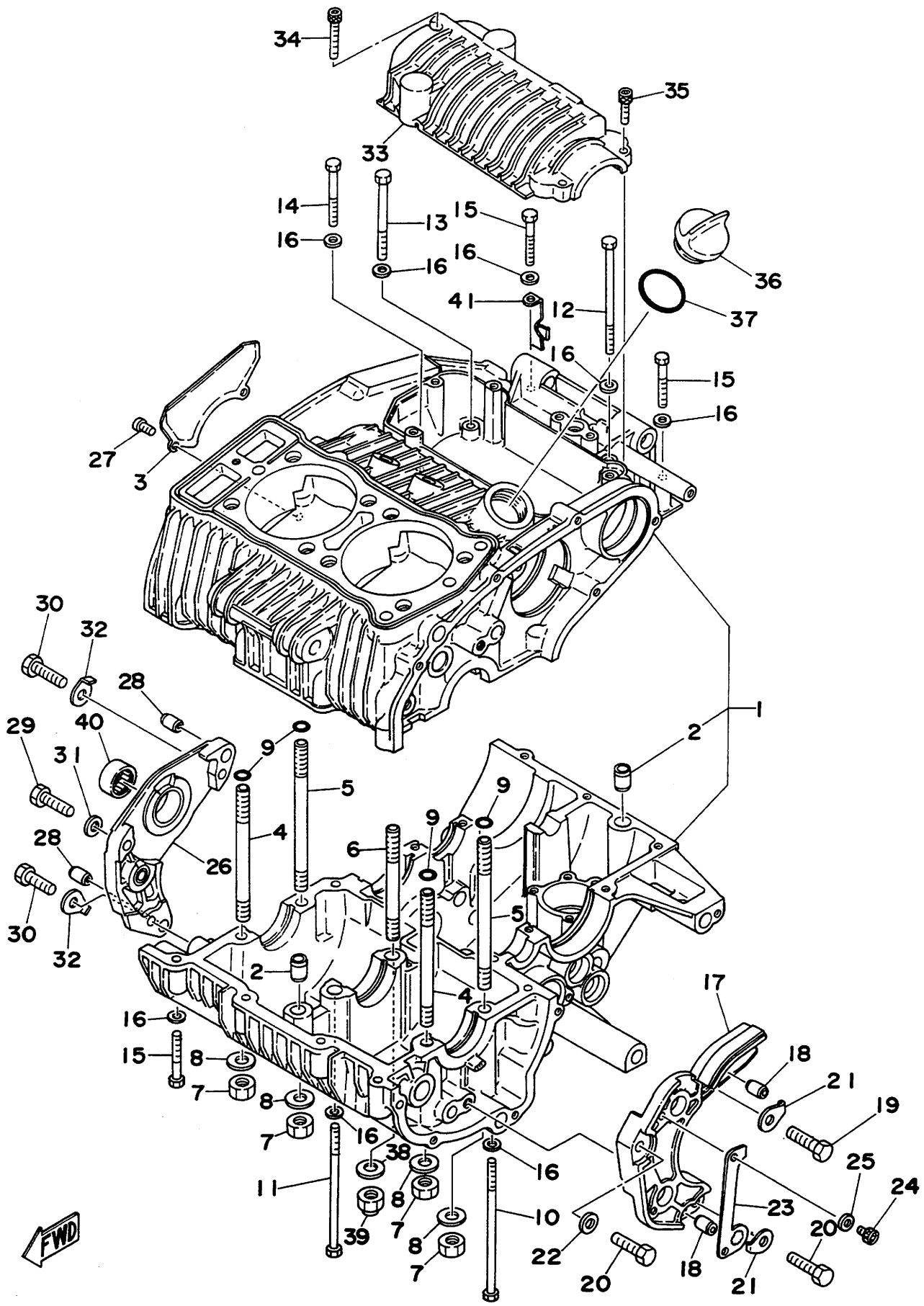


Fig. 18 CRANKCASE



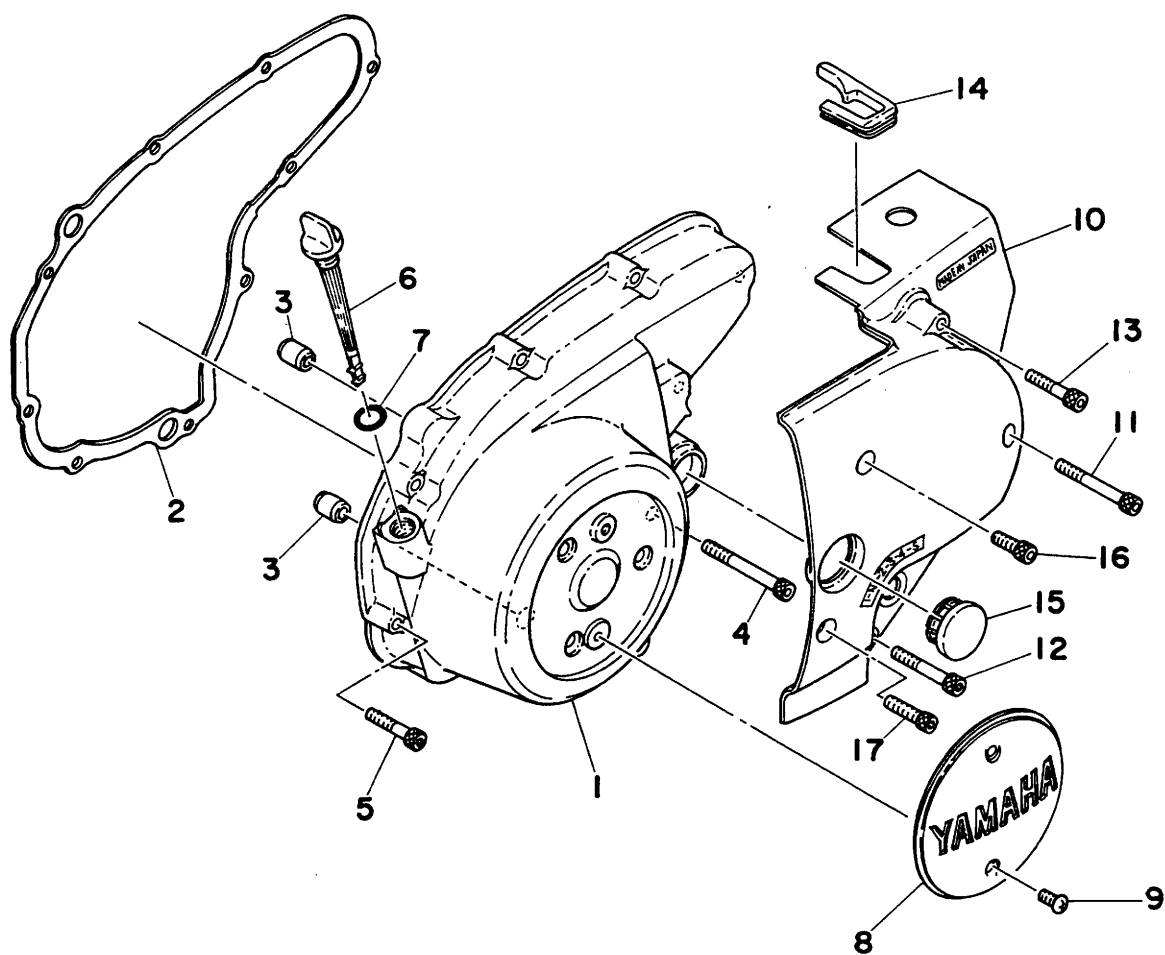
Ref. No.	Parts No.	Description	Q'ty	Applicable Machine No.	Remarks
18- 1	1A8-15100-00	CRANKCASE ASS'Y	1		
2	91830-22016	. PIN, dowel (8.4-12-16)	2		
3	371-15492-00	COVER	1		
4	90116-10090	BOLT, stud (341-15192-00)	2		M10-119L
5	90116-10091	BOLT, stud (341-15193-00)	2		M10-131L
6	90116-10111	BOLT, stud	2		M10-98L
7	90170-10159	NUT	2		
8	92901-10200	WASHER, plain	2		
9	93210-09192	O-RING (1.0-9)	4		
10	97321-06120	BOLT	1		
11	97321-06110	BOLT	1		
12	97321-06095	BOLT	1		
13	97321-06070	BOLT	1		
14	97321-06050	BOLT	2		
15	97303-06040	BOLT	8		
16	92901-06600	WASHER, plate	14		
17	371-15151-00	BRACKET, idle shaft	1		
18	90250-10021	PIN, straight (371-15183-00)	2		10-15
19	97321-08030	BOLT	1		
20	97321-08025	BOLT	2		
21	371-15186-00	WASHER, special	2		
22	92901-08600	WASHER, plate	1		
23	371-15153-02	COVER, idle shaft	1		
24	91310-05010	BOLT	2		
25	90201-05027	WASHER (338-83944-00)	2		5.1-12-2.6
26	371-15152-00	BRACKET, breaker shaft	1		
27	98501-05010	SCREW, panhead	2		
28	90250-10021	PIN, straight (371-15183-00)	2		10-15
29	97321-08030	BOLT	1		
30	97321-08025	BOLT	2		
31	92901-08600	WASHER, plate	1		
32	371-15186-00	WASHER, special	2		

Fig. 18 CRANKCASE



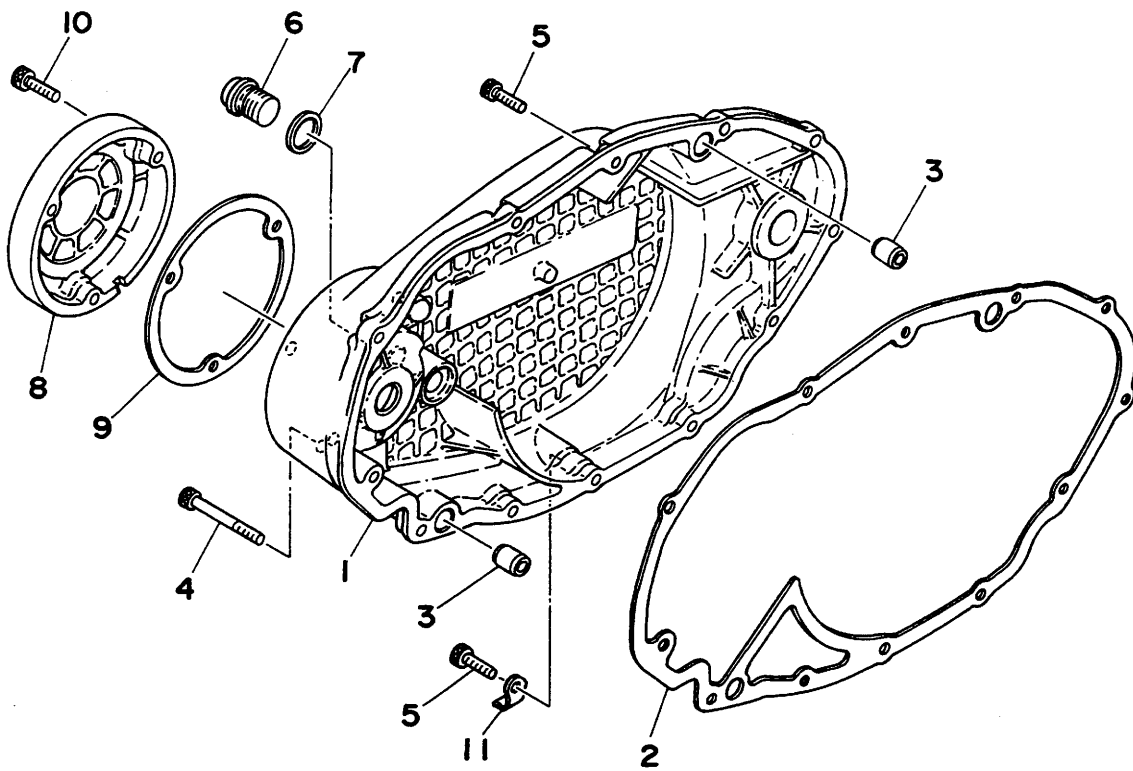
Ref. No.	Parts No.	Description	Qty	Applicable Machine No.	Remarks
18-33	371-15436-00	COVER, starting motor	1		
34	91316-06035	BOLT, hexagon socket head	1		
35	91316-06020	BOLT, hexagon socket head	2		
36	371-15363-00	PLUG, oil	1		
37	93210-29198	O-RING (3.1-29.4)	1		
38	90201-10128	WASHER (341-83909-00)	4		
39	90176-10008	NUT, cap (256-11171-00)	4		
40	93315-32516	BEARING	1		
41	^{AG} 371 -15484-00	CLAMP 2	1		6006

Fig. 19 CRANKCASE COVER (LEFT)



Ref. No.	Parts No.	Description	Q'ty	Applicable Machine No.	Remarks
19- 1	371-15411-01	COVER, crankcase left 1	1		
2	371-15451-01	GASKET, crankcase cover	1		
3	91830-22016	PIN, dowel (8.4-12-16)	2		
4	91316-06055	BOLT, hexagon socket head	1		
5	91316-06030	BOLT, hexagon socket head	8		
6	371-15362-00	PLUG, oil level	1		
7	93210-10197	O-RING (1.9-9.8)	1		
8	371-15415-01	COVER, generator	1		
9	98503-04008	SCREW, panhead	2		
10	371-15421-02	COVER, crankcase left 2	1		
11	91316-06050	BOLT, hexagon socket head	1		
12	91316-06040	BOLT, hexagon socket head	1		
13	91316-06030	BOLT, hexagon socket head	1		
14	371-15486-00	GROMMET	1		
15	371-15417-00	COVER, cap	1		
16	91316-06020	BOLT, hexagon socket head	1		
17	91316-06025	BOLT, hexagon socket head	1		

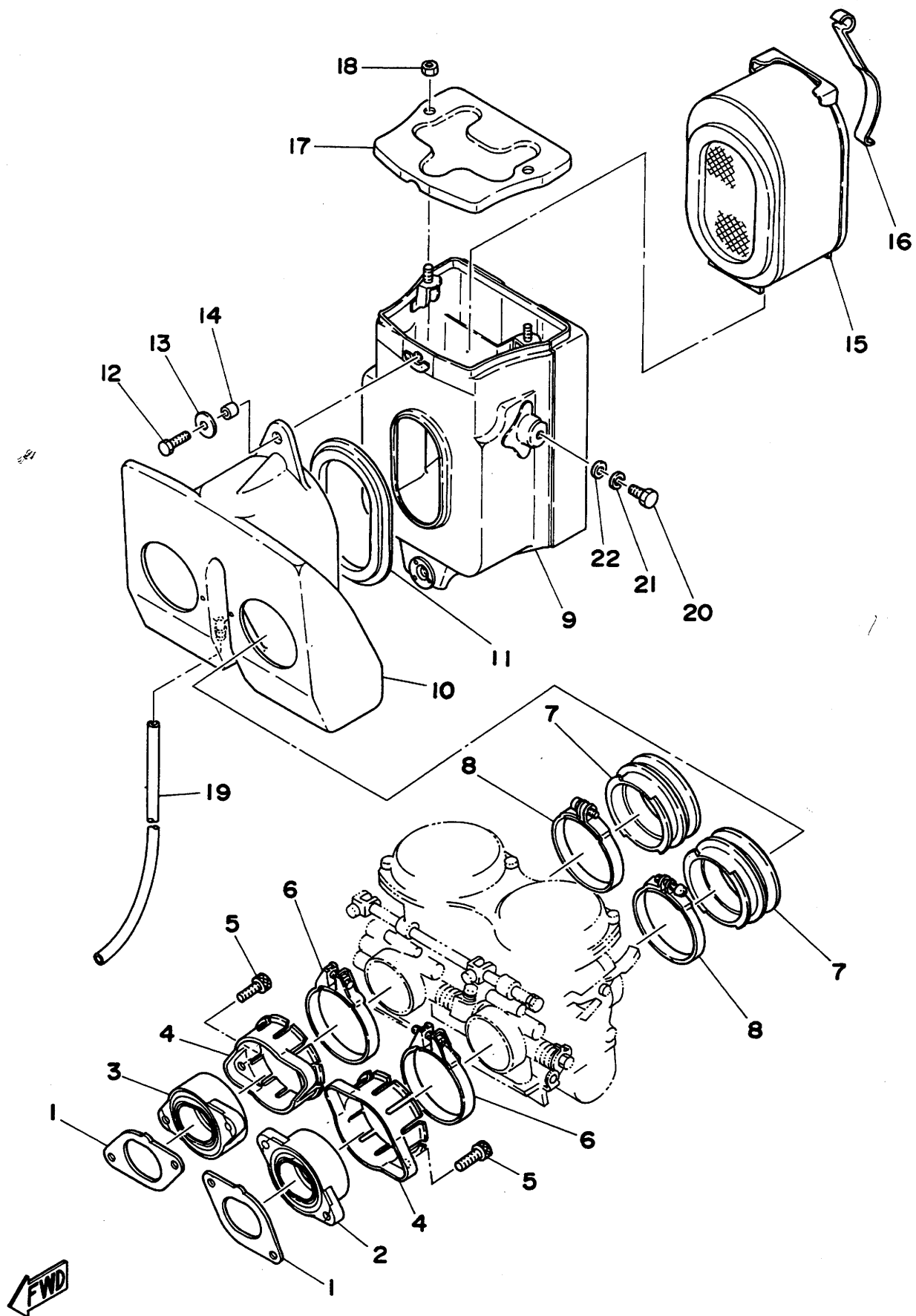
Fig. 20 CRANKCASE COVER(RIGHT)



Ref. No.	Parts No.	Description	Q'ty	Applicable Machine No.	Remarks
20- 1	371-15431-01	COVER, crankcase right	1		
2	371-15462-02	GASKET, crankcase cover 3	1		
3	91830-22016	PIN, dowel (8.4-12-16)	2		
4	91316-06050	BOLT, hexagon socket head	1		
5	91316-06020	BOLT, hexagon socket head	11		
6	90340-16019	PLUG, straight screw (371-15341-00)	1		
7	90430-16048	GASKET (371-15343-00)	1		16.3-20-1.6
8	371-15416-01	COVER, breaker	1		
9	371-15456-00	GASKET, breaker cover	1		
10	91316-06020	BOLT, hexagon socket head	3		
11	90465-05039	CLAMP (371-15485-01)	4		



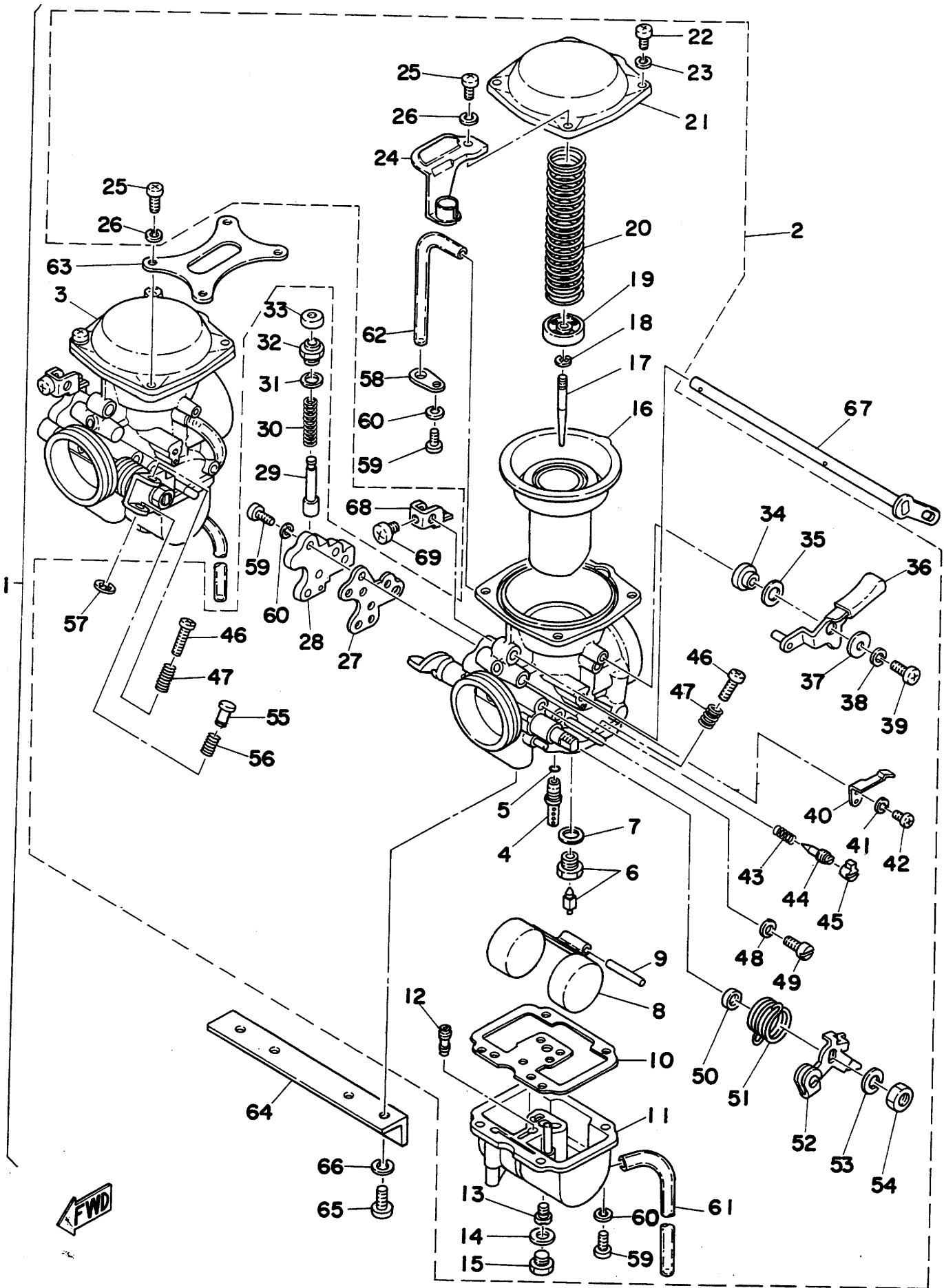
Fig. 21 INTAKE



Ref. No.	Parts No.	Description	Q'ty	Applicable Machine No.	Remarks
21- 1	1A8-13556-00	GASKET, joint	2		
2	1A8-13586-00	JOINT, carburetor left	1		
3	1A8-13596-00	JOINT, carburetor right	1		
4	1A8-13564-00	COVER, joint	2		
5	91316-06020	BOLT, hexagon socket head	4		
6	132-14456-01 90460-58015	BAND, air filter CLAMP, hose	2		76006
7	1A8-14453-00	JOINT	2		
8	90460-58015	CLAMP, hose (371-14456-00)	2		
9	1A8-14411-00	CASE, air filter 1	1		
10	1A8-14421-00	CASE, air filter 2	1		
11	371-14416-00	GASKET, air filter	1		
12	97301-06015	BOLT	2		76006
13	96201-06067 95301-06600	WASHER, plate (116-28324-00)	2		6.5-20-1.6 76006
14	90387-07035 90387-07562	COLLAR (156-21749-00)	2		7-10-7 76006
15	1A8-14451-00	ELEMENT, air filter	1		
16	1A8-14468-00	PLATE, element set	1		
17	1A8-14412-00	CAP, case 1	1		
18	95301-05600 90175-05005	NUT, hexagon	2		76006
19	90445-09086	HOSE (174-24312-00)	1		5-170
20	97301-06015	BOLT	2		
21	92901-06100	WASHER, spring	2		
22	92901-06600	WASHER, plate	2		



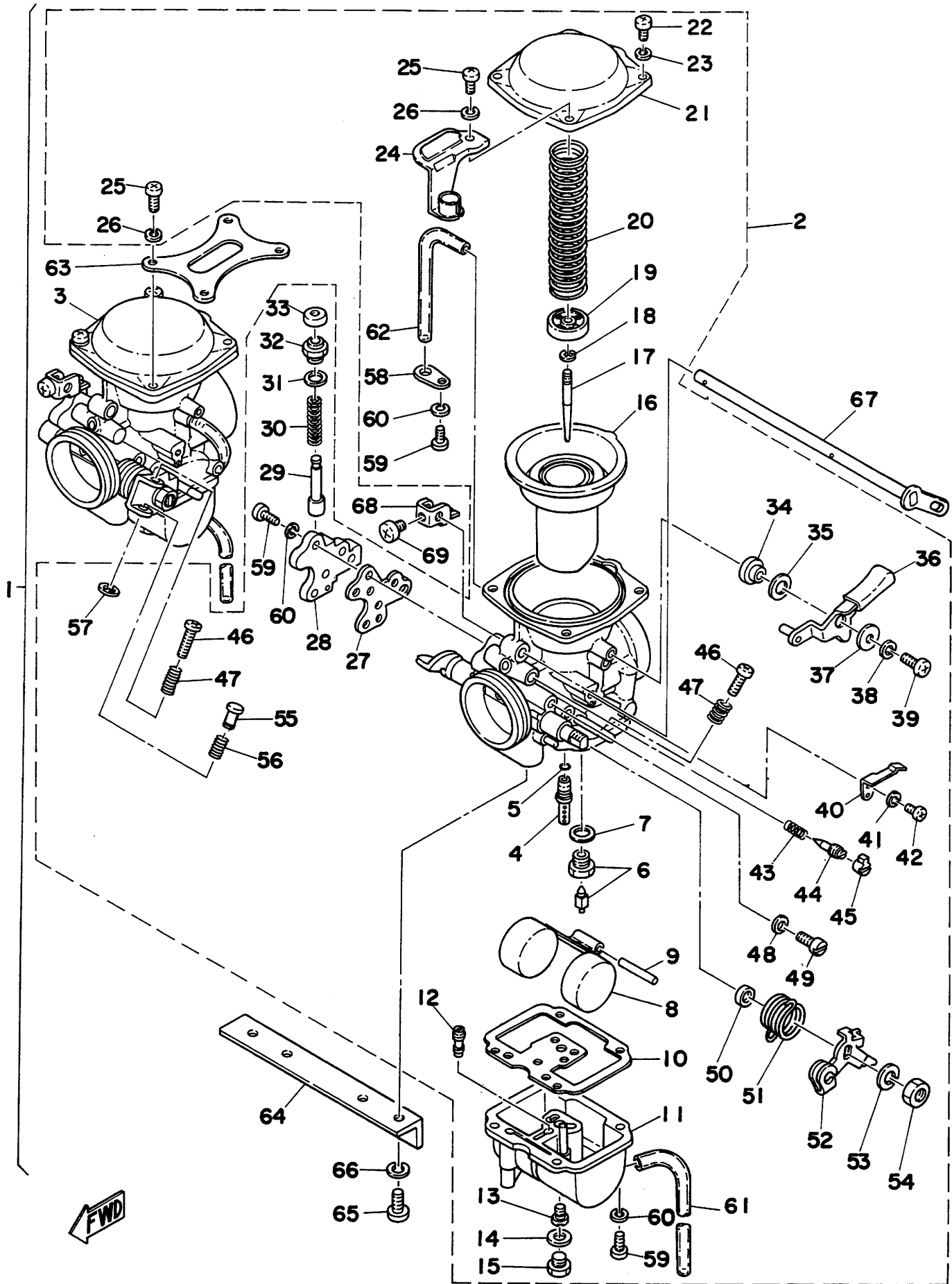
Fig. 22 CARBURETOR



Ref. No.	Parts No.	Description	Q'ty	Applicable Machine No.	Remarks
22- 1	1A8-14900-60	CARBURETOR ASS'Y	1		
2	1A8-14901-60	. CARBURETOR ASS'Y, left	1		
3	1A8-14902-60	. CARBURETOR ASS'Y, right	1		
4	341-14941- 88 ⁸⁶	. . NOZZLE, main (2-8 ^{Y-6})	2		76006
5	93210-03142	. . O-RING	2		
6	168-14190-20	. . VALVE SEAT ASS'Y (#2.0)	2		
7	214-14195-00	. . WASHER, valve seat	2		
8	256-14985-00	. . FLOAT	2		
9	127-14186-00	. . PIN, float	2		
10	256-14984-00	. . GASKET, float chamber	2		
11	584-14981- 66 ⁶⁸	. . BODY, float chamber	2		76006
12	584-14142- 25 ³⁰	. . JET, pilot (#25 ^{#30})	2		76006.
13	256-14944-23	. . JET, main (#115)	} U.R 2	STD ↙	76006
	256-14944-24	. . JET, main (#120)			
	256-14944-75	. . JET, main (#122.5)			
	256-14944-25	. . JET, main (#125)			
14	256-14956-01	. . WASHER	2		
15	256-14991-00	. . SCREW, plug	2		
16	256-14940-00	. . DIAPHRAGM ASS'Y	2		
17	1A8-14116- 64 ⁶⁴	. . NEEDLE (4M1-3 ^{4M1-3})	2		76006
18	256-14919-00	. . CLIP	2		
19	256-14946-00	. . PLATE, needle fitting	2		
20	584-14933-00	. . SPRING, diaphragm	2		
21	256-14958-00	. . COVER, diaphragm	2		
22	98501-05015	. . SCREW, panhead	3		
23	92901-05100	. . WASHER, spring	3		
24	1A8-14926-00	. . THROTTLE BRACKET ASS'Y	1		
25	98501-05016	. . SCREW, panhead	5		
26	92901-05100	. . WASHER, spring	5		
27	447-14979-00	. . GASKET, starter body	2		
28	1A8-14971-00	. . BODY, starter left	1		
	1A8-14972-00 1A8-14977-00	. . BODY, starter right	1		76006.

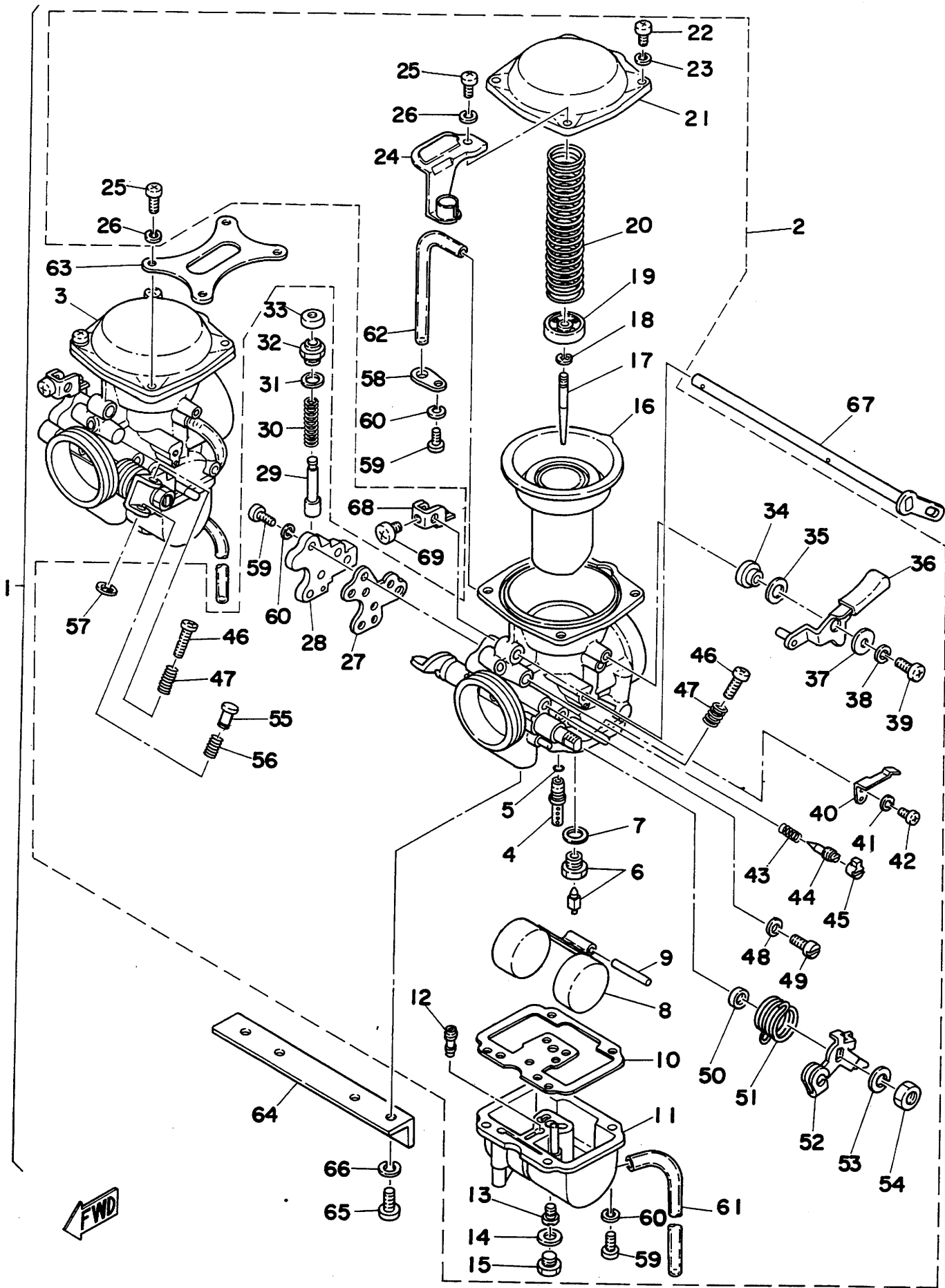
U I I

Fig. 22 CARBURETOR



Ref. No.	Parts No.	Description	Q'ty	Applicable Machine No.	Remarks
22-29	584-14171-00	. . PLUNGER, starter	2		
30	256-14135-00	. . SPRING, plunger	2		
31	256-14954-00	. . WASHER	2		
32	584-14176-00	. . CAP, plunger	2		
33	306-14173-00	. . COVER, plunger cap	2		
34	256-14918-00	. . RING	1		
35	584-14955-00	. . WASHER	1		
36	306-14905-02	. . LEVER ASS'Y	1		
37	256-14952-00	. . WASHER	1		
38	92901-04100	. . WASHER, spring	1		
39	98501-04012	. . SCREW, panhead	1		
40	584-14938-00	. . SPRING, starter lever	1		
41	92901-04100	. . WASHER, spring	1		
42	98501-04006	. . SCREW, panhead	1		
43	127-14134-00	. . SPRING, pilot screw	2		
44	584-14923-00	. . SCREW, pilot	2		
45	584-14969-00	. . CAP, pilot screw	2		
46	256-14922-01	. . SCREW, throttle stop	3		
47	256-14934-01	. . SPRING, throttle stop	3		
48	584-14956-00	. . WASHER, plug screw	2		
49	341-14991-00	. . SCREW, plug	2		
50	256-14997-00	. . SEAL (8 ϕ)	4		
51	584-14931-00	. . SPRING, throttle left	1		
52	1A8-14964-00	. . LEVER, throttle left	1		
53	92901-08100	. . WASHER, spring	1		
54	95301-12600	. . NUT	1		
55	584-14992-00	. . ROD, push	1		
56	584-14934-00	. . SPRING, adjust	1		
57	584-14937-00	. . CLIP	1		
58	256-14146-01	. . PLATE	2		
59	98501-04012	. . SCREW, panhead	14		
60	92901-04100	. . WASHER, spring	14		

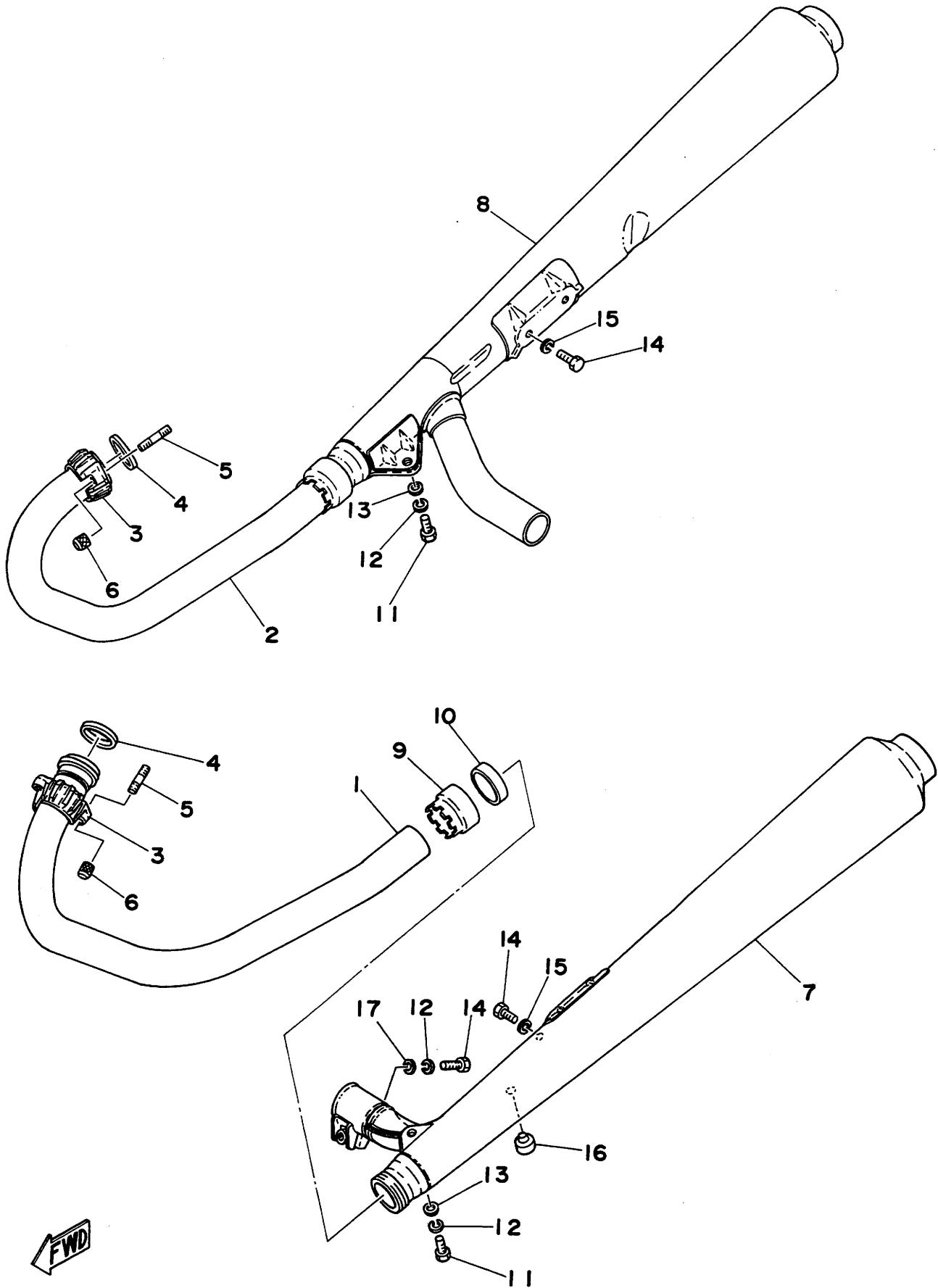
Fig. 22 CARBURETOR



Ref. No.	Parts No.	Description	Qty	Applicable Machine No.	Remarks
22-61	256-14197-01	. . PIPE, air vent	2		
62	256-14987-00	. . PIPE, over flow	2		
63	1A8-14243-00	. PLATE, upper	1		
64	1A8-14945-00	. PLATE, lower	1		
65	92501-06015	. SCREW, panhead	4		
66	92901-06100	. WASHER, spring	4		
67	1A8-14977-00	. SHAFT, starter lever	1		
68	584-14905-00	. LEVER	2		
69	584-14991-00	. SCREW	2		



Fig. 23 EXHAUST



Ref. No.	Parts No.	Description	Q'ty	Applicable Machine No.	Remarks
23- 1	1A8-14611-00	PIPE, exhaust left	1		
2	1A8-14621-00	PIPE exhaust right	1		
3	371-14612-02	NUT, ring	2		
4	371-14613-00	GASKET, exhaust	2		
5	90116-08166	STUD	4		
6	90179-08004	NUT	4		
7	371-14711-04	MUFFLER, left	1		
8	371-14721-04	MUFFLER, right	1		
9	371-14713-00	NUT, muffler joint	2		
10	371-14714-03	GASKET, muffler joint	2		
11	97301-08018	BOLT	2		
12	92901-08100	WASHER, spring	2		
13	92901-08600	WASHER, plate	2		
14	97301-08020	BOLT	5		
15	92901-08100	WASHER, spring	5		
16	371-27114-00	STOPPER, main stand	1		
17	92901-08600	WASHER, plate	1		



CHASSIS

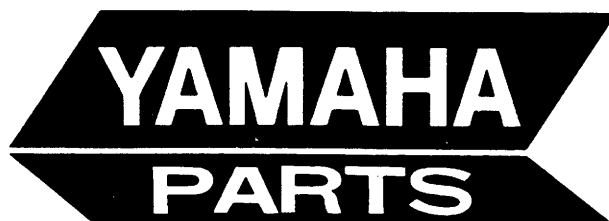
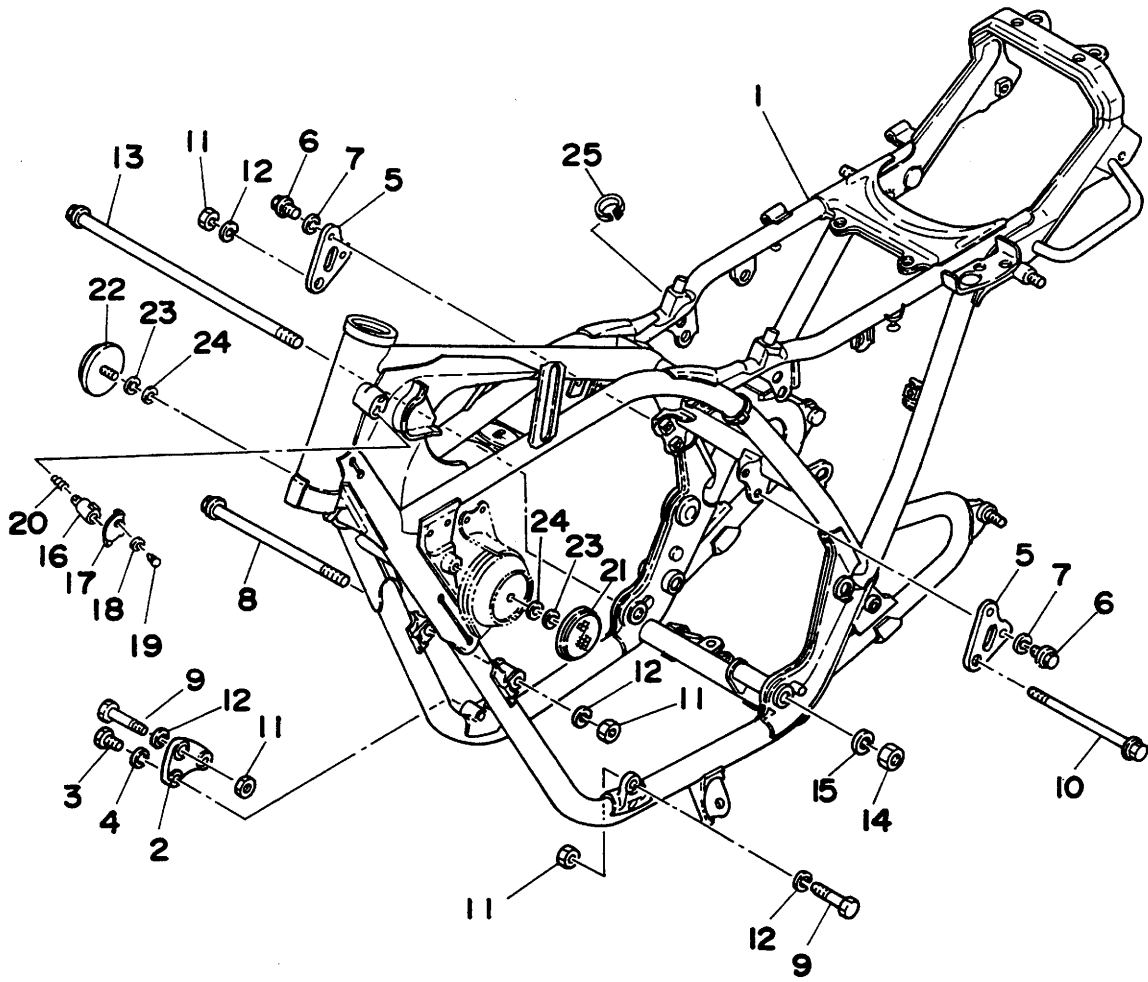
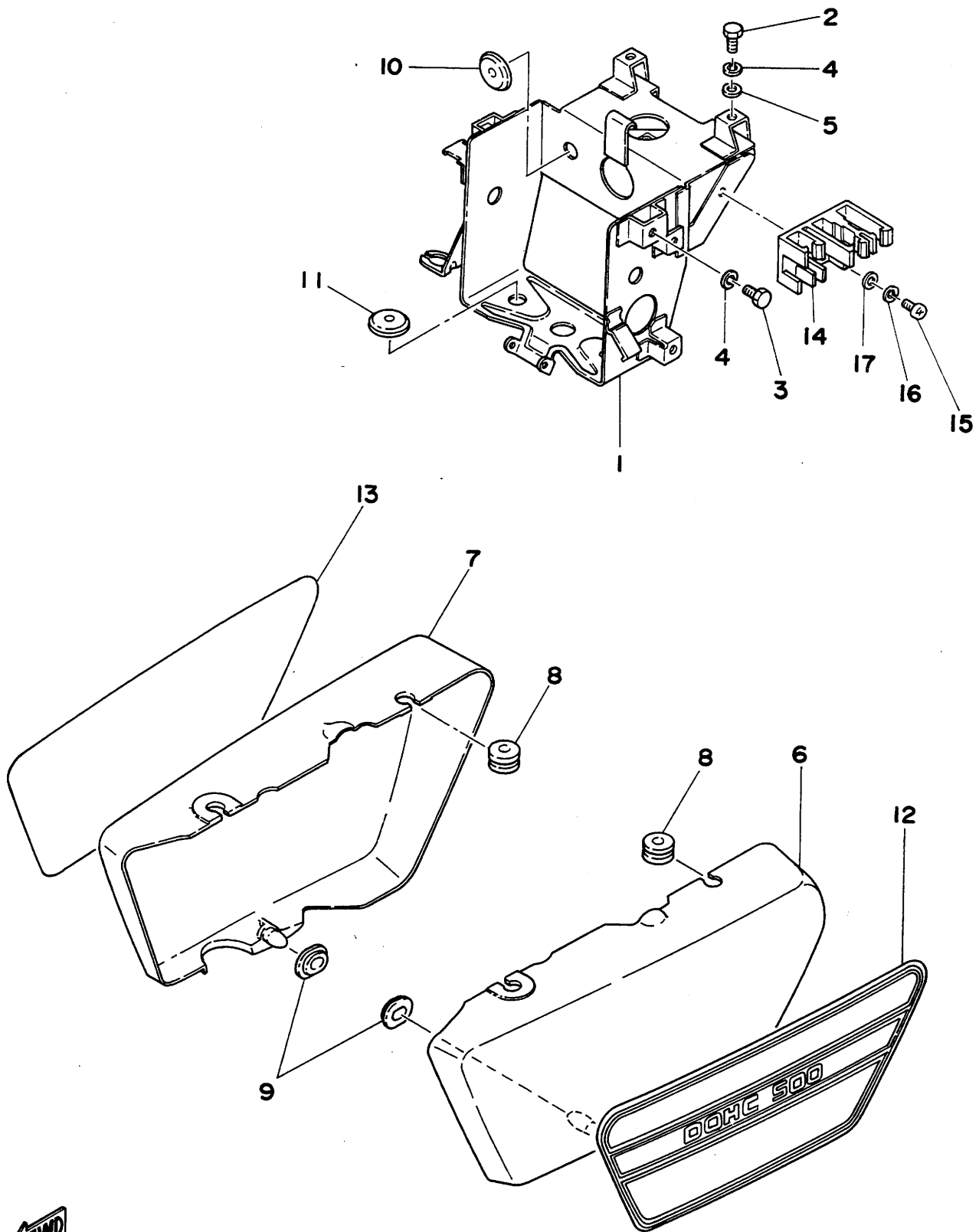


Fig. 24 FRAME



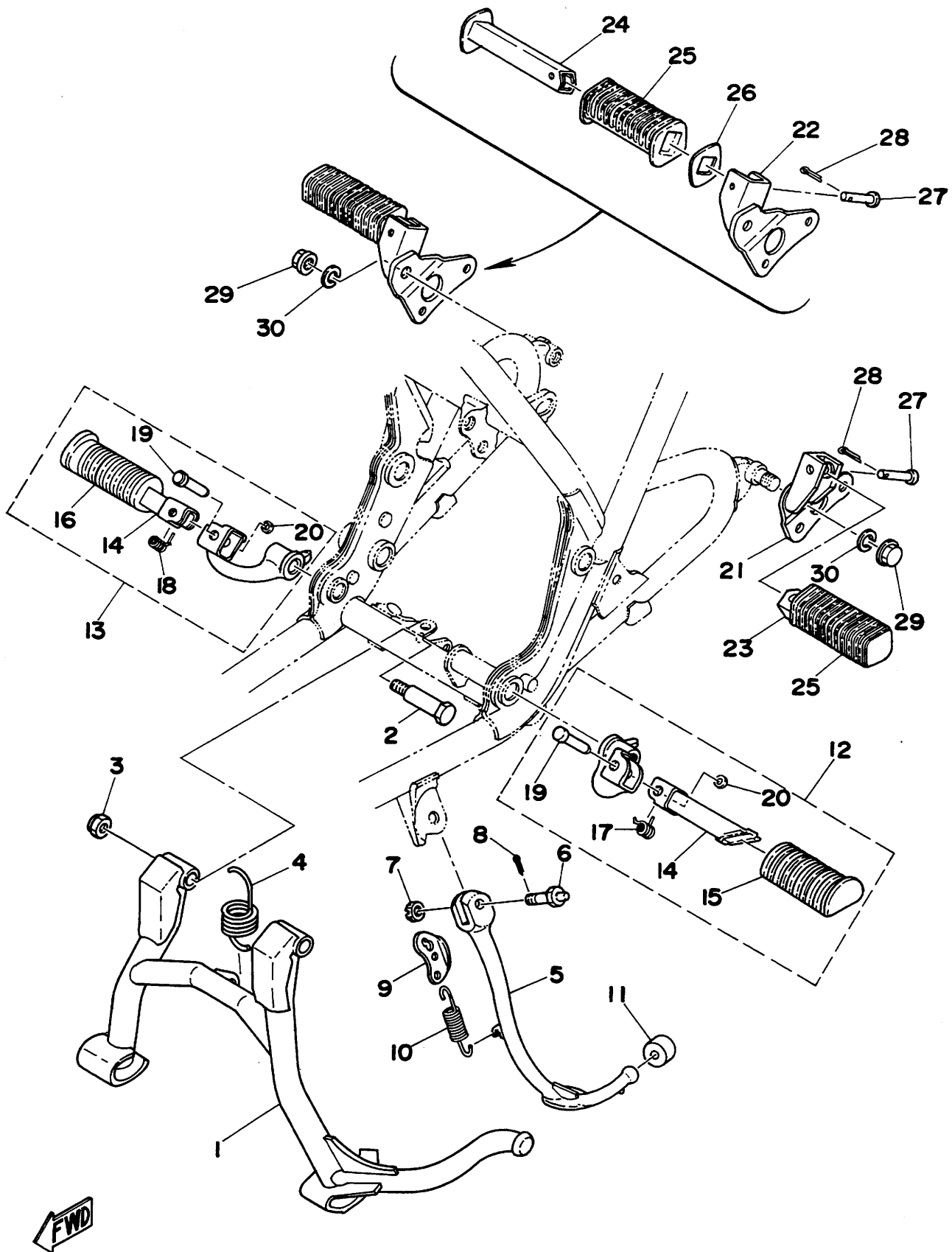
Ref. No.	Parts No.	Description	Q'ty	Applicable Machine No.	Remarks
24- 1	1J3-21110-00-33	FRAME COMP.	1		Yamaha Black
2	371-21316-00	STAY, engine front under	1		
3	97321-08018	BOLT	2		
4	92901-08100	WASHER, spring	2		
5	371-21315-01	STAY, engine rear upper	2		
6	95822-08018	BOLT	4		
7	92901-08100	WASHER, spring	4		
8	95821-10175	BOLT	1		
9	90105-10036	BOLT	2		M10-47L
10	95821-10155	BOLT	1		
11	90170-10159	NUT	4		
12	92901-10100	WASHER, spring	4		
13	90105-12048	BOLT	1		M12-328L
14	90170-12065	NUT	1		
15	92901-12100	WASHER, spring	1		
16	584-23408-00	STEERING LOCK ASS'Y	1		
17	584-23484-00	CAP, handle lock	1		
18	90206-04003	WASHER, wave (214-23488-00)	1		
19	90269-04003	RIVET (214-23483-00)	1		
20	90502-09024	SPRING, conical	1		
21	371-85111-00	REFLECTOR, left	1		
22	341-85111-00	REFLECTOR, right	1		
23	92901-05100	WASHER, spring	2		
24	92901-05200	WASHER, plain	2		
25	341-26397-01	BAND	7		

Fig. 25 BATTERY BOX · SIDE COVER



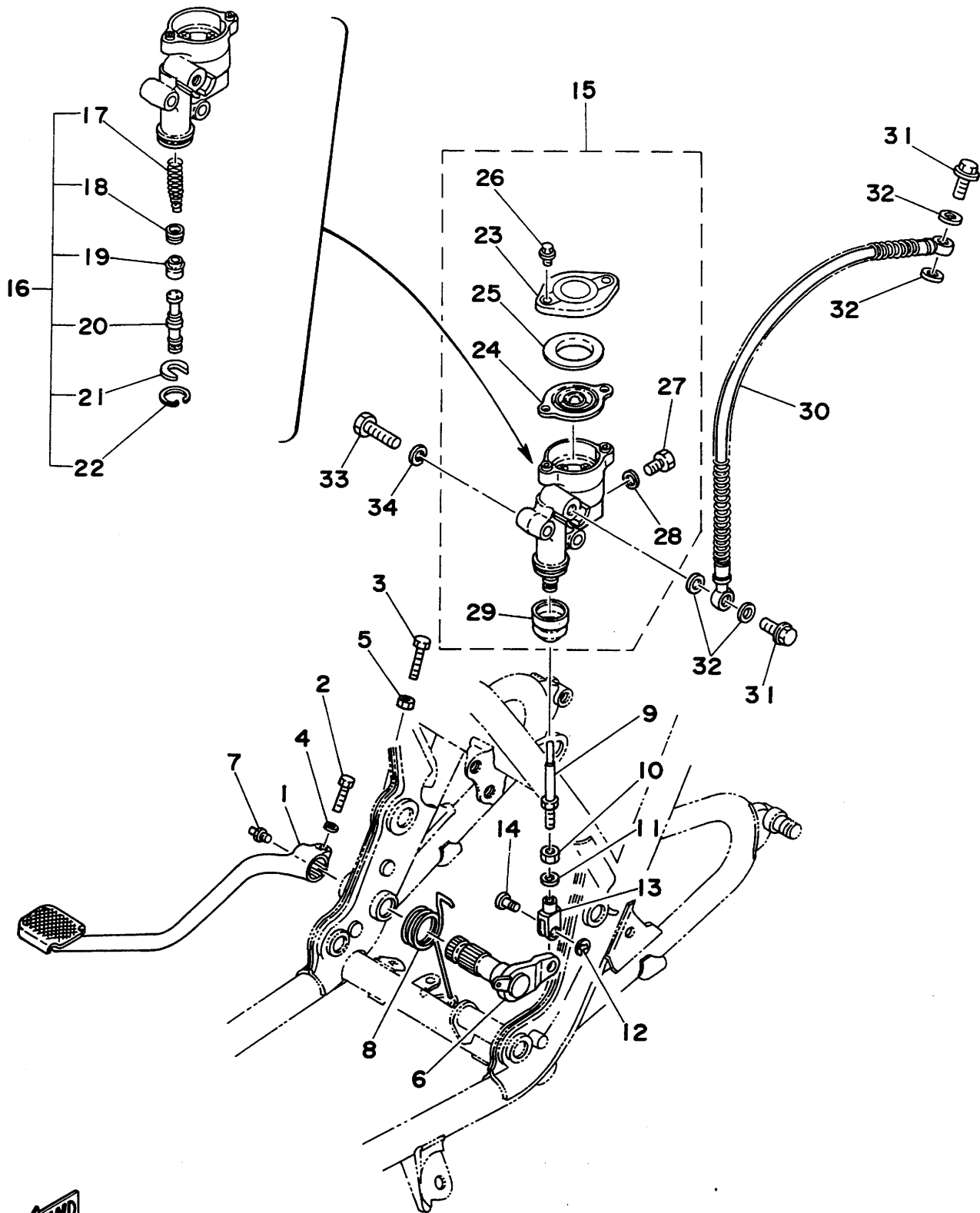
Ref. No.	Parts No.	Description	Q'ty	Applicable Machine No.	Remarks
25- 1	1J3-21170-00-33	BATTERY BOX COMP.	1		Yamaha Black
2	97321-06015	BOLT	2		
3	97321-06010	BOLT	2		
4	92901-06100	WASHER, spring	4		
5	92901-06600	WASHER, plate	2		
6	1A8-21711-00-U1	COVER, side left	1		Marge Brown
7	1A8-21721-00-U1	COVER, side right	1		Marge Brown
8	90480-12053	DAMPER, side cover	4		
9	90480-01141	GROMMET (371-21747-00)	2		
10	371-82121-00	PAD, battery	4		
11	371-82126-00	PAD, battery 2	2		
12	1A8-21784- 11 ⁰²	EMBLEM, side cover left	1		76006
13	1A8-21786- 11 ⁰²	EMBLEM, side cover right	1		76006
14	1J3-21794-00	HOLDER, coupler	1		
15	92501-06012	SCREW, panhead	1		
16	92901-06100	WASHER, spring	1		
17	92901-06600	WASHER, plate	1		

Fig. 26 STAND · FOOTREST



Ref. No.	Parts No.	Description	Q'ty	Applicable Machine No.	Remarks
26- 1	371-27111-03	STAND, main	1		
2	90109-10221	BOLT, main stand	2		
3	95601-10100	NUT U	2		
4	90506-45063	SPRING, tension (168-27116-00)	1		
5	371-27311-03	STAND, side	1		
6	90109-10399	BOLT	1		
7	90171-10012	NUT, castle	1		
8	91401-20025	PIN, cotter	1		
9	371-27315-00	LINK, side stand	1		
10	90506-26124	SPRING, tension	1		
11	278-27314-00	STOPPER, side stand	1		
12	371-27410-00	FOOTREST ASS'Y, left	1		
13	371-27420-00	FOOT REST ASS'Y, right	1		
14	371-27421-00	. FOOTREST	2		
15	341-27423-00	. COVER, footrest left	1		
16	341-27413-00	. COVER, footrest right	1		
17	90508-20154	. SPRING, torsion (371-27426-00)	1		
18	90508-20155	. SPRING, torsion (371-27456-00)	1		
19	90243-08006	. PIN (214-27418-00)	2		
20	90201-06042	. WASHER (214-27417-00)	2		
21	371-27432-01	BRACKET, rear footrest left	1		
22	371-27442-01	BRACKET, rear footrest right	1		
23	447-27431-00	FOOTREST, rear left	1		
24	447-27441-00	FOOTREST, rear right	1		
25	447-27433-00	COVER, rear footrest	2		
26	90209-18070	WASHER	2		
27	91501-06035	PIN, clevis	2		
28	91401-16012	PIN, cotter	2		
29	95701-10100	NUT	2		
30	92901-10100	WASHER, spring	2		

Fig.27 BRAKE PEDAL · REAR MASTER CYLINDER

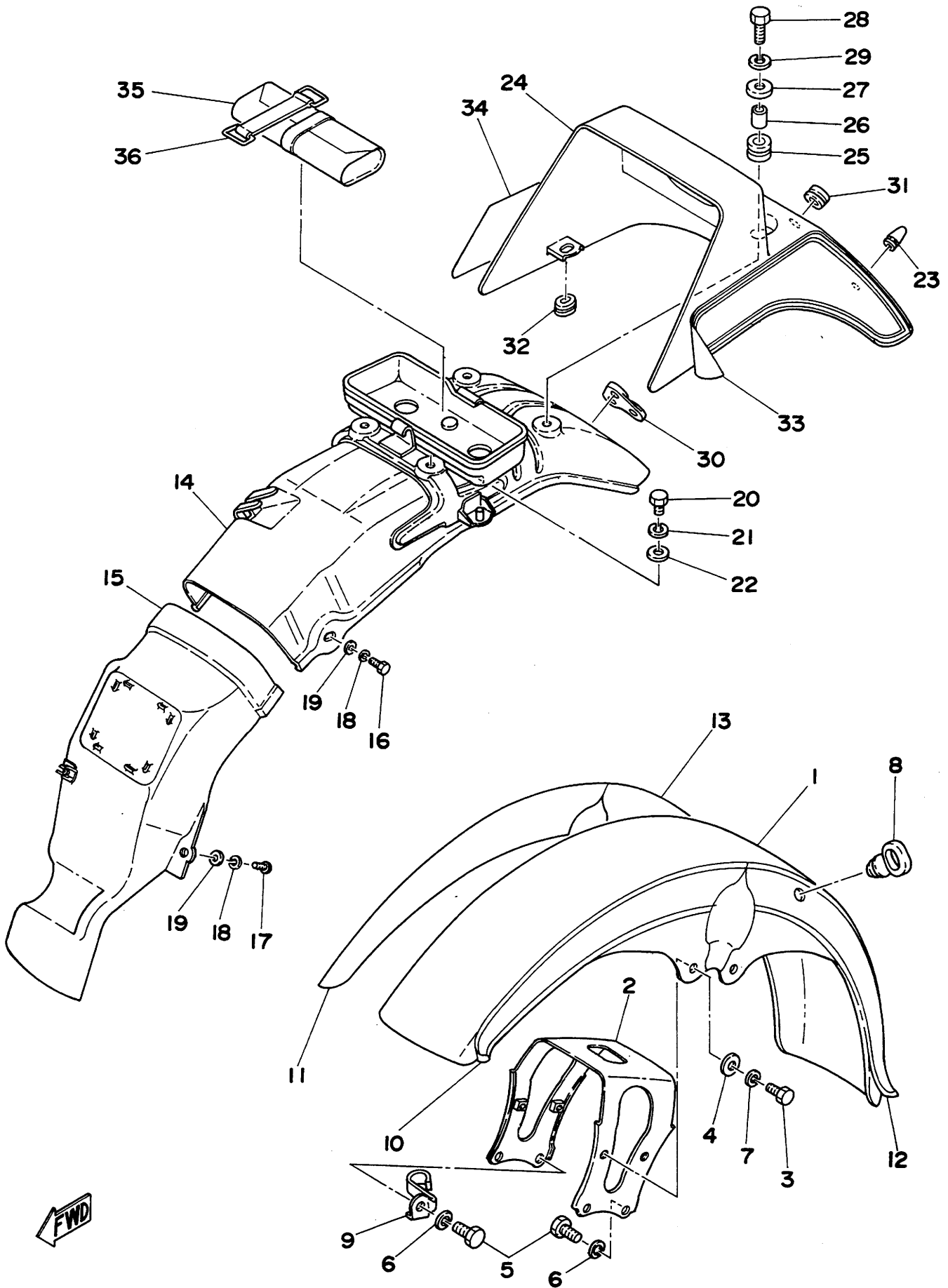


Ref. No.	Parts No.	Description	Q'ty	Applicable Machine No.	Remarks
27- 1	1J3-27211-00-93	PEDAL, brake	1		
2	97321-06025	BOLT	1		
3	90153-06008	SCREW (341-27217-00)	1		
4	92901-06100	WASHER, spring	1		
5	90170-06184	NUT, adjusting	1		
6	1J3-27212-00	SHAFT, brake	1		
7	93700-06004	NIPPLE, grease	1		
8	90508-35306	SPRING, torsion	1		
9	1A1-27231-00	ROD, brake	1		
10	95301-08700	NUT, hexagon	1		
11	90201-08083	WASHER, plate	1		
12	93430-06005	CIRCLIP (E-6)	1		
13	1A1-27222-00	JOINT	1		
14	90249-08124	PIN	1		
15	1J3-25850-51	MASTER CYLINDER ASS'Y, rear	1		Nishin
16	1J3-20000-50	. CYLINDER KIT, master (Ref. No. 17 ~ 22)	1		
23	1J3-25852-51	. CAP, reservoir	1		
24	1J3-25854-51	. DIAPHRAGM, reservoir	1		
25	1J3-25855-51	. BUSHING, diaphragm	1		
26	90153-05014	. BOLT, cap	3		
27	90153-10015	. BOLT, plug	1		
28	90201-10610	. GASKET	1		
29	1J3-25862-50	. BOOT, master cylinder	1		
30	1J3-25872-50	HOSE, rear brake	1		
31	90401-10034	BOLT, oil	2		
32	90201-10118	WASHER, plate	4		
33	97321-08035	BOLT	2		
34	92901-08100	WASHER, spring	2		



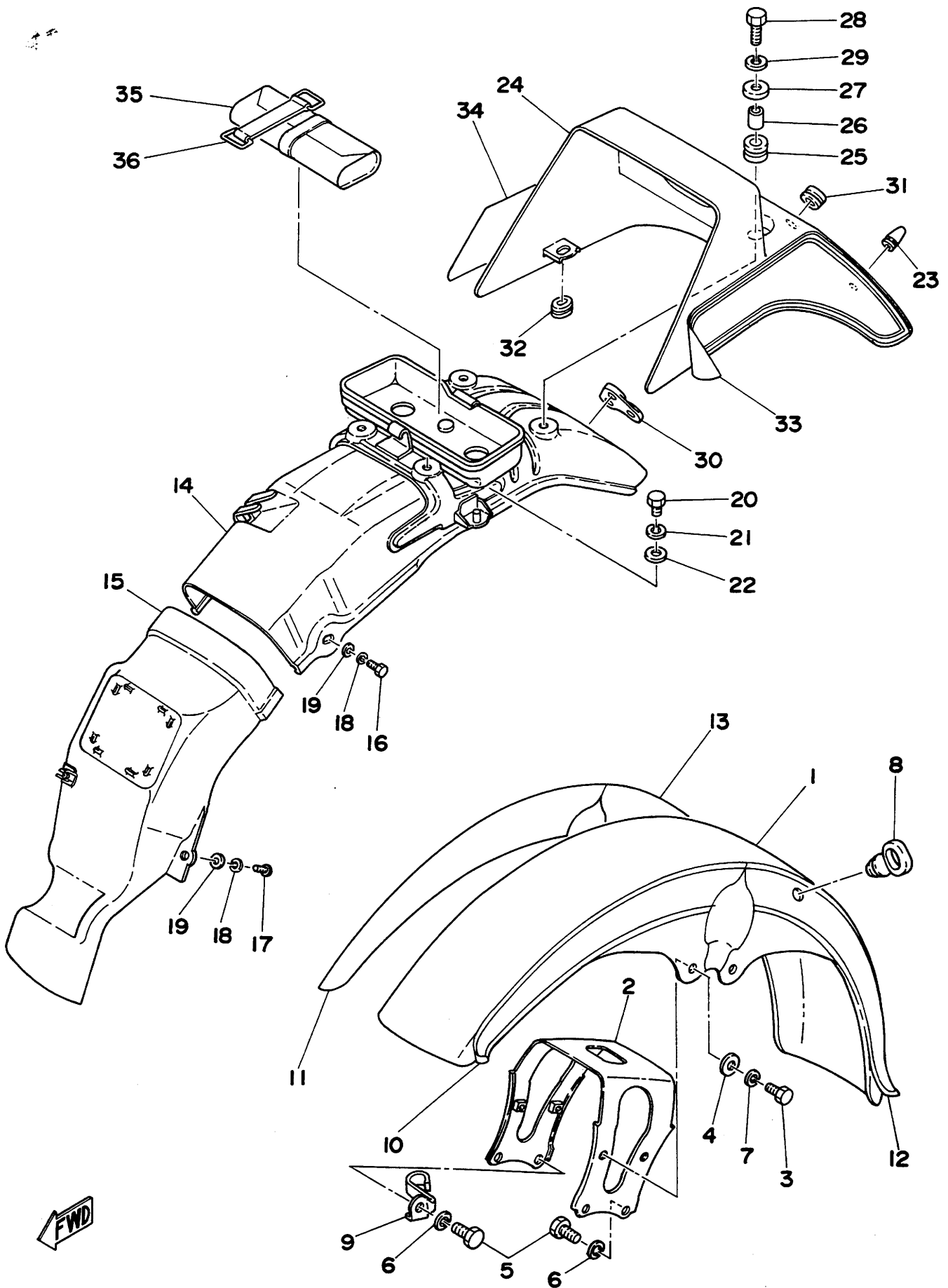
Ref. No.	Parts No.	Description	Q'ty	Applicable Machine No.	Remarks
28- 1	1J3-22110- 10 ⁰⁰ -33	REAR ARM COMP.	1		Yamaha Black 76006
2	341-22184-00	BUSHING	1		
3	90386-22029	BUSHING (256-22123-01)	2		
4	240-22127-00	SHIM, rear arm (26-34-0.1)	U.N		
5	371-22128-00	COVER, thrust	2		
6	371-22141-00	SHAFT, pivot	1		
7	90215-14104	WASHER, lock (341-22149-00)	1		
8	90170-14174	NUT	1		
9	93700-06004	NIPPLE, grease	2		
10	1J3-22210- 20 ²¹	REAR CUSHION ASS'Y	2		76006
11	90201-14218	WASHER (135-22243-00)	2		14.5-27-2.0
12	90201-10140	WASHER (102-22243-00)	4		10-25-2.0
13	90176-10009	NUT, cap	2		
14	95301-10600	NUT	2		
15	1A8-22310-00	CASE, chain	1		
16	90201-06050	WASHER, plate	2		
17	92901-06100	WASHER, spring	1		
18	92503-06015	SCREW, panhead	2		
19	92501- 06018 ⁰⁶⁰¹⁵	SCREW, panhead	1		76006

Fig. 29 FRONT FENDER · REAR FENDER



Ref. No.	Parts No.	Description	Q'ty	Applicable Machine No.	Remarks
29- 1	1A8-21511-00-U1	FENDER, front	1		Marge Brown
2	1J3-21512-00	STAY, fender	1		
3	97301-06015	BOLT	4		
4	90201-06066	WASHER, plate	4		
5	90101-08253	BOLT	4		
6	92901-08100	WASHER, spring	4		
7	92901-06100	WASHER, spring	4		
8	1A8-21518-00	GUIDE, wire	1		
9	1J3-25875-00	HOLDER, brake hose	1		
10	1A8-21571-00	GRAPHIC, front fender front left	1		76006
11	1A8-21573-00	GRAPHIC, front fender front right	1		"
12	1A8-21572-00	GRAPHIC, front fender rear left	1		"
13	1A8-21574-00	GRAPHIC, front fender rear right	1		"
14	1A8-W2161-01-33	REAR FENDER COMP.	1		Yamaha Black
15	1A8-21629-00	GUARD, mud	1		
16	97301-06012	BOLT	2		
17	92501-06015	SCREW, panhead	2		
18	92901-06100	WASHER, spring	4		
19	92901-06600	WASHER, plate	4		
20	97301-08012	BOLT	2		
21	92901-08100	WASHER, spring	2		
22	92901-08600	WASHER, plate	2		
23	1A8-21746- ⁰¹ 00	DAMPER, plate	1		76006
24	1A8-21651-00-U1	COVER, rear fender	1		Marge Brown
25	90480-14102	DAMPER	2		
26	90387-07390	COLLAR	2		
27	90209-06095	WASHER	2		
28	97301-06025	BOLT	2		
29	92901-06100	WASHER, spring	2		
30	1A8-21639-00	DAMPER	1		
31	90480-12067	GROMMET	1		
32	90480-01176	GROMMET	2		

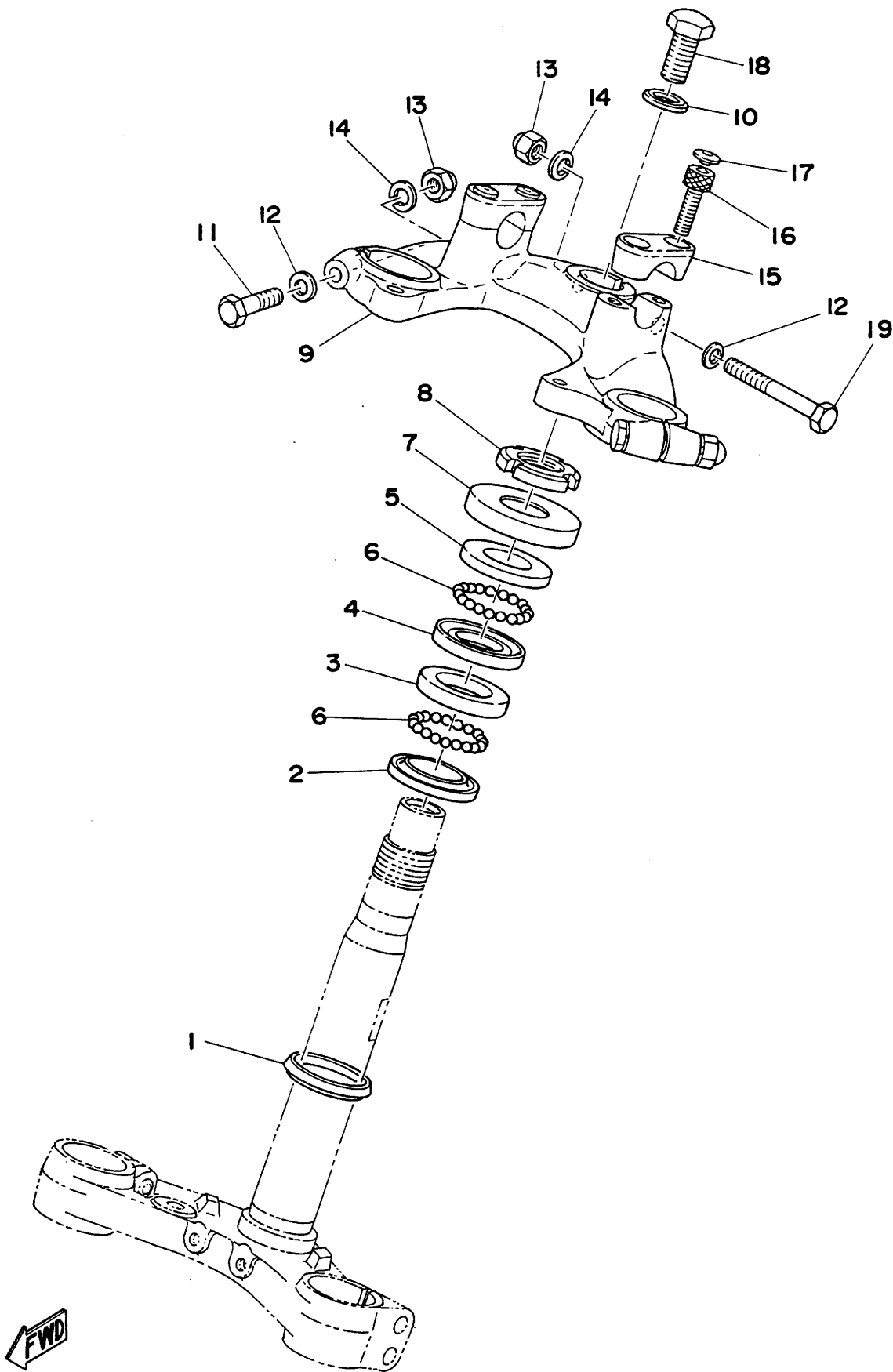
Fig. 29 FRONT FENDER · REAR FENDER



Ref. No.	Parts No.	Description	Q'ty	Applicable Machine No.	Remarks
29-33	1A8-21661- 00 ⁸⁶	GRAPHIC, rear fender cover left	1		76006
34	1A8-21662- 00 ⁸⁶	GRAPHIC, rear fender cover right	1		76006
35	1A8-28100-10	TOOL ASS'Y	1		
36	116-82131-00	BAND, battery	1		



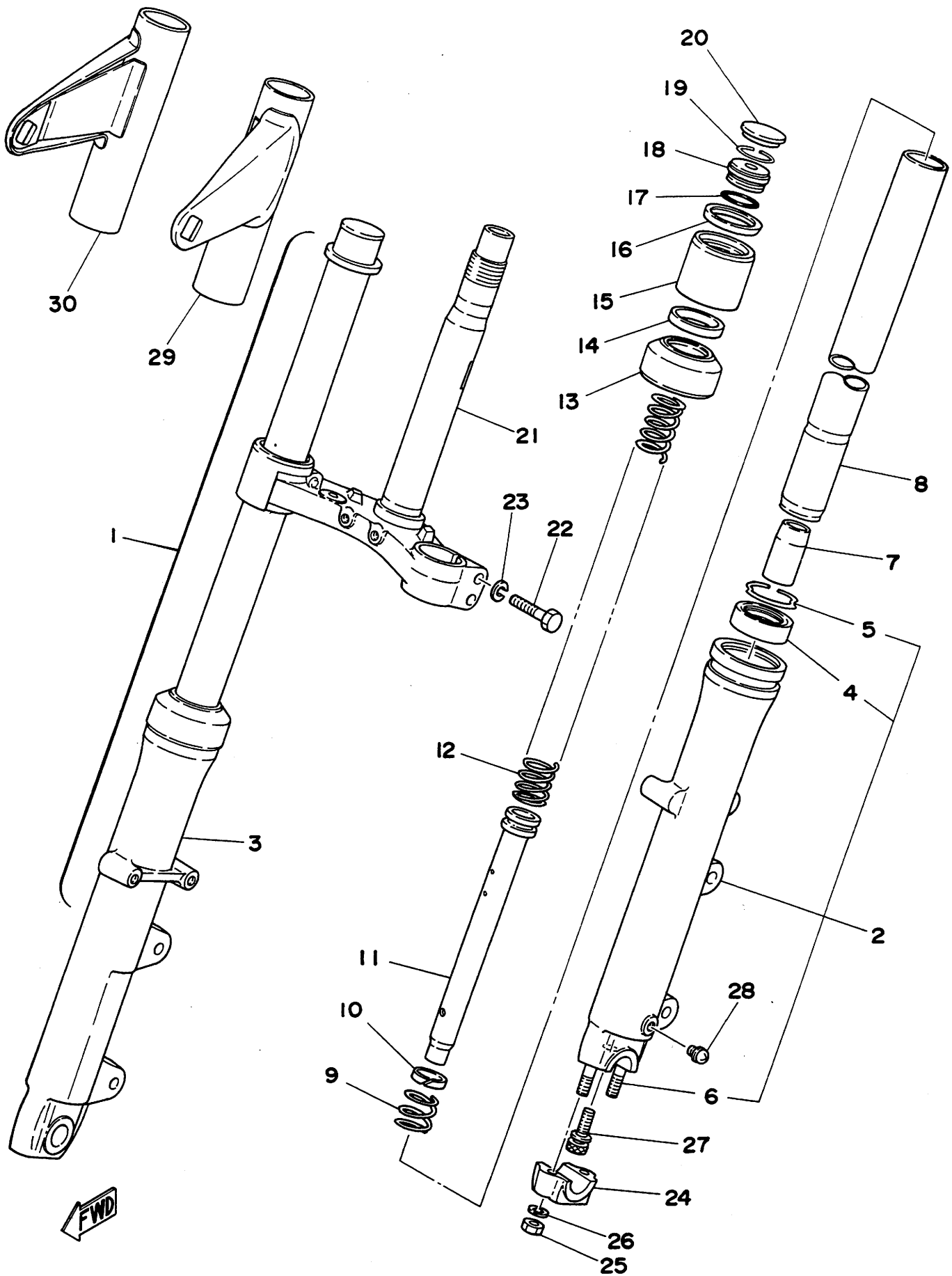
Fig. 30 STEERING



Ref. No.	Parts No.	Description	Q'ty	Applicable Machine No.	Remarks
30- 1	164-23462-00	SEAL, dust	1		
2	256-23411-00	RACE, ball 1	1		
3	256-23412-00	RACE, ball 2	1		
4	256-23413-00	RACE, ball 3	1		
5	256-23414-00	RACE, ball 4	1		
6	93501-04011	BALL (1/4 inch)	38		
7	136-23415-00	COVER, ball race	1		
8	90179-25033	NUT (137-23454-00)	2		
9	1J3-23435-00-98	CROWN, handle	1		Low Gloss Black
10	90209-14023	WASHER (341-23443-00)	1		
11	97323-08055	BOLT, hexagon	2		
12	90201-08083	WASHER (156-27226-00)	3		8.2-13-0.6
13	95303-08800	NUT, crown	3		
14	92903-08100	WASHER, spring	3		
15	360-23441-00-98	HOLDER, handle upper	2		Low Gloss Black
16	90110-08008	BOLT (360-23452-00)	4		
17	341-23469-00	CAP, bolt	4		
18	90106-14017	BOLT (341-23451-00)	1		
19	97323-08065	BOLT, hexagon	1		



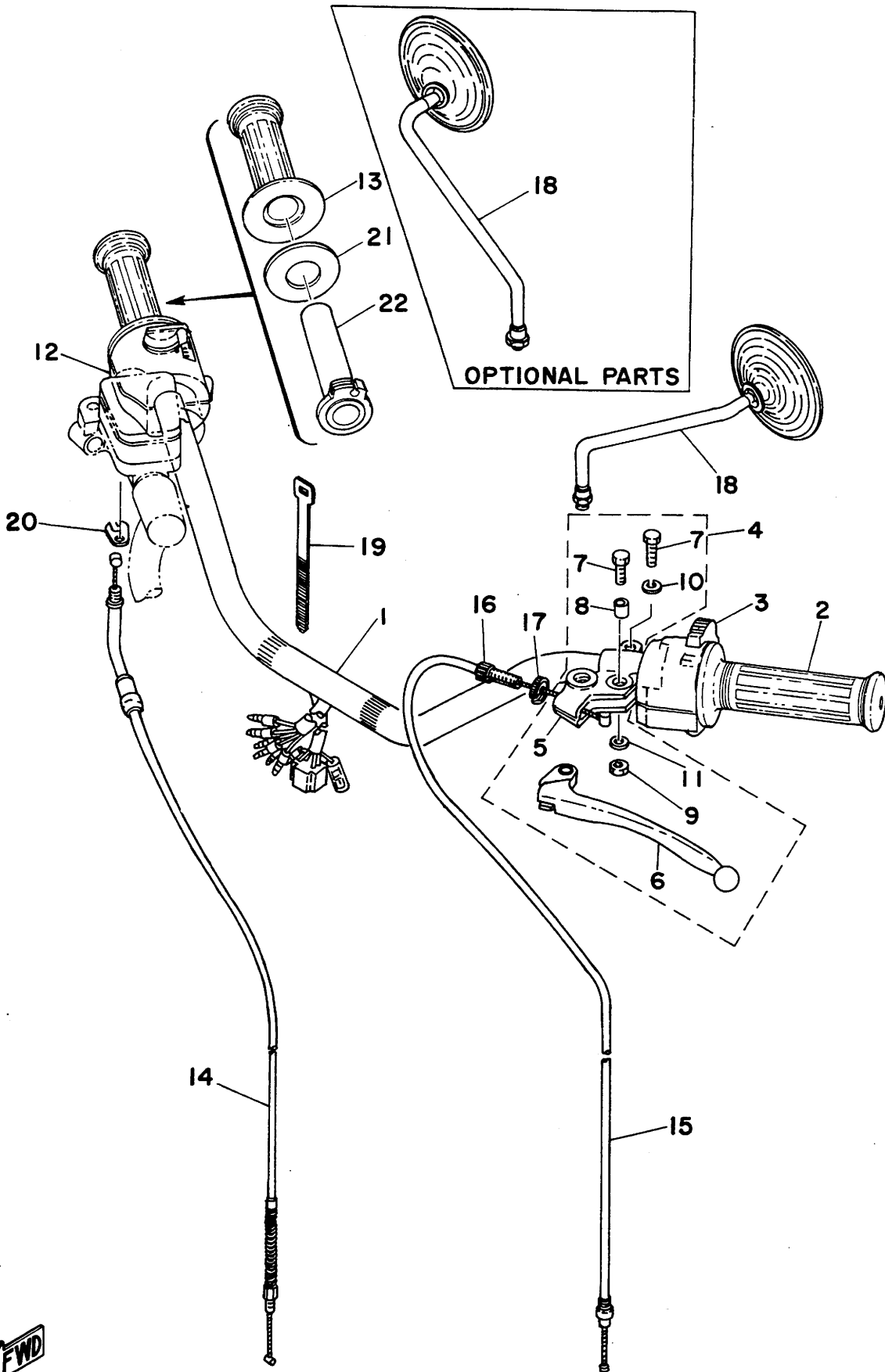
Fig. 31 FRONT FORK



Ref. No.	Parts No.	Description	Q'ty	Applicable Machine No.	Remarks
31- 1	1J3-23101- 00 ⁸⁶	FRONT FORK ASS'Y	1		76006
2	1J3-23126- 00 ⁸¹	. FORK TUBE, outer left	1		76006
3	1J3-23136- 00 ⁸¹	. FORK TUBE, outer right	1		76006
4	1J3-23145-00	. . OIL SEAL	2		
4-1	1J7-23147-00	. . SEAL, spacer	2	Added	76006
5	1J3-23146- 00 1J3-23156-00	. . WASHER, oil seal	2		76006
6	1E7-23128-00	. . BOLT, stud	2		
7	1J3-23166-00	. PIECE, oil lock	2		
8	1J3-23110- 00 ⁸¹	. FORK TUBE, inner	2		76006
9	1J3-23151-00	. SPRING, rebound	2		
10	1J3-23157-00	. RING, piston	2		
11	1J3-23170- 00 ⁶⁰	. CYLINDER, front fork	2		76006
12	1J3-23141- 00 ⁶⁰	. SPRING, front fork	2		76006
13	1J3-23144-00	. SEAL, dust	2		
14	1J3-23163-00	. GASKET	2		
15	1J3-23116-00	. GUIDE, cover under	2		
16	1J3-23115-00	. GUIDE, cover upper	2		
17	1J3-23114-00	. O-RING (2.8-23)	2		
18	1J3-23111-00	. SEAT, spring	2		
19	1J3-23183- 00 ⁸⁶	. RING, stopper	2		76006
20	1J3-23168-00	. CAP, front fork	2		
21	1J3-23340-00-33	. UNDER BRACKET COMP.	1		Yamaha Black
22	97323-08040	. BOLT, under bracket	4		
23	92901-08100	. WASHER, spring	4		
24	1J3-23167-00	. HOLDER, axle	1		
25	90185-08054	. NUT U	2		
26	92901-08600	. WASHER, plate	2		
27	1E7-23181-00	. BOLT, with gasket	2		
28	1E7-23119-00	. PLUG, drain with gasket	2		
29	1J3-23121-00-93	COVER, upper left	1		
30	1J3-23131-00-93	COVER, upper right	1		



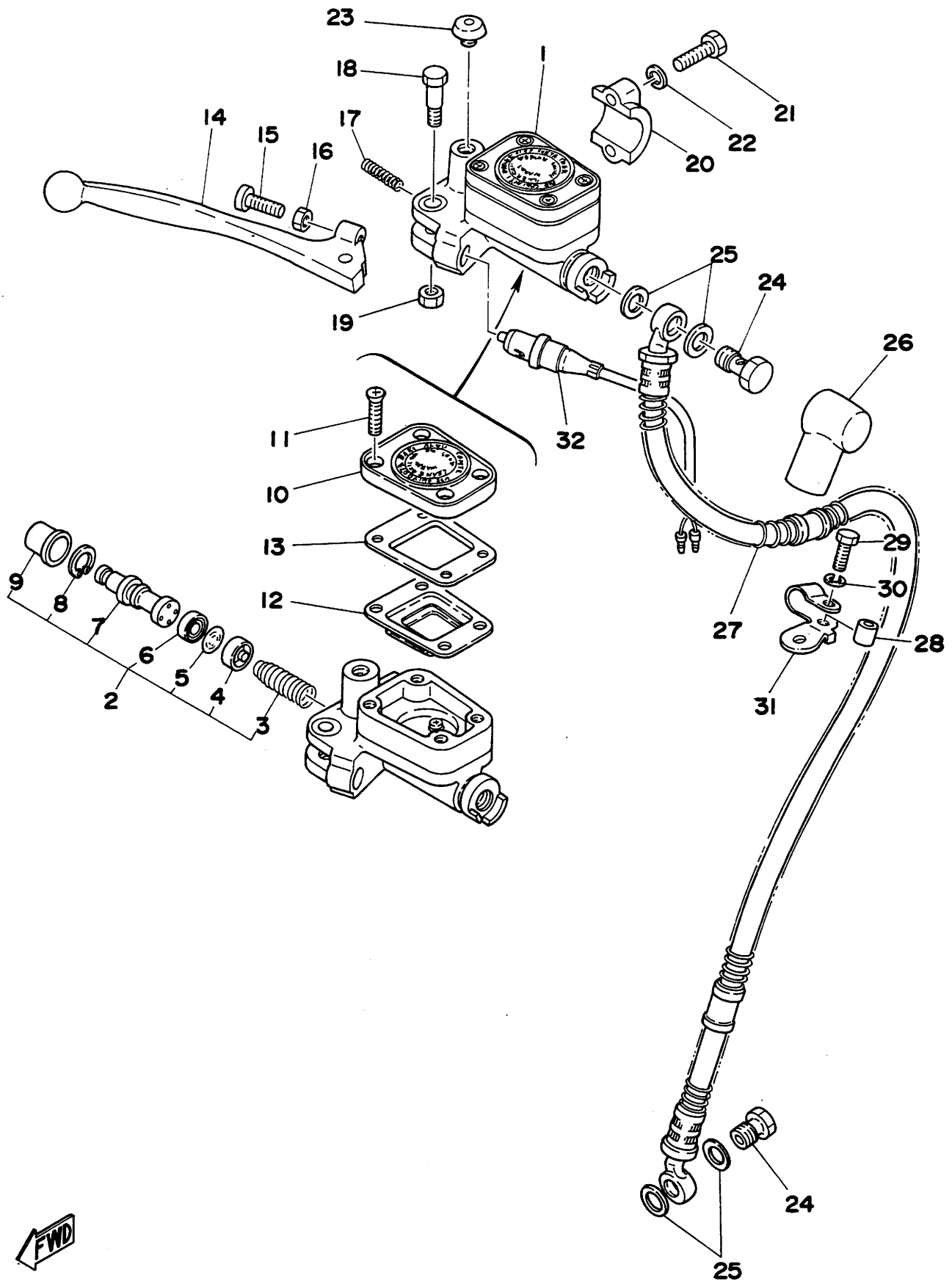
Fig. 32 HANDLE · WIRE



Ref. No.	Parts No.	Description	Q'ty	Applicable Machine No.	Remarks
32- 1	1J3-26111-00 1J7	HANDLE	1		76006
	1A8-26111-00	HANDLE	1		Alternate Parts (Bar handle) //
2	1E6-26241-00	GRIP, left	1		
3	1A0-83973-01-98	SWITCH, handle 3 left	1		Low Gloss Black
4	1J3-360-82910-00	LEVER HOLDER ASS'Y, left	1		76006
5	341-82911-00	. HOLDER, lever left	1		
6	214-83912-00 1J3-83912-10	. LEVER, left	1		76006
7	97303-06020	. BOLT	2		
8	214-83913-00	. COLLAR, lever	1		
9	95301-06700	. NUT	1		
10	92903-06100	. WASHER, spring	1		
11	90201-08083	. WASHER (156-27226-00)	1		
12	1A8-83963-00-98	SWITCH, handle 3 right	1		Low Gloss Black
13	1A0-26242-01	GRIP, right	1		
14	1J3-26311-00	WIRE, throttle 1 (860mm)	1		
	1A8-26311-00	WIRE, throttle 1 (810mm)	1		Alternate Parts (Bar handle)
15	371-26335-00	WIRE, clutch (1,260mm)	1		
	1A8-26335-00 ⁸¹	WIRE, clutch (1160mm)	1		Alternate Parts (Bar handle) 76006
16	90123-08046	BOLT, wire adjusting	1		
17	90179-08148	NUT (168-26344-00)	1		
18	1J3-26290-10 341-26290-51	BACK MIRROR ASS'Y, left	1		76006
	1J3-26290-00 341-26290-61	BACK MIRROR ASS'Y, right	1		Optional Parts 76006
19	256-83936-00 168-83936-01	BAND, switch cord	1		76006
20	584-26393-01	HOLDER, wire guide	1		
21	278-26249-00	RING, leaf	1		
22	584-26243-00	TUBE, guide	1		

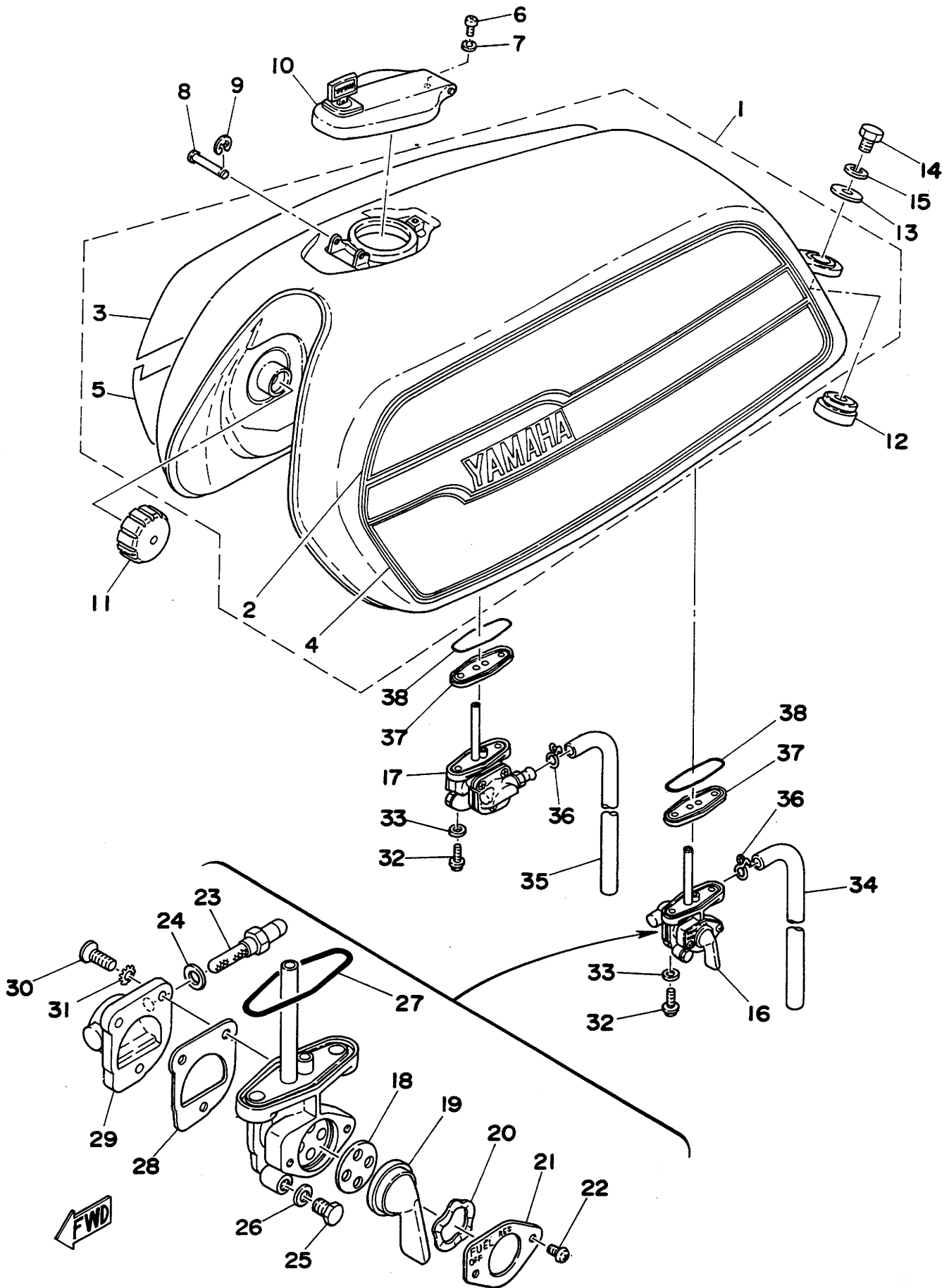


Fig. 33 FRONT MASTER CYLINDER · BRAKE HOSE



Ref. No.	Parts No.	Description	Q'ty	Applicable Machine No.	Remarks
33- 1	1J3-25850-01	MASTER CYLINDER ASS'Y, front ...	1		Nishin
2	535-20000-60	. CYLINDER KIT, master cylinder ..	1		
		(Ref. No.3-9)			
10	1J3-25852-01	. CAP, reservoir	1		
11	90151-05008	. SCREW, cap	4		
12	1J3-25854-01	. DIAPHRAGM, reservoir	1		
13	1J3-25855-01	. BUSHING, diaphragm	1		
14	1J3-83922-00 1A0-83922-00	LEVER, right	1		76006
15	90146-06005	SCREW (306-83928-01)	1		
16	90170-06010	NUT (306-83927-00)	1		
17	90501-10312	SPRING, compression (306-83924-00)	1		
18	90109-06103	BOLT (306-83925-00)	1		
19	95301-06700	NUT	1		
20	1J3-25867-00	BRACKET, master cylinder	1		
21	97301-06025	BOLT	2		
22	92901-06100	WASHER, spring	2		
23	90338-09012	PLUG (341-26329-00)	1		
24	90401-10034	BOLT, union	24		76006
25	90201-10118	WASHER (306-25878-00)	48		10.2-14-1.0 "
26	360-25862-00	BOOT, master cylinder	1		Alternate Parts 76006
	306-25862-00	BOOT, master cylinder	1		(for bar handle)
27	1J3-25872-00	HOSE, front brake	1		76006
	1A0-25872-00	HOSE, front brake	1		Alternate Parts 76006 (Bar handle)
28	90387-07390	COLLAR	1		76006
29	97321-06025	BOLT	1		"
30	92901-06100	WASHER, spring	1		"
31	1A8-25886-00	HOLDER, brake hose	1		"
32	1A0-83980-30	FRONT STOP SWITCH ASS'Y	1		
33	1J3-25874-01	HOSE, front brake 2	1		76006
34	1J3-25885-00	JOINT	1		"
35	97301-06025	BOLT	1		"
36	92901-06100	WASHER, spring	1		"
37	92901-06600	WASHER, plate	1		"

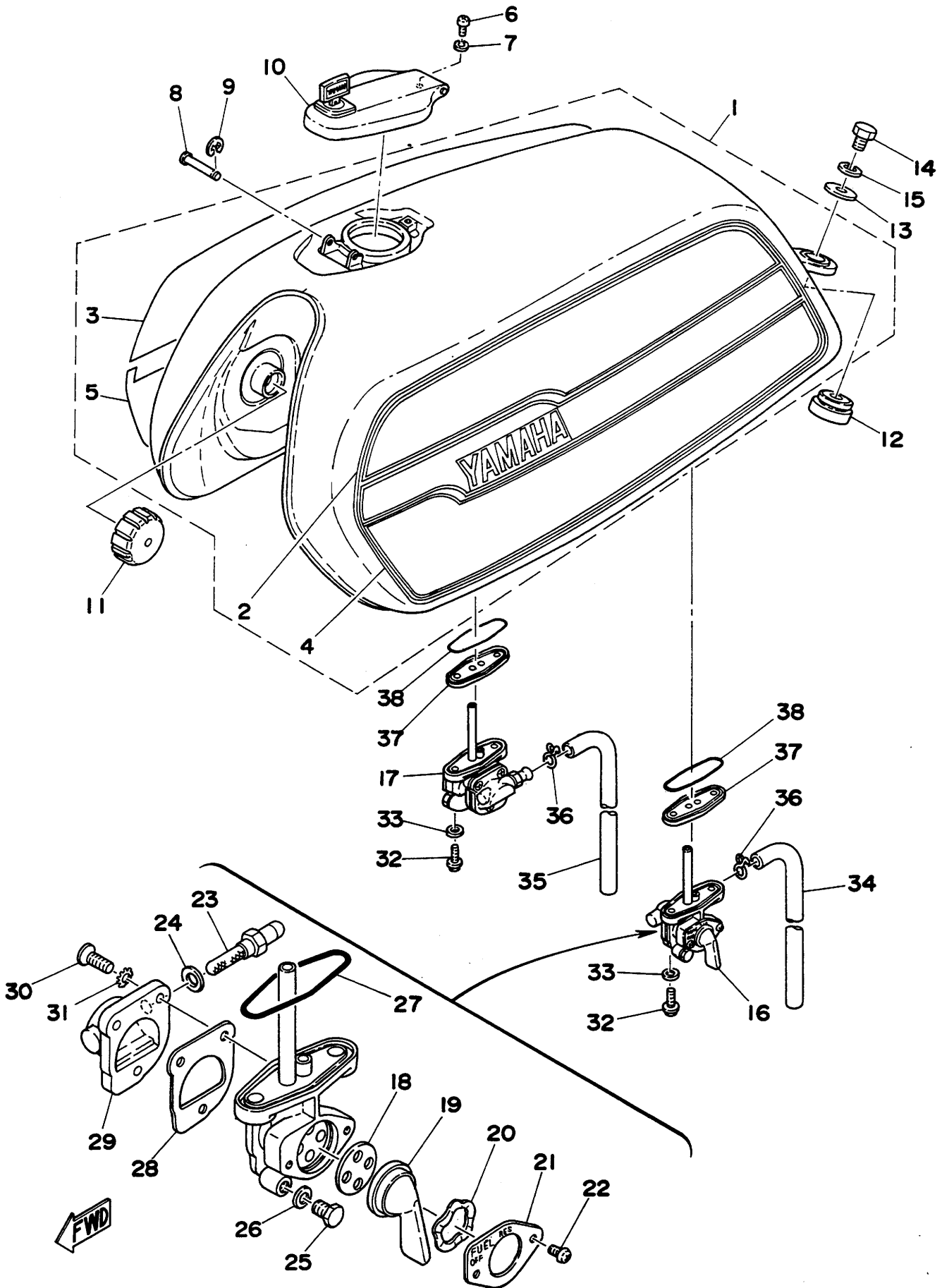
Fig. 34 FUEL TANK



Ref. No.	Parts No.	Description	Q'ty	Applicable Machine No.	Remarks
34- 1	1A8-24110-01-02	FUEL TANK COMP.	1		Marge Brown
2	1A8-24244-10	. GRAPHIC, fuel tank upper left	1		
3	1A8-24246-10	. GRAPHIC, fuel tank upper right ...	1		
4	1A8-24245-10	. GRAPHIC, fuel tank under left	1		
5	1A8-24247-10	. GRAPHIC, fuel tank under right ...	1		
6	98501-05008	SCREW, panhead	1		
7	92901-05100	WASHER, spring	1		
8	90249-03123	PIN	1		
9	93430-02001	CIRCLIP (E-1.9)	1		
10	584-24602-00	TANK CAP ASS'Y	1		
11	278-24181-00	DAMPER, locating front	2		
12	1A8-24181-00	DAMPER, locating rear	2		
13	90201-06069	WASHER, plate	2		
14	97301-06012	BOLT	2		
15	92901-06100	WASHER, spring	2		
16	447-24500-02	FUEL COCK ASS'Y, left	1		
17	447-24510-02	FUEL COCK ASS'Y, right	1		
18	137-24523-00	. VALVE	2		
19	447-24524-00	. LEVER, cock	2		
20	132-24518-00	. WASHER, wave	2		
21	447-24525-00	. PLATE, lever fitting left	1		
	447-24546-00	. PLATE, lever fitting right	1		
22	98501-03006	. SCREW, panhead	4		
23	256-24537-00	. NIPPLE	2		
24	256-24528-00	. GASKET	2		
25	256-24543-00	. PLUG, drain	2		
26	801-24437-00	. GASKET	2		
27	256-24512-00	. GASKET, body	2		
28	447-24522-00	. PACKING, filter	2		
29	447-24547-00	. COVER, filter left	1		
	447-24547-10	. COVER, filter right	1		
30	98701-04010	. SCREW, flathead	6		

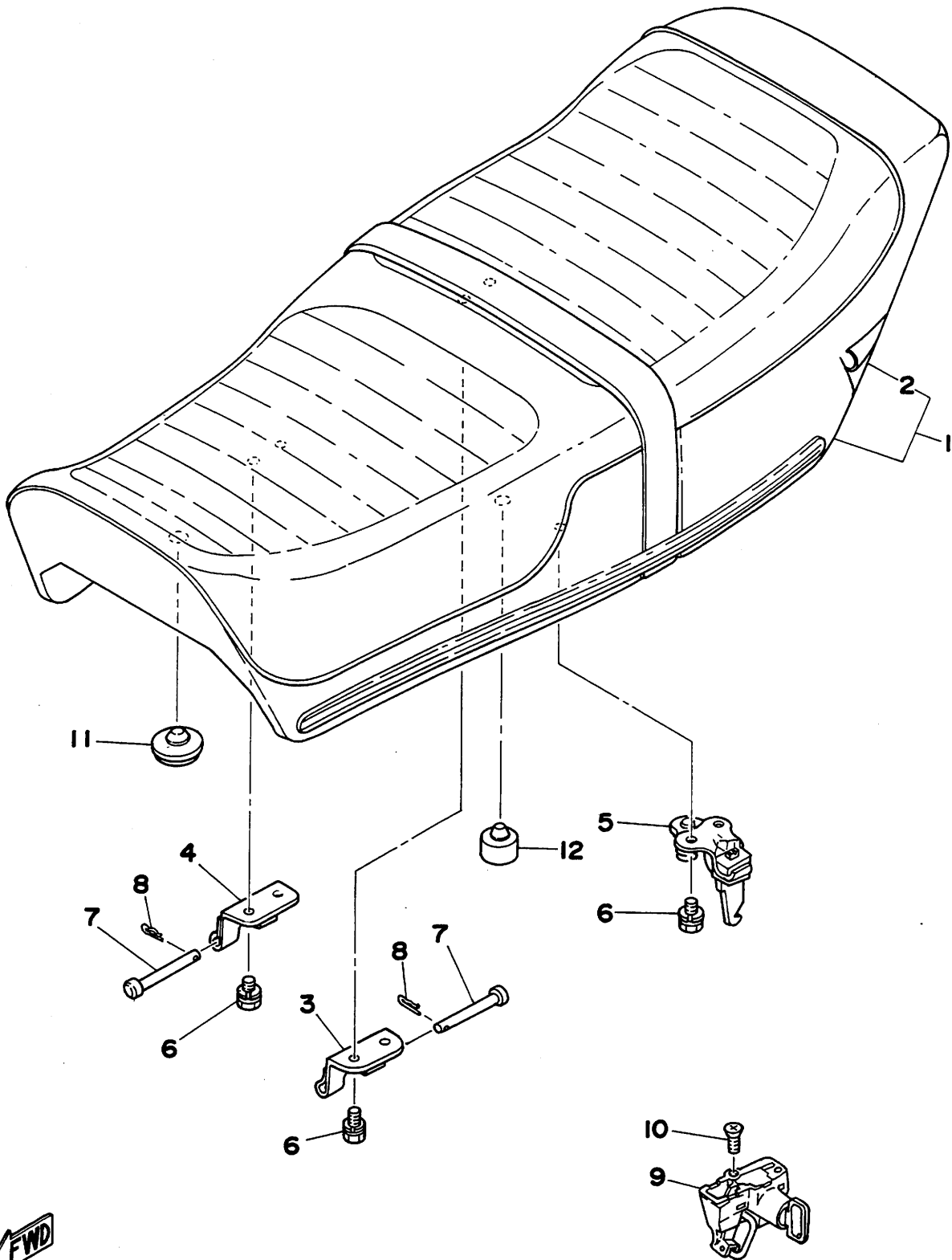


Fig. 34 FUEL TANK



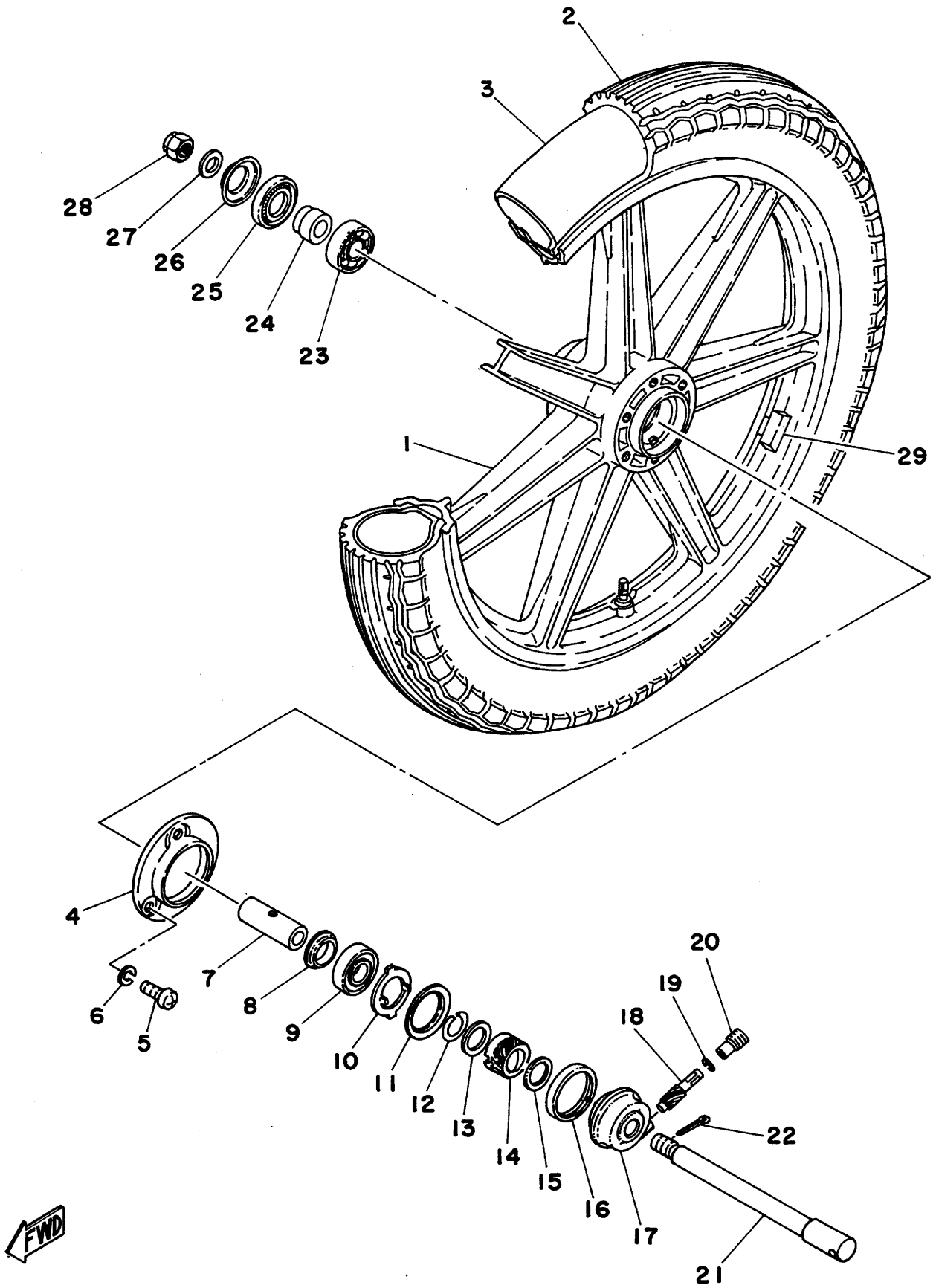
Ref. No.	Parts No.	Description	Q'ty	Applicable Machine No.	Remarks
34-	31 92901-04500	. WASHER, tooth	6		
	32 98901-06020	SCREW, bind	4		
	33 90202-06010	WASHER (178-14766-00)	4		6.2-12-1.5
	34 90445-09094	HOSE	1		5-170
	35 90445- 09079 ⁰⁹⁰⁷³	HOSE (170-24311-00)	1		5-140 76006
	36 90467-08003	CLIP (101-24536-00)	4		
	37 366-24545-01	SPACER	2		
	38 256-24512-00	GASKET	2		
39	90501-06028	SPRING, compression - - - - -	1		for left side hose 76006

Fig. 35 SEAT



Ref. No.	Parts No.	Description	Q'ty	Applicable Machine No.	Remarks
35- 1	1A8-24730-00	DOUBLE SEAT ASS'Y	1		
2	1A8-24731-00	. COVER, double seat	1		
3	307-24726-00-33	HINGE, seat	1		Yamaha Black
4	371-24726-01	HINGE, seat	1		
5	371-24728- 00 ^{8/}	BRACKET, seat	1		76006
6	90101-06304	BOLT, hexagon head with washer	6		
7	91501-05055	PIN, clevis	2		
8	90468-10050	CLIP (156-83525-00)	2		
9	584-24705-00	SEAT LOCK ASS'Y	1		
10	92706-06012	SCREW, flathead	2		
11	474 ⁴⁶⁹ -24741-00	PAD, seat	4		76006
12	278-27114-00	STOPPER, main stand	1		

Fig. 36 FRONT WHEEL

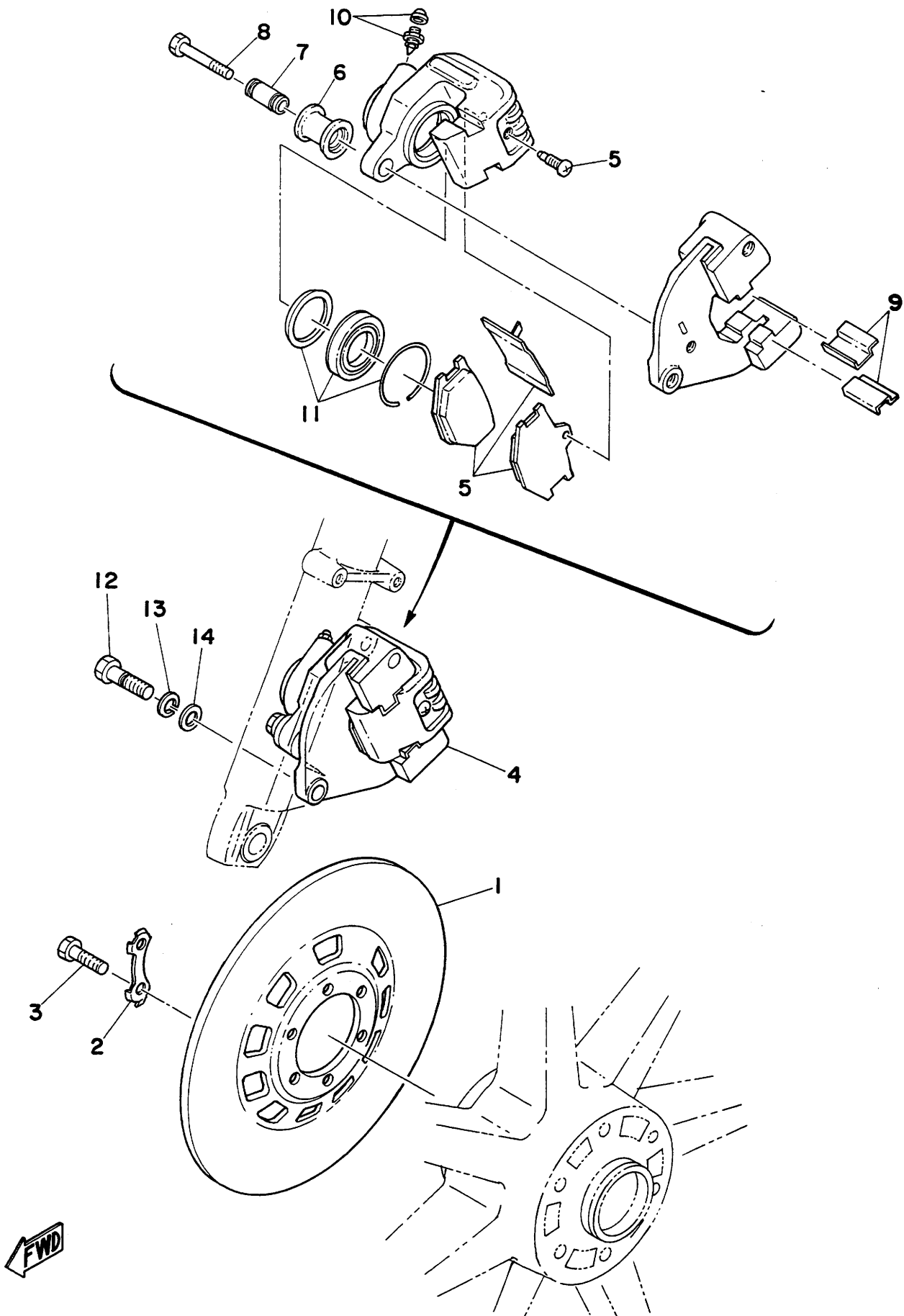


FWD

Ref. No.	Parts No.	Description	Q'ty	Applicable Machine No.	Remarks
36- 1	1J3-25168- 00 ²⁸	CASTING WHEEL, front (1.85-19)	1		76006
2	94132-19355	TIRE, front (3.25-19-4PR)	} U.R 1		YOKOHAMA 76006
	94132-19357	TIRE, front (3.25-19-4PR)			B.S. YOKOHAMA 76006
3	94232-19029	TUBE (3.25-19)	1		
4	371-25847-00	COVER, housing	1		
5	92501-08012	SCREW, panhead	3		
6	92901-08100	WASHER, spring	3		
7	90560-17125	SPACER (351-25117-00)	1		
8	152 ^{1A1} -25115-00	FLANGE, spacer	1		76006
9	93306-30306 ³⁰³⁰⁹	BEARING (B6303RS)	1		76006
10	341-25149-00	CLUTCH, meter	1		
11	341-25846-00	RETAINER, clutch meter	1		
12	341-25137-00	RING, stop	1		
13	90201-25286	WASHER (341-25147-00)	1		
14	341-25135-01	GEAR, drive (29T)	1		
15	90201-25490	WASHER (152-17226-00)	1		
16	93105-45017	OIL SEAL (SDD-45-56-6)	1		
17	341-25191-01	HOUSING, gear unit	1		
18	306-25138-00	GEAR, meter (10T)	1		
19	102-18416-00	WASHER (6.2-9.5-0.8)	1		
20	306-25136-00	BUSHING	1		
21	351-25181-00	SHAFT, front wheel	1		
22	91401-30030	PIN, cotter	1		
23	93306-30307 ³⁰³⁰³	BEARING (B6303)	1		76006
24	90387-17433	COLLAR (341-25183-00)	1		
25	93102-28022	OIL SEAL (SD-28-47-7)	1		
26	341-25118-00	COVER, hub dust	1		
27	92901-14200	WASHER, plain	1		
28	90171-14006	NUT, castle (214-25182-01)	1		
29	1A1-25398-00	BALANCER, wheel	} U.N 208 108		
30	1A1-25399-00	BALANCER, wheel			76006



Fig. 37 FRONT DISK BRAKE · CALIPER



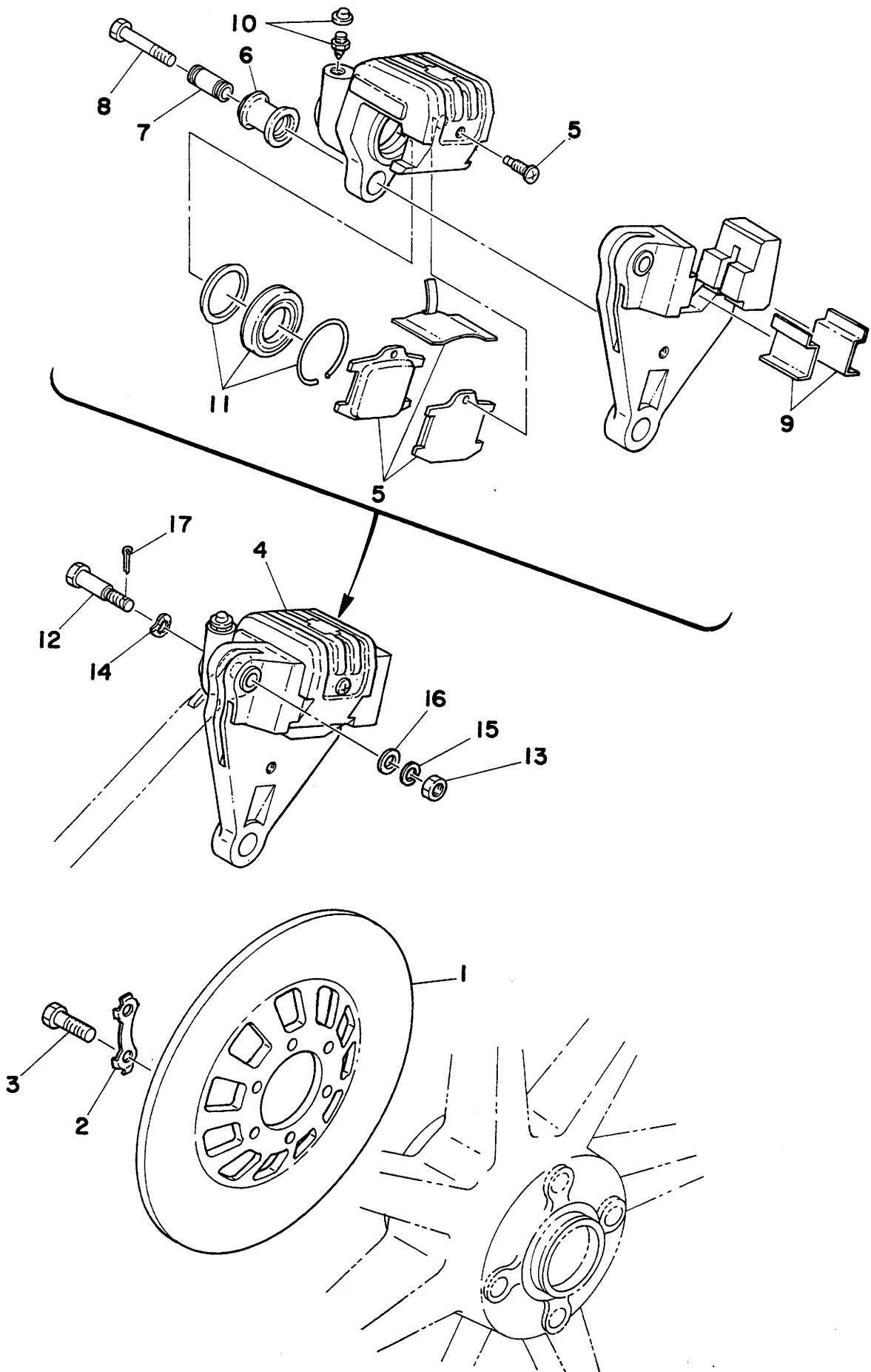
FWD

Ref. No.	Parts No.	Description	Q'ty	Applicable Machine No.	Remarks
37- 1	1J3-25831-00	DISK, front brake	1		
2	1J3-25834-00	WASHER, lock	3		
3	90101-08307	BOLT, hexagon	6		
4	1J3-25810-01	CALIPER ASS'Y, front	1		
5	1J3-20000- 10 ⁴⁶	. CALIPER PAD KIT	1		76006.
6	1J3-25917-00	. BUSHING, boot	1		
7	1J3-25843-00	. SLEEVE	1		
8	90105-08092	. SUPPORT BOLT	1		
9	1J3-25849-01	. RETAINER	2		NOT for sale 76006
10	1J3-20000-30	. BLEED SCREW, with cap	1		
11	1J3-20000-20	. CALIPER SEAL KIT	1		
12	90101-10308	BOLT, hexagon	2		
13	92901-10100	WASHER, spring	2		
14	92901-10600	WASHER, plane	2		



Ref. No.	Parts No.	Description	Q'ty	Applicable Machine No.	Remarks
38- 1	1J3-25338-00 1J3-25338-00	CASTING WHEEL, rear (2.15-18) ...	1		76006
2	94140-18340	TIRE, rear (4.00-18-4PR)	} U.R 1		YOKOHAMA 76006
	94140-18346	TIRE, rear (4.00-18-4PR)			B.S
3	94240-18024	TUBE (4.00-18)	1		
4	1J3-25317-00	SPACER, bearing	1		
5	152-25115-00	FLANGE, spacer	1		76006
6	93306-30304 93306-30304	BEARING (B6303Z)	1		76006
7	93102-28022	OIL SEAL (SD-28-47-7)	1		
8	90387-17536	COLLAR	1		
9	1J3-25118-00	COVER, hub dust	1		
10	1A1-25377-00	COLLAR	1		
11	93306-30404 93306-30404	BEARING (B6304Z)	1		76006
12	1A1-25363-00	DAMPER, sprocket	4		76006
13	1J3-25443-20 1J3-25443-20	GEAR, sprocket wheel (43T)	1		76006
14	90109-12436	BOLT GEAR, sprocket wheel (42T)	4 1		76006 Not for sale 76006
15	1J3-25412-00	WASHER, lock	2		
16	95301-12700	NUT	4		
17	94575-30106	CHAIN (DK530HDS-106L)	1		
18	94675-30011	. JOINT, chain	1		
19	90201-66585	WASHER, plate	1		
20	93410-65040	CIRCLIP	1		
21	93102-28023	OIL SEAL (SD-28-52-6)	1		
22	90387-17433 90387-17433	COLLAR, wheel shaft	1		76006
23	1A1-25367-00 1A1-25367-00	COVER, hub dust	1		76006
24	168-25389-00	PULLER, chain	2		
25	90101-08034	BOLT, hexagon	2		
26	90170-08158	NUT, hexagon	2		
27	90171-14006	NUT, castle	1		
28	91401-30030	PIN, split	1		
29	1J3-25381-00	SHAFT, wheel	1		
30	1A1-25398-00	BALANCER, wheel	U.N		
31	90201-14577 90201-14577	WASHER	1	} 208. 108	76006
32	1A1-25399-00 1A1-25399-00	BALANCER, wheel. - - -	U.N		

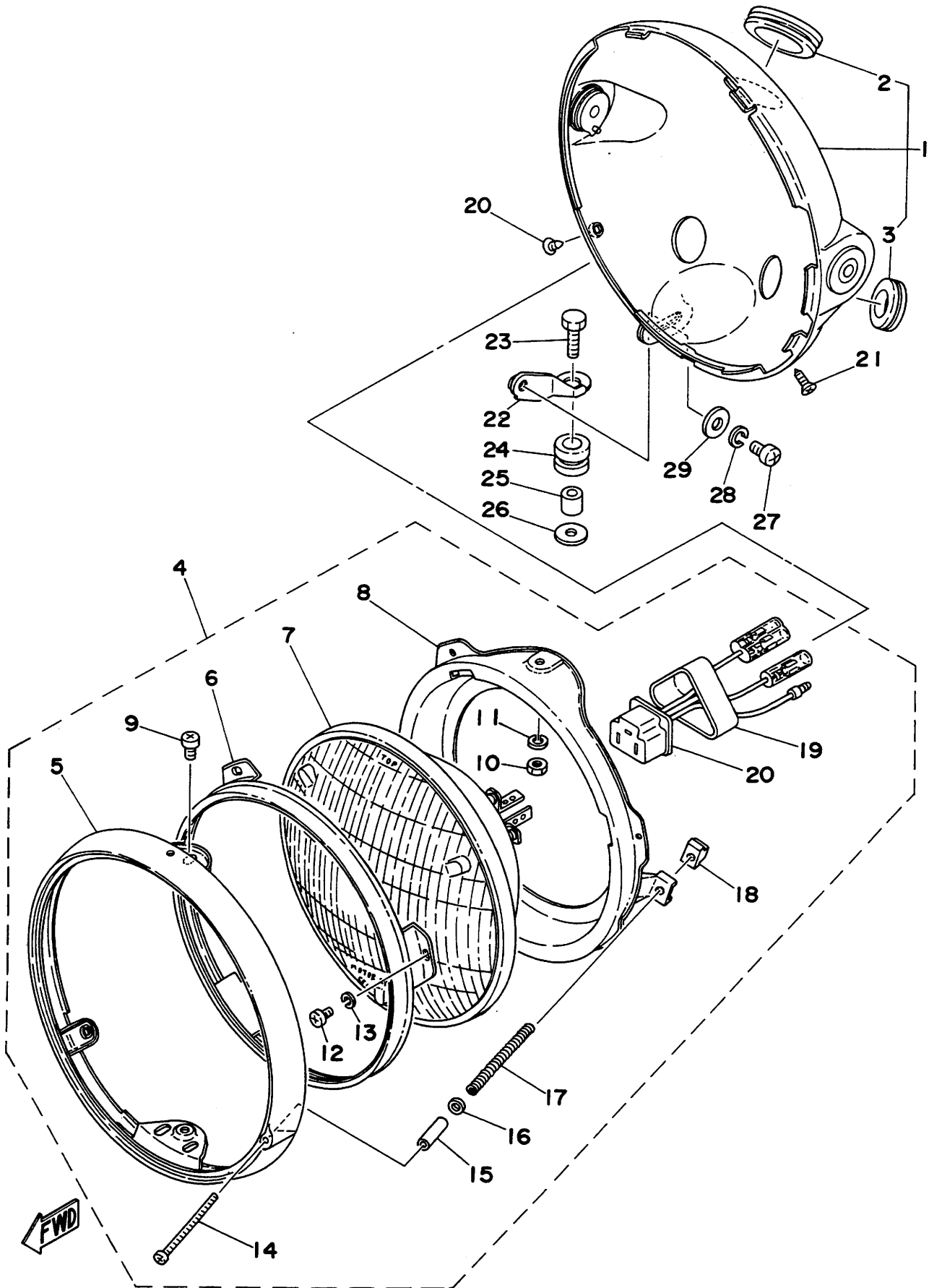
Fig. 39 REAR DISK BRAKE · CALIPER



Ref. No.	Parts No.	Description	Q'ty	Applicable Machine No.	Remarks
39- 1	1J3-25831-50	DISK, rear brake	1		
2	1J3-25834-00	WASHER, lock	3		
3	90101-08307	BOLT, hexagon	6		
4	1J3-25810-51	CALIPER ASS'Y, rear	1		
5	1J3-20000- 10 ^{6/}	. CALIPER PAD KIT	1		76006
6	1J3-25917-00	. BUSHING, boot	1		
7	1J3-25843-00	. SLEEVE	1		
8	90105-08092	. SUPPORT BOLT	1		
9	1J3-25849-01	. RETAINER	2		Not for sale 76006
10	1J3-20000-30	. BLEED SCREW, with cap	1		
11	1J3-20000-20	. CALIPER SEAL KIT	1		
12	90109- 08157 ⁰⁸⁴⁵⁷	BOLT	1		76006
13	90170-08158	NUT	1		
16	90206-12034	WASHER, wave	1		
15	92901-08100	WASHER, spring	1		
16	92901-08600	WASHER, plate	1		
17	91401-20015	PIN, cotter	1		



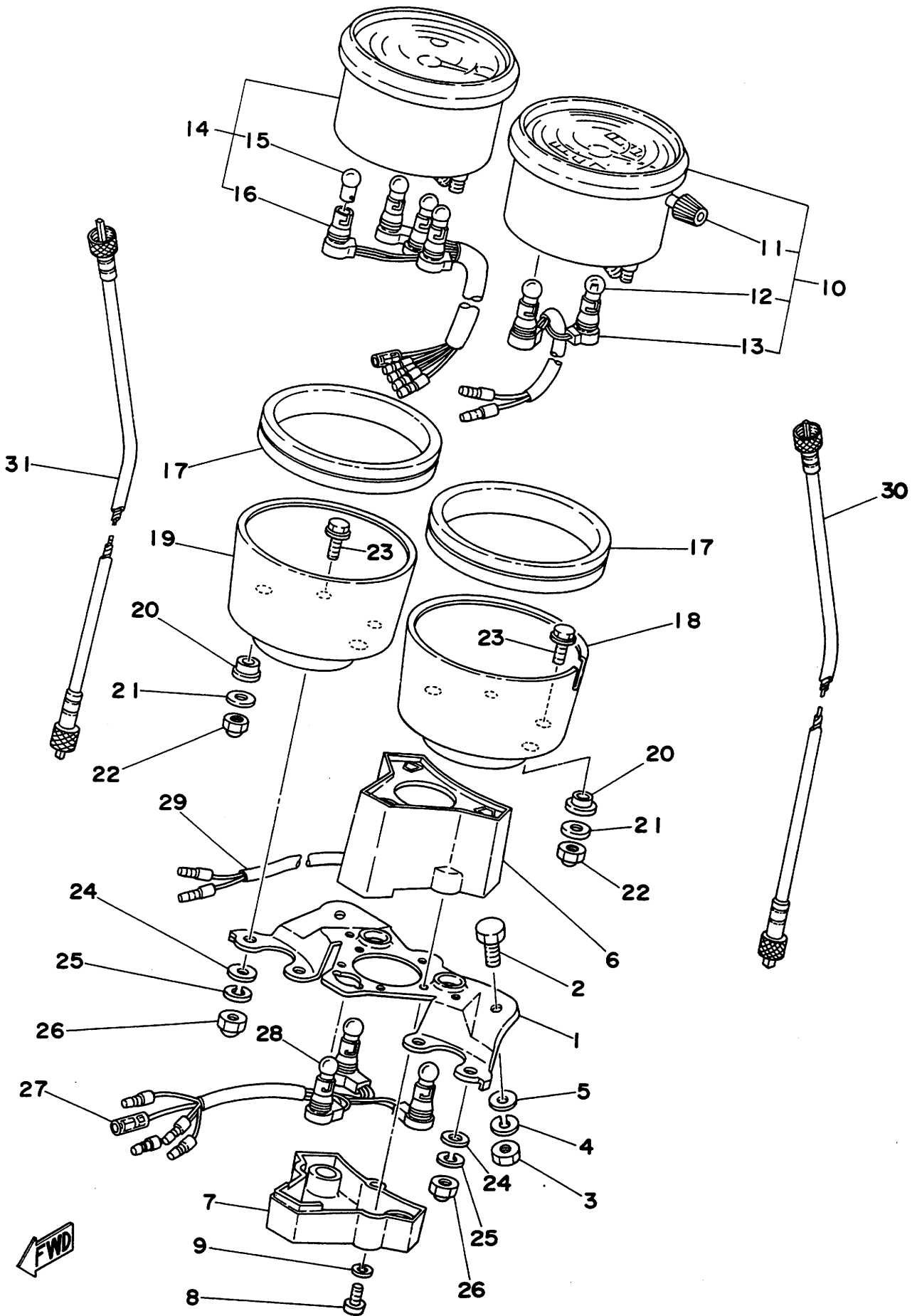
Fig. 40 HEAD LAMP



Ref. No.	Parts No.	Description	Q'ty	Applicable Machine No.	Remarks
40- 1	371-84330-60 -33	HEAD LAMP BODY ASS'Y	1		Yamaha Black
2	214-84153-60	. BUSHING	1		
3	150-84153-00	. BUSHING	2		
4	371-84310-60	HEAD LAMP UNIT ASS'Y	1		
5	341-84315-60	. RIM, head lamp	1		
6	341-84395-60	. RING, retaining	1		
7	341-84320-60	. LENS ASS'Y (12V 50/40W)	1		
8	341-84394-60	. RING, mounting	1		
9	98501-05010	. SCREW, panhead	2		
10	95301-05600	. NUT	2		
11	92901-05100	. WASHER, spring	2		
12	98501-04008	. SCREW, panhead	3		
13	92901-04100	. WASHER, spring	3		
14	341-84331-60	. SCREW, adjusting	1		
15	341-84333-60	. SPACER	1		
16	92901-04200	. WASHER, plain	1		
17	341-84332-60	. SPRING, adjusting	1		
18	198-84334-60	. NUT	1		
19	341-84397-61	. COVER, socket	1		
20	371-84312-60	. CORD ASS'Y	1		
21	195-84325-00	SCREW, rim fitting	2		
22	1A8-84318-00	STAY, head lamp	1		
23	97321-06020	BOLT	1		
24	90480-14102	GROMMET (214-21717-00)	1		
25	90387-07390	COLLAR (214-21633-00)	1		7-10-8
26	90201-06067	WASHER (116-28324-00)	1		6.5-20-1.6
27	92501-06018	SCREW, panhead	1		
28	92901-06100	WASHER, spring	1		
29	90201-06067	WASHER (116-28324-00)	1		6.5-20-1.6

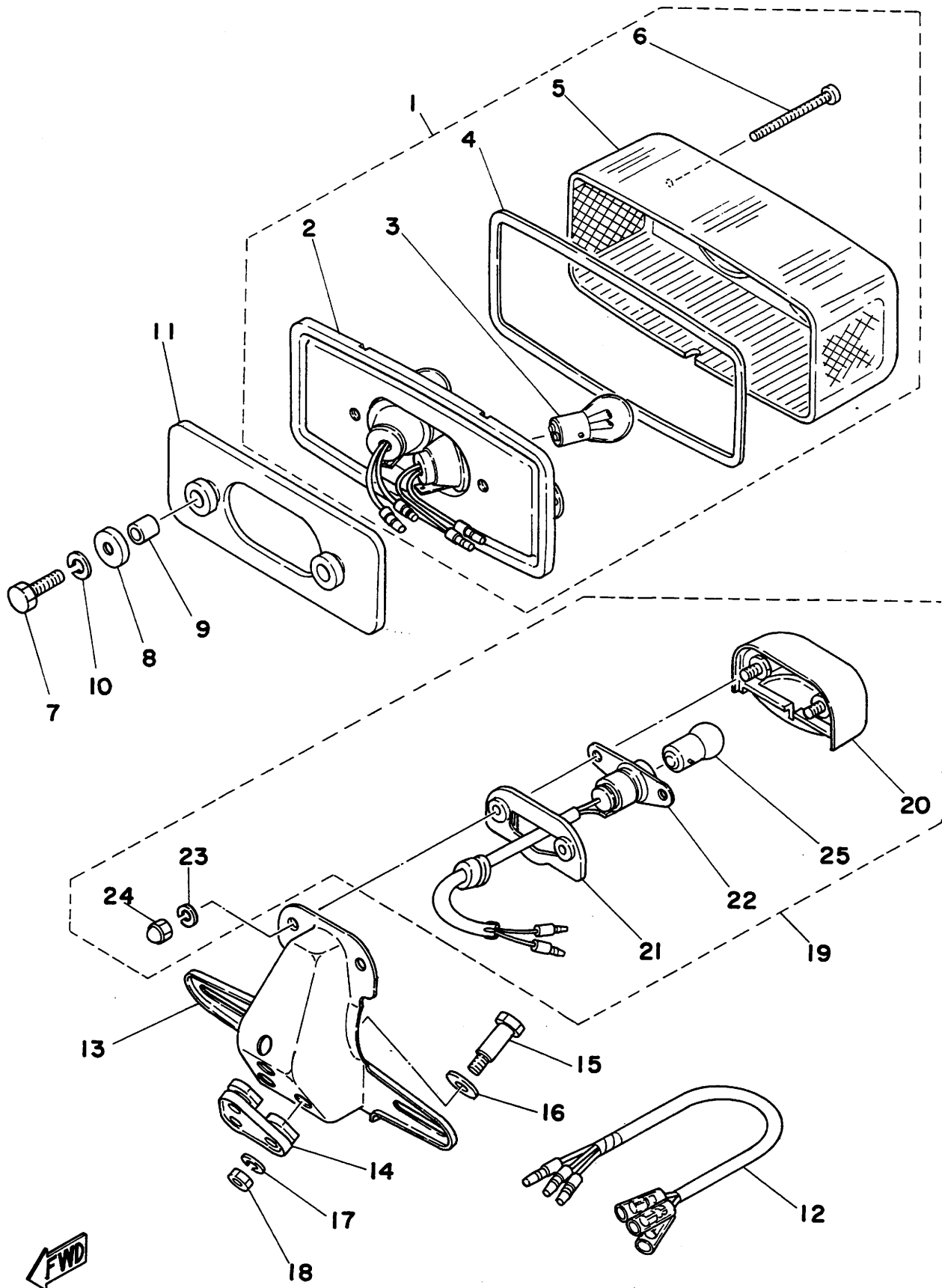


Fig. 41 SPEEDOMETER · TACHOMETER



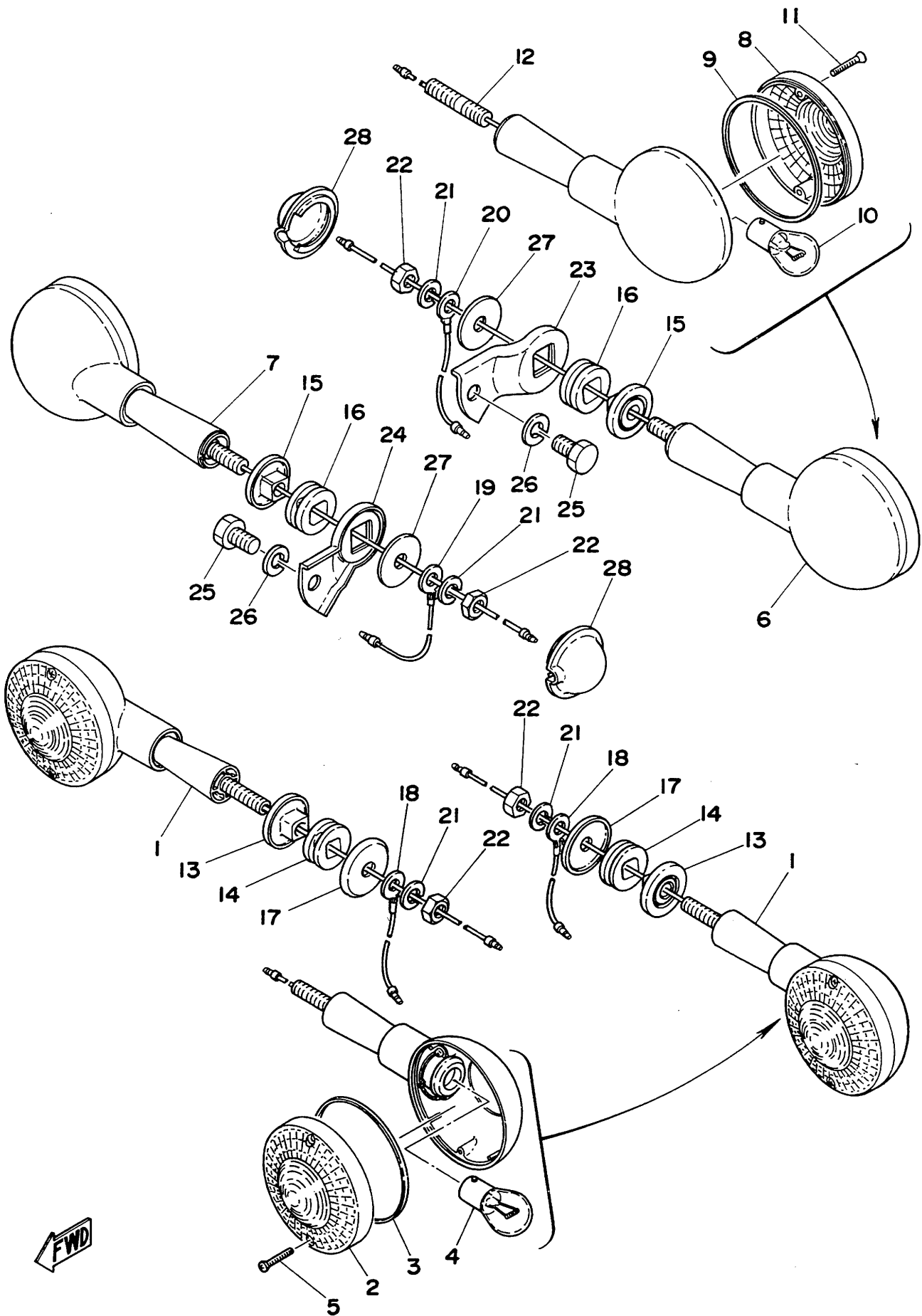
Ref. No.	Parts No.	Description	Q'ty	Applicable Machine No.	Remarks
41- 1	584-83519-00 ^{1J3-83568-71}	BRACKET, meter	1		76006
2	97306-06025	BOLT	2		
3	95301-06600	NUT	2		
4	92901-06100	WASHER, spring	2		
5	92906-06600	WASHER, plate	2		
6	1A0-83568-00 ^{1J3-83568-71}	PILOT BOX, upper	1		76006.
7	584-83569-00 ^{1J3-83569-71}	PILOT BOX, under	1		76006.
8	98501-05010	SCREW, panhead	3		
9	92901-05100	WASHER, spring	3		
10	1J3-83570-70 ⁷¹	SPEEDOMETER ASS'Y	1		76006.
11	584-83578-70 ⁷¹	. KNOB, trip meter	1		76006
12	123-83516-21	. BULB (12V-3.4W)	2		
13	584-83571-00 ⁵⁸⁴⁻⁸³⁵⁷⁶⁻⁰¹	. SOCKET CORD ASS'Y 1	1		76006
14	1J3-83540-00	TACHOMETER ASS'Y	1		
15	123-83516-21	. BULB (12V-3.4W)	4		
16	1A8-83520-00 ^{1J3-83520-01}	. SOCKET CORD ASS'Y 3	1		76006.
17	584-83513-00	DAMPER, meter	2		
18	584-83507-00	COVER, speedometer	1		
19	584-83508-00	COVER, tachometer	1		
20	584-83523-00	DAMPER	4		
21	92901-05200	WASHER, plain	4		
22	95301-05800	NUT, crown	4		
23	584-83546-00	BOLT	4		
24	92901-06200	WASHER, plain	4		
25	92901-06100	WASHER, spring	4		
26	95301-06800	NUT, crown	4		
27	1A8-83509-00 ^{1J3-83509-70}	SOCKET CORD ASS'Y 2	1		76006
28	123-83516-21	BULB (12V-3.4W)	3		
29	1J3-83556-00 ⁰¹	SOCKET CORD ASS'Y 4	1		76006
30	341-83550-00	SPEEDOMETER CABLE ASS'Y	1		
31	1J3-83560-00	TACHOMETER CABLE ASS'Y	1		

Fig. 42 TAIL LAMP



Ref. No.	Parts No.	Description	Q'ty	Applicable Machine No.	Remarks
42- 1	1A8-84710- 60 ⁶¹	TAIL LAMP UNIT ASS'Y	1		76006
2	1A0-84711- 60 ⁶¹	. BASE, tail lamp	1		76006
3	256-84714-61	. BULB, tail lamp (12V 32/3CP)	2		
4	1A0-84723-60	. GASKET, tail lens	1		
5	1A8-84721-60 ^{1A0-84723-61}	. LENS, tail lamp	1		76006
6	341-84724-60	. SCREW, lens fitting	2		
7	97301-06025	BOLT	2		
8	90209-06095	WASHER (102-28323-00)	2		
9	90387-07390	COLLAR (214-21633-00)	2		7-10-11.5
10	92901-06100	WASHER, spring	2		
11	1A8-84736-00	DAMPER	1		
12	1A8-84717-00	CORD, tail lamp	1		
13	1A8-84751-60-33	BRACKET, license	1		Yamaha Black
14	1A8-84753-00	DAMPER, licence bracket	1		
15	90109-06022	BOLT	3		
16	92901-08200	WASHER, plain	3		
17	92901-06100	WASHER, spring	3		
18	95301-06600	NUT, hexagon	3		
19	1A8-84745-60	LICENCE LAMP UNIT ASS'Y	1		
20	1A8-84743-60	. COVER, licence lamp	1		
21	1A8-84742-60	. GASKET, licence lamp	1		
22	1A8-84747-60	. CORD ASS'Y, licence lamp	1		
23	92903-05100	. WASHER, spring	2		
24	95303-05800	. NUT, crown	2		
25	1A8-84744-60	. BULB (12V-8W)	1		

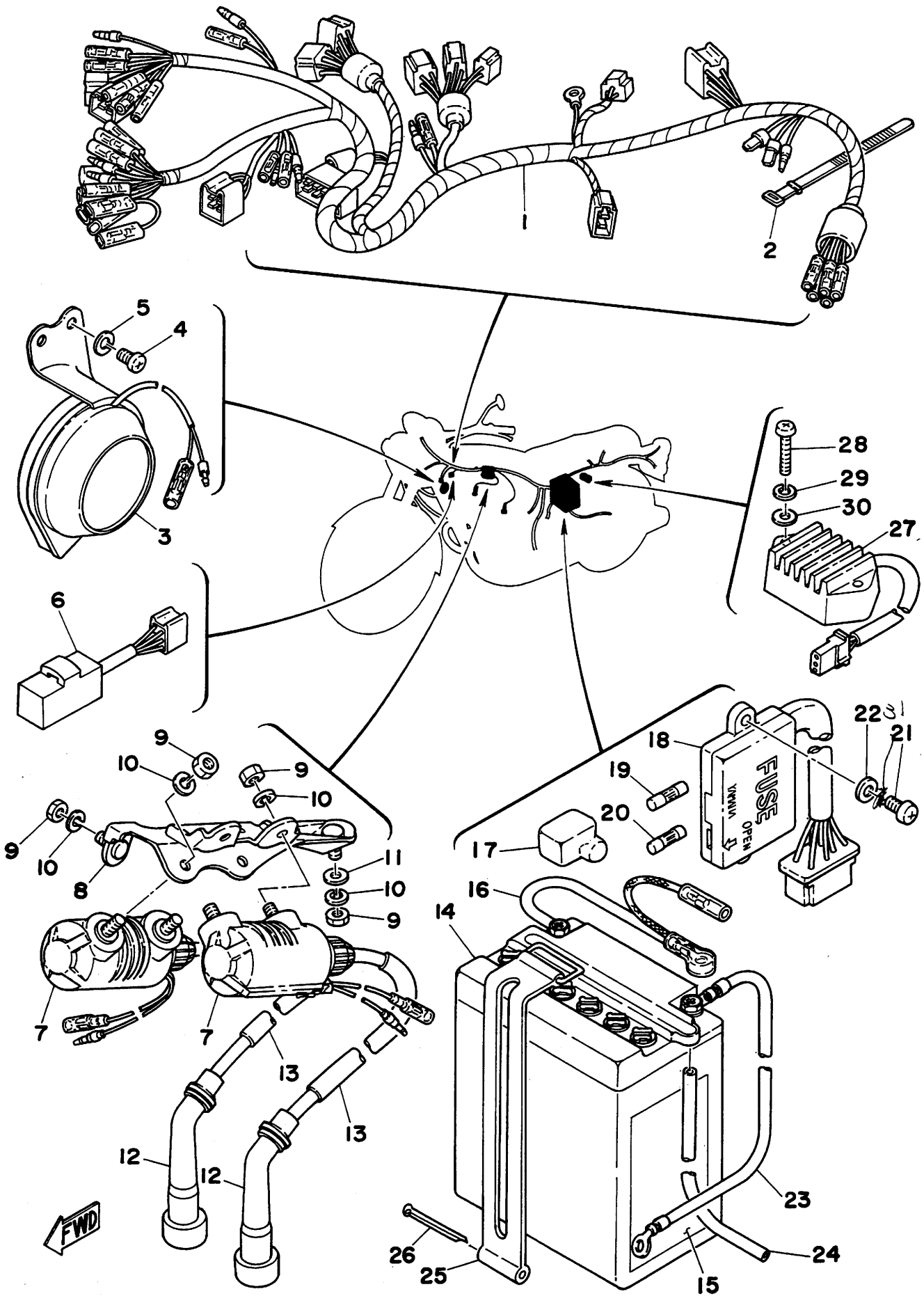
Fig. 43 FLASHER LAMP



Ref. No.	Parts No.	Description	Q'ty	Applicable Machine No.	Remarks
43- 1	341-83310-72-93	FRONT FLASHER LAMP ASS'Y	2		
2	341-83312-70	. LENS, flasher	2		
3	341-83313-70	. GASKET, flasher lens	2		
4	256-83311-70	. BULB (12V-32CP)	2		
5	341-83333-70	. SCREW, lens fitting	4		
6	1A8-83330-70-93	REAR FLASHER LAMP ASS'Y, left	1		
7	1A8-83340-70-93	REAR FLASHER LAMP ASS'Y, right ...	1		
8	341-83332-70	. LENS, flasher	2		
9	341-83313-70	. GASKET, flasher lens	2		
10	256-83311-70	. BULB (12V-32CP)	2		
11	341-83333-70	. SCREW, lens fitting	4		
12	371-83367-00	. BOLT, stud	2		
13	341-83316-01	COLLAR, flasher front	2		
14	341-83321-01	DAMPER, flasher	2		
15	341-83316-01	COLLAR, flasher rear	2		
16	341-83321-01	DAMPER, flasher	2		
17	90201-08310 90209-08098	WASHER (341-83348-00)	2		76006
18	371-82519-00	WIRE, earth front	2		120L
19	1J3-83346-00	CORD	1		
20	1J3-83336-00	CORD	1		
21	92901-08100	WASHER, spring	4		
22	95301-08600	NUT	4		
23	1A8-83318-01	STAY, flasher left	1		
24	1A8-83328-01	STAY, flasher right	1		
25	97301-08015	BOLT, hexagon	2		
26	92901-08100	WASHER, spring	2		
27	90201-08310	WASHER, plate	2		
28	1H2-82542-00	COVER, flasher	2		



Fig. 44 ELECTRICAL 1



Ref. No.	Parts No.	Description	Qty	Applicable Machine No.	Remarks
44- 1	1J3-82590-60	WIRE HARNESS ASS'Y	1		
2	²⁵⁶ 256 -83936-00	BAND, switch cord	2		76006
3	371-83371-21	HORN	1		
4	92501-06012	SCREW, panhead	2		
5	92901-06100	WASHER, spring	2		
6	1A0-83395-00	FLASHER CANCELING UNIT ASS'Y	1		
7	371-82310-60	IGNITION COIL ASS'Y	2		
8	371-82316-02	BRACKET, ignition coil	1		
9	95301-06600	NUT	2 6		76006
10	92901-06100	WASHER, spring	6		
11	92901-06200	WASHER, plain	1		
12	371-82370-00	PLUG CAP ASS'Y	2		
13	371-82341-00	CORD, high tension	2		
14	371-82110-60	BATTERY ASS'Y (12N14-3A)	1		G.S 12V 14AH
15	104-82141-09	LABEL, battery	1		
16	1A8-82115-00	WIRE, plus lead	1		
17	371-82119-00	. COVER, lead wire	1		
18	^{1A0} 1A0 -82170-00	FUSE BOX ASS'Y	1		76006
19	1A0-82161-00	. FUSE (12V-20A)	2		
20	1A0-82151-00	. FUSE (12V-10A)	4		
21	⁹²⁵⁰¹⁻⁰⁶⁰¹² 92501-06012	SCREW, panhead	2		76006
22	⁹²⁹⁰¹⁻⁰⁶⁶⁰⁰ 92901-06600	WASHER, plate	2		76006
23	371-82116-00	WIRE, minus lead	1		
24	90445-08249	HOSE (371-82112-61 5-580)	1		
25	371-82131-00	BAND, battery	1		
26	91401-40040	PIN, cotter	1		
27	371-81910-10	VOLTAGE REGULATOR	1		
28	92501-06030	SCREW, panhead	2		
29	92901-06100	WASHER, spring	2		
30	92901-06200	WASHER, plain	2		
31	92901-05100	WASHER, spring	2		for Fuse box testing 76006
32	95301-06800	NUT, crown	4		76006



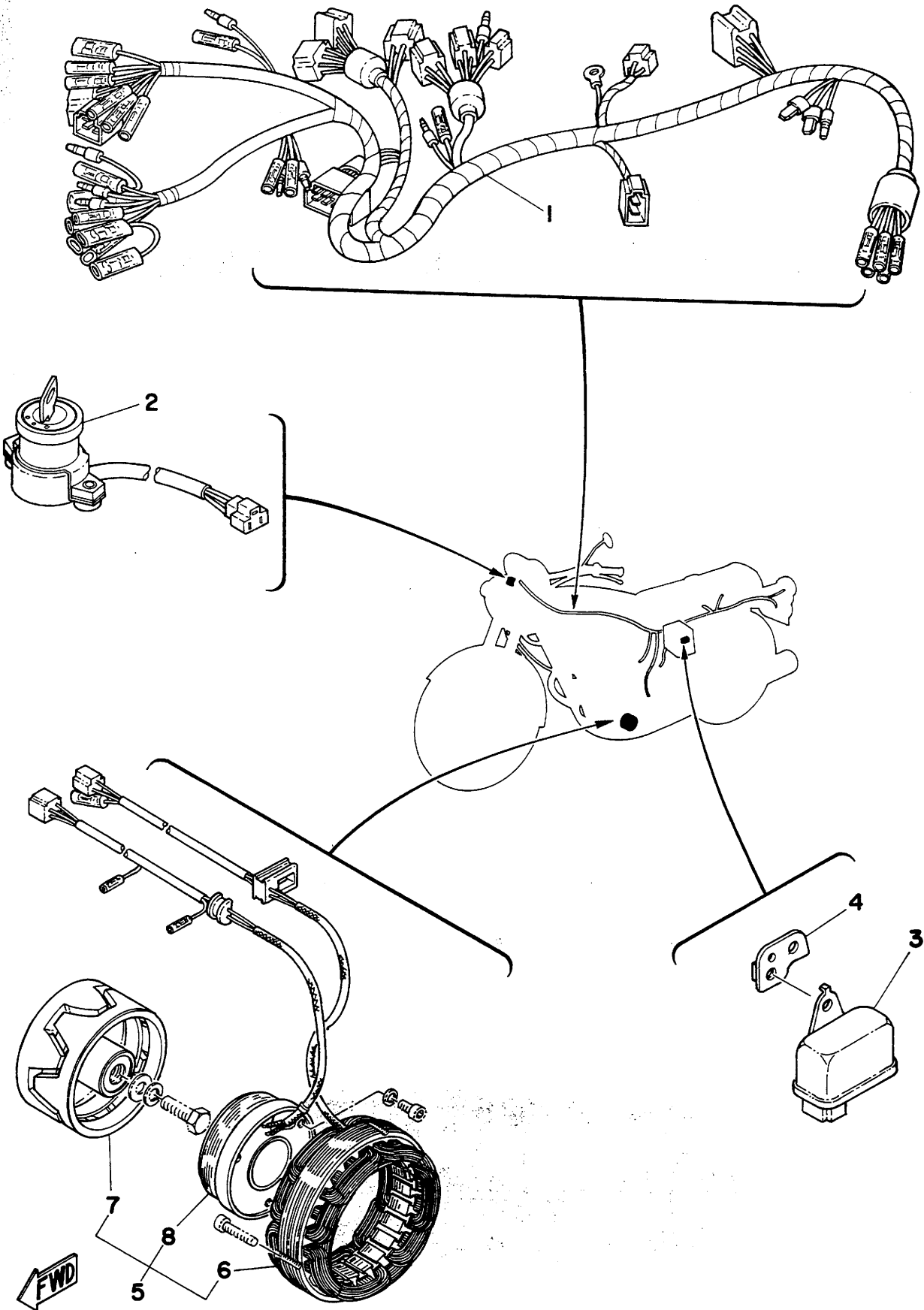
Ref. No.	Parts No.	Description	Q'ty	Applicable Machine No.	Remarks
45- 1	1A8-82508-40	MAIN SWITCH ASS'Y	1		
2	98501-05015	SCREW, panhead	2		
3	533-82517-00	WASHER, special	2		
4	341-82504-02	OIL PRESSURE SWITCH ASS'Y	1		
5	371-82507-00	WIRE, lead	1		
6	371-82540-00	NEUTRAL SWITCH ASS'Y	1		
7	93210-29196	O-RING (2.4-29.4)	1		
8	98701-05012	SCREW, flathead	3		
9	1J3-82530-00	STOP SWITCH ASS'Y	1		
10	1A0-81970-20	RECTIFIER ASS'Y	} U. R 1		Mitsubishi Stanley
	1A0-81970-60	RECTIFIER ASS'Y			
11	92501-06020	SCREW, panhead	1		
12	92901-06100	WASHER, spring	1		
13	371-81625-10	CONDENSER	1		
14	92901-06100	WASHER, spring	1		
15	92501-06012	SCREW, panhead	1		
16	1A0-83350-70	FLASHER RELAY ASS'Y	1		
17	371-81940-22	STARTER SWITCH ASS'Y	1		

EXCLUSIVE PARTS FOR CANADA

This Parts List is exclusive for
XS500C Canada specifications.



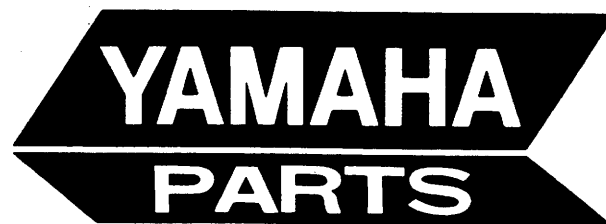
Fig. 46 EXCLUSIVE PARTS FOR CANADA



Ref. No.	Parts No.	Description	Q'ty	Applicable Machine No.	Remarks
46- 1	1J3-82590-50	WIRE HARNESS ASS'Y	1		
2	1J3-82508-50	MAIN SWITCH ASS'Y	1		
3	1J3-81950-70	RELAY ASS'Y	1		
4	1J3-81627-00	BRACKET, condenser	1		
5	1J3-81600-50	A. C. GENERATOR ASS'Y	1		
6	1J3-81610-50	. STATOR ASS'Y	1		
7	371-81650-11	. ROTOR COMP.	1		
8	371-81660-10	. FIELD COIL ASS'Y	1		
9	1J3-25443-21	GEAR, sprocket wheel (43T) - - - - -	1		Canada only 76006



NUMERICAL INDEX



THE UNIVERSITY OF CHICAGO

PHYSICS DEPARTMENT

NUMERICAL INDEX

Ref No.	Parts No.	Ref No.	Parts No.	Ref No.	Parts No.
32-13	1A0-26242-01	21- 4	1A8-13564-00	29-30	1A8-21639-00
45-10	1A0-81970-20	21- 2	1A8-13586-00	29-24	1A8-21651-00-U1
45-10	1A0-81970-60	21- 3	1A8-13596-00	29-33	1A8-21661-00
44-20	1A0-82151-00	22-17	1A8-14116-01	29-34	1A8-21662-00
44-19	1A0-82161-00	22-63	1A8-14243-00	25- 6	1A8-21711-00-U1
44-18	1A0-82170-00	21- 9	1A8-14411-00	25- 7	1A8-21721-00-U1
45-16	1A0-83350-70	21-17	1A8-14412-00	29-23	1A8-21746-00
44- 6	1A0-83395-00	21-10	1A8-14421-00	25-12	1A8-21784-11
41- 6	1A0-83568-00	21-15	1A8-14451-00	25-13	1A8-21786-11
33-14	1A0-83922-00	21- 7	1A8-14453-00	28-15	1A8-22310-00
32- 3	1A0-83973-01-98	21-16	1A8-14468-00	34- 1	1A8-24110-01-02
32-32	1A0-83980-30	23- 1	1A8-14611-00	34-12	1A8-24181-00
42- 2	1A0-84711-60	23- 2	1A8-14621-00	34- 2	1A8-24244-10
42- 4	1A0-84723-60	22- 1	1A8-14900-60	34- 4	1A8-24245-10
38-12	1A1-25363-00	22- 2	1A8-14901-60	34- 3	1A8-24246-10
38-23	1A1-25367-00	22- 3	1A8-14902-60	34- 5	1A8-24247-10
38-10	1A1-25377-00	22-24	1A8-14926-00	35- 1	1A8-24730-00
36-29	1A1-25398-00	22-64	1A8-14945-00	35- 2	1A8-24731-00
38-30	1A1-25398-00	22-52	1A8-14964-00	33-31	1A8-25886-00
27-13	1A1-27222-00	22-28	1A8-14971-00	32- 1	1A8-26111-00
27- 9	1A1-27231-00	22-28	1A8-14977-00	32-14	1A8-26311-00
29-14	1A8-W2161-01-33	22-67	1A8-14977-00	32-15	1A8-26335-00
2- 1	1A8-11111-00	18- 1	1A8-15100-00	29-35	1A8-28100-10
2-21	1A8-11161-00	13- 2	1A8-16150-00	8-16	1A8-81653-10
2-22	1A8-11162-00	13- 1	1A8-16301-00	44-16	1A8-82115-00
2- 5	1A8-11181-00	14- 1	1A8-17131-00	45- 1	1A8-82508-40
1- 1	1A8-11191-00	14- 7	1A8-17151-00	43-23	1A8-83318-01
1- 7	1A8-11192-01	14-19	1A8-17251-00	43-24	1A8-83328-01
1- 2	1A8-11193-00	12-16	1A8-17811-00	43- 6	1A8-83330-70-93
2-26	1A8-11357-00	12- 7	1A8-17831-00	43- 7	1A8-83340-70-93
2- 6	1A8-11358-01	29- 1	1A8-21511-00-U1	41-27	1A8-83509-00
4- 1	1A8-11411-00	29- 8	1A8-21518-00	41-16	1A8-83520-00
3- 9	1A8-12151-00	29-10	1A8-21571-00	32-12	1A8-83963-00-98
5-24	1A8-12241-00	29-12	1A8-21572-00	40-22	1A8-84318-00
11- 1	1A8-13314-01	29-11	1A8-21573-00	42- 1	1A8-84710-60
11- 9	1A8-13410-00	29-13	1A8-21574-00	42-12	1A8-84717-00
21- 1	1A8-13556-00	29-15	1A8-21629-00	42- 5	1A8-84721-60

NUMERICAL INDEX

Ref No.	Parts No.	Ref No.	Parts No.	Ref No.	Parts No.
42-11	1A8-84736-00	31-13	1J3-23144-00	27-25	1J3-25855-51
42-21	1A8-84742-60	31- 4	1J3-23145-00	27-29	1J3-25862-50
42-20	1A8-84743-60	31- 5	1J3-23146-00	33-20	1J3-25867-00
42-25	1A8-84744-60	31- 9	1J3-23151-00	33-27	1J3-25872-00
42-19	1A8-84745-60	31-10	1J3-23157-00	27-30	1J3-25872-50
42-22	1A8-84747-60	31-14	1J3-23163-00	29- 9	1J3-25875-00
42-13	1A8-84751-60-33	31- 7	1J3-23166-00	37- 6	1J3-25917-00
42-14	1A8-84753-00	31-24	1J3-23167-00	39- 6	1J3-25917-00
32- 2	1E6-26241-00	31-20	1J3-23168-00	32- 1	1J3-26111-00
31-28	1E7-23119-00	31-11	1J3-23170-00	32-14	1J3-26311-00
31- 6	1E7-23128-00	31-19	1J3-23183-00	27- 1	1J3-27211-00-93
31-27	1E7-23181-00	31-21	1J3-23340-00-33	27- 6	1J3-27212-00
33-27	1H2-25872-00	30- 9	1J3-23435-00-98	45- 9	1J3-82530-00
43-28	1H2-82542-00	38- 9	1J3-25118-00	44- 1	1J3-82590-60
37- 5	1J3-20000-10	36- 1	1J3-25168-00	43-20	1J3-83336-00
39- 5	1J3-20000-10	38- 4	1J3-25317-00	43-19	1J3-83346-00
37-11	1J3-20000-20	38- 1	1J3-25338-00	41-14	1J3-83540-00
39-11	1J3-20000-20	38-29	1J3-25381-00	41-29	1J3-83556-00
37-10	1J3-20000-30	38-15	1J3-25412-00	41-31	1J3-83560-00
39-10	1J3-20000-30	38-13	1J3-25443-20	41-10	1J3-83570-70
27-16	1J3-20000-50	37- 4	1J3-25810-01	36-19	102-18416-00
24- 1	1J3-21110-00-33	39- 4	1J3-25810-51	44-15	104-82141-09
25- 1	1J3-21170-00-33	37- 1	1J3-25831-00	8- 4	110-81345-20
29- 2	1J3-21512-00	39- 1	1J3-25831-50	29-36	116-82131-00
25-14	1J3-21794-00	37- 2	1J3-25834-00	41-12	123-83516-21
28- 1	1J3-22110-10-33	39- 2	1J3-25834-00	41-15	123-83516-21
28-10	1J3-22210-20	37- 7	1J3-25843-00	41-28	123-83516-21
31- 1	1J3-23101-60	39- 7	1J3-25843-00	22-43	127-14134-00
31- 8	1J3-23110-00	37- 9	1J3-25849-01	22- 9	127-14186-00
31-18	1J3-23111-00	39- 9	1J3-25849-01	21- 6	132-14456-01
31-17	1J3-23114-00	33- 1	1J3-25850-01	16-11	132-18113-01
31-16	1J3-23115-00	27-15	1J3-25850-51	34-20	132-24518-00
31-15	1J3-23116-00	33-10	1J3-25852-01	30- 7	136-23415-00
31-29	1J3-23121-00-93	27-23	1J3-25852-51	34-18	137-24523-00
31- 2	1J3-23126-00	33-12	1J3-25854-01	40- 3	150-84153-00
31-30	1J3-23131-00-93	27-24	1J3-25854-51	36- 8	152-25115-00
31- 3	1J3-23136-00	33-13	1J3-25855-01	38- 5	152-25115-00
31-12	1J3-23141-00				

NUMERICAL INDEX

Ref No.	Parts No.	Ref No.	Parts No.	Ref No.	Parts No.
17-19	156-15618-01	22-47	256-14934-01	12- 9	278-17812-00
14-37	156-17417-00-01	22-16	256-14940-00	16-13	278-18127-00
14-37	156-17417-00-02	22-13	256-14944-23	15-17	278-18531-00
14-37	156-17417-00-03	22-13	256-14944-24	15-18	278-18535-00
12-13	164-17417-00-10	22-13	256-14944-25	15-11	278-18542-00
30- 1	164-23462-00	22-13	256-14944-75	15-27	278-18547-02
22- 6	168-14190-20	22-19	256-14946-00	15-12	278-18566-00
14-12	168-17428-01-03	22-37	256-14952-00	34-11	278-24181-00
14-28	168-17428-01-03	22-31	256-14954-00	32-21	278-26249-00
14-12	168-17428-01-05	22-14	256-14956-01	35-12	278-27114-00
14-28	168-17428-01-05	22-21	256-14958-00	26-11	278-27314-00
14-33	168-17461-50	22-10	256-14984-00	22-33	306-14173-00
14-33	168-17461-60	22- 8	256-14985-00	22-36	306-14905-02
14-33	168-17461-70	22-62	256-14987-00	36-20	306-25136-00
38-24	168-25389-00	22-15	256-14991-00	36-18	306-25138-00
32-19	168-83936-01	22-50	256-14997-00	35- 3	307-24726-00-33
13- 3	170-16164-00	11-25	256-15353-00	14-38	328-17427-00-01
13-11	174-16356-00	30- 2	256-23411-00	14-38	328-17427-00-02
35-11	174-24741-00	30- 3	256-23412-00	14-38	328-17427-00-03
40-21	195-84325-00	30- 4	256-23413-00	4-10	341-11416-00
40-18	198-84334-60	30- 5	256-23414-00	4-10	341-11416-10
8- 8	207-81331-10	34-27	256-24512-00	4-10	341-11416-20
4- 8	214-11633-00	34-38	256-24512-00	4-10	341-11416-30
22- 7	214-14195-00	34-24	256-24528-00	4-10	341-11416-40
13-13	214-16119-00	34-23	256-24537-00	4-10	341-11416-90
13-21	214-16347-01	34-25	256-24543-00	11- 2	341-13320-02
13-26	214-16389-00	43- 4	256-83311-70	22- 4	341-14941-88
32- 6	214-83912-00	43-10	256-83311-70	22-49	341-14991-00
32- 8	214-83913-00	44- 2	256-83936-00	9-11	341-15583-04
40- 2	214-84153-60	42- 3	256-84714-61	28- 2	341-22184-00
28- 4	240-22127-00	17-14	278-15611-00-93	30-17	341-23469-00
22-30	256-14135-00	17-12	278-15621-00	36-26	341-25118-00
22-58	256-14146-01	17- 6	278-15676-00	36-14	341-25135-01
22-61	256-14197-01	13-16	278-16154-00	36-12	341-25137-00
22-34	256-14918-00	13-15	278-16181-01	36-10	341-25149-00
22-18	256-14919-00	14-30	278-17424-00	36-17	341-25191-01
22-46	256-14922-01	14-27	278-17425-00	36-11	341-25846-00

NUMERICAL INDEX

Ref No.	Parts No.	Ref No.	Parts No.	Ref No.	Parts No.
32-18	341-26290-51	2- 3	371-11134-12	4- 5	371-11656-03
32-18	341-26290-61	5- 5	371-11145-03	4- 5	371-11656-13
24-25	341-26397-01	8-17	371-11150-02	4- 5	371-11656-23
26-16	341-27413-00	5-25	371-11165-01	4- 5	371-11656-33
26-15	341-27423-00	3-15	371-11177-01	4- 5	371-11656-43
45- 4	341-82504-02	2- 7	371-11311-03	4- 5	371-11656-53
32- 5	341-82911-00	2- 9	371-11351-00	3- 1	371-12111-00
43- 1	341-83310-72-93	2-24	371-11355-00	3- 3	371-12116-01
43- 2	341-83312-70	2-25	371-11356-00	3- 7	371-12117-02
43- 3	341-83313-70	6-12	371-11437-00	3- 8	371-12118-02
43- 9	341-83313-70	6-13	371-11438-02	3- 6	371-12119-01
43-13	341-83316-01	6- 1	371-11454-02	3- 2	371-12121-01
43-15	341-83316-01	5-13	371-11455-00	3-12	371-12156-00
43-14	341-83321-01	6-14	371-11455-00	3-10	371-12159-00
43-16	341-83321-01	6- 7	371-11458-02	5- 1	371-12170-01
43- 8	341-83332-70	6-15	371-11465-00	5- 4	371-12173-00
43- 5	341-83333-70	6- 4	371-11496-01	5- 7	371-12175-00
43-11	341-83333-70	4-13	371-11536-03	5- 2	371-12180-01
41-30	341-83550-00	5-19	371-11540-02	5-16	371-12210-02
40- 5	341-84315-60	4- 7	371-11610-04	5-21	371-12231-00
40- 7	341-84320-60	4- 7	371-11610-14	5-12	371-12251-01
40-14	341-84331-60	4- 7	371-11610-24	5-11	371-12264-01
40-17	341-84332-60	4- 7	371-11610-34	11-33	371-13161-00
40-15	341-84333-60	4- 7	371-11610-44	11- 6	371-13316-01
40- 8	341-84394-60	4-18	371-11630-00	11- 4	371-13320-00
40- 6	341-84395-60	4-18	371-11630-10	11- 3	371-13336-01
40-19	341-84397-61	4-18	371-11630-20	11-19	371-13407-01
42- 6	341-84724-60	4-18	371-11630-30	11-10	371-13411-00
24-22	341-85111-00	4-18	371-11630-40	11-20	371-13414-02
36-21	351-25181-00	4- 6	371-11631-05-96	11-18	37 -13419-00
15- 8	360-18141-01	4- 6	371-11631-05-97	11-28	371-13440-90
30-15	360-23441-00-98	4- 6	371-11635-05	11-30	371-13447-01
33-26	360-25862-00	4- 6	371-11636-05	11-31	371-13449-01
32- 4	360-82910-00	4- 6	371-11637-05	11-11	371-13483-01
34-37	366-24545-01	4- 6	371-11638-05	11-13	371-13486-01
2- 2	371-11133-12	4- 2	371-11650-02	11-15	371-13497-00
		4- 3	371-11654-01	21-11	371-14416-00

NUMERICAL INDEX

Ref No.	Parts No.	Ref No.	Parts No.	Ref No.	Parts No.
23- 3	371-14612-02	17- 1	371-15660-00	32-15	371-26335-00
23- 4	371-14613-00	17- 5	371-15664-00	26- 1	371-27111-03
23- 7	371-14711-04	17- 8	371-15666-00	23-16	371-27114-00
23- 9	371-14713-00	17- 4	371-15687-00	26- 5	371-27311-03
23-10	371-14714-03	4-11	371-16111-00	26- 9	371-27315-00
23- 8	371-14721-04	4-15	371-16135-00	26-12	371-27410-00
11-38	371-15118-00	13- 6	371-16325-00	26-13	371-27420-00
18-17	371-15151-00	13-20	371-16340-00	26-14	371-27421-00
18-26	371-15152-00	13- 7	371-16351-00	26-21	371-27432-01
18-23	371-15153-02	13-18	371-16357-02	26-22	371-27442-01
18-21	371-15186-00	13- 4	371-16371-00	7- 1	371-81600-11
18-32	371-15186-00	13-22	371-16396-00	7- 3	371-81610-10
19- 6	37 -15362-00	14- 8	371-17121-01	8- 9	371-81615-10
18-36	371-15363-00	14- 2	371-17141-00	8- 1	371-81620-10
13-19	371-15389-00	14-24	371-17211-01	8- 2	371-81621-10
19- 1	371-15411-01	14-16	371-17221-02	8- 3	371-81622-10
19- 8	371-15415-01	14-21	371-17231-00	45-13	371-81625-10
20- 8	371-15416-01	14-22	371-17241-00	8- 7	371-81631-10
19-15	371-15417-00	14- 1	371-17411-01	8-10	371-81632-00
19-10	371-15421-02	14-15	371-17421-00	7- 2	371-81650-11
20- 1	371-15431-01	12- 2	371-17851-02	7- 4	371-81660-10
18-33	371-15436-00	12- 1	371-17861-00	10- 1	371-81800-20
19- 2	271-15451-01	16- 1	371-18101-00	10- 5	371-81809-20
20- 9	371-15456-00	16-10	371-18111-00-93	10- 7	371-81810-20
20- 2	371-15462-02	15-21	371-18122-01	10- 9	371-81811-20
18-41	371-15484-00	16- 9	371-18131-00	10-10	371-81812-20
19-14	371-15486-00	15-23	371-18151-00	10-11	371-81813-20
18- 3	371-15492-00	15-14	371-18511-00	10-13	371-81820-20
9- 1	371-15518-00	15- 1	371-18541-00	10-14	371-81826-20
9- 8	371-15520-02	15- 6	371-18561-00	10-15	371-81829-20
9- 2	371-15521-00	24- 5	371-21315-01	10- 2	371-81830-20
9- 6	371-15525-00	24- 2	371-21316-00	10- 8	371-81840-20
9-15	371-15564-00	28- 5	371-22128-00	10- 3	371-81844-20
9- 9	371-15580-02	28- 6	371-22141-00	10- 4	371-81845-20
17- 3	371-15641-01	35- 4	371-24726-01	10-12	371-81847-20
17-10	371-15646-00	35- 5	371-24728-00	10- 6	371-81850-20
12-11	371-15651-01	36- 4	371-25847-00	44-27	371-81910-10

NUMERICAL INDEX

Ref No.	Parts No.	Ref No.	Parts No.	Ref No.	Parts No.
45-17	371-81940-22	22-32	584-14176-00	37- 8	90105-08092
44-14	371-82110-60	22-68	584-14905-00	39- 8	90105-08092
44-23	371-82116-00	22-44	584-14923-00	24- 9	90105-10036
44-17	371-82119-00	22-51	584-14931-00	24-13	90105-12048
25-10	371-82121-00	22-20	584-14933-00	30-18	90106-14017
25-11	371-82126-00	22-56	584-14934-00	42-15	90109-06022
44-25	371-82131-00	22-57	584-14937-00	3-13	90109-06099
44- 7	371-82310-60	22-40	584-14938-00	33-18	90109-06103
44- 8	371-82316-02	22-35	584-14955-00	5-22	90109-06229
44-13	371-82341-00	22-48	584-14956-00	39-12	90109-08457
44-12	371-82370-00	22-45	584-14969-00	4-16	90109-10171
45- 5	371-82507-00	22-11	584-14981-00	26- 2	90109-10221
43-18	371-82519-00	22-69	584-14991-00	26- 6	90109-10399
45- 6	371-82540-00	22-55	584-14992-00	38-14	90109-12436
43-12	371-83367-00	24-16	584-23408-00	30-16	90110-08008
44- 3	371-83371-21	24-17	584-23484-00	13-24	90113-08021
40- 4	371-84310-60	34-10	584-24602-00	5- 6	90116-06098
40-20	371-84312-60	35- 9	584-24705-00	2-16	90116-08057
40- 1	371-84330-60-33	32-22	584-26243-00	23- 5	90116-08166
24-21	371-85111-00	32-20	584-26393-01	2-17	90116-08196
13- 5	383-16321-00	41-18	584-83507-00	18- 4	90116-10090
22-27	447-14979-00	41-19	584-83508-00	18- 5	90116-10091
34-16	447-24500-02	41-17	584-83513-00	18- 6	90116-10111
34-17	447-24510-02	41- 1	584-83519-00	2-11	90116-10167
34-28	447-24522-00	41-20	584-83523-00	32-16	90123-08046
34-19	447-24524-00	41-23	584-83546-00	33-15	90146-06005
34-21	447-24525-00	41- 7	584-83569-00	8-14	90147-06001
34-21	447-24546-00	41-13	584-83571-00	16- 2	90149-16017
34-29	447-24547-00	41-11	584-83578-70	33-11	90151-05008
34-29	447-24547-10	34-26	801-24437-00	27-26	90153-05014
26-23	447-27431-00	35- 6	90101-06304	27- 3	90153-06008
26-25	447-27433-00	38-25	90101-08034	13-10	90153-06010
26-24	447-27441-00	29- 5	90101-08253	27-27	90153-10015
45- 3	533-82517-00	37- 3	90101-08307	33-16	90170-06010
33- 2	535-20000-60	39- 3	90101-08307	3-11	90170-06128
22-12	584-14142-25	7- 7	90101-10105	27- 5	90170-06184
22-29	584-14171-00	37-12	90101-10308	4- 4	90170-08129

NUMERICAL INDEX

Ref No.	Parts No.	Ref No.	Parts No.	Ref No.	Parts No.
38-26	90170-08158	43-27	90201-08310	14-20	90209-21106
39-13	90170-08158	2-15	90201-08382	4-14	90214-11007
11-40	90170-10159	11-39	90201-08544	5-26	90215-06040
18- 7	90170-10159	27-32	90201-10118	16-14	90215-08015
24-11	90170-10159	33-25	90201-10118	28- 7	90215-14104
24-14	90170-12065	2-13	90201-10124	6-10	90215-16046
28- 8	90170-14174	18-38	90201-10128	14-34	90215-21022
13-14	90170-18089	7- 9	90201-10133	13-27	90240-06005
26- 7	90171-10012	28-12	90201-10140	26-19	90243-08006
36-28	90171-14006	8-22	90201-10373	34- 8	90249-03123
38-27	90171-14006	27-28	90201-10610	11-16	90249-04026
5-18	90176-07018	15-29	90201-12161	27-14	90249-08124
18-39	90176-10008	11-37	90201-12179	15-15	90250-08017
28-13	90176-10009	16- 7	90201-12183	15-25	90250-08022
2-18	90179-08004	8-23	90201-14216	18-18	90250-10021
23- 6	90179-08004	28-11	90201-14218	18-28	90250-10021
32-17	90179-08148	38-31	90201-14577	24-19	90269-04003
13-25	90179-08179	17-17	90201-15234	4-17	90280-04005
2-12	90179-10205	14- 9	90201-20276	12- 3	90282-03003
6-11	90179-16018	14-23	90201-20278	4-12	90282-07006
14-35	90179-18020	36-13	90201-25286	33-23	90338-09012
30- 8	90179-25033	9-17	90201-25290	5-15	90338-16003
31-25	90185-08054	5-20	90201-25291	15-20	90338-22030
18-25	90201-05027	14- 3	90201-25490	11-26	90340-14034
26-20	90201-06042	14-17	90201-25490	20- 6	90340-16019
28-16	90201-06050	36-15	90201-25490	11-24	90340-30020
29- 4	90201-06066	38-19	90201-66585	28- 3	90386-22029
21-13	90201-06067	34-33	90202-06010	21-14	90387-07035
40-26	90201-06067	24-18	90206-04003	29-26	90387-07390
40-29	90201-06067	39-14	90206-12034	33-28	90387-07390
34-13	90201-06069	12-12	90206-15021	40-25	90387-07390
8-20	90201-06412	29-27	90209-06095	42- 9	90387-07390
13- 9	90201-06557	42- 8	90209-06095	17- 2	90387-17129
5-17	90201-07384	43-17	90209-08098	36-24	90387-17433
27-11	90201-08083	30-10	90209-14023	38-22	90387-17433
30-12	90201-08083	26-26	90209-18070	38- 8	90387-17536
32-11	90201-08083	14- 6	90209-21106	14-31	90387-25193

NUMERICAL INDEX

Ref No.	Parts No.	Ref No.	Parts No.	Ref No.	Parts No.
11-34	90401-10004	24-20	90502-09024	19- 4	91316-06055
11-35	90401-10013	26-10	90506-26124	2-14	91316-08050
27-31	90401-10034	26- 4	90506-45063	13-28	91401-10010
33-24	90401-10034	15-22	90508-08009	26-28	91401-16012
7- 6	90430-06014	26-17	90508-20154	39-17	91401-20015
11-36	90430-10027	26-18	90508-20155	26- 8	91401-20025
11-27	90430-14042	17- 7	90508-30051	15-16	91401-25025
20- 7	90430-16048	16- 5	90508-32052	15-26	91401-25025
44-24	90445-08249	27- 8	90508-35306	36-22	91401-30030
34-35	90445-09079	36- 7	90560-17125	38-28	91401-30030
21-19	90445-09086	6- 9	90560-20038	44-26	91401-40040
34-34	90445-09094	18-24	91310-05010	35- 7	91501-05055
1- 5	90445-16162	9-13	91310-08015	26-27	91501-06035
21- 8	90460-58015	1- 8	91316-06010	2-10	91810-02015
20-11	90465-05039	9-16	91316-06010	11-21	91810-02015
7-11	90465-10058	7- 5	91316-06015	18- 2	91830-22016
34-36	90467-08003	9-18	91316-06020	19- 3	91830-22016
1- 6	90467-14015	11-17	91316-06020	20- 3	91830-22016
35- 8	90468-10050	11-22	91316-06020	12-17	92501-06010
25- 9	90480-01141	18-35	91316-06020	25-15	92501-06012
29-32	90480-01176	19-16	91316-06020	44- 4	92501-06012
25- 8	90480-12053	20- 5	91316-06020	44-21	92501-06012
29-31	90480-12067	20-10	91316-06020	45-15	92501-06012
29-25	90480-14102	21- 5	91316-06020	22-65	92501-06015
40-24	90480-14102	1- 3	91316-06025	29-17	92501-06015
9-12	90501-03298	19-17	91316-06025	28-19	92501-06018
15-10	90501-06022	7-10	91316-06030	40-27	92501-06018
13-29	90501-08209	19- 5	91316-06030	11-32	92501-06020
15-28	90501-10196	19-13	91316-06030	45-11	92501-06020
33-17	90501-10312	18-34	91316-06035	44-28	92501-06030
11-14	90501-10389	1- 4	91316-06040	36- 5	92501-08012
17-16	90501-12081	11-23	91316-06040	28-18	92503-06015
11-12	90501-14390	19-12	91316-06040	35-10	92706-06012
3- 5	90501-20210	11- 7	91316-06045	8- 5	92901-04100
6- 5	90501-21133	2-20	91316-06050	22-38	92901-04100
13- 8	90501-23142	19-11	91316-06050	22-41	92901-04100
3- 4	90501-32211	20- 4	91316-06050	22-60	92901-04100

NUMERICAL INDEX

Ref No.	Parts No.	Ref No.	Parts No.	Ref No.	Parts No.
40-13	92901-04100	44-29	92901-06100	26-30	92901-10100
8- 6	92901-04200	45-12	92901-06100	37-13	92901-10100
40-16	92901-04200	45-14	92901-06100	18- 8	92901-10200
34-31	92901-04500	8-15	92901-06200	37-14	92901-10600
7-13	92901-05100	41-24	92901-06200	24-15	92901-12100
8-12	92901-05100	44-11	92901-06200	36-27	92901-14200
22-23	92901-05100	44-30	92901-06200	13-12	92901-18200
22-26	92901-05100	12- 4	92901-06600	42-23	92903-05100
24-23	92901-05100	18-16	92901-06600	32-10	92903-06100
34- 7	92901-05100	21-22	92901-06600	30-14	92903-08100
40-11	92901-05100	25- 5	92901-06600	41- 5	92906-06600
41- 9	92901-05100	25-17	92901-06600	16- 6	93102-12106
8-13	92901-05200	29-19	92901-06600	8-21	93102-14107
24-24	92901-05200	44-22	92901-06600	17-11	93102-20108
41-21	92901-05200	22-53	92901-08100	9- 5	93102-25113
8-19	92901-06100	23-12	92901-08100	36-25	93102-28022
12- 5	92901-06100	23-15	92901-08100	38- 7	93102-28022
16- 4	92901-06100	24- 4	92901-08100	38-21	93102-28023
21-21	92901-06100	24- 7	92901-08100	14-32	93102-35109
22-66	92901-06100	27-34	92901-08100	12-15	93104-07036
25- 4	92901-06100	29- 6	92901-08100	1-19	93104-08040
25-16	92901-06100	29-21	92901-08100	36-16	93105-45017
27- 4	92901-06100	31-23	92901-08100	22- 5	93210-03142
28-17	92901-06100	36- 6	92901-08100	18- 9	93210-09192
29- 7	92901-06100	39-15	92901-08100	19- 7	93210-10197
29-18	92901-06100	43-21	92901-08100	2- 4	93210-11124
29-29	92901-06100	43-26	92901-08100	3-14	93210-15171
33-22	92901-06100	42-16	92901-08200	45- 7	93210-29196
33-30	92901-06100	18-22	92901-08600	18-37	93210-29198
34-15	92901-06100	18-31	92901-08600	11-29	93210-45199
40-28	92901-06100	23-13	93901-08600	2- 8	93210-79200
41- 4	92901-06100	23-17	92901-08600	14-13	93305-20502
41-25	92901-06100	29-22	92901-08600	9- 3	93306-00501
42-10	92901-06100	31-26	92901-08600	38- 6	93306-30304
42-17	92901-06100	39-16	92901-08600	36- 9	93306-30306
44- 5	92901-06100	7- 8	92901-10100	36-23	93306-30307
44-10	92901-06100	24-12	92901-10100	38-11	93306-30404

NUMERICAL INDEX

Ref No.	Parts No.	Ref No.	Parts No.	Ref No.	Parts No.
14-29	93306-30504	5-23	93604-14012	38-16	95301-12700
6- 2	93306-30518	15- 3	93604-18058	42-24	95303-05800
14-36	93310-22057	6- 6	93605-09090	30-13	95303-08800
14-11	93311-22027	9-14	93605-09095	26- 3	95601-10100
14-26	93311-42006	9-10	93615-15114	26-29	97501-10100
15- 4	93315-23612	27- 7	93700-06004	24-10	98521-10155
18-40	93315-32516	28- 9	93700-06004	24- 8	98521-10175
12-14	93410-15005	36- 2	94132-19355	24- 6	95822-08018
14-10	93410-20009	36- 2	94132-19357	29-16	97301-06012
14-25	93410-20009	38- 2	94140-18340	34-14	97301-06012
17- 9	93410-20009	38- 2	94140-18346	21-12	97301-06015
15- 9	93410-30012	36- 3	94232-19029	21-20	97301-06015
38-20	93410-65040	38- 3	94240-18024	29- 3	97301-06015
6- 3	93420-62017	6- 8	94510-01062	29-28	97301-06025
5-14	93420-16032	9- 7	94552-19082	33-21	97301-06025
9- 4	93420-47010	38-17	94575-30106	42- 7	93701-06025
34- 9	93430-02001	38-18	94675-30011	29-20	97301-08012
27-12	93430-06005	2-23	94701-00073	43-25	97301-08015
15-24	93430-07012	5- 9	94862-09104	23-11	97301-08018
12- 8	93430-10016	5-10	94912-09001	23-14	97301-08020
15-19	93430-10016	21-18	95301-05600	32- 7	97303-06020
16- 8	93430-10016	40-10	95301-05600	18-15	97303-06040
17-18	93430-10016	41-22	95301-05800	41- 2	97306-06025
14- 4	93440-25019	5- 8	95301-06600	25- 3	97321-06010
14-18	93440-25019	8-18	95301-06600	25- 2	97321-06015
15- 5	93440-34025	12- 6	95301-06600	16-12	97321-06020
14-14	93440-52009	16- 3	95301-06600	40-23	97321-06020
4- 9	93450-20035	41- 3	95301-06600	27- 2	97321-06025
14-39	93450-32042	42-18	95301-06600	33-29	97321-06025
5- 3	93501-04011	44- 9	95301-06600	18-14	97321-06050
30- 6	93501-04011	32- 9	95301-06700	18-13	97321-06070
13-17	93505-16006	33-19	95301-06700	18-12	97321-06095
17-15	93507-32009	41-26	95301-06800	18-11	97321-06110
8-24	93603-07073	43-22	95301-08600	18-10	97321-06120
11- 5	93603-17070	27-10	95301-08700	24- 3	97321-08018
15- 2	93604-08071	28-14	95301-10600	18-20	97321-08025
11- 8	93604-10011	22-54	95301-12600	18-30	97321-08025

NUMERICAL INDEX

Ref No.	Parts No.	Ref No.	Parts No.	Ref No.	Parts No.
17-13	97321-08030	46- 7	371-81650-11		
18-19	97321-08030	46- 8	371-81660-10		
18-29	97321-08030				
27-33	97321-08035				
31-22	97323-08040				
30-11	97323-08055				
30-19	97323-08065				
8-11	98301-05012				
34-22	98501-03006				
22-42	98501-04006				
40-12	98501-04008				
22-39	98501-04012				
22-59	98501-04012				
34- 6	98501-05008				
7-12	98501-05010				
18-27	98501-05010				
40- 9	98501-05010				
41- 8	98501-05010				
13-23	98501-05012				
22-22	98501-05015				
45- 2	98501-05015				
22-25	98501-05016				
19- 9	98503-04008				
34-30	98701-04010				
12-10	98701-05012				
15- 7	98701-05012				
15-13	98701-05012				
45- 8	98701-05012				
34-32	98901-06020				
For CANADA					
46- 5	1J3-81600-50				
46- 6	1J3-81610-50				
46- 4	1J3-81627-00				
46- 3	1J3-81950-70				
46- 2	1J3-82508-50				
46- 1	1J3-82590-50				



YAMAHA MOTOR CO., LTD.

PRINTED IN JAPAN

First edition Nov., 1975

(LIT-10011-J3-00)(113-28198-60)