

YAMAHA

PARTS LIST

MODEL XS750F

(MODEL CODE 3K0)

COPY RIGHT: ALL RIGHTS RESERVED
NO PART OF THIS PUBLICATION MAY BE REPRODUCED WITHOUT PERMISSION.

3K0-28198-A5

FOREWORD

This Parts List is related to the parts in use for the Yamaha XS750F (3K0). When you are ordering replacement parts for the XS750F (3K0), refer to this Parts List and quote both part numbers and part names correctly.

1. Modifications or additions which have been made after issue of the Parts List will be announced in the Yamaha Parts News.

It is advisable that according to the Yamaha Parts News you make necessary corrections to the Parts List on hand to keep it up-to-date.

2. Abbreviations

The following abbreviations are used in this Parts List.

U.R. Use size (thickness) and/or number as required.

U.N. Use as many as you need.

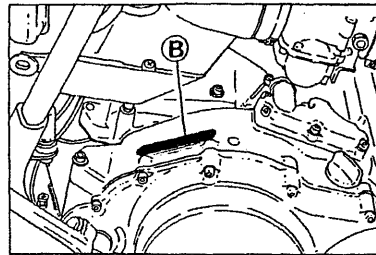
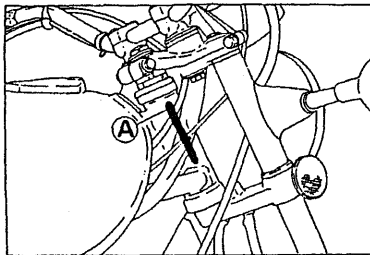
F# Frame No. (Applicable machine No.)

3. Parts, which are to be supplied in the form of assemblies, are listed with an indentation of one letter's space, and a dot (.) is put against the name of each part.

EXAMPLE CARBURETOR ASS'Y
 . JET, pilot
 . NOZZLE, main

4. Initial Serial No. and Color Code

(A) Frame Serial No.	1T5-300101 and following
(B) Engine Serial No.	1T5-300101 and following



Color Code	Color Name	Color Code	Color Name
33	Yamaha Black	H7	Vintage Burgundy
91	Uni-Chrome Plated		
93	Chrome Plated		
98	Low Gloss Black		
R4	Heat Proof Black		

CONTENTS

ENGINE

Fig. 1	Cylinder Head · Cylinder	1
Fig. 2	Valve	3
Fig. 3	Crank · Piston	5
Fig. 4	Camshaft · Chain Tensioner	7
Fig. 5	A.C. Generator	8
Fig. 6	Pulser · Governor	9
Fig. 7	Starting Motor Unit	10
Fig. 8	Starting Motor	11
Fig. 9	Oil Pump · Oil Cleaner	12
Fig. 10	Clutch	14
Fig. 11	Transmission	16
Fig. 12	Middle Drive Gear	18
Fig. 13	Shifter 1	21
Fig. 14	Shifter 2	22
Fig. 15	Kick Starter	23
Fig. 16	Crankcase	24
Fig. 17	Crankcase Cover	26
Fig. 18	Intake	27
Fig. 19	Carburetor	28
Fig. 20	Exhaust	31

CHASSIS

Fig. 21	Frame	32
Fig. 22	Side Cover · Battery Box	33
Fig. 23	Stand · Footrest	34
Fig. 24	Brake Pedal · Rear Master Cylinder	35
Fig. 25	Rear Arm · Rear Cushion	36
Fig. 26	Front Fender · Rear Fender	37
Fig. 27	Steering	38
Fig. 28	Front Fork	39
Fig. 29	Handle · Wire	41
Fig. 30	Front Master Cylinder · Brake Hose	42

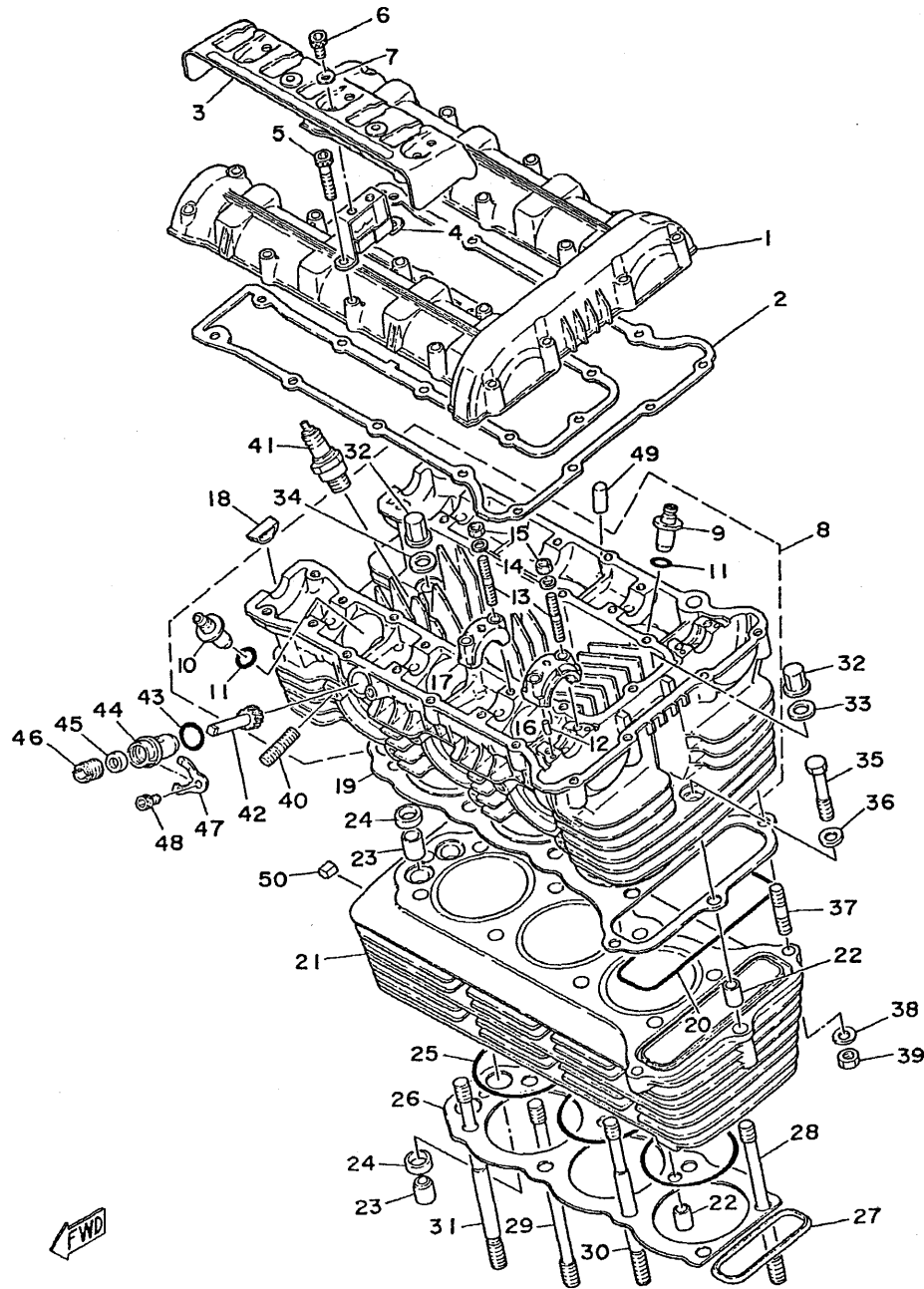
Fig. 31	Fuel Tank	43
Fig. 32	Seat	44
Fig. 33	Front Wheel	46
Fig. 34	Front Disk Brake · Caliper	47
Fig. 35	Final Drive Gear · Drive Shaft	48
Fig. 36	Rear Wheel	52
Fig. 37	Rear Disk Brake · Caliper	53
Fig. 38	Head Lamp 1	54
Fig. 39	Head Lamp 2	55
Fig. 40	Speedometer · Tachometer	57
Fig. 41	Tail Lamp	59
Fig. 42	Flasher Lamp	60
Fig. 43	Electrical 1	61
Fig. 44	Electrical 2	62

REPAIR KIT

Fig. 45	Repair Kit	64
---------	------------	----

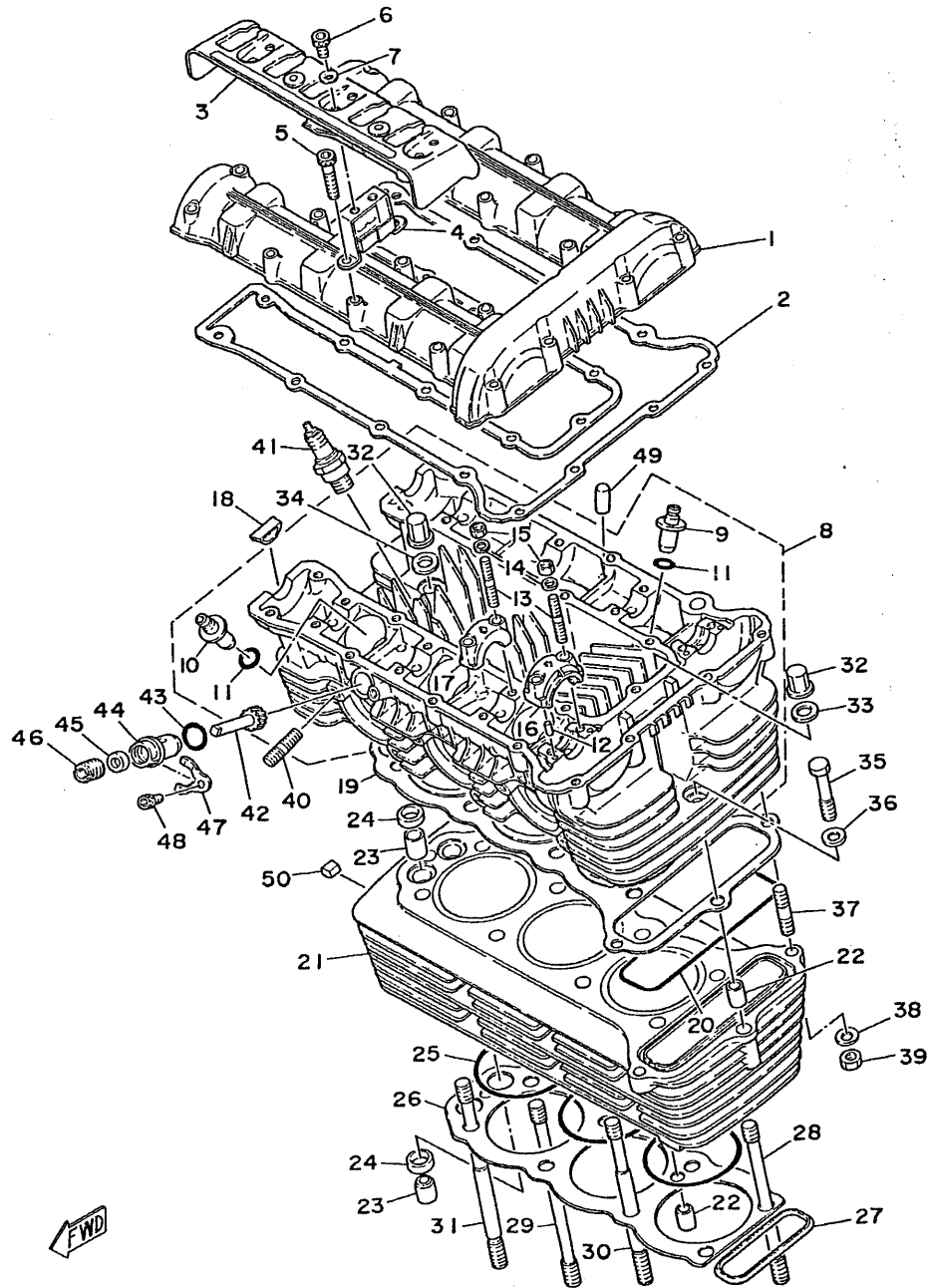
NUMERICAL INDEX

Fig. 1 CYLINDER HEAD · CYLINDER



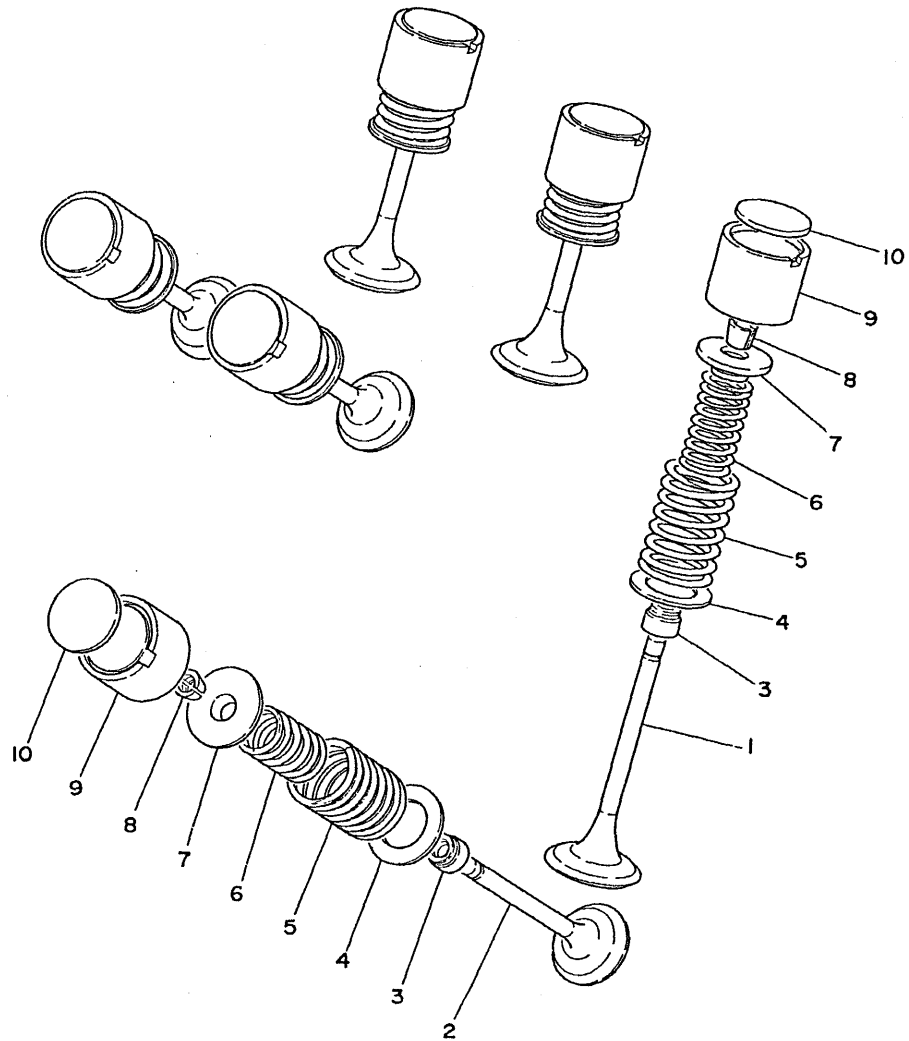
Ref.No.	Part No.	Description	Q'ty	Remarks
1- 1	1J7-11191-00	COVER, cylinder head 1	1	
2	1J7-11193-00	GASKET, cylinder head cover	1	
3	1J7-11192-03	COVER, cylinder head 2	1	
4	1J7-11183-01	BRACKET, camshaft right	3	
5	91316-06035	BOLT, hexagon socket head	21	
6	91316-06015	BOLT, hexagon socket head	6	
7	92906-06600	WASHER, plate	6	
8	2F3-11110-00	CYLINDER HEAD ASS'Y	1	
9	1J7-11133-10	. GUIDE, intake valve (1st O.S)	3	
10	1J7-11134-10	. GUIDE, exhaust valve (1st O.S)	3	
11	93210-11313	. O-RING (1.3-11.8)	6	
12	93603-09004	. PIN, dowel	4	
13	90116-06228	. BOLT, stud	16	
14	90201-06431	. WASHER, plate	16	6.2-11-1
15	95301-06600	. NUT, hexagon	16	
16	1J7-12173-10	. CAP, cam shaft 1	2	
17	1J7-12183-10	. CAP, cam shaft 2	6	
18	1J7-11138-00	PLUG, semi circular	2	
19	2K3-11181-00	GASKET, cylinder head	1	
20	1J7-11355-00	SEAL, cylinder 1	1	
21	1J7-11310-00	CYLINDER	1	
22	91810-03014	PIN, dowel (8.5-10-14)	4	
23	91810-16016	PIN, dowel (10.5-14-16)	4	
24	1J7-11357-00	SEAL, cylinder 3	4	
25	93210-74316	O-RING (1.9-74.5)	3	
26	1J7-11351-02	GASKET, cylinder	1	
27	1J7-11356-00	SEAL, cylinder 2	1	
28	90116-10273	BOLT, stud	3	M10-154L
29	90116-10274	BOLT, stud	1	M10-177L
30	2F3-11363-00	BOLT, cylinder holding 3	2	M10-154L
31	2F3-11364-00	BOLT, cylinder holding 4	2	M10-177L
32	90179-10277	NUT	8	
33	90201-10124	WASHER, plate (371-11175-00)	6	10-18.5-2.3

Fig. 1 CYLINDER HEAD · CYLINDER



Ref.No.	Part No.	Description	Q'ty	Remarks
1-34	90201-11597	WASHER, plate	2	
35	97322-08045	BOLT, hexagon	2	
36	90201-08382	WASHER, plate	2	8-16-2
37	90116-08161	BOLT, stud	2	
38	90201-08382	WASHER, plate	2	
39	95311-08600	NUT	2	
40	90116-08271	BOLT, stud	6	
41	94701-00117	PLUG, spark (BP-7ES)	3	
42	1J7-17841-00	GEAR, tachometer driven (15T)	1	
43	93210-15171	O-RING (1.9-14.5)	1	
44	2F3-17811-00	HOUSING, tachometer gear	1	
45	93104-07036	OIL SEAL (SO-7-13-4)	1	
46	256-17848-00	ADAPTER	1	
47	1J7-17812-00	STOPPER	1	
48	91316-06012	BOLT, hexagon socket head	1	
49	1J7-13569-00	PLUG, blind	1	
50	434-11161-00	ABSORBER	29	

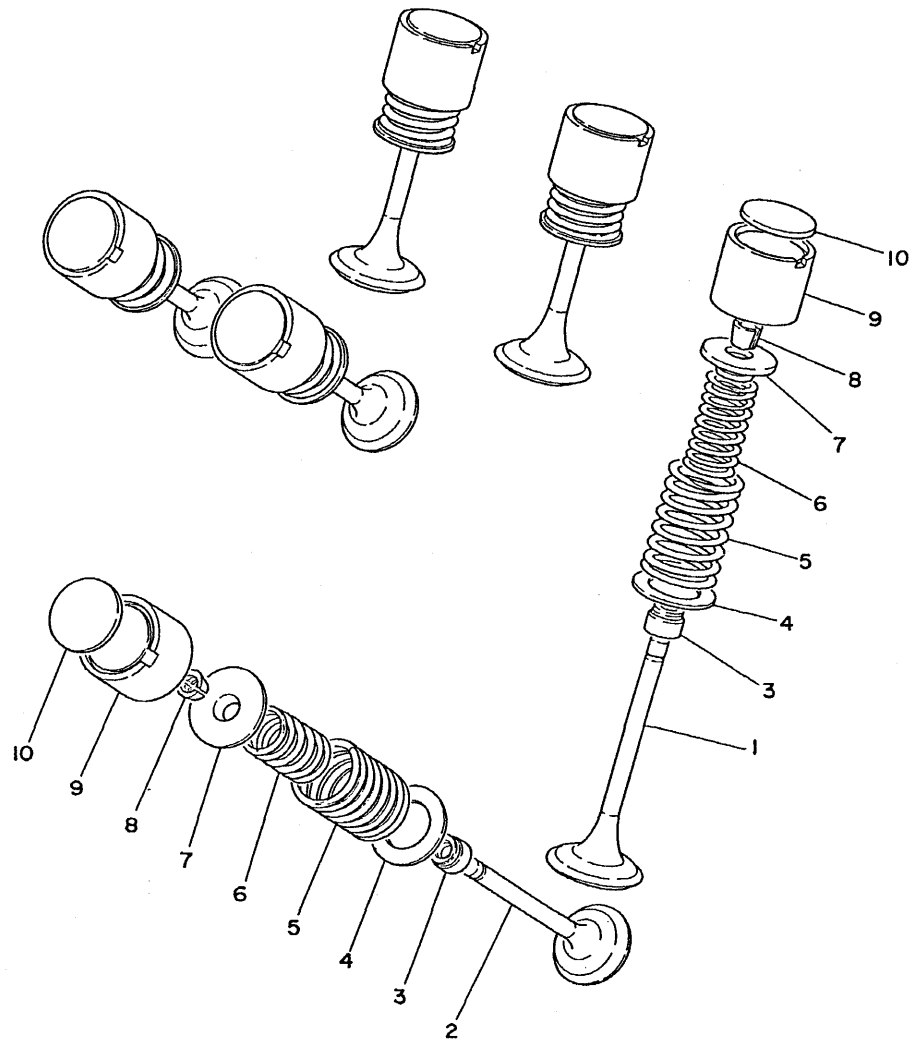
Fig. 2 VALVE



FWD

Ref.No.	Part No.	Description	Q'ty	Remarks
2- 1	1J7-12111-00	VALVE, intake	3	
2	1J7-12121-00	VALVE, exhaust	3	
3	1J7-12119-01	SEAL, valve stem oil	6	
4	1J7-12116-00	SEAT, valve spring	6	
5	90501-39414	SPRING, outer	6	
6	90501-28415	SPRING, inner	6	
7	2F3-12117-00	RETAINER, valve spring	6	
8	1J7-12118-00	LOCK, valve spring retainer	12	
9	1J7-12153-00	LIFTER, valve	6	

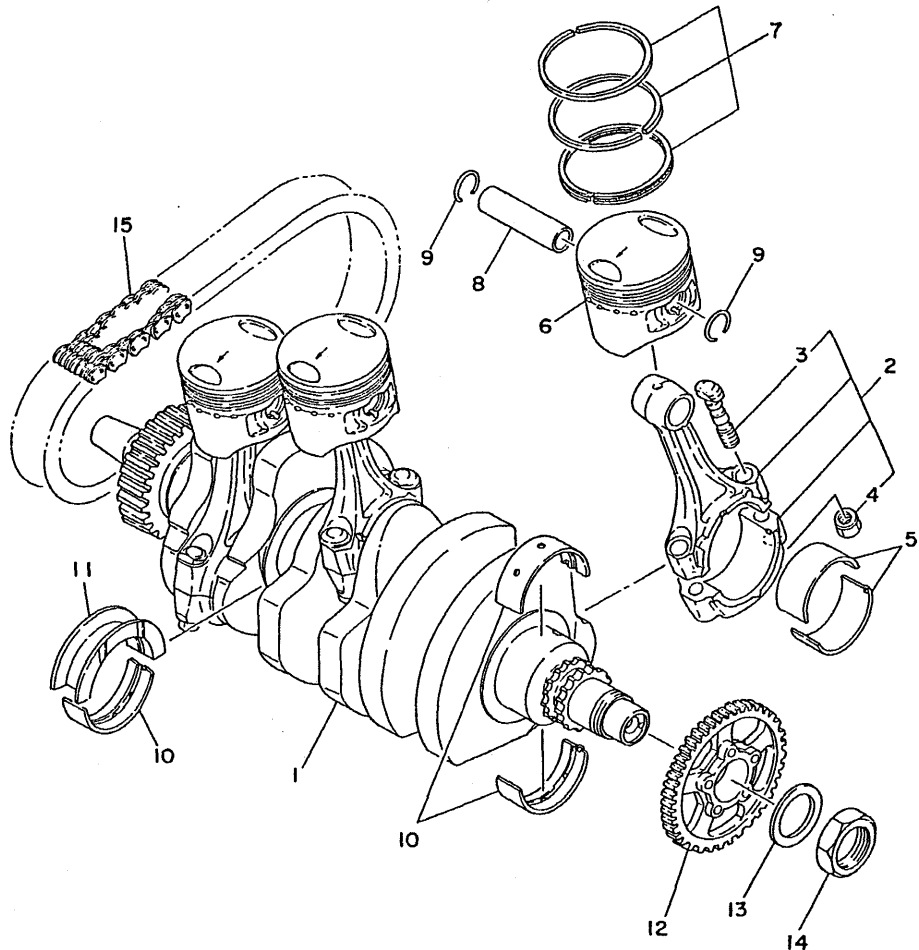
Fig. 2 VALVE



Ref.No.	Part No.	Description	Q'ty	Remarks
2-10	1J7-12169-01	PAD, adjusting (2.00)	}	U.R. 6
	1J7-12169-11	PAD, adjusting (2.05)		
	1J7-12169-21	PAD, adjusting (2.10)		
	1J7-12169-31	PAD, adjusting (2.15)		
	1J7-12169-41	PAD, adjusting (2.20)		
	1J7-12169-51	PAD, adjusting (2.25)		
	1J7-12169-61	PAD, adjusting (2.30)		
	1J7-12169-71	PAD, adjusting (2.35)		
	1J7-12169-81	PAD, adjusting (2.40)		
	1J7-12169-91	PAD, adjusting (2.45)		
	1J7-12169-A1	PAD, adjusting (2.50)		
	1J7-12169-E1	PAD, adjusting (2.55)		
	1J7-12169-F1	PAD, adjusting (2.60)		
	1J7-12169-G1	PAD, adjusting (2.65)		
	1J7-12169-H1	PAD, adjusting (2.70)		
	1J7-12169-J1	PAD, adjusting (2.75)		
	1J7-12169-K1	PAD, adjusting (2.80)		
	1J7-12169-L1	PAD, adjusting (2.85)		
	1J7-12169-M1	PAD, adjusting (2.90)		
	1J7-12169-N1	PAD, adjusting (2.95)		
	1J7-12169-R1	PAD, adjusting (3.00)		
	1J7-12169-T1	PAD, adjusting (3.05)		
	1J7-12169-U1	PAD, adjusting (3.10)		
	1J7-12169-V1	PAD, adjusting (3.15)		
	1J7-12169-W1	PAD, adjusting (3.20)		

FWD

Fig. 3 CRANK · PISTON



Ref.No.	Part No.	Description	Q'ty	Remarks
3- 1	2K3-11411-00	CRANKSHAFT	1	
2	1J7-11650-01	CONNECTING ROD ASS'Y	3	
3	1J7-11654-00	. BOLT, connecting rod	6	
4	90170-09192	. NUT, hexagon	6	
5	2F3-11656-00	BEARING, connecting rod 1	} U.R. 6	Blue
	2F3-11656-10	BEARING, connecting rod 2		Black
	2F3-11656-20	BEARING, connecting rod 3		Brown
	2F3-11656-30	BEARING, connecting rod 4		Green
	2F3-11656-40	BEARING, connecting rod 5		Yellow

See the table 1 below.

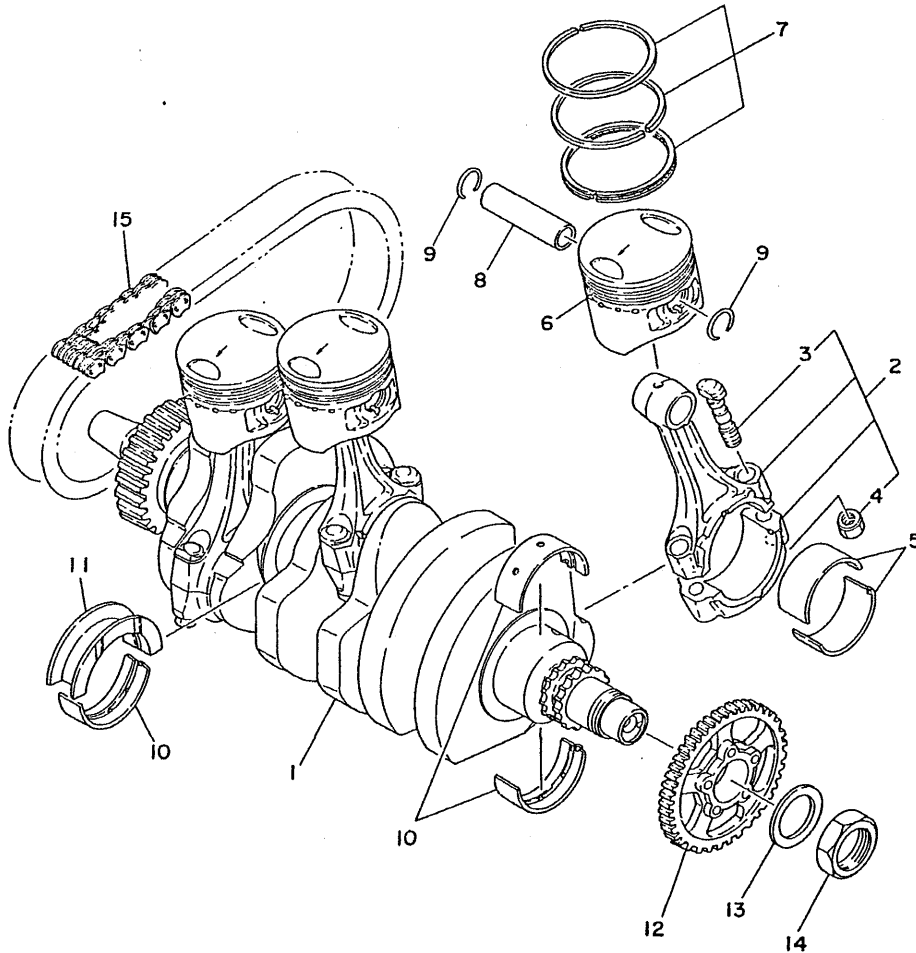
TABLE 1 CONNECTING ROD BEARING SELECTION

Housing No. - Shaft No. = Bearing No.

	Center thickness T	Housing diameter	No.	Shaft diameter	No.	Oil clearance
BEARING 1	1.5 ^{+0.001} _{-0.003}	45.5 ^{+0.024} _{+0.016}	4	42.5 ⁰ _{-0.008}	1	0.031 - 0.054
		45.5 ^{+0.016} _{+0.008}	5	42.5 ^{-0.009} _{-0.016}	2	0.031 - 0.054
BEARING 2	1.5 ^{-0.003} _{-0.007}	45.5 ^{+0.008} ₀	6	42.5 ^{-0.017} _{-0.024}	3	0.031 - 0.054
BEARING 3	1.5 ^{-0.007} _{-0.011}					0.031 - 0.054
BEARING 4	1.5 ^{-0.011} _{-0.015}					0.031 - 0.054
BEARING 5	1.5 ^{-0.015} _{-0.019}					0.031 - 0.054

6	2F3-11631-04-96	PISTON (67.96mm STD)	} U.R. 3		
	2F3-11631-04-97	PISTON (67.97mm STD)			
	2F3-11635-04	PISTON (68.25mm 1st O.S)		3	Alternate Parts
	2F3-11636-04	PISTON (68.50mm 2nd O.S)		3	Alternate Parts
	2F3-11637-04	PISTON (68.75mm 3rd O.S)		3	Alternate Parts
7	2F3-11638-04	PISTON (69.00mm 4th O.S)	3	Alternate Parts	
	2F3-11610-02	PISTON RING SET (STD)	3s		
	2F3-11610-12	PISTON RING SET (1st O.S)	3s	Alternate Parts	
	2F3-11610-22	PISTON RING SET (2nd O.S)	3s	Alternate Parts	
	2F3-11610-32	PISTON RING SET (3rd O.S)	3s	Alternate Parts	
	2F3-11610-42	PISTON RING SET (4th O.S)	3s	Alternate Parts	

Fig. 3 CRANK · PISTON



Ref.No.	Part No.	Description	Q'ty	Remarks
3- 8	1J7-11633-00	PIN, piston	3	
9	90468-12069	CLIP, piston pin	6	
10	1J7-11416-90	BEARING, crankshaft A-0	U.R. 7	Red
	1J7-11416-00	BEARING, crankshaft A-1		Blue
	1J7-11416-10	BEARING, crankshaft A-2		Black
	1J7-11416-20	BEARING, crankshaft A-3		Brown
	1J7-11416-30	BEARING, crankshaft A-4		Green
11	1J7-11417-90	BEARING, crankshaft B-0	U.R. 1	Red
	1J7-11417-00	BEARING, crankshaft B-1		Blue
	1J7-11417-10	BEARING, crankshaft B-2		Black
	1J7-11417-20	BEARING, crankshaft B-3		Brown
	1J7-11417-30	BEARING, crankshaft B-4		Green

TABLE 2 CRANKSHAFT BEARING SELECTION

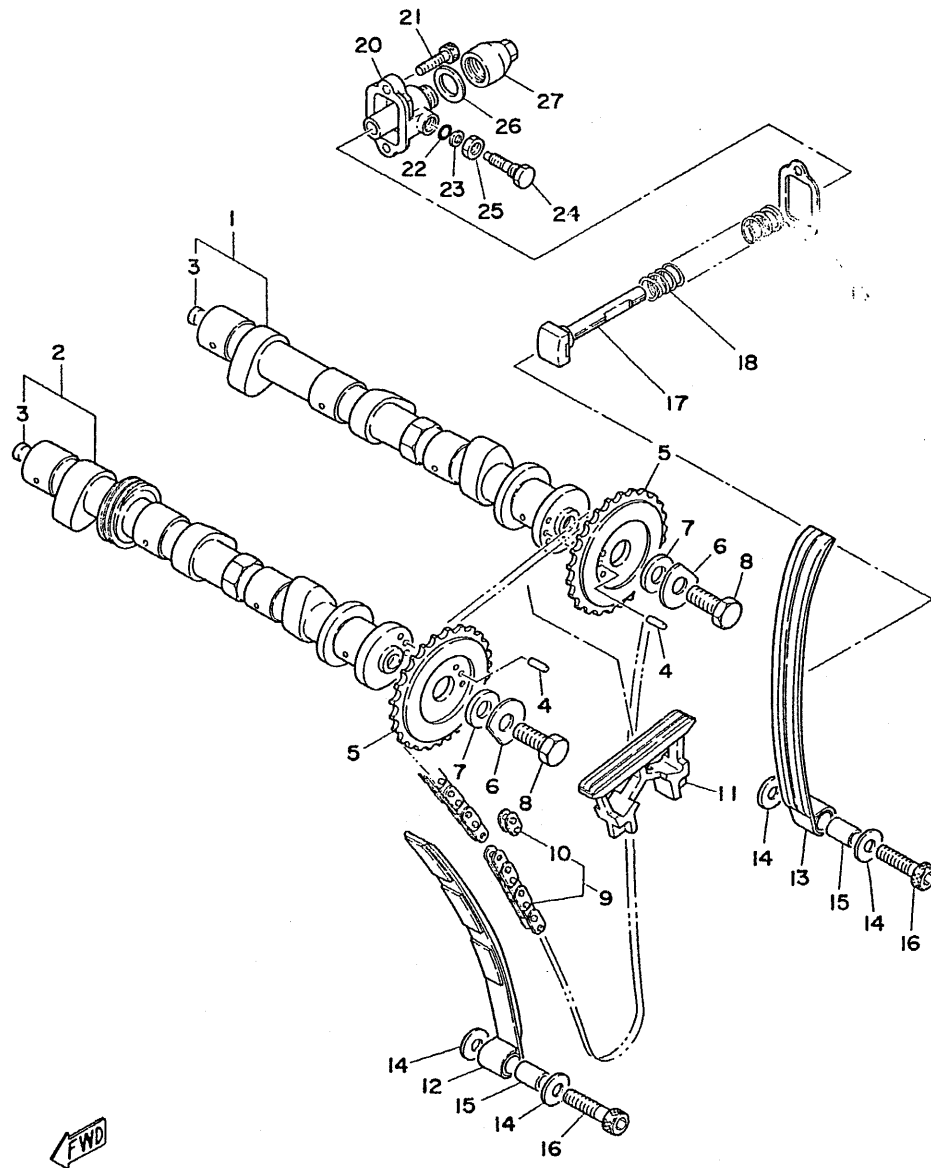
Housing No. - Shaft No. - 1 = Bearing No.

	Center thickness T	Housing diameter	No.	Shaft diameter	No.	Oil clearance
BEARING 0	1.5 ^{+0.010} _{+0.006}	53φ ^{+0.024} _{+0.016}	4	50φ ⁰ _{-0.008}	1	0.014 - 0.036
BEARING 1	1.5 ^{+0.006} _{+0.002}	53φ ^{+0.016} _{+0.008}	5	50φ ^{-0.009} _{-0.016}	2	0.014 - 0.036
BEARING 2	1.5 ^{+0.002} _{-0.002}	53φ ^{+0.008} ₀	6	50φ ^{-0.017} _{-0.024}	3	0.014 - 0.036
BEARING 3	1.5 ^{-0.002} _{-0.006}					0.014 - 0.036
BEARING 4	1.5 ^{-0.006} _{-0.010}					0.014 - 0.036

12	1J7-13324-00	GEAR, pump drive	1	
13	90201-26600	WASHER, plate	1	26.5-36-1.5
14	90170-26191	NUT, hexagon	1	
15	1J7-16139-04	CHAIN, primary (72 links)	1	

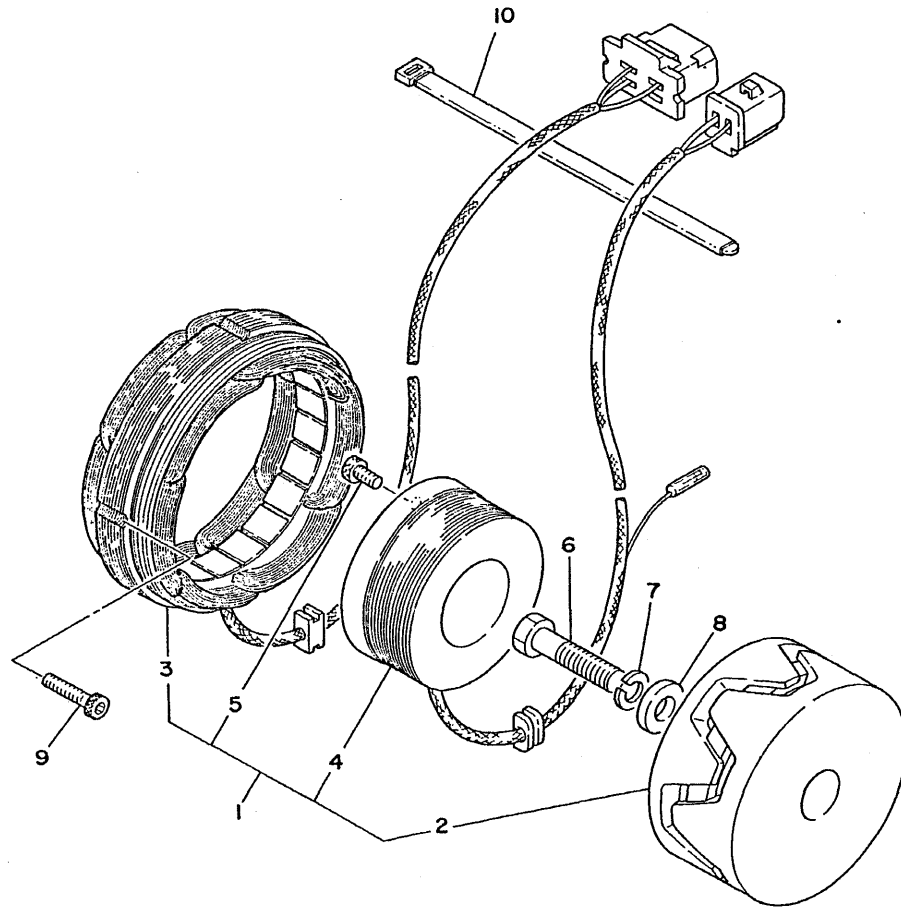


Fig. 4 CAMSHAFT · CHAIN TENSIONER



Ref.No.	Part No.	Description	Q'ty	Remarks
4- 1	1T5-12170-00	INTAKE CAMSHAFT ASS'Y	1	
2	1T5-12180-00	EXHAUST CAMSHAFT ASS'Y	1	
3	90331-10011	. PLUG	2	
4	93604-10010	PIN, dowel (4-10)	2	
5	1J7-12176-01	SPROCKET, camshaft	2	
6	90209-10149	WASHER	2	10.5-28-1.0
7	90201-10596	WASHER, plate	2	10.5-22-3.0
8	97311-10025	BOLT, hexagon	2	
9	94500-02124	CHAIN (BF05M-124L)	1	
10	94600-02001	. JOINT, chain	1	
11	1J7-12241-00	GUIDE, stopper 2	1	
12	1J7-12251-01	DAMPER, chain 1	1	
13	1J7-12252-00	DAMPER, chain 2	1	
14	90201-06066	WASHER, plate (101-28323-00)	4	6.5-20-2.0
15	90387-06540	COLLAR	2	6.2-11-16.3
16	91318-06035	BOLT, hexagon socket head	2	
17	1J7-12217-00	ROD, chain tensioner	1	
18	90501-16417	SPRING, compression	1	
19	1J7-12213-00	GASKET, chain tensioner case	1	
20	1J7-12212-02	CASE, chain tensioner	1	
21	91316-06020	BOLT, hexagon socket head	2	
22	93210-06001	O-RING (1.9-5.8)	1	
23	92901-06600	WASHER, plate	1	
24	90109-08442	BOLT	1	
25	95301-08700	NUT, hexagon	1	
26	90430-16141	GASKET	1	16.2-20.5-1
27	1J7-12215-01	CAP, tensioner case	1	

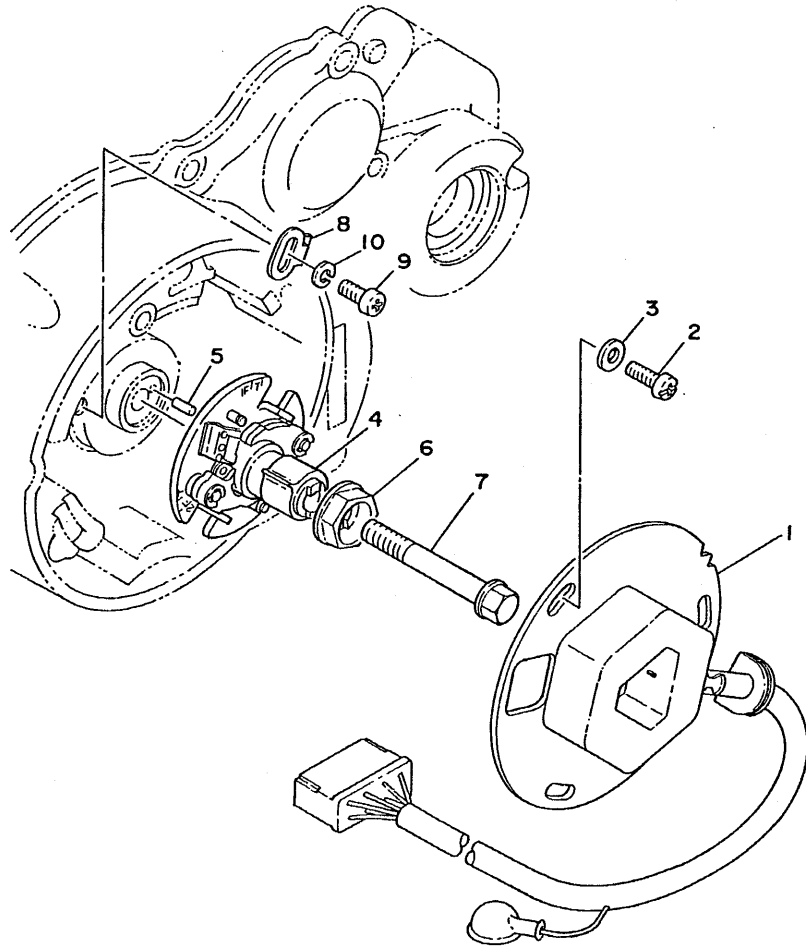
Fig. 5 A. C. GENERATOR



Ref.No.	Part No.	Description	Q'ty	Remarks
5- 1	1J7-81600-10	A.C. GENERATOR ASS'Y	1	
2	1J7-81650-10	. ROTOR COMP.	1	
3	1J7-81610-10	. STATOR ASS'Y	1	
4	1J7-81660-10	. FIELD COIL ASS'Y	1	
5	91316-06012	. BOLT, hexagon socket head	3	
6	90101-10188	BOLT	1	
7	92901-10100	WASHER, spring	1	
8	90201-10508	WASHER, plate (341-81663-01)	1	10.1-24-5
9	91316-06030	BOLT, hexagon socket head	4	
10	341-26397-01	BAND	2	

FWD

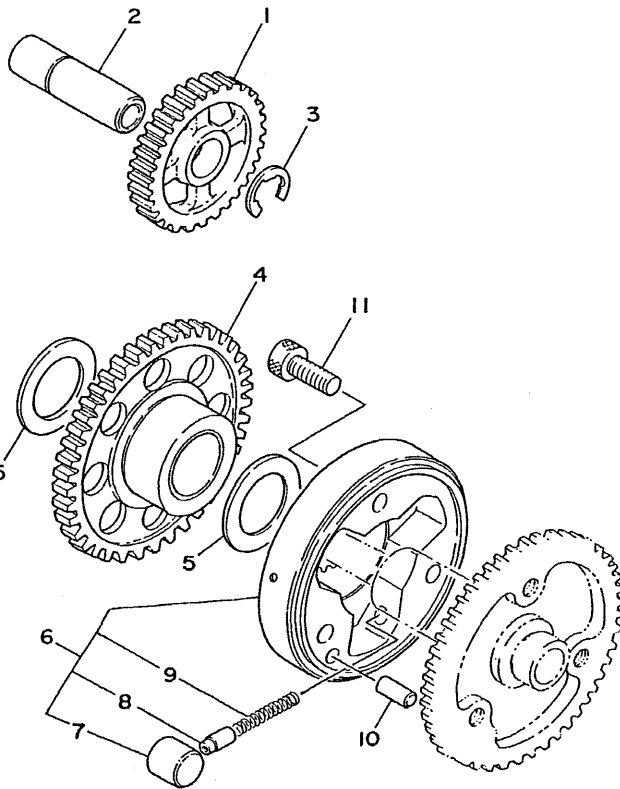
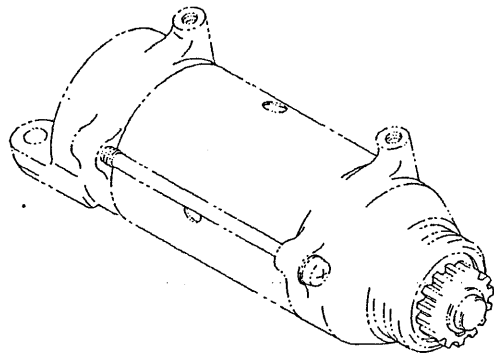
Fig. 6 PULSER · GOVERNOR



Ref.No.	Part No.	Description	Q'ty	Remarks
6- 1	2F3-81671-10	COIL, pickup	1	
2	92501-06015	SCREW, panhead	3	
3	92901-06200	WASHER, plain	3	
4	2F3-81653-11	GOVERNOR ASS'Y	1	
5	93604-08071	PIN, dowel (4-8)	1	
6	2F3-81655-00	WASHER	1	
7	90105-08067	BOLT	1	
8	1J7-81632-00	PLATE, timing	1	
9	98301-05012	SCREW, cylinder head	1	
10	92901-05100	WASHER, spring	1	

FWD

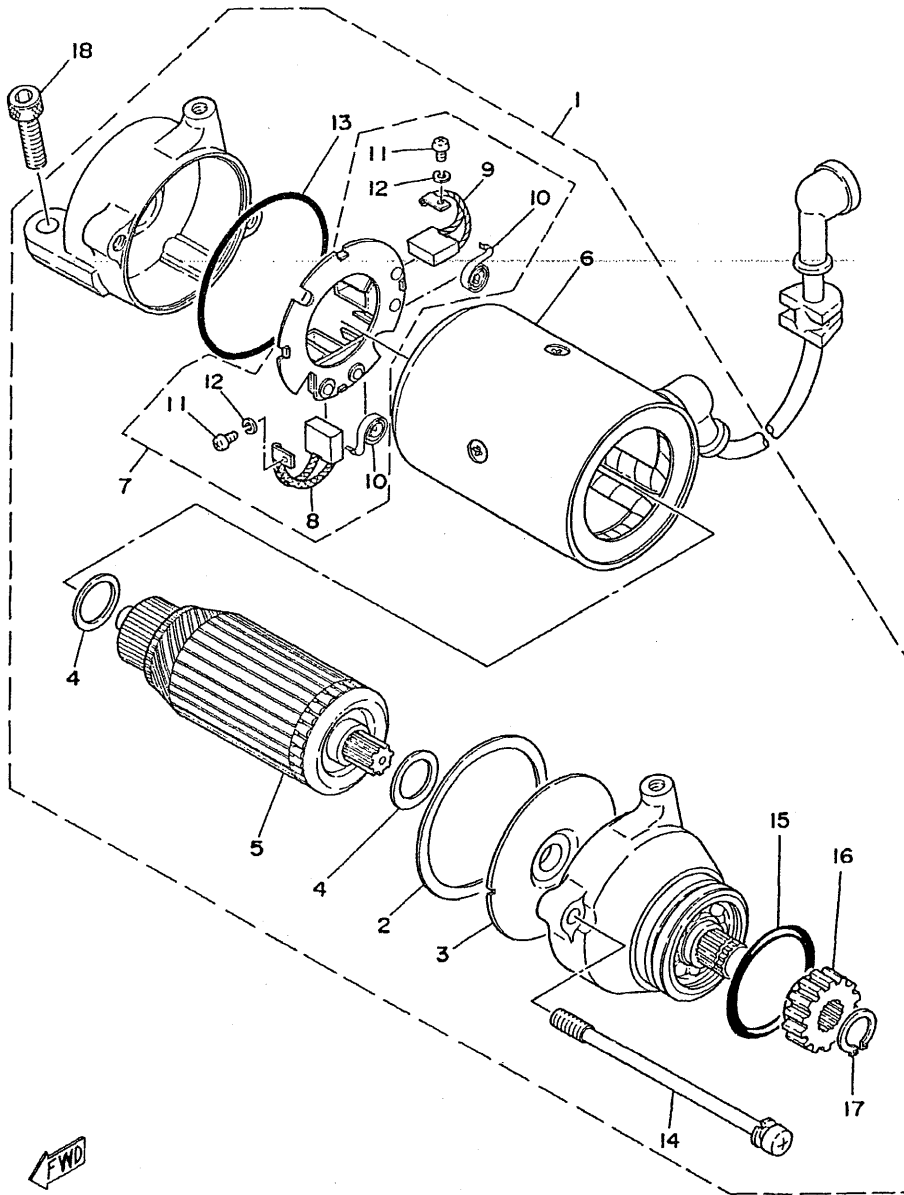
Fig.7 STARTING MOTOR UNIT



Ref.No.	Part No.	Description	Q'ty	Remarks
7- 1	1J7-15512-01	GEAR, kick idler 1 (28T)	1	
2	1J7-15521-00	SHAFT, kick idler gear	1	
3	93430-15023	CIRCLIP (E-15)	1	
4	1J7-15517-01	GEAR, kick idler 2 (47T)	1	
5	90201-25291	WASHER, plate (371-11558-00)	2	25.2-39-1.0
6	1J7-15580-00	STARTER CLUTCH OUTER ASS'Y	1	
7	93615-17125	. PIN, dowel (15-16.9)	3	
8	1J7-15583-00	. CAP, starter clutch spring	3	
9	90501-04503	. SPRING, compression	3	
10	93606-14081	PIN, dowel	1	
11	91316-08020	BOLT, hexagon socket head	3	

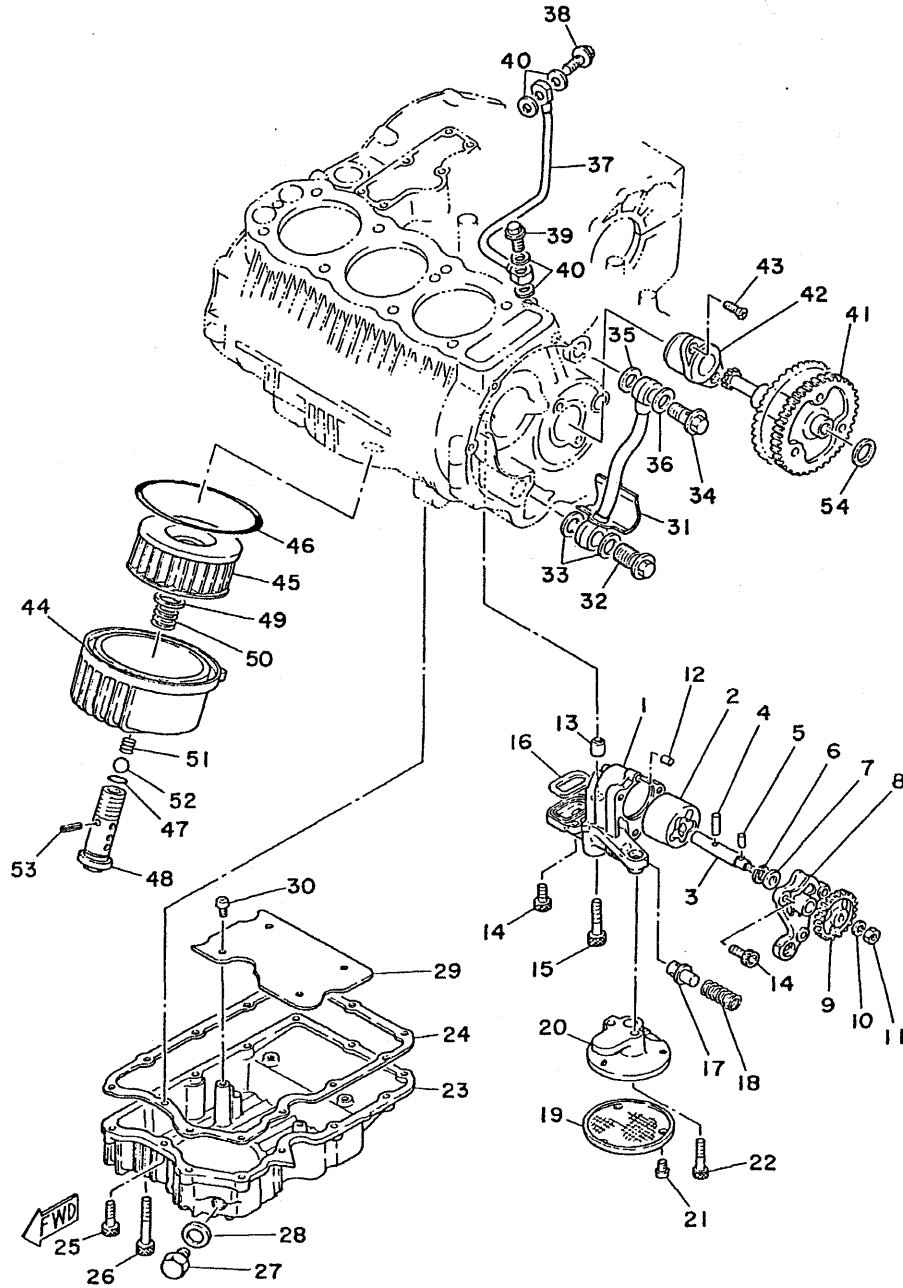
FWD

Fig. 8 STARTING MOTOR



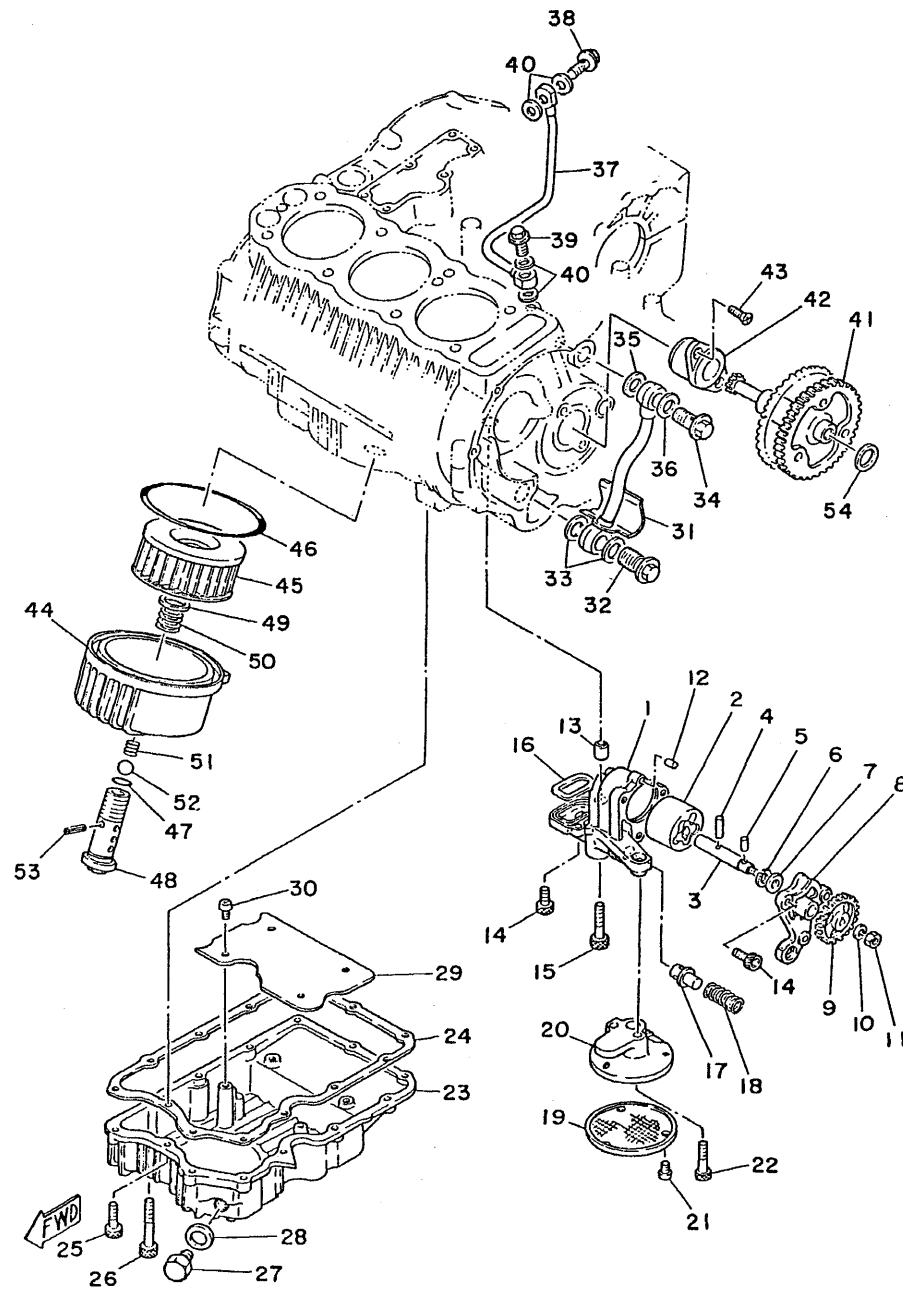
Ref.No.	Part No.	Description	Q'ty	Remarks
8- 1	1J7-81800-60	STARTING MOTOR ASS'Y	1	
2	371-81844-20	. GASKET	1	
3	371-81845-20	. PLATE	1	
4	371-81809-20	. WASHER KIT	1	
5	371-81850-20	. ARMATURE ASS'Y	1	
6	1J7-81810-60	. STATOR ASS'Y	1	
7	1J7-81840-60	. BRUSH HOLDER ASS'Y	1	
8	371-81811-20	.. BRUSH (+)	1	
9	371-81812-20	.. BRUSH (-)	1	
10	371-81813-20	.. SPRING, brush	2	
11	98501-03008	.. SCREW, panhead	2	
12	92901-03100	.. WASHER, spring	2	
13	371-81847-20	. O-RING	1	
14	1J7-81826-60	. BOLT	2	
15	1J7-81847-60	. O-RING (3.1-39.4)	1	
16	1J7-15511-00	. GEAR (13T)	1	
17	93410-12003	. CIRCLIP (S-12)	1	
18	91311-08025	BOLT, hexagon socket head	2	

Fig. 9 OIL PUMP · OIL CLEANER



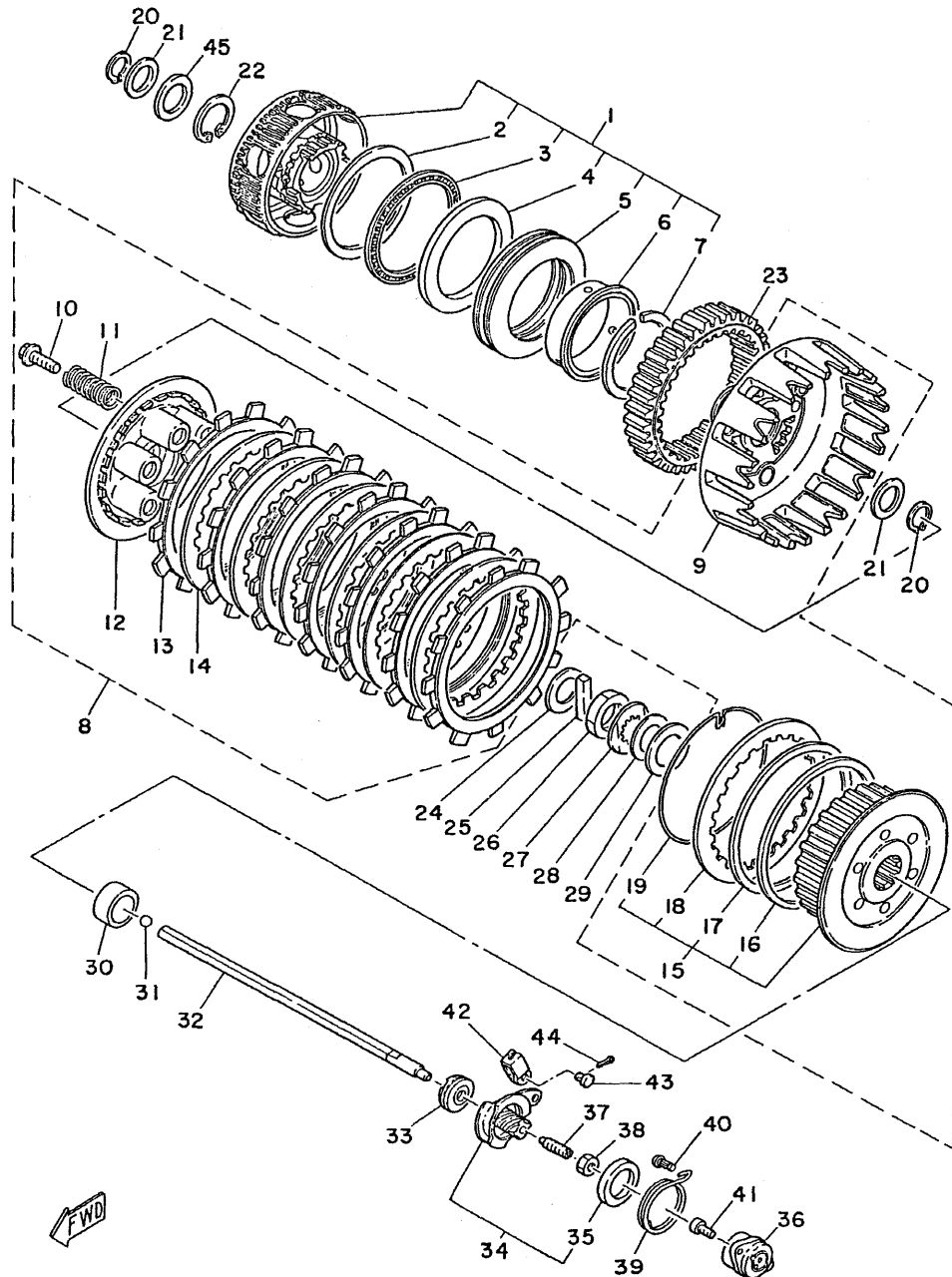
Ref.No.	Part No.	Description	Q'ty	Remarks
9- 1	2F3-13336-02	HOUSING, rotor	1	
2	2F3-13310-01	ROTOR ASS'Y	1	
3	2F3-13314-00	SHAFT, oil pump	1	
4	93603-17070	PIN, dowel (3-16.8)	1	
5	93603-12007	PIN, dowel (3-11.8)	1	
6	93440-11024	CIRCLIP	1	
7	90201-11154	WASHER, plate (341-13318-01)	1	
8	2F3-13316-01	COVER, oil pump	1	
9	1J7-13326-02	GEAR, pump driven 2	1	
10	92901-06100	WASHER, spring	1	
11	95303-06600	NUT, hexagon	1	
12	93603-07073	PIN, dowel (3-7)	1	
13	91830-22016	PIN, dowel (8.4-12-16)	2	
14	91316-06020	BOLT, hexagon socket head	4	
15	91316-06040	BOLT, hexagon socket head	2	
16	1J7-13338-00	SEAL, rotor housing	1	
17	1J7-13483-00	PLUNGER, oil pump relief	1	
18	1J7-13484-00	SPRING, oil pump relief	1	
19	2F3-13411-00	STRAINER, oil	1	
20	1J7-13412-01	HOUSING, strainer	1	
21	98501-05012	SCREW, panhead	3	
22	91316-06035	BOLT, hexagon socket head	2	
23	1J7-13417-01	COVER, strainer	1	
24	1J7-13414-00	GASKET, strainer cover	1	
25	91316-06025	BOLT, hexagon socket head	12	
26	91316-06055	BOLT, hexagon socket head	1	
27	90340-14043	PLUG, drain	1	
28	214-11198-01	GASKET	1	
29	1J7-13337-01	BAFFLE PLATE, lower	1	
30	92501-06010	SCREW, panhead	4	
31	2F3-13171-00	PIPE, delivery 2	1	
32	90401-18040	BOLT, union	1	
33	90430-18130	GASKET	2	18.6-24-1.6

Fig.9 OIL PUMP · OIL CLEANER



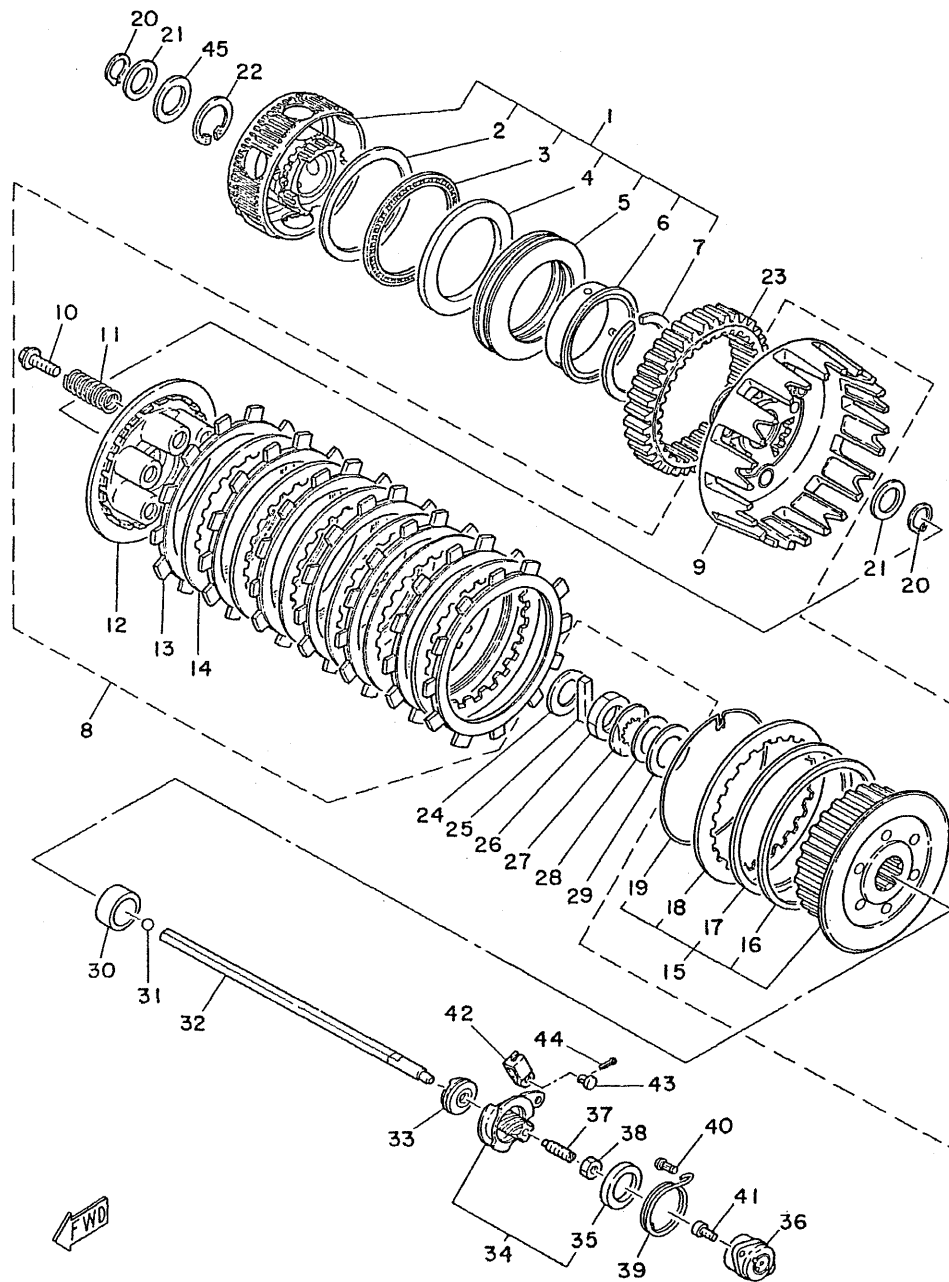
Ref.No.	Part No.	Description	Q'ty	Remarks
9-34	90401-10054	BOLT, union	1	
35	90430-10128	GASKET	1	10.5-20-1.6
36	90430-15129	GASKET	1	15.6-20-1.6
37	1J7-13161-00	PIPE, delivery 1	1	
38	90401-10013	BOLT, union (371-13166-00)	1	
39	90401-10004	BOLT, union (256-13166-00)	1	
40	90430-10027	GASKET (256-13168-00)	4	10-15-1.2
41	1J7-13325-01	GEAR, pump driven 1	1	
42	1J7-13313-00	HOUSING, bush	1	
43	92701-06018	SCREW, flathead	2	
44	2H9-13447-00	COVER, element	1	
45	1J7-13440-91	OIL CLEANER ASS'Y	1	
46	93211-17317	O-RING (3.0-117.2)	1	
47	93210-16314	O-RING (2.0-16.5)	1	
48	90401-20041	BOLT, union	1	
49	90201-20277	WASHER, plate (136-15669-00)	1	20.2-30-1.0
50	90501-18433	SPRING, compression	1	
51	90501-12413	SPRING, compression	1	
52	93501-02018	BALL (1/2 inch)	1	
53	91609-20018	PIN, spring	1	
54	90201-20276	WASHER, plate (328-17116-00)	1	20.2-30-1.0

Fig. 10 CLUTCH



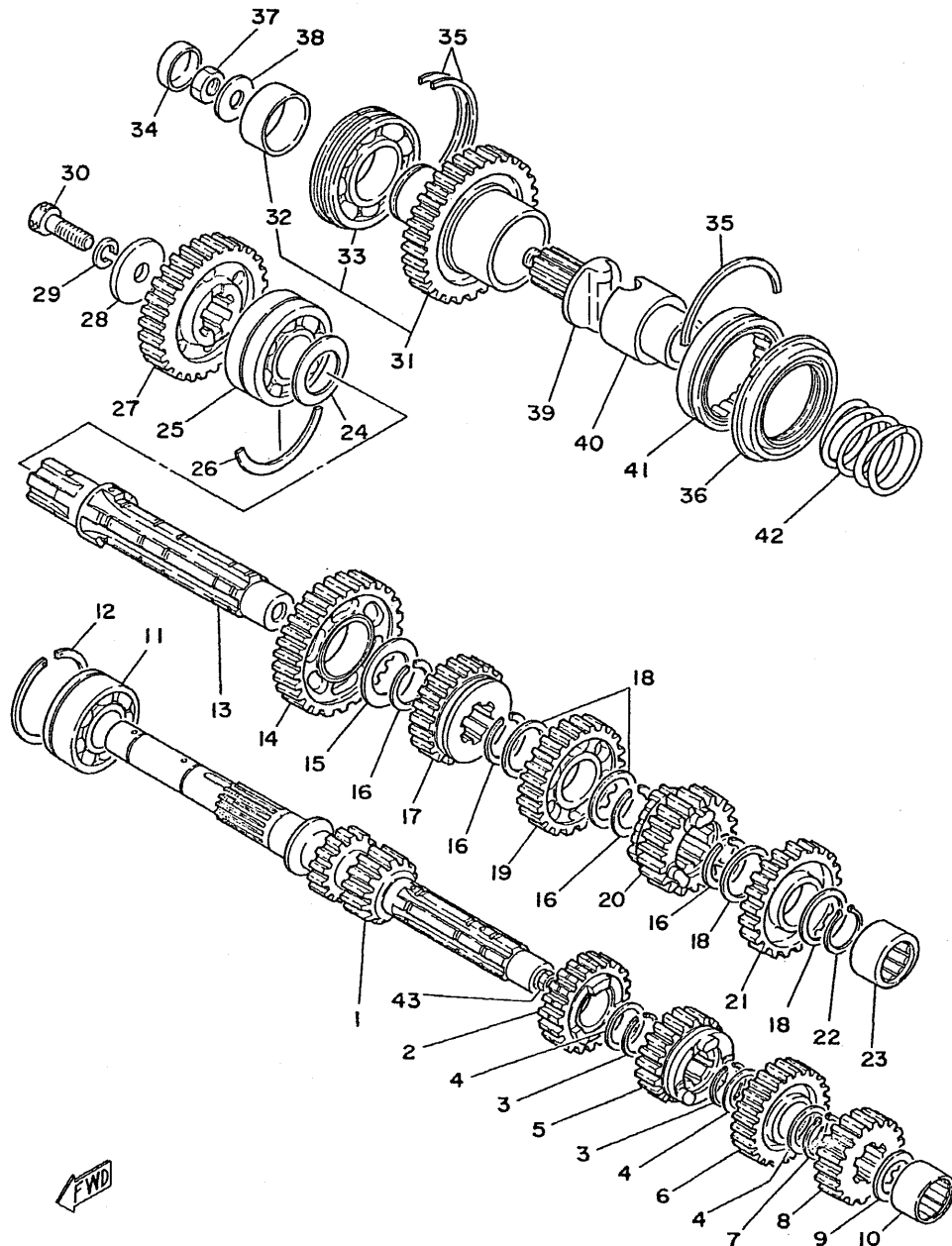
Ref.No.	Part No.	Description	Q'ty	Remarks
10-1	2F3-16306-01	CLUTCH DAMPER ASS'Y	1	
2	90201-76604	. WASHER, plate	1	76-95-0.8
3	93340-27601	. BEARING	1	
4	90201-69603	. WASHER, plate	1	69-95-5.4
5	1J7-16318-00	. SPRING, damper	1	
6	90387-64672	. COLLAR	1	
7	93440-64047	. CIRCLIP	1	
8	1T5-16301-02	CLUTCH ASS'Y	1	
9	1J7-16310-03	. CLUTCH HOUSING COMP.	1	
10	90159-06010	. SCREW, crossrecess hexagon	6	
11	90501-23142	. SPRING, compression (256-16333-00)	6	
12	1J7-16351-00	. PLATE, pressure	1	
13	383-16321-00	. PLATE, friction	7	
14	168-16325-00	. PLATE, clutch 1	6	
15	1T5-16370-00	. CLUTCH BOSS ASS'Y	1	
16	1J7-16384-00	. . PLATE, seat	1	
17	1J7-16383-01	. . SPRING, clutch boss	1	
18	168-16325-00	. . PLATE, clutch 2	1	
19	1J7-16385-00	. . CIRCLIP	1	
20	93410-20009	CIRCLIP (S-20)	2	
21	90201-21599	WASHER, plate	2	21.2-29-2
22	93440-31068	CIRCLIP	1	
23	2F3-16151-01	GEAR, primary driven (45T)	1	
24	90201-22625	WASHER, plate	1	22-36-2.6
25	1J7-16356-01	ROD, push 1	1	
26	90170-24203	NUT, hexagon	1	
27	90215-21130	WASHER, lock	1	
28	90208-25021	WASHER, conical spring	1	
29	90201-25291	WASHER, plate (371-11558-00)	1	25.2-39-1.0
30	90560-25160	SPACER	1	
31	93505-16006	BALL (5/16 inch)	1	
32	1J7-16357-01	ROD, push	1	
33	93102-08193	OIL SEAL (SD7-8-25-6-LKS)	1	

Fig. 10 CLUTCH



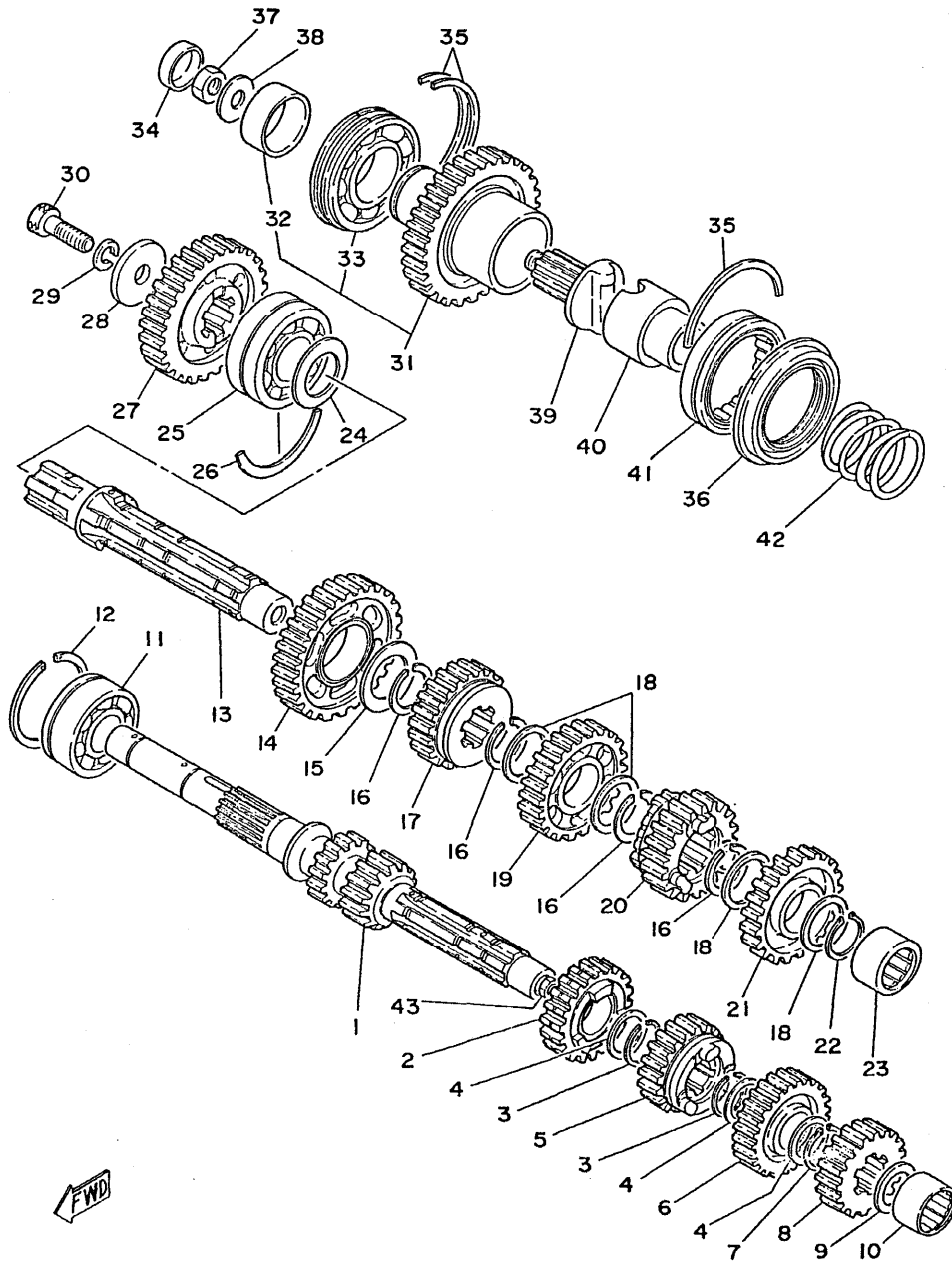
Ref.No.	Part No.	Description	Q'ty	Remarks
10-34	1J7-16340-01	PUSH LEVER ASS'Y	1	
35	214-16347-01	. SEAL, dust	1	
36	1J7-16304-00	BALL SCREW HOUSING ASS'Y	1	
37	90113-08021	SCREW, adjusting (256-16343-01)	1	
38	90179-08179	NUT, adjusting	1	
39	90508-18313	SPRING, torsion	1	
40	132-16346-00	HOOK, spring	1	
41	98501-05012	SCREW, panhead	2	
42	1J7-16389-00	JOINT	1	
43	90240-06005	PIN (214-16379-00)	1	
44	91401-10010	PIN, cotter	1	
45	2F3-16391-00	SHIM (21.1-29.5-0.2)	U.N.	

Fig.11 TRANSMISSION



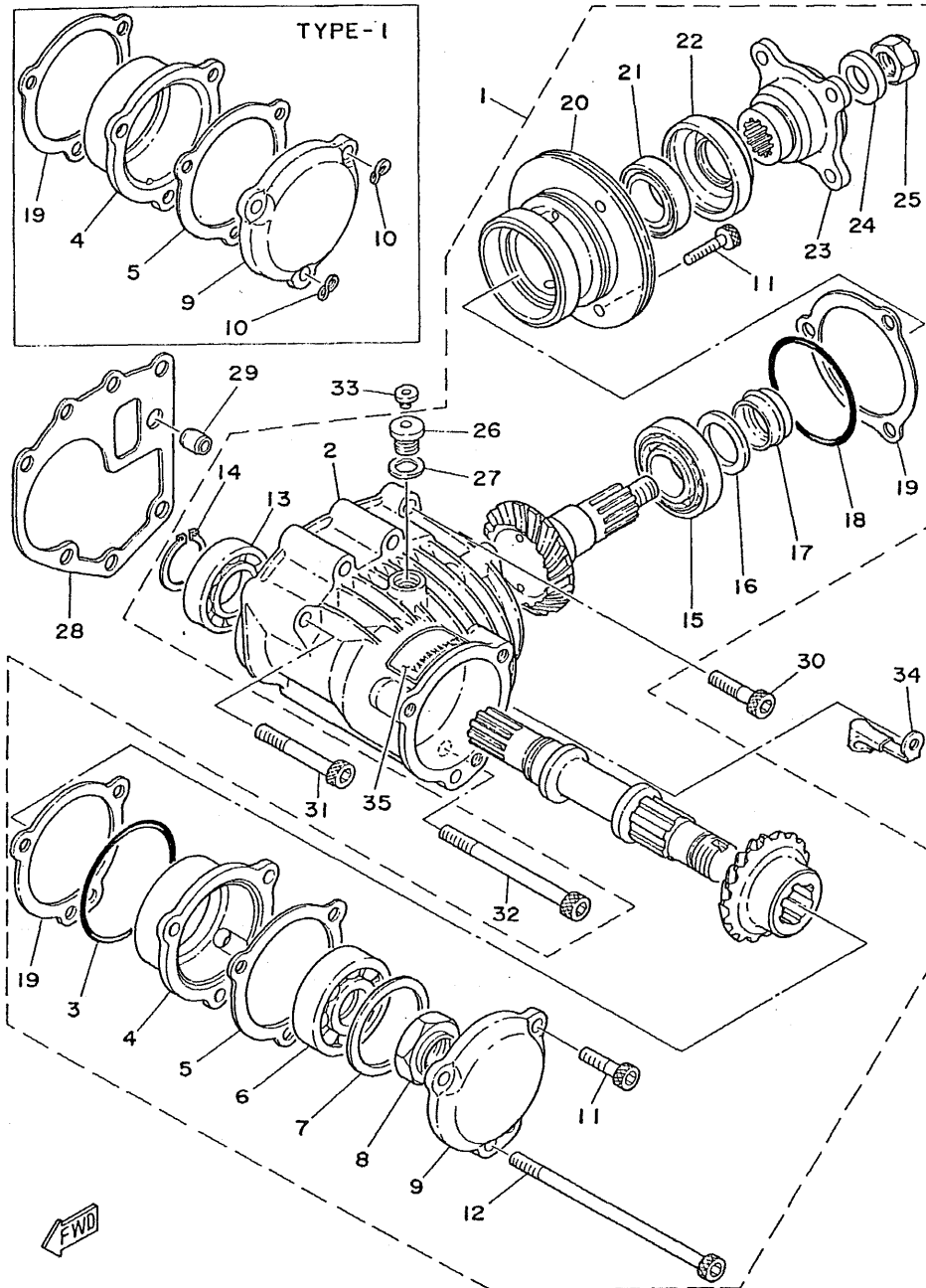
Ref.No.	Part No.	Description	Q'ty	Remarks
11- 1	1J7-17411-02	AXLE, main (13T)	1	
2	1J7-17141-01	GEAR, 4th pinion (21T)	1	
3	93440-25020	CIRCLIP	2	
4	90201-25287	WASHER, gear hold 5 (25.2-30-1.0)	3	
5	1J7-17131-01	GEAR, 3rd pinion (20T)	1	
6	1J7-17151-03	GEAR, 5th pinion (23T)	1	
7	93410-25017	CIRCLIP (S-25)	1	
8	256-17121-01	GEAR, 2nd pinion (17T)	1	
9	137-17427-00-10	SHIM, drive axle	1	
10	93311-32024	BEARING	1	
11	93305-20504	BEARING (B5205 special)	1	
12	93440-52014	CIRCLIP	1	
13	1J7-17421-03	AXLE, drive	1	
14	1J7-17211-02	GEAR, 1st wheel (32T)	1	
15	90201-30602	WASHER, plate (30.2-40-2.0)	1	
16	93440-30015	CIRCLIP	4	
17	1J7-17241-03	GEAR, 4th wheel (23T)	1	
18	1J7-17219-00-10	SHIM (30.2-34-1.0)	} U.R. 4	
	1J7-17219-00-12	SHIM (30.2-34-1.2)		
19	1J7-17231-03	GEAR, 3rd wheel (26T)	1	
20	1J7-17251-03	GEAR, 5th wheel (22T)	1	
21	1J7-17221-03	GEAR, 2nd wheel (27T)	1	
22	93410-30012	CIRCLIP (S-30)	1	
23	93311-32425	BEARING	1	
24	90201-30602	WASHER, plate (30.2-40-2.0)	1	
25	93305-20602	BEARING (B5206 special)	1	
26	93440-62046	CIRCLIP	1	
27	2K3-17582-00	GEAR, middle drive (32T)	1	
28	90201-10595	WASHER, plate	1	
29	92901-10100	WASHER, spring	1	
30	91318-10030	BOLT, hexagon socket head	1	
31	1J7-W1758-02	MIDDLE DRIVEN GEAR COMP. (34T)	1	
32	90387-35544	. COLLAR	1	35-40-16

Fig.11 TRANSMISSION



Ref.No.	Part No.	Description	Q'ty	Remarks
11-33	93306-20707	. BEARING (B6207 special)	1	
34	90331-30014	PLUG	1	
35	93440-72049	CIRCLIP	5	
36	93103-50103	OIL SEAL (SW-48.8-72-9)	1	
37	95311-12700	NUT, hexagon	1	
38	90201-12622	WASHER, palte	1	
39	1J7-17526-00	CAM, drive	1	
40	1J7-17527-00	CAM, driven	1	
41	93390-00014	BEARING	1	
42	90501-40467	SPRING, compression	1	
43	90380-08059	BUSHING	1	

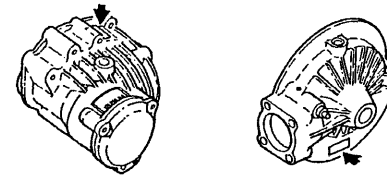
Fig. 12 MIDDLE DRIVE GEAR



Ref.No.	Part No.	Description	Q'ty	Remarks
---------	----------	-------------	------	---------

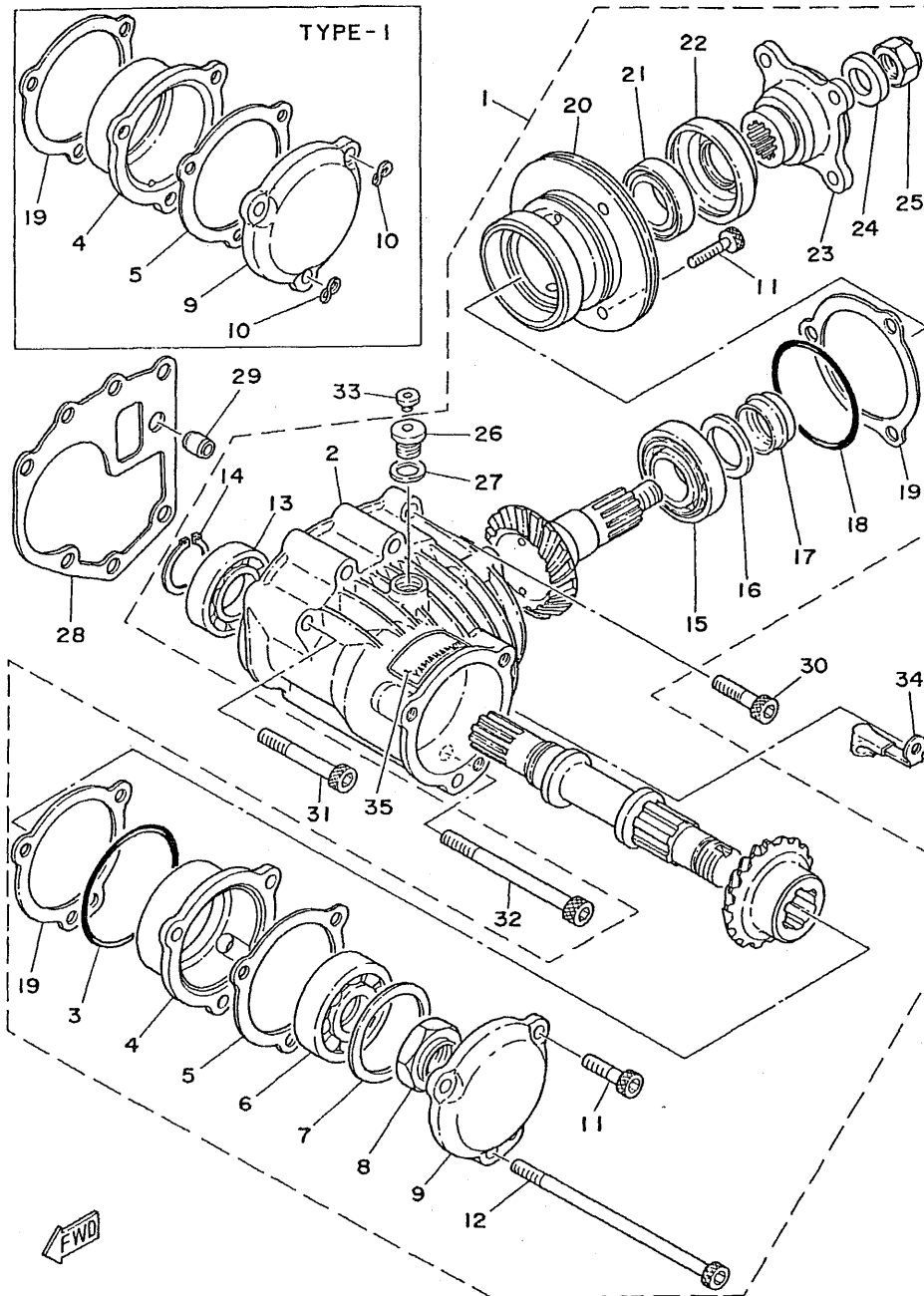
Please take notice of the following points, when you will place an order for the parts of MIDDLE DRIVE GEAR and FINAL DRIVE GEAR sections.

- Two kinds of parts are applied to both sections.
 TYPE I YG0-00000-00-0G
 TYPE II 1J7-00000-Y0-(N0) or 90000-00000
- The meaning of marking "◁" is put, both parts are interchangeable each other, but when no marking, interchangeability between both parts is unavailable.
 Example: YG0-00000-00-0G ▷
 1J7-00000-Y0(N0)
- The parts no having a marking "◁" are not interchangeable both ways. Discrimination for these two types can be provided with the marking of "YAMAHA" displayed on TYPE II parts at the arrow "▶" marking section, but TYPE I parts have not the marking of "YAMAHA".



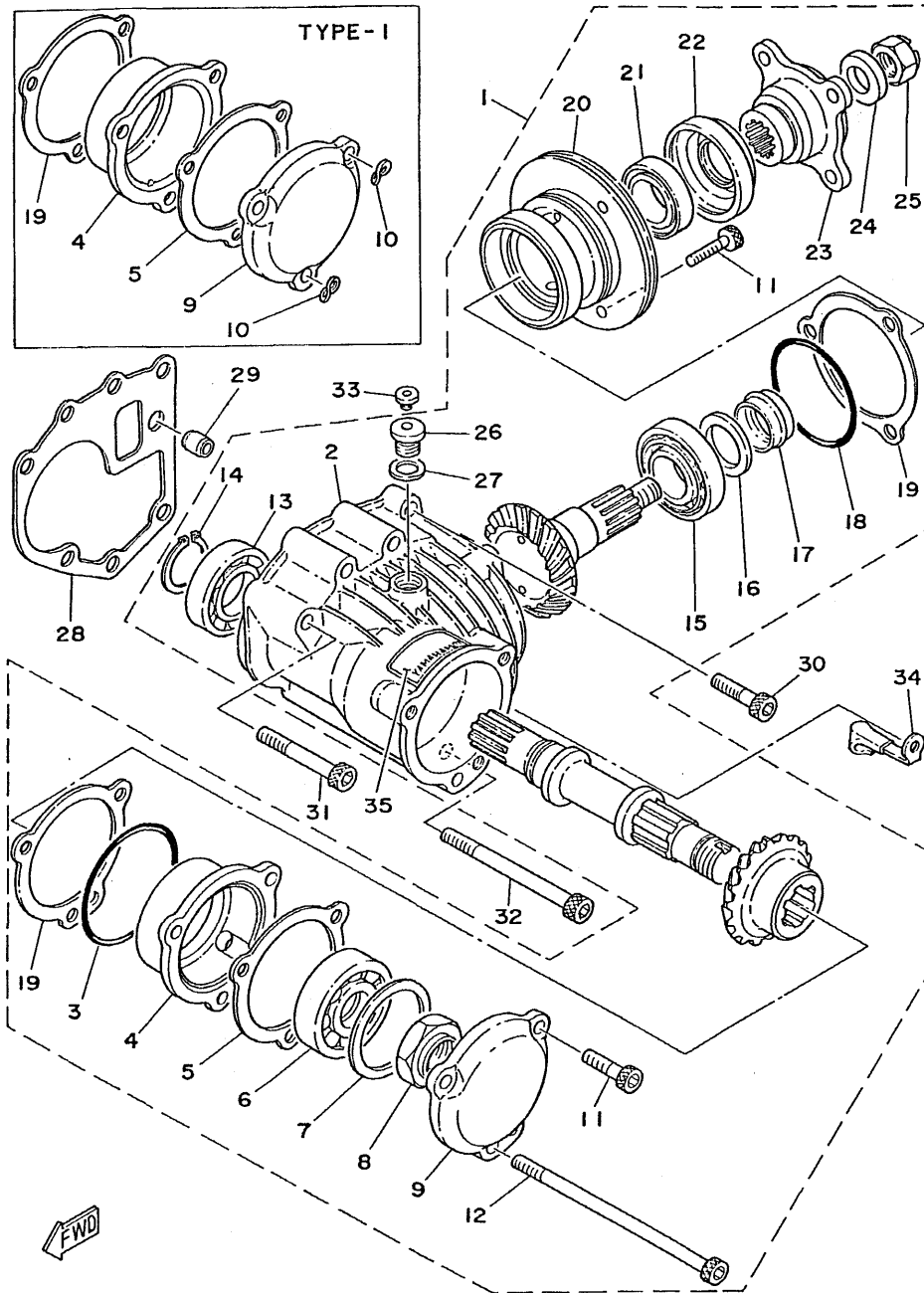
12-1	YG4-11000-22-0G	MIDDLE GEAR CASE ASS'Y	1	◁	TYPE I
	1J7-17501-N0	MIDDLE GEAR CASE ASS'Y	1		TYPE II
2	YG4-11011-00-1G	. HOUSING, middle gear	1		
	1J7-17511-Y1	. HOUSING, middle gear	1		
3	YG9-00042-66-1G	. O-RING (3-68)	1	◁	
	93210-68347	. O-RING (3-68)	1		
4	YG4-11011-10-0G	. HOUSING, bearing	1		
	1J7-17521-Y0	. HOUSING, bearing	1		
5	YG4-11005-40-0G	. GASKET, housing cap	1		
	1J7-17519-Y0	. GASKET, housing cap	1		
6	YG9-00980-27-1G	. BEARING (6305 special)	1	◁	
	93306-30520	. BEARING (6305 RB1)	1		

Fig. 12 MIDDLE DRIVE GEAR



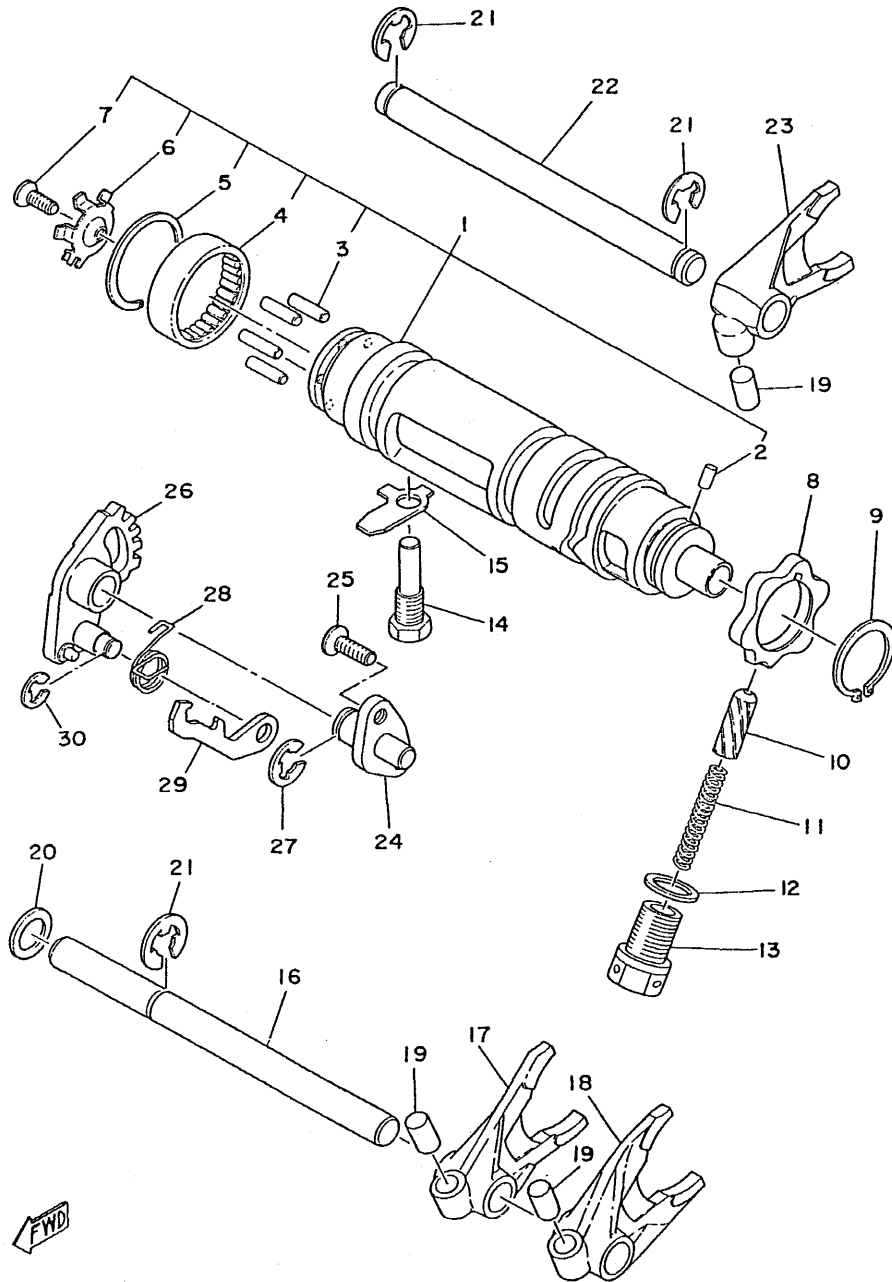
Ref.No.	Part No.	Description	Q'ty	Remarks
12- 7	YG9-00026-14-4G	. SHIM, thrust (50-62-0.15)	1	U.R.
	1J7-17537-Y0-15	. SHIM, thrust (50-62-0.15)		
	YG9-00009-34-4G	. SHIM, thrust (50-62-0.3)		
	1J7-17537-Y0-30	. SHIM, thrust (50-62-0.3)		
	YG9-00020-34-4G	. SHIM, thrust (50-62-0.4)		
	1J7-17537-Y0-40	. SHIM, thrust (50-62-0.4)		
	YG9-00009-44-4G	. SHIM, thrust (50-62-0.5)		
8	YG9-00000-22-9G	. NUT	1	M24-P1.5
	90179-24230	. NUT	1	M24-P1.5
9	1J7-17538-01	. CAP, housing	1	TYPE I
	1J7-17538-Y1	. CAP, housing	1	TYPE II
10	YG9-00014-84-1G	. WASHER, wave	3	TYPE I
11	YG9-00020-31-1G	. BOLT, hexagon socket head	5	M8-30L
	91316-08030	. BOLT, hexagon socket head	6	M8-30L
12	YG9-00920-71-1G	. BOLT, hexagon socket head	1	M8-160L
	91316-08160	. BOLT, hexagon socket head	1	M8-160L
13	YG9-00913-37-1G	. BEARING (6006C3)	1	
	93306-00608	. BEARING (6006C3)	1	
14	YG9-00006-35-1G	. CIRCLIP (S-30)	1	
	93410-30012	. CIRCLIP (S-30)	1	
15	YG9-00930-37-3G	. BEARING, tapered roller	1	
	93332-00022	. BEARING, tapered roller	1	
16	YG4-11709-90-0G	. WASHER, plate (25.4-37-6)	1	
	90201-25634	. WASHER, plate (25.4-37-6)	1	
17	YG4-11710-60-0G	. SPACER, expansion	1	
	1J7-17571-Y0	. SPACER, expansion	1	
18	YG9-00042-66-1G	. O-RING (3-68)	1	
	93210-68347	. O-RING (3-68)	1	

Fig. 12 MIDDLE DRIVE GEAR



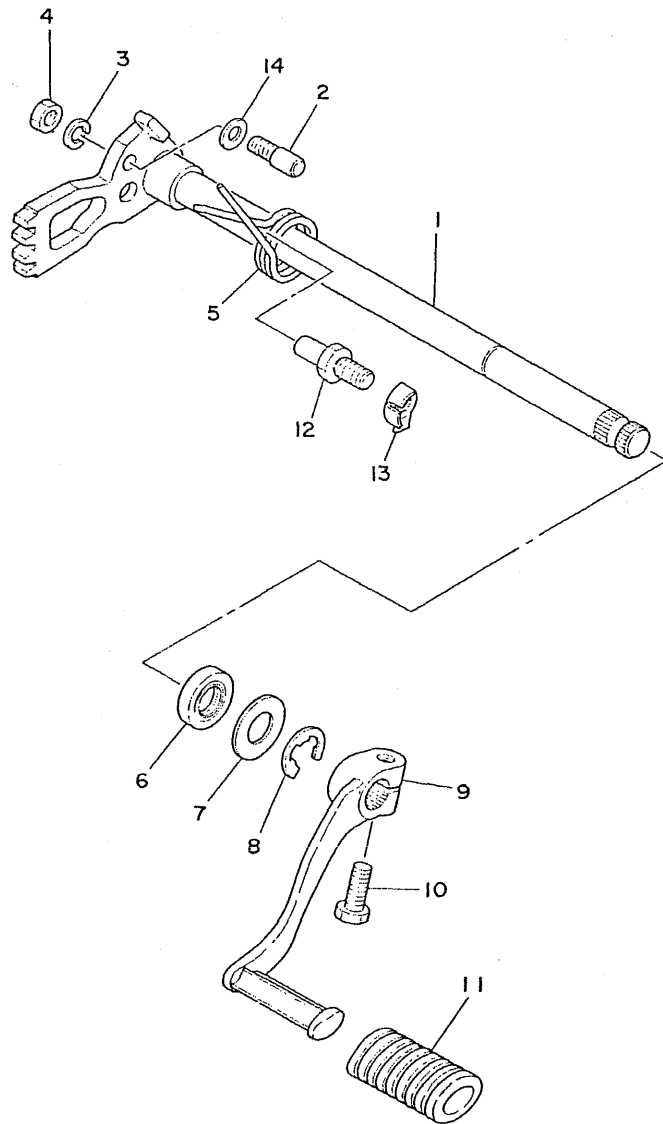
Ref.No.	Part No.	Description	Q'ty	Remarks
12-19	YG4-11710-70-0G	. SHIM, pinion (0.10)	} U.R. 2	
	1J7-17531-Y0-10	. SHIM, pinion (0.10)		
	YG4-11708-90-0G	. SHIM, pinion (0.15)		
	1J7-17531-Y0-15	. SHIM, pinion (0.15)		
	YG4-11707-70-0G	. SHIM, pinion (0.30)		
	1J7-17531-Y0-30	. SHIM, pinion (0.30)		
20	YG4-11011-40-0G	. HOUSING, bearing	1	⇩
	1J7-17551-Y0	. HOUSING, bearing	1	
21	YG9-00906-17-3G	. BEARING, tapered roller	1	⇩
	93332-00023	. BEARING, tapered roller	1	
22	YG9-00930-76-0G	. OIL SEAL (S-35-63-16.5)	1	⇩
	93101-35085	. OIL SEAL (S-35-63-16.5)	1	
23	YG4-11706-50-1G	. FLANGE, middle gear	1	⇩
	1J7-17555-Y0	. FLANGE, middle gear	1	
24	YG4-11709-40-0G	. WASHER, plate (14.1-32-5)	1	⇩
	90201-14633	. WASHER, plate (14.1-32-5)	1	
25	YG9-00001-62-7G	. NUT, self locking	1	⇩ M14-P1.5
	90185-14070	. NUT, self locking	1	M14-P1.5
26	YG9-00006-61-5G	. PLUG, oil inlet	1	⇩
	90340-14046	. PLUG, oil inlet	1	
27	YG9-00027-26-2G	. GASKET	1	⇩
	214-11198-01	. GASKET	1	
28	1J7-17518-00	GASKET, middle gear case	1	
29	91830-21014	PIN, dowel (6.4-10-14)	1	
30	91316-08035	BOLT, hexagon socket head	1	
31	91316-08060	BOLT, hexagon socket head	3	
32	91316-08100	BOLT, hexagon socket head	2	
33	341-23469-00	CAP, plug	1	
34	90465-08114	CLAMP, harness (1J7-81629-00)	1	
35	1J7-46181-10	LABEL, oil caution	1	

Fig. 13 SHIFTER 1



Ref.No.	Part No.	Description	Q'ty	Remarks
13- 1	1J7-18540-01	SHIFT CAM ASS'Y	1	
2	93604-08071	. PIN, dowel (4-8)	1	
3	93604-18058	. PIN, dowel (4-17.8)	4	
4	93315-23612	. BEARING	1	
5	93440-34025	. CIRCLIP (34φ special)	1	
6	1J7-18561-00	. PLATE, side	1	
7	98701-05012	. SCREW, flathead	1	
8	1J7-18141-02	PLATE, stopper	1	
9	93410-30012	CIRCLIP (S-30)	1	
10	1J7-18547-00	STOPPER, cam	1	
11	90501-10196	SPRING, compression	1	
12	90430-14106	GASKET	1	
13	90149-14112	SCREW	1	
14	90109-10527	BOLT	1	
15	90215-10145	WASHER, lock	1	
16	1J7-18531-00	BAR, shift fork guide 1	1	
17	1J7-18512-00	FORK, shift 2	1	
18	1J7-18513-00	FORK, shift 3	1	
19	90250-08017	PIN, cam follower (278-18552-00)	3	
20	647-45533-00-10	WASHER, plate (12-22-1.0)	1	
21	93430-10016	CIRCLIP (E-10)	3	
22	1J7-18535-00	BAR, shift fork guide 2	1	
23	1J7-18511-00	FORK, shift 1	1	
24	1J7-18197-00	SHAFT, shift lever	1	
25	92701-06018	SCREW, flathead	2	
26	1J7-18122-01	LEVER, shift 2	1	
27	93430-09019	CIRCLIP (E-9)	1	
28	90508-10312	SPRING, torsion	1	
29	1J7-18151-00	LEVER, shift 3	1	
30	93430-07012	CIRCLIP (E-7)	1	

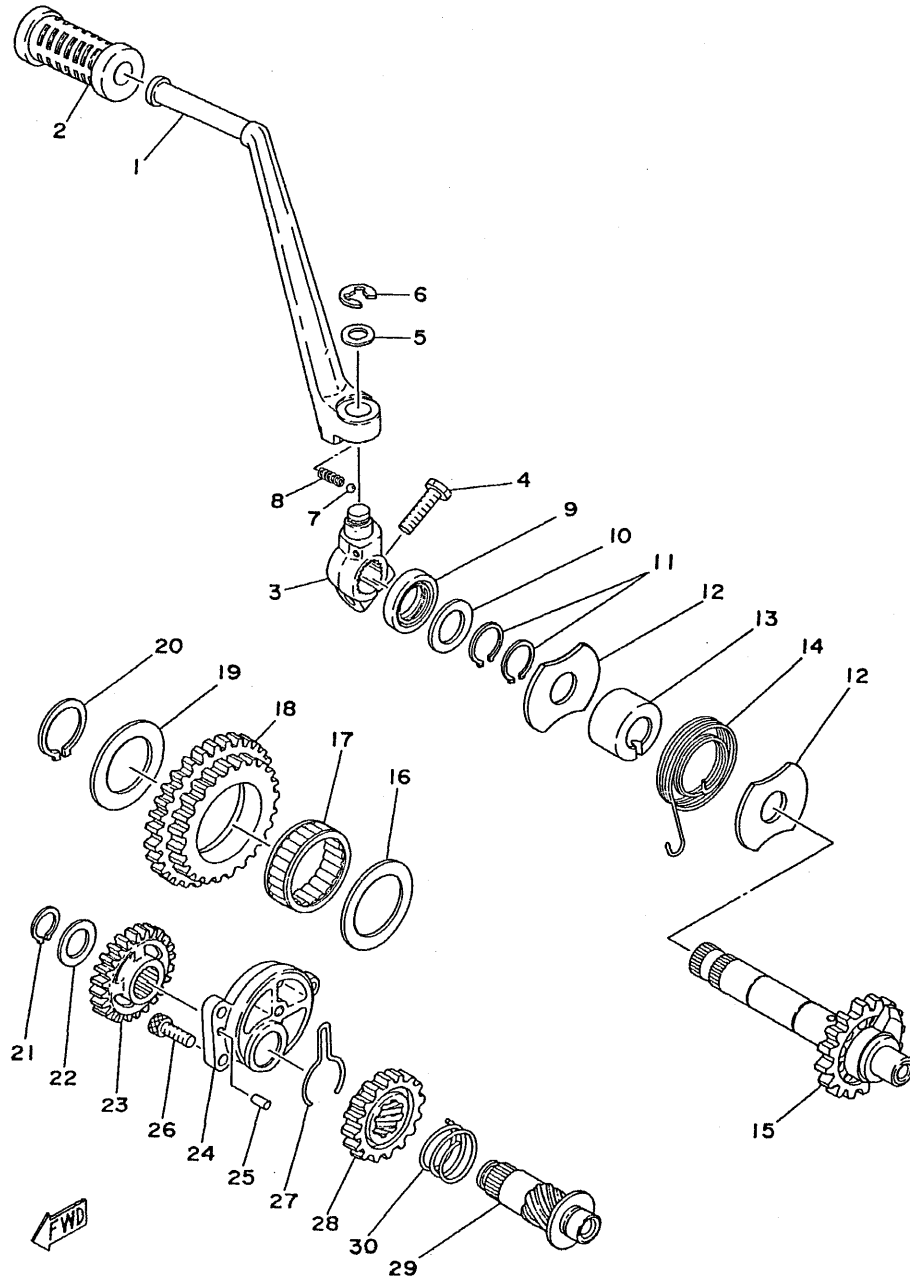
Fig. 14 SHIFTER 2



Ref.No.	Part No.	Description	Q'ty	Remarks
14- 1	1J7-18101-01	SHIFT SHAFT ASS'Y	1	
2	90149-06017	SCREW, adjusting (214-18186-00)	1	
3	92901-06100	WASHER, spring	1	
4	95301-06600	NUT, hexagon	1	
5	90508-32052	SPRING, shaft return (214-18124-00)	1	
6	93102-12106	OIL SEAL (SD-12-22-5)	1	
7	90201-12575	WASHER, plate	1	12.1-25.8-1.6
8	93430-10016	CIRCLIP (E-10)	1	
9	1J7-18111-01-93	PEDAL, shift	1	
10	97301-06020	BOLT, hexagon	1	
11	132-18113-01	COVER, shift pedal	1	
12	90109-08441	SCREW, stopper	1	
13	248-18139-09	WASHER, lock	1	
14	90201-06636	WASHER, plate	1	

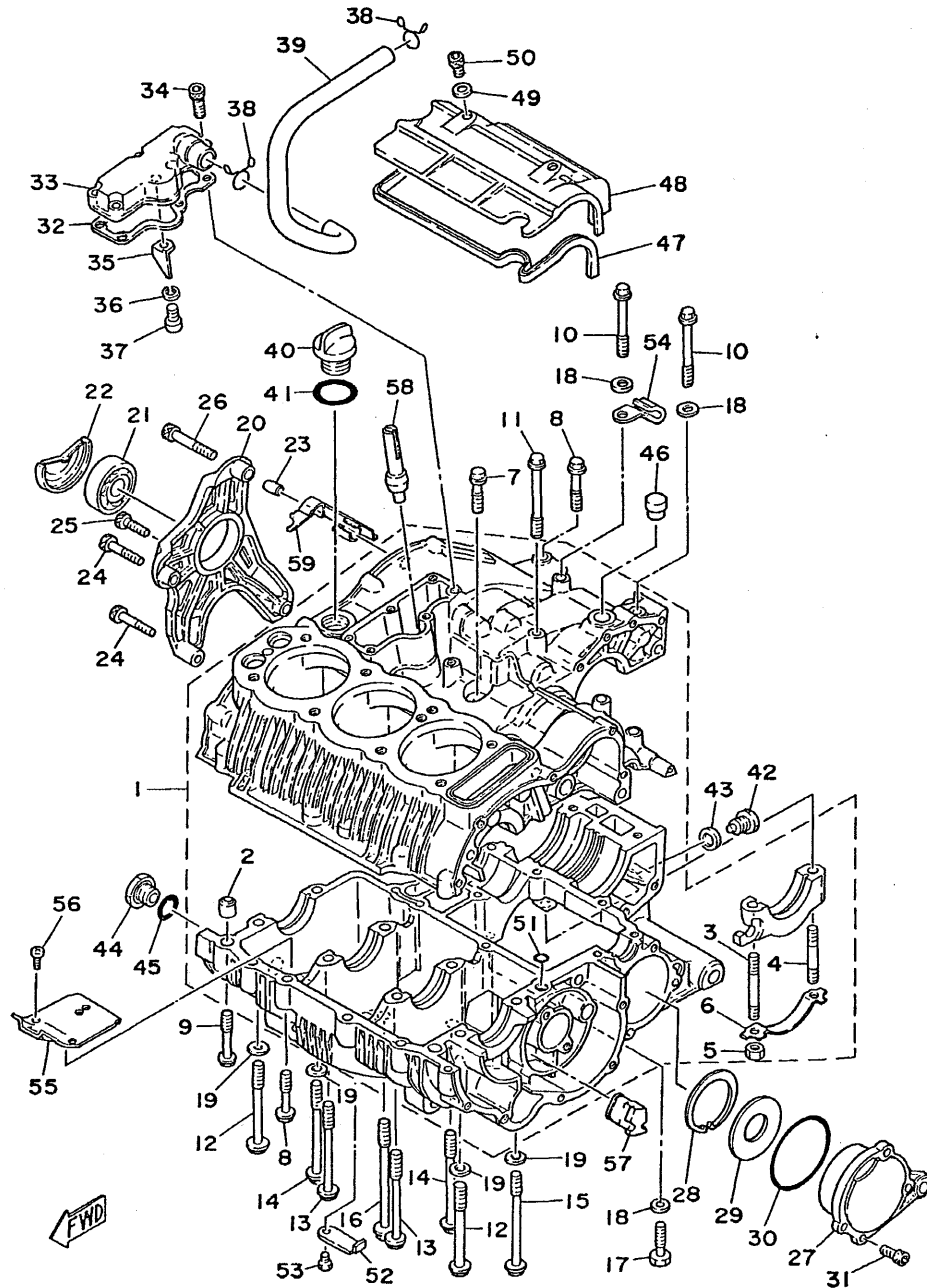
FWD

Fig. 15 KICK STARTER



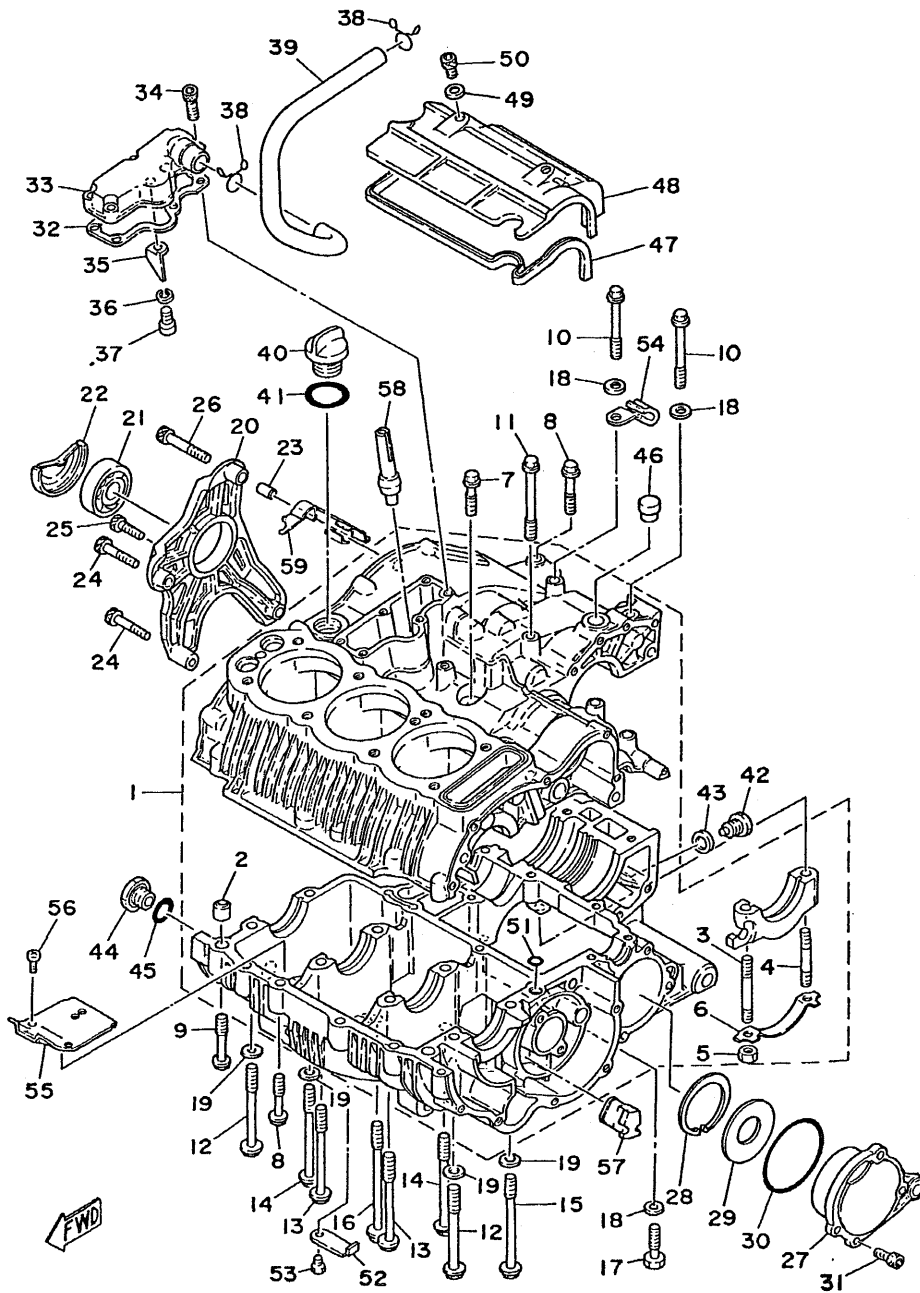
Ref.No.	Part No.	Description	Q'ty	Remarks
15- 1	2F3-15611-00-93	CRANK, kick	1	
2	156-15618-01	COVER, kick lever	1	
3	278-15621-00	BOSS, kick crank	1	
4	97321-08030	BOLT	1	
5	90201-15340	WASHER, plate	1	15.5-25-1.6
6	93430-10016	CIRCLIP (E-10)	1	
7	93507-32009	BALL (7/32 inch)	1	
8	90501-12081	SPRING, compression (278-15622-00)	1	
9	93102-20108	OIL SEAL (SD-20-30-7)	1	
10	90201-20722	WASHER, plate	1	
11	93410-20009	CIRCLIP (S-20)	2	
12	278-15676-00	COVER, kick spring	2	
13	371-15666-00	SPACER	1	
14	90508-30051	SPRING, torsion (278-15665-00)	1	
15	1J7-15660-00	KICK SHAFT ASS'Y (22T)	1	
16	1J7-15644-00	SHIM, kick shaft 1	1	40.3-54-0.8
17	93311-84026	BEARING	1	
18	1J7-15650-00	KICK IDLE GEAR ASS'Y (38/30T)	1	
19	1J7-15645-00	SHIM, kick shaft 2	1	35.3-54-0.8
20	93410-35027	CIRCLIP (S-35)	1	
21	93410-17037	CIRCLIP (S-17)	1	
22	150-17417-00-10	SHIM	1	17-25-1.0
23	1J7-15516-01	GEAR, kick 4 (20T)	1	
24	1J7-15654-00	HOLDER, kick gear	1	
25	93604-10011	PIN, dowel (4-10)	1	
26	91318-06020	BOLT, hexagon socket head	3	
27	90468-26066	CLIP, special	1	
28	1J7-15527-02	GEAR, kick 5 (21T)	1	
29	1J7-15659-01	SHAFT, kick 2	1	
30	90501-15469	SPRING, compression	1	

Fig. 16 CRANKCASE



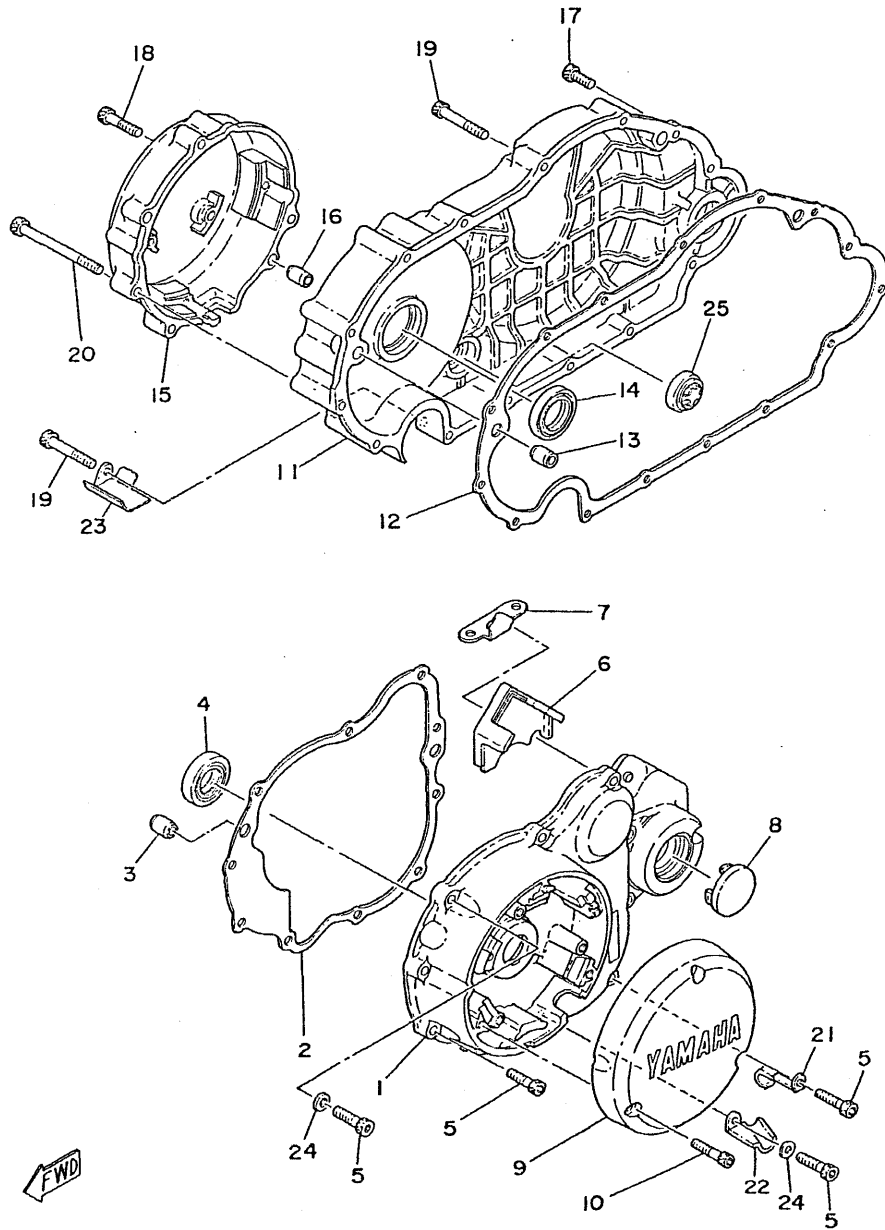
Ref.No.	Part No.	Description	Q'ty	Remarks
16- 1	1J7-15100-01	CRANKCASE ASS'Y	1	
2	91830-22016	. PIN, dowel (12-8.4-16)	2	
3	90116-08229	. BOLT, stud	1	M8-74.5L
4	90116-08230	. BOLT, stud	1	M8-64L
5	90170-08158	. NUT	2	
6	2K3-15186-00	. WASHER, plate	1	
7	95821-08035	BOLT, flange	1	
8	95821-08045	BOLT, flange	11	
9	95821-08050	BOLT, flange	1	
10	95821-08075	BOLT, flange	3	
11	95821-08085	BOLT, flange	1	
12	95821-10095	BOLT, flange	2	
13	95821-10100	BOLT, flange	2	
14	95821-10105	BOLT, flange	2	
15	95821-10115	BOLT, flange	1	
16	95821-10125	BOLT, flange	1	
17	97321-08040	BOLT	1	
18	90201-08382	WASHER, plate	3	
19	90201-10128	WASHER, plate (341-83909-00)	4	
20	1J7-15442-01	HOUSING, bearing	1	
21	93306-30418	BEARING (B6304)	1	
22	2F3-15449-01	RING, rubber	1	
23	91810-03014	PIN, dowel (8.5-10-15)	2	
24	91316-08040	BOLT, hexagon socket head	2	
25	91316-08025	BOLT, hexagon socket head	1	
26	91316-08050	BOLT, hexagon socket head	1	
27	1J7-15164-03	HOUSING, bearing	1	
28	93420-65052	CIRCLIP	1	
29	90201-31662	WASHER, plate	1	
30	93210-71315	O-RING (1.9-71)	1	
31	91316-06020	BOLT, hexagon socket head	4	
32	1J7-11169-00	GASKET, breather cover	1	
33	2F3-11168-00	COVER, breather	1	

Fig. 16 CRANKCASE



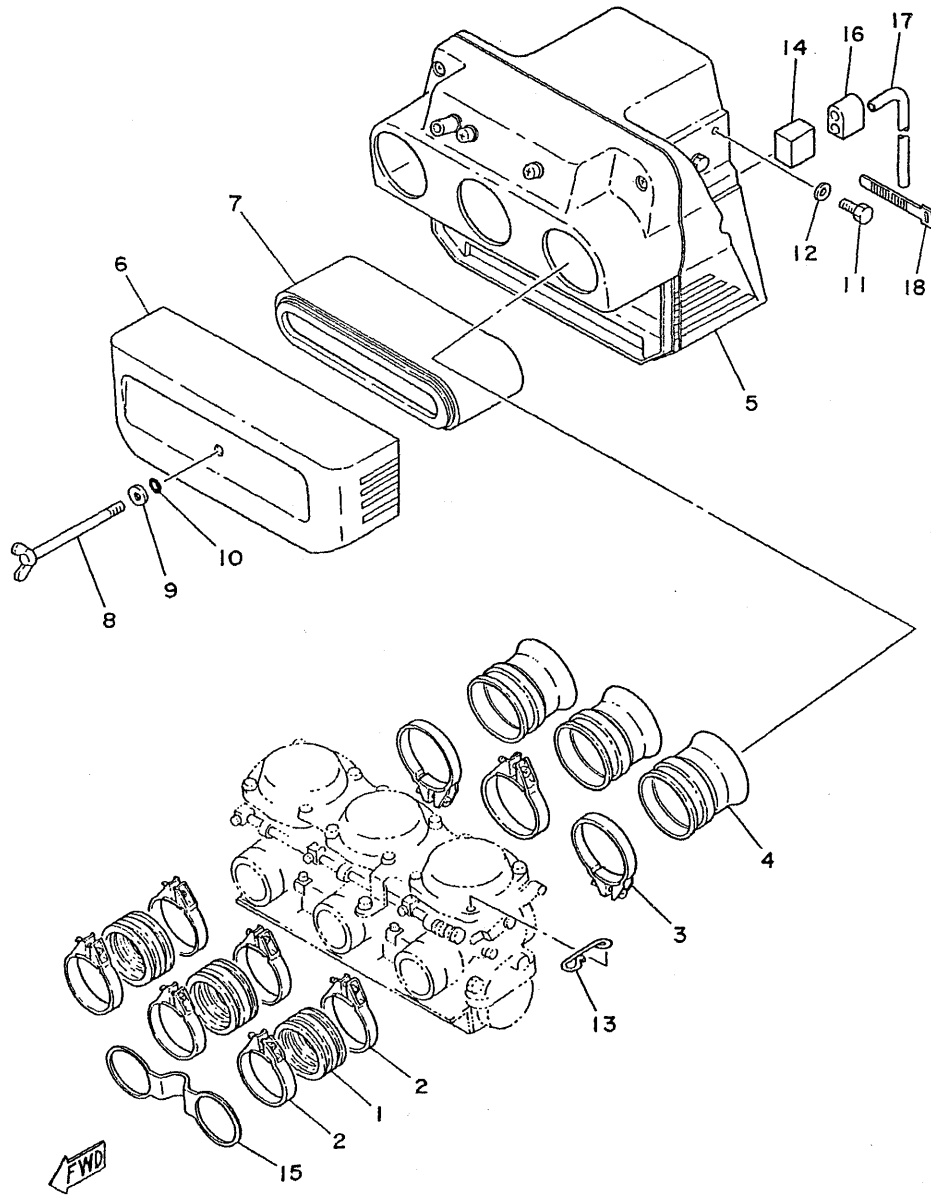
Ref.No.	Part No.	Description	Q'ty	Remarks
16-34	91316-06025	BOLT, hexagon socket head	6	
35	1J7-11165-00	PLATE, breather	1	
36	92901-06100	WASHER, spring	1	
37	92501-06015	SCREW, panhead	1	
38	90467-14015	CLIP	2	
39	2F3-11166-00	PIPE, breather	1	
40	2F3-15363-00	PLUG, oil level	1	
41	93210-29198	O-RING (3.1-29.4)	1	
42	90340-14042	PLUG, straight screw	1	
43	214-11198-01	GASKET	1	
44	90401-18042	BOLT, union	1	
45	93210-18319	O-RING (2.2-18)	1	
46	2H7-17590-00	BREATHER COMP.	1	
47	1J7-15446-00	SEAL, starting motor cover	1	
48	1J7-15436-00	COVER, starting motor	1	
49	92906-06200	WASHER, plain	2	
50	91316-06012	BOLT, hexagon socket head	2	
51	93210-09350	O-RING (1.9-8.8)	1	
52	90465-08112	CLAMP, harness (1J7-81666-00)	3	
53	97301-06010	BOLT	3	
54	90465-08017	CLAMP	1	
55	2F3-15123-00	PLATE, baffle	3	
56	90167-05002	SCREW, panhead tapping	9	
57	2F3-15167-00	PLUG, blind	1	
58	2F3-15358-20	SEPARATOR, oil	1	
59	2F3-15432-01	COLLECTOR, oil	1	

Fig. 17 CRANKCASE COVER



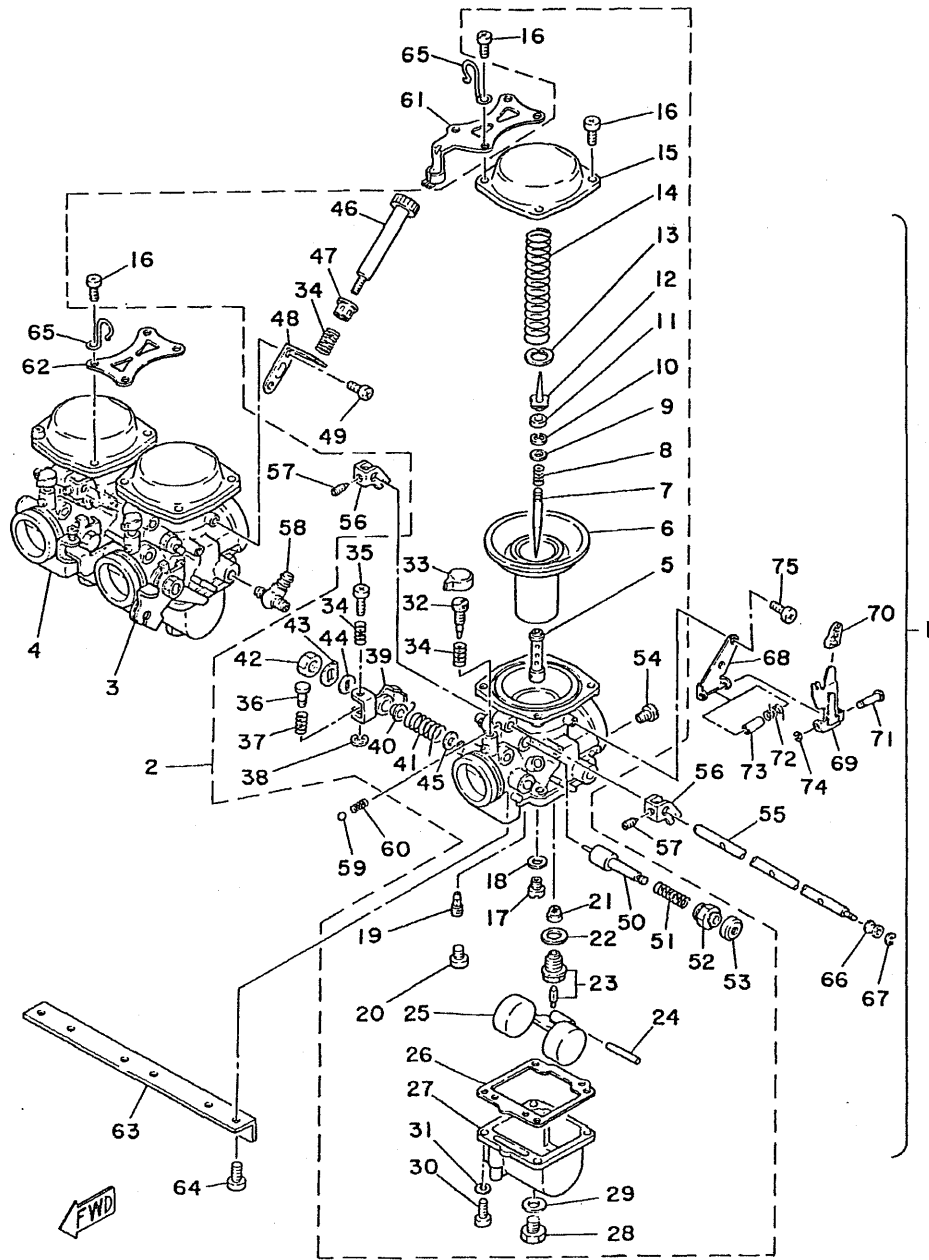
Ref.No.	Part No.	Description	Q'ty	Remarks
17- 1	1J7-15410-00	CRANKCASE COVER ASS'Y, left	1	
2	1J7-15461-00	GASKET, crankcase cover left	1	
3	91810-03014	PIN, dowel (8.5-10-15)	2	
4	93102-24154	OIL SEAL (SD-24-40-7.4)	1	
5	91316-06025	BOLT, hexagon socket head	11	
6	1J7-15474-00	SEAL, air dust	1	
7	1J7-15497-00	PLATE, dust seal	1	
8	1J7-15417-02	COVER, cap	1	
9	1J7-15416-00	COVER, breaker plate	1	
10	91316-06030	BOLT, hexagon socket head	3	
11	1J7-15431-11	COVER, crankcase right	1	
12	1J7-15451-00	GASKET, crankcase cover right	1	
13	91810-03014	PIN, dowel (8.5-10-14)	2	
14	93102-25153	OIL SEAL (SD-25-40-6)	1	
15	1J7-15415-01	COVER, generator	1	
16	91810-18016	PIN, dowel (6.4-8-16)	2	
17	91316-06018	BOLT, hexagon socket head	4	
18	91316-06030	BOLT, hexagon socket head	1	
19	91316-06040	BOLT, hexagon socket head	7	
20	91316-06080	BOLT, hexagon socket head	4	
21	90465-08116	CLAMP (1J7-81628-00)	2	
22	1T4-81624-00	CLAMP	1	
23	90465-10113	CLAMP (1J7-81665-01)	1	
24	92901-06600	WASHER, plate	2	
25	2H7-15631-00	GAUGE, oil level	1	

Fig. 18 INTAKE



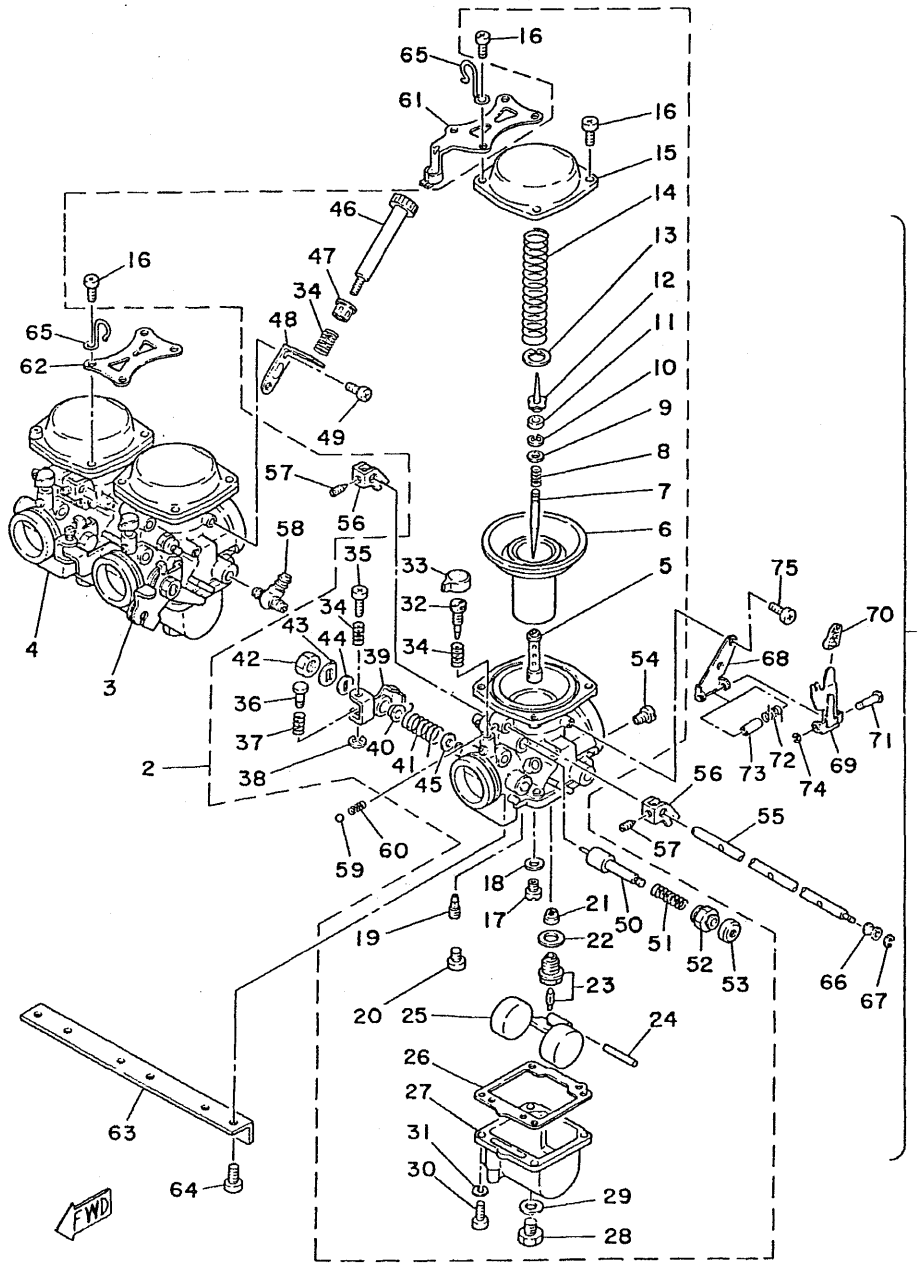
Ref.No.	Part No.	Description	Q'ty	Remarks
18- 1	2F3-13586-00	JOINT, carburetor	3	
2	90460-54085	CLAMP, hose	6	
3	90460-58124	CLAMP, hose	3	
4	2F3-14453-00	JOINT, air cleaner	3	
5	2F3-W1441-04	AIR CLEANER CASE COMP.	1	
6	2F3-14422-00	CAP, air cleaner case	1	
7	2F3-14451-00	ELEMENT, air cleaner	1	
8	90122-06006	BOLT, wing	1	
9	92901-06200	WASHER, plain	1	
10	93210-06257	O-RING (1.9-5.8)	1	
11	97301-06020	BOLT, hexagon	4	
12	92901-06600	WASHER, plate	4	
13	90468-20083	CLIP	1	
14	2F3-14452-01	SEAL	1	
15	90465-08120	CLAMP	1	
16	2F3-14445-00	GROMMET	1	
17	90445-07434	HOSE	1	
18	341-26397-00	BAND	1	

Fig. 19 CARBURETOR



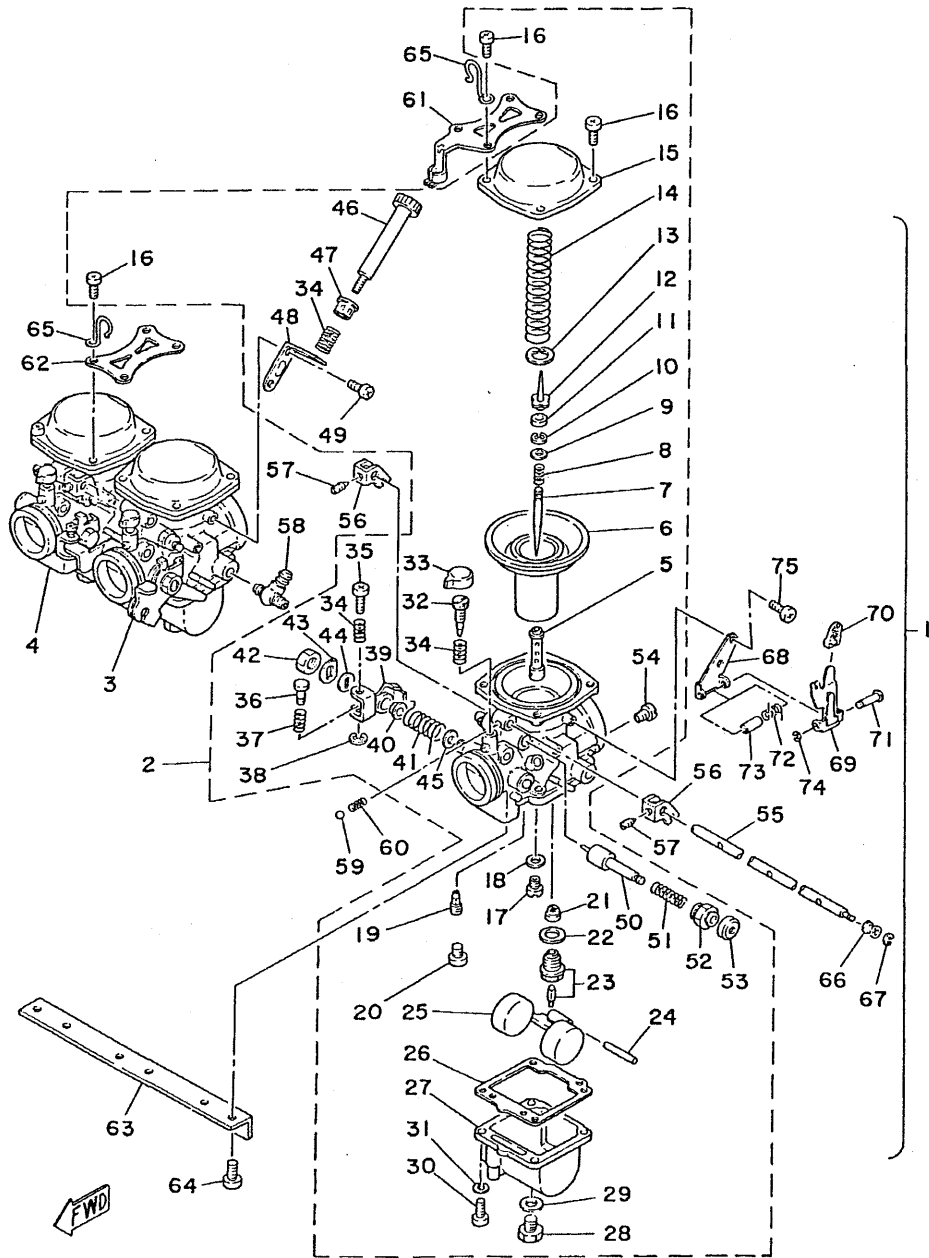
Ref.No.	Part No.	Description	Q'ty	Remarks
19- 1	2F9-14900-00	CARBURETOR ASS'Y	1	
2	2F9-14901-00	. CARBURETOR ASS'Y, left	1	
3	2F9-14902-00	. CARBURETOR ASS'Y, middle	1	
4	2F9-14903-00	. CARBURETOR ASS'Y, right	1	
5	2F3-14941-90	.. NOZZLE, main (Y-0)	3	
6	2F3-14940-00	.. DIAPHRAGM ASS'Y	3	
7	2F3-14116-06	.. NEEDLE (5HX6-4)	3	
8	2F0-14589-00	.. SPRING, needle	3	
9	2F3-14952-00	.. WASHER	3	
10	256-14919-00	.. CLIP, needle	3	
11	2F0-14918-00	.. RING, needle	3	
12	2F3-14946-00	.. PLATE SET, needle	3	
13	2F0-14919-00	.. CIRCLIP	3	
14	1M0-14933-00	.. SPRING, diaphragm	3	
15	2F3-14958-00	.. COVER, diaphragm	3	
16	98501-05016	.. SCREW, panhead	12	
17	620-14231-25	.. JET, main (#125)	3	U.R. STD
	620-14231-26	.. JET, main (#130)		
	620-14231-28	.. JET, main (#140)		
18	137-14153-00	.. WASHER	3	
19	256-14142-42	.. JET, pilot (#42.5)	3	
20	2A2-14991-00	.. SCREW, plug	3	
21	1J7-14994-00	.. NET, filter	3	
22	239-14195-00	.. WASHER, valve seat	3	
23	1J7-14190-20	.. VALVE SEAT ASS'Y (ø2.0)	3	
24	537-14186-00	.. PIN, float	3	
25	2A2-14985-00	.. FLOAT	3	
26	2A2-14984-01	.. GASKET, float chamber	3	
27	2A2-14981-06	.. BODY, float chamber	3	
28	1A8-14991-00	.. SCREW, plug	3	
29	1L9-14952-00	.. WASHER	3	
30	98501-05016	.. SCREW, panhead	12	
31	92901-05100	.. WASHER, spring	12	

Fig. 19 CARBURETOR



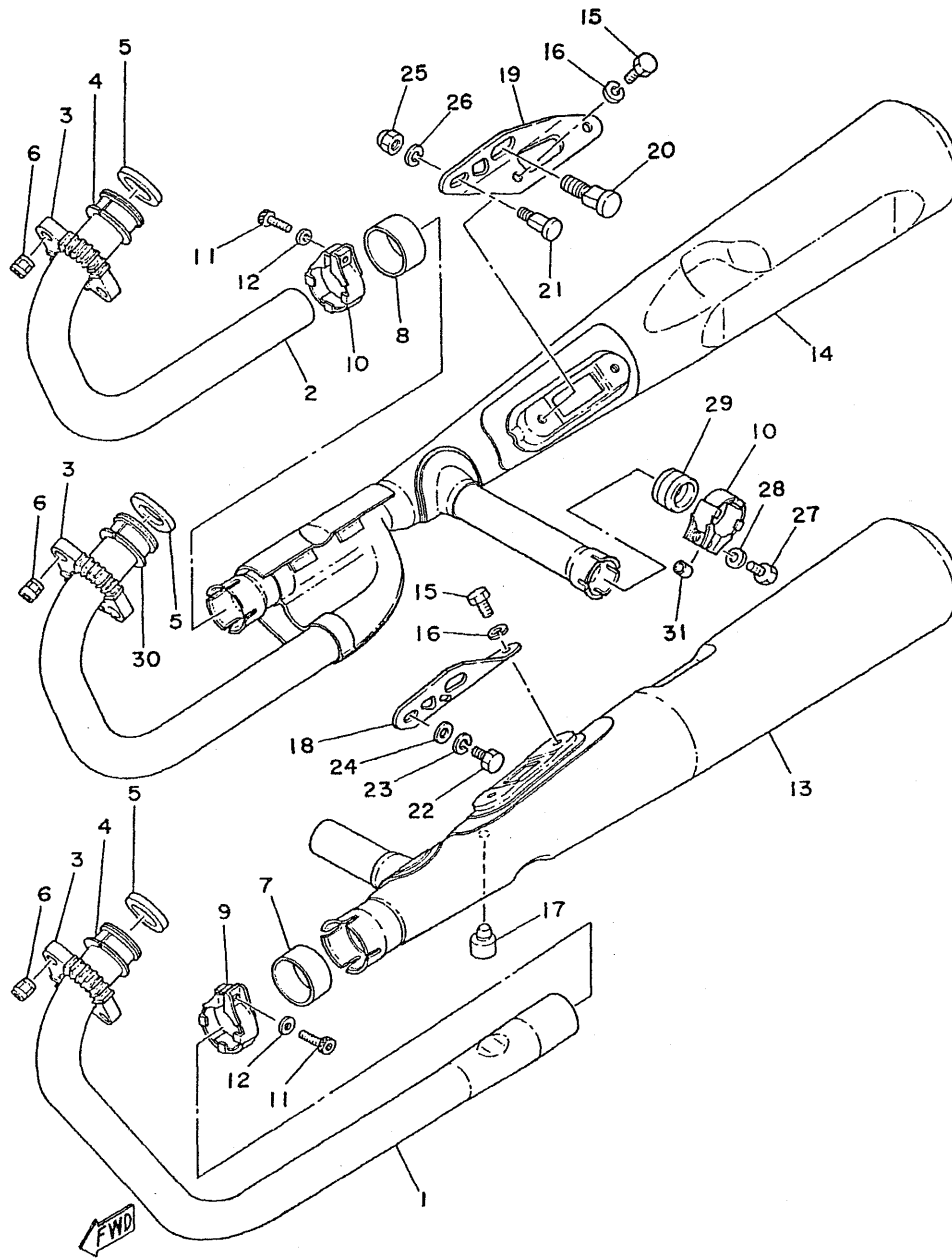
Ref.No.	Part No.	Description	Q'ty	Remarks
19-32	2A2-14923-00	.. SCREW, pilot	3	
33	8A7-14969-00	.. CAP, pilot screw	3	
34	256-14934-01	.. SPRING, pilot screw	6	
35	256-14922-01	.. SCREW, throttle stop	2	
36	584-14992-00	.. ROD, push	2	
37	584-14934-00	.. SPRING, adjust	2	
38	256-14937-00	.. CLIP	2	
39	2F3-14964-00	.. LEVER, throttle left	1	
	2F3-14913-00	.. LEVER, throttle middle	1	
	2F3-14963-00	.. LEVER, throttle right	1	
40	2A2-14918-00	.. RING	3	
41	2F3-14931-00	.. SPRING, throttle lever left	1	
	2A2-14932-00	.. SPRING, throttle lever middle	1	
	2F3-14932-00	.. SPRING, throttle lever right	1	
42	95301-12600	.. NUT	3	
43	256-14953-00	.. WASHER	3	
44	306-14970-00	.. COLLAR, spring	3	
45	2A2-14997-00	.. SEAL	3	
46	2A2-14922-00	.. ADJUSTER ASS'Y	1	
47	1J7-14998-00	.. BUSHING, adjuster	1	
48	2F3-14243-00	.. BRACKET	1	
49	98501-04008	.. SCREW, panhead	2	
50	2A2-14171-00	.. PLUNGER STARTER ASS'Y	3	
51	256-14135-00	.. SPRING, plunger	3	
52	2A2-14174-00	.. CAP, plunger	3	
53	2A2-14173-00	.. COVER, plunger cap	3	
54	2A2-14172-36	.. JET, air pilot (#180)	3	
55	2F3-14977-00	.. SHAFT, starter lever	1	
56	2A2-14905-00	.. LEVER, starter	3	
57	2F3-14991-00	.. SCREW	3	
58	1J7-14988-00	.. NIPPLE	2	
59	93501-08001	.. BALL (1/8 inch)	2	
60	583-14589-00	.. SPRING	2	

Fig. 19 CARBURETOR



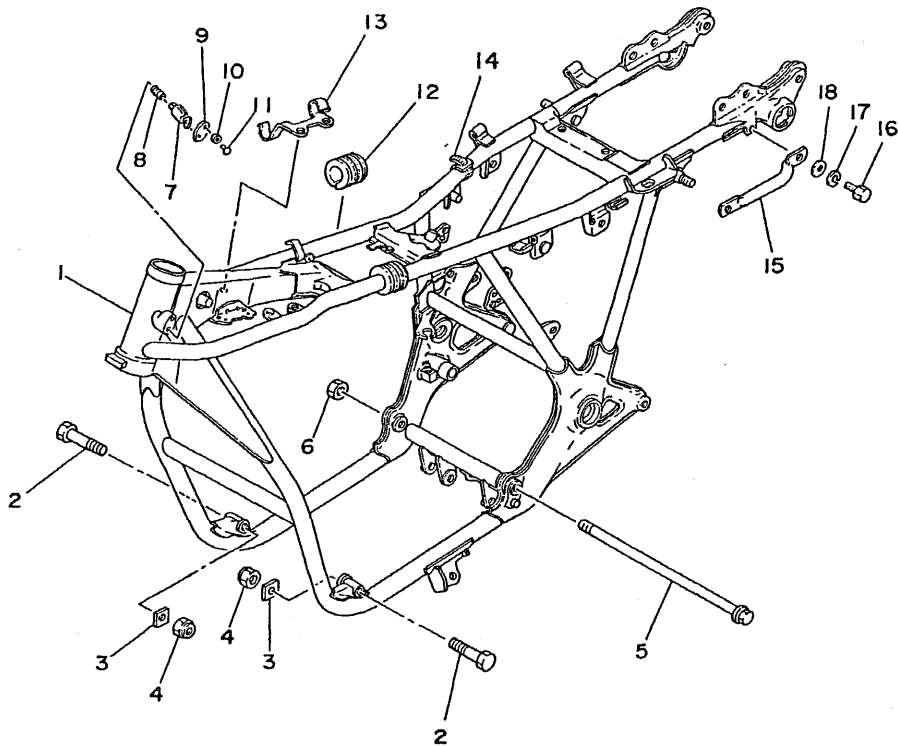
Ref.No.	Part No.	Description	Q'ty	Remarks
19-61	2F3-14926-00	. THROTTLE BRACKET ASS'Y	1	
62	1J7-14243-00	. PLATE, upper	1	
63	1J7-14146-00	. PLATE, lower	1	
64	92501-06015	. SCREW, panhead	6	
65	90462-13032	. CLIP	2	
66	2F3-14998-00	. BUSHING, starter lever 2	1	
67	737-14137-00	. CLIP, starter lever 2	1	
68	2F3-14995-00	. BRACKET, starter lever 1	1	
69	2F3-14975-00	. LEVER, starter 1	1	
70	2F3-14968-00	. CAP, starter lever	1	
71	2F3-14386-00	. PIN, starter lever 1	1	
72	2F3-14938-00	. SPRING, starter lever 1	1	
73	2F3-14996-00	. PIPE, starter lever 1	1	
74	2F3-14919-00	. CLIP, starter lever 1	1	
75	98501-04008	. SCREW, panhead	2	

Fig. 20 EXHAUST



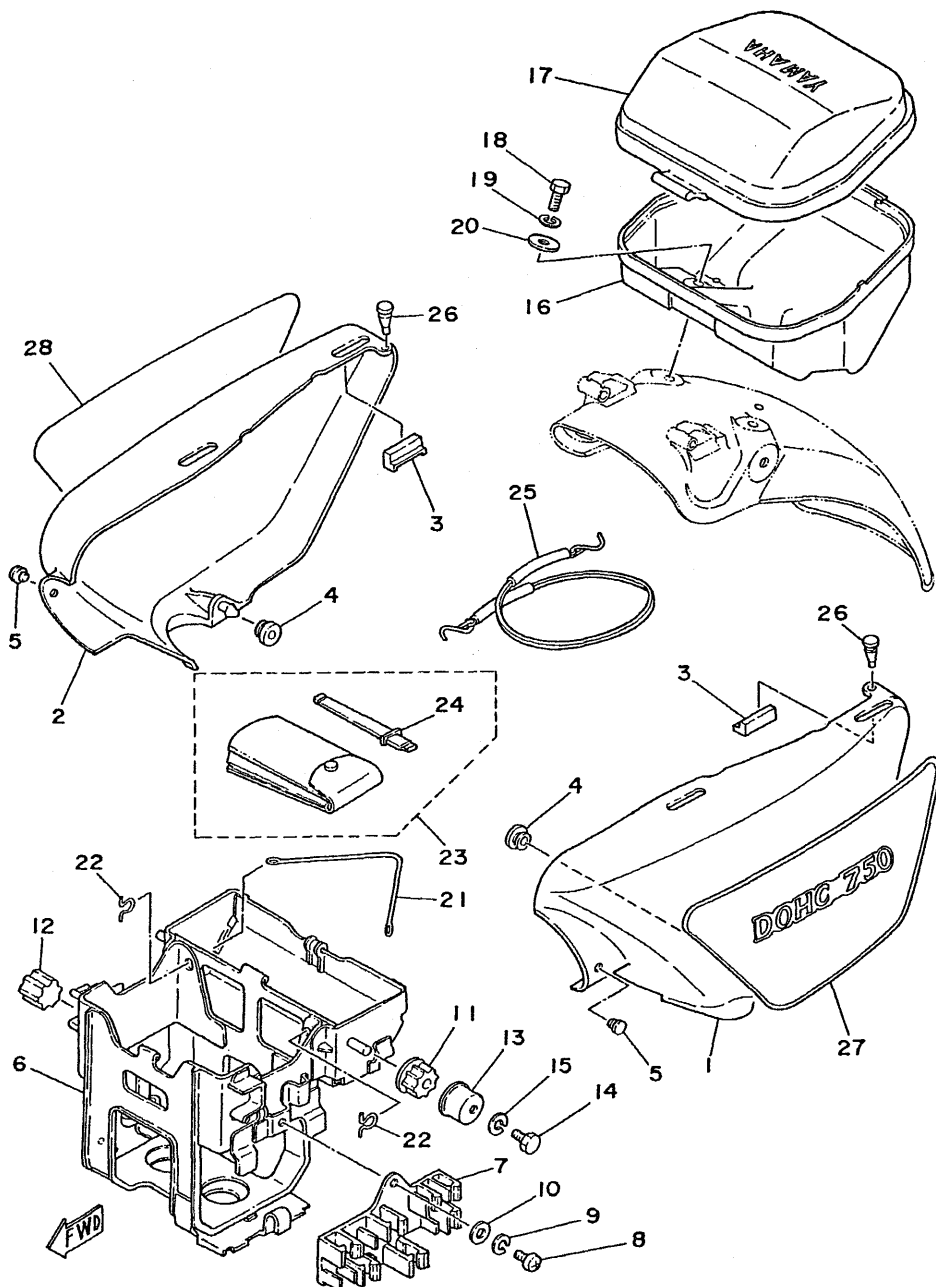
Ref.No.	Part No.	Description	Q'ty	Remarks
20- 1	2K3-14611-00	PIPE, exhaust left	1	
2	2K3-14631-00	PIPE, exhaust right	1	
3	1J7-14612-01	NUT, ring	3	
4	1J7-14614-00	FLANGE, exhaust pipe	4	
5	341-14613-00	GASKET, exhaust	3	
6	90179-08004	NUT	6	
7	1T4-14714-00	GASKET, muffler joint	1	
8	1J7-14714-00	GASKET, muffler joint	1	
9	1T4-14788-00	BAND, silencer	1	
10	1L9-14788-00	BAND, silencer	2	
11	91316-06025	BOLT, hexagon socket head	2	
12	92901-06600	WASHER, plate	2	
13	2F3-14711-03	MUFFLER, left	1	
14	2K3-14702-10	MUFFLER, right	1	
15	97321-08016	BOLT, hexagon	4	
16	92901-08100	WASHER, spring	4	
17	278-27114-00	STOPPER, main stand	1	
18	1T4-27442-00	STAY, muffler left	1	
19	1T4-27443-00	STAY, muffler right	1	
20	1T4-27434-00	BOLT, special 1	1	
21	1T4-27435-00	BOLT, special 2	1	
22	97321-08020	BOLT, hexagon	1	
23	92901-08100	WASHER, spring	1	
24	92901-08600	WASHER, plain	1	
25	95301-08800	NUT, crown	1	
26	92901-08100	WASHER, spring	1	
27	97311-06025	BOLT, hexagon	1	
28	92901-06600	WASHER, plate	1	
29	1L9-14714-01	GASKET, muffler joint	1	
30	2K3-14614-00	FLANGE, exhaust pipe	2	
31	90387-06628	COLLAR	1	

Fig. 21 FRAME



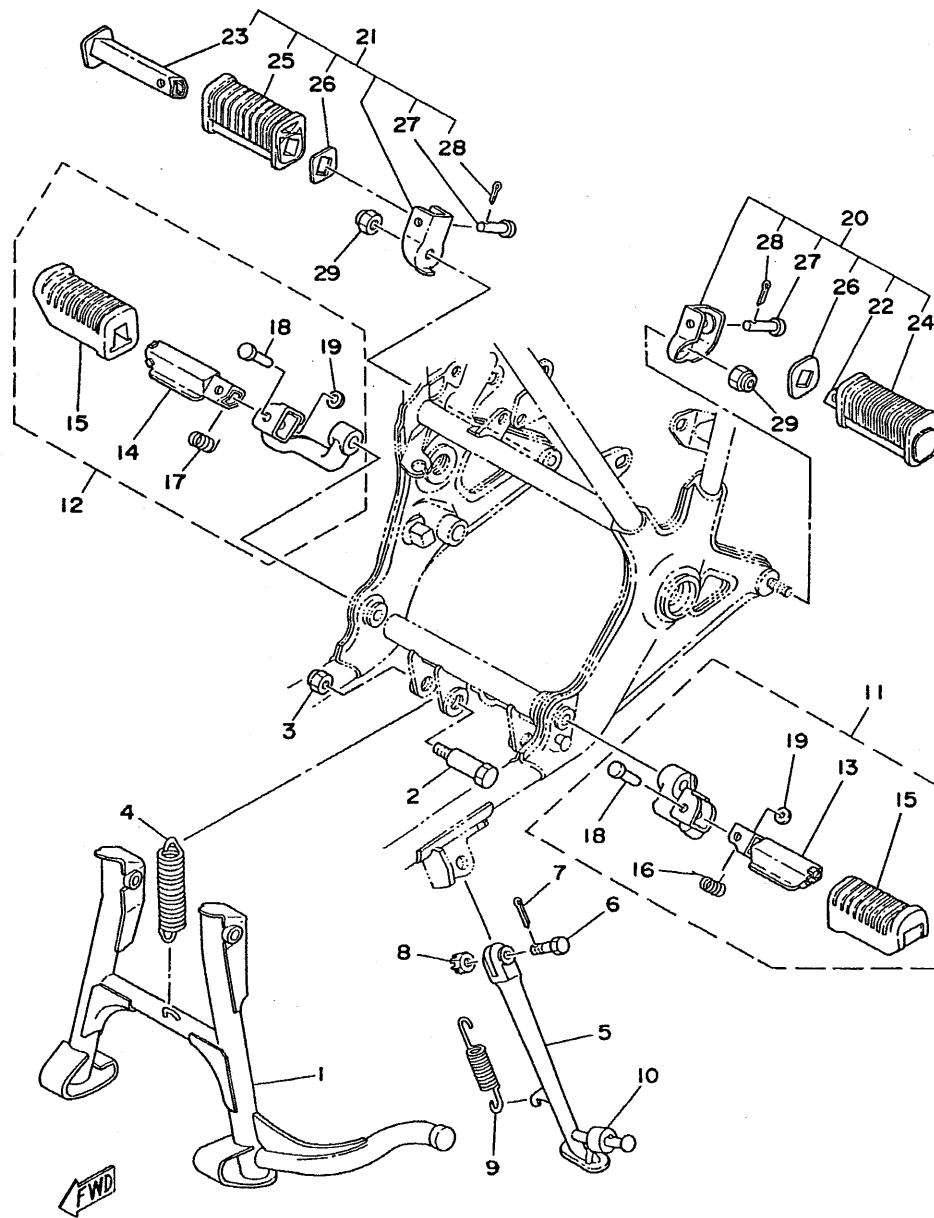
Ref.No.	Part No.	Description	Q'ty	Remarks
21- 1	1T4-21110-01-33	FRAME COMP.	1	Yamaha Black
	2K3-21110-20-33	FRAME COMP.	1	Yamaha Black Exclusive for Australia
2	95811-10070	BOLT, flange	2	
3	90209-10147	WASHER	2	
4	95601-10100	NUT U	2	
5	90109-12445	BOLT	1	
6	95611-12100	NUT U	1	
7	584-23408-00	STEERING LOCK ASS'Y	1	
8	90502-09024	SPRING, conical	1	
9	584-23484-01	CAP, handle lock	1	
10	90206-04003	WASHER, wave (214-23488-00)	1	
11	90269-04003	RIVET (214-23483-00)	1	
12	1J7-24183-02	DAMPER, locating 3	2	
13	1J7-82594-01	CLAMP, wire harness	1	
14	437-83936-10	BAND, switch cord	3	
15	1T5-21165-00	HANDLE, standing	1	
16	97321-06016	BOLT	1	
17	92901-06100	WASHER, spring	1	
18	92901-06600	WASHER, plain	1	

Fig. 22 SIDE COVER · BATTERY BOX



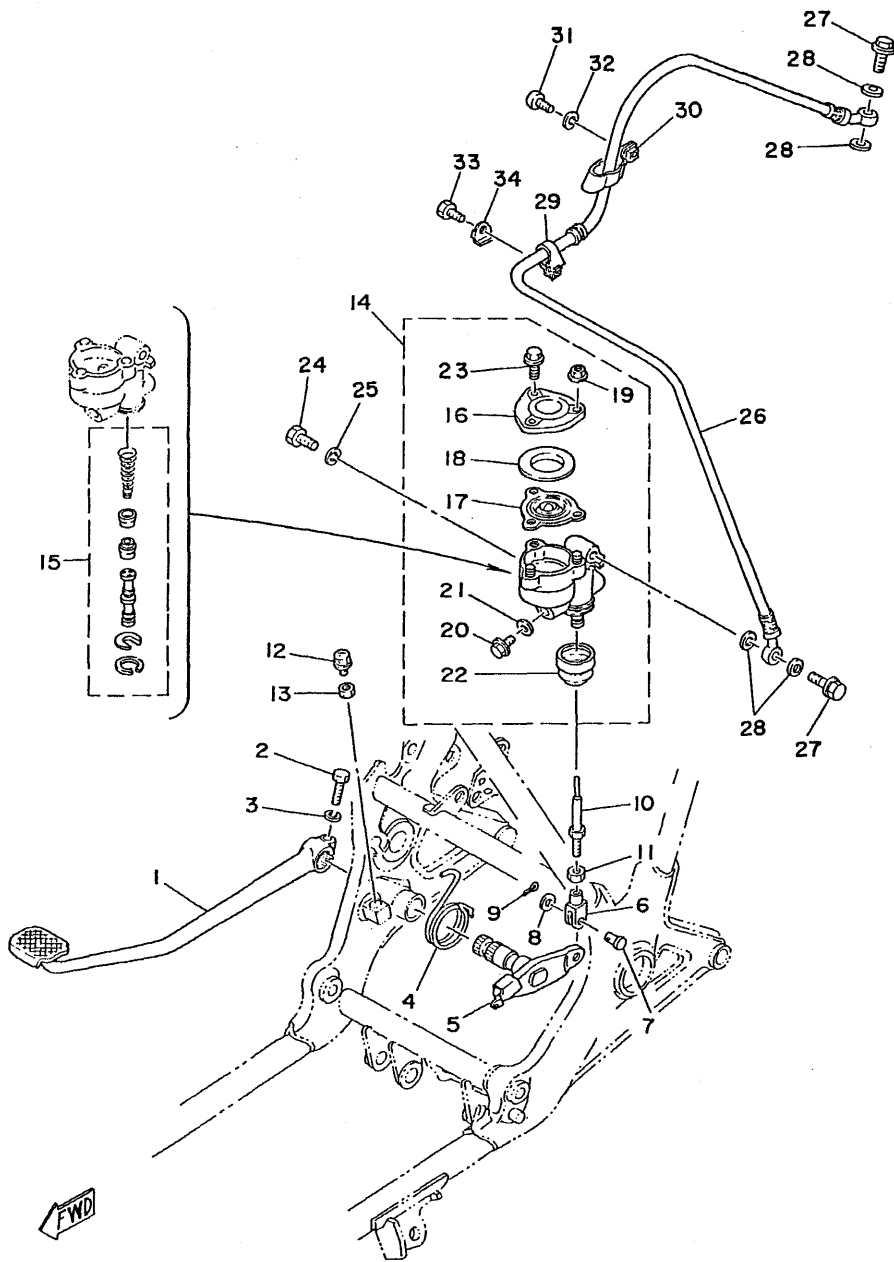
Ref.No.	Part No.	Description	Q'ty	Remarks
22- 1	2F3-21711-00-H7	COVER, side left	1	Vintage Burgundy
2	2F3-21721-00-H7	COVER, side right	1	Vintage Burgundy
3	360-21717-01	DAMPER, side cover	4	
4	90480-01141	GROMMET (371-21747-00)	2	
5	1J7-21717-00	DAMPER, side cover	2	
6	2F3-21170-00	BOX COMP.	1	
7	1J7-21794-00	HOLDER, coupler	1	
8	92501-06012	SCREW, panhead	1	
9	92901-06100	WASHER, spring	1	
10	92901-06600	WASHER, plate	1	
11	1J7-21746-00	DAMPER, battery box	2	
12	256-21729-00	DAMPER, front	2	
13	1J7-21798-00	BRACKET, damper	2	
14	97301-06010	BOLT, hexagon	2	
15	92901-06100	WASHER, spring	2	
16	1T4-2177A-00	BOX	1	
17	1T4-2177E-00	LID	1	
18	97301-06016	BOLT, hexagon	2	
19	92901-06100	WASHER, spring	2	
20	90201-06552	WASHER, plate	2	
21	256-21376-00	BAND, tool	1	
22	256-21366-00	HOOK, tool band	2	
23	1J7-28100-10	TOOL ASS'Y	1	
24	1J7-2815A-00	. GAUGE, oil level	1	for Middle and Final Gear Case
25	1T4-2814A-00	WIRE, tool	1	
26	90480-05201	GROMMET	2	
27	2F3-21781-20	EMBLEM, side cover left	1	
28	2F3-21782-20	EMBLEM, side cover right	1	

Fig. 23 STAND · FOOTREST



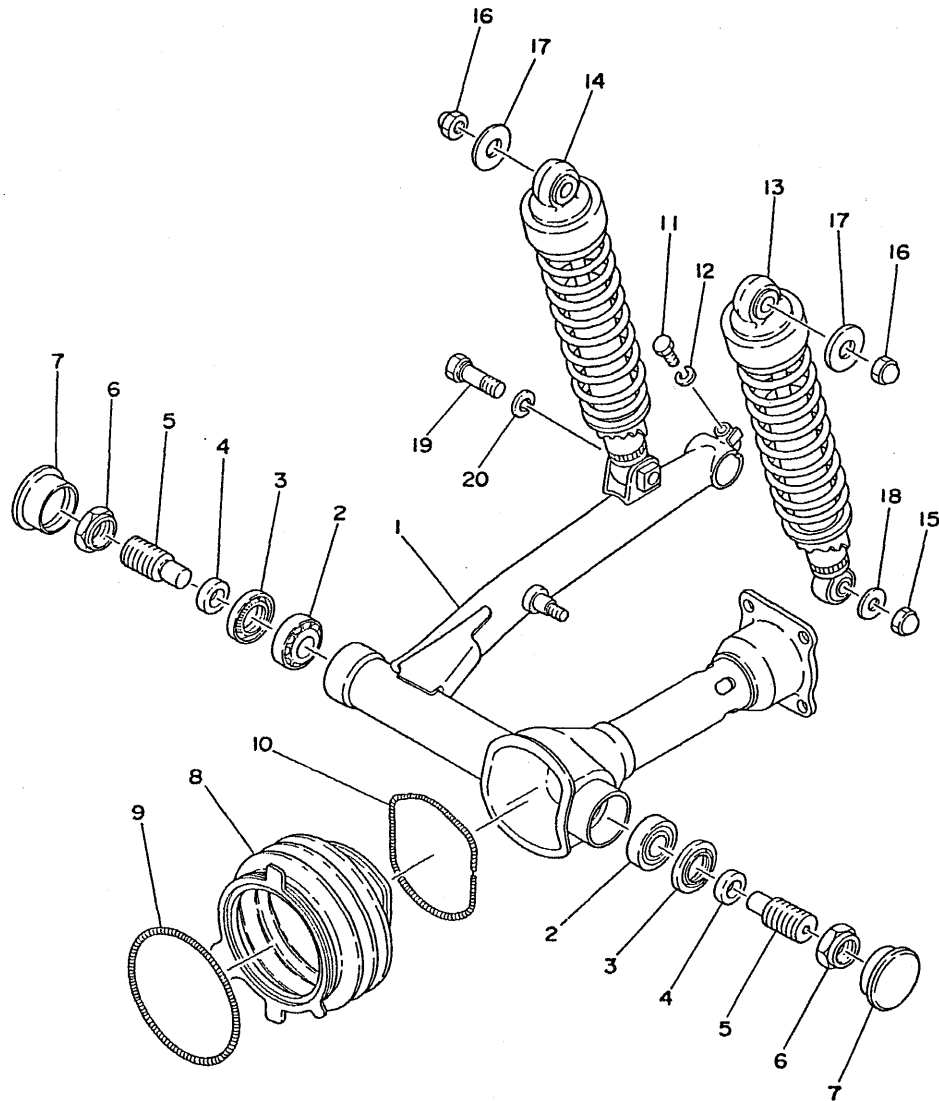
Ref.No.	Part No.	Description	Q'ty	Remarks
23- 1	1T4-27111-01	STAND, main	1	
2	90109-10440	BOLT	2	
3	95601-10100	NUT U	2	
4	90506-40145	SPRING, tension	1	
5	1J7-27311-01	STAND, side	1	
6	90102-10006	BOLT, side stand (278-27317-00)	1	
7	91401-20025	PIN, cotter	1	
8	90171-10012	NUT, castle	1	
9	90506-28146	SPRING, tension	1	
10	1T4-27314-00	STOPPER, side stand	1	
11	1J7-27410-02	FRONT FOOTREST ASS'Y, left	1	
12	1J7-27420-02	FRONT FOOTREST ASS'Y, right	1	
13	1J7-27451-00	. FOOTREST, front left	1	
14	1J7-27461-00	. FOOTREST, front right	1	
15	1J7-27413-01	. COVER, footrest	2	
16	90508-20154	. SPRING, torsion (371-27426-00)	1	
17	90508-20155	. SPRING, torsion (371-27456-00)	1	
18	90243-08006	. PIN (214-27418-00)	2	
19	90201-06042	. WASHER, plate (214-27417-00)	2	
20	1T4-27430-00	REAR FOOTREST ASS'Y, left	1	
21	1T4-27440-00	REAR FOOTREST ASS'Y, right	1	
22	447-27431-00	. FOOTREST, rear left	1	
23	447-27441-00	. FOOTREST, rear right	1	
24	1J7-27433-00	. COVER, rear footrest left	1	
25	1J7-27444-00	. COVER, rear footrest right	1	
26	90209-18070	. WASHER (447-27437-00)	2	
27	91701-06035	. PIN, clevis	2	
28	91401-16012	. PIN, cotter	2	
29	90185-12046	NUT U	2	

Fig. 24 BRAKE PEDAL · REAR MASTER CYLINDER



Ref.No.	Part No.	Description	Qty	Remarks
24- 1	1J7-27211-01-93	PEDAL, brake	1	
2	90109-06468	BOLT	1	
3	92901-06100	WASHER, spring	1	
4	90508-40314	SPRING, torsion	1	
5	1J7-27212-01	SHAFT, brake pedal	1	
6	1J3-27222-00	JOINT	1	
7	90240-08013	PIN, with hole	1	
8	90201-08083	WASHER, plate (156-27226-00)	1	
9	91401-16012	PIN, cotter	1	
10	1J7-27231-00	ROD, brake	1	
11	95301-08700	NUT, hexagon	1	
12	90153-06008	SCREW (341-27217-00)	1	
13	90170-06184	NUT, adjusting	1	
14	1J7-25850-52	MASTER CYLINDER ASS'Y, rear	1	
15	1J3-20000-50	. CYLINDER KIT, master rear	1	
16	1J3-25852-52	. CAP, reservoir rear	1	
17	1J3-25854-51	. DIAPHRAGM, reservoir	1	
18	1J3-25855-51	. BUSHING, diaphragm	1	
19	95701-05100	. NUT, flange	2	
20	90153-10015	. BOLT, plug	1	
21	90201-10610	. GASKET	1	
22	1J3-25862-51	. BOOT, master cylinder	1	
23	90105-05129	. BOLT	1	
24	97301-08025	BOLT, hexagon	2	
25	92901-08100	WASHER, spring	2	
26	1J7-25874-01	HOSE, rear brake	1	
27	90401-10034	BOLT, union	2	
28	90201-10118	WASHER, plain (306-25878-00)	4	
29	90461-10023	CLAMP 1	1	
30	90461-12021	CLAMP 2	1	
31	92506-06014	SCREW, panhead	1	
32	92906-06100	WASHER, spring	1	
33	97306-06012	BOLT	1	
34	90215-06128	WASHER, lock	1	

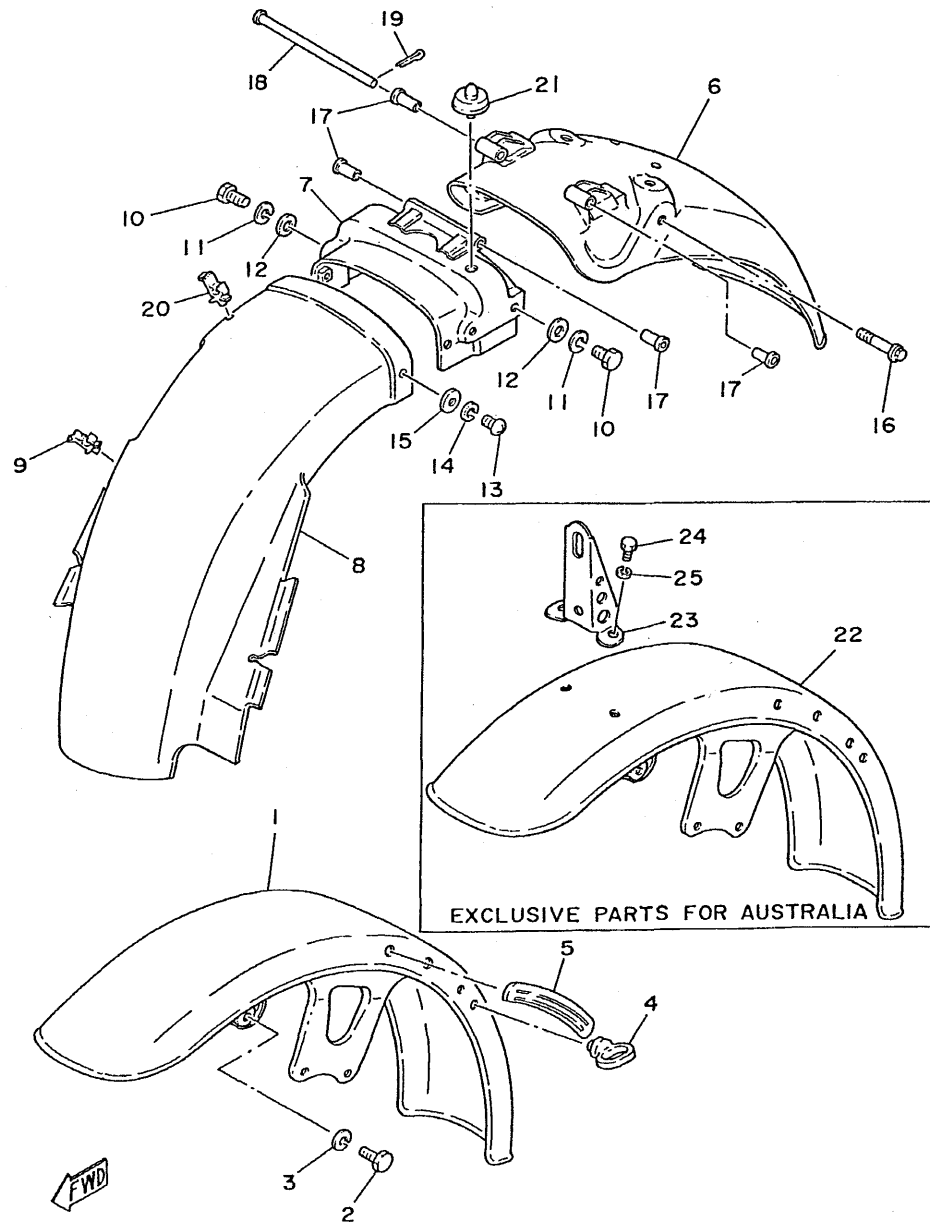
Fig. 25 REAR ARM · REAR CUSHION



Ref.No.	Part No.	Description	Q'ty	Remarks
25- 1	1J7-22110-03-33	REAR ARM COMP.	1	Yamaha Black
2	93332-00010	BEARING, tapered roller	2	
3	93102-25017	OIL SEAL (SD-25-40-5)	2	
4	90387-17543	COLLAR	2	17-25-7
5	1J7-22141-00	SHAFT, pivot	2	
6	1J7-22143-00	NUT, pivot shaft	2	
7	90338-34069	PLUG	2	
8	2H7-22189-00	BOOT, rubber	1	
9	90506-07136	SPRING, tension	1	
10	90506-07135	SPRING, tension	1	
11	97301-08035	BOLT, hexagon	1	
12	92901-08100	WASHER, spring	1	
13	1T4-22210-01	REAR CUSHION ASS'Y, left	1	
	1T5-22210-01	REAR CUSHION ASS'Y, left	1	Exclusive for Australia New Zealand
14	1T4-22210-11	REAR CUSHION ASS'Y, right	1	
	1T5-22210-11	REAR CUSHION ASS'Y, right	1	Exclusive for Australia New Zealand
15	90176-10013	NUT, cap	1	
16	90176-10009	NUT, cap	2	
17	90201-10142	WASHER	2	10.5-27-4.5
18	90201-10140	WASHER, plate (102-22243-00)	1	10.25-2.0
19	90106-10030	BOLT	1	
20	92903-10100	WASHER, spring	1	

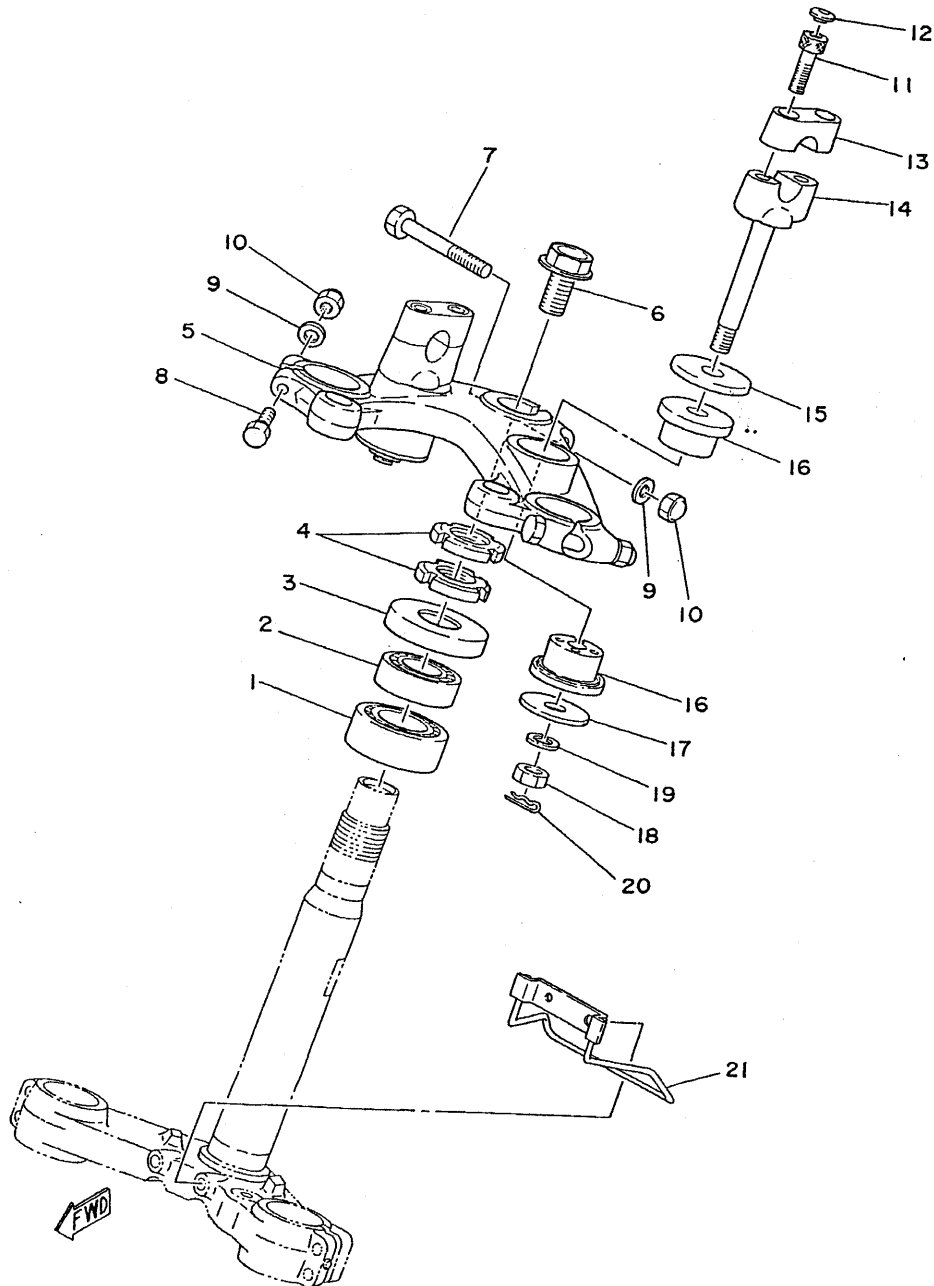


Fig. 26 FRONT FENDER · REAR FENDER



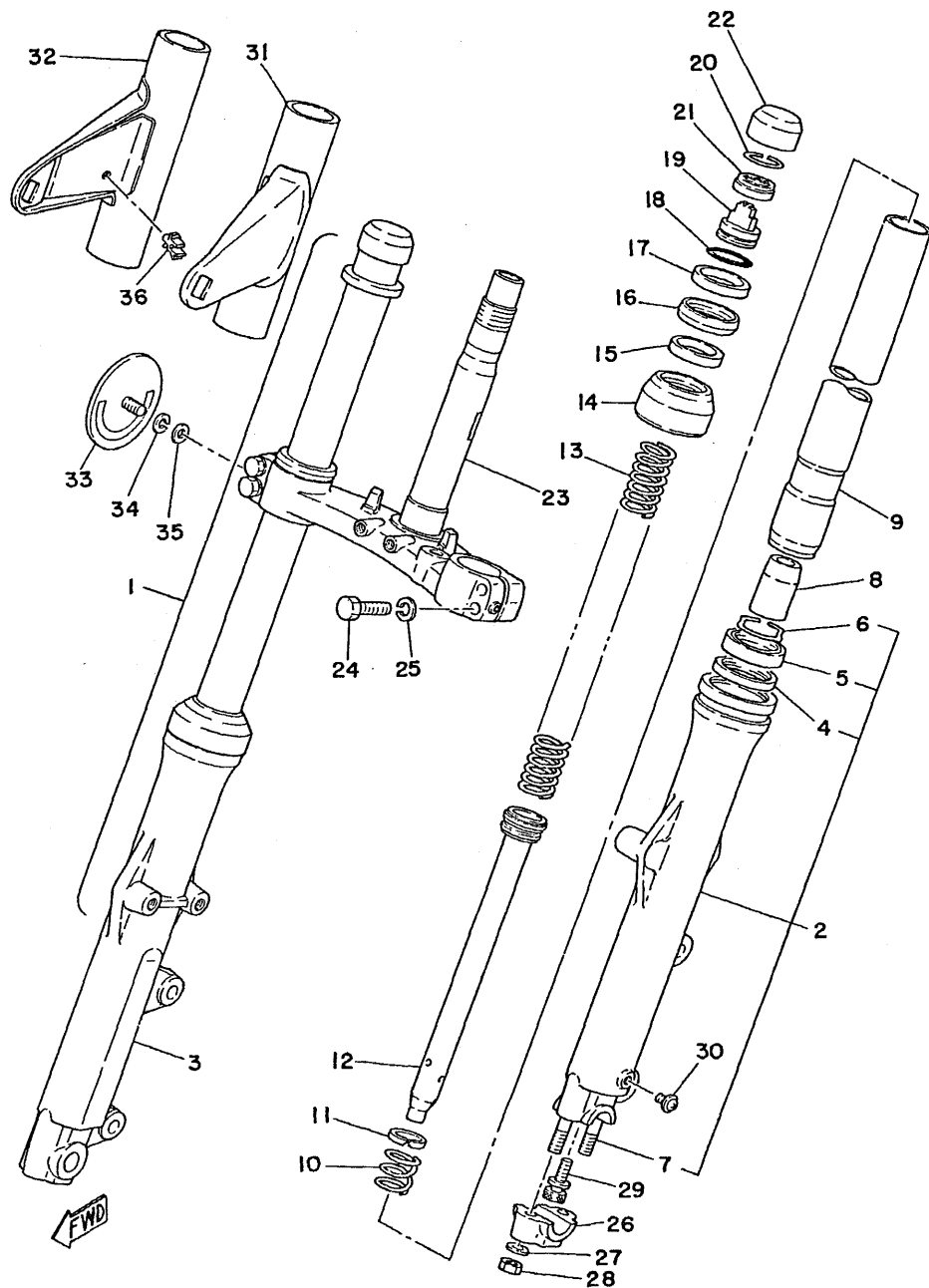
Ref.No.	Part No.	Description	Q'ty	Remarks
26- 1	1J7-21510-00-93	FRONT FENDER COMP.	1	
2	97321-08020	BOLT, hexagon	4	
3	92901-08100	WASHER, spring	4	
4	1A0-21518-00	HOLDER, wire	1	
5	1J7-21517-00	PAD, front fender	2	
6	1T4-21610-00-93	REAR FENDER COMP.	1	
7	1J7-21613-00	FENDER, rear 2	1	
8	1T4-21629-00	GUARD, mud	1	
9	90464-16021	CLAMP	4	
10	97321-06014	BOLT, hexagon	4	
11	92901-06100	WASHER, spring	4	
12	92901-06600	WASHER, plate	4	
13	92501-06010	SCREW, panhead	2	
14	92901-06100	WASHER, spring	2	
15	90201-06052	WASHER, plate (136-22316-00)	2	6.5-15-1.2
16	1J7-21631-00	BOLT, special	2	
17	1J7-21626-00	COLLAR, rear fender	4	
18	91701-06152	PIN, clevis	1	
19	91401-16012	PIN, cotter	1	
20	90464-16025	CLAMP	1	
21	1J7-21649-01	DAMPER, rear fender	1	
EXCLUSIVE PARTS FOR AUSTRALIA				
22	1J7-21510-10-93	FRONT FENDER COMP.	1	
23	1A6-21581-00	STAY, plate fitting	1	
24	97303-06010	BOLT, hexagon	2	
25	92903-06100	WASHER, spring	2	

Fig. 27 STEERING



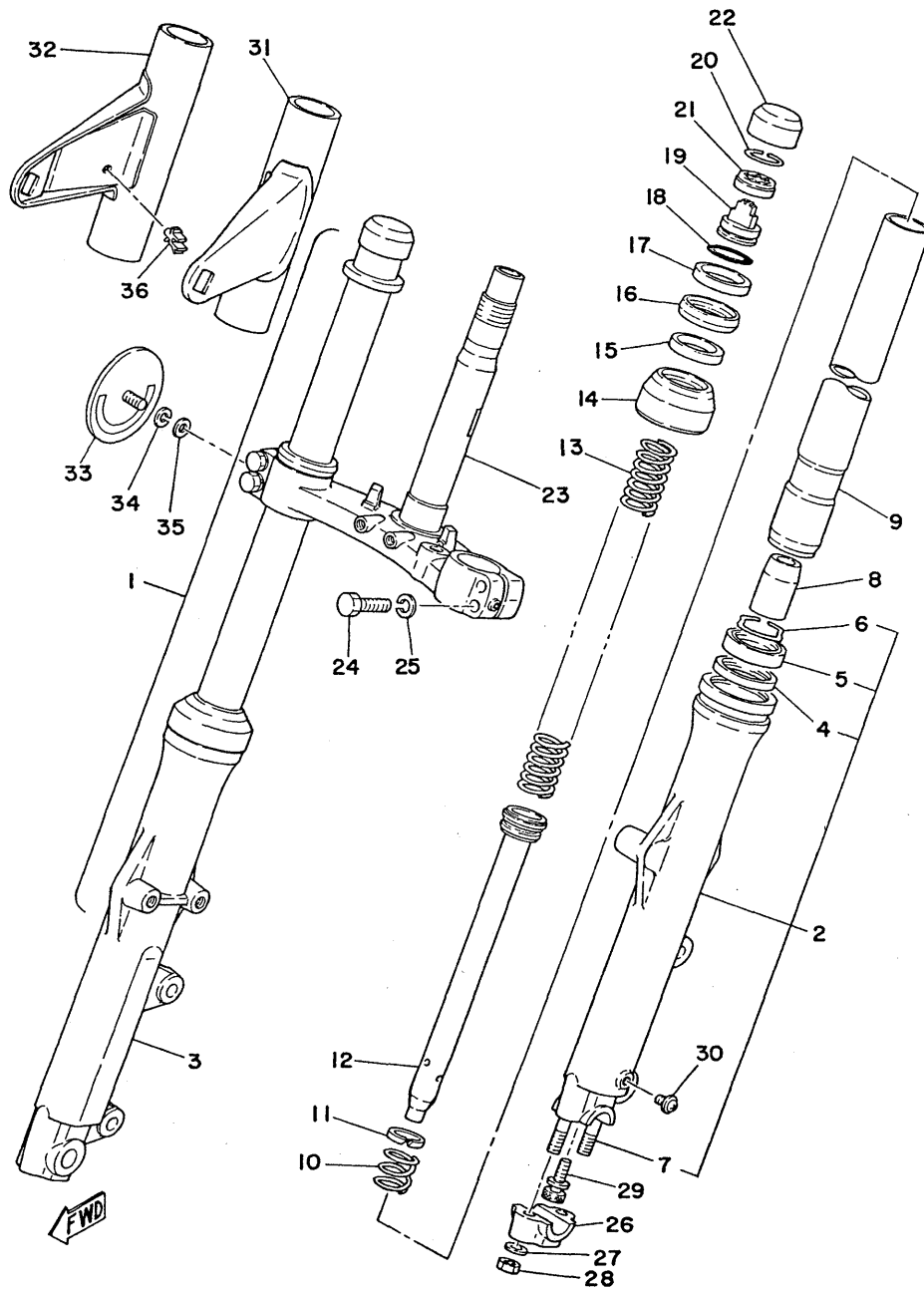
Ref.No.	Part No.	Description	Q'ty	Remarks
27- 1	93332-00008	BEARING, tapered roller	1	
2	93332-00001	BEARING, tapered roller	1	
3	1J7-23415-00	COVER, ball race 1	1	
4	90179-25033	NUT, fitting (137-23454-00)	2	
5	1T4-23435-01-98	CROWN, handle	1	Low Gloss Black
6	90105-14102	BOLT, washer based head hexagon	1	
7	97323-08065	BOLT, hexagon	1	
8	97323-08055	BOLT, hexagon	2	
9	92903-08600	WASHER, plate	3	
10	95303-08800	NUT, crown	3	
11	91316-08025	BOLT	4	
12	341-23469-00	CAP, bolt	4	
13	341-23441-00	HOLDER, handle upper	2	Low Gloss Black
14	1E6-23442-00	HOLDER, handle under	2	Low Gloss Black
15	90209-12151	WASHER	2	
16	1T4-23434-00	BUSHING, rubber	4	
17	90201-10149	WASHER, plate (256-23444-00)	2	
18	95301-10700	NUT, hexagon	2	
19	92901-10100	WASHER, spring	2	
20	90468-12006	CLIP (136-25375-00)	2	
21	1J7-26399-00	GUIDE, wire	1	

Fig. 28 FRONT FORK



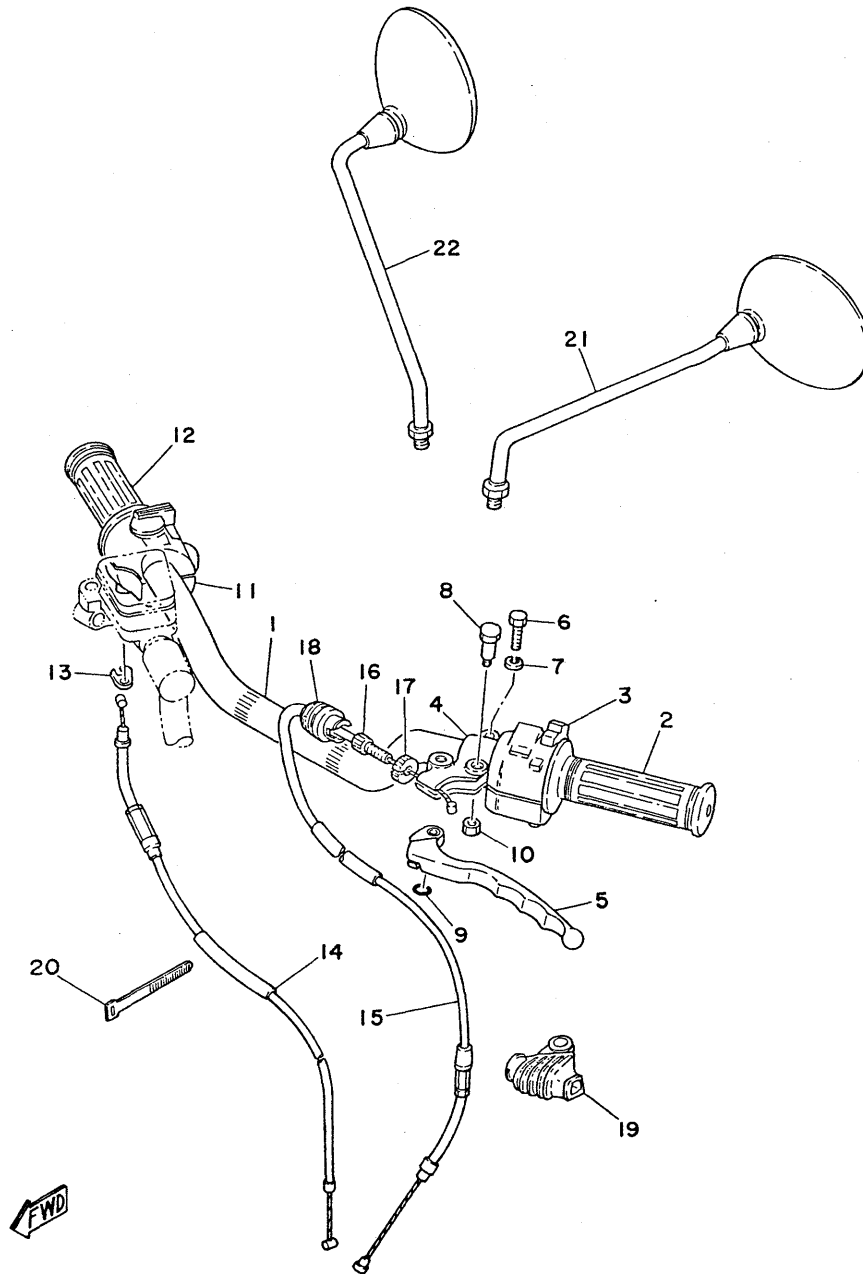
Ref.No.	Part No.	Description	Q'ty	Remarks
28- 1	2F3-23101-00	FRONT FORK ASS'Y	1	
2	1T4-23126-00	. FORK TUBE, outer left	1	
3	1T4-23136-00	. FORK TUBE, outer right	1	
4	1T4-23147-00	. . SEAL, spacer	2	
5	1T4-23145-00	. . OIL SEAL	2	
6	1J3-23156-00	. . STOPPER RING, oil seal	2	
7	90116-08260	. . BOLT, stud	2	Only left Tube
8	1J3-23166-00	. PIECE, oil lock	2	
9	2F3-23110-00	. INNER TUBE COMP.	2	
10	1J3-23151-00	. SPRING, rebound	2	
11	1T4-23157-00	. RING, front fork piston	2	
12	1T4-23170-00	. CYLINDER COMP., front fork	2	
13	2F3-23141-00	. SPRING, front fork	2	
14	1T4-23144-00	. SEAL, dust	2	
15	1J3-23163-00	. GASKET	2	
16	1T4-23116-00	. GUIDE, cover under	2	
17	1T4-23115-00	. GUIDE, cover upper	2	
18	2F3-23114-00	. O-RING, spring adjuster	2	
19	2F3-2311A-00	. ADJUSTER, spring	2	
20	1J3-23183-01	. RING, stopper	2	
21	2F3-23111-00	. SEAT, spring	2	
22	2F3-23168-00	. CAP, front fork	1	
23	1T4-23340-00-33	. UNDER BRACKET COMP.	1	Yamaha Black
24	97323-08040	. BOLT	4	
25	92901-08100	. WASHER, spring	4	
26	1J7-23167-00	. HOLDER, axle	1	
27	92901-08600	. WASHER, plate	2	
28	90185-08054	. NUT, nylon	2	
29	1E7-23181-00	. BOLT, hexagon socket head	2	
30	1E7-23119-00	. SCREW, drain	2	
31	1J7-23121-01-93	COVER, upper left	1	
32	1J7-23131-01-93	COVER, upper right	1	
33	355-85111-00	REFLECTOR	2	

Fig. 28 FRONT FORK



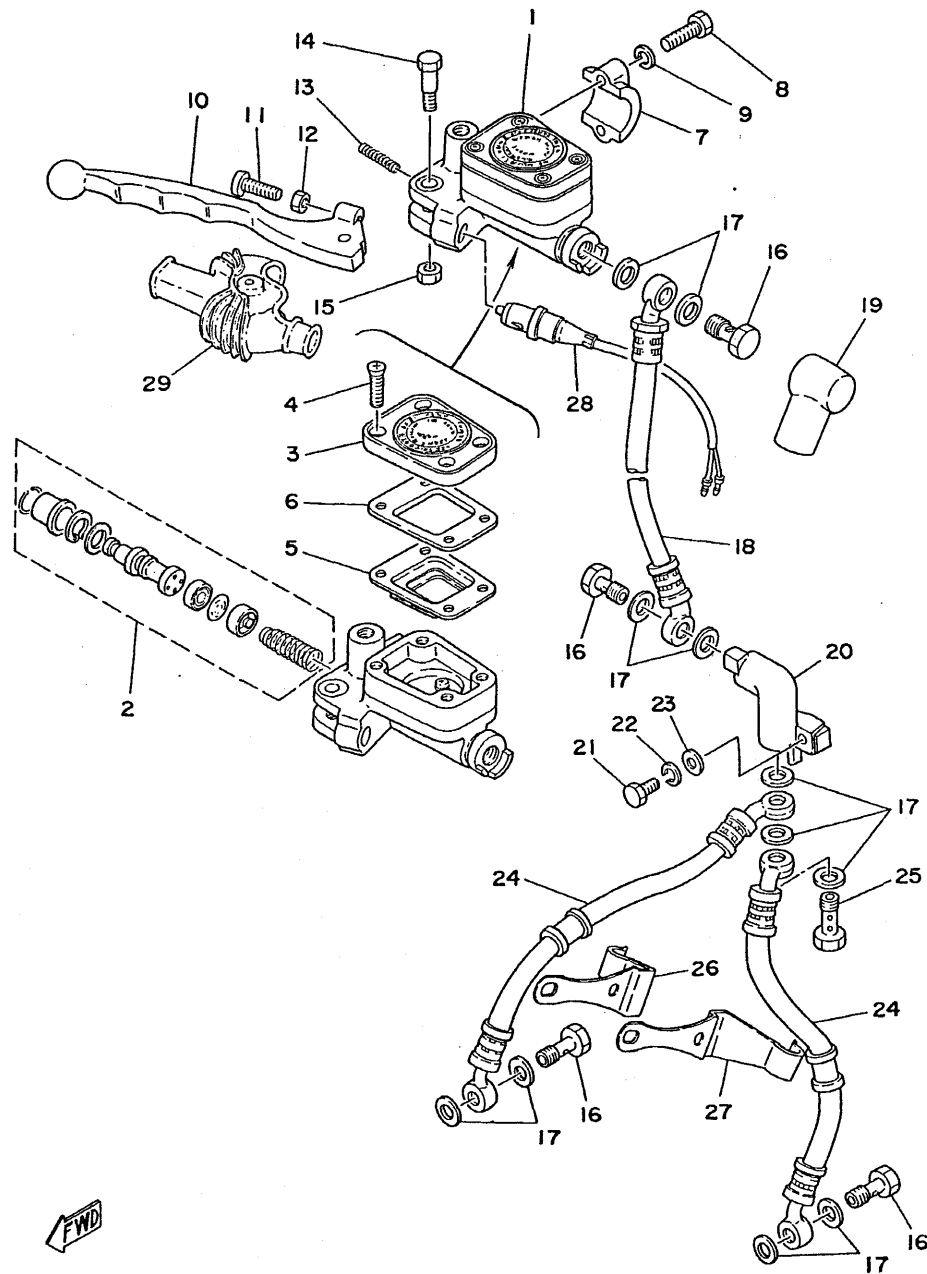
Ref.No.	Part No.	Description	Q'ty	Remarks
28-34	92901-05100	WASHER, spring	2	
35	92901-05200	WASHER, plain	2	
36	90464-16025	CLAMP	2	

Fig. 29 HANDLE · WIRE



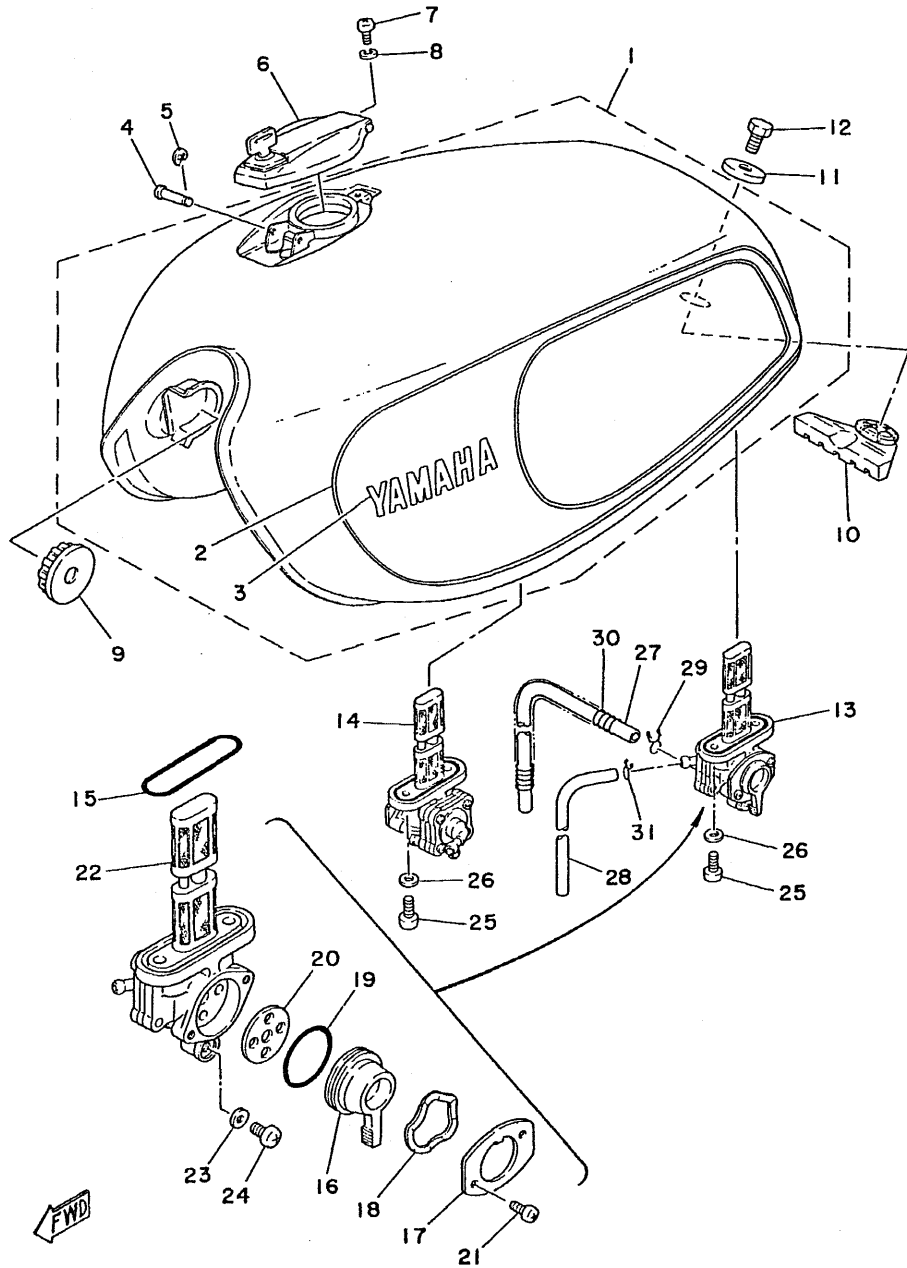
Ref.No.	Part No.	Description	Q'ty	Remarks
29- 1	1T5-26111-00	HANDLE (Width 650mm)	1	Bar Handle
	1J7-26111-00	HANDLE (Width 733mm)	1	Semi-Up Handle
2	2H7-26241-00	GRIP, left	1	
3	1J7-83972-00-98	SWITCH, handle 4 left	1	Low Gloss Black
	2F9-83972-00-98	SWITCH, handle 4 left	1	Low Gloss Black Bar Handle
4	341-82911-00	HOLDER, lever left	1	Low Gloss Black
5	2H7-83912-00	LEVER, left	1	Low Gloss Black
6	97301-06022	BOLT	1	
7	92901-06100	WASHER, spring	1	
8	2H7-83945-00	BOLT, lever	1	
9	93210-11368	O-RING	1	
10	95601-06100	NUT U	1	
	3K0-83963-00	SWITCH, handle 3 right	1	Semi-Up Handle Low Gloss Black
11	2H9-83963-00-98	SWITCH, handle 3 right	1	Low Gloss Black Bar Handle
	2H7-26240-00	GRIP ASS'Y, right	1	
12	584-26393-01	HOLDER, wire guide	1	
13	3G9-26311-00	WIRE, throttle (790mm)	1	Bar Handle
	1J7-26311-00	WIRE, throttle (870mm)	1	Semi-Up Handle
14	1T5-26335-00	WIRE, clutch (1,010mm)	1	Bar Handle
	1J7-26335-01	WIRE, clutch (1,090mm)	1	Semi-Up Handle
15	90123-08046	BOLT	1	
16	90179-08148	NUT (168-26344-00)	1	
17	1E6-26342-00	BOOT, wire	1	
18	1E6-26372-00	COVER, clutch lever	1	
19	437-83936-00	BAND, switch cord	4	
20	1J7-26290-12	BACK MIRROR ASS'Y, left	1	
	1J7-26290-51	BACK MIRROR ASS'Y, left	1	Exclusive for Australia
21	1J7-26290-02	BACK MIRROR ASS'Y, right	1	
	1J7-26290-41	BACK MIRROR ASS'Y, right	1	Exclusive for Australia

Fig. 30 FRONT MASTER CYLINDER · BRAKE HOSE



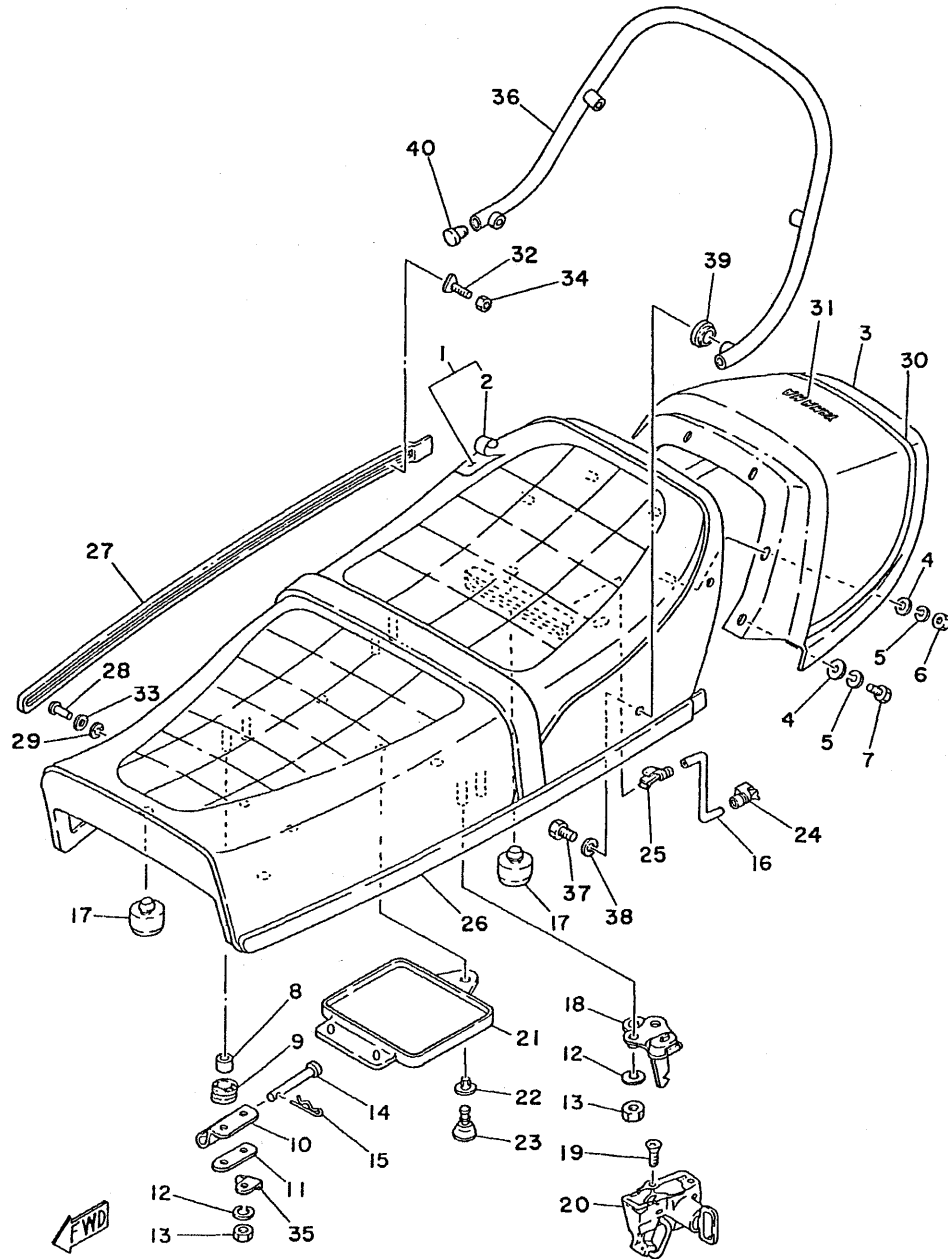
Ref.No.	Part No.	Description	Q'ty	Remarks
30- 1	1J3-25850-22	MASTER CYLINDER ASS'Y, front	1	
2	1J3-20000-40	. CYLINDER KIT, master	1	
3	1J3-25852-01	. CAP, reservoir front	1	
4	98706-05040	. SCREW, cap	4	
5	1J3-25854-01	. DIAPHRAGM, reservoir	1	
6	1J3-25855-01	. BUSHING, diaphragm	1	
7	1J3-25867-00	BRACKET, master cylinder	1	
8	97323-06025	BOLT, hexagon	2	
9	92903-06100	WASHER, spring	2	
10	2J2-83922-00	LEVER, right	1	Low Gloss Black
11	90149-06131	SCREW	1	
12	90170-06010	NUT (306-83972-00)	1	
13	90501-10312	SPRING (306-83924-00)	1	
14	90109-06465	BOLT	1	
15	95601-06100	NUT U	1	
16	90401-10034	BOLT, union	4	
17	90201-10118	WASHER (306-25878-00)	11	
18	1T5-25872-01	HOSE, brake 1 (320mm)	1	Bar Handle
	1J7-25872-02	HOSE, brake 1 (377mm)	1	Semi-Up Handle
19	341-25862-20	BOOT, master cylinder	1	
20	1J7-25885-01	JOINT	1	
21	97301-06025	BOLT, hexagon	1	
22	92901-06100	WASHER, spring	1	
23	92901-06600	WASHER, plate	1	
24	1J7-25873-01	HOSE, brake 2	2	
25	90401-10044	BOLT, union	1	
26	1J7-25875-00	HOLDER, brake hose right	1	
27	1J7-25876-00	HOLDER, brake hose left	1	
28	1A0-83980-30	FRONT STOP SWITCH ASS'Y	1	
29	1T5-26372-00	COVER, brake lever	1	

Fig. 31 FUEL TANK



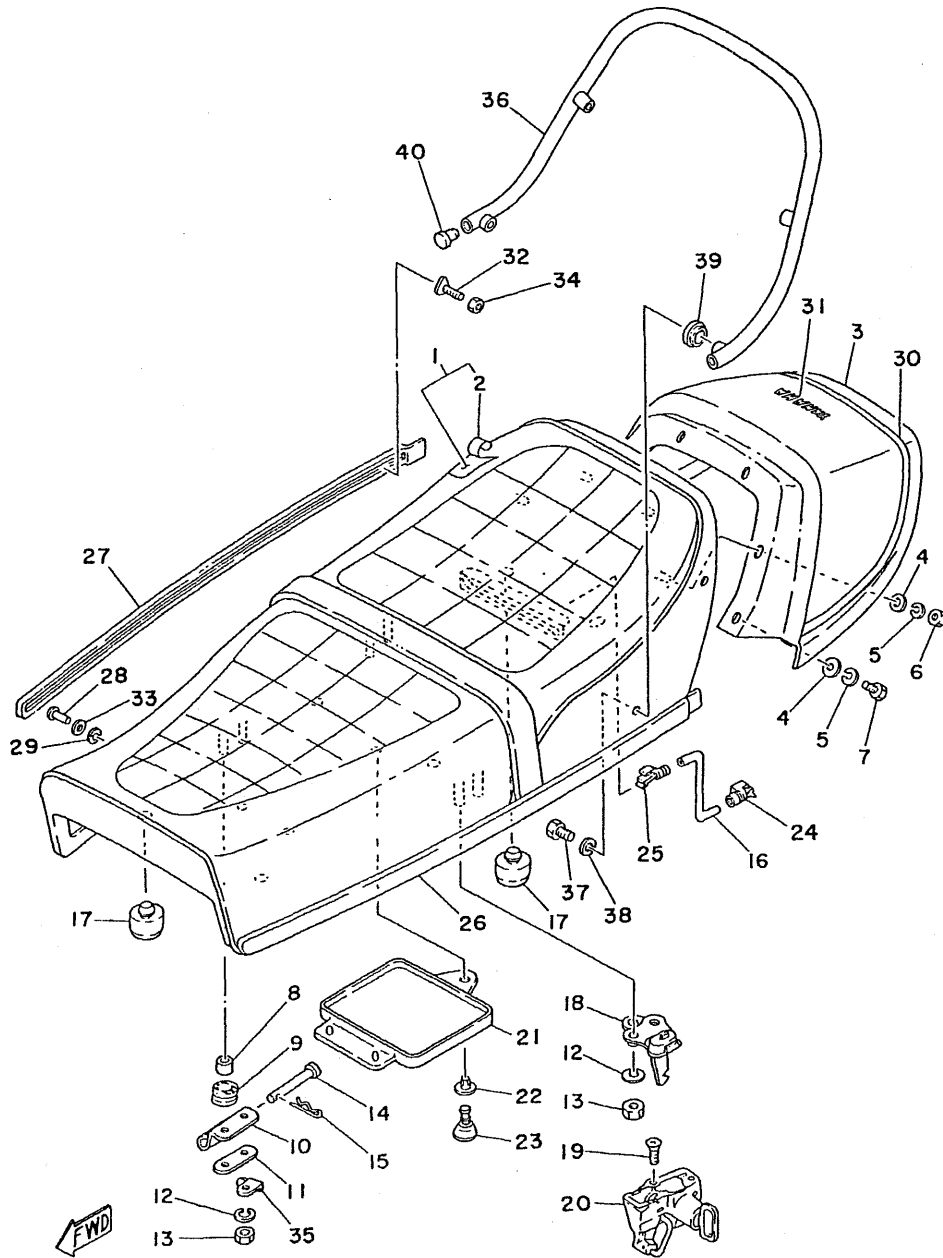
Ref.No.	Part No.	Description	Q'ty	Remarks
31- 1	3G9-24110-00-03	FUEL TANK COMP.	1	Vintage Burgundy
2	3K0-24240-00	. FUEL TANK GRAPHIC SET	1s	
3	2F3-24161-20	. EMBLEM, fuel tank	2	
4	90249-03123	PIN	1	
5	93430-02001	CIRCLIP (E-1.9)	1	
6	2M0-24602-00	FUEL TANK CAP ASS'Y	1	
7	98501-05008	SCREW, panhead	1	
8	92901-05100	WASHER, spring	1	
9	1J7-24181-01	DAMPER, locating 1	2	
10	3G9-24182-00	DAMPER, locating 2	1	
11	90201-08310	WASHER	1	
12	97301-08012	BOLT, hexagon	1	
13	3G9-24500-00	FUEL COCK ASS'Y, left	1	
14	3G9-24510-00	FUEL COCK ASS'Y, right	1	
15	2G2-24512-00	. GASKET, flange	2	
16	2G2-24524-00	. LEVER, fuel cock left	1	
	2G2-24524-10	. LEVER, fuel cock right	1	
17	2G2-24525-00	. PLATE, lever fitting left	1	
	2G2-24525-10	. PLATE, lever fitting right	1	
18	2G2-24518-00	. SPRING, plate	2	
19	2G2-24534-00	. SEAL, fuel cock	2	
20	2G2-24523-00	. GASKET, fuel cock	2	
21	98601-03008	. SCREW, ovalhead	4	
22	2G2-24514-01	. FILTER	2	
23	2G2-24522-00	. GASKET, drain cover	2	
24	92501-06008	. SCREW, panhead	2	
25	90149-06008	BOLT, cock connecting (366-24143-00)	4	
26	90202-06010	WASHER, protector (178-14766-00)	4	
27	90445-10133	PIPE, fuel (824-24315-00)	2	6-135
28	90445-07375	PIPE, vacuum (4.2-215)	2	
29	90467-09006	CLIP, pipe (806-24356-00)	4	
30	90504-06023	SPRING, compression	2	
31	90467-07029	CLIP	4	

Fig. 32 SEAT



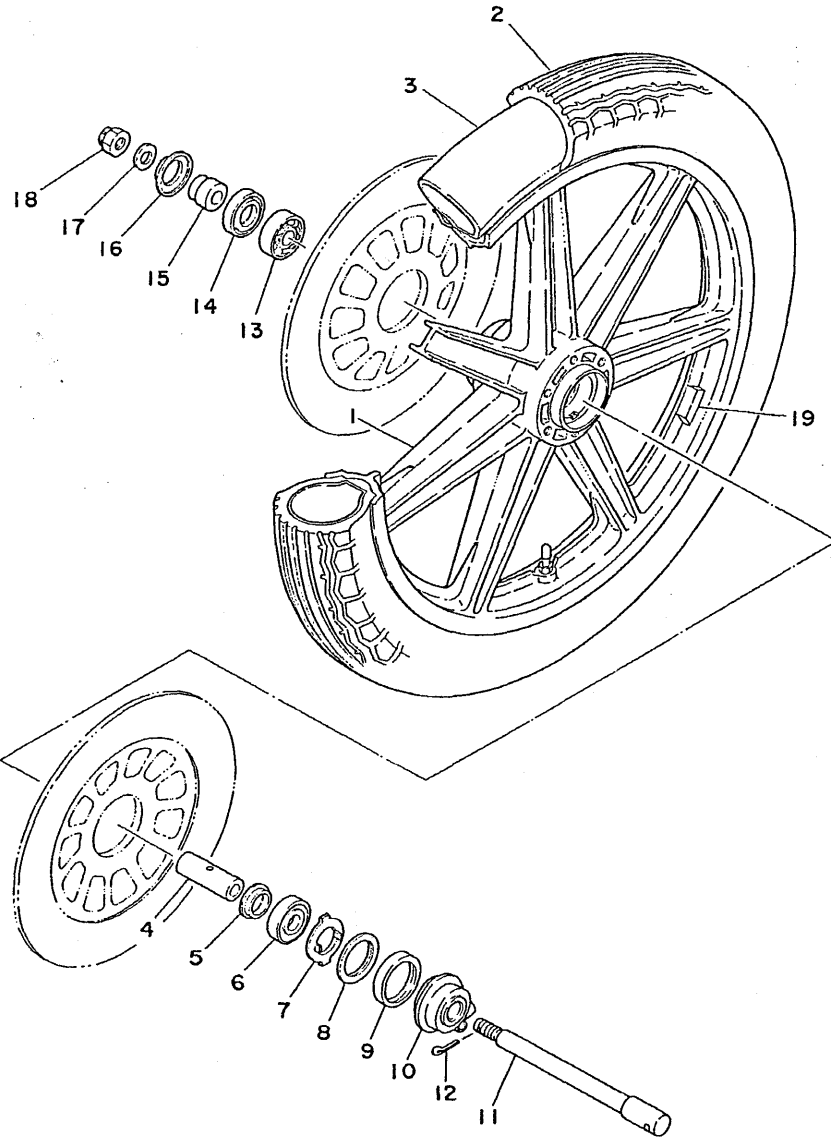
Ref.No.	Part No.	Description	Q'ty	Remarks	
32-	1	3G9-24730-90	DOUBLE SEAT ASS'Y	1	
	2	3G9-24731-00	. COVER, double seat	1	
	3	1T4-24756-00-H7	COVER, tail	1	Vintage Burgundy
	4	92901-05200	WASHER, plain	6	
	5	92901-05100	WASHER, spring	6	
	6	95301-05600	NUT, hexagon	4	
	7	97301-05016	BOLT, hexagon	2	
	8	90387-07390	COLLAR	4	
	9	1J7-24723-00	DAMPER	4	
	10	1J7-24726-00	HINGE, seat 1	2	
	11	1L9-24746-00	WASHER, seat hinge	2	
	12	92901-06100	WASHER, spring	6	
	13	95301-06600	NUT, hexagon	6	
	14	91701-05055	PIN, clevis	2	
	15	90468-10050	CLIP (156-83525-00)	2	
	16	1J7-24768-00	STOPPER, seat	1	
	17	1T4-24741-00	PAD, seat	5	
	18	371-24728-00	BRACKET, seat	1	
	19	92706-06012	SCREW, flathead	2	
	20	584-24705-00	SEAT LOCK ASS'Y	1	
	21	341-28185-00	LID	1	
	22	90480-06007	GROMMET (341-28187-00)	1	
	23	341-28188-00	PLUNGER	1	
	24	1J7-24718-00	HOLDER, rod 1	1	
	25	1J7-24719-00	HOLDER, rod 2	1	
	26	1T4-24785-00-H7	MOLD, double seat left	1	Vintage Burgundy
	27	1T4-24785-10-H7	MOLD, double seat right	1	Vintage Burgundy
	28	1J7-24789-00	RIVET, seat mold	4	
	29	1J7-24735-00	SPEED NUT, seat mold	4	
	30	2F3-24757-20	GRAPHIC, tail cover	1	
	31	2F1-24786-00	EMBLEM, tail cover	1	
	32	1J7-24777-00	BOLT, special	4	
	33	1J7-24722-00	WASHER, special	4	

Fig. 32 SEAT



Ref.No.	Part No.	Description	Q'ty	Remarks
32-34	95301-04600	NUT, hexagon	4	
35	444-24768-00	STOPPER	2	
36	1T4-24773-00	HANDLE, seat	1	
37	97301-08014	BOLT, hexagon	4	
38	92901-08100	WASHER, spring	4	
39	1T4-24796-00	COVER	4	
40	1T4-24742-00	GROMMET	2	

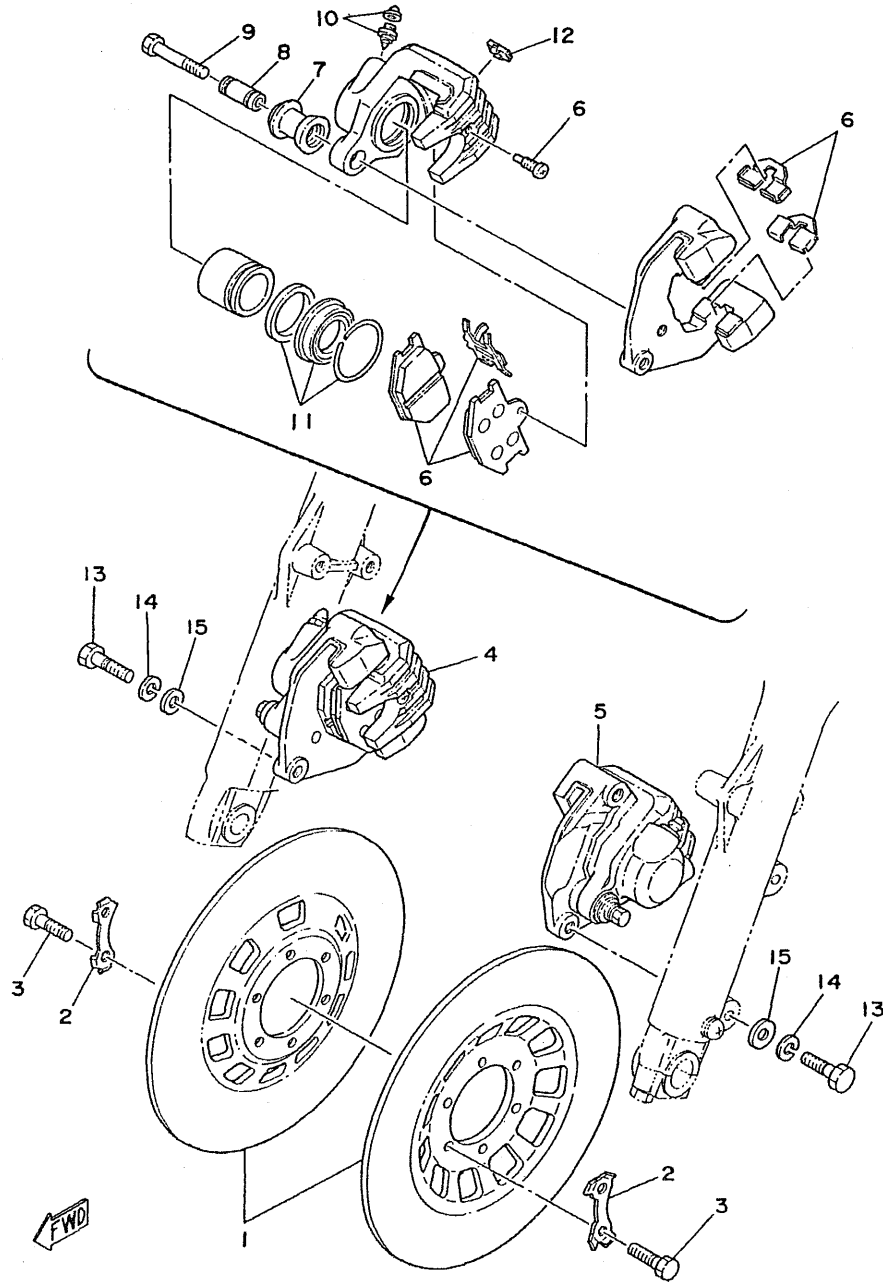
Fig. 33 FRONT WHEEL



Ref.No.	Part No.	Description	Q'ty	Remarks
33- 1	1T4-25168-10	CASTING WHEEL, front (1.85-19)	1	Low Gloss Black
2	94132-19173	TIRE, front (3.25-19-4PR)	1	
3	94232-19068	TUBE (3.25-19)	1	
4	90560-17126	SPACER (341-25117-01)	1	
5	1A1-25115-00	FLANGE, spacer	1	
6	93306-30309	BEARING (B6303ZZ)	1	
7	341-25149-00	CLUTCH, meter	1	
8	341-25846-00	RETAINER, clutch meter	1	
9	93105-45017	OIL SEAL (SDD-45-56-6)	1	
10	341-25190-01	GEAR UNIT ASS'Y	1	
11	341-25181-01	SHAFT, wheel	1	
12	91401-30030	PIN, cotter	1	
13	93306-30303	BEARING (B6303Z)	1	
14	93102-28022	OIL SEAL (SD-28-47-7)	1	
15	90387-17433	COLLAR (341-25183-00)	1	
16	341-25118-00	COVER, hub dust	1	
17	92901-14200	WASHER, plain	1	
18	90171-14006	NUT, castle (214-25182-01)	1	
19	1A1-25398-01	BALANCER, wheel	} U.N.	20g
	1A1-25399-00	BALANCER, wheel		10g
	2M0-25399-00	BALANCER, wheel		30g

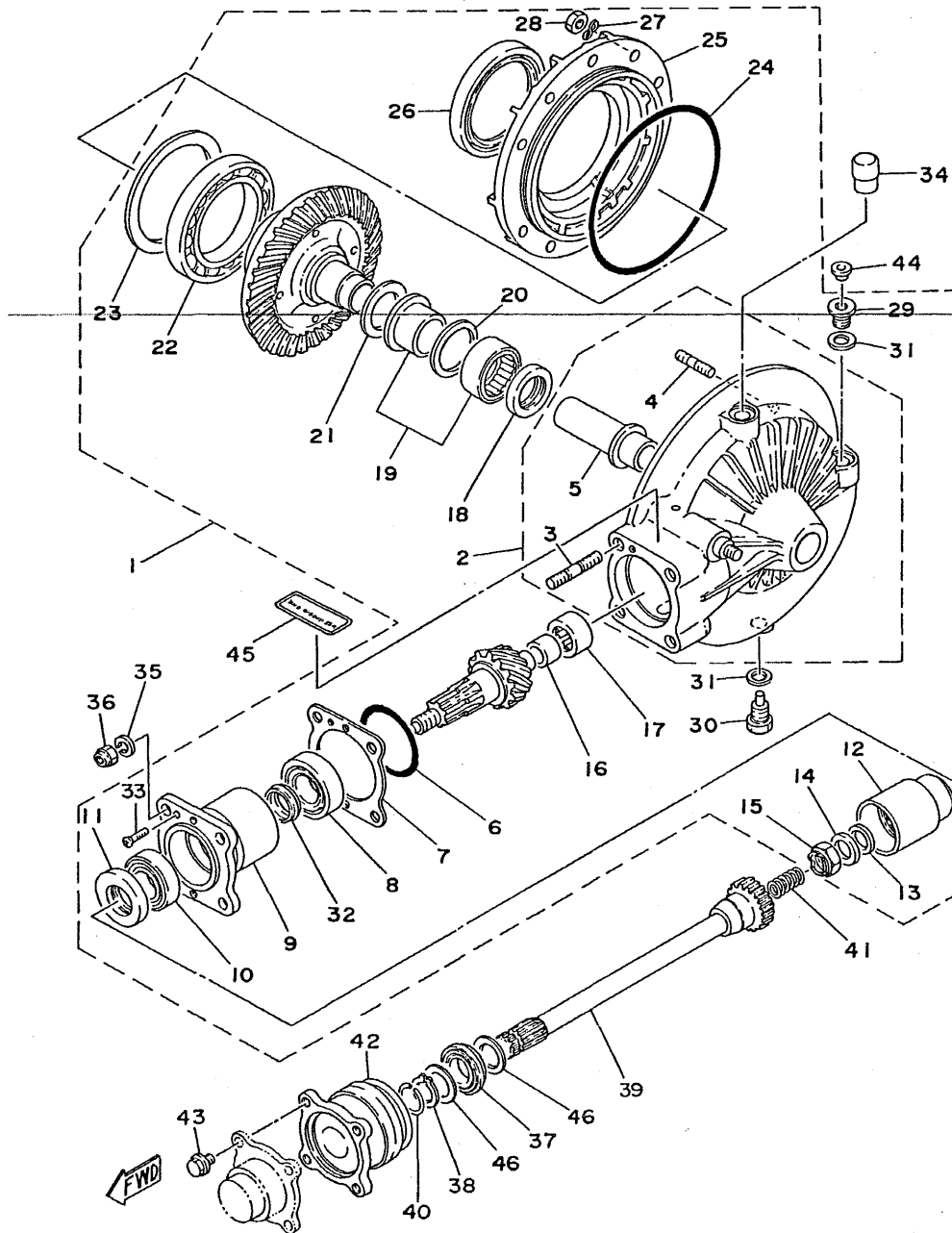


Fig. 34 FRONT DISK BRAKE - CALIPER



Ref.No.	Part No.	Description	Q'ty	Remarks
34- 1	1J3-25831-50	DISK, front brake	2	
2	1J3-25834-01	WASHER, lock	6	
3	90101-08312	BOLT, hexagon	12	
4	1J3-25810-03	FRONT CALIPER ASS'Y, right	1	
5	1J3-25810-13	FRONT CALIPER ASS'Y, left	1	
6	1J3-W0045-00	. CALIPER PAD KIT	2	
7	1J3-25917-00	. BUSHING, boot	2	
8	1J3-25838-00	. SLEEVE	2	
9	90105-08092	. BOLT, support	2	
10	1J3-W0048-00	. SCREW, bleed with cap	2	
11	1J3-20000-20	. CALIPER SEAL KIT	2	
12	1J3-25845-01	. CAP, indicator	2	
13	90101-10308	BOLT, hexagon	4	
14	92901-10100	WASHER, spring	4	
15	92901-10200	WASHER, plate	4	

Fig. 35 FINAL DRIVE GEAR · DRIVE SHAFT



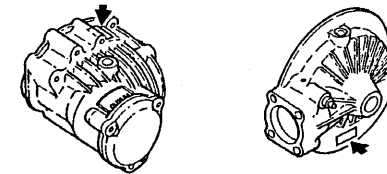
Ref.No.	Part No.	Description	Q'ty	Remarks
---------	----------	-------------	------	---------

Please take notice of the following points, when you will place an order for the parts of MIDDLE DRIVE GEAR and FINAL DRIVE GEAR sections.

- Two kinds of parts are applied to both sections.
 TYPE I YG0-00000-00-0G
 TYPE II 1J7-00000-Y0-(N0) or 90000-00000
- The meaning of marking "▽"
 Example: YG0-00000-00-0G ▽
 1J7-00000-Y0(N0)

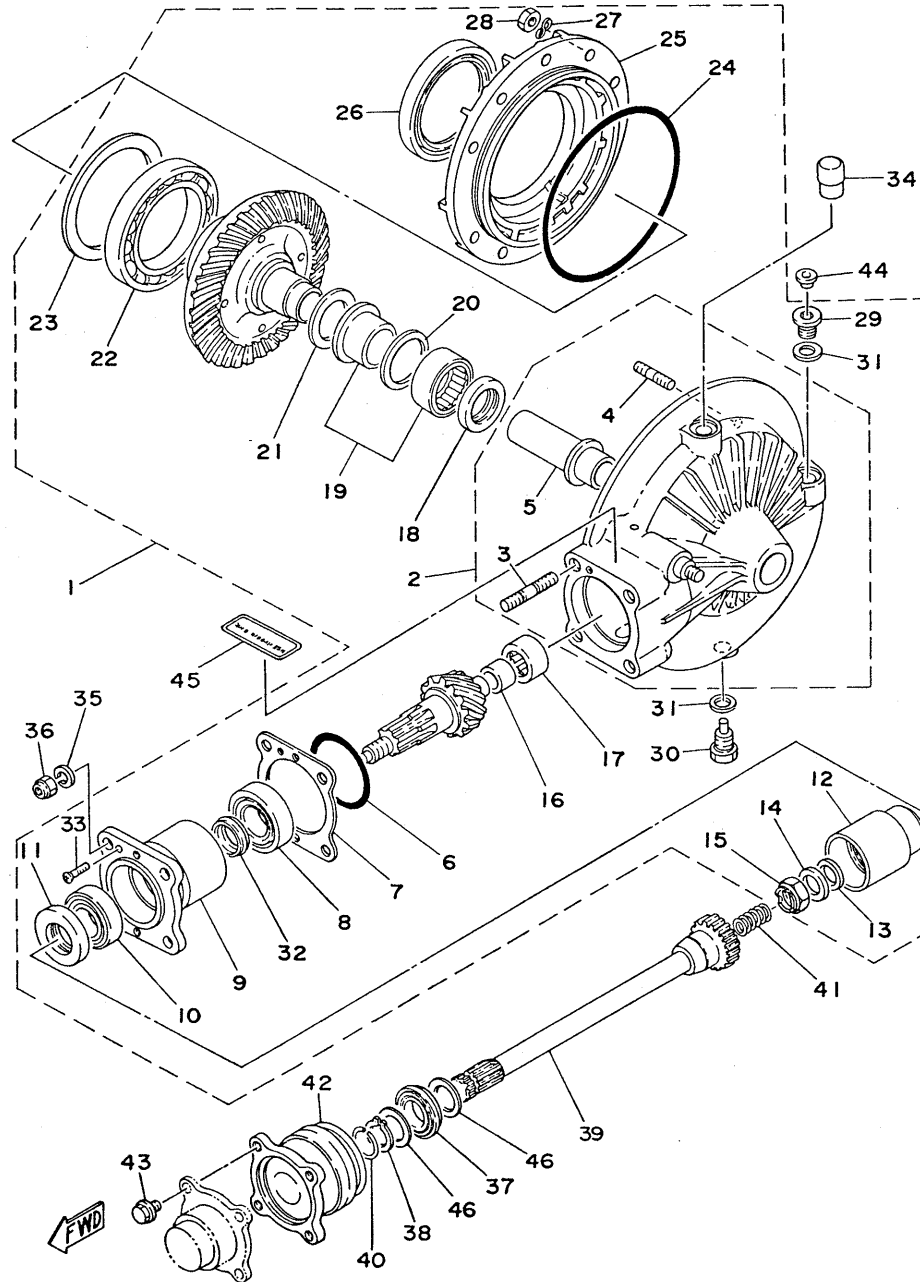
When the marking "▽" is put, both parts are interchangeable each other, but when no marking, interchangeability between both parts is unavailable.

- The parts no having a marking "▽" are not interchangeable both ways. Discrimination for these two types can be provided with the marking of "YAMAHA" displayed on TYPE II parts at the arrow "▼" marking section, but TYPE I parts have not the marking of "YAMAHA".



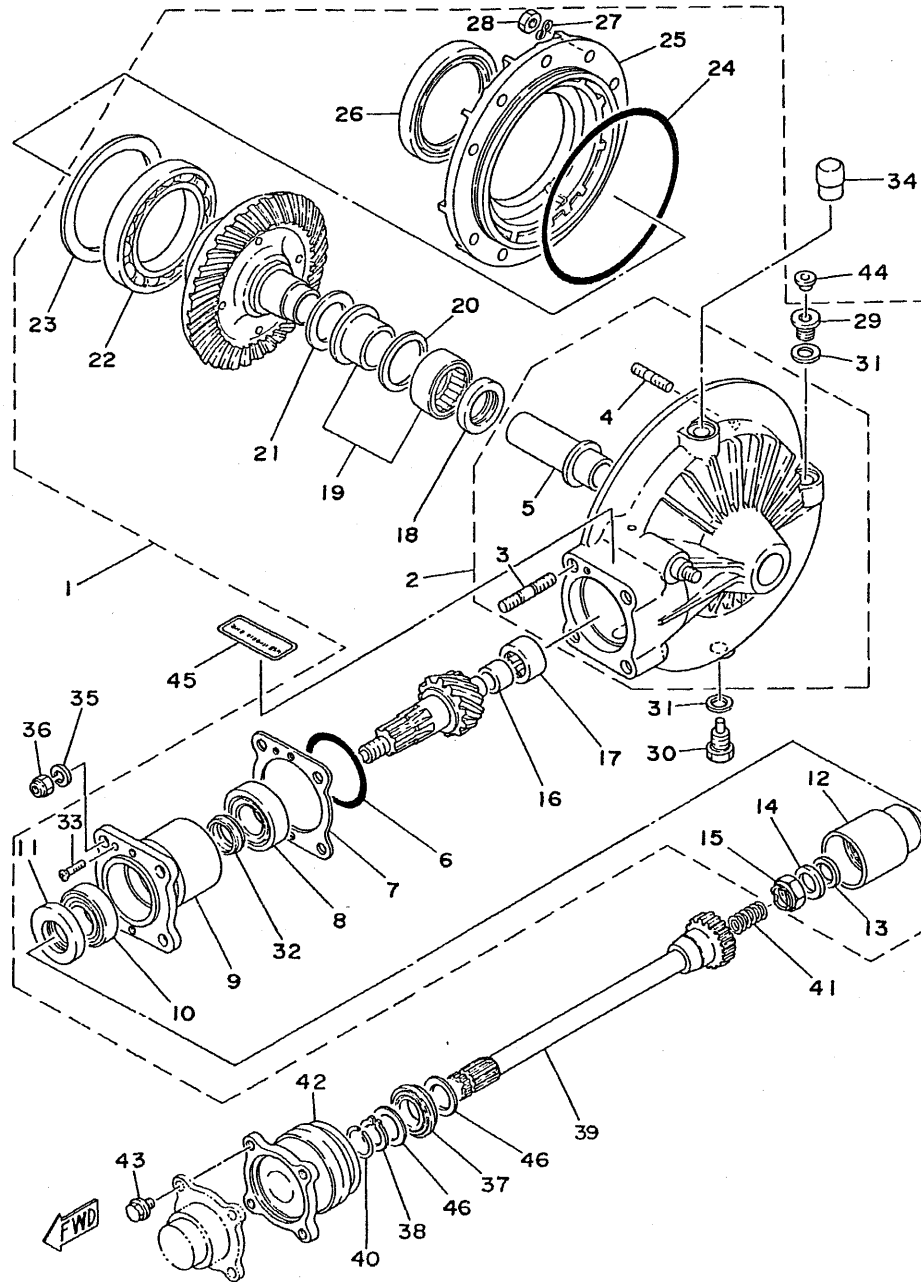
35- 1	YG4-11000-32-0G	REAR AXLE GEAR CASE ASS'Y	1	▽	TYPE I
	1J7-46101-N0	REAR AXLE GEAR CASE ASS'Y	1	▽	TYPE II
2	YG4-11011-50-0G	. DRIVE SHAFT HOUSING COMP.	1	▽	
	1J7-46150-Y0	. DRIVE SHAFT HOUSING COMP.	1		
3	YG9-00903-91-3G	.. BOLT, stud	4	▽	M10-50L
	90116-10248	.. BOLT, stud	4		M10-50L
4	YG9-00901-91-3G	.. BOLT, stud	10	▽	M8-34L
	90116-08247	.. BOLT, stud	10		M8-34L
5	YG4-11706-80-0G	.. COLLAR, guide	1	▽	
	1J7-46153-Y0	.. COLLAR, guide	1		
6	YG9-00008-96-1G	. O-RING (2-58)	1	▽	
	93210-58346	. O-RING (2-58)	1		

Fig. 35 FINAL DRIVE GEAR · DRIVE SHAFT



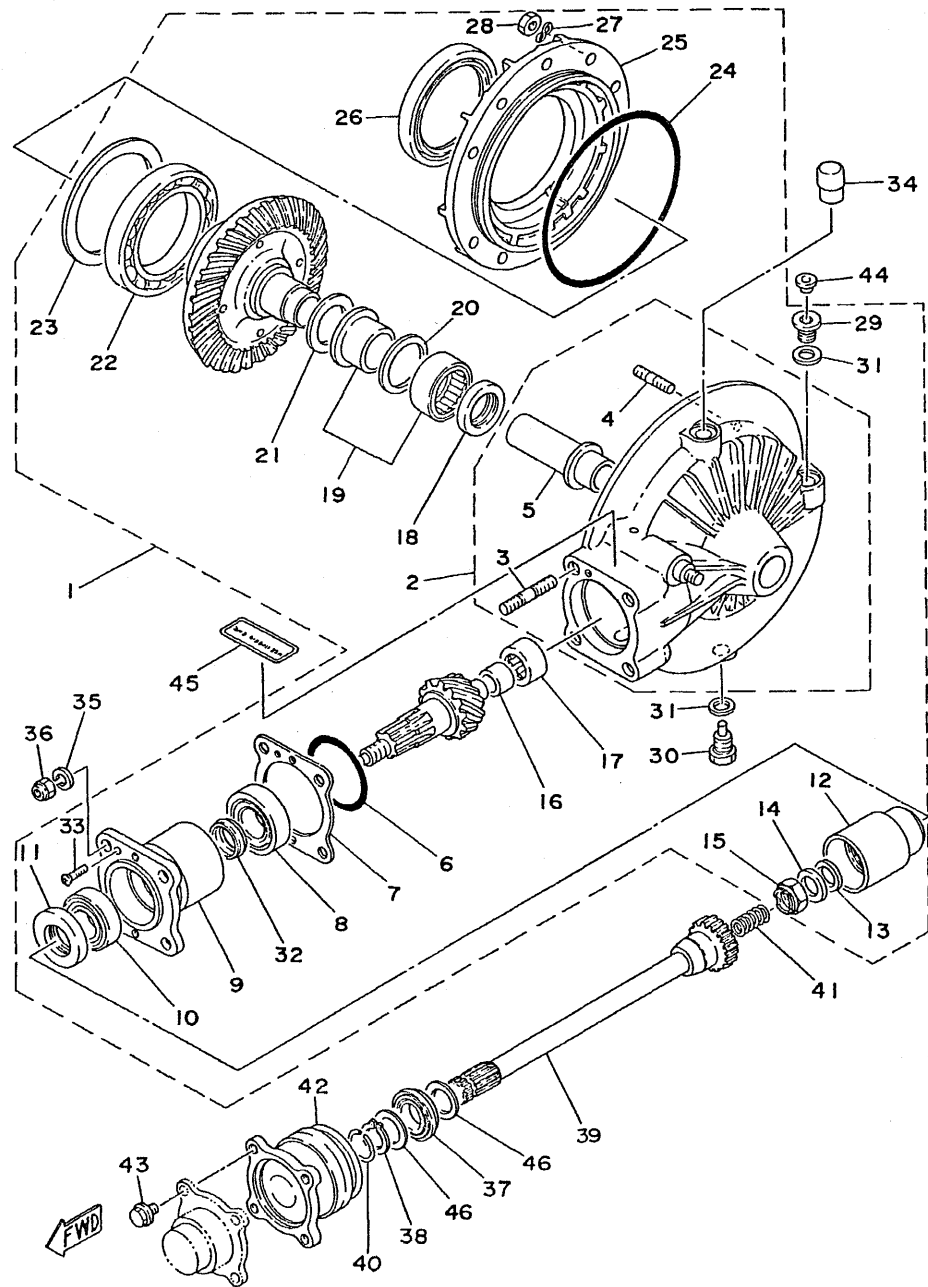
Ref.No.	Part No.	Description	Q'ty	Remarks			
35-7	YG4-11708-10-0G	. SHIM, drive pinion (0.30)	1	U.R. ↓			
	1J7-46127-Y0-30	. SHIM, drive pinion (0.30)					
	YG4-11708-20-0G	. SHIM, drive pinion (0.35)					
	1J7-46127-Y0-35	. SHIM, drive pinion (0.35)					
	YG4-11708-30-0G	. SHIM, drive pinion (0.40)					
	1J7-46127-Y0-40	. SHIM, drive pinion (0.40)					
	YG4-11708-40-0G	. SHIM, drive pinion (0.45)					
	1J7-46127-Y0-45	. SHIM, drive pinion (0.45)					
	YG4-11708-50-0G	. SHIM, drive pinion (0.50)					
	1J7-46127-Y0-50	. SHIM, drive pinion (0.50)					
	YG4-11708-60-0G	. SHIM, drive pinion (0.55)					
	8	YG9-00908-17-3G			. BEARING, tapered roller	1	↓
		93332-00024			. BEARING, tapered roller	1	
	9	YG4-11006-90-1G			. HOUSING, bearing	1	
1J7-46124-Y0		. HOUSING, bearing	1				
10	YG9-00906-17-3G	. BEARING, tapered roller	1	↓			
	93332-00023	. BEARING, tapered roller	1				
11	YG9-00971-96-0G	. OIL SEAL (S-38-50-7)	1	↓			
	93101-38086	. OIL SEAL (S-38-50-7)	1				
12	YG4-11707-10-0G	. COUPLING, gear	1	↓			
	YG4-11707-11-0G	. COUPLING, gear	1				
	1J7-46123-Y0	. COUPLING, gear	1				
13	YG9-00922-14-4G	. SPACER, bearing (14-20-1.00)	1	U.R. TYPE I			
	YG9-00922-24-4G	. SPACER, bearing (14-20-1.52)					
	YG9-00922-34-4G	. SPACER, bearing (14-20-1.54)					
	YG9-00922-44-4G	. SPACER, bearing (14-20-1.56)					
	YG9-00922-54-4G	. SPACER, bearing (14-20-1.58)					
	YG9-00922-64-4G	. SPACER, bearing (14-20-1.60)					
	YG9-00922-74-4G	. SPACER, bearing (14-20-1.70)					
14	YG9-00922-84-4G	. SPACER, bearing (14-20-1.80)	1	↓			
	YG9-00922-94-4G	. SPACER, bearing (14-20-1.90)					
	YG9-00933-44-4G	. WASHER, plate (14-26-4)			1		
	90201-14632	. WASHER, plate (14-26-4)	1				

Fig. 35 FINAL DRIVE GEAR · DRIVE SHAFT



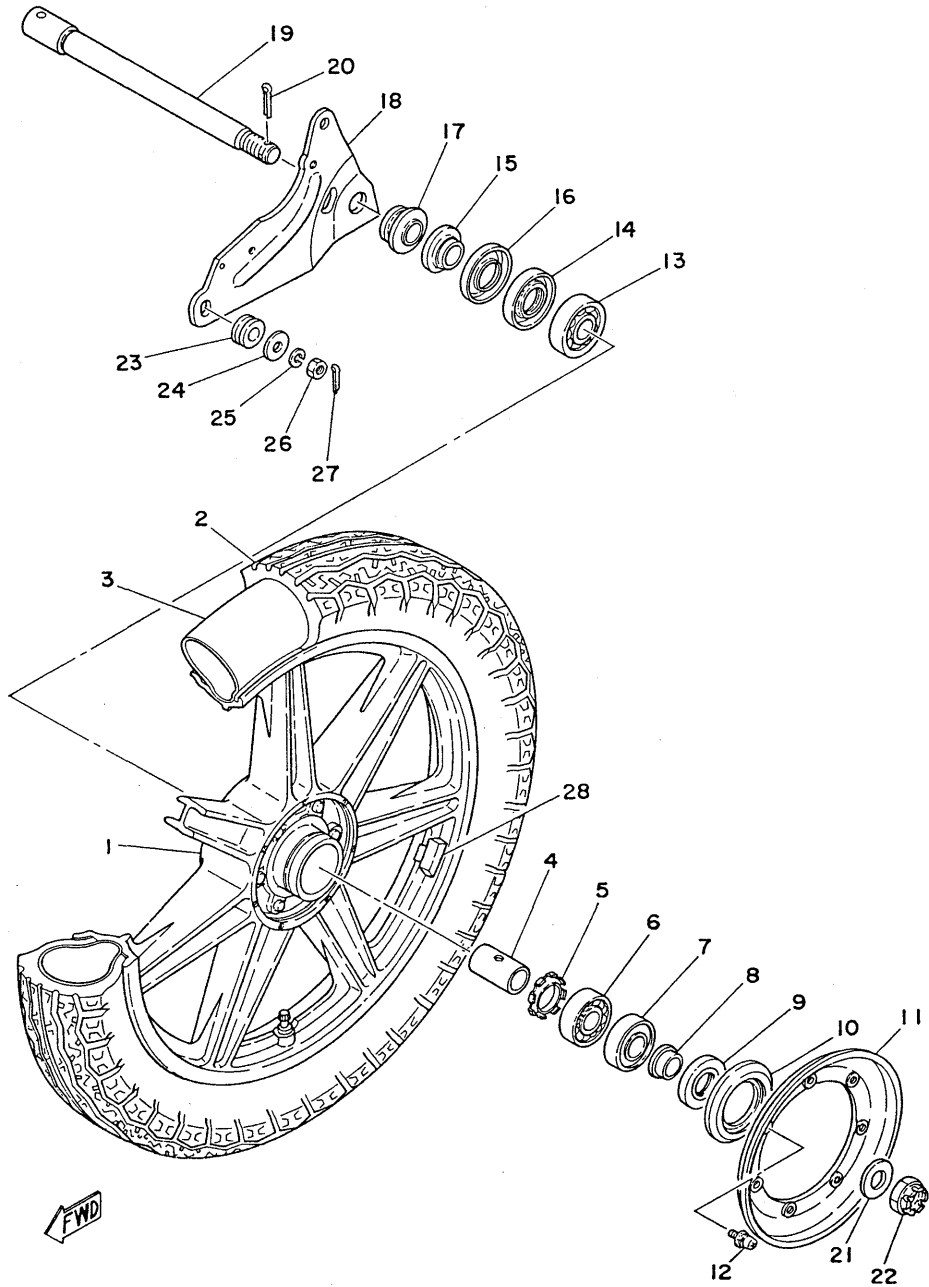
Ref.No.	Part No.	Description	Q'ty	Remarks
35-15	YG9-00001-62-7G	. NUT, self locking	1	▽ M14-P1.5
	90185-14070	. NUT, self locking	1	M14-P1.5
16	YG4-11708-80-0G	. RACE, inner	1	▽
	1J7-46122-Y0	. RACE, inner	1	
17	YG9-00920-47-6G	. BEARING	1	▽
	93317-41510	. BEARING	1	
18	YG9-00968-76-0G	. OIL SEAL (S-30-42-7)	1	▽
	93101-30084	. OIL SEAL (S-30-42-7)	1	
19	YG9-00942-77-5G	. BEARING	1	▽
	1J7-46106-N0	. BEARING	1	
20	YG4-11708-70-0G	. WASHER, thrust (37-47-2)	1	▽
	1J7-46118-Y0-18	. WASHER, thrust (37-47-1.8)		
	1J7-46118-Y0-19	. WASHER, thrust (37-47-1.9)		
	1J7-46118-Y0-20	. WASHER, thrust (37-47-2.0)		
	1J7-46118-Y0-21	. WASHER, thrust (37-47-2.1)		
21	YG9-00974-14-4G	. SHIM, thrust (33-45-0.1)	U.R. 1	▽
	1J7-46119-Y0-10	. SHIM, thrust (33-45-0.1)		
	YG9-00974-24-4G	. SHIM, thrust (33-45-0.2)		
	1J7-46119-Y0-20	. SHIM, thrust (33-45-0.2)		
22	YG9-00901-37-1G	. BEARING (16014)	1	▽
	93316-01402	. BEARING (16014)		
23	YG9-00928-14-4G	. SHIM, ring gear (95-110-0.3)	U.R. 1	▽
	1J7-46117-Y0-30	. SHIM, ring gear (95-110-0.3)		
	YG9-00928-24-4G	. SHIM, ring gear (95-110-0.35)		
	1J7-46117-Y0-35	. SHIM, ring gear (95-110-0.35)		
	YG9-00928-34-4G	. SHIM, ring gear (95-110-0.4)		
	1J7-46117-Y0-40	. SHIM, ring gear (95-110-0.4)		
	YG9-00928-44-4G	. SHIM, ring gear (95-110-0.45)		
	1J7-46117-Y0-45	. SHIM, ring gear (95-110-0.45)		
	YG9-00928-54-4G	. SHIM, ring gear (95-110-0.5)		
	1J7-46117-Y0-50	. SHIM, ring gear (95-110-0.5)		
YG9-00928-64-4G	. SHIM, ring gear (95-110-5.5)			

Fig. 35 FINAL DRIVE GEAR · DRIVE SHAFT



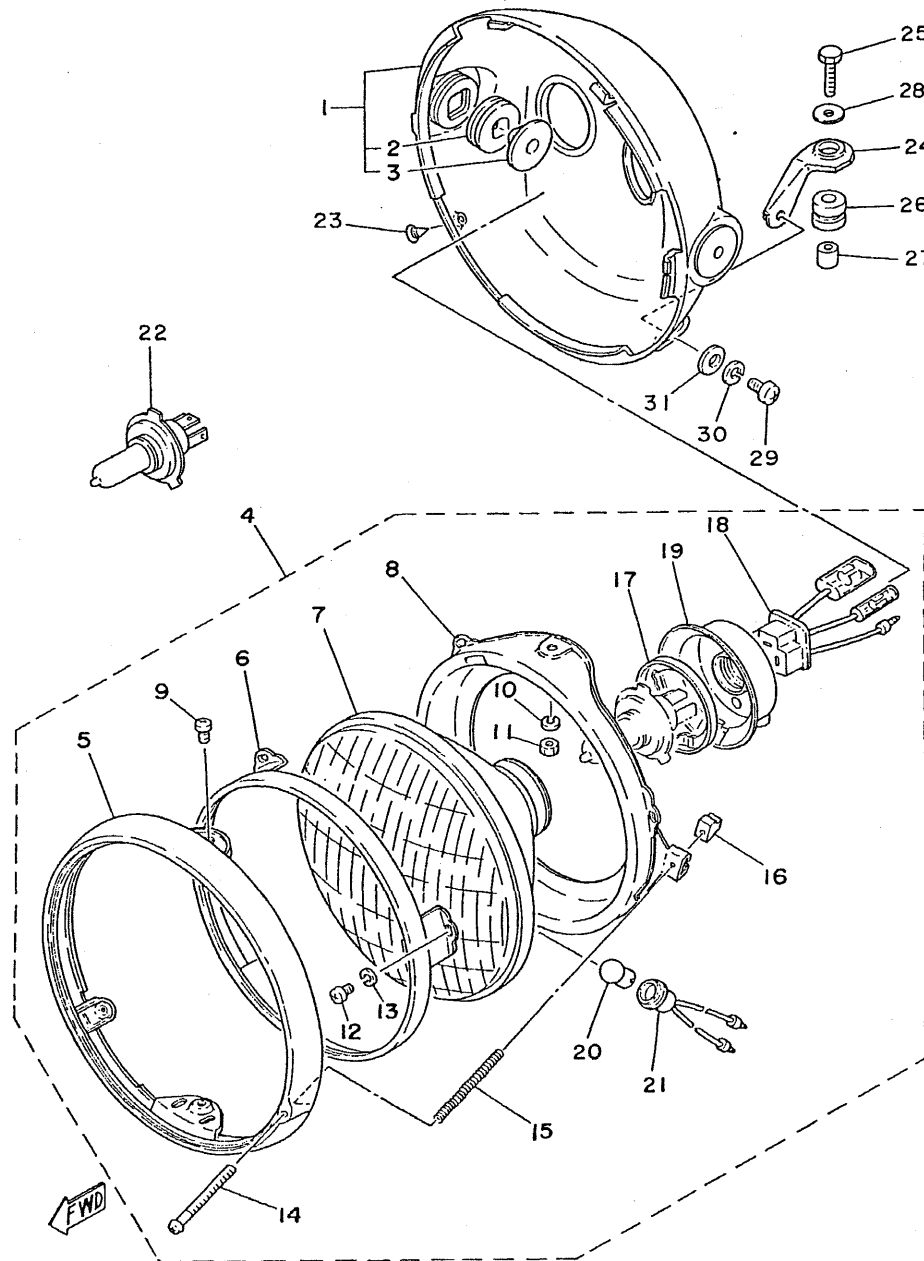
Ref.No.	Part No.	Description	Q'ty	Remarks
35-24	YG9-00011-86-1G	. O-RING (3-144)	1	▽
	93211-44348	. O-RING (3-144)	1	
25	YG4-11007-30-0G	. HOUSING, bearing	1	▽
	1J7-46152-Y0	. HOUSING, bearing	1	
26	93102-70166	. OIL SEAL (SD-70-90-10)	1	TYPE I & II
27	YG9-00014-84-1G	. WASHER, wave	10	▽
	92901-08700	. WASHER, wave	10	
28	YG9-00001-52-0G	. NUT	10	▽ M8-P1.25
	95311-08600	. NUT	10	M8-P1.25
29	YG9-00006-61-5G	. PLUG, oil inlet	1	▽
	90340-14046	. PLUG, oil inlet	1	
30	YG9-00907-11-5G	. PLUG, oil drain	1	▽
	90340-14042	. PLUG, oil drain	1	
31	YG9-00027-26-2G	. GASKET	2	
	214-11198-01	. GASKET	2	
32	1J7-46129-Y0	. SPACER, expansion	1	
33	98703-05018	. SCREW, flat head	1	TYPE II
34	2H7-17590-00	BREATHER COMP.	1	
35	92901-10100	WASHER, spring	4	
36	95611-10100	NUT U	4	
37	93108-27006	OIL SEAL (OSO-27-43.6-7)	1	
38	93410-26011	CIRCLIP (S-26)	1	
39	1J7-46172-01	SHAFT, drive	1	
40	90468-14067	CLIP	1	
41	90501-18442	SPRING, compression	1	
42	1J7-46170-02	BALL JOINT COMP.	1	
43	90105-08066	BOLT, washer based	4	
44	341-23469-00	CAP, bolt	1	
45	1J7-46181-10	LABEL, oil caution	1	
46	90201-27623	WASHER, plate	2	27-41-0.5

Fig. 36 REAR WHEEL



Ref.No.	Part No.	Description	Q'ty	Remarks
36- 1	1T4-W2533-10	CASTING WHEEL, rear (2.15-18)	1	Low Gloss Black
2	94140-18174	TIRE, rear (4.00-18-4PR)	1	
3	94240-18065	TUBE, rear (4.00-18)	1	
4	1J7-25317-00	SPACER, bearing	1	
5	1J7-25115-01	FLANGE, spacer	1	
6	93306-20421	BEARING (B6204)	1	
7	93306-20422	BEARING (B6204RS)	1	
8	90387-20541	COLLAR	1	
9	93102-25044	OIL SEAL (SD-25-47-7)	1	
10	1J7-25319-01	SEAL, dust	1	
11	1J7-25327-10	COVER, plate dust	1	
12	90159-05018	SCREW, with washer	7	
13	93306-30404	BEARING (B6304Z)	1	
14	93104-27026	OIL SEAL (SO-27-52-5)	1	
15	1J7-25377-00	COLLAR, shaft	1	
16	1J7-25367-00	COVER, dust	1	
17	90387-20542	COLLAR	1	
18	1J7-25371-00	PLATE, stopper torque	1	
19	1J7-25381-00	SHAFT, wheel	1	
20	91401-40035	PIN, cotter	1	
21	90201-18620	WASHER, plate	1	
22	90171-18008	NUT, shaft (256-25382-00)	1	
23	1J7-25374-00	SPACER	1	
24	90201-08114	WASHER, plain (156-24186-00)	1	
25	92901-08100	WASHER, spring	1	
26	95301-08700	NUT, hexagon	1	
27	91401-20012	PIN, cotter	1	
28	1A1-25398-01	BALANCER, wheel	} U.N.	20g
	1A1-25399-00	BALANCER, wheel		10g
	2M0-25399-00	BALANCER, wheel		30g

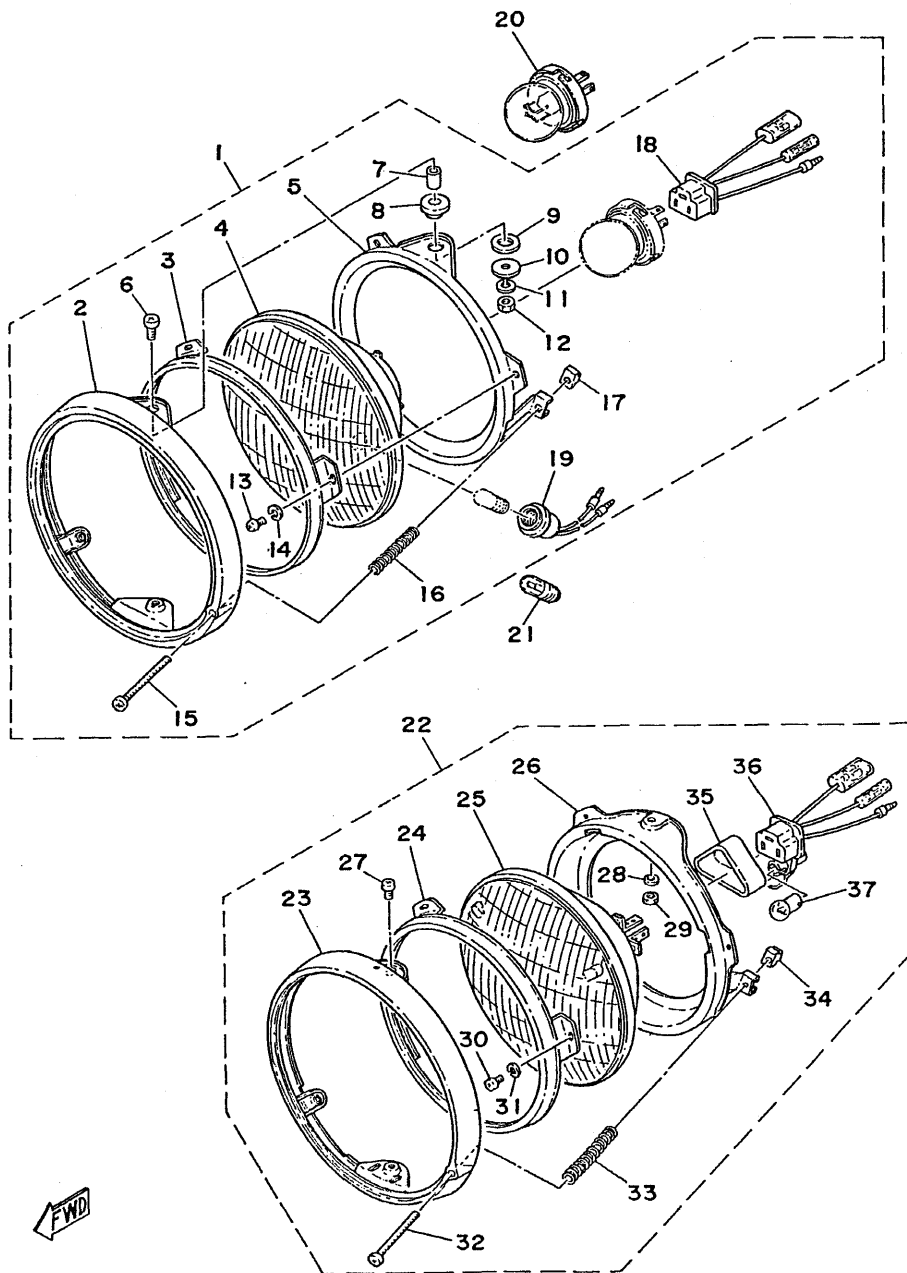
Fig. 38 HEAD LAMP 1



Ref.No.	Part No.	Description	Q'ty	Remarks
38- 1	1J7-84330-62-33	HEAD LAMP BODY ASS'Y	1	Yamaha Black
2	584-84345-60	. BUSHING	2	
3	584-84338-60	. COLLAR	2	
4	2F9-84303-00	HEAD LAMP UNIT ASS'Y	1	
5	341-84315-40	. RIM, head lamp	1	
6	2F9-84395-00	. RING, retaining	1	
7	2F9-84321-00	. LENS ASS'Y	1	
8	2F9-84394-00	. RING, mounting	1	
9	98501-05010	. SCREW, panhead	2	
10	92901-05100	. WASHER, spring	2	Exclusive Parts for Australia
11	95301-05600	. NUT, hexagon	2	
12	98501-04008	. SCREW, panhead	3	
13	92901-04100	. WASHER, spring	3	
14	2F9-84331-00	. SCREW, adjusting	1	
15	341-84332-60	. SPRING, adjusting	1	
16	198-84334-60	. NUT	1	
17	2F9-84375-00	. SETTING PLATE, bulb	1	
18	371-84312-60	. SOCKET CORD ASS'Y	1	
19	2F9-84397-00	. COVER, socket	1	
20	123-83516-21	. BULB (12V-3.4W)	1	
21	306-84346-40	. SOCKET CORD ASS'Y	1	
22	*	BULB, head lamp (12V-60/55W)	1	Halogen Bulb
23	90152-05005	SCREW, rim fitting	2	
24	1J7-84318-00	STAY, head lamp	1	
25	97301-06025	BOLT	1	
26	90480-16114	GROMMET (341-84336-00)	1	
27	90387-07038	COLLAR (256-84757-00)	1	
28	90201-06069	WASHER (135-21491-00)	1	
29	92501-06015	SCREW, panhead	1	
30	92901-06100	WASHER, spring	1	
31	90201-06067	WASHER, plate	1	6.5-20-1.6

*; The parts marked with * in the part No. column are not supplied with by Yamaha, those have to be found locally.

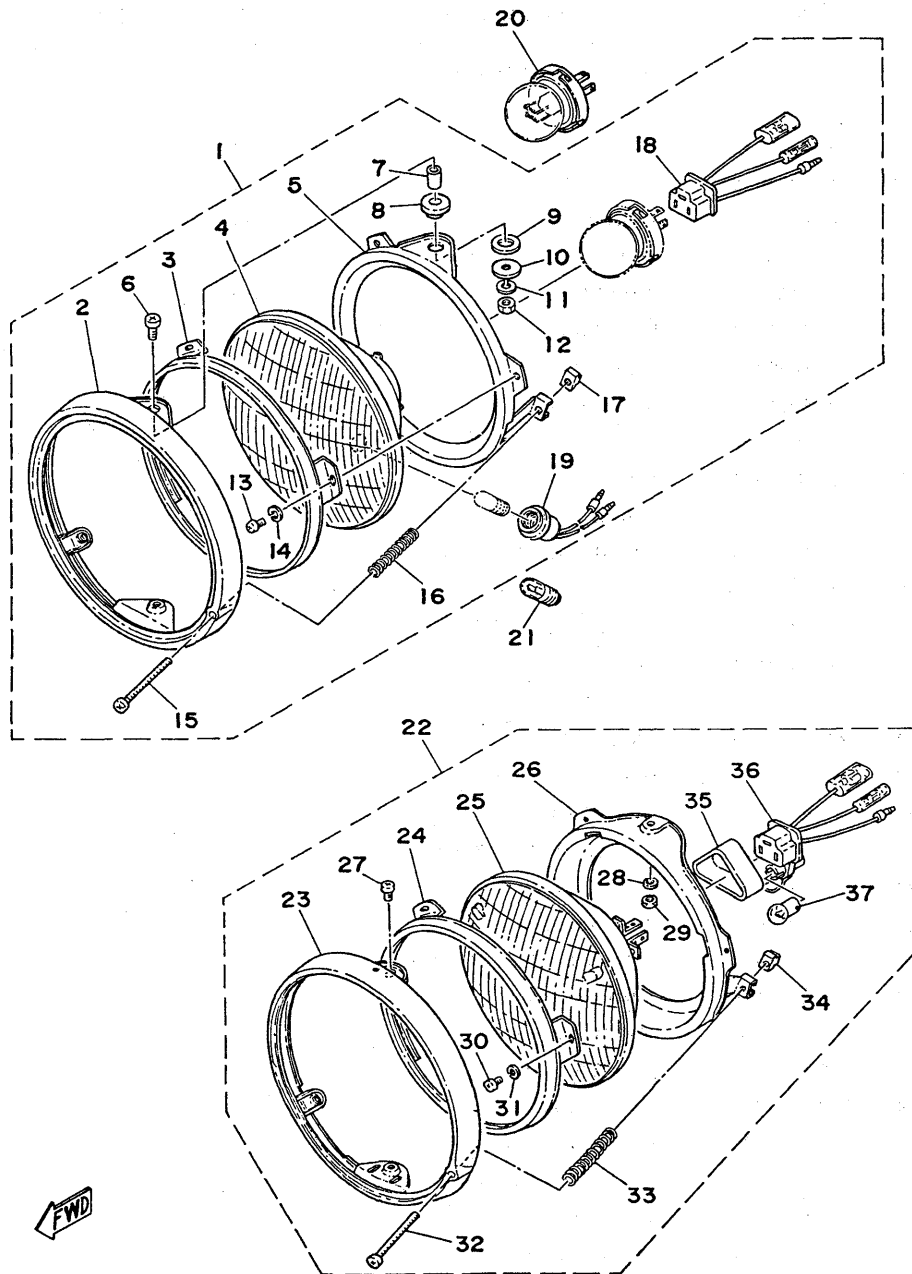
Fig. 39 HEAD LAMP 2



Ref.No.	Part No.	Description	Q'ty	Remarks
39- 1	1T5-84310-20	HEAD LAMP UNIT ASS'Y	1	Exclusive Parts for Guiana, Guadeloupe, Martinique, Morocco and Reunion
2	341-84315-40	. RIM, head lamp	1	
3	341-84395-60	. RING, retaining	1	
4	341-84320-40	. LENS ASS'Y	1	
5	584-84394-60	. RING, mounting	1	
6	584-84398-60	. SCREW, mounting ring	2	
7	584-84392-60	. COLLAR	2	
8	584-84393-60	. DAMPER A	2	
9	584-84399-60	. DAMPER B	2	
10	584-84344-60	. WASHER, plate	2	
11	92901-05100	. WASHER, spring	2	
12	95301-05600	. NUT, hexagon	2	
13	98501-04008	. SCREW, panhead	3	
14	92901-04100	. WASHER, spring	3	
15	447-84331-60	. SCREW, adjusting	1	
16	447-84332-60	. SPRING, adjusting	1	
17	198-84334-60	. NUT	1	
18	371-84312-60	. CORD ASS'Y	1	
19	306-84346-40	. CORD ASS'Y	1	
20	*	BULB (12V-45/40W)	1	
21	*	BULB (12V-4W)	1	
22	1J7-84310-01	HEAD LAMP UNIT ASS'Y	1	
23	341-84315-40	. RIM, head lamp	1	
24	2F9-84395-00	. RING, retaining	1	
25	341-84320-00	. LENS ASS'Y (12V-50/40W)	1	
26	2F9-84394-00	. RING, mounting	1	
27	98501-05010	. SCREW, panhead	2	
28	92901-05100	. WASHER, spring	2	
29	95301-05600	. NUT, hexagon	2	
30	98501-04008	. SCREW, panhead	3	
31	92901-04100	. WASHER, spring	3	
32	2F9-84331-00	. SCREW, adjusting	1	
33	341-84332-60	. SPRING, adjusting	1	

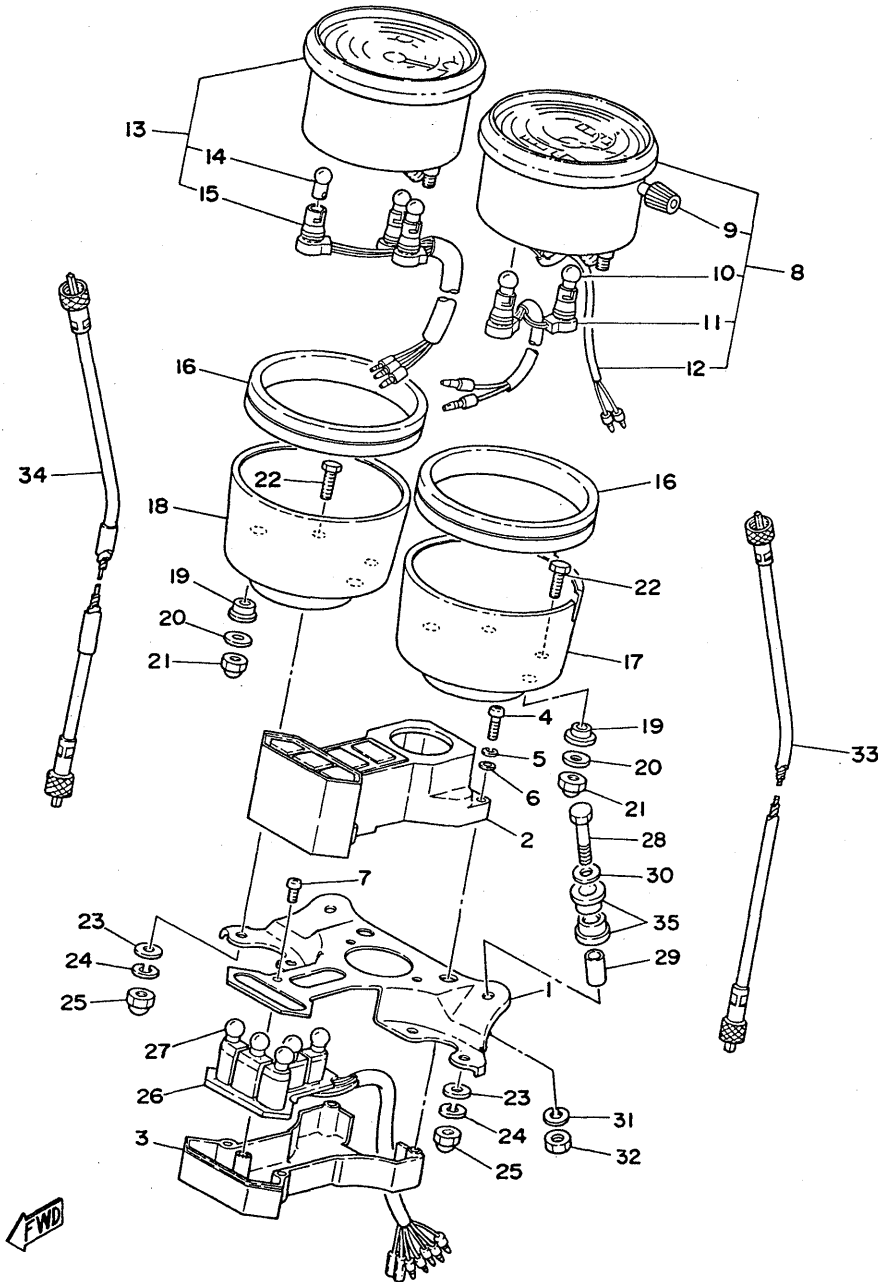
*; The parts marked with * in the part No. column are not supplied with by Yamaha, those have to be found locally.

Fig. 39 HEAD LAMP 2



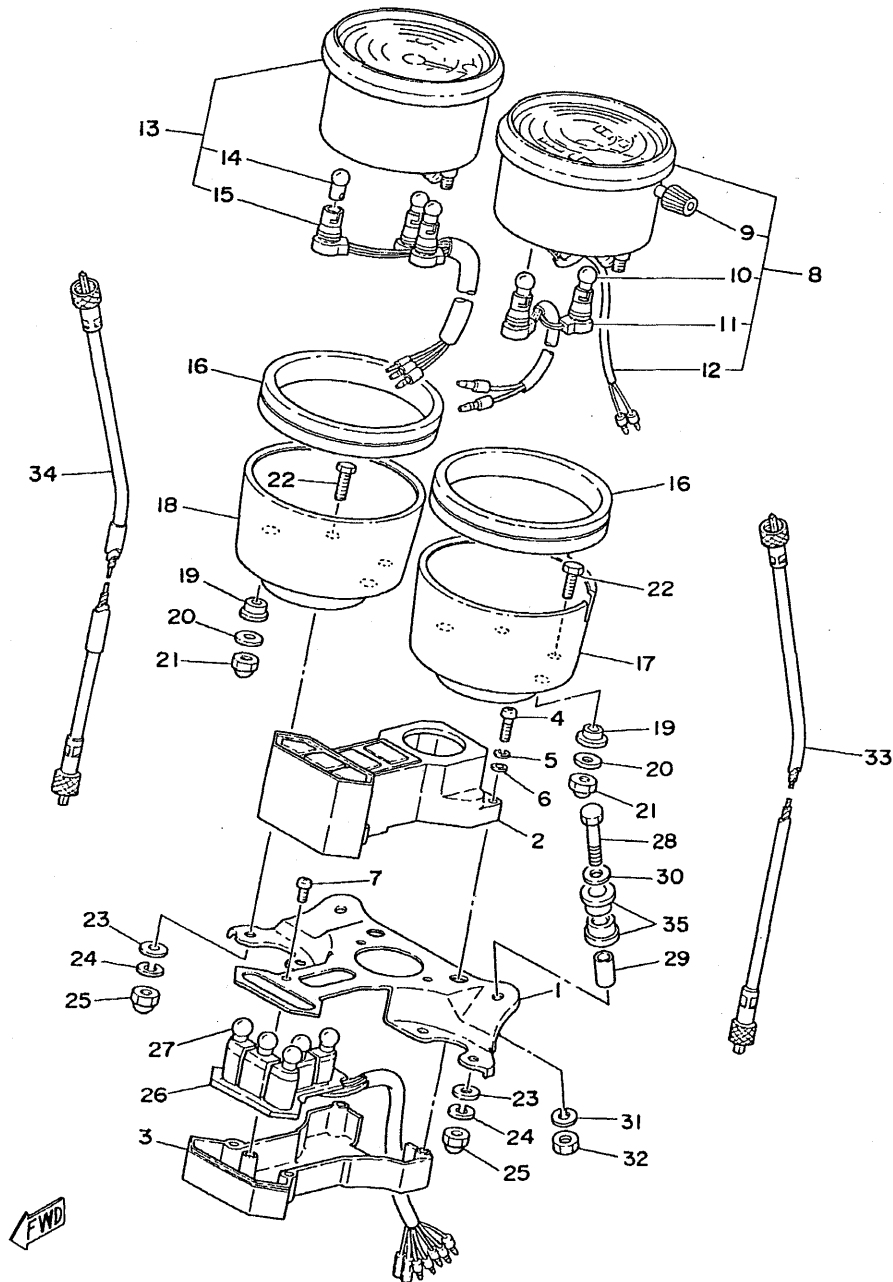
Ref.No.	Part No.	Description	Q'ty	Remarks
39-34	198-84334-60	. NUT	1	
	35	. COVER, socket	1	
	36	. CORD ASS'Y	1	
	37	. BULB (12V-5W)	1	

Fig. 40 SPEEDOMETER · TACHOMETER



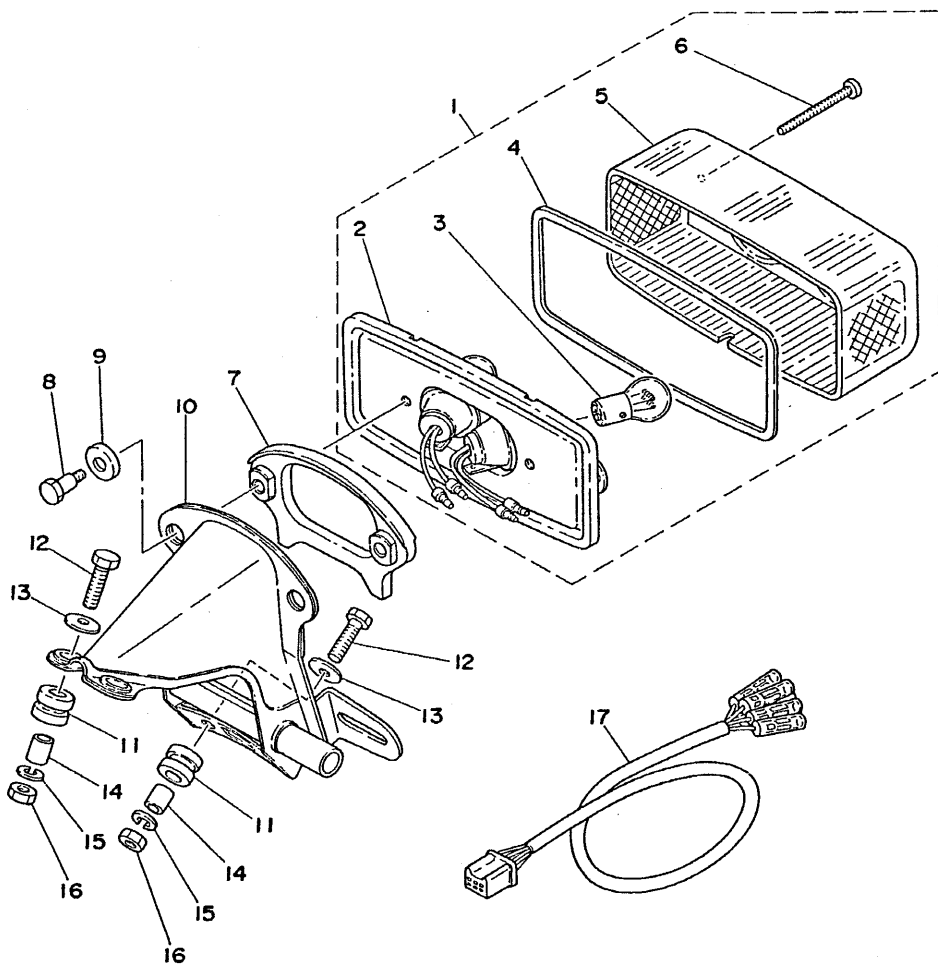
Ref.No.	Part No.	Description	Q'ty	Remarks
40- 1	1J3-83519-00	BRACKET, meter	1	
2	1J7-83568-71	PILOT BOX, upper	1	
3	1J3-83569-71	PILOT BOX, under	1	
4	98506-04020	SCREW, panhead	4	
5	92906-04100	WASHER, spring	4	
6	92906-04600	WASHER, plate	4	
7	98501-05010	SCREW, panhead	1	
8	2Y4-83570-70	SPEEDOMETER ASS'Y	1	Mile/h
	2K1-83570-20	SPEEDOMETER ASS'Y	1	Km/h
9	584-83578-71	. KNOB, trip meter	1	
10	123-83516-21	. BULB (12V-3.4W)	2	
11	584-83536-01	. SOCKET CORD ASS'Y 1	1	
12	1J3-83556-01	. SOCKET CORD ASS'Y 4	1	
13	3K0-83540-F0	TACHOMETER ASS'Y	1	
14	123-83516-21	. BULB (12V-3.4W)	3	
15	1J3-83520-01	. SOCKET CORD ASS'Y 3	1	
16	584-83513-00	DAMPER, meter	2	
17	584-83507-00	COVER, speedometer	1	
18	584-83508-00	COVER, tachometer	1	
19	584-83523-00	DAMPER	4	
20	92901-05200	WASHER, plain	4	
21	95301-05800	NUT, crown	4	
22	584-83546-00	BOLT	4	
23	92901-06200	WASHER, plain	4	
24	92901-06100	WASHER, spring	4	
25	95301-06800	NUT, crown	4	
26	1J7-83509-70	SOCKET CORD ASS'Y 2	1	
27	123-83516-21	BULB (12V-3.4W)	5	
28	97306-06040	BOLT	2	
29	90387-06249	COLLAR	2	
30	90201-06380	WASHER	2	
31	92901-06100	WASHER, spring	2	
32	95301-06600	NUT, hexagon	2	

Fig. 40 SPEEDOMETER · TACHOMETER



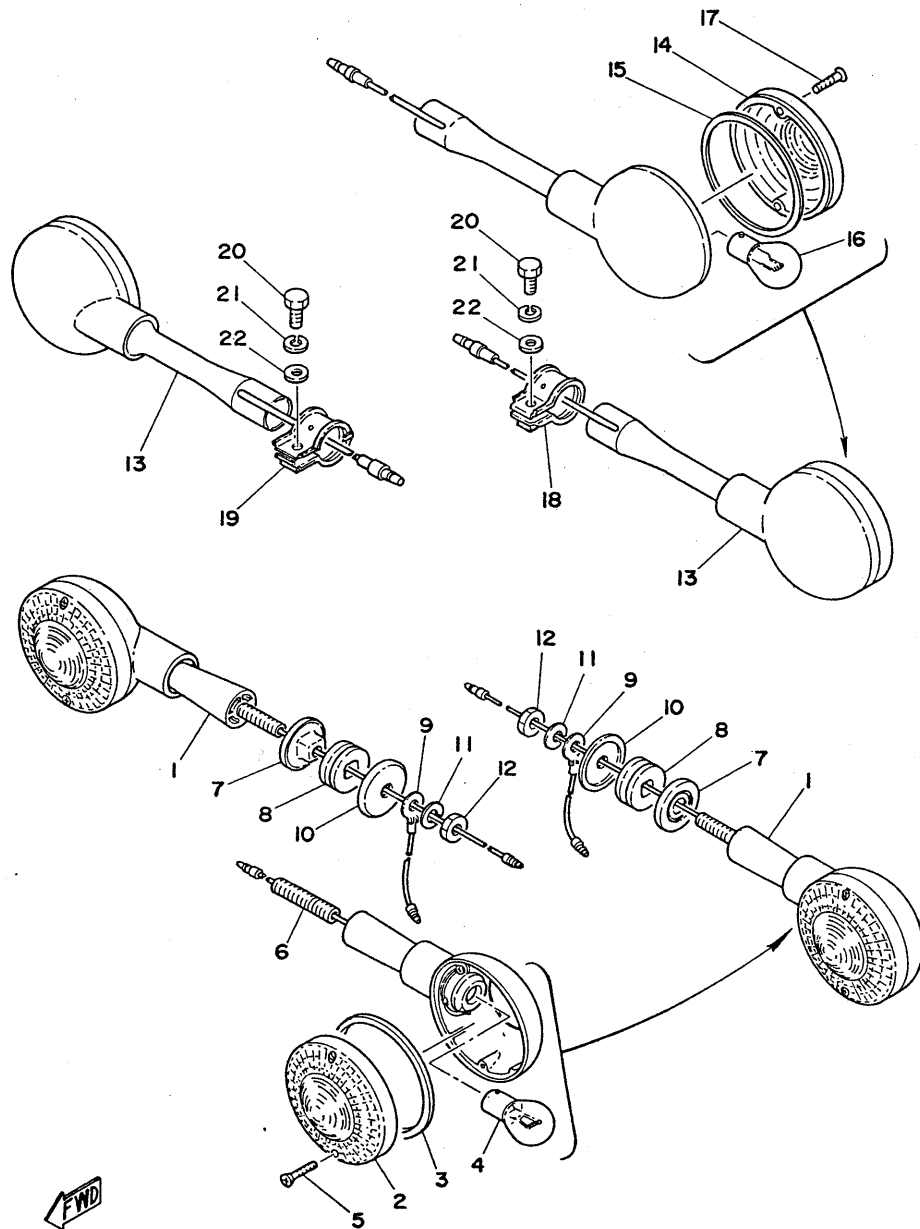
Ref.No.	Part No.	Description	Q'ty	Remarks	
40-33	1J7-83550-01	SPEEDOMETER CABLE ASS'Y	1		
	34	1J7-83560-01	TACHOMETER CABLE ASS'Y	1	
	35	584-83541-00	DAMPER, meter	4	

Fig. 41 TAIL LAMP



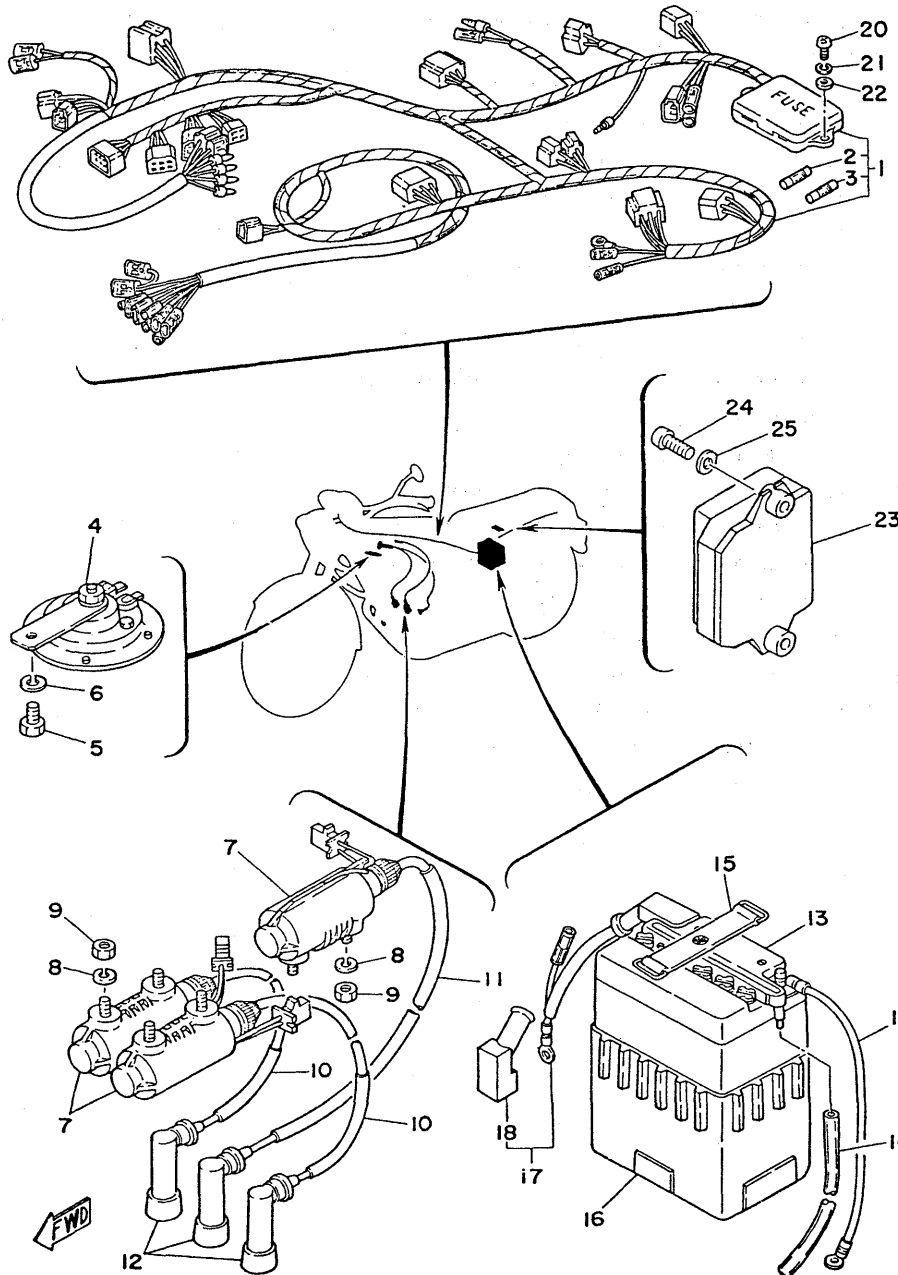
Ref.No.	Part No.	Description	Q'ty	Remarks
41- 1	1A0-84710-60	TAIL LAMP UNIT ASS'Y	1	
2	1A0-84711-60	. BASE, tail lamp	1	
3	256-84714-61	. BULB, tail lamp (12V-27/8W)	2	
4	1A0-84723-60	. GASKET, tail lamp	1	
5	1A0-84721-60	. LENS, tail lamp	1	
6	1A0-84724-60	. SCREW, lens fitting	2	
7	1A0-84712-60	SEAT, base	1	
8	1A0-84726-60	SCREW	2	
9	437-84525-60	WASHER, special	2	
10	1T4-84751-60-33	BRACKET, license	1	Yamaha Black
11	90480-14102	GROMMET	4	
12	97301-06020	BOLT, hexagon	4	
13	90201-06067	WASHER, plate	4	
14	90387-07390	COLLAR (214-21633-00)	4	
15	92901-06100	WASHER, spring	4	
16	95301-06600	NUT, hexagon	4	
17	1T4-84717-00	CORD, tail lamp	1	

Fig. 42 FLASHER LAMP



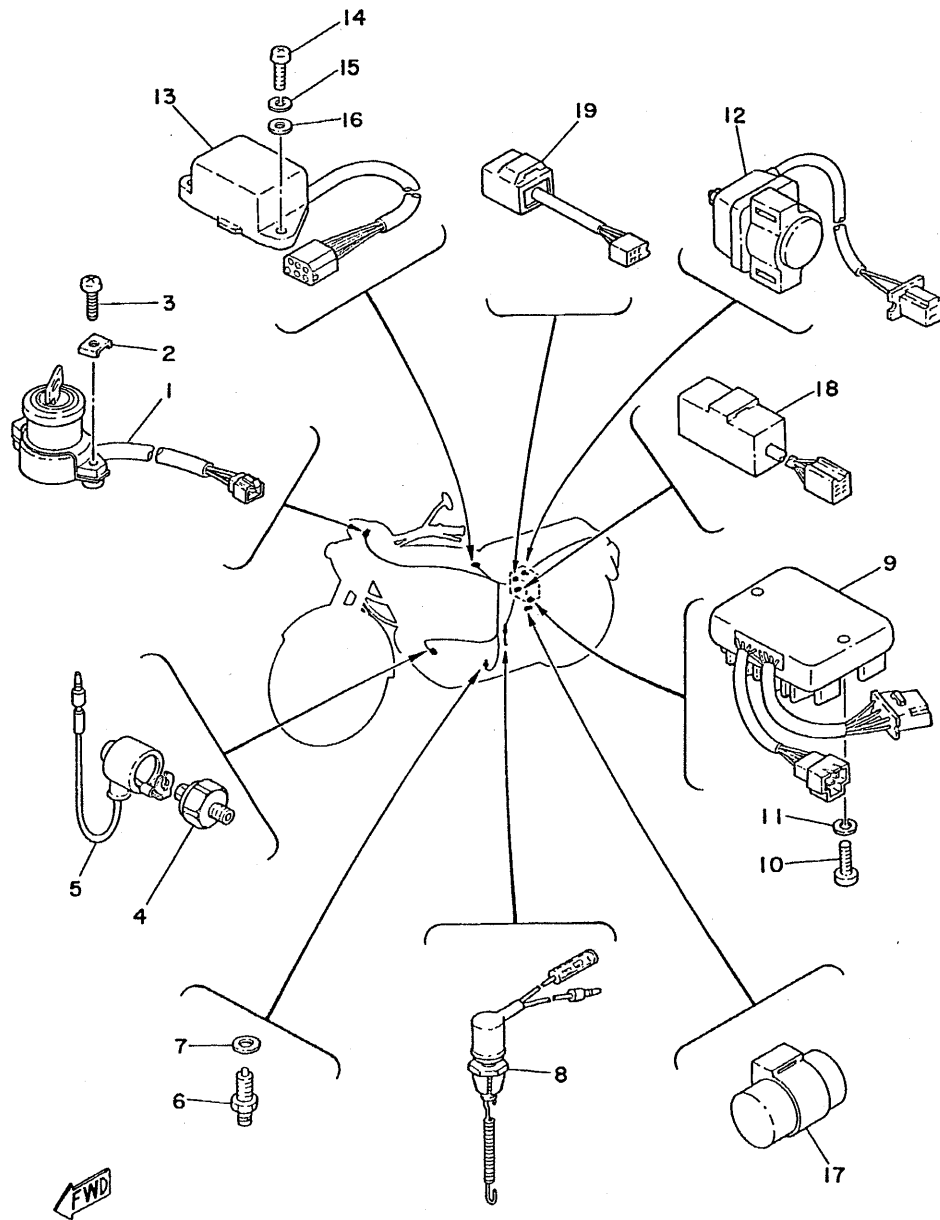
Ref.No.	Part No.	Description	Q'ty	Remarks
42- 1	341-83310-72-93	FRONT FLASHER LAMP ASS'Y	2	
2	341-83312-70	. LENS, flasher	2	
3	341-83313-70	. GASKET, flasher lens	2	
4	256-83311-70	. BULB (12V-27W)	2	
5	341-83333-70	. SCREW, lens fitting	4	
6	341-83367-00	. BOLT, stud	2	
7	341-83316-01	COLLAR, flasher	2	
8	341-83321-01	DAMPER, flasher	2	
9	371-82519-00	WIRE, earth lead	2	120L
10	90209-08098	WASHER (341-83348-00)	2	
11	92901-08100	WASHER, spring	2	
12	95301-08600	NUT, hexagon	2	
13	1T4-83330-K0-93	REAR FLASHER LAMP ASS'Y	2	
14	341-83312-70	. LENS, flasher	2	
15	341-83313-70	. GASKET, flasher lens	2	
16	256-83311-70	. BULB (12V-27W)	2	
17	341-83333-70	. SCREW, lens fitting	4	
18	1T4-83379-K0	BAND, flasher left	1	
19	1T4-83389-K0	BAND, flasher right	1	
20	97301-06014	BOLT, hexagon	2	
21	92901-06100	WASHER, spring	2	
22	92901-06600	WASHER, plate	2	

Fig. 43 ELECTRICAL 1



Ref.No.	Part No.	Description	Q'ty	Remarks
43- 1	3K0-82590-60	WIRE HARNESS ASS'Y	1	
2	1A0-82161-00	. FUSE (12V-20A)	2	
3	1A0-82151-00	. FUSE (12V-10A)	4	
4	1J7-83371-21	HORN	1	
5	97301-08014	BOLT	1	
6	92901-08100	WASHER, spring	1	
7	2F3-82310-60	IGNITION COIL ASS'Y	3	
8	92901-06100	WASHER, spring	6	
9	95301-06700	NUT	6	
10	1J7-82341-00	CORD, high tension	2	
11	1J7-82342-00	CORD, high tension	1	
12	1J7-82370-00	PLUG CAP ASS'Y	3	
	1J7-82370-10	PLUG CAP ASS'Y	3	for South Africa, Reunion
13	447-82110-82	BATTERY ASS'Y (YB14L)	1	12V-13AH
14	90445-08380	HOSE, breather	1	
15	120-82131-00	BAND, battery	1	
16	447-82122-00	SEAT, battery	1	
17	1J7-82115-00	WIRE, plus lead	1	
18	1J7-82119-00	. COVER, lead wire	2	
19	1J7-82116-00	WIRE, minus lead	1	
20	98501-05016	SCREW, panhead	2	
21	92901-05100	WASHER, spring	2	
22	92901-05600	WASHER, plate	2	
23	2F3-82305-11	IGNITOR UNIT ASS'Y	1	
24	92501-06025	SCREW, panhead	2	
25	90201-06557	WASHER, plate	2	

Fig.44 ELECTRICAL 2



Ref.No.	Part No.	Description	Q'ty	Remarks
44- 1	3K0-82508-80	MAIN SWITCH ASS'Y	1	
2	533-82517-00	WASHER, special	2	
3	98501-05018	SCREW, panhead	2	
4	341-82504-02	OIL PRESSURE SWITCH ASS'Y	1	
5	1J7-82507-00	LEAD WIRE, oil pressure switch	1	
6	2H7-82540-00	NEUTRAL SWITCH ASS'Y	1	
7	90430-10148	GASKET	1	
8	2F1-82530-00	STOP SWITCH ASS'Y	1	
9	1T4-81960-92	RECTIFIER & REGULATOR ASS'Y	1	
10	92501-06025	SCREW, panhead	2	
11	92901-06100	WASHER, spring	2	
12	1J7-81940-10	STARTER SWITCH ASS'Y	1	
13	2F9-84308-00	RESERVE LIGHTING UNIT ASS'Y	1	
	1T3-84308-00	RESERVE LIGHTING UNIT ASS'Y	1	
14	92501-06020	SCREW, panhead	2	
15	92901-06100	WASHER, spring	2	
16	92901-06600	WASHER, plain	2	
17	1A0-83350-70	FLASHER RELAY ASS'Y	1	
18	1A0-83395-02	FLASHER CANCELLING UNIT	1	
19	371-83581-00	RELAY ASS'Y	1	

REPAIR KIT

Fig. 45 REPAIR KIT

Ref.No.	Part No.	Description	Q'ty	Remarks	Ref.No.	Part No.	Description	Q'ty	Remarks
45- 1	2K3-W0001-01	GASKET KIT	1s		45-34	1J7-14714-00	. GASKET, muffler joint	1	Ref. No. 20-8
2	1J7-11193-00	. GASKET, cylinder head cover	1	Ref. No. 1-2	35	1J9-14714-01	. GASKET, muffler joint	1	20-29
3	2K3-11181-00	. GASKET, cylinder head	1	1-19	36	1J7-00000-60	OIL SEAL KIT	1	
4	1J7-11355-00	. SEAL, cylinder 1	1	1-20	37	93104-07036	. OIL SEAL (SO-7-13-4)	1	1-45
5	1J7-11357-00	. SEAL, cylinder 3	4	1-24	38	93102-08193	. OIL SEAL (SD7-8-25-6-L KS)	1	10-33
6	93210-74316	. O-RING (1.9-74.5)	3	1-25	39	214-16347-01	. SEAL, dust	1	10-35
7	1J7-11351-02	. GASKET, cylinder	1	1-26	40	93103-50103	. OIL SEAL (SW-48.8-72-9)	1	11-36
8	1J7-11356-00	. SEAL, cylinder 2	1	1-27	41	93102-12106	. OIL SEAL (SD-12-22-5)	1	14-6
9	93210-15171	. O-RING (1.9-14.5)	1	1-43	42	93102-20108	. OIL SEAL (SD-20-30-7)	1	15-9
10	1J7-12213-00	. GASKET, chain tensioner case	1	4-19	43	93102-24154	. OIL SEAL (SD-24-40-7.4)	1	17-4
11	93210-06001	. O-RING (1.9-5.8)	1	4-22	44	93102-25153	. OIL SEAL (SD-25-40-6)	1	17-14
12	90430-16141	. GASKET	1	4-26					
13	1J7-13338-00	. SEAL, rotor housing	1	9-16					
14	1J7-13414-00	. GASKET, stainer cover	1	9-24					
15	214-11198-01	. GASKET	1	9-28					
16	90430-18130	. GASKET	2	9-33					
17	90430-10128	. GASKET	1	9-35					
18	90430-15129	. GASKET	1	9-36					
19	90430-10027	. GASKET (256-13168-00)	4	9-40					
20	93211-17317	. O-RING (3.0-117.2)	1	9-46					
21	93210-16314	. O-RING (2.0-16.5)	1	9-47					
22	1J7-17518-00	. GASKET, middle gear case	1	12-28					
23	90430-14106	. GASKET	1	13-12					
24	93210-71315	. O-RING (1.9-71)	1	16-30					
25	1J7-11169-00	. GASKET, breather cover	1	16-32					
26	93210-29198	. O-RING (3.1-29.4)	1	16-41					
27	214-11198-01	. GASKET	1	16-43					
28	93210-18319	. O-RING (2.2-18)	1	16-45					
29	93210-09350	. O-RING (1.9-8.8)	1	16-51					
30	1J7-15461-00	. GASKET, crankcase cover left	1	17-2					
31	1J7-15451-00	. GASKET, crankcase cover right	1	17-12					
32	341-14613-00	. GASKET, exhaust	3	20-5					
33	1T4-14714-00	. GASKET, muffler joint	1	20-7					

NUMERICAL INDEX

NUMERICAL INDEX

Part No.	Ref.No.	Part No.	Ref.No.	Part No.	Ref.No.	Part No.	Ref.No.	Part No.	Ref.No.	Part No.	Ref.No.
YG4-11000-22-0G	12- 1	YG9-00008-96-1G	35- 6	YG9-00928-34-4G	35-23	1E6-26342-00	29-18	1J3-25862-51	24-22	1J7-11417-90	3-11
YG4-11000-32-0G	35- 1	YG9-00009-34-4G	12- 7	YG9-00928-44-4G	35-23	1E6-26372-00	29-19	1J3-25867-00	30- 7	1J7-11633-00	3- 8
YG4-11005-40-0G	12- 5	YG9-00009-44-4G	12- 7	YG9-00928-54-4G	35-23	1E7-23119-00	28-30	1J3-25917-00	34- 7	1J7-11650-01	3- 2
YG4-11006-90-1G	35- 9	YG9-00011-86-1G	35-24	YG9-00928-64-4G	35-23	1E7-23181-00	28-29		37- 6	1J7-11654-00	3- 3
YG4-11011-00-1G	12- 2	YG9-00014-84-1G	12-10	YG9-00930-37-3G	12-15	1J3-W0045-00	34- 6	1J3-27222-00	24- 6	1J7-12111-00	2- 1
YG4-11011-10-0G	12- 4		35-27	YG9-00930-76-0G	12-22	1J3-W0046-00	37- 5	1J3-83519-00	40- 1	1J7-12116-00	2- 4
YG4-11011-40-0G	12-20	YG9-00020-31-1G	12-11	YG9-00933-44-4G	35-14	1J3-W0048-00	34-10	1J3-83520-01	40-15	1J7-12118-00	2- 8
YG4-11011-50-0G	35- 2	YG9-00020-34-4G	12- 7	YG9-00942-77-5G	35-19		37- 9	1J3-83556-01	40-12	1J7-12119-01	2- 3
YG4-11007-30-0G	35-25	YG9-00026-14-4G	12- 7	YG9-00968-76-0G	35-18	1J3-20000-20	34-11	1J3-83569-71	40- 3	1J7-12121-00	2- 2
YG4-11706-50-1G	12-23	YG9-00027-26-2G	12-27	YG9-00971-96-0G	35-11		37-10	1J7-W1758-02	11-31	1J7-12153-00	2- 9
YG4-11706-80-0G	35- 5		35-31	YG9-00974-14-4G	35-21	1J3-20000-40	30- 2	1J7-00000-60	45-36	1J7-12169-A1	2-10
YG4-11707-10-0G	35-12	YG9-00042-66-1G	12- 3	YG9-00974-24-4G	35-21	1J3-20000-50	24-15	1J7-11133-10	1- 9	1J7-12169-E1	2-10
YG4-11707-11-0G	35-12		12-18	YG9-00980-27-1G	12- 6	1J3-23151-00	28-10	1J7-11134-10	1-10	1J7-12169-F1	2-10
YG4-11707-70-0G	12-19	YG9-00901-37-1G	35-22	1A0-21518-00	26- 4	1J3-23156-00	28- 6	1J7-11138-00	1-18	1J7-12169-G1	2-10
YG4-11708-10-0G	35- 7	YG9-00901-91-3G	35- 4	1A0-82151-00	43- 3	1J3-23163-00	28-15	1J7-11165-00	16-35	1J7-12169-H1	2-10
YG4-11708-20-0G	35- 7	YG9-00903-91-3G	35- 3	1A0-82161-00	43- 2	1J3-23166-00	28- 8	1J7-11169-00	16-32	1J7-12169-J1	2-10
YG4-11708-30-0G	35- 7	YG9-00906-17-3G	12-21	1A0-83350-70	44-17	1J3-23183-01	28-20	1J7-11183-01	1- 4	1J7-12169-K1	2-10
YG4-11708-40-0G	35- 7		35-10	1A0-83395-02	44-18	1J3-25810-03	34- 4	1J7-11191-00	1- 1	1J7-12169-L1	2-10
YG4-11708-50-0G	35- 7	YG9-00907-11-5G	35-30	1A0-83980-30	30-28	1J3-25810-13	34- 5	1J7-11192-03	1- 3	1J7-12169-M1	2-10
YG4-11708-60-0G	35- 7	YG9-00908-17-3G	35- 8	1A0-84710-60	41- 1	1J3-25831-50	34- 1	1J7-11193-00	1- 2	1J7-12169-N1	2-10
YG4-11708-70-0G	35-20	YG9-00913-37-1G	12-13	1A0-84711-60	41- 2		37- 1	1J7-11310-00	1-21	1J7-12169-R1	2-10
YG4-11708-80-0G	35-16	YG9-00920-47-6G	35-17	1A0-84712-60	41- 7	1J3-25834-01	34- 2	1J7-11351-02	1-26	1J7-12169-T1	2-10
YG4-11708-90-0G	12-19	YG9-00920-71-1G	12-12	1A0-84721-60	41- 5		37- 2	1J7-11355-00	1-20	1J7-12169-U1	2-10
YG4-11709-40-0G	12-24	YG9-00922-14-4G	35-13	1A0-84723-60	41- 4	1J3-25838-00	34- 8	1J7-11356-00	1-27	1J7-12169-V1	2-10
YG4-11709-90-0G	12-16	YG9-00922-24-4G	35-13	1A0-84724-60	41- 6		37- 7	1J7-11357-00	1-24	1J7-12169-W1	2-10
YG4-11710-60-0G	12-17	YG9-00922-34-4G	35-13	1A0-84726-60	41- 8	1J3-25845-01	34-12	1J7-11416-00	3-10	1J7-12169-01	2-10
YG4-11710-70-0G	12-19	YG9-00922-44-4G	35-13	1A1-25115-00	33- 5		37-11	1J7-11416-10	3-10	1J7-12169-11	2-10
YG9-00000-22-9G	12- 8	YG9-00922-54-4G	35-13	1A1-25398-01	33-19	1J3-25850-22	30- 1	1J7-11416-20	3-10	1J7-12169-21	2-10
YG9-00001-52-0G	35-28	YG9-00922-64-4G	35-13		36-28	1J3-25852-01	30- 3	1J7-11416-30	3-10	1J7-12169-31	2-10
YG9-00001-62-7G	12-25	YG9-00922-74-4G	35-13	1A1-25399-00	33-19	1J3-25852-52	24-16	1J7-11416-90	3-10	1J7-12169-41	2-10
	35-15	YG9-00922-84-4G	35-13		36-28	1J3-25854-01	30- 5	1J7-11417-00	3-11	1J7-12169-51	2-10
YG9-00006-35-1G	12-14	YG9-00922-94-4G	35-13	1A6-21581-00	26-23	1J3-25854-51	24-17	1J7-11417-10	3-11	1J7-12169-61	2-10
YG9-00006-61-5G	12-26	YG9-00928-14-4G	35-23	1A8-14991-00	19-28	1J3-25855-01	30- 6	1J7-11417-20	3-11	1J7-12169-71	2-10
	35-29	YG9-00928-24-4G	35-23	1E6-23442-00	27-14	1J3-25855-51	24-18	1J7-11417-30	3-11	1J7-12169-81	2-10

NUMERICAL INDEX

Part No.	Ref.No.	Part No.	Ref.No.	Part No.	Ref.No.	Part No.	Ref.No.	Part No.	Ref.No.	Part No.	Ref.No.
1J7-12169-91	2-10	1J7-15100-01	16- 1	1J7-16357-01	10-32	1J7-17555-Y0	12-23	1J7-23167-00	28-26	1J7-26290-51	29-21
1J7-12173-10	1-16	1J7-15164-03	16-27	1J7-16383-01	10-17	1J7-17571-Y0	12-17	1J7-23415-00	27- 3	1J7-26311-00	29-14
1J7-12176-01	4- 5	1J7-15410-00	17- 1	1J7-16384-00	10-16	1J7-17812-00	1-47	1J7-24181-01	31- 9	1J7-26335-01	29-15
1J7-12183-10	1-17	1J7-15415-01	17-15	1J7-16385-00	10-19	1J7-17841-00	1-42	1J7-24183-02	21-12	1J7-26399-00	27-21
1J7-12212-02	4-20	1J7-15416-00	17- 9	1J7-16389-00	10-42	1J7-18101-01	14- 1	1J7-24718-00	32-24	1J7-27211-01-93	24- 1
1J7-12213-00	4-19	1J7-15417-02	17- 8	1J7-17131-01	11- 5	1J7-18111-01-93	14- 9	1J7-24719-00	32-25	1J7-27212-01	24- 5
1J7-12215-01	4-27	1J7-15431-11	17-11	1J7-17141-01	11- 2	1J7-18122-01	13-26	1J7-24722-00	32-33	1J7-27231-00	24-10
1J7-12217-00	4-17	1J7-15436-00	16-48	1J7-17151-03	11- 6	1J7-18141-02	13- 8	1J7-24723-00	32- 9	1J7-27311-01	23- 5
1J7-12241-00	4-11	1J7-15442-01	16-20	1J7-17211-02	11-14	1J7-18151-00	13-29	1J7-24726-00	32-10	1J7-27410-02	23-11
1J7-12251-01	4-12	1J7-15446-00	16-47	1J7-17219-00-10	11-18	1J7-18197-00	13-24	1J7-24735-00	32-29	1J7-27413-01	23-15
1J7-12252-00	4-13	1J7-15451-00	17-12	1J7-17219-00-12	11-18	1J7-18511-00	13-23	1J7-24768-00	32-16	1J7-27420-02	23-12
1J7-13161-00	9-37	1J7-15461-00	17- 2	1J7-17221-03	11-21	1J7-18512-00	13-17	1J7-24777-00	32-32	1J7-27433-00	23-24
1J7-13313-00	9-42	1J7-15474-00	17- 6	1J7-17231-03	11-19	1J7-18513-00	13-18	1J7-24789-00	32-28	1J7-27444-00	23-25
1J7-13324-00	3-12	1J7-15497-00	17- 7	1J7-17241-03	11-17	1J7-18531-00	13-16	1J7-25115-01	36- 5	1J7-27451-00	23-13
1J7-13325-01	9-41	1J7-15511-00	8-16	1J7-17251-03	11-20	1J7-18535-00	13-22	1J7-25317-00	36- 4	1J7-27461-00	23-14
1J7-13326-02	9- 9	1J7-15512-01	7- 1	1J7-17411-02	11- 1	1J7-18540-01	13- 1	1J7-25319-01	36-10	1J7-28100-10	22-23
1J7-13337-01	9-29	1J7-15516-01	15-23	1J7-17421-03	11-13	1J7-18547-00	13-10	1J7-25327-10	36-11	1J7-2815A-00	22-24
1J7-13338-00	9-16	1J7-15517-01	7- 4	1J7-17501-N0	12- 1	1J7-18561-00	13- 6	1J7-25367-00	36-16	1J7-46101-N0	35- 1
1J7-13412-01	9-20	1J7-15521-00	7- 2	1J7-17511-Y1	12- 2	1J7-21510-00-93	26- 1	1J7-25371-00	36-18	1J7-46106-N0	35-19
1J7-13414-00	9-24	1J7-15527-02	15-28	1J7-17518-00	12-28	1J7-21510-10-93	26-22	1J7-25374-00	36-23	1J7-46117-Y0-30	35-23
1J7-13417-01	9-23	1J7-15580-00	7- 6	1J7-17519-Y0	12- 5	1J7-21517-00	26- 5	1J7-25377-00	36-15	1J7-46117-Y0-35	35-23
1J7-13440-91	9-45	1J7-15583-00	7- 8	1J7-17521-Y0	12- 4	1J7-21613-00	26- 7	1J7-25381-00	36-19	1J7-46117-Y0-40	35-23
1J7-13483-00	9-17	1J7-15644-00	15-16	1J7-17526-00	11-39	1J7-21626-00	26-17	1J7-25810-54	37- 4	1J7-46117-Y0-45	35-23
1J7-13484-00	9-18	1J7-15645-00	15-19	1J7-17527-00	11-40	1J7-21631-00	26-16	1J7-25850-52	24-14	1J7-46117-Y0-50	35-23
1J7-13569-00	1-49	1J7-15650-00	15-18	1J7-17531-Y0-10	12-19	1J7-21649-01	26-21	1J7-25872-02	30-18	1J7-46118-Y0-18	35-20
1J7-14146-00	19-63	1J7-15654-00	15-24	1J7-17531-Y0-15	12-19	1J7-21717-00	22- 5	1J7-25873-01	30-24	1J7-46118-Y0-19	35-20
1J7-14190-20	19-23	1J7-15659-01	15-29	1J7-17531-Y0-30	12-19	1J7-21746-00	22-11	1J7-25874-01	24-26	1J7-46118-Y0-20	35-20
1J7-14243-00	19-62	1J7-15660-00	15-15	1J7-17537-Y0-15	12- 7	1J7-21794-00	22- 7	1J7-25875-00	30-26	1J7-46118-Y0-21	35-20
1J7-14612-01	20- 3	1J7-16139-04	3-15	1J7-17537-Y0-30	12- 7	1J7-21798-00	22-13	1J7-25876-00	30-27	1J7-46119-Y0-10	35-21
1J7-14614-00	20- 4	1J7-16304-00	10-36	1J7-17537-Y0-40	12- 7	1J7-22110-03-33	25- 1	1J7-25885-01	30-20	1J7-46119-Y0-20	35-21
1J7-14714-00	20- 8	1J7-16310-03	10- 9	1J7-17537-Y0-50	12- 7	1J7-22141-00	25- 5	1J7-26111-00	29- 1	1J7-46122-Y0	35-16
1J7-14988-00	19-58	1J7-16318-00	10- 5	1J7-17538-Y1	12- 9	1J7-22143-00	25- 6	1J7-26290-02	29-22	1J7-46123-Y0	35-12
1J7-14994-00	19-21	1J7-16340-01	10-34	1J7-17538-01	12- 9	1J7-23121-01-93	28-31	1J7-26290-12	29-21	1J7-46124-Y0	35- 9
1J7-14998-00	19-47	1J7-16356-01	10-25	1J7-17551-Y0	12-20	1J7-23131-01-93	28-32	1J7-26290-41	29-22	1J7-46127-Y0-30	35- 7

NUMERICAL INDEX

Part No.	Ref.No.	Part No.	Ref.No.	Part No.	Ref.No.	Part No.	Ref.No.	Part No.	Ref.No.	Part No.	Ref.No.
1J7-46127-Y0-35	35- 7	1J7-83550-01	40-33	1T4-23435-01-98	27- 5	1T5-26335-00	29-15	2F0-14918-00	19-11	2F3-14116-06	19- 7
1J7-46127-Y0-40	35- 7	1J7-83560-01	40-35	1T4-24741-00	32-17	1T5-26372-00	30-29	2F0-14919-00	19-13	2F3-14243-00	19-48
1J7-46127-Y0-45	35- 7	1J7-83568-71	40- 2	1T4-24742-00	32-40	1T5-84310-20	39- 1	2F1-24786-00	32-31	2F3-14386-00	19-71
1J7-46127-Y0-50	35- 7	1J7-83972-00-98	29- 3	1T4-24756-00-H7	32- 3	120-82131-00	43-15	2F1-82530-00	44- 8	2F3-14422-00	18- 6
1J7-46129-Y0	35-32	1J7-84310-01	39-22	1T4-24773-00	32-36	123-83516-21	38-20	2F3-W1441-04	18- 5	2F3-14445-00	18-16
1J7-46150-Y0	35- 2	1J7-84318-00	38-24	1T4-24785-00-H7	32-26		40-10	2F3-11110-00	1- 8	2F3-14451-00	18- 7
1J7-46152-Y0	35-25	1J7-84330-62-33	38- 1	1T4-24785-10-H7	32-27		40-14	2F3-11166-00	16-39	2F3-14452-01	18-14
1J7-46153-Y0	35- 5	1L9-14714-01	20-29	1T4-24796-00	32-39		40-27	2F3-11168-00	16-33	2F3-14453-00	18- 4
1J7-46170-02	35-42	1L9-14788-00	20-10	1T4-25168-10	33- 1	132-16346-00	10-40	2F3-11363-00	1-30	2F3-14711-03	20-13
1J7-46172-01	35-39	1L9-14952-00	19-29	1T4-27111-01	23- 1	132-18113-01	14-11	2F3-11364-00	1-31	2F3-14913-00	19-39
1J7-46181-10	12-35	1L9-24746-00	32-11	1T4-27314-00	23-10	137-14153-00	19-18	2F3-11610-02	3- 7	2F3-14919-00	19-74
	35-45	1M0-14933-00	19-14	1T4-27430-00	23-20	137-17427-00-10	11- 9	2F3-11610-12	3- 7	2F3-14926-00	19-61
1J7-81600-10	5- 1	1T3-84308-00	44-13	1T4-27434-00	20-20	150-17417-00-10	15-22	2F3-11610-22	3- 7	2F3-14931-00	19-41
1J7-81610-10	5- 3	1T4-W2533-10	36- 1	1T4-27435-00	20-21	156-15618-01	15- 2	2F3-11610-32	3- 7	2F3-14932-00	19-41
1J7-81632-00	6- 8	1T4-14714-00	20- 7	1T4-27440-00	23-21	168-16325-00	10-14	2F3-11610-42	3- 7	2F3-14938-00	19-72
1J7-81650-10	5- 2	1T4-14788-00	20- 9	1T4-27442-00	20-18		10-18	2F3-11631-04-96	3- 6	2F3-14940-00	19- 6
1J7-81660-10	5- 4	1T4-21110-01-33	21- 1	1T4-27443-00	20-19	198-84334-60	38-16	2F3-11631-04-97	3- 6	2F3-14941-90	19- 5
1J7-81800-60	8- 1	1T4-21610-00-93	26- 6	1T4-2814A-00	22-25		39-17	2F3-11635-04	3- 6	2F3-14946-00	19-12
1J7-81810-60	8- 6	1T4-21629-00	26- 8	1T4-81624-00	17-22		39-34	2F3-11636-04	3- 6	2F3-14952-00	19- 9
1J7-81826-60	8-14	1T4-2177A-00	22-16	1T4-81960-92	44- 9	2A2-14171-00	19-50	2F3-11637-04	3- 6	2F3-14958-00	19-15
1J7-81840-60	8- 7	1T4-2177E-00	22-17	1T4-83330-K0-93	42-13	2A2-14172-36	19-54	2F3-11638-04	3- 6	2F3-14963-00	19-39
1J7-81847-60	8-15	1T4-22210-01	25-13	1T4-83379-K0	42-18	2A2-14173-00	19-53	2F3-11656-00	3- 5	2F3-14964-00	19-39
1J7-81940-10	44-12	1T4-22210-11	25-14	1T4-83389-K0	42-19	2A2-14174-00	19-52	2F3-11656-10	3- 5	2F3-14968-00	19-70
1J7-82115-00	43-17	1T4-23115-00	28-17	1T4-84717-00	41-17	2A2-14905-00	19-56	2F3-11656-20	3- 5	2F3-14975-00	19-69
1J7-82116-00	43-19	1T4-23116-00	28-16	1T4-84751-60-33	41-10	2A2-14918-00	19-40	2F3-11656-30	3- 5	2F3-14977-00	19-55
1J7-82119-00	43-18	1T4-23126-00	28- 2	1T5-12170-00	4- 1	2A2-14922-00	19-46	2F3-11656-40	3- 5	2F3-14991-00	19-57
1J7-82341-00	43-10	1T4-23136-00	28- 3	1T5-12180-00	4- 2	2A2-14923-00	19-32	2F3-12117-00	2- 7	2F3-14995-00	19-68
1J7-82342-00	43-11	1T4-23144-00	28-14	1T5-16301-02	10- 8	2A2-14932-00	19-41	2F3-13171-00	9-31	2F3-14996-00	19-73
1J7-82370-00	43-12	1T4-23145-00	28- 5	1T5-16370-00	10-15	2A2-14981-06	19-27	2F3-13310-01	9- 2	2F3-14998-00	19-66
1J7-82370-10	43-12	1T4-23147-00	28- 4	1T5-21165-00	21-15	2A2-14984-01	19-26	2F3-13314-00	9- 3	2F3-15123-00	16-55
1J7-82507-00	44- 5	1T4-23157-00	28-11	1T5-22210-01	25-13	2A2-14985-00	19-25	2F3-13316-01	9- 8	2F3-15167-00	16-57
1J7-82594-01	21-13	1T4-23170-00	28-12	1T5-22210-11	25-14	2A2-14991-00	19-20	2F3-13336-02	9- 1	2F3-15358-20	16-58
1J7-83371-21	43- 4	1T4-23340-00-33	28-23	1T5-25872-01	30-18	2A2-14997-00	19-45	2F3-13411-00	9-19	2F3-15363-00	16-40
1J7-83509-70	40-26	1T4-23434-00	27-16	1T5-26111-00	29- 1	2F0-14589-00	19- 8	2F3-13586-00	18- 1	2F3-15432-01	16-59

NUMERICAL INDEX

Part No.	Ref.No.	Part No.	Ref.No.	Part No.	Ref.No.	Part No.	Ref.No.	Part No.	Ref.No.	Part No.	Ref.No.
2F3-15449-01	16-22	2F9-84331-00	39-32	2K3-14614-00	20-30	278-15676-00	15-12	341-83310-72-93	42- 1	371-84312-60	38-18
2F3-15611-00-93	15- 1	2F9-84375-00	38-17	2K3-14631-00	20- 2	278-27114-00	20-17	341-83312-70	42- 2		39-18
2F3-16151-01	10-23	2F9-84394-00	38- 8	2K3-14702-10	20-14	3G9-24110-00-03	31- 1		42-14	383-16321-00	10-13
2F3-16306-01	10- 1		39-26	2K3-15186-00	16- 6	3G9-24182-00	31-10	341-83313-70	42- 3	434-11161-00	1-50
2F3-16391-00	10-45	2F9-84395-00	38- 6	2K3-17582-00	11-27	3G9-24500-00	31-13		42-15	437-83936-00	29-20
2F3-17811-00	1-44		39-24	2K3-21110-20-33	21- 1	3G9-24510-00	31-14	341-83316-01	42- 7	437-83936-10	21-14
2F3-21170-00	22- 6	2F9-84397-00	38-19	2M0-24602-00	31- 6	3G9-24730-90	32- 1	341-83321-01	42- 8	437-84525-60	41- 9
2F3-21711-00-H7	22- 1	2G2-24512-00	31-15	2M0-25399-00	33-19	3G9-24731-00	32- 2	341-83333-70	42- 5	444-24768-00	32-35
2F3-21721-00-H7	22- 2	2G2-24514-01	31-22		36-28	3G9-26311-00	29-14		42-17	447-27431-00	23-22
2F3-21781-20	22-27	2G2-24518-00	31-18	2Y4-83570-70	40- 8	3K0-24240-00	31- 2	341-83367-00	42- 6	447-27441-00	23-23
2F3-21782-20	22-28	2G2-24522-00	31-23	214-11198-01	9-28	3K0-82508-80	44- 1	341-84315-40	38- 5	447-82110-82	43-13
2F3-23101-00	28- 1	2G2-24523-00	31-20		12-27	3K0-82590-60	43- 1		39- 2	447-82122-00	43-16
2F3-2311A-00	28-19	2G2-24524-00	31-16		16-43	3K0-83540-F0	40-13		39-23	447-84331-60	39-15
2F3-23110-00	28- 9	2G2-24524-10	31-16		35-31	3K0-83963-00	29-11	341-84320-00	39-25	447-84332-60	39-16
2F3-23111-00	28-21	2G2-24525-00	31-17	214-16347-01	10-35	306-14970-00	19-44	341-84320-40	39- 4	533-82517-00	44- 2
2F3-23114-00	28-18	2G2-24525-10	31-17	239-14195-00	19-22	306-84346-40	38-21	341-84332-60	38-15	537-14186-00	19-24
2F3-23141-00	28-13	2G2-24534-00	31-19	248-18139-09	14-13		39-19		39-33	583-14589-00	19-60
2F3-23168-00	28-22	2H7-15631-00	17-25	254-84347-00	39-37	341-14613-00	20- 5	341-84395-60	39- 3	584-14934-00	19-37
2F3-24161-20	31- 3	2H7-17590-00	16-46	256-14135-00	19-51	341-23441-00	27-13	341-84397-61	39-35	584-14992-00	19-36
2F3-24757-20	32-30		35-34	256-14142-42	19-19	341-23469-00	12-33	355-85111-00	28-33	584-23408-00	21- 7
2F3-81653-11	6- 4	2H7-22189-00	25- 8	256-14919-00	19-10		27-12	360-21717-01	22- 3	584-23484-01	21- 9
2F3-81655-00	6- 6	2H7-26240-00	29-12	256-14922-01	19-35		35-44	371-15666-00	15-13	584-24705-00	32-20
2F3-81671-10	6- 1	2H7-26241-00	29- 2	256-14934-01	19-34	341-25118-00	33-16	371-24728-00	32-18	584-26393-01	29-13
2F3-82305-11	43-23	2H7-82540-00	44- 6	256-14937-00	19-38	341-25149-00	33- 7	371-81809-20	8- 4	584-83507-0	40-17
2F3-82310-60	43- 7	2H7-83912-00	29- 5	256-14953-00	19-43	341-25181-01	33-11	371-81811-20	8- 8	584-83508-00	40-18
2F9-14900-00	19- 1	2H7-83945-00	29- 8	256-17121-01	11- 8	341-25190-01	33-10	371-81812-20	8- 9	584-83513-00	40-16
2F9-14901-00	19- 2	2H9-13447-00	9-44	256-17848-00	1-46	341-25846-00	33- 8	371-81813-20	8-10	584-83523-00	40-19
2F9-14902-00	19- 3	2H9-83963-00-98	29-11	256-21366-00	22-22	341-25862-20	30-19	371-81844-20	8- 2	584-83536-01	40-11
2F9-14903-00	19- 4	2J2-83922-00	30-10	256-21376-00	22-21	341-26397-00	18-18	371-81845-20	8- 3	584-83541-00	40-35
2F9-83972-00-98	29- 3	2K1-83570-20	40- 8	256-21729-00	22-12	341-26397-01	5-10	371-81847-20	8-13	584-83546-00	40-22
2F9-84303-00	38- 4	2K3-W0001-01	45- 1	256-83311-70	42- 4	341-28185-00	32-21	371-81850-20	8- 5	584-83578-71	40- 9
2F9-84308-00	44-13	2K3-11181-00	1-19		42-16	341-28188-00	32-23	371-82519-00	42- 9	584-84338-60	38- 3
2F9-84321-00	38- 7	2K3-11411-00	3- 1	256-84714-61	41- 3	341-82504-02	44- 4	371-83581-00	44-19	584-84344-60	39-10
2F9-84331-00	38-14	2K3-14611-00	20- 1	278-15621-00	15- 3	341-82911-00	29- 4	371-84312-00	39-36	584-84345-60	38- 2

NUMERICAL INDEX

Part No.	Ref.No.	Part No.	Ref.No.	Part No.	Ref.No.	Part No.	Ref.No.	Part No.	Ref.No.	Part No.	Ref.No.
584-84392-60	39- 7	90116-08230	16- 4	90179-24230	12- 8	90201-11154	9- 7	90215-21130	10-27	90401-18040	9-32
584-84393-60	39- 8	90116-08247	35- 4	90179-25033	27- 4	90201-11597	1-34	90240-06005	10-43	90401-18042	16-44
584-84394-60	39- 5	90116-08260	28- 7	90185-08054	28-28	90201-12575	14- 7	90240-08013	24- 7	90401-20041	9-48
584-84398-60	39- 6	90116-08271	1-40	90185-12046	23-29	90201-12622	11-38	90243-08006	23-18	90430-10027	9-40
584-84399-60	39- 9	90116-10248	35- 3	90185-14070	12-25	90201-14632	35-14	90249-03123	31- 4	90430-10128	9-35
620-14231-25	19-17	90116-10273	1-28		35-15	90201-14633	12-24	90250-08017	13-19	90430-10148	44- 7
620-14231-26	19-17	90116-10274	1-29	90201-06042	23-19	90201-15340	15- 5	90269-04003	21-11	90430-14106	13-12
620-14231-28	19-17	90122-06006	18- 8	90201-06052	26-15	90201-18620	36-21	90331-10011	4- 3	90430-15129	9-36
647-45533-00-10	13-20	90123-08046	29-16	90201-06066	4-14	90201-20276	9-54	90331-30014	11-34	90430-16141	4-26
737-14137-00	19-67	90149-06008	31-25	90201-06067	38-31	90201-20277	9-49	90338-34069	25- 7	90430-18130	9-33
8A7-14969-00	19-33	90149-06017	14- 2		41-13	90201-20722	15-10	90340-14042	16-42	90445-07375	31-28
90101-08312	34- 3	90149-06131	30-11	90201-06069	38-28	90201-21599	10-21		35-30	90445-07434	18-17
	37- 3	90149-14112	13-13	90201-06380	40-30	90201-22625	10-24	90340-14043	9-27	90445-08380	43-14
90101-10188	5- 6	90152-05005	38-23	90201-06431	1-14	90201-25287	11- 4	90340-14046	12-26	90445-10133	31-27
90101-10308	34-13	90153-06008	24-12	90201-06552	22-20	90201-25291	7- 5		35-29	90460-54085	18- 2
90102-10006	23- 6	90153-10015	24-20	90201-06557	43-25		10-29	90380-08059	11-43	90460-58124	18- 3
90105-05129	24-23	90159-05018	36-12	90201-06636	14-14	90201-25634	12-16	90387-06249	40-29	90461-10023	24-29
90105-08066	35-43	90159-06010	10-10	90201-08083	24- 8	90201-26600	3-13	90387-06540	4-15	90461-12021	24-30
90105-08067	6- 7	90167-05002	16-56	90201-08114	36-24	90201-27623	35-46	90387-06628	20-31	90462-13032	19-65
90105-08092	34- 9	90170-06010	30-12	90201-08310	31-11	90201-30602	11-15	90387-07038	38-27	90464-16021	26- 9
	37- 8	90170-06184	24-13	90201-08382	1-36		11-24	90387-07390	32- 8	90464-16025	26-20
90105-14102	27- 6	90170-08158	16- 5		1-38	90201-31662	16-29		41-14		28-36
90106-10030	25-19	90170-09192	3- 4		16-18	90201-69603	10- 4	90387-17433	33-15	90465-08017	16-54
90109-06465	30-14	90170-24203	10-26	90201-10118	24-28	90201-76604	10- 2	90387-17543	25- 4	90465-08112	16-52
90109-06468	24- 2	90170-26191	3-14		30-17	90202-06010	31-26	90387-20541	36- 8	90465-08114	12-34
90109-08441	14-12	90171-10012	23- 8	90201-10124	1-33	90206-04003	21-10	90387-20542	36-17	90465-08116	17-21
90109-08442	4-24	90171-14006	33-18	90201-10128	16-19	90208-25021	10-28	90387-35544	11-32	90465-08120	18-15
90109-10440	23- 2	90171-18008	36-22	90201-10140	25-18	90209-08098	42-10	90387-64672	10- 6	90465-10113	17-23
90109-10527	13-14	90176-10009	25-16	90201-10142	25-17	90209-10147	21- 3	90401-10004	9-39	90467-07029	31-31
90109-12445	21- 5	90176-10013	25-15	90201-10149	27-17	90209-10149	4- 6	90401-10013	9-38	90467-09006	31-29
90113-08021	10-37	90179-08004	20- 6	90201-10508	5- 8	90209-12151	27-15	90401-10034	24-27	90467-14015	16-38
90116-06228	1-13	90179-08148	29-17	90201-10595	11-28	90209-18070	23-26	90401-10034	30-16	90468-10050	32-15
90116-08161	1-37	90179-08179	10-38	90201-10596	4- 7	90215-06128	24-34	90401-10044	30-25	90468-12006	27-20
90116-08229	16- 3	90179-10277	1-32	90201-10610	24-21	90215-10145	13-15	90401-10054	9-34	90468-12069	3- 9

NUMERICAL INDEX

Part No.	Ref.No.	Part No.	Ref.No.	Part No.	Ref.No.	Part No.	Ref.No.	Part No.	Ref.No.	Part No.	Ref.No.
90468-14067	35-40	90560-17126	33- 4	91318-06020	15-26	92501-06025	44-10	92901-06100	32-12	92901-08600	20-24
90468-20083	18-13	90560-25160	10-30	91318-06035	4-16	92506-06014	24-31		38-30		28-27
90468-26066	15-27	91311-08025	8-18	91318-10030	11-30	92701-06018	9-43		40-24	92901-08700	35-27
90480-01141	22- 4	91316-06012	1-48	91401-10010	10-44		13-25		40-31	92901-10100	5- 7
90480-05201	22-26		5- 5	91401-16012	23-28	92706-06012	32-19		41-15		11-29
90480-06007	32-22		16-50		24- 9	92901-03100	8-12		42-21		27-19
90480-14102	41-11	91316-06015	1- 6		26-19	92901-04100	38-13		43- 8		34-14
90480-16114	38-26	91316-06018	17-17	91401-20012	36-27		39-14		44-11		35-35
90501-04503	7- 9	91316-06020	4-21	91401-20025	23- 7		39-31		44-15	92901-10200	34-15
90501-10196	13-11		9-14	91401-30030	33-12	92901-05100	6-10	92901-06200	6- 3	92901-14200	33-17
90501-10312	30-13		16-31	91401-40035	36-20		19-31		18- 9	92903-06100	26-25
90501-12081	15- 8	91316-06025	9-25	91609-20018	9-53		28-34		40-23		30- 9
90501-12413	9-51		16-34	91701-05055	32-14		31- 8	92901-06600	4-23	92903-08100	37-13
90501-15469	15-30		17- 5	91701-06035	23-27		32- 5		17-24	92903-08600	27- 9
90501-16417	4-18		20-11	91701-06152	26-18		38-10		18-12		37-14
90501-18433	9-50	91316-06030	5- 9	91810-03014	1-22		39-11		20-12	92903-10100	25-20
90501-18442	35-41		17-10		16-23		39-28		20-28	92906-04100	40- 5
90501-23142	10-11		17-18		17- 3		43-21		21-18	92906-04600	40- 6
90501-28415	2- 6	91316-06035	1- 5		17-13	92901-05200	28-35		22-10	92906-06100	24-32
90501-39414	2- 5		9-22	91810-16016	1-23		32- 4		26-12	92906-06200	16-49
90501-40467	11-42	91316-06040	9-15	91810-18016	17-16		40-20		30-23	92906-06600	1- 7
90502-09024	21- 8		17-19	91830-21014	12-29	92901-05600	43-22		42-22	93101-30084	35-18
90504-06023	31-30	91316-06055	9-26	91830-22016	9-13	92901-06100	9-10		44-16	93101-35085	12-22
90506-07135	25-10	91316-06080	17-20		16- 2		14- 3	92901-08100	20-16	93101-38086	35-11
90506-07136	25- 9	91316-08020	7-11	92501-06008	31-24		16-36		20-23	93102-08193	10-33
90506-28146	23- 9	91316-08025	16-25	92501-06010	9-30		21-17		20-26	93102-12106	14- 6
90506-40145	23- 4		27-11		26-13		22- 9		24-25	93102-20108	15- 9
90508-10312	13-28	91316-08030	12-11	92501-06012	22- 8		22-15		25-12	93102-24154	17- 4
90508-18313	10-39	91316-08035	12-30	92501-06015	6- 2		22-19		26- 3	93102-25017	25- 3
90508-20154	23-16	91316-08040	16-24		16-37		24- 3		28-25	93102-25044	36- 9
90508-20155	23-17	91316-08050	16-26		19-64		26-11		32-38	93102-25153	17-14
90508-30051	15-14	91316-08060	12-31		38-29		26-14		36-25	93102-28022	33-14
90508-32052	14- 5	91316-08100	12-32	92501-06020	44-14		29- 7		42-11	93102-70166	35-26
90508-40314	24- 4	91316-08160	12-12	92501-06025	43-24		30-22		43- 6	93103-50103	11-36

NUMERICAL INDEX

Part No.	Ref.No.	Part No.	Ref.No.	Part No.	Ref.No.	Part No.	Ref.No.	Part No.	Ref.No.	Part No.	Ref.No.
93104-07036	1-45	93315-23612	13- 4	93440-52014	11-12	95301-06600	32-13	95321-10115	16-15	97323-08065	27- 7
93104-27026	36-14	93316-01402	35-22	93440-62046	11-26		40-32	95821-10125	16-16	98301-05012	6- 9
93105-45017	33- 9	93317-41510	35-17	93440-64047	10- 7		41-16	97301-05016	32- 7	98501-03008	8-11
93108-27006	35-37	93332-00001	27- 2	93440-72049	11-35	95301-06700	43- 9	97301-06010	16-53	98501-04008	19-49
93210-06001	4-22	93332-00008	27- 1	93501-02018	9-52	95301-06800	40-25		22-14		19-75
93210-06257	18-10	93332-00010	25- 2	93501-08001	19-59	95301-08600	42-12	97301-06014	42-20		38-12
93210-09350	16-51	93332-00022	12-15	93505-16006	10-31	95301-08700	4-25	97301-06016	22-18		39-13
93210-11313	1-11	93332-00023	12-21	93507-32009	15- 7		24-11	97301-06020	14-10		39-30
93210-11368	29- 9		35-10	93603-07073	9-12		36-26		18-11	98501-05008	31- 7
93210-15171	1-43	93332-00024	35- 8	93603-09004	1-12	95301-08800	20-25		41-12	98501-05010	38- 9
93210-16314	9-47	93340-27601	10- 3	93603-12007	9- 5	95301-10700	27-18	97301-06022	29- 6		39-27
93210-18319	16-45	93390-00014	11-41	93603-17070	9- 4	95301-12600	19-42	97301-06025	30-21		40- 7
93210-29198	16-41	93410-12003	8-17	93604-08071	6- 5	95303-06600	9-11		38-25	98501-05012	9-21
93210-58346	35- 6	93410-17037	15-21		13- 2	95303-08800	27-10	97310-08012	31-12		10-41
93210-68347	12- 3	93410-20009	10-20	93604-10010	4- 4		37-12	97301-08014	32-37	98501-05016	19-16
	12-18		15-11	93604-10011	15-25	95311-08600	1-39		43- 5		19-30
93210-71315	16-30	93410-25017	11- 7	93604-18058	13- 3		35-28	97301-08025	24-24		43-20
93210-74316	1-25	93410-26011	35-38	93606-14081	7-10	95311-12700	11-37	97301-08035	25-11	98501-05018	44- 3
93211-17317	9-46	93410-30012	11-22	93615-17125	7- 7	95601-06100	29-10	97303-06010	26-24	98506-04020	40- 4
93211-44348	35-24		12-14	94132-19173	33- 2		30-15	97306-06012	24-33	98601-03008	31-21
93305-20504	11-11		13- 9	94140-18174	36- 2	95601-10100	21- 4	97306-06040	40-28	98701-05012	13- 7
93305-20602	11-25	93410-35027	15-20	94232-19068	33- 3		23- 3	97311-06025	20-27	98703-05018	35-33
		93420-65052	16-28								
93306-00608	12-13	93430-02001	31- 5	94240-18065	36- 3	95611-10100	35-36	97311-10025	4- 8	98706-05040	30- 4
93306-20421	36- 6	93430-07012	13-30	94500-02124	4- 9	95611-12100	21- 6	97321-06014	26-10		
93306-20422	36- 7	93430-09019	13-27	94600-02001	4-10	95701-05100	24-19	97321-06016	21-16		
93306-20707	11-33	93430-10016	13-21	94701-00117	1-41	95811-10070	21- 2	97321-08016	20-15		
93306-30303	33-13		14- 8	95301-04600	32-34	95821-08035	16- 7	97321-08020	20-22		
93306-30309	33- 6		15- 6	95301-05600	32- 6	95821-08045	16- 8		26- 2		
93306-30404	36-13	93430-15023	7- 3		38-11	95821-08050	16- 9	97321-08030	15- 4		
93306-30418	16-21	93440-11024	9- 6		39-12	95821-08075	16-10	97321-08040	16-17		
93306-30520	12- 6	93440-25020	11- 3		39-29	95821-08085	16-11	97322-08045	1-35		
93311-32024	11-10	93440-30015	11-16	95301-05800	40-21	95821-10095	16-12	97323-06025	30- 8		
93311-32425	11-23	93440-31068	10-22	95301-06600	1-15	95821-10100	16-13	97323-08040	28-24		
93311-84026	15-17	93440-34025	13- 5		14- 4	95821-10105	16-14	97323-08055	27- 8		



YAMAHA MOTOR CO., LTD.

PRINTED IN JAPAN

First edition Dec., 1978