



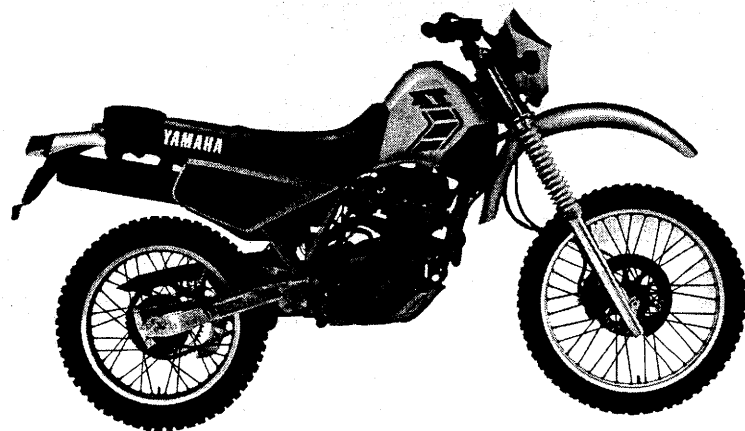
YAMAHA

PARTS CATALOGUE

XT250T^N (57R)

1557R-700E1

A2



A3

FOREWORD

This Parts Catalogue is related to the parts in use for the Yamaha XT250T (57R).
When you are ordering replacement parts for the XT250T (57R), refer to this Parts Catalogue and quote both part numbers and part names correctly.

1. Modifications or additions which have been made after issue of the Parts Catalogue will be announced in the Yamaha Parts News.
It is advisable that according to the Yamaha Parts News you make necessary corrections to the Parts Catalogue on hand to keep it up-to-date.

2. Abbreviations

The following abbreviations are used in this Parts Catalogue.

- U.R. Use size (thickness) and/or number as required.
- U.N. Use as many as you need.
- A.P. Alternate Parts
- L.M. Local Made
- F# Frame No. (Applicable machine No.)

3. The parts marked with (+) in the parts number column of this Catalogue are not supplied with by Yamaha, those have to be found locally.
4. Parts, which are to be supplied in the form of assemblies, are listed with an indention of one letter's space, and a dot (.) is put against the name of each part.

EXAMPLE CARBURETOR ASS'Y
 . JET, pilot
 . NOZZLE, main

5. Indication of No. of constituent parts for assembly

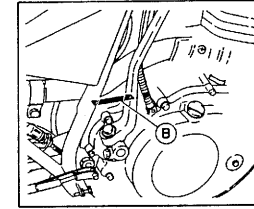
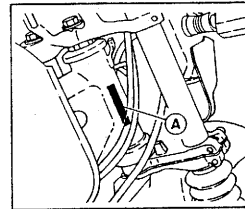
The numeral appearing to the right of each constituent part under the description indicates the quantity of such parts for each individual assembly unit.

EXAMPLE

Part No.	Description	Q'ty	Remarks
2F5-83310-60	FRONT FLASHER LIGHT ASS'Y	2	
115-83311-60	. BULB (6V-18W)	1	
1M1-83309-60	. REFLECTOR	1	

6. Initial Serial No. and Color Code

(A) Frame Serial No.	57R-000101 and following
(B) Engine Serial No.	57R-000101 and following



Color Code	Color Name	Abbreviate
36	Clean White	W

7. Applicable colors of graphics are represented in the "Remarks" column by the letter(s) appropriately picked out of the full word(s) showing such colors.

EXAMPLE

Part No.	Description	Q'ty	Remarks
2N4-24110-00-X5	FUEL TANK COMP.	1	MAXIM RED
3J1-24240-10	. GRAPHIC, fuel tank set	1	for MXR

CONTENTS

ENGINE

Cylinder Head	B2 ~ B3
Cylinder	B4
Crankshaft · Piston	B5 ~ B6
Valve	B7 ~ B8
Camshaft · Chain	B9
Oil Pump	B10
Intake	B11
Carburetor	B12 ~ B14
Exhaust	B15
Crankcase	C2
Crankcase Cover 1	C3
Starter	C4 ~ C5
Clutch	C6 ~ C7
Transmission	C8 ~ C9
Tachometer Gear	C10
Shift Cam · Fork	C11
Shift Shaft	C12

CHASSIS

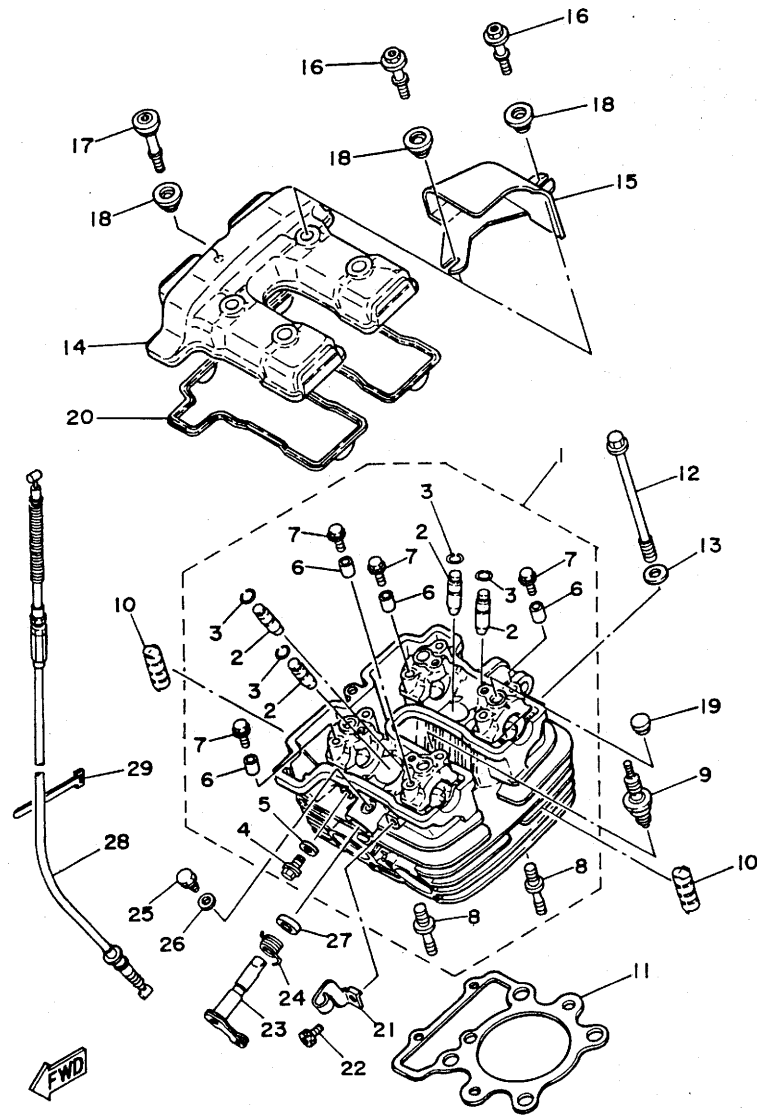
Frame	C13 ~ C14
Fender	C15
Side Cover	D2
Rear Arm	D3 ~ D5
Rear Suspension	D6
Steering	D7
Front Fork	D8 ~ D9
Fuel Tank	D10
Seat	D11
Front Wheel	D12

Front Brake Caliper	D13
Rear Wheel	D14 ~ D15
Steering Handle · Cable	E2
Front Master Cylinder	E3
Stand · Footrest	E4
Cowling 1	E5
Generator	E6
Flasher Light	E7
Meter	E8
Headlight	E9
Taillight	E10
Handle Switch · Lever	E11
Electrical 1	E12

INDEX

Numerical Index	M1 ~ M4
-----------------------	---------

FIG. 1 CYLINDER HEAD

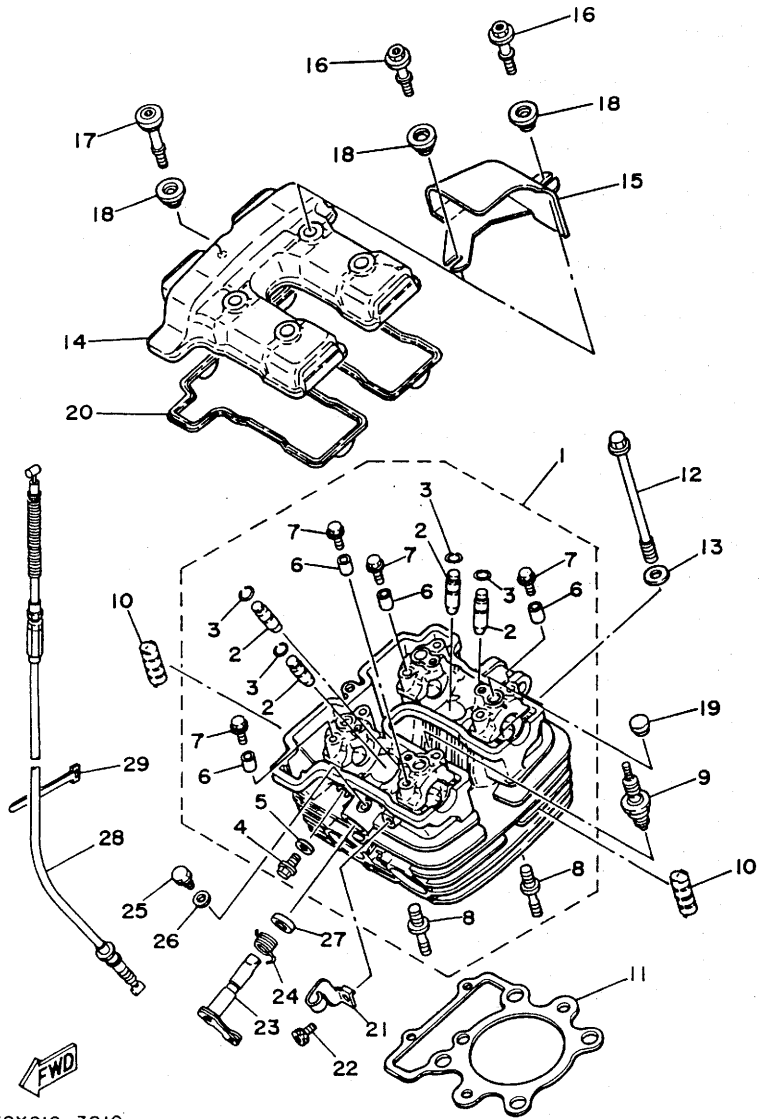


30X010-3010

REF. NO.	PART NO.	DESCRIPTION	Q'TY	REMARKS
1	51Y-11110-00	CYLINDER HEAD ASSY	1	
2	30X-11133-10	.GUIDE, intake valve	4	
3	93440-10109	.CIRCLIP	4	
4	90340-10003	.PLUG, straight screw	1	
5	90430-10027	.GASKET	1	
6	91810-18016	.PIN, dowel	8	
7	90105-06153	.BOLT, washer based	8	
8	90116-10378	.BOLT, stud	2	
9	94701-00157	PLUG, spark (NGK D8EA)	1	UR
	94701-00203	PLUG, spark (NGK DR8ES-L)	1	UR for s-africa
10	30X-11161-00	ABSORBER 1	4	
11	51Y-11181-00	GASKET, cylinder head 1	1	
12	90105-10273	BOLT, washer based	4	
13	90201-10126	WASHER, plate	4	
14	30X-11191-00	COVER, cylinder head 1	1	
15	30X-11192-00	COVER, cylinder head 2	1	
16	90109-06604	BOLT	4	
17	90109-06605	BOLT	1	
18	4G0-11116-00	RUBBER, mount 1	5	
19	90338-11125	PLUG	4	
20	30X-11193-00	GASKET, head cover 1	1	
21	30X-12283-00	BRACKET, decompression	1	
22	91316-06012	BOLT	1	
23	30X-12288-00	CAM, decompression	1	
24	90508-18606	SPRING, torsion	1	
25	90109-06778	BOLT	1	
26	90430-06014	GASKET	1	
27	93102-12321	OIL SEAL	1	

FIG. 1 CYLINDER HEAD

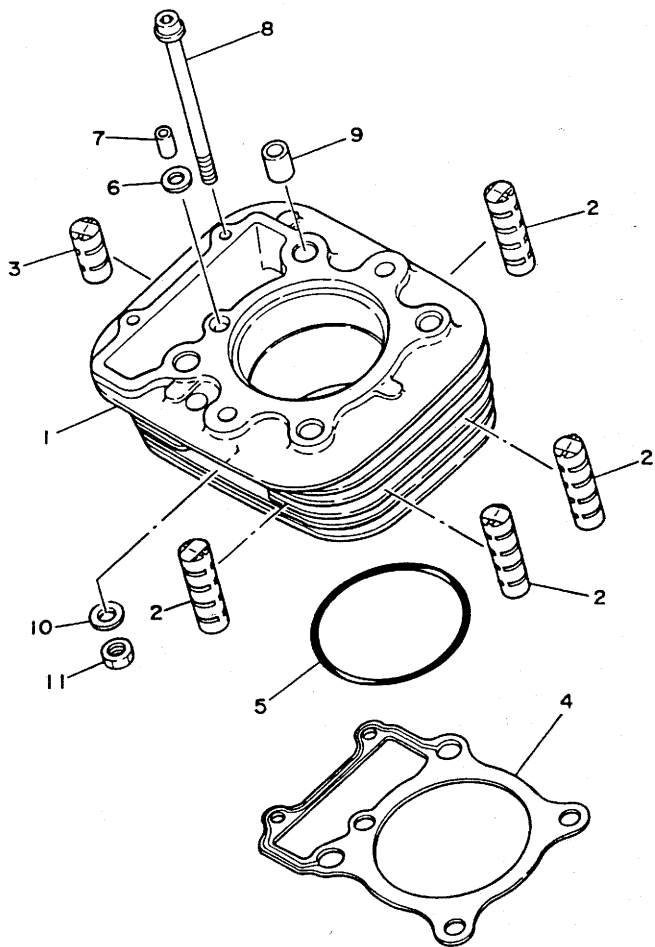
REF. NO.	PART NO.	DESCRIPTION	Q'TY	REMARKS
28	30X-12292-00	CABLE, decompression	1	
29	437-83936-00	BAND, switch cord	1	



30X010-3010

B3

FIG. 2 CYLINDER



REF. NO.	PART NO.	DESCRIPTION	Q'TY	REMARKS
1	30X-11310-00	CYLINDER	1	
2	3Y1-11127-00	ABSORBER 3	4	
3	30X-11127-00	ABSORBER 3	1	
4	30X-11351-00	GASKET, cylinder	1	
5	93210-78544	O-RING	1	
6	90430-08178	GASKET	1	
7	91810-18016	PIN, dowel	1	
8	90105-06355	BOLT, washer based	2	
9	91830-24016	PIN, dowel	2	
10	90201-08366	WASHER, plate	2	
11	95336-08600	NUT	2	

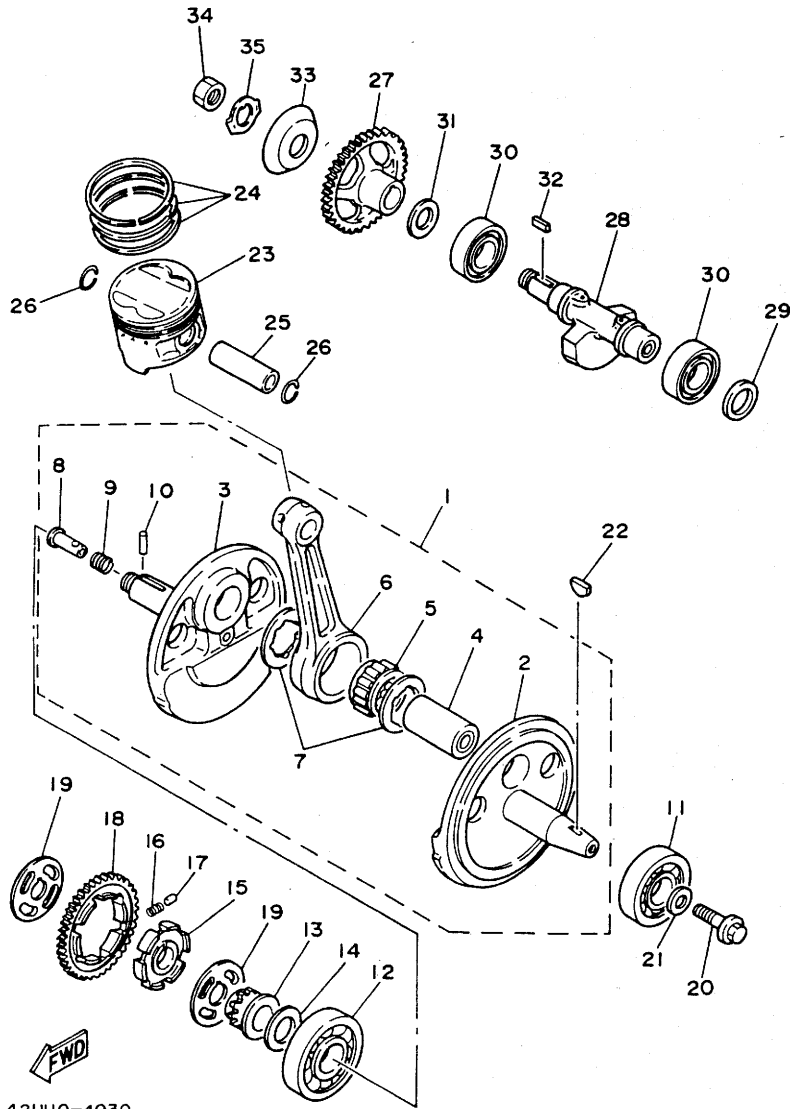


52E010-4020

B4

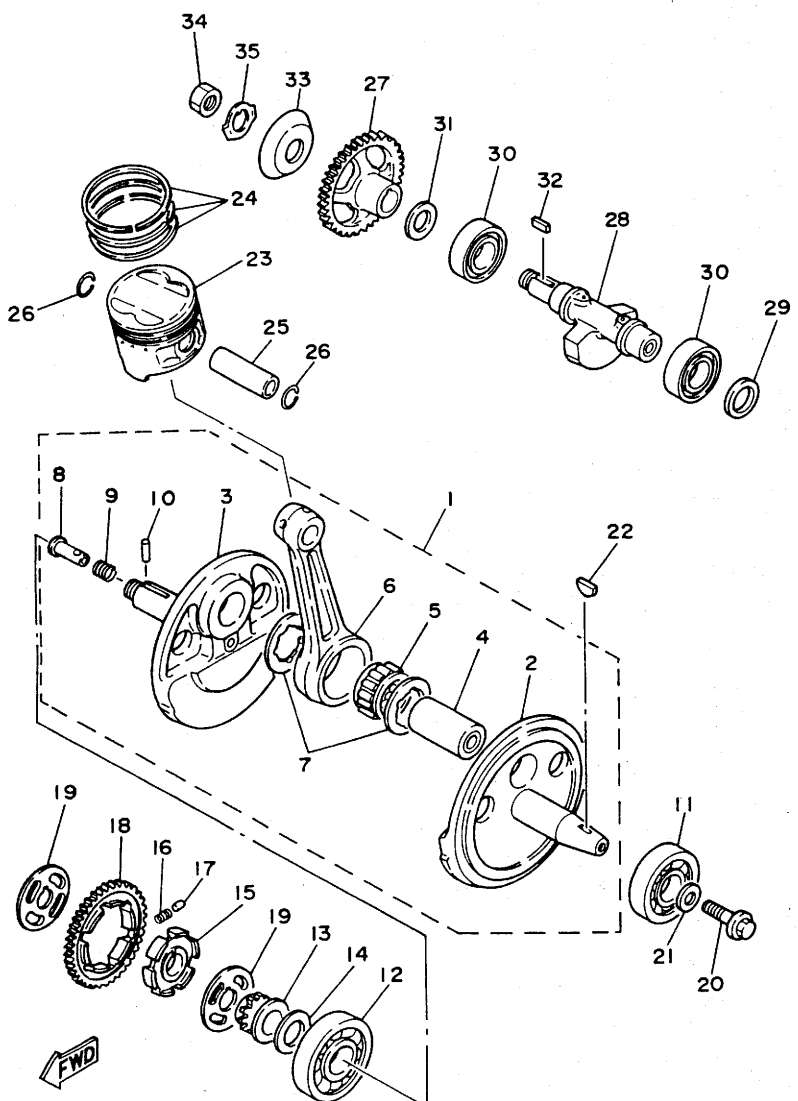
FIG. 3 CRANKSHAFT, PISTON

REF. NO.	PART NO.	DESCRIPTION	Q'TY	REMARKS
1	30X-11400-00	CRANKSHAFT ASSY	1	
2	30X-11412-00	.CRANK 1	1	
3	30X-11422-00	.CRANK 2	1	
4	30X-11681-00	.PIN, crank 1	1	
5	93310-633L9	.BEARING, cylindrical	1	
6	30X-11651-01	.ROD, connecting	1	
7	90209-33253	.WASHER	2	
8	90240-07105	.PIN, clevis	1	
9	90501-07629	.SPRING, compression	1	
10	93602-13177	.PIN, dowel	1	
11	93306-30534	BEARING	1	
12	93306-30622	BEARING (6306SH4 SPECIAL)	1	
13	30X-11549-00	SPROCKET, cam chain	1	
14	90209-23242	WASHER	1	
15	30X-11496-00	BOSS, buffer	1	
16	90501-21133	SPRING, compression	6	
17	93605-10090	PIN, dowel	3	
18	51Y-11531-00	GEAR, balance wt	1	
19	30X-11565-00	WASHER, bearing cover	2	
20	90105-10290	BOLT, washer based	1	
21	90201-10508	WASHER, plate	1	
22	90280-05013	KEY, woodruff	1	
23	30X-11631-01-Y0	PISTON (STD)	1	
	30X-11636-01	PISTON (0.50MM O/S)	1	AP
	30X-11638-01	PISTON (1.00MM O/S)	1	AP
24	30X-11610-00	PISTON RING SET (STD)	1	
	30X-11610-20	PISTON RING SET (2ND O/S)	1	AP
	30X-11610-40	PISTON RING SET (4TH O/S)	1	AP



42U110-4030

B5



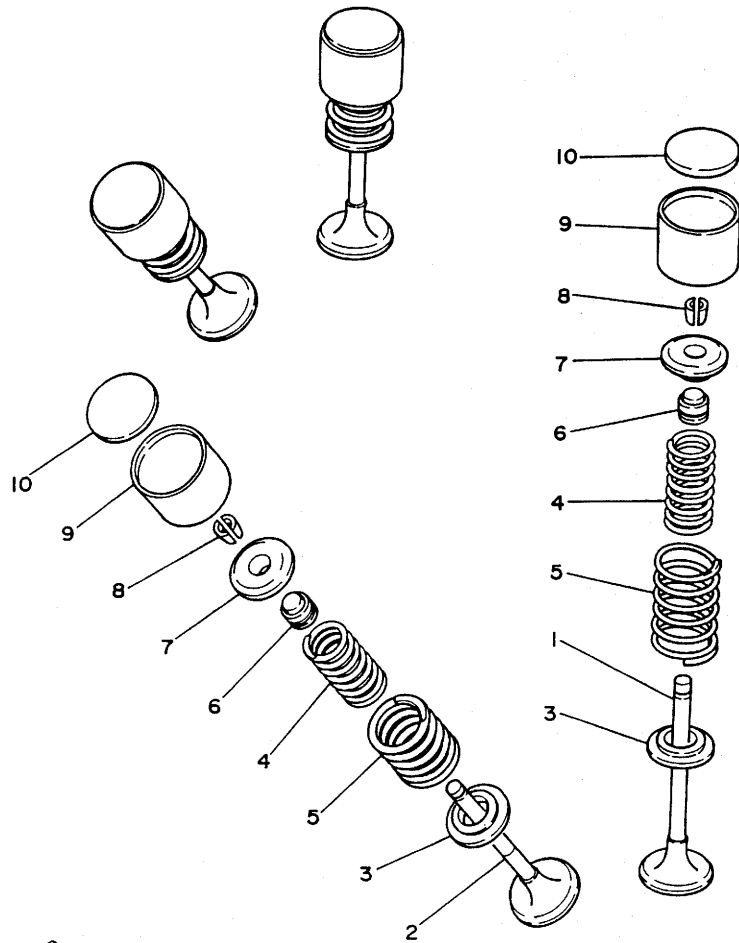
42U110-4030

FIG. 3 CRANKSHAFT. PISTON

REF. NO.	PART NO.	DESCRIPTION	Q'TY	REMARKS
25	30X-11633-02	PIN, piston	1	
26	93450-19052	CIRCLIP	2	
27	30X-11536-00	GEAR, drive (43T)	1	
28	30X-11454-00	WEIGHT 1	1	
29	93101-25106	OIL SEAL	1	
30	93306-20557	BEARING	2	
31	90201-207G6	WASHER, plate	1	
32	90282-05034	KEY, straight	1	
33	34K-11145-00	PLATE, breather 2	1	
34	90170-16326	NUT	1	
35	90215-16221	WASHER, lock	1	

B6

FIG. 4 VALVE



REF. NO.	PART NO.	DESCRIPTION	Q'TY	REMARKS
1	30X-12111-01	VALVE, intake	2	
2	30X-12121-00	VALVE, exhaust	2	
3	26H-12116-00	SEAT, valve spring	4	
4	30X-12113-00	SPRING, valve inner	4	
5	30X-12114-00	SPRING, valve outer	4	
6	51Y-12119-00	SEAL, valve stem	4	
7	30X-12117-00	RETAINER, valve spring	4	
8	30X-12118-00	COTTER, valve	8	
9	26H-12153-00	LIFTER, valve	4	
10	26H-12168-00	PAD, adjusting (2.00)	4	UR
	26H-12168-20	PAD, adjusting (2.05)	4	UR
	26H-12168-40	PAD, adjusting (2.10)	4	UR
	26H-12168-60	PAD, adjusting (2.15)	4	UR
	26H-12168-80	PAD, adjusting (2.20)	4	UR
	26H-12168-A0	PAD, adjusting (2.25)	4	UR
	26H-12168-F0	PAD, adjusting (2.30)	4	UR
	26H-12168-H0	PAD, adjusting (2.35)	4	UR
	26H-12168-K0	PAD, adjusting (2.40)	4	UR
	26H-12168-M0	PAD, adjusting (2.45)	4	UR
	26H-12168-R0	PAD, adjusting (2.50)	4	UR
	26H-12168-U0	PAD, adjusting (2.55)	4	UR
	26H-12168-W0	PAD, adjusting (2.60)	4	UR
	26H-12168-Y0	PAD, adjusting (2.65)	4	UR
	26H-12169-10	PAD, adjusting (2.70)	4	UR
	26H-12169-30	PAD, adjusting (2.75)	4	UR
	26H-12169-50	PAD, adjusting (2.80)	4	UR
	26H-12169-70	PAD, adjusting (2.85)	4	UR
	26H-12169-90	PAD, adjusting (2.90)	4	UR

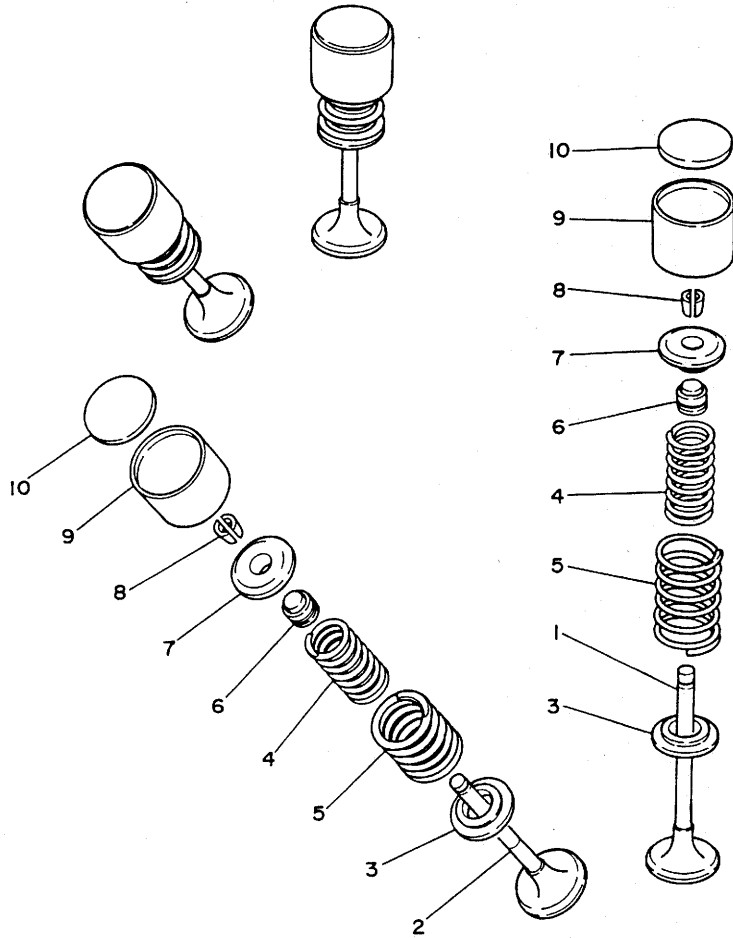


30X010-3040

B7

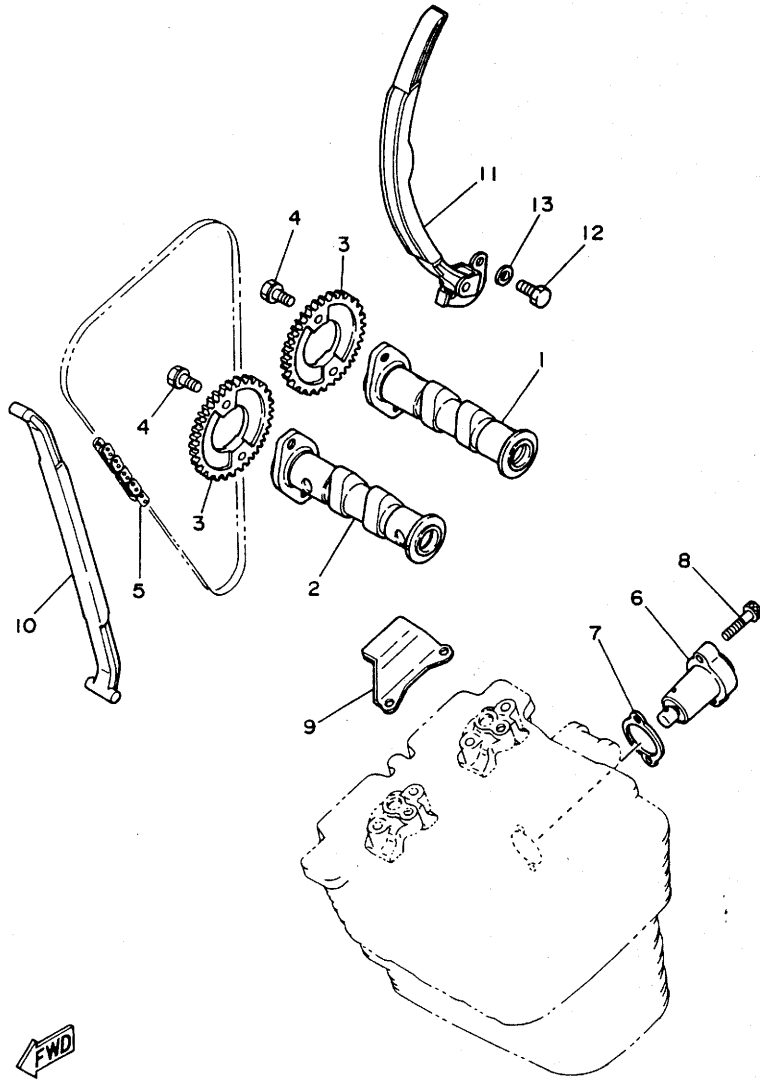
FIG. 4 VALVE

REF. NO.	PART NO.	DESCRIPTION	Q'TY	REMARKS
10	26H-12169-E0	PAD, adjusting (2.95)	4	UR
	26H-12169-G0	PAD, adjusting (3.00)	4	UR
	26H-12169-J0	PAD, adjusting (3.05)	4	UR
	26H-12169-L0	PAD, adjusting (3.10)	4	UR
	26H-12169-N0	PAD, adjusting (3.15)	4	UR
	26H-12169-T0	PAD, adjusting (3.20)	4	UR



30X010-3040

FIG. 5 CAMSHAFT. CHAIN



REF. NO.	PART NO.	DESCRIPTION	Q'TY	REMARKS
1	48Y-12171-00	CAMSHAFT 1	1	
2	48Y-12181-00	CAMSHAFT 2	1	
3	30X-12176-00	SPROCKET, cam chain	2	
4	90105-07288	BOLT, washer based	4	
5	94590-55136	CHAIN	1	
6	30X-12210-00	TENSIONER ASSY, cam chain	1	
7	30X-12213-00	GASKET, tensioner case	1	
8	91316-06025	BOLT	2	
9	30X-12241-00	GUIDE, stopper 2	1	
10	30X-12251-00	DAMPER, chain 1	1	
11	30X-12252-01	DAMPER, chain 2	1	
12	97321-06016	BOLT	2	
13	90201-061A5	WASHER, plate	2	

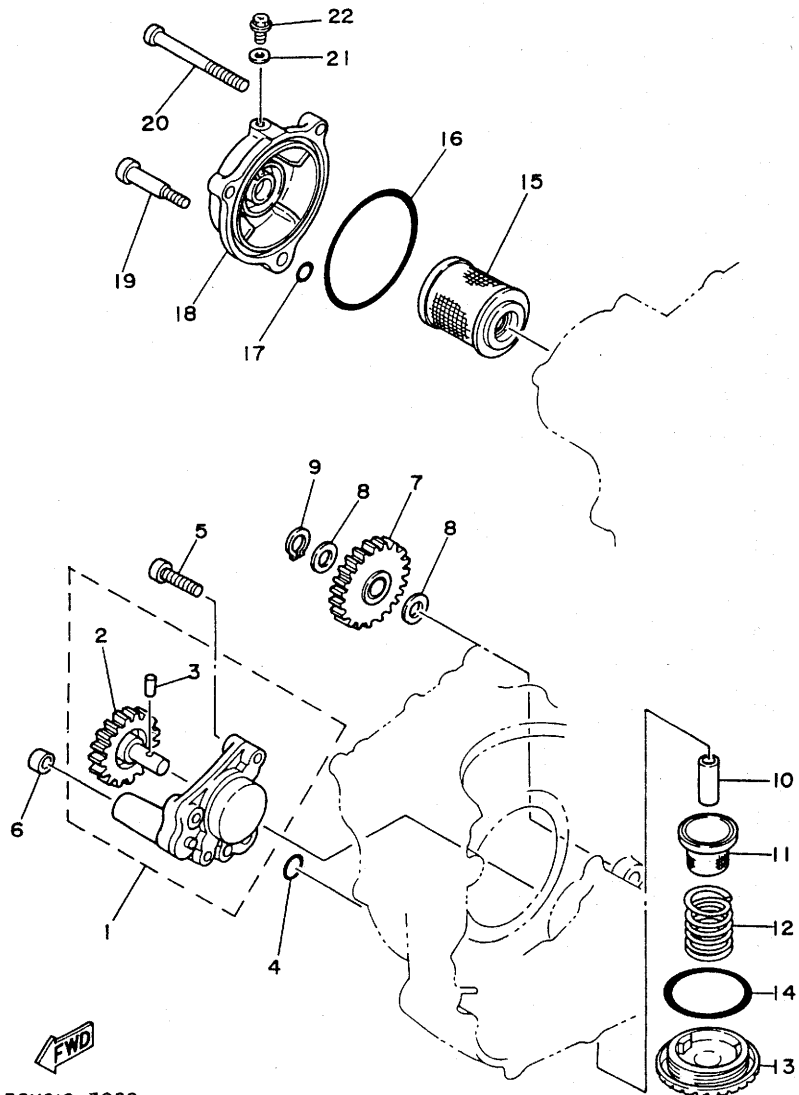


30X010-3050

B9

FIG. 6 OIL PUMP

REF. NO.	PART NO.	DESCRIPTION	Q'TY	REMARKS
1	30X-13300-00	OIL PUMP ASSY	1	
2	3Y6-13326-01	.GEAR, pump driven 2	1	
3	93603-12030	.PIN, dowel	1	
4	93210-10096	O-RING	1	
5	92501-06025	SCREW, pan head	3	
6	90430-06156	GASKET	1	
7	30X-13341-00	GEAR, oil pump idle	1	
8	90201-10119	WASHER, plate	2	
9	99009-10400	CIRCLIP	1	
10	3Y1-13416-00	PIPE, oil 1	1	
11	3Y1-13411-00	STRAINER, oil	1	
12	90501-18576	SPRING, compression	1	
13	30X-15351-00	PLUG, drain	1	
14	93210-35389	O-RING	1	
15	5H0-13440-00	ELEMENT ASSY, oil cleaner	1	
16	93210-64297	O-RING	1	
17	93210-07135	O-RING	1	
18	30X-13447-00	COVER, oil element	1	
19	90109-06419	BOLT	1	
20	92506-06065	SCREW, pan head	2	
21	90430-05126	GASKET	1	
22	90149-05110	SCREW	1	

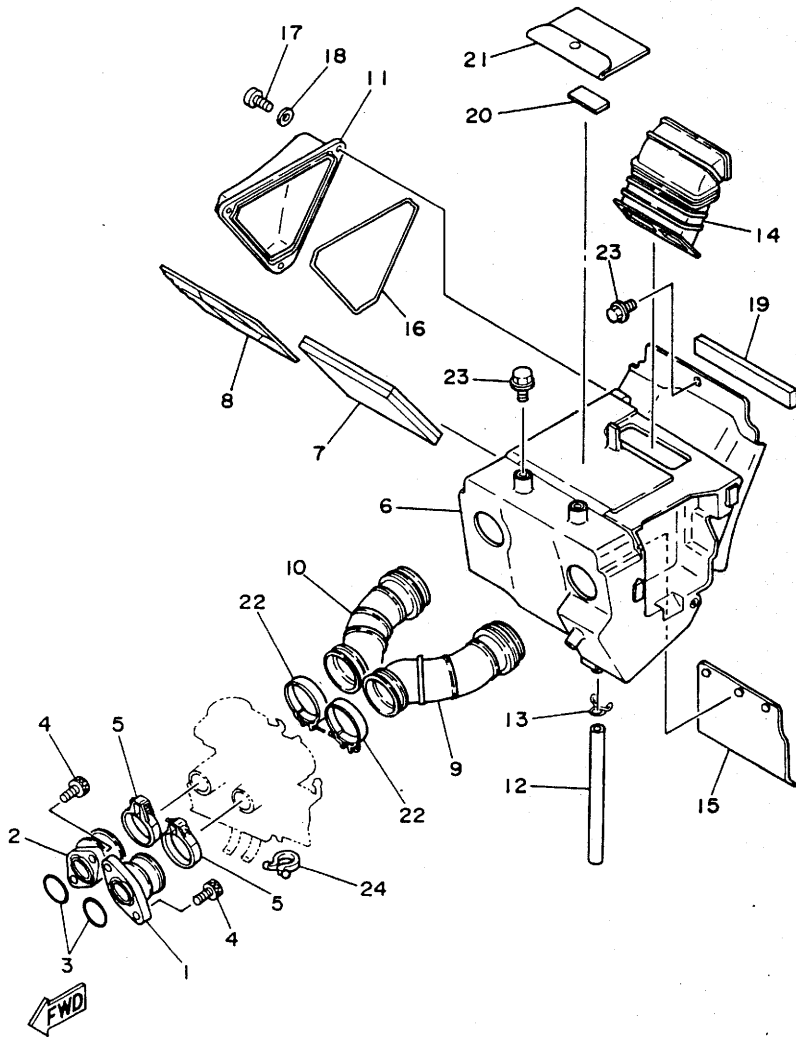


30X010-3060

B10

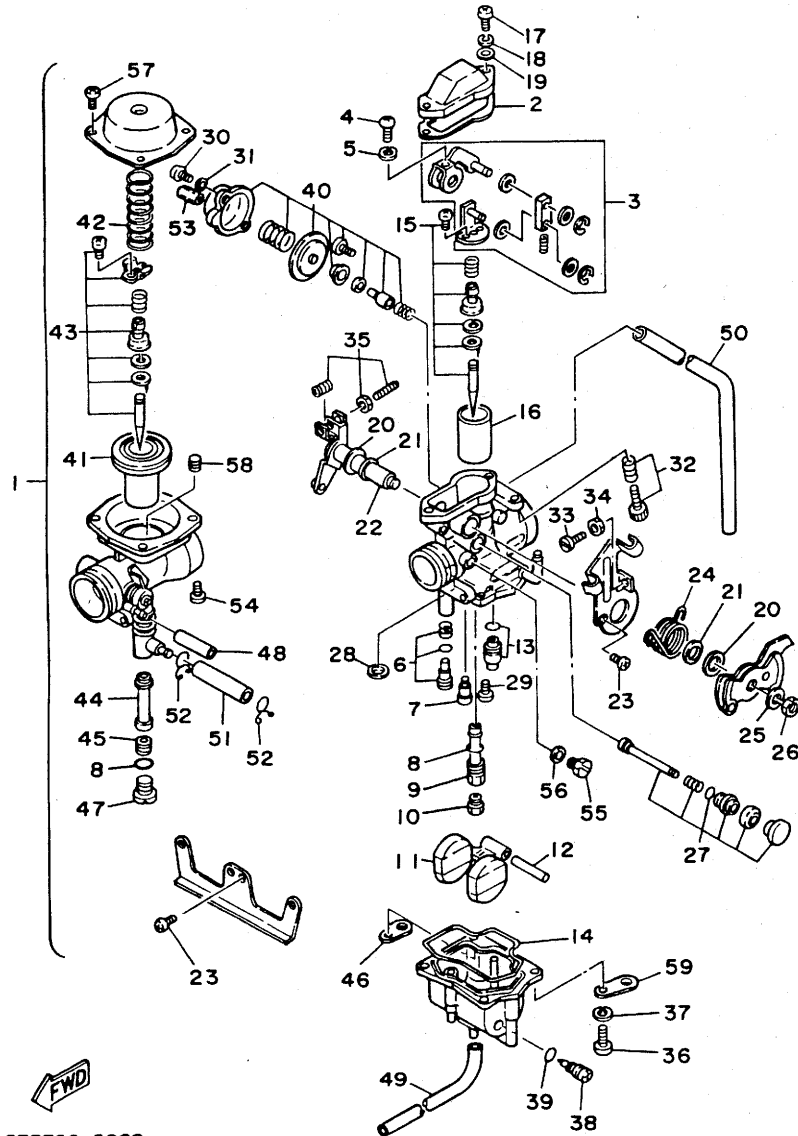
FIG. 7 INTAKE

REF. NO.	PART NO.	DESCRIPTION	Q'TY	REMARKS
1	42U-13586-00	JOINT, carburetor 1	1	
2	42U-13596-00	JOINT, carburetor 2	1	
3	93210-30611	O-RING	2	
4	91316-06020	BOLT	4	
5	90460-43226	CLAMP, hose	2	
6	30X-14401-00	AIR CLEANER CASE ASSY	1	
7	30X-14451-00	ELEMENT, air cleaner	1	
8	30X-14458-00	GUIDE	1	
9	30X-14453-01	JOINT, air cleaner 1	1	
10	30X-14454-01	JOINT	1	
11	30X-14412-00	CAP, cleaner case 1	1	
12	90446-11023	HOSE	1	
13	90467-13042	CLIP	1	
14	30X-14437-00	DUCT	1	
15	30X-21621-00	FLAP	1	
16	29U-14462-00	SEAL	1	
17	98501-05016	SCREW, pan head	3	
18	92901-05600	WASHER, plate	3	
19	30X-14426-00	DAMPER 2	1	
20	4K5-2814E-10	HOOK	1	
21	4U7-28186-00	POUCH	1	
22	90460-49058	CLAMP, hose	2	
23	95801-06012	BOLT, flange	3	
24	90464-16039	CLAMP	1	



42U110-4070

FIG. 8 CARBURETOR

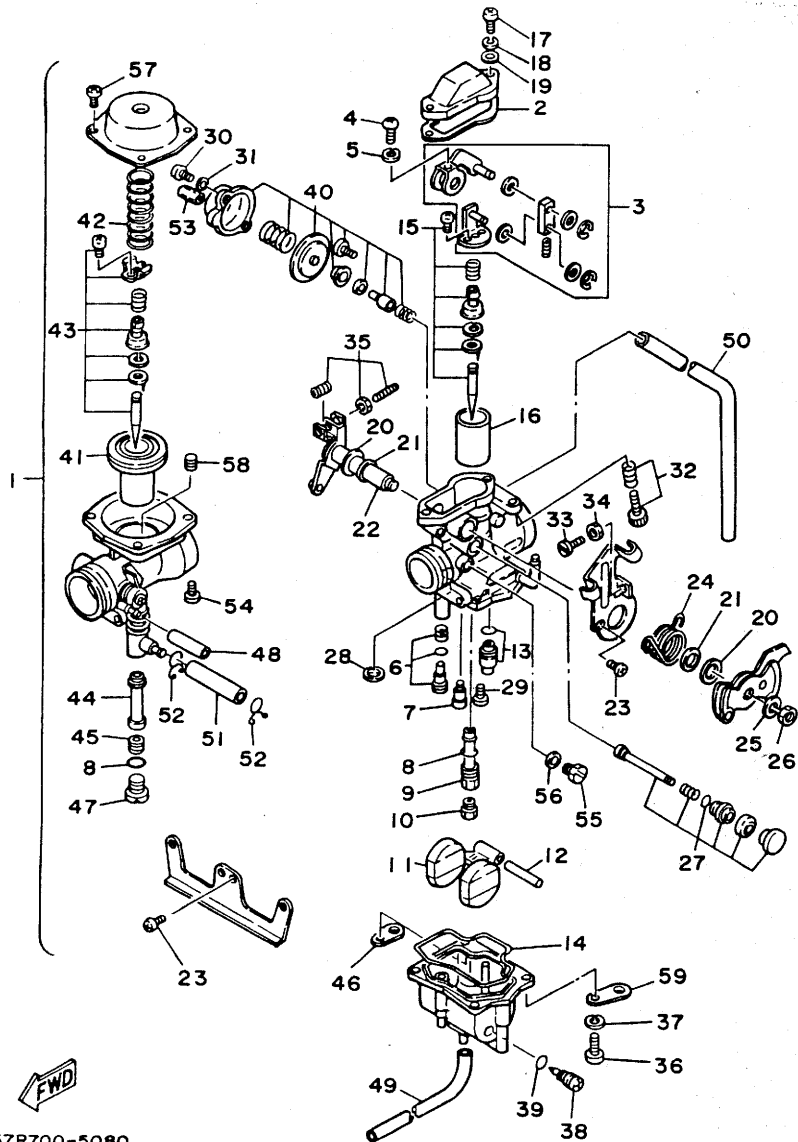


REF. NO.	PART NO.	DESCRIPTION	Q'TY	REMARKS
1	48Y-14301-00	CARBURETOR ASSY 1	1	
2	30X-14198-00	.GASKET	1	
3	30X-14203-00	.CABLE CONNECTOR SET	1	
4	98580-04016	.SCREW, pan head	1	
5	92990-04100	.WASHER, spring	1	
6	30X-14105-00	.PILOT SCREW SET	1	
7	30X-14342-19	.JET, pilot (# 38)	1	
8	360-24512-00	.GASKET	2	
9	30X-14341-00	.NOZZLE, main	1	
10	288-14343-59	.JET, main (#118)	1	
11	5Y1-14385-00	.FLOAT	1	
12	6E5-14386-01	.PIN, float	1	
13	5Y1-14107-00	.NEEDLE VALVE SET	1	
14	30X-14384-00	.GASKET, float chamber	1	
15	48Y-1490J-10	.NEEDLE SET	1	
16	30X-14312-25	.VALVE, throttle 1	1	
17	98501-04016	.SCREW, pan head	2	
18	92901-04100	.WASHER, spring	2	
19	92901-04600	.WASHER, plate	2	
20	5Y1-14357-00	.WASHER, plain	2	
21	5Y1-14572-00	.SEAL	2	
22	30X-14316-00	.LEVER, throttle 2	1	
23	97801-05010	.SCREW, pan head	6	
24	30X-14131-00	.SPRING, throttle valve	1	
25	5Y1-14356-00	.WASHER, spring	1	
26	5Y1-14358-00	.NUT	1	
27	15A-14371-00	.PLUNGER, starter	1	
28	5Y1-14536-00	.GASKET	1	

57R700-5080

B12

FIG. 8 CARBURETOR



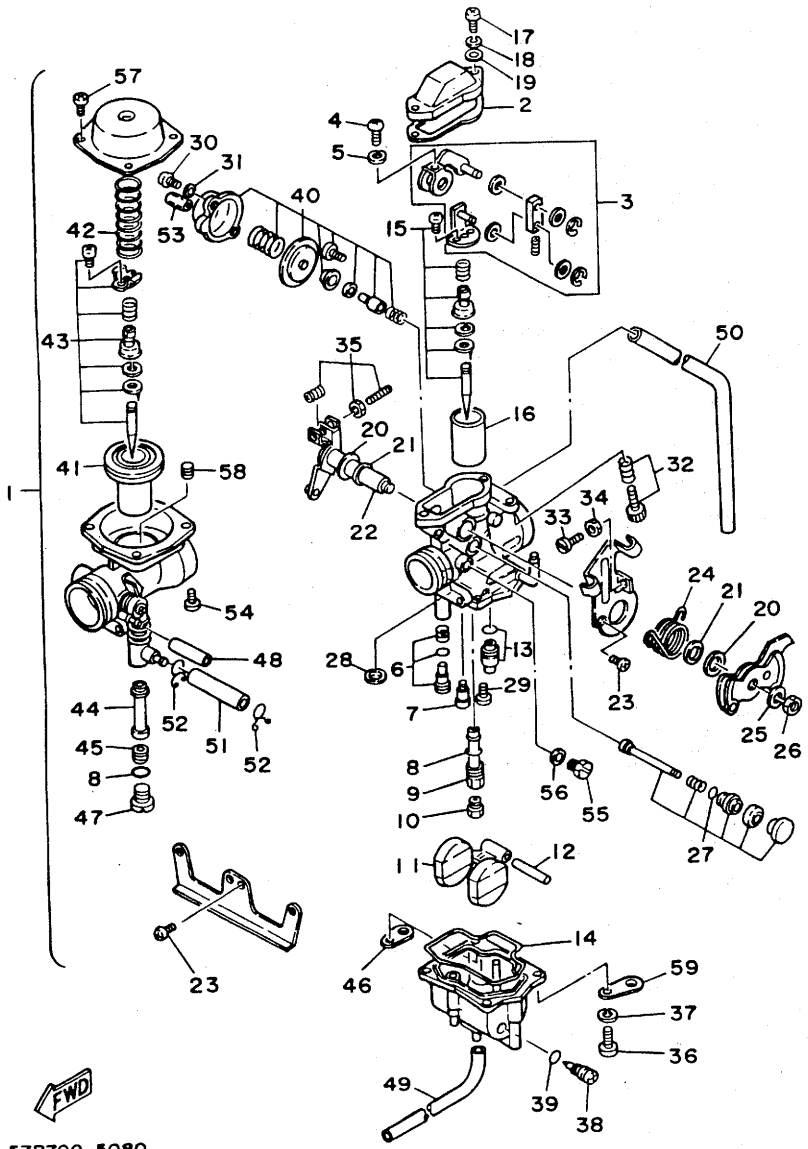
REF. NO.	PART NO.	DESCRIPTION	Q'TY	REMARKS
29	98901-04006	.SCREW, bind	1	
30	97801-04010	.SCREW, pan head	2	
31	92901-04100	.WASHER, spring	2	
32	30X-14103-00	.THROTTLE SCREW SET	1	
33	30X-14216-00	.SCREW	1	
34	30X-14358-00	.NUT	1	
35	30X-1490K-00	.STOP SCREW SET	1	
36	97801-04012	.SCREW, pan head	4	
37	92901-04100	.WASHER, spring	4	
38	5Y1-14115-00	.PLUG, screw	1	
39	5Y1-14397-00	.O-RING	1	
40	5Y1-1490A-00	.DIAPHRAGM SET, 1	1	
41	30X-14340-00	.VALVE ASSY	1	
42	30X-14286-00	.SPRING	1	
43	48Y-1490J-00	.NEEDLE SET	1	
44	30X-14355-00	.NOZZLE, main 2	1	
45	30X-14343-55	.JET, main (#110)	1	
46	5Y1-14146-00	.PLATE	1	
47	30X-14394-00	.VALVE, drain	1	
48	5Y1-14349-00	.PIPE	1	
49	5Y1-14396-00	.PIPE	1	
50	34K-14197-00	.PIPE	2	
51	30X-14148-00	.PIPE	1	
52	5Y1-14159-00	.CLIP	2	
53	30X-14149-00	.PIPE	1	
54	98503-04010	.SCREW, pan head	2	
55	5H0-14991-00	.SCREW	1	
56	5H0-14126-00	.GASKET	1	

57R700-5080

B13

FIG. 8 CARBURETOR

REF. NO.	PART NO.	DESCRIPTION	Q'TY	REMARKS
57	98501-04008	.SCREW, pan head	4	
58	30X-14337-30	.AIR JET, main	1	
59	30X-14146-00	.PLATE	1	

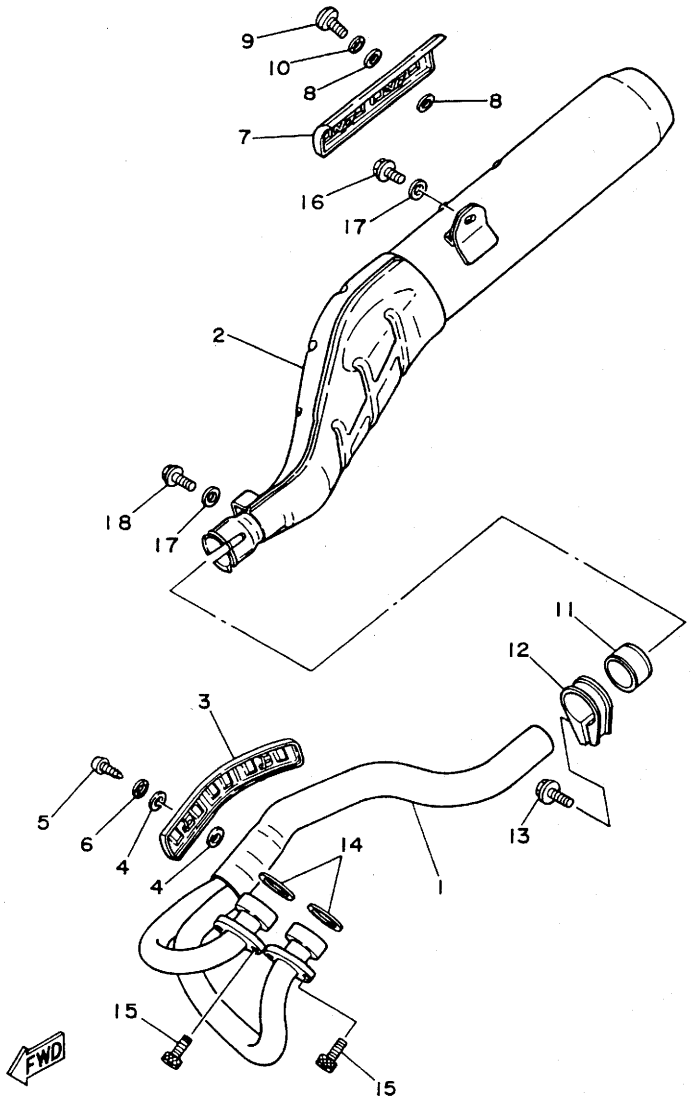


57R700-5080

B14

FIG. 9 EXHAUST

REF. NO.	PART NO.	DESCRIPTION	Q'TY	REMARKS
1	57R-14611-00	PIPE, exhaust 1	1	
2	48Y-14711-00	MUFFLER 1	1	
3	30X-14628-00	PROTECTOR, exhaust pipe	1	
4	30X-14766-00	WASHER, protector	4	
5	90164-06017	SCREW, tapping	2	
6	90206-06060	WASHER, wave	2	
7	30X-14728-00	PROTECTOR, muffler 2	1	
8	583-14766-00	WASHER, protector	4	
9	98906-06010	SCREW, bind	2	
10	90206-06060	WASHER, wave	2	
11	1T1-14714-01	GASKET, muffler	1	
12	30X-14715-00	BAND, muffler	1	
13	95816-08045	BOLT, flange	1	
14	4H7-14613-00	GASKET, exhaust pipe	2	
15	91316-06025	BOLT	4	
16	95816-08012	BOLT, flange	1	
17	90201-081H4	WASHER, plate	2	
18	95816-08020	BOLT, flange	1	

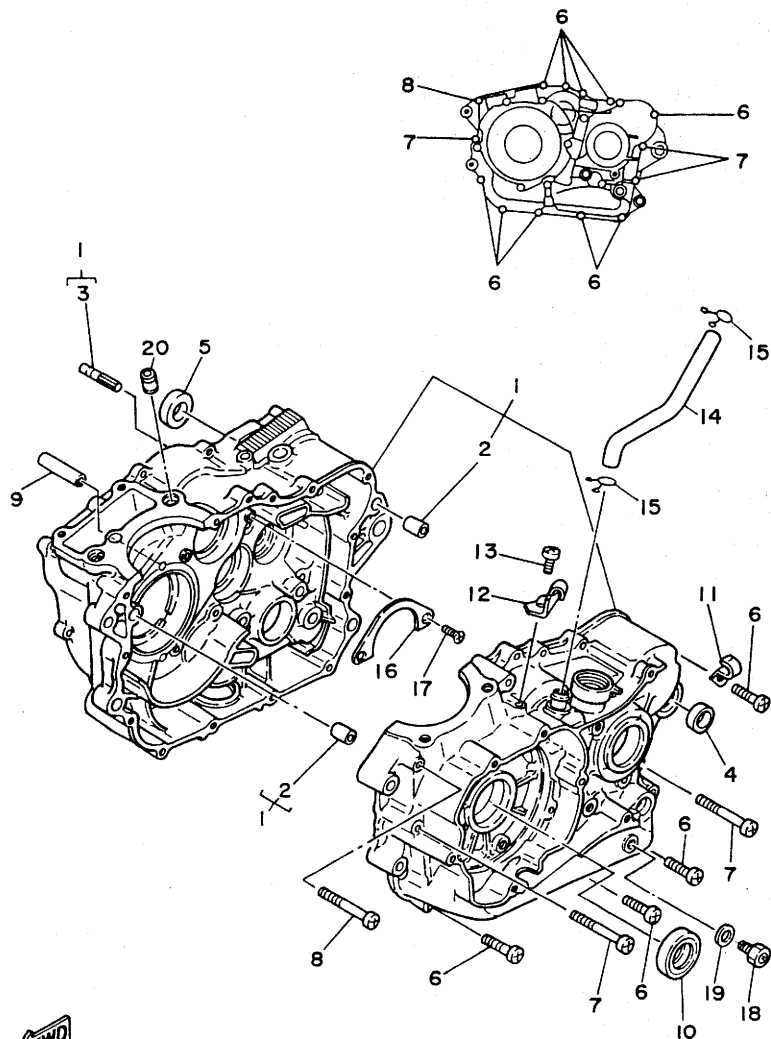


30X010-3090

B15

FIG. 10 CRANKCASE

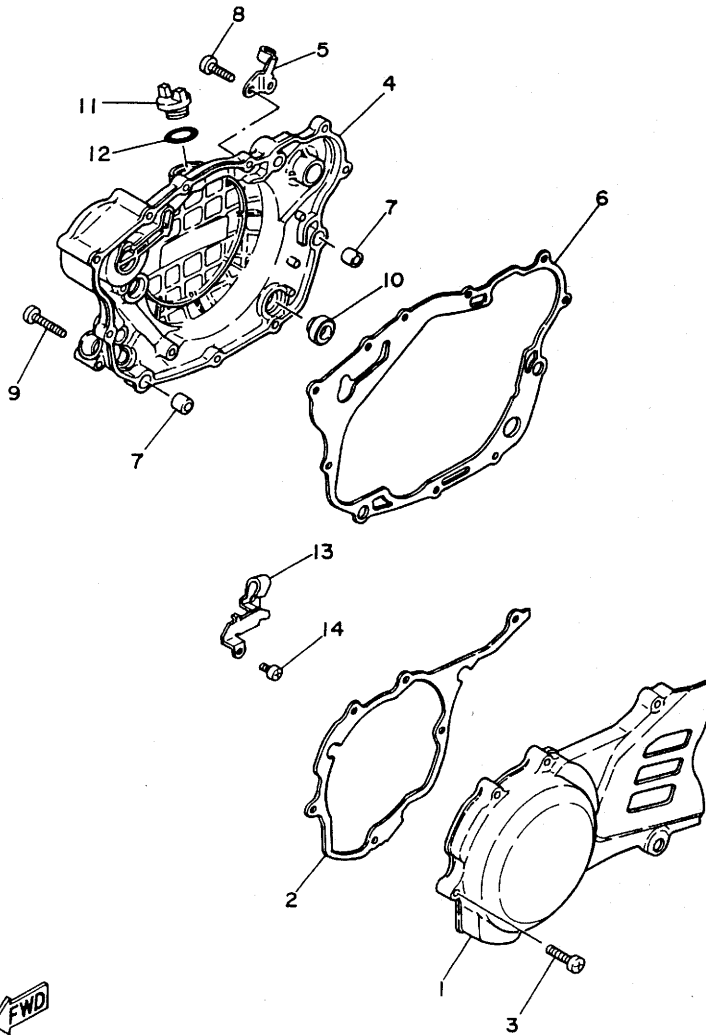
REF. NO.	PART NO.	DESCRIPTION	Q'TY	REMARKS
1	30X-15100-01	CRANKCASE ASSY	1	
2	91830-22016	.PIN, dowel	2	
3	30X-15668-01	.STOPPER	1	
4	90387-17783	COLLAR	1	
5	90387-172J0	COLLAR	1	
6	92506-06030	SCREW, pan head	10	
7	92506-06060	SCREW, pan head	3	
8	92506-06070	SCREW, pan head	1	
9	90441-06004	PIPE	1	
10	93102-25305	OIL SEAL	1	
11	90465-08122	CLAMP	1	
12	30X-15441-00	HOLDER, clutch cable	1	
13	92506-06016	SCREW, pan head	1	
14	30X-11166-00	PIPE, breather 1	1	
15	90467-14015	CLIP	2	
16	30X-15383-00	PLATE, bearing cover	1	
17	92701-06015	SCREW, flat head	2	
18	11H-13455-00	PLUG	1	
19	214-11198-01	GASKET	1	
20	91830-24016	PIN, dowel	2	



30X010-3100

FIG. 11 CRANKCASE COVER 1

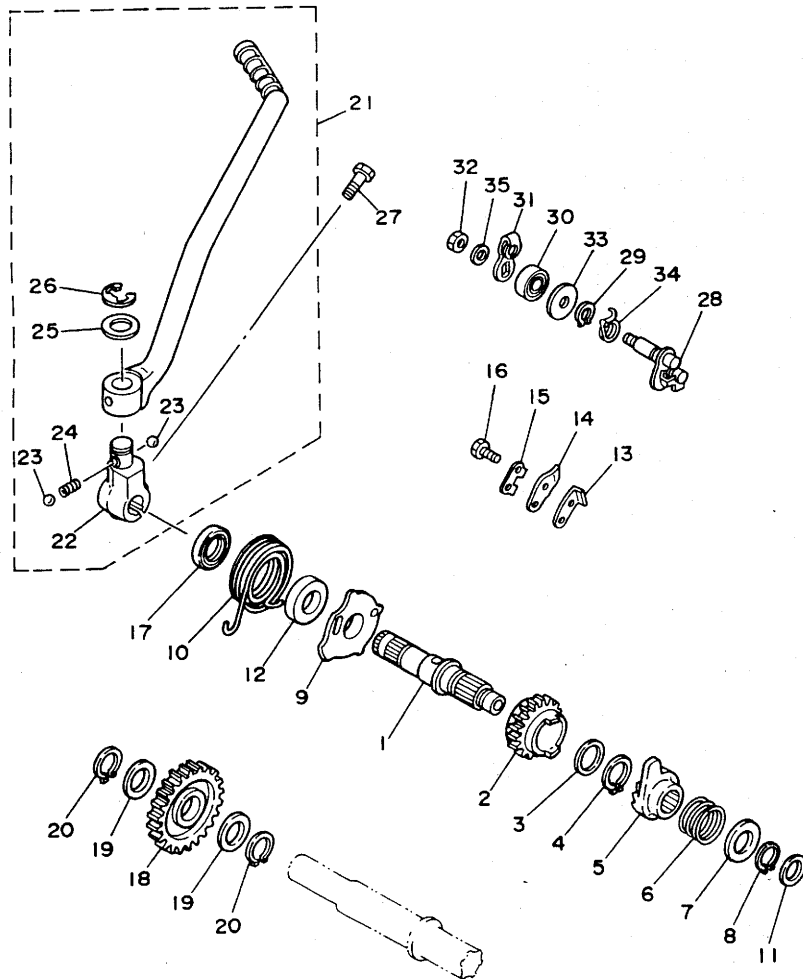
REF. NO.	PART NO.	DESCRIPTION	Q'TY	REMARKS
1	30X-15411-01	COVER, crankcase 1	1	
2	30X-15451-00	GASKET, crankcase cover 1	1	
3	92506-06030	SCREW, pan head	6	
4	30X-15421-00	COVER, crankcase 2	1	
5	30X-15378-00	HOLDER	1	
6	30X-15461-00	GASKET, crankcase cover 2	1	
7	91810-05016	PIN, dowel	2	
8	92506-06025	SCREW, pan head	7	
9	92506-06035	SCREW, pan head	2	
10	3Y1-15361-00	GAUGE, level	1	
11	3Y1-15363-00	PLUG, oil	1	
12	93210-19123	O-RING	1	
13	90462-08062	CLAMP	1	
14	92506-06012	SCREW, pan head	1	



30X010-3110

C3

FIG. 12 STARTER



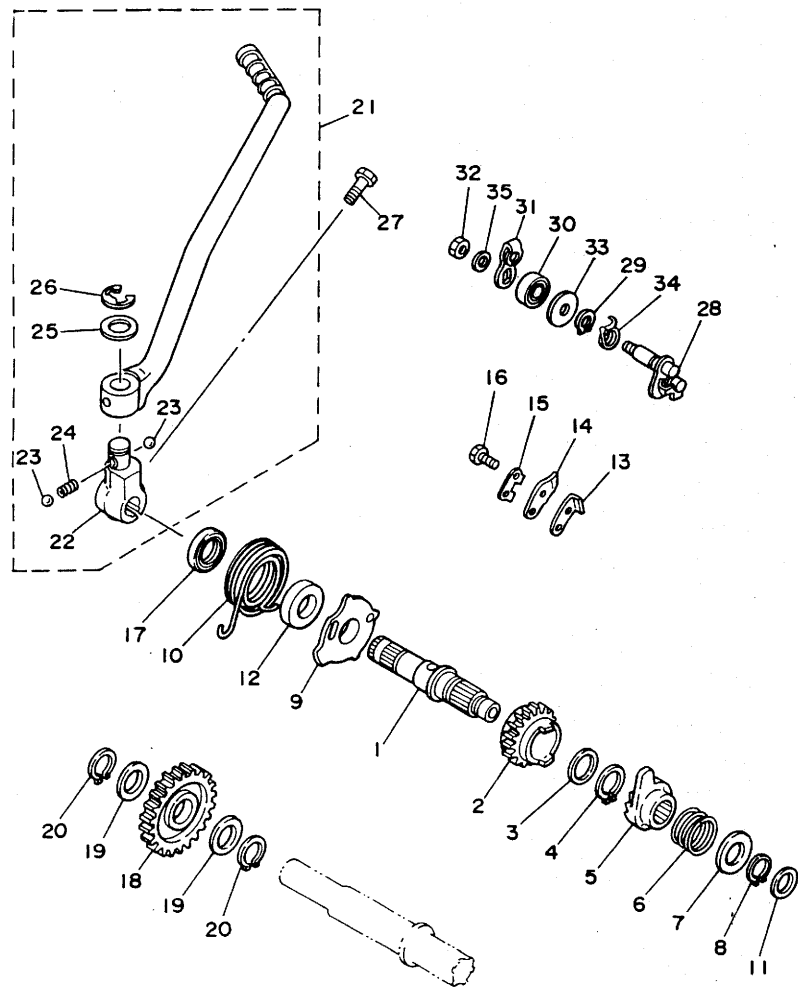
REF. NO.	PART NO.	DESCRIPTION	Q'TY	REMARKS
1	30X-15661-00	AXLE, kick	1	
2	30X-15641-00	GEAR, kick	1	
3	90201-20685	WASHER, plate (0.5T)	1	
4	93410-20038	CIRCLIP	1	
5	3Y1-15671-00	WHEEL, ratchet	1	
6	90501-16107	SPRING, compression	1	
7	168-15676-00	COVER, spring	1	
8	99009-15400	CIRCLIP	1	
9	3Y1-1561H-00	CAM, decomp.	1	
10	90508-32432	SPRING, torsion	1	
11	90201-15701	WASHER, plate (1.0T)	1	
12	90560-17239	SPACER	1	
13	2K7-15668-00	STOPPER	1	
14	214-15674-00	GUIDE, ratchet wheel	1	
15	214-15686-00	WASHER, lock	1	
16	97321-06016	BOLT	2	
17	93102-17263	OIL SEAL	1	
18	30X-15651-01	GEAR, kick idle (27T)	1	
19	90201-17764	WASHER, plate	2	
20	99009-17400	CIRCLIP	2	
21	30X-15620-00	KICK CRANK ASSY	1	
22	30X-15621-00	.BOSS, kick crank	1	
23	93507-32009	.BALL	2	
24	90501-10589	.SPRING, compression	1	
25	90201-153A1	.WASHER, plate	1	
26	99006-10600	.CIRCLIP	1	
27	97316-08030	BOLT	1	
28	30X-1561A-00	DECOMP. LEVER ASSY	1	



30X010-3120

C4

FIG. 12 STARTER

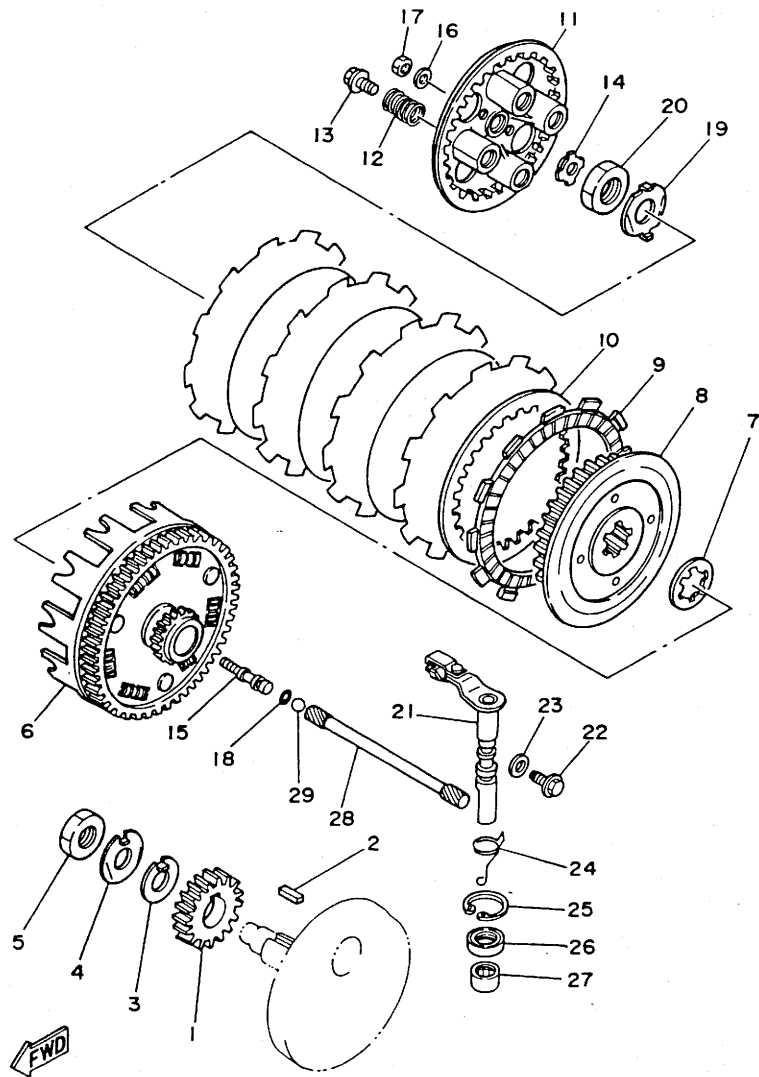


REF. NO.	PART NO.	DESCRIPTION	Q'TY	REMARKS
29	99009-10400	CIRCLIP	1	
30	93102-10207	OIL SEAL	1	
31	30X-1561G-00	LEVER, cable	1	
32	95306-06800	NUT	1	
33	90201-10614	WASHER, plate	1	
34	90508-14630	SPRING, torsion	1	
35	92906-06600	WASHER, plate	1	



30X010-3120

C5



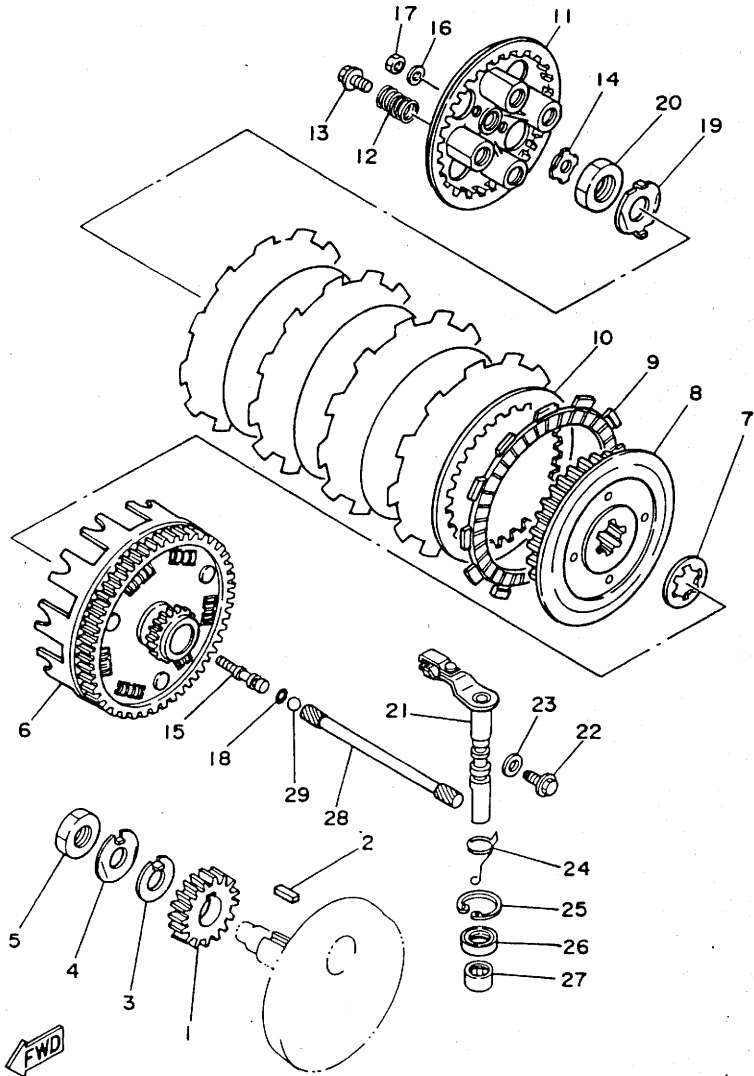
57R700-5130

FIG. 13 CLUTCH

REF. NO.	PART NO.	DESCRIPTION	Q'TY	REMARKS
1	30X-16111-00	GEAR, primary drive (23T)	1	
2	90282-07057	KEY, straight	1	
3	90215-16156	WASHER, lock	1	
4	90215-16222	WASHER, lock	1	
5	90170-16256	NUT	1	
6	30X-16150-00	PRI.DRIVEN GEAR COMP. (17T-72T)	1	
7	30X-16154-00	PLATE, thrust 1	1	
8	30X-16371-00	BOSS, clutch	1	
9	5Y1-16331-00	PLATE, friction 2	5	
10	3J2-16324-00	PLATE, clutch 1	4	
11	30X-16351-00	PLATE, pressure 1	1	
12	90501-26148	SPRING, compression	4	
13	90159-06016	SCREW, with washer	4	
14	30X-16358-00	PLATE, push	1	
15	30X-16356-00	ROD, push 1	1	
16	92901-06200	WASHER, plain	1	
17	95301-06600	NUT	1	
18	93210-06422	O-RING	1	
19	90215-16320	WASHER, lock	1	
20	90170-16326	NUT	1	
21	30X-16380-00	PUSH LEVER ASSY	1	
22	90149-08067	SCREW	1	
23	90430-08119	GASKET	1	
24	90508-14433	SPRING, torsion	1	
25	93420-28055	CIRCLIP	1	
26	93102-14209	OIL SEAL	1	
27	93315-31428	BEARING, cylindrical	1	
28	30X-16357-00	ROD, push 2	1	

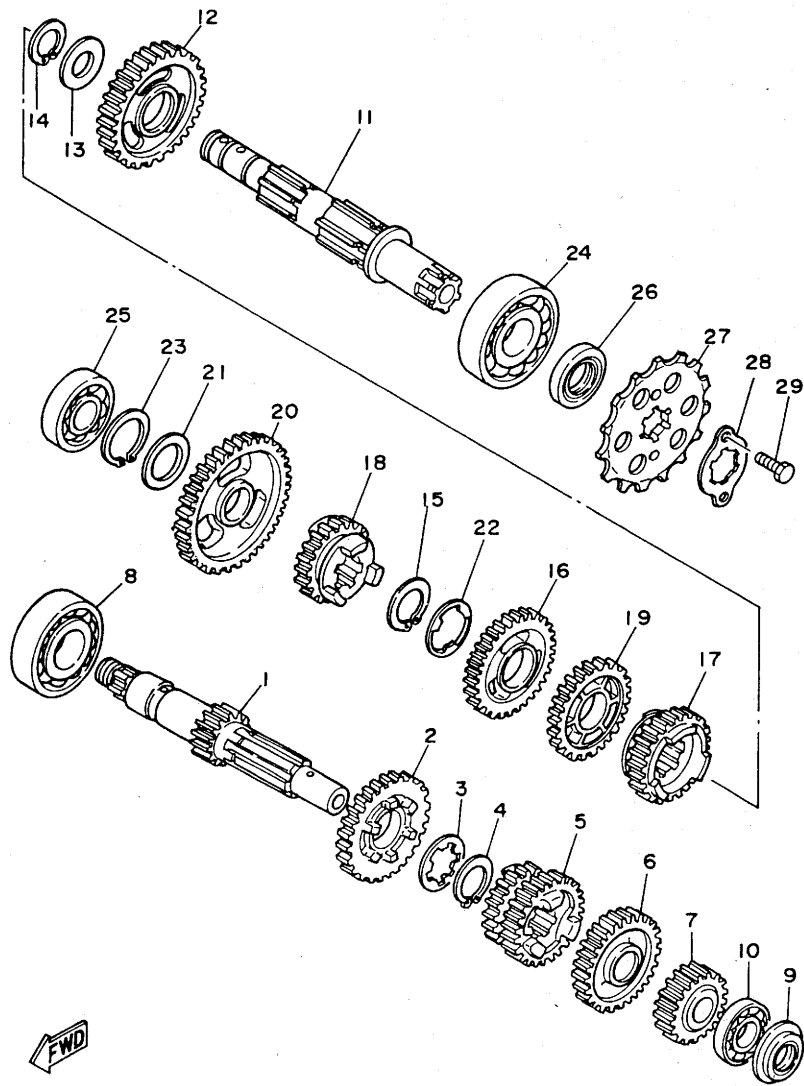
FIG. 13 CLUTCH

REF. NO.	PART NO.	DESCRIPTION	Q'TY	REMARKS
29	93511-32017	BALL	1	



57R700-5130

C7



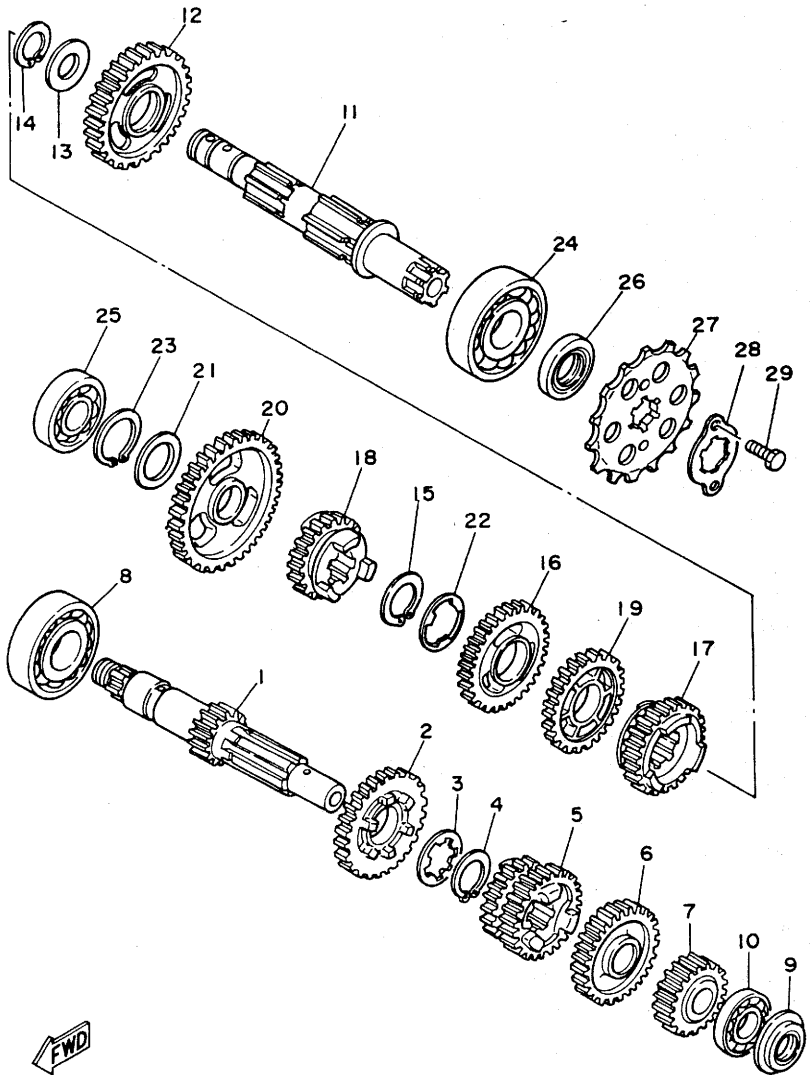
30X010-3140

FIG. 14 TRANSMISSION

REF. NO.	PART NO.	DESCRIPTION	Q'TY	REMARKS
1	30X-17411-00	AXLE, main (13T)	1	
2	30X-17161-01	GEAR, 6th pinion	1	
3	90209-18208	WASHER	1	
4	93410-22039	CIRCLIP	1	
5	30X-17131-00	GEAR, 3rd/4th pinion (22T-25T)	1	
6	30X-17151-00	GEAR, 5th pinion (27T)	1	
7	30X-17121-00	GEAR, 2nd pinion (18T)	1	
8	93306-20427	BEARING (62/22-9-C3)	1	
9	93101-17093	OIL SEAL	1	
10	93306-00310	BEARING	1	
11	30X-17402-00	DRIVE AXLE ASSY	1	
12	30X-17221-00	GEAR, 2nd wheel (34T)	1	
13	90209-23241	WASHER	1	
14	93410-26067	CIRCLIP	1	
15	93410-22039	CIRCLIP	1	
16	30X-17231-00	GEAR, 3rd wheel (30T)	1	
17	30X-17251-01	GEAR, 5th wheel (24T)	1	
18	30X-17261-00	GEAR, 6th wheel (22T)	1	
19	30X-17241-00	GEAR, 4th wheel (27T)	1	
20	30X-17211-00	GEAR, 1st wheel (38T)	1	
21	90201-17764	WASHER, plate	1	
22	90209-18208	WASHER	1	
23	93410-17037	CIRCLIP	1	
24	93306-20332	BEARING	1	
25	93306-20447	BEARING	1	
26	93102-22306	OIL SEAL	1	
27	48Y-17461-50	SPROCKET, drive (15T)	1	
28	51Y-17456-00	HOLDER, sprocket	1	

FIG. 14 TRANSMISSION

REF. NO.	PART NO.	DESCRIPTION	Q'TY	REMARKS
29	97322-06010	BOLT	2	



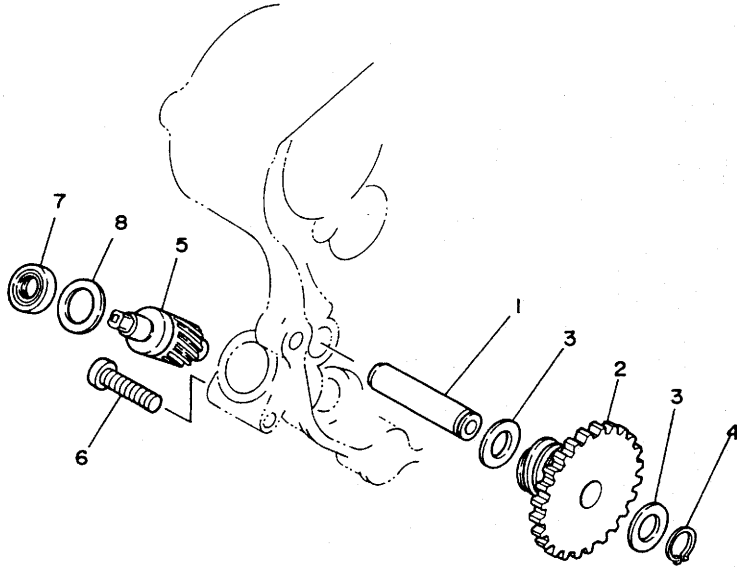
FWD

30X010-3140

C9

FIG. 15 TACHOMETER GEAR

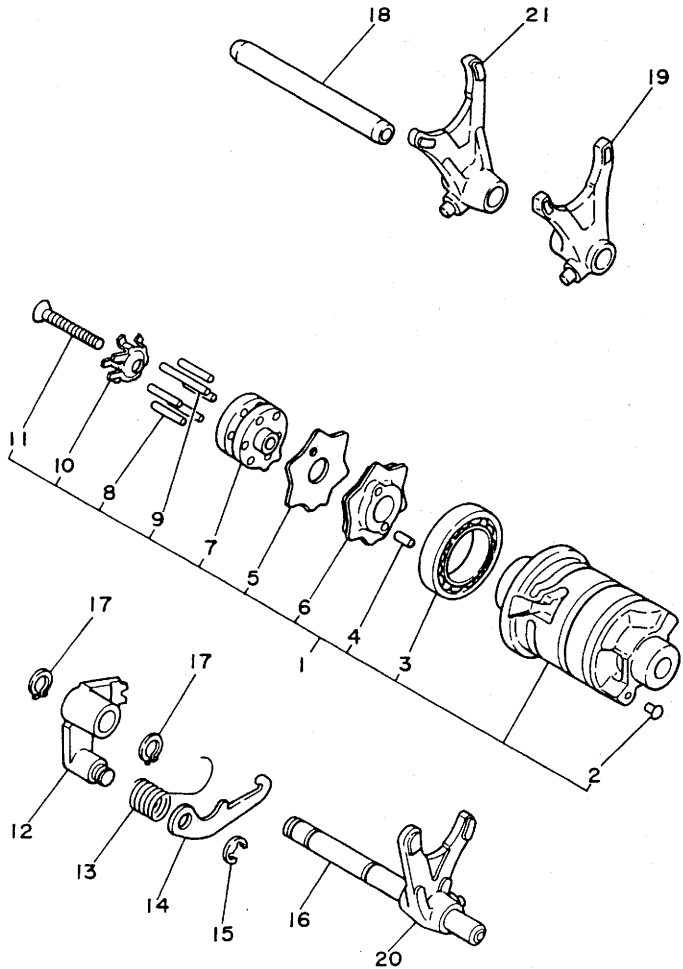
REF. NO.	PART NO.	DESCRIPTION	Q'TY	REMARKS
1	30X-17861-00	AXLE, drive gear	1	
2	30X-17831-00	GEAR, drive (23T)	1	
3	90201-105E8	WASHER, plate	2	
4	99009-10400	CIRCLIP	1	
5	30X-17841-01	GEAR, driven	1	
6	92506-06025	SCREW, pan head	1	
7	93102-08307	OIL SEAL	1	
8	102-18137-00-10	WASHER 1	1	



30X010-3150

FIG. 16 SHIFT CAM. FORK

REF. NO.	PART NO.	DESCRIPTION	Q'TY	REMARKS
1	30X-18540-00	SHIFT CAM ASSY	1	
2	136-18542-00	.POINT, neutral	1	
3	93306-90501	.BEARING	1	
4	93604-08071	.PIN, dowel	1	
5	30X-18161-00	.GUIDE, plate stopper	1	
6	30X-18141-00	.PLATE, stopper	1	
7	30X-18185-00	.SEGMENT	1	
8	93604-18100	.PIN, dowel	5	
9	93604-29151	.PIN, dowel	1	
10	30X-18561-02	.PLATE, side 1	1	
11	90151-06013	.SCREW, countersunk	1	
12	3Y1-18122-00	LEVER, shift 2	1	
13	90508-12430	SPRING, torsion	1	
14	2K7-18151-00	LEVER, shift 3	1	
15	99001-07600	CIRCLIP	1	
16	3Y1-18531-00	BAR, shift fork guide 1	1	
17	99009-10400	CIRCLIP	2	
18	30X-18535-00	BAR, shift fork guide 2	1	
19	30X-18511-00	FORK, shift 1	1	
20	30X-18512-00	FORK, shift 2	1	
21	30X-18513-00	FORK, shift 3	1	

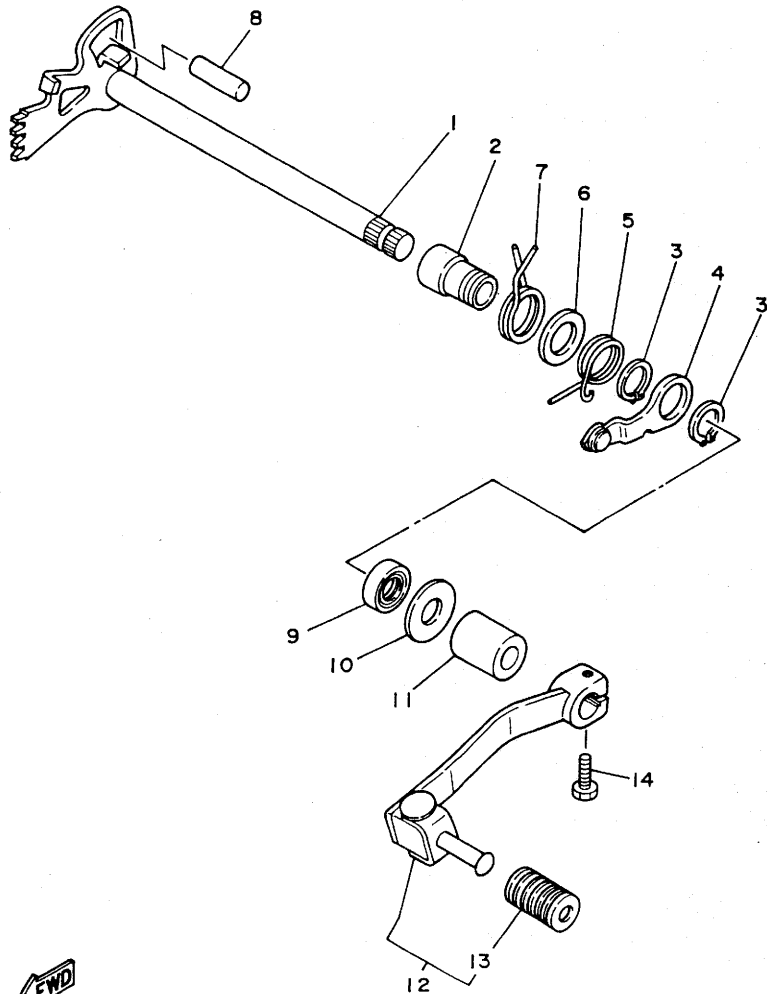


30X010-3160

C11

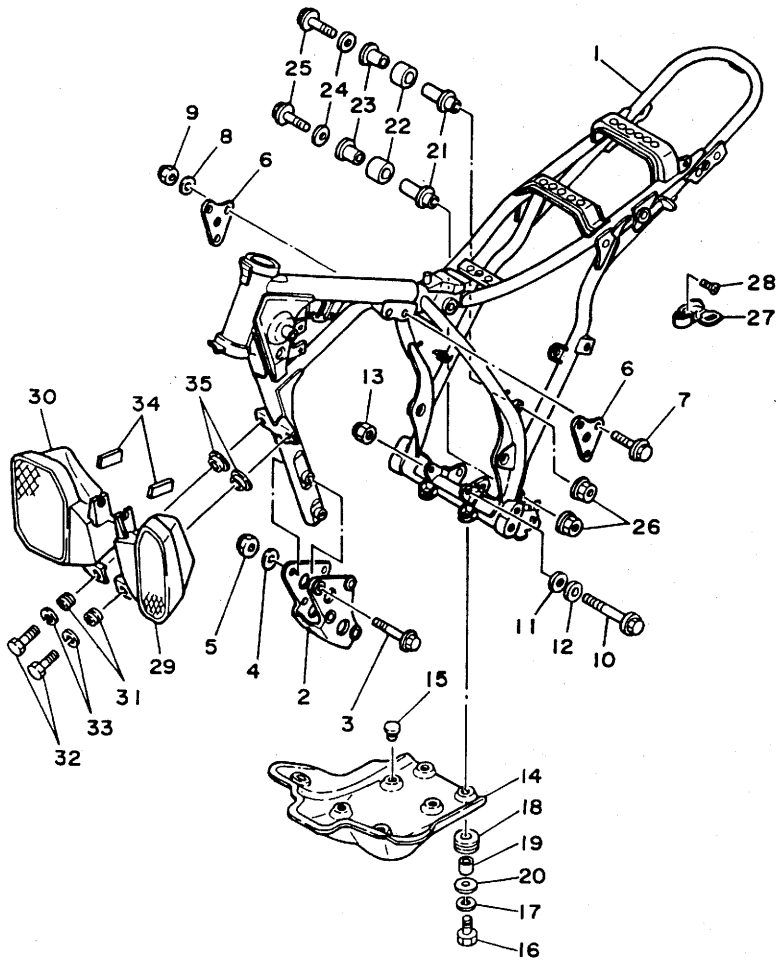
FIG. 17 SHIFT SHAFT

REF. NO.	PART NO.	DESCRIPTION	Q'TY	REMARKS
1	30X-18101-00	SHIFT SHAFT ASSY	1	
2	90387-12787	COLLAR	1	
3	99009-17400	CIRCLIP	2	
4	3Y1-18140-00	STOPPER LEVER ASSY	1	
5	90508-26434	SPRING, torsion	1	
6	90201-17255	WASHER, plate	1	
7	90508-32374	SPRING, torsion	1	
8	93608-30152	PIN, dowel	1	
9	93102-12106	OIL SEAL	1	
10	90201-12588	WASHER, plate	1	
11	90560-12191	SPACER	1	
12	30X-18110-01	SHIFT PEDAL ASSY	1	
13	1W6-18113-00	.COVER, shift pedal	1	
14	97326-06020	BOLT	1	



57R700-5170

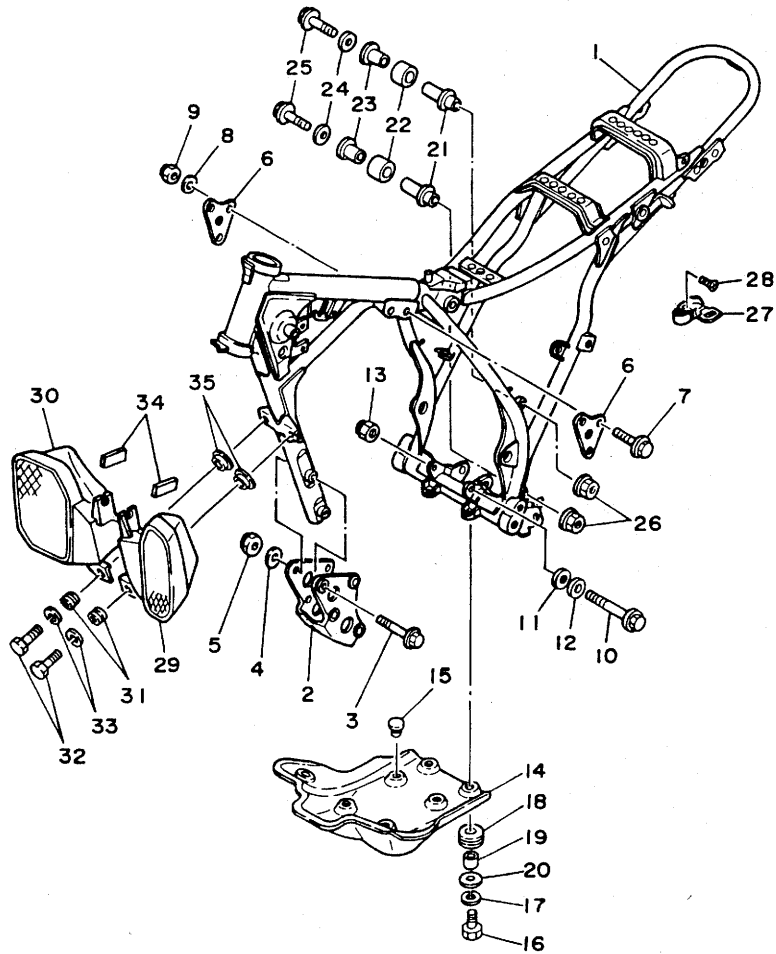
FIG. 18 FRAME



REF. NO.	PART NO.	DESCRIPTION	Q'TY	REMARKS
1	38M-21110-01-J5	FRAME COMP.	1	space blue
2	30X-21316-00-J5	STAY, engine 3	1	space blue
3	95811-08070	BOLT, flange	4	
4	90201-08366	WASHER, plate	4	
5	90185-08089	NUT, self-locking	4	
6	30X-21315-00	STAY, engine 2	2	
7	95811-08060	BOLT, flange	3	
8	90201-08366	WASHER, plate	3	
9	90185-08089	NUT, self-locking	3	
10	90105-08099	BOLT, washer based	1	
11	90201-08366	WASHER, plate	1	
12	92901-08800	WASHER	1	
13	90185-08089	NUT, self-locking	1	
14	30X-21471-01	PROTECTOR, engine	1	
15	30X-24768-00	STOPPER	5	
16	97302-06020	BOLT	3	
17	92902-06100	WASHER, spring	3	
18	90480-16233	GROMMET	3	
19	90387-060A7	COLLAR	3	
20	90201-066F3	WASHER, plate	3	
21	2K7-2148A-00	SHAFT	2	
22	30X-22178-00	TENSIONER	2	
23	10V-22184-00	BUSH	2	
24	90201-08310	WASHER, plate	2	
25	95806-08050	BOLT, flange	2	
26	95606-08100	NUT, u	2	
27	1E6-21308-00	HELMET HANGER ASSY	1	
28	92701-06018	SCREW, flat head	1	

FIG. 18 FRAME

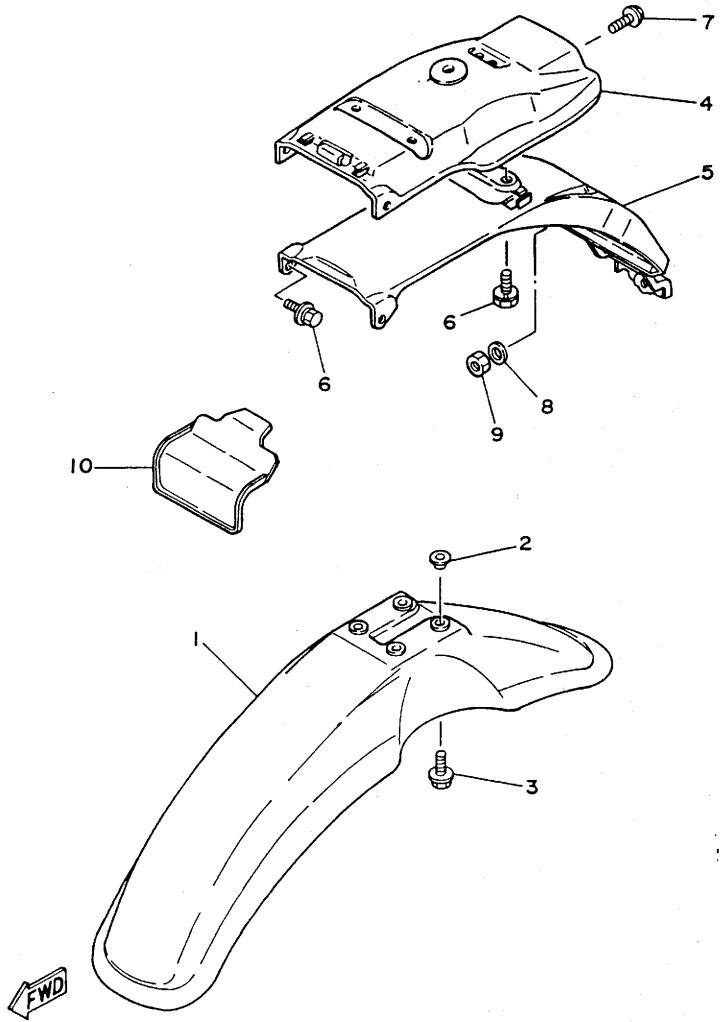
REF. NO.	PART NO.	DESCRIPTION	Q'TY	REMARKS
29	30X-2137W-01	SCOOP, air 1	1	
30	30X-2137X-01	SCOOP, air 2	1	
31	90480-12053	GROMMET	2	
32	97306-06016	BOLT	2	
33	92906-06100	WASHER, spring	2	
34	30X-2139X-00	DAMPER	2	
35	90209-06223	WASHER	2	



FWD
57R700-5180

FIG. 19 FENDER

REF. NO.	PART NO.	DESCRIPTION	Q'TY	REMARKS
1	30X-21511-00	FENDER, front	1	clean white
2	90387-06681	COLLAR	4	
3	90119-06063	BOLT, with washer	4	
4	30X-21611-00	FENDER, rear	1	white
5	30X-W2164-00	LICENSE BRACKET	1	
6	90119-06061	BOLT, with washer	4	
7	90119-06061	BOLT, with washer	2	
8	90201-06778	WASHER, plate	2	
9	95601-06100	NUT, u	2	
10	30X-21629-00	GUARD, mud	1	

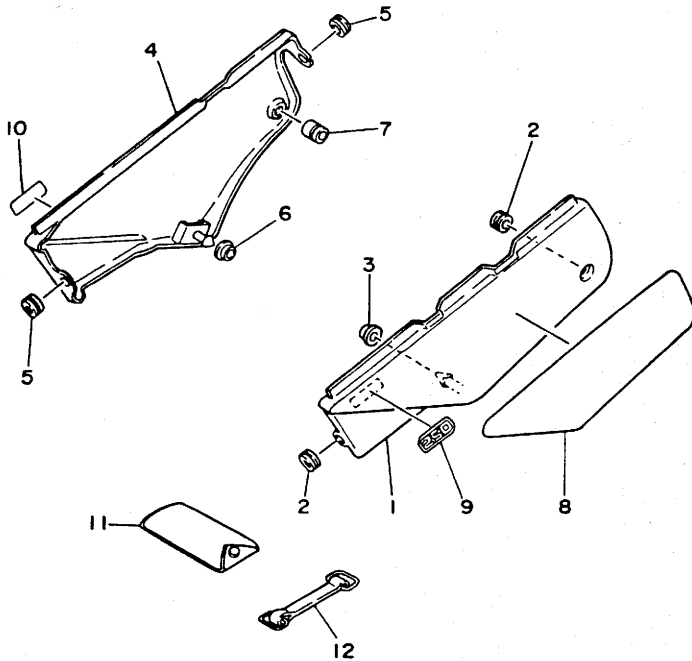


38M700-3190

C15

FIG. 20 SIDE COVER

REF. NO.	PART NO.	DESCRIPTION	Q'TY	REMARKS
1	30X-21711-00-98	COVER, side 1	1	low gloss black
2	90480-12053	GROMMET	2	
3	90480-01141	GROMMET	1	
4	30X-21721-00-1X	COVER, side 2	1	low gloss black/clean w
5	90480-12053	GROMMET	2	
6	90480-01141	GROMMET	1	
7	22W-24181-00	DAMPER, locating 1	1	
8	30X-21784-00	EMBLEM 4	1	for w
9	57R-21785-00	EMBLEM 5	1	
10	57R-21785-00	EMBLEM 5	1	
11	48Y-28100-00	TOOL KIT	1	
12	116-82131-00	BAND, battery	1	

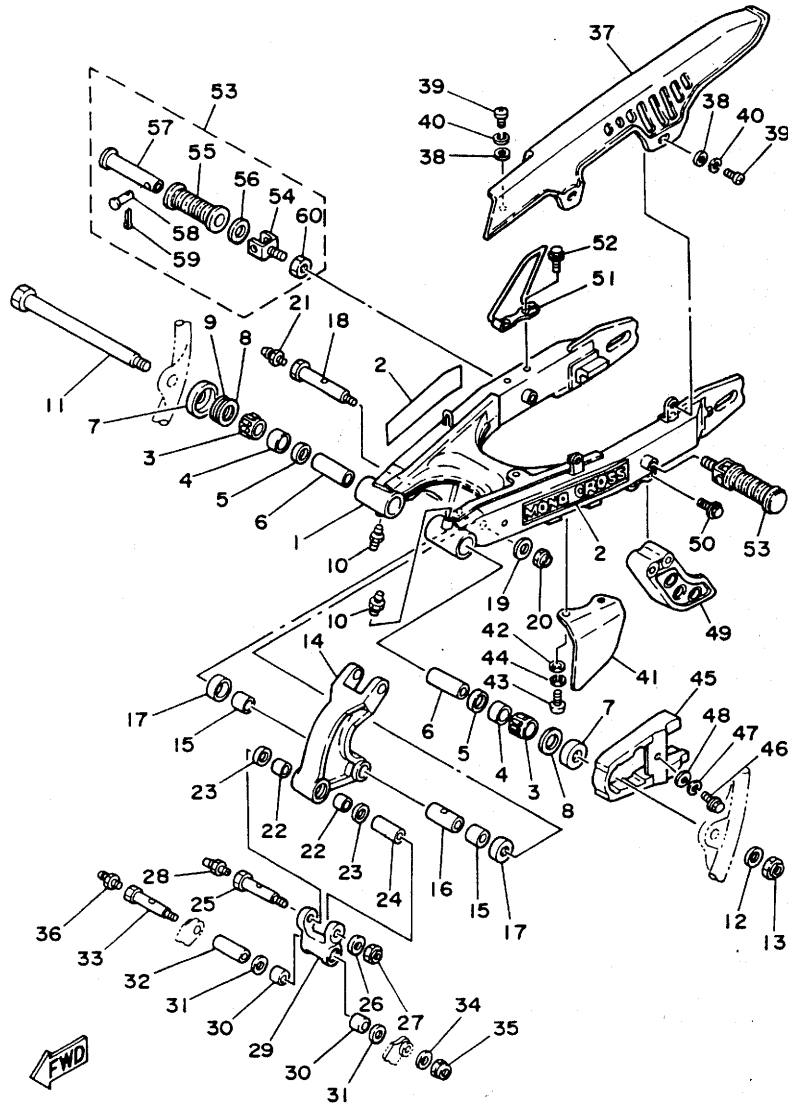


42U110-4200

D2

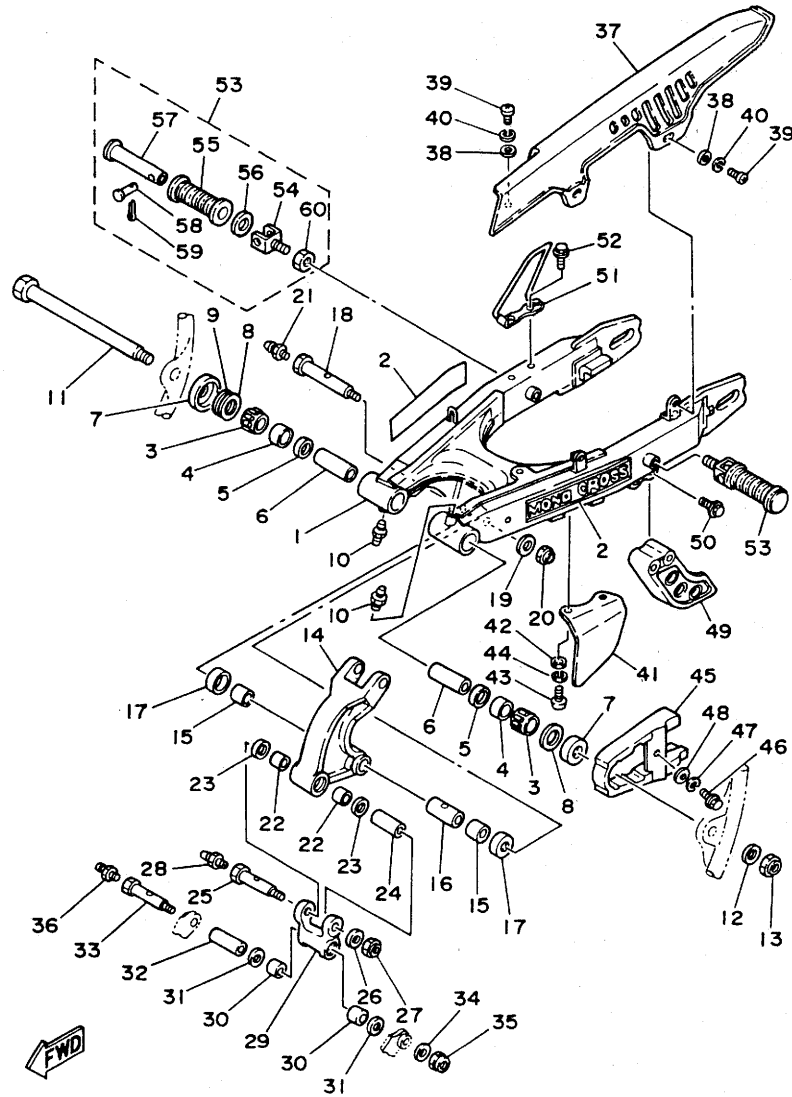
FIG. 21 REAR ARM

REF. NO.	PART NO.	DESCRIPTION	Q'TY	REMARKS
1	42U-22110-00-35	REAR ARM COMP.	1	silver
2	30X-2218A-10	EMBLEM, rear arm	2	blue
3	93317-32231	BEARING, cylindrical	2	
4	90380-22111	BUSH, solid	2	
5	93106-22019	OIL SEAL	2	
6	30X-22123-00	BUSH 1	2	
7	322-22128-01	COVER, thrust 1	2	
8	90201-243A2	WASHER, plate	2	
9	156-22127-00	SHIM (0.3T)	1	
10	93700-06004	NIPPLE, grease	2	
11	30X-22141-00	SHAFT, pivot	1	
12	90201-14218	WASHER, plate	1	
13	90185-14070	NUT, self-locking	1	
14	30X-2217A-00	ARM, relay	1	
15	90386-20120	BUSH	2	
16	90387-140J9	COLLAR	1	
17	30X-22128-00	COVER, thrust 1	2	
18	90109-121A1	BOLT	1	
19	90201-120A5	WASHER, plate	1	
20	90185-12119	NUT, self-locking	1	
21	93700-06004	NIPPLE, grease	1	
22	90386-18115	BUSH	2	
23	93109-18020	OIL SEAL	2	
24	90387-126J8	COLLAR	1	
25	90109-10752	BOLT	1	
26	90201-100E9	WASHER, plate	1	
27	90185-10120	NUT, self-locking	1	
28	93700-06009	NIPPLE, grease	1	



57R700-5210

D3



57R700-5210

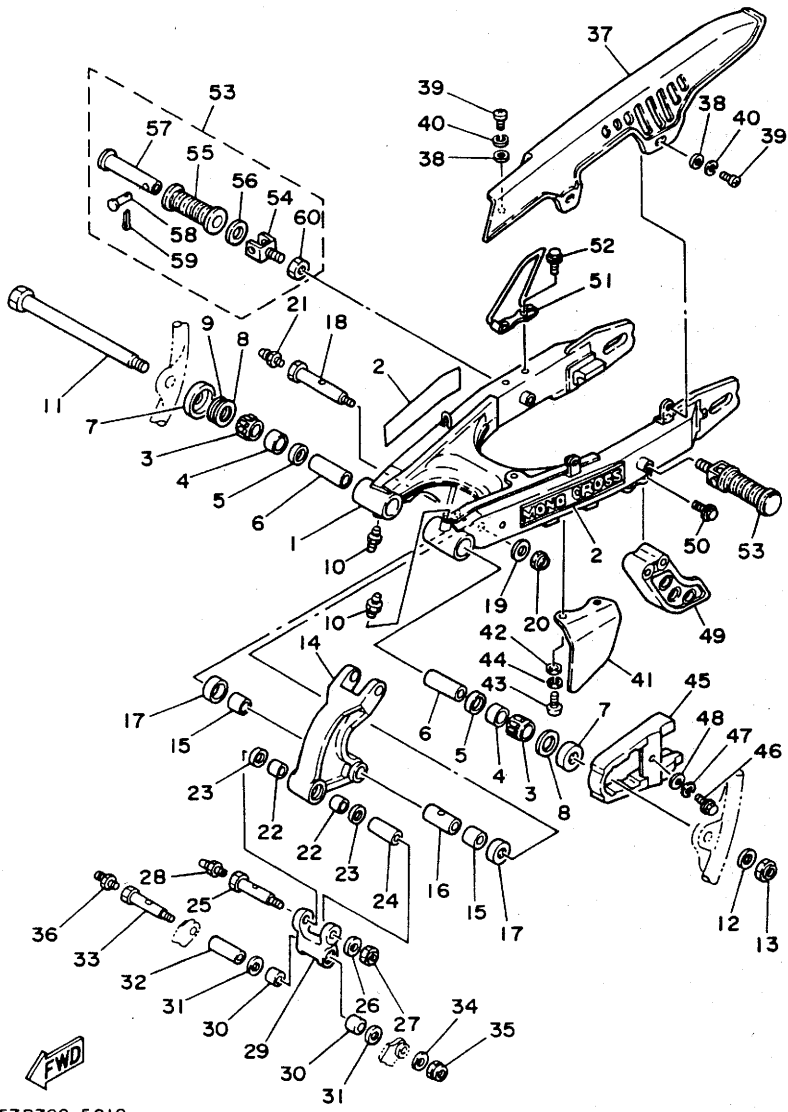
FIG. 21 REAR ARM

REF. NO.	PART NO.	DESCRIPTION	Q'TY	REMARKS
29	30X-2217F-01	ROD, connecting 1	1	
30	90386-18115	BUSH	2	
31	93109-18020	OIL SEAL	2	
32	90387-121J1	COLLAR	1	
33	90109-10752	BOLT	1	
34	90201-100E9	WASHER, plate	1	
35	90185-10120	NUT, self-locking	1	
36	93700-06004	NIPPLE, grease	1	
37	38M-22311-00	CASE, chain	1	
38	90209-06223	WASHER	3	
39	92506-06016	SCREW, pan head	3	
40	92906-06100	WASHER, spring	3	
41	30X-22312-01	CASE, chain 2	1	
42	90209-06223	WASHER	2	
43	92506-06012	SCREW, pan head	2	
44	92906-06100	WASHER, spring	2	
45	42U-22151-00	SEAL, guard	1	
46	97306-06012	BOLT	1	
47	92906-06100	WASHER, spring	1	
48	90209-06223	WASHER	1	
49	30X-22153-00	GUARD, chain	1	
50	95801-06055	BOLT, flange	2	
51	30X-27491-00	PROTECTOR	1	
52	95801-06016	BOLT, flange	2	
53	120-27430-02	REAR FOOTREST ASSY 1	2	
54	120-27432-02	.BRACKET 1	1	
55	120-27433-00	.COVER, rear footrest	1	
56	90201-20279	.WASHER, plate	1	

D4

FIG. 21 REAR ARM

REF. NO.	PART NO.	DESCRIPTION	Q'TY	REMARKS
57	120-27431-00	.FOOTREST, rear 1	1	
58	90240-06009	.PIN, clevis	1	
59	91401-16015	.PIN, cotter	1	
60	95301-12700	.NUT	1	

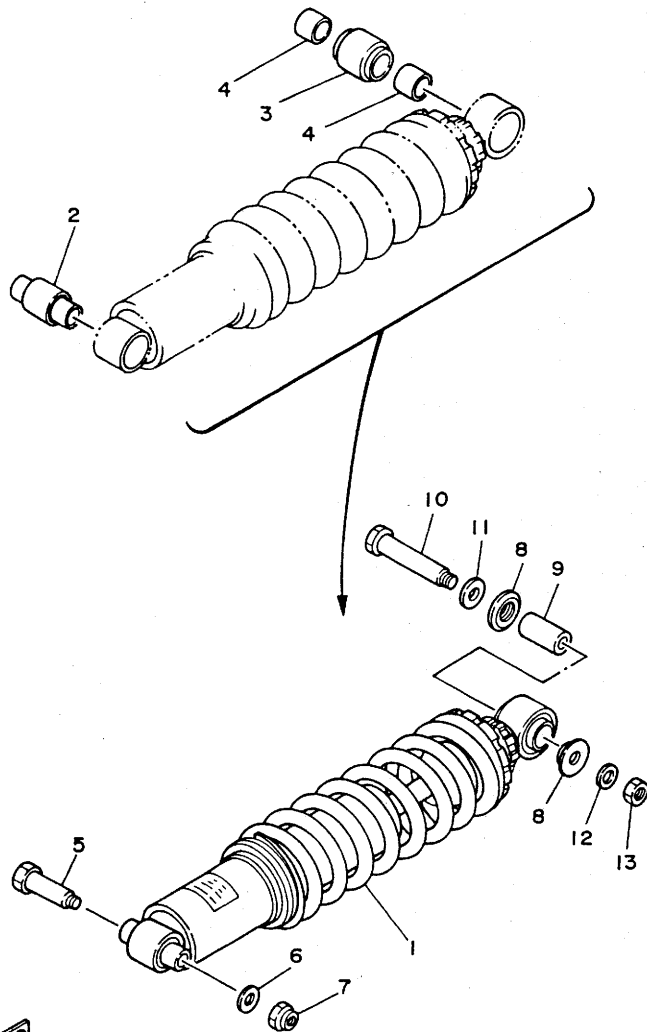


57R700-5210

D5

FIG. 22 REAR SUSPENSION

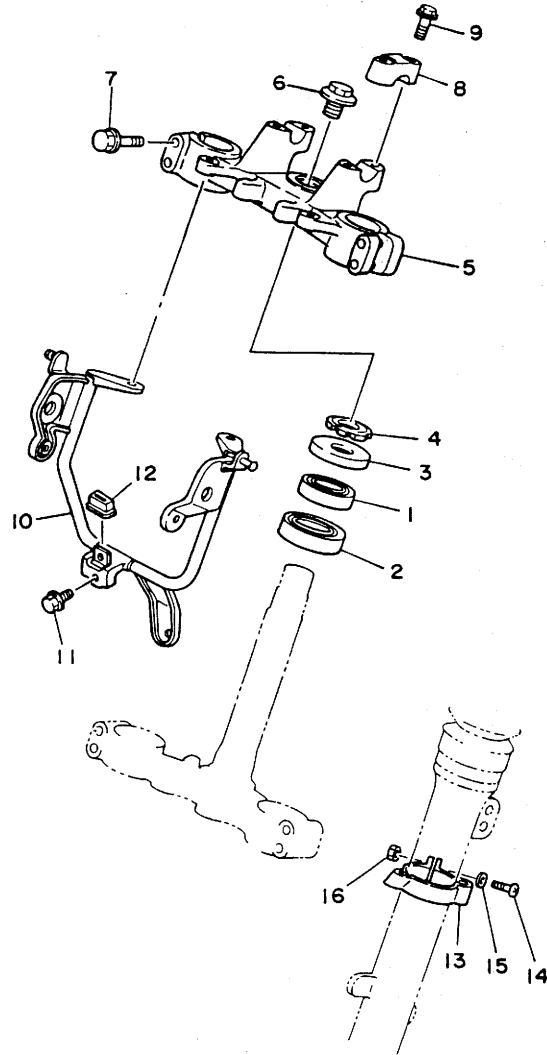
REF. NO.	PART NO.	DESCRIPTION	Q'TY	REMARKS
1	55V-22210-00-26	SHOCK ABSORBER ASSY, rear	1	competition yellow
2	30X-22216-00	.BUSH, rear shock absorber	1	
3	30X-22226-00	.BUSH, shock absorber lower	1	
4	90384-18157	.BUSH, bimetal formed	2	
5	90109-10753	BOLT	1	
6	90201-100E9	WASHER, plate	1	
7	90185-10120	NUT, self-locking	1	
8	30X-22129-00	COVER, thrust 2	2	
9	90387-121J0	COLLAR	1	
10	90109-10753	BOLT	1	
11	90201-120E6	WASHER, plate	1	
12	90201-100E9	WASHER, plate	1	
13	90185-10120	NUT, self-locking	1	



FWD
57R700-5220

D6

FIG. 23 STEERING



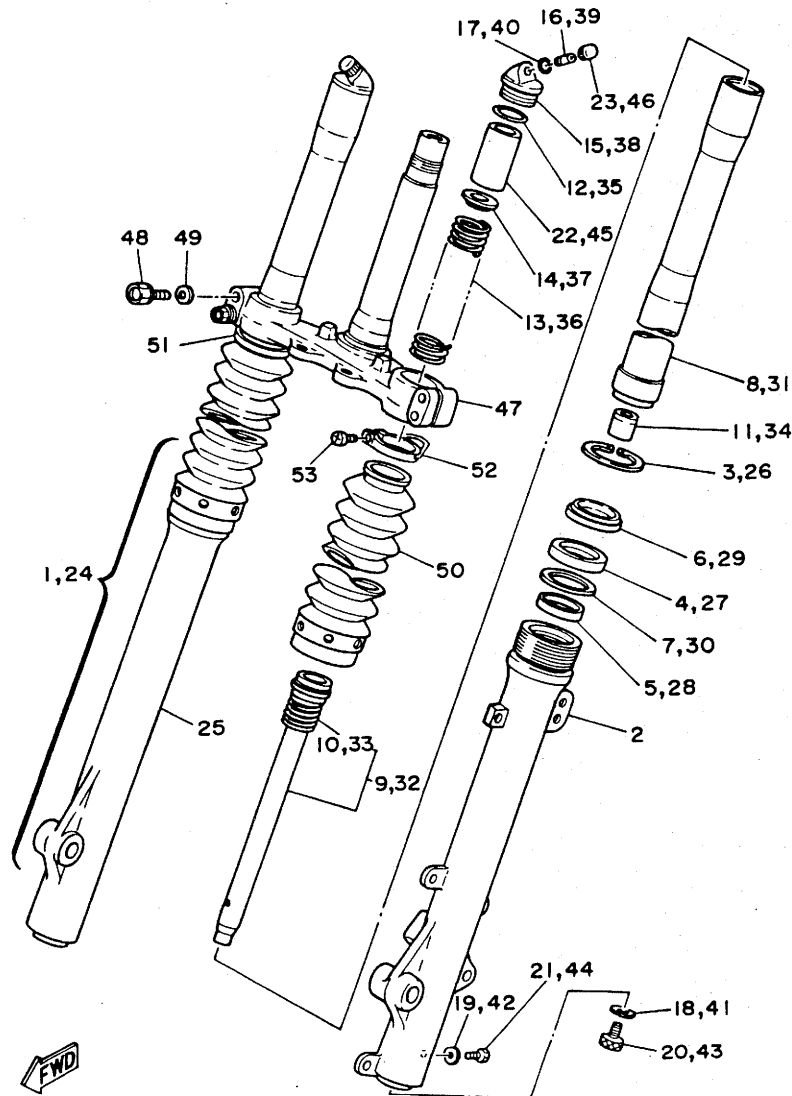
REF. NO.	PART NO.	DESCRIPTION	Q'TY	REMARKS
1	93332-00023	BEARING	1	
2	93332-00008	BEARING	1	
3	1W1-23416-00	COVER, ball race 2	1	
4	90179-25033	NUT	1	
5	30X-23435-00-98	CROWN, handle	1	low gloss black
6	90105-14102	BOLT, washer based	1	
7	95826-08040	BOLT, flange	4	
8	1E6-23441-00	HOLDER, handle upper	2	
9	95826-08035	BOLT, flange	4	
10	30X-23174-00	STAY, headlight	1	
11	95806-06012	BOLT, flange	1	
12	30X-23445-00	DAMPER	1	
13	34X-23317-00	HOLDER, cable	1	
14	98501-05016	SCREW, pan head	1	
15	92901-05600	WASHER, plate	1	
16	95301-05600	NUT	1	



57R700-5230

D7

FIG. 24 FRONT FORK

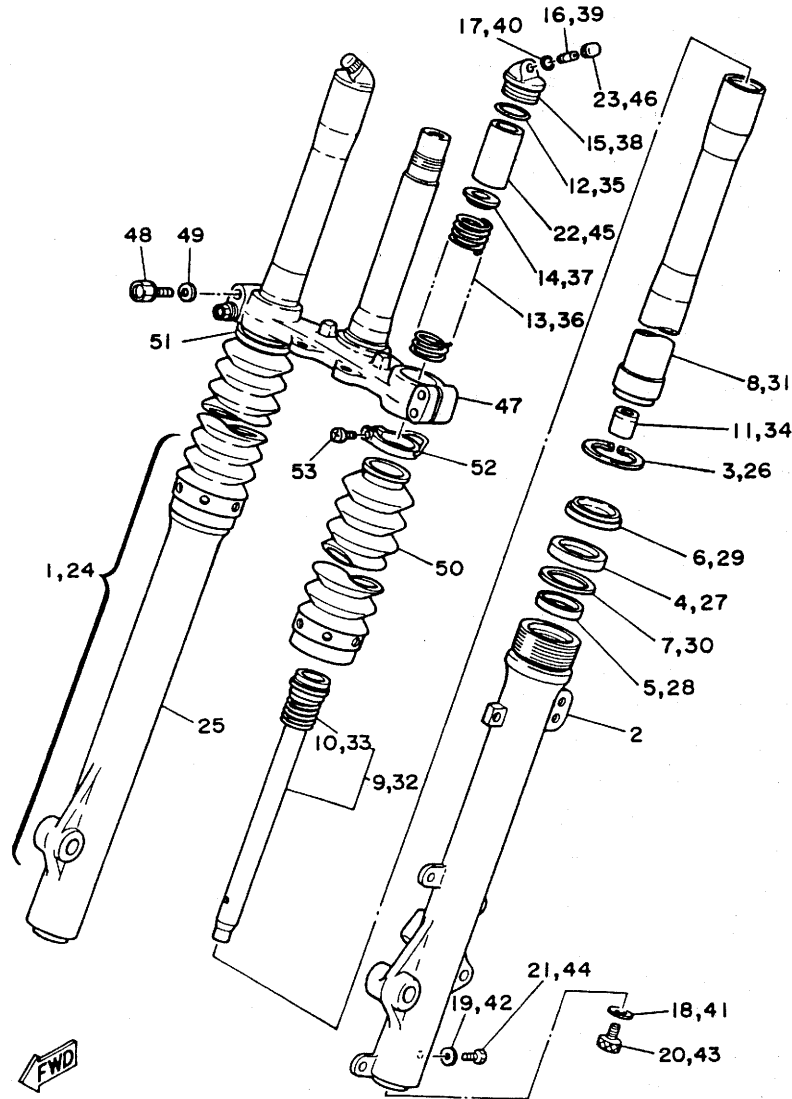


57R700-5240

REF. NO.	PART NO.	DESCRIPTION	Q'TY	REMARKS
1	57R-23102-00	FRONT FORK ASSY (L.H)	1	
2	48Y-23126-00	.TUBE, outer 1	1	
3	4A1-23156-00	.CLIP, oil seal	1	
4	48Y-23145-00	.OIL SEAL	1	
5	30X-23125-00	.METAL, slide 1	1	
6	48Y-23144-00	.SEAL, dust	1	
7	5K5-23149-00	.WASHER, spring upper	1	
8	30X-23110-00	.INNER TUBE COMP.1	1	
9	55V-23170-00	.CYLINDER COMP., front fork	1	
10	2X7-23151-00	..SPRING, rebound	1	
11	3R6-23173-L0	.SPINDLE, taper	1	
12	1W1-23114-L0	.GASKET	1	
13	30X-23141-00	.SPRING, front fork	1	
14	1W1-23142-L0	.SEAT, spring upper	1	
15	33M-23111-00	.BOLT, cap	1	
16	3J2-23190-00	.AIR VALVE COMP.	1	
17	3J2-23147-00	.O-RING	1	
18	509-23158-L0	.GASKET	1	
19	122-23129-00	.GASKET, drain plug	1	
20	278-23181-50	.BOLT, hexagon socket head	1	
21	122-23119-01	.PLUG, drain	1	
22	4V5-23118-L1	.SPACER	1	
23	509-23184-L0	.CAP, air valve	1	
24	57R-23103-00	FRONT FORK ASSY (R.H)	1	
25	48Y-23136-00	.TUBE, outer 2	1	
26	4A1-23156-00	.CLIP, oil seal	1	
27	48Y-23145-00	.OIL SEAL	1	
28	30X-23125-00	.METAL, slide 1	1	

D8

FIG. 24 FRONT FORK

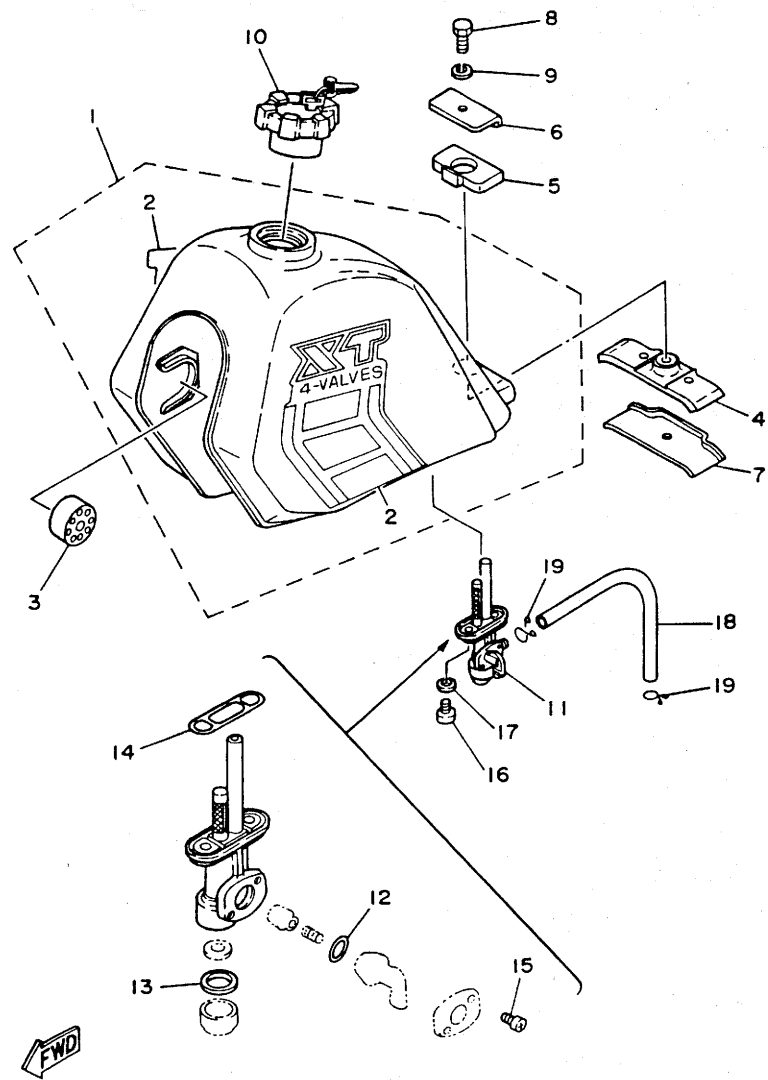


REF. NO.	PART NO.	DESCRIPTION	Q'TY	REMARKS
29	48Y-23144-00	.SEAL, dust	1	
30	5K5-23149-00	.WASHER, spring upper	1	
31	30X-23110-00	.INNER TUBE COMP.1	1	
32	55V-23170-00	.CYLINDER COMP., front fork	1	
33	2X7-23151-00	..SPRING, rebound	1	
34	3R6-23173-L0	.SPINDLE, taper	1	
35	1W1-23114-L0	.GASKET	1	
36	30X-23141-00	.SPRING, front fork	1	
37	1W1-23142-L0	.SEAT, spring upper	1	
38	33M-23111-00	.BOLT, cap	1	
39	3J2-23190-00	.AIR VALVE COMP.	1	
40	3J2-23147-00	.O-RING	1	
41	509-23158-L0	.GASKET	1	
42	122-23129-00	.GASKET, drain plug	1	
43	278-23181-50	.BOLT, hexagon socket head	1	
44	122-23119-01	.PLUG, drain	1	
45	4V5-23118-L1	.SPACER	1	
46	509-23184-L0	.CAP, air valve	1	
47	55V-23340-00	UNDER BRACKET COMP.	1	
48	5X6-23128-L0	BOLT, axle holder	4	
49	90201-08544	WASHER, plate	4	
50	30X-23191-10	BOOT	2	yellow
51	341-92090-60	BAND, boot	1	
52	48Y-23192-00	BAND	1	
53	1W4-23194-L0	SCREW, boot band	2	

57R700-5240

D9

FIG. 25 FUEL TANK

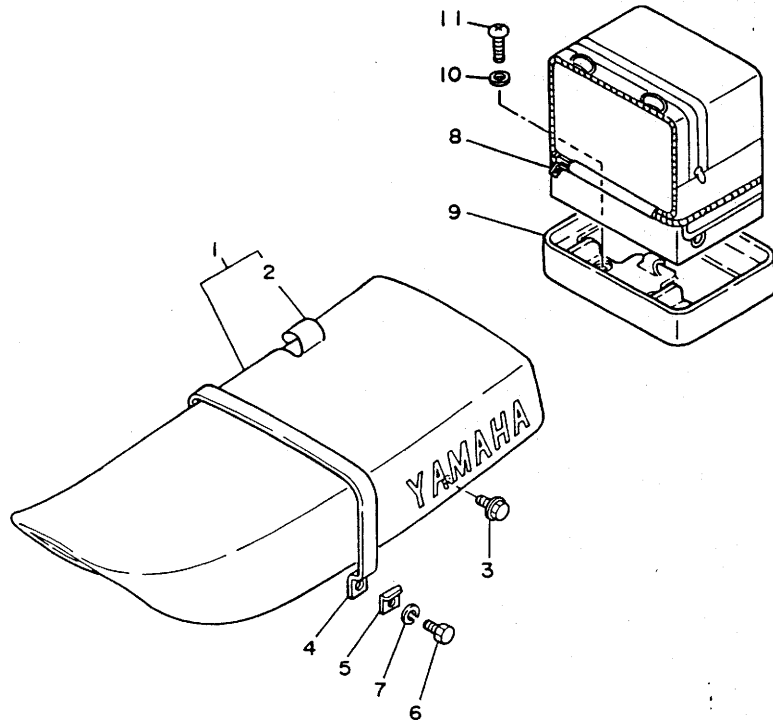


REF. NO.	PART NO.	DESCRIPTION	Q'TY	REMARKS
1	30X-24110-01-08	FUEL TANK COMP.	1	
2	57R-24240-00	.GRAPHIC SET	1	
3	4L0-24181-00	DAMPER, locating 1	2	
4	30X-24182-01	DAMPER, locating 2	1	
5	30X-24183-01	DAMPER, locating 3	1	
6	30X-24186-01	WASHER, special	1	
7	30X-24187-00	WASHER, special	1	
8	97301-06012	BOLT	1	
9	92901-06100	WASHER, spring	1	
10	48Y-24602-00	CAP ASSY	1	
11	5G0-24500-01	FUEL COCK ASSY 1	1	
12	4X8-24534-00	.SEAL, cock	1	
13	4X8-24565-00	.GASKET	1	
14	4X8-24512-00	.GASKET	1	
15	4X8-24535-00	.SCREW, lever fitting	2	
16	90149-06011	SCREW	2	
17	90202-06010	WASHER, plate	2	
18	90445-10008	HOSE	1	
19	90467-09006	CLIP	2	

57R700-5250

FIG. 26 SEAT

REF. NO.	PART NO.	DESCRIPTION	Q'TY	REMARKS
1	30X-24770-10	SEMI-DOUBLE SEAT ASSY	1	blue
2	30X-2477A-10	.SEAT COVER ASSY	1	
3	95801-06016	BOLT, flange	2	
4	30X-24734-10	BAND, seat	1	blue
5	2A8-24736-00	WASHER	2	
6	97301-08016	BOLT	2	
7	92901-08100	WASHER, spring	2	
8	38M-24850-00	CARRIER BOX ASSY	1	
9	30X-24833-00	BRACKET, carrier 2	1	
10	90201-06557	WASHER, plate	3	
11	92501-06014	SCREW, pan head	3	



38M700-3260

D11

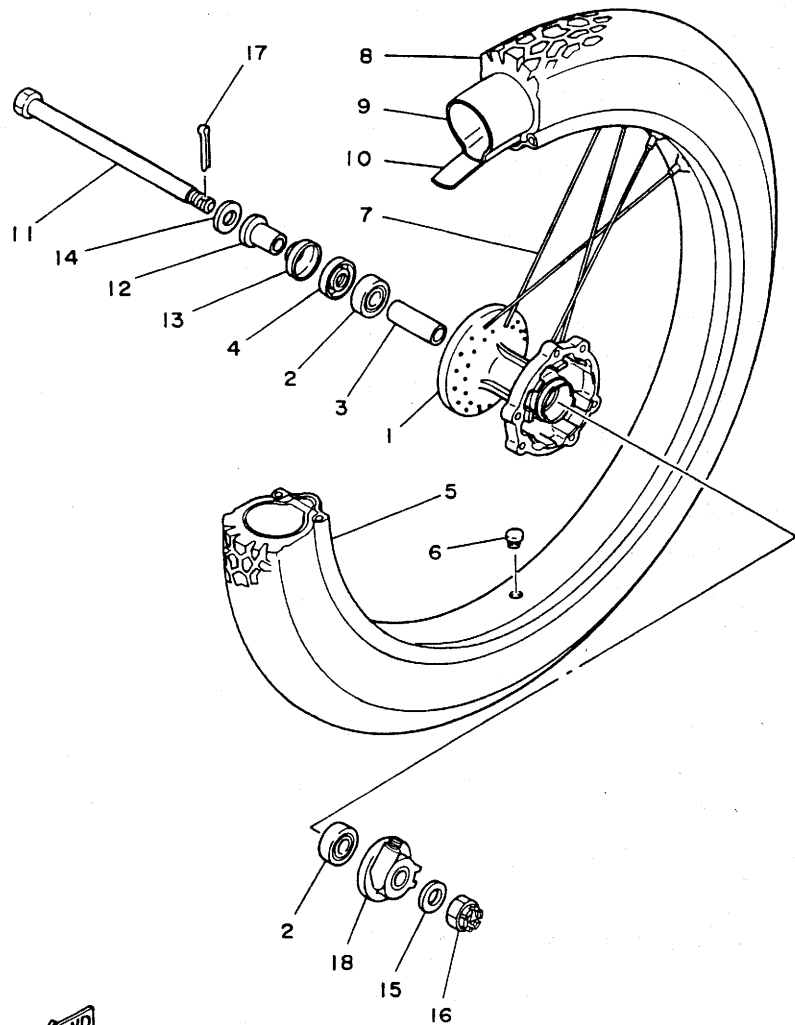


FIG. 27 FRONT WHEEL

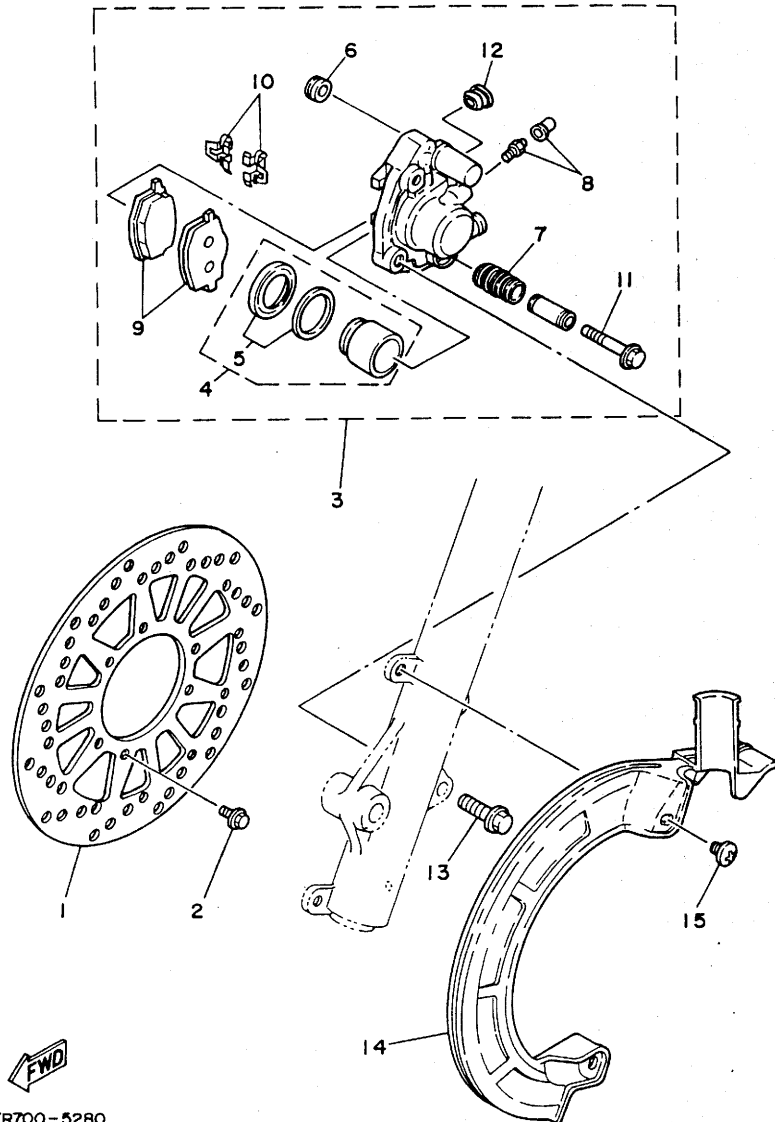
REF. NO.	PART NO.	DESCRIPTION	Q'TY	REMARKS
1	34X-25111-01-98	HUB, front	1	low gloss black
2	93306-20205	BEARING (B6202)	2	
3	136-25117-00	SPACER, bearing	1	
4	93102-20281	OIL SEAL	1	
5	94416-21419	RIM (1.60-21)	1	
6	90480-10068	GROMMET	1	
7	48Y-25104-00	SPOKE SET, front	1	
8	94130-212E3	TIRE (3.00-21)	1	bridgestone
9	94227-21123	TUBE (2.75-21)	1	bridgestone
10	94330-21084	BAND, rim (3.00-21)	1	bridgestone
11	30X-25181-00	AXLE, wheel	1	
12	90387-15600	COLLAR	1	
13	322-25118-00	COVER, hub dust	1	
14	90201-163H8	WASHER, plate	1	
15	90201-15785	WASHER, plate	1	
16	90171-14020	NUT, castle	1	
17	91401-30030	PIN, cotter	1	
18	34X-25190-00	GEAR UNIT ASSY	1	



57R700-5270

D12

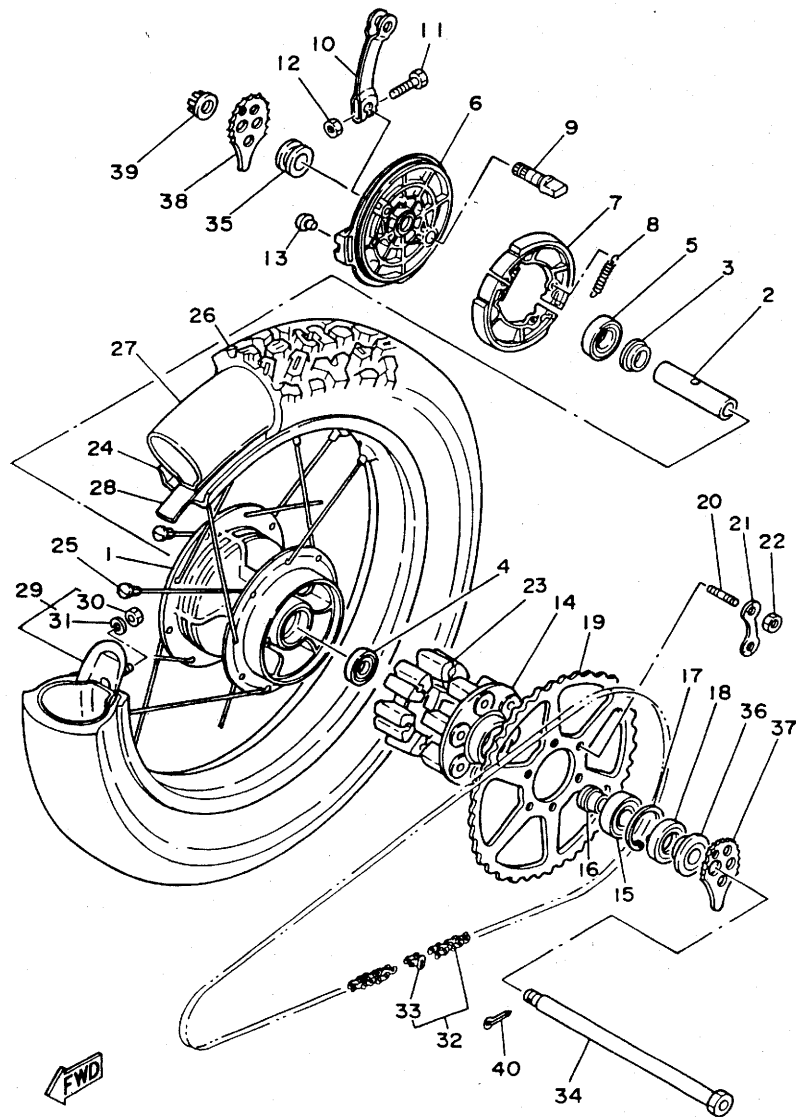
FIG. 28 FRONT BRAKE CALIPER



REF. NO.	PART NO.	DESCRIPTION	Q'TY	REMARKS
1	48Y-25831-00	DISC, brake (RIGHT)	1	
2	90109-06757	BOLT	6	
3	38W-25810-10	CALIPER ASSY (LEFT)	1	
4	34X-W0057-00	.PISTON ASSY, caliper	1	
5	34X-W0047-00	..CALIPER SEAL KIT	1	
6	5R2-25917-00	.BOOT, caliper	1	
7	34X-25937-00	.BOOT 2	1	
8	51L-W0048-00	.BREED SCREW KIT	1	
9	38W-W0045-00	.BRAKE PAD KIT, front	1	
10	38W-25919-00	.SUPPORT, pad	1	
11	34X-25926-00	.BOLT	1	
12	34X-25845-00	.CAP, indicator	1	
13	90105-10259	BOLT, washer based	2	
14	48Y-25715-00	COVER 1	1	
15	90149-06194	SCREW	2	

FWD
57R700-5280

D13



57R700-5290

FIG. 29 REAR WHEEL

REF. NO.	PART NO.	DESCRIPTION	Q'TY	REMARKS
1	3Y1-25311-00-98	HUB, rear	1	low gloss black
2	275-25317-00	SPACER, bearing	1	
3	146-25315-00	FLANGE, spacer	1	
4	93306-20316	BEARING (B6203)	1	
5	93306-20310	BEARING (B6203DU)	1	
6	3Y1-25321-00-98	PLATE, brake shoe	1	low gloss black
7	3Y1-25330-00	BRAKE SHOE COMP.	2	
8	90506-17328	SPRING, tension	2	
9	538-25351-01	CAMSHAFT	1	
10	3R6-25355-01	LEVER, camshaft	1	
11	90101-06278	BOLT	1	
12	95301-06600	NUT	1	
13	90480-10068	GROMMET	1	
14	3Y1-25366-00-98	CLUTCH, hub	1	low gloss black
15	93306-20421	BEARING (B6204)	1	
16	3Y1-25377-00	COLLAR, wheel	1	
17	99009-47500	CIRCLIP	1	
18	93102-28022	OIL SEAL	1	
19	30X-25447-50-33	SPROCKET, driven (47T)	1	yamaha black
20	90116-08218	BOLT, stud	6	
21	90215-08160	WASHER, lock	3	
22	90170-08258	NUT	6	
23	3Y1-25364-00	DAMPER	6	
24	94421-18418	RIM (2.15-18)	1	
25	4Y0-25304-00	SPOKE SET, rear	1	
26	94141-185E4	TIRE (4.10-18)	1	
27	94240-18098	TUBE (4.00-18)	1	dunlop
28	94340-18086	BAND, rim (4.00-18)	1	bridgestone

D14

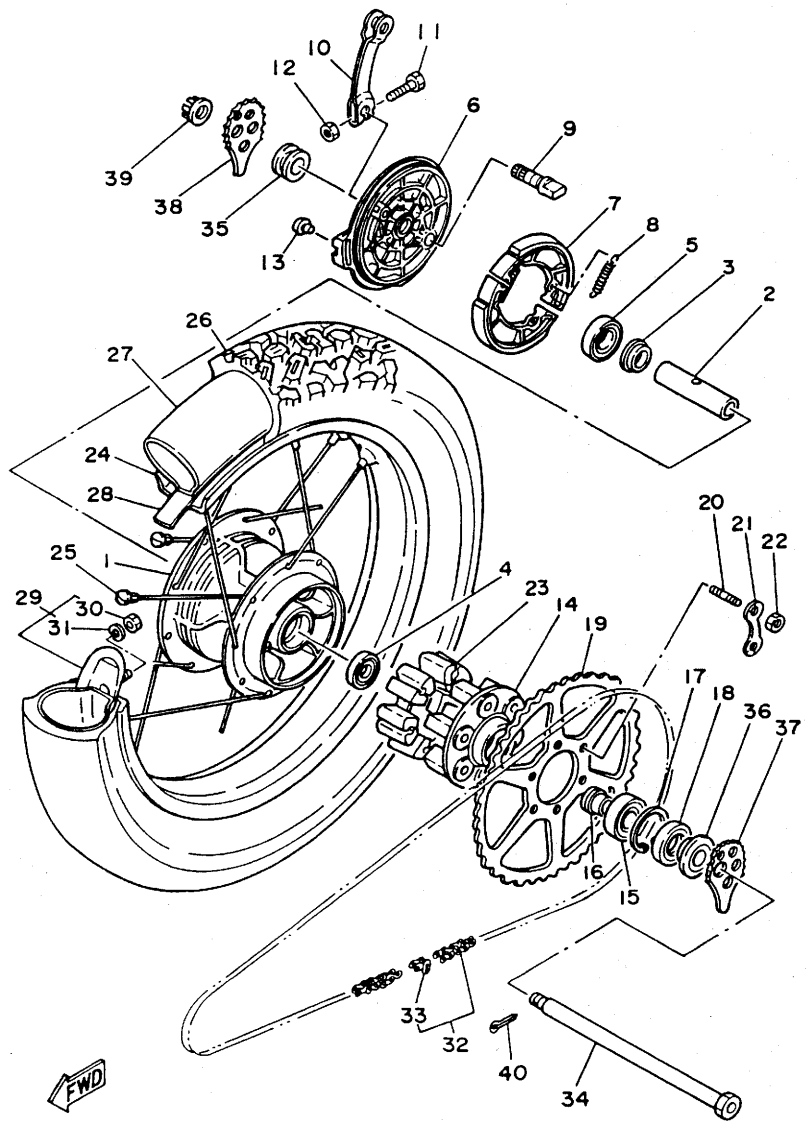


FIG. 29 REAR WHEEL

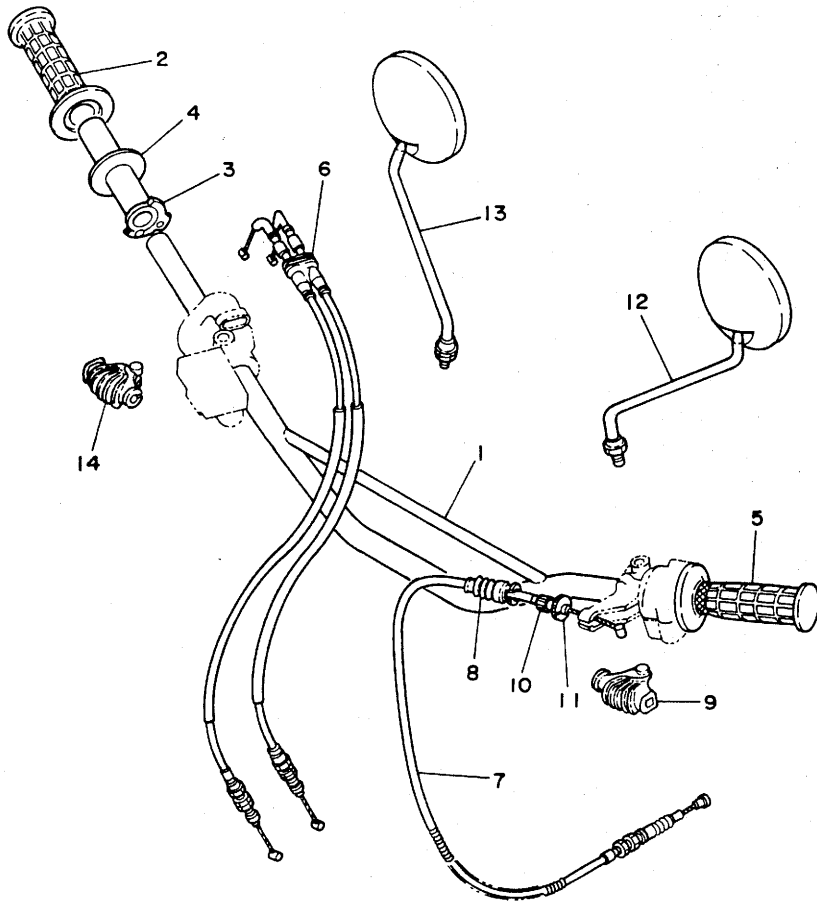
REF. NO.	PART NO.	DESCRIPTION	Q'TY	REMARKS
29	3Y1-25394-00	SPACER, bead	1	
30	95311-08600	.NUT	1	
31	92901-08100	.WASHER, spring	1	
32	94580-40106	CHAIN	1	
33	94680-50011	.JOINT, chain (D.I.D.50HDS)	1	
34	42U-25381-00	AXLE, wheel	1	
35	90387-17141	COLLAR	1	
36	3Y1-25383-00	COLLAR, wheel	1	
37	3Y1-25388-01	PULLER, chain 1	1	
38	3Y1-25389-00	PULLER, chain 2	1	
39	90171-16024	NUT, castle	1	
40	91401-30030	PIN, cotter	1	

57R700-5290

D15

FIG. 30 STEERING HANDLE. CABLE

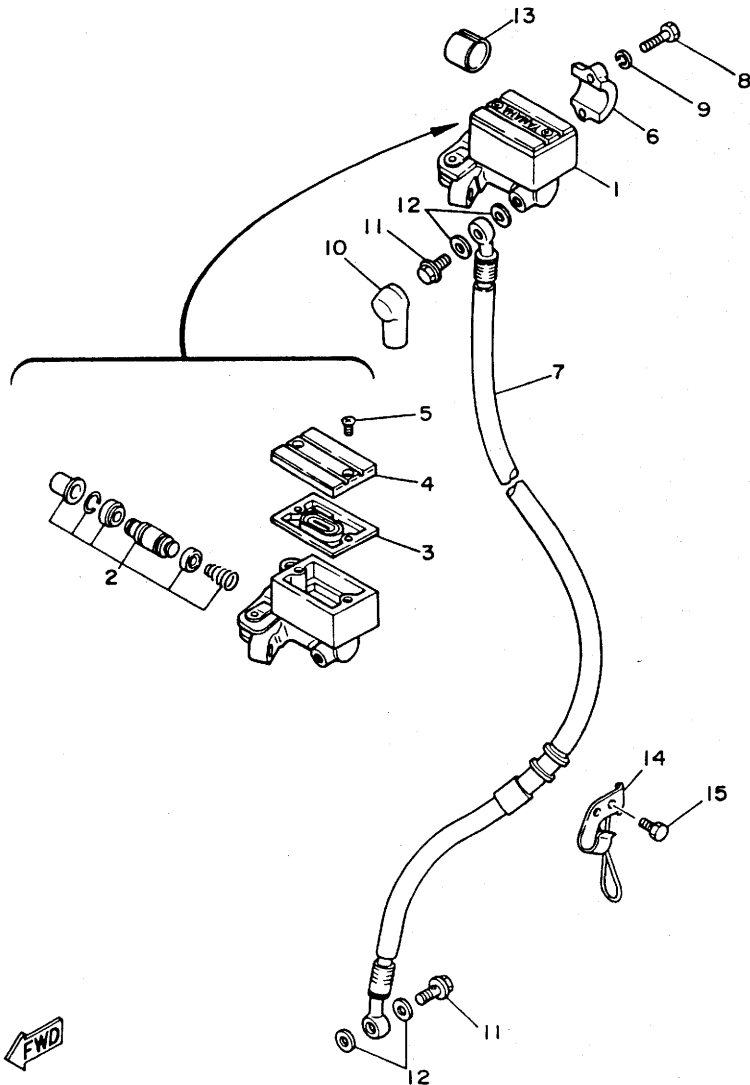
REF. NO.	PART NO.	DESCRIPTION	Q'TY	REMARKS
1	30X-26111-00	HANDLEBAR	1	
2	33G-26242-00	GRIP (R.H)	1	
3	3Y1-26243-01	TUBE, throttle guide	1	
4	3Y1-26249-00	RING, leaf	1	
5	33G-26241-00	GRIP (L.H)	1	
6	30X-26302-00	THROTTLE CABLE ASSY	1	
7	30X-26335-01	CABLE, clutch	1	
8	1E6-26342-00	BOOT, cable	1	
9	1E6-26372-00	COVER, handle lever 1	1	
10	90123-08046	BOLT	1	
11	90179-08148	NUT	1	
12	1Y1-26290-30	BACK MIRROR ASSY (L.H)	1	UR
	1Y1-26290-10	BACK MIRROR ASSY (L.H)	1	UR for s-africa
13	1Y1-26290-40	BACK MIRROR ASSY (R.H)	1	UR
	1Y1-26290-00	BACK MIRROR ASSY (R.H)	1	UR for s-africa
14	1T5-26372-00	COVER, handle lever 1	1	



57R700-5300

E2

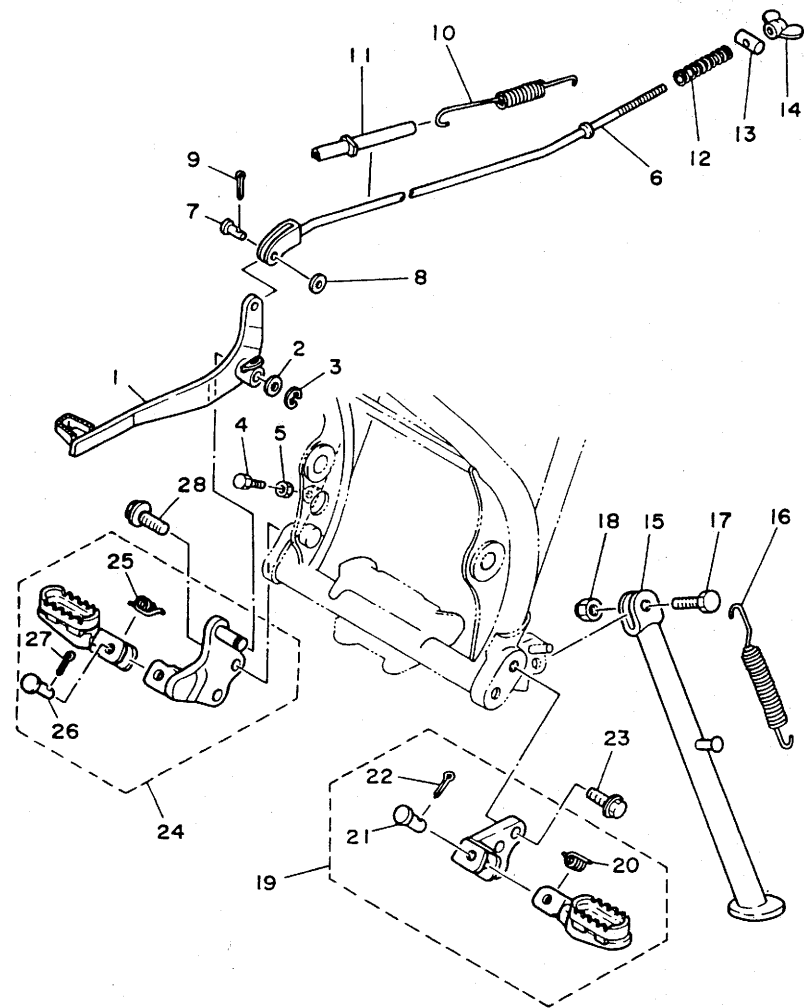
FIG. 31 FRONT MASTER CYLINDER



REF. NO.	PART NO.	DESCRIPTION	Q'TY	REMARKS
1	34L-25850-00	MASTER CYLINDER ASSY	1	
2	34L-W0041-00	.CYLINDER KIT, master	1	
3	4L0-25854-00	.DIAPHRAGM, reservoir	1	
4	4L0-25852-00	.CAP, reservoir	1	
5	98706-04012	.SCREW, flat head	2	
6	4L0-25867-00	BRACKET, master cylinder	1	
7	48Y-25872-00	HOSE, brake 1	1	
8	97326-06025	BOLT	2	
9	92906-06100	WASHER, spring	2	
10	4L0-25862-00	BOOT, master cylinder	1	
11	90401-10034	BOLT, union	2	
12	90201-10118	WASHER, plate	4	
13	90387-227H7	COLLAR	1	
14	34X-25876-00	HOLDER, brake hose 2	1	
15	91316-06010	BOLT	2	

57R700-5310

E3



38M700-3300

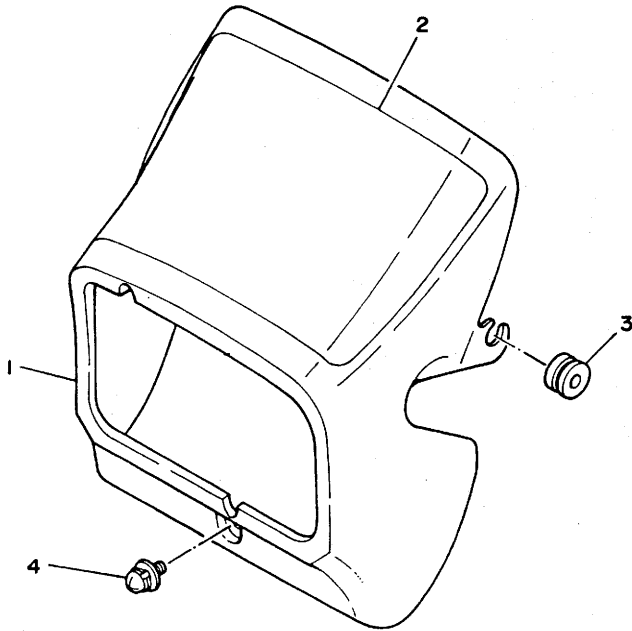
FIG. 32 STAND. FOOTREST

REF. NO.	PART NO.	DESCRIPTION	Q'TY	REMARKS
1	38M-27211-00	PEDAL, brake	1	
2	90201-12541	WASHER, plate	1	
3	93430-09038	CIRCLIP	1	
4	90101-06288	BOLT	1	
5	95301-06700	NUT	1	
6	30X-27231-00	ROD, brake	1	
7	90240-06040	PIN, clevis	1	
8	92901-06200	WASHER, plain	1	
9	91401-20015	PIN, cotter	1	
10	90506-18154	SPRING, tension	1	
11	1M1-27244-00	COVER	1	
12	90501-10245	SPRING, compression	1	
13	90249-12008	PIN	1	
14	90175-06013	NUT, wing	1	
15	30X-27311-00-33	STAND, side	1	yamaha black
16	90507-29009	SPRING, tension	1	
17	90109-10635	BOLT	1	
18	90185-10037	NUT, self-locking	1	
19	30X-27410-00-90	FRONT FOOTREST ASSY (L.H)	1	uni chrome (black)
20	90508-20023	.SPRING, torsion	1	
21	90240-08084	.PIN, clevis	1	
22	91401-25015	.PIN, cotter	1	
23	95816-08020	BOLT, flange	2	
24	30X-27420-00-90	FRONT FOOTREST ASSY (R.H)	1	uni chrome (black)
25	90508-20023	.SPRING, torsion	1	
26	90240-08084	.PIN, clevis	1	
27	91401-25015	.PIN, cotter	1	
28	95816-08020	BOLT, flange	2	

E4

FIG. 33 COWLING 1

REF. NO.	PART NO.	DESCRIPTION	Q'TY	REMARKS
1	30X-28351-00	BODY, cowling	1	clean white
2	30X-28368-00	EMBLEM	1	
3	90480-12053	GROMMET	2	
4	90159-06060	SCREW, with washer	1	

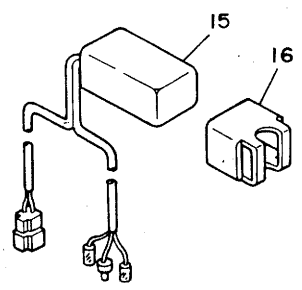
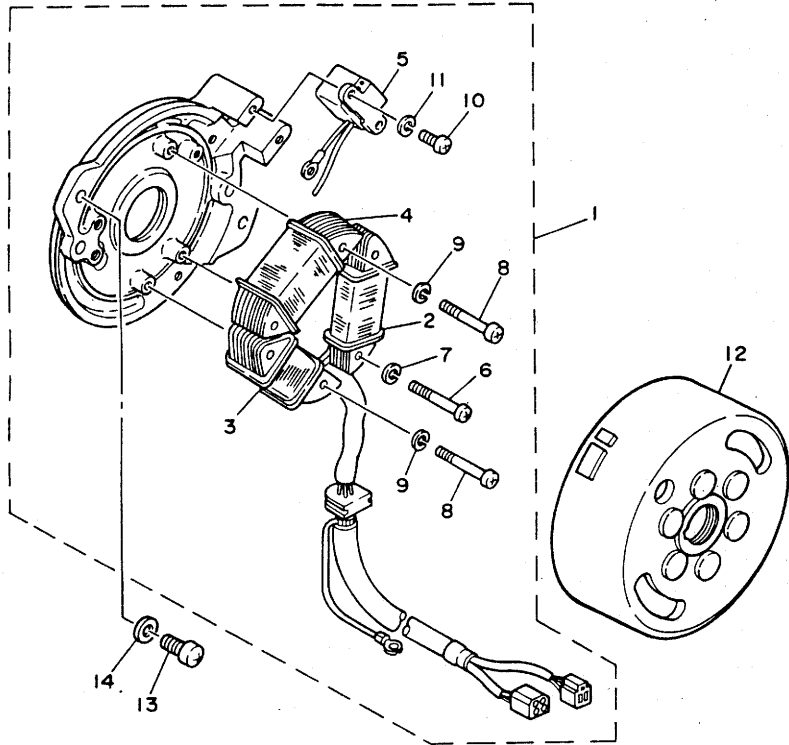


57R700-5330

E5

FIG. 34 GENERATOR

REF. NO.	PART NO.	DESCRIPTION	Q'TY	REMARKS
1	30X-85510-21	STATOR ASSY	1	
2	30X-85512-00	.COIL, source	1	
3	30X-85513-00	.COIL, lighting 1	1	
4	30X-85514-00	.COIL, lighting 2	1	
5	30X-85580-00	.COIL, pulser	1	
6	98501-05020	.SCREW, pan head	2	
7	92901-05100	.WASHER, spring	2	
8	98501-05035	.SCREW, pan head	4	
9	92901-05100	.WASHER, spring	4	
10	98501-05012	.SCREW, pan head	2	
11	92901-05100	.WASHER, spring	2	
12	30X-85550-20	ROTOR ASSY	1	
13	92502-06016	SCREW, pan head	2	
14	92990-06600	WASHER, plate	2	
15	30X-85540-20	C.D.I. UNIT ASSY	1	
16	3M5-85546-00	BAND	1	

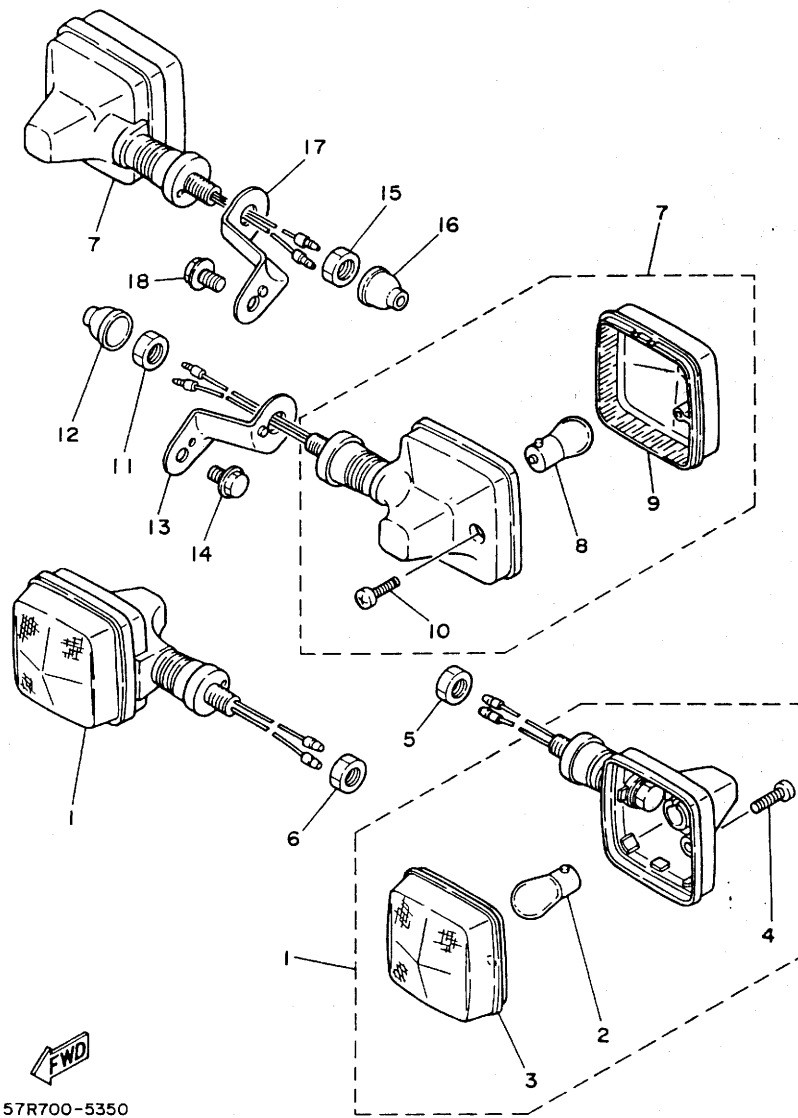


FWD

57R700-5340

E6

FIG. 35 FLASHER LIGHT



REF. NO.	PART NO.	DESCRIPTION	Q'TY	REMARKS
1	34X-83310-20	FRONT FLASHER LIGHT ASSY 1	2	
2	256-83311-70	.BULB (12V-27W)	1	
3	47J-83312-00	.LENS, flasher	1	
4	97706-40520	.SCREW, tapping	1	
5	95302-12700	NUT	1	
6	95302-12700	NUT	1	
7	34X-83330-20	REAR FLASHER LIGHT ASSY 1	2	
8	256-83311-70	.BULB (12V-27W)	1	
9	47J-83322-00	.LENS, flasher 2	1	
10	97706-40520	.SCREW, tapping	1	
11	95302-12700	NUT	1	
12	10V-83365-00	CAP	1	
13	48Y-83368-00	STAY, flasher	1	
14	95806-08012	BOLT, flange	1	
15	95302-12700	NUT	1	
16	10V-83365-00	CAP	1	
17	48Y-83369-00	STAY, flasher	1	
18	95806-08012	BOLT, flange	1	

57R700-5350

E7

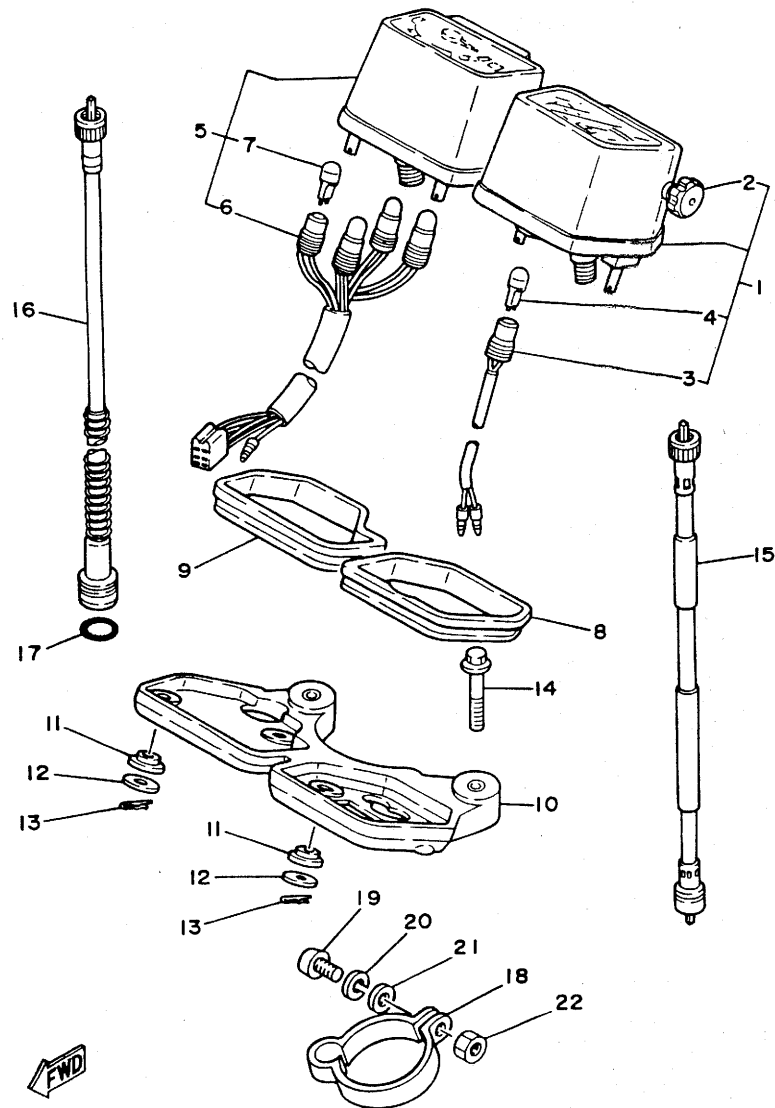


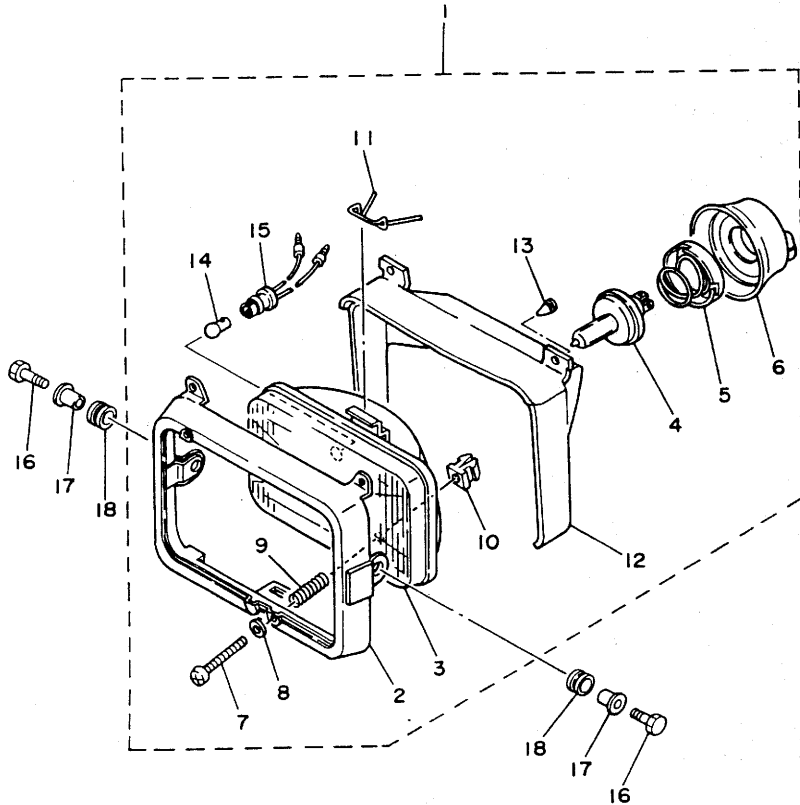
FIG. 36 METER

REF. NO.	PART NO.	DESCRIPTION	Q'TY	REMARKS
1	57R-83570-F0	SPEEDOMETER ASSY	1	
2	5Y1-83578-00	.KNOB, trip meter	1	
3	5Y1-83536-00	.SOCKET, meter	1	
4	4G1-84744-00	.BULB (12V-3.4W)	1	
5	57R-83540-00	TACHOMETER ASSY	1	
6	30X-83520-00	.SOCKET CORD ASSY	1	
7	4G1-84744-00	.BULB (12V-3.4W)	4	
8	5Y1-83513-00	DAMPER	1	
9	5Y1-83541-00	DAMPER	1	
10	5Y1-83519-00	BRACKET, meter	1	
11	1M1-83526-00	DAMPER 2	4	
12	90201-05033	WASHER, plate	4	
13	437-83525-00	CLIP	4	
14	95806-06040	BOLT, flange	2	
15	48Y-83550-00	SPEEDOMETER CABLE ASSY	1	
16	30X-83560-00	TACHOMETER CABLE ASSY	1	
17	93210-14104	O-RING	1	
18	3Y1-26397-00	BAND	1	
19	98501-05016	SCREW, pan head	1	
20	92901-05100	WASHER, spring	1	
21	92901-05600	WASHER, plate	1	
22	95301-05600	NUT	1	

FWD
57R700-5360

E8

FIG. 37 HEADLIGHT



REF. NO.	PART NO.	DESCRIPTION	Q'TY	REMARKS
1	48Y-84310-H0	HEADLIGHT UNIT ASSY	1	
2	47J-84115-00	.RIM, headlight	1	
3	48Y-84320-H0	.LENS ASSY	1	
4	33X-84314-H0	.BULB, headlight (12V-45/45W)	1	
5	341-84312-40	.SOCKET	1	
6	533-84397-40	.COVER, socket	1	
7	43F-84131-00	.SCREW, rim adjuster	2	
8	233-84127-60	.WASHER, special	2	
9	562-84332-60	.SPRING, screw	2	
10	47J-84334-00	.NUT, adjusting	2	
11	562-84324-A0	.SPRING, reflector	1	
12	30X-84196-00	.COVER, socket	1	
13	10V-84198-00	.CLIP, cover fitting	2	
14	123-83516-21	.BULB (12V-3.4W)	1	
15	48Y-84312-00	.SOCKET	1	
16	97302-06020	BOLT	2	
17	90387-06388	COLLAR	2	
18	90480-14023	GROMMET	2	



57R700-5370

E9

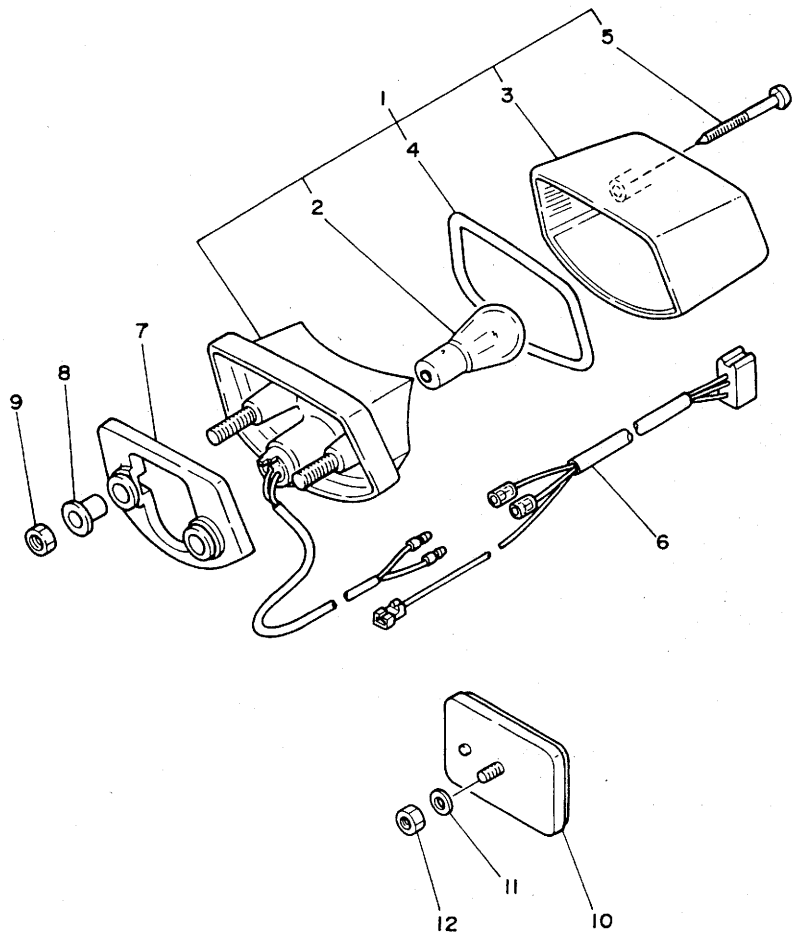


FIG. 38 TAILLIGHT

REF. NO.	PART NO.	DESCRIPTION	Q'TY	REMARKS
1	33G-84710-00	TAILLIGHT UNIT ASSY	1	
2	256-84714-61	.BULB (12V-27/8W)	1	
3	10V-84521-00	.LENS, taillight	1	
4	33G-84523-00	.GASKET, lens	1	
5	97701-40530	.SCREW, tapping	2	
6	10V-84517-00	CORD, taillight	1	
7	10V-84527-00	DAMPER	1	
8	90387-07391	COLLAR	2	
9	95702-06100	NUT, flange	2	
10	3G1-85130-00	REAR REFLECTOR ASSY	1	
11	90201-05031	WASHER, plate	1	
12	95302-05600	NUT	1	


30X010-3360

E10

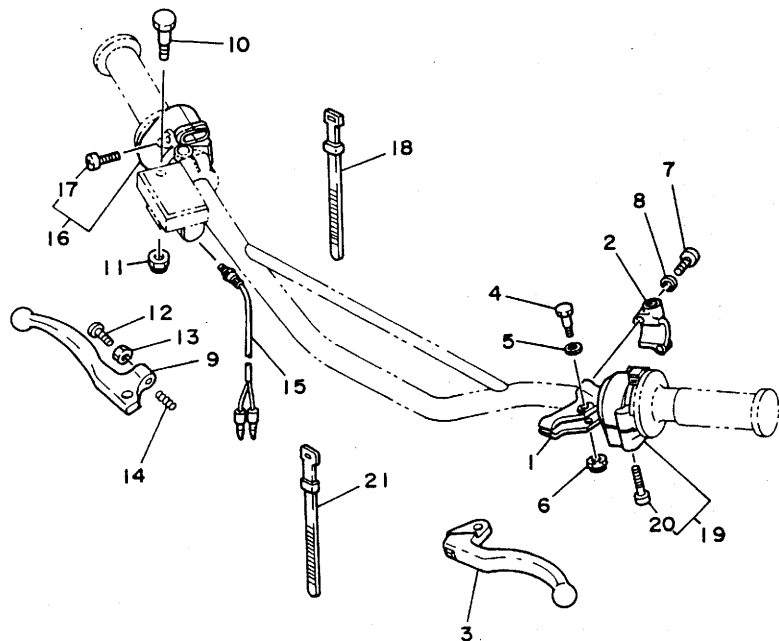


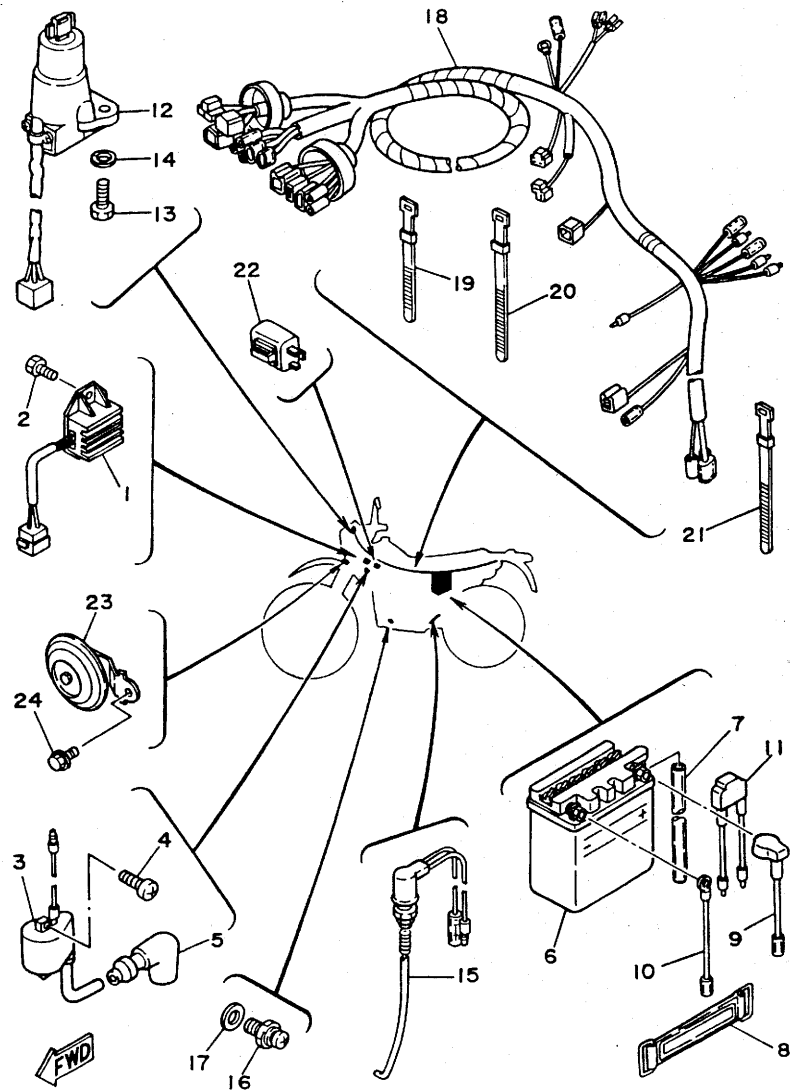
FIG. 39 HANDLE SWITCH. LEVER

REF. NO.	PART NO.	DESCRIPTION	Q'TY	REMARKS
1	33G-82911-00	HOLDER, lever 1	1	
2	33G-82913-00	HOLDER, lever lower 1	1	
3	5Y1-83912-00	LEVER 1	1	
4	90109-06576	BOLT	1	
5	90201-082A9	WASHER, plate	1	
6	95606-06100	NUT, u	1	
7	98506-05020	SCREW, pan head	2	
8	92906-05100	WASHER, spring	2	
9	43F-83922-00	LEVER 2	1	
10	90109-06577	BOLT	1	
11	95606-06100	NUT, u	1	
12	90149-06153	SCREW	1	
13	90170-06010	NUT	1	
14	90501-10312	SPRING, compression	1	
15	34X-83980-00	FRONT STOP SWITCH ASSY	1	
16	43F-83976-00	SWITCH, handle 1	1	
17	98506-05020	.SCREW, pan head	2	
18	437-83936-00	BAND, switch cord	2	
19	48Y-83972-00	SWITCH, handle 4	1	
20	98501-05030	.SCREW, pan head	2	
21	437-83936-00	BAND, switch cord	1	



57R700-5390

E11



57R700-5400

FIG. 40 ELECTRICAL 1

REF. NO.	PART NO.	DESCRIPTION	Q'TY	REMARKS
1	33G-81960-60	RECTIFIER & REGULATOR ASSY	1	
2	92501-06012	SCREW, pan head	2	
3	30X-82310-40	IGNITION COIL ASSY	1	
4	92501-06020	SCREW, pan head	2	
5	371-82370-00	PLUG CAP ASSY	1	
6	30W-82110-79	BATTERY ASSY (FB3L-B)	1	
7	90445-08336	HOSE	1	
8	7H3-82131-00	BAND, battery	1	
9	1M1-82115-00	WIRE, plus lead	1	
10	558-82116-00	WIRE, minus lead	1	
11	30X-82180-00	CIRCUIT BREAKER ASSY	1	
12	5R2-82501-00	MAIN SWITCH STEERING LOCK	1	
13	97301-06016	BOLT	2	
14	92990-06600	WASHER, plate	2	
15	30X-82530-00	STOP SWITCH ASSY	1	
16	2H7-82540-00	NEUTRAL SWITCH ASSY	1	
17	90430-10148	GASKET	1	
18	38M-82590-00	WIRE HARNESS ASSY	1	
19	437-83936-00	BAND, switch cord	3	
20	437-83936-10	BAND, switch cord	1	
21	256-83936-00	BAND, switch cord	1	
22	34L-83350-20	FLASHER RELAY ASSY	1	
23	30X-83371-20	HORN	1	
24	95806-06010	BOLT, flange	1	

NUMERICAL INDEX

PART NO.	GRID NO.	PART NO.	GRID NO.	PART NO.	GRID NO.	PART NO.	GRID NO.	PART NO.	GRID NO.	PART NO.	GRID NO.
34L-W0041-00	E- 3	26H-12168-A0	B- 7	5Y1-14107-00	B-12	4H7-14613-00	B-15	30X-16380-00	C- 6	30X-21629-00	C-15
38W-W0045-00	D-13	26H-12168-F0	B- 7	5Y1-14115-00	B-13	30X-14628-00	B-15	30X-17121-00	C- 8	30X-21711-00-98	D- 2
34X-W0047-00	D-13	26H-12168-H0	B- 7	5H0-14126-00	B-13	48Y-14711-00	B-15	30X-17131-00	C- 8	30X-21721-00-1X	D- 2
51L-W0048-00	D-13	26H-12168-K0	B- 7	30X-14131-00	B-12	1T1-14714-01	B-15	30X-17151-00	C- 8	30X-21784-00	D- 2
34X-W0057-00	D-13	26H-12168-M0	B- 7	30X-14146-00	B-14	30X-14715-00	B-15	30X-17161-01	C- 8	57R-21785-00	D- 2
30X-W2164-00	C-15	26H-12168-R0	B- 7	5Y1-14146-00	B-13	30X-14728-00	B-15	30X-17211-00	C- 8		D- 2
460-11116-00	B- 2	26H-12168-U0	B- 7	30X-14148-00	B-13	30X-14766-00	B-15	30X-17221-00	C- 8	42U-22110-00-35	D- 3
51Y-11110-00	B- 2	26H-12168-W0	B- 7	30X-14149-00	B-13	583-14766-00	B-15	30X-17231-00	C- 8	30X-22123-00	D- 3
3Y1-11127-00	B- 4	26H-12168-Y0	B- 7	5Y1-14159-00	B-13	5Y1-1490A-00	B-13	30X-17241-00	C- 8	156-22127-00	D- 3
30X-11127-00	B- 4	26H-12168-00	B- 7	34K-14197-00	B-13	48Y-1490J-00	B-13	30X-17251-01	C- 8	30X-22128-00	D- 3
30X-11133-10	B- 2	26H-12168-20	B- 7	30X-14198-00	B-12	48Y-1490J-10	B-12	30X-17261-00	C- 8	322-22128-01	D- 3
34K-11145-00	B- 6	26H-12168-40	B- 7	30X-14203-00	B-12	30X-1490K-00	B-13	30X-17402-00	C- 8	30X-22129-00	D- 6
30X-11161-00	B- 2	26H-12168-60	B- 7	30X-14216-00	B-13	5H0-14991-00	B-13	30X-17411-00	C- 8	30X-22141-00	D- 3
30X-11166-00	C- 2	26H-12168-80	B- 7	30X-14286-00	B-13	30X-15100-01	C- 2	51Y-17456-00	C- 8	42U-22151-00	D- 4
51Y-11181-00	B- 2	26H-12169-E0	B- 8	48Y-14301-00	B-12	30X-15351-00	B-10	48Y-17461-50	C- 8	30X-22153-00	D- 4
30X-11191-00	B- 2	26H-12169-G0	B- 8	30X-14312-25	B-12	3Y1-15361-00	C- 3	30X-17831-00	C-10	30X-2217A-00	D- 3
30X-11192-00	B- 2	26H-12169-J0	B- 8	30X-14316-00	B-12	3Y1-15363-00	C- 3	30X-17841-01	C-10	30X-2217F-01	D- 4
30X-11193-00	B- 2	26H-12169-L0	B- 8	30X-14337-30	B-14	30X-15378-00	C- 3	30X-17861-00	C-10	30X-22178-00	C-13
214-11198-01	C- 2	26H-12169-NO	B- 8	30X-14340-00	B-13	30X-15383-00	C- 2	30X-18101-00	C-12	30X-2218A-10	D- 3
30X-11310-00	B- 4	26H-12169-TO	B- 8	30X-14341-00	B-12	30X-15411-01	C- 3	30X-18110-01	C-12	10V-22184-00	C-13
30X-11351-00	B- 4	26H-12169-10	B- 7	30X-14342-19	B-12	30X-15421-00	C- 3	1W6-18113-00	C-12	55V-22210-00-26	D- 6
30X-11400-00	B- 5	26H-12169-30	B- 7	288-14343-59	B-12	30X-15441-00	C- 2	3Y1-18122-00	C-11	30X-22216-00	D- 6
30X-11412-00	B- 5	26H-12169-50	B- 7	30X-14343-55	B-13	30X-15451-00	C- 3	102-18137-00-10	C-10	30X-22226-00	D- 6
30X-11422-00	B- 5	26H-12169-70	B- 7	5Y1-14349-00	B-13	30X-15461-00	C- 3	3Y1-18140-00	C-12	38M-22311-00	D- 4
30X-11454-00	B- 6	26H-12169-90	B- 7	30X-14355-00	B-13	30X-1561A-00	C- 4	30X-18141-00	C-11	30X-22312-01	D- 4
30X-11496-00	B- 5	48Y-12171-00	B- 9	5Y1-14356-00	B-12	30X-1561G-00	C- 5	2K7-18151-00	C-11	57R-23102-00	D- 8
51Y-11531-00	B- 5	30X-12176-00	B- 9	5Y1-14357-00	B-12	3Y1-1561H-00	C- 4	30X-18161-00	C-11	57R-23103-00	D- 8
30X-11536-00	B- 6	48Y-12181-00	B- 9	30X-14358-00	B-13	30X-15620-00	C- 4	30X-18185-00	C-11	30X-23110-00	D- 8
30X-11549-00	B- 5	30X-12210-00	B- 9	5Y1-14358-00	B-12	30X-15621-00	C- 4	30X-18511-00	C-11		D- 9
30X-11565-00	B- 5	30X-12213-00	B- 9	15A-14371-00	B-12	30X-15641-00	C- 4	30X-18512-00	C-11	33M-23111-00	D- 8
30X-11610-00	B- 5	30X-12241-00	B- 9	30X-14384-00	B-12	30X-15651-01	C- 4	30X-18513-00	C-11		D- 9
30X-11610-20	B- 5	30X-12251-00	B- 9	5Y1-14385-00	B-12	30X-15661-00	C- 4	3Y1-18531-00	C-11	1W1-23114-L0	D- 8
30X-11610-40	B- 5	30X-12252-01	B- 9	6E5-14386-01	B-12	2K7-15668-00	C- 4	30X-18535-00	C-11		D- 9
30X-11631-01-Y0	B- 5	30X-12283-00	B- 2	30X-14394-00	B-13	30X-15668-01	C- 2	30X-18540-00	C-11	4V5-23118-L1	D- 8
30X-11633-02	B- 6	30X-12288-00	B- 2	5Y1-14396-00	B-13	3Y1-15671-00	C- 4	136-18542-00	C-11		D- 9
30X-11636-01	B- 5	30X-12292-00	B- 3	5Y1-14397-00	B-13	214-15674-00	C- 4	30X-18561-02	C-11	122-23119-01	D- 8
30X-11638-01	B- 5	30X-13300-00	B-10	30X-14401-00	B-11	168-15676-00	C- 4	38M-21110-01-J5	C-13		D- 9
30X-11651-01	B- 5	3Y6-13326-01	B-10	30X-14412-00	B-11	214-15686-00	C- 4	1E6-21308-00	C-13	30X-23125-00	D- 8
30X-11681-00	B- 5	30X-13341-00	B-10	30X-14426-00	B-11	30X-16111-00	C- 6	30X-21315-00	C-13		D- 8
30X-12111-01	B- 7	3Y1-13411-00	B-10	30X-14437-00	B-11	30X-16150-00	C- 6	30X-21316-00-J5	C-13	48Y-23126-00	D- 8
30X-12113-00	B- 7	3Y1-13416-00	B-10	30X-14453-01	B-11	30X-16154-00	C- 6	30X-2137W-01	C-14	5X6-23128-L0	D- 9
30X-12114-00	B- 7	5H0-13440-00	B-10	30X-14454-01	B-11	3J2-16324-00	C- 6	30X-2137X-01	C-14	122-23129-00	D- 8
26H-12116-00	B- 7	30X-13447-00	B-10	30X-14458-00	B-11	5Y1-16331-00	C- 6	30X-2139X-00	C-14		D- 9
30X-12117-00	B- 7	11H-13455-00	C- 2	30X-14458-00	B-11	30X-16351-00	C- 6	30X-21471-01	C-13	48Y-23136-00	D- 8
30X-12118-00	B- 7	42U-13586-00	B-11	29U-14462-00	B-11	30X-16356-00	C- 6	2K7-2148A-00	C-13	30X-23141-00	D- 8
51Y-12119-00	B- 7	42U-13596-00	B-11	5Y1-14536-00	B-12	30X-16357-00	C- 6	30X-21511-00	C-15		D- 9
30X-12121-00	B- 7	30X-14103-00	B-13	5Y1-14572-00	B-12	30X-16358-00	C- 6	30X-21611-00	C-15	1W1-23142-L0	D- 8
26H-12153-00	B- 7	30X-14105-00	B-12	57R-14611-00	B-15	30X-16371-00	C- 6	30X-21621-00	B-11		D- 9

NUMERICAL INDEX

PART NO.	GRID NO.	PART NO.	GRID NO.	PART NO.	GRID NO.	PART NO.	GRID NO.	PART NO.	GRID NO.	PART NO.	GRID NO.
48Y-23144-00	D-8	48Y-24602-00	D-10	33G-26242-00	E-2	47J-83322-00	E-7	33G-84523-00	E-10	90149-06194	D-13
	D-9	30X-24734-10	D-11	3Y1-26243-01	E-2	34X-83330-20	E-7	10V-84527-00	E-10	90149-08067	C-6
48Y-23145-00	D-8	2A8-24736-00	D-11	3Y1-26249-00	E-2	34L-83350-20	E-12	33G-84710-00	E-10	90151-06013	C-11
	D-8	30X-24768-00	C-13	1Y1-26290-00	E-2	10V-83365-00	E-7	256-84714-61	E-10	90159-06016	C-6
3J2-23147-00	D-8	30X-2477A-10	D-11	1Y1-26290-10	E-2		E-7	4G1-84744-00	E-8	90159-06060	E-5
	D-9	30X-24770-10	D-11	1Y1-26290-30	E-2	48Y-83368-00	E-7		E-8	90164-06017	B-15
5K5-23149-00	D-8	30X-24833-00	D-11	1Y1-26290-40	E-2	48Y-83369-00	E-7	3G1-85130-00	E-10	90170-06010	E-11
	D-9	38M-24850-00	D-11	30X-26302-00	E-2	30X-83371-20	E-12	30X-85510-21	E-6	90170-08258	D-14
2X7-23151-00	D-8	48Y-25104-00	D-12	30X-26335-01	E-2	5Y1-83513-00	E-8	30X-85512-00	E-6	90170-16256	C-6
	D-9	34X-25111-01-98	D-12	1E6-26342-00	E-2	123-83516-21	E-9	30X-85513-00	E-6	90170-16326	B-6
4A1-23156-00	D-8	136-25117-00	D-12	1E6-26372-00	E-2	5Y1-83519-00	E-8	30X-85514-00	E-6		C-6
	D-8	322-25118-00	D-12	1T5-26372-00	E-2	30X-83520-00	E-8	30X-85540-20	E-6	90171-14020	D-12
509-23158-L0	D-8	30X-25181-00	D-12	3Y1-26397-00	E-8	437-83525-00	E-8	3M5-85546-00	E-6	90171-16024	D-15
	D-9	34X-25190-00	D-12	38M-27211-00	E-4	1M1-83526-00	E-8	30X-85550-20	E-6	90175-06013	E-4
55V-23170-00	D-8	4Y0-25304-00	D-14	30X-27231-00	E-4	5Y1-83536-00	E-8	30X-85580-00	E-6	90179-08148	E-2
	D-9	3Y1-25311-00-98	D-14	1M1-27244-00	E-4	57R-83540-00	E-8	341-92090-60	D-9	90179-25033	D-7
3R6-23173-L0	D-8	146-25315-00	D-14	30X-27311-00-33	E-4	5Y1-83541-00	E-8	90101-06278	D-14	90185-08089	C-13
	D-9	275-25317-00	D-14	30X-27410-00-90	E-4	48Y-83550-00	E-8	90101-06288	E-4		C-13
30X-23174-00	D-7	3Y1-25321-00-98	D-14	30X-27420-00-90	E-4	30X-83560-00	E-8	90105-06153	B-2		C-13
278-23181-50	D-8	3Y1-25330-00	D-14	120-27430-02	D-4	57R-83570-F0	E-8	90105-06355	B-4	90185-10037	E-4
	D-9	538-25351-01	D-14	120-27431-00	D-5	5Y1-83578-00	E-8	90105-07288	B-9	90185-10120	D-3
509-23184-L0	D-8	3R6-25355-01	D-14	120-27432-02	D-4	5Y1-83912-00	E-11	90105-08099	C-13		D-4
	D-9	3Y1-25364-00	D-14	120-27433-00	D-4	43F-83922-00	E-11	90105-10259	D-13		D-6
3J2-23190-00	D-8	3Y1-25366-00-98	D-14	30X-27491-00	D-4	256-83936-00	E-12	90105-10273	B-2		D-6
	D-9	3Y1-25377-00	D-14	48Y-28100-00	D-2	437-83936-00	B-3	90105-10290	B-5	90185-12119	D-3
30X-23191-10	D-9	42U-25381-00	D-15	4K5-2814E-10	B-11		E-11	90105-14102	D-7	90185-14070	D-3
48Y-23192-00	D-9	3Y1-25383-00	D-15	4U7-28186-00	B-11		E-11	90109-06419	B-10	90201-05031	E-10
1W4-23194-L0	D-9	3Y1-25388-01	D-15	30X-28351-00	E-5		E-12	90109-06576	E-11	90201-05033	E-8
34X-23317-00	D-7	3Y1-25389-00	D-15	30X-28368-00	E-5	437-83936-10	E-12	90109-06577	E-11	90201-061A5	B-9
55V-23340-00	D-9	3Y1-25394-00	D-15	33G-81960-60	E-12	48Y-83972-00	E-11	90109-06604	B-2	90201-06557	D-11
1W1-23416-00	D-7	30X-25447-50-33	D-14	30W-82110-79	E-12	43F-83976-00	E-11	90109-06605	B-2	90201-066F3	C-13
30X-23435-00-98	D-7	48Y-25715-00	D-13	1M1-82115-00	E-12	34X-83980-00	E-11	90109-06757	D-13	90201-06778	C-15
1E6-23441-00	D-7	38M-25810-10	D-13	558-82116-00	E-12	47J-84115-00	E-9	90109-06778	B-2	90201-081H4	B-15
30X-23445-00	D-7	48Y-25831-00	D-13	116-82131-00	D-2	233-84127-60	E-9	90109-10635	E-4	90201-082A9	E-11
30X-24110-01-08	D-10	34X-25845-00	D-13	7H3-82131-00	E-12	43F-84131-00	E-9	90109-10752	D-3	90201-08310	C-13
22W-24181-00	D-2	34L-25850-00	E-3	30X-82180-00	E-12	30X-84196-00	E-9		D-4	90201-08366	B-4
4L0-24181-00	D-10	4L0-25852-00	E-3	30X-82310-40	E-12	10V-84198-00	E-9	90109-10753	D-6		C-13
30X-24182-01	D-10	4L0-25854-00	E-3	371-82370-00	E-12	48Y-84310-H0	E-9		D-6		C-13
30X-24183-01	D-10	4L0-25862-00	E-3	5R2-82501-00	E-12	341-84312-40	E-9	90109-121A1	D-3		C-13
30X-24186-01	D-10	4L0-25867-00	E-3	30X-82530-00	E-12	48Y-84312-00	E-9	90116-08218	D-14	90201-08544	D-9
30X-24187-00	D-10	48Y-25872-00	E-3	2H7-82540-00	E-12	33X-84314-H0	E-9	90116-10378	B-2	90201-100E9	D-3
57R-24240-00	D-10	34X-25876-00	E-3	38M-82590-00	E-12	48Y-84320-H0	E-9	90119-06061	C-15		D-4
5G0-24500-01	D-10	5R2-25917-00	D-13	33G-82911-00	E-11	5G2-84324-A0	E-9		C-15		D-6
360-24512-00	B-12	38M-25919-00	D-13	33G-82913-00	E-11	5G2-84332-60	E-9	90119-06063	C-15		D-6
4X8-24512-00	D-10	34X-25926-00	D-13	34X-83310-20	E-7	47J-84334-00	E-9	90123-08046	E-2	90201-10118	E-3
4X8-24534-00	D-10	34X-25937-00	D-13	256-83311-70	E-7	533-84397-40	E-9	90149-05110	B-10	90201-10119	B-10
4X8-24535-00	D-10	30X-26111-00	E-2		E-7	10V-84517-00	E-10	90149-06011	D-10	90201-10126	B-2
4X8-24565-00	D-10	33G-26241-00	E-2	47J-83312-00	E-7	10V-84521-00	E-10	90149-06153	E-11	90201-105E8	C-10

NUMERICAL INDEX

PART NO.	GRID NO.	PART NO.	GRID NO.	PART NO.	GRID NO.	PART NO.	GRID NO.	PART NO.	GRID NO.	PART NO.	GRID NO.
90201-10508	B- 5	90386-18115	D- 3	90501-10245	E- 4	92506-06025	C-10	93102-28022	D-14	93700-06004	D- 3
90201-10614	C- 5		D- 4	90501-10312	E-11	92506-06030	C- 2	93106-22019	D- 3		D- 3
90201-120A5	D- 3	90386-20120	D- 3	90501-10589	C- 4		C- 3	93109-18020	D- 3		D- 4
90201-120E6	D- 6	90387-060A7	C-13	90501-16107	C- 4	92506-06035	C- 3		D- 4	93700-06009	D- 3
90201-12541	E- 4	90387-06388	E- 9	90501-18576	B-10	92506-06060	C- 2	93210-06422	C- 6	94130-212E3	D-12
90201-12588	C-12	90387-06681	C-15	90501-21133	B- 5	92506-06065	B-10	93210-07135	B-10	94141-185E4	D-14
90201-14218	D- 3	90387-07391	E-10	90501-26148	C- 6	92506-06070	C- 2	93210-10096	C- 2	94227-21123	D-12
90201-14218	D- 3	90387-07391	E-10	90501-26148	C- 6	92506-06070	C- 2	93210-10096	C- 2	94240-18098	D-14
90201-153A1	C- 4	90387-121J0	D- 6	90506-17328	D-14	92701-06015	C- 2	93210-14104	E- 8	94330-21084	D-12
90201-15701	C- 4	90387-121J1	D- 4	90506-18154	E- 4	92701-06018	C-13	93210-19123	C- 3	94340-18086	D-14
90201-15785	D-12	90387-126J8	D- 3	90507-29009	E- 4	92901-04100	B-12	93210-30611	B-11	94416-21419	D-12
90201-163H8	D-12	90387-12787	C-12	90508-12430	C-11		B-13	93210-35389	B-10	94421-18418	D-14
90201-17255	C-12	90387-140J9	D- 3	90508-14433	C- 6		B-13	93210-64297	B-10	94580-40106	D-15
90201-17764	C- 4	90387-15600	D-12	90508-14630	C- 5	92901-04600	B-12	93210-78544	B- 4	94590-55136	B- 9
		90387-17141	D-15	90508-18606	B- 2	92901-05100	E- 6	93306-00310	C- 8	94680-50011	D-15
		90387-172J0	C- 2	90508-20023	E- 4		E- 6	93306-20205	D-12	94701-00157	B- 2
90201-20279	D- 4	90387-17783	C- 2		E- 4		E- 6	93306-20310	D-14	94701-00203	B- 2
90201-20685	C- 4	90387-17783	C- 2		E- 4		E- 8	93306-20316	D-14	95301-05600	D- 7
90201-20766	B- 6	90387-227H7	E- 3	90508-26434	C-12	92901-05600	B-11	93306-20316	C- 8		E- 8
90201-243A2	D- 3	90401-10034	E- 3	90508-32374	C-12		D- 7	93306-20332	D-14		C- 6
90202-06010	D-10	90430-05126	B-10	90508-32432	C- 4		E- 8	93306-20421	C- 8	95301-06600	D-14
90206-06060	B-15	90430-06014	B- 2	90560-12191	C-12		D-10	93306-20427	C- 8		E- 8
		90430-06156	B-10	90560-17239	C- 4	92901-06100	D-10	93306-20447	C- 8		D-14
		90430-08119	C- 6	91316-06010	E- 3	92901-06200	C- 6	93306-20557	B- 6	95301-06700	E- 4
90209-06223	C-14	90430-08119	C- 6	91316-06012	B- 2		E- 4	93306-30534	B- 5	95301-12700	D- 5
		90430-08178	B- 4	91316-06020	B-11	92901-08100	D-11	93306-30622	B- 5	95302-05600	E-10
		90430-10027	B- 2	91316-06025	B- 9		D-15	93306-90501	C-11	95302-12700	E- 7
		90430-10148	E-12		B- 9		B-15	93310-633L9	B- 5		E- 7
90209-18208	C- 8	90441-06004	C- 2		B-15	92901-08800	C-13	93315-31428	C- 6		E- 7
		90445-08336	E-12	91401-16015	D- 5	92902-06100	C-13	93317-32231	D- 3		E- 7
		90445-10008	D-10	91401-20015	E- 4	92906-05100	E-11	93332-00008	D- 7	95306-06800	C- 5
90209-23241	C- 8	90445-10008	D-10	91401-25015	E- 4	92906-06100	C-14	93332-00023	D- 4		D-15
90209-23242	B- 5	90446-11023	B-11		E- 4		D- 4	93410-17037	C- 8	95336-08600	B- 4
90209-33253	B- 5	90460-43226	B-11	91401-30030	D-12		D- 4	93410-20038	C- 4	95601-06100	C-15
90215-08160	D-14	90460-49058	B-11		D-15		E- 3	93410-22039	C- 8	95606-06100	E-11
90215-16156	C- 6	90462-08062	C- 3		C- 3		C- 5		C- 8		E-11
90215-16221	B- 6	90464-16039	B-11	91810-05016	B- 2	92906-06600	B-12	93410-26067	C- 8	95606-08100	C-13
90215-16222	C- 6	90465-08122	C- 2	91810-18016	B- 2	92990-04100	B-12	93420-28055	C- 6	95702-06100	E-10
90215-16320	C- 6	90467-09006	D-10		B- 4	92990-06600	E- 6	93430-09038	E- 4	95801-06012	B-11
90240-06009	D- 5	90467-13042	B-11	91830-22016	C- 2		E-12	93440-10109	B- 2	95801-06016	D- 4
90240-06040	E- 4	90467-14015	C- 2	91830-24016	B- 4		C- 8	93450-19052	B- 6		D-11
90240-07105	B- 5	90480-01141	D- 2		C- 2	93101-17093	B- 6	93507-32009	C- 4	95801-06055	D- 4
90240-08084	E- 4		D- 2	92501-06012	E-12	93101-25106	C-10	93511-32017	C- 7	95806-06010	E-12
		90480-10068	D-12	92501-06014	D-11	93102-08307	C- 5	93602-13177	B- 5	95806-06012	D- 7
			D-14	92501-06020	E-12	93102-10207	C- 2	93602-13177	B-10	95806-06040	E- 8
90249-12008	E- 4		D-14	92501-06025	B-10	93102-12106	C-12	93603-12030	C-11	95806-08012	E- 7
90280-05013	B- 5	90480-12053	C-14	92502-06016	E- 6	93102-12321	B- 2	93604-08071	C-11		E- 7
90282-05034	B- 6		D- 2	92506-06016	C- 3	93102-14209	C- 6	93604-18100	C-11	95806-08050	C-13
90282-07057	C- 6		D- 2	92506-06012	D- 4	93102-17263	C- 4	93605-10090	B- 5	95811-08060	C-13
90338-11125	B- 2		E- 5		C- 2	93102-20281	D-12	93608-30152	C-12		C-13
90340-10003	B- 2	90480-14023	E- 9	92506-06016	D- 4	93102-22306	C- 8				
90380-22111	D- 3	90480-16233	C-13		C- 3	93102-25305	C- 2				
90384-18157	D- 6	90501-07629	B- 5	92506-06025	C- 3						

NUMERICAL INDEX

PART NO.	GRID NO.	PART NO.	GRID NO.	PART NO.	GRID NO.	PART NO.	GRID NO.	PART NO.	GRID NO.
95816-08012	B-15	99009-15400	C- 4						
95816-08020	B-15	99009-17400	C- 4						
	E- 4		C-12						
	E- 4	99009-47500	D-14						
95816-08045	B-15								
95826-08035	D- 7								
95826-08040	D- 7								
97301-06012	D-10								
97301-06016	E-12								
97301-08016	D-11								
97302-06020	C-13								
	E- 9								
97306-06012	D- 4								
97306-06016	C-14								
97316-08030	C- 4								
97321-06016	B- 9								
	C- 4								
97322-06010	C- 9								
97326-06020	C-12								
97326-06025	E- 3								
97701-40530	E-10								
97706-40520	E- 7								
	E- 7								
97801-04010	B-13								
97801-04012	B-13								
97801-05010	B-12								
98501-04008	B-14								
98501-04016	B-12								
98501-05012	E- 6								
98501-05016	B-11								
	D- 7								
	E- 8								
98501-05020	E- 6								
98501-05030	E-11								
98501-05035	E- 6								
98503-04010	B-13								
98506-05020	E-11								
	E-11								
98580-04016	B-12								
98706-04012	E- 3								
98901-04006	B-13								
98906-06010	B-15								
99001-07600	C-11								
99006-10600	C- 4								
99009-10400	B-10								
	C- 5								
	C-10								
	C-11								

