

**YAMAHA**

*M/FICHE MASTER*

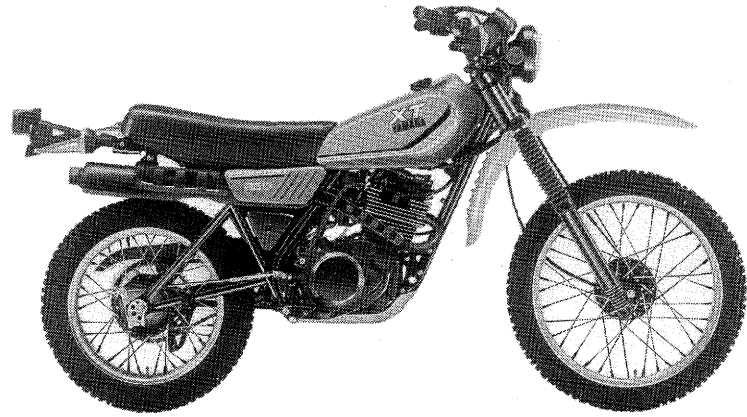
---

**PARTS CATALOGUE**

**XT250J (3Y2)**

**123Y2-200E1**







# FOREWORD

This Parts Catalogue is related to the parts in use for the Yamaha XT 250J (3Y2).

When you are ordering replacement parts for the XT 250J (3Y2), refer to this Parts Catalogue and quote both part numbers and part names correctly.

1. Modifications or additions which have been made after issue of the Parts Catalogue will be announced in the Yamaha Parts News.

It is advisable that according to the Yamaha Parts News you make necessary corrections to the Parts Catalogue on hand to keep it up-to-date.

2. Abbreviations

The following abbreviations are used in this Parts Catalogue.

- U.R. Use size (thickness) and/or number as required.
- U.N. Use as many as you need.
- A.P. Alternate Parts
- L.M. Local Made
- F# Frame No. (Applicable machine No.)

3. The parts marked with (\*) in the parts number column of this Catalogue are not supplied with by Yamaha, those have to be found locally.

4. Parts, which are to be supplied in the form of assemblies, are listed with an indention of one letter's space, and a dot ( . ) is put against the name of each part.

**EXAMPLE** CARBURETOR ASS'Y  
     . JET, pilot  
     . NOZZLE, main

5. Indication of No. of constituent parts for assembly

The numeral appearing to the right of each constituent part under the description indicates the quantity of such parts for each individual assembly unit.

**EXAMPLE**

Part No.	Description	Q'ty	Remarks
2F5-83310-60	FRONT FLASHER LIGHT ASS'Y	2	
115-83311-60	. BULB (6V-18W)	1	
1M1-83309-60	. REFLECTOR	1	

6. Initial Serial No. and Color Code

(A) Frame Serial No.	3Y2-070101 and following
(B) Engine Serial No.	3Y2-070101 and following



Color Code	Color Name	Abbreviate
E1	Chappy Red	CPR

7. Applicable colors of graphics are represented in the "Remarks" column by the letter(s) appropriately picked out of the full word(s) showing such colors.

**EXAMPLE**

Part No.	Description	Q'ty	Remarks
2N4-24110-00-X5	FUEL TANK COMP.	1	MAXIM RED
3J1-24240-10	. GRAPHIC, fuel tank set	1	for MXR

# CONTENTS

## ENGINE

Fig. 1	Cylinder Head .....	1
Fig. 2	Cylinder .....	3
Fig. 3	Crankshaft · Piston .....	4
Fig. 4	Valve .....	6
Fig. 5	Camshaft · Chain .....	7
Fig. 6	Oil Pump .....	9
Fig. 7	Intake .....	10
Fig. 8	Carburetor .....	11
Fig. 9	Exhaust .....	14
Fig. 10	Crankcase .....	15
Fig. 11	Crankcase Cover .....	16
Fig. 12	C.D.I. Magneto .....	17
Fig. 13	Kick Starter .....	18
Fig. 14	Clutch .....	20
Fig. 15	Transmission .....	22
Fig. 16	Shift Cam · Fork .....	23
Fig. 17	Shift Shaft · Pedal .....	24

## CHASSIS

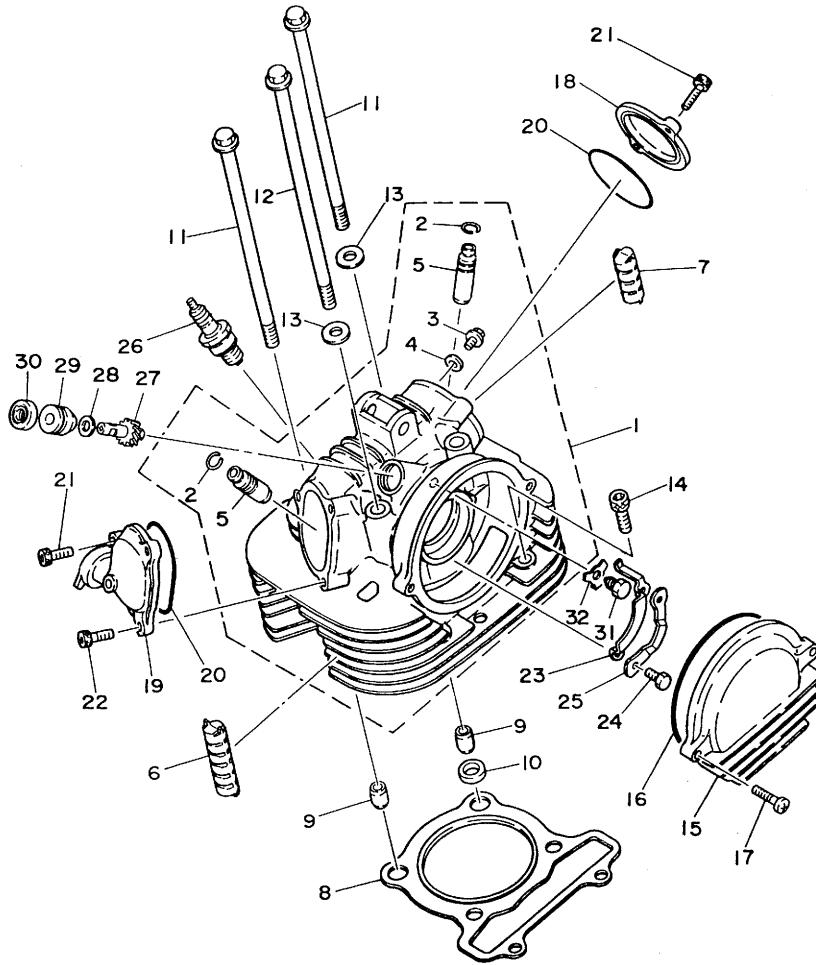
Fig. 18	Frame .....	25
Fig. 19	Front Fender · Rear Fender .....	26
Fig. 20	Side Cover · Tool .....	27
Fig. 21	Rear Arm .....	28
Fig. 22	Rear Suspension .....	30
Fig. 23	Steering .....	31
Fig. 24	Front Fork .....	33
Fig. 25	Fuel Tank .....	35
Fig. 26	Seat .....	36
Fig. 27	Front Wheel .....	37
Fig. 28	Rear Wheel .....	39
Fig. 29	Handlebar · Cable .....	41
Fig. 30	Stand · Footrest .....	42

Fig. 31	Flasher Light .....	44
Fig. 32	Speedometer · Tachometer .....	45
Fig. 33	Headlight .....	46
Fig. 34	Taillight .....	47
Fig. 35	Electrical 1 .....	48
Fig. 36	Electrical 2 .....	50
Fig. 37	Handle Switch · Lever .....	51

## INDEX

- Numerical Index
- Parts Name Index

FIG. 1 CYLINDER HEAD

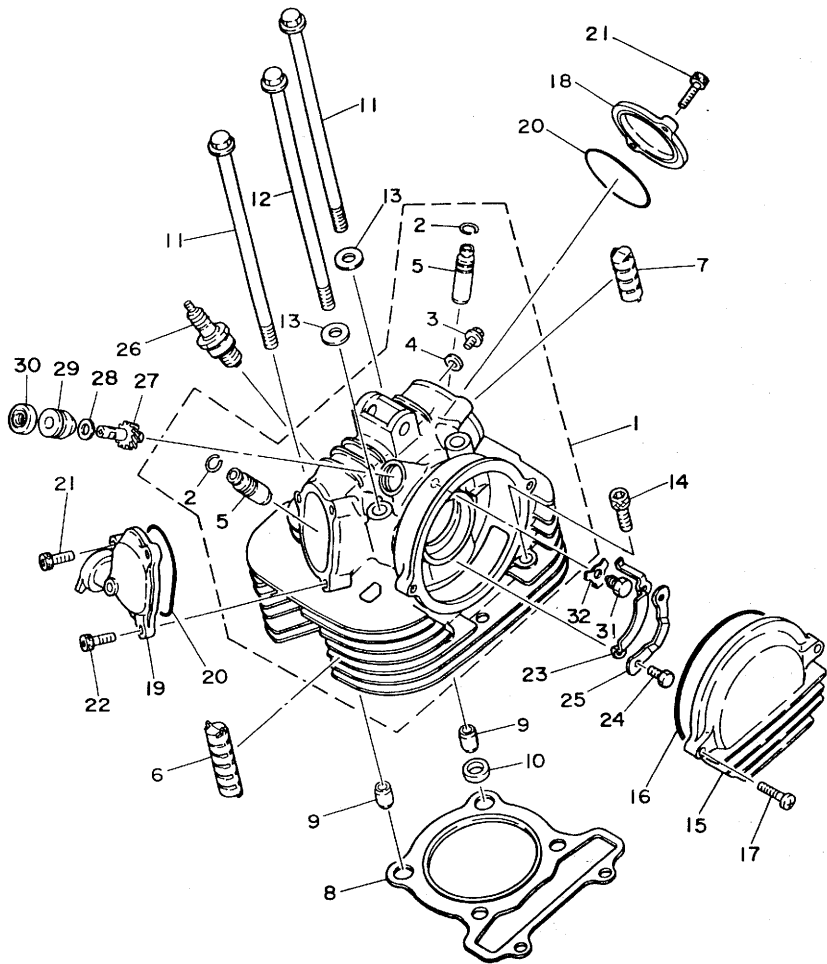


REF. NO.	PART NO.	DESCRIPTION	Q'TY	REMARKS
1	3Y3-11110-00	CYLINDER HEAD ASSY	1	
2	93440-12052	•CIRCLIP	2	
3	90153-06029	•SCREW, hexagon	1	
4	90430-06014	•GASKET	1	
5	3Y1-11133-10	•GUIDE, intake valve (1ST D/S)	2	
6	3Y1-11127-00	ABSORBER 3	3	
7	3Y1-11161-00	ABSORBER 1	1	
8	3Y1-11181-01	GASKET, cylinder head 1	1	
9	91830-24016	PIN, dowel	2	
10	90430-14131	GASKET	1	
11	90105-10140	BOLT, washer based	2	
12	90105-10139	BOLT, washer based	2	
13	90201-10128	WASHER, Plate	3	
14	91316-08050	BOLT	2	
15	3Y1-11185-00	COVER, cylinder head side 1	1	
16	93211-06485	O-RING	1	
17	92506-06025	SCREW, Pan head	2	
18	3Y1-11186-00	COVER, cylinder head side 2	1	
19	3Y1-11187-00	COVER, cylinder head side 3	1	
20	93210-57412	O-RING	2	
21	91316-06020	BOLT	4	
22	90109-06556	BOLT	1	
23	3Y1-1111F-00	PLATE	1	
24	97301-06012	BOLT	2	
25	90215-06162	WASHER, lock	1	
26	94701-00117	PLUG, sPark (NGK BP-7ES)	1	UR
	94701-00141	PLUG, sPark (ND W22EP)	1	UR
27	3Y3-17841-00	GEAR, driven	1	



3Y4700-0010

FIG. 1 CYLINDER HEAD



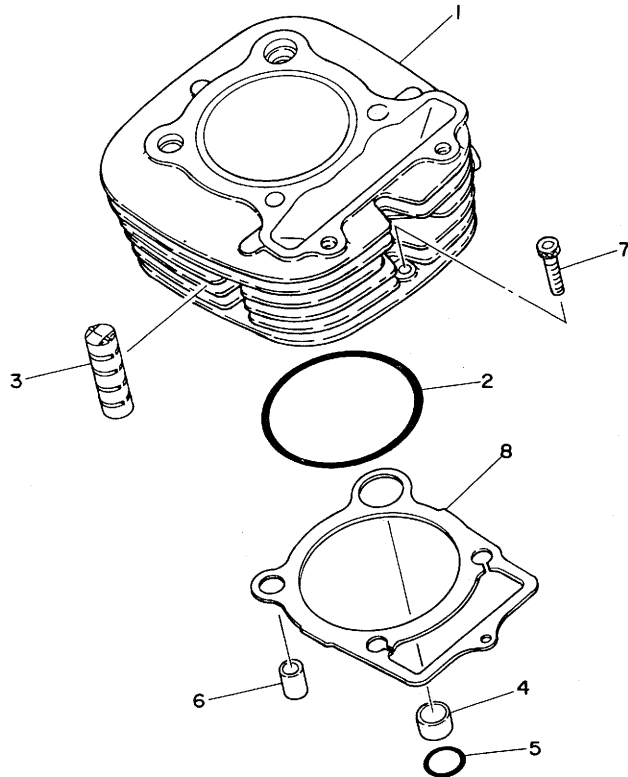
REF. NO.	PART NO.	DESCRIPTION	Q'TY	REMARKS
28	90201-08624	WASHER, Plate	1	
29	3Y3-17843-00	BUSH, driven gear outer	1	
30	93104-08055	OIL SEAL	1	
31	90109-06566	BOLT	1	
32	90215-06168	WASHER, lock	1	



3Y4700-0010

FIG. 2 CYLINDER

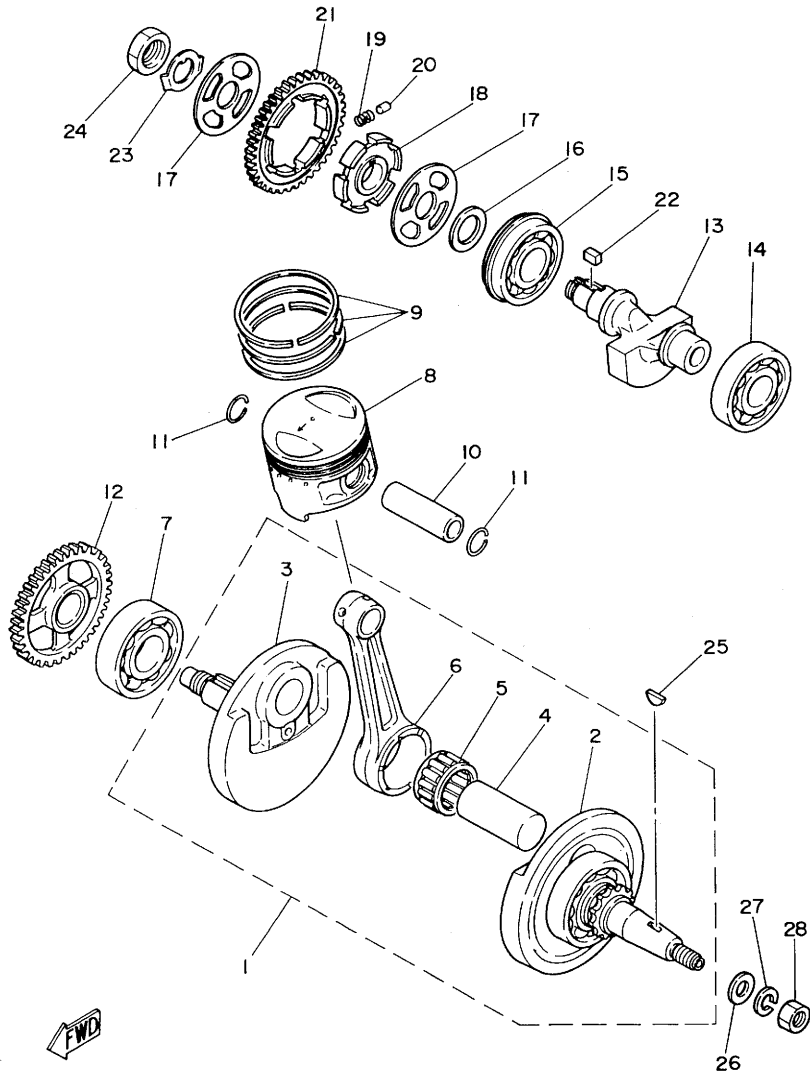
REF. NO.	PART NO.	DESCRIPTION	Q'TY	REMARKS
1	3Y1-11310-00	CYLINDER	1	
2	93210-81411	O-RING	1	
3	3Y1-11162-00	ABSORBER 2	4	
4	90387-16547	COLLAR	1	
5	93210-18322	O-RING	1	
6	91830-24016	PIN, dowel	1	
7	91316-06030	BOLT	1	
8	3Y1-11351-01	GASKET, cylinder	1	



3Y2171-0020

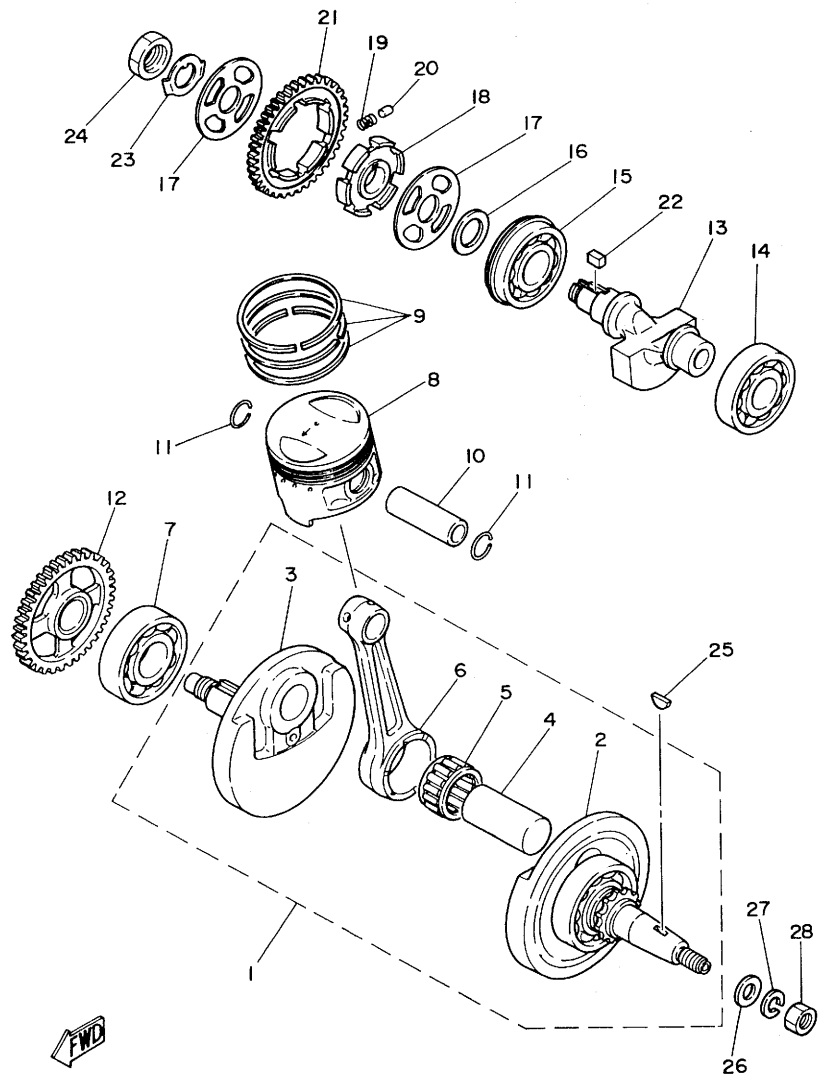
FIG. 3 CRANKSHAFT•PISTON

REF. NO.	PART NO.	DESCRIPTION	Q'TY	REMARKS
1	3Y1-11400-00	CRANKSHAFT ASSY	1	
2	3Y1-11412-09	•CRANK 1	1	
3	3Y1-11422-01	•CRANK 2	1	
4	3Y1-11681-00	•PIN, crank 1	1	BI (19)
5	93310-831H1	•BEARING, cylindrical	1	
6	3Y1-11651-01	•ROD, connecting	1	
7	93306-30622	BEARING	1	
8	3Y1-11631-00-A0	PISTON (STD)	1	size a
	3Y1-11636-00	PISTON (2ND O/S 0.50MM)	1	AP
	3Y1-11638-00	PISTON (4TH O/S 1.00MM)	1	AP
9	3Y1-11610-00	PISTON RING SET (STD)	1	
	3Y1-11610-20	PISTON RING SET (2ND O/S)	1	AP
	3Y1-11610-40	PISTON RING SET (4TH O/S)	1	AP
10	447-11633-00	PIN, Piston	1	
11	93450-22027	CIRCLIP	2	
12	3Y1-11536-00	GEAR, drive (43T)	1	
13	3Y1-11454-00	WEIGHT 1	1	
14	93306-30525	BEARING (B6305)	1	
15	93306-30526	BEARING (83A539SN2-9C3)	1	
16	90201-20792	WASHER, Plate	1	
17	3Y1-11565-00	WASHER, bearing cover	2	
18	3Y1-11496-00	BOSS, buffer	1	
19	90501-21133	SPRING, compression	6	
20	93605-10090	PIN, dowel	3	
21	3Y1-11531-00	GEAR, balance wt (43T)	1	
22	90282-05013	KEY, straight	1	
23	90215-20158	WASHER, lock	1	
24	90179-16018	NUT	1	



3Y2171-0030

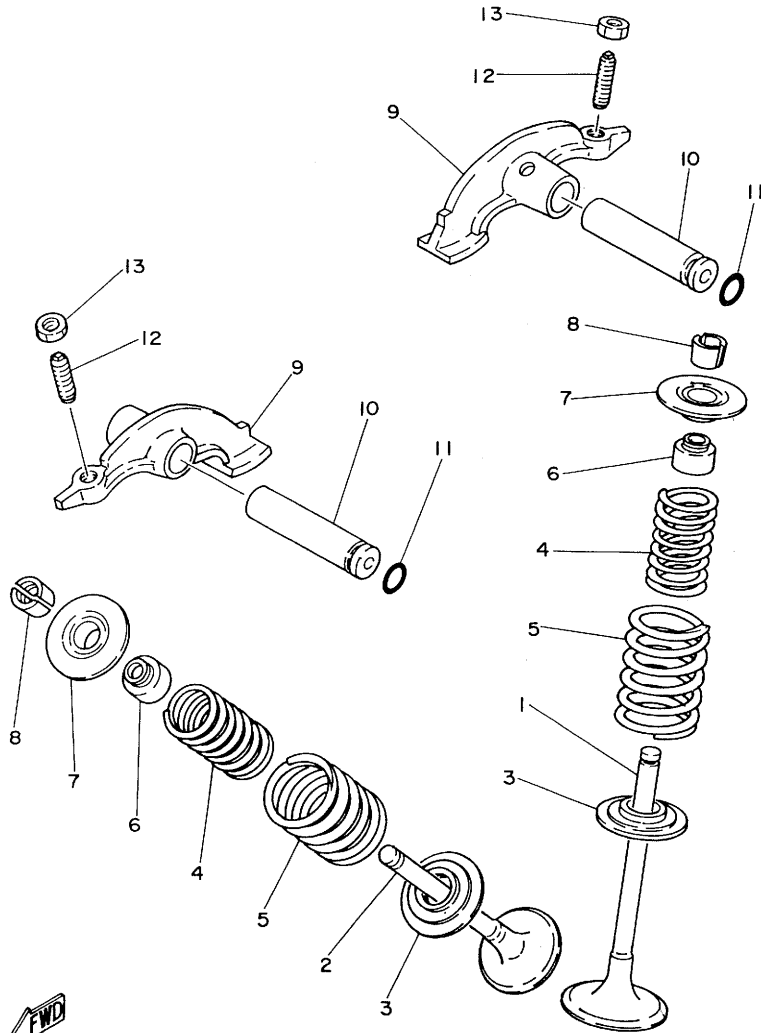
FIG. 3 CRANKSHAFT•PISTON



REF. NO.	PART NO.	DESCRIPTION	Q'TY	REMARKS
25	90280-05013	KEY, woodruff	1	
26	90201-12593	WASHER, Plate	1	
27	92901-12100	WASHER, sPring	1	
28	90170-12067	NUT	1	

  
3Y2171-0030

FIG. 4 VALVE

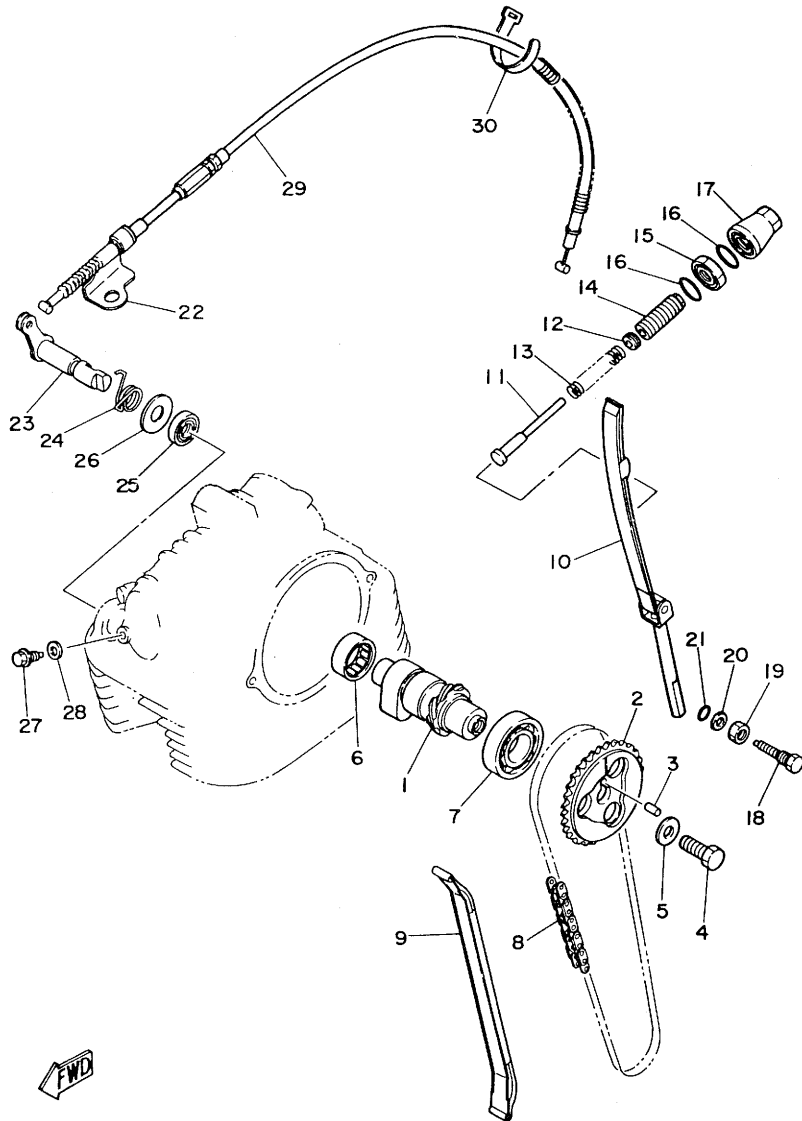


REF. NO.	PART NO.	DESCRIPTION	Q'TY	REMARKS
1	3Y1-12111-00	VALVE, intake	1	
2	3Y1-12121-00	VALVE, exhaust	1	
3	3Y1-12116-00	SEAT, valve spring	2	
4	3Y1-12113-01	SPRING, valve inner	2	
5	3Y1-12114-01	SPRING, valve outer	2	
6	1J7-12119-01	SEAL, valve stem	2	
7	3Y1-12117-01	RETAINER, valve spring	2	
8	1J7-12118-00	COTTER, valve	4	
9	3Y1-12151-00	ARM, valve rocker	2	
10	3Y1-12156-00	SHAFT, rocker	2	
11	93210-09165	O-RING	2	
12	3Y1-12159-00	SCREW, valve adjusting	2	
13	90170-06128	NUT	2	



3Y2171-0040

FIG. 5 CAMSHAFT CHAIN

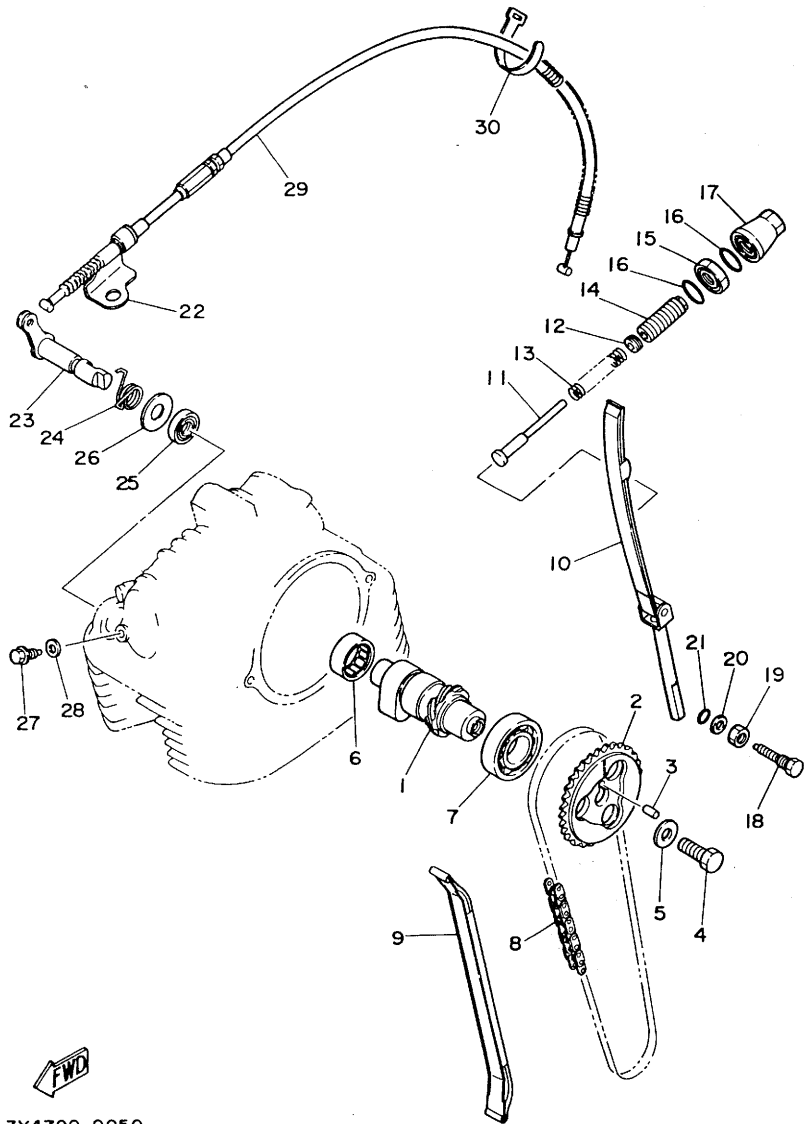


REF. NO.	PART NO.	DESCRIPTION	Q'TY	REMARKS
①	3Y3-12170-00	CAMSHAFT ASSY 1	1	
2	3Y1-12176-00	SPROCKET, cam chain (32T)	1	
3	93604-10011	PIN, dowel	1	
4	90101-10303	BOLT	1	
5	90201-10591	WASHER, Plate	1	
6	93315-32516	BEARING, cylindrical	1	
7	93306-00502	BEARING (B6005)	1	
8	94500-02090	CHAIN (BF05M 90L)	1	
9	3Y1-12231-01	GUIDE, stopPer 1	1	
10	3Y1-12241-00	GUIDE, stopPer 2	1	
11	3Y1-12217-00	ROD, chain tensioner	1	
12	3Y1-12232-00	DAMPER	1	
13	90501-10587	SPRING, comPression	1	
14	90149-14146	SCREW	1	
15	90179-14298	NUT	1	
16	93210-16325	O-RING	2	
17	3Y1-12212-00	CASE, chain tensioner	1	
18	90109-08600	BOLT	1	
19	95301-08700	NUT	1	
20	92901-06200	WASHER, Plain	1	
21	93210-06001	O-RING	1	
22	3Y1-12283-00	BRACKET, decomP.	1	
23	3Y1-12288-00	CAM, decomP.	1	
24	90508-16428	SPRING, torsion	1	
25	93102-12106	OIL SEAL	1	
26	90201-12588	WASHER, Plate	1	
27	90109-06418	BOLT	1	
28	90430-06014	GASKET	1	

FWD  
3Y4700-0050

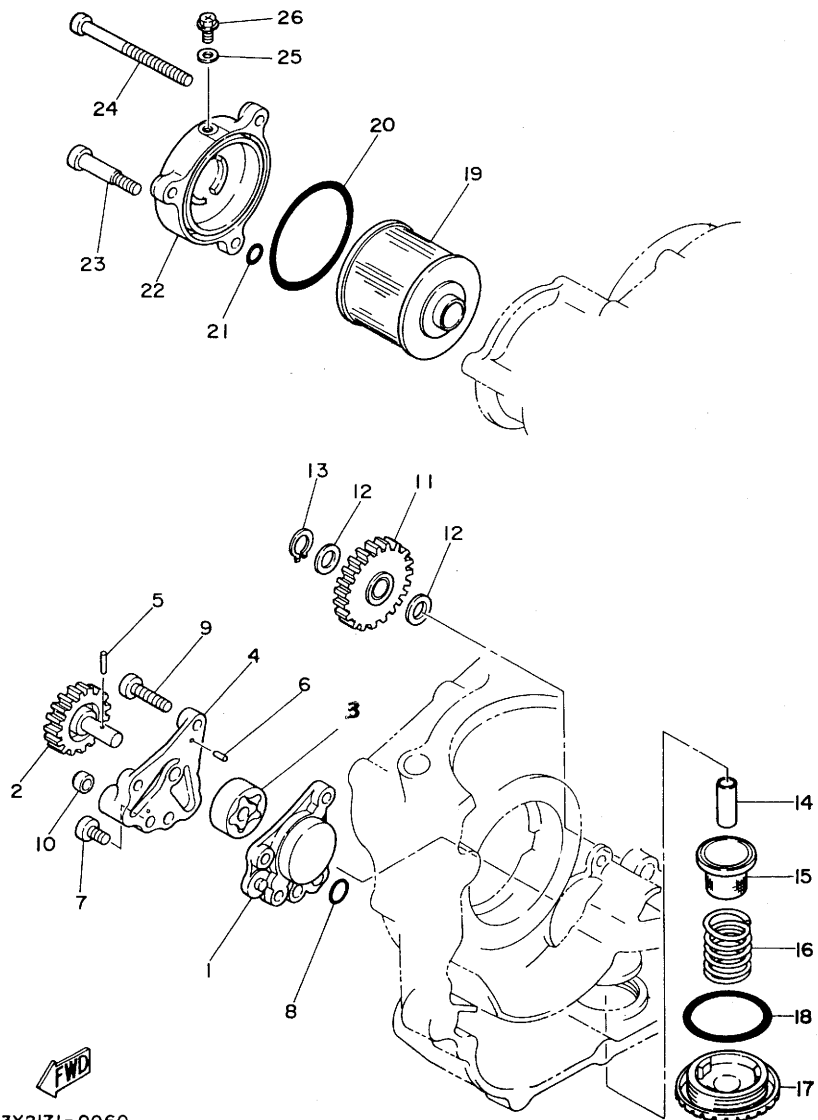
FIG. 5 CAMSHAFT.CHAIN

REF. NO.	PART NO.	DESCRIPTION	Q'TY	REMARKS
29	3Y1-12292-00	CABLE, decomP.	1	
30	366-82591-00	BAND	1	



3Y4700-0050

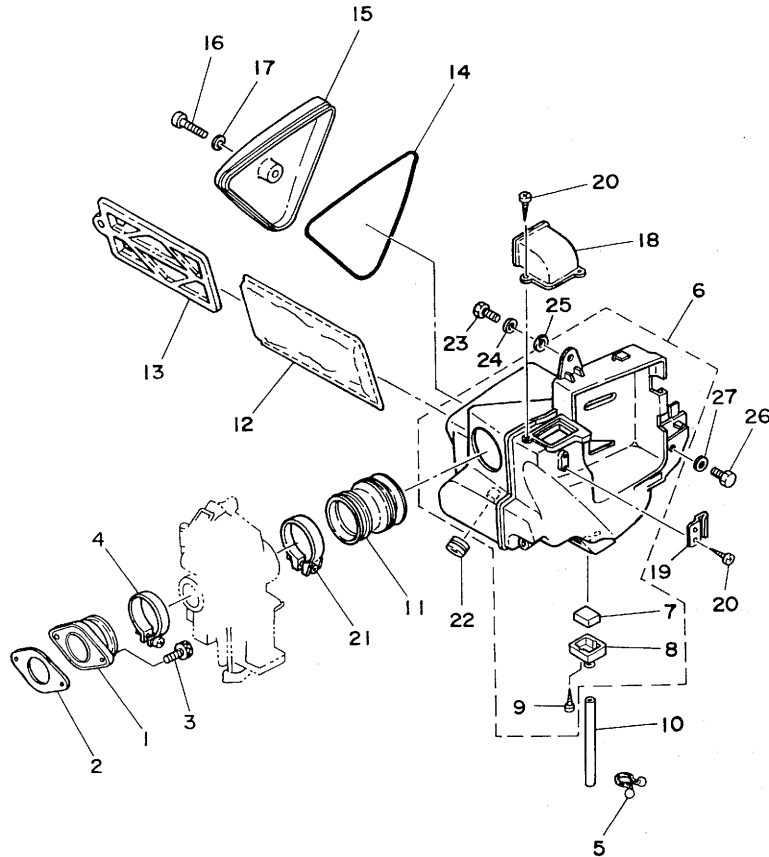
FIG. 6 OIL PUMP



REF. NO.	PART NO.	DESCRIPTION	Q'TY	REMARKS
1	3Y1-13336-01	HOUSING, rotor	1	
2	3Y6-13326-01	GEAR, PumP driven 2	1	
3	<del>3Y1-13310-01</del>	ROTOR ASSY 1	1	
4	3Y1-13316-00	COVER, PumP	1	
5	93603-12030	PIN, dowel	1	
6	93603-07073	PIN, dowel	2	
7	92501-06014	SCREW, Pan head	1	
8	93210-10096	O-RING	1	
9	92501-06025	SCREW, Pan head	3	
10	90430-06156	GASKET	1	
11	3Y1-13341-00	GEAR, oil PumP idle (20T)	1	
12	90201-10119	WASHER, Plate	2	
13	93410-10025	CIRCLIP	1	
14	3Y1-13416-00	PIPE, oil 1	1	
15	3Y1-13411-00	STRAINER, oil	1	
16	90501-18576	SPRING, comPression	1	
17	3Y1-15351-01	PLUG, drain	1	
18	93210-40351	O-RING	1	
19	4X7-13440-90	ELEMENT ASSY, oil cleaner	1	
20	93210-64297	O-RING	1	
21	93210-07135	O-RING	1	
22	583-13447-00	COVER, oil element	1	
23	90109-06419	BOLT	1	
24	92506-06075	SCREW, Pan head	2	
25	90430-05126	GASKET	1	
26	90149-05110	SCREW	1	

3Y2171-0060

FIG. 7 INTAKE



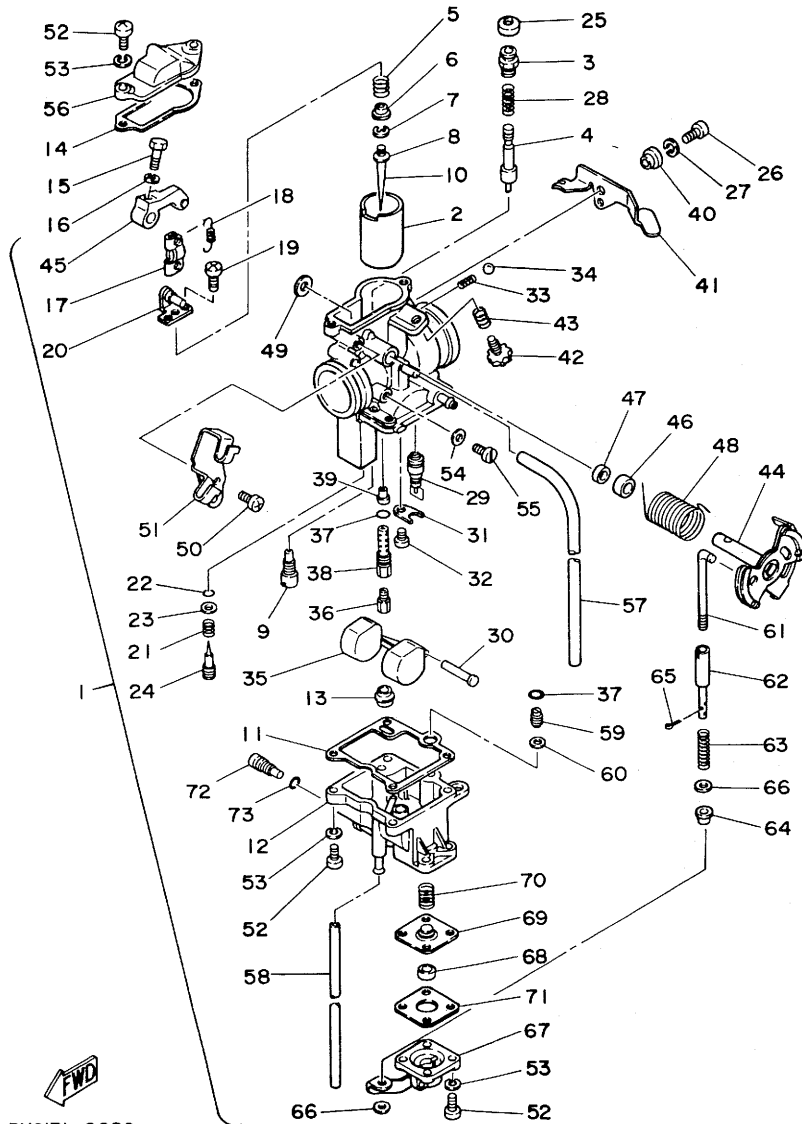
REF. NO.	PART NO.	DESCRIPTION	Q'TY	REMARKS
1	3Y1-13586-00	JOINT, carburetor 1	1	
2	3Y1-13556-01	GASKET, manifold	1	
3	91316-06020	BOLT	2	
4	90460-49160	CLAMP, hose	1	
5	90464-16039	CLAMP	1	
6	3Y1-14401-01	AIR CLEANER CASE ASSY	1	
7	3Y1-14462-00	•SEAL	1	
8	3Y1-14419-00	•PIPE	1	
9	97701-30520	•SCREW, Panhead tapping	2	
10	90446-11021	HOSE	1	
11	3Y1-14453-00	JOINT, air cleaner 1	1	
12	3Y1-14451-00	ELEMENT, air cleaner	1	
13	3Y1-14458-00	GUIDE	1	
14	93211-05393	O-RING	1	
15	3Y1-14412-00	CAP, cleaner case 1	1	
16	92506-06035	SCREW, Pan head	1	
17	92906-06600	WASHER, Plate	1	
18	3Y1-14431-00	SILENCER, intake 1	1	
19	3Y1-2175R-00	HOOK, bank	1	
20	97701-40508	SCREW, tapping	4	
21	90460-54085	CLAMP, hose	1	
22	90480-16265	GROMMET	1	
23	97301-06016	BOLT	1	
24	90201-06067	WASHER, Plate	1	
25	90202-06013	WASHER, Plate	1	
26	97301-06016	BOLT	1	
27	92902-06600	WASHER	1	



3Y4700-0070



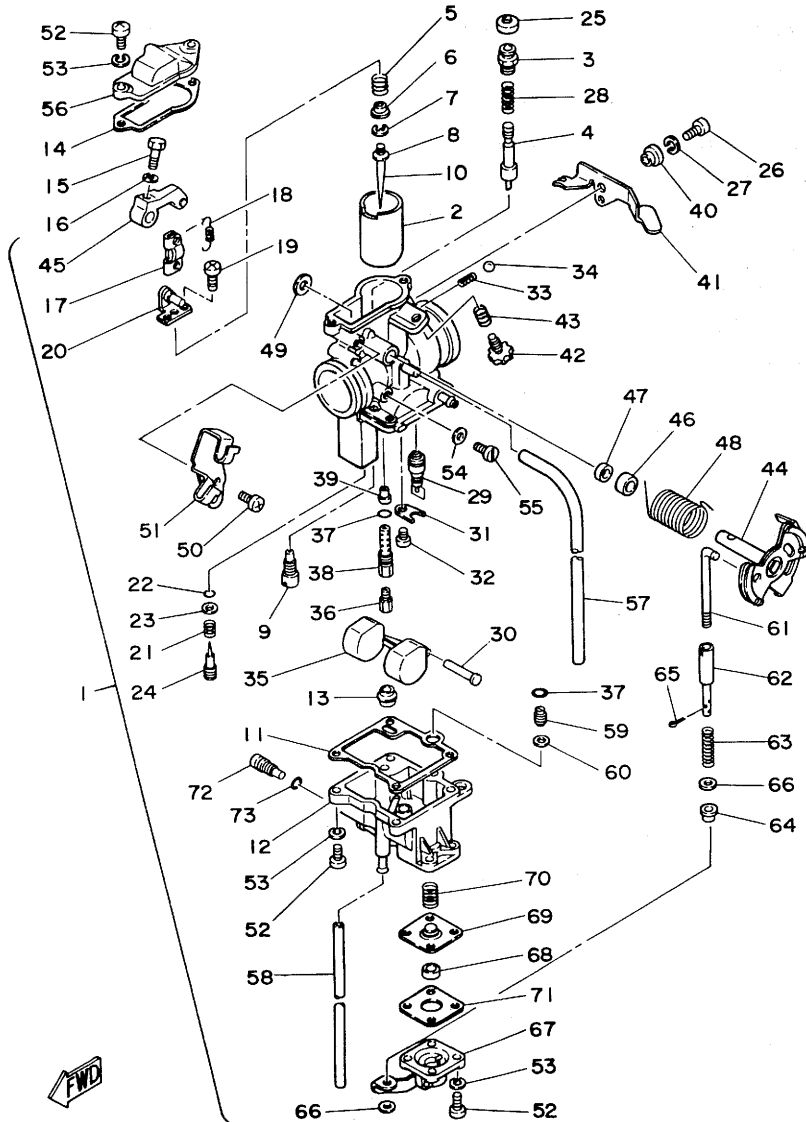
FIG. 8 CARBURETOR



REF. NO.	PART NO.	DESCRIPTION	Q'TY	REMARKS
29	2H0-14190-20	•NEEDLE VALVE ASSY	1	
30	537-14186-00	•PIN, float	1	
31	2H0-14146-00	•PLATE	1	
32	98502-04006	•SCREW, Pan head	1	
33	583-14589-00	•SPRING	1	
34	93501-08001	•BALL	1	
35	3H1-14185-00	•FLOAT	1	
36	137-14143-33	•JET, main (#165)	1	UR STD
	137-14143-32	•JET, main (#160)	1	UR
	137-14143-34	•JET, main (#170)	1	UR
37	583-14561-00	•O-RING	2	
38	3H1-14148-00	•PIPE	1	
39	3Y1-14141-39	•NOZZLE, main	1	
40	583-14594-00	•COLLAR	1	
41	3Y1-14175-00	•LEVER, starter 1	1	
42	3Y1-14991-00	•SCREW	1	
43	3F7-14934-00	•SPRING, throttle stoP	1	
44	3Y1-14215-00	•SHAFT, throttle lever	1	
45	3Y1-14292-00	•BRACKET 2	1	
46	3F7-14265-00	•COLLAR	1	
47	2A2-14997-00	•SEAL	1	
48	3Y1-14131-00	•SPRING, throttle valve	1	
49	1A8-14953-00	•WASHER	1	
50	98501-05010	•SCREW, Pan head	2	
51	3Y1-14571-00	•BRACKET, throttle	1	
52	98502-04014	•SCREW, Pan head	10	
53	92902-04100	•WASHER, sPring	10	
54	584-14956-00	•WASHER	1	

FWD  
3Y2171-0080

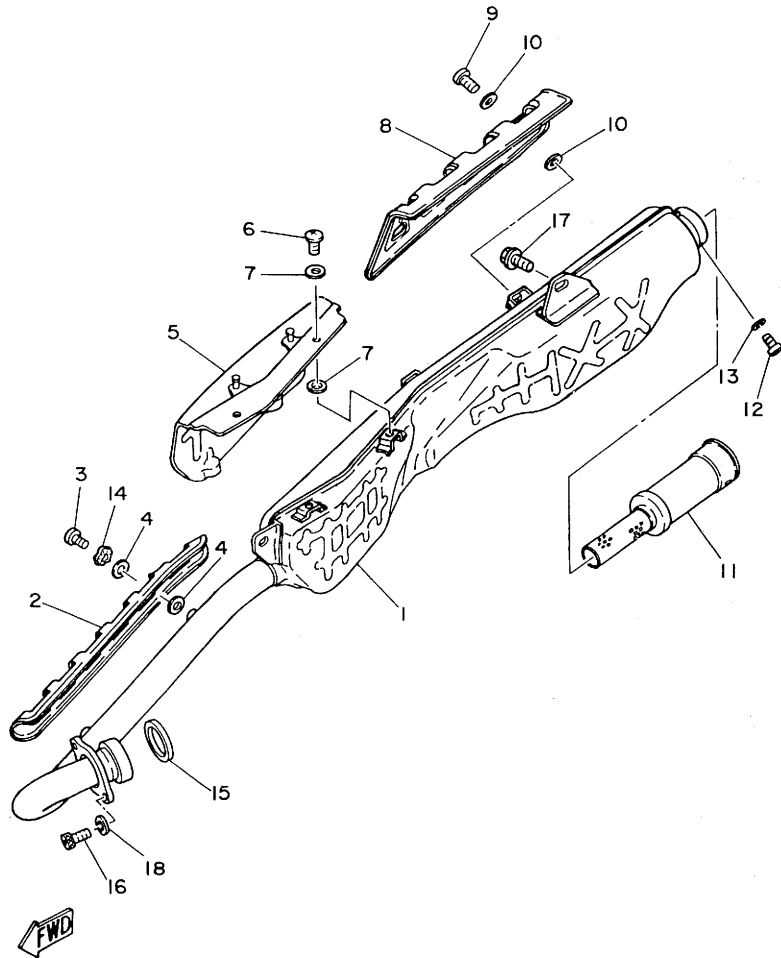
FIG. 8 CARBURETOR



3Y2171-0080

REF. NO.	PART NO.	DESCRIPTION	Q'TY	REMARKS
55	2F5-14115-00	•PLUG, screw	1	
56	3Y1-14158-00	•TOP, mixing chamber	1	
57	3Y1-14197-00	•PIPE	1	
58	3Y3-14196-00	•PIPE	1	
59	2H0-14272-00	•VALVE, check seat	1	
60	2H0-14195-00	•WASHER, needle valve	1	
61	3Y1-14992-00	•ROD	1	
62	2H0-14992-00	•ROD	1	
63	3Y1-14933-00	•SPRING, diaPhraGm	1	
64	2H0-14534-00	•RING, rod	1	
65	91401-10010	•PIN, cotter	1	
66	2H0-14227-00	•WASHER	2	
67	3Y1-14905-00	•LEVER, starter	1	
68	3Y0-14918-00	•RING	1	
69	3Y1-14940-00	•DIAPHRAGM ASSY	1	
70	3Y1-14589-00	•SPRING	1	
71	3Y1-14936-00	•SEAT, sPring	1	
72	2L1-14191-00	•PLUG, drain	1	
73	3Y1-14561-00	•O-RING	1	

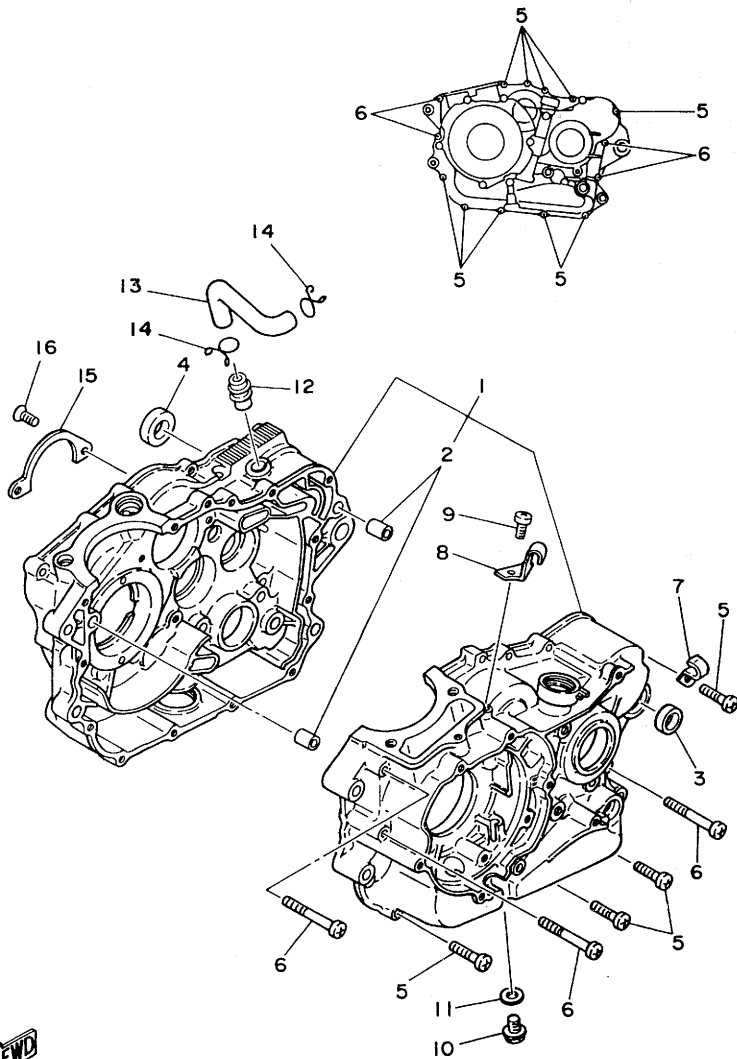
FIG. 9 EXHAUST



REF. NO.	PART NO.	DESCRIPTION	Q'TY	REMARKS
1	3Y1-14711-00	MUFFLER 1	1	
2	3Y1-14628-00	PROTECTOR, exhaust Pipe	1	
3	98906-06008	SCREW, bind	2	
4	583-14766-00	WASHER, Protector	4	
5	3Y1-14718-00	PROTECTOR, muffler 1	1	
6	98906-06008	SCREW, bind	3	
7	583-14766-00	WASHER, Protector	6	
8	3Y1-14728-00	PROTECTOR, muffler 2	1	
9	98906-06008	SCREW, bind	2	
10	583-14766-00	WASHER, Protector	4	
11	3Y1-14752-00	PIPE, outlet	1	
12	92501-06008	SCREW, Pan head	1	
13	92901-06100	WASHER, sPring	1	
14	90206-06060	WASHER, wave	4	
15	341-14613-00	GASKET, exhaust Pipe	1	
16	91316-06025	BOLT	2	
17	95811-08016	BOLT, flange	2	
18	90201-08326	WASHER, Plate	1	

3Y2171-0090

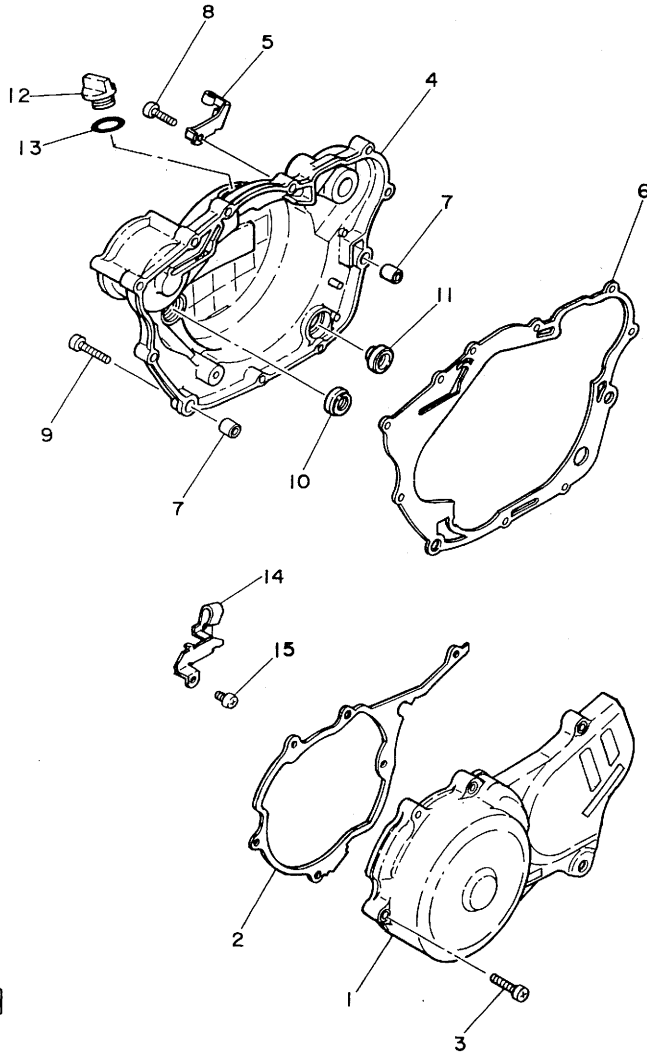
FIG. 10 CRANKCASE



REF. NO.	PART NO.	DESCRIPTION	Q'TY	REMARKS
1	3Y1-15100-02	CRANKCASE ASSY	1	
2	91830-22016	•PIN, dowel	2	
3	90387-17783	COLLAR	1	
4	90387-16782	COLLAR	1	
5	92506-06030	SCREW, Pan head	10	
6	92506-06060	SCREW, Pan head	4	
7	90465-08122	CLAMP	1	
8	3Y1-15441-01	HOLDER, clutch cable	1	
9	92501-06015	SCREW, Pan head	1	
10	90340-10003	PLUG, straight screw	1	
11	90201-10118	WASHER, Plate	1	
12	371-11167-01	COVER, breather 2	1	
13	3Y1-11166-00	PIPE, breather 1	1	
14	90467-14015	CLIP	2	
15	3Y1-15383-00	PLATE, bearing cover	1	
16	92701-06015	SCREW, flat head	2	



FIG. 11 CRANKCASE COVER



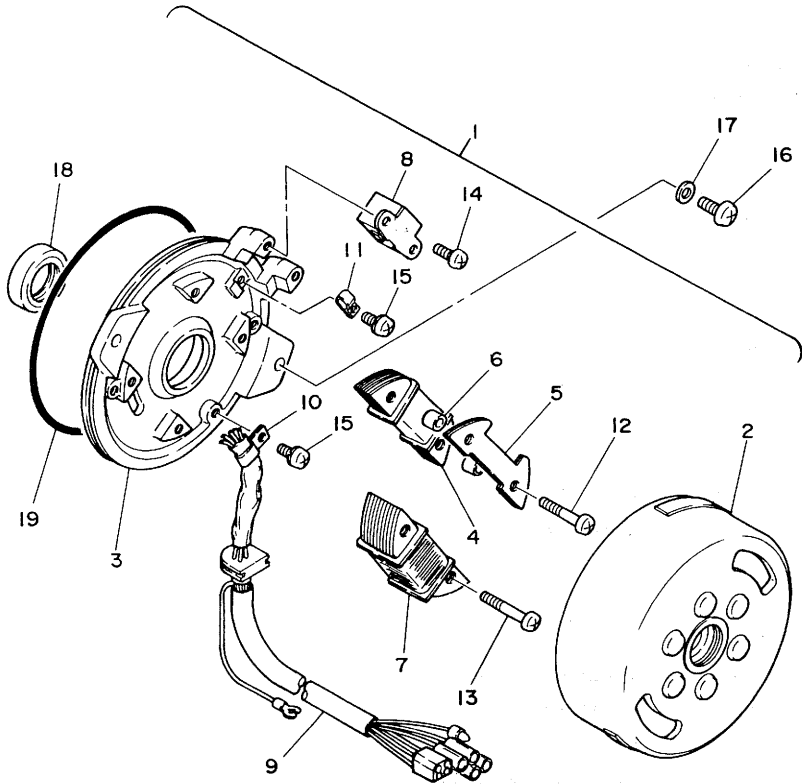
REF. NO.	PART NO.	DESCRIPTION	Q'TY	REMARKS
1	3Y1-15411-01	COVER, crankcase 1	1	
2	3Y1-15451-01	GASKET, crankcase cover	1	
3	92506-06030	SCREW, Pan head	6	
4	3Y1-15421-01	COVER, crankcase 2	1	
5	3Y1-15378-01	HOLDER	1	
6	3Y1-15461-00	GASKET, crankcase cover 2	1	
7	91810-05016	PIN, dowel	2	
8	92506-06025	SCREW, Pan head	7	
9	92506-06035	SCREW, Pan head	2	
10	93101-14092	OIL SEAL	1	
11	3Y1-15361-00	GAUGE, level	1	
12	3Y1-15363-00	PLUG, oil	1	
13	93210-19123	O-RING	1	
14	90462-08062	CLAMP	1	
15	92506-06012	SCREW, Pan head	1	



3Y2171-0110

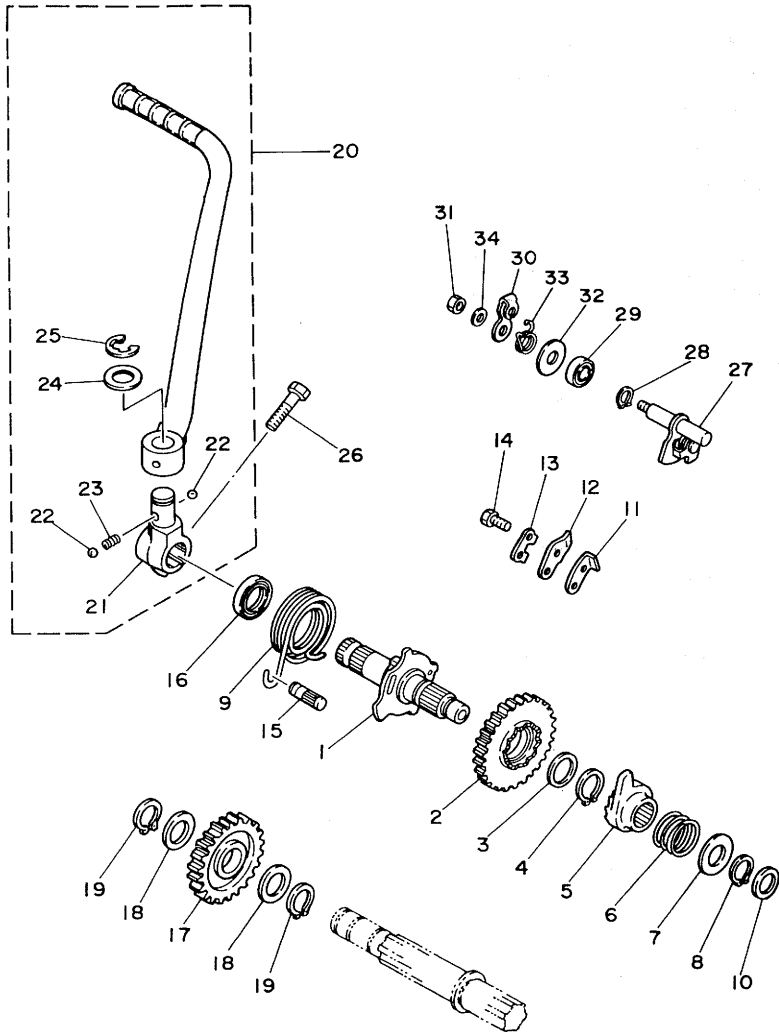
FIG. 12 C.D.I MAGNETO

REF. NO.	PART NO.	DESCRIPTION	Q'TY	REMARKS
1	3Y1-85500-20	C.D.I. MAGNETO ASSY	1	<i>etch</i> ① 512 H10
2	3Y1-85550-20	•ROTOR ASSY	1	
3	3Y1-85509-20	•BASE, magneto	1	
4	3Y1-85512-20	•COIL, source	1	
5	3Y1-85519-20	•SPACER	1	
6	3Y1-81343-20	•COLLAR, coil fitting	2	
7	3Y1-85513-20	•COIL, lighting 1	1	
8	3Y1-85580-20	•COIL, Pulser	1	
9	3Y1-85515-20	•LEAD WIRE ASSY	1	
10	445-81328-20	•CLAMP	1	
11	3Y1-85528-20	•CLAMP, lead	1	
12	98501-05030	•SCREW, Pan head	2	
13	98501-05035	•SCREW, Pan head	2	
14	98501-05012	•SCREW, Pan head	2	
15	110-81345-21	•SCREW, Pan head	2	
16	92501-06020	SCREW, Pan head	2	
17	92901-06200	WASHER, Plain	2	
18	93102-25226	OIL SEAL	1	
19	93211-19413	O-RING	1	



3Y2171-1120

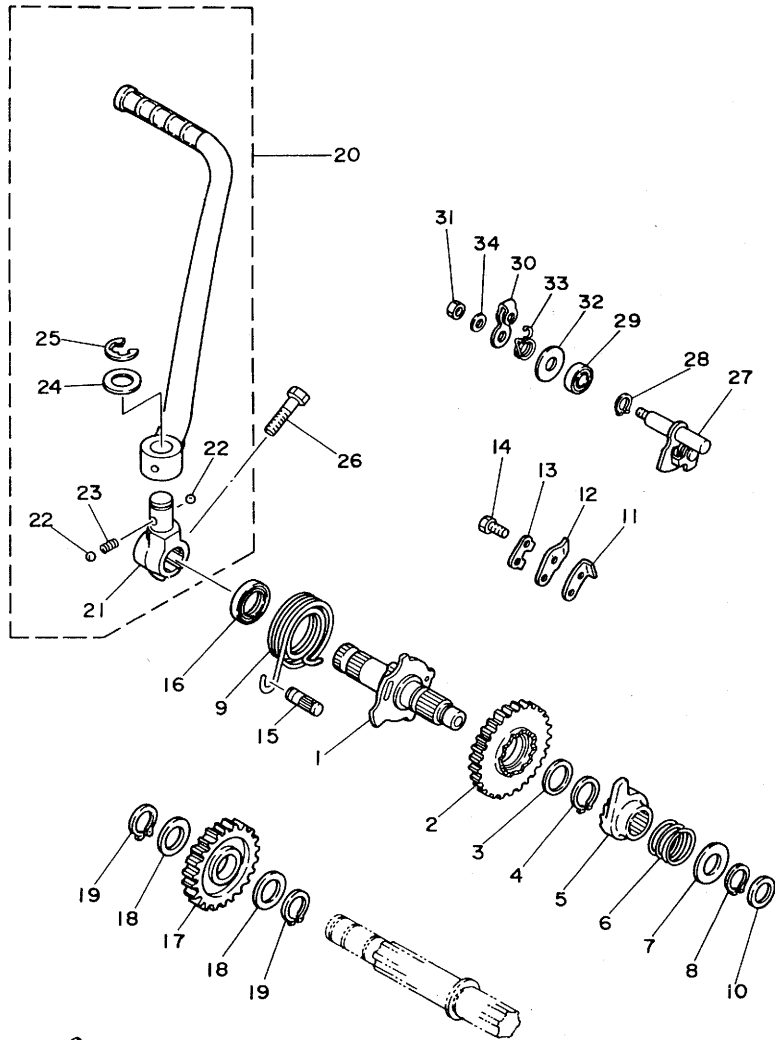
FIG. 13 KICK STARTER



REF. NO.	PART NO.	DESCRIPTION	Q'TY	REMARKS
1	3Y1-15660-00	KICK AXLE ASSY	1	
2	3Y1-15641-00	GEAR, kick (30T)	1	
3	90201-20685	WASHER, Plate	1	
4	93410-20038	CIRCLIP	1	
5	3Y1-15671-00	WHEEL, ratchet	1	
6	90501-16107	SPRING, compression	1	
7	168-15676-00	COVER, spring	1	
8	93410-15005	CIRCLIP	1	
9	90508-32432	SPRING, torsion	1	
10	90201-15701	WASHER, Plate (1.0T)	1	
11	2K7-15668-00	STOPPER	1	
12	214-15674-00	GUIDE, ratchet wheel	1	
13	214-15686-00	WASHER, lock	1	
14	97321-06016	BOLT	2	
15	248-15668-00	STOPPER	1	
16	93102-20108	OIL SEAL	1	
17	3Y1-15651-00	GEAR, kick idle (27T)	1	
18	90201-20276	WASHER, Plate	2	
19	93410-20009	CIRCLIP	2	
20	3Y1-15620-01	KICK CRANK ASSY	1	
21	3Y1-15621-01	•BOSS, kick crank	1	
22	93507-32009	•BALL	2	
23	90501-10589	•SPRING, compression	1	
24	90201-15340	•WASHER, Plate	1	
25	93430-10016	•CIRCLIP	1	
26	97311-08030	BOLT	1	
27	3Y1-1561A-02	LEVER DECOMP ASSY	1	
28	93410-10025	CIRCLIP	1	



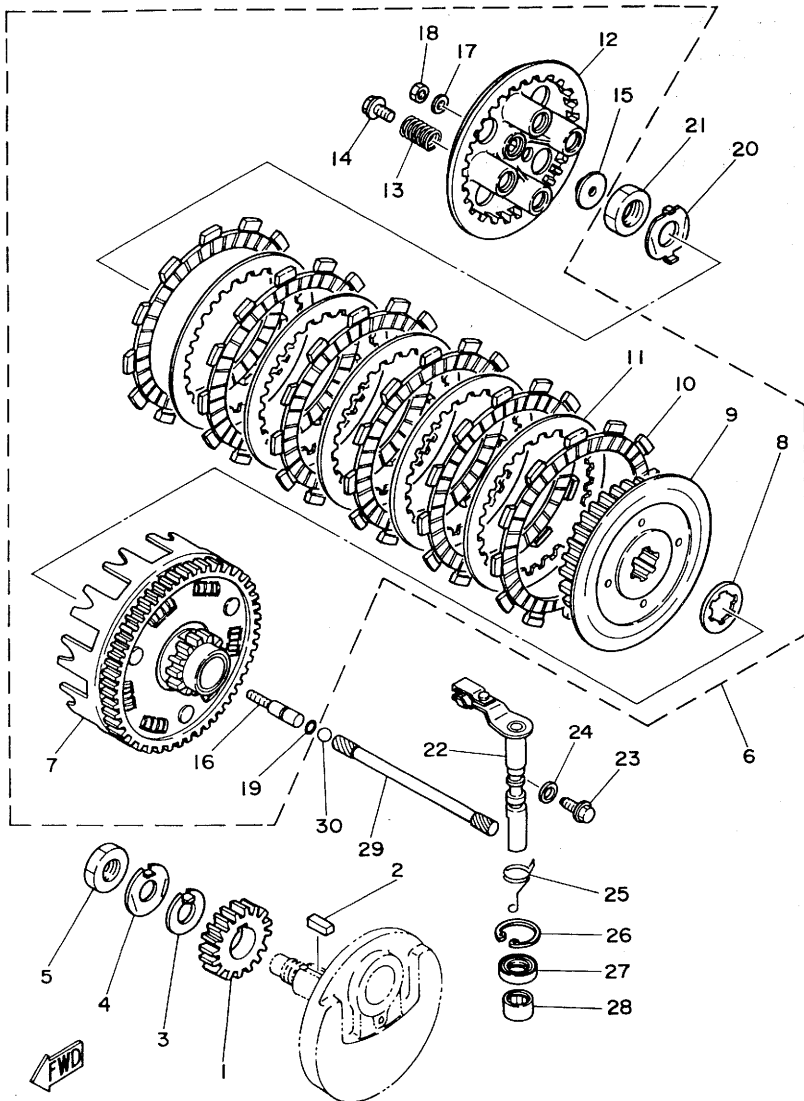
FIG. 13 KICK STARTER



REF. NO.	PART NO.	DESCRIPTION	Q'TY	REMARKS
29	93102-10207	OIL SEAL	1	
30	3Y1-1561G-02	LEVER, cable	1	
31	95311-06700	NUT	1	
32	90201-10135	WASHER, Plate	1	
33	90508-14481	SPRING, torsion	1	
34	92901-06600	WASHER, Plate	1	



FIG. 14 CLUTCH

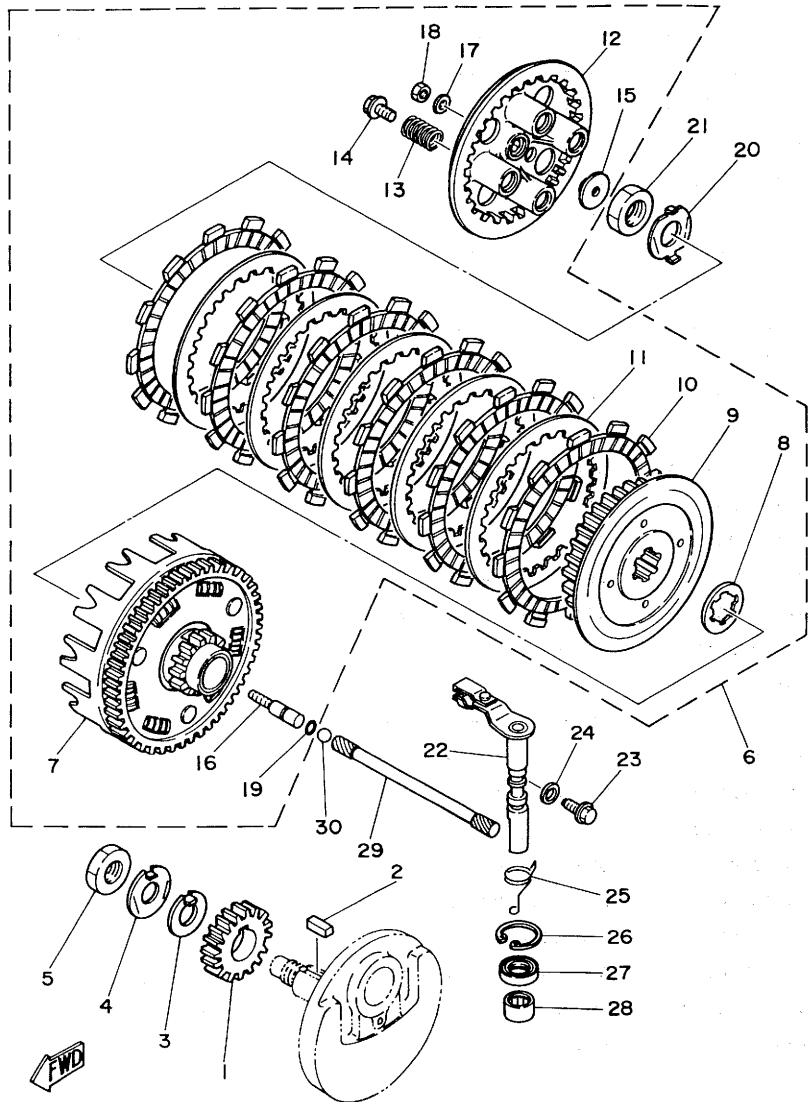


REF. NO.	PART NO.	DESCRIPTION	Q'TY	REMARKS
1	3Y1-16111-01	GEAR, Primary drive	1	
2	90282-07023	KEY, straight	1	
3	90215-16156	WASHER, lock	1	
4	90215-16157	WASHER, lock	1	
5	90170-16256	NUT	1	
6	3Y1-16300-01	CLUTCH ASSY	1	
7	3Y1-16150-01	•PRIMARY DRIVEN GEAR COMP.	1	
8	3Y1-16154-00	•PLATE, thrust 1	1	
9	3Y1-16371-00	•BOSS, clutch	1	
10	583-16321-00	•PLATE, friction	6	
11	360-16325-00	•PLATE, clutch 2	5	
12	3Y1-16351-00	•PLATE, Pressure 1	1	
13	90501-26148	•SPRING, comPression	4	
14	90159-06016	•SCREW, with washer	4	
15	1W1-16358-00	•PLATE, Push	1	
16	3Y1-16356-01	•ROD, Push 1	1	
17	92901-06200	•WASHER, Plain	1	
18	95301-06600	•NUT	1	
19	93210-06422	•O-RING	1	
20	90215-20159	WASHER, lock	1	
21	90170-20257	NUT	1	
22	3Y1-16380-01	PUSH LEVER ASSY	1	
23	90149-08067	SCREW	1	
24	90430-08119	GASKET	1	
25	90508-14433	SPRING, torsion	1	
26	93420-28055	CIRCLIP	1	
27	93102-14209	OIL SEAL	1	
28	93315-31428	BEARING, cylindrical	1	

3Y2171-0140

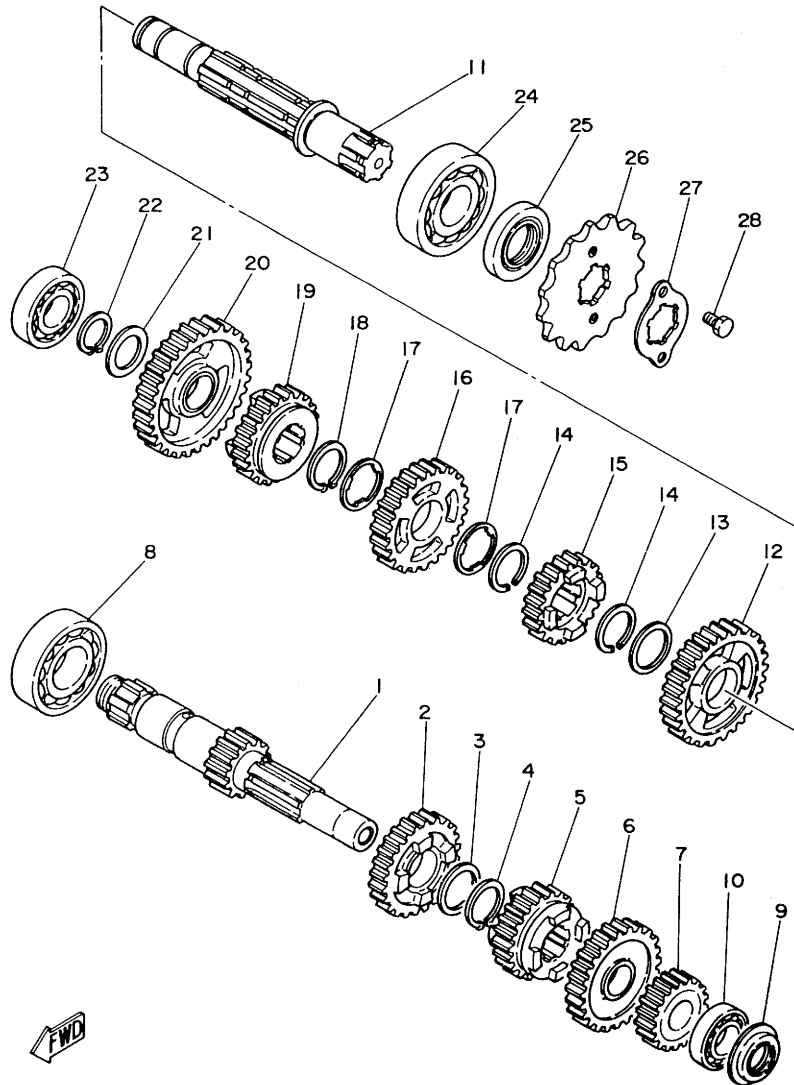
FIG. 14 CLUTCH

REF. NO.	PART NO.	DESCRIPTION	Q'TY	REMARKS
29	3Y1-16357-00	ROD, Push 2	1	
30	93511-32017	BALL	1	



3Y2171-0140

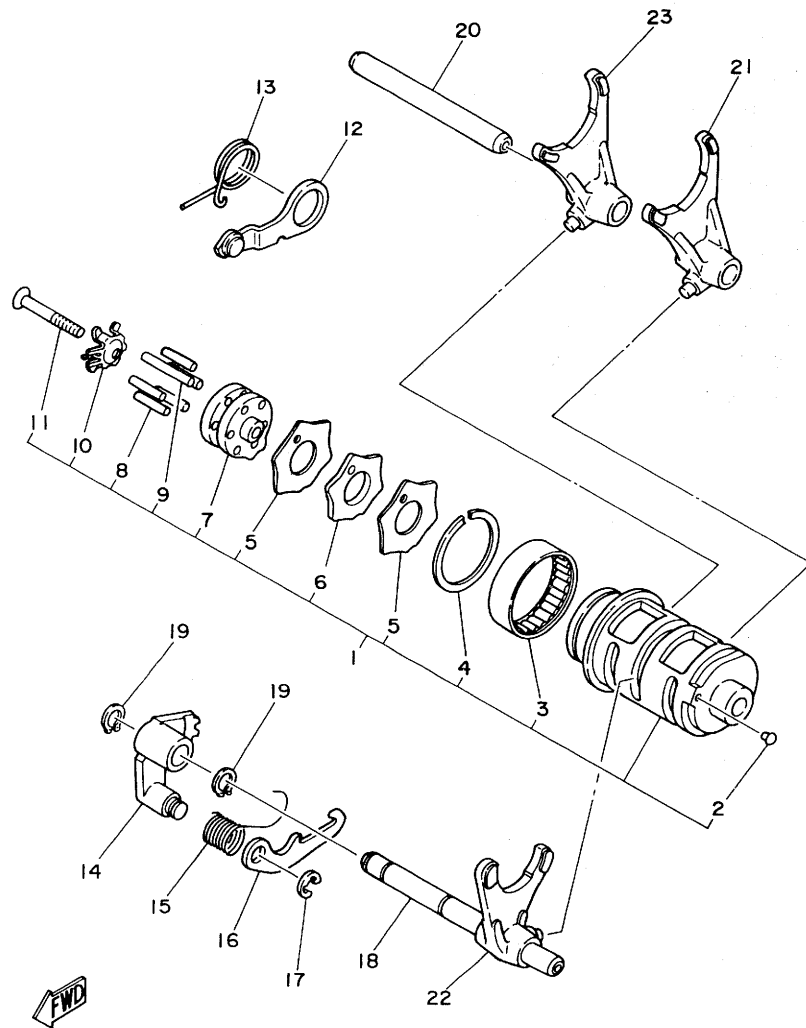
FIG. 15 TRANSMISSION



REF. NO.	PART NO.	DESCRIPTION	Q'TY	REMARKS
1	3Y1-17411-00	AXLE, main (14T)	1	
2	3Y1-17141-00	GEAR, 4th Pinion (26T)	1	
3	90201-22793	WASHER, Plate	1	
4	93410-22039	CIRCLIP	1	
5	3Y1-17131-00	GEAR, 3rd Pinion (23T)	1	
6	3Y1-17151-00	GEAR, 5th Pinion (28T)	1	
7	3Y1-17121-00	GEAR, 2nd Pinion (19T)	1	
8	93306-20541	BEARING (B6205)	1	
9	93101-17093	OIL SEAL	1	
10	93306-00301	BEARING	1	
11	3Y1-17402-00	DRIVE AXLE ASSY	1	
12	3Y1-17221-00	GEAR, 2nd wheel (32T)	1	
13	90201-25287	WASHER, Plate	1	
14	93440-25019	CIRCLIP	2	
15	3Y1-17251-00	GEAR, 5th wheel (23T)	1	
16	3Y1-17231-00	GEAR, 3rd wheel (29T)	1	
17	90209-22191	WASHER	2	
18	93410-25010	CIRCLIP	1	
19	3Y1-17241-00	GEAR, 4th wheel (26T)	1	
20	3Y1-17211-00	GEAR, 1st wheel (37T)	1	
21	90201-20276	WASHER, Plate	1	
22	93410-20009	CIRCLIP	1	
23	93306-00401	BEARING (B6004)	1	
24	93306-30525	BEARING (B6305)	1	
25	93102-25208	OIL SEAL	1	
26	3Y1-17461-50	SPROCKET, drive (15T)	1	
27	3Y1-17456-00	HOLDER, sProcket	1	
28	97322-06010	BOLT	2	

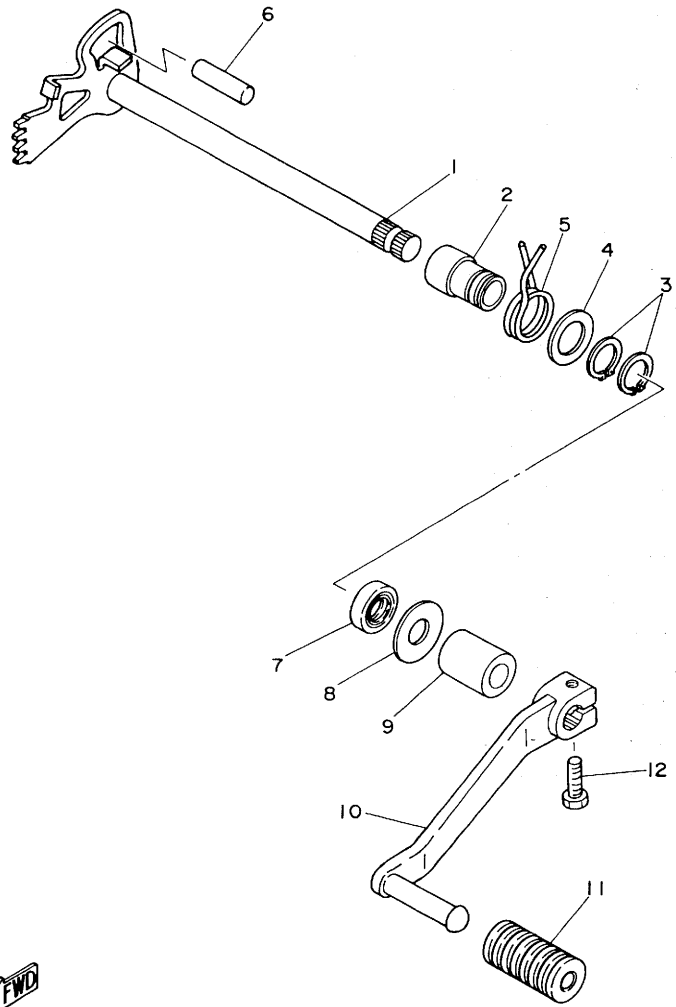
FWD  
3Y2171-0150

FIG. 16 SHIFT CAM·FORK



REF. NO.	PART NO.	DESCRIPTION	Q'TY	REMARKS
1	3Y1-18540-00	SHIFT CAM ASSY	1	
2	136-18542-00	•POINT, neutral	1	
3	93315-23612	•BEARING, cylindrical	1	
4	93440-34025	•CIRCLIP	1	
5	3Y1-18161-00	•GUIDE, Plate stopPer	2	
6	3Y1-18141-00	•PLATE, stopPer	1	
7	3Y1-18185-01	•SEGMENT	1	
8	93604-18100	•PIN, dowel	5	
9	93604-29151	•PIN, dowel	1	
10	2K9-18561-00	•PLATE, side 1	1	
11	98701-05035	•SCREW, flat head	1	
12	3Y1-18140-00	STOPPER LEVER ASSY	1	
13	90508-26434	SPRING, torsion	1	
14	3Y1-18122-00	LEVER, shift 2	1	
15	90508-12430	SPRING, torsion	1	
16	2K7-18151-00	LEVER, shift 3	1	
17	93430-07012	CIRCLIP	1	
18	3Y1-18531-00	BAR, shift fork guide 1	1	
19	93410-10025	CIRCLIP	2	
20	3Y1-18535-00	BAR, shift fork guide 2	1	
21	3Y1-18511-00	FORK, shift 1	1	
22	3Y1-18512-00	FORK, shift 2	1	
23	3Y1-18513-00	FORK, shift 3	1	

FIG. 17 SHIFT SHAFT•PEDAL



REF. NO.	PART NO.	DESCRIPTION	Q'TY	REMARKS
1	3Y1-18101-00	SHIFT SHAFT ASSY	1	
2	90387-12787	COLLAR	1	
3	93410-17008	CIRCLIP	2	
4	90201-17255	WASHER, Plate	1	
5	90508-32374	SPRING, torsion	1	
6	93608-30152	PIN, dowel	1	
7	93102-12106	OIL SEAL	1	
8	90201-12588	WASHER, Plate	1	
9	90560-12191	SPACER	1	
10	3Y1-18111-00	PEDAL, shift	1	
11	132-18113-01	COVER, shift Pedal	1	
12	97321-06020	BOLT	1	



3Y2171-0170

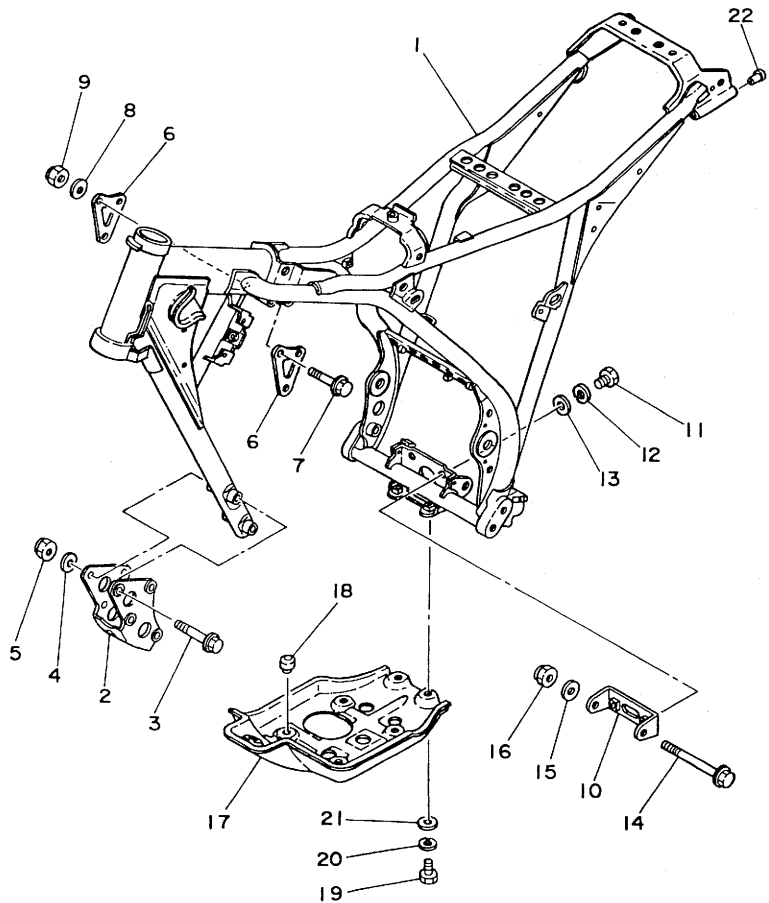


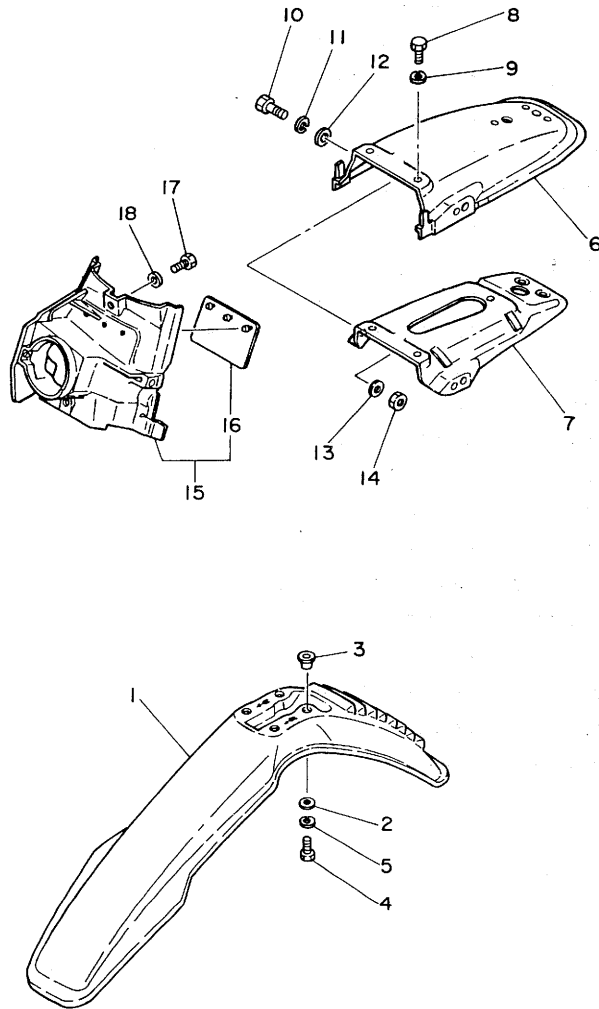
FIG. 18 FRAME

REF. NO.	PART NO.	DESCRIPTION	Q'TY	REMARKS
1	3Y3-21110-E1-33	FRAME COMP	1	yamaha black
2	3Y1-21316-00	STAY, engine 3	1	
3	95811-08070	BOLT, flange	4	
4	90201-08366	WASHER, Plate	4	
5	90185-08089	NUT, self-locking	4	
6	3Y1-21315-00	STAY, engine 2	2	
7	95812-08055	BOLT, flange	3	
8	90201-08366	WASHER, Plate	3	
9	90185-08089	NUT, self-locking	3	
10	3Y1-21475-00	PLATE, engine adjusting	1	
11	97322-08016	BOLT	2	
12	92902-08100	WASHER, spring	2	
13	92902-08600	WASHER, Plate	2	
14	90105-08162	BOLT, washer based	1	
15	90201-08366	WASHER, Plate	1	
16	90185-08089	NUT, self-locking	1	
17	3Y1-21471-00-35	PROTECTOR, engine	1	silver
18	3Y1-24768-00	STOPPER	4	
19	97301-06016	BOLT	3	
20	92902-06100	WASHER, spring	3	
21	92902-06600	WASHER	3	
22	3Y1-21279-00	PLUG, blind	2	



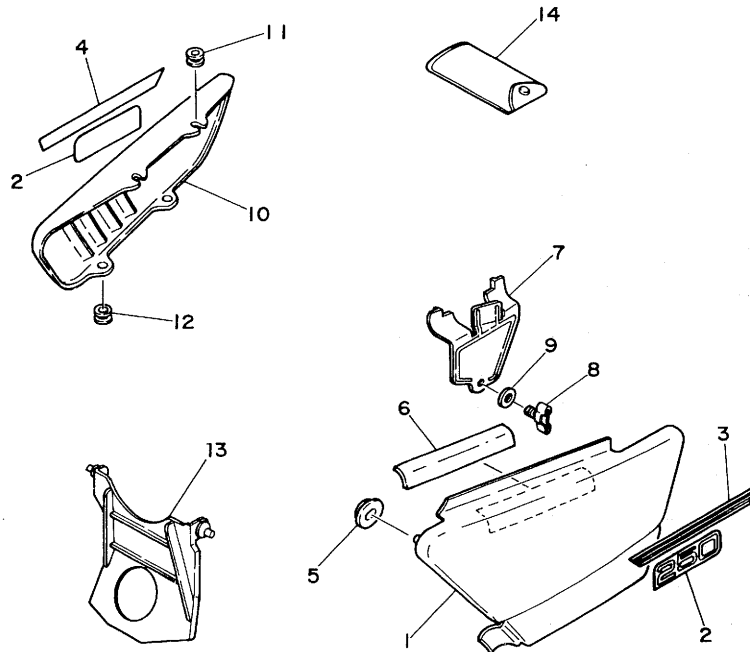
3Y4700-0180

FIG. 19 FRONT FENDER•REAR FENDER



REF. NO.	PART NO.	DESCRIPTION	Q'TY	REMARKS
1	3Y1-21511-01	FENDER, front	1	white
2	90201-06067	WASHER, Plate	4	
3	90387-07789	COLLAR	4	
4	97301-06016	BOLT	4	
5	92902-06100	WASHER, sPring	4	
6	3Y1-21611-00	FENDER, rear	1	white
7	3Y1-21670-00	REINF. COMP.	1	
8	97301-06016	BOLT	2	
9	92902-06100	WASHER, sPring	2	
10	97301-08030	BOLT	2	
11	92901-08100	WASHER, sPring	2	
12	92901-08600	WASHER, Plate	2	
13	90201-08100	WASHER, Plate	2	
14	95302-08600	NUT	2	
15	3Y1-21620-00	MUD GUARD COMP.	1	
16	1M1-21621-00	•FLAP	1	
17	97301-06016	BOLT	2	
18	90201-06067	WASHER, Plate	2	

FIG. 20 SIDE COVER. TOOL

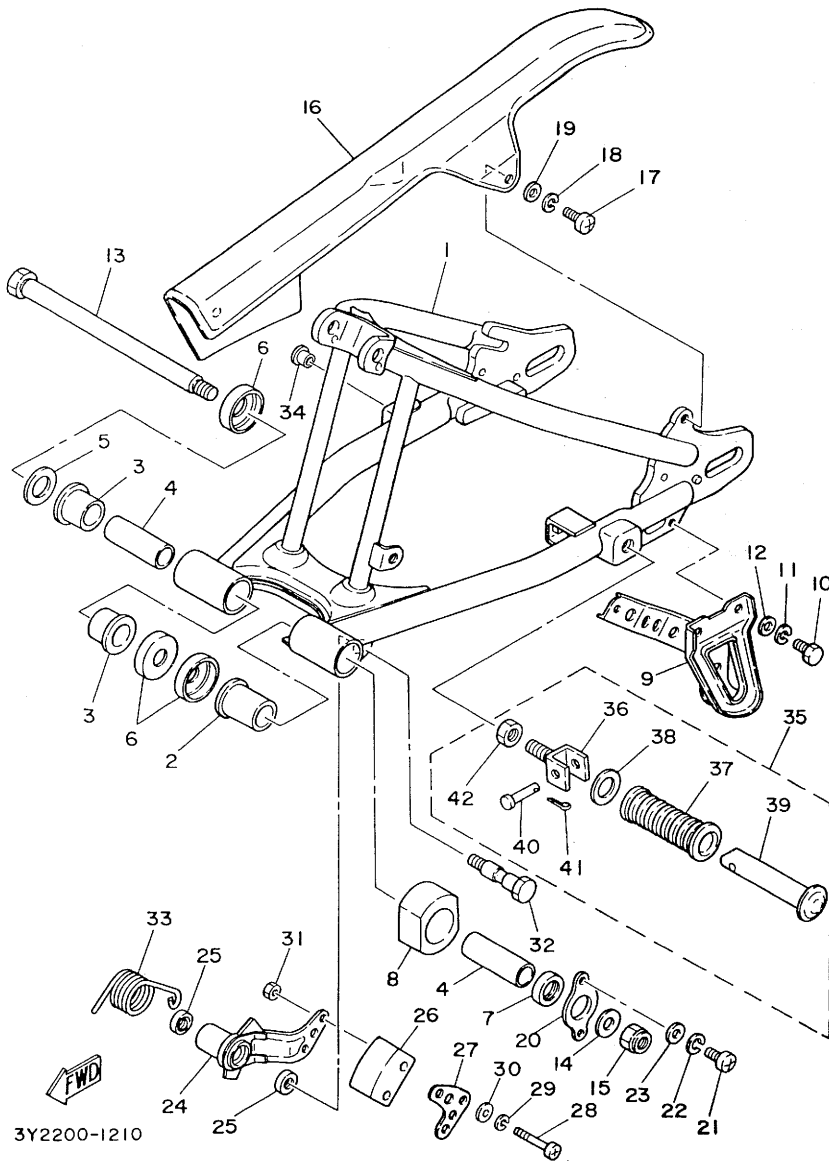


REF. NO.	PART NO.	DESCRIPTION	Q'TY	REMARKS
1	3Y1-21711-00-E1	COVER, side 1	1	chaPPy red
2	3Y1-21786-20	EMBLEM 6	2	
3	3Y1-21784-00	EMBLEM 4	1	
4	3Y1-21785-00	EMBLEM 5	1	
5	90480-01141	GROMMET	2	
6	3Y1-21746-00	DAMPER	1	
7	3Y1-28185-00	LID	1	
8	90122-05010	BOLT, wing	1	
9	90201-05031	WASHER, Plate	1	
10	3Y1-21721-00-E1	COVER, side 2	1	chaPPy red
11	90480-08264	GROMMET	2	
12	90480-08264	GROMMET	2	
13	3Y1-2177F-00	COVER	1	
14	3Y1-28100-10	TOOL KIT	1	

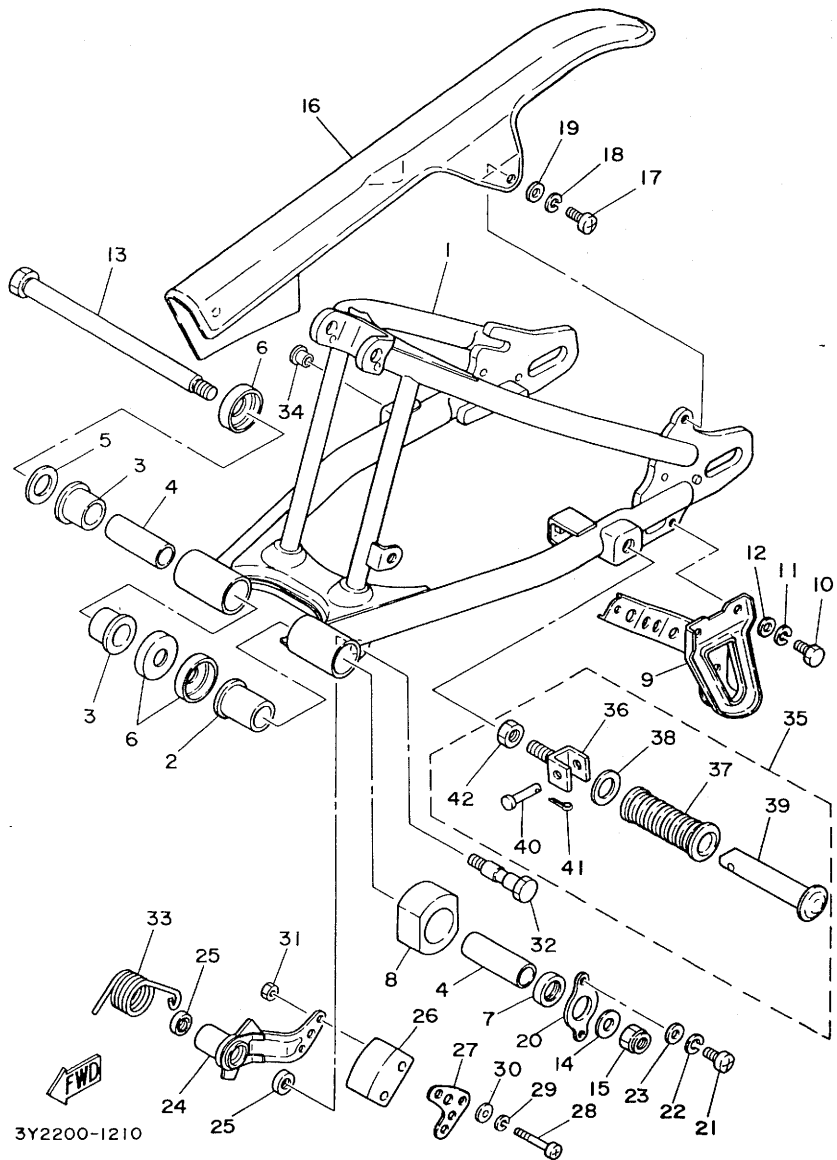


3Y2171-1200

FIG. 21 REAR ARM



REF. NO.	PART NO.	DESCRIPTION	Q'TY	REMARKS
1	3Y1-22110-00-33	REAR ARM COMP.	1	yamaha black
2	3Y1-22184-01	BUSH	1	
3	3Y1-22123-01	BUSH 1	2	
4	3Y1-22124-01	BUSH 2	2	
5	156-22127-00	SHIM (0.3T)	1	
6	322-22128-01	COVER, thrust 1	3	
7	93109-22019	OIL SEAL	1	
8	3Y1-22151-00	SEAL, Guard	1	
9	3Y1-22318-00	GUARD, chain	1	
10	97301-06016	BOLT	3	
11	92902-06100	WASHER, sPring	3	
12	92902-06600	WASHER	3	
13	2N6-22141-00	SHAFT, Pivot	1	
14	90201-14577	WASHER, Plate	1	
15	90185-14070	NUT, self-locking	1	
16	3Y1-22311-00	CASE, chain	1	black
17	92502-06016	SCREW, Pan head	2	
18	92902-06100	WASHER, sPring	2	
19	90201-06053	WASHER, Plate	2	
20	3Y1-21329-00	PLATE	1	
21	92501-06012	SCREW, Pan head	2	
22	92902-06100	WASHER, sPring	2	
23	92902-06600	WASHER	2	
24	3Y1-22179-00	ARM, tensioner	1	
25	93104-14044	OIL SEAL	2	
26	2N0-22178-00	TENSIONER	1	
27	1W1-22187-00	GUIDE, chain	1	
28	98501-05040	SCREW, Pan head	2	

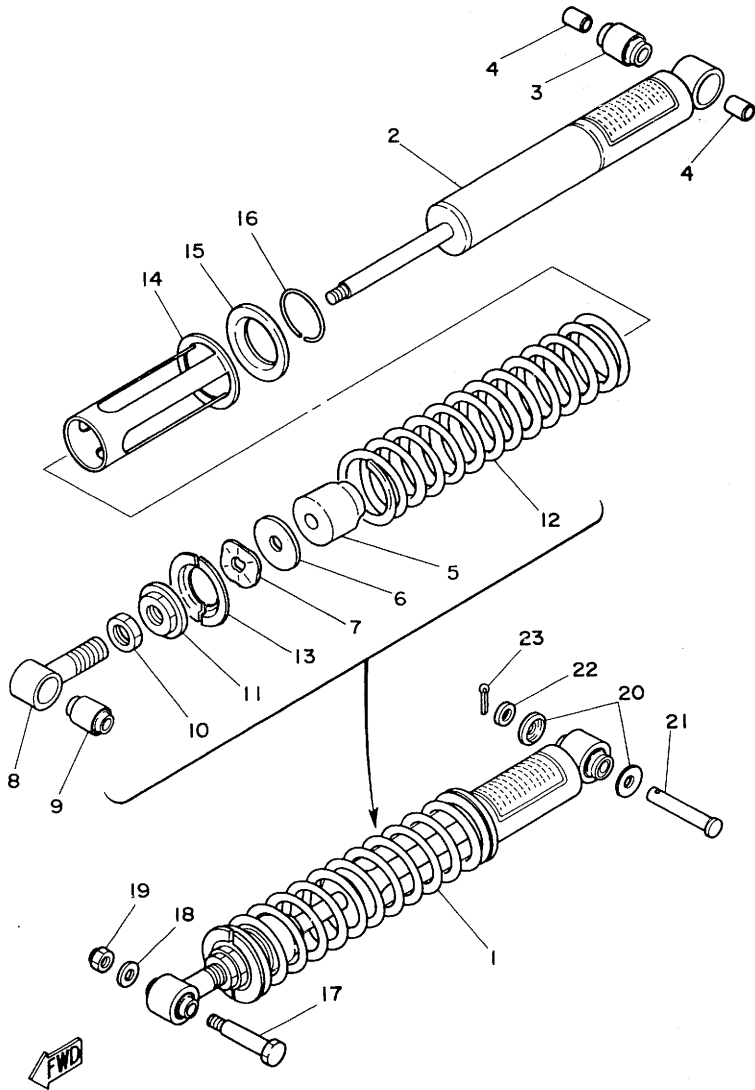


3Y2200-1210

FIG. 21 REAR ARM

REF. NO.	PART NO.	DESCRIPTION	Q'TY	REMARKS
29	92901-05100	WASHER, sPring	2	
30	92901-05600	WASHER, Plate	2	
31	95301-05600	NUT	2	
32	90109-10483	BOLT	1	
33	90508-35350	SPRING, torsion	1	
34	90338-11111	PLUG	2	
35	120-27430-02	REAR FOOTREST ASSY 1	2	
36	120-27432-02	•BRACKET 1	1	
37	120-27433-00	•COVER, rear footrest	1	
38	90201-20279	•WASHER, Plate	1	
39	120-27431-00	•FOOTREST, rear 1	1	
40	90240-06009	•PIN, clevis	1	
41	91401-16015	•PIN, cotter	1	
42	90170-12062	•NUT	1	

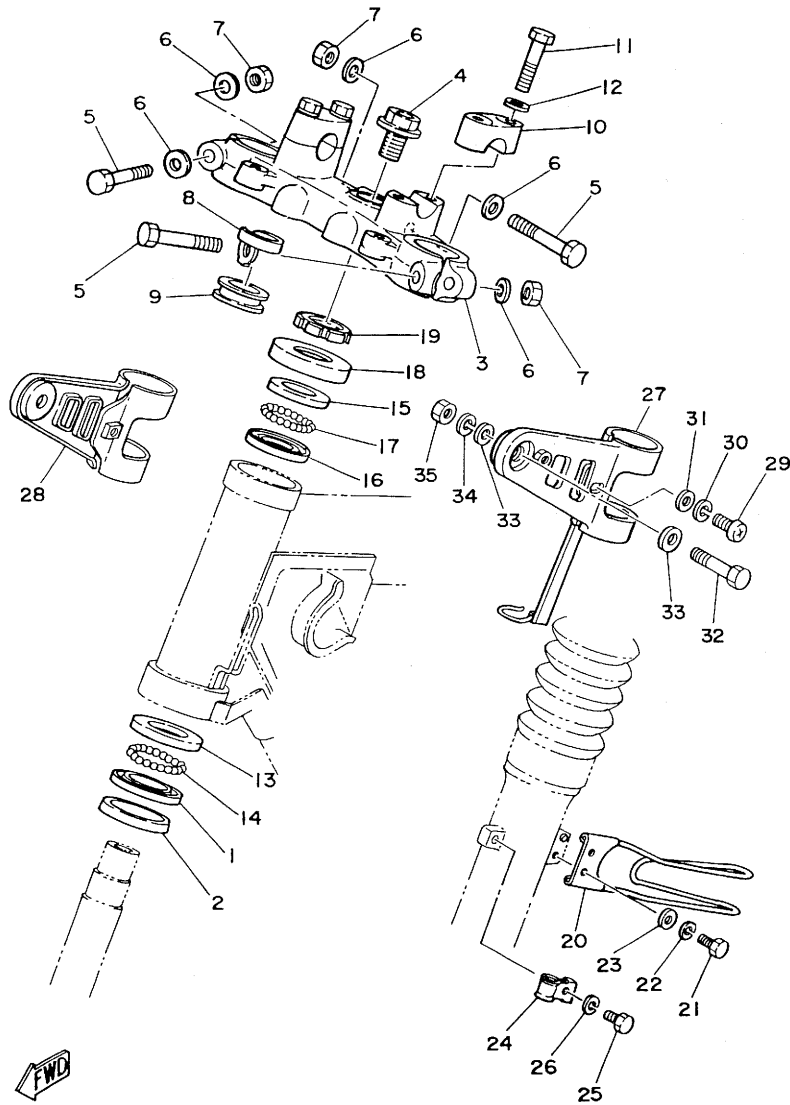
FIG. 22 REAR SUSPENSION



REF. NO.	PART NO.	DESCRIPTION	Q'TY	REMARKS
1	3Y1-22210-00	SHOCK ABSORBER ASSY, rear	1	
2	3Y1-22401-00	.DUMPER SUB ASSY	1	
3	3R4-22226-00	.BUSH, shock absorber lower	1	
4	90380-12051	.BUSH, solid	2	
5	1W1-22493-00	.STOPPER, bump	1	
6	3R4-22228-00	.SUPPORT, bump stop	1	
7	90206-14067	.WASHER, wave	1	
8	3Y1-22409-00	.UPPER BRACKET SUB ASSY	1	
9	1W1-22216-00	.BUSH, rear shock absorber	1	
10	90170-20211	.NUT	1	
11	3R4-22213-00	.SEAT, sPring upper	1	
12	3Y1-22212-00	.SPRING	1	
13	3R4-22214-00	.GUIDE, sPring 1	2	
14	3Y1-22224-00	.GUIDE, sPring 2	1	
15	3Y1-22223-00	.SEAT, sPring lower	1	
16	93440-48079	.CIRCLIP	1	
17	90109-10554	BOLT	1	
18	90201-10126	WASHER, Plate	1	
19	95602-10100	NUT, u	1	
20	1W1-22128-00	COVER, thrust 1	2	
21	90240-12075	PIN, clevis	1	
22	92901-12600	WASHER, Plate	1	
23	91401-30025	PIN, cotter	1	

3Y2171-0220

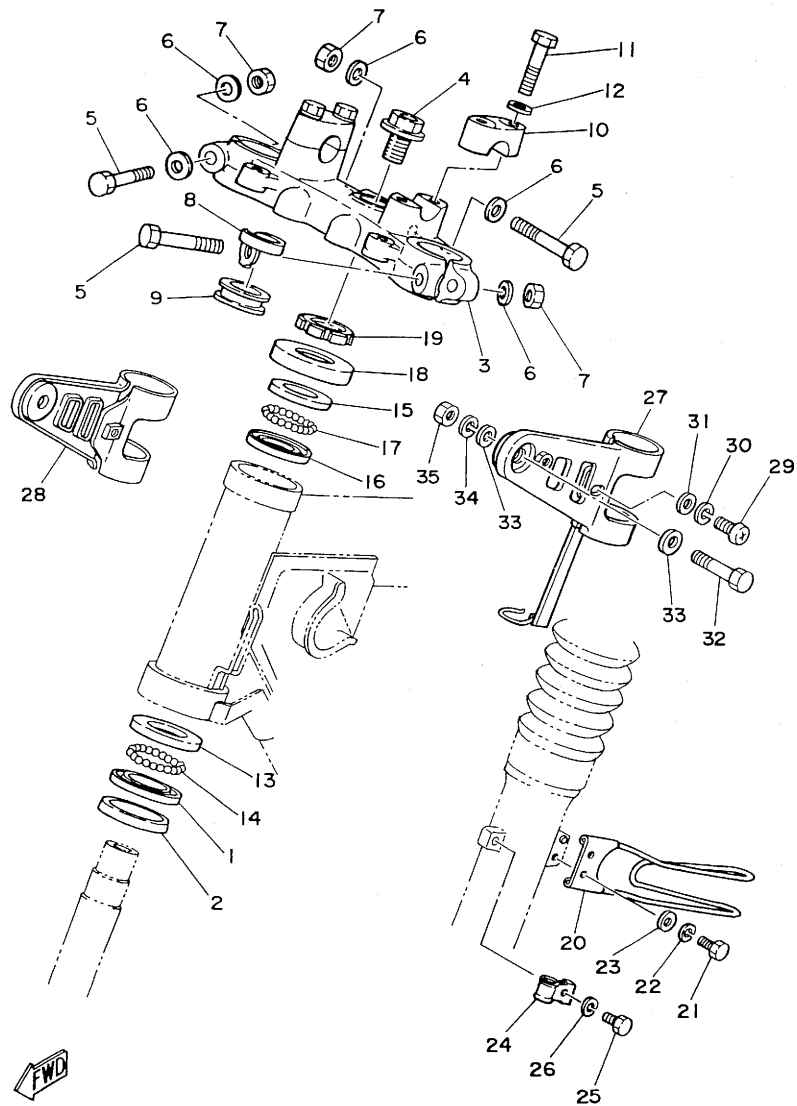
FIG. 23 STEERING



REF. NO.	PART NO.	DESCRIPTION	Q'TY	REMARKS
1	156-23411-00	RACE, ball 1	1	
2	164-23462-00	SEAL, steering	1	
3	3Y1-23435-00-98	CROWN, handle	1	low gloss black
4	90105-14102	BOLT, washer based	1	
5	97313-08055	BOLT	3	
6	92901-08600	WASHER, Plate	5	
7	95303-08600	NUT	3	
8	3Y1-23317-A0	HOLDER, cable	1	
9	1W1-23389-00	GUIDE, cable	1	
10	1E6-23441-00-98	HOLDER, handle upper	2	low gloss black
11	90106-08032	BOLT	4	
12	92901-08600	WASHER, Plate	4	
13	156-23412-00	RACE, ball 2	1	
14	93501-04011	BALL	19	
15	122-23411-00	RACE, ball 1	1	
16	122-23412-00	RACE, ball 2	1	
17	93503-16010	BALL	22	
18	583-23416-01	COVER, ball race 2	1	
19	90179-25033	NUT	1	
20	2N6-23318-00	HOLDER, cable 1	1	
21	97301-06016	BOLT	1	
22	92901-06100	WASHER, sPring	1	
23	92901-06600	WASHER, Plate	1	
24	3Y1-23319-00	HOLDER, cable 2	1	
25	97306-06012	BOLT	1	
26	92906-06100	WASHER, sPring	1	
27	3Y3-84118-00	STAY, headlight 1	1	
28	3Y3-84119-00	STAY, headlight 2	1	

3Y2200-1230

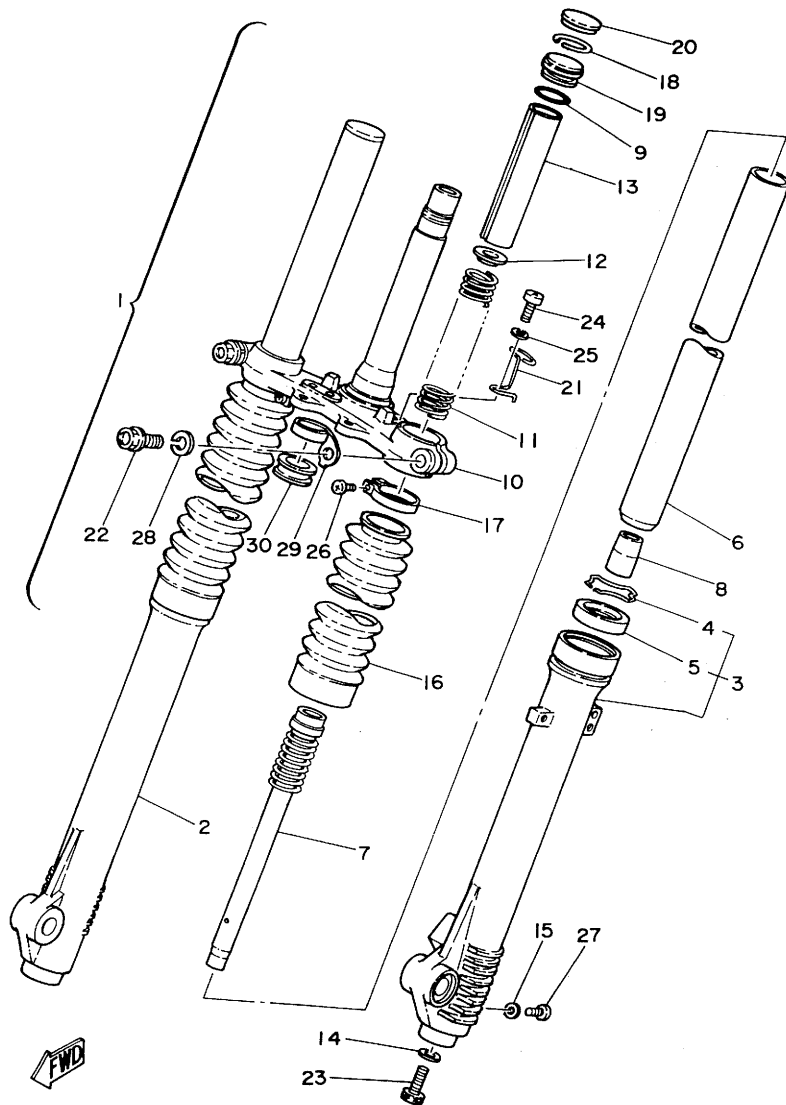
FIG. 23 STEERING



REF. NO.	PART NO.	DESCRIPTION	Q'TY	REMARKS
29	92506-06018	SCREW, Pan head	2	
30	92906-06100	WASHER, sPring	2	
31	92906-06600	WASHER, Plate	2	
32	97301-08040	BOLT	2	
33	92901-08200	WASHER, Plain	4	
34	92902-08100	WASHER, sPring	2	
35	95302-08600	NUT	2	

3Y2200-1230

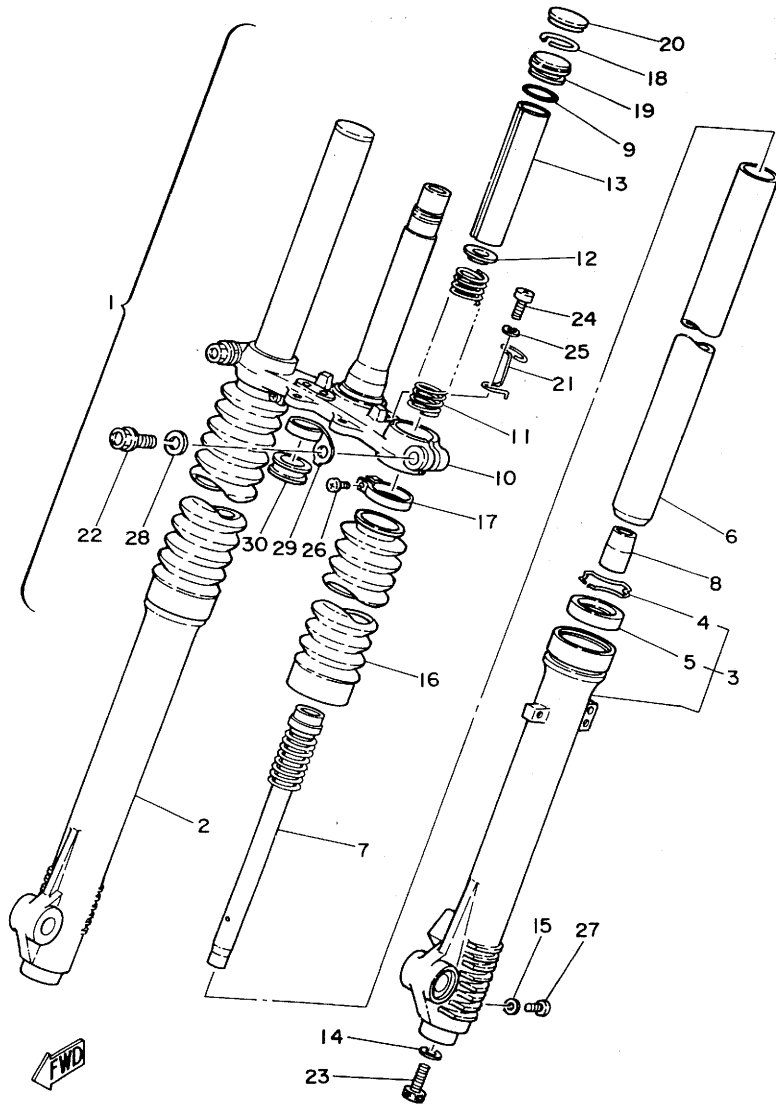
FIG. 24 FRONT FORK



3Y2171-0240

REF. NO.	PART NO.	DESCRIPTION	Q'TY	REMARKS
1	3Y3-23100-00	FRONT FORK ASSY	1	
2	3Y1-23136-00-98	•TUBE, outer 2	1	low gloss black
3	3Y1-23126-00-98	•TUBE, outer 1	1	low gloss black
4	4A1-23156-00	•CLIP, oil seal	2	
5	1T3-23145-00	•OIL SEAL	2	
6	3Y1-23110-00	•INNER TUBE COMP.1	2	
7	3Y1-23170-00	•CYLINDER COMP., front fork	2	
8	1W1-23173-L0	•SPINDLE, taPer	2	
9	3J2-23114-00	•O-RING	2	
10	3Y3-23340-00-33	•UNDER BRACKET COMP.	1	yamaha black
11	3Y1-23141-00	•SPRING, front fork	2	
12	583-23142-00	•SEAT, sPring uPPer	2	
13	2W6-23118-00	•SPACER	2	
14	509-23158-L0	•GASKET	2	
15	122-23129-00	•GASKET, drain Plug	2	
16	3Y1-23191-00	•BOOT	2	
17	341-92090-60	•BAND, boot	2	
18	3J2-23183-00	•CIRCLIP	2	
19	3Y1-23111-00	•BOLT, caP	2	
20	3Y1-23168-00	•CAP, front fork	2	
21	3Y1-2331E-00	•GUIDE, cable	1	
22	3Y1-23346-00	•BOLT 1	2	
23	278-23181-50	•BOLT, hexaGon socket head	2	
24	92501-06012	•SCREW, Pan head	1	
25	92901-06100	•WASHER, sPring	1	
26	509-23194-L0	•SCREW, boot band	2	
27	122-23119-01	•PLUG, drain	2	
28	92901-12100	•WASHER, sPring	2	

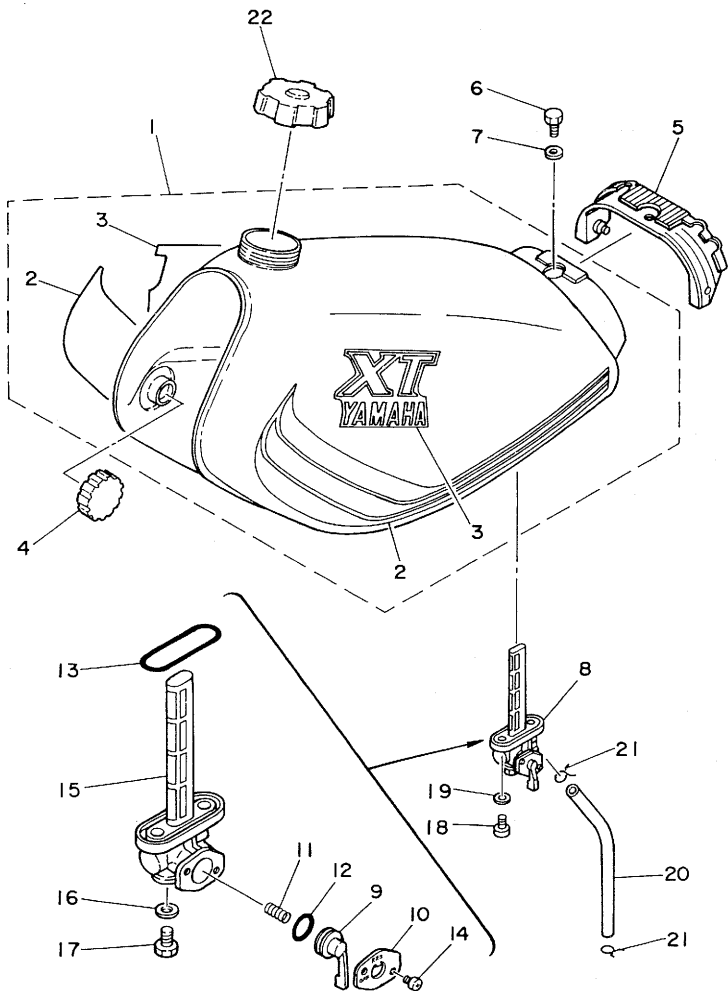
FIG. 24 FRONT FORK



REF. NO.	PART NO.	DESCRIPTION	Q'TY	REMARKS
29	3Y1-23317-00	•HOLDER, cable	1	
30	1W1-23389-00	•GUIDE, cable	1	

3Y2171-0240

FIG. 25 FUEL TANK

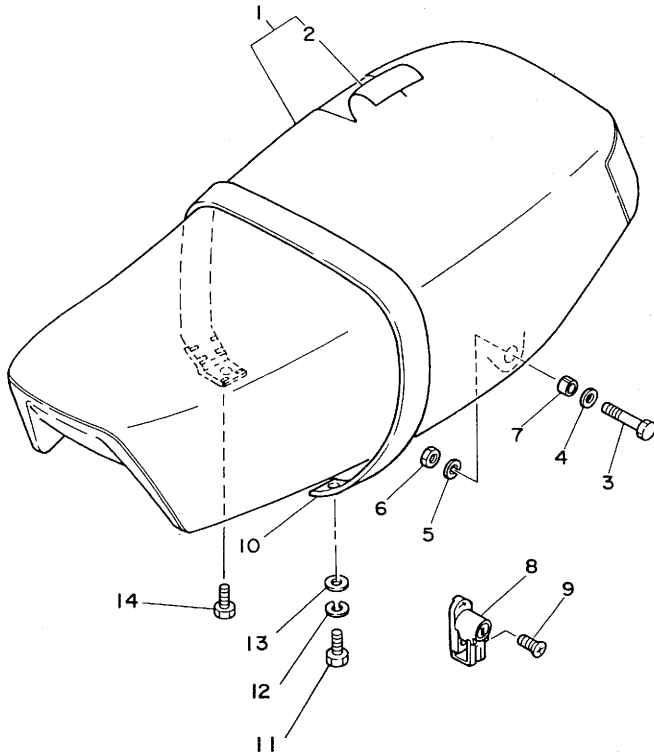


REF. NO.	PART NO.	DESCRIPTION	Q'TY	REMARKS
1	3Y1-24110-00-X5	FUEL TANK COMP.	1	chaPPy red
2	3Y1-24240-30	•GRAPHIC SET	1	
3	3Y1-24161-20	•EMBLEM 1	2	
4	278-24181-00	DAMPER, locating 1	2	
5	3Y1-24182-01	DAMPER, locating 2	1	
6	97302-06014	BOLT	1	
7	90201-06063	WASHER, Plate	1	
8	3Y1-24500-00	FUEL COCK ASSY 1	1	
9	3Y1-24524-00	•LEVER, cock	1	
10	3Y1-24525-00	•PLATE, lever fitting	1	
11	2W6-24529-00	•SPRING	1	
12	2N3-24528-00	•O-RING	1	
13	3H3-24512-00	•O-RING, fuel cock	1	
14	98501-03008	•SCREW, Pan head	2	
15	3Y1-24514-00	•NET, filter 1	1	
16	2G2-24522-00	•GASKET	1	
17	2G2-24543-00	•PLUG, drain	1	
18	90149-06011	SCREW	2	
19	90202-06010	WASHER, Plate	2	
20	90445-10458	HOSE	1	
21	90467-09006	CLIP	2	
22	3Y1-24610-01	CAP ASSY	1	



FIG. 26 SEAT

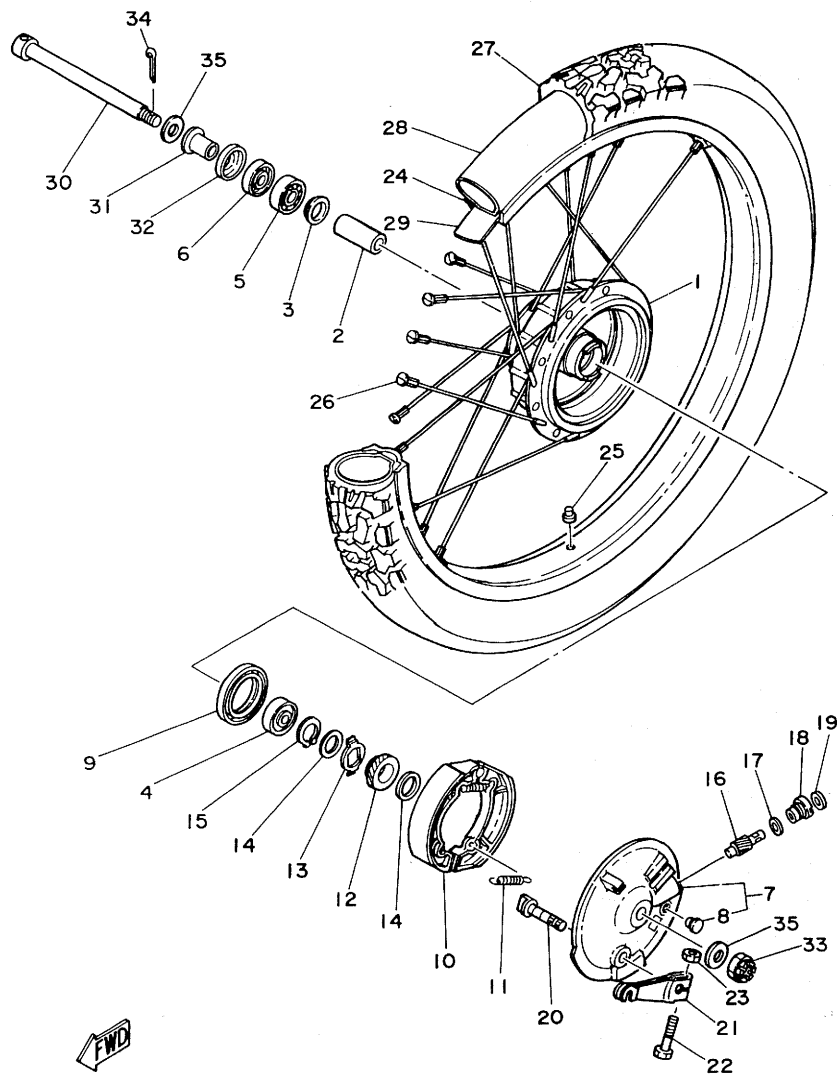
REF. NO.	PART NO.	DESCRIPTION	Q'TY	REMARKS
1	3Y1-W2473-00	SEMI-DOUBLE SEAT ASSY	1	
2	3Y1-24731-00	COVER, double seat	1	
3	97301-06045	BOLT	2	
4	90201-06053	WASHER, Plate	2	
5	92901-06100	WASHER, sPring	2	
6	95301-06600	NUT	2	
7	90387-10661	COLLAR	2	
8	3Y3-21308-00	HELMET HANGER ASSY	1	
9	92701-06018	SCREW, flat head	1	
10	3Y1-24778-00	BAND, seat fitting	1	
11	97301-08016	BOLT	1	
12	92901-08100	WASHER, sPring	1	
13	92901-08600	WASHER, Plate	1	
14	90101-08253	BOLT	1	



3Y4700-0260



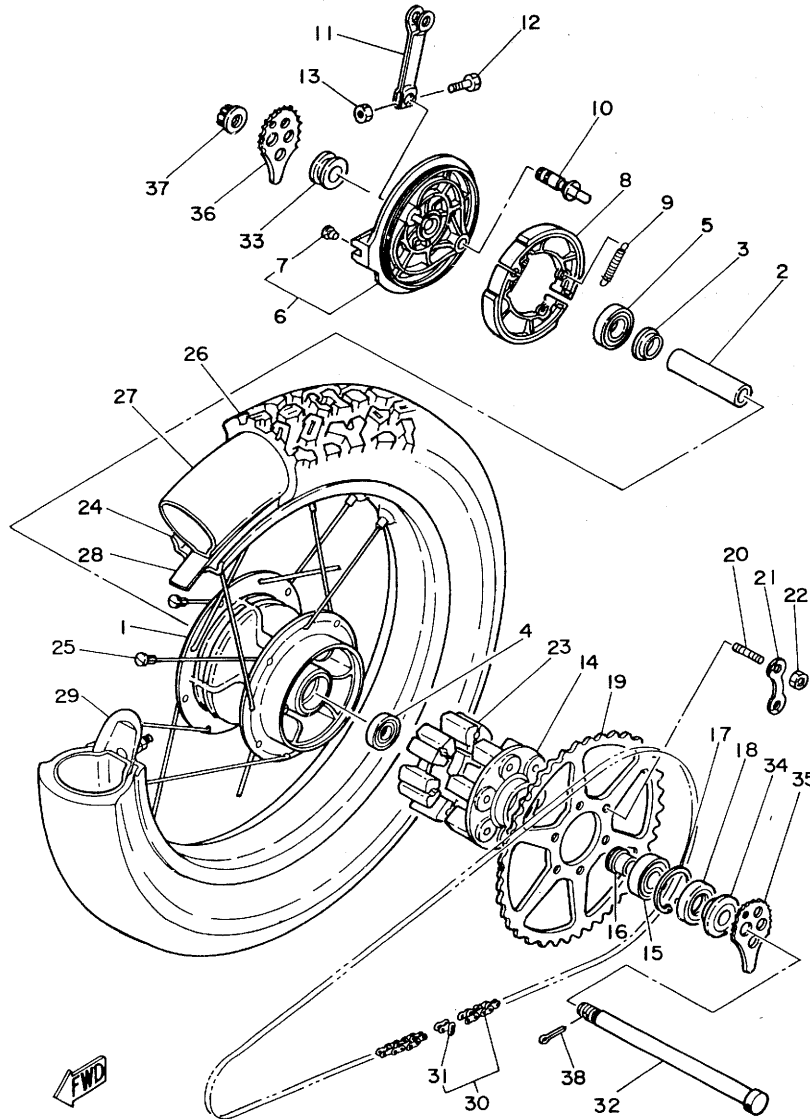
FIG. 27 FRONT WHEEL



REF. NO.	PART NO.	DESCRIPTION	Q'TY	REMARKS
29	94330-21084	BAND, rim (3.00-21)	1	bridgestone
30	403-25381-01	AXLE, wheel	1	
31	90387-15600	COLLAR	1	
32	322-25118-00	COVER, hub dust	1	
33	90171-14020	NUT, castle	1	
34	91401-30030	PIN, cotter	1	
35	90201-15785	WASHER, Plate	2	

3Y2171-0270

FIG. 28 REAR WHEEL

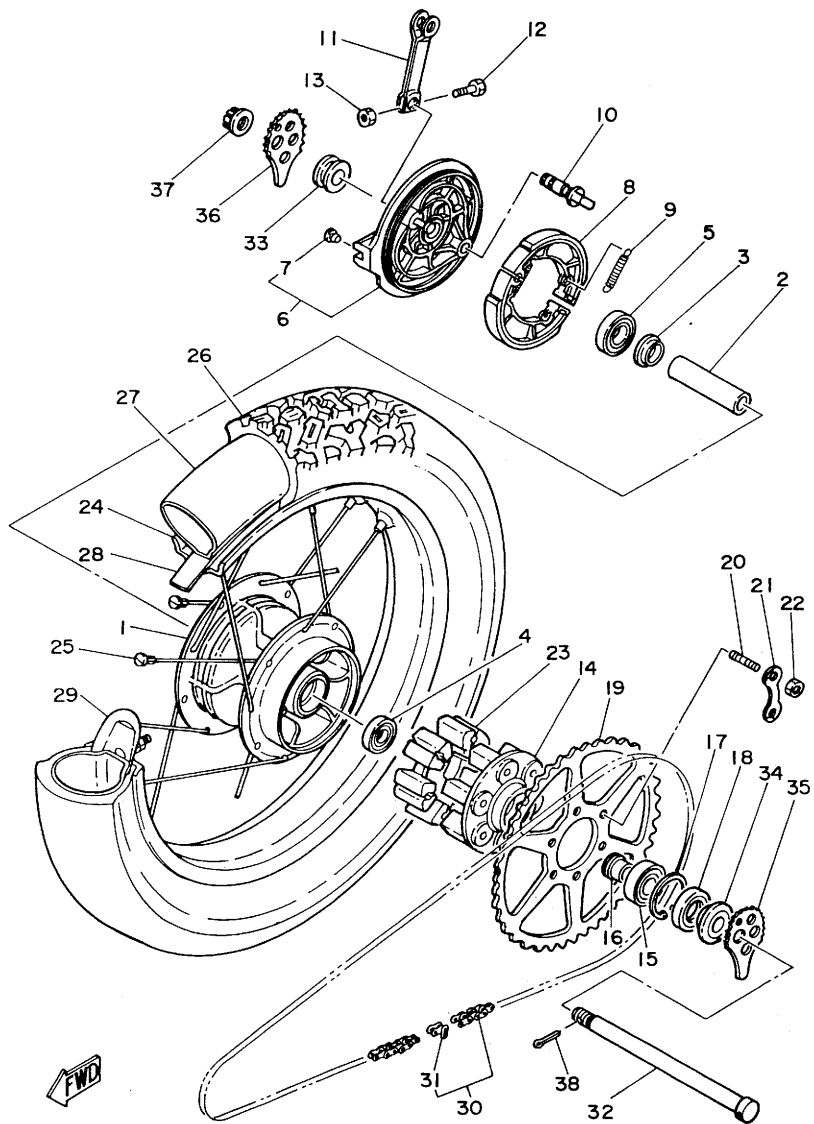


3Y2171-0280

REF. NO.	PART NO.	DESCRIPTION	Q'TY	REMARKS
1	3Y1-25311-00-98	HUB, rear	1	low gloss black
2	275-25317-00	SPACER, bearing	1	
3	146-25315-00	FLANGE, spacer	1	
4	93306-20316	BEARING (B6203)	1	
5	93306-20310	BEARING (B6203RS)	1	
6	3Y1-25026-00-98	BRAKE SHOE PLATE ASSY	1	low gloss black
7	90480-10068	GROMMET	1	
8	3Y1-25330-00	BRAKE SHOE COMP.	2	
9	90506-16036	SPRING, tension	2	
10	538-25351-01	CAMSHAFT	1	
11	1E2-25155-00	LEVER, camshaft 1	1	
12	90101-06278	BOLT	1	
13	95301-06600	NUT	1	
14	3Y1-25366-00-98	CLUTCH, hub	1	low gloss black
15	93306-20421	BEARING (B6204)	1	
16	3Y1-25377-00	COLLAR, wheel	1	
17	93420-47010	CIRCLIP	1	
18	93102-28022	OIL SEAL	1	
19	3Y1-25447-10-33	SPROCKET, driven (47T)	1	yamaha black
20	90116-08218	BOLT, stud	6	
21	90215-08160	WASHER, lock	3	
22	90170-08258	NUT	6	
23	3Y1-25364-00	DAMPER	6	
24	94421-17242	RIM (2.15-17)	1	
25	3Y1-25304-00	SPOKE SET, rear	1	
26	94146-17583	TIRE (4.60-17)	1	bridgestone
27	94246-17158	TUBE (4.60-17)	1	bridgestone
28	94332-17107	BAND, rim (3.25-17)	1	bridgestone

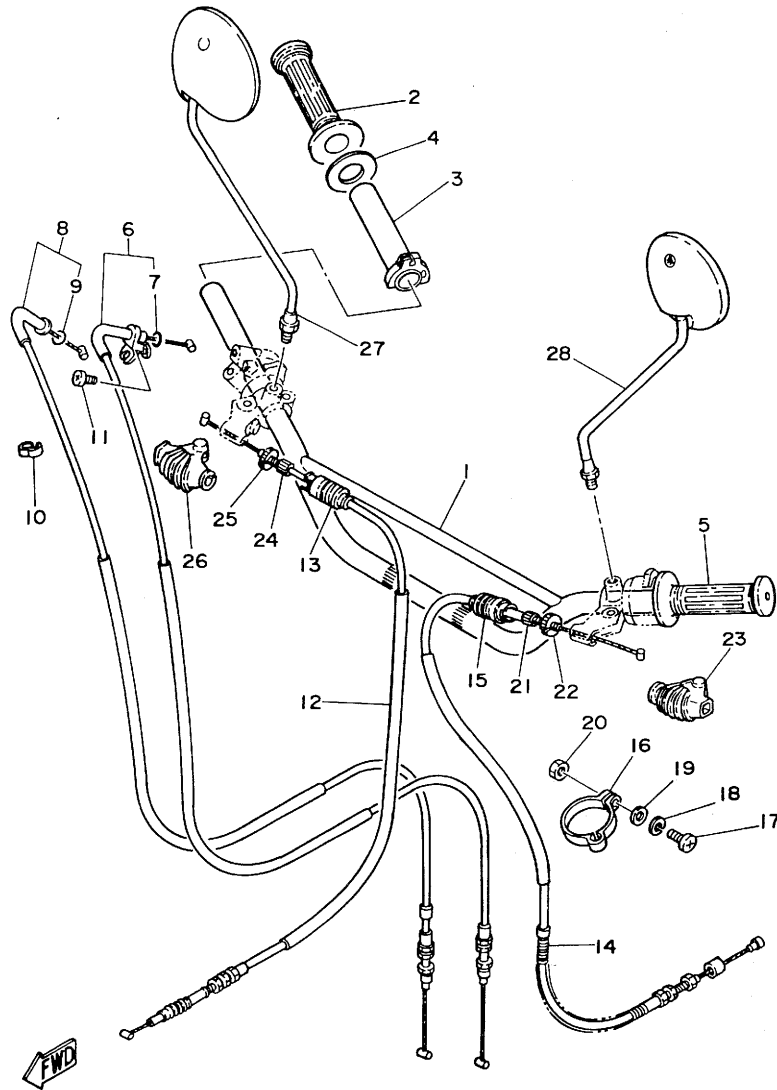
FIG. 28 REAR WHEEL

REF. NO.	PART NO.	DESCRIPTION	Q'TY	REMARKS
29	3Y1-25394-00	SPACER, bead	1	
30	94585-20098	CHAIN, drive (DID520DS 98L)	1	
31	94685-20011	JOINT, chain	1	
32	150-25381-00	AXLE, wheel	1	
33	90387-17141	COLLAR	1	
34	3Y1-25383-00	COLLAR, wheel	1	
35	3Y1-25388-00	PULLER, chain 1	1	
36	3Y1-25389-00	PULLER, chain 2	1	
37	90171-16024	NUT, castle	1	
38	91401-30030	PIN, cotter	1	



3Y2171-0280

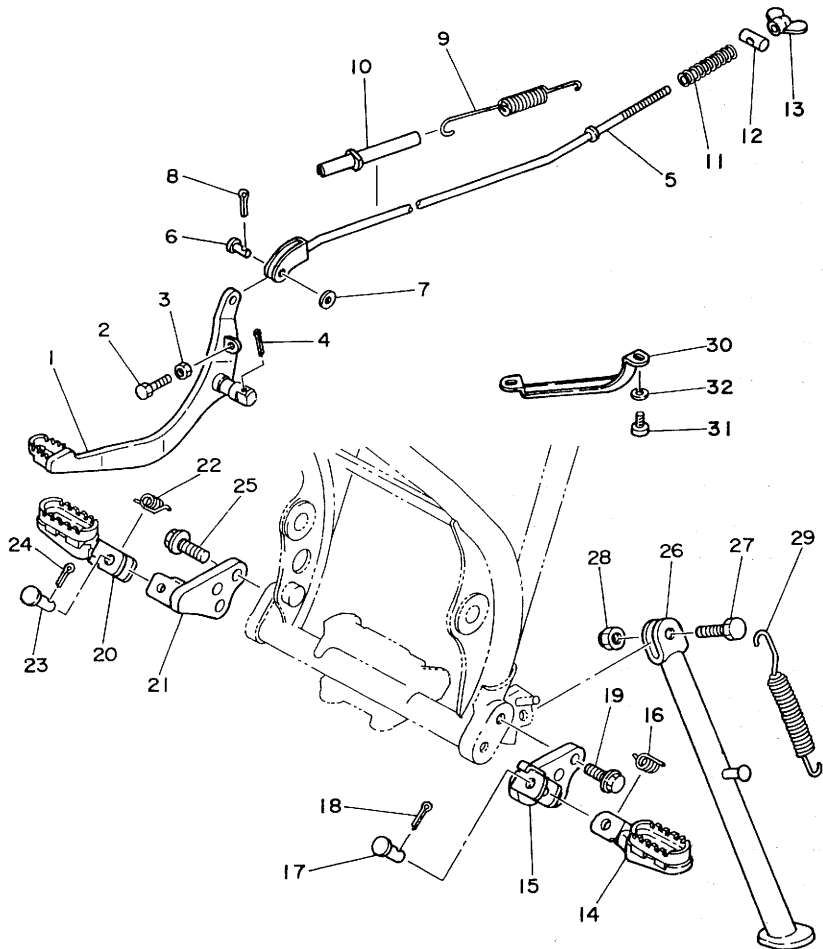
FIG. 29 HANDLEBAR·CABLE



3Y4700-0290

REF. NO.	PART NO.	DESCRIPTION	Q'TY	REMARKS
1	3Y1-26111-00	HANDLEBAR	1	
2	1A0-26242-01	GRIP (R.H)	1	
3	3Y1-26243-00	TUBE, throttle guide	1	
4	3Y1-26249-00	RING, leaf	1	
5	1E6-26241-00	GRIP (L.H)	1	
6	3Y1-26311-00	CABLE, throttle 1	1	
7	93210-08408	·O-RING	1	
8	3Y1-26312-00	CABLE, throttle 2	1	
9	93210-08408	·O-RING	1	
10	90468-15009	CLIP	1	
11	98506-05008	SCREW, Pan head	1	
12	3Y1-26341-00	CABLE, brake	1	
13	1E6-26342-00	BOOT, cable	1	
14	3Y0-26335-00	CABLE, clutch	1	
15	1E6-26342-00	BOOT, cable	1	
16	3Y1-26397-00	BAND	1	
17	98501-05016	SCREW, Pan head	1	
18	92901-05100	WASHER, sPring	1	
19	92901-05600	WASHER, Plate	1	
20	95301-05600	NUT	1	
21	90123-08046	BOLT	1	
22	90179-08148	NUT	1	
23	1E6-26372-00	COVER, handle lever 1	1	
24	90123-08046	BOLT	1	
25	90179-08148	NUT	1	
26	1E6-26372-00	COVER, handle lever 1	1	
27	3Y1-26290-00	BACK MIRROR ASSY	1	AP
28	3Y1-26290-10	BACK MIRROR ASSY	1	STD

FIG. 30 STAND.FOOTREST

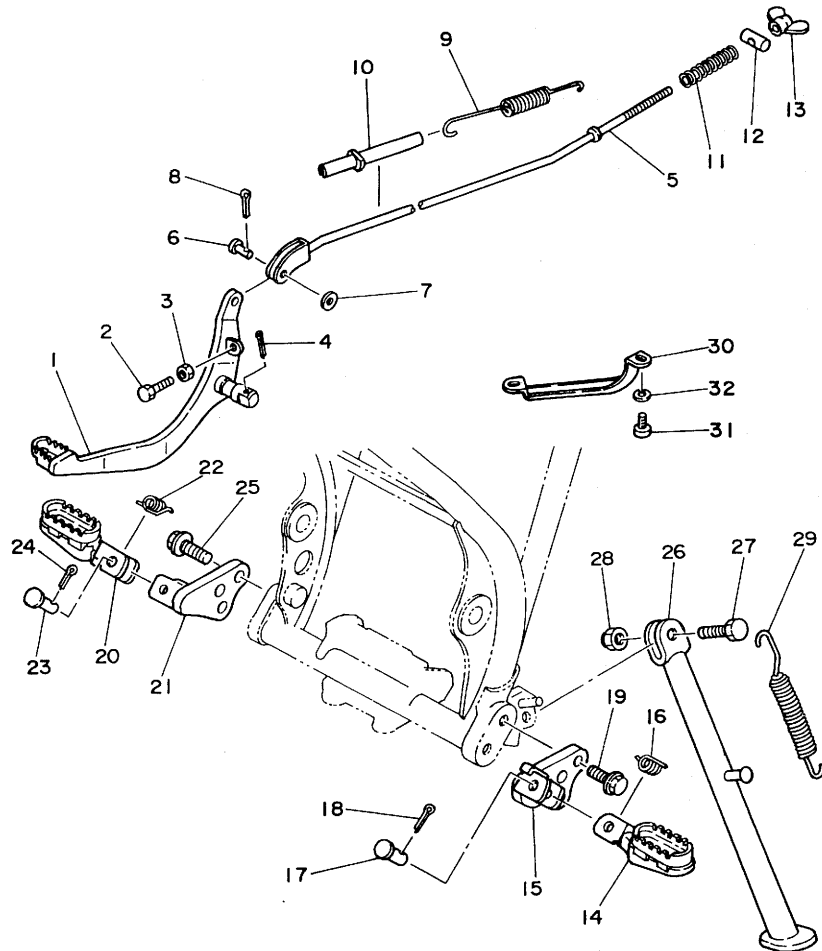


REF. NO.	PART NO.	DESCRIPTION	Q'TY	REMARKS
1	3Y1-27211-00-90	PEDAL, brake	1	uni chrome (black)
2	90101-06478	BOLT	1	
3	95301-06700	NUT	1	
4	91401-30020	PIN, cotter	1	
5	3Y1-27231-00	ROD, brake	1	
6	90240-06040	PIN, clevis	1	
7	92901-06200	WASHER, Plain	1	
8	91401-20015	PIN, cotter	1	
9	90506-18154	SPRING, tension	1	
10	1M1-27244-00	COVER	1	
11	90501-10245	SPRING, compression	1	
12	90249-12008	PIN	1	
13	90175-06013	NUT, wing	1	
14	3Y1-27411-00-R4	FOOTREST 1	1	black
15	3Y1-27412-00-R4	BRACKET, footrest 1	1	black
16	90508-20023	SPRING, torsion	1	
17	90240-08084	PIN, clevis	1	
18	91401-25015	PIN, cotter	1	
19	95821-10025	BOLT, flange	2	
20	3Y1-27421-00-R4	FOOTREST 2	1	black
21	3Y1-27422-00-R4	BRACKET, footrest 2	1	black
22	90508-20023	SPRING, torsion	1	
23	90240-08084	PIN, clevis	1	
24	91401-25015	PIN, cotter	1	
25	95821-10025	BOLT, flange	2	
26	3Y1-27311-01-33	STAND, side	1	yamaha black
27	90109-10635	BOLT	1	
28	90185-10037	NUT, self-locking	1	



3Y2171-1300

FIG. 30 STAND•FOOTREST

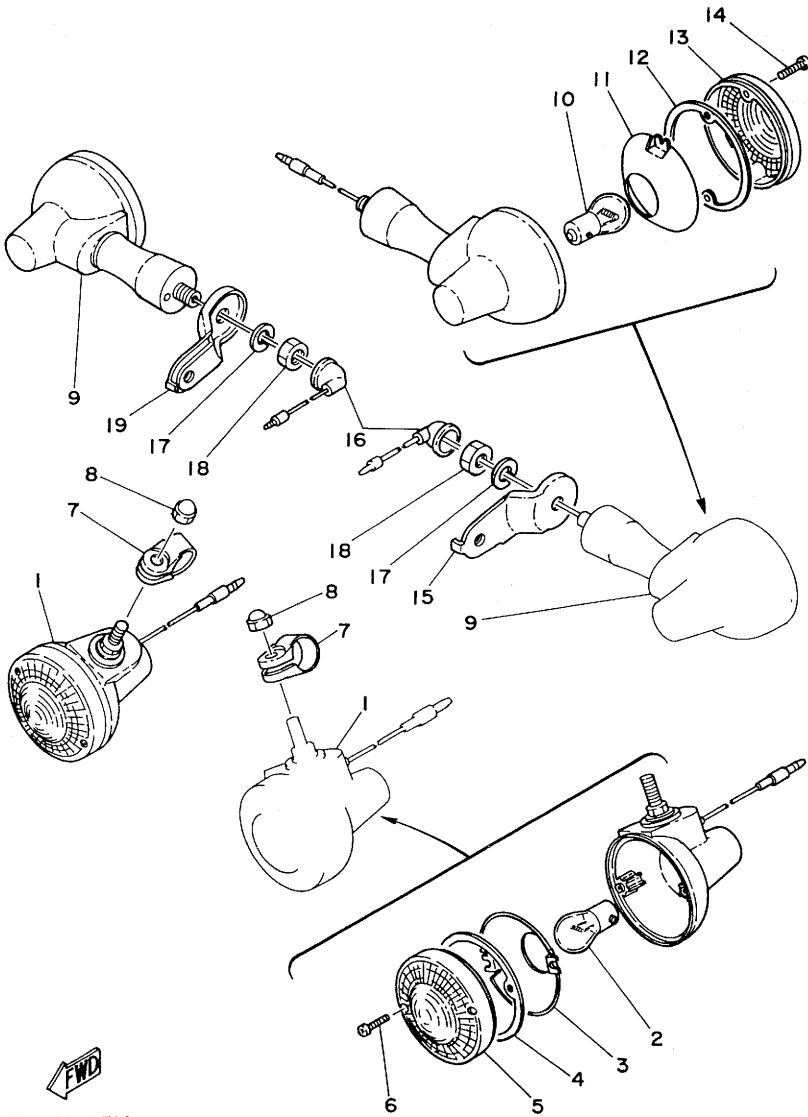


REF. NO.	PART NO.	DESCRIPTION	Q'TY	REMARKS
29	90507-29009	SPRING, tension	1	
30	3Y1-27371-00	GUIDE, lead wire	1	
31	92506-06012	SCREW, Pan head	1	
32	92906-06600	WASHER, Plate	1	



3Y2171-1300

FIG. 31 FLASHER LIGHT

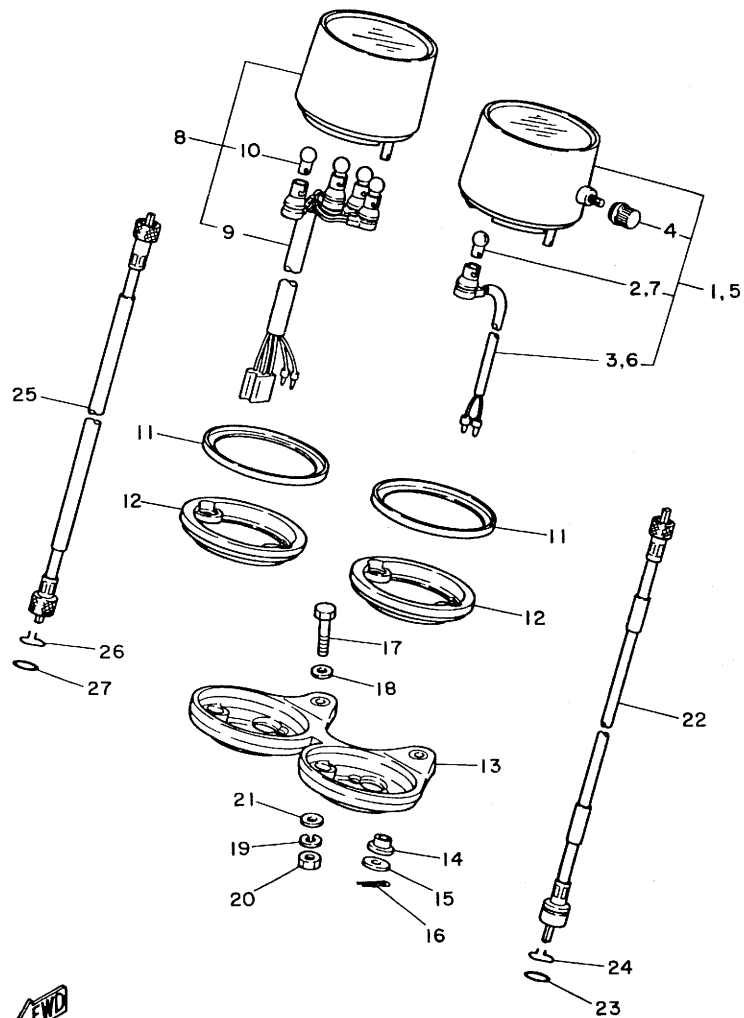


REF. NO.	PART NO.	DESCRIPTION	Q'TY	REMARKS
1	1M1-83310-60	FRONT FLASHER LIGHT ASSY 1	2	
2	115-83311-60	•BULB (6V-18W)	1	
3	1M1-83309-60	•REFLECTOR	1	
4	1M1-83313-60	•GASKET, flasher lens	1	
5	341-83312-70	•LENS, flasher	1	
6	97701-30520	•SCREW, Panhead tapping	2	
7	1M1-83318-00	STAY, flasher 1	2	
8	95303-08800	NUT, crown	2	
9	1T9-83330-60	REAR FLASHER LIGHT ASSY 1	2	
10	115-83311-60	•BULB (6V-18W)	1	
11	1M1-83309-60	•REFLECTOR	1	
12	1M1-83313-60	•GASKET, flasher lens	1	
13	341-83312-70	•LENS, flasher	1	
14	97701-30520	•SCREW, Panhead tapping	2	
15	1T2-83368-00	STAY, flasher	1	
16	3Y1-83365-00	CAP	2	
17	92901-10100	WASHER, sPring	2	
18	95302-10600	NUT	2	
19	1T2-83369-00	STAY, flasher	1	



3Y2171-1310

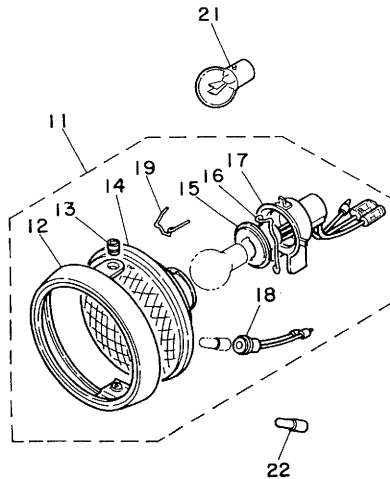
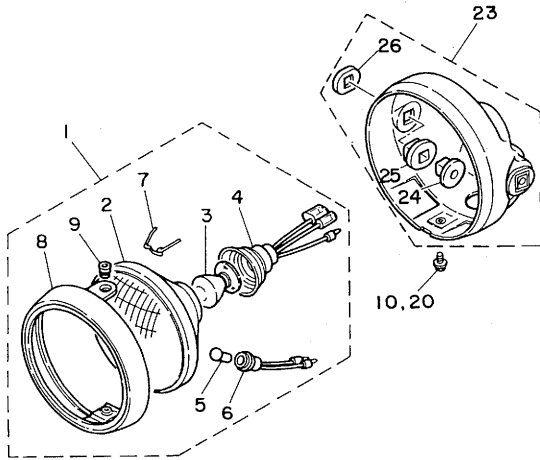
FIG. 32 SPEEDOMETER. TACHOMETER



REF. NO.	PART NO.	DESCRIPTION	Q'TY	REMARKS
1	2X1-83570-F0	SPEEDOMETER ASSY	1	km/h
2	122-83516-10	•BULB (6V-3W)	1	
3	1V1-83536-00	•SOCKET, meter	1	
4	1E6-83578-10	•KNOB, triP meter	1	
5	3Y3-83570-G0	SPEEDOMETER ASSY	1	mile/h
6	1V1-83536-00	•SOCKET, meter	1	
7	122-83516-10	•BULB (6V-3W)	1	
8	3Y3-83540-00	TACHOMETER ASSY	1	
9	3Y3-83520-00	•SOCKET CORD ASSY	1	
10	122-83516-10	•BULB (6V-3W)	4	
11	2A6-83506-00	RING, meter cover	2	
12	2A6-83513-00	DAMPER	2	
13	3J0-83519-00	BRACKET, meter	1	
14	1M1-83526-00	DAMPER 2	4	
15	90201-05033	WASHER, Plate	4	
16	90468-12007	CLIP	4	
17	97301-06045	BOLT	2	
18	92901-06600	WASHER, Plate	2	
19	92902-06100	WASHER, sPring	2	
20	95302-06600	NUT	2	
21	92902-06200	WASHER	2	
22	3Y1-83550-00	SPEEDOMETER CABLE ASSY	1	
23	93210-14104	O-RING	1	
24	102-25137-00	RING, stoP	1	
25	2J2-83560-00	TACHOMETER CABLE ASSY	1	
26	102-25137-00	RING, stoP	1	
27	93210-14104	O-RING	1	



FIG. 33 HEADLIGHT



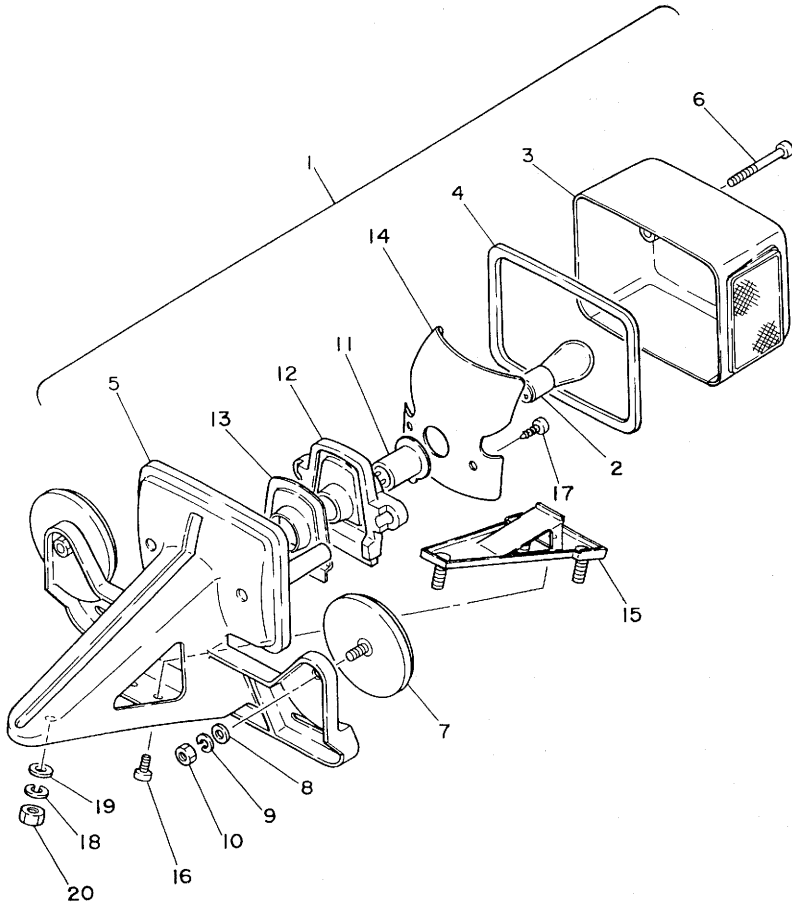
REF. NO.	PART NO.	DESCRIPTION	Q'TY	REMARKS
1	3Y3-84110-30	HEADLIGHT UNIT ASSY	1	
2	1R6-84120-30	•LENS ASSY	1	
3	1R6-84114-30	•BULB (6V-35/35W)	1	
4	3Y3-84112-30	•SOCKET	1	
5	122-83516-10	•BULB (6V-3W)	1	
6	1R6-84146-30	•SOCKET CORD ASSY	1	
7	195-84324-00	•SPRING, reflector	3	
8	3Y3-84115-00	•RIM, headlight	1	
9	1M1-84133-60	•COLLAR, screw	1	
10	1M1-84137-60	BOLT, sPecial	1	
11	3Y3-84103-20	HEADLIGHT UNIT ASSY	1	yellow bulb
12	3Y3-84115-00	•RIM, headlight	1	
13	1M1-84133-60	•COLLAR, screw	1	
14	308-84120-21	•LENS ASSY	1	
15	1N5-84112-20	•SOCKET	1	
16	308-84135-21	•SPRING	1	
17	3Y3-84197-20	•COVER, socket	1	
18	457-84146-85	•SOCKET, Pilot light	1	
19	195-84324-00	•SPRING, reflector	3	
20	1M1-84137-60	BOLT, sPecial	1	
21	*	BULB (6V 36/36W)	1	LM
22	*	BULB (6V 4W)	1	LM
23	3J0-84130-60	BODY ASSY, headlight	1	black
24	498-84145-60	•COLLAR, body fitting	2	
25	498-84163-60	•DAMPER	2	
26	1M1-84164-60	•DAMPER	2	



3Y2200-1330

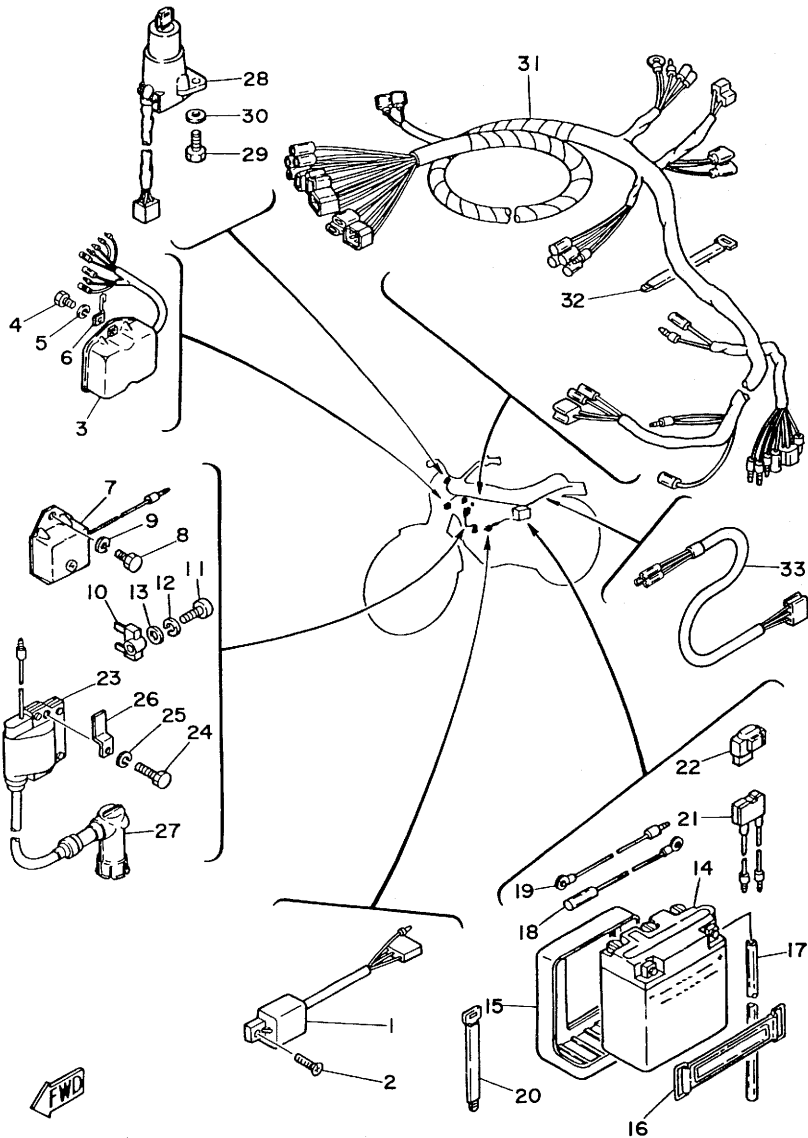
FIG. 34 TAILLIGHT

REF. NO.	PART NO.	DESCRIPTION	Q'TY	REMARKS
1	3Y1-84500-60	TAILLIGHT ASSY	1	
2	1M1-84514-60	.BULB (6V-32/3CP)	1	
3	1M1-84521-60	.LENS, taillight	1	
4	3Y1-84545-00	.GASKET, lens	1	
5	3Y1-84551-60	.BRACKET, licence	1	black
6	3Y1-84524-00	.SCREW, lens fitting	2	
7	449-85131-01	.REFLECTOR, rear 1	2	
8	92901-05200	.WASHER, Plain	2	
9	92901-05100	.WASHER, sPring	2	
10	95302-05600	.NUT	2	
11	3Y1-84536-00	.SOCKET CORD ASSY	1	
12	3Y1-83527-00	.DAMPER	1	
13	3Y1-84554-00	.WASHER, sPecial	1	
14	3Y1-84531-00	.REFLECTER, tail light	1	
15	3Y1-84552-00	.BOLT, fitting	1	
16	98901-04008	.SCREW, bind	2	
17	97701-40114	.SCREW, Panhead tapping	1	
18	92902-06100	WASHER, sPring	3	
19	90201-06055	WASHER, Plate	3	
20	95302-06600	NUT	3	



3Y2171-1340

FIG. 35 ELECTRICAL 1

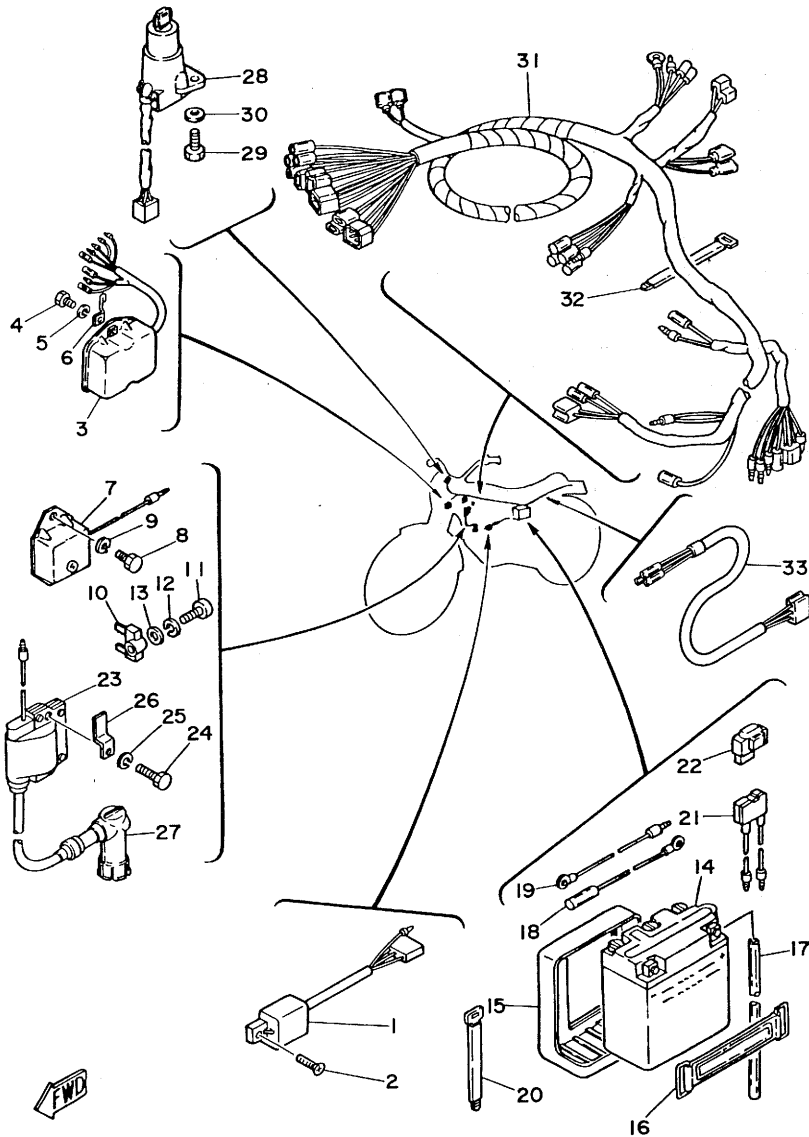


REF. NO.	PART NO.	DESCRIPTION	Q'TY	REMARKS
1	3Y1-85590-M0	CONTROL UNIT ASSY	1	
2	90151-06010	SCREW, countersunk	1	
3	3Y1-85540-20	C.D.I. UNIT ASSY	1	
4	97301-06016	BOLT	2	
5	92902-06100	WASHER, sPring	2	
6	90462-08068	CLAMP	1	
7	498-81910-23	VOLTAGE REGULATOR ASSY	1	
8	97302-06012	BOLT	2	
9	92902-06100	WASHER, sPring	2	
10	1M1-81970-60	RECTIFIER ASSY	1	
11	98501-05020	SCREW, Pan head	1	
12	92902-05100	WASHER, sPring	1	
13	92901-05600	WASHER, Plate	1	
14	1E6-82110-29	BATTERY ASSY (6N6-3B-1)	1	
15	3Y1-82122-00	SEAT, battery	1	
16	1E6-82131-00	BAND, battery	1	
17	90445-08348	HOSE	1	
18	2A6-82115-00	WIRE, Plus lead	1	
19	1M1-82519-00	WIRE, earth lead	1	
20	341-26397-01	BAND	1	
21	3J0-82181-00	CIRCUIT BREAKER COMP.	1	
22	3J0-82182-00	COVER, circuit breaker	1	
23	3Y1-82310-40	IGNITION COIL ASSY	1	
24	97302-06025	BOLT	2	
25	92902-06100	WASHER, sPring	2	
26	3Y1-82594-00	CLAMP	1	
27	512-82370-10	PLUG CAP ASSY	1	UR with noise supPresser
	1L9-82370-00	PLUG CAP ASSY	1	UR

3Y2200-1350

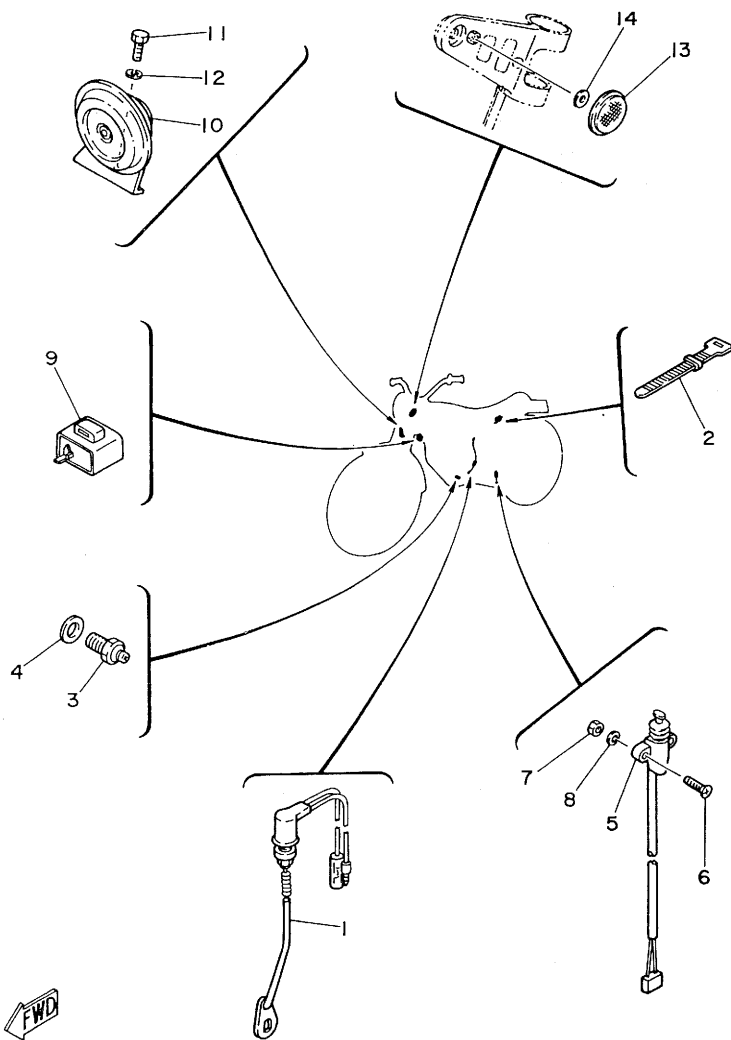
FIG. 35 ELECTRICAL 1

REF. NO.	PART NO.	DESCRIPTION	Q'TY	REMARKS
28	3Y3-82508-70	MAIN SWITCH ASSY	1	
29	97301-06016	BOLT	2	
30	92902-06600	WASHER	2	
31	3Y3-82590-80	WIRE HARNESS ASSY	1	
32	341-26397-01	BAND	1	
33	3Y1-84517-00	CORD, taillight	1	



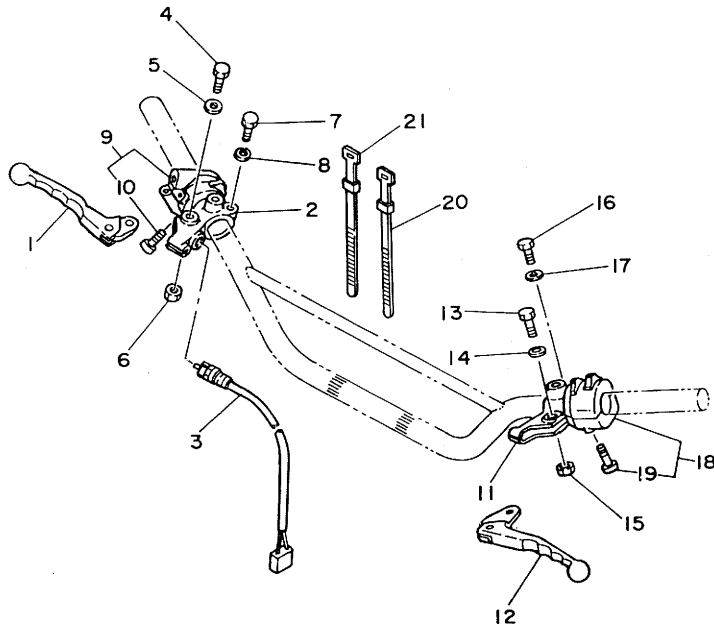
3Y2200-1350

FIG. 36 ELECTRICAL 2



REF. NO.	PART NO.	DESCRIPTION	Q'TY	REMARKS
1	3Y1-82530-00	STOP SWITCH ASSY	1	
2	437-83936-00	BAND, switch cord	1	
3	2H7-82540-00	NEUTRAL SWITCH ASSY	1	
4	90430-10148	GASKET	1	
5	3Y1-82566-00	SWICH, side stand	1	
6	98706-05020	SCREW, flat head	2	
7	95301-05600	NUT	2	
8	92901-05100	WASHER, sPring	2	
9	2A6-83350-60	FLASHER RELAY ASSY	1	
10	3Y1-83371-10	HORN	1	
11	97302-06012	BOLT	2	
12	92902-06100	WASHER, sPring	2	
13	2N8-85111-00	REFLECTOR, front 1	2	
14	90430-06012	GASKET	2	

FIG. 37 HANDLE SWITCH•LEVER



REF. NO.	PART NO.	DESCRIPTION	Q'TY	REMARKS
1	2H0-83922-20	LEVER 2	1	low gloss black
2	361-82921-31	HOLDER, lever 2	1	
3	1M1-83980-30	FRONT STOP SWITCH ASSY	1	
4	90109-06410	BOLT	1	
5	90201-08083	WASHER, Plate	1	
6	95601-06100	NUT, u	1	
7	97301-06022	BOLT	1	
8	92901-06100	WASHER, sPring	1	
9	3Y1-83976-01	SWITCH, handle 1	1	
10	98501-05020	•SCREW, Pan head	2	
11	498-82911-00	HOLDER, lever 1	1	
12	2H0-83912-20	LEVER 1	1	low gloss black
13	90109-06410	BOLT	1	
14	90201-08083	WASHER, Plate	1	
15	95601-06100	NUT, u	1	
16	97301-06022	BOLT	1	
17	92901-06100	WASHER, sPring	1	
18	3Y3-83972-00	SWITCH, handle 4	1	
19	98501-05022	•SCREW, Pan head	2	
20	437-83936-00	BAND, switch cord	4	
21	437-83936-00	BAND, switch cord	1	



3Y4700-0370



# INDEX

NUMERICAL INDEX

PART NO.	REF. NO.	PART NO.	REF. NO.	PART NO.	REF. NO.
3Y1-W2473-00	26- 1	3Y1-12232-00	5-12	2H0-14227-00	8-66
3Y1-1111F-00	1-23	3Y1-12241-00	5-10	2N6-14227-01	8- 6
3Y3-11110-00	1- 1	3Y1-12283-00	5-22	3F7-14265-00	8-46
3Y1-11127-00	1- 6	3Y1-12288-00	5-23	2H0-14272-00	8-59
3Y1-11133-10	1- 5	3Y1-12292-00	5-29	3Y1-14275-00	8-18
3Y1-11161-00	1- 7	3Y1-13310-01	6- 3	3Y1-14276-00	8-17
3Y1-11162-00	2- 3	3Y1-13316-00	6- 4	3Y1-14291-00	8-20
3Y1-11166-00	10-13	3Y6-13326-01	6- 2	3Y1-14292-00	8-45
371-11167-01	10-12	3Y1-13336-01	6- 1	3Y1-14401-01	7- 6
3Y1-11181-01	1- 8	3Y1-13341-00	6-11	3Y1-14412-00	7-15
3Y1-11185-00	1-15	3Y1-13411-00	6-15	3Y1-14419-00	7- 8
3Y1-11186-00	1-18	3Y1-13416-00	6-14	3Y1-14431-00	7-18
3Y1-11187-00	1-19	4X7-13440-90	6-19	3Y1-14451-00	7-12
3Y1-11310-00	2- 1	583-13447-00	6-22	3Y1-14453-00	7-11
3Y1-11351-01	2- 8	3Y1-13556-01	7- 2	3Y1-14458-00	7-13
3Y1-11400-00	3- 1	3Y1-13586-00	7- 1	3Y1-14462-00	7- 7
3Y1-11412-09	3- 2	3Y3-14101-00	8- 1	2H0-14534-00	8-64
3Y1-11422-01	3- 3	3Y1-14112-25	8- 2	3Y1-14536-00	8-14
3Y1-11454-00	3-13	2F5-14115-00	8-55	3Y1-14561-00	8-73
3Y1-11496-00	3-18	168-14116-67	8-10	583-14561-00	8-37
3Y1-11531-00	3-21	3Y1-14131-00	8-48	3Y1-14571-00	8-51
3Y1-11536-00	3-12	3F7-14134-00	8-21	3H1-14589-00	8- 5
3Y1-11565-00	3-17	156-14135-00	8-28	3Y1-14589-00	8-70
3Y1-11610-00	3- 9	164-14137-00	8- 7	583-14589-00	8-33
3Y1-11610-20	3- 9	3Y1-14141-39	8-39	3Y1-14592-00	8-15
3Y1-11610-40	3- 9	3Y1-14142-17	8- 9	583-14594-00	8-40
3Y1-11631-00-A0	3- 8	137-14143-32	8-36	341-14613-00	9-15
447-11633-00	3-10	137-14143-33	8-36	3Y1-14628-00	9- 2
3Y1-11636-00	3- 8	137-14143-34	8-36	3Y1-14711-00	9- 1
3Y1-11638-00	3- 8	2H0-14146-00	8-31	3Y1-14718-00	9- 5
3Y1-11651-01	3- 6	3H1-14147-00	8-22	3Y1-14728-00	9- 8
3Y1-11681-00	3- 4	3H1-14148-00	8-38	3Y1-14752-00-98	9-11
3Y1-12111-00	4- 1	3Y1-14153-00	8-13	583-14766-00	9- 4
3Y1-12113-01	4- 4	3Y1-14158-00	8-56		9- 7
3Y1-12114-01	4- 5	1M3-14169-00	8-25		9-10
3Y1-12116-00	4- 3	3Y1-14171-00	8- 4	3Y1-14905-00	8-67
3Y1-12117-01	4- 7	3Y1-14174-00	8- 3	2N6-14918-01	8- 8
1J7-12118-00	4- 8	3Y1-14175-00	8-41	3Y0-14918-00	8-68
1J7-12119-01	4- 6	3Y1-14184-00	8-11	3Y1-14933-00	8-63
3Y1-12121-00	4- 2	3H1-14185-00	8-35	3F7-14934-00	8-43
3Y1-12151-00	4- 9	537-14186-00	8-30	3Y1-14936-00	8-71
3Y1-12156-00	4-10	2H0-14190-20	8-29	3Y1-14940-00	8-69
3Y1-12159-00	4-12	2L1-14191-00	8-72	1A8-14953-00	8-49
3Y3-12170-00	5- 1	2H0-14195-00	8-60	584-14956-00	8-54
3Y1-12176-00	5- 2	3Y3-14196-00	8-58	3H1-14962-00	8-23
3Y1-12212-00	5-17	3Y1-14197-00	8-57	3Y1-14981-10	8-12
3Y1-12217-00	5-11	3Y3-14211-00	8-24	3Y1-14991-00	8-42
3Y1-12231-01	5- 9	3Y1-14215-00	8-44	2H0-14992-00	8-62

NUMERICAL INDEX

PART NO.	REF. NO.	PART NO.	REF. NO.	PART NO.	REF. NO.
3Y1-14992-00	8-61	3Y1-17411-00	15- 1	322-22128-01	21- 6
2A2-14997-00	8-47	3Y1-17456-00	15-27	2N6-22141-00	21-13
3Y1-15100-02	10- 1	3Y1-17461-50	15-26	3Y1-22151-00	21- 8
3Y1-15351-01	6-17	3Y3-17841-00	1-27	2N0-22178-00	21-26
3Y1-15361-00	11-11	3Y3-17843-00	1-29	3Y1-22179-00	21-24
3Y1-15363-00	11-12	3Y1-18101-00	17- 1	3Y1-22184-01	21- 2
3Y1-15378-01	11- 5	3Y1-18111-00	17-10	1W1-22187-00	21-27
3Y1-15383-00	10-15	132-18113-01	17-11	3Y1-22210-00	22- 1
3Y1-15411-01	11- 1	3Y1-18122-00	16-14	3Y1-22212-00	22-12
3Y1-15421-01	11- 4	3Y1-18140-00	16-12	3R4-22213-00	22-11
3Y1-15441-01	10- 8	3Y1-18141-00	16- 6	3R4-22214-00	22-13
3Y1-15451-01	11- 2	2K7-18151-00	16-16	1W1-22216-00	22- 9
3Y1-15461-00	11- 6	3Y1-18161-00	16- 5	3Y1-22223-00	22-15
3Y1-1561A-02	13-27	3Y1-18185-01	16- 7	3Y1-22224-00	22-14
3Y1-1561G-02	13-30	3Y1-18511-00	16-21	3R4-22226-00	22- 3
3Y1-15620-01	13-20	3Y1-18512-00	16-22	3R4-22228-00	22- 6
3Y1-15621-01	13-21	3Y1-18513-00	16-23	3Y1-22311-00	21-16
3Y1-15641-00	13- 2	3Y1-18531-00	16-18	3Y1-22318-00	21- 9
3Y1-15651-00	13-17	3Y1-18535-00	16-20	3Y1-22401-00	22- 2
3Y1-15660-00	13- 1	3Y1-18540-00	16- 1	3Y1-22409-00	22- 8
2K7-15668-00	13-11	136-18542-00	16- 2	1W1-22493-00	22- 5
248-15668-00	13-15	2K9-18561-00	16-10	3Y3-23100-00	24- 1
3Y1-15671-00	13- 5	3Y3-21110-E1-33	18- 1	3Y1-23110-00	24- 6
214-15674-00	13-12	3Y1-21279-00	18-22	3Y1-23111-00	24-19
168-15676-00	13- 7	3Y3-21308-00	26- 8	3J2-23114-00	24- 9
214-15686-00	13-13	3Y1-21315-00	18- 6	2W6-23118-00	24-13
3Y1-16111-01	14- 1	3Y1-21316-00	18- 2	122-23119-01	24-27
3Y1-16150-01	14- 7	3Y1-21329-00	21-20	3Y1-23126-00-98	24- 3
3Y1-16154-00	14- 8	3Y1-21471-00-35	18-17	122-23129-00	24-15
3Y1-16300-01	14- 6	3Y1-21475-00	18-10	3Y1-23136-00-98	24- 2
583-16321-00	14-10	3Y1-21511-01	19- 1	3Y1-23141-00	24-11
360-16325-00	14-11	3Y1-21611-00	19- 6	583-23142-00	24-12
3Y1-16351-00	14-12	3Y1-21620-00	19-15	1T3-23145-00	24- 5
3Y1-16356-01	14-16	1M1-21621-00	19-16	4A1-23156-00	24- 4
3Y1-16357-00	14-29	3Y1-21670-00	19- 7	509-23158-L0	24-14
1W1-16358-00	14-15	3Y1-21711-00-E1	20- 1	3Y1-23168-00	24-20
3Y1-16371-00	14- 9	3Y1-21721-00-E1	20-10	3Y1-23170-00	24- 7
3Y1-16380-01	14-22	3Y1-21746-00	20- 6	1W1-23173-L0	24- 8
3Y1-17121-00	15- 7	3Y1-2175R-00	7-19	278-23181-50	24-23
3Y1-17131-00	15- 5	3Y1-2177F-00	20-13	3J2-23183-00	24-18
3Y1-17141-00	15- 2	3Y1-21784-00	20- 3	3Y1-23191-00	24-16
3Y1-17151-00	15- 6	3Y1-21785-00	20- 4	509-23194-L0	24-26
3Y1-17211-00	15-20	3Y1-21786-20	20- 2	3Y1-2331E-00	24-21
3Y1-17221-00	15-12	3Y1-22110-00-33	21- 1	3Y1-23317-A0	23- 8
3Y1-17231-00	15-16	3Y1-22123-01	21- 3	3Y1-23317-00	24-29
3Y1-17241-00	15-19	3Y1-22124-01	21- 4	2N6-23318-00	23-20
3Y1-17251-00	15-15	156-22127-00	21- 5	3Y1-23319-00	23-24
3Y1-17402-00	15-11	1W1-22128-00	22-20	3Y3-23340-00-33	24-10

NUMERICAL INDEX

NUMERICAL INDEX

PART NO.	REF. NO.	PART NO.	REF. NO.	PART NO.	REF. NO.	PART NO.	REF. NO.	PART NO.	REF. NO.	PART NO.	REF. NO.
3Y1-23346-00	24-22	275-25317-00	28- 2	445-81328-20	12-10	1M1-83526-00	32-14	3Y1-84536-00	34-11	90159-06016	14-14
1W1-23389-00	23- 9	3Y1-25330-00	27-10	3Y1-81343-20	12- 6	3Y1-83527-00	34-12	3Y1-84545-00	34- 4	90170-06128	4-13
	24-30		28- 8	110-81345-21	12-15	1V1-83536-00	32- 3	3Y1-84551-60	34- 5	90170-08258	28-22
122-23411-00	23-15	538-25351-01	27-20	498-81910-23	35- 7		32- 6	3Y1-84552-00	34-15	90170-12062	21-42
156-23411-00	23- 1		28-10	1M1-81970-60	35-10	3Y3-83540-00	32- 8	3Y1-84554-00	34-13	90170-12067	3-28
122-23412-00	23-16	3Y1-25364-00	28-23	1E6-82110-29	35-14	3Y1-83550-00	32-22	2N8-85111-00	36-13	90170-16256	14- 5
156-23412-00	23-13	3Y1-25366-00-98	28-14	2A6-82115-00	35-18	2J2-83560-00	32-25	449-85131-01	34- 7	90170-20211	22-10
583-23416-01	23-18	3Y1-25377-00	28-16	3Y1-82122-00	35-15	2X1-83570-F0	32- 1	3Y1-85500-20	12- 1	90170-20257	14-21
3Y1-23435-00-98	23- 3	150-25381-00	28-32	1E6-82131-00	35-16	3Y3-83570-G0	32- 5	3Y1-85509-20	12- 3	90171-14020	27-33
1E6-23441-00-98	23-10	403-25381-01	27-30	3J0-82181-00	35-21	1E6-83578-10	32- 4	3Y1-85512-20	12- 4	90171-16024	28-37
164-23462-00	23- 2	3Y1-25383-00	28-34	3J0-82182-00	35-22	2H0-83912-20	37-12	3Y1-85513-20	12- 7	90175-06013	30-13
3Y1-24110-00-X5	25- 1	3Y1-25388-00	28-35	3Y1-82310-40	35-23	2H0-83922-20	37- 1	3Y1-85515-20	12- 9	90179-08148	29-22
3Y1-24161-20	25- 3	3Y1-25389-00	28-36	1L9-82370-10	35-27	437-83936-00	36- 2	3Y1-85519-20	12- 5		29-25
278-24181-00	25- 4	3Y1-25394-00	28-29	512-82370-00	35-27		37-20	3Y1-85528-20	12-11	90179-14298	5-15
3Y1-24182-01	25- 5	3Y1-25447-10-33	28-19	3Y3-82508-70	35-28		37-21	3Y1-85540-20	35- 3	90179-16018	3-24
3Y1-24240-30	25- 2	3Y1-26111-00	29- 1	1M1-82519-00	35-19	3Y3-83972-00	37-18	3Y1-85550-20	12- 2	90179-25033	23-19
3Y1-24453-00	8-19	1E6-26241-00	29- 5	3Y1-82530-00	36- 1	3Y1-83976-01	37- 9	3Y1-85580-20	12- 8	90185-08089	18- 5
3Y1-24500-00	25- 8	1A0-26242-01	29- 2	2H7-82540-00	36- 3	1M1-83980-30	37- 3	3Y1-85590-M0	35- 1		18- 9
3H3-24512-00	25-13	3Y1-26243-00	29- 3	3Y1-82566-00	36- 5	3Y3-84103-20	33-11	341-92090-60	24-17		18-16
3Y1-24514-00	25-15	3Y1-26249-00	29- 4	3Y3-82590-80	35-31	3Y3-84110-30	33- 1	90101-06278	27-22	90185-10037	30-28
2G2-24522-00	25-16	3Y1-26290-00	29-27	366-82591-00	5-30	1N5-84112-20	33-15		28-12	90185-14070	21-15
3Y1-24524-00	25- 9	3Y1-26290-10	29-28	3Y1-82594-00	35-26	3Y3-84112-30	33- 4	90101-06478	30- 2	90201-05031	20- 9
3Y1-24525-00	25-10	3Y1-26311-00	29- 6	498-82911-00	37-11	1R6-84114-30	33- 3	90101-08253	26-14	90201-05033	32-15
2N3-24528-00	25-12	3Y1-26312-00	29- 8	361-82921-31	37- 2	3Y3-84115-00	33- 8	90101-10303	5- 4	90201-06053	21-19
2W6-24529-00	25-11	3Y0-26335-00	29-14	1M1-83309-60	31- 3		33-12	90105-08162	18-14		26- 4
2G2-24543-00	25-17	3Y1-26341-00	29-12		31-11	3Y3-84118-00	23-27	90105-10139	1-12	90201-06055	34-19
3Y1-24610-01	25-22	1E6-26342-00	29-13	1M1-83310-60	31- 1	3Y3-84119-00	23-28	90105-10140	1-11	90201-06063	25- 7
3Y1-24731-00	26- 2		29-15	115-83311-60	31- 2	1R6-84120-30	33- 2	90105-14102	23- 4	90201-06067	7-24
3Y1-24768-00	18-18	1E6-26372-00	29-23		31-10	308-84120-21	33-14	90106-08032	23-11		19- 2
3Y1-24778-00	26-10		29-26	341-83312-70	31- 5	3J0-84130-60	33-23	90109-06410	37- 4		19-18
3Y1-25016-00-98	27- 7	3Y1-26397-00	29-16		31-13	1M1-84133-60	33- 9		37-13	90201-07076	27-17
3Y1-25026-00-98	28- 6	341-26397-01	35-20	1M1-83313-60	31- 4		33-13	90109-06418	5-27	90201-08083	37- 5
3Y1-25104-00	27-26		35-32		31-12	308-84135-21	33-16	90109-06419	6-23		37-14
3Y1-25111-00-98	27- 1	3Y1-27211-00-90	30- 1	1M1-83318-00	31- 7	1M1-84137-60	33-10	90109-06556	1-22	90201-08100	19-13
214-25117-00	27- 2	3Y1-27231-00	30- 5	1T9-83330-60	31- 9		33-20	90109-06566	1-31	90201-08326	9-18
322-25118-00	27-32	1M1-27244-00	30-10	2A6-83350-60	36- 9	498-84145-60	33-24	90109-08600	5-18	90201-08366	18- 4
308-25135-00	27-12	3Y1-27311-01-33	30-26	3Y1-83365-00	31-16	1R6-84146-30	33- 6	90109-10483	21-32		18- 8
109-25136-00	27-18	3Y1-27371-00	30-30	1T2-83368-00	31-15	457-84146-85	33-18	90109-10554	22-17		18-15
102-25137-00	32-24	3Y1-27411-00-R4	30-14	1T2-83369-00	31-19	498-84163-60	33-25	90109-10635	30-27	90201-08624	1-28
	32-26	3Y1-27412-00-R4	30-15	3Y1-83371-10	36-10	1M1-84164-60	33-26	90116-08218	28-20	90201-10118	10-11
308-25138-00	27-16	3Y1-27421-00-R4	30-20	2A6-83506-00	32-11	3Y3-84197-20	33-17	90122-05010	20- 8	90201-10119	6-12
214-25149-01	27-13	3Y1-27422-00-R4	30-21	2A6-83513-00	32-12	195-84324-00	33- 7	90123-08046	29-21	90201-10126	22-18
1E2-25155-00	28-11	120-27430-02	21-35	122-83516-10	32- 2		33-19		29-24	90201-10128	1-13
3Y1-25155-00	27-21	120-27431-00	21-39		32- 7	3Y1-84500-60	34- 1	90149-05110	6-26	90201-10135	13-32
3Y1-25304-00	28-25	120-27432-02	21-36		32-10	1M1-84514-60	34- 2	90149-06011	25-18	90201-10591	5- 5
3Y1-25311-00-98	28- 1	120-27433-00	21-37		33- 5	3Y1-84517-00	35-33	90149-08067	14-23	90201-12588	5-26
146-25315-00	28- 3	3Y1-28100-10	20-14	3J0-83519-00	32-13	1M1-84521-60	34- 3	90149-14146	5-14		17- 8
183-25315-00	27- 3	3Y1-28185-00	20- 7	3Y3-83520-00	32- 9	3Y1-84524-00	34- 6	90151-06010	35- 2	90201-12593	3-26
						3Y1-84531-00	34-14	90153-06029	1- 3	90201-14577	21-14

NUMERICAL INDEX

PART NO.	REF. NO.	PART NO.	REF. NO.	PART NO.	REF. NO.
90201-15340	13-24	90430-06156	6-10	91316-06025	9-16
90201-15701	13-10	90430-08119	14-24	91316-06030	2- 7
90201-15785	27-35	90430-10148	36- 4	91316-08050	1-14
90201-17255	17- 4	90430-14131	1-10	91401-10010	8-65
90201-20276	13-18	90445-08348	35-17	91401-16015	21-41
	15-21	90445-10458	25-20	91401-20015	30- 8
90201-20279	21-38	90446-11021	7-10	91401-25015	30-18
90201-20685	13- 3	90460-49160	7- 4		30-24
90201-20792	3-16	90460-54085	7-21	91401-30020	30- 4
90201-22283	27-14	90462-08062	11-14	91401-30025	22-23
90201-22793	15- 3	90462-08068	35- 6	91401-30030	27-34
90201-25287	15-13	90464-16039	7- 5		28-38
90202-06010	25-19	90465-08122	10- 7	91810-05016	11- 7
90202-06013	7-25	90467-09006	25-21	91830-22016	10- 2
90206-06060	9-14	90467-14015	10-14	91830-24016	1- 9
90206-14067	22- 7	90468-12007	32-16		2- 6
90209-22191	15-17	90468-15009	29-10	341-92090-60	24-17
90215-06162	1-25	90480-01141	20- 5	92501-06008	9-12
90215-06168	1-32	90480-08264	20-11	92501-06012	8-26
90215-08160	28-21		20-12		21-21
90215-16156	14- 3	90480-10068	27- 8		24-24
90215-16157	14- 4		27-25	92501-06014	6- 7
90215-20158	3-23		28- 7	92501-06015	10- 9
90215-20159	14-20	90480-16265	7-22	92501-06020	12-16
90240-06009	21-40	90501-10245	30-11	92501-06025	6- 9
90240-06040	30- 6	90501-10587	5-13	92502-06016	21-17
90240-08084	30-17	90501-10589	13-23	92506-06012	11-15
	30-23	90501-16107	13- 6		30-31
90240-12075	22-21	90501-18576	6-16	92506-06018	23-29
90249-12008	30-12	90501-21133	3-19	92506-06025	1-17
90280-05013	3-25	90501-26148	14-13		11- 8
90282-05013	3-22	90506-16036	27-11	92506-06030	10- 5
90282-07023	14- 2		28- 9		11- 3
90338-11111	21-34	90506-18154	30- 9	92506-06035	7-16
90340-10003	10-10	90507-29009	30-29		11- 9
90380-12051	22- 4	90508-12430	16-15	92506-06060	10- 6
90387-07789	19- 3	90508-14433	14-25	92506-06075	6-24
90387-10661	26- 7	90508-14481	13-33	92701-06015	10-16
90387-12787	17- 2	90508-16428	5-24	92701-06018	26- 9
90387-15600	27-31	90508-20023	30-16	92901-05100	21-29
90387-16547	2- 4		30-22		29-18
90387-16782	10- 4	90508-26434	16-13		34- 9
90387-17141	28-33	90508-32374	17- 5		36- 8
90387-17783	10- 3	90508-32432	13- 9	92901-05200	34- 8
90430-05126	6-25	90508-35350	21-33	92901-05600	21-30
90430-06012	36-14	90560-12191	17- 9		29-19
90430-06014	1- 4	91316-06020	1-21		35-13
	5-28		7- 3	92901-06100	9-13

NUMERICAL INDEX

PART NO.	REF. NO.	PART NO.	REF. NO.	PART NO.	REF. NO.
92901-06100	23-22	92906-06100	23-26	93306-20541	15- 8
	24-25		23-30	93306-30525	3-14
	26- 5	92906-06600	7-17		15-24
	37- 8		23-31	93306-30526	3-15
	37-17		30-32	93306-30622	3- 7
92901-06200	5-20	93101-14092	11-10	93310-831H1	3- 5
	12-17	93101-17093	15- 9	93315-23612	16- 3
	14-17	93102-10207	13-29	93315-31428	14-28
	30- 7	93102-12106	5-25	93315-32516	5- 6
92901-06600	13-34		17- 7	93410-10025	6-13
	23-23	93102-14209	14-27		13-28
	32-18	93102-20009	27- 6		16-19
92901-08100	19-11	93102-20108	13-16	93410-15005	13- 8
	26-12	93102-25208	15-25	93410-17008	17- 3
92901-08200	23-33	93102-25226	12-18	93410-20009	13-19
92901-08600	19-12	93102-28022	28-18		15-22
	23- 6	93104-07003	27-19	93410-20038	13- 4
	23-12	93104-08055	1-30	93410-22014	27-15
92901-10100	31-17	93104-14044	21-25	93410-22039	15- 4
92901-12100	3-27	93105-47007	27- 9	93410-25010	15-18
	24-28	93109-22019	21- 7	93420-28055	14-26
92901-12600	22-22	93210-06001	5-21	93420-47010	28-17
92902-04100	8-16	93210-06422	14-19	93430-07012	16-17
	8-53	93210-07135	6-21	93430-10016	13-25
92902-05100	35-12	93210-08408	29- 7	93440-12052	1- 2
92902-06100	8-27		29- 9	93440-25019	15-14
	18-20	93210-09165	4-11	93440-34025	16- 4
	19- 5	93210-10096	6- 8	93440-48079	22-16
	19- 9	93210-14104	32-23	93450-22027	3-11
	21-11		32-27	93501-04011	23-14
93210-16325	5-16	93210-16325	5-16	93501-08001	8-34
93210-18322	2- 5	93210-18322	2- 5	93503-16010	23-17
93210-19123	11-13	93210-19123	11-13	93507-32009	13-22
93210-40351	6-18	93210-40351	6-18	93511-32017	14-30
93210-57412	1-20	93210-57412	1-20	93603-07073	6- 6
93210-64297	6-20	93210-64297	6-20	93603-12030	6- 5
93210-81411	2- 2	93210-81411	2- 2	93604-10011	5- 3
93211-05393	7-14	93211-05393	7-14	93604-18100	16- 8
93211-06485	1-16	93211-06485	1-16	93604-29151	16- 9
93211-19413	12-19	93211-19413	12-19	93605-10090	3-20
93306-00301	15-10	93306-00301	15-10	93608-30152	17- 6
93306-00401	15-23	93306-00401	15-23	94130-21658	27-27
93306-00502	5- 7	93306-00502	5- 7	94146-17583	28-26
93306-20203	27- 4	93306-20203	27- 4	94227-21123	27-28
93306-20205	27- 5	93306-20205	27- 5	94246-17158	28-27
93306-20310	28- 5	93306-20310	28- 5	94330-21084	27-29
93306-20316	28- 4	93306-20316	28- 4	94332-17107	28-28
93306-20421	28-15	93306-20421	28-15	94416-21241	27-24

NUMERICAL INDEX

PART NO.	REF. NO.	PART NO.	REF. NO.	PART NO.	REF. NO.
94421-17242	28-24	97301-08030	19-10		
94500-02090	5- 8	97301-08040	23-32		
94585-20098	28-30	97302-06012	35- 8		
94685-20011	28-31		36-11		
94701-00117	1-26	97302-06014	25- 6		
94701-00141	1-26	97302-06025	35-24		
95301-05600	21-31	97306-06012	23-25		
	29-20	97311-08030	13-26		
	36- 7	97313-08055	23- 5		
95301-06600	14-18	97321-06016	13-14		
	26- 6	97321-06020	17-12		
	27-23	97322-06010	15-28		
	28-13	97322-08016	18-11		
95301-06700	30- 3	97701-30520	7- 9		
95301-08700	5-19		31- 6		
95302-05600	34-10		31-14		
95302-06600	32-20	97701-40114	34-17		
	34-20	97701-40508	7-20		
95302-08600	19-14	98501-03008	25-14		
	23-35	98501-05010	8-50		
95302-10600	31-18	98501-05012	12-14		
95303-08600	23- 7	98501-05016	29-17		
95303-08800	31- 8	98501-05020	35-11		
95311-06700	13-31		37-10		
95601-06100	37- 6	98501-05022	37-19		
	37-15	98501-05030	12-12		
95602-10100	22-19	98501-05035	12-13		
95811-08016	9-17	98501-05040	21-28		
95811-08070	18- 3	98502-04006	8-32		
95812-08055	18- 7	98502-04014	8-52		
95821-10025	30-19	98506-05008	29-11		
	30-25	98701-05035	16-11		
97301-06012	1-24	98706-05020	36- 6		
97301-06016	7-23	98901-04008	34-16		
	7-26	98906-06008	9- 3		
	18-19		9- 6		
	19- 4		9- 9		
	19- 8	*	33-21		
	19-17		33-22		
	21-10				
	23-21				
	35- 4				
	35-29				
97301-06022	37- 7				
	37-16				
97301-06045	26- 3				
	32-17				
97301-08016	26-11				

## PARTS NAME INDEX

DESCRIPTION	REF. NO.
ABSORBER 1	1- 7
ABSORBER 2	2- 3
ABSORBER 3	1- 6
AIR CLEANER CASE ASSY	7- 6
ARM, tensioner	21-24
ARM, valve rocker	4- 9
AXLE, main (14T)	15- 1
AXLE, wheel	27-30
*	28-32
BACK MIRROR ASSY	29-27
*	29-28
BALL	8-34
*	13-22
*	14-30
*	23-14
*	23-17
BAND	5-30
*	29-16
*	35-20
*	35-32
BAND, battery	35-16
BAND, boot	24-17
BAND, rim (3.00-21)	27-29
BAND, rim (3.25-17)	28-28
BAND, seat fitting	26-10
BAND, switch cord	36- 2
*	37-20
*	37-21
BAR, shift fork guide 1	16-18
BAR, shift fork guide 2	16-20
BASE, magneto	12- 3
BATTERY ASSY (6N6-3B-1)	35-14
BEARING	3- 7
*	15-10
BEARING (B6004)	15-23
BEARING (B6005)	5- 7
BEARING (B6202)	27- 5
BEARING (B6202RS)	27- 4
BEARING (B6203)	28- 4
BEARING (B6203RS)	28- 5
BEARING (B6204)	28-15
BEARING (B6205)	15- 8
BEARING (B6305)	3-14
*	15-24
BEARING (83A539SN2-9C3)	3-15
BEARING, cylindrical	3- 5

## PARTS NAME INDEX

DESCRIPTION	REF. NO.
BEARING, cylindrical	5- 6
*	14-28
*	16- 3
BDDY ASSY, headlight	33-23
BODY, float chamber	8-12
BOLT	1-14
*	1-21
*	1-22
*	1-24
*	1-31
*	2- 7
*	5- 4
*	5-18
*	5-27
*	6-23
*	7- 3
*	7-23
*	7-26
*	9-16
*	13-14
*	13-26
*	15-28
*	17-12
*	18-11
*	18-19
*	19- 4
*	19- 8
*	19-10
*	19-17
*	21-10
*	21-32
*	22-17
*	23- 5
*	23-11
*	23-21
*	23-25
*	23-32
*	25- 6
*	26- 3
*	26-11
*	26-14
*	27-22
*	28-12
*	29-21
*	29-24
*	30- 2
*	30-27
*	32-17

## PARTS NAME INDEX

DESCRIPTION	REF. NO.
BOLT	35- 4
*	35- 8
*	35-24
*	35-29
*	36-11
*	37- 4
*	37- 7
*	37-13
*	37-16
BOLT 1	24-22
BOLT, cap	24-19
BOLT, fitting	34-15
BOLT, flange	9-17
*	18- 3
*	18- 7
*	30-19
*	30-25
BOLT, hexagon socket head	24-23
BOLT, special	33-10
*	33-20
BOLT, stud	28-20
BOLT, washer based	1-11
*	1-12
*	18-14
*	23- 4
BOLT, wing	20- 8
BOOT	24-16
BOOT, cable	29-13
*	29-15
BOSS, buffer	3-18
BOSS, clutch	14- 9
BOSS, kick crank	13-21
BRACKET 1	8-20
*	21-36
BRACKET 2	8-45
BRACKET, decomp.	5-22
BRACKET, footrest 1	30-15
BRACKET, footrest 2	30-21
BRACKET, licence	34- 5
BRACKET, meter	32-13
BRACKET, throttle	8-51
BRAKE SHOE COMP.	27-10
*	28- 8
BRAKE SHOE PLATE ASSY	27- 7
*	28- 6
BULB (6V-18W)	31- 2
*	31-10
BULB (6V-3W)	32- 2

## PARTS NAME INDEX

DESCRIPTION	REF. NO.
BULB (6V-3W) .....	32- 7
* .....	32-10
* .....	33- 5
BULB (6V-32/3CP) .....	34- 2
BULB (6V-35/35W) .....	33- 3
BULB (6V 36/36W) .....	33-21
BULB (6V 4W) .....	33-22
BUSH .....	21- 2
* .....	27-18
BUSH 1 .....	21- 3
BUSH 2 .....	21- 4
BUSH, driven gear outer .....	1-29
BUSH, rear shock absorber .....	22- 9
BUSH, shock absorber lower .....	22- 3
BUSH, solid .....	22- 4
C.D.I. MAGNETO ASSY .....	12- 1
C.D.I. UNIT ASSY .....	35- 3
CABLE, brake .....	29-12
CABLE, clutch .....	29-14
CABLE, decomp. ....	5-29
CABLE, throttle 1 .....	29- 6
CABLE, throttle 2 .....	29- 8
CAM, decomp. ....	5-23
CAMSHAFT .....	27-20
* .....	28-10
CAMSHAFT ASSY 1 .....	5- 1
CAP .....	8-25
* .....	31-16
CAP ASSY .....	25-22
CAP, cleaner case 1 .....	7-15
CAP, front fork .....	24-20
CAP, Plunger .....	8- 3
CARBURETOR ASSY 1 .....	8- 1
CASE, chain .....	21-16
CASE, chain tensioner .....	5-17
CHAIN (BF05M 90L) .....	5- 8
CHAIN, drive (DID520DS 98L) .....	28-30
CIRCLIP .....	1- 2
* .....	3-11
* .....	6-13
* .....	13- 4
* .....	13- 8
* .....	13-19
* .....	13-25
* .....	13-28
* .....	14-26
* .....	15- 4
* .....	15-14
* .....	15-18
* .....	15-22

## PARTS NAME INDEX

DESCRIPTION	REF. NO.
CIRCLIP .....	16- 4
* .....	16-17
* .....	16-19
* .....	17- 3
* .....	22-16
* .....	24-18
* .....	27-15
* .....	28-17
CIRCUIT BREAKER COMP. ....	35-21
CLAMP .....	7- 5
* .....	10- 7
* .....	11-14
* .....	12-10
* .....	35- 6
* .....	35-26
CLAMP, hose .....	7- 4
* .....	7-21
CLAMP, lead .....	12-11
CLIP .....	8- 7
* .....	10-14
* .....	25-21
* .....	29-10
* .....	32-16
CLIP, oil seal .....	24- 4
CLUTCH ASSY .....	14- 6
CLUTCH, hub .....	28-14
CLUTCH, meter .....	27-13
COIL, lighting 1 .....	12- 7
COIL, Pulser .....	12- 8
COIL, source .....	12- 4
COLLAR .....	2- 4
* .....	8-40
* .....	8-46
* .....	10- 3
* .....	10- 4
* .....	17- 2
* .....	19- 3
* .....	26- 7
* .....	27-31
* .....	28-33
COLLAR, body fitting .....	33-24
COLLAR, coil fitting .....	12- 6
COLLAR, screw .....	33- 9
* .....	33-13
COLLAR, wheel .....	28-16
* .....	28-34
CONTROL UNIT ASSY .....	35- 1
CORD, taillight .....	35-33

## PARTS NAME INDEX

DESCRIPTION	REF. NO.
COTTER, valve .....	4- 8
COVER .....	20-13
* .....	30-10
COVER, ball race 2 .....	23-18
COVER, breather 2 .....	10-12
COVER, circuit breaker .....	35-22
COVER, crankcase 1 .....	11- 1
COVER, crankcase 2 .....	11- 4
COVER, cylinder head side 1 .....	1-15
COVER, cylinder head side 2 .....	1-18
COVER, cylinder head side 3 .....	1-19
COVER, double seat .....	26- 2
COVER, handle lever 1 .....	29-23
* .....	29-26
COVER, hub dust .....	27-32
COVER, oil element .....	6-22
COVER, Pump .....	6- 4
COVER, rear footrest .....	21-37
COVER, shift Pedal .....	17-11
COVER, side 1 .....	20- 1
COVER, side 2 .....	20-10
COVER, socket .....	33-17
COVER, spring .....	13- 7
COVER, thrust 1 .....	21- 6
* .....	22-20
CRANK 1 .....	3- 2
CRANK 2 .....	3- 3
CRANKCASE ASSY .....	10- 1
CRANKSHAFT ASSY .....	3- 1
CROWN, handle .....	23- 3
CYLINDER .....	2- 1
CYLINDER COMP., front fork .....	24- 7
CYLINDER HEAD ASSY .....	1- 1
DAMPER .....	5-12
* .....	20- 6
* .....	28-23
* .....	32-12
* .....	33-25
* .....	33-26
* .....	34-12
DAMPER 2 .....	32-14
DAMPER, locating 1 .....	25- 4
DAMPER, locating 2 .....	25- 5
DIAPHRAGM ASSY .....	8-69
DRIVE AXLE ASSY .....	15-11
DUMPER SUB ASSY .....	22- 2
ELEMENT ASSY, oil cleaner .....	6-19
ELEMENT, air cleaner .....	7-12
EMBLEM 1 .....	25- 3

## PARTS NAME INDEX

DESCRIPTION	REF. NO.
EMBLEM 4	20- 3
EMBLEM 5	20- 4
EMBLEM 6	20- 2
FENDER, front	19- 1
FENDER, rear	19- 6
FLANGE, sPacer	27- 3
*	28- 3
FLAP	19-16
FLASHER RELAY ASSY	36- 9
FLOAT	8-35
FOOTREST 1	30-14
FOOTREST 2	30-20
FOOTREST, rear 1	21-39
FORK, shift 1	16-21
FORK, shift 2	16-22
FORK, shift 3	16-23
FRAME COMP	18- 1
FRONT FLASHER LIGHT ASSY 1	31- 1
FRONT FORK ASSY	24- 1
FRONT STOP SWITCH ASSY	37- 3
FUEL COCK ASSY 1	25- 8
FUEL TANK COMP.	25- 1
GASKET	1- 4
*	1-10
*	5-28
*	6-10
*	6-25
*	8-14
*	14-24
*	24-14
*	25-16
*	36- 4
*	36-14
GASKET, crankcase cover	11- 2
GASKET, crankcase cover 2	11- 6
GASKET, cylinder	2- 8
GASKET, cylinder head 1	1- 8
GASKET, drain Plug	24-15
GASKET, exhaust PiPe	9-15
GASKET, flasher lens	31- 4
*	31-12
GASKET, float chamber	8-11
GASKET, lens	34- 4
GASKET, manifold	7- 2
GAUGE, level	11-11
GEAR, balance wt (43T)	3-21
GEAR, drive (10T)	27-12
GEAR, drive (43T)	3-12

## PARTS NAME INDEX

DESCRIPTION	REF. NO.
GEAR, driven	1-27
GEAR, kick (30T)	13- 2
GEAR, kick idle (27T)	13-17
GEAR, meter (10T)	27-16
GEAR, oil PumP idle (20T)	6-11
GEAR, Primary drive	14- 1
GEAR, PumP driven 2	6- 2
GEAR, 1st wheel (37T)	15-20
GEAR, 2nd Pinion (19T)	15- 7
GEAR, 2nd wheel (32T)	15-12
GEAR, 3rd Pinion (23T)	15- 5
GEAR, 3rd wheel (29T)	15-16
GEAR, 4th Pinion (26T)	15- 2
GEAR, 4th wheel (26T)	15-19
GEAR, 5th Pinion (28T)	15- 6
GEAR, 5th wheel (23T)	15-15
GRAPHIC SET	25- 2
GRIP (L+H)	29- 5
GRIP (R+H)	29- 2
GROMMET	7-22
*	20- 5
*	20-11
*	20-12
*	27- 8
*	27-25
*	28- 7
GUARD, chain	21- 9
GUIDE	7-13
GUIDE, cable	23- 9
*	24-21
*	24-30
GUIDE, chain	21-27
GUIDE, intake valve (1ST D/S)	1- 5
GUIDE, lead wire	30-30
GUIDE, Plate stopPer	16- 5
GUIDE, ratchet wheel	13-12
GUIDE, sPring 1	22-13
GUIDE, sPring 2	22-14
GUIDE, stopPer 1	5- 9
GUIDE, stopPer 2	5-10
HANDLEBAR	29- 1
HEADLIGHT UNIT ASSY	33- 1
*	33-11
HELMET HANGER ASSY	26- 8
HOLDER	11- 5
HOLDER, cable	23- 8
*	24-29
HOLDER, cable 1	23-20

## PARTS NAME INDEX

DESCRIPTION	REF. NO.
HOLDER, cable 2	23-24
HOLDER, clutch cable	10- 8
HOLDER, handle uPper	23-10
HOLDER, lever 1	37-11
HOLDER, lever 2	37- 2
HOLDER, sProcket	15-27
HOOK, bank	7-19
HORN	36-10
HOSE	7-10
*	25-20
*	35-17
HOUSING, rotor	6- 1
HUB, front	27- 1
HUB, rear	28- 1
IGNITION COIL ASSY	35-23
INNER TUBE COMP.1	24- 6
JET, main (#160)	8-36
JET, main (#165)	8-36
JET, main (#170)	8-36
JET, Pilot (#17.5)	8- 9
JOINT, air cleaner 1	7-11
JOINT, carburetor 1	7- 1
JOINT, chain	28-31
KEY, straight	3-22
*	14- 2
KEY, woodruff	3-25
KICK AXLE ASSY	13- 1
KICK CRANK ASSY	13-20
KNOB, triP meter	32- 4
LEAD WIRE ASSY	12- 9
LENS ASSY	33- 2
*	33-14
LENS, flasher	31- 5
*	31-13
LENS, taillight	34- 3
LEVER	8-17
LEVER DECOMP ASSY	13-27
LEVER 1	37-12
LEVER 2	37- 1
LEVER, cable	13-30
LEVER, camshaft 1	27-21
*	28-11
LEVER, cock	25- 9
LEVER, shift 2	16-14
LEVER, shift 3	16-16
LEVER, starter	8-67
LEVER, starter 1	8-41
LID	20- 7

## PARTS NAME INDEX

DESCRIPTION	REF. NO.
MAIN SWITCH ASSY .....	35-28
MUD GUARD COMP. ....	19-15
MUFFLER 1 .....	9- 1
NEEDLE .....	8-10
NEEDLE VALVE ASSY .....	8-29
NET, filter 1 .....	25-15
NEUTRAL SWITCH ASSY .....	36- 3
NOZZLE, main .....	8-39
NUT .....	3-24
* .....	3-28
* .....	4-13
* .....	5-15
* .....	5-19
* .....	13-31
* .....	14- 5
* .....	14-18
* .....	14-21
* .....	19-14
* .....	21-31
* .....	22-10
* .....	23- 7
* .....	23-19
* .....	23-35
* .....	26- 6
* .....	27-23
* .....	28-13
* .....	28-22
* .....	29-20
* .....	29-22
* .....	29-25
* .....	30- 3
* .....	31-18
* .....	32-20
* .....	34-10
* .....	34-20
* .....	36- 7
* .....	21-42
NUT, castle .....	27-33
* .....	28-37
NUT, crown .....	31- 8
NUT, self-locking .....	18- 5
* .....	18- 9
* .....	18-16
* .....	21-15
* .....	30-28
NUT, u .....	22-19
* .....	37- 6
* .....	37-15
NUT, wing .....	30-13

## PARTS NAME INDEX

DESCRIPTION	REF. NO.
O-RING .....	1-16
* .....	1-20
* .....	2- 2
* .....	2- 5
* .....	4-11
* .....	5-16
* .....	5-21
* .....	6- 8
* .....	6-18
* .....	6-20
* .....	6-21
* .....	7-14
* .....	8-22
* .....	8-37
* .....	8-73
* .....	11-13
* .....	12-19
* .....	14-19
* .....	24- 9
* .....	25-12
* .....	29- 7
* .....	29- 9
* .....	32-23
* .....	32-27
O-RING, fuel cock .....	25-13
OIL SEAL .....	1-30
* .....	5-25
* .....	11-10
* .....	12-18
* .....	13-16
* .....	13-29
* .....	14-27
* .....	15- 9
* .....	15-25
* .....	17- 7
* .....	21- 7
* .....	21-25
* .....	24- 5
* .....	27- 6
* .....	27- 9
* .....	27-19
* .....	28-18
PEDAL, brake .....	30- 1
PEDAL, shift .....	17-10
PIN .....	30-12
PIN, clevis .....	21-40
* .....	22-21
* .....	30- 6

## PARTS NAME INDEX

DESCRIPTION	REF. NO.
PIN, clevis .....	30-17
* .....	30-23
PIN, cotter .....	8-65
* .....	21-41
* .....	22-23
* .....	27-34
* .....	28-38
* .....	30- 4
* .....	30- 8
* .....	30-18
* .....	30-24
PIN, crank 1 .....	3- 4
PIN, dowel .....	1- 9
* .....	2- 6
* .....	3-20
* .....	5- 3
* .....	6- 5
* .....	6- 6
* .....	10- 2
* .....	11- 7
* .....	16- 8
* .....	16- 9
* .....	17- 6
PIN, float .....	8-30
PIN, piston .....	3-10
PIPE .....	7- 8
* .....	8-38
* .....	8-57
* .....	8-58
PIPE, breather 1 .....	10-13
PIPE, oil 1 .....	6-14
PIPE, outlet .....	9-11
PISTON (STD) .....	3- 8
PISTON (2ND O/S 0.50MM) .....	3- 8
PISTON (4TH O/S 1.00MM) .....	3- 8
PISTON RING SET (STD) .....	3- 9
PISTON RING SET (2ND O/S) .....	3- 9
PISTON RING SET (4TH O/S) .....	3- 9
PLATE .....	1-23
* .....	8-31
* .....	21-20
PLATE, bearing cover .....	10-15
PLATE, clutch 2 .....	14-11
PLATE, engine adjusting .....	18-10
PLATE, friction .....	14-10
PLATE, lever fitting .....	25-10
PLATE, Pressure 1 .....	14-12
PLATE, Push .....	14-15

## PARTS NAME INDEX

DESCRIPTION	REF. NO.
PLATE, side 1	16-10
PLATE, stopper	16-6
PLATE, thrust 1	14-8
PLUG	21-34
PLUG CAP ASSY	35-27
*	35-27
PLUG, blind	18-22
PLUG, drain	6-17
*	8-72
*	24-27
*	25-17
PLUG, oil	11-12
PLUG, screw	8-55
PLUG, sPark (ND W22EP)	1-26
PLUG, sPark (NGK BP-7ES)	1-26
PLUG, straight screw	10-10
PLUNGER, starter	8-4
POINT, neutral	16-2
PRIMARY DRIVEN GEAR COMP.	14-7
PROTECTOR, exhaust Pipe	9-2
PROTECTOR, muffler 2	9-8
PROTECTOR, engine	18-17
PROTECTOR, muffler 1	9-5
PULLER, chain 1	28-35
PULLER, chain 2	28-36
PUSH LEVER ASSY	14-22
RACE, ball 1	23-1
*	23-15
RACE, ball 2	23-13
*	23-16
REAR ARM COMP.	21-1
REAR FLASHER LIGHT ASSY 1	31-9
REAR FOOTREST ASSY 1	21-35
RECTIFIER ASSY	35-10
REFLECTOR, tail light	34-14
REFLECTOR	31-3
*	31-11
REFLECTOR, front 1	36-13
REFLECTOR, rear 1	34-7
REINF. COMP.	19-7
RETAINER, valve sPring	4-7
RIM (1.60-21)	27-24
RIM (2.15-17)	28-24
RIM, headlight	33-8
*	33-12
RING	8-8
*	8-68
RING, leaf	29-4

## PARTS NAME INDEX

DESCRIPTION	REF. NO.
RING, meter cover	32-11
RING, rod	8-64
RING, stop	32-24
*	32-26
ROD	8-61
*	8-62
ROD, brake	30-5
ROD, chain tensioner	5-11
ROD, connecting	3-6
ROD, Push 1	14-16
ROD, Push 2	14-29
ROTOR ASSY	12-2
ROTOR ASSY 1	6-3
SCREW	5-14
*	6-26
*	8-15
*	8-19
*	8-42
*	14-23
*	25-18
SCREW, bind	9-3
*	9-6
*	9-9
*	34-16
SCREW, boot band	24-26
SCREW, countersunk	35-2
SCREW, flat head	10-16
*	16-11
*	26-9
*	36-6
SCREW, hexagon	1-3
SCREW, lens fitting	34-6
SCREW, Pan head	1-17
*	6-7
*	6-9
*	6-24
*	7-16
*	8-26
*	8-32
*	8-50
*	8-52
*	9-12
*	10-5
*	10-6
*	10-9
*	11-3
*	11-8
*	11-9

## PARTS NAME INDEX

DESCRIPTION	REF. NO.
SCREW, Pan head	11-15
*	12-12
*	12-13
*	12-14
*	12-15
*	12-16
*	21-17
*	21-21
*	21-28
*	23-29
*	24-24
*	25-14
*	29-11
*	29-17
*	30-31
*	35-11
*	37-10
*	37-19
SCREW, Panhead tapping	7-9
*	31-6
*	31-14
*	34-17
SCREW, Pilot adjusting	8-24
SCREW, tapping	7-20
SCREW, valve adjusting	4-12
SCREW, with washer	14-14
SEAL	7-7
*	8-47
SEAL, guard	21-8
SEAL, steering	23-2
SEAL, valve stem	4-6
SEAT, battery	35-15
SEAT, sPring	8-71
SEAT, sPring lower	22-15
SEAT, sPring upper	22-11
*	24-12
SEAT, valve sPring	4-3
SEGMENT	16-7
SEMI-DOUBLE SEAT ASSY	26-1
SHAFT, Pivot	21-13
SHAFT, rocker	4-10
SHAFT, throttle lever	8-44
SHIFT CAM ASSY	16-1
SHIFT SHAFT ASSY	17-1
SHIM (0.3T)	21-5
SHOCK ABSORBER ASSY, rear	22-1
SILENCER, intake 1	7-18
SOCKET	33-4

## PARTS NAME INDEX

DESCRIPTION	REF. NO.
SOCKET .....	33-15
SOCKET CORD ASSY .....	32- 9
*	33- 6
*	34-11
SOCKET, meter .....	32- 3
*	32- 6
SOCKET, Pilot light .....	33-18
SPACER .....	12- 5
*	17- 9
*	24-13
SPACER, bead .....	28-29
SPACER, bearing .....	27- 2
*	28- 2
SPEEDOMETER ASSY .....	32- 1
*	32- 5
SPEEDOMETER CABLE ASSY .....	32-22
SPINDLE, taper .....	24- 8
SPOKE SET, front .....	27-26
SPOKE SET, rear .....	28-25
SPRING .....	8- 5
*	8-18
*	8-33
*	8-70
*	22-12
*	25-11
*	33-16
SPRING, air adjusting .....	8-21
SPRING, compression .....	3-19
*	5-13
*	6-16
*	13- 6
*	13-23
*	14-13
*	30-11
SPRING, diaPhragm .....	8-63
SPRING, front fork .....	24-11
SPRING, Plunger .....	8-28
SPRING, reflector .....	33- 7
*	33-19
SPRING, tension .....	27-11
*	28- 9
*	30- 9
*	30-29
SPRING, throttle stop .....	8-43
SPRING, throttle valve .....	8-48
SPRING, torsion .....	5-24
*	13- 9
*	13-33

## PARTS NAME INDEX

DESCRIPTION	REF. NO.
SPRING, torsion .....	14-25
*	16-13
*	16-15
*	17- 5
*	21-33
*	30-16
*	30-22
SPRING, valve inner .....	4- 4
SPRING, valve outer .....	4- 5
SPROCKET, cam chain (32T) .....	5- 2
SPROCKET, drive (15T) .....	15-26
SPROCKET, driven (47T) .....	28-19
STAND, side .....	30-26
STAY, engine 2 .....	18- 6
STAY, engine 3 .....	18- 2
STAY, flasher .....	31-15
*	31-19
STAY, flasher 1 .....	31- 7
STAY, headlight 1 .....	23-27
STAY, headlight 2 .....	23-28
STOP SWITCH ASSY .....	36- 1
STOPPER .....	13-11
*	13-15
*	18-18
STOPPER LEVER ASSY .....	16-12
STOPPER, bump .....	22- 5
STRAINER, oil .....	6-15
SUPPORT, bump stop .....	22- 6
SWICH, side stand .....	36- 5
SWITCH, handle 1 .....	37- 9
SWITCH, handle 4 .....	37-18
TACHOMETER ASSY .....	32- 8
TACHOMETER CABLE ASSY .....	32-25
TAILLIGHT ASSY .....	34- 1
TENSIONER .....	21-26
TIRE (3.00-21) .....	27-27
TIRE (4.60-17) .....	28-26
TOOL KIT .....	20-14
TOP, mixing chamber .....	8-56
TUBE (2.75-21) .....	27-28
TUBE (4.60-17) .....	28-27
TUBE, outer 1 .....	24- 3
TUBE, outer 2 .....	24- 2
TUBE, throttle guide .....	29- 3
UNDER BRACKET COMP. .....	24-10
UPPER BRACKET SUB ASSY .....	22- 8
VALVE, check seat .....	8-59
VALVE, exhaust .....	4- 2

## PARTS NAME INDEX

DESCRIPTION	REF. NO.
VALVE, intake .....	4- 1
VALVE, throttle 1 .....	8- 2
VOLTAGE REGULATOR ASSY .....	35- 7
WASHER .....	7-27
*	8- 6
*	8-23
*	8-49
*	8-54
*	8-66
*	15-17
*	18-21
*	21-12
*	21-23
*	32-21
*	35-30
WASHER, bearing cover .....	3-17
WASHER, lock .....	1-25
*	1-32
*	3-23
*	13-13
*	14- 3
*	14- 4
*	14-20
*	28-21
WASHER, main jet .....	8-13
WASHER, needle valve .....	8-60
WASHER, plain .....	5-20
*	12-17
*	14-17
*	23-33
*	30- 7
*	34- 8
WASHER, Plate .....	1-13
*	1-28
*	3-16
*	3-26
*	5- 5
*	5-26
*	6-12
*	7-17
*	7-24
*	7-25
*	9-18
*	10-11
*	13- 3
*	13-18
*	13-24
*	13-32

## PARTS NAME INDEX

DESCRIPTION	REF. NO.
WASHER, Plate .....	13-34
*	15- 3
*	15-13
*	15-21
*	17- 4
*	17- 8
*	18- 4
*	18- 8
*	18-13
*	18-15
*	19- 2
*	19-12
*	19-13
*	19-18
*	20- 9
*	21-14
*	21-19
*	21-30
*	21-38
*	22-18
*	22-22
*	23- 6
*	23-12
*	23-23
*	23-31
*	25- 7
*	25-19
*	26- 4
*	26-13
*	27-14
*	27-17
*	27-35
*	29-19
*	30-32
*	32-15
*	32-18
*	34-19
*	35-13
*	37- 5
*	37-14
WASHER, Plate (1.0T) .....	13-10
WASHER, Protector .....	9- 4
*	9- 7
*	9-10
WASHER, sPecial .....	34-13
WASHER, sPring .....	3-27
*	8-16
*	8-27

## PARTS NAME INDEX

DESCRIPTION	REF. NO.
WASHER, sPring .....	8-53
*	9-13
*	18-12
*	18-20
*	19- 5
*	19- 9
*	19-11
*	21-11
*	21-18
*	21-22
*	21-29
*	23-22
*	23-26
*	23-30
*	23-34
*	24-25
*	24-28
*	26- 5
*	26-12
*	29-18
*	31-17
*	32-19
*	34- 9
*	34-18
*	35- 5
*	35- 9
*	35-12
*	35-25
*	36- 8
*	36-12
*	37- 8
*	37-17
WASHER, wave .....	9-14
*	22- 7
WEIGHT 1 .....	3-13
WHEEL, ratchet .....	13- 5
WIRE HARNESS ASSY .....	35-31
WIRE, earth lead .....	35-19
WIRE, Plus lead .....	35-18