



**YAMAHA**

**PARTS LIST**

**MODEL XT500C**

**YAMAHA MOTOR CO., LTD.**

COPY RIGHT: ALL RIGHTS RESERVED

NO PART OF THIS PUBLICATION MAY BE REPRODUCED WITHOUT PERMISSION.

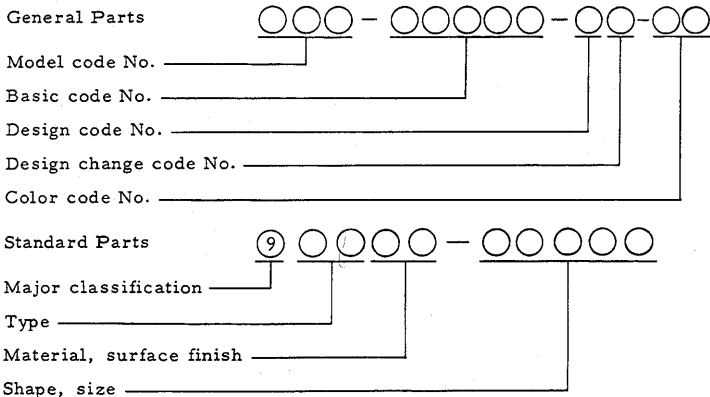


# FOREWORD

This Parts List related to the parts in use for the YAMAHA XT500C. When you ordering replacement parts for the XT500C, refer to this Parts List and quote both part numbers and part names correctly.

## 1. Structure of Part No.

Yamaha parts are divided largely into two categories; general parts and standard parts, and each part No. has the following structure:



Note: Every standard No. begins with 9.

## 2. How to Use this Parts List

- (1) Except for steel balls (whose size is indicated in inches), the size of all parts is indicated in millimeters in the following manner.

Hose (rubber or vinyl) . . . . Inside diameter - length

O-ring . . . . . Section area - inside diameter

Washer, shim, collar . . . . Inside diameter - outside diameter - thickness (length)

- (2) Parts, which are to be supplied in the form of assemblies, are listed with an indentation of one letter's space, and a dot (.) is put

against the name of each part. If any two different assemblies (e.g., right and left side components) consist of almost the same type components, these two assemblies are listed in two lines, and then the names of component parts are listed in the subsequent lines with an indention as mentioned earlier. The quantity of parts is given in the following manner; that is, in the case of parts being the same in type between the right and left, a total quantity of parts is given. On the other hand, if the right and left side parts are different in type, the quantity of part(s) on each side is given.

Example

Description	Q'ty
CARBURETOR ASS'Y, left	1
CARBURETOR ASS'Y, right	1
. JET, pilot	2
. NOZZLE, main	2
:	
:	
:	
. LEVER, starter, left	1
. LEVER, starter, right	1

(3) Key to Symbols

U.R. ....	Use size (thickness) and/or number as required
U.N. ....	Use as many as you need
T .....	Number of teeth in a gear
V .....	Voltage for light bulbs
S .....	"S" type oil seal or "S" type circlip
SD .....	"SD" type oil seal
SO .....	"SO" type oil seal
SW .....	"SW" type oil seal
E .....	"E" type circlip
R .....	"R" type circlip
F/No. ....	Frame No. (Applicable machine No.)

- (4) The right and left in relation to parts are determined on the basis of the rider facing toward the front.
- (5) This Parts List is based on the model in the production line on Feb. 20, 1975. Accordingly, if any modifications which have been made to parts will be announced in the Yamaha Parts News. It is advisable that according to the Yamaha Parts News, You will make necessary corrections to the Parts List on hand to keep it up-to dated.



# CONTENTS

## ENGINE

Fig. 1	Cylinder Head · Cylinder Head Cover .....	1
Fig. 2	Cylinder .....	5
Fig. 3	Crank · Piston .....	7
Fig. 4	Valve · Rocker Arm .....	11
Fig. 5	Camshaft · Chain Tensioner .....	13
Fig. 6	Crankcase .....	15
Fig. 7	Crankcase Cover .....	17
Fig. 8	Oil Pump · Oil Cleaner .....	19
Fig. 9	Contact Breaker · Governor .....	23
Fig. 10	Clutch .....	25
Fig. 11	Transmission .....	27
Fig. 12	Shifter 1 .....	31
Fig. 13	Shifter 2 .....	33
Fig. 14	Kick Starter .....	35
Fig. 15	Intake .....	37
Fig. 16	Carburetor .....	39
Fig. 17	Exhaust .....	45
Fig. 18	Flywheel Magneto .....	47

## CHASSIS

Fig. 19	Frame .....	51
Fig. 20	Side Cover · Battery Box .....	55
Fig. 21	Stand · Footrest · Brake Pedal .....	59
Fig. 22	Rear Arm · Rear Cushion · Chain Case .....	63
Fig. 23	Front Fender · Rear Fender .....	67
Fig. 24	Front Fork .....	69
Fig. 25	Steering .....	73
Fig. 26	Handle · Wire .....	75
Fig. 27	Fuel Tank .....	79

Fig. 28	Seat .....	83
Fig. 29	Front Wheel .....	85
Fig. 30	Rear Wheel .....	89
Fig. 31	Head Lamp .....	93
Fig. 32	Speedometer · Tachometer .....	95
Fig. 33	Tail Lamp .....	97
Fig. 34	Flasher Lamp .....	99
Fig. 35	Electrical .....	101

#### EXCLUSIVE PARTS FOR AUSTRALIA

Fig. 36	Engine · Frame · Footrest .....	107
Fig. 37	Front Fender · Back Mirror · Wheel .....	109

#### REPAIR KIT

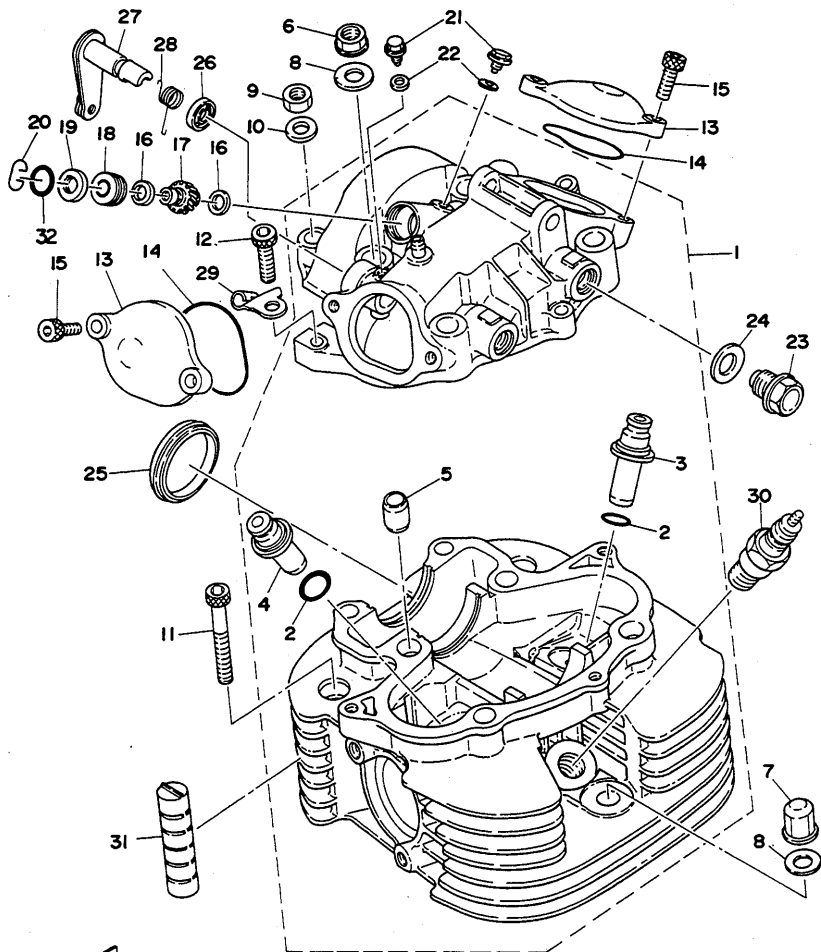
Fig. 38	Repair Kit .....	113
---------	------------------	-----

#### NUMERICAL INDEX

# ENGINE



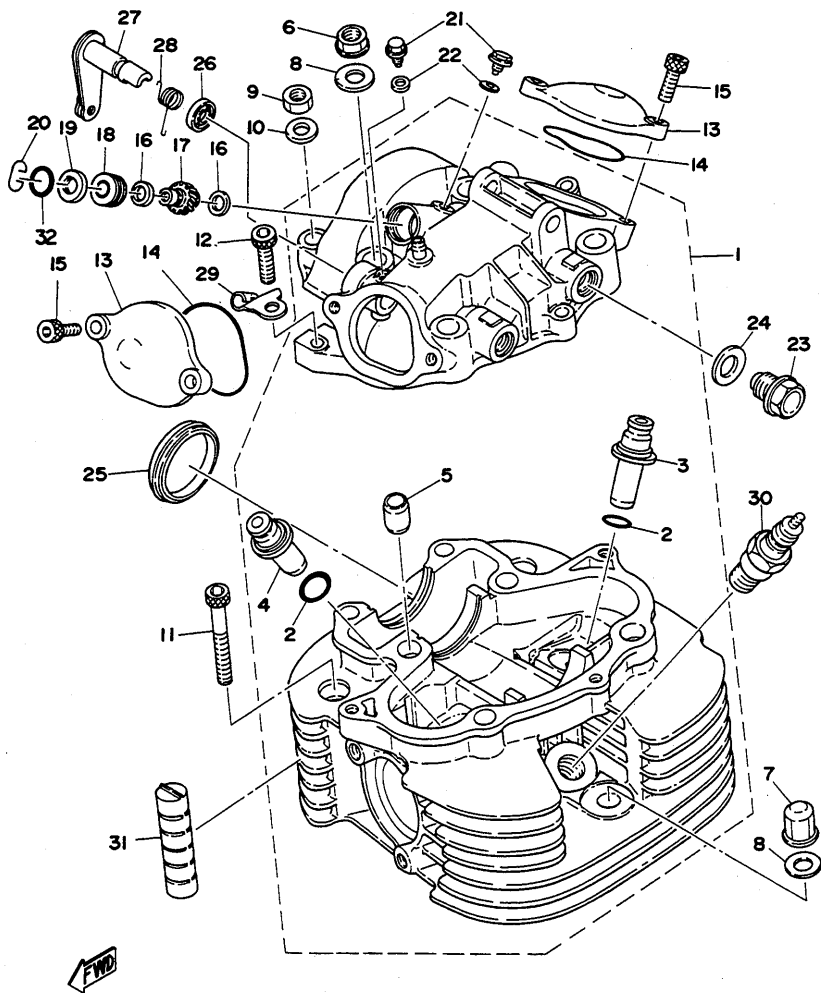
Fig. 1 CYLINDER HEAD · CYLINDER HEAD COVER



# CYLINDER HEAD · CYLINDER HEAD COVER

Ref. No.	Parts No.	Description	Q'ty	Applicable Machine No.	Remarks
1- 1	583-11110-00-R4	CYLINDER HEAD ASS'Y .....	1		
1- 2	93210-14299	. O-RING (1.5-13.8) .....	2		
1- 3	583-11133-10	. GUIDE, intake valve (1st O. S)	1		
1- 4	583-11134-10	. GUIDE, exhaust valve (1st O. S)	1		
1- 5	91810-16016	. PIN, dowel .....	2		
1- 6	90179-10204	NUT .....	4		
1- 7	90179-10207	NUT .....	1		
1- 8	90201-10124	WASHER, plate (371-11175-00)	5		
1- 9	95303-08600	NUT .....	2		
1-10	92901-08600	WASHER, plate .....	2		
1-11	91316-06055	BOLT, hexagon socket head ....	2		
1-12	91316-06025	BOLT, hexagon socket head ....	3		
1-13	583-11186-00-R4	COVER, cylinder head side ....	2		
1-14	93210-49296	O-RING (3.0-48.5) .....	2		
1-15	91316-06018	BOLT, hexagon socket head ....	4		
1-16	90201-08587	WASHER, plate .....	2		
1-17	1E6-17841-00	GEAR, driven .....	1		
1-18	1E6-17843-00	BUSHING .....	1		
1-19	93104-08055	OIL SEAL (SO-8-17.8-5) .....	1		
1-20	102-25137-00	RING, stop .....	1		
1-21	90109-06418	BOLT .....	2		
1-22	90430-06014	GASKET (256-11396-00) .....	2		
1-23	90340-14038	PLUG .....	2		
1-24	90430-14043	GASKET (256-13167-00) .....	2		
1-25	90338-47065	PLUG .....	1		
1-26	93104-12054	OIL SEAL (SO-12-17-2.5) .....	1		
1-27	583-12288-00	CAM, decompression .....	1		
1-28	90508-16303	SPRING, torsion .....	1		
1-29	583-12283-00	BRACKET, decompression ....	1		

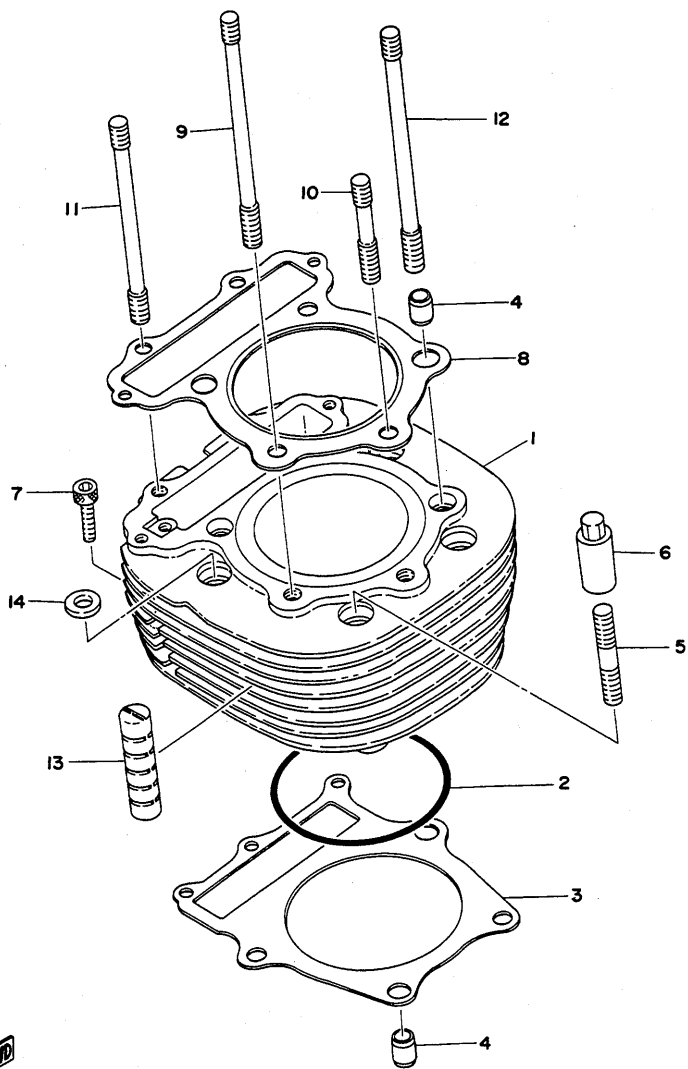
Fig. 1 CYLINDER HEAD · CYLINDER HEAD COVER



## CYLINDER HEAD · CYLINDER HEAD COVER

Ref. No.	Parts No.	Description	Q'ty	Applicable Machine No.	Remarks
1-30	94701-00117	PLUG, spark (BP-7ES) .....	1		
1-31	583-11127-00	ABSORBER .....	2		
1-32	93210-14104	O-RING (2.4-13.8) .....	1		

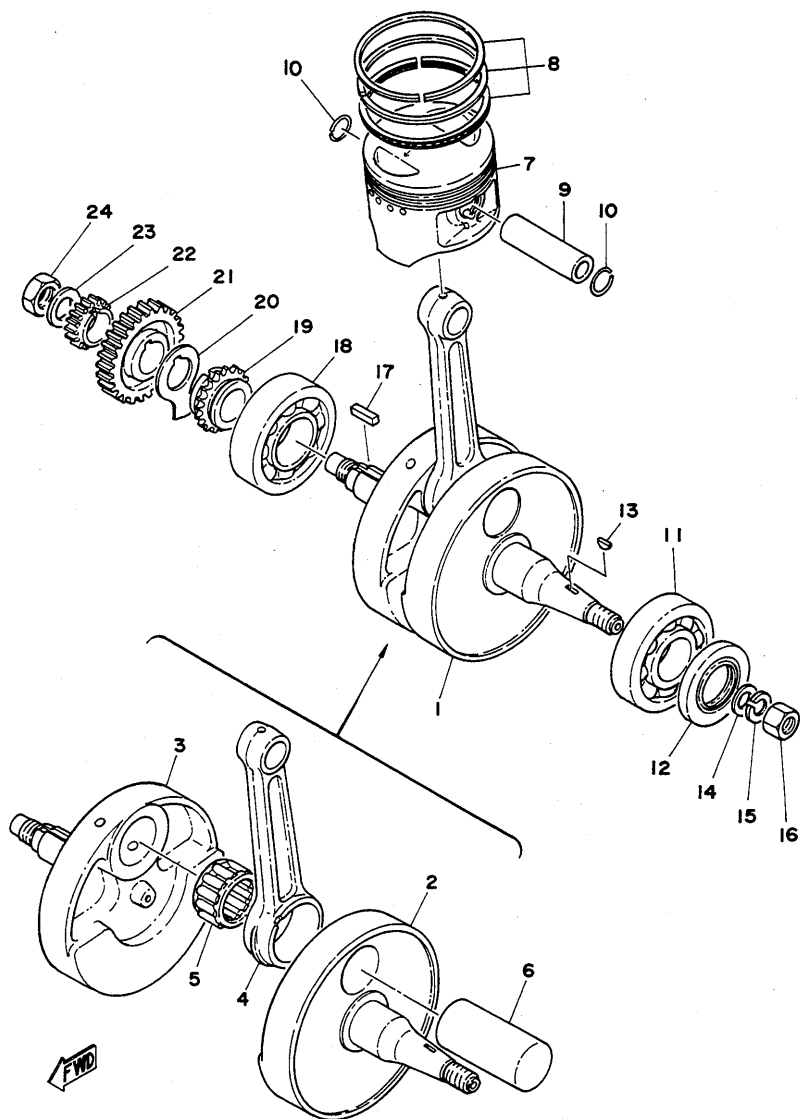
Fig. 2 CYLINDER



# CYLINDER

Ref. No.	Parts No.	Description	Q'ty	Applicable Machine No.	Remarks
2- 1	583-11311-00-R4	CYLINDER .....	1		
2- 2	93210-92295	O-RING (3.1-92) .....	1		
2- 3	583-11351-00	GASKET, cylinder .....	1		
2- 4	91810-16016	PIN, dowel .....	4		
2- 5	90116-10087	BOLT, stud (363-11361-00) ....	4		M10-64ℓ
2- 6	90179-10201	NUT.....	4		
2- 7	91316-06030	BOLT, hexagon socket head ....	3		
2- 8	583-11181-01	GASKET, cylinder head .....	1		
2- 9	90116-10222	BOLT, stud .....	2		M10-163ℓ
2-10	90116-10223	BOLT, stud .....	1		M10-68ℓ
2-11	90116-08190	BOLT, stud .....	2		M8-143ℓ
2-12	90116-10225	BOLT, stud .....	2		M10-173ℓ
2-13	583-11127-00	ABSORBER .....	2		
2-14	90201-10590	WASHER, plate .....	4		

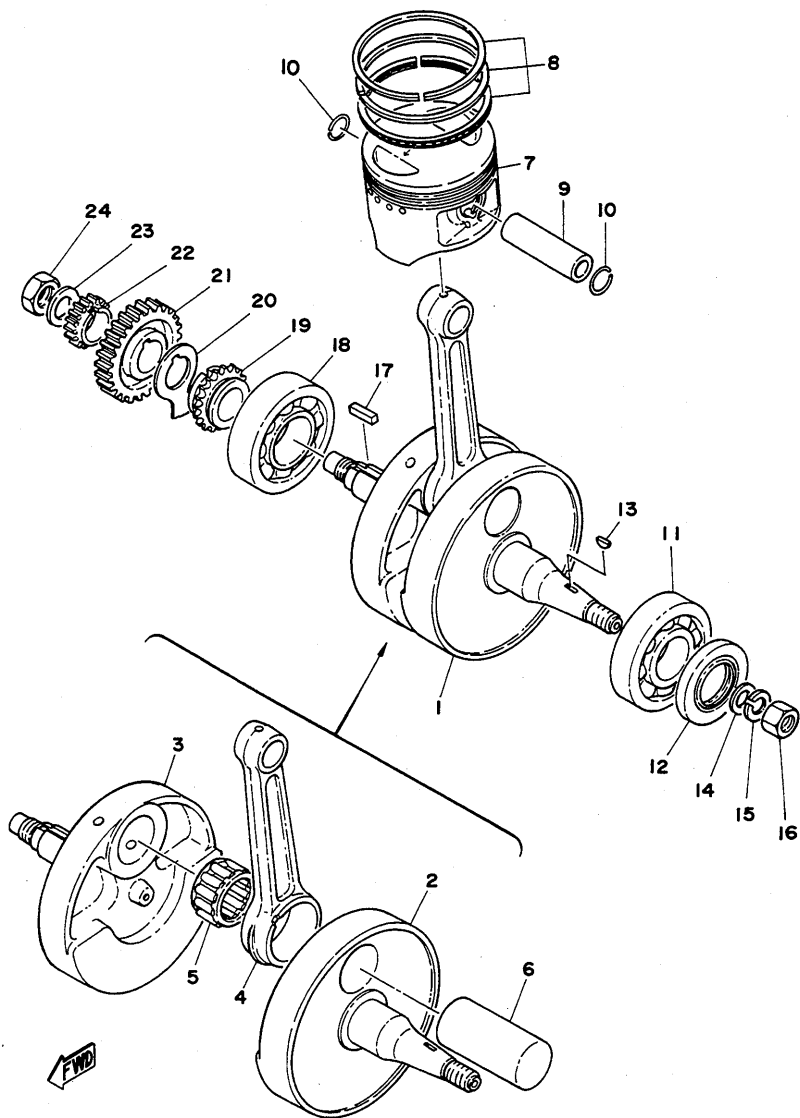
Fig. 3 CRANK · PISTON



# CRANK · PISTON

Ref. No.	Parts No.	Description	Q'ty	Applicable Machine No.	Remarks
3- 1	583-11400-00	CRANK ASS'Y .....	1		
3- 2	583-11412-00	. CRANK 1 .....	1		
3- 3	583-11422-00	. CRANK 2 .....	1		
3- 4	583-11651-00	. ROD, connecting .....	1		
3- 5	93310-635A5	. BEARING .....	1		
3- 6	583-11681-00	. PIN, crank .....	1		
3- 7	583-11631-01-95	PISTON (86.95mm STD) .....	} U. R 1		
	583-11631-01-96	PISTON (86.96mm STD) .....			
	583-11635-01	PISTON (87.25mm 1st O. S) ....	1		Alternate Parts
	583-11636-01	PISTON (87.50mm 2nd O. S) ....	1		Alternate Parts
	583-11637-01	PISTON (87.75mm 3rd O. S) ....	1		Alternate Parts
	583-11638-01	PISTON (88.00mm 4th O. S) ....	1		Alternate Parts
3- 8	583-11610-00	PISTON RING SET (STD) .....	1s		
	583-11610-10	PISTON RING SET (1st O. S) ....	1s		Alternate Parts
	583-11610-20	PISTON RING SET (2nd O. S)....	1s		Alternate Parts
	583-11610-30	PISTON RING SET (3rd O. S)....	1s		Alternate Parts
	583-11610-40	PISTON RING SET (4th O. S) ....	1s		Alternate Parts
3- 9	583-11633-00	PIN, piston .....	1		
3-10	93450-22027	CLIP, piston pin (341-11634-00)	2		
3-11	93306-30616	BEARING (B6306) .....	1		
3-12	93102-30145	OIL SEAL (SD-30-60-6) .....	1		
3-13	90280-05013	KEY, woodruff .....	1		
3-14	90201-12593	WASHER, plate .....	1		
3-15	92901-12100	WASHER, spring .....	1		
3-16	90170-12067	NUT (214-11555-01) .....	1		
3-17	90282-07021	KEY, straight .....	1		
3-18	93306-30702	BEARING (B6307) .....	1		
3-19	583-11549-00	SPROCKET, cam chain drive (17T) 1			
3-20	583-11533-00	PLATE, cam chain sprocket....	1		

Fig. 3 CRANK · PISTON

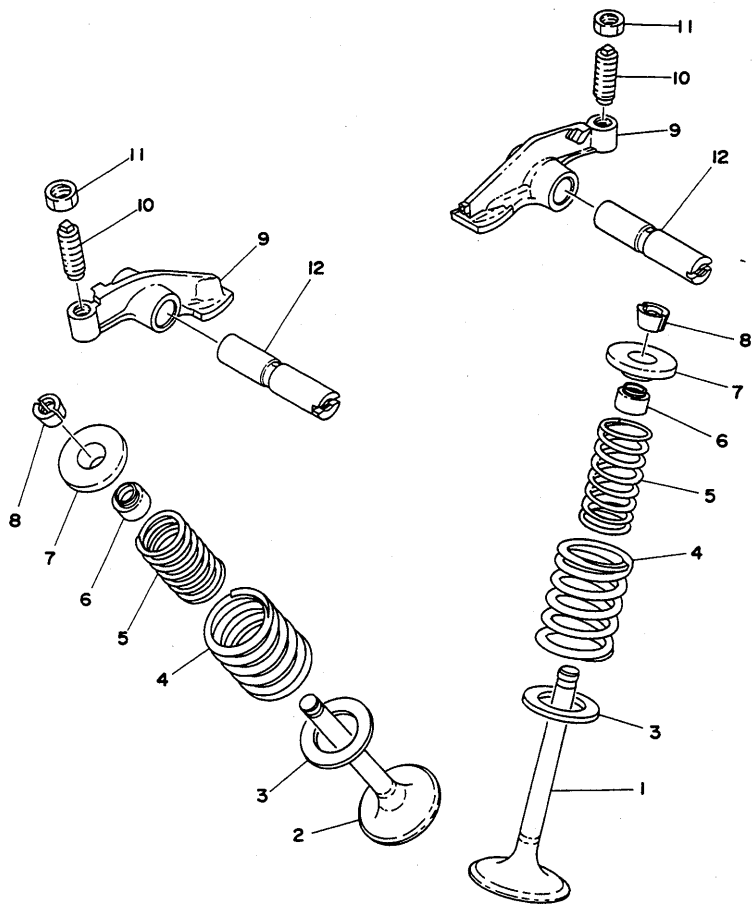


# CRANK · PISTON

Ref. No.	Parts No.	Description	Q'ty	Applicable Machine No.	Remarks
3-21	583-16111-00	GEAR, primary drive (30T) ....	1		
3-22	583-11536-00	GEAR, breaker shaft drive (21T)	1		
3-23	90208-16019	WASHER .....	1		
3-24	90170-16182	NUT .....	1		



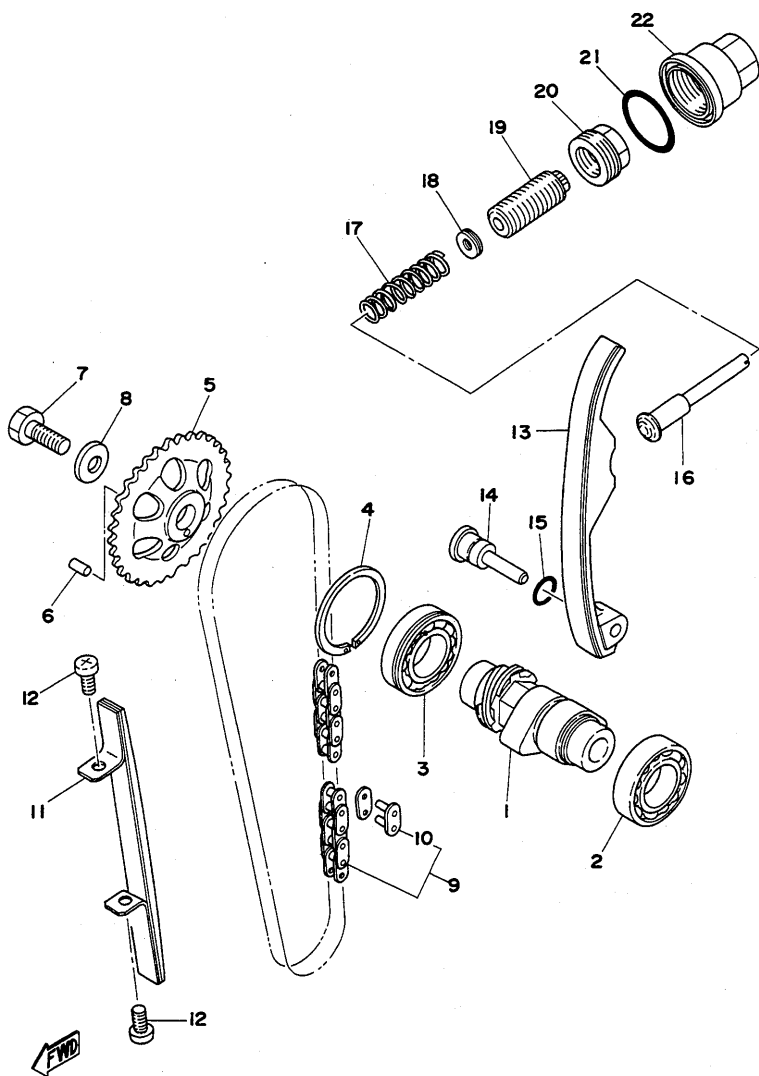
Fig.4 VALVE · ROCKER ARM



# VALVE ROCKER ARM

Ref. No.	Parts No.	Description	Q'ty	Applicable Machine No.	Remarks
4- 1	583-12111-00	VALVE, intake .....	1		
4- 2	583-12121-00	VALVE, exhaust .....	1		
4- 3	256-12116-01	SEAT, valve spring .....	2		
4- 4	90501-42377	SPRING, outer .....	2		
4- 5	90501-29376	SPRING, inner .....	2		
4- 6	341-12119-02	SEAL, valve stem oil .....	2		
4- 7	256-12117-00	RETAINER, valve spring .....	2		
4- 8	341-12118-00	LOCK, valve spring retainer ...	4		
4- 9	583-12151-00	ARM, valve rocker .....	2		
4-10	90149-08098	SCREW (447-12159-01) .....	2		
4-11	90170-08173	NUT .....	2		
4-12	583-12156-01	SHAFT, rocker .....	2		

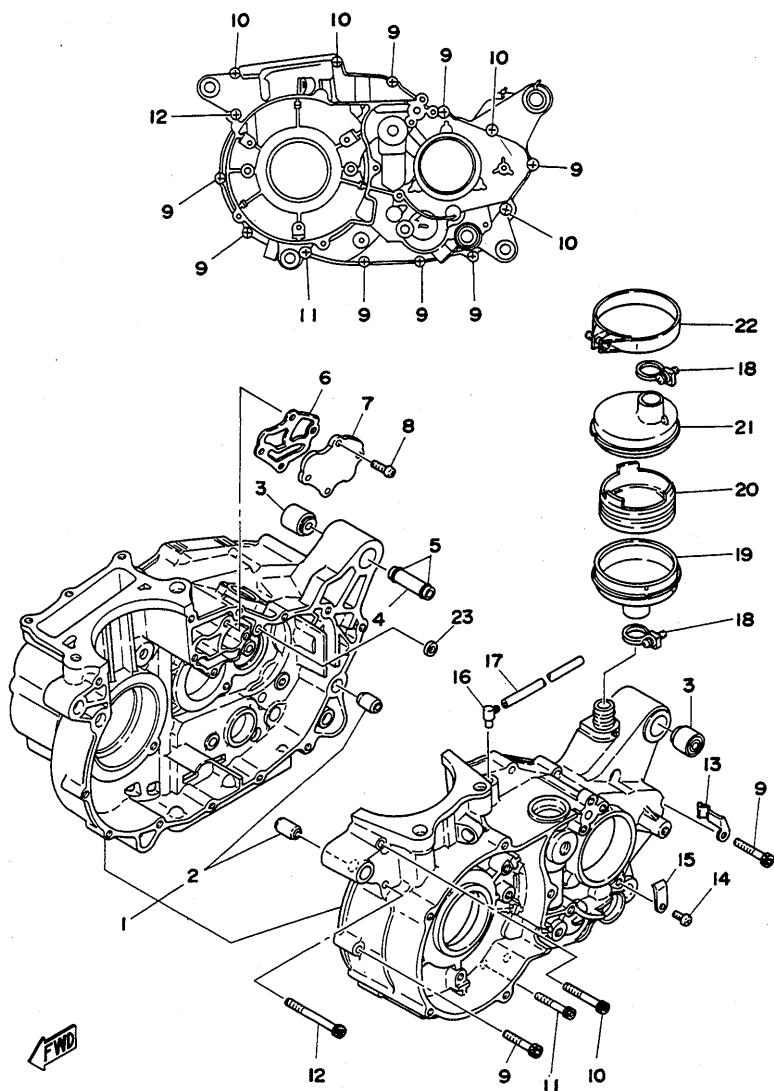
Fig. 5 CAMSHAFT · CHAIN TENSIONER



# CAMSHAFT · CHAIN TENSIONER

Ref. No.	Parts No.	Description	Q'ty	Applicable Machine No.	Remarks
5- 1	583-12171-01	SHAFT, cam .....	1		
5- 2	93306-00502	BEARING (B6005) .....	1		
5- 3	93306-00506	BEARING (B6005) .....	1		
5- 4	93440-47044	CIRCLIP .....	1		
5- 5	583-12176-00	SPROCKET, cam chain driven (34T) .....	1		
5- 6	93604-10011	PIN, dowel .....	1		
5- 7	90101-10303	BOLT .....	1		
5- 8	90201-10591	WASHER, plate .....	1		
5- 9	94500-02106	CHAIN (BF05M-106L) .....	1		
5-10	94600-02001	. JOINT, chain .....	1		
5-11	583-12231-00	GUIDE, stopper 1 .....	1		
5-12	92501-06015	SCREW, panhead .....	2		
5-13	341-12241-03	GUIDE, stopper 2 .....	1		
5-14	583-12247-00	SHAFT, chain tensioner .....	1		
5-15	93210-12152	O-RING (1.8-11.5) .....	1		
5-16	583-12217-00	ROD, chain tensioner .....	1		
5-17	90501-14095	SPRING (341-12216-02) .....	1		
5-18	583-12232-01	DAMPER .....	1		
5-19	90149-18100	SCREW .....	1		
5-20	90179-18199	NUT .....	1		
5-21	93210-32172	O-RING (2.4-31.5) .....	1		
5-22	583-12212-00	CAP, chain tensioner .....	1		

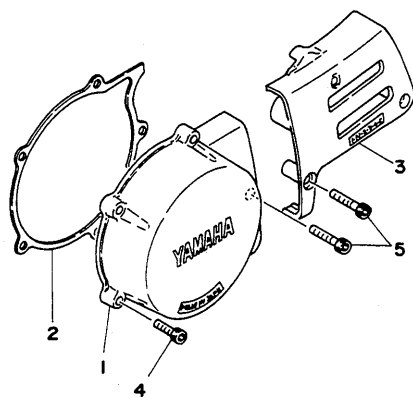
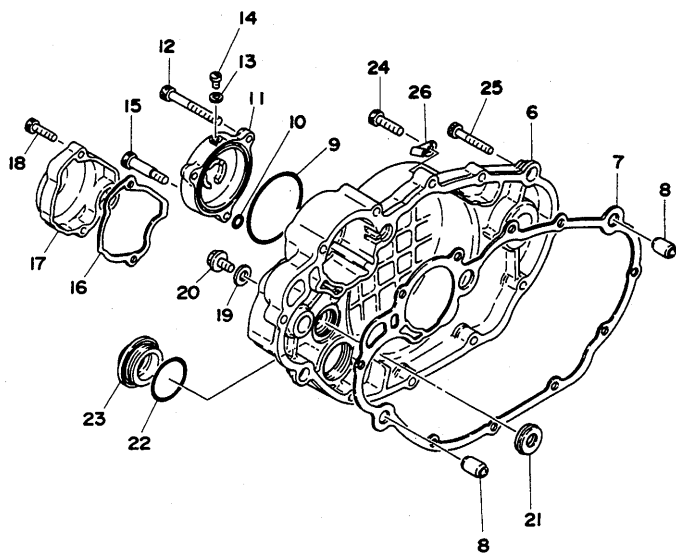
Fig. 6 CRANKCASE



# CRANKCASE

Ref. No.	Parts No.	Description	Q'ty	Applicable Machine No.	Remarks
6- 1	583-15100-00	CRANKCASE ASS'Y .....	1		
6- 2	91810-05016	. PIN, dowel .....	2		
6- 3	583-15316-00	DAMPER, engine mount .....	2		
6- 4	583-15317-01	SPACER, engine mount .....	1		
6- 5	93210-12095	O-RING (1.3-12.0) .....	2		
6- 6	583-15466-00	GASKET .....	1		
6- 7	583-15426-00	COVER .....	1		
6- 8	92501-06018	SCREW, panhead .....	4		
6- 9	91316-06035	BOLT, hexagon socket head ....	8		
6-10	91316-06045	BOLT, hexagon socket head ....	4		
6-11	91316-06055	BOLT, hexagon socket head ....	1		
6-12	91316-06065	BOLT, hexagon socket head ....	1		
6-13	90465-05084	CLAMP .....	1		
6-14	92501-06012	SCREW, panhead .....	1		
6-15	90465-05075	CLAMP .....	1		
6-16	583-15371-00	BREATHER .....	1		
6-17	90445-07039	HOSE (296-24317-00 4.2-435)...	1		
6-18	90460-22083	CLAMP .....	2		
6-19	583-15347-00	BREATHER 2 .....	1		
6-20	583-15358-00	SEPARATOR, oil .....	1		
6-21	583-15346-00	BREATHER 1 .....	1		
6-22	90460-71017	CLAMP, hose (363-14455-00)...	1		
6-23	90430-09121	GASKET .....	1		

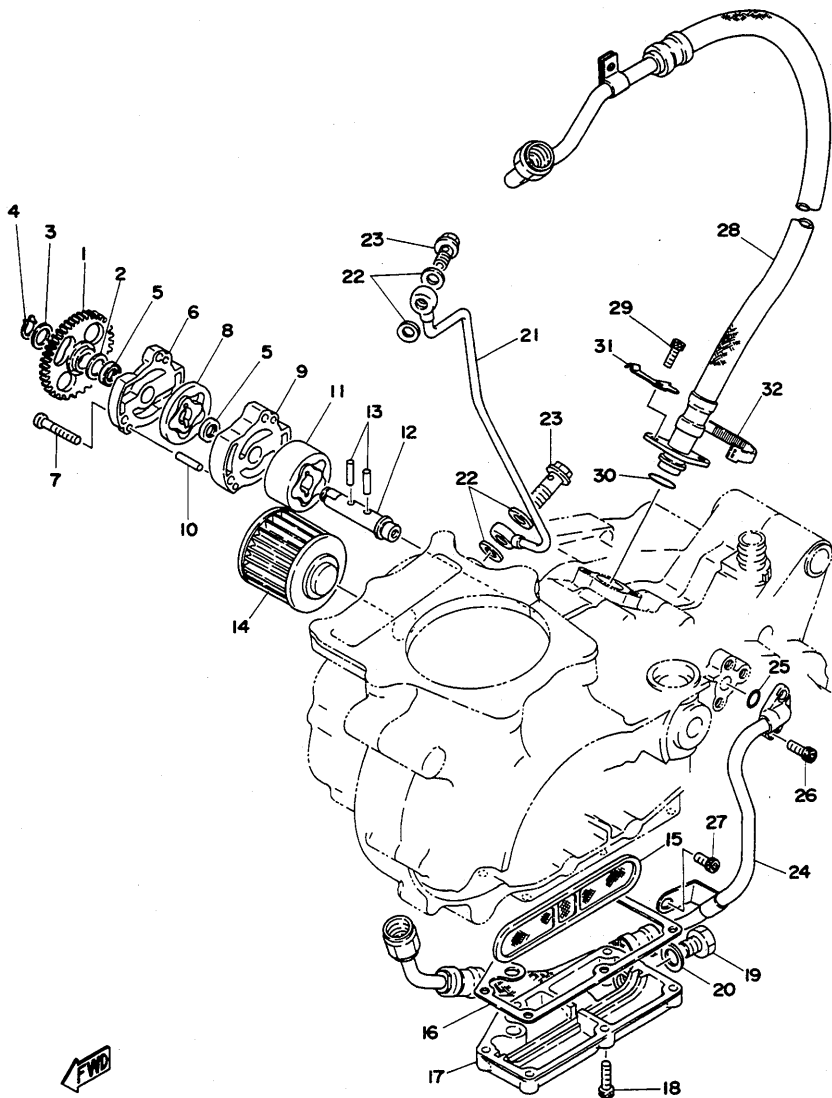
Fig.7 CRANKCASE COVER



# CRANKCASE COVER

Ref. No.	Parts No.	Description	Q'ty	Applicable Machine No.	Remarks
7- 1	583-15411-00	COVER, crankcase left 1	1		
7- 2	583-15451-00	GASKET, crankcase cover left	1		
7- 3	583-15421-00	COVER, crankcase left 2	1		
7- 4	91316-06025	BOLT, hexagon socket head	4		
7- 5	91316-06035	BOLT, hexagon socket head	4		
7- 6	583-15431-00	COVER, crankcase right	1		
7- 7	583-15462-00	GASKET, crankcase cover right	1		
7- 8	91810-05016	PIN, dowel	2		
7- 9	93210-64297	O-RING (3.7-63.8)	1		
7-10	93210-07135	O-RING (2.4-6.9)	1		
7-11	583-13447-00	COVER, element	1		
7-12	91316-06060	BOLT, hexagon socket head	2		
7-13	90430-05126	GASKET	1		
7-14	98906-05008	SCREW, bind	1		
7-15	90109-06419	BOLT, hexagon socket head	1		
7-16	583-15457-00	GASKET, breaker cover	1		
7-17	583-15417-00	COVER, breaker	1		
7-18	91316-06025	BOLT, hexagon socket head	2		
7-19	90430-10027	GASKET (256-13168-00)	1		
7-20	90340-10003	PLUG, straight screw (367-18588-00)	1		
7-21	93101-14075	OIL SEAL (S-14-25-5.5)	1		
7-22	93210-35173	O-RING (3.0-34.5)	1		
7-23	583-15425-00	COVER	1		
7-24	91316-06030	BOLT, hexagon socket head	8		
7-25	91316-06040	BOLT, hexagon socket head	2		
7-26	90465-08076	CLAMP	1		

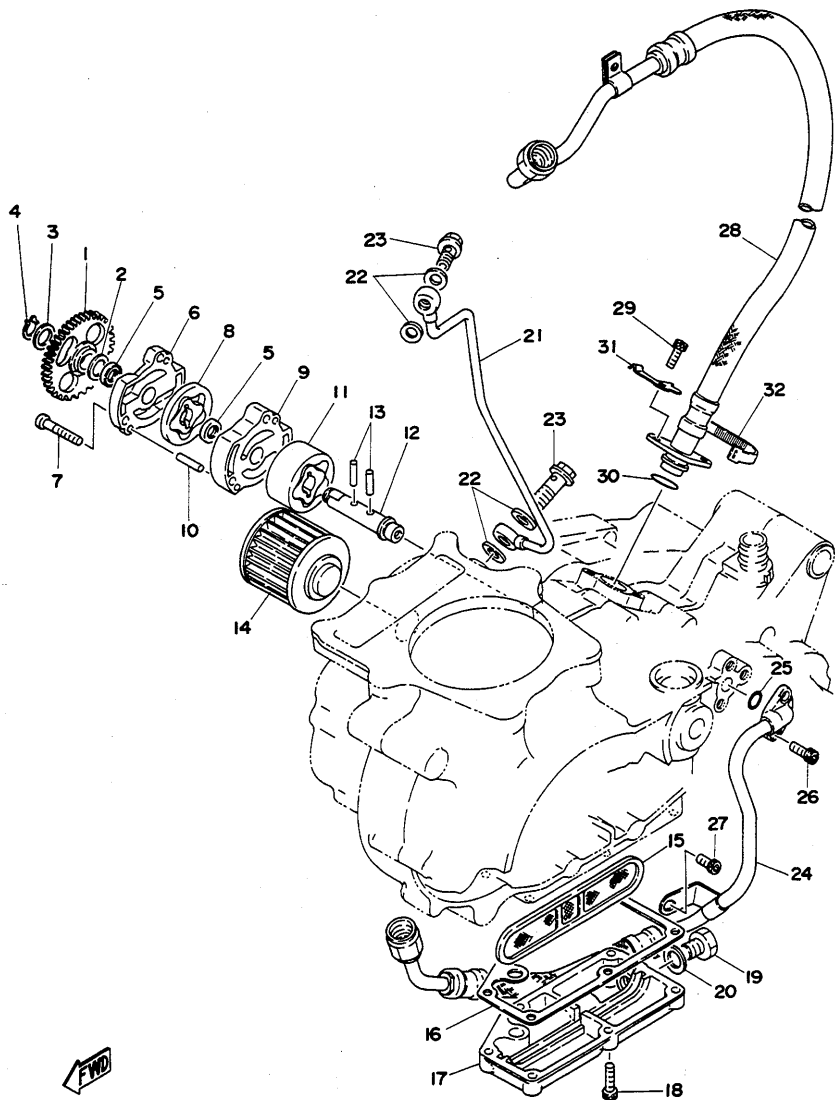
Fig. 8 OIL PUMP · OIL CLEANER



# OIL PUMP · OIL CLEANER

Ref. No.	Parts No.	Description	Q'ty	Applicable Machine No.	Remarks
8- 1	583-13325-00	GEAR, pump driven .....	1		
8- 2	90201-12166	WASHER, plate (164-18572-00)	1		
8- 3	90201-10119	WASHER, plate .....	1		
8- 4	93410-10025	CIRCLIP (S-10) .....	1		
8- 5	93104-11038	OIL SEAL (SO-11-15-3) .....	2		
8- 6	583-13316-01	COVER, pump .....	1		
8- 7	92501-06030	SCREW, panhead .....	3		
8- 8	583-13310-01	ROTOR 1 ASS'Y .....	1		
8- 9	583-13336-01	HOUSING, rotor .....	1		
8-10	93604-22050	PIN, dowel (4-21.8) .....	2		
8-11	583-13320-00	ROTOR 2 ASS'Y .....	1		
8-12	583-13314-00	SHAFT, pump .....	1		
8-13	93603-17070	PIN, dowel (3-16.8) .....	2		
8-14	583-13440-00	OIL CLEANER ASS'Y .....	1		
8-15	583-13411-00	STRAINER, oil .....	1		
8-16	583-13414-00	GASKET, strainer .....	1		
8-17	583-13417-00	COVER, strainer .....	1		
8-18	91316-06020	BOLT, hexagon socket head ....	6		
8-19	90101-14259	BOLT, hexagon .....	1		
8-20	214-11198-01	GASKET .....	1		
8-21	583-13161-00	PIPE, delivery .....	1		
8-22	90430-08119	GASKET .....	4		
8-23	90401-08038	BOLT, union .....	2		
8-24	583-13464-00	HOSE, oil 1 .....	1		
8-25	93210-10197	O-RING (1.9-9.8) .....	1		
8-26	91316-06015	BOLT, hexagon socket head ....	2		
8-27	91316-06012	BOLT, hexagon socket head ....	1		
8-28	583-13465-00	HOSE, oil 2 .....	1		
8-29	91316-06015	BOLT, hexagon socket head ....	2		

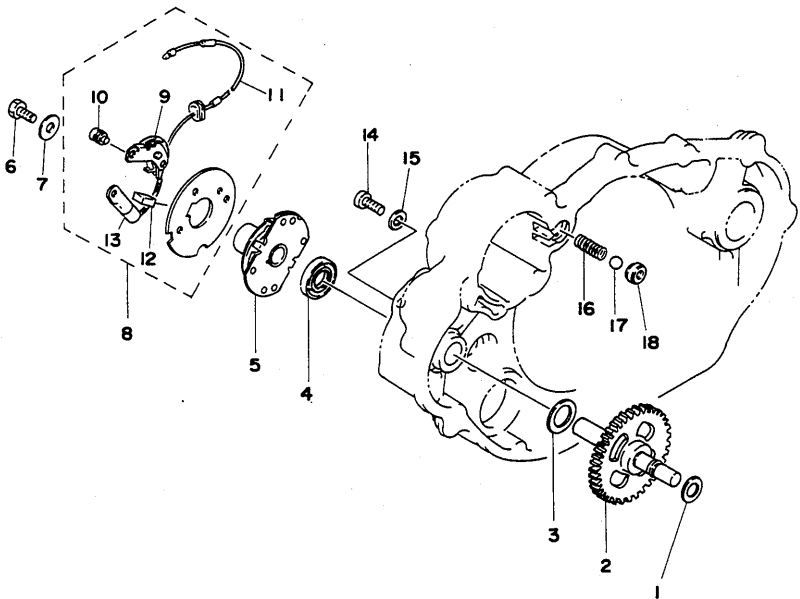
Fig. 8 OIL PUMP · OIL CLEANER



## OIL PUMP · OIL CLEANER

Ref. No.	Parts No.	Description	Q'ty	Applicable Machine No.	Remarks
8-30	93210-15171	O-RING (1.9-14.5) .....	1		
8-31	90465-06077	CLAMP .....	1		
8-32	437-83936-00	BAND .....	1		

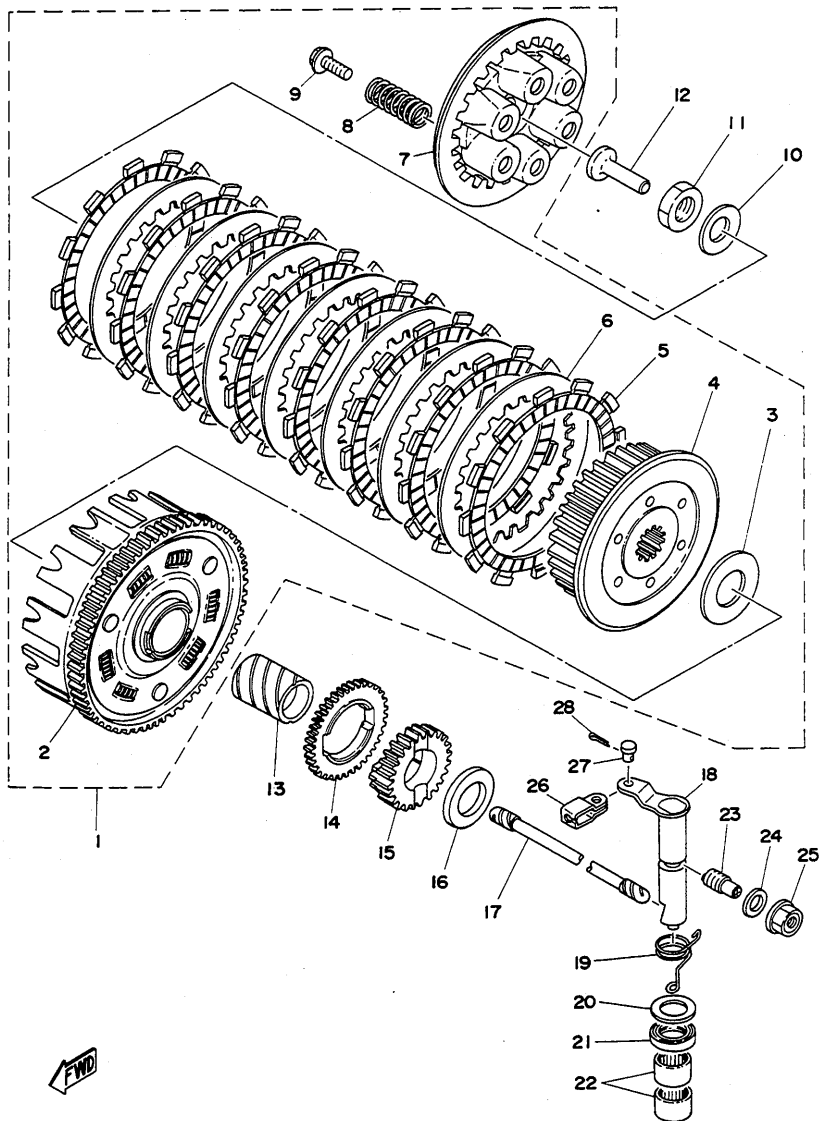
Fig. 9 CONTACT BREAKER · GOVERNOR



# CONTACT BREAKER · GOVERNOR

Ref. No.	Parts No.	Description	Q'ty	Applicable Machine No.	Remarks
9- 1	90201-09572	WASHER, plate .....	1		
9- 2	583-11150-00	BREAKER SHAFT ASS'Y .....	1		
9- 3	90201-15234	WASHER, plate (278-15613-00) .....	1		
9- 4	93102-15147	OIL SEAL (SD-15-26-5) .....	1		
9- 5	583-81653-50	GOVERNOR ASS'Y .....	1		
9- 6	97301-06015	BOLT .....	1		
9- 7	90201-06060	WASHER, plate (132-18338-00) .....	1		
9- 8	583-81620-50	BREAKER PLATE ASS'Y .....	1		
9- 9	583-81621-50	. CONTACT BREAKER ASS'Y... ..	1		
9-10	583-81645-50	. SCREW, panhead (4-7) .....	3		
9-11	583-81615-50	. LEAD WIRE ASS'Y .....	1		
9-12	583-81631-50	. LUBRICATOR .....	1		
9-13	583-81625-50	. CONDENSER .....	1		
9-14	97801-06014	SCREW .....	2		
9-15	92901-06200	WASHER, plain .....	2		
9-16	90501-05378	SPRING, compression .....	1		
9-17	93503-08007	BALL (3/8 inch) .....	1		
9-18	583-13113-00	SEAT, check ball .....	1		

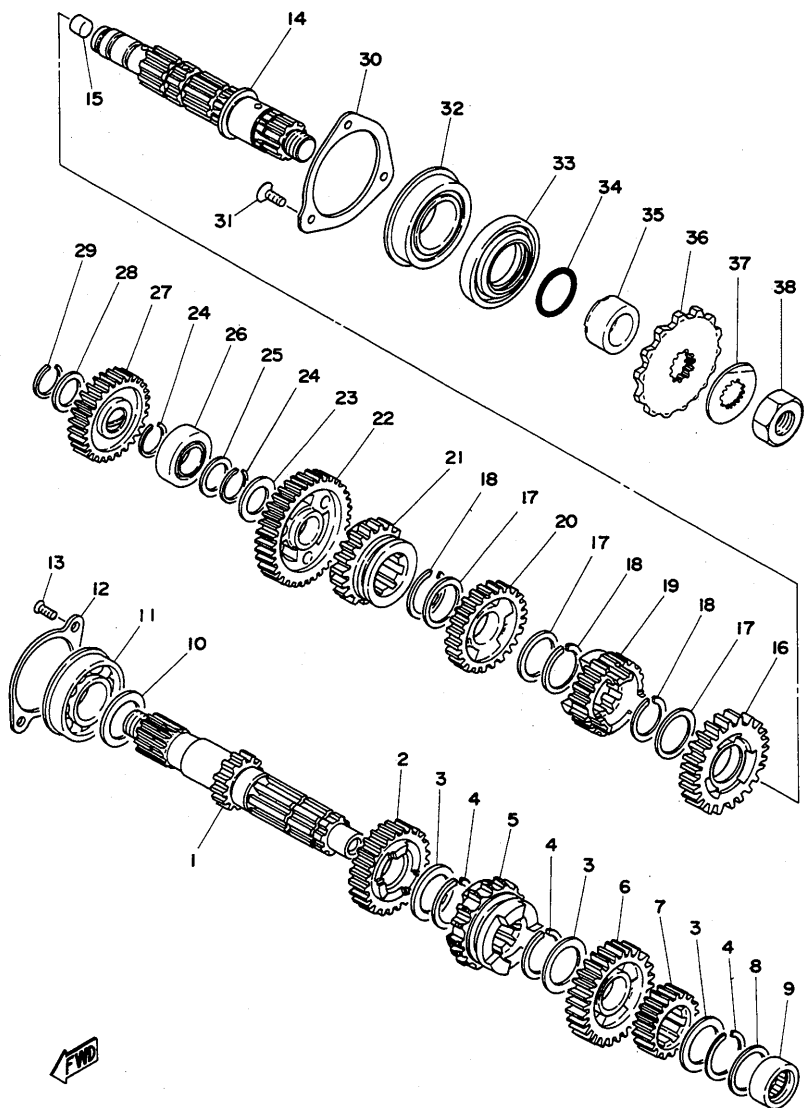
Fig. 10 CLUTCH



# CLUTCH

Ref. No.	Parts No.	Description	Q'ty	Applicable Machine No.	Remarks
10- 1	583-16301-00	CLUTCH ASS'Y .....	1		
10- 2	583-16150-00	. PRIMARY DRIVEN GEAR COMP. (77T) .....	1		
10- 3	170-16164-00	. PLATE, thrust 2 .....	1		
10- 4	583-16371-00	. BOSS, clutch .....	1		
10- 5	583-16321-00	. PLATE, friction .....	8		
10- 6	360-16325-00	. PLATE, clutch .....	7		
10- 7	498-16351-00	. PLATE, pressure .....	1		
10- 8	90501-23391	. SPRING, compression .....	6		
10- 9	90159-06010	. SCREW, with washer .....	6		
10-10	214-16119-00	SPRING, belleville .....	1		
10-11	90170-18086	NUT (363-11555-00) .....	1		
10-12	174-16356-00	ROD, push 1 .....	1		
10-13	90560-25153	SPACER .....	1		
10-14	583-13324-00	GEAR, pump drive (42T) .....	1		
10-15	583-15631-00	GEAR, kick pinion (19T) .....	1		
10-16	363-16154-00	PLATE, thrust 1 .....	1		
10-17	583-16357-01	ROD, push .....	1		
10-18	583-16382-00	AXLE, push lever .....	1		
10-19	90508-12279	SPRING, torsion .....	1		
10-20	90201-17327	WASHER, plate .....	1		
10-21	93102-17148	OIL SEAL (SD-17-28-6) .....	1		
10-22	93315-11720	BEARING .....	2		
10-23	364-16343-00	SCREW, adjusting .....	1		
10-24	90201-12172	WASHER, plate (341-21757-00) .....	1		
10-25	583-16344-00	NUT, adjusting .....	1		
10-26	214-16389-00	JOINT .....	1		
10-27	90240-06005	PIN, with hole (214-16379-00)... ..	1		
10-28	91401-10010	PIN, cotter .....	1		

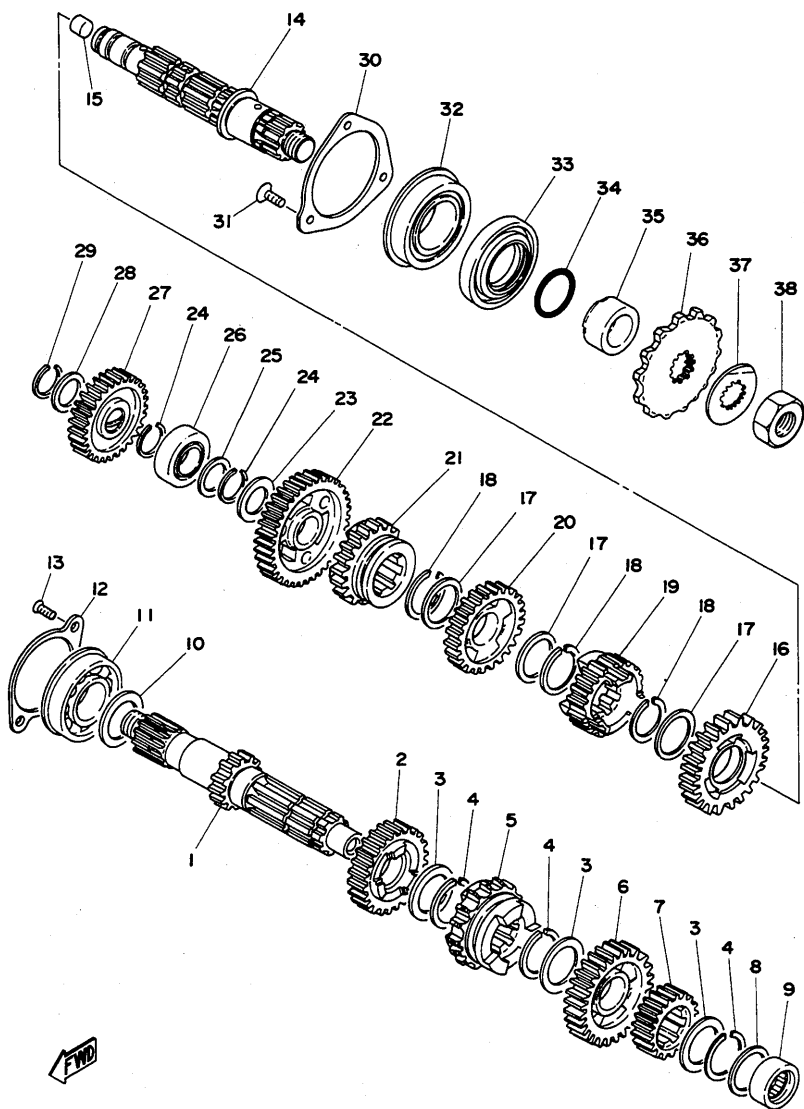
Fig. 11 TRANSMISSION



# TRANSMISSION

Ref. No.	Parts No.	Description	Q'ty	Applicable Machine No.	Remarks
11- 1	583-17411-01	AXLE, main (14T) .....	1		
11- 2	583-17141-00	GEAR, 4th pinion (24T) .....	1		
11- 3	90201-25287	WASHER, plate .....	3		
11- 4	93440-25020	CIRCLIP (25 $\phi$ special) .....	3		
11- 5	583-17131-02	GEAR, 3rd pinion (21T) .....	1		
11- 6	583-17151-01	GEAR, 5th pinion (27T) .....	1		
11- 7	583-17121-00	GEAR, 2nd pinion (18T) .....	1		
11- 8	90201-20266	WASHER, plate (132-17216-00) .....	1		
11- 9	93311-42012	BEARING .....	1		
11-10	168-17428-01-05	SHIM, drive axle (25-34-0.5) ...	1		
11-11	93304-20501	BEARING (B4205) .....	1		
11-12	583-15383-00	PLATE, bearing cover .....	1		
11-13	92701-06015	SCREW, flathead .....	2		
11-14	583-17421-00	AXLE, drive .....	1		
11-15	90338-09066	PLUG .....	1		
11-16	583-17221-00	GEAR, 2nd wheel (28T) .....	1		
11-17	90201-25287	WASHER, plate .....	3		
11-18	93440-25020	CIRCLIP (25 $\phi$ special) .....	3		
11-19	583-17251-01	GEAR, 5th wheel (21T) .....	1		
11-20	583-17231-01	GEAR, 3rd wheel (25T) .....	1		
11-21	583-17241-00	GEAR, 4th wheel (22T) .....	1		
11-22	583-17211-00	GEAR, 1st wheel (33T) .....	1		
11-23	90201-20278	WASHER, plate (168-17116-00) .....	1		
11-24	93410-20038	CIRCLIP (S-20) .....	2		
11-25	90201-20266	WASHER, plate (132-17216-00) .....	1		
11-26	93313-32008	BEARING .....	1		
11-27	583-15651-00	GEAR, kick idle (27T) .....	1		
11-28	90201-17255	WASHER, plate (156-17116-00) .....	1		
11-29	93410-17008	CIRCLIP (S-17) .....	1		

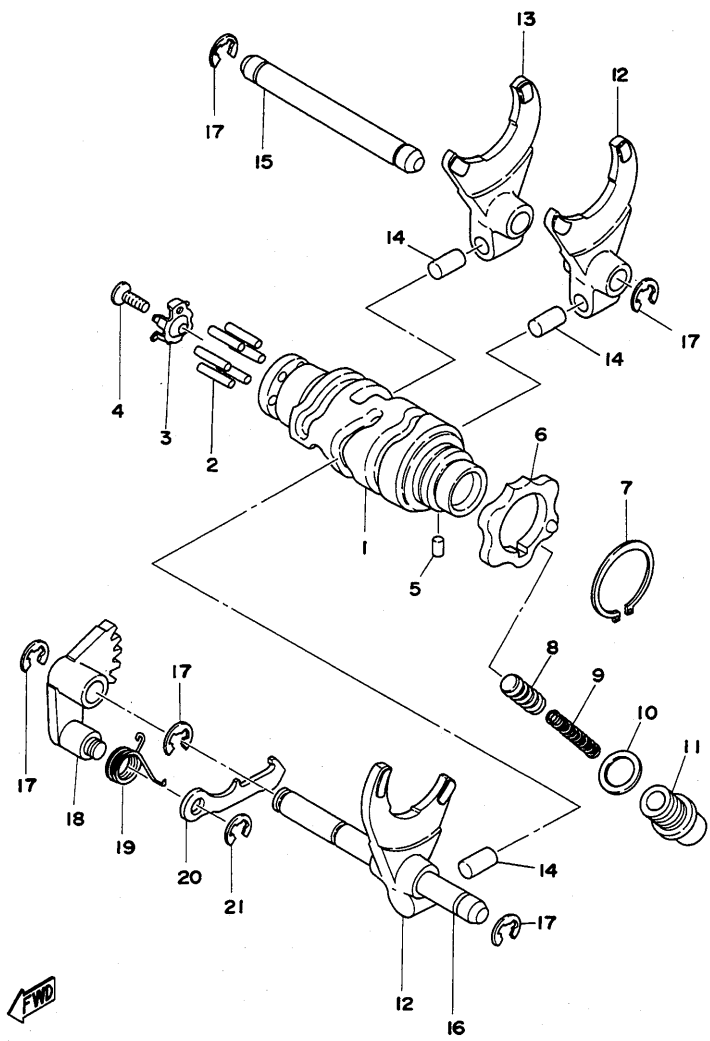
Fig. 11 TRANSMISSION



# TRANSMISSION

Ref. No.	Parts No.	Description	Q'ty	Applicable Machine No.	Remarks
11-30	363-15381-00	PLATE, bearing cover .....	1		
11-31	98701-05012	SCREW, flathead .....	3		
11-32	93306-30517	BEARING (B6305) .....	1		
11-33	93102-35146	OIL SEAL (SD-35-62-5.5) .....	1		
11-34	93210-22298	O-RING (1.9-21.7) .....	1		
11-35	90387-25507	COLLAR .....	1		
11-36	214-17461-40	SPROCKET, drive (14T) .....	} U.R 1		STD
	214-17461-50	SPROCKET, drive (15T) .....			
	214-17461-60	SPROCKET, drive (16T) .....			
11-37	90215-21022	WASHER, lock (156-17464-01)	1		
11-38	90179-18020	NUT, lock (152-17463-00) .....	1		

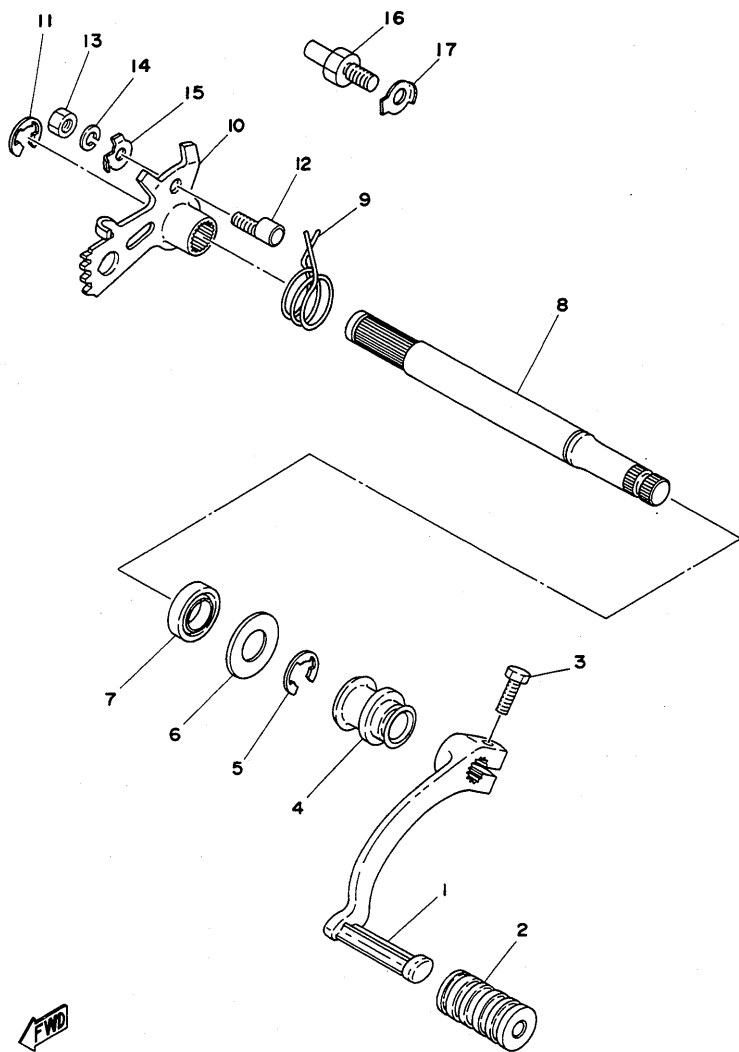
Fig. 12 SHIFTER 1



# SHIFTER 1

Ref. No.	Parts No.	Description	Q'ty	Applicable Machine No.	Remarks
12- 1	434-18541-03	CAM, shift .....	1		
12- 2	93604-18100	PIN, dowel (4-18) .....	6		
12- 3	434-18561-00	PLATE, side .....	1		
12- 4	98701-05012	SCREW, flathead .....	1		
12- 5	93604-08071	PIN, dowel (4-8) .....	1		
12- 6	1E6-18141-01	PLATE, stopper .....	1		
12- 7	93410-30012	CIRCLIP (S-30) .....	1		
12- 8	278-18547-02	STOPPER, cam .....	1		
12- 9	90501-10062	SPRING, compression (278-18557-00) .....	1		
12-10	137-15353-00	GASKET, drain plug .....	1		
12-11	90149-14031	SCREW (278-18577-03) .....	1		
12-12	364-18511-00	FORK, shift 1 .....	2		
12-13	363-18511-00	FORK, shift 1 .....	1		
12-14	90250-08017	PIN (278-18552-00) .....	3		
12-15	363-18535-00	BAR, shift fork guide 2 .....	1		
12-16	363-18531-00	BAR, shift fork guide 1 .....	1		
12-17	93430-08006	CIRCLIP (E-8) .....	5		
12-18	434-18122-00	LEVER, shift 2 .....	1		
12-19	90508-08008	SPRING, torsion (363-18123-00) .....	1		
12-20	498-18151-02	LEVER, shift 3 .....	1		
12-21	93430-07012	CIRCLIP (E-7) .....	1		

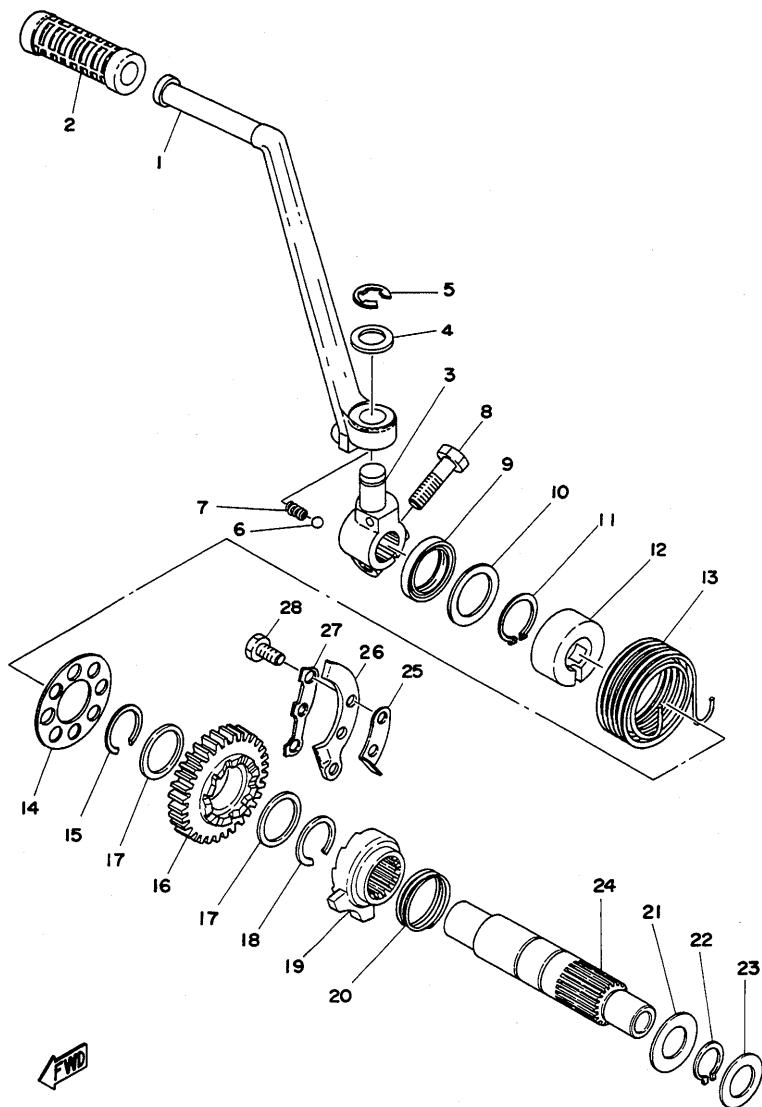
Fig.13 SHIFTER 2



## SHIFTER 2

Ref. No.	Parts No.	Description	Q'ty	Applicable Machine No.	Remarks
13- 1	583-18111-00-93	PEDAL, shift .....	1		
13- 2	132-18113-01	COVER, shift pedal .....	1		
13- 3	97321-06020	BOLT .....	1		
13- 4	583-18131-00	BOOT, sealing .....	1		
13- 5	93430-12009	CIRCLIP (E-12) .....	1		
13- 6	90201-14220	WASHER, plate (248-18137-00) .....	1		
13- 7	93109-14010	OIL SEAL (SDO-14-24-6) .....	1		
13- 8	583-18125-00	SHAFT, shift .....	1		
13- 9	90508-32052	SPRING, torsion (214-18124-00) .....	1		
13-10	434-18121-00	LEVER, shift 1 .....	1		
13-11	93430-10016	CIRCLIP (E-10) .....	1		
13-12	90149-06017	SCREW (214-18186-00) .....	1		
13-13	95301-06600	NUT .....	1		
13-14	92901-06100	WASHER, spring .....	1		
13-15	90215-06016	WASHER, lock .....	1		
13-16	278-18127-00	STOPPER, screw .....	1		
13-17	90215-08115	WASHER, lock .....	1		

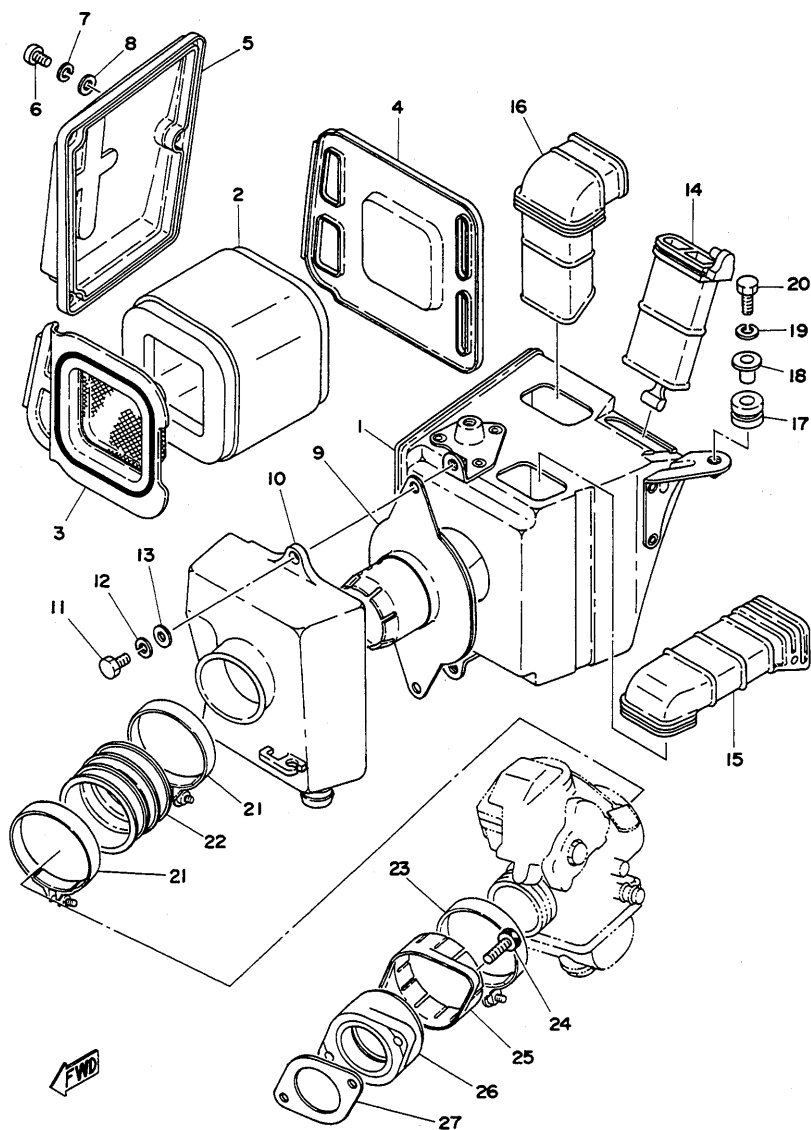
Fig. 14 KICK STARTER



# KICK STARTER

Ref. No.	Parts No.	Description	Q'ty	Applicable Machine No.	Remarks
14- 1	583-15611-00-93	CRANK, kick .....	1		
14- 2	156-15618-01	COVER, kick lever .....	1		
14- 3	583-15621-00	BOSS, kick crank .....	1		
14- 4	90201-15234	WASHER, plate (278-15613-00)	1		
14- 5	93430-10016	CIRCLIP (E-10) .....	1		
14- 6	93507-32009	BALL (7/32 inch) .....	1		
14- 7	90501-12081	SPRING, compression (278-15622-00) .....	1		
14- 8	97321-08030	BOLT .....	1		
14- 9	93102-25064	OIL SEAL (SD-25-35-7) .....	1		
14-10	90201-25290	WASHER, plate (131-15653-00)	1		
14-11	93410-25010	CIRCLIP (S-25) .....	1		
14-12	90560-25154	SPACER .....	1		
14-13	90508-32280	SPRING, torsion .....	1		
14-14	583-15676-00	COVER, kick spring .....	1		
14-15	93440-25019	CIRCLIP (25 $\phi$ special) .....	1		
14-16	583-15641-00	GEAR, kick (29T) .....	1		
14-17	90201-25287	WASHER, plate .....	2		
14-18	93440-25020	CIRCLIP (25 $\phi$ special) .....	1		
14-19	583-15671-00	WHEEL, ratchet .....	1		
14-20	90501-23143	SPRING, compression (363-15675-00) .....	1		
14-21	363-15676-00	COVER, spring .....	1		
14-22	93410-19015	CIRCLIP (S-19) .....	1		
14-23	90201-20278	WASHER, plate (168-17116-00)..	1		
14-24	583-15661-00	AXLE, kick .....	1		
14-25	434-15668-00	STOPPER, kick spring .....	1		
14-26	583-15674-00	GUIDE, ratchet wheel .....	1		
14-27	363-15686-00	WASHER, lock .....	1		
14-28	97321-06015	BOLT .....	3		

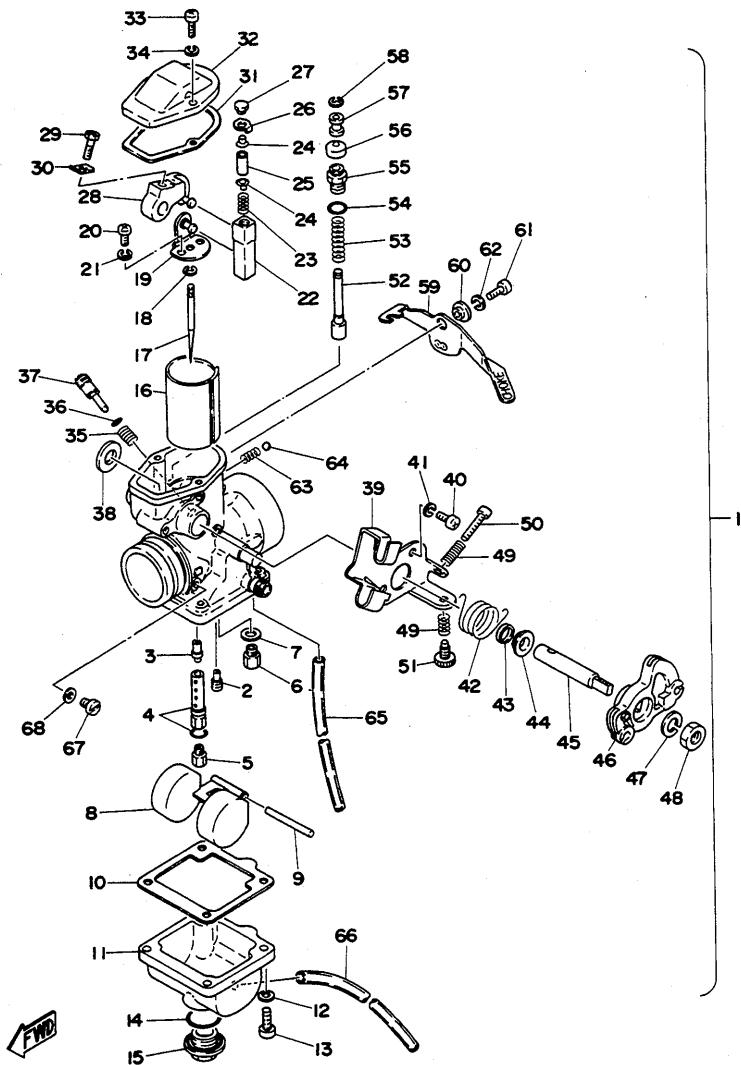
Fig. 15 INTAKE



# INTAKE

Ref. No.	Parts No.	Description	Q'ty	Applicable Machine No.	Remarks
15- 1	583-14411-01	CASE, air cleaner 1 .....	1		
15- 2	583-14451-00	ELEMENT, air cleaner .....	1		
15- 3	583-14468-00	PLATE, element 1 .....	1		
15- 4	583-14472-00	PLATE, element 2 .....	1		
15- 5	583-14422-00	CAP, air cleaner case .....	1		
15- 6	98501-05012	SCREW, panhead .....	3		
15- 7	92901-05100	WASHER, spring .....	3		
15- 8	92901-05600	WASHER, plain .....	3		
15- 9	583-14485-00	JOINT, pipe .....	1		
15-10	583-14421-00	CASE, air cleaner 2 .....	1		
15-11	97301-06020	BOLT, hexagon .....	2		
15-12	92901-06100	WASHER, spring .....	2		
15-13	92901-06600	WASHER, plate .....	2		
15-14	583-14437-00	DUCT 1 .....	1		
15-15	583-14431-00	SILENCER 1 .....	1		
15-16	583-14441-00	SILENCER 2 .....	1		
15-17	90480-14102	GROMMET (214-21717-00) ....	2		
15-18	90387-07391	COLLAR (437-21633-00) .....	2		
15-19	92901-06100	WASHER, spring .....	2		
15-20	97301-06025	BOLT, hexagon .....	2		
15-21	90460-58015	CLAMP, hose (371-14456-00)...	2		
15-22	583-14453-00	JOINT, air cleaner .....	1		
15-23	90460-61063	CLAMP, hose (256-14455-00)...	1		
15-24	91316-06020	BOLT, hexagon socket head ....	2		
15-25	256-13564-00	COVER, joint .....	1		
15-26	583-13565-01	MANIFOLD, intake .....	1		
15-27	583-13556-01	GASKET, manifold .....	1		

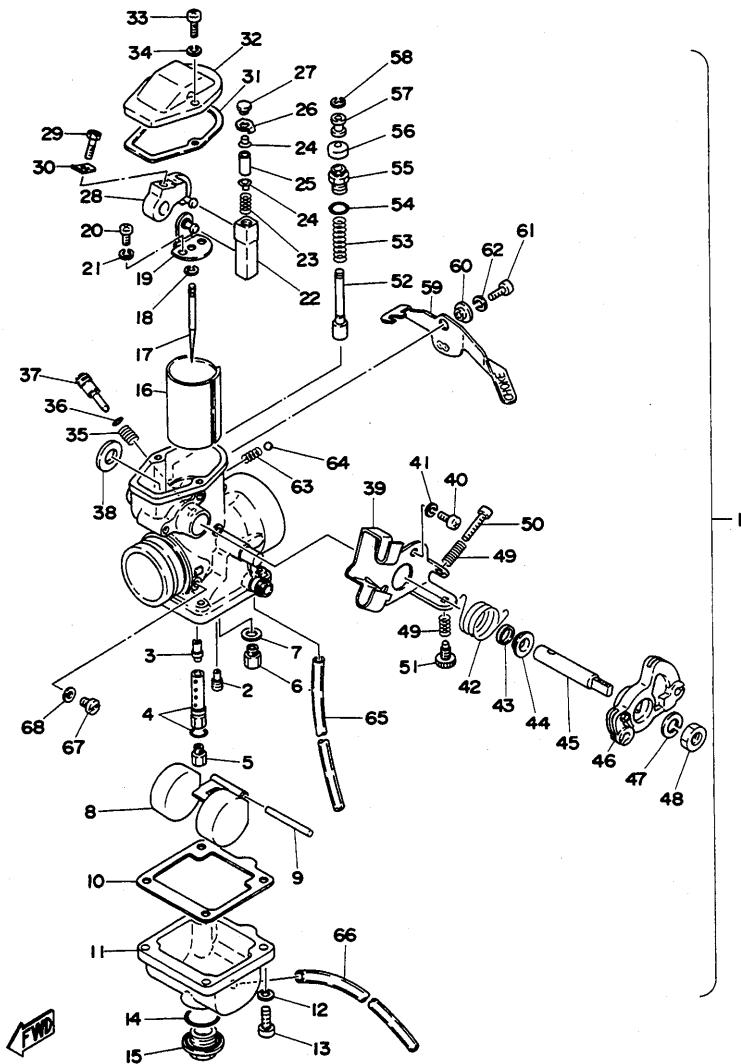
Fig. 16 CARBURETOR



# CARBURETOR

Ref. No.	Parts No.	Description	Q'ty	Applicable Machine No.	Remarks
16- 1	1E6-14101-60	CARBURETOR ASS'Y .....	1		
16- 2	193-14142-35	. JET, pilot (#35) .....	1		
16- 3	583-14141-52	. NOZZLE, main (Q-2) .....	1		
16- 4	583-14148-00	. PIPE, needle jet with O-ring	1		
16- 5	137-14143-40	. JET, main (#200) .....	} U.R 1		STD
	137-14143-42	. JET, main (#210) .....			
	137-14143-44	. JET, main (#220) .....			
16- 6	168-14190-25	. VALVE SEAT ASS'Y .....	1		
16- 7	214-14195-00	. WASHER, valve seat .....	1		
16- 8	583-14185-00	. FLOAT .....	1		
16- 9	127-14186-00	. PIN, float .....	1		
16-10	583-14184-00	. GASKET, float chamber .....	1		
16-11	583-14181-00	. BODY, float chamber .....	1		
16-12	92901-06100	. WASHER, spring .....	4		
16-13	92501-06015	. SCREW, panhead .....	4		
16-14	558-14147-00	. O-RING .....	1		
16-15	500-14115-00	. PLUG, screw .....	1		
16-16	583-14112-45	. VALVE, throttle (C. A-4.5) ...	1		
16-17	316-14116-10	. NEEDLE (5J10-3) .....	1		
16-18	164-14137-00	. CLIP, needle .....	1		
16-19	583-14291-00	. BRACKET, throttle valve ....	1		
16-20	98501-04012	. SCREW, panhead .....	2		
16-21	92901-04100	. WASHER, spring .....	2		
16-22	583-14274-00	. CONNECTOR .....	1		
16-23	583-14933-00	. SPRING .....	1		
16-24	583-14558-00	. PIN 2 .....	2		
16-25	583-14386-00	. PIN 1 .....	1		
16-26	583-14951-00	. WASHER .....	1		
16-27	583-14216-00	. BOLT, connector fitting .....	1		

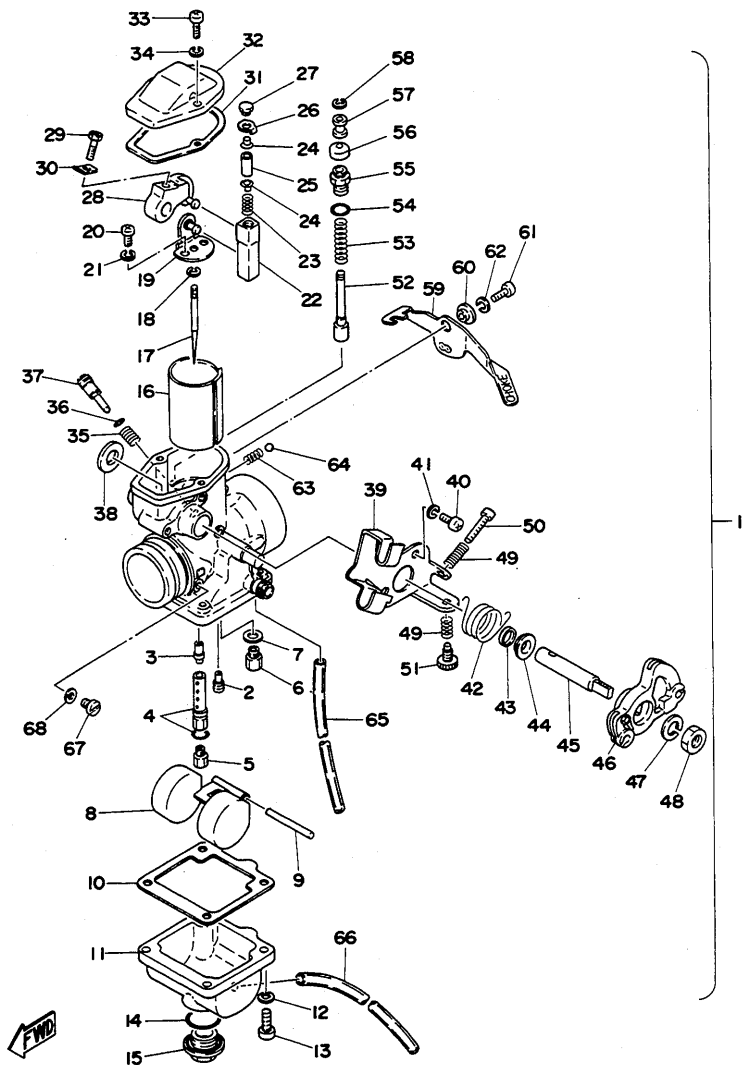
Fig. 16 CARBURETOR



# CARBURETOR

Ref. No.	Parts No.	Description	Q'ty	Applicable Machine No.	Remarks
16-28	583-14292-00	. LEVER, throttle valve .....	1		
16-29	583-14592-00	. BOLT, throttle valve .....	1		
16-30	583-14597-00	. WASHER, throttle lever .....	1		
16-31	583-14536-00	. GASKET .....	1		
16-32	583-14158-00	. TOP, mixing chamber .....	1		
16-33	98503-04015	. SCREW, panhead .....	2		
16-34	92901-04100	. WASHER, spring .....	2		
16-35	127-14134-00	. SPRING, air adjusting .....	1		
16-36	354-14147-00	. O-RING .....	1		
16-37	525-14123-00	. SCREW, air adjusting .....	1		
16-38	583-14264-00	. SPACER, throttle lever .....	1		
16-39	583-14571-00	. BRACKET .....	1		
16-40	98501-05012	. SCREW, panhead .....	2		
16-41	92901-05100	. WASHER, spring .....	2		
16-42	583-14131-01	. SPRING, throttle lever return	1		
16-43	583-14239-01	. SEAL, throttle lever shaft ....	1		
16-44	583-14265-00	. WASHER, throttle lever shaft	1		
16-45	583-14215-00	. SHAFT, throttle lever .....	1		
16-46	583-14573-00	. LEVER, throttle .....	1		
16-47	92901-08100	. WASHER, spring .....	1		
16-48	812-14594-00	. NUT, throttle lever .....	1		
16-49	583-14133-00	. SPRING, throttle stop .....	2		
16-50	583-14245-00	. SCREW .....	1		
16-51	583-14121-00	. SCREW, throttle stop .....	1		
16-52	583-14171-01	. PLUNGER, starter .....	1		
16-53	500-14135-00	. SPRING, plunger .....	1		
16-54	583-14562-00	. O-RING .....	1		
16-55	583-14174-00	. CAP, plunger .....	1		
16-56	802-14173-00	. COVER, plunger cap .....	1		

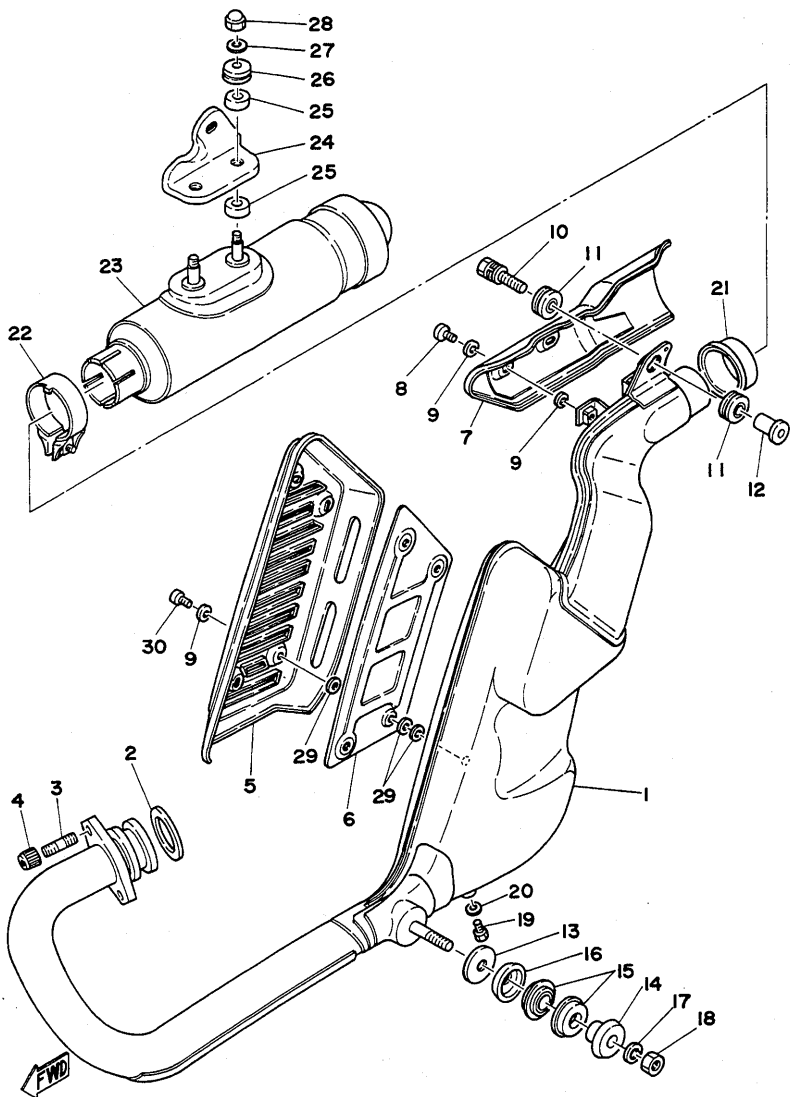
Fig. 16 CARBURETOR



# CARBURETOR

Ref. No.	Parts No.	Description	Q'ty	Applicable Machine No.	Remarks
16-57	583-14918-00	. RING, plunger starter	..... 1		
16-58	737-14137-00	. CLIP, plunger starter	..... 1		
16-59	583-14175-01	. LEVER, starter	..... 1		
16-60	583-14594-00	. COLLAR, starter lever	..... 1		
16-61	92501-06012	. SCREW, panhead	..... 1		
16-62	92901-06100	. WASHER, spring	..... 1		
16-63	583-14589-00	. SPRING	..... 1		
16-64	93501-08001	. BALL (1/8 inch)	..... 1		
16-65	1E6-14197-00	. PIPE, air vent (5-200)	..... 1		
16-66	432-14197-00	. PIPE, air vent (3.5-350)	..... 1		
16-67	341-14991-00	. PLUG, screw	..... 1		
16-68	584-14956-00	. WASHER	..... 1		

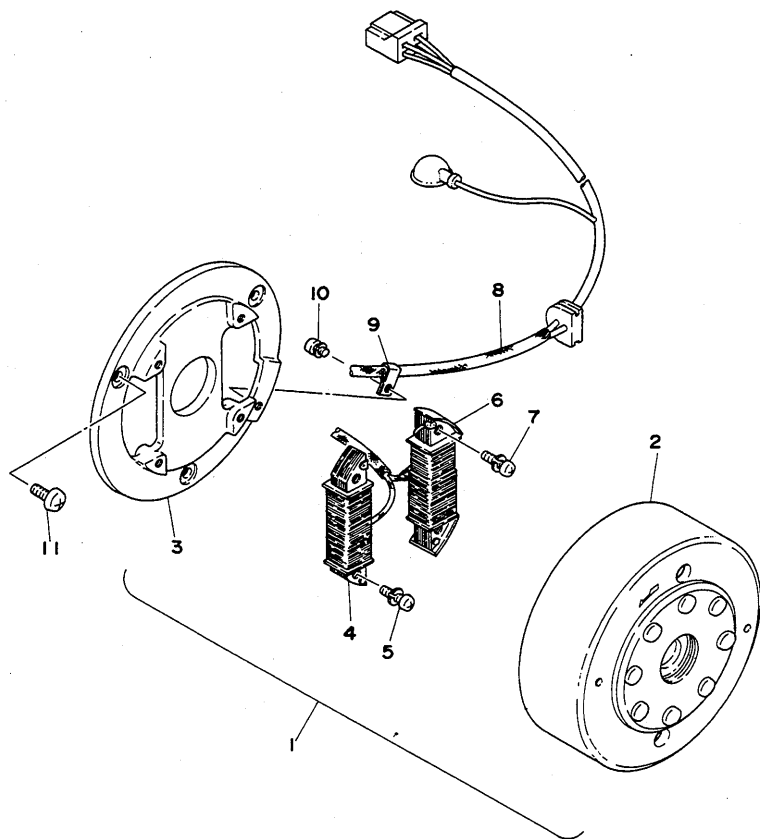
Fig. 17 EXHAUST



# EXHAUST

Ref. No.	Parts No.	Description	Q'ty	Applicable Machine No.	Remarks
17- 1	1E6-14610-01	EXHAUST PIPE ASS'Y .....	1		
17- 2	90430-38054	GASKET (256-14613-00) .....	1		
17- 3	95621-08615	BOLT, stud .....	2		
17- 4	90179-08004	NUT .....	2		
17- 5	1E6-14718-00	PROTECTOR, muffler 1 .....	1		
17- 6	583-14738-00	PROTECTOR, muffler 3 .....	1		
17- 7	1E6-14728-00	PROTECTOR, muffler 2 .....	1		
17- 8	91906-06010	SCREW, bind .....	2		
17- 9	583-14766-00	WASHER, protector .....	8		
17-10	90119-08014	BOLT .....	1		
17-11	583-14757-00	DAMPER, muffler 2 .....	2		
17-12	90387-08527	COLLAR .....	1		
17-13	90202-10098	WASHER .....	1		
17-14	583-14763-00	SPACER .....	1		
17-15	583-14747-00	DAMPER, muffler .....	2		
17-16	90209-10140	WASHER .....	1		
17-17	92901-10100	WASHER, spring .....	1		
17-18	95301-10600	NUT .....	1		
17-19	97301-06010	BOLT, hexagon .....	1		
17-20	583-14766-00	WASHER, protector .....	1		
17-21	583-14714-01	GASKET, muffler joint .....	1		
17-22	1E6-14788-02	BAND, silencer .....	1		
17-23	1E6-14750-50	SILENCER ASS'Y .....	1		
17-24	1E6-14781-00	STAY, silencer .....	1		
17-25	438-14757-00	DAMPER, muffler .....	4		
17-26	90209-06061	WASHER (438-14759-00) .....	2		
17-27	92901-06100	WASHER, spring .....	2		
17-28	95301-06800	NUT, crown .....	2		
17-29	1E6-14766-01	WASHER, protector .....	12		
17-30	91906-06015	SCREW, bind .....	4		

Fig. 18 FLYWHEEL MAGNETO



# FLYWHEEL MAGNETO

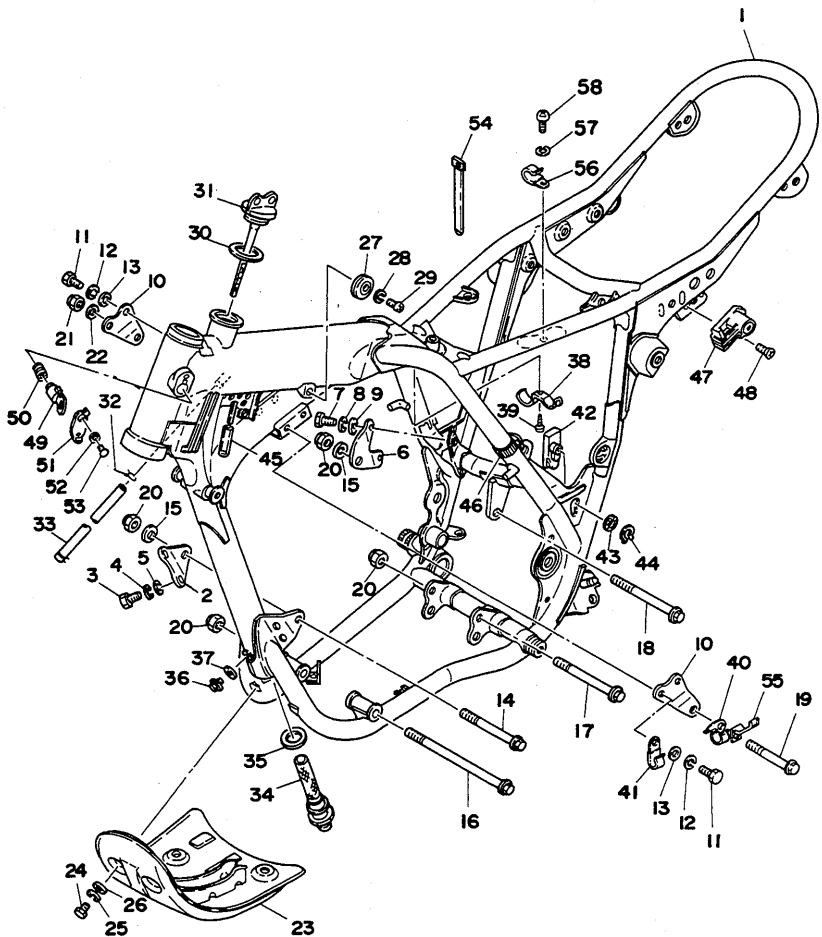
Ref. No.	Parts No.	Description	Q'ty	Applicable Machine No.	Remarks
18- 1	1E6-81300-51	FLYWHEEL MAGNETO ASS'Y ..	1		
18- 2	1E6-81350-50	. ROTOR COMP. ....	1		
18- 3	583-81309-50	. BASE, flywheel magneto ....	1		
18- 4	583-81311-50	. COIL, ignition source ....	1		
18- 5	583-81345-50	. SCREW, panhead (5-22) ....	2		
18- 6	1E6-81313-51	. COIL, lighting ....	1		
18- 7	583-81345-50	. SCREW, panhead (5-22) ....	2		
18- 8	1E6-81315-50	. LEAD WIRE ASS'Y ....	1		
18- 9	1E6-81328-50	. CLAMP, lead wire ....	1		
18-10	583-81346-50	. SCREW, panhead (4-6) ....	1		
18-11	92501-06015	SCREW, panhead ....	3		



# CHASSIS



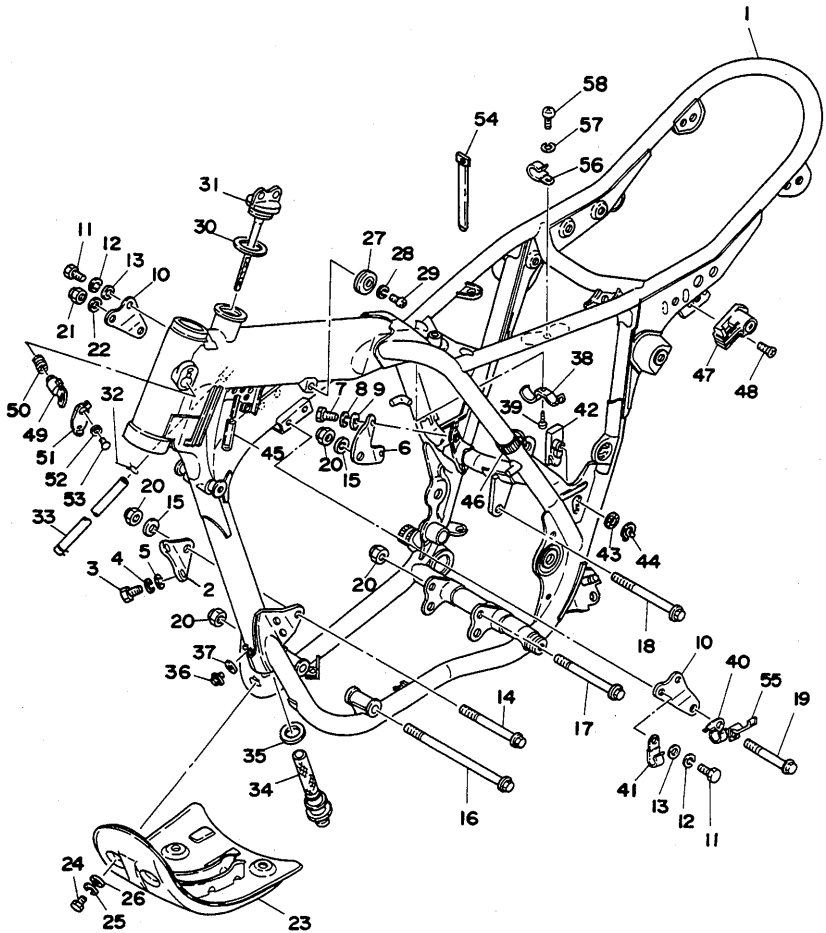
Fig. 19 FRAME



# FRAME

Ref. No.	Parts No.	Description	Q'ty	Applicable Machine No.	Remarks
19- 1	1E6-21110-00-33	FRAME COMP. ....	1		Yamaha Black
19- 2	583-21316-00	STAY, engine mount .....	1		
19- 3	97321-08025	BOLT .....	2		
19- 4	92901-08100	WASHER, spring .....	2		
19- 5	92901-08600	WASHER, plain .....	2		
19- 6	583-21317-00	STAY, engine mount rear .....	1		
19- 7	97321-08025	BOLT .....	2		
19- 8	92901-08100	WASHER, spring .....	2		
19- 9	92901-08600	WASHER, plate .....	2		
19-10	583-21315-00	STAY, engine 1 .....	2		
19-11	97321-08018	BOLT .....	4		
19-12	92901-08100	WASHER, spring .....	4		
19-13	92901-08600	WASHER, plate .....	4		
19-14	90105-10039	BOLT .....	1		M10-1002
19-15	90201-10126	WASHER, plate (647-11557-00)	2		
19-16	90105-10063	BOLT .....	1		M10-1852
19-17	90105-10050	BOLT .....	1		M10-1102
19-18	90105-10051	BOLT, flange .....	1		M10-1152
19-19	90105-08064	BOLT, flange .....	1		M8-802
19-20	90185-10035	NUT, self locking .....	4		
19-21	90185-08054	NUT, self locking .....	1		
19-22	90208-08011	WASHER, conical spring (838-24746-00) .....	1		
19-23	583-21471-00	PROTECTOR, engine .....	1		
19-24	97301-06012	BOLT .....	4		
19-25	92901-06100	WASHER, spring .....	4		
19-26	92901-06600	WASHER, plain .....	4		
19-27	583-24181-00	DAMPER, tank locating .....	2		
19-28	92901-05100	WASHER, spring .....	2		
19-29	98501-05012	SCREW, panhead .....	2		

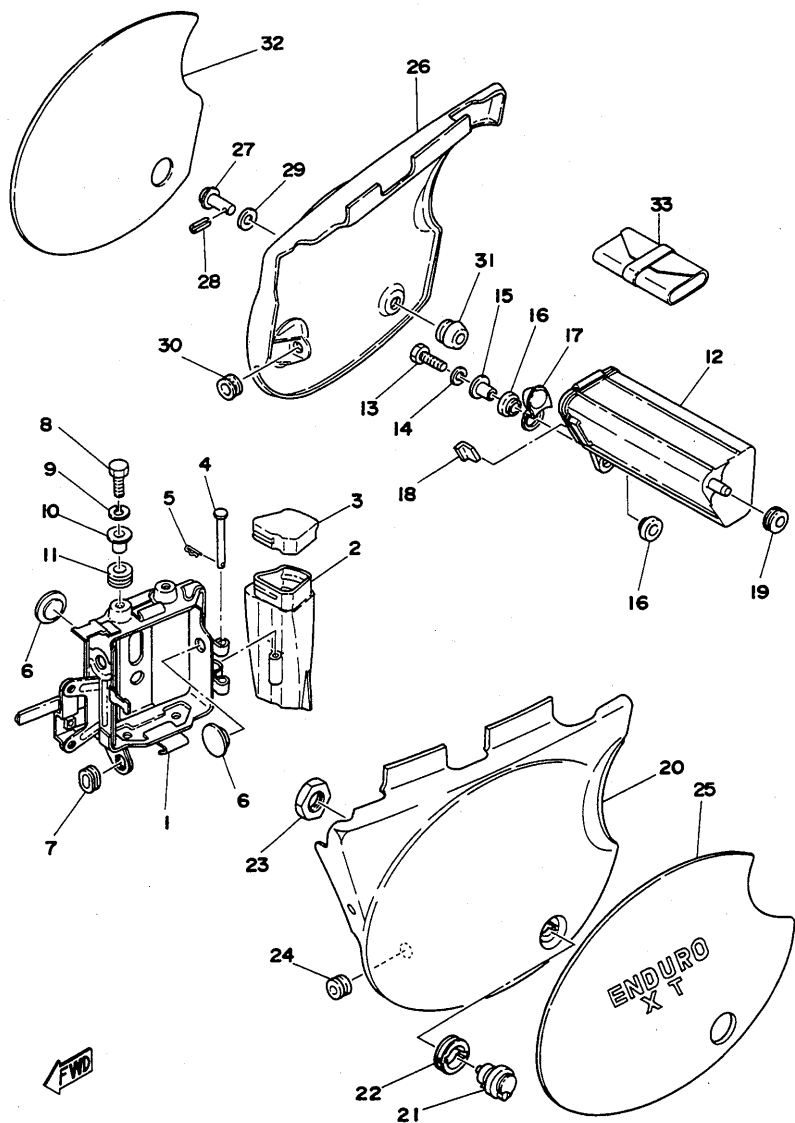
Fig. 19 FRAME



# FRAME

Ref. No.	Parts No.	Description	Q'ty	Applicable Machine No.	Remarks
19-30	90430-27124	GASKET .....	1		
19-31	583-21771-00	BODY, oil tank cap .....	1		
19-32	90467-10008	CLIP (143-24356-00) .....	2		
19-33	90445-11289	HOSE (7-200) .....	1		
19-34	583-21756-00	NET, oil tank filter .....	1		
19-35	90430-22123	GASKET .....	1		
19-36	90105-08003	BOLT, flange (834-16777-00) ...	1		
19-37	90430-08119	GASKET .....	1		
19-38	583-21755-00	CLAMP, oil pipe .....	1		
19-39	97701-50110	SCREW, panhead tapping .....	1		
19-40	90465-10090	CLAMP .....	1		
19-41	90465-10018	CLAMP (834-21823-00) .....	1		
19-42	583-22147-01	PROTECTOR, chain .....	1		
19-43	90206-15023	WASHER, wave .....	1		
19-44	93410-15005	CIRCLIP (S-15) .....	1		
19-45	90446-07114	HOSE (6-40) .....	1		
19-46	437-83936-00	BAND .....	1		
19-47	1E6-21308-00	HELMET HANGER ASS'Y .....	1		
19-48	92701-06018	SCREW, flathead .....	1		
19-49	1E6-23408-00	STEERING LOCK ASS'Y .....	1		
19-50	90502-09024	SPRING, conical (214-23485-00)	1		
19-51	584-23484-00	CAP, handle lock .....	1		
19-52	90206-04003	WASHER, wave .....	1		
19-53	90269-04003	RIVET (214-23483-00) .....	1		
19-54	366-82591-00	BAND .....	1		
19-55	90465-08088	CLAMP .....	1		
19-56	90465-08028	CLAMP .....	1		
19-57	92901-06100	WASHER, spring .....	1		
19-58	92501-06015	SCREW, panhead .....	1		

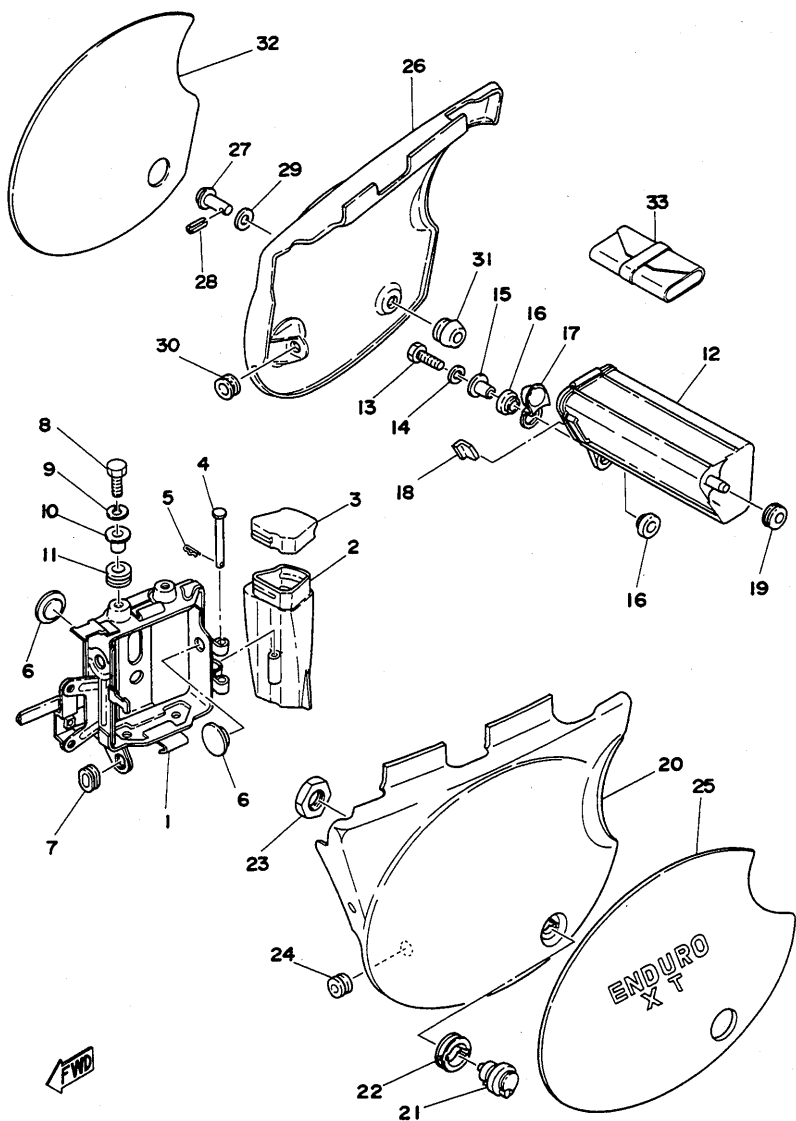
Fig. 20 SIDE COVER · BATTERY BOX



## SIDE COVER · BATTERY BOX

Ref. No.	Parts No.	Description	Q'ty	Applicable Machine No.	Remarks
20- 1	1E6-21240-00	BATTERY BOX COMP. ....	1		
20- 2	1E6-21245-00	BOX, pouch .....	1		
20- 3	1E6-21399-00	CAP, pouch box .....	1		
20- 4	91501-05055	PIN, clevis .....	1		
20- 5	90468-10050	CLIP (156-83525-00) .....	1		
20- 6	371-82121-00	PAD, battery .....	4		
20- 7	90480-01176	GROMMET .....	1		
20- 8	97301-06025	BOLT .....	2		
20- 9	92901-06100	WASHER, spring .....	2		
20-10	90387-07391	COLLAR (437-21633-00) .....	2		
20-11	90480-14102	GROMMET (214-21717-00) ....	2		
20-12	1E6-21171-00	BOX, tool .....	1		
20-13	97301-06025	BOLT .....	1		
20-14	92901-06100	WASHER, spring .....	1		
20-15	90387-06388	COLLAR (322-21544-00) .....	1		
20-16	322-21541-00	DAMPER, fender .....	2		
20-17	1E6-21715-00	WASHER, special .....	1		
20-18	90480-16185	GROMMET .....	1		
20-19	90480-15058	GROMMET .....	1		
20-20	1E6-21711-00	COVER, side left .....	1		Clean White
20-21	1E6-21708-00	SIDE COVER LOCK ASS'Y ....	1		
20-22	90480-24186	GROMMET .....	1		
20-23	90170-22187	NUT .....	1		
20-24	90480-01176	GROMMET .....	1		
20-25	1E6-21786-00	EMBLEM, side cover left ....	1		
20-26	583-21721-00	COVER, side right .....	1		Clean White
20-27	583-21714-00	KNOB, side cover .....	1		
20-28	91609-25018	PIN, spring .....	1		
20-29	90201-06063	WASHER, plate (810-77318-00)	1		

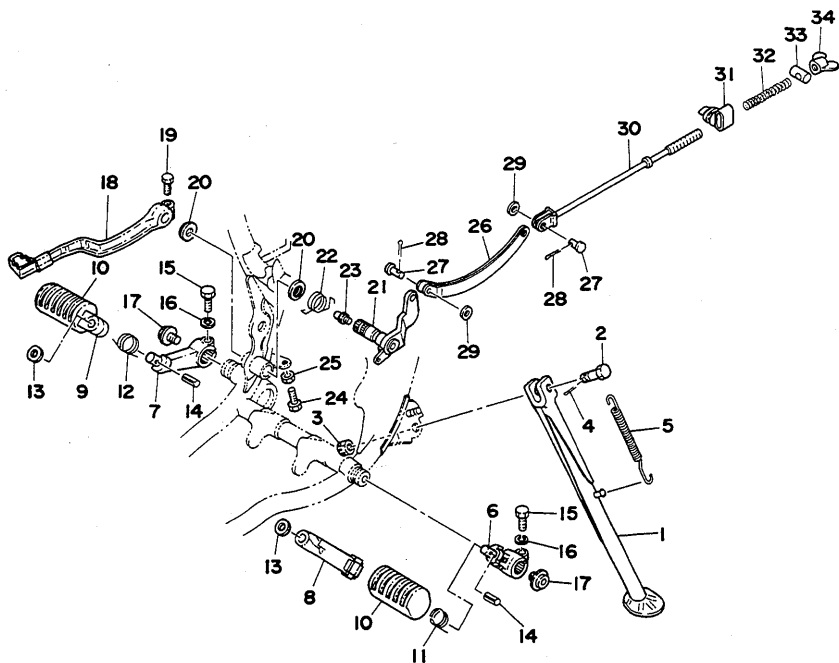
Fig. 20 SIDE COVER · BATTERY BOX



## SIDE COVER - BATTERY BOX

Ref. No.	Parts No.	Description	Q'ty	Applicable Machine No.	Remarks
20-30	583-21747-00	DAMPER, side cover .....	1		
20-31	90480-01176	GROMMET .....	1		
20-32	1E6-21787-00	EMBLEM, side cover right ....	1		
20-33	1E6-28100-10	TOOL ASS'Y .....	1		

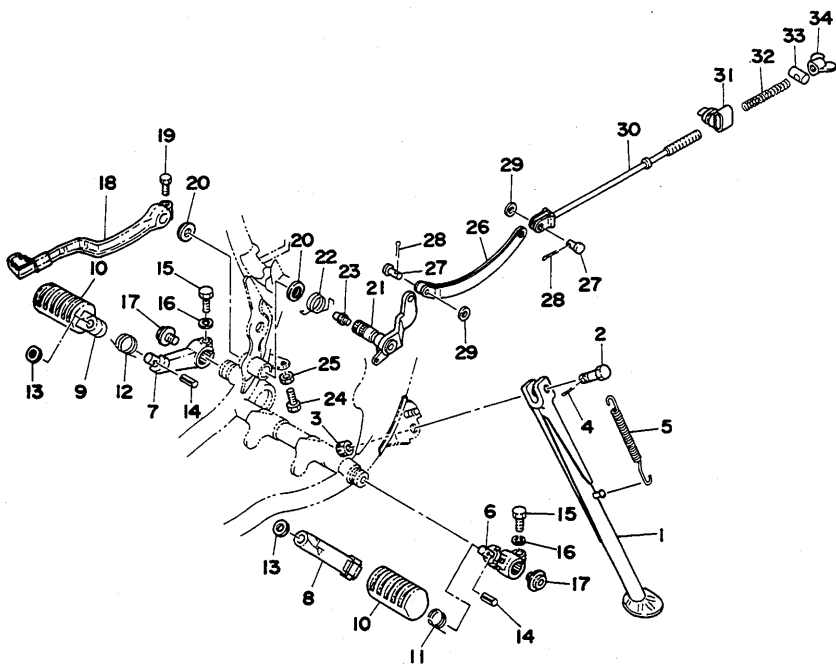
Fig. 21 STAND · FOOTREST · BRAKE PEDAL



## STAND · FOOTREST · BRAKE PEDAL

Ref. No.	Parts No.	Description	Q'ty	Applicable Machine No.	Remarks
21- 1	583-27311-00	STAND, side .....	1		
21- 2	90102-10006	BOLT (278-27317-00) .....	1		
21- 3	95302-10900	NUT, slotted .....	1		
21- 4	91401-20025	PIN, cotter .....	1		
21- 5	90507-29021	SPRING, tension .....	1		
21- 6	583-27412-00	BRACKET, footrest left .....	1		
21- 7	583-27422-00	BRACKET, footrest right .....	1		
21- 8	1E6-27411-00	FOOTREST, left .....	1		
21- 9	1E6-27421-00	FOOTREST, right .....	1		
21-10	214-27413-00	COVER, footrest .....	2		
21-11	90508-26277	SPRING, torsion .....	1		
21-12	90508-26276	SPRING, torsion .....	1		
21-13	90201-12631	WASHER, plate .....	2		
21-14	91609-30020	PIN, spring .....	2		
21-15	97301-08025	BOLT .....	2		
21-16	92901-08100	WASHER, spring .....	2		
21-17	90109-10174	BOLT .....	2		
21-18	583-27211-01-33	PEDAL, brake .....	1		
21-19	97301-06020	BOLT .....	1		
21-20	498-27235-00	COVER, dust .....	2		
21-21	1E6-27252-00	LEVER, brake pedal .....	1		
21-22	90508-32278	SPRING, torsion .....	1		
21-23	93700-06004	NIPPLE, grease .....	1		
21-24	90153-06008	SCREW (341-27217-00) .....	1		
21-25	90170-06184	NUT .....	1		
21-26	583-27241-00	JOINT, rod .....	1		
21-27	90240-08051	PIN, with hole .....	2		
21-28	91401-20012	PIN, cotter .....	2		
21-29	90201-08084	WASHER, plate (807-14167-00) .....	2		
21-30	583-27231-00	ROD, brake .....	1		

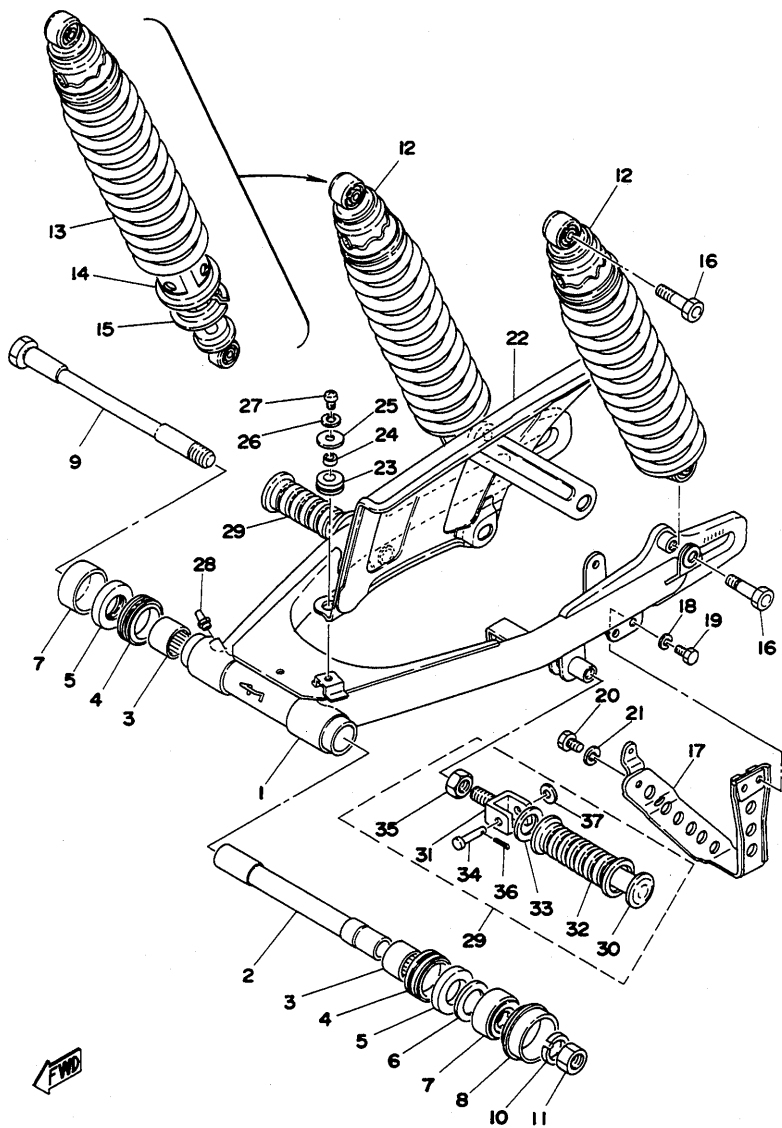
Fig. 21 STAND · FOOTREST · BRAKE PEDAL



# STAND · FOOTREST · BRAKE PEDAL

Ref. No.	Parts No.	Description	Q'ty	Applicable Machine No.	Remarks
21-31	1E6-27244-00	COVER, brake rod .....	1		
21-32	90501-10245	SPRING, rod (180-27236-00)....	1		
21-33	90249-12069	PIN (431-27237-00) .....	1		
21-34	90175-06013	NUT, wing .....	1		

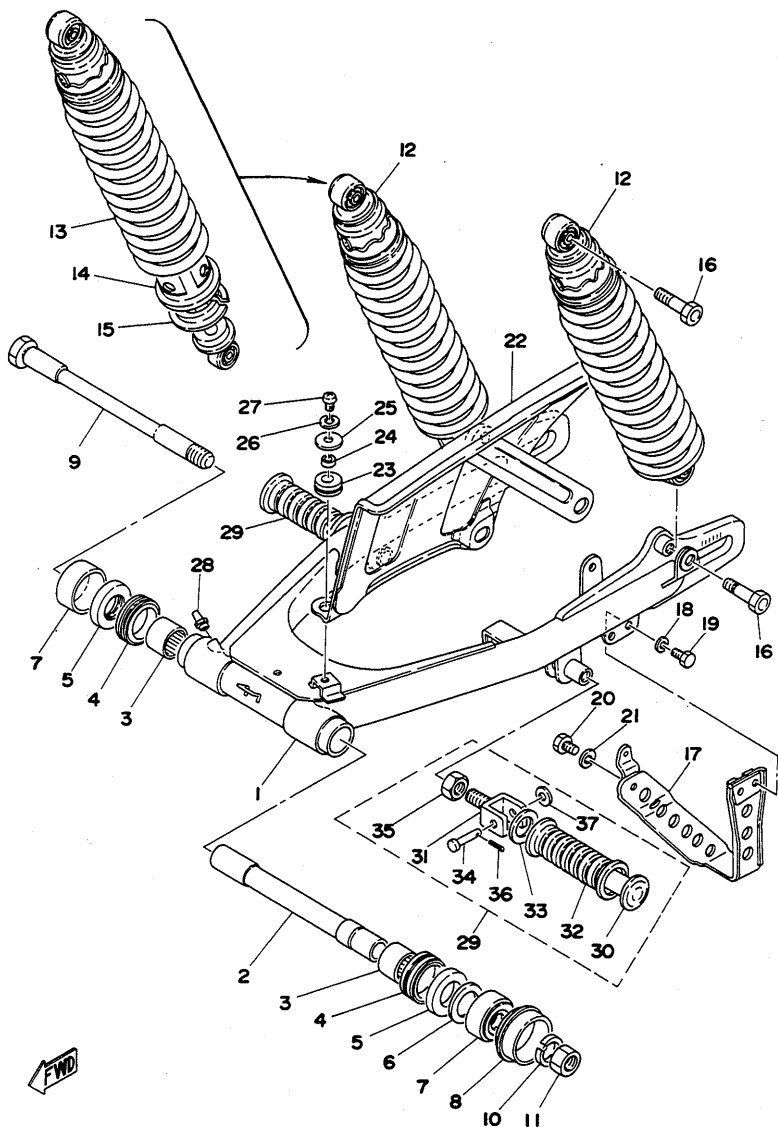
Fig. 22 REAR ARM · REAR CUSHION · CHAIN CASE



# REAR ARM · REAR CUSHION · CHAIN CASE

Ref. No.	Parts No.	Description	Q'ty	Applicable Machine No.	Remarks
22- 1	1E6-22110-00-33	REAR ARM COMP. ....	1		Yamaha Black
22- 2	483-22124-00	BUSHING .....	1		
22- 3	93317-22208	BEARING .....	2		
22- 4	93108-35004	OIL SEAL (OSO-35-41.5-8) ....	2		
22- 5	93342-22205	BEARING .....	2		
22- 6	90201-22284	WASHER, plate .....	U.R		
22- 7	483-22129-01	COVER, thrust .....	2		
22- 8	431-22151-02	SEAL, guard .....	1		
22- 9	583-22141-00	SHAFT, pivot .....	1		
22-10	92901-16100	WASHER, spring .....	1		
22-11	90170-16111	NUT .....	1		
22-12	1E6-22210-00	REAR CUSHION ASS'Y .....	2		
22-13	583-22212-00	. SPRING, rear cushion .....	2		
22-14	583-22211-00	. GUIDE, spring .....	2		
22-15	583-22214-00	. SEAT, spring lower .....	2		
22-16	90109-10420	BOLT .....	4		
22-17	438-22318-00-33	GUARD, chain .....	1		Yamaha Black
22-18	92901-06100	WASHER, spring .....	2		
22-19	97301-06018	BOLT .....	2		
22-20	97301-08016	BOLT .....	1		
22-21	92901-06100	WASHER, spring .....	1		
22-22	1E6-22311-00-33	CASE, chain .....	1		Yamaha Black
22-23	90480-12188	GROMMET .....	3		
22-24	90560-05001	SPACER (214-22317-00) .....	3		
22-25	90201-06407	WASHER, plate .....	3		
22-26	92901-05100	WASHER, spring .....	3		
22-27	98501-05012	SCREW, panhead .....	3		
22-28	93700-06004	NIPPLE, grease .....	1		
22-29	1E6-27430-00	REAR FOOTREST ASS'Y .....	2		

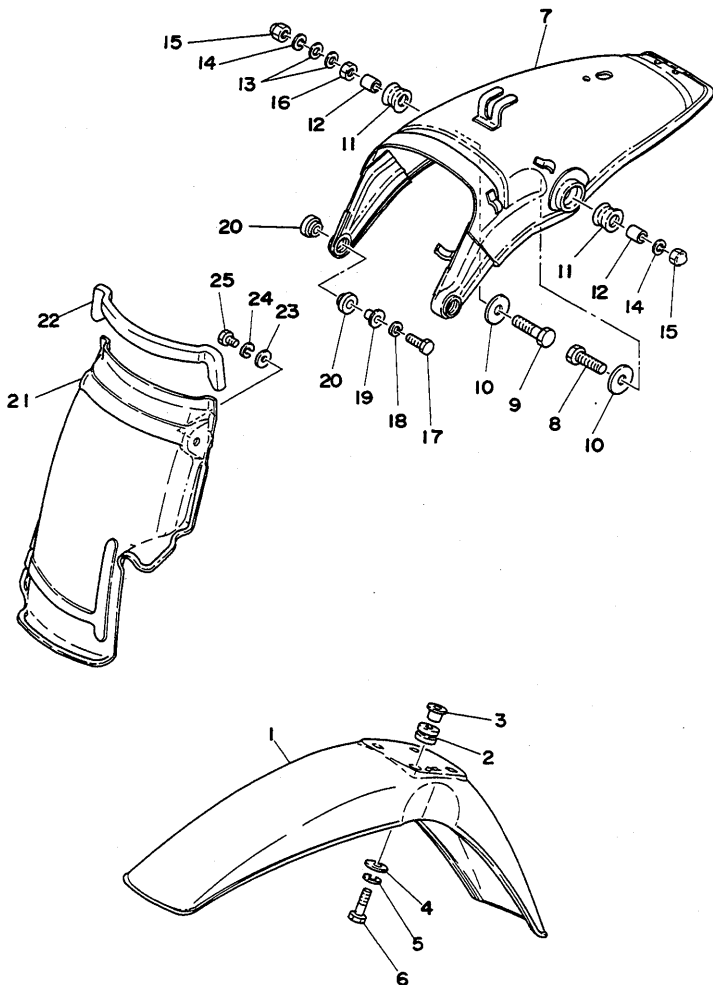
Fig. 22 REAR ARM · REAR CUSHION · CHAIN CASE



# REAR ARM · REAR CUSHION · CHAIN CASE

Ref. No.	Parts No.	Description	Q'ty	Applicable Machine No.	Remarks
22-30	465-27431-00	. ARM, rear footrest .....	2		
22-31	120-27432-02	. BRACKET, rear footrest ....	2		
22-32	120-27433-00	. COVER, footrest .....	2		
22-33	90201-20279	. WASHER .....	2		
22-34	90240-06052	. PIN, with hole .....	2		
22-35	95301-12700	. NUT .....	2		
22-36	91401-16015	. PIN, cotter .....	2		
22-37	90201-06055	. WASHER, plate .....	2		

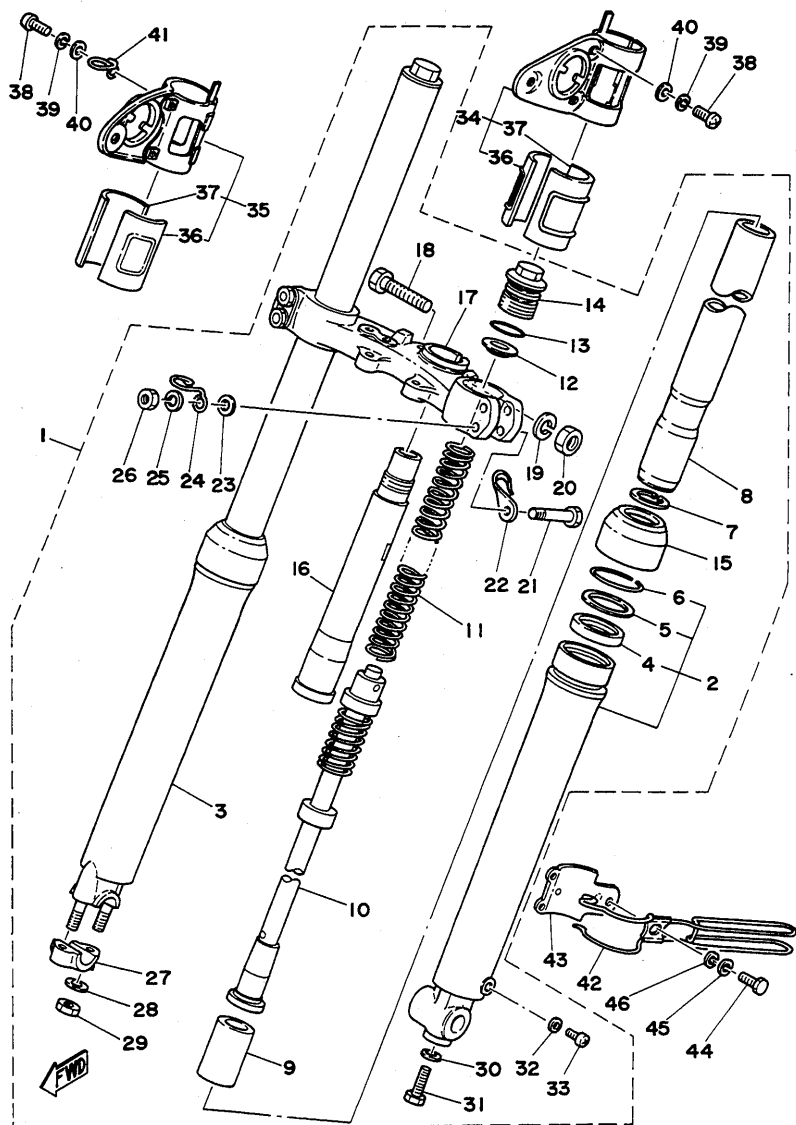
Fig. 23 FRONT FENDER · REAR FENDER



## FRONT FENDER · REAR FENDER

Ref. No.	Parts No.	Description	Q'ty	Applicable Machine No.	Remarks
23- 1	583-21511-00	FENDER, front .....	1		Clean White
23- 2	90480-14198	GROMMET .....	4		
23- 3	90387-06388	COLLAR (322-21544-00) .....	4		
23- 4	90201-06067	WASHER, plate (116-28324-00) .....	4		
23- 5	92901-06100	WASHER, spring .....	4		
23- 6	97301-06030	BOLT .....	4		
23- 7	1E6-21610-00-36	FENDER, rear .....	1		Clean White
23- 8	97301-08035	BOLT .....	1		
23- 9	97301-08045	BOLT .....	1		
23-10	90201-08113	WASHER (611-48556-30) .....	2		
23-11	1E6-21639-00	DAMPER, rear fender .....	2		
23-12	90387-08258	COLLAR .....	2		
23-13	92901-08258	WASHER, plain .....	2		
23-14	92901-08100	WASHER, spring .....	2		
23-15	95303-08800	NUT, crown .....	2		
23-16	95301-08600	NUT .....	1		
23-17	97321-06025	BOLT .....	2		
23-18	92901-06100	WASHER, spring .....	2		
23-19	90387-07391	COLLAR (437-21633-00) .....	2		
23-20	1E6-21638-00	DAMPER, front fender .....	4		
23-21	583-21629-00	GUARD, mud .....	1		
23-22	583-21746-00	SEAL, box .....	1		
23-23	90201-06571	WASHER, plate .....	3		
23-24	92901-06100	WASHER, spring .....	3		
23-25	97321-06015	BOLT .....	3		

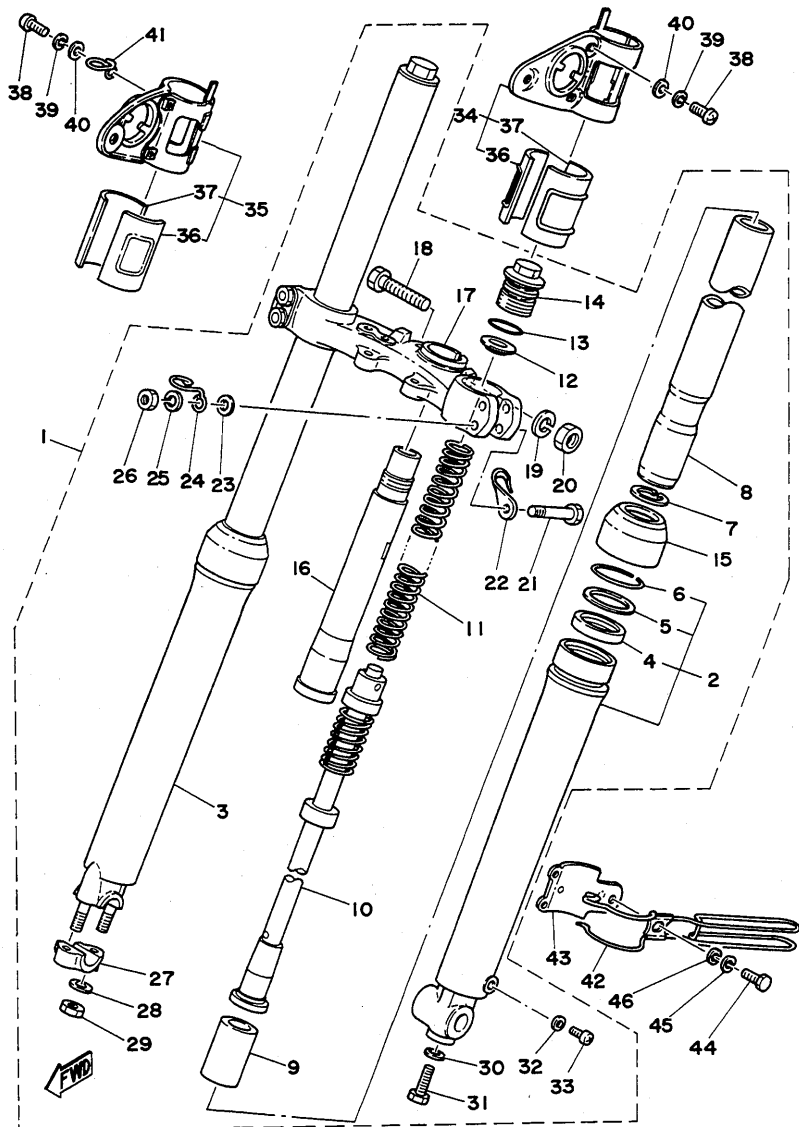
Fig. 24 FRONT FORK



# FRONT FORK

Ref. No.	Parts No.	Description	Q'ty	Applicable Machine No.	Remarks
24- 1	1E6-23101-90	FRONT FORK ASS'Y .....	1		
24- 2	583-23126-01	. TUBE, outer left .....	1		
24- 3	583-23136-01	. TUBE, outer right .....	1		
24- 4	583-23145-00	. . OIL SEAL .....	2		
24- 5	341-23146-50	. . WASHER, oil seal .....	2		
24- 6	341-23156-50	. . CLIP, oil seal .....	2		
24- 7	93450-30039	. CIRCLIP .....	2		
24- 8	583-23124-00	. TUBE, inner .....	2		
24- 9	583-23171-00	. PISTON, front fork .....	2		
24-10	583-23170-00	. CYLINDER COMP., front fork	2		
24-11	583-23141-00	. SPRING, front fork .....	2		
24-12	583-23142-00	. SEAT, spring upper .....	2		
24-13	240-23114-00	. O-RING .....	2		
24-14	583-23111-00	. BOLT, cap .....	2		
24-15	583-23144-00	. SEAL, dust .....	2		
24-16	1E6-23341-00	. STEERING SHAFT COMP. ....	1		
24-17	583-23345-00-33	. UNDER BRACKET COMP. ....	1		Yamaha Black
24-18	322-23356-00	. BOLT .....	1		
24-19	92901-10100	. WASHER, spring .....	1		
24-20	322-23357-00	. NUT .....	1		
24-21	90109-08397	. BOLT .....	4		
24-22	90462-08024	. CLAMP .....	1		
24-23	90201-08083	. WASHER, plate (156-27226-00)	4		
24-24	1E6-23317-00	. HOLDER, wire 1 .....	1		
24-25	92901-08100	. WASHER, spring .....	4		
24-26	90170-08180	. NUT U .....	4		
24-27	291-23167-60	. HOLDER, axle .....	1		
24-28	92901-08600	. WASHER, plate .....	2		
24-29	90185-08054	. NUT .....	2		

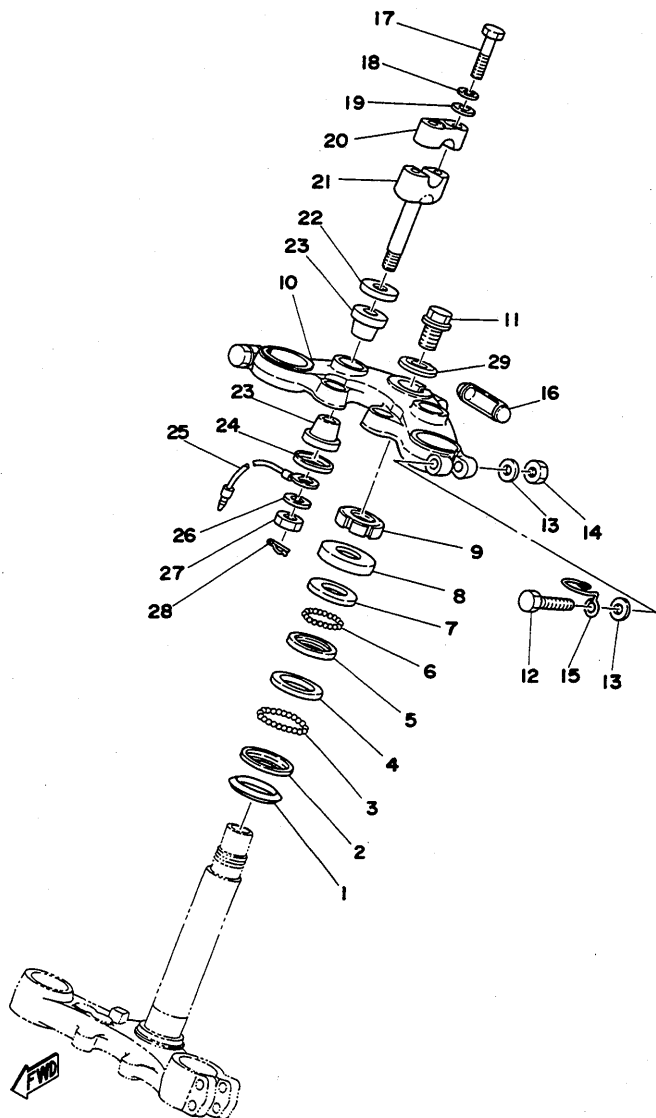
Fig. 24 FRONT FORK



# FRONT FORK

Ref. No.	Parts No.	Description	Q'ty	Applicable Machine No.	Remarks
24-30	509-23158-L0	. GASKET .....	2		
24-31	278-23181-50	. BOLT .....	2		
24-32	122-23129-00	. GASKET, drain plug .....	2		
24-33	122-23119-01	. PLUG, drain .....	2		
24-34	1E6-23121-00-33	COVER, upper left .....	1		Yamaha Black
24-35	1E6-23131-00-33	COVER, upper right .....	1		Yamaha Black
24-36	1E6-23137-00	. GASKET (S) .....	2		
24-37	1E6-23138-00	. GASKET (L) .....	2		
24-38	92501-06020	SCREW, panhead .....	4		
24-39	92901-06100	WASHER, spring .....	4		
24-40	92901-06600	WASHER, plate .....	4		
24-41	1E6-23389-00	GUIDE, wire .....	1		
24-42	1E6-23318-00	HOLDER, wire 2 .....	1		
24-43	1E6-23319-00	HOLDER, wire 3 .....	1		
24-44	97301-06020	BOLT, hexagon .....	1		
24-45	92901-06100	WASHER, spring .....	1		
24-46	92901-06600	WASHER, plate .....	1		

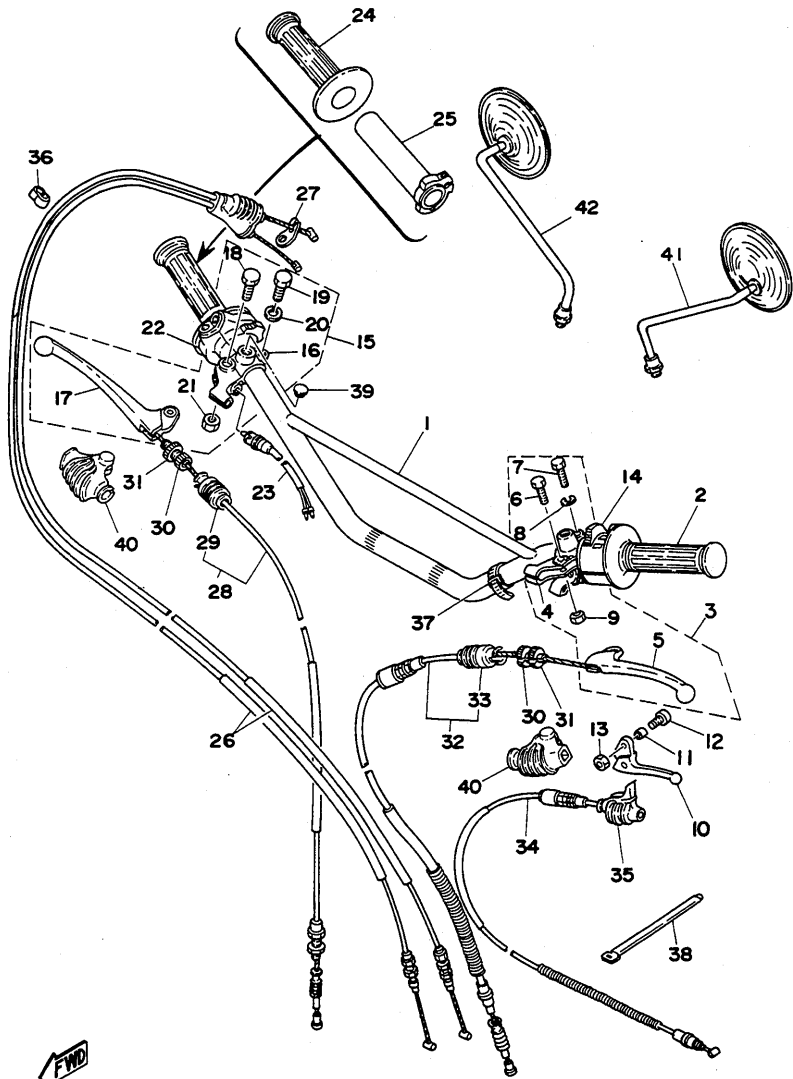
Fig. 25 STEERING



# STEERING

Ref. No.	Parts No.	Description	Qty	Applicable Machine No.	Remarks
25- 1	164-23462-00	SEAL, dust .....	1		
25- 2	156-23411-00	RACE, ball 1 .....	1		
25- 3	93501-04011	BALL (1/4 inch) .....	19		
25- 4	156-23412-00	RACE, ball 2 .....	1		
25- 5	122-23412-00	RACE, ball 2 .....	1		
25- 6	93503-16010	BALL (3/16 inch) .....	22		
25- 7	122-23411-00	RACE, ball 1 .....	1		
25- 8	583-23416-01	COVER, ball race .....	1		
25- 9	90179-25033	NUT (137-23454-00) .....	1		
25-10	1E6-23435-00-98	CROWN, handle .....	1		Low Gloss Black
25-11	90106-14017	BOLT .....	1		
25-12	97313-08055	BOLT .....	3		
25-13	90201-08083	WASHER, plate (156-27226-00) .....	6		
25-14	95601-08100	NUT U .....	3		
25-15	1E6-23317-00	HOLDER, wire .....	1		
25-16	583-23469-00	CAP, bolt .....	1		
25-17	97323-08040	BOLT .....	4		
25-18	92901-08100	WASHER, spring .....	4		
25-19	90201-08083	WASHER, plate (156-27226-00) .....	4		
25-20	1E6-23441-00	HOLDER, handle upper .....	2		Low Gloss Black
25-21	1E6-23442-00	HOLDER, handle under .....	2		Low Gloss Black
25-22	90209-12143	WASHER .....	2		
25-23	1E6-23434-00	BUSHING, rubber .....	4		
25-24	90209-10142	WASHER .....	2		
25-25	584-82519-00	WIRE, earth lead .....	1		
25-26	92901-10100	WASHER, spring .....	2		
25-27	95301-10700	NUT, hexagon .....	2		
25-28	90468-12006	CLIP (136-25375-00) .....	2		
25-29	90209-14023	WASHER .....	1		

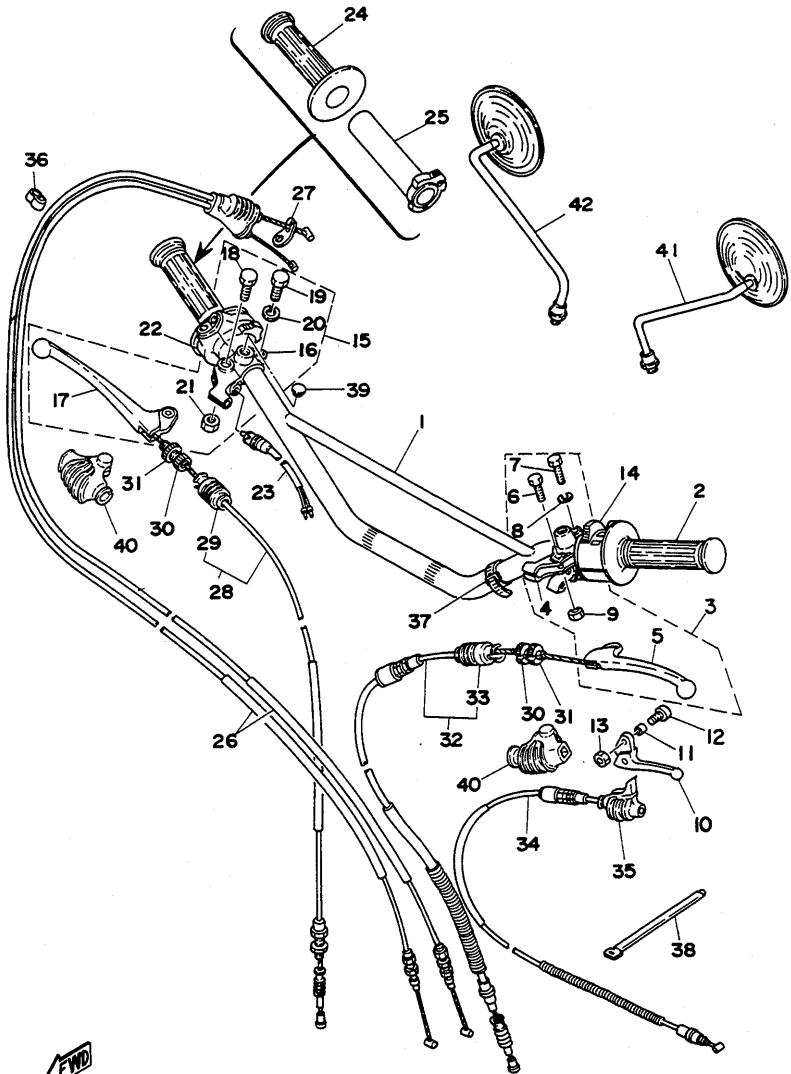
Fig. 26 HANDLE · WIRE



## HANDLE · WIRE

Ref. No.	Parts No.	Description	Q'ty	Applicable Machine No.	Remarks
26- 1	1E6-26111-00	HANDLE .....	1		
26- 2	1E6-26241-00	GRIP, left .....	1		
26- 3	583-82910-01	LEVER HOLDER ASS'Y, left ...	1		Low Gloss Black
26- 4	583-82911-01	. HOLDER, lever left .....	1		
26- 5	583-83912-00	. LEVER, left .....	1		
26- 6	90109-06410	. BOLT .....	1		
26- 7	97301-06022	. BOLT .....	1		
26- 8	92901-06100	. WASHER, spring .....	1		
26- 9	95601-06100	. NUT U .....	1		
26-10	583-83981-00	LEVER, decompression .....	1		
26-11	583-83913-00	COLLAR, decompression lever	1		
26-12	98501-05018	SCREW, panhead .....	1		
26-13	95601-05100	NUT U .....	1		
26-14	1E6-83972-00	SWITCH HANDLE 4 .....	1		
26-15	1E6-82920-90	LEVER HOLDER ASS'Y, right	1		Low Gloss Black
26-16	361-82921-31	. HOLDER, lever right .....	1		
26-17	583-83922-00	. LEVER, right .....	1		
26-18	90109-06410	. BOLT .....	1		
26-19	97301-06022	. BOLT .....	1		
26-20	92901-06100	. WASHER, spring .....	1		
26-21	95601-06100	. NUT U .....	1		
26-22	1E6-83976-00	SWITCH, handle 1 .....	1		
26-23	361-83980-30	FRONT STOP SWITCH ASS'Y ...	1		
26-24	583-26242-00	GRIP, right .....	1		
26-25	583-26243-00	TUBE, guide .....	1		
26-26	583-26301-00	THROTTLE WIRE ASS'Y .....	1		
26-27	583-26398-00	WASHER, special .....	1		
26-28	1E6-26341-00	WIRE, brake front (1200mm) ...	1		
26-29	1E6-26342-00	. COVER, lever .....	1		

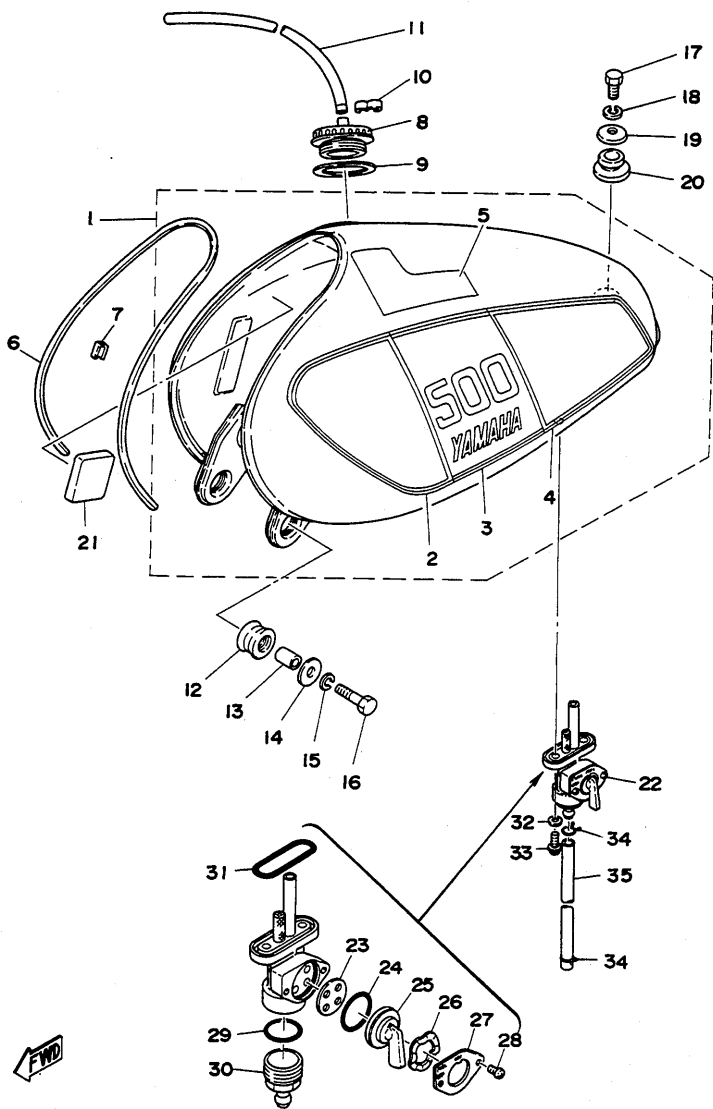
Fig. 26 HANDLE · WIRE



## HANDLE · WIRE

Ref. No.	Parts No.	Description	Q'ty	Applicable Machine No.	Remarks
26-30	90123-08046	BOLT, wire adjusting (168-26337-00) .....	2		
26-31	90179-08148	NUT (168-26344-00) .....	2		
26-32	1E6-26335-00	WIRE, clutch (1050mm) .....	1		
26-33	1E6-26342-00	. COVER, lever .....	1		
26-34	1E6-26331-00	WIRE, decompression (750mm) .....	1		
26-35	583-26352-00	COVER, decompression wire ...	1		
26-36	9046 -15009	CLIP, wire (207-26391-00) .....	1		
26-37	437-83936-00	BAND .....	5		
26-38	341-26397-01	BAND .....	1		
26-39	90338-09012	PLUG (341-26329-00) .....	1		
26-40	1E6-26372-00	COVER, lever .....	2		
26-41	341-26290-10	BACK MIRROR ASS'Y, left ....	1		
26-42	341-26290-01	BACK MIRROR ASS'Y, right....	1		Optional Parts

Fig. 27 FUEL TANK



# FUEL TANK

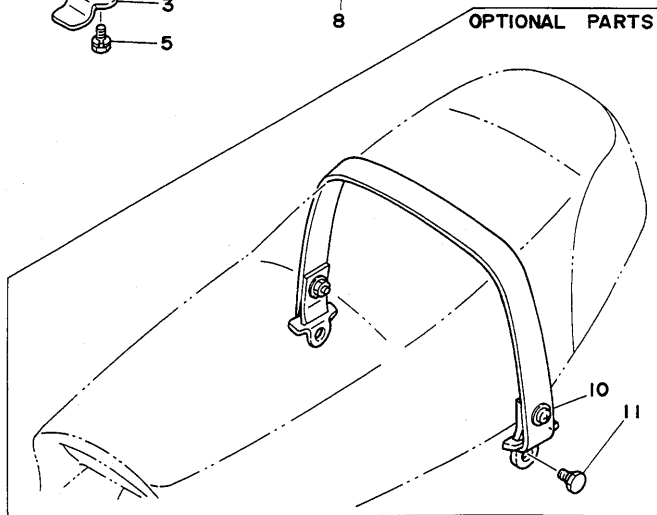
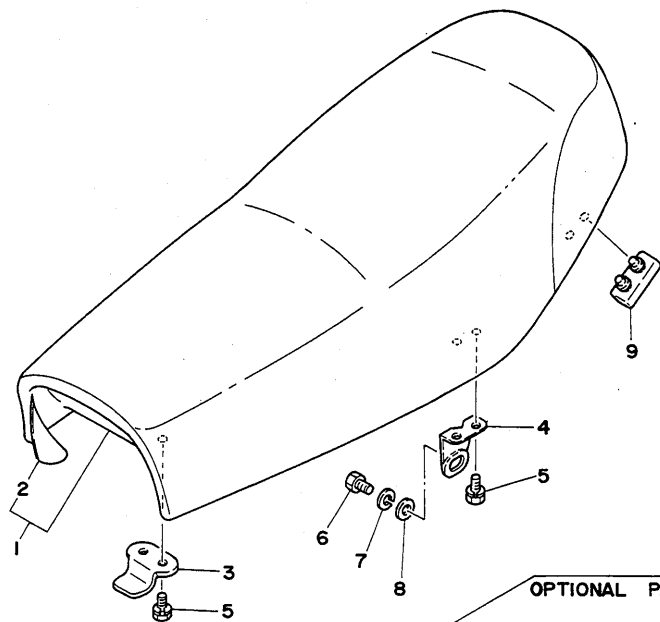
Ref. No.	Parts No.	Description	Q'ty	Applicable Machine No.	Remarks
27- 1	1E6-24110-00-01	FUEL TANK COMP. ....	1		Clean White
27- 2	583-24244-00	. GRAPHIC, fuel tank 1 (left) ...	1		
	583-24248-00	. GRAPHIC, fuel tank 1 (right)..	1		
27- 3	583-24245-00	. GRAPHIC, fuel tank 2 (left) ...	1		
	583-24249-00	. GRAPHIC, fuel tank 2 (right)..	1		
27- 4	583-24246-00	. GRAPHIC, fuel tank 3 (left) ...	1		
	583-24254-00	. GRAPHIC, fuel tank 3 (right)..	1		
27- 5	583-24247-00	. GRAPHIC, fuel tank 4 (left) ...	1		
	583-24255-00	. GRAPHIC, fuel tank 4 (right)..	1		
27- 6	1E6-24189-00	MOLD, fuel tank .....	1		
27- 7	90468-03063	CLIP .....	6		
27- 8	322-24611-02	BODY, tank cap .....	1		
27- 9	90430-35122	GASKET .....	1		
27-10	90468-15064	CLIP .....	2		
27-11	90445-09111	HOSE (129-24311-00 5-430) ....	1		
27-12	90480-22177	GROMMET .....	2		
27-13	90387-09506	COLLAR .....	2		
27-14	90201-06570	WASHER, plate .....	2		
27-15	92901-06100	WASHER, spring .....	2		
27-16	97321-06030	BOLT .....	2		
27-17	97301-08015	BOLT .....	1		
27-18	92901-08100	WASHER, spring .....	1		
27-19	90209-08097	WASHER .....	1		
27-20	90480-22054	GROMMET .....	1		
27-21	583-24182-00	DAMPER, tank locating .....	2		
27-22	498-24500-00	FUEL COCK ASS'Y .....	1		
27-23	498-24523-00	. PACKING, cock .....	1		
27-24	214-24513-00	. O-RING .....	1		
27-25	498-24524-00	. LEVER, cock .....	1		



# FUEL TANK

Ref. No.	Parts No.	Description	Q'ty	Applicable Machine No.	Remarks
27-26	90206-18025	. WASHER, wave (137-24518-00)	1		
27-27	498-24525-00	. PLATE, lever fitting .....	1		
27-28	214-24535-00	. SCREW, panhead .....	2		
27-29	498-24522-00	. O-RING .....	1		
27-30	498-24521-00	. CUP, filter .....	1		
27-31	214-24512-00	. O-RING .....	1		
27-32	90202-06010	WASHER, plate (178-14766-00)	2		
27-33	90149-06011	SCREW (256-24143-00) .....	2		
27-34	90467-10008	CLIP (143-24356-00) .....	2		
27-35	90445-11288	HOSE (7-180) .....	1		

Fig. 28 SEAT

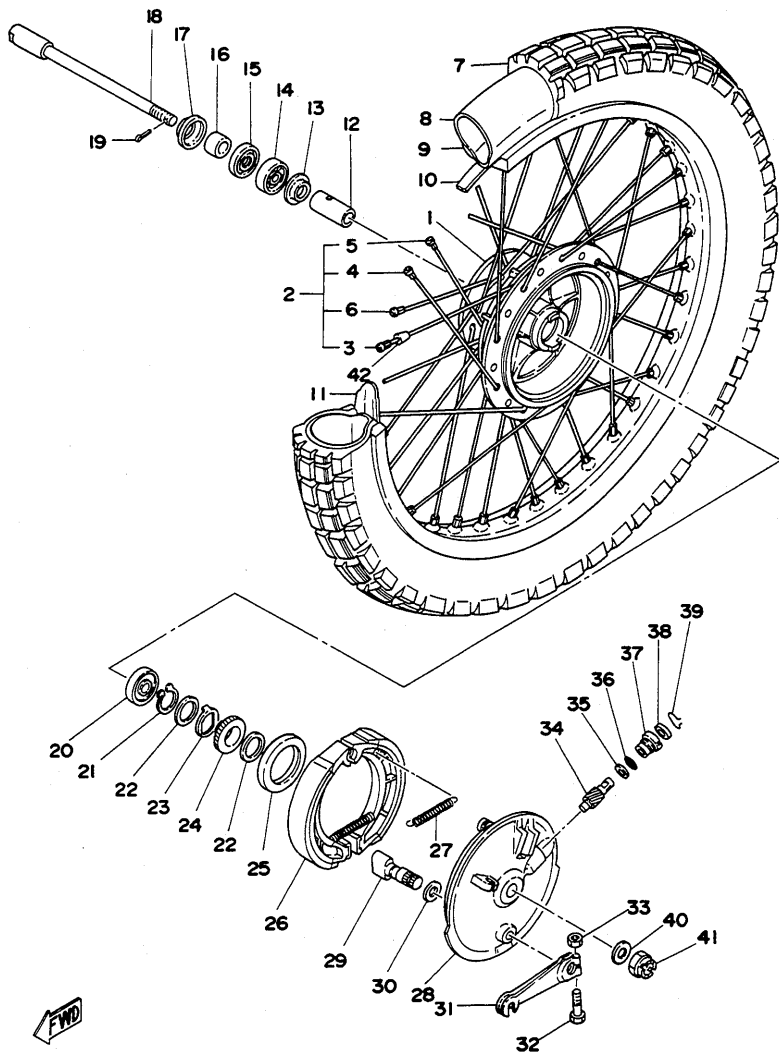


# SEAT

Ref. No.	Parts No.	Description	Q'ty	Applicable Machine No.	Remarks
28- 1	1E6-24730-00	DOUBLE SEAT ASS'Y .....	1		
28- 2	1E6-24731-00	. COVER, double seat .....	1		
28- 3	322-24748-00	BRACKET, seat front .....	1		
28- 4	583-24738-00	BRACKET, seat rear .....	2		
28- 5	90101-06304	BOLT .....	6		
28- 6	97321-08015	BOLT .....	2		
28- 7	92901-08100	WASHER, spring .....	2		
28- 8	92901-08600	WASHER, plain .....	2		
28- 9	583-24724-00	DAMPER, seat .....	2		
<b>OPTIONAL PARTS</b>					
28-10	1E6-24720-00	SEAT BAND ASS'Y .....	1		
28-11	90109-08444	BOLT .....	2		



Fig. 29 FRONT WHEEL



# FRONT WHEEL

Ref. No.	Parts No.	Description	Q'ty	Applicable Machine No.	Remarks
29- 1	1E6-25111-00-98	HUB, front .....	1		Low Gloss Black
29- 2	1E6-25104-01	SPOKE SET .....	1s		
29- 3	1E6-25196-91	. SPOKE SET, inner left (10 PCS)	1s		
29- 4	1E6-25197-91	. SPOKE SET, outer left (10 PCS)	1s		
29- 5	1E6-25179-91	. SPOKE SET, inner right (10 PCS)	1s		
29- 6	1E6-25189-91	. SPOKE SET, outer right (10 PCS)	1s		
29- 7	94130-21205	TIRE, front (3.00-21-4PR) ....	1		
29- 8	94230-21038	TUBE, front (3.00-21) .....	1		
29- 9	94416-21198	RIM, front (1.60-21E) .....	1		
29-10	94327-21024	BAND, rim (2.75-21) .....	1		
29-11	214-25194-00	SPACER, bead .....	1		
29-12	214-25117-00	SPACER, bearing .....	1		
29-13	183-25315-00	FLANGE, spacer .....	1		
29-14	93306-20205	BEARING (B6202) .....	1		
29-15	93102-20009	OIL SEAL (SD-20-35-7) .....	1		
29-16	90387-15529	COLLAR .....	1		
29-17	322-25118-00	COVER, hub dust .....	1		
29-18	583-25181-00	SHAFT, wheel .....	1		
29-19	91401-30030	PIN, cotter .....	1		
29-20	93306-20203	BEARING (B6202RS) .....	1		
29-21	93410-22014	CIRCLIP (S-22) .....	1		
29-22	90201-22283	WASHER, plate (214-25147-00)	2		
29-23	214-25149-01	CLUTCH, meter .....	1		
29-24	308-25135-00	GEAR, drive .....	1		
29-25	93105-50010	OIL SEAL (SDD-50-62-7) .....	1		
29-26	431-25330-01	BRAKE SHOE COMP. ....	2		
29-27	90507-20002	SPRING, tension (246-25333-00)	2		
29-28	1E6-25121-00-98	PLATE, brake shoe .....	1		Low Gloss Black
29-29	1E6-25151-00	CAMSHAFT .....	1		

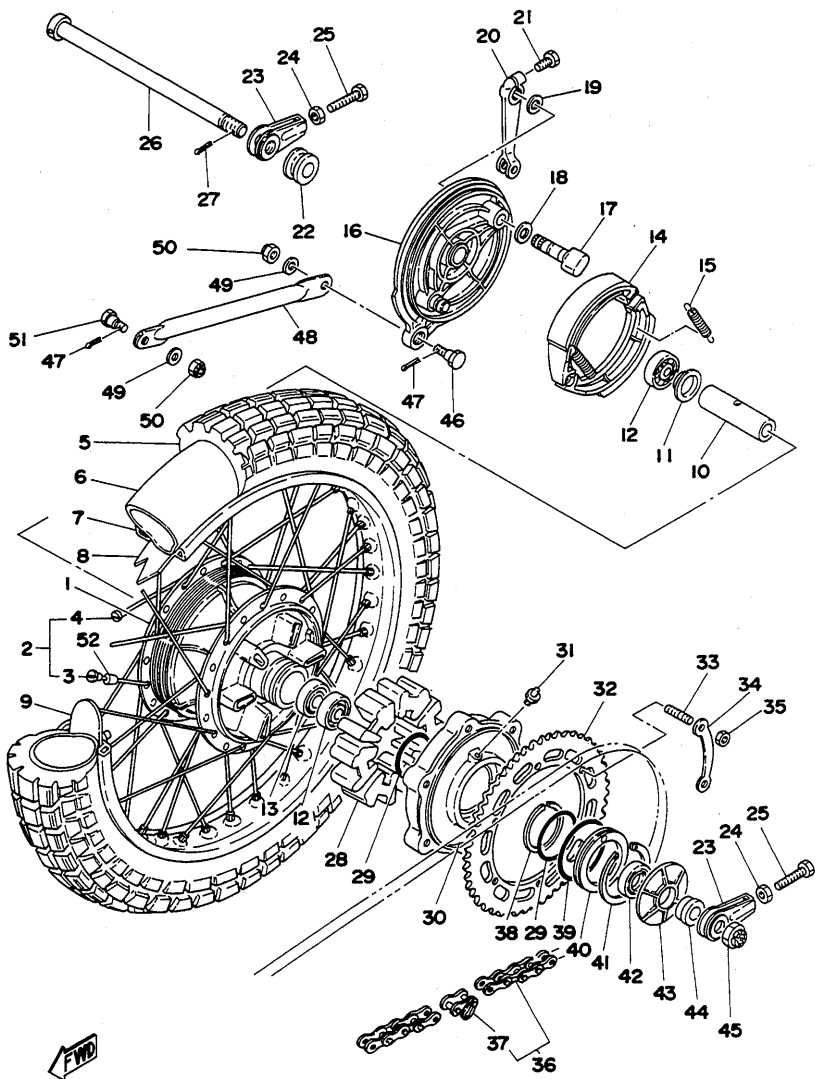


## FRONT WHEEL

Ref. No.	Parts No.	Description	Q'ty	Applicable Machine No.	Remarks
29-30	90564-14021	SHIM, camshaft .....	1		
29-31	559-25155-00	LEVER, camshaft .....	1		
29-32	90101-06278	BOLT, hexagon .....	1		
29-33	95301-06600	NUT, hexagon .....	1		
29-34	308-25138-00	GEAR, meter .....	1		
29-35	90201-07076	WASHER, plate (183-25146-00)	1		
29-36	93210-14104	O-RING (2.4-13.8) .....	1		
29-37	109-25136-00	BUSHING .....	1		
29-38	93104-07003	OIL SEAL (SO-7-14-4) .....	1		
29-39	102-25137-00	RING, stop .....	1		
29-40	92901-14200	WASHER, plain .....	1		
29-41	90171-14006	NUT, castle (214-25182-01) ....	1		
29-42	156-25398-00	BALANCER, wheel .....	U.N		



Fig. 30 REAR WHEEL



# REAR WHEEL

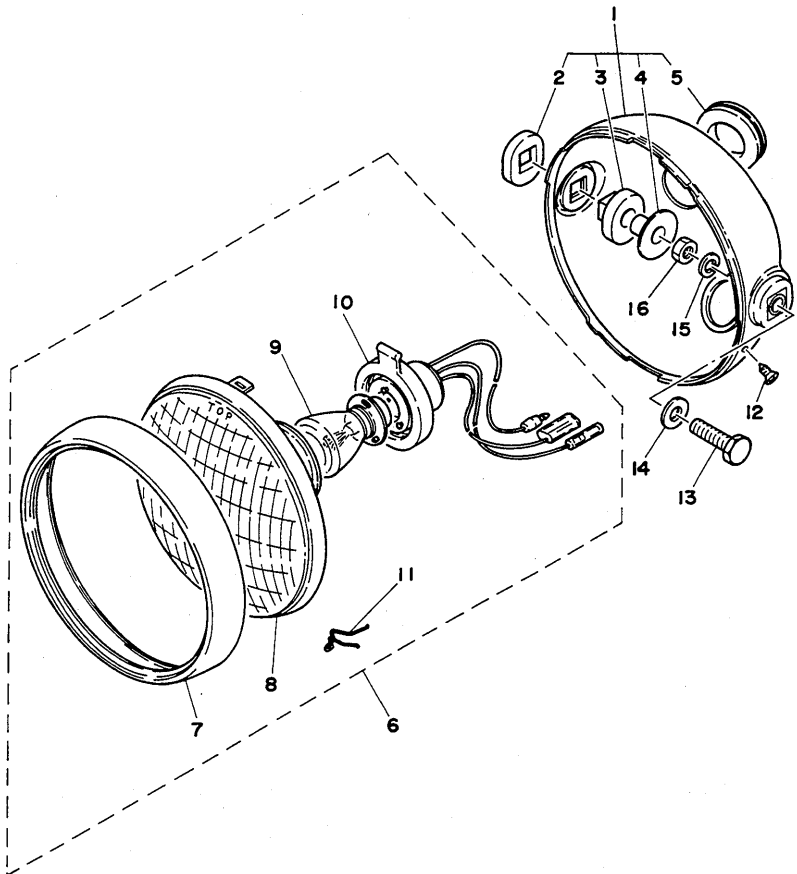
Ref. No.	Parts No.	Description	Q'ty	Applicable Machine No.	Remarks
30- 1	1E6-25311-00-98	HUB, rear .....	1		Low Gloss Black
30- 2	1E6-25304-00	SPOKE SET .....	1s		
30- 3	1E6-25391-90	. SPOKE SET, inner (10 PCS) ..	1s		
30- 4	1E6-25392-90	. SPOKE SET, outer (10 PCS) ..	1s		
30- 5	94140-18204	TIRE, rear (4.00-18-4PR) ....	1		
30- 6	94340-18024	TUBE, rear (4.00-18) .....	1		
30- 7	94418-18199	RIM, rear (1.85-18) .....	1		
30- 8	94340-18022	BAND, rim (4.00-18) .....	1		
30- 9	214-25394-00	SPACER, bead .....	2		
30-10	275-25317-00	SPACER, bearing .....	1		
30-11	146-25315-00	FLANGE, spacer .....	1		
30-12	93306-20310	BEARING (B6203RS) .....	2		
30-13	93306-20309	BEARING (B6203) .....	1		
30-14	214-25130-00	BRAKE SHOE COMP. ....	2		
30-15	90507-20002	SPRING, tension (246-25333-00)	2		
30-16	1E6-25321-00-98	PLATE, brake shoe .....	1		Low Gloss Black
30-17	214-25351-01	CAMSHAFT .....	1		
30-18	90564-14021	SHIM, camshaft .....	1		
30-19	148-25359-00	SEAL, camshaft .....	1		
30-20	168-25355-00	LEVER, camshaft .....	1		
30-21	97303-06025	BOLT .....	1		
30-22	90387-17141	COLLAR (275-25383-00) .....	1		
30-23	583-25388-00	PULLER, chain .....	2		
30-24	95303-08700	NUT .....	2		
30-25	90101-08034	BOLT (168-25379-00) .....	2		
30-26	150-25381-00	SHAFT, wheel .....	1		
30-27	91401-30030	PIN, cotter .....	1		
30-28	1E6-25364-00	DAMPER, clutch .....	6		
30-29	93210-52312	O-RING (2.4-52) .....	2		



## REAR WHEEL

Ref. No.	Parts No.	Description	Q'ty	Applicable Machine No.	Remarks
30-30	1E6-25366-00-98	CLUTCH, hub .....	1		Low Gloss Black
30-31	93700-06004	NIPPLE, grease .....	1		
30-32	583-25440-10	GEAR, sprocket wheel (40T)...	} U.R. 1		STD
	583-25442-10	GEAR, sprocket wheel (42T)...			
	583-25444-10	GEAR, sprocket wheel (44T)...			
	583-25446-10	GEAR, sprocket wheel (46T)...			
	583-25448-10	GEAR, sprocket wheel (48T)...			
30-33	90116-08218	BOLT, stud .....	6		
30-34	583-25412-00	WASHER, lock .....	3		
30-35	90170-08193	NUT .....	6		
30-36	94515-20100	CHAIN (DK520T-100L) .....	1		
30-37	94615-20011	. JOINT, chain .....	1		
30-38	1E6-25318-00	STOPPER, hab .....	2		
30-39	93210-71311	O-RING (2.4-71) .....	1		
30-40	1E6-25319-01	SEAL, hab dust .....	1		
30-41	93450-75040	CIRCLIP.....	1		
30-42	93102-25061	OIL SEAL (SD-25-40-8) .....	1		
30-43	1E6-25367-00	COVER, dust .....	1		
30-44	90387-17530	COLLAR .....	1		
30-45	90171-16007	NUT, castle (275-25382-00) ....	1		
30-46	90109-08406	BOLT .....	1		
30-47	91401-20012	PIN, cotter .....	2		
30-48	1E6-25371-00	BAR, tension .....	1		
30-49	92901-08200	WASHER, plain .....	2		
30-50	90185-08055	NUT .....	2		
30-51	90109-08368	BOLT (183-25378-00) .....	1		
30-52	156-25398-00	BALANCER, wheel .....	U.N		

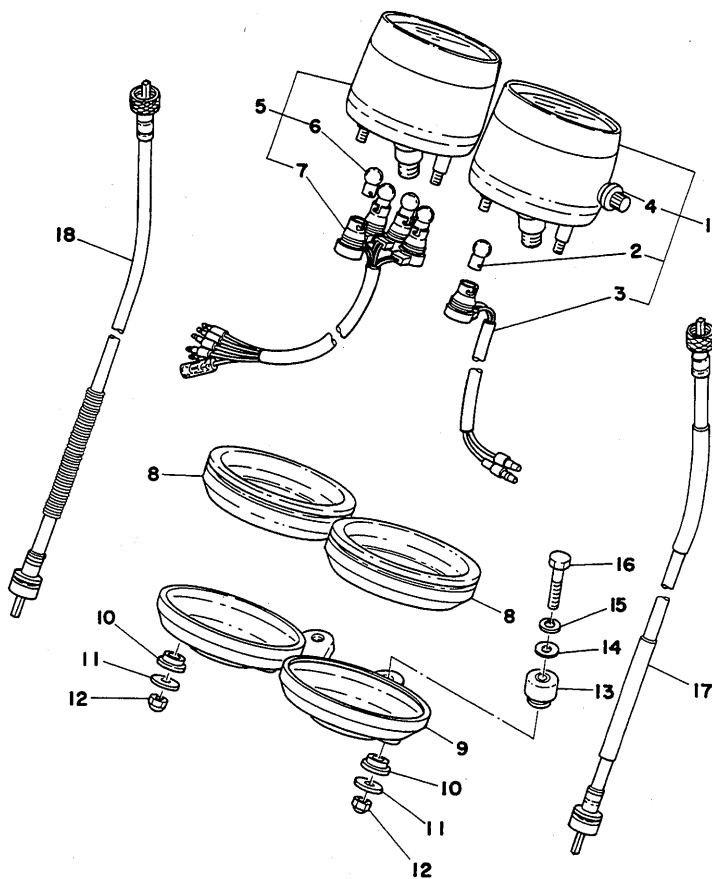
Fig. 31 HEAD LAMP



# HEAD LAMP

Ref. No.	Parts No.	Description	Q'ty	Applicable Machine No.	Remarks
31- 1	1E6-84130-60-33	HEAD LAMP BODY ASS'Y	.... 1		
31- 2	498-84164-60	. DAMPER, head lamp	..... 2		
31- 3	498-84163-60	. DAMPER, head lamp	..... 2		
31- 4	498-84145-60	. COLLAR	..... 2		
31- 5	214-84153-60	. GROMMET	..... 1		
31- 6	450-84110-02	HEAD LAMP UNIT ASS'Y	.... 1		
31- 7	450-84115-00	. RIM, head lamp	..... 1		
31- 8	450-84120-01	. LENS ASS'Y	..... 1		
31- 9	214-84114-60	. BULB (6V-35/35W)	..... 1		
31-10	421-84312-30	. SOCKET CORD ASS'Y	.... 1		
31-11	195-84324-00	. SPRING, reflector set	.... 4		
31-12	195-84325-00	SCREW, rim fitting	..... 1		
31-13	97304-08035	BOLT, hexagon	..... 2		
31-14	92901-08200	WASHER, plain	..... 2		
31-15	92901-08100	WASHER, spring	..... 2		
31-16	95301-08600	NUT, hexagon	..... 2		

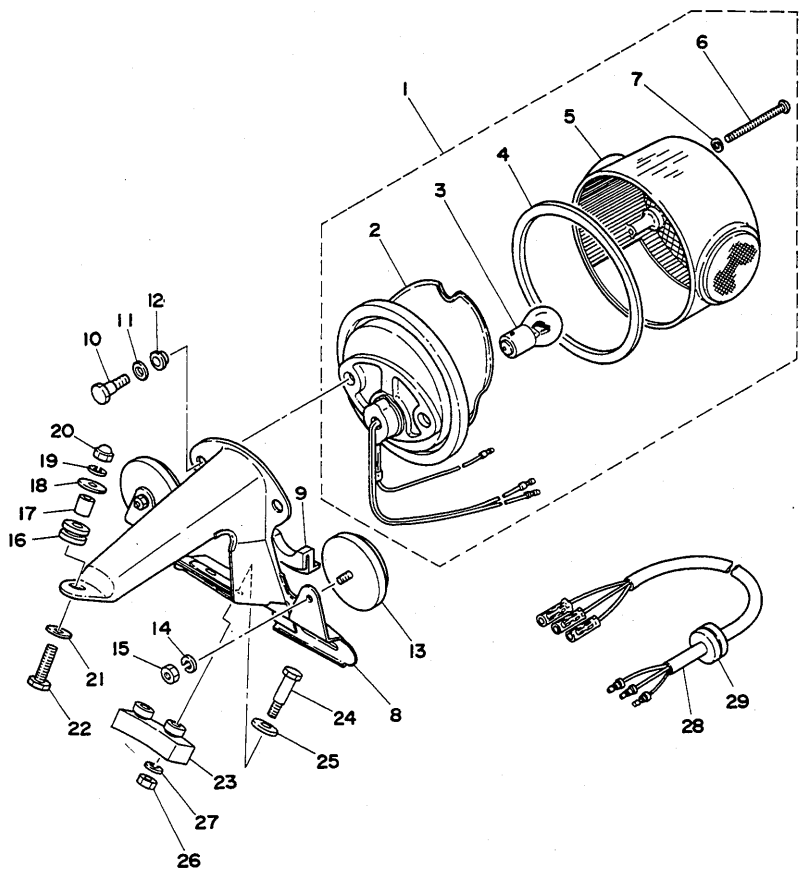
Fig. 32 SPEEDOMETER · TACHOMETER



# SPEEDOMETER · TACHOMETER

Ref. No.	Parts No.	Description	Q'ty	Applicable Machine No.	Remarks
32- 1	1E6-83570-60	SPEEDOMETER ASS'Y .....	1		Mile/h
	1E6-83570-10	SPEEDOMETER ASS'Y .....	1		Km/h
32- 2	122-83516-10	. BULB (6V-3W) .....	1		
32- 3	1E6-83536-60	. SOCKET CORD ASS'Y .....	1		
32- 4	1E6-83578-60	. KNOB .....	1		Mile/h
	1E6-83578-10	. KNOB .....	1		Km/h
32- 5	1E6-83540-60	TACHOMETER ASS'Y .....	1		
32- 6	122-83516-10	. BULB (6V-3W) .....	4		
32- 7	1E6-83520-60	. SOCKET CORD ASS'Y .....	1		
32- 8	1E6-83523-60	DAMPER, meter .....	2		
32- 9	1E6-83519-60	BRACKET, meter .....	1		
32-10	1E6-83526-60	DAMPER .....	4		
32-11	1E6-83524-60	WASHER .....	4		
32-12	90176-05022	NUT, cap .....	4		
32-13	1E6-23445-00	DAMPER .....	2		
32-14	90201-06055	WASHER, plate .....	2		
32-15	92901-06100	WASHER, spring .....	2		
32-16	97321-06035	BOLT, hexagon .....	2		
32-17	438-83550-00	SPEEDOMETER CABLE ASS'Y..	1		
32-18	1E6-83560-51	TACHOMETER CABLE ASS'Y ..	1		

Fig. 33 TAIL LAMP

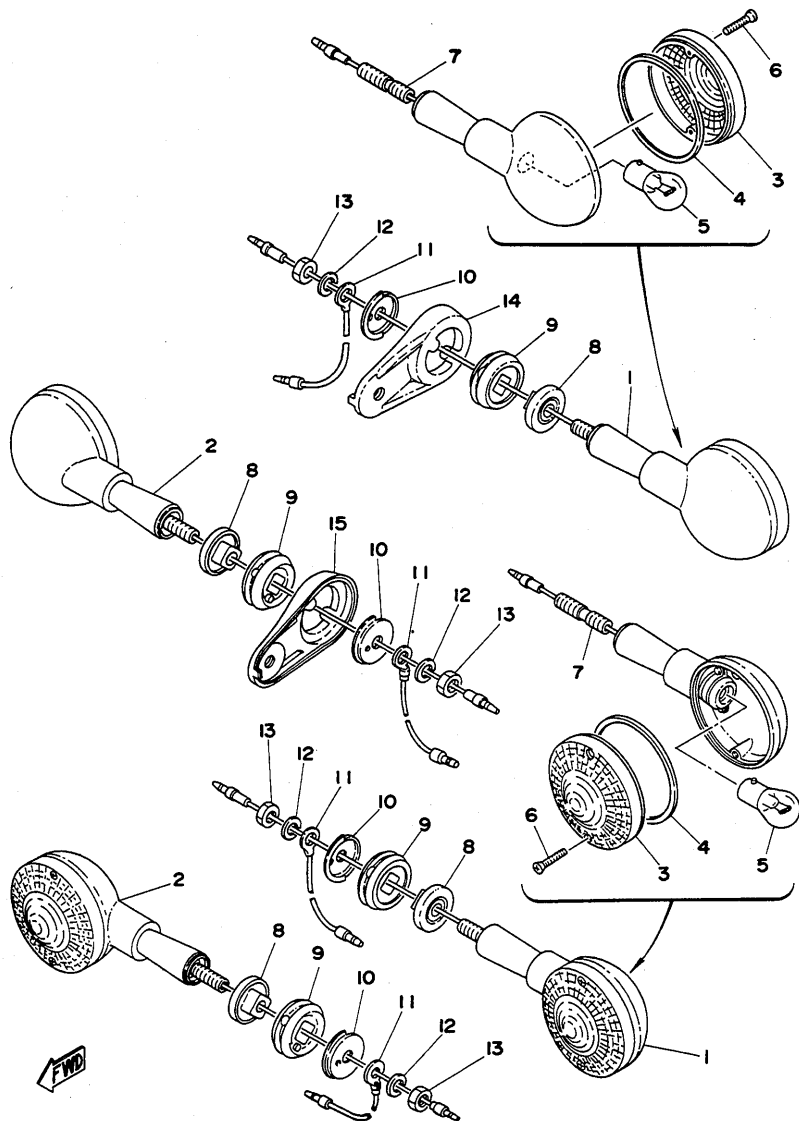


FWD

# TAIL LAMP

Ref. No.	Parts No.	Description	Q'ty	Applicable Machine No.	Remarks
33- 1	1E6-84510-00	TAIL LAMP UNIT ASS'Y .....	1		
33- 2	1E6-84711-60	. BASE, tail lamp .....	1		
33- 3	122-84514-30	. BULB, tail lamp (6V-17/5.3W) 1	1		
33- 4	275-84523-60	. GASKET, tail lamp .....	1		
33- 5	341-84721-60	. LENS, tail lamp .....	1		
33- 6	341-84724-60	. SCREW, lens fitting .....	3		
33- 7	341-84722-60	. WASHER .....	3		
33- 8	1E6-84551-61-35	BRACKET, license .....	1		Silver
33- 9	437-84527-60	DAMPER .....	1		
33-10	275-84526-60	SCREW .....	2		
33-11	437-84525-60	WASHER, special .....	2		
33-12	275-84527-60	DAMPER .....	2		
33-13	341-85111-60	REFLECTOR .....	2		
33-14	92901-05100	WASHER, spring .....	2		
33-15	95303-05600	NUT, hexagon .....	2		
33-16	90480-14102	GROMMET (214-21717-00) .....	1		
33-17	90387-07390	COLLAR .....	1		
33-18	90209-06095	WASHER (102-28323-00) .....	1		
33-19	92901-06100	WASHER, spring .....	1		
33-20	95301-06800	NUT, crown .....	1		
33-21	90201-06067	WASHER, plate (116-28324-00) 1	1		
33-22	97301-06025	BOLT, hexagon .....	1		
33-23	308-84553-00	DAMPER .....	1		
33-24	90109-06022	BOLT (388-84552-00) .....	2		
33-25	90209-08125	WASHER, special .....	2		
33-26	95301-06600	NUT, hexagon .....	2		
33-27	92901-06100	WASHER, spring .....	2		
33-28	1E6-84517-00	CORD, tail lamp .....	1		
33-29	90480-15061	GROMMET .....	2		

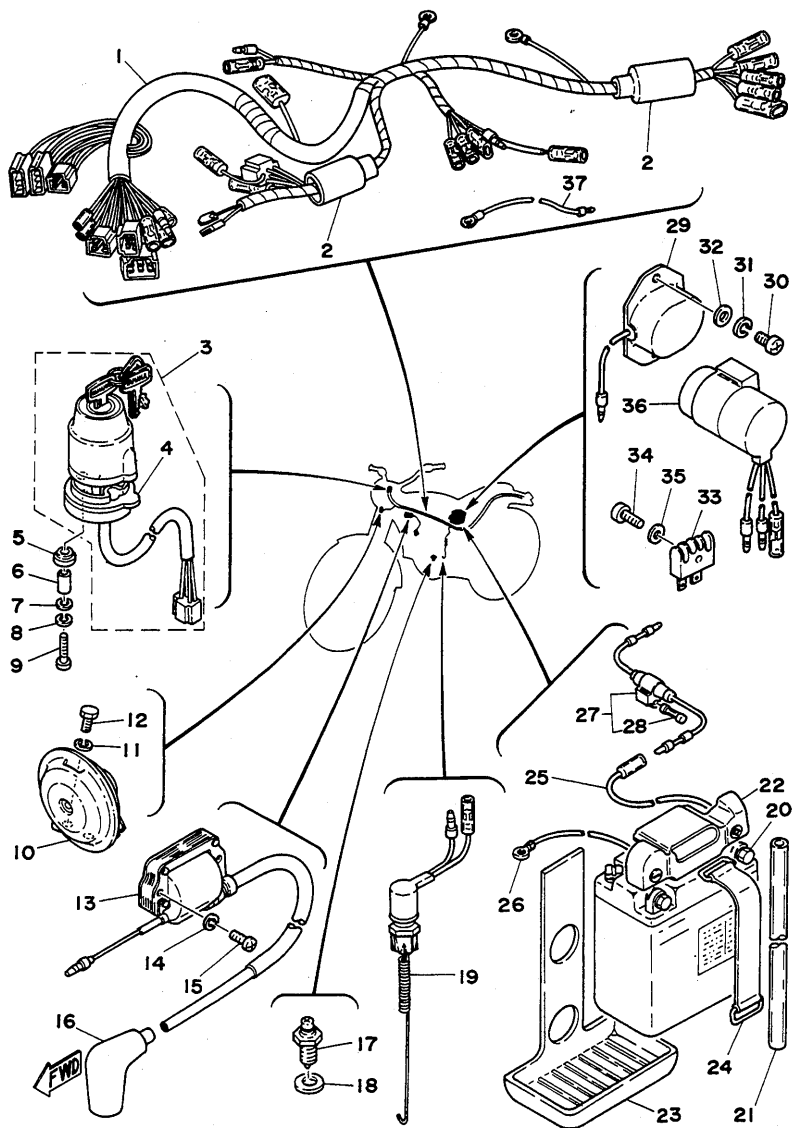
Fig. 34 FLASHER LAMP



# FLASHER LAMP

Ref. No.	Parts No.	Description	Q'ty	Applicable Machine No.	Remarks
34- 1	1E6-83310-60-93	FLASHER LAMP ASS'Y, left ...	2		
34- 2	1E6-83320-60-93	FLASHER LAMP ASS'Y, right ..	2		
34- 3	341-83312-70	. LENS, flasher .....	4		
34- 4	341-83313-70	. GASKET, flasher lens .....	4		
34- 5	115-83311-60	. BULB (6V-18W) .....	4		
34- 6	341-83333-70	. SCREW, lens fitting .....	8		
34- 7	371-83367-00	. BOLT, stud .....	4		
34- 8	341-83316-01	COLLAR, flasher .....	4		
34- 9	1E6-83321-00	DAMPER, flasher .....	4		
34-10	1E6-83348-00	WASHER .....	4		
34-11	1E6-83336-00	CORD, flasher .....	4		
34-12	92901-08100	WASHER, spring .....	4		
34-13	95301-08600	NUT, hexagon .....	4		
34-14	1E6-83368-00	STAY, flasher 3 .....	1		
34-15	1E6-83369-00	STAY, flasher 4 .....	1		

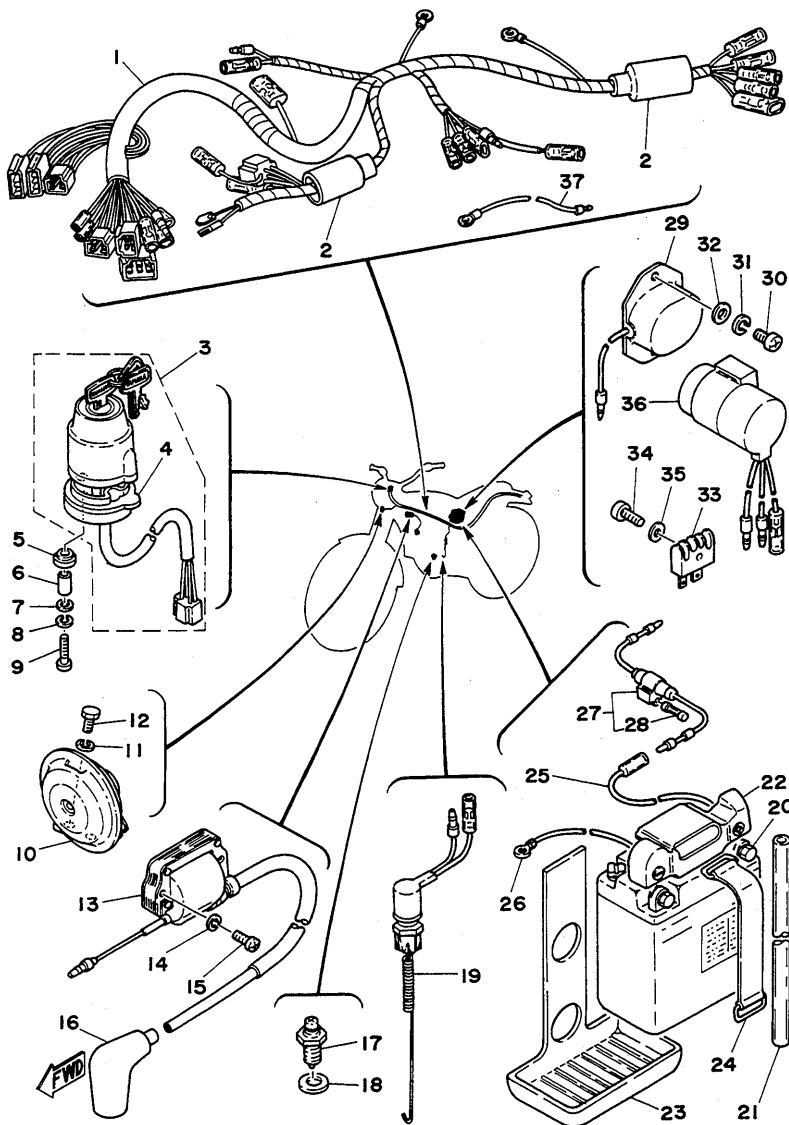
Fig. 35 ELECTRICAL



## ELECTRICAL

Ref. No.	Parts No.	Description	Q'ty	Applicable Machine No.	Remarks
35- 1	1E6-82590-62	WIRE HARNESS ASS'Y	1		
35- 2	583-82599-00	COVER, connector	2		
35- 3	1E6-82508-00	MAIN SWITCH ASS'Y	1		
35- 4	437-82555-00	. DAMPER, main switch	1		
35- 5	437-82556-00	DAMPER, main switch	2		
35- 6	437-82516-00	COLLAR, main switch	2		
35- 7	90201-05031	WASHER, plate (256-82517-00)	2		
35- 8	92901-05100	WASHER, spring	2		
35- 9	98501-05025	SCREW, panhead	2		
35-10	1E6-83371-00	HORN	1		
35-11	92901-06100	WASHER, spring	2		
35-12	97301-06012	BOLT, hexagon	2		
35-13	583-82310-50	IGNITION COIL ASS'Y	1		
35-14	92901-06600	WASHER, spring	2		
35-15	92501-06020	SCREW, panhead	2		
35-16	437-82370-21	PLUG CAP ASS'Y	1		
	512-82370-10	PLUG CAP ASS'Y	1		for South Africa
35-17	341-82540-01	NEUTRAL SWITCH ASS'Y	1		
35-18	116-82543-00	GASKET	1		
35-19	371-82530-01	STOP SWITCH ASS'Y	1		
35-20	1E6-82110-10	BATTERY ASS'Y (6N6-3B)	1		G.S.
35-21	90445-08047	HOSE (168-82112-00 5-580)	1		
35-22	1E6-82129-00	COVER, battery	1		
35-23	1E6-82122-00	SEAT, battery	1		
35-24	1E6-82131-00	BAND, battery	1		
35-25	1E6-82115-01	WIRE, plus lead	1		
35-26	1E6-82116-00	WIRE, minus lead	1		
35-27	1E6-82150-00	FUSE HOLDER ASS'Y	1		
35-28	1E6-82151-00	. FUSE (6V-10A)	1		
35-29	1E6-81910-60	VOLTAGE REGULATOR ASS'Y	1		

Fig. 35 ELECTRICAL



# ELECTRICAL

Ref. No.	Parts No.	Description	Q'ty	Applicable Machine No.	Remarks
35-30	92501-06012	SCREW, panhead .....	2		
35-31	92901-06100	WASHER, spring .....	2		
35-32	92901-06600	WASHER, plate .....	2		
35-33	353-81970-62	RECTIFIER ASS'Y .....	1		
35-34	98501-05015	SCREW, panhead .....	1		
35-35	92901-05600	WASHER, plate .....	1		
35-36	438-83350-62	FLASHER RELAY ASS'Y .....	1		
35-37	1E6-81949-00	WIRE, lead .....	1		

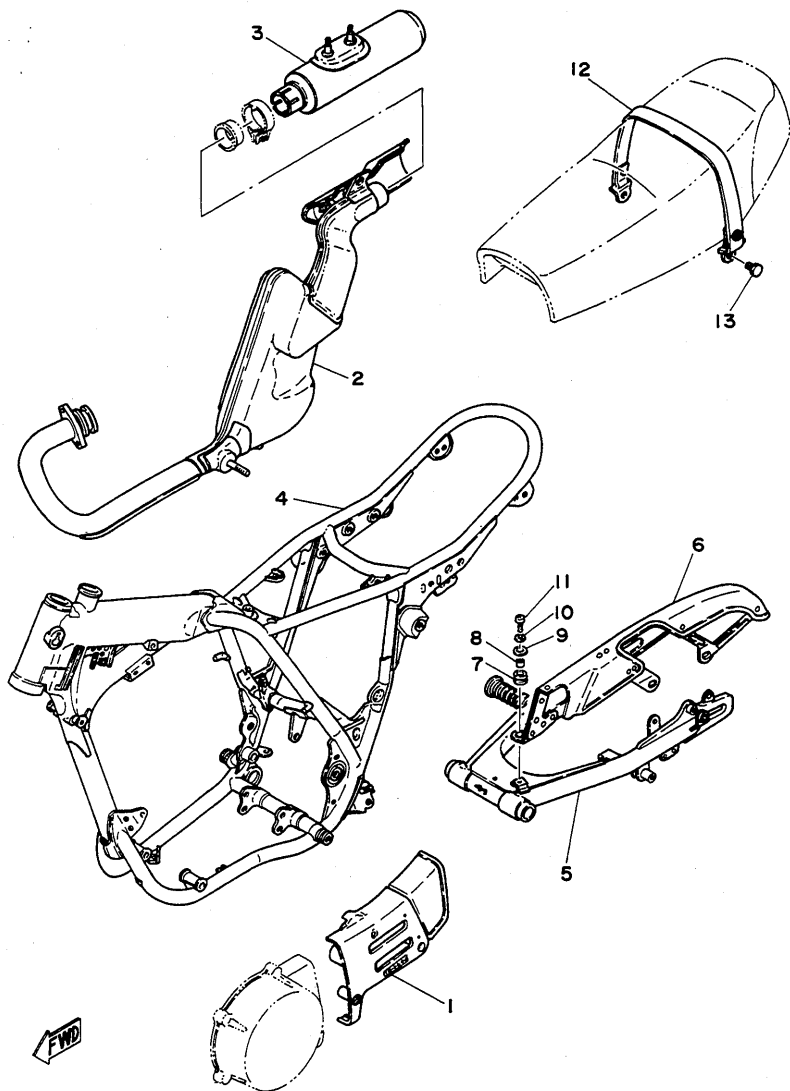


# EXCLUSIVE PARTS FOR AUSTRALIA

This Parts List is exclusive for  
XT500C Australia specifications.



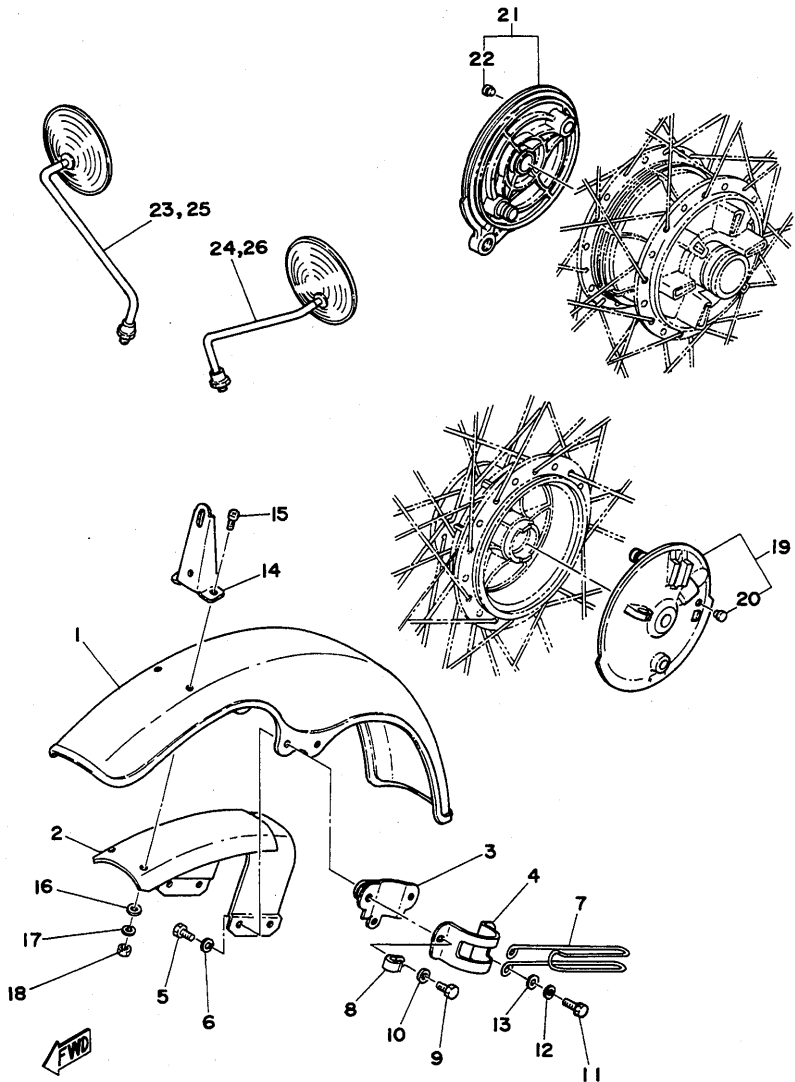
Fig. 36 ENGINE · FRAME · FOOTREST



# ENGINE · FRAME · FOOTREST

Ref. No.	Parts No.	Description	Q'ty	Applicable Machine No.	Remarks
36- 1	1E6-15420-10	CRANKCASE COVER ASS'Y, left .....	1		Exclusive Parts for New South Wales
36- 2	1N5-14610-01	EXHAUST PIPE ASS'Y .....	1		
36- 3	1N5-14750-00	SILENCER ASS'Y .....	1		
36- 4	1E6-21110-10-33	FRAME COMP. ....	1		Yamaha Black
36- 5	1E6-22110-10-33	REAR ARM COMP. ....	1		Yamaha Black Exclusive Parts for New South Wales
36- 6	1E6-22311-10-33	CASE, chain .....	1		
36- 7	90480-12188	GROMMET .....	4		Yamaha Black Exclusive Parts for New South Wales
36- 8	90560-05001	SPACER (214-22317-00) .....	4		Exclusive Parts for New South Wales
36- 9	90201-06407	WASHER, plate .....	4		Exclusive Parts for New South Wales
36-10	92901-05100	WASHER, spring .....	4		Exclusive Parts for New South Wales
36-11	98501-05012	SCREW, panhead .....	4		Exclusive Parts for New South Wales
36-12	1E6-24720-00	BAND SEAT ASS'Y .....	1		
36-13	90109-08444	BOLT .....	2		

Fig. 37 FRONT FENDER · BACK MIRROR · WHEEL



# FRONT FENDER · BACK MIRROR · WHEEL

Ref. No.	Parts No.	Description	Qty	Applicable Machine No.	Remarks
37- 1	1E6-21511-10-36	FENDER, front .....	1		Clean White
37- 2	1E6-21513-00	STAY, front fender 1 .....	1		
37- 3	1E6-21512-00	BRACKET, front fender .....	2		
37- 4	1E6-21514-00	STAY, front fender 2 .....	2		
37- 5	97301-06014	BOLT, hexagon .....	4		
37- 6	92901-06100	WASHER, spring .....	4		
37- 7	1E6-23318-10	HOLDER, wire .....	1		
37- 8	90465-08028	CLAMP .....	1		
37- 9	97301-06014	BOLT, hexagon .....	3		
37-10	92901-06100	WASHER, spring .....	3		
37-11	97301-06020	BOLT, hexagon .....	2		
37-12	92901-06100	WASHER, spring .....	2		
37-13	92901-06600	WASHER, plate .....	2		
37-14	1E6-21581-00	STAY, plate fitting .....	1		
37-15	92501-06015	SCREW, panhead .....	2		
37-16	92901-06600	WASHER, plate .....	2		
37-17	92901-06100	WASHER, spring .....	2		
37-18	95301-06600	NUT, hexagon .....	2		
37-19	1E6-25120-10-98	BRAKE SHOE PLATE ASS'Y, front .....	1		Low Gloss Black
37-20	90480-10068	. GROMMET .....	1		
37-21	1E6-25320-10-98	BRAKE SHOE PLATE ASS'Y, rear .....	1		
37-22	90480-10068	. GROMMET .....	1		
37-23	341-26290-01	BACK MIRROR ASS'Y, right ...	1		Convex Mirror
37-24	341-26290-10	BACK MIRROR ASS'Y, left ...	1		Optional Parts Convex Mirror Flat Mirror Exclusive Parts for Victoria Optional Parts Exclusive Parts for Victoria Flat Mirror Low Gloss Black
37-25	341-26290-40	BACK MIRROR ASS'Y, right ...	1		
37-26	341-26290-30	BACK MIRROR ASS'Y, left ...	1		



# REPAIR KIT



# REPAIR KIT

Ref. No.	Parts No.	Description	Q'ty	Applicable Machine No.	Remarks
38- 1	583-11630-00	PISTON ASS'Y (STD) .....	1s		
	583-11630-10	PISTON ASS'Y (1st O.S) .....	1s		
	583-11630-20	PISTON ASS'Y (2nd O.S) .....	1s		
	583-11630-30	PISTON ASS'Y (3rd O.S) .....	1s		
	583-11630-40	PISTON ASS'Y (4th O.S) .....	1s		
38- 2	583-11631-01-95	. PISTON (86.95mm STD) .....	} U.R 1	} Ref. No. 3-7	
	583-11631-01-96	. PISTON (86.96mm STD) .....			
	583-11635-01	. PISTON (87.25mm 1st O.S) .....	1		
	583-11636-01	. PISTON (87.50mm 2nd O.S) .....	1		
	583-11637-01	. PISTON (87.75mm 3rd O.S) .....	1		
	583-11638-01	. PISTON (88.00mm 4th O.S) .....	1		
38- 3	583-11610-00	. PISTON RING SET (STD) .....	1s	} 4-8	
	583-11610-10	. PISTON RING SET (1st O.S) .....	1s		
	583-11610-20	. PISTON RING SET (2nd O.S) .....	1s		
	583-11610-30	. PISTON RING SET (3rd O.S) .....	1s		
	583-11610-40	. PISTON RING SET (4th O.S) .....	1s		
38- 4	583-11633-00	. PIN, piston .....	1		3-9
38- 5	93450-22027	. CLIP, piston pin (341-11634-00)	2		3-10
38- 6	583-11650-00	CONNECTING ROD ASS'Y .....	1		
38- 7	583-11651-00	. ROD, connecting .....	1		3-4
38- 8	93310-635A5	. BEARING, con-rod big end ....	1		3-5
38- 9	583-11681-00	. PIN, crank .....	1		3-6
38-10	1E6-00000-20	GASKET KIT .....	1s		
38-11	93210-49296	. O-RING (3.0-48.5) .....	2		1-14
38-12	90430-06014	. GASKET (256-11396-00) .....	2		1-22
38-13	90430-14043	. GASKET (256-13167-00) .....	2		1-24
38-14	93210-14104	. O-RING (2.4-13.8) .....	1		1-32
38-15	93210-92295	. O-RING (3.1-92) .....	1		2-2
38-16	583-11351-00	. GASKET, cylinder .....	1		2-3

# REPAIR KIT

Ref. No.	Parts No.	Description	Q'ty	Applicable Machine No.	Remarks
38-17	583-11181-01	. GASKET, cylinder head .....	1		Ref. No. 2-8
38-18	93210-12152	. O-RING (1.8-11.5) .....	1		5-15
38-19	93210-32172	. O-RING (2.4-31.5) .....	1		5-21
38-20	93210-12095	. O-RING (1.3-12.0) .....	2		6-5
38-21	583-15466-00	. GASKET .....	1		6-6
38-22	90430-09121	. GASKET .....	1		6-23
38-23	583-15451-00	. GASKET, crankcase cover left ..	1		7-2
38-24	583-15462-00	. GASKET, crankcase cover right	1		7-7
38-25	93210-64297	. O-RING (3.7-63.8) .....	1		7-9
38-26	93210-07135	. O-RING (2.4-6.9) .....	1		7-10
38-27	90430-05126	. GASKET .....	1		7-13
38-28	583-15457-00	. GASKET, breaker cover .....	1		7-16
38-29	90430-10027	. GASKET (256-13168-00) .....	1		7-19
38-30	93210-35173	. O-RING (3.0-34.5) .....	1		7-22
38-31	583-13414-00	. GASKET, strainer .....	1		8-16
38-32	214-11198-01	. GASKET .....	1		8-20
38-33	90430-08119	. GASKET .....	4		8-22
38-34	93210-10197	. O-RING (1.9-9.8) .....	1		8-25
38-35	93210-15171	. O-RING (1.9-14.5) .....	1		8-30
38-36	93210-22298	. O-RING (1.9-21.7) .....	1		11-34
38-37	137-15353-00	. GASKET, drain plug .....	1		12-10
38-38	583-13556-01	. GASKET, manifold .....	1		15-27
38-39	90430-38054	. GASKET (256-14613-00) .....	1		17-2
38-40	583-14714-01	. GASKET, muffler joint .....	1		17-21
38-41	1E6-00000-60	OIL SEAL KIT .....	1		
38-42	93104-08055	. OIL SEAL (SO-8-17.8-5) .....	1		1-19
38-43	93104-12054	. OIL SEAL (SO-12-17-2.5) .....	1		1-26
38-44	93102-30145	. OIL SEAL (SD-30-60-6) .....	1		3-12
38-45	93101-14075	. OIL SEAL (S-14-25-5.5) .....	1		7-21

## REPAIR KIT

Ref. No.	Parts No.	Description	Q'ty	Applicable Machine No.	Remarks
38-46	93104-11038	. OIL SEAL (SO-11-15-3) .....	2		Ref. No. 8-5
38-47	93102-15147	. OIL SEAL (SD-15-26-5) .....	1		9-4
38-48	93102-17148	. OIL SEAL (SD-17-28-6) .....	1		10-21
38-49	93102-35146	. OIL SEAL (SD-35-62-5.5) .....	1		11-33
38-50	93109-14010	. OIL SEAL (SDO-14-24-6) .....	1		13-7
38-51	93102-25064	. OIL SEAL (SD-25-35-7) .....	1		14-9

# NUMERICAL INDEX





# NUMERICAL INDEX

Ref No.	Parts No.	Ref No.	Parts No.	Ref No.	Parts No.
38-10	1E6-00000-20	36-6	1E6-22311-10-33	30-16	1E6-25321-00-98
38-41	1E6-00000-60	24-1	1E6-23101-90	30-28	1E6-25364-00
16-1	1E6-14101-60	24-34	1E6-23121-00-33	30-30	1E6-25366-00-98
16-65	1E6-14197-00	24-35	1E6-23131-00-33	30-43	1E6-25367-00
17-1	1E6-14610-01	24-36	1E6-23137-00	30-48	1E6-25371-00
17-5	1E6-14718-00	24-37	1E6-23138-00	30-3	1E6-25391-90
17-7	1E6-14728-00	24-24	1E6-23317-00	30-4	1E6-25392-90
17-23	1E6-14750-50	25-15	1E6-23317-00	26-1	1E6-26111-00
17-29	1E6-14766-01	24-42	1E6-23318-00	26-2	1E6-26241-00
17-24	1E6-14781-00	37-7	1E6-23318-10	26-34	1E6-26331-00
17-22	1E6-14788-02	24-43	1E6-23319-00	26-32	1E6-26335-00
36-1	1E6-15420-10	24-16	1E6-23341-00	26-28	1E6-26341-00
1-17	1E6-17841-00	24-41	1E6-23389-00	26-29	1E6-26342-00
1-18	1E6-17843-00	19-49	1E6-23408-00	26-33	1E6-26342-00
12-6	1E6-18141-01	25-23	1E6-23434-00	26-40	1E6-26372-00
19-1	1E6-21110-00-33	25-10	1E6-23435-00-98	21-31	1E6-27244-00
36-4	1E6-21110-10-33	25-20	1E6-23441-00	21-21	1E6-27252-00
20-12	1E6-21171-00	25-21	1E6-23442-00	21-8	1E6-27411-00
20-1	1E6-21240-00	32-13	1E6-23445-00	21-9	1E6-27421-00
20-2	1E6-21245-00	27-1	1E6-24110-00-01	22-29	1E6-27430-00
19-47	1E6-21308-00	27-6	1E6-24189-00	20-33	1E6-28100-10
20-3	1E6-21399-00	28-10	1E6-24720-00	18-1	1E6-81300-51
37-1	1E6-21511-10-36	36-12	1E6-24720-00	18-6	1E6-81313-51
37-3	1E6-21512-00	28-1	1E6-24730-00	18-8	1E6-81315-50
37-2	1E6-21513-00	28-2	1E6-24731-00	18-9	1E6-81328-50
37-4	1E6-21514-00	29-2	1E6-25104-01	18-2	1E6-81350-50
37-14	1E6-21581-00	29-1	1E6-25111-00-98	35-29	1E6-81910-60
23-7	1E6-21610-00-36	37-19	1E6-25120-10-98	35-37	1E6-81949-00
23-20	1E6-21638-00	29-28	1E6-25121-00-98	35-20	1E6-82110-10
23-11	1E6-21639-00	29-29	1E6-25151-00	35-25	1E6-82115-01
20-21	1E6-21708-00	29-5	1E6-25179-91	35-26	1E6-82116-00
20-20	1E6-21711-00	29-6	1E6-25189-91	35-23	1E6-82122-00
20-17	1E6-21715-00	29-3	1E6-25196-91	35-22	1E6-82129-00
20-25	1E6-21786-00	29-4	1E6-25197-91	35-24	1E6-82131-00
20-32	1E6-21787-00	30-2	1E6-25304-00	35-27	1E6-82150-00
22-1	1E6-22110-00-33	30-1	1E6-25311-00-98	35-28	1E6-82151-00
36-5	1E6-22110-10-33	30-38	1E6-25318-00	35-3	1E6-82508-00
22-12	1E6-22210-00	30-40	1E6-25319-01	35-1	1E6-82590-62
22-22	1E6-22311-00-33	37-21	1E6-25320-10-98	26-15	1E6-82920-90

# NUMERICAL INDEX

Ref No.	Parts No.	Ref No.	Parts No.	Ref No.	Parts No.
34- 1	1E6-83310-60-93	25- 5	122-23412-00	27-28	214-24535-00
34- 2	1E6-83320-60-93	32- 2	122-83516-10	29-12	214-25117-00
34- 9	1E6-83321-00	32- 6	122-83516-10	30-14	214-25130-00
34-11	1E6-83336-00	33- 3	122-84514-30	29-23	214-25149-01
34-10	1E6-83348-00	16-35	127-14134-00	29-11	214-25194-00
34-14	1E6-83368-00	16- 9	127-14186-00	30-17	214-25351-00
34-15	1E6-83369-00	13- 2	132-18113-01	30- 9	214-25394-00
35-10	1E6-83371-00	16- 5	137-14143-40	21-10	214-27413-00
32- 9	1E6-83519-60	16- 5	137-14143-42	31- 9	214-84114-60
32- 7	1E6-83520-60	16- 5	137-14143-44	31- 5	214-84153-60
32- 8	1E6-83523-60	12-10	137-15353-00	24-13	240-23114-00
32-11	1E6-83524-60	30-11	146-25315-00	4- 3	256-12116-01
32-10	1E6-83526-60	30-19	148-25359-00	4- 7	256-12117-00
32- 3	1E6-83536-60	30-26	150-25381-00	15-25	256-13564-00
32- 5	1E6-83540-60	14- 2	156-15618-01	30-10	275-25317-00
32-18	1E6-83560-51	25- 2	156-23411-00	33- 4	275-84523-60
32- 1	1E6-83570-10	25- 4	156-23412-00	33-10	275-84526-60
32- 1	1E6-83570-60	29-42	156-25398-00	33-12	275-84527-60
32- 4	1E6-83578-10	30-52	156-25398-00	13-16	278-18127-00
32- 4	1E6-83578-60	16-18	164-14137-00	12- 8	278-18547-02
26-14	1E6-83972-00	25- 1	164-23462-00	24-31	278-23181-50
26-22	1E6-83976-00	16- 6	168-14190-25	24-27	291-23167-60
31- 1	1E6-84130-60-33	11-10	168-17428-01-05	29-24	308-25135-00
33- 1	1E6-84510-00	30-20	168-25355-00	29-34	308-25138-00
33-28	1E6-84517-00	10- 3	170-16164-00	33-23	308-84553-00
33- 8	1E6-84551-61-35	10-12	174-16356-00	16-17	316-14116-10
33- 2	1E6-84711-60	29-13	183-25315-00	20-16	322-21541-00
36- 2	1N5-14610-01	16- 2	193-14142-35	24-18	322-23356-00
36- 3	1N5-14750-00	31-11	195-84324-00	24-20	322-23357-00
1-20	102-25137-00	31-12	195-84325-00	27- 8	322-24611-02
29-39	102-25137-00	8-20	214-11198-01	28- 3	322-24748-00
29-37	109-25136-00	16- 7	214-14195-00	29-17	322-25118-00
34- 5	115-83311-60	10-10	214-16119-00	4- 8	341-12118-00
35-18	116-82543-00	10-26	214-16389-00	4- 6	341-12119-02
22-31	120-27432-02	11-36	214-17461-40	5-13	341-12241-03
22-32	120-27433-00	11-36	214-17461-50	16-67	341-14991-00
24-33	122-23119-01	11-36	214-17461-60	24- 5	341-23146-50
24-32	122-23129-00	27-31	214-24512-00	24- 6	341-23156-50
25- 7	122-23411-00	27-24	214-24513-00	26-42	341-26290-01

# NUMERICAL INDEX

Ref No.	Parts No.	Ref No.	Parts No.	Ref No.	Parts No.
37-23	341-26290-01	13-10	434-18121-00	16-37	525-14123-00
26-41	341-26290-10	12-18	434-18122-00	16-14	558-14147-00
37-24	341-26290-10	12- 1	434-18541-03	29-31	559-25155-00
37-26	341-26290-30	12- 3	434-18561-00	1- 1	583-11110-00-R4
37-25	341-26290-40	35-16	437-82370-21	1-31	583-11127-00
26-38	341-26397-01	35- 6	437-82516-00	2-13	583-11127-00
35-17	341-82540-01	35- 4	437-82555-00	1- 3	583-11133-11
34- 3	341-83312-70	35- 5	437-82556-00	1- 4	583-11134-11
34- 4	341-83313-70	8-32	437-83936-00	9- 2	583-11150-00
34- 8	341-83316-01	19-46	437-83936-00	2- 8	583-11181-01
34- 6	341-83333-70	26-37	437-83936-00	1-13	583-11186-00-R4
33- 5	341-84721-60	33-11	437-84525-60	2- 1	583-11311-00-R4
33- 7	341-84722-60	33- 9	437-84527-60	2- 3	583-11351-00
33- 6	341-84724-60	17-25	438-14757-00	3- 1	583-11400-00
33-13	341-85111-60	22-17	438-22318-00-33	3- 2	583-11412-00
35-33	353-81970-62	35-36	438-83350-62	3- 3	583-11422-00
16-36	354-14147-00	32-17	438-83550-00	3-20	583-11533-00
10- 6	360-16325-00	31- 6	450-84110-02	3-22	583-11536-00
26-16	361-82921-31	31- 7	450-84115-00	3-19	583-11549-00
26-23	361-83980-30	31- 8	450-84120-01	3- 8	583-11610-00
11-30	363-15381-00	22-30	465-27431-00	3- 8	583-11610-10
14-21	363-15676-00	22- 2	483-22124-00	3- 8	583-11610-20
14-27	363-15686-00	22- 7	483-22129-01	3- 8	583-11610-30
10-16	363-16154-00	10- 7	498-16351-00	3- 8	583-11610-40
12-13	363-18511-00	12-20	498-18151-02	38- 1	583-11630-00
12-16	363-18531-00	27-22	498-24500-00	38- 1	583-11630-10
12-15	363-18535-00	27-30	498-24521-00	38- 1	583-11630-20
10-23	364-16343-00	27-29	498-24522-00	38- 1	583-11630-30
12-12	364-18511-00	27-23	498-24523-00	38- 1	583-11630-40
19-54	366-82591-00	27-25	498-24524-00	3- 7	583-11631-01-95
20- 6	371-82121-00	27-27	498-24525-00	3- 7	583-11631-01-96
35-19	371-82530-01	21-20	498-27235-00	3- 9	583-11633-00
34- 7	371-83367-00	31- 4	498-84145-60	3- 7	583-11635-01
24-47	371-85111-00	31- 3	498-84163-60	3- 7	583-11636-01
31-10	421-84312-30	31- 2	498-84164-60	3- 7	583-11637-01
22- 8	431-22151-02	16-15	500-14115-00	3- 7	583-11638-01
29-26	431-25330-01	16-53	500-14135-00	38- 6	583-11650-00
16-66	432-14197-00	24-30	509-23158-L0	3- 4	583-11651-00
14-25	434-15668-00	35-16	512-82370-10	3- 6	583-11681-00

# NUMERICAL INDEX

Ref No.	Parts No.	Ref No.	Parts No.	Ref No.	Parts No.
4- 1	583-12111-00	16-55	583-14174-00	17- 9	583-14766-00
4- 2	583-12121-00	16-59	583-14175-01	17-20	583-14766-00
4- 9	583-12151-00	16-11	583-14181-00	16-57	583-14918-00
4-12	583-12156-01	16-10	583-14184-00	16-23	583-14933-00
5- 1	583-12171-01	16- 8	583-14185-00	16-26	583-14951-00
5- 5	583-12176-00	16-45	583-14215-00	6- 1	583-15100-00
5-22	583-12212-00	16-27	583-14216-00	6- 3	583-15316-00
5-16	583-12217-00	16-43	583-14239-01	6- 4	583-15317-01
5-11	583-12231-00	16-50	583-14245-00	6-21	583-15346-00
5-18	583-12232-01	16-38	583-14264-00	6-19	583-15347-00
5-14	583-12247-00	16-44	583-14265-00	6-20	583-15358-00
1-29	583-12283-00	16-22	583-14274-00	6-16	583-15371-00
1-27	583-12288-00	16-19	583-14291-00	11-12	583-15383-00
9-18	583-13113-00	16-28	583-14292-00	7- 1	583-15411-00
8-21	583-13161-00	16-25	583-14386-00	7-17	583-15417-00
8- 8	583-13310-01	15- 1	583-14411-01	7- 3	583-15421-00
8-12	583-13314-00	15-10	583-14421-00	7-23	583-15425-00
8- 6	583-13316-01	15- 5	583-14422-00	6- 7	583-15426-00
8-11	583-13320-00	15-15	583-14431-00	7- 6	583-15431-00
10-14	583-13324-00	15-14	583-14437-00	7- 2	583-15451-00
8- 1	583-13325-00	15-16	583-14441-00	7-16	583-15457-00
8- 9	583-13336-01	15- 2	583-14451-00	7- 7	583-15462-00
8-15	583-13411-00	15-22	583-14453-00	6- 6	583-15466-00
8-16	583-13414-00	15- 3	583-14468-00	14- 1	583-15611-00-93
8-17	583-13417-00	15- 4	583-14472-00	14- 3	583-15621-00
8-14	583-13440-00	15- 9	583-14485-00	10-15	583-15631-00
7-11	583-13447-00	16-31	583-14536-00	14-16	583-15641-00
8-24	583-13464-00	16-24	583-14558-00	11-27	583-15651-00
8-28	583-13465-00	16-54	583-14562-00	14-24	583-15661-00
15-27	583-13556-01	16-39	583-14571-00	14-19	583-15671-00
15-26	583-13565-01	16-46	583-14573-00	14-26	583-15674-00
16-16	583-14112-45	16-63	583-14589-00	14-14	583-15676-00
16-51	583-14121-00	16-29	583-14592-00	3-21	583-16111-00
16-42	583-14131-01	16-60	583-14594-00	10- 2	583-16150-00
16-49	583-14133-00	16-30	583-14597-00	10- 1	583-16301-00
16- 3	583-14141-52	17-21	583-14714-01	10- 5	583-16321-00
16- 4	583-14148-00	17- 6	583-14738-00	10-25	583-16344-00
16-32	583-14158-00	17-15	583-14747-00	10-17	583-16357-01
16-52	583-14171-01	17-11	583-14757-00	10- 4	583-16371-00
		17-14	583-14763-00		

# NUMERICAL INDEX

Ref No.	Parts No.	Ref No.	Parts No.	Ref No.	Parts No.
10-18	583-16382-00	24-15	583-23144-00	18- 4	583-81311-50
11- 7	583-17121-00	24- 4	583-23145-00	18- 5	583-81345-50
11- 5	583-17131-02	24-10	583-23170-00	18- 7	583-81345-50
11- 2	583-17141-00	24- 9	583-23171-00	18-10	583-81346-50
11- 6	583-17151-01	24-17	583-23345-00-33	9-11	583-81615-50
11-22	583-17211-00	25- 8	583-23416-01	9- 8	583-81620-50
11-16	583-17221-00	25-16	583-23469-00	9- 9	583-81621-50
11-20	583-17231-01	19-27	583-24181-00	9-13	583-81625-50
11-21	583-17241-00	27-21	583-24182-00	9-12	583-81631-50
11-19	583-17251-01	27- 2	583-24244-00	9-10	583-81645-50
11- 1	583-17411-01	27- 3	583-24245-00	9- 5	583-81653-50
11-14	583-17421-00	27- 4	583-24246-00	35-13	583-82310-50
13- 1	583-18111-00-93	27- 5	583-24247-00	35- 2	583-82599-00
13- 8	583-18125-00	27- 2	583-24248-00	26- 3	583-82910-01
13- 4	583-18131-00	27- 3	583-24249-00	26- 4	583-82911-01
19-10	583-21315-00	27- 4	583-24254-00	26- 5	583-83912-00
19- 2	583-21316-00	27- 5	583-24255-00	26-11	583-83913-00
19- 6	583-21317-00	28- 9	583-24724-00	26-17	583-83922-00
19-23	583-21471-00	28- 4	583-24738-00	26-10	583-83981-00
23- 1	583-21511-00	29-18	583-25181-00	16-68	584-14956-00
23-21	583-21629-00	30-23	583-25388-00	19-51	584-23484-00
20-27	583-21714-00	30-34	583-25412-00	25-25	584-82519-00
20-26	583-21721-00	30-32	583-25440-10	16-58	737-14137-00
23-22	583-21746-00	30-32	583-25442-10	16-56	802-14173-00
20-30	583-21747-00	30-32	583-25444-10	16-48	812-14594-00
19-38	583-21755-00	30-32	583-25446-10	29-32	90101-06278
19-34	583-21756-00	30-32	583-25448-10	28- 5	90101-06304
19-31	583-21771-00	26-24	583-26242-00	30-25	90101-08034
22- 9	583-22141-00	26-25	583-26243-00	5- 7	90101-10303
19-42	583-22147-01	26-26	583-26301-00	8-19	90101-14259
22-14	583-22211-00	26-35	583-26352-00	21- 2	90102-10006
22-13	583-22212-00	26-27	583-26398-00	19-36	90105-08003
22-15	583-22214-00	21-18	583-27211-01-33	19-19	90105-08064
24-14	583-23111-00	21-30	583-27231-00	19-14	90105-10039
24- 8	583-23124-00	21-26	583-27241-00	19-17	90105-10050
24- 2	583-23126-01	21- 1	583-27311-00	19-18	90105-10051
24- 3	583-23136-01	21- 6	583-27412-00	19-16	90105-10063
24-11	583-23141-00	21- 7	583-27422-00	25-11	90106-14017
24-12	583-23142-00	18- 3	583-81309-50	33-24	90109-06022

# NUMERICAL INDEX

Ref No.	Parts No.	Ref No.	Parts No.	Ref No.	Parts No.
26- 6	90109-06410	32-12	90176-05022	3-14	90201-12593
26-18	90109-06410	17- 4	90179-08004	21-13	90201-12631
1-21	90109-06418	26-31	90179-08148	13- 6	90201-14220
7-15	90109-06419	2- 6	90179-10201	9- 3	90201-15234
30-51	90109-08368	1- 6	90179-10204	14- 4	90201-15234
24-21	90109-08397	1- 7	90179-10207	11-28	90201-17255
30-46	90109-08406	11-38	90179-18020	10-20	90201-17327
28-11	90109-08444	5-20	90179-18199	11- 8	90201-20266
36-13	90109-08444	25- 9	90179-25033	11-25	90201-20266
21-17	90109-10174	19-21	90185-08054	11-23	90201-20278
22-16	90109-10420	24-29	90185-08054	14-23	90201-20278
2-11	90116-08190	30-50	90185-08055	22-33	90201-20279
30-33	90116-08218	19-20	90185-10035	29-22	90201-22283
2- 5	90116-10087	35- 7	90201-05031	22- 6	90201-22284
2- 9	90116-10222	22-37	90201-06055	11- 3	90201-25287
2-10	90116-10223	32-14	90201-06055	11-17	90201-25287
2-12	90116-10225	9- 7	90201-06060	14-17	90201-25287
17-10	90119-08014	20-29	90201-06063	14-10	90201-25290
26-30	90123-08046	23- 4	90201-06067	27-32	90202-06010
27-33	90149-06011	33-21	90201-06067	17-13	90202-10098
13-12	90149-06017	22-25	90201-06407	19-52	90206-04003
4-10	90149-08098	36- 9	90201-06407	19-43	90206-15023
12-11	90149-14031	27-14	90201-06570	27-26	90206-18025
5-19	90149-18100	23-23	90201-06571	19-22	90208-08011
21-24	90153-06008	29-35	90201-07076	3-23	90208-16019
10- 9	90159-06010	24-23	90201-08083	17-26	90209-06061
21-25	90170-06184	25-13	90201-08083	33-18	90209-06095
4-11	90170-08173	25-19	90201-08083	27-19	90209-08097
24-26	90170-08180	21-29	90201-08084	33-25	90209-08125
30-35	90170-08193	23-10	90201-08113	17-16	90209-10140
3-16	90170-12067	1-16	90201-08587	25-24	90209-10142
22-11	90170-16111	9- 1	90201-09572	25-22	90209-12143
3-24	90170-16182	8- 3	90201-10119	25-29	90209-14023
10-11	90170-18086	1- 8	90201-10124	13-15	90215-06016
20-23	90170-22187	19-15	90201-10126	13-17	90215-08115
29-41	90171-14006	2-14	90201-10590	11-37	90215-21022
30-45	90171-16007	5- 8	90201-10591	10-27	90240-06005
21-34	90175-06013	8- 2	90201-12166	22-34	90240-06052
		10-24	90201-12172	21-27	90240-08051

# NUMERICAL INDEX

Ref No.	Parts No.	Ref No.	Parts No.	Ref No.	Parts No.
21-33	90249-12069	19-33	90445-11289	20-22	90480-24186
12-14	90250-08017	19-45	90446-07114	9-16	90501-05378
19-53	90269-04003	6-18	90460-22083	12- 9	90501-10062
3-13	90280-05013	15-21	90460-58015	21-32	90501-10245
3-17	90282-07021	15-23	90460-61063	14- 7	90501-12081
26-39	90338-09012	6-22	90460-71017	5-17	90501-14095
11-15	90338-09066	24-22	90462-08024	14-20	90501-23143
1-25	90338-47065	6-15	90465-05075	10- 8	90501-23391
7-20	90340-10003	6-13	90465-05084	4- 5	90501-29376
1-23	90340-14038	8-31	90465-06077	4- 4	90501-42377
20-15	90387-06388	19-56	90465-08028	19-50	90502-09024
23- 3	90387-06388	37- 8	90465-08028	29-27	90507-20002
33-17	90387-07390	7-26	90465-08076	30-15	90507-20002
15-18	90387-07391	19-55	90465-08088	21- 5	90507-29021
20-10	90387-07391	19-41	90465-10018	12-19	90508-08008
23-19	90387-07391	19-40	90465-10090	10-19	90508-12279
23-12	90387-08258	19-32	90467-10008	1-28	90508-16303
17-12	90387-08527	27-34	90467-10008	21-12	90508-26276
27-13	90387-09506	27- 7	90468-03063	21-11	90508-26277
29-16	90387-15529	20- 5	90468-10050	13- 9	90508-32052
30-22	90387-17141	25-28	90468-12006	21-22	90508-32278
30-44	90387-17530	26-36	90468-15009	14-13	90508-32280
11-35	90387-25507	27-10	90468-15064	22-24	90560-05001
8-23	90401-08038	20- 7	90480-01176	36- 8	90560-05001
7-13	90430-05126	20-24	90480-01176	10-13	90560-25153
1-22	90430-06014	20-31	90480-01176	14-12	90560-25154
8-22	90430-08119	37-20	90480-10068	29-30	90564-14021
19-37	90430-08119	37-22	90480-10068	30-18	90564-14021
6-23	90430-09121	22-23	90480-12188	8-27	91316-06012
7-19	90430-10027	36- 7	90480-12188	8-26	91316-06015
1-24	90430-14043	15-17	90480-14102	8-29	91316-06015
19-35	90430-22123	20-11	90480-14102	1-15	91316-06018
19-30	90430-27124	33-16	90480-14102	8-18	91316-06020
27- 9	90430-35122	23- 2	90480-14198	15-24	91316-06020
17- 2	90430-38054	20-19	90480-15058	1-12	91316-06025
6-17	90445-07039	33-29	90480-15061	7- 4	91316-06025
35-21	90445-08047	20-18	90480-16185	7-18	91316-06025
27-11	90445-09111	27-20	90480-22054	2- 7	91316-06030
27-35	90445-11288	27-12	90480-22177	7-24	91316-06030

# NUMERICAL INDEX

Ref No.	Parts No.	Ref No.	Parts No.	Ref No.	Parts No.
6- 9	91316-06035	16-34	92901-04100	37-17	92901-06100
7- 5	91316-06035	15- 7	92901-05100	9-15	92901-06200
7-25	91316-06040	16-41	92901-05100	15-13	92901-06600
6-10	91316-06045	19-28	92901-05100	19-26	92901-06600
1-11	91316-06055	22-26	92901-05100	24-40	92901-06600
6-11	91316-06055	24-48	92901-05100	24-46	92901-06600
7-12	91316-06060	33-14	92901-05100	35-14	92901-06600
6-12	91316-06065	35- 8	92901-05100	35-32	92901-06600
10-28	91401-10010	36-10	92901-05100	37-13	92901-06600
22-36	91401-16015	15- 8	92901-05600	37-16	92901-06600
21-28	91401-20012	35-35	92901-05600	16-47	92901-08100
30-47	91401-20012	13-14	92901-06100	19- 4	92901-08100
21- 4	91401-20025	15-19	92901-06100	19- 8	92901-08100
29-19	91401-30030	15-12	92901-06100	19-12	92901-08100
30-27	91401-30030	16-12	92901-06100	21-16	92901-08100
20- 4	91501-05055	16-62	92901-06100	23-14	92901-08100
20-28	91609-25018	17-27	92901-06100	24-25	92901-08100
21-14	91609-30020	19-25	92901-06100	25-18	92901-08100
6- 2	91810-05016	19-57	92901-06100	27-18	92901-08100
7- 8	91810-05016	20- 9	92901-06100	28- 7	92901-08100
1- 5	91810-16016	20-14	92901-06100	31-15	92901-08100
2- 4	91810-16016	22-18	92901-06100	34-12	92901-08100
17- 8	91906-06010	22-21	92901-06100	30-49	92901-08200
17-30	91906-06015	23- 5	92901-06100	31-14	92901-08200
6-14	92501-06012	23-18	92901-06100	23-13	92901-08258
16-61	92501-06012	23-24	92901-06100	1-10	92901-08600
35-30	92501-06012	24-39	92901-06100	19- 5	92901-08600
5-12	92501-06015	24-45	92901-06100	19- 9	92901-08600
16-13	92501-06015	26- 8	92901-06100	19-13	92901-08600
19-58	92501-06015	26-20	92901-06100	24-28	92901-08600
18-11	92501-06015	27-15	92901-06100	28- 8	92901-08600
37-15	92501-06015	32-15	92901-06100	17-17	92901-10100
6- 8	92501-06018	33-19	92901-06100	24-19	92901-10100
24-38	92501-06020	33-27	92901-06100	25-26	92901-10100
35-15	92501-06020	35-11	92901-06100	3-15	92901-12100
8- 7	92501-06030	35-31	92901-06100	29-40	92901-14200
11-13	92701-06015	37- 6	92901-06100	22-10	92901-16100
19-48	92701-06018	37-10	92901-06100	7-21	93101-14075
16-21	92901-04100	37-12	92901-06100	9- 4	93102-15147

# NUMERICAL INDEX

Ref No.	Parts No.	Ref No.	Parts No.	Ref No.	Parts No.
10-21	93102-17148	3- 5	93310-635A5	30-31	93700-06004
29-15	93102-20009	11- 9	93311-42012	29- 7	94130-21205
30-42	93102-25061	11-26	93313-32008	30- 5	94140-18204
14- 9	93102-25064	10-22	93315-11720	29- 8	94230-21038
3-12	93102-30145	22- 3	93317-22208	29-10	94327-21024
11-33	93102-35146	22- 5	93342-22205	30- 8	94340-18022
29-38	93104-07003	8- 4	93410-10025	30- 6	94340-18024
1-19	93104-08055	19-44	93410-15005	29- 9	94416-21198
8- 5	93104-11038	11-29	93410-17008	30- 7	94418-18199
1-26	93104-12054	14-22	93410-19015	5- 9	94500-02106
29-25	93105-50010	11-24	93410-20038	30-36	94515-20100
22- 4	93108-35004	29-21	93410-22014	5-10	94600-02001
13- 7	93109-14010	14-11	93410-25010	30-37	94615-20011
7-10	93210-07135	12- 7	93410-30012	1-30	94701-00117
8-25	93210-10197	12-21	93430-07012	13-13	95301-06600
6- 5	93210-12095	12-17	93430-08006	29-33	95301-06600
5-15	93210-12152	13-11	93430-10016	33-26	95301-06600
1-32	93210-14104	14- 5	93430-10016	37-18	95301-06600
29-36	93210-14104	13- 5	93430-12009	17-28	95301-06800
1- 2	93210-14299	14-15	93440-25019	33-20	95301-06800
8-30	93210-15171	11- 4	93440-25020	23-16	95301-08600
11-34	93210-22298	11-18	93440-25020	31-16	95301-08600
5-21	93210-32172	14-18	93440-25020	34-13	95301-08600
7-22	93210-35173	5- 4	93440-47044	17-18	95301-10600
1-14	93210-49296	3-10	93450-22027	25-27	95301-10700
30-29	93210-52312	24- 7	93450-30039	22-35	95301-12700
7- 9	93210-64297	30-41	93450-75040	21- 3	95302-10900
30-39	93210-71311	25- 3	93501-04011	33-15	95303-05600
2- 2	93210-92295	16-64	93501-08001	1- 9	95303-08600
11-11	93304-20501	9-17	93503-08007	30-24	95303-08700
5- 2	93306-00502	25- 6	93503-16010	23-15	95303-08800
5- 3	93306-00506	14- 6	93507-32009	26-13	95601-05100
29-20	93306-20203	8-13	93603-17070	26- 9	95601-06100
29-14	93306-20205	12- 5	93604-08071	26-21	95601-06100
30-13	93306-20309	5- 6	93604-10011	25-14	95601-08100
30-12	93306-20310	12- 2	93604-18100	17- 3	95621-08615
11-32	93306-30517	8-10	93604-22050	17-19	97301-06010
3-11	93306-30616	21-23	93700-06004	19-24	97301-06012
3-18	93306-30702	22-28	93700-06004	35-12	97301-06012

# NUMERICAL INDEX

Ref No.	Parts No.	Ref No.	Parts No.	Ref No.	Parts No.
37- 5	97301-06014	16-40	98501-05012		
37- 9	97301-06014	19-29	98501-05012		
9- 6	97301-06015	22-27	98501-05012		
22-19	97301-06018	36-11	98501-05012		
15-11	97301-06020	35-34	98501-05015		
21-19	97301-06020	26-12	98501-05018		
24-44	97301-06020	35- 9	98501-05025		
37-11	97301-06020	16-33	98503-04015		
26- 7	97301-06022	11-31	98701-05012		
26-19	97301-06022	12- 4	98701-05012		
15-20	97301-06025	7-14	98906-05008		
20- 8	97301-06025				
20-13	97301-06025				
33-22	97301-06025				
23- 6	97301-06030				
22-20	97301-08015				
27-17	97301-08015				
21-15	97301-08025				
23- 8	97301-08035				
23- 9	97301-08045				
30-21	97303-06025				
31-13	97304-08035				
25-12	97313-08055				
14-28	97321-06015				
23-25	97321-06015				
13- 3	97321-06020				
23-17	97321-06025				
27-16	97321-06030				
32-16	97321-06035				
28- 6	97321-08015				
19-11	97321-08018				
19- 3	97321-08025				
19- 7	97321-08025				
14- 8	97321-08030				
25-17	97323-08040				
19-39	97701-50110				
9-14	97801-06014				
16-20	98501-04012				
15- 6	98501-05012				





**YAMAHA MOTOR CO., LTD.**

PRINTED IN JAPAN

First edition Mar., 1976

(1E6-28198-05)