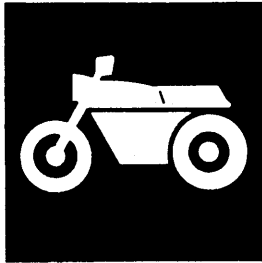


YAMAHA



**PARTS
CATALOGUE**

XT350'98 (4FC7) S.AFRICA

YAMAHA
GENUINE
Parts & Accessories

184FC-664E1

FOREWORD

This Parts Catalogue is related to the parts for the model(s) in the below frame. When you are ordering replacement parts, please refer to this Parts Catalogue and quote both part numbers and part names correctly.

XT350'98(4FC7)

1. Modifications or additions which have been made after issue of the Parts Catalogue will be announced in the Yamaha Parts News. It is advisable that you make necessary corrections to the Parts Catalogue according to the Yamaha Parts News.

2. Abbreviations
The Following abbreviations are used in this Parts Catalogue.

"UR" Use specified parts number.

"UN" Use as many as needed.

"AP" Alternate Parts

"LM" Local Made (Parts need to be ordered locally)

"F#" Frame No. (Applicable machine No.)

3. Parts, which are to be supplied in an assembly, are listed with a dot(.) in front of the part name as shown below.

EXAMPLE

CARBURETOR ASSY

.JET, PILOT

.NOZZLE, MAIN

4. Number of component for assembly
The numeral appearing to the right of each component part indicates the quantity of parts for each assembly unit.

EXAMPLE

PART NO.	DESCRIPTION	Q'TY	REMARKS
2F5-83310-60	FRONT FLASHER LIGHT ASSY	2	
115-83311-60	.BULB (6V-18W)	1	
1M1-83309-60	.REFLECTOR	1	

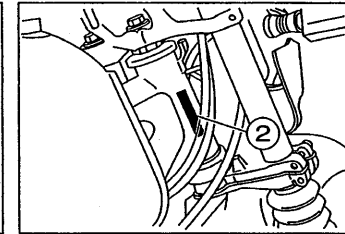
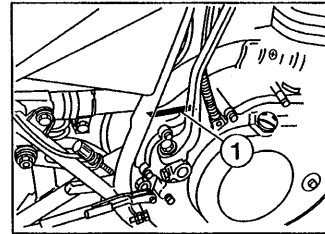
5. Applicable colors of graphics are represented in the "REMARKS" as shown below.

PART NO.	DESCRIPTION	Q'TY	REMARKS
2N4-24110-00-X5	.FUEL TANK COMP.	2	MXR
3J1-24240-10	.GRAPHIC, FUEL TANK	1	for MXR

6. Applicable Serial No.

① Engine Serial No.

② Frame Serial No.



7. Note that the illustrations for reference in funding parts numbers, not to be used for assembling. When assembling, pleas use the applicable service manual.

8. The asterisk (*) before a reference number indicates modification items after the first edition.

CONTENTS

ENGINE

CYLINDER HEAD	1
CYLINDER	3
CRANKSHAFT. PISTON	4
VALVE	6
CAMSHAFT. CHAIN	8
OIL PUMP	9
INTAKE	10
CARBURETOR	11
EXHAUST	14
CRANKCASE	15
CRANKCASE COVER 1	16
STARTER	17
CLUTCH	19
TRANSMISSION	21
TACHOMETER GEAR	23
SHIFT CAM. FORK	24
SHIFT SHAFT	25

CHASSIS

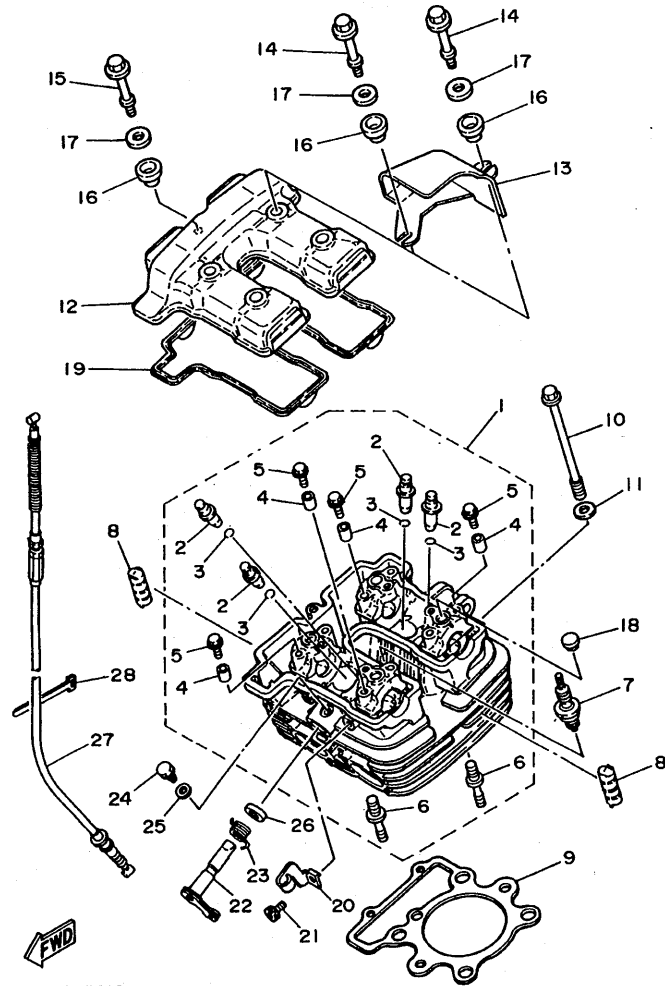
FRAME	26
FENDER	28
SIDE COVER	29
REAR ARM	30
REAR SUSPENSION	32
STEERING	33
FRONT FORK	34
FUEL TANK	36
SEAT	37
FRONT WHEEL	38
FRONT BRAKE CALIPER	39
REAR WHEEL	40
STEERING HANDLE. CABLE	42

FRONT MASTER CYLINDER	43
STAND. FOOTREST	44
COWLING 1	46
GENERATOR	47
FLASHER LIGHT	48
METER	49
HEADLIGHT	50
TAILLIGHT	51
HANDLE SWITCH. LEVER	52
ELECTRICAL 1	53

INDEX

NUMERICAL INDEX	55
-----------------------	----

FIG. 1 CYLINDER HEAD



3NV6100-5010

REF. NO.	PART NO.	DESCRIPTION	4FC7				REMARKS
1	55V-11101-01	CYLINDER HEAD ASSY	1				
2	30X-11133-10	.GUIDE, INTAKE VALVE	4				
3	93440-10109	.CIRCLIP	4				
4	99510-08016	.PIN, DOWEL	8				
5	90105-06153	.BOLT, WASHER BASED	8				
6	90116-10378	.BOLT, STUD	2				
7	94701-00333	PLUG, SPARK (NGK DR8EA)	1				
8	30X-11161-00	ABSORBER 1	4				
9	55V-11181-00	GASKET, CYLINDER HEAD 1	1				
10	90105-10608	BOLT, WASHER BASED	4				
11	90201-101A4	WASHER, PLATE	4				
12	30X-11191-01	COVER, CYLINDER HEAD 1	1				
13	30X-11192-01	COVER, CYLINDER HEAD 2	1				
14	90109-064F0	BOLT	4				
15	90109-06584	BOLT	1				
16	2GH-1111G-00	RUBBER, MOUNT 1	5				
17	90209-11262	WASHER	5				
18	90338-11125	PLUG	4				
19	30X-11193-00	GASKET, HEAD COVER 1	1				
20	30X-12283-00	BRACKET, DECOMPRESSION	1				
21	91317-06012	BOLT	1				
22	30X-12288-00	CAM, DECOMPRESSION	1				
23	90508-18606	SPRING, TORSION	1				
24	90109-06418	BOLT	1				
25	90430-06014	GASKET	1				
26	93102-12321	OIL SEAL	1				
27	30X-12292-00	CABLE, DECOMPRESSION	1				

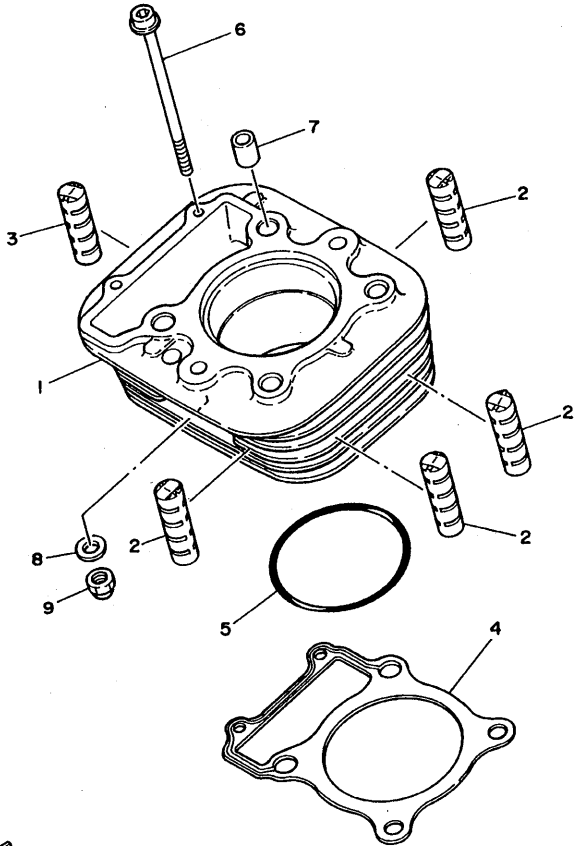
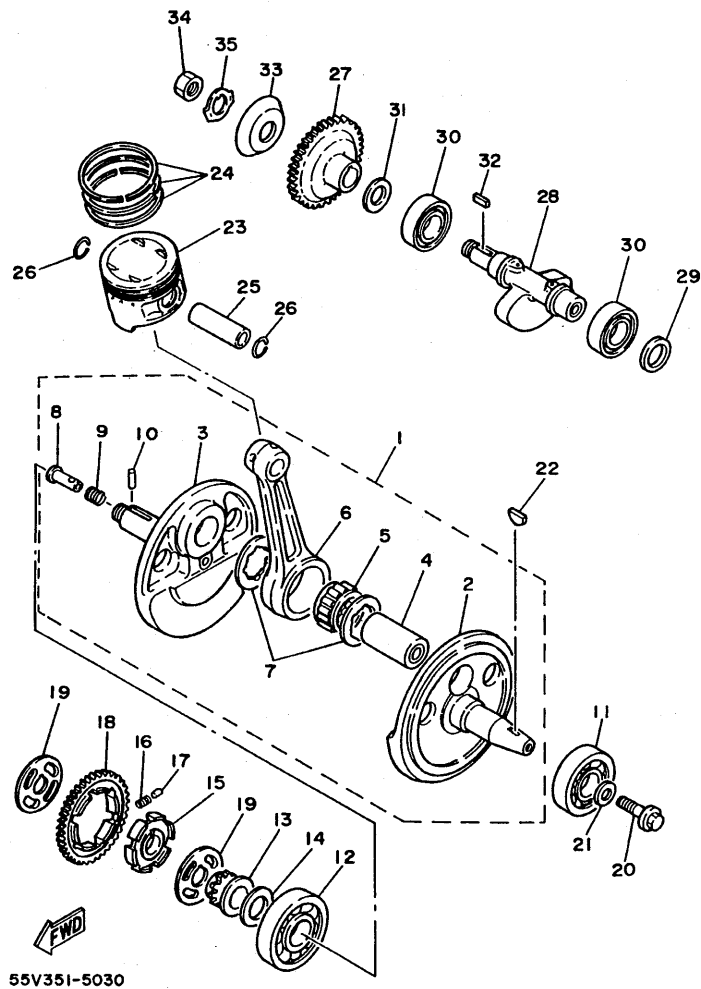


FIG. 2 CYLINDER

REF. NO.	PART NO.	DESCRIPTION	4FC7	REMARKS
1	55V-11310-03	CYLINDER	1	
2	3Y1-11162-00	ABSORBER 2	4	
3	30X-11127-00	ABSORBER 3	1	
4	4DR-11351-00	GASKET, CYLINDER	1	
5	93210-89447	O-RING	1	
6	90105-06406	BOLT, WASHER BASED	2	
7	99530-14016	PIN, DOWEL	2	
8	90201-087G0	WASHER, PLATE	2	
9	90176-08026	NUT, CROWN	2	



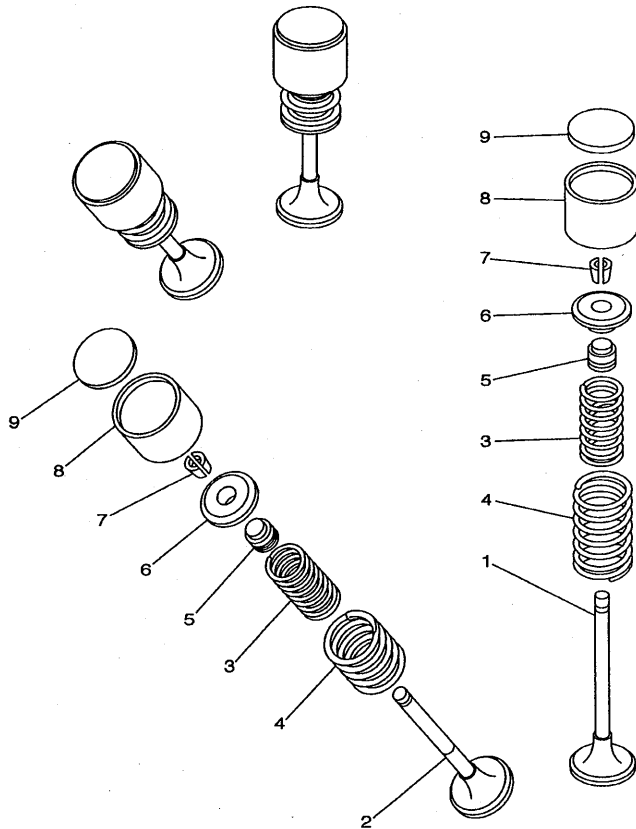
IET171-8020



55V351-5030

FIG. 3 CRANKSHAFT. PISTON

REF. NO.	PART NO.	DESCRIPTION	4FC7				REMARKS
1	55V-11400-02	CRANKSHAFT ASSY	1				
2	55V-11412-00	.CRANK 1	1				
3	55V-11422-01	.CRANK 2	1				
4	51Y-11681-00	.PIN, CRANK 1	1				
5	93310-738N1	.BEARING	1				
6	51Y-11651-01	.ROD, CONNECTING	1				
7	90209-38266	.WASHER	2				
8	90240-07105	.PIN, CLEVIS	1				
9	90501-07629	.SPRING, COMPRESSION	1				
10	93602-13177	.PIN, DOWEL	1				
11	93306-30630	BEARING	1				
12	93306-30622	BEARING (6306SH4 SPECIAL)	1				
13	30X-11549-00	SPROCKET, CAM CHAIN	1				
14	90209-23242	WASHER	1				
15	30X-11496-00	BOSS, BUFFER	1				
16	90501-22721	SPRING, COMPRESSION	6				
17	93605-10090	PIN, DOWEL	3				
18	51Y-11531-00	GEAR, BALANCE WT	1				
19	30X-11565-00	WASHER, BEARING COVER	2				
20	90105-10290	BOLT, WASHER BASED	1				
21	90201-10508	WASHER, PLATE	1				
22	90280-05013	KEY, WOODRUFF	1				
23	55V-11631-01-Y0	PISTON (STD)	1				
	55V-11636-01	PISTON (0.50MM O/S)	1				AP
	55V-11638-01	PISTON (1.00MM O/S)	1				AP
24	55V-11610-00	PISTON RING SET (STD)	1				
	55V-11610-20	PISTON RING SET (0.50MM O/S)	1				AP




 4FC7664-8040

FIG. 4 VALVE

REF. NO.	PART NO.	DESCRIPTION	4FC7				REMARKS
1	30X-12111-01	VALVE, INTAKE	2				
2	30X-12121-00	VALVE, EXHAUST	2				
3	30X-12113-00	SPRING, VALVE INNER	4				
4	30X-12114-00	SPRING, VALVE OUTER	4				
5	51Y-12119-00	SEAL, VALVE STEM	4				
6	30X-12117-00	RETAINER, VALVE SPRING	4				
7	30X-12118-00	COTTER, VALVE	8				
8	26H-12153-00-Y0	LIFTER, VALVE	4				
9	26H-12168-00	PAD, ADJUSTING (2.00)	4				UR
	26H-12168-20	PAD, ADJUSTING (2.05)	4				UR
	26H-12168-40	PAD, ADJUSTING (2.10)	4				UR
	26H-12168-60	PAD, ADJUSTING (2.15)	4				UR
	26H-12168-80	PAD, ADJUSTING (2.20)	4				UR
	26H-12168-A0	PAD, ADJUSTING (2.25)	4				UR
	26H-12168-F0	PAD, ADJUSTING (2.30)	4				UR
	26H-12168-H0	PAD, ADJUSTING (2.35)	4				UR
	26H-12168-K0	PAD, ADJUSTING (2.40)	4				UR
	26H-12168-M0	PAD, ADJUSTING (2.45)	4				UR
	26H-12168-R0	PAD, ADJUSTING (2.50)	4				UR
	26H-12168-U0	PAD, ADJUSTING (2.55)	4				UR
	26H-12168-W0	PAD, ADJUSTING (2.60)	4				UR
	26H-12168-Y0	PAD, ADJUSTING (2.65)	4				UR
	26H-12169-10	PAD, ADJUSTING (2.70)	4				UR
	26H-12169-30	PAD, ADJUSTING (2.75)	4				UR
	26H-12169-50	PAD, ADJUSTING (2.80)	4				UR
	26H-12169-70	PAD, ADJUSTING (2.85)	4				UR
	26H-12169-90	PAD, ADJUSTING (2.90)	4				UR

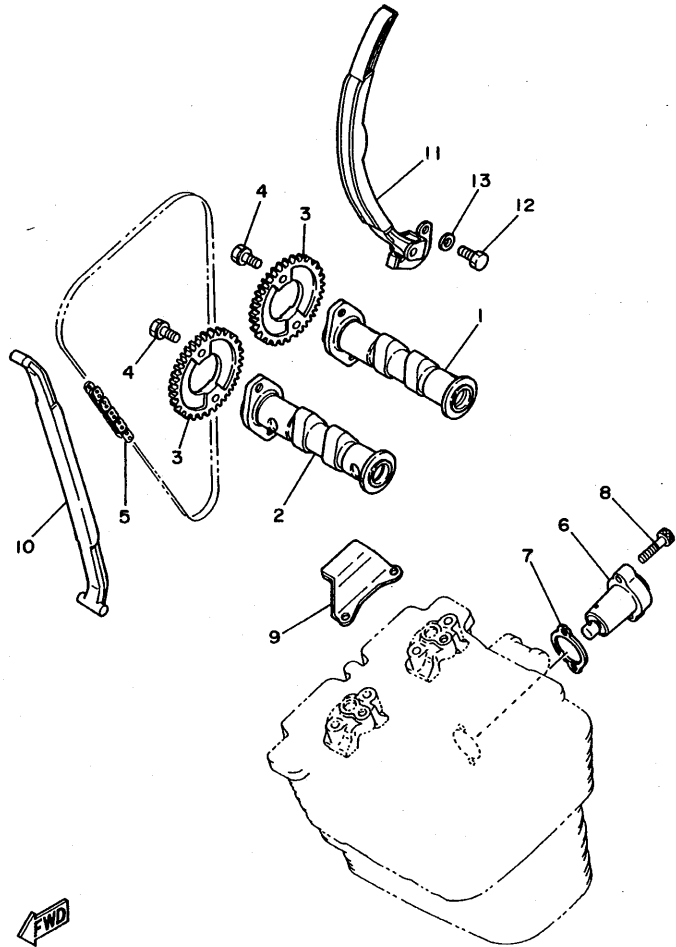
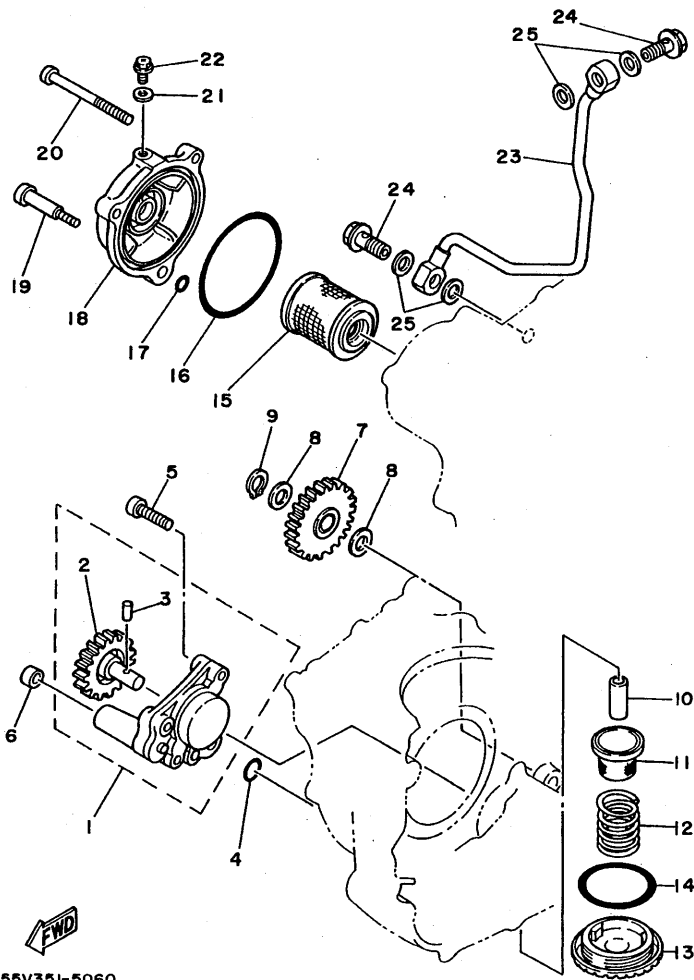


FIG. 5 CAMSHAFT. CHAIN

REF. NO.	PART NO.	DESCRIPTION	4FC7				REMARKS
1	48Y-12171-00	CAMSHAFT 1	1				
2	48Y-12181-00	CAMSHAFT 2	1				
3	30X-12176-00	SPROCKET, CAM CHAIN	2				
4	90105-07515	BOLT, WASHER BASED	4				
5	94590-91136	CHAIN (79RH2015-136M)	1				
6	30X-12210-00	TENSIONER ASSY, CAM CHAIN	1				
7	4FM-12213-00	GASKET, TENSIONER CASE	1				
8	91317-06025	BOLT	2				
9	30X-12241-00	GUIDE, STOPPER 2	1				
10	30X-12251-00	DAMPER, CHAIN 1	1				
11	30X-12252-01	DAMPER, CHAIN 2	1				
12	97027-06016	BOLT	2				
13	92907-06600	WASHER, PLATE	2				



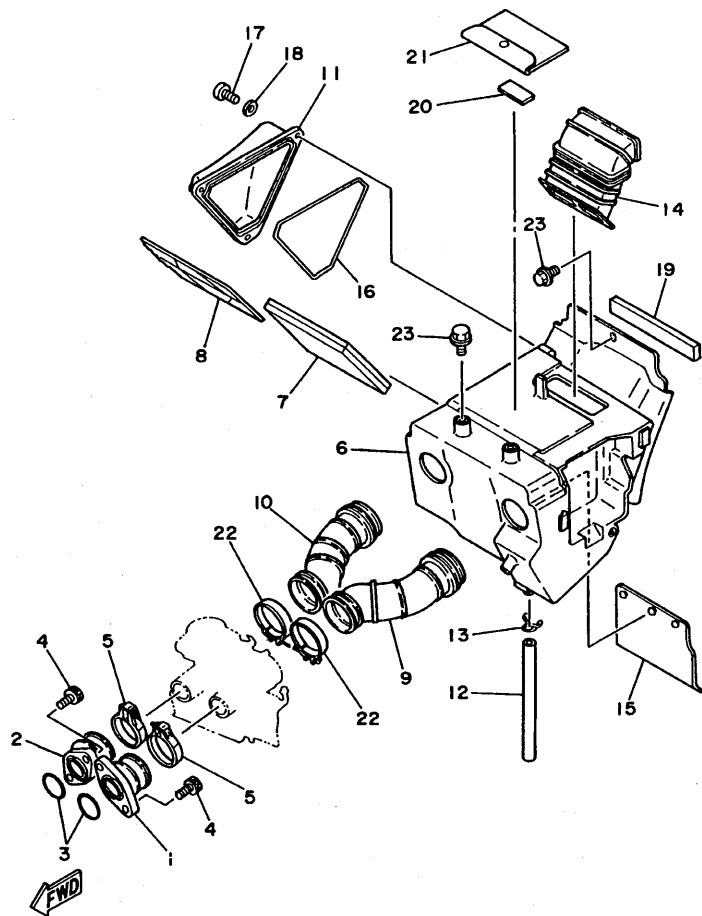
30X010-3050



55V351-5060

FIG. 6 OIL PUMP

REF. NO.	PART NO.	DESCRIPTION	4FCT				REMARKS
1	30X-13300-00	OIL PUMP ASSY	1				
2	3Y6-13326-01	.GEAR, PUMP DRIVEN 2 (23T)	1				
3	93603-12030	.PIN, DOWEL	1				
4	93210-10096	O-RING	1				
5	98507-06025	SCREW, PAN HEAD	3				
6	90430-06156	GASKET	1				
7	30X-13341-00	GEAR, OIL PUMP IDLE	1				
8	90201-10119	WASHER, PLATE	2				
9	99009-10400	CIRCLIP	1				
10	3Y1-13416-01	PIPE, OIL 1	1				
11	51Y-13411-00	STRAINER, OIL	1				
12	90501-18576	SPRING, COMPRESSION	1				
13	30X-15351-00	PLUG, DRAIN	1				
14	93210-347A1	O-RING	1				
15	5H0-13440-00	ELEMENT ASSY, OIL CLEANER	1				
16	93210-64297	O-RING	1				
17	93210-07135	O-RING	1				
18	3DC-13447-00	COVER, OIL ELEMENT	1				
19	90109-06419	BOLT	1				
20	91317-06065	BOLT	2				
21	90430-05126	GASKET	1				
22	90149-05110	SCREW	1				
23	55V-13161-01	PIPE, DELIVERY 1	1				
24	90401-10034	BOLT, UNION	2				
25	90430-10188	GASKET	4				

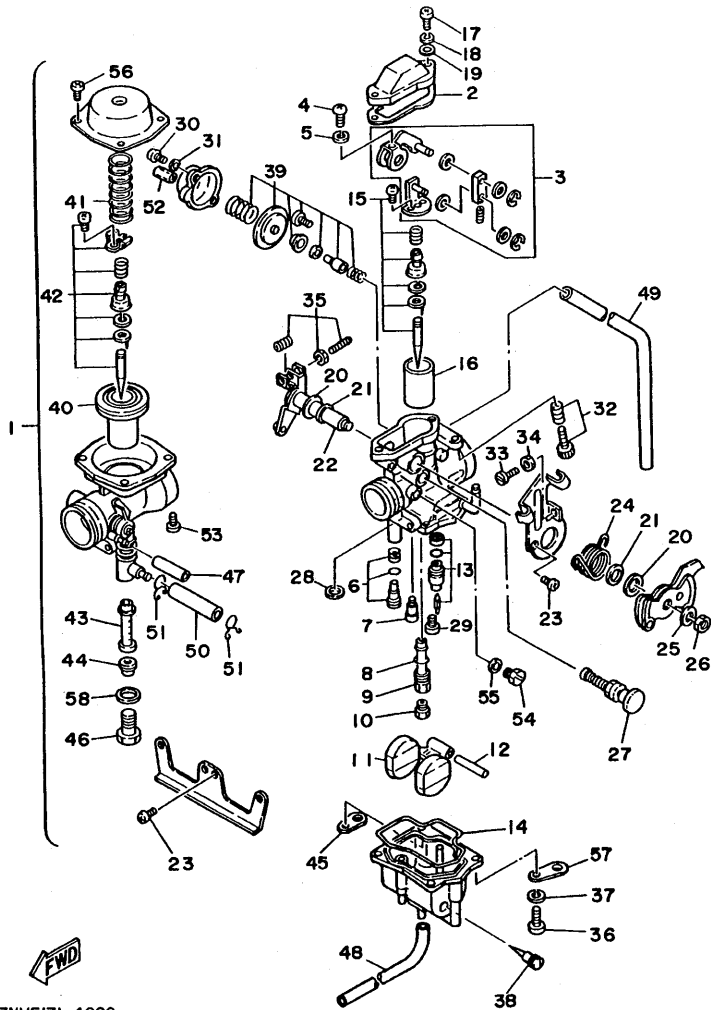


30X010-3070

FIG. 7 INTAKE

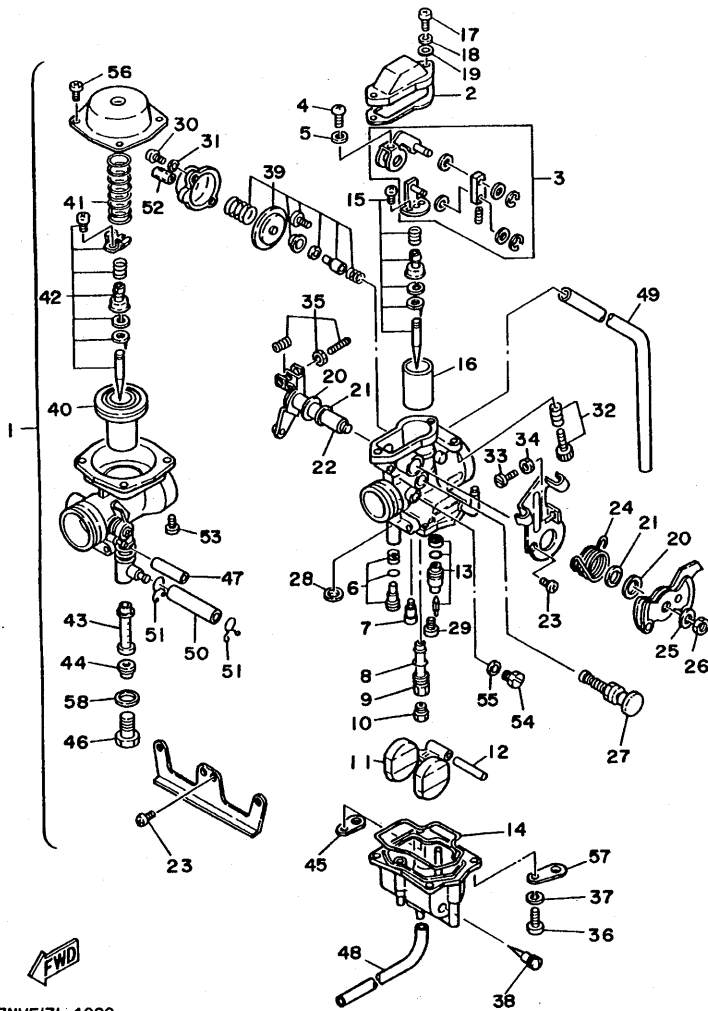
REF. NO.	PART NO.	DESCRIPTION	4FC7	REMARKS
1	55V-13586-01	JOINT, CARBURETOR 1	1	
2	42U-13596-01	JOINT, CARBURETOR 2	1	
3	93210-30611	O-RING	2	
4	91317-06020	BOLT	4	
5	1HX-13575-00	BAND	2	
6	30X-14401-00	AIR CLEANER CASE ASSY	1	
7	30X-14451-00	ELEMENT, AIR CLEANER	1	
8	30X-14458-00	GUIDE	1	
9	30X-14453-01	JOINT, AIR CLEANER 1	1	
10	30X-14454-01	JOINT	1	
11	30X-14412-00	CAP, CLEANER CASE 1	1	
12	91A20-07018	TUBE, FLEXIBLE VINYL	1	
13	90467-13042	CLIP	1	
14	55V-14437-00	DUCT	1	
15	30X-21621-00	FLAP	1	
16	2GV-14452-00	SEAL	1	
17	98507-05014	SCREW, PAN HEAD	3	
18	92907-05600	WASHER, PLATE	3	
19	30X-14426-00	DAMPER 2	1	
20	4K5-2814E-10	HOOK	1	
21	4U7-28186-00	POUCH	1	
22	90460-49058	CLAMP, HOSE	2	
23	95807-06012	BOLT, FLANGE	3	

FIG. 8 CARBURETOR



3NVF171-4080

REF. NO.	PART NO.	DESCRIPTION	AFC7				REMARKS
1	55V-14301-05	CARBURETOR ASSY 1	1				
2	30X-14198-00	.GASKET	1				
3	30X-14203-00	.CABLE CONNECTOR SET	1				
4	98580-04015	.SCREW, PAN HEAD	1				
5	92990-04100	.WASHER, SPRING	1				
6	30X-14105-00	.PILOT SCREW SET	1				
7	30X-14342-21	.JET, PILOT (# 42)	1				
8	360-24512-00	.GASKET	2				
9	51Y-14341-00	.NOZZLE, MAIN	1				
10	288-14343-60	.JET, MAIN (#120)	1				
11	5Y1-14385-00	.FLOAT	1				
12	689-14386-00	.PIN, FLOAT	1				
13	1JK-14107-01	.NEEDLE VALVE SET	1				
14	30X-14384-00	.GASKET, FLOAT CHAMBER	1				
15	51Y-1490J-10	.NEEDLE SET	1				
16	30X-14312-35	.VALVE, THROTTLE 1	1				
17	98501-04016	.SCREW, PAN HEAD	2				
18	92901-04100	.WASHER, SPRING	2				
19	92901-04600	.WASHER, PLATE	2				
20	5Y1-14357-00	.WASHER, PLAIN	2				
21	5Y1-14572-00	.PLATE, STAY	2				
22	1LN-14930-00	.THROTTLE SHAFT ASSY	1				
23	97801-05010	.SCREW, PAN HEAD	6				
24	30X-14131-00	.SPRING, THROTTLE VALVE	1				
25	5Y1-14356-00	.WASHER, SPRING	1				
26	5Y1-14358-00	.NUT	1				
27	51Y-14371-01	.PLUNGER, STARTER	1				



3NVF171-4080

FIG. 8 CARBURETOR

REF. NO.	PART NO.	DESCRIPTION	4FC7	REMARKS
28	5Y1-14536-00	.GASKET	1	
29	98901-04006	.SCREW, BIND	1	
30	97801-04010	.SCREW, PAN HEAD	2	
31	92901-04100	.WASHER, SPRING	2	
32	30X-14103-00	.THROTTLE SCREW SET	1	
33	30X-14216-00	.SCREW	1	
34	30X-14358-00	.NUT	1	
35	30X-1490K-00	.STOP SCREW SET	1	
36	97801-04012	.SCREW, PAN HEAD	4	
37	92901-04100	.WASHER, SPRING	4	
38	14T-14323-00	.SCREW, AIR ADJUSTING	1	
39	5Y1-1490A-00	.DIAPHRAGM SET, 1	1	
40	30X-14340-01	.VALVE ASSY	1	
41	30X-14286-00	.SPRING	1	
42	1EU-1490J-00	.NEEDLE SET	1	
43	30X-14355-00	.NOZZLE, MAIN 2	1	
44	30X-14343-51	.JET, MAIN (#102)	1	
45	5Y1-14146-00	.PLATE	1	
46	7KF-14162-00	.BOLT, HOLDING	1	
47	5Y1-14349-00	.PIPE	1	
48	5Y1-14396-00	.PIPE	1	
49	34K-14197-00	.PIPE	2	
50	30X-14148-00	.PIPE	1	
51	5Y1-14159-00	.CLIP	2	
52	30X-14149-00	.PIPE	1	
53	98501-04010	.SCREW, PAN HEAD	2	
54	5H0-14991-00	.SCREW	1	

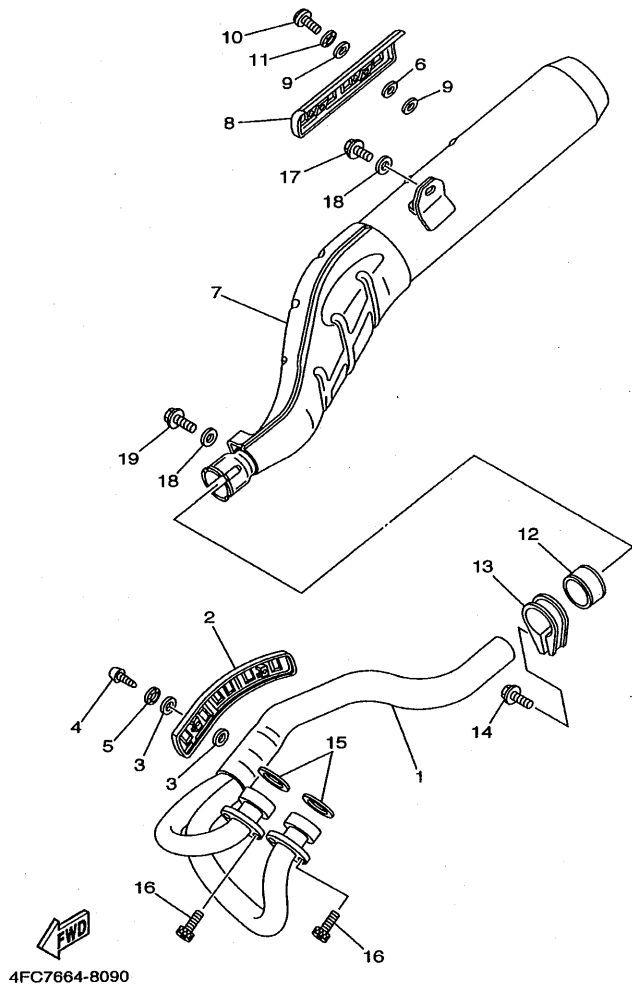
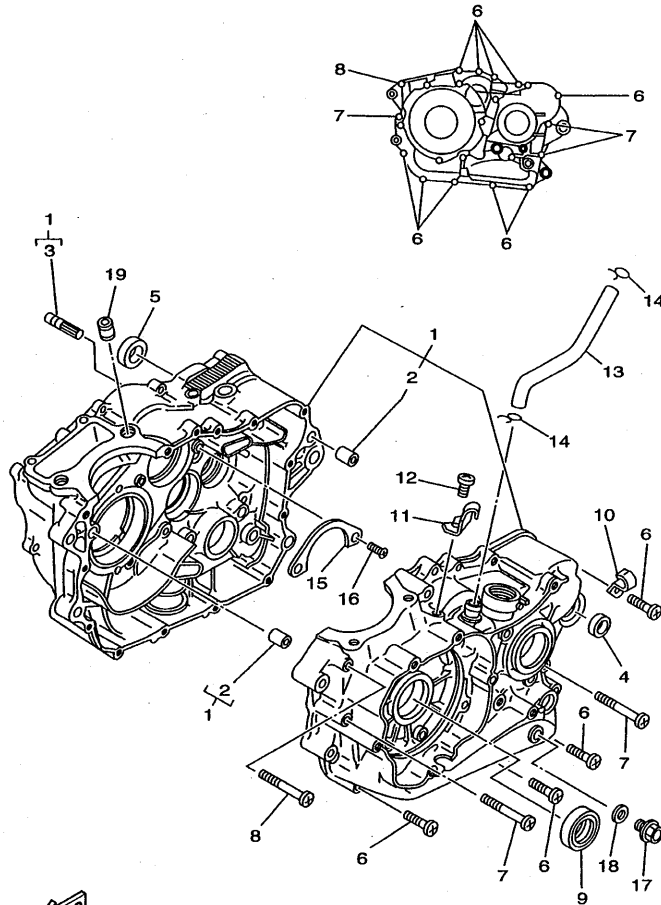


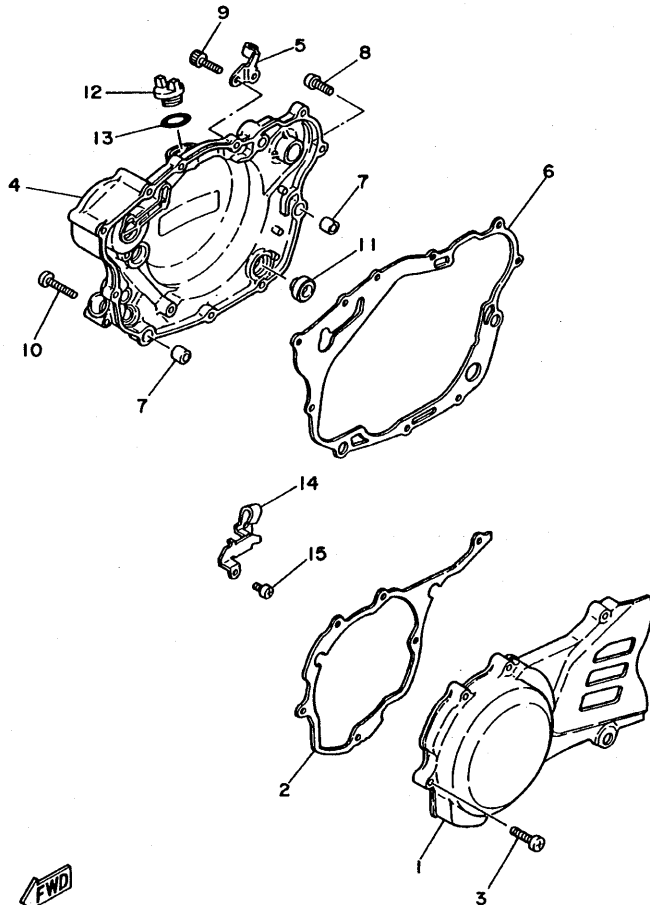
FIG. 9 EXHAUST

REF. NO.	PART NO.	DESCRIPTION	4FC7				REMARKS
1	57R-14611-00	PIPE, EXHAUST 1	1				
2	55V-14628-00	PROTECTOR, EXHAUST PIPE	1				
3	4BD-14766-00	WASHER, PROTECTOR	4				
4	90164-06017	SCREW, TAPPING	2				
5	90206-06090	WASHER, WAVE	2				
6	92907-06600	WASHER, PLATE	2				
7	55V-14711-02	MUFFLER 1	1				
8	55V-14728-00	PROTECTOR, MUFFLER 2	1				
9	4BD-14766-00	WASHER, PROTECTOR	4				
10	98907-06010	SCREW, BIND	2				
11	90206-06090	WASHER, WAVE	2				
12	4EL-14714-00	GASKET, MUFFLER	1				
13	30X-14715-00	BAND, MUFFLER	1				
14	95027-08040	BOLT, FLANGE	1				
15	4BR-14613-00	GASKET, EXHAUST PIPE	2				
16	91317-06025	BOLT	4				
17	95817-08014	BOLT, FLANGE	1				
18	90201-08326	WASHER, PLATE	2				
19	95817-08020	BOLT, FLANGE	1				

FIG. 10 CRANKCASE



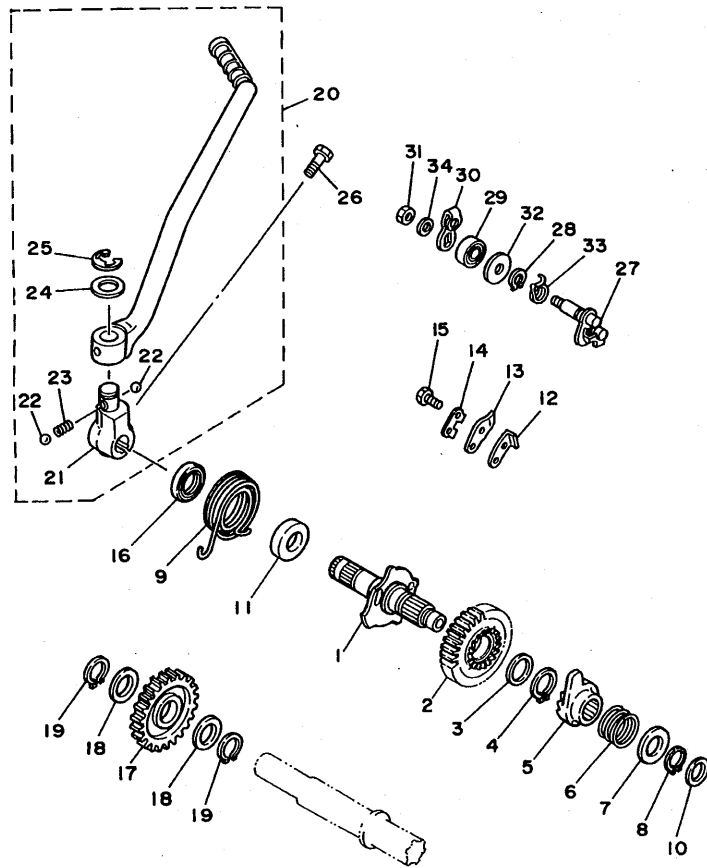
REF. NO.	PART NO.	DESCRIPTION	4FC7				REMARKS
1	55V-15100-03	CRANKCASE ASSY	1				
2	99530-12016	.PIN, DOWEL	2				
3	55V-15668-00	.STOPPER	1				
4	90387-17783	COLLAR	1				
5	90387-172J0	COLLAR	1				
6	98507-06030	SCREW, PAN HEAD	10				
7	98507-06060	SCREW, PAN HEAD	3				
8	98507-06070	SCREW, PAN HEAD	1				
9	93102-25305	OIL SEAL	1				
10	90465-08277	CLAMP	1				
11	30X-15441-00	HOLDER, CLUTCH CABLE	1				
12	98507-06016	SCREW, PAN HEAD	1				
13	30X-11166-00	PIPE, BREATHER 1	1				
14	90467-14015	CLIP	2				
15	30X-15383-00	PLATE, BEARING COVER	1				
16	98707-06016	SCREW, FLAT HEAD	2				
17	90340-14132	PLUG, STRAIGHT SCREW	1				
18	214-11198-01	GASKET	1				
19	99530-14016	PIN, DOWEL	2				



55V300-8110

FIG. 11 CRANKCASE COVER 1

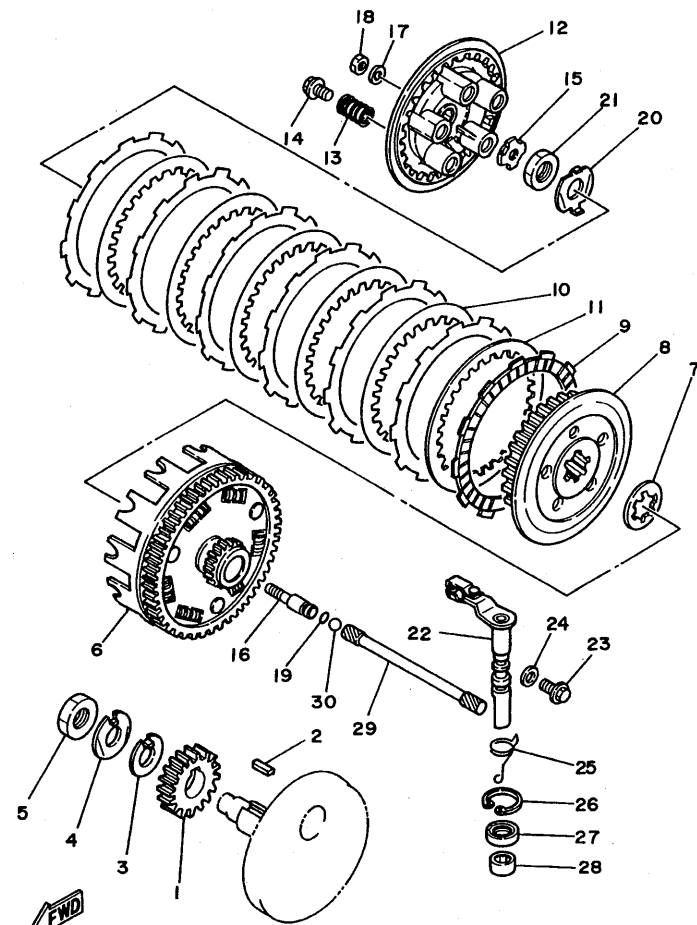
REF. NO.	PART NO.	DESCRIPTION	4FC7				REMARKS
1	3DC-15411-00	COVER, CRANKCASE 1	1				
2	4EL-15451-00	GASKET, CRANKCASE COVER 1	1				
3	98507-06030	SCREW, PAN HEAD	6				
4	3GJ-15421-00	COVER, CRANKCASE 2	1				
5	30X-15378-00	HOLDER	1				
6	4EL-15461-02	GASKET, CRANKCASE COVER 2	1				
7	99530-12016	PIN, DOWEL	2				
8	91317-06025	BOLT	2				
9	91317-06030	BOLT	5				
10	91317-06040	BOLT	2				
11	3Y1-15361-00	GAUGE, LEVEL	1				
12	3Y1-15363-00	PLUG, OIL	1				
13	93210-19123	O-RING	1				
14	90462-08062	CLAMP	1				
15	98507-06012	SCREW, PAN HEAD	1				



57T110-6121

FIG. 12 STARTER

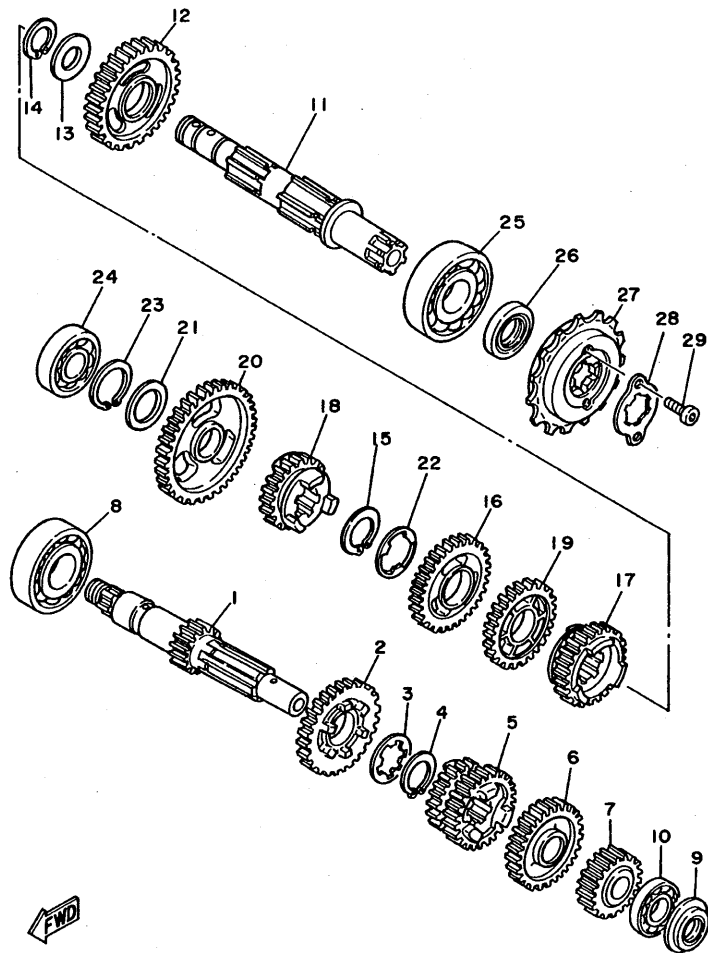
REF. NO.	PART NO.	DESCRIPTION	4FC7				REMARKS
1	30X-15660-01	KICK AXLE ASSY	1				
2	30X-15641-01	GEAR, KICK	1				
3	90201-20685	WASHER, PLATE (0.5T)	1				
4	93410-20038	CIRCLIP	1				
5	3Y1-15671-00	WHEEL, RATCHET	1				
6	90501-16107	SPRING, COMPRESSION	1				
7	90201-155K6	WASHER, PLATE	1				
8	99009-15400	CIRCLIP	1				
9	90508-32432	SPRING, TORSION	1				
10	90201-15701	WASHER, PLATE (1.0T)	1				
11	90560-17239	SPACER	1				
12	2K7-15668-00	STOPPER	1				
13	214-15674-00	GUIDE, RATCHET WHEEL	1				
14	214-15686-00	WASHER, LOCK	1				
15	97027-06016	BOLT	2				
16	93102-17263	OIL SEAL	1				
17	30X-15651-01	GEAR, KICK IDLE (27T)	1				
18	90201-177G4	WASHER, PLATE	2				
19	99009-17400	CIRCLIP	2				
20	30X-15620-01	KICK CRANK ASSY	1				
21	30X-15621-01	.BOSS, KICK CRANK	1				
22	93507-32009	.BALL	1				
23	90501-12081	.SPRING, COMPRESSION	1				
24	90201-153A1	.WASHER, PLATE	1				
25	99001-10600	.CIRCLIP	1				
26	97017-08030	BOLT	1				
27	30X-1561A-00	DECOMP. LEVER ASSY	1				



55V351-5130

FIG. 13 CLUTCH

REF. NO.	PART NO.	DESCRIPTION	4FC7				REMARKS
1	30X-16111-00	GEAR, PRIMARY DRIVE (23T)	1				
2	90282-07057	KEY, STRAIGHT	1				
3	90215-16156	WASHER, LOCK	1				
4	90215-16222	WASHER, LOCK	1				
5	90170-16343	NUT	1				
6	55V-16150-00	PRIMARY DRIVEN GEAR COMP.	1				
7	30X-16154-00	PLATE, THRUST 1	1				
8	55V-16371-00	BOSS, CLUTCH	1				
9	5Y1-16331-01	PLATE, FRICTION 2	7				
10	168-16325-00	PLATE, CLUTCH 2	5				
11	3J2-16324-00	PLATE, CLUTCH 1	1				
12	5Y1-16351-00	PLATE, PRESSURE 1	1				
13	90501-23391	SPRING, COMPRESSION	5				
14	90159-06010	SCREW, WITH WASHER	5				
15	1W1-16358-01	PLATE, PUSH	1				
16	55V-16356-00	ROD, PUSH 1	1				
17	92907-06200	WASHER	1				
18	95307-06600	NUT	1				
19	93210-06422	O-RING	1				
20	90215-16289	WASHER, LOCK	1				
21	90170-16326	NUT	1				
22	55V-16380-00	PUSH LEVER ASSY	1				
23	90149-08067	SCREW	1				
24	90430-08119	GASKET	1				
25	90508-14433	SPRING, TORSION	1				
26	93420-28055	CIRCLIP	1				
27	93102-14209	OIL SEAL	1				

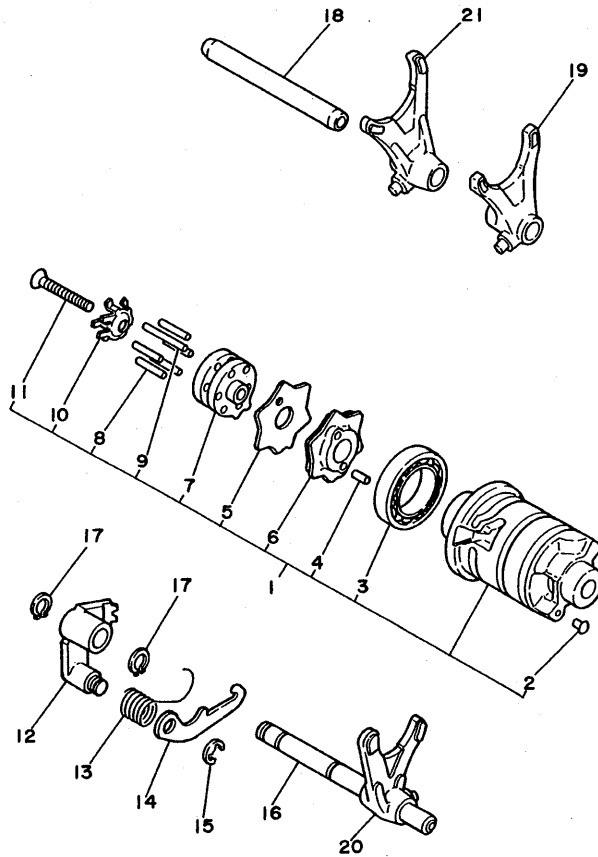


52E010-4140

FIG. 14 TRANSMISSION

REF. NO.	PART NO.	DESCRIPTION	4FC7				REMARKS
1	51Y-17411-00	AXLE, MAIN (15T)	1				
2	55V-17161-00	GEAR, 6TH PINION (29T)	1				
3	90209-18208	WASHER	1				
4	93410-22039	CIRCLIP	1				
5	55V-17131-00	GEAR, 3RD PINION (25T)	1				
6	55V-17151-02	GEAR, 5TH PINION (27T)	1				
7	51Y-17121-00	GEAR, 2ND PINION (16T)	1				
8	93306-20427	BEARING (62/22-9-C3)	1				
9	93101-17093	OIL SEAL	1				
10	93306-00315	BEARING (6003SH2C4)	1				
11	55V-17402-00	DRIVE AXLE ASSY	1				
12	51Y-17221-00	GEAR, 2ND WHEEL (29T)	1				
13	90209-23241	WASHER	1				
14	93410-26067	CIRCLIP	1				
15	93410-22039	CIRCLIP	1				
16	55V-17231-00	GEAR, 3RD WHEEL (30T)	1				
17	55V-17251-00	GEAR, 5TH WHEEL (24T)	1				
18	55V-17261-01	GEAR, 6TH WHEEL (22T)	1				
19	55V-17241-00	GEAR, 4TH WHEEL (27T)	1				
20	51Y-17211-00	GEAR, 1ST WHEEL (37T)	1				
21	90201-177G4	WASHER, PLATE	1				
22	90209-18208	WASHER	1				
23	93410-17037	CIRCLIP	1				
24	93306-20332	BEARING	1				
25	93306-20532	BEARING	1				
26	93102-25226	OIL SEAL	1				
27	55V-17460-00	SPROCKET,DRIVE 19T(55V1746190)	1				

FIG. 16 SHIFT CAM. FORK



REF. NO.	PART NO.	DESCRIPTION	4FC7				REMARKS
1	30X-18540-00	SHIFT CAM ASSY	1				
2	136-18542-00	.POINT, NEUTRAL	1				
3	93306-90501	.BEARING	1				
4	93604-08071	.PIN, DOWEL	1				
5	30X-18161-00	.GUIDE, PLATE STOPPER	1				
6	30X-18141-00	.PLATE, STOPPER	1				
7	30X-18185-00	.SEGMENT	1				
8	93604-18100	.PIN, DOWEL	5				
9	93604-29151	.PIN, DOWEL	1				
10	30X-18561-02	.PLATE, SIDE 1	1				
11	90151-06013	.SCREW, COUNTERSUNK	1				
12	3Y1-18122-00	LEVER, SHIFT 2	1				
13	90508-12430	SPRING, TORSION	1				
14	2K7-18151-00	LEVER, SHIFT 3	1				
15	99001-07600	CIRCLIP	1				
16	4DN-18531-00	BAR, SHIFT FORK GUIDE 1	1				
17	99009-10400	CIRCLIP	2				
18	4DN-18535-00	BAR, SHIFT FORK GUIDE 2	1				
19	30X-18511-00	FORK, SHIFT 1	1				
20	30X-18512-00	FORK, SHIFT 2	1				
21	30X-18513-00	FORK, SHIFT 3	1				

FWD
30X010-3160

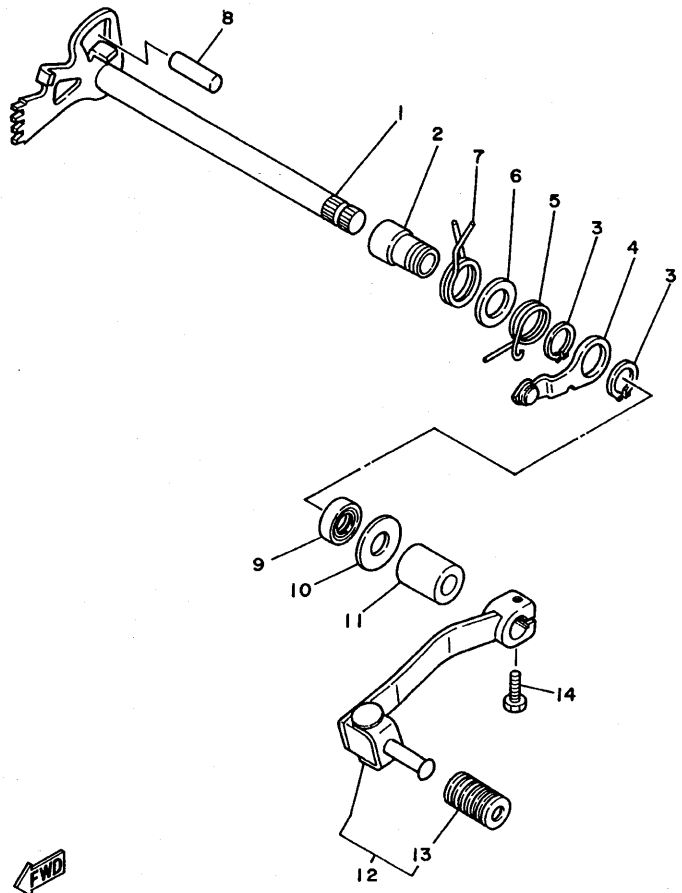


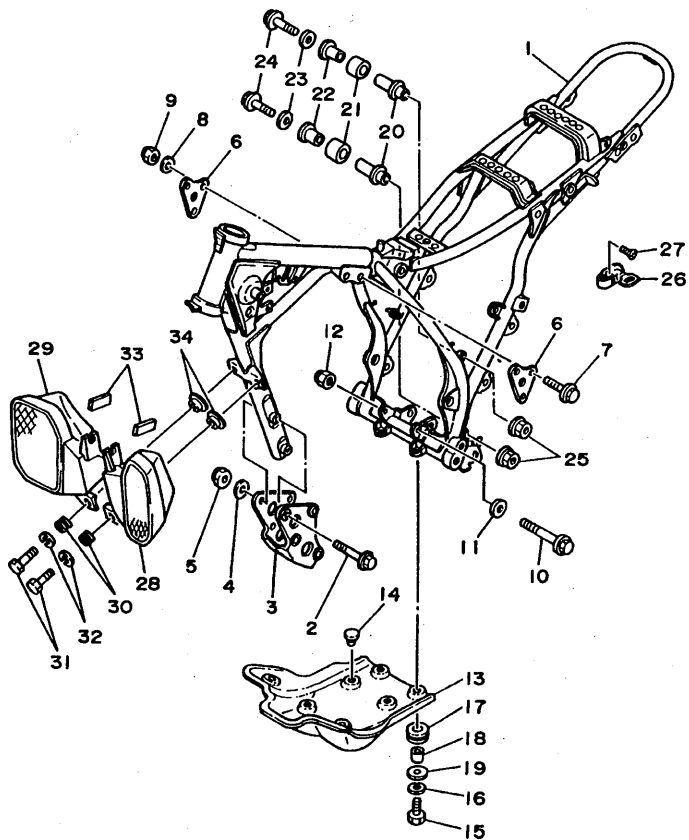
FIG. 17 SHIFT SHAFT

REF. NO.	PART NO.	DESCRIPTION	QTY				REMARKS
1	30X-18101-01	SHIFT SHAFT ASSY	1				
2	90387-12787	COLLAR	1				
3	99009-17400	CIRCLIP	2				
4	3Y1-18140-00	STOPPER LEVER ASSY	1				
5	90508-26434	SPRING, TORSION	1				
6	90201-17255	WASHER, PLATE	1				
7	90508-32374	SPRING, TORSION	1				
8	93608-30152	PIN, DOWEL	1				
9	93102-12106	OIL SEAL (SD 12-22-5 HS)	1				
10	90201-12588	WASHER, PLATE	1				
11	90560-12191	SPACER	1				
12	30X-18110-01	SHIFT PEDAL ASSY	1				
13	1W6-18113-00	.COVER, SHIFT PEDAL	1				
14	97027-06020	BOLT	1				


57R700-5170

FIG. 18 FRAME

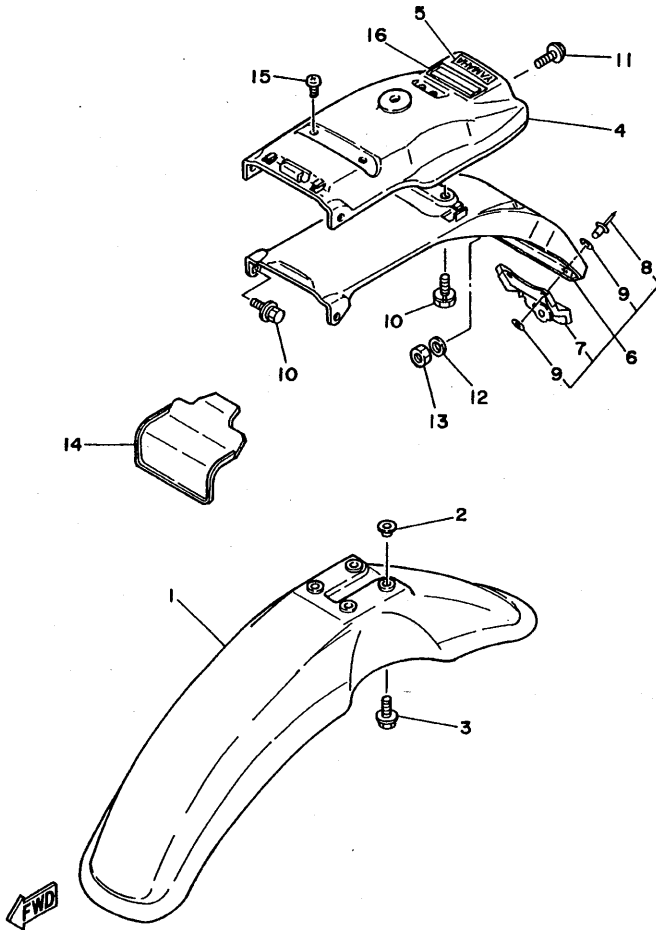
REF. NO.	PART NO.	DESCRIPTION	4FC7	REMARKS
1	3YT-21110-00-G3	FRAME COMP.	1	FBL
2	95817-08070	BOLT, FLANGE	4	
3	30X-21316-00-G3	STAY, ENGINE 3	1	FBL
4	90201-08366	WASHER, PLATE	4	
5	90185-08089	NUT, SELF-LOCKING	4	
6	30X-21315-00	STAY, ENGINE 2	2	
7	95817-08060	BOLT, FLANGE	3	
8	90201-08366	WASHER, PLATE	3	
9	90185-08089	NUT, SELF-LOCKING	3	
10	90105-08099	BOLT, WASHER BASED	1	
11	90201-08366	WASHER, PLATE	1	
12	90185-08089	NUT, SELF-LOCKING	1	
13	30X-21471-01	PROTECTOR, ENGINE	1	
14	30X-24768-00	STOPPER	5	
15	97007-06020	BOLT	3	
16	92907-06600	WASHER, PLATE	3	
17	90480-16233	GROMMET	3	
18	90387-07674	COLLAR	3	
19	90201-06071	WASHER, PLATE	3	
20	2K7-2148A-00	SHAFT	2	
21	30X-22178-00	TENSIONER	2	
22	10V-22184-00	BUSH	2	
23	90201-08753	WASHER, PLATE	2	
24	95807-08050	BOLT, FLANGE	2	
25	95607-08100	NUT, U	2	
26	5H0-21308-01	HELMET HANGER ASSY	1	
27	90149-06285	SCREW	1	



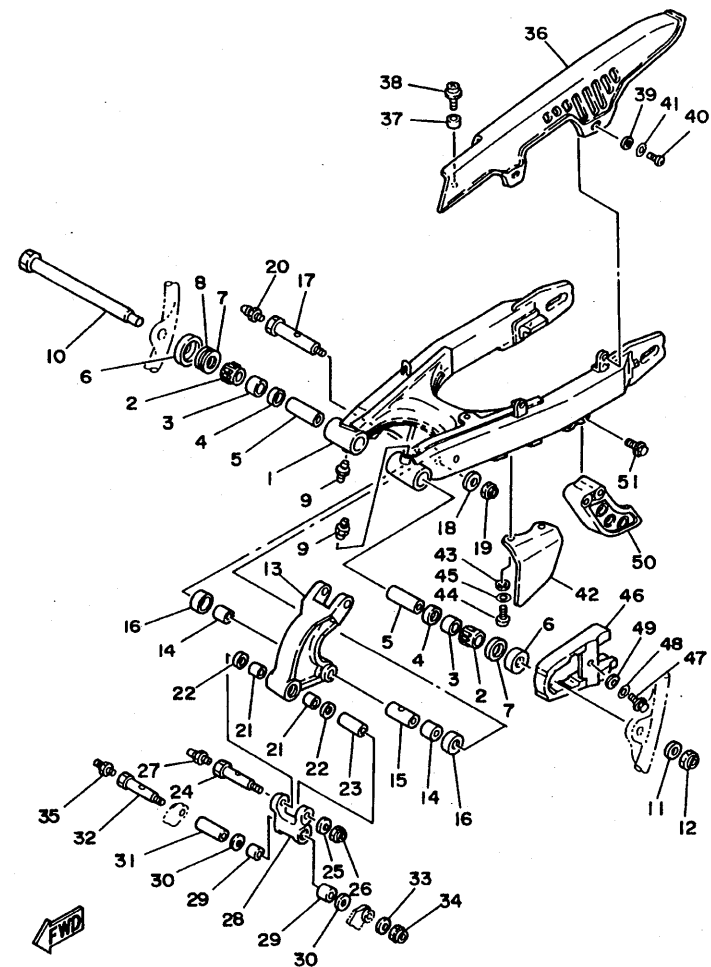
3NVK100-6190

FIG. 19 FENDER

REF. NO.	PART NO.	DESCRIPTION	4FC7			REMARKS
1	30X-21511-30	FENDER, FRONT	1			PWS1
2	90387-06681	COLLAR	4			
3	90119-06063	BOLT, WITH WASHER	4			
4	30X-21611-30	FENDER, REAR	1			PWS1
5	3WF-2153E-70	EMBLEM, YAMAHA	1			
6	30X-W2164-00	LICENSE BRACKET	1			
7	30X-21641-01	.BRACKET, REFLECTOR	1			
8	90267-40029	.RIVET, BLIND	2			
9	90201-04018	.WASHER, PLATE	4			
10	90119-06063	BOLT, WITH WASHER	4			
11	90119-06063	BOLT, WITH WASHER	2			
12	90201-06778	WASHER, PLATE	2			
13	95607-06100	NUT, U	2			
14	30X-21629-00	GUARD, MUD	1			
15	98907-06012	SCREW, BIND	3			
16	3HP-21568-00	LABEL, WARNING	1			ENGLISH ENGLISH



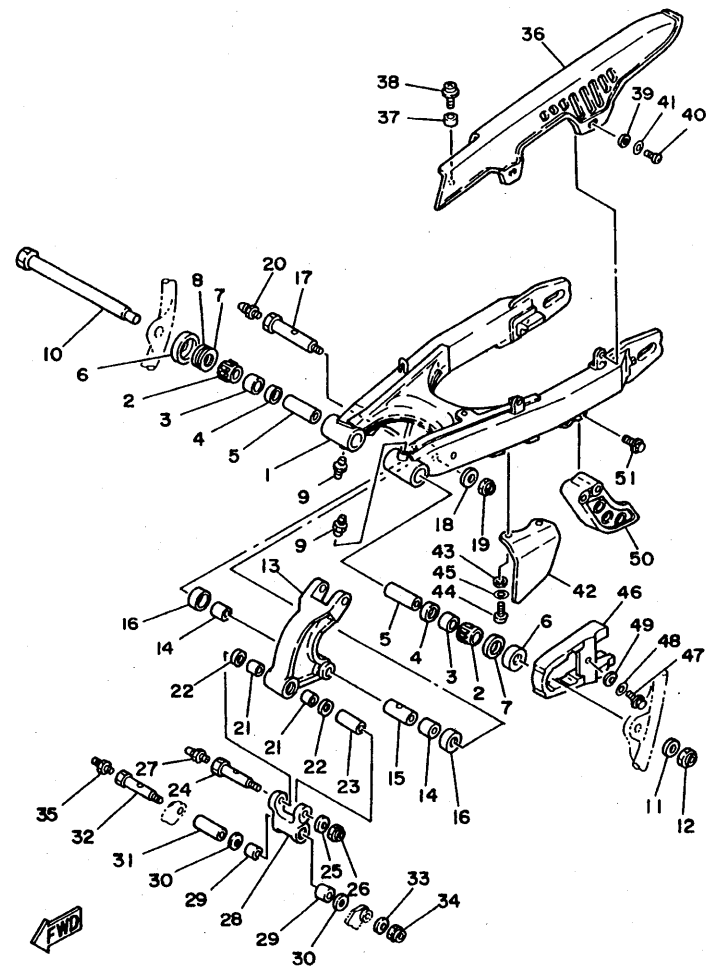
4FC1700-2190



3NVK100-6240

FIG. 21 REAR ARM

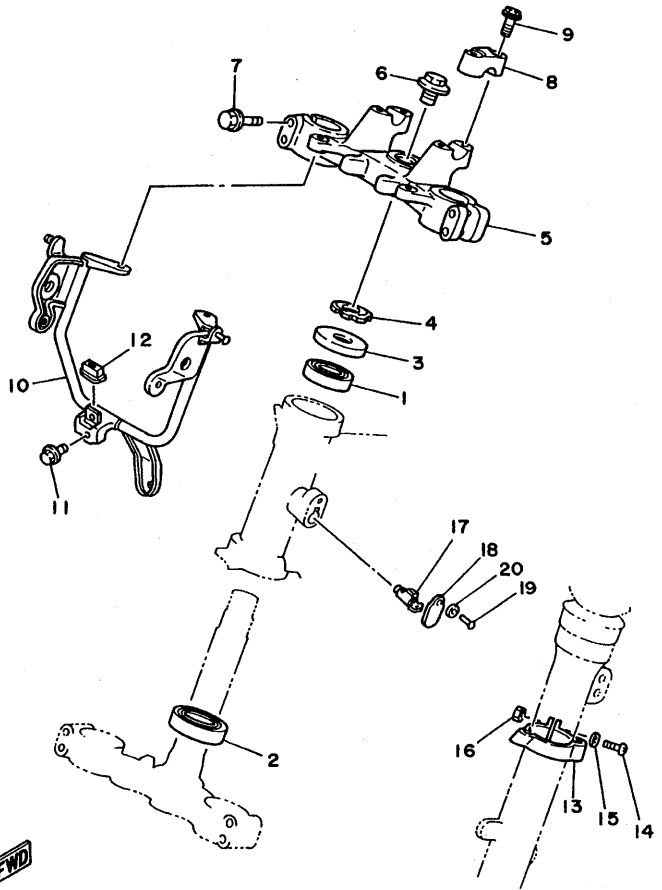
REF. NO.	PART NO.	DESCRIPTION	QTY				REMARKS
1	55V-22110-00-P0	REAR ARM COMP.	1				GM1
2	93317-32231	BEARING	2				
3	90380-22111	BUSH, SOLID	2				
4	93106-22019	OIL SEAL (DC 22-28-8)	2				
5	30X-22123-00	BUSH 1	2				
6	322-22128-01	COVER, THRUST 1	2				
7	90201-243A2	WASHER, PLATE	2				
8	156-22127-00	SHIM (0.3T)	1				
9	93700-06004	NIPPLE, GREASE	2				
10	30X-22141-00	SHAFT, PIVOT	1				
11	90201-14215	WASHER, PLATE	1				
12	90185-14070	NUT, SELF-LOCKING	1				
13	30X-2217A-00	ARM, RELAY	1				
14	90386-20120	BUSH	2				
15	90387-140J9	COLLAR	1				
16	30X-22128-00	COVER, THRUST 1	2				
17	90109-121A1	BOLT	1				
18	90201-120A5	WASHER, PLATE	1				
19	90185-12119	NUT, SELF-LOCKING	1				
20	93700-06004	NIPPLE, GREASE	1				
21	90386-18115	BUSH	2				
22	93109-18020	OIL SEAL	2				
23	90387-126J8	COLLAR	1				
24	90109-10752	BOLT	1				
25	90201-100E9	WASHER, PLATE	1				
26	90185-10120	NUT, SELF-LOCKING	1				
27	93700-06009	NIPPLE, GREASE	1				



3NVK100-6240

FIG. 21 REAR ARM

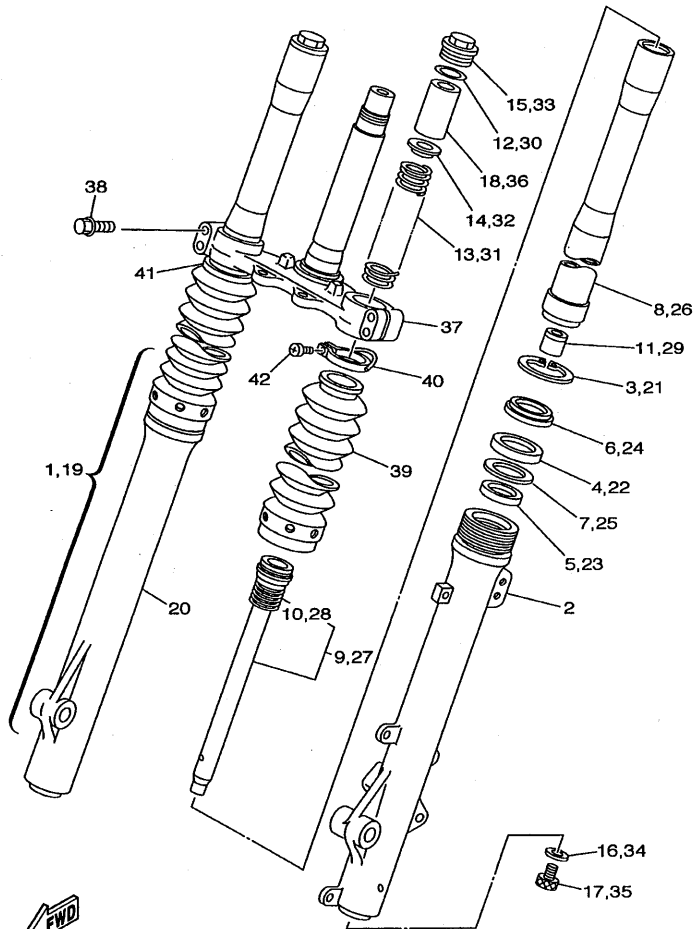
REF. NO.	PART NO.	DESCRIPTION	QTY	REMARKS
28	30X-2217F-01	ROD, CONNECTING 1	1	
29	90386-18115	BUSH	2	
30	93109-18020	OIL SEAL	2	
31	90387-121L6	COLLAR	1	
32	90109-10752	BOLT	1	
33	90201-100E9	WASHER, PLATE	1	
34	90185-10120	NUT, SELF-LOCKING	1	
35	93700-06004	NIPPLE, GREASE	1	
36	38M-22311-00	CASE, CHAIN	1	
37	90387-066K1	COLLAR	1	
38	90159-06013	SCREW, WITH WASHER	1	
39	90209-06187	WASHER	2	
40	98507-06016	SCREW, PAN HEAD	2	
41	92907-06600	WASHER, PLATE	2	
42	30X-22312-01	CASE, CHAIN 2	1	
43	90209-06187	WASHER	2	
44	98507-06012	SCREW, PAN HEAD	2	
45	92907-06600	WASHER, PLATE	2	
46	42U-22151-01	SEAL, GUARD	1	
47	97007-06012	BOLT	1	
48	92907-06600	WASHER, PLATE	1	
49	90209-06187	WASHER	1	
50	30X-22153-00	GUARD, CHAIN	1	
51	95807-06050	BOLT, FLANGE	2	



IEU361 - 5230

FIG. 23 STEERING

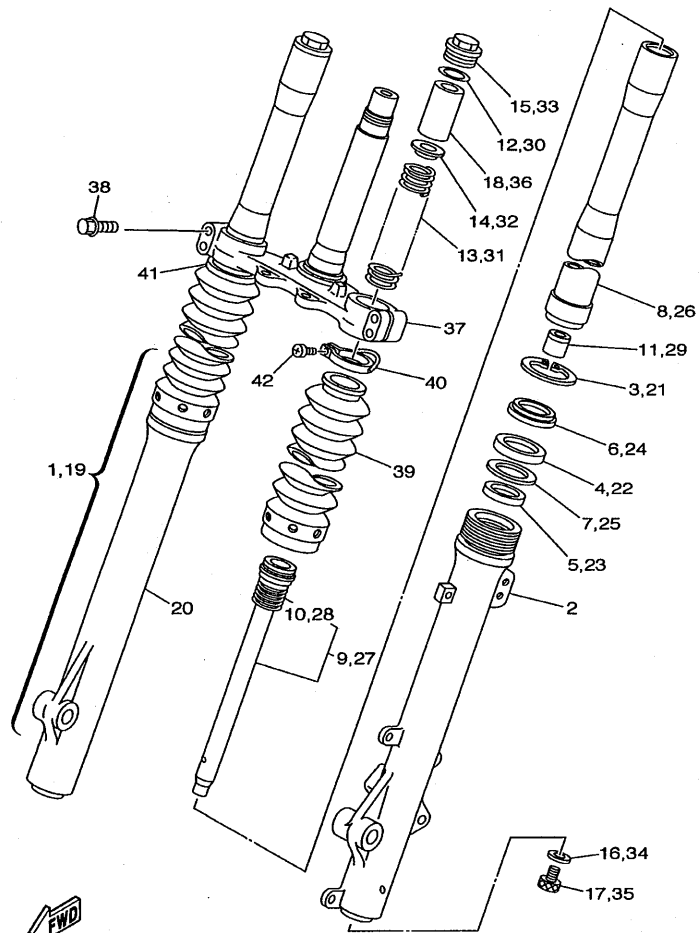
REF. NO.	PART NO.	DESCRIPTION	4FC7			REMARKS
1	93332-00001	BEARING	1			
2	93332-00008	BEARING	1			
3	1W1-23416-00	COVER, BALL RACE 2	1			
4	90179-25033	NUT	1			
5	30X-23435-00-35	CROWN, HANDLE	1			SL
6	90105-14102	BOLT, WASHER BASED	1			
7	95027-08040	BOLT, FLANGE	4			
8	1E6-23441-10-35	HOLDER, HANDLE UPPER	2			SL
9	95824-08035	BOLT, FLANGE	4			
10	30X-23174-00	STAY, HEADLIGHT	1			
11	95807-06012	BOLT, FLANGE	1			
12	30X-23445-00	DAMPER	1			
13	34X-23317-00	HOLDER, CABLE	1			
14	98507-05018	SCREW, PAN HEAD	1			
15	92907-05600	WASHER, PLATE	1			
16	95307-05600	NUT	1			
17 *		STEERING LOCK ASSY	1			LM
18	134-23484-10	CAP, HANDLE LOCK	1			
19	90269-04003	RIVET	1			
20	90208-04029	WASHER, CONICAL SPRING	1			



4FC7664-8240

FIG. 24 FRONT FORK

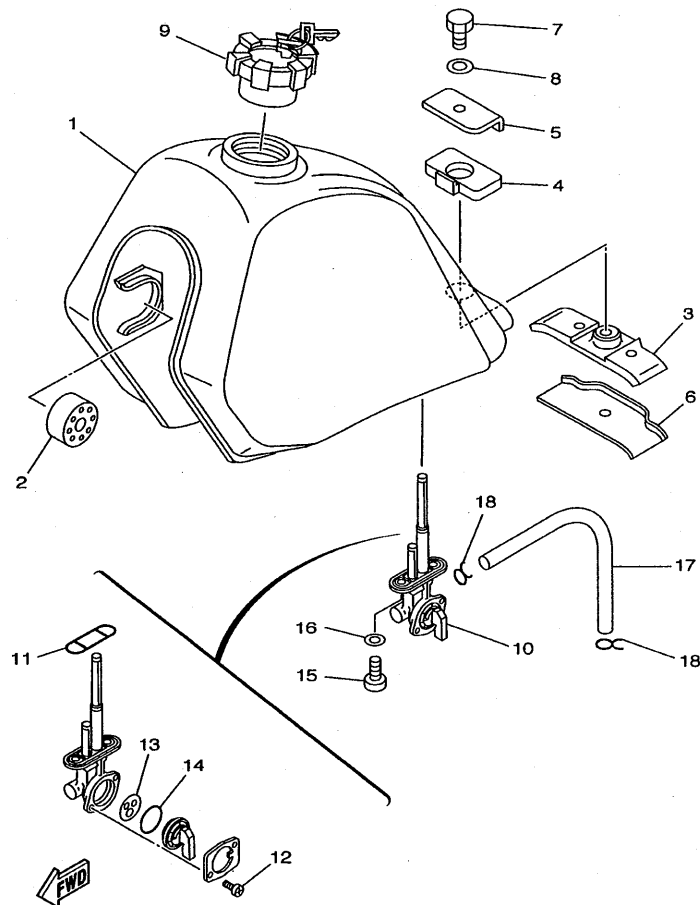
REF. NO.	PART NO.	DESCRIPTION	4FC7				REMARKS
1	55V-23102-A1	FRONT FORK ASSY (L.H)	1				
2	48Y-23126-01	.TUBE, OUTER (LEFT)	1				
3	4A1-23156-00	.CLIP, OIL SEAL	1				
4	48Y-23145-00	.OIL SEAL	1				
5	30X-23125-00	.METAL, SLIDE 1	1				
6	48Y-23144-00	.SEAL, DUST	1				
7	5K5-23149-00	.WASHER, SPRING UPPER	1				
8	30X-23110-00	.INNER TUBE COMP.1	1				
9	55V-23170-00	.CYLINDER COMP., FRONT FORK	1				
10	2X1-23151-00	..SPRING, REBOUND	1				
11	3R6-23173-L0	.SPINDLE, TAPER	1				
12	1W1-23114-L0	.GASKET	1				
13	30X-23141-00	.SPRING, FRONT FORK	1				
14	4FY-23149-00	.WASHER, SPRING UPPER	1				
15	53Y-23111-00	.BOLT, CAP	1				
16	509-23158-L0	.GASKET	1				
17	278-23181-50	.BOLT, HEXAGON SOCKET HEAD	1				
18	4V5-23118-L1	.SPACER	1				
19	55V-23103-A1	FRONT FORK ASSY (R.H)	1				
20	48Y-23136-01	.TUBE, OUTER (RIGHT)	1				
21	4A1-23156-00	.CLIP, OIL SEAL	1				
22	48Y-23145-00	.OIL SEAL	1				
23	30X-23125-00	.METAL, SLIDE 1	1				
24	48Y-23144-00	.SEAL, DUST	1				
25	5K5-23149-00	.WASHER, SPRING UPPER	1				
26	30X-23110-00	.INNER TUBE COMP.1	1				
27	55V-23170-00	.CYLINDER COMP., FRONT FORK	1				



4FC7664-8240

FIG. 24 FRONT FORK

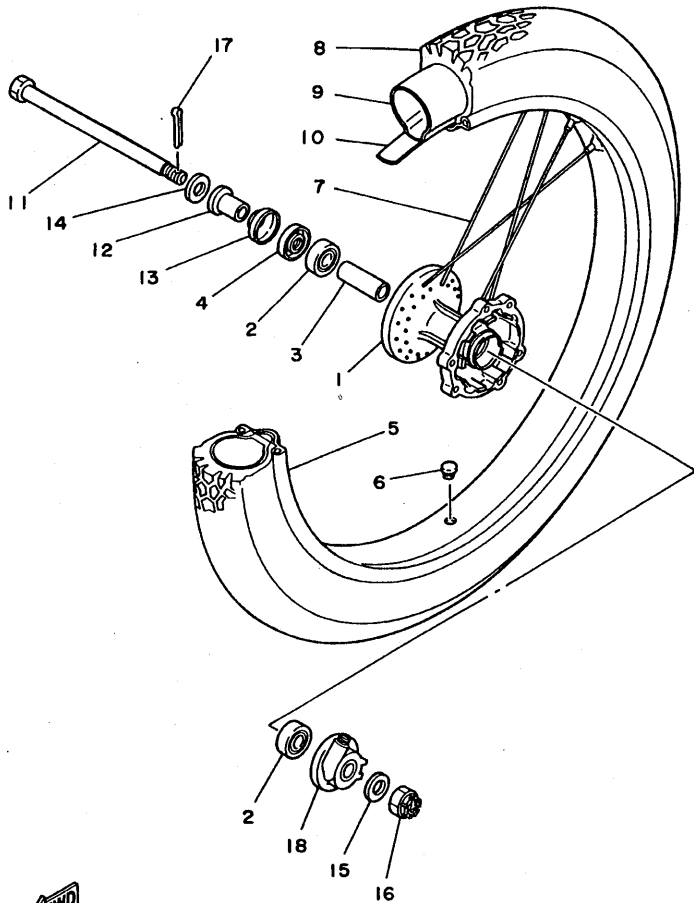
REF. NO.	PART NO.	DESCRIPTION	4FC7				REMARKS
28	2X1-23151-00	.SPRING, REBOUND	1				
29	3R6-23173-L0	.SPINDLE, TAPER	1				
30	1W1-23114-L0	.GASKET	1				
31	30X-23141-00	.SPRING, FRONT FORK	1				
32	4FY-23149-00	.WASHER, SPRING UPPER	1				
33	53Y-23111-00	.BOLT, CAP	1				
34	509-23158-L0	.GASKET	1				
35	278-23181-50	.BOLT, HEXAGON SOCKET HEAD	1				
36	4V5-23118-L1	.SPACER	1				
37	55V-23340-00	UNDER BRACKET COMP.	1				
38	95021-08040	BOLT, FLANGE	4				
39	3YT-23191-30	BOOT	2				FBL
40	48Y-23192-00	BAND	1				
41	341-92090-60	BAND, BOOT	1				
42	1W4-23194-L0	SCREW, BOOT BAND	2				



4FC7664-8250

FIG. 25 FUEL TANK

REF. NO.	PART NO.	DESCRIPTION	4FC7	REMARKS
1	30X-24110-G0-P0	FUEL TANK COMP.	1	PWS1
2	4L0-24181-00	DAMPER, LOCATING 1	2	
3	30X-24182-01	DAMPER, LOCATING 2	1	
4	30X-24183-01	DAMPER, LOCATING 3	1	
5	30X-24186-01	WASHER, SPECIAL	1	
6	30X-24187-00	WASHER, SPECIAL	1	
7	97007-06012	BOLT	1	
8	92907-06600	WASHER, PLATE	1	
9	48Y-24602-00	CAP ASSY	1	
10	23F-24500-01	FUEL COCK ASSY 1	1	
11	4X8-24512-00	O-RING	1	
12	97801-03008	SCREW, PAN HEAD	2	
13	3AJ-24523-00	VALVE PACKING	1	
14	3AJ-24534-00	SEAL, COCK	1	
15	90149-06011	SCREW	2	
16	90202-05193	WASHER, PLATE	2	
17	90445-10008	HOSE	1	
18	90467-09006	CLIP	2	

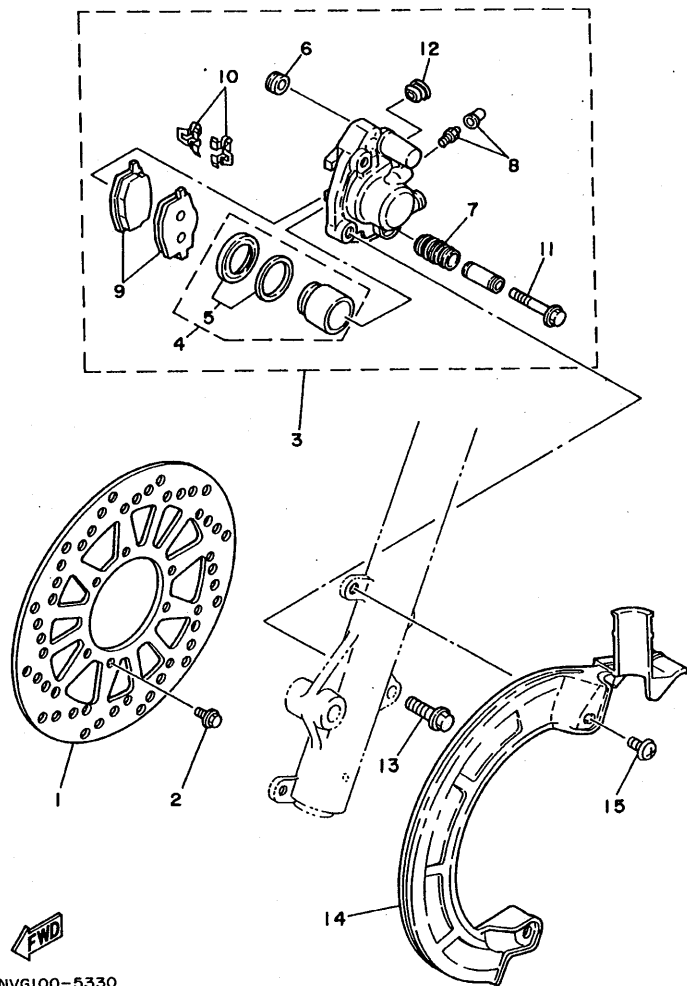


57R700-5270

FIG. 27 FRONT WHEEL.

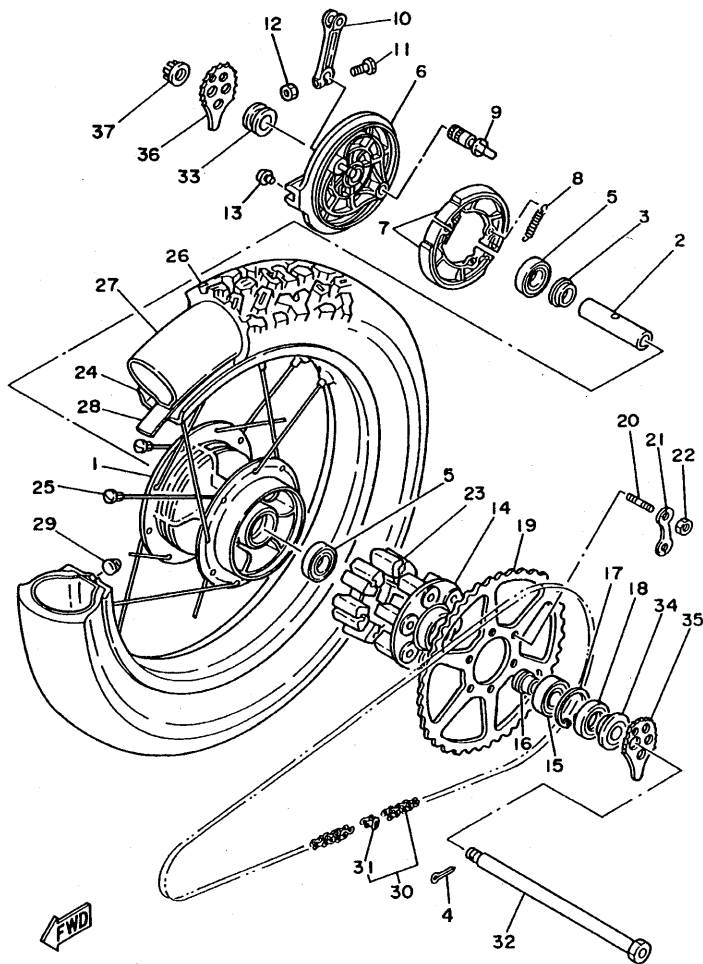
REF. NO.	PART NO.	DESCRIPTION	4FC7			REMARKS
1	34X-25111-02-98	HUB, FRONT	1			LGB
2	93306-20205	BEARING (B6202)	2			
3	90560-15290	SPACER	1			
4	93102-20281	OIL SEAL (SD 20-35-5)	1			
5	94416-21419	RIM (1.60-21)	1			
6	90480-08608	GROMMET	1			
7	48Y-25104-00	SPOKE SET, FRONT	1			
8	94130-213G0	TIRE (3.00-21-4PR 51P TW25)	1			BRIDGESTONE
9	94227-21123	TUBE (2.75-21)	1			BRIDGESTONE
10	94330-21084	BAND, RIM (3.00-21)	1			BRIDGESTONE
11	30X-25181-00	AXLE, WHEEL	1			
12	90387-15600	COLLAR	1			
13	322-25118-00	COVER, HUB DUST	1			
14	90201-163H8	WASHER, PLATE	1			
15	90201-15785	WASHER, PLATE	1			
16	90171-14020	NUT, CASTLE	1			
17	91401-30030	PIN, COTTER	1			
18	34X-25190-01	GEAR UNIT ASSY	1			

FIG. 28 FRONT BRAKE CALIPER



REF. NO.	PART NO.	DESCRIPTION	4FC7				REMARKS
1	48Y-25831-00	DISC, BRAKE (RIGHT)	1				
2	90109-065G4	BOLT	6				
3	59Y-2580T-10	CALIPER ASSY (LEFT)	1				
4	34X-W0057-00	.PISTON ASSY, CALIPER	1				
5	34X-W0047-00	..CALIPER SEAL KIT	1				
6	5R2-25937-00	..BOOT 2	1				
7	34X-25937-00	..BOOT 2	1				
8	51L-W0048-00	..BLEED SCREW KIT	1				
9	38W-W0045-02	..BRAKE PAD KIT	1				
10	34X-25919-00	..SUPPORT, PAD	2				
11	2GV-25926-00	..BOLT	1				
12	34X-25845-00	..CAP, INDICATOR	1				
13	90105-10259	BOLT, WASHER BASED	2				
14	55V-25715-20	COVER 1	1				PWS1
15	90159-06181	SCREW, WITH WASHER	2				

 3NVG100-5330



3NVG100-5340

FIG. 29 REAR WHEEL

REF. NO.	PART NO.	DESCRIPTION	4FC7				REMARKS
1	3Y1-25311-00-98	HUB, REAR	1				LGB
2	90560-17311	SPACER	1				
3	146-25315-00	FLANGE, SPACER	1				
4	91401-30030	PIN, COTTER	1				
5	93306-20310	BEARING (B6203DU)	2				
6	3Y1-25026-00-98	BRAKE SHOE PLATE ASSY	1				LGB
7	3LS-W2536-00	BRAKE SHOE SET	1				
8	90506-15260	SPRING, TENSION	2				
9	538-25351-01	CAMSHAFT	1				
10	3R6-25355-01	LEVER, CAMSHAFT	1				
11	90101-06278	BOLT	1				
12	95307-06600	NUT	1				
13	90480-10068	GROMMET	1				
14	3Y1-25366-00-98	CLUTCH, HUB	1				LGB
15	93306-20446	BEARING	1				
16	3Y1-25377-00	COLLAR, WHEEL	1				
17	99009-47500	CIRCLIP	1				
18	93102-28022	OIL SEAL	1				
19	55V-25452-50	SPROCKET, DRIVEN (52T)	1				
20	90116-08425	BOLT, STUD	6				
21	90215-08160	WASHER, LOCK	3				
22	90170-08258	NUT	6				
23	3Y1-25364-00	DAMPER	6				
24	94421-18418	RIM (2.15-18)	1				
25	4Y0-25304-00	SPOKE SET, REAR	1				
26	94111-182G9	TIRE (110/80-18-58P)	1				BRIDGESTONE
27	94237-18120	TUBE (3.75-18)	1				BRIDGESTONE

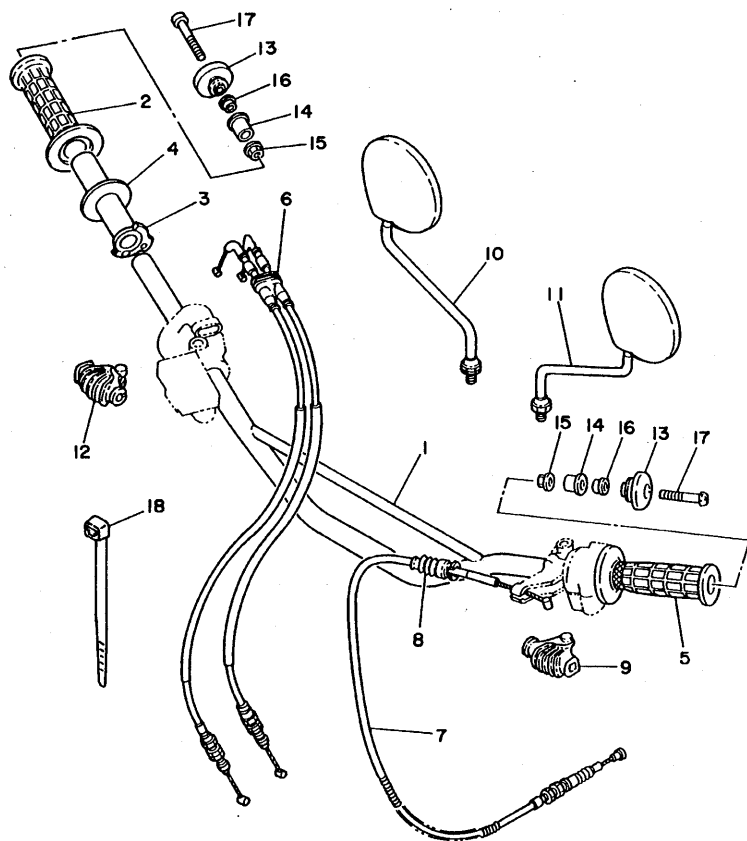


FIG. 30 STEERING HANDLE. CABLE

REF. NO.	PART NO.	DESCRIPTION	4FC7				REMARKS
1	1E6-26111-20	HANDLEBAR	1				
2	55V-26242-00	GRIP (RIGHT)	1				
3	1RF-26243-00	TUBE, THROTTLE GUIDE	1				
4	3Y1-26249-00	RING, LEAF	1				
5	55V-26241-00	GRIP (LEFT)	1				
6	30X-26302-00	THROTTLE CABLE ASSY	1				
7	30X-26335-01	CABLE, CLUTCH	1				
8	1E6-26342-00	BOOT, CABLE	1				
9	1E6-26372-00	COVER, HANDLE LEVER 1	1				
10	1Y1-26290-60	BACK MIRROR ASSY (R.H)	1				
11	1Y1-26290-50	BACK MIRROR ASSY (L.H)	1				
12	1T5-26372-00	COVER, HANDLE LEVER 1	1				
13	55V-26246-00	END, GRIP	2				
14	55V-2622F-00	DAMPER, LOCATING 1	2				
15	90179-06498	NUT	2				
16	90387-06681	COLLAR	2				
17	98507-06040	SCREW, PAN HEAD	2				
18	5A8-82591-00	BAND	1				



3NV7110-2300

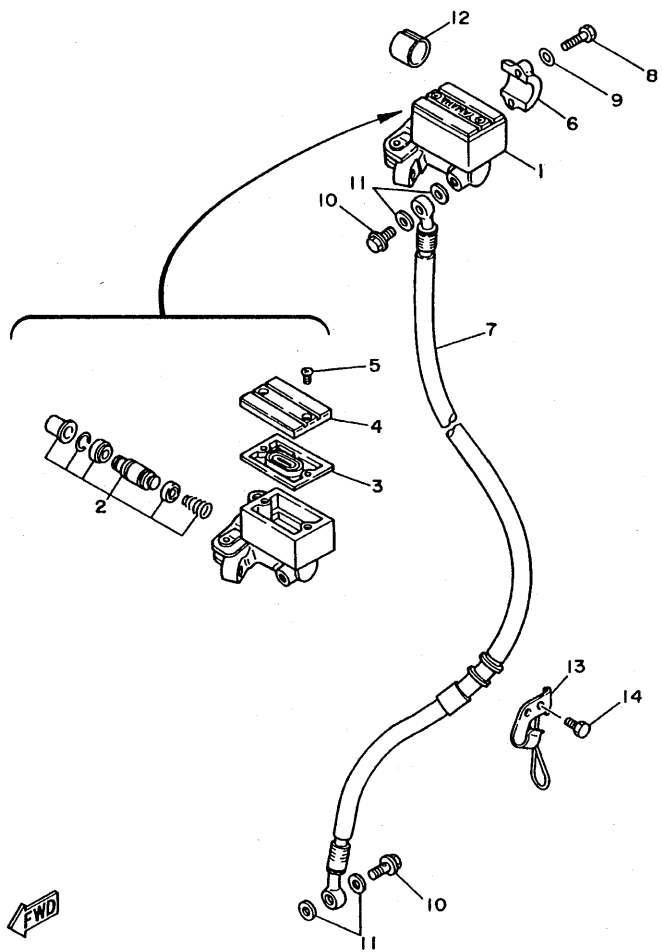
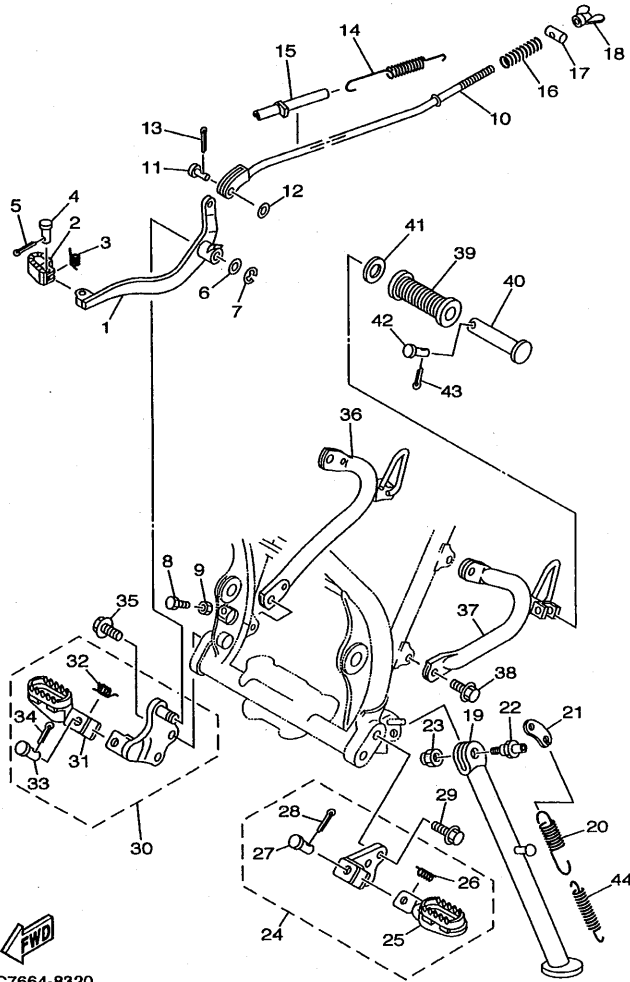


FIG. 31 FRONT MASTER CYLINDER

REF. NO.	PART NO.	DESCRIPTION	4FC7				REMARKS
1	39F-25870-00	MASTER CYLINDER SUB ASSY	1				
2	56A-W0041-00	.CYLINDER KIT, MASTER	1				
3	4L0-25854-00	.DIAPHRAGM, RESERVOIR	1				
4	4L3-25852-00	.CAP, RESERVOIR	1				
5	98706-04012	.SCREW, FLAT HEAD	2				
6	4L0-25867-00	BRACKET, MASTER CYLINDER	1				
7	48Y-25872-03	HOSE, BRAKE 1	1				
8	97007-06025	BOLT	2				
9	92907-06600	WASHER, PLATE	2				
10	90401-10159	BOLT, UNION	2				
11	90201-10118	WASHER, PLATE	4				
12	90387-227H7	COLLAR	1				
13	34X-25876-00	HOLDER, BRAKE HOSE 2	1				
14	91317-06010	BOLT	2				



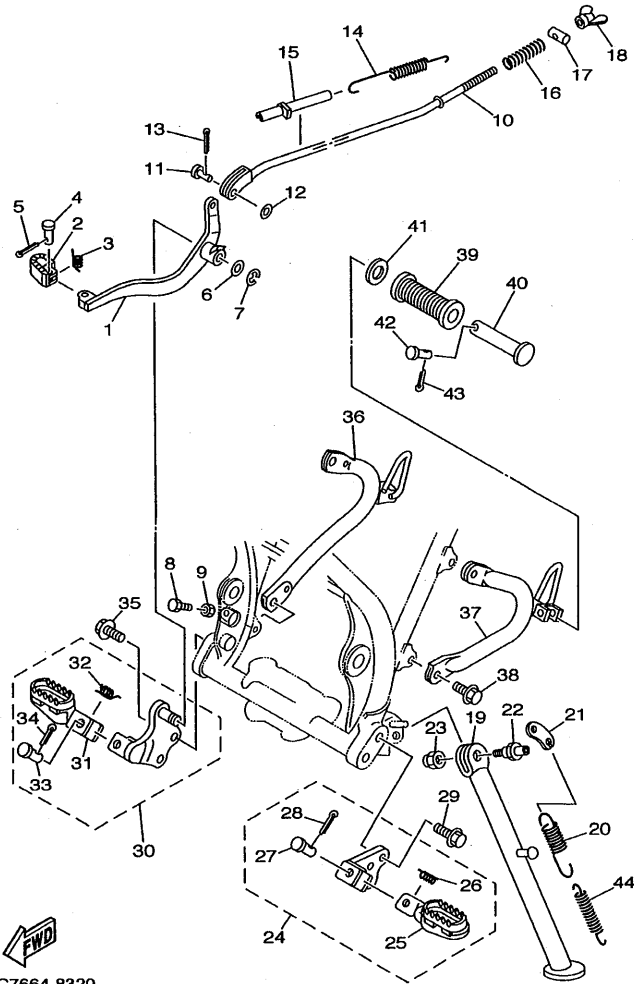
3NVK100-6360



4FC7664-8320

FIG. 32 STAND. FOOTREST

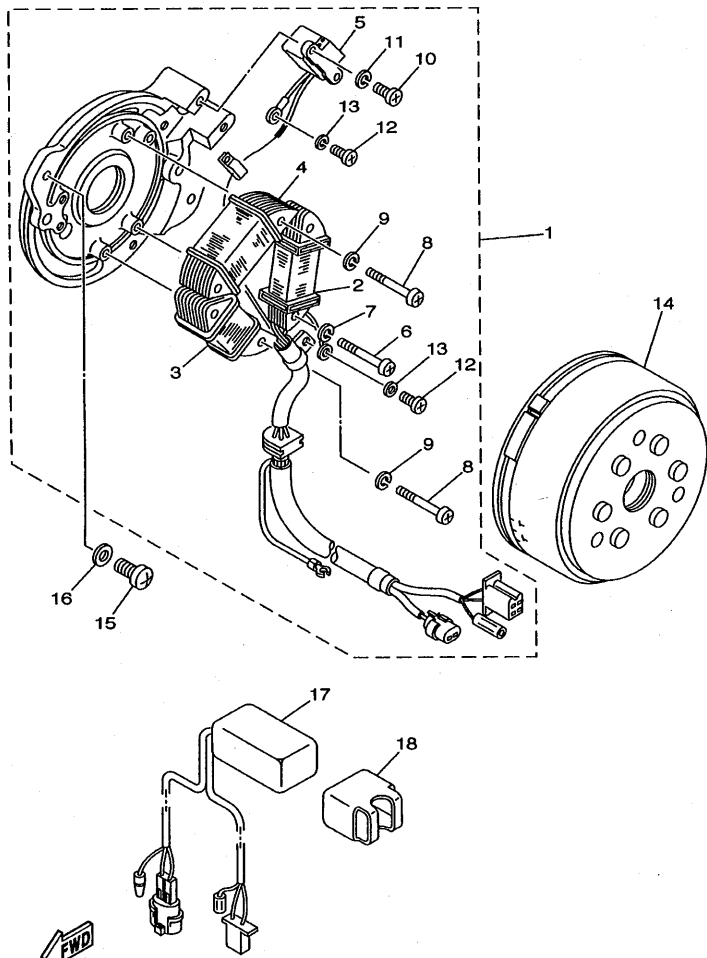
REF. NO.	PART NO.	DESCRIPTION	4FC7				REMARKS
1	55V-27211-00	PEDAL, BRAKE	1				
2	55V-27242-00	PEDAL, BRAKE	1				
3	90508-14352	SPRING, TORSION	1				
4	91701-06022	PIN, CLEVIS	1				
5	91401-20012	PIN, COTTER	1				
6	90201-12541	WASHER, PLATE	1				
7	93430-09038	CIRCLIP	1				
8	90101-06288	BOLT	1				
9	95307-06700	NUT	1				
10	30X-27231-00	ROD, BRAKE	1				
11	90240-06076	PIN, CLEVIS	1				
12	92907-06200	WASHER	1				
13	91401-20012	PIN, COTTER	1				
14	90506-18154	SPRING, TENSION	1				
15	1M1-27244-00	COVER	1				
16	90501-10245	SPRING, COMPRESSION	1				
17	90249-12008	PIN	1				
18	90175-06013	NUT, WING	1				
19	55V-27311-02	STAND, SIDE	1				
20	90506-26225	SPRING, TENSION	1				
21	42U-27315-01	LINK, SIDE STAND	1				
22	90109-10635	BOLT	1				
23	90185-10037	NUT, SELF-LOCKING	1				
24	30X-27410-00-90	FRONT FOOTREST ASSY (LEFT)	1				ZK
25	22W-27411-01-90	FOOTREST 1	1				ZK
26	90508-20023	SPRING, TORSION	1				
27	90240-08084	PIN, CLEVIS	1				



4FC7664-8320

FIG. 32 STAND. FOOTREST

REF. NO.	PART NO.	DESCRIPTION	QTY		REMARKS
28	91401-25012	.PIN, COTTER	1		
29	95817-08020	BOLT, FLANGE	2		
30	55V-27420-00-90	FRONT FOOTREST ASSY (RIGHT)	1		ZK
31	22W-27421-01-90	.FOOTREST 2	1		ZK
32	90508-20023	.SPRING, TORSION	1		
33	90240-08084	.PIN, CLEVIS	1		
34	91401-25012	.PIN, COTTER	1		
35	95817-08020	BOLT, FLANGE	2		
36	55V-27442-00-33	BRACKET 2	1		YB
37	26F-27432-00-33	BRACKET 1	1		YB
38	92017-08016	BOLT, BUTTON HEAD	4		
39	120-27433-00	COVER, REAR FOOTREST	2		
40	120-27431-00	FOOTREST, REAR 1	2		
41	90201-20279	WASHER, PLATE	2		
42	91701-06032	PIN, CLEVIS	2		
43	91401-20012	PIN, COTTER	2		
44	90506-18224	SPRING, TENSION	1		

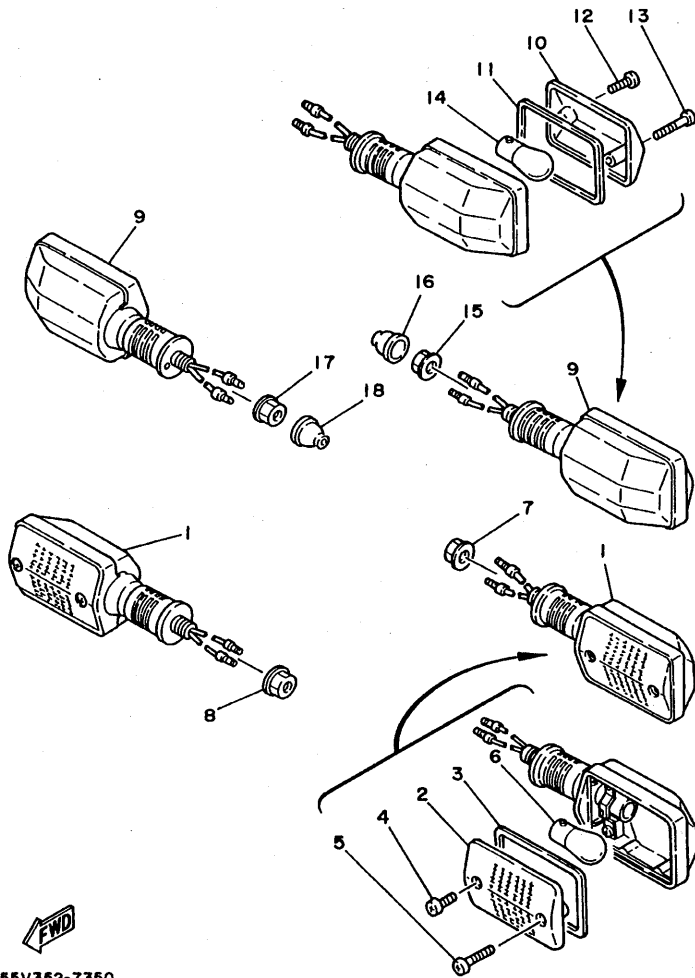


4FC7664-8340

FIG. 34 GENERATOR

REF. NO.	PART NO.	DESCRIPTION	4FC7				REMARKS
1	4FC-85510-00	STATOR ASSY	1				
2	55V-85512-00	.COIL, SOURCE	1				
3	30X-85513-00	.COIL, LIGHTING 1	1				
4	30X-85514-00	.COIL, LIGHTING 2	1				
5	30X-85580-00	.COIL, PULSER	1				
6	98501-05020	.SCREW, PAN HEAD	2				
7	92901-05100	.WASHER, SPRING	2				
8	98501-05035	.SCREW, PAN HEAD	4				
9	92901-05100	.WASHER, SPRING	4				
10	98501-05012	.SCREW, PAN HEAD	2				
11	92901-05100	.WASHER, SPRING	2				
12	98501-04008	.SCREW, PAN HEAD	2				
13	92901-04100	.WASHER, SPRING	2				
14	55V-85550-21	ROTOR ASSY	1				
15	98507-06016	SCREW, PAN HEAD	2				
16	92907-06600	WASHER, PLATE	2				
17	4FC-85540-00	C.D.I. UNIT ASSY	1				
18	3M5-85546-00	BAND	1				

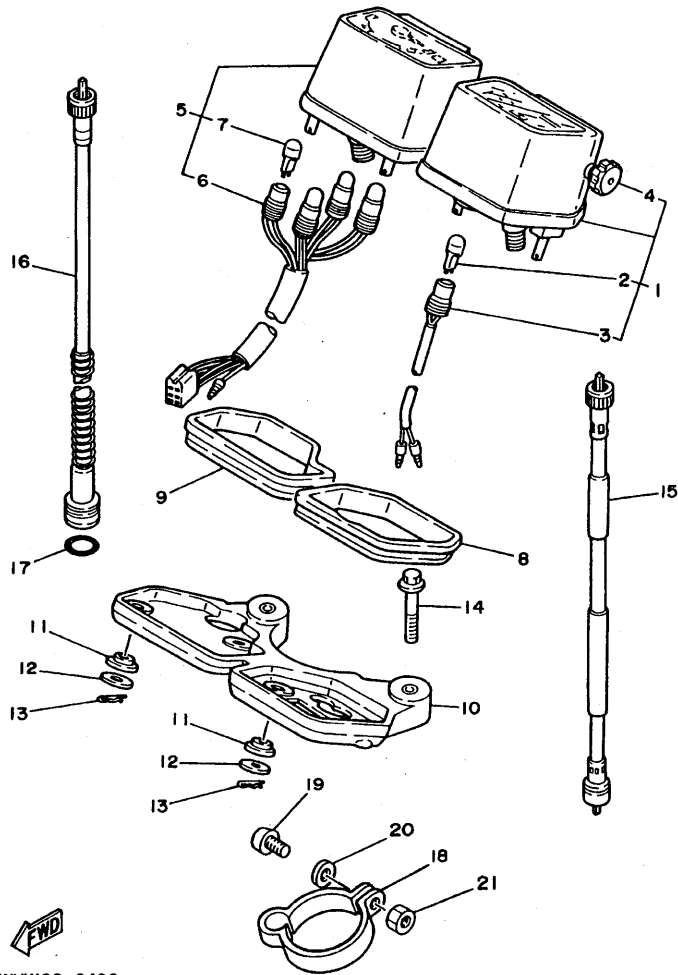
FIG. 35 FLASHER LIGHT



FWD
55V352-7350

REF. NO.	PART NO.	DESCRIPTION	4FC7				REMARKS
1	5Y3-83310-21	FRONT FLASHER LIGHT ASSY 1	2				
2	5Y1-83312-00	.LENS, FLASHER	1				
3	5Y1-83313-00	.GASKET, FLASHER LENS	1				
4	98501-04012	.SCREW, PAN HEAD	1				
5	97702-40630	.SCREW, TAPPING	1				
6	306-83311-40	.BULB, FLASHER (12V-21W)	1				
7	95307-12700	NUT	1				
8	95307-12700	NUT	1				
9	37A-83330-21	REAR FLASHER LIGHT ASSY 1	2				
10	5Y3-83312-00	.LENS, FLASHER	1				
11	5Y1-83313-00	.GASKET, FLASHER LENS	1				
12	98502-04012	.SCREW, PAN HEAD	1				
13	97702-40630	.SCREW, TAPPING	1				
14	306-83311-40	.BULB, FLASHER (12V-21W)	1				
15	95307-12700	NUT	1				
16	10V-83365-00	CAP	1				
17	95307-12700	NUT	1				
18	10V-83365-00	CAP	1				

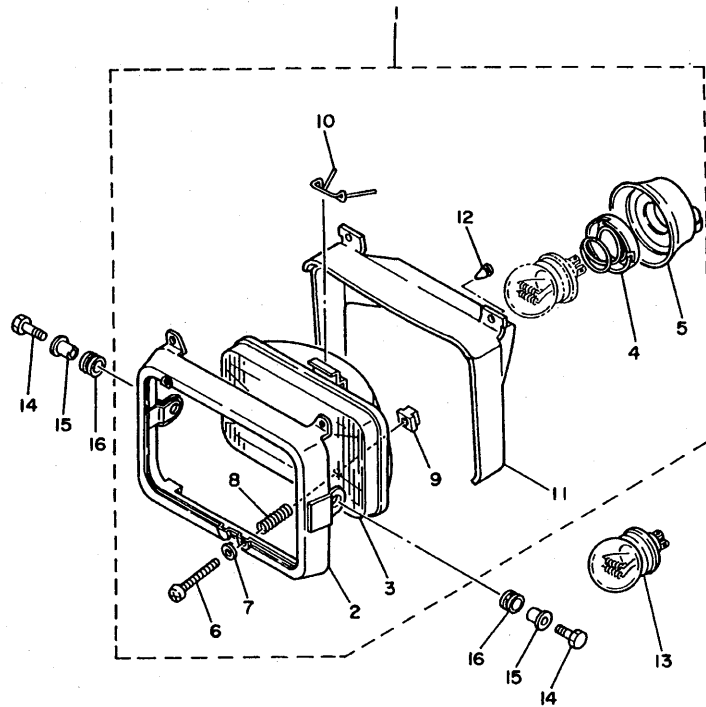
FIG. 36 METER



3NVK100-6420

REF. NO.	PART NO.	DESCRIPTION	4FC7				REMARKS
1	57R-83570-F0	SPEEDOMETER ASSY	1				
2	4R0-83517-00	.BULB (12V-3.4W T10)	1				
3	5Y1-83536-00	.SOCKET, METER	1				
4	5Y1-83578-00	.KNOB, TRIP METER	1				
5	55V-83540-00	TACHOMETER ASSY	1				
6	30X-83520-00	.SOCKET CORD ASSY	1				
7	4R0-83517-00	.BULB (12V-3.4W T10)	4				
8	5Y1-83513-00	DAMPER	1				
9	5Y1-83541-00	DAMPER	1				
10	5Y1-83519-00	BRACKET, METER	1				
11	1M1-83526-00	DAMPER 2	4				
12	90201-05033	WASHER, PLATE	4				
13	437-83525-00	CLIP	4				
14	95807-06040	BOLT, FLANGE	2				
15	48Y-83550-02	SPEEDOMETER CABLE ASSY	1				
16	30X-83560-00	TACHOMETER CABLE ASSY	1				
17	93210-14104	O-RING	1				
18	3Y1-26397-00	BAND	1				
19	98507-05016	SCREW, PAN HEAD	1				
20	92907-05600	WASHER, PLATE	1				
21	95307-05600	NUT	1				

FIG. 37 HEADLIGHT

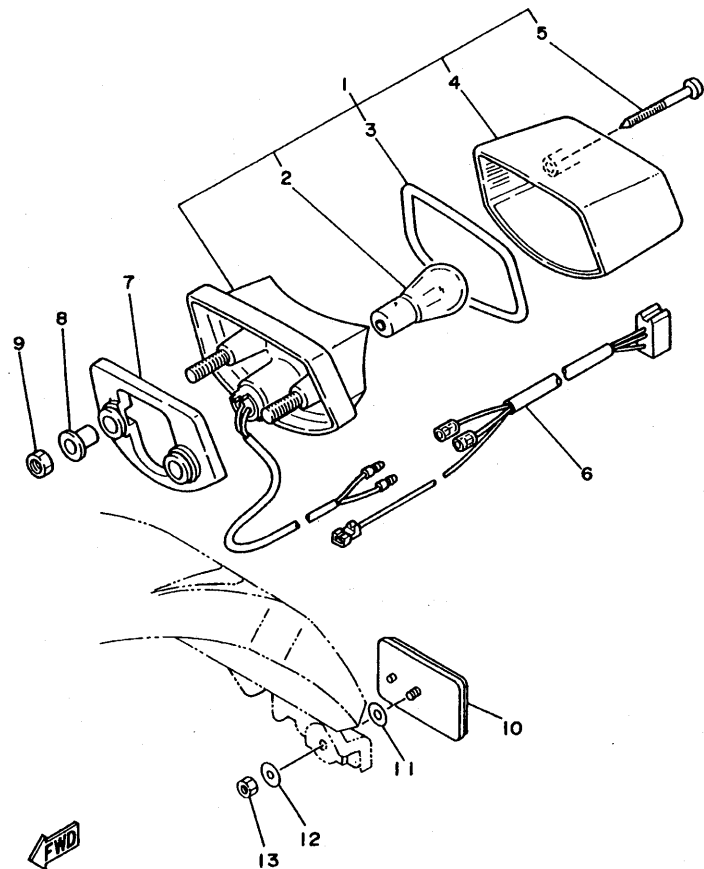


REF. NO.	PART NO.	DESCRIPTION	QTY				REMARKS
1	42U-84303-60	HEADLIGHT UNIT ASSY	1				
2	30X-84115-00	RIM, HEADLIGHT	1				
3	42U-84321-60	LENS ASSY	1				
4	341-84312-40	HOLDER, SOCKET	1				
5	533-84397-40	COVER, SOCKET	1				
6	10X-84131-00	SCREW, RIM ADJUSTER	2				
7	233-84127-60	WASHER, SPECIAL	2				
8	5G2-84332-60	SPRING, SCREW	2				
9	198-84334-60	NUT, ADJUSTING	2				
10	5G2-84324-A0	SPRING, REFLECTOR	1				
11	30X-84196-00	COVER, SOCKET	1				
12	10V-84198-00	CLIP, COVER FITTING	2				
13	*	BULB, HEAD LIGHT (12V45/40W)	1				LM
14	97007-06025	BOLT	2				
15	90387-063E6	COLLAR	1				
16	90480-14023	GROMMET	2				



42U110-4350

FIG. 38 TAILLIGHT



 3NVK100-6450

REF. NO.	PART NO.	DESCRIPTION	QTY				REMARKS
1	37E-84710-E1	TAILLIGHT UNIT ASSY	1				
2	1A2-84714-41	.BULB (12V-21/5W)	1				
3	10V-84523-00	.GASKET, LENS	1				
4	37E-84721-E1	.LENS, TAILLIGHT	1				
5	97701-40530	.SCREW, TAPPING	2				
6	10V-84517-00	CORD, TAILLIGHT	1				
7	10V-84527-00	DAMPER	1				
8	90387-07391	COLLAR	2				
9	95707-06500	NUT, FLANGE	2				
10	3Y6-85130-02	REAR REFLECTOR ASSY	1				
11	90201-05036	WASHER, PLATE	1				
12	90201-05725	WASHER, PLATE	1				
13	95307-05600	NUT	1				

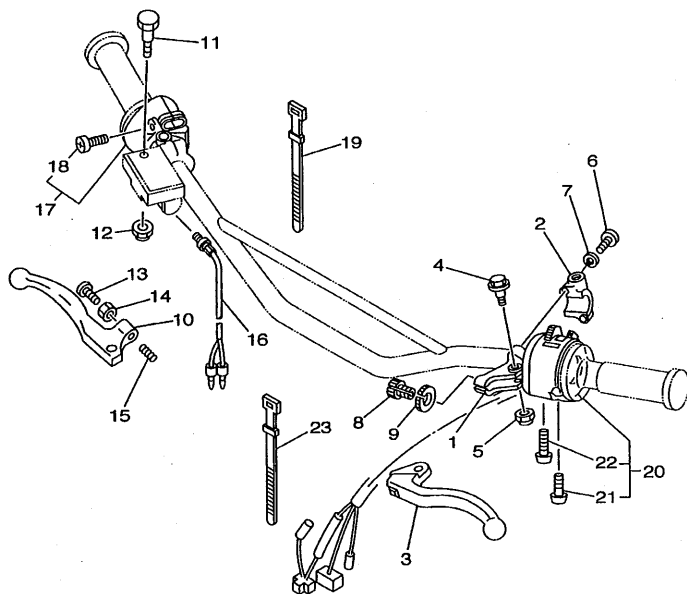
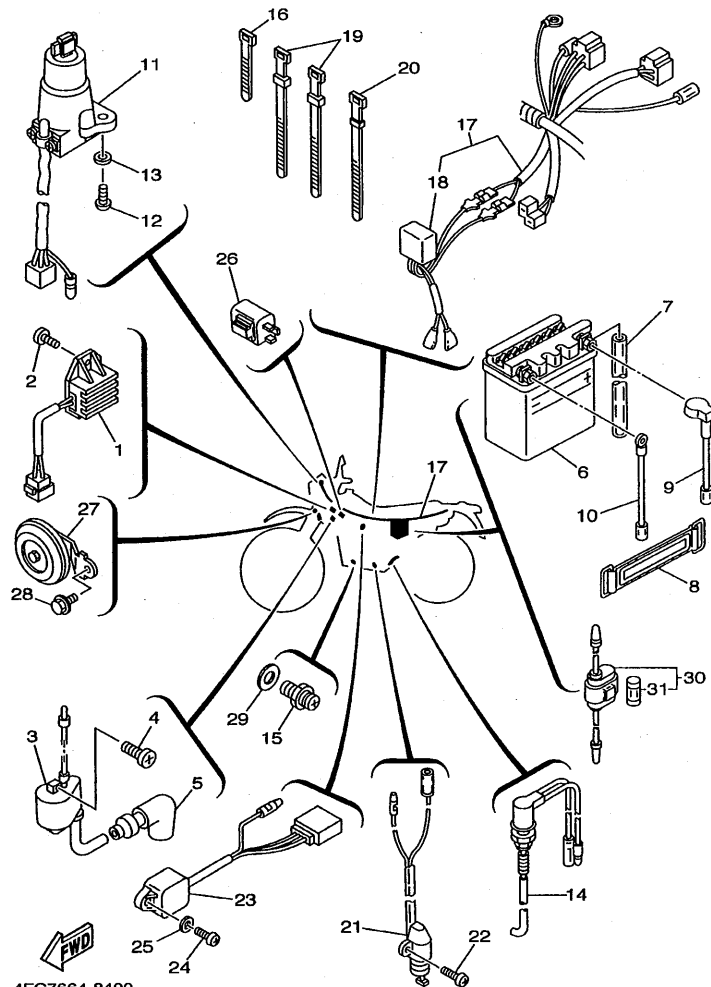


FIG. 39 HANDLE SWITCH. LEVER

REF. NO.	PART NO.	DESCRIPTION	4FC7			REMARKS
1	1LN-82911-00	HOLDER, LEVER 1	1			
2	33G-82913-01	HOLDER, LEVER LOWER 1	1			
3	3FY-83912-01	LEVER 1	1			
4	90109-06799	BOLT	1			
5	95607-06100	NUT, U	1			
6	98507-05020	SCREW, PAN HEAD	2			
7	92907-05100	WASHER, SPRING	2			
8	90123-08046	BOLT	1			
9	90179-08148	NUT	1			
10	3FY-83922-00	LEVER 2	1			
11	90109-06577	BOLT	1			
12	95607-06100	NUT, U	1			
13	90149-06131	SCREW	1			
14	90170-06010	NUT	1			
15	90501-10312	SPRING, COMPRESSION	1			
16	3TS-83980-00	FRONT STOP SWITCH ASSY	1			
17	43F-83976-00	SWITCH, HANDLE 1	1			
18	98506-05020	SCREW, PAN HEAD	2			
19	437-83936-01	BAND, SWITCH CORD	2			
20	4FC-83972-00	SWITCH, HANDLE 4	1			
21	98507-05025	SCREW, PAN HEAD	1			
22	98507-05030	SCREW, PAN HEAD	1			
23	437-83936-01	BAND, SWITCH CORD	2			


4FC7664-8390



4FC7664-8400

FIG. 40 ELECTRICAL 1

REF. NO.	PART NO.	DESCRIPTION	4FC7			REMARKS
1	33G-81960-60	RECTIFIER & REGULATOR ASSY	1			UR STANLEY
	55V-81960-90	RECTIFIER & REGULATOR ASSY	1			UR MATSUSHITA
2	98507-06012	SCREW, PAN HEAD	2			
3	20N-82310-40	IGNITION COIL ASSY	1			
4	98507-06020	SCREW, PAN HEAD	2			
5	371-82370-00	PLUG CAP ASSY	1			
6	30W-82110-01	BATTERY ASSY (GM3-3B)	1			
7	90445-08336	HOSE	1			
8	34M-82131-00	BAND, BATTERY	1			
9	1M1-82115-00	WIRE, PLUS LEAD	1			
10	55B-82116-00	WIRE, MINUS LEAD	1			
11	2GK-82501-01	MAIN SWITCH STEERING LOCK	1			
12	90149-06228	SCREW	2			
13	92907-06600	WASHER, PLATE	2			
14	30X-82530-02	STOP SWITCH ASSY	1			
15	4KM-82540-00	NEUTRAL SWITCH ASSY	1			
16	12R-82591-00	BAND	1			
17	4FC-82590-10	WIRE HARNESS ASSY	1			
18	57T-81325-00	.CONDENSER 1	1			
19	437-83936-01	BAND, SWITCH CORD	4			
20	25G-83936-01	BAND, SWITCH CORD	1			
21	3LD-82566-60	SWITCH, SIDE STAND	1			
22	98507-05014	SCREW, PAN HEAD	2			
23	4Y3-85590-M0	CONTROL UNIT ASSY	1			
24	98507-06020	SCREW, PAN HEAD	1			
25	92907-06600	WASHER, PLATE	1			
26	34L-83350-20	FLASHER RELAY ASSY	1			

NUMERICAL INDEX

PARTNO.	REF. NO.	PARTNO.	REF. NO.	PARTNO.	REF. NO.	PARTNO.	REF. NO.	PARTNO.	REF. NO.	PARTNO.	REF. NO.
56A-W0041-00	31 - 2	26H-12153-00-YO	4 - 8	30X-14103-00	8 - 32	4BR-14613-00	9 - 15	55V-16380-00	13 - 22	30X-21621-00	7 - 15
38W-W0045-02	28 - 9	26H-12168-AO	4 - 9	30X-14105-00	8 - 6	55V-14628-00	9 - 2	51Y-17121-00	14 - 7	30X-21629-00	19 - 14
34X-W0047-00	28 - 5	26H-12168-FO	4 - 9	1JK-14107-01	8 - 13	55V-14711-02	9 - 7	55V-17131-00	14 - 5	30X-21641-01	19 - 7
51L-W0048-00	28 - 8	26H-12168-HO	4 - 9	5H0-14126-00	8 - 55	4EL-14714-00	9 - 12	55V-17151-02	14 - 6	30X-21711-30-OX	20 - 1
34X-W0057-00	28 - 4	26H-12168-KO	4 - 9	30X-14131-00	8 - 24	55V-14715-00	9 - 13	55V-17161-00	14 - 2	30X-21721-30-OX	20 - 4
30X-W2164-00	19 - 6	26H-12168-MO	4 - 9	42U-14146-00	8 - 57	55V-14728-00	9 - 8	51Y-17211-00	14 - 20	55V-22110-00-PO	21 - 1
3LS-W2536-00	29 - 7	26H-12168-RO	4 - 9	5Y1-14146-00	8 - 45	4BD-14766-00	9 - 3	51Y-17221-00	14 - 12	30X-22123-00	21 - 5
30X-Y2835-60	33 - 1	26H-12168-UO	4 - 9	30X-14148-00	8 - 50		9 - 9	55V-17231-00	14 - 16	156-22127-00	21 - 8
55V-11101-01	1 - 1	26H-12168-WO	4 - 9	30X-14149-00	8 - 52		8 - 39	55V-17241-00	14 - 19	30X-22128-00	21 - 16
2GH-1111G-00	1 - 16	26H-12168-YO	4 - 9	5Y1-14159-00	8 - 51	5Y1-1490A-00	8 - 42	55V-17251-00	14 - 17	322-22128-01	21 - 6
30X-11127-00	2 - 3	26H-12168-00	4 - 9	7KF-14162-00	8 - 46	1EU-1490J-00	8 - 15	55V-17261-01	14 - 18	30X-22129-00	22 - 8
30X-11133-10	1 - 2	26H-12168-20	4 - 9	34K-14197-00	8 - 49	51Y-1490J-10	8 - 35	55V-17402-00	14 - 11	30X-22141-00	21 - 10
34K-11145-00	3 - 33	26H-12168-40	4 - 9	30X-14198-00	8 - 2	1LN-14930-00	8 - 22	51Y-17411-00	14 - 1	42U-22151-01	21 - 46
30X-11161-00	1 - 8	26H-12168-60	4 - 9	30X-14203-00	8 - 3	5H0-14991-00	8 - 54	3Y1-17456-00	14 - 28	30X-22153-00	21 - 50
3Y1-11162-00	2 - 2	26H-12168-80	4 - 9	30X-14216-00	8 - 33	55V-15100-03	10 - 1	55V-17460-00	14 - 27	30X-2217A-00	21 - 13
30X-11166-00	10 - 13	26H-12169-EO	4 - 9	7KF-14227-00	8 - 58	30X-15351-00	6 - 13	30X-17831-00	15 - 2	30X-2217F-01	21 - 28
55V-11181-00	1 - 9	26H-12169-GO	4 - 9	30X-14288-00	8 - 41	3Y1-15361-00	11 - 11	30X-17841-01	15 - 5	30X-22178-00	18 - 21
30X-11191-01	1 - 12	26H-12169-JO	4 - 9	55V-14301-05	8 - 1	3Y1-15363-00	11 - 12	30X-17861-00	15 - 1	10V-22184-00	18 - 22
30X-11192-01	1 - 13	26H-12169-LO	4 - 9	30X-14312-35	8 - 16	30X-15378-00	11 - 5	30X-18101-01	17 - 1	3YT-22210-21-33	22 - 1
30X-11193-00	1 - 19	26H-12169-NO	4 - 9	14T-14323-00	8 - 38	30X-15383-00	10 - 15	30X-18110-01	17 - 12	30X-22216-00	22 - 2
214-11198-01	10 - 18	26H-12169-TO	4 - 9	30X-14340-01	8 - 40	3DC-15411-00	11 - 1	1W6-18113-00	17 - 13	30X-22226-00	22 - 3
55V-11310-03	2 - 1	26H-12169-10	4 - 9	51Y-14341-00	8 - 9	3GJ-15421-00	11 - 4	3Y1-18122-00	16 - 12	38M-22311-00	21 - 36
4DR-11351-00	2 - 4	26H-12169-30	4 - 9	30X-14342-21	8 - 7	30X-15441-00	10 - 11	3Y1-18140-00	17 - 4	30X-22312-01	21 - 42
55V-11400-02	3 - 1	26H-12169-50	4 - 9	288-14343-60	8 - 10	4EL-15451-00	11 - 2	30X-18141-00	16 - 6	55V-23102-A1	24 - 1
55V-11412-00	3 - 2	26H-12169-70	4 - 9	30X-14343-51	8 - 44	4EL-15461-02	11 - 6	2K7-18151-00	16 - 14	55V-23103-A1	24 - 19
55V-11422-01	3 - 3	26H-12169-90	4 - 9	5Y1-14349-00	8 - 47	30X-1561A-00	12 - 27	30X-18161-00	16 - 5	30X-23110-00	24 - 8
55V-11454-00	3 - 28	48Y-12171-00	5 - 1	30X-14355-00	8 - 43	30X-1561G-00	12 - 30	30X-18185-00	16 - 7		24 - 26
30X-11496-00	3 - 15	30X-12176-00	5 - 3	5Y1-14356-00	8 - 25	30X-15620-01	12 - 20	30X-18511-00	16 - 19	53Y-23111-00	24 - 15
51Y-11531-00	3 - 18	48Y-12181-00	5 - 2	5Y1-14357-00	8 - 20	30X-15621-01	12 - 21	30X-18512-00	16 - 20		24 - 33
51Y-11536-00	3 - 27	30X-12210-00	5 - 6	30X-14358-00	8 - 34	30X-15641-01	12 - 2	30X-18513-00	16 - 21	1W1-23114-LO	24 - 12
30X-11549-00	3 - 13	4FM-12213-00	5 - 7	5Y1-14358-00	8 - 26	30X-15651-01	12 - 17	4DN-18531-00	16 - 16		24 - 30
30X-11565-00	3 - 19	30X-12241-00	5 - 9	51Y-14371-01	8 - 27	30X-15660-01	12 - 1	4DN-18535-00	16 - 18	4V5-23118-L1	24 - 18
55V-11610-00	3 - 24	30X-12251-00	5 - 10	30X-14384-00	8 - 14	2K7-15668-00	12 - 12	30X-18540-00	16 - 1		24 - 36
55V-11610-20	3 - 24	30X-12252-01	5 - 11	5Y1-14385-00	8 - 11	55V-15668-00	10 - 3	136-18542-00	16 - 2	30X-23125-00	24 - 5
55V-11610-40	3 - 24	30X-12283-00	1 - 20	689-14386-00	8 - 12	3Y1-15671-00	12 - 5	30X-18561-02	16 - 10		24 - 23
55V-11631-01-YO	3 - 23	30X-12288-00	1 - 22	5Y1-14396-00	8 - 48	214-15674-00	12 - 13	3YT-21110-00-G3	18 - 1	48Y-23126-01	24 - 2
55V-11633-00	3 - 25	30X-12292-00	1 - 27	30X-14401-00	7 - 6	214-15686-00	12 - 14	5H0-21308-01	18 - 26	48Y-23136-01	24 - 20
55V-11636-01	3 - 23	55V-13161-01	6 - 23	30X-14412-00	7 - 11		13 - 1	30X-21315-00	18 - 6	30X-23141-00	24 - 13
55V-11638-01	3 - 23	30X-13300-00	6 - 1	30X-14426-00	7 - 19	30X-16111-00	13 - 1	30X-21316-00-G3	18 - 3		24 - 31
51Y-11651-01	3 - 6	3Y6-13326-01	6 - 2	55V-14437-00	7 - 14	55V-16150-00	13 - 6	55V-2137W-50	18 - 28	48Y-23144-00	24 - 6
51Y-11681-00	3 - 4	30X-13341-00	6 - 7	30X-14451-00	7 - 7	3J2-16324-00	13 - 11	55V-2137X-50	18 - 29		24 - 24
30X-12111-01	4 - 1	51Y-13411-00	6 - 11	2GV-14452-00	7 - 16	168-16325-00	13 - 10	30X-2139X-00	18 - 33	48Y-23145-00	24 - 4
30X-12113-00	4 - 3	3Y1-13416-01	6 - 10	30X-14453-01	7 - 9	5Y1-16331-01	13 - 9	30X-21471-01	18 - 13		24 - 22
30X-12114-00	4 - 4	5H0-13440-00	6 - 15	30X-14454-01	7 - 10	5Y1-16351-00	13 - 12	2K7-2148A-00	18 - 20	4FY-23149-00	24 - 14
30X-12117-00	4 - 6	3DC-13447-00	6 - 18	30X-14458-00	7 - 8	55V-16356-00	13 - 16	30X-21511-30	19 - 1		24 - 32
30X-12118-00	4 - 7	1HX-13575-00	7 - 5	5Y1-14536-00	8 - 28	30X-16357-00	13 - 29	3WF-2153E-70	19 - 5	5K5-23149-00	24 - 7
51Y-12119-00	4 - 5	55V-13586-01	7 - 1	5Y1-14572-00	8 - 21	1W1-16358-01	13 - 15	3HP-21568-00	19 - 16		24 - 25
30X-12121-00	4 - 2	42U-13596-01	7 - 2	57R-14611-00	9 - 1	55V-16371-00	13 - 8	30X-21611-30	19 - 4	2X1-23151-00	24 - 10

NUMERICAL INDEX

PARTNO.	REF. NO.	PARTNO.	REF. NO.	PARTNO.	REF. NO.	PARTNO.	REF. NO.	PARTNO.	REF. NO.	PARTNO.	REF. NO.
2X1-23151-00	24 - 28	146-25315-00	29 - 3	22W-27421-01-90	32 - 31	1M1-83526-00	36 - 11	90101-06288	32 - 8	90175-06013	32 - 18
4A1-23156-00	24 - 3	538-25351-01	29 - 9	120-27431-00	32 - 40	5M1-83536-00	36 - 3	90105-06153	1 - 5	90176-08026	2 - 9
	24 - 21	3R6-25355-01	29 - 10	26F-27432-00-33	32 - 37	55V-83540-00	36 - 5	90105-06406	2 - 6	90179-06498	30 - 15
509-23158-L0	24 - 16	3Y1-25364-00	29 - 23	120-27433-00	32 - 39	5Y1-83541-00	36 - 9	90105-07515	5 - 4	90179-08148	39 - 9
	24 - 34	3Y1-25366-00-98	29 - 14	55V-27442-00-33	32 - 36	48Y-83550-02	36 - 15	90105-08099	18 - 10	90179-25033	23 - 4
55V-23170-00	24 - 9	3Y1-25377-00	29 - 16	48Y-28100-00	20 - 8	30X-83560-00	36 - 16	90105-10259	28 - 13	90185-08089	18 - 5
	24 - 27	3Y1-25383-00	29 - 34	4K5-2814E-10	7 - 20	57R-83570-FO	36 - 1	90105-10290	3 - 20		18 - 9
3R6-23173-L0	24 - 11	3Y1-25388-01	29 - 35	55V-28173-01	20 - 9	5Y1-83578-00	36 - 4	90105-10608	1 - 10		18 - 12
	24 - 29	3Y1-25389-00	29 - 36	55V-28185-00	20 - 11	3FY-83912-01	39 - 3	90105-14102	23 - 6	90185-10037	32 - 23
30X-23174-00	23 - 10	55V-25452-50	29 - 19	4U7-28186-00	7 - 21	3FY-83922-00	39 - 10	90109-064F0	1 - 14	90185-10120	21 - 26
278-23181-50	24 - 17	55V-25715-20	28 - 14	57T-81325-00	40 - 18	25G-83936-01	40 - 20	90109-06418	1 - 24		21 - 34
	24 - 35	59Y-2580T-10	28 - 3	33G-81960-60	40 - 1	437-83936-01	1 - 28	90109-06419	6 - 19		22 - 7
3YT-23191-30	24 - 39	48Y-25831-00	28 - 1	55V-81980-90	40 - 1		39 - 19	90109-065G4	28 - 2		22 - 13
48Y-23192-00	24 - 40	34X-25845-00	28 - 12	30W-82110-01	40 - 6	4FC-83972-00	39 - 20	90109-06577	39 - 11	90185-12119	21 - 19
1W4-23194-L0	24 - 42	4L3-25852-00	31 - 4	1M1-82115-00	40 - 9	31S-83980-00	40 - 19	90109-06584	1 - 15	90185-14070	21 - 12
34X-23317-00	23 - 13	4L0-25854-00	31 - 3	558-82116-00	40 - 10	30X-84115-00	37 - 2	90109-06799	39 - 4	90201-04018	19 - 9
55V-23340-00	24 - 37	4L0-25867-00	31 - 6	34M-82131-00	40 - 8	43F-83976-00	39 - 17	90109-10635	32 - 22	90201-05033	36 - 12
1W1-23416-00	23 - 3	39F-25870-00	31 - 1	116-82150-01	40 - 30	3T5-83980-00	39 - 16	90109-10752	21 - 24	90201-05036	38 - 11
30X-23435-00-35	23 - 5	48Y-25872-03	31 - 7	116-82151-00	40 - 31	30X-84115-00	37 - 2		21 - 32	90201-05725	38 - 12
1E6-23441-10-35	23 - 8	34X-25876-00	31 - 13	20N-82310-40	40 - 3	233-84127-60	37 - 7	90109-10753	22 - 5	90201-06071	18 - 19
30X-23445-00	23 - 12	34X-25919-00	28 - 10	371-82370-00	40 - 5	10X-84131-00	37 - 6		22 - 10	90201-06778	19 - 12
134-23484-10	23 - 18	2GV-25926-00	28 - 11	2GK-82501-01	40 - 11	30X-84196-00	37 - 11	90109-121A1	21 - 17	90201-08326	9 - 18
30X-24110-G0-P0	25 - 1	34X-25937-00	28 - 7	30X-82530-02	40 - 14	10V-84198-00	37 - 12	90116-08425	29 - 20	90201-08366	18 - 4
22W-24181-00	20 - 7	5R2-25937-00	28 - 6	4KM-82540-00	40 - 15	42U-84303-60	37 - 1	90116-10378	1 - 6		18 - 8
4L0-24181-00	25 - 2	1EU-26111-20	30 - 1	3LD-82566-60	40 - 21	341-84312-40	37 - 4	90119-08063	19 - 3		18 - 11
30X-24182-01	25 - 3	55V-2622F-00	30 - 14	4FC-82590-10	40 - 17	42U-84321-60	37 - 3		19 - 10	90201-087G0	2 - 8
30X-24183-01	25 - 4	55V-26241-00	30 - 5	12R-82591-00	40 - 16	5G2-84324-A0	37 - 10		19 - 11	90201-08753	18 - 23
30X-24186-01	25 - 5	55V-26242-00	30 - 2	5A8-82591-00	30 - 18	5G2-84332-60	37 - 8		20 - 10	90201-100E9	21 - 25
30X-24187-00	25 - 6	1RF-26243-00	30 - 3	1LN-82911-00	39 - 1	198-84334-60	37 - 9	90123-08046	39 - 8		21 - 33
23F-24500-01	25 - 10	55V-26246-00	30 - 13	33G-82913-01	39 - 2	533-84397-40	37 - 5	90149-05110	6 - 22		22 - 6
360-24512-00	8 - 8	3Y1-26249-00	30 - 4	5Y3-83310-21	35 - 1	10V-84517-00	38 - 6	90149-06011	25 - 15		22 - 12
4X8-24512-00	25 - 11	1Y1-26290-50	30 - 11	306-83311-40	35 - 6	10V-84523-00	38 - 3	90149-06131	39 - 13	90201-101A4	1 - 11
3AJ-24523-00	25 - 13	1Y1-26290-60	30 - 10		35 - 14	10V-84527-00	38 - 7	90149-06228	40 - 12	90201-10118	31 - 11
3AJ-24534-00	25 - 14	30X-26302-00	30 - 6	5Y1-83312-00	35 - 2	37E-84710-E1	38 - 1	90149-06285	18 - 27	90201-10119	6 - 8
48Y-24602-00	25 - 9	30X-26335-01	30 - 7	5Y3-83312-00	35 - 10	1A2-84714-41	38 - 2	90149-08067	13 - 23	90201-105E8	15 - 3
30X-24708-00	18 - 14	1E6-26342-00	30 - 8	5Y1-83313-00	35 - 3	37E-84721-E1	38 - 4	90151-06013	16 - 11	90201-10508	3 - 21
30X-2477A-70	26 - 2	1E6-26372-00	30 - 9		35 - 11	3Y6-85130-02	38 - 10	90159-06010	13 - 14	90201-10614	12 - 32
30X-24770-70	26 - 1	1T5-26372-00	30 - 12	37A-83330-21	35 - 9	4FC-85510-00	34 - 1	90159-06013	21 - 38	90201-120A5	21 - 18
55V-24830-20	26 - 4	3Y1-26397-00	36 - 18	34L-83350-20	40 - 26	55V-85512-00	34 - 2	90159-06060	33 - 4	90201-120E6	22 - 11
3Y1-25026-00-98	29 - 6	55V-27211-00	32 - 1	10V-83365-00	35 - 16	30X-85513-00	34 - 3	90159-06181	28 - 15	90201-12163	15 - 8
48Y-25104-00	27 - 7	30X-27231-00	32 - 10		35 - 18	30X-85514-00	34 - 4	90164-06017	9 - 4	90201-12541	32 - 6
34X-25111-02-98	27 - 1	55V-27242-00	32 - 2	55V-83371-00	40 - 27	4FC-85540-00	34 - 17	90170-06010	39 - 14	90201-12588	17 - 10
322-25118-00	27 - 13	1M1-27244-00	32 - 15	5Y1-83513-00	36 - 8	3M5-85546-00	34 - 18	90170-08258	29 - 22	90201-14215	21 - 11
30X-25181-00	27 - 11	55V-27311-02	32 - 19	4R0-83517-00	36 - 2	55V-85550-21	34 - 14	90170-16326	3 - 34	90201-153A1	12 - 24
4KM-25181-00	29 - 32	42U-27315-01	32 - 21		36 - 7	30X-85580-00	34 - 5		13 - 21	90201-155K6	12 - 7
34X-25190-01	27 - 18	30X-27410-00-90	32 - 24	5Y1-83519-00	36 - 10	4Y3-85590-M0	40 - 23	90170-16343	13 - 5	90201-15701	12 - 10
4Y0-25304-00	29 - 25	22W-27411-01-90	32 - 25	30X-83520-00	36 - 6	341-92090-60	24 - 41	90171-14020	27 - 16	90201-15785	27 - 15
3Y1-25311-00-98	29 - 1	55V-27420-00-90	32 - 30	437-83525-00	36 - 13	90101-06278	29 - 11	90171-16024	29 - 37	90201-163H8	27 - 14

NUMERICAL INDEX

PARTNO.	REF. NO.	PARTNO.	REF. NO.	PARTNO.	REF. NO.	PARTNO.	REF. NO.	PARTNO.	REF. NO.	PARTNO.	REF. NO.
90201-17255	17 - 6	90387-07674	18 - 18	90506-18224	32 - 44	92907-06200	13 - 17	93306-30622	3 - 12	95307-05600	38 - 13
90201-177G4	12 - 18	90387-121J0	22 - 9	90506-26225	32 - 20		32 - 12	93306-30630	3 - 11	95307-06600	13 - 18
	14 - 21	90387-121L6	21 - 31	90508-12430	16 - 13	92907-06600	5 - 13	93306-90501	16 - 3		29 - 12
90201-20279	32 - 41	90387-126J8	21 - 23	90508-14352	32 - 3		9 - 6	93310-738N1	3 - 5	95307-06700	32 - 9
90201-20685	12 - 3	90387-12787	17 - 2	90508-14433	13 - 25		12 - 34	93315-31428	13 - 28	95307-06800	12 - 31
90201-207G6	3 - 31	90387-140J9	21 - 15	90508-14630	12 - 33		18 - 16	93317-32231	21 - 2	95307-12700	35 - 7
90201-243A2	21 - 7	90387-15600	27 - 12	90508-18606	1 - 23		18 - 32	93332-00001	23 - 1		35 - 8
90202-05193	25 - 16	90387-17141	29 - 33	90508-20023	32 - 26		21 - 41	93332-00008	23 - 2		35 - 15
90206-06090	9 - 5	90387-172J0	10 - 5		32 - 32		21 - 45	93410-17037	14 - 23		35 - 17
	9 - 11	90387-17783	10 - 4	90508-26434	17 - 5		21 - 48	93410-20038	12 - 4	95607-06100	19 - 13
90208-04029	23 - 20	90387-227H7	31 - 12	90508-32374	17 - 7		25 - 8	93410-22039	14 - 4		39 - 5
90209-06187	18 - 34	90401-10034	6 - 24	90508-32432	12 - 9		31 - 9		14 - 15		39 - 12
	21 - 39	90401-10159	31 - 10	90560-12191	17 - 11		34 - 16	93410-26067	14 - 14	95607-08100	18 - 25
	21 - 43	90430-05126	6 - 21	90560-15290	27 - 3		40 - 13	93420-28055	13 - 26	95707-06500	38 - 9
	21 - 49	90430-06014	1 - 25	90560-17239	12 - 11		40 - 25	93430-09038	32 - 7	95807-06010	26 - 6
90209-11262	1 - 17	90430-06156	6 - 6	90560-17311	29 - 2	92990-04100	8 - 5	93440-10109	1 - 3	95807-06012	7 - 23
90209-18208	14 - 3	90430-08119	13 - 24	91A20-07018	7 - 12	93101-17093	14 - 9	93450-19095	3 - 26		23 - 11
	14 - 22	90430-10148	40 - 29	91317-06010	31 - 14	93101-25106	3 - 29	93507-32009	12 - 22	95807-06016	26 - 3
90209-23241	14 - 13	90430-10188	6 - 25	91317-06012	1 - 21	93102-08307	15 - 7	93511-32017	13 - 30	95807-06040	36 - 14
90209-23242	3 - 14	90445-08336	40 - 7	91317-06020	7 - 4	93102-10207	12 - 29	93602-13177	3 - 10	95807-06050	21 - 51
90209-38266	3 - 7	90445-10008	25 - 17	91317-06025	5 - 8	93102-12106	17 - 9	93603-12030	6 - 3	95807-08016	26 - 5
90215-08160	29 - 21	90460-49058	7 - 22		9 - 16	93102-12321	1 - 26	93604-08071	16 - 4	95807-08050	18 - 24
90215-16156	13 - 3	90462-08062	11 - 14	91317-06030	11 - 9	93102-14209	13 - 27	93604-18100	16 - 8	95817-08014	9 - 17
90215-16221	3 - 35	90465-08277	10 - 10	91317-06040	11 - 10	93102-17263	12 - 16	93604-29151	16 - 9	95817-08020	9 - 19
90215-16222	13 - 4	90467-09006	25 - 18	91317-06065	6 - 20	93102-20281	27 - 4	93605-10090	3 - 17		32 - 29
90215-16289	13 - 20	90467-13042	7 - 13	91401-20012	32 - 5	93102-25226	14 - 26	93608-30152	17 - 8		32 - 35
90240-06076	32 - 11	90467-14015	10 - 14		20 - 3	93102-25305	10 - 9		21 - 9	95817-08060	18 - 7
90240-07105	3 - 8	90480-01141	20 - 3		20 - 6	93102-28022	29 - 18		21 - 20	95817-08070	18 - 2
90240-08084	32 - 27		20 - 6	91401-25012	32 - 43	93106-22019	21 - 4		21 - 35	95824-08035	23 - 9
	32 - 33	90480-08608	27 - 6		32 - 28	93109-18020	21 - 22	93700-06009	21 - 27	97007-06012	21 - 47
90249-12008	32 - 17		29 - 29	91401-30030	32 - 34		21 - 30	94111-182G9	29 - 26		25 - 7
90267-40029	19 - 8	90480-10068	29 - 13		27 - 17	93210-06422	13 - 19	94130-213G0	27 - 8	97007-06016	18 - 31
90269-04003	23 - 19	90480-12053	18 - 30		29 - 4	93210-07135	6 - 17	94227-21123	27 - 9	97007-06020	18 - 15
90280-05013	3 - 22		20 - 2	91701-06022	32 - 4	93210-10096	6 - 4	94237-18120	29 - 27	97007-06025	31 - 8
90282-05034	3 - 32		20 - 5	91701-06032	32 - 42	93210-14104	36 - 17	94330-21084	27 - 10		37 - 14
90282-07057	13 - 2		33 - 3	92017-08016	32 - 38	93210-19123	11 - 13	94340-18086	29 - 28	97017-08030	12 - 26
90338-11125	1 - 18	90480-14023	37 - 16	92901-04100	8 - 18	93210-30611	7 - 3	94416-21419	27 - 5	97027-06010	14 - 29
90340-14132	10 - 17	90480-16233	18 - 17		8 - 31	93210-347A1	6 - 14	94421-18418	29 - 24	97027-06016	5 - 12
90380-22111	21 - 3	90501-07629	3 - 9		8 - 37	93210-64297	6 - 16	94581-61128	29 - 30		17 - 15
90384-18157	22 - 4	90501-10245	32 - 16		34 - 13	93210-89447	2 - 5	94590-91136	5 - 5	97027-06020	12 - 14
90386-18115	21 - 21	90501-10312	39 - 15	92901-04600	8 - 19	93306-00315	14 - 10	94681-61011	29 - 31	97701-40530	38 - 5
	21 - 29	90501-12081	12 - 23	92901-05100	34 - 7	93306-20205	27 - 2	94701-00333	1 - 7	97702-40630	35 - 5
90386-20120	21 - 14	90501-16107	12 - 6		34 - 9	93306-20310	29 - 5	95021-08040	24 - 38		35 - 13
90387-063E6	37 - 15	90501-18576	6 - 12		34 - 11	93306-20332	14 - 24	95027-08012	40 - 28	97801-03008	25 - 12
90387-066K1	21 - 37	90501-22721	3 - 16	92907-05100	39 - 7	93306-20427	14 - 8	95027-08040	9 - 14	97801-04010	8 - 30
90387-06681	19 - 2	90501-23391	13 - 13	92907-05600	7 - 18	93306-20446	29 - 15		23 - 7	97801-04012	8 - 36
	30 - 16	90506-15260	29 - 8		23 - 15	93306-20532	3 - 30		23 - 16	97801-05010	8 - 23
90387-07391	38 - 8	90506-18154	32 - 14		36 - 20		14 - 25	95307-05600	36 - 21	98501-04008	8 - 56

NUMERICAL INDEX

PARTNO.	REF. NO.	PARTNO.	REF. NO.	PARTNO.	REF. NO.	PARTNO.	REF. NO.	PARTNO.	REF. NO.
98501-04008	34 - 12	99510-08016	1 - 4						
98501-04010	8 - 53	99530-12016	10 - 2						
98501-04012	35 - 4		11 - 7						
98501-04016	8 - 17	99530-14016	2 - 7						
98501-05012	34 - 10		10 - 19						
98501-05020	34 - 6								
98501-05035	34 - 8								
98502-04012	35 - 12								
98506-05020	39 - 18								
98507-05014	7 - 17								
	40 - 22								
98507-05016	36 - 19								
98507-05018	23 - 14								
98507-05020	39 - 6								
98507-05025	39 - 21								
98507-05030	39 - 22								
98507-06012	11 - 15								
	21 - 44								
	40 - 2								
98507-06016	10 - 12								
	21 - 40								
	34 - 15								
98507-06020	40 - 4								
	40 - 24								
98507-06025	6 - 5								
	15 - 6								
98507-06030	10 - 6								
	11 - 3								
98507-06040	30 - 17								
98507-06060	10 - 7								
98507-06070	10 - 8								
98580-04015	8 - 4								
98706-04012	31 - 5								
98707-06016	10 - 16								
98901-04006	8 - 29								
98907-06010	9 - 10								
98907-06012	19 - 15								
99001-07600	16 - 15								
99001-10600	12 - 25								
99009-10400	6 - 9								
	12 - 28								
	15 - 4								
	16 - 17								
99009-15400	12 - 8								
99009-17400	12 - 19								
	17 - 3								
99009-47500	29 - 17								
99247-00100	33 - 2								