

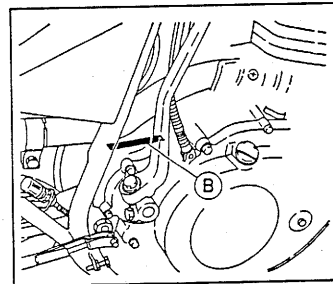
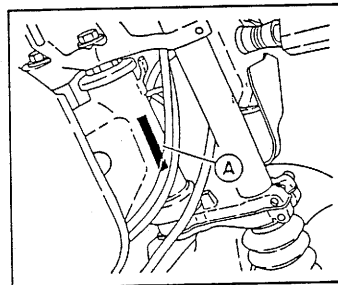
YAMAHA

PARTS CATALOGUE

Initial Serial No. and Color Code

(A) Frame Serial No.	55V-061101 and following
(B) Engine Serial No.	55V-061101 and following

XT350'88 (55V)



2855V-300E1

Color Code	Color Name	Abbreviate
36	CLEAN WHITE	W



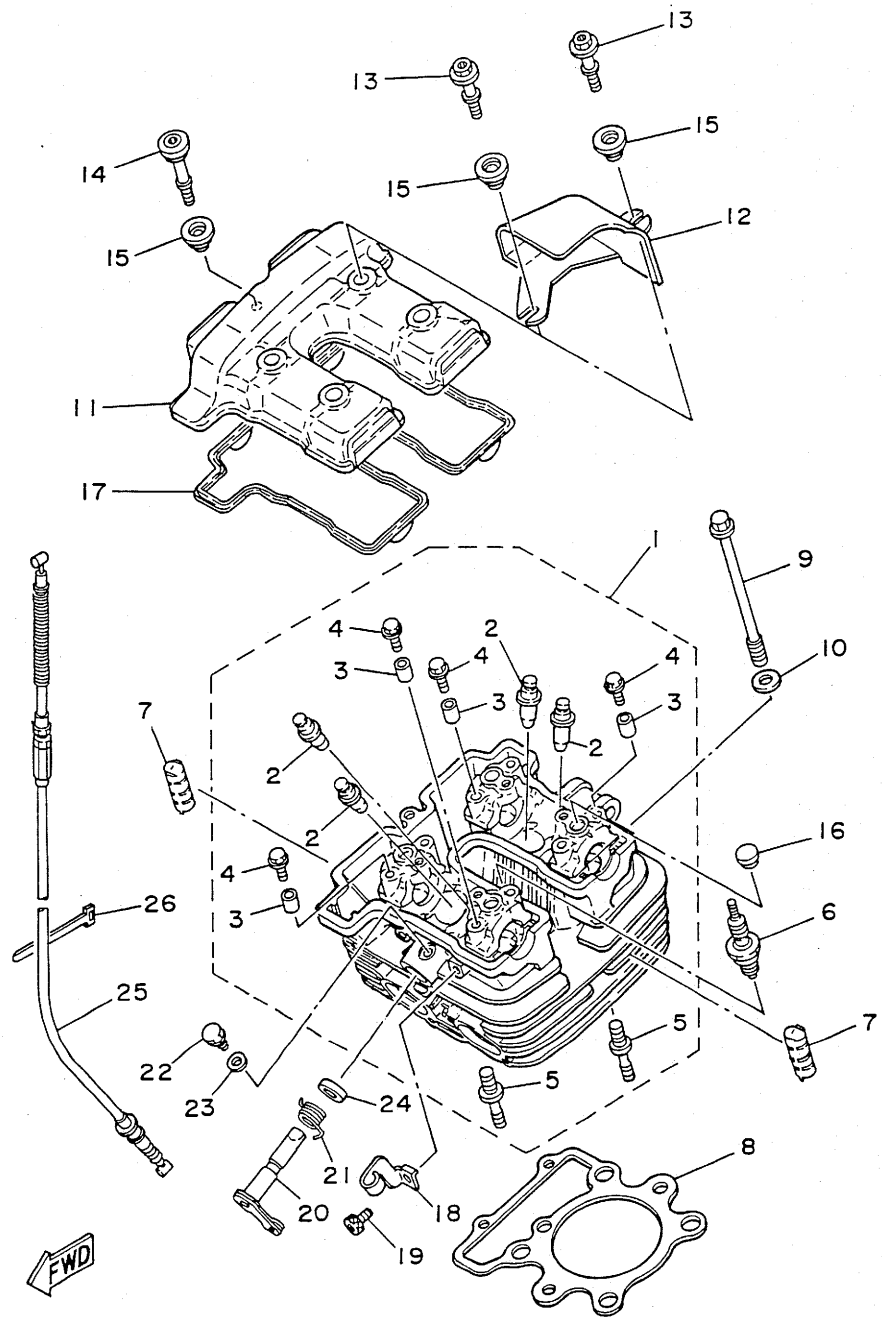


FIG. 1 CYLINDER HEAD

REF. NO.	PART NO.	DESCRIPTION	Q'TY	REMARKS
1	55V-11110-01	CYLINDER HEAD ASSY	1	
2	1LN-11133-11	.GUIDE, intake valve	4	
3	99510-08016	.PIN, dowel	8	
4	90105-06153	.BOLT, washer based	8	
5	90116-10378	.BOLT, stud	2	
6	DR8ES-L	PLUG, spark	1	
7	30X-11161-00	ABSORBER 1	4	
8	55V-11181-00	GASKET, cylinder head 1	1	
9	90105-10273	BOLT, washer based	4	
10	90201-102G9	WASHER, plate	4	
11	30X-11191-00	COVER, cylinder head 1	1	
12	30X-11192-00	COVER, cylinder head 2	1	
13	90109-06604	BOLT	4	
14	90109-06605	BOLT	1	
15	4G0-11116-00	RUBBER, mount 1	5	
16	90338-11125	PLUG	4	
17	30X-11193-00	GASKET, head cover 1	1	
18	30X-12283-00	BRACKET, decompression	1	
19	91316-06012	BOLT	1	
20	30X-12288-00	CAM, decompression	1	
21	90508-18606	SPRING, torsion	1	
22	90109-06778	BOLT	1	
23	90430-06014	GASKET	1	
24	93102-12321	OIL SEAL	1	
25	30X-12292-00	CABLE, decompression	1	
26	437-83936-00	BAND, switch cord	1	

FIG. 2 CYLINDER

REF. NO.	PART NO.	DESCRIPTION	Q'TY	REMARKS
1	55V-11310-02	CYLINDER	1	
2	583-11127-00	ABSORBER 3	4	
3	583-11127-00	ABSORBER 3	1	
4	55V-11351-00	GASKET, cylinder	1	
5	93210-89447	O-RING	1	
6	90105-06406	BOLT, washer based	2	
7	99530-14016	PIN, dowel	2	
8	90201-087K2	WASHER, plate	2	
9	90176-08026	NUT, crown	2	

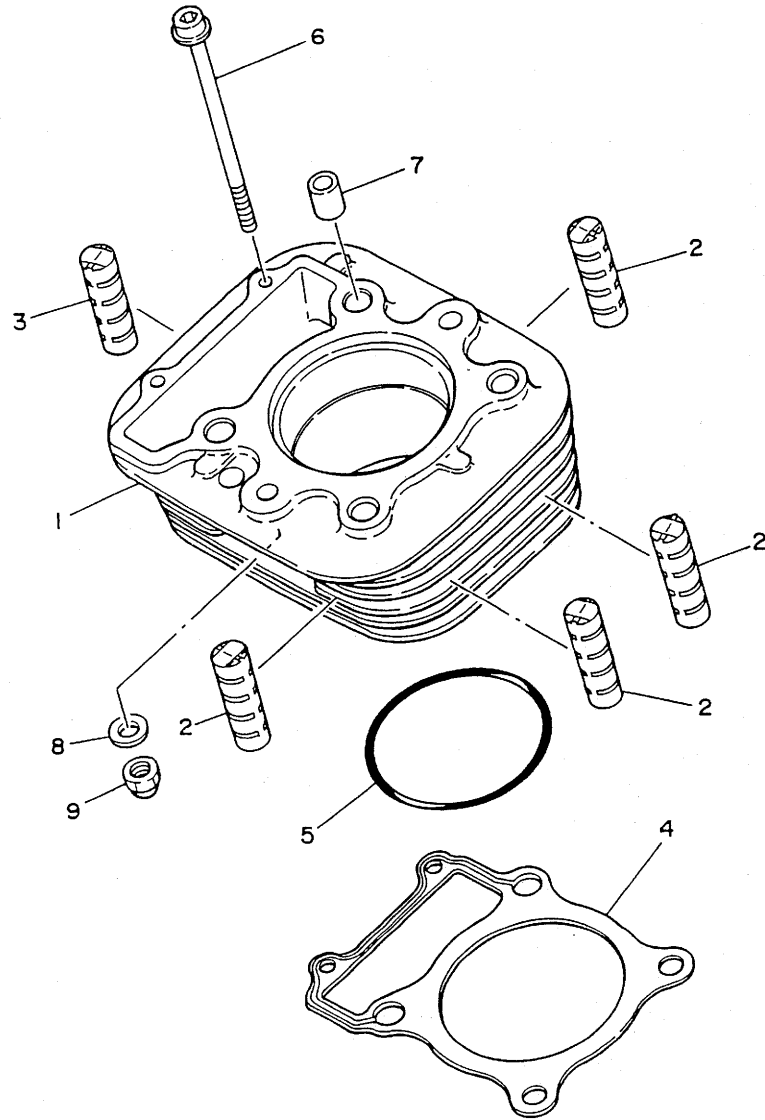
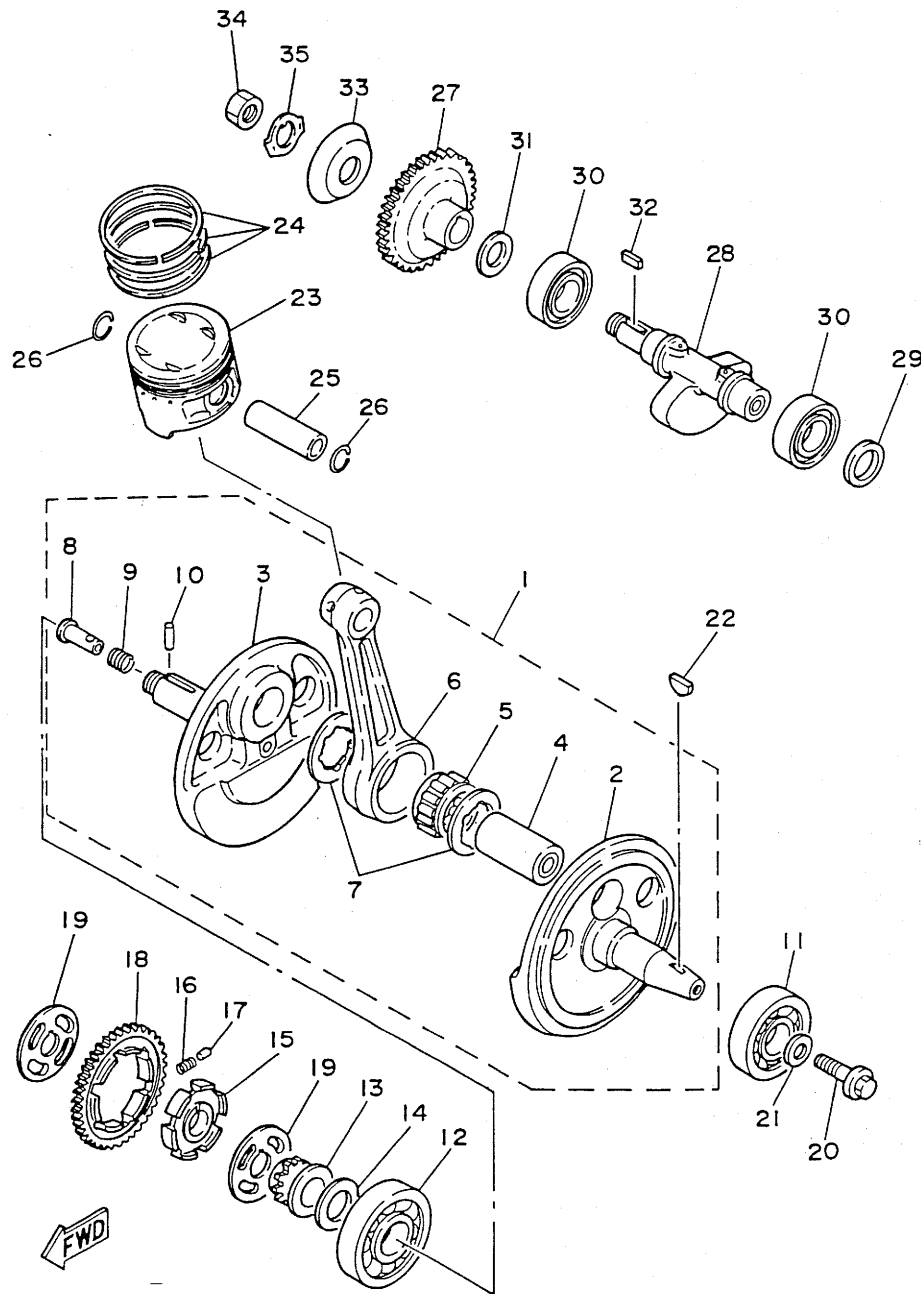


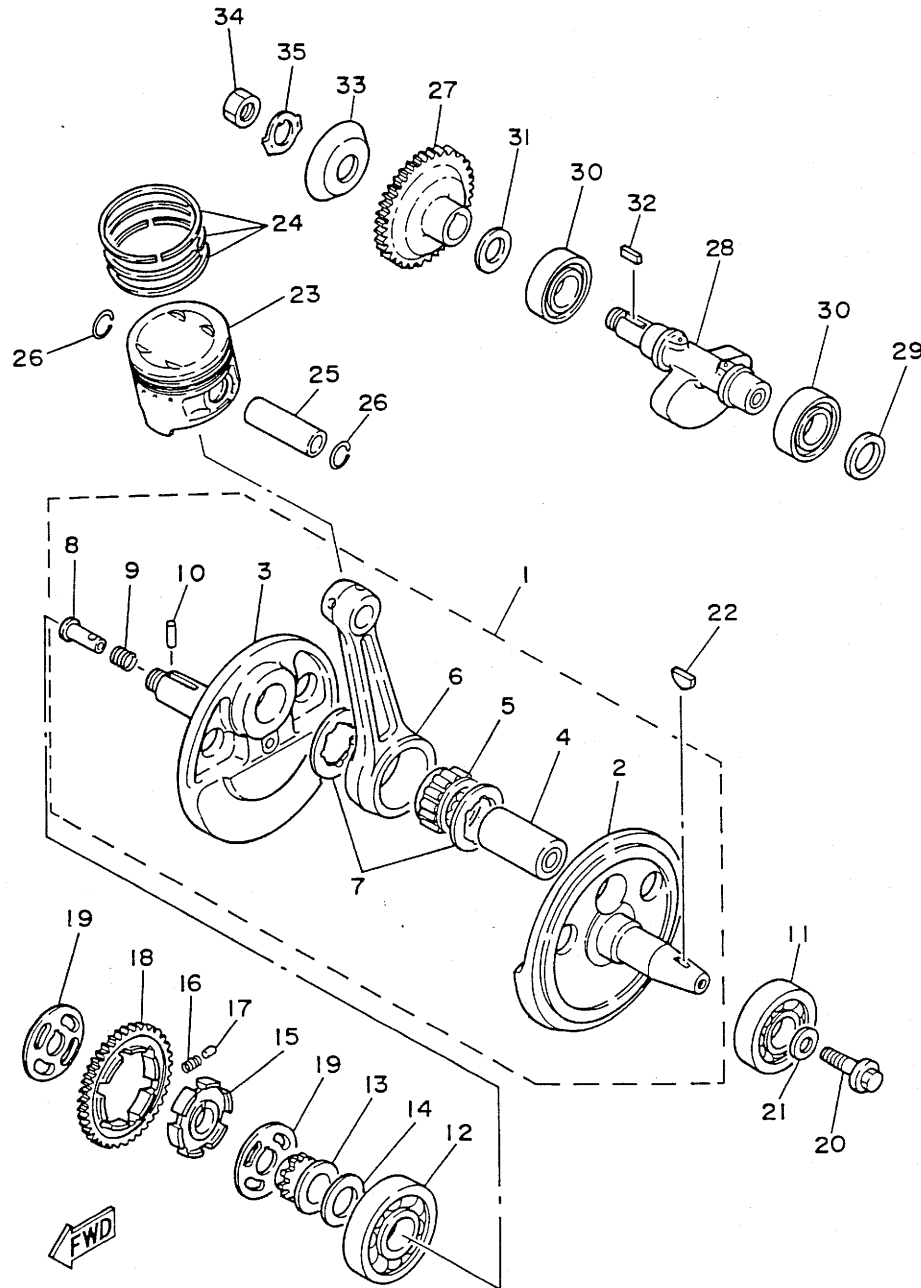
FIG. 3 CRANKSHAFT. PISTON



55V351-5030

REF. NO.	PART NO.	DESCRIPTION	Q'TY	REMARKS
1	55V-11400-01	CRANKSHAFT ASSY	1	
2	55V-11412-00	.CRANK 1	1	
3	55V-11422-01	.CRANK 2	1	
4	51Y-11681-00	.PIN, crank 1	1	
5	93310-738N1	.BEARING, cylindrical	1	
6	51Y-11651-00	.ROD, connecting	1	
7	90209-38266	.WASHER	2	
8	90240-07105	.PIN, clevis	1	
9	90501-07629	.SPRING, compression	1	
10	93602-13177	.PIN, dowel	1	
11	93306-30622	BEARING	1	
12	93306-30622	BEARING	1	
13	30X-11549-00	SPROCKET, cam chain	1	
14	90209-23242	WASHER	1	
15	30X-11496-00	BOSS, buffer	1	
16	90501-22721	SPRING, compression	6	
17	93605-10090	PIN, dowel	3	
18	51Y-11531-00	GEAR, balance wt	1	
19	30X-11565-00	WASHER, bearing cover	2	
20	90105-10290	BOLT, washer based	1	
21	90201-10508	WASHER, plate	1	
22	90280-05013	KEY, woodruff	1	
23	55V-11631-01-Y0	PISTON (STD)	1	
	55V-11636-01	PISTON (0.50MM O/S)	1	
	55V-11638-01	PISTON (1.00MM O/S)	1	
24	55V-11610-00	PISTON RING SET (STD)	1	
	55V-11610-20	PISTON RING SET (2ND O/S)	1	
	55V-11610-40	PISTON RING SET (4TH O/S)	1	

FIG. 3 CRANKSHAFT. PISTON



REF. NO.	PART NO.	DESCRIPTION	Q'TY	REMARKS
25	55V-11633-00	PIN, piston	1	
26	93450-19095	CIRCLIP	2	
27	51Y-11536-00	GEAR, drive	1	
28	55V-11454-00	WEIGHT 1	1	
29	93101-25106	OIL SEAL	1	
30	93306-20557	BEARING	2	
31	90201-20766	WASHER, plate	1	
32	90282-05034	KEY, straight	1	
33	34K-11145-00	PLATE, breather 2	1	
34	90170-16326	NUT	1	
35	90215-16221	WASHER, lock	1	

55V351-5030



57T110-6040

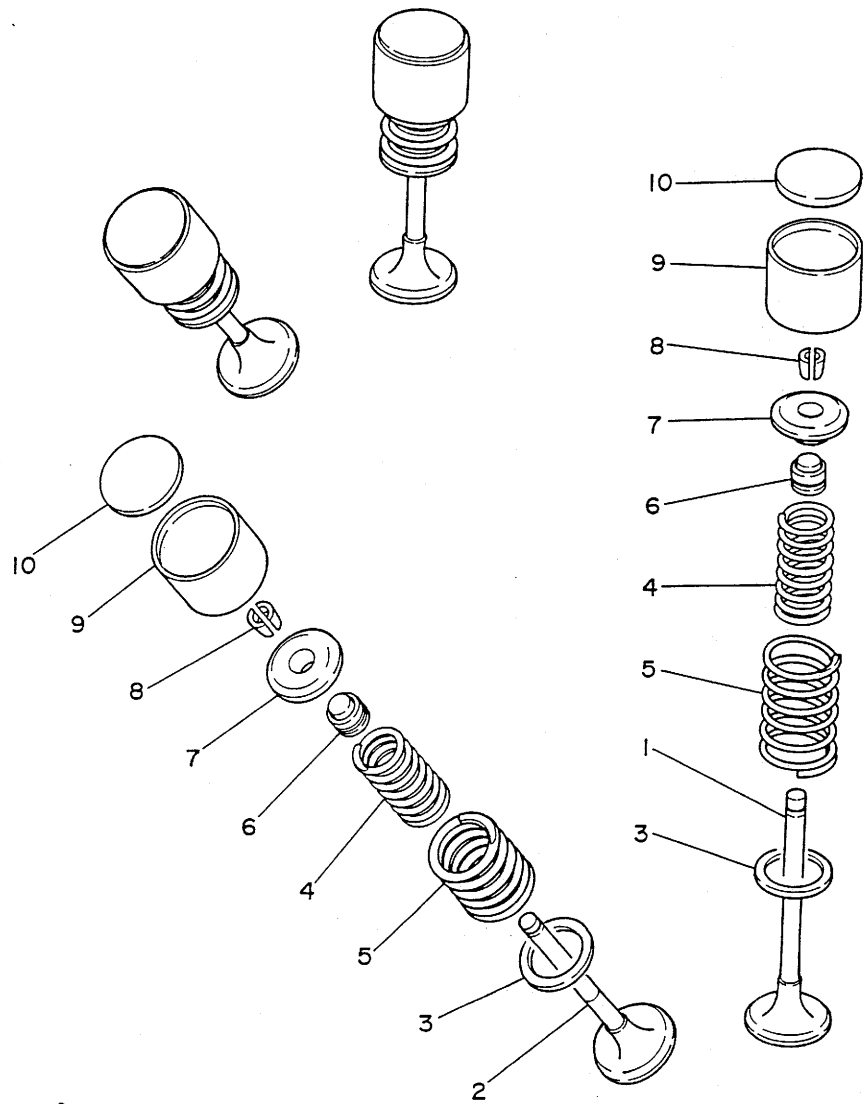
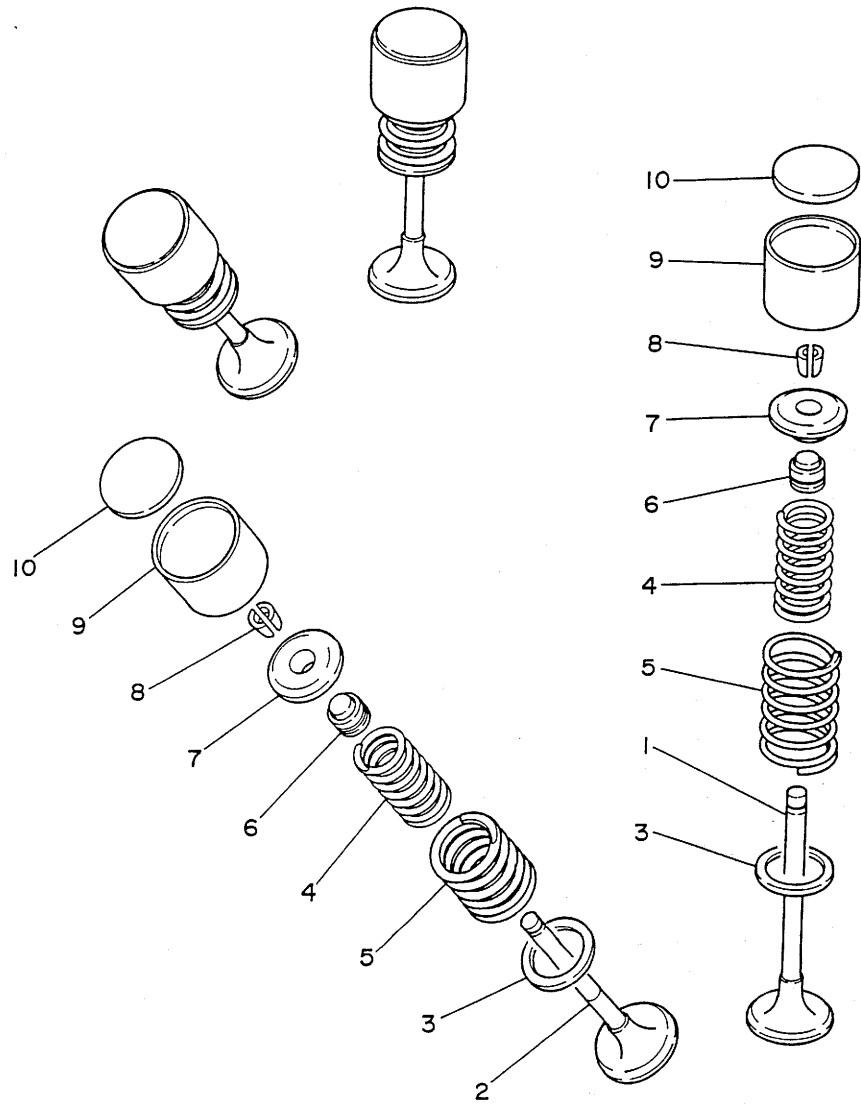


FIG. 4 VALVE

REF. NO.	PART NO.	DESCRIPTION	Q'TY	REMARKS
1	30X-12111-01	VALVE, intake	2	
2	30X-12121-00	VALVE, exhaust	2	
3	1LN-12116-00	SEAT, valve spring	4	
4	30X-12113-00	SPRING, valve inner	4	
5	30X-12114-00	SPRING, valve outer	4	
6	51Y-12119-00	SEAL, valve stem	4	
7	30X-12117-00	RETAINER, valve spring	4	
8	30X-12118-00	COTTER, valve	8	
9	26H-12153-00	LIFTER, valve	4	
10	26H-12168-00	PAD, adjusting (2.00)	4	UR
	26H-12168-20	PAD, adjusting (2.05)	4	UR
	26H-12168-40	PAD, adjusting (2.10)	4	UR
	26H-12168-60	PAD, adjusting (2.15)	4	UR
	26H-12168-80	PAD, adjusting (2.20)	4	UR
	26H-12168-A0	PAD, adjusting (2.25)	4	UR
	26H-12168-F0	PAD, adjusting (2.30)	4	UR
	26H-12168-H0	PAD, adjusting (2.35)	4	UR
	26H-12168-K0	PAD, adjusting (2.40)	4	UR
	26H-12168-M0	PAD, adjusting (2.45)	4	UR
	26H-12168-R0	PAD, adjusting (2.50)	4	UR
	26H-12168-U0	PAD, adjusting (2.55)	4	UR
	26H-12168-W0	PAD, adjusting (2.60)	4	UR
	26H-12168-Y0	PAD, adjusting (2.65)	4	UR
	26H-12169-10	PAD, adjusting (2.70)	4	UR
	26H-12169-30	PAD, adjusting (2.75)	4	UR
	26H-12169-50	PAD, adjusting (2.80)	4	UR
	26H-12169-70	PAD, adjusting (2.85)	4	UR
	26H-12169-90	PAD, adjusting (2.90)	4	UR

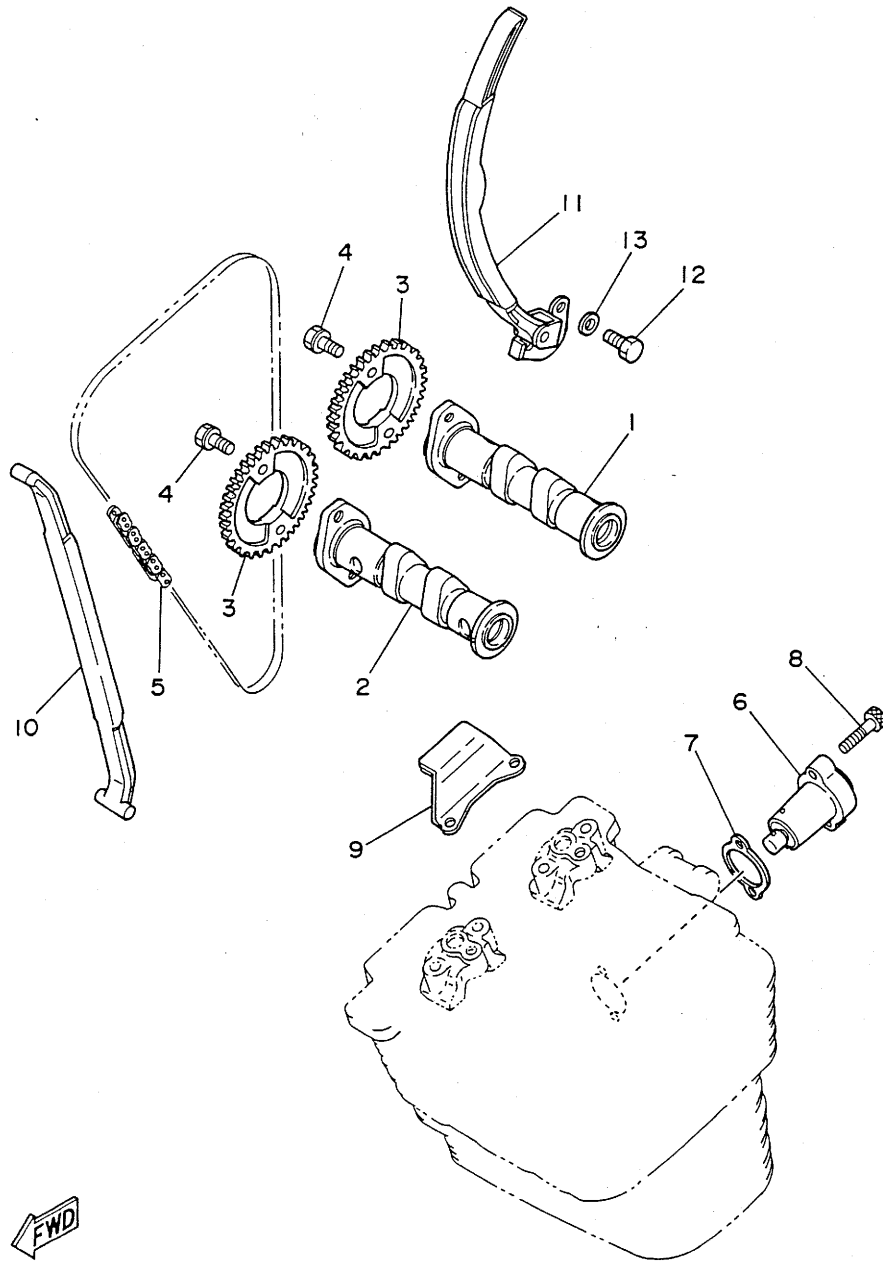
FIG. 4 VALVE



REF. NO.	PART NO.	DESCRIPTION	Q'TY	REMARKS
10	26H-12169-E0	PAD, adjusting (2.95)	4	UR
	26H-12169-G0	PAD, adjusting (3.00)	4	UR
	26H-12169-J0	PAD, adjusting (3.05)	4	UR
	26H-12169-L0	PAD, adjusting (3.10)	4	UR
	26H-12169-N0	PAD, adjusting (3.15)	4	UR
	26H-12169-T0	PAD, adjusting (3.20)	4	UR



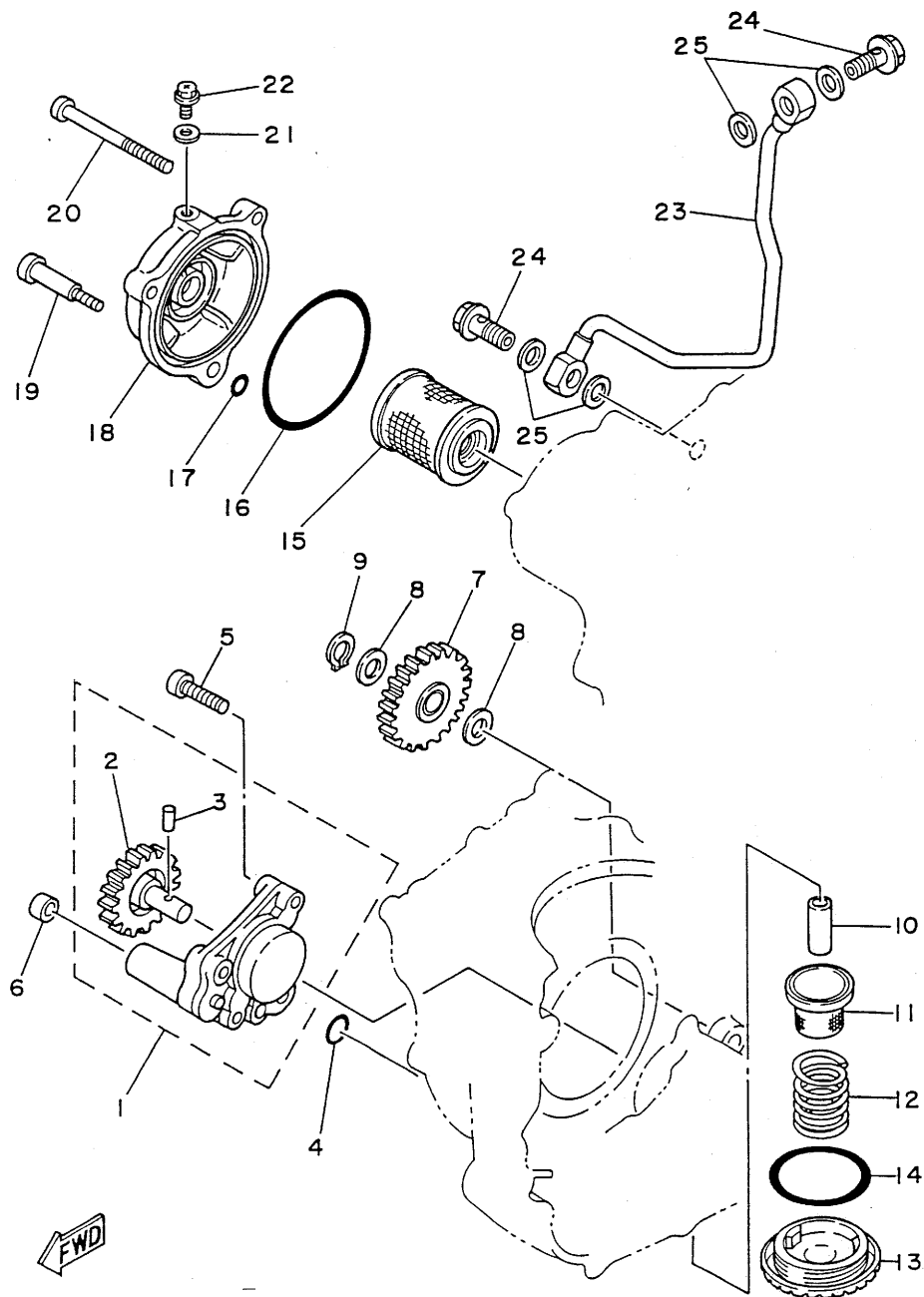
FIG. 5 CAMSHAFT. CHAIN



REF. NO.	PART NO.	DESCRIPTION	Q'TY	REMARKS
1	48Y-12171-00	CAMSHAFT 1	1	
2	48Y-12181-00	CAMSHAFT 2	1	
3	30X-12176-00	SPROCKET, cam chain	2	
4	90105-07288	BOLT, washer based	4	
5	94590-91136	CHAIN	1	
6	30X-12210-00	TENSIONER ASSY, cam chain	1	
7	30X-12213-00	GASKET, tensioner case	1	
8	91316-06025	BOLT	2	
9	30X-12241-00	GUIDE, stopper 2	1	
10	30X-12251-00	DAMPER, chain 1	1	
11	30X-12252-01	DAMPER, chain 2	1	
12	97021-06016	BOLT	2	
13	92901-06600	WASHER, plate	2	

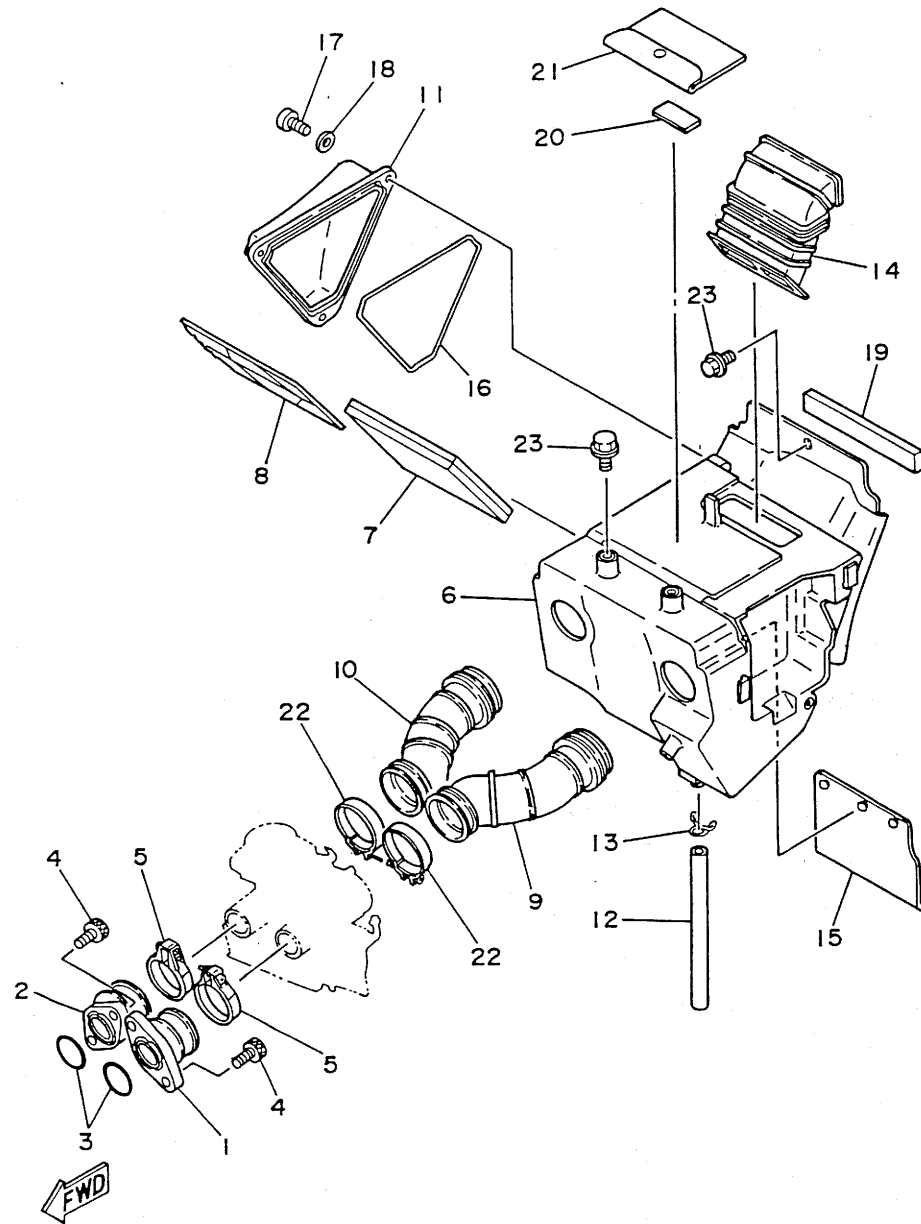


FIG. 6 OIL PUMP



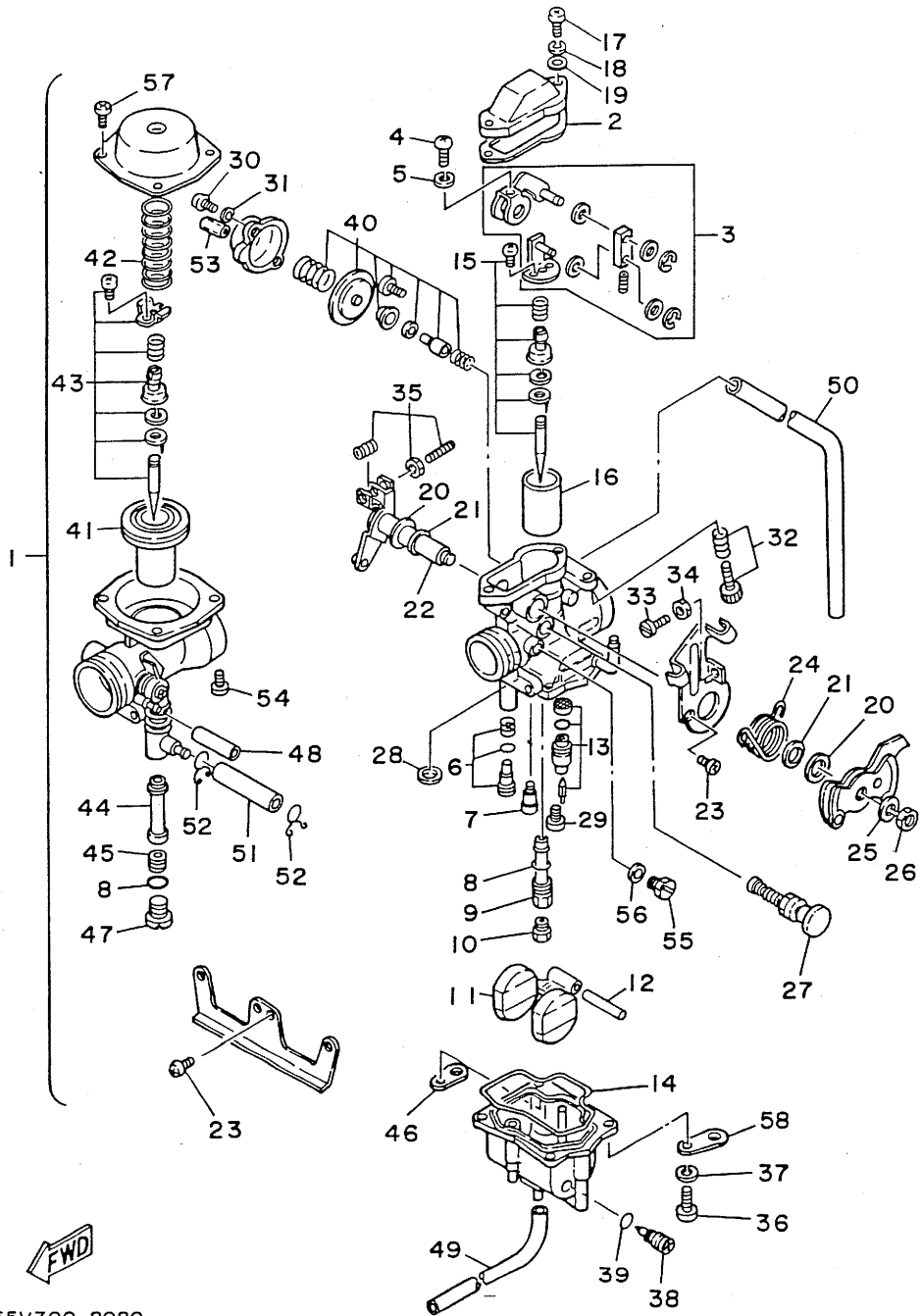
REF. NO.	PART NO.	DESCRIPTION	Q'TY	REMARKS
1	30X-13300-00	OIL PUMP ASSY	1	
2	3Y6-13326-01	.GEAR, pump driven 2	1	
3	93603-12030	.PIN, dowel	1	
4	93210-10096	O-RING	1	
5	92501-06025	SCREW, pan head	3	
6	90430-06156	GASKET	1	
7	30X-13341-00	GEAR, oil pump idle	1	
8	90201-10119	WASHER, plate	2	
9	99009-10400	CIRCLIP	1	
10	3Y1-13416-01	PIPE, oil 1	1	
11	3Y1-13411-00	STRAINER, oil	1	
12	90501-18576	SPRING, compression	1	
13	30X-15351-00	PLUG, drain	1	
14	93210-35389	O-RING	1	
15	5H0-13440-00	ELEMENT ASSY, oil cleaner	1	
16	93210-64297	O-RING	1	
17	93210-07135	O-RING	1	
18	30X-13447-00	COVER, oil element	1	
19	90109-06419	BOLT	1	
20	91316-06065	BOLT	2	
21	90430-05126	GASKET	1	
22	90149-05110	SCREW	1	
23	55V-13161-00	PIPE, delivery 1	1	
24	90401-10034	BOLT, union	2	
25	90430-10188	GASKET	4	

FIG. 7 INTAKE



REF. NO.	PART NO.	DESCRIPTION	Q'TY	REMARKS
1	55V-13586-01	JOINT, carburetor 1	1	
2	42U-13596-01	JOINT, carburetor 2	1	
3	93210-30611	O-RING	2	
4	91316-06020	BOLT	4	
5	1HX-13575-00	BAND	2	
6	30X-14401-00	AIR CLEANER CASE ASSY	1	
7	30X-14451-00	ELEMENT, air cleaner	1	
8	30X-14458-00	GUIDE	1	
9	30X-14453-01	JOINT, air cleaner 1	1	
10	30X-14454-01	JOINT	1	
11	30X-14412-00	CAP, cleaner case 1	1	
12	90446-11023	HOSE	1	
13	90467-13042	CLIP	1	
14	55V-14437-00	DUCT	1	
15	30X-21621-00	FLAP	1	
16	51Y-14462-00	SEAL	1	
17	98501-05016	SCREW, pan head	3	
18	92901-05600	WASHER, plate	3	
19	30X-14426-00	DAMPER 2	1	
20	4K5-2814E-10	HOOK	1	
21	4U7-28186-00	POUCH	1	
22	90460-49058	CLAMP, hose	2	
23	95801-06012	BOLT, flange	3	

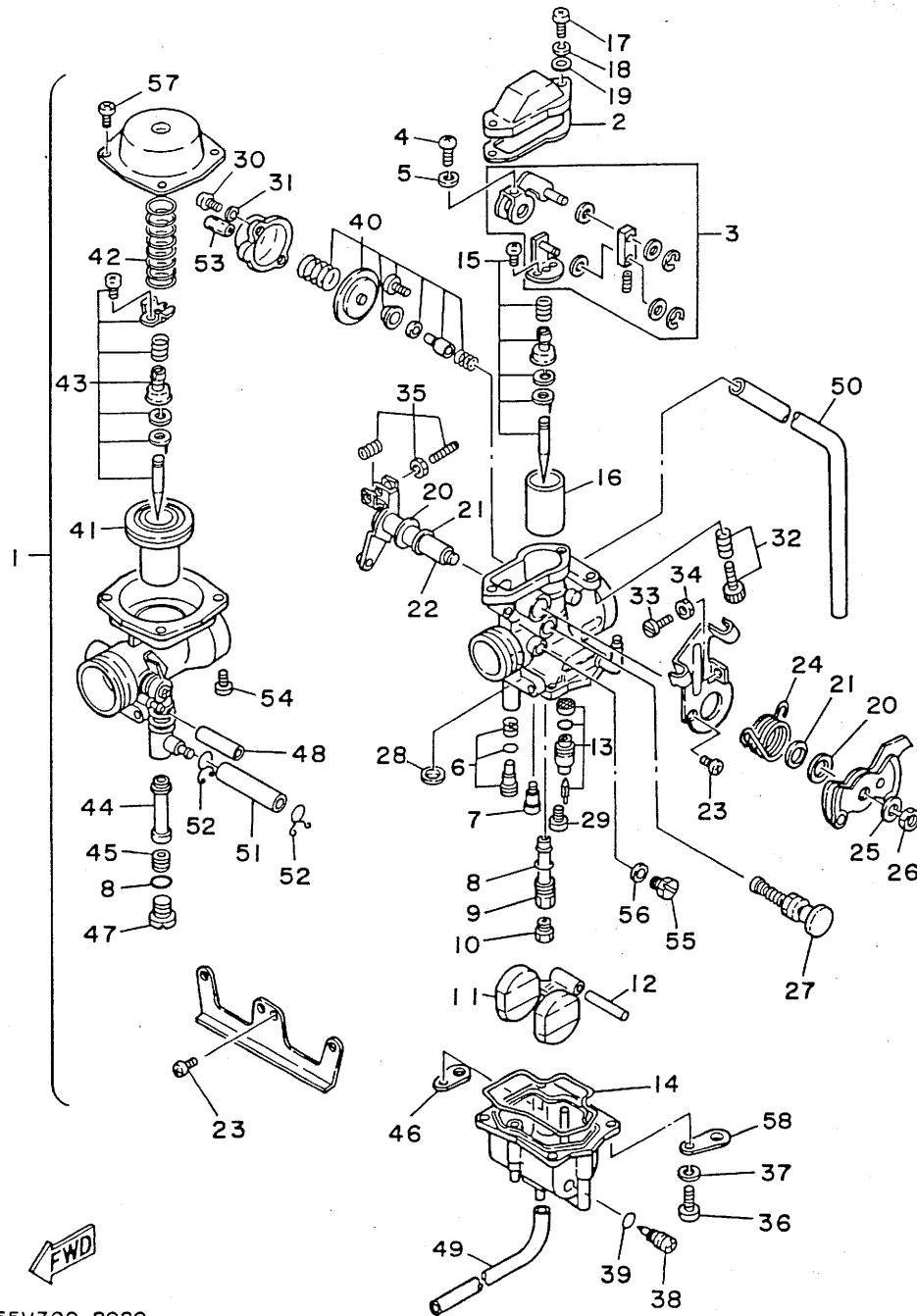
FIG. 8 CARBURETOR



REF. NO.	PART NO.	DESCRIPTION	Q'TY	REMARKS
1	55V-14301-01	CARBURETOR ASSY 1	1	
2	30X-14198-00	.GASKET	1	
3	30X-14203-00	.CABLE CONNECTOR SET	1	
4	98580-04016	.SCREW, pan head	1	
5	92990-04100	.WASHER, spring	1	
6	30X-14105-00	.PILOT SCREW SET	1	
7	30X-14342-21	.JET, pilot (# 42)	1	
8	360-24512-00	.GASKET	2	
9	51Y-14341-00	.NOZZLE, main	1	
10	288-14343-60	.JET, main (#120)	1	
11	5Y1-14385-00	.FLOAT	1	
12	6E5-14386-01	.PIN, float	1	
13	1JK-14107-01	.NEEDLE VALVE SET	1	
14	30X-14384-00	.GASKET, float chamber	1	
15	51Y-1490J-10	.NEEDLE SET	1	
16	51Y-14312-35	.VALVE, throttle 1	1	
17	98511-04016	.SCREW, pan head	2	
18	92901-04100	.WASHER, spring	2	
19	92901-04600	.WASHER, plate	2	
20	5Y1-14357-00	.WASHER, plain	2	
21	5Y1-14572-00	.SEAL	2	
22	51Y-143T6-00	.LEVER, throttle 2	1	
23	98580-05010	.SCREW, pan head	6	
24	30X-14131-00	.SPRING, throttle valve	1	
25	5Y1-14356-00	.WASHER, spring	1	
26	5Y1-14358-00	.NUT	1	
27	51Y-14371-00	.PLUNGER, starter	1	
28	5Y1-14536-00	.GASKET	1	

55V300-8080

FIG. 8 CARBURETOR

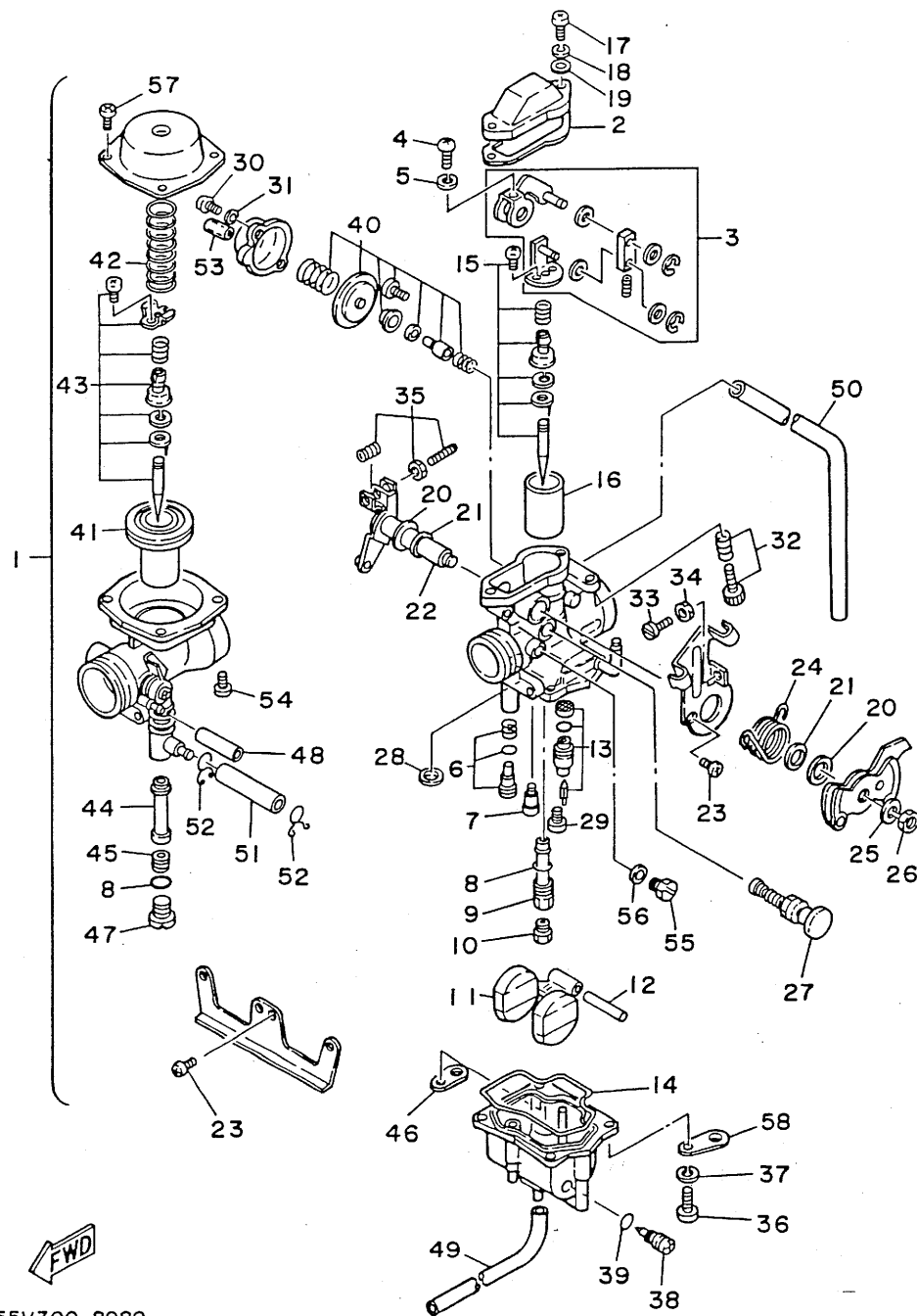


55V300-8080

REF. NO.	PART NO.	DESCRIPTION	Q'TY	REMARKS
29	98901-04006	.SCREW, bind	1	
30	97801-04010	.SCREW, pan head	2	
31	92901-04100	.WASHER, spring	2	
32	30X-14103-00	.THROTTLE SCREW SET	1	
33	30X-14216-00	.SCREW	1	
34	30X-14358-00	.NUT	1	
35	30X-1490K-00	.STOP SCREW SET	1	
36	97801-04012	.SCREW, pan head	4	
37	92901-04100	.WASHER, spring	4	
38	5Y1-14115-00	.PLUG, screw	1	
39	5Y1-14397-00	.O-RING	1	
40	5Y1-1490A-00	.DIAPHRAGM SET, 1	1	
41	5Y1-14340-00	.VALVE ASSY	1	
42	30X-14286-00	.SPRING	1	
43	1EU-1490J-00	.NEEDLE SET	1	
44	30X-14355-00	.NOZZLE, main 2	1	
45	30X-14343-51	.JET, main (#102)	1	
46	5Y1-14146-00	.PLATE	1	
47	30X-14394-00	.VALVE, drain	1	
48	5Y1-14349-00	.PIPE	1	
49	5Y1-14396-00	.PIPE	1	
50	5Y1-14197-00	.PIPE	2	
51	30X-14148-00	.PIPE	1	
52	5Y1-14159-00	.CLIP	2	
53	30X-14149-00	.PIPE	1	
54	98580-04010	.SCREW, pan head	2	
55	5H0-14991-00	.SCREW	1	
56	5H0-14126-00	.GASKET	1	

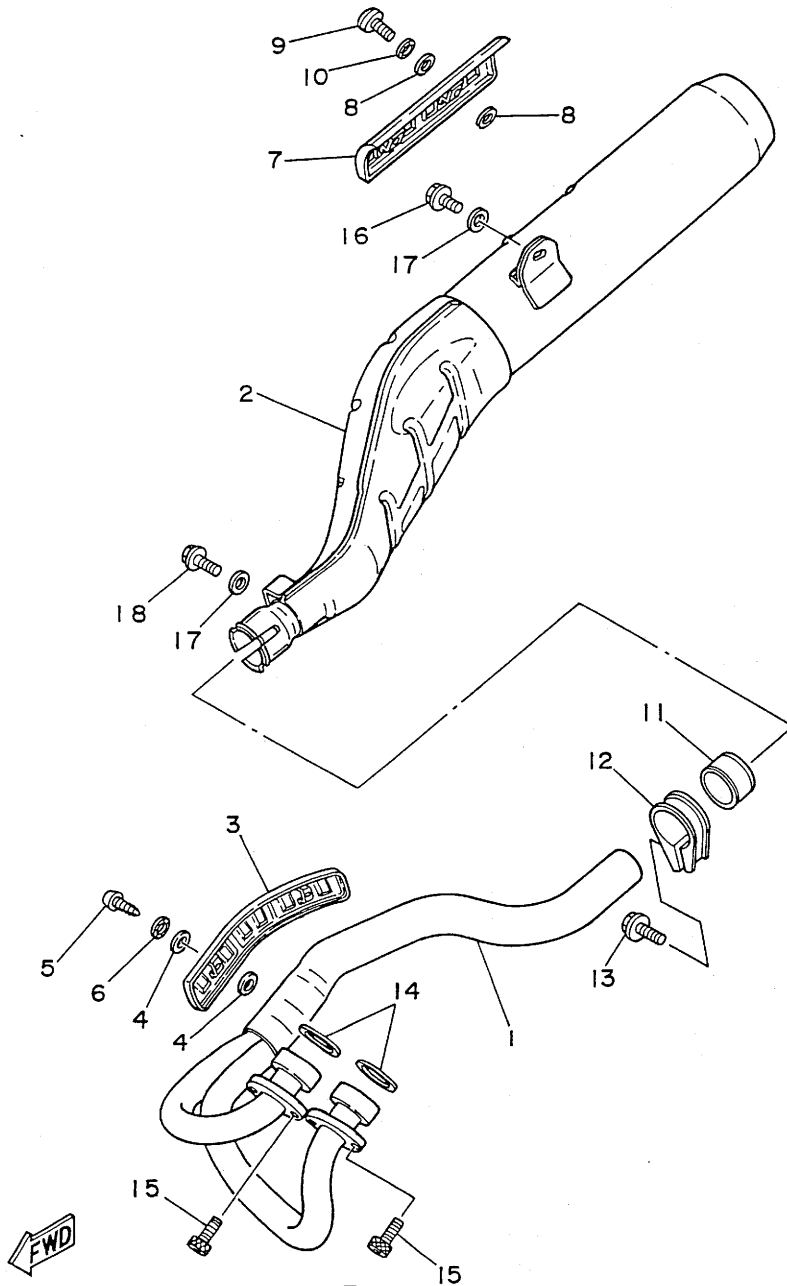
FIG. 8 CARBURETOR

REF. NO.	PART NO.	DESCRIPTION	Q'TY	REMARKS
57	98501-04008	.SCREW, pan head	4	
58	42U-14146-00	.PLATE	1	



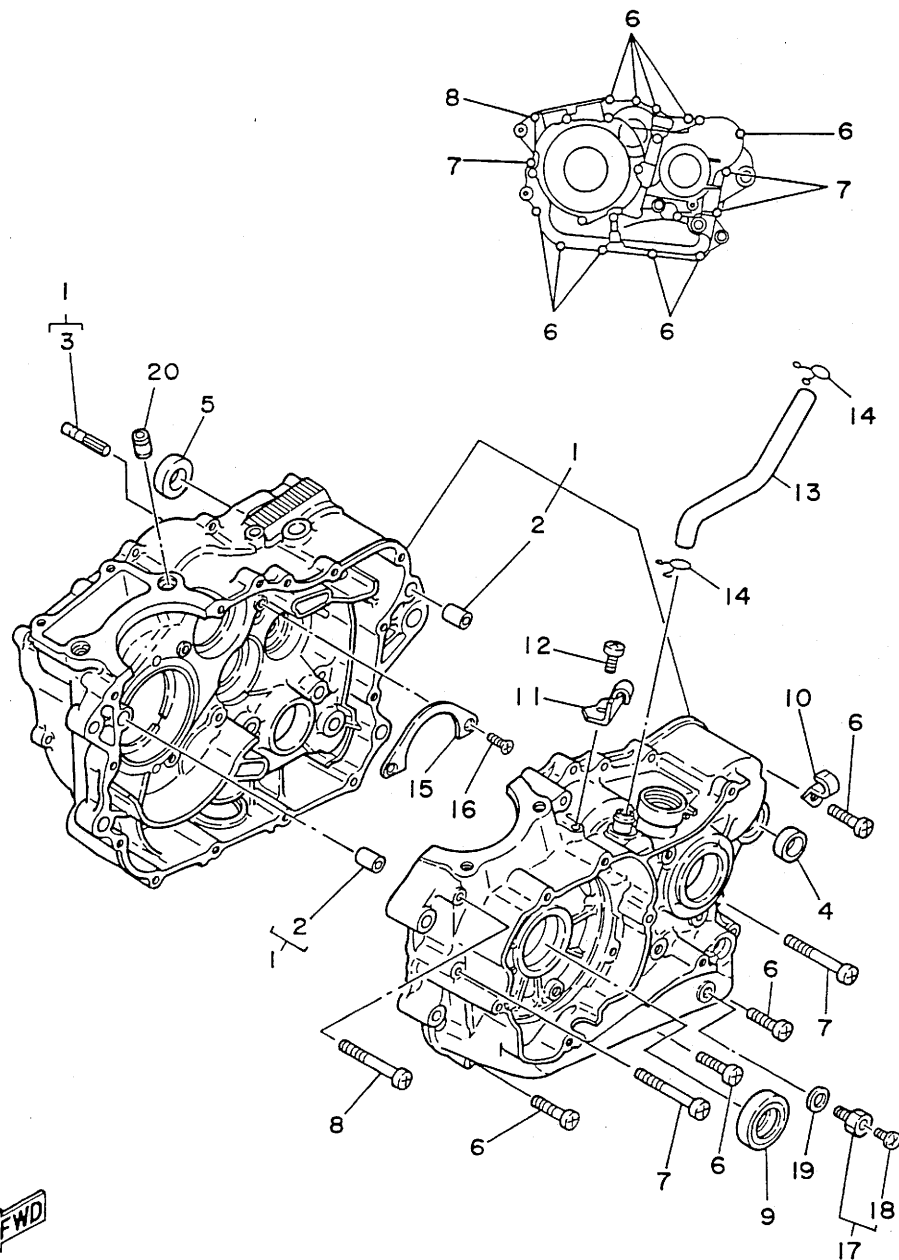
55V300-8080

FIG. 9 EXHAUST



REF. NO.	PART NO.	DESCRIPTION	Q'TY	REMARKS
1	55V-14611-00	PIPE, exhaust 1	1	
2	55V-14711-01	MUFFLER 1	1	
3	55V-14628-00	PROTECTOR, exhaust pipe	1	
4	30X-14766-00	WASHER, protector	4	
5	90164-06017	SCREW, tapping	2	
6	90206-06060	WASHER, wave	2	
7	55V-14728-00	PROTECTOR, muffler 2	1	
8	90202-06010	WASHER, plate	4	
9	98906-06010	SCREW, bind	2	
10	90206-06060	WASHER, wave	2	
11	1T1-14714-02	GASKET, muffler	1	
12	30X-14715-00	BAND, muffler	1	
13	95816-08045	BOLT, flange	1	
14	4H7-14613-00	GASKET, exhaust pipe	2	
15	91316-06025	BOLT	4	
16	95816-08014	BOLT, flange	1	
17	90201-081H4	WASHER, plate	2	
18	95816-08020	BOLT, flange	1	

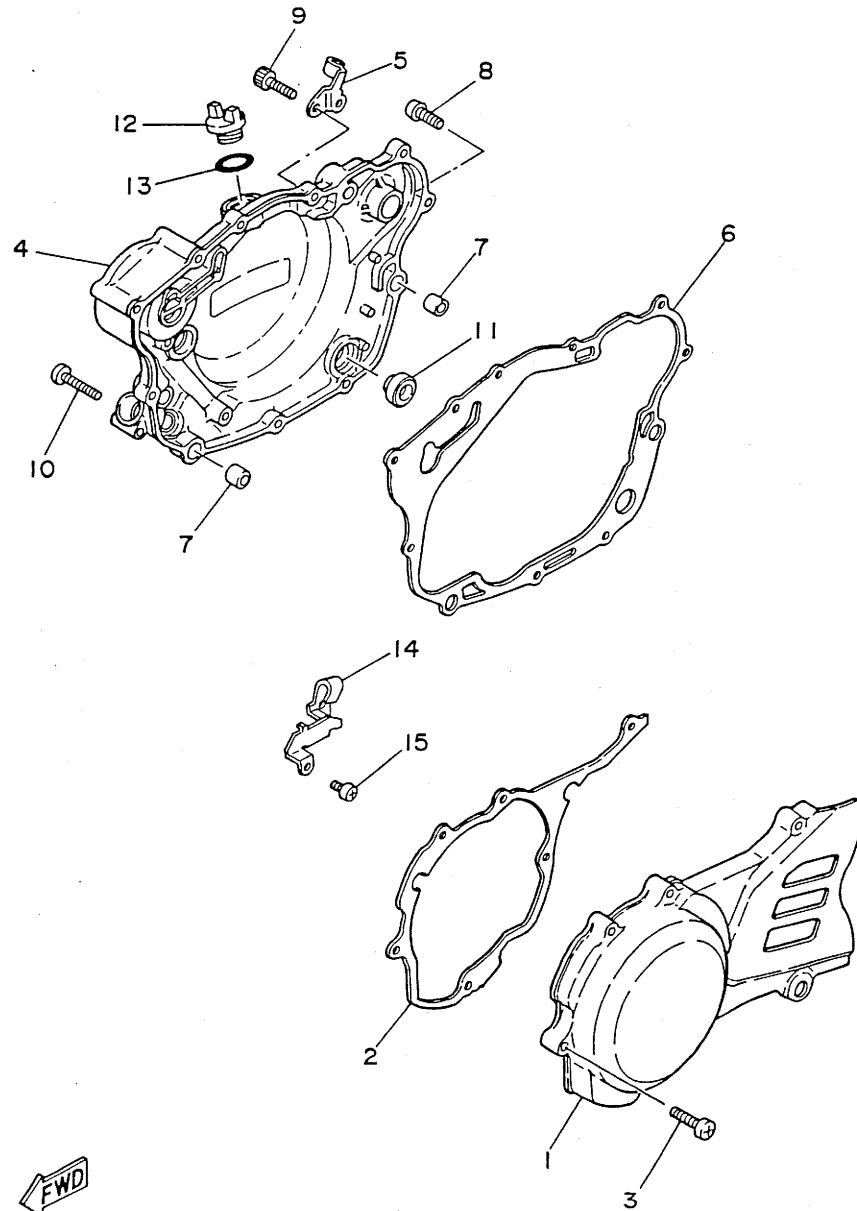
FIG. 10 CRANKCASE



REF. NO.	PART NO.	DESCRIPTION	Q'TY	REMARKS
1	55V-15100-02	CRANKCASE ASSY	1	
2	99510-12016	.PIN, dowel	2	
3	55V-15668-00	.STOPPER	1	
4	90387-17783	COLLAR	1	
5	90387-172J0	COLLAR	1	
6	92516-06030	SCREW, pan head	10	
7	92506-06060	SCREW, pan head	3	
8	92506-06070	SCREW, pan head	1	
9	93102-25305	OIL SEAL	1	
10	90465-08277	CLAMP	1	
11	30X-15441-00	HOLDER, clutch cable	1	
12	92506-06016	SCREW, pan head	1	
13	30X-11166-00	PIPE, breather 1	1	
14	90467-14015	CLIP	2	
15	30X-15383-00	PLATE, bearing cover	1	
16	92701-06015	SCREW, flat head	2	
17	11H-13455-00	PLUG	1	
18	98901-06008	.SCREW, bind	1	
19	214-11198-01	GASKET	1	
20	99530-14016	PIN, dowel	2	



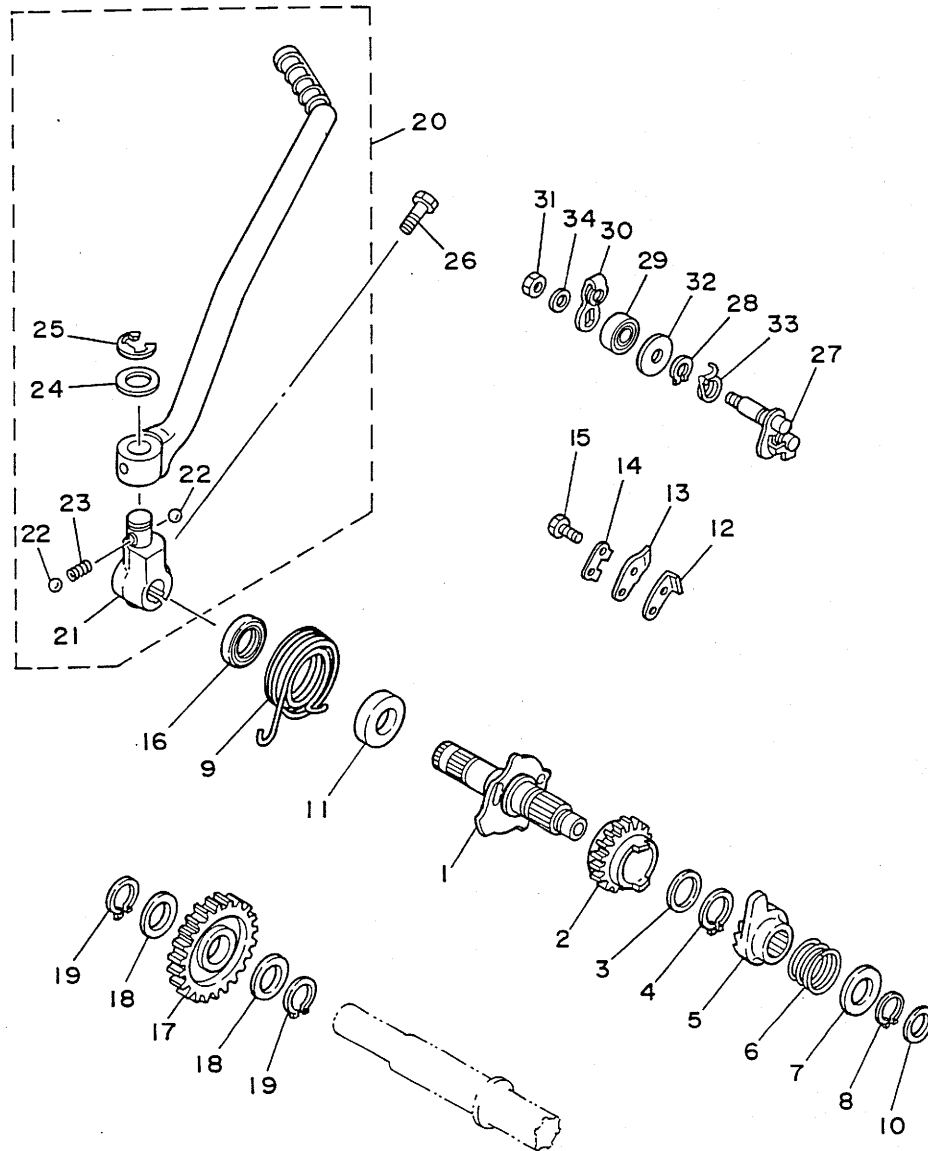
FIG. 11 CRANKCASE COVER 1



REF. NO.	PART NO.	DESCRIPTION	Q'TY	REMARKS
1	30X-15411-01	COVER, crankcase 1	1	
2	30X-15451-01	GASKET, crankcase cover 1	1	
3	92516-06030	SCREW, pan head	6	
4	55V-15421-01	COVER, crankcase 2	1	
5	30X-15378-00	HOLDER	1	
6	30X-15461-00	GASKET, crankcase cover 2	1	
7	99510-12016	PIN, dowel	2	
8	91316-06025	BOLT	2	
9	90110-06138	BOLT, hexagon socket head	5	
10	91316-06040	BOLT	2	
11	3Y1-15361-00	GAUGE, level	1	
12	1RG-15363-00	PLUG, oil	1	
13	93210-19123	O-RING	1	
14	90462-08062	CLAMP	1	
15	92506-06012	SCREW, pan head	1	



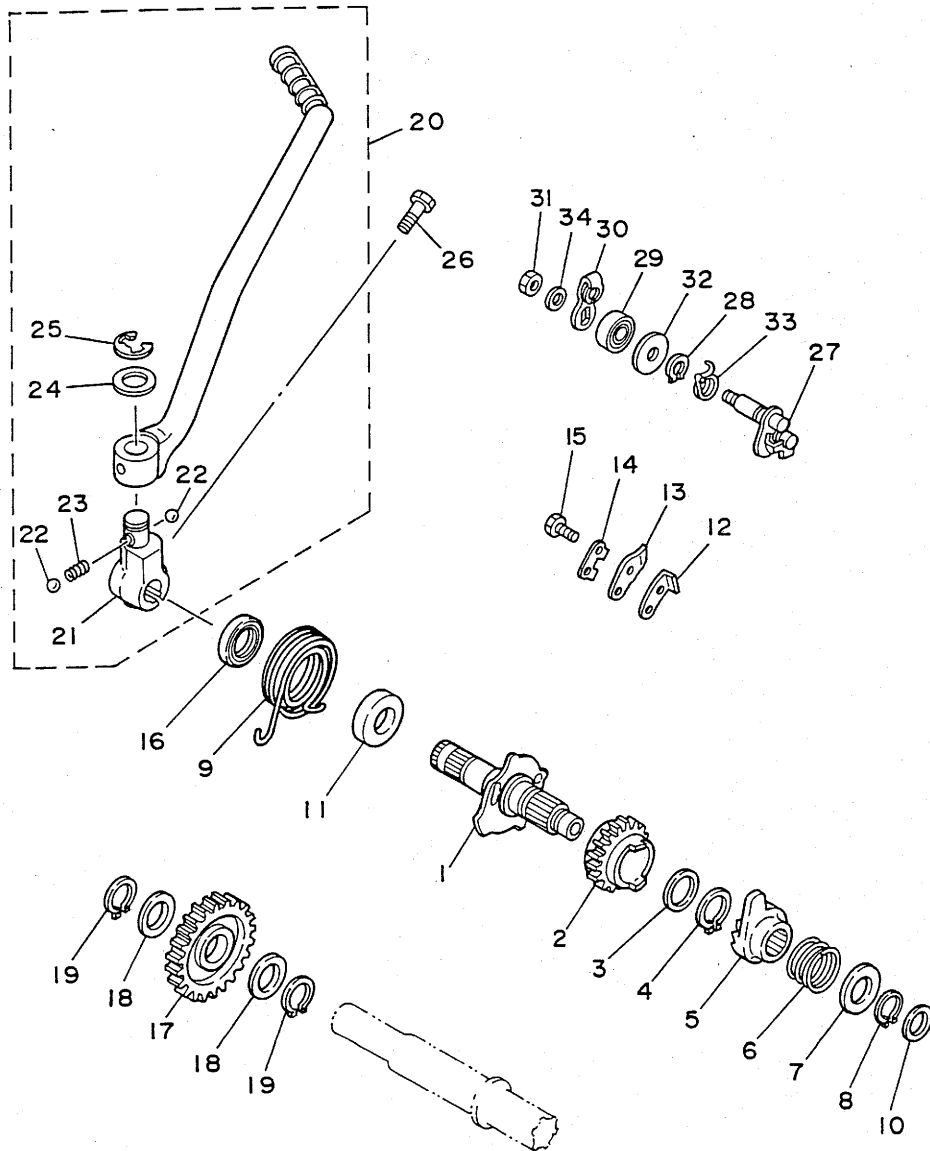
FIG. 12 STARTER



REF. NO.	PART NO.	DESCRIPTION	Q'TY	REMARKS
1	30X-15660-01	KICK AXLE ASSY	1	
2	30X-15641-01	GEAR, kick	1	
3	90201-20685	WASHER, plate (0.5T)	1	
4	93410-20038	CIRCLIP	1	
5	3Y1-15671-00	WHEEL, ratchet	1	
6	90501-16107	SPRING, compression	1	
7	90201-155K6	WASHER, plate	1	
8	99009-15400	CIRCLIP	1	
9	90508-32432	SPRING, torsion	1	
10	90201-15701	WASHER, plate (1.0T)	1	
11	90560-17239	SPACER	1	
12	2K7-15668-00	STOPPER	1	
13	2NX-15674-00	GUIDE, ratchet wheel	1	
14	214-15686-00	WASHER, lock	1	
15	97021-06016	BOLT	2	
16	93102-17263	OIL SEAL	1	
17	30X-15651-01	GEAR, kick idle (27T)	1	
18	90201-177G4	WASHER, plate	2	
19	99009-17400	CIRCLIP	2	
20	30X-15620-00	KICK CRANK ASSY	1	
21	30X-15621-00	.BOSS, kick crank	1	
22	93507-32031	.BALL	2	
23	90501-10589	.SPRING, compression	1	
24	90201-153A1	.WASHER, plate	1	
25	99006-10600	.CIRCLIP	1	
26	97316-08030	BOLT	1	
27	30X-1561A-00	DECOMP. LEVER ASSY	1	
28	99009-10400	CIRCLIP	1	



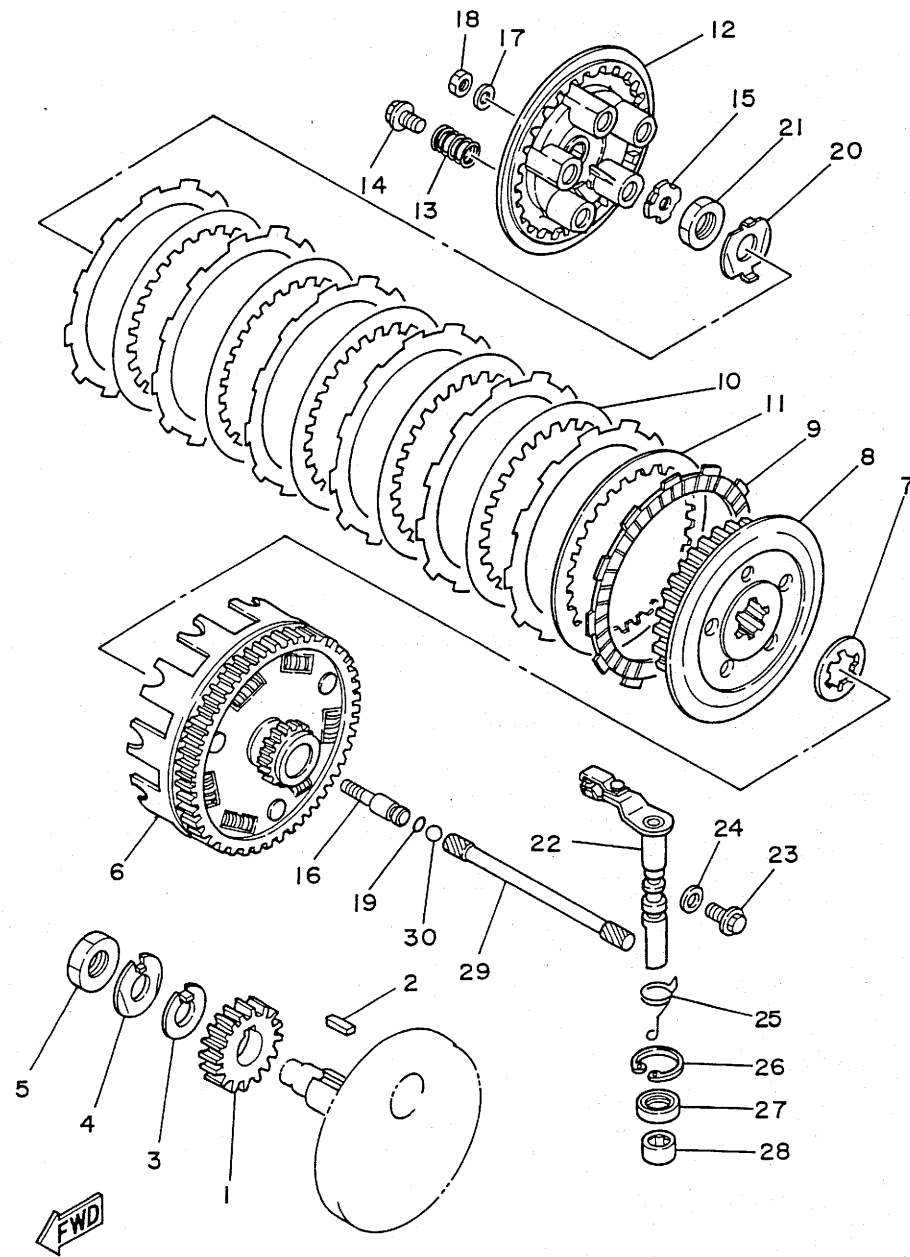
FIG. 12 STARTER



REF. NO.	PART NO.	DESCRIPTION	Q'TY	REMARKS
29	93102-10207	SEAL, oil (SD 10-21-5 HS)	1	
30	30X-1561G-00	LEVER, cable	1	
31	95306-06800	NUT	1	
32	90201-10614	WASHER, plate	1	
33	90508-14630	SPRING, torsion	1	
34	92906-06600	WASHER, plate	1	



FIG. 13 CLUTCH



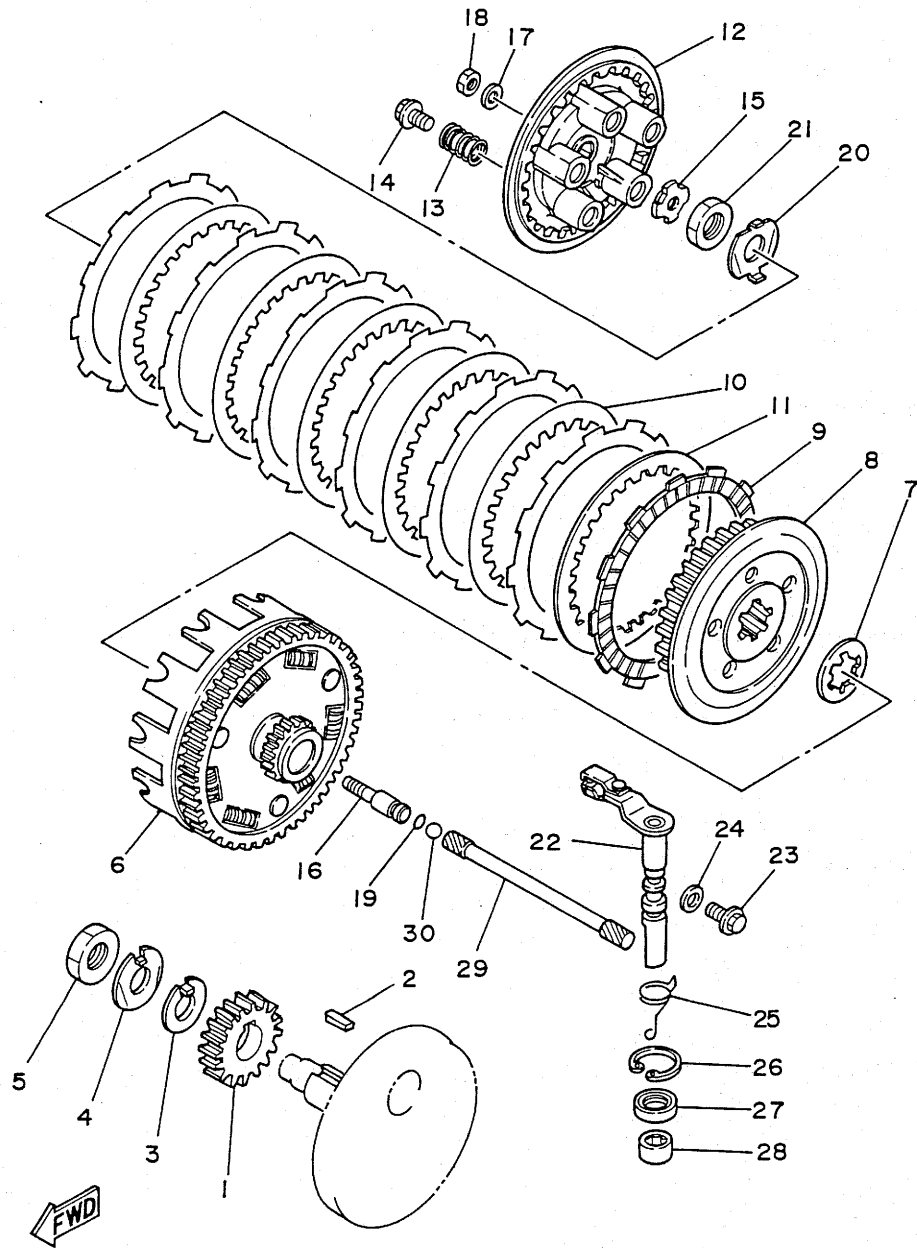
55V351-5130

REF. NO.	PART NO.	DESCRIPTION	Q'TY	REMARKS
1	30X-16111-00	GEAR, primary drive (23T)	1	
2	90282-07057	KEY, straight	1	
3	90215-16156	WASHER, lock	1	
4	90215-16222	WASHER, lock	1	
5	90170-16343	NUT	1	
6	55V-16150-00	PRIMARY DRIVEN GEAR	1	
7	30X-16154-00	PLATE, thrust 1	1	
8	55V-16371-00	BOSS, clutch	1	
9	5Y1-16331-01	PLATE, friction 2	7	
10	4H7-16325-00	PLATE, clutch 2	5	
11	3J2-16324-00	PLATE, clutch 1	1	
12	5Y1-16351-00	PLATE, pressure 1	1	
13	90501-23391	SPRING, compression	5	
14	90159-06010	SCREW, with washer	5	
15	30X-16358-00	PLATE, push	1	
16	55V-16356-00	ROD, push 1	1	
17	92901-06200	WASHER, plain	1	
18	95303-06600	NUT	1	
19	93210-06632	O-RING	1	
20	90215-16320	WASHER, lock	1	
21	90170-16326	NUT	1	
22	55V-16380-00	PUSH LEVER ASSY	1	
23	90149-08067	SCREW	1	
24	90430-08119	GASKET	1	
25	90508-14433	SPRING, torsion	1	
26	93420-28055	CIRCLIP	1	
27	93102-14209	OIL SEAL	1	
28	93315-31428	BEARING, cylindrical	1	

FIG. 13 CLUTCH

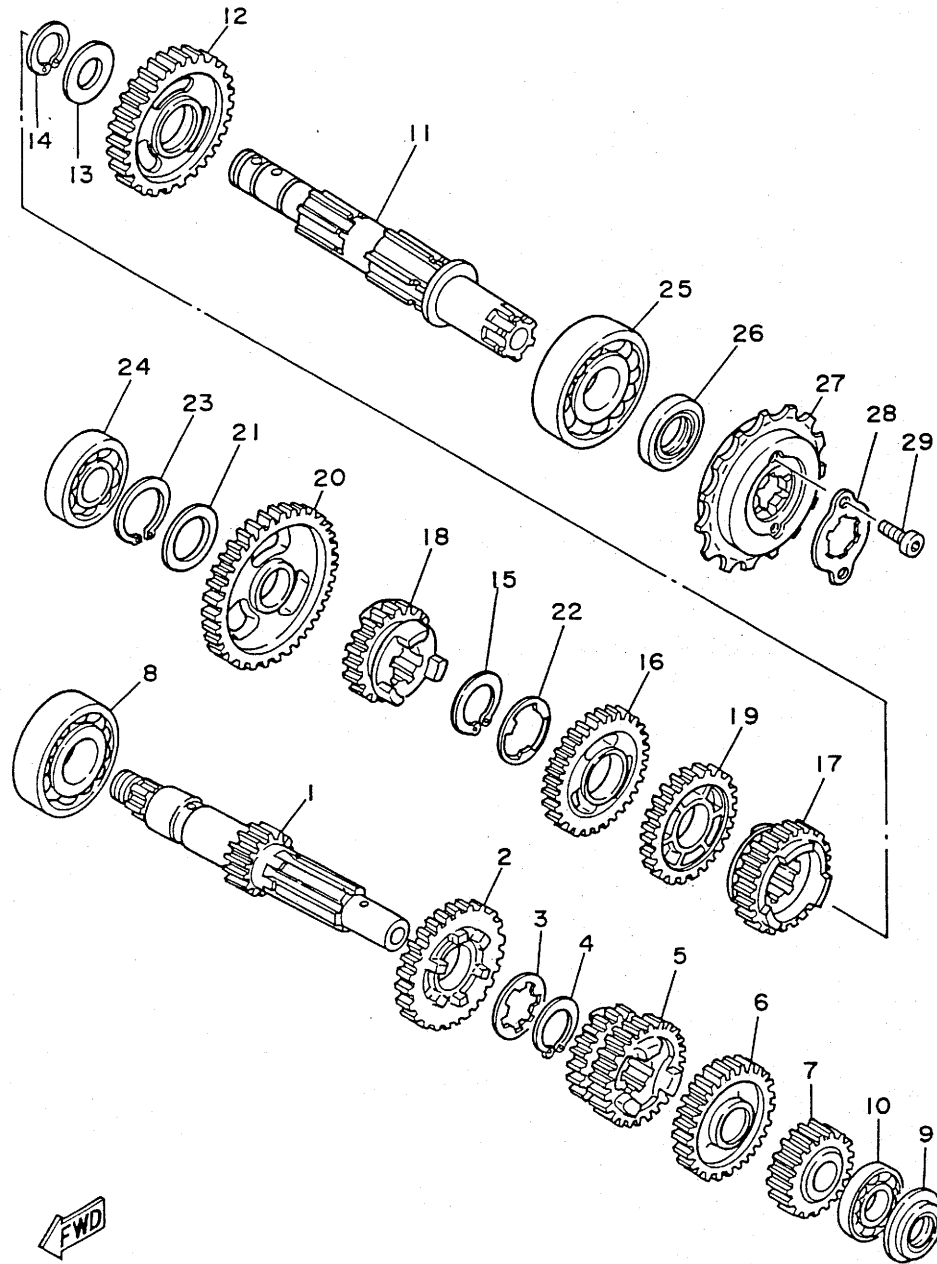
REF. NO.	PART NO.	DESCRIPTION	Q'TY	REMARKS
----------	----------	-------------	------	---------

29	30X-16357-00	ROD, push 2	1	
30	11/32	BALL	1	



55V351-5130

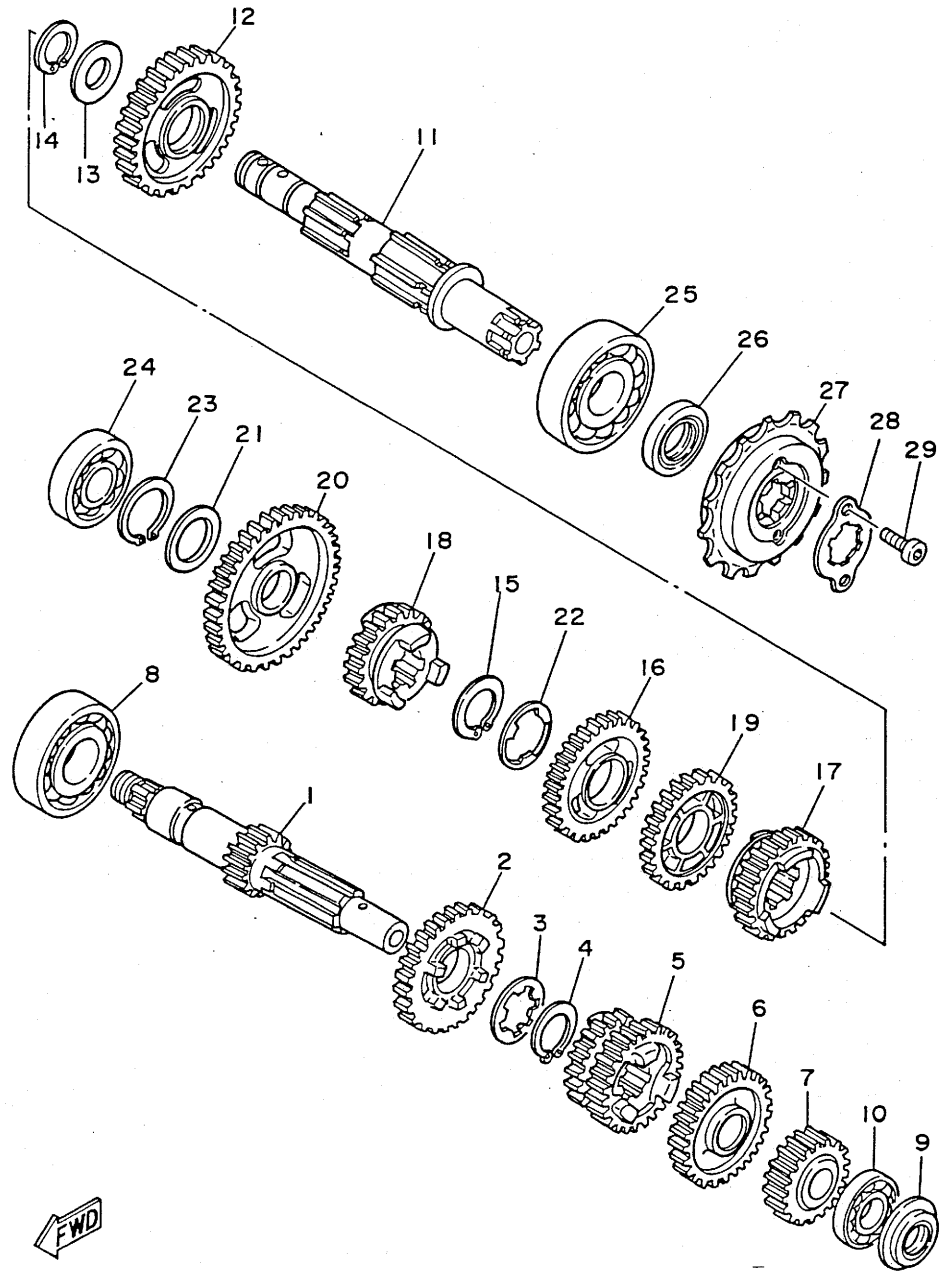
FIG. 14 TRANSMISSION



REF. NO.	PART NO.	DESCRIPTION	Q'TY	REMARKS
1	51Y-17411-00	AXLE, main (15T)	1	
2	55V-17161-00	GEAR, 6th pinion (29T)	1	
3	90209-18208	WASHER	1	
4	93410-22039	CIRCLIP	1	
5	55V-17131-00	GEAR, 3rd pinion (25T)	1	
6	55V-17151-01	GEAR, 5th pinion (27T)	1	
7	51Y-17121-00	GEAR, 2nd pinion (16T)	1	
8	93306-20427	BEARING	1	
9	93101-17093	OIL SEAL	1	
10	93306-00315	BEARING	1	
11	55V-17402-00	DRIVE AXLE ASSY	1	
12	51Y-17221-00	GEAR, 2nd wheel (29T)	1	
13	90209-23241	WASHER	1	
14	93410-26067	CIRCLIP	1	
15	93410-22039	CIRCLIP	1	
16	55V-17231-00	GEAR, 3rd wheel (30T)	1	
17	55V-17251-00	GEAR, 5th wheel (24T)	1	
18	55V-17261-01	GEAR, 6th wheel (22T)	1	
19	55V-17241-00	GEAR, 4th wheel (27T)	1	
20	51Y-17211-00	GEAR, 1st wheel (37T)	1	
21	90201-177G4	WASHER, plate	1	
22	90209-18208	WASHER	1	
23	93410-17037	CIRCLIP	1	
24	93306-20332	BEARING	1	
25	93306-20557	BEARING	1	
26	93102-25226	OIL SEAL	1	
27	55V-17460-00	SPROCKET, drive 19T	1	
28	3Y1-17456-00	HOLDER, sprocket	1	

FIG. 14 TRANSMISSION

REF. NO.	PART NO.	DESCRIPTION	Q'TY	REMARKS
29	97021-06010	BOLT	2	



52E010-4140

FIG. 15 TACHOMETER GEAR

REF. NO.	PART NO.	DESCRIPTION	Q'TY	REMARKS
1	30X-17861-00	AXLE, drive gear	1	
2	30X-17831-00	GEAR, drive (23T)	1	
3	90201-08759	WASHER, plate	2	
4	99009-10400	CIRCLIP	1	
5	30X-17841-01	GEAR, driven	1	
6	92506-06025	SCREW, pan head	1	
7	93102-08307	OIL SEAL	1	
8	90201-12163	WASHER, plate	1	

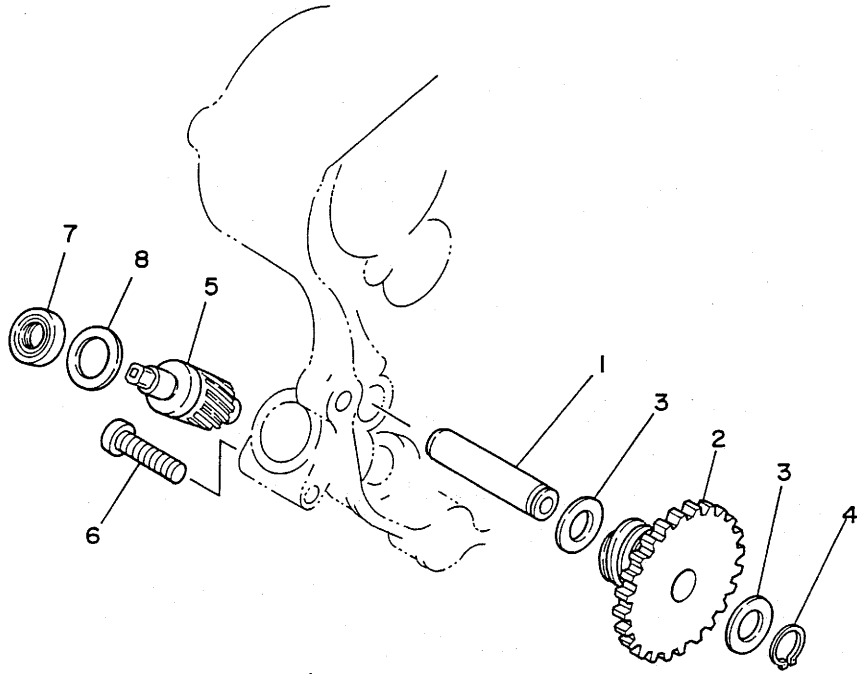
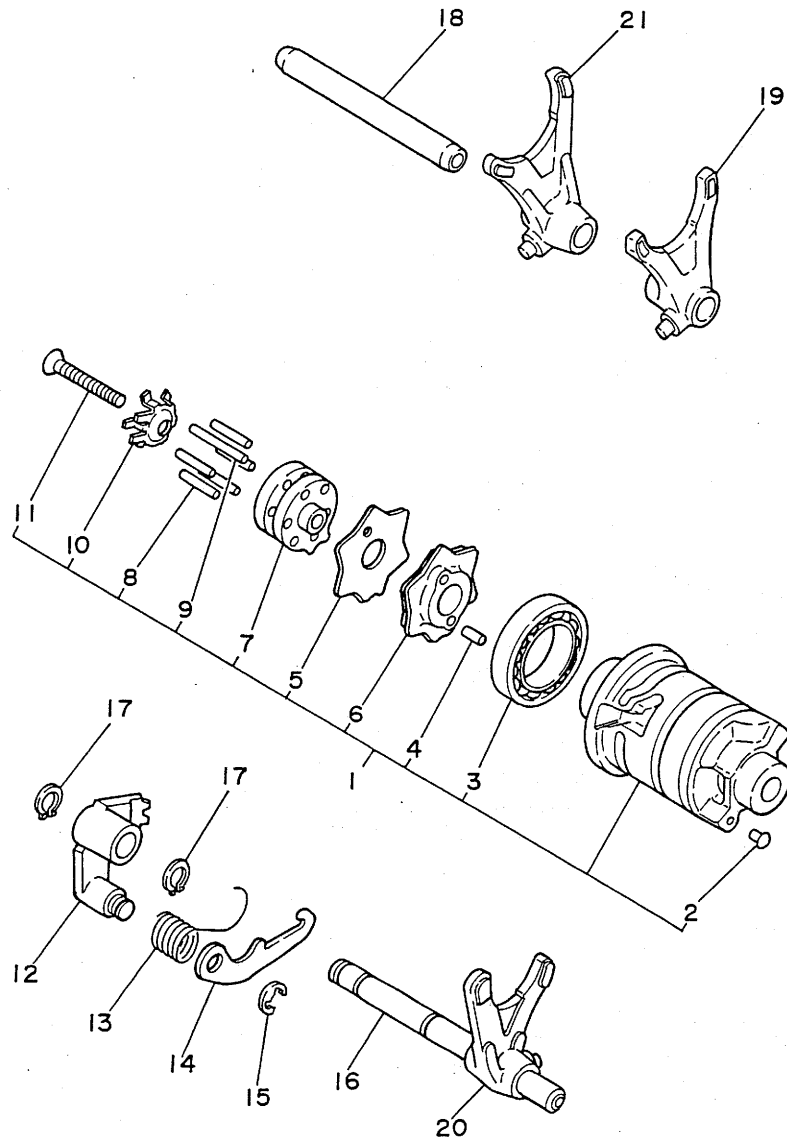


FIG. 16 SHIFT CAM. FORK



REF. NO.	PART NO.	DESCRIPTION	Q'TY	REMARKS
1	30X-18540-00	SHIFT CAM ASSY	1	
2	136-18542-00	.POINT, neutral	1	
3	93306-90501	.BEARING	1	
4	93604-08071	.PIN, dowel	1	
5	30X-18161-00	.GUIDE, plate stopper	1	
6	30X-18141-00	.PLATE, stopper	1	
7	30X-18185-00	.SEGMENT	1	
8	93604-18100	.PIN, dowel	5	
9	93604-29151	.PIN, dowel	1	
10	30X-18561-02	.PLATE, side 1	1	
11	90151-06013	.SCREW, countersunk	1	
12	3Y1-18122-00	LEVER, shift 2	1	
13	90508-12430	SPRING, torsion	1	
14	2K7-18151-00	LEVER, shift 3	1	
15	99001-07600	CIRCLIP	1	
16	3Y1-18531-00	BAR, shift fork guide 1	1	
17	99009-10400	CIRCLIP	2	
18	30X-18535-00	BAR, shift fork guide 2	1	
19	30X-18511-00	FORK, shift 1	1	
20	30X-18512-00	FORK, shift 2	1	
21	30X-18513-00	FORK, shift 3	1	



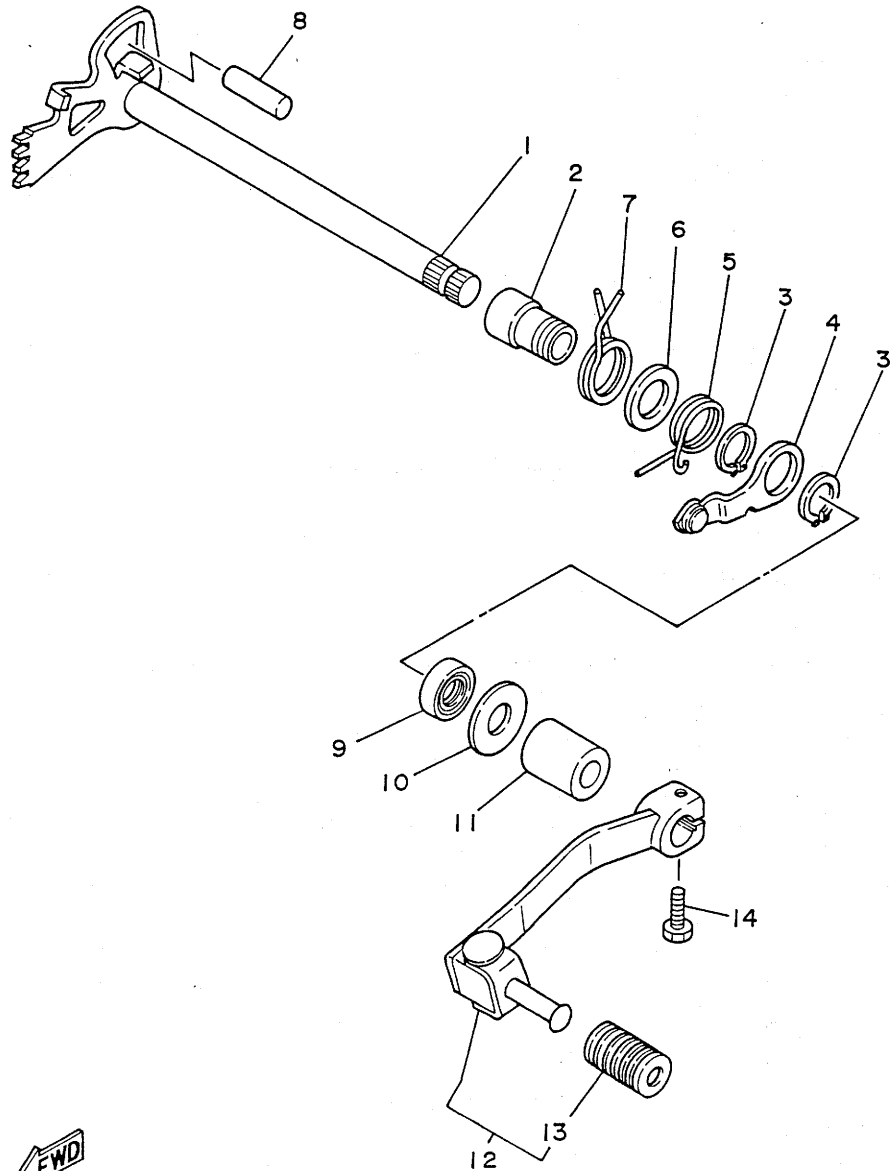
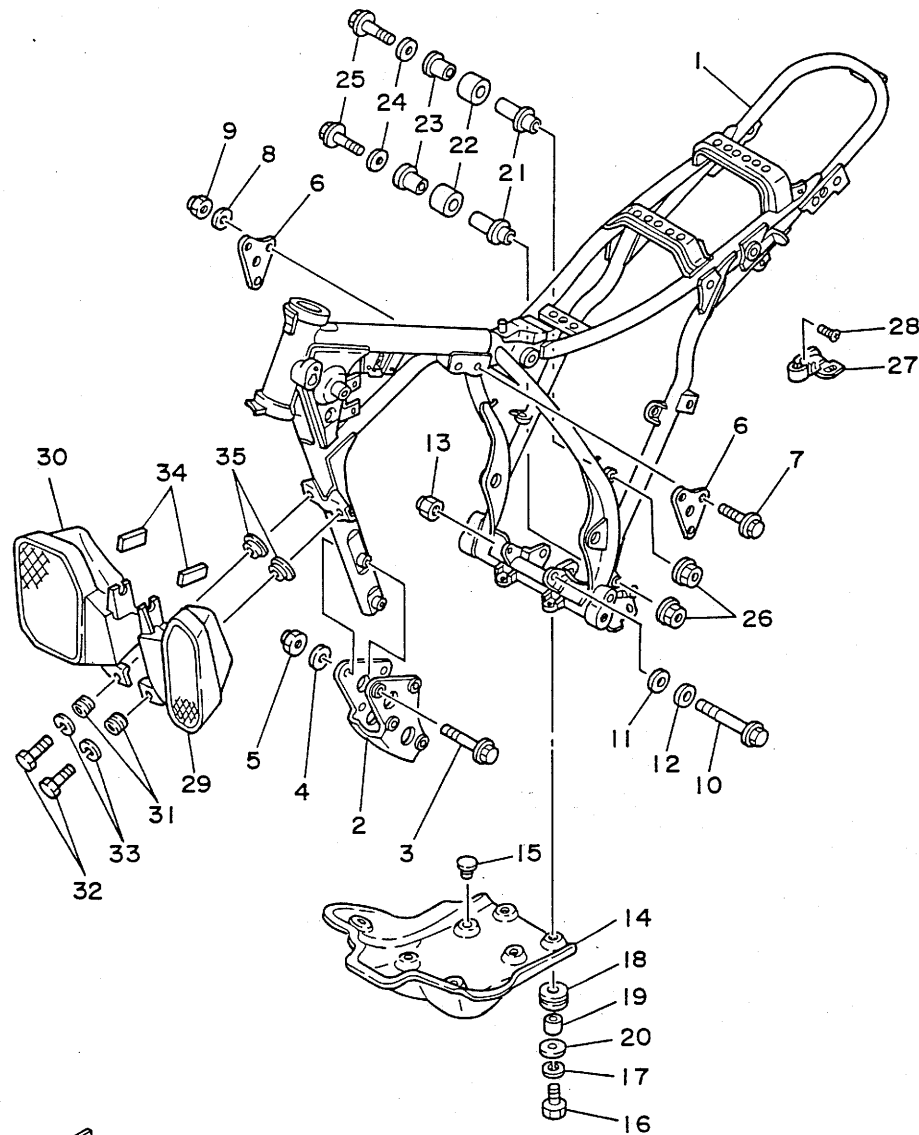


FIG. 17 SHIFT SHAFT

REF. NO.	PART NO.	DESCRIPTION	Q'TY	REMARKS
1	30X-18101-00	SHIFT SHAFT ASSY	1	
2	90387-12787	COLLAR	1	
3	99009-17400	CIRCLIP	2	
4	3Y1-18140-00	STOPPER LEVER ASSY	1	
5	90508-26434	SPRING, torsion	1	
6	90201-17255	WASHER, plate	1	
7	90508-32374	SPRING, torsion	1	
8	93608-30152	PIN, dowel	1	
9	93102-12106	OIL SEAL	1	
10	90201-12588	WASHER, plate	1	
11	90560-12191	SPACER	1	
12	30X-18110-01	SHIFT PEDAL ASSY	1	
13	1W6-18113-00	.COVER, shift pedal	1	
14	97016-06020	BOLT	1	



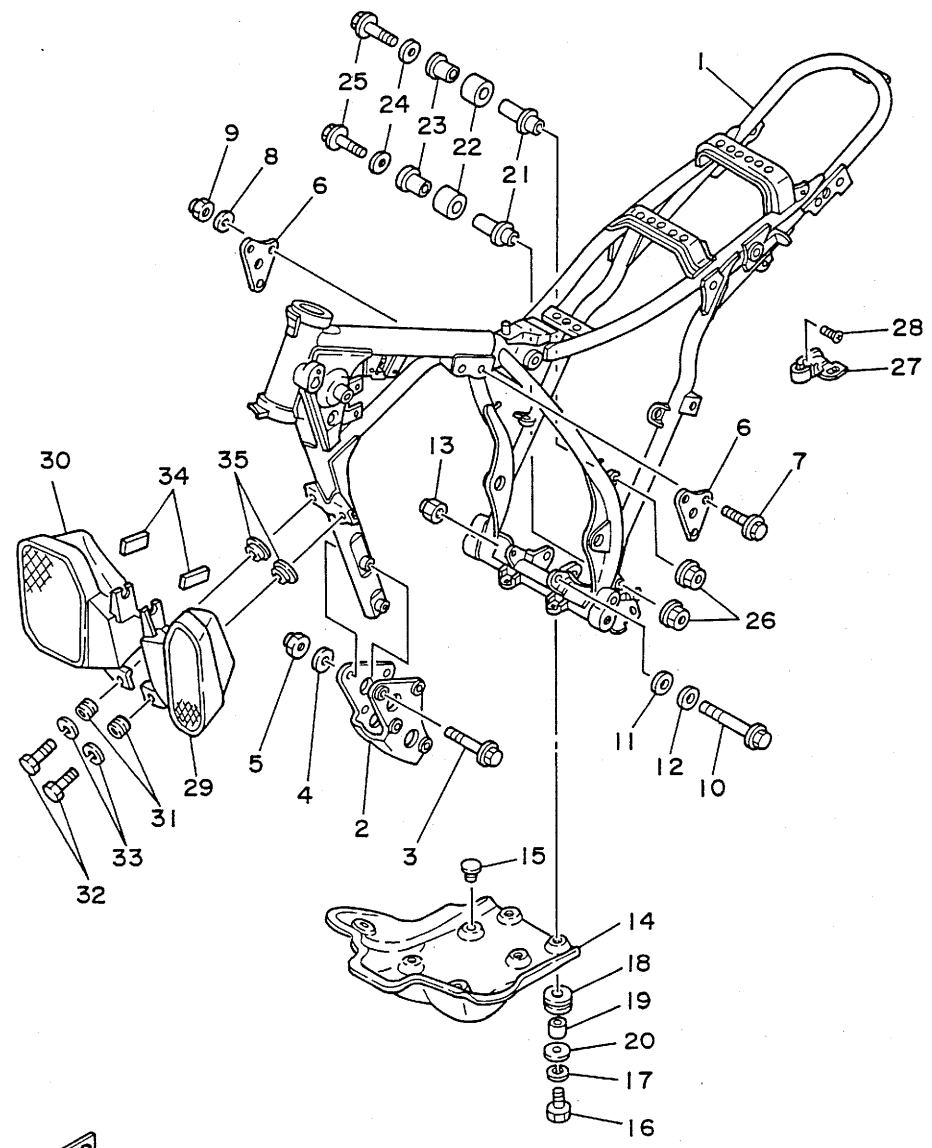
FIG. 18 FRAME



REF. NO.	PART NO.	DESCRIPTION	Q'TY	REMARKS
1	55V-21110-00-FH	FRAME	1	FIRE RED
2	30X-21316-00-FH	STAY, engine 3	1	FIRE RED
3	95811-08070	BOLT, flange	4	
4	90201-094G1	WASHER, plate	4	
5	90185-08089	NUT, self-locking	4	
6	30X-21315-00	STAY, engine 2	2	
7	95811-08060	BOLT, flange	3	
8	90201-094G1	WASHER, plate	3	
9	90185-08089	NUT, self-locking	3	
10	90105-08099	BOLT, washer based	1	
11	90201-094G1	WASHER, plate	1	
12	92901-08800	WASHER, wave	1	
13	90185-08089	NUT, self-locking	1	
14	30X-21471-01	PROTECTOR, engine	1	
15	30X-24768-00	STOPPER	5	
16	97011-06020	BOLT	3	
17	92990-06100	WASHER, spring	3	
18	90480-16233	GROMMET	3	
19	90387-060A7	COLLAR	3	
20	90201-066F3	WASHER, plate	3	
21	2K7-2148A-00	SHAFT	2	
22	30X-22178-00	TENSIONER	2	
23	10V-22184-00	BUSH	2	
24	90201-08310	WASHER, plate	2	
25	95806-08050	BOLT, flange	2	
26	95606-08100	NUT, u	2	
27	55E-21308-00	HELMET HANGER ASSY	1	
28	92701-06018	SCREW, flat head	1	

FIG. 18 FRAME

REF. NO.	PART NO.	DESCRIPTION	Q'TY	REMARKS
29	55V-2137W-00	SCOOP, air 1	1	CHAPPY RED
30	55V-2137X-00	SCOOP, air 2	1	CHAPPY RED
31	90480-12053	GROMMET	2	
32	97016-06016	BOLT	2	
33	92906-06100	WASHER, spring	2	
34	30X-2139X-00	DAMPER	2	
35	90209-06223	WASHER	2	



IEU361-5180

FIG. 19 FENDER

REF. NO.	PART NO.	DESCRIPTION	Q'TY	REMARKS
1	30X-21511-00	FENDER, front	1	CLEAN WHITE
2	90387-06681	COLLAR	4	
3	90119-06063	BOLT, with washer	4	
4	30X-21611-00	FENDER, rear	1	CLEAN WHITE
5	30X-W2164-00	LICENSE BRACKET	1	
6	90119-06061	BOLT, with washer	4	
7	90119-06061	BOLT, with washer	2	
8	90201-06778	WASHER, plate	2	
9	95601-06100	NUT, u	2	
10	30X-21629-00	GUARD, mud	1	
11	98903-06012	SCREW, bind	3	

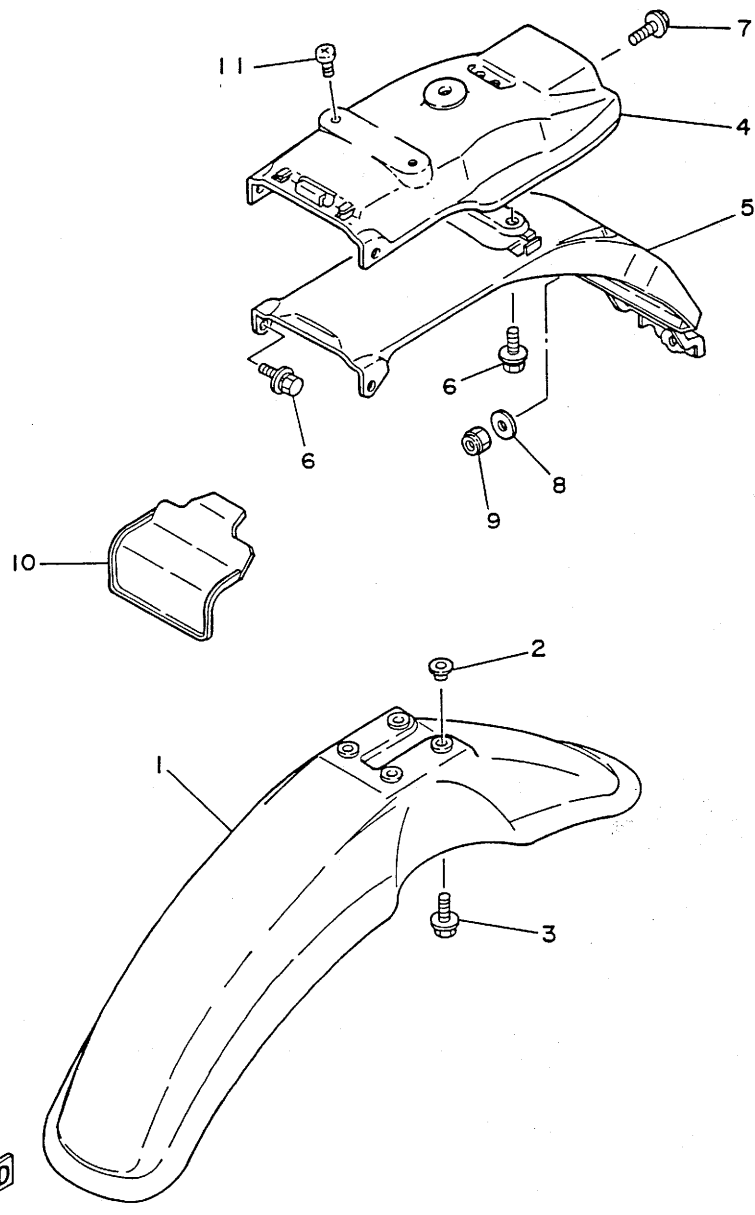
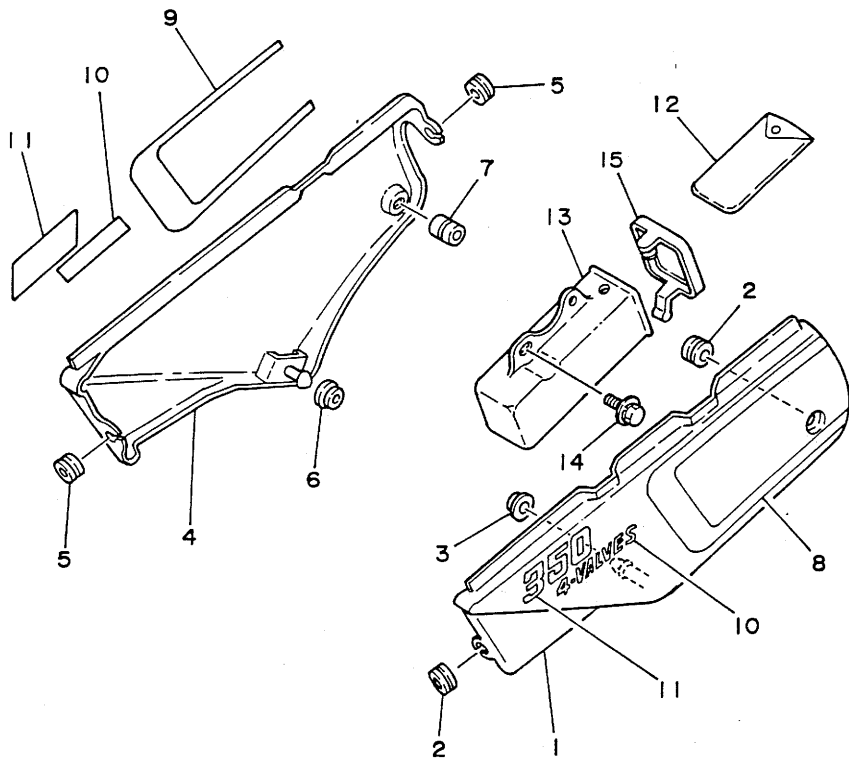


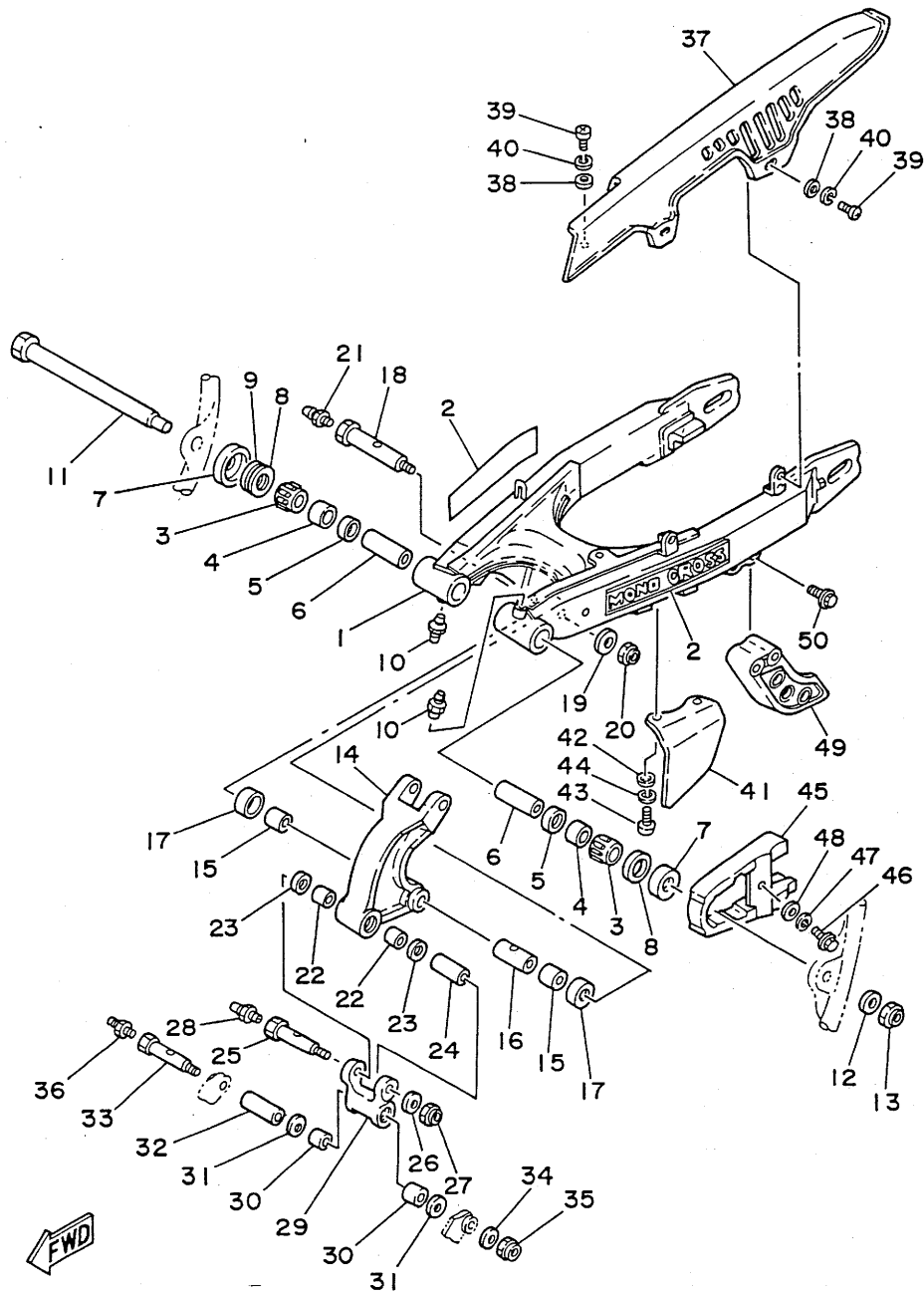
FIG. 20 SIDE COVER

REF. NO.	PART NO.	DESCRIPTION	Q'TY	REMARKS
1	30X-21711-00-98	COVER, side 1	1	WHITE/BLACK
2	90480-12053	GROMMET	2	
3	90480-01141	GROMMET	1	
4	30X-21721-00-98	COVER, side 2	1	WHITE/BLACK
5	90480-12053	GROMMET	2	
6	90480-01141	GROMMET	1	
7	22W-24181-00	DAMPER, locating 1	1	
8	55V-2173E-20	GRAPHIC 1	1	
9	55V-2173F-20	GRAPHIC 2	1	
10	55V-21787-30	EMBLEM 7	2	
11	55V-21785-20	EMBLEM 5	2	
12	48Y-28100-00	TOOL KIT	1	
13	55V-28173-00	BOX, tool	1	
14	90119-06061	BOLT, with washer	2	
15	55V-28185-00	LID	1	

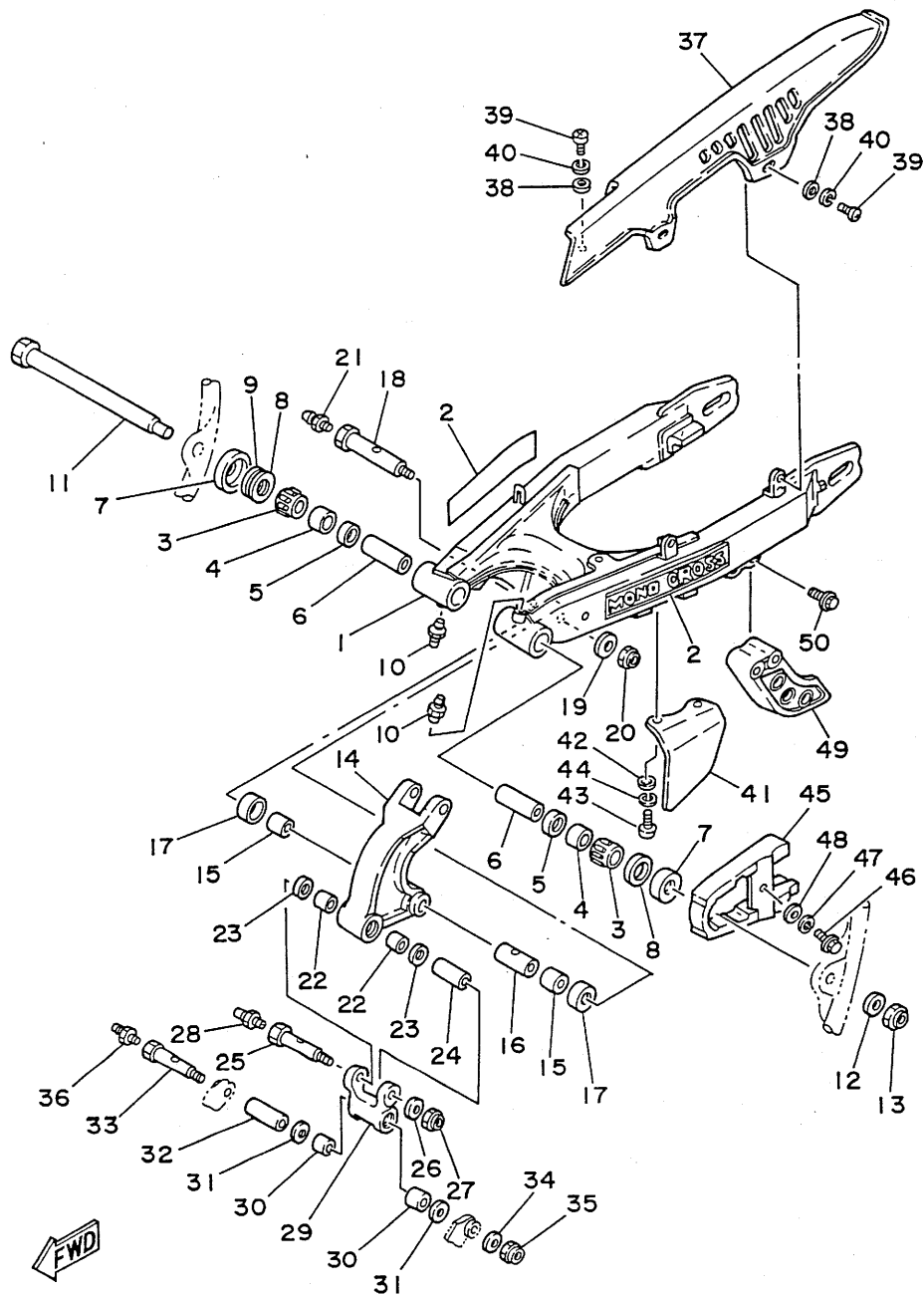


55V300-8200

FIG. 21 REAR ARM



REF. NO.	PART NO.	DESCRIPTION	Q'TY	REMARKS
1	55V-22110-00-35	REAR ARM	1	SILVER
2	46X-2218A-00	EMBLEM, rear arm	2	
3	93317-32231	BEARING, cylindrical	2	
4	90380-22111	BUSH, solid	2	
5	93106-22019	OIL SEAL	2	
6	3Y1-22124-01	BUSH 2	2	
7	322-22128-01	COVER, thrust 1	2	
8	90201-243A2	WASHER, plate	2	
9	156-22127-00	SHIM (0.3T)	1	UN
10	93700-06004	NIPPLE, grease	2	
11	30X-22141-00	SHAFT, pivot	1	
12	90201-14218	WASHER, plate	1	
13	90185-14070	NUT, self-locking	1	
14	30X-2217A-00	ARM, relay	1	
15	90386-20120	BUSH	2	
16	90387-140J9	COLLAR	1	
17	30X-22128-00	COVER, thrust 1	2	
18	90109-121A1	BOLT	1	
19	90201-120A5	WASHER, plate	1	
20	90185-12119	NUT, self-locking	1	
21	93700-06004	NIPPLE, grease	1	
22	90386-18115	BUSH	2	
23	93109-18020	OIL SEAL	2	
24	90387-126J8	COLLAR	1	
25	90109-10752	BOLT	1	
26	90201-100E9	WASHER, plate	1	
27	90185-10120	NUT, self-locking	1	

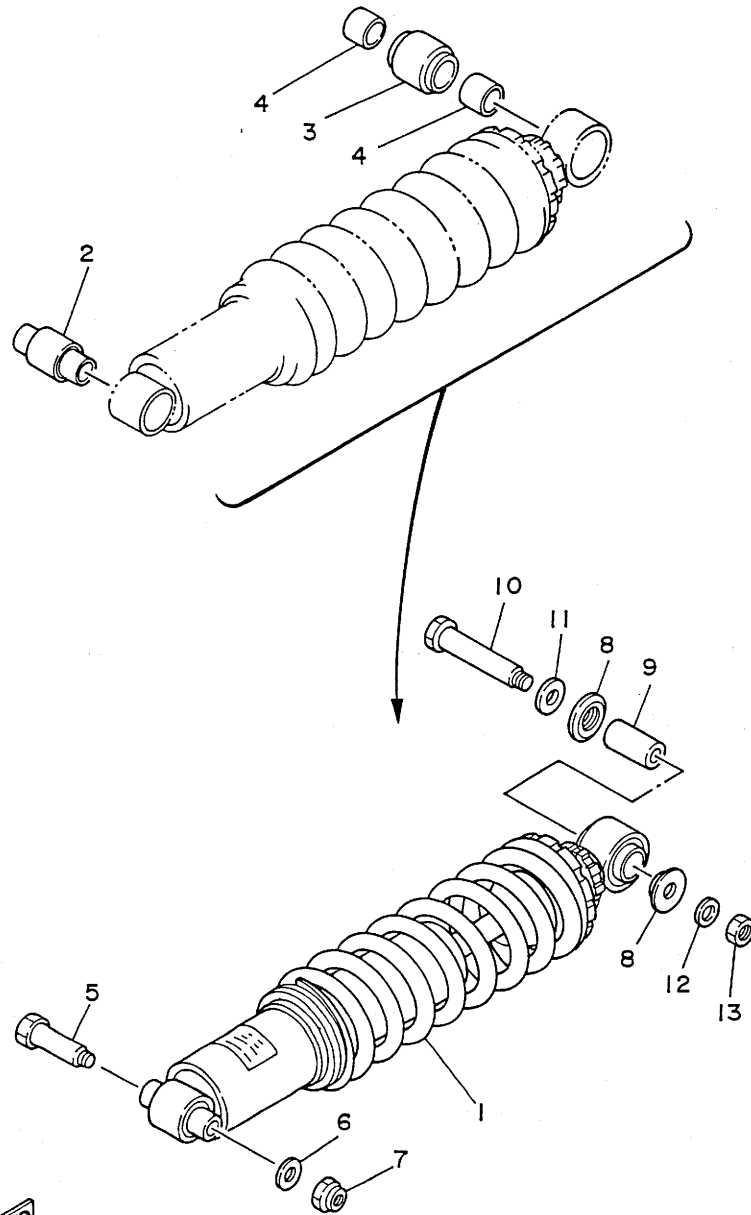


IEU361-5210

FIG. 21 REAR ARM

REF. NO.	PART NO.	DESCRIPTION	Q'TY	REMARKS
28	93700-06009	NIPPLE, grease	1	
29	30X-2217F-01	ROD, connecting 1	1	
30	90386-18115	BUSH	2	
31	93109-18020	OIL SEAL	2	
32	90387-121L6	COLLAR	1	
33	90109-10752	BOLT	1	
34	90201-100E9	WASHER, plate	1	
35	90185-10120	NUT, self-locking	1	
36	93700-06004	NIPPLE, grease	1	
37	38M-22311-00	CASE, chain	1	
38	90209-06223	WASHER	3	
39	92506-06016	SCREW, pan head	3	
40	92906-06100	WASHER, spring	3	
41	30X-22312-01	CASE, chain 2	1	
42	90209-06223	WASHER	2	
43	92506-06012	SCREW, pan head	2	
44	92906-06100	WASHER, spring	2	
45	42U-22151-00	SEAL, guard	1	
46	97006-06012	BOLT	1	
47	92906-06100	WASHER, spring	1	
48	90209-06223	WASHER	1	
49	30X-22153-00	GUARD, chain	1	
50	95801-06050	BOLT, flange	2	

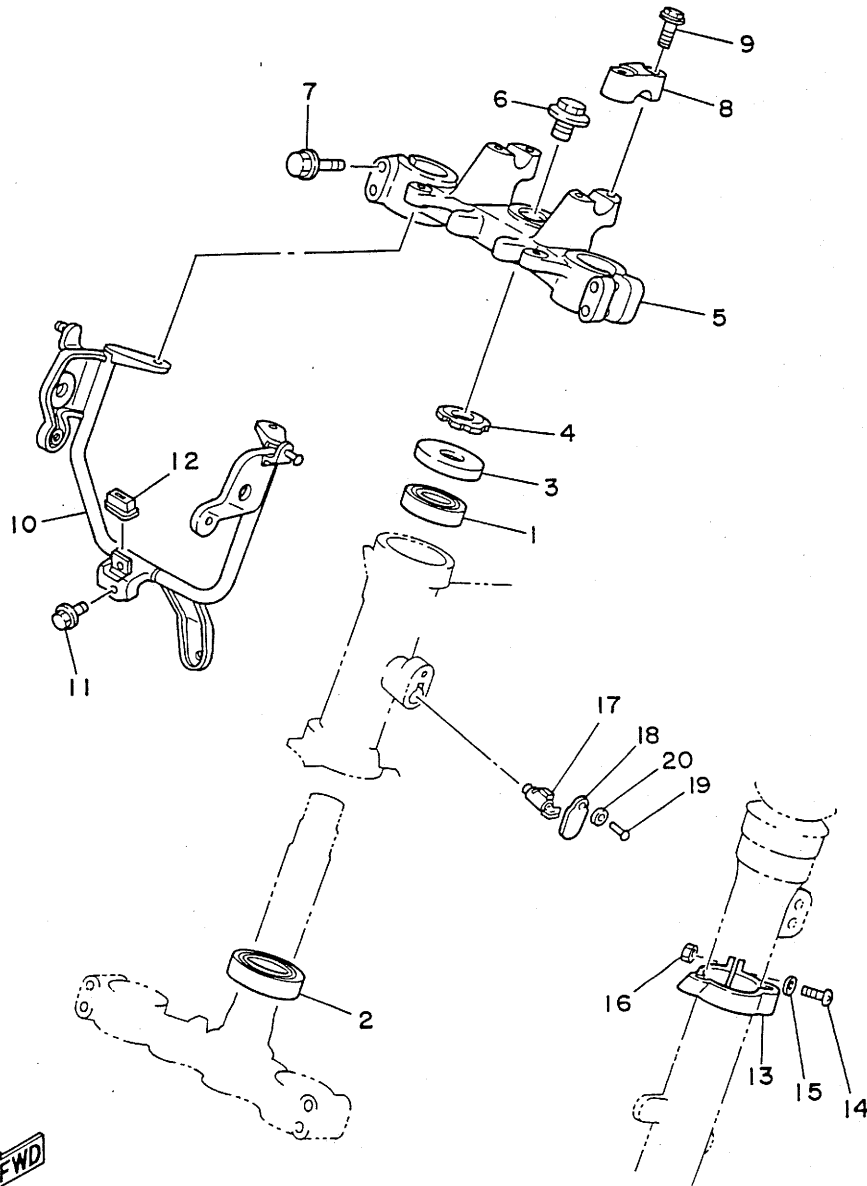
FIG. 22 REAR SUSPENSION



REF. NO.	PART NO.	DESCRIPTION	Q'TY	REMARKS
1	55V-22210-00-6W	SHOCK ABSORBER ASSY, rear	1	NATIVE RED
2	30X-22216-00	.BUSH, rear shock absorber	1	
3	30X-22226-00	.BUSH, shock absorber lower	1	
4	90384-18157	.BUSH, bimetal formed	2	
5	90109-10753	BOLT	1	
6	90201-100E9	WASHER, plate	1	
7	90185-10120	NUT, self-locking	1	
8	30X-22129-00	COVER, thrust 2	2	
9	90387-121J0	COLLAR	1	
10	90109-10753	BOLT	1	
11	90201-120E6	WASHER, plate	1	
12	90201-100E9	WASHER, plate	1	
13	90185-10120	NUT, self-locking	1	



FIG. 23 STEERING



REF. NO.	PART NO.	DESCRIPTION	Q'TY	REMARKS
1	93332-00023	BEARING	1	
2	93332-00008	BEARING	1	
3	1W1-23416-00	COVER, ball race 2	1	
4	90179-25033	NUT	1	
5	30X-23435-00-98	CROWN, handle	1	LOW GLOSS BLACK
6	90105-14102	BOLT, washer based	1	
7	95826-08040	BOLT, flange	4	
8	1E6-23441-00	HOLDER, handle upper	2	
9	95816-08035	BOLT, flange	4	
10	30X-23174-00	STAY, headlight	1	
11	95826-06012	BOLT, flange	1	
12	30X-23445-00	DAMPER	1	
13	34X-23317-00	HOLDER, cable	1	
14	98501-05018	SCREW, pan head	1	
15	92901-05600	WASHER, plate	1	
16	95301-05600	NUT	1	
17	341-23408-01	BODY & KEY, steering lock	1	
18	134-23484-10	CAP, handle lock	1	
19	90269-04003	RIVET	1	
20	90208-04029	WASHER, conical spring	1	



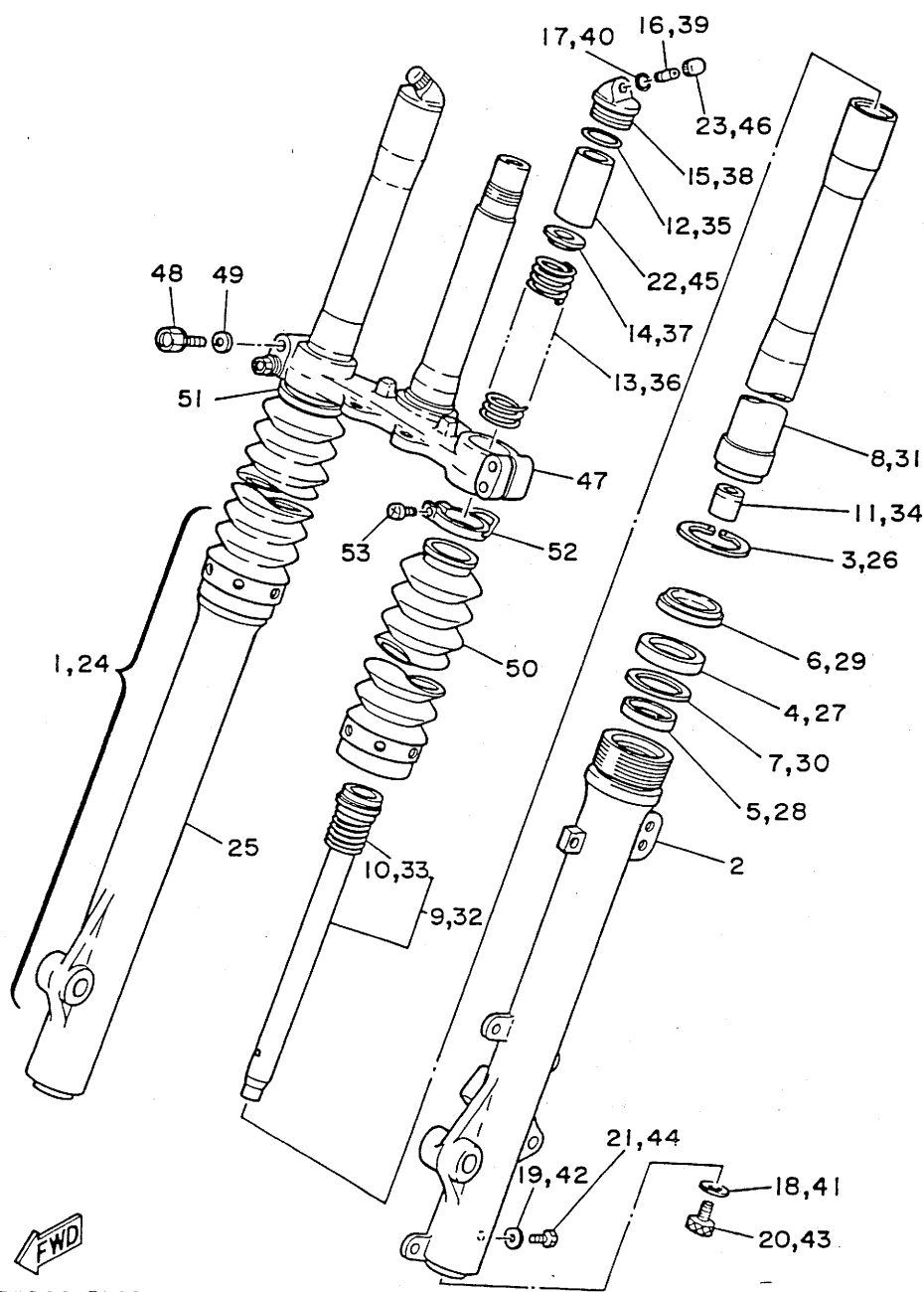
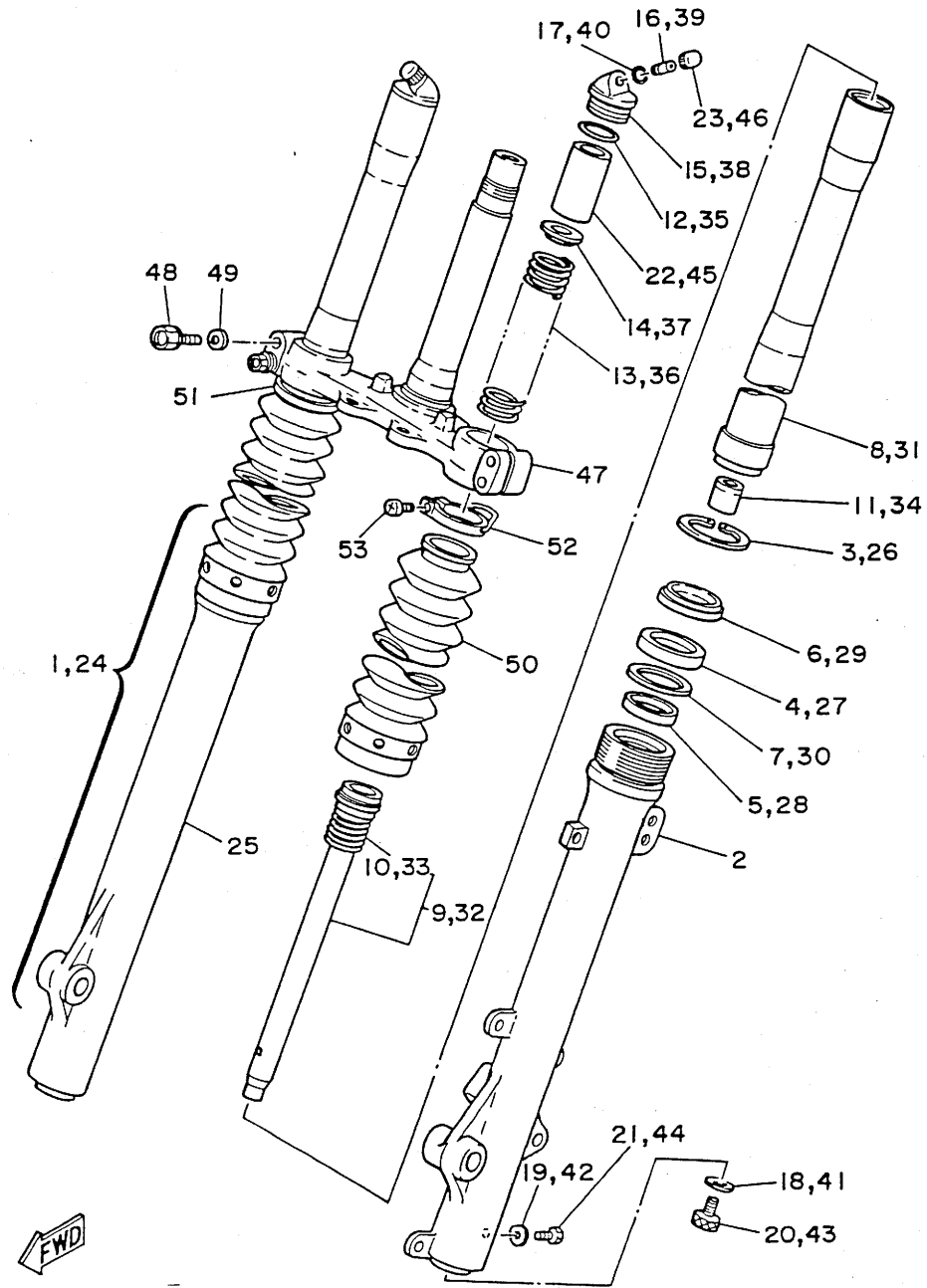


FIG. 24 FRONT FORK

REF. NO.	PART NO.	DESCRIPTION	Q'TY	REMARKS
1	55V-23102-00	FRONT FORK ASSY (L.H)	1	
2	48Y-23126-00	.TUBE, outer 1	1	
3	4A1-23156-00	.CLIP, oil seal	1	
4	48Y-23145-00	.OIL SEAL	1	
5	30X-23125-00	.METAL, slide 1	1	
6	48Y-23144-00	.SEAL, dust	1	
7	5K5-23149-00	.WASHER, spring upper	1	
8	30X-23110-00	.INNER TUBE 1	1	
9	55V-23170-00	.CYLINDER COMP., front fork	1	
10	2X7-23151-00	..SPRING, rebound	1	
11	3R6-23173-L0	.SPINDLE, taper	1	
12	1W1-23114-L0	.GASKET	1	
13	30X-23141-00	.SPRING, front fork	1	
14	1W1-23142-L0	.SEAT, spring upper	1	
15	33M-23111-00	.BOLT, cap	1	
16	4V4-23190-L0	.AIR VALVE	1	
17	3J2-23147-00	.O-RING	1	
18	509-23158-L0	.GASKET	1	
19	122-23129-00	.GASKET, drain plug	1	
20	278-23181-50	.BOLT, hexagon socket head	1	
21	4H7-23119-00	.PLUG, drain	1	
22	4V5-231T8-L1	.SPACER	1	
23	509-23184-L0	.CAP, air valve	1	
24	55V-23103-00	FRONT FORK ASSY (R.H)	1	
25	48Y-23136-00	.TUBE, outer 2	1	
26	4A1-23156-00	.CLIP, oil seal	1	
27	48Y-23145-00	.OIL SEAL	1	
28	30X-23125-00	.METAL, slide 1	1	

FIG. 24 FRONT FORK



REF. NO.	PART NO.	DESCRIPTION	Q'TY	REMARKS
29	48Y-23144-00	.SEAL, dust	1	
30	5K5-23149-00	.WASHER, spring upper	1	
31	30X-23110-00	.INNER TUBE 1	1	
32	55V-23170-00	.CYLINDER front fork	1	
33	2X7-23151-00	..SPRING, rebound	1	
34	3R6-23173-L0	.SPINDLE, taper	1	
35	1W1-23114-L0	.GASKET	1	
36	30X-23141-00	.SPRING, front fork	1	
37	1W1-23142-L0	.SEAT, spring upper	1	
38	33M-23111-00	.BOLT, cap	1	
39	4V4-23190-L0	.AIR VALVE	1	
40	3J2-23147-00	.O-RING	1	
41	509-23158-L0	.GASKET	1	
42	122-23129-00	.GASKET, drain plug	1	
43	278-23181-50	.BOLT, hexagon socket head	1	
44	4H7-23119-00	.PLUG, drain	1	
45	4V5-23118-L1	.SPACER	1	
46	509-23184-L0	.CAP, air valve	1	
47	55V-23340-00	UNDER BRACKET	1	
48	5X6-23128-L0	BOLT, axle holder	4	
49	90201-08544	WASHER, plate	4	
50	30X-23191-00	BOOT	2	RED
51	48Y-23192-00	BAND	2	
52	341-92090-60	BAND, boot	2	
53	1W4-23194-L0	SCREW, boot band	2	



FIG. 26 SEAT

REF. NO.	PART NO.	DESCRIPTION	Q'TY	REMARKS
1	48Y-24770-00	SEMI-DOUBLE SEAT ASSY	1	CHAPPY RED
2	30X-2477A-00	.SEAT COVER ASSY	1	CHAPPY RED
3	95801-06016	BOLT, flange	2	
4	55V-24830-00	SUB CARRIER ASSY	1	
5	55V-24877-00	LABEL, caution	1	
6	95806-08016	BOLT, flange	2	
7	95826-06010	BOLT, flange	2	

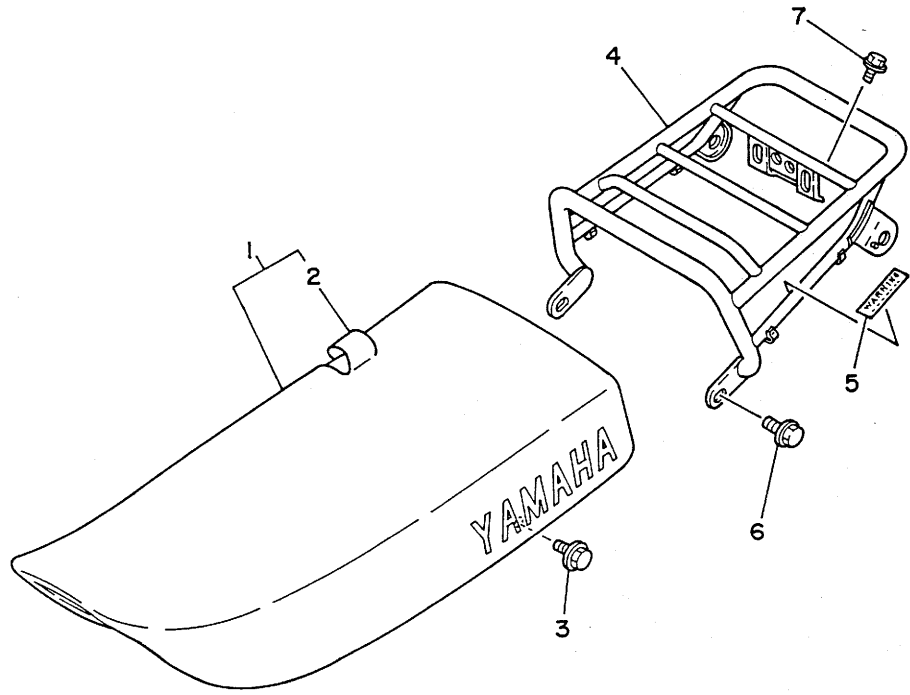
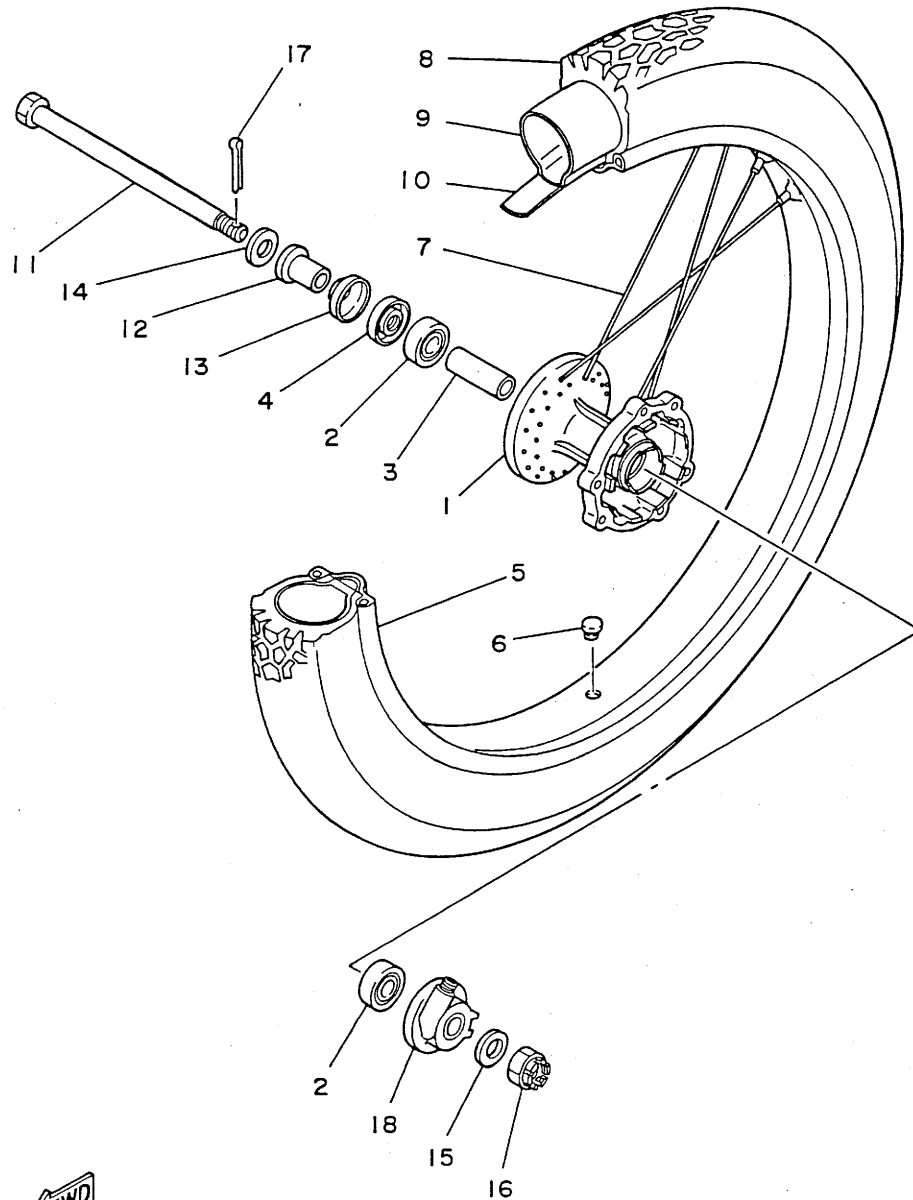


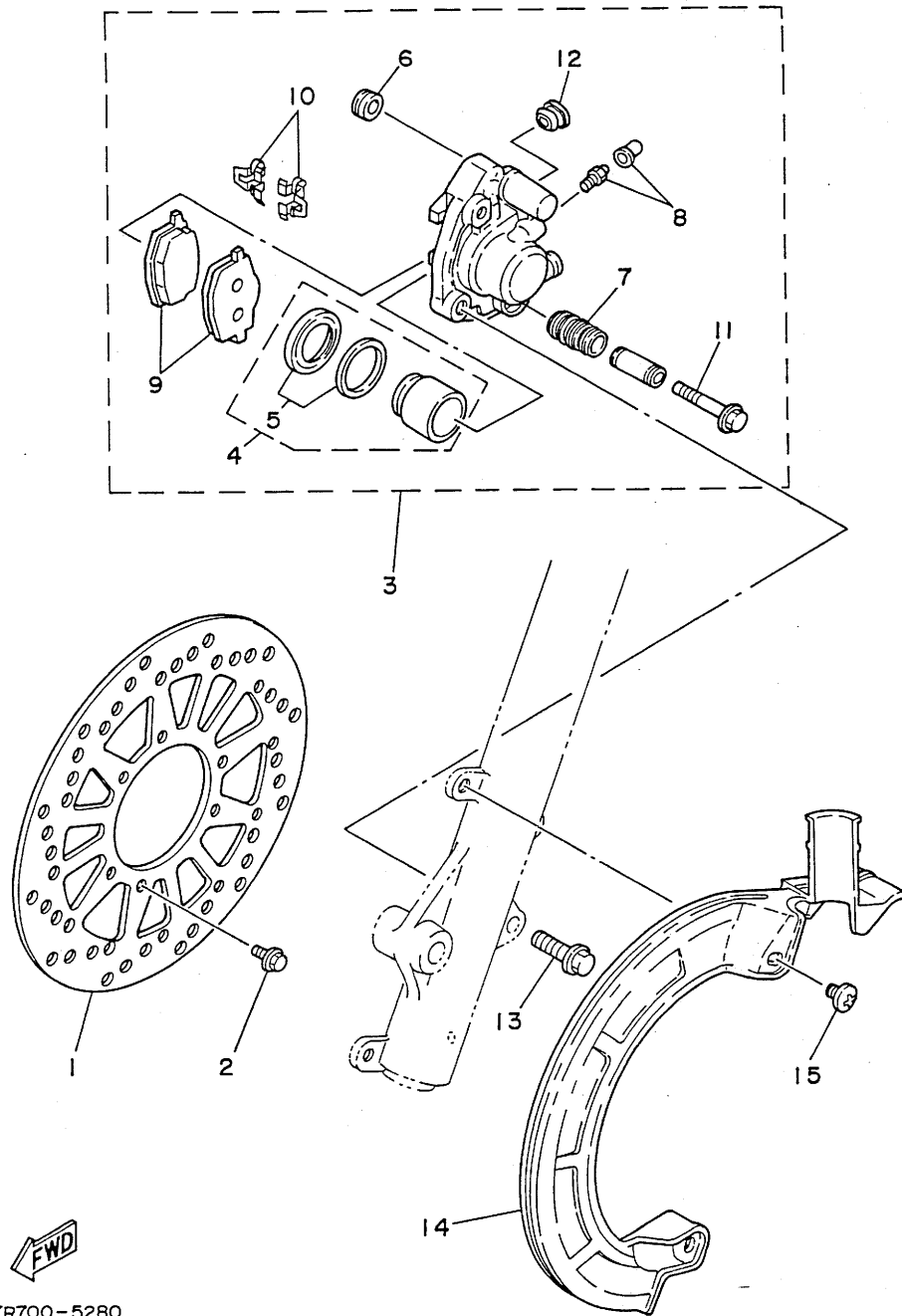
FIG. 27 FRONT WHEEL



REF. NO.	PART NO.	DESCRIPTION	Q'TY	REMARKS
1	34X-25111-02-98	HUB, front	1	LOW GLOSS BLACK
2	93306-20209	BEARING	2	
3	90560-15290	SPACER	1	
4	93102-20281	OIL SEAL	1	
5	94416-21430	RIM (1.60-21)	1	
6	90480-10068	GROMMET	1	
7	48Y-25104-00	SPOKE SET, front	1	
8	3.00X21	TIRE	1	
9	2.75X21	TUBE	1	
10	94330-21084	BAND, rim (3.00-21)	1	
11	30X-25181-00	AXLE, wheel	1	
12	90387-15600	COLLAR	1	
13	322-25118-00	COVER, hub dust	1	
14	90201-163H8	WASHER, plate	1	
15	90201-15785	WASHER, plate	1	
16	90171-14020	NUT, castle	1	
17	91401-30030	PIN, cotter	1	
18	34X-25190-00	GEAR UNIT ASSY	1	



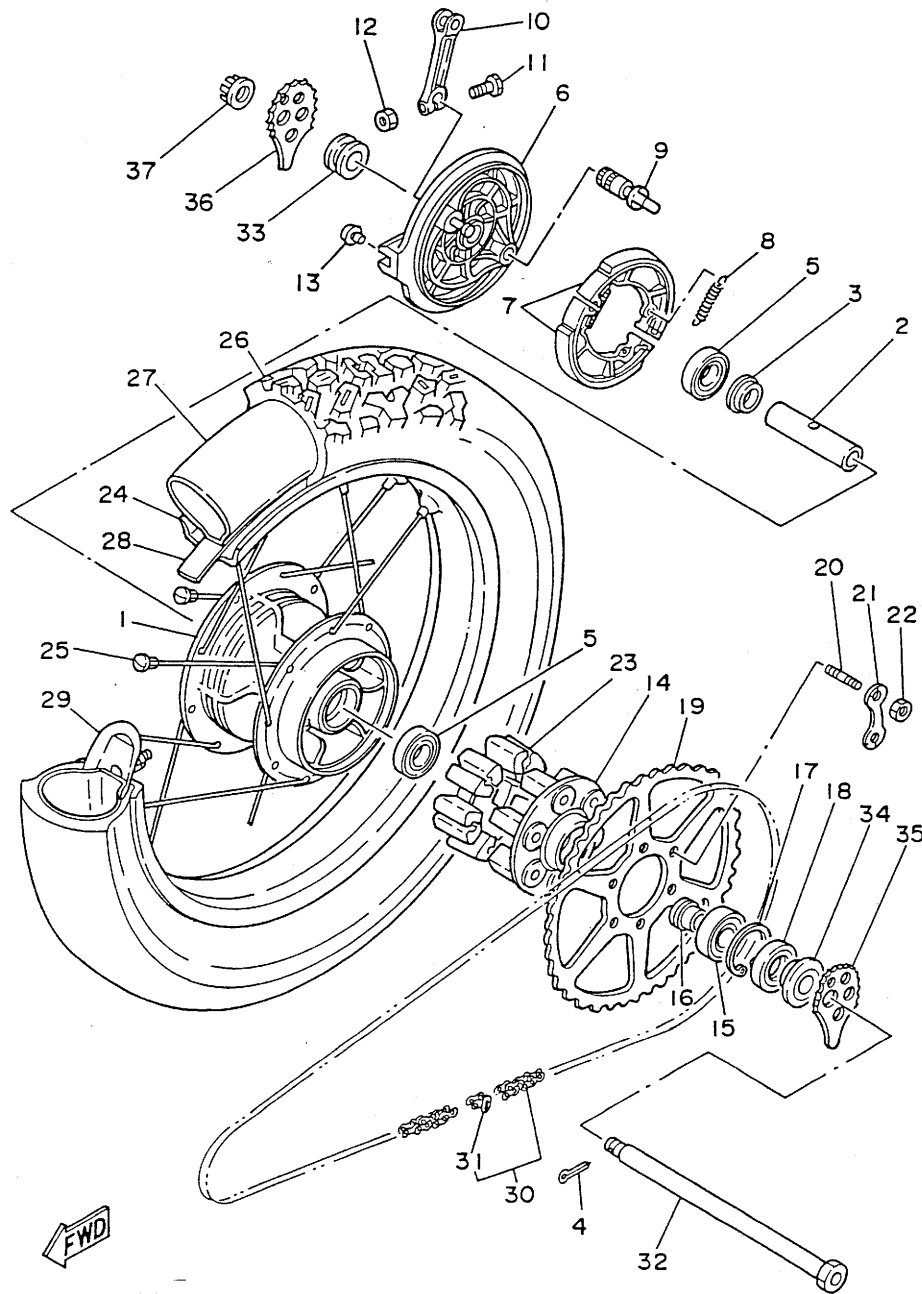
FIG. 28 FRONT BRAKE CALIPER



REF. NO.	PART NO.	DESCRIPTION	Q'TY	REMARKS
1	48Y-25831-00	DISC, brake (RIGHT)	1	
2	90109-06757	BOLT	6	
3	59Y-25810-10	CALIPER ASSY (LEFT)	1	SILVER
4	34X-W0057-00	.PISTON ASSY, caliper	1	
5	34X-W0047-00	..CALIPER SEAL KIT	1	
6	5R2-25917-00	.BOOT, caliper	1	
7	34X-25937-00	.BOOT 2	1	
8	51L-W0048-00	.BREED SCREW KIT	1	
9	38W-W0045-00	.BRAKE PAD KIT, front	1	
10	34X-25919-00	.SUPPORT, pad	1	
11	34X-25926-00	.BOLT	1	
12	34X-25845-00	.CAP, indicator	1	
13	90105-10259	BOLT, washer based	2	
14	55V-25715-00	COVER 1	1	CHAPPY RED
15	90149-06194	SCREW	2	

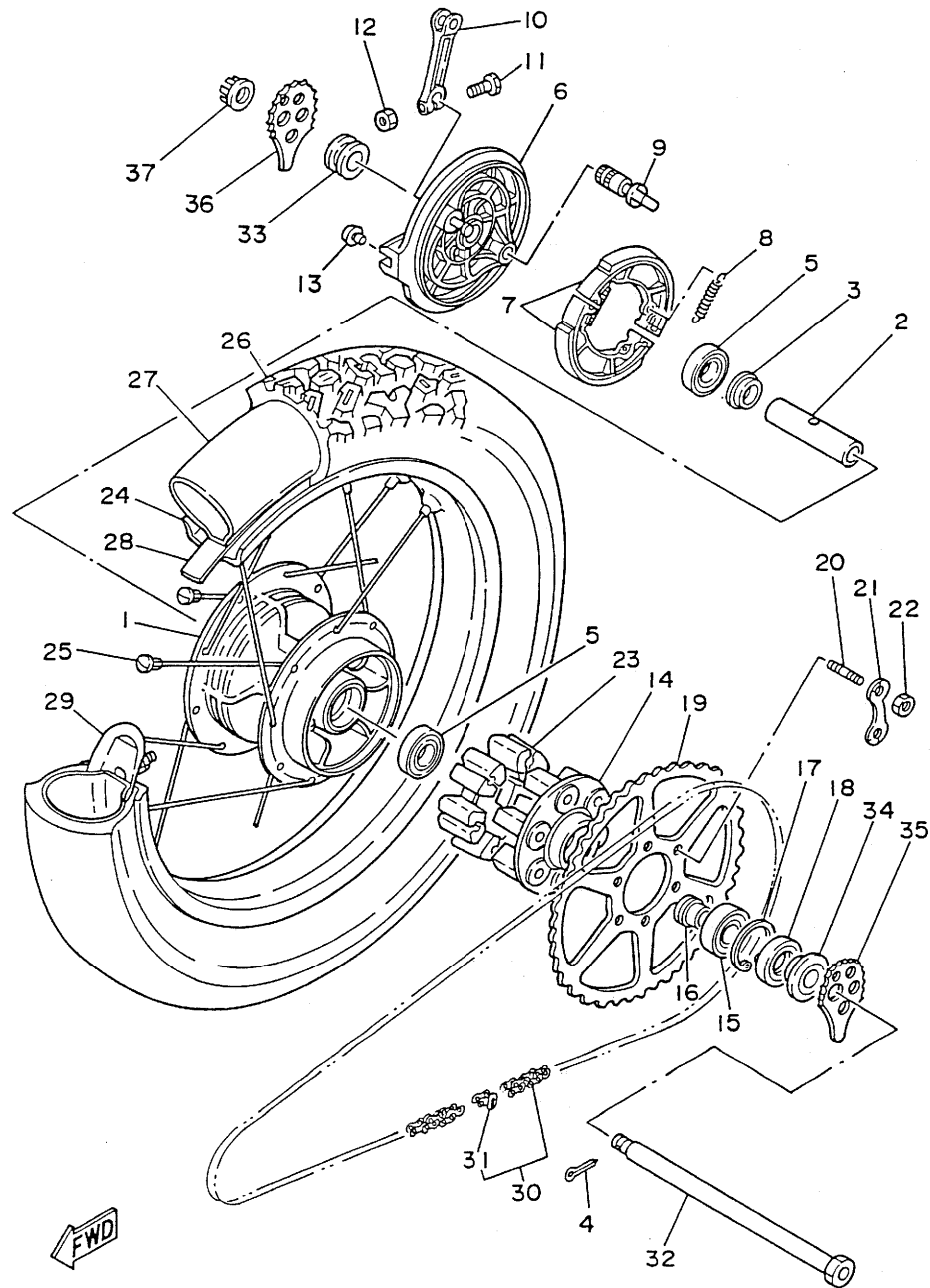


FIG. 29 REAR WHEEL



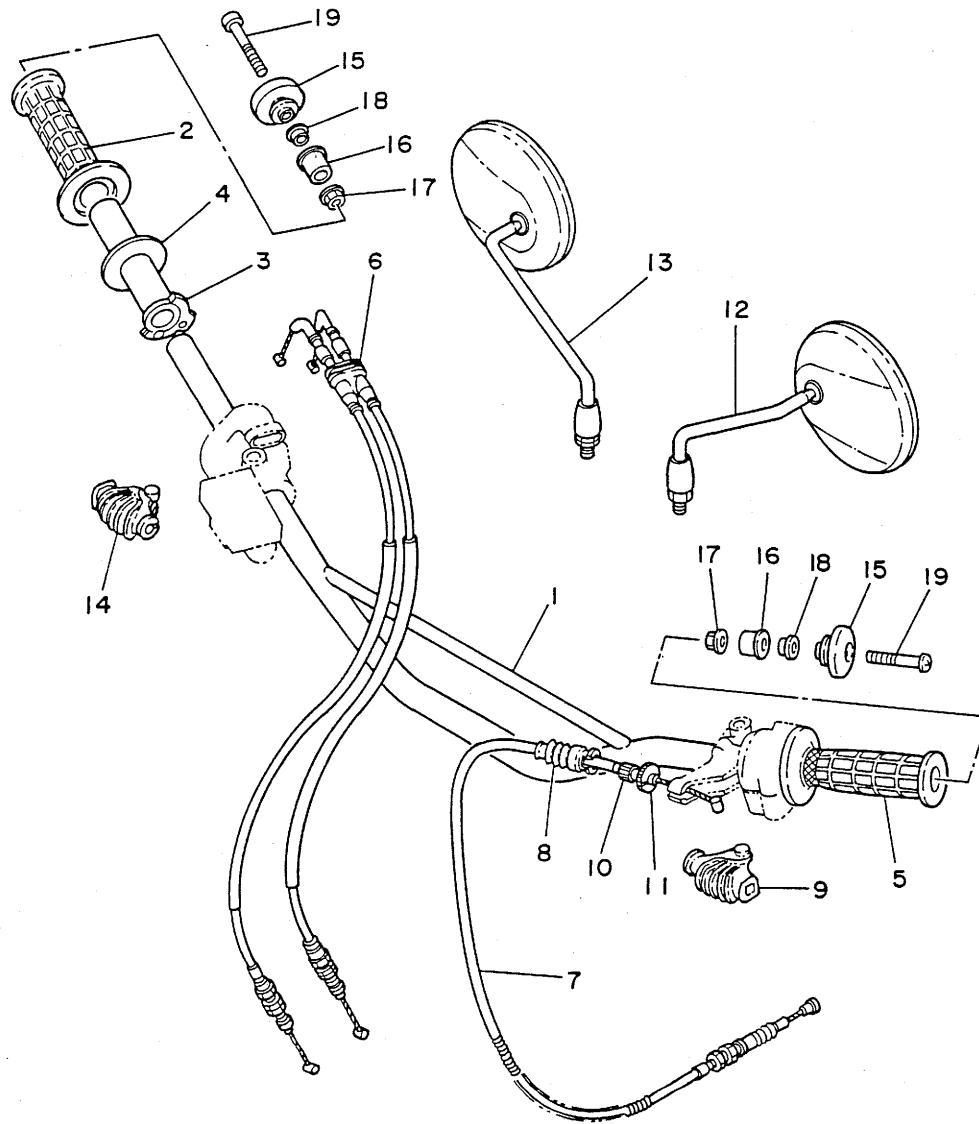
REF. NO.	PART NO.	DESCRIPTION	Q'TY	REMARKS
1	3Y1-25311-00-98	HUB, rear	1	LOW GLOSS BLACK
2	275-25317-00	SPACER, bearing	1	
3	146-25315-00	FLANGE, spacer	1	
4	91401-30030	PIN, cotter	1	
5	93306-20310	BEARING	2	
6	3Y1-25321-00-98	PLATE, brake shoe	1	LOW GLOSS BLACK
7	25G-W2536-00	BRAKE SHOE SET	1	
8	90506-16036	SPRING, tension	2	
9	3Y6-25351-00	CAMSHAFT	1	
10	3R6-25355-01	LEVER, camshaft	1	
11	90101-06278	BOLT	1	
12	95303-06600	NUT	1	
13	90480-10068	GROMMET	1	
14	3Y1-25366-00-98	CLUTCH, hub	1	LOW GLOSS BLACK
15	93306-20446	BEARING	1	
16	3Y1-25377-00	COLLAR, wheel	1	
17	99009-47500	CIRCLIP	1	
18	93102-28022	OIL SEAL	1	
19	55V-25452-50-33	SPROCKET, driven (52T)	1	YAMAHA BLACK
20	90116-08425	BOLT, stud	6	
21	90215-08160	WASHER, lock	3	
22	90170-08258	NUT	6	
23	3Y1-25364-00	DAMPER	6	
24	94421-18418	RIM (2.15-18)	1	
25	4Y0-25304-00	SPOKE SET, rear	1	
26	110/80x18	TIRE	1	
27	4.00x18	TUBE	1	
28	94340-18086	BAND, rim	1	

FIG. 29 REAR WHEEL



REF. NO.	PART NO.	DESCRIPTION	Q'TY	REMARKS
29	3Y1-25394-00	SPACER, bead	1	
30	94580-78128	CHAIN	1	
31	94680-78011	.JOINT, chain	1	
32	42U-25381-00	AXLE, wheel	1	
33	90387-17141	COLLAR	1	
34	3Y1-25383-00	COLLAR, wheel	1	
35	3Y1-25388-01	PULLER, chain 1	1	
36	3Y1-25389-00	PULLER, chain 2	1	
37	90171-16024	NUT, castle	1	

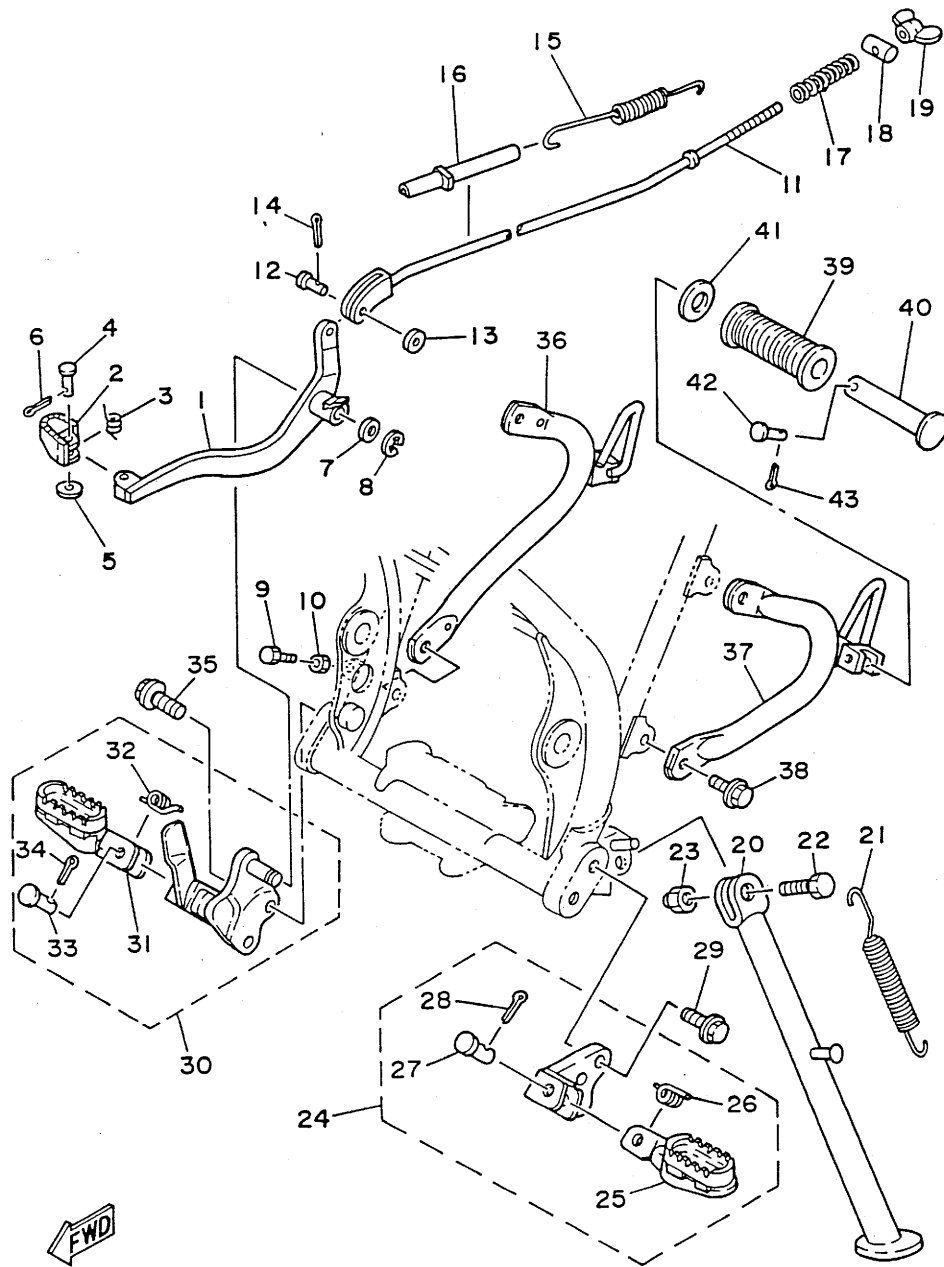
FIG. 30 STEERING HANDLE. CABLE



REF. NO.	PART NO.	DESCRIPTION	Q'TY	REMARKS
1	1EU-26111-00	HANDLEBAR	1	
2	55V-26242-00	GRIP (R.H.)	1	
3	3Y1-26243-01	TUBE, throttle guide	1	
4	3Y1-26249-00	RING, leaf	1	
5	55V-26241-00	GRIP (L.H.)	1	
6	30X-26302-00	THROTTLE CABLE ASSY	1	
7	30X-26335-01	CABLE, clutch	1	
8	1E6-26342-00	BOOT, cable	1	
9	1E6-26372-00	COVER, handle lever 1	1	
10	90123-08046	BOLT	1	
11	90179-08148	NUT	1	
12	55V-26280-00	REAR VIEW MIRROR ASSY (LEFT)	1	
13	55V-26290-00	REAR VIEW MIRROR ASSY (RIGHT)	1	
14	1T5-26372-00	COVER, handle lever 1	1	
15	55V-26246-00	END, grip	2	
16	55V-2622F-00	DAMPER, locating 1	2	
17	90179-06498	NUT	2	
18	90387-06681	COLLAR	2	
19	92506-06040	SCREW, pan head	2	

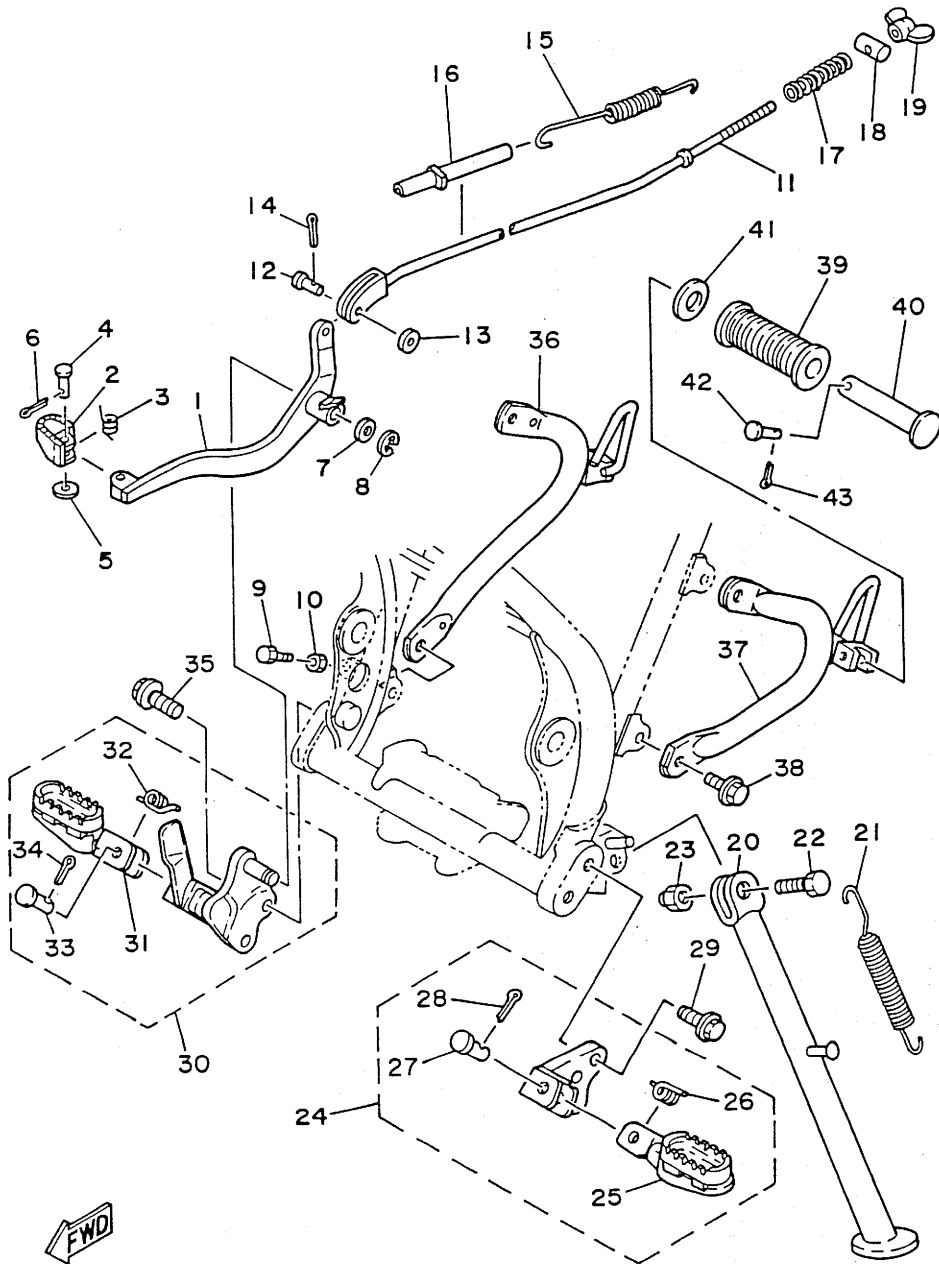


FIG. 32 STAND, FOOTREST



REF. NO.	PART NO.	DESCRIPTION	Q'TY	REMARKS
1	55V-27211-00	PEDAL, brake	1	
2	55V-27242-00	PEDAL, brake	1	
3	90508-14352	SPRING, torsion	1	
4	91701-06022	PIN, clevis	1	
5	92901-06600	WASHER, plate	1	
6	91401-20015	PIN, cotter	1	
7	90201-12541	WASHER, plate	1	
8	93430-09038	CIRCLIP	1	
9	90101-06288	BOLT	1	
10	95303-06700	NUT	1	
11	30X-27231-00	ROD, brake	1	
12	90240-06040	PIN, clevis	1	
13	92901-06200	WASHER, plain	1	
14	91401-20015	PIN, cotter	1	
15	90506-18154	SPRING, tension	1	
16	1M1-27244-00	COVER	1	
17	90501-10245	SPRING, compression	1	
18	90249-12008	PIN	1	
19	90175-06013	NUT, wing	1	
20	55V-27311-00-33	STAND, side	1	YAMAHA BLACK
21	90507-29009	SPRING, tension	1	
22	90109-10635	BOLT	1	
23	90185-10037	NUT, self-locking	1	
24	30X-27410-00-90	FRONT FOOTREST ASSY (LEFT)	1	UNI CHROME (BLACK)
25	22W-27411-01-90	.FOOTREST 1	1	UNI CHROME (BLACK)
26	90508-20023	.SPRING, torsion	1	
27	91701-08038	.PIN, clevis	1	
28	91401-25015	.PIN, cotter	1	

FIG. 32 STAND. FOOTREST



REF. NO.	PART NO.	DESCRIPTION	Q'TY	REMARKS
29	95816-08020	BOLT, flange	2	
30	55V-27420-00-90	FRONT FOOTREST ASSY (RIGHT)	1	UNI CHROME (BLACK)
31	22W-27421-01-90	.FOOTREST 2	1	UNI CHROME (BLACK)
32	90508-20023	.SPRING, torsion	1	
33	91701-08038	.PIN, clevis	1	
34	91401-25015	.PIN, cotter	1	
35	95816-08020	BOLT, flange	2	
36	55V-27442-00-33	BRACKET 2	1	YAMAHA BLACK
37	26F-27432-00-33	BRACKET 1	1	YAMAHA BLACK
38	90109-08789	BOLT	4	
39	120-27433-00	COVER, rear footrest	2	
40	120-27431-00	FOOTREST, rear 1	2	
41	90201-20279	WASHER, plate	2	
42	90240-06009	PIN, clevis	2	
43	91401-16015	PIN, cotter	2	

FIG. 33 COWLING 1

REF. NO.	PART NO.	DESCRIPTION	Q'TY	REMARKS
1	30X-28351-00	BODY, cowling	1	CLEAN WHITE
2	90480-12053	GROMMET	2	
3	90159-06060	SCREW, with washer	1	
4	55V-28368-00	EMBLEM	1	CHAPPY RED

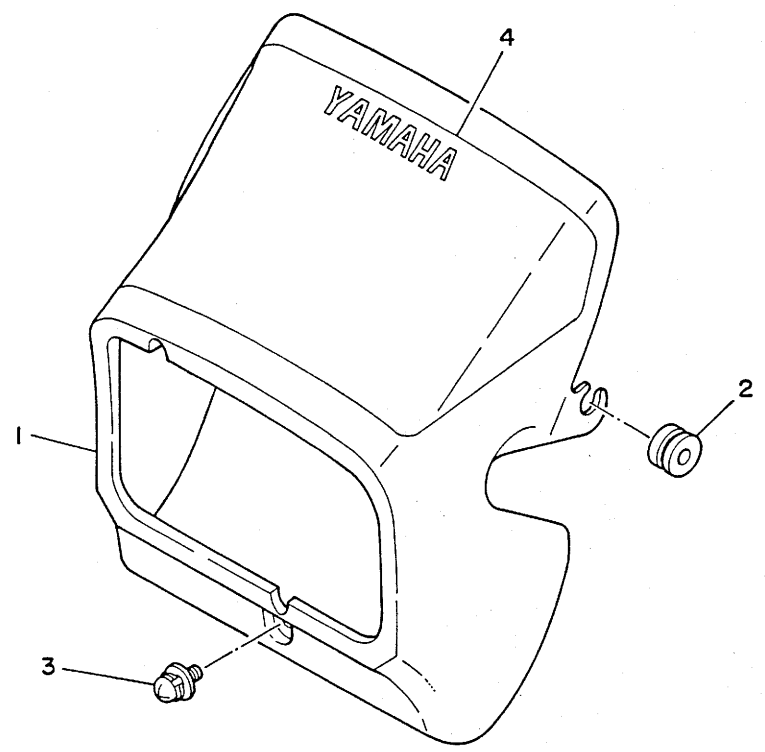
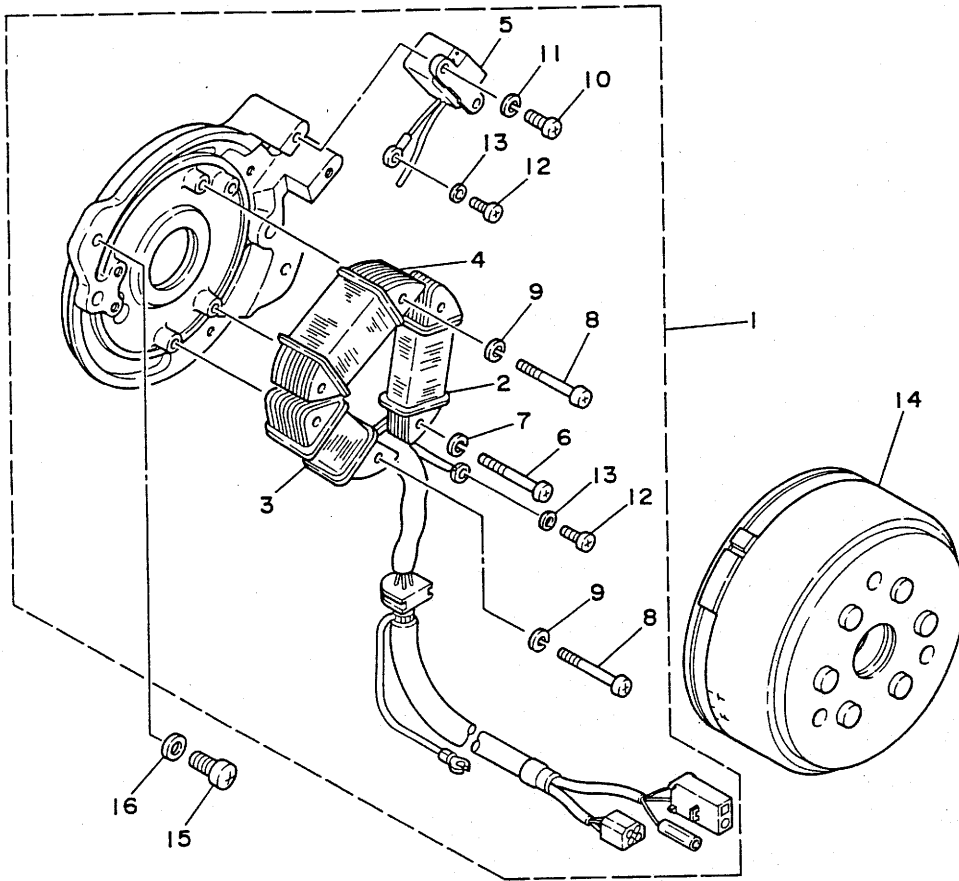
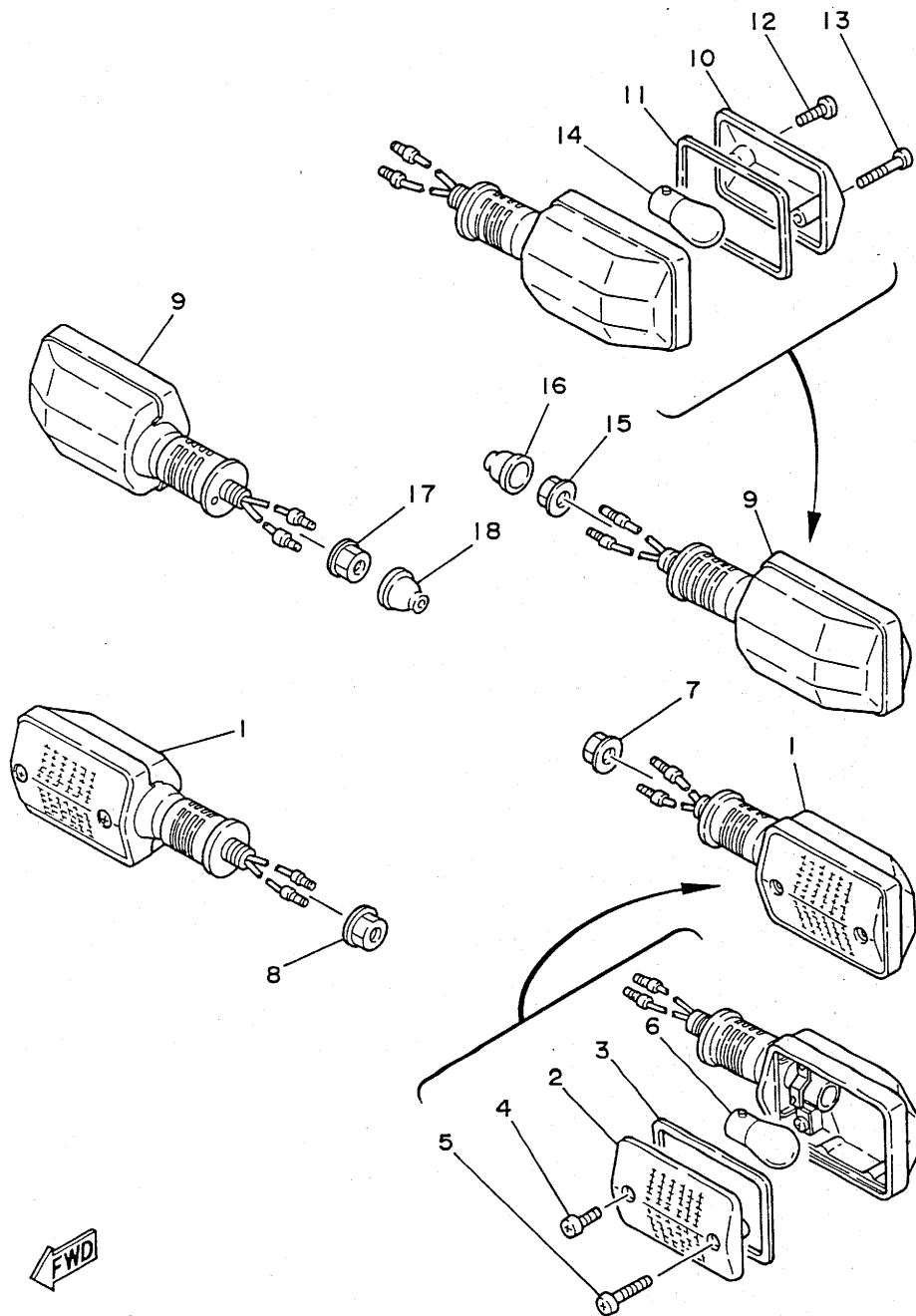


FIG. 34 GENERATOR



REF. NO.	PART NO.	DESCRIPTION	Q'TY	REMARKS
1	55V-85510-21	STATOR ASSY	1	
2	30X-85512-00	.COIL, source	1	
3	30X-85513-00	.COIL, lighting 1	1	
4	30X-85514-00	.COIL, lighting 2	1	
5	30X-85580-00	.COIL, pulser	1	
6	98501-05020	.SCREW, pan head	2	
7	92901-05100	.WASHER, spring	2	
8	98501-05035	.SCREW, pan head	4	
9	92901-05100	.WASHER, spring	4	
10	98501-05012	.SCREW, pan head	2	
11	92901-05100	.WASHER, spring	2	
12	98501-04008	.SCREW, pan head	2	
13	92901-04100	.WASHER, spring	2	
14	55V-85550-20	ROTOR ASSY	1	
15	92502-06016	SCREW, pan head	2	
16	92990-06600	WASHER, plate	2	
17	2GK-85540-20	C.D.I. UNIT ASSY	1	
18	3M5-85546-00	BAND	1	

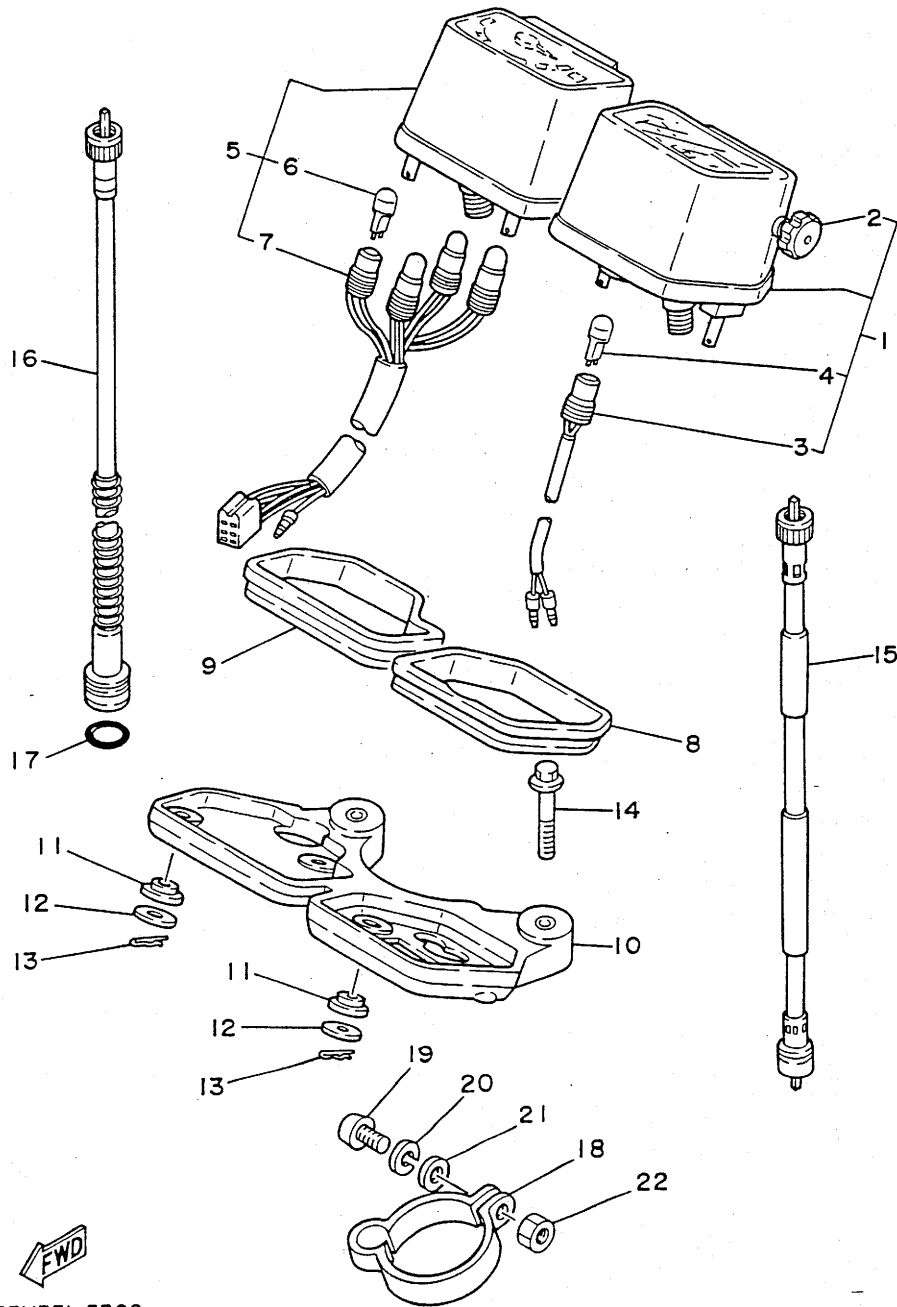
FIG. 35 FLASHER LIGHT



REF. NO.	PART NO.	DESCRIPTION	Q'TY	REMARKS
1	5Y3-83310-21	FRONT FLASHER LIGHT ASSY 1	2	
2	5Y1-83312-00	.LENS, flasher	1	
3	5Y1-83313-00	.GASKET, flasher lens	1	
4	98511-04012	.SCREW, pan head	1	
5	97706-40630	.SCREW, tapping	1	
6	MC 6120	.BULB, flasher	1	
7	95301-12700	NUT	1	
8	95301-12700	NUT	1	
9	37A-83330-21	REAR FLASHER LIGHT ASSY 1	2	
10	5Y1-83312-00	.LENS, flasher	1	
11	5Y1-83313-00	.GASKET, flasher lens	1	
12	98511-04012	.SCREW, pan head	1	
13	97702-40630	.SCREW, tapping	1	
14	MC 6120	.BULB, flasher	1	
15	95301-12700	NUT	1	
16	10V-83365-00	CAP	1	
17	95301-12700	NUT	1	
18	10V-83365-00	CAP	1	



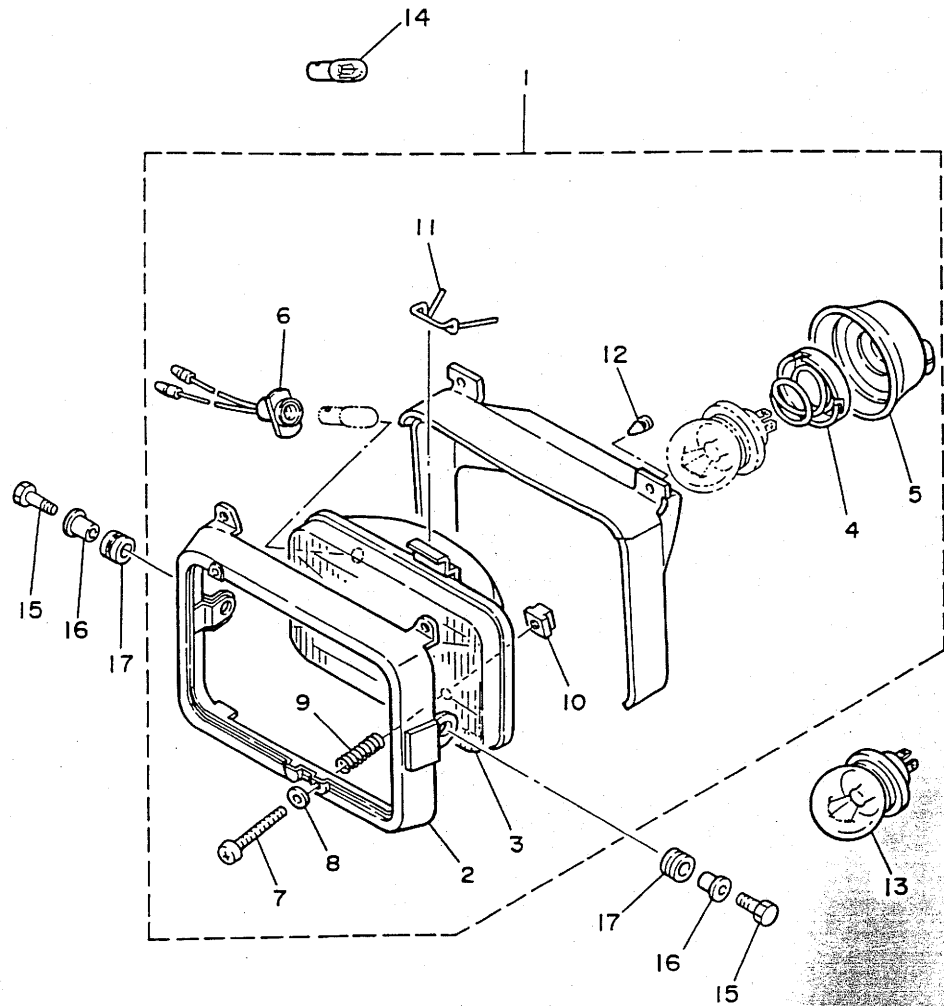
FIG. 36 METER



REF. NO.	PART NO.	DESCRIPTION	Q'TY	REMARKS
1	1ET-83570-F0	SPEEDOMETER ASSY	1	
2	5Y1-83578-00	.KNOB, trip meter	1	
3	5Y1-83536-00	.SOCKET, meter	1	
4	4G1-84744-00	.BULB (12V-3.4W)	1	
5	55V-83540-00	TACHOMETER ASSY	1	
6	4G1-84744-00	.BULB (12V-3.4W)	4	
7	30X-83520-00	.SOCKET CORD ASSY	1	
8	5Y1-83513-00	DAMPER	1	
9	5Y1-83541-00	DAMPER	1	
10	5Y1-83519-00	BRACKET, meter	1	
11	1M1-83526-00	DAMPER 2	4	
12	90201-05033	WASHER, plate	4	
13	90468-10050	CLIP	4	
14	95806-06040	BOLT, flange	2	
15	48Y-83550-00	SPEEDOMETER CABLE ASSY	1	
16	30X-83560-00	TACHOMETER CABLE ASSY	1	
17	93210-14104	O-RING	1	
18	3Y1-26397-00	BAND	1	
19	98501-05016	SCREW, pan head	1	
20	92901-05100	WASHER, spring	1	
21	92901-05600	WASHER, plate	1	
22	95301-05600	NUT	1	



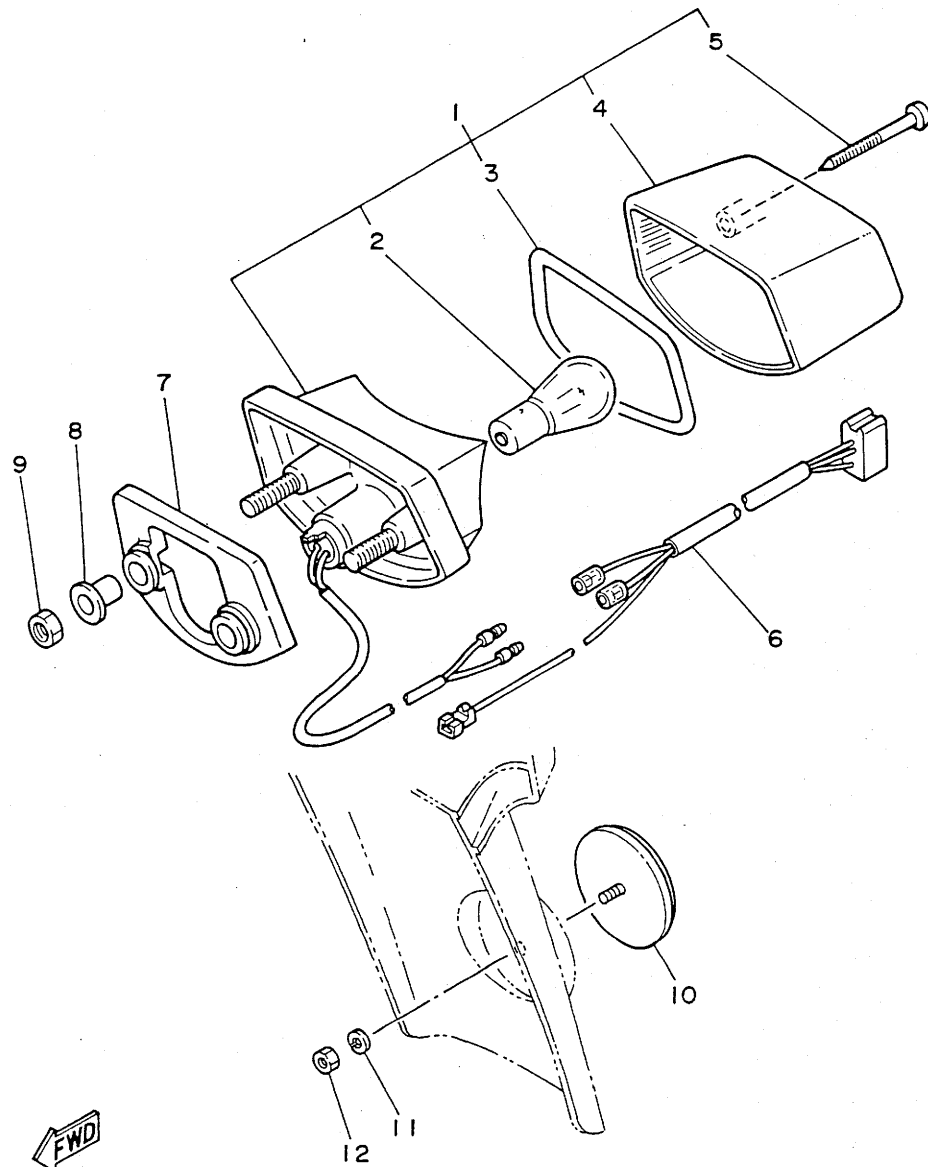
FIG. 37 HEADLIGHT



REF. NO.	PART NO.	DESCRIPTION	Q'TY	REMARKS
1	34Y-84303-40	HEADLIGHT UNIT ASSY	1	
2	47J-84115-00	.RIM, headlight	1	
3	10W-84321-20	.LENS, headlight	1	
4	34I-84393-40	.HOLDER, bulb	1	
5	533-84397-40	.COVER, socket	1	
6	34L-84346-00	.SOCKET, pilot light	1	
7	43F-84131-00	.SCREW, rim adjuster	2	
8	233-84127-60	.WASHER, special	2	
9	34I-84332-60	.SPRING, screw	2	
10	198-84334-60	.NUT, adjusting	2	
11	14T-84124-00	.SPRING, set	1	
12	10V-84198-00	.CLIP, cover fitting	2	
13	MC 6140	BULB, headlight (12V-45/40W)	1	
14	4E2-84347-00	BULB (12V-4W)	1	
15	97001-06025	BOLT	2	
16	90387-06388	COLLAR	2	
17	90480-14023	GROMMET	2	

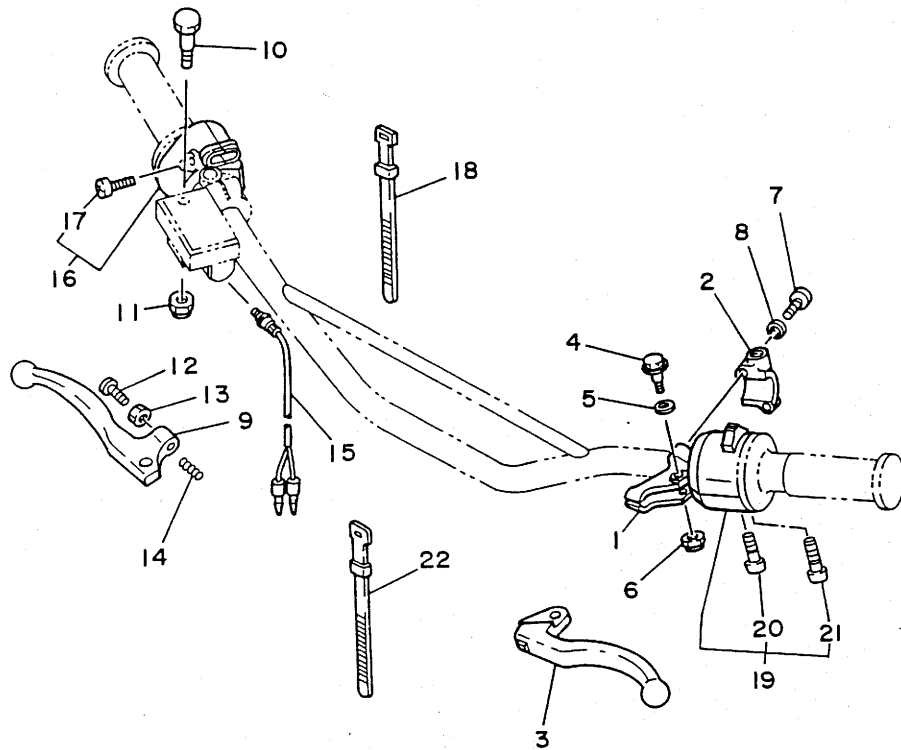


FIG. 38 TAILLIGHT



REF. NO.	PART NO.	DESCRIPTION	Q'TY	REMARKS
1	37E-84710-E1	TAILLIGHT UNIT ASSY	1	
2	MC 6124	.BULB, taillight	1	
3	10V-84523-00	.GASKET, lens	1	
4	37E-84721-E1	.LENS, taillight	1	
5	97706-40630	.SCREW, tapping	2	
6	10V-84517-00	CORD, taillight	1	
7	10V-84527-00	DAMPER	1	
8	90387-07391	COLLAR	2	
9	95701-06500	NUT, flange	2	
10	3G1-85130-01	REAR REFLECTOR ASSY	1	
11	90201-05031	WASHER, plate	1	
12	95301-05600	NUT	1	

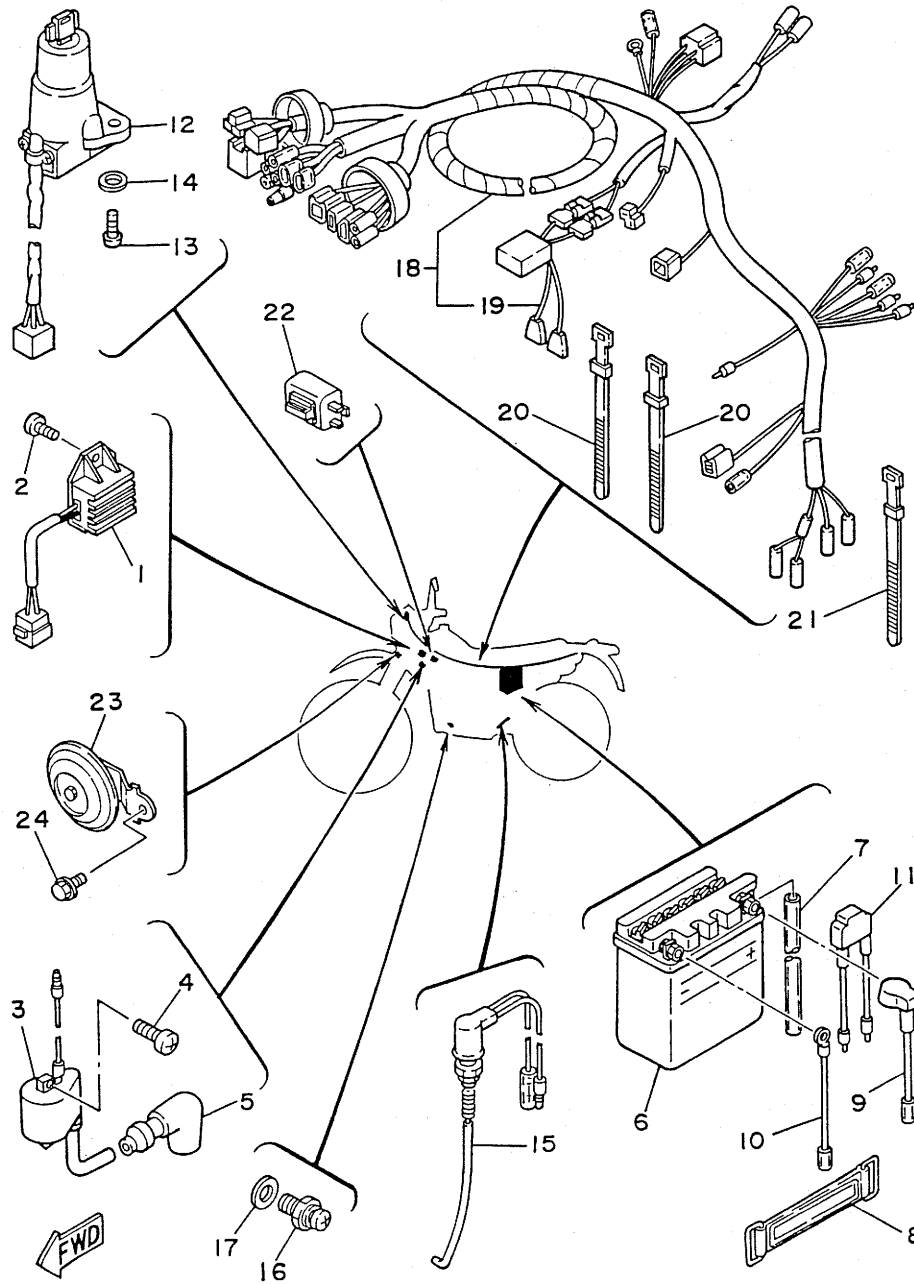
FIG. 39 HANDLE SWITCH. LEVER



REF. NO.	PART NO.	DESCRIPTION	Q'TY	REMARKS
1	33G-82911-00	HOLDER, lever 1	1	
2	33G-82913-00	HOLDER, lever lower 1	1	
3	5Y1-83912-00	LEVER 1	1	
4	90109-06797	BOLT	1	
5	90201-082A9	WASHER, plate	1	
6	95606-06100	NUT, u	1	
7	98506-05020	SCREW, pan head	2	
8	92906-05100	WASHER, spring	2	
9	43F-83922-00	LEVER 2	1	
10	90109-06577	BOLT	1	
11	95606-06100	NUT, u	1	
12	90149-06153	SCREW	1	
13	90170-06010	NUT	1	
14	90501-10312	SPRING, compression	1	
15	34X-83980-01	FRONT STOP SWITCH ASSY	1	
16	43F-83976-00	SWITCH, handle 1	1	
17	98506-05020	.SCREW, pan head	2	
18	437-83936-00	BAND, switch cord	2	
19	30X-83972-00	SWITCH, handle 4	1	
20	98506-05030	.SCREW, pan head	1	
21	98506-05035	.SCREW, pan head	1	
22	437-83936-00	BAND, switch cord	2	



FIG. 40 ELECTRICAL 1



REF. NO.	PART NO.	DESCRIPTION	Q'TY	REMARKS
1	33G-81960-60	RECTIFIER & REGULATOR ASSY	1	
2	92501-06012	SCREW, pan head	2	
3	30X-82310-40	IGNITION COIL ASSY	1	
4	92501-06020	SCREW, pan head	2	
5	371-82370-00	PLUG CAP ASSY	1	
6	30W-82110-79	BATTERY ASSY (FB3L-B)	1	
7	LOCAL PURCHASE	HOSE	1	
8	7H3-82131-00	BAND, battery	1	
9	1M1-82115-00	WIRE, plus lead	1	
10	558-82116-00	WIRE, minus lead	1	
11	30X-82180-00	CIRCUIT BREAKER ASSY	1	
12	55V-82501-00	MAIN SWITCH & STEERING LOCK	1	
13	90149-06228	SCREW	2	
14	92990-06600	WASHER, plate	2	
15	30X-82530-00	STOP SWITCH ASSY	1	
16	341-82540-01	NEUTRAL SWITCH ASSY	1	
17	90430-10027	GASKET	1	
18	55V-82590-01	WIRE HARNESS ASSY	1	
19	57T-81325-00	CONDENSER 1	1	
20	437-83936-00	BAND, switch cord	2	
21	25G-83936-00	BAND, switch cord	1	
22	34L-83350-20	FLASHER RELAY ASSY	1	
23	55V-83371-00	HORN	1	
24	95026-08012	BOLT, flange	1	