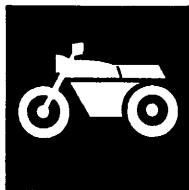


YAMAHA



**PARTS
CATALOGUE**

XT350F (3NVD)

U.S.A.49

XT350FC (3NVE)

CALIFORNIA

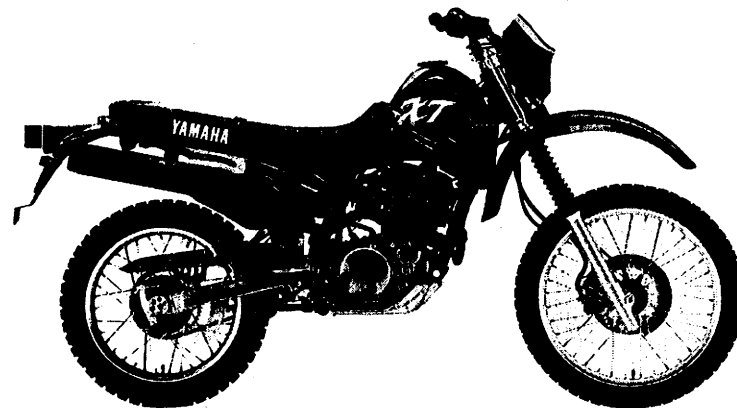


FIG-143NV-110E1

YAMAHA
GENUINE
Parts & Accessories

FOREWORD

This Parts Catalogue is related to the parts in use for the Yamaha XT350F(3NVD)/XT350FC(3NVE). When you are ordering replacement parts for the XT350F(3NVD)/XT350FC(3NVE), refer to this Parts Catalogue and quote both part numbers and part names correctly.

1. Modifications or additions which have been made after issue of the Parts Catalogue will be announced in the Yamaha Parts News.

It is advisable that according to the Yamaha Parts News you make necessary corrections to the Parts Catalogue on hand to keep it up-to-date.

2. Abbreviations

The following abbreviations are used in this Parts Catalogue.

- U.R. Use size (thickness) and/or number as required.
- U.N. Use as many as you need.
- A.P. Alternate Parts
- L.M. Local Made
- F# Frame No. (Applicable machine No.)

3. The parts marked with (+) in the parts number column of this Catalogue are not supplied with by Yamaha, those have to be found locally.

4. Parts, which are to be supplied in the form of assemblies, are listed with an indention of one letter's space, and a dot (.) is put against the name of each part.

EXAMPLE CARBURETOR ASS'Y
 . JET, pilot
 . NOZZLE, main

5. Indication of No. of constituent parts for assembly

The numeral appearing to the right of each constituent part under the description indicates the quantity of such parts for each individual assembly unit.

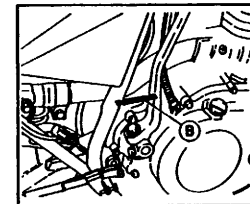
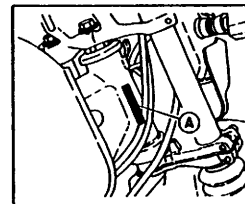
EXAMPLE

Part No.	Description	Q'ty	Remarks
2F6-83310-60	FRONT FLASHER LIGHT ASS'Y	2	
115-83311-60	. BULB (6V-18W)	1	
1M1-83309-60	. REFLECTOR	1	

6. Initial Serial No. and Color Code

3NVD	(A) Frame Serial No.	3NV-028101 and following
	(B) Engine Serial No.	3NV-028101 and following

3NVE	(A) Frame Serial No.	3NV-029101 and following
	(B) Engine Serial No.	3NV-029101 and following



Color Code	Color Name	Abbreviate
00EX	INK BLUE	IKB

7. Applicable colors of graphics are represented in the "Remarks" column by the letter(s) appropriately picked out of the full word(s) showing such colors.

EXAMPLE

Part No.	Description	Q'ty	Remarks
2N4-24110-00-X5	FUEL TANK COMP.	1	MAXIM RED
3J1-24240-10	. GRAPHIC, fuel tank set	1	for MXR

CONTENTS

ENGINE

Fig. 1	Cylinder Head	1
Fig. 2	Cylinder	2
Fig. 3	Crankshaft, Piston	3
Fig. 4	Valve	5
Fig. 5	Camshaft, Chain	7
Fig. 6	Oil Pump	8
Fig. 7	Intake	9
Fig. 8	Carburetor	10
Fig. 9	Exhaust	13
Fig. 10	Crankcase	14
Fig. 11	Crankcase Cover 1	15
Fig. 12	Starter	18
Fig. 13	Clutch	18
Fig. 14	Transmission	20
Fig. 15	Tachometer Gear	22
Fig. 16	Shift Cam, Fork	23
Fig. 17	Shift Shaft	24

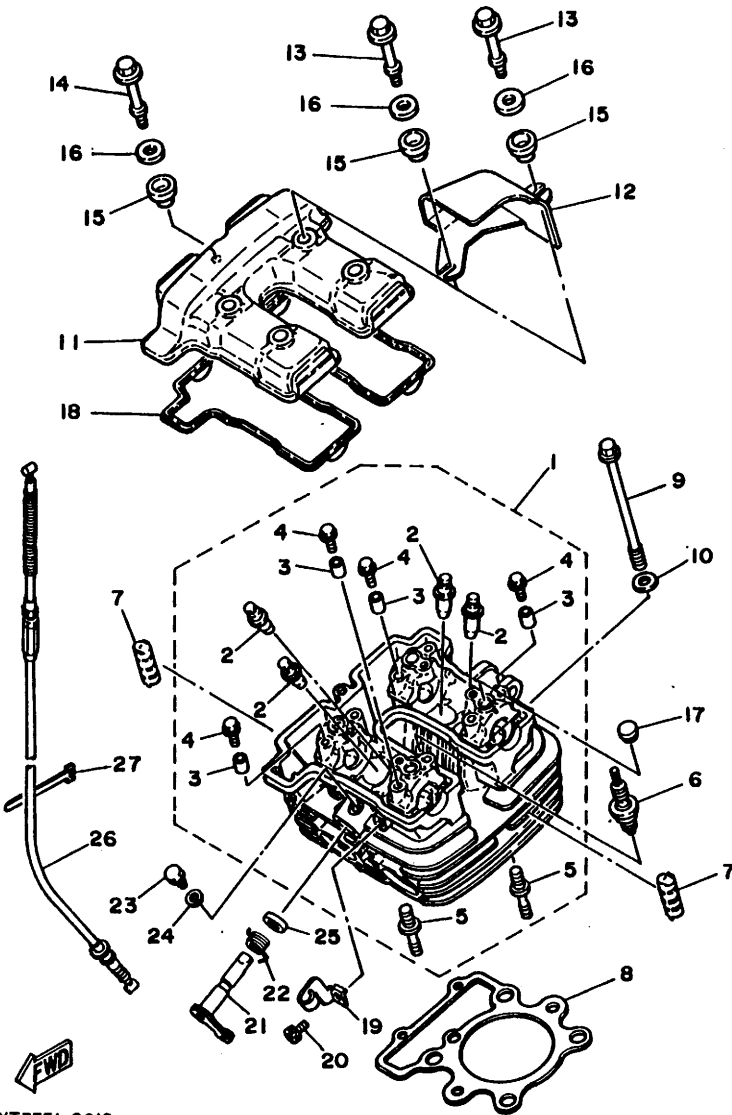
CHASSIS

Fig. 18	Frame	25
Fig. 19	Fender	27
Fig. 20	Side Cover	28
Fig. 21	Rear Arm	29
Fig. 22	Rear Suspension	31
Fig. 23	Steering	32
Fig. 24	Front Fork	33
Fig. 25	Fuel Tank	35
Fig. 26	Seat	36
Fig. 27	Front Wheel	37
Fig. 28	Front Brake Caliper	38

Fig. 29	Rear Wheel	39
Fig. 30	Steering Handle, Cable	41
Fig. 31	Front Master Cylinder	42
Fig. 32	Stand, Footrest	43
Fig. 33	Cowling 1	45
Fig. 34	Generator	46
Fig. 35	Flasher Light	47
Fig. 36	Meter	48
Fig. 37	Headlight	49
Fig. 38	Taillight	50
Fig. 39	Handle Switch, Lever	51
Fig. 40	Electrical 1	52
Fig. 41	Alternate (Chassis)	55

INDEX

Numerical Index



3YT3351-2010

FIG. 1 CYLINDER HEAD

REF. NO.	PART NO.	DESCRIPTION	Q'TY	REMARKS
1	55V-11110-01	CYLINDER HEAD ASSY	1	
2	1LN-11133-11	.GUIDE, intake valve	4	
3	99510-08016	.PIN, dowel	8	
4	90105-06153	.BOLT, washer based	8	
5	90116-10378	.BOLT, stud	2	
6	94701-00181	PLUG, spark (ND X24ES-U)	1	UR
	94701-00157	PLUG, spark (NGK D8EA)	1	UR
7	30X-11161-00	ABSORBER 1	4	
8	55V-11181-00	GASKET, cylinder head 1	1	
9	90105-10608	BOLT, washer based	4	
10	90201-10269	WASHER, plate	4	
11	30X-11191-01	COVER, cylinder head 1	1	
12	30X-11192-01	COVER, cylinder head 2	1	
13	90109-064F0	BOLT	4	
14	90109-06584	BOLT	1	
15	2GH-1111G-00	RUBBER, mount 1	5	
16	90209-11262	WASHER	5	
17	90338-11125	PLUG	4	
18	30X-11193-00	GASKET, head cover 1	1	
19	30X-12283-00	BRACKET, decompression	1	
20	91316-06012	BOLT	1	
21	30X-12288-00	CAM, decompression	1	
22	90508-18606	SPRING, torsion	1	
23	90109-06778	BOLT	1	
24	90430-06014	GASKET	1	
25	93102-12321	OIL SEAL	1	
26	30X-12292-00	CABLE, decompression	1	
27	437-83936-01	BAND, switch cord	1	

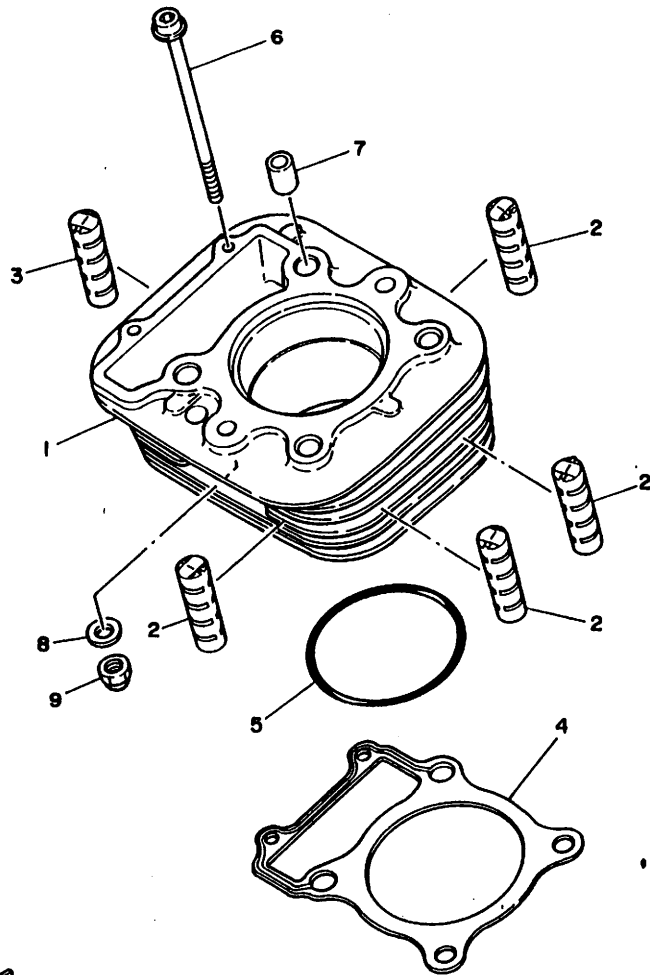
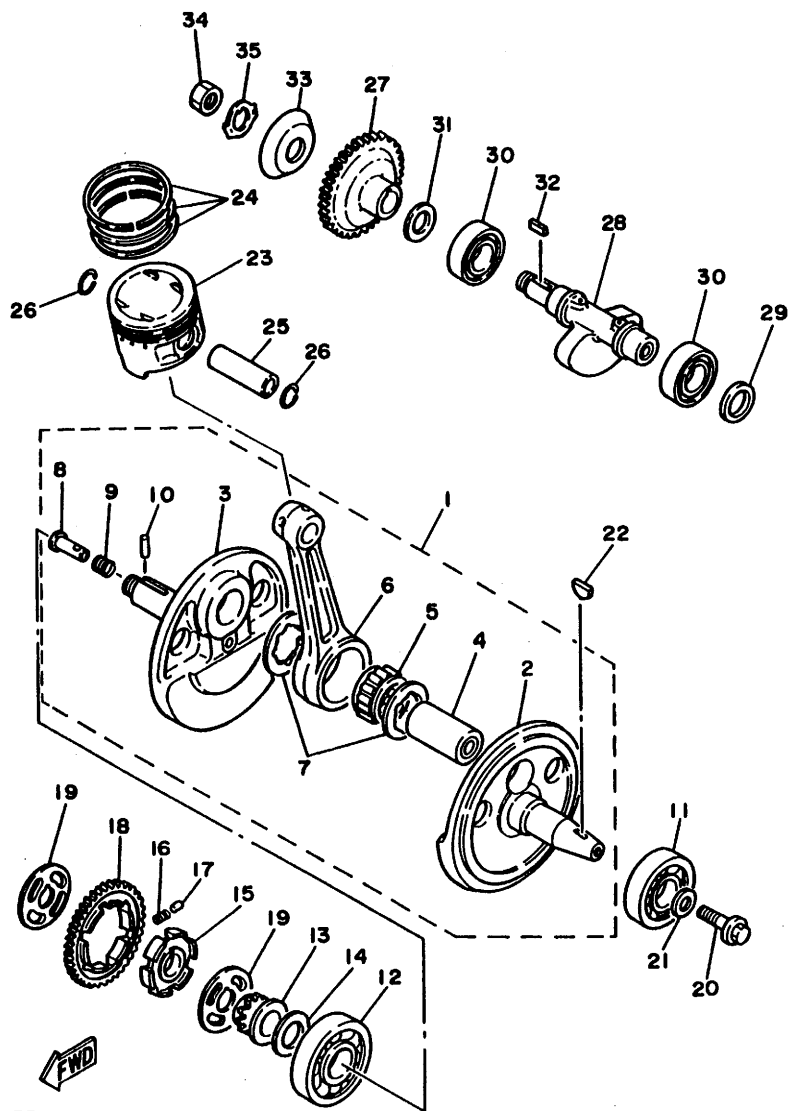


FIG. 2 CYLINDER

REF. NO.	PART NO.	DESCRIPTION	Q'TY	REMARKS
1	55V-11310-03	CYLINDER	1	
2	583-11127-00	ABSORBER 3	4	
3	583-11127-00	ABSORBER 3	1	
4	4DR-11351-00	GASKET, cylinder	1	
5	93210-89447	O-RING	1	
6	90105-06406	BOLT, washer based	2	
7	99530-14016	PIN, dowel	2	
8	90201-087K2	WASHER, plate	2	
9	90176-08026	NUT, crown	2	



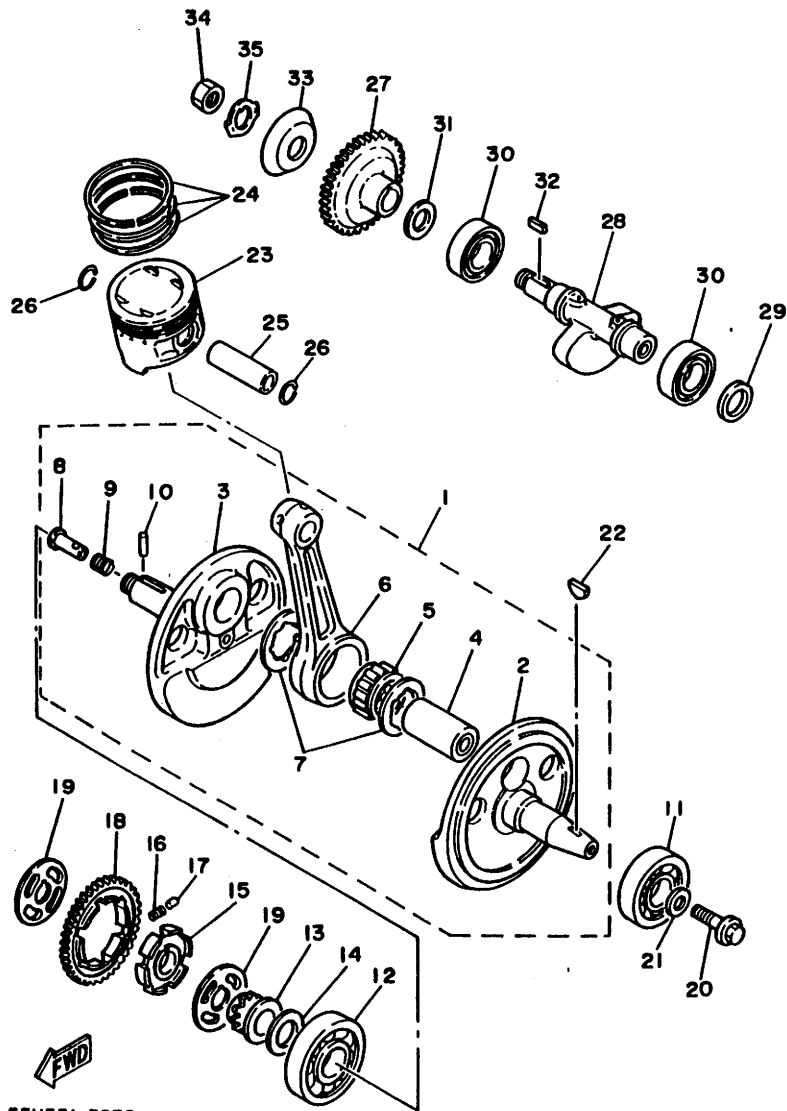
IET171-8020



55V351-5030

FIG. 3 CRANKSHAFT. PISTON

REF. NO.	PART NO.	DESCRIPTION	Q'TY	REMARKS
1	55V-11400-02	CRANKSHAFT ASSY	1	
2	55V-11412-00	.CRANK 1	1	
3	55V-11422-01	.CRANK 2	1	
4	51Y-11681-00	.PIN, crank 1	1	
5	93310-738N1	.BEARING, cylindrical	1	
6	51Y-11651-01	.ROD, connecting	1	
7	90209-38266	.WASHER	2	
8	90240-07105	.PIN, clevis	1	
9	90501-07629	.SPRING, compression	1	
10	93602-13177	.PIN, dowel	1	
11	93306-30630	BEARING	1	
12	93306-30622	BEARING (6306SH4 SPECIAL)	1	
13	30X-11549-00	SPROCKET, cam chain	1	
14	90209-23242	WASHER	1	
15	30X-11496-00	BOSS, buffer	1	
16	90501-22721	SPRING, compression	6	
17	93605-10090	PIN, dowel	3	
18	51Y-11531-00	GEAR, balance wt	1	
19	30X-11565-00	WASHER, bearing cover	2	
20	90105-10290	BOLT, washer based	1	
21	90201-102J5	WASHER, plate	1	
22	90280-16053	KEY, woodruff	1	
23	55V-11631-01-Y0	PISTON (STD)	1	
	55V-11636-01	PISTON (0.50MM O/S)	1	AP
	55V-11638-01	PISTON (1.00MM O/S)	1	AP
24	55V-11610-00	PISTON RING SET (STD)	1	
	55V-11610-20	PISTON RING SET (0.50MM O/S)	1	AP
	55V-11610-40	PISTON RING SET (1.00MM O/S)	1	AP



55V351-5030

FIG. 3 CRANKSHAFT. PISTON

REF. NO.	PART NO.	DESCRIPTION	Q'TY	REMARKS
25	55V-11633-00	PIN, piston	1	
26	93450-19095	CIRCLIP	2	
27	51Y-11536-00	GEAR, drive	1	
28	55V-11454-00	WEIGHT 1	1	
29	93101-25106	OIL SEAL	1	
30	93306-20529	BEARING	2	
31	90201-207G6	WASHER, plate	1	
32	90282-05034	KEY, straight	1	
33	34K-11145-00	PLATE, breather 2	1	
34	90170-16326	NUT	1	
35	90215-16221	WASHER, lock	1	

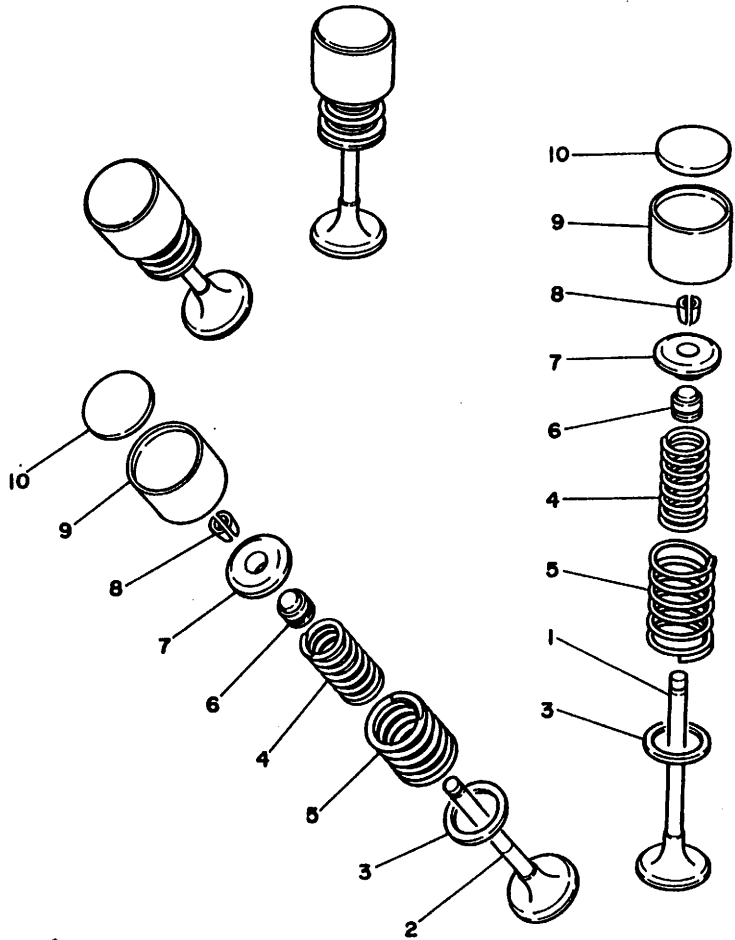


FIG. 4 VALVE

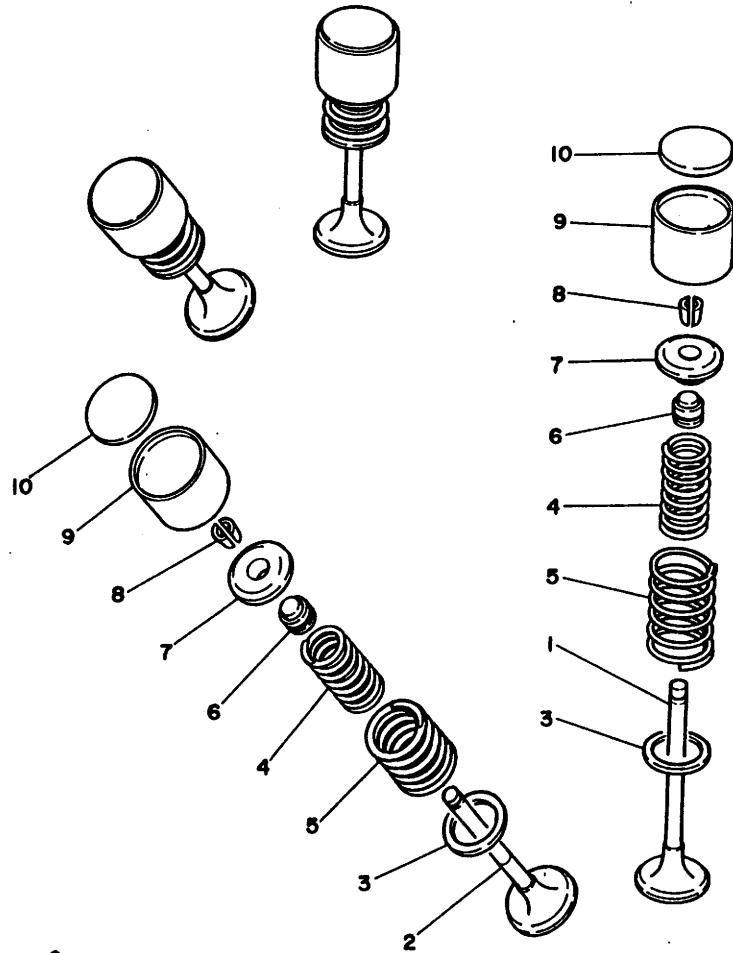
REF. NO.	PART NO.	DESCRIPTION	Q'TY	REMARKS
1	51Y-12111-01	VALVE, intake	2	
2	30X-12121-00	VALVE, exhaust	2	
3	26H-12116-00	SEAT, valve spring	4	
4	30X-12113-00	SPRING, valve inner	4	
5	30X-12114-00	SPRING, valve outer	4	
6	51Y-12119-00	SEAL, valve stem	4	
7	30X-12117-00	RETAINER, valve spring	4	
8	30X-12118-00	COTTER, valve	8	
9	26H-12153-00-YO	LIFTER, valve	4	
10	26H-12168-00	PAD, adjusting (2.00)	4 UR	
	26H-12168-20	PAD, adjusting (2.05)	4 UR	
	26H-12168-40	PAD, adjusting (2.10)	4 UR	
	26H-12168-60	PAD, adjusting (2.15)	4 UR	
	26H-12168-80	PAD, adjusting (2.20)	4 UR	
	26H-12168-A0	PAD, adjusting (2.25)	4 UR	
	26H-12168-F0	PAD, adjusting (2.30)	4 UR	
	26H-12168-H0	PAD, adjusting (2.35)	4 UR	
	26H-12168-K0	PAD, adjusting (2.40)	4 UR	
	26H-12168-M0	PAD, adjusting (2.45)	4 UR	
	26H-12168-R0	PAD, adjusting (2.50)	4 UR	
	26H-12168-U0	PAD, adjusting (2.55)	4 UR	
	26H-12168-W0	PAD, adjusting (2.60)	4 UR	
	26H-12168-Y0	PAD, adjusting (2.65)	4 UR	
	26H-12169-10	PAD, adjusting (2.70)	4 UR	
	26H-12169-30	PAD, adjusting (2.75)	4 UR	
	26H-12169-50	PAD, adjusting (2.80)	4 UR	
	26H-12169-70	PAD, adjusting (2.85)	4 UR	
	26H-12169-90	PAD, adjusting (2.90)	4 UR	



57T110-6040

FIG. 4 VALVE

REF. NO.	PART NO.	DESCRIPTION	Q'TY	REMARKS
10	26H-12169-E0	PAD, adjusting (2.95)	4	UR
	26H-12169-G0	PAD, adjusting (3.00)	4	UR
	26H-12169-J0	PAD, adjusting (3.05)	4	UR
	26H-12169-L0	PAD, adjusting (3.10)	4	UR
	26H-12169-N0	PAD, adjusting (3.15)	4	UR
	26H-12169-T0	PAD, adjusting (3.20)	4	UR



57T110-6040

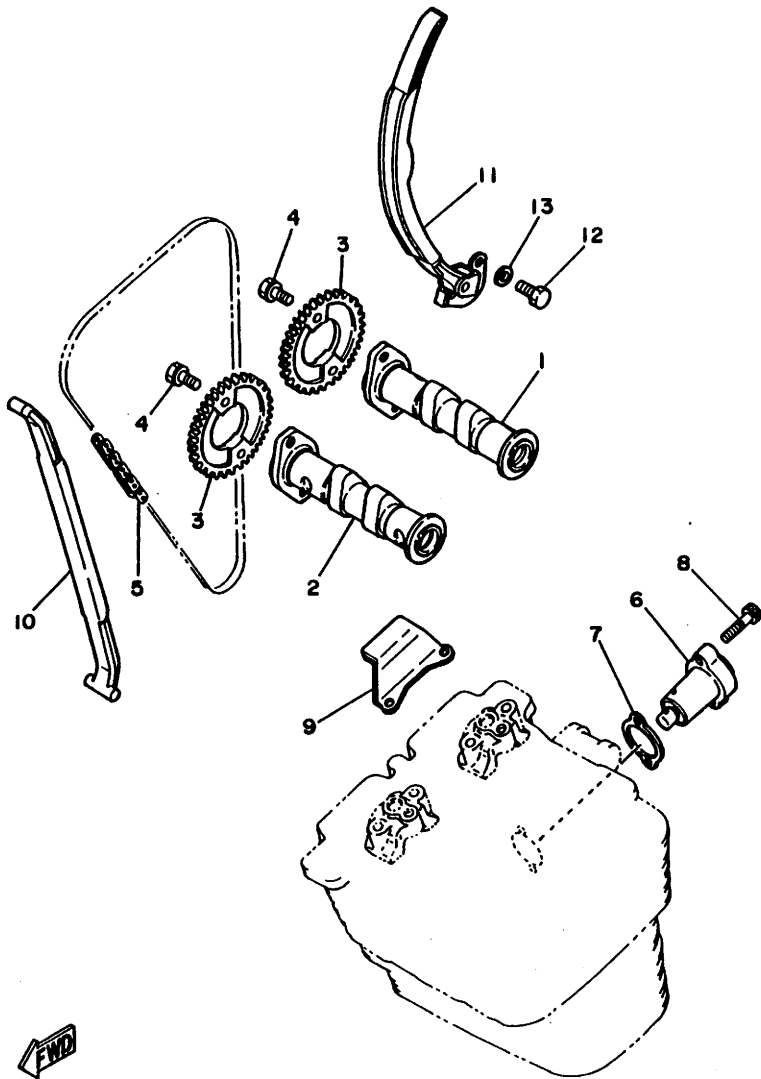
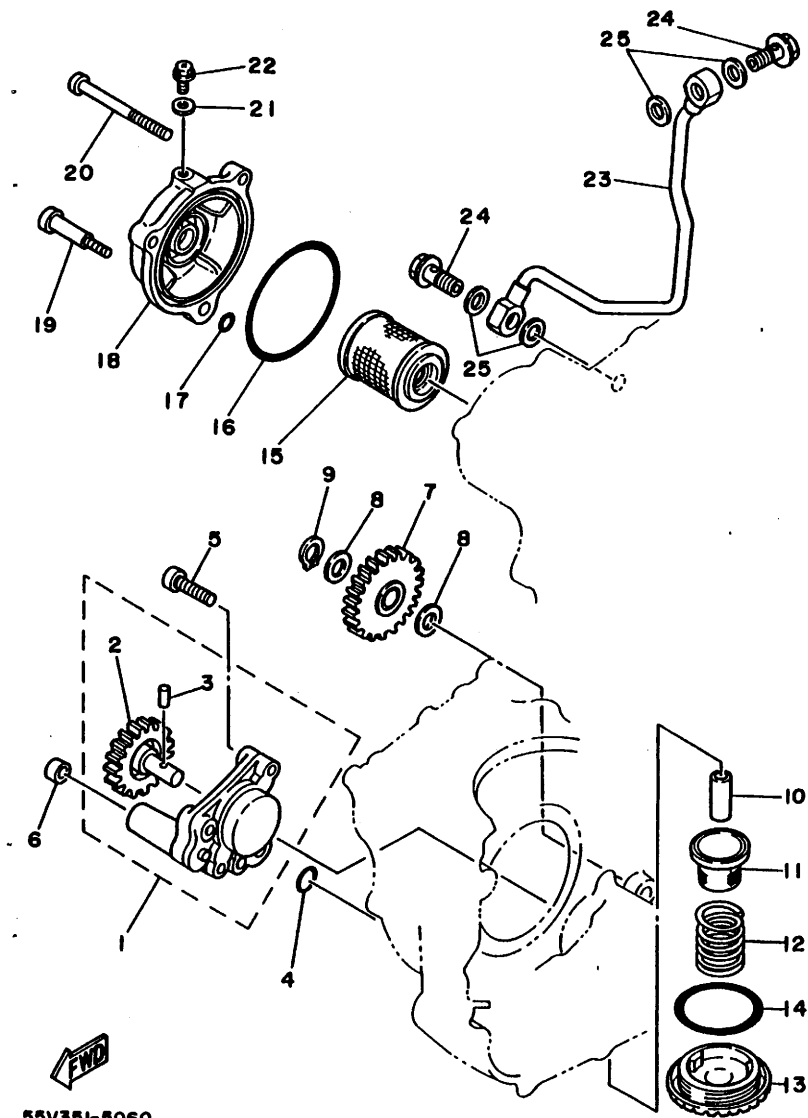


FIG. 5 CAMSHAFT. CHAIN

REF. NO.	PART NO.	DESCRIPTION	Q'TY	REMARKS
1	48Y-12171-00	CAMSHAFT 1	1	
2	48Y-12181-00	CAMSHAFT 2	1	
3	30X-12176-00	SPROCKET, cam chain	2	
4	90105-07288	BOLT, washer based	4	
5	94590-91136	CHAIN (79RH2015-136M)	1	
6	30X-12210-00	TENSIONER ASSY, cam chain	1	
7	48E-12213-00	GASKET, tensioner case	1	
8	91316-06025	BOLT	2	
9	30X-12241-00	GUIDE, stopper 2	1	
10	30X-12251-00	DAMPER, chain 1	1	
11	30X-12252-01	DAMPER, chain 2	1	
12	97021-06016	BOLT	2	
13	92901-06600	WASHER, plate	2	



30X010-3050

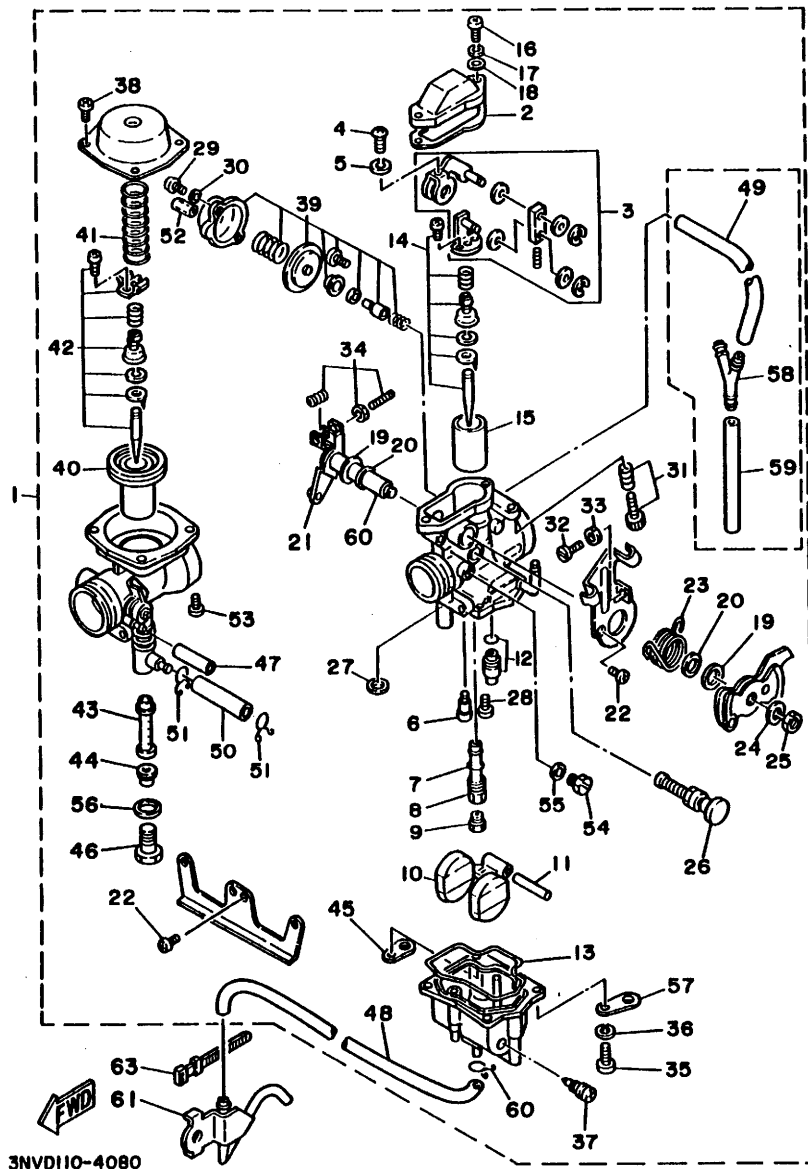


55V35I-5060

FIG. 6 OIL PUMP

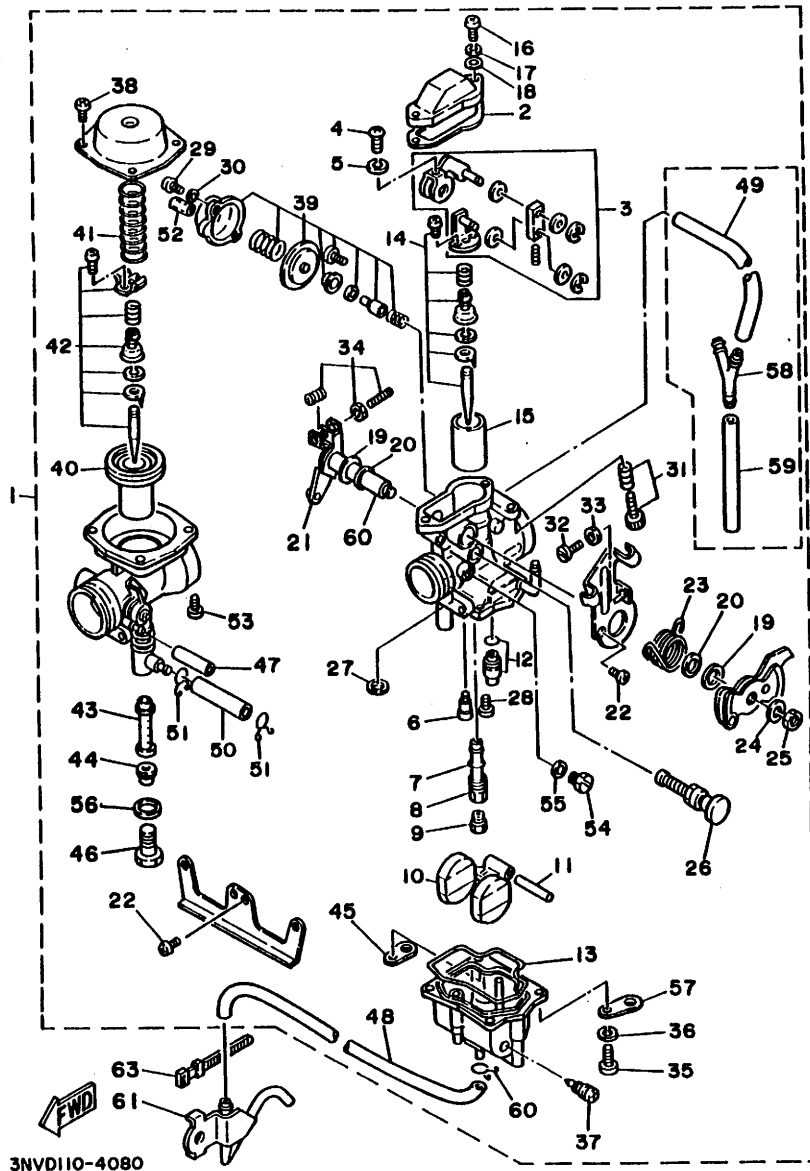
REF. NO.	PART NO.	DESCRIPTION	Q'TY	REMARKS
1	30X-13300-00	OIL PUMP ASSY	1	
2	3Y6-13326-01	.GEAR, pump driven 2 (23T)	1	
3	93603-12030	.PIN, dowel	1	
4	93210-10096	O-RING	1	
5	98501-06025	SCREW, pan head	3	
6	90430-06156	GASKET	1	
7	30X-13341-00	GEAR, oil pump idle	1	
8	90201-10119	WASHER, plate	2	
9	99009-10400	CIRCLIP	1	
10	2XK-13416-00	PIPE, oil 1	1	
11	51Y-13411-00	STRAINER, oil	1	
12	90501-18576	SPRING, compression	1	
13	30X-15351-00	PLUG, drain	1	
14	93210-35389	O-RING	1	
15	5H0-13440-00	ELEMENT ASSY, oil cleaner	1	
16	93210-64297	O-RING	1	
17	93210-07135	O-RING	1	
18	3DC-13447-00	COVER, oil element	1	
19	90109-06419	BOLT	1	
20	91316-06065	BOLT	2	
21	90430-05126	GASKET	1	
22	90149-05110	SCREW	1	
23	55V-13161-01	PIPE, delivery 1	1	
24	90401-10034	BOLT, union	2	
25	90430-10171	GASKET	4	

FIG. 8 CARBURETOR



3NVD110-4080

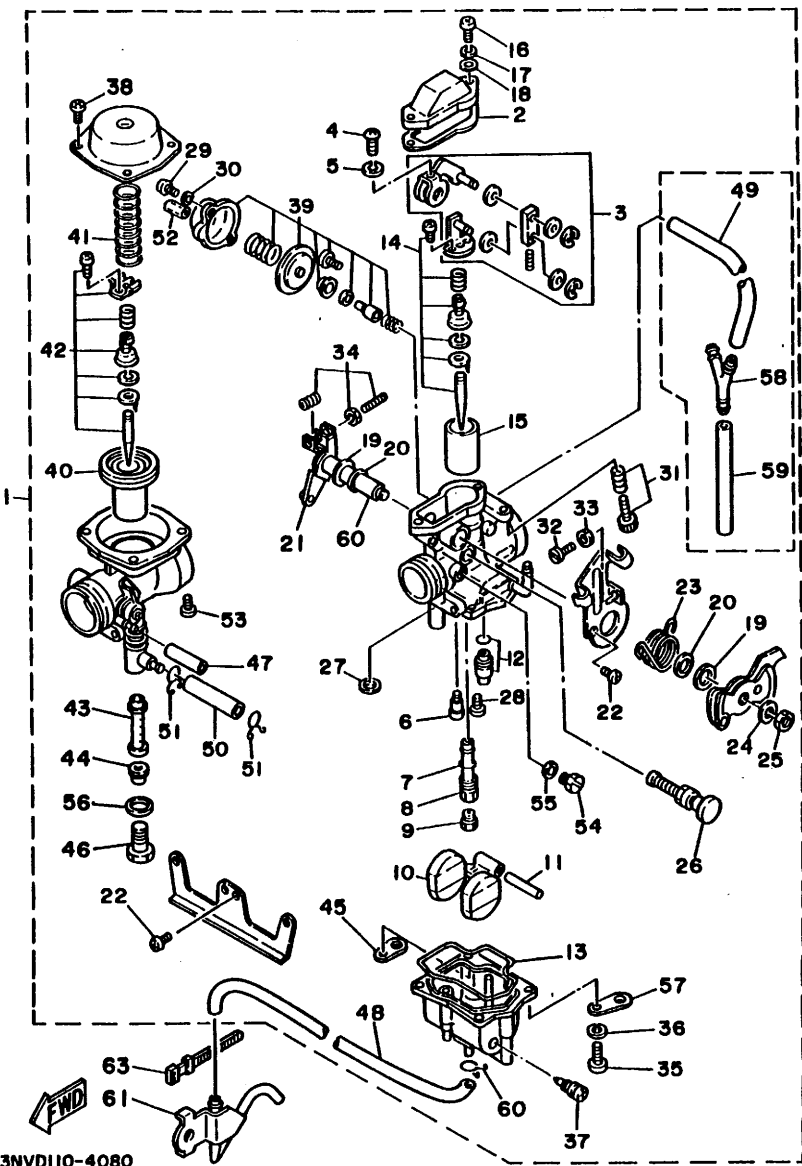
REF. NO.	PART NO.	DESCRIPTION	Q'TY	REMARKS
1	57T-14301-03	CARBURETOR ASSY 1	1	UR
	56R-14301-03	CARBURETOR ASSY 1	1	UR FOR CALIFORNIA
2	30X-14198-00	.GASKET	1	
3	30X-14203-00	.CABLE CONNECTOR SET	1	
4	98580-04016	.SCREW, pan head	1	
5	92990-04100	.WASHER, spring	1	
6	30X-14342-21	.JET, pilot (# 42)	1	
7	360-24512-00	.GASKET	1	
8	51Y-14341-00	.NOZZLE, main	1	
9	288-14343-63	.JET, main (#125)	1	
10	5Y1-14385-00	.FLOAT	1	
11	6E5-14386-01	.PIN, float	1	
12	1JK-14107-01	.NEEDLE VALVE SET	1	
13	30X-14384-00	.GASKET, float chamber	1	
14	57T-1490J-10	.NEEDLE SET	1	UR
	56R-1490J-10	.NEEDLE SET	1	UR FOR CALIFORNIA
15	30X-14312-35	.VALVE, throttle 1	1	UR
	56R-14312-35	.VALVE, throttle 1	1	UR FOR CALIFORNIA
16	98511-04016	.SCREW, pan head	2	
17	92901-04100	.WASHER, spring	2	
18	92901-04600	.WASHER, plate	2	
19	5Y1-14357-00	.WASHER, plain	2	
20	5Y1-14572-00	.SEAL	2	
21	51Y-14316-00	.LEVER, throttle 2	1	
22	98580-05010	.SCREW, pan head	6	
23	30X-14131-00	.SPRING, throttle valve	1	
24	5Y1-14356-00	.WASHER, spring	1	
25	5Y1-14358-00	.NUT	1	



3NVD110-4080

FIG. 8 CARBURETOR

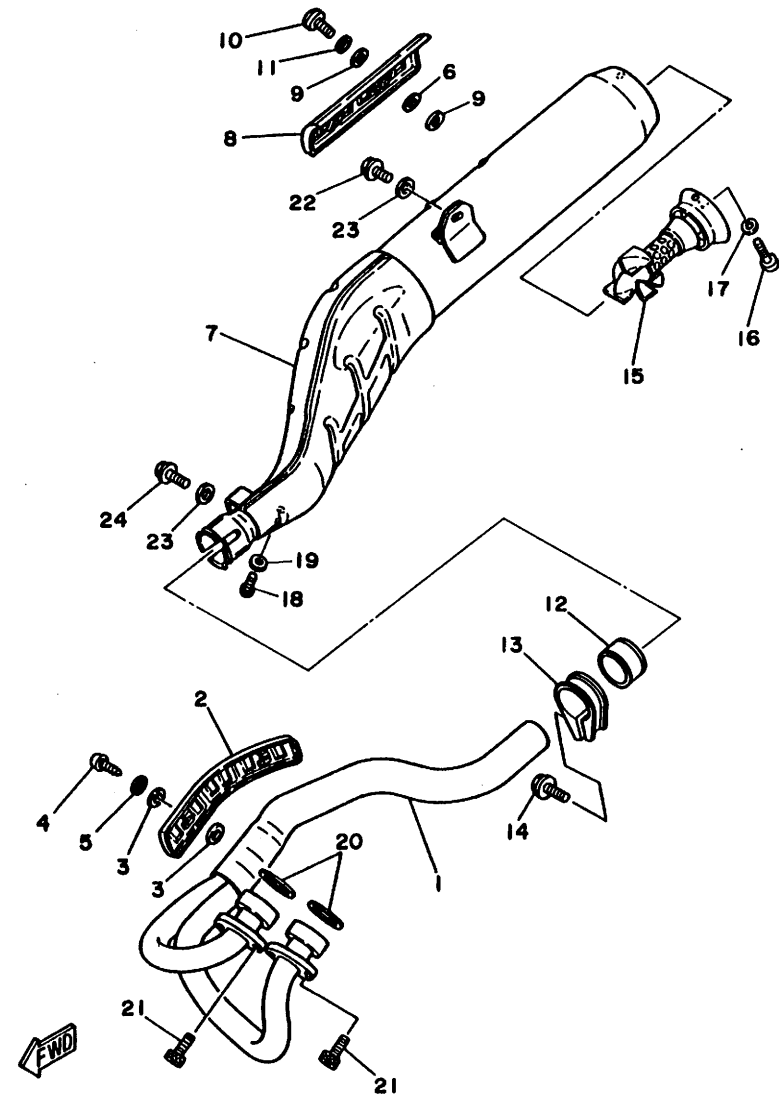
REF. NO.	PART NO.	DESCRIPTION	Q'TY	REMARKS
26	15A-14371-00	.PLUNGER, starter	1	
27	5Y1-14536-00	.GASKET	1	
28	98901-04006	.SCREW, bind	1	
29	98580-04010	.SCREW, pan head	2	
30	92901-04100	.WASHER, spring	2	
31	3WP-14103-00	.THROTTLE SCREW SET	1	
32	30X-14216-00	.SCREW	1	
33	30X-14358-00	.NUT	1	
34	30X-1490K-00	.STOP SCREW SET	1	
35	98580-04012	.SCREW, pan head	4	
36	92901-04100	.WASHER, spring	4	
37	14T-14323-00	.SCREW, air adjusting	1	
38	98580-04008	.SCREW, pan head	4	
39	5Y1-1490A-00	.DIAPHRAGM SET, 1	1	
40	30X-14340-01	.VALVE ASSY	1	
41	30X-14286-00	.SPRING	1	
42	57T-1490J-00	.NEEDLE SET	1	UR
	56R-1490J-00	.NEEDLE SET	1	UR FOR CALIFORNIA
43	30X-14355-00	.NOZZLE, main 2	1	
44	30X-14343-53	.JET, main (#106)	1	
45	5Y1-14146-00	.PLATE	1	
46	7KF-14162-00	.BOLT, holding	1	
47	5Y1-14349-00	.PIPE	1	
48	5Y1-14396-00	.PIPE	1	UR
	56R-14396-00	.PIPE	1	UR FOR CALIFORNIA
49	5Y1-14197-00	.PIPE	2	UR
	56R-14197-00	.PIPE	2	UR FOR CALIFORNIA
50	30X-14148-00	.PIPE	1	



3NVD110-4080

FIG. 8 CARBURETOR

REF. NO.	PART NO.	DESCRIPTION	Q'TY	REMARKS
51	5Y1-14159-00	.CLIP	2	
52	30X-14149-00	.PIPE	1	
53	98580-04010	.SCREW, pan head	2	
54	5H0-14991-00	.SCREW	1	
55	5H0-14126-00	.GASKET	1	
56	7KF-14227-00	.WASHER	1	
57	30X-14146-00	.PLATE	1	UR FOR NON-CALIFORNIA
	42U-14146-00	.PLATE	1	UR FOR CALIFORNIA
58	90413-05008	.WAY 3	1	FOR CALIFORNIA
59	56R-14196-00	.PIPE	1	FOR CALIFORNIA
60	5Y1-14137-00	.CLIP	1	FOR CALIFORNIA
61	56R-14193-00	PIPE, over flow	1	
62	437-83936-01	BAND, switch	1	

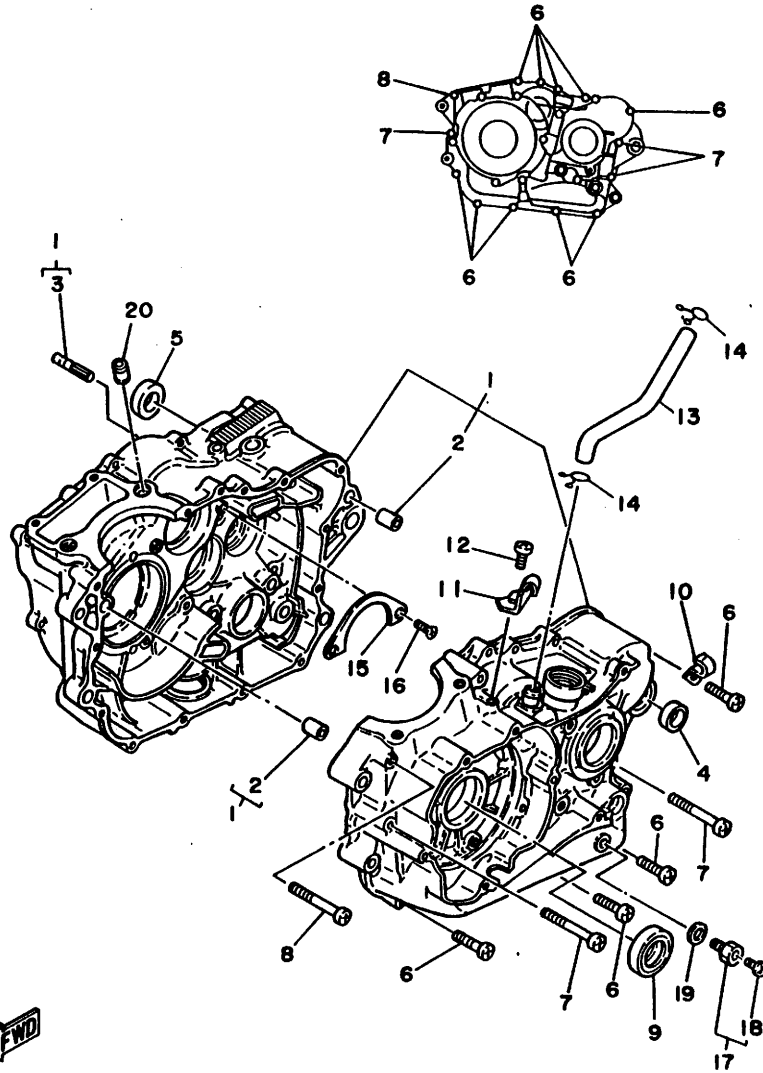


3NVD110-4090

FIG. 9 EXHAUST

REF. NO.	PART NO.	DESCRIPTION	Q'TY	REMARKS
1	57R-14611-00	PIPE, exhaust 1	1	
2	55V-14628-00	PROTECTOR, exhaust pipe	1	
3	4BD-14766-00	WASHER, protector	4	
4	90164-06017	SCREW, tapping	2	
5	90206-06090	WASHER, wave	2	
6	92906-06600	WASHER, plate	2	
7	2GK-14711-01	MUFFLER 1	1	
8	55V-14728-00	PROTECTOR, muffler 2	1	
9	4BD-14766-00	WASHER, protector	4	
10	98906-06010	SCREW, bind	2	
11	90206-06090	WASHER, wave	2	
12	4EL-14714-00	GASKET, muffler	1	
13	30X-14715-00	BAND, muffler	1	
14	95816-08045	BOLT, flange	1	
15	42U-14752-00	PIPE, outlet	1	
16	98501-06010	SCREW, pan head	1	
17	92990-06100	WASHER, spring	1	
18	98906-06008	SCREW, bind	1	
19	92906-06600	WASHER, plate	1	
20	4BR-14613-00	GASKET, exhaust pipe	2	
21	91316-06025	BOLT	4	
22	95816-08014	BOLT, flange	1	
23	90201-081H4	WASHER, plate	2	
24	95816-08020	BOLT, flange	1	

FIG. 10 CRANKCASE



REF. NO.	PART NO.	DESCRIPTION	Q'TY	REMARKS
1	55V-15100-02	CRANKCASE ASSY	1	
2	99510-12016	.PIN, dowel	2	
3	55V-15668-00	.STOPPER	1	
4	90387-17783	COLLAR	1	
5	90387-172J0	COLLAR	1	
6	98516-06030	SCREW, pan head	10	
7	98506-06060	SCREW, pan head	3	
8	98506-06070	SCREW, pan head	1	
9	93102-25305	OIL SEAL	1	
10	90465-08277	CLAMP	1	
11	51Y-15441-00	HOLDER, clutch cable	1	
12	98506-06016	SCREW, pan head	1	
13	30X-11166-00	PIPE, breather 1	1	NON-CALIFORNIA
	56R-11166-00	PIPE, breather 1	1	FOR CALIFORNIA
14	90467-14015	CLIP	2	
15	30X-15383-00	PLATE, bearing cover	1	
16	98701-06016	SCREW, flat head	2	
17	3VD-13455-00	PLUG	1	
18	98901-06008	.SCREW, bind	1	
19	214-11198-01	GASKET	1	
20	99530-14016	PIN, dowel	2	



57T110-6100

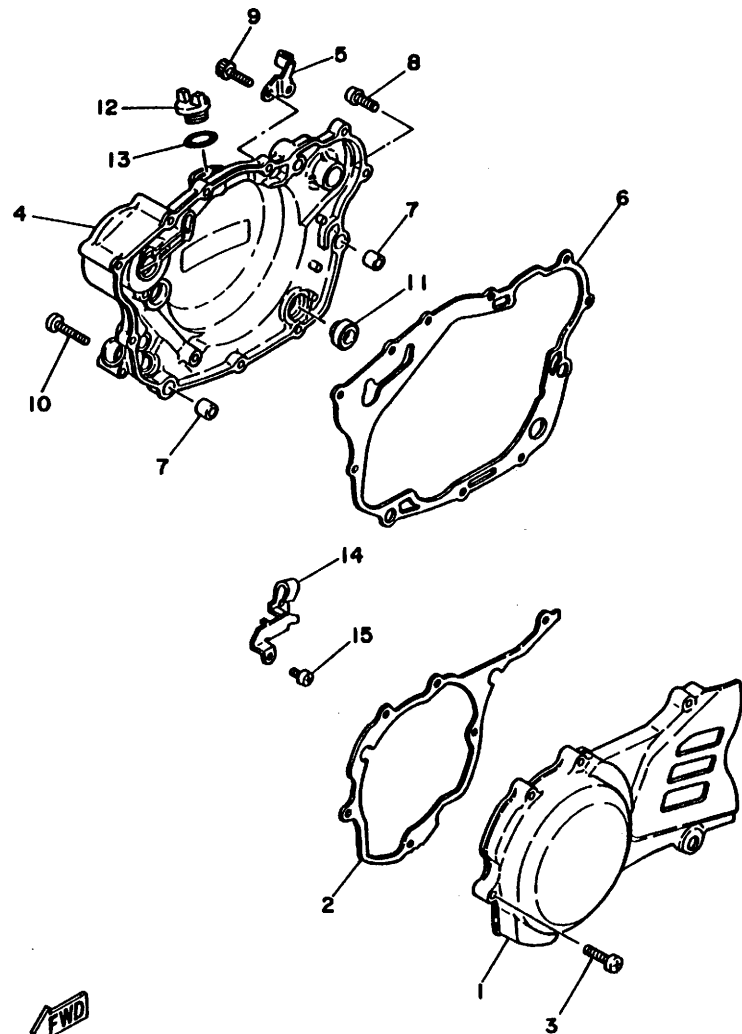


FIG. 11 CRANKCASE COVER 1

REF. NO.	PART NO.	DESCRIPTION	Q'TY	REMARKS
1	3DC-15411-00	COVER, crankcase 1	1	
2	4EL-15451-00	GASKET, crankcase cover 1	1	
3	98516-06030	SCREW, pan head	6	
4	3GJ-15421-00	COVER, crankcase 2	1	
5	30X-15378-00	HOLDER	1	
6	4EL-15461-00	GASKET, crankcase cover 2	1	
7	99510-12016	PIN, dowel	2	
8	91316-06025	BOLT	2	
9	90110-06138	BOLT, hexagon socket head	5	
10	91316-06040	BOLT	2	
11	3Y1-15361-00	GAUGE, level	1	
12	1RG-15363-00	PLUG, oil	1	
13	93210-19123	O-RING	1	
14	90462-08062	CLAMP	1	
15	98506-06012	SCREW, pan head	1	



55V300-8110

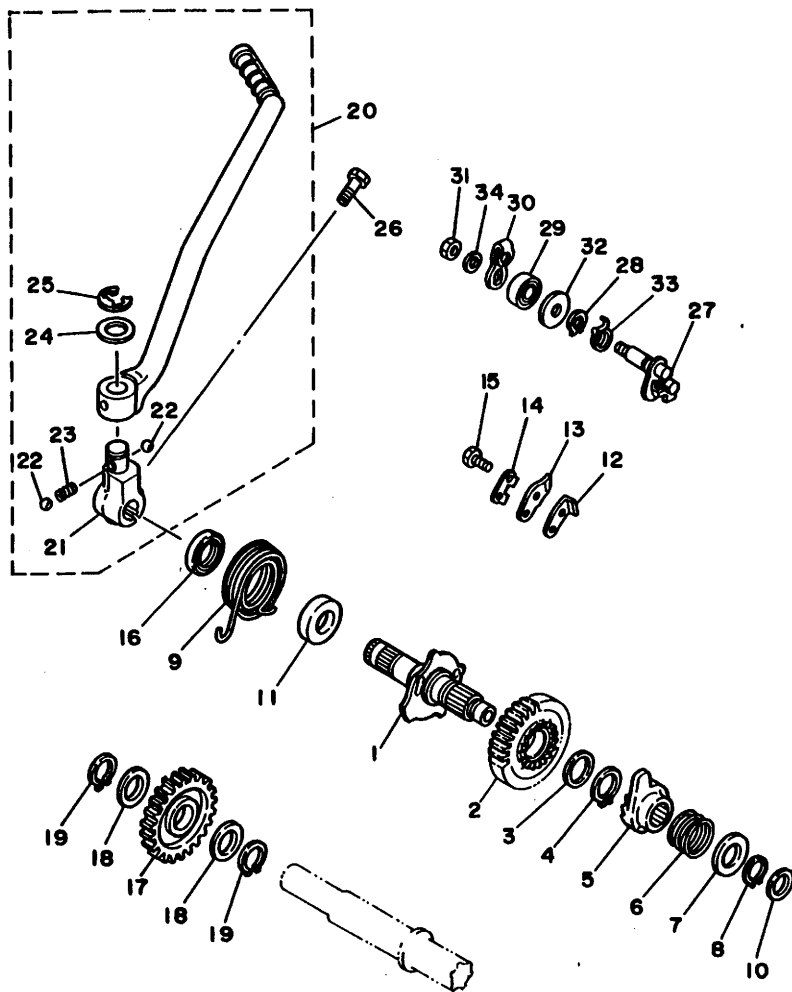


FIG. 12 STARTER

REF. NO.	PART NO.	DESCRIPTION	Q'TY	REMARKS
1	30X-15660-01	KICK AXLE ASSY	1	
2	30X-15641-01	GEAR, kick	1	
3	90201-20685	WASHER, plate (0.5T)	1	
4	93410-20038	CIRCLIP	1	
5	3Y1-15671-00	WHEEL, ratchet	1	
6	90501-16107	SPRING, compression	1	
7	90201-155K6	WASHER, plate	1	
8	99009-15400	CIRCLIP	1	
9	90508-32432	SPRING, torsion	1	
10	90201-15701	WASHER, plate (1.0T)	1	
11	90560-17239	SPACER	1	
12	2NX-15668-00	STOPPER	1	
13	2NX-15674-00	GUIDE, ratchet wheel	1	
14	214-15686-00	WASHER, lock	1	
15	97021-06016	BOLT	2	
16	93102-17263	OIL SEAL	1	
17	30X-15651-01	GEAR, kick idle (27T)	1	
18	90201-177G4	WASHER, plate	2	
19	99009-17400	CIRCLIP	2	
20	30X-15620-00	KICK CRANK ASSY	1	
21	30X-15621-00	.BOSS, kick crank	1	
22	93507-32031	.BALL	2	
23	90501-10589	.SPRING, compression	1	
24	90201-15340	.WASHER, plate	1	
25	99006-10600	.CIRCLIP	1	
26	97016-08030	BOLT	1	
27	30X-1561A-00	DECOMP. LEVER ASSY	1	
28	99009-10400	CIRCLIP	1	



57T110-6121

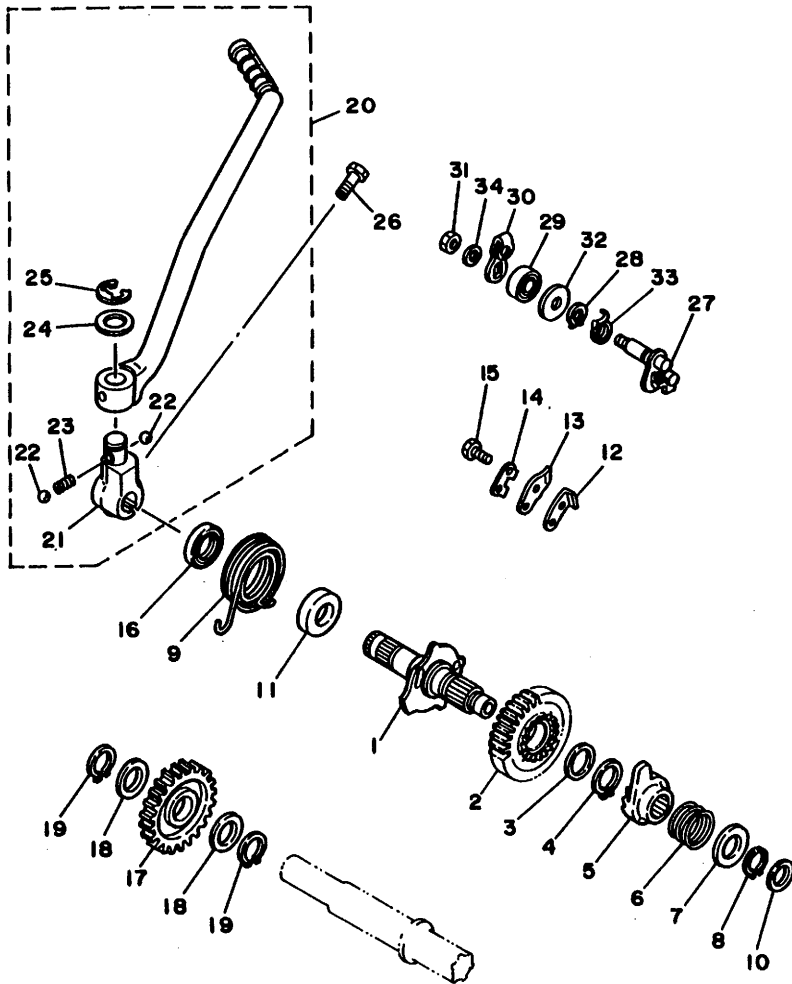
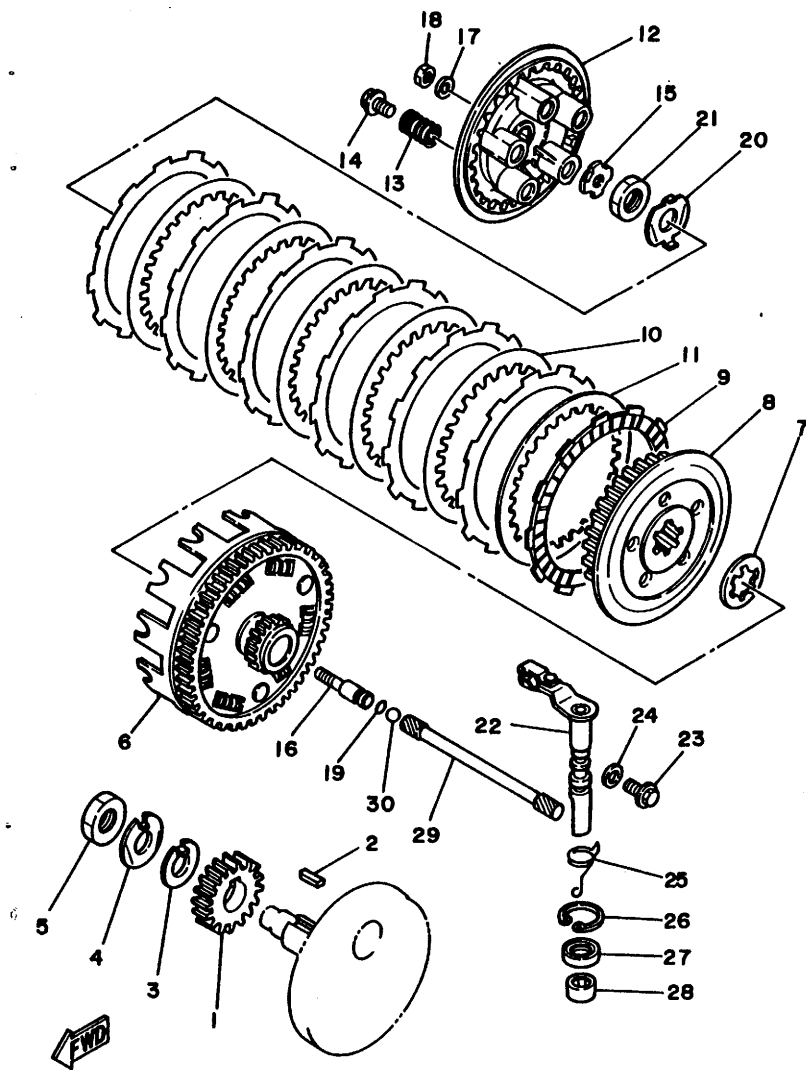


FIG. 12 STARTER

REF. NO.	PART NO.	DESCRIPTION	Q'TY	REMARKS
29	93102-10207	OIL SEAL (SD 10-21-5 HS)	1	
30	30X-1561G-00	LEVER, cable	1	
31	95306-06800	NUT	1	
32	90201-10614	WASHER, plate	1	
33	90508-14630	SPRING, torsion	1	
34	92906-06600	WASHER, plate	1	



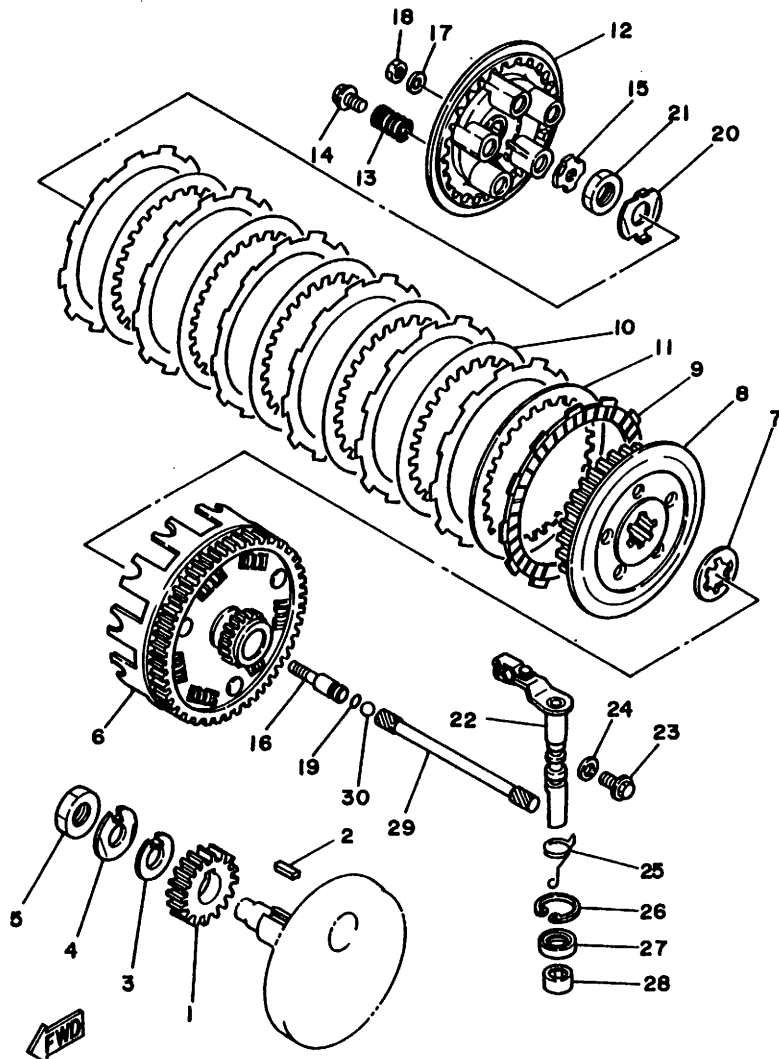
57T110-6121



55V351-5130

FIG. 13 CLUTCH

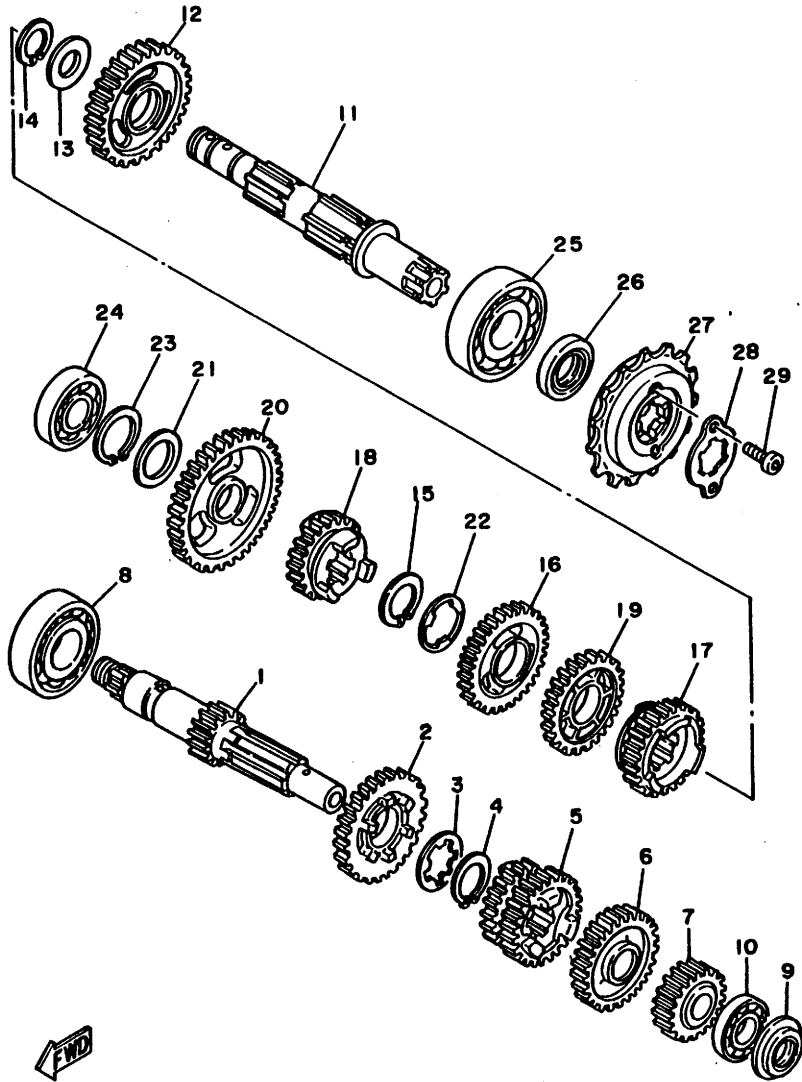
REF. NO.	PART NO.	DESCRIPTION	Q'TY	REMARKS
1	30X-16111-00	GEAR, primary drive (23T)	1	
2	90282-07057	KEY, straight	1	
3	90215-16156	WASHER, lock	1	
4	90215-16222	WASHER, lock	1	
5	90170-16343	NUT	1	
6	55V-16150-00	PRIMARY DRIVEN GEAR COMP.	1	
7	30X-16154-00	PLATE, thrust 1	1	
8	55V-16371-00	BOSS, clutch	1	
9	5Y1-16331-01	PLATE, friction 2	7	
10	4H7-16325-00	PLATE, clutch 2	5	
11	3J2-16324-00	PLATE, clutch 1	1	
12	5Y1-16351-00	PLATE, pressure 1	1	
13	90501-23391	SPRING, compression	5	
14	90159-06010	SCREW, with washer	5	
15	30X-16358-00	PLATE, push	1	
16	55V-16356-00	ROD, push 1	1	
17	92901-06200	WASHER, plain	1	
18	95303-06600	NUT	1	
19	93210-06632	O-RING	1	
20	90215-16245	WASHER, lock	1	
21	90170-16326	NUT	1	
22	55V-16380-00	PUSH LEVER ASSY	1	
23	90149-08067	SCREW	1	
24	90201-08087	WASHER, plate	1	
25	90508-14433	SPRING, torsion	1	
26	93420-28055	CIRCLIP	1	
27	93102-14209	OIL SEAL	1	
28	93315-31428	BEARING, cylindrical	1	



55V351-5130

FIG. 13 CLUTCH

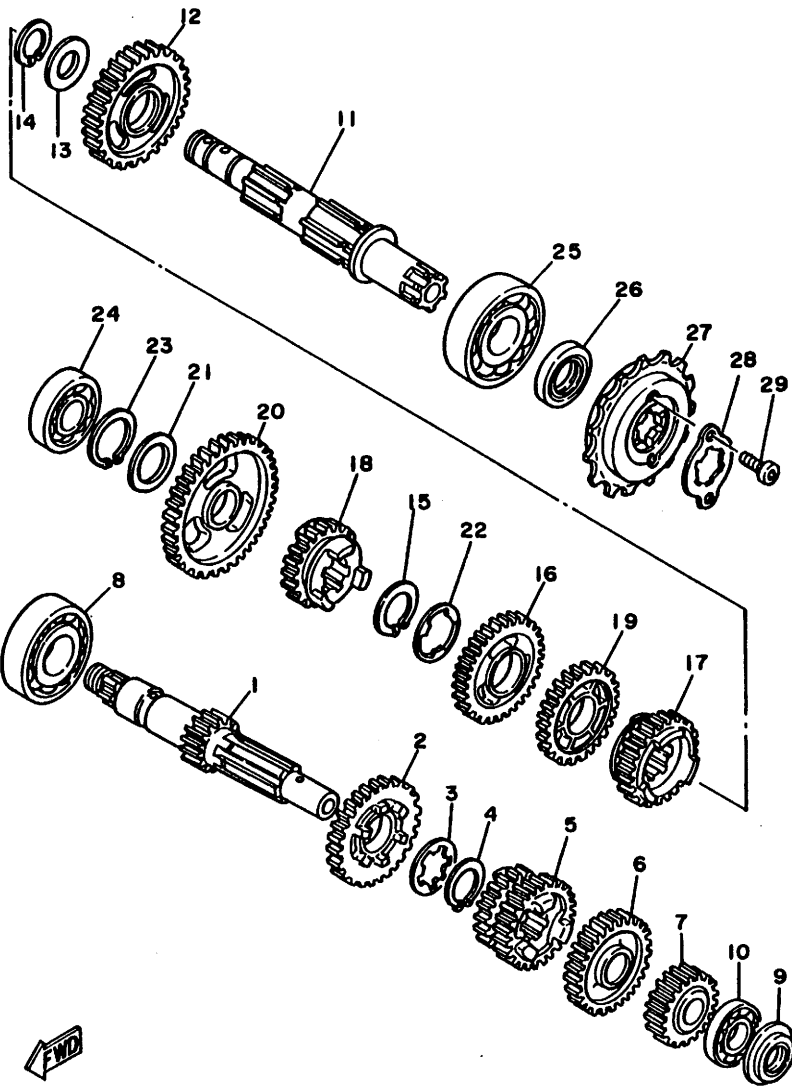
REF. NO.	PART NO.	DESCRIPTION	Q'TY	REMARKS
29	30X-16357-00	ROD, push 2	1	
30	93511-32027	BALL	1	



52E010-4140

FIG. 14 TRANSMISSION

REF. NO.	PART NO.	DESCRIPTION	Q'TY	REMARKS
1	51Y-17411-00	AXLE, main (15T)	1	
2	55V-17161-00	GEAR, 6th pinion (29T)	1	
3	90209-18208	WASHER	1	
4	93410-22039	CIRCLIP	1	
5	55V-17131-00	GEAR, 3rd pinion (25T)	1	
6	55V-17151-01	GEAR, 5th pinion (27T)	1	
7	51Y-17121-00	GEAR, 2nd pinion (16T)	1	
8	93306-20427	BEARING (62/22-9-C3)	1	
9	93101-17093	OIL SEAL	1	
10	93306-00315	BEARING (6003SH2C4)	1	
11	55V-17402-00	DRIVE AXLE ASSY	1	
12	51Y-17221-00	GEAR, 2nd wheel (29T)	1	
13	90209-23241	WASHER	1	
14	93410-26067	CIRCLIP	1	
15	93410-22039	CIRCLIP	1	
16	55V-17231-00	GEAR, 3rd wheel (30T)	1	
17	55V-17251-00	GEAR, 5th wheel (24T)	1	
18	55V-17261-01	GEAR, 6th wheel (22T)	1	
19	55V-17241-00	GEAR, 4th wheel (27T)	1	
20	51Y-17211-00	GEAR, 1st wheel (37T)	1	
21	90201-17764	WASHER, plate	1	
22	90209-18208	WASHER	1	
23	93410-17037	CIRCLIP	1	
24	93306-20332	BEARING	1	
25	93306-20573	BEARING	1	
26	93102-25226	OIL SEAL	1	
27	55V-17460-00	SPROCKET, drive 19T (55V1746190)	1	
28	3Y1-17456-00	HOLDER, sprocket	1	



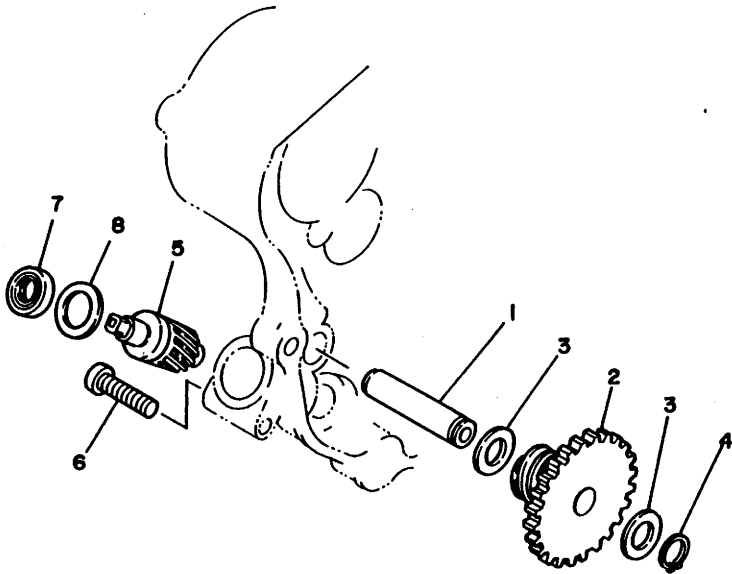
52E010-4140

FIG. 14 TRANSMISSION

REF. NO.	PART NO.	DESCRIPTION	Q'TY	REMARKS
29	97011-06010	BOLT	2	

FIG. 15 TACHOMETER GEAR

REF. NO.	PART NO.	DESCRIPTION	Q'TY	REMARKS
1	30X-17861-00	AXLE, drive gear	1	
2	30X-17831-00	GEAR, drive (23T)	1	
3	90201-08759	WASHER, plate	2	
4	99009-10400	CIRCLIP	1	
5	30X-17841-01	GEAR, driven	1	
6	98506-06025	SCREW, pan head	1	
7	93102-08307	OIL SEAL	1	
8	90201-12M34	WASHER, plate	1	



30X010-3150

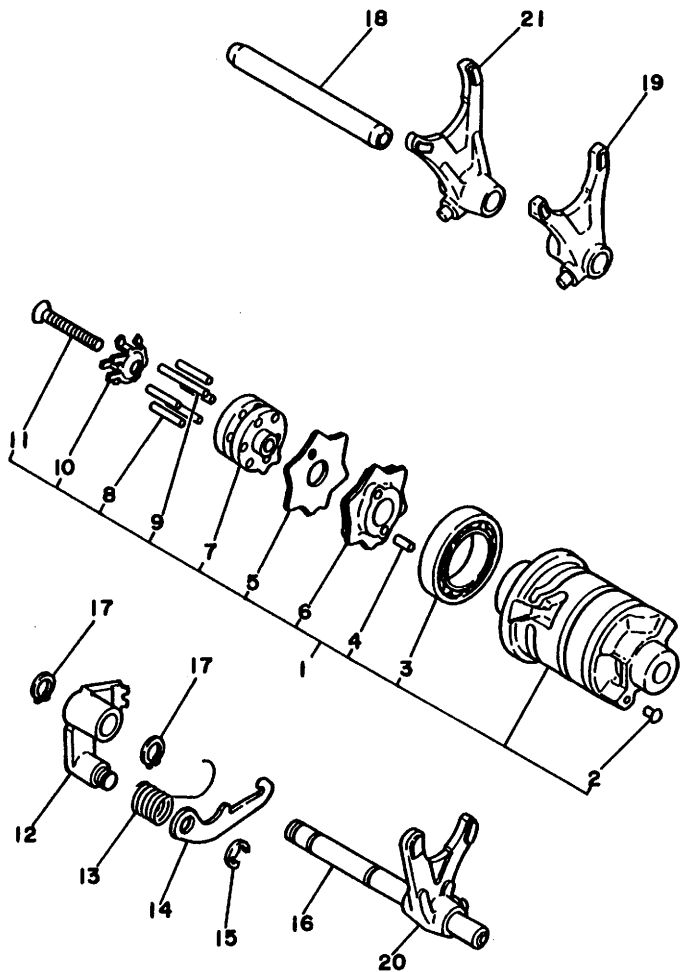
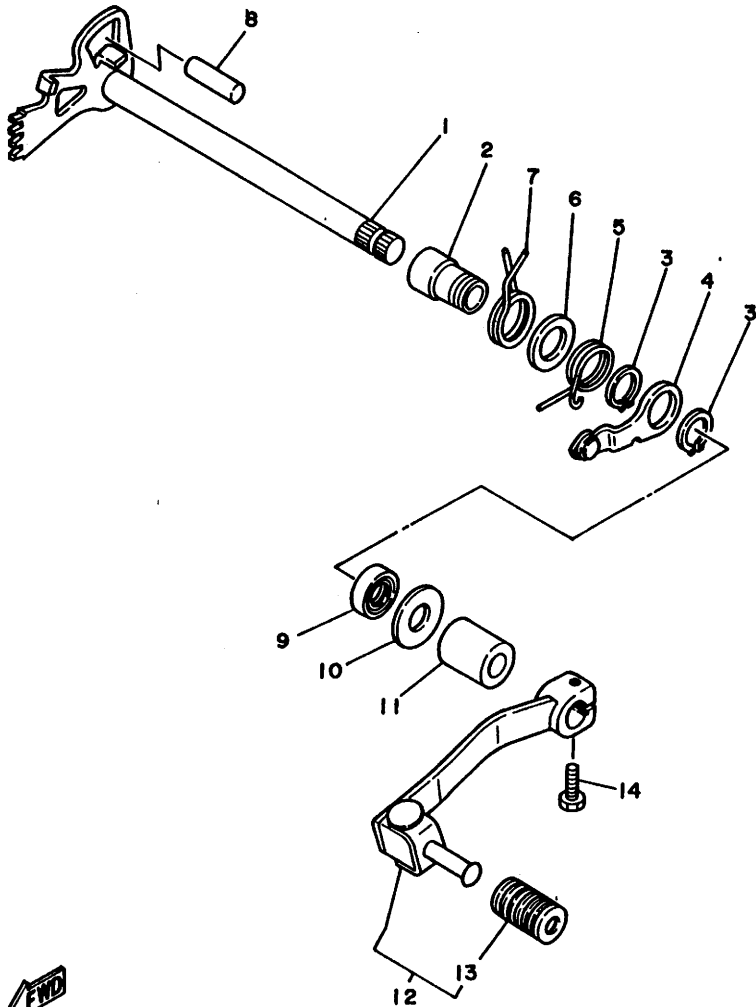


FIG. 16 SHIFT CAM. FORK

REF. NO.	PART NO.	DESCRIPTION	Q'TY	REMARKS
1	30X-18540-00	SHIFT CAM ASSY	1	
2	136-18542-00	.POINT, neutral	1	
3	93306-90501	.BEARING	1	
4	93604-08071	.PIN, dowel	1	
5	30X-18161-00	.GUIDE, plate stopper	1	
6	30X-18141-00	.PLATE, stopper	1	
7	30X-18185-00	.SEGMENT	1	
8	93604-18100	.PIN, dowel	5	
9	93604-29151	.PIN, dowel	1	
10	30X-18561-02	.PLATE, side 1	1	
11	90151-06013	.SCREW, countersunk	1	
12	3Y1-18122-00	LEVER, shift 2	1	
13	90508-12430	SPRING, torsion	1	
14	2K7-18151-00	LEVER, shift 3	1	
15	99080-07600	CIRCLIP	1	
16	4DN-18531-00	BAR, shift fork guide 1	1	
17	99009-10400	CIRCLIP	2	
18	4DN-18535-00	BAR, shift fork guide 2	1	
19	30X-18511-00	FORK, shift 1	1	
20	30X-18512-00	FORK, shift 2	1	
21	30X-18513-00	FORK, shift 3	1	



30X010-3160



57R700-5170

FIG. 17 SHIFT SHAFT

REF. NO.	PART NO.	DESCRIPTION	Q'TY	REMARKS
1	30X-18101-01	SHIFT SHAFT ASSY	1	
2	90387-12787	COLLAR	1	
3	99009-17400	CIRCLIP	2	
4	3Y1-18140-00	STOPPER LEVER ASSY	1	
5	90508-26434	SPRING, torsion	1	
6	90201-17255	WASHER, plate	1	
7	90508-32374	SPRING, torsion	1	
8	93608-30152	PIN, dowel	1	
9	93102-12106	OIL SEAL (SD 12-22-5 HS)	1	
10	90201-12588	WASHER, plate	1	
11	90560-12191	SPACER	1	
12	30X-18110-01	SHIFT PEDAL ASSY	1	
13	1W6-18113-00	.COVER, shift pedal	1	
14	97016-06020	BOLT	1	

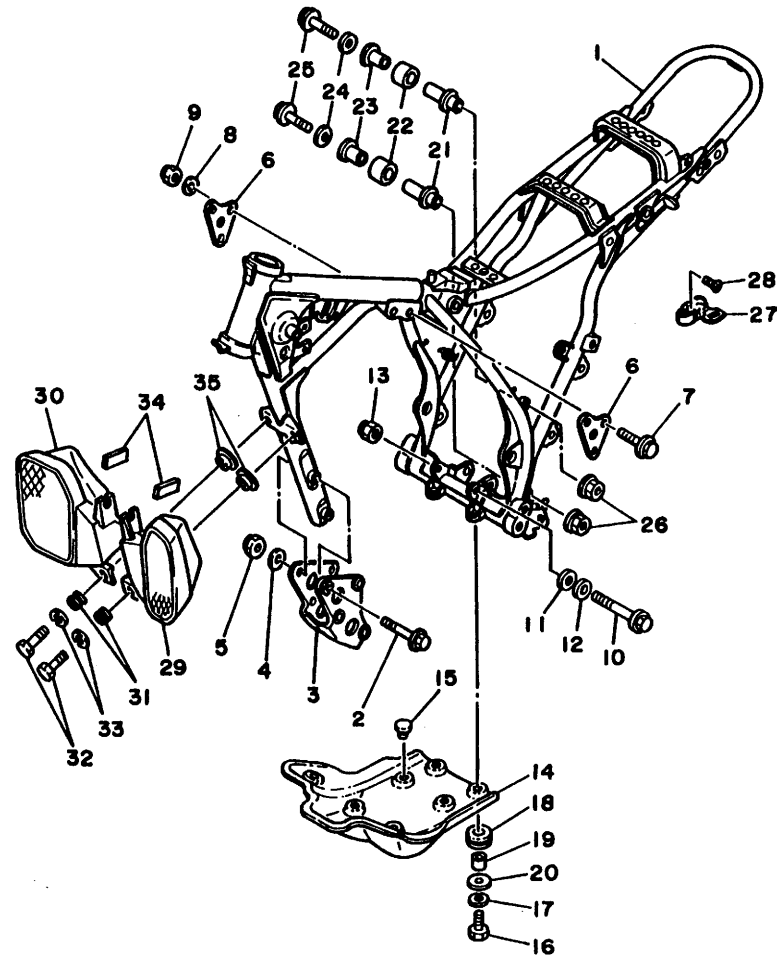


FIG. 18 FRAME

REF. NO.	PART NO.	DESCRIPTION	Q'TY	REMARKS
1	57T-21110-00-TR	FRAME COMP.	1	UR ROMANTIQUE ROUGE
	56R-21110-00-TR	FRAME COMP.	1	UR ROMANTIQUE ROUGE (CALIFORNIA)
2	95811-08070	BOLT, flange	4	
3	30X-21316-00-TR	STAY, engine 3	1	ROMANTIQUE ROUGE
4	90201-094G1	WASHER, plate	4	
5	90185-08089	NUT, self-locking	4	
6	30X-21315-00	STAY, engine 2	2	
7	95811-08060	BOLT, flange	3	
8	90201-094G1	WASHER, plate	3	
9	90185-08089	NUT, self-locking	3	
10	90105-08099	BOLT, washer based	1	
11	90201-094G1	WASHER, plate	1	
12	92901-08800	WASHER	1	
13	90185-08089	NUT, self-locking	1	
14	30X-21471-01	PROTECTOR, engine	1	
15	30X-24768-00	STOPPER	5	
16	97011-06020	BOLT	3	
17	92990-06100	WASHER, spring	3	
18	90480-16233	GROMMET	3	
19	90387-060A7	COLLAR	3	
20	90201-06697	WASHER, plate	3	
21	2K7-2148A-00	SHAFT	2	
22	30X-22178-00	TENSIONER	2	
23	10V-22184-00	BUSH	2	
24	90201-08310	WASHER, plate	2	
25	95816-08050	BOLT, flange	2	
26	95616-08100	NUT, u	2	
27	55E-21308-00	HELMET HANGER ASSY	1	



3NV7110-2180

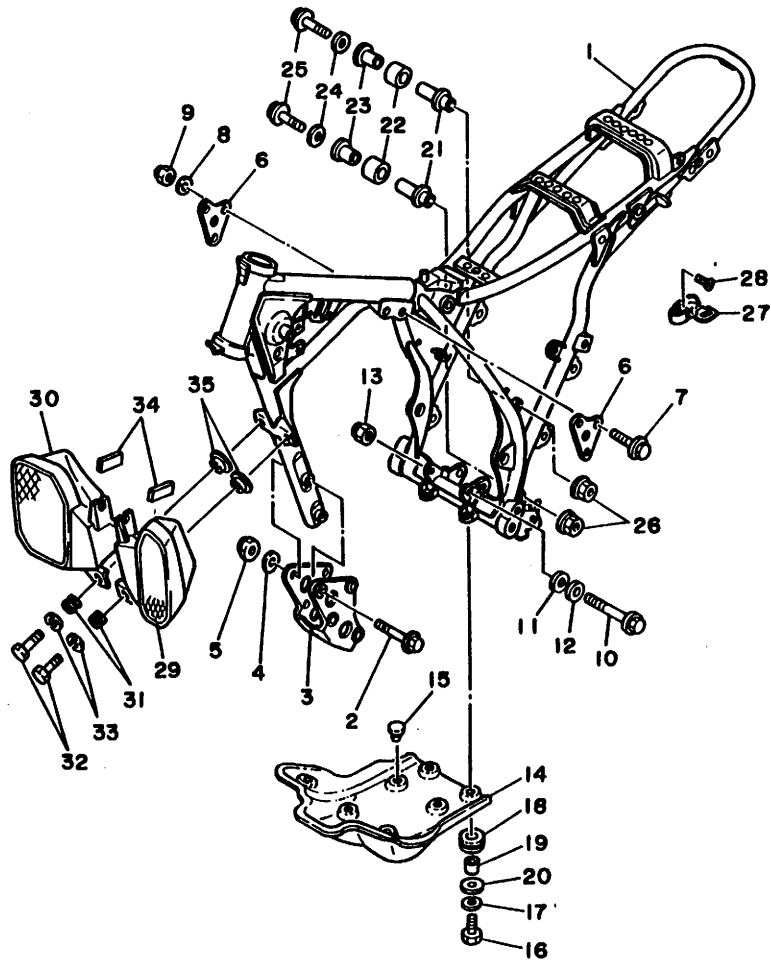
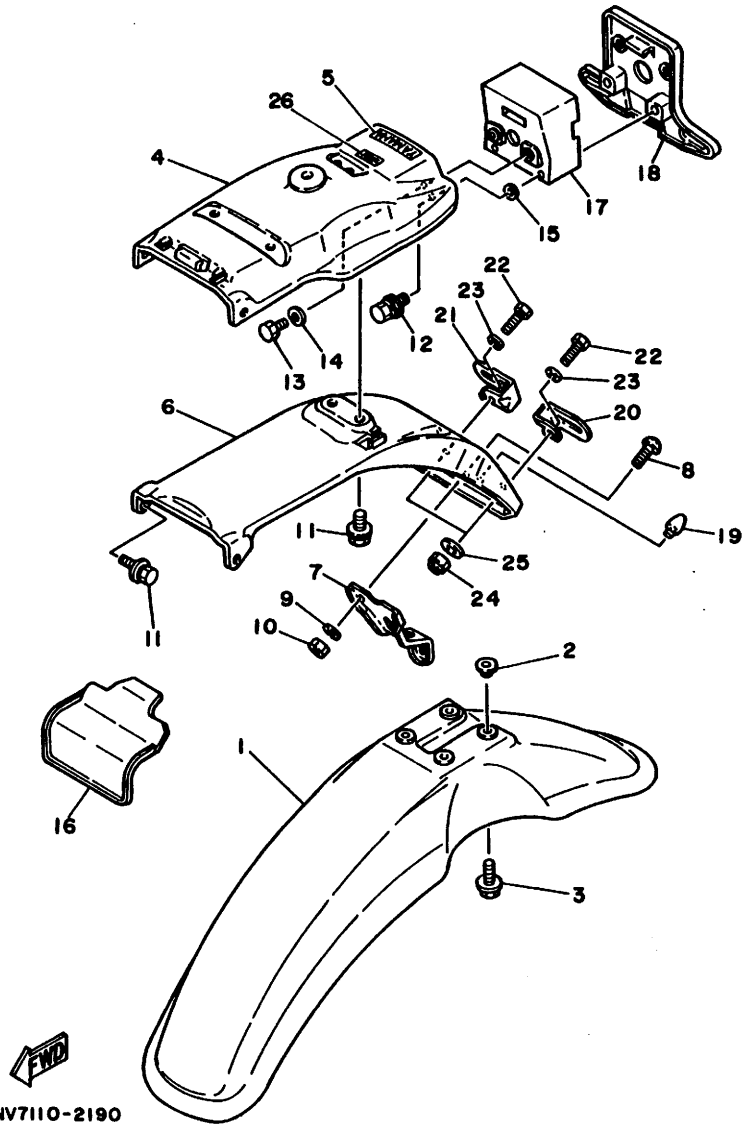


FIG. 18 FRAME

REF. NO.	PART NO.	DESCRIPTION	Q'TY	REMARKS
28	90149-06285	SCREW	1	
29	55V-2137W-40	SCOOP, air 1	1	INK BLUE
30	55V-2137X-40	SCOOP, air 2	1	INK BLUE
31	90480-12053	GROMMET	2	
32	97016-06016	BOLT	2	
33	92906-06100	WASHER, spring	2	
34	30X-2139X-00	DAMPER	2	
35	90209-06223	WASHER	2	



3NV7110-2180



3NV7110-2190

FIG. 19 FENDER

REF. NO.	PART NO.	DESCRIPTION	Q'TY	REMARKS
1	30X-21511-40	FENDER, front	1	INK BLUE
2	90387-06681	COLLAR	4	
3	90119-06063	BOLT, with washer	4	
4	42U-21611-20	FENDER, rear	1	INK BLUE
5	3NV-2153A-00	EMBLEM, yamaha	1	
6	42U-21685-00	BRACKET, license	1	
7	42U-21641-00	BRACKET, reflector	1	
8	90159-06071	SCREW, with washer	2	
9	92990-06100	WASHER, spring	2	
10	95303-06600	NUT	2	
11	90119-06061	BOLT, with washer	4	
12	90119-06061	BOLT, with washer	2	
13	97001-06045	BOLT	2	
14	92990-06100	WASHER, spring	2	
15	90201-06778	WASHER, plate	2	
16	30X-21629-00	GUARD, mud	1	
17	21T-2163A-00	COVER, rear fender 1	1	
18	21T-21685-20	BRACKET, license	1	
19	42U-21639-00	DAMPER 2	1	
20	42U-21688-00	BRACKET, rear stay	1	
21	42U-21689-00	BRACKET, rear stay 2	1	
22	97016-06020	BOLT	2	
23	92906-06100	WASHER, spring	2	
24	95616-06100	NUT, u	2	
25	90201-06059	WASHER, plate	2	
26	3MX-24875-00	LABEL 1	1	

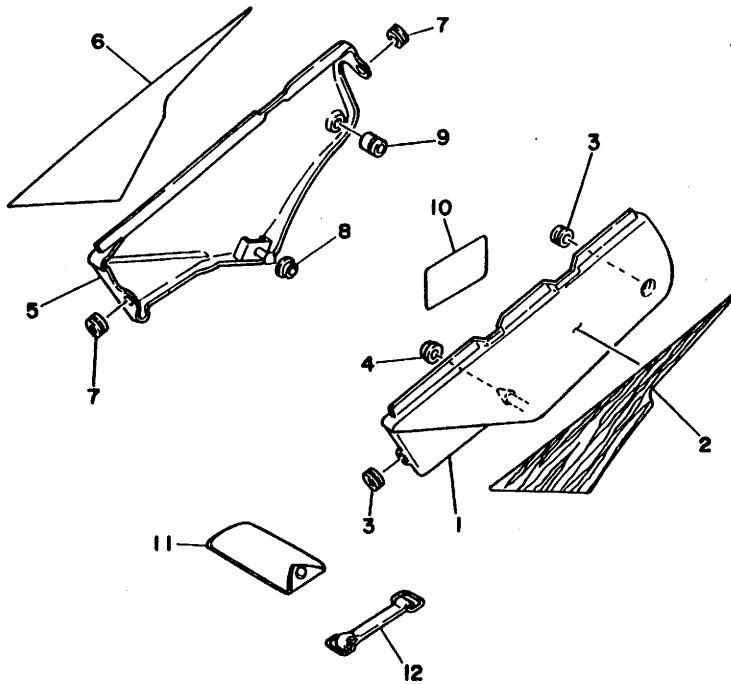
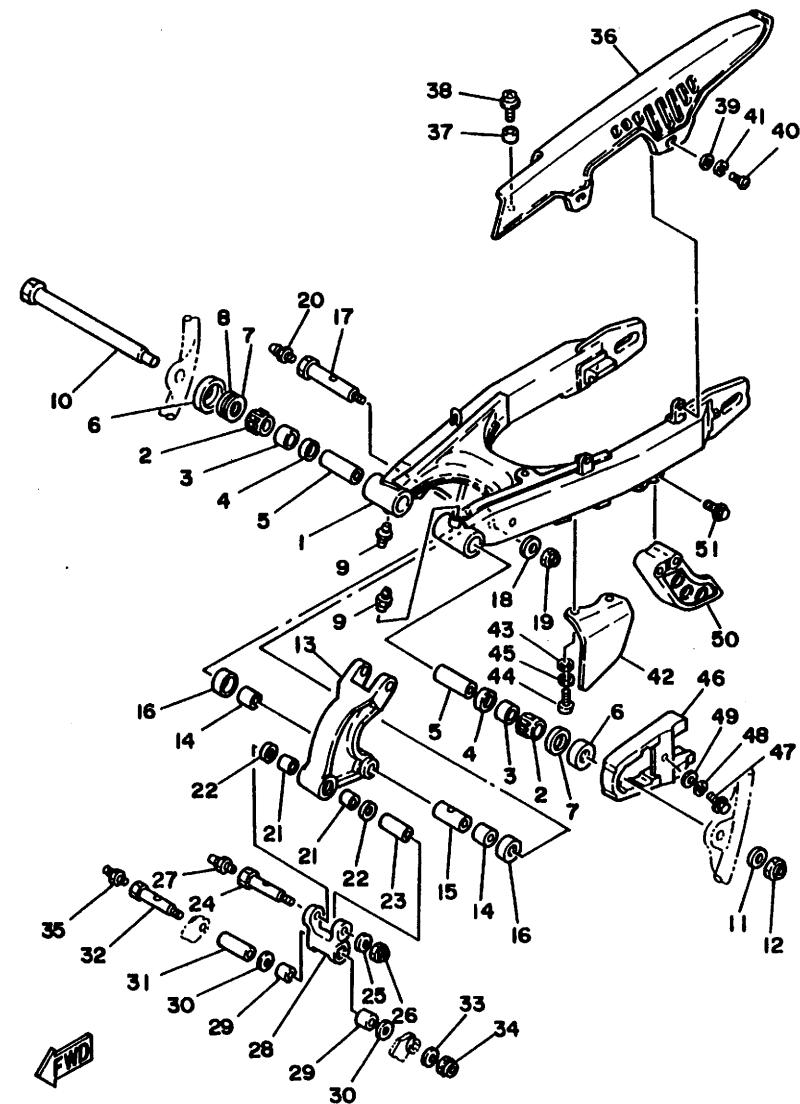


FIG. 20 SIDE COVER

REF. NO.	PART NO.	DESCRIPTION	Q'TY	REMARKS
1	30X-21711-40-98	COVER, side 1	1	INK BLUE/BLACK
2	3NV-2173E-10	GRAPHIC 1	1	
3	90480-12053	GROMMET	2	
4	90480-01401	GROMMET	1	
5	30X-21721-40-98	COVER, side 2	1	INK BLUE/BLACK
6	3NV-2173F-10	GRAPHIC 2	1	
7	90480-12053	GROMMET	2	
8	90480-01401	GROMMET	1	
9	22W-24181-00	DAMPER, locating 1	1	
10	3NV-2179V-50	PLATE, epa 1 (NON CALIFORNIA)	1	UR
	3NV-2179R-50	PLATE, epa 1 (CALIFORNIA)	1	UR
11	48Y-28100-00	TOOL KIT	1	
12	116-82131-00	BAND, battery	1	



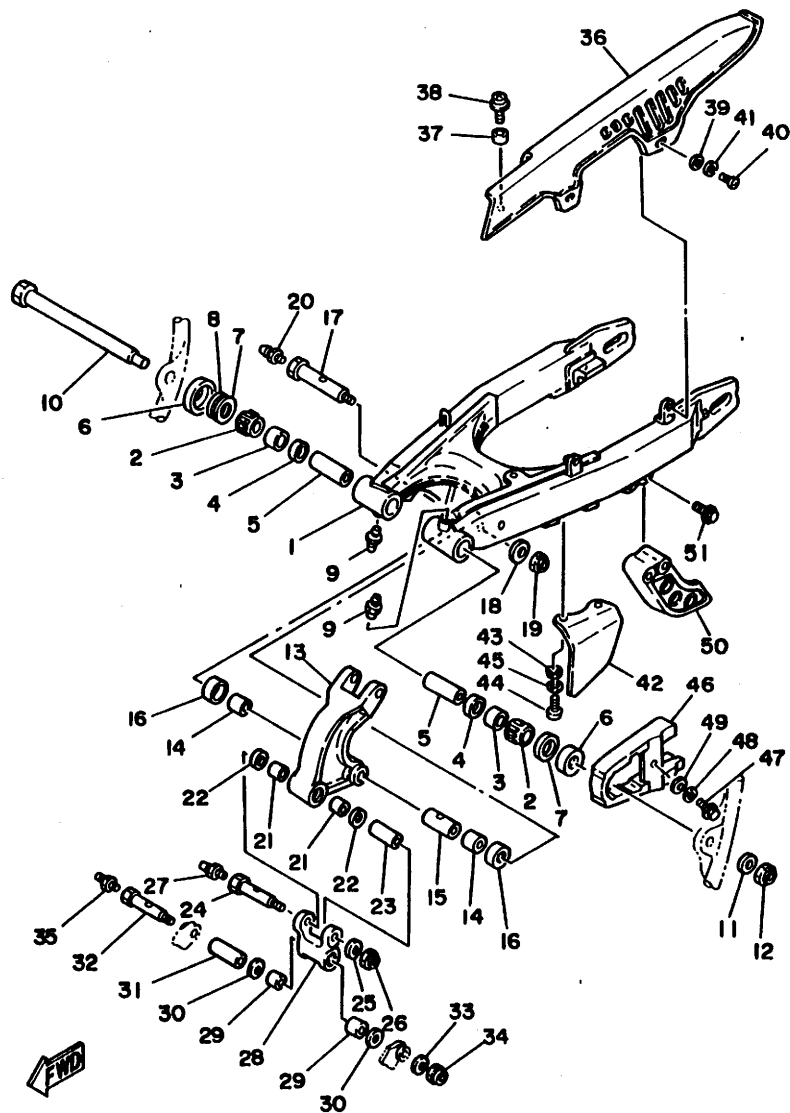
3NVD110-4200



3YT3351-2210

FIG. 21 REAR ARM

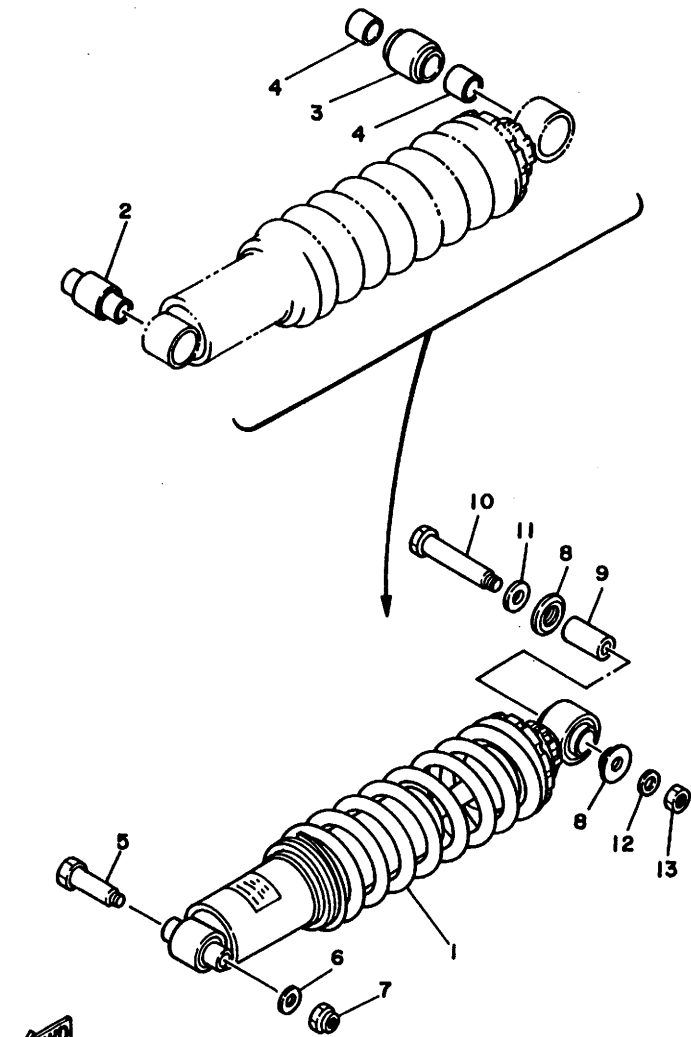
REF. NO.	PART NO.	DESCRIPTION	Q'TY	REMARKS
1	55V-22110-00-PO	REAR ARM COMP.	1	GRAY METALLIC 1
2	93317-32231	BEARING, cylindrical	2	
3	90380-22111	BUSH, solid	2	
4	93106-22019	OIL SEAL (DC 22-28-8)	2	
5	3Y1-22124-01	BUSH 2	2	
6	322-22128-01	COVER, thrust 1	2	
7	90201-243A2	WASHER, plate	2	
8	156-22127-00	SHIM (0.3T)	1	
9	93700-06004	NIPPLE, grease	2	
10	30X-22141-00	SHAFT, pivot	1	
11	90201-14218	WASHER, plate	1	
12	90185-14070	NUT, self-locking	1	
13	30X-2217A-00	ARM, relay	1	
14	90386-20120	BUSH	2	
15	90387-140J9	COLLAR	1	
16	30X-22128-00	COVER, thrust 1	2	
17	90109-121A1	BOLT	1	
18	90201-120A5	WASHER, plate	1	
19	90185-12119	NUT, self-locking	1	
20	93700-06004	NIPPLE, grease	1	
21	90386-18115	BUSH	2	
22	93109-18020	OIL SEAL	2	
23	90387-126J8	COLLAR	1	
24	90109-10752	BOLT	1	
25	90201-100E9	WASHER, plate	1	
26	90185-10120	NUT, self-locking	1	
27	93700-06009	NIPPLE, grease	1	
28	30X-2217F-01	ROD, connecting 1	1	



3YT3351-2210

FIG. 21 REAR ARM

REF. NO.	PART NO.	DESCRIPTION	Q'TY	REMARKS
29	90386-18115	BUSH	2	
30	93109-18020	OIL SEAL	2	
31	90387-121L6	COLLAR	1	
32	90109-10752	BOLT	1	
33	90201-100E9	WASHER, plate	1	
34	90185-10120	NUT, self-locking	1	
35	93700-06004	NIPPLE, grease	1	
36	38M-22311-00	CASE, chain	1	
37	90387-064E8	COLLAR	1	
38	90159-06042	SCREW, with washer	1	
39	90209-06223	WASHER	2	
40	98506-06016	SCREW, pan head	2	
41	92906-06100	WASHER, spring	2	
42	30X-22312-01	CASE, chain 2	1	
43	90209-06223	WASHER	2	
44	98506-06012	SCREW, pan head	2	
45	92906-06100	WASHER, spring	2	
46	42U-22151-00	SEAL, guard	1	
47	97026-06012	BOLT	1	
48	92906-06100	WASHER, spring	1	
49	90209-06223	WASHER	1	
50	30X-22153-00	GUARD, chain	1	
51	95801-06050	BOLT, flange	2	



57R700-5220

FIG. 22 REAR SUSPENSION

REF. NO.	PART NO.	DESCRIPTION	Q'TY	REMARKS
1	3YT-22210-00-33	SHOCK ABSORBER ASSY, rear	1	YAMAHA BLACK
2	30X-22216-00	.BUSH, rear shock absorber	1	
3	30X-22226-00	.BUSH, shock absorber lower	1	
4	90384-18157	.BUSH, bimetal formed	2	
5	90109-10753	BOLT	1	
6	90201-100E9	WASHER, plate	1	
7	90185-10120	NUT, self-locking	1	
8	30X-22129-00	COVER, thrust 2	2	
9	90387-121J0	COLLAR	1	
10	90109-10753	BOLT	1	
11	90201-120E6	WASHER, plate	1	
12	90201-100E9	WASHER, plate	1	
13	90185-10120	NUT, self-locking	1	

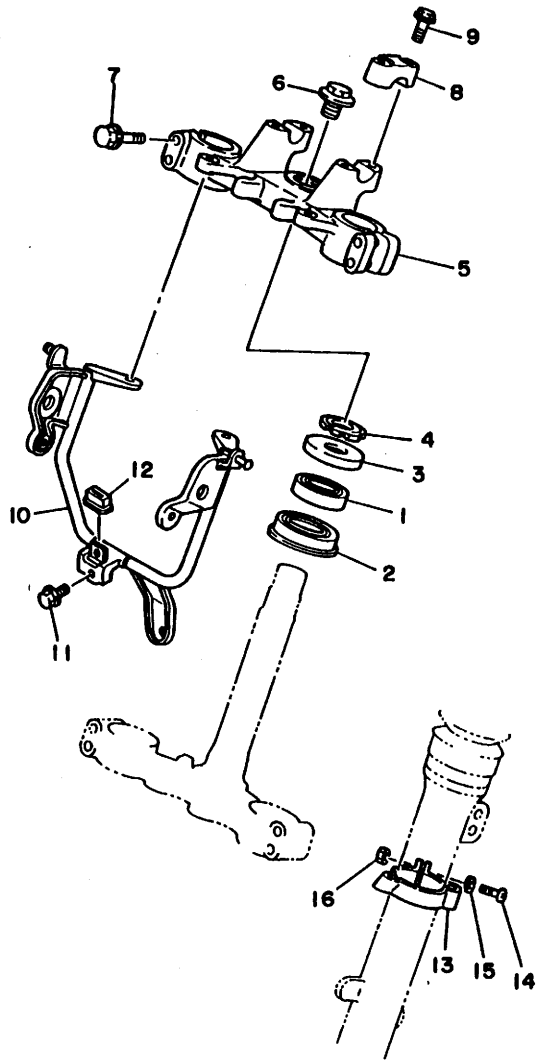
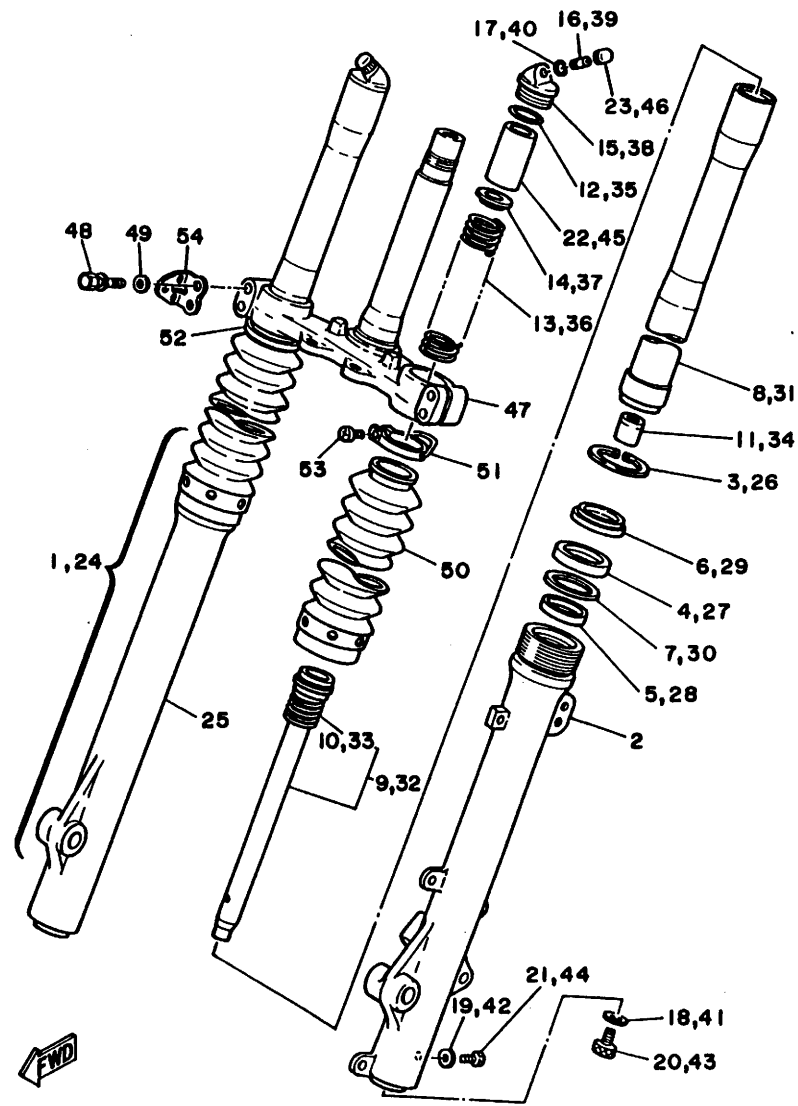


FIG. 23 STEERING

REF. NO.	PART NO.	DESCRIPTION	Q'TY	REMARKS
1	93332-00001	BEARING	1	
2	93332-00008	BEARING	1	
3	1W1-23416-00	COVER, ball race 2	1	
4	90179-25033	NUT	1	
5	30X-23435-00-35	CROWN, handle	1	SILVER
6	90105-14102	BOLT, washer based	1	
7	95026-08040	BOLT, flange	4	
8	1E6-23441-10-35	HOLDER, handle upper	2	SILVER
9	95816-08035	BOLT, flange	4	
10	30X-23174-00	STAY, headlight	1	
11	95816-06012	BOLT, flange	1	
12	30X-23445-00	DAMPER	1	
13	34X-23317-00	HOLDER, cable	1	
14	98501-05018	SCREW, pan head	1	
15	92901-05600	WASHER, plate	1	
16	95303-05600	NUT	1	



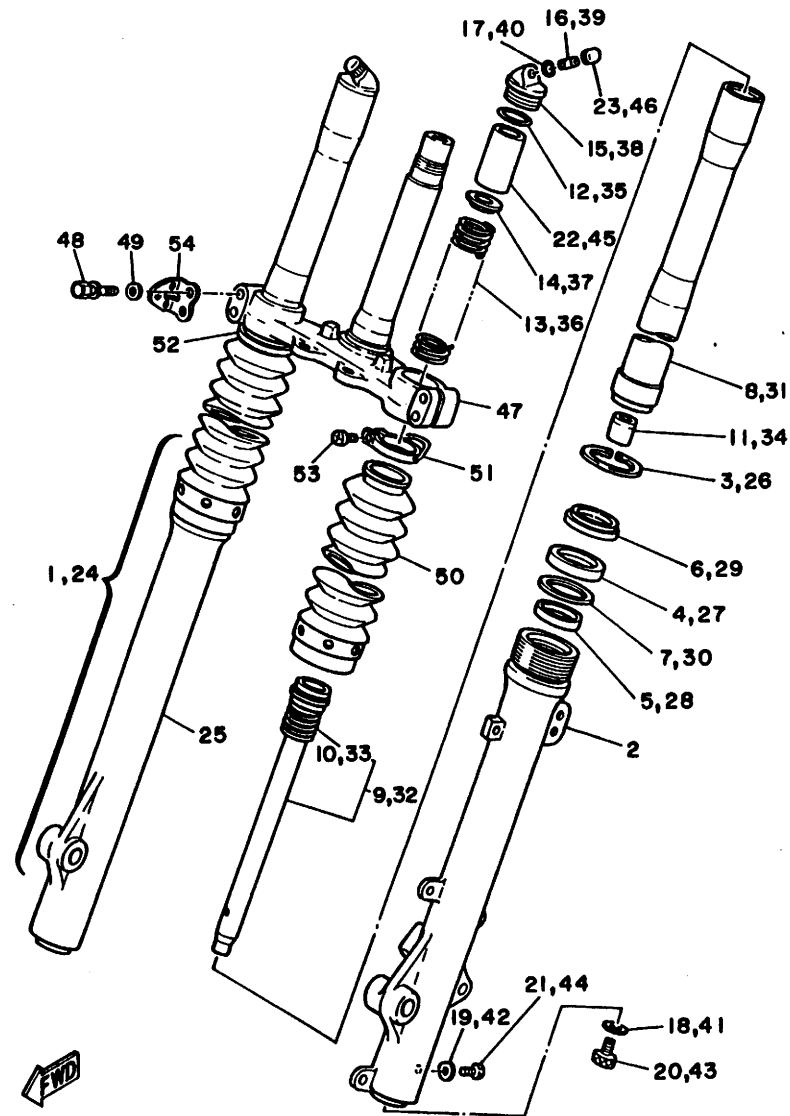
57R700-5230



3NV7110-2240

FIG. 24 FRONT FORK

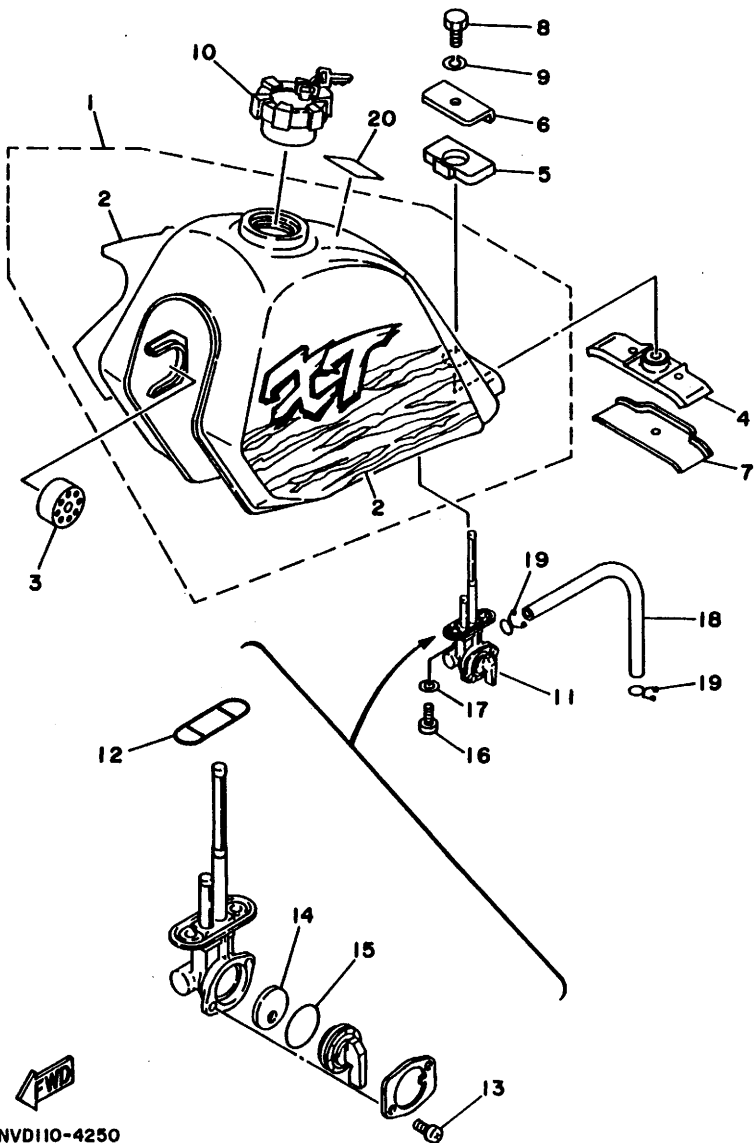
REF. NO.	PART NO.	DESCRIPTION	Q'TY	REMARKS
1	55V-23102-00	FRONT FORK ASSY (L.H)	1	
2	48Y-23126-00	.TUBE, outer 1	1	
3	4A1-23156-00	.CLIP, oil seal	1	
4	48Y-23145-00	.OIL SEAL	1	
5	30X-23125-00	.METAL, slide 1	1	
6	48Y-23144-00	.SEAL, dust	1	
7	5K5-23149-00	.WASHER, spring upper	1	
8	30X-23110-00	.INNER TUBE COMP.1	1	
9	55V-23170-00	.CYLINDER COMP., front fork	1	
10	2X7-23151-00	..SPRING, rebound	1	
11	39K-23173-00	.SPINDLE, taper	1	
12	1W1-23114-L0	.GASKET	1	
13	30X-23141-00	.SPRING, front fork	1	
14	1W1-23142-L0	.SEAT, spring upper	1	
15	33M-23111-00	.BOLT, cap	1	
16	4V4-23190-L0	.AIR VALVE COMP.	1	
17	3J2-23147-00	.O-RING	1	
18	509-23158-L0	.GASKET	1	
19	122-23129-00	.GASKET, drain plug	1	
20	278-23181-50	.BOLT, hexagon socket head	1	
21	4H7-23119-00	.PLUG, drain	1	
22	4V5-23118-L1	.SPACER	1	
23	509-23184-L0	.CAP, air valve	1	
24	55V-23103-00	FRONT FORK ASSY (R.H)	1	
25	48Y-23136-00	.TUBE, outer 2	1	
26	4A1-23156-00	.CLIP, oil seal	1	
27	48Y-23145-00	.OIL SEAL	1	
28	30X-23125-00	.METAL, slide 1	1	



3NV7110-2240

FIG. 24 FRONT FORK

REF. NO.	PART NO.	DESCRIPTION	Q'TY	REMARKS
29	48Y-23144-00	.SEAL, dust	1	
30	5K5-23149-00	.WASHER, spring upper	1	
31	30X-23110-00	.INNER TUBE COMP.1	1	
32	55V-23170-00	.CYLINDER COMP., front fork	1	
33	2X7-23151-00	..SPRING, rebound	1	
34	39K-23173-00	.SPINDLE, taper	1	
35	1W1-23114-L0	.GASKET	1	
36	30X-23141-00	.SPRING, front fork	1	
37	1W1-23142-L0	.SEAT, spring upper	1	
38	33M-23111-00	.BOLT, cap	1	
39	4V4-23190-L0	.AIR VALVE COMP.	1	
40	3J2-23147-00	.O-RING	1	
41	509-23158-L0	.GASKET	1	
42	122-23129-00	.GASKET, drain plug	1	
43	278-23181-50	.BOLT, hexagon socket head	1	
44	4H7-23119-00	.PLUG, drain	1	
45	4V5-23118-L1	.SPACER	1	
46	509-23184-L0	.CAP, air valve	1	
47	55V-23340-00	UNDER BRACKET COMP.	1	
48	5X6-23128-L0	BOLT, axle holder	4	
49	92901-08600	WASHER, plate	4	
50	55V-23191-80	BOOT	2	LOW GLOSS GRAY
51	48Y-23192-00	BAND	2	
52	341-92090-60	BAND, boot	2	
53	1W4-23194-L0	SCREW, boot band	2	
54	49R-85112-00	BRACKET, reflector 1	2	



3NVD110-4250

FIG. 25 FUEL TANK

REF. NO.	PART NO.	DESCRIPTION	Q'TY	REMARKS
1	30X-24110-01-W7	FUEL TANK COMP.	1	INK BLUE
2	3NV-24240-10	.GRAPHIC SET	1	
3	4L0-24181-00	DAMPER, locating 1	2	
4	30X-24182-01	DAMPER, locating 2	1	
5	30X-24183-01	DAMPER, locating 3	1	
6	30X-24186-01	WASHER, special	1	
7	30X-24187-00	WASHER, special	1	
8	97003-06012	BOLT	1	
9	92990-06100	WASHER, spring	1	
10	48Y-24602-00	CAP ASSY	1	
11	23F-24500-01	FUEL COCK ASSY 1	1	
12	4X8-24512-00	.O-RING	1	
13	98503-03008	.SCREW, pan head	2	
14	3AJ-24523-00	.VALVE	1	
15	3AJ-24534-00	.SEAL, cock	1	
16	90149-06011	SCREW	2	
17	90202-05193	WASHER, plate	2	
18	90445-10008	HOSE	1	
19	90467-09006	CLIP	2	
20	3MX-2118K-00	LABEL, caution	1	

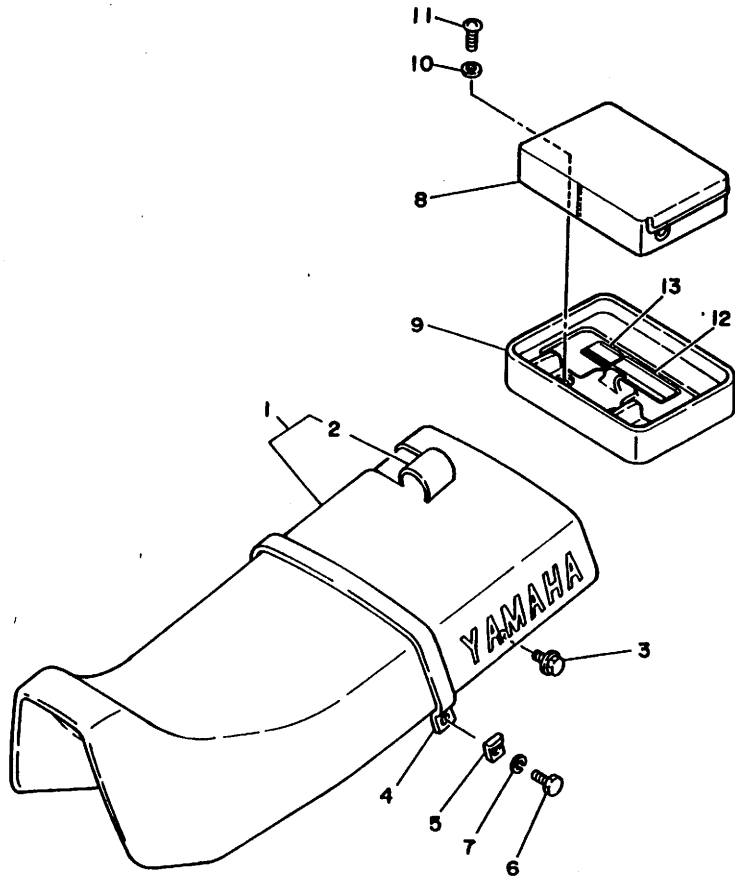


FIG. 26 SEAT

REF. NO.	PART NO.	DESCRIPTION	Q'TY	REMARKS
1	30X-24770-60	SEMI-DOUBLE SEAT ASSY	1	INK BLUE
2	30X-2477A-60	.SEAT COVER ASSY	1	
3	95811-06016	BOLT, flange	2	
4	30X-24734-60	BAND, seat	1	
5	2A8-24736-00	WASHER	2	
6	97313-08016	BOLT	2	
7	92990-08100	WASHER, spring	2	
8	38M-24850-00	CARRIER BOX ASSY	1	
9	30X-24833-00	BRACKET, carrier 2	1	
10	90201-065F3	WASHER, plate	3	
11	98502-06016	SCREW, pan head	3	
12	3JJ-28446-00	LABEL, caution	1	
13	3TB-24877-00	LABEL, caution	1	



3NV7110-2260

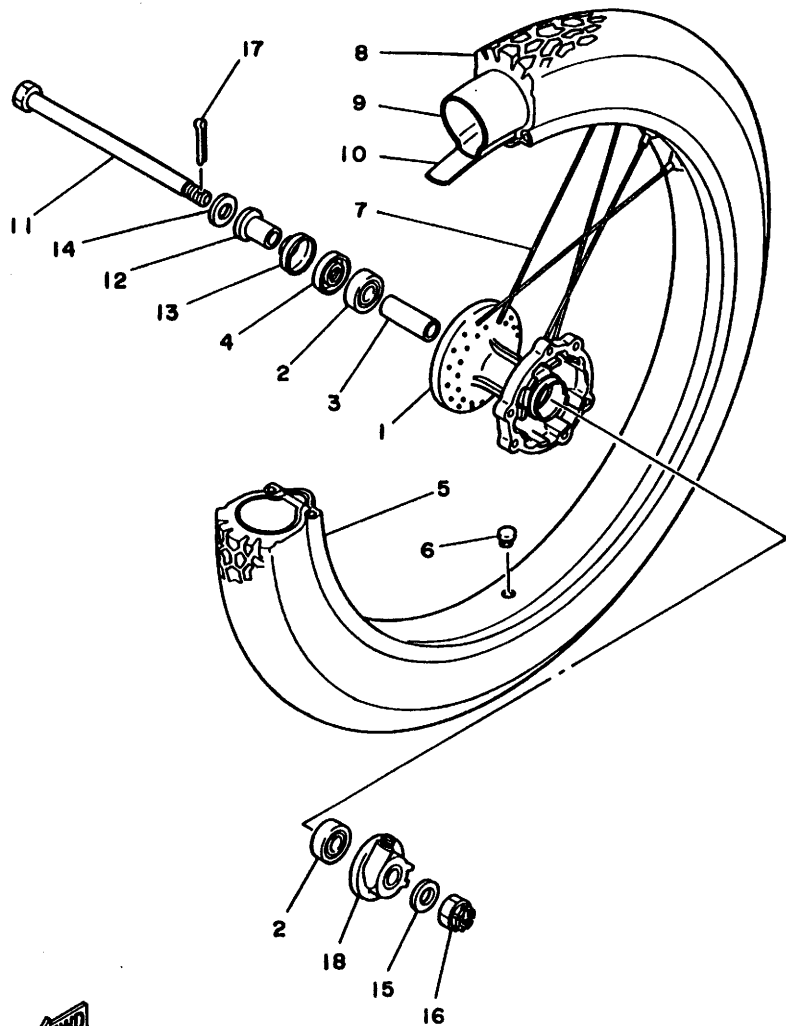


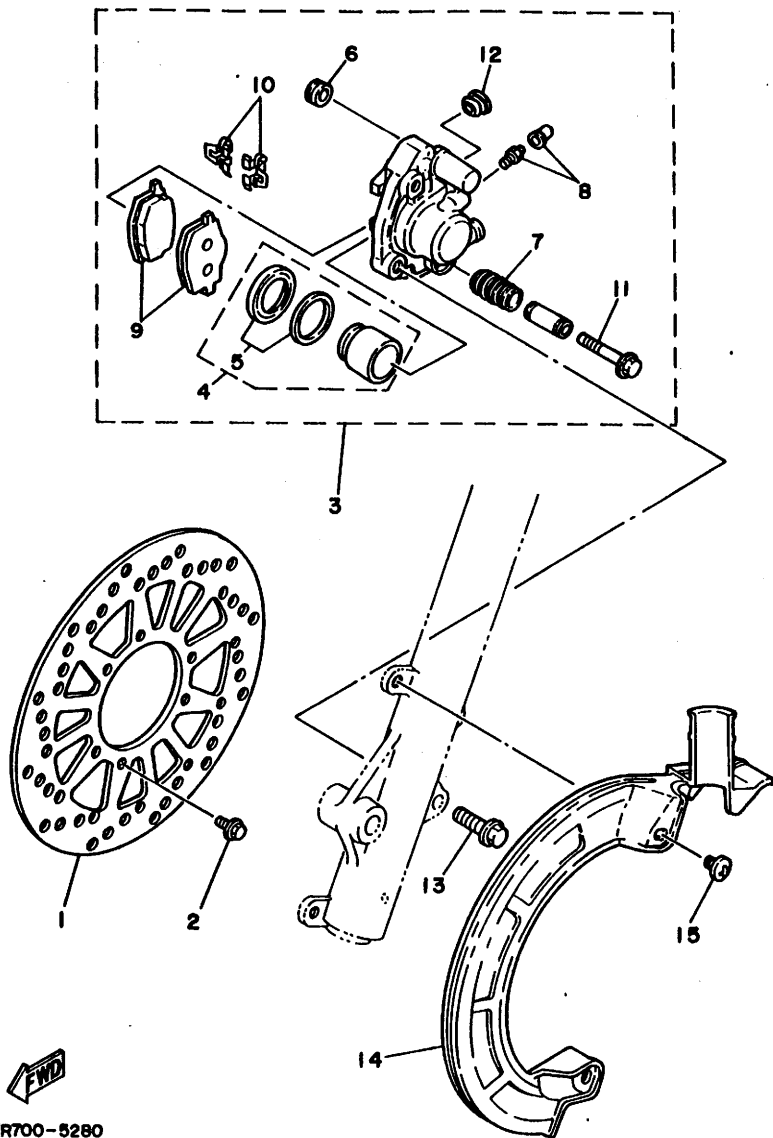
FIG. 27 FRONT WHEEL

REF. NO.	PART NO.	DESCRIPTION	Q'TY	REMARKS
1	34X-25111-02-98	HUB, front	1	LOW GLOSS BLACK
2	93306-20209	BEARING (B6202)	2	
3	90560-15290	SPACER	1	
4	93102-20281	OIL SEAL (SD 20-35-5)	1	
5	94416-21430	RIM (1.60-21)	1	
6	90480-10068	GROMMET	1	
7	48Y-25104-00	SPOKE SET, front	1	
8	94130-21360	TIRE (3.00-21-4PR 51P TW25)	1	BRIDGESTONE
9	94227-21123	TUBE (2.75-21)	1	BRIDGESTONE
10	94330-21084	BAND, rim (3.00-21)	1	BRIDGESTONE
11	30X-25181-00	AXLE, wheel	1	
12	90387-15600	COLLAR	1	
13	322-25118-00	COVER, hub dust	1	
14	90201-163H8	WASHER, plate	1	
15	90201-15785	WASHER, plate	1	
16	90171-14020	NUT, castle	1	
17	91401-30030	PIN, cotter	1	
18	34X-25190-01	GEAR UNIT ASSY	1	



57R700-5270

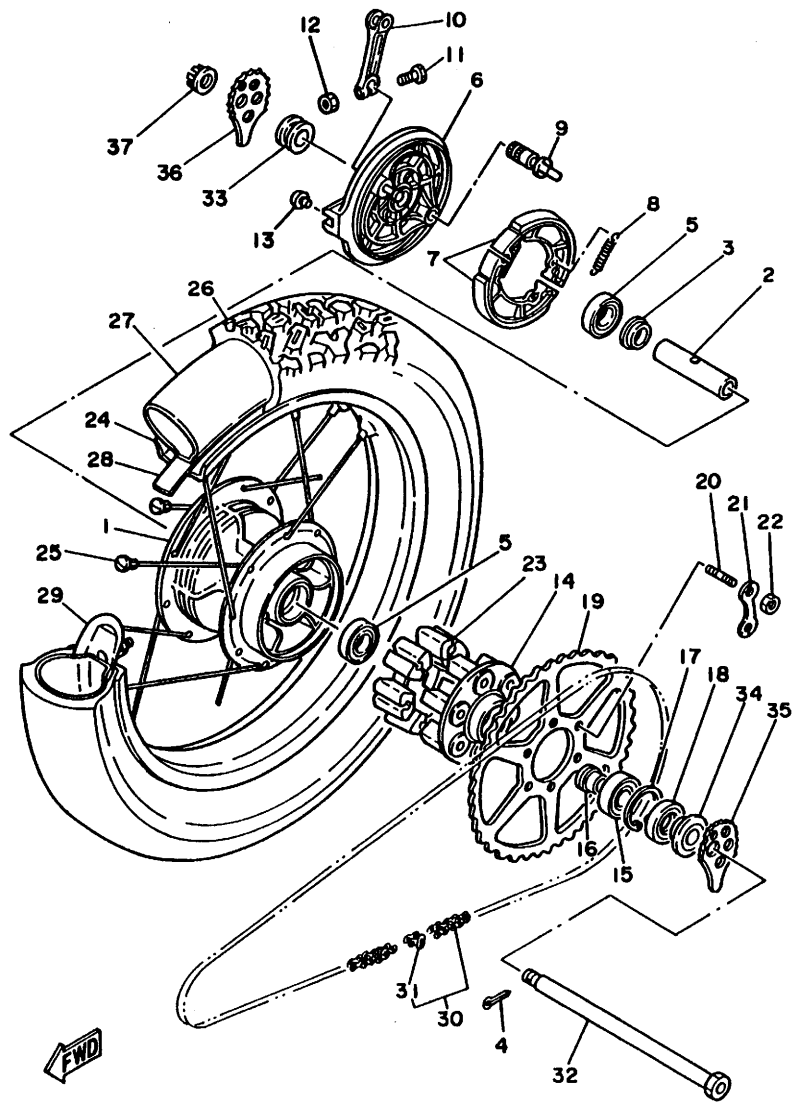
FIG. 28 FRONT BRAKE CALIPER



REF. NO.	PART NO.	DESCRIPTION	Q'TY	REMARKS
1	48Y-25831-00	DISC, brake (RIGHT)	1	
2	90109-06757	BOLT	6	
3	59Y-2580T-00	CALIPER ASSY (LEFT)	1	
4	34X-W0057-00	.PISTON ASSY, caliper	1	
5	34X-W0047-00	..CALIPER SEAL KIT	1	
6	5R2-25917-00	.BOOT, caliper	1	
7	34X-25937-00	.BOOT 2	1	
8	51L-W0048-00	.BREED SCREW KIT	1	
9	38W-W0045-02	.BRAKE PAD KIT	1	
10	34X-25919-00	.SUPPORT, pad	1	
11	2GV-25926-00	.BOLT	1	
12	34X-25845-00	.CAP, indicator	1	
13	90105-10259	BOLT, washer based	2	
14	55V-25715-30	COVER 1	1	INK BLUE
15	90149-06194	SCREW	2	



57R700-5280

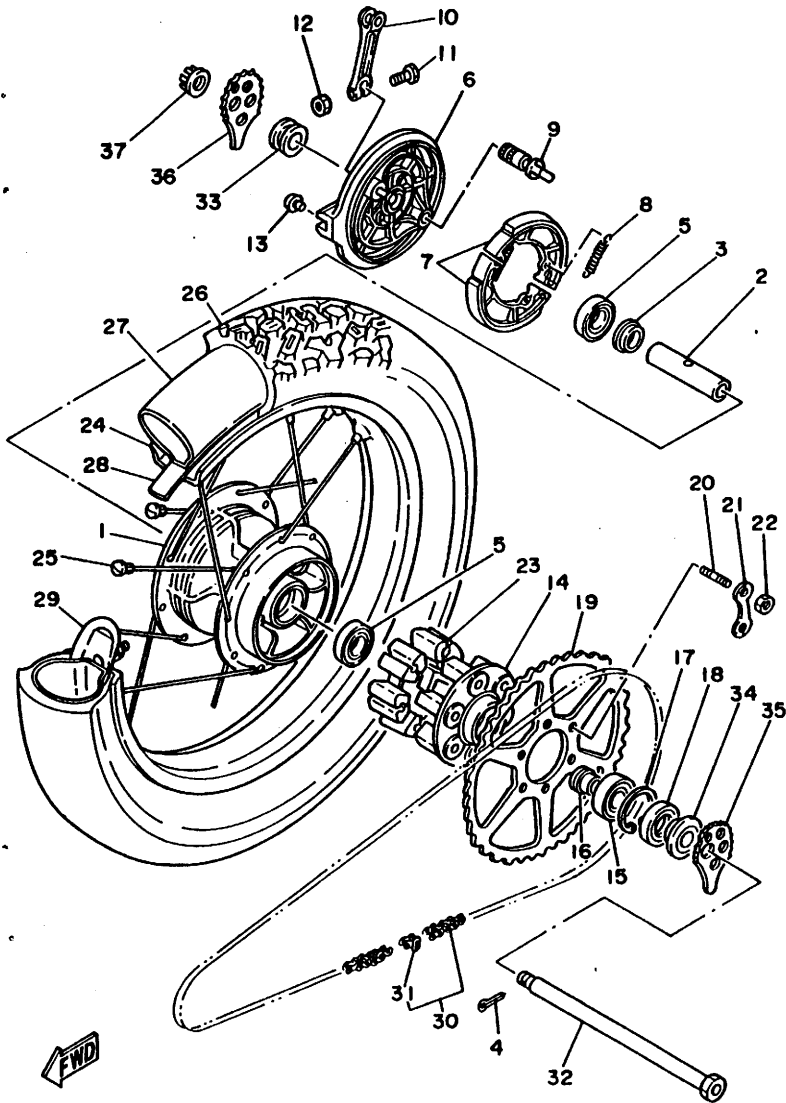


57R700-7290

FIG. 29 REAR WHEEL

REF. NO.	PART NO.	DESCRIPTION	Q'TY	REMARKS
1	3Y1-25311-00-98	HUB, rear	1	LOW GLOSS BLACK
2	90560-17311	SPACER	1	
3	146-25315-00	FLANGE, spacer	1	
4	91401-30030	PIN, cotter	1	
5	93306-20310	BEARING (B6203DU)	2	
6	3Y1-25026-00-98	BRAKE SHOE PLATE ASSY	1	LOW GLOSS BLACK
7	3LS-W2536-10	BRAKE SHOE SET	1	
8	90506-16447	SPRING, tension	2	
9	3Y6-25351-00	CAMSHAFT	1	
10	3R6-25355-01	LEVER, camshaft	1	
11	90101-06278	BOLT	1	
12	95303-06600	NUT	1	
13	90480-10068	GROMMET	1	
14	3Y1-25366-00-98	CLUTCH, hub	1	LOW GLOSS BLACK
15	93306-20445	BEARING	1	
16	3Y1-25377-00	COLLAR, wheel	1	
17	99009-47500	CIRCLIP	1	
18	93102-28022	OIL SEAL	1	
19	55V-25455-50	SPROCKET, driven (55T)	1	
20	90116-08425	BOLT, stud	6	
21	90215-08160	WASHER, lock	3	
22	90170-08258	NUT	6	
23	3Y1-25364-00	DAMPER	6	
24	94421-18418	RIM (2.15-18)	1	
25	4Y0-25304-00	SPOKE SET, rear	1	
26	94111-182G9	TIRE (110/80-18-58P)	1	BRIDGESTONE
27	94240-18098	TUBE (4.00-18)	1	DUNLOP
28	94340-18086	BAND, rim (4.00-18)	1	BRIDGESTONE

FIG. 29 REAR WHEEL



REF. NO.	PART NO.	DESCRIPTION	Q'TY	REMARKS
29	3Y1-25394-00	SPACER, bead	1	
30	94580-78130	CHAIN (D.I.D.428VS-130L)	1	
31	94681-33011	.JOINT, chain (D.I.D.428V2-FJ)	1	
32	42U-25381-00	AXLE, wheel	1	
33	90387-17141	COLLAR	1	
34	3Y1-25383-00	COLLAR, wheel	1	
35	3Y1-25388-01	PULLER, chain 1	1	
36	3Y1-25389-00	PULLER, chain 2	1	
37	90171-16024	NUT, castle	1	

57R700-7290

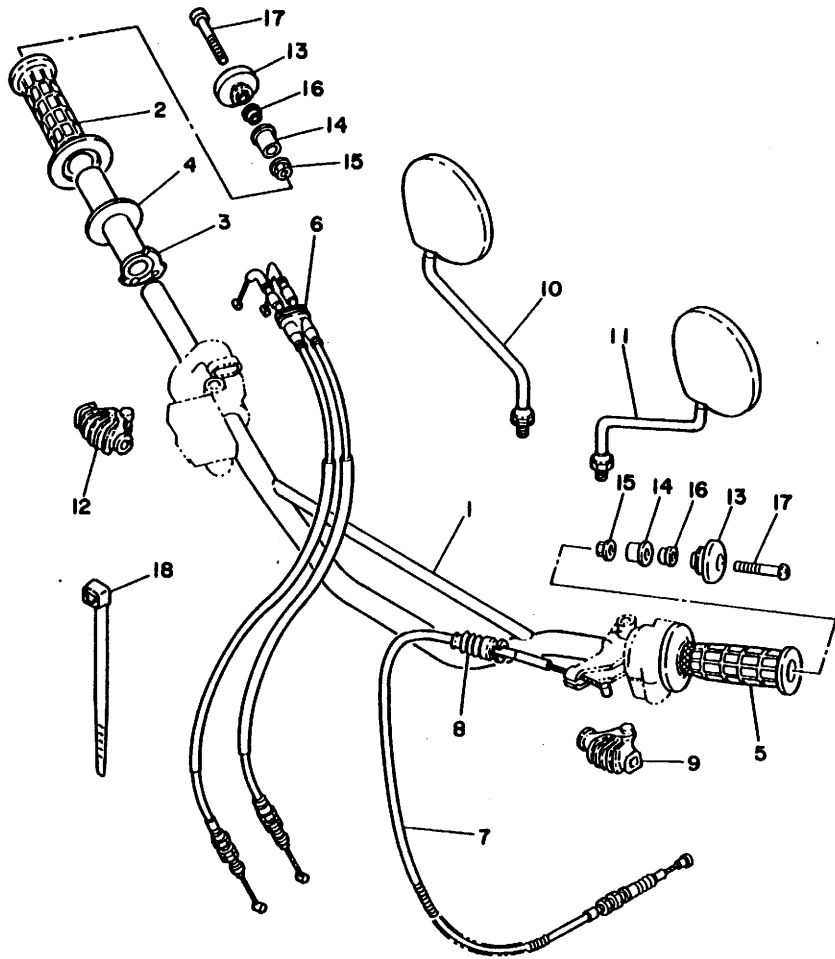


FIG. 30 STEERING HANDLE. CABLE

REF. NO.	PART NO.	DESCRIPTION	Q'TY	REMARKS
1	1EU-26111-20	HANDLEBAR	1	
2	55V-26242-00	GRIP (RIGHT)	1	
3	1RF-26243-00	TUBE, throttle guide	1	
4	3Y1-26249-00	RING, leaf	1	
5	55V-26241-00	GRIP (LEFT)	1	
6	30X-26302-00	THROTTLE CABLE ASSY	1	
7	30X-26335-01	CABLE, clutch	1	
8	1E6-26342-00	BOOT, cable	1	
9	1E6-26372-00	COVER, handle lever 1	1	
10	3Y1-26290-00	BACK MIRROR ASSY (R.H)	1	
11	5Y1-26290-10	BACK MIRROR ASSY (L.H)	1	
12	1T5-26372-00	COVER, handle lever 1	1	
13	55V-26246-00	END, grip	2	
14	55V-2622F-00	DAMPER, locating 1	2	
15	90179-06498	NUT	2	
16	90387-06681	COLLAR	2	
17	98506-06040	SCREW, pan head	2	
18	12R-82591-00	BAND	1	



3NV7110-2300



57R700-5310

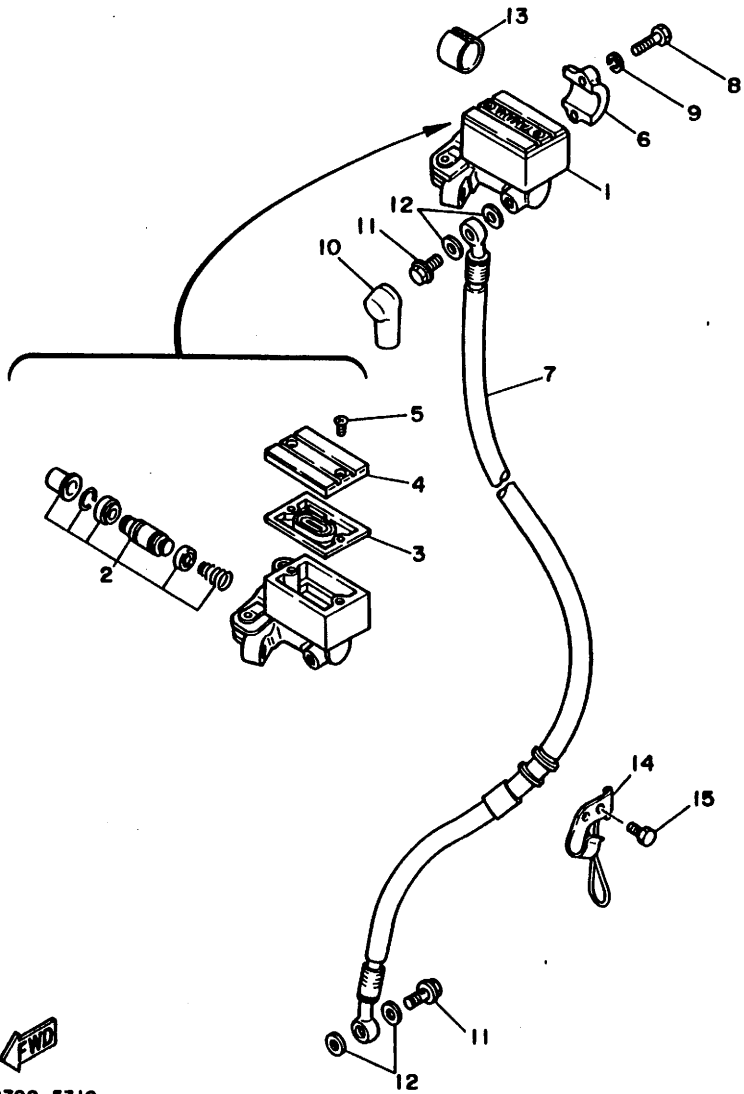
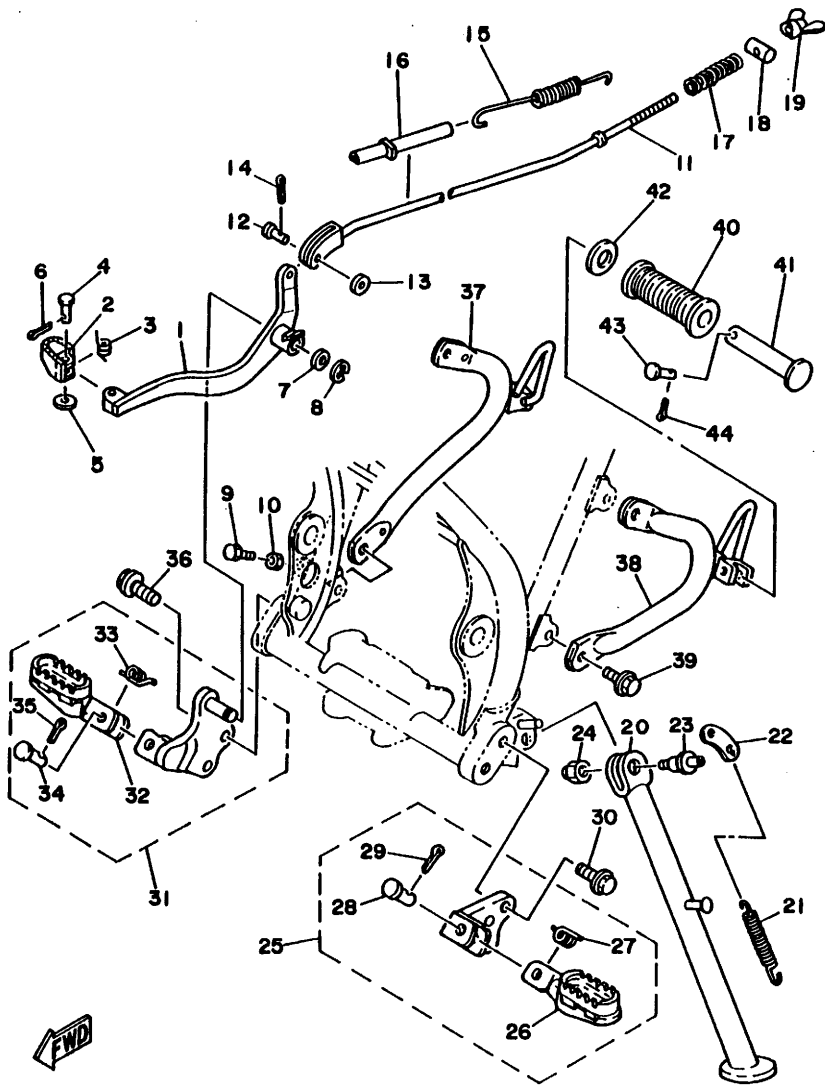


FIG. 31 FRONT MASTER CYLINDER

REF. NO.	PART NO.	DESCRIPTION	Q'TY	REMARKS
1	39F-25870-00	MASTER CYLINDER SUB ASSY	1	
2	56A-W0041-00	.CYLINDER KIT, master	1	
3	4L0-25854-00	.DIAPHRAGM, reservoir	1	
4	4H7-25852-00	.CAP, reservoir	1	
5	98706-04012	.SCREW, flat head	2	
6	4L0-25867-00	BRACKET, master cylinder	1	
7	48Y-25872-02	HOSE, brake 1	1	
8	97016-06025	BOLT	2	
9	92906-06100	WASHER, spring	2	
10	4L0-25862-00	BOOT, master cylinder	1	
11	90401-10034	BOLT, union	2	
12	90201-10118	WASHER, plate	4	
13	90387-227H7	COLLAR	1	
14	34X-25876-00	HOLDER, brake hose 2	1	
15	91316-06010	BOLT	2	

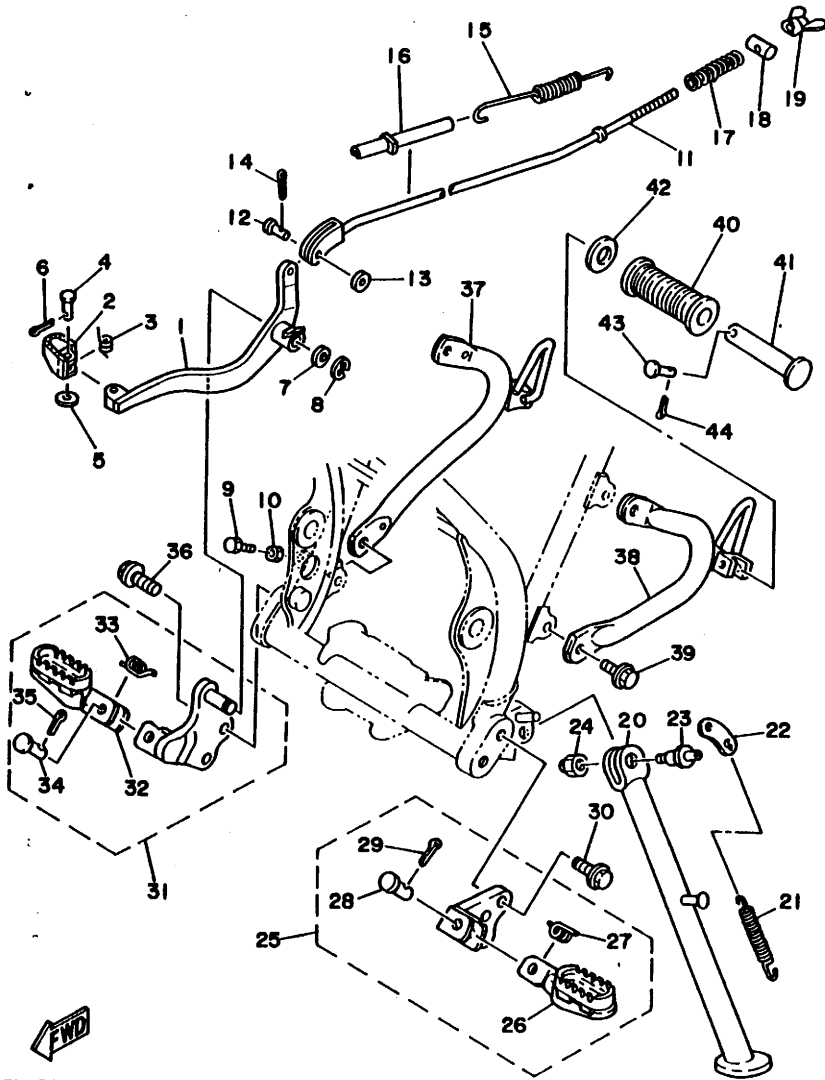


3NVD110-4320

FIG. 32 STAND. FOOTREST

REF. NO.	PART NO.	DESCRIPTION	Q'TY	REMARKS
1	55V-27211-00	PEDAL, brake	1	
2	55V-27242-00	PEDAL, brake	1	
3	90508-14352	SPRING, torsion	1	
4	91701-06022	PIN, clevis	1	
5	92901-06600	WASHER, plate	1	
6	91401-20020	PIN, cotter	1	
7	90201-12541	WASHER, plate	1	
8	93430-09038	CIRCLIP	1	
9	90101-06288	BOLT	1	
10	95303-06700	NUT	1	
11	30X-27231-00	ROD, brake	1	
12	90240-06040	PIN, clevis	1	
13	92901-06200	WASHER, plain	1	
14	91401-20020	PIN, cotter	1	
15	90506-18289	SPRING, tension	1	
16	1M1-27244-00	COVER	1	
17	90501-10245	SPRING, compression	1	
18	90249-12008	PIN	1	
19	90175-06013	NUT, wing	1	
20	55V-27311-01	STAND, side	1	
21	90506-29276	SPRING, tension	1	
22	42U-27315-01	LINK, side stand	1	
23	90109-10635	BOLT	1	
24	90185-10037	NUT, self-locking	1	
25	30X-27410-00-90	FRONT FOOTREST ASSY (LEFT)	1	UNI-CHROME (BLACK CHROMATE)
26	22W-27411-01-90	.FOOTREST 1	1	UNI-CHROME (BLACK CHROMATE)
27	90508-20023	.SPRING, torsion	1	
28	91701-08038	.PIN, clevis	1	

FIG. 32 STAND. FOOTREST



REF. NO.	PART NO.	DESCRIPTION	Q'TY	REMARKS
29	91401-25020	.PIN, cotter	1	
30	95816-08020	BOLT, flange	2	
31	55V-27420-00-90	FRONT FOOTREST ASSY (RIGHT)	1	UNI-CHROME (BLACK CHROMATE)
32	22W-27421-01-90	.FOOTREST 2	1	UNI-CHROME (BLACK CHROMATE)
33	90508-20023	.SPRING, torsion	1	
34	91701-08038	.PIN, clevis	1	
35	91401-25020	.PIN, cotter	1	
36	95816-08020	BOLT, flange	2	
37	55V-27442-00-33	BRACKET 2	1	YAMAHA BLACK
38	26F-27432-00-33	BRACKET 1	1	YAMAHA BLACK
39	90109-08789	BOLT	4	
40	120-27433-00	COVER, rear footrest	2	
41	120-27431-00	FOOTREST, rear 1	2	
42	90201-20279	WASHER, plate	2	
43	90240-06009	PIN, clevis	2	
44	91401-16020	PIN, cotter	2	

3NVD110-4320

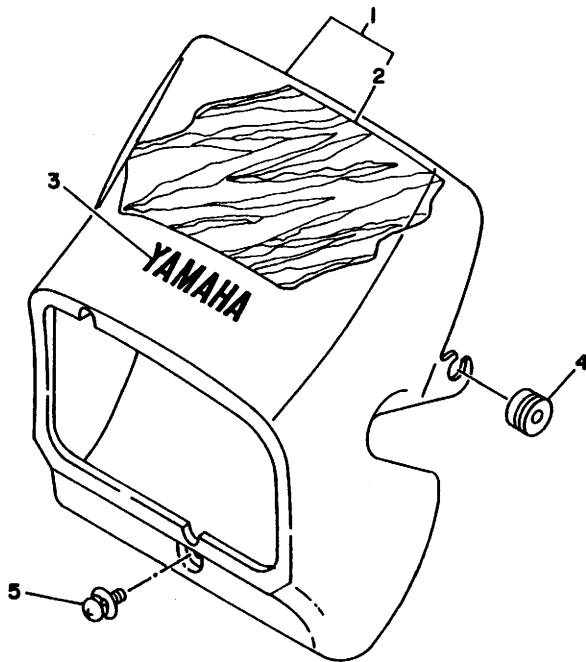


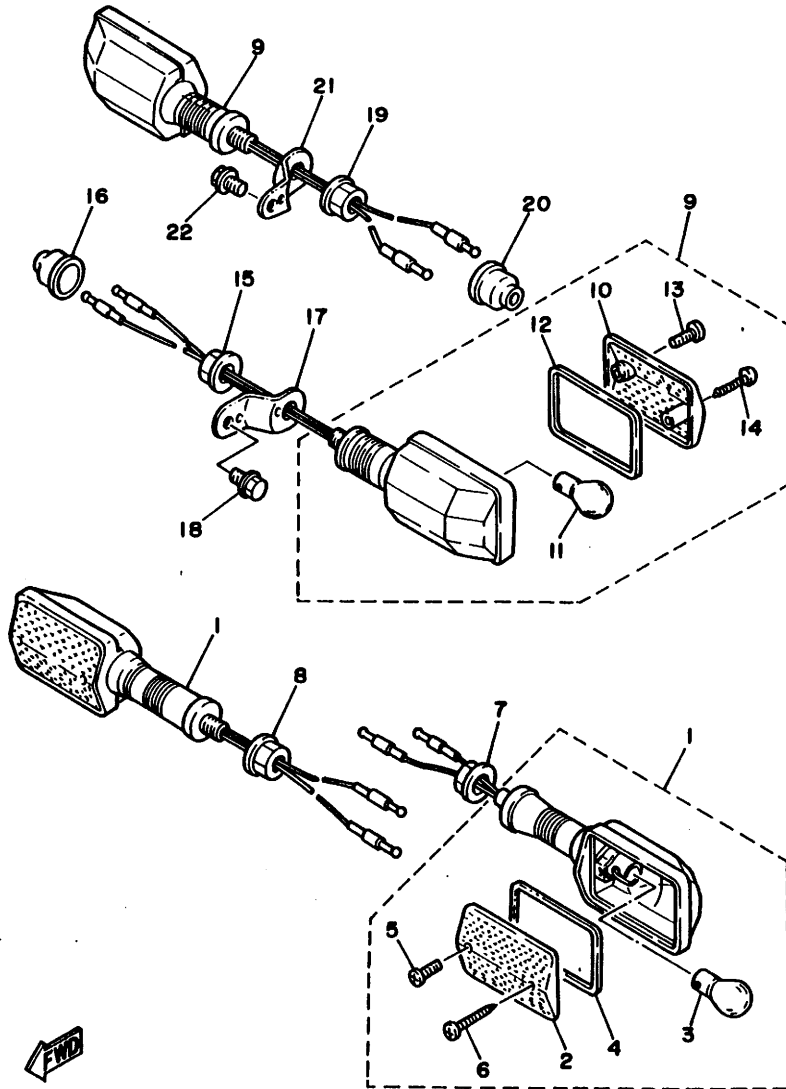
FIG. 33 COWLING 1

REF. NO.	PART NO.	DESCRIPTION	Q'TY	REMARKS
1	30X-Y2835-20	COWLING ASS'Y	1	INK BLUE
2	3NV-28391-00	.GRAPHIC 1	1	
3	99246-0080	.EMBLEM, yamaha	1	
4	90480-12053	GROMMET	2	
5	90159-06060	SCREW, with washer	1	



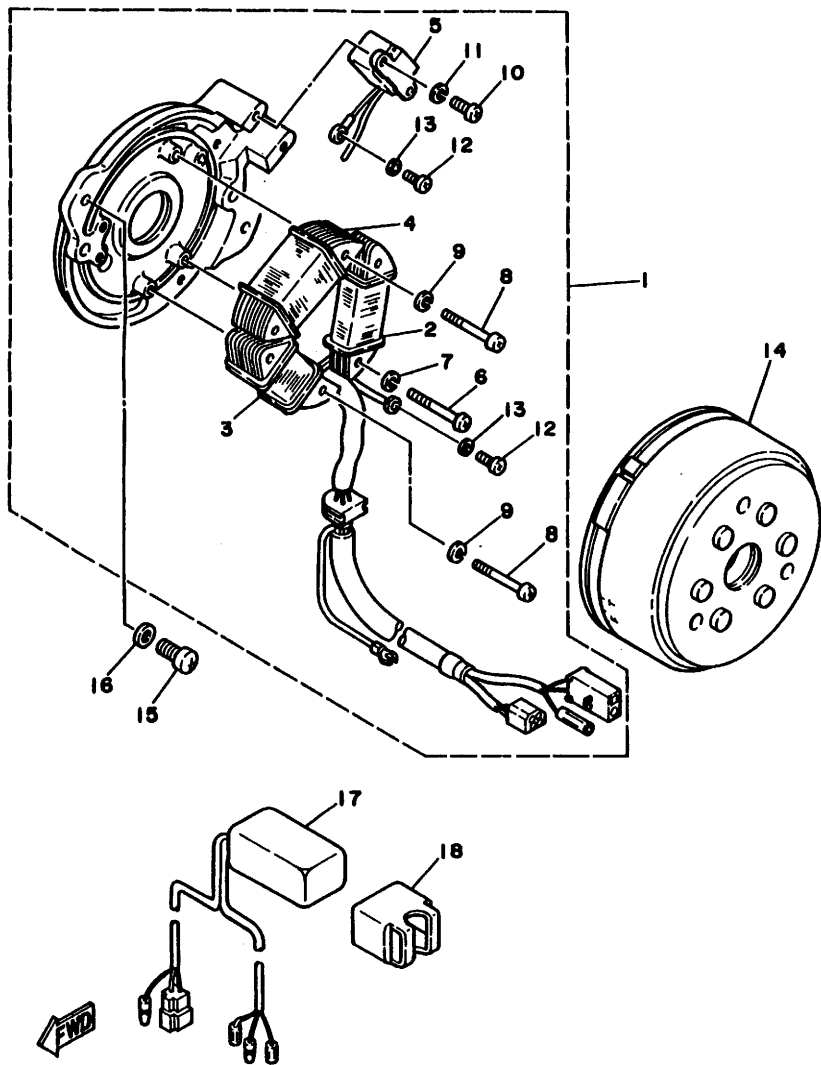
3NVD110-4330

FIG. 34 GENERATOR



REF. NO.	PART NO.	DESCRIPTION	Q'TY	REMARKS
1	2GK-85510-20	STATOR ASSY	1	
2	30X-85512-00	.COIL, source	1	
3	56R-85513-00	.COIL, lighting 1	1	
4	56R-85514-00	.COIL, lighting 2	1	
5	30X-85580-00	.COIL, pulser	1	
6	98501-05020	.SCREW, pan head	2	
7	92901-05100	.WASHER, spring	2	
8	98501-05035	.SCREW, pan head	4	
9	92901-05100	.WASHER, spring	4	
10	98501-05012	.SCREW, pan head	2	
11	92901-05100	.WASHER, spring	2	
12	98580-04008	.SCREW, pan head	2	
13	92901-04100	.WASHER, spring	2	
14	55V-85550-20	ROTOR ASSY	1	
15	98502-06016	SCREW, pan head	2	
16	92990-06600	WASHER, plate	2	
17	2GK-85540-20	C.D.I. UNIT ASSY	1	
18	3M5-85546-00	BAND	1	

 30X010-3330



2KJ110-7340

FIG. 35 FLASHER LIGHT

REF. NO.	PART NO.	DESCRIPTION	Q'TY	REMARKS
1	5Y1-83310-70	FRONT FLASHER LIGHT ASSY 1	2	
2	5Y1-83312-00	.LENS, flasher	1	
3	256-83311-70	.BULB (12V-27W)	1	
4	5Y1-83313-00	.GASKET, flasher lens	1	
5	98580-04010	.SCREW, pan head	1	
6	97706-40530	.SCREW, tapping	1	
7	95311-12700	NUT	1	
8	95311-12700	NUT	1	
9	37A-83330-21	REAR FLASHER LIGHT ASSY 1	2	
10	5Y1-83312-00	.LENS, flasher	1	
11	256-83311-70	.BULB (12V-27W)	1	
12	5Y1-83313-00	.GASKET, flasher lens	1	
13	98580-04010	.SCREW, pan head	1	
14	97706-40530	.SCREW, tapping	1	
15	95311-12700	NUT	1	
16	10V-83365-00	CAP	1	
17	10V-83368-00	STAY, flasher 1	1	
18	95026-08012	BOLT, flange	1	
19	95311-12700	NUT	1	
20	10V-83365-00	CAP	1	
21	10V-83369-00	STAY, flasher 2	1	
22	95026-08012	BOLT, flange	1	

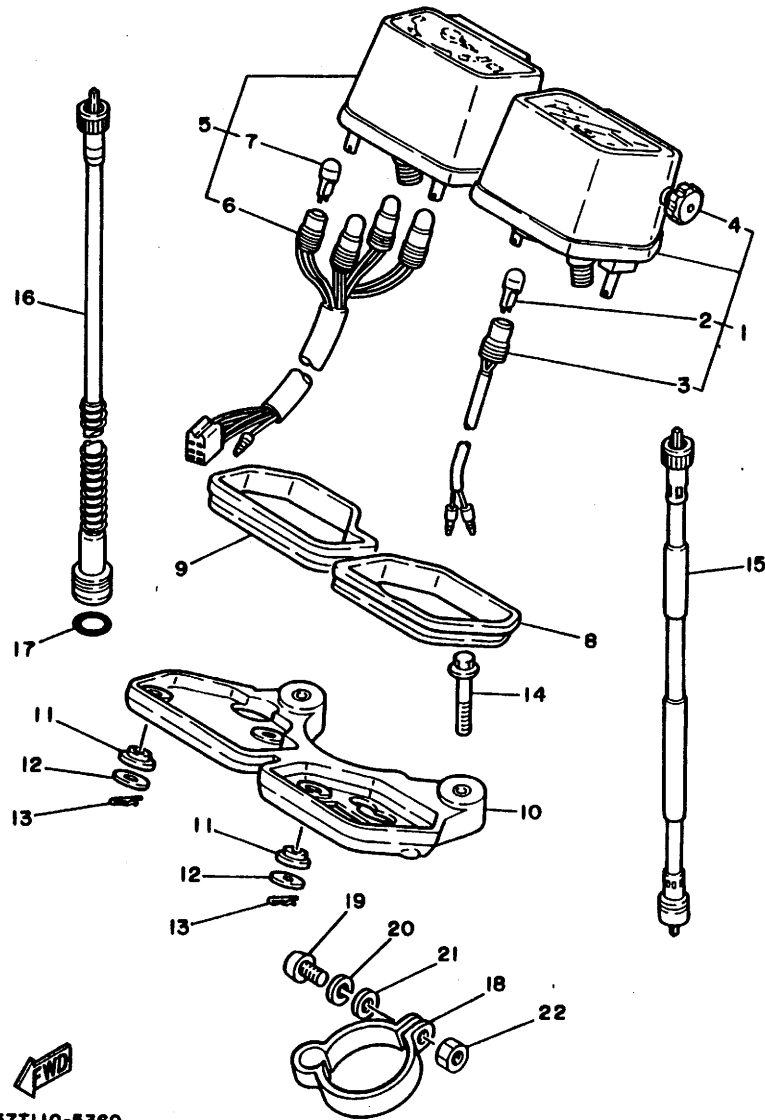


FIG. 36 METER

REF. NO.	PART NO.	DESCRIPTION	Q'TY	REMARKS
1	43F-83570-G1	SPEEDOMETER ASSY	1	
2	4G1-84744-00	.BULB (12V-3.4W)	1	
3	2JX-83536-A0	.SOCKET, meter	1	
4	5Y1-83578-00	.KNOB, trip meter	1	
5	1ET-83540-00	TACHOMETER ASSY	1	
6	30X-83520-00	.SOCKET CORD ASSY	1	
7	4G1-84744-00	.BULB (12V-3.4W)	4	
8	5Y1-83513-00	DAMPER	1	
9	5Y1-83541-00	DAMPER	1	
10	5Y1-83519-00	BRACKET, meter	1	
11	1M1-83526-00	DAMPER 2	4	
12	90201-05033	WASHER, plate	4	
13	90468-10050	CLIP	4	
14	95806-06040	BOLT, flange	2	
15	48Y-83550-01	SPEEDOMETER CABLE ASSY	1	
16	30X-83560-00	TACHOMETER CABLE ASSY	1	
17	93210-14104	O-RING	1	
18	3Y1-26397-00	BAND	1	
19	98501-05016	SCREW, pan head	1	
20	92901-05100	WASHER, spring	1	
21	92901-05600	WASHER, plate	1	
22	95303-05600	NUT	1	



57T110-5360

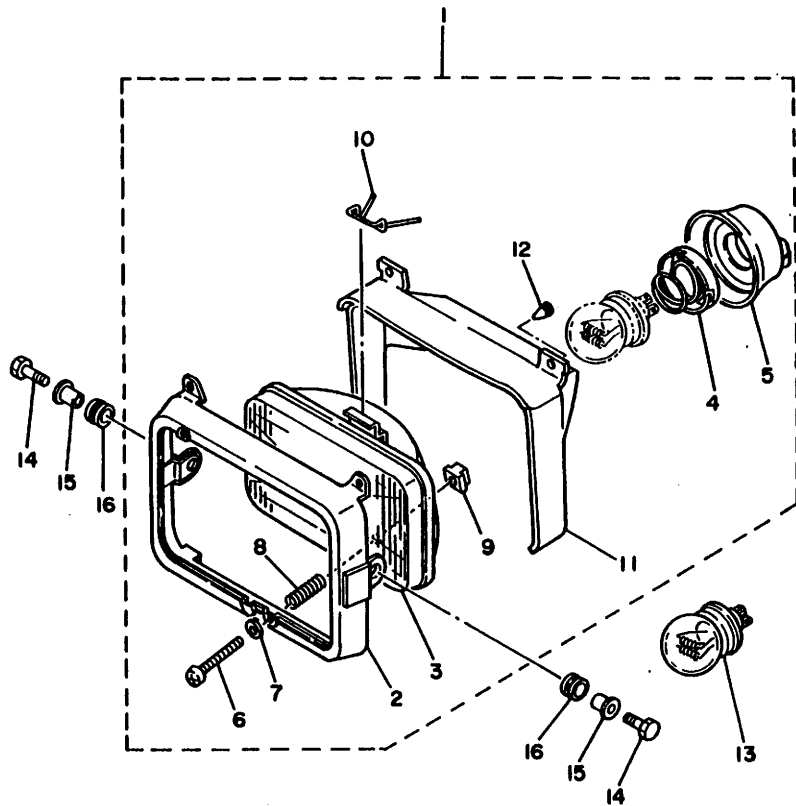
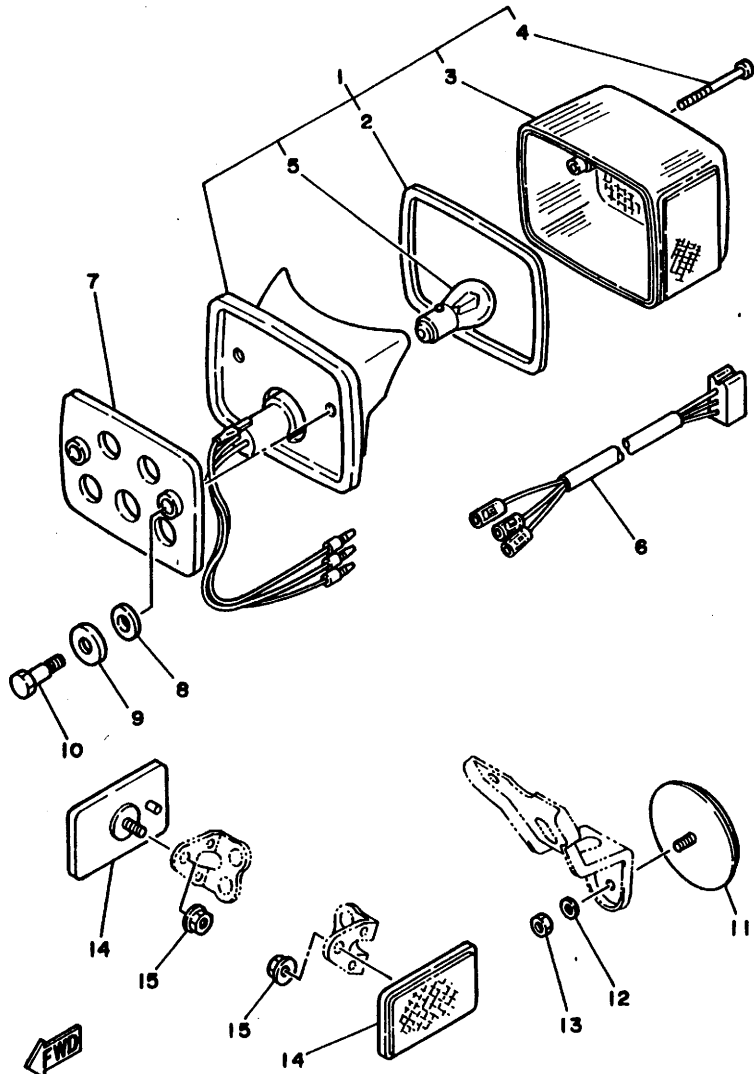


FIG. 37 HEADLIGHT

REF. NO.	PART NO.	DESCRIPTION	Q'TY	REMARKS
1	42U-84303-60	HEADLIGHT UNIT ASSY	1	
2	47J-84115-00	.RIM, headlight	1	
3	42U-84321-60	.LENS ASSY	1	
4	341-84393-40	.HOLDER, bulb	1	
5	46X-84396-00	.COVER	1	
6	43F-84131-00	.SCREW, rim adjuster	2	
7	233-84127-60	.WASHER, special	2	
8	341-84332-60	.SPRING, screw	2	
9	198-84334-60	.NUT, adjusting	2	
10	562-84324-A0	.SPRING, reflector	1	
11	10V-84196-00	.COVER, socket	1	
12	10V-84198-00	.CLIP, cover fitting	2	
13	*	BULB, head light (12V-45/40W)	1	LM
14	97001-06025	BOLT	2	
15	90387-06388	COLLAR	2	
16	90480-14023	GROMMET	2	



42U110-4350



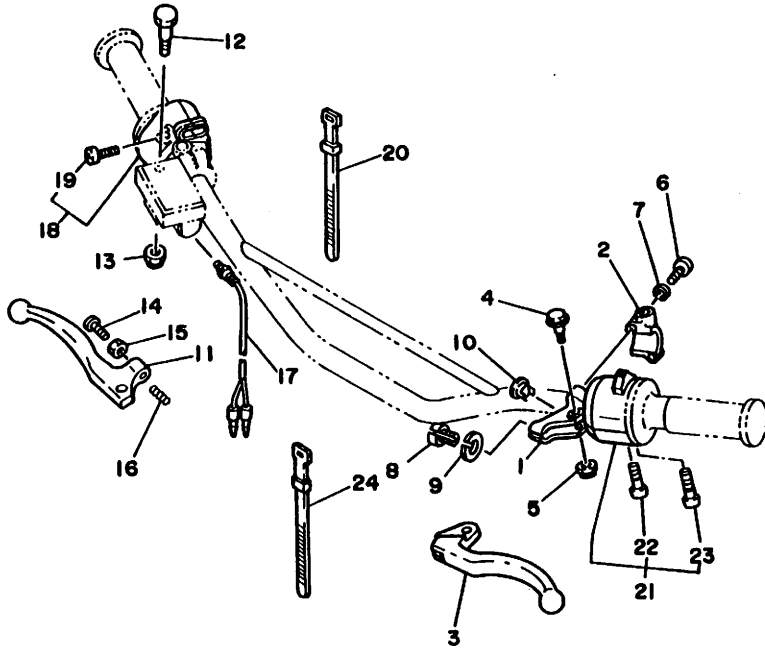
IET171-8380

FIG. 38 TAILLIGHT

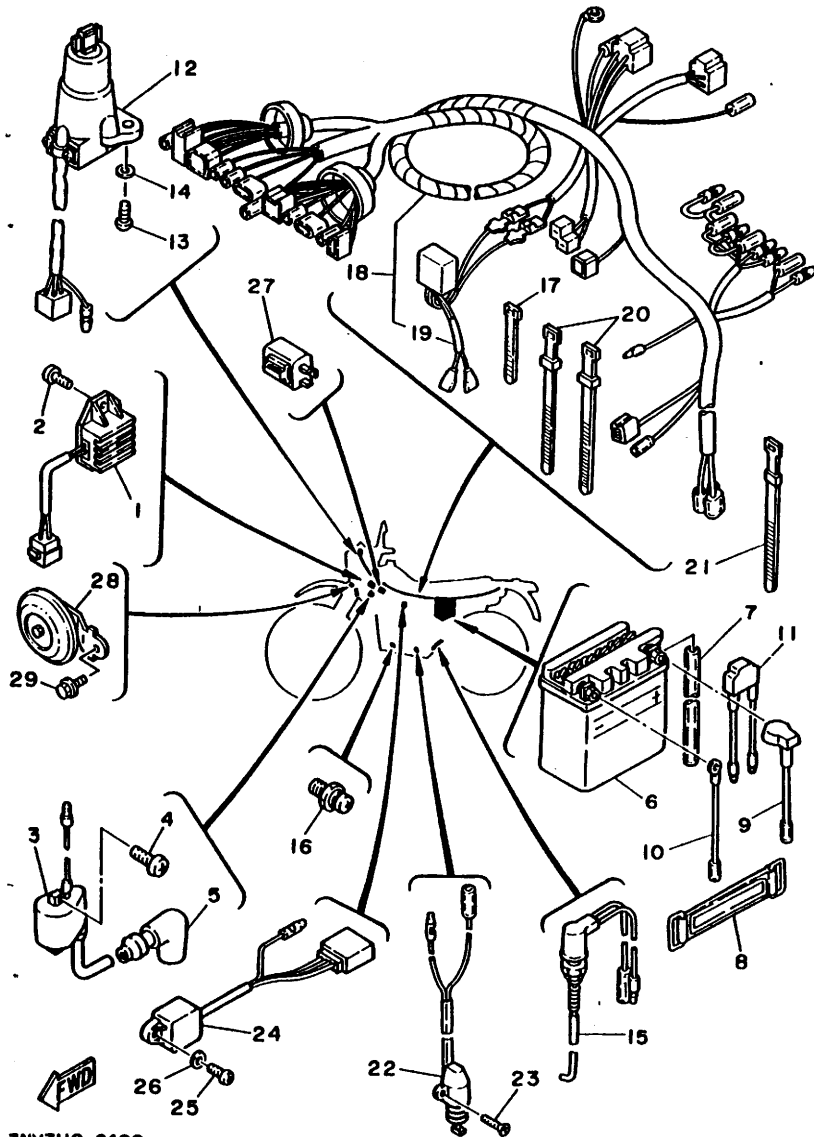
REF. NO.	PART NO.	DESCRIPTION	Q'TY	REMARKS
1	1W9-84710-60	TAILLIGHT UNIT ASSY	1	
2	1M1-84523-60	.GASKET, lens	1	
3	1M1-84521-60	.LENS, taillight	1	
4	1M1-84524-60	.SCREW, lens fitting	2	
5	256-84714-61	.BULB (12V-27/8W)	1	
6	42U-84517-00	CORD, taillight	1	
7	4L0-84753-00	DAMPER	1	
8	90201-083A0	WASHER, plate	2	
9	90209-08125	WASHER	2	
10	90109-06005	BOLT	2	
11	449-85131-02	REFLECTOR, rear 1	1	
12	90201-05031	WASHER, plate	1	
13	95303-05600	NUT	1	
14	23V-85110-00	REFLECTOR ASSY	2	
15	95701-05500	NUT, flange	2	

FIG. 39 HANDLE SWITCH. LEVER

REF. NO.	PART NO.	DESCRIPTION	Q'TY	REMARKS
1	1LN-82911-00	HOLDER, lever 1	1	
2	33G-82913-00	HOLDER, lever lower 1	1	
3	3FY-83912-01	LEVER 1	1	
4	90109-06799	BOLT	1	
5	95616-06100	NUT, u	1	
6	98506-05020	SCREW, pan head	2	
7	92906-05100	WASHER, spring	2	
8	90123-08046	BOLT	1	
9	90179-08148	NUT	1	
10	503-83956-00	CAP 1	1	
11	3FY-83922-00	LEVER 2	1	
12	90109-06577	BOLT	1	
13	95616-06100	NUT, u	1	
14	90149-06153	SCREW	1	
15	90170-06010	NUT	1	
16	90501-10312	SPRING, compression	1	
17	34X-83980-01	FRONT STOP SWITCH ASSY	1	
18	43F-83976-00	SWITCH, handle 1	1	
19	98506-05020	.SCREW, pan head	2	
20	437-83936-01	BAND, switch cord	2	
21	21T-83973-00	SWITCH, handle 3	1	
22	90157-05027	.SCREW, pan head	1	
23	98501-05030	.SCREW, pan head	1	
24	437-83936-01	BAND, switch cord	2	



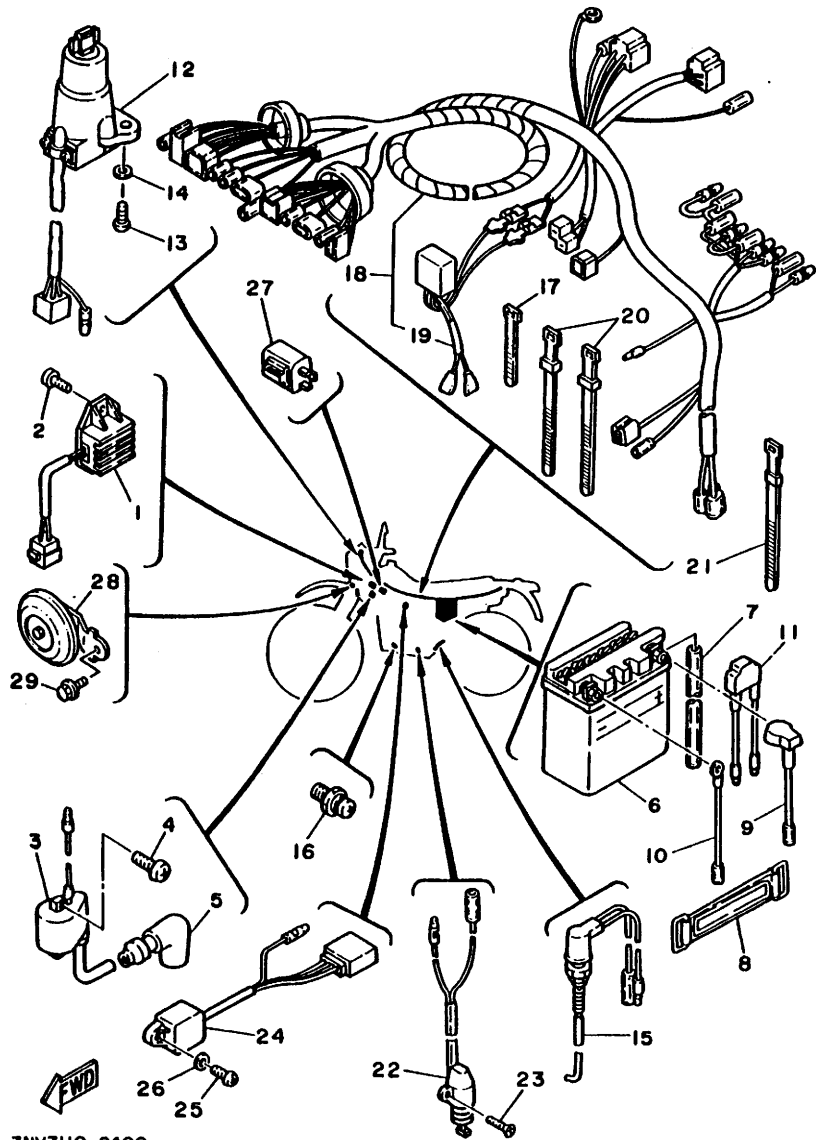
3YT3351-2390



3NV7110-2400

FIG. 40 ELECTRICAL 1

REF. NO.	PART NO.	DESCRIPTION	Q'TY	REMARKS
1	55V-81960-90	RECTIFIER & REGULATOR ASSY	1	UR MATSUSHITA
	33G-81960-60	RECTIFIER & REGULATOR ASSY	1	UR STANLEY
2	98501-06012	SCREW, pan head	2	
3	30X-82310-40	IGNITION COIL ASSY	1	
4	98501-06020	SCREW, pan head	2	
5	371-82370-00	PLUG CAP ASSY	1	
6	30W-82110-79	BATTERY ASSY (FB3L-B)	1	
7	90445-08336	HOSE	1	
8	120-82131-00	BAND, battery	1	
9	1M1-82115-00	WIRE, plus lead	1	
10	558-82116-00	WIRE, minus lead	1	
11	30X-82180-00	CIRCUIT BREAKER ASSY	1	
12	26K-82501-01	MAIN SWITCH STEERING LOCK	1	
13	90149-06228	SCREW	2	
14	92990-06600	WASHER, plate	2	
15	30X-82530-02	STOP SWITCH ASSY	1	
16	2H7-82540-00	NEUTRAL SWITCH ASSY	1	
17	12R-82591-00	BAND	1	
18	26K-82590-00	WIRE HARNESS ASSY	1	
19	57T-81325-00	.CONDENSER 1	1	
20	437-83936-01	BAND, switch cord	2	
21	25G-83936-01	BAND, switch cord	1	
22	5Y1-82566-00	SWITCH, side stand	1	
23	90152-05021	SCREW, countersunk	2	
24	4Y3-85590-M0	CONTROL UNIT ASSY	1	
25	98502-06016	SCREW, pan head	1	
26	92901-06600	WASHER, plate	1	
27	30X-83350-20	FLASHER RELAY ASSY	1	

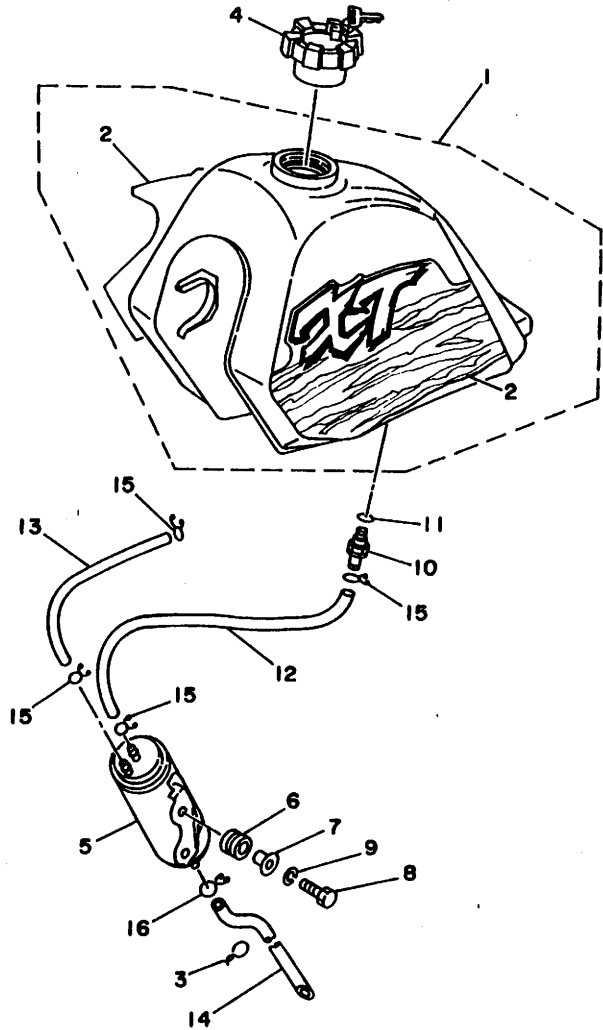


3NV7110-2400

FIG. 40 ELECTRICAL 1

REF. NO.	PART NO.	DESCRIPTION	Q'TY	REMARKS
28	1JK-83371-00	HORN	1	
29	95826-06010	BOLT, flange	1	

FIG. 41 ALTERNATE (CHASSIS)



REF. NO.	PART NO.	DESCRIPTION	Q'TY	REMARKS
1	43E-24110-00-08	FUEL TANK COMP.	1	INK BLUE
2	3NV-24240-10	.GRAPHIC	1	
3	90464-60067	CLAMP	1	
4	56R-24602-00	CAP ASSY	1	
5	56R-24170-00	CANISTER ASSY	1	
6	90480-15342	GROMMET	2	
7	90387-063G3	COLLAR	2	
8	97016-06025	BOLT	2	
9	92906-06100	WASHER, spring	2	
10	20K-24180-00	ROLL OVER VALVE ASSY	1	
11	93210-10166	O-RING	1	
12	56R-24314-00	PIPE 4	1	
13	43E-24315-00	PIPE 5	1	
14	91A21-07020	TUBE, flexible	1	
15	90467-09006	CLIP	4	
16	90467-11106	CLIP	1	



3NVD110-4410

FOR

CALIFORNIA

NUMERICAL INDEX

PART NO.	REF. NO.	PART NO.	REF. NO.	PART NO.	REF. NO.	PART NO.	REF. NO.	PART NO.	REF. NO.	PART NO.	REF. NO.
56A-W0041-00	31- 2	30X-12121-00	4- 2	55V-13586-01	7- 1	30X-14426-00	7-19	214-15686-00	12-14	57T-21110-00-TR	18- 1
38W-W0045-02	28- 9	26H-12153-00-YO	4- 9	42U-13596-01	7- 2	30X-14437-00	7-14	30X-16111-00	13- 1	3MX-2118K-00	25-20
34X-W0047-00	28- 5	26H-12168-A0	4-10	3WP-14103-00	8-31	30X-14451-00	7- 7	55V-16150-00	13- 6	55E-21308-00	18-27
51L-W0048-00	28- 8	26H-12168-F0	4-10	1JK-14107-01	8-12	30X-14453-01	7- 9	30X-16154-00	13- 7	30X-21315-00	18- 6
34X-W0057-00	28- 4	26H-12168-H0	4-10	5H0-14126-00	8-55	30X-14454-01	7-10	3J2-16324-00	13-11	30X-21316-00-TR	18- 3
3LS-W2536-10	29- 7	26H-12168-K0	4-10	30X-14131-00	8-23	30X-14458-00	7- 8	4H7-16325-00	13-10	55V-2137W-40	18-29
30X-Y2835-20	33- 1	26H-12168-M0	4-10	5Y1-14137-00	8-60	51Y-14462-00	7-16	5Y1-16331-01	13- 9	55V-2137X-40	18-30
26H-11116-00	1-15	26H-12168-R0	4-10	30X-14146-00	8-57	5Y1-14536-00	8-27	5Y1-16351-00	13-12	30X-2139X-00	18-34
55V-11110-01	1- 1	26H-12168-U0	4-10	42U-14146-00	8-57	5Y1-14572-00	8-20	55V-16356-00	13-16	30X-21471-01	18-14
583-11127-00	2- 2	26H-12168-W0	4-10	5Y1-14146-00	8-45	57R-14611-00	9- 1	30X-16357-00	13-29	30X-2148A-00	18-21
	2- 3	26H-12168-Y0	4-10	30X-14148-00	8-50	4BR-14613-00	9-20	30X-16358-00	13-15	30X-21511-40	19- 1
1LN-11133-11	1- 2	26H-12168-00	4-10	30X-14149-00	8-52	55V-14628-00	9- 2	55V-16371-00	13- 8	3NV-2153A-00	19- 5
34K-11145-00	3-33	26H-12168-20	4-10	5Y1-14159-00	8-51	26K-14711-01	9- 7	55V-16380-00	13-22	42U-21611-20	19- 4
30X-11161-00	1- 7	26H-12168-40	4-10	7KF-14162-00	8-46	4EL-14714-00	9-12	51Y-17121-00	14- 7	30X-21621-00	7-15
30X-11166-00	10-13	26H-12168-60	4-10	56R-14193-00	8-61	30X-14715-00	9-13	55V-17131-00	14- 5	30X-21629-00	19-16
56R-11166-00	10-13	26H-12168-80	4-10	56R-14196-00	8-59	55V-14728-00	9- 8	55V-17151-01	14- 6	21T-2163A-00	19-17
55V-11181-00	1- 8	26H-12169-E0	4-10	5Y1-14197-00	8-49	42U-14752-00	9-15	55V-17161-00	14- 2	42U-21639-00	19-19
30X-11191-01	1-11	26H-12169-G0	4-10	56R-14197-00	8-49	4BD-14766-00	9- 3	51Y-17211-00	14-20	42U-21641-00	19- 7
30X-11192-01	1-12	26H-12169-J0	4-10	30X-14198-00	8- 2		9- 9	51Y-17221-00	14-12	21T-21685-20	19-18
30X-11193-00	1-18	26H-12169-L0	4-10	30X-14203-00	8- 3	5Y1-1490A-00	8-39	55V-17231-00	14-16	42U-21685-00	19- 6
214-11198-01	10-19	26H-12169-N0	4-10	30X-14216-00	8-32	56R-1490J-00	8-42	55V-17241-00	14-19	42U-21688-00	19-20
55V-11310-03	2- 1	26H-12169-T0	4-10	7KF-14227-00	8-56	56R-1490J-10	8-14	55V-17251-00	14-17	42U-21689-00	19-21
4DR-11351-00	2- 4	26H-12169-10	4-10	30X-14286-00	8-41	57T-1490J-00	8-42	55V-17261-01	14-18	30X-21711-40-98	20- 1
55V-11400-02	3- 1	26H-12169-30	4-10	56R-14301-03	8- 1	57T-1490J-10	8-14	55V-17402-00	14-11	30X-21721-40-98	20- 5
55V-11412-00	3- 2	26H-12169-50	4-10	57T-14301-03	8- 1	30X-1490K-00	8-34	51Y-17411-00	14- 1	3NV-2173E-10	20- 2
55V-11422-01	3- 3	26H-12169-70	4-10	30X-14312-35	8-15	5H0-14991-00	8-54	3Y1-17456-00	14-28	3NV-2173F-10	20- 6
55V-11454-00	3-28	26H-12169-90	4-10	56R-14312-35	8-15	55V-15100-02	10- 1	55V-17460-00	14-27	3NV-2179R-50	20-10
30X-11496-00	3-15	48Y-12171-00	5- 1	51Y-14316-00	8-21	30X-15351-00	6-13	30X-17831-00	15- 2	3NV-2179V-50	20-10
51Y-11531-00	3-18	30X-12176-00	5- 3	14T-14323-00	8-37	3Y1-15361-00	11-11	30X-17841-01	15- 5	55V-22110-00-PO	21- 1
51Y-11536-00	3-27	48Y-12181-00	5- 2	30X-14340-01	8-40	1RG-15363-00	11-12	30X-17861-00	15- 1	3Y1-22124-01	21- 5
30X-11549-00	3-13	30X-12210-00	5- 6	51Y-14341-00	8- 8	30X-15378-00	11- 5	30X-18101-01	17- 1	156-22127-00	21- 8
30X-11565-00	3-19	48E-12213-00	5- 7	30X-14342-21	8- 6	30X-15383-00	10-15	30X-18110-01	17-12	30X-22128-00	21-16
55V-11610-00	3-24	30X-12241-00	5- 9	288-14343-63	8- 9	3DC-15411-00	11- 1	1W6-18113-00	17-13	322-22128-01	21- 6
55V-11610-20	3-24	30X-12251-00	5-10	30X-14343-53	8-44	3GJ-15421-00	11- 4	3Y1-18122-00	16-12	30X-22129-00	22- 8
55V-11610-40	3-24	30X-12252-01	5-11	5Y1-14349-00	8-47	51Y-15441-00	10-11	3Y1-18140-00	17- 4	30X-22141-00	21-10
55V-11631-01-YO	3-23	30X-12283-00	1-19	30X-14355-00	8-43	4EL-15451-00	11- 2	30X-18141-00	16- 6	42U-22151-00	21-46
55V-11633-00	3-25	30X-12288-00	1-21	5Y1-14356-00	8-24	4EL-15461-00	11- 6	2K7-18151-00	16-14	30X-22153-00	21-50
55V-11636-01	3-23	30X-12292-00	1-26	5Y1-14357-00	8-19	30X-1561A-00	12-27	30X-18161-00	16- 5	30X-2217A-00	21-13
55V-11638-01	3-23	55V-13161-01	6-23	30X-14358-00	8-33	30X-1561G-00	12-30	30X-18185-00	16- 7	30X-2217F-01	21-28
51Y-11651-01	3- 6	30X-13300-00	6- 1	5Y1-14358-00	8-25	30X-15620-00	12-20	30X-18511-00	16-19	30X-22178-00	18-22
51Y-11681-00	3- 4	3Y6-13326-01	6- 2	15A-14371-00	8-26	30X-15621-00	12-21	30X-18512-00	16-20	10V-22184-00	18-23
51Y-12111-01	4- 1	30X-13341-00	6- 7	30X-14384-00	8-13	30X-15641-01	12- 2	30X-18513-00	16-21	3Y1-22210-00-33	22- 1
30X-12113-00	4- 4	51Y-13411-00	6-11	5Y1-14385-00	8-10	30X-15651-01	12-17	4DN-18531-00	16-16	30X-22216-00	22- 2
30X-12114-00	4- 5	2XK-13416-00	6-10	6E5-14386-01	8-11	30X-15660-01	12- 1	4DN-18535-00	16-18	30X-22226-00	22- 3
26H-12116-00	4- 3	5H0-13440-00	6-15	5Y1-14396-00	8-48	2NX-15668-00	12-12	30X-18540-00	16- 1	38M-22311-00	21-36
30X-12117-00	4- 7	3DC-13447-00	6-18	56R-14396-00	8-48	55V-15668-00	10- 3	136-18542-00	16- 2	30X-22312-01	21-42
30X-12118-00	4- 8	3VD-13455-00	10-17	30X-14401-00	7- 6	3Y1-15671-00	12- 5	30X-18561-02	16-10	55V-23102-00	24- 1
51Y-12119-00	4- 6	1HX-13575-00	7- 5	30X-14412-00	7-11	2NX-15674-00	12-13	56R-21110-00-TR	18- 1	55V-23103-00	24-24

NUMERICAL INDEX

PART NO.	REF. NO.	PART NO.	REF. NO.	PART NO.	REF. NO.	PART NO.	REF. NO.	PART NO.	REF. NO.	PART NO.	REF. NO.
30X-23110-00	24- 8	1W4-23194-L0	24-53	3Y1-25364-00	29-23	22W-27421-01-90	32-32	2JX-83536-A0	36- 3	3M5-85546-00	34-18
	24-31	34X-23317-00	23-13	3Y1-25366-00-98	29-14	120-27431-00	32-41	1ET-83540-00	36- 5	55V-85550-20	34-14
33M-23111-00	24-15	55V-23340-00	24-47	3Y1-25377-00	29-16	26F-27432-00-33	32-38	5Y1-83541-00	36- 9	30X-85580-00	34- 5
	24-38	1W1-23416-00	23- 3	42U-25381-00	29-32	120-27433-00	32-40	48Y-83550-01	36-15	4Y3-85590-M0	40-24
1W1-23114-L0	24-12	30X-23435-00-35	23- 5	3Y1-25383-00	29-34	55V-27442-00-33	32-37	30X-83560-00	36-16	341-92090-60	24-52
	24-35	1E6-23441-10-35	23- 8	3Y1-25388-01	29-35	48Y-28100-00	20-11	43F-83570-G1	36- 1	90101-06278	29-11
4V5-23118-L1	24-22	30X-23445-00	23-12	3Y1-25389-00	29-36	4K5-2814E-10	7-20	5Y1-83578-00	36- 4	90101-06288	32- 9
	24-45	30X-24110-01-W7	25- 1	3Y1-25394-00	29-29	4U7-28186-00	7-21	3FY-83912-01	39- 3	90105-06153	1- 4
4H7-23119-00	24-21	43E-24110-00-08	41- 1	55V-25455-50	29-19	3NV-28391-00	33- 2	3FY-83922-00	39-11	90105-06406	2- 6
	24-44	56R-24170-00	41- 5	55V-25715-30	28-14	3JJ-28446-00	26-12	25G-83936-01	40-21	90105-07288	5- 4
30X-23125-00	24- 5	20K-24180-00	41-10	59Y-2580T-00	28- 3	57T-81325-00	40-19	437-83936-01	1-27	90105-08099	18-10
	24-28	22W-24181-00	20- 9	48Y-25831-00	28- 1	33G-81960-60	40- 1		8-62	90105-10259	28-13
48Y-23126-00	24- 2	4L0-24181-00	25- 3	34X-25845-00	28-12	55V-81960-90	40- 1		39-20	90105-10290	3-20
5X6-23128-L0	24-48	30X-24182-01	25- 4	4H7-25852-00	31- 4	30W-82110-79	40- 6		39-24	90105-10608	1- 9
122-23129-00	24-19	30X-24183-01	25- 5	4L0-25854-00	31- 3	1M1-82115-00	40- 9		40-20	90105-14102	23- 6
	24-42	30X-24186-01	25- 6	4L0-25862-00	31-10	558-82116-00	40-10	503-83956-00	39-10	90109-06005	38-10
48Y-23136-00	24-25	30X-24187-00	25- 7	4L0-25867-00	31- 6	116-82131-00	20-12	21T-83973-00	39-21	90109-064F0	1-13
30X-23141-00	24-13	3NV-24240-10	25- 2	39F-25870-00	31- 1	120-82131-00	40- 8	43F-83976-00	39-18	90109-06419	6-19
	24-36		41- 2	48Y-25872-02	31- 7	30X-82180-00	40-11	34X-83980-01	39-17	90109-06577	39-12
1W1-23142-L0	24-14	56R-24314-00	41-12	34X-25876-00	31-14	30X-82310-40	40- 3	47J-84115-00	37- 2	90109-06584	1-14
	24-37	43E-24315-00	41-13	5R2-25917-00	28- 6	371-82370-00	40- 5	233-84127-60	37- 7	90109-06757	28- 2
48Y-23144-00	24- 6	23F-24500-01	25-11	34X-25919-00	28-10	2GK-82501-01	40-12	43F-84131-00	37- 6	90109-06778	1-23
	24-29	360-24512-00	8- 7	26V-25926-00	28-11	30X-82530-02	40-15	10V-84196-00	37-11	90109-06799	39- 4
48Y-23145-00	24- 4	4X8-24512-00	25-12	34X-25937-00	28- 7	2H7-82540-00	40-16	10V-84198-00	37-12	90109-08789	32-39
	24-27	3AJ-24523-00	25-14	1EU-26111-20	30- 1	5Y1-82566-00	40-22	42U-84303-60	37- 1	90109-10635	32-23
3J2-23147-00	24-17	3AJ-24534-00	25-15	55V-2622F-00	30-14	2GK-82590-00	40-18	42U-84321-60	37- 3	90109-10752	21-24
	24-40	48Y-24602-00	25-10	55V-26241-00	30- 5	12R-82591-00	30-18	5G2-84324-A0	37-10		21-32
5K5-23149-00	24- 7	56R-24602-00	41- 4	55V-26242-00	30- 2		40-17	341-84332-60	37- 8	90109-10753	22- 5
	24-30	30X-24734-60	26- 4	1RF-26243-00	30- 3	1LN-82911-00	39- 1	198-84334-60	37- 9		22-10
2X7-23151-00	24-10	2A8-24736-00	26- 5	55V-26246-00	30-13	33G-82913-00	39- 2	341-84393-40	37- 4	90109-121A1	21-17
	24-33	30X-24768-00	18-15	3Y1-26249-00	30- 4	5Y1-83310-70	35- 1	46X-84396-00	37- 5	90110-06138	11- 9
4A1-23156-00	24- 3	30X-2477A-60	26- 2	3Y1-26290-00	30-10	256-83311-70	35- 3	42U-84517-00	38- 6	90116-08425	29-20
	24-26	30X-24770-60	26- 1	5Y1-26290-10	30-11		35-11	1M1-84521-60	38- 3	90116-10378	1- 5
509-23158-L0	24-18	30X-24833-00	26- 9	30X-26302-00	30- 6	5Y1-83312-00	35- 2	1M1-84523-60	38- 2	90119-06061	19-11
	24-41	38M-24850-00	26- 8	30X-26335-01	30- 7		35-10	1M1-84524-60	38- 4		19-12
55V-23170-00	24- 9	3MX-24875-00	19-26	1E6-26342-00	30- 8	5Y1-83313-00	35- 4	1W9-84710-60	38- 1	90119-06063	19- 3
	24-32	3TB-24877-00	26-13	1E6-26372-00	30- 9		35-12	256-84714-61	38- 5	90123-08046	39- 8
39K-23173-00	24-11	3Y1-25026-00-98	29- 6	1T5-26372-00	30-12	37A-83330-21	35- 9	4G1-84744-00	36- 2	90149-05110	6-22
	24-34	48Y-25104-00	27- 7	3Y1-26397-00	36-18	30X-83350-20	40-27		36- 7	90149-06011	25-16
30X-23174-00	23-10	34X-25111-02-98	27- 1	55V-27211-00	32- 1	10V-83365-00	35-16	4L0-84753-00	38- 7	90149-06153	39-14
278-23181-50	24-20	322-25118-00	27-13	30X-27231-00	32-11		35-20	23V-85110-00	38-14	90149-06194	28-15
	24-43	30X-25181-00	27-11	55V-27242-00	32- 2	10V-83368-00	35-17	49R-85112-00	24-54	90149-06228	40-13
509-23184-L0	24-23	34X-25190-01	27-18	1M1-27244-00	32-16	10V-83369-00	35-21	449-85131-02	38-11	90149-06285	18-28
	24-46	4Y0-25304-00	29-25	55V-27311-01	32-20	1JK-83371-00	40-28	2GK-85510-20	34- 1	90149-08067	13-23
4V4-23190-L0	24-16	3Y1-25311-00-98	29- 1	42U-27315-01	32-22	5Y1-83513-00	36- 8	30X-85512-00	34- 2	90151-06013	16-11
	24-39	146-25315-00	29- 3	30X-27410-00-90	32-25	5Y1-83519-00	36-10	56R-85513-00	34- 3	90152-05021	40-23
55V-23191-80	24-50	3Y6-25351-00	29- 9	22W-27411-01-90	32-26	30X-83520-00	36- 6	56R-85514-00	34- 4	90157-05027	39-22
48Y-23192-00	24-51	3R6-25355-01	29-10	55V-27420-00-90	32-31	1M1-83526-00	36-11	2GK-85540-20	34-17	90159-06010	13-14

NUMERICAL INDEX

PART NO.	REF. NO.	PART NO.	REF. NO.	PART NO.	REF. NO.	PART NO.	REF. NO.	PART NO.	REF. NO.	PART NO.	REF. NO.
90159-06042	21-38	90201-102J5	3-21	90384-18157	22- 4	90480-15342	41- 6	92901-04100	8-30	93102-25305	10- 9
90159-06060	33- 5	90201-10614	12-32	90386-18115	21-21	90480-16233	18-18		8-36	93102-28022	29-18
90159-06071	19- 8	90201-12M34	15- 8		21-29	90501-07629	3- 9		34-13	93106-22019	21- 4
90164-06017	9- 4	90201-120A5	21-18	90386-20120	21-14	90501-10245	32-17	92901-04600	8-18	93109-18020	21-22
90170-06010	39-15	90201-120E6	22-11	90387-060A7	18-19	90501-10312	39-16	92901-05100	34- 7		21-30
90170-08258	29-22	90201-12541	32- 7	90387-063G3	41- 7	90501-10589	12-23		34- 9	93210-06632	13-19
90170-16326	3-34	90201-12588	17-10	90387-06388	37-15	90501-16107	12- 6		34-11	93210-07135	6-17
	13-21	90201-14218	21-11	90387-064E8	21-37	90501-18576	6-12		36-20	93210-10096	6- 4
90170-16343	13- 5	90201-15340	12-24	90387-06681	19- 2	90501-22721	3-16	92901-05600	7-18	93210-10166	41-11
90171-14020	27-16	90201-155K6	12- 7		30-16	90501-23391	13-13		23-15	93210-14104	36-17
90171-16024	29-37	90201-15701	12-10	90387-121J0	22- 9	90506-16447	29- 8		36-21	93210-19123	11-13
90175-06013	32-19	90201-15785	27-15	90387-121L6	21-31	90506-18289	32-15	92901-06200	13-17	93210-30611	7- 3
90176-08026	2- 9	90201-163H8	27-14	90387-126J8	21-23	90506-29276	32-21		32-13	93210-35389	6-14
90179-06498	30-15	90201-17255	17- 6	90387-12787	17- 2	90508-12430	16-13	92901-06600	5-13	93210-64297	6-16
90179-08148	39- 9	90201-177G4	12-18	90387-140J9	21-15	90508-14352	32- 3		32- 5	93210-89447	2- 5
90179-25033	23- 4		14-21	90387-15600	27-12	90508-14433	13-25		40-26	93306-00315	14-10
90185-08089	18- 5	90201-20279	32-42	90387-17141	29-33	90508-14630	12-33	92901-08600	24-49	93306-20209	27- 2
	18- 9	90201-20685	12- 3	90387-172J0	10- 5	90508-18606	1-22	92901-08800	18-12	93306-20310	29- 5
	18-13	90201-207G6	3-31	90387-17783	10- 4	90508-20023	32-27	92906-05100	39- 7	93306-20332	14-24
90185-10037	32-24	90201-243A2	21- 7	90387-227H7	31-13		32-33	92906-06100	18-33	93306-20427	14- 8
90185-10120	21-26	90202-05193	25-17	90401-10034	6-24	90508-26434	17- 5		19-23	93306-20445	29-15
	21-34	90206-06090	9- 5		31-11	90508-32374	17- 7		21-41	93306-20529	3-30
	22- 7		9-11	90413-05008	8-58	90508-32432	12- 9		21-45	93306-20573	14-25
	22-13	90209-06223	18-35	90430-05126	6-21	90560-12191	17-11		21-48	93306-30622	3-12
90185-12119	21-19		21-39	90430-06014	1-24	90560-15290	27- 3		31- 9	93306-30630	3-11
90185-14070	21-12		21-43	90430-06156	6- 6	90560-17239	12-11		41- 9	93306-90501	16- 3
90201-05031	38-12		21-49	90430-10171	6-25	90560-17311	29- 2	92906-06600	9- 6	93310-738N1	3- 5
90201-05033	36-12	90209-08125	38- 9	90445-08336	40- 7	91A20-07018	7-12		9-19	93315-31428	13-28
90201-06059	19-25	90209-11262	1-16	90445-10008	25-18	91A21-07020	41-14		12-34	93317-32231	21- 2
90201-065F3	26-10	90209-18208	14- 3	90460-49058	7-22	91316-06010	31-15	92990-04100	8- 5	93332-00001	23- 1
90201-06697	18-20		14-22	90462-08062	11-14	91316-06012	1-20	92990-06100	9-17	93332-00008	23- 2
90201-06778	19-15	90209-23241	14-13	90464-60067	41- 3	91316-06020	7- 4		18-17	93410-17037	14-23
90201-08087	13-24	90209-23242	3-14	90465-08277	10-10	91316-06025	5- 8		19- 9	93410-20038	12- 4
90201-081H4	9-23	90209-38266	3- 7	90467-09006	25-19		9-21		19-14	93410-22039	14- 4
90201-083A0	38- 8	90215-08160	29-21		41-15		11- 8		25- 9		14-15
90201-08310	18-24	90215-16156	13- 3	90467-11106	41-16	91316-06040	11-10	92990-06600	34-16	93410-26067	14-14
90201-087K2	2- 8	90215-16221	3-35	90467-13042	7-13	91316-06065	6-20		40-14	93420-28055	13-26
90201-08759	15- 3	90215-16222	13- 4	90467-14015	10-14	91401-16020	32-44	92990-08100	26- 7	93430-09038	32- 8
90201-09461	18- 4	90215-16245	13-20	90468-10050	36-13	91401-20020	32- 6	93101-17093	14- 9	93450-19095	3-26
	18- 8	90240-06009	32-43	90480-01401	20- 4		32-14	93101-25106	3-29	93507-32031	12-22
	18-11	90240-06040	32-12		20- 8	91401-25020	32-29	93102-08307	15- 7	93511-32027	13-30
90201-100E9	21-25	90240-07105	3- 8	90480-10068	27- 6		32-35	93102-10207	12-29	93602-13177	3-10
	21-33	90249-12008	32-18		29-13	91401-30030	27-17	93102-12106	17- 9	93603-12030	6- 3
	22- 6	90280-16053	3-22	90480-12053	18-31		29- 4	93102-12321	1-25	93604-08071	16- 4
	22-12	90282-05034	3-32		20- 3	91701-06022	32- 4	93102-14209	13-27	93604-18100	16- 8
90201-10118	31-12	90282-07057	13- 2		20- 7	91701-08038	32-28	93102-17263	12-16	93604-29151	16- 9
90201-10119	6- 8	90338-11125	1-17		33- 4		32-34	93102-20281	27- 4	93605-10090	3-17
90201-10269	1-10	90380-22111	21- 3	90480-14023	37-16	92901-04100	8-17	93102-25226	14-26	93608-30152	17- 8

NUMERICAL INDEX

PART NO.	REF. NO.	PART NO.	REF. NO.	PART NO.	REF. NO.	PART NO.	REF. NO.	PART NO.	REF. NO.	PART NO.	REF. NO.
93700-06004	21- 9	95816-08035	23- 9	98580-04008	8-38						
	21-20	95816-08045	9-14		34-12						
	21-35	95816-08050	18-25	98580-04010	8-29						
93700-06009	21-27	95826-06010	40-29		8-53						
94111-18269	29-26	97001-06025	37-14		35- 5						
94130-21360	27- 8	97001-06045	19-13		35-13						
94227-21123	27- 9	97003-06012	25- 8	98580-04012	8-35						
94240-18098	29-27	97011-06010	14-29	98580-04016	8- 4						
94330-21084	27-10	97011-06020	18-16	98580-05010	8-22						
94340-18086	29-28	97016-06016	18-32	98580-05014	7-17						
94416-21430	27- 5	97016-06020	17-14	98701-06016	10-16						
94421-18418	29-24		19-22	98706-04012	31- 5						
94580-78130	29-30	97016-06025	31- 8	98901-04006	8-28						
94590-91136	5- 5		41- 8	98901-06008	10-18						
94681-33011	29-31	97016-08030	12-26	98906-06008	9-18						
94701-00157	1- 6	97021-06016	5-12	98906-06010	9-10						
94701-00181	1- 6		12-15	99006-10600	12-25						
95026-08012	35-18	97026-06012	21-47	99009-10400	6- 9						
	35-22	97313-08016	26- 6		12-28						
95026-08040	23- 7	97706-40530	35- 6		15- 4						
95303-05600	23-16		35-14		16-17						
	36-22	98501-05012	34-10	99009-15400	12- 8						
	38-13	98501-05016	36-19	99009-17400	12-19						
95303-06600	13-18	98501-05018	23-14		17- 3						
	19-10	98501-05020	34- 6	99009-47500	29-17						
	29-12	98501-05030	39-23	99080-07600	16-15						
95303-06700	32-10	98501-05035	34- 8	99246-0080	33- 3						
95306-06800	12-31	98501-06010	9-16	99510-08016	1- 3						
95311-12700	35- 7	98501-06012	40- 2	99510-12016	10- 2						
	35- 8	98501-06020	40- 4		11- 7						
	35-15	98501-06025	6- 5	99530-14016	2- 7						
	35-19	98502-06016	26-11		10-20						
95616-06100	19-24		34-15								
	39- 5		40-25								
	39-13	98503-03008	25-13								
95616-08100	18-26	98506-05020	39- 6								
95701-05500	38-15		39-19								
95801-06050	21-51	98506-06012	11-15								
95806-06040	36-14		21-44								
95811-06012	7-23	98506-06016	10-12								
95811-06016	26- 3		21-40								
95811-08060	18- 7	98506-06025	15- 6								
95811-08070	18- 2	98506-06040	30-17								
95816-06012	23-11	98506-06060	10- 7								
95816-08014	9-22	98506-06070	10- 8								
95816-08020	9-24	98511-04016	8-16								
	32-30	98516-06030	10- 6								
	32-36		11- 3								

