

PARTS CATALOGUE

XT600E (4PTB)

YAMAHA
GENUINE
Parts & Accessories

2A4PT-300E1

A2



A4

FOREWORD

This Parts Catalogue is related to the parts for the model(s) in the below frame. When you are ordering replacement parts, please refer to this Parts Catalogue and quote both part numbers and part names correctly.

XT600E(4PTB/4SL7)

1. Modifications or additions which have been made after issue of the Parts Catalogue will be announced in the Yamaha Parts News.
It is advisable that you make necessary corrections to the Parts Catalogue according to the Yamaha Parts News.

2. Abbreviations

The Following abbreviations are used in this Parts Catalogue.

"UR" Use specified parts number.

"UN" Use as many as needed.

"AP" Alternate Parts

"LM" Local Made (Parts need to be ordered locally)

"F#" Frame No. (Applicable machine No.)

3. Parts, which are to be supplied in an assembly, are listed with a dot(.) in front of the part name as shown below.

EXAMPLE

CARBURETOR ASSY

.JET, PILOT

.NOZZLE, MAIN

4. Number of component for assembly

The numeral appearing to the right of each component part indicates the quantity of parts for each assembly unit.

EXAMPLE

PART NO.	DESCRIPTION	Q'TY	REMARKS
2F5-83310-60	FRONT FLASHER LIGHT ASSY	2	
115-83311-60	.BULB (6V-18W)	1	
1M1-83309-60	.REFLECTOR	1	

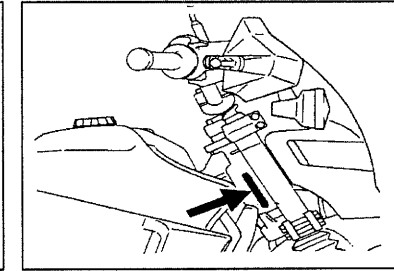
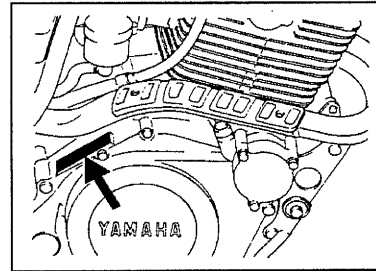
5. Applicable colors of graphics are represented in the "REMARKS" as shown below.

PART NO.	DESCRIPTION	Q'TY	REMARKS
2N4-24110-00-X5	.FUEL TANK COMP.	2	MXR
3J1-24240-10	.GRAPHIC, FUEL TANK	1	for MXR

6. Applicable Serial No.

Engine Serial No.

Frame Serial No.



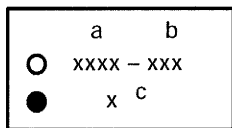
7. Note that the illustrations for reference in funding parts numbers, not to be used for assembling. When assembling, pleas use the applicable service manual.

8. The asterisk (*) before a reference number indicates modification items after the first edition.

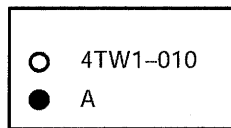
MODEL LABEL

(1) A label called "Model Label" is affixed in the location as indicated in (3) below.
 When using this parts catalogue, please be sure to cross-refer the "model code – production code No." in the catalogue to the "model code – production code No." indicated on the Model Label affixed onto the product concerned.

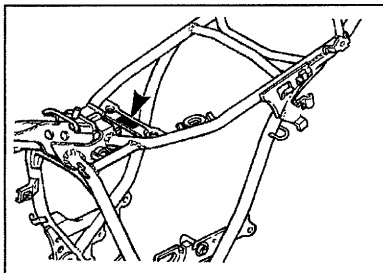
(2) "Model Label" Indication



a: Model Type Code
 b: Production Code No.
 c: Colouring Type



(3) Model Label Affixing Location



(4) Model Code – Production Code Number of Model Listed in This Parts Catalog

Model Code	Production Code No.	Country (destination)	Model Code	Production Code No.	Country (destination)
4PTB	020	BELGIUM			
	040	DENMARK			
	060	ENGLAND			
	070	GREECE			
	080	ITALY			
	090	HOLLAND			
	100	NORWAY			
	110	PORTUGAL			
	120	SWEDEN			
	130	S.AFRICA			

(5) Colouring Information

Colouring type code	Colour code	Colour Name	Abbreviation
A	0564	DEEP PURPLISH BLUE METALLIC C	DPBMC
B	0033	YAMAHA BLACK	YB

CONTENTS

ENGINE

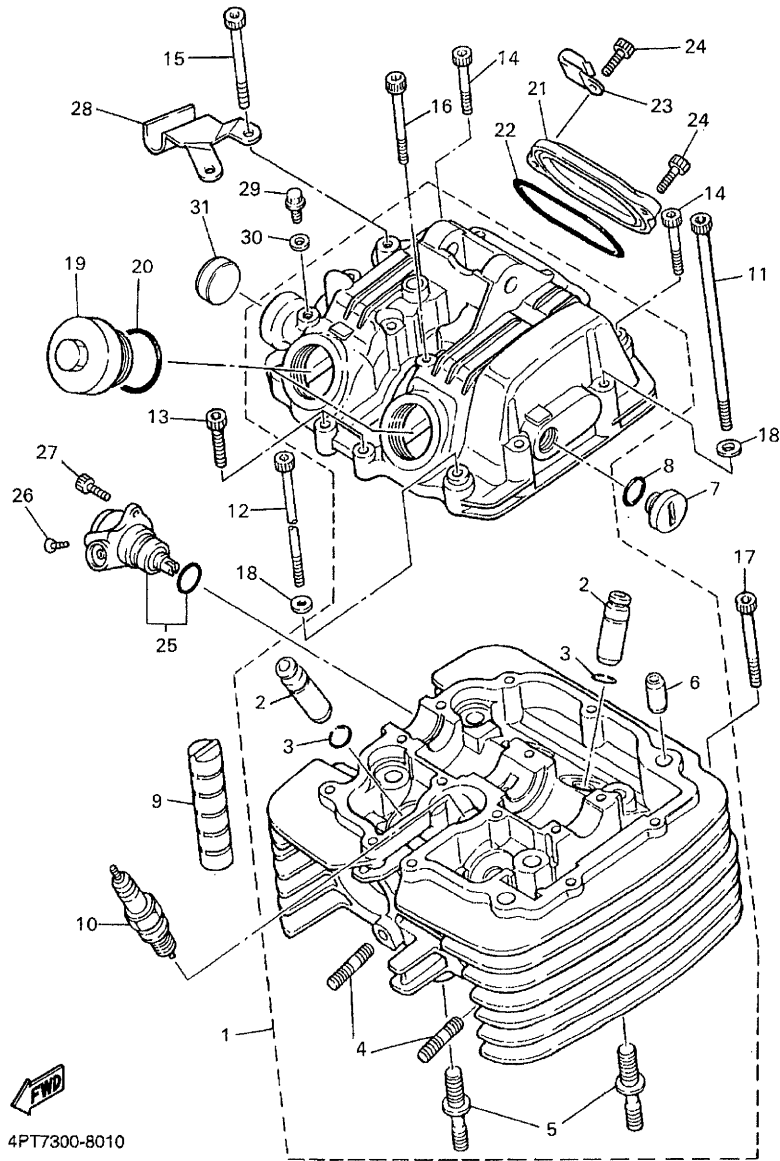
CYLINDER HEAD	B2
CYLINDER	B4
CRANKSHAFT. PISTON	B5
VALVE	B7
CAMSHAFT. CHAIN	B8
OIL PUMP	B9
INTAKE	B11
CARBURETOR	B15
EXHAUST	C5
CRANKCASE	C6
CRANKCASE COVER 1	C7
STARTER CLUTCH	C9
CLUTCH	C10
TRANSMISSION	C12
SHIFT CAM. FORK	C14
SHIFT SHAFT	C15

CHASSIS

FRAME	D2
FENDER	D4
SIDE COVER	D6
REAR ARM	D7
REAR SUSPENSION	D9
STEERING	D10
FRONT FORK	D11
FUEL TANK	D13
SEAT	D15
FRONT WHEEL	E2
REAR WHEEL	E4
REAR BRAKE CALIPER	E6

STEERING HANDLE. CABLE	E7
FRONT MASTER CYLINDER	E8
STAND. FOOTREST	E9
REAR MASTER CYLINDER	E11
COWLING 1	E13
GENERATOR	E14
FLASHER LIGHT	E15
METER	F2
HEADLIGHT	F3
TAILLIGHT	F4
HANDLE SWITCH. LEVER	F5
ELECTRICAL 1	F6
ELECTRICAL 2	F7

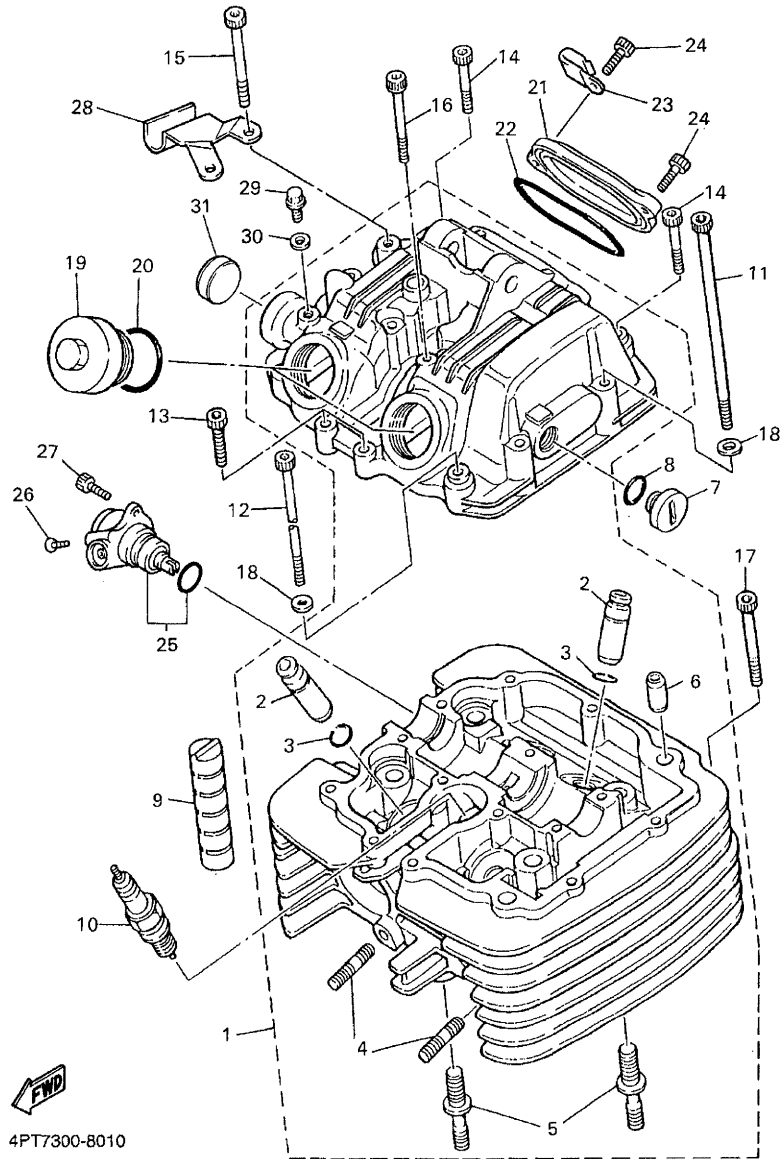
FIG. 1 CYLINDER HEAD



4PT7300-8010

REF. NO.	PART NO.	DESCRIPTION	4PTB	4SL7	REMARKS
1	3TB-11101-02	CYLINDER HEAD ASSY	1	1	
2	4H7-11133-10	.GUIDE, INTAKE VALVE	4	4	
3	93440-12052	.CIRCLIP	4	4	
4	90116-06475	.BOLT, STUD	4	4	
5	90116-10378	.BOLT, STUD	2	2	
6	99530-10116	.PIN, DOWEL	2	2	
7	90340-14068	PLUG, STRAIGHT SCREW	1	1	
8	93210-13657	O-RING	1	1	
9	583-11127-00	ABSORBER 3	2	2	
10	NGK-DPR8EA9-PK10	PLUG, SPARK (NGK DPR8EA-9)	1	1	
11	91317-06125	BOLT	2	2	
12	91317-06115	BOLT	1	1	
13	91317-06025	BOLT	4	4	
14	91317-06040	BOLT	2	2	
15	91317-06055	BOLT	6	6	
16	90109-063E9	BOLT	1	1	
17	91317-06050	BOLT	1	1	
18	92907-06600	WASHER, PLATE	3	3	
19	1L9-11186-00	COVER, CYLINDER HEAD SIDE 2	2	2	
20	93210-32172	O-RING	2	2	
21	5Y1-11187-00	COVER, CYLINDER HEAD SIDE 3	1	1	
22	93210-62523	O-RING	1	1	
23	90465-08125	CLAMP		1	
24	91317-06018	BOLT	2	2	
25	1JK-17800-01	GEAR UNIT ASSY, TACHO. DRIVE	1	1	
26	98707-06030	SCREW, FLAT HEAD	1	1	
27	91317-06025	BOLT	1	1	

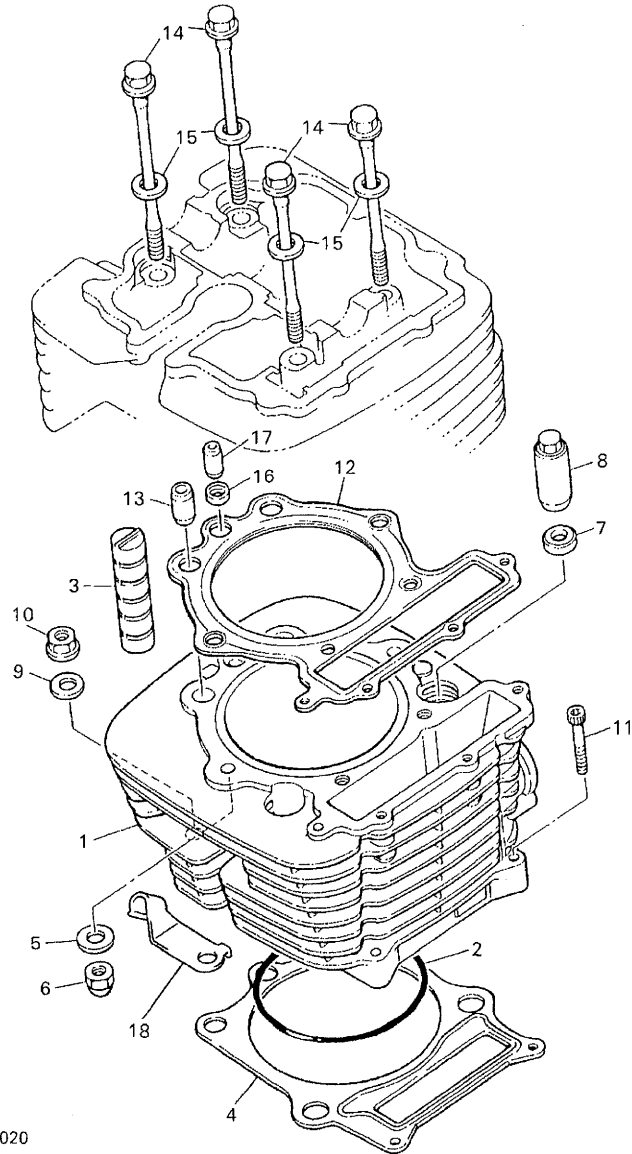
FIG. 1 CYLINDER HEAD




4PT7300-8010

REF. NO.	PART NO.	DESCRIPTION	4PTB	4SL7	REMARKS
28	90462-20217	CLAMP	1	1	
29	90109-06418	BOLT	1	1	
30	90430-06014	GASKET	1	1	
31	90338-22207	PLUG	1	1	

FIG. 2 CYLINDER

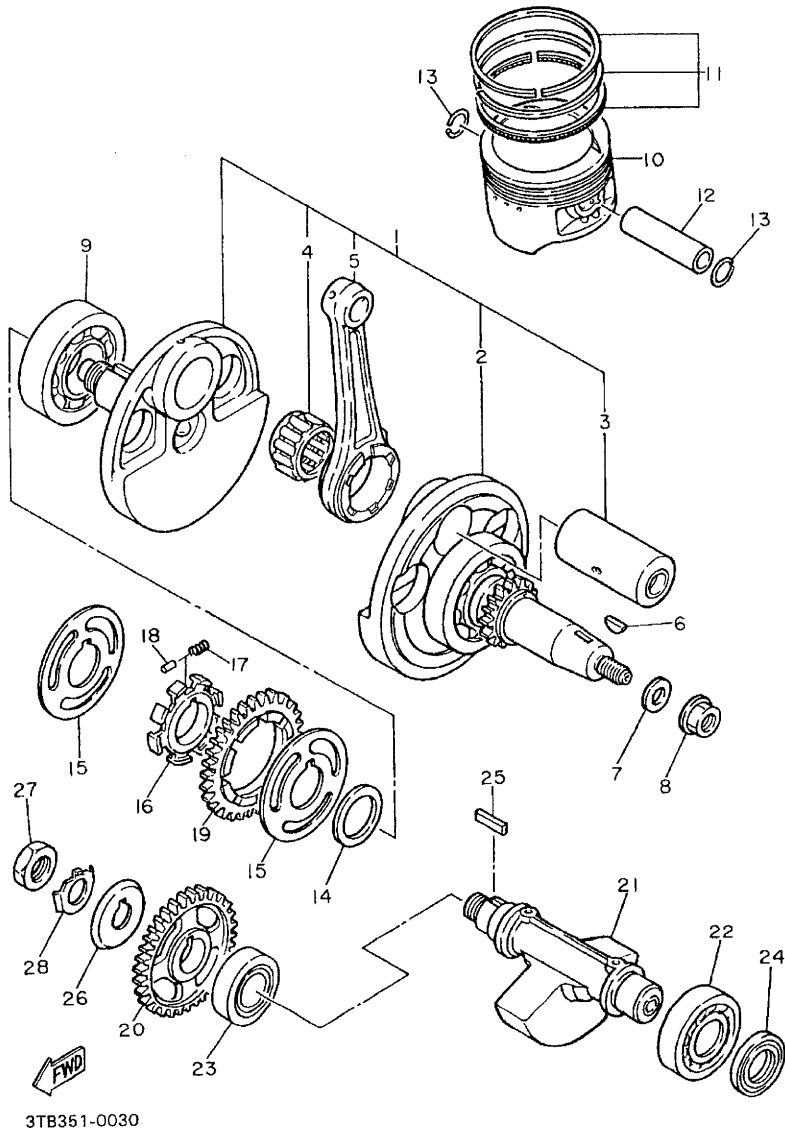


REF. NO.	PART NO.	DESCRIPTION	4PTB	4SL7		REMARKS
1	3TB-11310-00	CYLINDER	1	1		
2	93210-98473	O-RING	1	1		
3	583-11127-00	ABSORBER 3	2	2		
4	1VJ-11351-00	GASKET, CYLINDER	1	1		
5	90201-080L8	WASHER, PLATE	2	2		
6	90176-08026	NUT, CROWN	2	2		
7	90201-10590	WASHER, PLATE	2	2		
8	90179-10201	NUT	2	2		
9	90201-10124	WASHER, PLATE	1	1		
10	90179-10279	NUT	2	2		
11	91317-06035	BOLT	2	2		
12	2KF-11181-01	GASKET, CYLINDER HEAD 1	1	1		
13	99530-12016	PIN, DOWEL	2	2		
14	90105-08505	BOLT, FLANGE	4	4		
15	90201-085L3	WASHER, PLATE	4	4		
16	90430-08178	GASKET	1	1		
17	99530-08016	PIN, DOWEL	1	1		
18	4PT-1131E-00	HOLDER 1	1	1		



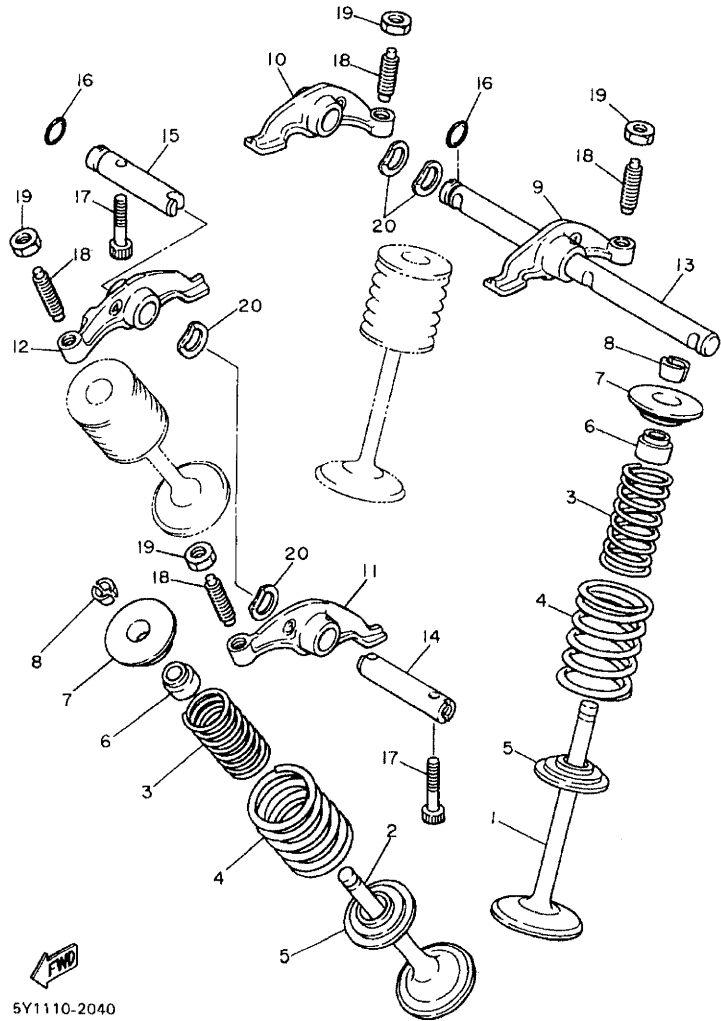
4PT351-6020

FIG. 3 CRANKSHAFT, PISTON



REF. NO.	PART NO.	DESCRIPTION	4PTB	4SL7	REMARKS
1	3TB-11400-00	CRANKSHAFT ASSY	1	1	
2	1VJ-W1141-00	.CRANK 1	1	1	
3	1VJ-11681-00	.PIN, CRANK 1	1	1	
4	93310-635D4	.BEARING	1	1	
5	3TB-11651-00	.ROD, CONNECTING	1	1	
6	90280-16053	KEY, WOODRUFF	1	1	
7	90201-14226	WASHER, PLATE	1	1	
8	90179-14317	NUT	1	1	
9	93306-30702	BEARING (B6307)	1	1	
10	3TB-11631-00-Y0	PISTON (STD)	1	1	
	3TB-11636-00	PISTON (0.50MM O/S)	1	1	AP
	3TB-11638-00	PISTON (1.00MM O/S)	1	1	AP
11	34L-11610-00	PISTON RING SET (STD)	1	1	
	34L-11610-20	PISTON RING SET (0.50MM O/S)	1	1	AP
	34L-11610-40	PISTON RING SET (1.00MM O/S)	1	1	AP
12	1JK-11633-01	PIN, PISTON	1	1	
13	93450-24028	CIRCLIP	2	2	
14	90201-301F4	WASHER, PLATE	1	1	
15	34K-11565-02	WASHER, BEARING COVER	2	2	
16	5Y1-11496-01	BOSS, BUFFER	1	1	
17	90501-22721	SPRING, COMPRESSION	8	8	
18	93605-10090	PIN, DOWEL	4	4	
19	2JT-11536-00	GEAR, DRIVE	1	1	
20	5Y1-11531-00	GEAR, BLANCE WT 44T	1	1	
21	34K-11454-00	WEIGHT 1	1	1	
22	93306-30525	BEARING (B6305)	1	1	
23	93306-30534	BEARING	1	1	

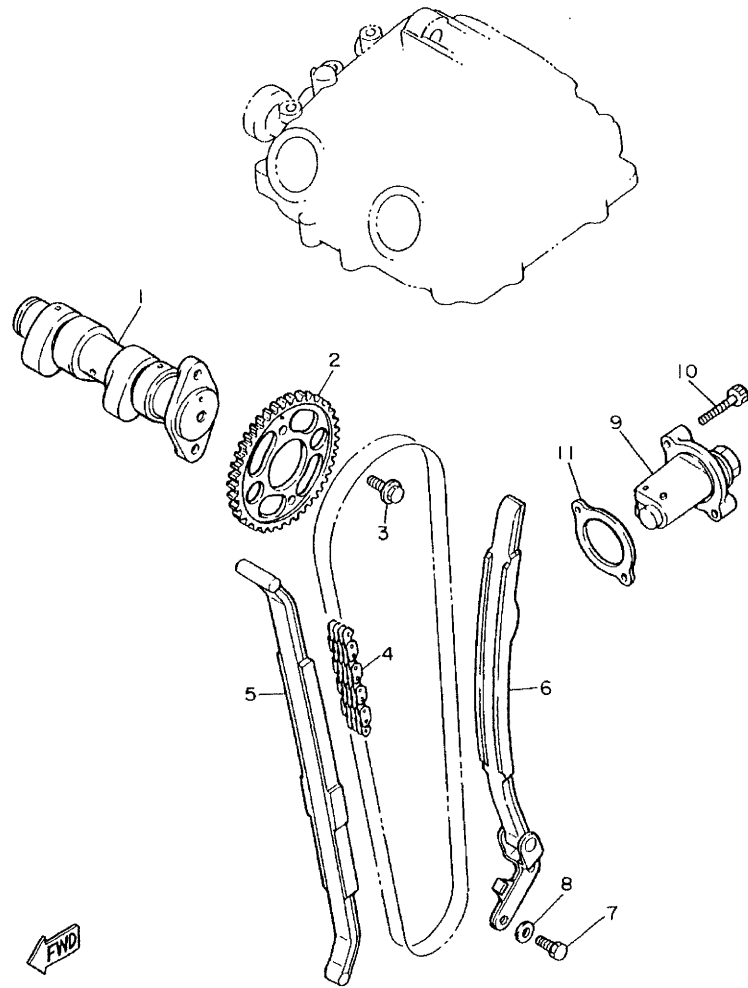
FIG. 4 VALVE



5Y1110-2040

REF. NO.	PART NO.	DESCRIPTION	4PTB	4SL7	REMARKS
1	1VJ-12111-00	VALVE, INTAKE	2	2	
2	1VJ-12121-00	VALVE, EXHAUST	2	2	
3	5Y1-12113-00	SPRING, VALVE INNER	4	4	
4	5Y1-12114-00	SPRING, VALVE OUTER	4	4	
5	4H7-12116-00	SEAT, VALVE SPRING	4	4	
6	1J7-12119-01	SEAL, VALVE STEM	4	4	
7	2F3-12117-00	RETAINER, VALVE SPRING	4	4	
8	1J7-12118-00	COTTER, VALVE	8	8	
9	34K-12151-00	ARM, VALVE ROCKER	1	1	
10	34K-12161-00	ARM, VALVE ROCKER 2	1	1	
11	34K-12162-00	ARM, VALVE ROCKER 3	1	1	
12	34K-12163-00	ARM, VALVE ROCKER 4	1	1	
13	2NX-12146-00	SHAFT, ROCKER	1	1	
14	2NX-12156-00	SHAFT, ROCKER 2	1	1	
15	2NX-12166-00	SHAFT, ROCKER 3	1	1	
16	93210-08521	O-RING	2	2	
17	90109-063E8	BOLT	2	2	
18	2NX-12159-00	SCREW, VALVE ADJUSTING	4	4	
19	90170-06128	NUT	4	4	
20	90206-12075	WASHER, WAVE	4	4	

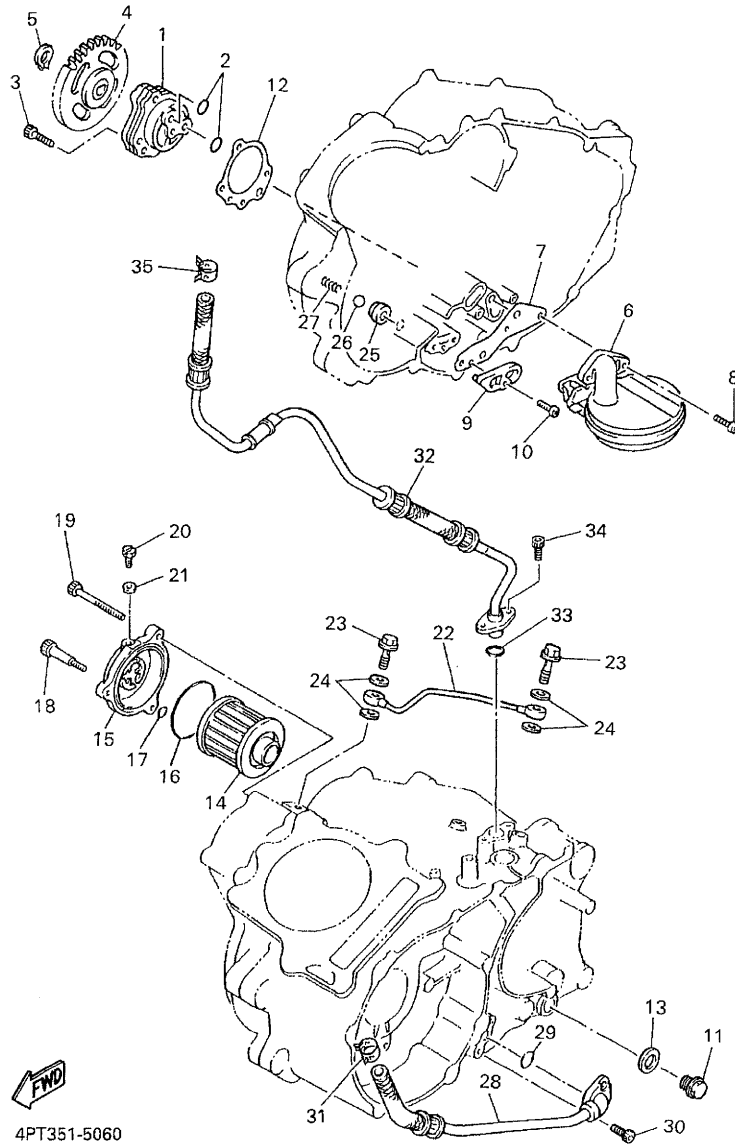
FIG. 5 CAMSHAFT. CHAIN



REF. NO.	PART NO.	DESCRIPTION	4PTB	4SL7	REMARKS
1	1JK-12170-00	CAMSHAFT ASSY 1	1	1	
2	3TB-12176-00	SPROCKET, CAM CHAIN	1	1	
3	90105-07342	BOLT, FLANGE	2	2	
4	94590-27126	CHAIN	1	1	
5	34K-12231-00	GUIDE, STOPPER 1	1	1	
6	34K-12241-00	GUIDE, STOPPER 2	1	1	
7	97027-06016	BOLT	2	2	
8	92907-06600	WASHER, PLATE	2	2	
9	3TB-12210-00	TENSIONER ASSY, CAM CHAIN	1	1	
10	91317-06025	BOLT	2	2	
11	4DW-12213-00	GASKET, TENSIONER CASE	1	1	

3AJ1351-8050

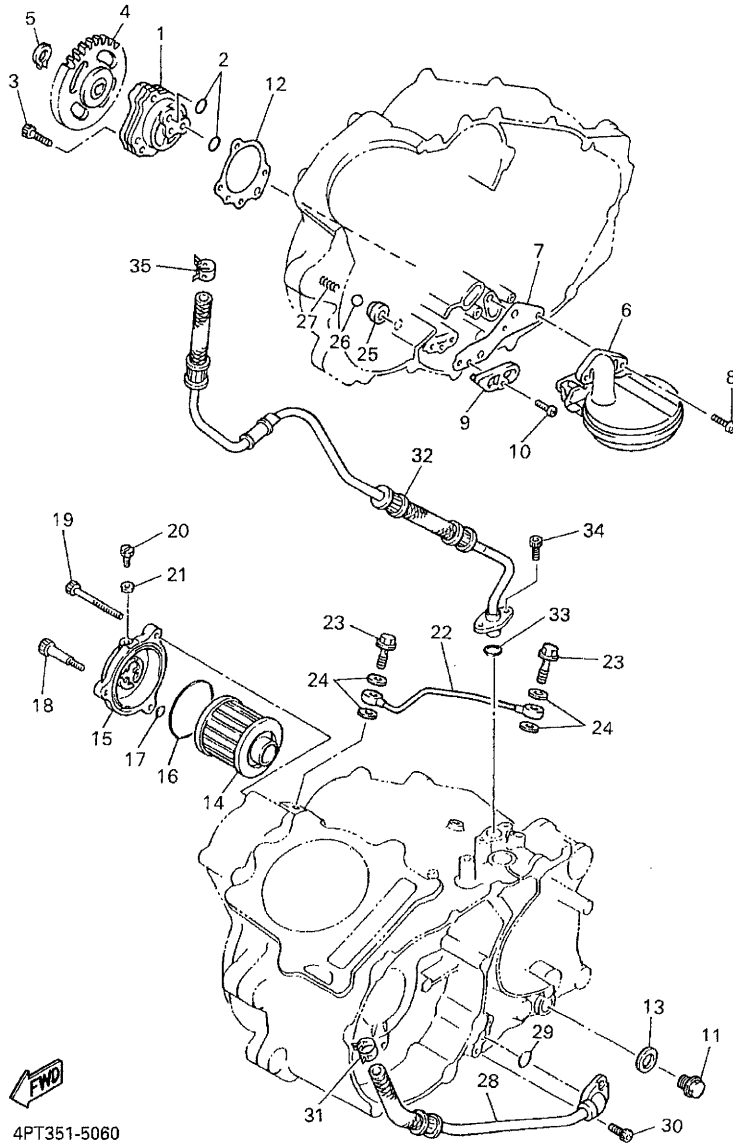
FIG. 6 OIL PUMP



4PT351-5060

REF. NO.	PART NO.	DESCRIPTION	4PTB	4SL7	REMARKS
1	3AJ-13300-01	OIL PUMP ASSY	1	1	
2	93210-13361	O-RING	2	2	
3	91317-06035	BOLT	3	3	
4	3AJ-13325-00	GEAR, PUMP DRIVEN	1	1	
5	99009-11400	CIRCLIP	1	1	
6	5Y1-WV1343-00	STRAINER COMP.	1	1	
7	4DW-13415-00	SEAL, OIL STRAINER	1	1	
8	98507-06016	SCREW, PAN HEAD	2	2	
9	5Y1-15427-01	COVER, CAP 2	1	1	
10	98507-06016	SCREW, PAN HEAD	1	1	
11	90340-14132	PLUG, STRAIGHT SCREW	1	1	
12	3SX-13329-00	GASKET, PUMP COVER	1	1	
13	214-11198-01	GASKET	1	1	
14	4X7-13440-01	ELEMENT ASSY, OIL CLEANER	1	1	
15	4PT-13447-00	COVER, OIL ELEMENT	1	1	
16	93210-64297	O-RING	1	1	
17	93210-07135	O-RING	1	1	
18	90109-06419	BOLT	1	1	
19	91317-06080	BOLT	2	2	
20	90149-05110	SCREW	1	1	
21	90430-05126	GASKET	1	1	
22	3AJ-13161-01	PIPE, DELIVERY 1	1	1	
23	90401-08133	BOLT, UNION	2	2	
24	90430-08204	GASKET	4	4	
25	583-13113-00	SEAT, CHECK BALL	1	1	
26	93503-08007	BALL	1	1	
27	90501-043E0	SPRING, COMPRESSION	1	1	

FIG. 6 OIL PUMP



4PT351-5060

REF. NO.	PART NO.	DESCRIPTION	4PTB	4SL7			REMARKS
28	3TB-13464-00	HOSE, OIL 1	1	1			
29	93210-100A9	O-RING	1	1			
30	91317-06016	BOLT	2	2			
31	90450-22017	HOSE CLAMP ASSY	1	1			
32	4PT-13465-00	HOSE, OIL 2	1	1			
33	93210-15171	O-RING	1	1			
34	91317-06016	BOLT	2	2			
35	90450-22017	HOSE CLAMP ASSY	1	1			

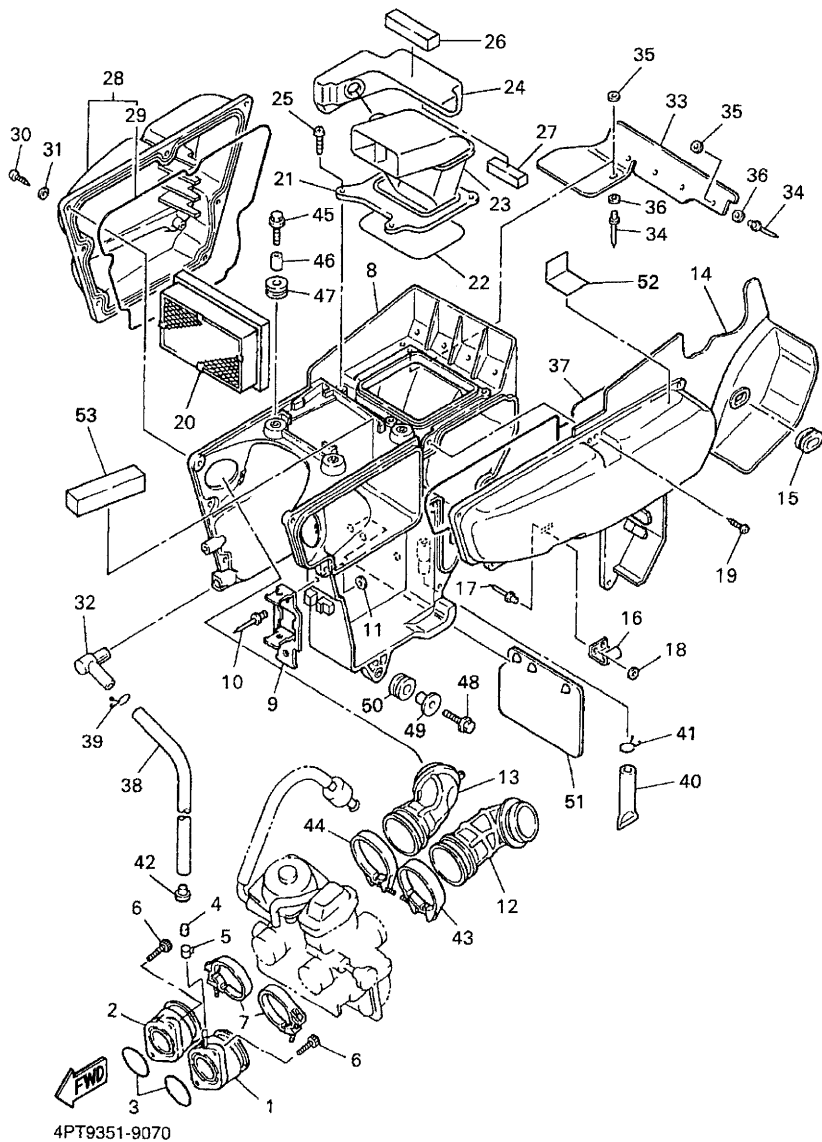
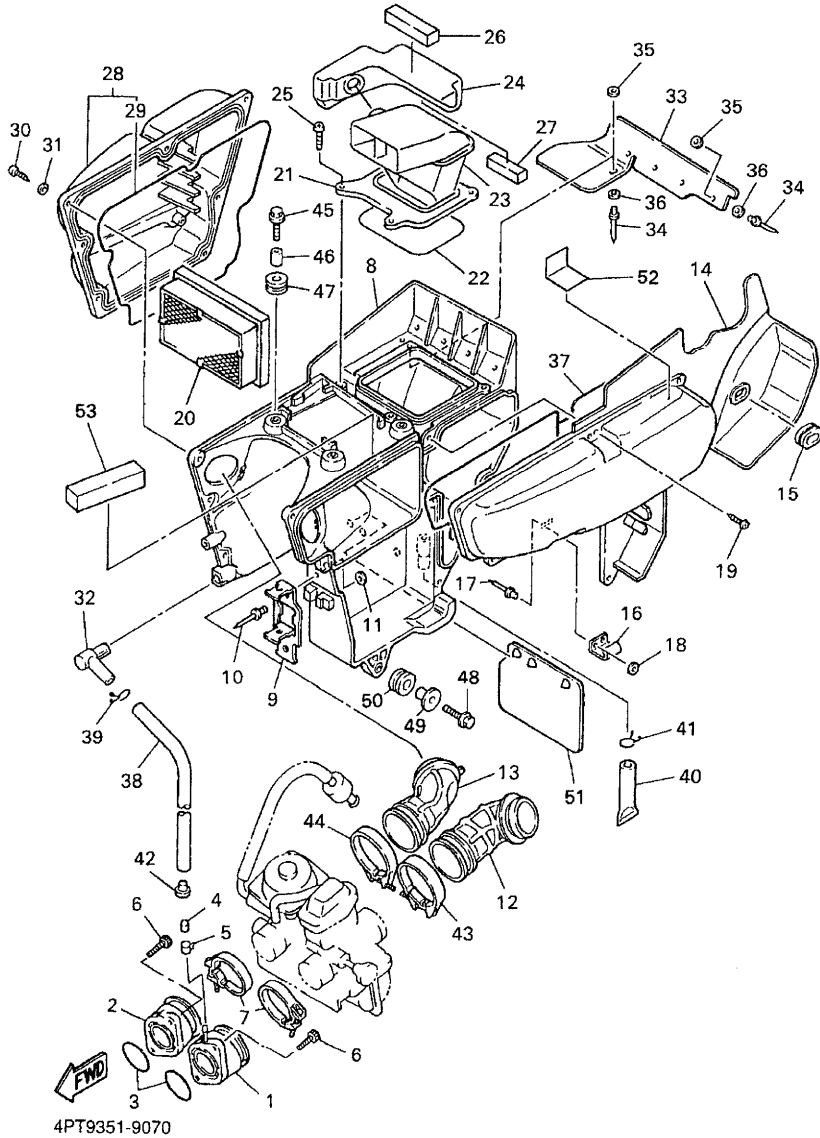


FIG. 7 INTAKE

REF. NO.	PART NO.	DESCRIPTION	4PTB	4SL7	REMARKS
1	43F-13586-01	JOINT, CARBURETOR 1	1		
2	1VJ-13596-00	JOINT, CARBURETOR 2	1		
3	93210-36769	O-RING	2		
4	16G-13569-00	PLUG, BLIND	1		
5	90467-10039	CLIP	1		
6	91317-06020	BOLT	4		
7	90460-46206	CLAMP, HOSE	2		
8	3TB-14411-01	CASE, AIR CLEANER 1	1		
9	3TB-81953-00	STAY, RELAY	1		
10	90267-40075	RIVET, BLIND	1		
11	92907-04600	WASHER	1		
12	3TB-14453-00	JOINT, AIR CLEANER 1	1		
13	3TB-14454-00	JOINT	1		
14	3TB-1441A-00	COVER, CLEANER CASE 1	1		
15	90480-12325	GROMMET	1		
16	43G-14436-00	HOOK	1		
17	90267-40075	RIVET, BLIND	2		
18	92907-04600	WASHER	2		
19	97707-50520	SCREW, TAPPING	7		
20	4PT-14451-01	ELEMENT, AIR CLEANER	1		
21	4PT-14412-00	CAP, CLEANER CASE 1	1		
22	3TB-14457-00	SEAL	1		
23	4PT-14437-00	DUCT	1		
24	4PT-14431-00	SILENCER, INTAKE 1	1		
25	97707-50520	SCREW, TAPPING	4		
26	3YF-14462-00	SEAL	1		
27	2XJ-84345-00	DAMPER, HEADLIGHT	1		

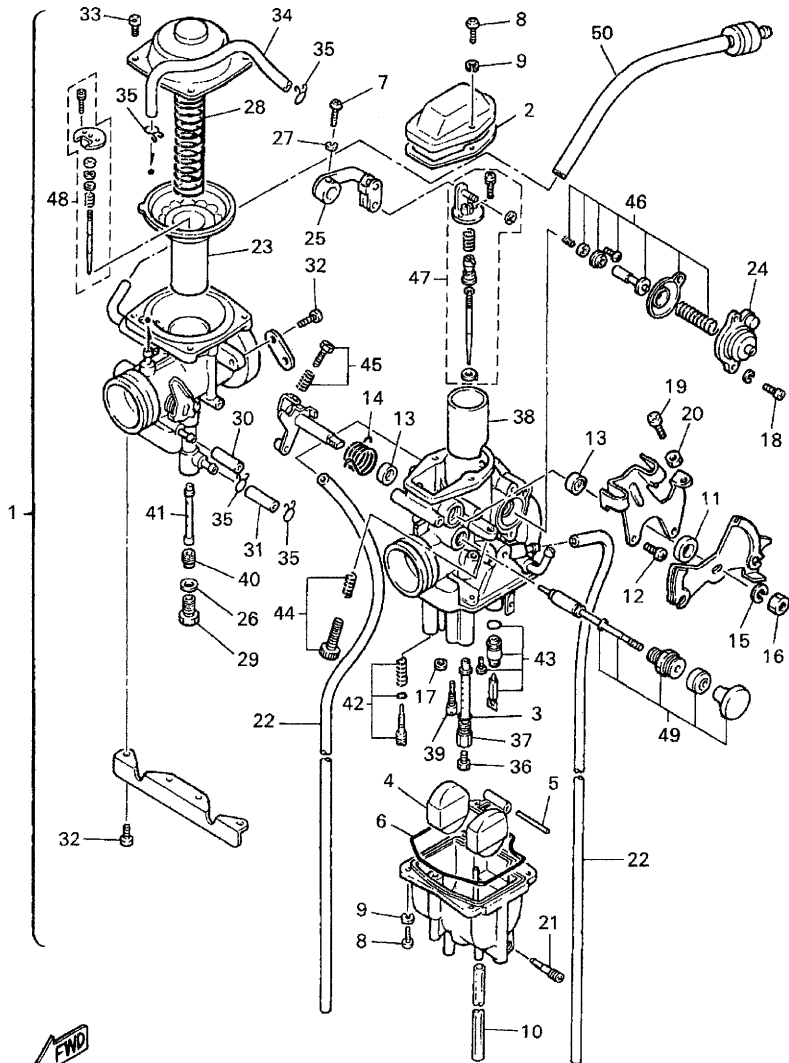
FIG. 7 INTAKE



REF. NO.	PART NO.	DESCRIPTION	4PTB	4SL7	REMARKS
28	3TB-1441E-00	COVER, CLEANER CASE 2	1		
29	55K-14476-00	.SEAL	1		
30	98507-05020	SCREW, PAN HEAD	7		
31	92907-05600	WASHER, PLATE	7		
32	5Y1-14419-00	PIPE	1		
33	3TB-21621-00	FLAP	1		
34	90267-40077	RIVET, BLIND	5		
35	90201-047A2	WASHER, PLATE	5		
36	92907-04200	WASHER	5		
37	3TB-14452-00	SEAL	1		
38	90445-122H1	HOSE (L320)	1		
39	90467-12052	CLIP	1		
40	34X-1443E-00	PIPE, DRAIN	1		
41	90467-11106	CLIP	1		
42	90338-08174	PLUG	1		
43	90460-51059	CLAMP, HOSE	1		
44	90460-58124	CLAMP, HOSE	1		
45	95807-06020	BOLT, FLANGE	3		
46	90387-06033	COLLAR	3		
47	90480-14329	GROMMET	3		
48	95827-06025	BOLT, FLANGE	1		
49	90387-075H4	COLLAR	1		
50	90480-15064	GROMMET	1		
51	34X-21691-00	FLAP	1		
52	4PT-14462-00	SEAL	1		
53	89A-77214-00	TRIM, LOWER	1		

FIG. 9 CARBURETOR

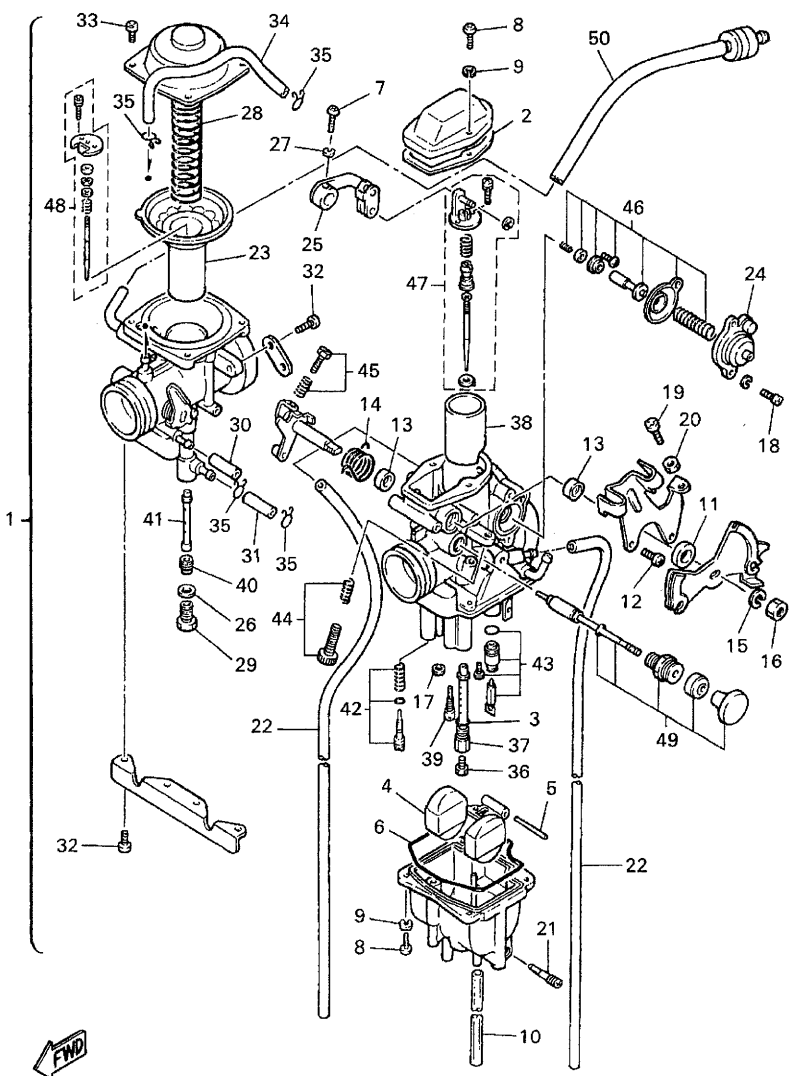
REF. NO.	PART NO.	DESCRIPTION	4PTB	4SL7	REMARKS
1	4PT-14301-10	CARBURETOR ASSY 1	1		
2	5Y1-14198-00	.GASKET	1		
3	360-24512-00	.GASKET	1		
4	2JN-14385-00	.FLOAT	1		
5	689-14386-00	.PIN, FLOAT	1		
6	5Y1-14384-00	.GASKET, FLOAT CHAMBER	1		
7	98580-04016	.SCREW, PAN HEAD	1		
8	98501-04014	.SCREW, PAN HEAD	6		
9	92902-04100	.WASHER, SPRING	6		
10	1VJ-14197-00	.PIPE	1		
11	1JK-14357-00	.COLLAR	1		
12	214-24535-00	.SCREW, LEVER FITTING	2		
13	5Y1-14572-00	.PLATE, STAY	2		
14	1XL-14131-00	.SPRING, THROTTLE VALVE	1		
15	5Y1-14356-00	.WASHER, SPRING	1		
16	5Y1-14358-10	.NUT	1		
17	5Y1-14536-00	.GASKET	1		
18	98501-04010	.SCREW, PAN HEAD	2		
19	5Y1-14216-00	.SCREW	1		
20	30X-14358-00	.NUT	1		
21	14T-14323-00	.SCREW	1		
22	1VJ-14197-00	.PIPE	2		
23	1JK-14940-01	.DIAPHRAGM ASSY	1		
24	2JN-14293-00	.COVER 1	1		
25	4PT-14291-10	.BRACKET 1	1		
26	7KF-14227-00	.WASHER	1		
27	92990-04100	.WASHER, SPRING	1		



4PT9351-9080

FIG. 9 CARBURETOR

REF. NO.	PART NO.	DESCRIPTION	4PTB	4SL7	REMARKS
28	1VJ-14286-00	.SPRING	1		
29	7KF-14162-00	.BOLT, HOLDING	1		
30	5Y1-14349-00	.PIPE	1		
31	30X-14148-00	.PIPE	1		
32	98501-05010	.SCREW, PAN HEAD	6		
33	214-24535-00	.SCREW, LEVER FITTING	4		
34	5Y1-14149-00	.PIPE	1		
35	5Y1-14159-00	.CLIP	4		
36	288-14343-65	.JET, MAIN (#130)	1		UR STD
	288-14343-60	.JET, MAIN (#120)	1		UR
	288-14343-70	.JET, MAIN (#140)	1		UR
37	2KF-14341-00	.NOZZLE, MAIN	1		
38	1JK-14313-55	.VALVE, THROTTLE 2	1		
39	43F-14342-23	.JET, PILOT (# 46)	1		
40	30X-14343-60	.JET, MAIN (#120)	1		
41	2KF-14355-00	.NOZZLE, MAIN 2	1		
42	51Y-14105-00	.PILOT SCREW SET	1		
43	2JN-14107-00	.NEEDLE VALVE SET	1		
44	3GV-1490K-10	.STOP SCREW SET	1		
45	2NX-14103-00	.THROTTLE SCREW SET	1		
46	1JK-1490A-00	.DIAPHRAGM SET 1	1		
47	4PT-1490J-10	.NEEDLE SET	1		
48	4PT-1490J-00	.NEEDLE SET	1		
49	2KF-14371-01	.PLUNGER, STARTER	1		
50	3TD-14197-00	PIPE	1		



4PT9351-9080

FIG. 11 EXHAUST

REF. NO.	PART NO.	DESCRIPTION	4PTB	4SL7	REMARKS
1	4PT-14611-00	PIPE, EXHAUST 1	1	1	
2	3YF-14628-00	PROTECTOR, EXHAUST PIPE	1	1	
3	92014-06012	BOLT, BUTTON HEAD	2	2	
4	4BD-14766-00	WASHER, PROTECTOR	4	4	
5	92990-06200	WASHER, PLAIN	2	2	
6	4PT-14711-10	MUFFLER 1	1	1	
7	3YF-14755-00	GASKET, SILENCER	1	1	
8	91317-06012	BOLT	1	1	
9	95027-08045	BOLT, FLANGE	1	1	
10	1UJ-27114-00	STOPPER, MAIN STAND	2	2	
11	3TB-14728-00	PROTECTOR, MUFFLER 2	1	1	
12	98980-06010	SCREW, BIND	2	2	
13	90206-06090	WASHER, WAVE	2	2	
14	4BD-14766-00	WASHER, PROTECTOR	2	2	
15	4BD-14766-00	WASHER, PROTECTOR	2	2	
16	90109-082G0	BOLT	1	1	
17	90105-10186	BOLT, FLANGE	2	2	
18	90201-08326	WASHER, PLATE	1	1	
19	90201-102J5	WASHER, PLATE	2	2	
20	90179-06668	NUT	4	4	
21	3YF-14613-01	GASKET, EXHAUST PIPE	2	2	
22	4PT-14752-10	PIPE, OUTLET	1		

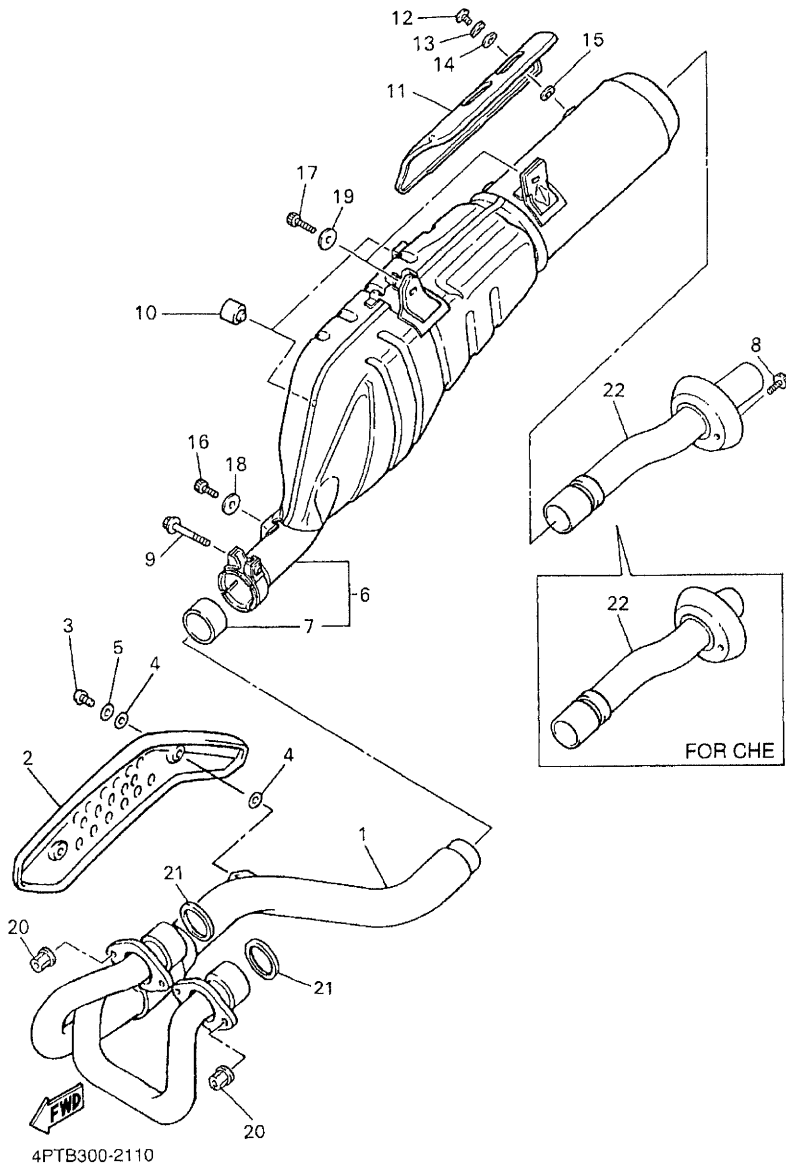
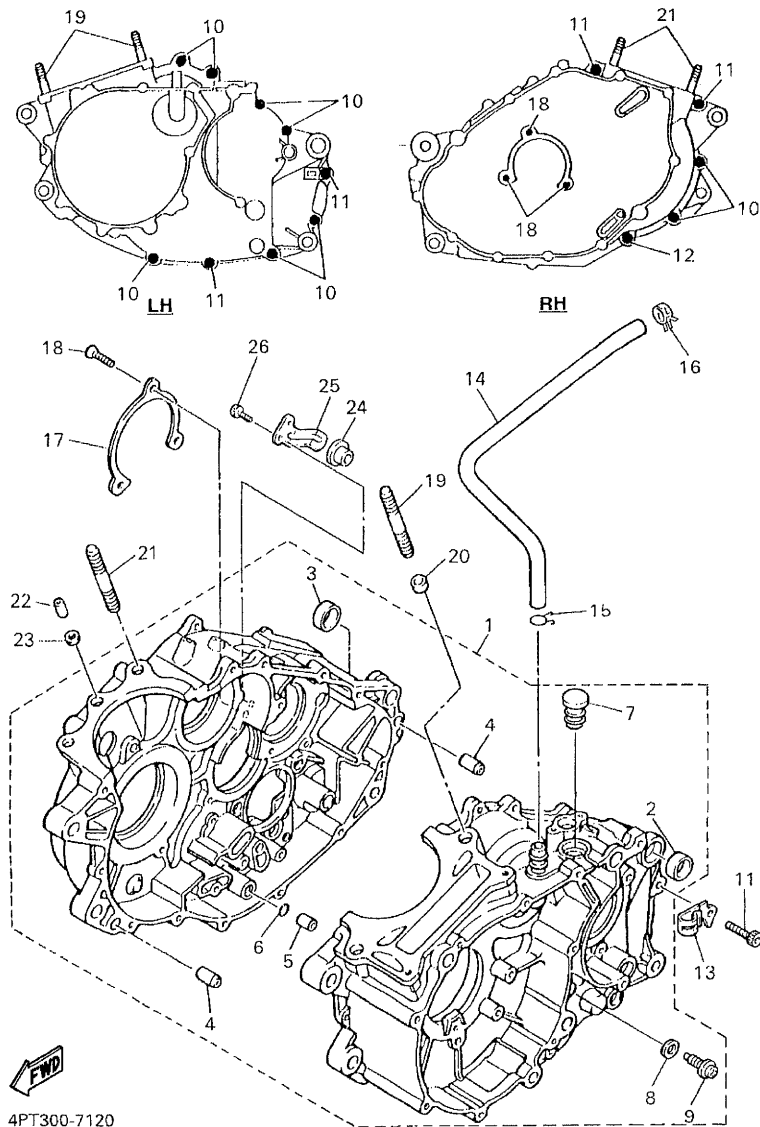
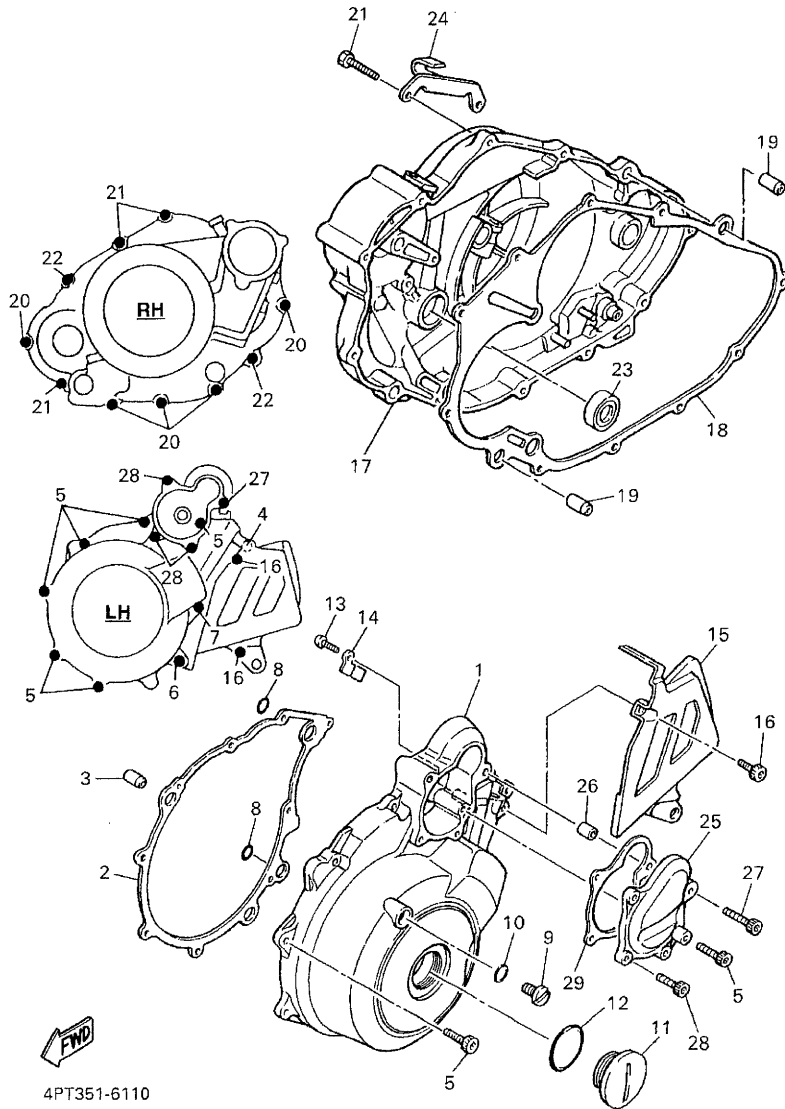


FIG. 12 CRANKCASE



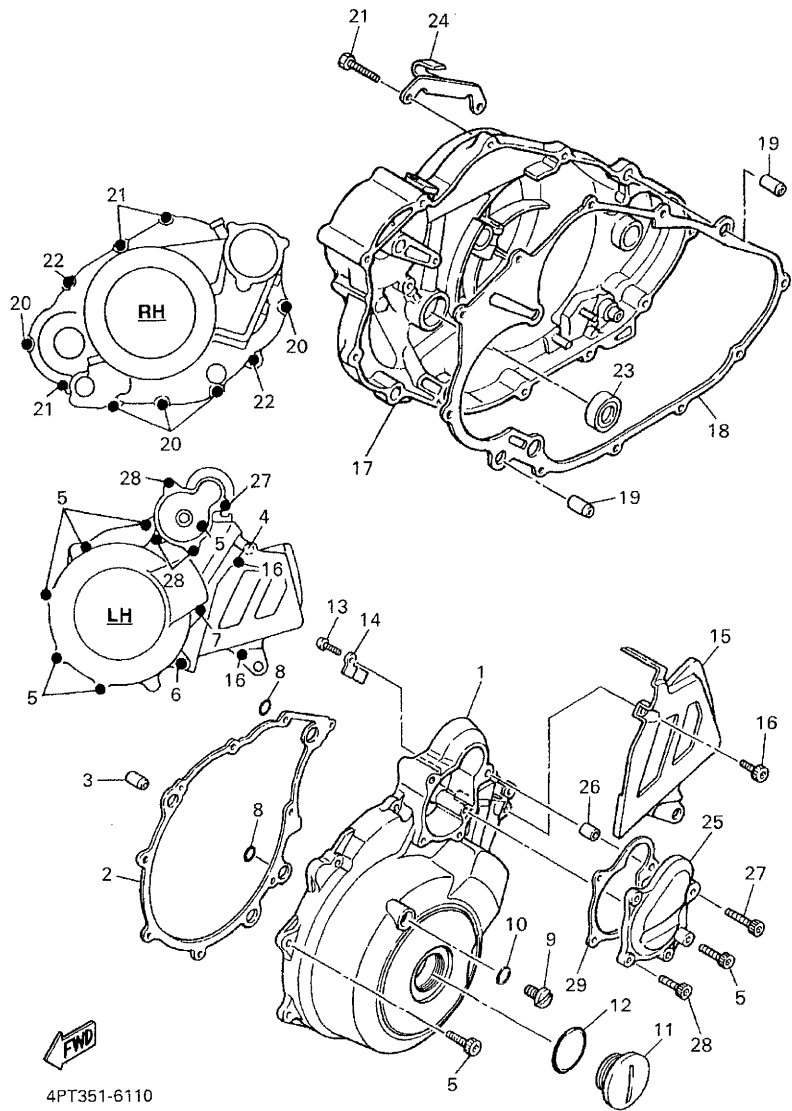
REF. NO.	PART NO.	DESCRIPTION	4PTB	4SL7	REMARKS
1	4PT-15100-11	CRANKCASE ASSY	1	1	
2	90387-17783	.COLLAR	1	1	
3	90387-16782	.COLLAR	1	1	
4	99530-12016	.PIN, DOWEL	2	2	
5	99510-08016	.PIN, DOWEL	1	1	
6	93210-07135	.O-RING	1	1	
7	3YF-15167-00	.PLUG, BLIND 1	1	1	
8	90430-08119	.GASKET	1	1	
9	90149-08067	.SCREW	1	1	
10	91317-06030	BOLT	9	9	
11	91317-06045	BOLT	4	4	
12	91317-06060	BOLT	1	1	
13	90465-08344	CLAMP	1	1	
14	3TB-11166-00	PIPE, BREATHER 1	1	1	
15	90467-14015	CLIP	1	1	
16	90467-17128	CLIP	1	1	
17	5Y1-15383-00	PLATE, BEARING COVER	1	1	
18	98707-06012	SCREW, FLAT HEAD	3	3	
19	90116-10506	BOLT, STUD	2	2	
20	99530-14016	PIN, DOWEL	2	2	
21	90116-10263	BOLT, STUD	2	2	
22	99530-08016	PIN, DOWEL	1	1	
23	90430-08178	GASKET	1	1	
24	3Y6-15167-00	PLUG, BLIND 1	1	1	
25	3Y6-15144-00	PLATE, LOCK	1	1	
26	97027-06016	BOLT	2	2	

FIG. 13 CRANKCASE COVER 1



REF. NO.	PART NO.	DESCRIPTION	4PTB	4SL7	REMARKS
1	4PT-15411-00	COVER, CRANKCASE 1	1	1	
2	4DW-15451-00	GASKET, CRANKCASE COVER 1	1	1	
3	99530-12016	PIN, DOWEL	2	2	
4	91317-06035	BOLT	1	1	
5	91317-06025	BOLT	6	6	
6	91317-06050	BOLT	1	1	
7	91317-06050	BOLT	1	1	
8	93210-13361	O-RING	2	2	
9	90340-08014	PLUG, STRAIGHT SCREW	1	1	
10	90430-08143	GASKET	1	1	
11	90340-36076	PLUG, STRAIGHT SCREW	1	1	
12	93210-357A3	O-RING	1	1	
13	98507-06012	SCREW, PAN HEAD	1	1	
14	90462-16102	CLAMP	1	1	
15	4PT-15421-00	COVER, CRANKCASE 2	1	1	
16	91317-06016	BOLT	2	2	
17	4PT-15431-10	COVER, CRANKCASE 3	1	1	
18	4DW-15462-00	GASKET, CRANKCASE COVER 3	1	1	
19	99530-12016	PIN, DOWEL	2	2	
20	91317-06025	BOLT	5	5	
21	91317-06030	BOLT	3	3	
22	91317-06035	BOLT	2	2	
23	93101-14092	OIL SEAL (S7-14-25-5.5-1-HS)	1	1	
24	3YF-15441-00	HOLDER, CLUTCH CABLE	1	1	
25	4PT-15415-00	COVER, GENERATOR	1	1	
26	99530-08016	PIN, DOWEL	1	1	
27	91317-06035	BOLT	1	1	

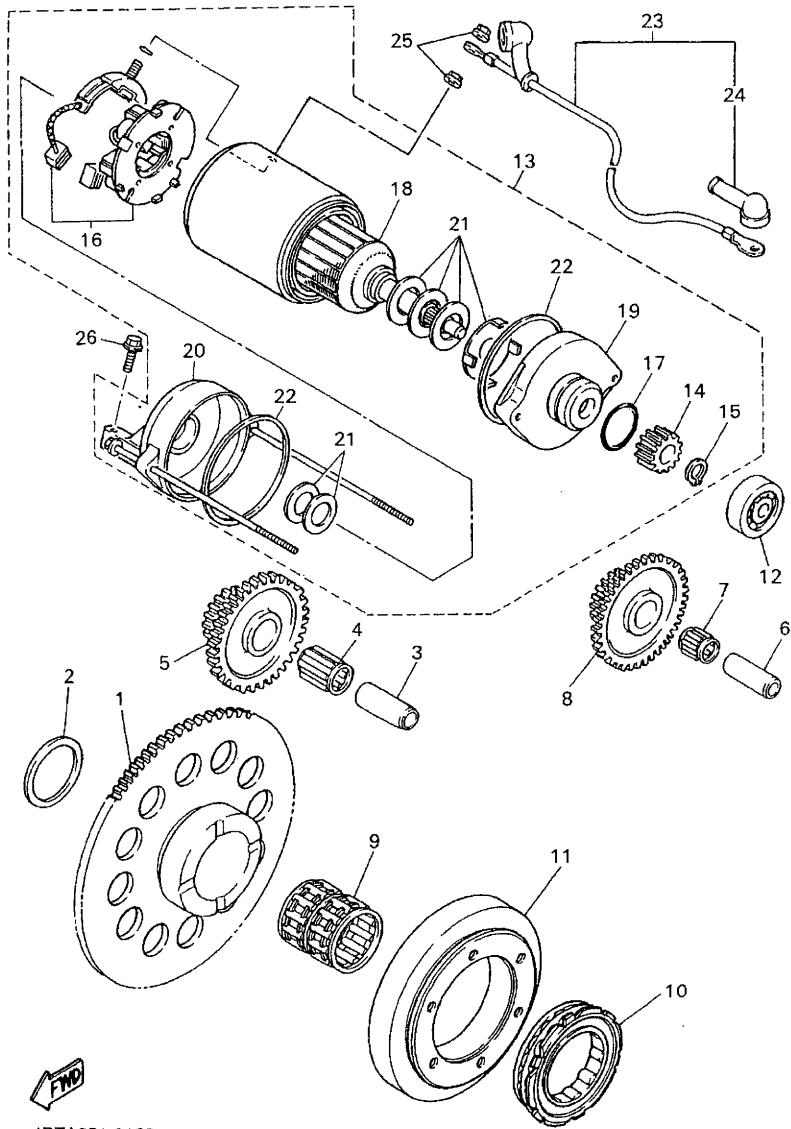
FIG. 13 CRANKCASE COVER 1



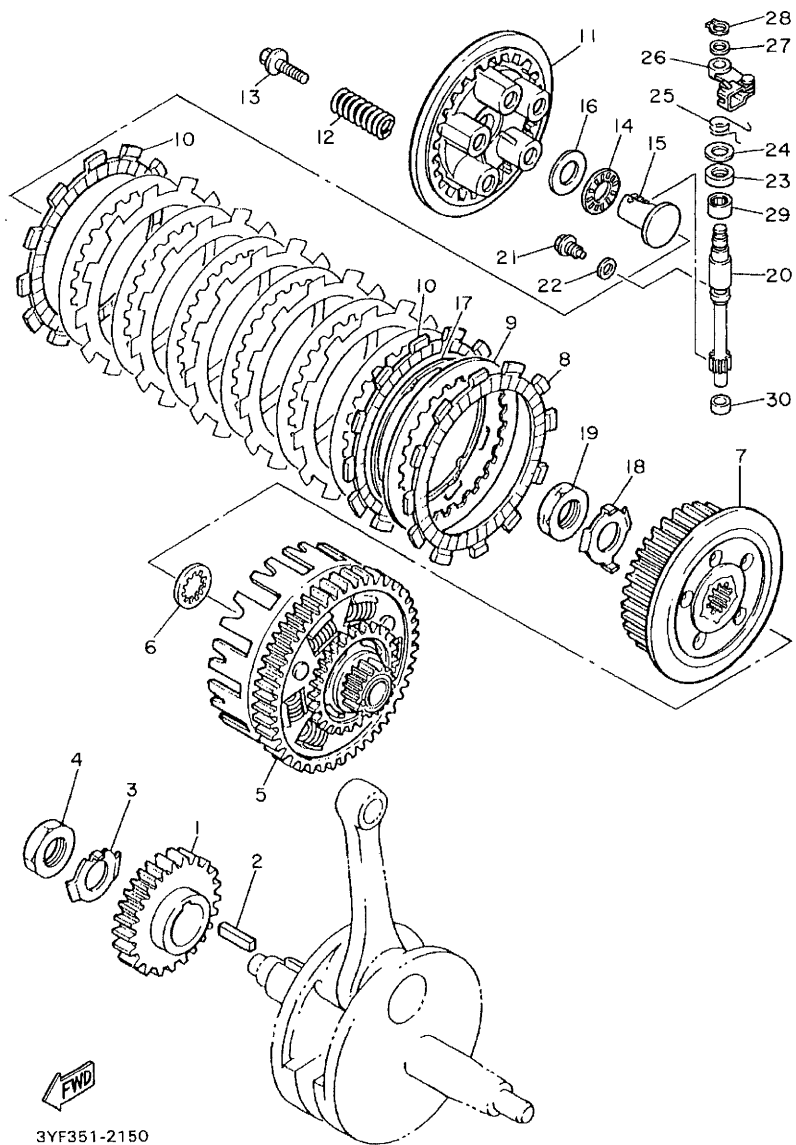
REF. NO.	PART NO.	DESCRIPTION	4PTB	4SL7	REMARKS
28	91317-06025	BOLT	3	3	
29	4DW-15455-00	GASKET 1	1	1	

FIG. 14 STARTER CLUTCH

REF. NO.	PART NO.	DESCRIPTION	4PTB	4SL7	REMARKS
1	3YF-15515-00	GEAR 3	1	1	
2	90201-303P4	WASHER, PLATE	1	1	
3	1VJ-15522-00	SHAFT 2	1	1	
4	93310-217R7	BEARING	1	1	
5	1VJ-15517-00	GEAR, IDLER 2	1	1	
6	1VJ-15521-00	SHAFT 1	1	1	
7	93310-212R6	BEARING	1	1	
8	1VJ-15512-00	GEAR, IDLER 1	1	1	
9	93310-530C7	BEARING	1	1	
10	3TB-15590-01	STARTER ONE-WAY ASSY	1	1	
11	3TB-15594-00	RACE, ONE-WAY BEARING	1	1	
12	93306-20006	BEARING (B6200)	1	1	NTN
13	3SX-81890-00	MOTOR ASSY	1	1	
14	1VJ-15511-00	GEAR, STARTING MOTOR	1	1	
15	93440-11024	CIRCLIP	1	1	
16	3AJ-81801-00	BRUSH SET	1	1	
17	1FK-81847-00	O-RING	1	1	
18	3AJ-81850-00	ARMATURE ASSY	1	1	
19	3AJ-81830-00	FRONT BRACKET ASSY	1	1	
20	3AJ-81820-00	REAR BRACKET ASSY	1	1	
21	3AJ-81809-00	WASHER KIT	1	1	
22	11H-81844-00	GASKET	2	2	
23	3TB-81815-00	CORD, STARTER MOTOR	1	1	
24	4G0-81871-00	CAP	1	1	
25	4XV-8182A-00	NUT	2	2	
26	95817-06030	BOLT, FLANGE	2	2	



4PTA351-0120



3YF351-2150

FIG. 15 CLUTCH

REF. NO.	PART NO.	DESCRIPTION	4PTB	4SL7	REMARKS
1	3AJ-16111-00	GEAR, PRIMARY DRIVE (34T)	1	1	
2	90282-07042	KEY, STRAIGHT	1	1	
3	90215-20197	WASHER, LOCK	1	1	
4	90170-20274	NUT	1	1	
5	3AJ-16150-00	PRIMARY DRIVEN GEAR COMP.(71T)	1	1	
6	2JN-16154-00	PLATE, THRUST 1	1	1	
7	4PT-16371-00	BOSS, CLUTCH	1	1	
8	5Y1-16321-00	PLATE, FRICTION	6	6	
9	360-16325-00	PLATE, CLUTCH 2	7	7	
10	5Y1-16331-01	PLATE, FRICTION 2	2	2	
11	3YF-16351-00	PLATE, PRESSURE 1	1	1	
12	90501-23142	SPRING, COMPRESSION	5	5	
13	90159-06092	SCREW, WITH WASHER	5	5	
14	93340-21505	BEARING	1	1	
15	4H7-16356-01	ROD, PUSH 1	1	1	
16	90201-150U6	WASHER, PLATE	1	1	
17	5Y1-16383-00	SPRING, CLUTCH BOSS	1	1	
18	90215-20231	WASHER, LOCK	1	1	
19	90170-20327	NUT	1	1	
20	3JD-16382-00	AXLE, PUSH LEVER	1	1	
21	90109-06418	BOLT	1	1	
22	90430-06014	GASKET	1	1	
23	93102-15212	OIL SEAL	1	1	
24	90201-15785	WASHER, PLATE	1	1	
25	90508-14767	SPRING, TORSION	1	1	
26	3YF-16340-01	PUSH LEVER ASSY	1	1	
27	90201-10119	WASHER, PLATE	1	1	

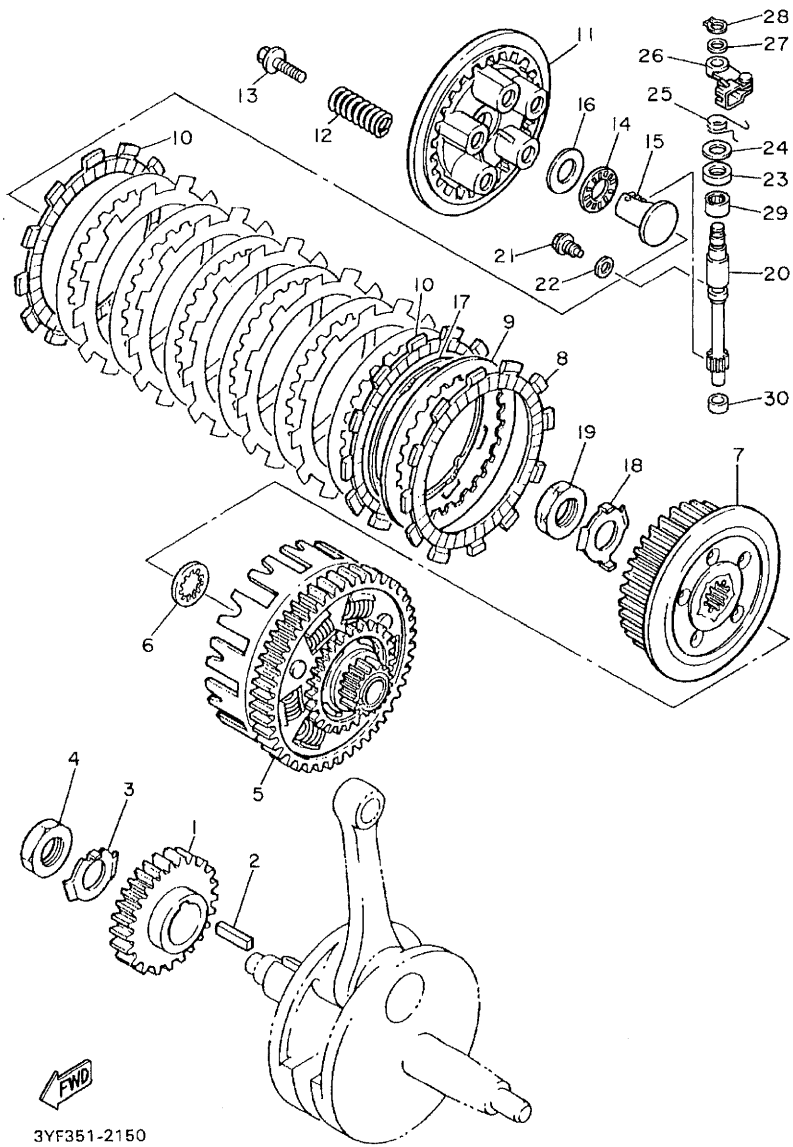
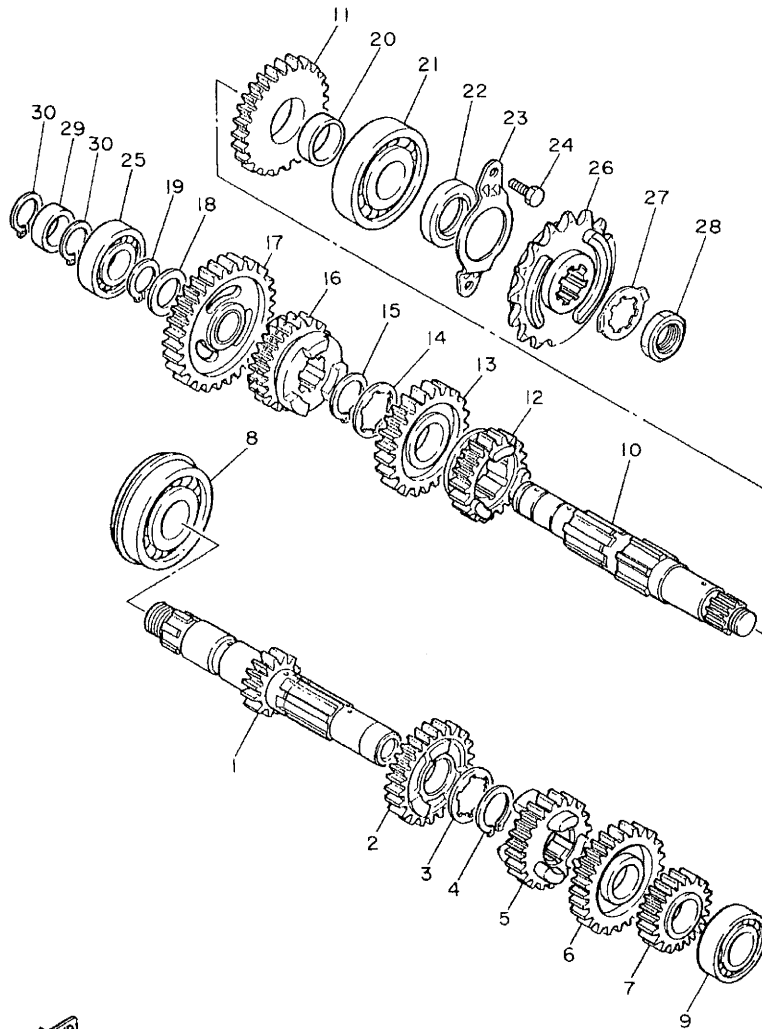


FIG. 15 CLUTCH

REF. NO.	PART NO.	DESCRIPTION	4PTB	4SL7	REMARKS
28	99009-10400	CIRCLIP	1	1	
29	93315-31502	BEARING	1	1	
30	93315-10838	BEARING	1	1	

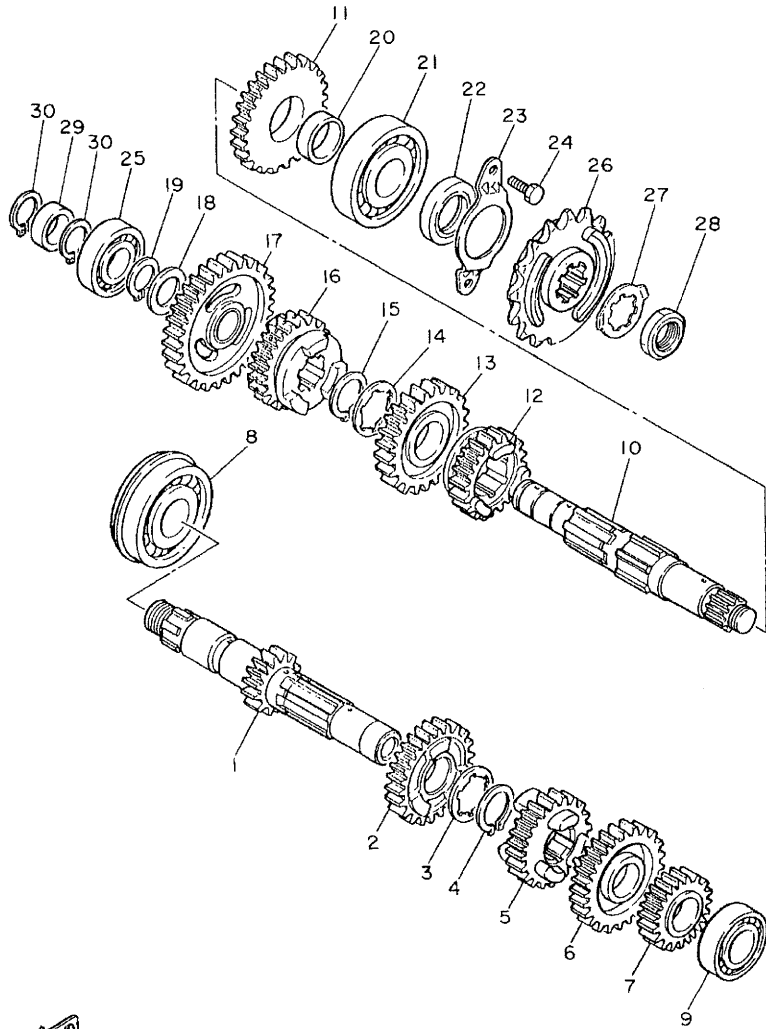
FIG. 16 TRANSMISSION



FWD
3YF351-1160

REF. NO.	PART NO.	DESCRIPTION	4PTB	4SL7	REMARKS
1	3YF-17401-00	MAIN AXLE SUB-ASSY (12T)	1	1	
2	34K-17141-00	GEAR, 4TH PINION(22T)	1	1	
3	90209-22191	WASHER	1	1	
4	93440-25084	CIRCLIP	1	1	
5	1VJ-17131-00	GEAR, 3RD PINION (20T)	1	1	
6	3YF-17151-01	GEAR, 5TH PINION (24T)	1	1	
7	34K-17121-01	GEAR, 2ND PINION (17T)	1	1	
8	93306-30540	BEARING (6305NRX1C3)	1	1	
9	93306-00431	BEARING	1	1	
10	3YF-17402-00	DRIVE AXLE SUB-ASSY (22T)	1	1	
11	2JT-17221-00	GEAR, 2ND WHEEL (27T)	1	1	
12	3YF-17251-01	GEAR, 5TH WHEEL (19T)	1	1	
13	1VJ-17231-00	GEAR, 3RD WHEEL (24T)	1	1	
14	90209-22191	WASHER	1	1	
15	93440-25084	CIRCLIP	1	1	
16	3AJ-17241-00	GEAR, 4TH WHEEL (21T)	1	1	
17	3AJ-17211-00	GEAR, 1ST WHEEL (31T)	1	1	
18	90201-20276	WASHER, PLATE (1.0T)	1	1	
19	99009-20400	CIRCLIP	1	1	
20	3YF-17439-00	SPACER	1	1	
21	93306-30535	BEARING	1	1	
22	93102-25226	OIL SEAL	1	1	
23	5Y1-17471-00	PLATE, COVER	1	1	
24	97027-06014	BOLT	2	2	
25	93306-00426	BEARING	1	1	
26	2NX-17460-01	SPROCKET, DRIVE	1	1	
27	90215-23265	WASHER, LOCK	1	1	

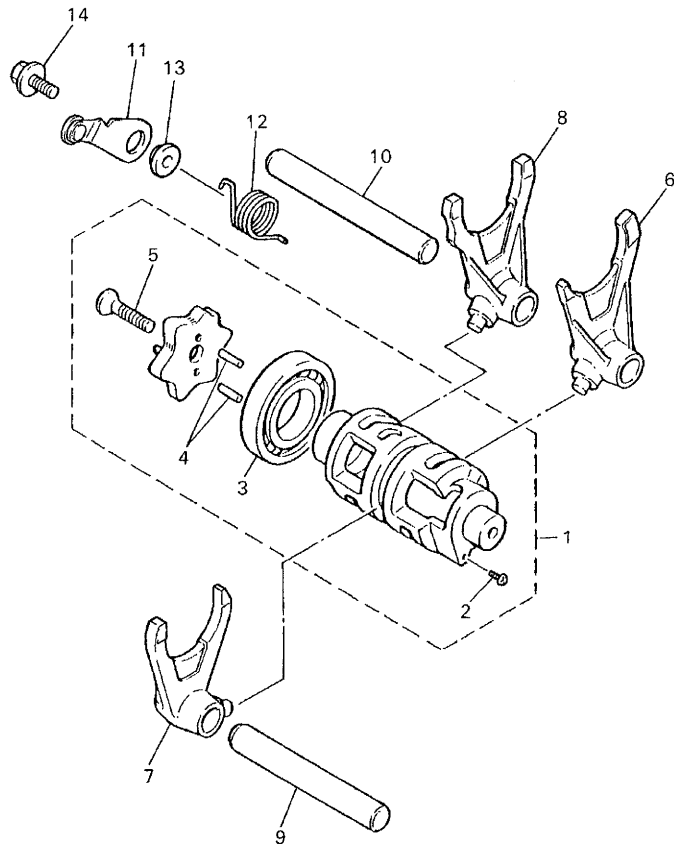
FIG. 16 TRANSMISSION



FWD
3YF351-1160

REF. NO.	PART NO.	DESCRIPTION	4PTB	4SL7			REMARKS
28	90179-18552	NUT	1	1			
29	90560-20199	SPACER	1	1			
30	99009-20400	CIRCLIP	2	2			

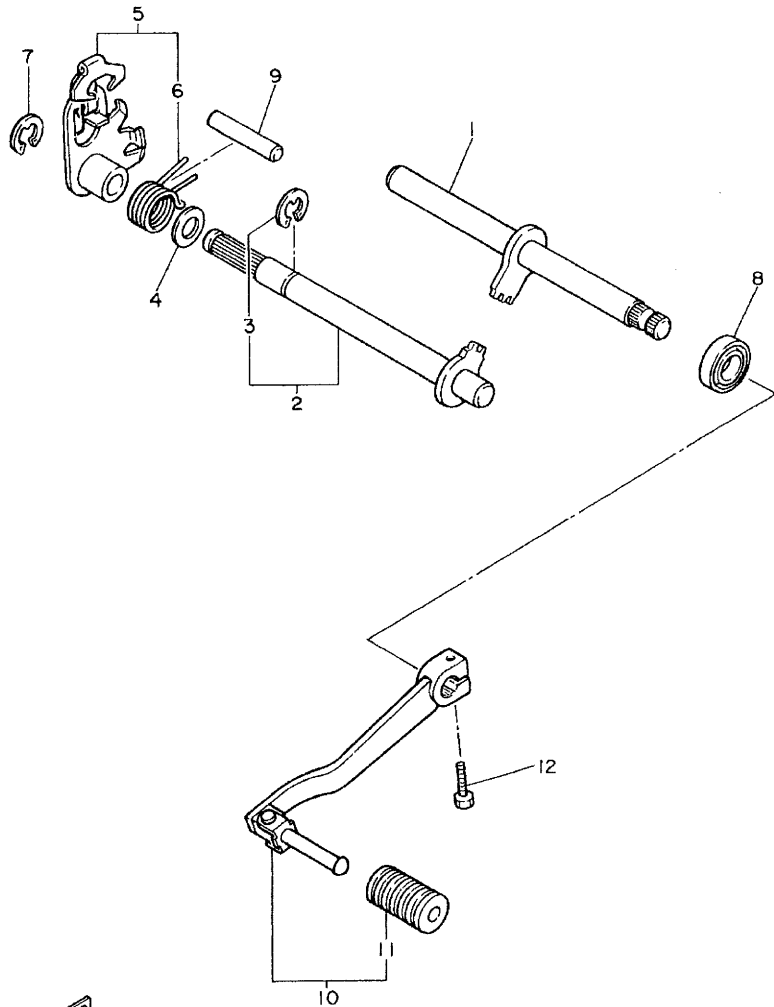
FIG. 17 SHIFT CAM. FORK



4PT351-5150

REF. NO.	PART NO.	DESCRIPTION			REMARKS
			4PTB	4SL7	
1	3YF-18540-00	SHIFT CAM ASSY	1	1	
2	136-18542-00	.POINT, NEUTRAL	1	1	
3	93316-00501	.BEARING	1	1	
4	93604-10011	.PIN, DOWEL	2	2	
5	90151-06017	.SCREW, COUNTERSUNK	1	1	
6	4PT-18511-00	FORK, SHIFT 1	1	1	
7	4PT-18512-00	FORK, SHIFT 2	1	1	
8	4PT-18513-00	FORK, SHIFT 3	1	1	
9	3YF-18531-00	BAR, SHIFT FORK GUIDE 1	1	1	
10	3XV-18535-00	BAR, SHIFT FORK GUIDE 2	1	1	
11	4PT-18140-00	STOPPER LEVER ASSY	1	1	
12	90508-26691	SPRING, TORSION	1	1	
13	4PT-18175-00	SPACER	1	1	
14	90159-06078	SCREW, WITH WASHER	1	1	

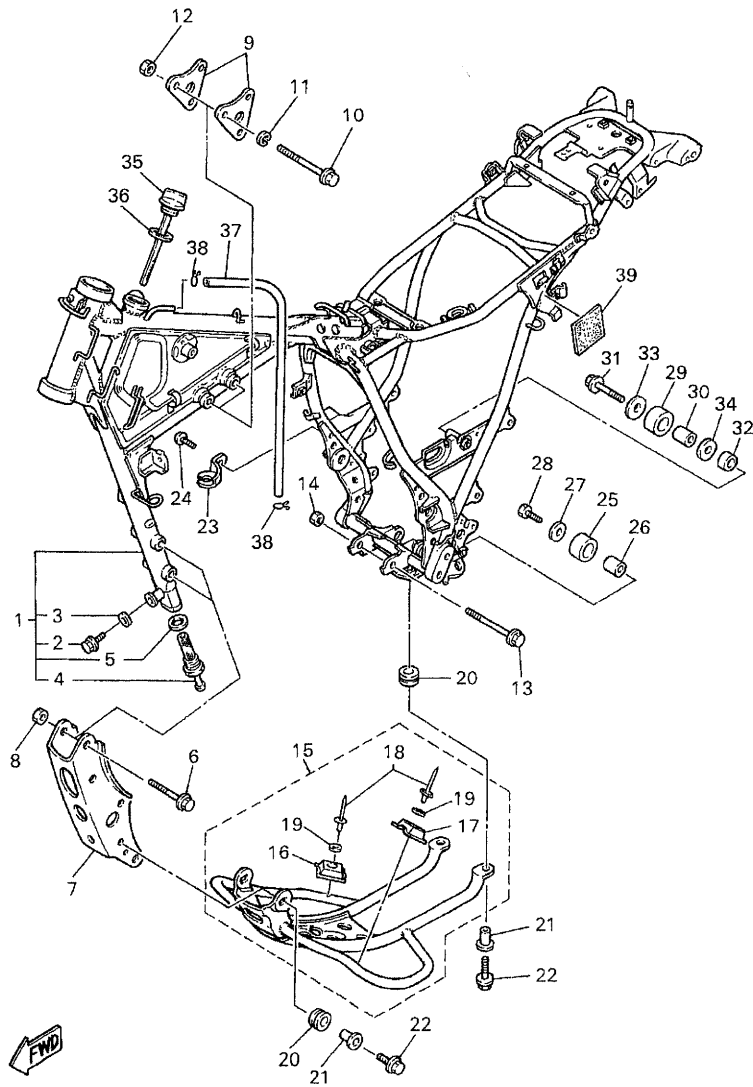
FIG. 18 SHIFT SHAFT



3TB351-0160

REF. NO.	PART NO.	DESCRIPTION	4PTB	4SL7		REMARKS
1	43F-18102-02	SHIFT SHAFT ASSY 2	1	1		
2	5Y1-18101-02	SHIFT SHAFT ASSY	1	1		
3	99001-10600	.CIRCLIP	1	1		
4	90201-12474	WASHER, PLATE	1	1		
5	34K-18120-00	SHIFT LEVER ASSY	1	1		
6	90508-29629	.SPRING, TORSION	1	1		
7	99001-09600	CIRCLIP	1	1		
8	93102-12106	OIL SEAL (SD 12-22-5 HS)	1	1		
9	93608-33046	PIN, DOWEL	1	1		
10	1VJ-18110-01	SHIFT PEDAL ASSY	1	1		
11	1W6-18113-00	.COVER, SHIFT PEDAL	1	1		
12	97027-06020	BOLT	1	1		

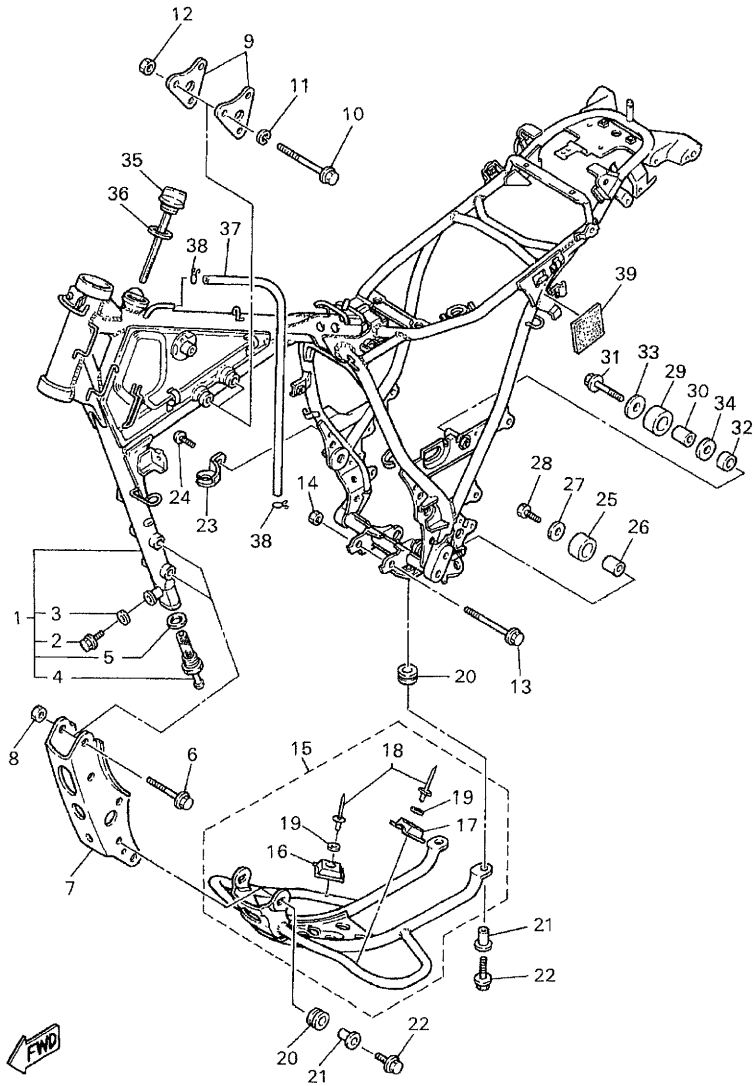
FIG. 19 FRAME



4PT351-5170

REF. NO.	PART NO.	DESCRIPTION	4PTB	4SL7	REMARKS
1	4PT-21110-01-WL	FRAME COMP.	1	1	STDS
2	95807-08012	.BOLT, FLANGE	1	1	
3	90430-08119	.GASKET	1	1	
4	3TB-21756-00	.NET, FILTER	1	1	
5	90430-22123	.GASKET	1	1	
6	95817-10070	BOLT, FLANGE	4	4	
7	3TB-21316-00-90	STAY, ENGINE 2	1	1	ZK
8	95607-10200	NUT, SELF-LOCKING	4	4	
9	34L-21315-00	STAY, ENGINE 2	2	2	
10	97017-10080	BOLT	3	3	
11	92907-10600	WASHER, PLATE	3	3	
12	95607-10200	NUT, SELF-LOCKING	3	3	
13	95817-10100	BOLT, FLANGE	1	1	
14	95607-10200	NUT, SELF-LOCKING	1	1	
15	3TB-W2147-00-WL	PROTECTOR, ENGINE	1	1	STDS
16	34K-21485-00	.DAMPER, RUBBER 1	1	1	
17	34K-21486-00	.DAMPER 2	1	1	
18	90267-40080	.RIVET, BLIND	2	2	
19	92907-04200	.WASHER	2	2	
20	90480-15363	GROMMET	4	4	
21	90387-07391	COLLAR	4	4	
22	95827-06025	BOLT, FLANGE	4	4	
23	5Y1-21441-00	BRACKET, STOP SWITCH	1	1	
24	95027-06010	BOLT, FLANGE	1	1	
25	3TB-22178-00	TENSIONER	1	1	
26	4V4-22184-00	BUSH	1	1	
27	90201-08753	WASHER, PLATE	1	1	

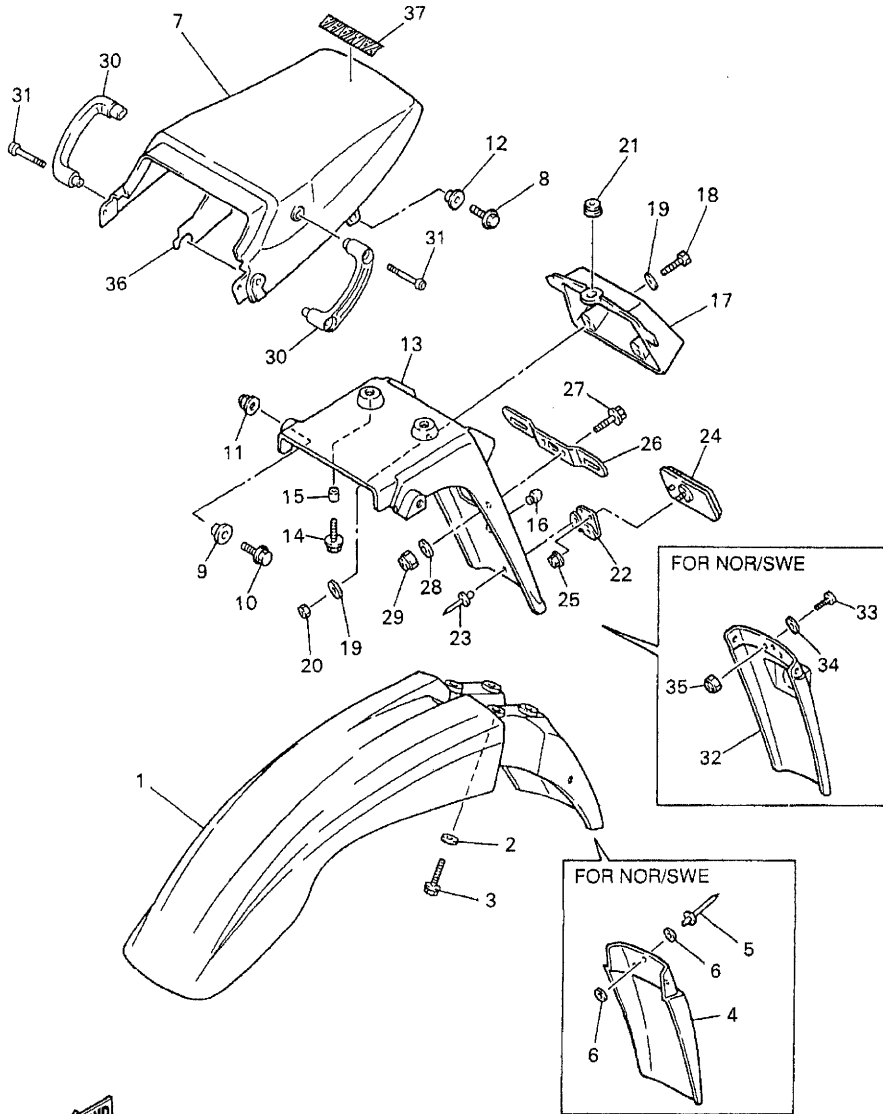
FIG. 19 FRAME



4PT351-5170

REF. NO.	PART NO.	DESCRIPTION	4PTB	4SL7	REMARKS
28	95027-08016	BOLT, FLANGE	1	1	
29	30X-22178-00	TENSIONER	1	1	
30	4V4-22184-00	BUSH	1	1	
31	90109-08705	BOLT	1	1	
32	90201-13409	WASHER, PLATE	1	1	
33	90201-08753	WASHER, PLATE	1	1	
34	90387-085E1	COLLAR	1	1	
35	3TB-21771-00	BODY, CAP	1	1	
36	90430-27124	GASKET	1	1	
37	90445-115J7	HOSE (L710)	1	1	
38	90467-10008	CLIP	2	2	
39	3TB-28415-01	DAMPER 1	1	1	

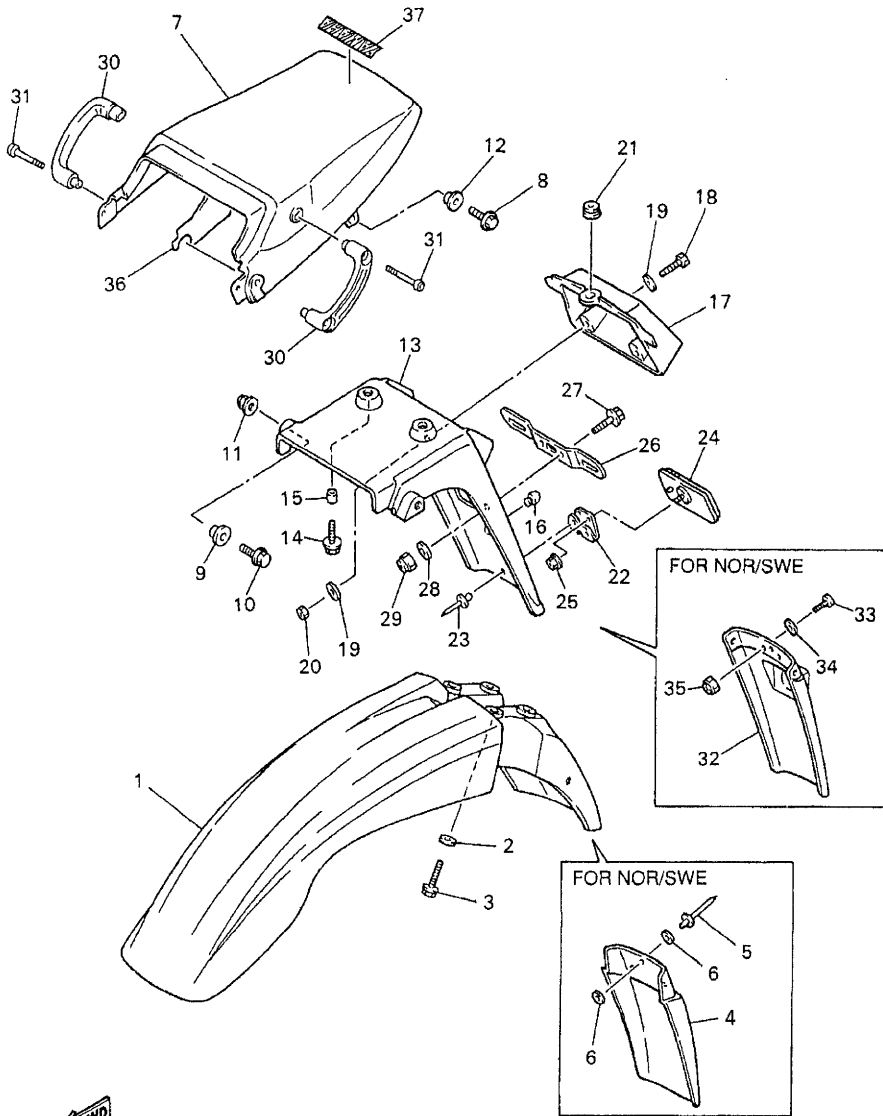
FIG. 20 FENDER



4PTB300-2200

REF. NO.	PART NO.	DESCRIPTION	4PTB	4SL7	REMARKS
1	3RW-21511-B0	FENDER, FRONT	1		UR DPBSE FOR DPBMC UR YB
	3RW-21511-70	FENDER, FRONT	1		
2	90387-06681	COLLAR	4	4	
3	90119-06097	BOLT, WITH WASHER	4	4	
4	N/A				
5	N/A				
6	N/A				
7	4PT-21611-30	FENDER, REAR	1	1	UR DPBSE FOR DPBMC UR YB
	4PT-21611-00	FENDER, REAR	1	1	
8	95027-06016	BOLT, FLANGE	2	2	
9	90387-064J1	COLLAR	2	2	
10	90119-06228	BOLT, WITH WASHER	2	2	
11	90176-06065	NUT, CROWN	2	2	
12	90387-06372	COLLAR	2	2	
13	2KF-21685-01	BRACKET, LICENSE	1		UR
14	90119-06060	BOLT, WITH WASHER	2	2	
15	90387-06043	COLLAR	2	2	
16	42U-21639-00	DAMPER 2	1	1	
17	4PT-2163A-00	COVER, REAR FENDER 1	1	1	
18	97007-06025	BOLT	2	2	
19	90201-06557	WASHER, PLATE	4	4	
20	95607-06100	NUT, U	2	2	
21	90480-13398	GROMMET	1	1	
22	33G-85132-02	BRACKET, REFLECTOR 1	1		

FIG. 20 FENDER



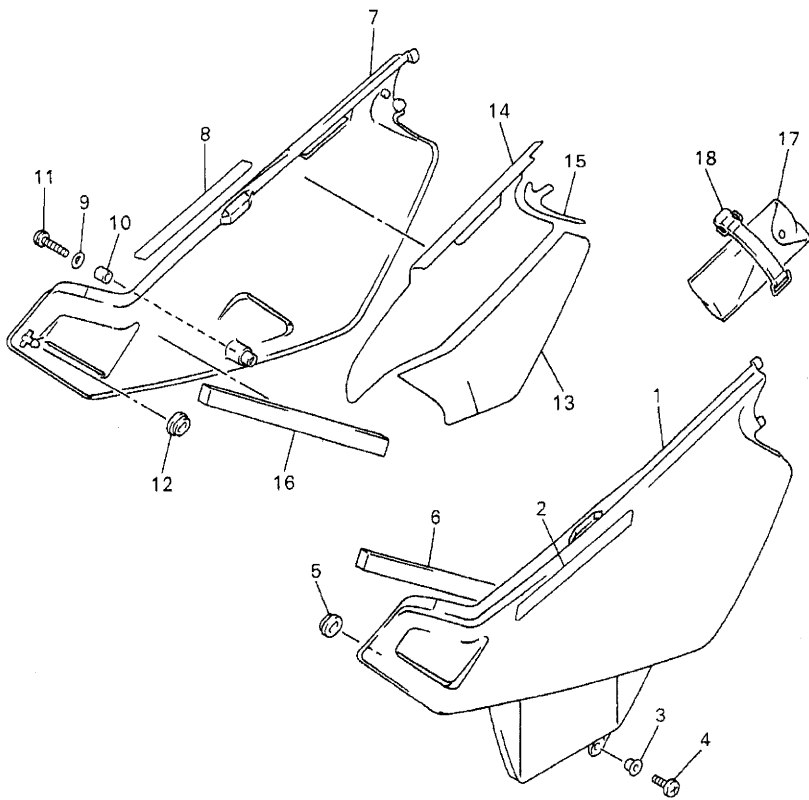
REF. NO.	PART NO.	DESCRIPTION	4PTB	4SL7	REMARKS
23	90267-40110	RIVET, BLIND	2		
24	3Y6-85130-02	REAR REFLECTOR ASSY	1	1	
25	95707-05500	NUT, FLANGE	1	1	
26	3YF-84751-00	BRACKET, LICENSE	1	1	
27	95027-06012	BOLT, FLANGE	2	2	
28	90201-064H0	WASHER, PLATE	2	2	
29	95307-06600	NUT	2	2	
30	3TB-2164F-01	STAY 1	2	2	
31	92017-08050	BOLT, BUTTON HEAD	4	4	
32	N/A				
33	N/A				
34	N/A				
35	N/A				
36	4PT-2174T-00	INSULATOR, SIDE COVER 2	1	1	
37	99246-00080	EMBLEM, YAMAHA	1	1	



4PTB300-2200

FIG. 21 SIDE COVER

REF. NO.	PART NO.	DESCRIPTION	4PTB	4SL7		REMARKS
1	4PT-21711-30	COVER, SIDE 1	1	1		UR DPBSE FOR DPBMC
	4PT-21711-00	COVER, SIDE 1	1	1		UR YB
2	4PT-21781-00	EMBLEM 1	1	1		UR FOR DPBMC
	4PT-21781-10	EMBLEM 1	1	1		UR FOR YB
3	90387-07717	COLLAR	1	1		
4	90149-06223	SCREW	1	1		
5	90480-01141	GROMMET	1	1		
6	4PT-21717-00	DAMPER	1	1		
7	4PT-21721-30	COVER, SIDE 2	1	1		UR DPBSE FOR DPBMC
	4PT-21721-00	COVER, SIDE 2	1	1		UR YB
8	4PT-21781-00	EMBLEM 1	1	1		UR FOR DPBMC
	4PT-21781-10	EMBLEM 1	1	1		UR FOR YB
9	90201-06055	WASHER, PLATE	1	1		
10	90387-06026	COLLAR	1	1		
11	98907-06020	SCREW, BIND	1	1		
12	90480-01141	GROMMET	1	1		
13	4PT-2174A-00	INSULATOR, SIDE COVER	1	1		
14	4PT-2174A-10	INSULATOR, SIDE COVER	1	1		
15	4PT-2174A-20	INSULATOR, SIDE COVER	1	1		
16	4PT-21717-00	DAMPER	1	1		
17	3TB-28100-00	TOOL KIT	1	1		
18	46X-21376-00	BAND, TOOL	1	1		



4PTB351-2190

D6

FIG. 22 REAR ARM

REF. NO.	PART NO.	DESCRIPTION	4PTB	4SL7	REMARKS
1	4PT-22110-00-35	REAR ARM COMP.	1	1	SL
2	93315-22251	BEARING	2	2	
3	90380-22111	BUSH, SOLID	2	2	
4	93106-22019	OIL SEAL (DC 22-28-8)	2	2	
5	2K6-22128-01	COVER, THRUST 1	2	2	
6	93108-35004	OIL SEAL (35-41-8)	2	2	
7	90201-244A8	WASHER, PLATE (1.95T)	2	2	
8	1VJ-22123-00	BUSH 1	2	2	
9	38V-22199-00	SUPPORT, CHAIN	1	1	
10	97007-06020	BOLT	2	2	
11	90387-06737	COLLAR	2	2	
12	4PT-22151-00	SEAL, GUARD	1	1	
13	95807-06016	BOLT, FLANGE	1	1	
14	90387-07789	COLLAR	1	1	
15	90338-06143	PLUG	1	1	
16	95027-06060	BOLT, FLANGE	2	2	
17	3TB-2217A-00	ARM, RELAY	1	1	
18	90386-20120	BUSH	2	2	
19	90380-14095	BUSH, SOLID	1	1	
20	34L-22128-00	COVER, THRUST 1	2	2	
21	90105-12668	BOLT, FLANGE	1	1	
22	90201-140G9	WASHER, PLATE	1	1	
23	90201-120A5	WASHER, PLATE	1	1	
24	95617-12100	NUT, U	1	1	
25	34L-2217F-00	ROD, CONNECTING 1	1	1	
26	93315-31750	BEARING	1	1	
27	90387-1206D	COLLAR	1	1	

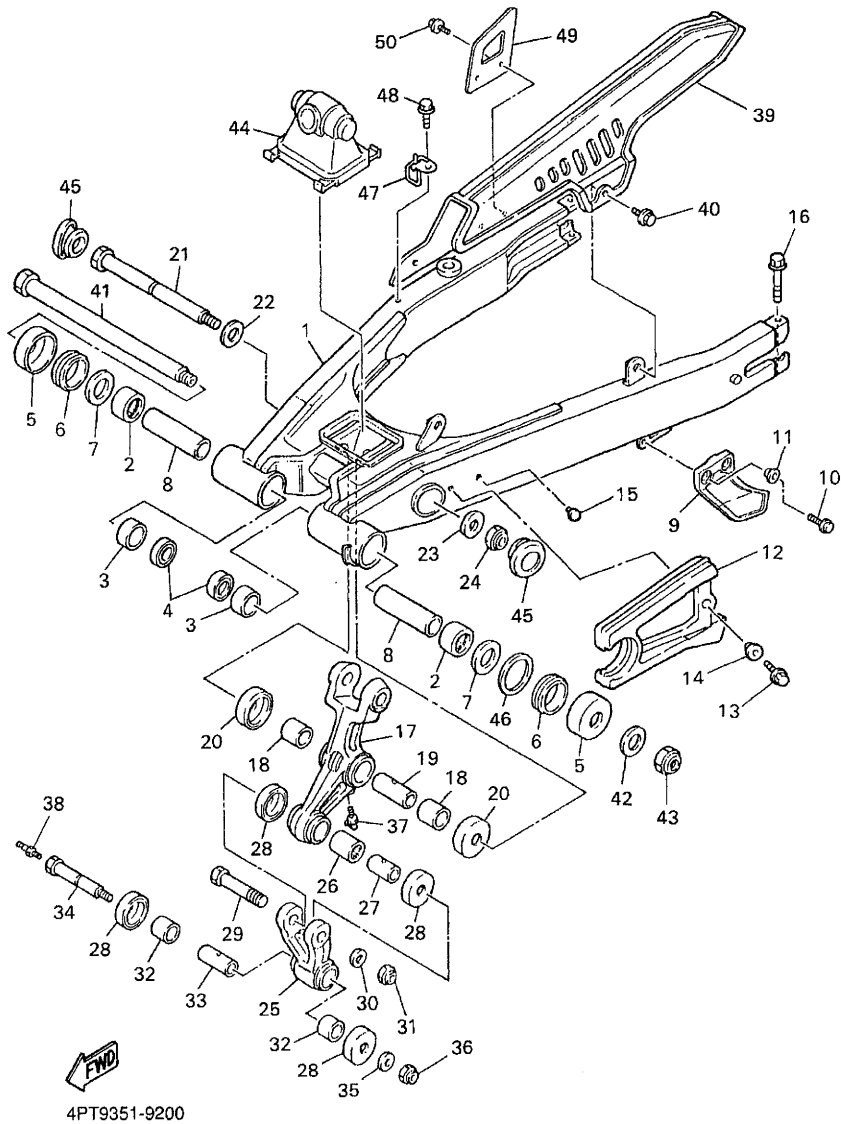
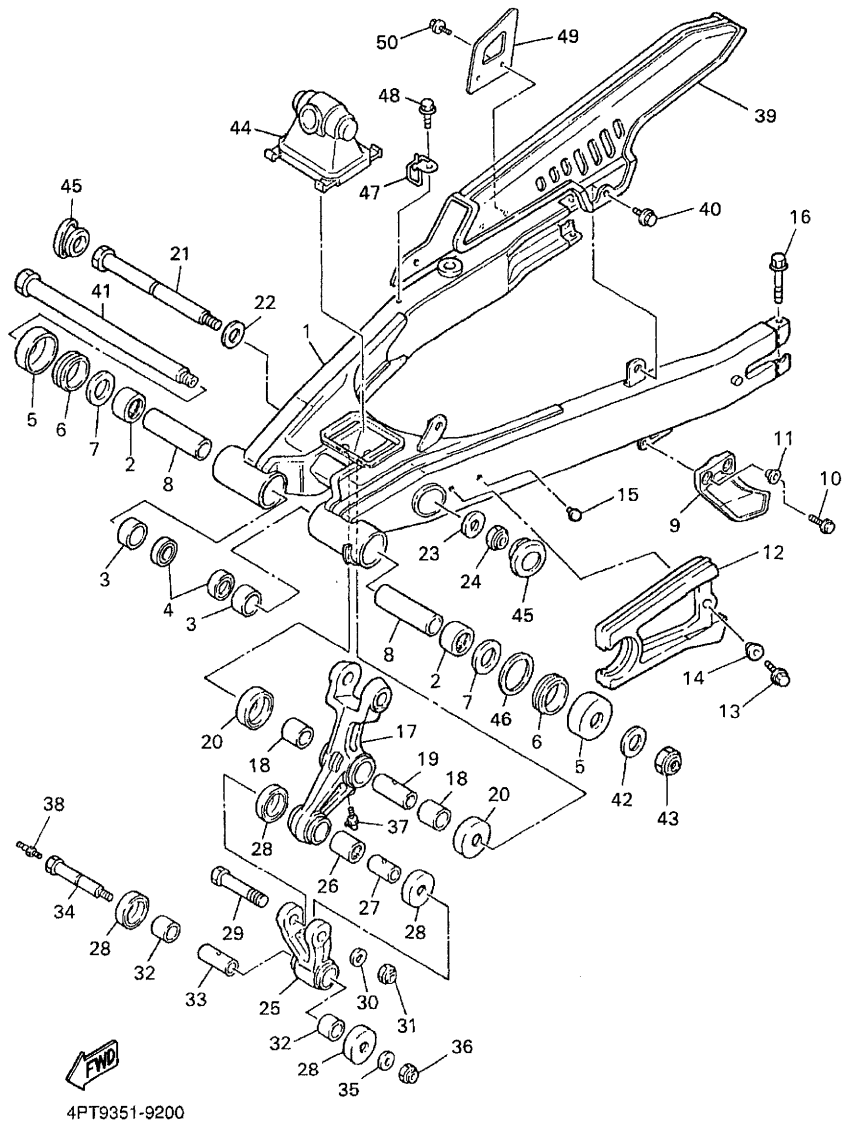
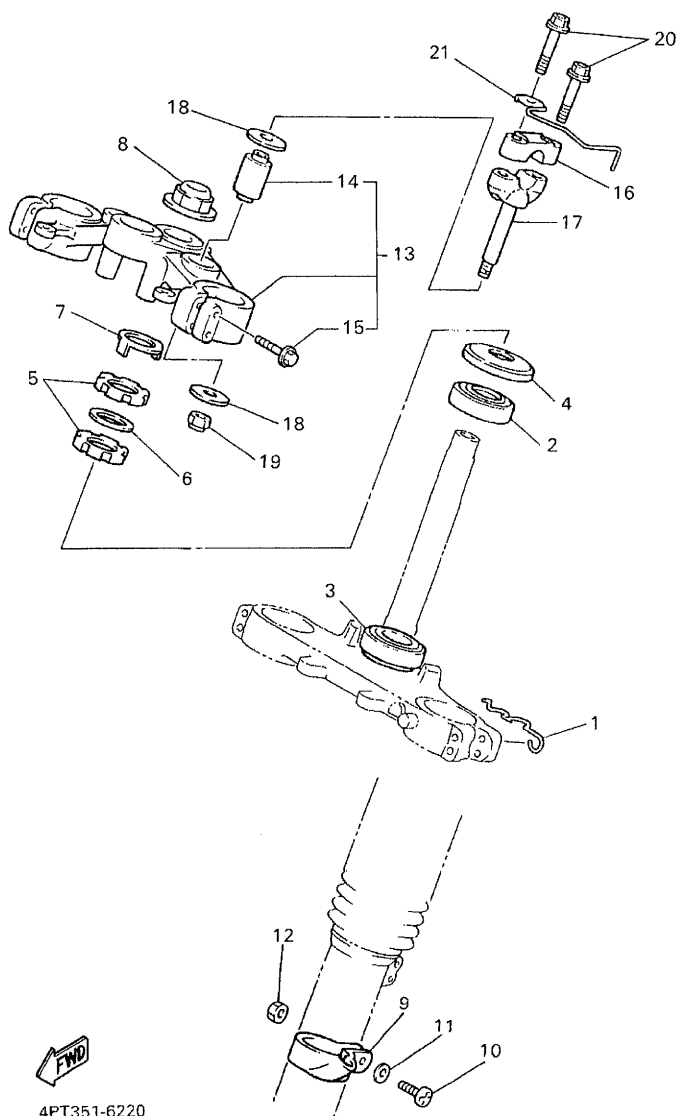


FIG. 22 REAR ARM



REF. NO.	PART NO.	DESCRIPTION	4PTB	4SL7	REMARKS
28	23X-22129-00	COVER, THRUST 2	4	4	
29	90101-12498	BOLT	1	1	
30	90201-12699	WASHER, PLATE	1	1	
31	95617-12100	NUT, U	1	1	
32	90386-20123	BUSH	2	2	
33	90387-122J6	COLLAR	1	1	
34	90109-102G8	BOLT	1	1	
35	90201-10430	WASHER, PLATE	1	1	
36	90185-10060	NUT, SELF-LOCKING	1	1	
37	93700-06005	NIPPLE, GREASE	1	1	
38	93700-06004	NIPPLE, GREASE	1	1	
39	3TB-22311-00	CASE, CHAIN	1	1	
40	90119-06205	BOLT, WITH WASHER	2	2	
41	1VJ-22141-00	SHAFT, PIVOT	1	1	
42	90201-15238	WASHER, PLATE	1	1	
43	90185-14070	NUT, SELF-LOCKING	1	1	
44	3TB-22189-00	BOOT, RUBBER	1	1	
45	34L-22117-00	CAP	2	2	
46	90201-251F6	WASHER, PLATE (0.3T)	1	1	
47	4PT-25876-00	HOLDER, BRAKE HOSE 2	1	1	
48	95807-06012	BOLT, FLANGE	1	1	
49	2KF-27491-00	PROTECTOR	1	1	
50	95807-06010	BOLT, FLANGE	2	2	

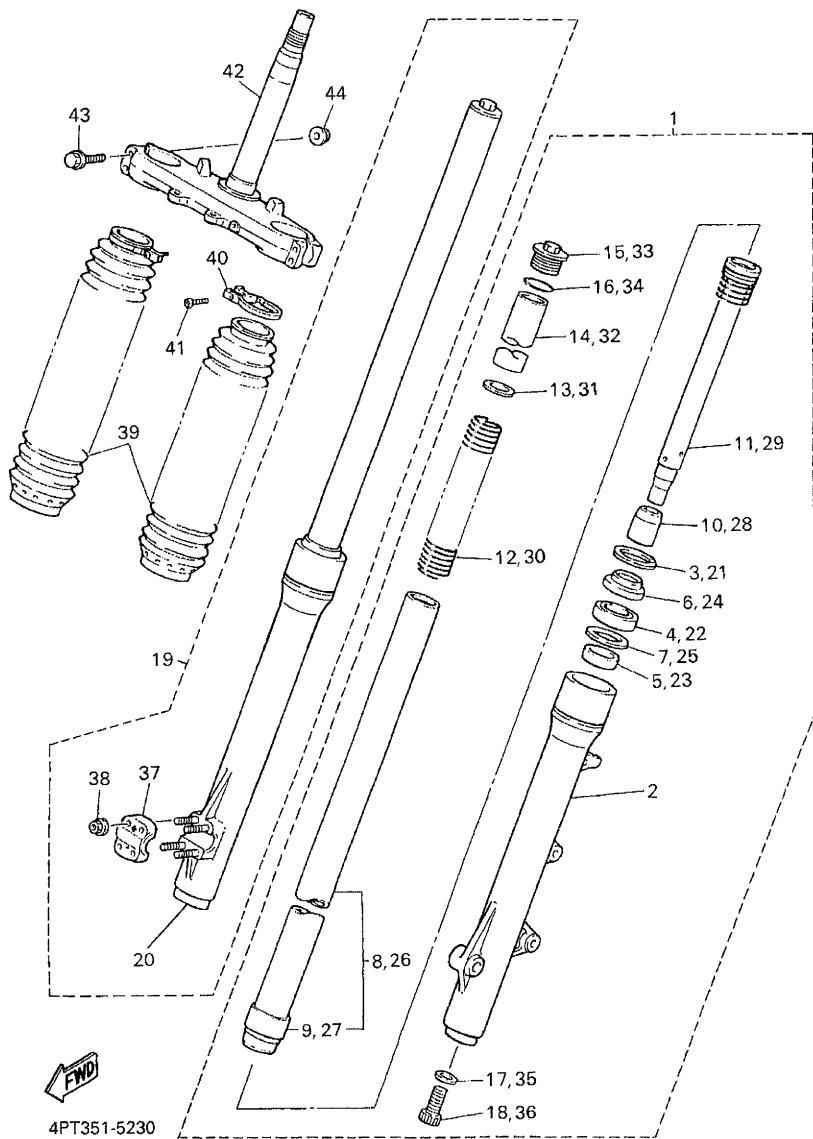
FIG. 24 STEERING



4PT351-6220

REF. NO.	PART NO.	DESCRIPTION	4PTB	4SL7	REMARKS
1	3TB-2331E-00	GUIDE, CABLE	1	1	
2	93332-00001	BEARING	1	1	
3	93332-00008	BEARING	1	1	
4	1W1-23416-00	COVER, BALL RACE 2	1	1	
5	90179-25615	NUT	2	2	
6	90202-26142	WASHER, PLATE	1	1	
7	3YF-23418-00	WASHER, SPECIAL	1	1	
8	90176-22050	NUT, CROWN	1	1	
9	3LD-23318-00	HOLDER, CABLE 1	1	1	
10	98507-05020	SCREW, PAN HEAD	1	1	
11	92907-05600	WASHER, PLATE	1	1	
12	95307-05600	NUT	1	1	
13	4PT-Y2343-00	CROWN, HANDLE	1	1	
14	5A8-23434-01	.HOLDER, DAMPER	2	2	
15	95027-08040	.BOLT, FLANGE	4	4	
16	1E6-23441-10-98	HOLDER, HANDLE UPPER	2	2	LGB
17	3Y6-23442-00-98	HOLDER, HANDLE LOWER	2	2	LGB
18	90201-10141	WASHER, PLATE	4	4	
19	95607-10100	NUT, U	2	2	
20	95827-08035	BOLT, FLANGE	4	4	
21	4PT-23389-10	GUIDE, CABLE	1	1	

FIG. 25 FRONT FORK



REF. NO.	PART NO.	DESCRIPTION	4PTB	4SL7	REMARKS
1	4PT-23102-00	FRONT FORK ASSY (L.H)	1	1	
2	4PT-23126-00	.TUBE, OUTER (LEFT)	1	1	
3	26H-23156-00	.CLIP, OIL SEAL	1	1	
4	3BN-23145-00	.OIL SEAL	1	1	
5	3JD-23125-L0	.METAL, SLIDE 1	1	1	
6	43F-23144-10	.SEAL, DUST	1	1	
7	36Y-23146-10	.WASHER, OIL SEAL	1	1	
8	4PT-23110-00	.INNER TUBE COMP.1	1	1	
9	3JD-23171-L0	.METAL, SLIDE	1	1	
10	3GM-23173-00	.SPINDLE, TAPER	1	1	
11	4PT-23170-00	.CYLINDER COMP., FRONT FORK	1	1	
12	4PT-23141-00	.SPRING, FRONT FORK	1	1	
13	4DW-23149-40	.WASHER, SPRING UPPER	1	1	
14	4PT-23118-00	.SPACER	1	1	
15	3EN-23111-51	.BOLT, CAP	1	1	
16	43F-23188-10	.O-RING	1	1	
17	509-23158-L0	.GASKET	1	1	
18	278-23181-50	.BOLT, HEXAGON SOCKET HEAD	1	1	
19	4PT-23103-00	FRONT FORK ASSY (R.H)	1	1	
20	4PT-23136-00	.TUBE, OUTER (RIGHT)	1	1	
21	26H-23156-00	.CLIP, OIL SEAL	1	1	
22	3BN-23145-00	.OIL SEAL	1	1	
23	3JD-23125-L0	.METAL, SLIDE 1	1	1	
24	43F-23144-10	.SEAL, DUST	1	1	
25	36Y-23146-10	.WASHER, OIL SEAL	1	1	
26	4PT-23110-00	.INNER TUBE COMP.1	1	1	
27	3JD-23171-L0	.METAL, SLIDE	1	1	

FIG. 25 FRONT FORK

REF. NO.	PART NO.	DESCRIPTION	4PTB	4SL7	REMARKS
28	3GM-23173-00	.SPINDLE, TAPER	1	1	
29	4PT-23170-00	.CYLINDER COMP., FRONT FORK	1	1	
30	4PT-23141-00	.SPRING, FRONT FORK	1	1	
31	4DW-23149-40	.WASHER, SPRING UPPER	1	1	
32	4PT-23118-00	.SPACER	1	1	
33	3EN-23111-51	.BOLT, CAP	1	1	
34	43F-23188-10	.O-RING	1	1	
35	509-23158-L0	.GASKET	1	1	
36	278-23181-50	.BOLT, HEXAGON SOCKET HEAD	1	1	
37	3XJ-23167-L0	.HOLDER, AXLE	1	1	
38	2KF-23127-01	.NUT, OUTER TUBE	4	4	
39	3TB-23191-11	BOOT	2	2	BLACK
40	43M-23192-L0	BAND	2	2	
41	98506-04016	SCREW, PAN HEAD	2	2	
42	4PT-23340-00	UNDER BRACKET COMP.	1	1	
43	95821-08055	BOLT, FLANGE	4	4	
44	95701-08500	NUT, FLANGE	4	4	

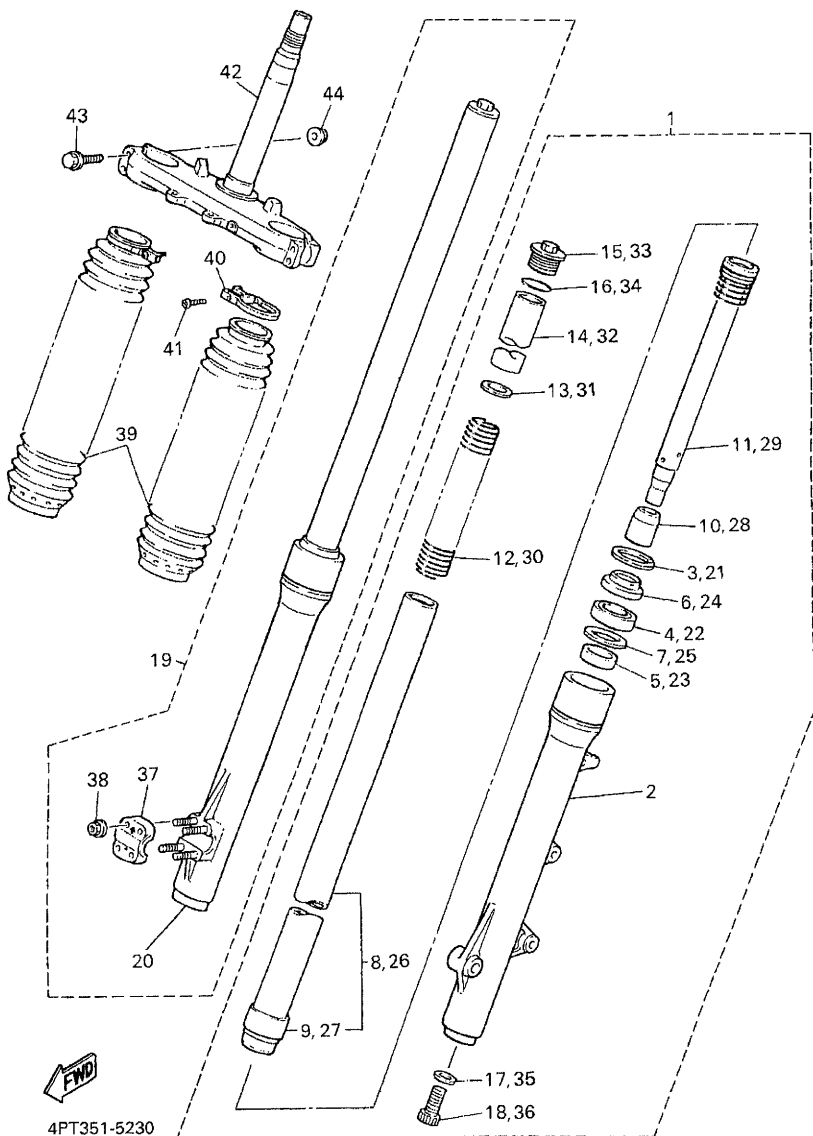
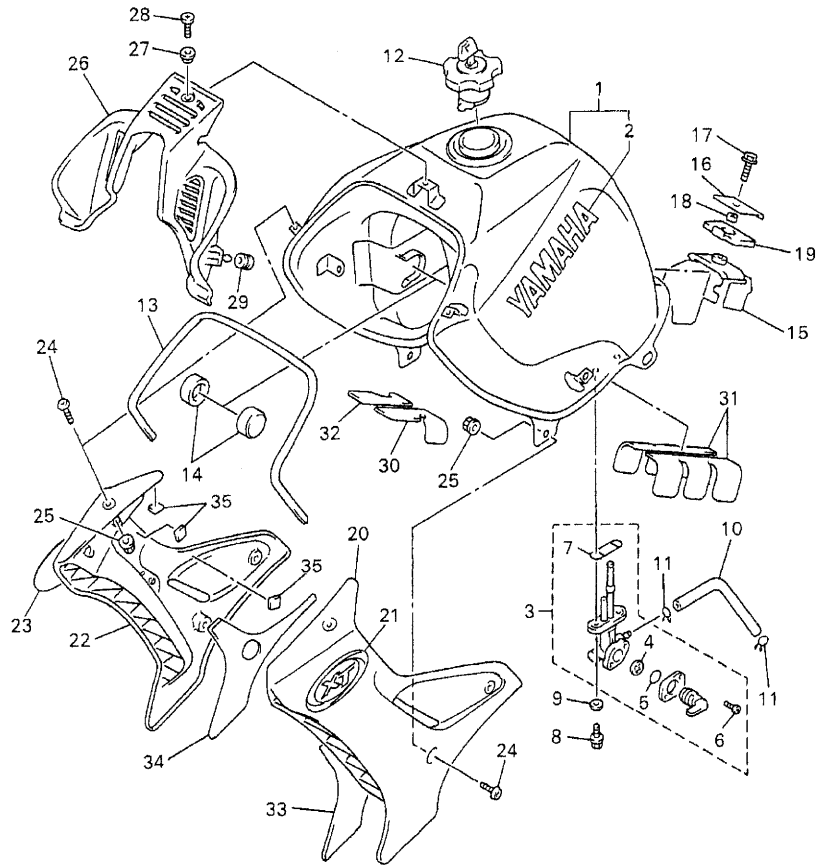


FIG. 26 FUEL TANK

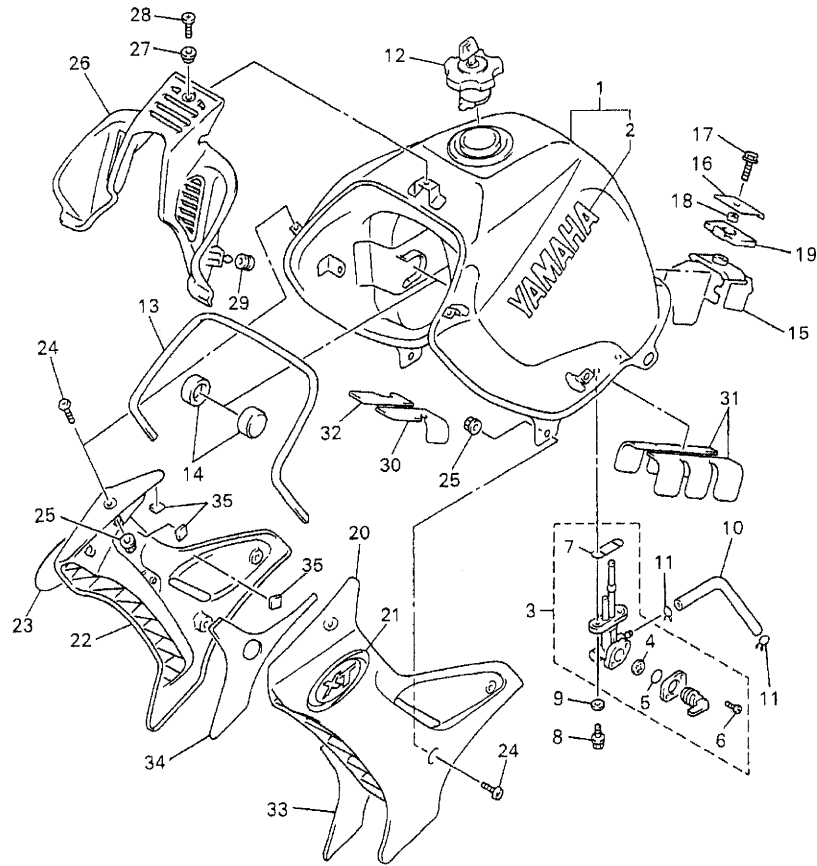


REF. NO.	PART NO.	DESCRIPTION	4PTB	4SL7	REMARKS
1	4PT-Y2410-10-04	FUEL TANK COMP.	1	1	UR DPBMC
	4PT-Y2410-10-05	FUEL TANK COMP.	1	1	UR YB
2	99226-00160	.EMBLEM, YAMAHA	2	2	
3	3FY-24500-00	FUEL COCK ASSY 1	1	1	
4	3AJ-24523-00	.VALVE PACKING	1	1	
5	3AJ-24534-00	.SEAL, COCK	1	1	
6	97801-03008	.SCREW, PAN HEAD	2	2	
7	4X8-24512-00	.O-RING	1	1	
8	95027-06016	BOLT, FLANGE	2	2	
9	90202-05193	WASHER, PLATE	2	2	
10	90445-10458	HOSE (L130)	1	1	
11	90467-09006	CLIP	2	2	
12	11H-24602-03	CAP ASSY	1	1	
13	3TB-24188-00	MOLD, FUEL TANK	1	1	
14	3TB-24181-00	DAMPER, LOCATING 1	2	2	
15	4PT-24182-00	DAMPER, LOCATING 2	1	1	
16	30X-24186-01	WASHER, SPECIAL	1	1	
17	95807-06016	BOLT, FLANGE	1	1	
18	90387-062E2	COLLAR	1	1	
19	30X-24183-01	DAMPER, LOCATING 3	1	1	
20	4PT-2137W-01	SCOOP, AIR 1	1	1	YB
21	4PT-24161-60	EMBLEM 1	1	1	
22	4PT-2137X-01	SCOOP, AIR 2	1	1	YB
23	4PT-24161-60	EMBLEM 1	1	1	
24	90149-05299	SCREW	6	6	
25	90179-05523	NUT	6	6	
26	3TB-2137Y-00	GUIDE, AIR	1	1	



4PTB351-2240

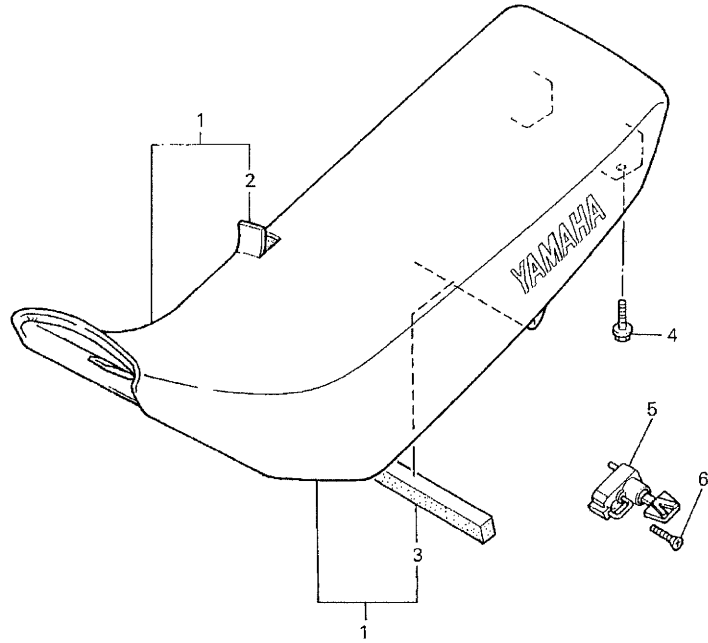
FIG. 26 FUEL TANK



REF. NO.	PART NO.	DESCRIPTION	4PTB	4SL7	REMARKS
27	90387-064J1	COLLAR	1	1	
28	90149-06223	SCREW	1	1	
29	90480-13428	GROMMET	2	2	
30	4PT-2416F-00	INSULATOR, FUEL TANK 1	1	1	
31	4PT-2416G-00	INSULATOR, FUEL TANK 2	2	2	
32	4PT-2416F-10	INSULATOR, FUEL TANK 1	1	1	
33	4PT-2414H-00	DAMPER, PLATE 1	1	1	
34	4PT-2414J-00	DAMPER, PLATE 2	1	1	
35	34M-2139X-00	DAMPER	6	6	

 4PTB351-2240

FIG. 27 SEAT

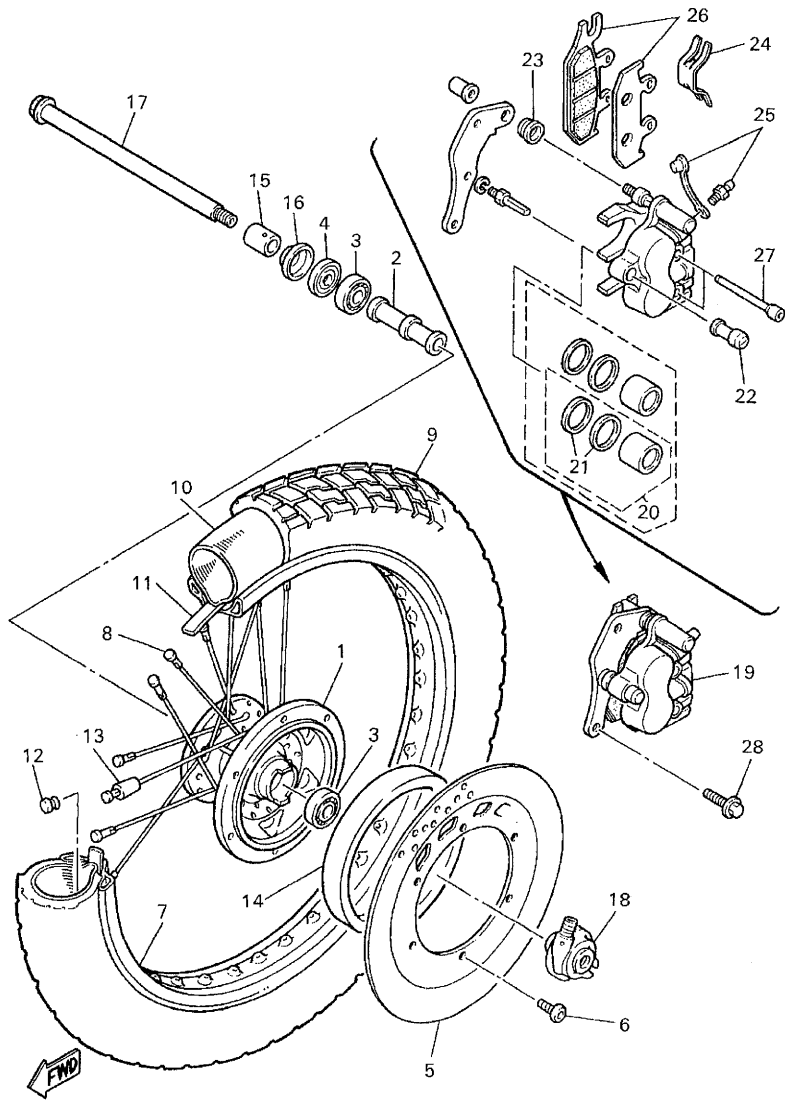


REF. NO.	PART NO.	DESCRIPTION	4PTB	4SL7		REMARKS
1	4PT-24770-60	SEMI-DOUBLE SEAT ASSY	1	1		UR FOR DPBMC
	4PT-24770-70	SEMI-DOUBLE SEAT ASSY	1	1		UR FOR YB
2	4PT-24731-60	.COVER, SEAT	1	1		UR FOR DPBMC
	4PT-24731-70	.COVER, SEAT	1	1		UR FOR YB
3	3TB-24723-00	.DAMPER, SEAT	1	1		
4	90119-06063	BOLT, WITH WASHER	2	2		
5	4R8-21308-00	HELMET HANGER ASSY	1	1		
6	90149-06154	SCREW	1	1		



4PT351-5250

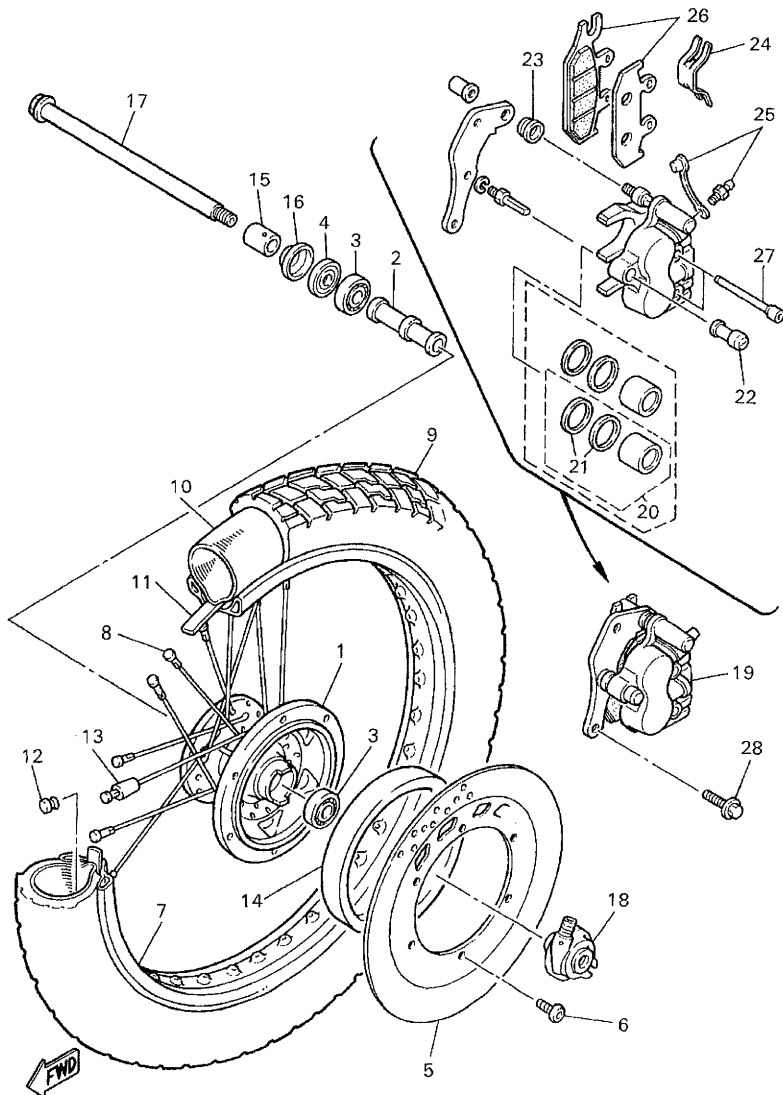
FIG. 28 FRONT WHEEL



4PT351-5260

REF. NO.	PART NO.	DESCRIPTION	4PTB	4SL7	REMARKS
1	3YF-25111-00-98	HUB, FRONT	1	1	LGB
2	90560-15240	SPACER	1	1	
3	93306-20205	BEARING (B6202)	2	2	
4	93102-20281	OIL SEAL (SD 20-35-5)	1	1	
5	3LP-2582T-00	DISC, BRAKE	1	1	
6	90109-081F0	BOLT	6	6	
7	94418-21492	RIM (1.85-21)	1	1	
8	3TB-25104-00	SPOKE SET, FRONT	1	1	
9		TYRE (MCS 90/90-21 54S TW47)	1	1	
10		TUBE (MCS 90/90-21 TR-4)	1	1	
11	94330-21084	BAND, RIM (3.00-21)	1	1	
12	90338-09130	PLUG	1	1	
13	156-25398-00	BALANCER, WHEEL	1	1	UN
14	4PT-25336-00	RING 2	1	1	
15	90387-152J3	COLLAR	1	1	
16	322-25118-00	COVER, HUB DUST	1	1	
17	55U-25181-01	AXLE, WHEEL	1	1	
18	34L-25190-01	GEAR UNIT ASSY	1	1	
19	4PT-2580T-00	CALIPER ASSY (LEFT)	1	1	
20	3TB-W0057-00	.PISTON ASSY, CALIPER	2	2	
21	3GD-W0047-00	.CALIPER SEAL KIT	2	2	
22	1UY-25937-51	.BOOT 2	1	1	
23	3JD-25917-00	.BOOT, CALIPER	1	1	
24	3TB-25919-00	.SUPPORT, PAD	1	1	
25	1UY-W0048-50	.BLEED SCREW KIT	1	1	

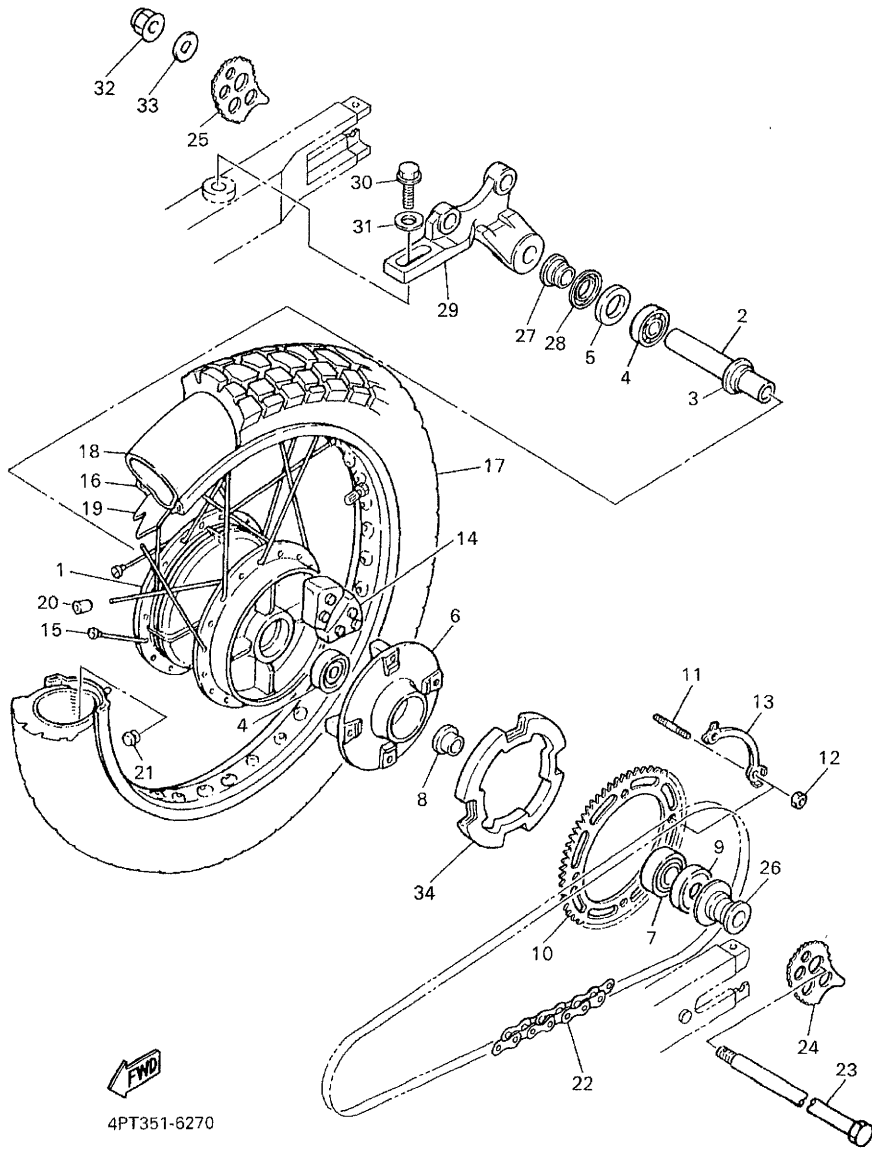
FIG. 28 FRONT WHEEL



4PT351-5260

REF. NO.	PART NO.	DESCRIPTION	4PTB	4SL7			REMARKS
26	4PT-W0045-00	.BRAKE PAD KIT	1	1			
27	3TB-25933-00	.PIN, PAD	2	2			
28	90105-10778	BOLT, FLANGE	2	2			

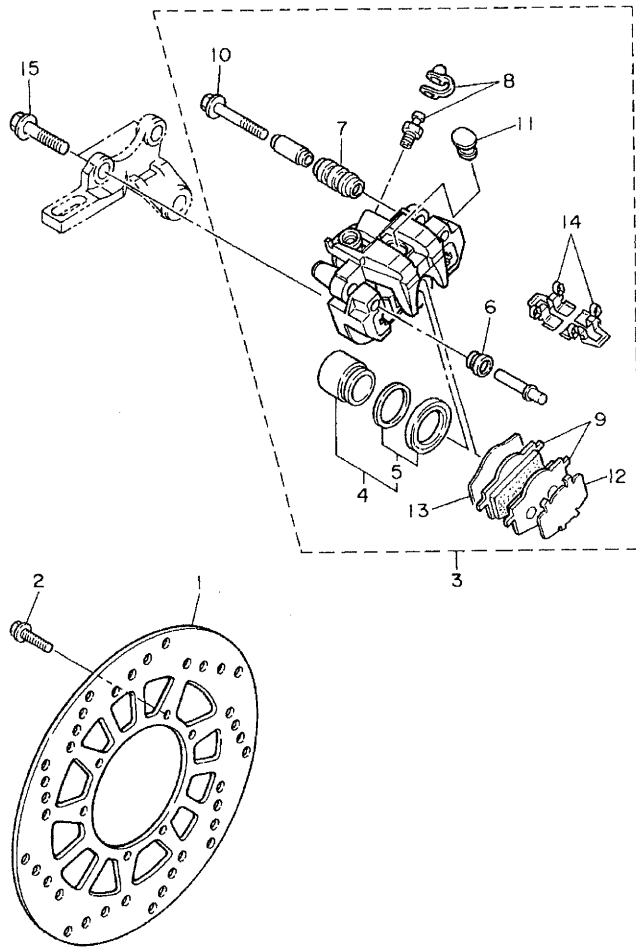
FIG. 29 REAR WHEEL



4PT351-6270

REF. NO.	PART NO.	DESCRIPTION	4PTB	4SL7	REMARKS
1	2KF-25311-00-98	HUB, REAR	1	1	LGB
2	90387-173M5	COLLAR	1	1	
3	146-25315-00	FLANGE, SPACER	1	1	
4	93306-20348	BEARING	2	2	
5	93102-25311	OIL SEAL (FPJ 25-44-8 TS)	1	1	
6	1VJ-25366-01-98	CLUTCH, HUB	1	1	LGB
7	93306-30437	BEARING	1	1	
8	1VJ-25377-00	COLLAR, WHEEL	1	1	
9	93106-30029	OIL SEAL	1	1	
10	4DN-25445-20	SPROCKET, DRIVEN (45T)	1	1	
11	90116-10348	BOLT, STUD	4	4	
12	90170-10219	NUT	4	4	
13	5Y1-25412-00	WASHER	2	2	
14	5Y1-25364-00	DAMPER	4	4	
15	3TB-25304-00	SPOKE SET, REAR	1	1	
16	94425-17491	RIM (2.50-17)	1	1	
17		TIRE (MCS 120/90-17 64S TW48)	1	1	
18		TUBE (MCS 120/90-17 TR-4)	1	1	
19	94330-17158	BAND, RIM (3.00-17)	1	1	
20	156-25398-00	BALANCER, WHEEL	1	1	UN
21	90338-09130	PLUG	1	1	
22	94581-45106	CHAIN (DID520V2-106LE)	1	1	
23	3AJ-25381-01	AXLE, WHEEL	1	1	
24	3Y1-25388-01	PULLER, CHAIN 1	1	1	
25	3Y1-25389-00	PULLER, CHAIN 2	1	1	

FIG. 30 REAR BRAKE CALIPER

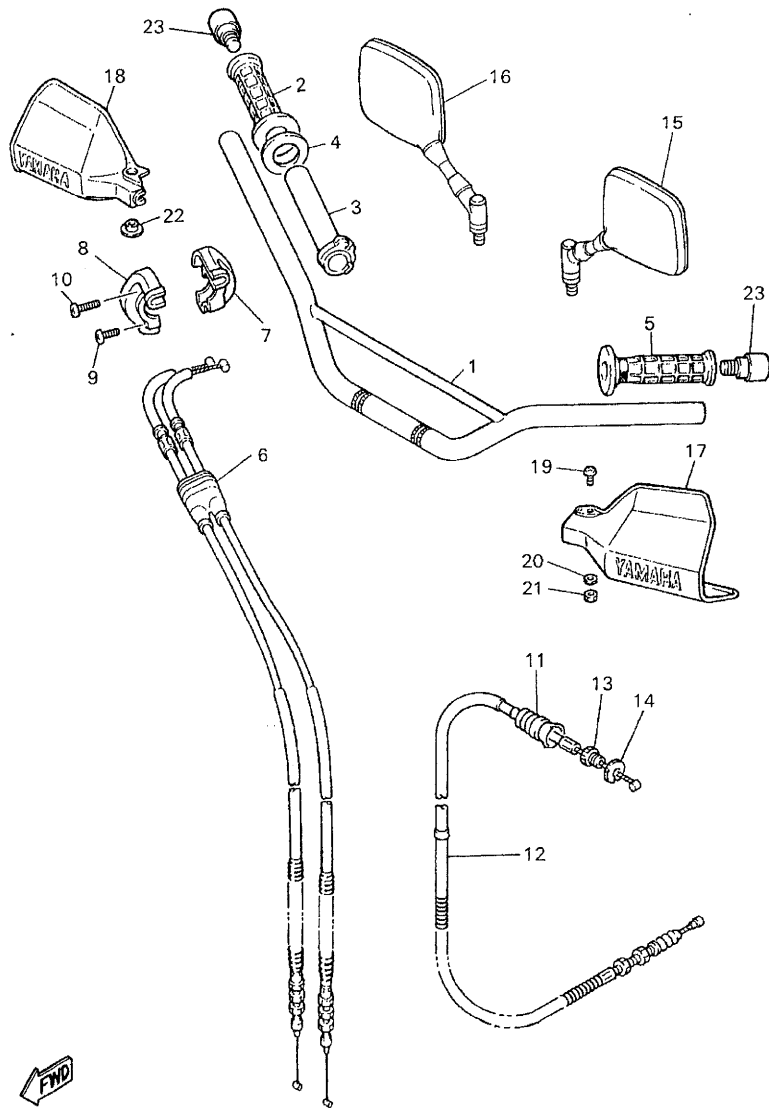


REF. NO.	PART NO.	DESCRIPTION	4PTB	4SL7	REMARKS
1	2KF-25831-50	DISC, BRAKE	1	1	
2	90109-065G4	BOLT	6	6	
3	3TB-2580W-10	CALIPER ASSY, REAR 2	1	1	
4	2KF-W0057-00	.PISTON ASSY, CALIPER	1	1	
5	34X-W0047-00	.CALIPER SEAL KIT	1	1	
6	5R2-25937-00	.BOOT 2	1	1	
7	34X-25937-00	.BOOT 2	1	1	
8	51L-W0048-00	.BLEED SCREW KIT	1	1	
9	34X-W0046-02	.BRAKE PAD KIT 2	1	1	
10	2GV-25926-00	.BOLT	1	1	
11	34X-25845-00	.CAP, INDICATOR	1	1	
12	3TB-25827-00	.SHIM, CALIPER	1	1	
13	2KF-25828-00	.SHIM, CALIPER	1	1	
14	4MA-25919-00	.SUPPORT, PAD	2	2	
15	90105-10638	BOLT, FLANGE	2	2	



3TB351-0280

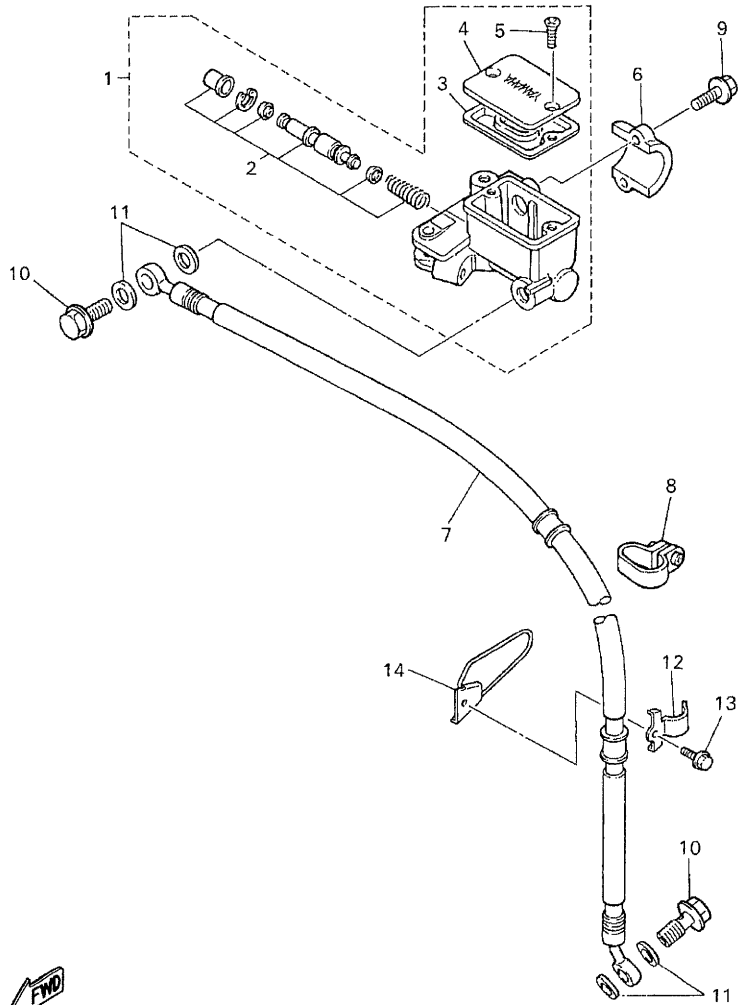
FIG. 31 STEERING HANDLE. CABLE



4PT351-6290

REF. NO.	PART NO.	DESCRIPTION	4PTB	4SL7	REMARKS
1	4PT-26111-00	HANDLEBAR	1	1	
2	55V-26242-00	GRIP (RIGHT)	1	1	
3	1RF-26243-00	TUBE, THROTTLE GUIDE	1	1	
4	3Y1-26249-00	RING, LEAF	1	1	
5	55V-26241-00	GRIP	1	1	
6	4PT-26302-01	THROTTLE CABLE ASSY	1	1	
7	34K-26281-00	CAP, GRIP UPPER	1	1	
8	1VJ-26282-00	CAP, GRIP LOWER	1	1	
9	98507-05020	SCREW, PAN HEAD	1	1	
10	98507-05025	SCREW, PAN HEAD	1	1	
11	1E6-26342-00	BOOT, CABLE	1	1	
12	4PT-26335-00	CABLE, CLUTCH	1	1	
13	90123-08046	BOLT	1	1	
14	90179-08148	NUT	1	1	
15	3TB-26280-01	REAR VIEW MIRROR ASSY(LEFT)	1	1	
16	3TB-26290-01	REAR VIEW MIRROR ASSY(RIGHT)	1	1	
17	2KF-26141-00	GUARD, BRUSH 1	1	1	YB
18	3TB-26142-70	GUARD, BRUSH 2	1	1	YB
19	98507-06030	SCREW, PAN HEAD	1	1	
20	92907-06600	WASHER, PLATE	1	1	
21	95307-06800	NUT	1	1	
22	90387-06500	COLLAR	1	1	
23	4PT-26246-00	END, GRIP	2	2	

FIG. 32 FRONT MASTER CYLINDER

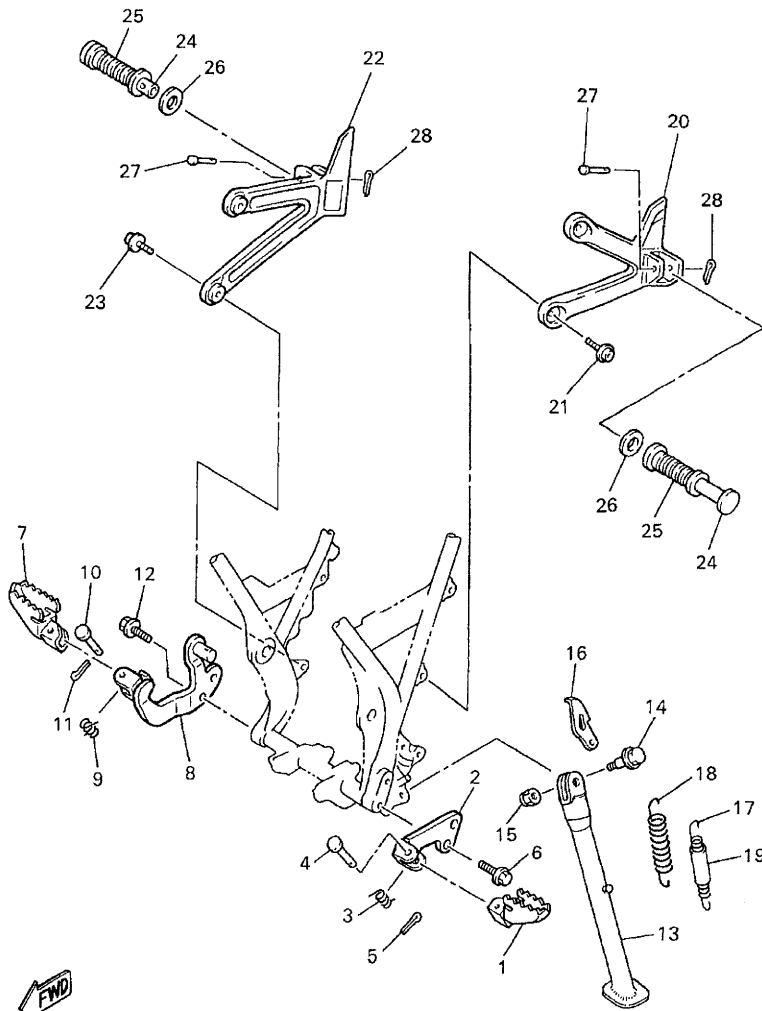


REF. NO.	PART NO.	DESCRIPTION	4PTB	4SL7	REMARKS
1	3TB-25870-00	MASTER CYLINDER SUB ASSY	1	1	
2	3TB-W0041-00	.CYLINDER KIT, MASTER	1	1	
3	4L0-25854-00	.DIAPHRAGM, RESERVOIR	1	1	
4	4H7-25852-00	.CAP, RESERVOIR	1	1	
5	98706-04012	.SCREW, FLAT HEAD	2	2	
6	4L0-25867-00	BRACKET, MASTER CYLINDER	1	1	
7	3TB-25872-02	HOSE, BRAKE 1	1	1	
8	3TB-23466-01	CLAMP	1	1	
9	95027-06025	BOLT, FLANGE	2	2	
10	90401-10159	BOLT, UNION	2	2	
11	90201-10118	WASHER, PLATE	4	4	
12	90461-16124	CLAMP	1	1	
13	95807-06016	BOLT, FLANGE	1	1	
14	3TB-23318-00	HOLDER, CABLE 1	1	1	



4PT351-5300

FIG. 33 STAND, FOOTREST

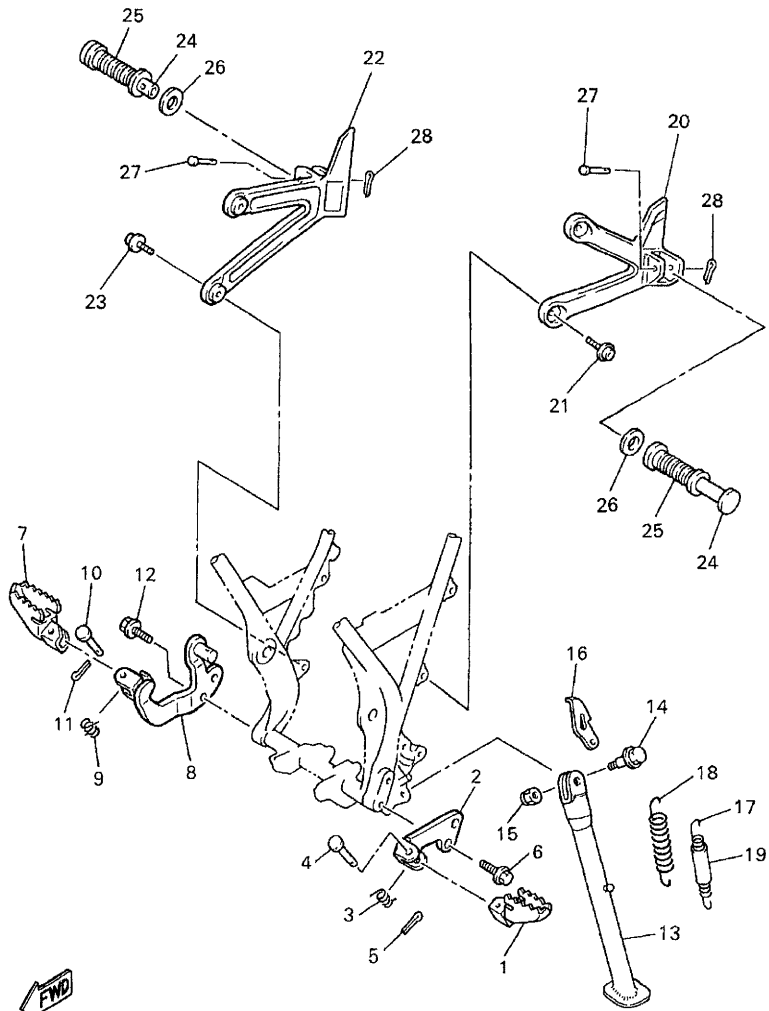


4PT9351-9310

REF. NO.	PART NO.	DESCRIPTION	4PTB	4SL7		REMARKS
1	5Y1-27411-00-90	FOOTREST 1	1	1		ZK
2	34L-27412-00-R4	BRACKET, FOOTREST 1	1	1		HPB
3	90508-20023	SPRING, TORSION	1	1		
4	90240-08096	PIN, CLEVIS	1	1		
5	91401-25015	PIN, COTTER	1	1		
6	90105-10285	BOLT, FLANGE	2	2		
7	5Y1-27421-00-90	FOOTREST 2	1	1		ZK
8	2KF-27422-00-R4	BRACKET, FOOTREST 2	1	1		HPB
9	90508-20023	SPRING, TORSION	1	1		
10	90240-08096	PIN, CLEVIS	1	1		
11	91401-25015	PIN, COTTER	1	1		
12	90105-10285	BOLT, FLANGE	2	2		
13	4PT-27311-00	STAND, SIDE	1	1		
14	90105-12616	BOLT, FLANGE	1	1		
15	90185-12119	NUT, SELF-LOCKING	1	1		
16	5Y1-27315-00	LINK, SIDE STAND	1	1		
17	90506-18224	SPRING, TENSION	1	1		
18	90506-26225	SPRING, TENSION	1	1		
19	1TX-27351-00	GUIDE, SIDE STAND	1	1		
20	4PT-2741L-00	BRACKET 4	1	1		
21	90109-087F1	BOLT	2	2		
22	4PT-2742L-00	BRACKET 5	1	1		
23	90109-087F1	BOLT	2	2		
24	120-27431-00	FOOTREST, REAR 1	2	2		
25	120-27433-00	COVER, REAR FOOTREST	2	2		
26	90201-20279	WASHER, PLATE	2	2		
27	91701-06040	PIN, CLEVIS	2	2		

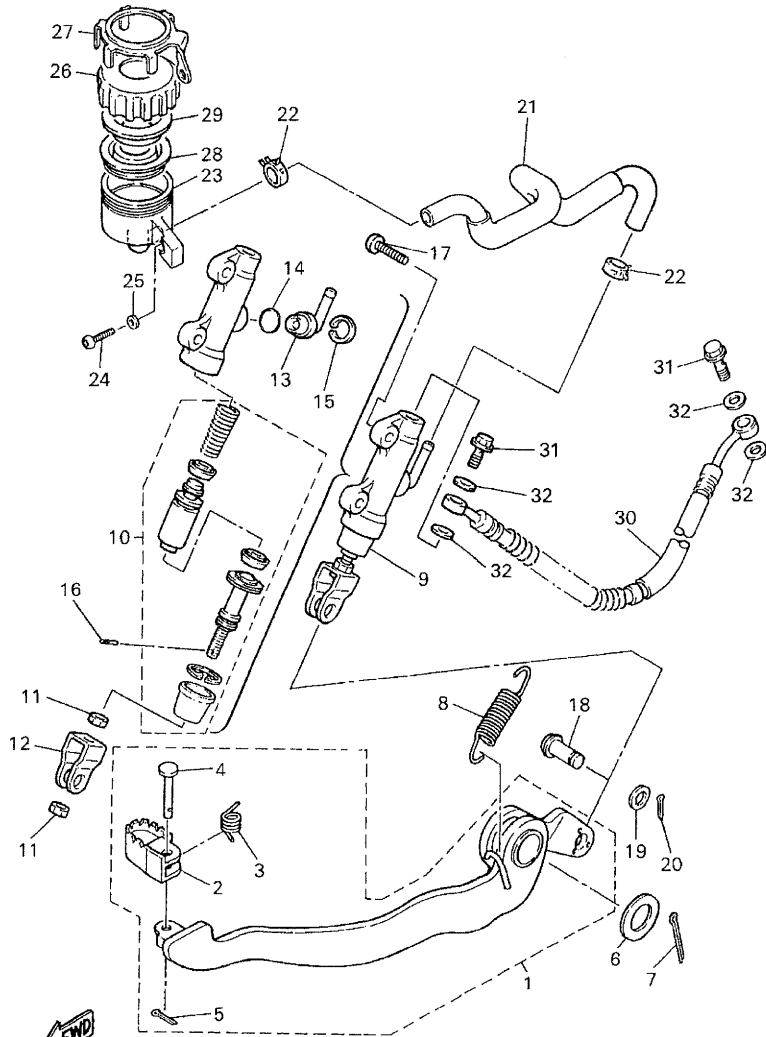
FIG. 33 STAND. FOOTREST

REF. NO.	PART NO.	DESCRIPTION	4PTB	4SL7	REMARKS
28	91401-20012	PIN, COTTER	2	2	



4PT9351-9310

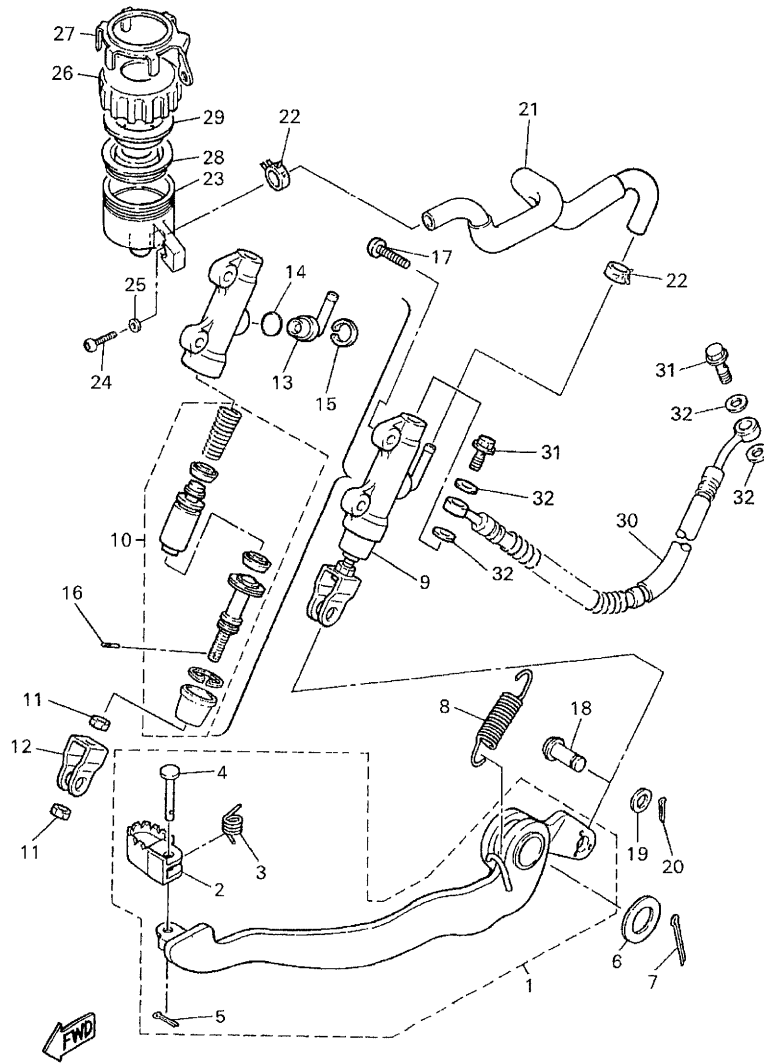
FIG. 34 REAR MASTER CYLINDER



4PT351-5320

REF. NO.	PART NO.	DESCRIPTION	4PTB	4SL7	REMARKS
1	3TB-27200-02	PEDAL, BRAKE	1	1	
2	55V-27242-00	.PEDAL, BRAKE	1	1	
3	90508-14352	.SPRING, TORSION	1	1	
4	91701-06022	.PIN, CLEVIS	1	1	
5	91401-20012	.PIN, COTTER	1	1	
6	90201-14215	WASHER, PLATE	1	1	
7	91401-30020	PIN, COTTER	1	1	
8	90507-18055	SPRING, TENSION	1	1	
9	4PT-2580E-00	REAR MASTER CYLINDER ASSY	1	1	
10	4BA-W0042-50	.CYLINDER KIT, MASTER	1	1	
11	95302-08600	.NUT	2	2	
12	2YK-27222-00	.JOINT	1	1	
13	2YK-2582A-00	.JOINT	1	1	
14	93210-15620	.O-RING	1	1	
15	2VN-25866-00	.CIRCLIP	1	1	
16	3KW-27234-00	.PIN, BRAKE ROD	1	1	
17	92017-08020	BOLT, BUTTON HEAD	2	2	
18	90240-08124	PIN, CLEVIS	1	1	
19	90201-08083	WASHER, PLATE	1	1	
20	91401-16012	PIN, COTTER	1	1	
21	4PT-25895-00	HOSE, RESERVOIR	1	1	
22	90467-14057	CLIP	2	2	
23	47X-25894-00	TANK, RESERVOIR	1	1	
24	98507-06020	SCREW, PAN HEAD	1	1	
25	92907-06600	WASHER, PLATE	1	1	
26	2KF-25852-50	CAP, RESERVOIR	1	1	
27	3AJ-25888-00	COVER, RESERVOIR TANK	1	1	

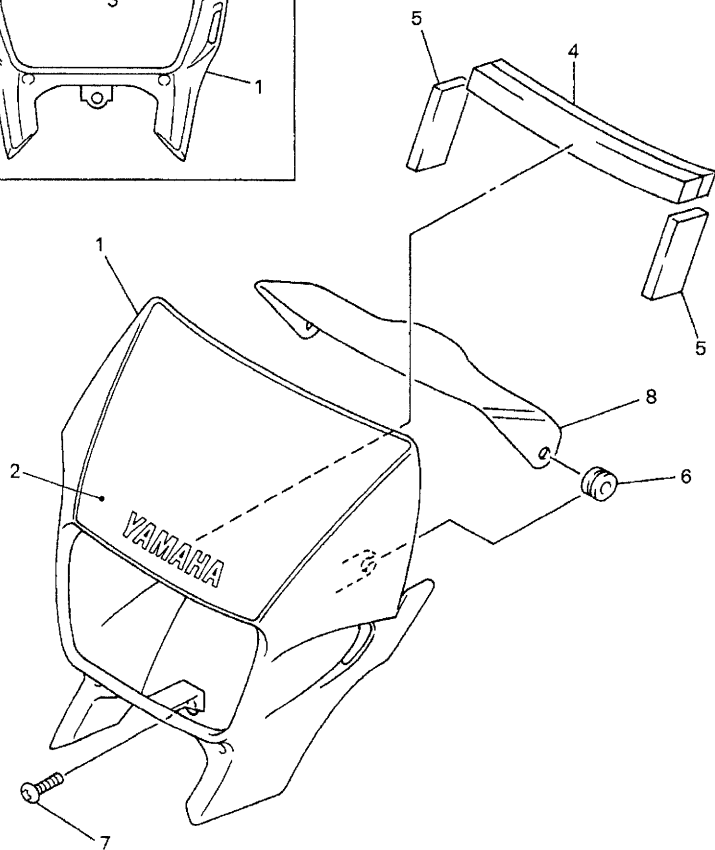
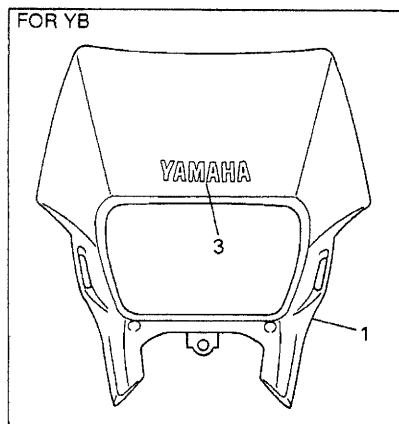
FIG. 34 REAR MASTER CYLINDER



4PT351-5320

REF. NO.	PART NO.	DESCRIPTION	4PTB	4SL7	REMARKS
28	360-25854-01	DIAPHRAGM, RESERVOIR	1	1	
29	2GU-25855-00	BUSH, DIAPHRAGM	1	1	
30	4PT-25873-10	HOSE, BRAKE 2	1	1	
31	90401-10159	BOLT, UNION	2	2	
32	90201-10118	WASHER, PLATE	4	4	

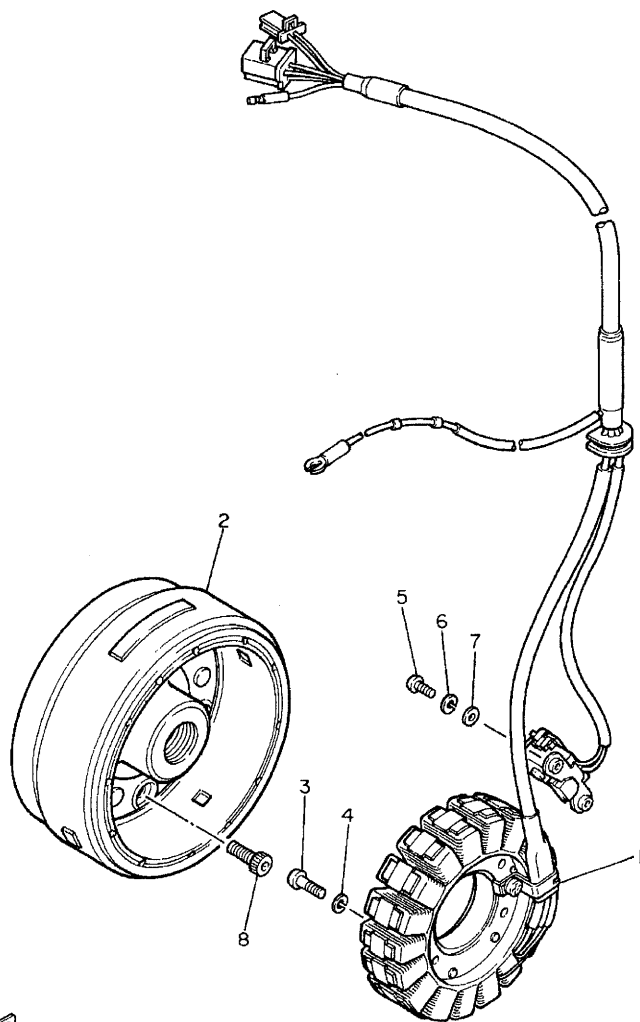
FIG. 35 COWLING 1



REF. NO.	PART NO.	DESCRIPTION	4PTB	4SL7	REMARKS	
1	4PT-28351-40	BODY, COWLING	1	1	UR DPBSE FOR DPBMC UR YB	
	4PT-28351-00	BODY, COWLING	1	1		
2	4PT-28391-20	GRAPHIC 1	1	1		FOR DPBMC
3	99246-00080	EMBLEM, YAMAHA	1	1		FOR YB
4	8V7-21961-00	PATCH 1	1	1		
5	4PT-28217-00	DAMPER 1	2	2		
6	90480-12053	GROMMET	2	2		
7	90149-06263	SCREW	1	1		
8	4PT-28365-00	COVER	1	1		

4PTB351-2330

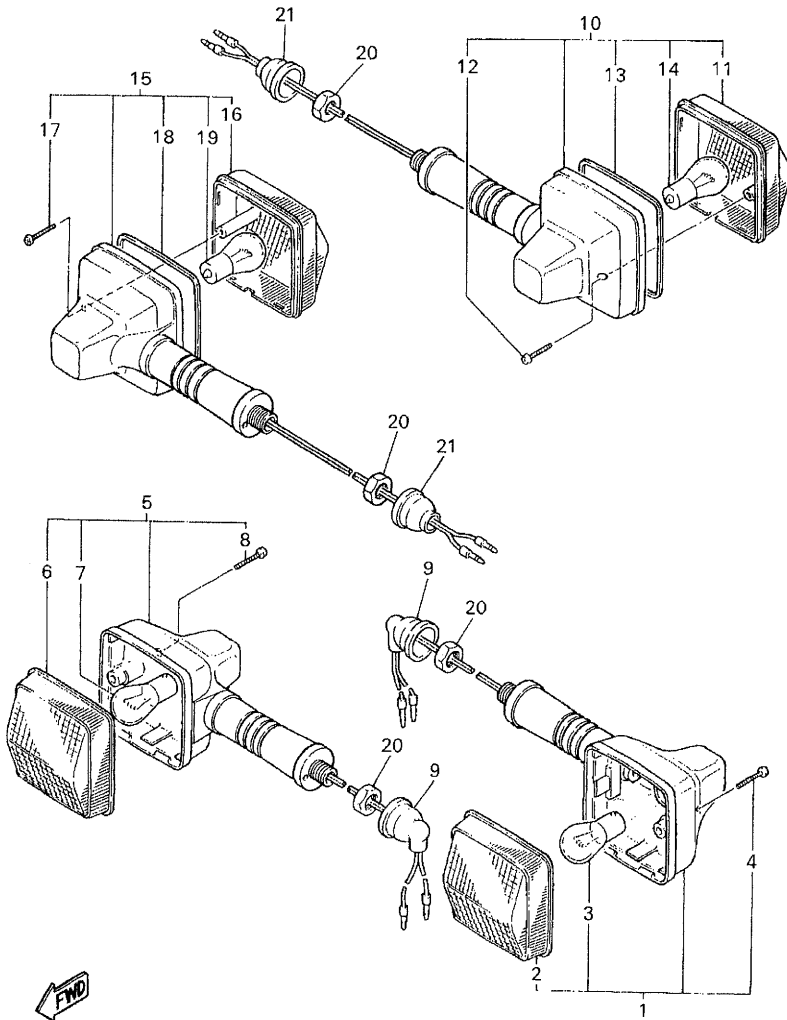
FIG. 36 GENERATOR



REF. NO.	PART NO.	DESCRIPTION	4PTB	4SL7	REMARKS
1	3TB-81410-01	STATOR ASSY	1	1	
2	3TB-81450-01	ROTOR ASSY	1	1	
3	98507-06025	SCREW, PAN HEAD	3	3	
4	92907-06100	WASHER, SPRING	3	3	
5	98507-05016	SCREW, PAN HEAD	2	2	
6	92907-05100	WASHER, SPRING	2	2	
7	92907-05600	WASHER, PLATE	2	2	
8	90110-08193	BOLT, HEXAGON SOCKET HEAD	3	3	

FWD
3TB351-0340

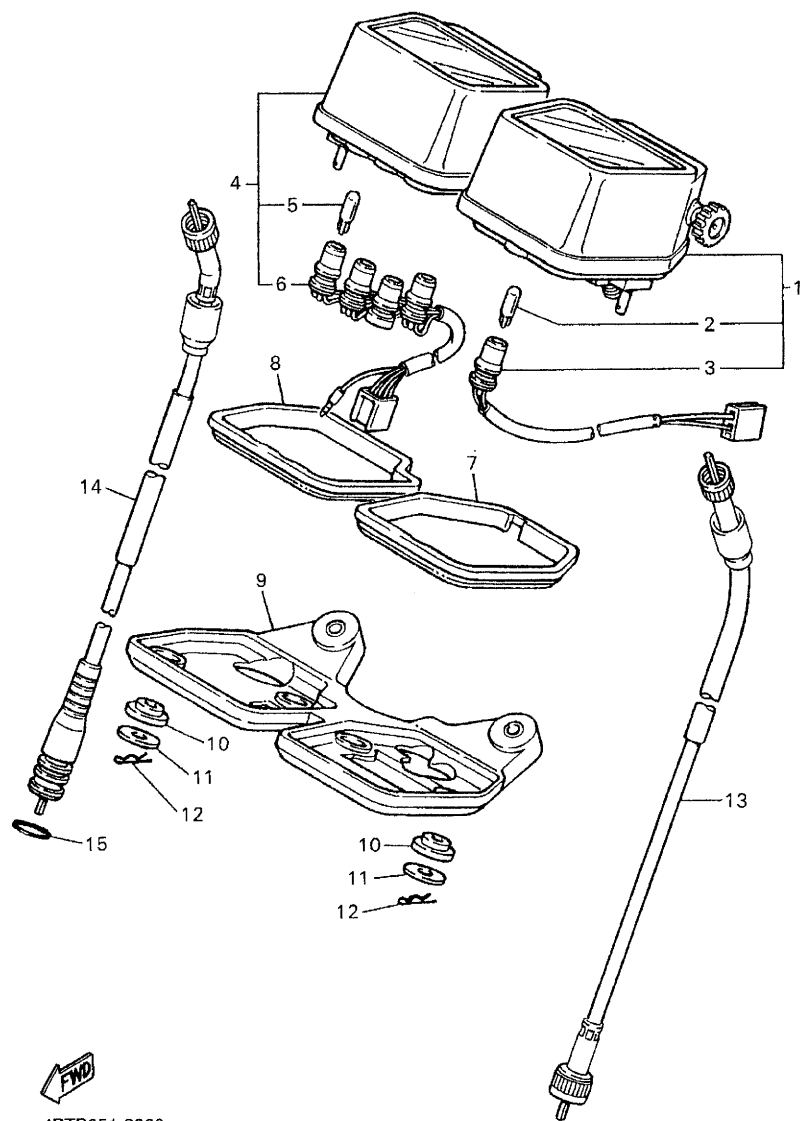
FIG. 37 FLASHER LIGHT



4PT351-5350

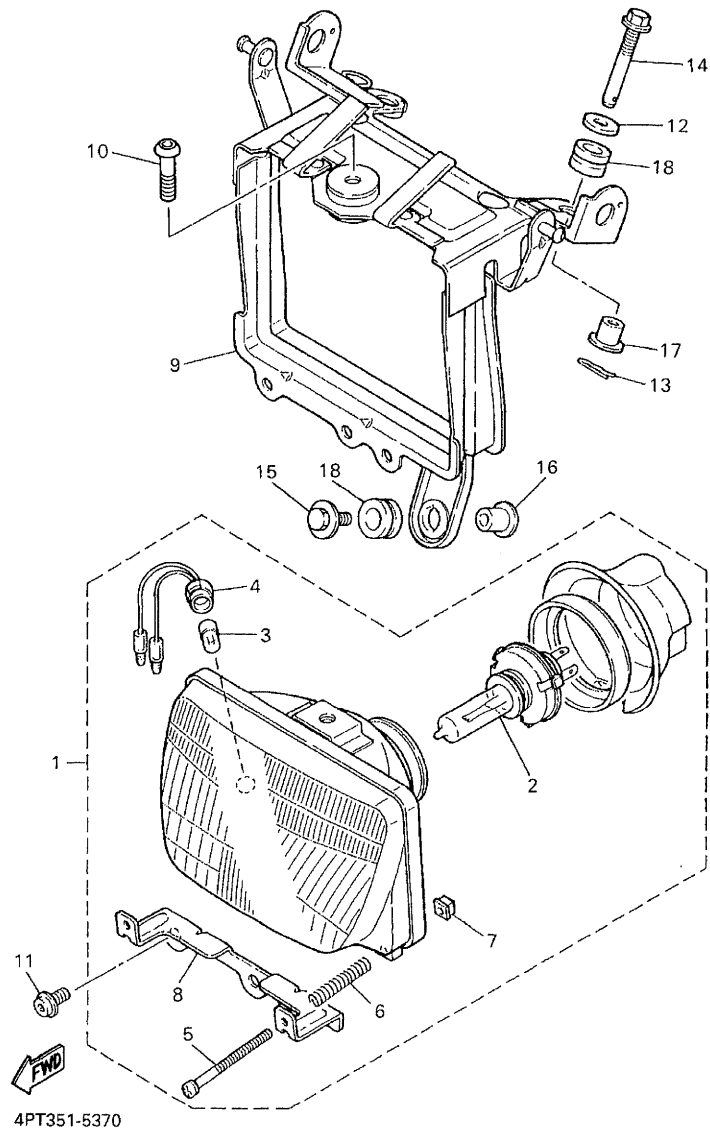
REF. NO.	PART NO.	DESCRIPTION	4PTB	4SL7	REMARKS
1	3TB-83310-01	FRONT FLASHER LIGHT ASSY 1	1	1	
2	47J-83312-00	.LENS, FLASHER	1	1	
3	306-83311-40	.BULB, FLASHER (12V-21W)	1	1	
4	97706-40620	.SCREW, TAPPING	1	1	
5	3TB-83320-01	FRONT FLASHER LIGHT ASSY 2	1	1	
6	47J-83322-00	.LENS, FLASHER 2	1	1	
7	306-83311-40	.BULB, FLASHER (12V-21W)	1	1	
8	97706-40620	.SCREW, TAPPING	1	1	
9	18G-83365-00	CAP	2	2	
10	4PT-83330-00	REAR FLASHER LIGHT ASSY 1	1	1	
11	2KF-83332-00	.LENS, FLASHER	1	1	
12	97706-40620	.SCREW, TAPPING	1	1	
13	47J-83313-00	.GASKET, FLASHER LENS	1	1	
14	306-83311-40	.BULB, FLASHER (12V-21W)	1	1	
15	4PT-83340-00	FLASHER LIGHT ASSY 2	1	1	
16	2KF-83342-00	.LENS, FLASHER 2	1	1	
17	97706-40620	.SCREW, TAPPING	1	1	
18	47J-83313-00	.GASKET, FLASHER LENS	1	1	
19	306-83311-40	.BULB, FLASHER (12V-21W)	1	1	
20	95307-12700	NUT	4	4	
21	10V-83365-00	CAP	2	2	

FIG. 38 METER



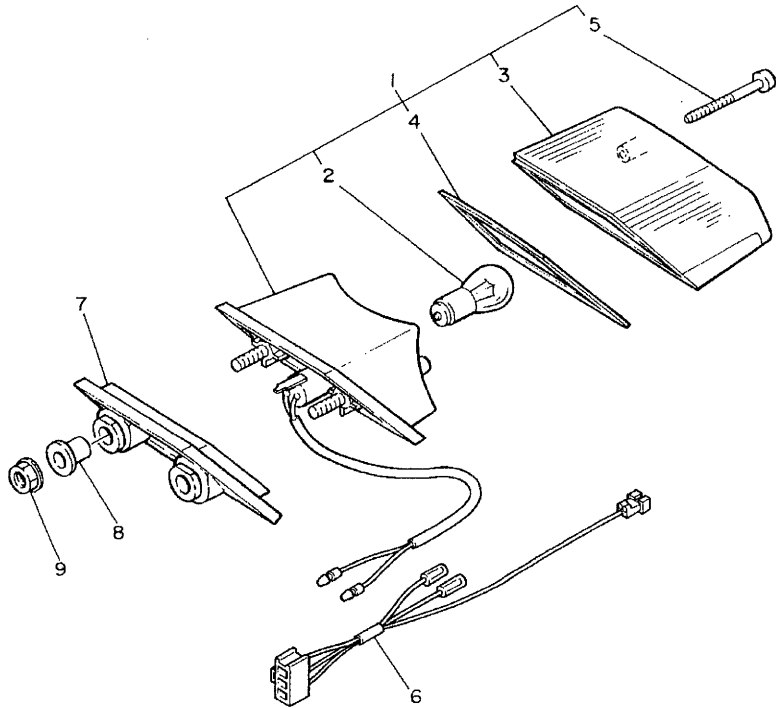
REF. NO.	PART NO.	DESCRIPTION	4PTB	4SL7	REMARKS
1	4PT-83570-00	SPEEDOMETER ASSY	1	1	
2	37T-83517-00	.BULB (12V-3.4W)	1	1	
3	5Y1-83536-00	.SOCKET, METER	1	1	
4	4PT-83540-10	TACHOMETER ASSY	1	1	
5	37T-83517-00	.BULB (12V-3.4W)	4	4	
6	30X-83520-00	.SOCKET CORD ASSY	1	1	
7	5Y1-83513-00	DAMPER	1	1	
8	5Y1-83541-00	DAMPER	1	1	
9	5Y1-83519-00	BRACKET, METER	1	1	
10	1M1-83526-00	DAMPER 2	4	4	
11	90201-05033	WASHER, PLATE	4	4	
12	437-83525-00	CLIP	4	4	
13	3ET-83550-03	SPEEDOMETER CABLE ASSY	1	1	
14	4PT-83560-01	TACHOMETER CABLE ASSY	1	1	
15	93210-14104	O-RING	1	1	

FIG. 39 HEADLIGHT



REF. NO.	PART NO.	DESCRIPTION	4PTB	4SL7	REMARKS
1	3TB-84320-20	LENS ASSY	1		FOR ZAF
2	2F9-84314-00	.BULB (12V-60/55W)	1	1	(H4)HALOGEN
3	306-84347-30	.BULB (12V 3.4W)	1		FOR ZAF
4	3TB-84312-00	.HOLDER, SOCKET	1	1	
5	3TB-84325-00	.SCREW, RIM FITTING	2	2	
6	5G2-84332-60	.SPRING, SCREW	2	2	
7	198-84334-60	.NUT, ADJUSTING	2	2	
8	3TB-8431R-00	.STAY, SETTING	1	1	
9	4PT-84311-01	BODY, HEADLIGHT	1	1	
10	92017-08025	BOLT, BUTTON HEAD	1	1	
11	3TB-84329-00	BOLT, WING 1	2	2	
12	90202-06013	WASHER, PLATE	2	2	
13	90468-12120	CLIP	2	2	
14	3TB-84137-00	BOLT, SPECIAL	2	2	
15	90119-06097	BOLT, WITH WASHER	1	1	
16	90387-063E6	COLLAR	1	1	
17	90387-07391	COLLAR	2	2	
18	90480-14102	GROMMET	3	3	

FIG. 40 TAILLIGHT

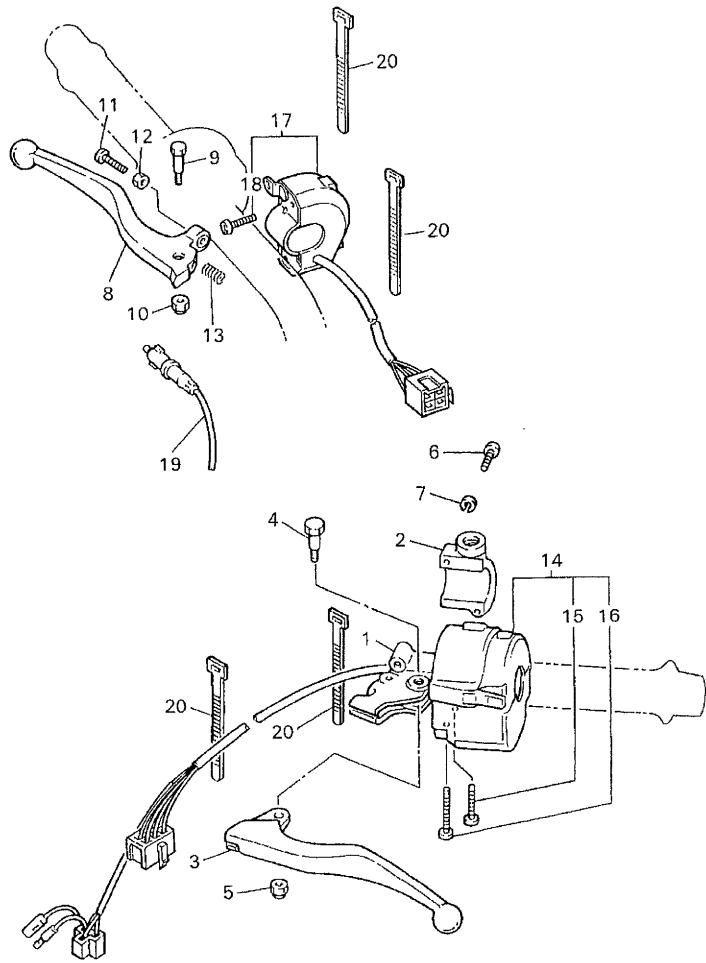


REF. NO.	PART NO.	DESCRIPTION	4PTB	4SL7	REMARKS
1	1XL-84710-E0	TAILLIGHT UNIT ASSY	1	1	
2	1A2-84714-41	.BULB (12V-21/5W)	1	1	
3	53V-84721-40	.LENS, TAILLIGHT	1	1	
4	34Y-84723-E0	.GASKET, TAIL LENS	1	1	
5	97701-40630	.SCREW, TAPPING	2	2	
6	3TB-84717-01	CORD, TAILLIGHT	1	1	
7	34X-84527-00	DAMPER	1	1	
8	90387-07391	COLLAR	2	2	
9	95707-06500	NUT, FLANGE	2	2	



3TB351-0380

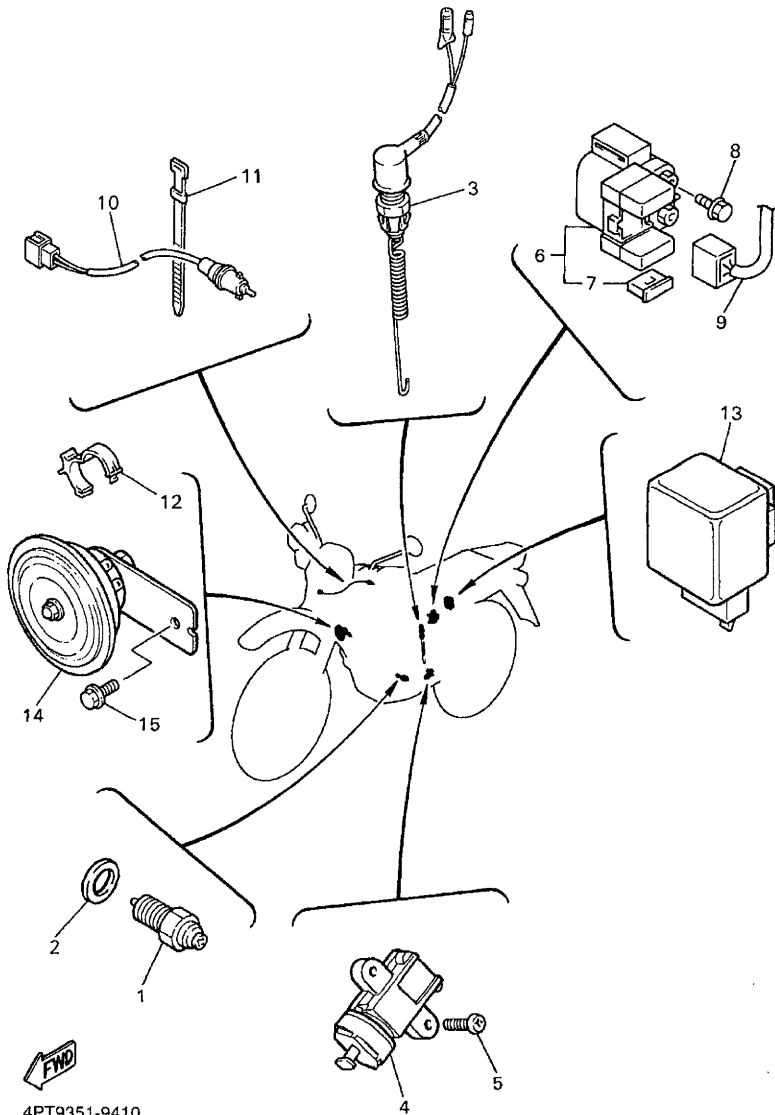
FIG. 41 HANDLE SWITCH. LEVER



4PT351-5390

REF. NO.	PART NO.	DESCRIPTION	4PTB	4SL7	REMARKS
1	1LN-82911-00	HOLDER, LEVER 1	1	1	
2	33G-82913-01	HOLDER, LEVER LOWER 1	1	1	
3	3FY-83912-01	LEVER 1	1	1	
4	90109-06799	BOLT	1	1	
5	95607-06100	NUT, U	1	1	
6	98507-05020	SCREW, PAN HEAD	2	2	
7	92907-05100	WASHER, SPRING	2	2	
8	3YR-83922-00	LEVER 2	1	1	
9	90109-062A8	BOLT	1	1	
10	95607-06100	NUT, U	1	1	
11	90149-06131	SCREW	1	1	
12	90170-06010	NUT	1	1	
13	90501-10312	SPRING, COMPRESSION	1	1	
14	4MY-83969-10	SWITCH, HANDLE 5	1	1	
15	98507-05030	SCREW, PAN HEAD	1	1	
16	98507-05040	SCREW, PAN HEAD	1	1	
17	4DW-83975-10	SWITCH, HANDLE 2	1	1	
18	98507-05018	SCREW, PAN HEAD	2	2	
19	3WP-83980-00	FRONT STOP SWITCH ASSY	1	1	
20	437-83936-01	BAND, SWITCH CORD	4	4	

FIG. 43 ELECTRICAL 2



REF. NO.	PART NO.	DESCRIPTION	4PTB	4SL7	REMARKS
1	4GY-82540-10	NEUTRAL SWITCH ASSY	1	1	
2	90430-10148	GASKET	1	1	
3	34L-82530-02	STOP SWITCH ASSY	1	1	
4	3LD-82566-40	SWITCH, SIDE STAND	1	1	
5	90157-05008	SCREW, PAN HEAD	2	2	
6	4JG-81940-00	STARTER RELAY ASSY	1	1	
7	2GH-82151-00	.FUSE (20A-BL)	2	2	
8	95027-06008	BOLT, FLANGE	2	2	
9	4PT-82509-00	WIRE, SUB LEAD	1	1	
10	2NT-82917-00	SWITCH	1	1	
11	447-82591-00	BAND	1	1	
12	90464-20191	CLAMP	1	1	
13	4MY-83350-01	FLASHER RELAY ASSY	1	1	
14	34Y-83371-00	HORN	1	1	
15	95027-06010	BOLT, FLANGE	1	1	

NUMERICAL INDEX

PART NO.	GRID NO.	PART NO.	GRID NO.	PART NO.	GRID NO.	PART NO.	GRID NO.	PART NO.	GRID NO.	PART NO.	GRID NO.
3TB-W0041-00	E - 8	2F3-12117-00	B - 7	5Y1-14159-00	C - 4	30X-14358-00	C - 3	5Y1-14572-00	C - 3	3YF-16340-01	C - 10
4BA-W0042-50	E - 11	1J7-12118-00	B - 7	7KF-14162-00	C - 2	5Y1-14358-10	B - 15	4PT-14611-00	C - 5	3YF-16351-00	C - 10
4PT-W0045-00	E - 3	1J7-12119-01	B - 7		C - 4		C - 3	3YF-14613-01	C - 5	4H7-16356-01	C - 10
34X-W0046-02	E - 6	1VJ-12121-00	B - 7	1VJ-14197-00	B - 15	2WJ-14367-00	C - 4	3YF-14628-00	C - 5	4PT-16371-00	C - 10
3GD-W0047-00	E - 2	2NX-12146-00	B - 7		C - 3	2KF-14371-01	C - 2	4PT-14711-10	C - 5	3JD-16382-00	C - 10
34X-W0047-00	E - 6	34K-12151-00	B - 7	3LD-14197-00	C - 4		C - 4	3TB-14728-00	C - 5	5Y1-16383-00	C - 10
1UY-W0048-50	E - 2	2NX-12156-00	B - 7	3TD-14197-00	C - 2	5Y1-14384-00	B - 15	4PT-14752-00	C - 5	34K-17121-01	C - 12
51L-W0048-00	E - 6	2NX-12159-00	B - 7	5Y1-14198-00	B - 15		C - 3	4PT-14752-10	C - 5	1VJ-17131-00	C - 12
2KF-W0057-00	E - 6	34K-12161-00	B - 7		C - 3	2JN-14385-00	B - 15	3YF-14755-00	C - 5	34K-17141-00	C - 12
3TB-W0057-00	E - 2	34K-12162-00	B - 7	5Y1-14216-00	B - 15		C - 3	4BD-14766-00	C - 5	3YF-17151-01	C - 12
1VJ-W1141-00	B - 5	34K-12163-00	B - 7		C - 3	689-14386-00	B - 15	1JK-1490A-00	C - 2	3AJ-17211-00	C - 12
5Y1-W1343-00	B - 9	2NX-12166-00	B - 7	7KF-14227-00	B - 15		C - 3		C - 4	2JT-17221-00	C - 12
3TB-W2147-00-WL	D - 2	1JK-12170-00	B - 8		C - 3	3TB-1441A-00	B - 11	2KF-1490J-00	C - 4	1VJ-17231-00	C - 12
4PT-Y2343-00	D - 10	3TB-12176-00	B - 8	1VJ-14286-00	C - 2		B - 13	3UX-1490J-10	C - 4	3AJ-17241-00	C - 12
4PT-Y2410-10-04	D - 13	3TB-12210-00	B - 8		C - 4	3TB-1441E-00	B - 12	4PT-1490J-00	C - 2	3YF-17251-01	C - 12
4PT-Y2410-10-05	D - 13	4DW-12213-00	B - 8	4PT-14291-10	B - 15		B - 13	4PT-1490J-10	C - 2	3YF-17401-00	C - 12
3TB-11101-02	B - 2	34K-12231-00	B - 8		C - 3	3UX-1441L-01	B - 14	3GV-1490K-00	C - 4	3YF-17402-00	C - 12
583-11127-00	B - 2	34K-12241-00	B - 8	2JN-14293-00	B - 15	3TB-14411-01	B - 11	3GV-1490K-10	C - 2	3YF-17439-00	C - 12
	B - 4	5Y9-12491-00	F - 6		C - 3		B - 13	1JK-14940-01	B - 15	2NX-17460-01	C - 12
4H7-11133-10	B - 2	583-13113-00	B - 9	3UX-14301-05	C - 3	3TB-14412-00	B - 13		C - 3	5Y1-17471-00	C - 12
34K-11145-00	B - 6	3AJ-13161-01	B - 9	4PT-14301-10	B - 15	4PT-14412-00	B - 11	4PT-15100-11	C - 6	1JK-17800-01	B - 2
3TB-11166-00	C - 6	3AJ-13300-01	B - 9	3UX-14303-00	B - 14	5Y1-14419-00	B - 12	3Y6-15144-00	C - 6	5Y1-18101-02	C - 15
2KF-11181-01	B - 4	3AJ-13325-00	B - 9	1JK-14313-55	C - 2		B - 14	3YF-15167-00	C - 6	43F-18102-02	C - 15
1L9-11186-00	B - 2	3SX-13329-00	B - 9		C - 4	34X-1443E-00	B - 12	3Y6-15167-00	C - 6	1VJ-18110-01	C - 15
5Y1-11187-00	B - 2	4DW-13415-00	B - 9	14T-14323-00	B - 15		B - 14	5Y1-15383-00	C - 6	1W6-18113-00	C - 15
214-11198-01	B - 9	4X7-13440-01	B - 9		C - 3	4PT-14431-00	B - 11	4PT-15411-00	C - 7	34K-18120-00	C - 15
4PT-1131E-00	B - 4	4PT-13447-00	B - 9	2KF-14341-00	C - 2	43G-14436-00	B - 11	4PT-15415-00	C - 7	4PT-18140-00	C - 14
3TB-11310-00	B - 4	3TB-13464-00	B - 10		C - 4		B - 13	4PT-15421-00	C - 7	4PT-18175-00	C - 14
1VJ-11351-00	B - 4	4PT-13465-00	B - 10	43F-14342-23	C - 2	4PT-14437-00	B - 11	5Y1-15427-01	B - 9	4PT-18511-00	C - 14
3TB-11400-00	B - 5	16G-13569-00	B - 11		C - 4	2WJ-14445-01	B - 14	4PT-15431-10	C - 7	4PT-18512-00	C - 14
34K-11454-00	B - 5		B - 13	288-14343-60	C - 2	4PT-14451-01	B - 11	3YF-15441-00	C - 7	4PT-18513-00	C - 14
5Y1-11496-01	B - 5	43F-13586-01	B - 11	288-14343-61	C - 4		B - 13	4DW-15451-00	C - 7	3YF-18531-00	C - 14
5Y1-11531-00	B - 5		B - 13	288-14343-63	C - 4	3TB-14452-00	B - 12	4DW-15455-00	C - 8	3XV-18535-00	C - 14
2JT-11536-00	B - 5	1VJ-13596-00	B - 11	288-14343-65	C - 2		B - 14	4DW-15462-00	C - 7	3YF-18540-00	C - 14
34K-11565-02	B - 5		B - 13		C - 4	3TB-14453-00	B - 11	1VJ-15511-00	C - 9	136-18542-00	C - 14
34L-11610-00	B - 5	2NX-14103-00	C - 2	288-14343-70	C - 2		B - 13	1VJ-15512-00	C - 9	4PT-21110-01-WL	D - 2
34L-11610-20	B - 5		C - 4	30X-14343-54	C - 4	3TB-14454-00	B - 11	3YF-15515-00	C - 9	4R8-21308-00	D - 15
34L-11610-40	B - 5	51Y-14105-00	C - 2	30X-14343-60	C - 2		B - 13	1VJ-15517-00	C - 9	34L-21315-00	D - 2
3TB-11631-00-YO	B - 5		C - 4	2WJ-14349-00	C - 4	3TB-14457-00	B - 11	1VJ-15521-00	C - 9	3TB-21316-00-90	D - 2
1JK-11633-01	B - 5	2JN-14107-00	C - 2	5Y1-14349-00	C - 2		B - 13	1VJ-15522-00	C - 9	4PT-2137W-01	D - 13
3TB-11636-00	B - 5		C - 4		C - 4	3YF-14462-00	B - 11	3TB-15590-01	C - 9	4PT-2137X-01	D - 13
3TB-11638-00	B - 5	1JK-14131-00	C - 3	2KF-14355-00	C - 2	4PT-14462-00	B - 12	3TB-15594-00	C - 9	3TB-2137Y-00	D - 13
3TB-11651-00	B - 5	1XL-14131-00	B - 15		C - 4		B - 14	3AJ-16111-00	C - 10	46X-21376-00	D - 6
1VJ-11681-00	B - 5	30X-14148-00	C - 2	5Y1-14356-00	B - 15	55K-14476-00	B - 12	3AJ-16150-00	C - 10	34M-2139X-00	D - 14
1VJ-12111-00	B - 7		C - 4		C - 3		B - 13	2JN-16154-00	C - 10	5Y1-21441-00	D - 2
5Y1-12113-00	B - 7	5Y1-14149-00	C - 2	1JK-14357-00	B - 15	5Y1-14536-00	B - 15	5Y1-16321-00	C - 10	34K-21485-00	D - 2
5Y1-12114-00	B - 7		C - 4		C - 3		C - 3	360-16325-00	C - 10	34K-21486-00	D - 2
4H7-12116-00	B - 7	5Y1-14159-00	C - 2	30X-14358-00	B - 15	5Y1-14572-00	B - 15	5Y1-16331-01	C - 10	3RW-21511-B0	D - 4

NUMERICAL INDEX

PART NO.	GRID NO.	PART NO.	GRID NO.	PART NO.	GRID NO.	PART NO.	GRID NO.	PART NO.	GRID NO.	PART NO.	GRID NO.
3RW-21511-70	D - 4	34L-22216-00	D - 9	4PT-2414J-00	D - 14	4PT-2580E-00	E - 11	3TB-27200-02	E - 11	3TB-82305-10	F - 6
3TB-21511-B0	D - 4	34L-22226-01	D - 9	4PT-2416F-00	D - 14	4PT-2580T-00	E - 2	2YK-27222-00	E - 11	4PT-82305-01	F - 6
3TB-21511-70	D - 4	3TB-22311-00	D - 8	4PT-2416F-10	D - 14	3TB-2580W-10	E - 6	3KW-82310-00	E - 11	3SX-82310-00	F - 6
3TB-21521-01	D - 4	4PT-23102-00	D - 11	4PT-2416G-00	D - 14	2KF-25819-00	E - 5	55V-27242-00	E - 11	3TB-82316-01	F - 6
4PT-21611-00	D - 4	4PT-23103-00	D - 11	4PT-24161-60	D - 13	2YK-2582A-00	E - 11	4PT-27311-00	E - 9	371-82370-00	F - 6
4PT-21611-30	D - 4	4PT-23110-00	D - 11	3TB-24181-00	D - 13	3LP-2582T-00	E - 2	5Y1-27315-00	E - 9	4PU-82501-01	F - 6
1VJ-21621-00	D - 5	3EN-23111-51	D - 11	4PT-24182-00	D - 13	3TB-25827-00	E - 6	1TX-27351-00	E - 9	4PT-82509-00	F - 7
3TB-21621-00	B - 12		D - 12	30X-24183-01	D - 13	2KF-25828-00	E - 6	4PT-2741L-00	E - 9	34L-82530-02	F - 7
	B - 14	4PT-23118-00	D - 11	30X-24186-01	D - 13	2KF-25831-50	E - 6	5Y1-27411-00-90	E - 9	4GY-82540-10	F - 7
4PT-2163A-00	D - 4		D - 12	3TB-24188-00	D - 13	34X-25845-00	E - 6	34L-27412-00-R4	E - 9	3LD-82566-40	F - 7
42U-21639-00	D - 4	3JD-23125-L0	D - 11	3FY-24500-00	D - 13	2KF-25852-50	E - 11	4PT-2742L-00	E - 9	4PT-82590-30	F - 6
3TB-2164F-01	D - 5	4PT-23126-00	D - 11	360-24512-00	B - 15	4H7-25852-00	E - 8	5Y1-27421-00-90	E - 9	447-82591-00	F - 7
2KF-21685-01	D - 4	2KF-23127-01	D - 12		C - 3	360-25854-01	E - 12	2KF-27422-00-R4	E - 9	8Y0-82599-00	F - 6
2KF-21685-11	D - 4	4PT-23136-00	D - 11	4X8-24512-00	D - 13	4L0-25854-00	E - 8	120-27431-00	E - 9	1LN-82911-00	F - 5
34X-21691-00	B - 12	4PT-23141-00	D - 11	3AJ-24523-00	D - 13	2GU-25855-00	E - 12	120-27433-00	E - 9	33G-82913-01	F - 5
	B - 14		D - 12	3AJ-24534-00	D - 13	2VN-25866-00	E - 11	2KF-27491-00	D - 8	2NT-82917-00	F - 7
4PT-21711-00	D - 6	43F-23144-10	D - 11	214-24535-00	B - 15	4L0-25867-00	E - 8	3TB-28100-00	D - 6	3TB-83310-01	E - 15
4PT-21711-30	D - 6	3BN-23145-00	D - 11		C - 2	3TB-25870-00	E - 8	4PT-28117-00	E - 13	306-83311-40	E - 15
4PT-21717-00	D - 6	36Y-23146-10	D - 11		C - 3	3TB-25872-02	E - 8	4PT-28351-00	E - 13	47J-83312-00	E - 15
4PT-21721-00	D - 6	4DW-23149-40	D - 11		C - 4	4PT-25873-10	E - 12	4PT-28351-40	E - 13	47J-83313-00	E - 15
4PT-21721-30	D - 6		D - 12	11H-24602-03	D - 13	4PT-25876-00	D - 8	4PT-28365-00	E - 13	3TB-83320-01	E - 15
4PT-2174A-00	D - 6	26H-23156-00	D - 11	3TB-24723-00	D - 15	3AJ-25888-00	E - 11	4PT-28391-20	E - 13	47J-83322-00	E - 15
4PT-2174A-10	D - 6	509-23158-L0	D - 11	4PT-24731-60	D - 15	47X-25894-00	E - 11	3TB-28415-01	D - 3	4PT-83330-00	E - 15
4PT-2174A-20	D - 6		D - 12	4PT-24731-70	D - 15	4PT-25895-00	E - 11	89A-77214-00	B - 12	2KF-83332-00	E - 15
4PT-2174T-00	D - 5	3XJ-23167-L0	D - 12	4PT-24770-60	D - 15	3JD-25917-00	E - 2		B - 14	4PT-83340-00	E - 15
3TB-21756-00	D - 2	4PT-23170-00	D - 11	4PT-24770-70	D - 15	3TB-25919-00	E - 2	3TB-81410-01	E - 14	2KF-83342-00	E - 15
3TB-21771-00	D - 3		D - 12	3TB-25104-00	E - 2	4MA-25919-00	E - 6	3TB-81450-01	E - 14	4MY-83350-01	F - 7
4PT-21781-00	D - 6	3JD-23171-L0	D - 11	3YF-25111-00-98	E - 2	2GV-25926-00	E - 6	3AJ-81801-00	C - 9	10V-83365-00	E - 15
4PT-21781-10	D - 6	3GM-23173-00	D - 11	322-25118-00	E - 2	3TB-25933-00	E - 3	3AJ-81809-00	C - 9	18G-83365-00	E - 15
8V7-21961-00	E - 13		D - 12	55U-25181-01	E - 2	1UY-25937-51	E - 2	3TB-81815-00	C - 9	34Y-83371-00	F - 7
4PT-22110-00-35	D - 7	278-23181-50	D - 11	34L-25190-01	E - 2	34X-25937-00	E - 6	4XV-8182A-00	C - 9	5Y1-83513-00	F - 2
34L-22117-00	D - 8		D - 12	3TB-25304-00	E - 4	5R2-25937-00	E - 6	3AJ-81820-00	C - 9	37T-83517-00	F - 2
1VJ-22123-00	D - 7	43F-23188-10	D - 11	2KF-25311-00-98	E - 4	4PT-26111-00	E - 7	3AJ-81830-00	C - 9	5Y1-83519-00	F - 2
2K6-22128-01	D - 7		D - 12	146-25315-00	E - 4	2KF-26141-00	E - 7	11H-81844-00	C - 9	30X-83520-00	F - 2
34L-22128-00	D - 7	3TB-23191-11	D - 12	4PT-25336-00	E - 2	3TB-26142-70	E - 7	1FK-81847-00	C - 9	437-83525-00	F - 2
23X-22129-00	D - 8	43M-23192-L0	D - 12	5Y1-25364-00	E - 4	55V-26241-00	E - 7	3AJ-81850-00	C - 9	1M1-83526-00	F - 2
34L-22129-00	D - 9	3TB-2331E-00	D - 10	1VJ-25366-01-98	E - 4	55V-26242-00	E - 7	4G0-81871-00	C - 9	5Y1-83536-00	F - 2
1VJ-22141-00	D - 8	3LD-23318-00	D - 10	36R-25367-00	E - 5	1RF-26243-00	E - 7	3SX-81890-00	C - 9	4PT-83540-10	F - 2
4PT-22151-00	D - 7	3TB-23318-00	E - 8	1VJ-25377-00	E - 4	4PT-26246-00	E - 7	4JG-81940-00	F - 7	5Y1-83541-00	F - 2
3TB-2217A-00	D - 7	4PT-23340-00	D - 12	3AJ-25381-01	E - 4	3Y1-26249-00	E - 7	3TB-81953-00	B - 11	3ET-83550-03	F - 2
34L-2217F-00	D - 7	4PT-23389-10	D - 10	1VJ-25383-00	E - 5	3TB-26280-01	E - 7		B - 13	4PT-83560-01	F - 2
3TB-22178-00	D - 2	1W1-23416-00	D - 10	3Y1-25388-01	E - 4	34K-26281-00	E - 7	3TJ-81960-02	F - 6	4PT-83570-00	F - 2
30X-22178-00	D - 3	3YF-23418-00	D - 10	3Y1-25389-00	E - 4	1VJ-26282-00	E - 7	3PK-82100-01	F - 6	4PT-83570-10	F - 2
4V4-22184-00	D - 2	5A8-23434-01	D - 10	4PT-2539F-00	E - 5	3TB-26290-01	E - 7	4PT-82115-10	F - 6	3FY-83912-01	F - 5
	D - 3	1E6-23441-10-98	D - 10	156-25398-00	E - 2	4PT-26302-01	E - 7	4PT-82116-00	F - 6	3YR-83922-00	F - 5
3TB-22189-00	D - 8	3Y6-23442-00-98	D - 10		E - 4	4PT-26335-00	E - 7	5Y1-82122-00	F - 6	437-83936-01	F - 5
38V-22199-00	D - 7	3TB-23466-01	E - 8	5Y1-25412-00	E - 4	1E6-26342-00	E - 7	2T4-82131-00	F - 6	4MY-83969-10	F - 5
4PT-22210-00-33	D - 9	4PT-2414H-00	D - 14	4DN-25445-20	E - 4	1UJ-27114-00	C - 5	2GH-82151-00	F - 7	4DW-83975-10	F - 5

NUMERICAL INDEX

PART NO.	GRID NO.	PART NO.	GRID NO.	PART NO.	GRID NO.	PART NO.	GRID NO.	PART NO.	GRID NO.	PART NO.	GRID NO.
3WP-83980-00	F - 5	90109-102G8	D - 8	90201-047A2	B - 14	90240-14106	D - 9	90387-152J3	E - 2	90467-14057	E - 11
3TB-84137-00	F - 3	90110-08193	E - 14	90201-05033	F - 2	90267-32071	D - 4	90387-16782	C - 6	90467-17128	C - 6
3TB-8431R-00	F - 3	90116-06475	B - 2	90201-06055	D - 6	90267-40075	B - 11	90387-173M5	E - 4	90468-12120	F - 3
4PT-84311-01	F - 3	90116-10263	C - 6	90201-064H0	D - 5		B - 13	90387-174F0	E - 5	90480-01141	D - 6
3TB-84312-00	F - 3	90116-10348	E - 4	90201-06557	D - 4	90267-40077	B - 12	90387-17783	C - 6	90480-12053	E - 13
2F9-84314-00	F - 3	90116-10378	B - 2	90201-080L8	B - 4		B - 14	90401-08133	B - 9	90480-12325	B - 11
3TB-84320-10	F - 3	90116-10506	C - 6	90201-08083	E - 11	90267-40080	D - 2	90401-10159	E - 12		B - 13
3TB-84320-20	F - 3	90119-06060	D - 4	90201-08326	C - 5	90267-40110	D - 5		E - 8	90480-13398	D - 4
3TB-84325-00	F - 3	90119-06063	D - 15	90201-085L3	B - 4	90280-16053	B - 5	90430-05126	B - 9	90480-13428	D - 14
3TB-84329-00	F - 3	90119-06097	D - 4	90201-08753	D - 2	90282-05013	B - 6	90430-06014	B - 3	90480-14102	F - 3
5G2-84332-60	F - 3		F - 3		D - 3	90282-07042	C - 10		C - 10	90480-14329	B - 12
198-84334-60	F - 3	90119-06205	D - 8	90201-10118	E - 12	90338-06143	D - 7	90430-08119	C - 6		B - 14
2XJ-84345-00	B - 11	90119-06228	D - 4		E - 8	90338-08174	B - 12		D - 2	90480-15064	B - 12
306-84347-30	F - 3	90123-08046	E - 7	90201-10119	C - 10		B - 14	90430-08143	C - 7		B - 14
4E2-84347-00	F - 3	90149-05110	B - 9	90201-10124	B - 4	90338-09130	E - 2	90430-08178	B - 4	90480-15363	D - 2
34X-84527-00	F - 4	90149-05299	D - 13	90201-10140	E - 5		E - 4		C - 6	90501-043E0	B - 9
1XL-84710-E0	F - 4	90149-06131	F - 5	90201-10141	D - 10	90338-22207	B - 3	90430-08204	B - 9	90501-10312	F - 5
1A2-84714-41	F - 4	90149-06154	D - 15	90201-102J5	C - 5	90340-08014	C - 7	90430-10148	F - 7	90501-22721	B - 5
3TB-84717-01	F - 4	90149-06223	D - 14	90201-10430	D - 8	90340-14068	B - 2	90430-22123	D - 2	90501-23142	C - 10
53V-84721-40	F - 4		D - 6	90201-10590	B - 4	90340-14132	B - 9	90430-27124	D - 3	90506-18224	E - 9
34Y-84723-E0	F - 4	90149-06263	E - 13	90201-120A5	D - 7	90340-36076	C - 7	90445-10458	D - 13	90506-26225	E - 9
3YF-84751-00	D - 5	90149-08067	C - 6	90201-12474	C - 15	90380-14095	D - 7	90445-115J7	D - 3	90507-18055	E - 11
3Y6-85130-02	D - 5	90151-06017	C - 14	90201-12699	D - 8	90380-14130	D - 9	90445-122H1	B - 12	90508-14352	E - 11
33G-85132-02	D - 4	90157-05008	F - 7	90201-13409	D - 3	90380-22111	D - 7		B - 14	90508-14767	C - 10
4FL-85546-00	F - 6	90159-06078	C - 14	90201-140G9	D - 7	90386-20120	D - 7	90450-22017	B - 10	90508-20023	E - 9
90101-12295	D - 9	90159-06092	C - 10	90201-14215	E - 11	90386-20123	D - 8	90460-46206	B - 11	90508-26691	C - 14
90101-12498	D - 8	90170-06010	F - 5	90201-14226	B - 5	90387-06026	D - 6		B - 13	90508-29629	C - 15
90105-07342	B - 8	90170-06128	B - 7	90201-150U6	C - 10	90387-06033	B - 12	90460-51059	B - 12	90560-15240	E - 2
90105-08505	B - 4	90170-10219	E - 4	90201-15238	D - 8		B - 14		B - 14	90560-20199	C - 13
90105-10186	C - 5	90170-16343	B - 6	90201-15785	C - 10	90387-06043	D - 4	90460-58124	B - 12	91317-06012	C - 5
90105-10285	E - 9	90170-20274	C - 10	90201-20276	C - 12	90387-062E2	D - 13		B - 14	91317-06016	B - 10
90105-10638	E - 6	90170-20327	C - 10	90201-20279	E - 9	90387-063E6	F - 3	90461-16124	E - 8		C - 7
90105-10778	E - 3	90176-06065	D - 4	90201-244A8	D - 7	90387-06372	D - 4	90462-16102	C - 7	91317-06018	B - 2
90105-12616	E - 9	90176-08026	B - 4	90201-251F6	D - 8	90387-064J1	D - 14	90462-20217	B - 3	91317-06020	B - 11
90105-12668	D - 7	90176-22050	D - 10	90201-301F4	B - 5		D - 4	90464-20191	F - 7		B - 13
90109-062A8	F - 5	90179-05523	D - 13	90201-303P4	C - 9	90387-06500	E - 7	90465-08125	B - 14	91317-06025	B - 2
90109-063E8	B - 7		F - 6	90202-05193	D - 13	90387-06681	D - 4		B - 2		B - 8
90109-063E9	B - 2	90179-06668	C - 5	90202-06013	F - 3	90387-06737	D - 7	90465-08344	C - 6		C - 7
90109-06418	B - 3	90179-08148	E - 7	90202-26142	D - 10	90387-07391	D - 2	90465-13152	F - 6		C - 8
	C - 10	90179-10201	B - 4	90206-06090	C - 5		F - 3	90467-09006	D - 13	91317-06030	C - 6
	B - 9	90179-10279	B - 4	90206-12075	B - 7		F - 4	90467-10008	D - 3		C - 7
90109-06419	B - 9	90179-14317	B - 5	90209-22191	C - 12	90387-075H4	B - 12	90467-10039	B - 11	91317-06035	B - 4
90109-065G4	E - 6	90179-18552	C - 13	90215-16242	B - 6		B - 14		B - 13		B - 9
90109-06799	F - 5	90179-25615	D - 10	90215-20197	C - 10	90387-07717	D - 6	90467-11106	B - 12		C - 7
90109-080G5	F - 6	90185-10060	D - 8	90215-20231	C - 10	90387-07789	D - 7		B - 14	91317-06040	B - 2
90109-081F0	E - 2	90185-12119	E - 9	90215-23265	C - 12	90387-085E1	D - 3	90467-12052	B - 12	91317-06045	C - 6
90109-082G0	C - 5	90185-14070	D - 8	90240-08096	E - 9	90387-1206D	D - 7		B - 14	91317-06050	B - 2
90109-087F1	E - 9	90201-047A2	B - 12	90240-08124	E - 11	90387-122J6	D - 8	90467-14015	C - 6		C - 7
90109-08705	D - 3										



NUMERICAL INDEX

PART NO.	GRID NO.	PART NO.	GRID NO.	PART NO.	GRID NO.	PART NO.	GRID NO.	PART NO.	GRID NO.	PART NO.	GRID NO.
91317-06055	B - 2	93102-25226	C - 12	93450-24028	B - 5	95707-05500	D - 5	98507-05025	E - 7		
91317-06060	C - 6	93102-25311	E - 4	93503-08007	B - 9	95707-06500	F - 4	98507-05030	F - 5		
91317-06080	B - 9	93106-22019	D - 7	93604-10011	C - 14	95807-06010	D - 8	98507-05040	F - 5		
91317-06115	B - 2	93106-30029	E - 4	93605-10090	B - 5		F - 6	98507-06012	C - 7		
91317-06125	B - 2	93108-35004	D - 7	93608-33046	C - 15	95807-06012	D - 8	98507-06016	B - 9		
91401-16012	E - 11	93210-07135	B - 9	93700-06004	D - 8	95807-06016	D - 13	98507-06020	E - 11		
91401-20012	E - 10		C - 6	93700-06005	D - 8		D - 7	98507-06025	E - 14		
	E - 11	93210-08521	B - 7	94109-2108C	E - 2		E - 8		F - 6		
91401-25015	E - 9	93210-100A9	B - 10	94109-2109R	E - 2	95807-06020	B - 12	98507-06030	E - 7		
91401-30020	E - 11	93210-13361	B - 9	94112-1708D	E - 4		B - 14	98580-04016	B - 15		
91401-30025	D - 9		C - 7	94112-1709S	E - 4	95807-08012	D - 2		C - 3		
91701-06022	E - 11	93210-13657	B - 2	94209-21277	E - 2	95817-06030	C - 9	98706-04012	E - 8		
91701-06040	E - 9	93210-14104	F - 2	94212-17264	E - 4	95817-10070	D - 2	98707-06012	C - 6		
92014-06012	C - 5	93210-15171	B - 10	94212-17281	E - 4	95817-10100	D - 2	98707-06030	B - 2		
92017-08020	E - 11	93210-15620	E - 11	94227-21101	E - 2	95821-08055	D - 12	98907-06020	D - 6		
92017-08025	F - 3	93210-32172	B - 2	94330-17158	E - 4	95827-06025	B - 12	98980-06010	C - 5		
92017-08050	D - 5	93210-357A3	C - 7	94330-21084	E - 2		B - 14	99001-09600	C - 15		
92902-04100	B - 15	93210-36769	B - 11	94418-21492	E - 2		D - 2	99001-10600	C - 15		
	C - 3		B - 13	94425-17491	E - 4	95827-08035	D - 10	99009-10400	C - 11		
92907-03200	D - 4	93210-62523	B - 2	94581-45106	E - 4	95827-10030	E - 5	99009-11400	B - 9		
92907-04200	B - 12	93210-64297	B - 9	94590-27126	B - 8	97007-05025	F - 6	99009-20400	C - 12		
	B - 14	93210-98473	B - 4	94701-00241	B - 2	97007-06020	D - 7		C - 13		
	D - 2	93306-00426	C - 12	95027-06008	F - 7	97007-06025	D - 4	99226-00160	D - 13		
	D - 5	93306-00431	C - 12	95027-06010	D - 2	97017-10080	D - 2	99246-00080	D - 5		
92907-04600	B - 11	93306-20006	C - 9		F - 7	97027-06014	C - 12		E - 13		
	B - 13	93306-20205	E - 2	95027-06012	D - 5	97027-06016	B - 8	99510-08016	C - 6		
92907-05100	E - 14	93306-20348	E - 4	95027-06016	D - 13		C - 6	99530-08016	B - 4		
	F - 5	93306-30437	E - 4		D - 4	97027-06020	C - 15		C - 6		
92907-05600	B - 12	93306-30525	B - 5	95027-06025	E - 8	97701-40630	F - 4		C - 7		
	B - 13	93306-30534	B - 5	95027-06060	D - 7	97706-40620	E - 15	99530-10116	B - 2		
	D - 10	93306-30535	C - 12	95027-08016	D - 3	97707-50520	B - 11	99530-12016	B - 4		
	E - 14	93306-30540	C - 12	95027-08040	D - 10		B - 13		C - 6		
92907-06100	E - 14	93306-30702	B - 5	95027-08045	C - 5	97801-03008	D - 13		C - 7		
92907-06600	B - 2	93310-212R6	C - 9	95302-08600	E - 11	98501-04010	B - 15	99530-14016	C - 6		
	B - 8	93310-217R7	C - 9	95307-05600	D - 10		C - 3				
	E - 11	93310-530C7	C - 9	95307-06600	D - 5	98501-04014	B - 15				
	E - 7	93310-635D4	B - 5	95307-06800	E - 7		C - 3				
92907-10600	D - 2	93315-10838	C - 11	95307-12700	E - 15	98501-05010	C - 2				
92907-14600	D - 9	93315-22251	D - 7	95604-16200	E - 5		C - 4				
92907-16200	E - 5	93315-31502	C - 11	95607-04100	D - 5	98506-04016	D - 12				
92990-04100	B - 15	93315-31750	D - 7	95607-06100	D - 4	98507-04012	D - 5				
	C - 3	93316-00501	C - 14		F - 5	98507-05016	E - 14				
92990-06200	C - 5	93332-00001	D - 10	95607-10100	D - 10	98507-05018	F - 5				
93101-14092	C - 7	93332-00008	D - 10	95607-10200	D - 2	98507-05020	B - 12				
93101-25106	B - 6	93340-21505	C - 10	95617-12100	D - 7		B - 13				
93102-12106	C - 15	93440-11024	C - 9		D - 8		D - 10				
93102-15212	C - 10	93440-12052	B - 2		D - 9		E - 7				
93102-20281	E - 2	93440-25084	C - 12	95701-08500	D - 12		F - 5				