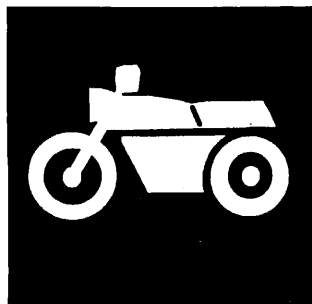


YAMAHA

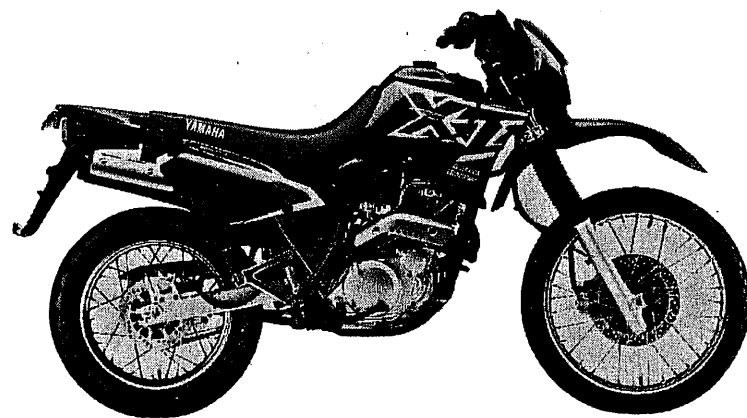


**PARTS
CATALOGUE**

XT600E'96 (4PT3) EUROPE
XT600E'96 (4SL2) SWITZERLAND

164PT-300E1

YAMAHA
GENUINE
Parts & Accessories



A3



FOREWORD

This Parts Catalogue is related to the parts for the model(s) in the below frame. When you are ordering replacement parts, please refer to this Parts Catalogue and quote both part numbers and part names correctly.

XT600E'96(4PT3,4SL2)

1. Modifications or additions which have been made after issue of the Parts Catalogue will be announced in the Yamaha Parts News.
It is advisable that you make necessary corrections to the Parts Catalogue according to the Yamaha Parts News.

2. Abbreviations
The following abbreviations are used in this Parts Catalogue.

"UR" Use specified parts number.
 "UN" Use as many as needed.
 "AP" Alternate Parts
 "LM" Local Made (Parts need to be ordered locally)
 "F#" Frame No. (Applicable machine No.)

3. Parts, which are to be supplied in an assembly, are listed with a dot (.) in front of the part name as shown below.

EXAMPLE
 CARBURETOR ASSY
 . JET, PILOT
 . NOZZLE, MAIN

4. Number of component for assembly
The numeral appearing to the right of each component part indicates the quantity of parts for each assembly unit.

EXAMPLE

PART NO.	DESCRIPTION	Q'TY	REMARKS
2F5-83310-60	FRONT FLASHER LIGHT ASSY	2	
115-83311-60	. BULB (6V-18W)	1	

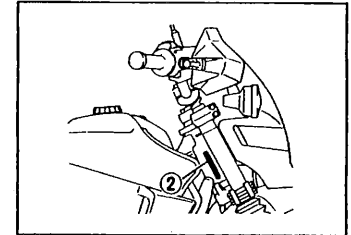
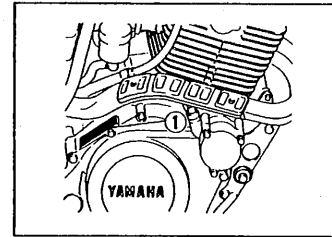
5. Applicable colors of graphics are represented in the "REMARKS" as shown below.

PART NO.	DESCRIPTION	Q'TY	REMARKS
2N4-24110-00-X5	FUEL TANK COMP.	1	MAXIM RED
3J1-24240-10	. GRAPHIC, FUEL TANK	1	for MXR

6. Applicable Serial No.

① Engine Serial No.

② Frame Serial No.

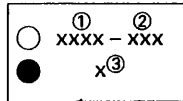


7. Note that the illustrations are for reference in finding parts numbers, not to be used for assembling. When assembling, please use the applicable service manual.
8. The asterisk (*) before a reference number indicates modification items after the first edition.

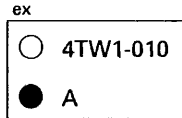
MODEL LABEL

(1) A label called "Model Label" is affixed in the location as indicated in (3) below. When using this parts catalogue, please be sure to cross-refer the "model code - production code No." in the catalogue to the "model code - production code No." indicated on the Model Label affixed onto the product concerned.

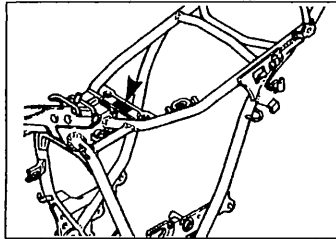
(2) "Model Label" Indication



- ① Model Type Code
- ② Production Code No.
- ③ Colouring Type



(3) Model Label Affixing Location



(4) Model Code - Production Code Number of Model Listed in This Parts Catalog

Model code	Production code No.	Country (destination)	Model code	Production code No.	Country (destination)
4PT3	020	BELGIUM			
	040	DENMARK			
	050	ENGLAND			
	060	GREECE			
	070	ITALY			
	080	HOLLAND			
	090	NORWAY			
	100	PORTUGAL			
	110	SWEDEN			
4SL2	010	SWITZERLAND			

(5) Colouring Information

Colouring type code	Colour code	Colour Name	Abbreviation
A	0033	YAMAHA BLACK	YB
B	0206	PURPLISH WHITE SOLID 1	PWS 1
C	0385	DARK GRAYISH CYAN SOLID 4	DNCS 4

CONTENTS

GENERAL SPEC.

ENGINE

Cylinder Head	B2 ~ B3
Cylinder	B4
Crankshaft · Piston	B5 ~ B6
Valve	B7
Camshaft · Chain	B8
Oil Pump	B9 ~ B10
Intake	B11 ~ B12
Carburetor	B13 ~ B14
Exhaust	B15
Crankcase	C2
Crankcase Cover 1	C3 ~ C4
Starter Clutch	C5
Clutch	C6 ~ C7
Transmission	C8 ~ C9
Shift Cam · Fork	C10
Shift Shaft	C11

CHASSIS

Frame	C12 ~ C13
Fender	C14 ~ C15
Side Cover	D2
Rear Arm	D3 ~ D4
Rear Suspension	D5
Steering	D6
Front Fork	D7 ~ D8

Fuel Tank	D9 ~ D10
Seat	D11
Front Wheel	D12 ~ D13
Rear Wheel	D14 ~ D15
Rear Brake Calipper	E2
Steering Handle · Cable	E3
Front Master Cylinder	E4
Stand · Footrest	E5
Rear Master Cylinder	E6 ~ E7
Cowling 1	E8
Generator	E9
Flasher Light	E10
Meter	E11
Headlight	E12
Taillight	E13
Handle Switch · Lever	E14
Electrical 1	E15
Electrical 2	F2

FOR ENGLAND

Alternate (Electrical)	F6
------------------------------	----

FOR SWITZERLAND

Alternate (Engine)	F8 ~ F9
Alternate (Chassis)	F10

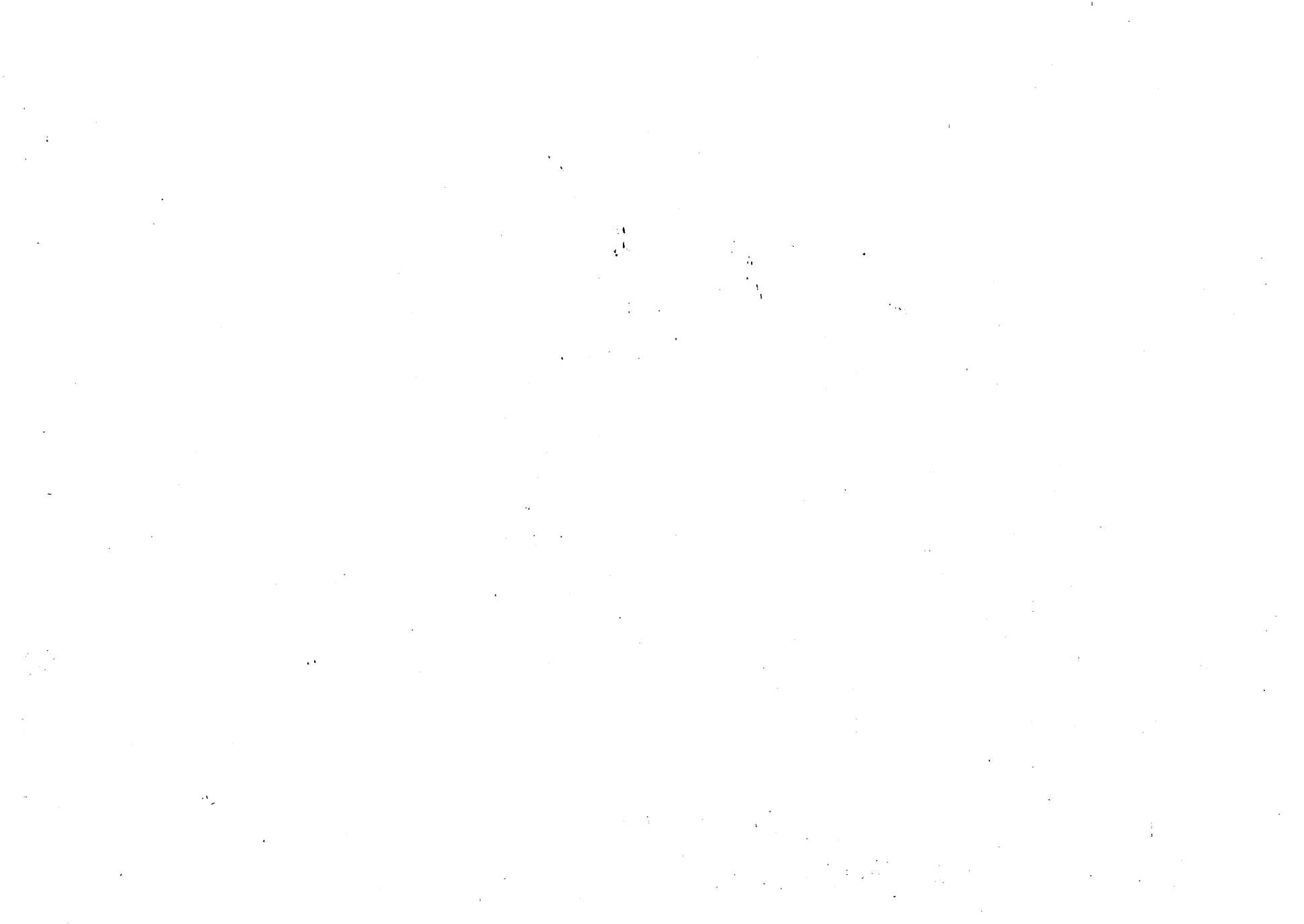
INDEX

NUMERICAL INDEX	L1 ~ L4
-----------------------	---------

INDIVIDUAL SPEC.

FOR DENMARK, NORWAY, SWEDEN

Alternate (Fender)	F4
--------------------------	----



GENERAL SPEC.

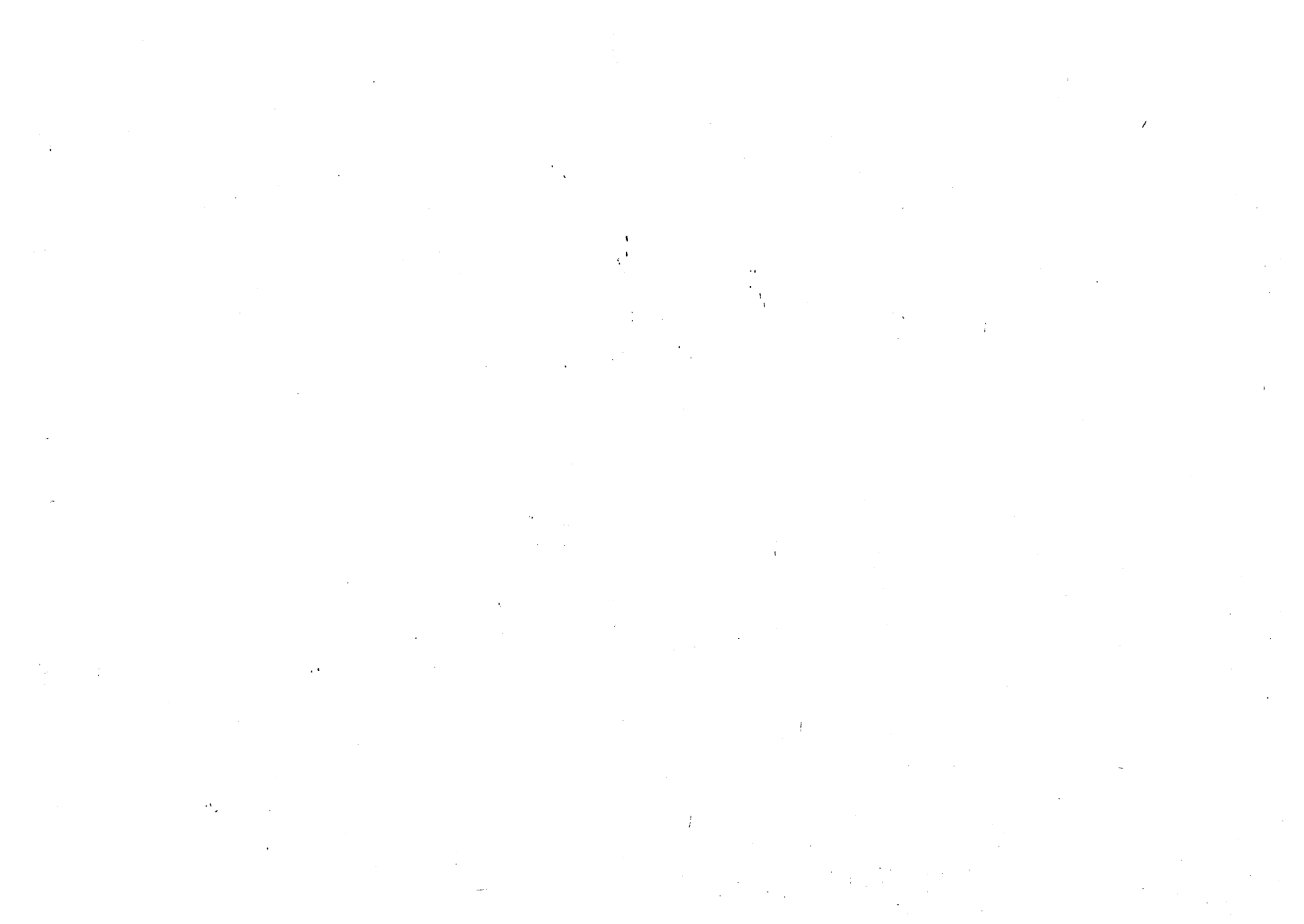
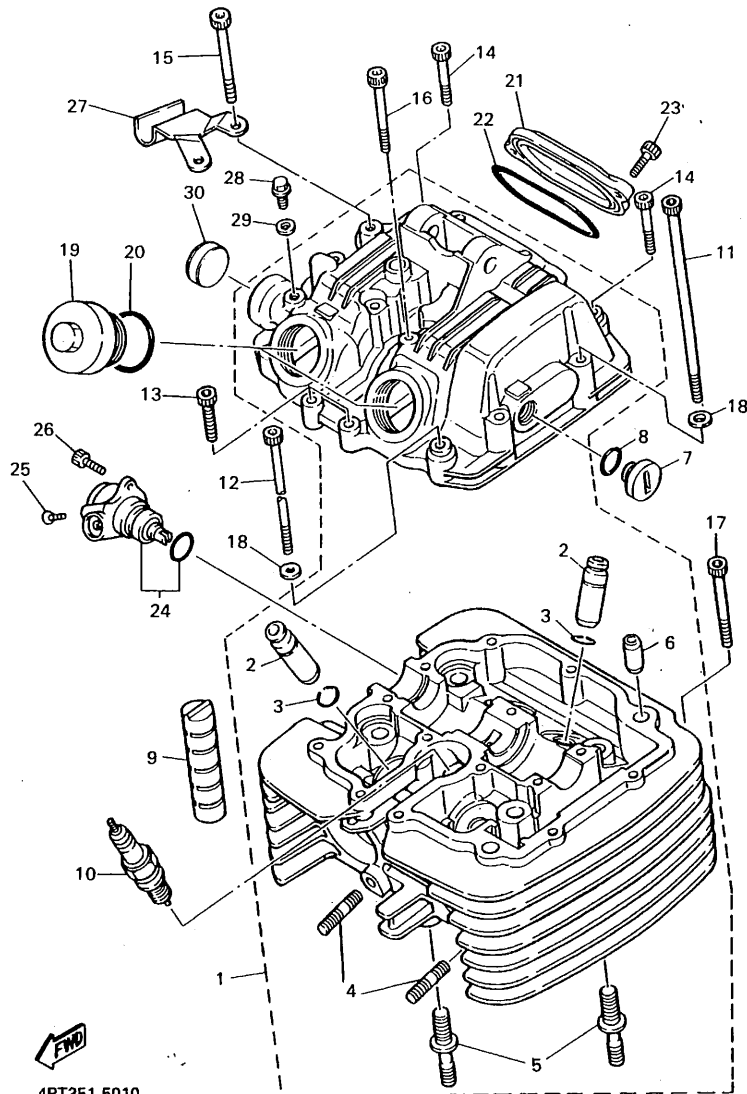


FIG. 1 CYLINDER HEAD



4PT351-5010

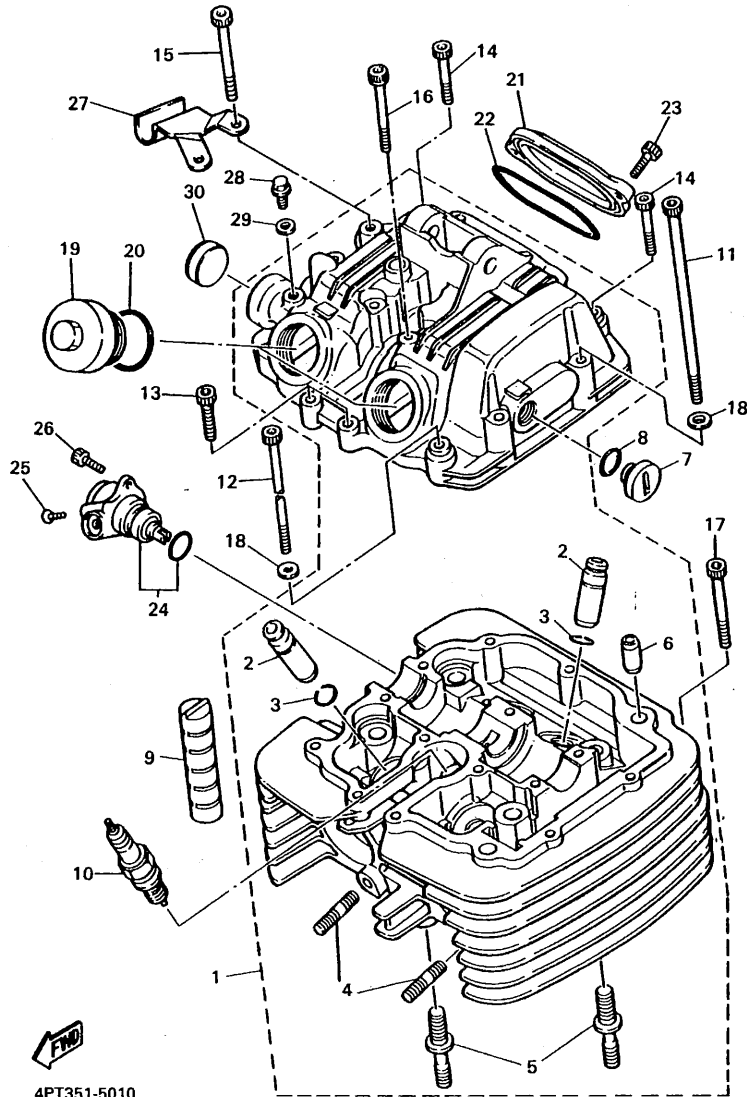
REF. NO.	PART NO.	DESCRIPTION	Q'TY	REMARKS
1	3TB-11101-01	CYLINDER HEAD ASSY	1	
2	4H7-11133-10	•GUIDE, INTAKE VALVE	4	
3	93440-12052	•CIRCLIP	4	
4	90116-06475	•BOLT, STUD	4	
5	90116-10378	•BOLT, STUD	2	
6	99530-10116	•PIN, DOWEL	2	
7	90340-14068	PLUG, STRAIGHT SCREW	1	
8	93210-13657	O-RING	1	
9	583-11127-00	ABSORBER 3	2	
10	94701-00241	PLUG, SPARK (NGK DPR8EA-9)	1	
11	91317-06125	BOLT	2	
12	91317-06115	BOLT	1	
13	91317-06025	BOLT	4	
14	91317-06040	BOLT	2	
15	91317-06055	BOLT	6	
16	90109-063E9	BOLT	1	
17	91317-06050	BOLT	1	
18	92907-06600	WASHER, PLATE	3	
19	1L9-11186-00	COVER, CYLINDER HEAD SIDE 2	2	
20	93210-32172	O-RING	2	
21	5Y1-11187-00	COVER, CYLINDER HEAD SIDE 3	1	
22	93210-62446	O-RING	1	
23	91317-06018	BOLT	2	
24	3YF-17800-00	GEAR UNIT ASSY	1	
25	98707-06030	SCREW, FLAT HEAD	1	
26	91317-06025	BOLT, SOCKET HEAD	1	
27	90462-20217	CLAMP	1	
28	90109-06418	BOLT	1	

FIG. 1 CYLINDER HEAD

REF. NO.	PART NO.	DESCRIPTION	Q'TY	REMARKS
----------	----------	-------------	------	---------

29	90430-06014	GASKET	1	
----	-------------	--------	---	--

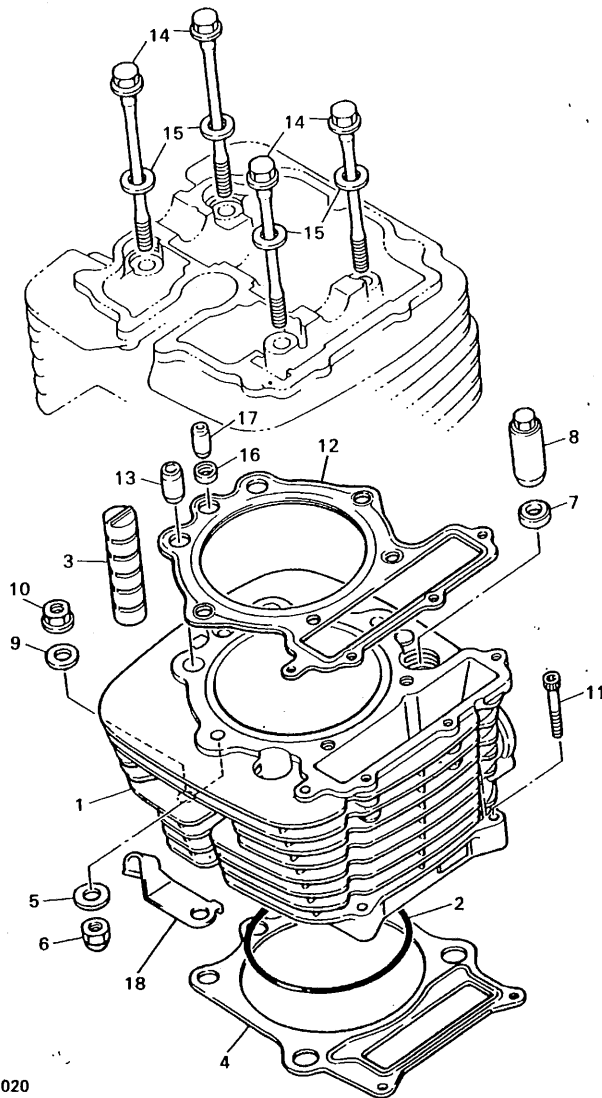
30	90338-22207	PLUG	1	
----	-------------	------	---	--



4PT351-5010

B3

FIG. 2 CYLINDER



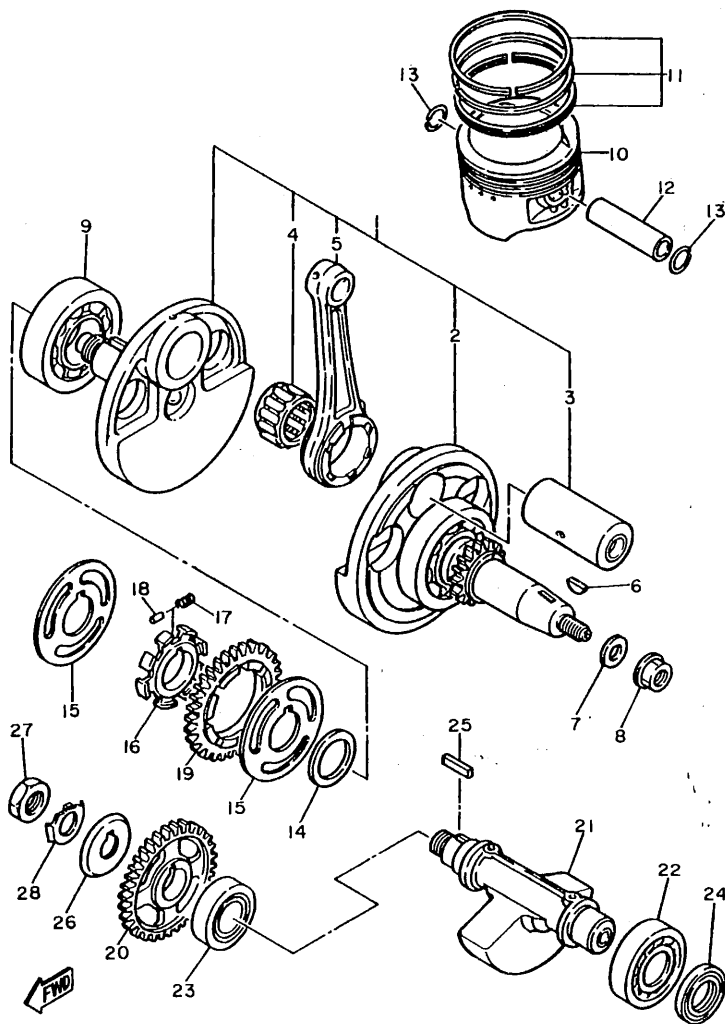
REF. NO.	PART NO.	DESCRIPTION	Q'TY	REMARKS
1	3TB-11310-00	CYLINDER	1	
2	93210-97524	O-RING	1	
3	583-11127-00	ABSORBER 3	2	
4	1VJ-11351-00	GASKET, CYLINDER	1	
5	90201-080L8	WASHER, PLATE	2	
6	90176-08026	NUT, CROWN	2	
7	90201-10590	WASHER, PLATE	2	
8	90179-10201	NUT	2	
9	90201-10124	WASHER, PLATE	2	
10	90179-10279	NUT	2	
11	91317-06035	BOLT	2	
12	2KF-11181-01	GASKET, CYLINDER HEAD 1	1	
13	99510-12016	PIN, DOWEL	2	
14	90105-08505	BOLT, WASHER BASED	4	
15	90201-085L3	WASHER, PLATE	4	
16	90430-08178	GASKET	1	
17	99510-08016	PIN, DOWEL	1	
18	4PT-1131E-00	HOLDER 1	1	



4PT351-6020

B4

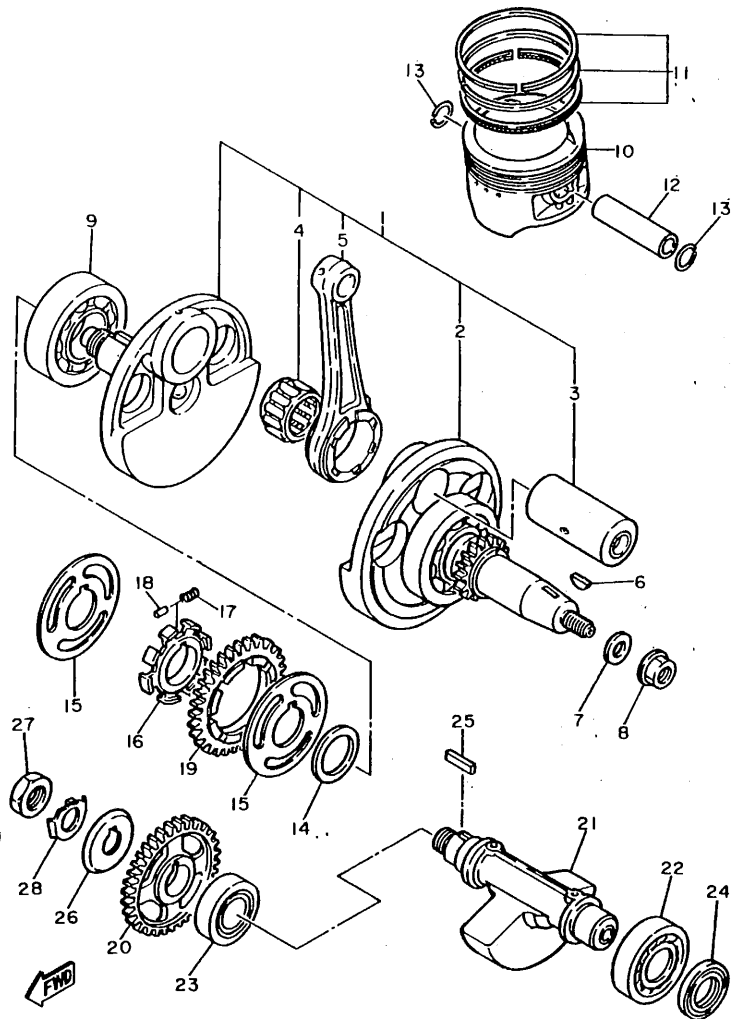
FIG. 3 CRANKSHAFT • PISTON



3TB361-0030

REF. NO.	PART NO.	DESCRIPTION	Q'TY	REMARKS
1	3TB-11400-00	CRANKSHAFT ASSY	1	
2	1VJ-W1141-00	•CRANK 1	1	
3	1VJ-11681-00	•PIN, CRANK 1	1	
4	93310-635D4	•BEARING, CYLINDRICAL	1	
5	3TB-11651-00	•ROD, CONNECTING	1	
6	90280-16053	KEY, WOODRUFF	1	
7	90201-140A6	WASHER, PLATE	1	
8	90179-14317	NUT	1	
9	93306-30702	BEARING (B6307)	1	
10	3TB-11631-00-Y0	PISTON (STD)	1	
	3TB-11636-00	PISTON (0.50MM O/S)	1	AP
	3TB-11638-00	PISTON (1.00MM O/S)	1	AP
11	34L-11610-00	PISTON RING SET (STD)	1	
	34L-11610-20	PISTON RING SET (0.50MM O/S)	1	AP
	34L-11610-40	PISTON RING SET (1.00MM O/S)	1	AP
12	1JK-11633-01	PIN, PISTON	1	
13	93450-24028	CIRCLIP	2	
14	90201-301F4	WASHER, PLATE	1	
15	34K-11565-02	WASHER, BEARING COVER	2	
16	5Y1-11496-01	BOSS, BUFFER	1	
17	90501-22721	SPRING, COMPRESSION	8	
18	93605-10090	PIN, DOWEL	4	
19	2JT-11536-00	GEAR, DRIVE	1	
20	8Y1-11531-00	GEAR, BLANCE WT 44T	1	
21	34K-11454-00	WEIGHT 1	1	
22	93306-30525	BEARING (B6305)	1	
23	93306-30541	BEARING	1	
24	93101-25106	OIL SEAL	1	

FIG. 3 CRANKSHAFT • PISTON

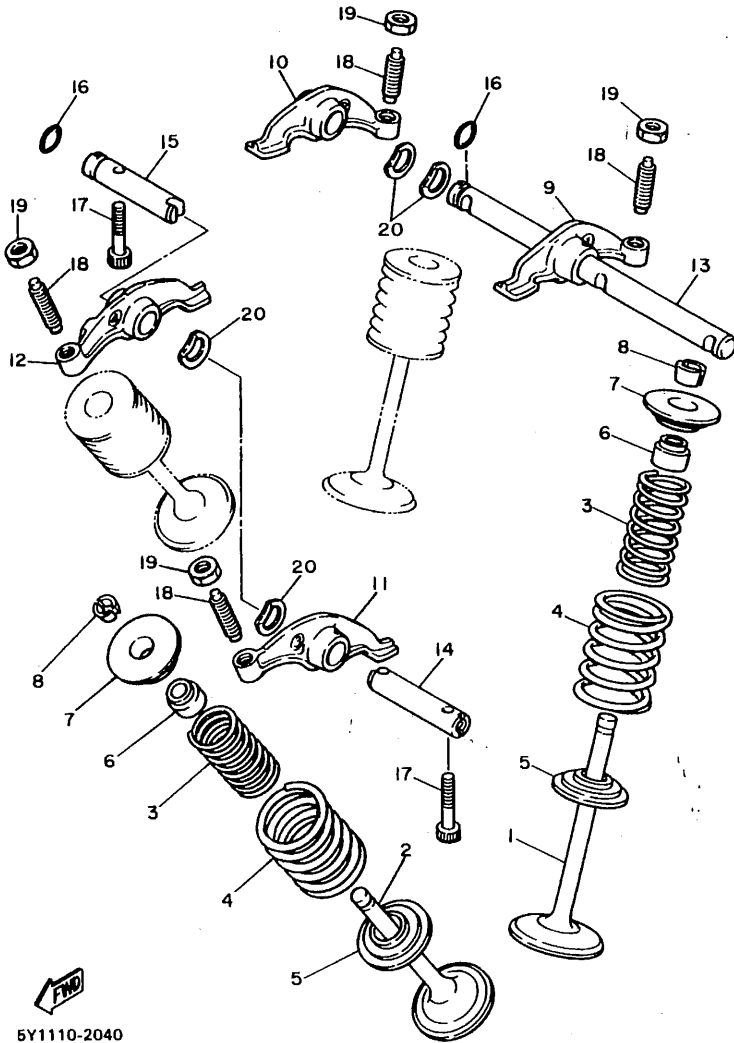


3TB351-0030

REF. NO.	PART NO.	DESCRIPTION	Q'TY	REMARKS
25	90282-05013	KEY, STRAIGHT	1	
26	34K-11145-00	PLATE, BREATHER 2	1	
27	90170-16343	NUT	1	
28	90215-16242	WASHER, LOCK	1	

FIG. 4 VALVE

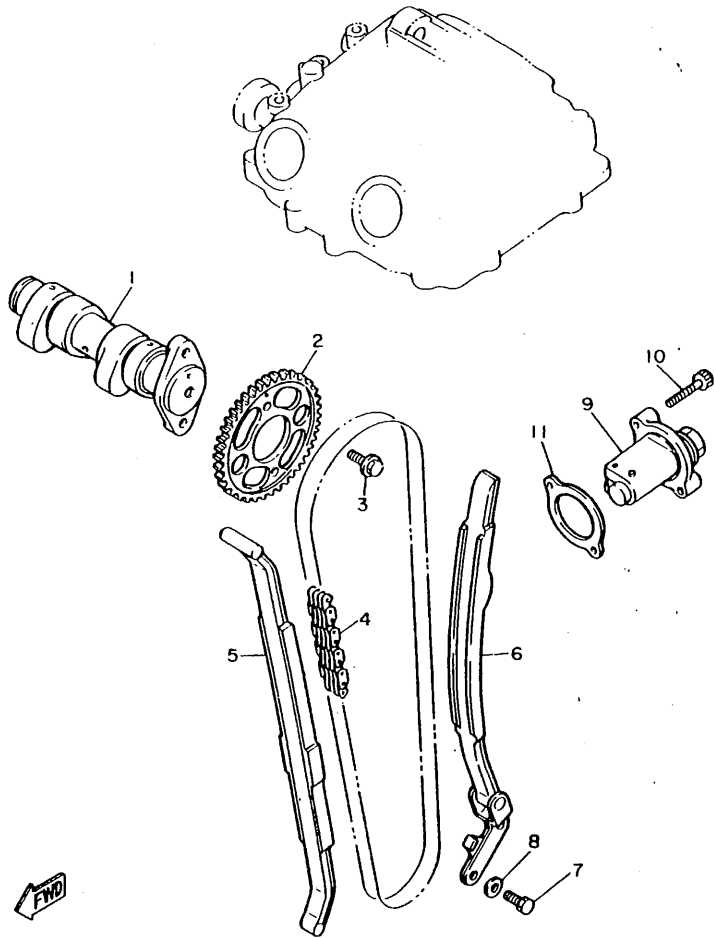
REF. NO.	PART NO.	DESCRIPTION	Q'TY	REMARKS
1	1VJ-12111-00	VALVE, INTAKE	2	
2	1VJ-12121-00	VALVE, EXHAUST	2	
3	5Y1-12113-00	SPRING, VALVE INNER	4	
4	5Y1-12114-00	SPRING, VALVE OUTER	4	
5	4H7-12116-00	SEAT, VALVE SPRING	4	
6	1J7-12119-01	SEAL, VALVE STEM	4	
7	2F3-12117-00	RETAINER, VALVE SPRING	4	
8	1J7-12118-00	COTTER, VALVE	8	
9	34K-12151-00	ARM, VALVE ROCKER	1	
10	34K-12161-00	ARM, VALVE ROCKER 2	1	
11	34K-12162-00	ARM, VALVE ROCKER 3	1	
12	34K-12163-00	ARM, VALVE ROCKER 4	1	
13	2NX-12146-00	SHAFT, ROCKER	1	
14	2NX-12156-00	SHAFT, ROCKER 2	1	
15	2NX-12166-00	SHAFT, ROCKER 3	1	
16	93210-08521	O-RING	2	
17	90109-063E8	BOLT	2	
18	2NX-12159-00	SCREW, VALVE ADJUSTING	4	
19	90170-06128	NUT	4	
20	90206-12075	WASHER, WAVE	4	



5Y1110-2040

B7

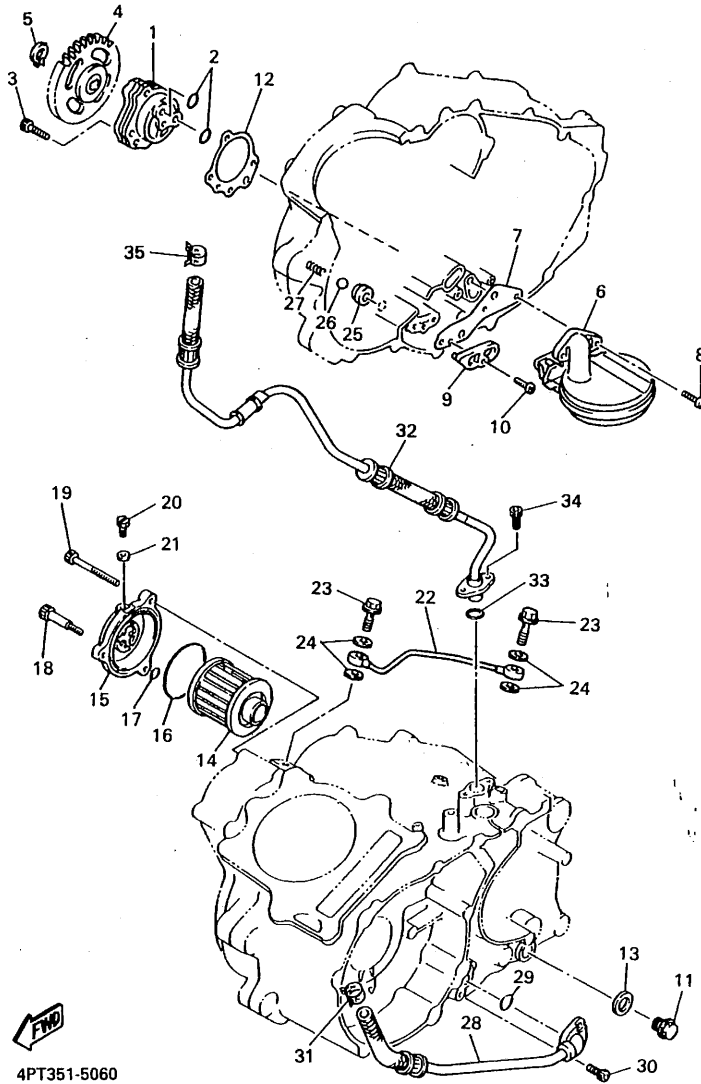
FIG. 5 CAMSHAFT • CHAIN



REF. NO.	PART NO.	DESCRIPTION	Q'TY	REMARKS
1	1JK-12171-00	CAMSHAFT 1	1	
2	3TB-12176-00	SPROCKET, CAM CHAIN	1	
3	90105-07342	BOLT, WASHER BASED	2	
4	94590-27126	CHAIN	1	
5	34K-12231-00	GUIDE, STOPPER 1	1	
6	34K-12241-00	GUIDE, STOPPER 2	1	
7	97017-06016	BOLT	2	
8	92907-06600	WASHER, PLATE	2	
9	3TB-12210-00	TENSIONER ASSY, CAM CHAIN	1	
10	91317-06025	BOLT	2	
11	4DW-12213-00	GASKET, TENSIONER CASE	1	

3AJ1351-8050

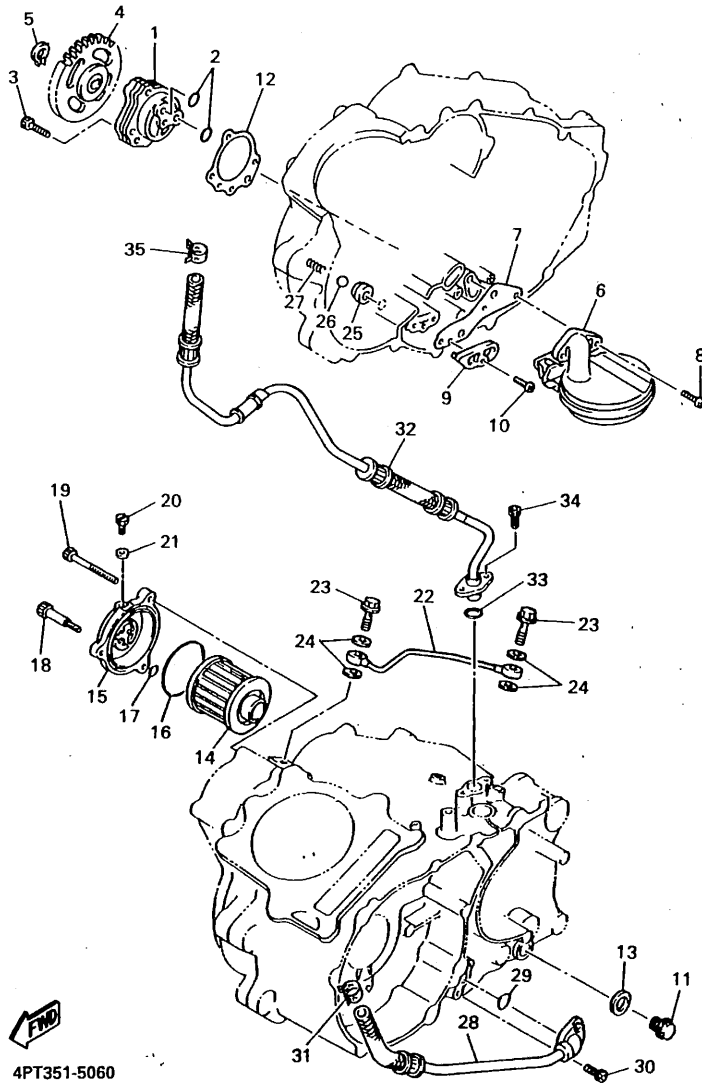
FIG. 6 OIL PUMP



4PT351-5060

REF. NO.	PART NO.	DESCRIPTION	Q'TY	REMARKS
1	3AJ-13300-01	OIL PUMP ASSY	1	
2	93210-13361	O-RING	2	
3	91317-06035	BOLT	3	
4	3AJ-13325-00	GEAR, PUMP DRIVEN	1	
5	99009-11400	CIRCLIP	1	
6	5Y1-W1343-00	STRAINER COMP.	1	
7	4DW-13415-00	SEAL, OIL STRAINER	1	
8	98507-06016	SCREW, PAN HEAD	2	
9	5Y1-15427-01	COVER, CAP 2	1	
10	98507-06016	SCREW, PAN HEAD	1	
11	90340-14132	PLUG	1	
12	3SX-13329-00	GASKET, OIL PUMP	1	
13	214-11198-01	GASKET	1	
14	4X7-13440-90	ELEMENT ASSY, OIL CLEANER	1	
15	4PT-13447-00	COVER, OIL ELEMENT	1	
16	93210-64297	O-RING	1	
17	93210-07135	O-RING	1	
18	90109-06419	BOLT	1	
19	91317-06080	BOLT	2	
20	90149-05110	SCREW	1	
21	90430-05126	GASKET	1	
22	3AJ-13161-01	PIPE, DELIVERY 1	1	
23	90401-08133	BOLT, UNION	2	
24	00430-08204	GASKET	4	
25	583-13113-00	SEAT, CHECK BALL	1	
26	93503-08007	BALL	1	
27	90501-043E0	SPRING, COMPRESSION	1	
28	3TB-13464-00	HOSE, OIL 1	1	

FIG. 6 OIL PUMP

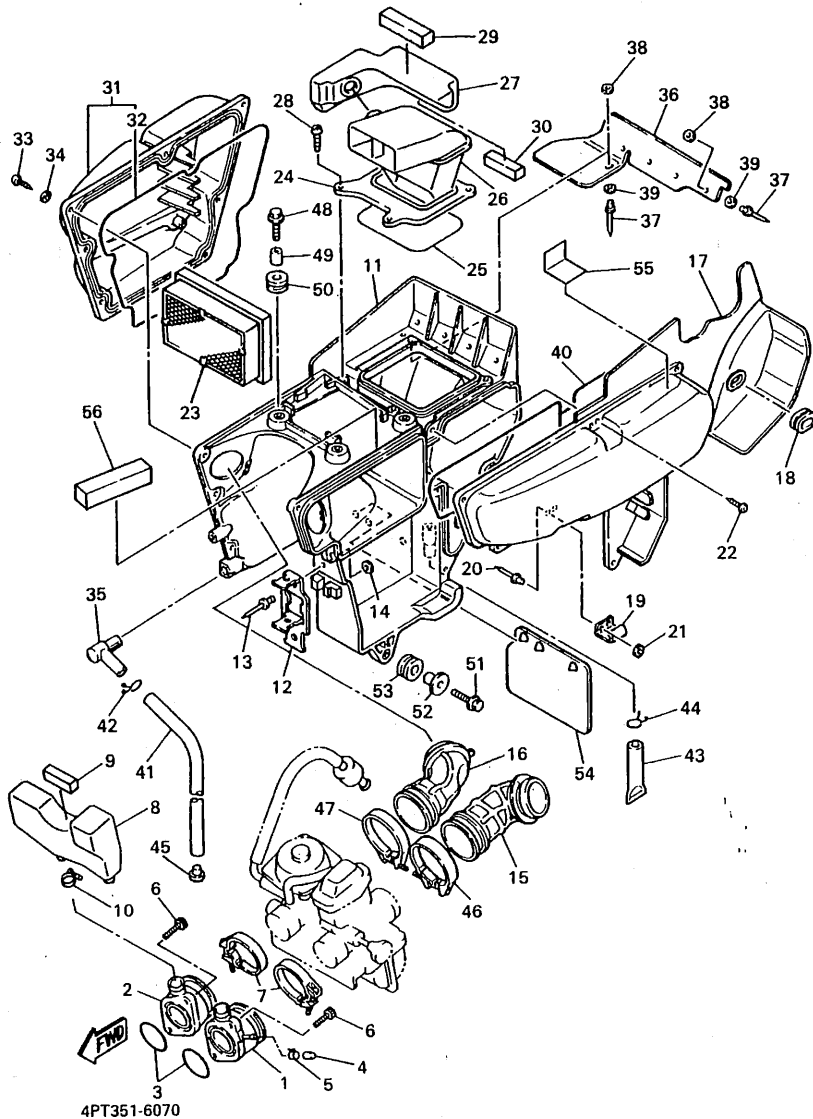


REF. NO.	PART NO.	DESCRIPTION	Q'TY	REMARKS
29	93210-10197	O-RING	1	
30	91317-06016	BOLT	2	
31	90450-22052	HOSE CLAMP ASSY	1	
32	4PT-13465-00	HOSE, OIL 2	1	
33	93210-15171	O-RING	1	
34	91317-06016	BOLT	2	
35	90450-22052	HOSE CLAMP ASSY	1	

4PT351-5060

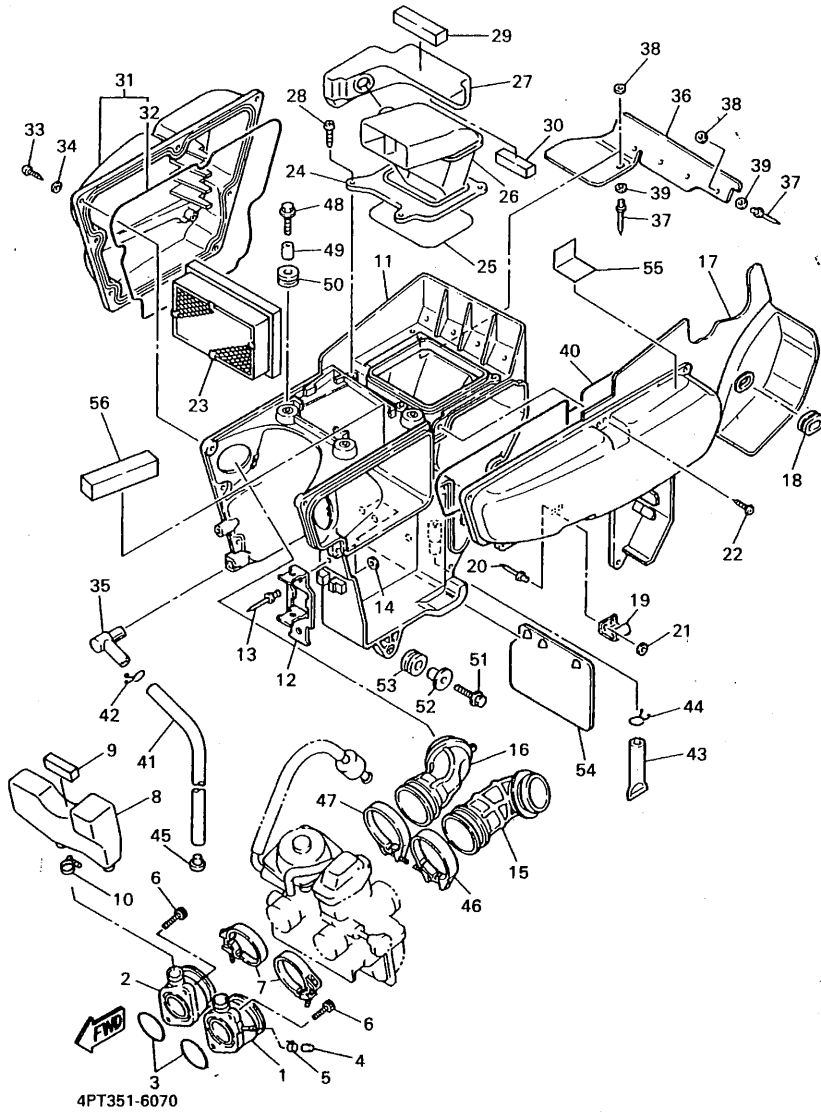
B10

FIG. 7 INTAKE



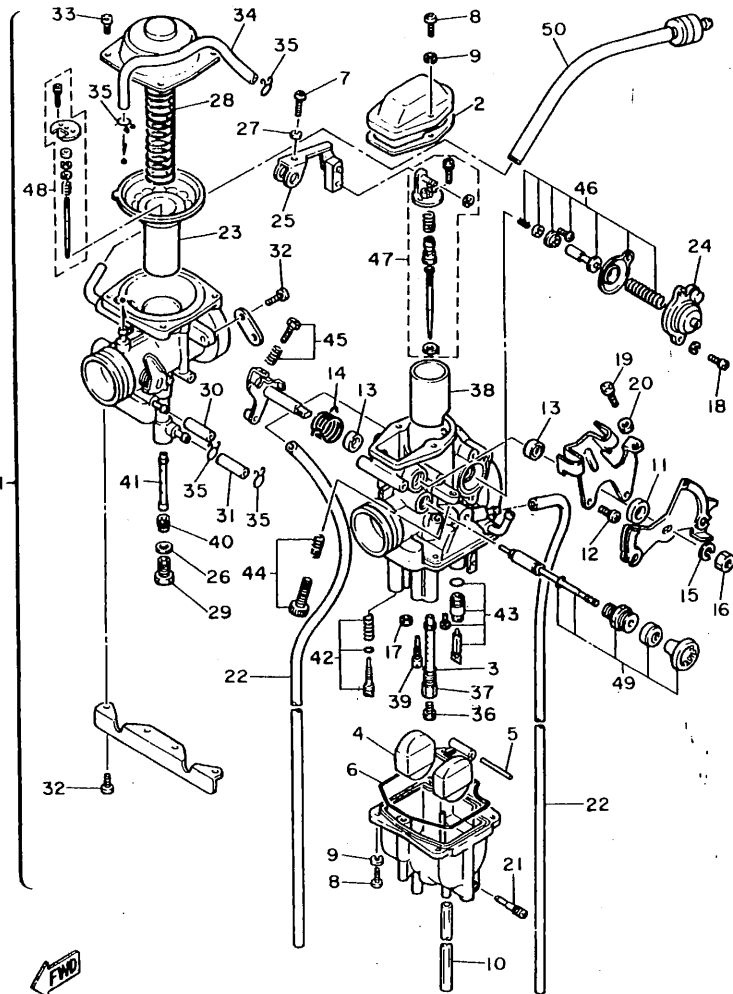
REF. NO.	PART NO.	DESCRIPTION	Q'TY	REMARKS
1	4PT-13586-00	JOINT, CARBURETOR 1	1	
2	4PT-13596-00	JOINT, CARBURETOR 2	1	
3	93210-36769	O-RING	2	
4	16G-13569-00	PLUG, BLIND	1	
5	90467-10039	CLIP	1	
6	91317-06020	BOLT	4	
7	90460-46206	CLAMP, HOSE	2	
8	4PT-13581-00	CHAMBER, AIR	1	
9	2XJ-84345-00	DAMPER, HEADLIGHT	1	
10	90450-21082	HOSE CLAMP ASSY	2	
11	3TB-14411-01	CASE, AIR CLEANER 1	1	
12	3TB-81953-00	STAY, RELAY	1	
13	90267-40080	RIVET, BLIND	1	
14	92907-04600	WASHER, PLATE	1	
15	3TB-14453-00	JOINT, AIR CLEANER 1	1	
16	3TB-14454-00	JOINT	1	
17	3TB-1441A-00	COVER, CLEANER CASE 1	1	
18	90480-12325	GROMMET	1	
19	43G-14436-00	HOOK	1	
20	90267-40080	RIVET, BLIND	2	
21	92907-04600	WASHER, PLATE	2	
22	97707-50520	SCREW, TAPPING	7	
23	4PT-14451-01	ELEMENT, AIR CLEANER	1	
24	4PT-14412-00	CAP, CLEANER CASE 1	1	
25	3TB-14457-00	SEAL	1	
26	4PT-14437-00	DUCT	1	
27	4PT-14431-00	SILENCER, INTAKE 1	1	
28	97707-50520	SCREW, TAPPING	4	

FIG. 7 INTAKE



REF. NO.	PART NO.	DESCRIPTION	Q'TY	REMARKS
29	3YF-14462-00	SEAL	1	
30	2XJ-84345-00	DAMPER, HEADLIGHT	1	
31	3TB-1441E-00	COVER, CLEANER CASE 2	1	
32	3TB-1446R-00	.SEAL	1	
33	98507-05020	SCREW, PAN HEAD	7	
34	92907-05600	WASHER, PLATE	7	
35	5Y1-14419-00	PIPE	1	
36	3TB-21621-00	FLAP	1	
37	90267-40077	RIVET, BLIND	5	
38	90201-047A2	WASHER, PLATE	5	
39	92907-04200	WASHER, PLAIN	5	
40	3TB-14452-00	SEAL	1	
41	90445-126G6	HOSE	1	
42	90467-12052	CLIP	1	
43	34X-1443E-00	PIPE, DRAIN	1	
44	90467-11106	CLIP	1	
45	90338-08174	PLUG	1	
46	90460-51059	CLAMP, HOSE	1	
47	90460-58015	CLAMP, HOSE	1	
48	95817-06020	BOLT, FLANGE	3	
49	90387-06033	COLLAR	3	
50	90480-14329	GROMMET	3	
51	95827-06025	BOLT, FLANGE	1	
52	90387-074X3	COLLAR	1	
53	90480-15064	GROMMET	1	
54	34X-21691-00	FLAP	1	
55	4PT-14462-00	SEAL	1	
56	89A-77214-00	TRIM, LOWER	1	

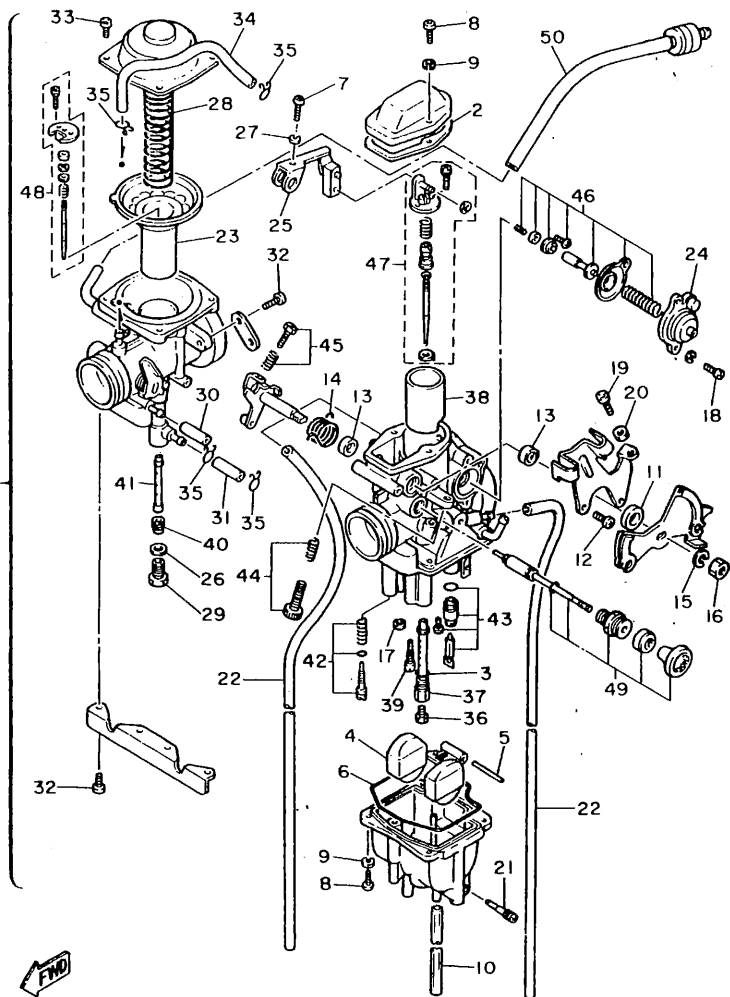
FIG. 8 CARBURETOR



REF. NO.	PART NO.	DESCRIPTION	Q'TY	REMARKS
1	4PT-14301-00	CARBURETOR ASSY 1	1	
2	5Y1-14198-00	.GASKET	1	
3	360-24512-00	.GASKET	2	
4	2JN-14385-00	.FLOAT	1	
5	6E5-14386-01	.PIN, FLOAT	1	
6	5Y1-14384-00	.GASKET, FLOAT CHAMBER	1	
7	98580-04016	.SCREW, PAN HEAD	1	
8	98580-04014	.SCREW, PAN HEAD	6	
9	92990-04100	.WASHER, SPRING	6	
10	1VJ-14197-00	.PIPE	1	
11	1JK-14357-00	.COLLAR	1	
12	214-24535-00	.SCREW, PAN HEAD	2	
13	5Y1-14572-00	.SEAL	2	
14	1XL-14131-00	.SPRING, THROTTLE VALVE	1	
15	5Y1-14356-00	.WASHER, SPRING	1	
16	5Y1-14358-00	.NUT	1	
17	5Y1-14536-00	.GASKET	1	
18	98580-04010	.SCREW, PAN HEAD	2	
19	98580-04020	.SCREW, PAN HEAD	1	
20	30X-14358-00	.NUT	1	
21	14T-14323-00	.SCREW, AIR ADJUSTING	1	
22	1VJ-14197-00	.PIPE	2	
23	1JK-14940-01	.DIAPHRAGM ASSY	1	
24	2JN-14293-00	.COVER 1	1	
25	4PT-14291-00	.CONNECTER COMP.	1	
26	7KF-14227-00	.WASHER	1	
27	92990-04100	.WASHER, SPRING	1	
28	1VJ-14286-00	.SPRING	1	

3TB332-0080

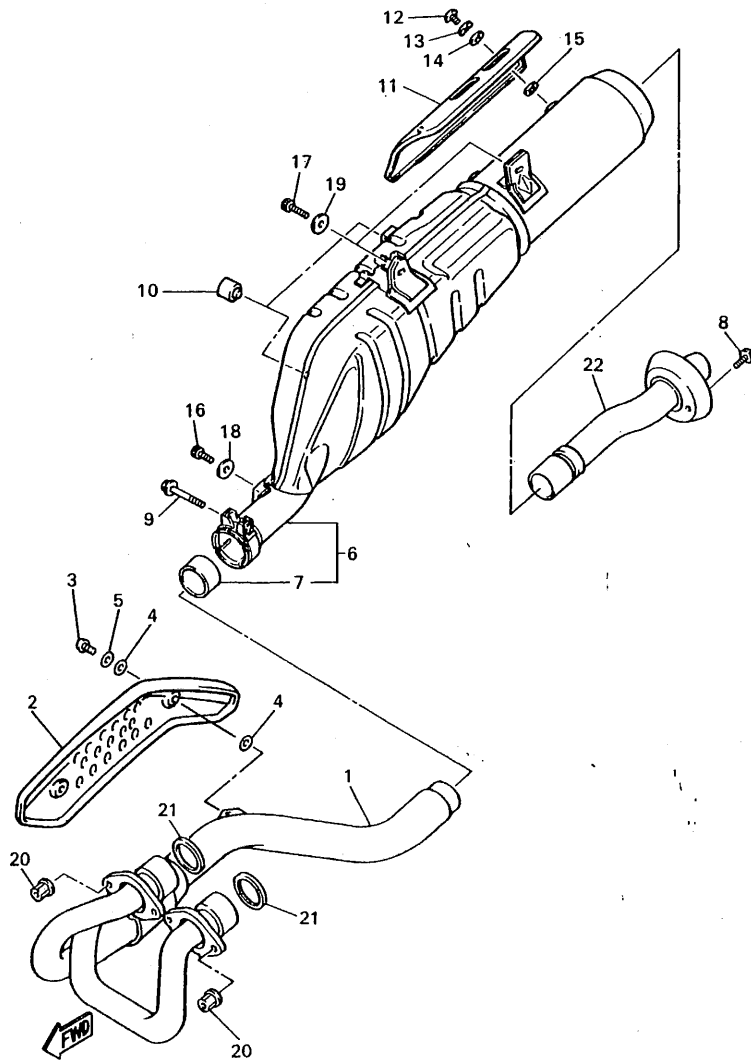
FIG. 8 CARBURETOR



3TB332-0080

REF. NO.	PART NO.	DESCRIPTION	Q'TY	REMARKS
29	7KF-14162-00	•BOLT, HOLDING	1	
30	5Y1-14349-00	•PIPE	1	
31	30X-14148-00	•PIPE	1	
32	98507-05010	•SCREW, PAN HEAD	6	
33	98580-04010	•SCREW, PAN HEAD	4	
34	5Y1-14149-00	•PIPE	1	
35	5Y1-14159-00	•CLIP	4	
36	288-14343-65	•JET, MAIN (# 130)	1	UR STD
	288-14343-60	•JET, MAIN (# 120)	1	UR
	288-14343-70	•JET, MAIN (# 140)	1	UR
37	2KF-14341-00	•NOZZLE, MAIN	1	
38	1JK-14313-55	•VALVE, THROTTLE 2	1	
39	43F-14342-23	•JET, PILOT (# 46)	1	
40	30X-14343-60	•JET, MAIN (# 120)	1	
41	2KF-14355-00	•NOZZLE, MAIN 2	1	
42	51Y-14105-00	•PILOT SCREW SET	1	
43	2JN-14107-00	•NEEDLE VALVE SET	1	
44	3GV-1490K-00	•STOP SCREW SET	1	
45	2NX-14103-00	•THROTTLE SCREW SET	1	
46	1JK-1490A-00	•DIAPHRAGM SET, 1	1	
47	4PT-1490J-10	•NEEDLE SET	1	
48	4PT-1490J-00	•NEEDLE SET	1	
49	2KF-1410A-00	•STARTER SET	1	
50	3TD-14197-10	PIPE	1	

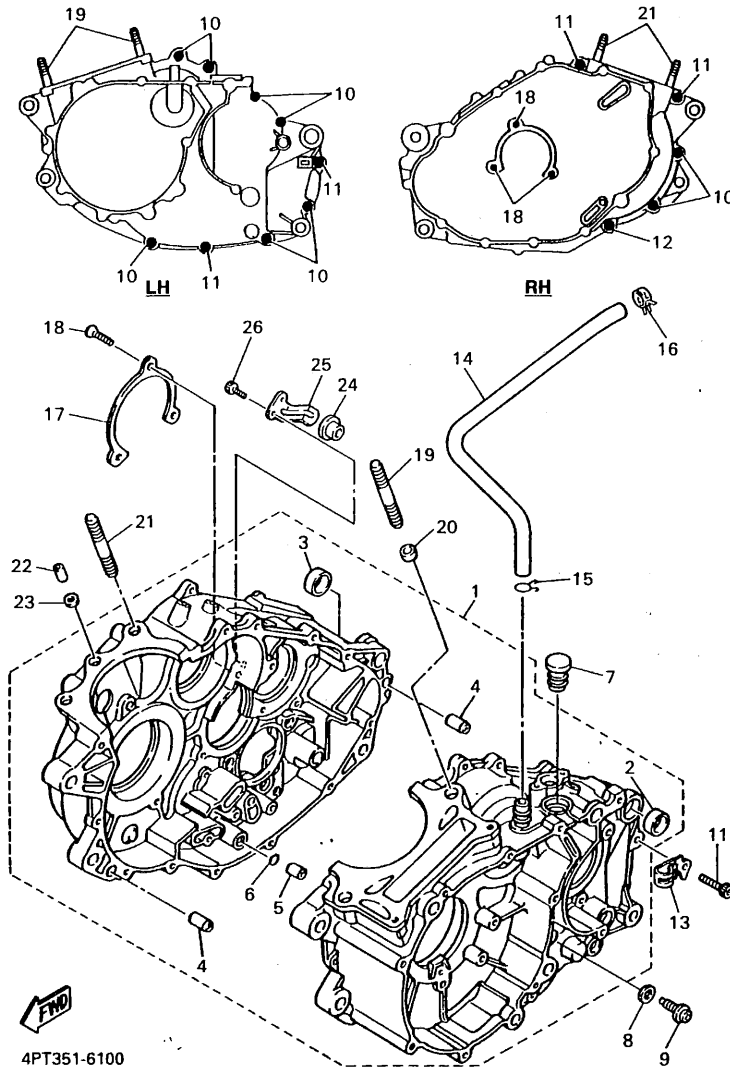
FIG. 9 EXHAUST



4PT351-6090

REF. NO.	PART NO.	DESCRIPTION	Q'TY	REMARKS
1	4PT-14611-00	PIPE, EXHAUST 1	1	
2	3YF-14628-00	PROTECTOR, EXHAUST PIPE	1	
3	92014-06012	BOLT, BUTTON HEAD	2	
4	4BD-14766-00	WASHER, PROTECTOR	4	
5	92990-06200	WASHER, PLAIN	2	
6	4PT-14711-10	MUFFLER 1	1	
7	3YF-14755-00	GASKET	1	
8	91317-06012	BOLT	1	
9	95027-08040	BOLT, FLANGE	1	
10	1UJ-27114-00	STOPPER, MAIN STAND	2	
11	3TB-14728-00	PROTECTOR, MUFFLER 2	1	
12	98980-06010	SCREW, BIND	2	
13	90206-06090	WASHER, WAVE	2	
14	4BD-14766-00	WASHER, PROTECTOR	2	
15	4BD-14766-00	WASHER, PROTECTOR	2	
16	90109-082G0	BOLT	1	
17	90105-10186	BOLT, WASHER BASED	2	
18	90201-08326	WASHER, PLATE	1	
19	90201-102J5	WASHER, PLATE	2	
20	90179-06668	NUT	4	
21	3YF-14613-00	GASKET, EXHAUST PIPE	2	
22	4PT-14752-00	PIPE, OUTLET	1	

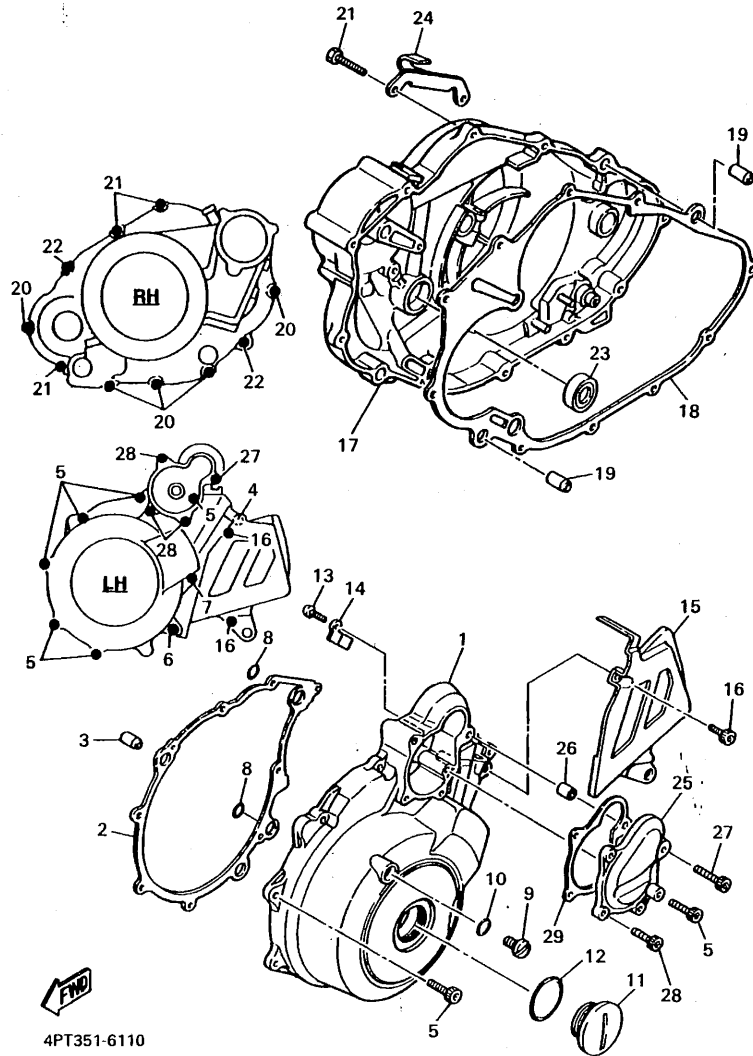
FIG. 10 CRANKCASE



4PT351-6100

REF. NO.	PART NO.	DESCRIPTION	Q'TY	REMARKS
1	4PT-15100-10	CRANKCASE ASSY	1	
2	90387-17783	.COLLAR	1	
3	90387-16782	.COLLAR	1	
4	99510-12016	.PIN, DOWEL	2	
5	99510-08016	.PIN, DOWEL	1	
6	93210-07135	.O-RING	1	
7	3YF-15167-00	PLUG, BLIND 1	1	
8	90201-08087	WASHER, PLATE	1	
9	90149-08067	SCREW	1	
10	91317-06030	BOLT	9	
11	91317-06045	BOLT	4	
12	91317-06060	BOLT	1	
13	90465-08344	CLAMP	1	
14	3TB-11166-00	PIPE, BREATHER 1	1	
15	90467-14015	CLIP	1	
16	90467-17128	CLIP	1	
17	5Y1-15383-00	PLATE, BEARING COVER	1	
18	98707-06012	SCREW, FLAT HEAD	3	
19	90116-10506	BOLT, STUD	2	
20	99510-14016	PIN, DOWEL	2	
21	90116-10263	BOLT, STUD	2	
22	99510-08016	PIN, DOWEL	1	
23	90430-08178	GASKET	1	
24	3Y6-15167-00	PLUG, BLIND 1	1	
25	3Y6-15144-00	PLATE, LOCK	1	
26	97017-06016	BOLT	2	

FIG. 11 CRANKCASE COVER 1

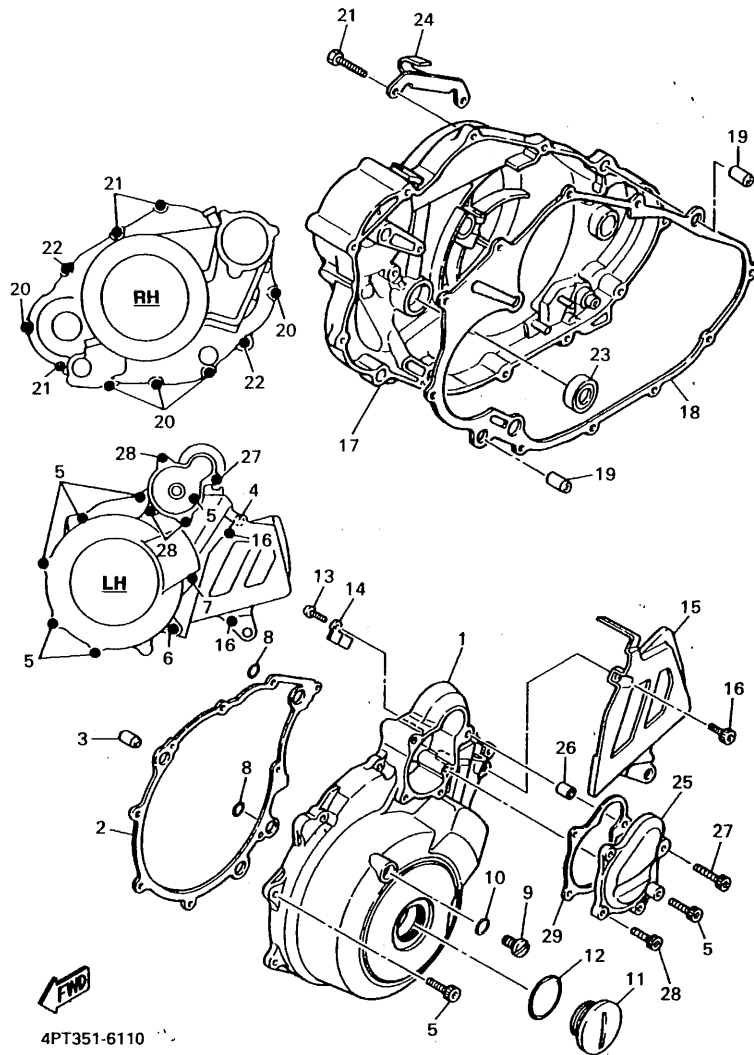


4PT351-6110

REF. NO.	PART NO.	DESCRIPTION	Q'TY	REMARKS
1	4PT-15411-00	COVER, CRANKCASE 1	1	
2	4DW-15451-00	GASKET, CRANKCASE COVER 1	1	
3	99510-12016	PIN, DOWEL	2	
4	91317-06035	BOLT	1	
5	91317-06025	BOLT	6	
6	91317-06050	BOLT	1	
7	91317-06050	BOLT	1	
8	93210-13361	O-RING	2	
9	90340-08M04	PLUG, STRAIGHT SCREW	1	
10	90430-08143	GASKET	1	
11	90340-36076	PLUG, STRAIGHT SCREW	1	
12	93210-36510	O-RING	1	
13	98507-06012	SCREW, PAN HEAD	1	
14	90462-16102	CLAMP	1	
15	4PT-15421-00	COVER, CRANKCASE 2	1	
16	91317-06016	BOLT	2	
17	4PT-15431-10	COVER, CRANKCASE 3	1	
18	4DW-15462-00	GASKET, CRANKCASE COVER 3	1	
19	99510-12016	PIN, DOWEL	2	
20	91317-06025	BOLT	7	
21	91317-06030	BOLT	1	
22	91317-06035	BOLT	2	
23	93101-14092	OIL SEAL (S7-14-25-5.5-1-HS)	1	
24	3YF-15441-00	HOLDER, CLUTCH CABLE	1	
25	4PT-15415-00	COVER, GENERATOR	1	
26	99510-08016	PIN, DOWEL	1	
27	91317-06035	BOLT	1	
28	91317-06025	BOLT	3	

FIG. 11 CRANKCASE COVER 1

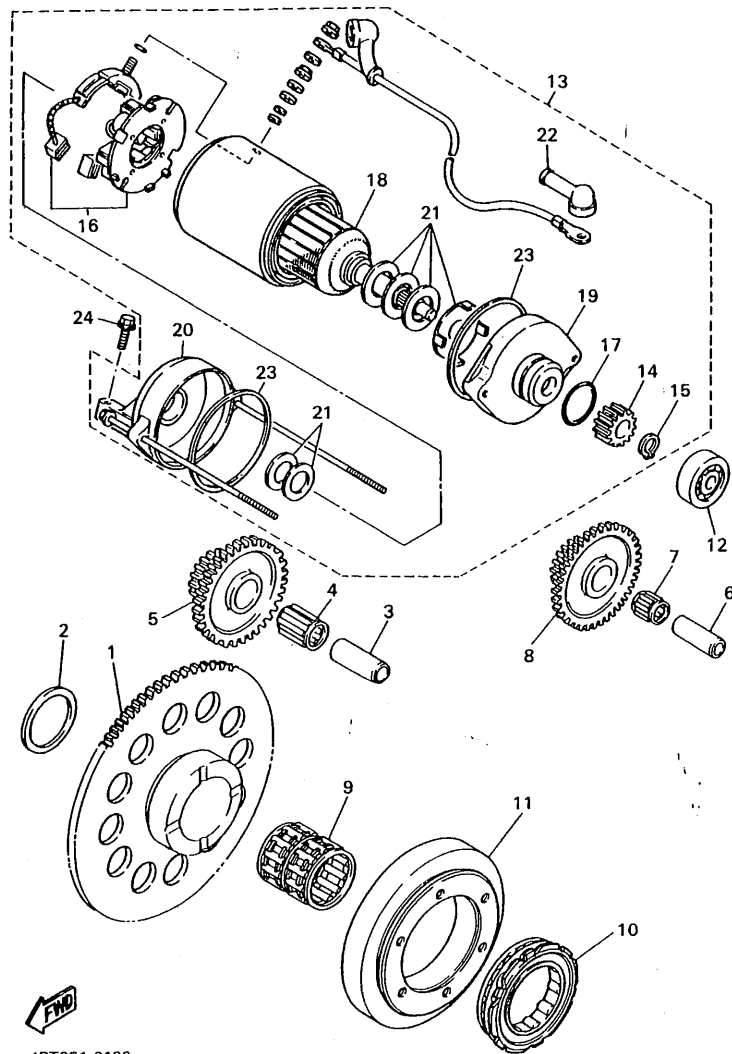
REF. NO.	PART NO.	DESCRIPTION	Q'TY	REMARKS
29	4DW-15455-00	GASKET 1	1	



4PT351-6110

C4

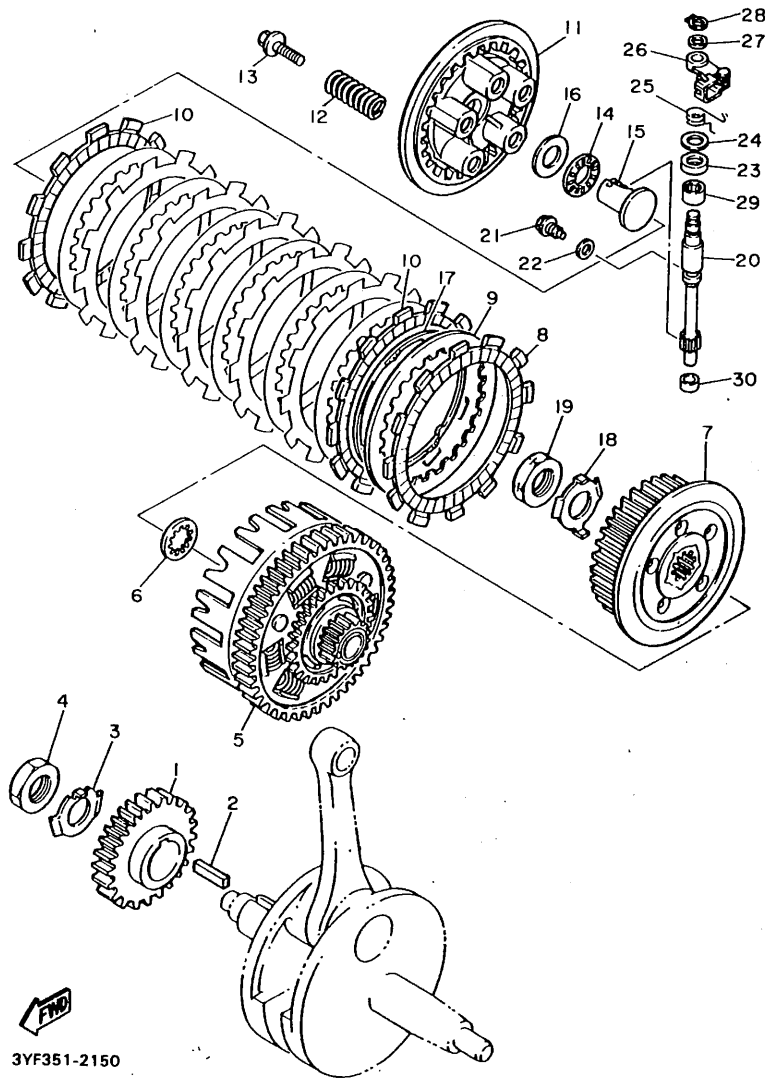
FIG. 12 STARTER CLUTCH



REF. NO.	PART NO.	DESCRIPTION	Q'TY	REMARKS
1	3YF-15515-00	GEAR 3	1	
2	90201-303P4	WASHER, PLATE	1	
3	1VJ-15522-00	SHAFT 2	1	
4	93310-217R7	BEARING, CYLINDRICAL	1	
5	1VJ-15517-00	GEAR, IDLER 2	1	
6	1VJ-15521-00	SHAFT 1	1	
7	93310-212R6	BEARING, CYLINDRICAL	1	
8	1VJ-15512-00	GEAR, IDLER 1	1	
9	93310-530C7	BEARING, CYLINDRICAL	1	
10	3TB-15590-01	STARTER ONE-WAY ASSY	1	
11	3TB-15594-00	RACE, ONE-WAY BEARING	1	
12	93306-20006	BEARING (B6200)	1	NTN
13	3TB-81800-01	STARTING MOTOR ASSY	1	
14	1VJ-15511-00	GEAR, STARTING MOTOR	1	
15	93440-11024	CIRCLIP	1	
16	3AJ-81801-00	BRUSH SET	1	
17	26H-81847-00	O-RING	1	
18	3AJ-81850-00	ARMATURE ASSY	1	
19	3AJ-81830-00	FRONT BRACKET ASSY	1	
20	3AJ-81820-00	REAR BRACKET ASSY	1	
21	3AJ-81809-00	WASHER KIT	1	
22	4G0-81871-00	CAP	1	
23	11H-81844-00	GASKET	2	
24	95817-06030	BOLT, FLANGE	2	

4PT351-6120

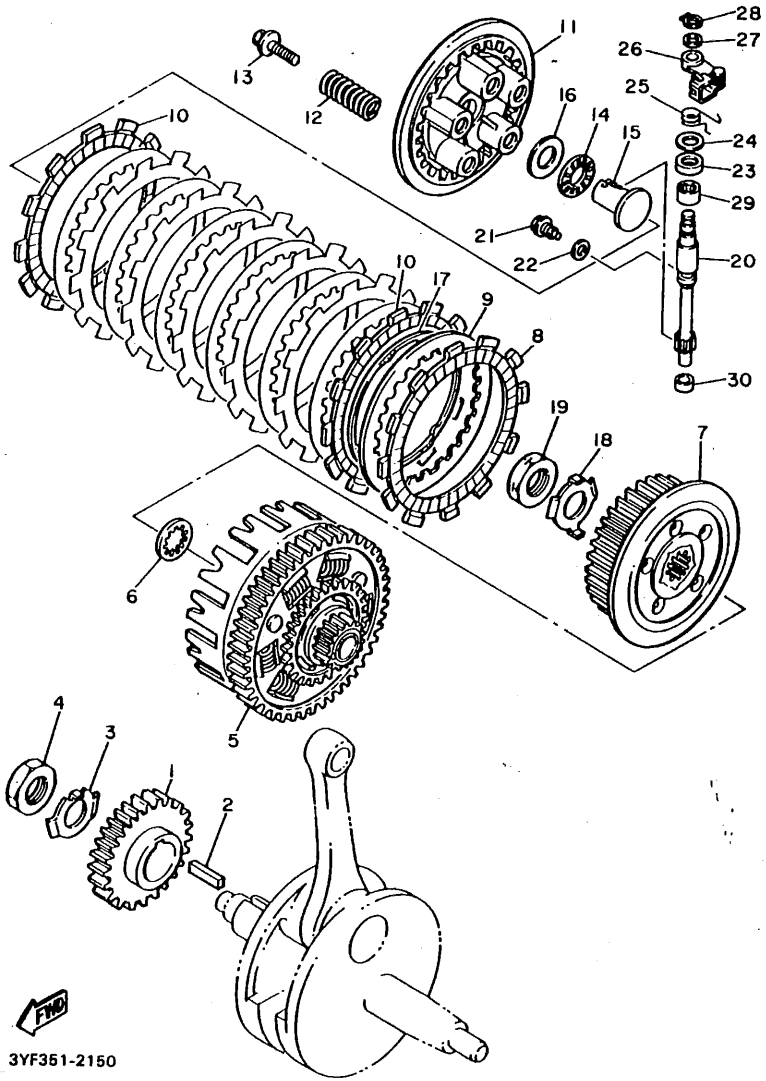
FIG. 13 CLUTCH



REF. NO.	PART NO.	DESCRIPTION	Q'TY	REMARKS
1	3AJ-16111-00	GEAR, PRIMARY DRIVE (34T)	1	
2	90282-07042	KEY, STRAIGHT	1	
3	90215-20197	WASHER, LOCK	1	
4	90170-20274	NUT	1	
5	3AJ-16150-00	PRIMARY DRIVEN GEAR COMP. (71T)	1	
6	2JN-16154-00	PLATE, THRUST 1	1	
7	4PT-16371-00	BOSS, CLUTCH	1	
8	5Y1-16321-00	PLATE, FRICTION	6	
9	360-16325-00	PLATE, CLUTCH 2	7	
10	5Y1-16331-01	PLATE, FRICTION 2	2	
11	3YF-16351-00	PLATE, PRESSURE 1	1	
12	90501-23142	SPRING, COMPRESSION	5	
13	90159-06092	SCREW, WITH WASHER	5	
14	93340-21505	BEARING, THRUST	1	
15	4H7-16356-01	ROD, PUSH 1	1	
16	90201-150H2	WASHER, PLATE	1	
17	5Y1-16383-00	SPRING, CLUTCH BOSS	1	
18	90215-20231	WASHER, LOCK	1	
19	90170-20327	NUT	1	
20	3JD-16382-00	AXLE, PUSH LEVER	1	
21	90109-06778	BOLT	1	
22	90430-06014	GASKET	1	
23	93102-15212	OIL SEAL	1	
24	90201-15785	WASHER, PLATE	1	
25	90508-14767	SPRING, TORSION	1	
26	3YF-16340-01	PUSH LEVER ASSY	1	
27	90201-10119	WASHER, PLATE	1	
28	99009-10400	CIRCLIP	1	

FIG. 13 CLUTCH

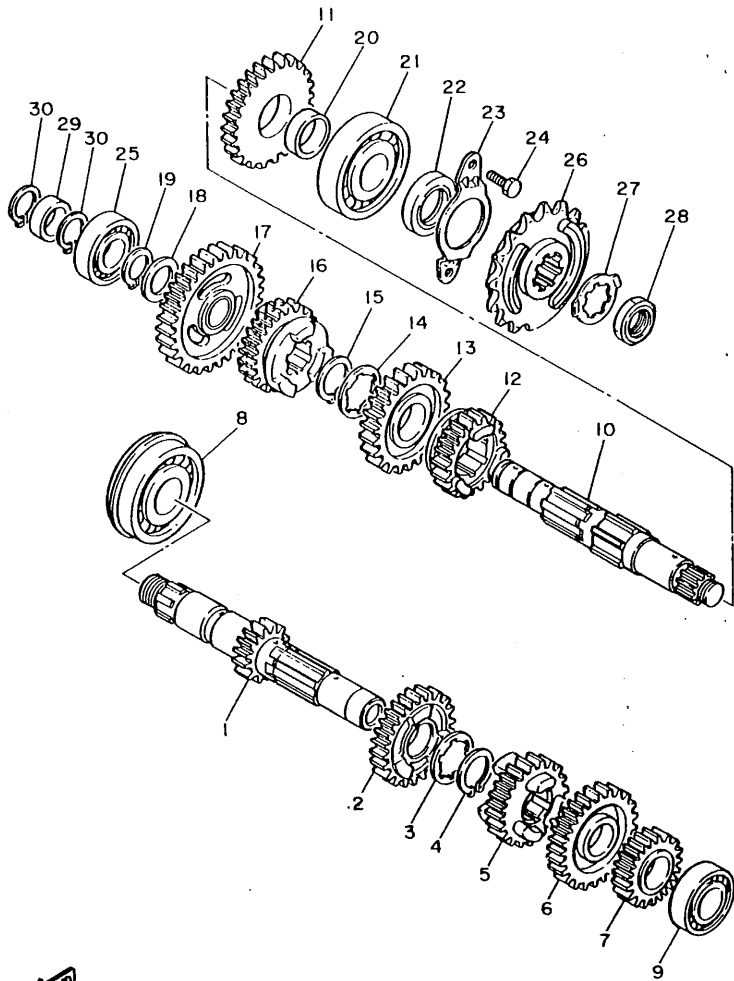
REF. NO.	PART NO.	DESCRIPTION	Q'TY	REMARKS
29	93315-31502	BEARING, CYLINDRICAL	1	
30	93315-10838	BEARING, CYLINDRICAL	1	



3YF351-2150

C7

FIG. 14 TRANSMISSION



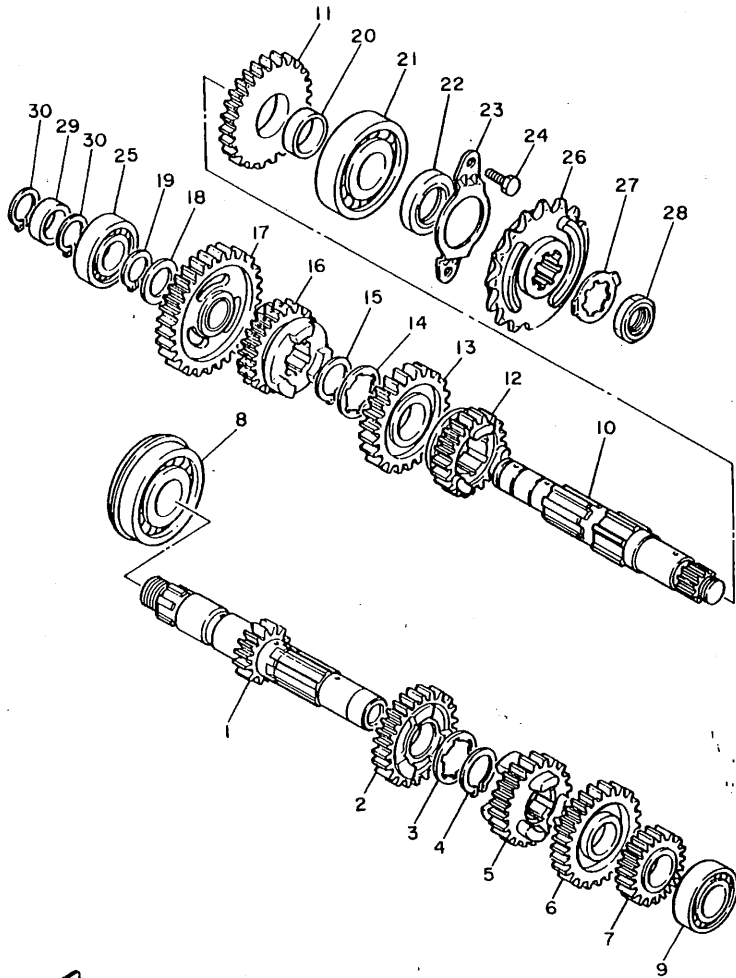
REF. NO.	PART NO.	DESCRIPTION	Q'TY	REMARKS
1	3YF-17401-00	MAIN AXLE SUB-ASSY (12T)	1	
2	34K-17141-00	GEAR, 4TH PINION (22T)	1	
3	90209-22191	WASHER	1	
4	93440-25084	CIRCLIP	1	
5	1VJ-17131-00	GEAR, 3RD PINION (20T)	1	
6	3YF-17151-01	GEAR, 5TH PINION (24T)	1	
7	34K-17121-01	GEAR, 2ND PINION (17T)	1	
8	93306-30540	BEARING (6305NRX1C3)	1	
9	93306-00431	BEARING	1	
10	3YF-17402-00	DRIVE AXLE ASSY	1	
11	2JT-17221-00	GEAR, 2ND WHEEL (27T)	1	
12	3YF-17251-01	GEAR, 5TH WHEEL (19T)	1	
13	1VJ-17231-00	GEAR, 3RD WHEEL (24T)	1	
14	90209-22191	WASHER	1	
15	93440-25084	CIRCLIP	1	
16	3AJ-17241-00	GEAR, 4TH WHEEL (21T)	1	
17	3AJ-17211-00	GEAR, 1ST WHEEL (31T)	1	
18	90201-20276	WASHER, PLATE (1.0T)	1	
19	99009-20400	CIRCLIP	1	
20	3YF-17439-00	SPACER	1	
21	93306-30535	BEARING	1	
22	93102-25226	OIL SEAL	1	
23	5Y1-17471-00	PLATE, COVER	1	
24	97027-06014	BOLT	2	
25	93306-00426	BEARING	1	
26	99999-01798	SPROCKET, DRIVE (15T)	1	
27	90215-23265	WASHER, LOCK	1	
28	90179-18552	NUT	1	



3YF351-1160

FIG. 14 TRANSMISSION

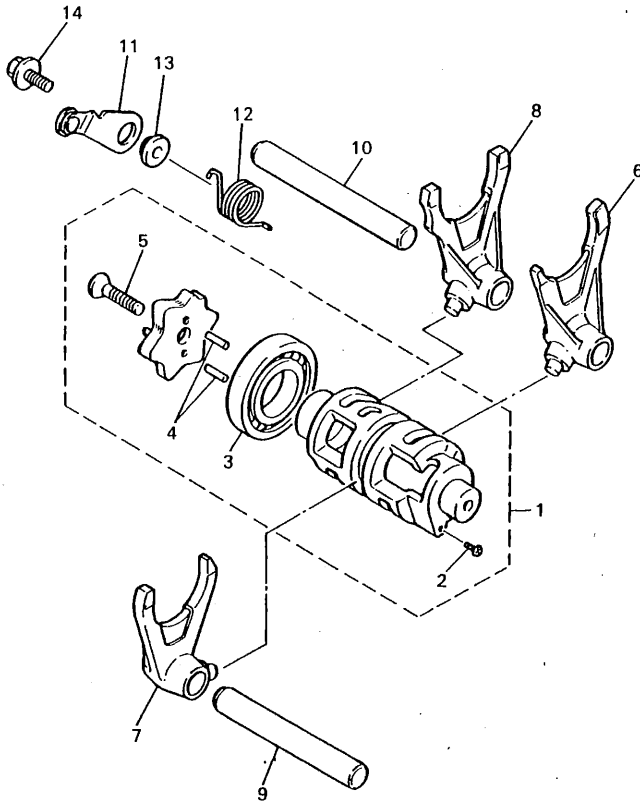
REF. NO.	PART NO.	DESCRIPTION	Q'TY	REMARKS
29	90560-20199	SPACER	1	
30	99009-20400	CIRCLIP	2	



3YF351-1160

C9

FIG. 15 SHIFT CAM • FORK

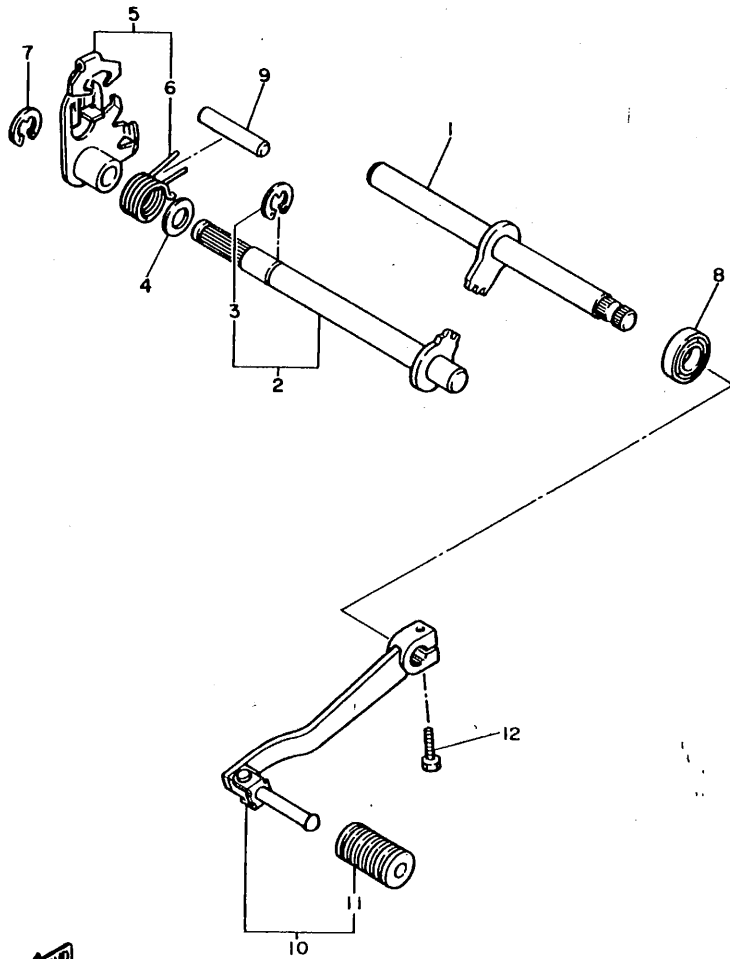


REF. NO.	PART NO.	DESCRIPTION	Q'TY	REMARKS
1	3YF-18540-00	SHIFT CAM ASSY	1	
2	136-18542-00	POINT, NEUTRAL	1	
3	93316-00501	BEARING, CYLINDRICAL	1	
4	93604-10011	PIN, DOWEL	2	
5	90151-06017	SCREW, COUNTERSUNK	1	
6	4PT-18511-00	FORK, SHIFT 1	1	
7	4PT-18512-00	FORK, SHIFT 2	1	
8	4PT-18513-00	FORK, SHIFT 3	1	
9	3YF-18531-00	BAR, SHIFT FORK GUIDE 1	1	
10	3XV-18535-00	BAR, SHIFT FORK GUIDE 2	1	
11	4PT-18140-00	STOPPER LEVER ASSY	1	
12	90508-26691	SPRING, TORSION	1	
13	4PT-18175-00	SPACER	1	
14	90159-06078	SCREW, WITH WASHER	1	



4PT351-5150

FIG. 16 SHIFT SHAFT



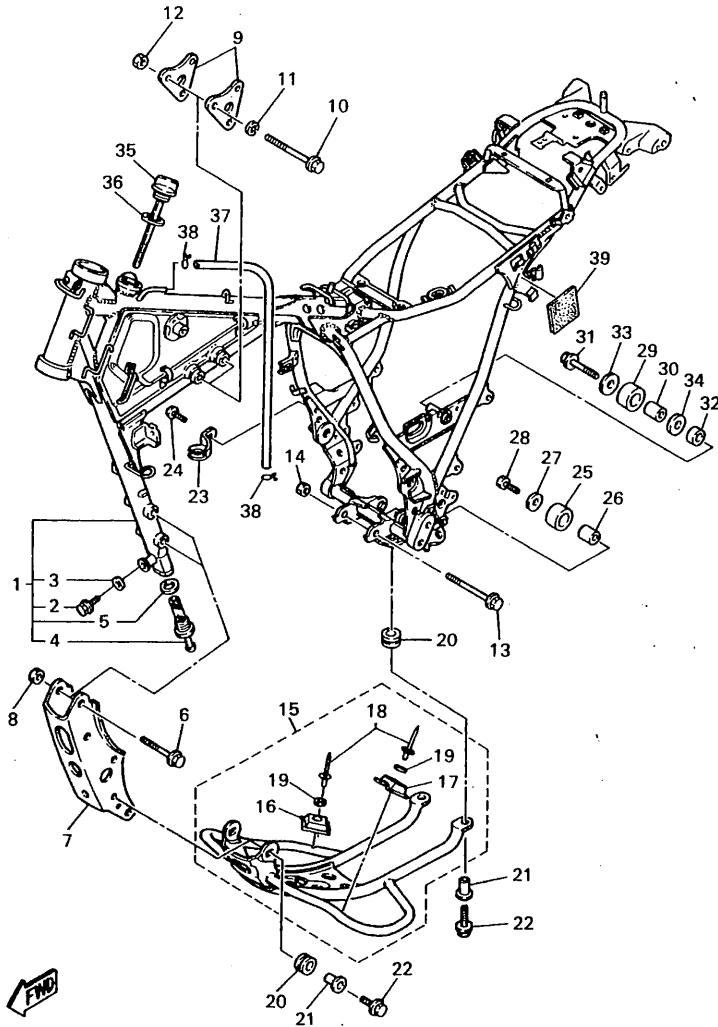
REF. NO.	PART NO.	DESCRIPTION	Q'TY	REMARKS
1	43F-18102-02	SHIFT SHAFT ASSY 2	1	
2	5Y1-18101-02	SHIFT SHAFT ASSY	1	
3	99006-10600	-CIRCLIP	1	
4	90201-12474	WASHER, PLATE	1	
5	34K-18120-00	SHIFT LEVER ASSY	1	
6	90508-29629	-SPRING, TORSION	1	
7	99001-09600	CIRCLIP	1	
8	93102-12106	OIL SEAL (SD 12-22-5 HS)	1	
9	93608-33046	PIN, DOWEL	1	
10	1VJ-18110-01	SHIFT PEDAL ASSY	1	
11	1W6-18113-00	-COVER, SHIFT PEDAL	1	
12	97027-06020	BOLT	1	



3TB351-0160

C11

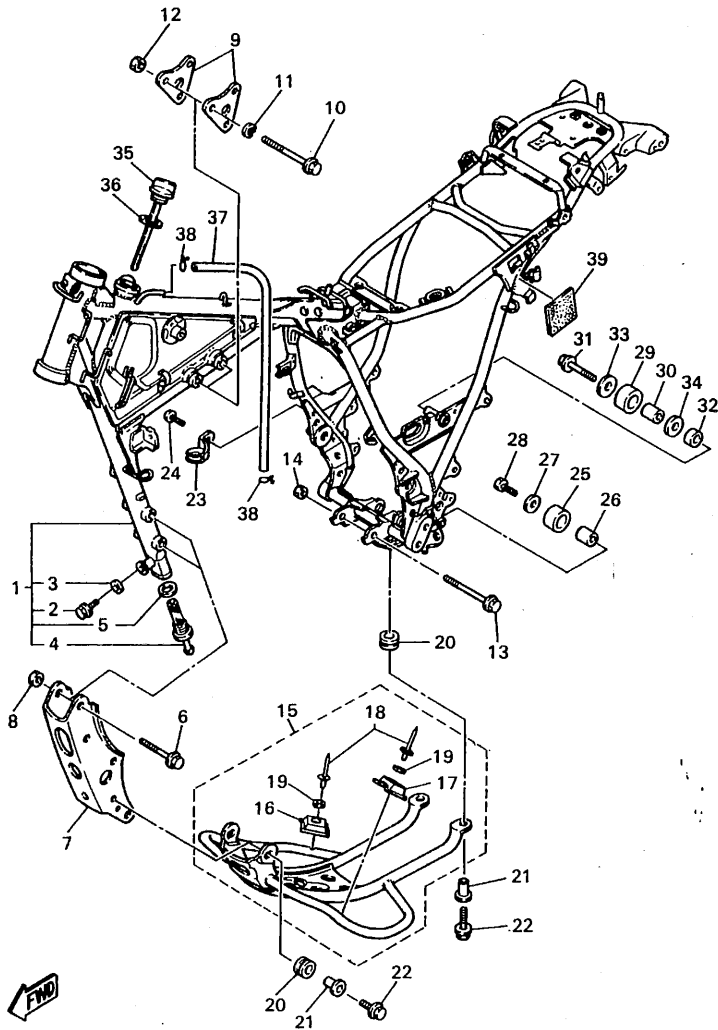
FIG. 17 FRAME




4PT351-5170

REF. NO.	PART NO.	DESCRIPTION	Q'TY	REMARKS
1	4PT-21110-01-WL	FRAME COMP.	1	STARDUST SILVER
2	95817-08012	•BOLT, FLANGE	1	
3	90201-08087	•WASHER, PLATE	1	
4	3TB-21756-00	•NET, FILTER	1	
5	90430-22123	•GASKET	1	
6	95817-10070	BOLT, FLANGE	4	
7	3TB-21316-00-90	STAY, ENGINE 3	1	UNI-CHROME (BLACK CHROMATE)
8	95617-10200	NUT, SELF-LOCKING	4	
9	34L-21315-00	STAY, ENGINE 2	2	
10	97017-10080	BOLT	3	
11	92907-10600	WASHER	3	
12	95617-10200	NUT, SELF-LOCKING	3	
13	95817-10100	BOLT, FLANGE	1	
14	95617-10200	NUT, SELF-LOCKING	1	
15	3TB-W2147-00-WL	PROTECTOR, ENGINE	1	STARDUST SILVER
16	34K-21485-00	•DAMPER, RUBBER 1	1	
17	34K-21486-00	•DAMPER 2	1	
18	90267-40080	•RIVET, BLIND	2	
19	92907-04200	•WASHER, PLATE	2	
20	90480-15363	GROMMET	4	
21	90387-07391	COLLAR	4	
22	95827-06025	BOLT, FLANGE	4	
23	5Y1-21441-00	BRACKET, STOP SWITCH	1	
24	95027-06010	BOLT, FLANGE	1	
25	3TB-22178-00	TENSIONER	1	
26	4V4-22184-00	BUSH	1	
27	90201-08753	WASHER, PLATE	1	
28	95027-08016	BOLT	1	

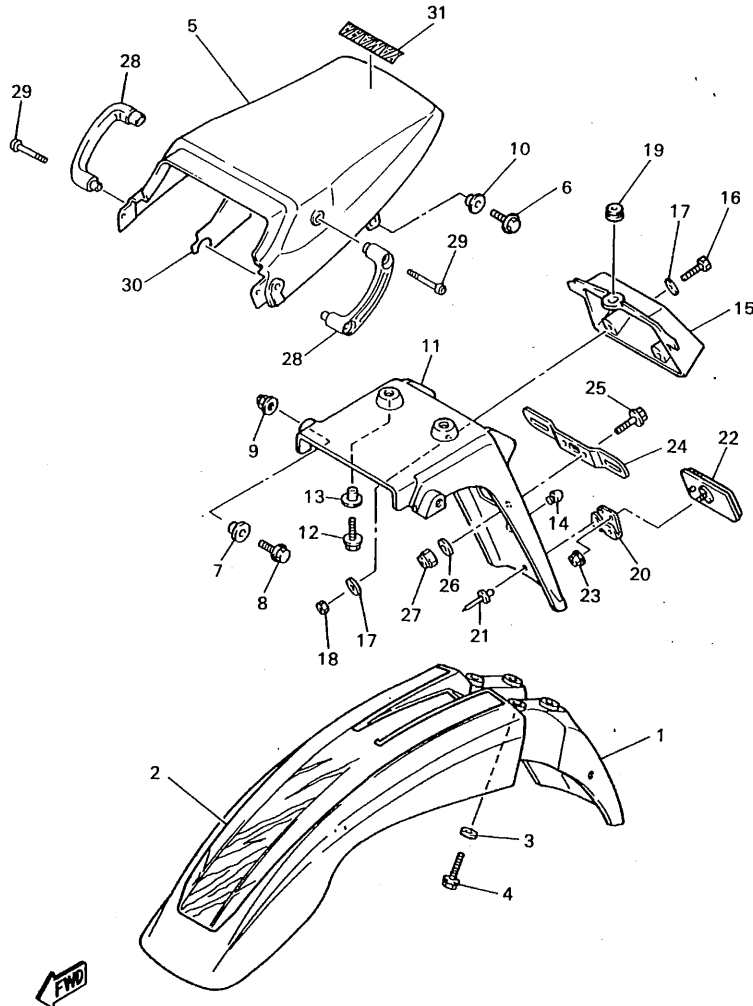
FIG. 17 FRAME



4PT351-5170

REF. NO.	PART NO.	DESCRIPTION	Q'TY	REMARKS
29	30X-22178-00	TENSIONER	1	
30	4V4-22184-00	BUSH	1	
31	90109-08705	BOLT	1	
32	90201-13409	WASHER, PLATE	1	
33	90201-08753	WASHER, PLATE	1	
34	90387-085E1	COLLAR	1	
35	3TB-21771-00	BODY, CAP	1	
36	90430-27124	GASKET	1	
37	90445-115J7	HOSE	1	
38	90467-10008	CLIP	2	
39	3TB-28415-01	DAMPER 1	1	

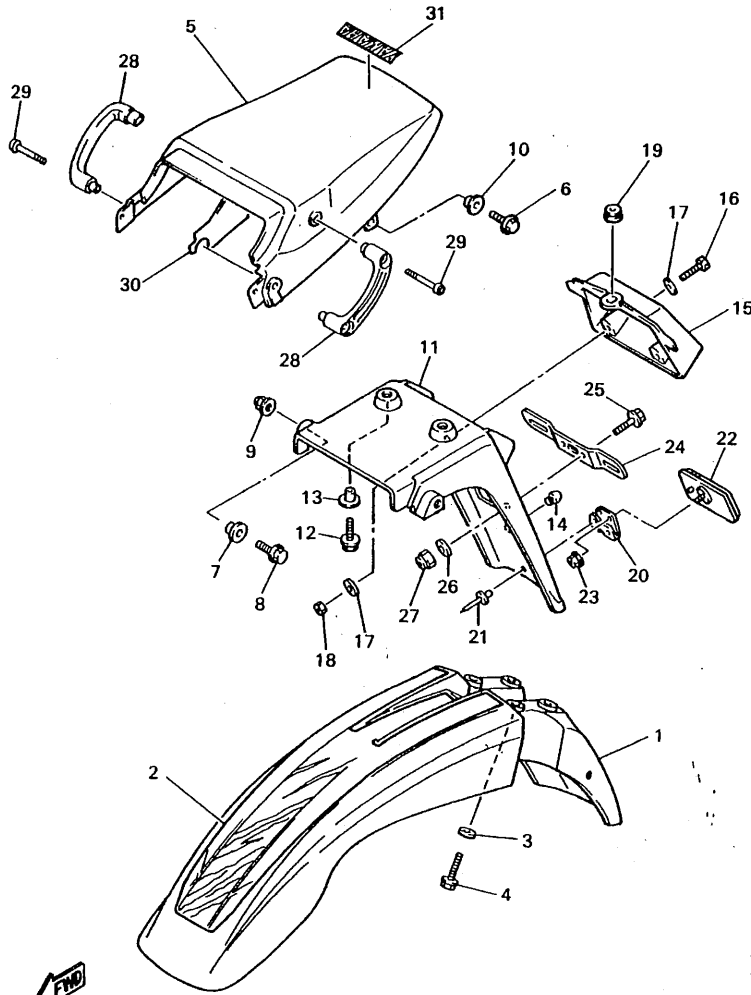
FIG. 18 FENDER



4PT351-5180

REF. NO.	PART NO.	DESCRIPTION	Q'TY	REMARKS
1	3RW-21511-60	FENDER, FRONT	1	UR PURPLISH WHITE SOLID 1
	3RW-21511-70	FENDER, FRONT	1	UR YAMAHA BLACK
	3RW-21511-90	FENDER, FRONT	1	UR DARK GRAYISH CYAN SOLID 4
2	4PT-21569-00	GRAPHIC 1	1	UR FOR YB
	4PT-21569-10	GRAPHIC 1	1	UR FOR PWS 1
	4PT-21569-20	GRAPHIC 1	1	UR FOR DNCS 4
3	90387-0668J	COLLAR	4	
4	90119-06097	BOLT, WITH WASHER	4	
5	4PT-21611-00	FENDER, REAR	1	UR YAMAHA BLACK
	4PT-21611-10	FENDER, REAR	1	UR PURPLISH WHITE SOLID 1
	4PT-21611-20	FENDER, REAR	1	UR DARK GRAYISH CYAN SOLID 4
6	95027-06016	BOLT	2	
7	90387-064J1	COLLAR	2	
8	90119-06228	BOLT, WITH WASHER	2	
9	90176-06065	NUT, CROWN	2	
10	90387-06022	COLLAR	2	
11	2KF-21685-01	BRACKET, LICENSE	1	
12	90119-06060	BOLT, WITH WASHER	2	
13	90387-066M3	COLLAR	2	
14	42U-21639-00	DAMPER 2	1	
15	4PT-2163A-00	COVER, REAR FENDER 1	1	
16	97007-06025	BOLT	2	
17	90201-065F3	WASHER, PLATE	4	
18	95617-06100	NUT, U	2	
19	90480-13398	GROMMET	1	
20	33G-85132-02	BRACKET, REFLECTOR 1	1	
21	90267-40110	RIVET, BLIND	2	
22	3Y6-85130-02	REAR REFLECTOR ASSY	1	

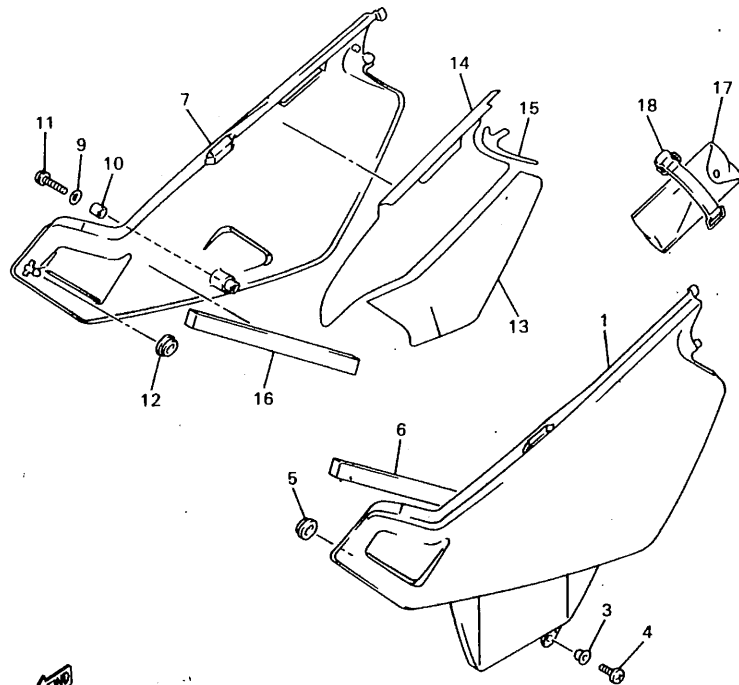
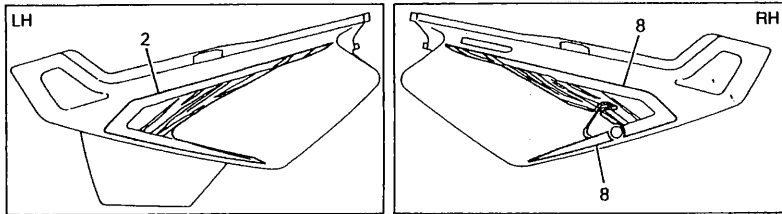
FIG. 18 FENDER



4PT351-5180

REF. NO.	PART NO.	DESCRIPTION	Q'TY	REMARKS
23	95707-05500	NUT, FLANGE	1	
24	3YF-84751-00	BRACKET, LICENSE	1	*UNI-CHROME (BLACK CHROMATE)
25	95027-06012	BOLT, FLANGE	2	
26	90201-065F3	WASHER, PLATE	2	
27	95317-06600	NUT	2	
28	3TB-2164F-01	STAY 1	2	
29	92017-08050	SCREW	4	
30	4PT-2174T-00	INSULATOR, SIDE COVER 2	1	
31	99246-00080	EMBLEM, YAMAHA	1	UR FOR YB, DNCS 4
	99247-00080	EMBLEM, YAMAHA	1	UR FOR PWS 1

FIG. 19 SIDE COVER

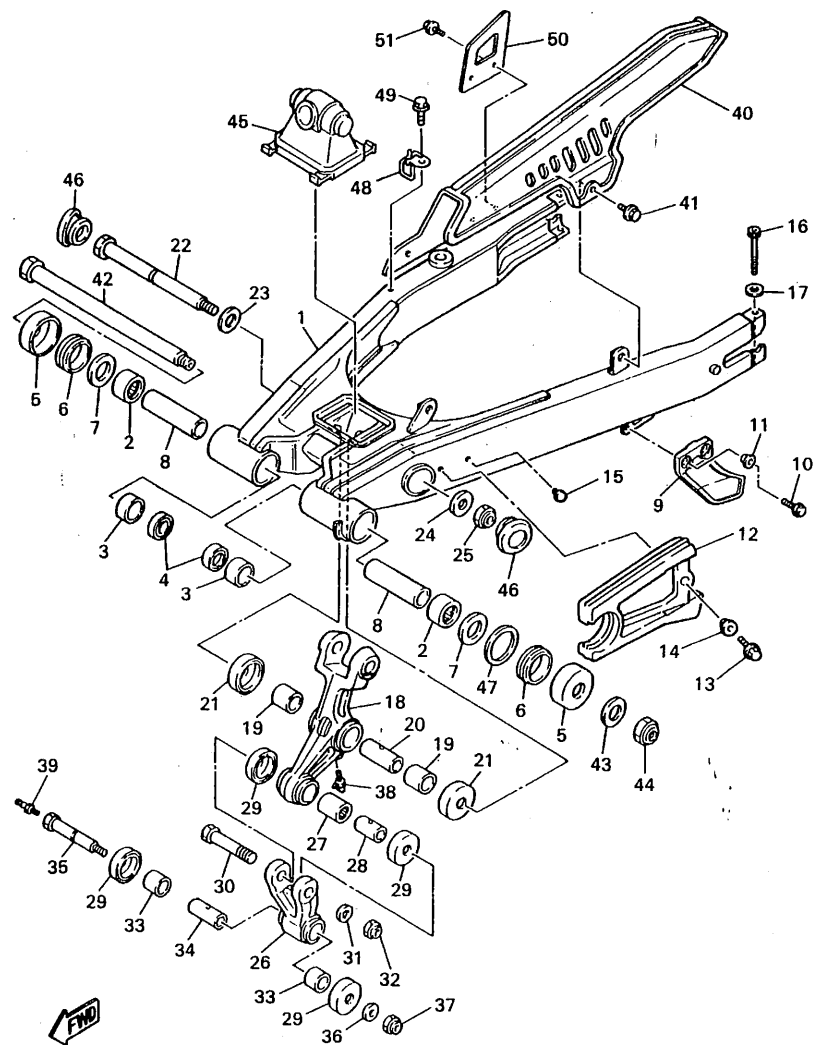


REF. NO.	PART NO.	DESCRIPTION	Q'TY	REMARKS
1	4PT-21711-00	COVER, SIDE 1	1	UR YAMAHA BLACK
	4PT-21711-10	COVER, SIDE 1	1	UR PURPLISH WHITE SOLID 1
	4PT-21711-20	COVER, SIDE 1	1	UR DARK GRAYISH CYAN SOLID 4
2	4PT-2173E-00	GRAPHIC 1	1	UR FOR YB
	4PT-2173E-10	GRAPHIC 1	1	UR FOR PWS 1
	4PT-2173E-20	GRAPHIC 1	1	UR FOR DNCS 4
3	90387-07717	COLLAR	1	
4	90149-06223	SCREW	1	
5	90480-01401	GROMMET	1	
6	4PT-21717-00	DAMPER	1	
7	4PT-21721-00	COVER, SIDE 2	1	UR YAMAHA BLACK
	4PT-21721-10	COVER, SIDE 2	1	UR PURPLISH WHITE SOLID 1
	4PT-21721-20	COVER, SIDE 2	1	UR DARK GRAYISH CYAN SOLID 4
8	4PT-2174L-00	GRAPHIC SET 2	1	UR FOR YB
	4PT-2174L-10	GRAPHIC SET 2	1	UR FOR PWS 1
	4PT-2174L-20	GRAPHIC SET 2	1	UR FOR DNCS 4
9	90201-06049	WASHER, PLATE	1	
10	90387-06026	COLLAR	1	
11	98907-06020	SCREW, BIND	1	
12	90480-01401	GROMMET	1	
13	4PT-2174A-00	INSULATOR, SIDE COVER	1	
14	4PT-2174A-10	INSULATOR, SIDE COVER	1	
15	4PT-2174A-20	INSULATOR, SIDE COVER	1	
16	4PT-21717-00	DAMPER	1	
17	3TB-28100-00	TOOL KIT	1	
18	46X-21376-00	BAND, TOOL	1	



4PT351-5190

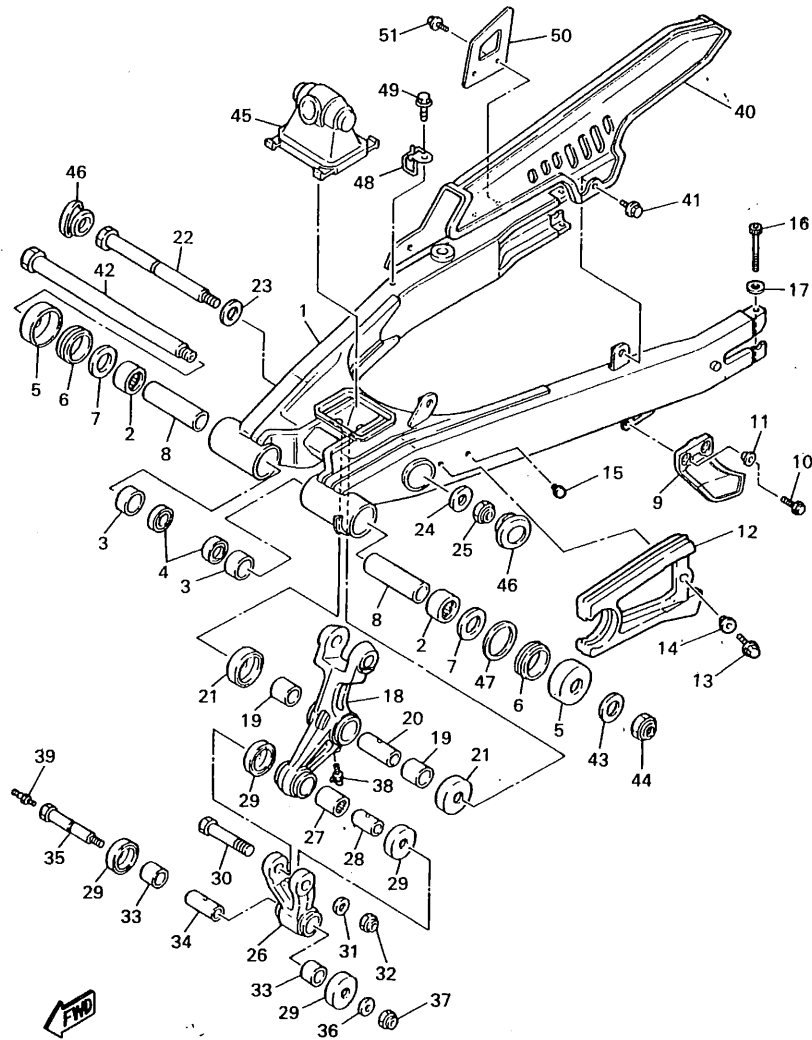
FIG. 20 REAR ARM



4PT351-6200

REF. NO.	PART NO.	DESCRIPTION	Q'TY	REMARKS
1	4PT-22110-00-35	REAR ARM COMP.	1	SILVER
2	93315-22251	BEARING, CYLINDRICAL	2	
3	90380-22111	BUSH, SOLID	2	
4	93106-22019	OIL SEAL (DC 22-28-8)	2	
5	2K6-22128-01	COVER, THRUST 1	2	
6	93108-35004	OIL SEAL (35-41-8)	2	
7	3YF-22149-00	WASHER	2	
8	1VJ-22123-00	BUSH 1	2	
9	38V-22199-00	SUPPORT, CHAIN	1	
10	97027-06020	BOLT, FLANGE	2	
11	90387-06737	COLLAR	2	
12	4PT-22151-00	SEAL, GUARD	1	
13	95807-06016	BOLT, FLANGE	1	
14	90387-07789	COLLAR	1	
15	90338-06143	PLUG	1	
16	91317-06060	BOLT	2	
17	92907-06600	WASHER, PLATE	2	
18	3TB-2217A-00	ARM, RELAY	1	
19	90386-20120	BUSH	2	
20	90380-14095	BUSH, SOLID	1	
21	34L-22128-00	COVER, THRUST 1	2	
22	90105-12668	BOLT, WASHER BASED	1	
23	90201-140G9	WASHER, PLATE	1	
24	90201-120A5	WASHER, PLATE	1	
25	95617-12100	NUT, U	1	
26	34L-2217F-00	ROD, CONNECTING 1	1	
27	93315-31750	BEARING, CYLINDRICAL	1	
28	90387-1206D	COLLAR	1	

FIG. 20 REAR ARM

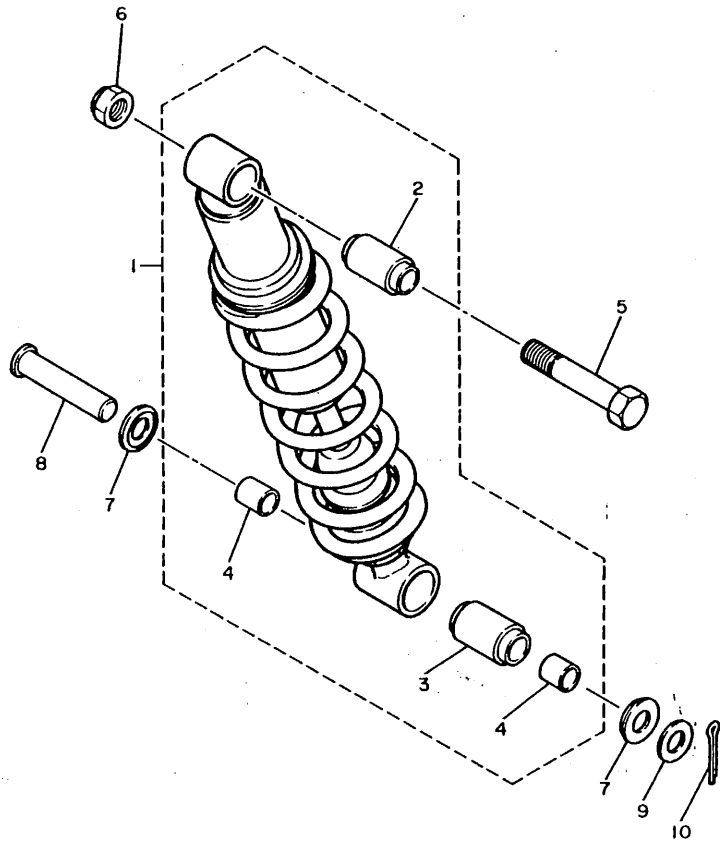


4PT351-6200

REF. NO.	PART NO.	DESCRIPTION	Q'TY	REMARKS
29	55K-22129-00	COVER, THRUST 2	4	
30	90101-12498	BOLT	1	
31	90201-12699	WASHER, PLATE	1	
32	95617-12100	NUT, U	1	
33	90386-20123	BUSH	2	
34	90387-122J6	COLLAR	1	
35	90109-102G8	BOLT	1	
36	90201-100F7	WASHER, PLATE	1	
37	90185-10060	NUT, SELF-LOCKING	1	
38	93700-06005	NIPPLE, GREASE	1	
39	93700-06M03	NIPPLE, GREASE	1	
40	3TB-22311-00	CASE, CHAIN	1	
41	90119-06228	BOLT, WITH WASHER	2	
42	1VJ-22141-00	SHAFT, PIVOT	1	
43	90201-15238	WASHER, PLATE	1	
44	90185-14070	NUT, SELF-LOCKING	1	
45	3TB-22189-00	BOOT, RUBBER	1	
46	34L-22117-00	CAP	2	
47	90201-251F6	WASHER, PLATE (0.3T)	1	
48	4PT-25876-00	HOLDER, BRAKE HOSE 2	1	
49	95817-06012	BOLT, FLANGE	1	
50	2KF-27491-00	PROTECTOR	1	
51	95817-06010	BOLT, FLANGE	2	

D4

FIG. 21 REAR • SUSPENSION



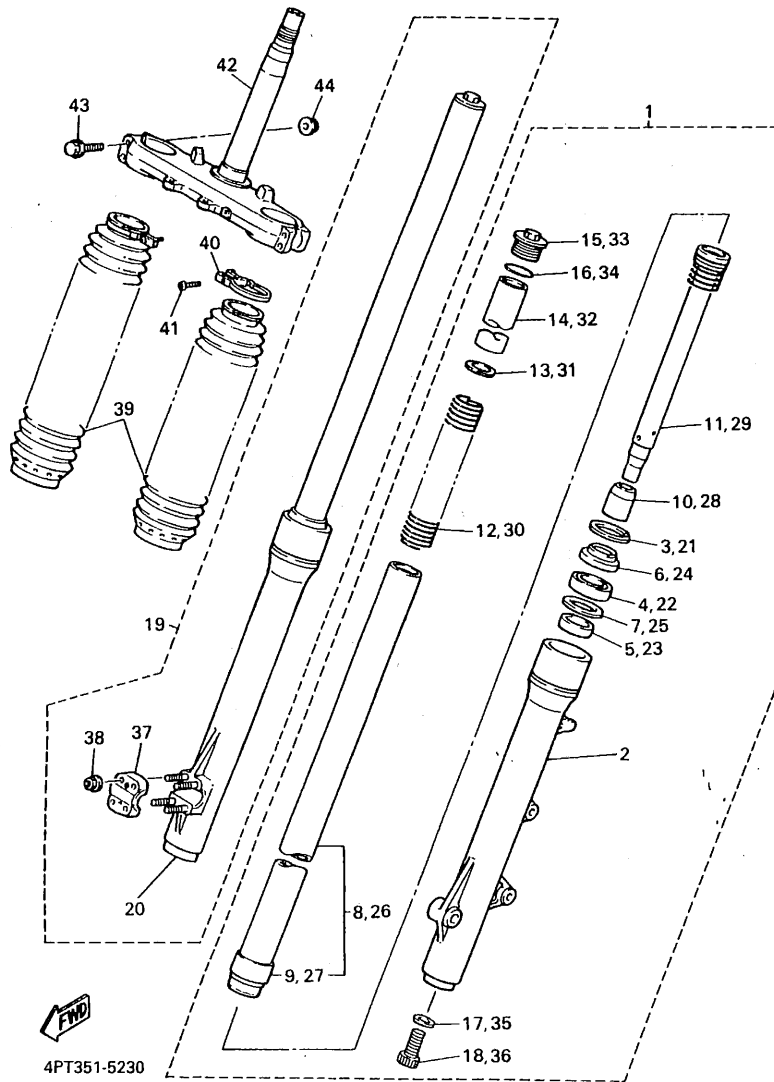
REF. NO.	PART NO.	DESCRIPTION	Q'TY	REMARKS
1	4PT-22210-00-33	SHOCK ABSORBER ASSY, REAR	1	YAMAHA BLACK
2	34L-22216-00	•BUSH, REAR SHOCK ABSORBER	1	
3	34L-22226-01	•BUSH, SHOCK ABSORBER LOWER	1	
4	90380-14130	•BUSH, SOLID	2	
5	90101-12295	BOLT	1	
6	95617-12100	NUT, U	1	
7	34L-22129-00	COVER, THRUST 2	2	
8	90240-14106	PIN, CLEVIS	1	
9	92907-14600	WASHER	1	
10	91490-30030	PIN, COTTER	1	



3TB351-0210

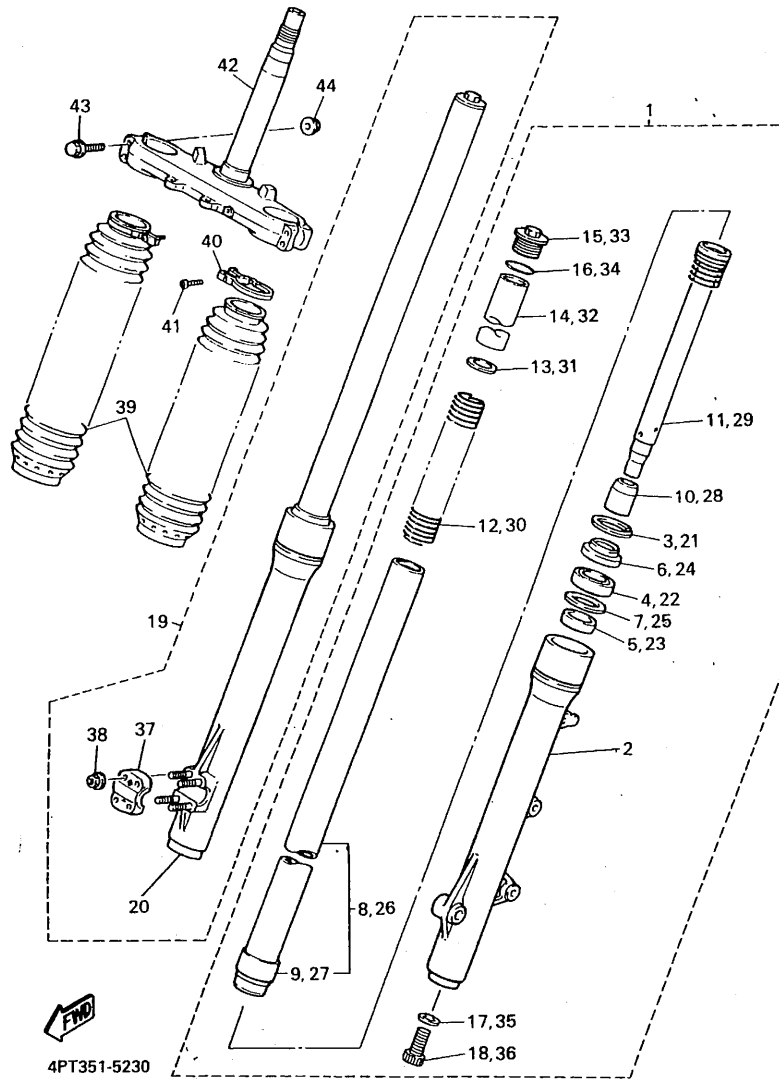
D5

FIG. 23 FRONT FORK



REF. NO.	PART NO.	DESCRIPTION	Q'TY	REMARKS
1	4PT-23102-00	FRONT FORK ASSY (L.H)	1	
2	4PT-23126-00	.TUBE, OUTER 1	1	
3	26H-23156-00	.CLIP, OIL SEAL	1	
4	3BN-23145-00	.OIL SEAL	1	
5	3JD-23125-L0	.METAL, SLIDE 1	1	
6	43F-23144-10	.SEAL, DUST	1	
7	36Y-23146-10	.WASHER, OIL SEAL	1	
8	4PT-23110-00	.INNER TUBE COMP. 1	1	
9	3JD-23171-L0	..PISTON, FRONT FORK	1	
10	3GM-23173-00	.SPINDLE, TAPER	1	
11	4PT-23170-00	.CYLINDER COMP, FRONT FORK	1	
12	4PT-23141-00	.SPRING, FRONT FORK	1	
13	4DW-23149-40	.WASHER, SPRING UPPER	1	
14	4PT-23118-00	.SPACER	1	
15	3EN-23111-50	.BOLT, CAP	1	
16	43F-23188-10	.O-RING	1	
17	509-23158-L0	.GASKET	1	
18	278-23181-50	.BOLT, HEXAGON SOCKET HEAD	1	
19	4PT-23103-00	FRONT FORK ASSY (R.H)	1	
20	4PT-23136-00	.TUBE, OUTER 2	1	
21	26H-23156-00	.CLIP, OIL SEAL	1	
22	3BN-23145-00	.OIL SEAL	1	
23	3JD-23125-L0	.METAL, SLIDE 1	1	
24	43F-23144-10	.SEAL, DUST	1	
25	36Y-23146-10	.WASHER, OIL SEAL	1	
26	4PT-23110-00	.INNER TUBE COMP. 1	1	
27	3JD-23171-L0	..PISTON, FRONT FORK	1	
28	3GM-23173-00	.SPINDLE, TAPER	1	

FIG. 23 FRONT FORK

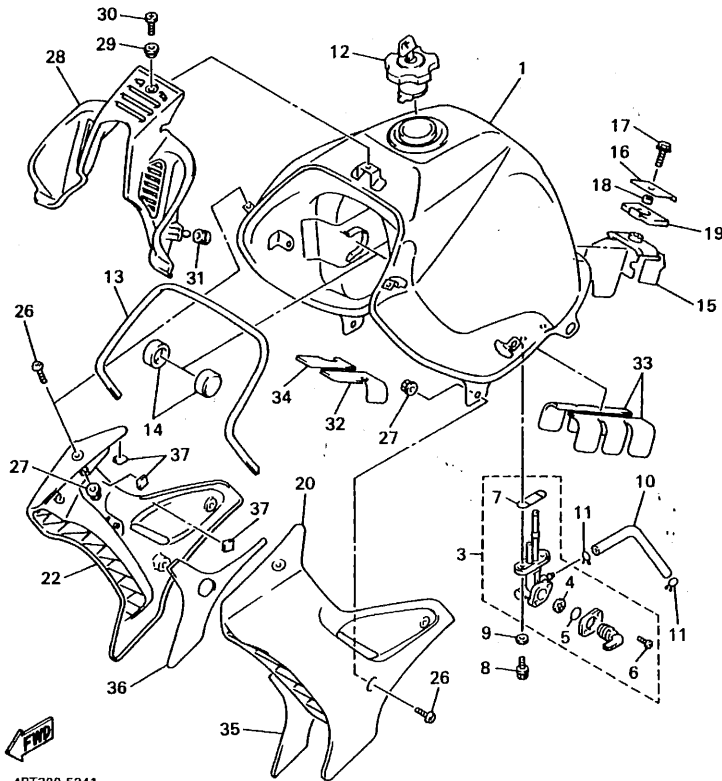
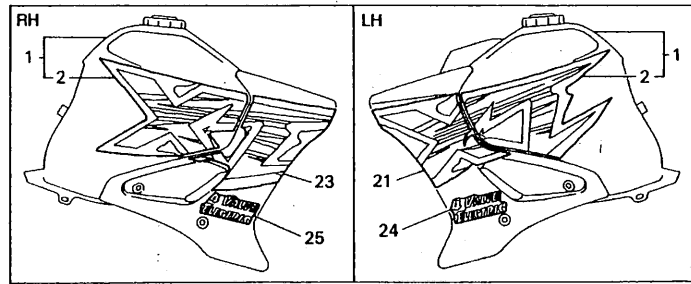


4PT351-5230

REF. NO.	PART NO.	DESCRIPTION	Q'TY	REMARKS
29	4PT-23170-00	•CYLINDER COMP., FRONT FORK	1	
30	4PT-23141-00	•SPRING, FRONT FORK	1	
31	4DW-23149-40	•WASHER, SPRING UPPER	1	
32	4PT-23118-00	•SPACER	1	
33	3EN-23111-50	•BOLT, CAP	1	
34	43F-23188-10	•O-RING	1	
35	509-23158-L0	•GASKET	1	
36	278-23181-50	•BOLT, HEXAGON SOCKET HEAD	1	
37	3XJ-23167-L0	•HOLDER, AXLE	1	
38	2KF-23127-01	•NUT, OUTER TUBE	4	
39	2KF-23191-11	BOOT	2	UR INK BLUE FOR YB
	3TB-23191-11	BOOT	2	UR BLACK FOR PWS 1, DNCS 4
40	43M-23192-L0	BAND	2	
41	98507-04018	SCREW, PAN HEAD	2	
42	4PT-23340-00	UNDER BRACKET COMP.	1	
43	95817-08055	BOLT, FLANGE	4	
44	95701-08500	NUT, FLANGE	4	

D8

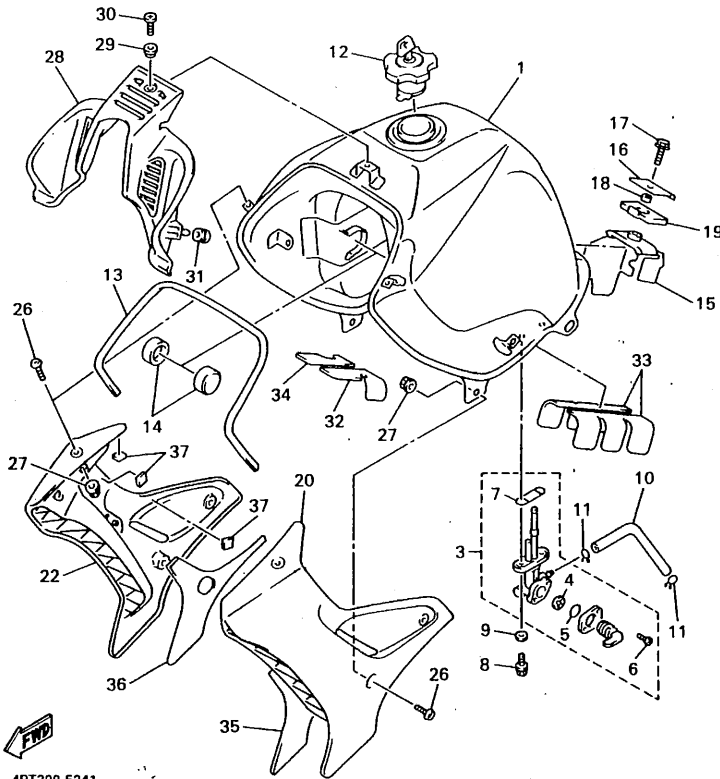
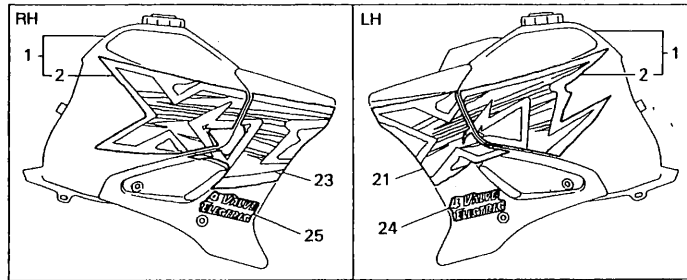
FIG. 24 FUEL TANK



4PT300-5241

REF. NO.	PART NO.	DESCRIPTION	Q'TY	REMARKS
1	4PT-24110-10-01	FUEL TANK COMP.	1	UR DARK PURPLISH BLUE
	4PT-24110-10-02	FUEL TANK COMP.	1	METALLIC 2 FOR YB
	4PT-24110-10-03	FUEL TANK COMP.	1	UR BLUISH PURPLE
2	4PT-24240-00	•GRAPHIC SET	1	METALLIC 1 FOR PWS 1
	4PT-24240-10	•GRAPHIC SET	1	UR DARK MAGENTA
	4PT-24240-20	•GRAPHIC SET	1	COCKTAIL 1 FOR DNCS 4
				UR FOR YB
3	3FY-24500-00	FUEL COCK ASSY 1	1	
4	3AJ-24523-00	•VALVE	1	
5	3AJ-24534-00	•SEAL, COCK	1	
6	98503-03008	•SCREW, PAN HEAD	2	
7	4X8-24512-00	•O-RING	1	
8	95027-06016	BOLT	2	
9	90202-05187	WASHER, PLATE	2	
10	90445-10638	HOSE	1	
11	90467-09006	CLIP	2	
12	11H-24602-03	CAP ASSY	1	
13	3TB-24188-00	MOLD, FUEL TANK	1	
14	3TB-24181-00	DAMPER, LOCATING 1	2	
15	4PT-24182-00	DAMPER, LOCATING 2	1	
16	30X-24186-01	WASHER, SPECIAL	1	
17	95807-06016	BOLT, FLANGE	1	
18	90387-060U2	COLLAR	1	
19	30X-24183-01	DAMPER, LOCATING 3	1	
20	4PT-2137W-01	SCOOP, AIR 1	1	UR YAMAHA, BLACK
	4PT-2137W-11	SCOOP, AIR 1	1	FOR YB, PWS 1
21	4PT-24246-01	GRAPHIC 3	1	UR DARK GRAYISH CYAN
	4PT-24246-11	GRAPHIC 3	1	SOLID 4 FOR DNCS 4
	4PT-24246-20	GRAPHIC 3	1	UR FOR YB
				UR FOR PWS 1
				UR FOR DNCS 4

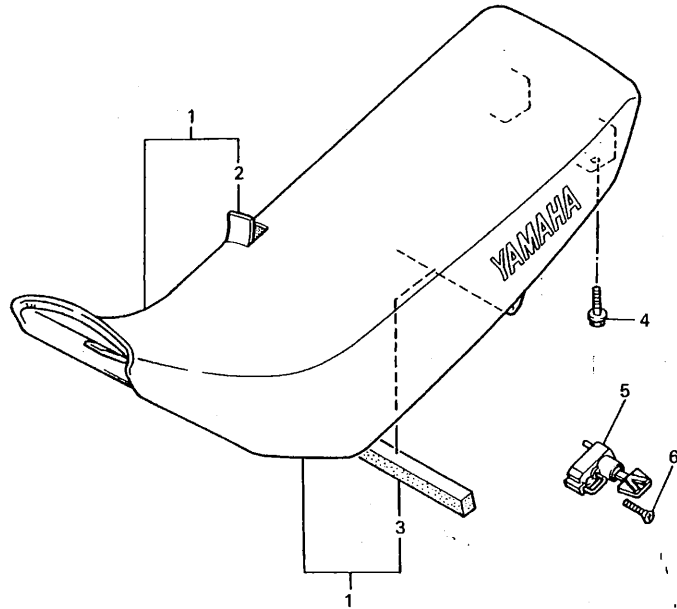
FIG. 24 FUEL TANK



4PT300-5241

REF. NO.	PART NO.	DESCRIPTION	Q'TY	REMARKS
22	4PT-2137X-01	SCOOP, AIR 2	1	UR YAMAHA BLACK FOR YB, PWS 1
	4PT-2137X-11	SCOOP, AIR 2	1	UR DARK GRAYISH CYAN SOLID 4 FOR DNCS 4 UR FOR YB
23	4PT-24247-01	GRAPHIC	1	
	4PT-24247-11	GRAPHIC	1	UR FOR PWS 1
	4PT-24247-20	GRAPHIC	1	UR FOR DNCS 4
24	4PT-24161-01	EMBLEM 1	1	UR FOR YB, PWS 1
	4PT-24161-10	EMBLEM 1	1	UR FOR DNCS 4
25	4PT-24162-01	EMBLEM 2	1	UR FOR YB, PWS 1
	4PT-24162-10	EMBLEM 2	1	UR FOR DNCS 4
26	90149-05299	SCREW	6	
27	90179-05523	NUT	6	
28	3TB-2137Y-00	GUIDE, AIR	1	
29	90387-064J1	COLLAR	1	
30	90149-06223	SCREW	1	
31	90480-13428	GROMMET	2	
32	4PT-2416F-00	INSULATOR, FUEL TANK 1	1	
33	4PT-2416G-00	INSULATOR, FUEL TANK 2	2	
34	4PT-2416F-10	INSULATOR, FUEL TANK 1	1	
35	4PT-2414H-00	DAMPER, PLATE 1	1	
36	4PT-2414J-00	DAMPER, PLATE 2	1	
37	34M-2139X-00	DAMPER	6	

FIG. 25 SEAT

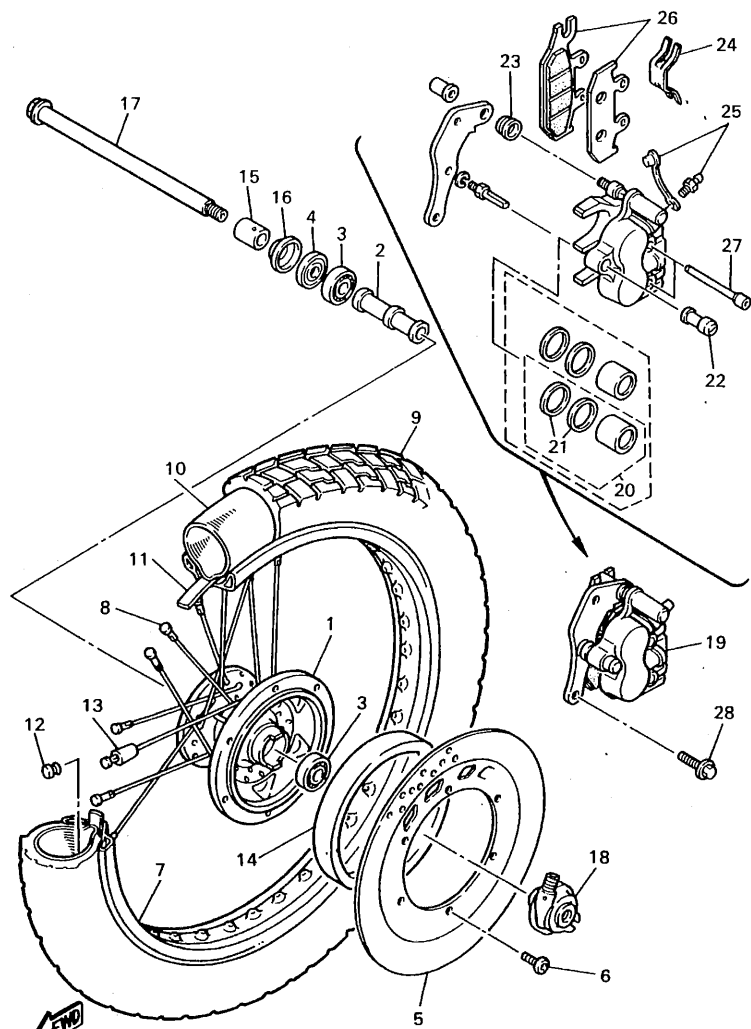


REF. NO.	PART NO.	DESCRIPTION	Q'TY	REMARKS
1	4PT-24770-00	SEMI-DOUBLE SEAT ASSY	1	UR INK BLUE FOR YB
	4PT-24770-10	SEMI-DOUBLE SEAT ASSY	1	UR YAMAHA BLACK FOR PWS 1, DNCS 4
2	4PT-24731-00	.COVER, SEAT	1	UR INK BLUE FOR YB
	4PT-24731-10	.COVER, SEAT	1	UR YAMAHA BLACK FOR PWS 1, DNCS 4
3	3TB-24723-00	.DAMPER, SEAT	1	
4	90119-06063	BOLT, WITH WASHER	2	
5	26H-21308-00	HELMET HANGER ASSY	1	
6	90149-06154	SCREW	1	



4PT351-5250

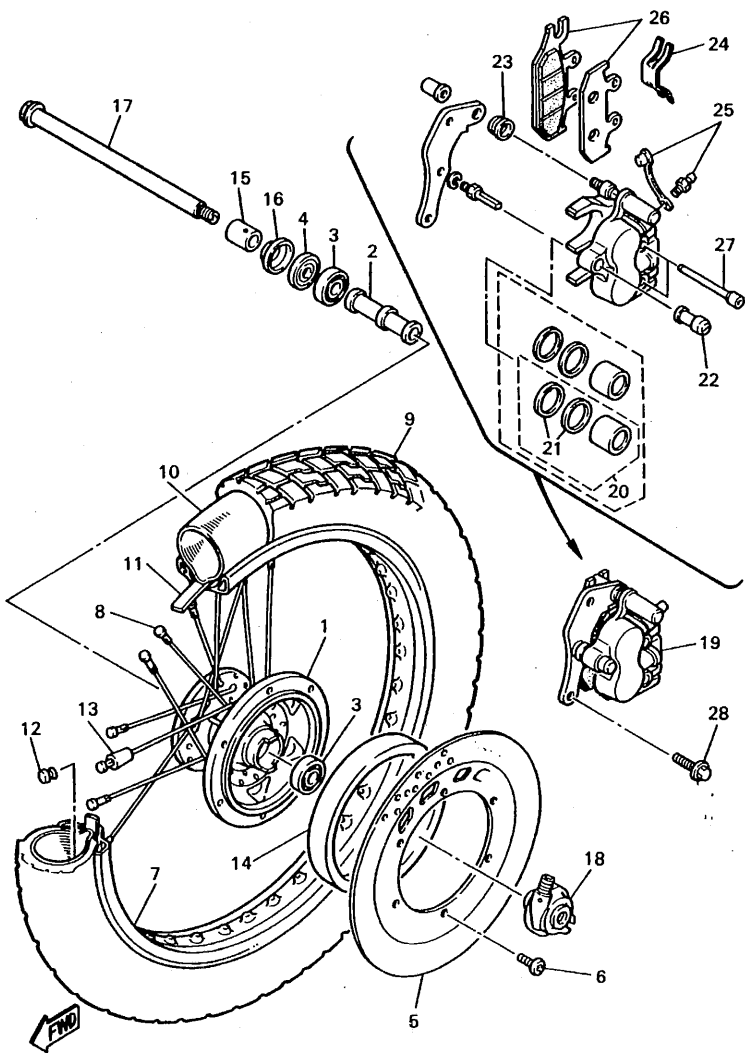
FIG. 26 FRONT WHEEL



4PT351-5260

REF. NO.	PART NO.	DESCRIPTION	Q'TY	REMARKS
1	3YF-25111-00-98	HUB, FRONT	1	LOW GLOSS BLACK
2	90560-15240	SPACER	1	
3	93306-20209	BEARING (B6202)	2	
4	93102-20281	OIL SEAL (SD 20-35-5)	1	
5	3LP-2582T-00	DISC, BRAKE	1	
6	90109-081F0	BOLT	6	
7	94418-21492	RIM (1.85-21)	1	
8	3TB-25104-00	SPOKE SET, FRONT	1	
9	94109-2108C	TIRE (MCS 90/90-21 54S TW47)	1	UR BRIDGESTONE
	94109-2109R	TIRE (90/90-21 54S TRAILMAX)	1	UR DUNLOP
10	94209-21277	TUBE (MCS 90/90-21 TR-4)	1	BRIDGESTONE
11	94330-21084	BAND, RIM (3.00-21)	1	BRIDGESTONE
12	90338-09130	PLUG	1	
13	156-25398-00	BALANCER, WHEEL	1	UN
14	4PT-25336-00	RING 2	1	
15	90387-152J3	COLLAR	1	
16	322-25118-00	COVER, HUB DUST	1	
17	55U-25181-01	AXLE, WHEEL	1	
18	34L-25190-01	GEAR UNIT ASSY	1	
19	4PT-2580T-00	CALIPER ASSY (LEFT)	1	
20	3TB-W0057-00	PISTON ASSY, CALIPER	2	
21	3GD-W0047-00	CALIPER SEAL KIT	2	
22	1UY-25937-51	BOOT 2	1	
23	3JD-25917-00	BOOT, CALIPER	1	
24	3TB-25919-00	SUPPORT, PAD	1	
25	36Y-W0048-00	BREED SCREW KIT	1	
26	4PT-W0045-00	BRAKE PAD KIT	1	
27	3TB-25933-00	PIN, PAD	2	

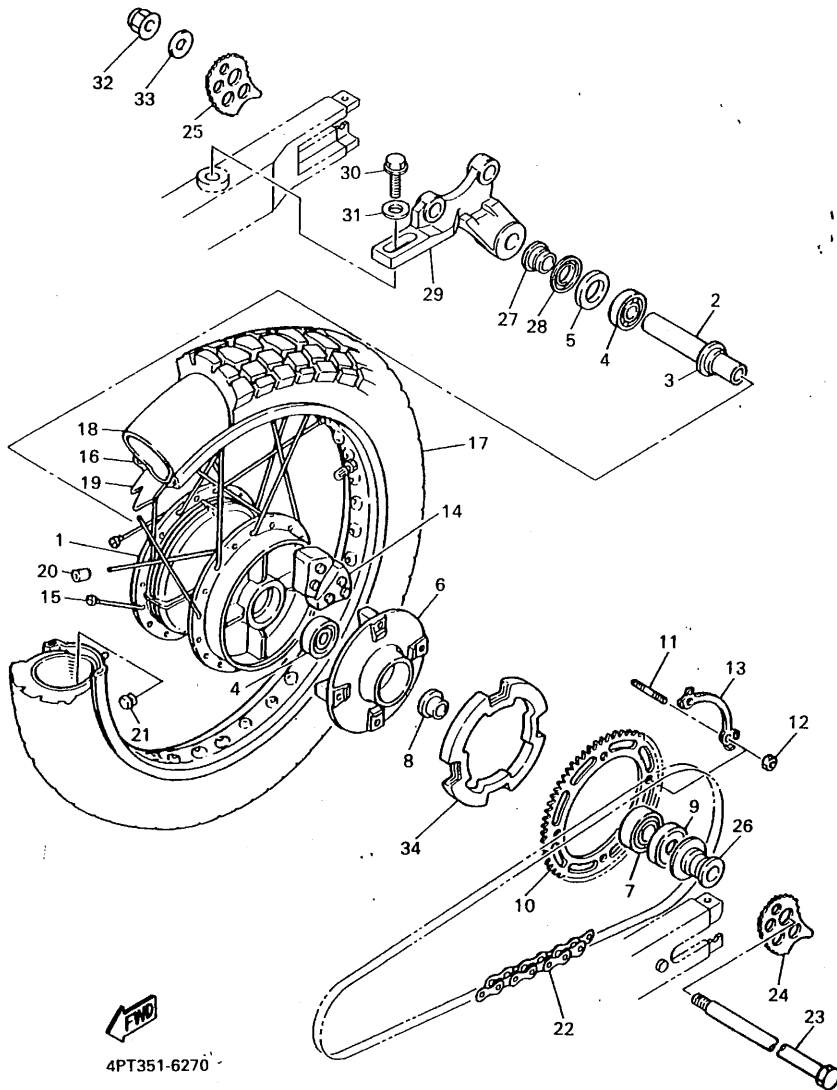
FIG. 26 FRONT WHEEL



REF. NO.	PART NO.	DESCRIPTION	Q'TY	REMARKS
28	90105-10778	BOLT, WASHER BASED	2	

4PT351-5260

FIG. 27 REAR WHEEL

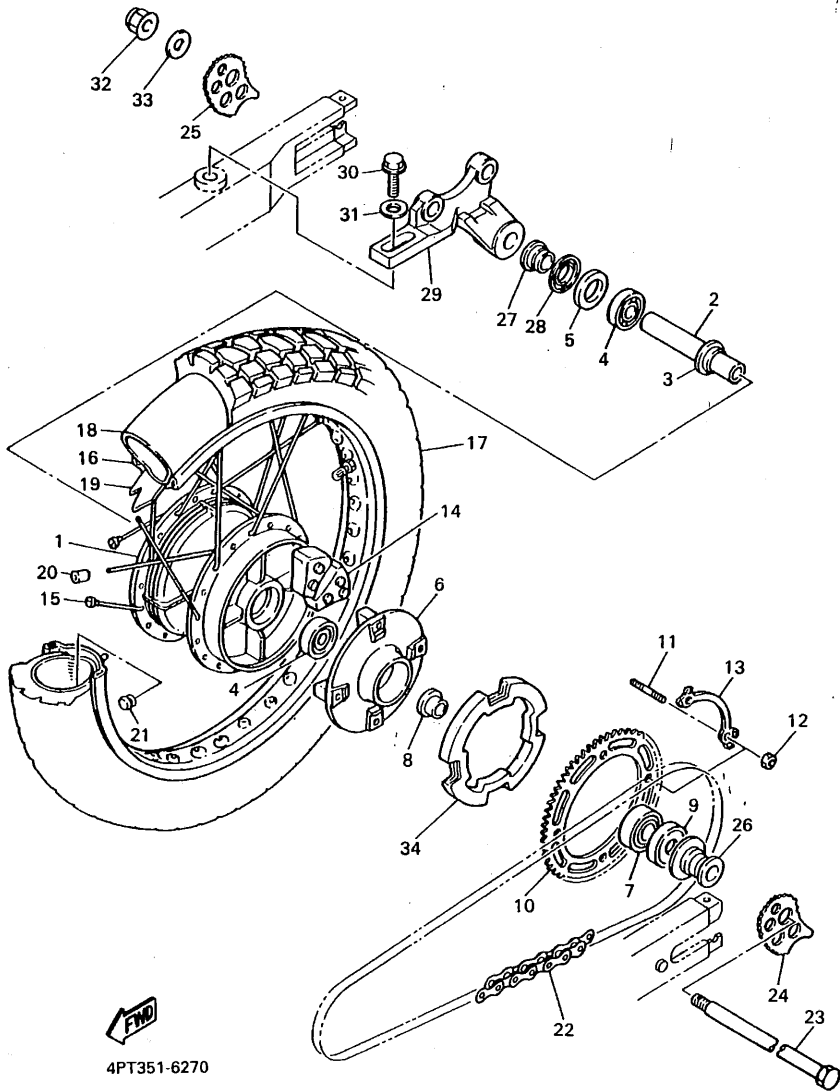


4PT351-6270

REF. NO.	PART NO.	DESCRIPTION	Q'TY	REMARKS
1	2KF-25311-00-98	HUB, REAR	1	LOW GLOSS BLACK
2	90387-173M5	COLLAR	1	
3	146-25315-00	FLANGE, SPACER	1	
4	93306-20310	BEARING (B6203DU)	2	
5	93102-25311	OIL SEAL (FPJ 25-44-8 TS)	1	
6	1VJ-25366-01-98	CLUTCH, HUB	1	LOW GLOSS BLACK
7	93306-30416	BEARING (B6304RS)	1	
8	1VJ-25377-00	COLLAR, WHEEL	1	
9	93106-30029	OIL SEAL	1	
10	4DN-25445-20	SPROCKET, DRIVEN (45T)	1	
11	90116-10348	BOLT, STUD	4	
12	90170-10219	NUT	4	
13	5Y1-25412-00	WASHER	2	
14	5Y1-25364-00	DAMPER	4	
15	3TB-25304-00	SPOKE SET, REAR	1	
16	94425-17491	RIM (2.50-17)	1	
17	94112-1708D	TIRE (MCS 120/90-17 64S TW48)	1	UR BRIDGESTONE
	94112-1709S	TIRE (120/90-17 64S TRAILMAX)	1	UR DUNLOP
18	94212-17264	TUBE (MCS 120/90-17 TR-4)	1	UR BRIDGESTONE
	94212-17281	TUBE (120/90 130/80-17)	1	UR DUNLOP
19	94330-17158	BAND, RIM (3.00-17)	1	BRIDGESTONE
20	156-25398-00	BALANCER, WHEEL	1	UN
21	90338-09130	PLUG	1	
22	94581-45106	CHAIN (DID520V2-106LE)	1	
23	3AJ-25381-01	AXLE, WHEEL	1	
24	3Y1-25388-01	PULLER, CHAIN 1	1	
25	3Y1-25389-00	PULLER, CHAIN 2	1	
26	1VJ-25383-00	COLLAR, WHEEL	1	

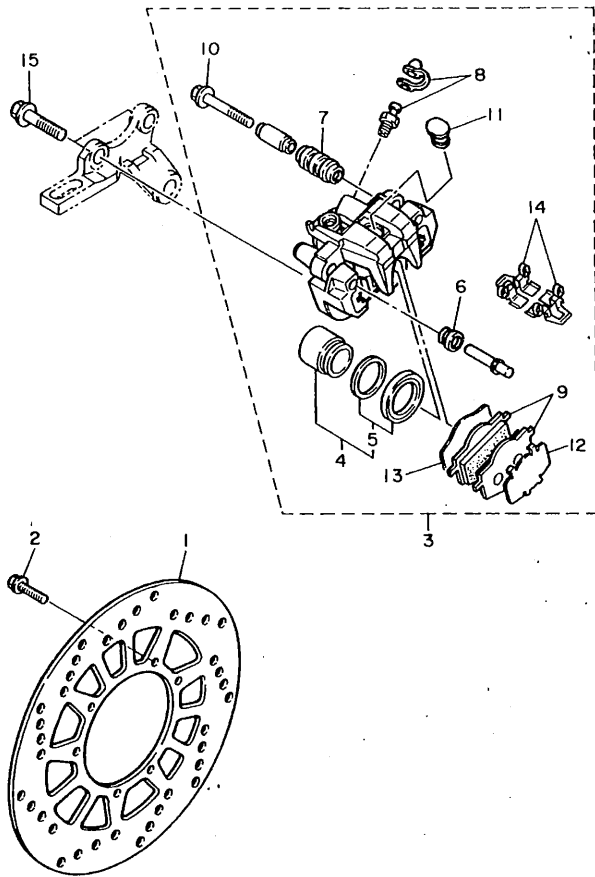
FIG. 27 REAR WHEEL

REF. NO.	PART NO.	DESCRIPTION	Q'TY	REMARKS
27	90387-174F0	COLLAR	1	
28	36R-25367-00	COVER, HUB DUST	1	
29	2KF-25819-00	BRACKET, CALIPER	1	
30	95817-10030	BOLT, FLANGE	1	
31	90201-10437	WASHER, PLATE	1	
32	95604-16200	NUT, U FLANGE	1	
33	92907-16200	WASHER	1	
34	4PT-2539F-00	PLATE 1	1	



4PT351-6270

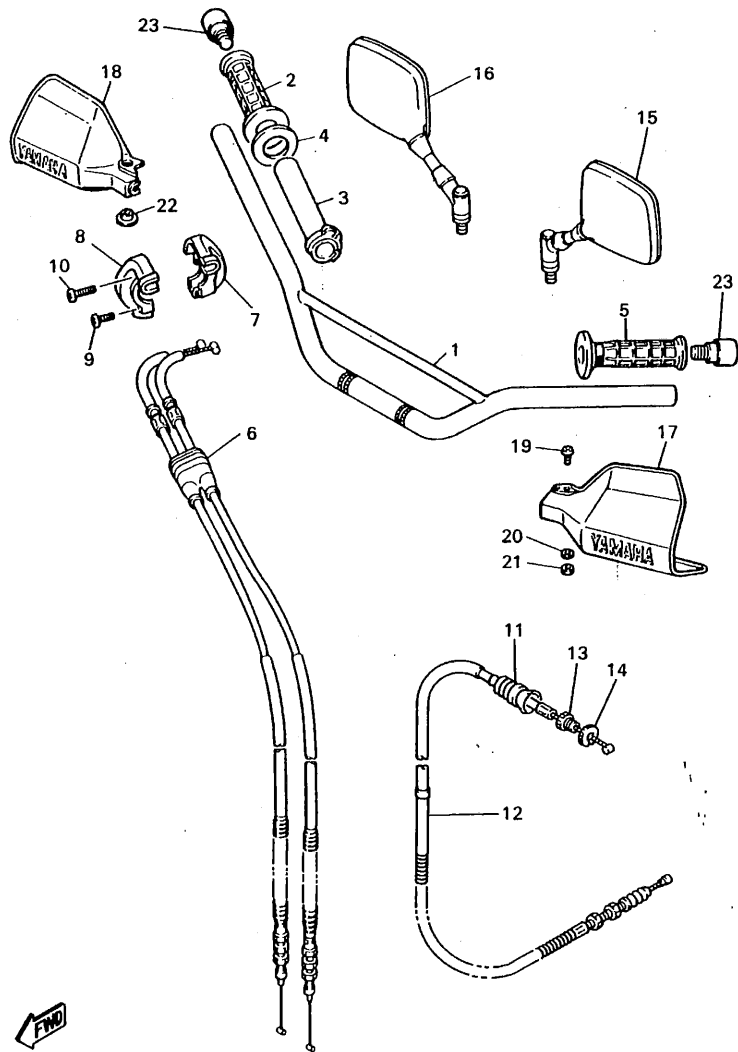
FIG. 28 REAR BRAKE CALIPER



REF. NO.	PART NO.	DESCRIPTION	Q'TY	REMARKS
1	2KF-25831-50	DISC, BRAKE	1	
2	90109-06757	BOLT	6	
3	3TB-2580W-00	CALIPER ASSY, REAR 2	1	
4	2KF-W0057-00	PISTON ASSY, CALIPER	1	
5	34X-W0047-00	CALIPER SEAL KIT	1	
6	5R2-25937-00	BOOT 2	1	
7	34X-25937-00	BOOT 2	1	
8	51L-W0048-00	BREED SCREW KIT	1	
9	34X-W0046-02	BRAKE PAD KIT, 2	1	
10	2GV-25926-00	BOLT	1	
11	34X-25845-00	CAP, INDICATOR	1	
12	2KF-25827-00	SHIM, CALIPER	1	
13	2KF-25828-00	SHIM, CALIPER	1	
14	4MA-25919-00	SUPPORT, PAD	2	
15	90105-10638	BOLT, WASHER BASED	2	


3TB351-0280

FIG. 29. STEERING HANDLE • CABLE

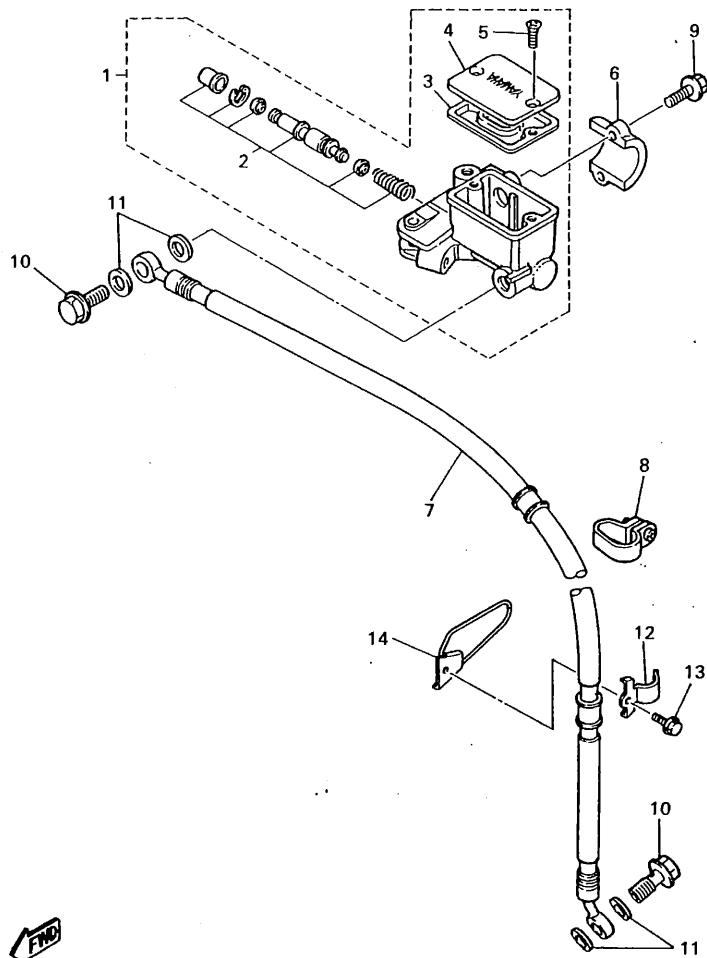


REF. NO.	PART NO.	DESCRIPTION	Q'TY	REMARKS
1	4PT-26111-00	HANDLEBAR	1	
2	55V-26242-00	GRIP (RIGHT)	1	
3	1RF-26243-00	TUBE, THROTTLE GUIDE	1	
4	3Y1-26249-00	RING, LEAF	1	
5	55V-26241-00	GRIP (LEFT)	1	
6	4PT-26302-00	THROTTLE CABLE ASSY	1	
7	34K-26281-00	CAP, GRIP UPPER	1	
8	1VJ-26282-00	CAP, GRIP LOWER	1	
9	98507-05020	SCREW, PAN HEAD	1	
10	98507-05025	SCREW, PAN HEAD	1	
11	1E6-26342-00	BOOT, CABLE	1	
12	4PT-26335-00	CABLE, CLUTCH	1	
13	90123-08046	BOLT	1	
14	90179-08148	NUT	1	
15	3TB-26280-00	REAR VIEW MIRROR ASSY (LEFT)	1	
16	3TB-26290-00	REAR VIEW MIRROR ASSY (RIGHT)	1	
17	3BN-26141-20	GUARD, BRUSH 1	1	UR PURPLISH WHITE SOLID 1 FOR PWS 1 UR YAMAHA BLACK FOR YB, DNCS 4 UR PURPLISH WHITE SOLID 1 FOR PWS 1 UR YAMAHA BLACK FOR YB, DNCS 4
	2KF-26141-00	GUARD, BRUSH 1	1	
18	3TB-26142-60	GUARD, BRUSH 2	1	
	3TB-26142-70	GUARD, BRUSH 2	1	
19	98517-06030	SCREW, PAN HEAD	1	
20	92907-06600	WASHER, PLATE	1	
21	99307-06800	NUT	1	
22	90387-06500	COLLAR	1	
23	4PT-26246-00	END, GRIP	2	



4PT351-6290

FIG. 30 FRONT MASTER CYLINDER

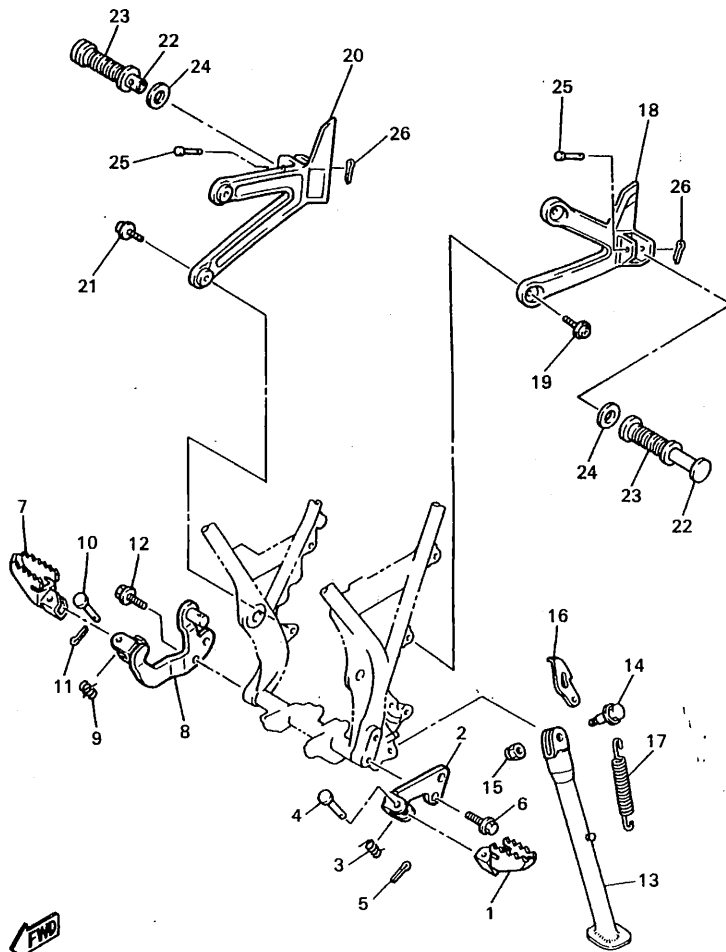


REF. NO.	PART NO.	DESCRIPTION	Q'TY	REMARKS
1	3TB-25870-00	MASTER CYLINDER SUB ASSY	1	
2	23L-W0041-00	.CYLINDER KIT, MASTER	1	
3	4L0-25854-00	.DIAPHRAGM, RESERVOIR	1	
4	4H7-25852-00	.CAP, RESERVOIR	1	
5	98707-04012	.SCREW, FLAT HEAD	2	
6	4L0-25867-00	BRACKET, MASTER CYLINDER	1	
7	3TB-25872-02	HOSE, BRAKE 1	1	
8	99999-02107	CLAMP	1	
9	95027-06025	BOLT	2	
10	90401-10159	BOLT, UNION	2	
11	90201-10118	WASHER, PLATE	4	
12	90461-16124	CLAMP	1	
13	95807-06016	BOLT, FLANGE	1	
14	3TB-23318-00	HOLDER, CABLE 1	1	



4PT351-5300

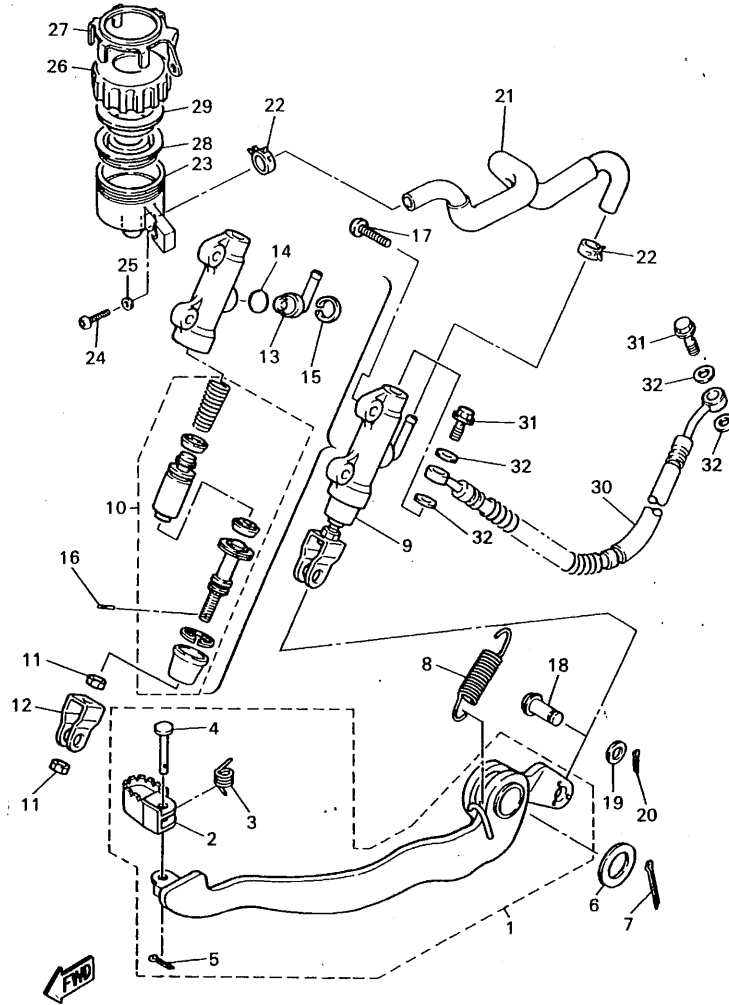
FIG. 31 STAND • FOOTREST



4PT351-5310

REF. NO.	PART NO.	DESCRIPTION	Q'TY	REMARKS
1	22W-27411-01-90	FOOTREST 1	1	*UNI-CHROME (BLACK CHROMATE) BLACK (FOR ELECTRODEPOSIT)
2	34L-27412-00-R4	BRACKET, FOOTREST 1	1	
3	90508-20023	SPRING, TORSION	1	
4	90240-08096	PIN, CLEVIS	1	
5	91490-25020	PIN, COTTER	1	
6	90105-10285	BOLT, WASHER BASED	2	
7	22W-27421-01-90	FOOTREST 2	1	*UNI-CHROME (BLACK CHROMATE) BLACK (FOR ELECTRODEPOSIT)
8	2KF-27422-00-R4	BRACKET, FOOTREST 2	1	
9	90508-20023	SPRING, TORSION	1	
10	90240-08096	PIN, CLEVIS	1	
11	91490-25020	PIN, COTTER	1	
12	90105-10285	BOLT, WASHER BASED	2	
13	4PT-27311-00	STAND, SIDE	1	
14	90105-12616	BOLT, WASHER BASED	1	
15	90185-12119	NUT, SELF-LOCKING	1	
16	5Y1-27315-00	LINK, SIDE STAND	1	
17	90507-32020	SPRING, TENSION	1	
18	4PT-2741L-00	BRACKET 4	1	
19	90109-087F1	BOLT	2	
20	4PT-2742L-00	BRACKET 5	1	
21	90109-087F1	BOLT	2	
22	2GV-27431-00	FOOTREST, REAR 1	2	
23	120-27433-00	COVER, REAR FOOTREST	2	
24	90201-20279	WASHER, PLATE	2	
25	91701-06040	PIN, CLEVIS	2	
26	91490-20025	PIN, COTTER	2	

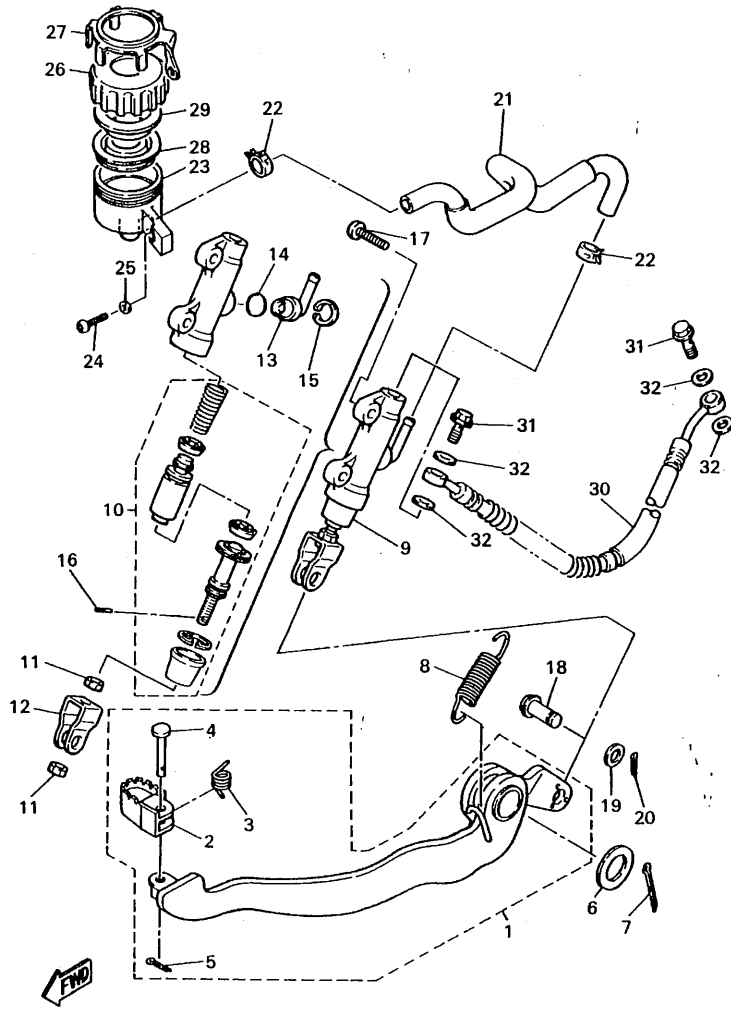
FIG. 32 REAR MASTER CYLINDER



4PT351-5320

REF. NO.	PART NO.	DESCRIPTION	Q'TY	REMARKS
1	3TB-27200-02	PEDAL, BRAKE	1	
2	55V-27242-00	•PEDAL, BRAKE	1	
3	90508-14352	•SPRING, TORSION	1	
4	91701-06022	•PIN, CLEVIS	1	
5	91490-20025	•PIN, COTTER	1	
6	90201-14215	WASHER, PLATE	1	
7	91401-30020	PIN, COTTER	1	
8	90507-18055	SPRING, TENSION	1	
9	4PT-2580E-00	RR. MASTER CYLINDER ASSY.	1	
10	4BA-W0042-50	•CYLINDER KIT, MASTER	1	
11	95333-08600	•NUT	2	
12	2YK-27222-00	•JOINT	1	
13	2YK-2582A-00	•JOINT	1	
14	93210-15620	•O-RING	1	
15	2VN-25866-00	•CIRCLIP	1	
16	3KW-27234-00	•PIN, BRAKE ROD	1	
17	92017-08020	SCREW	2	
18	90240-08124	PIN, CLEVIS	1	
19	90201-08083	WASHER, PLATE	1	
20	91490-16020	PIN, COTTER	1	
21	4PT-25895-00	HOSE, RESERVOIR	1	
22	90467-14057	CLIP	2	
23	47X-25894-00	TANK, RESERVOIR	1	
24	98517-06020	SCREW, PAN HEAD	1	
25	92907-06600	WASHER, PLATE	1	
26	2KF-25852-50	CAP, RESERVOIR	1	
27	3AJ-25888-00	COVER, RESERVOIR TANK	1	
28	360-25854-00	DIAPHRAGM, RESERVOIR	1	

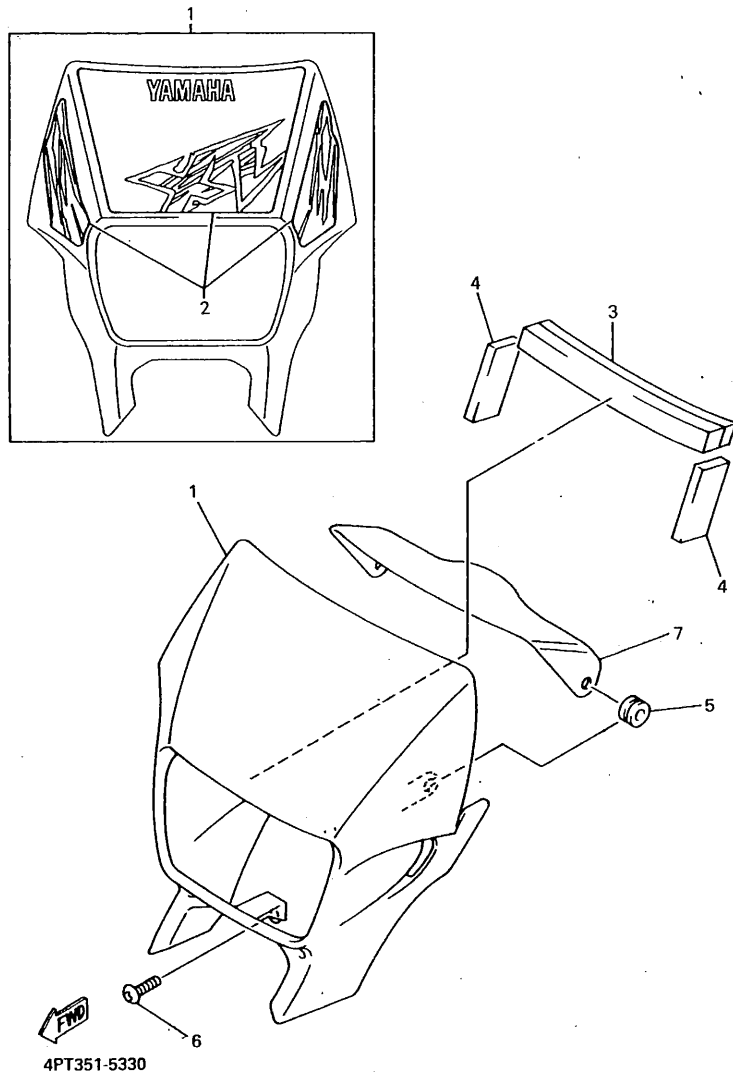
FIG. 32 REAR MASTER CYLINDER



4PT351-5320

REF. NO.	PART NO.	DESCRIPTION	Q'TY	REMARKS
29	2GU-25855-00	BUSH, DIAPHRAGM	1	
30	4PT-25873-10	HOSE, BRAKE 2	1	
31	90401-10159	BOLT, UNION	2	
32	90201-10118	WASHER, PLATE	4	

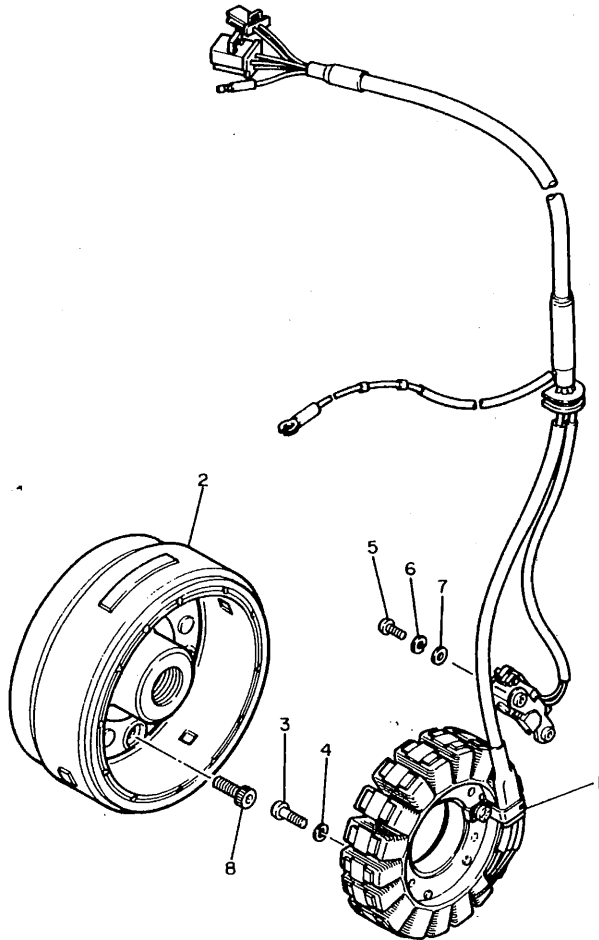
FIG. 33 COWLING 1



REF. NO.	PART NO.	DESCRIPTION	Q'TY	REMARKS
1	4PT-W2834-00	BODY, COWLING	1	UR YAMAHA BLACK FOR YB
	4PT-W2834-10	BODY, COWLING	1	UR PURPLISH WHITE SOLID 1 FOR PWS 1
	4PT-W2834-20	BODY, COWLING	1	UR DARK GRAYISH CYAN SOLID 4 FOR DNCS 4
2	4PT-28390-00	•GRAPHIC SET, COWLING	1	UR FOR YB
	4PT-28390-10	•GRAPHIC SET, COWLING	1	UR FOR PWS 1
	4PT-28390-20	•GRAPHIC SET, COWLING	1	UR FOR DNCS 4
3	8V7-21961-00	PATCH 1	1	
4	4PT-28217-00	DAMPER 1	2	
5	90480-12053	GROMMET	2	
6	90149-06263	SCREW	1	
7	4PT-28365-00	COVER	1	

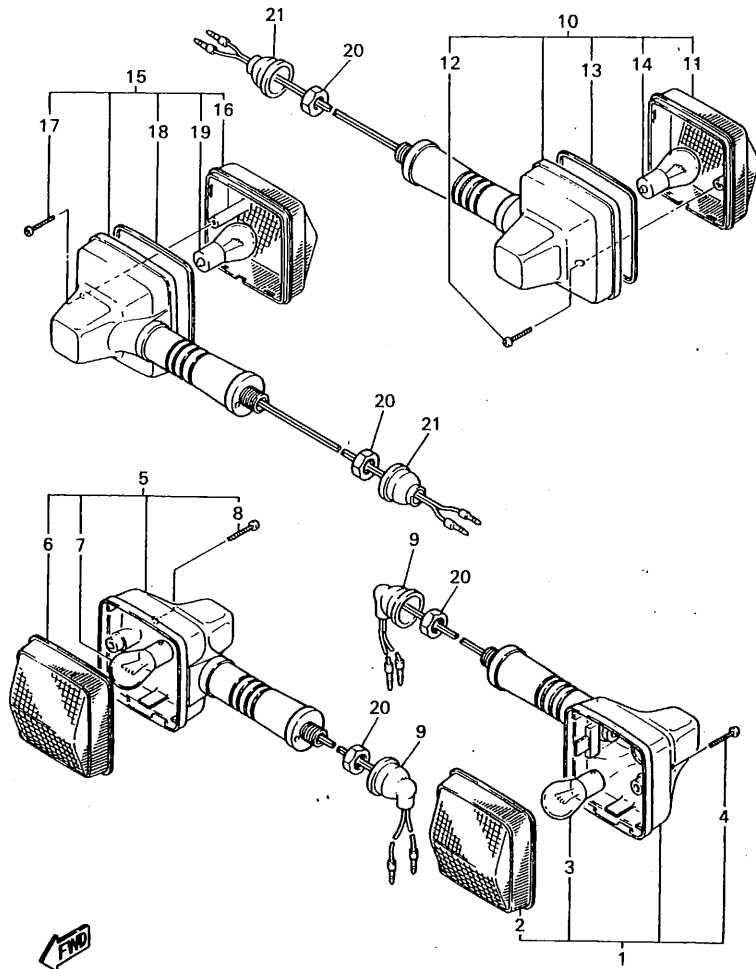
FIG. 34 GENERATOR

REF. NO.	PART NO.	DESCRIPTION	Q'TY	REMARKS
1	3TB-81410-01	STATOR ASSY	1	
2	3TB-81450-01	ROTOR ASSY	1	
3	98517-06025	SCREW, PAN HEAD	3	
4	92907-06100	WASHER, SPRING	3	
5	98507-05016	SCREW, PAN HEAD	2	
6	92907-05100	WASHER, SPRING	2	
7	92907-05600	WASHER, PLATE	2	
8	90110-08193	BOLT, HEXAGON SOCKET HEAD	3	



3TB351-0340

FIG. 35 FLASHER LIGHT

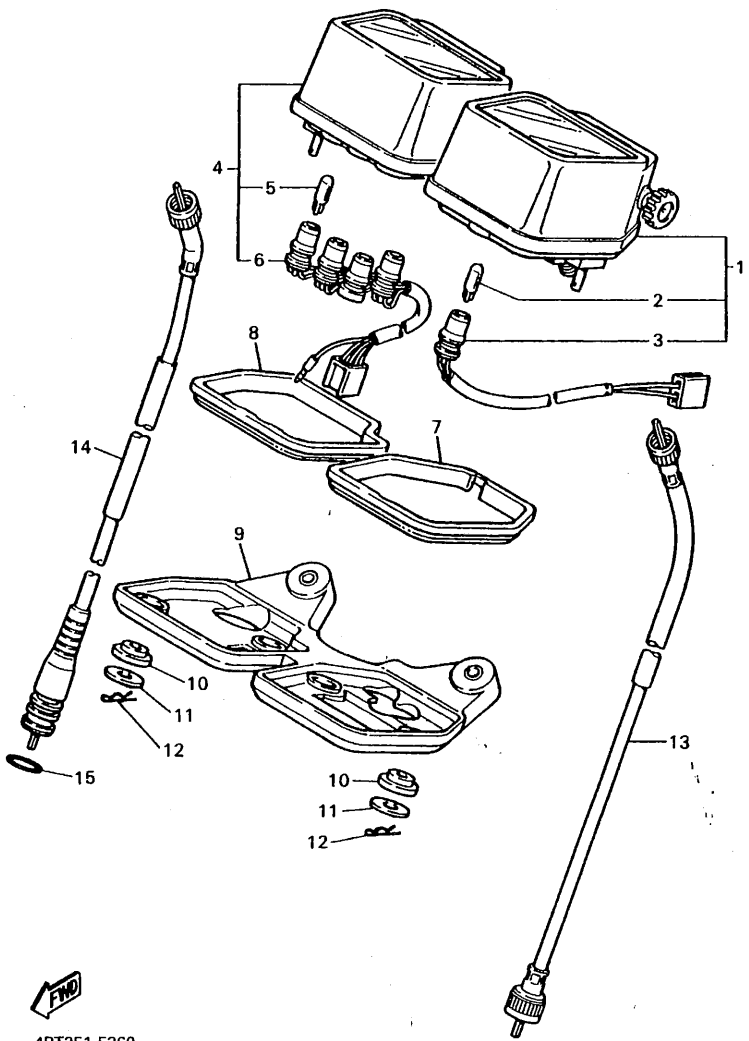


4PT351-5350

REF. NO.	PART NO.	DESCRIPTION	Q'TY	REMARKS
1	3TB-83310-01	FRONT FLASHER LIGHT ASSY 1	1	
2	47J-83312-00	•LENS, FLASHER	1	
3	306-83311-40	•BULB, FLASHER (12V-21W)	1	
4	97707-40620	•SCREW, TAPPING	2	
5	3TB-83320-01	FRONT FLASHER LIGHT ASSY 2	1	
6	47J-83322-00	•LENS, FLASHER 2	1	
7	306-83311-40	•BULB, FLASHER (12V-21W)	1	
8	97707-40620	•SCREW, TAPPING	2	
9	18G-83365-00	CAP	2	
10	4PT-83330-00	REAR FLASHER LIGHT ASSY 1	1	
11	2KF-83332-00	•LENS, FLASHER	1	
12	97707-40620	•SCREW, TAPPING	1	
13	47J-83313-00	•GASKET, FLASHER LENS	1	
14	306-83311-40	•BULB, FLASHER (12V-21W)	1	
15	4PT-83340-00	REAR FLASHER LIGHT ASSY 2	1	
16	2KF-83342-00	•LENS, FLASHER 2	1	
17	97707-40620	•SCREW, TAPPING	1	
18	47J-83313-00	•GASKET, FLASHER LENS	1	
19	306-83311-40	•BULB, FLASHER (12V-21W)	1	
20	95317-12700	NUT	4	
21	10V-83365-00	CAP	2	

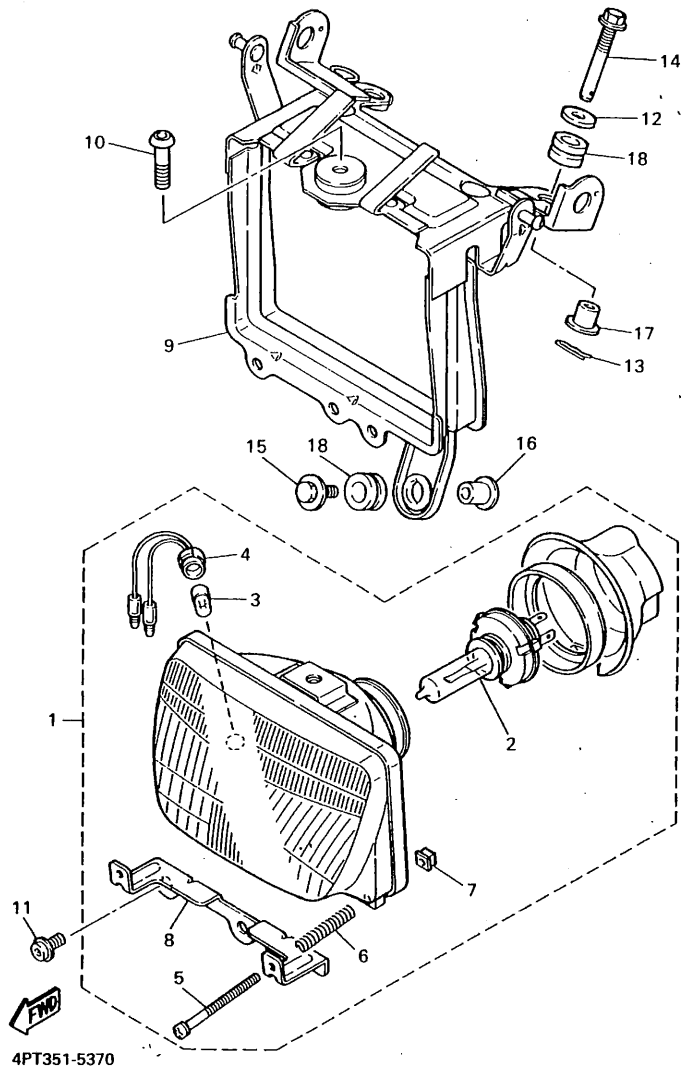
FIG. 36 METER

REF. NO.	PART NO.	DESCRIPTION	Q'TY	REMARKS
1	34L-83570-F1	SPEEDOMETER ASSY	1	KPH
2	4G1-84744-00	•BULB (12V-3.4W)	1	
3	5E2-83509-20	•SOCKET CORD ASSY	1	
4	1VJ-83540-41	TACHOMETER ASSY	1	
5	4G1-84744-00	•BULB (12V-3.4W)	4	
6	30X-83520-00	•SOCKET CORD ASSY	1	
7	5Y1-83513-00	DAMPER	1	
8	5Y1-83541-00	DAMPER	1	
9	5Y1-83519-00	BRACKET, METER	1	
10	1M1-83526-00	DAMPER 2	4	
11	90201-05033	WASHER, PLATE	4	
12	90468-10050	CLIP	4	
13	3ET-83550-02	SPEEDOMETER CABLE ASSY	1	
14	4PT-83560-00	TACHOMETER CABLE ASSY	1	
15	93210-14014	O-RING	1	



4PT351-5360

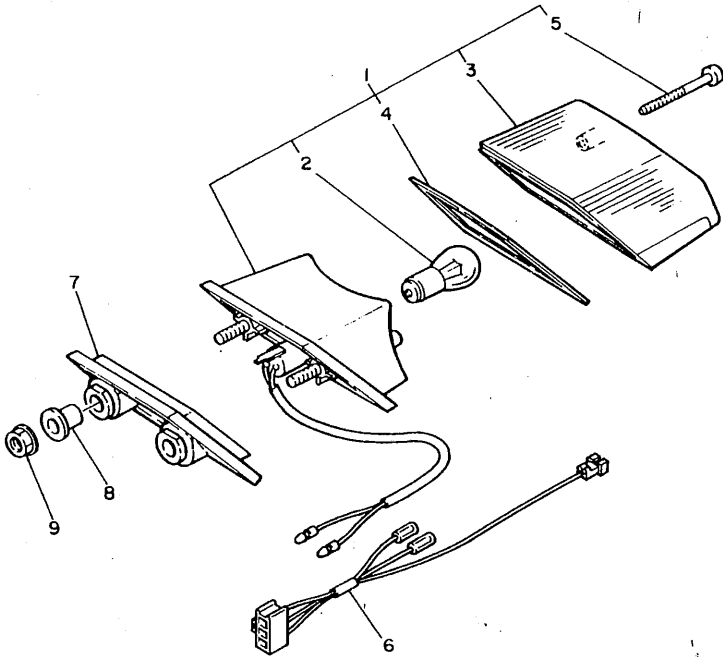
FIG. 37 HEADLIGHT



REF. NO.	PART NO.	DESCRIPTION	Q'TY	REMARKS
1	3TB-84320-10	LENS ASSY	1	
2	2F9-84314-00	.BULB, HEADLIGHT (12V 60/55W)	1	HALOGEN
3	4E2-84347-00	.BULB (12V-4W)	1	
4	3TB-84312-00	.SOCKET	1	
5	3TB-84325-00	.SCREW, RIM FITTING	2	
6	341-84332-60	.SPRING, SCREW	2	
7	198-84334-60	.NUT, ADJUSTING	2	
8	3TB-8431R-00	.STAY, SETTING	1	
9	4PT-84311-01	BODY, HEADLIGHT	1	
10	92017-08025	SCREW	1	
11	3TB-84329-00	BOLT, WING 1	2	
12	90202-06013	WASHER, PLATE	2	
13	90468-12120	CLIP	2	
14	3TB-84137-00	BOLT, SPECIAL	2	
15	90119-06097	BOLT, WITH WASHER	1	
16	90387-06388	COLLAR	1	
17	90387-07391	COLLAR	2	
18	90480-14023	GROMMET	3	

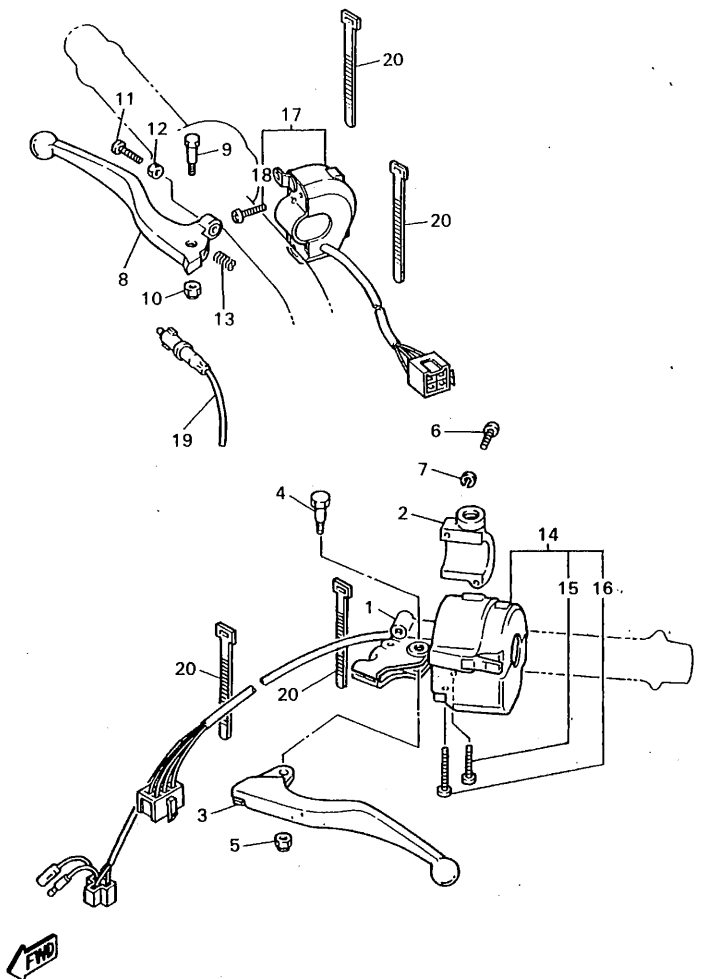
FIG. 38 TAILLIGHT

REF. NO.	PART NO.	DESCRIPTION	Q'TY	REMARKS
1	1XL-84710-E0	TAILLIGHT UNIT ASSY	1	
2	1A2-84714-41	•BULB, TAILLIGHT (12V-21/5W)	1	
3	53V-84721-40	•LENS, TAILLIGHT	1	
4	34Y-84723-E0	•GASKET, TAIL LENS	1	
5	97706-40530	•SCREW, TAPPING	2	
6	3TB-84717-01	CORD, TAILLIGHT	1	
7	34X-84527-00	DAMPER	1	
8	90387-07391	COLLAR	2	
9	95707-06500	NUT, FLANGE	2	



3TB351-0380

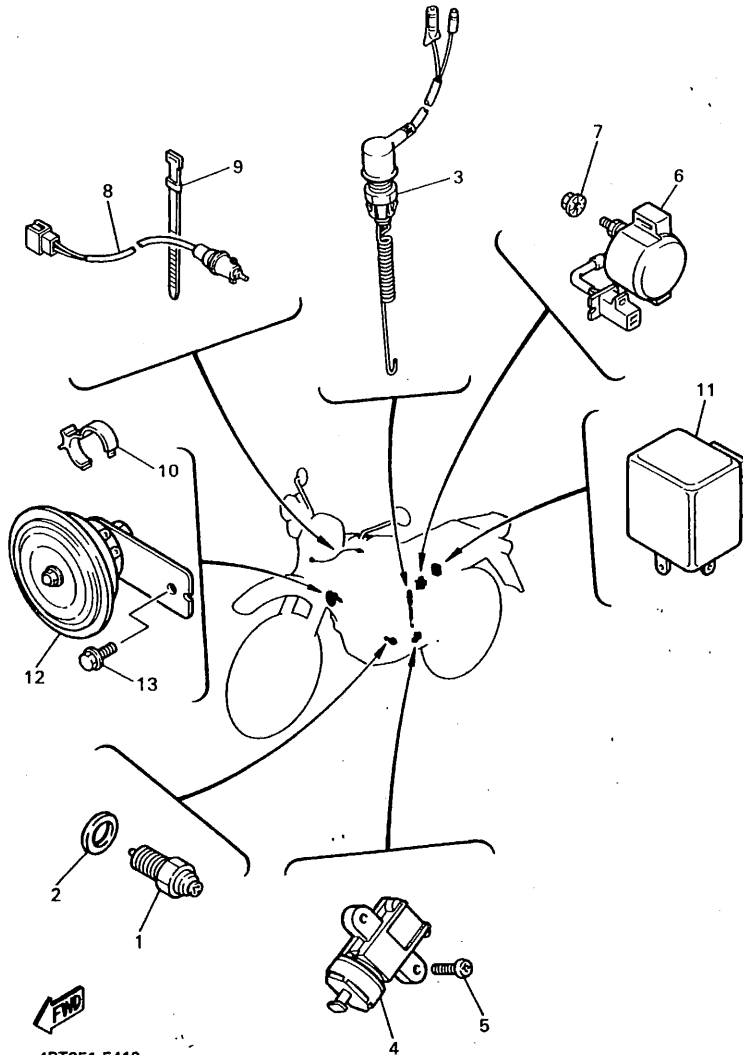
FIG. 39 HANDLE SWITCH • LEVER



REF. NO.	PART NO.	DESCRIPTION	Q'TY	REMARKS
1	1LN-82911-00	HOLDER, LEVER 1	1	
2	33G-82913-00	HOLDER, LEVER LOWER 1	1	
3	3FY-83912-01	LEVER 1	1	
4	90109-06799	BOLT	1	
5	95617-06100	NUT, U	1	
6	98507-05020	SCREW, PAN HEAD	2	
7	92907-05100	WASHER, SPRING	2	
8	3YR-83922-00	LEVER 2	1	
9	90109-062A8	BOLT	1	
10	95617-06100	NUT, U	1	
11	90149-06131	SCREW	1	
12	90170-06010	NUT	1	
13	90501-10312	SPRING, COMPRESSION	1	
14	4MY-83969-00	SWITCH, HANDLE 5	1	
15	98507-05030	SCREW, PAN HEAD	1	
16	98507-05040	SCREW, PAN HEAD	1	
17	4DW-83975-00	SWITCH, HANDLE 2	1	
18	98507-05018	SCREW, PAN HEAD	2	
19	3WP-83980-00	FRONT STOP SWITCH ASSY	1	
20	437-83936-01	BAND, SWITCH CORD	4	

FTD
4PT351-5390

FIG. 41 ELECTRICAL 2

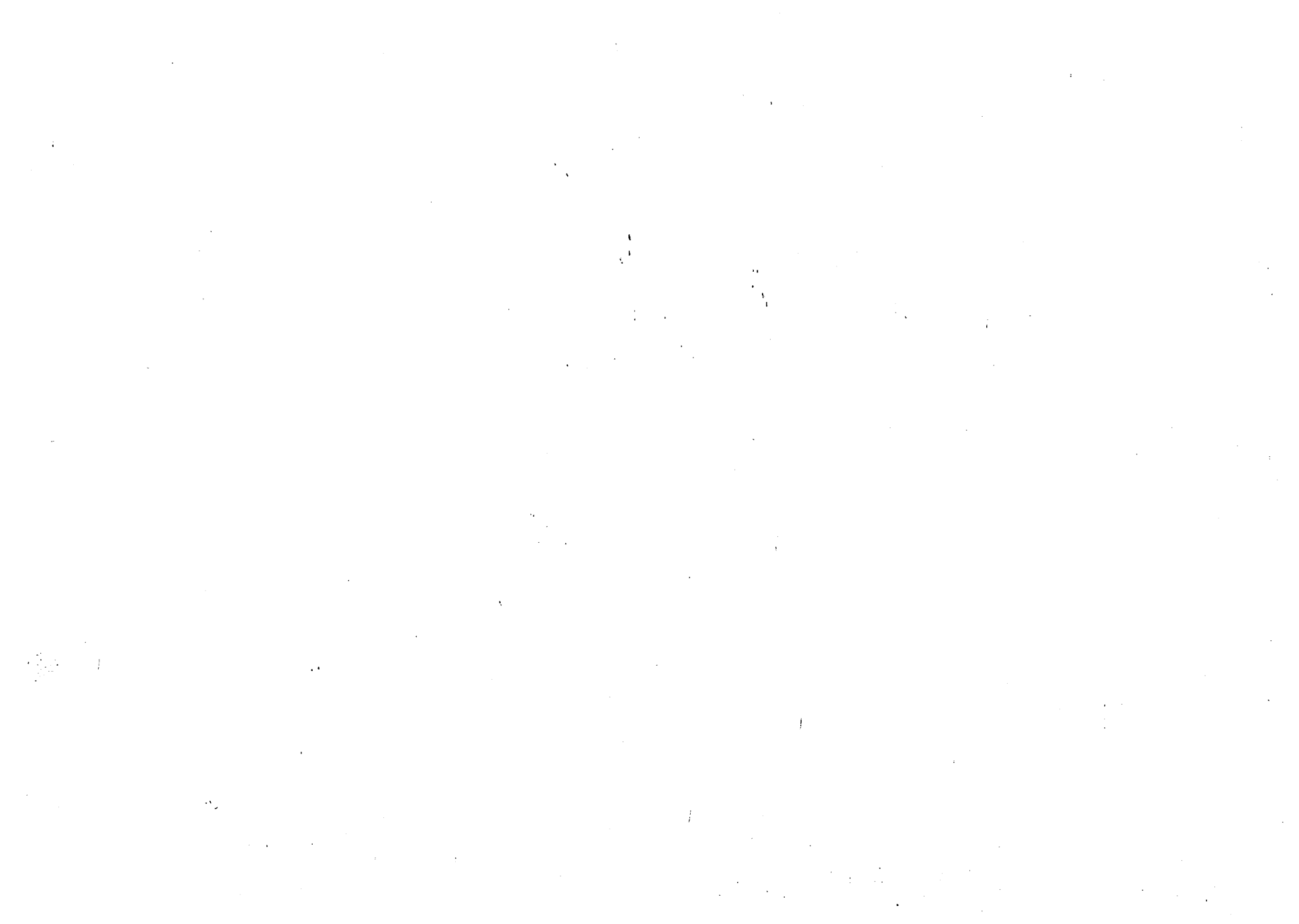


4PT351-5410

REF. NO.	PART NO.	DESCRIPTION	Q'TY	REMARKS
1	4GY-82540-10	NEUTRAL SWITCH ASSY	1	
2	90430-10148	GASKET	1	
3	34L-82530-02	STOP SWITCH ASSY	1	
4	3LD-82566-40	SWITCH, SIDE STAND	1	
5	98507-05016	SCREW, PAN HEAD	2	
6	3AY-81940-00	STARTER RELAY ASSY	1	
7	95707-06500	NUT, FLANGE	2	
8	2GV-82917-00	SWITCH	1	
9	25G-83936-01	BAND, SWITCH CORD	1	
10	90464-25217	CLAMP	1	
11	34L-83350-20	FLASHER RELAY ASSY	1	
12	3BN-83371-00	HORN	1	
13	95027-06010	BOLT, FLANGE	1	



INDIVIDUAL SPEC.

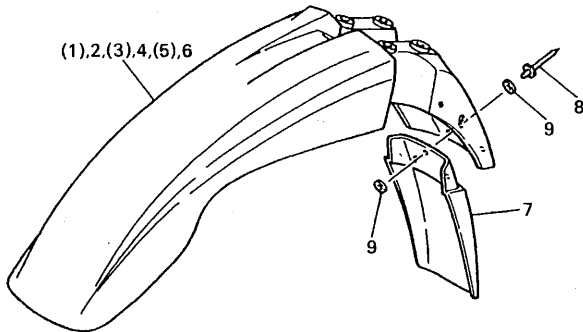
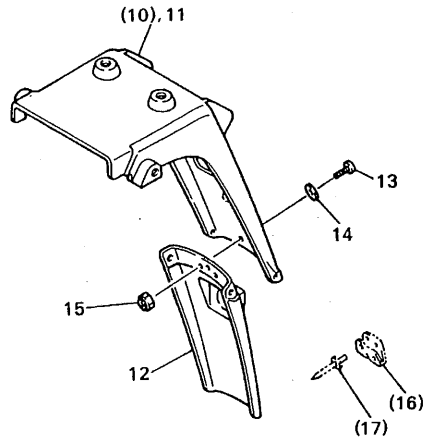


FOR DENMARK NORWAY SWEDEN

The following pages provides a listing of only the parts that meet the specifications peculiar to your market. For those parts not appearing in these pages, refer to the "GENERAL SPEC." section.

FIG. 42. ALTERNATE (FENDER)

REF. NO.	PART NO.	DESCRIPTION	Q'TY	REMARKS
1	3RW-21511-60	FENDER, FRONT	*	PURPLISH WHITE SOLID 1
2	3TB-21511-60	FENDER, FRONT	1	UR PURPLISH WHITE SOLID 1
3	3RW-21511-70	FENDER, FRONT	*	YAMAHA BLACK
4	3TB-21511-70	FENDER, FRONT	1	UR YAMAHA BLACK
5	3RW-21511-90	FENDER, FRONT	*	DARK GRAYISH CYAN SOLID 4
6	3TB-21511-90	FENDER, FRONT	1	UR DARK GRAYISH CYAN SOLID 4
7	3TB-21521-01	FLAP, FRONT FENDER	1	
8	90267-32071	RIVET, BLIND	3	
9	92907-03200	WASHER, PLAIN	6	
10	2KF-21685-01	BRACKET, LICENSE	*	
11	2KF-21685-11	BRACKET, LICENSE	1	
12	1VJ-21621-00	FLAP	1	
13	98507-04012	SCREW, PAN HEAD	4	
14	92907-04200	WASHER, PLAIN	4	
15	95607-04100	NUT, U	4	
16	33G-85132-02	BRACKET, REFLECTOR 1	*	
17	90267-40110	RIVET, BLIND	*	



* For Convenience of reference:

Disregard the items asterisked (*) in the "QTY" column. These are intended for GENERAL SPEC, and NOT for INDIVIDUAL SPEC.



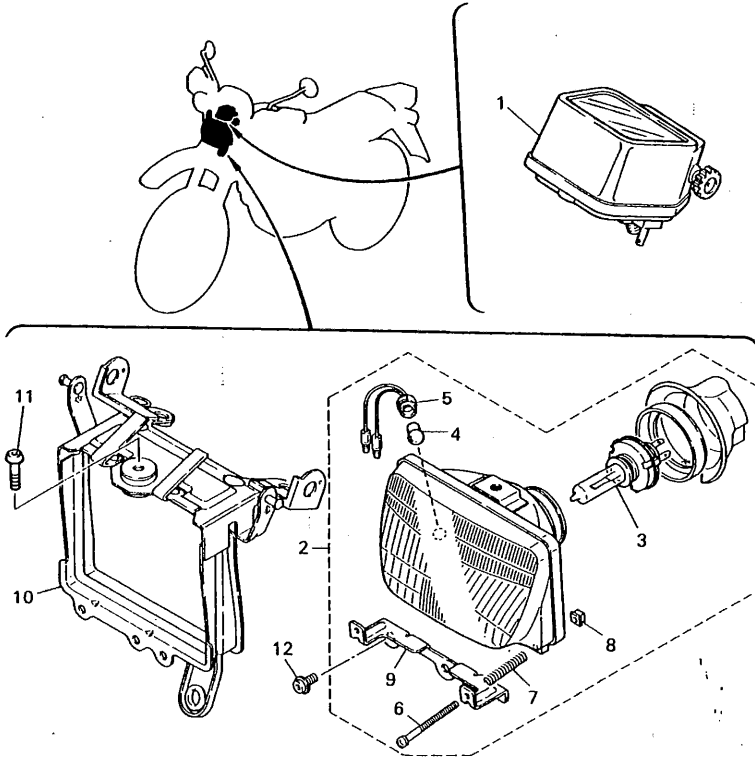
4PT300-6420

FOR ENGLAND

The following pages provides a listing of only the parts that meet the specifications peculiar to your market. For those parts not appearing in these pages, refer to the "GENERAL SPEC." section.

FIG. 43 ALTERNATE (ELECTRICAL)

REF. NO.	PART NO.	DESCRIPTION	Q'TY	REMARKS
1	34L-83570-F1	SPEEDOMETER ASSY	1	UR KPH
	43F-83570-G1	SPEEDOMETER ASSY	1	UR MPH
2	3TB-84320-20	LENS ASSY	1	
3	2F9-84314-00	.BULB (12V-60/55W)	1	HALOGEN
4	123-83516-21	.BULB (12V-3.4W)	1	
5	3TB-84312-00	.SOCKET	1	
6	3TB-84325-00	.SCREW, RIM FITTING	2	
7	341-84332-60	.SPRING, SCREW	2	
8	198-84334-60	.NUT, ADJUSTING	2	
9	3TB-8431R-00	.STAY, SETTING	1	
10	4PT-84311-01	BODY, HEADLIGHT	1	
11	92017-08025	SCREW	1	
12	3TB-84329-00	BOLT, WING 1	2	

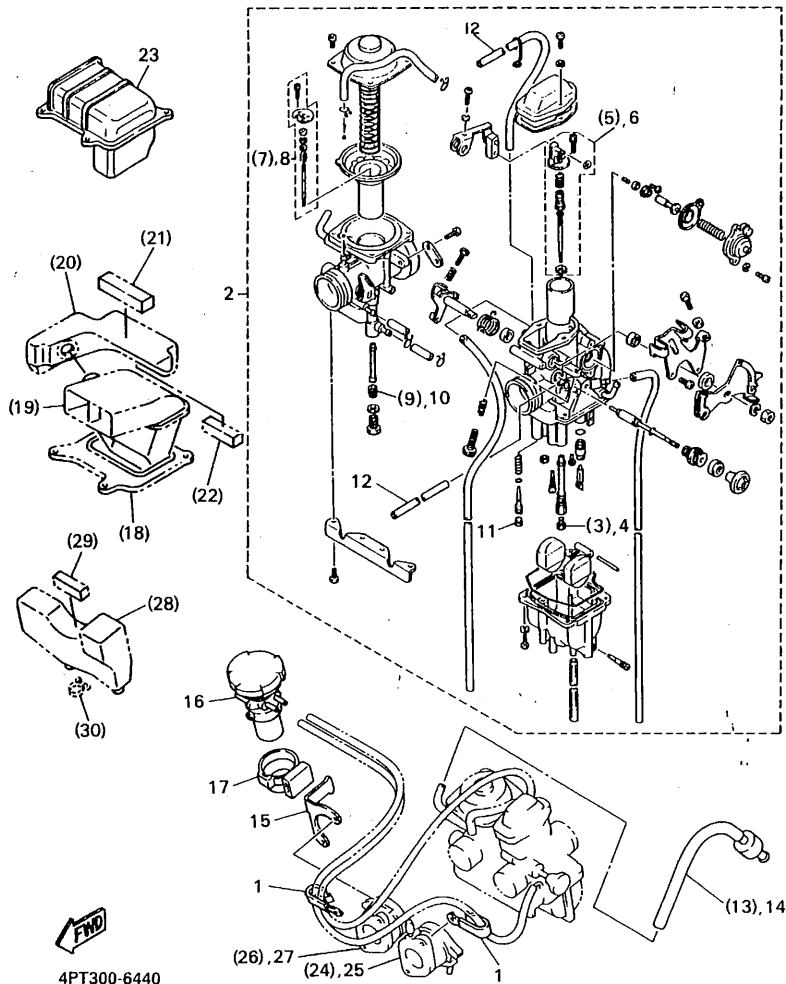


4PT300-5430

FOR SEITZERLAND

The following pages provides a listing of only the parts that meet the specifications peculiar to your market. For those parts not appearing in these pages, refer to the "GENERAL SPEC." section.

FIG. 44 ALTERNATE (ENGINE)

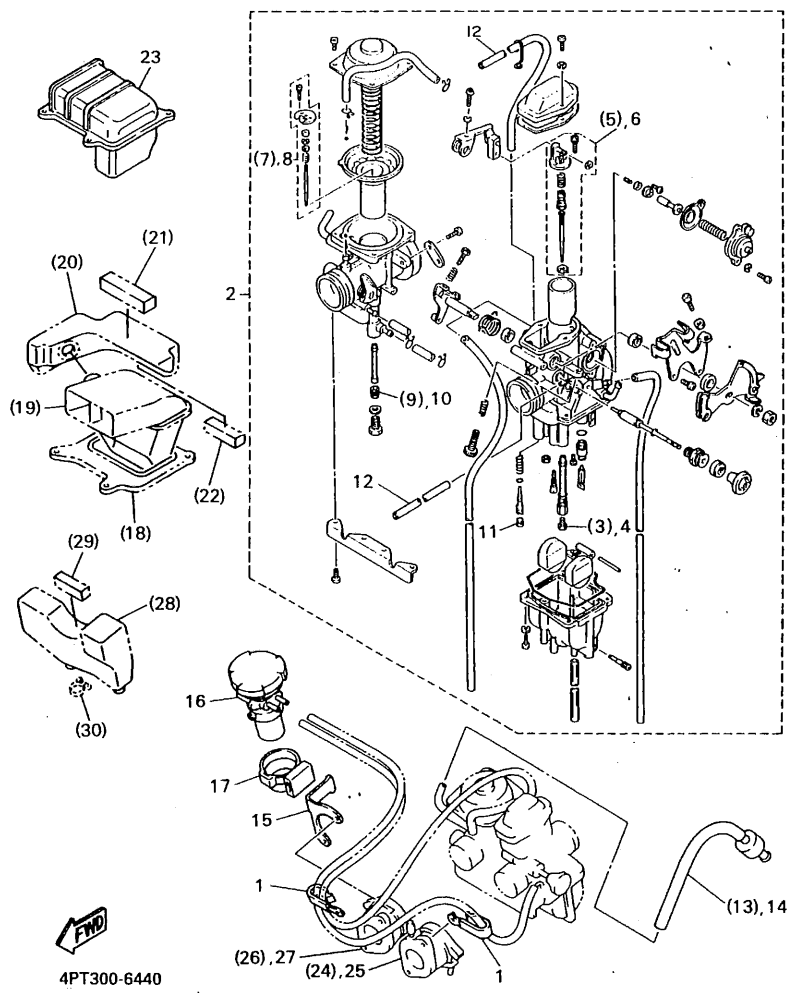


REF. NO.	PART NO.	DESCRIPTION	Q'TY	REMARKS
1	90465-08125	CLAMP	2	
2	3UX-14301-02	CARBURETOR ASSY	1	
3	288-14343-65	•JET, MAIN (# 130)	*	
4	288-14343-63	•JET, MAIN (# 125)	1	
5	4PT-1490J-10	•NEEDLE SET	*	
6	3UX-1490J-10	•NEEDLE SET	1	
7	4PT-1490J-00	•NEEDLE SET	*	
8	2KF-1490J-00	•NEEDLE SET	1	
9	30X-14343-60	•JET, MAIN (#120)	*	
10	30X-14343-55	•JET, MAIN (#110)	1	
11	2WJ-14367-00	•PLUG	1	
12	2WJ-14349-00	•PIPE	2	
13	3TD-14197-10	PIPE, AIR VENT	*	
14	3LD-14197-10	PIPE, AIR VENT	1	
15	3UX-1441L-01	BRACKET, 1	1	
16	3UX-14303-00	COMPENSATOR	1	
17	2WJ-14445-01	GROMMET	1	
18	4PT-14412-00	CAP, CLEANER CASE 1	*	
19	4PT-14437-00	DUCT	*	
20	4PT-14431-00	SILENCER, INTAKE 1	*	
21	3YF-14462-00	SEAL	*	
22	2XJ-84345-00	DAMPER, HEADLIGHT	*	
23	3TB-14412-00	CAP, CLEANER CASE 1	1	
24	4PT-13586-00	JOINT, CARBURETOR 1	*	
25	43F-13586-01	JOINT, CARBURETOR 1	1	
26	4PT-13596-00	JOINT, CARBURETOR 2	*	
27	1VJ-13596-00	JOINT, CARBURETOR 2	1	
28	4PT-13581-00	CHAMBER, AIR	*	

FIG. 44 ALTERNATE (ENGINE)

REF. NO.	PART NO.	DESCRIPTION	Q'TY	REMARKS
----------	----------	-------------	------	---------

29	2XJ-84345-00	DAMPER, HEADLIGHT	*	
30	90450-21082	HOSE CLAMP ASSY	*	

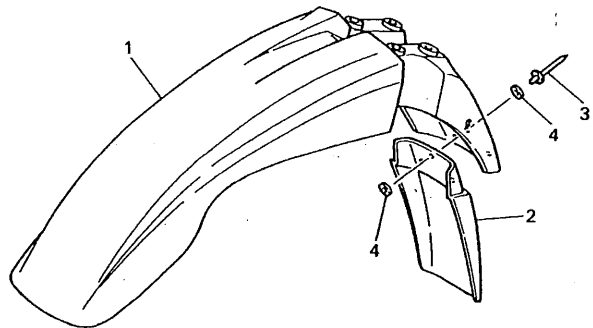
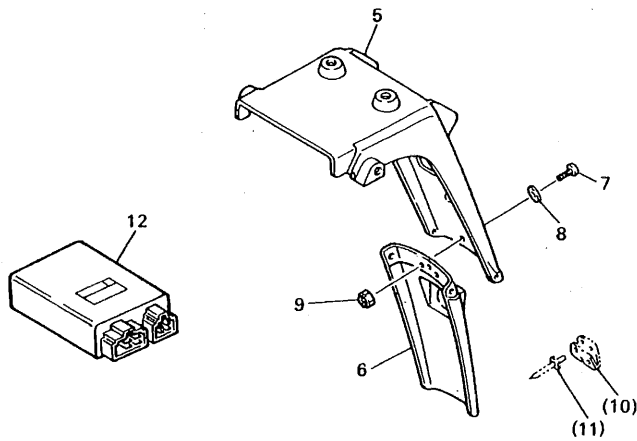


As for the remaining parts not listed here, Refer to the carburetor section (Fig. 8) on Grid No. of B13 and B14.

* For Convenience of reference:
Disregard the items asterisked (*) in the "QTY" column. These are intended for GENERAL SPEC, and NOT for INDIVIDUAL SPEC.

FIG. 45 ALTERNATE (CHASSIS)

REF. NO.	PART NO.	DESCRIPTION	Q'TY	REMARKS
1	3TB-21511-60	FENDER, FRONT	1	UR PURPLISH WHITE SOLID 1
	3TB-21511-70	FENDER, FRONT	1	UR YAMAHA BLACK
	3TB-21511-90	FENDER, FRONT	1	UR DARK GRAYISH CYAN SOLID 4
2	3TB-21521-01	FLAP	1	
3	90267-32071	RIVET, BLIND	3	
4	92907-03200	WASHER, PLAIN	6	
5	2KF-21685-11	BRACKET, LICENSE	1	
6	1VJ-21621-00	FLAP	1	
7	98507-04012	SCREW, PAN HEAD	4	
8	92907-04200	WASHER, PLAIN	4	
9	95607-04100	NUT, U	4	
10	33G-85132-02	BRACKET, REFLECTOR	*	
11	90267-40110	RIVET, BLIND	*	
12	3TB-82305-10	IGNITOR UNIT ASSY	1	



4PT300-6450

F10

INDEX

NUMERICAL INDEX

PART NO.	GRID NO.	PART NO.	GRID NO.	PART NO.	GRID NO.
23L-W0041-00	E - 4	4H7-12116-00	B - 7	3LD-14197-10	F - 8
4BA-W0042-50	E - 6	2F3-12117-00	B - 7	3TD-14197-10	B -14
4PT-W0045-00	D -12	1J7-12118-00	B - 7		F - 8
34X-W0046-02	E - 2	1J7-12119-01	B - 7	5Y1-14198-00	B -13
3GD-W0047-00	D -12	1VJ-12121-00	B - 7	7KF-14227-00	B -13
34X-W0047-00	E - 2	2NX-12146-00	B - 7	1VJ-14286-00	B -13
36Y-W0048-00	D -12	34K-12151-00	B - 7	4PT-14291-00	B -13
51L-W0048-00	E - 2	2NX-12156-00	B - 7	2JN-14293-00	B -13
2KF-W0057-00	E - 2	2NX-12159-00	B - 7	3UX-14301-02	F - 8
3TB-W0057-00	D -12	34K-12161-00	B - 7	4PT-14301-00	B -13
1VJ-W1141-00	B - 5	34K-12162-00	B - 7	3UX-14303-00	F - 8
5Y1-W1343-00	B - 9	34K-12163-00	B - 7	1JK-14313-55	B -14
3TB-W2147-00-WL	C -12	2NX-12166-00	B - 7	14T-14323-00	B -13
4PT-W2834-00	E - 8	1JK-12171-00	B - 8	2KF-14341-00	B -14
4PT-W2834-10	E - 8	3TB-12176-00	B - 8	43F-14342-23	B -14
4PT-W2834-20	E - 8	3TB-12210-00	B - 8	288-14343-60	B -14
4PT-Y2343-00	D - 6	4DW-12213-00	B - 8	288-14343-63	F - 8
3TB-11101-01	B - 2	34K-12231-00	B - 8	288-14343-65	B -14
583-11127-00	B - 2	34K-12241-00	B - 8		F - 8
	B - 4	583-13113-00	B - 9	288-14343-70	B -14
4H7-11133-10	B - 2	3AJ-13161-01	B - 9	30X-14343-55	F - 8
34K-11145-00	B - 6	3AJ-13300-01	B - 9	30X-14343-60	B -14
3TB-11166-00	C - 2	3AJ-13325-00	B - 9		F - 8
2KF-11181-01	B - 4	3SX-13329-00	B - 9	2WJ-14349-00	F - 8
1L9-11186-00	B - 2	4DW-13415-00	B - 9	5Y1-14349-00	B -14
5Y1-11187-00	B - 2	4X7-13440-90	B - 9	2KF-14355-00	B -14
214-11198-01	B - 9	4PT-13447-00	B - 9	5Y1-14356-00	B -13
4PT-1131E-00	B - 4	3TB-13464-00	B - 9	1JK-14357-00	B -13
3TB-11310-00	B - 4	4PT-13465-00	B -10	30X-14358-00	B -13
1VJ-11351-00	B - 4	16G-13569-00	B -11	5Y1-14358-00	B -13
3TB-11400-00	B - 5	4PT-13581-00	B -11	2WJ-14367-00	F - 8
34K-11454-00	B - 5		F - 8	5Y1-14384-00	B -13
5Y1-11496-01	B - 5	4PT-13586-00	B -11	2JN-14385-00	B -13
5Y1-11531-00	B - 5		F - 8	6E5-14386-01	B -13
2JT-11536-00	B - 5	43F-13586-01	F - 8	3TB-1441A-00	B -11
34K-11565-02	B - 5	1VJ-13596-00	F - 8	3TB-1441E-00	B -12
34L-11610-00	B - 5	4PT-13596-00	B -11	3UX-1441L-01	F - 8
34L-11610-20	B - 5		F - 8	3TB-14411-01	B -11
34L-11610-40	B - 5	2KF-1410A-00	B -14	3TB-14412-00	F - 8
3TB-11631-00-Y0	B - 5	2NX-14103-00	B -14	4PT-14412-00	B -11
1JK-11633-01	B - 5	5Y1-14105-00	B -14		F - 8
3TB-11636-00	B - 5	2JN-14107-00	B -14	5Y1-14419-00	B -12
3TB-11638-00	B - 5	1XL-14131-00	B -13	34X-1443E-00	B -12
3TB-11651-00	B - 5	30X-14148-00	B -14	4PT-14431-00	B -11
1VJ-11681-00	B - 5	5Y1-14149-00	B -14		F - 8
1VJ-12111-00	B - 7	5Y1-14159-00	B -14	43G-14436-00	B -11
5Y1-12113-00	B - 7	7KF-14162-00	B -14	4PT-14437-00	B -11
5Y1-12114-00	B - 7	1VJ-14197-00	B -13		F - 8

NUMERICAL INDEX

PART NO.	GRID NO.	PART NO.	GRID NO.	PART NO.	GRID NO.
1VJ-15522-00	C - 5	4PT-2137W-11	D - 9	2WJ-14445-01	F - 8
3TB-15590-01	C - 5	4PT-2137X-01	D -10	4PT-14451-01	B -11
3TB-15594-00	C - 5	4PT-2137X-11	D -10	3TB-14452-00	B -12
3AJ-16111-00	C - 6	3TB-2137Y-00	D -10	3TB-14453-00	B -11
3AJ-16150-00	C - 6	46X-21376-00	D - 2	3TB-14454-00	B -11
2JN-16154-00	C - 6	34M-2139X-00	D -10	3TB-14457-00	B -11
5Y1-16321-00	C - 6	5Y1-21441-00	C -12	3TB-1446R-00	B -12
360-16325-00	C - 6	34K-21485-00	C -12	3YF-14462-00	B -12
5Y1-16331-01	C - 6	34K-21486-00	C -12		F - 8
3YF-16340-01	C - 6	3RW-21511-60	C -14	4PT-14462-00	B -12
3YF-16351-00	C - 6		F - 4	5Y1-14536-00	B -13
4H7-16356-01	C - 6	3RW-21511-70	C -14	5Y1-14572-00	B -13
4PT-16371-00	C - 6		F - 4	4PT-14611-00	B -15
3JD-16382-00	C - 6	3RW-21511-90	C -14	3YF-14613-00	B -15
5Y1-16383-00	C - 6		F - 4	3YF-14628-00	B -15
34K-17121-01	C - 8	3TB-21511-60	F - 4	4PT-14711-10	B -15
1VJ-17131-00	C - 8		F -10	3TB-14728-00	B -15
34K-17141-00	C - 8	3TB-21511-70	F - 4	4PT-14752-00	B -15
3YF-17151-01	C - 8		F -10	3YF-14755-00	B -15
3AJ-17211-00	C - 8	3TB-21511-90	F - 4	4BD-14766-00	B -15
2JT-17221-00	C - 8		F -10	1JK-1490A-00	B -14
1VJ-17231-00	C - 8	3TB-21521-01	F - 4	2KF-1490J-00	F - 8
3AJ-17241-00	C - 8		F -10	3UX-1490J-10	F - 8
3YF-17251-01	C - 8	4PT-21569-00	C -14	4PT-1490J-00	F - 8
3YF-17401-00	C - 8	4PT-21569-10	C -14		B -14
3YF-17402-00	C - 8	4PT-21569-20	C -14	4PT-1490J-10	B -14
3YF-17439-00	C - 8	4PT-21611-00	C -14		F - 8
5Y1-17471-00	C - 8	4PT-21611-10	C -14	3GV-1490K-00	B -14
3YF-17800-00	B - 2	4PT-21611-20	C -14	1JK-14940-01	B -13
5Y1-18101-02	C -11	1VJ-21621-00	F - 4	3YF-14940-01	B -13
43F-18102-02	C -11		F -10	4PT-15100-10	C - 2
1VJ-18110-01	C -11	3TB-21621-00	B -12	3YF-15144-00	C - 2
1W6-18113-00	C -11	4PT-2163A-00	C -14	3YF-15167-00	C - 2
34K-18120-00	C -11	42U-21639-00	C -14	3YF-15167-00	C - 2
4PT-18140-00	C -10	3TB-2164F-01	C -15	5Y1-15383-00	C - 2
4PT-18175-00	C -10	2KF-21685-01	C -14	4PT-15411-00	C - 3
4PT-18511-00	C -10		F - 4	4PT-15415-00	C - 3
4PT-18512-00	C -10	2KF-21685-11	F - 4	4PT-15421-00	C - 3
4PT-18513-00	C -10		F -10	5Y1-15427-01	B - 9
3YF-18531-00	C -10		B -12	4PT-15431-10	C - 3
3XV-18535-00	C -10	34X-21691-00	B -12	3YF-15441-00	C - 3
3YF-18540-00	C -10	4PT-21711-10	D - 2	4DW-15451-00	C - 4
136-18542-00	C -10	4PT-21711-20	D - 2	4DW-15455-00	C - 4
4PT-21110-01-WL	C -12	4PT-21717-00	D - 2	4DW-15462-00	C - 3
26H-21308-00	D -11	4PT-21721-00	D - 2	1VJ-15511-00	C - 5
34L-21315-00	C -12	4PT-21721-10	D - 2	1VJ-15512-00	C - 5
3TB-21316-00-90	C -12	4PT-21721-20	D - 2	3YF-15515-00	C - 5
4PT-2137W-01	D - 9	4PT-2173E-00	D - 2	1VJ-15517-00	C - 5
				1VJ-15521-00	C - 5

NUMERICAL INDEX

PART NO.	GRID NO.	PART NO.	GRID NO.	PART NO.	GRID NO.
4PT-2173E-10	D - 2	3BN-23145-00	D - 7	4PT-24240-20	D - 9
4PT-2173E-20	D - 2	36Y-23146-00	D - 7	4PT-24246-01	D - 9
4PT-2174A-00	D - 2	4DW-23149-40	D - 7	4PT-24246-11	D - 9
4PT-2174A-10	D - 2		D - 8	4PT-24246-20	D - 9
4PT-2174A-20	D - 2	26H-23156-00	D - 7	4PT-24247-01	D - 10
4PT-2174L-00	D - 2	509-23158-L0	D - 7	4PT-24247-11	D - 10
4PT-2174L-10	D - 2		D - 8	4PT-24247-20	D - 10
4PT-2174L-20	D - 2	3XJ-23167-L0	D - 8	3FY-24500-00	D - 9
4PT-2174T-00	C - 15	4PT-23170-00	D - 7	360-24512-00	B + 13
3TB-21756-00	C - 12		D - 8	4X8-24512-00	D - 9
3TB-21771-00	C - 13	3JD-23171-L0	D - 7	3AJ-24523-00	D - 9
8V7-21961-00	E - 8	3GM-23173-00	D - 7	3AJ-24534-00	D - 9
4PT-22110-00-35	D - 3	278-23181-50	D - 7	214-24535-00	B - 13
34L-22117-00	D - 4		D - 8	11H-24602-03	D - 9
1VJ-22123-00	D - 3	43F-23188-10	D - 7	3TB-24723-00	D - 11
2K6-22128-01	D - 3		D - 8	4PT-24731-00	D - 11
34L-22128-00	D - 3	2KF-23191-11	D - 8	4PT-24731-10	D - 11
34L-22129-00	D - 5	3TB-23191-11	D - 8	4PT-24770-00	D - 11
55K-22129-00	D - 4	43M-23192-L0	D - 8	4PT-24770-10	D - 11
1VJ-22141-00	D - 4	3TB-2331E-00	D - 6	3TB-25104-00	D - 12
3YF-22149-00	D - 3	3LD-23318-00	D - 6	3YF-25111-00-98	D - 12
4PT-22151-00	D - 3	3TB-23318-00	E - 4	322-25118-00	D - 12
3TB-2217A-00	D - 3	4PT-23340-00	D - 8	55U-25181-01	D - 12
34L-2217F-00	D - 3	4PT-23389-10	D - 6	34L-25190-01	D - 12
3TB-22178-00	C - 12	1W1-23416-00	D - 6	3TB-25304-00	D - 14
30X-22178-00	C - 13	3YF-23418-00	D - 6	2KF-25311-00-98	D - 14
4V4-22184-00	C - 12	5A8-23434-01	D - 6	146-25315-00	D - 14
	C - 13	1E6-23441-00	D - 6	4PT-25336-00	D - 12
3TB-22189-00	D - 4	3Y6-23442-00-98	D - 6	5Y1-25364-00	D - 14
38V-22199-00	D - 3	4PT-24110-10-01	D - 9	1VJ-25366-01-98	D - 14
4PT-22210-00-33	D - 5	4PT-24110-10-02	D - 9	36R-25367-00	D - 15
34L-22216-00	D - 5	4PT-24110-10-03	D - 9	1VJ-25377-00	D - 14
34L-22226-01	D - 5	4PT-2414H-00	D - 10	3AJ-25381-01	D - 14
3TB-22311-00	D - 4	4PT-2414J-00	D - 10	1VJ-25383-00	D - 14
4PT-23102-00	D - 7	4PT-2416F-00	D - 10	3Y1-25388-01	D - 14
4PT-23103-00	D - 7	4PT-2416F-10	D - 10	3Y1-25389-00	D - 14
4PT-23110-00	D - 7	4PT-2416G-00	D - 10	4PT-2539F-00	D - 15
3EN-23111-50	D - 7	4PT-24161-01	D - 10	156-25398-00	D - 12
	D - 8	4PT-24161-10	D - 10		D - 14
4PT-23118-00	D - 7	4PT-24162-01	D - 10	5Y1-25412-00	D - 14
	D - 8	4PT-24162-10	D - 10	4DN-25445-20	D - 14
3JD-23125-L0	D - 7	3TB-24181-00	D - 9	4PT-2580E-00	E - 6
4PT-23126-00	D - 7	4PT-24182-00	D - 9	4PT-2580T-00	D - 12
2KF-23127-01	D - 8	30X-24183-01	D - 9	3TB-2580W-00	E - 2
4PT-23136-00	D - 7	30X-24186-01	D - 9	2KF-25819-00	D - 15
4PT-23141-00	D - 7	3TB-24188-00	D - 9	2YK-2582A-00	E - 6
	D - 8	4PT-24240-00	D - 9	3LP-2582T-00	D - 12
43F-23144-10	D - 7	4PT-24240-10	D - 9	2KF-25827-00	E - 2

NUMERICAL INDEX

PART NO.	GRID NO.	PART NO.	GRID NO.	PART NO.	GRID NO.
2KF-25828-00	E - 2	5Y1-27315-00	E - 5	4PT-82590-00	E - 15
2KF-25831-50	E - 2	4PT-2741L-00	E - 5	12R-82591-00	E - 15
34X-25845-00	E - 2	22W-27411-01-90	E - 5	8YQ-82599-00	E - 15
2KF-25852-50	E - 6	34L-27412-00-R4	E - 5	1LN-82911-00	E - 14
4H7-25852-00	E - 4	4PT-2742L-00	E - 5	33G-82913-00	E - 14
360-25854-00	E - 6	22W-27421-01-90	E - 5	2GV-82917-00	F - 2
4LO-25854-00	E - 4	2KF-27422-00-R4	E - 5	3TB-83310-01	E - 10
2GU-25855-00	E - 7	2GV-27431-00	E - 5	306-83311-40	E - 10
2VN-25866-00	E - 6	120-27433-00	E - 5	47J-83312-00	E - 10
4LO-25867-00	E - 4	2KF-27491-00	D - 4	47J-83313-00	E - 10
3TB-25870-00	E - 4	3TB-28100-00	D - 2	3TB-83320-01	E - 10
3TB-25872-02	E - 4	4PT-28217-00	E - 8	47J-83322-00	E - 10
4PT-25873-10	E - 7	4PT-28365-00	E - 8	4PT-83330-00	E - 10
4PT-25876-00	D - 4	4PT-28390-00	E - 8	2KF-83332-00	E - 10
3AJ-25888-00	E - 6	4PT-28390-10	E - 8	4PT-83340-00	E - 10
47X-25894-00	E - 6	4PT-28390-20	E - 8	2KF-83342-00	E - 10
4PT-25895-00	E - 6	3TB-28415-01	C - 13	34L-83350-20	F - 2
3JD-25917-00	D - 12	89A-77214-00	B - 12	10V-83365-00	E - 10
3TB-25919-00	D - 12	3TB-81410-01	E - 9	18G-83365-00	E - 10
4MA-25919-00	E - 2	3TB-81450-01	E - 9	3BN-83371-00	F - 2
2GV-25926-00	E - 2	3TB-81800-01	C - 5	5E2-83509-20	E - 11
3TB-25933-00	D - 12	3AJ-81801-00	C - 5	5Y1-83513-00	E - 11
1UY-25937-51	D - 12	3AJ-81809-00	C - 5	123-83516-21	F - 6
34X-25937-00	E - 2	3AJ-81820-00	C - 5	5Y1-83519-00	E - 11
5R2-25937-00	D - 14	3AJ-81830-00	C - 5	30X-83520-00	E - 11
4PT-26111-00	E - 3	11H-81844-00	C - 5	1M1-83526-00	E - 11
2KF-26141-00	E - 3	26H-81847-00	C - 5	1VJ-83540-41	E - 11
3BN-26141-20	E - 3	3AJ-81850-00	C - 5	5Y1-83541-00	E - 11
3TB-26142-60	E - 3	4G0-81871-00	C - 5	3ET-83550-02	E - 11
3TB-26142-70	E - 3	3AY-81940-00	F - 2	4PT-83560-00	E - 11
55V-26241-00	E - 3	3TB-81953-00	B - 11	34L-83570-F1	E - 11
55V-26242-00	E - 3	3TJ-81960-01	E - 15		F - 6
1RF-26243-00	E - 3	3PK-82100-00	E - 15	43F-83570-G1	F - 6
4PT-26246-00	E - 3	4PT-82115-00	E - 15	3FY-83912-01	E - 14
3Y1-26249-00	E - 3	4PT-82116-00	E - 15	3YR-83922-00	E - 14
3TB-26280-00	E - 3	5Y1-82122-00	E - 15	25G-83936-01	F - 2
34K-26281-00	E - 3	2T4-82131-00	E - 15	437-83936-01	E - 14
1VJ-26282-00	E - 3	2UJ-82150-02	E - 15	4MY-83969-00	E - 14
3TB-26290-00	E - 3	148-82151-00	E - 15	4DW-83975-00	E - 14
4PT-26302-00	E - 3	3TB-82305-10	F - 10	3WP-83980-00	E - 14
4PT-26335-00	E - 3	4PT-82305-00	E - 15	3TB-84137-00	E - 12
1E6-26342-00	E - 3	3TB-82310-00	E - 15	3TB-8431R-00	E - 12
1UJ-27114-00	B - 15	3TB-82316-01	E - 15		F - 6
3TB-27200-02	E - 6	371-82370-00	E - 15	4PT-84311-01	E - 12
2YK-27222-00	E - 6	4PU-82501-00	E - 15		F - 6
3KW-27234-00	E - 6	34L-82530-02	F - 2	3TB-84312-00	E - 12
55V-27242-00	E - 6	4GY-82540-10	F - 2		F - 6
4PT-27311-00	E - 5	3LD-82566-40	F - 2	2F9-84314-00	E - 12

NUMERICAL INDEX

PART NO.	GRID NO.	PART NO.	GRID NO.	PART NO.	GRID NO.
2F9-84314-00	F - 6	90109-081F0	D-12	90185-12119	E - 5
3TB-84320-10	E -12	90109-082G0	B-15	90185-14070	D - 4
3TB-84320-20	F - 6	90109-087F1	E - 5	90201-047A2	B-12
3TB-84325-00	E -12	90109-08705	C-13	90201-05033	E-11
	F - 6	90109-102G8	D - 4	90201-06049	D - 2
3TB-84329-00	E -12	90110-08193	E - 9	90201-065F3	C-14
	F - 6	90116-06475	B - 2		C-15
341-84332-60	E -12	90116-10263	C - 2	90201-080L8	B - 4
	F - 6	90116-10348	D-14	90201-08083	E - 6
198-84334-60	E -12	90116-10378	B - 2	90201-08087	C - 2
	F - 6	90116-10506	C - 2		C-12
2XJ-84345-00	B-11	90119-06060	C-14	90201-08326	B-15
	B-12	90119-06063	D-11	90201-085L3	B - 4
	F - 8	90119-06097	C-14	90201-08753	C-12
	F - 9		E-12		C-13
4E2-84347-00	E -12	90119-06228	C-14	90201-100A1	D - 6
34X-84527-00	E -13		D - 4	90201-100F7	D - 4
1XL-84710-E0	E -13	90123-08046	E - 3	90201-10118	E - 4
1A2-84714-41	E -13	90149-05110	B - 9		E - 7
3TB-84717-01	E -13	90149-05299	D-10	90201-10119	C - 6
53V-84721-40	E -13	90149-06131	E -14	90201-10124	B - 4
34Y-84723-E0	E -13	90149-06154	D-11	90201-102J5	B-15
4G1-84744-00	E -11	90149-06223	D - 2	90201-10437	D-15
3YF-84751-00	C-15		D-10	90201-10590	B - 4
3Y6-85130-02	C-14	90149-06263	E - 8	90201-120A5	D - 3
33G-85132-02	C-14	90149-08067	C - 2	90201-12474	C-11
	F - 4	90151-06017	C-10	90201-12699	D - 4
	F -10	90159-06078	C-10	90201-13409	C-13
4FL-85546-00	E -15	90159-06092	C - 6	90201-140A6	B - 5
90101-12295	D - 5	90170-06010	E -14	90201-140G9	D - 3
90101-12498	D - 4	90170-06128	B - 7	90201-14215	E - 6
90105-07342	B - 8	90170-10219	D-14	90201-150H2	C - 6
90105-08505	B - 4	90170-16343	B - 6	90201-15238	D - 4
90105-10186	B-15	90170-20274	C - 6	90201-15785	C - 6
90105-10285	E - 5	90170-20327	C - 6	90201-20276	C - 8
90105-10638	E - 2	90176-06065	C-14	90201-20279	E - 5
90105-10778	D-13	90176-08026	B - 4	90201-251F6	D - 4
90105-12616	E - 5	90176-22050	D - 6	90201-301F4	B - 5
90105-12668	D - 3	90179-05523	D-10	90201-303P4	C - 5
90109-062A8	E -14		E-15	90202-05187	D - 9
90109-063E8	B - 7	90179-06668	B-15	90202-06013	E-12
90109-063E9	B - 2	90179-08148	E - 3	90202-26142	D - 6
90109-06418	B - 2	90179-10201	B - 4	90206-06090	B-15
90109-06419	B - 9	90179-10279	B - 4	90206-12075	B - 7
90109-06757	E - 2	90179-14317	B - 5	90209-22191	C - 8
90109-06778	C - 6	90179-18552	C - 8	90215-16242	B - 6
90109-06799	E -14	90179-25615	D - 6	90215-20197	C - 6
90109-080G5	E -15	90185-10060	D - 4	90215-20231	C - 6

NUMERICAL INDEX

PART NO.	GRID NO.	PART NO.	GRID NO.	PART NO.	GRID NO.
90215-23265	C - 8	90387-122J6	D - 4	90480-13398	C -14
90240-08096	E - 5	90387-152J3	D -12	90480-13428	D -10
90240-08124	E - 6	90387-16782	C - 2	90480-14023	E -12
90240-14106	D - 5	90387-173M5	D -14	90480-14329	B -12
90267-32071	F - 4	90387-174F0	D -15	90480-15064	B -12
	F -10	90387-17783	C - 2	90480-15363	C -12
90267-40077	B -12	90401-08133	B - 9	90501-043E0	B - 9
90267-40080	B -11	90401-10159	E - 4	90501-10312	E -14
	C-12		E - 7	90501-22721	B - 5
	C -14	90430-05126	B - 9	90501-23142	C - 6
	F - 4	90430-06014	B - 3	90507-18055	E - 6
	F -10		C - 6	90507-32020	E - 5
90280-16053	B - 5	90430-08143	C - 3	90508-14352	E - 6
90282-05013	B - 6	90430-08178	B - 4	90508-14767	C - 6
90282-07042	C - 6		C - 2	90508-20023	E - 5
90338-06143	D - 3	90430-08204	B - 9	90508-26691	C -10
90338-08174	B -12	90430-10148	F - 2	90508-29629	C -11
90338-09130	D -12	90430-22123	C -12	90560-15240	D -12
	D-14	90430-27124	C -13	90560-20199	C - 9
	B - 3	90445-10638	D - 9	91317-06012	B -15
	C - 3	90445-115J7	C -13	91317-06016	B -10
	B - 2	90445-126G6	B -12		C - 3
	B - 9	90450-21082	B -11	91317-06018	B - 2
	C - 3		F - 9	91317-06020	B -11
	D - 3	90450-22052	B -10	91317-06025	B - 2
	D - 5	90460-46206	B -11		B - 8
	D - 3	90460-51059	B -12		C - 3
	D - 3	90460-58015	B -12	91317-06030	C - 2
	D - 4	90461-16124	E - 4		C - 3
	D - 9	90462-16102	C - 3	91317-06035	B - 4
	C-14	90462-20217	B - 2		B - 9
	D - 2	90464-13080	E -15		C - 3
	B -12	90464-25217	F - 2	91317-06040	B - 2
	E -12	90465-08125	F - 8	91317-06045	C - 2
	C -14	90465-08344	C - 2	91317-06050	B - 2
	D-10	90467-09006	D - 9		C - 3
	E - 3	90467-10008	C -13	91317-06055	B - 2
	C-14	90467-10039	B -11	91317-06060	C - 2
	C -14	90467-11106	B -12		D - 3
	D - 3	90467-12052	B -12	91317-06080	B - 9
	C -12	90467-14015	C - 2	91317-06115	B - 2
	E -12	90467-14057	E - 6	91317-06125	B - 2
	E -13	90467-17128	C - 2	91401-30020	E - 6
	B -12	90468-10050	E -11	91490-16020	E - 6
	D - 2	90468-12120	E -12	91490-20025	E - 5
	D - 3	90480-01401	D - 2		E - 6
	C -13	90480-12053	E - 8	91490-25020	E - 5
	D - 3	90480-12325	B -11	91490-30030	D - 5

NUMERICAL INDEX

PART NO.	GRID NO.	PART NO.	GRID NO.	PART NO.	GRID NO.
91701-06022	E - 6	93210-15171	B -10	94330-17158	D -14
91701-06040	E - 5	93210-15620	E - 6	94330-21084	D -12
92014-06012	B -15	93210-32172	B - 2	94418-21492	D -12
92017-08020	E - 6	93210-36510	C - 3	94425-17491	D -14
92017-08025	E -12	93210-36769	B -11	94581-45106	D -14
	F - 6	93210-62446	B - 2	94590-27126	B - 8
92017-08050	C -15	93210-64297	B - 9	94701-00241	B - 2
92907-03200	F - 4	93210-97524	B - 4	95027-06010	C -12
	F -10	93306-00426	C - 8		F - 2
92907-04200	B -12	93306-00431	C - 8	95027-06012	C -15
	C -12	93306-20006	C - 5	95027-06016	G -14
	F - 4	93306-20209	D -12		D - 9
	F -10	93306-20310	D -14	95027-06025	E - 4
92907-04600	B -11	93306-30416	D -14	95027-08016	C -12
92907-05100	E - 9	93306-30525	B - 5	95027-08040	B -15
	E -14	93306-30535	C - 8		D - 6
92907-05600	B -12	93306-30540	C - 8	95307-05600	C - 8
	D - 6	93306-30541	B - 5	95307-06800	E - 3
	E - 9	93306-30702	B - 5	95317-06600	C -15
92907-06100	E - 9	93310-212R6	C - 5	95317-12700	E -10
92907-06600	B - 2	93310-217R7	C - 5	95333-08600	E - 6
	B - 8	93310-530C7	C - 5	95604-16200	D -15
	D - 3	93310-635D4	B - 5	95607-04100	F - 4
	E - 3	93315-10838	C - 7		F -10
	E - 6	93315-22251	D - 3	95617-06100	C -14
92907-10600	C -12	93315-31502	C - 7		E -14
92907-14600	D - 5	93315-31750	D - 3	95617-10100	D - 6
92907-16200	D -15	93316-00501	C -10	95617-10200	C -12
92990-04100	B -13	93332-00008	D - 6	95617-12100	D - 3
92990-06200	B -15	93332-00079	D - 6		D - 4
93101-14092	C - 3	93340-21505	C - 6		D - 5
93101-25106	B - 5	93440-11024	C - 5	95701-08500	D - 8
93102-12106	C -11	93440-12052	B - 2	95707-05500	C -15
93102-15212	C - 6	93440-25084	C - 8	95707-06500	E -13
93102-20281	D -12	93450-24028	B - 5		F - 2
93102-25226	C - 8	93503-08007	B - 9	95807-06016	D - 3
93102-25311	D -14	93604-10011	C -10		D - 9
93106-22019	D - 3	93605-10090	B - 5		E - 4
93106-30029	D -14	93608-33046	C -11	95817-06010	D - 4
93108-35004	D - 3	93700-06M03	D - 4		D - 4
93210-07135	B - 9	93700-06005	D - 4	95817-06012	D - 4
	C - 2	94109-2108C	D -12	95817-06020	B -12
93210-08521	B - 7	94109-2109R	D -12	95817-06030	C - 5
93210-10197	B -10	94112-1708D	D -14	95817-08012	C -12
93210-13361	B - 9	94112-1709S	D -14	95817-08035	D - 6
	C - 3	94209-21277	D -12	95817-08055	D - 8
93210-13657	B - 2	94212-17264	D -14	95817-10030	D -15
93210-14014	E -11	94212-17281	D -14	95817-10070	C -12

NUMERICAL INDEX

PART NO.	GRID NO.	PART NO.	GRID NO.	PART NO.	GRID NO.
95817-10100	C -12	99009-11400	B - 9		
95827-06025	B -12	99009-20400	C - 8		
	C -12		C - 9		
97007-06025	C -14	99246-00080	C -15		
97017-05025	E -15	99247-00080	C -15		
97017-06016	B - 8	99510-08016	B - 4		
	B - 2		C - 2		
97017-10080	C -12		C - 3		
97027-06014	C - 8	99510-12016	B - 4		
97027-06020	C -11		C - 2		
	D - 3		C - 3		
97706-40530	E -13	99510-14016	C - 2		
97707-40620	E -10	99530-10116	B - 2		
97707-50520	B -11	99999-01798	C - 8		
98503-03008	D - 9	99999-02107	E - 4		
98507-04012	F - 4				
	D - 6				
98507-04018	D - 8				
98507-05010	B -14				
98507-05016	E - 9				
	F - 2				
98507-05018	E -14				
98507-05020	B -12				
	D - 6				
98507-05025	E - 3				
98507-05030	E -14				
98507-05040	E -14				
98507-06012	C - 3				
98507-06016	B - 9				
98517-06020	E - 6				
98517-06025	E - 9				
	E -15				
98517-06030	E - 3				
98580-04010	B -13				
	B -14				
98580-04014	B -13				
98580-04016	B -13				
98580-04020	B -13				
98707-04012	E - 4				
98707-06012	C - 2				
98707-06030	B - 2				
98907-06020	D - 2				
98980-06010	B -15				
99001-09600	C -11				
99006-10600	C -11				
99009-10400	C - 6				



*COPYRIGHT: All rights reserved. No part of this publication
may be reproduced without permission.*

YAMAHA

YAMAHA MOTOR CO., LTD.

2500 SHINGAI IWATA SHIZUOKA JAPAN
SERVICE INFORMATION DIV.

Printed in Japan
First edition NOV., 1995