

YAMAHA

PARTS CATALOGUE

XT550'83 (5Y4)

235Y4-700E1

A2

CONTENTS

ENGINE

Cylinder Head	B2 ~ B3
Cylinder	B4
Crankshaft · Piston	B5 ~ B6
Valve	B7
Camshaft · Chain	B8
Oil Pump · Oil Cleaner	B9 ~ B10
Intake	B11
Carburetor	B12 ~ B13
Exhaust	B14
Crankcase	B15
Crankcase Cover	C2 ~ C3
A.C. Magneto	C4
Kick Starter	C5 ~ C6
Clutch	C7 ~ C8
Transmission	C9 ~ C10
Shift Cam · Fork	C11
Shift Shaft · Pedal	C12

CHASSIS

Frame	C13 ~ C14
Front Fender · Rear Fender	C15
Side Cover · Tool	D2
Rear Arm	D3 ~ D4
Rear Suspension	D5
Front Fork	D6 ~ D7

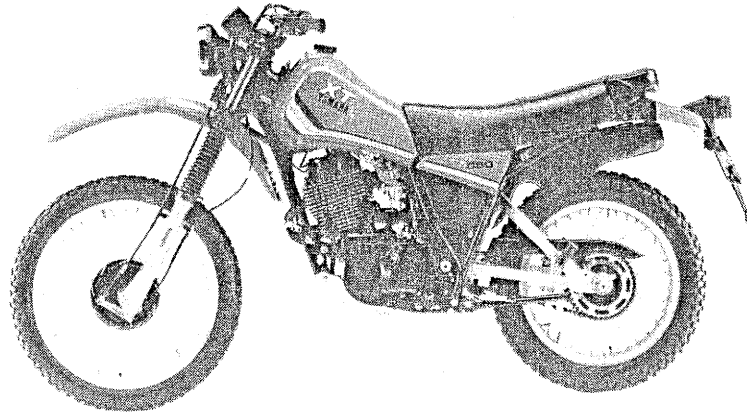
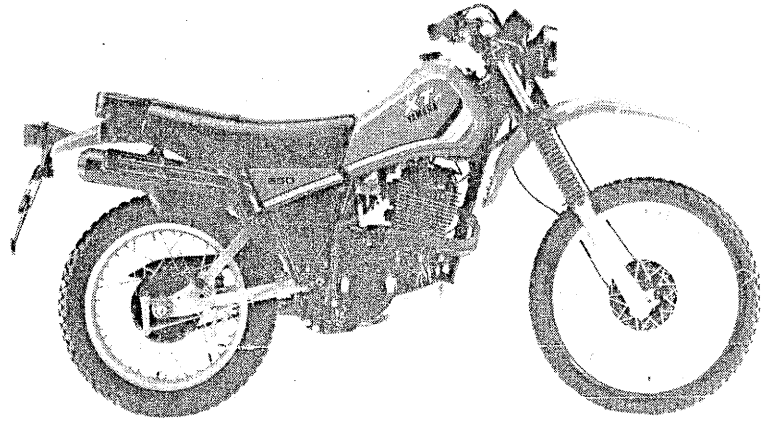
Steering	D8 ~ D9
Fuel Tank	D10
Seat	D11
Front Wheel	D12 ~ D13
Rear Wheel	D14 ~ D15
Handlebar · Cable	E2 ~ E3
Stand · Footrest	E4 ~ E5
Flasher Light	E6
Speedometer · Tachometer	E7
Headlight	E8
Taillight	E9
Electrical 1	E10
Electrical 2	E11
Handle Switch · Lever	E12

FOR SOUTH AFRICA

Alternate (Engine)	F3
Alternate (Chassis)	F4

INDEX

NUMERICAL INDEX	M1 ~ M4
PARTS NAME INDEX	M10 ~ M16



A3

FOREWORD

This Parts Catalogue is related to the parts in use for the Yamaha XT550'83 (5Y4)
When you are ordering replacement parts for the XT550'83 (5Y4), refer to this Parts Catalogue and quote both part numbers and part names correctly.

1. Modifications or additions which have been made after issue of the Parts Catalogue will be announced in the Yamaha Parts News.
It is advisable that according to the Yamaha Parts News you make necessary corrections to the Parts Catalogue on hand to keep it up-to-date.

2. Abbreviations

The following abbreviations are used in this Parts Catalogue.

- U.R. Use size (thickness) and/or number as required.
- U.N. Use as many as you need.
- A.P. Alternate Parts
- L.M. Local Made
- F# Frame No. (Applicable machine No.)

3. The parts marked with (*) in the parts number column of this Catalogue are not supplied with by Yamaha, those have to be found locally.
4. Parts, which are to be supplied in the form of assemblies, are listed with an indention of one letter's space, and a dot (.) is put against the name of each part.

EXAMPLE CARBURETOR ASS'Y
 . JET, pilot
 . NOZZLE, main

5. Indication of No. of constituent parts for assembly

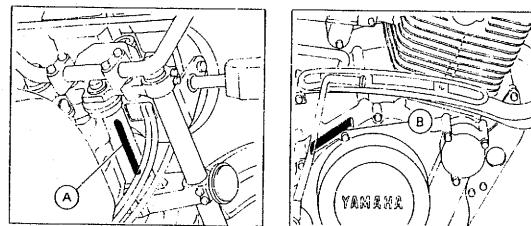
The numeral appearing to the right of each constituent part under the description indicates the quantity of such parts for each individual assembly unit.

EXAMPLE

Part No.	Description	Q'ty	Remarks
2F5-83310-60	FRONT FLASHER LIGHT ASS'Y	2	
115-83311-60	. BULB (6V-18W)	1	
1M1-83309-60	. REFLECTOR	1	

6. Initial Serial No. and Color Code

(A) Frame Serial No.	5Y4-100101 and following
(B) Engine Serial No.	5Y4-100101 and following



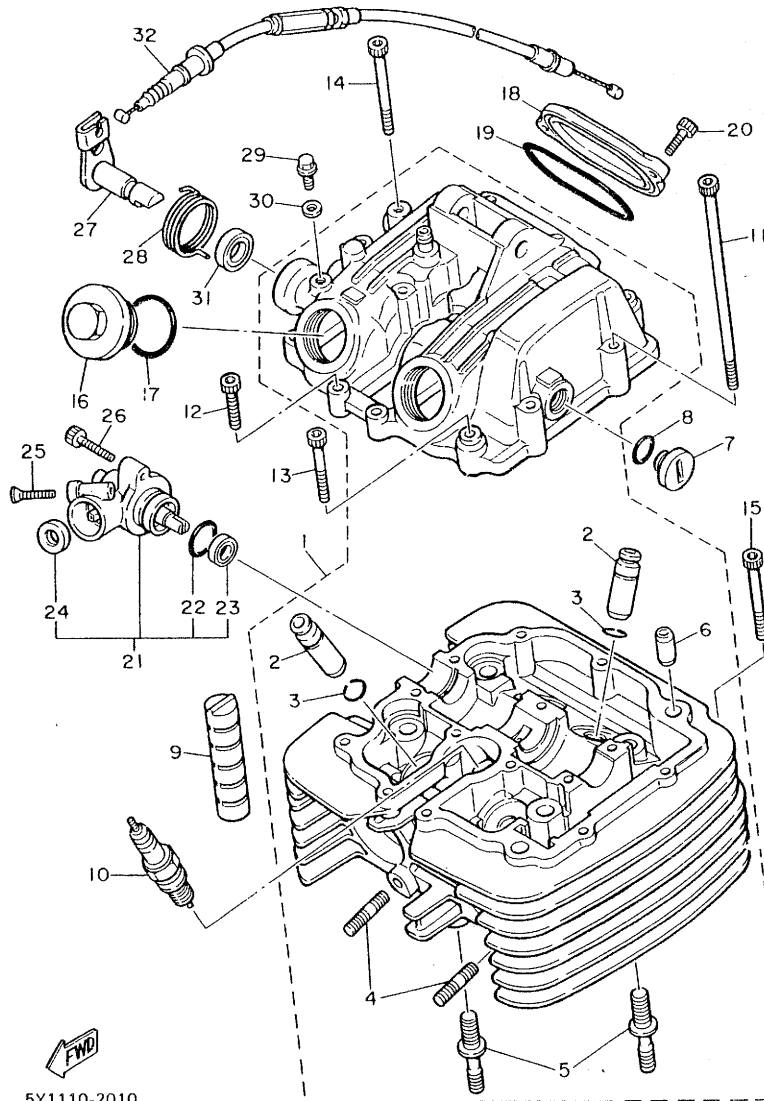
Color Code	Color Name	Abbreviate
E1	CHAPPY RED	CPR
36	CLEAN WHITE	W

7. Applicable colors of graphics are represented in the "Remarks" column by the letter(s) appropriately picked out of the full word(s) showing such colors.

EXAMPLE

Part No.	Description	Q'ty	Remarks
2N4-24110-00-X5	FUEL TANK COMP.	1	MAXIM RED
3J1-24240-10	. GRAPHIC, fuel tank set	1	for MXR

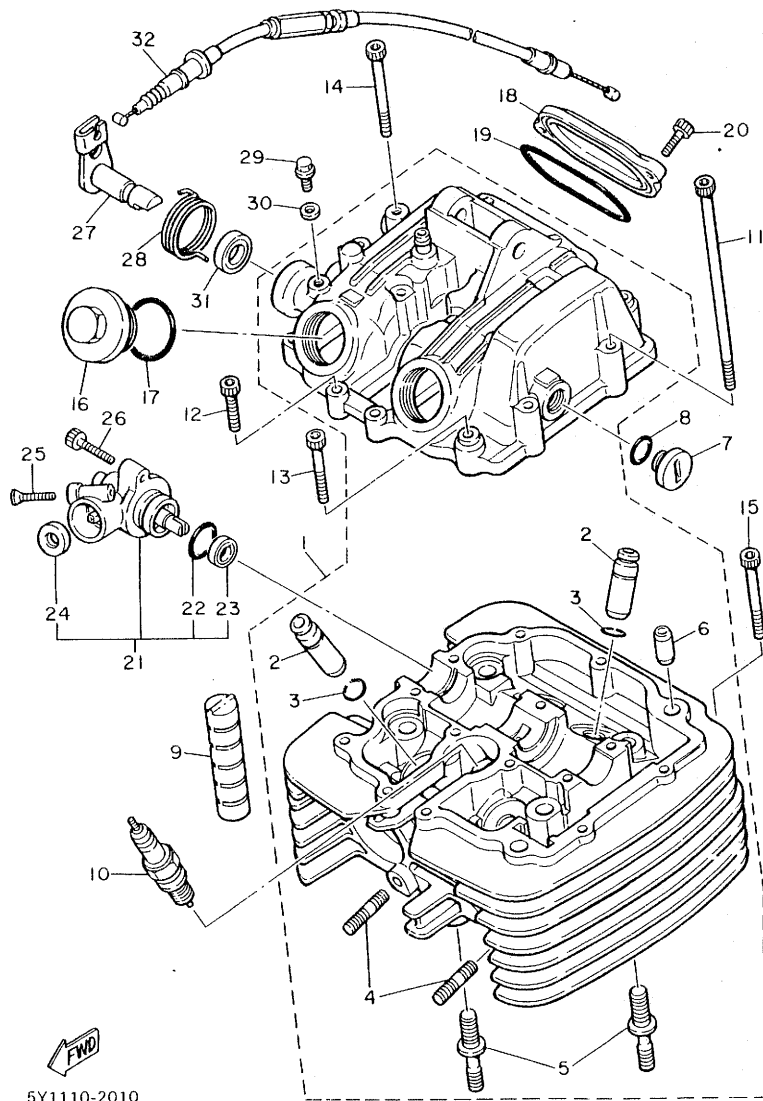
FIG. 1 CYLINDER HEAD



REF. NO.	PART NO.	DESCRIPTION	Q'TY	REMARKS
1	5Y1-11101-00	CYLINDER HEAD ASSY	1	
2	4H7-11133-10	•GUIDE, intake valve (1ST D/S)	4	
3	93440-12052	•CIRCLIP	4	
4	95611-06620	•BOLT, stud	4	
5	90116-10378	•BOLT, stud	2	
6	91810-03014	•PIN, dowel	2	
7	90340-14079	PLUG, straight screw	1	
8	93210-14369	O-RING	1	
9	583-11127-00	ABSORBER 3	2	
10	94701-00189	PLUG, sPark (NGK D7EA)	1	
11	91316-06125	BOLT	2	
12	91316-06025	BOLT	4	
13	91316-06040	BOLT	3	
14	91316-06055	BOLT	7	
15	91316-06050	BOLT	1	
16	1H2-11186-00	PLUG, viewer	2	
17	93210-32172	O-RING	2	
18	5Y1-11187-00	COVER, cylinder head side 3	1	
19	93210-62523	O-RING	1	
20	91316-06018	BOLT	2	
21	5Y1-17800-00	GEAR UNIT ASSY, tacho. drive	1	
22	93210-19522	•O-RING	1	
23	93102-11262	•OIL SEAL	1	
24	93102-07261	•OIL SEAL	1	
25	92706-06030	SCREW, flat head	1	
26	91316-06025	BOLT	1	
27	5Y1-12288-00	CAM, decompression	1	
28	90508-18551	SPRING, torsion	1	

5Y1110-2010

FIG. 1 CYLINDER HEAD



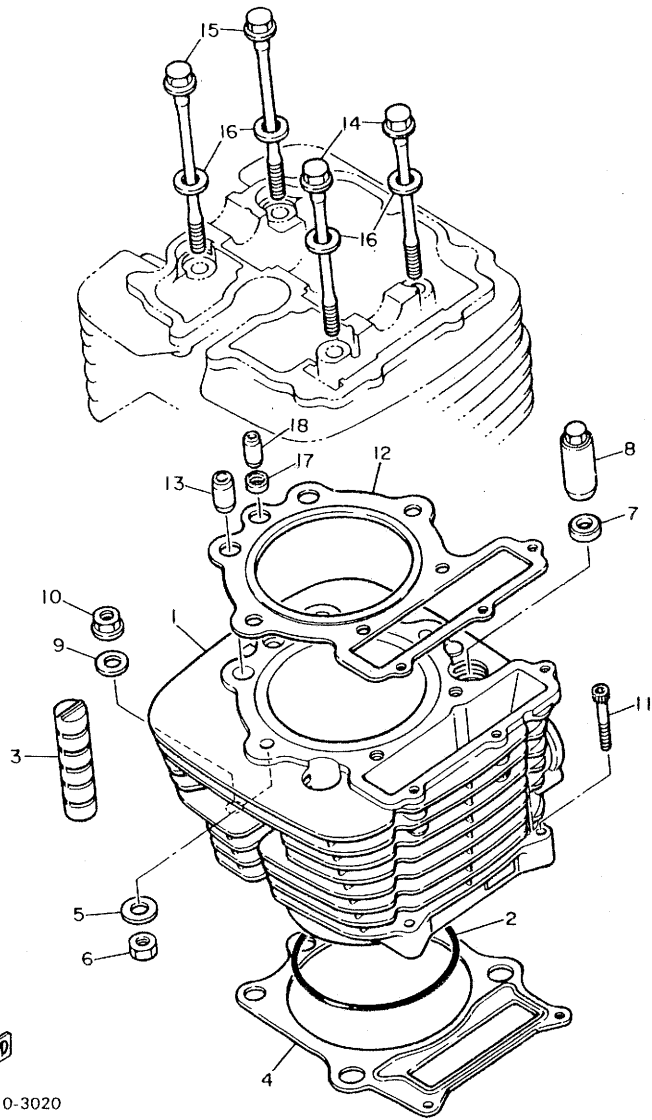
REF. NO.	PART NO.	DESCRIPTION	Q'TY	REMARKS
29	90109-06418	BOLT	1	
30	90430-06014	GASKET	1	
31	93102-12106	OIL SEAL	1	
32	5Y1-12292-00	CABLE, decomPression	1	



5Y1110-2010

B3

FIG. 2 CYLINDER



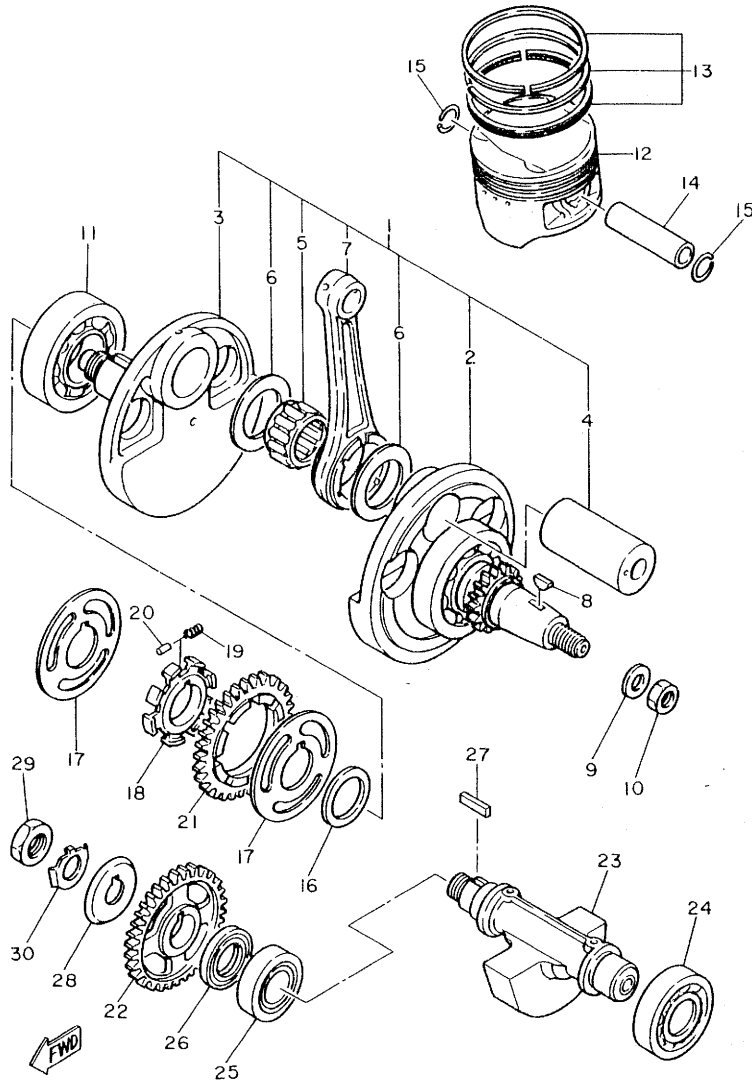
REF. NO.	PART NO.	DESCRIPTION	Q'TY	REMARKS
1	5Y1-11310-00	CYLINDER	1	
2	93210-97524	O-RING	1	
3	583-11127-00	ABSORBER 3	2	
4	5Y1-11351-00	GASKET, cylinder	1	
5	90201-08366	WASHER, Plate	2	
6	95332-08600	NUT	2	
7	90201-10590	WASHER, Plate	2	
8	90179-10201	NUT	2	
9	90201-10124	WASHER, Plate	2	
10	90179-10279	NUT	2	
11	91316-06030	BOLT	2	
12	5Y1-11181-00	GASKET, cylinder head 1	1	
13	91810-05018	PIN, dowel	2	
14	90105-08213	BOLT, washer based	2	
15	90105-08214	BOLT, washer based	2	
16	90201-08609	WASHER, Plate	4	
17	90430-08178	GASKET	1	
18	91810-18016	PIN, dowel	1	



5Y1110-3020

B4

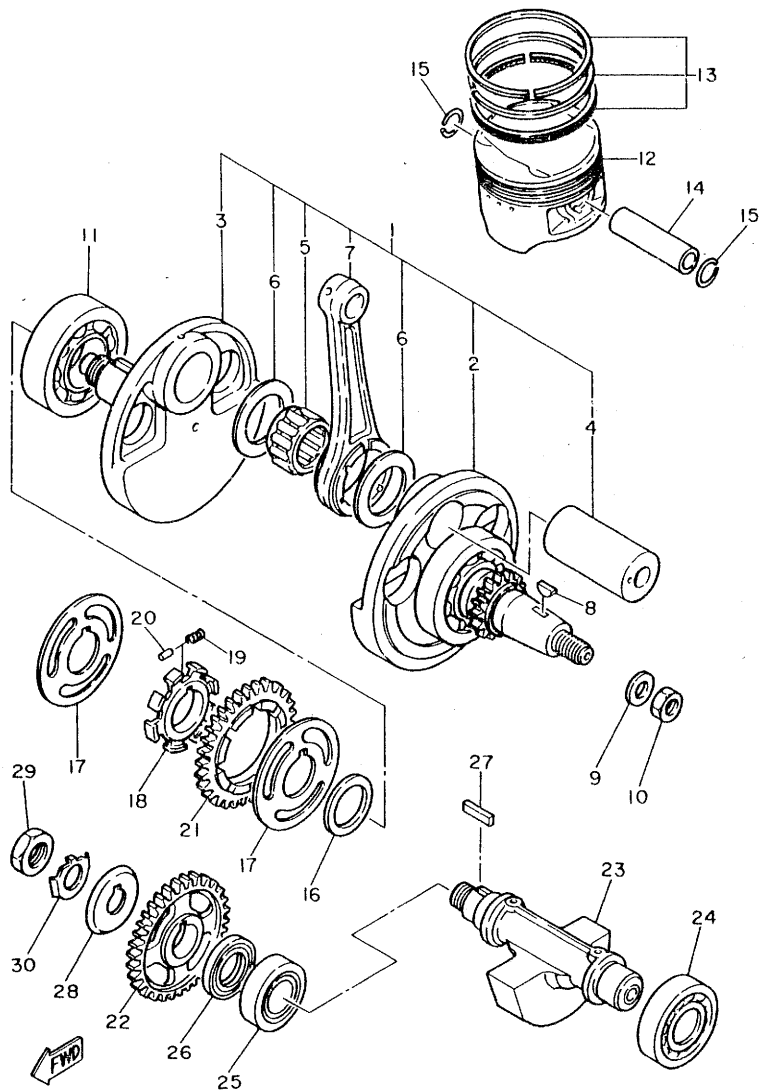
FIG. 3 CRANKSHAFT·PISTON



5Y1110-3030

REF. NO.	PART NO.	DESCRIPTION	Q'TY	REMARKS
1	5Y1-11400-00	CRANKSHAFT ASSY	1	
2	5Y1-11412-09	.CRANK 1	1	
3	5Y1-11422-00	.CRANK 2	1	
4	5Y1-11681-00	.PIN, crank 1	1	
5	93310-634K2	.BEARING, cylindrical	1	
6	90201-341F5	.WASHER, Plate	2	
7	5Y1-11651-00	.ROD, connecting	1	
8	90280-05013	KEY, woodruff	1	
9	90201-14226	WASHER, Plate	1	
10	90179-14317	NUT	1	
11	93306-30702	BEARING (B6307)	1	
12	5Y1-11631-01-A0	PISTON (STD)	1	
	5Y1-11635-01	PISTON (1ST O/S 0.25MM)	1	AP
	5Y1-11637-01	PISTON (3RD O/S 0.75MM)	1	AP
13	5Y1-11610-00	PISTON RING SET (STD)	1	
	5Y1-11610-10	PISTON RING SET (1ST O/S)	1	AP
	5Y1-11610-30	PISTON RING SET (3RD O/S)	1	AP
14	5A8-11633-00	PIN, Piston	1	
15	93450-24028	CIRCLIP	2	
16	90201-301F4	WASHER, Plate	1	
17	5Y1-11565-00	WASHER, bearing cover	2	
18	5Y1-11496-01	BOSS, buffer	1	
19	90501-22721	SPRING, compression	8	
20	93605-10090	PIN, dowel	4	
21	5Y1-11536-01	GEAR, drive (44T)	1	
22	5Y1-11531-00	GEAR, balance wt 44t	1	
23	5Y1-11454-00	WEIGHT 1	1	
24	93306-30525	BEARING (B6305)	1	

FIG. 3 CRANKSHAFT-PISTON



REF. NO.	PART NO.	DESCRIPTION	Q'TY	REMARKS
25	93313-92513	BEARING, cylindrical	1	
26	93101-25106	OIL SEAL	1	
27	90282-05013	KEY, straight	1	
28	5Y1-11145-00	PLATE, breather 2	1	
29	90170-16295	NUT	1	
30	90215-16196	WASHER, lock	1	

5Y1110-3030

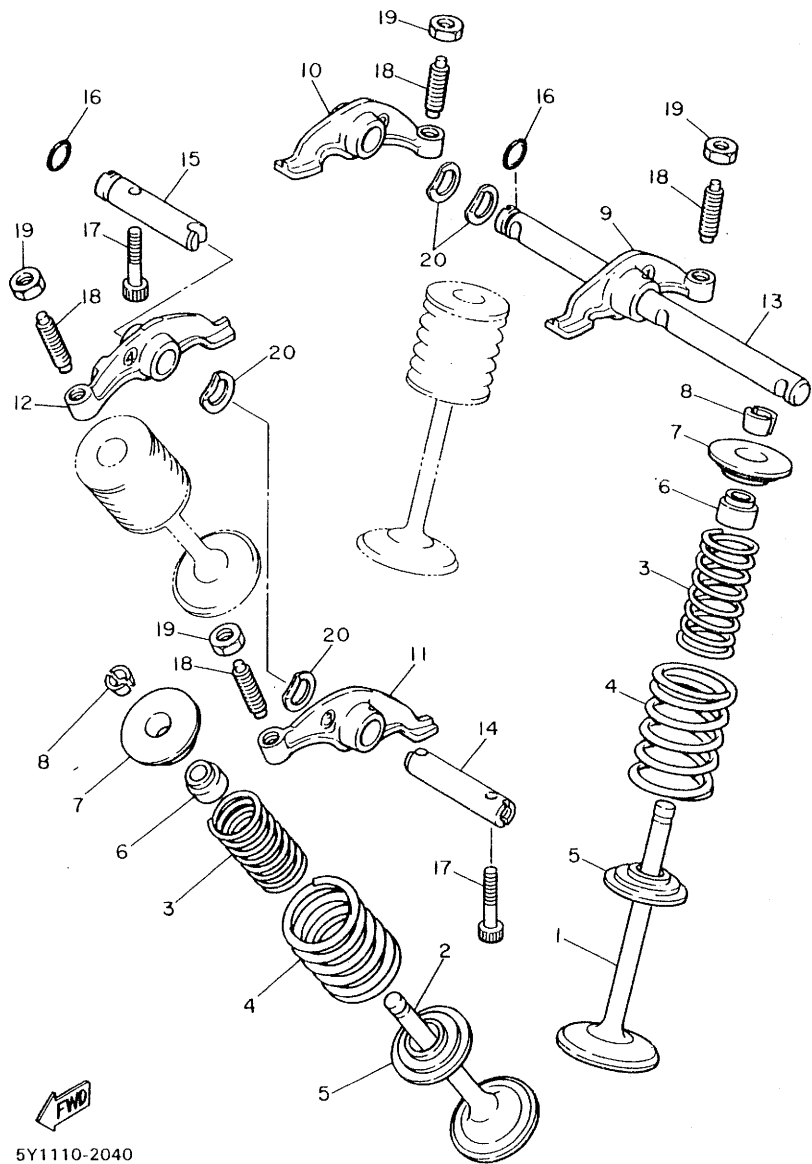


FIG. 4 VALVE

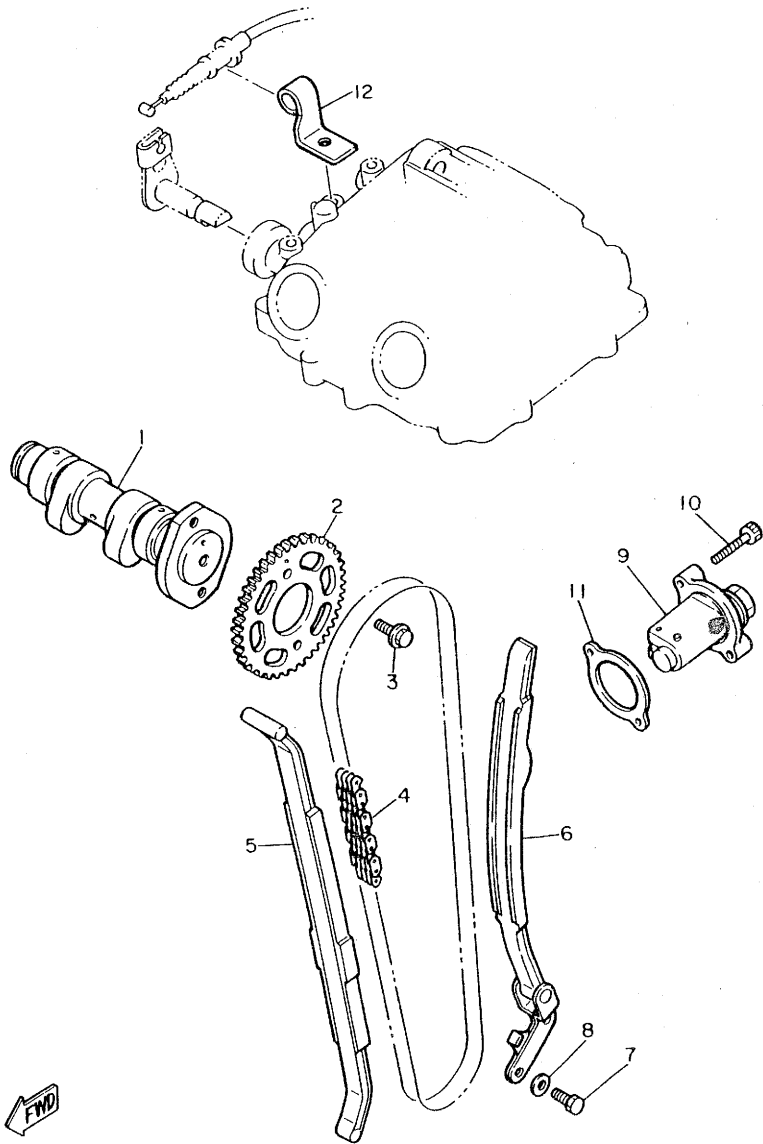
REF. NO.	PART NO.	DESCRIPTION	Q'TY	REMARKS
1	5Y1-12111-00	VALVE, intake	2	
2	5Y1-12121-00	VALVE, exhaust	2	
3	5Y1-12113-00	SPRING, valve inner	4	
4	5Y1-12114-00	SPRING, valve outer	4	
5	4H7-12116-00	SEAT, valve spring	4	
6	1J7-12119-01	SEAL, valve stem	4	
7	2F3-12117-00	RETAINER, valve spring	4	
8	1J7-12118-00	COTTER, valve	8	
9	5Y1-12151-00	ARM, valve rocker	1	
10	5Y1-12161-00	ARM, valve rocker 2	1	
11	5Y1-12162-00	ARM, valve rocker 3	1	
12	5Y1-12163-00	ARM, valve rocker 4	1	
13	5Y1-12146-00	SHAFT, rocker	1	
14	5Y1-12156-00	SHAFT, rocker 2	1	
15	5Y1-12166-00	SHAFT, rocker 3	1	
16	93210-08521	O-RING	2	
17	91316-06030	BOLT	2	
18	3Y1-12159-00	SCREW, valve adjusting	4	
19	90170-06128	NUT	4	
20	90206-12075	WASHER, wave	4	

5Y1110-2040

B7

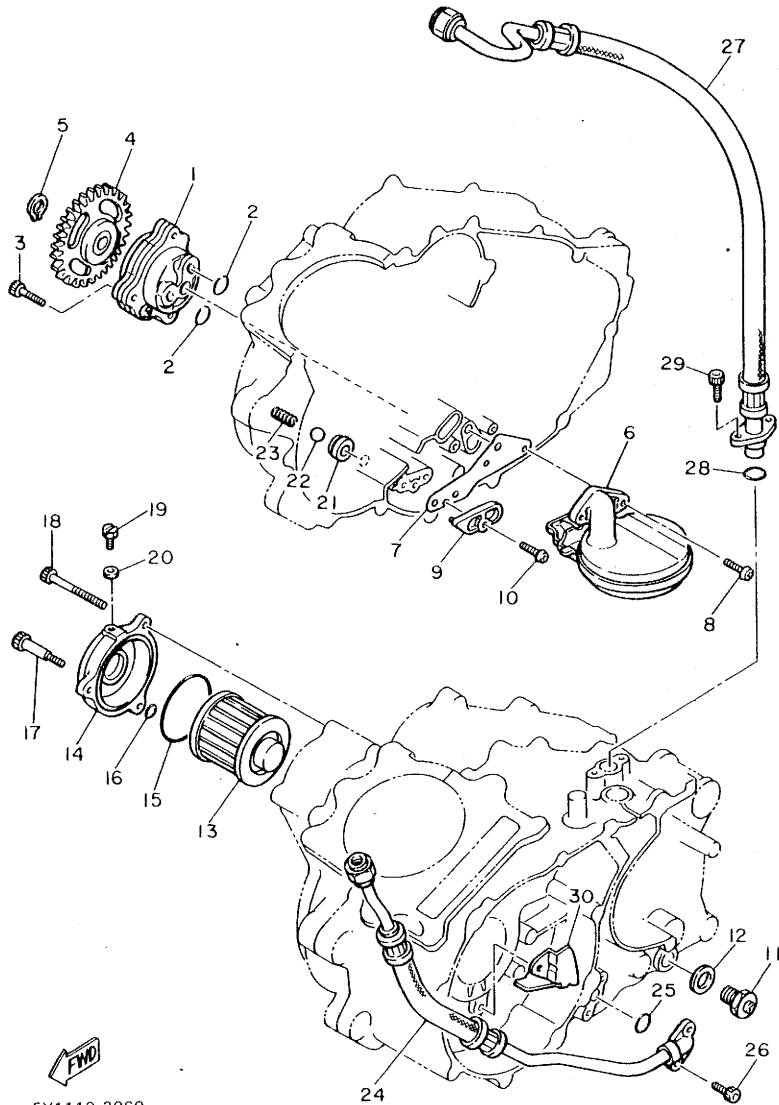
FIG. 5 CAMSHAFT CHAIN

REF. NO.	PART NO.	DESCRIPTION	Q'TY	REMARKS
1	5Y1-12170-00	CAMSHAFT ASSY 1	1	
2	5Y1-12176-00	SPROCKET (46T)	1	
3	90105-07087	BOLT, washer based	2	
4	94590-27126	CHAIN	1	
5	5Y1-12231-00	GUIDE, stopPer 1	1	
6	5Y1-12241-00	GUIDE, stopPer 2	1	
7	97321-06016	BOLT	2	
8	92901-06600	WASHER, Plate	2	
9	5Y1-12210-00	TENSIONER ASSY, cam chain	1	
10	91316-06025	BOLT	2	
11	4X7-12213-00	GASKET, tensioner case	1	
12	5Y1-12283-00	BRACKET, decomPression	1	



5Y1110-2050

FIG. 6 OIL PUMP.OIL CLEANER



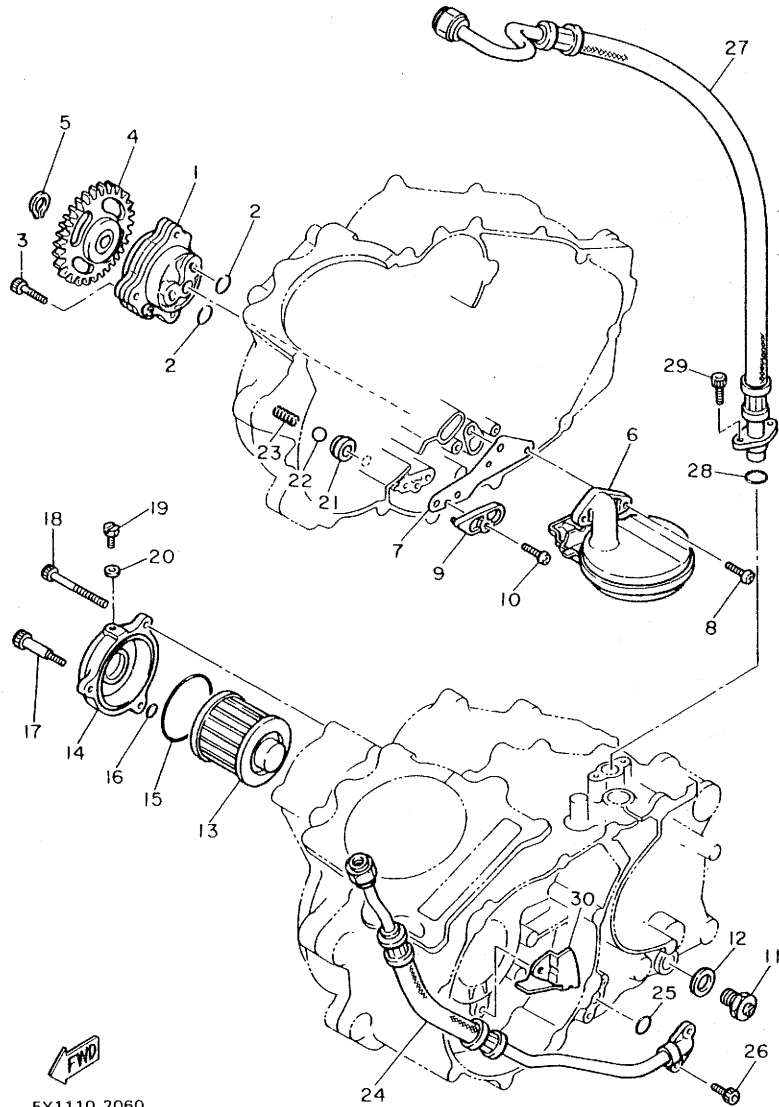
REF. NO.	PART NO.	DESCRIPTION	Q'TY	REMARKS
1	5Y1-13300-00	OIL PUMP ASSY	1	
2	93210-13361	O-RING	2	
3	91316-06035	BOLT	3	
4	5Y1-13325-00	GEAR, PumP driven	1	
5	93410-11002	CIRCLIP	1	
6	5Y1-W1343-00	STRAINER COMP.	1	
7	5Y1-13415-01	SEAL, oil strainer	1	
8	92501-06015	SCREW, Pan head	2	
9	5Y1-15427-00	COVER, caP 2	1	
10	92501-06015	SCREW, Pan head	1	
11	11H-13455-00	PLUG	1	
12	214-11198-01	GASKET	1	
13	4X7-13440-90	ELEMENT ASSY, oil cleaner	1	
14	583-13447-00	COVER, oil element	1	
15	93210-64297	O-RING	1	
16	93210-07135	O-RING	1	
17	90109-06419	BOLT	1	
18	91316-06080	BOLT	2	
19	90149-05110	SCREW	1	
20	90430-05126	GASKET	1	
21	583-13113-00	SEAT, check ball	1	
22	93503-08007	BALL	1	
23	90501-05378	SPRING, comPression	1	
24	5Y1-13464-00	HOSE, oil 1	1	
25	93210-10197	O-RING	1	
26	91316-06016	BOLT	2	
27	5Y1-13465-00	HOSE, oil 2	1	
28	93210-15171	O-RING	1	



5Y1110-2060

FIG. 6 OIL PUMP.OIL CLEANER

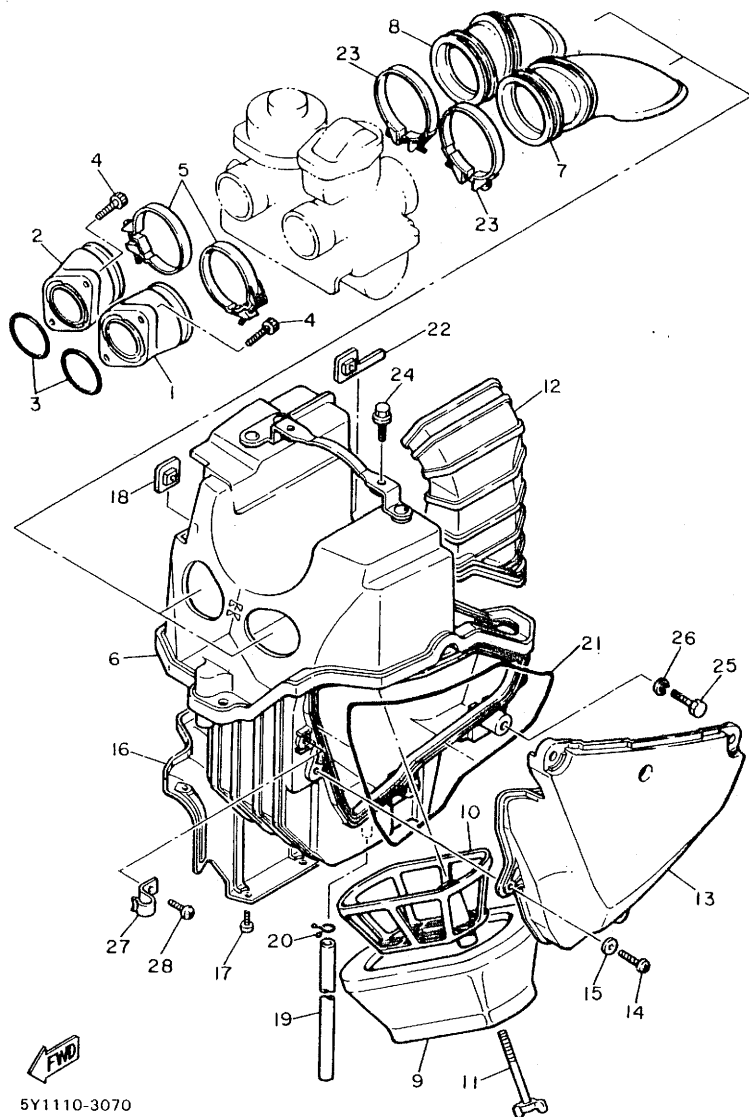
REF. NO.	PART NO.	DESCRIPTION	Q'TY	REMARKS
29	91316-06016	BOLT	2	
30	5Y1-13371-00	PLATE	1	



5Y1110-2060

B10

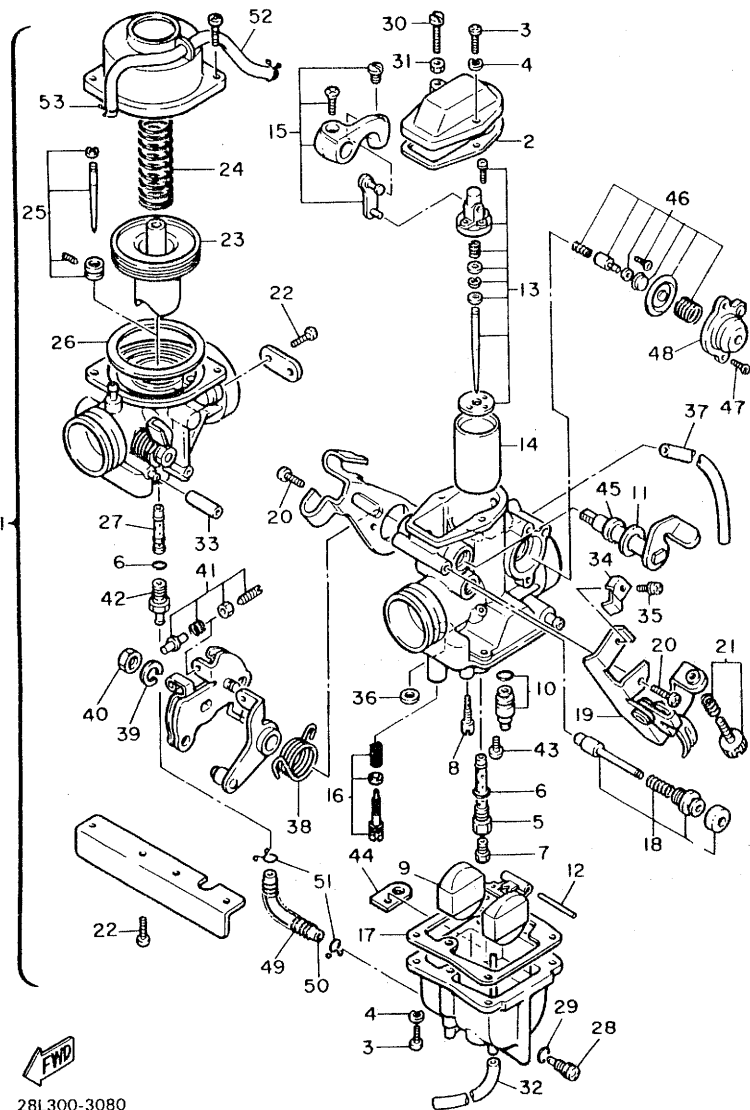
FIG. 7 INTAKE



5Y1110-3070

REF. NO.	PART NO.	DESCRIPTION	Q'TY	REMARKS
1	5Y1-13586-01	JOINT, carburetor 1	1	
2	5Y1-13596-01	JOINT, carburetor 2	1	
3	93210-36549	O-RING	2	
4	91316-06020	BOLT	4	
5	90460-46206	CLAMP, hose	2	
6	5Y1-14401-01	AIR CLEANER CASE ASSY	1	
7	5Y1-14453-00	JOINT, air cleaner 1	1	
8	5Y1-14454-00	JOINT	1	
9	5Y1-14451-00	ELEMENT, air cleaner	1	
10	5Y1-14458-00	GUIDE	1	
11	90122-06014	BOLT, wing	1	
12	5Y1-14437-00	DUCT	1	
13	5Y1-14412-00	CAP, cleaner case 1	1	
14	92506-06020	SCREW, Pan head	3	
15	92906-06600	WASHER, Plate	3	
16	5Y1-1442F-00	PROTECTOR	1	
17	97702-30508	SCREW, tapping	4	
18	4H7-14484-00	PLATE, cleaner case fitting	1	
19	90446-11023	HOSE	1	
20	90467-09006	CLIP	1	
21	5H0-14452-00	SEAL	1	
22	5Y1-14484-00	PLATE, cleaner case fitting	1	
23	90460-51059	CLAMP, hose	2	
24	95801-06010	BOLT, flange	2	
25	97306-06035	BOLT	1	
26	92906-06100	WASHER, spring	1	
27	90462-06009	CLAMP	1	
28	97701-50508	SCREW, tapping	1	

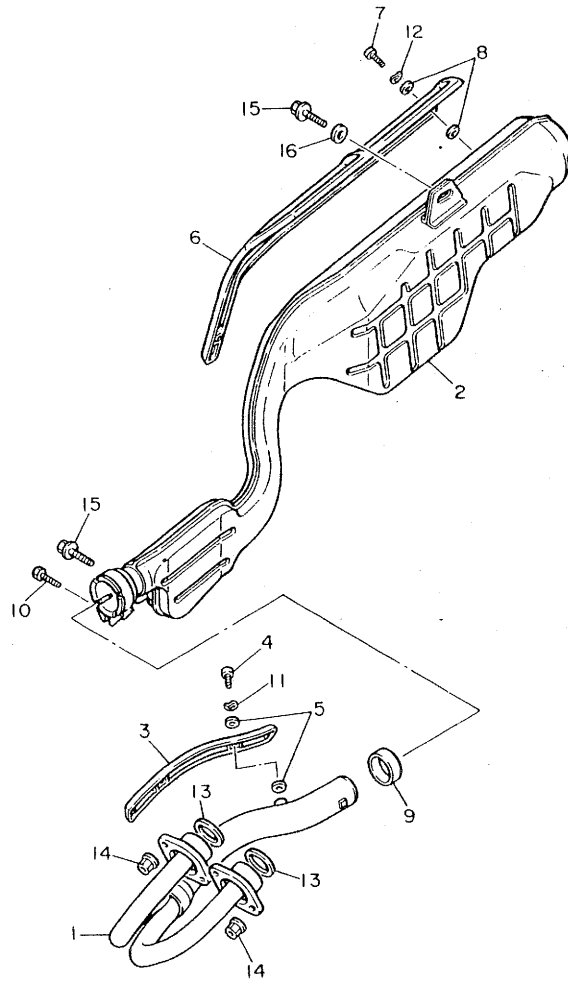
FIG. 8 CARBURETOR



REF. NO.	PART NO.	DESCRIPTION	Q'TY	REMARKS
1	5Y3-14301-01	CARBURETOR ASSY 1	1	
2	5Y1-14198-00	•GASKET	1	
3	98501-04014	•SCREW, Pan head	6	
4	92901-04100	•WASHER, sPring	6	
5	5Y1-14341-26	•NOZZLE, main	1	
6	360-24512-00	•GASKET	2	
7	288-14343-65	•JET, main (#130)	1	
8	396-14342-24	•JET, Pilot (#048)	1	
9	5Y1-14385-00	•FLOAT	1	
10	5Y1-14107-00	•NEEDLE VALVE SET	1	
11	5Y1-14357-00	•WASHER, Plain	1	
12	6E5-14386-01	•PIN, float	1	
13	5Y3-1490J-10	•NEEDLE SET (5C31)	1	
14	5Y1-14312-45	•VALVE, throttle 1	1	
15	5Y1-14203-00	•CABLE CONNECTOR SET	1	
16	5Y3-14105-00	•PILOT SCREW SET	1	
17	5Y1-14384-00	•GASKET, float chamber	1	
18	5Y1-1410A-00	•STARTER SET	1	
19	5Y1-14905-00	•LEVER, starter	1	
20	5Y1-14325-00	•SCREW, Pan head	3	
21	5Y1-14103-00	•THROTTLE SCREW SET	1	
22	98501-05010	•SCREW, Pan head	6	
23	5Y1-14340-30	•VALVE ASSY	1	
24	5Y1-14286-00	•SPRING	1	
25	5Y3-1490J-00	•NEEDLE SET (4A70)	1	
26	5Y1-14398-00	•GASKET	1	
27	5Y1-14355-26	•NOZZLE, main 2	1	
28	5Y1-14115-00	•PLUG, screw	1	

28L300-3080

FIG. 9 EXHAUST

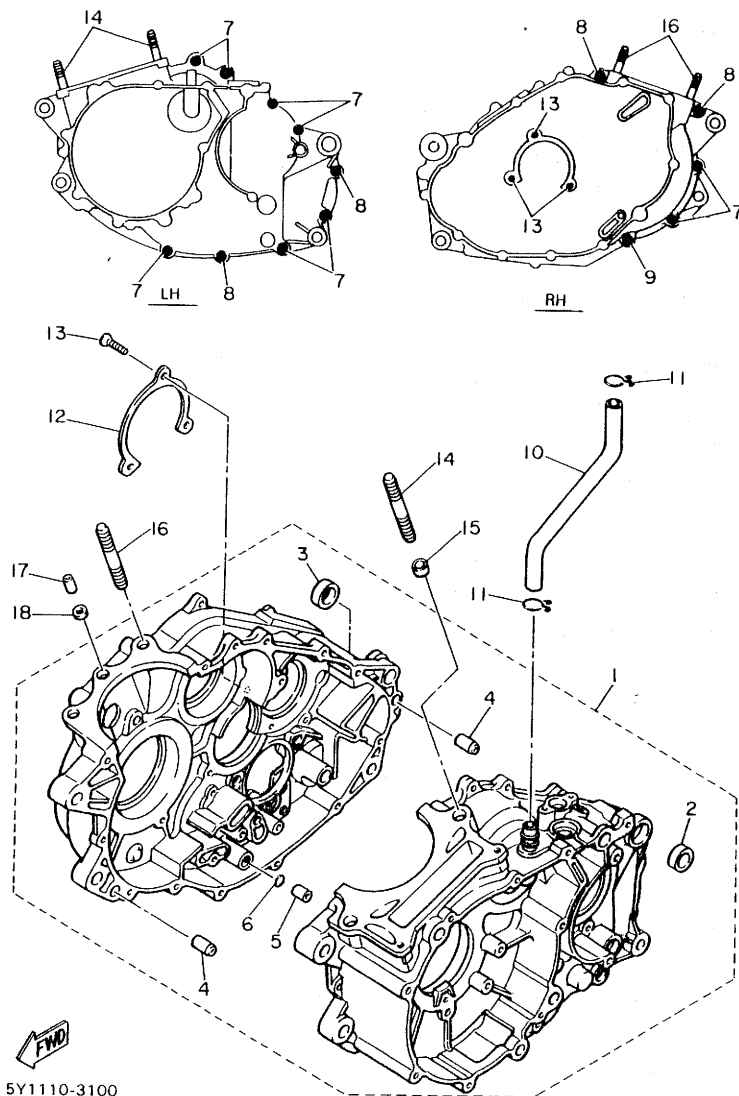


REF. NO.	PART NO.	DESCRIPTION	Q'TY	REMARKS
1	5Y1-14611-00	PIPE, exhaust 1	1	
2	5Y3-14711-00	MUFFLER 1	1	
3	5Y1-14628-01	PROTECTOR, exhaust PiPe	1	
4	98906-06010	SCREW, bind	2	
5	583-14766-00	WASHER, Protector	4	
6	5Y1-14728-02	PROTECTOR, muffler 2	1	
7	98906-06010	SCREW, bind	4	
8	583-14766-00	WASHER, Protector	8	
9	1L9-14714-01	GASKET, muffler	1	
10	97316-08025	BOLT	1	
11	90206-06060	WASHER, wave	2	
12	90206-06060	WASHER, wave	4	
13	5Y1-14613-00	GASKET, exhaust PiPe	2	
14	90179-06306	NUT	4	
15	95811-08016	BOLT, flange	2	
16	90201-08326	WASHER, Plate	1	



5Y3300-2090

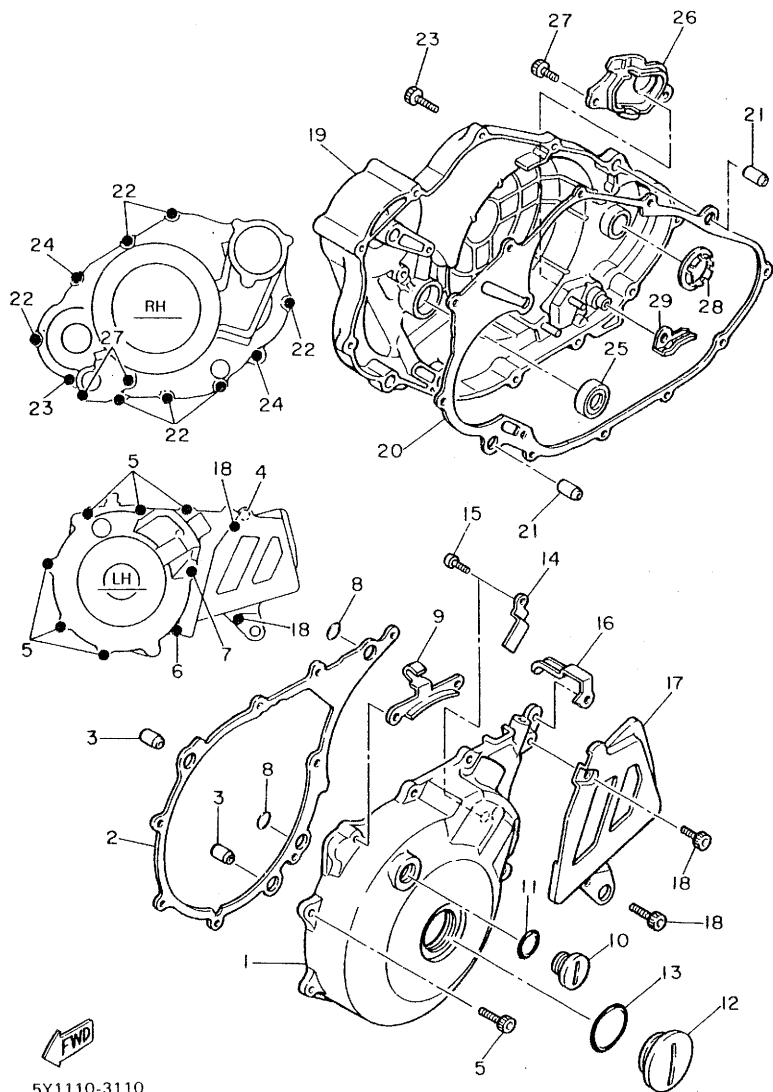
FIG. 10 CRANKCASE



5Y1110-3100

REF. NO.	PART NO.	DESCRIPTION	Q'TY	REMARKS
1	5Y1-15100-01	CRANKCASE ASSY	1	
2	90387-17783	•COLLAR	1	
3	90387-16782	•COLLAR	1	
4	91830-22016	•PIN, dowel	2	
5	91810-18016	•PIN, dowel	1	
6	93210-07135	•O-RING	1	
7	91316-06030	BOLT	9	
8	91316-06045	BOLT	4	
9	91316-06060	BOLT	1	
10	5Y1-11166-00	PIPE, breather 1	1	
11	90467-14015	CLIP	2	
12	5Y1-15383-00	PLATE, bearing cover	1	
13	92701-06012	SCREW, flat head	3	
14	90116-10087	BOLT, stud	2	
15	91830-24016	PIN, dowel	2	
16	90116-10263	BOLT, stud	2	
17	91810-18016	PIN, dowel	1	
18	90430-08178	GASKET	1	

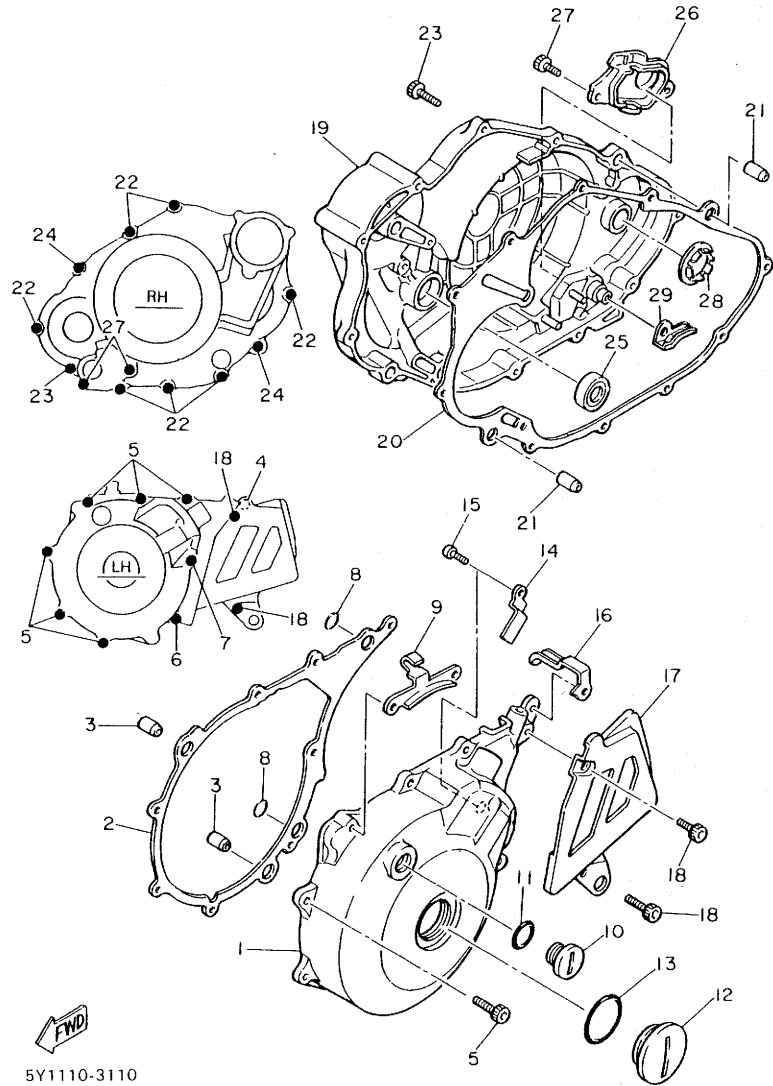
FIG. 11 CRANKCASE COVER



REF. NO.	PART NO.	DESCRIPTION	Q'TY	REMARKS
1	5Y1-15411-00	COVER, crankcase 1	1	
2	5Y1-15451-01	GASKET, crankcase cover	1	
3	91830-22016	PIN, dowel	2	
4	91316-06020	BOLT	1	
5	91316-06025	BOLT	6	
6	91316-06040	BOLT	1	
7	91316-06050	BOLT	1	
8	93210-13361	O-RING	2	
9	5Y1-15441-00	HOLDER, clutch cable	1	
10	90340-14079	PLUG, straight screw	1	
11	93210-14369	O-RING	1	
12	90340-36078	PLUG, straight screw	1	
13	93210-36510	O-RING	1	
14	90462-16102	CLAMP	1	
15	92501-06012	SCREW, Pan head	1	
16	90462-10107	CLAMP	1	
17	5Y1-15421-01	COVER, crankcase 2	1	
18	91316-06016	BOLT	2	
19	5Y1-15431-00	COVER, crankcase 3	1	
20	5Y1-15462-01	GASKET, crankcase cover 3	1	
21	91830-22016	PIN, dowel	2	
22	91316-06025	BOLT	7	
23	91316-06030	BOLT	1	
24	91316-06035	BOLT	2	
25	93101-14092	OIL SEAL	1	
26	5Y1-15417-00	COVER, caP	1	
27	91316-06016	BOLT	2	
28	5Y1-15645-00	SHIM, kick shaft	1	

5Y1110-3110

FIG. 11 CRANKCASE COVER

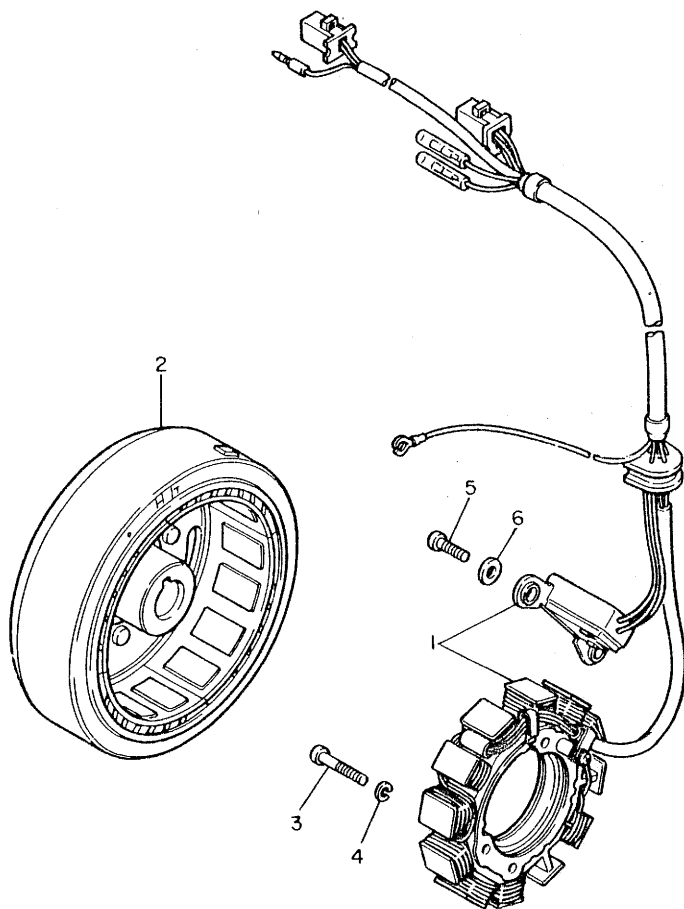


REF. NO.	PART NO.	DESCRIPTION	Q'TY	REMARKS
29	5Y1-1562F-01	PLATE, decomP	1	

5Y1110-3110

C3

FIG. 12 A.C MAGNETO



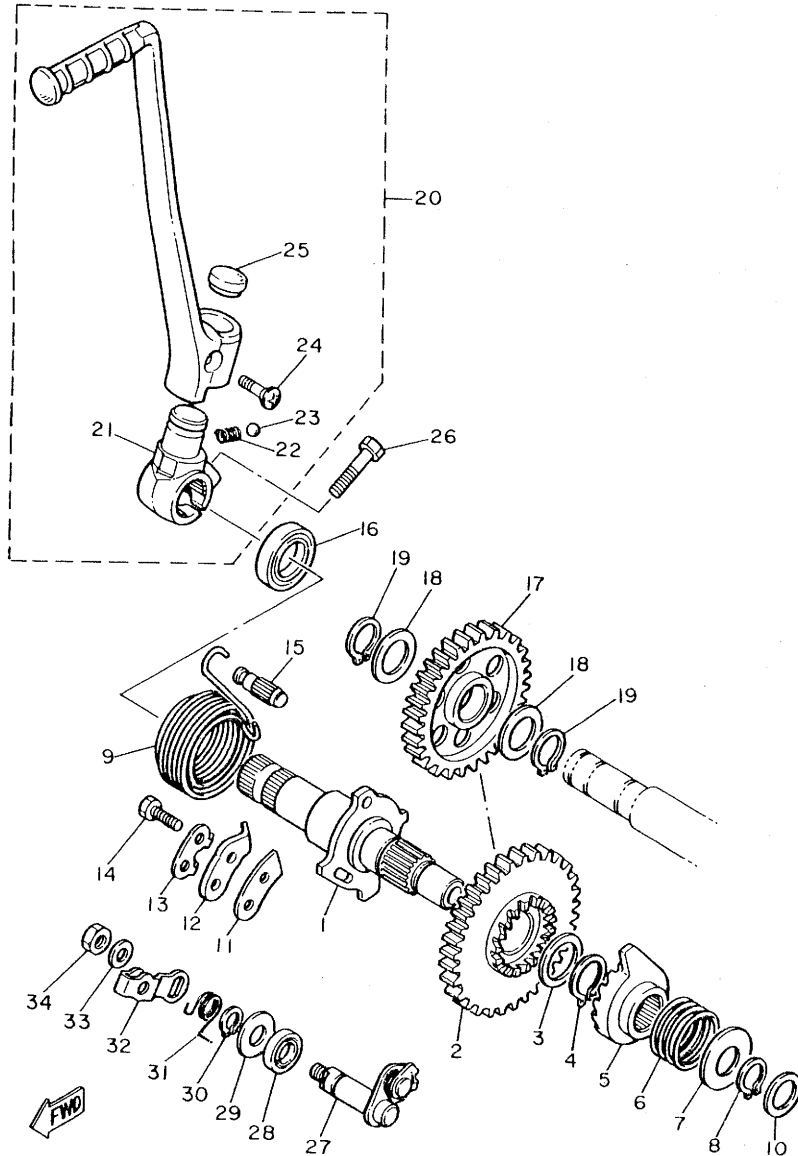
REF. NO.	PART NO.	DESCRIPTION	Q'TY	REMARKS
1	5Y1-81410-50	STATOR ASSY	1	
2	5Y1-81450-50	ROTOR ASSY	1	
3	92502-06035	SCREW, Pan head	4	
4	92902-06100	WASHER, sPring	4	
5	92501-06020	SCREW, Pan head	2	
6	90201-06674	WASHER, Plate	2	



5Y1110-2120

C4

FIG. 13 KICK STARTER

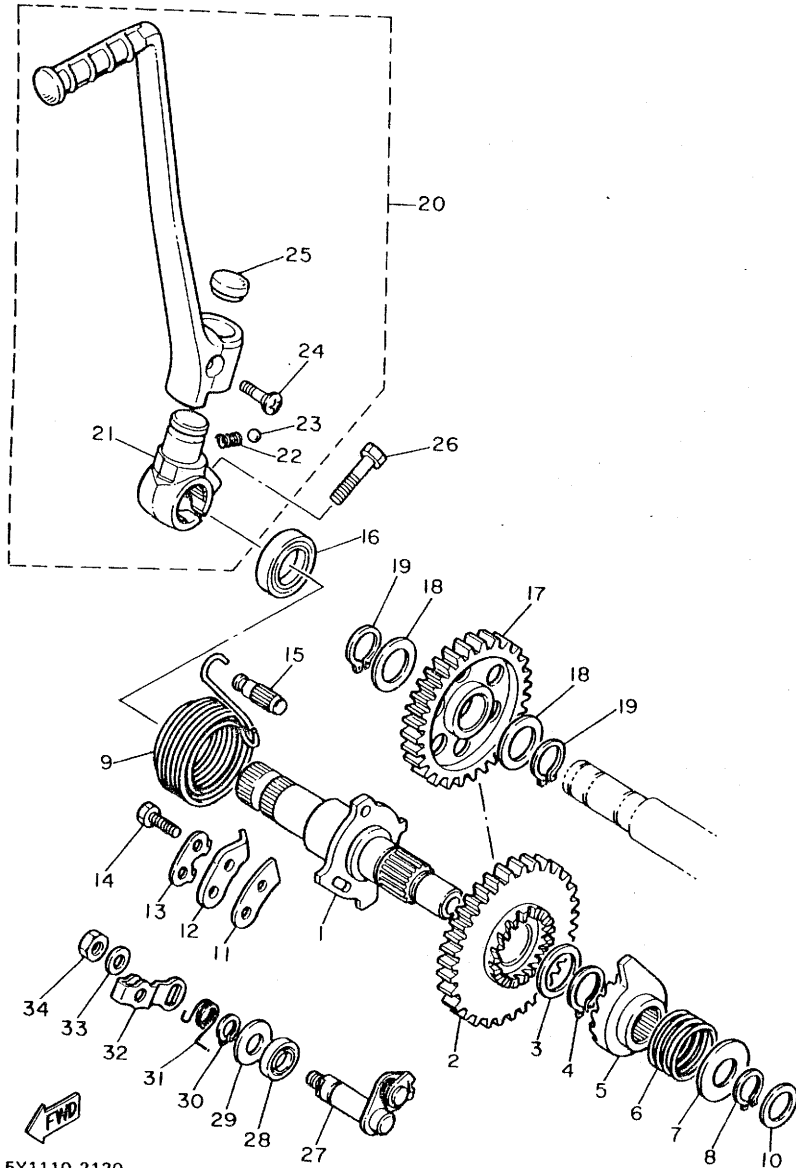


REF. NO.	PART NO.	DESCRIPTION	Q'TY	REMARKS
1	5Y1-15660-00	KICK AXLE ASSY	1	
2	5Y1-15641-00	GEAR, kick 35t	1	
3	90201-20685	WASHER, Plate	1	
4	93410-20038	CIRCLIP	1	
5	5Y1-15671-00	WHEEL, ratchet	1	
6	90501-16107	SPRING, comPression	1	
7	168-15676-00	COVER, sPring	1	
8	93410-15005	CIRCLIP	1	
9	90508-32529	SPRING, torsion	1	
10	90201-15701	WASHER, Plate (1.0T)	1	
11	2K7-15668-00	STOPPER	1	
12	214-15674-00	GUIDE, ratchet wheel	1	
13	214-15686-00	WASHER, lock	1	
14	97321-06016	BOLT	2	
15	248-15668-00	STOPPER	1	
16	93102-20108	OIL SEAL	1	
17	5Y1-15651-00	GEAR, sProcket idle 31t	1	
18	90201-20276	WASHER, Plate	2	
19	93410-20009	CIRCLIP	2	
20	5Y1-15620-00	KICK CRANK ASSY	1	
21	5Y1-15621-00	•BOSS, kick crank	1	
22	90501-12081	•SPRING, comPression	1	
23	93507-32009	•BALL	1	
24	90152-06010	•SCREW, countersunk	1	
25	90336-18038	•PLUG, taPer	1	
26	97311-08030	BOLT	1	
27	3Y1-1561A-02	DECOMP. LEVER ASSY	1	
28	93102-10207	OIL SEAL	1	

5Y1110-2130

C5

FIG. 13 KICK STARTER

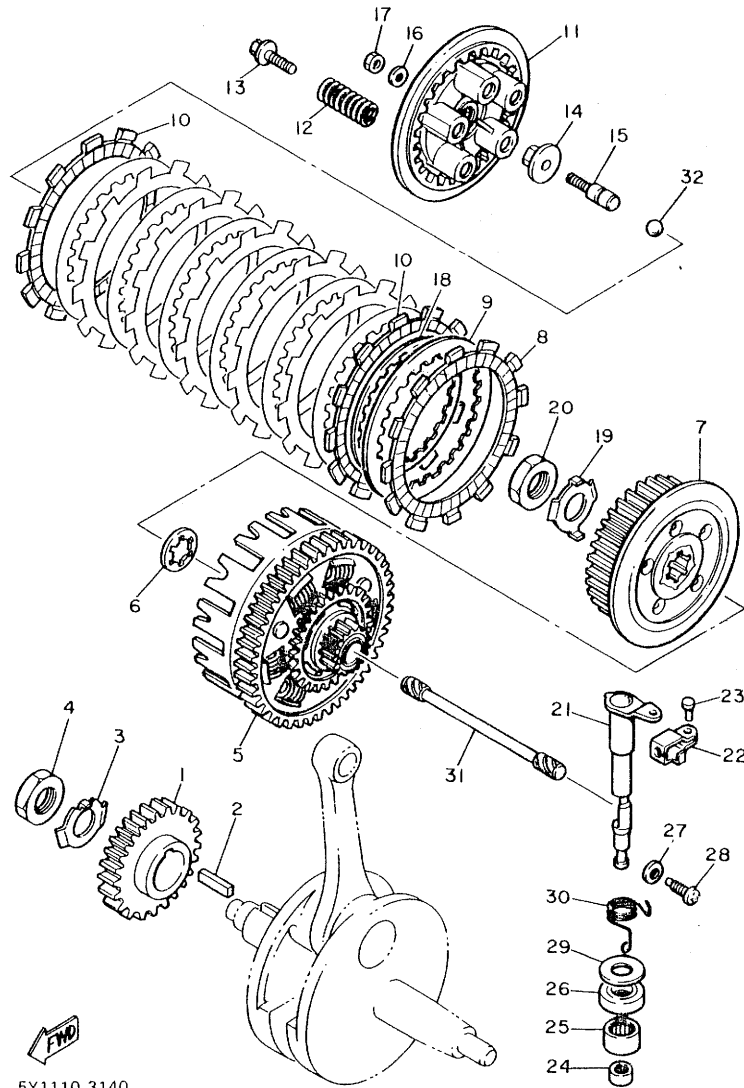


REF. NO.	PART NO.	DESCRIPTION	Q'TY	REMARKS
29	90201-10135	WASHER, Plate	1	
30	93410-10025	CIRCLIP	1	
31	90508-14524	SPRING, torsion	1	
32	5Y1-1561G-00	LEVER, cable	1	
33	92901-06600	WASHER, Plate	1	
34	95311-06700	NUT	1	

5Y1110-2130

C6

FIG. 14 CLUTCH

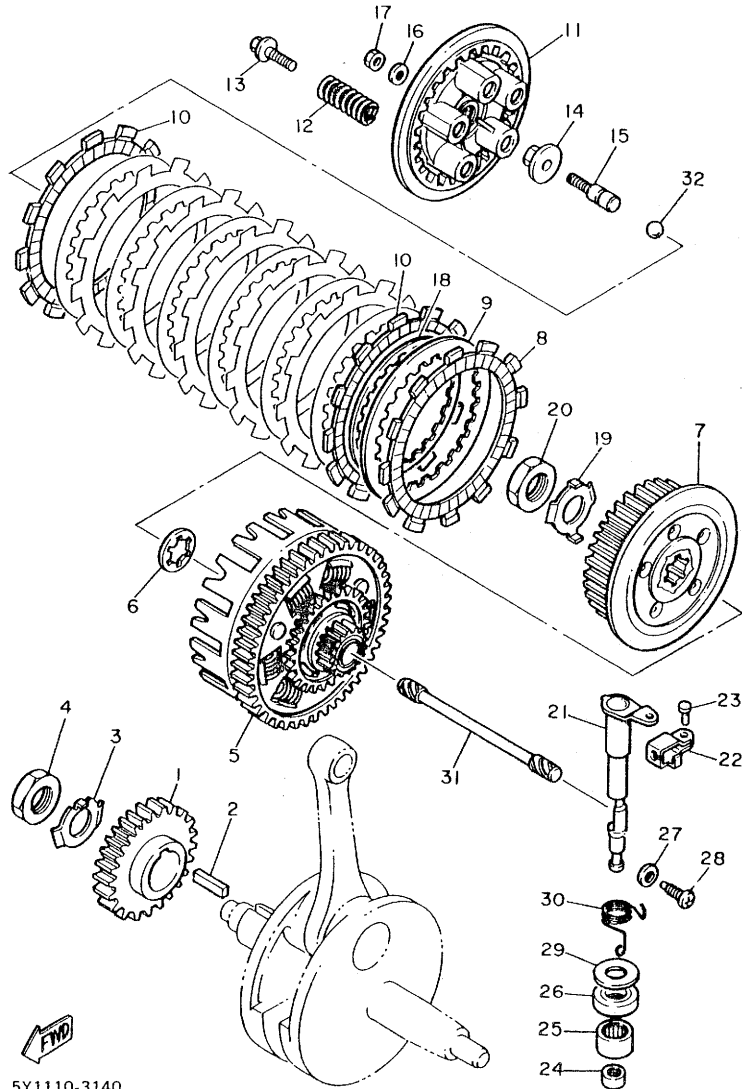


5Y1110-3140

REF. NO.	PART NO.	DESCRIPTION	Q'TY	REMARKS
1	5Y1-16111-01	GEAR, Primary, drive (30T)	1	
2	90282-07042	KEY, straight	1	
3	90215-20197	WASHER, lock	1	
4	90170-20274	NUT	1	
5	5Y1-16150-00	PRIMARY DRIVEN GEAR COMP.(76T)	1	
6	3Y1-16154-00	PLATE, thrust 1	1	
7	5Y1-16371-01	BOSS, clutch	1	
8	5Y1-16321-00	PLATE, friction	6	
9	360-16325-00	PLATE, clutch 2	7	
10	5Y1-16331-00	PLATE, friction 2	2	
11	5Y1-16351-00	PLATE, Pressure 1	1	
12	90501-23142	SPRING, compression	5	
13	90159-06016	SCREW, with washer	5	
14	1W1-16358-00	PLATE, Push	1	
15	5Y1-16356-00	ROD, Push 1	1	
16	92901-06200	WASHER, Plain	1	
17	95301-06600	NUT	1	
18	5Y1-16383-00	SPRING, clutch boss	1	
19	90215-20170	WASHER, lock	1	
20	90170-20257	NUT	1	
21	5Y1-16381-00	PUSH LEVER COMP.	1	
22	214-16389-00	JOINT	1	
23	90243-06016	PIN	1	
24	93317-11020	BEARING, cylindrical	1	
25	93315-11720	BEARING, cylindrical	1	
26	93102-17148	OIL SEAL	1	
27	90430-08119	GASKET	1	
28	149-08067	SCREW	1	

C7

FIG. 14 CLUTCH

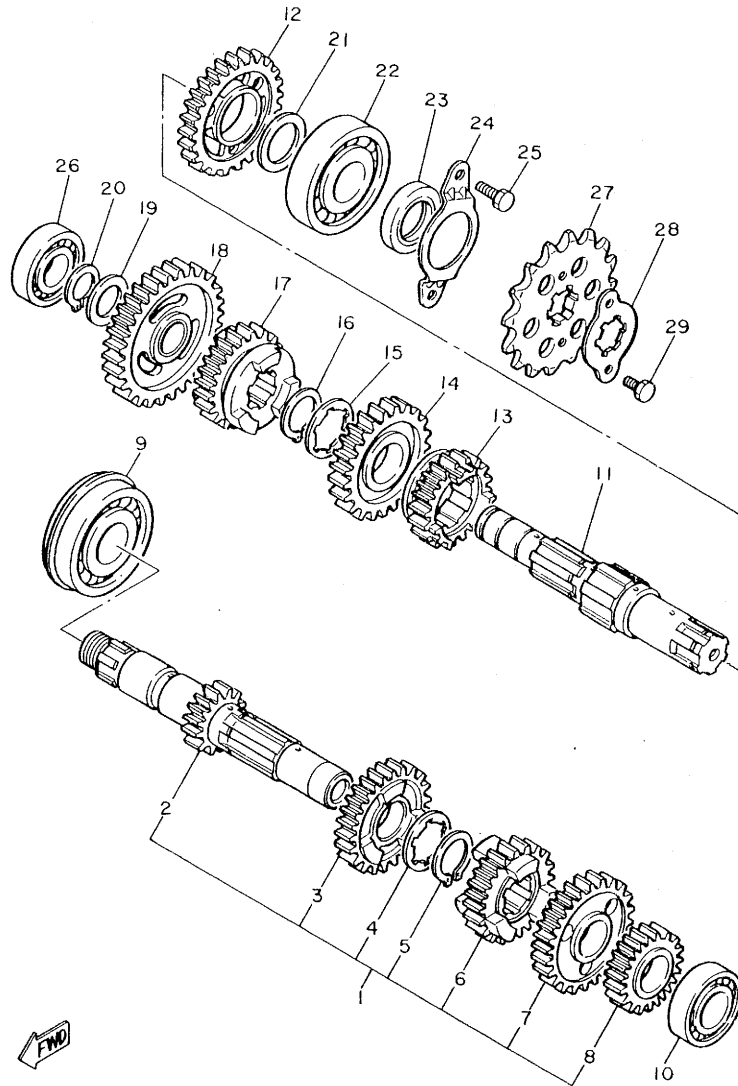


REF. NO.	PART NO.	DESCRIPTION	Q'TY	REMARKS
29	90201-17327	WASHER, Plate	1	
30	90508-14526	SPRING, torsion	1	
31	5Y1-16357-00	ROD, Push 2	1	
32	93515-32029	BALL	1	



5Y1110-3140

FIG. 15 TRANSMISSION



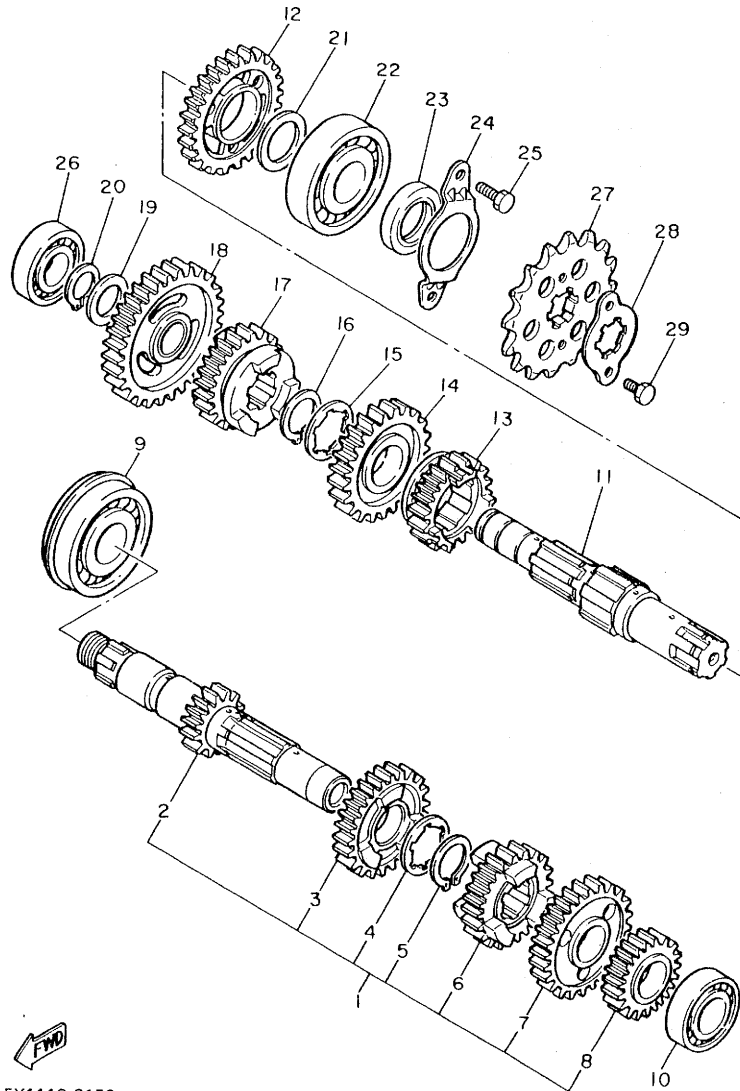
REF. NO.	PART NO.	DESCRIPTION	Q'TY	REMARKS
1	5Y1-17410-00	MAIN AXLE COMP.	1	
2	5Y1-17411-00	.AXLE, main 13t	1	
3	5Y1-17141-00	.GEAR, 4th Pinion 22t	1	
4	90209-22191	.WASHER	1	
5	93440-25019	.CIRCLIP	1	
6	5Y1-17131-00	.GEAR, 3rd Pinion 20t	1	
7	5Y1-17151-00	.GEAR, 5th Pinion 27t	1	
8	5Y1-17121-00	.GEAR, 2nd Pinion 17t	1	
9	93306-30540	BEARING	1	
10	93306-00429	BEARING	1	
11	5Y1-17402-00	DRIVE AXLE ASSY	1	
12	5Y1-17221-00	GEAR, 2nd wheel 27t	1	
13	5Y1-17251-00	GEAR, 5th wheel 21t	1	
14	5Y1-17231-00	GEAR, 3rd wheel 24t	1	
15	90209-22191	WASHER	1	
16	93440-25019	CIRCLIP	1	
17	5Y1-17241-01	GEAR, 4th wheel 21t	1	
18	5Y1-17211-01	GEAR, 1st wheel 30t	1	
19	90201-20276	WASHER, Plate	1	
20	93410-20009	CIRCLIP	1	
21	117-15644-00	SHIM	1	
22	93306-30535	BEARING	1	
23	93102-25226	OIL SEAL	1	
24	5Y1-17471-00	PLATE, cover	1	
25	97321-06014	BOLT	2	
26	93306-00426	BEARING	1	
27	5Y1-17461-50	SPROCKET, drive (15T)	1	
28	3Y1-17456-00	HOLDER, sProcket	1	

5Y1110-3150

C9

FIG. 15 TRANSMISSION

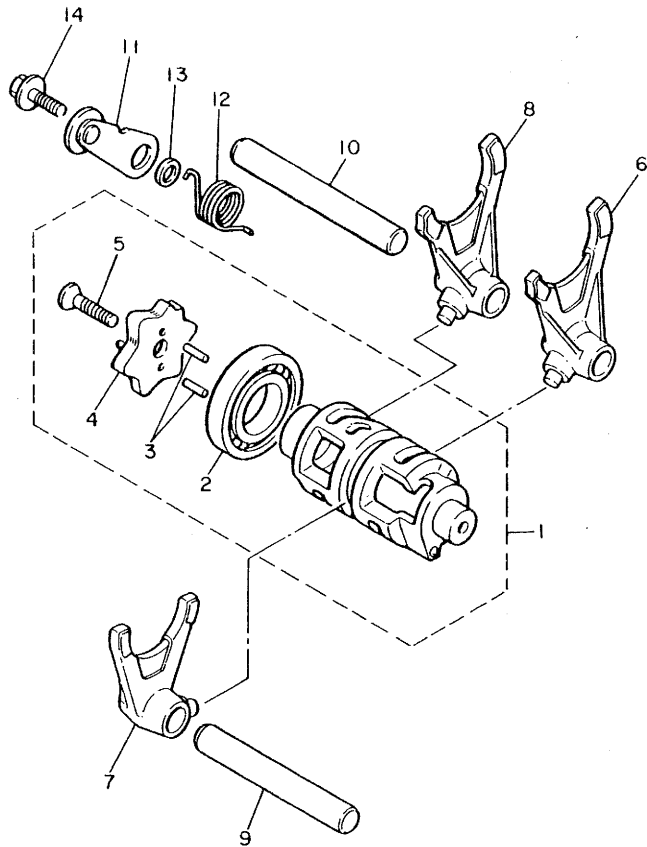
REF. NO.	PART NO.	DESCRIPTION	Q'TY	REMARKS
29	97322-06010	BOLT	2	



5Y1110-3150

C10

FIG. 16 SHIFT CAM•FORK

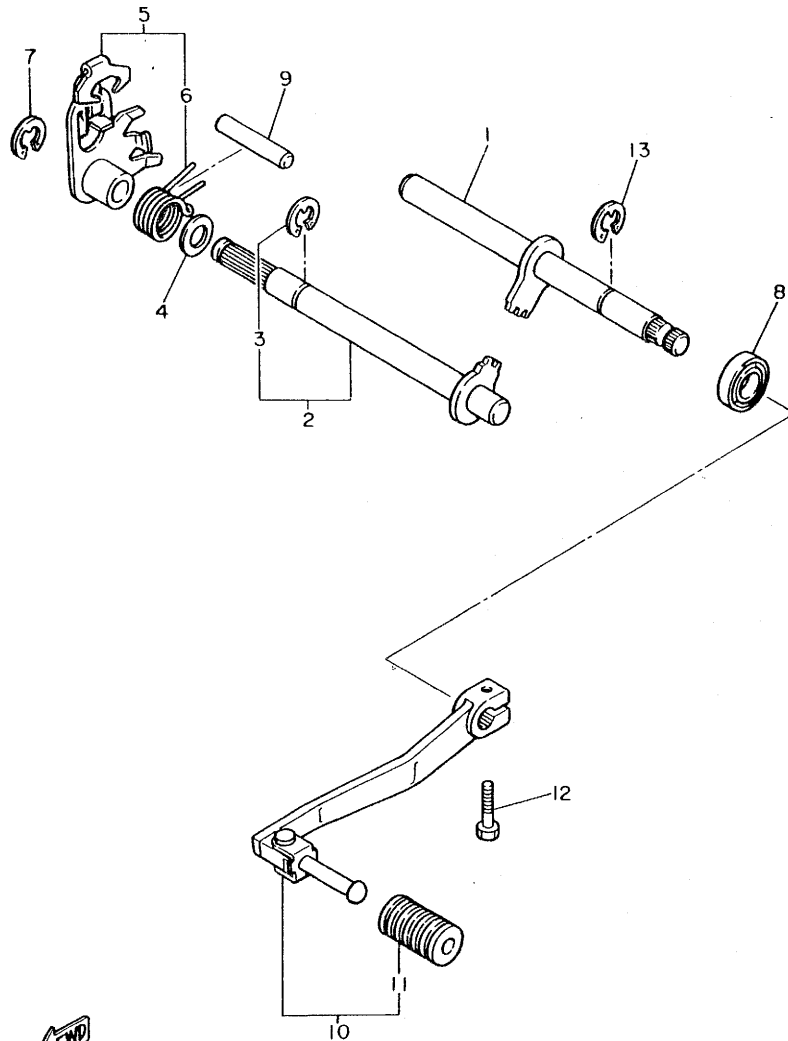


REF. NO.	PART NO.	DESCRIPTION	Q'TY	REMARKS
1	5Y1-18540-00	SHIFT CAM ASSY	1	
2	93316-00501	•BEARING, cylindrical	1	
3	93604-10011	•PIN, dowel	2	
4	5Y1-18185-00	•SEGMENT	1	
5	90151-06017	•SCREW, countersunk	1	
6	5Y1-18511-00	FORK, shift 1	1	
7	5Y1-18512-00	FORK, shift 2	1	
8	5Y1-18513-00	FORK, shift 3	1	
9	11H-18531-00	BAR, shift fork Guide 1	1	
10	5Y1-18535-00	BAR, shift fork Guide 2	1	
11	5Y1-18140-00	STOPPER LEVER ASSY	1	
12	90508-29527	SPRING, torsion	1	
13	90387-063F7	COLLAR	1	
14	90159-06016	SCREW, with washer	1	



5Y1110-2160

FIG. 17 SHIFT SHAFT•PEDAL

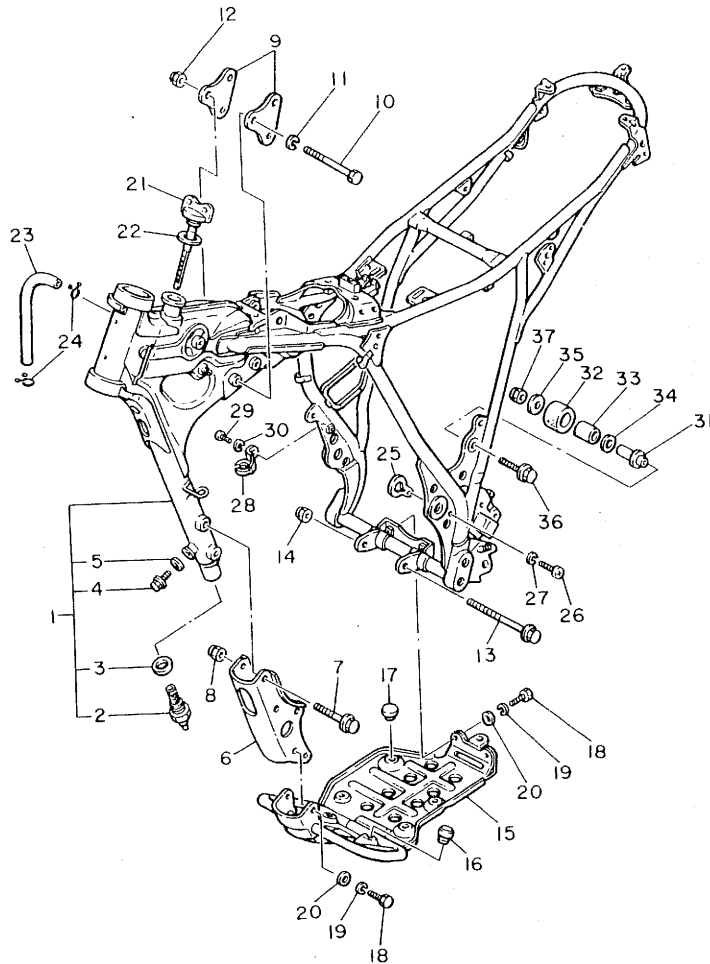


REF. NO.	PART NO.	DESCRIPTION	Q'TY	REMARKS
1	5Y1-18102-00	SHIFT SHAFT ASSY 2	1	
2	5Y1-18101-00	SHIFT SHAFT ASSY	1	
3	93430-10016	•CIRCLIP	1	
4	90201-12474	WASHER, Plate	1	
5	5Y1-18120-01	SHIFT LEVER ASSY	1	
6	90508-29528	•SPRING, torsion	1	
7	93430-09035	CIRCLIP	1	
8	93102-12106	OIL SEAL	1	
9	93608-33046	PIN, dowel	1	
10	5Y1-18110-01	SHIFT PEDAL ASSY	1	
11	1W6-18113-00	•COVER, shift Pedal	1	
12	97326-06020	BOLT	1	
13	93430-10016	CIRCLIP	1	



5Y1110-2170

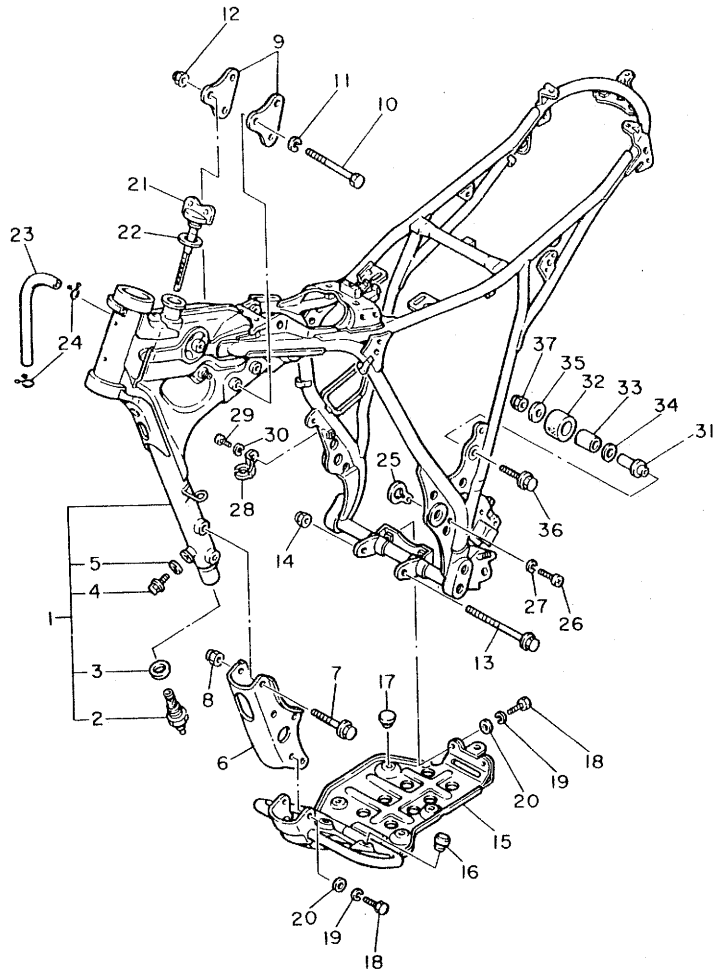
FIG. 18 FRAME



5Y4700-2180

REF. NO.	PART NO.	DESCRIPTION	Q'TY	REMARKS
1	5Y4-21110-01-98	FRAME COMP	1	UR low gloss black
2	5Y1-21756-01	.NET, filter	1	
3	90430-22123	.GASKET	1	
4	95801-08012	.BOLT, flange	1	
5	90430-08119	.GASKET	1	
6	5Y1-21316-00	STAY, engine 3	1	
7	95811-10065	BOLT, flange	4	
8	90185-10060	NUT, self-locking	4	
9	5Y1-21315-01	STAY, engine 2	2	
10	97311-10080	BOLT	3	
11	92901-10100	WASHER, spring	3	
12	90185-10060	NUT, self-locking	3	
13	95811-10100	BOLT, flange	1	
14	90185-10060	NUT, self-locking	1	
15	5Y1-21471-01-R4	PROTECTOR, engine	1	black
16	3Y1-24768-00	STOPPER	3	
17	128-27114-00	STOPPER, main stand	3	
18	97301-06016	BOLT	4	
19	92901-06100	WASHER, spring	4	
20	92901-06600	WASHER, Plate	4	
21	5Y1-21771-00	BODY, cap	1	
22	90430-27124	GASKET	1	
23	90445-11617	HOSE	1	
24	90467-10008	CLIP	2	
25	5Y1-21329-01	PLATE	1	
26	92502-06010	SCREW, Pan head	1	
27	92902-06100	WASHER, spring	1	
28	5Y1-21441-00	BRACKET, stop switch	1	

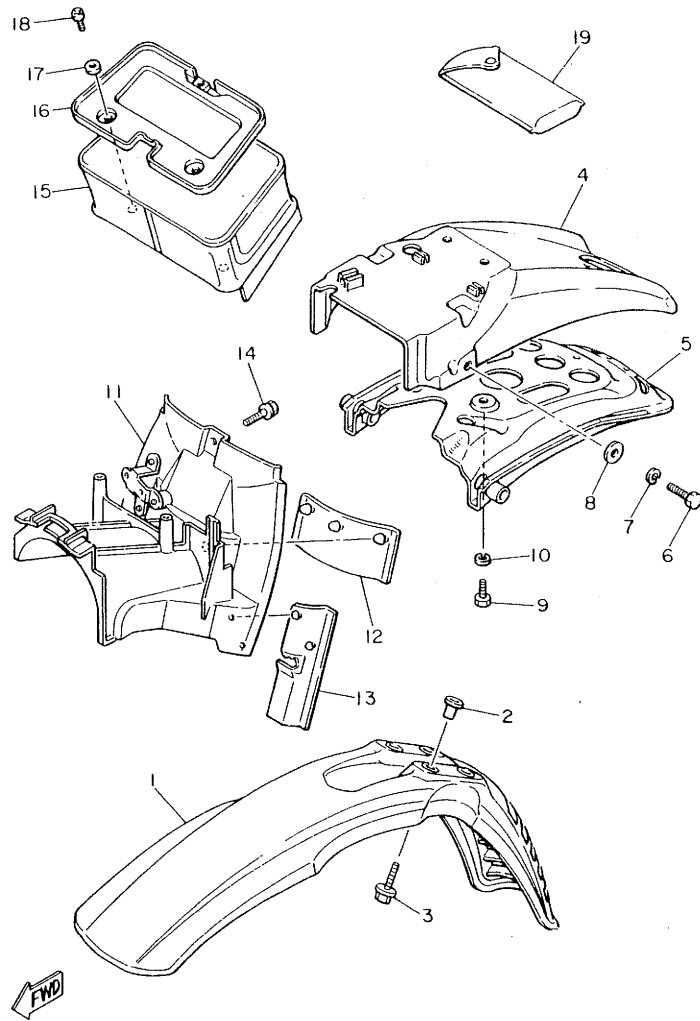
FIG. 18 FRAME



REF. NO.	PART NO.	DESCRIPTION	Q'TY	REMARKS
29	92501-06012	SCREW, Pan head	1	
30	92901-06100	WASHER, sPrinG	1	
31	2K7-2148A-00	SHAFT	1	
32	4V4-22178-00	TENSIONER	1	
33	4V4-22184-00	BUSH	1	
34	90201-13202	WASHER, Plate	1	
35	90201-08113	WASHER, Plate	1	
36	95801-08050	BOLT, flange	1	
37	90185-08089	NUT, self-lockinG	1	

FWD
5Y4700-2180

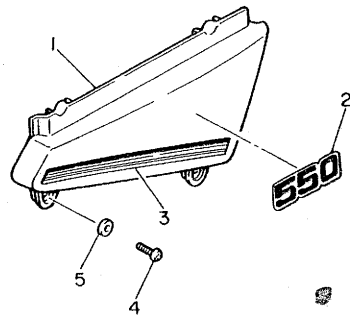
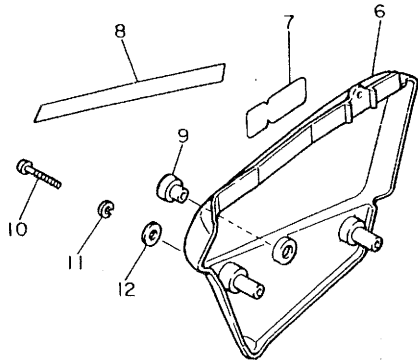
FIG. 19 FRONT FENDER•REAR FENDER



5Y3300-2190

REF. NO.	PART NO.	DESCRIPTION	Q'TY	REMARKS
1	5Y1-21511-00	FENDER, front	1	clean white
2	90387-07789	COLLAR	4	
3	90119-06063	BOLT, with washer	4	
4	5Y1-21611-00	FENDER, rear	1	clean white
5	5Y1-21670-01	REINF. COMP.	1	
6	97301-08025	BOLT	2	
7	92901-08100	WASHER, sPring	2	
8	90201-06755	WASHER, Plate	2	
9	97302-06014	BOLT	2	
10	92902-06100	WASHER, sPring	2	
11	5Y1-21620-01	MUD GUARD COMP.	1	
12	1M1-21621-00	FLAP	1	
13	5Y1-21621-00	FLAP	1	
14	90119-06042	BOLT, with washer	1	
15	5Y1-24850-00	CARRIER BDX ASSY	1	
16	5Y1-24833-01	BRACKET, carrier 2	1	
17	90201-06057	WASHER, Plate	3	
18	92502-06016	SCREW, Pan head	3	
19	5Y1-28100-00	TOOL KIT	1	

FIG. 20 SIDE COVER. TOOL

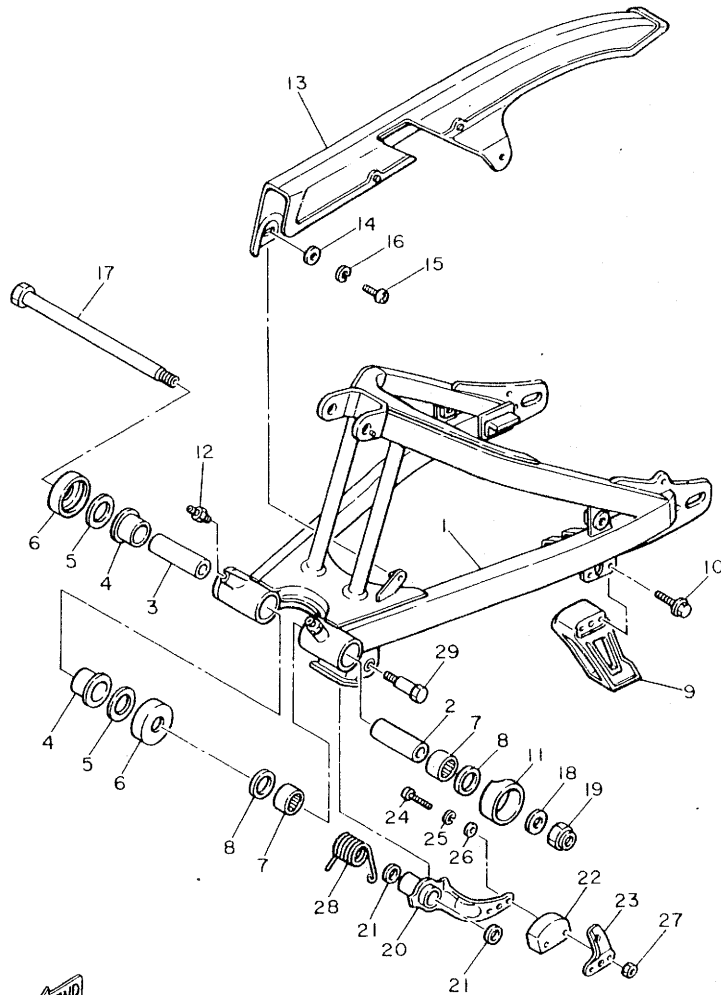


REF. NO.	PART NO.	DESCRIPTION	Q'TY	REMARKS
1	5Y3-21711-10-98	COVER, side 1	1	UR low gloss black / clean white
	5Y1-21711-01-98	COVER, side 1	1	UR low gloss black / chaPPy red
2	5Y1-21781-00	EMBLEM 1	1	
3	5Y1-2173E-10	GRAPHIC 1	1	UR for w
	5Y2-2173E-00	GRAPHIC 1	1	UR for cPr
4	92506-06012	SCREW, Pan head	2	
5	92906-06600	WASHER, Plate	2	
6	5Y1-21721-01-E1	COVER, side 2	1	UR chaPPy red / low gloss black
	5Y1-21721-01-36	COVER, side 2	1	UR clean white / low gloss black
7	5Y1-21781-00	EMBLEM 1	1	
8	5Y1-2173F-10	GRAPHIC 2	1	UR for w
	5Y2-2173F-00	GRAPHIC 2	1	UR for cPr
9	5H0-82121-00	PAD, battery	1	
10	92506-06040	SCREW, Pan head	2	
11	92906-06100	WASHER, sPrinG	2	
12	90201-062A8	WASHER, Plate	2	



5Y2171-2200

FIG. 21 REAR ARM



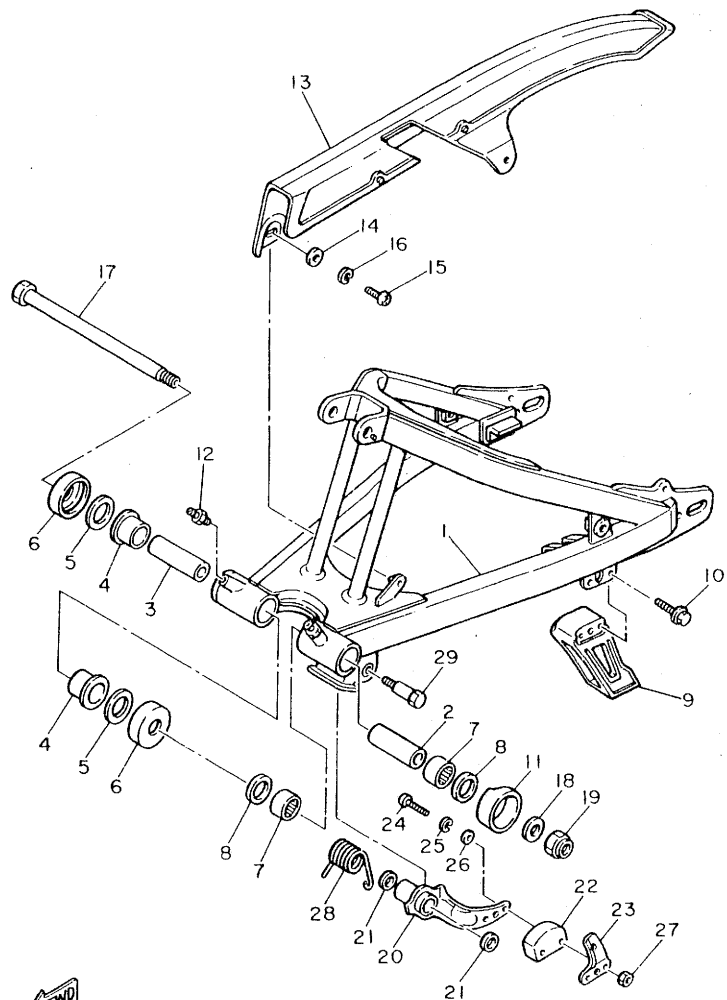
5Y3300-2210

REF. NO.	PART NO.	DESCRIPTION	Q'TY	REMARKS
1	5Y1-22110-01-35	REAR ARM COMP.	1	silver
2	5Y1-22123-00	BUSH 1	1	
3	5Y1-22124-00	BUSH 2	1	
4	90386-24107	BUSH	2	
5	90201-251F6	WASHER, Plate	1	UN
6	4X7-22129-00	COVER, thrust 2	2	
7	93317-42424	BEARING, cylindrical	2	
8	93109-24030	OIL SEAL	2	
9	10V-22153-00	GUARD, chain	1	
10	95801-06050	BOLT, flange	2	
11	5Y1-22151-00	SEAL, Guard	1	
12	93700-06004	NIPPLE, Grease	2	
13	5Y1-22311-01	CASE, chain	1	low gloss black
14	90201-062A8	WASHER, Plate	2	
15	92506-06016	SCREW, Pan head	2	
16	92906-06100	WASHER, sPring	2	
17	5Y1-22141-00	SHAFT, Pivot	1	
18	92901-16200	WASHER, Plain	1	
19	90185-16103	NUT, self-locking	1	
20	5Y1-2217J-00	TENSIONER 1	1	
21	93104-14044	OIL SEAL	2	
22	2N0-22178-00	TENSIONER	1	
23	1W1-22187-00	GUIDE, chain	1	
24	98501-05040	SCREW, Pan head	2	
25	92901-05100	WASHER, sPring	2	
26	92901-05600	WASHER, Plate	2	
27	95301-05600	NUT	2	
28	90508-35350	SPRING, torsion	1	

D3

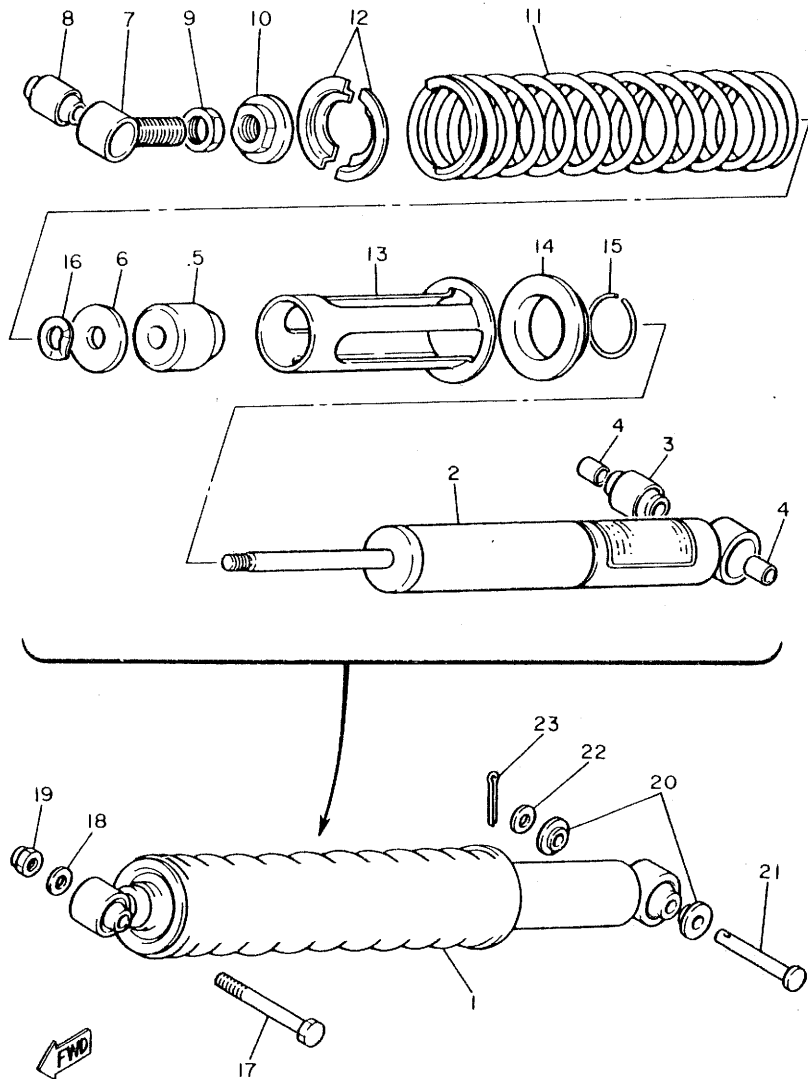
FIG. 21 REAR ARM

REF. NO.	PART NO.	DESCRIPTION	Q'TY	REMARKS
29	90109-10483	BOLT	1	



5Y3300-2210

FIG. 22 REAR SUSPENSION

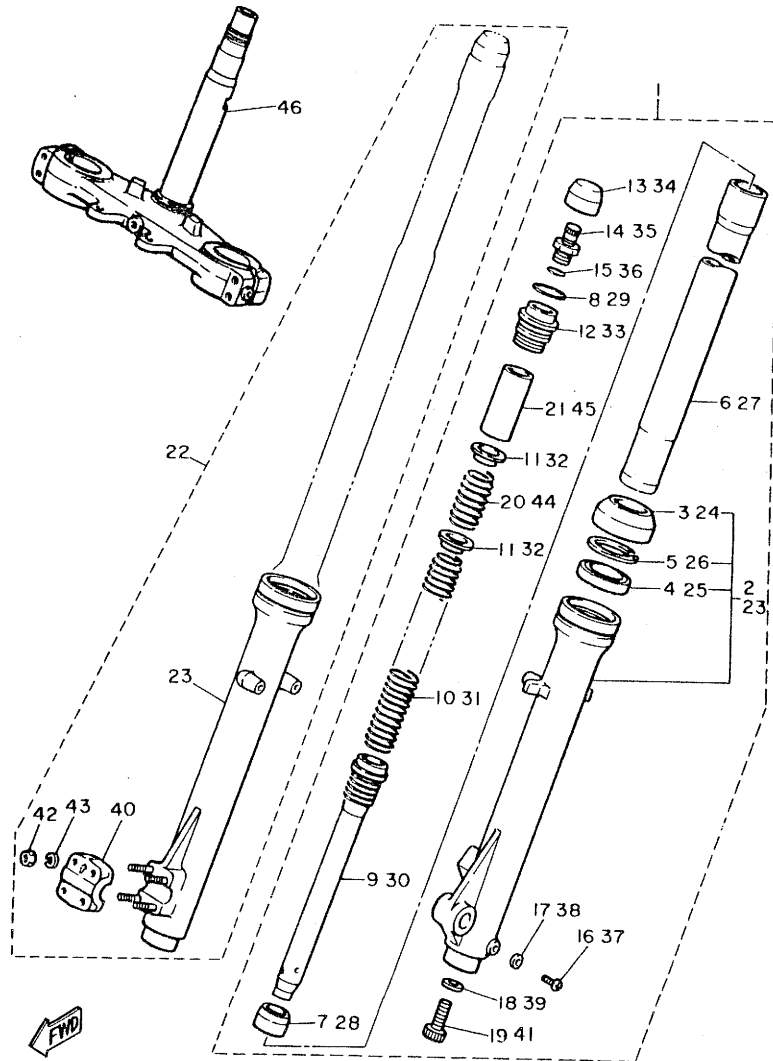


REF. NO.	PART NO.	DESCRIPTION	Q'TY	REMARKS
1	5Y1-22210-00	SHOCK ABSORBER ASSY, rear	1	
2	5Y1-22401-00	.DAMPER SUB ASSY	1	
3	3R4-22226-00	.BUSH, shock absorber lower	1	
4	90380-12051	.BUSH, solid	2	
5	1W1-22493-00	.STOPPER, bump	1	
6	3R4-22228-00	.SUPPORT, bump stop	1	
7	5Y1-22409-00	.UPPER BRACKET SUB ASSY	1	
8	1W1-22216-00	.BUSH, rear shock absorber	1	
9	90170-20211	.NUT	1	
10	3R4-22213-00	.SEAT, spring upper	1	
11	5Y1-22212-00	.SPRING	1	
12	3R4-22214-00	.GUIDE, spring 1	2	
13	3Y1-22224-00	.GUIDE, spring 2	1	
14	3Y1-22223-00	.SEAT, spring lower	1	
15	93440-48079	.CIRCLIP	1	
16	90206-14067	.WASHER, wave	1	
17	90109-10554	BOLT	1	
18	90201-10126	WASHER, Plate	1	
19	95602-10100	NUT, u	1	
20	1W1-22128-00	COVER, thrust 1	2	
21	90240-12075	PIN, clevis	1	
22	92901-12600	WASHER, Plate	1	
23	91401-30025	PIN, cotter	1	

5Y1110-2220

D5

FIG. 23 FRONT FORK

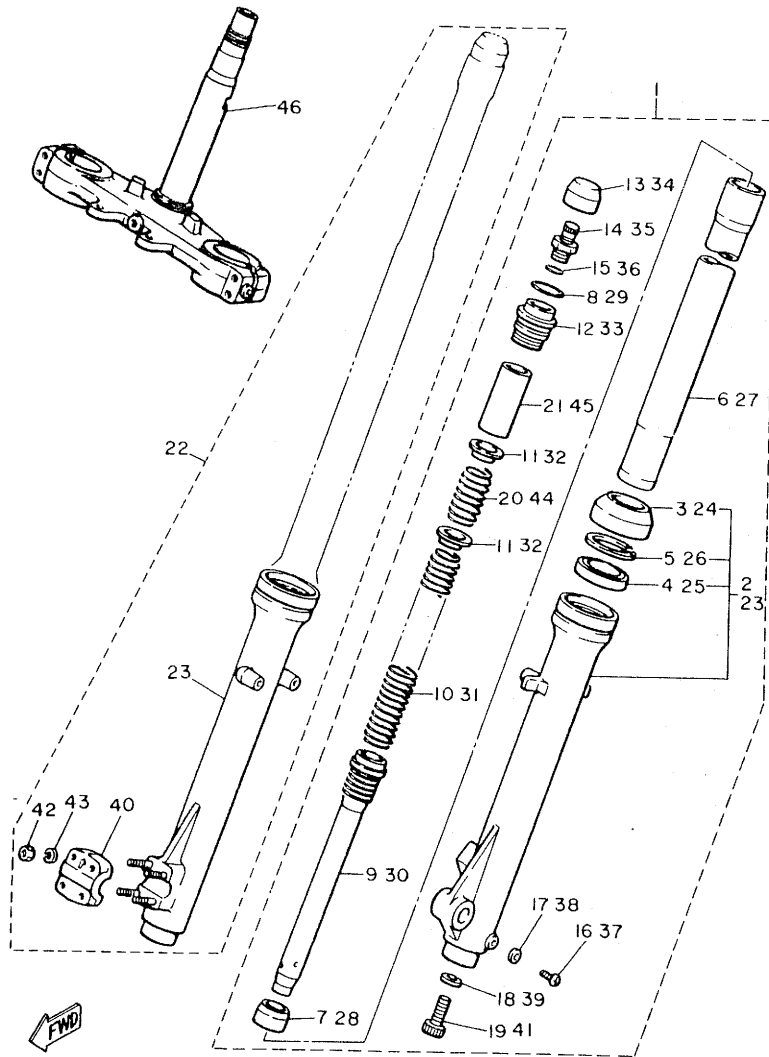


REF. NO.	PART NO.	DESCRIPTION	Q'TY	REMARKS
1	5Y1-23102-00	FRONT FORK ASSY (L.H)	1	
2	5Y1-23126-00-38	.TUBE, outer 1	1	clear buffing
3	5Y1-23144-00	..SEAL, dust	1	
4	1W4-23145-L0	..OIL SEAL	1	
5	3R4-23153-00	..RING, snaP	1	
6	5Y1-23124-00	.TUBE, inner 1	1	
7	3R4-23173-L0	.SPINDLE, taPer	1	
8	1W4-23114-L0	.GASKET	1	
9	5Y1-23170-00	.CYLINDER COMP., front fork	1	
10	5Y1-23141-00	.SPRING, front fork	1	
11	1W4-23142-L0	.SEAT, sPring uPPer	2	
12	1W4-23111-L1	.BOLT, caP	1	
13	1W1-23185-L0	.CAP, front fork	1	
14	509-23190-L0	.AIR VALVE COMP.	1	
15	509-23163-L0	.O-RING	1	
16	122-23119-01	.PLUG, drain	1	
17	122-23129-00	.GASKET, drain Plug	1	
18	2K8-23158-L0	.GASKET	1	
19	3R4-23181-L0	.BOLT, hexa8on socket head	1	
20	5Y1-23151-00	.SPRING, rebound	1	
21	5Y1-23118-00	.SPACER	1	
22	5Y1-23103-00	FRONT FORK ASSY (R.H)	1	
23	5Y1-23136-00-38	.TUBE, outer 2	1	clear buffing
24	5Y1-23144-00	..SEAL, dust	1	
25	1W4-23145-L0	..OIL SEAL	1	
26	3R4-23153-00	..RING, snaP	1	
27	5Y1-23124-00	.TUBE, inner 1	1	
28	3R4-23173-L0	.SPINDLE, taPer	1	

5Y4700-3230

D6

FIG. 23 FRONT FORK

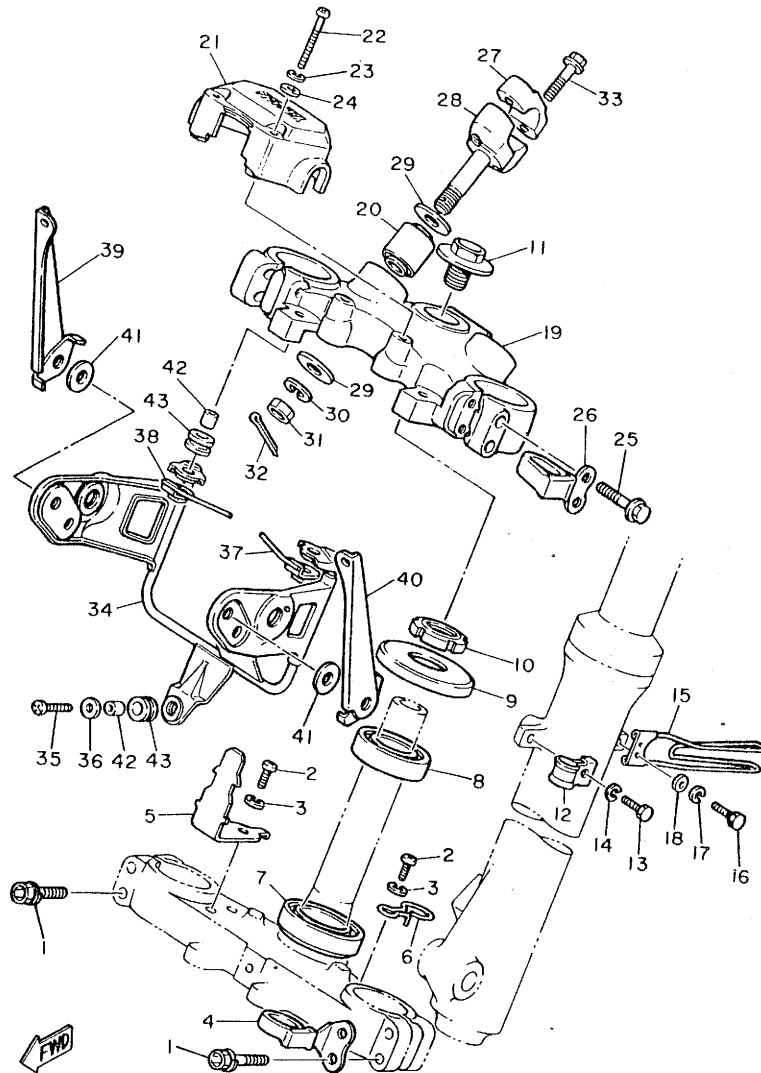


REF. NO.	PART NO.	DESCRIPTION	Q'TY	REMARKS
29	1W4-23114-L0	•GASKET	1	
30	5Y1-23170-00	•CYLINDER COMP., front fork	1	
31	5Y1-23141-00	•SPRING, front fork	1	
32	1W4-23142-L0	•SEAT, sPring uPPer	2	
33	1W4-23111-L1	•BOLT, caP	1	
34	1W1-23185-L0	•CAP, front fork	1	
35	509-23190-L0	•AIR VALVE COMP.	1	
36	509-23163-L0	•O-RING	1	
37	122-23119-01	•PLUG, drain	1	
38	122-23129-00	•GASKET, drain Plug	1	
39	2K8-23158-L0	•GASKET	1	
40	4V2-23167-L0	•HOLDER, axle	1	
41	3R4-23181-L0	•BOLT, hexaGon socket head	1	
42	95311-06600	•NUT	4	
43	92901-06100	•WASHER, sPring	4	
44	5Y1-23151-00	•SPRING, rebound	1	
45	5Y1-23118-00	•SPACER	1	
46	5Y3-23340-30-98	UNDER BRACKET COMP.	1	low gloss black

5Y4700-3230

D7

FIG. 24 STEERING

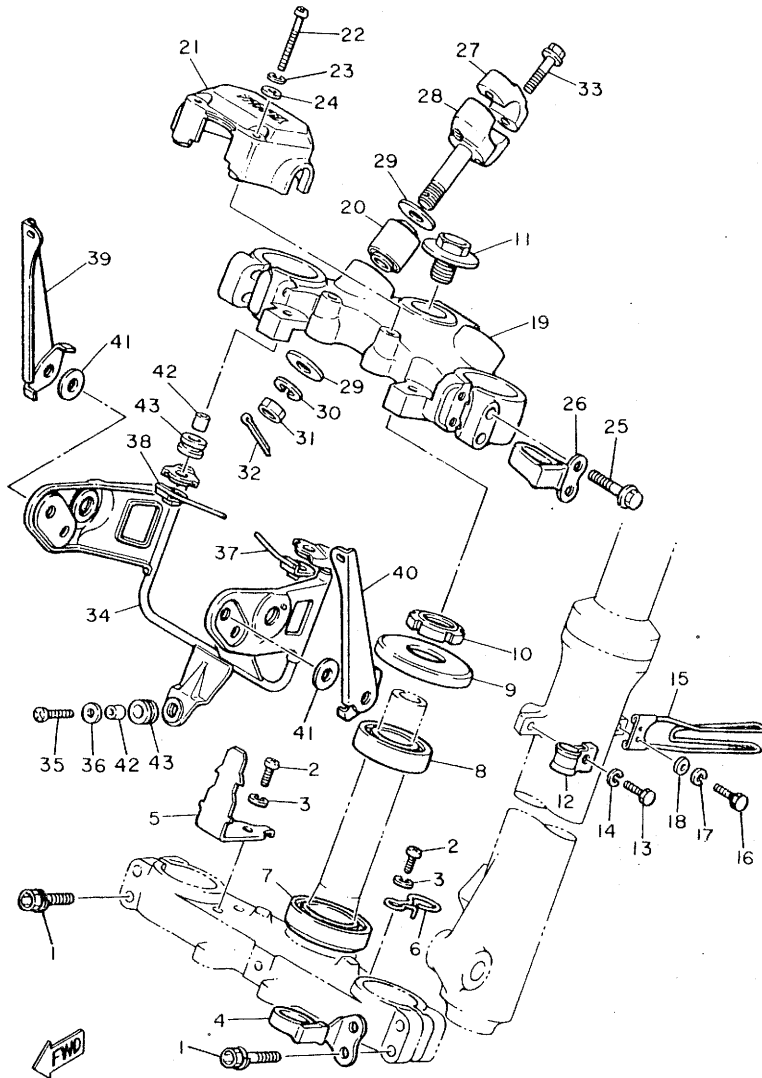


5Y4700-3240

REF. NO.	PART NO.	DESCRIPTION	Q'TY	REMARKS
1	5Y1-23181-00	BOLT, hexagon socket head	4	
2	92501-06012	SCREW, Pan head	2	
3	92901-06100	WASHER, sPring	2	
4	5Y1-23389-00	GUIDE, cable	1	
5	5Y1-23348-00	HOLDER STOPPER 1	1	
6	3Y1-2331E-00	GUIDE, cable	1	
7	93332-00008	BEARING	1	
8	93332-00023	BEARING	1	
9	1W1-23416-00	COVER, ball race 2	1	
10	90179-25033	NUT	1	
11	90105-14102	BOLT, washer based	1	
12	3Y1-23319-00	HOLDER, cable 2	1	
13	97306-06012	BOLT	1	
14	92906-06100	WASHER, sPring	1	
15	2N6-23318-00	HOLDER, cable 1	1	
16	97301-06016	BOLT	1	
17	92901-06100	WASHER, sPring	1	
18	92901-06600	WASHER, Plate	1	
19	5Y1-23435-00-98	CROWN, handle	1	low Gloss black
20	3Y6-23434-00	HOLDER, damPer	2	
21	5Y1-26213-00-98	COVER, upper	1	low Gloss black
22	98506-05045	SCREW, Pan head	2	
23	92906-05100	WASHER, sPring	2	
24	92906-05600	WASHER, Plate	2	
25	95826-08040	BOLT, flange	4	
26	5Y1-23317-00	HOLDER, cable	1	
27	1E6-23441-00	HOLDER, handle upper	2	
28	3Y6-23442-00-98	HOLDER, handle lower	2	

D8

FIG. 24 STEERING

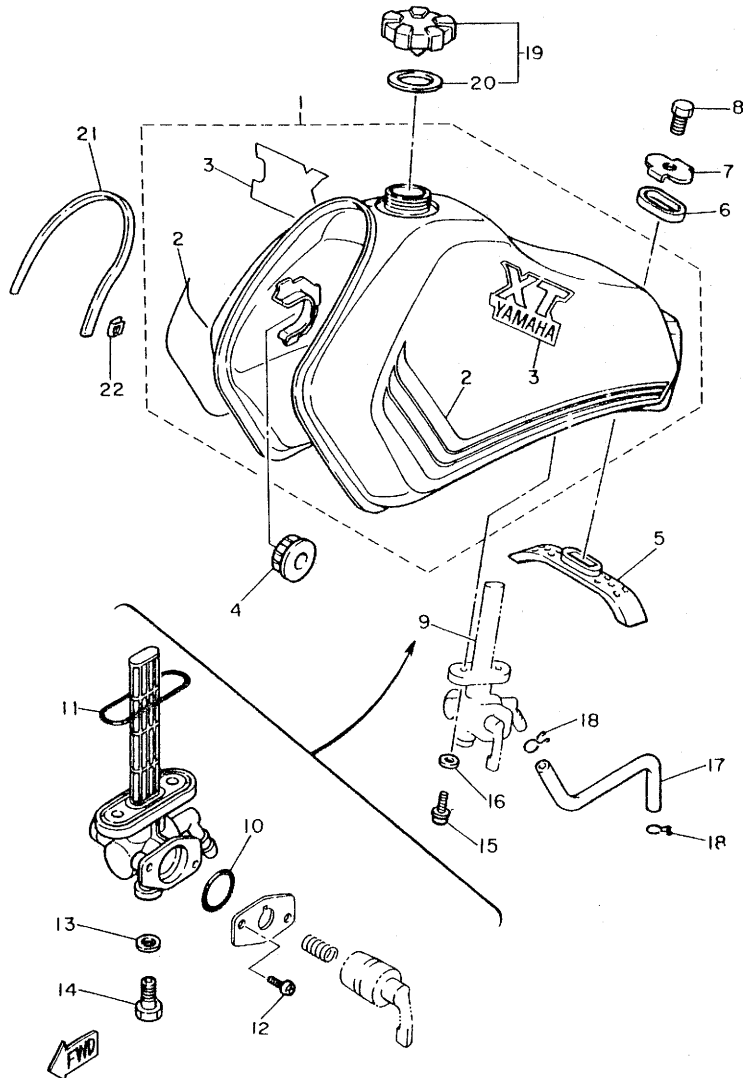


5Y4700-3240

REF. NO.	PART NO.	DESCRIPTION	Q'TY	REMARKS
29	90201-10141	WASHER, Plate	4	
30	92901-10100	WASHER, sPrinG	2	
31	95301-10700	NUT	2	
32	90468-12006	CLIP	2	
33	95826-08035	BOLT, flange	4	
34	5Y3-23174-01	STAY, headlight	1	
35	90153-06008	SCREW, hexagon	1	
36	90201-06765	WASHER, Plate	1	
37	5Y1-23466-01	CLAMP	1	
38	5Y1-23467-01	CLAMP	1	
39	5Y4-21581-01	STAY, Plate fitting 1	1	
40	5Y4-21591-01	STAY, Plate fitting 2	1	
41	90201-08456	WASHER, Plate	2	
42	90387-06388	COLLAR	3	
43	90480-14023	GROMMET	3	

D9

FIG. 25 FUEL TANK

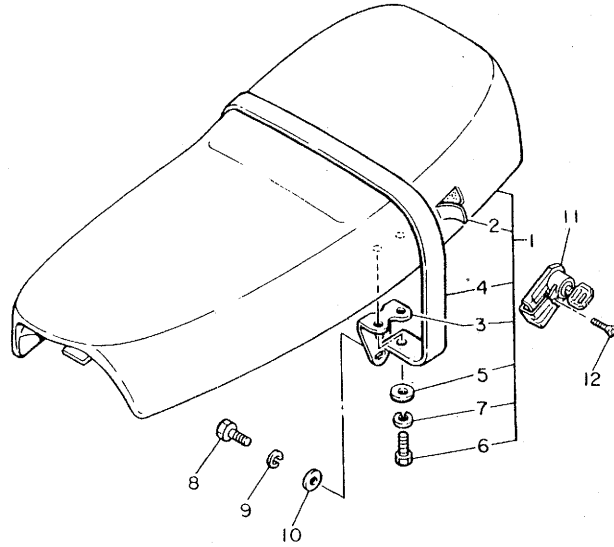


REF. NO.	PART NO.	DESCRIPTION	Q'TY	REMARKS
1	5Y1-24110-00-04	FUEL TANK COMP.	1	UR clean white
	5Y1-24110-00-05	FUEL TANK COMP.	1	UR chaPPy red
2	5Y1-24240-10	•GRAPHIC SET	1	UR STD
	5Y2-24240-00	•GRAPHIC SET	1	UR
3	20T-24161-00	•EMBLEM 1	2	UR STD
	3Y2-24161-00	•EMBLEM 1	2	UR
4	4H7-24181-00	DAMPER, locatin& 1	2	
5	5Y1-24182-01	DAMPER, locatin& 2	1	
6	5Y1-24183-00	DAMPER, locatin& 3	1	
7	5Y1-24186-00	WASHER, sPecial	1	
8	97302-08016	BOLT	1	
9	5Y1-24500-00	FUEL COCK ASSY 1	1	
10	2N3-24528-00	•O-RING	1	
11	2W6-24512-00	•O-RING	1	
12	98501-03008	•SCREW, Pan head	2	
13	2G2-24522-00	•GASKET	1	
14	2G2-24543-00	•PLUG, drain	1	
15	90149-06011	SCREW	2	
16	90202-06010	WASHER, Plate	2	
17	90445-10638	HOSE	1	
18	90467-09006	CLIP	2	
19	5Y1-24610-00	CAP ASSY	1	
20	5Y1-24612-00	•GASKET, caP	1	
21	5Y1-24189-00	PLATE, mold	1	
22	90468-03063	CLIP	3	

5Y11110-3250

FIG. 26 SEAT

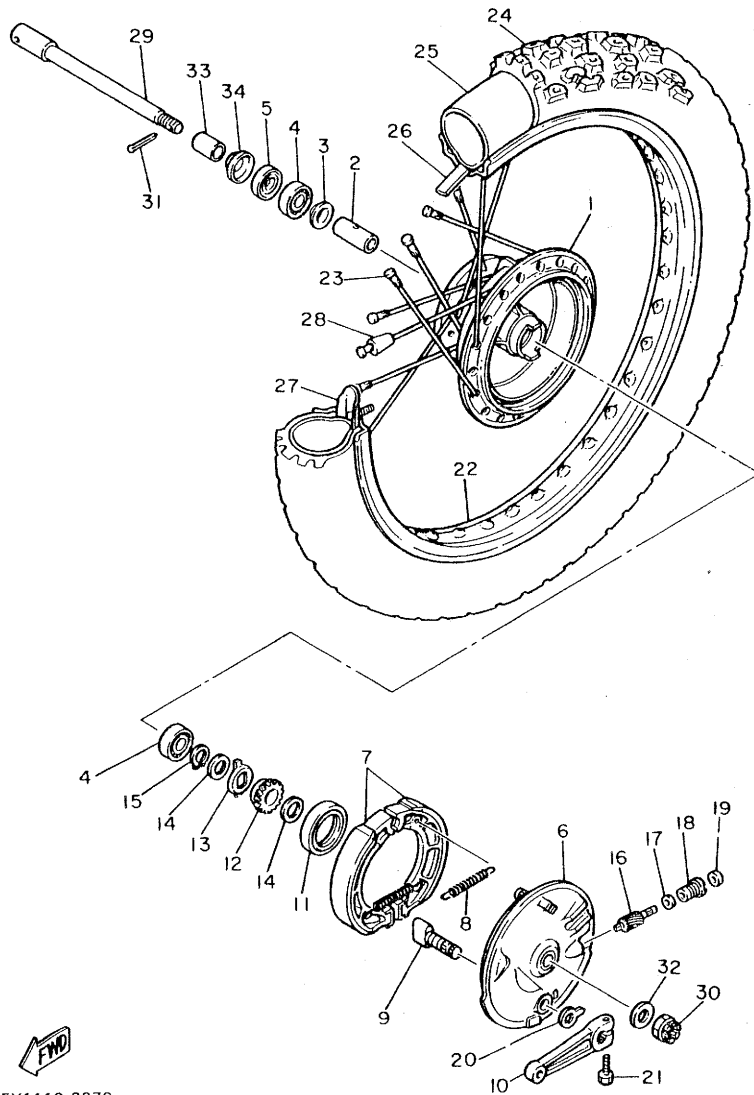
REF. NO.	PART NO.	DESCRIPTION	Q'TY	REMARKS
1	5Y3-24770-00	SEMI-DOUBLE SEAT ASSY	1	
2	5Y1-24731-00	COVER, seat	1	
3	5Y1-24738-01	BRACKET, seat	2	
4	5Y3-24720-00	SEAT BAND ASSY	1	
5	92902-06200	WASHER	2	
6	97302-06020	BOLT	2	
7	92902-06100	WASHER, sPring	2	
8	97301-06016	BOLT	2	
9	92901-06100	WASHER, sPring	2	
10	92901-06600	WASHER, Plate	2	
11	5H0-21308-00	HELMET HANGER ASSY	1	
12	92701-06015	SCREW, flat head	1	



5Y7010-2260

D11

FIG. 27 FRONT WHEEL

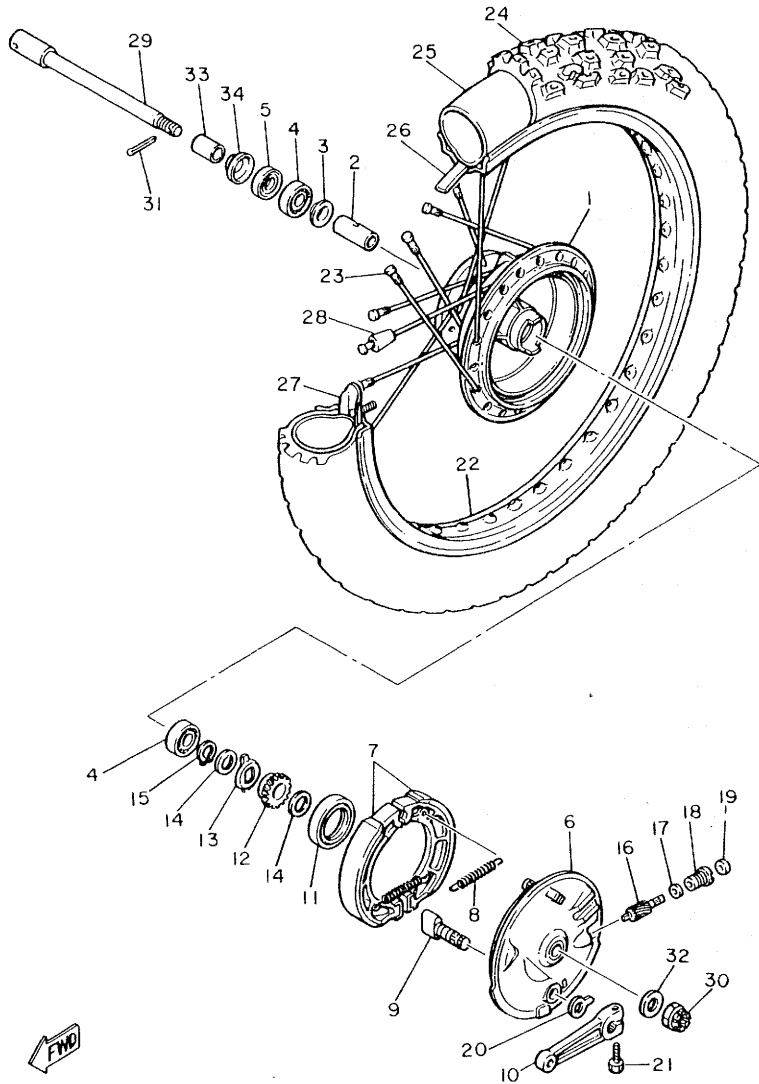


REF. NO.	PART NO.	DESCRIPTION	Q'TY	REMARKS
1	5Y1-25111-00-98	HUB, front	1	low gloss black
2	214-25117-00	SPACER, bearing	1	
3	183-25315-00	FLANGE, sPacer	1	
4	93306-20205	BEARING (B6202)	2	
5	93102-20009	OIL SEAL	1	
6	5Y1-25121-00-98	PLATE, brake shoe	1	low gloss black
7	28E-25330-00	BRAKE SHOE COMP.	2	
8	90507-20002	SPRING, tension	2	
9	5Y1-25151-00	CAMSHAFT	1	
10	5Y1-25155-00	LEVER, camshaft 1	1	
11	93105-47007	OIL SEAL	1	
12	308-25135-00	GEAR, drive (10T)	1	
13	214-25149-01	CLUTCH, meter	1	
14	90201-22283	WASHER, Plate	2	
15	93410-22014	CIRCLIP	1	
16	308-25138-00	GEAR, meter (10T)	1	
17	90201-07076	WASHER, Plate	1	
18	109-25136-00	BUSH	1	
19	93104-07003	OIL SEAL	1	
20	5Y1-2513A-00	PLATE, indicator	1	
21	90101-06291	BOLT	1	
22	94416-21324	RIM (1.60-21)	1	
23	5Y1-25104-00	SPOKE SET, front	1	
24	94130-211E8	TIRE (3.00-21)	1	dunlop
25	94227-21101	TUBE (2.75-21)	1	dunlop
26	94327-21071	BAND, rim (2.75-21)	1	dunlop
27	4V5-25194-00	SPACER, bead	1	
28	156-25398-00	BALANCER, wheel	1	UN



5Y1110-2270

FIG. 27 FRONT WHEEL



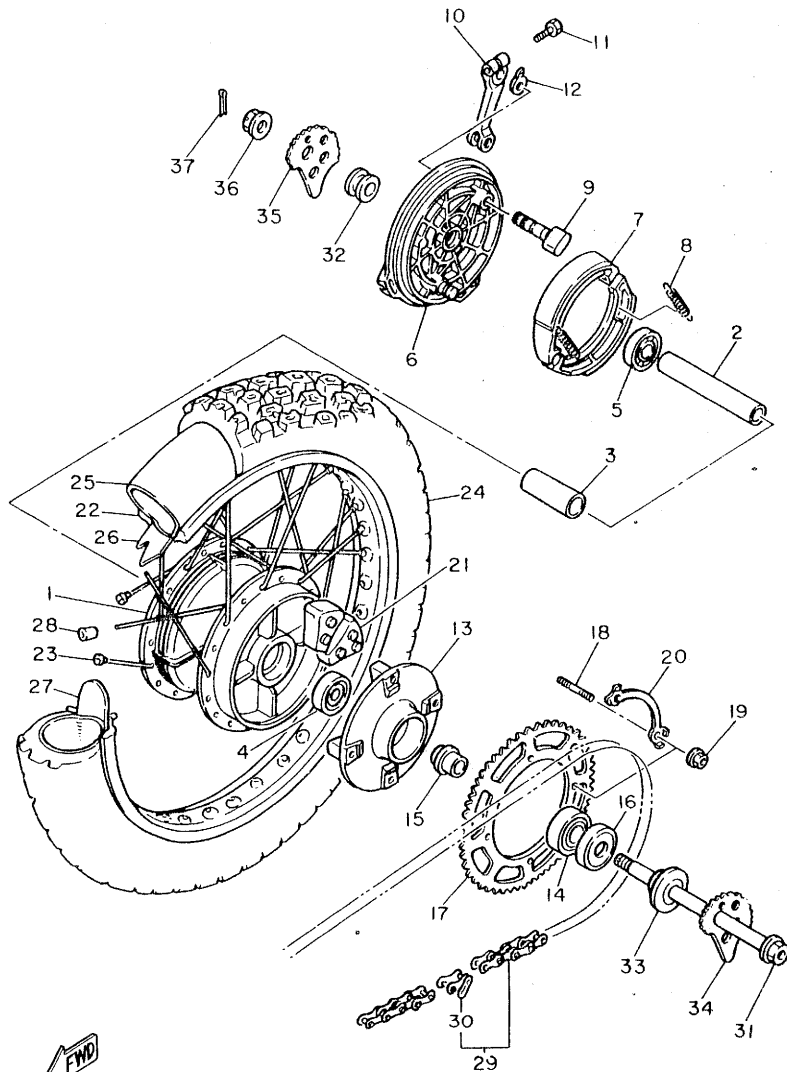
REF. NO.	PART NO.	DESCRIPTION	Q'TY	REMARKS
29	4H7-25181-01	AXLE, wheel	1	
30	90171-14020	NUT, castle	1	
31	91401-30030	PIN, cotter	1	
32	90201-15785	WASHER, Plate	1	
33	90387-15720	COLLAR	1	
34	322-25118-00	COVER, hub dust	1	



5Y1110-2270

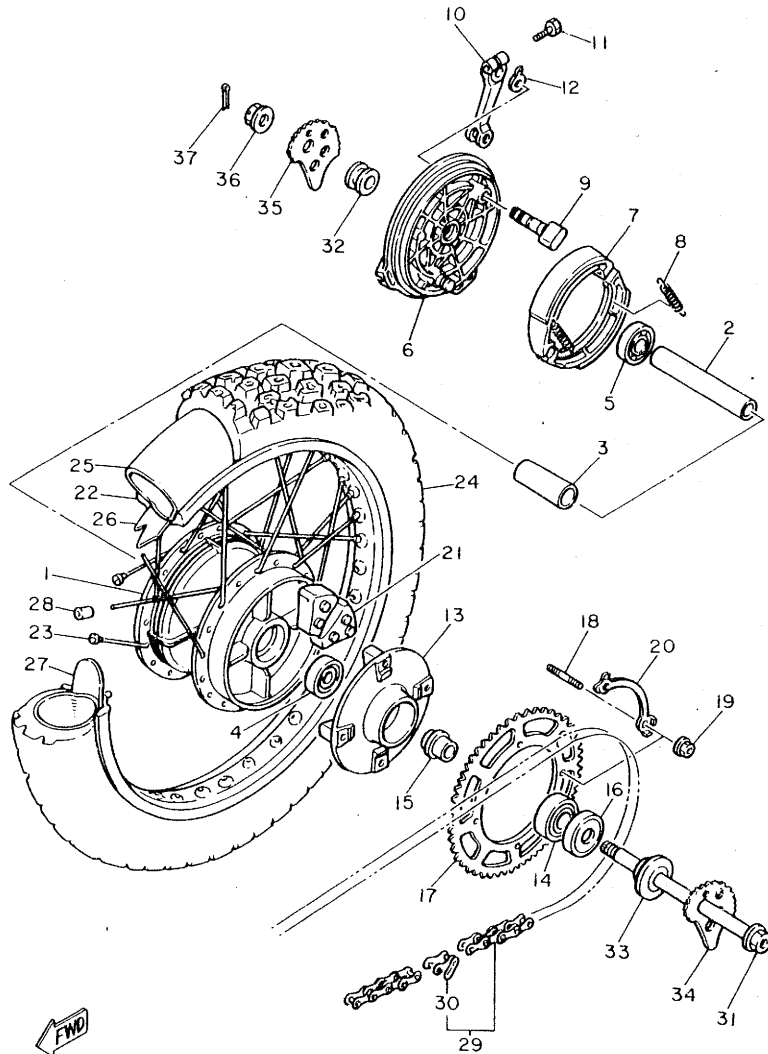
D13

FIG. 28 REAR WHEEL



REF. NO.	PART NO.	DESCRIPTION	Q'TY	REMARKS
1	5Y1-25311-00-98	HUB, rear	1	low gloss black
2	5X4-25317-00	SPACER, bearing	1	
3	146-25315-00	FLANGE, spacer	1	
4	93306-20316	BEARING (B6203)	1	
5	93306-20310	BEARING (B6203RS)	1	
6	5Y1-25321-00-98	PLATE, brake shoe	1	low gloss black
7	5Y1-25330-00	BRAKE SHOE COMP.	2	
8	90507-20002	SPRING, tension	2	
9	5Y1-25151-00	CAMSHAFT	1	
10	434-25355-01	LEVER, camshaft	1	
11	90101-06291	BOLT	1	
12	4G0-2533A-00	PLATE, indicator	1	
13	5Y1-25366-00-98	CLUTCH, hub	1	low gloss black
14	93306-30423	BEARING	1	
15	5Y1-25377-00	COLLAR, wheel	1	
16	93102-30072	OIL SEAL	1	
17	5Y1-25439-20-33	SPROCKET, driven (39T)	1	yamaha black
18	90116-10348	BOLT, stud	4	
19	90170-10219	NUT	4	
20	5Y1-25412-00	WASHER	2	
21	5Y1-25364-00	DAMPER	4	
22	94421-18323	RIM (2.15-18)	1	
23	5Y1-25304-00	SPOKE SET, rear	1	
24	94146-181E9	TIRE (4.60-18)	1	dunlop
25	94240-18098	TUBE (4.00-18)	1	dunlop
26	94340-18069	BAND, rim (4.00-18)	1	dunlop
27	3Y1-25394-00	SPACER, bead	1	
28	156-25398-00	BALANCER, wheel	1	UN

FIG. 28 REAR WHEEL



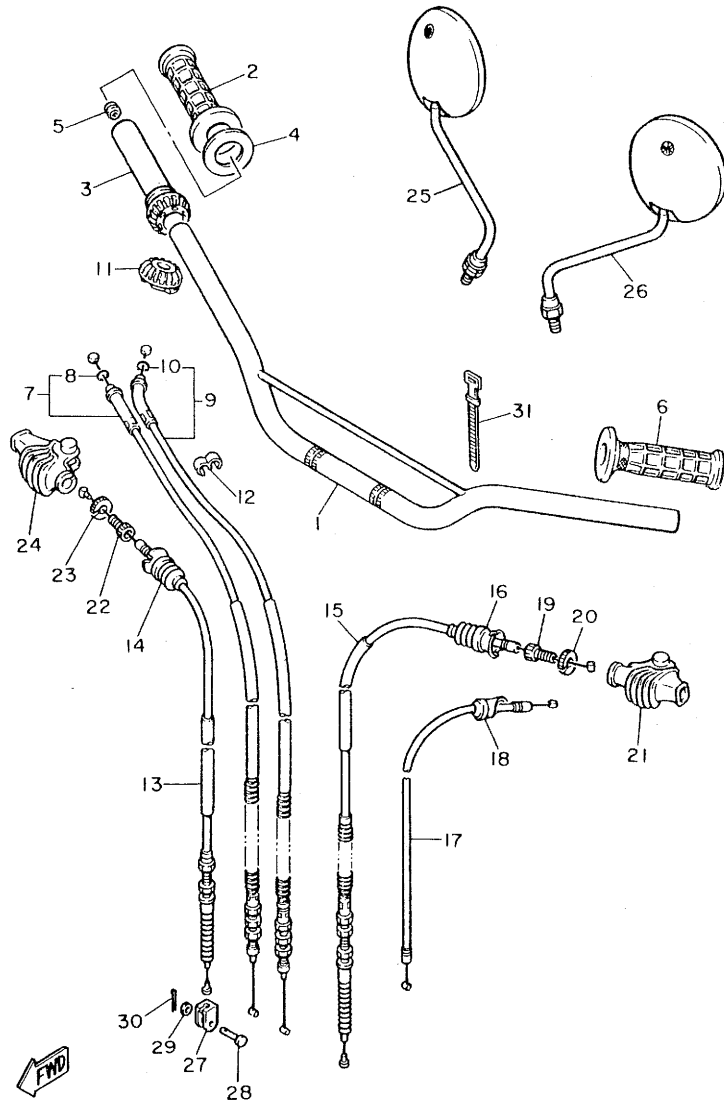
REF. NO.	PART NO.	DESCRIPTION	Q'TY	REMARKS
29	94585-20098	CHAIN, drive (DID520DS 98L)	1	
30	94685-20011	.JOINT, chain	1	
31	5Y1-25381-00	AXLE, wheel	1	
32	90387-17141	COLLAR	1	
33	5Y1-25383-00	COLLAR, wheel	1	
34	3Y1-25388-00	PULLER, chain 1	1	
35	3Y1-25389-00	PULLER, chain 2	1	
36	90171-16024	NUT, castle	1	
37	91401-30030	PIN, cotter	1	



5Y1110-2280

D15

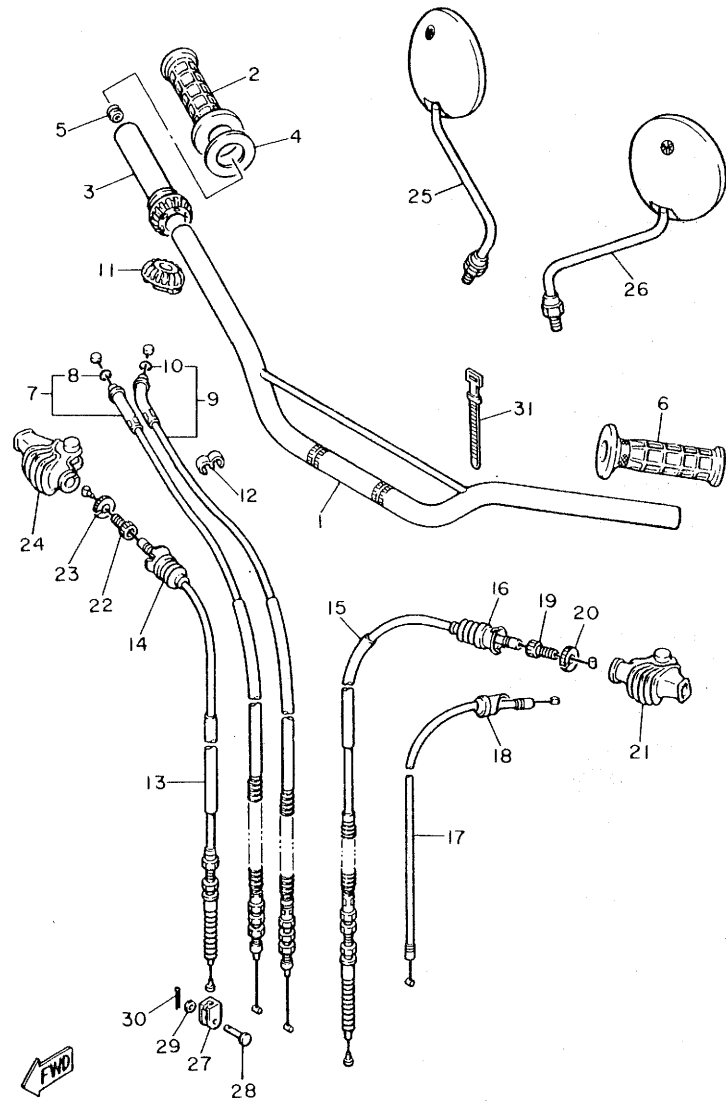
FIG. 29 HANDLEBAR CABLE



5Y4700-2290

REF. NO.	PART NO.	DESCRIPTION	Q'TY	REMARKS
1	5Y1-26111-01	HANDLEBAR	1	
2	4V4-26242-00	GRIP (R.H)	1	
3	5Y1-26243-00	TUBE, throttle Guide	1	
4	4V4-26249-00	RING, leaf	1	
5	688-82535-00	GROMMET	1	
6	4V4-26241-00	GRIP (L.H)	1	
7	5Y1-26311-01	CABLE, throttle 1	1	
8	93210-08408	O-RING	1	
9	5Y1-26312-01	CABLE, throttle 2	1	
10	93210-08408	O-RING	1	
11	5Y1-2628E-00	GEAR, bevel	1	
12	90468-15009	CLIP	1	
13	5Y1-26341-01	CABLE, brake	1	
14	1E6-26342-00	BOOT, cable	1	
15	5Y1-26335-00	CABLE, clutch	1	
16	1E6-26342-00	BOOT, cable	1	
17	5Y1-26331-00	CABLE, starter 1	1	
18	5Y1-26339-00	BOOT	1	
19	90123-08046	BOLT	1	
20	90179-08148	NUT	1	
21	1E6-26372-00	COVER, handle lever 1	1	
22	90123-08046	BOLT	1	
23	90179-08148	NUT	1	
24	1E6-26372-00	COVER, handle lever 1	1	
25	1Y1-26290-40	BACK MIRROR ASSY (R.H)	1	
26	5Y4-26290-30	BACK MIRROR ASSY (L.H)	1	
27	156-26347-00	JOINT, cable	1	
28	90240-08012	PIN, clevis	1	

FIG. 29 HANDLEBAR CABLE

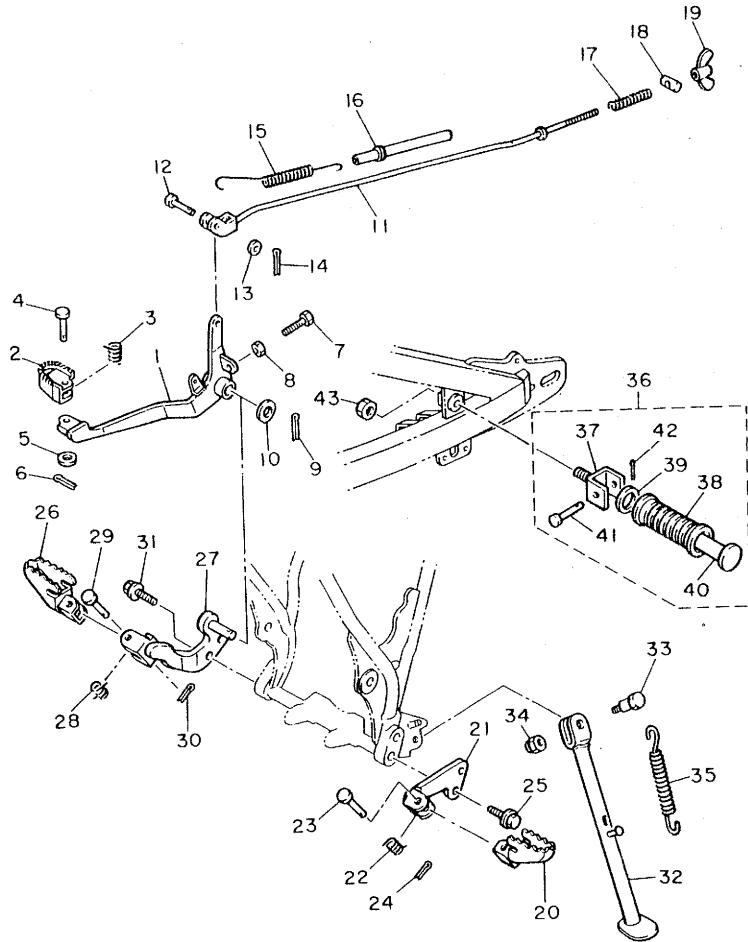


REF. NO.	PART NO.	DESCRIPTION	Q'TY	REMARKS
29	90201-08083	WASHER, Plate	1	
30	91401-20015	PIN, cotter	1	
31	437-83936-00	BAND, switch cord	4	

5Y4700-2290

E3

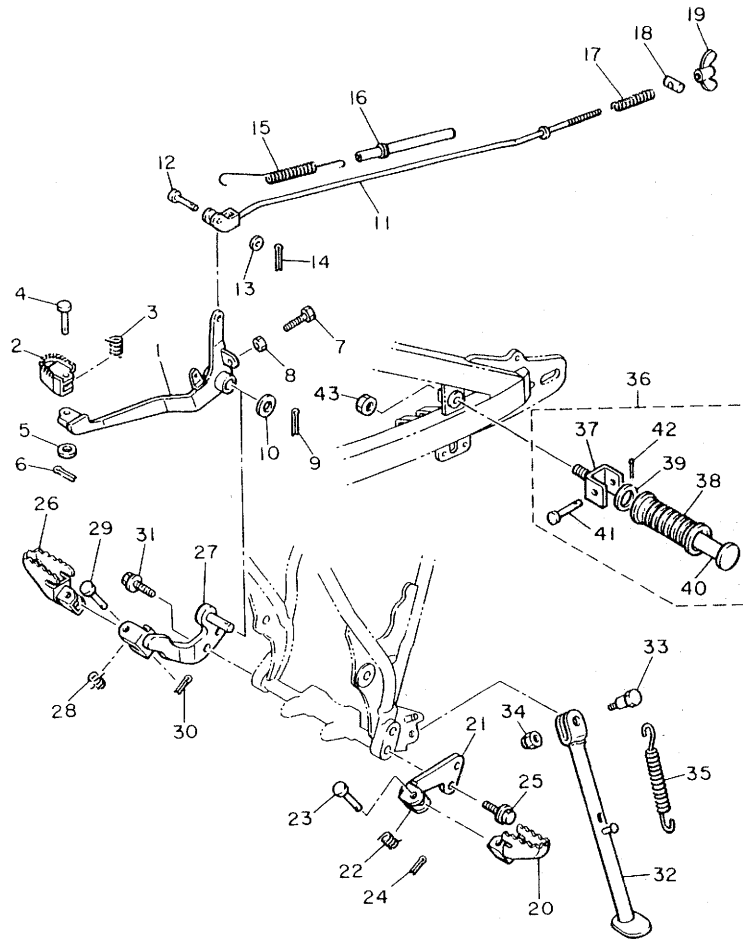
FIG. 30 STAND-FOOTREST



REF. NO.	PART NO.	DESCRIPTION	Q'TY	REMARKS
1	5Y1-27211-01	PEDAL, brake	1	
2	1W2-27242-00	PEDAL, brake	1	
3	90508-14352	SPRING, torsion	1	
4	91701-06022	PIN, clevis	1	
5	92901-06600	WASHER, Plate	1	
6	91401-20015	PIN, cotter	1	
7	90101-06288	BOLT	1	
8	95301-06600	NUT	1	
9	91401-30020	PIN, cotter	1	
10	90201-14411	WASHER, Plate	1	
11	5Y1-27231-01	ROD, brake	1	
12	90240-06040	PIN, clevis	1	
13	92901-06200	WASHER, Plain	1	
14	91401-20015	PIN, cotter	1	
15	90506-18154	SPRING, tension	1	
16	1M1-27244-00	COVER	1	
17	90501-10245	SPRING, compression	1	
18	90249-12008	PIN	1	
19	90175-06013	NUT, wing	1	
20	5Y1-27411-00-90	FOOTREST 1	1	uni chrome (black)
21	5Y1-27412-02-R4	BRACKET, footrest 1	1	black
22	90508-20023	SPRING, torsion	1	
23	91701-08038	PIN, clevis	1	
24	91401-25015	PIN, cotter	1	
25	95821-10025	BOLT, flange	2	
26	5Y1-27421-00-90	FOOTREST 2	1	uni chrome (black)
27	5Y1-27422-02-R4	BRACKET, footrest 2	1	black
28	90508-20023	SPRING, torsion	1	

FWD
5Y3300-2300

FIG. 30 STAND.FOOTREST

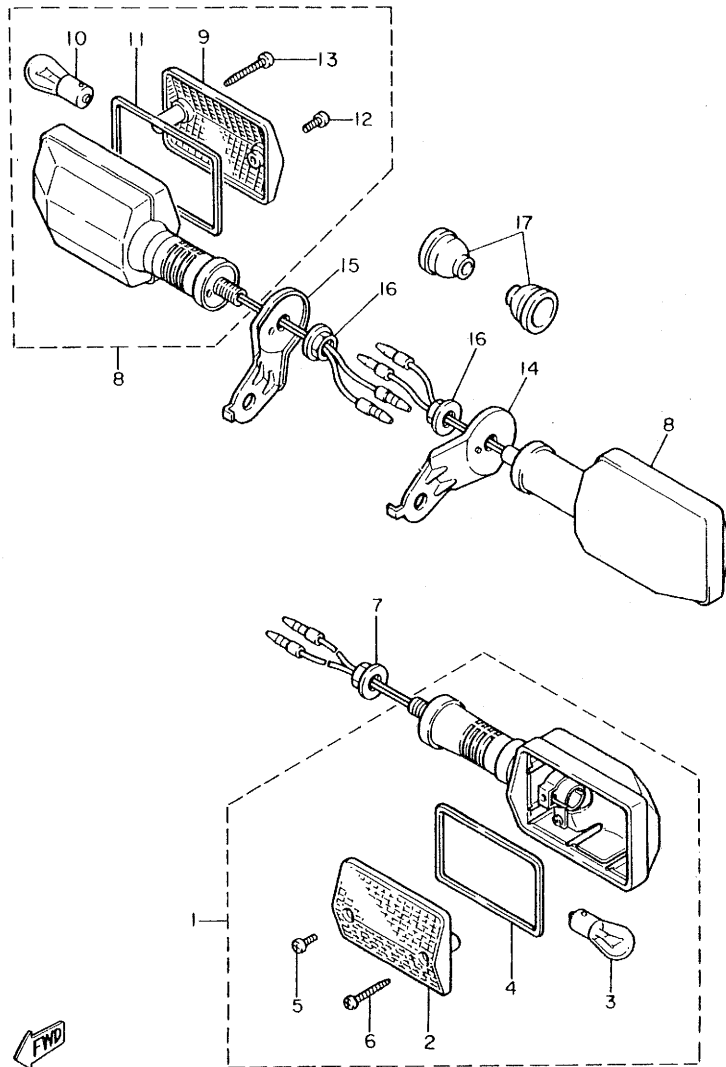


REF. NO.	PART NO.	DESCRIPTION	Q'TY	REMARKS
29	91701-08038	PIN, clevis	1	
30	91401-25015	PIN, cotter	1	
31	95821-10025	BOLT, flange	2	
32	5Y1-27311-03-R4	STAND, side	1	black
33	90109-10473	BOLT	1	
34	90185-10037	NUT, self-locking	1	
35	90507-29009	SPRING, tension	1	
36	120-27430-02	REAR FOOTREST ASSY 1	2	
37	120-27432-02	•BRACKET 1	1	
38	120-27433-00	•COVER, rear footrest	1	
39	90201-20279	•WASHER, Plate	1	
40	120-27431-00	•FOOTREST, rear 1	1	
41	90240-06009	•PIN, clevis	1	
42	91401-16015	•PIN, cotter	1	
43	95301-12700	NUT	2	



5Y3300-2300

FIG. 31 FLASHER LIGHT



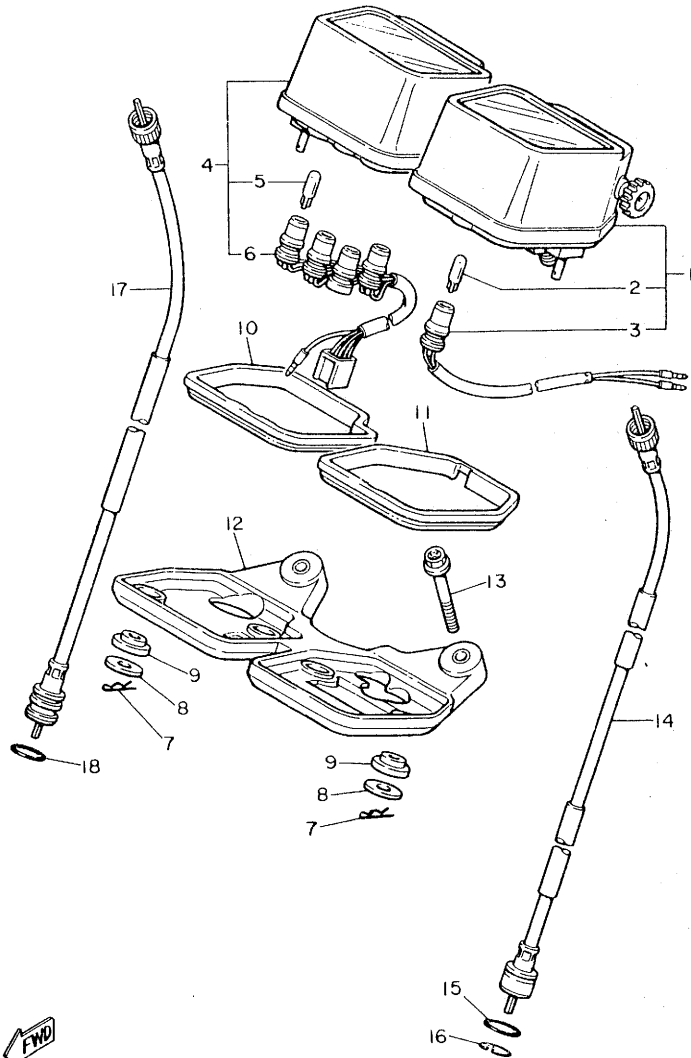
REF. NO.	PART NO.	DESCRIPTION	Q'TY	REMARKS
1	5Y1-83310-70	FRONT FLASHER LIGHT ASSY 1	2	
2	5Y1-83312-00	•LENS, flasher	1	
3	256-83311-70	•BULB (12V-27W)	1	
4	5Y1-83313-00	•GASKET, flasher lens	1	
5	98503-04010	•SCREW, Pan head	1	
6	97702-40530	•SCREW, taPPinG	1	
7	95701-12100	NUT, flange	2	
8	5Y1-83330-70	REAR FLASHER LIGHT ASSY 1	2	
9	5Y1-83312-00	•LENS, flasher	1	
10	256-83311-70	•BULB (12V-27W)	1	
11	5Y1-83313-00	•GASKET, flasher lens	1	
12	98503-04010	•SCREW, Pan head	1	
13	97702-40530	•SCREW, taPPinG	1	
14	5Y1-83368-01	STAY, flasher	1	
15	5Y1-83369-01	STAY, flasher	1	
16	95701-12100	NUT, flange	2	
17	10V-83365-00	CAP	2	



5Y1110-2310

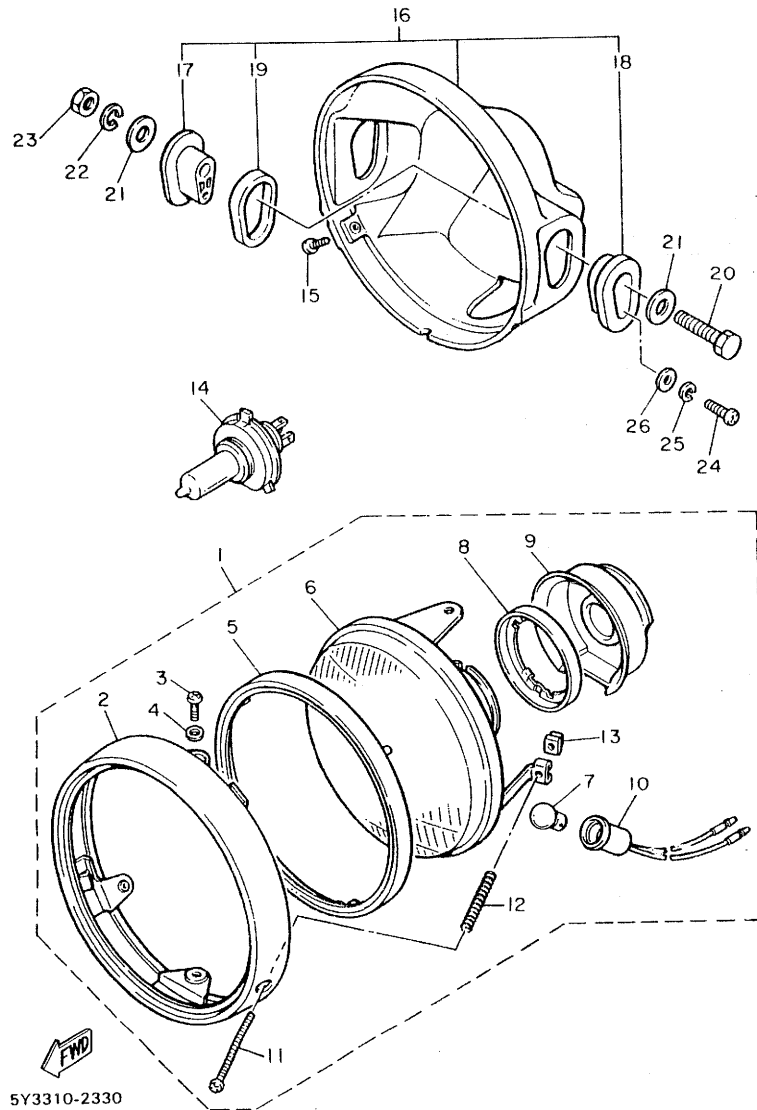
E6

FIG. 32 SPEEDOMETER. TACHOMETER



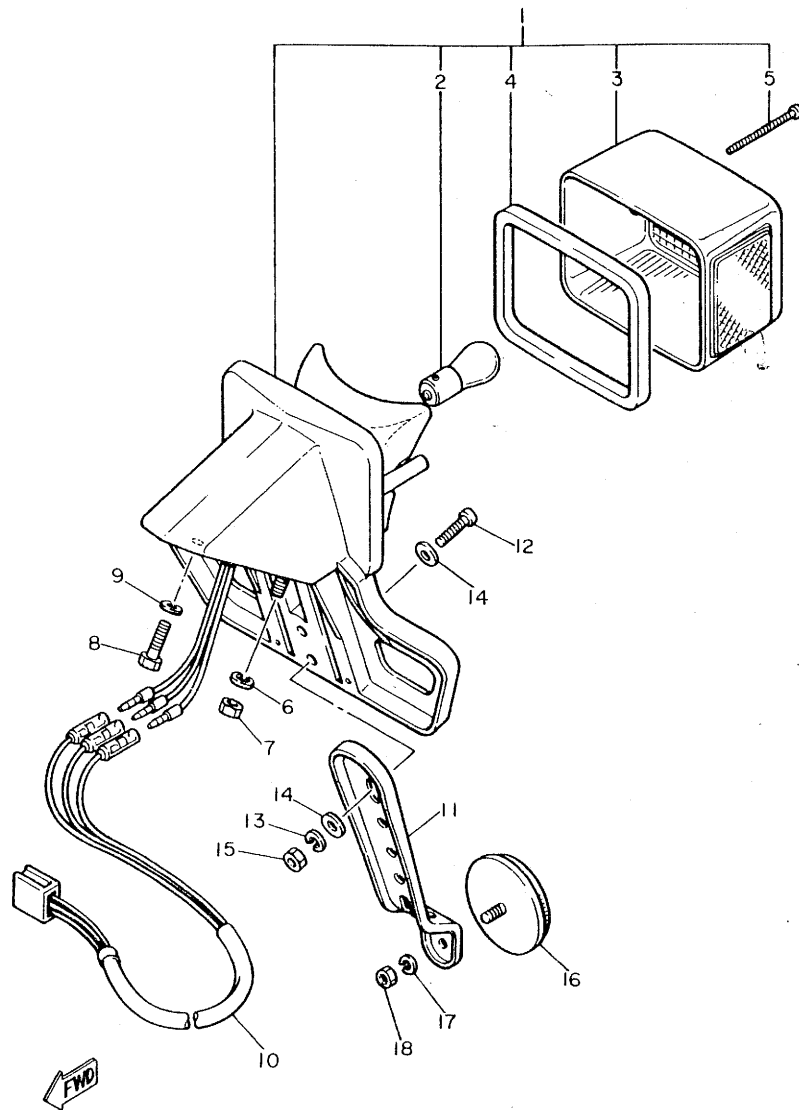
REF. NO.	PART NO.	DESCRIPTION	Q'TY	REMARKS
1	5Y3-83570-F0	SPEEDOMETER ASSY	1	km/h
2	4G1-84744-00	.BULB (12V-3.4W)	1	
3	5Y1-83536-00	.SOCKET, meter	1	
4	5Y3-83540-00	TACHOMETER ASSY	1	
5	4G1-84744-00	.BULB (12V-3.4W)	4	
6	5Y1-83520-00	.SDCKET CORD ASSY	1	
7	437-83525-00	CLIP	4	
8	90201-05033	WASHER, Plate	4	
9	1M1-83526-00	DAMPER 2	4	
10	5Y1-83541-00	DAMPER	1	
11	5Y1-83513-00	DAMPER	1	
12	5Y1-83519-00	BRACKET, meter	1	
13	90153-06036	SCREW, hexaBon	2	
14	5Y1-83550-00	SPEEDOMETER CABLE ASSY	1	
15	93210-14104	O-RING	1	
16	102-25137-00	RING, stoP	1	
17	5Y1-83560-00	TACHOMETER CABLE ASSY	1	
18	93210-14104	O-RING	1	

FIG. 33 HEADLIGHT



REF. NO.	PART NO.	DESCRIPTION	Q'TY	REMARKS
1	5Y3-84303-E0	HEADLIGHT UNIT ASSY	1	
2	5Y3-84315-00	•RIM, headlight	1	
3	2H0-84125-60	•SCREW, rim fitting	2	
4	92901-05600	•WASHER, Plate	2	
5	5Y3-84395-00	•RING, retaining	1	
6	5Y3-84321-E0	•LENS, headlight	1	
7	123-83516-21	•BULB (12V-3.4W)	1	
8	2F9-84375-00	•FITTING PLATE, bulb	1	
9	2F9-84397-01	•COVER, socket	1	
10	457-84146-85	•SOCKET, Pilot light	1	
11	2F9-84331-00	•SCREW, rim adjusting	1	
12	341-84332-60	•SPRING, screw	1	
13	198-84334-60	•NUT, adjusting	1	
14	*	BULB, headlight (12V-60/55W)	1	LM
15	98506-05012	SCREW, Pan head	2	
16	5Y3-84311-00	BODY, headlight	1	
17	5Y3-84338-00	•COLLAR, body fitting	2	
18	5Y3-84366-00	•DAMPER, headlight 1	2	
19	5Y3-84367-00	•DAMPER, headlight 2	2	
20	97306-08050	BOLT	2	
21	92906-08200	WASHER, Plain	4	
22	92902-08100	WASHER, sPring	2	
23	95302-08600	NUT	2	
24	92506-06020	SCREW, Pan head	1	
25	92906-06100	WASHER, sPring	1	
26	92906-06600	WASHER, Plate	1	

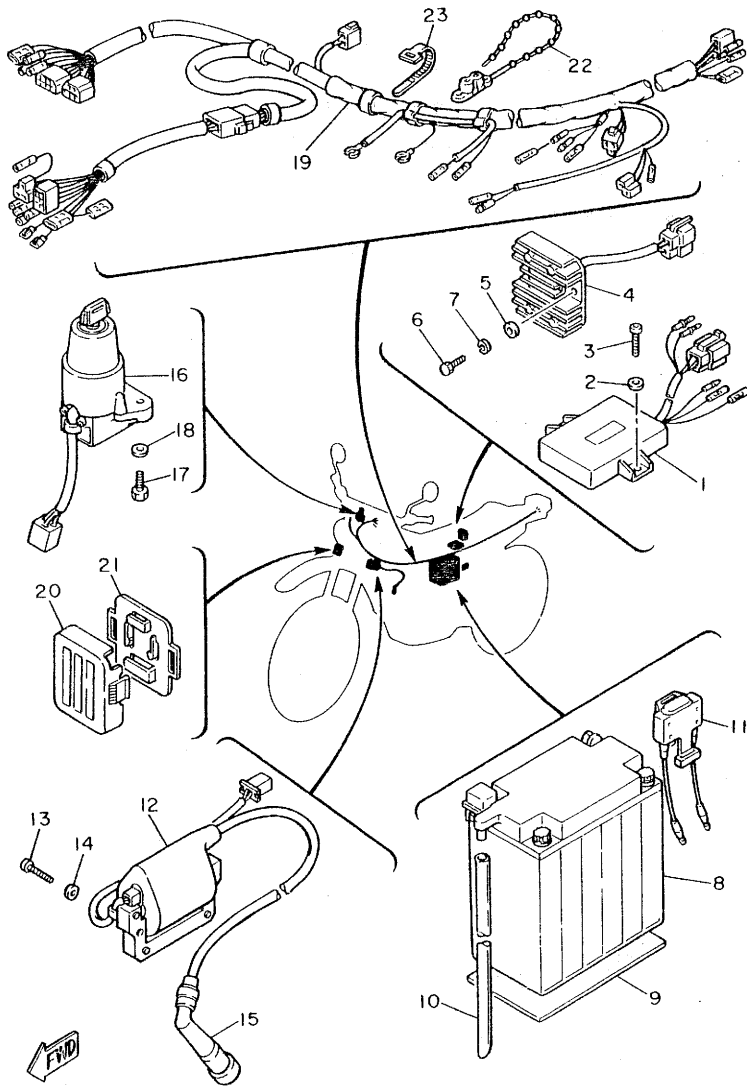
FIG. 34 TAILLIGHT



REF. NO.	PART NO.	DESCRIPTION	Q'TY	REMARKS
1	5Y1-84700-60	TAILLIGHT ASSY	1	
2	256-84714-61	.BULB (12V-27/8W)	1	
3	1M1-84521-60	.LENS, taillight	1	
4	15A-84545-00	.GASKET, lens	1	
5	3Y1-84524-00	.SCREW, lens fitting	2	
6	92902-06100	WASHER, sPring	2	
7	95302-06600	NUT	2	
8	97302-06020	BOLT	1	
9	92902-06100	WASHER, sPring	1	
10	5Y1-84717-00	CORD, taillight	1	
11	5Y1-85132-01	BRACKET, reflector 1	1	
12	92501-06014	SCREW, Pan head	2	
13	92901-06100	WASHER, sPring	2	
14	90201-06336	WASHER, Plate	4	
15	95301-06600	NUT	2	
16	449-85131-01	REFLECTOR, rear 1	1	
17	92902-05100	WASHER, sPring	1	
18	95302-05600	NUT	1	

5Y1110-2340

FIG. 35 ELECTRICAL 1

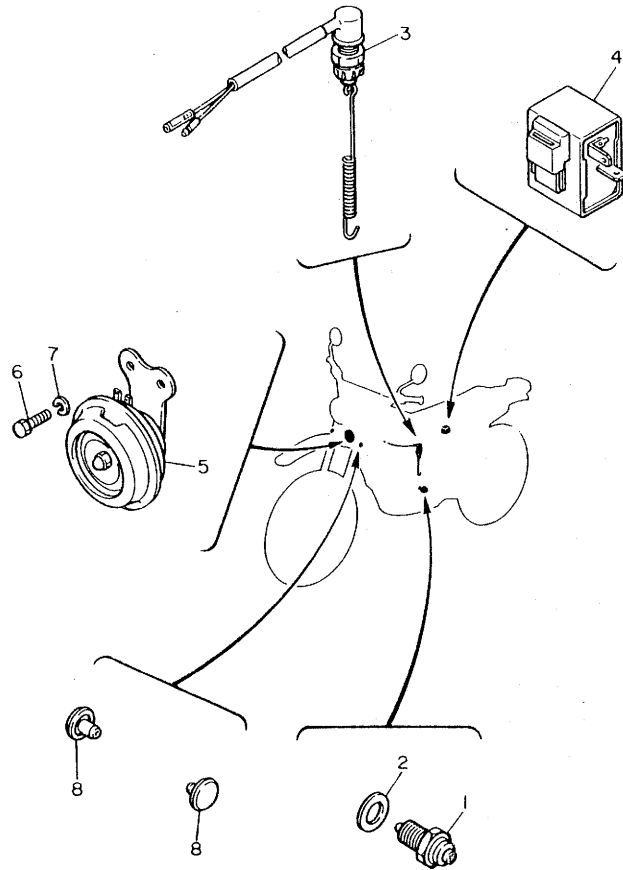


REF. NO.	PART NO.	DESCRIPTION	Q'TY	REMARKS
1	5Y3-85540-50	C.D.I. UNIT ASSY	1	
2	90201-06055	WASHER, Plate	2	
3	97701-60120	SCREW, tapping	2	
4	3Y6-81960-A0	RECTIFIER & REGULATOR ASSY	1	
5	90201-06055	WASHER, Plate	2	
6	97301-06016	BOLT	2	
7	92902-06100	WASHER, sPring	2	
8	235-82110-79	BATTERY ASSY (12N14-3A)	1	
9	5Y1-82122-00	SEAT, battery	1	
10	90445-08433	HOSE	1	
11	5Y1-82180-00	CIRCUIT BREAKER ASSY	1	
12	5Y1-82310-50	IGNITION COIL ASSY	1	
13	92502-06025	SCREW, Pan head	2	
14	92902-06600	WASHER	2	
15	371-82370-00	PLUG CAP ASSY	1	
16	5Y3-82508-80	MAIN SWITCH ASSY	1	
17	97301-06016	BOLT	2	
18	92902-06600	WASHER	2	
19	5Y3-82590-00	WIRE HARNESS ASSY	1	
20	5Y1-82599-00	COVER, connector	1	
21	5Y1-82588-00	PLATE	1	
22	90464-20031	CLAMP	2	
23	437-83936-00	BAND, switch cord	2	

5Y3300-2350

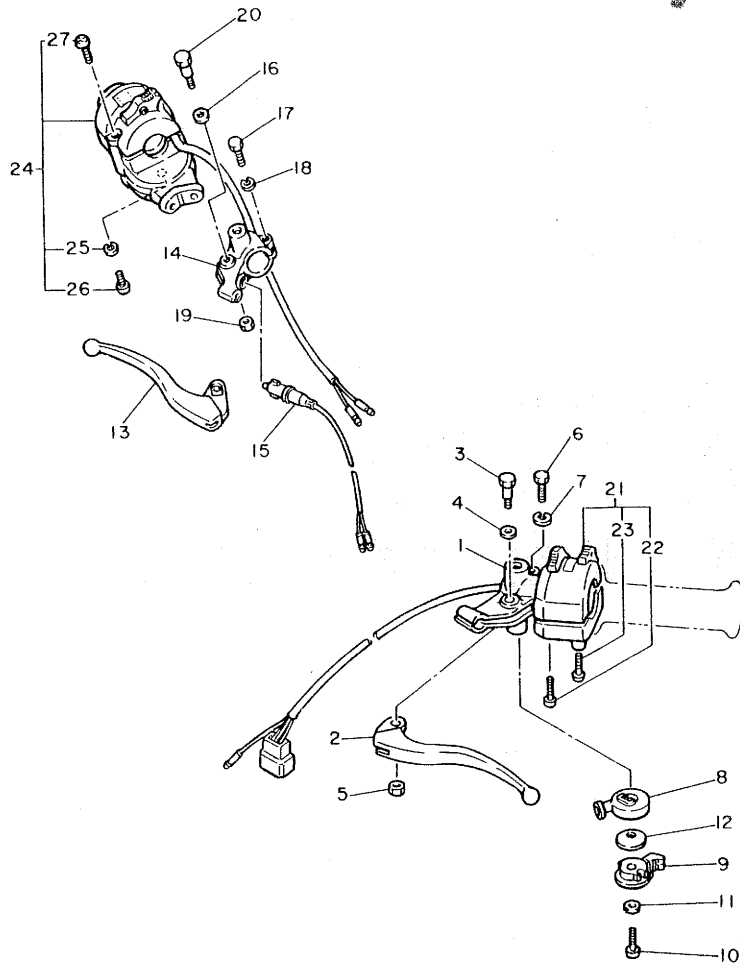
FIG. 36 ELECTRICAL 2

REF. NO.	PART NO.	DESCRIPTION	Q'TY	REMARKS
1	2H7-82540-00	NEUTRAL SWITCH ASSY	1	
2	90430-10148	GASKET	1	
3	5Y1-82530-00	STOP SWITCH ASSY	1	
4	5Y1-83350-20	FLASHER RELAY ASSY	1	
5	5Y1-83371-00	HORN	1	
6	97301-06012	BOLT	2	
7	92901-06100	WASHER, sPring	2	
8	90338-04010	PLUG	2	



5Y4700-2360

FIG. 37 HANDLE SWITCH•LEVER



REF. NO.	PART NO.	DESCRIPTION	Q'TY	REMARKS
1	5Y1-82911-01	HOLDER, lever 1	1	
2	5Y1-83912-00	LEVER 1	1	
3	90109-06410	BOLT	1	
4	90201-08083	WASHER, Plate	1	
5	95601-06100	NUT, u	1	
6	97306-06022	BOLT	1	
7	92906-06100	WASHER, sPrin&	1	
8	5Y1-83942-00	COVER, starter	1	
9	5Y1-83941-00	LEVER, starter	1	
10	90153-06042	SCREW, hexa&on	1	
11	92906-06200	WASHER, Plain	1	
12	90209-10131	WASHER	1	
13	5Y1-83922-00	LEVER 2	1	
14	361-82921-31	HOLDER, lever 2	1	
15	3E1-83980-00	FRONT STOP SWITCH ASSY	1	
16	90201-08083	WASHER, Plate	1	
17	97306-06022	BOLT	1	
18	92906-06100	WASHER, sPrin&	1	
19	95601-06100	NUT, u	1	
20	90109-06410	BOLT	1	
21	5Y3-83972-00	SWITCH, handle 4	1	
22	98506-05035	•SCREW, Pan head	1	
23	98506-05030	•SCREW, Pan head	1	
24	5Y1-83976-00	SWITCH, handle 1	1	
25	92906-06100	•WASHER, sPrin&	1	
26	92506-06012	•SCREW, Pan head	1	
27	98506-05018	•SCREW, Pan head	2	



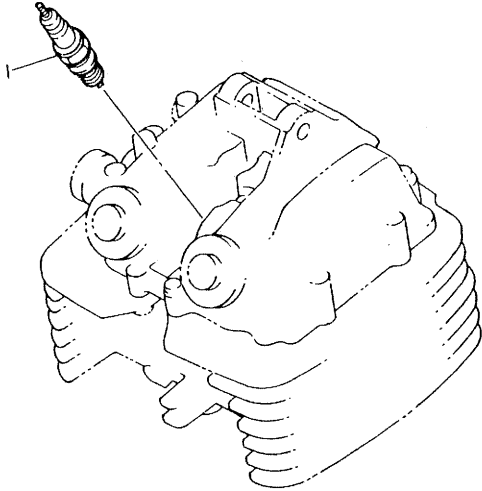
5Y4700-2370

FOR S. AFRICA

The following pages provides a listing of only the parts that meet the specifications peculiar to your market. For those parts not appearing in these pages, refer to the "GENERAL SPEC" section.

FIG. 38 ALTERNATE (ENGINE)

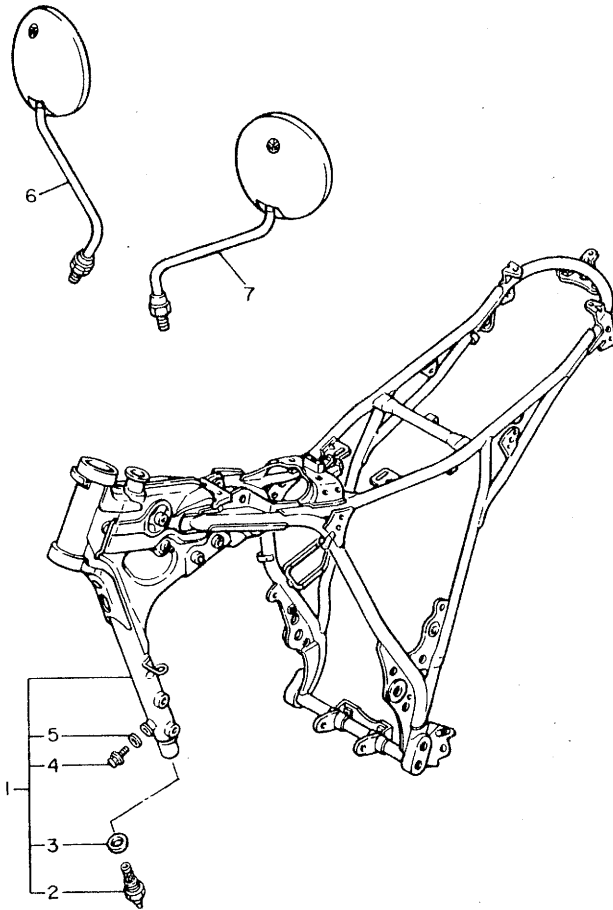
REF. NO.	PART NO.	DESCRIPTION	Q'TY	REMARKS
1	94701-00208	PLUG, sPark (NGK DR7ES)	1	with register



5Y4700-2380

FIG. 39 ALTERNATE (CHASSIS)

REF. NO.	PART NO.	DESCRIPTION	Q'TY	REMARKS
1	5Y3-21110-11-98	FRAME COMP	1	low gloss black
2	5Y1-21756-01	•NET, filter	1	
3	90430-22123	•GASKET	1	
4	95801-08012	•BOLT, flange	1	
5	90430-08119	•GASKET	1	
6	1Y1-26290-60	BACK MIRROR ASSY (R•H)	1	
7	5Y3-26290-50	BACK MIRROR ASSY (L•H)	1	



5Y4700-2390

F4

NUMERICAL INDEX

PART NO.	GRID NO.	PART NO.	GRID NO.
5Y1-W1343-00	B 9	5Y1-12210-00	B 8
5Y1-11101-00	B 2	4X7-12213-00	B 8
583-11127-00	B 2	5Y1-12231-00	B 8
	B 4	5Y1-12241-00	B 8
4H7-11133-10	B 2	5Y1-12283-00	B 8
5Y1-11145-00	B 6	5Y1-12288-00	B 2
5Y1-11166-00	B15	5Y1-12292-00	B 3
5Y1-11181-00	B 4	583-13113-00	B 9
1H2-11186-00	B 2	5Y1-13300-00	B 9
5Y1-11187-00	B 2	5Y1-13325-00	B 9
214-11198-01	B 9	5Y1-13371-00	B10
5Y1-11310-00	B 4	5Y1-13415-01	B 9
5Y1-11351-00	B 4	4X7-13440-90	B 9
5Y1-11400-00	B 5	583-13447-00	B 9
5Y1-11412-09	B 5	11H-13455-00	B 9
5Y1-11422-00	B 5	5Y1-13464-00	B 9
5Y1-11454-00	B 5	5Y1-13465-00	B 9
5Y1-11496-01	B 5	5Y1-13586-01	B11
5Y1-11531-00	B 5	5Y1-13596-01	B11
5Y1-11536-01	B 5	5Y1-1410A-00	B12
5Y1-11565-00	B 5	5Y1-14103-00	B12
5Y1-11610-00	B 5	5Y3-14105-00	B12
5Y1-11610-10	B 5	5Y1-14107-00	B12
5Y1-11610-30	B 5	5Y1-14115-00	B12
5Y1-11631-01-A0	B 5	5Y1-14131-00	B13
5A8-11633-00	B 5	5Y1-14137-00	B13
5Y1-11635-01	B 5	5Y1-14146-00	B13
5Y1-11637-01	B 5	5Y1-14148-00	B13
5Y1-11651-00	B 5	5Y1-14149-00	B13
5Y1-11681-00	B 5	5Y1-14159-00	B13
5Y1-12111-00	B 7	5Y1-14197-00	B13
5Y1-12113-00	B 7	5Y1-14198-00	B12
5Y1-12114-00	B 7	5Y1-14203-00	B12
4H7-12116-00	B 7	5Y1-14216-00	B13
2F3-12117-00	B 7	5Y1-14286-00	B12
1J7-12118-00	B 7	5Y1-14293-00	B13
1J7-12119-01	B 7	5Y3-14301-01	B12
5Y1-12121-00	B 7	5Y1-14312-45	B12
5Y1-12146-00	B 7	5Y1-14325-00	B12
5Y1-12151-00	B 7	5Y1-14340-30	B12
5Y1-12156-00	B 7	5Y1-14341-26	B12
3Y1-12159-00	B 7	396-14342-24	B12
5Y1-12161-00	B 7	288-14343-65	B12
5Y1-12162-00	B 7	5Y3-14343-63	B13
5Y1-12163-00	B 7	5Y1-14349-00	B13
5Y1-12166-00	B 7	5Y1-14355-26	B12
5Y1-12170-00	B 8	5Y1-14356-00	B13
5Y1-12176-00	B 8	5Y1-14357-00	B12

PART NO.	GRID NO.	PART NO.	GRID NO.
5Y1-14358-00	B13	5Y1-15621-00	C 5
5Y1-14377-00	B13	5Y1-15641-00	C 5
5Y1-14384-00	B12	117-15644-00	C 9
5Y1-14385-00	B12	5Y1-15645-00	C 2
6E5-14386-01	B12	5Y1-15651-00	C 5
5Y1-14396-00	B13	5Y1-15660-00	C 5
5Y1-14397-00	B13	2K7-15668-00	C 5
5Y1-14398-00	B12	248-15668-00	C 5
5Y1-14401-01	B11	5Y1-15671-00	C 5
5Y1-14412-00	B11	214-15674-00	C 5
5Y1-1442F-00	B11	168-15676-00	C 5
5Y1-14437-00	B11	214-15686-00	C 5
5Y1-14451-00	B11	5Y1-16111-01	C 7
5Y1-14452-00	B11	5Y1-16150-00	C 7
5Y1-14453-00	B11	3Y1-16154-00	C 7
5Y1-14454-00	B11	5Y1-16321-00	C 7
5Y1-14458-00	B11	360-16325-00	C 7
4H7-14484-00	B11	5Y1-16331-00	C 7
5Y1-14484-00	B11	5Y1-16351-00	C 7
5Y1-14536-00	B13	5Y1-16356-00	C 7
5Y1-14556-00	B13	5Y1-16357-00	C 8
5Y1-14572-00	B13	1W1-16358-00	C 7
5Y1-14611-00	B14	5Y1-16371-01	C 7
5Y1-14613-00	B14	5Y1-16381-00	C 7
5Y1-14628-01	B14	5Y1-16383-00	C 7
5Y3-14711-00	B14	214-16389-00	C 7
1L9-14714-01	B14	5Y1-17121-00	C 9
5Y1-14728-02	B14	5Y1-17131-00	C 9
583-14766-00	B14	5Y1-17141-00	C 9
5Y1-1490A-00	B13	5Y1-17151-00	C 9
5Y3-1490J-00	B12	5Y1-17211-01	C 9
5Y3-1490J-10	B12	5Y1-17221-00	C 9
5Y1-1490K-00	B13	5Y1-17231-00	C 9
5Y1-14905-00	B12	5Y1-17241-01	C 9
5Y1-15100-01	B15	5Y1-17251-00	C 9
5Y1-15383-00	B15	5Y1-17402-00	C 9
5Y1-15411-00	C 2	5Y1-17410-00	C 9
5Y1-15417-00	C 2	5Y1-17411-00	C 9
5Y1-15421-01	C 2	3Y1-17456-00	C 9
5Y1-15427-00	B 9	5Y1-17461-50	C 9
5Y1-15431-00	C 2	5Y1-17471-00	C 9
5Y1-15441-00	C 2	5Y1-17800-00	B 2
5Y1-15451-01	C 2	5Y1-18101-00	C12
5Y1-15462-01	C 2	5Y1-18102-00	C12
3Y1-1561A-02	C 5	5Y1-18110-01	C12
5Y1-1561G-00	C 6	1W6-18113-00	C12
5Y1-1562F-01	C 3	1W1-18120-01	C12
5Y1-15620-00	C 5	5Y1-18140-00	C11

NUMERICAL INDEX

PART NO.	GRID NO.	PART NO.	GRID NO.
5Y1-18185-00	C11	5Y1-22212-00	D 5
5Y1-18511-00	C11	3R4-22213-00	D 5
5Y1-18512-00	C11	3R4-22214-00	D 5
5Y1-18513-00	C11	1W1-22216-00	D 5
11H-18531-00	C11	3Y1-22223-00	D 5
5Y1-18535-00	C11	3Y1-22224-00	D 5
5Y1-18540-00	C11	3R4-22226-00	D 5
5Y4-21110-01-98	C13	3R4-22228-00	D 5
5H0-21308-00	D11	5Y1-22311-01	D 3
5Y1-21315-01	C13	5Y1-22401-00	D 5
5Y1-21316-00	C13	5Y1-22409-00	D 5
5Y1-21329-01	C13	1W1-22493-00	D 5
5Y1-21441-00	C13	5Y1-23102-00	D 6
5Y1-21471-01-R4	C13	5Y1-23103-00	D 6
2K7-2148A-00	C14	1W4-23111-L1	D 6
5Y1-21511-00	C15		D 7
5Y4-21581-01	D 9	1W4-23114-L0	D 6
5Y4-21591-01	D 9		D 7
5Y1-21611-00	C15	5Y1-23118-00	D 6
5Y1-21620-01	C15		D 7
1M1-21621-00	C15	122-23119-01	D 6
5Y1-21621-00	C15		D 7
5Y1-21670-01	C15	5Y1-23124-00	D 6
5Y1-21711-01-98	D 2	5Y1-23126-00-38	D 6
5Y3-21711-10-98	D 2	122-23129-00	D 6
5Y1-21721-01-E1	D 2		D 7
5Y1-21721-01-36	D 2	5Y1-23136-00-38	D 6
5Y1-2173E-10	D 2	5Y1-23141-00	D 6
5Y2-2173E-00	D 2		D 7
5Y1-2173F-10	D 2	1W4-23142-L0	D 6
5Y2-2173F-00	D 2		D 7
5Y1-21756-01	C13	5Y1-23144-00	D 6
5Y1-21771-00	C13	1W4-23145-L0	D 6
5Y1-21781-00	D 2	5Y1-23151-00	D 6
5Y1-22110-01-35	D 3		D 7
5Y1-22123-00	D 3	3R4-23153-00	D 6
5Y1-22124-00	D 3	2K8-23158-L0	D 6
1W1-22128-00	D 5		D 7
4X7-22129-00	D 3	509-23163-L0	D 6
5Y1-22141-00	D 3		D 7
5Y1-22151-00	D 3	4V2-23167-L0	D 7
10V-22153-00	D 3	5Y1-23170-00	D 6
5Y1-2217J-00	D 3		D 7
2N0-22178-00	D 3	3R4-23173-L0	D 6
4V4-22178-00	C14	5Y3-23174-01	D 9
4V4-22184-00	C14	3R4-23181-L0	D 6
1W1-22187-00	D 3		D 7
5Y1-22210-00	D 5	5Y1-23181-00	D 8

NUMERICAL INDEX

NUMERICAL INDEX

PART NO.	GRID NO.	PART NO.	GRID NO.	PART NO.	GRID NO.	PART NO.	GRID NO.	PART NO.	GRID NO.	PART NO.	GRID NO.
1W1-23185-L0	D 6	322-25118-00	D13	5Y1-26339-00	E 2	5Y1-83513-00	E 7	90101-06291	D14	90185-16103	D 3
	D 7	5Y1-25121-00-98	D12	5Y1-26341-01	E 2	123-83516-21	E 8	90105-07087	B 8	90201-05033	E 7
509-23190-L0	D 6	5Y1-2513A-00	D12	1E6-26342-00	E 2	5Y1-83519-00	E 7	90105-08213	B 4	90201-06055	E10
	D 7	308-25135-00	D12	156-26347-00	E 2	5Y1-83520-00	E 7	90105-08214	B 4	90201-06057	C15
3Y1-2331E-00	D 8	109-25136-00	D12	1E6-26372-00	E 2	437-83525-00	E 7	90105-14102	D 8	90201-062A8	D 2
5Y1-23317-00	D 8	102-25137-00	E 7	128-27114-00	C13	1M1-83526-00	E 7	90109-06410	E12		D 3
2N6-23318-00	D 8	308-25138-00	D12	5Y1-27211-01	E 4	5Y1-83536-00	E 7	90109-06418	B 3	90201-06336	E 9
3Y1-23319-00	D 8	214-25149-01	D12	5Y1-27231-01	E 4	5Y3-83540-00	E 7	90109-06419	B 9	90201-06674	C 4
5Y3-23340-30-98	D 7	5Y1-25151-00	D12	1W2-27242-00	E 4	5Y1-83541-00	E 7	90109-10473	E 5	90201-06755	C15
5Y1-23348-00	D 8		D14	1M1-27244-00	E 4	5Y1-83550-00	E 7	90109-10483	D 4	90201-06765	D 9
5Y1-23389-00	D 8	5Y1-25155-00	D12	5Y1-27311-03-R4	E 5	5Y1-83560-00	E 7	90109-10554	D 5	90201-07076	D12
1W1-23416-00	D 8	4H7-25181-01	D13	5Y1-27411-00-90	E 4	5Y3-83570-F0	E 7	90116-10087	B15	90201-08083	E 3
3Y6-23434-00	D 8	4V5-25194-00	D12	5Y1-27412-02-R4	E 4	5Y1-83912-00	E12	90116-10263	B15		E12
5Y1-23435-00-98	D 8	5Y1-25304-00	D14	5Y1-27421-00-90	E 4	5Y1-83922-00	E12	90116-10348	D14	90201-08113	C14
1E6-23441-00	D 8	5Y1-25311-00-98	D14	5Y1-27422-02-R4	E 4	437-83936-00	E 3	90116-10378	B 2	90201-08326	B14
3Y6-23442-00-98	D 8	146-25315-00	D14	120-27430-02	E 5		E10	90119-06042	C15	90201-08366	B 4
5Y1-23466-01	D 9	183-25315-00	D12	120-27431-00	E 5	5Y1-83941-00	E12	90119-06063	C15	90201-08456	D 9
5Y1-23467-01	D 9	5X4-25317-00	D14	120-27432-02	E 5	5Y1-83942-00	E12	90122-06014	B11	90201-08609	B 4
5Y1-24110-00-04	D10	5Y1-25321-00-98	D14	120-27433-00	E 5	5Y3-83972-00	E12	90123-08046	E 2	90201-10124	B 4
5Y1-24110-00-05	D10	4G0-2533A-00	D14	5Y1-28100-00	C15	5Y1-83976-00	E12	90149-05110	B 9	90201-10126	D 5
20T-24161-00	D10	28E-25330-00	D12	5Y1-81410-50	C 4	3E1-83980-30	E12	90149-06011	D10	90201-10135	C 6
3Y2-24161-00	D10	5Y1-25330-00	D14	5Y1-81450-50	C 4	2H0-84125-60	E 8	90149-08067	C 7	90201-10141	D 9
4H7-24181-00	D10	434-25355-01	D14	3Y6-81960-A0	E10	457-84146-85	E 8	90151-06017	C11	90201-10590	B 4
5Y1-24182-01	D10	5Y1-25364-00	D14	235-82110-79	E10	5Y3-84303-E0	E 8	90152-06010	C 5	90201-12474	C12
5Y1-24183-00	D10	5Y1-25366-00-98	D14	5H0-82121-00	D 2	5Y3-84311-00	E 8	90153-06008	D 9	90201-13202	C14
5Y1-24186-00	D10	5Y1-25377-00	D14	5Y1-82122-00	E10	5Y3-84315-00	E 8	90153-06036	E 7	90201-14226	B 5
5Y1-24189-00	D10	5Y1-25381-00	D15	5Y1-82180-00	E10	5Y3-84321-E0	E 8	90153-06042	E12	90201-14411	E 4
5Y1-24240-10	D10	5Y1-25383-00	D15	5Y1-82310-50	E10	2F9-84331-00	E 8	90159-06016	C 7	90201-15701	C 5
5Y2-24240-00	D10	3Y1-25388-00	D15	371-82370-00	E10	341-84332-60	E 8		C11	90201-15785	D13
5Y1-24444-00	B13	3Y1-25389-00	D15	5Y3-82508-80	E10	198-84334-60	E 8	90170-06126	B 7	90201-17327	C 8
5Y1-24500-00	D10	3Y1-25394-00	D14	5Y1-82530-00	E11	5Y3-84338-00	E 8	90170-10219	D14	90201-20276	C 5
2W6-24512-00	D10	156-25398-00	D12	688-82535-00	E 2	5Y3-84366-00	E 8		E 8		C 9
360-24512-00	B12		D14	2H7-82540-00	E11	5Y3-84367-00	E 8	90170-16295	B 6	90201-20279	E 5
2G2-24522-00	D10	5Y1-25412-00	D14	5Y1-82588-00	E10	2F9-84375-00	E 8	90170-20211	D 5	90201-20685	C 5
2N3-24528-00	D10	5Y1-25439-20-33	D14	5Y3-82590-00	E10	5Y3-84395-00	E 8	90170-20257	C 7	90201-22283	D12
2G2-24543-00	D10	5Y1-26111-01	E 2	5Y1-82599-00	E10	2F9-84397-01	E 8	90170-20274	C 7	90201-251F6	D 3
5Y1-24610-00	D10	5Y1-26213-00-98	D 8	5Y1-82911-01	E12	1M1-84521-60	E 9	90171-14020	D13	90201-301F4	B 5
5Y1-24612-00	D10	4V4-26241-00	E 2	361-82921-31	E12	3Y1-84524-00	E 9	90171-16024	D15	90201-341F5	B 5
5Y3-24720-00	D11	4V4-26242-00	E 2	5Y1-83310-70	E 6	15A-84545-00	E 9	90175-06013	E 4	90202-06010	D10
5Y1-24731-00	D11	5Y1-26243-00	E 2	256-83311-70	E 6	5Y1-84700-60	E 9	90179-06306	B14	90206-06060	B14
5Y1-24738-01	D11	4V4-26249-00	E 2	5Y1-83312-00	E 6	256-84714-61	E 9	90179-08148	E 2	90206-12075	B 7
3Y1-24768-00	C13	5Y1-2628E-00	E 2	5Y1-83313-00	E 6	5Y1-84717-00	E 9	90179-10201	B 4	90206-14067	D 5
5Y3-24770-00	D11	1Y1-26290-40	E 2	5Y1-83330-70	E 6	4G1-84744-00	E 7	90179-10279	B 4	90209-10131	E12
5Y1-24833-01	C15	5Y4-26290-30	E 2	5Y1-83350-20	E11	449-85131-01	E 9	90179-14317	B 5	90209-22191	C 9
5Y1-24850-00	C15	5Y1-26311-01	E 2	10V-83365-00	E 6	5Y1-85132-01	E 9	90179-25033	D 8	90215-16196	B 6
5Y1-25104-00	D12	5Y1-26312-01	E 2	5Y1-83368-01	E 6	5Y3-85540-50	E10	90185-08089	C14	90215-20170	C 7
5Y1-25111-00-98	D12	5Y1-26331-00	E 2	5Y1-83369-01	E 6	90101-06288	E 4	90185-10037	E 5	90215-20197	C 7
214-25117-00	D12	5Y1-26335-00	E 2	5Y1-83371-00	E11	90101-06291	D12	90185-10060	C13	90240-06009	E 5

NUMERICAL INDEX

PART NO.	GRID NO.	PART NO.	GRID NO.	PART NO.	GRID NO.
90240-06040	E 4	90480-14023	D 9	91401-25015	E 5
90240-08012	E 2	90501-05378	B 9	91401-30020	E 4
90240-12075	D 5	90501-10245	E 4	91401-30025	D 5
90243-06016	C 7	90501-12081	C 5	91401-30030	D13
90249-12008	E 4	90501-16107	C 5		D15
90280-05013	B 5	90501-22721	B 5	91701-06022	E 4
90282-05013	B 6	90501-23142	C 7	91701-08038	E 4
90282-07042	C 7	90506-18154	E 4		E 5
90336-18038	C 5	90507-20002	D12	91810-03014	B 2
90338-04010	E11		D14	91810-05018	B 4
90340-14079	B 2	90507-29009	E 5	91810-18016	B 4
	C 2	90508-14352	E 4		B15
90340-36078	C 2	90508-14524	C 6	91830-22016	B15
90380-12051	D 5	90508-14526	C 8		C 2
90386-24107	D 3	90508-18551	B 2	91830-24016	B15
90387-063F7	C11	90508-20023	E 4	92501-06012	C 2
90387-06388	D 9	90508-29527	C11		C14
90387-07789	C15	90508-29528	C12		D 8
90387-15720	D13	90508-32529	C 5	92501-06014	E 9
90387-16782	B15	90508-35350	D 3	92501-06015	B 9
90387-17141	D15	91316-06016	B 9	92501-06020	C 4
90387-17783	B15		B10	92502-06010	C13
90430-05126	B 9		C 2	92502-06016	C15
90430-06014	B 3	91316-06018	B 2	92502-06025	E10
90430-08119	C 7	91316-06020	B11	92502-06035	C 4
	C13		C 2	92506-06012	D 2
90430-08178	B 4	91316-06025	B 2		E12
	B15		B 8	92506-06016	D 3
			C 2	92506-06020	B11
90430-10148	E11		B 4	92506-06040	E 8
90430-22123	C13	91316-06030	B 7	92506-06012	D 2
90430-27124	C13		B15	92701-06012	B15
90445-08433	E10		C 2	92701-06015	D11
90445-10638	D10		B 9	92706-06030	B 2
90445-11617	C13	91316-06035	C 2	92901-04100	B12
90446-11023	B11		B 2	92901-05100	D 3
90460-46206	B11	91316-06040	C 2	92901-05600	D 3
90460-51059	B11		B15		E 8
90462-06009	B11	91316-06045	B 2	92901-06100	C13
90462-10107	C 2	91316-06050	C 2		C14
90462-16102	C 2		B 2	93102-11262	D 7
90464-20031	E10	91316-06055	B15	93102-17148	D 8
90467-09006	D10	91316-06060	B 9	93102-20009	D12
	C13	91316-06080	B 2	93102-20108	C 5
90467-10008	B15	91316-06125	E 5	93102-25226	C 9
90467-14015	D10	91401-16015	E 3	93102-30072	D14
90468-03063	D 9	91401-20015	E 4	93104-07003	D12
90468-12006	E 2		E 4	93104-14044	D 3
90468-15009		91401-25015	E 4	93105-47007	D12

NUMERICAL INDEX

PART NO.	GRID NO.	PART NO.	GRID NO.	PART NO.	GRID NO.
92901-06600	C 6	93109-24030	D 3	93440-48079	D 5
	C13	93210-07135	B 9	93450-24028	B 5
	D 8		B15	93503-08007	B 9
	D11	93210-08408	E 2	93507-32009	C 5
	E 4	93210-08521	B 7	93515-32029	C 8
92901-08100	C15	93210-10197	B 9	93604-10011	C11
92901-10100	C13	93210-13361	B 9	93605-10090	B 5
	D 9		C 2	93608-33046	C12
92901-12600	D 5	93210-14104	E 7	93700-06004	D 3
92901-16200	D 3	93210-14369	B 2	94130-211E8	D12
92902-05100	E 9		C 2	94146-181E9	D14
92902-06100	C 4	93210-15171	B 9	94227-21101	D12
	C13	93210-19522	B 2	94240-18098	D14
	C15	93210-32172	B 2	94327-21071	D12
	D11	93210-36510	C 2	94340-18069	D14
	E 9	93210-36549	B11	94416-21324	D12
	E10	93210-62523	B 2	94421-18323	D14
	D11	93210-64297	B 9	94585-20098	D15
92902-06600	E10	93210-97524	B 4	94590-27126	B 8
92902-08100	E 8	93306-00426	C 9	94685-20011	D15
92906-05100	D 8	93306-00429	C 9	94701-00189	B 2
92906-05600	C13	93306-20205	D12	95301-04700	B13
92906-06100	B11	93306-20310	J14	95301-05600	D 3
	D 2	93306-20316	D14	95301-06600	C 7
	D 3	93306-30423	D14		E 4
	D 8	93306-30525	B 5		E 9
	E 8	93306-30535	C 9	95301-10700	D 9
	E12	93306-30540	C 9	95301-12700	E 5
	E12	93306-30702	B 5	95302-05600	E 9
92906-06200	B11	93310-634K2	B 6	95302-08600	E 8
92906-06600	D 2	93313-92513	C 7	95311-06600	D 7
	E 8	93315-11720	E 8	95311-06700	C 6
92906-08200	D11	93316-00501	C11	95311-06700	C 6
93101-14092	C 2	93317-11020	C 7	95332-08600	B 4
93101-25106	B 6	93317-42424	D 3	95601-06100	E12
93102-07261	B 2	93332-00008	D 8	95602-10100	D 5
93102-10207	C 5	93332-00023	D 8	95611-06620	B 2
93102-11262	B 2	93410-10025	C 6	95701-12100	E 6
93102-12106	B 3	93410-11002	B 9	95801-06010	B11
	C12	93410-15005	C 5	95801-06050	D 3
	C 7	93410-20009	C 5	95801-08012	C13
	D12		C 9	95801-08050	C14
	C 5	93410-20038	C 5	95811-08016	B14
	C 9	93410-22014	D12	95811-10065	C13
	D14	93430-09035	C12	95811-10100	C13
	D12	93430-10016	C12	95821-10025	E 4
	D 3	93440-12052	B 2		E 5
	D12	93440-25019	C 9	95826-08035	D 9

NUMERICAL INDEX

PART NO.	GRID NO.	PART NO.	GRID NO.	PART NO.	GRID NO.
95826-08040	D 8				
97301-06012	E 11				
97301-06016	C 13				
	D 8				
	D 11				
	E 10				
97301-08025	C 15				
97302-06014	C 15				
97302-06020	D 11				
	E 9				
97302-08016	D 10				
97306-06012	D 8				
97306-06022	E 12				
97306-06035	B 11				
97306-08050	E 8				
97311-08030	C 5				
97311-10080	C 13				
97316-08025	B 14				
97321-06014	C 9				
97321-06016	B 8				
	C 5				
97322-06010	C 10				
97326-06020	C 12				
97701-50508	B 11				
97701-60120	E 10				
97702-30508	B 11				
97702-40530	E 6				
98501-03008	D 10				
98501-04014	B 12				
98501-05010	B 12				
98501-05040	D 3				
98503-04010	B 13				
	E 6				
98506-05012	E 8				
98506-05018	E 12				
98506-05030	E 12				
98506-05035	E 12				
98506-05045	D 8				
98901-04006	B 13				
98906-06010	B 14				
*	E 8				

PARTS NAME INDEX

DESCRIPTION	GRID NO.
BOSS, buffer	B 5
BOSS, clutch	C 7
BOSS, kick crank	C 5
BRACKET 1	E 5
BRACKET, carrier 2	C15
BRACKET, decompression	B 8
BRACKET, footrest 1	E 4
BRACKET, footrest 2	E 4
BRACKET, meter	E 7
BRACKET, reflector 1	E 9
BRACKET, seat	D11
BRACKET, stop switch	C13
BRAKE SHOE COMP.	D12
*	D14
BULB (12V-3.4W)	E 7
*	E 7
BULB (12V-27/8W)	E 9
BULB (12V-27W)	E 6
*	E 6
BULB (12V-3.4W)	E 8
BULB, headlight (12V-60/55W)	E 8
BUSH	C14
*	D 3
*	D12
BUSH 1	D 3
BUSH 2	D 3
BUSH, rear shock absorber	D 5
BUSH, shock absorber lower	D 5
BUSH, solid	D 5
C.D.I. UNIT ASSY	E10
CABLE CONNECTOR SET	B12
CABLE, brake	E 2
CABLE, clutch	E 2
CABLE, decompression	B 3
CABLE, starter 1	E 2
CABLE, throttle 1	E 2
CABLE, throttle 2	E 2
CAM, decompression	B 2
CAMSHAFT	D12
*	D14
CAMSHAFT ASSY 1	B 8
CAP	E 6
CAP ASSY	D10
CAP, cleaner case 1	B11
CAP, front fork	D 6
*	D 7
CARBURETOR ASSY 1	B12
CARRIER BOX ASSY	C15
CASE, chain	D 3

PARTS NAME INDEX

DESCRIPTION	GRID NO.
CHAIN	B 8
CHAIN, drive (DID520DS 98L)	D15
CIRCLIP	B 2
*	B 5
*	B 9
*	C 5
*	C 5
*	C 5
*	C 6
*	C 9
*	C 9
*	C 9
*	C12
*	C12
*	C12
*	D 5
*	D12
CIRCUIT BREAKER ASSY	E10
CLAMP	B11
*	C 2
*	C 2
*	D 9
*	D 9
*	E10
CLAMP, hose	B11
*	B11
CLIP	B11
*	B13
*	B13
*	B15
*	C13
*	D 9
*	D10
*	D10
*	E 2
*	E 7
CLUTCH, hub	D14
CLUTCH, meter	D12
COLLAR	B15
*	B15
*	C11
*	C15
*	D 9
*	D13
*	D15
*	E 8
COLLAR, body fitting	E 8
COLLAR, wheel	D14
*	D15

PARTS NAME INDEX

DESCRIPTION	GRID NO.
CORD, taillight	E 9
COTTER, valve	B 7
COVER	E 4
COVER 1	B13
COVER, ball race 2	D 8
COVER, cap	C 2
COVER, cap 2	B 9
COVER, connector	E10
COVER, crankcase 1	C 2
COVER, crankcase 2	C 2
COVER, crankcase 3	C 2
COVER, cylinder head side 3	B 2
COVER, handle lever 1	E 2
*	E 2
COVER, hub dust	D13
COVER, oil element	B 9
COVER, rear footrest	E 5
COVER, seat	D11
COVER, shift pedal	C12
COVER, side 1	D 2
*	D 2
COVER, side 2	D 2
*	D 2
COVER, socket	E 8
COVER, spring	C 5
COVER, starter	E12
COVER, thrust 1	D 5
COVER, thrust 2	D 3
COVER, upper	D 8
CRANK 1	B 5
CRANK 2	B 5
CRANKCASE ASSY	B15
CRANKSHAFT ASSY	B 5
CROWN, handle	D 8
CYLINDER	B 4
CYLINDER COMP., front fork	D 6
*	D 7
CYLINDER HEAD ASSY	B 2
DAMPER	D14
*	E 7
*	E 7
DAMPER SUB ASSY	D 5
DAMPER 2	E 7
DAMPER, headlight 1	E 8
DAMPER, headlight 2	E 8
DAMPER, locating 1	D10
DAMPER, locating 2	D10
DAMPER, locating 3	D10

PARTS NAME INDEX

DESCRIPTION	GRID NO.
DECOMP. LEVER ASSY	C 5
DIAPHRAGM SET, 1	B13
DRIVE AXLE ASSY	C 9
DUCT	B11
ELEMENT ASSY, oil cleaner	B 9
ELEMENT, air cleaner	B11
EMBLEM 1	D 2
*	D 2
*	D10
*	D10
FENDER, front	C15
FENDER, rear	C15
FITTING PLATE, bulb	E 8
FLANGE, sPacer	D12
*	D14
FLAP	C15
*	C15
FLASHER RELAY ASSY	E11
FLOAT	B12
FOOTREST 1	E 4
FOOTREST 2	E 4
FOOTREST, rear 1	E 5
FORK, shift 1	C11
FORK, shift 2	C11
FORK, shift 3	C11
FRAME COMP	C13
*	E14
FRONT FLASHER LIGHT ASSY 1	E 6
FRONT FORK ASSY (L.H)	D 6
FRONT FORK ASSY (R.H)	D 6
FRONT STOP SWITCH ASSY	E12
FUEL COCK ASSY 1	D10
FUEL TANK COMP.	D10
*	D10
GASKET	B 3
*	B 4
*	B 9
*	B 9
*	B 9
*	B12
*	B12
*	B12
*	B13
*	B15
*	C 7
*	C13
*	C13
*	C13
*	D 6

PARTS NAME INDEX

DESCRIPTION	GRID NO.
GASKET	D 6
*	D 7
*	D 7
*	D10
*	E11
*	E14
*	E14
GASKET, caP	D10
GASKET, crankcase cover	C 2
GASKET, crankcase cover 3	C 2
GASKET, cylinder	B 4
GASKET, cylinder head 1	B 4
GASKET, drain Plug	D 6
*	D 7
GASKET, exhaust Pipe	B14
GASKET, flasher lens	E 6
*	E 6
GASKET, float chamber	B12
GASKET, lens	E 9
GASKET, muffler	B14
GASKET, tensioner case	B 8
GEAR UNIT ASSY, tacho. drive	B 2
GEAR, bevel	E 2
GEAR, biance wt 44t	B 5
GEAR, drive (10T)	D12
GEAR, drive (44T)	B 5
GEAR, kick 35t	C 5
GEAR, meter (10T)	D12
GEAR, Primary drive (30T)	C 7
GEAR, PumP driven	B 9
GEAR, sProcket idle 31t	C 5
GEAR, 1st whell 30t	C 9
GEAR, 2nd Pinion 17t	C 9
GEAR, 2nd whell 27t	C 9
GEAR, 3rd Pinion 20t	C 9
GEAR, 3rd whell 24t	C 9
GEAR, 4th Pinion 22t	C 9
GEAR, 4th whell 21t	C 9
GEAR, 5th Pinion 27t	C 9
GEAR, 5th whell 21t	C 9
GRAPHIC SET	D10
*	D10
GRAPHIC 1	D 2
*	D 2
GRAPHIC 2	D 2
*	D 2
GRIP (L.H)	E 2
GRIP (R.H)	E 2

PARTS NAME INDEX

DESCRIPTION	GRID NO.
GROMMET	D 9
*	E 2
GUARD, chain	D 3
GUIDE	B11
GUIDE, cable	D 8
*	D 8
GUIDE, chain	D 3
GUIDE, intake valve (1ST O/S)	B 2
GUIDE, ratchet wheel	C 5
GUIDE, sPring 1	D 5
GUIDE, sPring 2	D 5
GUIDE, stopPer 1	B 8
GUIDE, stopPer 2	B 8
HANDLEBAR	E 2
HEADLIGHT UNIT ASSY	E 8
HELMET HANGER ASSY	D11
HOLDER STOPPER 1	D 8
HOLDER, axle	D 7
HOLDER, cable	D 8
HOLDER, cable 1	D 8
HOLDER, cable 2	D 8
HOLDER, clutch cable	C 2
HOLDER, damPer	D 8
HOLDER, handle lower	D 8
HOLDER, handle uPper	D 8
HOLDER, lever 1	E12
HOLDER, lever 2	E12
HOLDER, sProcket	C 9
HORN	E11
HOSE	B11
*	C13
*	D10
*	E10
HOSE, oil 1	B 9
HOSE, oil 2	B 9
HUB, front	D12
HUB, rear	D14
IGNITION COIL ASSY	E10
JET, main (#126)	B13
JET, main (#130)	B12
JET, Pilot (#048)	B12
JOINT	B11
*	C 7
JOINT, air cleaner 1	B11
JOINT, cable	E 2
JOINT, carburetor 1	B11
JOINT, carburetor 2	B11
JOINT, chain	D15

PARTS NAME INDEX

DESCRIPTION	GRID NO.
KEY, straight	B 6
*	C 7
KEY, woodruff	B 5
KICK AXLE ASSY	C 5
KICK CRANK ASSY	C 5
LENS, flasher	E 6
*	E 6
LENS, headlight	E 8
LENS, taillight	E 9
LEVER 1	E12
LEVER 2	E12
LEVER, cable	C 6
LEVER, camshaft	D14
LEVER, camshaft 1	D12
LEVER, starter	B12
*	E12
MAIN AXLE COMP.	C 9
MAIN SWITCH ASSY	E10
MUD GUARD COMP.	C15
MUFFLER 1	B14
NEEDLE SET (4A70)	B12
NEEDLE SET (5C31)	B12
NEEDLE VALVE SET	B12
NET, filter	C13
*	E14
NEUTRAL SWITCH ASSY	E11
NIPPLE, grease	D 3
NOZZLE, main	B12
NOZZLE, main 2	B12
NUT	B 4
*	B 4
*	B 4
*	B 5
*	B 6
*	B 7
*	B13
*	B13
*	B14
*	C 6
*	C 7
*	C 7
*	C 7
*	C 7
*	D 3
*	D 5
*	D 7
*	D 8
*	D 9
*	D14
*	E 2

PARTS NAME INDEX

DESCRIPTION	GRID NO.
NUT	E 2
*	E 4
*	E 5
*	E 8
*	E 9
*	E 9
*	E 9
NUT, adjustinB	E 8
NUT, castle	D13
*	D15
NUT, flange	E 6
*	E 6
NUT, self-locking	C13
*	C13
*	C13
*	C14
*	D 3
*	E 5
NUT, u	D 5
*	E12
*	E12
NUT, wing	E 4
O-RING	B 2
*	B 2
*	B 2
*	B 2
*	B 4
*	B 7
*	B 9
*	B 9
*	B 9
*	B 9
*	B 9
*	B 9
*	B11
*	B13
*	B15
*	C 2
*	C 2
*	C 2
*	C 2
*	D 6
*	D 7
*	D 7
*	D10
*	D10
*	E 2
*	E 2
*	E 7
*	E 7
*	E 7
OIL PUMP ASSY	B 9

PARTS NAME INDEX

DESCRIPTION	GRID NO.
OIL SEAL	B 2
*	B 2
*	B 3
*	B 6
*	C 2
*	C 5
*	C 5
*	C 7
*	C 9
*	C12
*	D 3
*	D 3
*	D 6
*	D 6
*	D12
*	D12
*	D12
PAD, battery	D 2
PEDAL, brake	E 4
*	E 4
PILOT SCREW SET	B12
PIN	C 7
*	E 4
PIN, clevis	D 5
*	E 2
*	E 4
*	E 4
*	E 4
*	E 5
*	E 5
PIN, cotter	D 5
*	D13
*	D15
*	E 3
*	E 4
*	E 4
*	E 4
*	E 4
*	E 5
PIN, crank 1	B 5
PIN, dowel	B 2
*	B 4
*	B 4
*	B 5
*	B15
*	B15

PARTS NAME INDEX

DESCRIPTION	GRID NO.
PIN, dowel	B15
*	B15
*	C 2
*	C 2
*	C11
*	C12
PIN, float	B12
PIN, Piston	B 5
PIPE	B13
*	B13
*	B13
*	B13
*	B13
PIPE, breather 1	B15
PIPE, exhaust 1	B14
PISTON (STD)	B 5
PISTON (1ST O/S 0.25MM)	B 5
PISTON (3RD O/S 0.75MM)	B 5
PISTON RING SET (STD)	B 5
PISTON RING SET (1ST O/S)	B 5
PISTON RING SET (3RD O/S)	B 5
PLATE	B10
*	B13
*	C13
*	E10
PLATE, bearing cover	B15
PLATE, brake shoe	D12
*	D14
PLATE, breather 2	B 6
PLATE, cleaner case fitting	B11
*	B11
PLATE, clutch 2	C 7
PLATE, cover	C 9
PLATE, decomp	C 3
PLATE, friction	C 7
PLATE, friction 2	C 7
PLATE, indicator	D12
*	D14
PLATE, mold	D10
PLATE, Pressure 1	C 7
PLATE, Push	C 7
PLATE, thrust 1	C 7
PLUG	B 9
*	E11
PLUG CAP ASSY	E10
PLUG, drain	D 6
*	D 7

PARTS NAME INDEX

DESCRIPTION	GRID NO.
PLUG, drain	D10
PLUG, screw	B12
PLUG, sPark (NGK DR7ES)	E13
PLUG, sPark (NGK D7EA)	B 2
PLUG, straight screw	B 2
*	C 2
*	C 2
*	C 2
PLUG, taPer	C 5
PLUG, viewer	B 2
PRIMARY DRIVEN GEAR COMP.(76T)	C 7
PROTECTOR, exhaust PiPe	B14
PROTECTOR, muffler 2	B14
PROTECTOR	B11
PROTECTOR, engine	C13
PULLER, chain 1	D15
PULLER, chain 2	D15
PUSH LEVER COMP.	C 7
REAR ARM COMP.	D 3
REAR FLASHER LIGHT ASSY 1	E 6
REAR FOOTREST ASSY 1	E 5
RECTIFIER & REGULATOR ASSY	E10
REFLECTOR, rear 1	E 9
REINF. COMP.	C15
RETAINER, valve sPring	B 7
RIM (1.60-21)	D12
RIM (2.15-18)	D14
RIM, headlight	E 8
RING, leaf	E 2
RING, retaining	E 8
RING, snap	D 6
*	D 6
RING, stoP	E 7
ROD, brake	E 4
ROD, connecting	B 5
ROD, Push 1	C 7
ROD, Push 2	C 8
ROTOR ASSY	C 4
SCREW	B 9
*	B13
*	B13
*	C 7
*	D10
SCREW, bind	B13
*	B14
*	B14
SCREW, countersunk	C 5
*	C11
SCREW, flat head	B 2

PARTS NAME INDEX

DESCRIPTION	GRID NO.
SCREW, flat head	B15
*	D11
SCREW, hexagon	D 9
*	E 7
*	E12
SCREW, lens fitting	E 9
SCREW, Pan head	B 9
*	B 9
*	B11
*	B12
*	B12
*	B12
*	B13
*	C 2
*	C 4
*	C 4
*	C13
*	C14
*	C15
*	D 2
*	D 2
*	D 3
*	D 3
*	D 8
*	D 8
*	D10
*	E 6
*	E 6
*	E 8
*	E 8
*	E 9
*	E10
*	E12
*	E12
*	E12
SCREW, rim adjusting	E 8
SCREW, rim fitting	E 8
SCREW, taPping	B11
*	B11
*	E 6
*	E 6
*	E10
SCREW, valve adjusting	B 7
SCREW, with washer	C 7
*	C11
SEAL	B11
*	B13
SEAL, dust	D 6

PARTS NAME INDEX

DESCRIPTION	GRID NO.
SEAL, dust	D 6
SEAL, Guard	D 3
SEAL, oil strainer	B 9
SEAL, valve stem	B 7
SEAT BAND ASSY	D11
SEAT, battery	E10
SEAT, check ball	B 9
SEAT, sPring lower	D 5
SEAT, sPring upper	D 5
*	D 6
*	D 7
SEAT, valve sPring	B 7
SEGMENT	C11
SEMI-DOUBLE SEAT ASSY	D11
SHAFT	C14
SHAFT, Pivot	D 3
SHAFT, rocker	B 7
SHAFT, rocker 2	B 7
SHAFT, rocker 3	B 7
SHIFT CAM ASSY	C11
SHIFT LEVER ASSY	C12
SHIFT PEDAL ASSY	C12
SHIFT SHAFT ASSY	C12
SHIFT SHAFT ASSY 2	C12
SHIM	C 9
SHIM, kick shaft	C 2
SHOCK ABSORBER ASSY, rear	D 5
SOCKET CORD ASSY	E 7
SOCKET, meter	E 7
SOCKET, Pilot light	E 8
SPACER	D 6
*	D 7
SPACER, bead	D12
*	D14
SPACER, bearing	D12
*	D14
SPEEDOMETER ASSY	E 7
SPEEDOMETER CABLE ASSY	E 7
SPINDLE, taPer	D 6
*	D 6
SPOKE SET, front	D12
SPOKE SET, rear	D14
SPRING	B12
*	B13
*	D 5
SPRING, clutch boss	C 7
SPRING, comPrission	B 5
*	B 9

PARTS NAME INDEX

DESCRIPTION	GRID NO.
SPRING, comPrission	C 5
*	C 5
*	C 7
*	E 4
SPRING, front fork	D 6
*	D 7
SPRING, rebound	D 6
*	D 7
SPRING, screw	E 8
SPRING, tension	D12
*	D14
*	E 4
*	E 5
SPRING, throttle valve	B13
SPRING, torsion	B 2
*	C 5
*	C 6
*	C 8
*	C11
*	C12
*	D 3
*	E 4
*	E 4
*	E 4
SPRING, valve inner	B 7
SPRING, valve outer	B 7
SPROCKET 46T	B 8
SPROCKET, drive (15T)	C 9
SPROCKET, driven (39T)	D14
STAND, side	E 5
STARTER SET	B12
STATOR ASSY	C 4
STAY, engine 2	C13
STAY, engine 3	C13
STAY, flasher	E 6
*	E 6
STAY, headlight	D 9
STAY, Plate fitting 1	D 9
STAY, Plate fitting 2	D 9
STOP SCREW SET	B13
STOP SWITCH ASSY	E11
STOPPER	B13
*	C 5
*	C 5
*	C13
*	C11
STOPPER LEVER ASSY	D 5
STOPPER, bump	D 5
STOPPER, main stand	C13

PARTS NAME INDEX

DESCRIPTION	GRID NO.
STRAINER COMP.	B 9
SUPPORT, bump stop	D 5
SWITCH, handle 1	E12
SWITCH, handle 4	E12
TACHOMETER ASSY	E 7
TACHOMETER CABLE ASSY	E 7
TAILLIGHT ASSY	E 9
TENSIONER	C14
*	D 3
TENSIONER ASSY, cam chain	B 8
TENSIONER 1	D 3
THROTTLE SCREW SET	B12
TIRE (3.00-21)	D12
TIRE (4.60-18)	D14
TOOL KIT	C15
TUBE (2.75-21)	D12
TUBE (4.00-18)	D14
TUBE, inner 1	D 6
*	D 6
TUBE, outer 1	D 6
TUBE, outer 2	D 6
TUBE, throttle Guide	E 2
UNDER BRACKET COMP.	D 7
UPPER BRACKET SUB ASSY	D 5
VALVE ASSY	B12
VALVE, exhaust	B 7
VALVE, intake	B 7
VALVE, throttle 1	B12
WASHER	C 9
*	C 9
*	D11
*	D14
*	E10
*	E10
*	E12
WASHER, bearing cover	B 5
WASHER, lock	B 6
*	C 5
*	C 7
*	C 7
WASHER, Plain	B12
*	C 7
*	D 3
*	E 4
*	E 8
*	E12
WASHER, Plate	B 4
*	B 4

PARTS NAME INDEX

PARTS NAME INDEX

DESCRIPTION	GRID NO.
WASHER, Plate	B 4
*	B 4
*	B 5
*	B 5
*	B 5
*	B 8
*	B11
*	B14
*	C 4
*	C 5
*	C 5
*	C 6
*	C 6
*	C 8
*	C 9
*	C12
*	C13
*	C14
*	C14
*	C15
*	C15
*	D 2
*	D 2
*	D 3
*	D 3
*	D 3
*	D 3
*	D 5
*	D 5
*	D 8
*	D 8
*	D 8
*	D 9
*	D 9
*	D 9
*	D 9
*	D10
*	D11
*	D12
*	D12
*	D13
*	E 3
*	E 4
*	E 4
*	E 5
*	E 7
*	E 8
*	E 8
*	E 9
*	E10
*	E10

DESCRIPTION	GRID NO.
WASHER, Plate	E12
*	E12
WASHER, Plate (1.0T)	C 5
WASHER, Protector	B14
*	B14
WASHER, sPecial	D10
WASHER, sPring	B11
*	B12
*	B13
*	C 4
*	C13
*	C13
*	C13
*	C14
*	C15
*	C15
*	D 2
*	D 3
*	D 3
*	D 7
*	D 8
*	D 8
*	D 8
*	D 8
*	D 9
*	D11
*	D11
*	E 8
*	E 8
*	E 9
*	E 9
*	E 9
*	E 9
*	E10
*	E11
*	E12
*	E12
*	E12
WASHER, wave	B 7
*	B14
*	B14
*	D 5
WEIGHT 1	B 5
WHEEL, ratchet	C 5
WIRE HARNESS ASSY	E10

