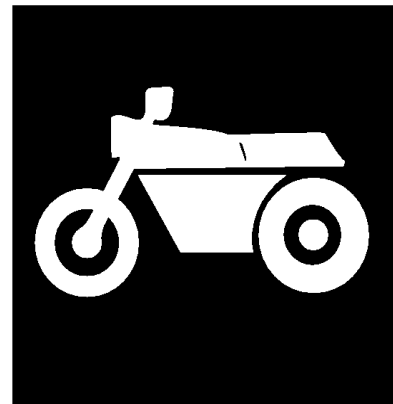


CONTENTS

CYLINDER HEAD	B2	REAR MASTER CYLINDER	E9
CYLINDER	B3	COWLING 1	E11
CRANKSHAFT & PISTON	B4	GENERATOR	E12
VALVE	B5	FLASHER LIGHT	E13
CAMSHAFT & CHAIN	B6	METER	E14
WATER PUMP	B7	HEADLIGHT	E15
RADIATOR & HOSE	B8	TAILLIGHT	F2
OIL PUMP	B9	HANDLE SWITCH & LEVER	F3
INTAKE	B11	ELECTRICAL 1	F4
INTAKE 2	B13	ELECTRICAL 2	F6
EXHAUST	B14		
CRANKCASE	C2		
CRANKCASE COVER 1	C3	NUMERICAL INDEX	M1
STARTER CLUTCH	C5		
CLUTCH	C6		
TRANSMISSION	C8		
SHIFT CAM & FORK	C10		
SHIFT SHAFT	C11		
FRAME	C12		
FENDER	C14		
SIDE COVER	D2		
REAR ARM	D3		
REAR SUSPENSION	D5		
STEERING	D6		
FRONT FORK	D8		
FUEL TANK	D10		
SEAT	D12		
FRONT WHEEL	D14		
FRONT BRAKE CALIPER	D15		
REAR WHEEL	E2		
REAR BRAKE CALIPER	E4		
STEERING HANDLE & CABLE	E5		
FRONT MASTER CYLINDER	E6		
STAND & FOOTREST	E7		



PARTS CATALOGUE

XT660X '2004 (1D21) EUROPE

XT660X '2004 (1D23) UNITED KINGDOM



2C1D2-300E3

XT660X
PARTS CATALOGUE
©2005, MBK Industrie
3rd Edition, February 2005
All rights reserved.
Any reprinting or unauthorized use
without the written permission of
MBK Industrie
is expressly prohibited.

FOREWORD

This Parts Catalogue is related to the parts for the model(s) in the below frame. When you are ordering replacement parts, please refer to this Parts Catalogue and quote both part numbers and parts names correctly.

XT660X (1D21), XT660X (1D23)

1. Modifications or additions which have been made after issue of the Parts Catalogue will be announced in the Yamaha Parts News. It is advisable that you make necessary corrections to the Parts Catalogue according to the Yamaha Parts News.

2. Abbreviations

The following abbreviations are used in this Parts Catalogue.

- “UR“ Use specified parts number.
- “UN“ Use as many as needed.
- “AP“ Alternate Parts.
- “LM“ Local made (Parts needs to be ordered locally).
- “F#“ Frame No. (Applicable machine No.)

3. Parts, which are to be supplied in an assembly, are listed with a dot (.) in front of the part name as shown below.

EXAMPLE
 CARBURETOR ASSY
 .JET, PILOT
 .NOZZLE, MAIN

4. Number of component for assembly

The numeral appearing to the right of each component part indicates the quantity of parts for each assembly unit.

EXAMPLE

PART NO.	DESCRIPTION	Q'TY	REMARKS
2F5-83310-60	FRONT FLASHER LIGHT ASSY	2	
115-83311-60	.BULB (6V-18W)	1	
1M1-83309-60	.REFLECTOR	1	

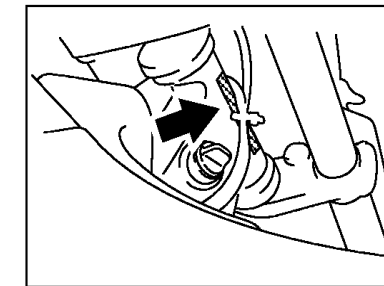
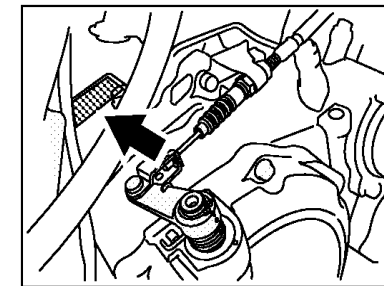
5. Applicable colors of graphics are represented in the “REMARKS“ as shown below.

PART NO.	DESCRIPTION	Q'TY	REMARKS
2N4-24110-00-X5	FUEL TANK COMP.	2	MXR
3J1-24240-10	.GRAPHIC, FUEL TANK	1	for MXR

6. Applicable Serial No.

Engine Serial No.

Frame Serial No.



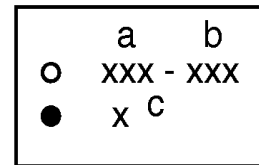
7. Note that the illustrations for reference in finding parts numbers, not to be used for assembling. When assembling, please use the applicable Service Manual.

8. The asterisk (*) before a reference number indicates modification items after the first edition.

MODEL LABEL

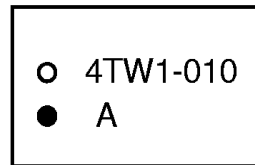
(1) A label called "Model Label" is affixed in the location as indicated in (3) below. When using this parts catalogue, please be sure to cross-refer the "model code-production code No." in the catalogue to the "model code-production code No." indicated on the Model Label affixed onto the product concerned.

(2) "Model Label" Indication

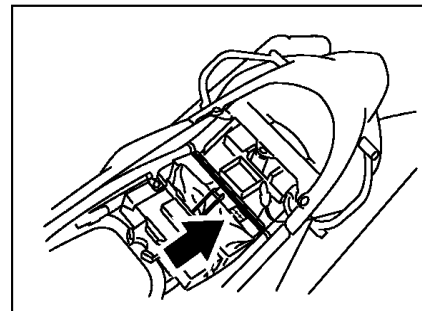


a: Model Type Code
b: Production Code No.
c: ColouringType

ex.



(3) Model Label Affixing Location



(4) Model Code - Production Code Number of Model Listed in this Parts Catalogue.

Model Code	Production Code No.	Country (destination)	Quantity column
1D21	010	FRANCE	01
1D21	020	NETHERLANDS	04
1D21	030	SWITZERLAND	04
1D21	040	GERMANY	02
1D21	050	ITALY	04
1D21	060	PORTUGAL	04
1D21	070	GREECE	04
1D21	080	NORWAY	04
1D21	090	SWEDEN	04
1D21	100	SPAIN	04
1D21	110	BELGIUM	04
1D21	130	SOUTH AFRICA	03
1D23	010	UNITED KINGDOM	05

(5) Colouring Information

Model Code	Colouring type code	Colour code	Colour name	Abbreviation
1D21	A	0583	DEEP PURPLISH BLUE SOLID E	DPBSE
1D21	B	0934	DARK GRAY METALLIC D	DNMD
1D23	A	0583	DEEP PURPLISH BLUE SOLID E	DPBSE
1D23	B	0934	DARK GRAY METALLIC D	DNMD



CONTENTS

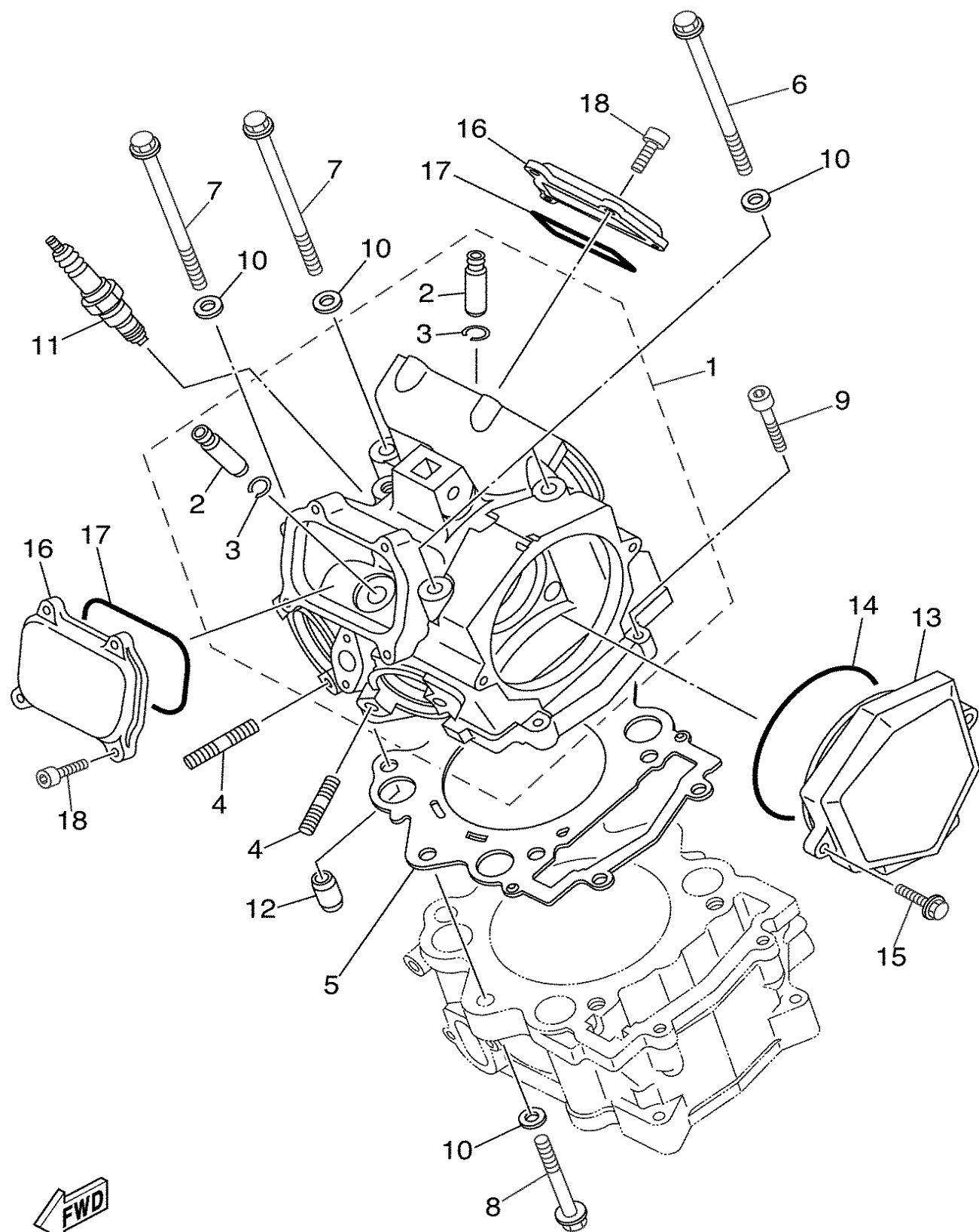
CYLINDER HEAD	B2	REAR MASTER CYLINDER	E9
CYLINDER	B3	COWLING 1	E11
CRANKSHAFT & PISTON	B4	GENERATOR	E12
VALVE	B5	FLASHER LIGHT	E13
CAMSHAFT & CHAIN	B6	METER	E14
WATER PUMP	B7	HEADLIGHT	E15
RADIATOR & HOSE	B8	TAILLIGHT	F2
OIL PUMP	B9	HANDLE SWITCH & LEVER	F3
INTAKE	B11	ELECTRICAL 1	F4
INTAKE 2	B13	ELECTRICAL 2	F6
EXHAUST	B14		
CRANKCASE	C2		
CRANKCASE COVER 1	C3	NUMERICAL INDEX	M1
STARTER CLUTCH	C5		
CLUTCH	C6		
TRANSMISSION	C8		
SHIFT CAM & FORK	C10		
SHIFT SHAFT	C11		
FRAME	C12		
FENDER	C14		
SIDE COVER	D2		
REAR ARM	D3		
REAR SUSPENSION	D5		
STEERING	D6		
FRONT FORK	D8		
FUEL TANK	D10		
SEAT	D12		
FRONT WHEEL	D14		
FRONT BRAKE CALIPER	D15		
REAR WHEEL	E2		
REAR BRAKE CALIPER	E4		
STEERING HANDLE & CABLE	E5		
FRONT MASTER CYLINDER	E6		
STAND & FOOTREST	E7		

CONTENTS

CYLINDER HEAD	B2	REAR MASTER CYLINDER	E9
CYLINDER	B3	COWLING 1	E11
CRANKSHAFT & PISTON	B4	GENERATOR	E12
VALVE	B5	FLASHER LIGHT	E13
CAMSHAFT & CHAIN	B6	METER	E14
WATER PUMP	B7	HEADLIGHT	E15
RADIATOR & HOSE	B8	TAILLIGHT	F2
OIL PUMP	B9	HANDLE SWITCH & LEVER	F3
INTAKE	B11	ELECTRICAL 1	F4
INTAKE 2	B13	ELECTRICAL 2	F6
EXHAUST	B14		
CRANKCASE	C2	NUMERICAL INDEX	M1
CRANKCASE COVER 1	C3		
STARTER CLUTCH	C5		
CLUTCH	C6		
TRANSMISSION	C8		
SHIFT CAM & FORK	C10		
SHIFT SHAFT	C11		
FRAME	C12		
FENDER	C14		
SIDE COVER	D2		
REAR ARM	D3		
REAR SUSPENSION	D5		
STEERING	D6		
FRONT FORK	D8		
FUEL TANK	D10		
SEAT	D12		
FRONT WHEEL	D14		
FRONT BRAKE CALIPER	D15		
REAR WHEEL	E2		
REAR BRAKE CALIPER	E4		
STEERING HANDLE & CABLE	E5		
FRONT MASTER CYLINDER	E6		
STAND & FOOTREST	E7		

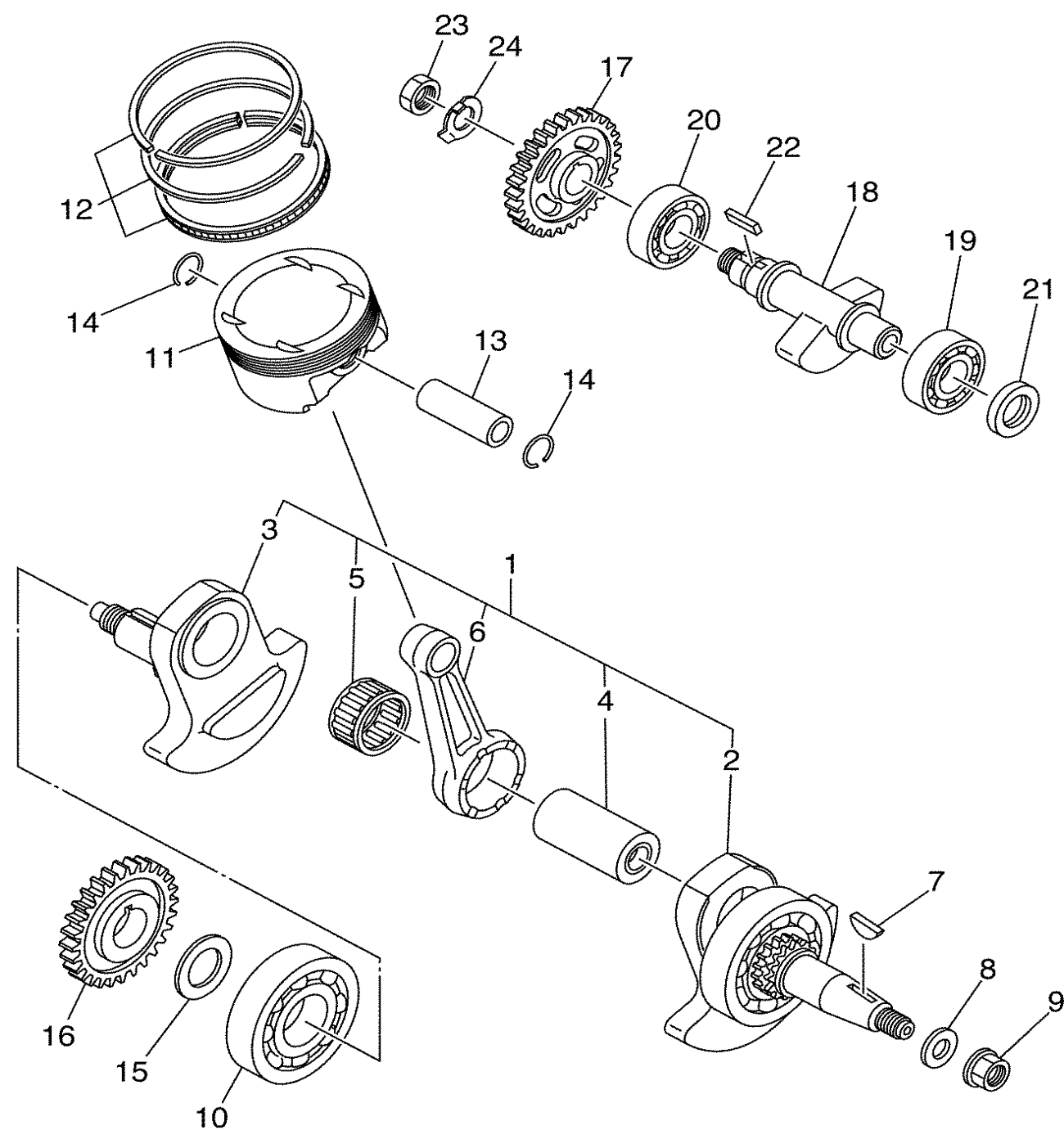
FIG. 1 CYLINDER HEAD

REF. NO.	PART NO.	DESCRIPTION	FRA	DEU	ZAF	OTH	GBR	REMARKS
1	5VK-E1101-00	CYLINDER HEAD ASSY	1	1	1	1	1	
2	4G0-11133-11	.GUIDE, VALVE 1	4	4	4	4	4	
3	93440-10085	.CIRCLIP	4	4	4	4	4	
4	95617-08618	BOLT, STUD	4	4	4	4	4	
5	5VK-11181-00	GASKET, CYLINDER HEAD 1	1	1	1	1	1	
6	90105-09002	BOLT, FLANGE	2	2	2	2	2	
7	90105-09004	BOLT, FLANGE	2	2	2	2	2	
8	90105-09003	BOLT, FLANGE	2	2	2	2	2	
9	91317-06030	BOLT	2	2	2	2	2	
10	90201-096J9	WASHER, PLATE	6	6	6	6	6	
11	94701-00X09	PLUG, SPARK (NGK CR7E)	1	1	1	1	1	
12	93612-16X00	PIN, DOWEL	2	2	2	2	2	
13	5VK-E1185-00	COVER, CYLINDER HEAD SIDE 1	1	1	1	1	1	
14	93210-96X00	O-RING	1	1	1	1	1	
15	90105-06X06	BOLT, FLANGE	2	2	2	2	2	
16	5VK-E1186-00	COVER, CYLINDER HEAD SIDE 2	2	2	2	2	2	
17	93210-78X00	O-RING	2	2	2	2	2	
18	91317-06018	BOLT	8	8	8	8	8	



FWD
5VK1300-C010

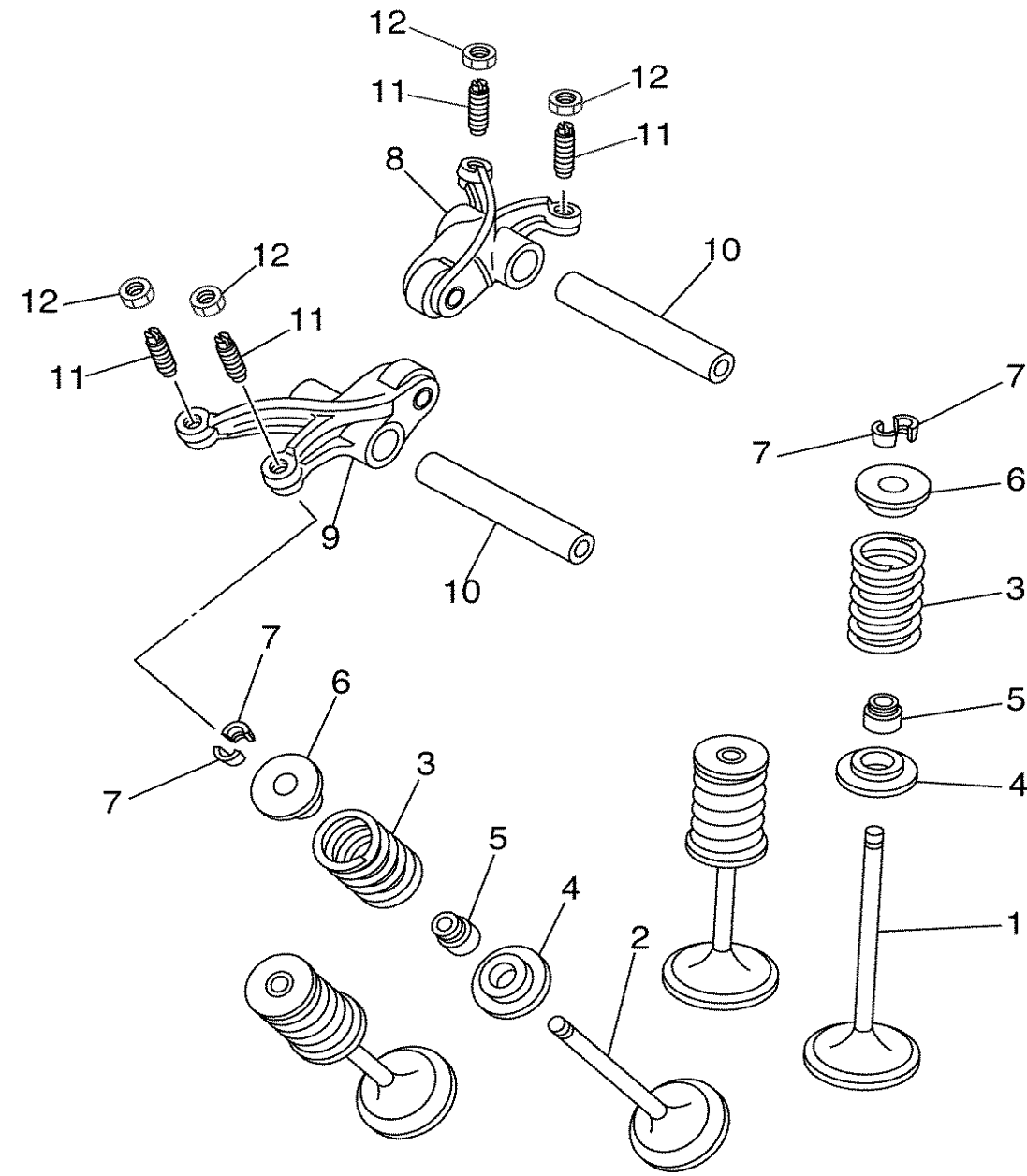
FIG. 3 CRANKSHAFT & PISTON



FWD
5VK1300-C030

REF. NO.	PART NO.	DESCRIPTION	FRA	DEU	ZAF	OTH	GBR	REMARKS
1	5VK-11400-00	CRANKSHAFT ASSY	1	1	1	1	1	
2	5VK-11401-09	.CRANK SUB ASSY 1	1	1	1	1	1	
3	5VK-11422-00	.CRANK 2	1	1	1	1	1	
4	5VK-11681-00	.PIN, CRANK 1	1	1	1	1	1	
5	93310-84010	.BEARING	1	1	1	1	1	
6	5VK-11651-00	.ROD, CONNECTING	1	1	1	1	1	
7	90280-05001	KEY, WOODRUFF	1	1	1	1	1	
8	90201-16013	WASHER, PLATE	1	1	1	1	1	
9	90179-16448	NUT	1	1	1	1	1	
10	93306-308Y0	BEARING	1	1	1	1	1	
11	5VK-11631-00	PISTON (STD)	1	1	1	1	1	
12	5VK-11603-00	PISTON RING SET (STD)	1	1	1	1	1	
13	5VK-11633-00	PIN, PISTON	1	1	1	1	1	
14	93450-24824	CIRCLIP	2	2	2	2	2	
15	90201-30X00	WASHER, PLATE	1	1	1	1	1	
16	5VK-11536-00	GEAR, DRIVE	1	1	1	1	1	
17	5VK-11531-00	GEAR, BALANCE WEIGHT	1	1	1	1	1	
18	5VK-11454-00	WEIGHT 1	1	1	1	1	1	
19	93306-305YA	BEARING	1	1	1	1	1	
20	93306-305X4	BEARING	1	1	1	1	1	
21	93101-25106	OIL SEAL	1	1	1	1	1	
22	90282-05058	KEY, STRAIGHT	1	1	1	1	1	
23	90170-18003	NUT	1	1	1	1	1	
24	90215-18X00	WASHER, LOCK	1	1	1	1	1	

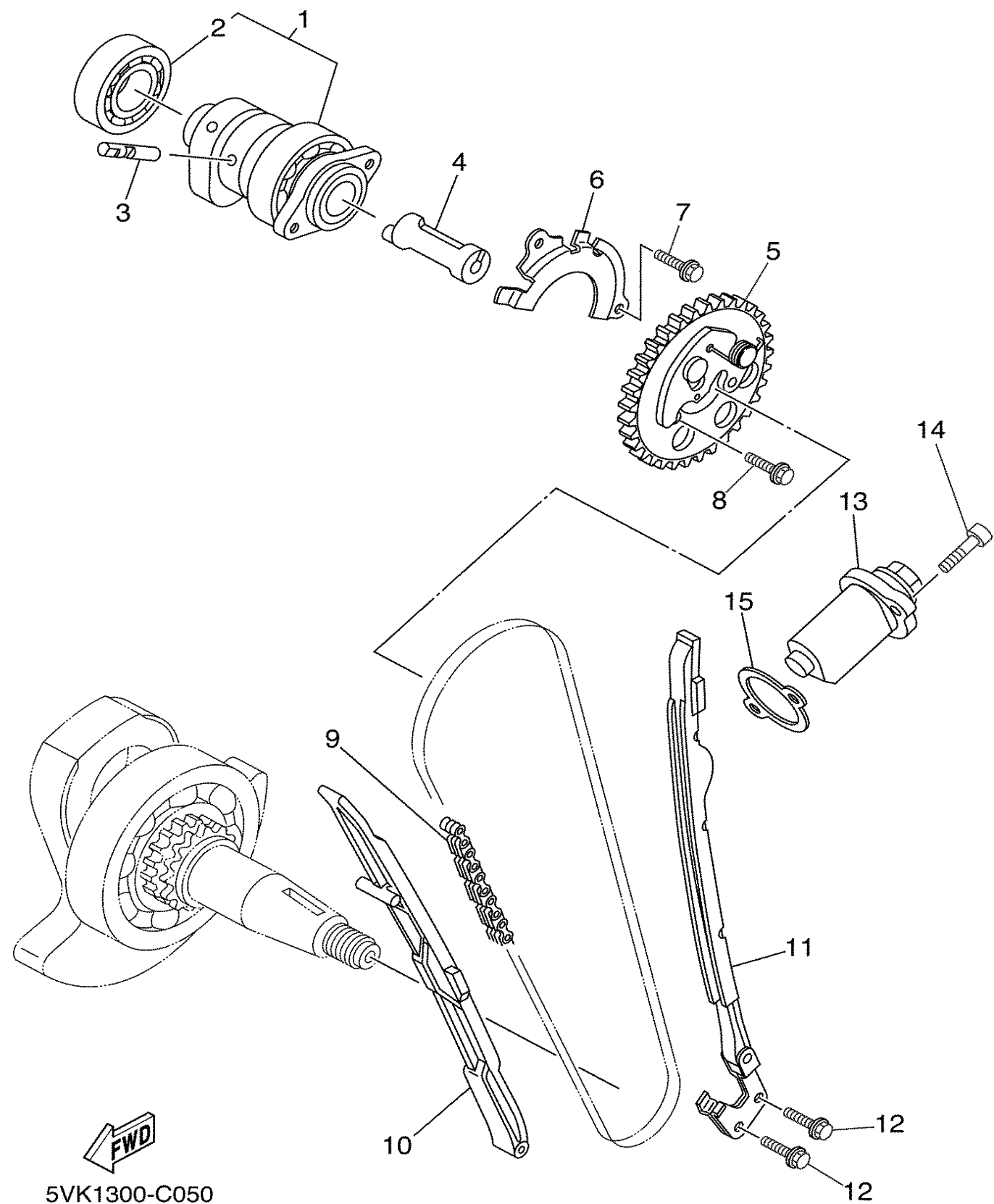
FIG. 4 VALVE



REF. NO.	PART NO.	DESCRIPTION	FRA	DEU	ZAF	OTH	GBR	REMARKS
1	5VK-12111-00	VALVE, INTAKE	2	2	2	2	2	
2	5VK-12121-00	VALVE, EXHAUST	2	2	2	2	2	
3	5VK-12113-00	SPRING, VALVE INNER	4	4	4	4	4	
4	3YF-12116-00	SEAT, VALVE SPRING	4	4	4	4	4	
5	5H0-12119-00	SEAL, VALVE STEM	4	4	4	4	4	
6	3YF-12117-01	RETAINER, VALVE SPRING	4	4	4	4	4	
7	4G0-12118-00	COTTER, VALVE	8	8	8	8	8	
8	5VK-12151-00	ARM, VALVE ROCKER	1	1	1	1	1	
9	5VK-12161-00	ARM, VALVE ROCKER 2	1	1	1	1	1	
10	5VK-12146-00	SHAFT, ROCKER	2	2	2	2	2	
11	5BP-12159-01	SCREW, VALVE ADJUSTING	4	4	4	4	4	
12	90170-06128	NUT	4	4	4	4	4	

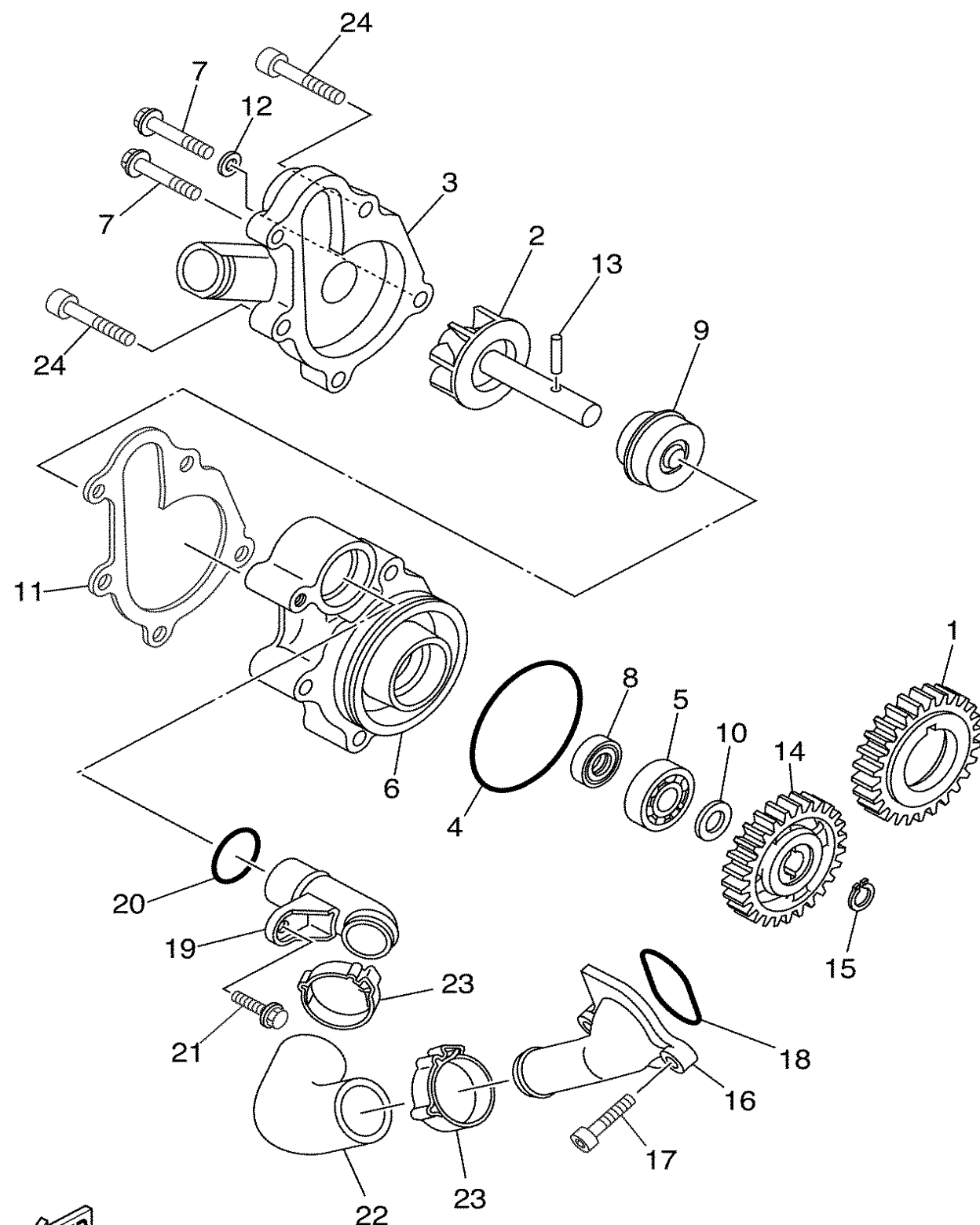
 5VK1300-C040

FIG. 5 CAMSHAFT & CHAIN



REF. NO.	PART NO.	DESCRIPTION	FRA	DEU	ZAF	OTH	GBR	REMARKS
1	5VK-E2170-00	CAMSHAFT ASSY 1	1	1	1	1	1	
2	93306-072Y1	.BEARING	1	1	1	1	1	
3	5VK-12284-00	PIN, DECOMPRESSION LEVER	1	1	1	1	1	
4	5VK-12290-00	LEVER, DECOMPRESSION SPRING	1	1	1	1	1	
5	5VK-12280-00	DECOMPRESSION ASSY	1	1	1	1	1	
6	5VK-1111F-00	PLATE	1	1	1	1	1	
7	95027-06012	BOLT, FLANGE	2	2	2	2	2	
8	90105-07004	BOLT, FLANGE	2	2	2	2	2	
9	94591-57126	CHAIN	1	1	1	1	1	
10	5VK-12231-00	GUIDE, STOPPER 1	1	1	1	1	1	
11	5VK-12241-00	GUIDE, STOPPER 2	1	1	1	1	1	
12	90119-06X05	BOLT, WITH WASHER	2	2	2	2	2	
13	3TB-12210-00	TENSIONER ASSY, CAM CHAIN	1	1	1	1	1	
14	91317-06025	BOLT	2	2	2	2	2	
15	4DW-12213-00	GASKET, TENSIONER CASE	1	1	1	1	1	

FIG. 6 WATER PUMP

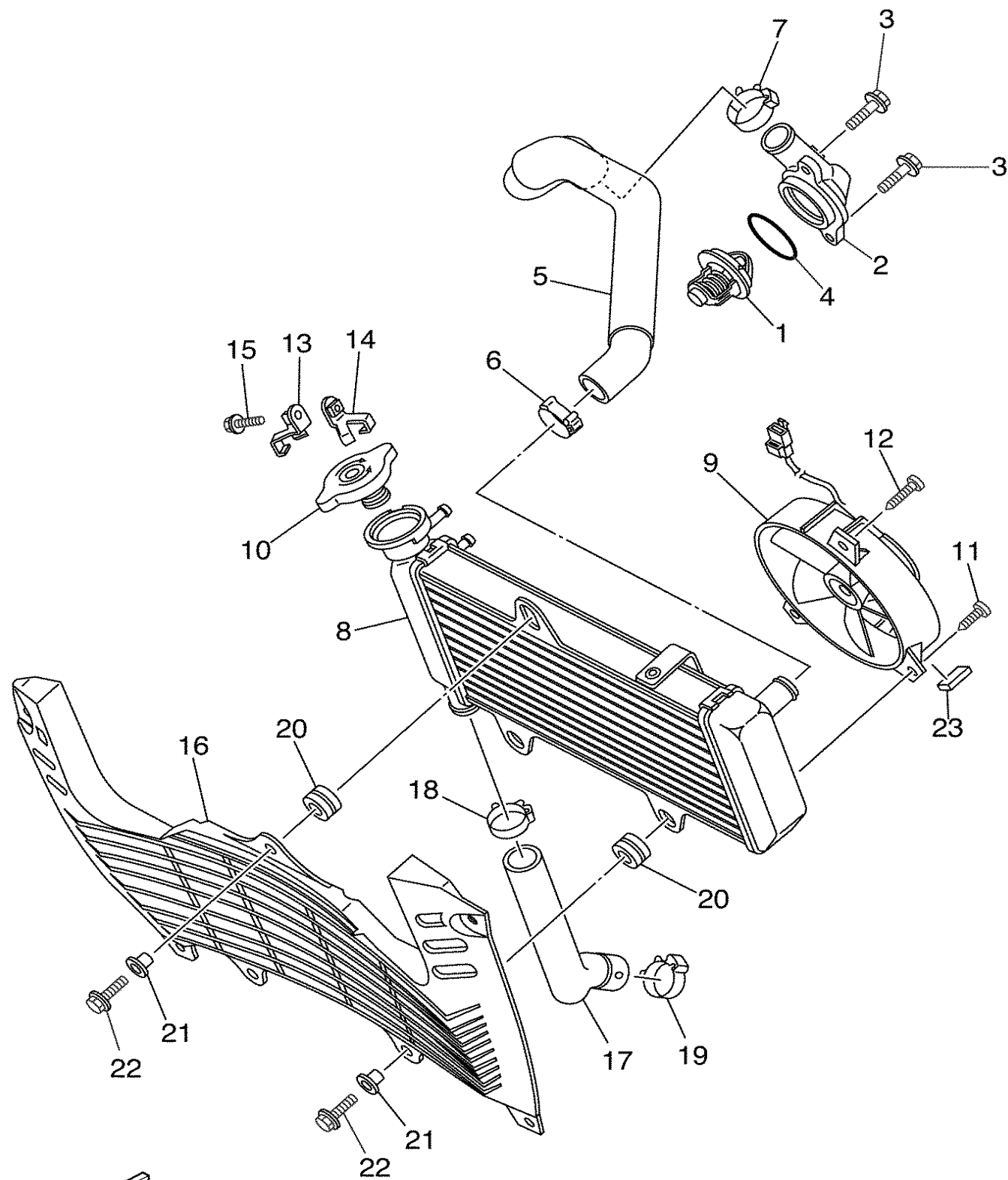


5VK1300-C060

REF. NO.	PART NO.	DESCRIPTION	FRA	DEU	ZAF	OTH	GBR	REMARKS
1	5VK-12436-00	GEAR, DRIVE	1	1	1	1	1	
2	5VK-12450-00	IMPELLER SHAFT ASSY	1	1	1	1	1	
3	5VK-12422-00	COVER, HOUSING	1	1	1	1	1	
4	93210-61750	O-RING	1	1	1	1	1	
5	93306-00106	BEARING	1	1	1	1	1	
6	5VK-12421-00	HOUSING, WATER PUMP	1	1	1	1	1	
7	95027-06025	BOLT, FLANGE	2	2	2	2	2	
8	93101-12173	OIL SEAL	1	1	1	1	1	
9	11H-12438-10	SEAL, MECHANICAL	1	1	1	1	1	
10	90201-12541	WASHER, PLATE	1	1	1	1	1	
11	5VK-12428-00	GASKET, HOUSING COVER 2	1	1	1	1	1	
12	90430-06014	GASKET	1	1	1	1	1	
13	93603-16219	PIN, DOWEL	1	1	1	1	1	
14	5VK-12459-00	GEAR, IMPELLER SHAFT	1	1	1	1	1	
15	99009-12400	CIRCLIP	1	1	1	1	1	
16	5VK-E2469-00	JOINT 1	1	1	1	1	1	
17	91317-06020	BOLT	2	2	2	2	2	
18	93210-33X00	O-RING	1	1	1	1	1	
19	5VK-12481-00	PIPE 1	1	1	1	1	1	
20	93210-21X00	O-RING	1	1	1	1	1	
21	91317-06012	BOLT	1	1	1	1	1	
22	5VK-12577-00	HOSE 2	1	1	1	1	1	
23	90467-29800	CLIP	2	2	2	2	2	
24	91317-06050	BOLT	3	3	3	3	3	

FIG. 7 RADIATOR & HOSE

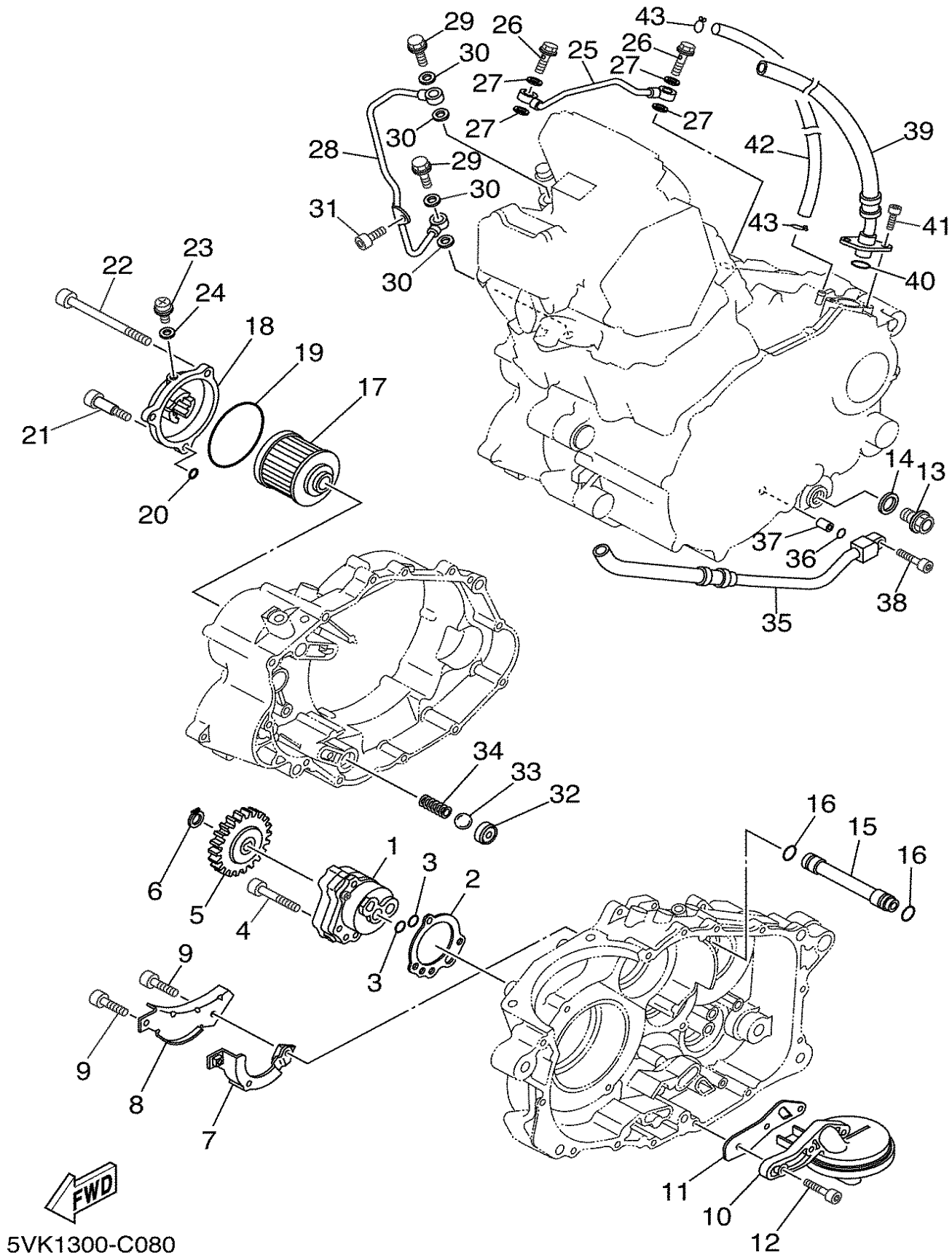
REF. NO.	PART NO.	DESCRIPTION	FRA	DEU	ZAF	OTH	GBR	REMARKS
1	5VK-12410-00	THERMOSTAT ASSY	1	1	1	1	1	
2	5VK-E2413-00	COVER, THERMOSTAT	1	1	1	1	1	
3	90105-06X06	BOLT, FLANGE	2	2	2	2	2	
4	93210-41042	O-RING	1	1	1	1	1	
5	5VK-E2578-10	HOSE 3	1	1	1	1	1	
6	90467-27800	CLIP	1	1	1	1	1	
7	90467-29800	CLIP	1	1	1	1	1	
8	5VK-E2461-00	RADIATOR ASSY	1	1	1	1	1	
9	5VK-E2405-00	BLOWER ASSY	1	1	1	1	1	
10	5VK-E2462-00	CAP, RADIATOR	1	1	1	1	1	
11	90169-05802	TAPPING SCREW	1	1	1	1	1	
12	90169-05801	TAPPING SCREW	2	2	2	2	2	
13	5VK-E2437-00	STOPPER	1	1	1	1	1	
14	5VK-E2437-10	STOPPER	1	1	1	1	1	
15	95807-06010	BOLT, FLANGE	1	1	1	1	1	
16	5VK-E2498-00	PROTECTOR	1	1	1	1	1	
17	5VK-E2579-10	HOSE 4	1	1	1	1	1	
18	90467-27800	CLIP	1	1	1	1	1	
19	90467-29800	CLIP	1	1	1	1	1	
20	90480-18276	GROMMET	3	3	3	3	3	
21	90387-06042	COLLAR	3	3	3	3	3	
22	97507-06525	BOLT, WITH WASHER	3	3	3	3	3	
23	1FK-84527-00	DAMPER	1	1	1	1	1	



5VK1300-C070

FIG. 8 OIL PUMP

REF. NO.	PART NO.	DESCRIPTION	FRA	DEU	ZAF	OTH	GBR	REMARKS
1	5LP-13300-00	OIL PUMP ASSY	1	1	1	1	1	
2	5LP-13329-00	GASKET, PUMP COVER	1	1	1	1	1	
3	93210-13X00	O-RING	2	2	2	2	2	
4	92017-06035	BOLT, BUTTON HEAD	3	3	3	3	3	
5	3AJ-13325-00	GEAR, PUMP DRIVEN	1	1	1	1	1	
6	99009-11400	CIRCLIP	1	1	1	1	1	
7	5VK-13356-00	COVER, PUMP 2	1	1	1	1	1	
8	5VK-13327-00	COVER, PUMP GEAR	1	1	1	1	1	
9	91317-05008	BOLT	2	2	2	2	2	
10	5VK-WE343-00	STRAINER COMP.	1	1	1	1	1	
11	5VK-E3415-00	SEAL, OIL STRAINER	1	1	1	1	1	
12	91317-06020	BOLT	3	3	3	3	3	
13	90340-14132	PLUG, STRAIGHT SCREW	1	1	1	1	1	
14	214-11198-01	GASKET	1	1	1	1	1	
15	5VK-13181-00	PIPE, DELIVERY 3	1	1	1	1	1	
16	93210-11073	O-RING	2	2	2	2	2	
17	4X7-13440-01	ELEMENT ASSY, OIL CLEANER	1	1	1	1	1	
18	2WK-13447-00	COVER, OIL ELEMENT	1	1	1	1	1	
19	93210-64297	O-RING	1	1	1	1	1	
20	93210-07X01	O-RING	1	1	1	1	1	
21	90109-06419	BOLT	1	1	1	1	1	
22	91317-06095	BOLT	2	2	2	2	2	
23	90149-05110	SCREW	1	1	1	1	1	
24	90430-05126	GASKET	1	1	1	1	1	
25	5VK-13161-00	PIPE, DELIVERY 1	1	1	1	1	1	
26	90401-08133	BOLT, UNION	2	2	2	2	2	
27	90430-08204	GASKET	4	4	4	4	4	

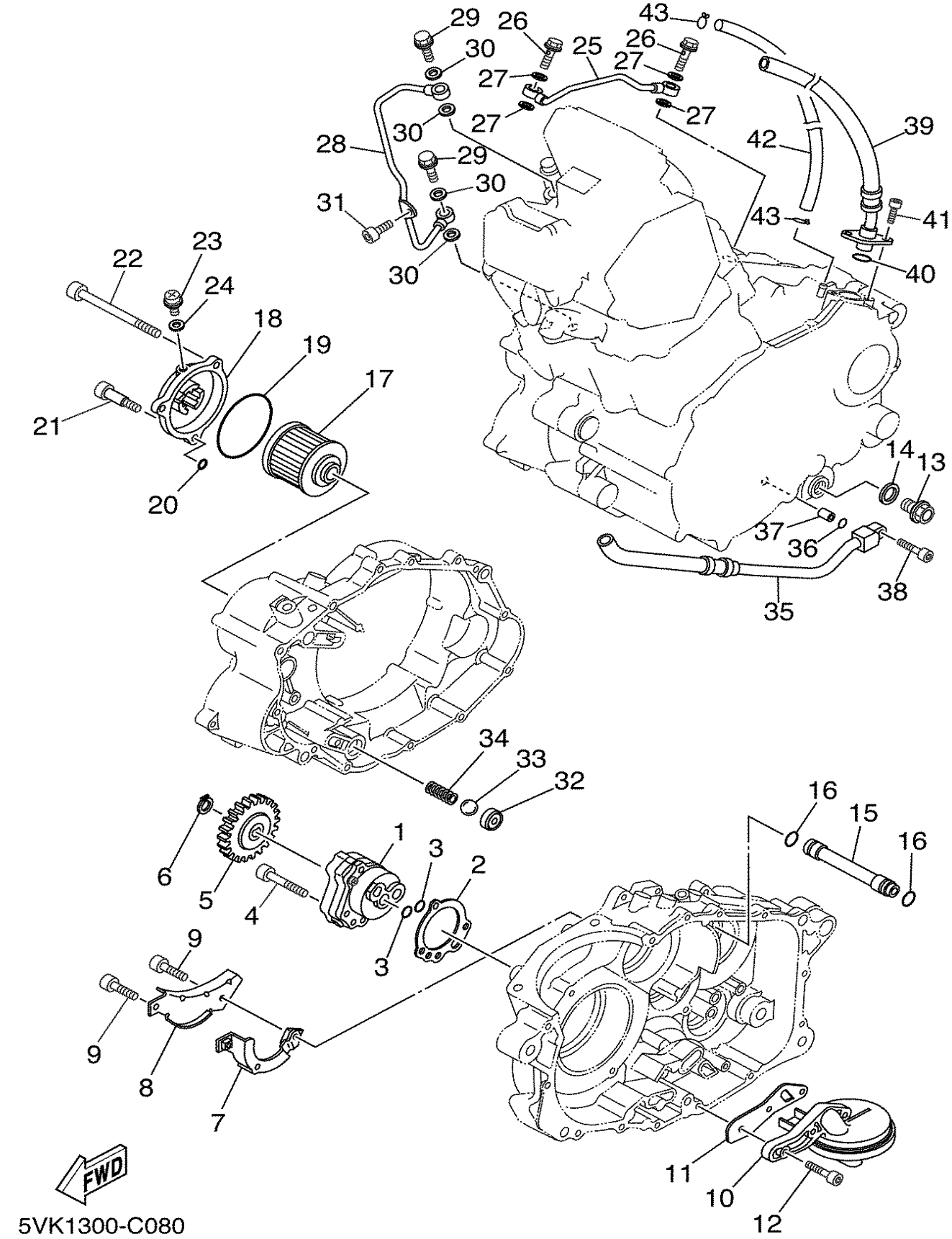


5VK1300-C080



FIG. 8 OIL PUMP

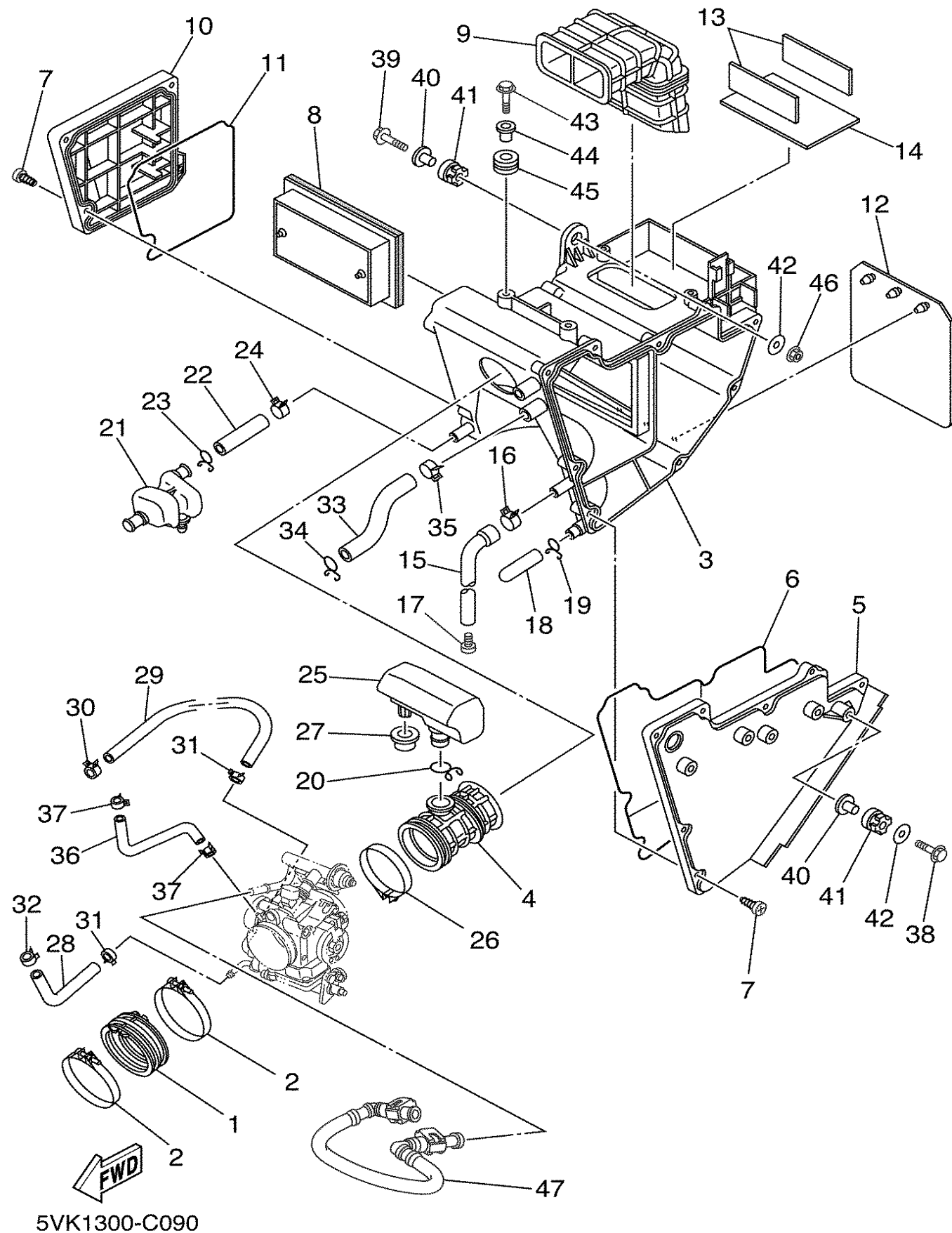
REF. NO.	PART NO.	DESCRIPTION	FRA	DEU	ZAF	OTH	GBR	REMARKS
28	5VK-13171-00	PIPE, DELIVERY 2	1	1	1	1	1	
29	90401-10096	BOLT, UNION	2	2	2	2	2	
30	90430-10188	GASKET	4	4	4	4	4	
31	91317-06012	BOLT	1	1	1	1	1	
32	583-13113-00	SEAT, CHECK BALL	1	1	1	1	1	
33	93503-08007	BALL	1	1	1	1	1	
34	90501-043E0	SPRING, COMPRESSION	1	1	1	1	1	
35	5VK-13464-00	HOSE, OIL 1	1	1	1	1	1	
36	93210-10197	O-RING	1	1	1	1	1	
37	91810-14X00	PIN, DOWEL	1	1	1	1	1	
38	91317-06025	BOLT	1	1	1	1	1	
39	5VK-13465-00	HOSE, OIL 2	1	1	1	1	1	
40	93210-15171	O-RING	1	1	1	1	1	
41	91317-06016	BOLT	2	2	2	2	2	
42	90445-11033	HOSE	1	1	1	1	1	
43	90467-10008	CLIP	1	1	1	1	1	



5VK1300-C080

FIG. 9 INTAKE

REF. NO.	PART NO.	DESCRIPTION	FRA	DEU	ZAF	OTH	GBR	REMARKS
1	5VK-13586-00	JOINT, CARBURETOR 1	1	1	1	1	1	
2	90450-72001	HOSE CLAMP ASSY	2	2	2	2	2	
3	5VK-E4411-00	CASE, AIR CLEANER 1	1	1	1	1	1	
4	5VK-E4453-00	JOINT, AIR CLEANER 1	1	1	1	1	1	
5	5VK-E441A-00	COVER, CLEANER CASE 1	1	1	1	1	1	
6	5VK-E4452-00	SEAL	1	1	1	1	1	
7	9770M-50025	SCREW, TAPPING	13	13	13	13	13	
8	5VK-E4451-00	ELEMENT, AIR CLEANER	1	1	1	1	1	
9	5VK-E4437-00	DUCT	1	1	1	1	1	
10	5VK-E441E-00	COVER, CLEANER CASE 2	1	1	1	1	1	
11	5VK-E4457-00	SEAL	1	1	1	1	1	
12	5VK-F1621-00	FLAP	1	1	1	1	1	
13	5VK-H2121-00	PAD, BATTERY	2	2	2	2	2	
14	5VK-H2122-00	SEAT, BATTERY	1	1	1	1	1	
15	5VK-E443E-00	PIPE, DRAIN	1	1	1	1	1	
16	90467-13062	CLIP	1	1	1	1	1	
17	90338-08801	PLUG	1	1	1	1	1	
18	5LW-E443E-00	PIPE, DRAIN	1	1	1	1	1	
19	90467-12800	CLIP	1	1	1	1	1	
20	90467-23800	CLIP	1	1	1	1	1	
21	5VK-E5371-00	BREATHER	1	1	1	1	1	
22	5VK-E1167-00	PIPE, BREATHER 2	1	1	1	1	1	
23	90467-14800	CLIP	1	1	1	1	1	
24	90467-17801	CLIP	1	1	1	1	1	
25	5VK-E3591-00	CHAMBER, AIR 2	1	1	1	1	1	
26	90450-59001	HOSE CLAMP ASSY	1	1	1	1	1	
27	90480-20566	GROMMET	1	1	1	1	1	



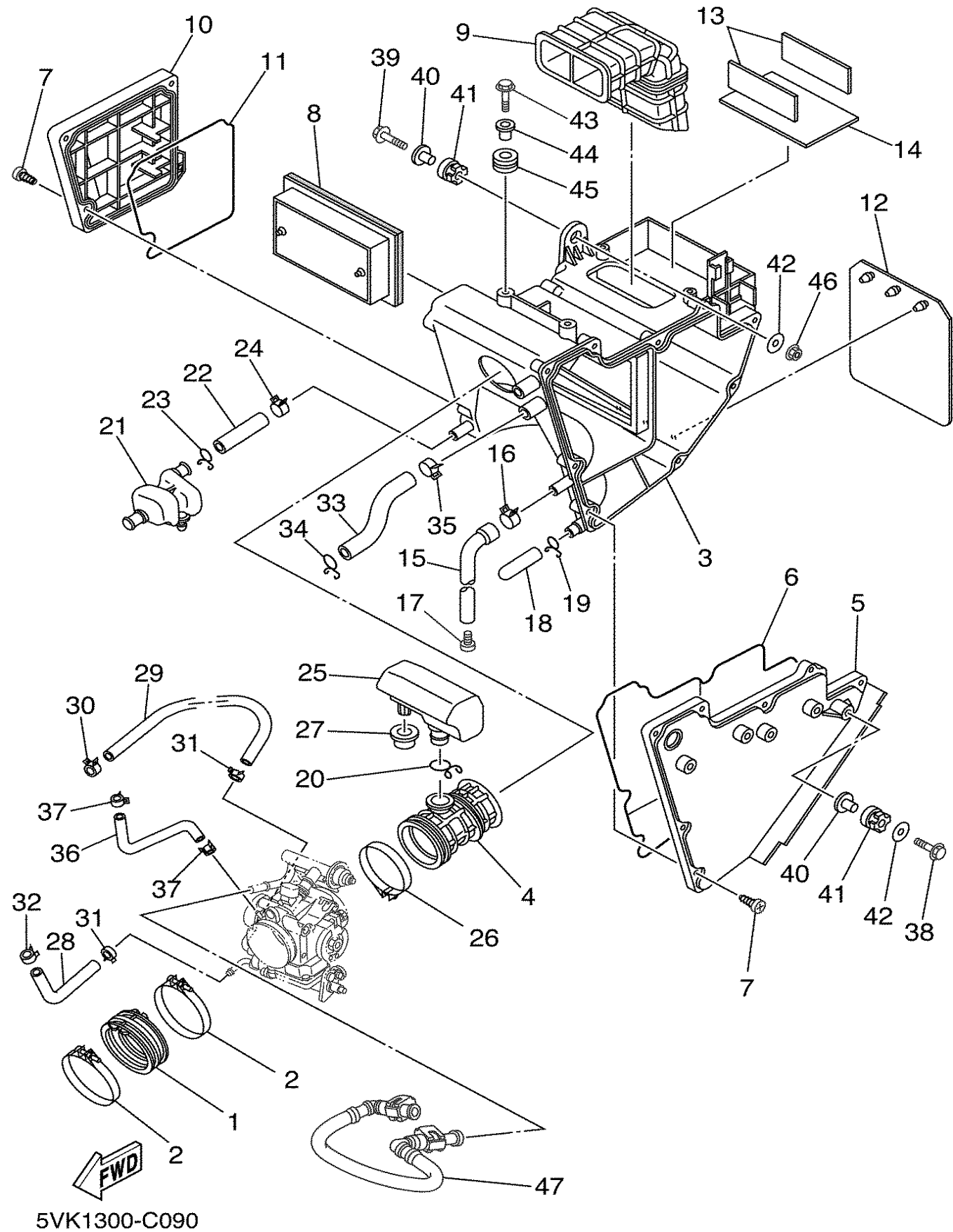
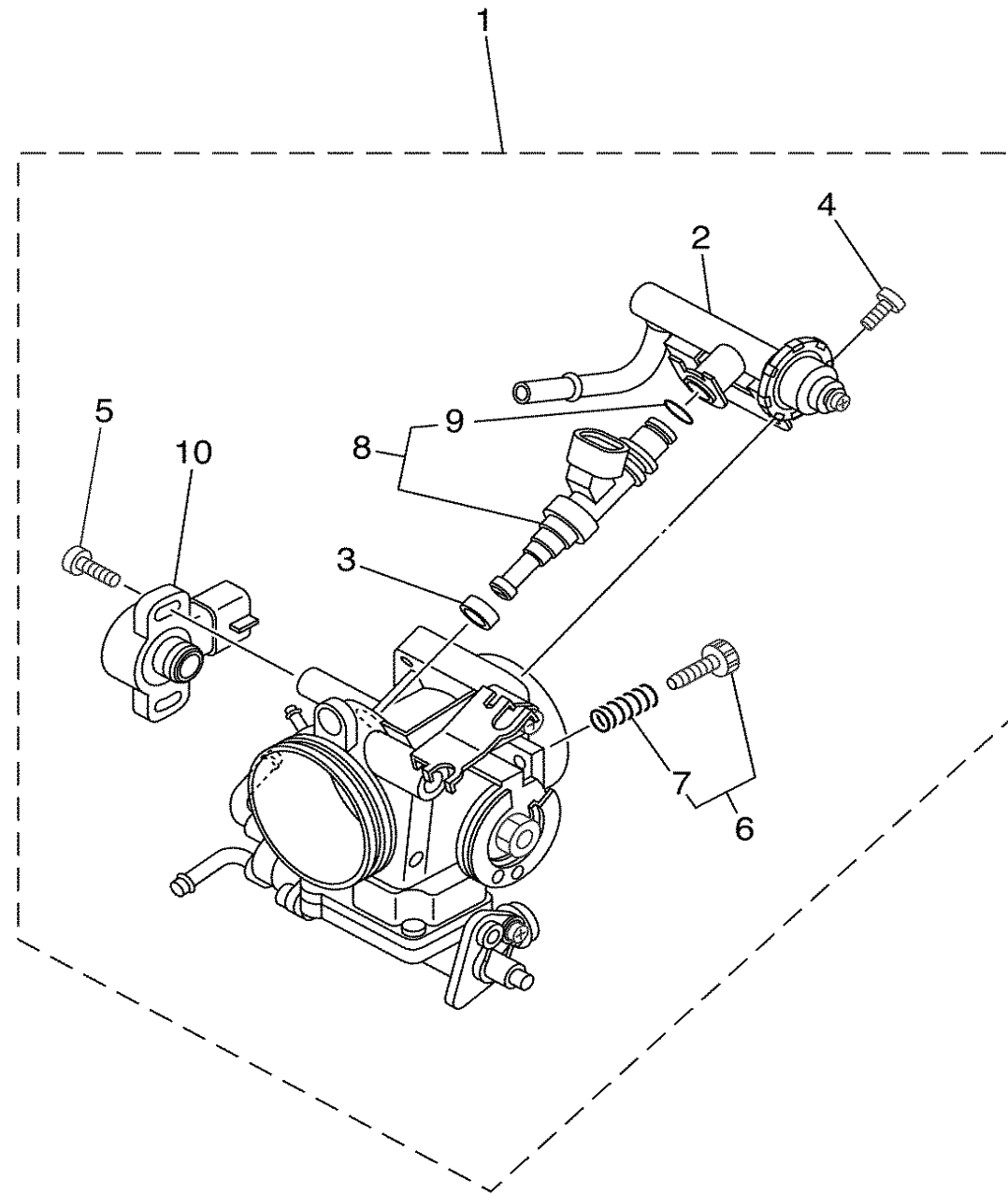


FIG. 9 INTAKE

REF. NO.	PART NO.	DESCRIPTION	FRA	DEU	ZAF	OTH	GBR	REMARKS
28	5VK-E243A-10	HOSE 1	1	1	1	1	1	
29	90445-12004	HOSE	1	1	1	1	1	
30	90467-11090	CLIP	1	1	1	1	1	
31	90467-11108	CLIP	2	2	2	2	2	
32	90467-11108	CLIP	1	1	1	1	1	
33	5VK-E3545-00	HOSE 1	1	1	1	1	1	
34	90467-170A2	CLIP	1	1	1	1	1	
35	90467-17128	CLIP	1	1	1	1	1	
36	5VK-13542-00	HOSE, VACUUM SENSING 1	1	1	1	1	1	
37	90467-07138	CLIP	2	2	2	2	2	
38	95827-06025	BOLT, FLANGE	1	1	1	1	1	
39	95827-06030	BOLT, FLANGE	1	1	1	1	1	
40	90387-075H4	COLLAR	2	2	2	2	2	
41	90480-15001	GROMMET	2	2	2	2	2	
42	90201-064K6	WASHER, PLATE	2	2	2	2	2	
43	95827-06020	BOLT, FLANGE	2	2	2	2	2	
44	90387-07037	COLLAR	2	2	2	2	2	
45	90480-18276	GROMMET	2	2	2	2	2	
46	95704-06500	NUT, FLANGE	1	1	1	1	1	
47	5VK-13971-00	PIPE, FUEL 1	1	1	1	1	1	

FIG. 10 INTAKE 2



REF. NO.	PART NO.	DESCRIPTION	FRA	DEU	ZAF	OTH	GBR	REMARKS
1	5VK-13750-00	THROTTLE BODY ASSY	1	1	1	1	1	
2	5VK-13160-00	.DELIVERY PIPE ASSY 1	1	1	1	1	1	
3	90430-09002	.GASKET	1	1	1	1	1	
4	98507-06012	.SCREW, PAN HEAD	2	2	2	2	2	
5	8CC-14216-10	.SCREW	2	2	2	2	2	
6	5VK-14503-00	.ADJUST SCREW SET	1	1	1	1	1	
7	5VK-14531-00	..SPRING, ADJUST SCREW	1	1	1	1	1	
8	5VK-13761-00	.INJECTOR ASSY	1	1	1	1	1	
9	5PS-14147-00	..O-RING	1	1	1	1	1	
10	5PS-85885-00	.THROTTLE POSITION SENSOR ASSY	1	1	1	1	1	



 5VK1300-C100

FIG. 11 EXHAUST

REF. NO.	PART NO.	DESCRIPTION	FRA	DEU	ZAF	OTH	GBR	REMARKS
1	5VK-E4611-00	PIPE, EXHAUST 1	1	1	1	1	1	
2	5JX-14725-00	BAND, MUFFLER	1	1	1	1	1	
3	4FU-14714-00	GASKET, MUFFLER	1	1	1	1	1	
4	95814-08035	BOLT, FLANGE	1	1	1	1	1	
5	5VK-E4621-00	PIPE, EXHAUST 2	1	1	1	1	1	
6	5VK-E4711-00	MUFFLER 1	1	1	1	1	1	
7	5VK-W1473-00	.PROTECTOR, MUFFLER 1	1	1	1	1	1	
8	5VK-E4718-00	PROTECTOR, MUFFLER 1	1	1	1	1	1	
9	5VK-E4728-00	PROTECTOR, MUFFLER 2	1	1	1	1	1	
10	4EL-14714-00	GASKET, MUFFLER	1	1	1	1	1	
11	95024-08040	BOLT, FLANGE	1	1	1	1	1	
12	98980-06012	SCREW, BIND	2	2	2	2	2	
13	90201-05015	WASHER, PLATE	4	4	4	4	4	
14	90480-12581	GROMMET	4	4	4	4	4	
15	90387-06023	COLLAR	4	4	4	4	4	
16	90149-06280	SCREW	4	4	4	4	4	
17	22W-24181-00	DAMPER, LOCATING 1	1	1	1	1	1	
18	5VK-E4721-00	MUFFLER 2	1	1	1	1	1	
19	5VK-W1473-00	.PROTECTOR, MUFFLER 1	1	1	1	1	1	
20	5VK-E4738-00	PROTECTOR, MUFFLER 3	1	1	1	1	1	
21	5VK-E4748-00	PROTECTOR, MUFFLER 4	1	1	1	1	1	
22	98980-06012	SCREW, BIND	2	2	2	2	2	
23	90201-05015	WASHER, PLATE	4	4	4	4	4	
24	4EL-14714-00	GASKET, MUFFLER	1	1	1	1	1	
25	95024-08040	BOLT, FLANGE	1	1	1	1	1	
26	90480-12581	GROMMET	4	4	4	4	4	
27	90387-06023	COLLAR	4	4	4	4	4	

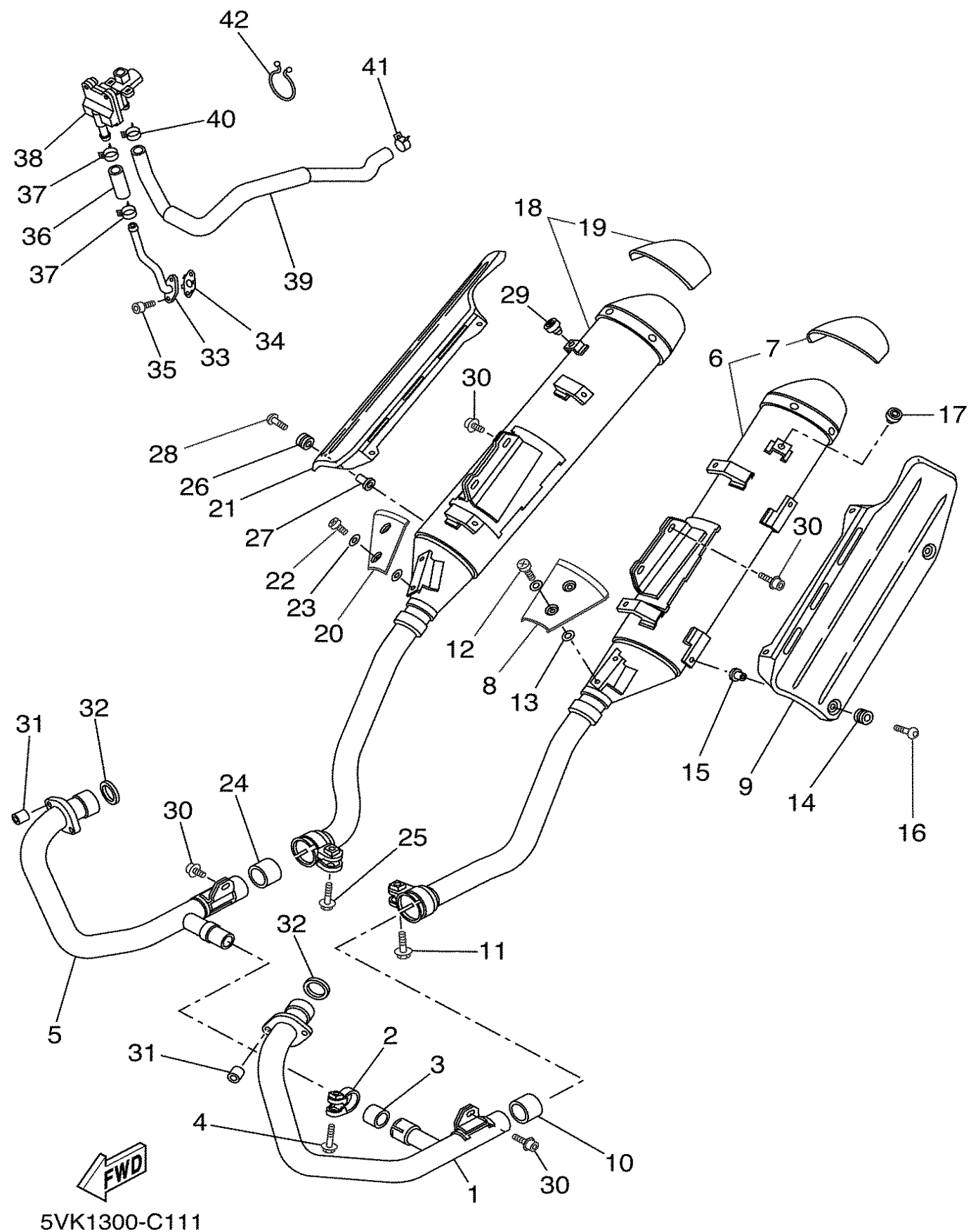
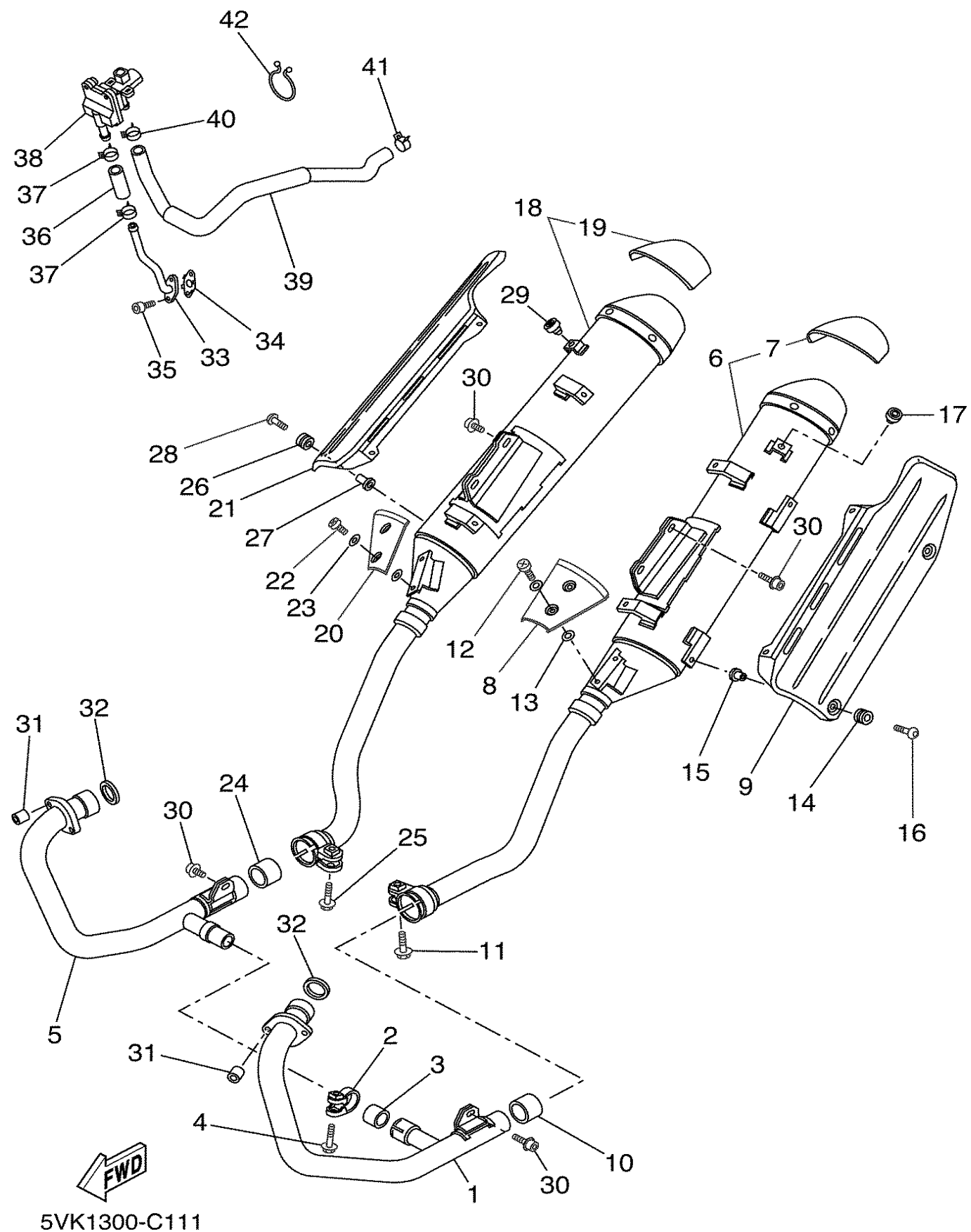


FIG. 11 EXHAUST

REF. NO.	PART NO.	DESCRIPTION	FRA	DEU	ZAF	OTH	GBR	REMARKS
28	90149-06280	SCREW	4	4	4	4	4	
29	22W-24181-00	DAMPER, LOCATING 1	1	1	1	1	1	
30	90109-085E2	BOLT	6	6	6	6	6	
31	90179-08442	NUT	4	4	4	4	4	
32	3YF-14613-01	GASKET, EXHAUST PIPE	2	2	2	2	2	
33	5VK-14871-01	PIPE 1	1	1	1	1	1	
34	5VK-14815-00	GASKET	1	1	1	1	1	
35	91380-06016	BOLT	2	2	2	2	2	
36	5VK-14881-00	HOSE, BEND 1	1	1	1	1	1	
37	90467-17089	CLIP	2	2	2	2	2	
38	5VK-14803-00	AIR INDUCTION SYSTEM ASSY	1	1	1	1	1	
39	5VK-E4882-00	HOSE, BEND 2	1	1	1	1	1	
40	90467-17089	CLIP	1	1	1	1	1	
41	90467-170A0	CLIP	1	1	1	1	1	
42	90464-37257	CLAMP	2	2	2	2	2	



CONTENTS

CYLINDER HEAD	B2	REAR MASTER CYLINDER	E9
CYLINDER	B3	COWLING 1	E11
CRANKSHAFT & PISTON	B4	GENERATOR	E12
VALVE	B5	FLASHER LIGHT	E13
CAMSHAFT & CHAIN	B6	METER	E14
WATER PUMP	B7	HEADLIGHT	E15
RADIATOR & HOSE	B8	TAILLIGHT	F2
OIL PUMP	B9	HANDLE SWITCH & LEVER	F3
INTAKE	B11	ELECTRICAL 1	F4
INTAKE 2	B13	ELECTRICAL 2	F6
EXHAUST	B14		
CRANKCASE	C2	NUMERICAL INDEX	M1
CRANKCASE COVER 1	C3		
STARTER CLUTCH	C5		
CLUTCH	C6		
TRANSMISSION	C8		
SHIFT CAM & FORK	C10		
SHIFT SHAFT	C11		
FRAME	C12		
FENDER	C14		
SIDE COVER	D2		
REAR ARM	D3		
REAR SUSPENSION	D5		
STEERING	D6		
FRONT FORK	D8		
FUEL TANK	D10		
SEAT	D12		
FRONT WHEEL	D14		
FRONT BRAKE CALIPER	D15		
REAR WHEEL	E2		
REAR BRAKE CALIPER	E4		
STEERING HANDLE & CABLE	E5		
FRONT MASTER CYLINDER	E6		
STAND & FOOTREST	E7		

CONTENTS

CYLINDER HEAD	B2	REAR MASTER CYLINDER	E9
CYLINDER	B3	COWLING 1	E11
CRANKSHAFT & PISTON	B4	GENERATOR	E12
VALVE	B5	FLASHER LIGHT	E13
CAMSHAFT & CHAIN	B6	METER	E14
WATER PUMP	B7	HEADLIGHT	E15
RADIATOR & HOSE	B8	TAILLIGHT	F2
OIL PUMP	B9	HANDLE SWITCH & LEVER	F3
INTAKE	B11	ELECTRICAL 1	F4
INTAKE 2	B13	ELECTRICAL 2	F6
EXHAUST	B14		
CRANKCASE	C2		
CRANKCASE COVER 1	C3	NUMERICAL INDEX	M1
STARTER CLUTCH	C5		
CLUTCH	C6		
TRANSMISSION	C8		
SHIFT CAM & FORK	C10		
SHIFT SHAFT	C11		
FRAME	C12		
FENDER	C14		
SIDE COVER	D2		
REAR ARM	D3		
REAR SUSPENSION	D5		
STEERING	D6		
FRONT FORK	D8		
FUEL TANK	D10		
SEAT	D12		
FRONT WHEEL	D14		
FRONT BRAKE CALIPER	D15		
REAR WHEEL	E2		
REAR BRAKE CALIPER	E4		
STEERING HANDLE & CABLE	E5		
FRONT MASTER CYLINDER	E6		
STAND & FOOTREST	E7		

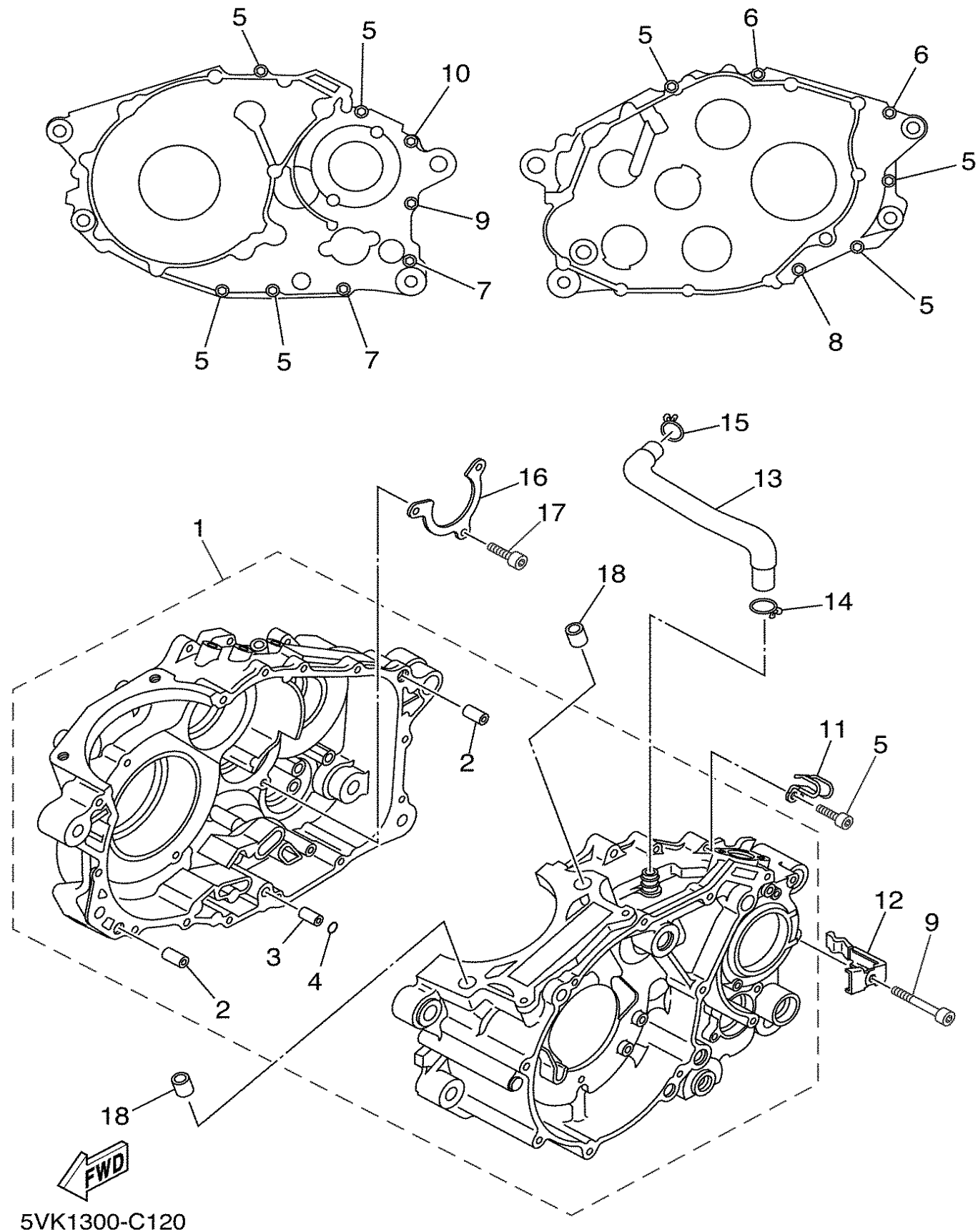
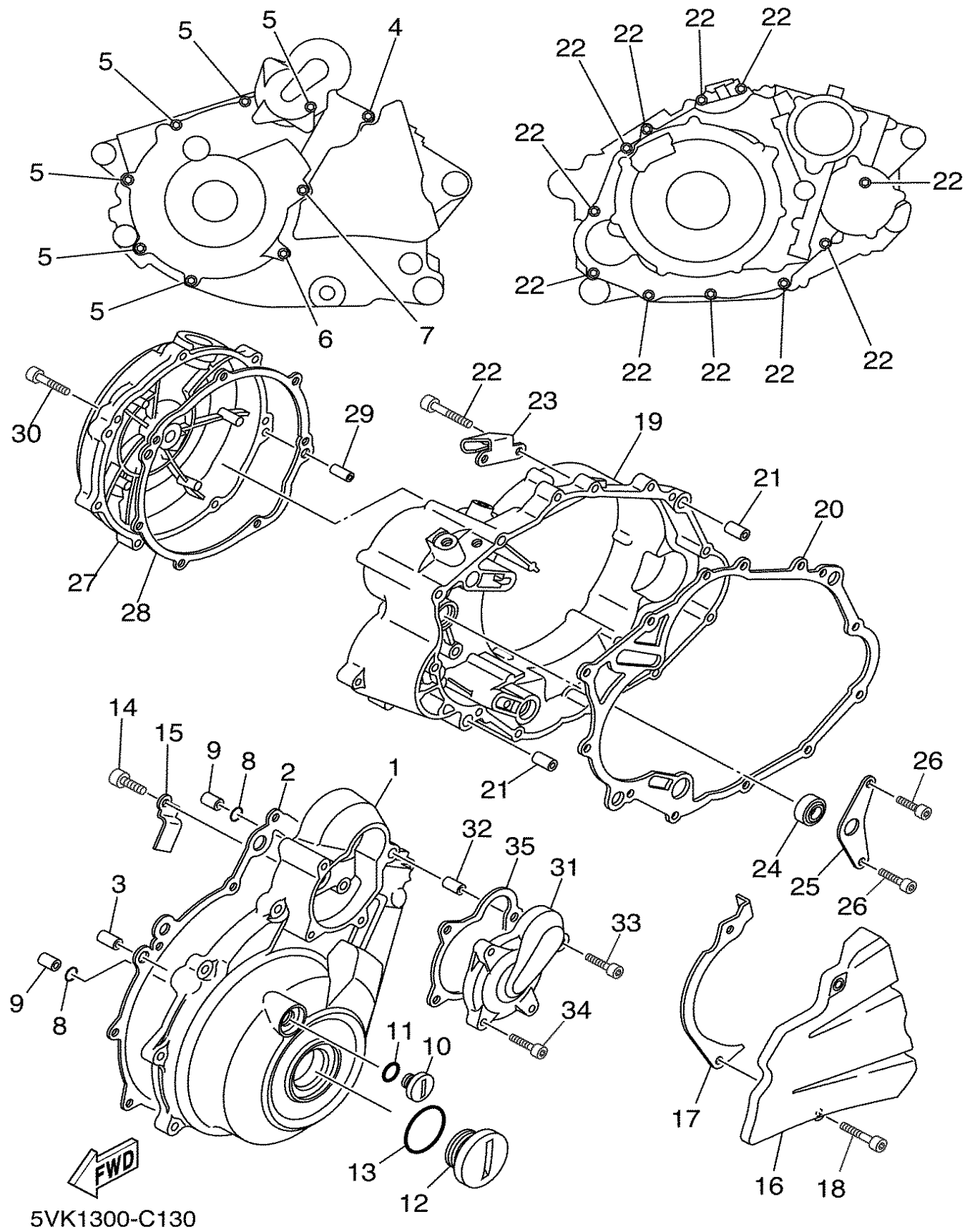


FIG. 12 CRANKCASE

REF. NO.	PART NO.	DESCRIPTION	FRA	DEU	ZAF	OTH	GBR	REMARKS
1	5VK-E5100-00	CRANKCASE ASSY	1	1	1	1	1	
2	99530-12016	.PIN, DOWEL	2	2	2	2	2	
3	91808-16X00	.PIN, DOWEL	1	1	1	1	1	
4	93210-07X01	.O-RING	1	1	1	1	1	
5	91317-06030	BOLT	7	7	7	7	7	
6	91317-06045	BOLT	2	2	2	2	2	
7	91317-06055	BOLT	2	2	2	2	2	
8	91317-06060	BOLT	1	1	1	1	1	
9	91317-06080	BOLT	1	1	1	1	1	
10	91317-06090	BOLT	1	1	1	1	1	
11	90462-06012	CLAMP	1	1	1	1	1	
12	90465-12013	CLAMP	1	1	1	1	1	
13	5VK-11166-00	PIPE, BREATHER 1	1	1	1	1	1	
14	90467-14015	CLIP	1	1	1	1	1	
15	90467-14015	CLIP	1	1	1	1	1	
16	5VK-E5383-00	PLATE, BEARING COVER	1	1	1	1	1	
17	91317-06016	BOLT	3	3	3	3	3	
18	99530-14016	PIN, DOWEL	2	2	2	2	2	

FIG. 13 CRANKCASE COVER 1

REF. NO.	PART NO.	DESCRIPTION	FRA	DEU	ZAF	OTH	GBR	REMARKS
1	5VK-WE541-00	CRANKCASE COVER ASSY 1	1	1	1	1	1	
2	5VK-E5451-00	GASKET, CRANKCASE COVER 1	1	1	1	1	1	
3	99530-12016	PIN, DOWEL	2	2	2	2	2	
4	91317-06035	BOLT	1	1	1	1	1	
5	91317-06025	BOLT	6	6	6	6	6	
6	91317-06050	BOLT	1	1	1	1	1	
7	91317-06050	BOLT	1	1	1	1	1	
8	93210-13X00	O-RING	2	2	2	2	2	
9	99530-12016	PIN, DOWEL	2	2	2	2	2	
10	90340-14X00	PLUG, STRAIGHT SCREW	1	1	1	1	1	
11	93210-14X00	O-RING	1	1	1	1	1	
12	90340-36X00	PLUG, STRAIGHT SCREW	1	1	1	1	1	
13	93210-35X00	O-RING	1	1	1	1	1	
14	91317-06012	BOLT	1	1	1	1	1	
15	90462-16X00	CLAMP	1	1	1	1	1	
16	5VK-E5421-00	COVER, CRANKCASE 2	1	1	1	1	1	
17	5VK-E7466-00	GUIDE, CHAIN	1	1	1	1	1	
18	91317-06025	BOLT	2	2	2	2	2	
19	5VK-E5431-00	COVER, CRANKCASE 3	1	1	1	1	1	
20	5VK-E5462-00	GASKET, CRANKCASE COVER 3	1	1	1	1	1	
21	99530-12016	PIN, DOWEL	2	2	2	2	2	
22	91317-06030	BOLT	11	11	11	11	11	
23	5VK-E5441-00	HOLDER, CLUTCH CABLE	1	1	1	1	1	
24	93101-14164	OIL SEAL	1	1	1	1	1	
25	5VK-E5118-00	HOLDER	1	1	1	1	1	
26	91317-06012	BOLT	2	2	2	2	2	
27	5VK-E5416-00	COVER, OIL PUMP	1	1	1	1	1	



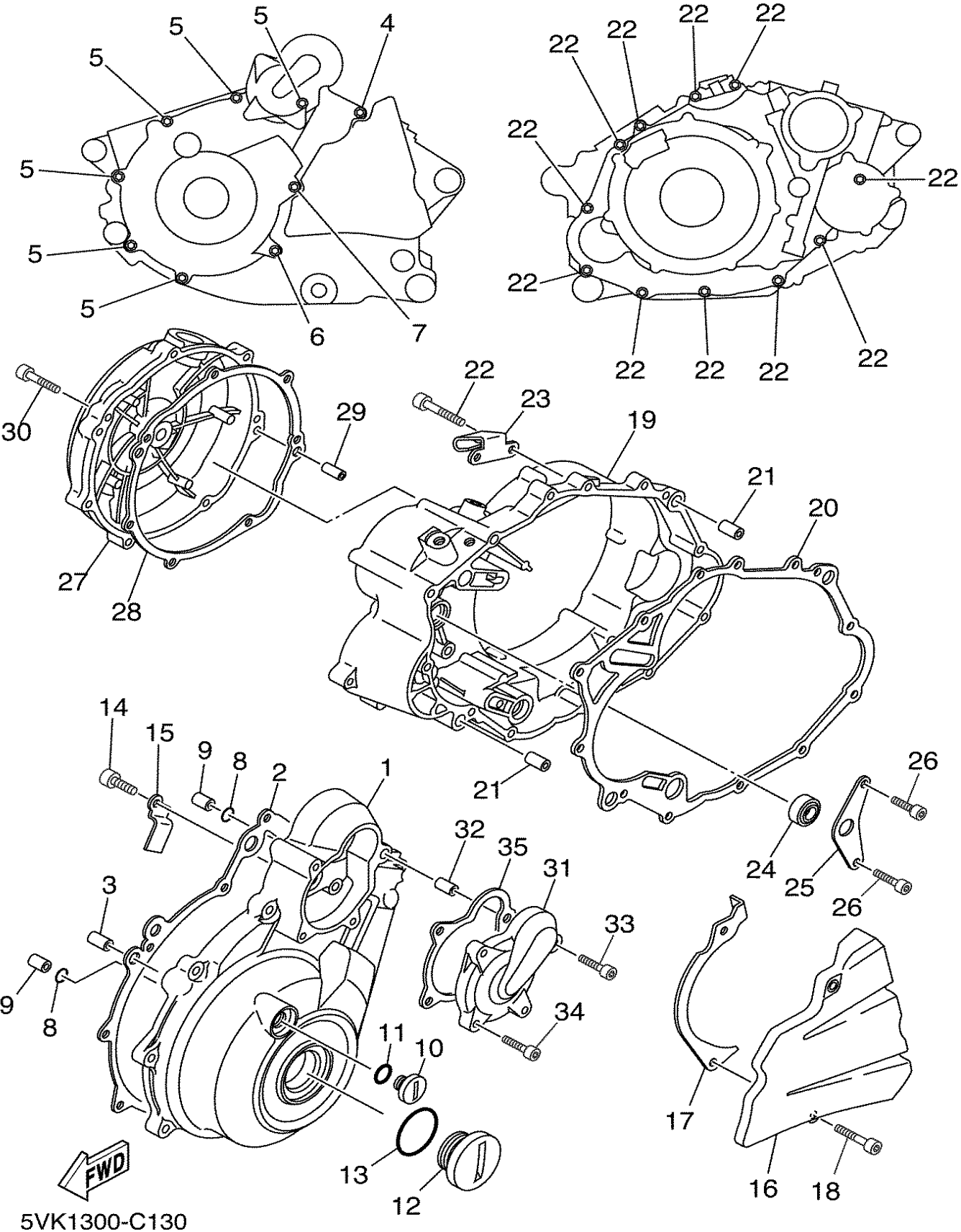


FIG. 13 CRANKCASE COVER 1

REF. NO.	PART NO.	DESCRIPTION	FRA	DEU	ZAF	OTH	GBR	REMARKS
28	5VK-E5453-00	GASKET	1	1	1	1	1	
29	91808-16X00	PIN, DOWEL	2	2	2	2	2	
30	90105-06X20	BOLT, FLANGE	7	7	7	7	7	
31	5VK-WE544-00	GENERATOR COVER ASSY	1	1	1	1	1	
32	91808-16X00	PIN, DOWEL	1	1	1	1	1	
33	91317-06035	BOLT	1	1	1	1	1	
34	91317-06025	BOLT	3	3	3	3	3	
35	5VK-15455-00	GASKET 1	1	1	1	1	1	

FIG. 14 STARTER CLUTCH

REF. NO.	PART NO.	DESCRIPTION	FRA	DEU	ZAF	OTH	GBR	REMARKS
1	3YF-15515-00	GEAR 3	1	1	1	1	1	
2	93310-530C7	BEARING	1	1	1	1	1	
3	90201-30X01	WASHER, PLATE	1	1	1	1	1	
4	5VK-E5522-00	SHAFT 2	1	1	1	1	1	
5	5VK-15517-00	GEAR, IDLER 2	1	1	1	1	1	
6	5VK-E5560-00	DAMPER ASSY	1	1	1	1	1	
7	90201-08759	WASHER, PLATE	2	2	2	2	2	
8	5VK-15590-00	STARTER ONE-WAY ASSY	1	1	1	1	1	
9	91317-08025	BOLT	3	3	3	3	3	
10	90201-08X18	WASHER, PLATE	3	3	3	3	3	
11	3SX-81890-00	MOTOR ASSY	1	1	1	1	1	
12	1VJ-15511-00	.GEAR, STARTING MOTOR	1	1	1	1	1	
13	93440-11024	.CIRCLIP	1	1	1	1	1	
14	3AJ-81801-00	.BRUSH SET	1	1	1	1	1	
15	1FK-81847-00	.O-RING	1	1	1	1	1	
16	3AJ-81850-00	.ARMATURE ASSY	1	1	1	1	1	
17	3AJ-81809-00	.WASHER KIT	1	1	1	1	1	
18	11H-81844-00	.GASKET	2	2	2	2	2	
19	4G0-81871-00	CAP	1	1	1	1	1	
20	4XV-8182A-00	NUT	2	2	2	2	2	
21	5VK-81815-00	CORD, STARTER MOTOR	1	1	1	1	1	
22	95817-06035	BOLT, FLANGE	2	2	2	2	2	
23	5VK-H2116-00	WIRE, MINUS LEAD	1	1	1	1	1	
24	5VK-15199-01	BRACKET	1	1	1	1	1	
25	90480-13398	GROMMET	1	1	1	1	1	

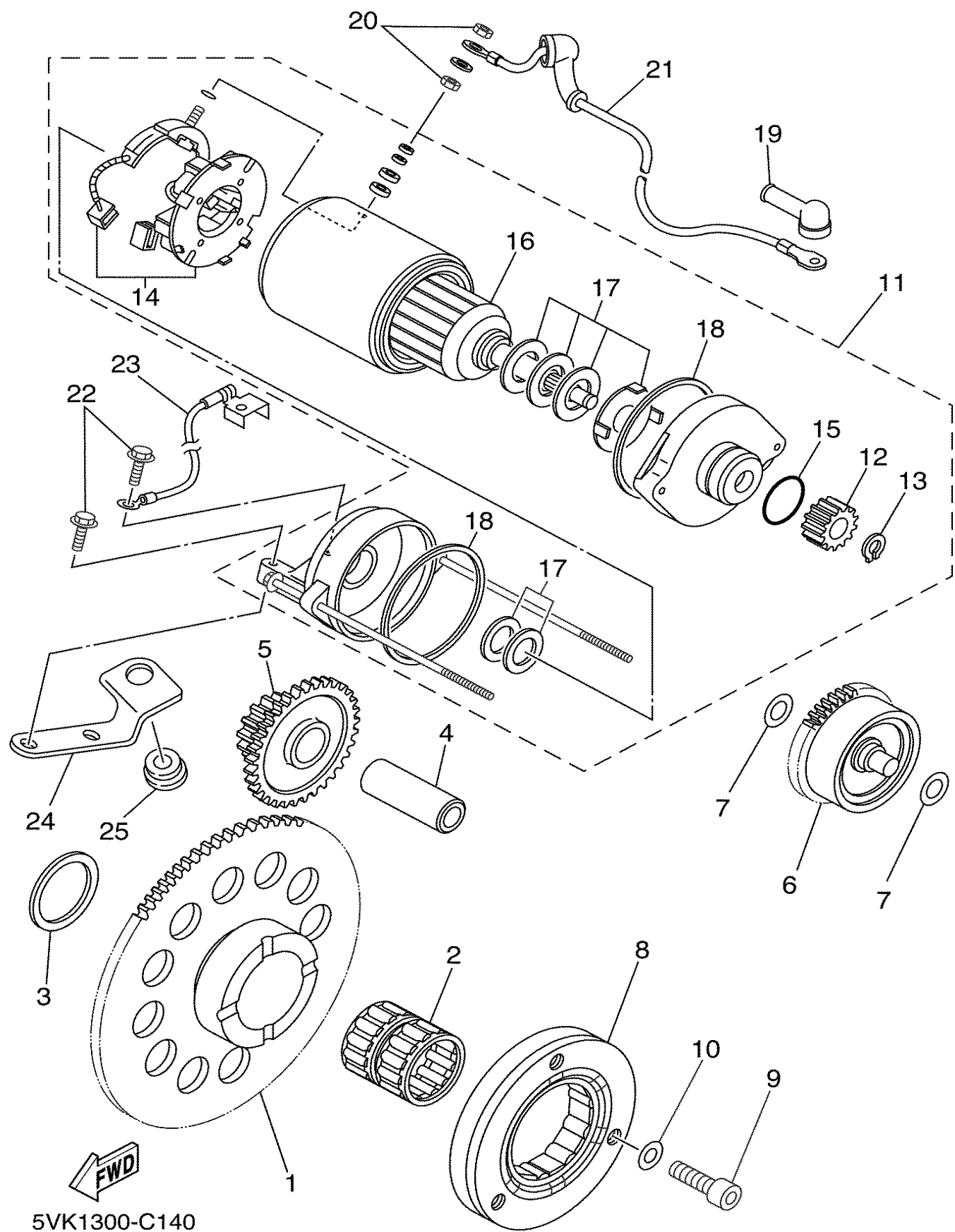


FIG. 15 CLUTCH

REF. NO.	PART NO.	DESCRIPTION	FRA	DEU	ZAF	OTH	GBR	REMARKS
1	5VK-16111-00	GEAR, PRIMARY DRIVE	1	1	1	1	1	
2	90282-07001	KEY, STRAIGHT	1	1	1	1	1	
3	90209-20012	WASHER	1	1	1	1	1	
4	90215-20X00	WASHER, LOCK	1	1	1	1	1	
5	90170-20274	NUT	1	1	1	1	1	
6	5VK-16150-00	PRIMARY DRIVEN GEAR COMP.	1	1	1	1	1	
7	5VK-16371-00	BOSS, CLUTCH	1	1	1	1	1	
8	5VK-16351-00	PLATE, PRESSURE 1	1	1	1	1	1	
9	93306-00304	BEARING	1	1	1	1	1	
10	4X7-16325-00	PLATE, CLUTCH 2	6	6	6	6	6	
11	22U-16321-00	PLATE, FRICTION	4	4	4	4	4	
12	90501-260A1	SPRING, COMPRESSION	5	5	5	5	5	
13	90119-06105	BOLT, WITH WASHER	5	5	5	5	5	
14	2JN-16154-00	PLATE, THRUST 1	1	1	1	1	1	
15	5VK-16331-00	PLATE, FRICTION 2	1	1	1	1	1	
16	5JG-16383-00	SPRING, CLUTCH BOSS	1	1	1	1	1	
17	5JG-16384-00	PLATE, SEAT	1	1	1	1	1	
18	5TA-16321-00	PLATE, FRICTION	2	2	2	2	2	
19	90215-20X01	WASHER, LOCK	1	1	1	1	1	
20	90170-20327	NUT	1	1	1	1	1	
21	4XV-16356-01	ROD, PUSH 1	1	1	1	1	1	
22	5VK-16340-00	PUSH LEVER ASSY	1	1	1	1	1	
23	90508-16016	SPRING, TORSION	1	1	1	1	1	
24	5EB-16382-00	AXLE, PUSH LEVER	1	1	1	1	1	
25	92907-08600	WASHER, PLATE	1	1	1	1	1	
26	99001-07600	CIRCLIP	1	1	1	1	1	
27	93317-11020	BEARING	1	1	1	1	1	

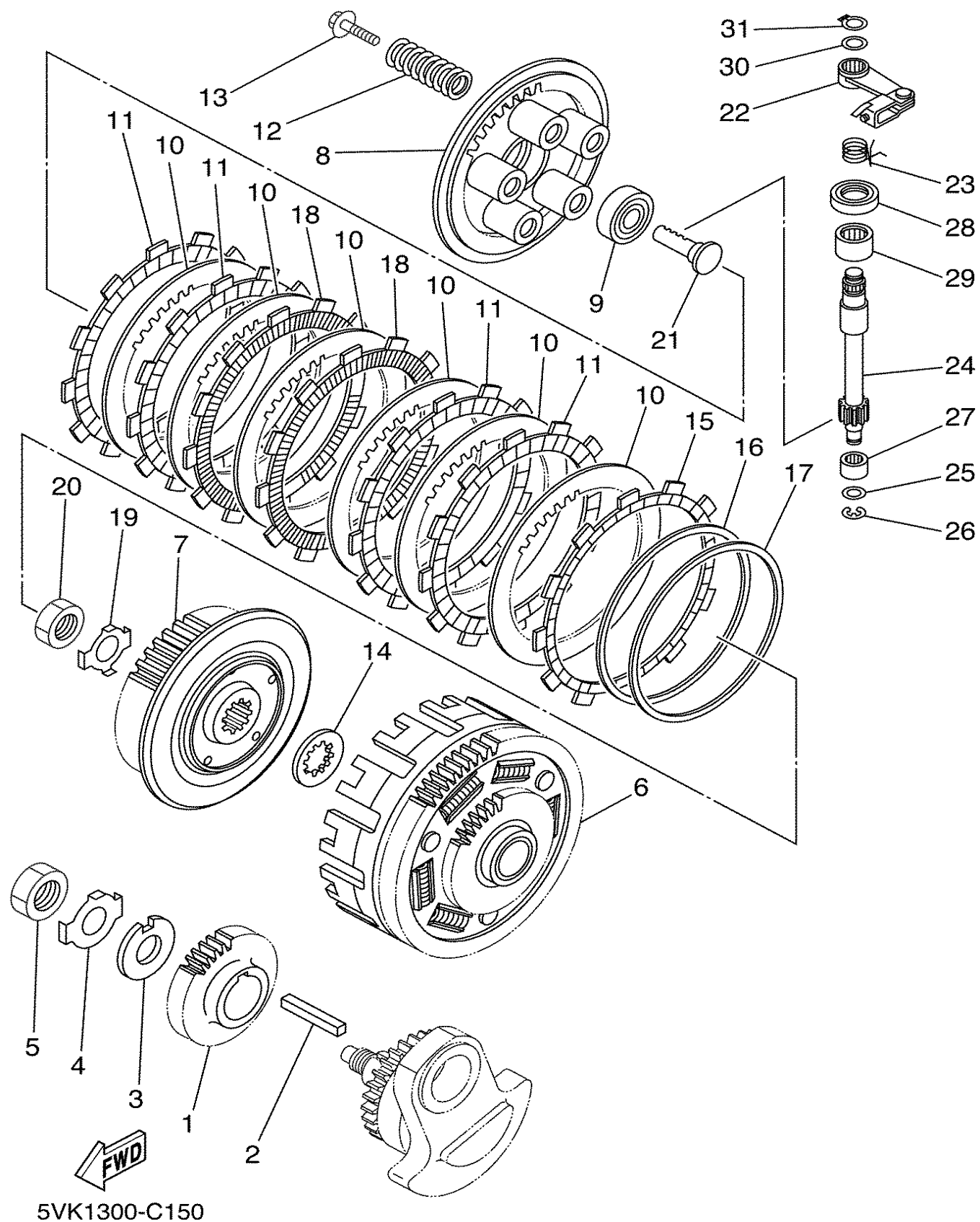
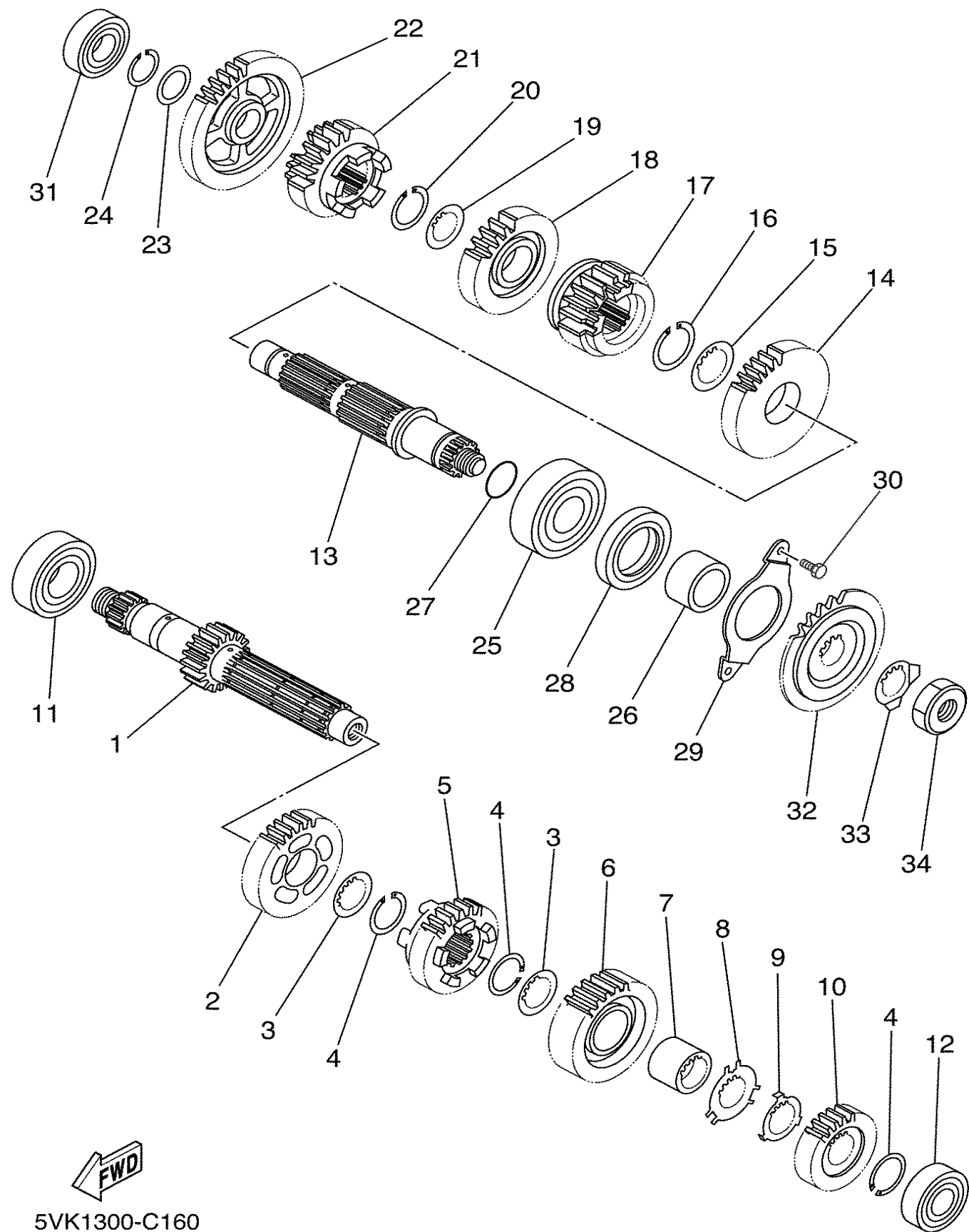


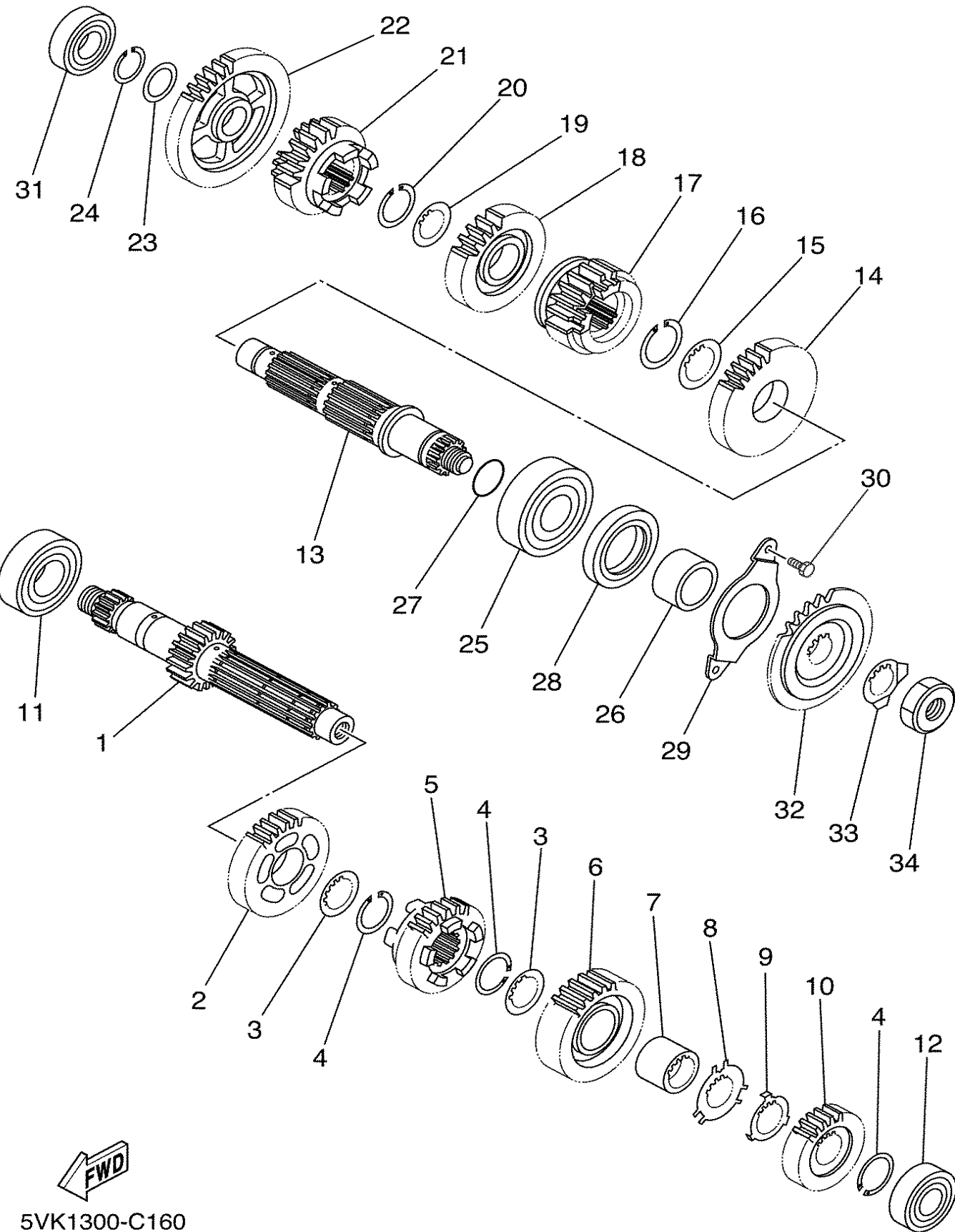
FIG. 16 TRANSMISSION

REF. NO.	PART NO.	DESCRIPTION	FRA	DEU	ZAF	OTH	GBR	REMARKS
1	5VK-E7401-00	MAIN AXLE ASSY	1	1	1	1	1	
2	5VK-E7141-00	GEAR, 4TH PINION	1	1	1	1	1	AP
	5VK-E7141-10	GEAR, 4TH PINION	1	1	1	1	1	AP
3	90209-21X00	WASHER	2	2	2	2	2	
4	93440-25084	CIRCLIP	3	3	3	3	3	
5	5VK-E7131-00	GEAR, 3RD PINION	1	1	1	1	1	
6	5VK-E7151-00	GEAR, 5TH PINION	1	1	1	1	1	AP
	5VK-E7151-10	GEAR, 5TH PINION	1	1	1	1	1	AP
7	90387-21002	COLLAR	1	1	1	1	1	
8	90209-22X00	WASHER	1	1	1	1	1	
9	90209-21351	WASHER	1	1	1	1	1	
10	5VK-E7121-00	GEAR, 2ND PINION	1	1	1	1	1	
11	93306-205XA	BEARING	1	1	1	1	1	
12	93306-004XL	BEARING	1	1	1	1	1	
13	5VK-E7402-00	DRIVE AXLE ASSY	1	1	1	1	1	
14	5VK-E7221-00	GEAR, 2ND WHEEL	1	1	1	1	1	
15	90209-26348	WASHER	1	1	1	1	1	
16	93440-28062	CIRCLIP	1	1	1	1	1	
17	5VK-E7251-00	GEAR, 5TH WHEEL	1	1	1	1	1	
18	5VK-E7231-00	GEAR, 3RD WHEEL	1	1	1	1	1	
19	90209-21X00	WASHER	1	1	1	1	1	
20	93440-25084	CIRCLIP	1	1	1	1	1	
21	5VK-E7241-00	GEAR, 4TH WHEEL	1	1	1	1	1	
22	5VK-E7211-00	GEAR, 1ST WHEEL	1	1	1	1	1	AP
	5VK-E7211-10	GEAR, 1ST WHEEL	1	1	1	1	1	AP
23	90201-208G4	WASHER, PLATE	1	1	1	1	1	
24	99009-20400	CIRCLIP	1	1	1	1	1	



5VK1300-C160





5VK1300-C160

FIG. 16 TRANSMISSION

REF. NO.	PART NO.	DESCRIPTION	FRA	DEU	ZAF	OTH	GBR	REMARKS
25	93306-305X4	BEARING	1	1	1	1	1	
26	90387-25802	COLLAR	1	1	1	1	1	
27	93210-22164	O-RING	1	1	1	1	1	
28	93102-35368	OIL SEAL	1	1	1	1	1	
29	5VK-E7471-00	PLATE, COVER	1	1	1	1	1	
30	90101-06X26	BOLT	2	2	2	2	2	
31	93306-004XM	BEARING	1	1	1	1	1	
32	5VK-E7460-00	SPROCKET, DRIVE	1	1	1	1	1	
33	90215-21X00	WASHER, LOCK	1	1	1	1	1	
34	90179-18003	NUT	1	1	1	1	1	

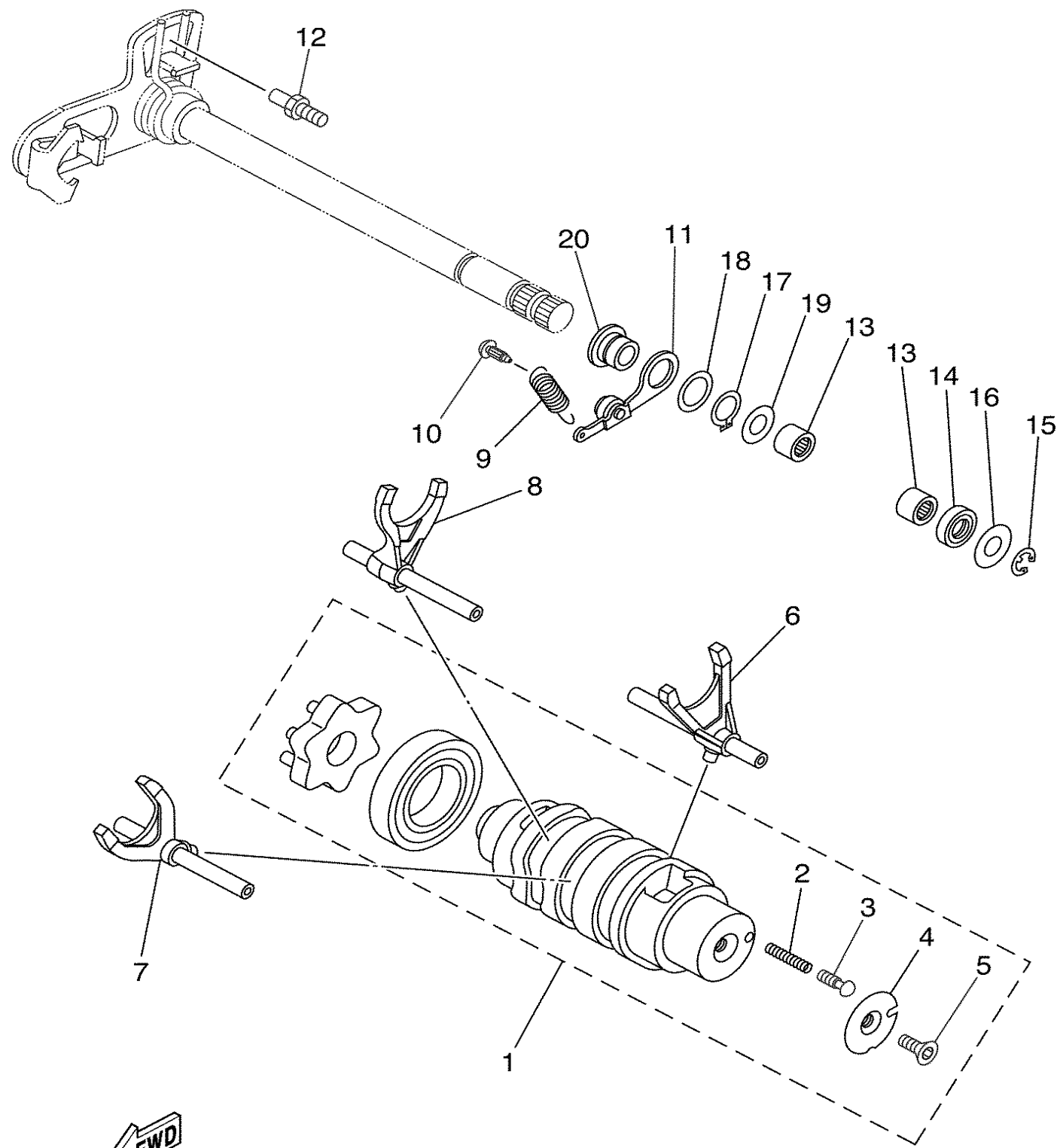


FIG. 17 SHIFT CAM & FORK

REF. NO.	PART NO.	DESCRIPTION	FRA	DEU	ZAF	OTH	GBR	REMARKS
1	5VK-18540-00	SHIFT CAM ASSY	1	1	1	1	1	
2	90501-06022	.SPRING, COMPRESSION	1	1	1	1	1	
3	4UN-18542-00	.POINT, NEUTRAL	1	1	1	1	1	
4	4UN-18566-00	.PLATE, SIDE 2	1	1	1	1	1	
5	90149-05321	.SCREW	1	1	1	1	1	
6	5VK-E8501-00	FORK, SHIFT 1	1	1	1	1	1	
7	5VK-E8502-00	FORK, SHIFT 2	1	1	1	1	1	
8	5VK-E8503-00	FORK, SHIFT 3	1	1	1	1	1	
9	5VK-E8144-00	HANGER, SPRING	1	1	1	1	1	
10	132-16346-00	HOOK, SPRING	1	1	1	1	1	
11	5JW-18140-00	STOPPER LEVER ASSY	1	1	1	1	1	
12	5VK-18127-00	STOPPER, SCREW	1	1	1	1	1	
13	93315-11206	BEARING	2	2	2	2	2	
14	93102-12106	OIL SEAL (SD 12-22-5 HS)	1	1	1	1	1	
15	99001-10600	CIRCLIP	1	1	1	1	1	
16	90201-12575	WASHER, PLATE	1	1	1	1	1	
17	93410-17X00	CIRCLIP	1	1	1	1	1	
18	90201-177G4	WASHER, PLATE	1	1	1	1	1	
19	90201-120K4	WASHER, PLATE	1	1	1	1	1	
20	5VK-18699-00	BOSS 1	1	1	1	1	1	

FWD
5VK1300-C170

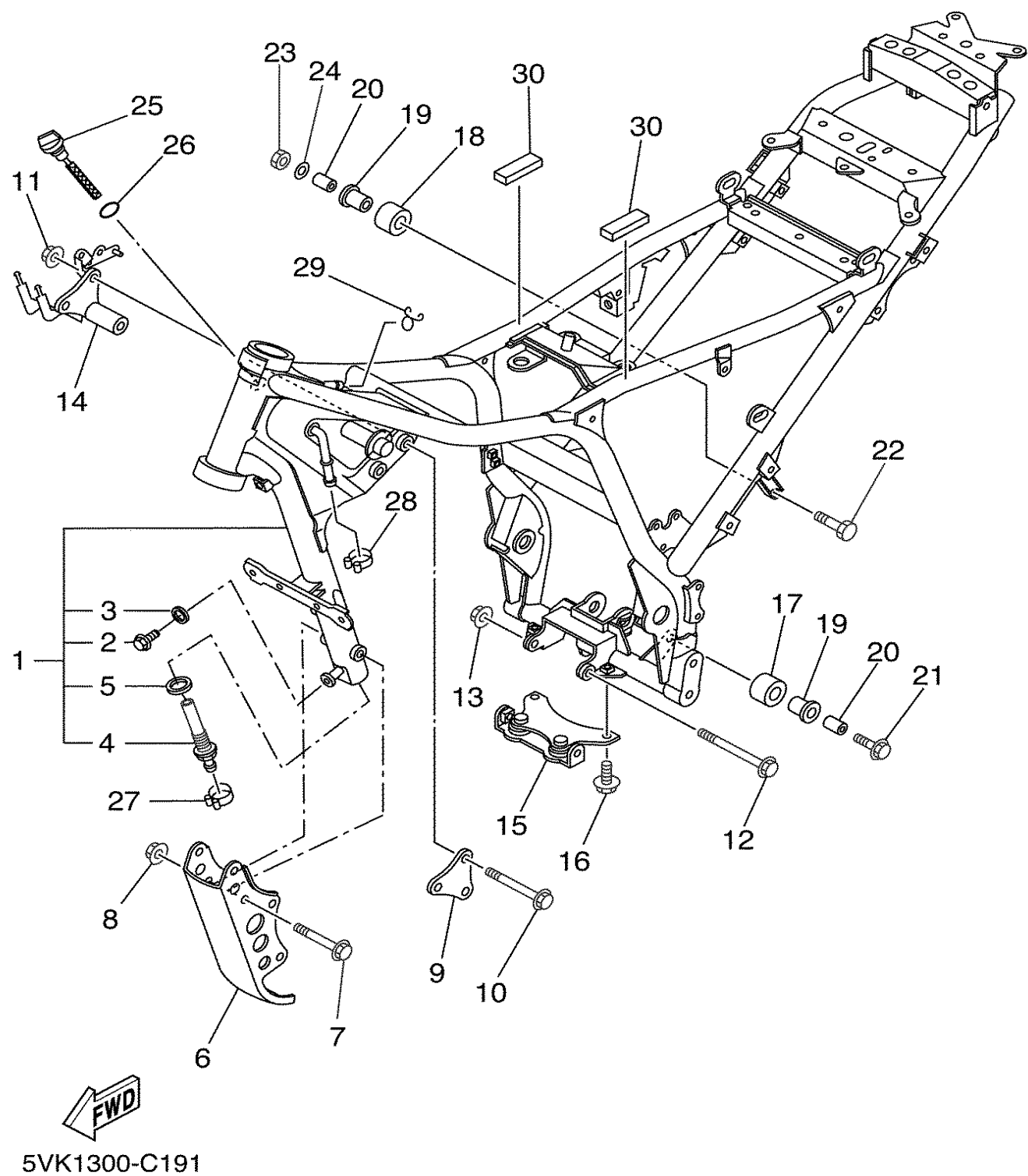


FIG. 19 FRAME

REF. NO.	PART NO.	DESCRIPTION	FRA	DEU	ZAF	OTH	GBR	REMARKS
1	5VK-F1110-10	FRAME COMP.	1	1	1	1	1	
2	95807-08012	.BOLT, FLANGE	1	1	1	1	1	
3	90430-08119	.GASKET	1	1	1	1	1	
4	5VK-F1756-00	.NET, FILTER	1	1	1	1	1	
5	90430-22123	.GASKET	1	1	1	1	1	
6	5VK-F1316-00	STAY, ENGINE 3	1	1	1	1	1	
7	95814-10070	BOLT, FLANGE	4	4	4	4	4	
8	90179-10658	NUT	4	4	4	4	4	
9	5VK-F1315-00	STAY, ENGINE 2	1	1	1	1	1	
10	95814-10100	BOLT, FLANGE	3	3	3	3	3	
11	90179-10658	NUT	3	3	3	3	3	
12	90105-10040	BOLT, WASHER BASED	1	1	1	1	1	
13	90179-10658	NUT	1	1	1	1	1	
14	5VK-F1410-00	ENGINE BRACKET COMP.	1	1	1	1	1	
15	5VK-21445-00	STAY, MUFFLER 1	1	1	1	1	1	
16	95024-08016	BOLT, FLANGE	2	2	2	2	2	
17	30X-22178-00	TENSIONER	1	1	1	1	1	
18	10V-22178-00	TENSIONER	1	1	1	1	1	
19	10V-22184-00	BUSH	2	2	2	2	2	
20	90387-08024	COLLAR	2	2	2	2	2	
21	95827-08040	BOLT, FLANGE	1	1	1	1	1	
22	90101-08428	BOLT	1	1	1	1	1	
23	95607-08100	NUT, U	1	1	1	1	1	
24	92907-08200	WASHER	1	1	1	1	1	
25	5VK-15362-00	PLUG, OIL LEVEL	1	1	1	1	1	
26	93210-19123	O-RING	1	1	1	1	1	
27	90467-19800	CLIP	1	1	1	1	1	



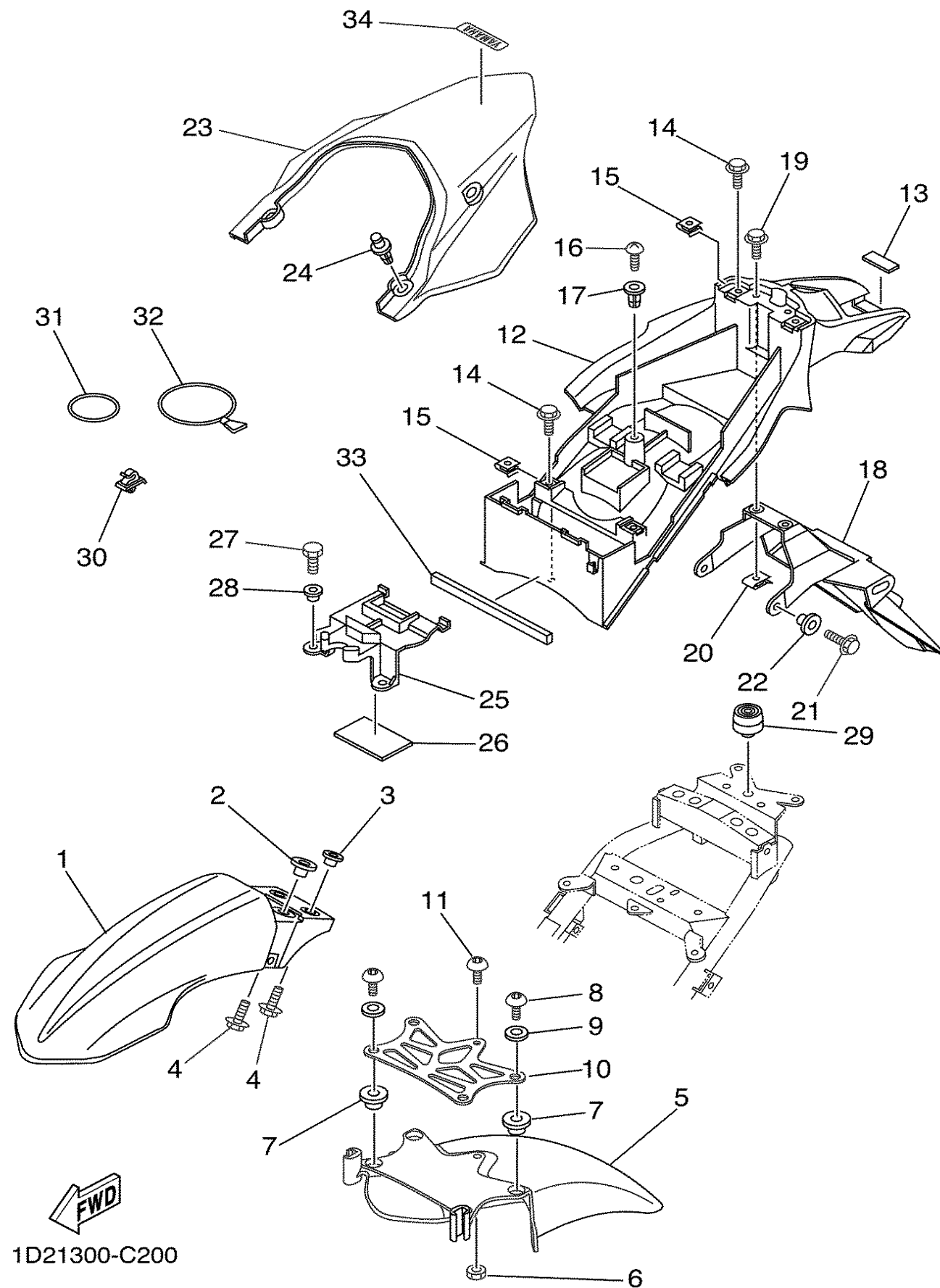


FIG. 20 FENDER

REF. NO.	PART NO.	DESCRIPTION	FRA	DEU	ZAF	OTH	GBR	REMARKS
1	1D2-F1511-00	FENDER, FRONT	1	1	1	1	1	
2	90387-065X7	COLLAR	2	2	2	2	2	
3	90387-087L0	COLLAR	2	2	2	2	2	
4	90119-06096	BOLT, WITH WASHER	4	4	4	4	4	
5	1D2-F1556-00	FENDER, FRONT 2	1	1	1	1	1	
6	90179-06X02	NUT	1	1	1	1	1	
7	90387-08X05	COLLAR	4	4	4	4	4	
8	90111-08X05	BOLT	4	4	4	4	4	
9	90201-08X03	WASHER, PLATE	4	4	4	4	4	
10	1D2-F1514-00	STAY, FENDER 2	1	1	1	1	1	
11	90111-06X15	BOLT	1	1	1	1	1	
12	5VK-F1611-00	FENDER, REAR	1	1	1	1	1	
13	5DM-28371-00	DAMPER	1	1	1	1	1	
14	95807-06012	BOLT, FLANGE	4	4	4	4	4	
15	90183-06023	NUT, SPRING	4	4	4	4	4	
16	97707-60020	SCREW, TAPPING	1	1	1	1	1	
17	90338-08226	PLUG	1	1	1	1	1	
18	5VK-F1685-00	BRACKET, LICENSE	1	1	1	1	1	
19	90119-06118	BOLT, WITH WASHER	2	2	2	2	2	
20	90183-06023	NUT, SPRING	2	2	2	2	2	
21	95807-06014	BOLT, FLANGE	2	2	2	2	2	
22	90387-06648	COLLAR	2	2	2	2	2	
23	5VK-F1651-00	COVER, REAR FENDER	1	1	1	1	1	UR FOR DPBSE
	5VK-F1651-20	COVER, REAR FENDER	1	1	1	1	1	UR FOR DNMD
24	90269-08066	RIVET	2	2	2	2	2	
25	5VK-F160E-00	BOX	1	1	1	1	1	
26	5VK-21639-00	DAMPER 2	1	1	1	1	1	



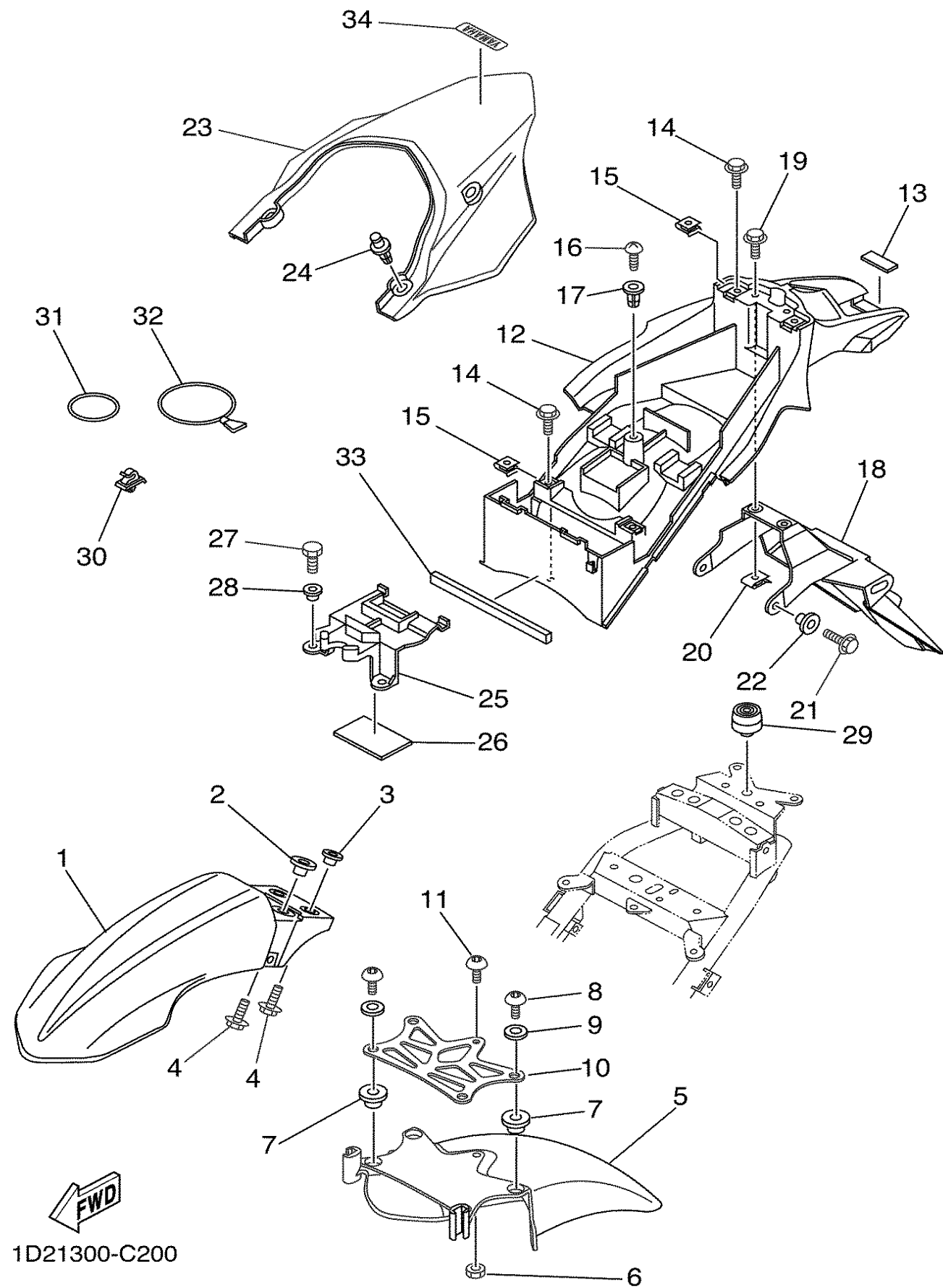


FIG. 20 FENDER

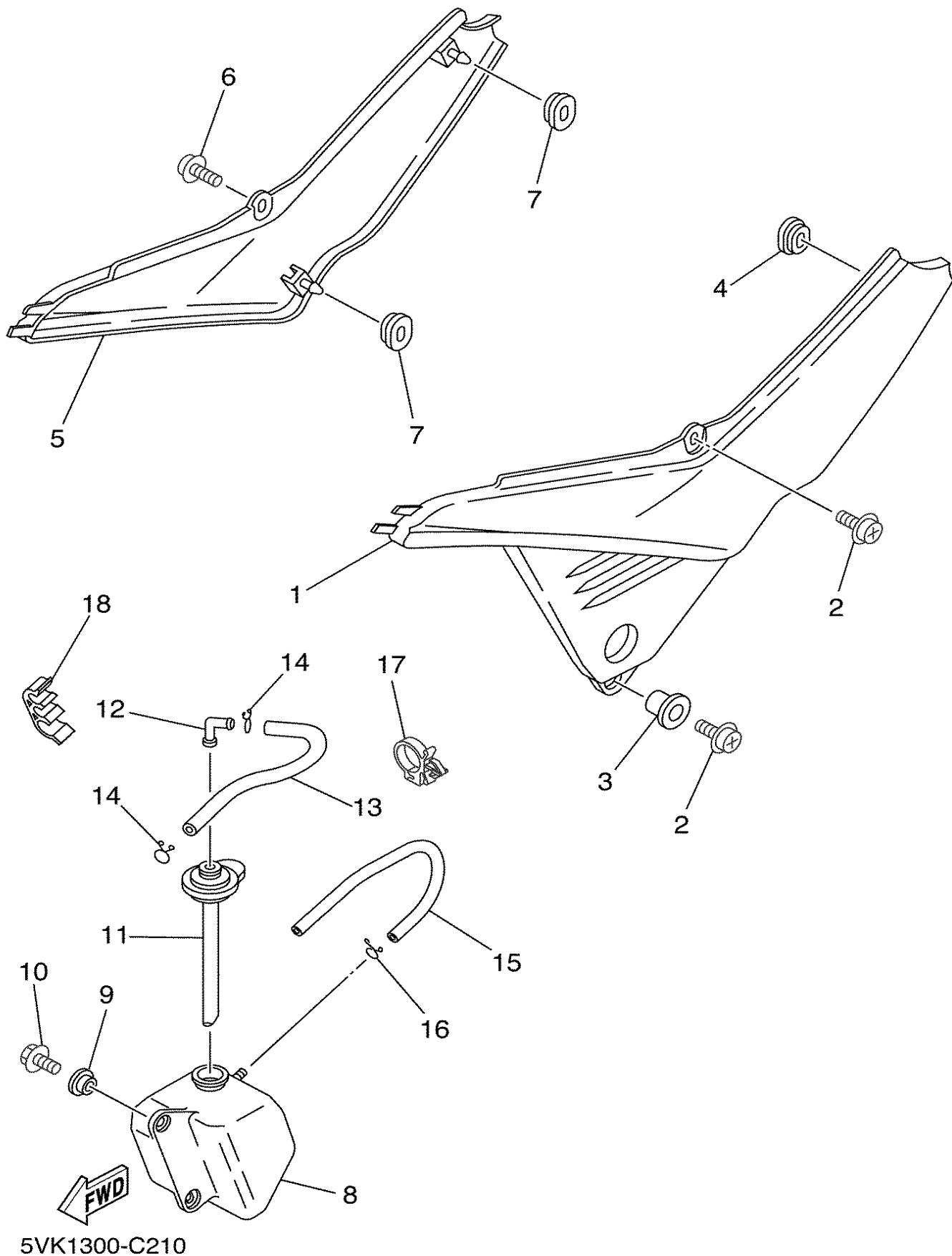
REF. NO.	PART NO.	DESCRIPTION	FRA	DEU	ZAF	OTH	GBR	REMARKS
27	97007-05012	BOLT	2	2	2	2	2	
28	90387-05803	COLLAR	2	2	2	2	2	
29	1T4-24741-00	PAD, SEAT	1	1	1	1	1	
30	90464-07259	CLAMP	4	4	4	4	4	
31	4XV-21376-00	BAND, TOOL	1	1	1	1	1	
32	3YX-21376-00	BAND, TOOL	1	1	1	1	1	
33	5VK-21649-00	DAMPER	1	1	1	1	1	
34	5VK-2153A-00	EMBLEM, YAMAHA	1	1	1	1	1	UR FOR DPBSE
	5VK-2153A-10	EMBLEM, YAMAHA	1	1	1	1	1	UR FOR DNMD

CONTENTS

CYLINDER HEAD	B2	REAR MASTER CYLINDER	E9
CYLINDER	B3	COWLING 1	E11
CRANKSHAFT & PISTON	B4	GENERATOR	E12
VALVE	B5	FLASHER LIGHT	E13
CAMSHAFT & CHAIN	B6	METER	E14
WATER PUMP	B7	HEADLIGHT	E15
RADIATOR & HOSE	B8	TAILLIGHT	F2
OIL PUMP	B9	HANDLE SWITCH & LEVER	F3
INTAKE	B11	ELECTRICAL 1	F4
INTAKE 2	B13	ELECTRICAL 2	F6
EXHAUST	B14		
CRANKCASE	C2		
CRANKCASE COVER 1	C3	NUMERICAL INDEX	M1
STARTER CLUTCH	C5		
CLUTCH	C6		
TRANSMISSION	C8		
SHIFT CAM & FORK	C10		
SHIFT SHAFT	C11		
FRAME	C12		
FENDER	C14		
SIDE COVER	D2		
REAR ARM	D3		
REAR SUSPENSION	D5		
STEERING	D6		
FRONT FORK	D8		
FUEL TANK	D10		
SEAT	D12		
FRONT WHEEL	D14		
FRONT BRAKE CALIPER	D15		
REAR WHEEL	E2		
REAR BRAKE CALIPER	E4		
STEERING HANDLE & CABLE	E5		
FRONT MASTER CYLINDER	E6		
STAND & FOOTREST	E7		

CONTENTS

CYLINDER HEAD	B2	REAR MASTER CYLINDER	E9
CYLINDER	B3	COWLING 1	E11
CRANKSHAFT & PISTON	B4	GENERATOR	E12
VALVE	B5	FLASHER LIGHT	E13
CAMSHAFT & CHAIN	B6	METER	E14
WATER PUMP	B7	HEADLIGHT	E15
RADIATOR & HOSE	B8	TAILLIGHT	F2
OIL PUMP	B9	HANDLE SWITCH & LEVER	F3
INTAKE	B11	ELECTRICAL 1	F4
INTAKE 2	B13	ELECTRICAL 2	F6
EXHAUST	B14		
CRANKCASE	C2	NUMERICAL INDEX	M1
CRANKCASE COVER 1	C3		
STARTER CLUTCH	C5		
CLUTCH	C6		
TRANSMISSION	C8		
SHIFT CAM & FORK	C10		
SHIFT SHAFT	C11		
FRAME	C12		
FENDER	C14		
SIDE COVER	D2		
REAR ARM	D3		
REAR SUSPENSION	D5		
STEERING	D6		
FRONT FORK	D8		
FUEL TANK	D10		
SEAT	D12		
FRONT WHEEL	D14		
FRONT BRAKE CALIPER	D15		
REAR WHEEL	E2		
REAR BRAKE CALIPER	E4		
STEERING HANDLE & CABLE	E5		
FRONT MASTER CYLINDER	E6		
STAND & FOOTREST	E7		



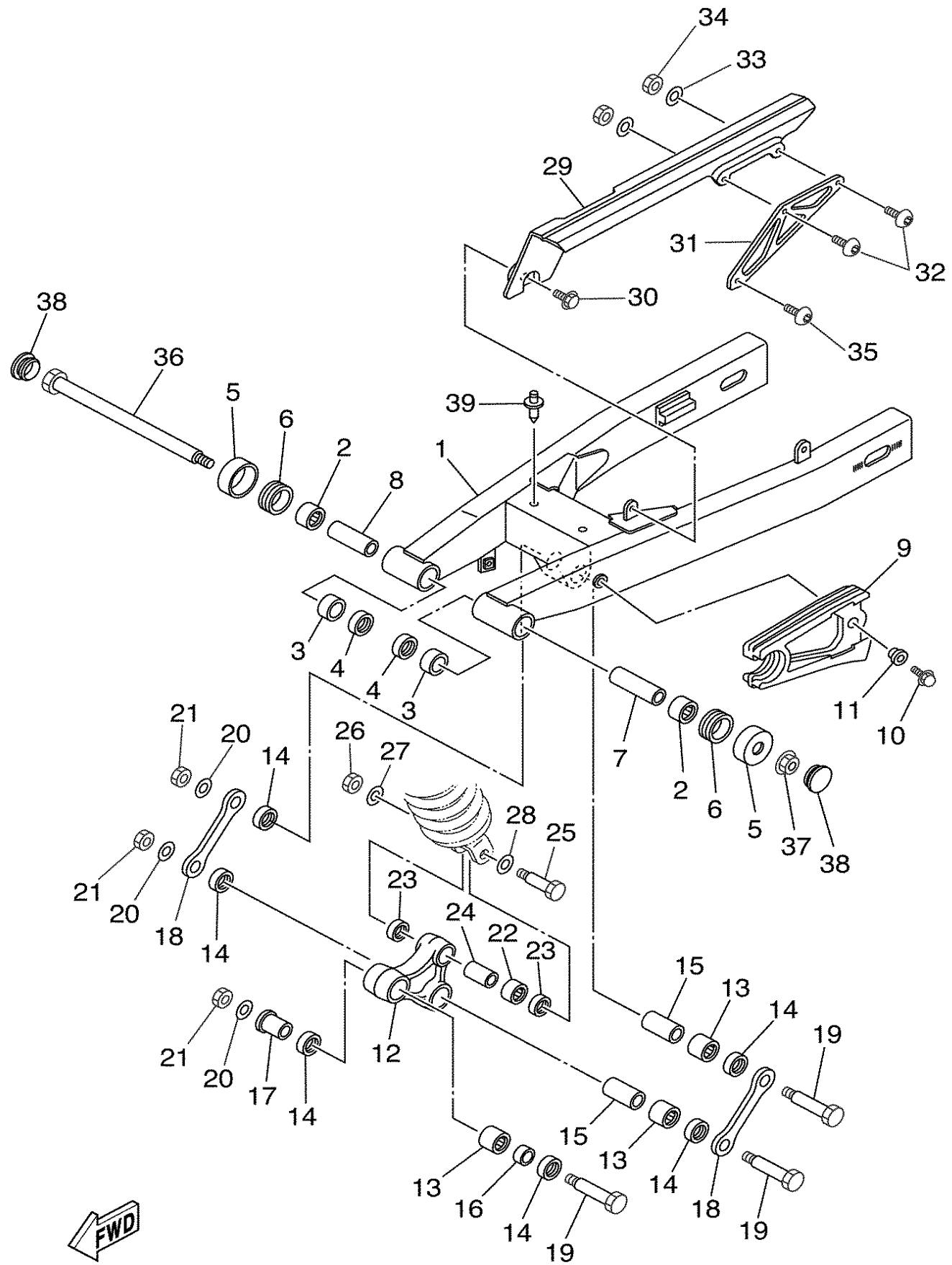
5VK1300-C210

FIG. 21 SIDE COVER

REF. NO.	PART NO.	DESCRIPTION	FRA	DEU	ZAF	OTH	GBR	REMARKS
1	5VK-F1711-00	COVER, SIDE 1	1	1	1	1	1	
2	90159-06078	SCREW, WITH WASHER	2	2	2	2	2	
3	90387-07717	COLLAR	1	1	1	1	1	
4	90480-01558	GROMMET	1	1	1	1	1	
5	5VK-F1721-00	COVER, SIDE 2	1	1	1	1	1	
6	90159-06078	SCREW, WITH WASHER	1	1	1	1	1	
7	90480-01558	GROMMET	2	2	2	2	2	
8	5VK-F1871-00	TANK, RECOVERY	1	1	1	1	1	
9	90387-062M9	COLLAR	2	2	2	2	2	
10	95807-06012	BOLT, FLANGE	2	2	2	2	2	
11	5VK-21875-00	CAP	1	1	1	1	1	
12	26H-21828-00	ELBOW	1	1	1	1	1	
13	90445-08020	HOSE	1	1	1	1	1	
14	90467-08003	CLIP	2	2	2	2	2	
15	90445-08008	HOSE	1	1	1	1	1	
16	90467-08003	CLIP	1	1	1	1	1	
17	90464-16006	CLAMP	1	1	1	1	1	
18	90464-11008	CLAMP	1	1	1	1	1	

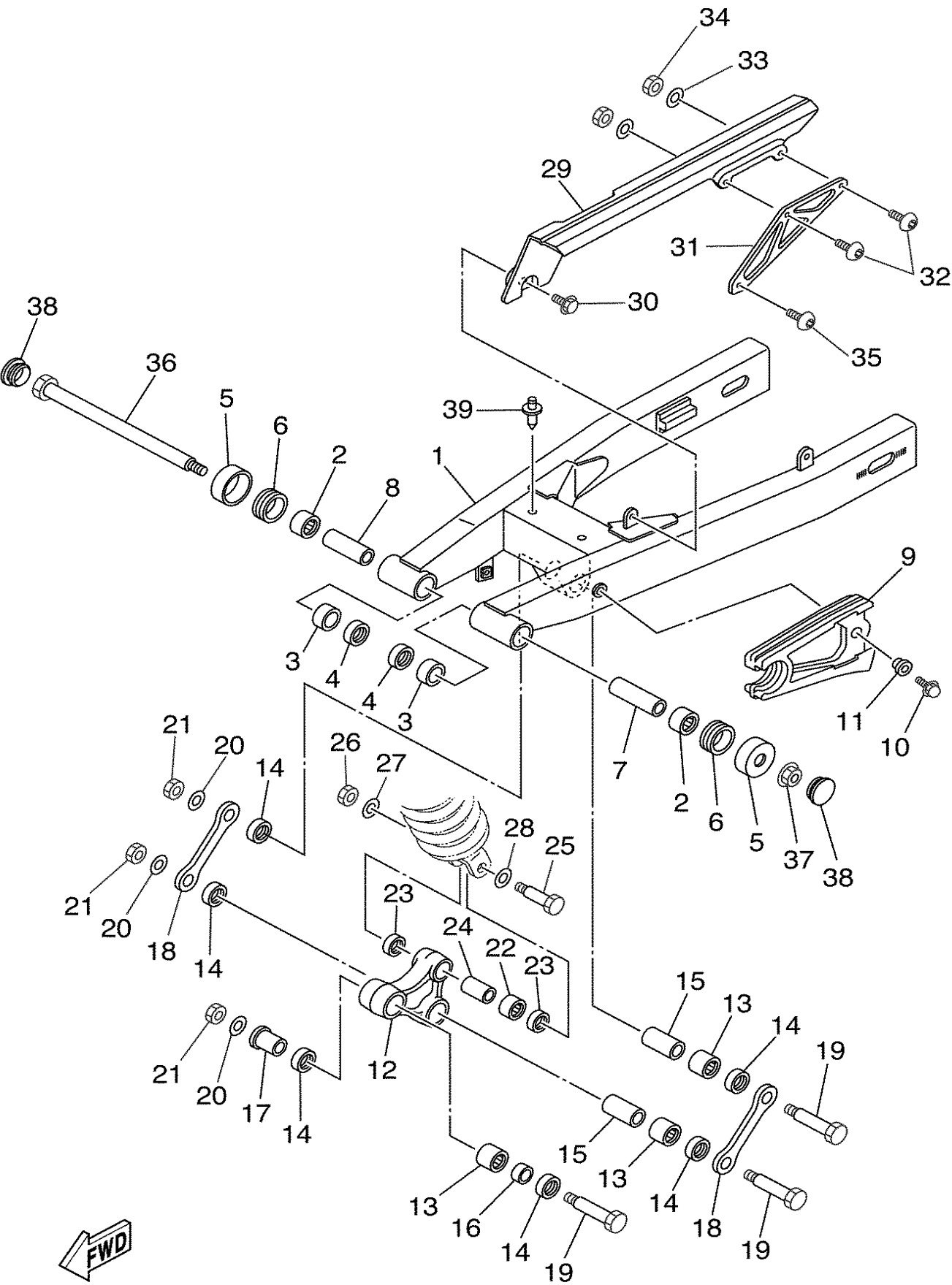
FIG. 22 REAR ARM

REF. NO.	PART NO.	DESCRIPTION	FRA	DEU	ZAF	OTH	GBR	REMARKS
1	5VK-F2110-10	REAR ARM COMP.	1	1	1	1	1	
2	93315-22251	BEARING	2	2	2	2	2	
3	90380-22111	BUSH, SOLID	2	2	2	2	2	
4	93106-22019	OIL SEAL (DC 22-28-8)	2	2	2	2	2	
5	30X-2219X-00	COVER	2	2	2	2	2	
6	93108-35004	OIL SEAL (35-41-8)	2	2	2	2	2	
7	5VK-22124-00	BUSH 2	1	1	1	1	1	
8	5VK-22123-00	BUSH 1	1	1	1	1	1	
9	5VK-F2151-00	SEAL, GUARD	1	1	1	1	1	
10	95807-06020	BOLT, FLANGE	1	1	1	1	1	
11	90387-06066	COLLAR	1	1	1	1	1	
12	5VK-F217A-00	ARM, RELAY	1	1	1	1	1	
13	93315-32053	BEARING	3	3	3	3	3	
14	93109-20076	OIL SEAL	6	6	6	6	6	
15	90387-167R5	COLLAR	2	2	2	2	2	
16	90387-16011	COLLAR	1	1	1	1	1	
17	90387-16012	COLLAR	1	1	1	1	1	
18	1D2-F217F-00	ROD, CONNECTING 1	2	2	2	2	2	
19	5VK-22125-00	BOLT	3	3	3	3	3	
20	90201-160F6	WASHER, PLATE	3	3	3	3	3	
21	90185-14002	NUT, SELF-LOCKING	3	3	3	3	3	
22	93315-31759	BEARING	1	1	1	1	1	
23	93109-17071	OIL SEAL	2	2	2	2	2	
24	90387-127W0	COLLAR	1	1	1	1	1	
25	90101-10659	BOLT	1	1	1	1	1	
26	95614-10100	NUT, U	1	1	1	1	1	
27	90201-101J1	WASHER, PLATE	1	1	1	1	1	



FWD
1D21300-C220





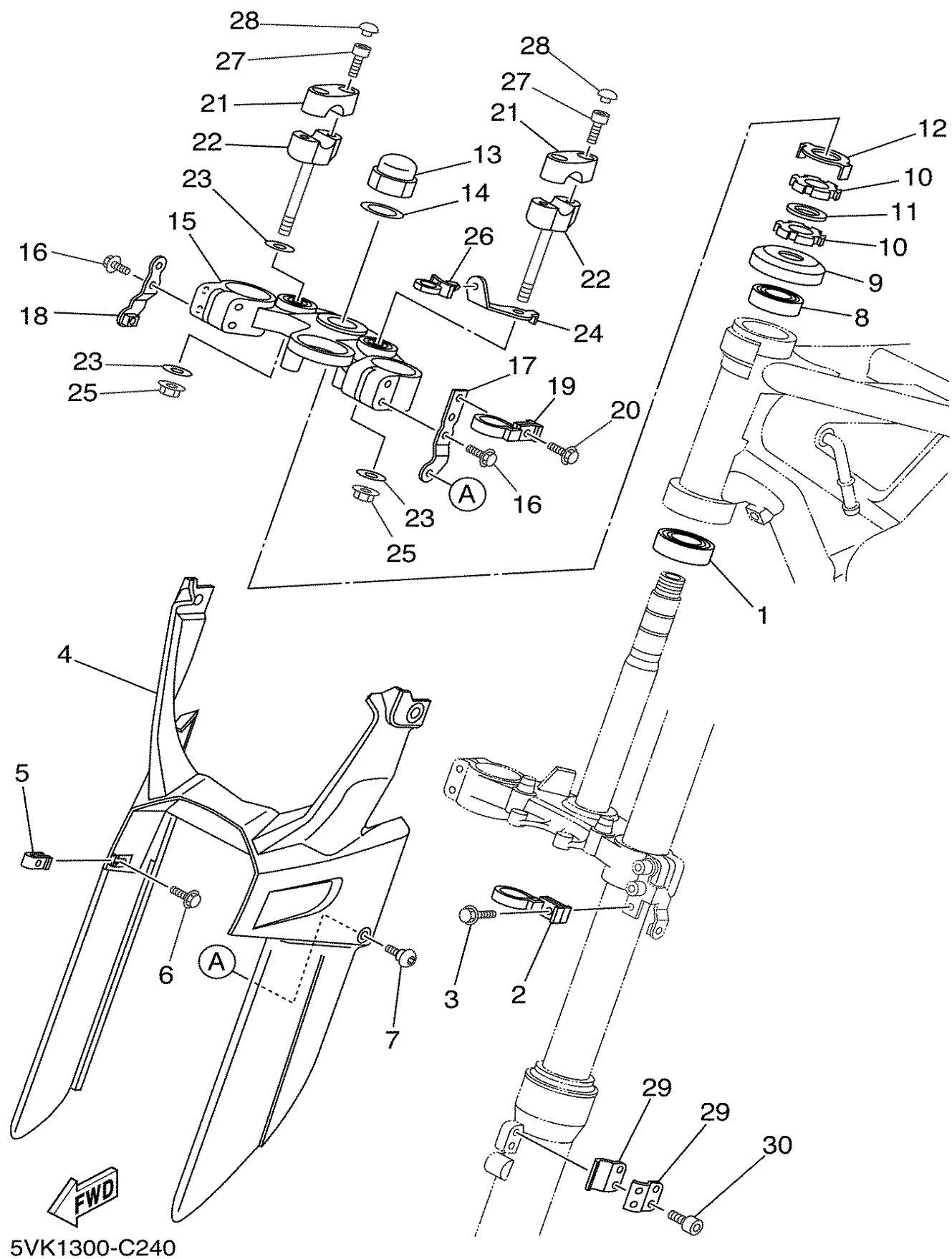
1D21300-C220

FIG. 22 REAR ARM

REF. NO.	PART NO.	DESCRIPTION	FRA	DEU	ZAF	OTH	GBR	REMARKS
28	90201-13013	WASHER, PLATE	1	1	1	1	1	
29	1D2-F2311-00	CASE, CHAIN	1	1	1	1	1	
30	90119-06861	BOLT, WITH WASHER	1	1	1	1	1	
31	1D2-F213J-00	STAY, CHAIN CASE	1	1	1	1	1	
32	90111-06X15	BOLT	2	2	2	2	2	
33	90201-06X00	WASHER, PLATE	2	2	2	2	2	
34	90179-06X02	NUT	2	2	2	2	2	
35	90111-06X16	BOLT	1	1	1	1	1	
36	1VJ-22141-00	SHAFT, PIVOT	1	1	1	1	1	
37	95607-14200	NUT, SELF-LOCKING	1	1	1	1	1	
38	90338-28242	PLUG	2	2	2	2	2	
39	90269-08066	RIVET	2	2	2	2	2	

FIG. 24 STEERING

REF. NO.	PART NO.	DESCRIPTION	FRA	DEU	ZAF	OTH	GBR	REMARKS
1	93332-000Y5	BEARING	1	1	1	1	1	
2	5VK-23389-00	GUIDE, CABLE	1	1	1	1	1	
3	90105-05361	BOLT, FLANGE	1	1	1	1	1	
4	5VK-F3472-00	PROTECTOR	1	1	1	1	1	
5	90183-05061	NUT, SPRING	2	2	2	2	2	
6	90119-05193	BOLT, WITH WASHER	2	2	2	2	2	
7	90111-05011	BOLT	2	2	2	2	2	
8	93332-000Y6	BEARING	1	1	1	1	1	
9	1W1-23416-00	COVER, BALL RACE 2	1	1	1	1	1	
10	90179-25615	NUT	2	2	2	2	2	
11	90202-26142	WASHER, PLATE	1	1	1	1	1	
12	3YF-23418-00	WASHER, SPECIAL	1	1	1	1	1	
13	90176-22081	NUT, CROWN	1	1	1	1	1	
14	90201-220T0	WASHER, PLATE	1	1	1	1	1	
15	5VK-23430-00	HANDLE CROWN COMP.	1	1	1	1	1	
16	95027-08040	BOLT, FLANGE	4	4	4	4	4	
17	5VK-F317E-00	STAY	1	1	1	1	1	
18	5VK-F317F-00	STAY 2	1	1	1	1	1	
19	5VK-23389-00	GUIDE, CABLE	1	1	1	1	1	
20	90105-05361	BOLT, FLANGE	1	1	1	1	1	
21	4H7-23441-01-P5	HOLDER, HANDLE UPPER	2	2	2	2	2	S8
22	3Y6-23442-00-P1	HOLDER, HANDLE LOWER	2	2	2	2	2	S8
23	90201-10141	WASHER, PLATE	3	3	3	3	3	
24	5VK-F317M-00	STAY 3	1	1	1	1	1	
25	95607-10200	NUT, U FLANGE	2	2	2	2	2	
26	90464-12001	CLAMP	1	1	1	1	1	
27	91317-08030	BOLT	4	4	4	4	4	



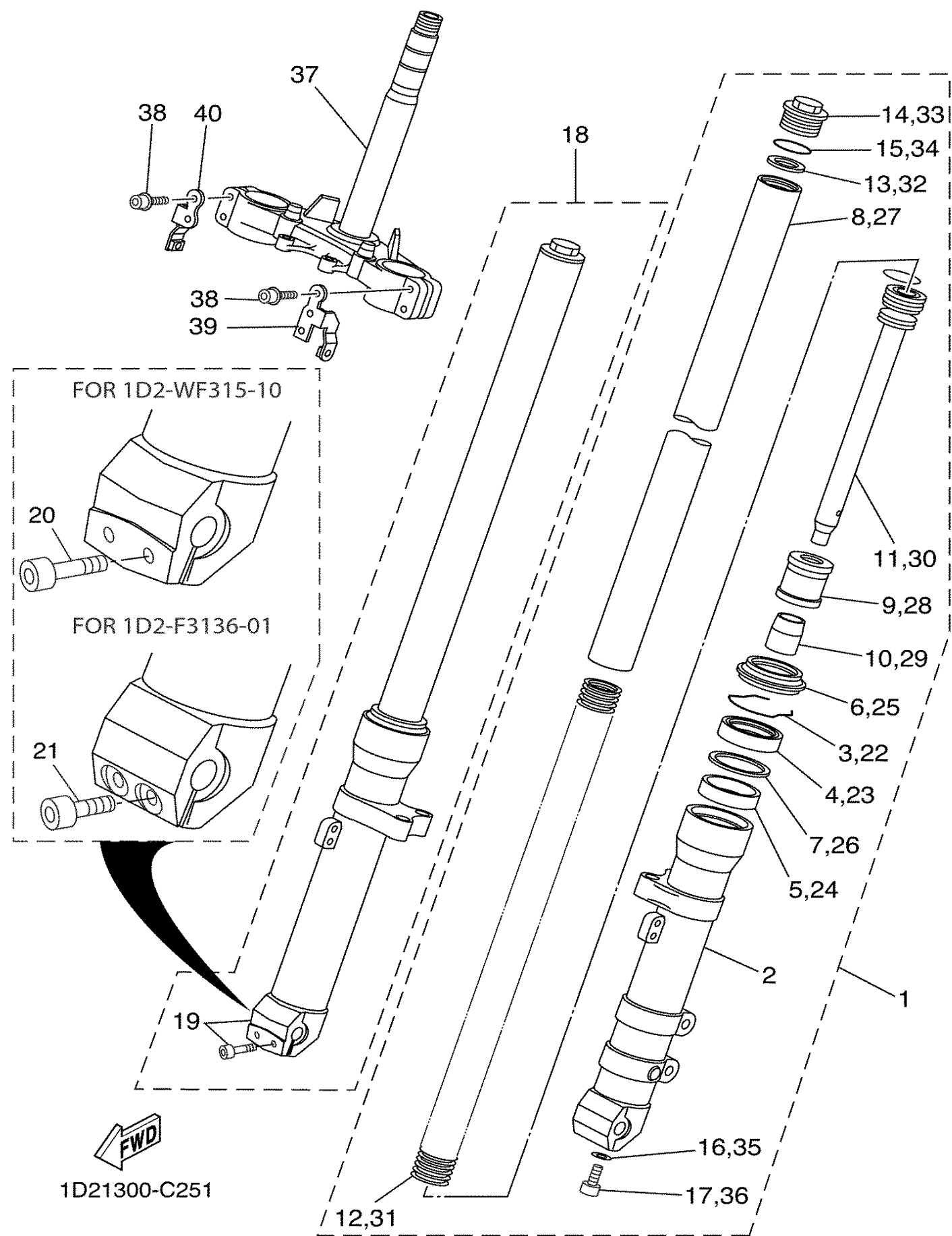


FIG. 25 FRONT FORK

REF. NO.	PART NO.	DESCRIPTION	FRA	DEU	ZAF	OTH	GBR	REMARKS
1	1D2-F3102-00	FRONT FORK ASSY (L.H)	1	1	1	1	1	
2	1D2-F3126-00	.TUBE, OUTER (LEFT)	1	1	1	1	1	
3	5VK-F3153-00	.RING, SNAP	1	1	1	1	1	
4	4DA-23145-L0	.OIL SEAL	1	1	1	1	1	
5	3XJ-23125-L0	.METAL, SLIDE 1	1	1	1	1	1	
6	5VK-F3144-00	.SEAL, DUST	1	1	1	1	1	
7	5VK-F3146-00	.WASHER, OIL SEAL	1	1	1	1	1	
8	1D2-F3110-00	.INNER TUBE COMP.1	1	1	1	1	1	
9	3XJ-23171-L0	.PISTON, FRONT FORK	1	1	1	1	1	
10	5VK-F3173-00	.SPINDLE, TAPER	1	1	1	1	1	
11	1D2-F3170-00	.CYLINDER COMP., FRONT FORK	1	1	1	1	1	
12	1D2-F3141-00	.SPRING, FRONT FORK	1	1	1	1	1	
13	5VK-F3149-00	.WASHER, SPRING UPPER	1	1	1	1	1	
14	1D2-F3111-00	.BOLT, CAP	1	1	1	1	1	
15	4V4-23188-L0	.O-RING	1	1	1	1	1	
16	5JH-F3158-00	.GASKET	1	1	1	1	1	
17	1D2-F3181-00	.BOLT, HEXAGON SOCKET HEAD	1	1	1	1	1	
18	1D2-F3103-00	FRONT FORK ASSY (R.H)	1	1	1	1	1	
19	1D2-WF315-10	.OUTER TUBE SET (RIGHT)	1	1	1	1	1	
20	3HL-F3459-10	..BOLT (M8X30)	2	2	2	2	2	FOR 1D2-WF315-10
21	4CU-F3181-00	..BOLT (M8X25)	2	2	2	2	2	FOR 1D2-F3136-01
22	5VK-F3153-00	.RING, SNAP	1	1	1	1	1	
23	4DA-23145-L0	.OIL SEAL	1	1	1	1	1	
24	3XJ-23125-L0	.METAL, SLIDE 1	1	1	1	1	1	
25	5VK-F3144-00	.SEAL, DUST	1	1	1	1	1	
26	5VK-F3146-00	.WASHER, OIL SEAL	1	1	1	1	1	
27	1D2-F3110-00	.INNER TUBE COMP.1	1	1	1	1	1	



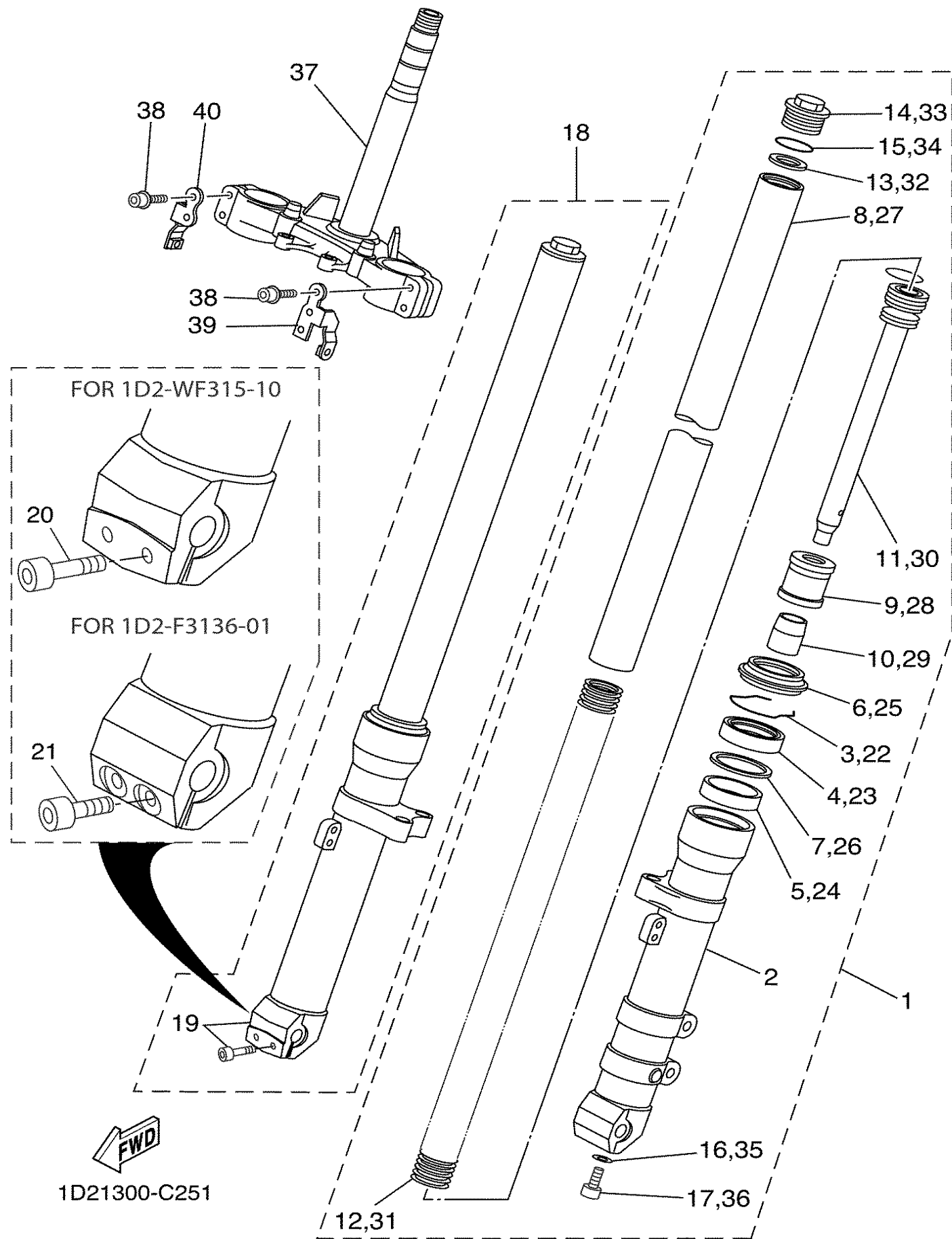


FIG. 25 FRONT FORK

REF. NO.	PART NO.	DESCRIPTION	FRA	DEU	ZAF	OTH	GBR	REMARKS
28	3XJ-23171-L0	.PISTON, FRONT FORK	1	1	1	1	1	
29	5VK-F3173-00	.SPINDLE, TAPER	1	1	1	1	1	
30	1D2-F3170-00	.CYLINDER COMP., FRONT FORK	1	1	1	1	1	
31	1D2-F3141-00	.SPRING, FRONT FORK	1	1	1	1	1	
32	5VK-F3149-00	.WASHER, SPRING UPPER	1	1	1	1	1	
33	1D2-F3111-00	.BOLT, CAP	1	1	1	1	1	
34	4V4-23188-L0	.O-RING	1	1	1	1	1	
35	5JH-F3158-00	.GASKET	1	1	1	1	1	
36	1D2-F3181-00	.BOLT, HEXAGON SOCKET HEAD	1	1	1	1	1	
37	5VK-F3340-00	UNDER BRACKET COMP.	1	1	1	1	1	
38	5SE-F3394-00	BOLT, SPECIAL	4	4	4	4	4	
39	5VK-F334G-00	BRACKET 1	1	1	1	1	1	
40	5VK-F334H-00	BRACKET 2	1	1	1	1	1	

FIG. 26 FUEL TANK

REF. NO.	PART NO.	DESCRIPTION	FRA	DEU	ZAF	OTH	GBR	REMARKS
1	5VK-F4110-10-P0	FUEL TANK COMP.	1	1	1	1	1	MBL2
2	5VK-F4491-00	BRACKET, FUEL PUMP	1	1	1	1	1	
3	5JW-24486-00	O-RING	1	1	1	1	1	
4	91317-05010	BOLT	6	6	6	6	6	
5	5VK-24602-00	CAP ASSY	1	1	1	1	1	
6	3TB-24181-00	DAMPER, LOCATING 1	2	2	2	2	2	
7	5VK-24182-00	DAMPER, LOCATING 2	1	1	1	1	1	
8	5VK-F4186-00	WASHER, SPECIAL	1	1	1	1	1	
9	95827-06012	BOLT, FLANGE	1	1	1	1	1	
10	5VK-24183-00	DAMPER, LOCATING 3	1	1	1	1	1	
11	5VK-F137W-01	SCOOP, AIR 1	1	1	1	1	1	UR FOR DPBSE
	5VK-F137W-21	SCOOP, AIR 1	1	1	1	1	1	UR FOR DNMD
12	5VK-28345-00	MOLE 1	1	1	1	1	1	
13	5VK-2414H-00	DAMPER, PLATE 1	1	1	1	1	1	
14	5VK-2414K-00	DAMPER, PLATE 3	1	1	1	1	1	
15	90111-05011	BOLT	2	2	2	2	2	
16	5VK-F137X-01	SCOOP, AIR 2	1	1	1	1	1	UR FOR DPBSE
	5VK-F137X-21	SCOOP, AIR 2	1	1	1	1	1	UR FOR DNMD
17	5VK-28345-00	MOLE 1	1	1	1	1	1	
18	5VK-2414H-00	DAMPER, PLATE 1	1	1	1	1	1	
19	90111-05011	BOLT	2	2	2	2	2	
20	5VK-F137Y-00	GUIDE, AIR	1	1	1	1	1	
21	5VK-28371-00	DAMPER	1	1	1	1	1	
22	90480-01141	GROMMET	2	2	2	2	2	
23	90269-06008	RIVET	4	4	4	4	4	
24	5VK-2416F-00	INSULATOR, FUEL TANK 1	1	1	1	1	1	
25	5VK-F413B-01	EMBLEM	1	1	1	1	1	

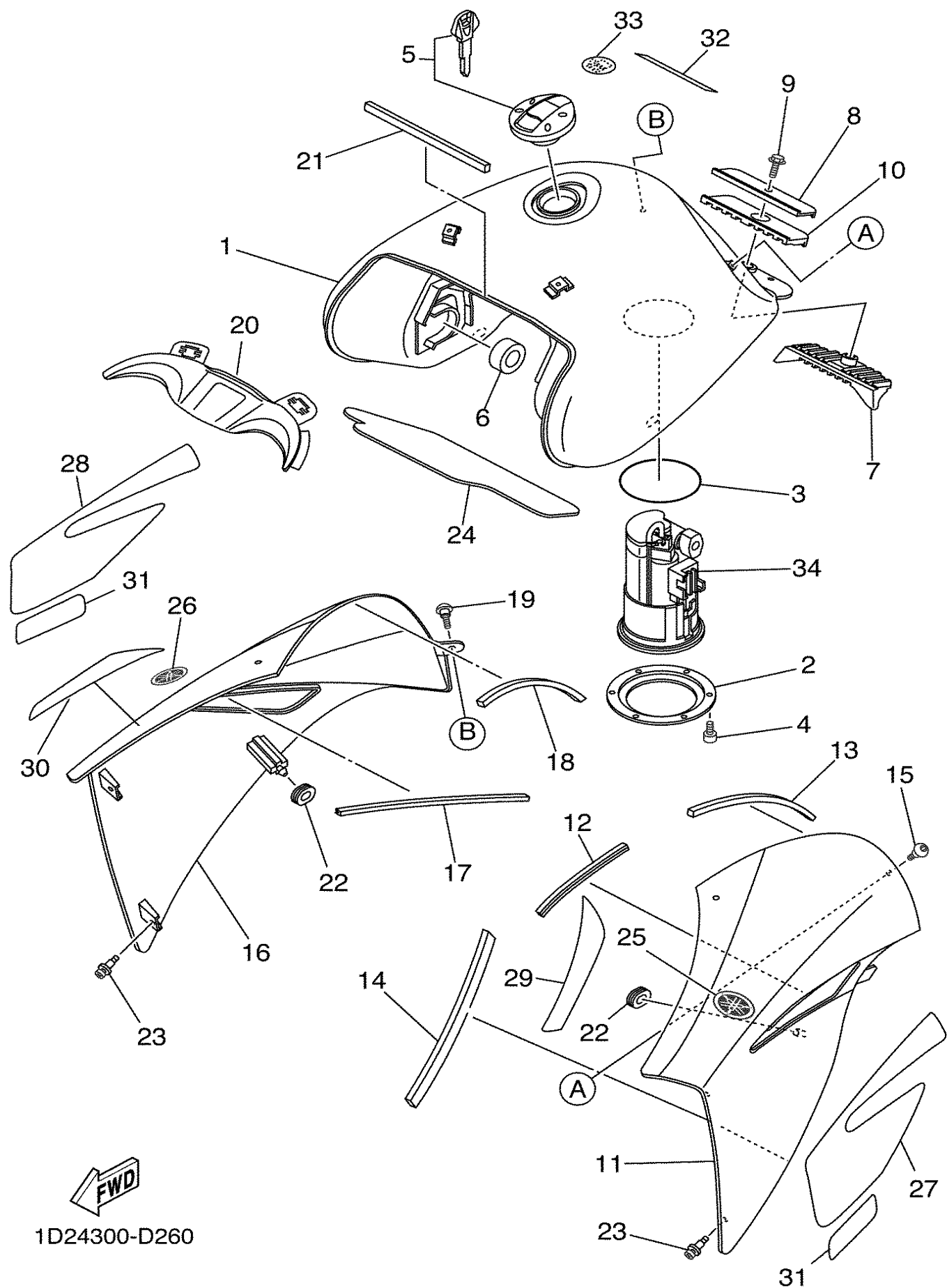
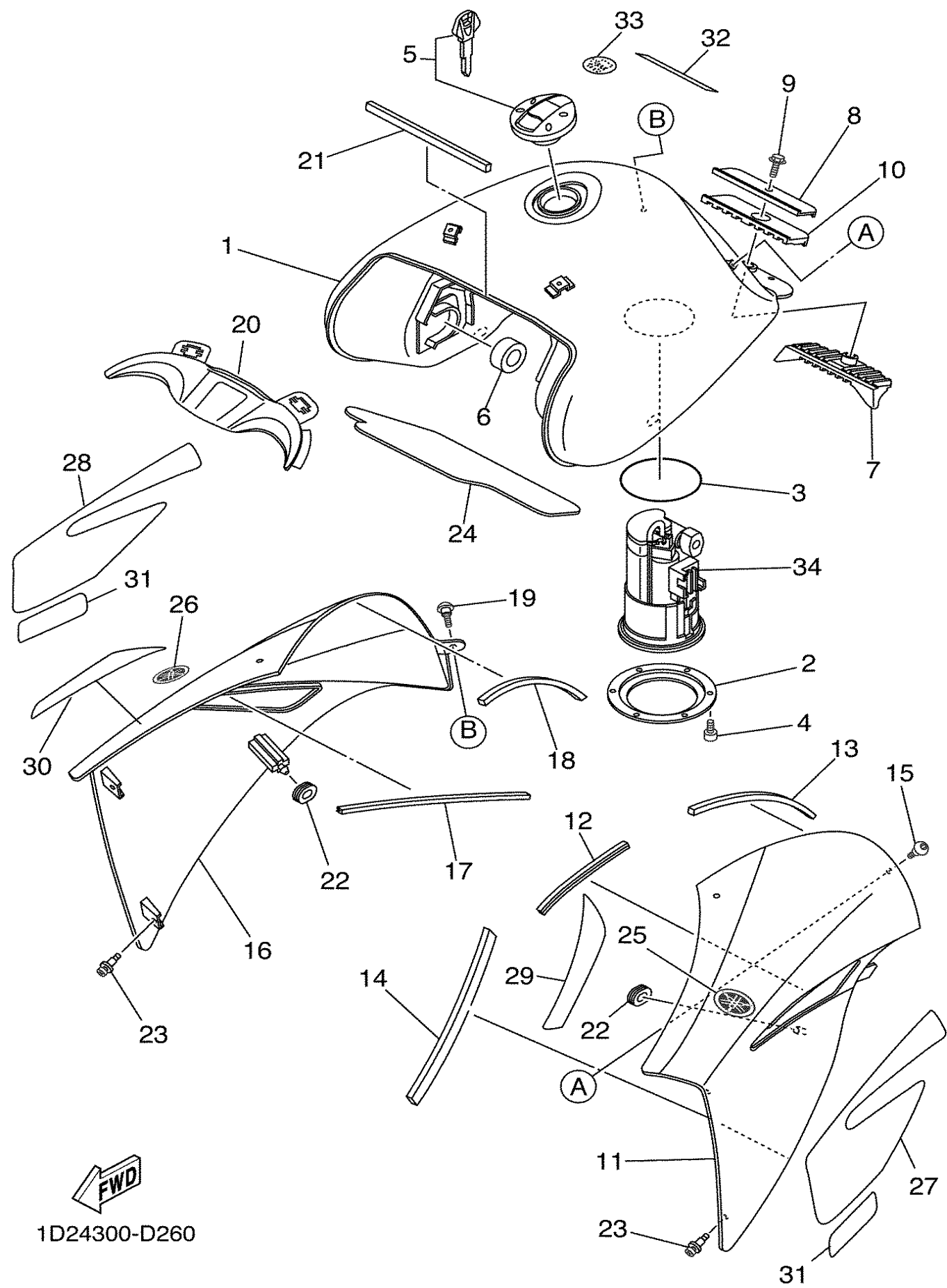


FIG. 26 FUEL TANK

REF. NO.	PART NO.	DESCRIPTION	FRA	DEU	ZAF	OTH	GBR	REMARKS
26	5VK-F413B-01	EMBLEM	1	1	1	1	1	
27	1D2-2173L-00	GRAPHIC SET 1	1	1	1	1	1	UR FOR DPBSE
	1D2-2173L-10	GRAPHIC SET 1	1	1	1	1	1	UR FOR DNMD
28	1D2-2174L-00	GRAPHIC SET 2	1	1	1	1	1	UR FOR DPBSE
	1D2-2174L-10	GRAPHIC SET 2	1	1	1	1	1	UR FOR DNMD
29	1D2-24161-00	EMBLEM 1	1	1	1	1	1	UR FOR DNMD
30	1D2-24162-00	EMBLEM 2	1	1	1	1	1	UR FOR DNMD
31	1D2-21788-00	GRAPHIC	2	2	2	2	2	UR FOR DPBSE
	1D2-21788-10	GRAPHIC	2	2	2	2	2	UR FOR DNMD
32	4CU-F1568-00	LABEL, WARNING			1	1	1	UR ENGLISH
	4CU-F1568-10	LABEL, WARNING	1				1	UR FRENCH
	4CU-F1568-20	LABEL, WARNING		1			1	UR GERMAN
	4CU-F1568-30	LABEL, WARNING				1		UR SPANISH
	4CU-F1568-40	LABEL, WARNING				1		UR ITALIAN
	4CU-F1568-50	LABEL, WARNING				1		UR DUTCH
	4CU-F1568-60	LABEL, WARNING				1		UR SWEDISH
	4CU-F1568-70	LABEL, WARNING				1		UR GREEK
	4CU-F1568-80	LABEL, WARNING				1		UR PORTUGUESE
33	5DN-F415A-10	LABEL, CAUTION	1	1	1	1	1	
34	5VK-13907-01	FUEL PUMP COMP.	1	1	1	1	1	



1D24300-D260

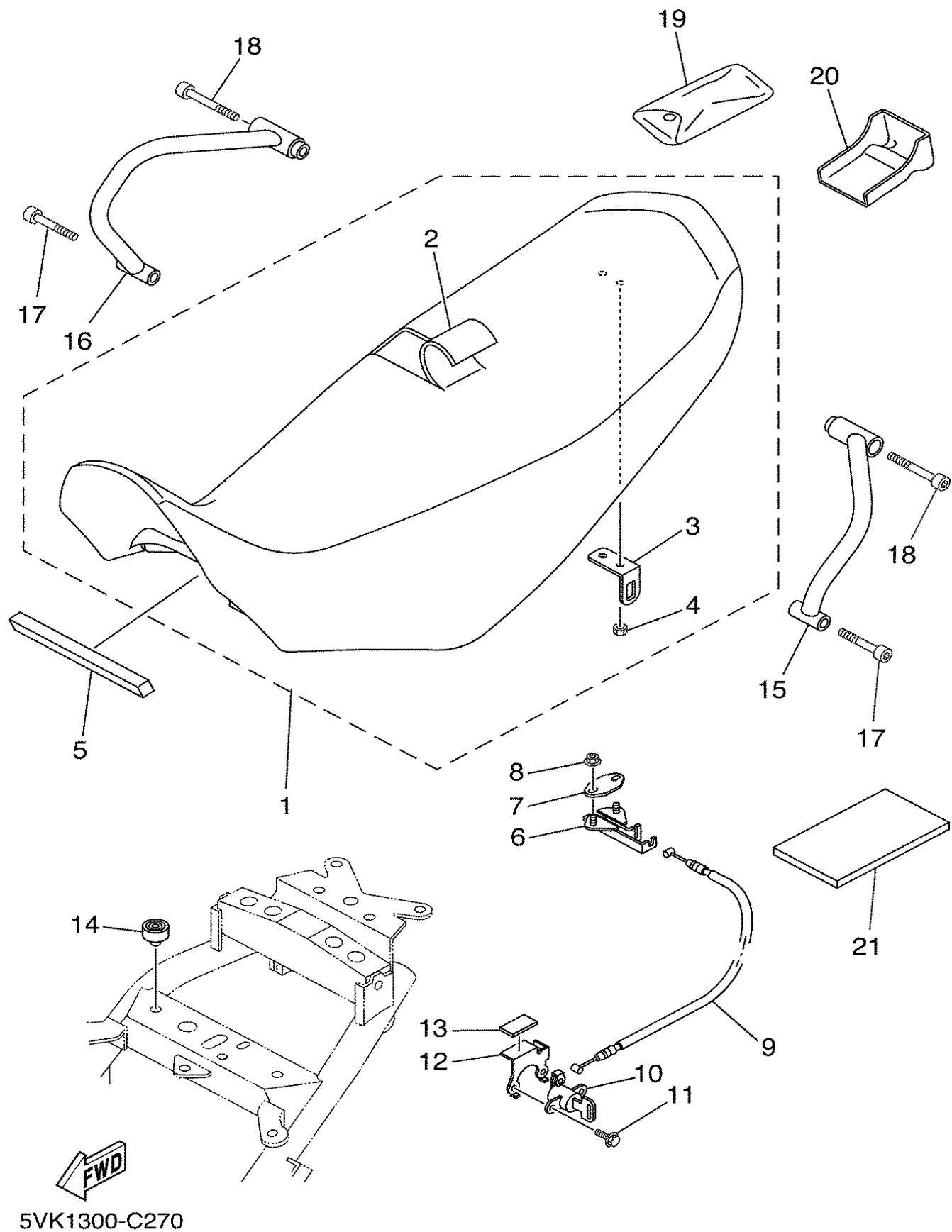


FIG. 27 SEAT

REF. NO.	PART NO.	DESCRIPTION	FRA	DEU	ZAF	OTH	GBR	REMARKS
1	1D2-F4770-01	SEMI-DOUBLE SEAT ASSY	1	1	1	1	1	UR FOR DPBSE
	1D2-F4770-11	SEMI-DOUBLE SEAT ASSY	1	1	1	1	1	UR FOR DNMD
2	1D2-F4731-01	.COVER, SEAT	1	1	1	1	1	UR FOR DPBSE
	1D2-F4731-11	.COVER, SEAT	1	1	1	1	1	UR FOR DNMD
3	4HM-24728-00	.BRACKET, SEAT	1	1	1	1	1	
4	90179-06635	.NUT	1	1	1	1	1	
5	5VK-24737-00	DAMPER, SEAT	1	1	1	1	1	
6	4BP-24780-00	SEAT LOCK ASSY	1	1	1	1	1	
7	5VK-F4792-00	PLATE	1	1	1	1	1	
8	95707-06500	NUT, FLANGE	2	2	2	2	2	
9	5VK-F478E-00	CABLE, SEAT LOCK	1	1	1	1	1	
10	2TV-W2470-00	SEAT LOCK ASSY	1	1	1	1	1	
11	95027-06014	BOLT, FLANGE	2	2	2	2	2	
12	5VK-F478X-00	BRACKET, SEAT LOCK	1	1	1	1	1	
13	5VK-24747-00	DAMPER, SEAT	1	1	1	1	1	
14	3VL-F4741-10	PAD, SEAT	2	2	2	2	2	
15	5VK-F474A-00	ASSIST, GRIP	1	1	1	1	1	
16	5VK-F474W-00	ASSIST,GRIP 2	1	1	1	1	1	
17	90110-08232	BOLT, HEXAGON SOCKET HEAD	2	2	2	2	2	
18	91317-08050	BOLT,HEX.SOCKET HEAD	2	2	2	2	2	
19	5VK-F8100-00	TOOL KIT	1	1	1	1	1	
20	5VK-F8116-00	TOOL, SPECIAL	1	1	1	1	1	
21	5VK-F8199-D0	MANUAL,OWNER'S				1		UR DUTCH
	5VK-F8199-E0	MANUAL,OWNER'S			1	1	1	UR ENGLISH
	5VK-F8199-F0	MANUAL,OWNER'S	1			1		UR FRENCH
	5VK-F8199-G0	MANUAL,OWNER'S		1				UR GERMAN
	5VK-F8199-H0	MANUAL,OWNER'S				1		UR ITALIAN



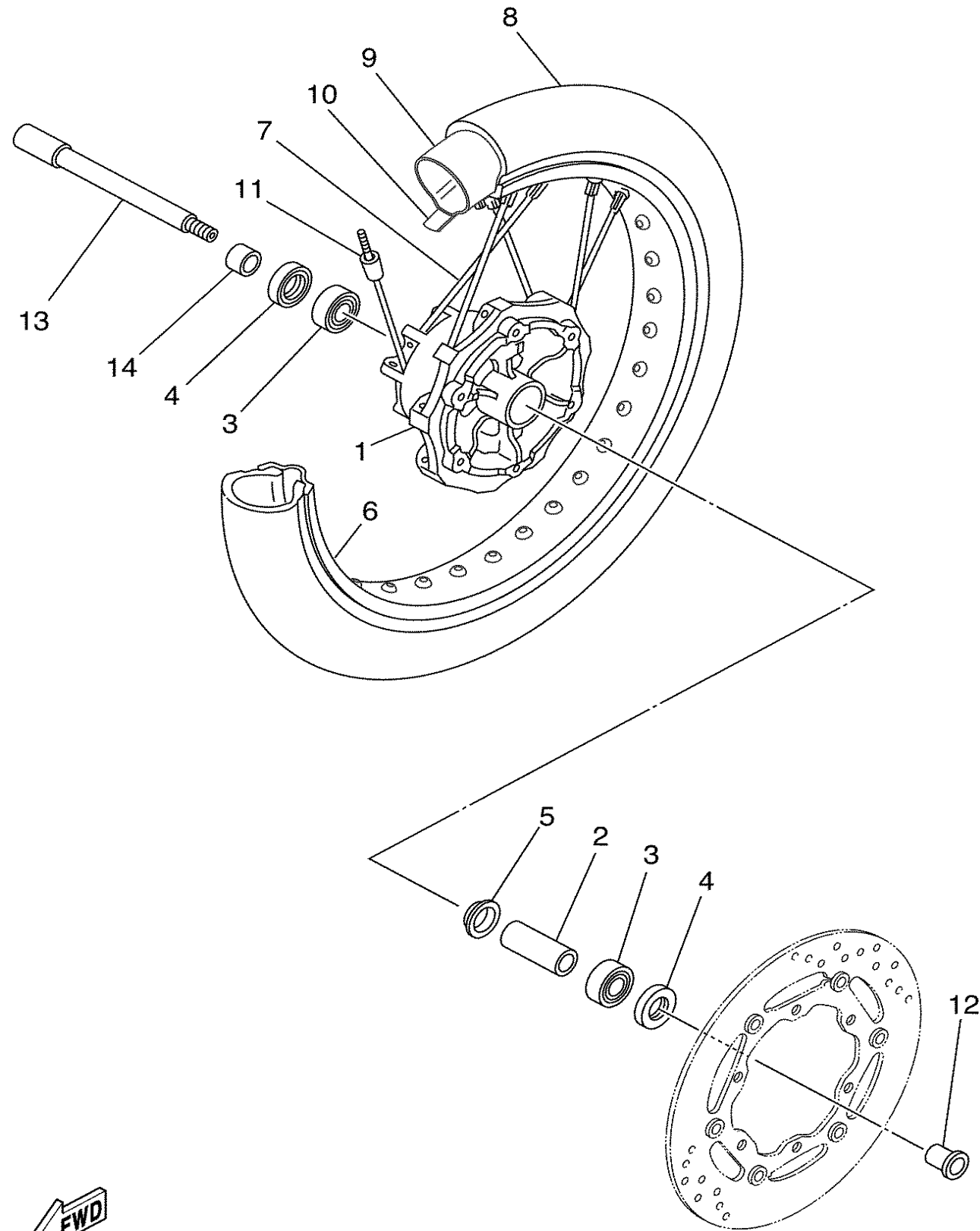


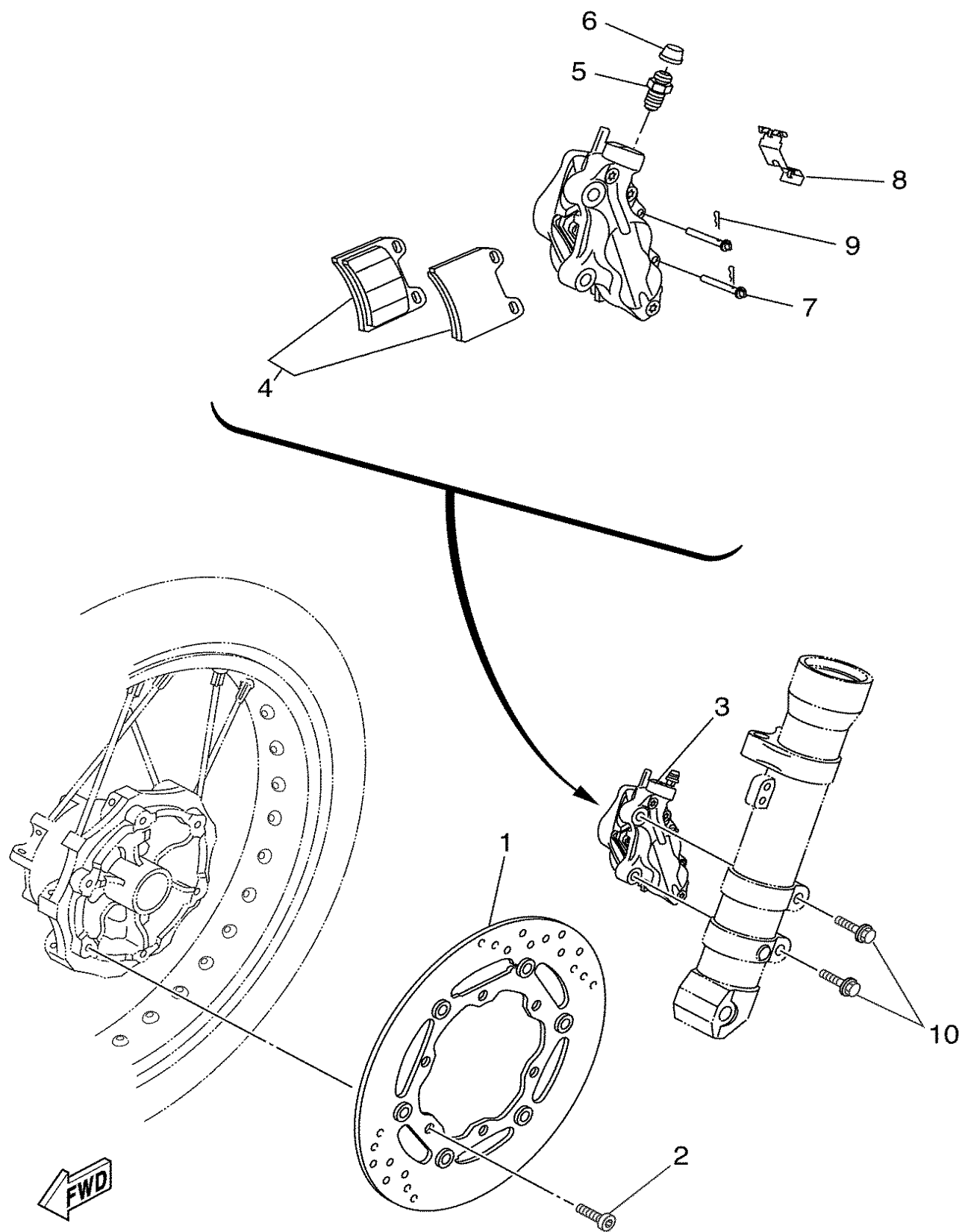
FIG. 28 FRONT WHEEL

REF. NO.	PART NO.	DESCRIPTION	FRA	DEU	ZAF	OTH	GBR	REMARKS
1	5VK-25111-00	HUB, FRONT	1	1	1	1	1	
2	5VK-25117-00	SPACER, BEARING	1	1	1	1	1	
3	93306-20348	BEARING	2	2	2	2	2	
4	93106-23002	OIL SEAL	2	2	2	2	2	
5	136-25115-00	FLANGE, SPACER 1	1	1	1	1	1	
6	94435-17002	RIM (3.50-17)	1	1	1	1	1	
7	1D2-F5104-00	SPOKE SET, FRONT	1	1	1	1	1	
8	*	TIRE (120/70R17 M/C 58H)	1	1	1	1	1	LM PIRELLI MTR01 DRAGON
9	*	TUBE (17)	1	1	1	1	1	LM
10	*	BAND, RIM (21)	1	1	1	1	1	LM
11	3HT-25398-00	BALANCER, WHEEL (15G)	1	1	1	1	1	
12	5VK-F5183-00	COLLAR, WHEEL	1	1	1	1	1	
13	5VK-25181-00	AXLE, WHEEL	1	1	1	1	1	
14	1D2-F5186-00	COLLAR, WHEEL	1	1	1	1	1	


 1D21300-C280

FIG. 29 FRONT BRAKE CALIPER

REF. NO.	PART NO.	DESCRIPTION	FRA	DEU	ZAF	OTH	GBR	REMARKS
1	1D2-F581T-00	DISK BRAKE ASSY	1	1	1	1	1	
2	90111-08823	BOLT	6	6	6	6	6	
3	1D2-F580T-01	CALIPER ASSY (LEFT)	1	1	1	1	1	(BREMBO)
4	1D2-W0045-00	.BRAKE PAD KIT	1	1	1	1	1	(BREMBO)
5	4CU-F5824-00	.SCREW, BLEED	1	1	1	1	1	(BREMBO)
6	4CU-F5825-00	.CAP	1	1	1	1	1	(BREMBO)
7	1D2-F5924-00	.PIN, PAD	1	1	1	1	1	(BREMBO)
8	1D2-F5919-00	.SUPPORT, PAD	1	1	1	1	1	(BREMBO)
9	1D2-F5925-00	.CLIP	1	1	1	1	1	(BREMBO)
10	90105-10638	BOLT, FLANGE	2	2	2	2	2	



1D21300-C290

CONTENTS

CYLINDER HEAD	B2	REAR MASTER CYLINDER	E9
CYLINDER	B3	COWLING 1	E11
CRANKSHAFT & PISTON	B4	GENERATOR	E12
VALVE	B5	FLASHER LIGHT	E13
CAMSHAFT & CHAIN	B6	METER	E14
WATER PUMP	B7	HEADLIGHT	E15
RADIATOR & HOSE	B8	TAILLIGHT	F2
OIL PUMP	B9	HANDLE SWITCH & LEVER	F3
INTAKE	B11	ELECTRICAL 1	F4
INTAKE 2	B13	ELECTRICAL 2	F6
EXHAUST	B14		
CRANKCASE	C2		
CRANKCASE COVER 1	C3	NUMERICAL INDEX	M1
STARTER CLUTCH	C5		
CLUTCH	C6		
TRANSMISSION	C8		
SHIFT CAM & FORK	C10		
SHIFT SHAFT	C11		
FRAME	C12		
FENDER	C14		
SIDE COVER	D2		
REAR ARM	D3		
REAR SUSPENSION	D5		
STEERING	D6		
FRONT FORK	D8		
FUEL TANK	D10		
SEAT	D12		
FRONT WHEEL	D14		
FRONT BRAKE CALIPER	D15		
REAR WHEEL	E2		
REAR BRAKE CALIPER	E4		
STEERING HANDLE & CABLE	E5		
FRONT MASTER CYLINDER	E6		
STAND & FOOTREST	E7		

CONTENTS

CYLINDER HEAD	B2	REAR MASTER CYLINDER	E9
CYLINDER	B3	COWLING 1	E11
CRANKSHAFT & PISTON	B4	GENERATOR	E12
VALVE	B5	FLASHER LIGHT	E13
CAMSHAFT & CHAIN	B6	METER	E14
WATER PUMP	B7	HEADLIGHT	E15
RADIATOR & HOSE	B8	TAILLIGHT	F2
OIL PUMP	B9	HANDLE SWITCH & LEVER	F3
INTAKE	B11	ELECTRICAL 1	F4
INTAKE 2	B13	ELECTRICAL 2	F6
EXHAUST	B14		
CRANKCASE	C2		
CRANKCASE COVER 1	C3	NUMERICAL INDEX	M1
STARTER CLUTCH	C5		
CLUTCH	C6		
TRANSMISSION	C8		
SHIFT CAM & FORK	C10		
SHIFT SHAFT	C11		
FRAME	C12		
FENDER	C14		
SIDE COVER	D2		
REAR ARM	D3		
REAR SUSPENSION	D5		
STEERING	D6		
FRONT FORK	D8		
FUEL TANK	D10		
SEAT	D12		
FRONT WHEEL	D14		
FRONT BRAKE CALIPER	D15		
REAR WHEEL	E2		
REAR BRAKE CALIPER	E4		
STEERING HANDLE & CABLE	E5		
FRONT MASTER CYLINDER	E6		
STAND & FOOTREST	E7		

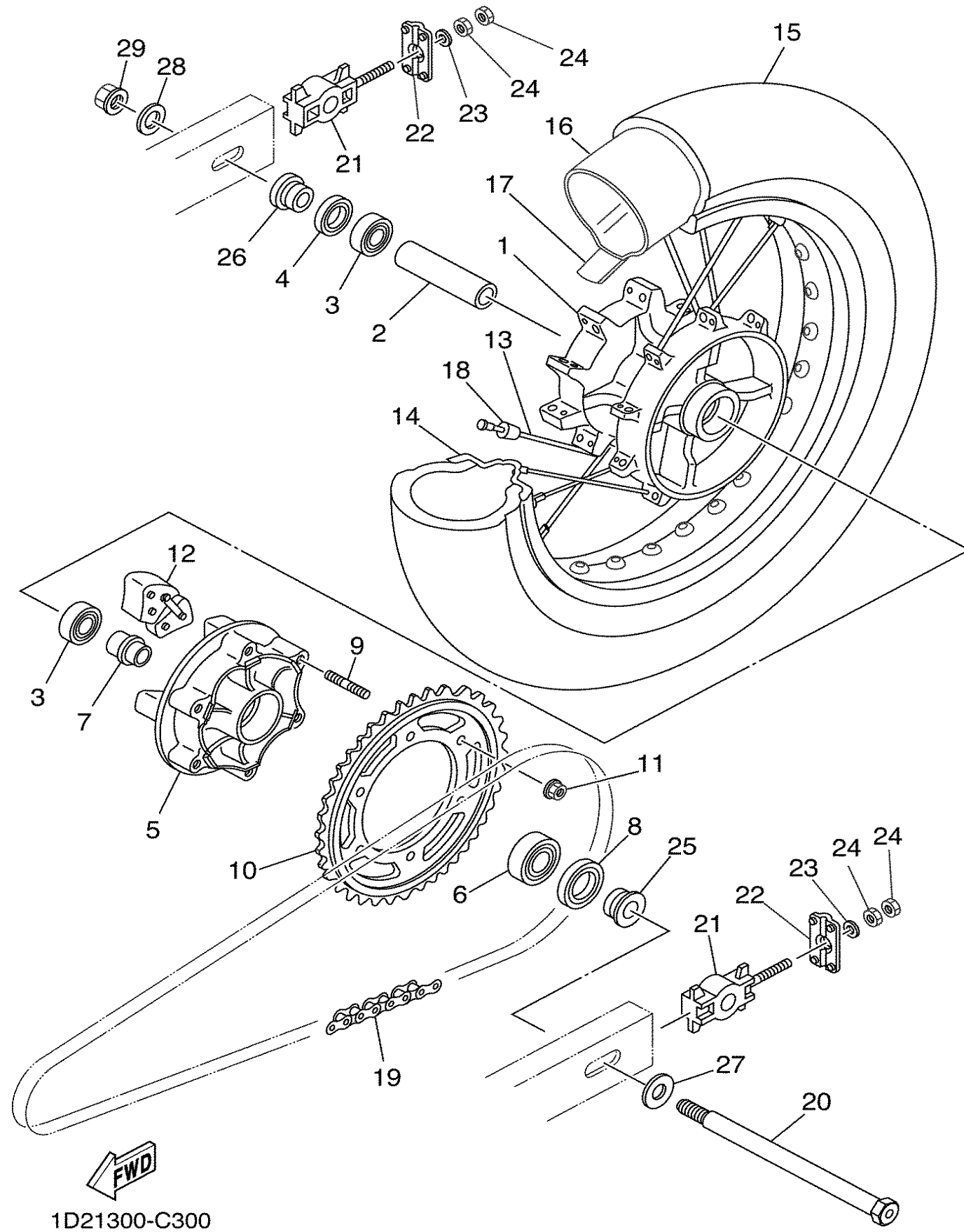
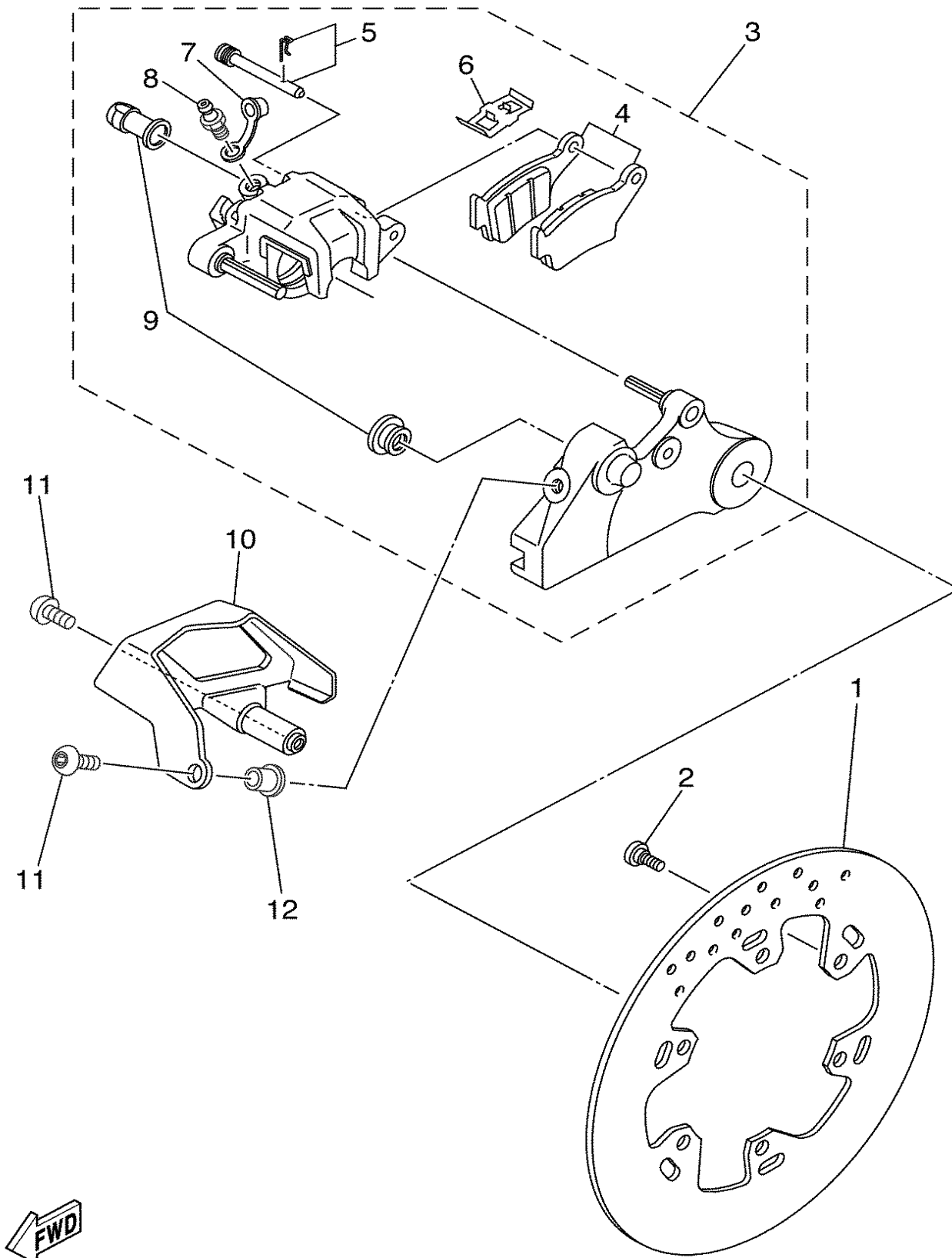


FIG. 30 REAR WHEEL

REF. NO.	PART NO.	DESCRIPTION	FRA	DEU	ZAF	OTH	GBR	REMARKS
1	5VK-25311-00	HUB, REAR	1	1	1	1	1	
2	90560-17306	SPACER	1	1	1	1	1	
3	93306-20348	BEARING	2	2	2	2	2	
4	93106-23002	OIL SEAL	1	1	1	1	1	
5	5VK-25366-00	CLUTCH, HUB	1	1	1	1	1	
6	93306-30437	BEARING	1	1	1	1	1	
7	1VJ-25377-00	COLLAR, WHEEL	1	1	1	1	1	
8	93106-30029	OIL SEAL	1	1	1	1	1	
9	90116-10485	BOLT, STUD	6	6	6	6	6	
10	5VK-25410-00	RR. WHEEL SPROCKET COMP.	1	1	1	1	1	
11	95607-10200	NUT, U FLANGE	6	6	6	6	6	
12	5Y1-25364-00	DAMPER	4	4	4	4	4	
13	1D2-F5304-00	SPOKE SET, REAR	1	1	1	1	1	
14	94442-17002	RIM	1	1	1	1	1	
15	*	TIRE (160/60R17 M/C69H)	1	1	1	1	1	LM PIRELLI MTR02 DRAGON
16	*	TUBE (21)	1	1	1	1	1	LM
17	*	BAND, RIM (17)	1	1	1	1	1	LM
18	3HT-25398-00	BALANCER, WHEEL (15G)	1	1	1	1	1	
19	94568-B2110	CHAIN	1	1	1	1	1	
20	3AJ-25381-01	AXLE, WHEEL	1	1	1	1	1	
21	1UF-25388-00	PULLER, CHAIN 1	2	2	2	2	2	
22	5VK-F2174-00	END 1	2	2	2	2	2	
23	92907-08600	WASHER, PLATE	2	2	2	2	2	
24	95307-08600	NUT	4	4	4	4	4	
25	90387-17801	COLLAR	1	1	1	1	1	
26	90387-17802	COLLAR	1	1	1	1	1	
27	90201-170T3	WASHER, PLATE	1	1	1	1	1	



FIG. 31 REAR BRAKE CALIPER



REF. NO.	PART NO.	DESCRIPTION	FRA	DEU	ZAF	OTH	GBR	REMARKS
1	5VK-F582W-00	DISK, REAR BRAKE 2	1	1	1	1	1	
2	90109-06816	BOLT	6	6	6	6	6	
3	5VK-F580W-10	CALIPER ASSY, REAR 2	1	1	1	1	1	(BREMBO)
4	5VK-W0046-00	.BRAKE PAD KIT 2	1	1	1	1	1	(BREMBO)
5	5VK-F5924-10	.PIN, PAD	1	1	1	1	1	(BREMBO)
6	5VK-F5919-10	.SUPPORT, PAD	1	1	1	1	1	(BREMBO)
7	5DS-F5825-00	.CAP	1	1	1	1	1	(BREMBO)
8	5SE-F5824-00	.SCREW, BLEED	1	1	1	1	1	(BREMBO)
9	5DS-F5917-00	.BOOT, CALIPER	1	1	1	1	1	(BREMBO)
10	5CH-F7491-10	PROTECTOR	1	1	1	1	1	
11	90111-06029	BOLT	2	2	2	2	2	
12	90387-06852	COLLAR	1	1	1	1	1	

 5VK1300-C310

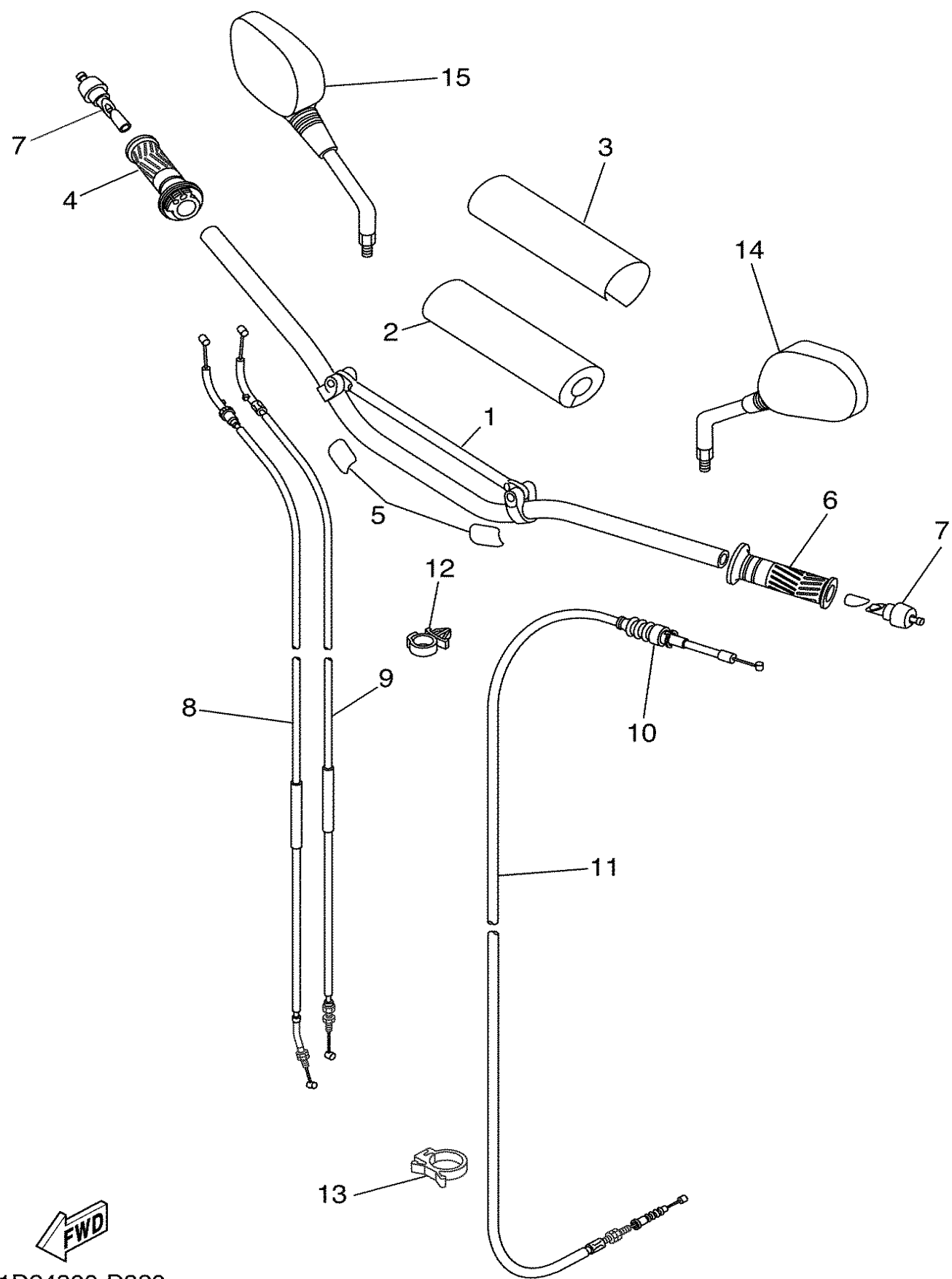
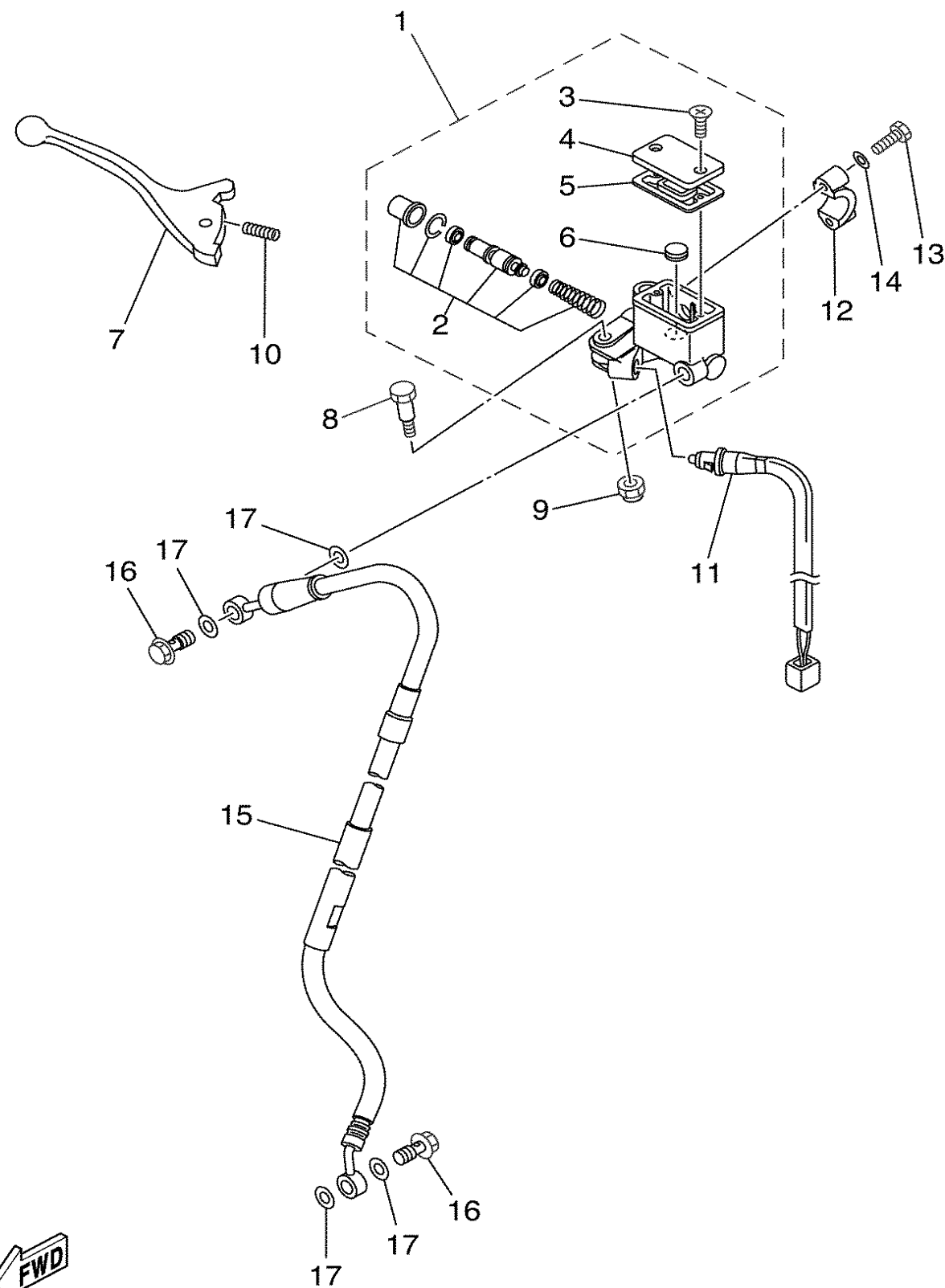


FIG. 32 STEERING HANDLE & CABLE

REF. NO.	PART NO.	DESCRIPTION	FRA	DEU	ZAF	OTH	GBR	REMARKS
1	1D2-F6110-00	HANDLE COMP.	1	1	1	1	1	
2	1D2-F6124-00	PROTECTOR, HANDLEBAR	1	1	1	1	1	
3	1D2-F6219-00	EMBLEM	1	1	1	1	1	
4	4YR-26240-02	GRIP ASSY	1	1	1	1	1	
5	1D2-F6137-00	LABEL	2	2	2	2	2	
6	4YR-26241-02	GRIP (LEFT)	1	1	1	1	1	
7	1D2-F6246-00	END, GRIP	2	2	2	2	2	
8	5VK-F6311-00	CABLE, THROTTLE 1	1	1	1	1	1	
9	5VK-F6312-00	CABLE, THROTTLE 2	1	1	1	1	1	
10	1E6-26342-00	BOOT, CABLE	1	1	1	1	1	
11	5VK-F6335-00	CABLE, CLUTCH	1	1	1	1	1	
12	90464-12001	CLAMP	1	1	1	1	1	
13	90464-18004	CLAMP	1	1	1	1	1	
14	5VK-F6280-00	REAR VIEW MIRROR ASSY (LEFT)	1	1	1	1	1	
15	5VK-F6290-00	REAR VIEW MIRROR ASSY (RIGHT)	1	1	1	1	1	

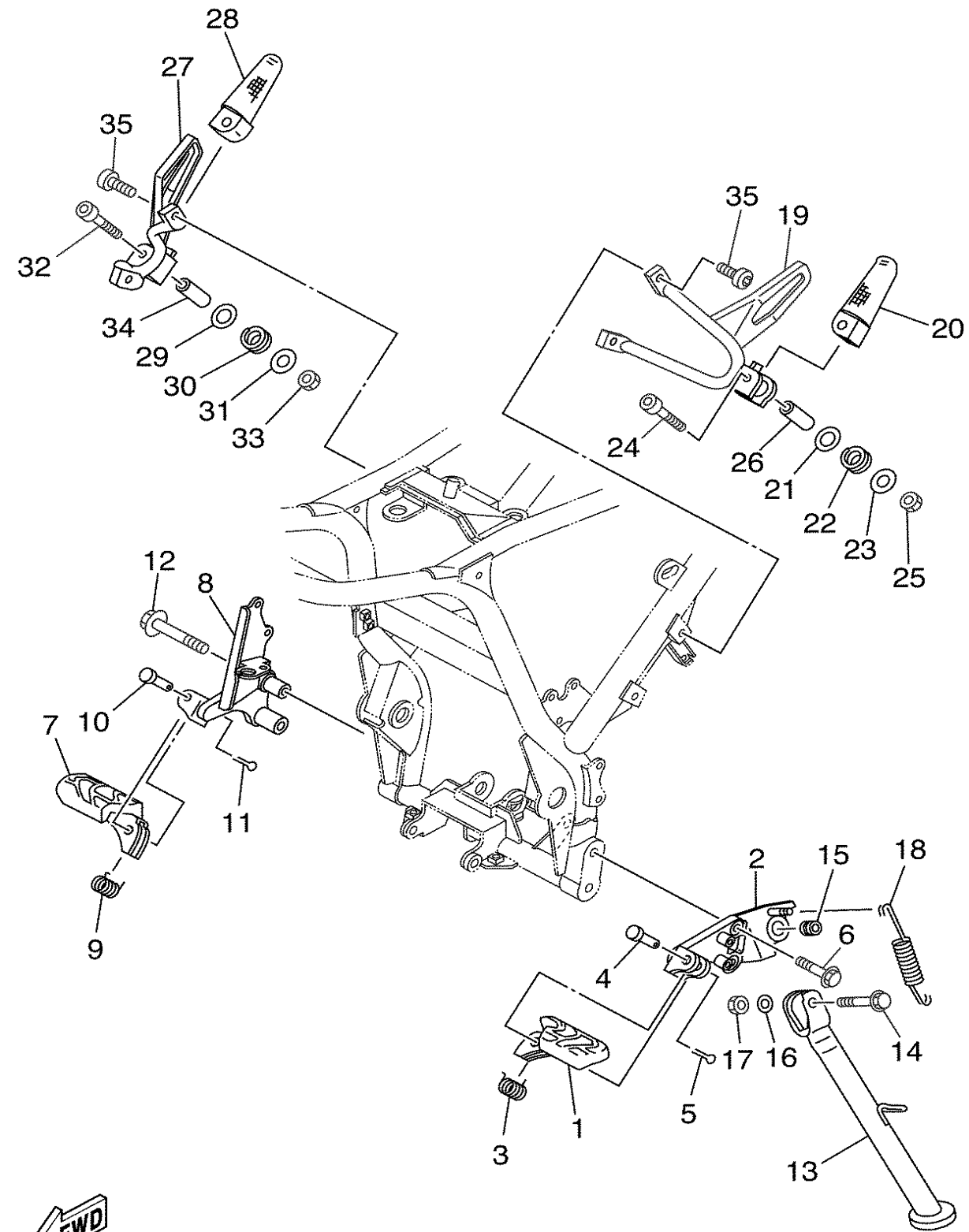

 1D24300-D320

FIG. 33 FRONT MASTER CYLINDER



REF. NO.	PART NO.	DESCRIPTION	FRA	DEU	ZAF	OTH	GBR	REMARKS
1	5VK-W2587-00	MASTER CYLINDER SUB ASSY	1	1	1	1	1	
2	3XP-W0041-00	.CYLINDER KIT, MASTER	1	1	1	1	1	
3	98706-04012	.SCREW, FLAT HEAD	2	2	2	2	2	
4	3GM-W2585-21	.RESERVOIR CAP SET	1	1	1	1	1	
5	55U-25854-00	.DIAPHRAGM, RESERVOIR	1	1	1	1	1	
6	5CG-25715-00	.SEPARATOR ASSY	1	1	1	1	1	
7	5VK-83922-00	LEVER 2	1	1	1	1	1	
8	90109-06577	BOLT	1	1	1	1	1	
9	95606-06100	NUT, U	1	1	1	1	1	
10	90501-10312	SPRING, COMPRESSION	1	1	1	1	1	
11	5VK-83980-00	FRONT STOP SWITCH ASSY	1	1	1	1	1	
12	56A-25867-00	BRACKET, MASTER CYLINDER	1	1	1	1	1	
13	97007-06025	BOLT	2	2	2	2	2	
14	92907-06600	WASHER, PLATE	2	2	2	2	2	
15	1D2-F5872-00	HOSE, BRAKE 1	1	1	1	1	1	
16	90401-10X03	BOLT, UNION	2	2	2	2	2	
17	90201-10X03	WASHER, PLATE	4	4	4	4	4	

 5VK1300-C330



5VK1300-C340

FIG. 34 STAND & FOOTREST

REF. NO.	PART NO.	DESCRIPTION	FRA	DEU	ZAF	OTH	GBR	REMARKS
1	5VK-27411-00	FOOTREST 1	1	1	1	1	1	
2	5VK-F7412-00	BRACKET, FOOTREST 1	1	1	1	1	1	
3	90508-20801	SPRING, TORSION	1	1	1	1	1	
4	90240-10800	PIN, CLEVIS	1	1	1	1	1	
5	91401-25020	PIN, COTTER	1	1	1	1	1	
6	90105-10813	BOLT, FLANGE	2	2	2	2	2	
7	5VK-27421-00	FOOTREST 2	1	1	1	1	1	
8	5VK-F7422-00	BRACKET, FOOTREST 2	1	1	1	1	1	
9	90508-20802	SPRING, TORSION	1	1	1	1	1	
10	90240-10800	PIN, CLEVIS	1	1	1	1	1	
11	91401-25020	PIN, COTTER	1	1	1	1	1	
12	90105-10811	BOLT, FLANGE	2	2	2	2	2	
13	5VK-F7311-10	STAND, SIDE	1	1	1	1	1	
14	90105-10814	BOLT, FLANGE	1	1	1	1	1	
15	90387-10020	COLLAR	1	1	1	1	1	
16	90201-101J1	WASHER, PLATE	1	1	1	1	1	
17	95617-10100	NUT, U	1	1	1	1	1	
18	90506-20002	SPRING, TENSION	1	1	1	1	1	
19	5VK-F741L-00	BRACKET 4	1	1	1	1	1	
20	5VK-F7431-00	FOOTREST, REAR 1	1	1	1	1	1	
21	90201-10430	WASHER, PLATE	1	1	1	1	1	
22	90504-18005	SPRING, COMPRESSION	1	1	1	1	1	
23	90201-06060	WASHER, PLATE	1	1	1	1	1	
24	91317-06040	BOLT	1	1	1	1	1	
25	95607-06100	NUT, U	1	1	1	1	1	
26	90387-06086	COLLAR	1	1	1	1	1	
27	5VK-F742L-00	BRACKET 5	1	1	1	1	1	



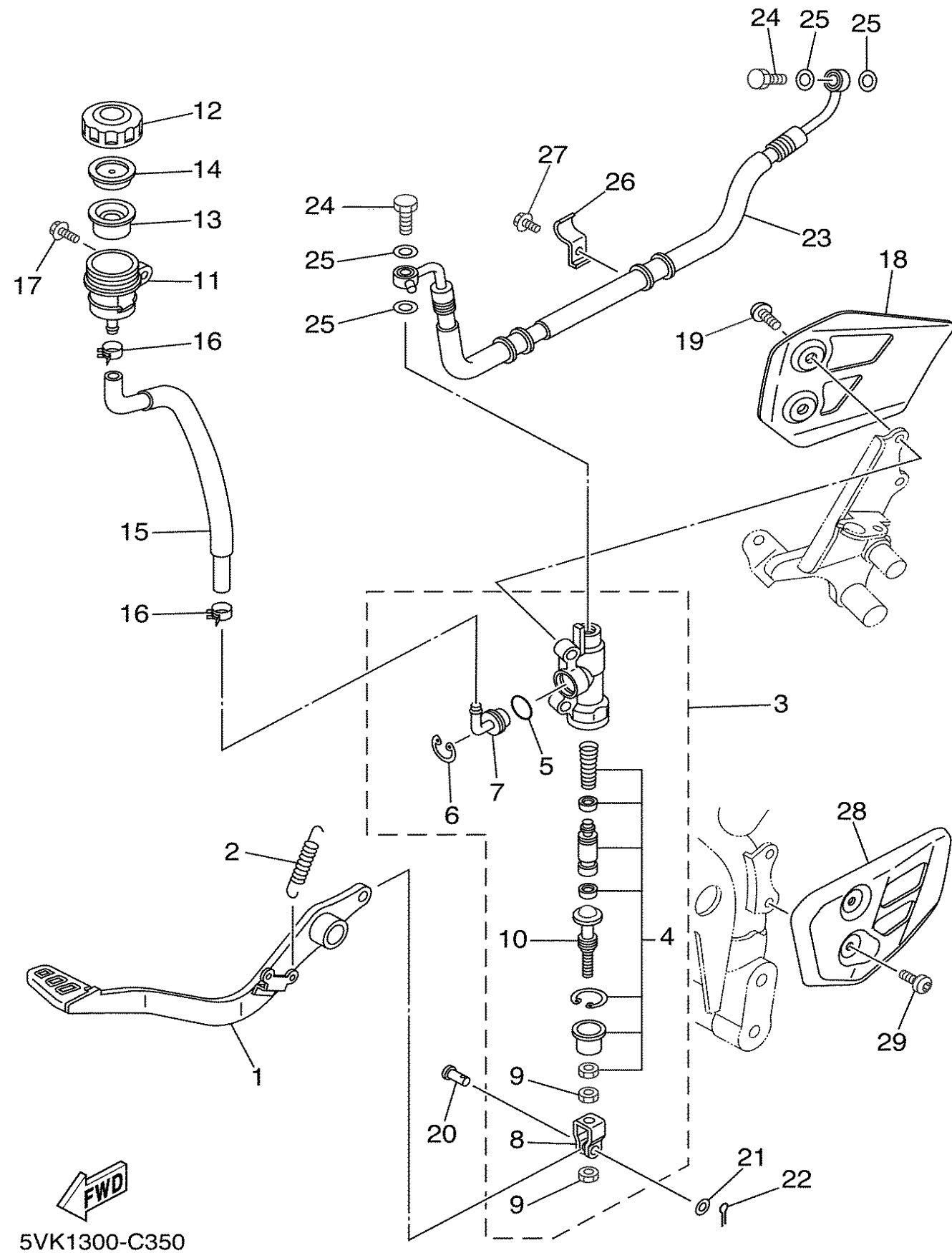


FIG. 35 REAR MASTER CYLINDER

FWD
5VK1300-C350

REF. NO.	PART NO.	DESCRIPTION	FRA	DEU	ZAF	OTH	GBR	REMARKS
1	5VK-F7211-00	PEDAL, BRAKE	1	1	1	1	1	
2	90506-20369	SPRING, TENSION	1	1	1	1	1	
3	5VK-2583V-00	RR. MASTER CYLINDER ASSY.	1	1	1	1	1	
4	3BN-W0042-50	.CYLINDER KIT, MASTER	1	1	1	1	1	
5	93210-15620	.O-RING	1	1	1	1	1	
6	2VN-25866-00	.CIRCLIP	1	1	1	1	1	
7	4ML-2582A-50	.JOINT	1	1	1	1	1	
8	2YK-27222-00	.JOINT	1	1	1	1	1	
9	4SS-27218-00	.NUT	2	2	2	2	2	
10	3KW-27234-00	.PIN, BRAKE ROD	1	1	1	1	1	
11	5JJ-25894-00	TANK, RESERVOIR	1	1	1	1	1	
12	3XP-25852-50	CAP, RESERVOIR	1	1	1	1	1	
13	2VN-25854-00	DIAPHRAGM, RESERVOIR	1	1	1	1	1	
14	2VN-25855-00	BUSH,DIAPHRAGM	1	1	1	1	1	
15	5VK-25895-00	HOSE, RESERVOIR	1	1	1	1	1	
16	90467-12085	CLIP	2	2	2	2	2	
17	90119-06044	BOLT, WITH WASHER	1	1	1	1	1	
18	5VK-F117M-00	COVER 2	1	1	1	1	1	
19	90109-085G6	BOLT	2	2	2	2	2	
20	90240-08124	PIN, CLEVIS	1	1	1	1	1	
21	90201-08083	WASHER, PLATE	1	1	1	1	1	
22	91401-16012	PIN, COTTER	1	1	1	1	1	
23	5VK-F5873-00	HOSE, BRAKE 2	1	1	1	1	1	
24	90401-10X03	BOLT, UNION	2	2	2	2	2	
25	90201-10X03	WASHER, PLATE	4	4	4	4	4	
26	5VK-F5875-00	HOLDER, BRAKE HOSE 1	2	2	2	2	2	
27	95027-06012	BOLT, FLANGE	2	2	2	2	2	

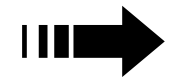
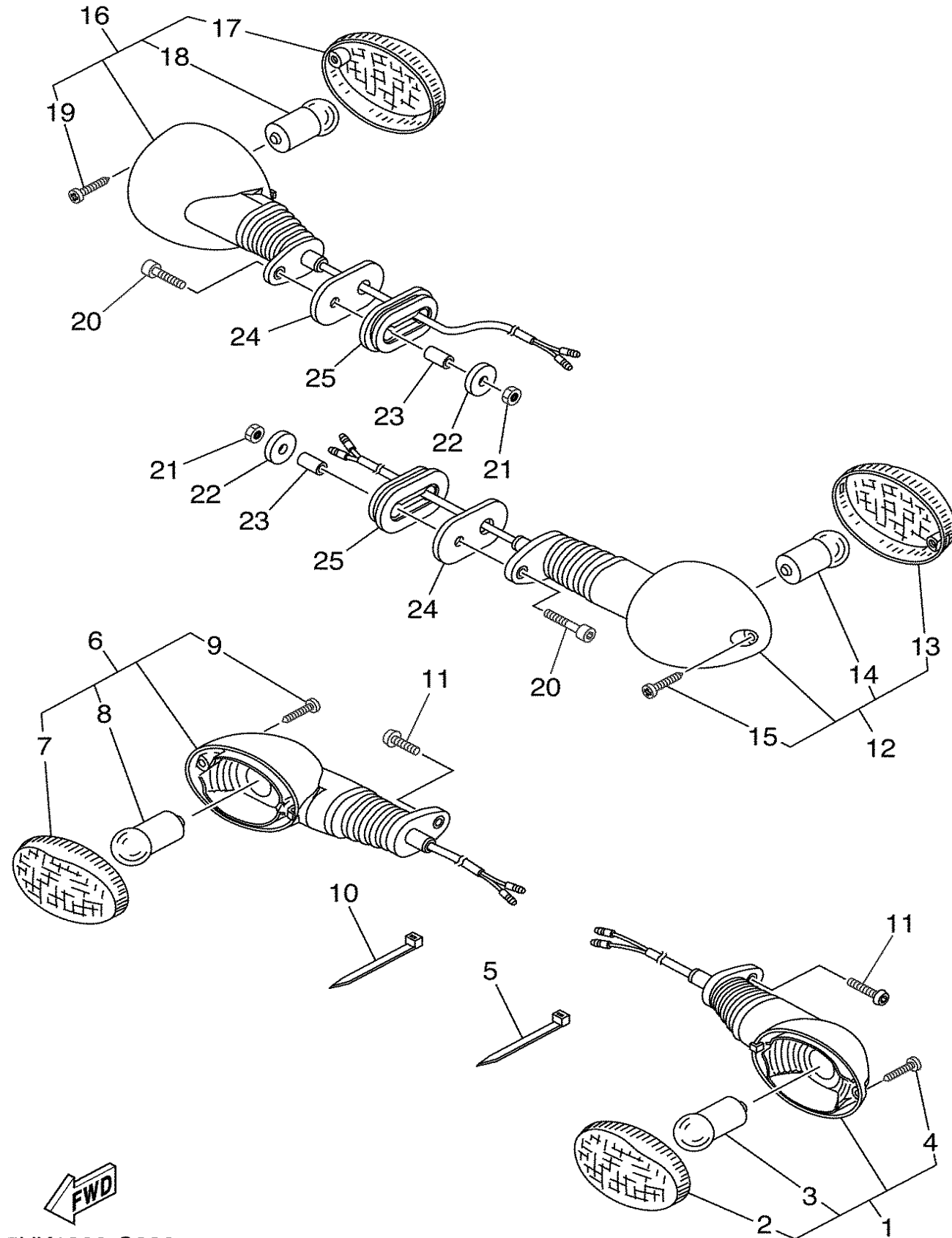


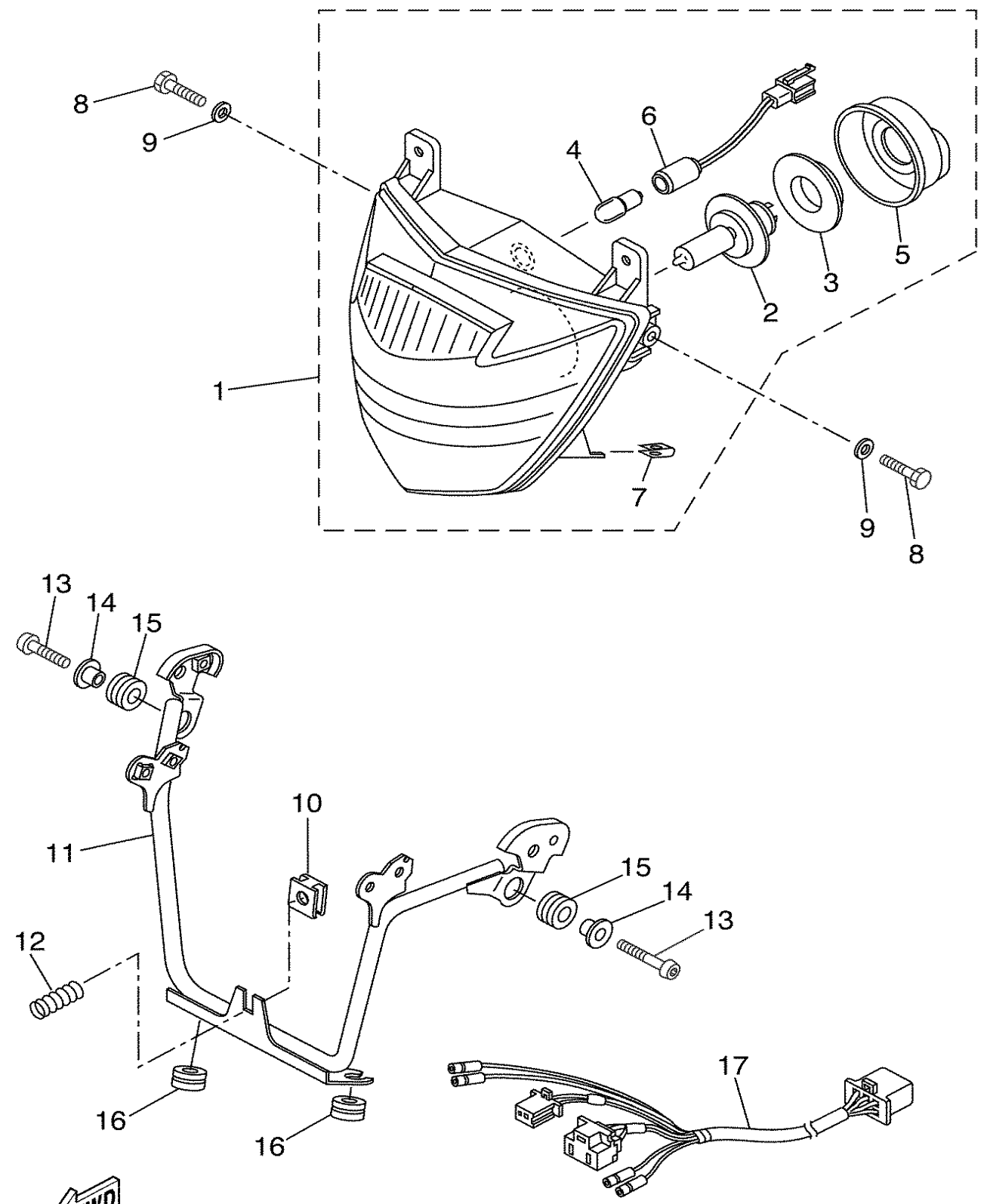
FIG. 38 FLASHER LIGHT



REF. NO.	PART NO.	DESCRIPTION	FRA	DEU	ZAF	OTH	GBR	REMARKS
1	5VK-H3310-00	FRONT FLASHER LIGHT ASSY 1	1	1	1	1	1	
2	5VK-H333A-00	.LENS COMP	1	1	1	1	1	
3	5VK-H3311-00	.BULB, FLASHER	1	1	1	1	1	
4	5VK-H3333-00	.SCREW, LENS FITTING	1	1	1	1	1	
5	90464-16061	CLAMP	1	1	1	1	1	
6	5VK-H3320-00	FRONT FLASHER LIGHT ASSY 2	1	1	1	1	1	
7	5VK-H333A-00	.LENS COMP	1	1	1	1	1	
8	5VK-H3311-00	.BULB, FLASHER	1	1	1	1	1	
9	5VK-H3333-00	.SCREW, LENS FITTING	1	1	1	1	1	
10	90464-16061	CLAMP	1	1	1	1	1	
11	92017-06014	BOLT, BUTTON HEAD	2	2	2	2	2	
12	5VK-H3330-00	REAR FLASHER LIGHT ASSY 1	1	1	1	1	1	
13	5VK-H333A-00	.LENS COMP	1	1	1	1	1	
14	5VK-H3311-00	.BULB, FLASHER	1	1	1	1	1	
15	5VK-H3333-00	.SCREW, LENS FITTING	1	1	1	1	1	
16	5VK-H3340-00	REAR FLASHER LIGHT ASSY 2	1	1	1	1	1	
17	5VK-H333A-00	.LENS COMP	1	1	1	1	1	
18	5VK-H3311-00	.BULB, FLASHER	1	1	1	1	1	
19	5VK-H3333-00	.SCREW, LENS FITTING	1	1	1	1	1	
20	91317-06035	BOLT	2	2	2	2	2	
21	95607-06100	NUT, U	2	2	2	2	2	
22	90201-06026	WASHER, PLATE	2	2	2	2	2	
23	90387-06088	COLLAR	2	2	2	2	2	
24	5VK-83359-00	WASHER, SPECIAL	2	2	2	2	2	
25	5VK-83345-00	PLUG, BLIND	2	2	2	2	2	


5VK1300-C380

FIG. 40 HEADLIGHT



REF. NO.	PART NO.	DESCRIPTION	FRA	DEU	ZAF	OTH	GBR	REMARKS
1	5VK-H410A-00	HEADLIGHT UNIT COMP.	1	1		1		
	5VK-H410A-10	HEADLIGHT UNIT COMP.			1		1	
2	5VK-H4314-00	.BULB, HEADLIGHT	1	1	1	1	1	H4-12V 55/60W
3	5VK-H4393-00	.HOLDER, BULB	1	1	1	1	1	
4	3WW-H4347-00	.BULB (12V-5W)	1	1	1	1	1	
5	5VK-H4397-00	.COVER, SOCKET	1	1	1	1	1	
6	5VK-H4312-00	.HOLDER, SOCKET	1	1	1	1	1	
7	90183-05808	.NUT, SPRING	2	2	2	2	2	
8	90101-06815	BOLT	2	2	2	2	2	
9	90201-06839	WASHER, PLATE	2	2	2	2	2	
10	5VK-H4334-00	NUT, ADJUSTING	1	1	1	1	1	
11	5VK-H4118-00	STAY, HEADLIGHT 1	1	1	1	1	1	
12	5VK-H4332-00	SPRING, SCREW	1	1	1	1	1	
13	92017-06020	BOLT, BUTTON HEAD	2	2	2	2	2	
14	90387-065G0	COLLAR	2	2	2	2	2	
15	90480-15058	GROMMET	2	2	2	2	2	
16	90480-15316	GROMMET	2	2	2	2	2	
17	5VK-H4359-00	CORD, HEADLIGHT	1	1	1	1	1	

1D21300-C401

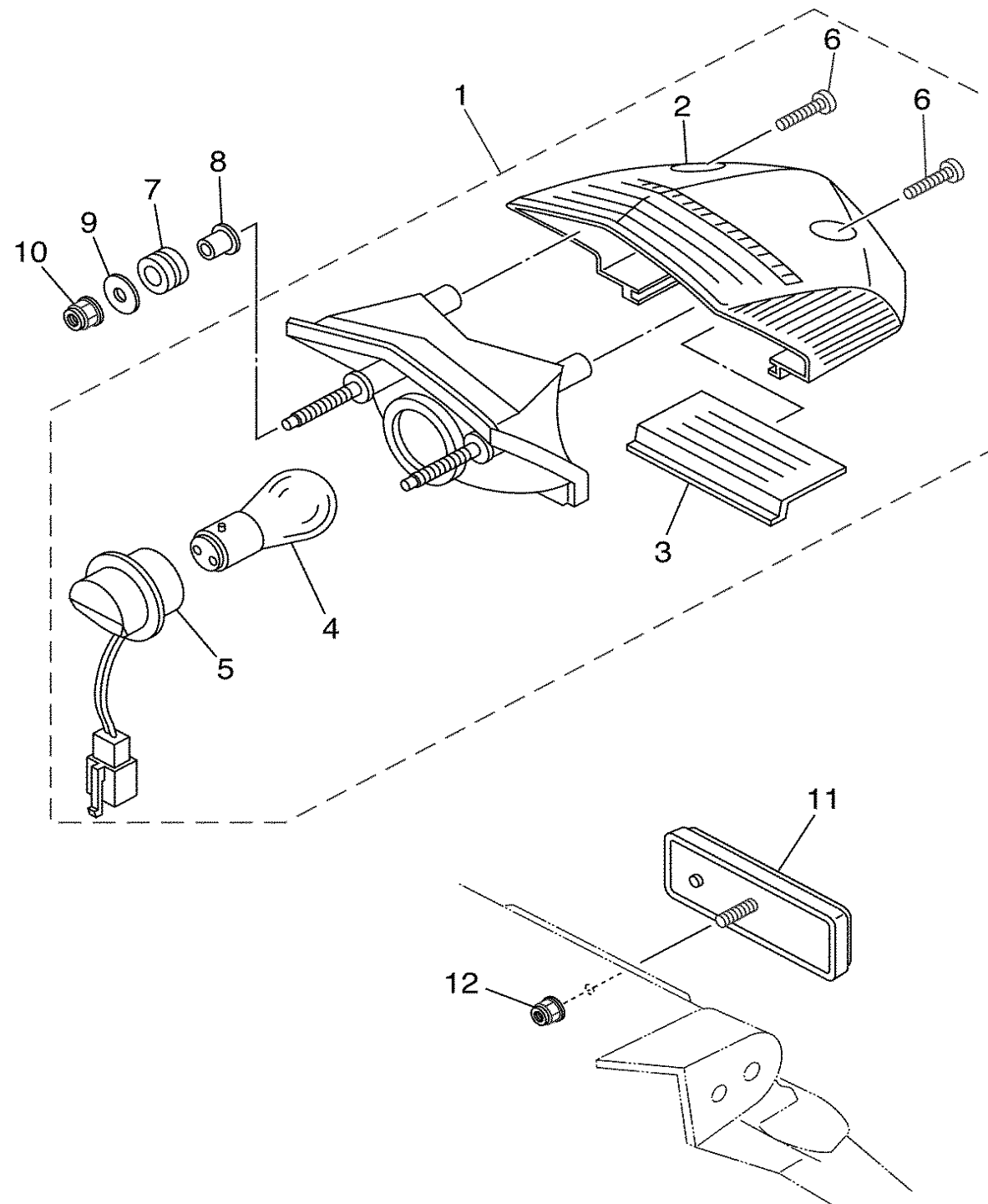
CONTENTS

CYLINDER HEAD	B2	REAR MASTER CYLINDER	E9
CYLINDER	B3	COWLING 1	E11
CRANKSHAFT & PISTON	B4	GENERATOR	E12
VALVE	B5	FLASHER LIGHT	E13
CAMSHAFT & CHAIN	B6	METER	E14
WATER PUMP	B7	HEADLIGHT	E15
RADIATOR & HOSE	B8	TAILLIGHT	F2
OIL PUMP	B9	HANDLE SWITCH & LEVER	F3
INTAKE	B11	ELECTRICAL 1	F4
INTAKE 2	B13	ELECTRICAL 2	F6
EXHAUST	B14		
CRANKCASE	C2	NUMERICAL INDEX	M1
CRANKCASE COVER 1	C3		
STARTER CLUTCH	C5		
CLUTCH	C6		
TRANSMISSION	C8		
SHIFT CAM & FORK	C10		
SHIFT SHAFT	C11		
FRAME	C12		
FENDER	C14		
SIDE COVER	D2		
REAR ARM	D3		
REAR SUSPENSION	D5		
STEERING	D6		
FRONT FORK	D8		
FUEL TANK	D10		
SEAT	D12		
FRONT WHEEL	D14		
FRONT BRAKE CALIPER	D15		
REAR WHEEL	E2		
REAR BRAKE CALIPER	E4		
STEERING HANDLE & CABLE	E5		
FRONT MASTER CYLINDER	E6		
STAND & FOOTREST	E7		

CONTENTS

CYLINDER HEAD	B2	REAR MASTER CYLINDER	E9
CYLINDER	B3	COWLING 1	E11
CRANKSHAFT & PISTON	B4	GENERATOR	E12
VALVE	B5	FLASHER LIGHT	E13
CAMSHAFT & CHAIN	B6	METER	E14
WATER PUMP	B7	HEADLIGHT	E15
RADIATOR & HOSE	B8	TAILLIGHT	F2
OIL PUMP	B9	HANDLE SWITCH & LEVER	F3
INTAKE	B11	ELECTRICAL 1	F4
INTAKE 2	B13	ELECTRICAL 2	F6
EXHAUST	B14		
CRANKCASE	C2	NUMERICAL INDEX	M1
CRANKCASE COVER 1	C3		
STARTER CLUTCH	C5		
CLUTCH	C6		
TRANSMISSION	C8		
SHIFT CAM & FORK	C10		
SHIFT SHAFT	C11		
FRAME	C12		
FENDER	C14		
SIDE COVER	D2		
REAR ARM	D3		
REAR SUSPENSION	D5		
STEERING	D6		
FRONT FORK	D8		
FUEL TANK	D10		
SEAT	D12		
FRONT WHEEL	D14		
FRONT BRAKE CALIPER	D15		
REAR WHEEL	E2		
REAR BRAKE CALIPER	E4		
STEERING HANDLE & CABLE	E5		
FRONT MASTER CYLINDER	E6		
STAND & FOOTREST	E7		

FIG. 41 TAILLIGHT



REF. NO.	PART NO.	DESCRIPTION	FRA	DEU	ZAF	OTH	GBR	REMARKS
1	5VK-H4710-00	TAILLIGHT UNIT ASSY	1	1	1	1	1	
2	5VK-H4721-00	.LENS, TAILLIGHT	1	1	1	1	1	
3	5VK-H4743-00	.LENS, LICENCE LIGHT	1	1	1	1	1	
4	1A2-84714-41	.BULB (12V-21/5W)	1	1	1	1	1	
5	5VK-H4735-00	.CORD ASSY	1	1	1	1	1	
6	5SE-H4724-00	.SCREW, LENS FITTING	2	2	2	2	2	
7	90480-14329	GROMMET	2	2	2	2	2	
8	90387-065G0	COLLAR	2	2	2	2	2	
9	90201-06057	WASHER, PLATE	2	2	2	2	2	
10	95607-06200	NUT, SELF U-FLANGE	2	2	2	2	2	
11	3NC-H5130-00	REAR REFLECTOR ASSY	1	1	1	1	1	
12	95607-05200	NUT, U FLANGE	1	1	1	1	1	


5VK1300-C410

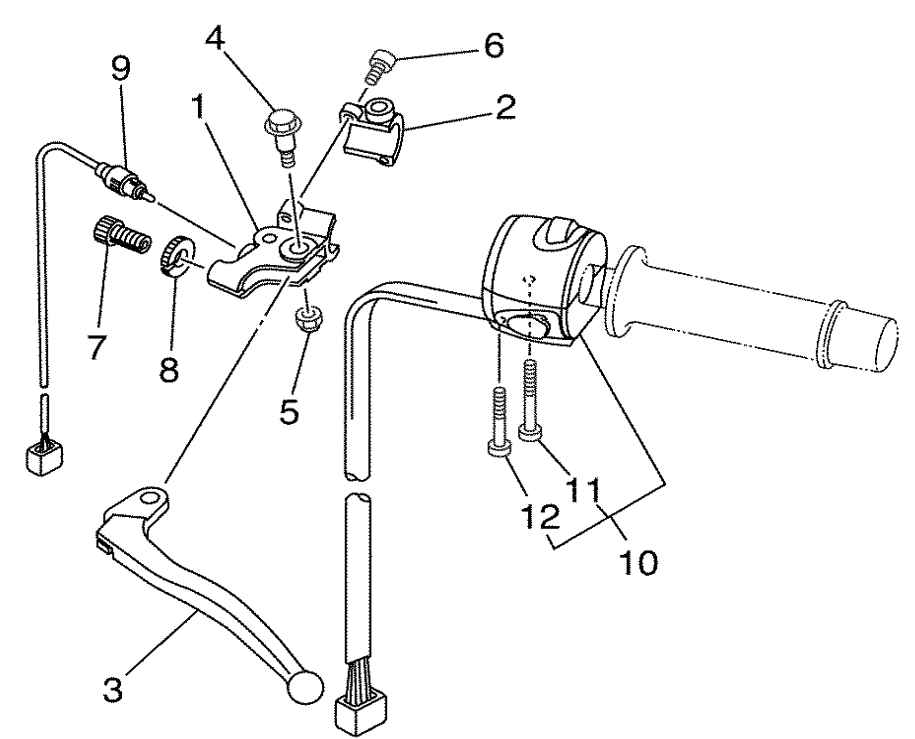
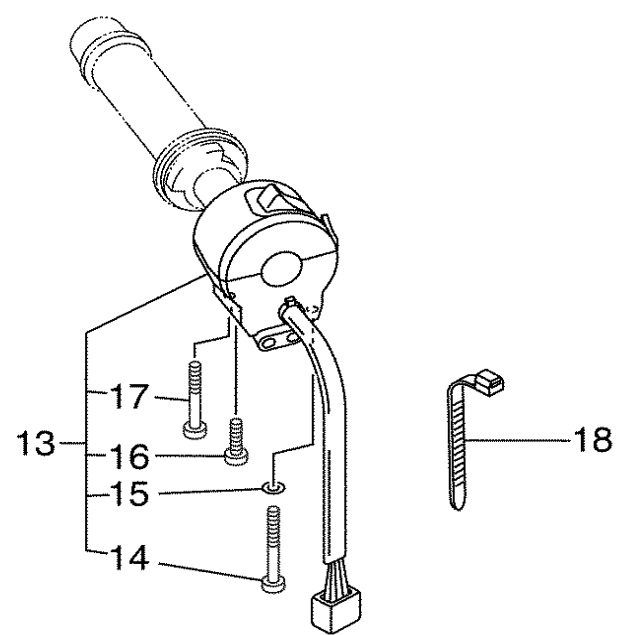
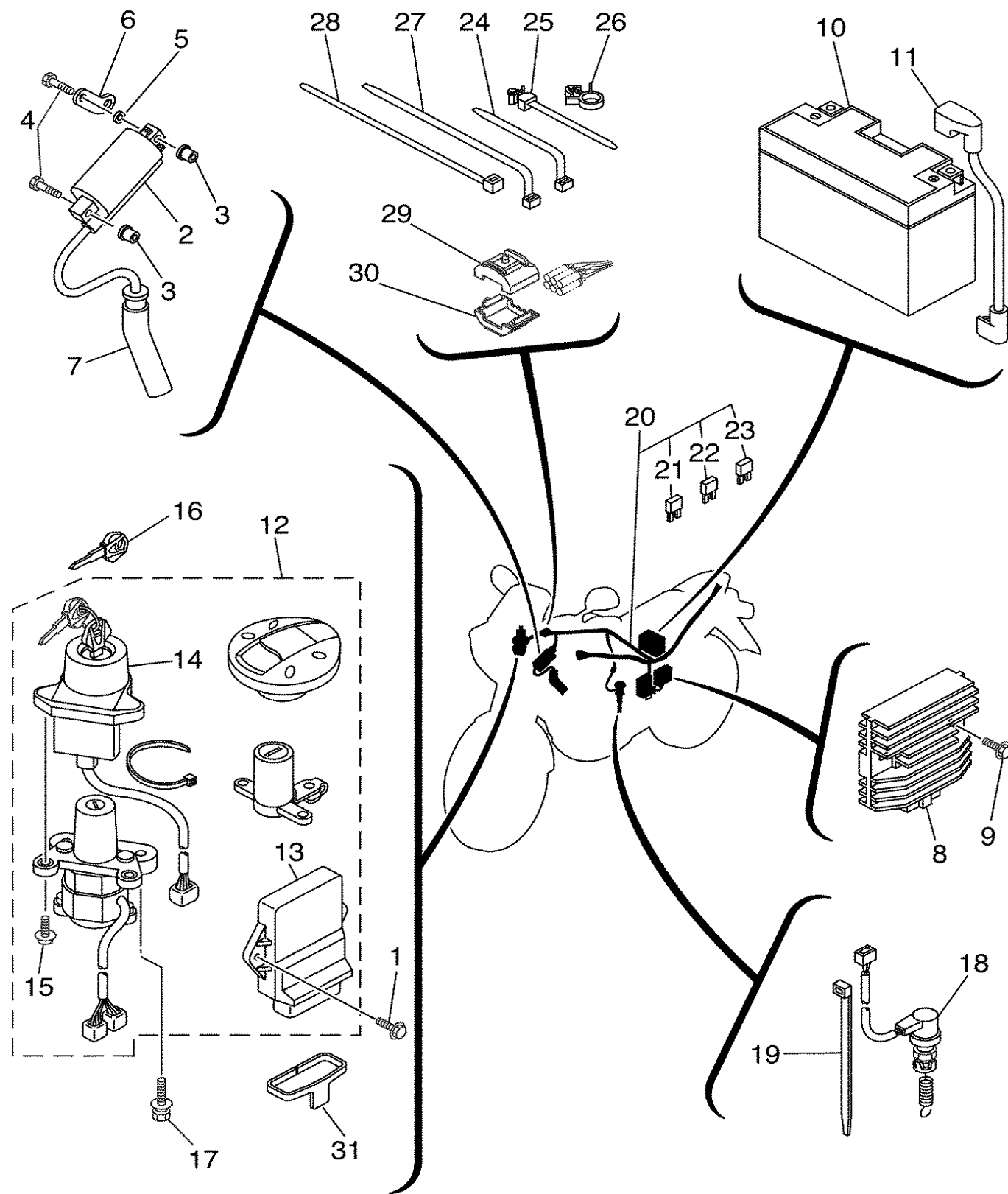


FIG. 42 HANDLE SWITCH & LEVER

REF. NO.	PART NO.	DESCRIPTION	FRA	DEU	ZAF	OTH	GBR	REMARKS
1	1LN-82911-00	HOLDER, LEVER 1	1	1	1	1	1	
2	33G-82913-01	HOLDER, LEVER LOWER 1	1	1	1	1	1	
3	3FY-83912-01	LEVER 1	1	1	1	1	1	
4	90109-06799	BOLT	1	1	1	1	1	
5	95607-06100	NUT, U	1	1	1	1	1	
6	91317-05020	BOLT	2	2	2	2	2	
7	90123-08046	BOLT	1	1	1	1	1	
8	90179-08148	NUT	1	1	1	1	1	
9	5VK-82917-00	SWITCH	1	1	1	1	1	
10	5VK-83969-00	SWITCH, HANDLE 5	1	1	1	1	1	
11	98507-05030	.SCREW, PAN HEAD	1	1	1	1	1	
12	98507-05045	.SCREW, PAN HEAD	1	1	1	1	1	
13	5VK-83975-00	SWITCH, HANDLE 2	1	1	1	1	1	
14	98507-05055	.SCREW, PAN HEAD	1	1	1	1	1	
15	92907-05600	.WASHER, PLATE	1	1	1	1	1	
16	98507-05045	.SCREW, PAN HEAD	1	1	1	1	1	
17	98507-05020	.SCREW, PAN HEAD	1	1	1	1	1	
18	90464-25004	CLAMP	2	2	2	2	2	

 **5VK1300-C420**

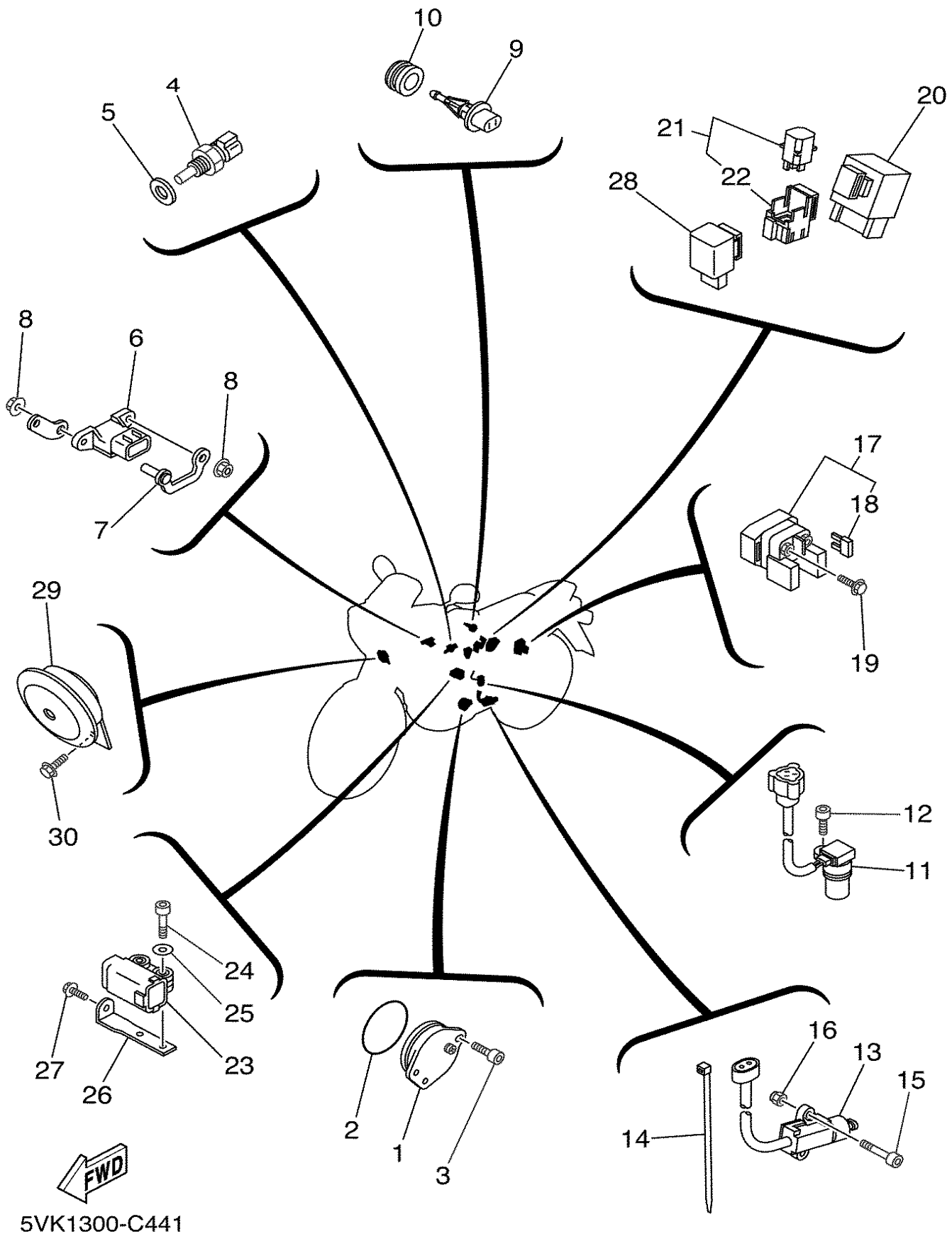


FWD
5VK1300-C430

FIG. 43 ELECTRICAL 1

REF. NO.	PART NO.	DESCRIPTION	FRA	DEU	ZAF	OTH	GBR	REMARKS
1	90119-06192	BOLT, WITH WASHER	2	2	2	2	2	
2	4GV-82310-00	IGNITION COIL ASSY	1	1	1	1	1	
3	90179-05523	NUT	2	2	2	2	2	
4	97007-05025	BOLT	2	2	2	2	2	
5	90201-05556	WASHER, PLATE	1	1	1	1	1	
6	5VK-82312-00	HOLDER, COIL FITTING	1	1	1	1	1	
7	5VK-82370-00	PLUG CAP ASSY	1	1	1	1	1	
8	5SL-81960-00	RECTIFIER & REGULATOR ASSY	1	1	1	1	1	
9	95027-06020	BOLT, FLANGE	2	2	2	2	2	
10	5FL-82100-01	BATTERY ASSY (GT9B-4)	1	1	1	1	1	
11	5VK-H2115-00	WIRE, PLUS LEAD	1	1	1	1	1	
12	5VK-W8250-00	MAIN SW. IMMOBILIZER KIT	1	1	1	1	1	
13	5VK-8591A-00	.ENGINE CONTROL UNIT ASSY	1	1	1	1	1	
14	5VS-8255P-00	.IMMOBILIZER. UNIT COMP.	1	1	1	1	1	
15	5SL-82113-00	.SCREW	2	2	2	2	2	
16	5SL-82511-08	BLANK KEY	1	1	1	1	1	AP
17	90109-080G5	BOLT	2	2	2	2	2	
18	5VK-82530-00	STOP SWITCH ASSY	1	1	1	1	1	
19	90464-16061	CLAMP	2	2	2	2	2	
20	5VK-H2590-00	WIRE HARNESS ASSY	1	1	1	1	1	
21	5JJ-82151-00	.FUSE (7.5A-BL)	2	2	2	2	2	
22	5JJ-82151-30	.FUSE (10A-BL)	6	6	6	6	6	
23	5JJ-82151-20	.FUSE (20A-BL)	2	2	2	2	2	
24	90464-13077	CLAMP	4	4	4	4	4	
25	90464-12089	CLAMP	1	1	1	1	1	
26	90464-15157	CLAMP	1	1	1	1	1	
27	90464-15195	CLAMP	1	1	1	1	1	





5VK1300-C441

FIG. 44 ELECTRICAL 2

REF. NO.	PART NO.	DESCRIPTION	FRA	DEU	ZAF	OTH	GBR	REMARKS
1	1AE-82540-00	NEUTRAL SWITCH ASSY	1	1	1	1	1	
2	93210-29196	O-RING	1	1	1	1	1	
3	90110-06122	BOLT, HEXAGON SOCKET HEAD	2	2	2	2	2	
4	5PS-85790-00	THERMOSENSOR ASSY	1	1	1	1	1	
5	90430-12202	GASKET	1	1	1	1	1	
6	5PS-82380-00	SENSOR, PRESSURE	1	1	1	1	1	
7	5VK-82388-00	PLATE	1	1	1	1	1	
8	95707-06500	NUT, FLANGE	2	2	2	2	2	
9	5VU-85886-00	SENSOR, AIR TEMPRATURE	1	1	1	1	1	
10	5CA-14435-00	GROMMET	1	1	1	1	1	
11	5LP-83755-01	SENSOR, SPEED	1	1	1	1	1	
12	91317-06014	BOLT	1	1	1	1	1	
13	5RT-82566-50	SWITCH, SIDE STAND	1	1	1	1	1	
14	90464-16061	CLAMP	1	1	1	1	1	
15	91317-05035	BOLT	2	2	2	2	2	
16	95607-05100	NUT, U	2	2	2	2	2	
17	4SV-81940-12	STARTER RELAY ASSY	1	1	1	1	1	
18	1AE-82151-00	.FUSE (30A-BL)	2	2	2	2	2	
19	95027-06008	BOLT, FLANGE	2	2	2	2	2	
20	5VK-81950-40	RELAY ASSY	1	1	1	1	1	
21	5JJ-81950-20	RELAY ASSY	2	2	2	2	2	
22	5JJ-81952-00	.HOLDER, RELAY	1	1	1	1	1	
23	5PS-82576-01	EMERGENCY STOP SWITCH ASSY	1	1	1	1	1	
24	91317-04025	BOLT	2	2	2	2	2	
25	90201-047A2	WASHER, PLATE	2	2	2	2	2	
26	5VK-F1453-00	BRACKET, SWITCH	1	1	1	1	1	
27	95807-06016	BOLT, FLANGE	1	1	1	1	1	



CONTENTS

CYLINDER HEAD	B2	REAR MASTER CYLINDER	E9
CYLINDER	B3	COWLING 1	E11
CRANKSHAFT & PISTON	B4	GENERATOR	E12
VALVE	B5	FLASHER LIGHT	E13
CAMSHAFT & CHAIN	B6	METER	E14
WATER PUMP	B7	HEADLIGHT	E15
RADIATOR & HOSE	B8	TAILLIGHT	F2
OIL PUMP	B9	HANDLE SWITCH & LEVER	F3
INTAKE	B11	ELECTRICAL 1	F4
INTAKE 2	B13	ELECTRICAL 2	F6
EXHAUST	B14		
CRANKCASE	C2	NUMERICAL INDEX	M1
CRANKCASE COVER 1	C3		
STARTER CLUTCH	C5		
CLUTCH	C6		
TRANSMISSION	C8		
SHIFT CAM & FORK	C10		
SHIFT SHAFT	C11		
FRAME	C12		
FENDER	C14		
SIDE COVER	D2		
REAR ARM	D3		
REAR SUSPENSION	D5		
STEERING	D6		
FRONT FORK	D8		
FUEL TANK	D10		
SEAT	D12		
FRONT WHEEL	D14		
FRONT BRAKE CALIPER	D15		
REAR WHEEL	E2		
REAR BRAKE CALIPER	E4		
STEERING HANDLE & CABLE	E5		
FRONT MASTER CYLINDER	E6		
STAND & FOOTREST	E7		

NUMERICAL INDEX

PART NO.	GRID NO.	PART NO.	GRID NO.	PART NO.	GRID NO.	PART NO.	GRID NO.	PART NO.	GRID NO.	PART NO.	GRID NO.
5VK-1111F-00	B6	5VK-13161-00	B9	5VK-16351-00	C6	5VK-23389-00	D6	4YR-26240-02	E5	5VS-8258J-00	F5
4G0-11133-11	B2	5VK-13171-00	B10	4XV-16356-01	C6	1W1-23416-00	D6	4YR-26241-02	E5	1UA-82591-00	F5
5VK-11166-00	C2	5VK-13181-00	B9	5VK-16371-00	C6	3YF-23418-00	D6	1E6-26342-00	E5	5VS-8259J-00	F5
5VK-11181-00	B2	5LP-13300-00	B9	5EB-16382-00	C6	5VK-23430-00	D6	4SS-27218-00	E9	1LN-82911-00	F3
214-11198-01	B9	3AJ-13325-00	B9	5JG-16383-00	C6	4H7-23441-01-P5	D6	2YK-27222-00	E9	33G-82913-01	F3
5VK-11311-00	B3	5VK-13327-00	B9	5JG-16384-00	C6	3Y6-23442-00-P1	D6	3KW-27234-00	E9	5VK-82917-00	F3
5VK-11351-00	B3	5LP-13329-00	B9	5VK-18101-00	C11	5VK-2414H-00	D10	5VK-27411-00	E7	5VK-83345-00	E13
5VK-11400-00	B4	5VK-13356-00	B9	5VK-18127-00	C10		D10	5VK-27421-00	E7	4GY-83350-00	F7
5VK-11401-09	B4	4X7-13440-01	B9	5JW-18140-00	C10	5VK-2414K-00	D10	5VK-28345-00	D10	5VK-83359-00	E13
5VK-11422-00	B4	2WK-13447-00	B9	5VK-18540-00	C10	1D2-24161-00	D11		D10	5VK-83500-20	E14
5VK-11454-00	B4	5VK-13464-00	B10	4UN-18542-00	C10	1D2-24162-00	D11	5DM-28371-00	C14	5VK-83500-30	E14
5VK-11531-00	B4	5VK-13465-00	B10	4UN-18566-00	C10	5VK-2416F-00	D10	5VK-28371-00	D10	5LP-83755-01	F6
5VK-11536-00	B4	5VK-13542-00	B12	5VK-18699-00	C10	22W-24181-00	B14	5VK-2837J-00	E11	3FY-83912-01	F3
5VK-11603-00	B4	5VK-13586-00	B11	3YX-21376-00	C15		B15	5VK-2837K-00	E11	5VK-83922-00	E6
5VK-11631-00	B4	5VK-13750-00	B13	4XV-21376-00	C15	3TB-24181-00	D10	5VK-81410-00	E12	5VK-83969-00	F3
5VK-11633-00	B4	5VK-13761-00	B13	5VK-21445-00	C12	5VK-24182-00	D10	5VK-81450-00	E12	5VK-83975-00	F3
5VK-11651-00	B4	5VK-13907-01	D11	5VK-2153A-00	C15	5VK-24183-00	D10	5WM-81614-00	F5	5VK-83980-00	E6
5VK-11681-00	B4	5VK-13971-00	B12	5VK-2153A-10	C15	5JW-24486-00	D10	3AJ-81801-00	C5	1FK-84527-00	B8
5VK-12111-00	B5	5PS-14147-00	B13	5VK-21639-00	C14	5VK-24602-00	D10	3AJ-81809-00	C5	1A2-84714-41	F2
5VK-12113-00	B5	8CC-14216-10	B13	5VK-21649-00	C15	4HM-24728-00	D12	5VK-81815-00	C5	5PS-85790-00	F6
3YF-12116-00	B5	5CA-14435-00	F6	1D2-2173L-00	D11	5VK-24737-00	D12	4XV-8182A-00	C5	5PS-85885-00	B13
3YF-12117-01	B5	5VK-14503-00	B13	1D2-2173L-10	D11	1T4-24741-00	C15	11H-81844-00	C5	5VU-85886-00	F6
4G0-12118-00	B5	5VK-14531-00	B13	5VK-21746-00	C13	5VK-24747-00	D12	1FK-81847-00	C5	5VK-8591A-00	F4
5H0-12119-00	B5	3YF-14613-01	B15	1D2-2174L-00	D11	4BP-24780-00	D12	3AJ-81850-00	C5	5VK-E1101-00	B2
5VK-12121-00	B5	4EL-14714-00	B14	1D2-2174L-10	D11	5VK-25111-00	D14	4G0-81871-00	C5	5VK-E1167-00	B11
5VK-12146-00	B5		B14	1D2-21788-00	D11	136-25115-00	D14	3SX-81890-00	C5	5VK-E1185-00	B2
5VK-12151-00	B5	4FU-14714-00	B14	1D2-21788-10	D11	5VK-25117-00	D14	4SV-81940-12	F6	5VK-E1186-00	B2
5BP-12159-01	B5	5JX-14725-00	B14	26H-21828-00	D2	5VK-25181-00	D14	5JJ-81950-20	F6	5VK-E2170-00	B6
5VK-12161-00	B5	5VK-14803-00	B15	5VK-21875-00	D2	5VK-25311-00	E2	5VK-81950-40	F6	5VK-E2405-00	B8
3TB-12210-00	B6	5VK-14815-00	B15	5VK-22123-00	D3	5Y1-25364-00	E2	5JJ-81952-00	F6	5VK-E2413-00	B8
4DW-12213-00	B6	5VK-14871-01	B15	5VK-22124-00	D3	5VK-25366-00	E2	5SL-81960-00	F4	5VK-E2437-00	B8
5VK-12231-00	B6	5VK-14881-00	B15	5VK-22125-00	D3	1VJ-25377-00	E2	5FL-82100-01	F4	5VK-E2437-10	B8
5VK-12241-00	B6	5VK-15199-01	C5	1VJ-22141-00	D4	3AJ-25381-01	E2	5SL-82113-00	F4	5VK-E243A-10	B12
5VK-12280-00	B6	5VK-15362-00	C12	10V-22178-00	C12	1UF-25388-00	E2	1AE-82151-00	F6	5VK-E2461-00	B8
5VK-12284-00	B6	5VK-15455-00	C4	30X-22178-00	C12	3HT-25398-00	D14	5JJ-82151-00	F4	5VK-E2462-00	B8
5VK-12290-00	B6	1VJ-15511-00	C5	10V-22184-00	C12		E2	5JJ-82151-20	F4	5VK-E2469-00	B7
5VK-12410-00	B8	3YF-15515-00	C5	30X-2219X-00	D3	5VK-25410-00	E2	5JJ-82151-30	F4	5VK-E2498-00	B8
5VK-12421-00	B7	5VK-15517-00	C5	5VK-22210-11	D5	5CG-25715-00	E6	4GV-82310-00	F4	5VK-E2578-10	B8
5VK-12422-00	B7	5VK-15590-00	C5	4AA-22259-40	D5	4ML-2582A-50	E9	5VK-82312-00	F4	5VK-E2579-10	B8
5VK-12428-00	B7	5VK-16111-00	C6	3XJ-23125-L0	D8	5VK-2583V-00	E9	5VK-82370-00	F4	5VK-E3415-00	B9
5VK-12436-00	B7	5VK-16150-00	C6		D8	3XP-25852-50	E9	5PS-82380-00	F6	5VK-E3545-00	B12
11H-12438-10	B7	2JN-16154-00	C6	4DA-23145-L0	D8	2VN-25854-00	E9	5VK-82388-00	F6	5VK-E3591-00	B11
5VK-12450-00	B7	22U-16321-00	C6		D8	55U-25854-00	E6	5SL-82511-08	F4	5VK-E4411-00	B11
5VK-12459-00	B7	5TA-16321-00	C6	3XJ-23171-L0	D8	2VN-25855-00	E9	5VK-82530-00	F4	5VK-E441A-00	B11
5VK-12481-00	B7	4X7-16325-00	C6		D9	2VN-25866-00	E9	1AE-82540-00	F6	5VK-E441E-00	B11
5VK-12577-00	B7	5VK-16331-00	C6	4V4-23188-L0	D8	56A-25867-00	E6	5VS-8255P-00	F4	5VK-E4437-00	B11
583-13113-00	B10	5VK-16340-00	C6		D9	5JJ-25894-00	E9	5RT-82566-50	F6	5LW-E443E-00	B11
5VK-13160-00	B13	132-16346-00	C10	5VK-23389-00	D6	5VK-25895-00	E9	5PS-82576-01	F6	5VK-E443E-00	B11

NUMERICAL INDEX

PART NO.	GRID NO.	PART NO.	GRID NO.	PART NO.	GRID NO.	PART NO.	GRID NO.	PART NO.	GRID NO.	PART NO.	GRID NO.
5VK-E4451-00	B11	5VK-E8503-00	C10	1D2-F3111-00	D9	5VK-F5183-00	D14	5VK-F8351-00	E11	5VK-W1473-00	B14
5VK-E4452-00	B11	5VK-F1110-10	C12	1D2-F3126-00	D8	1D2-F5186-00	D14	5VK-F8351-20	E11	2TV-W2470-00	D12
5VK-E4453-00	B11	5VK-F117F-00	E10	1D2-F3141-00	D8	1D2-F5304-00	E2	5VK-F8381-00	E11	3GM-W2585-21	E6
5VK-E4457-00	B11	5VK-F117M-00	E9		D9	1D2-F580T-01	D15	5VK-H2115-00	F4	5VK-W2587-00	E6
5VK-E4611-00	B14	5VK-F1315-00	C12	5VK-F3144-00	D8	5VK-F580W-10	E4	5VK-H2116-00	C5	5VK-W8250-00	F4
5VK-E4621-00	B14	5VK-F1316-00	C12		D8	1D2-F581T-00	D15	5VK-H2121-00	B11	5VK-WE343-00	B9
5VK-E4711-00	B14	5VK-F137W-01	D10	5VK-F3146-00	D8	4CU-F5824-00	D15	5VK-H2122-00	B11	5VK-WE541-00	C3
5VK-E4718-00	B14	5VK-F137W-21	D10		D8	5SE-F5824-00	E4	5VK-H2590-00	F4	5VK-WE544-00	C4
5VK-E4721-00	B14	5VK-F137X-01	D10	5VK-F3149-00	D8	4CU-F5825-00	D15	5VK-H3310-00	E13	1D2-WF315-10	D8
5VK-E4728-00	B14	5VK-F137X-21	D10		D9	5DS-F5825-00	E4	5VK-H3311-00	E13	90101-06815	E15
5VK-E4738-00	B14	5VK-F137Y-00	D10	5VK-F3153-00	D8	5VK-F582W-00	E4		E13	90101-06X26	C9
5VK-E4748-00	B14	5VK-F1410-00	C12		D8	1D2-F5872-00	E6		E13	90101-08428	C12
5VK-E4882-00	B15	5VK-F1453-00	F6	5JH-F3158-00	D8	5VK-F5873-00	E9		E13	90101-10659	D3
5VK-E5100-00	C2	1D2-F1511-00	C14		D9	5VK-F5875-00	E9	5VK-H3320-00	E13	90101-12742	D5
5VK-E5118-00	C3	1D2-F1514-00	C14	1D2-F3170-00	D8	5DS-F5917-00	E4	5VK-H3330-00	E13	90105-05361	D6
5VK-E5371-00	B11	1D2-F1556-00	C14		D9	1D2-F5919-00	D15	5VK-H3333-00	E13		D6
5VK-E5383-00	C2	4CU-F1568-00	D11	5VK-F3173-00	D8	5VK-F5919-10	E4		E13	90105-06X06	B2
5VK-E5416-00	C3	4CU-F1568-10	D11		D9	1D2-F5924-00	D15		E13		B8
5VK-E5421-00	C3	4CU-F1568-20	D11	5VK-F317E-00	D6	5VK-F5924-10	E4		E13	90105-06X20	C4
5VK-E5431-00	C3	4CU-F1568-30	D11	5VK-F317F-00	D6	1D2-F5925-00	D15	5VK-H333A-00	E13	90105-07004	B6
5VK-E5441-00	C3	4CU-F1568-40	D11	5VK-F317M-00	D6	1D2-F6110-00	E5		E13	90105-09002	B2
5VK-E5451-00	C3	4CU-F1568-50	D11	1D2-F3181-00	D8	1D2-F6124-00	E5		E13	90105-09003	B2
5VK-E5453-00	C4	4CU-F1568-60	D11		D9	1D2-F6137-00	E5		E13	90105-09004	B2
5VK-E5462-00	C3	4CU-F1568-70	D11	4CU-F3181-00	D8	1D2-F6219-00	E5	5VK-H3340-00	E13	90105-10040	C12
5VK-E5522-00	C5	4CU-F1568-80	D11	5VK-F3340-00	D9	1D2-F6246-00	E5	5VK-H3371-00	F7	90105-10077	B3
5VK-E5560-00	C5	5VK-F160E-00	C14	5VK-F334G-00	D9	5VK-F6280-00	E5	5VK-H3519-00	E14	90105-10078	B3
5VK-E7121-00	C8	5VK-F1611-00	C14	5VK-F334H-00	D9	5VK-F6290-00	E5	5VK-H410A-00	E15	90105-10638	D15
5VK-E7131-00	C8	5VK-F1621-00	B11	5SE-F3394-00	D9	5VK-F6311-00	E5	5VK-H410A-10	E15	90105-10811	E7
5VK-E7141-00	C8	5VK-F1651-00	C14	3HL-F3459-10	D8	5VK-F6312-00	E5	5VK-H4118-00	E15	90105-10813	E7
5VK-E7141-10	C8	5VK-F1651-20	C14	5VK-F3466-00	D7	5VK-F6335-00	E5	5VK-H4312-00	E15	90105-10814	E7
5VK-E7151-00	C8	5VK-F1685-00	C14	5VK-F3472-00	D6	5VK-F7211-00	E9	5VK-H4314-00	E15	90109-06419	B9
5VK-E7151-10	C8	5VK-F1711-00	D2	5VK-F4110-10-P0	D10	5VK-F7311-10	E7	5VK-H4332-00	E15	90109-06577	E6
5VK-E7211-00	C8	5VK-F1721-00	D2	5VK-F413B-01	D10	5VK-F7412-00	E7	5VK-H4334-00	E15	90109-06799	F3
5VK-E7211-10	C8	5VK-F1756-00	C12		D11	5VK-F741L-00	E7	3WW-H4347-00	E15	90109-06816	E4
5VK-E7221-00	C8	5VK-F1871-00	D2	5DN-F415A-10	D11	5VK-F7422-00	E7	5VK-H4359-00	E15	90109-080G5	F4
5VK-E7231-00	C8	5VK-F2110-10	D3	5VK-F4186-00	D10	5VK-F742L-00	E7	5VK-H4393-00	E15	90109-085E2	B15
5VK-E7241-00	C8	1D2-F213J-00	D4	5VK-F4491-00	D10	5VK-F7431-00	E7	5VK-H4397-00	E15	90109-085G6	E9
5VK-E7251-00	C8	5VK-F2151-00	D3	1D2-F4731-01	D12	5VK-F7441-00	E8	5VK-H4710-00	F2	90110-06122	F6
5VK-E7401-00	C8	5VK-F2174-00	E2	1D2-F4731-11	D12	5CH-F7491-10	E4	5VK-H4721-00	F2	90110-08096	E8
5VK-E7402-00	C8	5VK-F217A-00	D3	3VL-F4741-10	D12	5VK-F8100-00	D12	5SE-H4724-00	F2	90110-08232	D12
5VK-E7460-00	C9	1D2-F217F-00	D3	5VK-F474A-00	D12	5VK-F8116-00	D12	5VK-H4735-00	F2	90111-05011	D10
5VK-E7466-00	C3	5VK-F2243-00	D5	5VK-F474W-00	D12	5VK-F8199-D0	D12	5VK-H4743-00	F2		D10
5VK-E7471-00	C9	1D2-F2311-00	D4	1D2-F4770-01	D12	5VK-F8199-E0	D12	3NC-H5130-00	F2		D6
5VK-E8110-00	C11	1D2-F3102-00	D8	1D2-F4770-11	D12	5VK-F8199-F0	D12	3XP-W0041-00	E6	90111-06029	E4
5VK-E8113-00	C11	1D2-F3103-00	D8	5VK-F478E-00	D12	5VK-F8199-G0	D12	3BN-W0042-50	E9	90111-06X15	C14
5VK-E8144-00	C10	1D2-F3110-00	D8	5VK-F478X-00	D12	5VK-F8199-H0	D12	1D2-W0045-00	D15		D4
5VK-E8501-00	C10		D8	5VK-F4792-00	D12	5VK-F8199-P0	D13	5VK-W0046-00	E4	90111-06X16	D4
5VK-E8502-00	C10	1D2-F3111-00	D8	1D2-F5104-00	D14	5VK-F8199-S0	D13	5VK-W1473-00	B14	90111-08823	D15

NUMERICAL INDEX

PART NO.	GRID NO.	PART NO.	GRID NO.	PART NO.	GRID NO.	PART NO.	GRID NO.	PART NO.	GRID NO.	PART NO.	GRID NO.
90111-08X05	C14	90201-05015	B14	90215-21X00	C9	90401-10096	B10	90467-14015	C2	91317-05035	F6
90116-10485	E2		B14	90240-08124	E9	90401-10X03	E6		C2	91317-06012	B10
90119-05193	D6	90201-05556	F4	90240-10800	E7		E9	90467-14800	B11		B7
90119-06044	E9	90201-05X08	E12		E7	90430-05126	B9	90467-17089	B15		C3
90119-06096	C14	90201-06026	E13	90269-06008	D10	90430-06014	B7		B15		C3
90119-06105	C6	90201-06057	F2	90269-08066	C14	90430-08119	C12	90467-170A0	B15	91317-06014	F6
90119-06118	C14	90201-06060	E7		D4	90430-08204	B9	90467-170A2	B12	91317-06016	B10
90119-06192	F4		E8	90280-05001	B4	90430-09002	B13	90467-17128	B12		C2
90119-06861	D4	90201-064K6	B12	90282-05058	B4	90430-10188	B10	90467-17800	C13		D7
90119-06X05	B6	90201-06839	E15	90282-07001	C6	90430-12202	F6	90467-17801	B11	91317-06018	B2
90123-08046	F3	90201-06X00	D4	90338-06004	D7	90430-22123	C12	90467-19800	C12	91317-06020	B7
90149-05110	B9	90201-08083	E9	90338-08226	C14	90445-08008	D2	90467-23800	B11		B9
90149-05321	C10	90201-08759	C5	90338-08801	B11	90445-08020	D2	90467-27800	B8		C11
90149-06280	B14	90201-08X03	C14	90338-28242	D4	90445-11033	B10		B8	91317-06025	B10
	B15	90201-08X18	C5	90340-14132	B9	90445-12004	B12	90467-29800	B7		B6
90149-06298	E10	90201-096J9	B2	90340-14X00	C3	90450-59001	B11		B8		C3
90150-05023	E11	90201-10141	D6	90340-36X00	C3	90450-72001	B11		B8		C3
90159-05083	E11	90201-101A4	B3	90380-22111	D3	90462-06012	C2	90480-01141	D10		C4
90159-06078	D2	90201-101J1	D3	90387-05803	C15	90462-16X00	C3	90480-01558	D2	91317-06030	B2
	D2		E7	90387-06023	B14	90464-07259	C15		D2		C2
90164-05014	E14	90201-10430	E7		B14	90464-11008	D2	90480-12581	B14		C3
90169-05801	B8		E8	90387-06042	B8	90464-12001	D6		B14	91317-06035	C3
90169-05802	B8	90201-10614	C7	90387-06066	D3		E5	90480-13398	C5		C4
90170-06128	B5	90201-10X03	E6	90387-06086	E7	90464-12089	E14	90480-14329	F2		E13
90170-18003	B4		E9		E8		E8	90480-14555	E14	91317-06040	B3
90170-20274	C6	90201-120K4	C10	90387-06088	E13	90464-13077	F4	90480-15001	B12		E7
90170-20327	C6	90201-12541	B7	90387-062M9	D2	90464-15157	F4	90480-15058	E15		E8
90176-22081	D6	90201-12575	C10	90387-065G0	E15	90464-15195	F4	90480-15316	E15	91317-06045	C2
90179-05523	E11	90201-13013	D4		F2	90464-16006	D2	90480-18276	B12	91317-06050	B7
	F4	90201-16013	B4	90387-065X7	C14	90464-16061	E13		B8		C3
90179-06635	D12	90201-160F6	D3	90387-06648	C14		E13	90480-20566	B11		C3
90179-06X02	C14	90201-160T2	E3	90387-06852	E4		F4	90501-043E0	B10	91317-06055	C2
	D4	90201-170T3	E2	90387-07037	B12		F6	90501-06022	C10	91317-06060	C2
90179-08148	F3	90201-177G4	C10	90387-075H4	B12	90464-18004	E5	90501-10312	E6	91317-06080	C2
90179-08442	B15	90201-208G4	C8	90387-07717	D2	90464-25004	F3	90501-260A1	C6	91317-06090	C2
90179-10658	C12	90201-220T0	D6	90387-08024	C12	90464-37257	B15	90504-18005	E7	91317-06095	B9
	C12	90201-30X00	B4	90387-087L0	C14	90465-12013	C2		E8	91317-08025	C5
	C12	90201-30X01	C5	90387-08X05	C14	90467-07138	B12	90506-20002	E7	91317-08030	D6
90179-16448	B4	90202-26142	D6	90387-10020	E7	90467-08003	D2	90506-20369	E9	91317-08050	D12
90179-18003	C9	90209-20012	C6	90387-127W0	D3		D2	90508-16016	C6	91380-06016	B15
90179-25615	D6	90209-21351	C8	90387-16011	D3	90467-10008	B10	90508-20801	E7	91401-16012	E9
90183-05061	D6	90209-21X00	C8	90387-16012	D3		C13	90508-20802	E7	91401-25020	E7
	E11		C8	90387-167R5	D3	90467-11090	B12	90560-17306	E2		E7
90183-05808	E15	90209-22X00	C8	90387-17801	E2	90467-11108	B12	91317-04025	F6	91808-16X00	C2
90183-06023	C14	90209-26348	C8	90387-17802	E2		B12	91317-05008	B9		C4
	C14	90215-18X00	B4	90387-21002	C8	90467-12085	E9	91317-05010	D10		C4
90185-14002	D3	90215-20X00	C6	90387-25802	C9	90467-12800	B11	91317-05014	E12	91810-14X00	B10
90201-047A2	F6	90215-20X01	C6	90401-08133	B9	90467-13062	B11	91317-05020	F3	92017-06014	E13

NUMERICAL INDEX

PART NO.	GRID NO.	PART NO.	GRID NO.	PART NO.	GRID NO.	PART NO.	GRID NO.
92017-06014	E14	93306-20348	E2	95607-06100	E13	99001-10600	C10
92017-06020	E15	93306-205XA	C8		E7	99009-10400	C7
92017-06030	E12	93306-30437	E2		E8	99009-11400	B9
92017-06035	B9	93306-305X4	B4		F3	99009-12400	B7
92907-05600	F3		C9	95607-06200	F2	99009-20400	C8
92907-06600	E6	93306-305YA	B4	95607-08100	C12	99530-12016	C2
92907-08200	C12	93306-308Y0	B4	95607-10200	D6		C3
92907-08600	C6	93310-530C7	C5		E2		C3
	E2	93310-84010	B4	95607-14200	D4		C3
93101-12173	B7	93315-11206	C10	95614-10100	D3	99530-14016	C2
93101-14164	C3	93315-22251	D3	95617-08618	B2		
93101-25106	B4	93315-31502	C7	95617-10100	E7		
93102-12106	C10	93315-31759	D3	95617-12100	D5		
93102-15212	C7	93315-32053	D3	95704-06500	B12		
93102-35368	C9	93317-11020	C6	95707-06500	D12		
93106-22019	D3	93332-000Y5	D6		F6		
93106-23002	D14	93332-000Y6	D6	95807-06010	B8		
	E2	93410-17X00	C10	95807-06012	C14		
93106-30029	E2	93440-10085	B2		D2		
93108-35004	D3	93440-11024	C5	95807-06014	C14		
93109-17071	D3	93440-25084	C8	95807-06016	F6		
93109-20076	D3		C8	95807-06020	D3		
93210-07X01	B9	93440-28062	C8	95807-08012	C12		
	C2	93450-24824	B4	95814-08035	B14		
93210-10197	B10	93503-08007	B10	95814-10070	C12		
93210-11073	B9	93603-16219	B7	95814-10100	C12		
93210-13X00	B9	93612-16X00	B2	95817-06035	C5		
	C3	94435-17002	D14	95827-06012	D10		
93210-14X00	C3	94442-17002	E2	95827-06020	B12		
93210-15171	B10	94568-B2110	E2	95827-06025	B12		
93210-15620	E9	94591-57126	B6	95827-06030	B12		
93210-19123	C12	94701-00X09	B2	95827-08040	C12		
93210-21X00	B7	95024-08016	C12	97007-05012	C15		
93210-22164	C9	95024-08040	B14	97007-05025	F4		
93210-29196	F6		B14	97007-06025	E6		
93210-33X00	B7	95027-06008	F6	97507-06525	B8		
93210-35X00	C3	95027-06010	F7	97707-60020	C14		
93210-41042	B8	95027-06012	B6	9770M-50025	B11		
93210-61750	B7		E9	98507-05020	F3		
93210-64297	B9	95027-06014	D12	98507-05030	F3		
93210-78X00	B2	95027-06020	F4	98507-05045	F3		
93210-96X00	B2	95027-06025	B7		F3		
93306-00106	B7	95027-08040	D6	98507-05055	F3		
93306-00304	C6	95307-08600	E2	98507-06012	B13		
93306-004XL	C8	95604-16200	E3	98706-04012	E6		
93306-004XM	C9	95606-06100	E6	98980-06012	B14		
93306-072Y1	B6	95607-05100	F6		B14		
93306-20348	D14	95607-05200	F2	99001-07600	C6		