



# PARTS CATALOGUE

**XT660R'09** (5VKC) SOUTH AFRICA



---

1H5VK-300E1

( )

XT660R  
PARTS CATALOGUE  
©2008 by MBK Industrie  
1st edition, July 2008  
All rights reserved.  
Any reprinting or unauthorized use  
without the written permission of  
MBK Industrie  
is expressly prohibited.  
Printed in France.

# FOREWORD

This Parts Catalogue is related to the parts for the model(s) on the cover page. When you are ordering replacement parts, please refer to this Parts Catalogue and quote both part numbers and part names correctly.

1. Modifications or additions which have been made after the issue of the Parts Catalogue will be announced in the Parts News.

It is advisable that you make the necessary corrections to the Parts Catalogue according to the Parts News.

2. Abbreviations

The following abbreviations are used in this Parts Catalogue.

“UR” Use specified parts number.

“UN” Use as many as needed.

“AP” Alternate Parts

“LM” Locally Made (Parts need to be ordered locally)

“F#” Frame No. (Applicable machine No.)

“O/S” Over Size

3. The number of components for assembly

- Parts, which are to be supplied in an assembly, are listed with a dot (.) in front of the part name as shown below.
- The numeral appearing to the right of each component part indicates the quantity of parts for each assembly unit.

PART NO.	DESCRIPTION	Q'TY	REMARKS
2F5-83310-60	FRONT FLASHER LIGHT ASSY	2	
115-83311-60	.BULB (6V-18W)	1	

4. Applicable colours of graphics are represented in the “REMARKS” as shown below.

PART NO.	DESCRIPTION	Q'TY	REMARKS
2N4-24110-00-X5	FUEL TANK COMP.	2	MXR
3J1-24240-10	.GRAPHIC, FUEL TANK	1	FOR MXR

5. Note that the illustrations for reference in finding parts numbers are not to be used for assembling. When assembling, please use the applicable service manual.

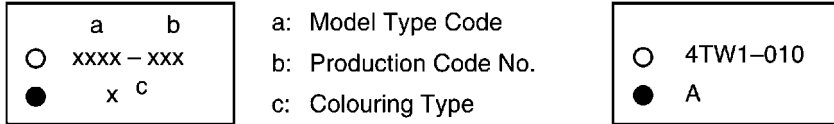
6. The asterisk (\*) before a reference number indicates modified items after the first edition.



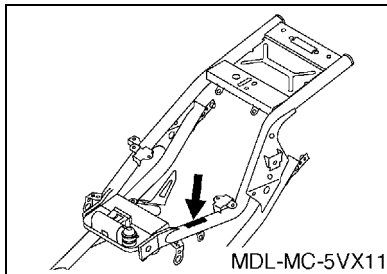
# MODEL LABEL

(1) A label called "Model Label" is affixed in the location as indicated in (3) below. When using this parts catalogue, please be sure to cross-reference the "model code – production code No." in the catalogue with the "model code – production code No." indicated on the Model Label affixed onto the product concerned.

(2) "Model Label" Indication



(3) Model Label Affixing Location



(4) Colouring Information

Model Code	Colouring Type Code	Colour Code	Colour Name	Abbreviation
5VKC	A	0033	YAMAHA BLACK	YB
	C	1140	VIVID YELLOWISH RED 1	VYR1

(5) Model Code – Production Code Number of Model Listed in This Parts Catalogue

Model Code	Production Code No.	Country (destination)	Model Code	Production Code No.	Country (destination)
5VKC	010	AUSTRIA	5VKC	090	MEXICO
		FRANCE			
		GERMANY			
		ITALY			
	020	BELGIUM			
		NETHERLANDS			
	030	CZECHO			
		DENMARK			
		HUNGARY			
		NORWAY			
	040	SPAIN			
		FINLAND			
	050	GREECE			
		ISRAEL			
		POLAND			
		RUSSIAN FEDERATION			
		SLOVENIA			
		TURKEY			
	060	UNITED KINGDOM			
	070	IRELAND			
SOUTH AFRICA					
080	PORTUGAL				
090	CHILE				

# CONTENTS

## ENGINE

CYLINDER HEAD .....	1
CYLINDER .....	2
CRANKSHAFT & PISTON .....	3
VALVE .....	4
CAMSHAFT & CHAIN .....	5
WATER PUMP .....	6
RADIATOR & HOSE .....	7
OIL PUMP .....	8
INTAKE .....	10
INTAKE 2 .....	12
EXHAUST .....	13
CRANKCASE .....	15
CRANKCASE COVER 1 .....	16
STARTER CLUTCH .....	18
CLUTCH .....	19
TRANSMISSION .....	21
SHIFT CAM & FORK .....	23
SHIFT SHAFT .....	24

## CHASSIS

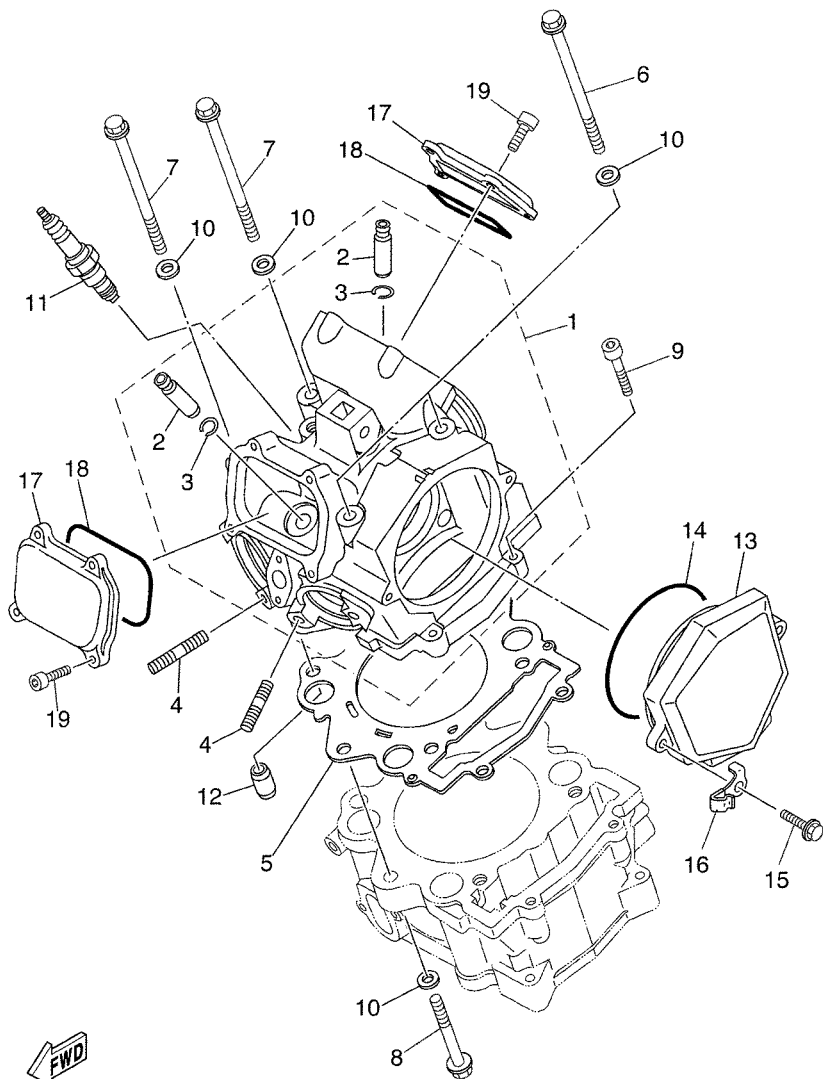
FRAME .....	25
FENDER .....	27
SIDE COVER .....	29
REAR ARM .....	30
REAR SUSPENSION .....	32
STEERING .....	33
FRONT FORK .....	35
FUEL TANK .....	37
SEAT .....	39
FRONT WHEEL .....	41
FRONT BRAKE CALIPER .....	42
REAR WHEEL .....	43
REAR BRAKE CALIPER .....	45
STEERING HANDLE & CABLE .....	46
FRONT MASTER CYLINDER .....	47
STAND & FOOTREST .....	48
REAR MASTER CYLINDER .....	50
COWLING 1 .....	52
GENERATOR .....	53
FLASHER LIGHT .....	54
METER .....	55

HEADLIGHT .....	56
TAILLIGHT .....	57
HANDLE SWITCH & LEVER .....	58
ELECTRICAL 1 .....	59
ELECTRICAL 2 .....	61

## INDEX

NUMERICAL INDEX .....	63
-----------------------	----

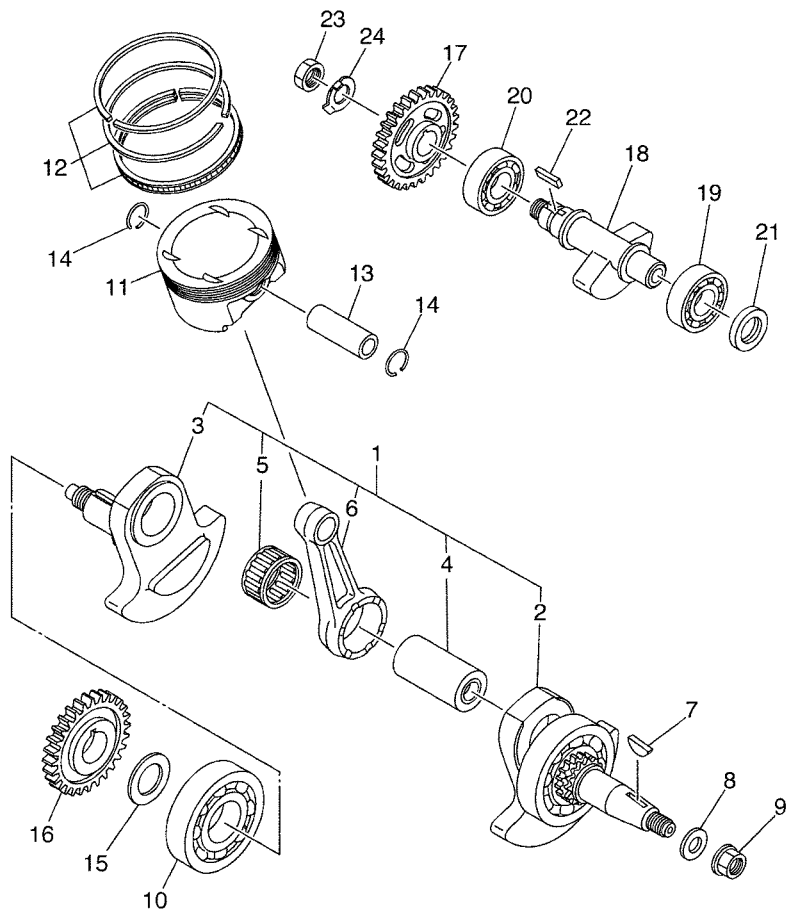
**FIG. 1 CYLINDER HEAD**



**FWD**  
5VK8300-F010

REF. NO.	PART NO.	DESCRIPTION	01	02	03	04	05	REMARKS
1	5VK-E1101-00	CYLINDER HEAD ASSY	1	1	1	1	1	
2	4G0-11133-11	.GUIDE, VALVE 1	4	4	4	4	4	
3	93440-10X00	.CIRCLIP	4	4	4	4	4	
4	95617-08618	BOLT, STUD	4	4	4	4	4	
5	5VK-11181-00	GASKET, CYLINDER HEAD 1	1	1	1	1	1	
6	90105-09002	BOLT, FLANGE	2	2	2	2	2	
7	90105-09004	BOLT, FLANGE	2	2	2	2	2	
8	90105-09003	BOLT, FLANGE	2	2	2	2	2	
9	91317-06030	BOLT	2	2	2	2	2	
10	90201-096J9	WASHER, PLATE	6	6	6	6	6	
11	94701-00X09	PLUG, SPARK (NGK CR7E)	1	1	1	1	1	
12	93612-16X00	PIN, DOWEL	2	2	2	2	2	
13	5VK-E1185-00	COVER, CYLINDER HEAD SIDE 1	1	1	1	1	1	
14	93210-96X00	O-RING	1	1	1	1	1	
15	90105-06X06	BOLT, FLANGE	2	2	2	2	2	
16	90465-10044	CLAMP	1	1	1	1	1	
17	5VK-E1186-00	COVER, CYLINDER HEAD SIDE 2	2	2	2	2	2	
18	93210-78X00	O-RING	2	2	2	2	2	
19	91317-06018	BOLT	8	8	8	8	8	





  
 5VK1300-C030

**FIG. 3 CRANKSHAFT & PISTON**

REF. NO.	PART NO.	DESCRIPTION	01	02	03	04	05	REMARKS
1	5VK-11400-00	CRANKSHAFT ASSY	1	1	1	1	1	
2	5VK-11401-09	.CRANK SUB ASSY 1	1	1	1	1	1	
3	5VK-11422-00	.CRANK 2	1	1	1	1	1	
4	5VK-11681-00	.PIN, CRANK 1	1	1	1	1	1	
5	93310-84010	.BEARING	1	1	1	1	1	
6	5VK-11651-00	.ROD, CONNECTING	1	1	1	1	1	
7	90280-05001	KEY, WOODRUFF	1	1	1	1	1	
8	90201-16013	WASHER, PLATE	1	1	1	1	1	
9	90179-16448	NUT	1	1	1	1	1	
10	93306-308Y0	BEARING	1	1	1	1	1	
11	5VK-11631-00	PISTON (STD)	1	1	1	1	1	
12	5VK-11603-00	PISTON RING SET (STD)	1	1	1	1	1	
13	5VK-11633-00	PIN, PISTON	1	1	1	1	1	
14	93450-24824	CIRCLIP	2	2	2	2	2	
15	90201-30X00	WASHER, PLATE	1	1	1	1	1	
16	5VK-E1536-00	GEAR, DRIVE	1	1	1	1	1	
17	5VK-E1531-00	GEAR, BALANCE WEIGHT	1	1	1	1	1	
18	5VK-E1454-00	WEIGHT 1	1	1	1	1	1	
19	93306-305YJ	BEARING	1	1	1	1	1	
20	93306-305YH	BEARING	1	1	1	1	1	
21	93101-25106	OIL SEAL	1	1	1	1	1	
22	90282-05058	KEY, STRAIGHT	1	1	1	1	1	
23	90170-18003	NUT	1	1	1	1	1	
24	90215-18X00	WASHER, LOCK	1	1	1	1	1	



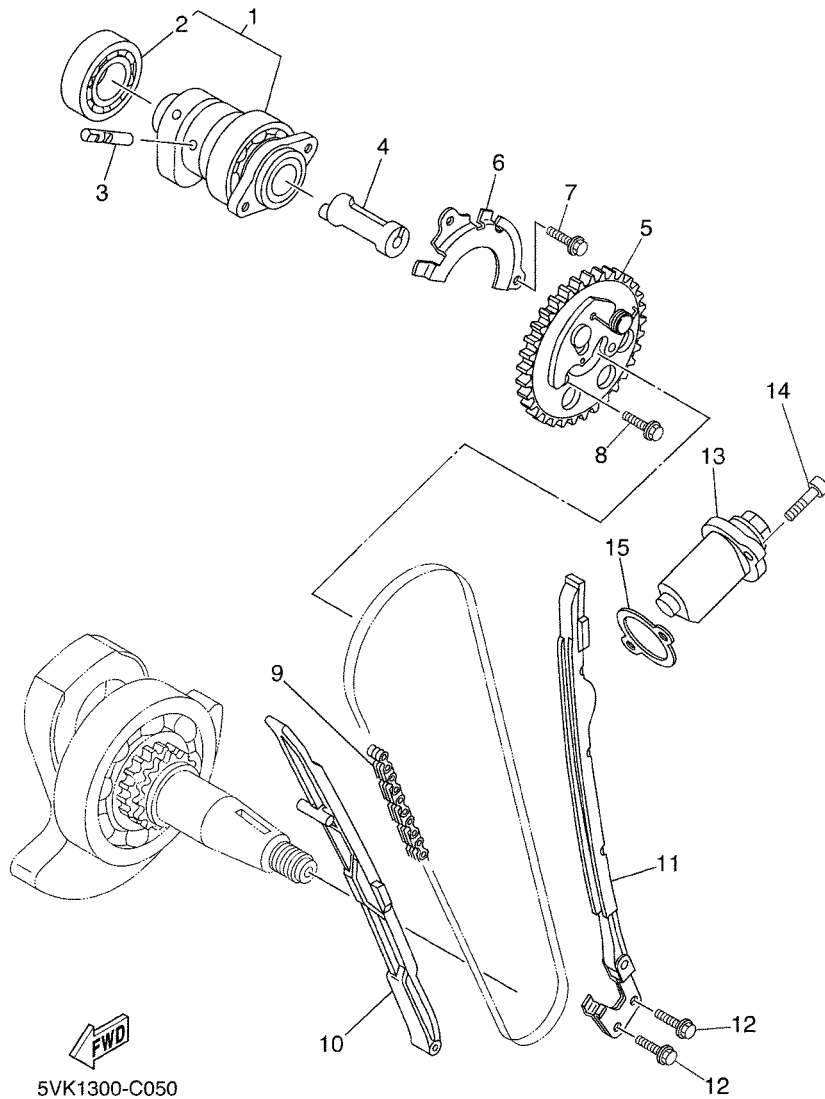
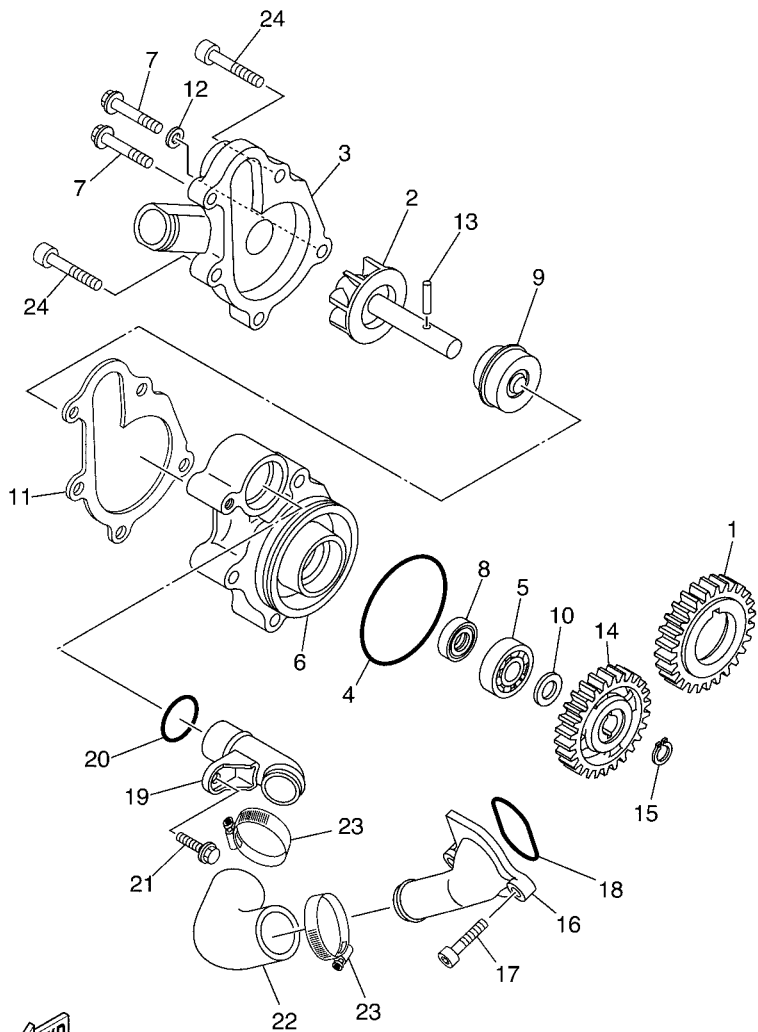


FIG. 5 CAMSHAFT & CHAIN

REF. NO.	PART NO.	DESCRIPTION	01	02	03	04	05	REMARKS
1	5VK-E2170-20	CAMSHAFT ASSY 1	1	1	1	1	1	
2	93306-07209	.BEARING	1	1	1	1	1	
3	5VK-12284-00	PIN, DECOMPRESSION LEVER	1	1	1	1	1	
4	5VK-12290-00	LEVER, DECOMPRESSION SPRING	1	1	1	1	1	
5	5VK-12280-01	DECOMPRESSION ASSY	1	1	1	1	1	
6	5VK-E111F-00	PLATE	1	1	1	1	1	
7	95027-06012	BOLT, FLANGE	2	2	2	2	2	
8	90105-07004	BOLT, FLANGE	2	2	2	2	2	
9	94591-57126	CHAIN (98XRH2010-126M)	1	1	1	1	1	
10	5VK-E2231-00	GUIDE, STOPPER 1	1	1	1	1	1	
11	5VK-E2241-00	GUIDE, STOPPER 2	1	1	1	1	1	
12	90119-06X05	BOLT, WITH WASHER	2	2	2	2	2	
13	5VK-E2210-00	TENSIONER ASSY, CAM CHAIN	1	1	1	1	1	
14	91317-06025	BOLT	2	2	2	2	2	
15	4DW-12213-00	GASKET, TENSIONER CASE	1	1	1	1	1	

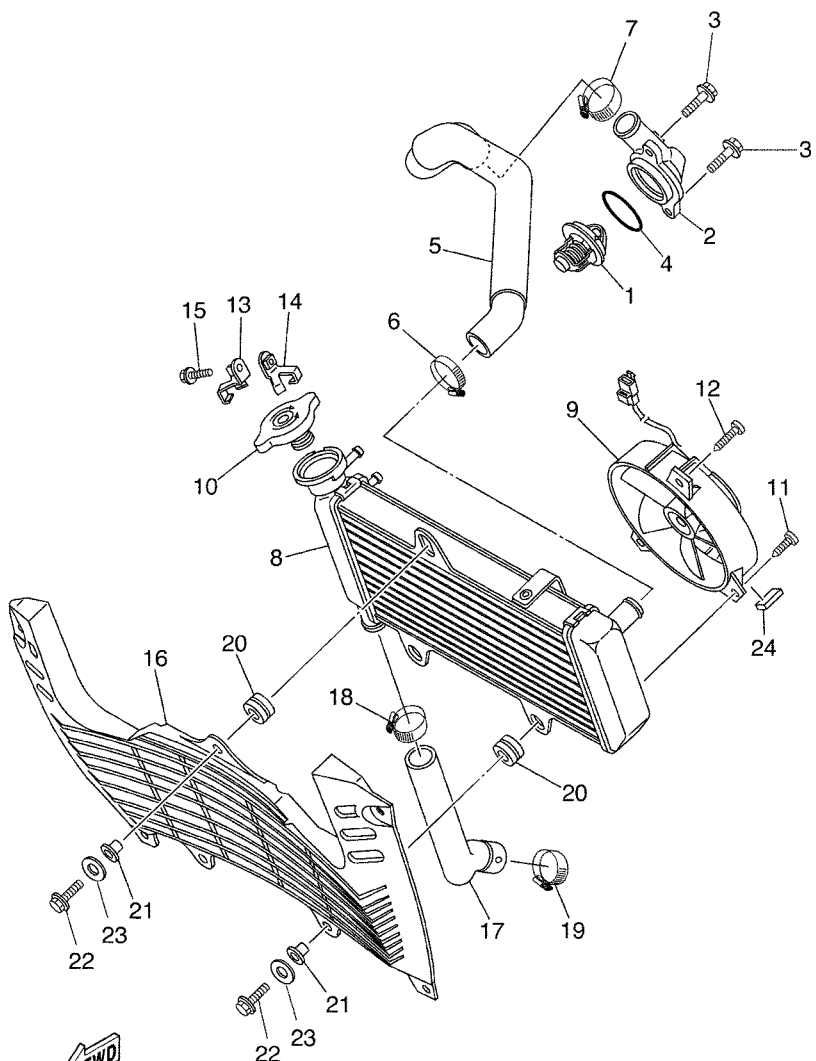
**FIG. 6 WATER PUMP**



**FWD**  
5VK6300-E060

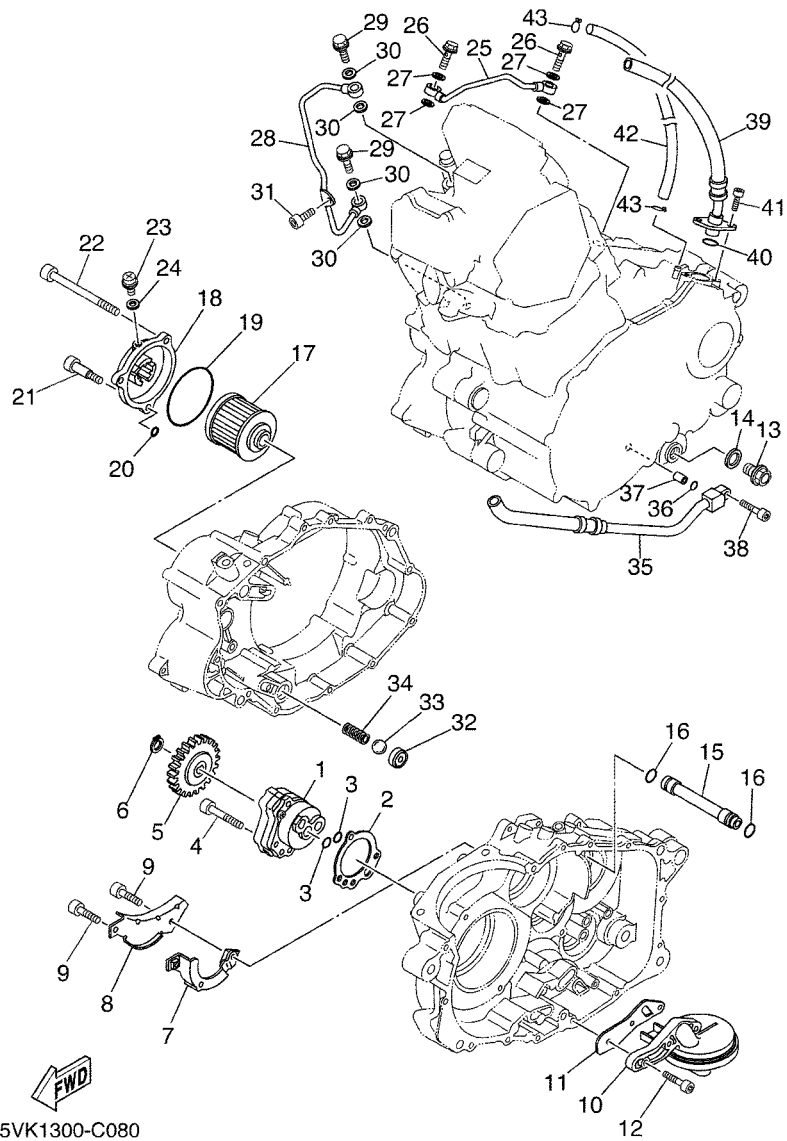
REF. NO.	PART NO.	DESCRIPTION	01	02	03	04	05	REMARKS
1	5VK-E2436-00	GEAR, DRIVE	1	1	1	1	1	
2	5VK-12450-00	IMPELLER SHAFT ASSY	1	1	1	1	1	
3	5VK-12422-00	COVER, HOUSING	1	1	1	1	1	
4	93210-61750	O-RING	1	1	1	1	1	
5	93306-00106	BEARING	1	1	1	1	1	
6	5VK-12421-00	HOUSING, WATER PUMP	1	1	1	1	1	
7	95027-06025	BOLT, FLANGE	2	2	2	2	2	
8	93101-12173	OIL SEAL	1	1	1	1	1	
9	11H-12438-10	SEAL, MECHANICAL	1	1	1	1	1	
10	90201-12541	WASHER, PLATE	1	1	1	1	1	
11	5VK-12428-00	GASKET, HOUSING COVER 2	1	1	1	1	1	
12	90430-06014	GASKET	1	1	1	1	1	
13	93603-16219	PIN, DOWEL	1	1	1	1	1	
14	5VK-12459-00	GEAR, IMPELLER SHAFT	1	1	1	1	1	
15	99009-12400	CIRCLIP	1	1	1	1	1	
16	5VK-E2469-00	JOINT 1	1	1	1	1	1	
17	91317-06020	BOLT	2	2	2	2	2	
18	93210-33X00	O-RING	1	1	1	1	1	
19	5VK-12481-00	PIPE 1	1	1	1	1	1	
20	93210-21X00	O-RING	1	1	1	1	1	
21	91317-06012	BOLT	1	1	1	1	1	
22	5VK-E2577-00	HOSE 2	1	1	1	1	1	
23	90450-31X00	HOSE CLAMP ASSY	2	2	2	2	2	
24	91317-06050	BOLT	3	3	3	3	3	

FIG. 7 RADIATOR & HOSE



5VK8300-F070

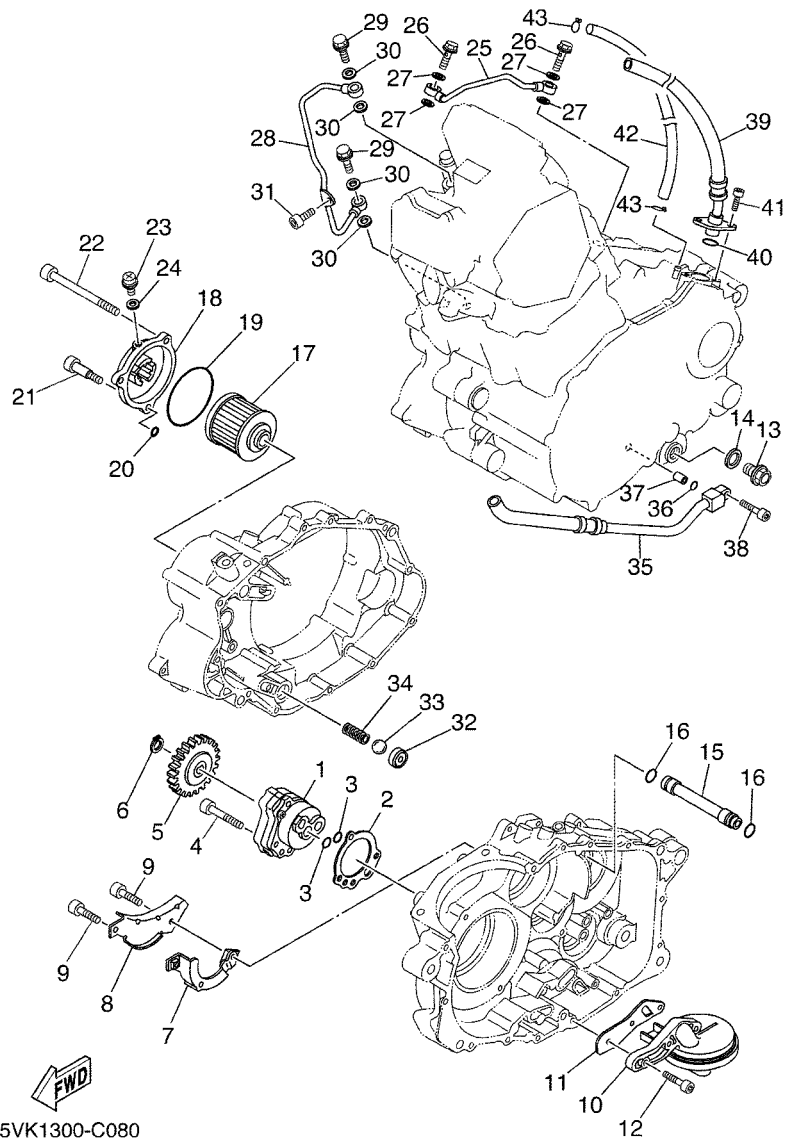
REF. NO.	PART NO.	DESCRIPTION	01	02	03	04	05	REMARKS
1	5VK-12410-00	THERMOSTAT ASSY	1	1	1	1	1	
2	5VK-E2413-00	COVER, THERMOSTAT	1	1	1	1	1	
3	90105-06X06	BOLT, FLANGE	2	2	2	2	2	
4	93210-41X00	O-RING	1	1	1	1	1	
5	5VK-E2578-10	HOSE 3	1	1	1	1	1	
6	90450-32X04	HOSE CLAMP ASSY	1	1	1	1	1	
7	90450-32X04	HOSE CLAMP ASSY	1	1	1	1	1	
8	5VK-E2461-00	RADIATOR ASSY	1	1	1	1	1	
9	5VK-E2405-00	BLOWER ASSY	1	1	1	1	1	
10	5VK-E2462-00	CAP, RADIATOR	1	1	1	1	1	
11	90169-05802	TAPPING SCREW	1	1	1	1	1	
12	90169-05801	TAPPING SCREW	2	2	2	2	2	
13	5VK-E2437-00	STOPPER	1	1	1	1	1	
14	5VK-E2437-10	STOPPER	1	1	1	1	1	
15	95807-06010	BOLT, FLANGE	1	1	1	1	1	
16	5VK-E2498-00	PROTECTOR	1	1	1	1	1	
17	5VK-E2579-10	HOSE 4	1	1	1	1	1	
18	90450-32X04	HOSE CLAMP ASSY	1	1	1	1	1	
19	90450-32X04	HOSE CLAMP ASSY	1	1	1	1	1	
20	90480-18276	GROMMET	3	3	3	3	3	
21	90387-06042	COLLAR	3	3	3	3	3	
22	97007-06025	BOLT	3	3	3	3	3	
23	92907-06600	WASHER, PLATE	3	3	3	3	3	
24	1FK-84527-00	DAMPER	1	1	1	1	1	



5VK1300-C080

FIG. 8 OIL PUMP

REF. NO.	PART NO.	DESCRIPTION	01	02	03	04	05	REMARKS
1	5VK-E3300-00	OIL PUMP ASSY	1	1	1	1	1	
2	5LP-13329-00	GASKET, PUMP COVER	1	1	1	1	1	
3	93210-13X00	O-RING	2	2	2	2	2	
4	92017-06035	BOLT, BUTTON HEAD	3	3	3	3	3	
5	3AJ-13325-00	GEAR, PUMP DRIVEN	1	1	1	1	1	
6	93410-11X00	CIRCLIP	1	1	1	1	1	
7	5VK-E3356-00	COVER, PUMP 2	1	1	1	1	1	
8	5VK-E3327-00	COVER, PUMP GEAR	1	1	1	1	1	
9	91317-05008	BOLT	2	2	2	2	2	
10	5VK-WE343-00	STRAINER COMP.	1	1	1	1	1	
11	5VK-E3415-10	SEAL, OIL STRAINER	1	1	1	1	1	
12	91317-06020	BOLT	3	3	3	3	3	
13	90340-14132	PLUG, STRAIGHT SCREW	1	1	1	1	1	
14	214-11198-01	GASKET	1	1	1	1	1	
15	5VK-E3181-00	PIPE, DELIVERY 3	1	1	1	1	1	
16	93210-11X00	O-RING	2	2	2	2	2	
17	4X7-13440-01	ELEMENT ASSY, OIL CLEANER	1	1	1	1	1	
18	2WK-13447-00	COVER, OIL ELEMENT	1	1	1	1	1	
19	93210-64X01	O-RING	1	1	1	1	1	
20	93210-07X01	O-RING	1	1	1	1	1	
21	90109-06419	BOLT	1	1	1	1	1	
22	91317-06095	BOLT	2	2	2	2	2	
23	90149-05110	SCREW	1	1	1	1	1	
24	90430-05X00	GASKET	1	1	1	1	1	
25	5VK-13161-00	PIPE, DELIVERY 1	1	1	1	1	1	
26	90401-08133	BOLT, UNION	2	2	2	2	2	
27	90430-08X01	GASKET	4	4	4	4	4	



**FIG. 8 OIL PUMP**

REF. NO.	PART NO.	DESCRIPTION	01	02	03	04	05	REMARKS
28	5VK-13171-00	PIPE, DELIVERY 2	1	1	1	1	1	
29	90401-10096	BOLT, UNION	2	2	2	2	2	
30	90430-10X00	GASKET	4	4	4	4	4	
31	91317-06012	BOLT	1	1	1	1	1	
32	583-13113-00	SEAT, CHECK BALL	1	1	1	1	1	
33	93503-08007	BALL	1	1	1	1	1	
34	90501-04X01	SPRING, COMPRESSION	1	1	1	1	1	
35	5VK-13464-00	HOSE, OIL 1	1	1	1	1	1	
36	93210-10X00	O-RING	1	1	1	1	1	
37	91810-14X00	PIN, DOWEL	1	1	1	1	1	
38	91317-06025	BOLT	1	1	1	1	1	
39	5VK-13465-00	HOSE, OIL 2	1	1	1	1	1	
40	93210-15X00	O-RING	1	1	1	1	1	
41	91317-06016	BOLT	2	2	2	2	2	
42	90445-11X01	HOSE	1	1	1	1	1	
43	90467-10008	CLIP	1	1	1	1	1	

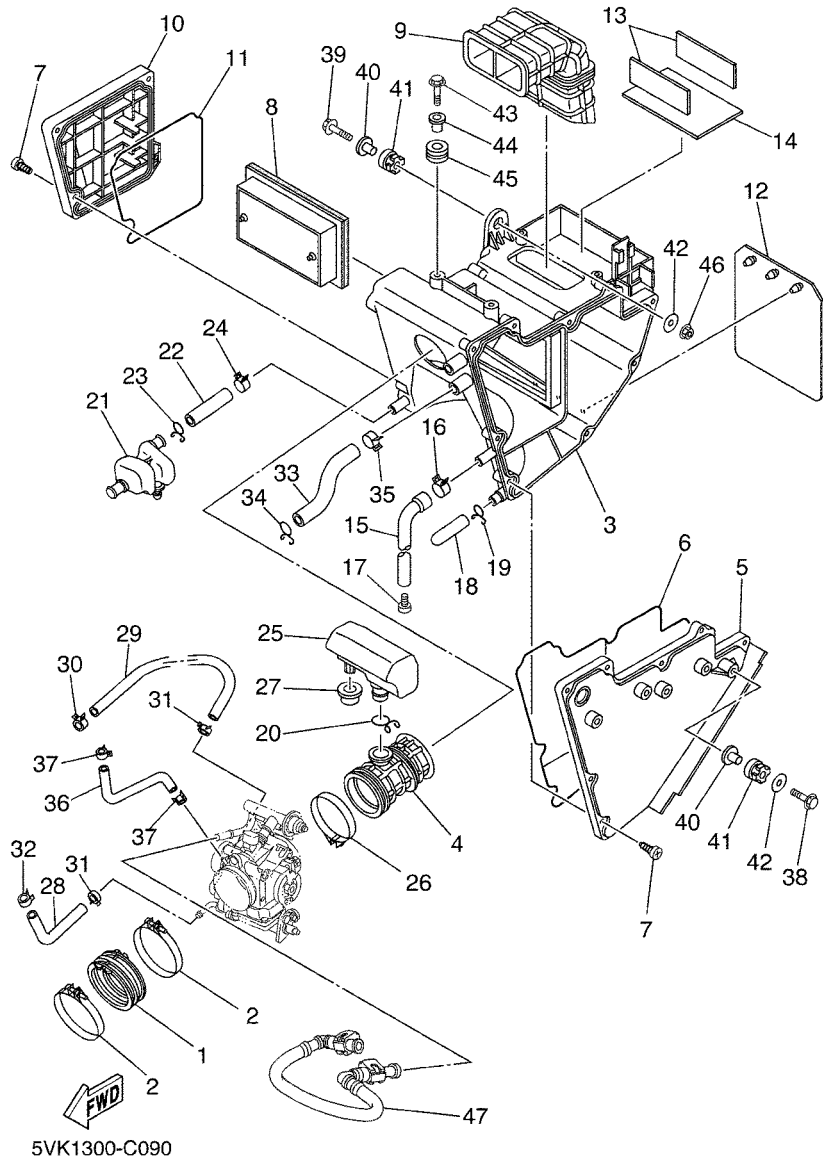


FIG. 9 INTAKE

REF. NO.	PART NO.	DESCRIPTION	01	02	03	04	05	REMARKS
1	5VK-E3586-10	JOINT, CARBURETOR 1	1	1	1	1	1	
2	90450-72001	HOSE CLAMP ASSY	2	2	2	2	2	
3	5VK-E4411-00	CASE, AIR CLEANER 1	1	1	1	1	1	
4	5VK-E4453-00	JOINT, AIR CLEANER 1	1	1	1	1	1	
5	5VK-E441A-00	COVER, CLEANER CASE 1	1	1	1	1	1	
6	5VK-E4452-00	SEAL	1	1	1	1	1	
7	9770M-50025	SCREW, TAPPING	13	13	13	13	13	
8	5VK-E4451-00	ELEMENT, AIR CLEANER	1	1	1	1	1	
9	5VK-E4437-00	DUCT	1	1	1	1	1	
10	5VK-E441E-00	COVER, CLEANER CASE 2	1	1	1	1	1	
11	5VK-E4457-00	SEAL	1	1	1	1	1	
12	5VK-F1621-00	FLAP	1	1	1	1	1	
13	5VK-H2121-00	PAD, BATTERY	2	2	2	2	2	
14	5VK-H2122-00	SEAT, BATTERY	1	1	1	1	1	
15	5VK-E443E-00	PIPE, DRAIN	1	1	1	1	1	
16	90467-13062	CLIP	1	1	1	1	1	
17	90338-08801	PLUG	1	1	1	1	1	
18	5LW-E443E-00	PIPE, DRAIN	1	1	1	1	1	
19	90467-12800	CLIP	1	1	1	1	1	
20	90467-23800	CLIP	1	1	1	1	1	
21	5VK-E5371-00	BREATHER	1	1	1	1	1	
22	5VK-E1167-00	PIPE, BREATHER 2	1	1	1	1	1	
23	90467-14800	CLIP	1	1	1	1	1	
24	90467-17801	CLIP	1	1	1	1	1	
25	5VK-E3591-00	CHAMBER, AIR 2	1	1	1	1	1	
26	90450-59001	HOSE CLAMP ASSY	1	1	1	1	1	
27	90480-20566	GROMMET	1	1	1	1	1	

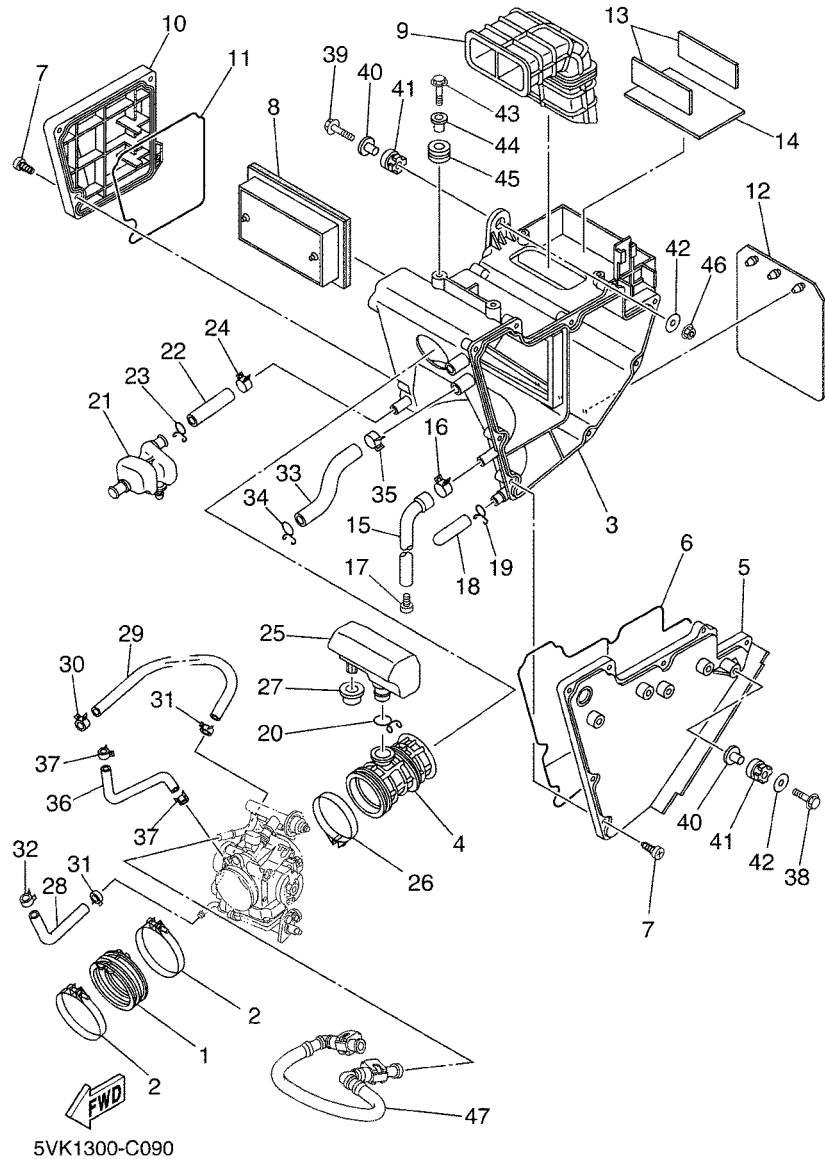
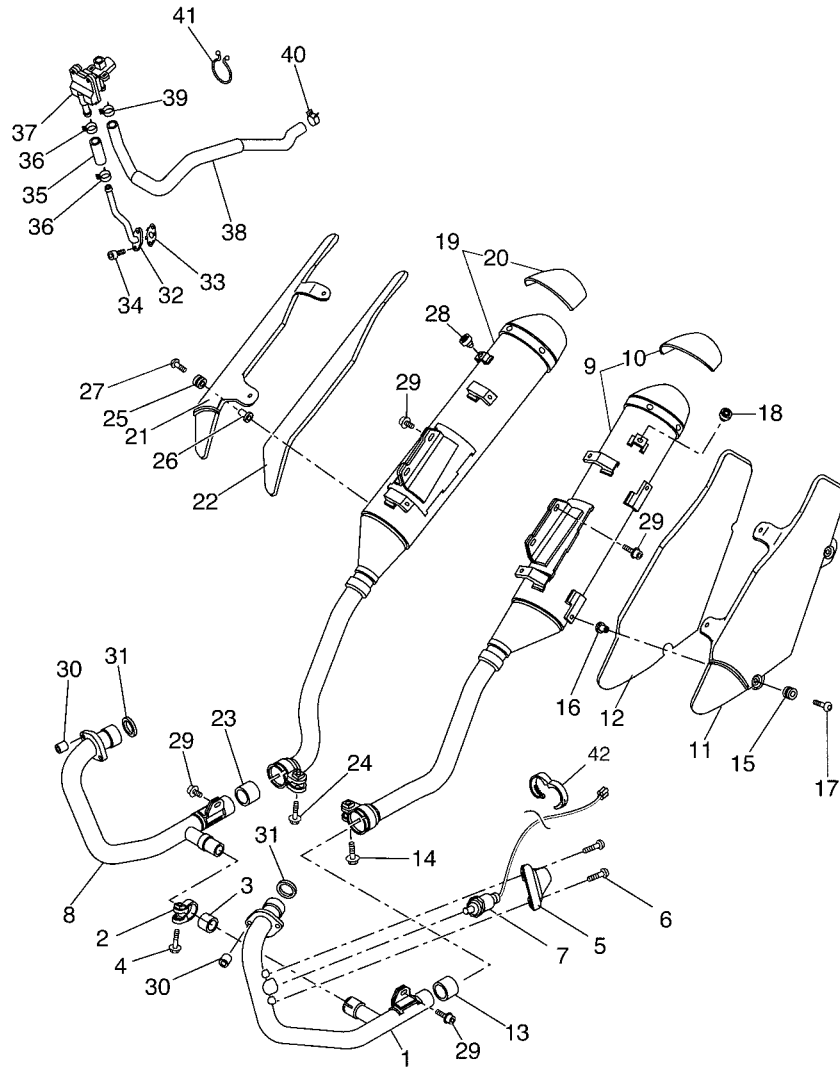


FIG. 9 INTAKE

REF. NO.	PART NO.	DESCRIPTION	01	02	03	04	05	REMARKS
28	5VK-E243A-10	HOSE 1	1	1	1	1	1	
29	90445-12004	HOSE	1	1	1	1	1	
30	90467-11090	CLIP	1	1	1	1	1	
31	90467-11108	CLIP	2	2	2	2	2	
32	90467-11108	CLIP	1	1	1	1	1	
33	5VK-E3545-00	HOSE 1	1	1	1	1	1	
34	90467-170A2	CLIP	1	1	1	1	1	
35	90467-17128	CLIP	1	1	1	1	1	
36	5VK-13542-00	HOSE, VACUUM SENSING 1	1	1	1	1	1	
37	90467-07138	CLIP	2	2	2	2	2	
38	95827-06025	BOLT, FLANGE	1	1	1	1	1	
39	95827-06030	BOLT, FLANGE	1	1	1	1	1	
40	90387-075H4	COLLAR	2	2	2	2	2	
41	90480-15001	GROMMET	2	2	2	2	2	
42	90201-064K6	WASHER, PLATE	2	2	2	2	2	
43	95827-06020	BOLT, FLANGE	2	2	2	2	2	
44	90387-07037	COLLAR	2	2	2	2	2	
45	90480-18276	GROMMET	2	2	2	2	2	
46	95704-06500	NUT, FLANGE	1	1	1	1	1	
47	5VK-13971-00	PIPE, FUEL 1	1	1	1	1	1	

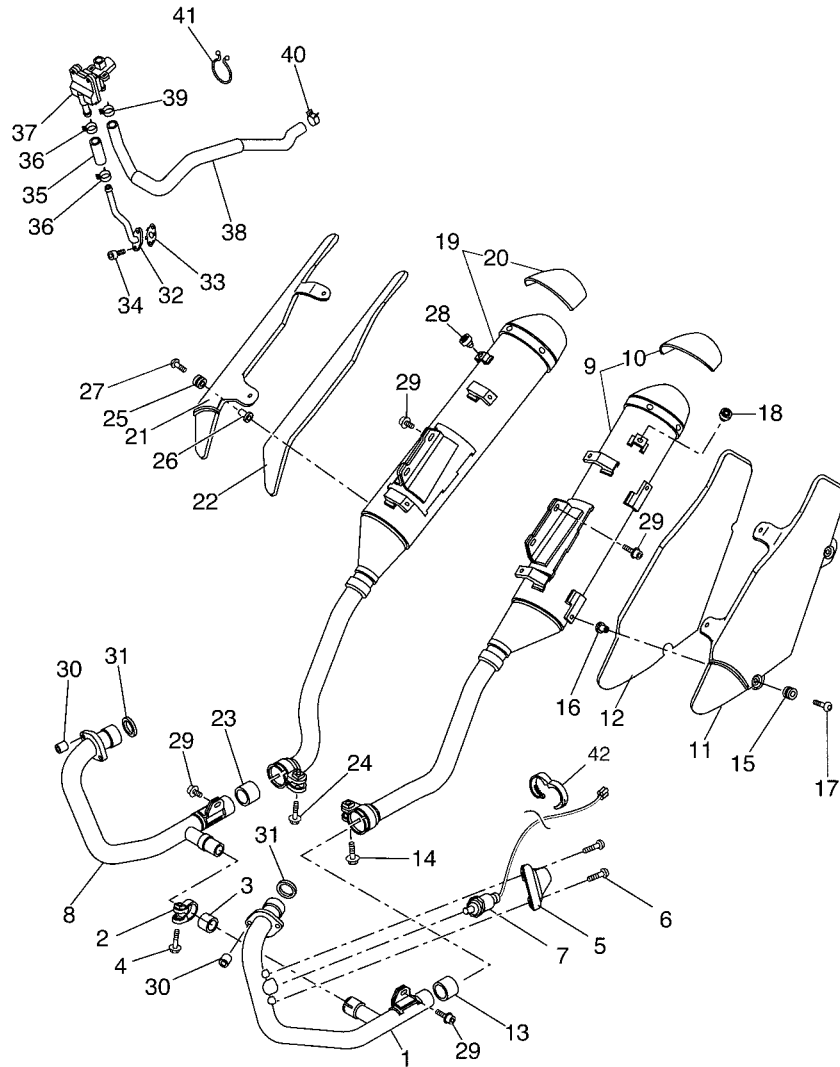




5VK8300-F111

FIG. 11 EXHAUST

REF. NO.	PART NO.	DESCRIPTION	01	02	03	04	05	REMARKS
1	5VK-E4611-10	PIPE, EXHAUST 1	1	1	1	1	1	
2	5JX-14725-00	BAND, MUFFLER	1	1	1	1	1	
3	4FU-14714-00	GASKET, MUFFLER	1	1	1	1	1	
4	95814-08035	BOLT, FLANGE	1	1	1	1	1	
5	5VK-E4628-00	PROTECTOR, EXHAUST PIPE	1	1	1	1	1	
6	90111-06060	BOLT, HEX. SOCKET BUTTON	2	2	2	2	2	
7	1B9-8592A-00	SENSOR, OXYGEN	1	1	1	1	1	
8	5VK-E4621-00	PIPE, EXHAUST 2	1	1	1	1	1	
9	5VK-E4711-10	MUFFLER 1	1	1	1	1	1	
10	5VK-W1473-20	.PROTECTOR, MUFFLER 1	1	1	1	1	1	
11	5VK-E4728-30	PROTECTOR, MUFFLER 2	1	1	1	1	1	
12	5VK-E4747-00	DAMPER, MUFFLER	1	1	1	1	1	
13	4EL-14714-00	GASKET, MUFFLER	1	1	1	1	1	
14	95024-08040	BOLT, FLANGE	1	1	1	1	1	
15	90480-12581	GROMMET	4	4	4	4	4	
16	90387-06023	COLLAR	4	4	4	4	4	
17	90149-06280	SCREW	4	4	4	4	4	
18	22W-24181-00	DAMPER, LOCATING 1	1	1	1	1	1	
19	5VK-E4721-10	MUFFLER 2	1	1	1	1	1	
20	5VK-W1473-20	.PROTECTOR, MUFFLER 1	1	1	1	1	1	
21	5VK-E4748-30	PROTECTOR, MUFFLER 4	1	1	1	1	1	
22	5VK-E4757-00	DAMPER, MUFFLER 2	1	1	1	1	1	
23	4EL-14714-00	GASKET, MUFFLER	1	1	1	1	1	
24	95024-08040	BOLT, FLANGE	1	1	1	1	1	
25	90480-12581	GROMMET	4	4	4	4	4	
26	90387-06023	COLLAR	4	4	4	4	4	
27	90149-06280	SCREW	4	4	4	4	4	



FWD  
5VK8300-F111

FIG. 11 EXHAUST

REF. NO.	PART NO.	DESCRIPTION	01	02	03	04	05	REMARKS
28	22W-24181-00	DAMPER, LOCATING 1	1	1	1	1	1	
29	90109-085E2	BOLT	6	6	6	6	6	
30	90179-08442	NUT	4	4	4	4	4	
31	3YF-14613-01	GASKET, EXHAUST PIPE	2	2	2	2	2	
32	5VK-14871-02	PIPE 1	1	1	1	1	1	
33	5VK-14815-00	GASKET	1	1	1	1	1	
34	91380-06016	BOLT	2	2	2	2	2	
35	5VK-14881-00	HOSE, BEND 1	1	1	1	1	1	
36	90467-17089	CLIP	2	2	2	2	2	
37	5VK-14803-00	AIR INDUCTION SYSTEM ASSY	1	1	1	1	1	
38	5VK-E4882-00	HOSE, BEND 2	1	1	1	1	1	
39	90467-17089	CLIP	1	1	1	1	1	
40	90467-170A0	CLIP	1	1	1	1	1	
41	90464-37257	CLAMP	2	2	2	2	2	
42	90464-16001	CLAMP	1	1	1	1	1	

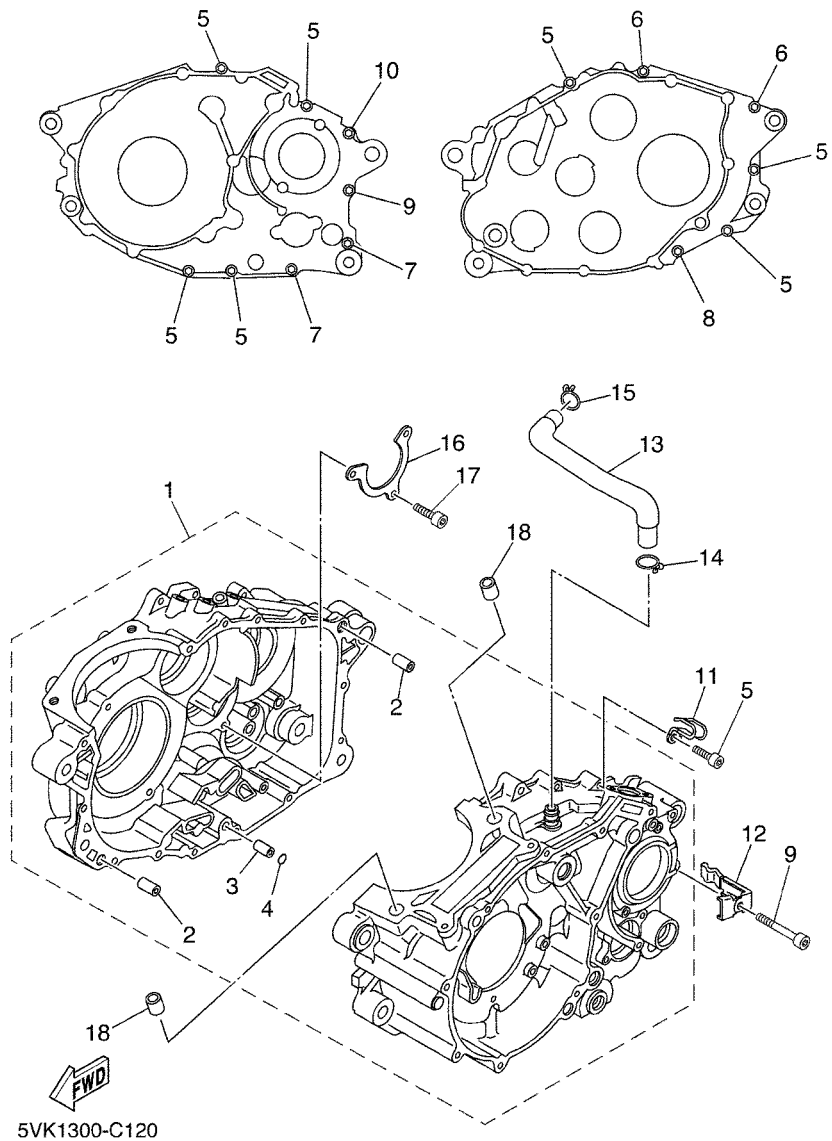
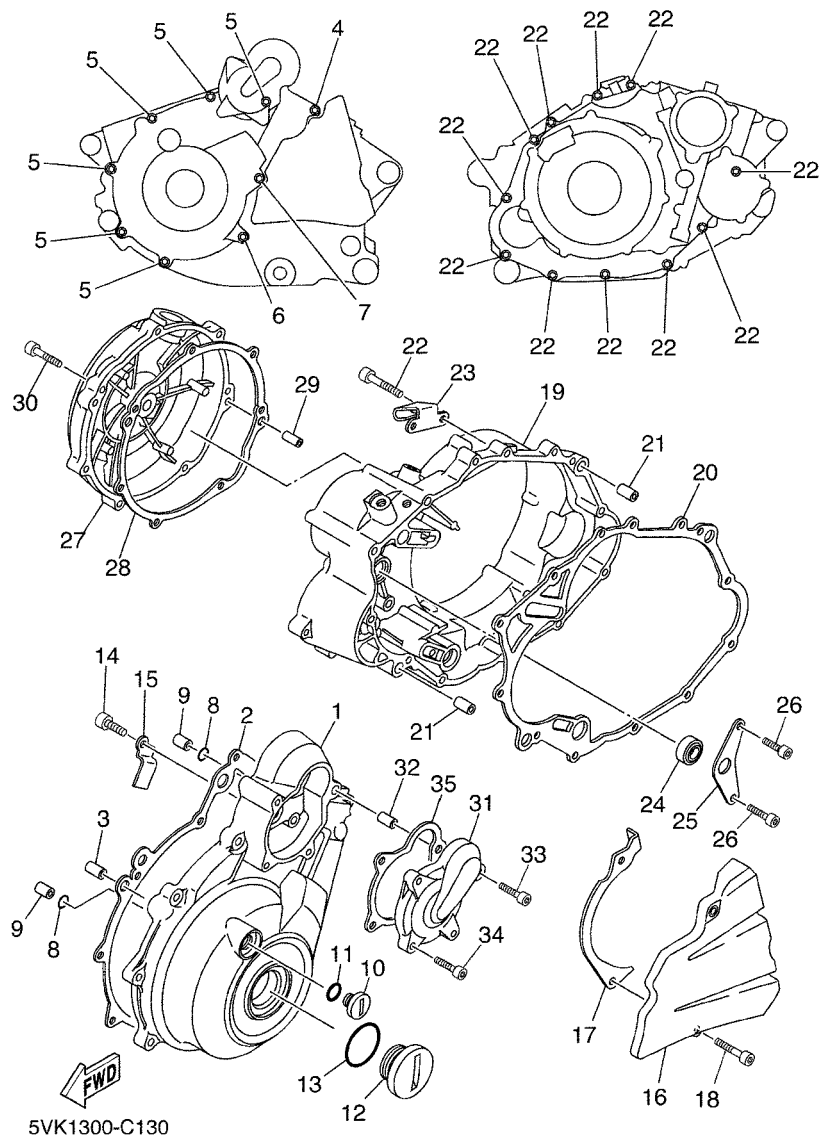


FIG. 12 CRANKCASE

REF. NO.	PART NO.	DESCRIPTION	01	02	03	04	05	REMARKS
1	5VK-E5100-00	CRANKCASE ASSY	1	1	1	1	1	
2	99530-12016	.PIN, DOWEL	2	2	2	2	2	
3	91808-16X00	.PIN, DOWEL	1	1	1	1	1	
4	93210-07X01	.O-RING	1	1	1	1	1	
5	91317-06030	BOLT	7	7	7	7	7	
6	91317-06045	BOLT	2	2	2	2	2	
7	91317-06055	BOLT	2	2	2	2	2	
8	91317-06060	BOLT	1	1	1	1	1	
9	91317-06080	BOLT	1	1	1	1	1	
10	91317-06090	BOLT	1	1	1	1	1	
11	90462-07X00	CLAMP	1	1	1	1	1	
12	90465-12013	CLAMP	1	1	1	1	1	
13	5VK-E1166-00	PIPE, BREATHER 1	1	1	1	1	1	
14	90467-14015	CLIP	1	1	1	1	1	
15	90467-14015	CLIP	1	1	1	1	1	
16	5VK-E5383-00	PLATE, BEARING COVER	1	1	1	1	1	
17	91317-06016	BOLT	3	3	3	3	3	
18	99530-14016	PIN, DOWEL	2	2	2	2	2	



**FIG. 13 CRANKCASE COVER 1**

REF. NO.	PART NO.	DESCRIPTION	01	02	03	04	05	REMARKS
1	5VK-WE541-00	CRANKCASE COVER ASSY 1	1	1	1	1	1	
2	5VK-E5451-10	GASKET, CRANKCASE COVER 1	1	1	1	1	1	
3	99530-12016	PIN, DOWEL	2	2	2	2	2	
4	91317-06035	BOLT	1	1	1	1	1	
5	91317-06025	BOLT	6	6	6	6	6	
6	91317-06050	BOLT	1	1	1	1	1	
7	91317-06050	BOLT	1	1	1	1	1	
8	93210-13X00	O-RING	2	2	2	2	2	
9	99530-12016	PIN, DOWEL	2	2	2	2	2	
10	90340-14X00	PLUG, STRAIGHT SCREW	1	1	1	1	1	
11	93210-14X00	O-RING	1	1	1	1	1	
12	90340-36X00	PLUG, STRAIGHT SCREW	1	1	1	1	1	
13	93210-35X00	O-RING	1	1	1	1	1	
14	91317-06012	BOLT	1	1	1	1	1	
15	90462-16X00	CLAMP	1	1	1	1	1	
16	5VK-E5421-00	COVER, CRANKCASE 2	1	1	1	1	1	
17	5VK-E7466-00	GUIDE, CHAIN	1	1	1	1	1	
18	91317-06025	BOLT	2	2	2	2	2	
19	5VK-E5431-00	COVER, CRANKCASE 3	1	1	1	1	1	
20	5VK-E5462-10	GASKET, CRANKCASE COVER 3	1	1	1	1	1	
21	99530-12016	PIN, DOWEL	2	2	2	2	2	
22	91317-06030	BOLT	11	11	11	11	11	
23	5VK-E5441-01	HOLDER, CLUTCH CABLE	1	1	1	1	1	
24	93101-14164	OIL SEAL	1	1	1	1	1	
25	5VK-E5118-00	HOLDER	1	1	1	1	1	
26	91317-06012	BOLT	2	2	2	2	2	
27	5VK-E5416-00	COVER, OIL PUMP	1	1	1	1	1	



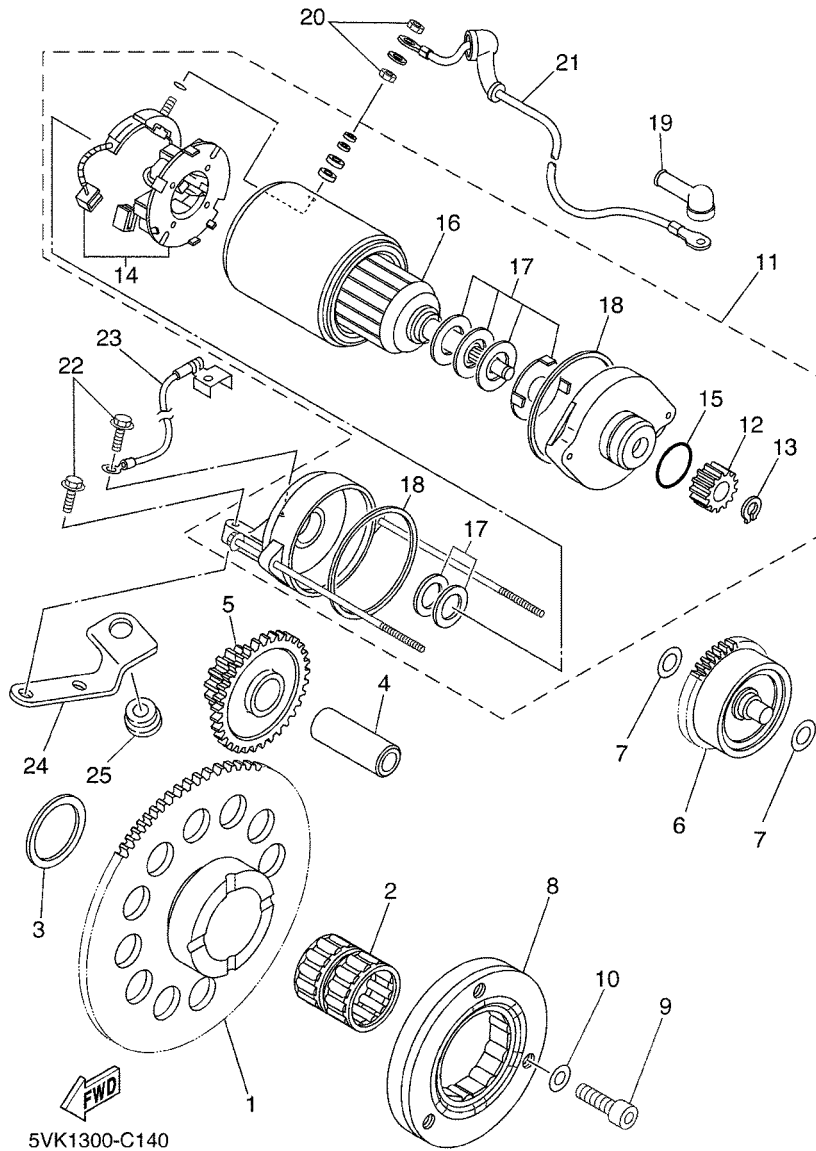


FIG. 14 STARTER CLUTCH

REF. NO.	PART NO.	DESCRIPTION	01	02	03	04	05	REMARKS
1	3YF-15515-00	GEAR 3	1	1	1	1	1	
2	93310-530C7	BEARING	1	1	1	1	1	
3	90201-30X01	WASHER, PLATE	1	1	1	1	1	
4	5VK-E5522-00	SHAFT 2	1	1	1	1	1	
5	5VK-E5517-00	GEAR, IDLER 2	1	1	1	1	1	
6	5VK-E5560-00	DAMPER ASSY	1	1	1	1	1	
7	90201-10X18	WASHER, PLATE	2	2	2	2	2	
8	5VK-15590-00	STARTER ONE-WAY ASSY	1	1	1	1	1	
9	91317-08025	BOLT	3	3	3	3	3	
10	90201-08X18	WASHER, PLATE	3	3	3	3	3	
11	3SX-81890-00	MOTOR ASSY	1	1	1	1	1	
12	1VJ-15511-00	.GEAR, STARTING MOTOR	1	1	1	1	1	
13	93440-11024	.CIRCLIP	1	1	1	1	1	
14	3AJ-81801-00	.BRUSH SET	1	1	1	1	1	
15	1FK-81847-00	.O-RING	1	1	1	1	1	
16	3AJ-81850-00	.ARMATURE ASSY	1	1	1	1	1	
17	3AJ-81809-00	.WASHER KIT	1	1	1	1	1	
18	11H-81844-00	.GASKET	2	2	2	2	2	
19	4G0-81871-00	CAP	1	1	1	1	1	
20	4XV-8182A-00	NUT	2	2	2	2	2	
21	5VK-81815-00	CORD, STARTER MOTOR	1	1	1	1	1	
22	95817-06035	BOLT, FLANGE	2	2	2	2	2	
23	5VK-H2116-00	WIRE, MINUS LEAD	1	1	1	1	1	
24	5VK-E5199-00	BRACKET	1	1	1	1	1	
25	90480-13398	GROMMET	1	1	1	1	1	

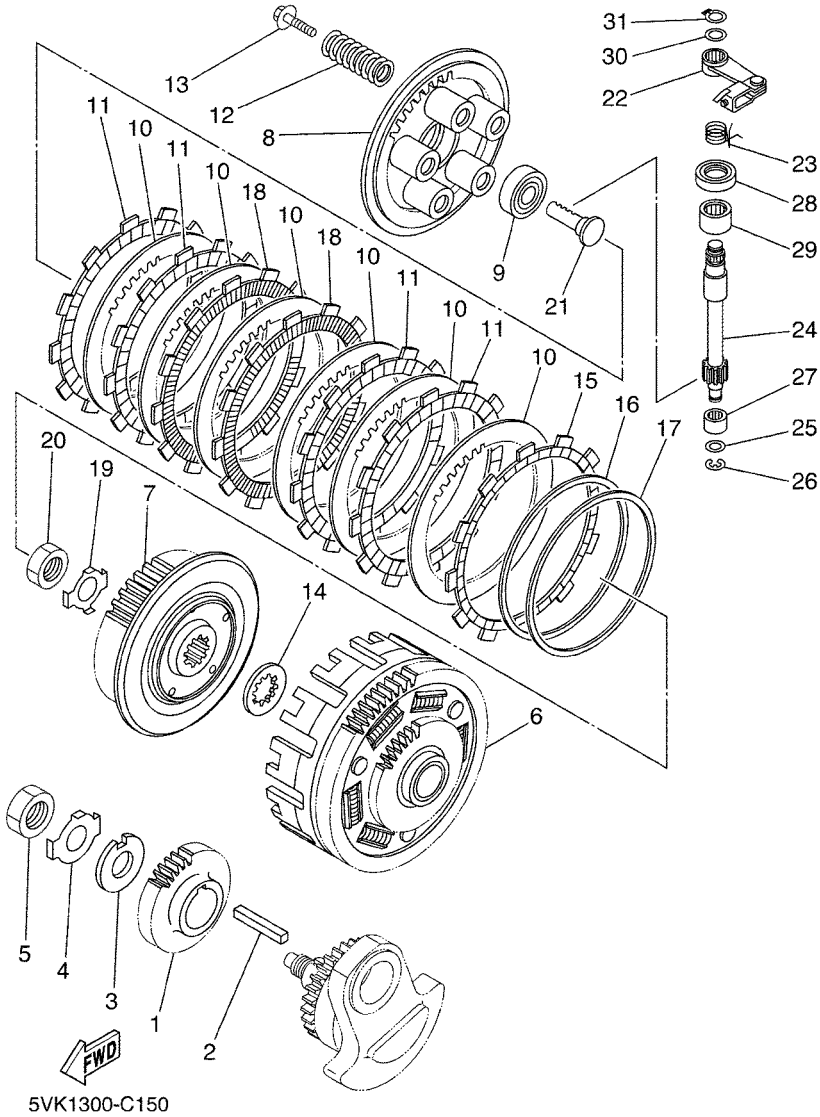


FIG. 15 CLUTCH

REF. NO.	PART NO.	DESCRIPTION	01	02	03	04	05	REMARKS
1	5VK-E6111-00	GEAR, PRIMARY DRIVE	1	1	1	1	1	
2	90282-07001	KEY, STRAIGHT	1	1	1	1	1	
3	90209-20012	WASHER	1	1	1	1	1	
4	90215-20X00	WASHER, LOCK	1	1	1	1	1	
5	90170-20274	NUT	1	1	1	1	1	
6	5VK-E6150-00	PRIMARY DRIVEN GEAR COMP.	1	1	1	1	1	
7	5VK-16371-00	BOSS, CLUTCH	1	1	1	1	1	
8	5VK-16351-00	PLATE, PRESSURE 1	1	1	1	1	1	
9	93306-00304	BEARING	1	1	1	1	1	
10	4X7-16325-00	PLATE, CLUTCH 2	6	6	6	6	6	
11	22U-16321-00	PLATE, FRICTION	4	4	4	4	4	
12	90501-260A1	SPRING, COMPRESSION	5	5	5	5	5	
13	90119-06105	BOLT, WITH WASHER	5	5	5	5	5	
14	2JN-16154-00	PLATE, THRUST 1	1	1	1	1	1	
15	5VK-16331-00	PLATE, FRICTION 2	1	1	1	1	1	
16	5JG-16383-00	SPRING, CLUTCH BOSS	1	1	1	1	1	
17	5JG-16384-00	PLATE, SEAT	1	1	1	1	1	
18	5TA-16321-00	PLATE, FRICTION	2	2	2	2	2	
19	90215-20X01	WASHER, LOCK	1	1	1	1	1	
20	90170-20327	NUT	1	1	1	1	1	
21	4XV-16356-01	ROD, PUSH 1	1	1	1	1	1	
22	5VK-16340-00	PUSH LEVER ASSY	1	1	1	1	1	
23	90508-16X00	SPRING, TORSION	1	1	1	1	1	
24	5VK-E6382-00	AXLE, PUSH LEVER	1	1	1	1	1	
25	90201-08X19	WASHER, PLATE	1	1	1	1	1	
26	99001-07600	CIRCLIP	1	1	1	1	1	
27	93317-11020	BEARING	1	1	1	1	1	



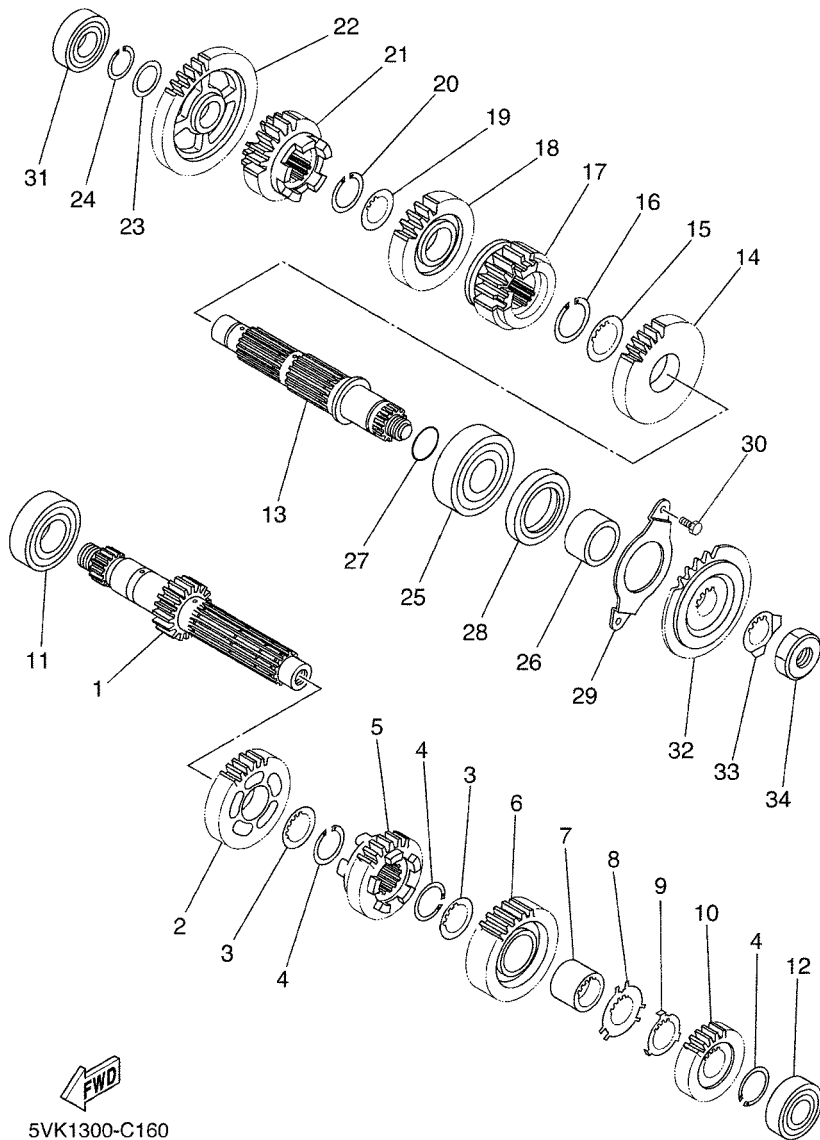
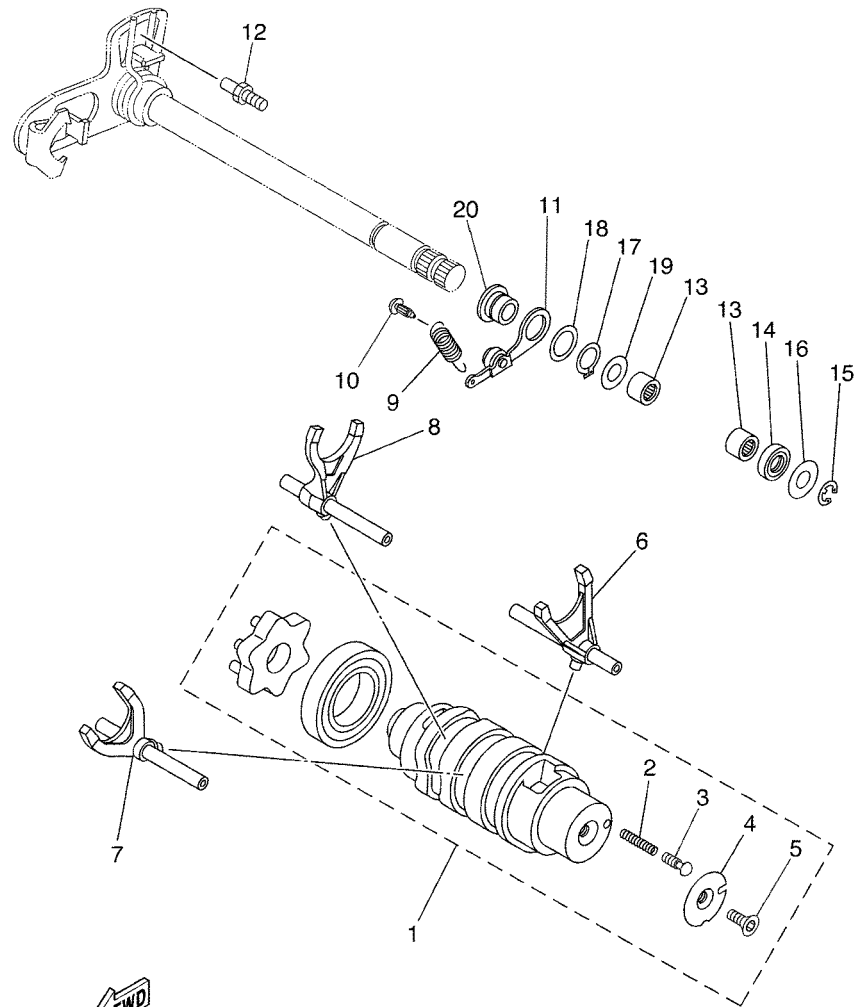


FIG. 16 TRANSMISSION

REF. NO.	PART NO.	DESCRIPTION	01	02	03	04	05	REMARKS
1	5VK-E7401-00	MAIN AXLE ASSY(12T)	1	1	1	1	1	
2	5VK-E7141-10	GEAR, 4TH PINION (22T)	1	1	1	1	1	
3	90209-21X00	WASHER	2	2	2	2	2	
4	93440-25084	CIRCLIP	3	3	3	3	3	
5	5VK-E7131-10	GEAR, 3RD PINION	1	1	1	1	1	
6	5VK-E7151-10	GEAR, 5TH PINION (26T)	1	1	1	1	1	
7	90387-21002	COLLAR	1	1	1	1	1	
8	90209-22X00	WASHER	1	1	1	1	1	
9	90209-21351	WASHER	1	1	1	1	1	
10	5VK-E7121-10	GEAR, 2ND PINION	1	1	1	1	1	
11	93306-205XA	BEARING	1	1	1	1	1	
12	93306-004XL	BEARING	1	1	1	1	1	
13	5VK-E7402-00	DRIVE AXLE ASSY	1	1	1	1	1	
14	5VK-E7221-10	GEAR, 2ND WHEEL	1	1	1	1	1	
15	90209-26348	WASHER	1	1	1	1	1	
16	93440-28062	CIRCLIP	1	1	1	1	1	
17	5VK-E7251-10	GEAR, 5TH WHEEL	1	1	1	1	1	
18	5VK-E7231-10	GEAR, 3RD WHEEL	1	1	1	1	1	
19	90209-21X00	WASHER	1	1	1	1	1	
20	93440-25084	CIRCLIP	1	1	1	1	1	
21	5VK-E7241-10	GEAR, 4TH WHEEL	1	1	1	1	1	
22	5VK-E7211-10	GEAR, 1ST WHEEL	1	1	1	1	1	
23	90201-208G4	WASHER, PLATE	1	1	1	1	1	
24	93410-20825	CIRCLIP	1	1	1	1	1	
25	93306-305X4	BEARING	1	1	1	1	1	
26	90387-25802	COLLAR	1	1	1	1	1	
27	93210-22X00	O-RING	1	1	1	1	1	





5VK1300-C170

FIG. 17 SHIFT CAM & FORK

REF. NO.	PART NO.	DESCRIPTION	01	02	03	04	05	REMARKS
1	5VK-18540-00	SHIFT CAM ASSY	1	1	1	1	1	
2	90501-06022	.SPRING, COMPRESSION	1	1	1	1	1	
3	4UN-18542-00	.POINT, NEUTRAL	1	1	1	1	1	
4	4UN-18566-00	.PLATE, SIDE 2	1	1	1	1	1	
5	90149-05321	.SCREW	1	1	1	1	1	
6	5VK-E8501-00	FORK, SHIFT 1	1	1	1	1	1	
7	5VK-E8502-00	FORK, SHIFT 2	1	1	1	1	1	
8	5VK-E8503-00	FORK, SHIFT 3	1	1	1	1	1	
9	5VK-E8144-00	HANGER, SPRING	1	1	1	1	1	
10	132-16346-00	HOOK, SPRING	1	1	1	1	1	
11	5JW-18140-00	STOPPER LEVER ASSY	1	1	1	1	1	
12	5VK-18127-00	STOPPER, SCREW	1	1	1	1	1	
13	93315-11206	BEARING	2	2	2	2	2	
14	93102-12106	OIL SEAL (SD 12-22-5 HS)	1	1	1	1	1	
15	99001-10600	CIRCLIP	1	1	1	1	1	
16	90201-12X06	WASHER, PLATE	1	1	1	1	1	
17	93410-17X00	CIRCLIP	1	1	1	1	1	
18	90201-17X01	WASHER, PLATE	1	1	1	1	1	
19	90201-12X05	WASHER, PLATE	1	1	1	1	1	
20	5VK-E8699-00	BOSS 1	1	1	1	1	1	



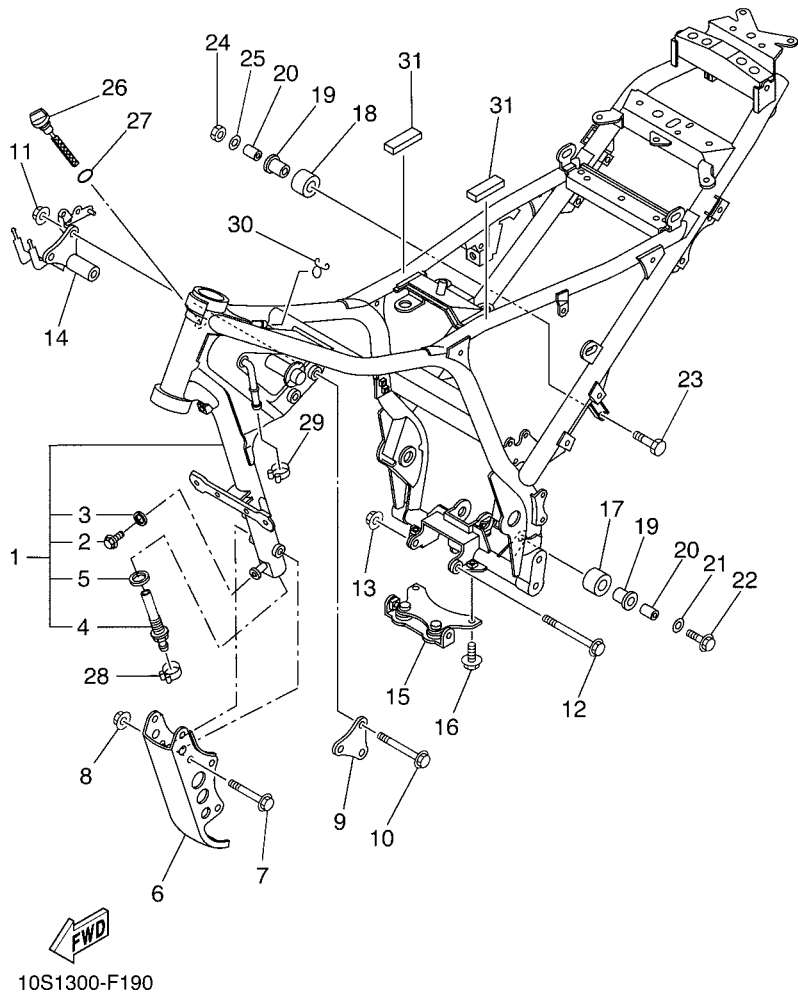


FIG. 19 FRAME

REF. NO.	PART NO.	DESCRIPTION	01	02	03	04	05	REMARKS
1	5VK-F1110-10	FRAME COMP.	1	1	1	1	1	
2	95807-08012	.BOLT, FLANGE	1	1	1	1	1	
3	90430-08119	.GASKET	1	1	1	1	1	
4	5VK-F1756-00	.NET, FILTER	1	1	1	1	1	
5	90430-22123	.GASKET	1	1	1	1	1	
6	5VK-F1316-00	STAY, ENGINE 3	1	1	1	1	1	
7	95814-10070	BOLT, FLANGE	4	4	4	4	4	
8	90179-10658	NUT	4	4	4	4	4	
9	5VK-F1315-00	STAY, ENGINE 2	1	1	1	1	1	
10	95814-10100	BOLT, FLANGE	3	3	3	3	3	
11	90179-10658	NUT	3	3	3	3	3	
12	90105-10040	BOLT, WASHER BASED	1	1	1	1	1	
13	90179-10658	NUT	1	1	1	1	1	
14	5VK-F1410-00	ENGINE BRACKET COMP.	1	1	1	1	1	
15	5VK-21445-00	STAY, MUFFLER 1	1	1	1	1	1	
16	95024-08016	BOLT, FLANGE	2	2	2	2	2	
17	30X-22178-00	TENSIONER	1	1	1	1	1	
18	10V-22178-00	TENSIONER	1	1	1	1	1	
19	10V-22184-00	BUSH	2	2	2	2	2	
20	90387-08024	COLLAR	2	2	2	2	2	
21	90201-082H0	WASHER, PLATE	1	1	1	1	1	
22	95827-08040	BOLT, FLANGE	1	1	1	1	1	
23	90101-08428	BOLT	1	1	1	1	1	
24	95607-08100	NUT, U	1	1	1	1	1	
25	92907-08200	WASHER	1	1	1	1	1	
26	5VK-15362-00	PLUG, OIL LEVEL	1	1	1	1	1	
27	93210-19123	O-RING	1	1	1	1	1	



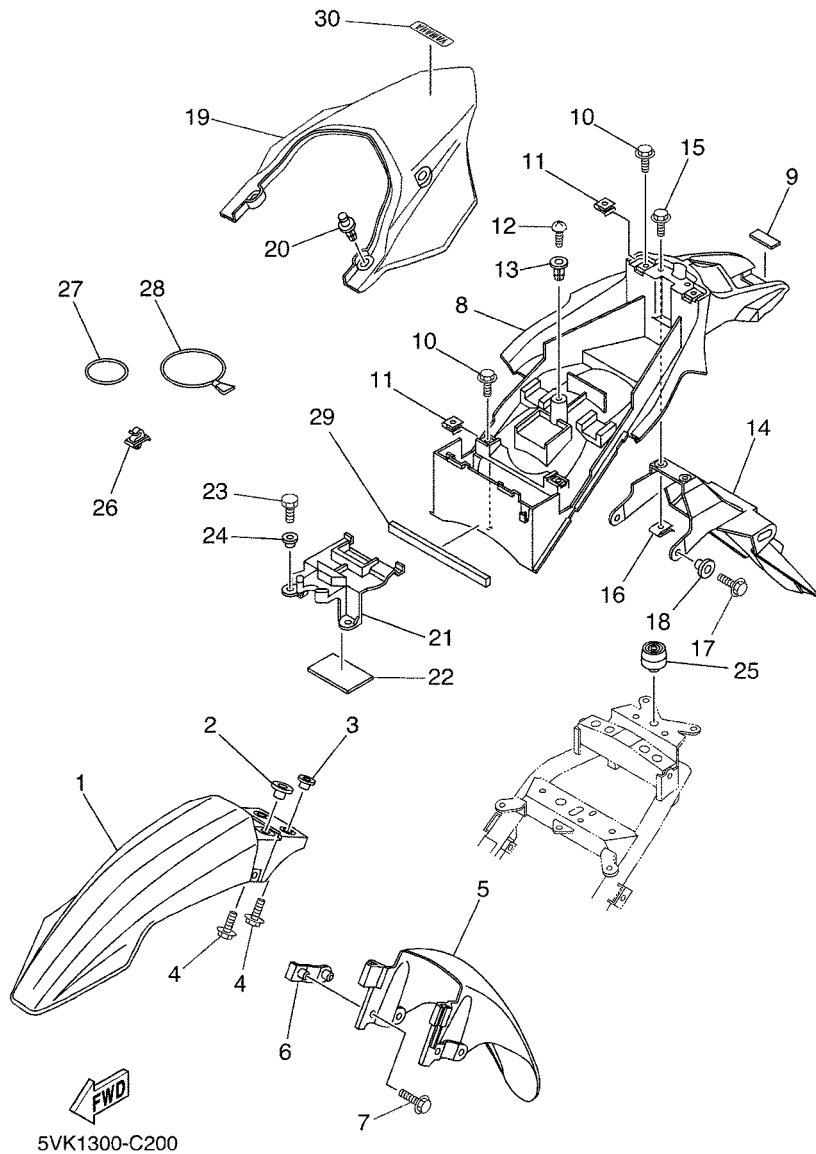
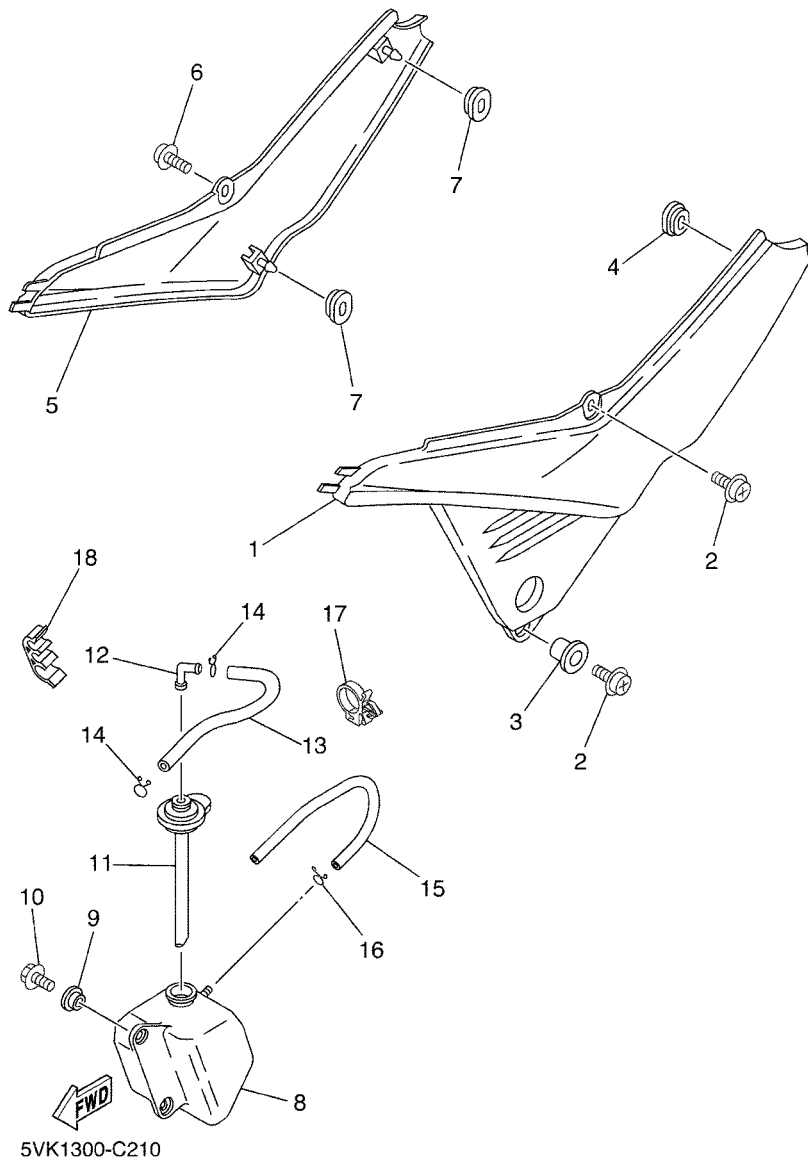


FIG. 20 FENDER

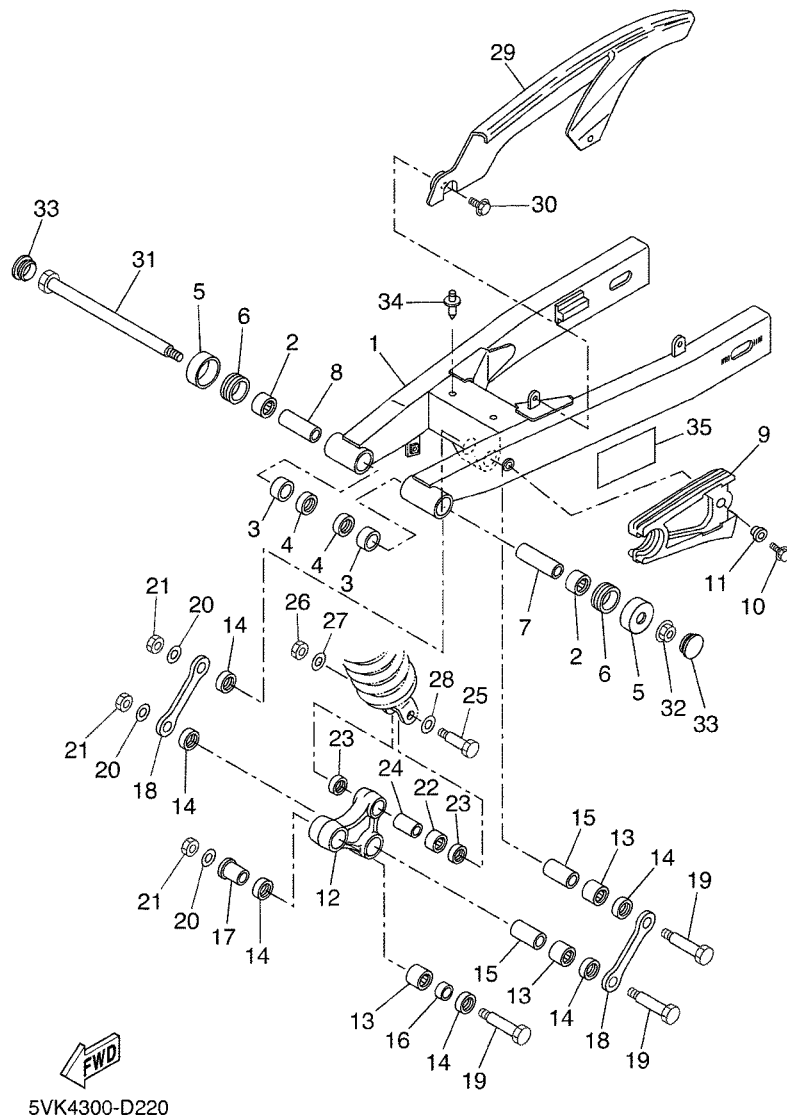
REF. NO.	PART NO.	DESCRIPTION	01	02	03	04	05	REMARKS
1	5VK-F1511-30	FENDER, FRONT	1	1	1	1	1	UR FOR VYR1
	5VK-F1511-10	FENDER, FRONT	1	1	1	1	1	UR FOR YB (DNMD)
2	90387-065X7	COLLAR	2	2	2	2	2	
3	90387-087L0	COLLAR	2	2	2	2	2	
4	90119-06096	BOLT, WITH WASHER	4	4	4	4	4	
5	5VK-F1556-00	FENDER, FRONT 2	1	1	1	1	1	
6	5VK-F1587-00	STAY 1	2	2	2	2	2	
7	90119-06051	BOLT, WITH WASHER	4	4	4	4	4	
8	5VK-F1611-01	FENDER, REAR	1	1	1	1	1	
9	5DM-28371-00	DAMPER	1	1	1	1	1	
10	95807-06012	BOLT, FLANGE	4	4	4	4	4	
11	90183-06023	NUT, SPRING	4	4	4	4	4	
12	97707-60020	SCREW, TAPPING	1	1	1	1	1	
13	90338-08226	PLUG	1	1	1	1	1	
14	5VK-F1685-00	BRACKET, LICENSE	1	1	1	1	1	
15	90119-06118	BOLT, WITH WASHER	2	2	2	2	2	
16	90183-06023	NUT, SPRING	2	2	2	2	2	
17	95807-06014	BOLT, FLANGE	2	2	2	2	2	
18	90387-06648	COLLAR	2	2	2	2	2	
19	5VK-F1651-30	COVER, REAR FENDER	1	1	1	1	1	UR FOR VYR1 VRSA
	5VK-F1651-10	COVER, REAR FENDER	1	1	1	1	1	UR FOR YB (YB)
20	90269-08066	RIVET	2	2	2	2	2	
21	5VK-F160E-00	BOX	1	1	1	1	1	
22	5VK-21639-00	DAMPER 2	1	1	1	1	1	
23	97007-05012	BOLT	2	2	2	2	2	
24	90387-05803	COLLAR	2	2	2	2	2	
25	1T4-24741-00	PAD, SEAT	1	1	1	1	1	



FIG. 21 SIDE COVER



REF. NO.	PART NO.	DESCRIPTION	01	02	03	04	05	REMARKS
1	5VK-F1711-00	COVER, SIDE 1	1	1	1	1	1	
2	90159-06078	SCREW, WITH WASHER	2	2	2	2	2	
3	90387-07717	COLLAR	1	1	1	1	1	
4	90480-01558	GROMMET	1	1	1	1	1	
5	5VK-F1721-00	COVER, SIDE 2	1	1	1	1	1	
6	90159-06078	SCREW, WITH WASHER	1	1	1	1	1	
7	90480-01558	GROMMET	2	2	2	2	2	
8	5VK-F1871-00	TANK, RECOVERY	1	1	1	1	1	
9	90387-062M9	COLLAR	2	2	2	2	2	
10	95807-06012	BOLT, FLANGE	2	2	2	2	2	
11	5VK-21875-00	CAP	1	1	1	1	1	
12	26H-21828-00	ELBOW	1	1	1	1	1	
13	90445-08020	HOSE	1	1	1	1	1	
14	90467-08003	CLIP	2	2	2	2	2	
15	90445-08008	HOSE	1	1	1	1	1	
16	90467-08003	CLIP	1	1	1	1	1	
17	90464-16006	CLAMP	1	1	1	1	1	
18	90464-11008	CLAMP	1	1	1	1	1	



5VK4300-D220

FIG. 22 REAR ARM

REF. NO.	PART NO.	DESCRIPTION	01	02	03	04	05	REMARKS
1	5VK-F2110-10	REAR ARM COMP.	1	1	1	1	1	
2	93315-22251	BEARING	2	2	2	2	2	
3	90380-22111	BUSH, SOLID	2	2	2	2	2	
4	93106-22019	OIL SEAL (DC 22-28-8)	2	2	2	2	2	
5	30X-2219X-00	COVER	2	2	2	2	2	
6	93108-35004	OIL SEAL (35-41-8)	2	2	2	2	2	
7	5VK-22124-00	BUSH 2	1	1	1	1	1	
8	5VK-22123-00	BUSH 1	1	1	1	1	1	
9	5VK-F2151-00	SEAL, GUARD	1	1	1	1	1	
10	95807-06020	BOLT, FLANGE	1	1	1	1	1	
11	90387-06066	COLLAR	1	1	1	1	1	
12	5VK-F217A-00	ARM, RELAY	1	1	1	1	1	
13	93315-32053	BEARING	3	3	3	3	3	
14	93109-20076	OIL SEAL	6	6	6	6	6	
15	90387-167R5	COLLAR	2	2	2	2	2	
16	90387-16011	COLLAR	1	1	1	1	1	
17	90387-16012	COLLAR	1	1	1	1	1	
18	5VK-F217F-00	ROD, CONNECTING 1	2	2	2	2	2	
19	5VK-22125-00	BOLT	3	3	3	3	3	
20	90201-160F6	WASHER, PLATE	3	3	3	3	3	
21	90185-14002	NUT, SELF-LOCKING	3	3	3	3	3	
22	93315-31759	BEARING	1	1	1	1	1	
23	93109-17071	OIL SEAL	2	2	2	2	2	
24	90387-127W0	COLLAR	1	1	1	1	1	
25	90101-10659	BOLT	1	1	1	1	1	
26	95614-10100	NUT, U	1	1	1	1	1	
27	90201-101J1	WASHER, PLATE	1	1	1	1	1	





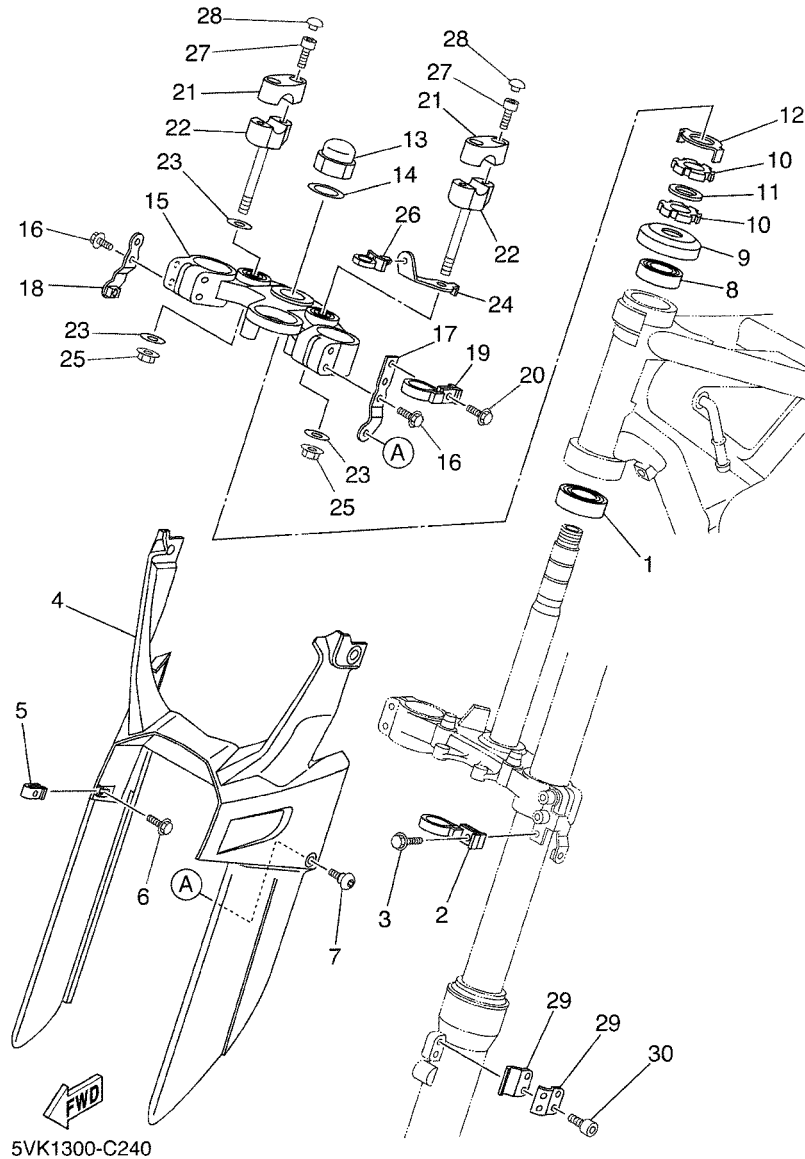


FIG. 24 STEERING

REF. NO.	PART NO.	DESCRIPTION	01	02	03	04	05	REMARKS
1	93332-000Y5	BEARING	1	1	1	1	1	
2	5VK-23389-00	GUIDE, CABLE	1	1	1	1	1	
3	90105-05361	BOLT, FLANGE	1	1	1	1	1	
4	5VK-F3472-00	PROTECTOR	1	1	1	1	1	
5	90183-05061	NUT, SPRING	2	2	2	2	2	
6	90119-05193	BOLT, WITH WASHER	2	2	2	2	2	
7	90111-05011	BOLT, HEX. SOCKET BUTTON	2	2	2	2	2	
8	93332-000Y6	BEARING	1	1	1	1	1	
9	1W1-23416-00	COVER, BALL RACE 2	1	1	1	1	1	
10	90179-25615	NUT	2	2	2	2	2	
11	90202-26142	WASHER, PLATE	1	1	1	1	1	
12	3YF-23418-00	WASHER, SPECIAL	1	1	1	1	1	
13	90176-22081	NUT, CROWN	1	1	1	1	1	
14	90201-220T0	WASHER, PLATE	1	1	1	1	1	
15	5VK-23430-00	HANDLE CROWN COMP.	1	1	1	1	1	
16	95027-08040	BOLT, FLANGE	4	4	4	4	4	
17	5VK-F317E-00	STAY	1	1	1	1	1	
18	5VK-F317F-00	STAY 2	1	1	1	1	1	
19	5VK-23389-00	GUIDE, CABLE	1	1	1	1	1	
20	90105-05361	BOLT, FLANGE	1	1	1	1	1	
21	4H7-23441-01-P5	HOLDER, HANDLE UPPER	2	2	2	2	2	S8 FOR YB,VYR1
22	3Y6-23442-00-P1	HOLDER, HANDLE LOWER	2	2	2	2	2	S8 FOR YB,VYR1
23	90201-10141	WASHER, PLATE	3	3	3	3	3	
24	5VK-F317M-00	STAY 3	1	1	1	1	1	
25	95607-10200	NUT, U FLANGE	2	2	2	2	2	
26	90464-12001	CLAMP	1	1	1	1	1	
27	91317-08030	BOLT	4	4	4	4	4	



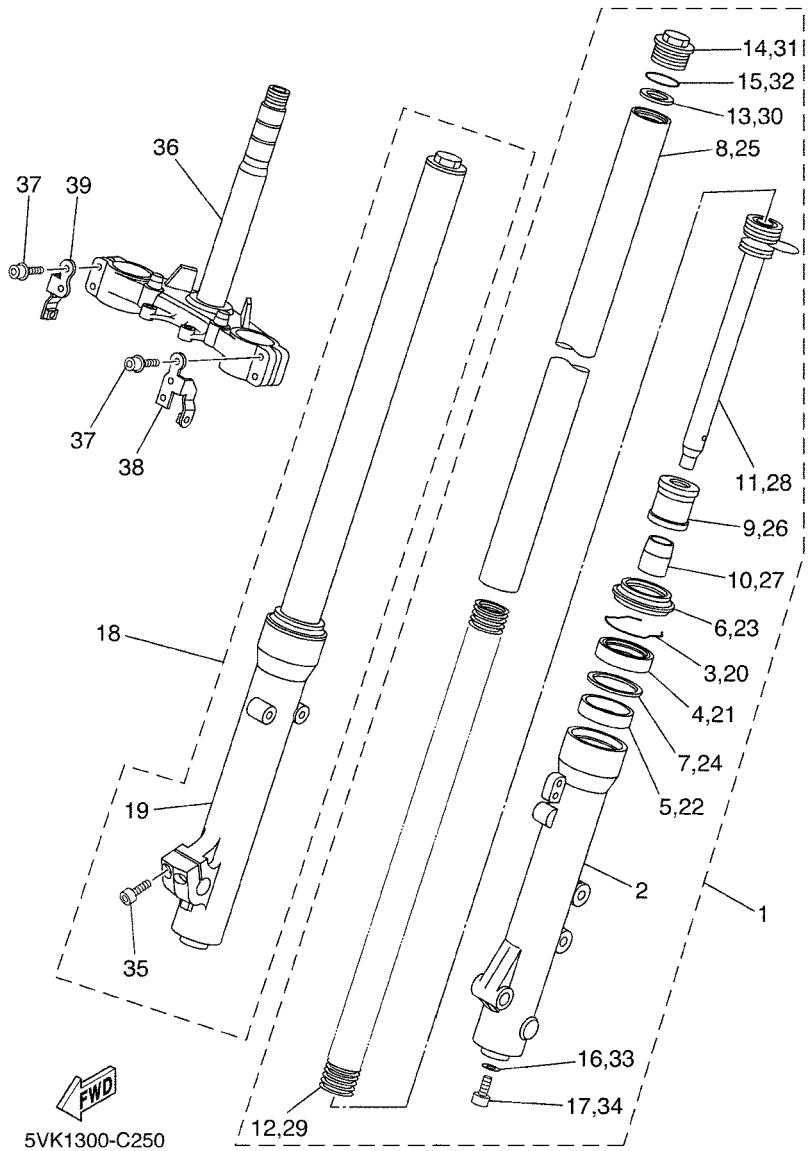
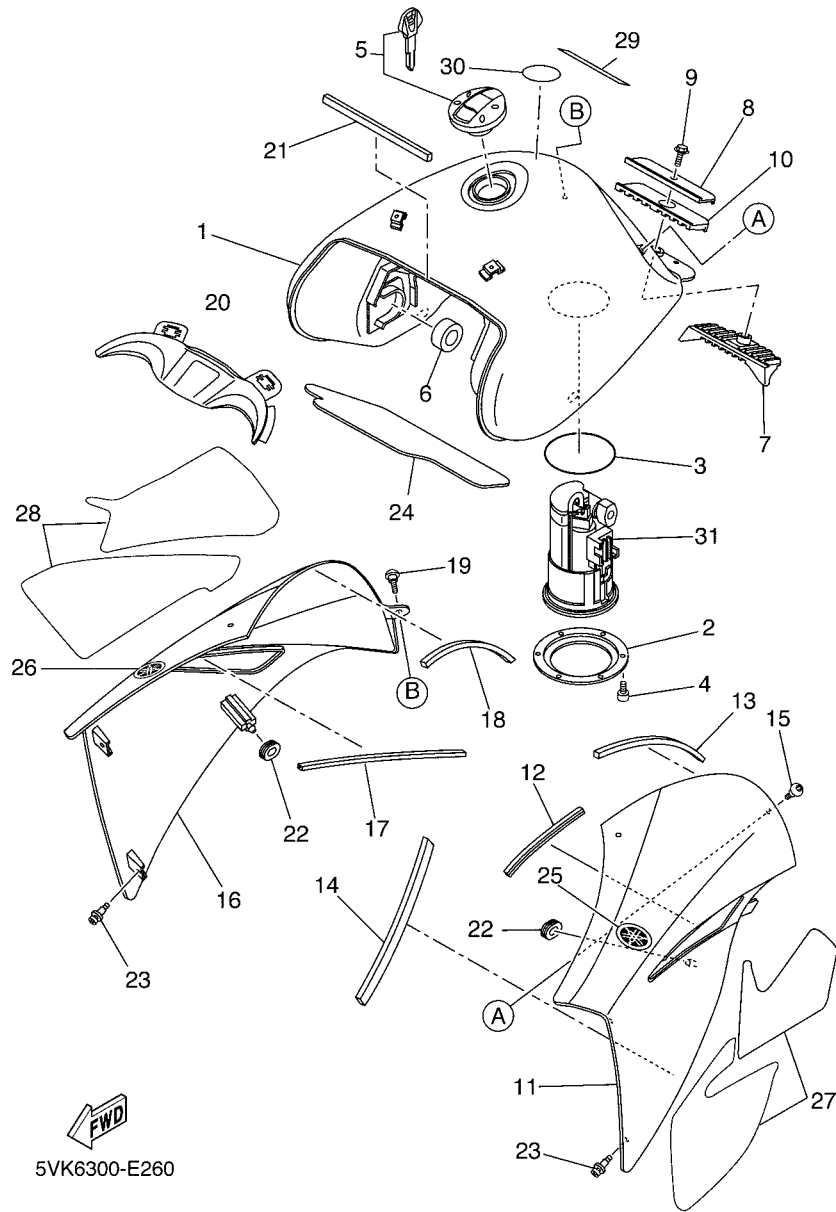


FIG. 25 FRONT FORK

REF. NO.	PART NO.	DESCRIPTION	01	02	03	04	05	REMARKS
1	5VK-F3102-10	FRONT FORK ASSY (L.H)	1	1	1	1	1	(PAIOLI - MATT BL
2	5VK-F3126-10	.TUBE, OUTER (LEFT)	1	1	1	1	1	(PAIOLI - MATT BL
3	5VK-F3153-00	.RING, SNAP	1	1	1	1	1	(PAIOLI)
4	4DA-23145-L0	.OIL SEAL	1	1	1	1	1	
5	5VK-F3125-00	.METAL, SLIDE 1	1	1	1	1	1	(PAIOLI)
6	5VK-F3144-00	.SEAL, DUST	1	1	1	1	1	(PAIOLI)
7	5VK-F3146-00	.WASHER, OIL SEAL	1	1	1	1	1	(PAIOLI)
8	5VK-F3110-00	.INNER TUBE COMP:1	1	1	1	1	1	(PAIOLI)
9	3XJ-23171-L0	.PISTON, FRONT FORK	1	1	1	1	1	
10	5VK-F3173-00	.SPINDLE, TAPER	1	1	1	1	1	(PAIOLI)
11	5VK-F3170-00	.CYLINDER COMP., FRONT FORK	1	1	1	1	1	(PAIOLI)
12	5VK-F3141-00	.SPRING, FRONT FORK	1	1	1	1	1	(PAIOLI)
13	5VK-F3149-00	.WASHER, SPRING UPPER	1	1	1	1	1	(PAIOLI)
14	5VK-F3111-00	.BOLT, CAP	1	1	1	1	1	(PAIOLI)
15	4V4-23188-L0	.O-RING	1	1	1	1	1	
16	5JH-F3158-00	.GASKET	1	1	1	1	1	(PAIOLI)
17	5VK-F3181-00	.BOLT, HEXAGON SOCKET HEAD	1	1	1	1	1	(PAIOLI)
18	5VK-F3103-10	FRONT FORK ASSY (R.H)	1	1	1	1	1	(PAIOLI - MATT BL
19	5VK-F3136-10	.TUBE, OUTER (RIGHT)	1	1	1	1	1	(PAIOLI - MATT BL
20	5VK-F3153-00	.RING, SNAP	1	1	1	1	1	(PAIOLI)
21	4DA-23145-L0	.OIL SEAL	1	1	1	1	1	
22	5VK-F3125-00	.METAL, SLIDE 1	1	1	1	1	1	(PAIOLI)
23	5VK-F3144-00	.SEAL, DUST	1	1	1	1	1	(PAIOLI)
24	5VK-F3146-00	.WASHER, OIL SEAL	1	1	1	1	1	(PAIOLI)
25	5VK-F3110-00	.INNER TUBE COMP:1	1	1	1	1	1	(PAIOLI)
26	3XJ-23171-L0	.PISTON, FRONT FORK	1	1	1	1	1	
27	5VK-F3173-00	.SPINDLE, TAPER	1	1	1	1	1	(PAIOLI)





5VK6300-E260

FIG. 26 FUEL TANK

REF. NO.	PART NO.	DESCRIPTION	01	02	03	04	05	REMARKS
1	5VK-F4110-10-P0	FUEL TANK COMP.	1	1	1	1	1	MBL2 FOR YB,VYR1
2	5VK-F4491-00	BRACKET, FUEL PUMP	1	1	1	1	1	
3	5JW-24486-00	O-RING	1	1	1	1	1	
4	91317-05010	BOLT	6	6	6	6	6	
5	5VK-24602-00	CAP ASSY	1	1	1	1	1	
6	3TB-24181-00	DAMPER, LOCATING 1	2	2	2	2	2	
7	5VK-24182-00	DAMPER, LOCATING 2	1	1	1	1	1	
8	5VK-F4186-00	WASHER, SPECIAL	1	1	1	1	1	
9	95827-06012	BOLT, FLANGE	1	1	1	1	1	
10	5VK-24183-00	DAMPER, LOCATING 3	1	1	1	1	1	
11	5VK-F137W-30	SCOOP, AIR 1	1	1	1	1	1	UR FOR VYR1
	5VK-F137W-11	SCOOP, AIR 1	1	1	1	1	1	UR FOR YB (YB)
12	5VK-28345-00	MOLE 1	1	1	1	1	1	
13	5VK-2414H-00	DAMPER, PLATE 1	1	1	1	1	1	
14	5VK-2414K-00	DAMPER, PLATE 3	1	1	1	1	1	
15	90111-05011	BOLT, HEX. SOCKET BUTTON	2	2	2	2	2	
16	5VK-F137X-30	SCOOP, AIR 2	1	1	1	1	1	UR FOR VYR1
	5VK-F137X-11	SCOOP, AIR 2	1	1	1	1	1	UR FOR YB (YB)
17	5VK-28345-00	MOLE 1	1	1	1	1	1	
18	5VK-2414H-00	DAMPER, PLATE 1	1	1	1	1	1	
19	90111-05011	BOLT, HEX. SOCKET BUTTON	2	2	2	2	2	
20	5VK-F137Y-00	GUIDE, AIR	1	1	1	1	1	
21	5VK-28371-00	DAMPER	1	1	1	1	1	
22	90480-01141	GROMMET	2	2	2	2	2	
23	90269-06008	RIVET	4	4	4	4	4	
24	5VK-2416F-00	INSULATOR, FUEL TANK 1	1	1	1	1	1	
25	5VK-F413B-01	EMBLEM	1	1	1	1	1	



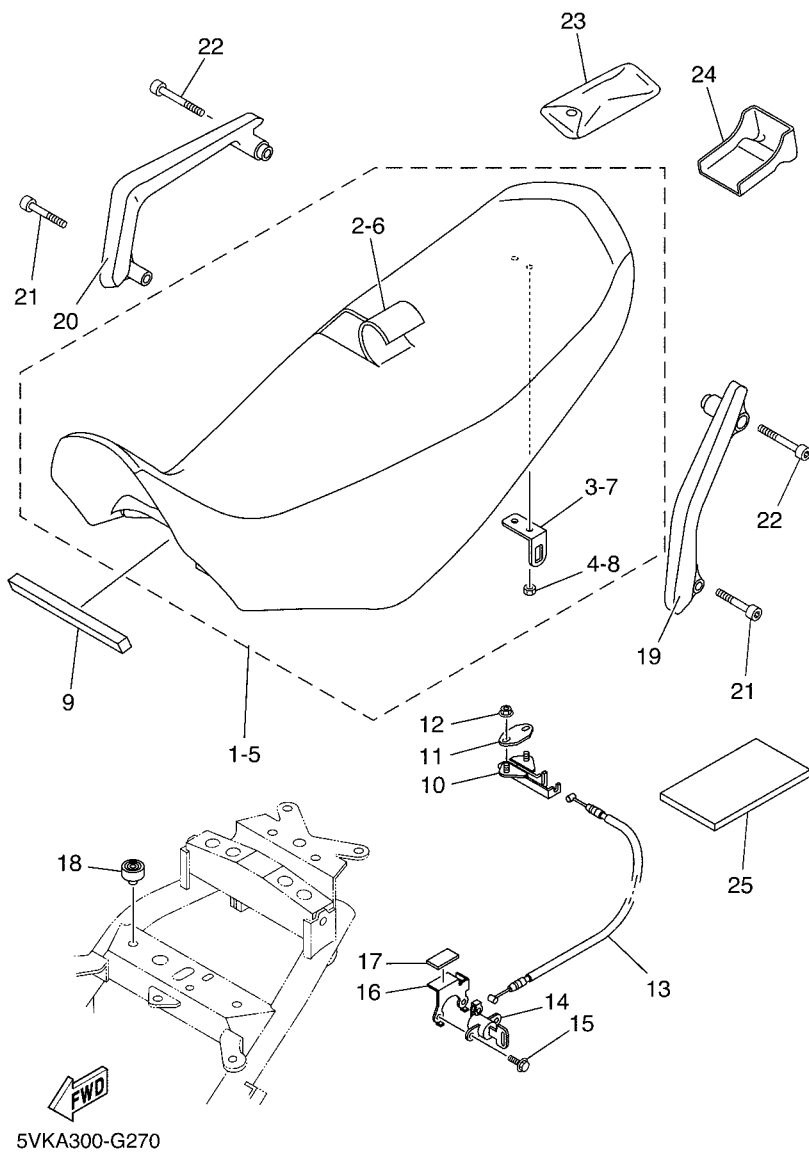
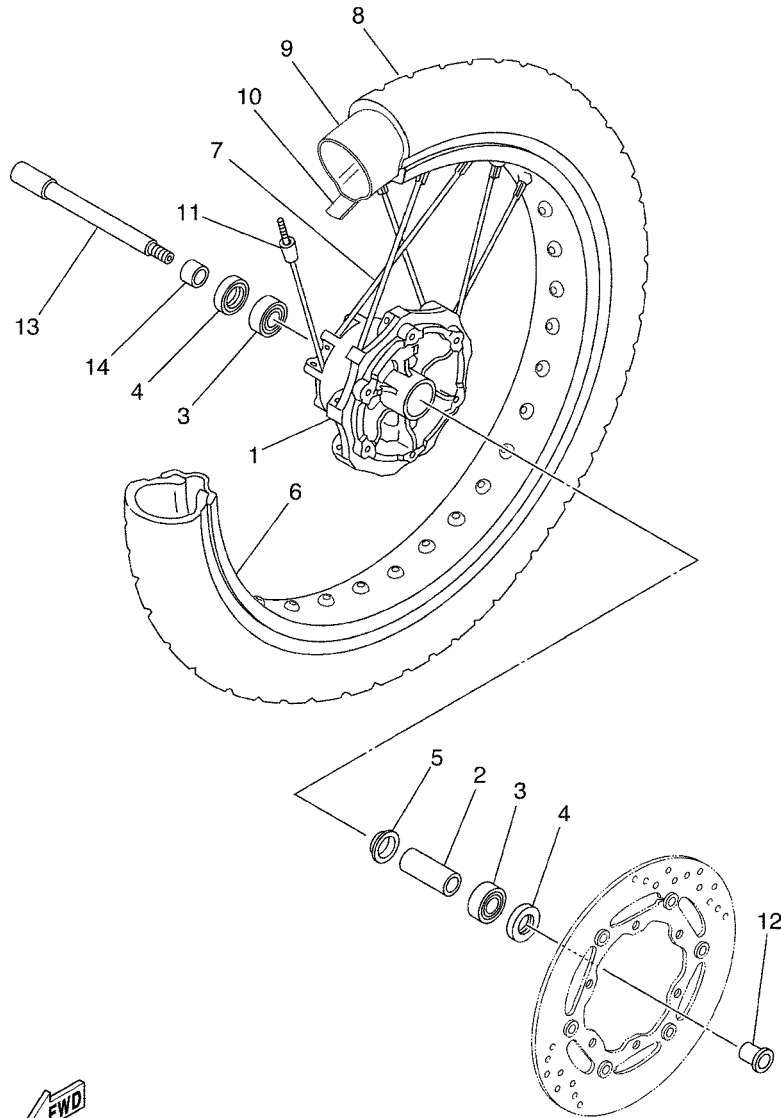


FIG. 27 SEAT

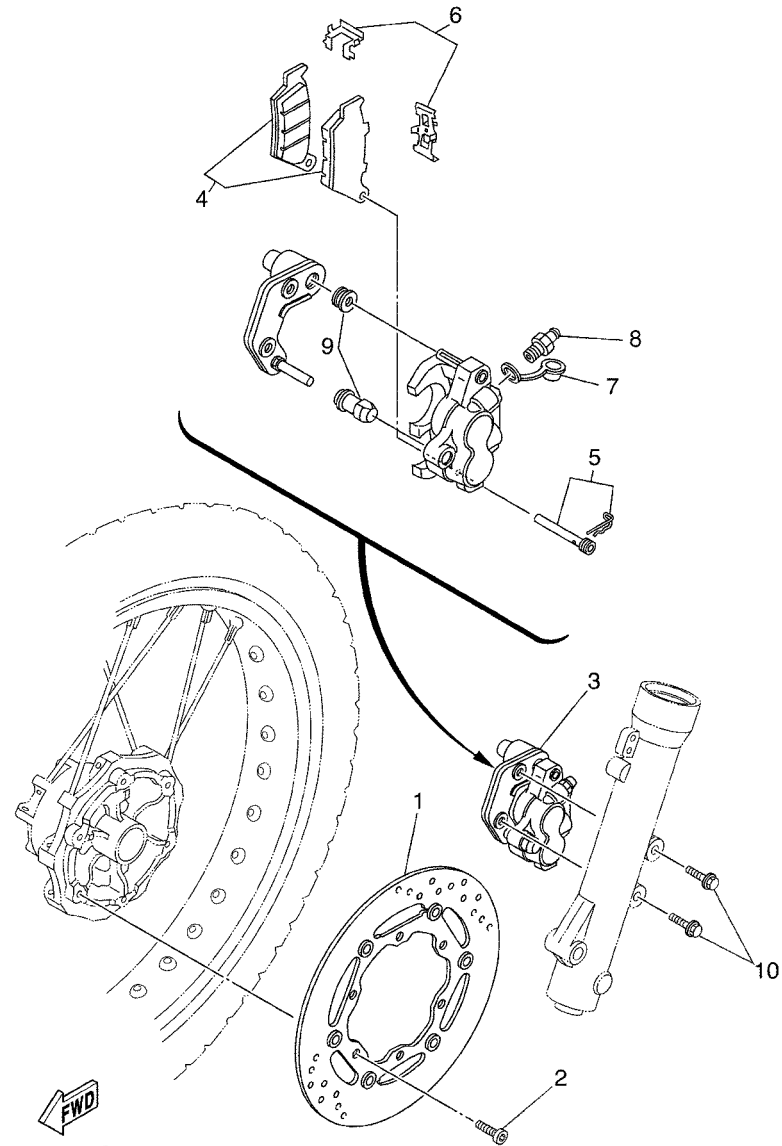
REF. NO.	PART NO.	DESCRIPTION	01	02	03	04	05	REMARKS
1	5VK-F4770-50	SEMI-DOUBLE SEAT ASSY	1	1	1	1	1	UR FOR VYR1
2	5VK-F4731-50	.COVER, SEAT	1	1	1	1	1	
3	4HM-24728-00	.BRACKET, SEAT	1	1	1	1	1	
4	90179-06635	.NUT	1	1	1	1	1	
5	5VK-F4770-30	SEMI-DOUBLE SEAT ASSY	1	1	1	1	1	UR FOR YB (BLACK/
6	5VK-24731-30	.COVER, SEAT	1	1	1	1	1	(BLACK/BLACK)
7	4HM-24728-00	.BRACKET, SEAT	1	1	1	1	1	
8	90179-06635	.NUT	1	1	1	1	1	
9	5VK-24737-00	DAMPER, SEAT	1	1	1	1	1	
10	4BP-24780-00	SEAT LOCK ASSY	1	1	1	1	1	
11	5VK-F4792-00	PLATE	1	1	1	1	1	
12	95707-06500	NUT, FLANGE	2	2	2	2	2	
13	5VK-F478E-00	CABLE, SEAT LOCK	1	1	1	1	1	
14	2TV-W2470-00	ROTOR SET	1	1	1	1	1	
15	95027-06014	BOLT, FLANGE	2	2	2	2	2	
16	5VK-F478X-00	BRACKET, SEAT LOCK	1	1	1	1	1	
17	5VK-24747-00	DAMPER, SEAT	1	1	1	1	1	
18	3VL-F4741-10	PAD, SEAT	2	2	2	2	2	
19	5VK-F474A-10	ASSIST, GRIP	1	1	1	1	1	
20	5VK-F474W-10	ASSIST,GRIP 2	1	1	1	1	1	
21	90110-08X02	BOLT, HEXAGON SOCKET HEAD	2	2	2	2	2	
22	90110-08X06	BOLT, HEXAGON SOCKET HEAD	2	2	2	2	2	
23	5VK-F8100-10	TOOL KIT	1	1	1	1	1	
24	5VK-F8116-00	TOOL, SPECIAL	1	1	1	1	1	
25	5VK-F8199-E1	MANUAL,OWNER'S		1	1	1		UR ENGLISH



  
 5VK1300-C280

**FIG. 28 FRONT WHEEL**

REF. NO.	PART NO.	DESCRIPTION	01	02	03	04	05	REMARKS
1	5VK-25111-00	HUB, FRONT	1	1	1	1	1	
2	5VK-25117-00	SPACER, BEARING	1	1	1	1	1	
3	93306-20348	BEARING	2	2	2	2	2	
4	93106-23002	OIL SEAL	2	2	2	2	2	
5	136-25115-00	FLANGE, SPACER 1	1	1	1	1	1	
6	94418-21X01	RIM (1.85-21)	1	1	1	1	1	
7	5VK-F5104-00	SPOKE SET, FRONT	1	1	1	1	1	
8	*	TIRE (90/90-21M/C 54S)	1	1	1	1	1	LM UR METZELER TO
9	*	TUBE ( 21 )	1	1	1	1	1	LM UR
10	*	BAND, RIM (21)	1	1	1	1	1	LM UR
11	3HT-25398-00	BALANCER, WHEEL (15G)	1	1	1	1	1	
12	5VK-F5183-00	COLLAR, WHEEL	1	1	1	1	1	
13	5VK-25181-00	AXLE, WHEEL	1	1	1	1	1	
14	5VK-F5186-00	COLLAR, WHEEL	1	1	1	1	1	



5VK1300-C290

FIG. 29 FRONT BRAKE CALIPER

REF. NO.	PART NO.	DESCRIPTION	01	02	03	04	05	REMARKS
1	5VK-F581T-00	DISK BRAKE ASSY	1	1	1	1	1	
2	90111-08823	BOLT,HEX. SOCKET BUTTON	6	6	6	6	6	
3	5VK-F580T-00	CALIPER ASSY (LEFT)	1	1	1	1	1	(BREMBO)
4	5VK-W0045-00	.BRAKE PAD KIT	1	1	1	1	1	(BREMBO)
5	5VK-F5924-00	.PIN, PAD	1	1	1	1	1	(BREMBO)
6	5VK-F5919-00	.SUPPORT, PAD	1	1	1	1	1	(BREMBO)
7	5DS-F5825-00	.CAP	1	1	1	1	1	(BREMBO)
8	5SE-F5824-00	.SCREW, BLEED	1	1	1	1	1	(BREMBO)
9	5DS-F5917-00	.BOOT, CALIPER	1	1	1	1	1	(BREMBO)
10	90105-10069	BOLT, FLANGE	2	2	2	2	2	
-----								
-----								
-----								
-----								
-----								
-----								
-----								
-----								
-----								
-----								

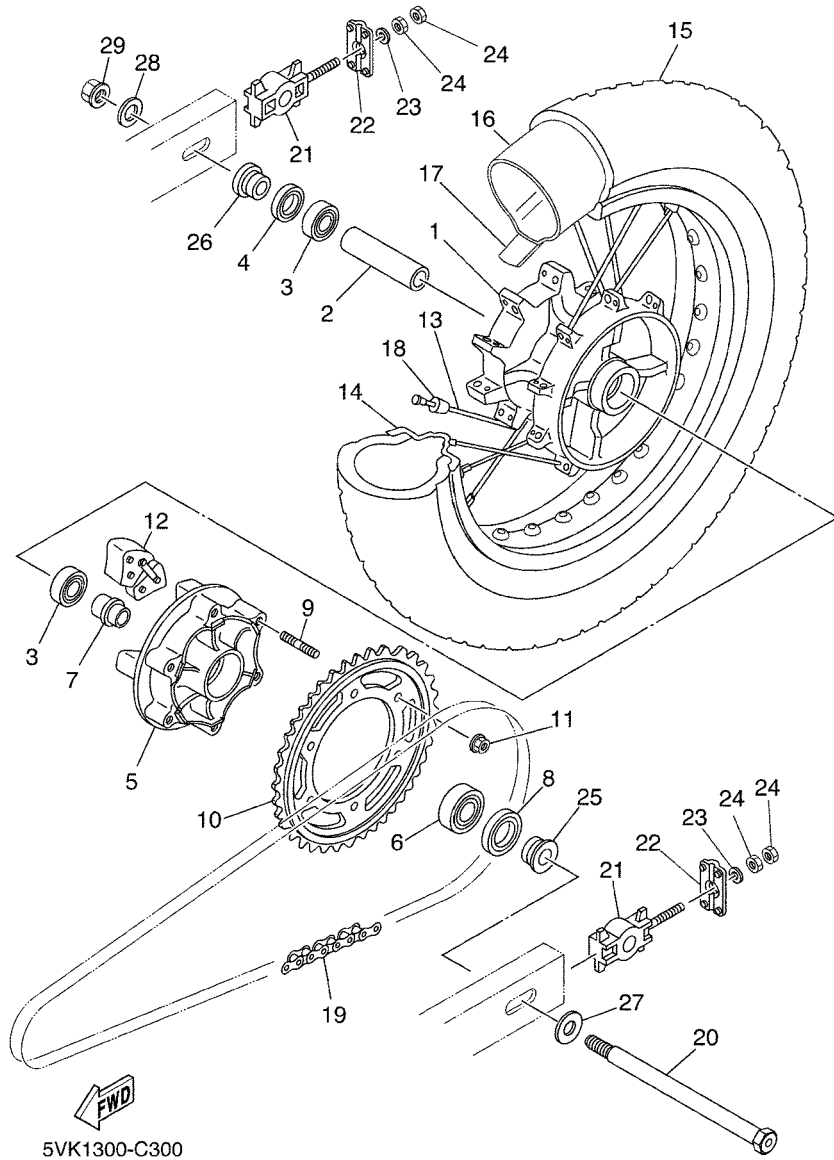
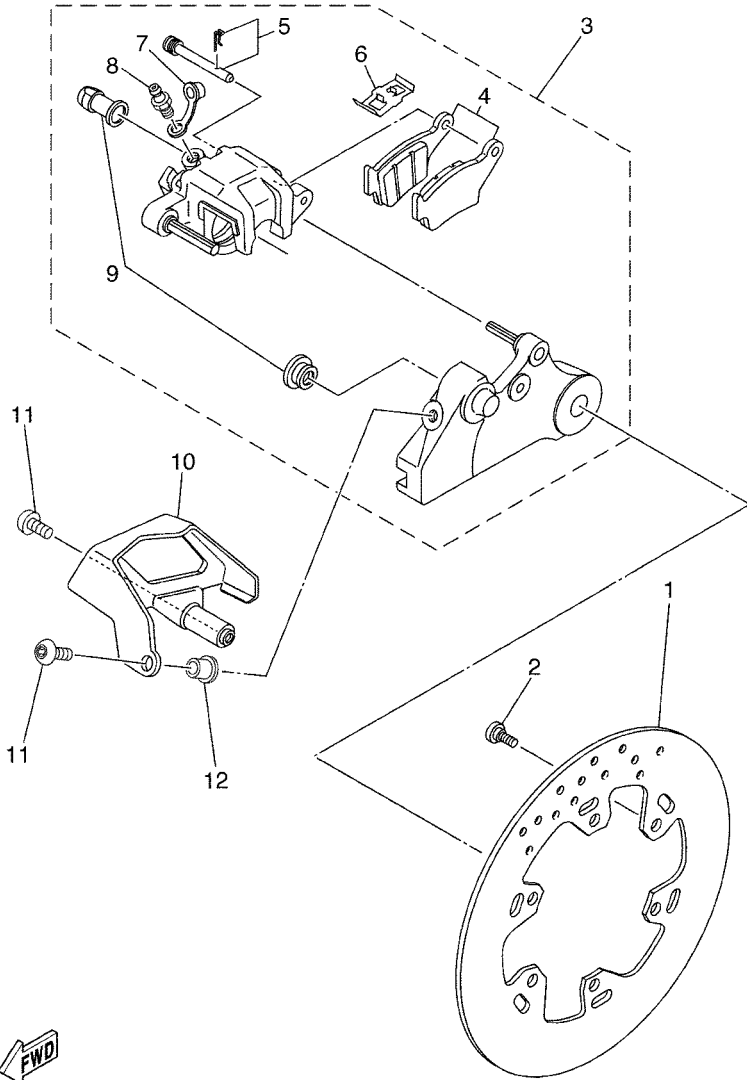


FIG. 30 REAR WHEEL

REF. NO.	PART NO.	DESCRIPTION	01	02	03	04	05	REMARKS
1	5VK-25311-00	HUB, REAR	1	1	1	1	1	
2	90560-17306	SPACER	1	1	1	1	1	
3	93306-20348	BEARING	2	2	2	2	2	
4	93106-23002	OIL SEAL	1	1	1	1	1	
5	5VK-25366-00	CLUTCH, HUB	1	1	1	1	1	
6	93306-30437	BEARING	1	1	1	1	1	
7	1VJ-25377-00	COLLAR, WHEEL	1	1	1	1	1	
8	93106-30029	OIL SEAL	1	1	1	1	1	
9	90116-10485	BOLT, STUD	6	6	6	6	6	
10	5VK-25445-01	SPROCKET, DRIVEN (45T)	1	1	1	1	1	
11	95607-10200	NUT, U FLANGE	6	6	6	6	6	
12	5Y1-25364-00	DAMPER	4	4	4	4	4	
13	5VK-F5304-00	SPOKE SET, REAR	1	1	1	1	1	
14	94427-17X00	RIM	1	1	1	1	1	
15	*	TIRE (130/80-17 M/C 65S)	1	1	1	1	1	LM UR METZELER TO
16	*	TUBE ( 21 )	1	1	1	1	1	LM UR
17	*	BAND, RIM (21)	1	1	1	1	1	LM UR
18	3HT-25398-00	BALANCER, WHEEL (15G)	1	1	1	1	1	
19	94568-B6110	CHAIN	1	1	1	1	1	
20	3AJ-25381-01	AXLE, WHEEL	1	1	1	1	1	
21	1UF-25388-01	PULLER, CHAIN 1	2	2	2	2	2	
22	5VK-F2174-00	END 1	2	2	2	2	2	
23	92907-08600	WASHER, PLATE	2	2	2	2	2	
24	95307-08600	NUT	4	4	4	4	4	



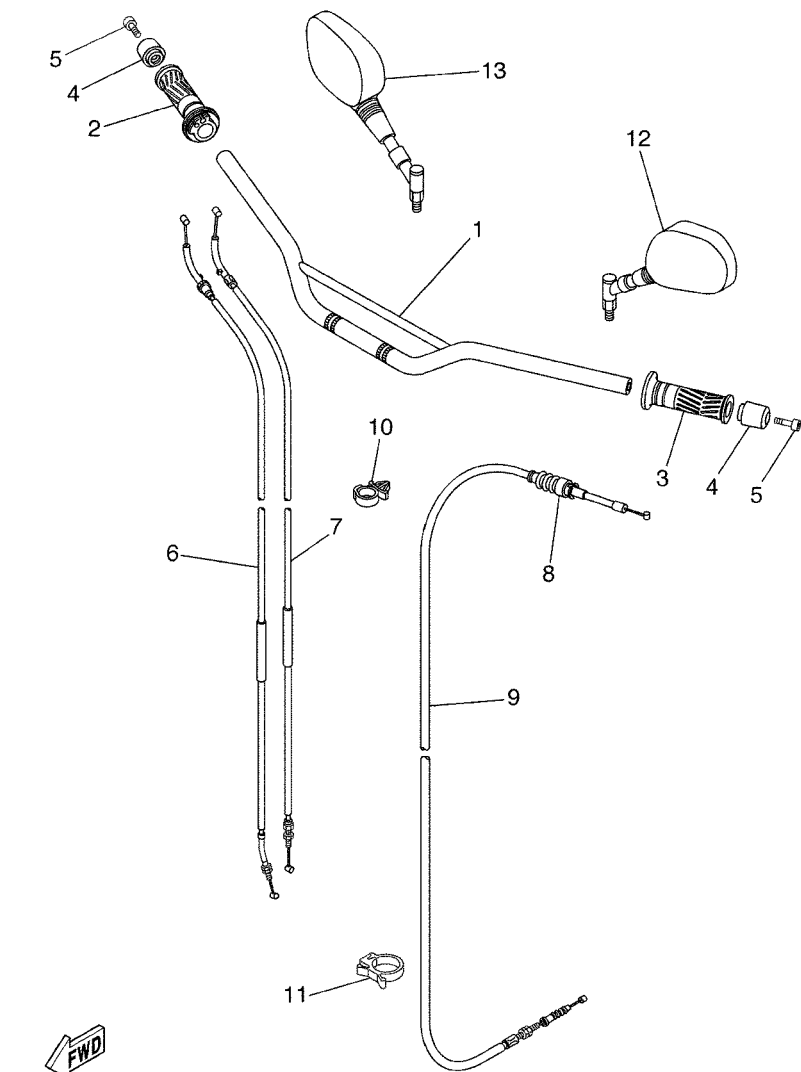


5VK1300-C310

FIG. 31 REAR BRAKE CALIPER

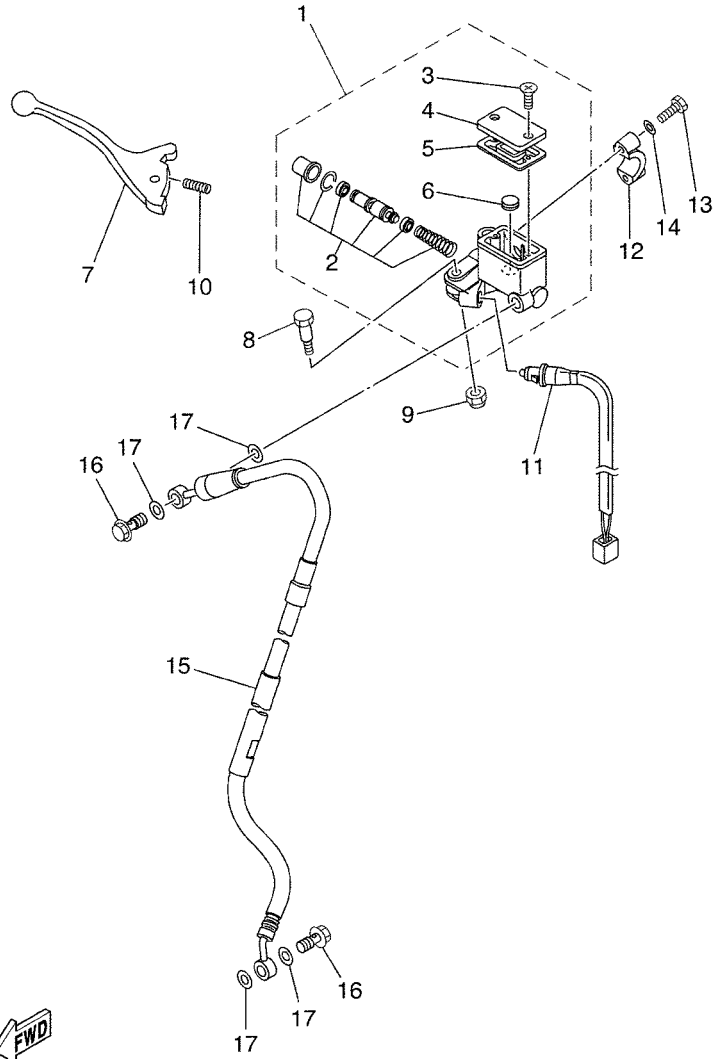
REF. NO.	PART NO.	DESCRIPTION	01	02	03	04	05	REMARKS
1	5VK-F582W-00	DISK, REAR BRAKE 2	1	1	1	1	1	
2	90109-06816	BOLT	6	6	6	6	6	
3	5VK-F580W-00	CALIPER ASSY, REAR 2	1	1	1	1	1	(BREMBO)
4	5VK-W0046-00	.BRAKE PAD KIT 2	1	1	1	1	1	(BREMBO)
5	5VK-F5924-10	.PIN, PAD	1	1	1	1	1	(BREMBO)
6	5VK-F5919-10	.SUPPORT, PAD	1	1	1	1	1	(BREMBO)
7	5DS-F5825-00	.CAP	1	1	1	1	1	(BREMBO)
8	5SE-F5824-00	.SCREW, BLEED	1	1	1	1	1	(BREMBO)
9	5DS-F5917-00	.BOOT, CALIPER	1	1	1	1	1	(BREMBO)
10	5CH-F7491-00	PROTECTOR	1	1	1	1	1	
11	90111-06029	BOLT,HEX. SOCKET BUTTON	2	2	2	2	2	
12	90387-06852	COLLAR	1	1	1	1	1	

FIG. 32 STEERING HANDLE & CABLE



5VK1300-C320

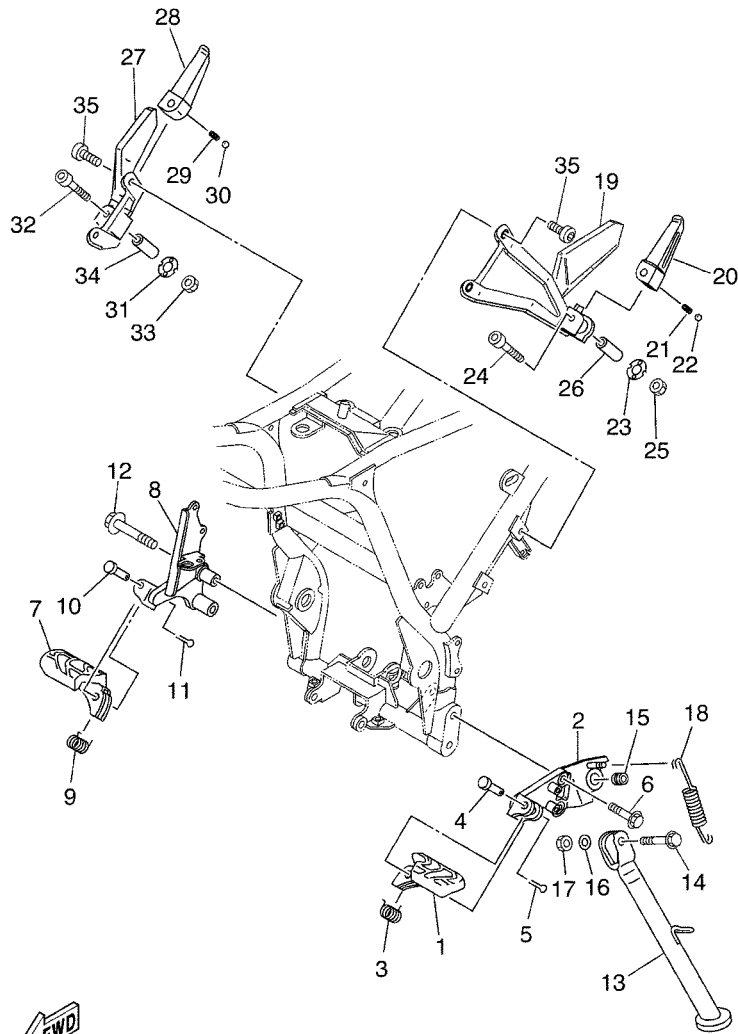
REF. NO.	PART NO.	DESCRIPTION	01	02	03	04	05	REMARKS
1	5VK-26110-00	HANDLE COMP.	1	1	1	1	1	
2	4YR-26240-02	GRIP ASSY	1	1	1	1	1	
3	4YR-26241-02	GRIP (LEFT)	1	1	1	1	1	
4	4JH-26246-00	END, GRIP	2	2	2	2	2	
5	91317-06035	BOLT	2	2	2	2	2	
6	5VK-F6311-00	CABLE, THROTTLE 1	1	1	1	1	1	
7	5VK-F6312-00	CABLE, THROTTLE 2	1	1	1	1	1	
8	1E6-26342-00	BOOT, CABLE	1	1	1	1	1	
9	5VK-F6335-00	CABLE, CLUTCH	1	1	1	1	1	
10	90464-12001	CLAMP	1	1	1	1	1	
11	90464-18004	CLAMP	1	1	1	1	1	
12	5VK-F6280-00	REAR VIEW MIRROR ASSY (LEFT)	1	1	1	1	1	
13	5VK-F6290-00	REAR VIEW MIRROR ASSY (RIGHT)	1	1	1	1	1	



5VK1300-C330

**FIG. 33 FRONT MASTER CYLINDER**

REF. NO.	PART NO.	DESCRIPTION	01	02	03	04	05	REMARKS
1	5VK-W2587-00	MASTER CYLINDER SUB ASSY	1	1	1	1	1	
2	3XP-W0041-00	.CYLINDER KIT, MASTER	1	1	1	1	1	
3	98706-04012	.SCREW, FLAT HEAD	2	2	2	2	2	
4	3GM-W2585-21	.RESERVOIR CAP SET	1	1	1	1	1	
5	55U-25854-00	.GASKET, DIAPHRAGM	1	1	1	1	1	
6	5CG-25715-00	.SEPARATOR ASSY	1	1	1	1	1	
7	5VK-83922-00	LEVER 2	1	1	1	1	1	
8	90109-06577	BOLT	1	1	1	1	1	
9	95606-06100	NUT, U	1	1	1	1	1	
10	90501-10312	SPRING, COMPRESSION	1	1	1	1	1	
11	5VK-83980-00	FRONT STOP SWITCH ASSY	1	1	1	1	1	
12	56A-25867-00	HOLDER	1	1	1	1	1	
13	97007-06025	BOLT	2	2	2	2	2	
14	92907-06600	WASHER, PLATE	2	2	2	2	2	
15	5VK-F5872-10	HOSE, BRAKE 1	1	1	1	1	1	
16	90401-10X03	BOLT, UNION	2	2	2	2	2	
17	90201-10X03	WASHER, PLATE	4	4	4	4	4	

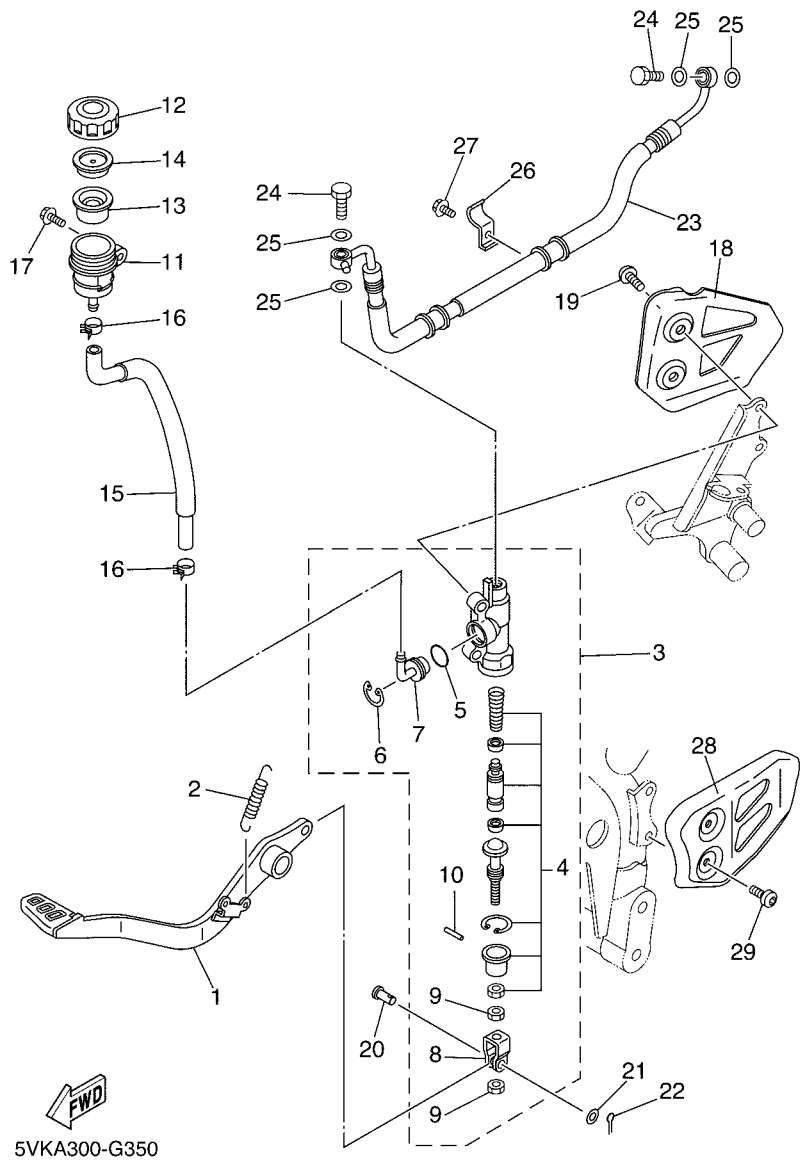


5VK8300-F340

FIG. 34 STAND & FOOTREST

REF. NO.	PART NO.	DESCRIPTION	01	02	03	04	05	REMARKS
1	5VK-F7411-10	FOOTREST 1	1	1	1	1	1	
2	5VK-F7412-10	BRACKET, FOOTREST 1	1	1	1	1	1	
3	90508-20X00	SPRING, TORSION	1	1	1	1	1	
4	90240-10X01	PIN, CLEVIS	1	1	1	1	1	
5	91401-25020	PIN, COTTER	1	1	1	1	1	
6	90105-10813	BOLT, FLANGE	2	2	2	2	2	
7	5VK-F7421-10	FOOTREST 2	1	1	1	1	1	
8	5VK-F7422-10	BRACKET, FOOTREST 2	1	1	1	1	1	
9	90508-20X01	SPRING, TORSION	1	1	1	1	1	
10	90240-10X01	PIN, CLEVIS	1	1	1	1	1	
11	91401-25020	PIN, COTTER	1	1	1	1	1	
12	90105-10811	BOLT, FLANGE	2	2	2	2	2	
13	5VK-F7311-00	STAND, SIDE	1	1	1	1	1	
14	90105-10814	BOLT, FLANGE	1	1	1	1	1	
15	90387-10020	COLLAR	1	1	1	1	1	
16	90201-101J1	WASHER, PLATE	1	1	1	1	1	
17	95617-10100	NUT, U	1	1	1	1	1	
18	90506-20002	SPRING, TENSION	1	1	1	1	1	
19	5VK-F741L-10	BRACKET 4	1	1	1	1	1	
20	5VK-F7431-00	FOOTREST, REAR 1	1	1	1	1	1	
21	90501-12X02	SPRING, COMPRESSION	1	1	1	1	1	
22	93501-04X00	BALL	1	1	1	1	1	
23	5VK-F7437-00	WASHER, SPECIAL	1	1	1	1	1	
24	5VK-F7416-00	BOLT, FOOTREST	1	1	1	1	1	
25	95604-06200	NUT, U FLANGE	1	1	1	1	1	
26	90387-06X37	COLLAR	1	1	1	1	1	
27	5VK-F742L-10	BRACKET 5	1	1	1	1	1	





5VKA300-G350

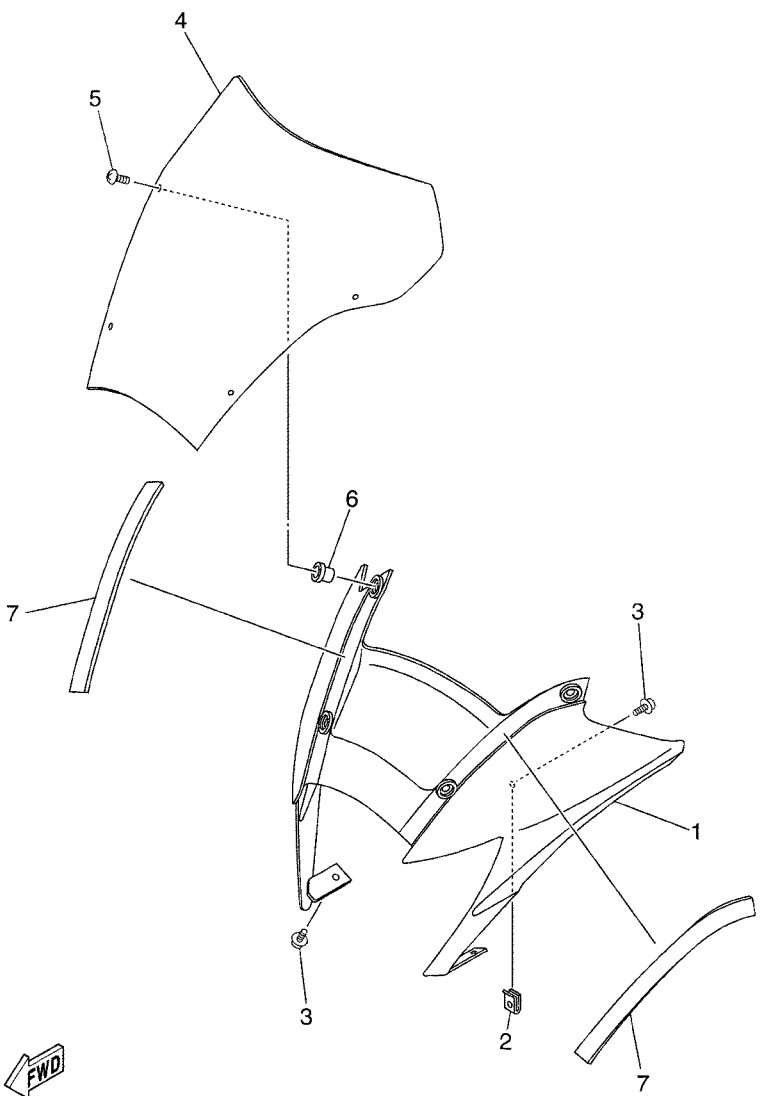
FIG. 35 REAR MASTER CYLINDER

REF. NO.	PART NO.	DESCRIPTION	01	02	03	04	05	REMARKS
1	5VK-F7211-00	PEDAL, BRAKE	1	1	1	1	1	
2	90506-20369	SPRING, TENSION	1	1	1	1	1	
3	5VK-2583V-00	RR. MASTER CYLINDER ASSY.	1	1	1	1	1	
4	3BN-W0042-50	.CYLINDER KIT, MASTER	1	1	1	1	1	
5	93210-15620	.O-RING	1	1	1	1	1	
6	2VN-25866-00	.CIRCLIP	1	1	1	1	1	
7	4ML-2582A-50	.JOINT	1	1	1	1	1	
8	2YK-27222-00	.JOINT	1	1	1	1	1	
9	4SS-27218-00	.NUT	2	2	2	2	2	
10	3KW-27234-00	.PIN, BRAKE ROD	1	1	1	1	1	
11	5JJ-25894-00	TANK, RESERVOIR	1	1	1	1	1	
12	3XP-25852-50	CAP, RESERVOIR	1	1	1	1	1	
13	2VN-25854-00	GASKET, DIAPHRAGM	1	1	1	1	1	
14	2VN-25855-00	BUSH,DIAPHRAGM	1	1	1	1	1	
15	5VK-25895-00	HOSE, RESERVOIR	1	1	1	1	1	
16	90467-12085	CLIP	2	2	2	2	2	
17	90119-06044	BOLT, WITH WASHER	1	1	1	1	1	
18	5VK-F117M-10	COVER 2	1	1	1	1	1	
19	90109-085G6	BOLT	2	2	2	2	2	
20	90240-08124	PIN, CLEVIS	1	1	1	1	1	
21	90201-08083	WASHER, PLATE	1	1	1	1	1	
22	91401-16012	PIN, COTTER	1	1	1	1	1	
23	5VK-F5873-00	HOSE, BRAKE 2	1	1	1	1	1	
24	90401-10X03	BOLT, UNION	2	2	2	2	2	
25	90201-10X03	WASHER, PLATE	4	4	4	4	4	
26	5VK-F5875-00	HOLDER, BRAKE HOSE 1	2	2	2	2	2	
27	95027-06012	BOLT, FLANGE	2	2	2	2	2	



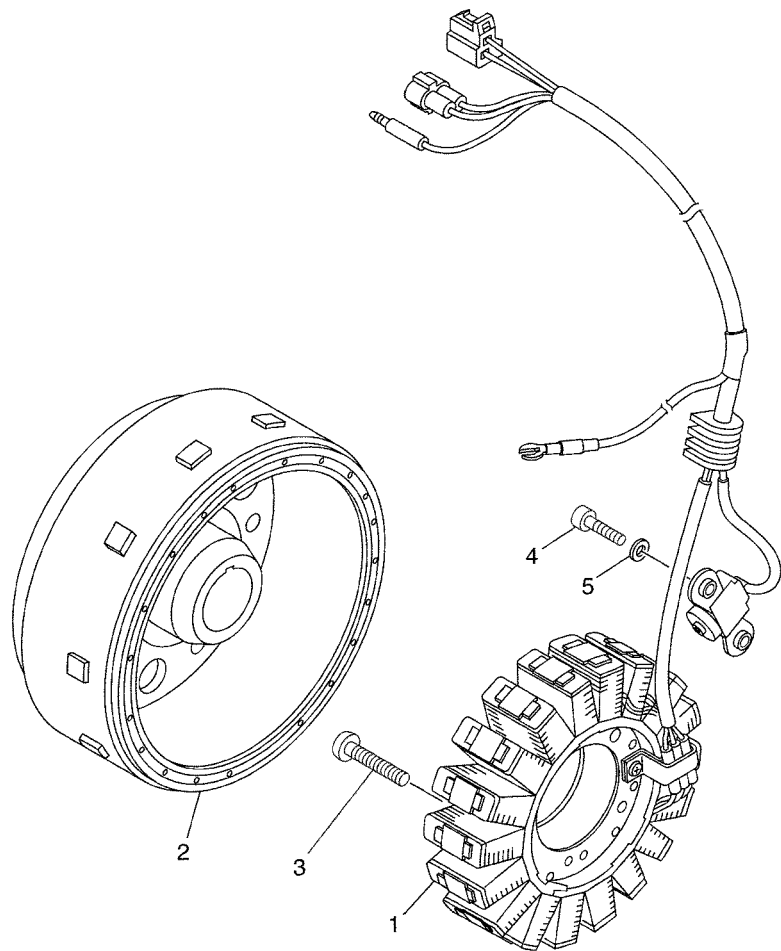
**FIG. 36 COWLING 1**

REF. NO.	PART NO.	DESCRIPTION	01	02	03	04	05	REMARKS
1	5VK-F8351-60	BODY, COWLING	1	1	1	1	1	UR FOR VYR1 (PWS1)
	5VK-F8351-10	BODY, COWLING	1	1	1	1	1	UR FOR YB (YB)
2	90183-05061	NUT, SPRING	2	2	2	2	2	
3	90159-05083	SCREW, WITH WASHER	4	4	4	4	4	
4	5VK-F8381-00	WINDSHIELD	1	1	1	1	1	UR FOR YB (BLACK)
	5VK-F8381-30	WINDSHIELD	1	1	1	1	1	UR FOR VYR1 (RED)
5	90150-05023	SCREW, ROUND HEAD	4	4	4	4	4	
6	90179-05523	NUT	4	4	4	4	4	
7	5VK-2837K-00	DAMPER 6	2	2	2	2	2	
<hr/>								
<hr/>								
<hr/>								
<hr/>								
<hr/>								
<hr/>								
<hr/>								
<hr/>								
<hr/>								
<hr/>								



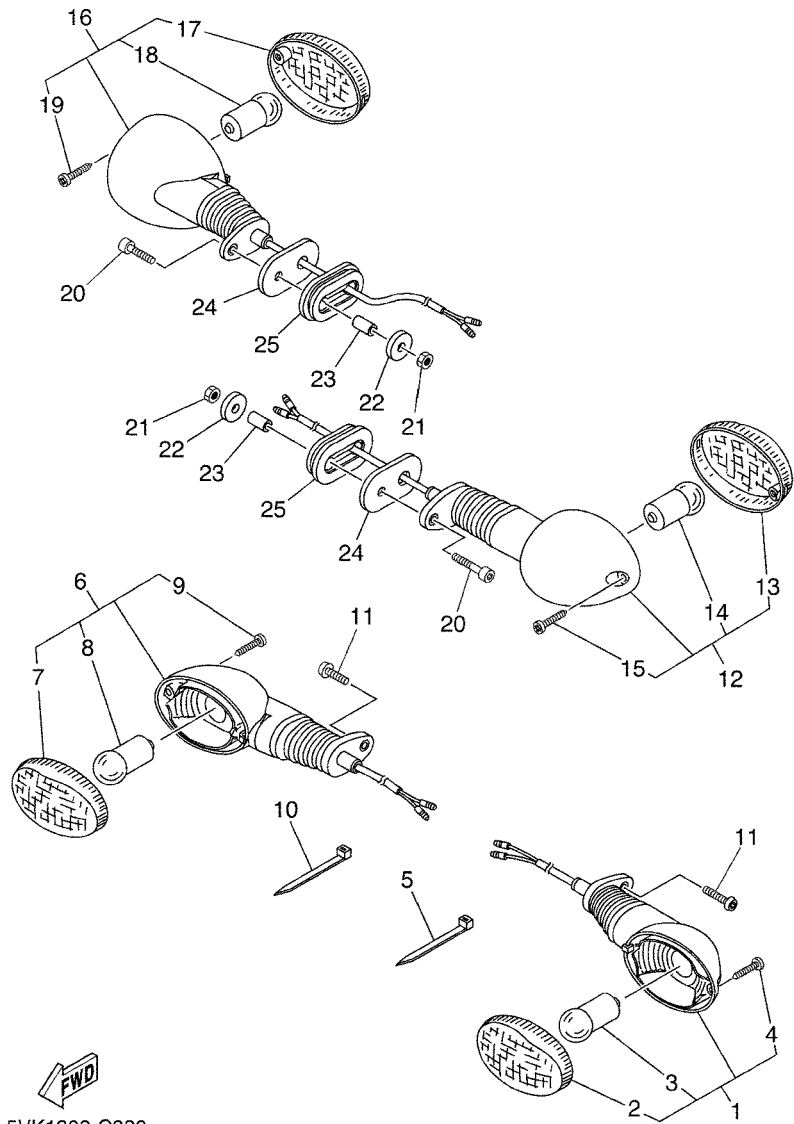
**FWD**  
5VK8300-F360

**FIG. 37 GENERATOR**



  
5VK1300-C370

REF. NO.	PART NO.	DESCRIPTION	01	02	03	04	05	REMARKS
1	5VK-81410-00	STATOR ASSY	1	1	1	1	1	
2	5VK-81450-10	ROTOR ASSY	1	1	1	1	1	
3	92017-06030	BOLT, BUTTON HEAD	3	3	3	3	3	
4	91317-05014	BOLT	2	2	2	2	2	
5	90201-05X08	WASHER, PLATE	2	2	2	2	2	
<hr/>								
<hr/>								
<hr/>								
<hr/>								
<hr/>								
<hr/>								
<hr/>								
<hr/>								
<hr/>								
<hr/>								

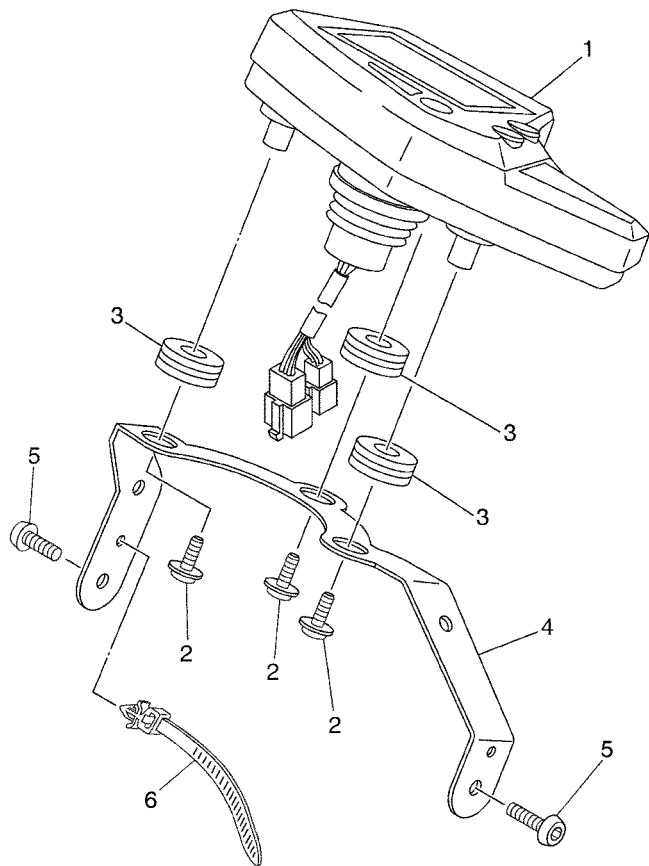


5VK1300-C380

FIG. 38 FLASHER LIGHT

REF. NO.	PART NO.	DESCRIPTION	01	02	03	04	05	REMARKS
1	5VK-H3310-00	FRONT FLASHER LIGHT ASSY 1	1	1	1	1	1	
2	5VK-H333A-00	.LENS COMP	1	1	1	1	1	
3	5VK-H3311-00	.BULB, FLASHER (12V/10W)	1	1	1	1	1	
4	5VK-H3333-00	.SCREW, LENS FITTING	1	1	1	1	1	
5	90464-16061	CLAMP	1	1	1	1	1	
6	5VK-H3320-00	FRONT FLASHER LIGHT ASSY 2	1	1	1	1	1	
7	5VK-H333A-00	.LENS COMP	1	1	1	1	1	
8	5VK-H3311-00	.BULB, FLASHER (12V/10W)	1	1	1	1	1	
9	5VK-H3333-00	.SCREW, LENS FITTING	1	1	1	1	1	
10	90464-16061	CLAMP	1	1	1	1	1	
11	92017-06014	BOLT, BUTTON HEAD	2	2	2	2	2	
12	5VK-H3330-00	REAR FLASHER LIGHT ASSY 1	1	1	1	1	1	
13	5VK-H333A-00	.LENS COMP	1	1	1	1	1	
14	5VK-H3311-00	.BULB, FLASHER (12V/10W)	1	1	1	1	1	
15	5VK-H3333-00	.SCREW, LENS FITTING	1	1	1	1	1	
16	5VK-H3340-00	REAR FLASHER LIGHT ASSY 2	1	1	1	1	1	
17	5VK-H333A-00	.LENS COMP	1	1	1	1	1	
18	5VK-H3311-00	.BULB, FLASHER (12V/10W)	1	1	1	1	1	
19	5VK-H3333-00	.SCREW, LENS FITTING	1	1	1	1	1	
20	91317-06035	BOLT	2	2	2	2	2	
21	95607-06100	NUT, U	2	2	2	2	2	
22	90201-06026	WASHER, PLATE	2	2	2	2	2	
23	90387-06088	COLLAR	2	2	2	2	2	
24	5VK-83359-00	WASHER, SPECIAL	2	2	2	2	2	
25	5VK-83345-00	PLUG, BLIND	2	2	2	2	2	

FIG. 39 METER



  
5VK1300-C390

REF. NO.	PART NO.	DESCRIPTION	01	02	03	04	05	REMARKS
1	5VK-83500-41	METER ASSY	1	1		1	1	(Km/H model)
2	90164-05014	SCREW, TAPPING	3	3	3	3	3	
3	90480-14555	GROMMET	3	3	3	3	3	
4	5VK-H3519-00	BRACKET, METER	1	1	1	1	1	
5	92017-06014	BOLT, BUTTON HEAD	2	2	2	2	2	
6	90464-12089	CLAMP	1	1	1	1	1	

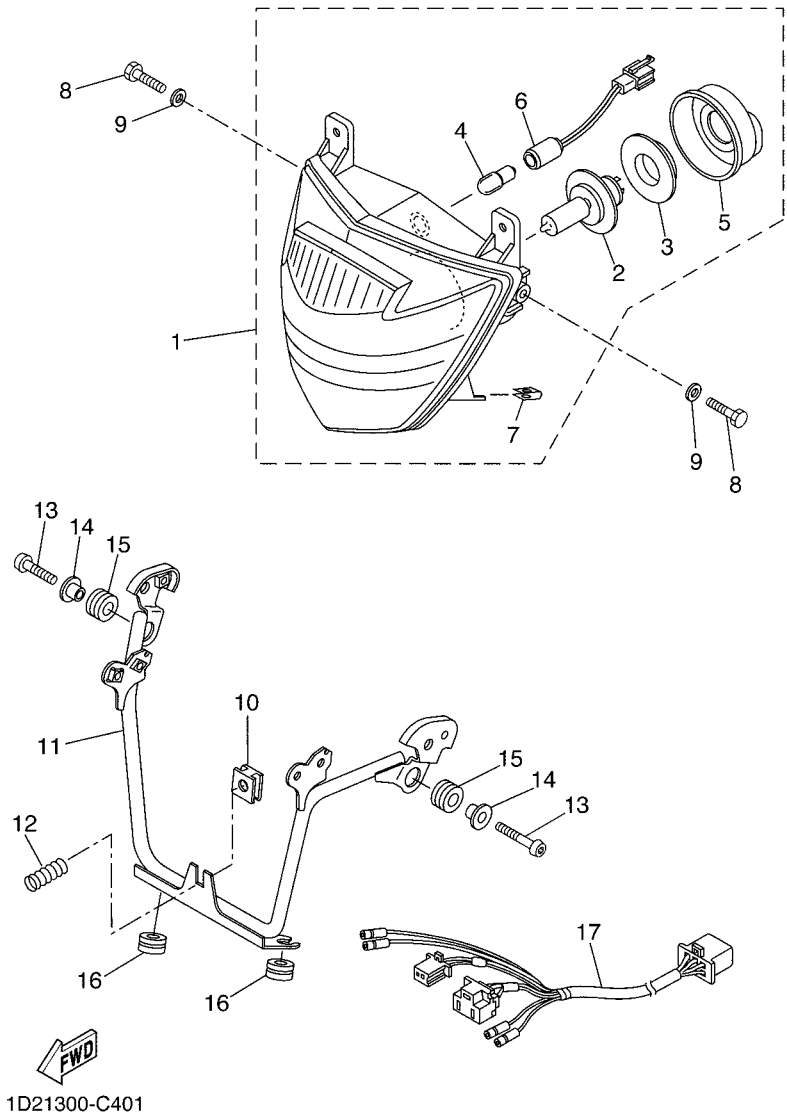
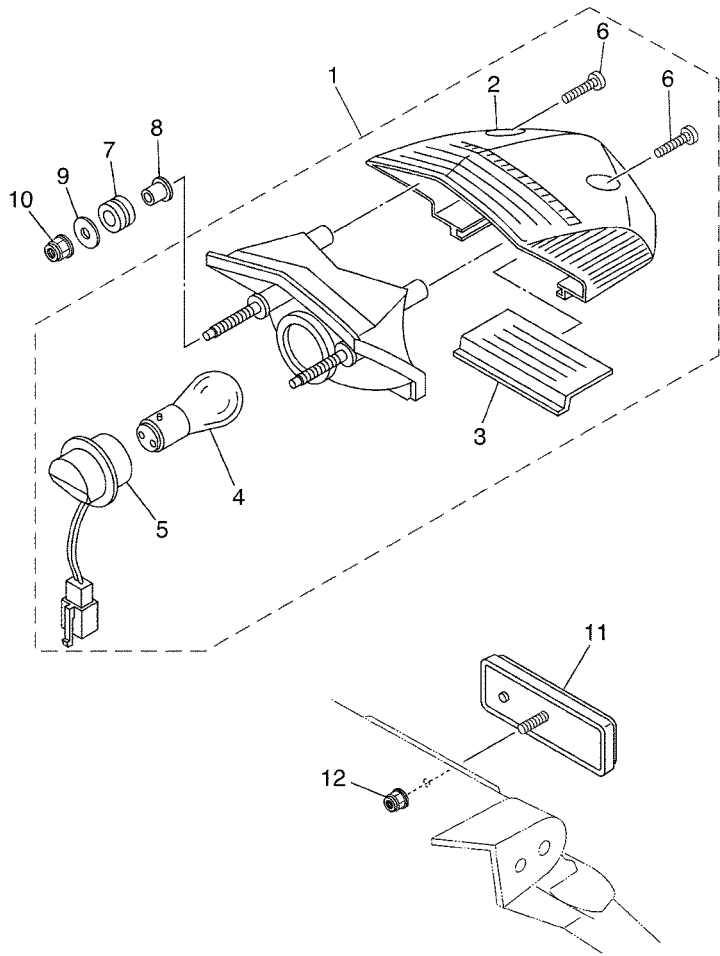


FIG. 40 HEADLIGHT

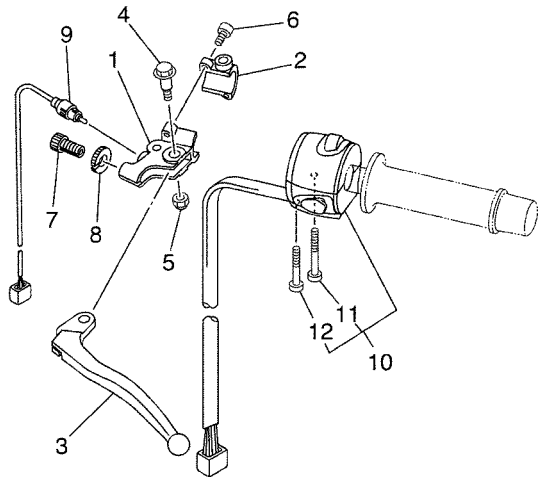
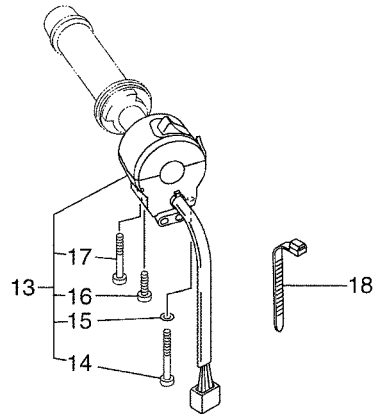
REF. NO.	PART NO.	DESCRIPTION	01	02	03	04	05	REMARKS
1	5VK-H410A-01	HEADLIGHT UNIT COMP.	1	1			1	NOT FOR ZAF
	5VK-H410A-11	HEADLIGHT UNIT COMP.			1	1		FOR ZAF
2	5VK-H4314-00	.BULB, HEADLIGHT	1	1	1	1	1	H4-12V 55/60W
3	5VK-H4393-00	.SPING SUPPORT	1	1	1	1	1	
4	3WW-H4347-00	.BULB (12V-5W)	1	1	1	1	1	
5	5VK-H4397-00	.COVER, SOCKET	1	1	1	1	1	
6	5VK-H4312-00	.CORD ASSY	1	1	1	1	1	
7	90183-05808	.NUT, SPRING	2	2	2	2	2	
8	90101-06815	BOLT	2	2	2	2	2	
9	90201-06839	WASHER, PLATE	2	2	2	2	2	
10	5VK-H4334-00	NUT, ADJUSTING	1	1	1	1	1	
11	5VK-H4118-00	STAY, HEADLIGHT 1	1	1	1	1	1	
12	5VK-H4332-00	SPRING, SCREW	1	1	1	1	1	
13	92017-06020	BOLT, BUTTON HEAD	2	2	2	2	2	
14	90387-065G0	COLLAR	2	2	2	2	2	
15	90480-15058	GROMMET	2	2	2	2	2	
16	90480-15316	GROMMET	2	2	2	2	2	
17	5VK-H4359-10	CORD, HEADLIGHT	1	1	1	1	1	



  
5VK1300-C410

**FIG. 41 TAILLIGHT**

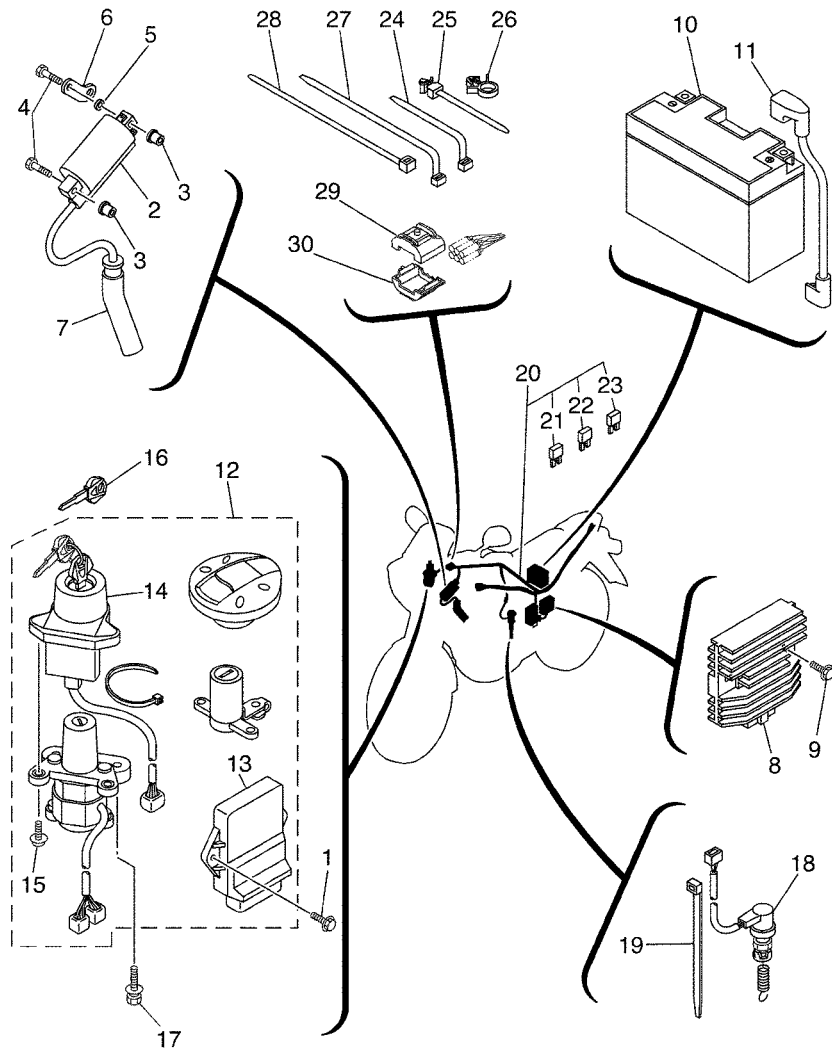
REF. NO.	PART NO.	DESCRIPTION	01	02	03	04	05	REMARKS
1	5VK-H4710-10	TAILLIGHT UNIT ASSY	1	1	1	1	1	
2	5VK-H4721-00	.LENS, TAILLIGHT	1	1	1	1	1	
3	5VK-H4743-00	.LENS, LICENCE LIGHT	1	1	1	1	1	
4	5VK-H4714-00	.BULB (BAY15D 12V-21/5W)	1	1	1	1	1	
5	5VK-H4735-00	.CORD ASSY	1	1	1	1	1	
6	5SE-H4724-00	.SCREW, LENS FITTING	2	2	2	2	2	
7	90480-14329	GROMMET	2	2	2	2	2	
8	90387-065G0	COLLAR	2	2	2	2	2	
9	90201-06057	WASHER, PLATE	2	2	2	2	2	
10	95607-06200	NUT, SELF U-FLANGE	2	2	2	2	2	
11	3NC-H5130-00	REAR REFLECTOR ASSY	1	1	1	1	1	
12	95607-05200	NUT, U FLANGE	1	1	1	1	1	



  
5VK1300-C420

**FIG. 42 HANDLE SWITCH & LEVER**

REF. NO.	PART NO.	DESCRIPTION	01	02	03	04	05	REMARKS
1	1LN-82911-00	HOLDER, LEVER 1	1	1	1	1	1	
2	33G-82913-01	HOLDER, LEVER LOWER 1	1	1	1	1	1	
3	3FY-83912-01	LEVER 1	1	1	1	1	1	
4	90109-06799	BOLT	1	1	1	1	1	
5	95607-06100	NUT, U	1	1	1	1	1	
6	91317-05020	BOLT	2	2	2	2	2	
7	90123-08046	BOLT	1	1	1	1	1	
8	90179-08148	NUT	1	1	1	1	1	
9	5VK-82917-00	SWITCH	1	1	1	1	1	
10	5VK-83969-00	SWITCH, HANDLE 5	1	1	1	1	1	
11	98507-05030	.SCREW, PAN HEAD	1	1	1	1	1	
12	98507-05045	.SCREW, PAN HEAD	1	1	1	1	1	
13	5VK-83975-00	SWITCH, HANDLE 2	1	1	1	1	1	
14	98507-05055	.SCREW, PAN HEAD	1	1	1	1	1	
15	92907-05600	.WASHER, PLATE	1	1	1	1	1	
16	98507-05045	.SCREW, PAN HEAD	1	1	1	1	1	
17	98507-05020	.SCREW, PAN HEAD	1	1	1	1	1	
18	90464-25004	CLAMP	2	2	2	2	2	



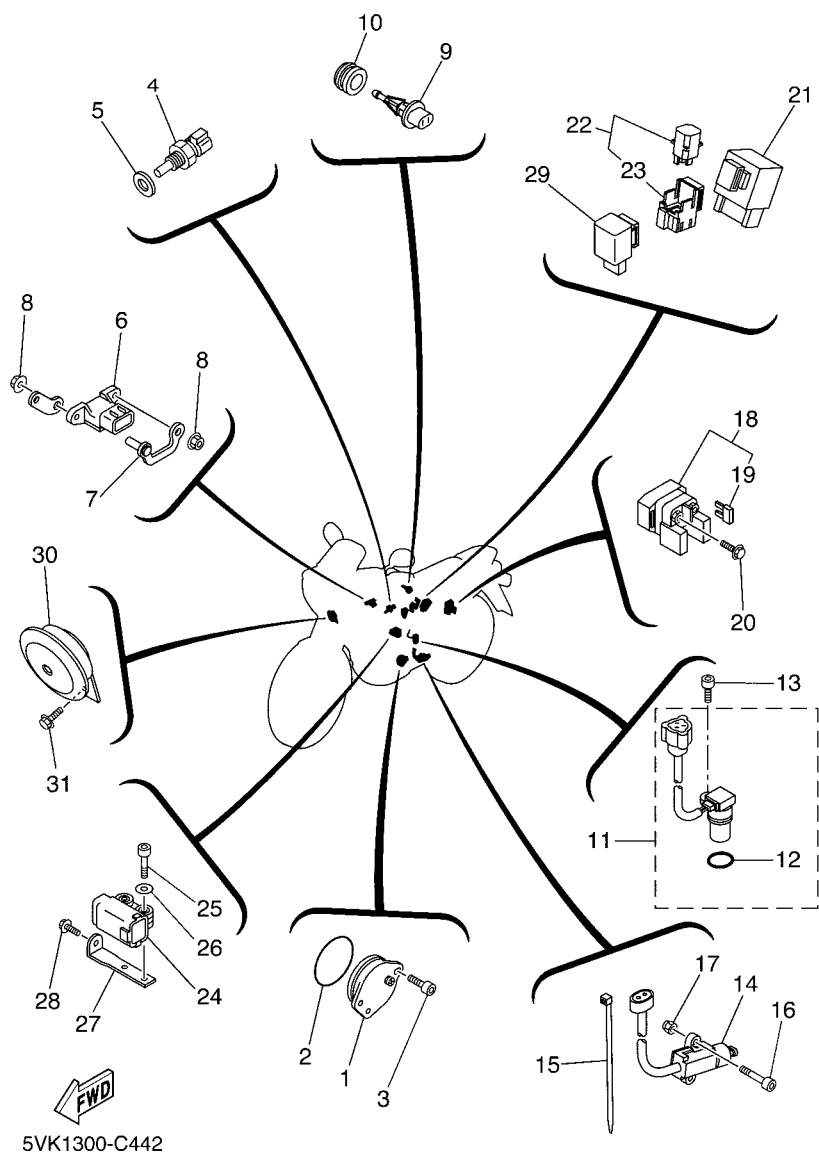
**FWD**  
5VK8300-F430

**FIG. 43 ELECTRICAL 1**

REF. NO.	PART NO.	DESCRIPTION	01	02	03	04	05	REMARKS
1	90119-06192	BOLT, WITH WASHER	2	2	2	2	2	
2	4GV-82310-00	IGNITION COIL ASSY	1	1	1	1	1	
3	90179-05523	NUT	2	2	2	2	2	
4	97007-05025	BOLT	2	2	2	2	2	
5	90201-05556	WASHER, PLATE	1	1	1	1	1	
6	5VK-82312-00	HOLDER, COIL FITTING	1	1	1	1	1	
7	5VK-82370-00	PLUG CAP ASSY	1	1	1	1	1	
8	5SL-81960-00	RECTIFIER & REGULATOR ASSY	1	1	1	1	1	
9	95027-06020	BOLT, FLANGE	2	2	2	2	2	
10	5FL-82100-01	BATTERY ASSY (GT9B-4)	1	1	1	1	1	
11	5VK-H2115-00	WIRE, PLUS LEAD	1	1	1	1	1	
12	5VK-W8250-11	MAIN SW. IMMOBILIZER KIT	1	1	1	1	1	
13	5VK-8591A-11	.ENGINE CONTROL UNIT ASSY	1	1	1	1	1	
14	5VS-8255P-00	.IMMOBILIZER. UNIT COMP.	1	1	1	1	1	
15	5SL-82113-01	.SCREW	2	2	2	2	2	
16	5SL-82511-08	BLANK KEY	1	1	1	1	1	AP
17	90109-080G5	BOLT	2	2	2	2	2	
18	5VK-82530-00	STOP SWITCH ASSY	1	1	1	1	1	
19	90464-16061	CLAMP	2	2	2	2	2	
20	5VK-H2590-20	WIRE HARNESS ASSY	1	1	1	1	1	
21	5JJ-82151-00	.FUSE (7.5A-BL)	2	2	2	2	2	
22	5JJ-82151-30	.FUSE (10A-BL)	6	6	6	6	6	
23	5JJ-82151-20	.FUSE (20A-BL)	2	2	2	2	2	
24	90464-13077	CLAMP	4	4	4	4	4	
25	90464-12089	CLAMP	1	1	1	1	1	
26	90464-15157	CLAMP	1	1	1	1	1	
27	90464-15195	CLAMP	1	1	1	1	1	



FIG. 44 ELECTRICAL 2



5VK1300-C442

REF. NO.	PART NO.	DESCRIPTION	01	02	03	04	05	REMARKS
1	1AE-82540-00	NEUTRAL SWITCH ASSY	1	1	1	1	1	
2	93210-29X00	O-RING	1	1	1	1	1	
3	90110-06122	BOLT, HEXAGON SOCKET HEAD	2	2	2	2	2	
4	5PS-85790-00	THERMOSENSOR ASSY	1	1	1	1	1	
5	90430-12X00	GASKET	1	1	1	1	1	
6	5PS-82380-00	SENSOR, PRESSURE	1	1	1	1	1	
7	5VK-82388-00	PLATE	1	1	1	1	1	
8	95707-06500	NUT, FLANGE	2	2	2	2	2	
9	5VU-85886-00	SENSOR, AIR TEMPRATURE	1	1	1	1	1	
10	5CA-14435-00	GROMMET	1	1	1	1	1	
11	5LP-83755-01	SENSOR, SPEED	1	1	1	1	1	
12	4D9-81168-00	.O-RING	1	1	1	1	1	
13	91317-06014	BOLT	1	1	1	1	1	
14	5RT-82566-50	SWITCH, SIDE STAND	1	1	1	1	1	
15	90464-16061	CLAMP	1	1	1	1	1	
16	91317-05035	BOLT	2	2	2	2	2	
17	95607-05100	NUT, U	2	2	2	2	2	
18	4SV-81940-12	STARTER RELAY ASSY	1	1	1	1	1	
19	1AE-82151-00	.FUSE (30A-BL)	2	2	2	2	2	
20	95027-06008	BOLT, FLANGE	2	2	2	2	2	
21	5VK-81950-40	RELAY ASSY	1	1	1	1	1	
22	5JJ-81950-20	RELAY ASSY	2	2	2	2	2	
23	5JJ-81952-00	.HOLDER, RELAY	1	1	1	1	1	
24	5PS-82576-01	LEAN ANGLE SENSOR	1	1	1	1	1	
25	91317-04025	BOLT	2	2	2	2	2	
26	90201-047A2	WASHER, PLATE	2	2	2	2	2	
27	5VK-F1453-00	BRACKET, SWITCH	1	1	1	1	1	



NUMERICAL INDEX

PART NO.	REF. NO.	PART NO.	REF. NO.	PART NO.	REF. NO.	PART NO.	REF. NO.	PART NO.	REF. NO.	PART NO.	REF. NO.
4G0-11133-11	1 - 2	5VK-13907-11	26 - 31	5VK-21639-00	20 - 22	5VK-25117-00	28 - 2	5JJ-81950-20	44 - 22	5VK-E1185-00	1 - 13
5VK-11181-00	1 - 5	5VK-13971-00	9 - 47	5VK-21649-00	20 - 29	5VK-25181-00	28 - 13	5VK-81950-40	44 - 21	5VK-E1186-00	1 - 17
214-11198-01	8 - 14	558-14147-00	10 - 9	5VK-21746-00	19 - 31	5VK-25311-00	30 - 1	5JJ-81952-00	44 - 23	5VK-E1454-00	3 - 18
5VK-11311-00	2 - 1	8CC-14216-10	10 - 5	26H-21828-00	21 - 12	5Y1-25364-00	30 - 12	5SL-81960-00	43 - 8	5VK-E1531-00	3 - 17
5VK-11351-00	2 - 2	5CA-14435-00	44 - 10	5VK-21875-00	21 - 11	5VK-25366-00	30 - 5	5FL-82100-01	43 - 10	5VK-E1536-00	3 - 16
5VK-11400-00	3 - 1	5VK-14503-00	10 - 6	5VK-22123-00	22 - 8	1VJ-25377-00	30 - 7	5SL-82113-01	43 - 15	5VK-E2151-00	4 - 8
5VK-11401-09	3 - 2	5VK-14531-00	10 - 7	5VK-22124-00	22 - 7	3AJ-25381-01	30 - 20	1AE-82151-00	44 - 19	5VK-E2161-00	4 - 9
5VK-11422-00	3 - 3	3YF-14613-01	11 - 31	5VK-22125-00	22 - 19	1UF-25388-01	30 - 21	5JJ-82151-00	43 - 21	5VK-E2170-20	5 - 1
5VK-11603-00	3 - 12	4EL-14714-00	11 - 13	1VJ-22141-00	22 - 31	3HT-25398-00	28 - 11	5JJ-82151-20	43 - 23	5VK-E2210-00	5 - 13
5VK-11631-00	3 - 11		11 - 23	10V-22178-00	19 - 18		30 - 18	5JJ-82151-30	43 - 22	5VK-E2231-00	5 - 10
5VK-11633-00	3 - 13	4FU-14714-00	11 - 3	30X-22178-00	19 - 17	5VK-25445-01	30 - 10	4GV-82310-00	43 - 2	5VK-E2241-00	5 - 11
5VK-11651-00	3 - 6	5JX-14725-00	11 - 2	10V-22184-00	19 - 19	5CG-25715-00	33 - 6	5VK-82312-00	43 - 6	5VK-E2405-00	7 - 9
5VK-11681-00	3 - 4	5VK-14803-00	11 - 37	30X-2219X-00	22 - 5	4ML-2582A-50	35 - 7	5VK-82370-00	43 - 7	5VK-E2413-00	7 - 2
5VK-12111-00	4 - 1	5VK-14815-00	11 - 33	5VK-22210-01	23 - 1	5VK-2583V-00	35 - 3	5PS-82380-00	44 - 6	5VK-E2436-00	6 - 1
5VK-12113-00	4 - 3	5VK-14871-02	11 - 32	4AA-22259-40	23 - 2	3XP-25852-50	35 - 12	5VK-82388-00	44 - 7	5VK-E2437-00	7 - 13
3YF-12116-00	4 - 4	5VK-14881-00	11 - 35	4DA-23145-L0	25 - 4	2VN-25854-00	35 - 13	5SL-82511-08	43 - 16	5VK-E2437-10	7 - 14
3YF-12117-01	4 - 6	5VK-15362-00	19 - 26		25 - 21	55U-25854-00	33 - 5	5VK-82530-00	43 - 18	5VK-E243A-10	9 - 28
4G0-12118-00	4 - 7	5VK-15455-00	13 - 35	3XJ-23171-L0	25 - 9	2VN-25855-00	35 - 14	1AE-82540-00	44 - 1	5VK-E2461-00	7 - 8
5H0-12119-00	4 - 5	1VJ-15511-00	14 - 12		25 - 26	2VN-25866-00	35 - 6	5VS-8255P-00	43 - 14	5VK-E2462-00	7 - 10
5VK-12121-00	4 - 2	3YF-15515-00	14 - 1	4V4-23188-L0	25 - 15	56A-25867-00	33 - 12	5RT-82566-50	44 - 14	5VK-E2469-00	6 - 16
5VK-12146-00	4 - 10	5VK-15590-00	14 - 8		25 - 32	5JJ-25894-00	35 - 11	5PS-82576-01	44 - 24	5VK-E2498-00	7 - 16
5BP-12159-01	4 - 11	2JN-16154-00	15 - 14	5VK-23389-00	24 - 2	5VK-25895-00	35 - 15	5VS-8258J-00	43 - 29	5VK-E2577-00	6 - 22
4DW-12213-00	5 - 15	22U-16321-00	15 - 11		24 - 19	5VK-26110-00	32 - 1	1UA-82591-00	43 - 28	5VK-E2578-10	7 - 5
5VK-12280-01	5 - 5	5TA-16321-00	15 - 18	1W1-23416-00	24 - 9	4YR-26240-02	32 - 2	5VS-8259J-00	43 - 30	5VK-E2579-10	7 - 17
5VK-12284-00	5 - 3	4X7-16325-00	15 - 10	3YF-23418-00	24 - 12	4YR-26241-02	32 - 3	1LN-82911-00	42 - 1	5VK-E3181-00	8 - 15
5VK-12290-00	5 - 4	5VK-16331-00	15 - 15	5VK-23430-00	24 - 15	4JH-26246-00	32 - 4	33G-82913-01	42 - 2	5VK-E3300-00	8 - 1
5VK-12410-00	7 - 1	5VK-16340-00	15 - 22	4H7-23441-01-P5	24 - 21	1E6-26342-00	32 - 8	5VK-82917-00	42 - 9	5VK-E3327-00	8 - 8
5VK-12421-00	6 - 6	132-16346-00	17 - 10	3Y6-23442-00-P1	24 - 22	4SS-27218-00	35 - 9	5VK-83345-00	38 - 25	5VK-E3356-00	8 - 7
5VK-12422-00	6 - 3	5VK-16351-00	15 - 8	5VK-2414H-00	26 - 13	2YK-27222-00	35 - 8	4GY-83350-00	44 - 29	5VK-E3415-10	8 - 11
5VK-12428-00	6 - 11	4XV-16356-01	15 - 21		26 - 18	3KW-27234-00	35 - 10	5VK-83359-00	38 - 24	5VK-E3545-00	9 - 33
11H-12438-10	6 - 9	5VK-16371-00	15 - 7	5VK-2414K-00	26 - 14	5VK-28345-00	26 - 12	5VK-83500-41	39 - 1	5VK-E3586-10	9 - 1
5VK-12450-00	6 - 2	5JG-16383-00	15 - 16	5VK-2416F-00	26 - 24		26 - 17	5VK-83500-51	39 - 1	5VK-E3591-00	9 - 25
5VK-12459-00	6 - 14	5JG-16384-00	15 - 17	22W-24181-00	11 - 18	5DM-28371-00	20 - 9	5LP-83755-01	44 - 11	5VK-E4411-00	9 - 3
5VK-12481-00	6 - 19	5VK-18101-00	18 - 1		11 - 28	5VK-28371-00	26 - 21	3FY-83912-01	42 - 3	5VK-E441A-00	9 - 5
583-13113-00	8 - 32	5VK-18127-00	17 - 12	3TB-24181-00	26 - 6	5VK-2837K-00	36 - 7	5VK-83922-00	33 - 7	5VK-E441E-00	9 - 10
5VK-13160-00	10 - 2	5JW-18140-00	17 - 11	5VK-24182-00	26 - 7	4D9-81168-00	44 - 12	5VK-83969-00	42 - 10	5VK-E4437-00	9 - 9
5VK-13161-00	8 - 25	5VK-18540-00	17 - 1	5VK-24183-00	26 - 10	5VK-81410-00	37 - 1	5VK-83975-00	42 - 13	5LW-E443E-00	9 - 18
5VK-13171-00	8 - 28	4UN-18542-00	17 - 3	5JW-24486-00	26 - 3	5VK-81450-10	37 - 2	5VK-83980-00	33 - 11	5VK-E443E-00	9 - 15
3AJ-13325-00	8 - 5	4UN-18566-00	17 - 4	5VK-24602-00	26 - 5	3AJ-81801-00	14 - 14	1FK-84527-00	7 - 24	5VK-E4451-00	9 - 8
5LP-13329-00	8 - 2	3YX-21376-00	20 - 28	4HM-24728-00	27 - 3	3AJ-81809-00	14 - 17	5PS-85790-00	44 - 4	5VK-E4452-00	9 - 6
4X7-13440-01	8 - 17	4XV-21376-00	20 - 27		27 - 7	5VK-81815-00	14 - 21	3P6-85885-00	10 - 10	5VK-E4453-00	9 - 4
2WK-13447-00	8 - 18	5VK-2137C-60	26 - 27	5VK-24731-30	27 - 6	4XV-8182A-00	14 - 20	5VK-85886-00	44 - 9	5VK-E4457-00	9 - 11
5VK-13464-00	8 - 35	5VK-2137C-70	26 - 27	5VK-24737-00	27 - 9	11H-81844-00	14 - 18	5VK-8591A-11	43 - 13	5VK-E4611-10	11 - 1
5VK-13465-00	8 - 39	5VK-2137D-60	26 - 28	1TA-24741-00	20 - 25	1FK-81847-00	14 - 15	1B9-8592A-00	11 - 7	5VK-E4621-00	11 - 8
5VK-13542-00	9 - 36	5VK-2137D-70	26 - 28	5VK-24747-00	27 - 17	3AJ-81850-00	14 - 16	5VK-E1101-00	1 - 1	5VK-E4628-00	11 - 5
5VK-13750-11	10 - 1	5VK-21445-00	19 - 15	4BP-24780-00	27 - 10	4G0-81871-00	14 - 19	5VK-E111F-00	5 - 6	5VK-E4711-10	11 - 9
5VK-13761-00	10 - 8	1D2-2153A-50	20 - 30	5VK-25111-00	28 - 1	3SX-81890-00	14 - 11	5VK-E1166-00	12 - 13	5VK-E4721-10	11 - 19
5VK-13907-02	26 - 31	1D2-2153A-60	20 - 30	136-25115-00	28 - 5	4SV-81940-12	44 - 18	5VK-E1167-00	9 - 22	5VK-E4728-30	11 - 11

NUMERICAL INDEX

PART NO.	REF. NO.	PART NO.	REF. NO.	PART NO.	REF. NO.	PART NO.	REF. NO.	PART NO.	REF. NO.	PART NO.	REF. NO.
5VK-E4747-00	11 - 12	5VK-F137W-11	26 - 11	5VK-F3153-00	25 - 3	5VK-F5873-00	35 - 23	5VK-H3311-00	38 - 18	90101-10659	22 - 25
5VK-E4748-30	11 - 21	5VK-F137W-30	26 - 11	5VK-F5875-00	25 - 20	5VK-F5875-00	35 - 26	5VK-H3320-00	38 - 6	90101-12742	23 - 3
5VK-E4757-00	11 - 22	5VK-F137X-11	26 - 16	5JH-F3158-00	25 - 16	5DS-F5917-00	29 - 9	5VK-H3330-00	38 - 12	90105-05361	24 - 3
5VK-E4882-00	11 - 38	5VK-F137X-30	26 - 16		25 - 33		31 - 9	5VK-H3333-00	38 - 4		24 - 20
5VK-E5100-00	12 - 1	5VK-F137Y-00	26 - 20	5VK-F3170-00	25 - 11	5VK-F5919-00	29 - 6		38 - 9	90105-06X06	1 - 15
5VK-E5118-00	13 - 25	5VK-F1410-00	19 - 14		25 - 28	5VK-F5919-10	31 - 6		38 - 15		7 - 3
5VK-E5199-00	14 - 24	5VK-F1453-00	44 - 27	5VK-F3173-00	25 - 10	5VK-F5924-00	29 - 5		38 - 19	90105-06X20	13 - 30
5VK-E5371-00	9 - 21	5VK-F1511-10	20 - 1		25 - 27	5VK-F5924-10	31 - 5	5VK-H333A-00	38 - 2	90105-07004	5 - 8
5VK-E5383-00	12 - 16	5VK-F1511-30	20 - 1	5VK-F317E-00	24 - 17	5VK-F6280-00	32 - 12		38 - 7	90105-09002	1 - 6
5VK-E5416-00	13 - 27	5VK-F1556-00	20 - 5	5VK-F317F-00	24 - 18	5VK-F6290-00	32 - 13		38 - 13	90105-09003	1 - 8
5VK-E5421-00	13 - 16	5WW-F1568-01	26 - 29	5VK-F317M-00	24 - 24	5VK-F6311-00	32 - 6		38 - 17	90105-09004	1 - 7
5VK-E5431-00	13 - 19	5VK-F1587-00	20 - 6	4CU-F3181-00	25 - 35	5VK-F6312-00	32 - 7	5VK-H3340-00	38 - 16	90105-10040	19 - 12
5VK-E5441-01	13 - 23	5VK-F160E-00	20 - 21	5VK-F3181-00	25 - 17	5VK-F6335-00	32 - 9	5VK-H3371-00	44 - 30	90105-10069	29 - 10
5VK-E5451-10	13 - 2	5VK-F1611-01	20 - 8		25 - 34	5VK-F7211-00	35 - 1	5VK-H3519-00	39 - 4	90105-10077	2 - 4
5VK-E5453-10	13 - 28	5VK-F1621-00	9 - 12	5VK-F3340-00	25 - 36	5VK-F7311-00	34 - 13	5VK-H410A-01	40 - 1	90105-10078	2 - 3
5VK-E5462-10	13 - 20	5VK-F1651-10	20 - 19	5VK-F334G-00	25 - 38	5VK-F7411-10	34 - 1	5VK-H410A-11	40 - 1	90105-10811	34 - 12
5VK-E5517-00	14 - 5	5VK-F1651-30	20 - 19	5VK-F334H-00	25 - 39	5VK-F7412-10	34 - 2	5VK-H4118-00	40 - 11	90105-10813	34 - 6
5VK-E5522-00	14 - 4	5VK-F1668-00	22 - 35	5SE-F3394-00	25 - 37	5VK-F7416-00	34 - 24	5VK-H4312-00	40 - 6	90105-10814	34 - 14
5VK-E5560-00	14 - 6	5VK-F1685-00	20 - 14	5VK-F3466-00	24 - 29		34 - 32	5VK-H4314-00	40 - 2	90109-06419	8 - 21
5VK-E6111-00	15 - 1	5VK-F1711-00	21 - 1	5VK-F3472-00	24 - 4	5VK-F741L-10	34 - 19	5VK-H4332-00	40 - 12	90109-06577	33 - 8
5VK-E6150-00	15 - 6	5VK-F1721-00	21 - 5	5VK-F4110-10-P0	26 - 1	5VK-F7421-10	34 - 7	5VK-H4334-00	40 - 10	90109-06799	42 - 4
5VK-E6382-00	15 - 24	5VK-F1756-00	19 - 4	5VK-F413B-01	26 - 25	5VK-F7422-10	34 - 8	3WW-H4347-00	40 - 4	90109-06816	31 - 2
5VK-E7121-10	16 - 10	5VK-F1871-00	21 - 8		26 - 26	5VK-F742L-10	34 - 27	5VK-H4359-10	40 - 17	90109-080G5	43 - 17
5VK-E7131-10	16 - 5	5VK-F2110-10	22 - 1	5DN-F415A-10	26 - 30	5VK-F7431-00	34 - 20	5VK-H4393-00	40 - 3	90109-085E2	11 - 29
5VK-E7141-10	16 - 2	5VK-F2151-00	22 - 9	5VK-F4186-00	26 - 8	5VK-F7437-00	34 - 23	5VK-H4397-00	40 - 5	90109-085G6	35 - 19
5VK-E7151-10	16 - 6	5VK-F2174-00	30 - 22	5VK-F4491-00	26 - 2		34 - 31	5VK-H4710-10	41 - 1	90110-06122	44 - 3
5VK-E7211-10	16 - 22	5VK-F217A-00	22 - 12	5VK-F4731-50	27 - 2	5VK-F7441-00	34 - 28	5VK-H4714-00	41 - 4	90110-08127	34 - 35
5VK-E7221-10	16 - 14	5VK-F217F-00	22 - 18	3VL-F4741-10	27 - 18	5CH-F7491-00	31 - 10	5VK-H4721-00	41 - 2	90110-08X02	27 - 21
5VK-E7231-10	16 - 18	5VK-F2243-00	23 - 5	5VK-F474A-10	27 - 19	5VK-F8100-10	27 - 23	5SE-H4724-00	41 - 6	90110-08X06	27 - 22
5VK-E7241-10	16 - 21	5VK-F2311-00	22 - 29	5VK-F474W-10	27 - 20	5VK-F8116-00	27 - 24	5VK-H4735-00	41 - 5	90111-05011	24 - 7
5VK-E7251-10	16 - 17	5VK-F3102-10	25 - 1	5VK-F4770-30	27 - 5	5VK-F8199-E1	27 - 25	5VK-H4743-00	41 - 3		26 - 15
5VK-E7401-00	16 - 1	5VK-F3103-10	25 - 18	5VK-F4770-50	27 - 1	5VK-F8199-F1	27 - 25	3NC-H5130-00	41 - 11		26 - 19
5VK-E7402-00	16 - 13	5VK-F3110-00	25 - 8	5VK-F478E-00	27 - 13	5VK-F8199-G1	27 - 25	3XP-W0041-00	33 - 2	90111-06029	31 - 11
5VK-E7460-10	16 - 32		25 - 25	5VK-F478X-00	27 - 16	5VK-F8199-H1	27 - 25	3BN-W0042-50	35 - 4	90111-06060	11 - 6
5VK-E7466-00	13 - 17	5VK-F3111-00	25 - 14	5VK-F4792-00	27 - 11	5VK-F8199-S1	27 - 25	5VK-W0045-00	29 - 4	90111-08823	29 - 2
5VK-E7471-00	16 - 29		25 - 31	5VK-F5104-00	28 - 7	5VK-F8351-10	36 - 1	5VK-W0046-00	31 - 4	90116-10485	30 - 9
5VK-E8110-01	18 - 2	5VK-F3125-00	25 - 5	5VK-F5183-00	28 - 12	5VK-F8351-60	36 - 1	5VK-W1473-20	11 - 10	90119-05193	24 - 6
5VK-E8113-00	18 - 3		25 - 22	5VK-F5186-00	28 - 14	5VK-F8381-00	36 - 4		11 - 20	90119-06044	35 - 17
5VK-E8144-00	17 - 9	5VK-F3126-10	25 - 2	5VK-F5304-00	30 - 13	5VK-F8381-30	36 - 4	2TV-W2470-00	27 - 14	90119-06051	20 - 7
5VK-E8501-00	17 - 6	5VK-F3136-10	25 - 19	5VK-F580T-00	29 - 3	5VK-H2115-00	43 - 11	3GM-W2585-21	33 - 4	90119-06096	20 - 4
5VK-E8502-00	17 - 7	5VK-F3141-00	25 - 12	5VK-F580W-00	31 - 3	5VK-H2116-00	14 - 23	5VK-W2587-00	33 - 1	90119-06105	15 - 13
5VK-E8503-00	17 - 8		25 - 29	5VK-F581T-00	29 - 1	5VK-H2121-00	9 - 13	5VK-W8250-11	43 - 12	90119-06118	20 - 15
5VK-E8699-00	17 - 20	5VK-F3144-00	25 - 6	5SE-F5824-00	29 - 8	5VK-H2122-00	9 - 14	5VK-WE343-00	8 - 10	90119-06192	43 - 1
5VK-F1110-10	19 - 1		25 - 23		31 - 8	5VK-H2590-20	43 - 20	5VK-WE541-00	13 - 1	90119-06861	22 - 30
5VK-F117F-10	35 - 18	5VK-F3146-00	25 - 7	5DS-F5825-00	29 - 7	5VK-H3310-00	38 - 1	5VK-WE544-00	13 - 31	90119-06X05	5 - 12
5VK-F117M-10	35 - 28		25 - 24		31 - 7	5VK-H3311-00	38 - 3	90101-06815	40 - 8	90123-08046	42 - 7
5VK-F1315-00	19 - 9	5VK-F3149-00	25 - 13	5VK-F582W-00	31 - 1		38 - 8	90101-06X26	16 - 30	90149-05110	8 - 23
5VK-F1316-00	19 - 6		25 - 30	5VK-F5872-10	33 - 15		38 - 14	90101-08428	19 - 23	90149-05321	17 - 5

NUMERICAL INDEX

PART NO.	REF. NO.	PART NO.	REF. NO.	PART NO.	REF. NO.	PART NO.	REF. NO.	PART NO.	REF. NO.	PART NO.	REF. NO.
90149-06280	11 - 17	90201-101J1	34 - 16	90387-06023	11 - 26	90450-72001	9 - 2	90480-01558	21 - 4	91317-06030	1 - 9
	11 - 27	90201-10X03	33 - 17	90387-06042	7 - 21	90462-07X00	12 - 11		21 - 7		12 - 5
90149-06298	35 - 29		35 - 25	90387-06066	22 - 11	90462-16X00	13 - 15	90480-12581	11 - 15		13 - 22
90150-05023	36 - 5	90201-10X17	15 - 30	90387-06088	38 - 23	90464-07259	20 - 26		11 - 25	91317-06035	13 - 4
90159-05083	36 - 3	90201-10X18	14 - 7	90387-062M9	21 - 9	90464-11008	21 - 18	90480-13398	14 - 25		13 - 33
90159-06078	21 - 2	90201-12541	6 - 10	90387-065G0	40 - 14	90464-12001	24 - 26	90480-14329	41 - 7		32 - 5
	21 - 6	90201-12X05	17 - 19		41 - 8		32 - 10	90480-14555	39 - 3		38 - 20
90164-05014	39 - 2	90201-12X06	17 - 16	90387-065X7	20 - 2	90464-12089	39 - 6	90480-15001	9 - 41	91317-06040	2 - 6
90169-05801	7 - 12	90201-13013	22 - 28	90387-06648	20 - 18		43 - 25	90480-15058	40 - 15	91317-06045	12 - 6
90169-05802	7 - 11	90201-16013	3 - 8	90387-06852	31 - 12	90464-13077	43 - 24	90480-15316	40 - 16	91317-06050	6 - 24
90170-06128	4 - 12	90201-160F6	22 - 20	90387-06X37	34 - 26	90464-15157	43 - 26	90480-18276	7 - 20		13 - 6
90170-18003	3 - 23	90201-160T2	30 - 28		34 - 34	90464-15195	43 - 27		9 - 45		13 - 7
90170-20274	15 - 5	90201-170T3	30 - 27	90387-07037	9 - 44	90464-16001	11 - 42	90480-20566	9 - 27	91317-06055	12 - 7
90170-20327	15 - 20	90201-17X01	17 - 18	90387-075H4	9 - 40	90464-16006	21 - 17	90501-04X01	8 - 34	91317-06060	12 - 8
90176-22081	24 - 13	90201-208G4	16 - 23	90387-07717	21 - 3	90464-16061	38 - 5	90501-06022	17 - 2	91317-06080	12 - 9
90179-05523	36 - 6	90201-220T0	24 - 14	90387-08024	19 - 20		38 - 10	90501-10312	33 - 10	91317-06090	12 - 10
	43 - 3	90201-30X00	3 - 15	90387-087L0	20 - 3		43 - 19	90501-12X02	34 - 21	91317-06095	8 - 22
90179-06635	27 - 4	90201-30X01	14 - 3	90387-10020	34 - 15		44 - 15		34 - 29	91317-08025	14 - 9
	27 - 8	90202-26142	24 - 11	90387-127W0	22 - 24	90464-18004	32 - 11	90501-260A1	15 - 12	91317-08030	24 - 27
90179-08148	42 - 8	90209-20012	15 - 3	90387-16011	22 - 16	90464-25004	42 - 18	90506-20002	34 - 18	91380-06016	11 - 34
90179-08442	11 - 30	90209-21351	16 - 9	90387-16012	22 - 17	90464-37257	11 - 41	90506-20369	35 - 2	91401-16012	35 - 22
90179-10658	19 - 8	90209-21X00	16 - 3	90387-167R5	22 - 15	90465-10044	1 - 16	90508-16X00	15 - 23	91401-25020	34 - 5
	19 - 11		16 - 19	90387-17801	30 - 25	90465-10045	2 - 7	90508-20X00	34 - 3		34 - 11
	19 - 13	90209-22X00	16 - 8	90387-17802	30 - 26	90465-12013	12 - 12	90508-20X01	34 - 9	91808-16X00	12 - 3
90179-16448	3 - 9	90209-26348	16 - 15	90387-21002	16 - 7	90467-07138	9 - 37	90560-17306	30 - 2		13 - 29
90179-18003	16 - 34	90215-18X00	3 - 24	90387-25802	16 - 26	90467-08003	21 - 14	91317-04025	44 - 25		13 - 32
90179-25615	24 - 10	90215-20X00	15 - 4	90401-08133	8 - 26		21 - 16	91317-05008	8 - 9	91810-14X00	8 - 37
90183-05061	24 - 5	90215-20X01	15 - 19	90401-10096	8 - 29	90467-10008	8 - 43	91317-05010	26 - 4	92017-06014	38 - 11
	36 - 2	90215-21X00	16 - 33	90401-10X03	33 - 16		19 - 30	91317-05014	37 - 4		39 - 5
90183-05808	40 - 7	90240-08124	35 - 20		35 - 24	90467-11090	9 - 30	91317-05020	42 - 6	92017-06020	40 - 13
90183-06023	20 - 11	90240-10X01	34 - 4	90430-05X00	8 - 24	90467-11108	9 - 31	91317-05035	44 - 16	92017-06030	37 - 3
	20 - 16		34 - 10	90430-06014	6 - 12		9 - 32	91317-06012	6 - 21	92017-06035	8 - 4
90185-14002	22 - 21	90269-06008	26 - 23	90430-08119	19 - 3	90467-12085	35 - 16		8 - 31	92907-05600	42 - 15
90201-047A2	44 - 26	90269-08066	20 - 20	90430-08X01	8 - 27	90467-12800	9 - 19		13 - 14	92907-06600	7 - 23
90201-05556	43 - 5		22 - 34	90430-09002	10 - 3	90467-13062	9 - 16		13 - 26		33 - 14
90201-05X08	37 - 5	90280-05001	3 - 7	90430-10X00	8 - 30	90467-14015	12 - 14	91317-06014	44 - 13	92907-08200	19 - 25
90201-06026	38 - 22	90282-05058	3 - 22	90430-12X00	44 - 5		12 - 15	91317-06016	8 - 41	92907-08600	30 - 23
90201-06057	41 - 9	90282-07001	15 - 2	90430-22123	19 - 5	90467-14800	9 - 23		12 - 17	93101-12173	6 - 8
90201-064K6	9 - 42	90338-06004	24 - 28	90445-08008	21 - 15	90467-17089	11 - 36		24 - 30	93101-14164	13 - 24
90201-06839	40 - 9	90338-08226	20 - 13	90445-08020	21 - 13		11 - 39	91317-06018	1 - 19	93101-25106	3 - 21
90201-08083	35 - 21	90338-08801	9 - 17	90445-11X01	8 - 42	90467-170A0	11 - 40	91317-06020	6 - 17	93102-12106	17 - 14
90201-082H0	19 - 21	90338-28242	22 - 33	90445-12004	9 - 29	90467-17128	9 - 35		8 - 12	93102-15212	15 - 28
90201-08X18	14 - 10	90340-14132	8 - 13	90450-31X00	6 - 23	90467-17800	19 - 29		18 - 4	93102-35368	16 - 28
90201-08X19	15 - 25	90340-14X00	13 - 10	90450-32X04	7 - 6	90467-17801	9 - 24	91317-06025	5 - 14	93106-22019	22 - 4
90201-096J9	1 - 10	90340-36X00	13 - 12		7 - 7	90467-17800	19 - 28		8 - 38	93106-23002	28 - 4
90201-10141	24 - 23	90380-22111	22 - 3		7 - 18	90467-19800	9 - 20		13 - 5		30 - 4
90201-101A4	2 - 5	90387-05803	20 - 24		7 - 19	90467-23800	9 - 20		13 - 18	93106-30029	30 - 8
90201-101J1	22 - 27	90387-06023	11 - 16	90450-59001	9 - 26	90480-01141	26 - 22		13 - 34	93108-35004	22 - 6

NUMERICAL INDEX

PART NO.	REF. NO.	PART NO.	REF. NO.	PART NO.	REF. NO.	PART NO.	REF. NO.	PART NO.	REF. NO.	PART NO.	REF. NO.
93109-17071	22 - 23	93440-10X00	1 - 3	95807-06010	7 - 15						
93109-20076	22 - 14	93440-11024	14 - 13	95807-06012	20 - 10						
93210-07X01	8 - 20	93440-25084	16 - 4		21 - 10						
	12 - 4		16 - 20	95807-06014	20 - 17						
93210-10X00	8 - 36	93440-28062	16 - 16	95807-06016	44 - 28						
93210-11X00	8 - 16	93450-24824	3 - 14	95807-06020	22 - 10						
93210-13X00	8 - 3	93501-04X00	34 - 22	95807-08012	19 - 2						
	13 - 8		34 - 30	95814-08035	11 - 4						
93210-14X00	13 - 11	93503-08007	8 - 33	95814-10070	19 - 7						
93210-15620	35 - 5	93603-16219	6 - 13	95814-10100	19 - 10						
93210-15X00	8 - 40	93612-16X00	1 - 12	95817-06035	14 - 22						
93210-19123	19 - 27	94418-21X01	28 - 6	95827-06012	26 - 9						
93210-21X00	6 - 20	94427-17X00	30 - 14	95827-06020	9 - 43						
93210-22X00	16 - 27	94568-B6110	30 - 19	95827-06025	9 - 38						
93210-29X00	44 - 2	94591-57126	5 - 9	95827-06030	9 - 39						
93210-33X00	6 - 18	94701-00X09	1 - 11	95827-08040	19 - 22						
93210-35X00	13 - 13	95024-08016	19 - 16	97007-05012	20 - 23						
93210-41X00	7 - 4	95024-08040	11 - 14	97007-05025	43 - 4						
93210-61750	6 - 4		11 - 24	97007-06025	7 - 22						
93210-64X01	8 - 19	95027-06008	44 - 20		33 - 13						
93210-78X00	1 - 18	95027-06010	44 - 31	97707-60020	20 - 12						
93210-96X00	1 - 14	95027-06012	5 - 7	9770M-50025	9 - 7						
93306-00106	6 - 5		35 - 27	98507-05020	42 - 17						
93306-00304	15 - 9	95027-06014	27 - 15	98507-05030	42 - 11						
93306-004XL	16 - 12	95027-06020	43 - 9	98507-05045	42 - 12						
93306-004XM	16 - 31	95027-06025	6 - 7		42 - 16						
93306-07209	5 - 2	95027-08040	24 - 16	98507-05055	42 - 14						
93306-20348	28 - 3	95307-08600	30 - 24	98507-06012	10 - 4						
	30 - 3	95604-06200	34 - 25	98706-04012	33 - 3						
93306-205XA	16 - 11		34 - 33	99001-07600	15 - 26						
93306-30437	30 - 6	95604-16200	30 - 29	99001-10600	17 - 15						
93306-305X4	16 - 25	95606-06100	33 - 9	99009-10400	15 - 31						
93306-305YH	3 - 20	95607-05100	44 - 17	99009-12400	6 - 15						
93306-305YJ	3 - 19	95607-05200	41 - 12	99530-12016	12 - 2						
93306-308Y0	3 - 10	95607-06100	38 - 21		13 - 3						
93310-530C7	14 - 2		42 - 5		13 - 9						
93310-84010	3 - 5	95607-06200	41 - 10		13 - 21						
93315-11206	17 - 13	95607-08100	19 - 24	99530-14016	12 - 18						
93315-22251	22 - 2	95607-10200	24 - 25								
93315-31502	15 - 29		30 - 11								
93315-31759	22 - 22	95607-14200	22 - 32								
93315-32053	22 - 13	95614-10100	22 - 26								
93317-11020	15 - 27	95617-08618	1 - 4								
93332-000Y5	24 - 1	95617-10100	34 - 17								
93332-000Y6	24 - 8	95617-12100	23 - 4								
93410-11X00	8 - 6	95704-06500	9 - 46								
93410-17X00	17 - 17	95707-06500	27 - 12								
93410-20825	16 - 24		44 - 8								