

PARTS CATALOGUE

XT660R '04(5VK1) EUROPE

FOREWORD

This Parts Catalogue is related to the parts for the model(s) in the below frame. When you are ordering replacement parts, please refer to this Parts Catalogue and quote both part numbers and parts names correctly.

XT660R (5VK1), XT660R (5VK3)

1. Modifications or additions which have been made after issue of the Parts Catalogue will be announced in the Yamaha Parts News. It is advisable that you make necessary corrections to the Parts Catalogue according to the Yamaha Parts News.

2. Abbreviations

The following abbreviations are used in this Parts Catalogue.

- "UR" Use specified parts number.
- "UN" Use as many as needed.
- "AP" Alternate Parts.
- "LM" Local made (Parts needs to be ordered locally).
- "F#" Frame No. (Applicable machine No.)

3. Parts, which are to be supplied in an assembly, are listed with a dot (.) in front of the part name as shown below.

EXAMPLE

- CARBURETOR ASSY
- .JET, PILOT
- .NOZZLE, MAIN

4. Number of component for assembly

The numeral appearing to the right of each component part indicates the quantity of parts for each assembly unit.

EXAMPLE

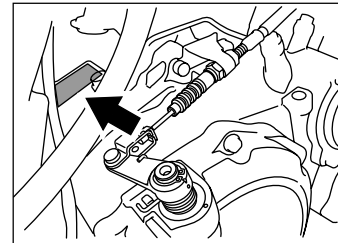
PART NO.	DESCRIPTION	Q'TY	REMARKS
2F5-83310-60	FRONT FLASHER LIGHT ASSY	2	
115-83311-60	.BULB (6V-18W)	1	
1M1-83309-60	.REFLECTOR	1	

5. Applicable colors of graphics are represented in the "REMARKS" as shown below.

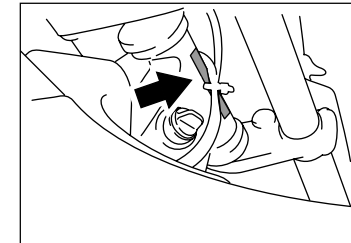
PART NO.	DESCRIPTION	Q'TY	REMARKS
2N4-24110-00-X5	FUEL TANK COMP.	2	MXR
3J1-24240-10	.GRAPHIC, FUEL TANK	1	for MXR

6. Applicable Serial No.

Engine Serial No.



Frame Serial No.



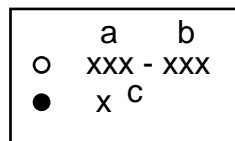
7. Note that the illustrations for reference in finding parts numbers, not to be used for assembling. When assembling, please use the applicable Service Manual.

8. The asterisk (*) before a reference number indicates modification items after the first edition.

MODEL LABEL

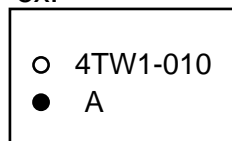
(1) A label called "Model Label" is affixed in the location as indicated in (3) below. When using this parts catalogue, please be sure to cross-refer the "model code-production code No." in the catalogue to the "model code-production code No." indicated on the Model Label affixed onto the product concerned.

(2) "Model Label" Indication

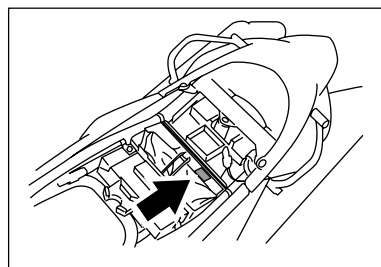


a: Model Type Code
b: Production Code No.
c: ColouringType

ex.



(3) Model Label Affixing Location



(4) Model Code - Production Code Number of Model Listed in this Parts Catalogue.

Model Code	Production Code No.	Country (destination)	Quantity column
5VK1	010	FRANCE	FRA
5VK1	020	NETHERLAND	OTH
5VK1	030	SWITZERLAND	OTH
5VK1	040	GERMANY	DEU
5VK1	050	ITALY	OTH
5VK1	060	PORTUGAL	OTH
5VK1	070	GREECE	OTH
5VK1	080	NORWAY	OTH
5VK1	090	SWEDEN	OTH
5VK1	100	SPAIN	OTH
5VK1	110	BELGIUM	OTH
5VK1	130	ZAF	ZAF
5VK3	010	ENGLAND	GBR

(5) Colouring Information

Model Code	Colouring type code	Colour code	Colour name	Abbreviation
5VK1	A	0593	DEEP PURPLISH BLUE SOLID E	DPBSE
5VK1	B	0033	YAMAHA BLACK	YB



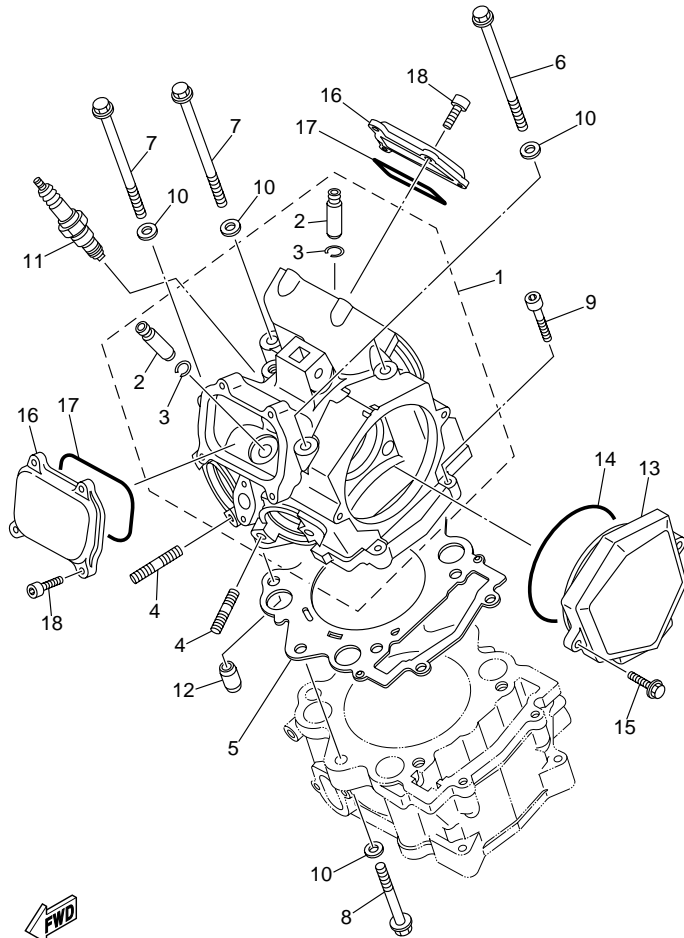
XT660R

1C5VK-300E1 FRA

DEUZAF OTH GBR

FIG 1 CYLINDER HEAD

B2

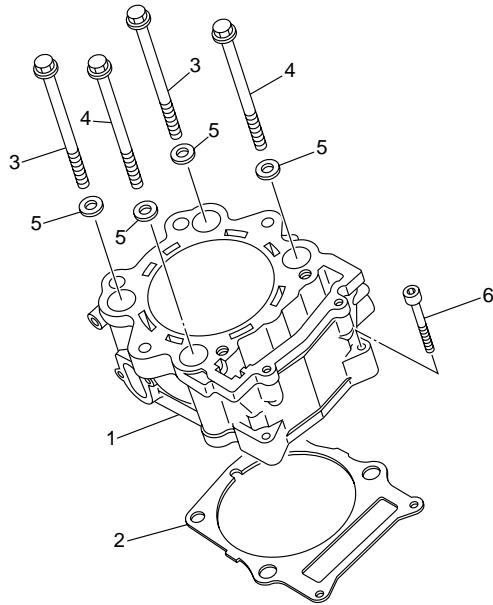


5VK1300-C010

Ref. NO.	Part NO.	DESCRIPTION	FRA	DEU	ZAF	OTH	GBR	REMARKS
1	5VK-E1101-00	CYLINDER HEAD ASSY	1	1	1	1	1	
2	4G0-11133-11	.GUIDE, VALVE 1	4	4	4	4	4	
3	93440-10085	.CIRCLIP	4	4	4	4	4	
4	95617-08618	BOLT, STUD	4	4	4	4	4	
5	5VK-11181-00	GASKET, CYLINDER HEAD 1	1	1	1	1	1	
6	90105-09002	BOLT, FLANGE	2	2	2	2	2	
7	90105-09004	BOLT, FLANGE	2	2	2	2	2	
8	90105-09003	BOLT, FLANGE	2	2	2	2	2	
9	91317-06030	BOLT	2	2	2	2	2	
10	90201-096J9	WASHER, PLATE	6	6	6	6	6	
11	NGK-CR7E-PK10	PLUG, SPARK (NGK CR7E)	1	1	1	1	1	
12	93612-16X00	PIN, DOWEL	2	2	2	2	2	
13	5VK-E1185-00	COVER, CYLINDER HEAD SIDE 1	1	1	1	1	1	
14	93210-96X00	O-RING	1	1	1	1	1	
15	90105-06X06	BOLT, FLANGE	2	2	2	2	2	
16	5VK-E1186-00	COVER, CYLINDER HEAD SIDE 2	2	2	2	2	2	
17	93210-78X00	O-RING	2	2	2	2	2	
18	91317-06018	BOLT	8	8	8	8	8	

FIG 2 CYLINDER

B3

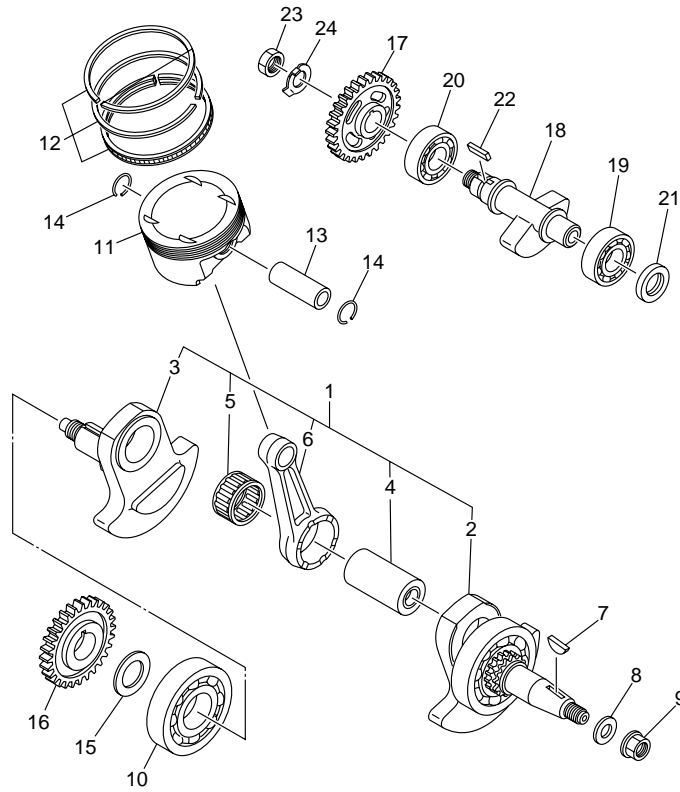


Ref. NO.	Part NO.	DESCRIPTION	FRA	DEU	ZAF	OTH	GBR	REMARKS
1	5VK-11311-00	CYLINDER 1	1	1	1	1	1	
2	5VK-11351-00	GASKET, CYLINDER	1	1	1	1	1	
3	90105-10078	BOLT, FLANGE	2	2	2	2	2	
4	90105-10077	BOLT, FLANGE	2	2	2	2	2	
5	90201-101A4	WASHER, PLATE	4	4	4	4	4	
6	91317-06040	BOLT	2	2	2	2	2	


5VK1300-C020

FIG 3 CRANKSHAFT & PISTON

B4

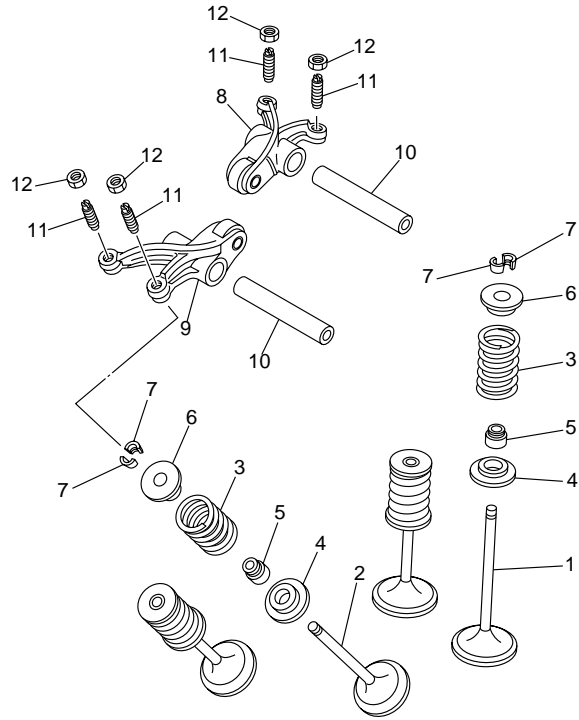



5VK1300-C030

Ref. NO.	Part NO.	DESCRIPTION	FRA	DEU	ZAF	OTH	GBR	REMARKS
1	5VK-11400-00	CRANKSHAFT ASSY	1	1	1	1	1	
2	5VK-11401-09	.CRANK SUB ASSY 1	1	1	1	1	1	
3	5VK-11422-00	.CRANK 2	1	1	1	1	1	
4	5VK-11681-00	.PIN, CRANK 1	1	1	1	1	1	
5	93310-84010	.BEARING	1	1	1	1	1	
6	5VK-11651-00	.ROD, CONNECTING	1	1	1	1	1	
7	90280-05001	KEY, WOODRUFF	1	1	1	1	1	
8	90201-16013	WASHER, PLATE	1	1	1	1	1	
9	90179-16448	NUT	1	1	1	1	1	
10	93306-308Y0	BEARING	1	1	1	1	1	
11	5VK-11631-00	PISTON (STD)	1	1	1	1	1	
12	5VK-11603-00	PISTON RING SET (STD)	1	1	1	1	1	
13	5VK-11633-00	PIN, PISTON	1	1	1	1	1	
14	93450-24824	CIRCLIP	2	2	2	2	2	
15	90201-30X00	WASHER, PLATE	1	1	1	1	1	
16	5VK-11536-00	GEAR, DRIVE	1	1	1	1	1	
17	5VK-11531-00	GEAR, BALANCE WEIGHT	1	1	1	1	1	
18	5VK-11454-00	WEIGHT 1	1	1	1	1	1	
19	93306-30525	BEARING (B6305)	1	1	1	1	1	
20	93306-305X4	BEARING	1	1	1	1	1	
21	93101-25106	OIL SEAL	1	1	1	1	1	
22	90282-05058	KEY, STRAIGHT	1	1	1	1	1	
23	90170-18003	NUT	1	1	1	1	1	
24	90215-18X00	WASHER, LOCK	1	1	1	1	1	

FIG 4 VALVE

B5

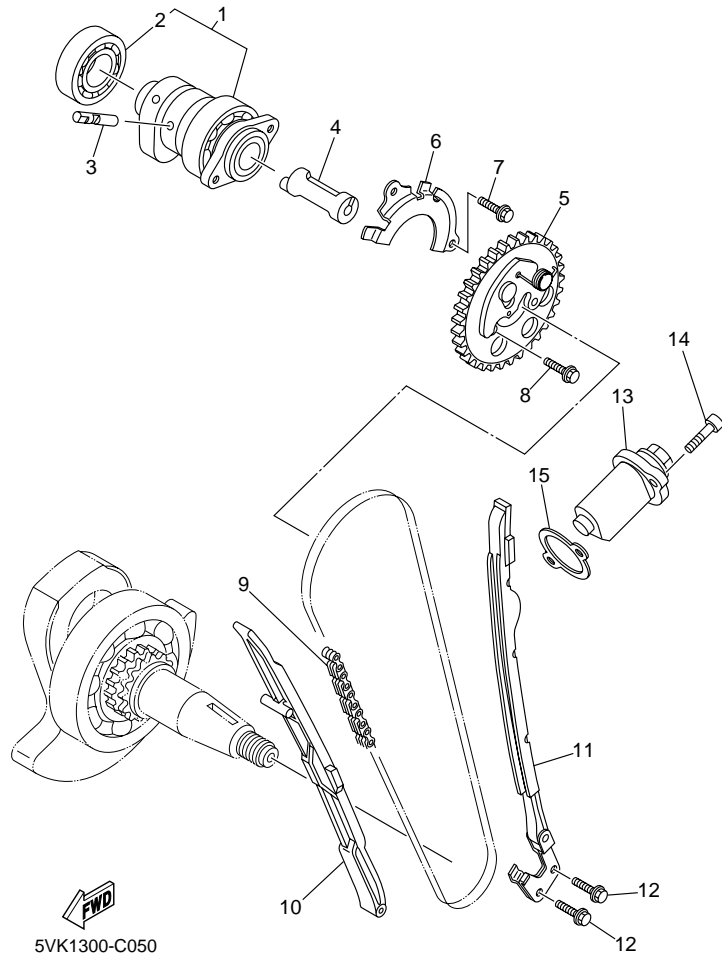


Ref. NO.	Part NO.	DESCRIPTION	FRA	DEU	ZAF	OTH	GBR	REMARKS
1	5VK-12111-00	VALVE, INTAKE	2	2	2	2	2	
2	5VK-12121-00	VALVE, EXHAUST	2	2	2	2	2	
3	5VK-12113-00	SPRING, VALVE INNER	4	4	4	4	4	
4	3YF-12116-00	SEAT, VALVE SPRING	4	4	4	4	4	
5	5H0-12119-00	SEAL, VALVE STEM	4	4	4	4	4	
6	3YF-12117-01	RETAINER, VALVE SPRING	4	4	4	4	4	
7	4G0-12118-00	COTTER, VALVE	8	8	8	8	8	
8	5VK-12151-00	ARM, VALVE ROCKER	1	1	1	1	1	
9	5VK-12161-00	ARM, VALVE ROCKER 2	1	1	1	1	1	
10	5VK-12146-00	SHAFT, ROCKER	2	2	2	2	2	
11	5BP-12159-01	SCREW, VALVE ADJUSTING	4	4	4	4	4	
12	90170-06128	NUT	4	4	4	4	4	

 5VK1300-C040

FIG 5 CAMSHAFT & CHAIN

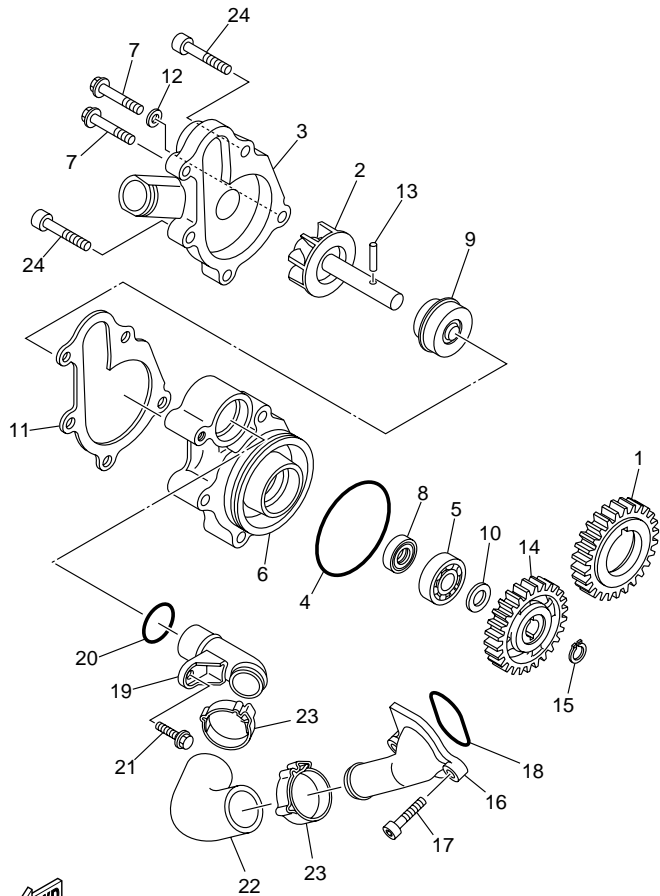
B6



Ref. NO.	Part NO.	DESCRIPTION	FRA	DEU	ZAF	OTH	GBR	REMARKS
1	5VK-E2170-00	CAMSHAFT ASSY 1	1	1	1	1	1	
2	93306-072Y1	.BEARING	1	1	1	1	1	
3	5VK-12284-00	PIN, DECOMPRESSION LEVER	1	1	1	1	1	
4	5VK-12290-00	LEVER, DECOMPRESSION SPRING	1	1	1	1	1	
5	5VK-12280-00	DECOMPRESSION ASSY	1	1	1	1	1	
6	5VK-1111F-00	PLATE	1	1	1	1	1	
7	95027-06012	BOLT, FLANGE	2	2	2	2	2	
8	90105-07004	BOLT, FLANGE	2	2	2	2	2	
9	94591-57126	CHAIN	1	1	1	1	1	
10	5VK-12231-00	GUIDE, STOPPER 1	1	1	1	1	1	
11	5VK-12241-00	GUIDE, STOPPER 2	1	1	1	1	1	
12	90119-06X05	BOLT, WITH WASHER	2	2	2	2	2	
13	3TB-12210-00	TENSIONER ASSY, CAM CHAIN	1	1	1	1	1	
14	91317-06025	BOLT	2	2	2	2	2	
15	4DW-12213-00	GASKET, TENSIONER CASE	1	1	1	1	1	

FIG 6 WATER PUMP

B7

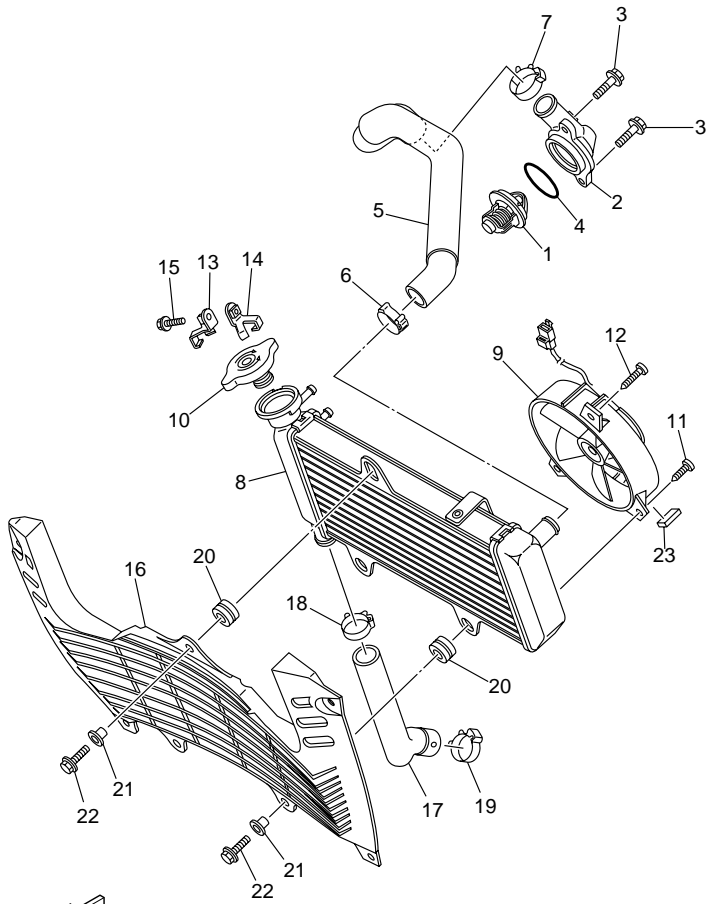


5VK1300-C060

Ref. NO.	Part NO.	DESCRIPTION	FRA	DEU	ZAF	OTH	GBR	REMARKS
1	5VK-12436-00	GEAR, DRIVE	1	1	1	1	1	
2	5VK-12450-00	IMPELLER SHAFT ASSY	1	1	1	1	1	
3	5VK-12422-00	COVER, HOUSING	1	1	1	1	1	
4	93210-61750	O-RING	1	1	1	1	1	
5	93306-00106	BEARING	1	1	1	1	1	
6	5VK-12421-00	HOUSING, WATER PUMP	1	1	1	1	1	
7	95027-06025	BOLT, FLANGE	2	2	2	2	2	
8	93101-12173	OIL SEAL	1	1	1	1	1	
9	11H-12438-10	SEAL, MECHANICAL	1	1	1	1	1	
10	90201-12541	WASHER, PLATE	1	1	1	1	1	
11	5VK-12428-00	GASKET, HOUSING COVER 2	1	1	1	1	1	
12	90430-06014	GASKET	1	1	1	1	1	
13	93603-16219	PIN, DOWEL	1	1	1	1	1	
14	5VK-12459-00	GEAR, IMPELLER SHAFT	1	1	1	1	1	
15	99009-12400	CIRCLIP	1	1	1	1	1	
16	5VK-E2469-00	JOINT 1	1	1	1	1	1	
17	91317-06020	BOLT	2	2	2	2	2	
18	93210-33X00	O-RING	1	1	1	1	1	
19	5VK-12481-00	PIPE 1	1	1	1	1	1	
20	93210-21X00	O-RING	1	1	1	1	1	
21	91317-06012	BOLT	1	1	1	1	1	
22	5VK-12577-00	HOSE 2	1	1	1	1	1	
23	90467-29800	CLIP	2	2	2	2	2	
24	91317-06050	BOLT	3	3	3	3	3	

FIG 7 RADIATOR & HOSE

B8

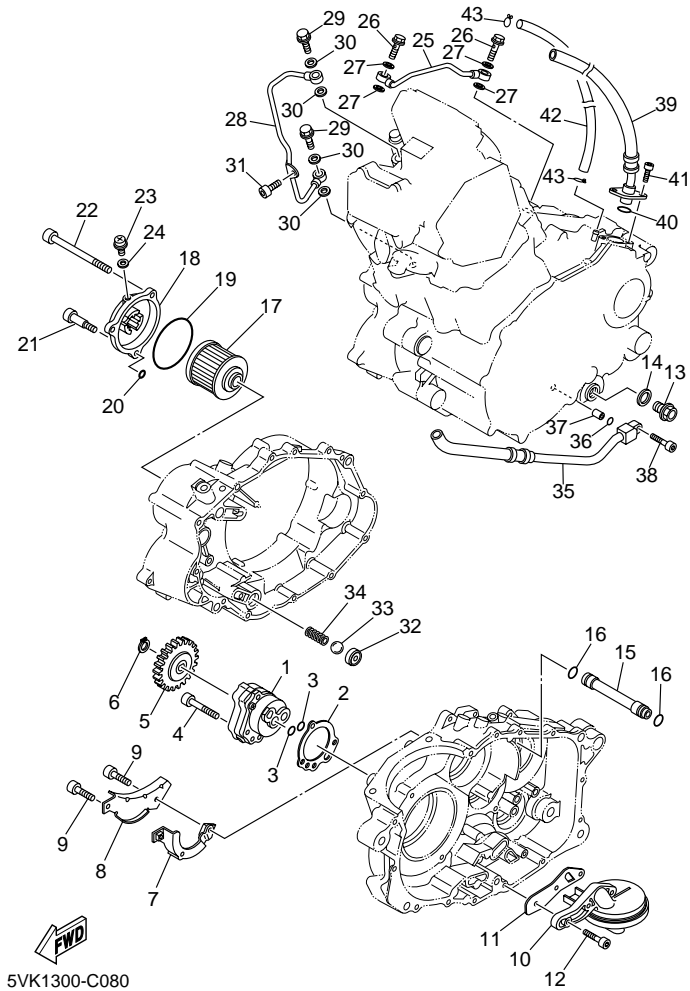


5VK1300-C070

Ref. NO.	Part NO.	DESCRIPTION	FRA	DEU	ZAF	OTH	GBR	REMARKS
1	5VK-12410-00	THERMOSTAT ASSY	1	1	1	1	1	
2	5VK-E2413-00	COVER, THERMOSTAT	1	1	1	1	1	
3	90105-06X06	BOLT, FLANGE	2	2	2	2	2	
4	93210-41042	O-RING	1	1	1	1	1	
5	5VK-12578-00	HOSE 3	1	1	1	1	1	
6	90467-27800	CLIP	1	1	1	1	1	
7	90467-29800	CLIP	1	1	1	1	1	
8	5VK-E2461-00	RADIATOR ASSY	1	1	1	1	1	
9	5VK-E2405-00	BLOWER ASSY	1	1	1	1	1	
10	5VK-E2462-00	CAP, RADIATOR	1	1	1	1	1	
11	90169-05802	TAPPING SCREW	1	1	1	1	1	
12	90169-05801	TAPPING SCREW	2	2	2	2	2	
13	5VK-E2437-00	STOPPER	1	1	1	1	1	
14	5VK-E2437-10	STOPPER	1	1	1	1	1	
15	95807-06010	BOLT, FLANGE	1	1	1	1	1	
16	5VK-E2498-00	PROTECTOR	1	1	1	1	1	
17	5VK-12579-00	HOSE 4	1	1	1	1	1	
18	90467-27800	CLIP	1	1	1	1	1	
19	90467-29800	CLIP	1	1	1	1	1	
20	90480-18276	GROMMET	3	3	3	3	3	
21	90387-06042	COLLAR	3	3	3	3	3	
22	97507-06525	BOLT, WITH WASHER	3	3	3	3	3	
23	1FK-84527-00	DAMPER	1	1	1	1	1	

FIG 8 OIL PUMP

B9



Ref. NO.	Part NO.	DESCRIPTION	FRA	DEU	ZAF	OTH	GBR	REMARKS
1	5LP-13300-00	OIL PUMP ASSY	1	1	1	1	1	
2	5LP-13329-00	GASKET, PUMP COVER	1	1	1	1	1	
3	93210-13X00	O-RING	2	2	2	2	2	
4	92017-06035	BOLT, BUTTON HEAD	3	3	3	3	3	
5	3AJ-13325-00	GEAR, PUMP DRIVEN	1	1	1	1	1	
6	99009-11400	CIRCLIP	1	1	1	1	1	
7	5VK-13356-00	COVER, PUMP 2	1	1	1	1	1	
8	5VK-13327-00	COVER, PUMP GEAR	1	1	1	1	1	
9	91317-05008	BOLT	2	2	2	2	2	
10	5VK-WE343-00	STRAINER COMP.	1	1	1	1	1	
11	5VK-E3415-00	SEAL, OIL STRAINER	1	1	1	1	1	
12	91317-06020	BOLT	3	3	3	3	3	
13	90340-14132	PLUG, STRAIGHT SCREW	1	1	1	1	1	
14	214-11198-01	GASKET	1	1	1	1	1	
15	5VK-13181-00	PIPE, DELIVERY 3	1	1	1	1	1	
16	93210-11073	O-RING	2	2	2	2	2	
17	4X7-13440-01	ELEMENT ASSY, OIL CLEANER	1	1	1	1	1	
18	2WK-13447-00	COVER, OIL ELEMENT	1	1	1	1	1	
19	93210-64297	O-RING	1	1	1	1	1	
20	93210-07X01	O-RING	1	1	1	1	1	
21	90109-06419	BOLT	1	1	1	1	1	
22	91317-06095	BOLT	2	2	2	2	2	
23	90149-05110	SCREW	1	1	1	1	1	
24	90430-05126	GASKET	1	1	1	1	1	
25	5VK-13161-00	PIPE, DELIVERY 1	1	1	1	1	1	
26	90401-08133	BOLT, UNION	2	2	2	2	2	
27	90430-08204	GASKET	4	4	4	4	4	
28	5VK-13171-00	PIPE, DELIVERY 2	1	1	1	1	1	

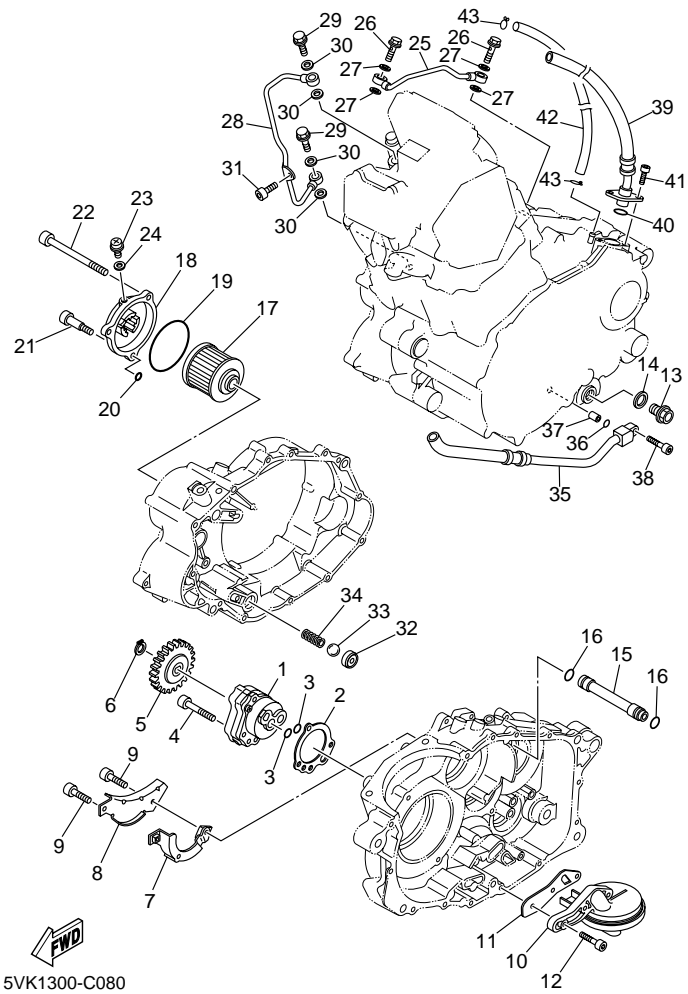


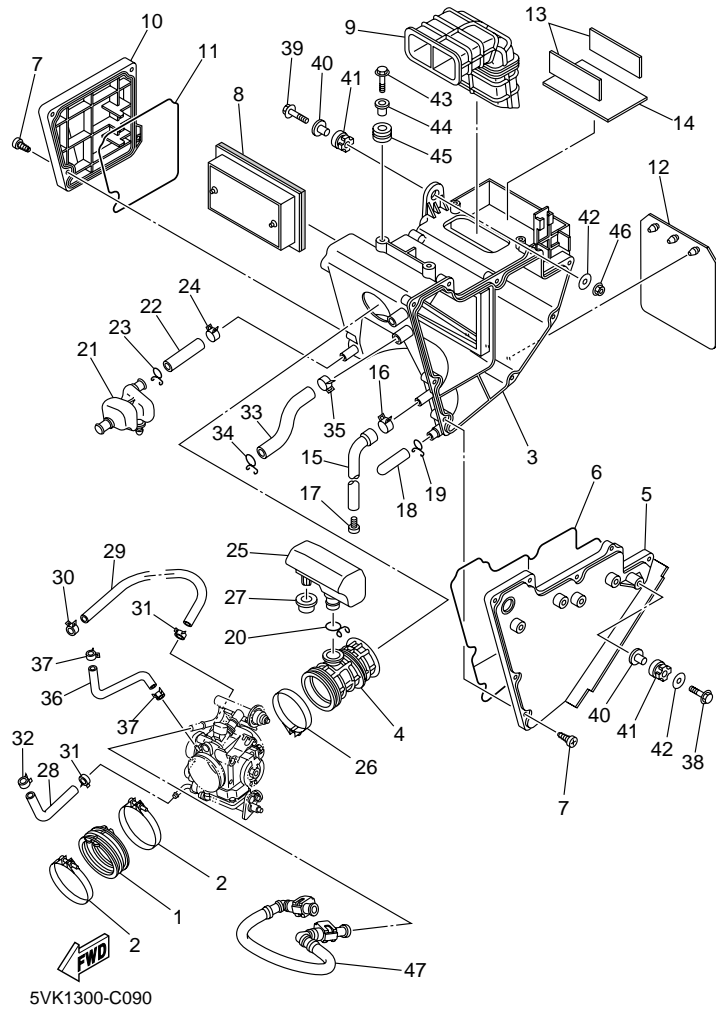
FIG 8 OIL PUMP

B10

Ref. NO.	Part NO.	DESCRIPTION	FRA	DEU	ZAF	OTH	GBR	REMARKS
29	90401-10096	BOLT, UNION	2	2	2	2	2	
30	90430-10188	GASKET	4	4	4	4	4	
31	91317-06012	BOLT	1	1	1	1	1	
32	583-13113-00	SEAT, CHECK BALL	1	1	1	1	1	
33	93503-08007	BALL	1	1	1	1	1	
34	90501-043E0	SPRING, COMPRESSION	1	1	1	1	1	
35	5VK-13464-00	HOSE, OIL 1	1	1	1	1	1	
36	93210-10197	O-RING	1	1	1	1	1	
37	99530-10114	PIN, DOWEL	1	1	1	1	1	
38	91317-06025	BOLT	1	1	1	1	1	
39	5VK-13465-00	HOSE, OIL 2	1	1	1	1	1	
40	93210-15171	O-RING	1	1	1	1	1	
41	91317-06016	BOLT	2	2	2	2	2	
42	90445-11033	HOSE	1	1	1	1	1	
43	90467-10008	CLIP	1	1	1	1	1	

FIG 9 INTAKE

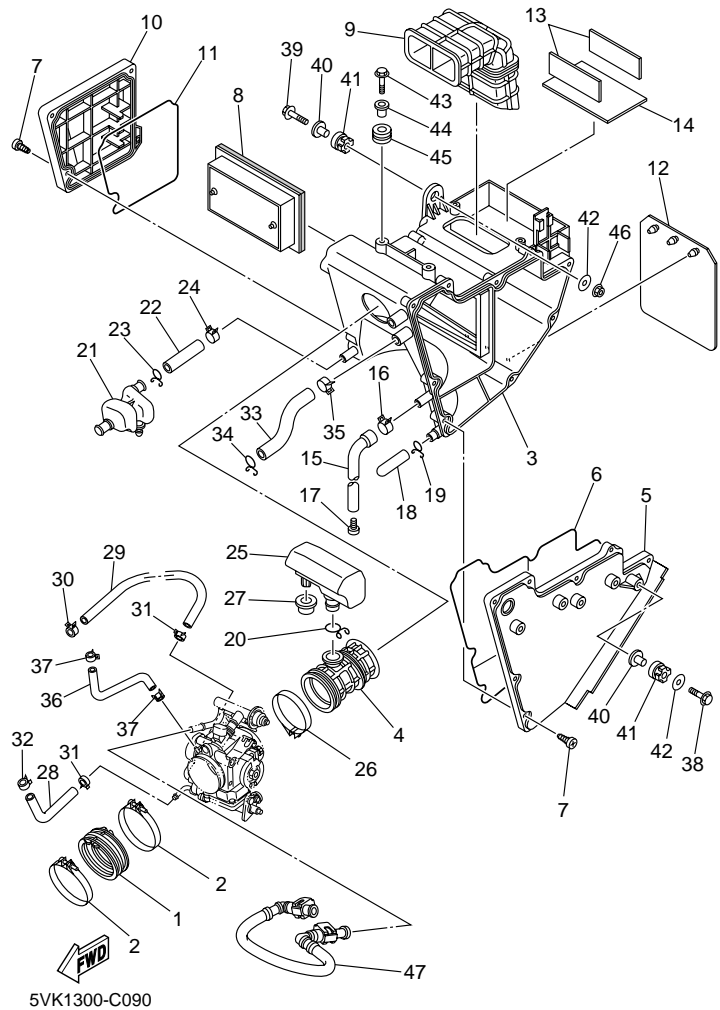
B11



Ref. NO.	Part NO.	DESCRIPTION	FRA	DEU	ZAF	OTH	GBR	REMARKS
1	5VK-13586-00	JOINT, CARBURETOR 1	1	1	1	1	1	
2	90450-72001	HOSE CLAMP ASSY	2	2	2	2	2	
3	5VK-E4411-00	CASE, AIR CLEANER 1	1	1	1	1	1	
4	5VK-E4453-00	JOINT, AIR CLEANER 1	1	1	1	1	1	
5	5VK-E441A-00	COVER, CLEANER CASE 1	1	1	1	1	1	
6	5VK-E4452-00	SEAL	1	1	1	1	1	
7	9770M-50025	SCREW, TAPPING	13	13	13	13	13	
8	5VK-E4451-00	ELEMENT, AIR CLEANER	1	1	1	1	1	
9	5VK-E4437-00	DUCT	1	1	1	1	1	
10	5VK-E441E-00	COVER, CLEANER CASE 2	1	1	1	1	1	
11	5VK-E4457-00	SEAL	1	1	1	1	1	
12	5VK-F1621-00	FLAP	1	1	1	1	1	
13	5VK-H2121-00	PAD, BATTERY	2	2	2	2	2	
14	5VK-H2122-00	SEAT, BATTERY	1	1	1	1	1	
15	5VK-E443E-00	PIPE, DRAIN	1	1	1	1	1	
16	90467-13062	CLIP	1	1	1	1	1	
17	90338-08801	PLUG	1	1	1	1	1	
18	5LW-E443E-00	PIPE, DRAIN	1	1	1	1	1	
19	90467-12800	CLIP	1	1	1	1	1	
20	90467-23800	CLIP	1	1	1	1	1	
21	5VK-E5371-00	BREATHER	1	1	1	1	1	
22	5VK-E1167-00	PIPE, BREATHER 2	1	1	1	1	1	
23	90467-14800	CLIP	1	1	1	1	1	
24	90467-17801	CLIP	1	1	1	1	1	
25	5VK-E3591-00	CHAMBER, AIR 2	1	1	1	1	1	
26	90450-59001	HOSE CLAMP ASSY	1	1	1	1	1	
27	90480-20566	GROMMET	1	1	1	1	1	
28	5VK-E243A-10	HOSE 1	1	1	1	1	1	

B12

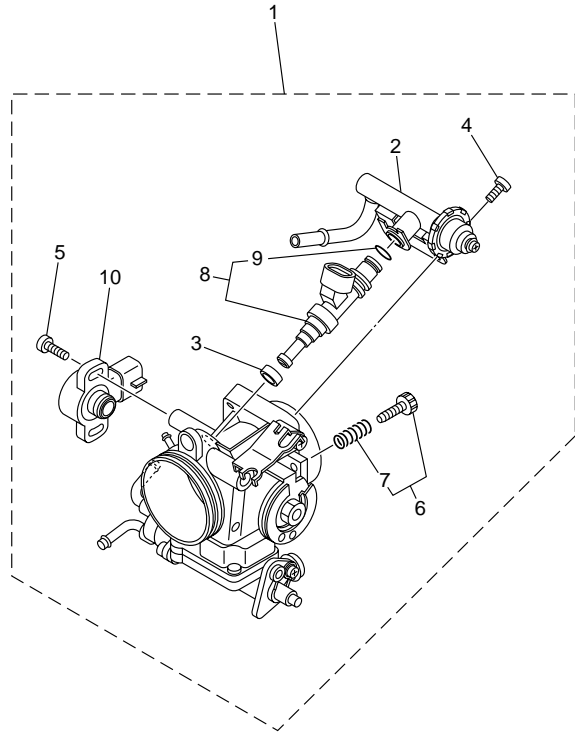
FIG 9 INTAKE



Ref. NO.	Part NO.	DESCRIPTION	FRA	DEU	ZAF	OTH	GBR	REMARKS
29	90445-12004	HOSE	1	1	1	1	1	
30	90467-11090	CLIP	1	1	1	1	1	
31	90467-11108	CLIP	2	2	2	2	2	
32	90467-11108	CLIP	1	1	1	1	1	
33	5VK-E3545-00	HOSE 1	1	1	1	1	1	
34	90467-170A2	CLIP	1	1	1	1	1	
35	90467-19160	CLIP	1	1	1	1	1	
36	5VK-13542-00	HOSE, VACUUM SENSING 1	1	1	1	1	1	
37	90467-07138	CLIP	2	2	2	2	2	
38	95827-06025	BOLT, FLANGE	1	1	1	1	1	
39	95827-06030	BOLT, FLANGE	1	1	1	1	1	
40	90387-075H4	COLLAR	2	2	2	2	2	
41	90480-15001	GROMMET	2	2	2	2	2	
42	90201-064K6	WASHER, PLATE	2	2	2	2	2	
43	95827-06020	BOLT, FLANGE	2	2	2	2	2	
44	90387-07037	COLLAR	2	2	2	2	2	
45	90480-18276	GROMMET	2	2	2	2	2	
46	95704-06500	NUT, FLANGE	1	1	1	1	1	
47	5VK-13971-00	PIPE, FUEL 1	1	1	1	1	1	

FIG 10 INTAKE 2

B13



Ref. NO.	Part NO.	DESCRIPTION	FRA	DEU	ZAF	OTH	GBR	REMARKS
1	5VK-13750-00	THROTTLE BODY ASSY	1	1	1	1	1	
2	5VK-13160-00	.DELIVERY PIPE ASSY 1	1	1	1	1	1	
3	90430-09002	.GASKET	1	1	1	1	1	
4	98507-06012	.SCREW, PAN HEAD	2	2	2	2	2	
5	8CC-14216-10	.SCREW	2	2	2	2	2	
6	5VK-14503-00	.ADJUST SCREW SET	1	1	1	1	1	
7	5VK-14531-00	..SPRING, ADJUST SCREW	1	1	1	1	1	
8	5VK-13761-00	.INJECTOR ASSY	1	1	1	1	1	
9	5PS-14147-00	..O-RING	1	1	1	1	1	
10	5PS-85885-00	.THROTTLE POSITION SENSOR ASSY	1	1	1	1	1	

 5VK1300-C100

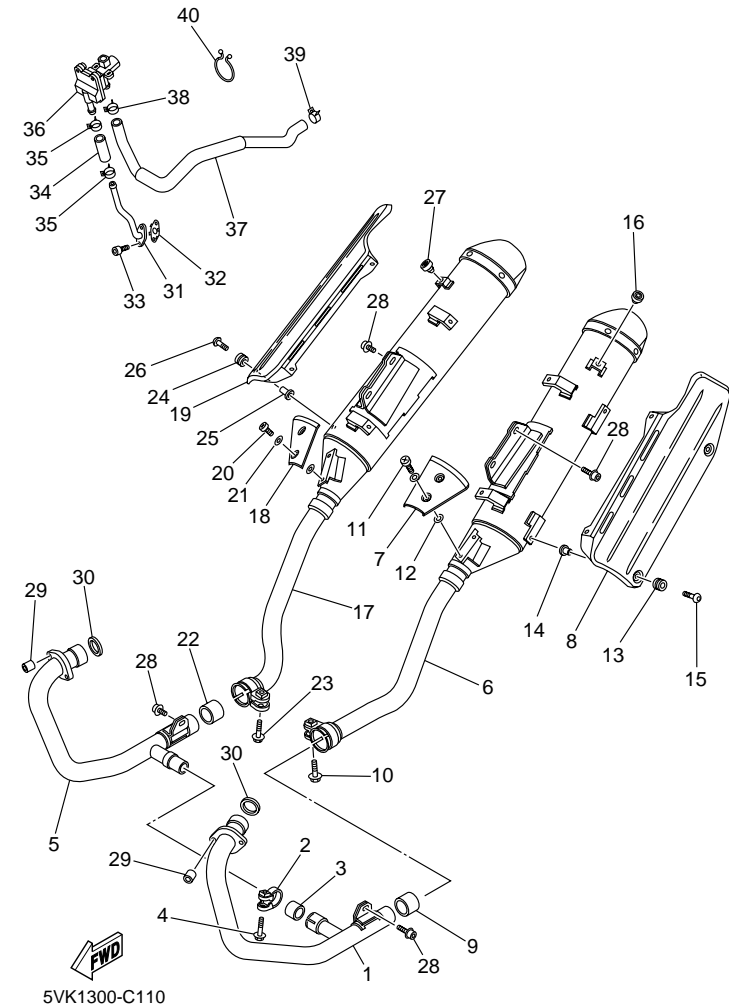


FIG 11 EXHAUST

B14

Ref. NO.	Part NO.	DESCRIPTION	FRA	DEU	ZAF	OTH	GBR	REMARKS
1	5VK-E4611-00	PIPE, EXHAUST 1	1	1	1	1	1	
2	5JX-14725-00	BAND, MUFFLER	1	1	1	1	1	
3	4FU-14714-00	GASKET, MUFFLER	1	1	1	1	1	
4	95814-08035	BOLT, FLANGE	1	1	1	1	1	
5	5VK-E4621-00	PIPE, EXHAUST 2	1	1	1	1	1	
6	5VK-E4711-00	MUFFLER 1	1	1	1	1	1	
7	5VK-E4718-00	PROTECTOR, MUFFLER 1	1	1	1	1	1	
8	5VK-E4728-00	PROTECTOR, MUFFLER 2	1	1	1	1	1	
9	4EL-14714-00	GASKET, MUFFLER	1	1	1	1	1	
10	95024-08040	BOLT, FLANGE	1	1	1	1	1	
11	98980-06012	SCREW, BIND	2	2	2	2	2	
12	90201-05015	WASHER, PLATE	4	4	4	4	4	
13	90480-12581	GROMMET	4	4	4	4	4	
14	90387-06023	COLLAR	4	4	4	4	4	
15	90149-06280	SCREW	4	4	4	4	4	
16	22W-24181-00	DAMPER, LOCATING 1	1	1	1	1	1	
17	5VK-E4721-00	MUFFLER 2	1	1	1	1	1	
18	5VK-E4738-00	PROTECTOR, MUFFLER 3	1	1	1	1	1	
19	5VK-E4748-00	PROTECTOR, MUFFLER 4	1	1	1	1	1	
20	98980-06012	SCREW, BIND	2	2	2	2	2	
21	90201-05015	WASHER, PLATE	4	4	4	4	4	
22	4EL-14714-00	GASKET, MUFFLER	1	1	1	1	1	
23	95024-08040	BOLT, FLANGE	1	1	1	1	1	
24	90480-12581	GROMMET	4	4	4	4	4	
25	90387-06023	COLLAR	4	4	4	4	4	
26	90149-06280	SCREW	4	4	4	4	4	
27	22W-24181-00	DAMPER, LOCATING 1	1	1	1	1	1	
28	90109-085E2	BOLT	6	6	6	6	6	

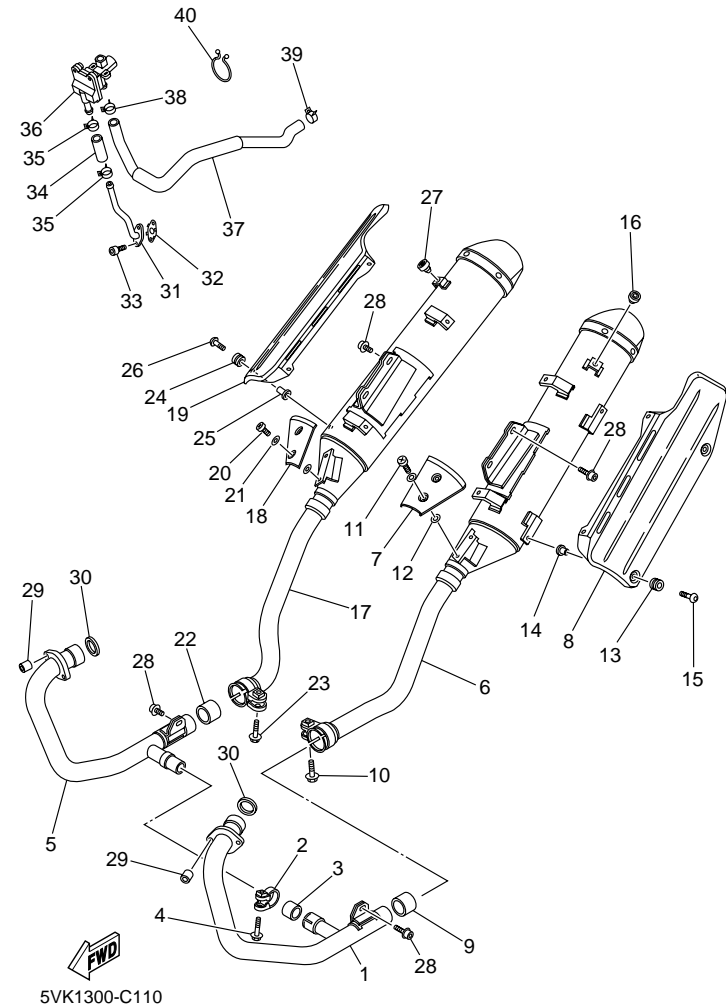


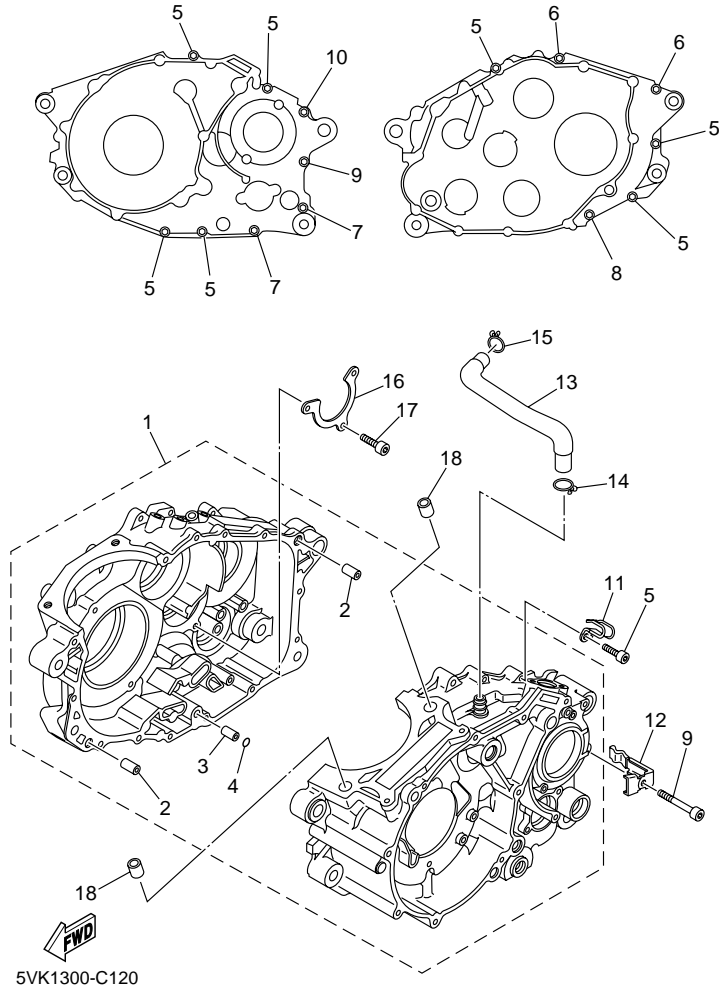
FIG 11 EXHAUST

B15

Ref. NO.	Part NO.	DESCRIPTION	FRA	DEU	ZAF	OTH	GBR	REMARKS
29	90179-08442	NUT	4	4	4	4	4	
30	3YF-14613-01	GASKET, EXHAUST PIPE	2	2	2	2	2	
31	5VK-14871-00	PIPE 1	1	1	1	1	1	
32	5VK-14815-00	GASKET	1	1	1	1	1	
33	91380-06016	BOLT	2	2	2	2	2	
34	5VK-14881-00	HOSE, BEND 1	1	1	1	1	1	
35	90467-17089	CLIP	2	2	2	2	2	
36	5VK-14803-00	AIR INDUCTION SYSTEM ASSY	1	1	1	1	1	
37	5VK-14882-00	HOSE, BEND 2	1	1	1	1	1	
38	90467-17089	CLIP	1	1	1	1	1	
39	90467-170A0	CLIP	1	1	1	1	1	
40	90464-37257	CLAMP	2	2	2	2	2	

FIG 12 CRANKCASE

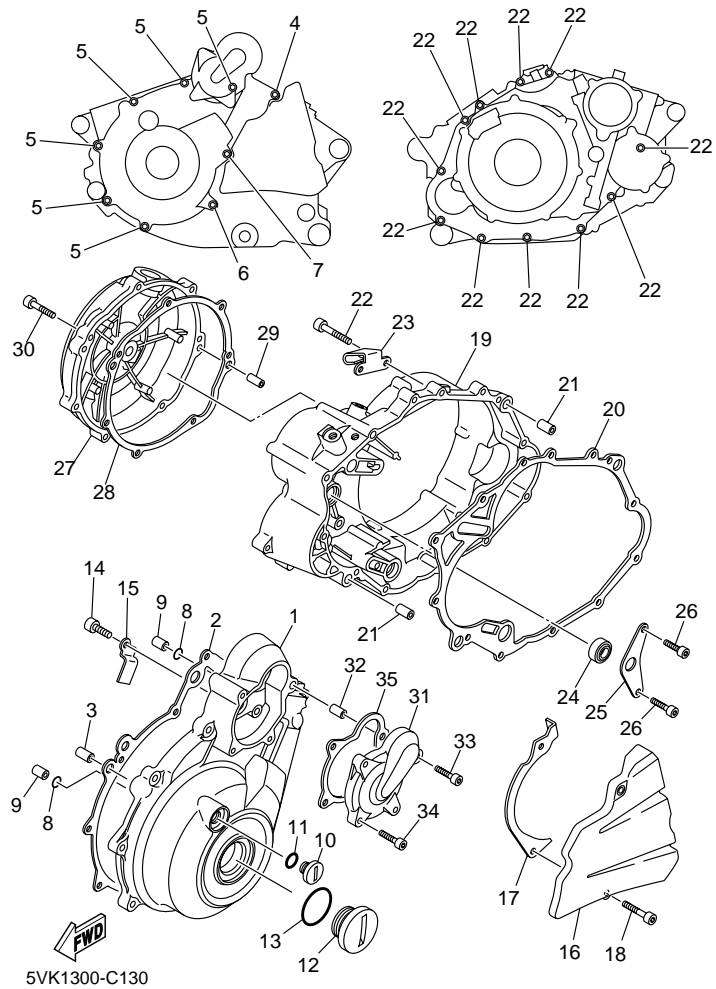
C2



Ref. NO.	Part NO.	DESCRIPTION	FRA	DEU	ZAF	OTH	GBR	REMARKS
1	5VK-E5100-00	CRANKCASE ASSY	1	1	1	1	1	
2	99530-12016	.PIN, DOWEL	2	2	2	2	2	
3	91808-16X00	.PIN, DOWEL	1	1	1	1	1	
4	93210-07X01	.O-RING	1	1	1	1	1	
5	91317-06030	BOLT	7	7	7	7	7	
6	91317-06045	BOLT	2	2	2	2	2	
7	91317-06055	BOLT	2	2	2	2	2	
8	91317-06060	BOLT	1	1	1	1	1	
9	91317-06080	BOLT	1	1	1	1	1	
10	91317-06090	BOLT	1	1	1	1	1	
11	90462-06012	CLAMP	1	1	1	1	1	
12	90465-12013	CLAMP	1	1	1	1	1	
13	5VK-11166-00	PIPE, BREATHER 1	1	1	1	1	1	
14	90467-14015	CLIP	1	1	1	1	1	
15	90467-14015	CLIP	1	1	1	1	1	
16	5VK-E5383-00	PLATE, BEARING COVER	1	1	1	1	1	
17	91317-06016	BOLT	3	3	3	3	3	
18	99530-14016	PIN, DOWEL	2	2	2	2	2	

C3

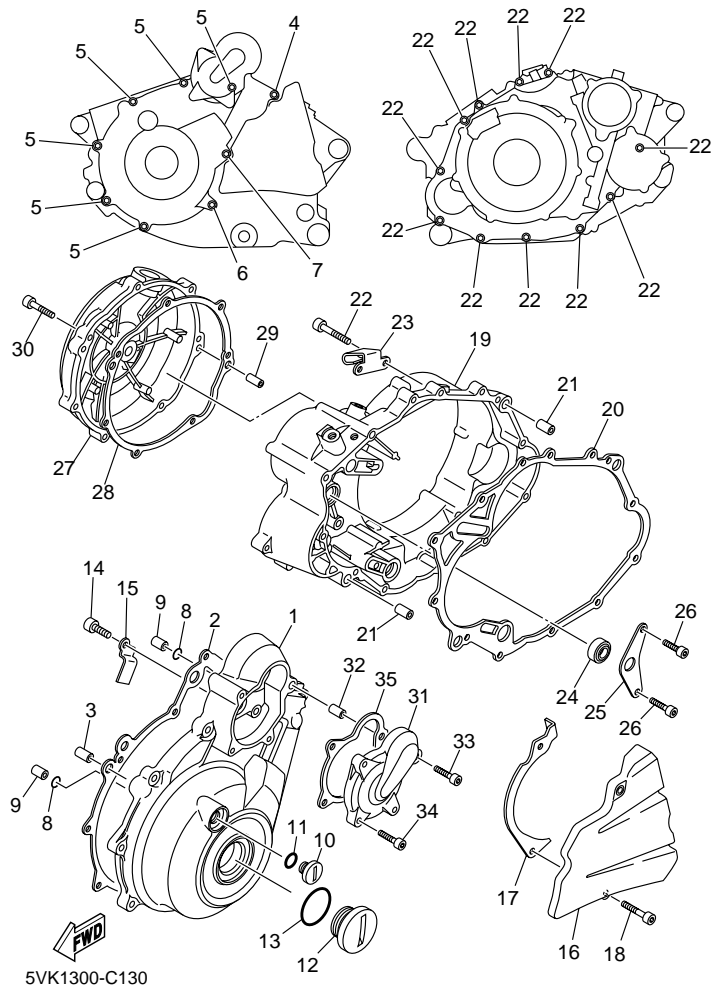
FIG 13 CRANKCASE COVER 1



Ref. NO.	Part NO.	DESCRIPTION	FRA	DEU	ZAF	OTH	GBR	REMARKS
1	5VK-E5411-00	COVER, CRANKCASE 1	1	1	1	1	1	
2	5VK-E5451-00	GASKET, CRANKCASE COVER 1	1	1	1	1	1	
3	99530-12016	PIN, DOWEL	2	2	2	2	2	
4	91317-06035	BOLT	1	1	1	1	1	
5	91317-06025	BOLT	6	6	6	6	6	
6	91317-06050	BOLT	1	1	1	1	1	
7	91317-06050	BOLT	1	1	1	1	1	
8	93210-13X00	O-RING	2	2	2	2	2	
9	99530-12016	PIN, DOWEL	2	2	2	2	2	
10	90340-14X00	PLUG, STRAIGHT SCREW	1	1	1	1	1	
11	93210-14X00	O-RING	1	1	1	1	1	
12	90340-36X00	PLUG, STRAIGHT SCREW	1	1	1	1	1	
13	93210-35X00	O-RING	1	1	1	1	1	
14	91317-06012	BOLT	1	1	1	1	1	
15	90462-16X00	CLAMP	1	1	1	1	1	
16	5VK-E5421-00	COVER, CRANKCASE 2	1	1	1	1	1	
17	5VK-E7466-00	GUIDE, CHAIN	1	1	1	1	1	
18	91317-06025	BOLT	2	2	2	2	2	
19	5VK-E5431-00	COVER, CRANKCASE 3	1	1	1	1	1	
20	5VK-E5462-00	GASKET, CRANKCASE COVER 3	1	1	1	1	1	
21	99530-12016	PIN, DOWEL	2	2	2	2	2	
22	91317-06030	BOLT	11	11	11	11	11	
23	5VK-E5441-00	HOLDER, CLUTCH CABLE	1	1	1	1	1	
24	93101-14164	OIL SEAL	1	1	1	1	1	
25	5VK-E5118-00	HOLDER	1	1	1	1	1	
26	91317-06012	BOLT	2	2	2	2	2	
27	5VK-E5416-00	COVER, OIL PUMP	1	1	1	1	1	
28	5VK-E5453-00	GASKET	1	1	1	1	1	

FIG 13 CRANKCASE COVER 1

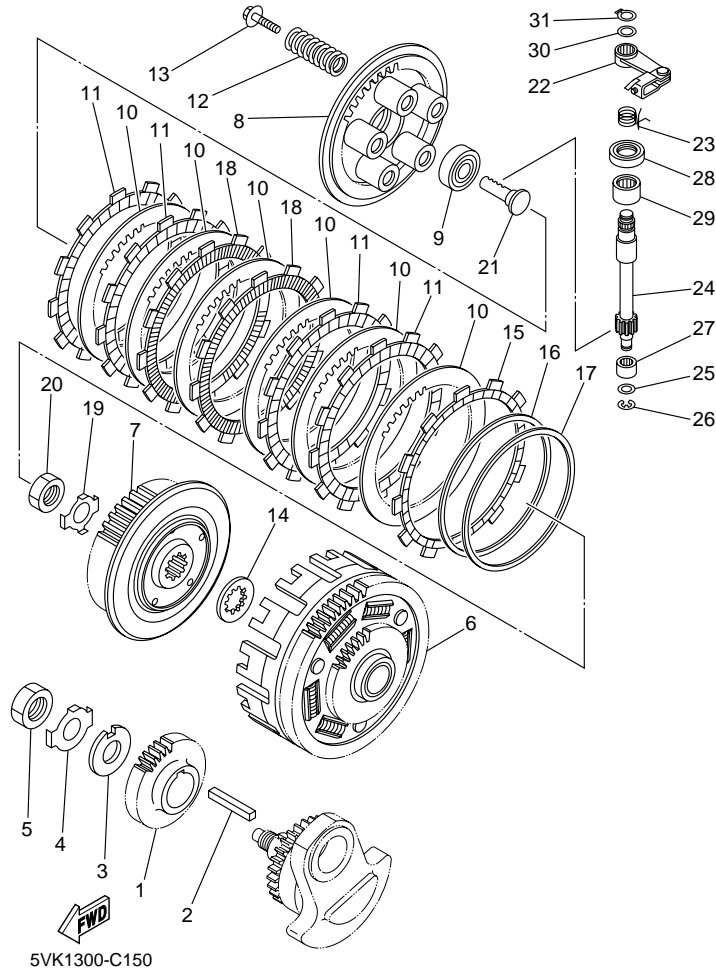
C4



Ref. NO.	Part NO.	DESCRIPTION	FRA	DEU	ZAF	OTH	GBR	REMARKS
29	91808-16X00	PIN, DOWEL	2	2	2	2	2	
30	90105-06X20	BOLT, FLANGE	7	7	7	7	7	
31	5VK-WE544-00	GENERATOR COVER ASSY	1	1	1	1	1	
32	91808-16X00	PIN, DOWEL	1	1	1	1	1	
33	91317-06035	BOLT	1	1	1	1	1	
34	91317-06025	BOLT	3	3	3	3	3	
35	5VK-15455-00	GASKET 1	1	1	1	1	1	

FIG 15 CLUTCH

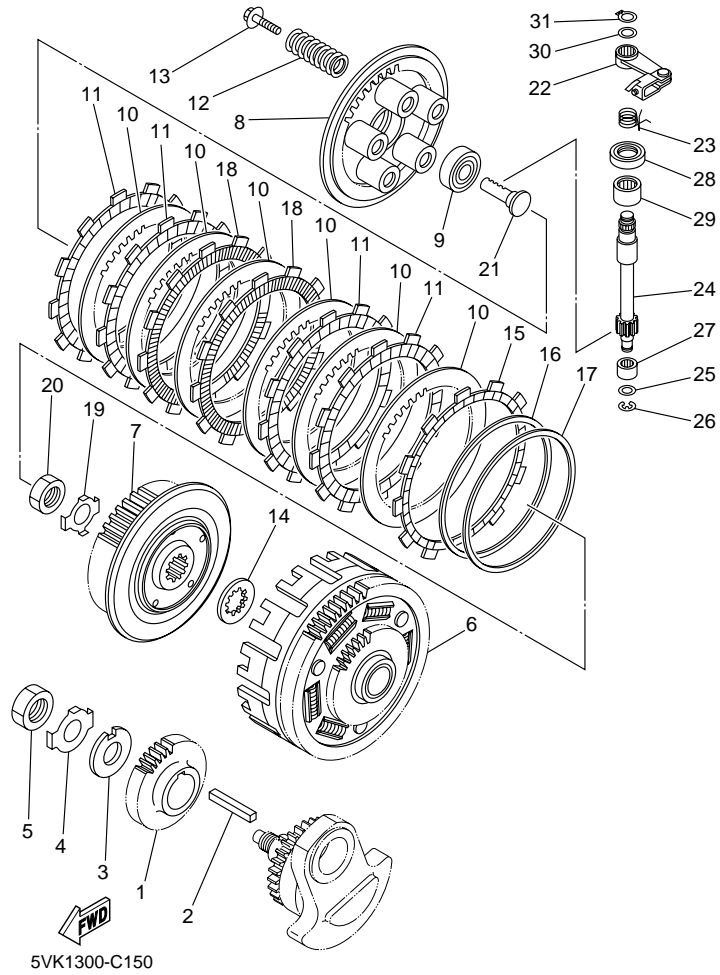
C6



Ref. NO.	Part NO.	DESCRIPTION	FRA	DEU	ZAF	OTH	GBR	REMARKS
1	5VK-16111-00	GEAR, PRIMARY DRIVE	1	1	1	1	1	
2	90282-07001	KEY, STRAIGHT	1	1	1	1	1	
3	90209-20012	WASHER	1	1	1	1	1	
4	90215-20X00	WASHER, LOCK	1	1	1	1	1	
5	90170-20274	NUT	1	1	1	1	1	
6	5VK-16150-00	PRIMARY DRIVEN GEAR COMP.(74T)	1	1	1	1	1	
7	5VK-16371-00	BOSS, CLUTCH	1	1	1	1	1	
8	5VK-16351-00	PLATE, PRESSURE 1	1	1	1	1	1	
9	93306-00304	BEARING (B6003C4)	1	1	1	1	1	
10	4X7-16325-00	PLATE, CLUTCH 2	6	6	6	6	6	
11	22U-16321-00	PLATE, FRICTION	4	4	4	4	4	
12	90501-260A1	SPRING, COMPRESSION	5	5	5	5	5	
13	90119-06105	BOLT, WITH WASHER	5	5	5	5	5	
14	2JN-16154-00	PLATE, THRUST 1	1	1	1	1	1	
15	5VK-16331-00	PLATE, FRICTION 2	1	1	1	1	1	
16	5JG-16383-00	SPRING, CLUTCH BOSS	1	1	1	1	1	
17	5JG-16384-00	PLATE, SEAT	1	1	1	1	1	
18	5TA-16321-00	PLATE, FRICTION	2	2	2	2	2	
19	90215-20X01	WASHER, LOCK	1	1	1	1	1	
20	90170-20327	NUT	1	1	1	1	1	
21	4XV-16356-01	ROD, PUSH 1	1	1	1	1	1	
22	5VK-16340-00	PUSH LEVER ASSY	1	1	1	1	1	
23	90508-16016	SPRING, TORSION	1	1	1	1	1	
24	5EB-16382-00	AXLE, PUSH LEVER	1	1	1	1	1	
25	92907-08600	WASHER, PLATE	1	1	1	1	1	
26	99001-07600	CIRCLIP	1	1	1	1	1	
27	93317-11020	BEARING	1	1	1	1	1	
28	93102-15212	OIL SEAL	1	1	1	1	1	

FIG 15 CLUTCH

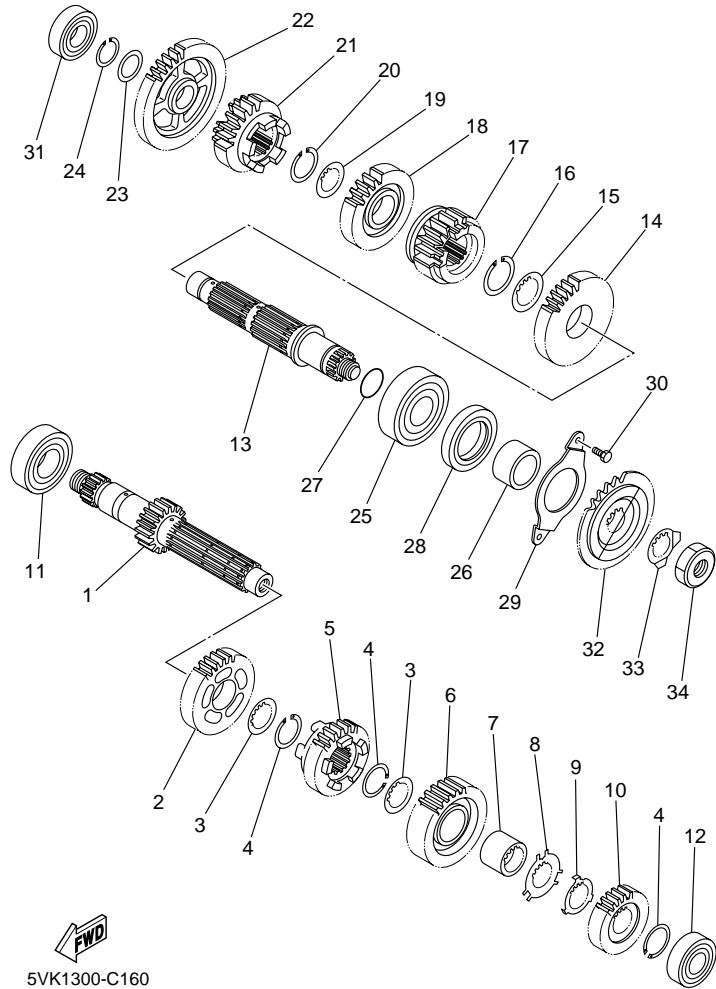
C7



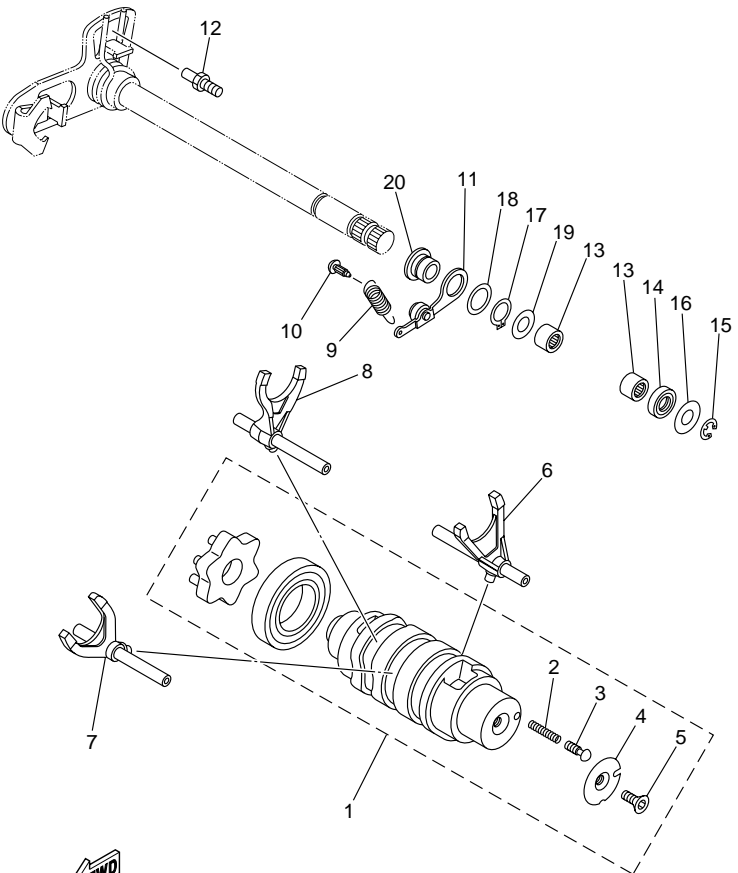
Ref. NO.	Part NO.	DESCRIPTION	FRA	DEU	ZAF	OTH	GBR	REMARKS
29	93315-31502	BEARING	1	1	1	1	1	
30	90201-10614	WASHER, PLATE	1	1	1	1	1	
31	99009-10400	CIRCLIP	1	1	1	1	1	

FIG 16 TRANSMISSION

C8



Ref. NO.	Part NO.	DESCRIPTION	FRA	DEU	ZAF	OTH	GBR	REMARKS
1	5VK-E7401-00	MAIN AXLE ASSY	1	1	1	1	1	
2	5VK-E7141-00	GEAR, 4TH PINION	1	1	1	1	1	
3	90209-21X00	WASHER	2	2	2	2	2	
4	93440-25084	CIRCLIP	3	3	3	3	3	
5	5VK-E7131-00	GEAR, 3RD PINION	1	1	1	1	1	
6	5VK-E7151-00	GEAR, 5TH PINION	1	1	1	1	1	
7	90387-21002	COLLAR	1	1	1	1	1	
8	90209-22X00	WASHER	1	1	1	1	1	
9	90209-21351	WASHER	1	1	1	1	1	
10	5VK-E7121-00	GEAR, 2ND PINION	1	1	1	1	1	
11	93306-205XA	BEARING	1	1	1	1	1	
12	93306-00445	BEARING	1	1	1	1	1	
13	5VK-E7402-00	DRIVE AXLE ASSY	1	1	1	1	1	
14	5VK-E7221-00	GEAR, 2ND WHEEL	1	1	1	1	1	
15	90209-26348	WASHER	1	1	1	1	1	
16	93440-28062	CIRCLIP	1	1	1	1	1	
17	5VK-E7251-00	GEAR, 5TH WHEEL	1	1	1	1	1	
18	5VK-E7231-00	GEAR, 3RD WHEEL	1	1	1	1	1	
19	90209-21X00	WASHER	1	1	1	1	1	
20	93440-25084	CIRCLIP	1	1	1	1	1	
21	5VK-E7241-00	GEAR, 4TH WHEEL	1	1	1	1	1	
22	5VK-E7211-00	GEAR, 1ST WHEEL	1	1	1	1	1	
23	90201-208G4	WASHER, PLATE	1	1	1	1	1	
24	99009-20400	CIRCLIP	1	1	1	1	1	
25	93306-305X4	BEARING	1	1	1	1	1	
26	90387-25802	COLLAR	1	1	1	1	1	
27	93210-22164	O-RING	1	1	1	1	1	
28	93102-35368	OIL SEAL	1	1	1	1	1	

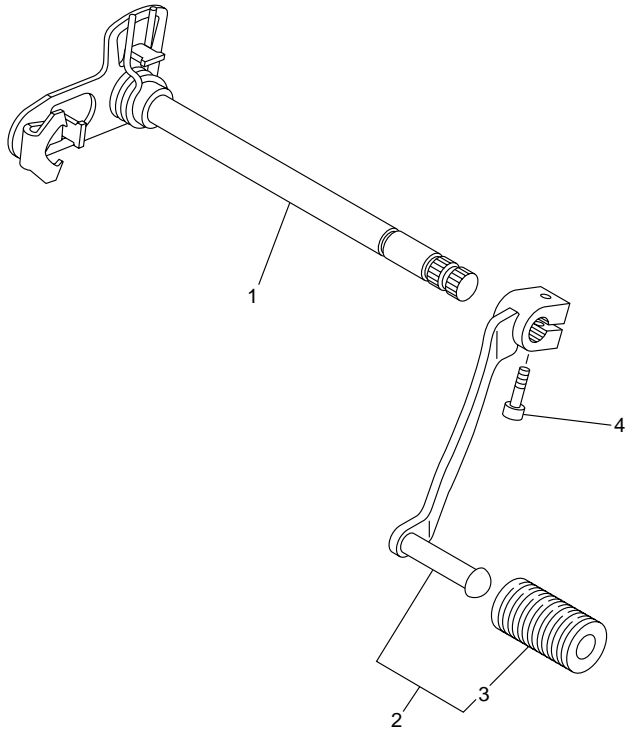


5VK1300-C170

FIG 17 SHIFT CAM & FORK

C10

Ref. NO.	Part NO.	DESCRIPTION	FRA	DEU	ZAF	OTH	GBR	REMARKS
1	5VK-18540-00	SHIFT CAM ASSY	1	1	1	1	1	
2	90501-06022	.SPRING, COMPRESSION	1	1	1	1	1	
3	4UN-18542-00	.POINT, NEUTRAL	1	1	1	1	1	
4	4UN-18566-00	.PLATE, SIDE 2	1	1	1	1	1	
5	90149-05321	.SCREW	1	1	1	1	1	
6	5VK-E8501-00	FORK, SHIFT 1	1	1	1	1	1	
7	5VK-E8502-00	FORK, SHIFT 2	1	1	1	1	1	
8	5VK-E8503-00	FORK, SHIFT 3	1	1	1	1	1	
9	5VK-E8144-00	HANGER, SPRING	1	1	1	1	1	
10	132-16346-00	HOOK, SPRING	1	1	1	1	1	
11	5JW-18140-00	STOPPER LEVER ASSY	1	1	1	1	1	
12	5VK-18127-00	STOPPER, SCREW	1	1	1	1	1	
13	93315-11206	BEARING	2	2	2	2	2	
14	93102-12106	OIL SEAL (SD 12-22-5 HS)	1	1	1	1	1	
15	99001-10600	CIRCLIP	1	1	1	1	1	
16	90201-12575	WASHER, PLATE	1	1	1	1	1	
17	99009-17400	CIRCLIP	1	1	1	1	1	
18	90201-177G4	WASHER, PLATE	1	1	1	1	1	
19	90201-120K4	WASHER, PLATE	1	1	1	1	1	
20	5VK-18699-00	BOSS 1	1	1	1	1	1	




5VK1300-C180

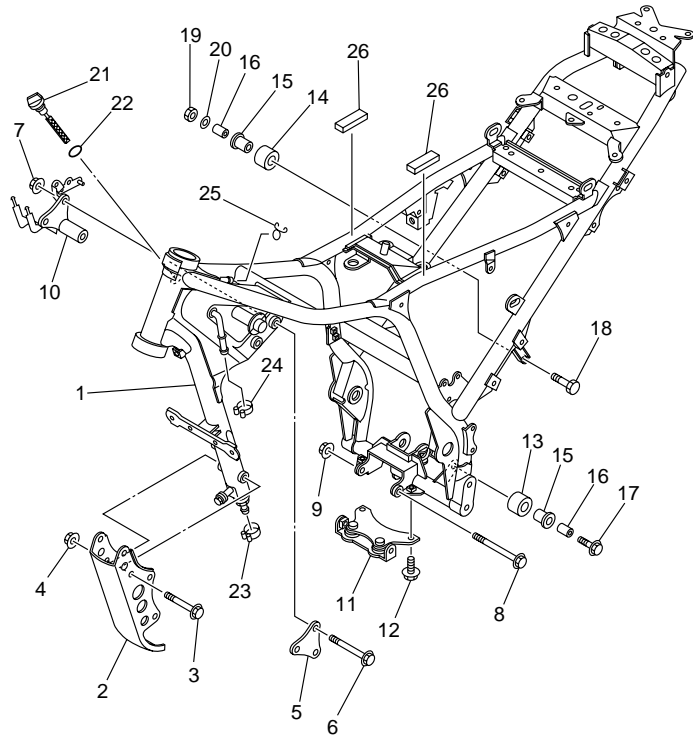
FIG 18 SHIFT SHAFT

C11

Ref. NO.	Part NO.	DESCRIPTION	FRA	DEU	ZAF	OTH	GBR	REMARKS
1	5VK-18101-00	SHIFT SHAFT ASSY	1	1	1	1	1	
2	5VK-E8110-00	SHIFT PEDAL ASSY	1	1	1	1	1	
3	5VK-E8113-00	.COVER, SHIFT PEDAL	1	1	1	1	1	
4	91317-06020	BOLT	1	1	1	1	1	

FIG 19 FRAME

C12

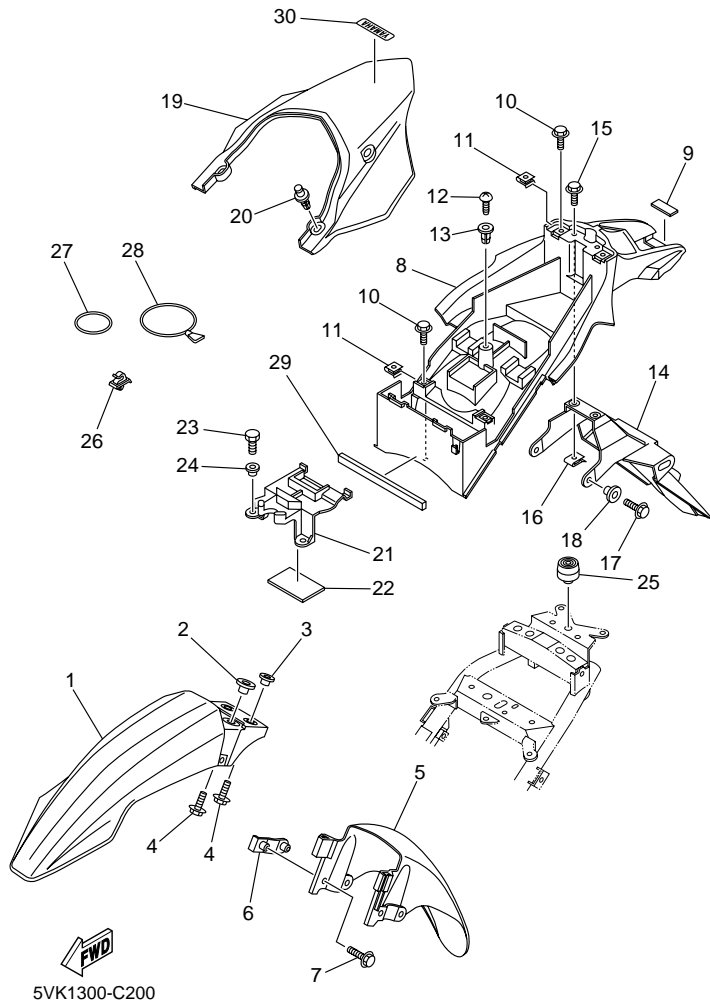


FWD
5VK1300-C190

Ref. NO.	Part NO.	DESCRIPTION	FRA	DEU	ZAF	OTH	GBR	REMARKS
1	5VK-F1110-10	FRAME COMP.	1	1	1	1	1	
2	5VK-F1316-00	STAY, ENGINE 3	1	1	1	1	1	
3	95814-10070	BOLT, FLANGE	4	4	4	4	4	
4	90179-10658	NUT	4	4	4	4	4	
5	5VK-F1315-00	STAY, ENGINE 2	1	1	1	1	1	
6	95814-10100	BOLT, FLANGE	3	3	3	3	3	
7	90179-10658	NUT	3	3	3	3	3	
8	90105-10040	BOLT, WASHER BASED	1	1	1	1	1	
9	90179-10658	NUT	1	1	1	1	1	
10	5VK-F1410-00	ENGINE BRACKET COMP.	1	1	1	1	1	
11	5VK-21445-00	STAY, MUFFLER 1	1	1	1	1	1	
12	95024-08016	BOLT, FLANGE	2	2	2	2	2	
13	30X-22178-00	TENSIONER	1	1	1	1	1	
14	10V-22178-00	TENSIONER	1	1	1	1	1	
15	10V-22184-00	BUSH	2	2	2	2	2	
16	90387-08024	COLLAR	2	2	2	2	2	
17	95827-08040	BOLT, FLANGE	1	1	1	1	1	
18	90101-08428	BOLT	1	1	1	1	1	
19	95607-08100	NUT, U	1	1	1	1	1	
20	92907-08200	WASHER	1	1	1	1	1	
21	5VK-15362-00	PLUG, OIL LEVEL	1	1	1	1	1	
22	93210-19123	O-RING	1	1	1	1	1	
23	90467-19800	CLIP	1	1	1	1	1	
24	90467-17800	CLIP	1	1	1	1	1	
25	90467-10008	CLIP	1	1	1	1	1	
26	5VK-21746-00	DAMPER	2	2	2	2	2	

FIG 20 FENDER

C14



Ref. NO.	Part NO.	DESCRIPTION	FRA	DEU	ZAF	OTH	GBR	REMARKS
27	4XV-21376-00	BAND, TOOL	1	1	1	1	1	
28	3YX-21376-00	BAND, TOOL	1	1	1	1	1	
29	5VK-21649-00	DAMPER	1	1	1	1	1	
30	5VK-F153A-00	EMBLEM, YAMAHA	1	1	1	1	1	UR FOR DPBSE
30	5VK-F153A-10	EMBLEM, YAMAHA	1	1	1	1	1	UR FOR YB

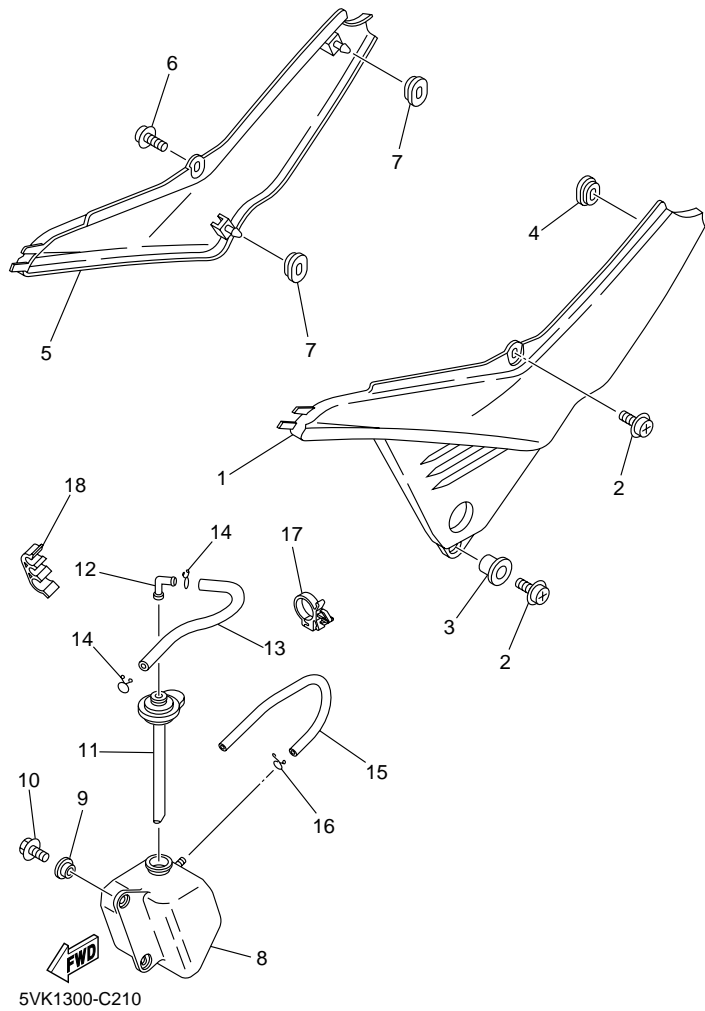


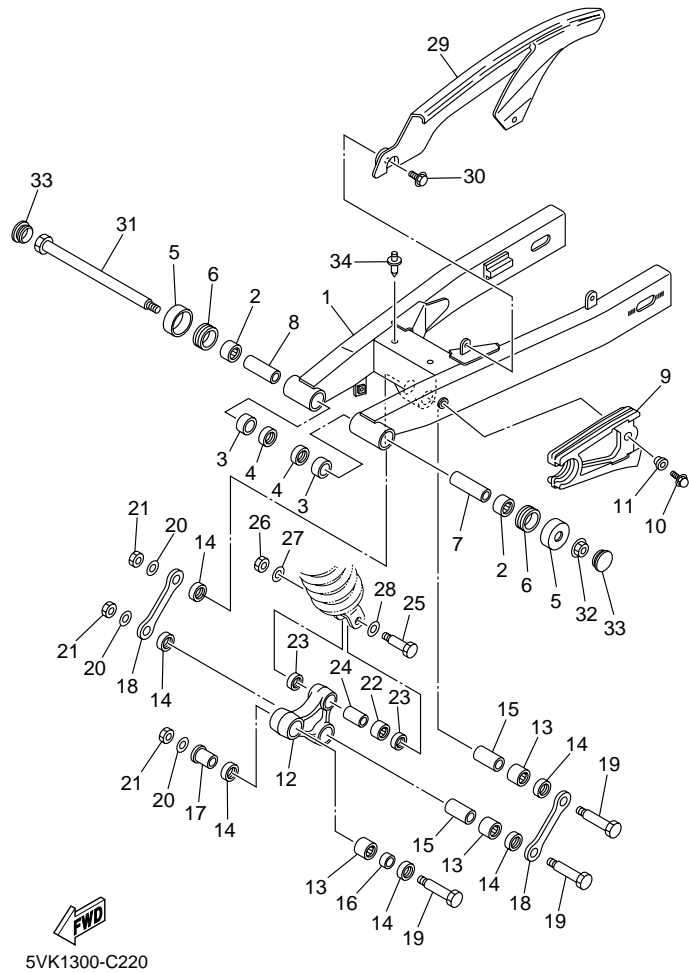
FIG 21 SIDE COVER

C15

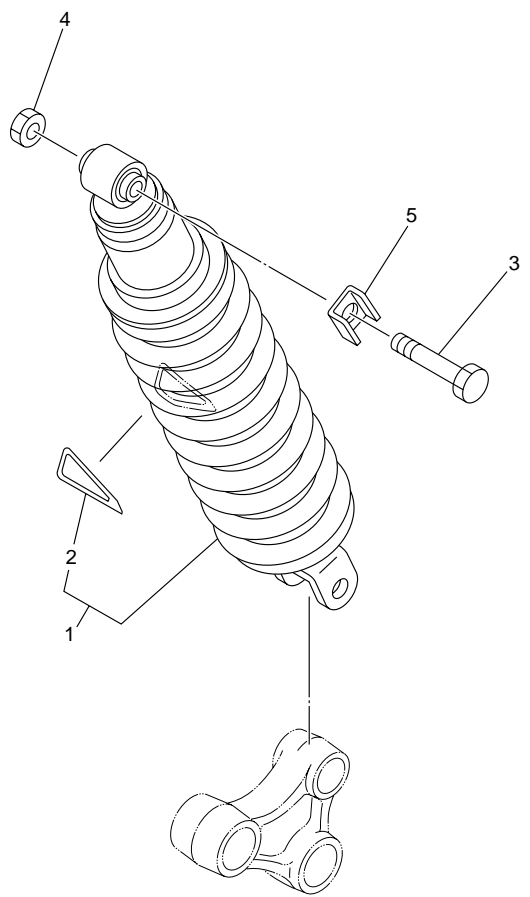
Ref. NO.	Part NO.	DESCRIPTION	FRA	DEU	ZAF	OTH	GBR	REMARKS
1	5VK-F1711-00	COVER, SIDE 1	1	1	1	1	1	
2	90159-06078	SCREW, WITH WASHER	2	2	2	2	2	
3	90387-07717	COLLAR	1	1	1	1	1	
4	90480-01558	GROMMET	1	1	1	1	1	
5	5VK-F1721-00	COVER, SIDE 2	1	1	1	1	1	
6	90159-06078	SCREW, WITH WASHER	1	1	1	1	1	
7	90480-01558	GROMMET	2	2	2	2	2	
8	5VK-F1871-00	TANK, RECOVERY	1	1	1	1	1	
9	90387-062M9	COLLAR	2	2	2	2	2	
10	95807-06012	BOLT, FLANGE	2	2	2	2	2	
11	5VK-21875-00	CAP	1	1	1	1	1	
12	26H-21828-00	ELBOW	1	1	1	1	1	
13	90445-08020	HOSE	1	1	1	1	1	
14	90467-08003	CLIP	2	2	2	2	2	
15	90445-08008	HOSE	1	1	1	1	1	
16	90467-08003	CLIP	1	1	1	1	1	
17	90464-16006	CLAMP	1	1	1	1	1	
18	90464-11008	CLAMP	1	1	1	1	1	

FIG 22 REAR ARM

D2



Ref. NO.	Part NO.	DESCRIPTION	FRA	DEU	ZAF	OTH	GBR	REMARKS
1	5VK-F2110-00	REAR ARM COMP.	1	1	1	1	1	
2	93315-22251	BEARING	2	2	2	2	2	
3	90380-22111	BUSH, SOLID	2	2	2	2	2	
4	93106-22019	OIL SEAL (DC 22-28-8)	2	2	2	2	2	
5	30X-2219X-00	COVER	2	2	2	2	2	
6	93108-35004	OIL SEAL (35-41-8)	2	2	2	2	2	
7	5VK-22124-00	BUSH 2	1	1	1	1	1	
8	5VK-22123-00	BUSH 1	1	1	1	1	1	
9	5VK-F2151-00	SEAL, GUARD	1	1	1	1	1	
10	95807-06020	BOLT, FLANGE	1	1	1	1	1	
11	90387-06066	COLLAR	1	1	1	1	1	
12	5VK-F217A-00	ARM, RELAY	1	1	1	1	1	
13	93315-32053	BEARING	3	3	3	3	3	
14	93109-20076	OIL SEAL	6	6	6	6	6	
15	90387-167R5	COLLAR	2	2	2	2	2	
16	90387-16011	COLLAR	1	1	1	1	1	
17	90387-16012	COLLAR	1	1	1	1	1	
18	5VK-F217F-00	ROD, CONNECTING 1	2	2	2	2	2	
19	5VK-22125-00	BOLT	3	3	3	3	3	
20	90201-160F6	WASHER, PLATE	3	3	3	3	3	
21	90185-14002	NUT, SELF-LOCKING	3	3	3	3	3	
22	93315-31759	BEARING	1	1	1	1	1	
23	93109-17071	OIL SEAL	2	2	2	2	2	
24	90387-127W0	COLLAR	1	1	1	1	1	
25	90101-10659	BOLT	1	1	1	1	1	
26	95614-10100	NUT, U	1	1	1	1	1	
27	90201-101J1	WASHER, PLATE	1	1	1	1	1	
28	90201-13013	WASHER, PLATE	1	1	1	1	1	




5VK1300-C230

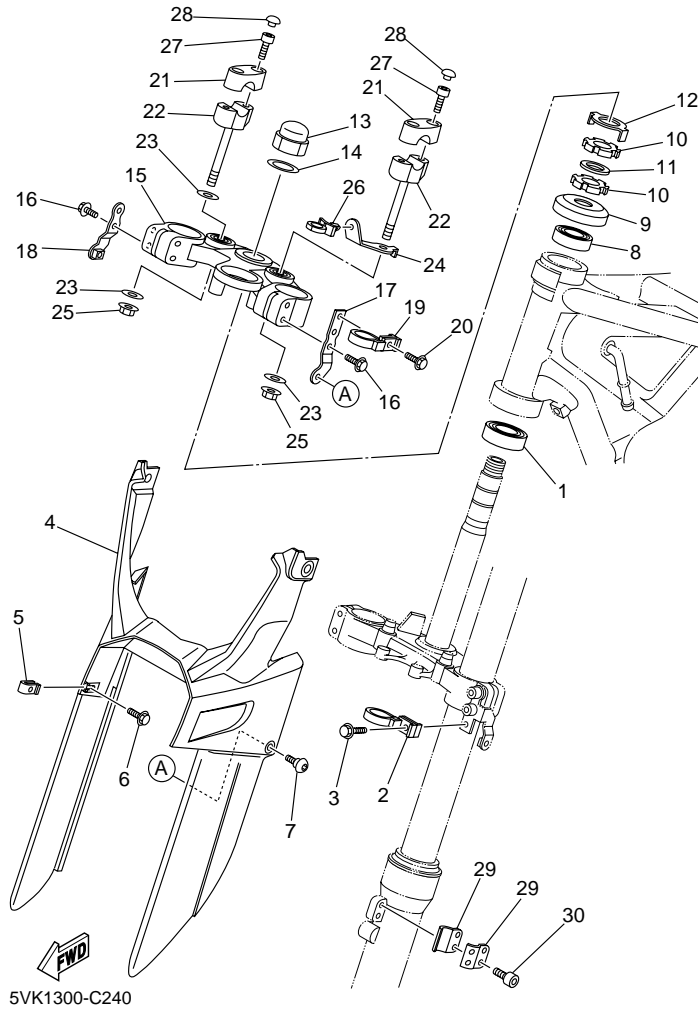
FIG 23 REAR SUSPENSION

D4

Ref. NO.	Part NO.	DESCRIPTION	FRA	DEU	ZAF	OTH	GBR	REMARKS
1	5VK-22210-00	SHOCK ABSORBER ASSY, REAR	1	1	1	1	1	
2	4AA-22259-40	.LABEL, WARNING	1	1	1	1	1	
3	90101-12742	BOLT	1	1	1	1	1	
4	95617-12100	NUT, U	1	1	1	1	1	
5	5VK-F2243-00	WASHER 1	1	1	1	1	1	

FIG 24 STEERING

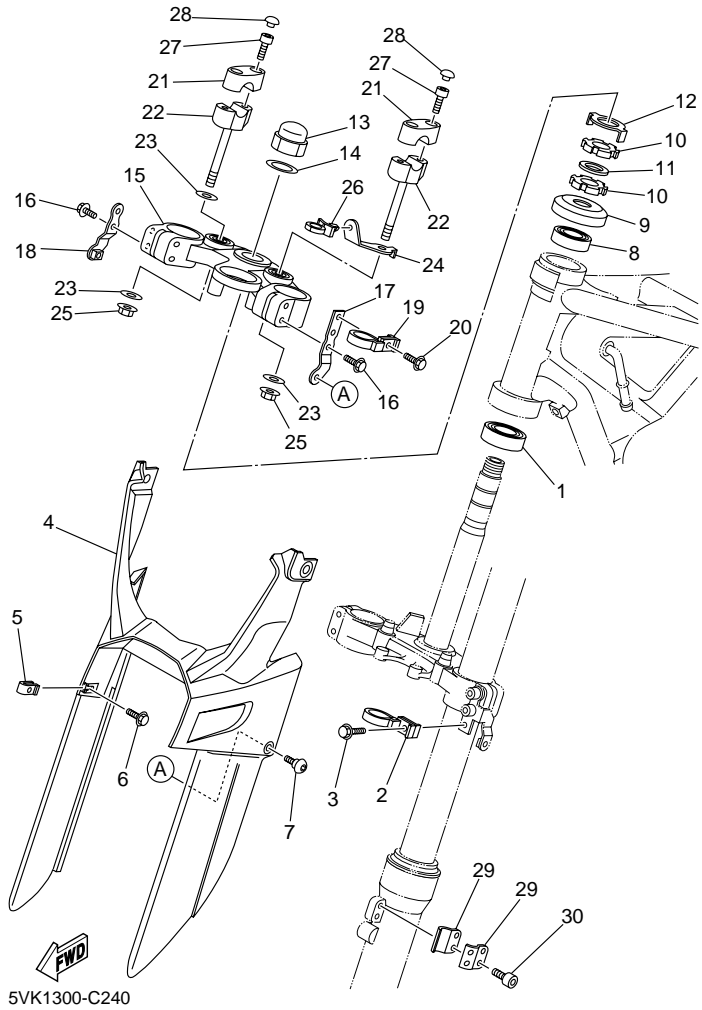
D5



Ref. NO.	Part NO.	DESCRIPTION	FRA	DEU	ZAF	OTH	GBR	REMARKS
1	93332-00008	BEARING	1	1	1	1	1	
2	5VK-23389-00	GUIDE, CABLE	1	1	1	1	1	
3	90105-05361	BOLT, FLANGE	1	1	1	1	1	
4	5VK-F3472-00	PROTECTOR	1	1	1	1	1	
5	90183-05061	NUT, SPRING	2	2	2	2	2	
6	90119-05193	BOLT, WITH WASHER	2	2	2	2	2	
7	90111-05011	BOLT	2	2	2	2	2	
8	93332-000Y6	BEARING	1	1	1	1	1	
9	1W1-23416-00	COVER, BALL RACE 2	1	1	1	1	1	
10	90179-25615	NUT	2	2	2	2	2	
11	90202-26142	WASHER, PLATE	1	1	1	1	1	
12	3YF-23418-00	WASHER, SPECIAL	1	1	1	1	1	
13	90176-22081	NUT, CROWN	1	1	1	1	1	
14	90201-220T0	WASHER, PLATE	1	1	1	1	1	
15	5VK-23430-00	HANDLE CROWN COMP.	1	1	1	1	1	
16	95027-08040	BOLT, FLANGE	4	4	4	4	4	
17	5VK-F317E-00	STAY	1	1	1	1	1	
18	5VK-F317F-00	STAY 2	1	1	1	1	1	
19	5VK-23389-00	GUIDE, CABLE	1	1	1	1	1	
20	90105-05361	BOLT, FLANGE	1	1	1	1	1	
21	4H7-23441-01-P5	HOLDER, HANDLE UPPER	2	2	2	2	2	S8
22	3Y6-23442-00-P1	HOLDER, HANDLE LOWER	2	2	2	2	2	S8
23	90201-10141	WASHER, PLATE	3	3	3	3	3	
24	5VK-F317M-00	STAY 3	1	1	1	1	1	
25	95607-10200	NUT, U FLANGE	2	2	2	2	2	
26	90464-12001	CLAMP	1	1	1	1	1	
27	91317-08030	BOLT	4	4	4	4	4	
28	90338-06004	PLUG	4	4	4	4	4	

FIG 24 STEERING

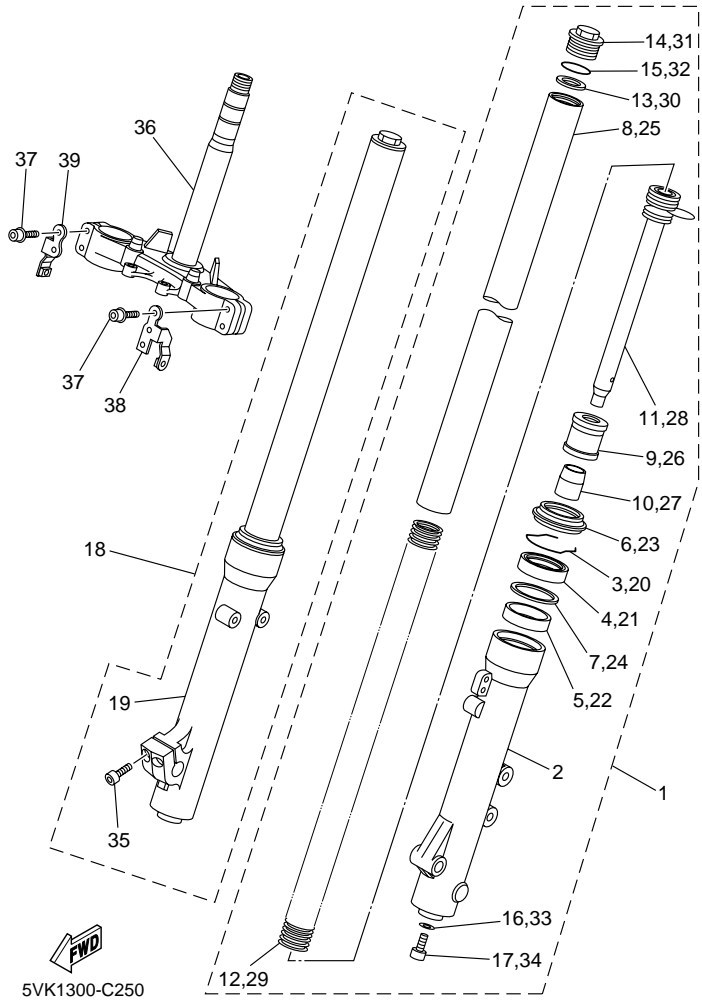
D6



Ref. NO.	Part NO.	DESCRIPTION	FRA	DEU	ZAF	OTH	GBR	REMARKS
29	5VK-F3466-00	CLAMP	2	2	2	2	2	
30	91317-06016	BOLT	2	2	2	2	2	

FIG 25 FRONT FORK

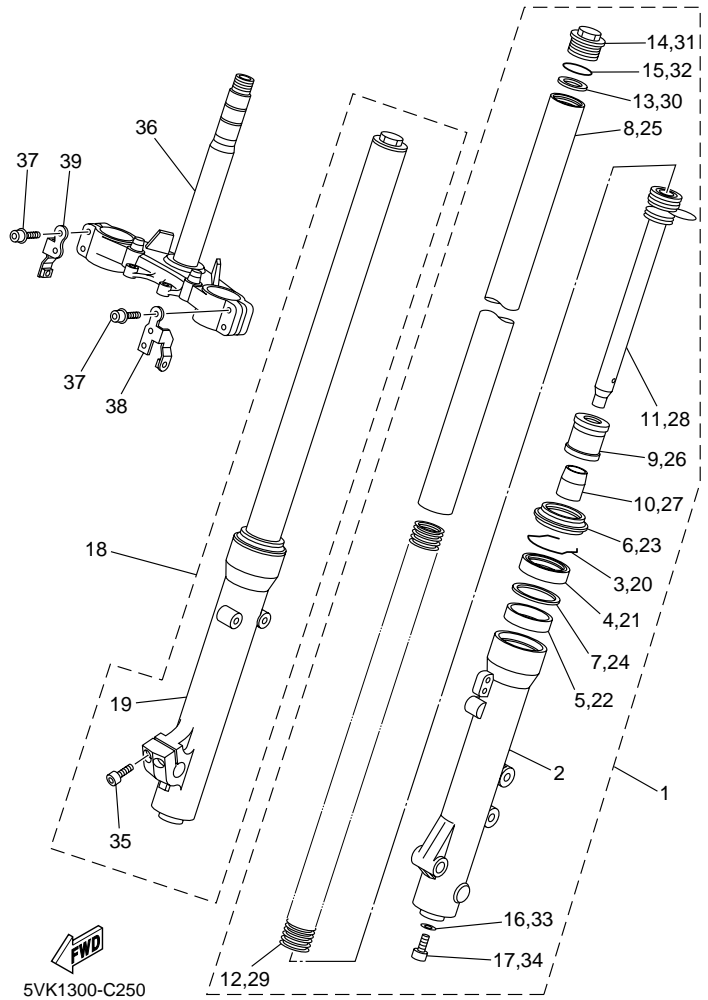
D7



Ref. NO.	Part NO.	DESCRIPTION	FRA	DEU	ZAF	OTH	GBR	REMARKS
1	5VK-F3102-00	FRONT FORK ASSY (L.H)	1	1	1	1	1	
2	5VK-F3126-00	.TUBE, OUTER (LEFT)	1	1	1	1	1	
3	5VK-F3153-00	.RING, SNAP	1	1	1	1	1	
4	4DA-23145-L0	.OIL SEAL	1	1	1	1	1	
5	5VK-F3125-00	.METAL, SLIDE 1	1	1	1	1	1	
6	5VK-F3144-00	.SEAL, DUST	1	1	1	1	1	
7	5VK-F3146-00	.WASHER, OIL SEAL	1	1	1	1	1	
8	5VK-F3110-00	.INNER TUBE COMP.1	1	1	1	1	1	
9	3XJ-23171-L0	.PISTON, FRONT FORK	1	1	1	1	1	
10	5VK-F3173-00	.SPINDLE, TAPER	1	1	1	1	1	
11	5VK-F3170-00	.CYLINDER COMP, FRONT FORK	1	1	1	1	1	
12	5VK-F3141-00	.SPRING, FRONT FORK	1	1	1	1	1	
13	5VK-F3149-00	.WASHER, SPRING UPPER	1	1	1	1	1	
14	5VK-F3111-00	.BOLT, CAP	1	1	1	1	1	
15	4V4-23188-L0	.O-RING	1	1	1	1	1	
16	5JH-F3158-00	.GASKET	1	1	1	1	1	
17	5VK-F3181-00	.BOLT, HEXAGON SOCKET HEAD	1	1	1	1	1	
18	5VK-F3103-00	FRONT FORK ASSY (R.H)	1	1	1	1	1	
19	5VK-F3136-00	.TUBE, OUTER (RIGHT)	1	1	1	1	1	
20	5VK-F3153-00	.RING, SNAP	1	1	1	1	1	
21	4DA-23145-L0	.OIL SEAL	1	1	1	1	1	
22	5VK-F3125-00	.METAL, SLIDE 1	1	1	1	1	1	
23	5VK-F3144-00	.SEAL, DUST	1	1	1	1	1	
24	5VK-F3146-00	.WASHER, OIL SEAL	1	1	1	1	1	
25	5VK-F3110-00	.INNER TUBE COMP.1	1	1	1	1	1	
26	3XJ-23171-L0	.PISTON, FRONT FORK	1	1	1	1	1	
27	5VK-F3173-00	.SPINDLE, TAPER	1	1	1	1	1	
28	5VK-F3170-00	.CYLINDER COMP, FRONT FORK	1	1	1	1	1	

FIG 25 FRONT FORK

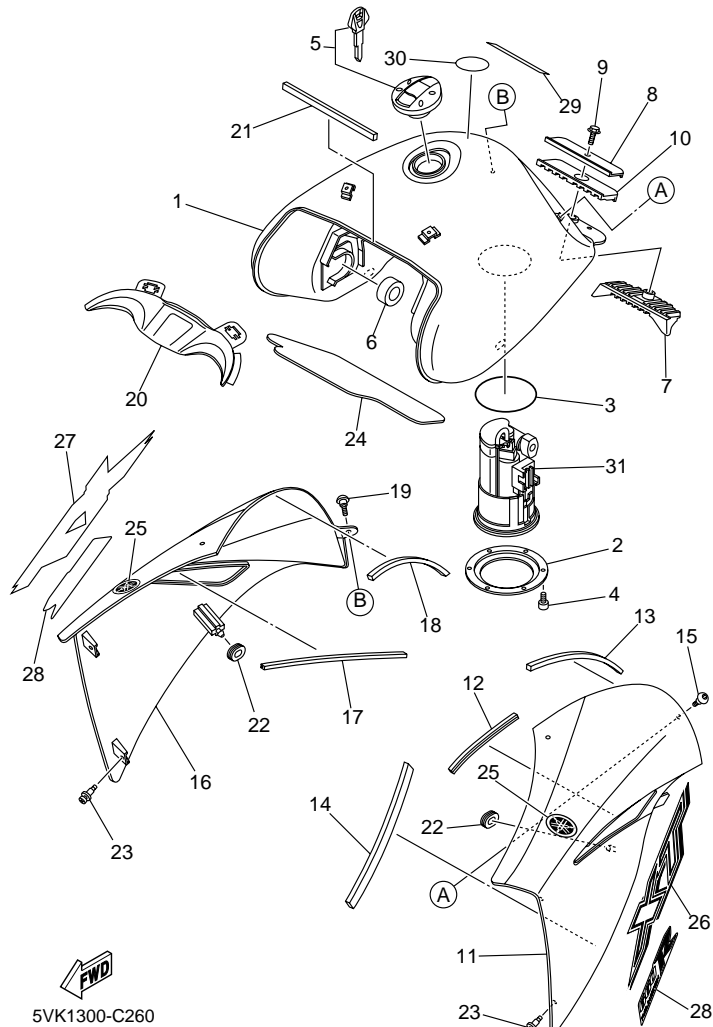
D8



Ref. NO.	Part NO.	DESCRIPTION	FRA	DEU	ZAF	OTH	GBR	REMARKS
29	5VK-F3141-00	.SPRING, FRONT FORK	1	1	1	1	1	
30	5VK-F3149-00	.WASHER, SPRING UPPER	1	1	1	1	1	
31	5VK-F3111-00	.BOLT, CAP	1	1	1	1	1	
32	4V4-23188-L0	.O-RING	1	1	1	1	1	
33	5JH-F3158-00	.GASKET	1	1	1	1	1	
34	5VK-F3181-00	.BOLT, HEXAGON SOCKET HEAD	1	1	1	1	1	
35	4CU-F3181-00	.BOLT, HEXAGON SOCKET HEAD	2	2	2	2	2	
36	5VK-F3340-00	UNDER BRACKET COMP.	1	1	1	1	1	
37	5SE-F3394-00	BOLT, SPECIAL	4	4	4	4	4	
38	5VK-F334G-00	BRACKET 1	1	1	1	1	1	
39	5VK-F334H-00	BRACKET 2	1	1	1	1	1	

FIG 26 FUEL TANK

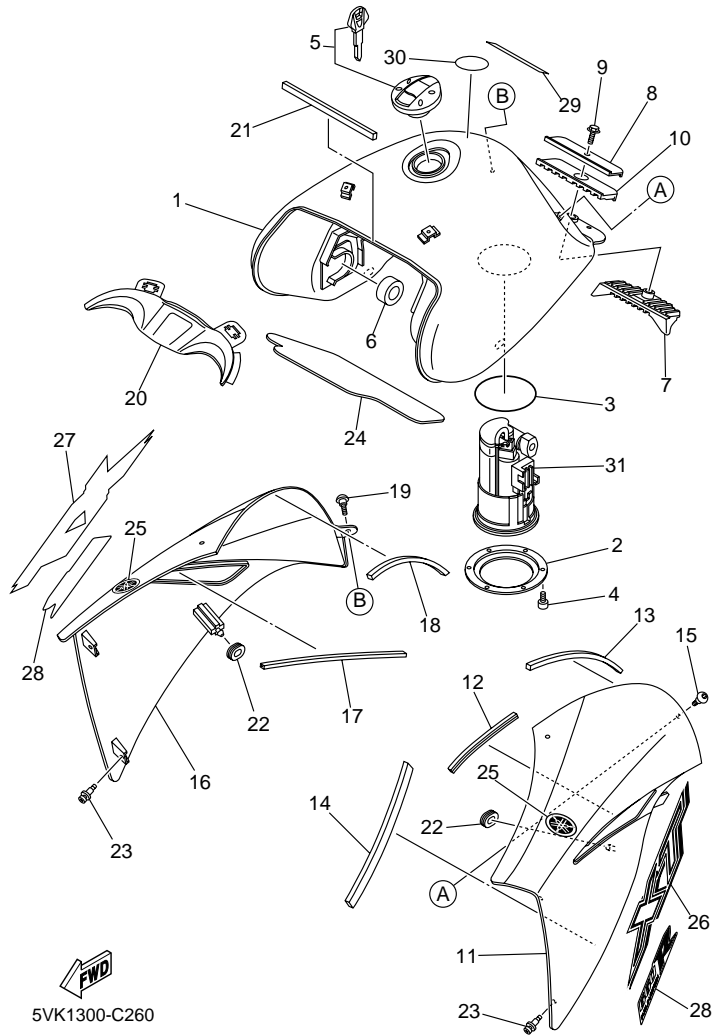
D9



Ref. NO.	Part NO.	DESCRIPTION	FRA	DEU	ZAF	OTH	GBR	REMARKS
1	5VK-F4110-10-P0	FUEL TANK COMP.	1	1	1	1	1	MBL2
2	5VK-F4491-00	BRACKET, FUEL PUMP	1	1	1	1	1	
3	5JW-24486-00	O-RING	1	1	1	1	1	
4	91317-05010	BOLT	6	6	6	6	6	
5	5VK-24602-00	CAP ASSY	1	1	1	1	1	
6	3TB-24181-00	DAMPER, LOCATING 1	2	2	2	2	2	
7	5VK-24182-00	DAMPER, LOCATING 2	1	1	1	1	1	
8	5VK-F4186-00	WASHER, SPECIAL	1	1	1	1	1	
9	95827-06016	BOLT, FLANGE	1	1	1	1	1	
10	5VK-24183-00	DAMPER, LOCATING 3	1	1	1	1	1	
11	5VK-F137W-00	SCOOP, AIR 1	1	1	1	1	1	UR FOR DPBSE
11	5VK-F137W-10	SCOOP, AIR 1	1	1	1	1	1	UR FOR YB
12	5VK-28345-00	MOLE 1	1	1	1	1	1	
13	5VK-2414H-00	DAMPER, PLATE 1	1	1	1	1	1	
14	5VK-2414K-00	DAMPER, PLATE 3	1	1	1	1	1	
15	90111-05011	BOLT	2	2	2	2	2	
16	5VK-F137X-00	SCOOP, AIR 2	1	1	1	1	1	UR FOR DPBSE
16	5VK-F137X-10	SCOOP, AIR 2	1	1	1	1	1	UR FOR YB
17	5VK-28345-00	MOLE 1	1	1	1	1	1	
18	5VK-2414H-00	DAMPER, PLATE 1	1	1	1	1	1	
19	90111-05011	BOLT	2	2	2	2	2	
20	5VK-F137Y-00	GUIDE, AIR	1	1	1	1	1	
21	5VK-28371-00	DAMPER	1	1	1	1	1	
22	90480-01141	GROMMET	2	2	2	2	2	
23	90269-06081	RIVET	4	4	4	4	4	
24	5VK-2416F-00	INSULATOR, FUEL TANK 1	1	1	1	1	1	
25	5VK-F413B-00	EMBLEM	1	1	1	1	1	UR
25	5VK-F413B-00	EMBLEM	1	1	1	1	1	UR

FIG 26 FUEL TANK

D10

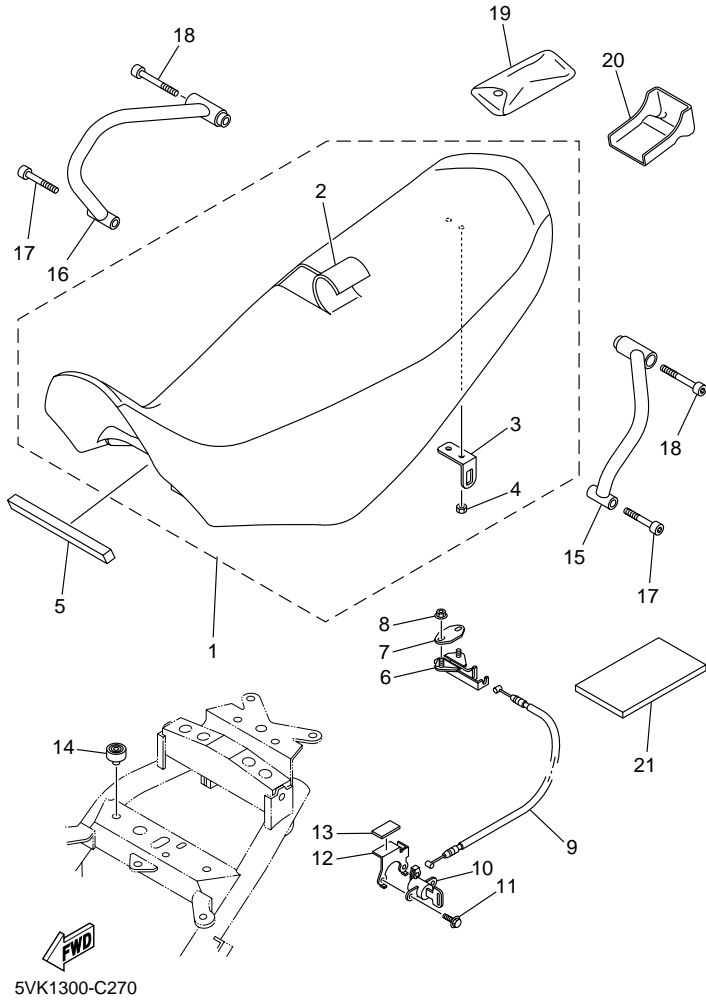


Ref. NO.	Part NO.	DESCRIPTION	FRA	DEU	ZAF	OTH	GBR	REMARKS
26	5VK-F1781-00	EMBLEM 1	1	1	1	1	1	UR FOR DPBSE
26	5VK-F1781-10	EMBLEM 1	1	1	1	1	1	UR FOR YB
27	5VK-F1782-00	EMBLEM 2	1	1	1	1	1	UR FOR DPBSE
27	5VK-F1782-10	EMBLEM 2	1	1	1	1	1	UR FOR YB
28	5VK-F1788-00	GRAPHIC	2	2	2	2	2	UR FOR DPBSE
28	5VK-F1788-10	GRAPHIC	2	2	2	2	2	UR FOR YB
29	4CU-F1568-00	LABEL, WARNING	0	0	1	1	1	URENGLISH

30	5DN-F415A-10	LABEL, CAUTION	1	1	1	1	1	
31	5VK-13907-01	FUEL PUMP COMP.	1	1	1	1	1	

FIG 27 SEAT

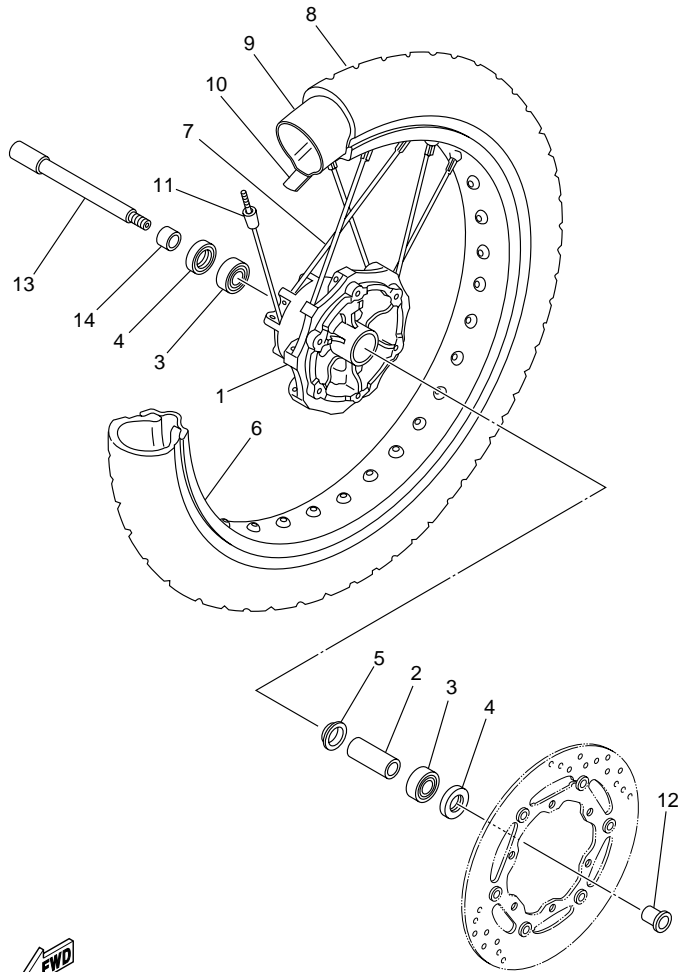
D11



Ref. NO.	Part NO.	DESCRIPTION	FRA	DEU	ZAF	OTH	GBR	REMARKS
1	5VK-F4770-00	SEMI-DOUBLE SEAT ASSY	1	1	1	1	1	
2	5VK-24731-00	.COVER, SEAT	1	1	1	1	1	
3	4HM-24728-00	.BRACKET, SEAT	1	1	1	1	1	
4	90179-06635	.NUT	1	1	1	1	1	
5	5VK-24737-00	DAMPER, SEAT	1	1	1	1	1	
6	4BP-24780-00	SEAT LOCK ASSY	1	1	1	1	1	
7	5VK-F4792-00	PLATE	1	1	1	1	1	
8	95707-06500	NUT, FLANGE	2	2	2	2	2	
9	5VK-F478E-00	CABLE, SEAT LOCK	1	1	1	1	1	
10	2TV-W2470-00	SEAT LOCK ASSY	1	1	1	1	1	
11	95027-06014	BOLT, FLANGE	2	2	2	2	2	
12	5VK-F478X-00	BRACKET, SEAT LOCK	1	1	1	1	1	
13	5VK-24747-00	DAMPER, SEAT	1	1	1	1	1	
14	3VL-F4741-10	PAD, SEAT	2	2	2	2	2	
15	5VK-F474A-00	ASSIST, GRIP	1	1	1	1	1	
16	5VK-F474W-00	ASSIST,GRIP 2	1	1	1	1	1	
17	90110-08232	BOLT, HEXAGON SOCKET HEAD	2	2	2	2	2	
18	91317-08050	BOLT,HEX.SOCKET HEAD	2	2	2	2	2	
19	5VK-F8100-00	TOOL KIT	1	1	1	1	1	
20	5VK-F8116-00	TOOL, SPECIAL	1	1	1	1	1	
21	5VK-F8199-E0	MANUAL,OWNER'S	0	0	1	1	1	URENGLISH

FIG 28 FRONT WHEEL

D12




5VK1300-C280

Ref. NO.	Part NO.	DESCRIPTION	FRA	DEU	ZAF	OTH	GBR	REMARKS
1	5VK-25111-00	HUB, FRONT	1	1	1	1	1	
2	5VK-25117-00	SPACER, BEARING	1	1	1	1	1	
3	93306-20348	BEARING	2	2	2	2	2	
4	93106-23002	OIL SEAL	2	2	2	2	2	
5	136-25115-00	FLANGE, SPACER 1	1	1	1	1	1	
6	94418-21800	RIM (1.85-21)	1	1	1	1	1	
7	5VK-F5104-00	SPOKE SET, FRONT	1	1	1	1	1	
8	*	TIRE (90/90-21M/C 54S)	1	1	1	1	1	
9	*	TUBE (21)	1	1	1	1	1	UR LM
10	*	BAND, RIM (21)	1	1	1	1	1	UR LM
11	3HT-25398-00	BALANCER, WHEEL	1	1	1	1	1	
12	5VK-F5183-00	COLLAR, WHEEL	1	1	1	1	1	
13	5VK-25181-00	AXLE, WHEEL	1	1	1	1	1	
14	5VK-F5186-00	COLLAR, WHEEL	1	1	1	1	1	

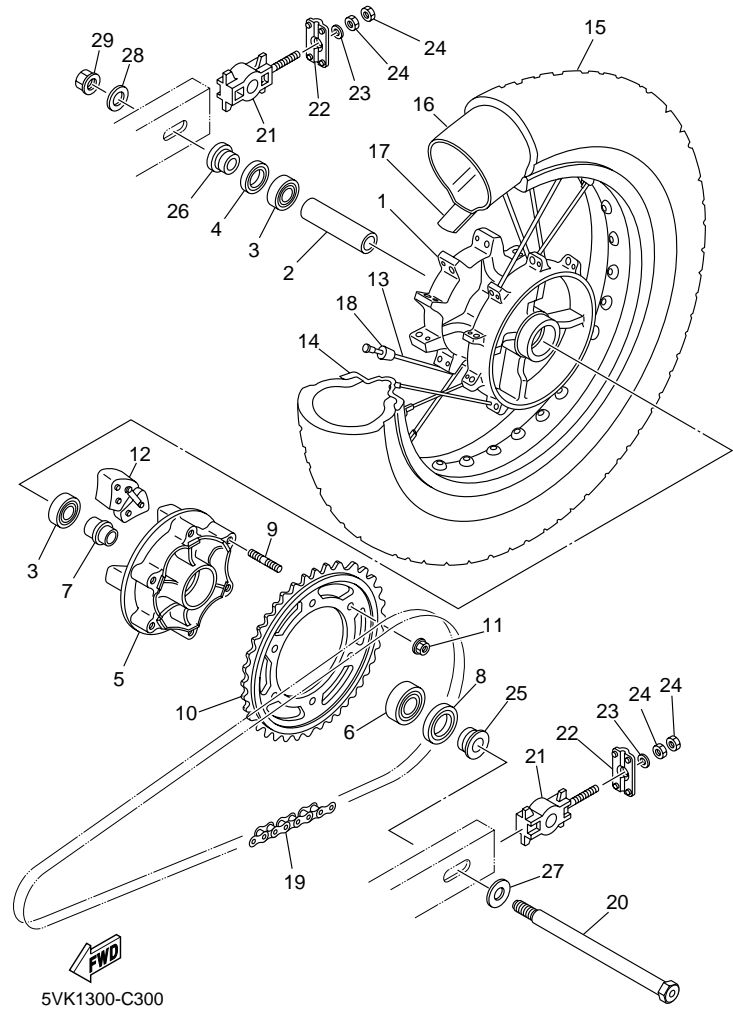


FIG 30 REAR WHEEL

D14

Ref. NO.	Part NO.	DESCRIPTION	FRA	DEU	ZAF	OTH	GBR	REMARKS
1	5VK-25311-00	HUB, REAR	1	1	1	1	1	
2	90560-17306	SPACER	1	1	1	1	1	
3	93306-20348	BEARING	2	2	2	2	2	
4	93106-23002	OIL SEAL	1	1	1	1	1	
5	5VK-25366-00	CLUTCH, HUB	1	1	1	1	1	
6	93306-30437	BEARING	1	1	1	1	1	
7	1VJ-25377-00	COLLAR, WHEEL	1	1	1	1	1	
8	93106-30029	OIL SEAL	1	1	1	1	1	
9	90116-10485	BOLT, STUD	6	6	6	6	6	
10	5VK-25410-00	RR. WHEEL SPROCKET COMP.	1	1	1	1	1	
11	95607-10200	NUT, U FLANGE	6	6	6	6	6	
12	5Y1-25364-00	DAMPER	4	4	4	4	4	
13	5VK-F5304-00	SPOKE SET, REAR	1	1	1	1	1	
14	94427-17800	RIM	1	1	1	1	1	
15	*	TIRE (130/80-17 M/C 65S)	1	1	1	1	1	
16	*	TUBE (21)	1	1	1	1	1	UR LM
17	*	BAND, RIM (21)	1	1	1	1	1	UR LM
18	3HT-25398-00	BALANCER, WHEEL	1	1	1	1	1	UN
19	94582-15110	CHAIN	1	1	1	1	1	
20	3AJ-25381-01	AXLE, WHEEL	1	1	1	1	1	
21	1UF-25388-00	PULLER, CHAIN 1	2	2	2	2	2	
22	5VK-F2174-00	END 1	2	2	2	2	2	
23	92907-08600	WASHER, PLATE	2	2	2	2	2	
24	95307-08600	NUT	4	4	4	4	4	
25	90387-17801	COLLAR	1	1	1	1	1	

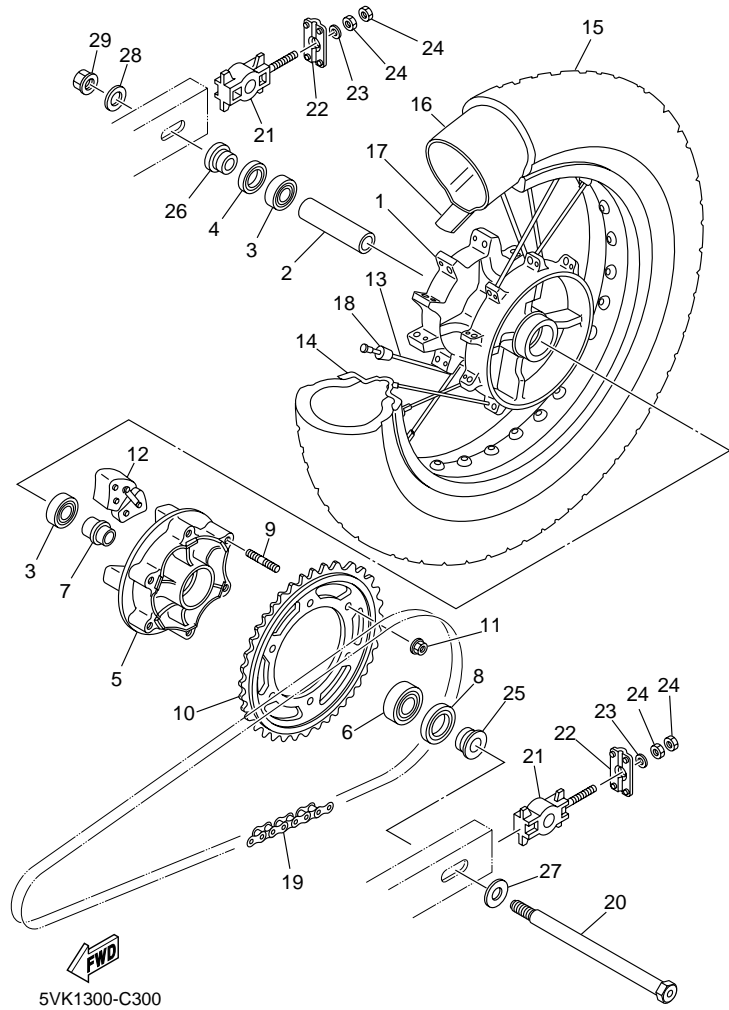


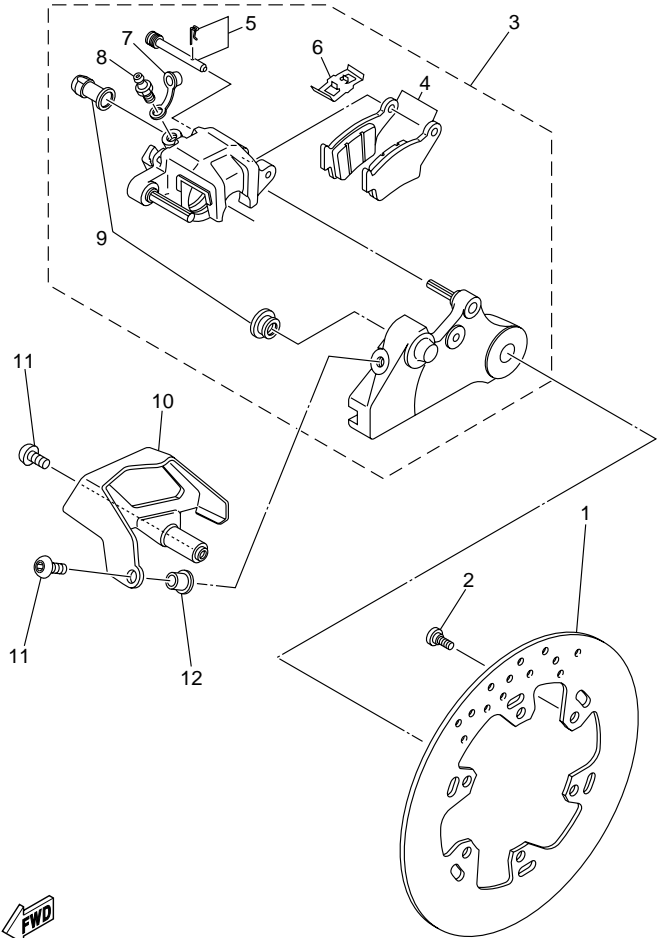
FIG 30 REAR WHEEL

D15

Ref. NO.	Part NO.	DESCRIPTION	FRA	DEU	ZAF	OTH	GBR	REMARKS
26	90387-17802	COLLAR	1	1	1	1	1	
27	90201-170T3	WASHER, PLATE	1	1	1	1	1	
28	90201-160T2	WASHER, PLATE	1	1	1	1	1	
29	95604-16200	NUT, U FLANGE	1	1	1	1	1	

FIG 31 REAR BRAKE CALIPER

E2

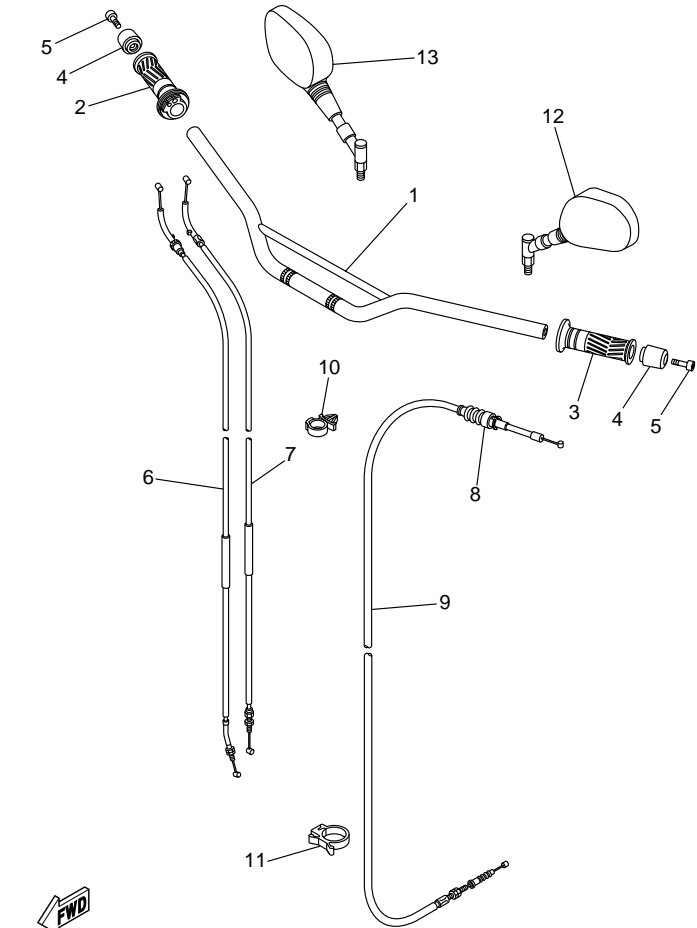


5VK1300-C310

Ref. NO.	Part NO.	DESCRIPTION	FRA	DEU	ZAF	OTH	GBR	REMARKS
1	5VK-F582W-00	DISK, REAR BRAKE 2	1	1	1	1	1	
2	90109-06816	BOLT	6	6	6	6	6	
3	5VK-F580W-00	CALIPER ASSY, REAR 2	1	1	1	1	1	
4	5VK-W0046-00	.BRAKE PAD KIT 2	1	1	1	1	1	
5	5VK-F5924-10	.PIN, PAD	1	1	1	1	1	
6	5VK-F5919-10	.SUPPORT, PAD	1	1	1	1	1	
7	5DS-F5825-00	.CAP	1	1	1	1	1	
8	5SE-F5824-00	.SCREW, BLEED	1	1	1	1	1	
9	5DS-F5917-00	.BOOT, CALIPER	1	1	1	1	1	
10	5CH-F7491-00	PROTECTOR	1	1	1	1	1	
11	90111-06029	BOLT	2	2	2	2	2	
12	90387-06852	COLLAR	1	1	1	1	1	

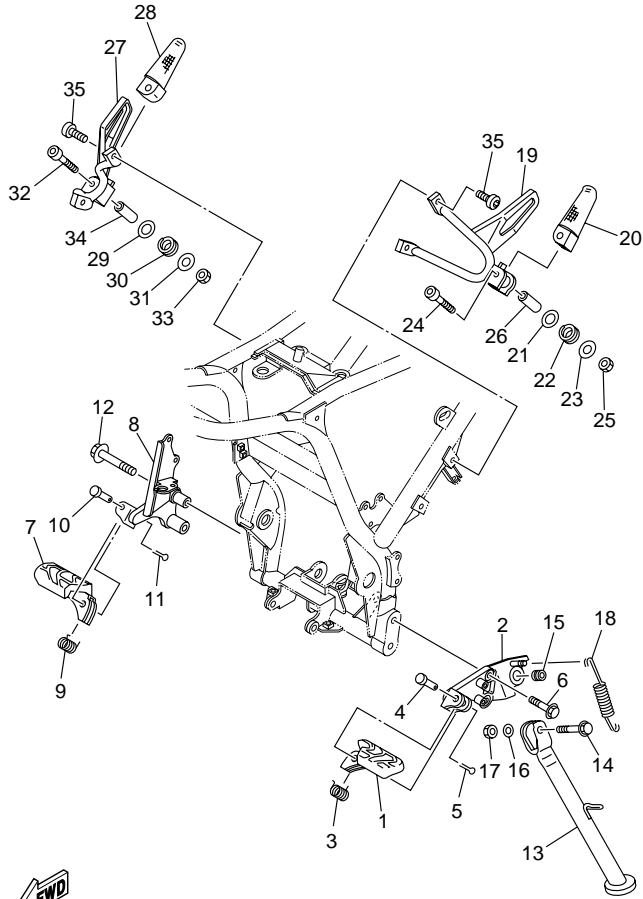
FIG 32 STEERING HANDLE & CABLE

E3



5VK1300-C320

Ref. NO.	Part NO.	DESCRIPTION	FRA	DEU	ZAF	OTH	GBR	REMARKS
1	5VK-F6110-00	HANDLE COMP.	1	1	1	1	1	
2	4YR-26240-02	GRIP ASSY	1	1	1	1	1	
3	4YR-26241-02	GRIP	1	1	1	1	1	
4	4JH-26246-00	END, GRIP	2	2	2	2	2	
5	91317-06035	BOLT	2	2	2	2	2	
6	5VK-F6311-00	CABLE, THROTTLE 1	1	1	1	1	1	
7	5VK-F6312-00	CABLE, THROTTLE 2	1	1	1	1	1	
8	1E6-26342-00	BOOT, CABLE	1	1	1	1	1	
9	5VK-F6335-00	CABLE, CLUTCH	1	1	1	1	1	
10	90464-12001	CLAMP	1	1	1	1	1	
11	90464-18004	CLAMP	1	1	1	1	1	
12	5VK-F6280-00	REAR VIEW MIRROR ASSY (LEFT)	1	1	1	1	1	
13	5VK-F6290-00	REAR VIEW MIRROR ASSY (RIGHT)	1	1	1	1	1	



5VK1300-C340

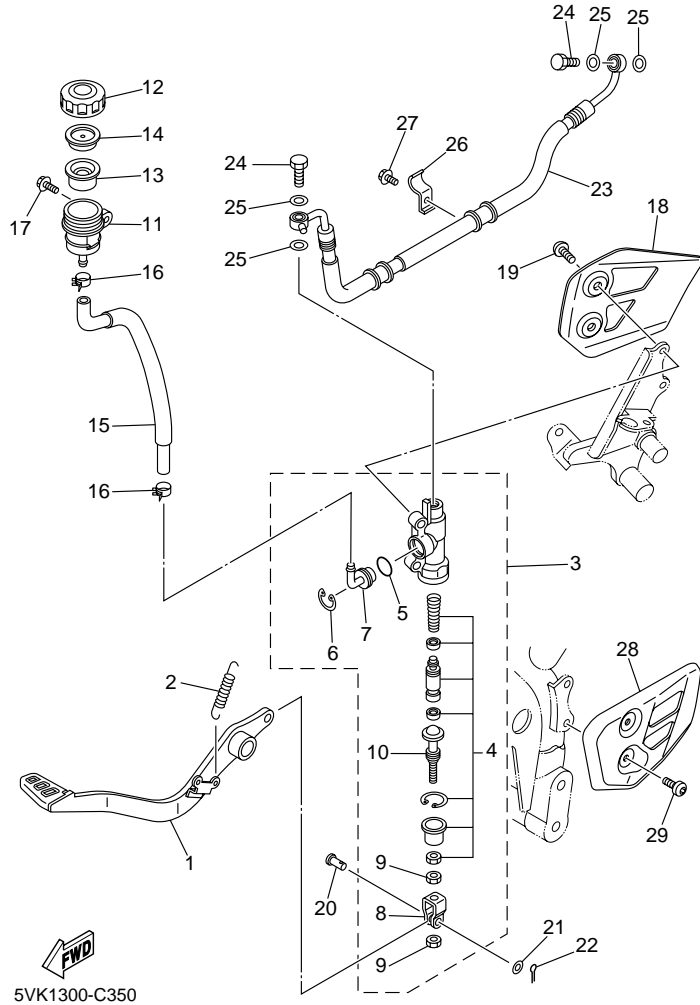
FIG 34 STAND & FOOTREST

E5

Ref. NO.	Part NO.	DESCRIPTION	FRA	DEU	ZAF	OTH	GBR	REMARKS
1	5VK-27411-00	FOOTREST 1	1	1	1	1	1	
2	5VK-F7412-00	BRACKET, FOOTREST 1	1	1	1	1	1	
3	90508-20801	SPRING, TORSION	1	1	1	1	1	
4	90240-10800	PIN, CLEVIS	1	1	1	1	1	
5	91401-25020	PIN, COTTER	1	1	1	1	1	
6	90105-10813	BOLT, FLANGE	2	2	2	2	2	
7	5VK-27421-00	FOOTREST 2	1	1	1	1	1	
8	5VK-F7422-00	BRACKET, FOOTREST 2	1	1	1	1	1	
9	90508-20802	SPRING, TORSION	1	1	1	1	1	
10	90240-10800	PIN, CLEVIS	1	1	1	1	1	
11	91401-25020	PIN, COTTER	1	1	1	1	1	
12	90105-10811	BOLT, FLANGE	2	2	2	2	2	
13	5VK-F7311-00	STAND, SIDE	1	1	1	1	1	
14	90105-10814	BOLT, FLANGE	1	1	1	1	1	
15	90387-10020	COLLAR	1	1	1	1	1	
16	90201-101J1	WASHER, PLATE	1	1	1	1	1	
17	95617-10100	NUT, U	1	1	1	1	1	
18	90506-20002	SPRING, TENSION	1	1	1	1	1	
19	5VK-F741L-00	BRACKET 4	1	1	1	1	1	
20	5VK-F7431-00	FOOTREST, REAR 1	1	1	1	1	1	
21	90201-10430	WASHER, PLATE	1	1	1	1	1	
22	90504-18005	SPRING, COMPRESSION	1	1	1	1	1	
23	90201-06060	WASHER, PLATE	1	1	1	1	1	
24	91317-06040	BOLT	1	1	1	1	1	
25	95607-06100	NUT, U	1	1	1	1	1	
26	90387-06086	COLLAR	1	1	1	1	1	
27	5VK-F742L-00	BRACKET 5	1	1	1	1	1	
28	5VK-F7441-00	FOOTREST, REAR 2	1	1	1	1	1	

FIG 35 REAR MASTER CYLINDER

E7

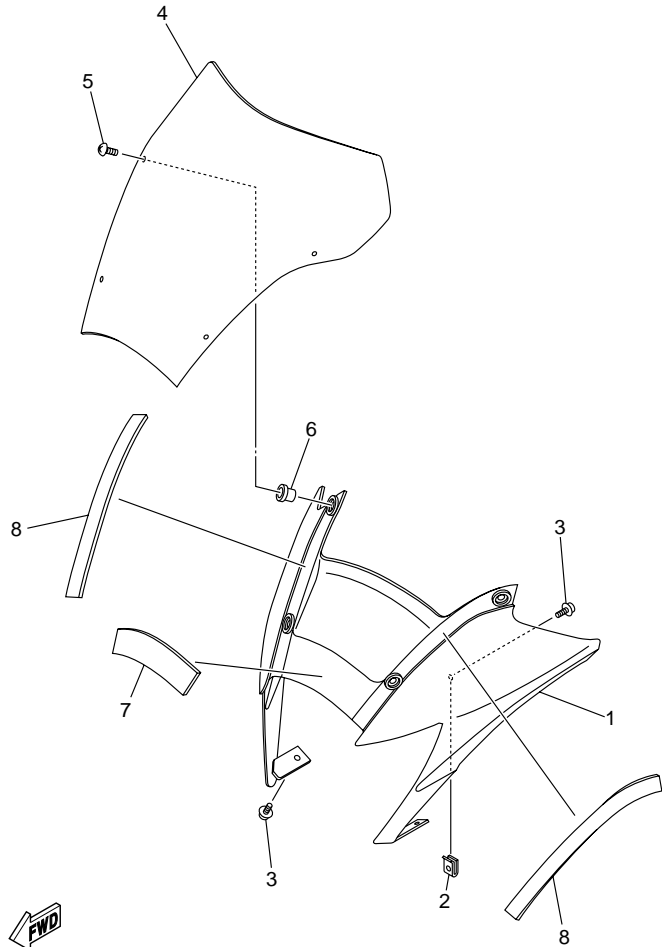


5VK1300-C350

Ref. NO.	Part NO.	DESCRIPTION	FRA	DEU	ZAF	OTH	GBR	REMARKS
1	5VK-F7211-00	PEDAL, BRAKE	1	1	1	1	1	
2	90506-20369	SPRING, TENSION	1	1	1	1	1	
3	5VK-2583V-00	RR. MASTER CYLINDER ASSY.	1	1	1	1	1	
4	3BN-W0042-50	.CYLINDER KIT, MASTER	1	1	1	1	1	
5	93210-15620	.O-RING	1	1	1	1	1	
6	2VN-25866-00	.CIRCLIP	1	1	1	1	1	
7	4ML-2582A-50	.JOINT	1	1	1	1	1	
8	2YK-27222-00	.JOINT	1	1	1	1	1	
9	4SS-27218-00	.NUT	2	2	2	2	2	
10	3KW-27234-00	.PIN, BRAKE ROD	1	1	1	1	1	
11	5JJ-25894-00	TANK, RESERVOIR	1	1	1	1	1	
12	3XP-25852-50	CAP, RESERVOIR	1	1	1	1	1	
13	2VN-25854-00	DIAPHRAGM, RESERVOIR	1	1	1	1	1	
14	2VN-25855-00	BUSH,DIAPHRAGM	1	1	1	1	1	
15	5VK-25895-00	HOSE, RESERVOIR	1	1	1	1	1	
16	90467-12085	CLIP	2	2	2	2	2	
17	90119-06044	BOLT, WITH WASHER	1	1	1	1	1	
18	5VK-F117M-00	COVER 2	1	1	1	1	1	
19	90109-085G6	BOLT	2	2	2	2	2	
20	90240-08124	PIN, CLEVIS	1	1	1	1	1	
21	90201-08083	WASHER, PLATE	1	1	1	1	1	
22	91401-16012	PIN, COTTER	1	1	1	1	1	
23	5VK-F5873-00	HOSE, BRAKE 2	1	1	1	1	1	
24	90401-10X03	BOLT, UNION	2	2	2	2	2	
25	90201-10X03	WASHER, PLATE	4	4	4	4	4	
26	5VK-F5875-00	HOLDER, BRAKE HOSE 1	2	2	2	2	2	
27	95027-06012	BOLT, FLANGE	2	2	2	2	2	
28	5VK-F117F-00	COVER	1	1	1	1	1	

FIG 36 COWLING 1

E9

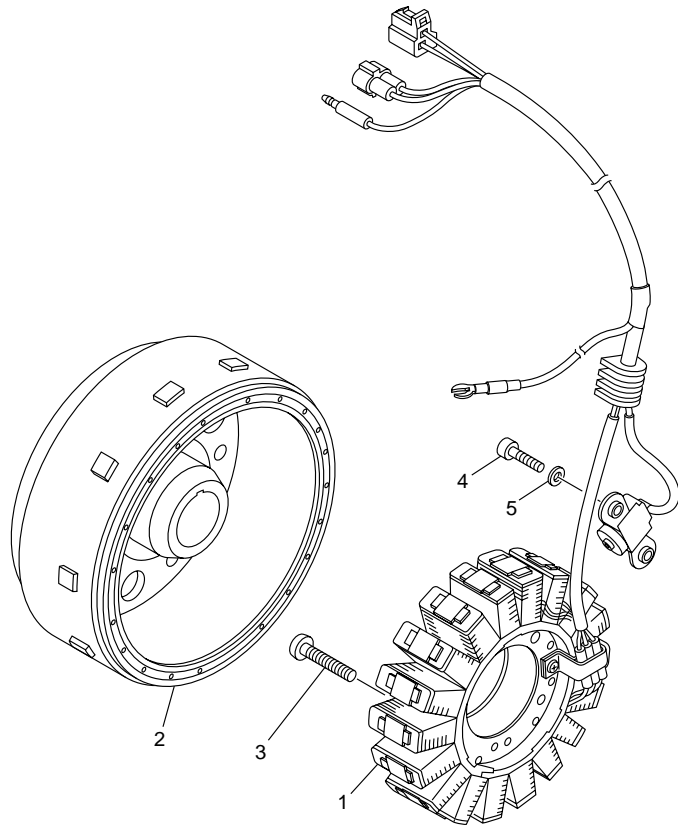


 5VK1300-C360

Ref. NO.	Part NO.	DESCRIPTION	FRA	DEU	ZAF	OTH	GBR	REMARKS
1	5VK-F8351-00	BODY, COWLING	1	1	1	1	1	UR FOR DPBSE
1	5VK-F8351-10	BODY, COWLING	1	1	1	1	1	UR FOR YB
2	90183-05061	NUT, SPRING	2	2	2	2	2	
3	90159-05083	SCREW, WITH WASHER	4	4	4	4	4	
4	5VK-F8381-00	WINDSHIELD	1	1	1	1	1	
5	90150-05023	SCREW, ROUND HEAD	4	4	4	4	4	
6	90179-05523	NUT	4	4	4	4	4	
7	5VK-2837J-00	DAMPER 5	1	1	1	1	1	
8	5VK-2837K-00	DAMPER 6	2	2	2	2	2	

FIG 37 GENERATOR

E10

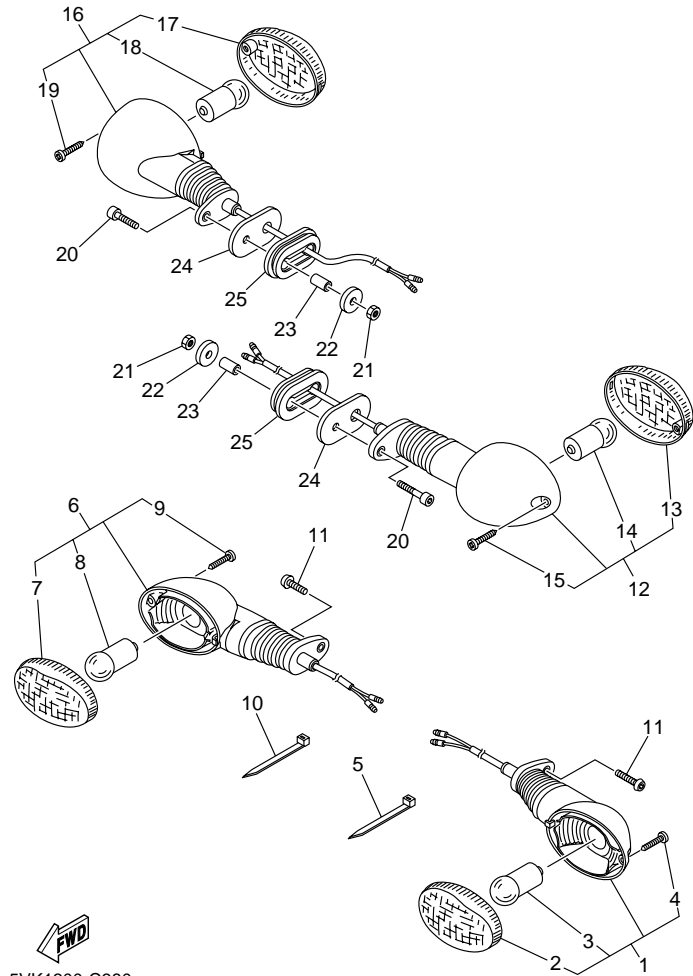


Ref. NO.	Part NO.	DESCRIPTION	FRA	DEU	ZAF	OTH	GBR	REMARKS
1	5VK-81410-00	STATOR ASSY	1	1	1	1	1	
2	5VK-81450-00	ROTOR ASSY	1	1	1	1	1	
3	92017-06030	BOLT, BUTTON HEAD	3	3	3	3	3	
4	91317-05014	BOLT	2	2	2	2	2	
5	90201-05X08	WASHER, PLATE	2	2	2	2	2	

 5VK1300-C370

FIG 38 FLASHER LIGHT

E11

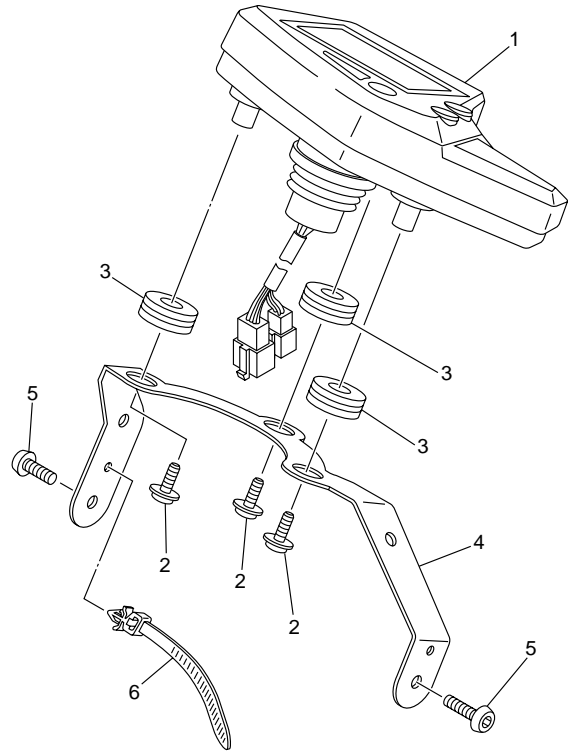


5VK1300-C380

Ref. NO.	Part NO.	DESCRIPTION	FRA	DEU	ZAF	OTH	GBR	REMARKS
1	5VK-H3310-00	FRONT FLASHER LIGHT ASSY 1	1	1	1	1	1	
2	5VK-H333A-00	.LENS COMP	1	1	1	1	1	
3	5VK-H3311-00	.BULB, FLASHER	1	1	1	1	1	
4	5VK-H3333-00	.SCREW, LENS FITTING	1	1	1	1	1	
5	90464-16061	CLAMP	1	1	1	1	1	
6	5VK-H3320-00	FRONT FLASHER LIGHT ASSY 2	1	1	1	1	1	
7	5VK-H333A-00	.LENS COMP	1	1	1	1	1	
8	5VK-H3311-00	.BULB, FLASHER	1	1	1	1	1	
9	5VK-H3333-00	.SCREW, LENS FITTING	1	1	1	1	1	
10	90464-16061	CLAMP	1	1	1	1	1	
11	92017-06014	BOLT, BUTTON HEAD	2	2	2	2	2	
12	5VK-H3330-00	REAR FLASHER LIGHT ASSY 1	1	1	1	1	1	
13	5VK-H333A-00	.LENS COMP	1	1	1	1	1	
14	5VK-H3311-00	.BULB, FLASHER	1	1	1	1	1	
15	5VK-H3333-00	.SCREW, LENS FITTING	1	1	1	1	1	
16	5VK-H3340-00	FLASHER LIGHT ASSY 2	1	1	1	1	1	
17	5VK-H333A-00	.LENS COMP	1	1	1	1	1	
18	5VK-H3311-00	.BULB, FLASHER	1	1	1	1	1	
19	5VK-H3333-00	.SCREW, LENS FITTING	1	1	1	1	1	
20	91317-06035	BOLT	2	2	2	2	2	
21	95607-06100	NUT, U	2	2	2	2	2	
22	90201-06026	WASHER, PLATE	2	2	2	2	2	
23	90387-06088	COLLAR	2	2	2	2	2	
24	5VK-83359-00	WASHER, SPECIAL	2	2	2	2	2	
25	5VK-83345-00	PLUG, BLIND	2	2	2	2	2	

FIG 39 METER

E12

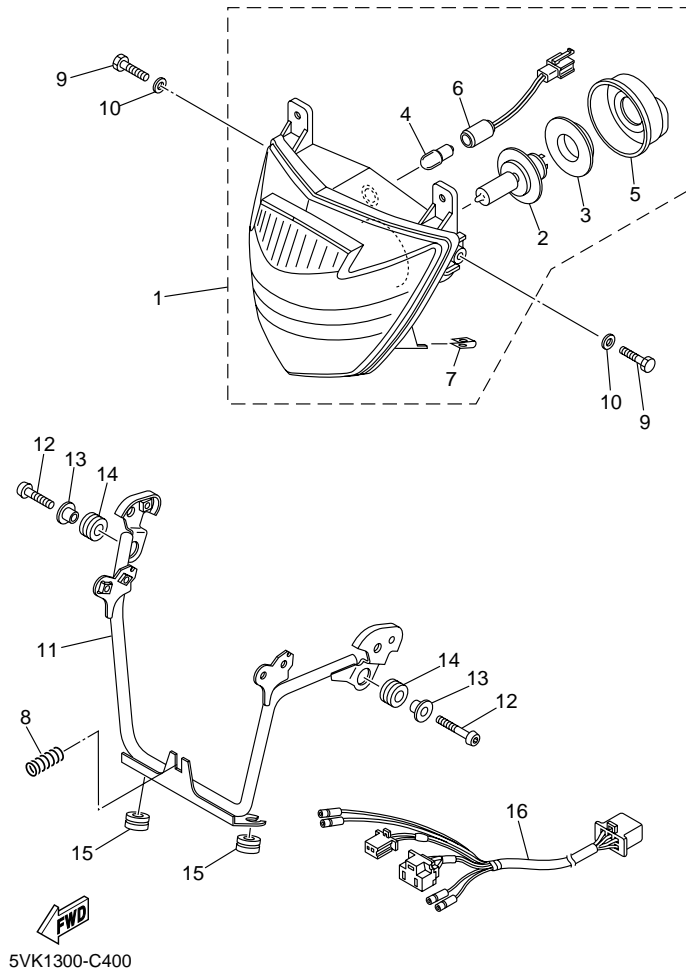



5VK1300-C390

Ref. NO.	Part NO.	DESCRIPTION	FRA	DEU	ZAF	OTH	GBR	REMARKS
1	5VK-83500-00	SPEEDOMETER ASSY	1	1	1	1	0	UR
2	90164-05014	SCREW, TAPPING	3	3	3	3	3	
3	90480-14555	GROMMET	3	3	3	3	3	
4	5VK-H3519-00	BRACKET, METER	1	1	1	1	1	
5	92017-06014	BOLT, BUTTON HEAD	2	2	2	2	2	
6	90464-12089	CLAMP	1	1	1	1	1	

FIG 40 HEADLIGHT

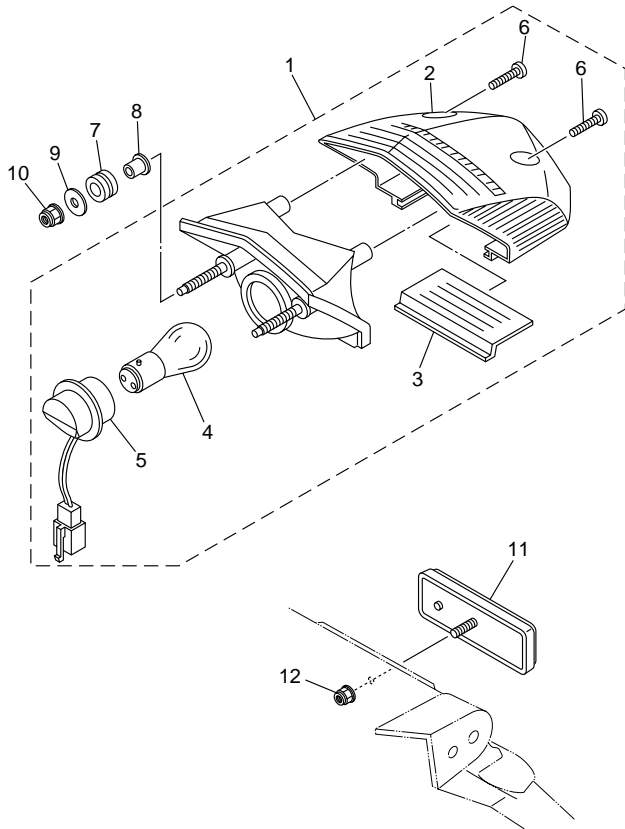
E13



Ref. NO.	Part NO.	DESCRIPTION	FRA	DEU	ZAF	OTH	GBR	REMARKS
1	5VK-H4310-10	HEADLIGHT UNIT ASSY	0	0	1	0	1	UR
2	5VK-H4314-00	.BULB, HEADLIGHT	1	1	1	1	1	H4-12V 55/60W
3	5VK-H4393-00	.HOLDER, BULB	1	1	1	1	1	
4	3WW-H4347-00	.BULB (12V-5W)	1	1	1	1	1	
5	5VK-H4397-00	.COVER, SOCKET	1	1	1	1	1	
6	5VK-H4312-00	.HOLDER, SOCKET	1	1	1	1	1	
7	90183-05808	.NUT, SPRING	2	2	2	2	2	
8	5VK-H4332-00	SPRING, SCREW	1	1	1	1	1	
9	90101-06815	BOLT	2	2	2	2	2	
10	90201-06839	WASHER, PLATE	2	2	2	2	2	
11	5VK-H4118-00	STAY, HEADLIGHT 1	1	1	1	1	1	
12	92017-06020	BOLT, BUTTON HEAD	2	2	2	2	2	
13	90387-065G0	COLLAR	2	2	2	2	2	
14	90480-15058	GROMMET	2	2	2	2	2	
15	90480-15316	GROMMET	2	2	2	2	2	
16	5VK-H4359-00	CORD, HEADLIGHT	1	1	1	1	1	

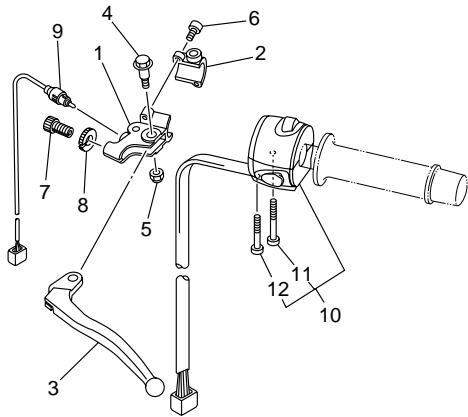
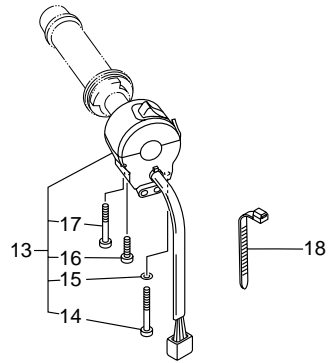
FIG 41 TAILLIGHT

E14



Ref. NO.	Part NO.	DESCRIPTION	FRA	DEU	ZAF	OTH	GBR	REMARKS
1	5VK-H4710-00	TAILLIGHT UNIT ASSY	1	1	1	1	1	
2	5VK-H4721-00	.LENS, TAILLIGHT	1	1	1	1	1	
3	5VK-H4743-00	.LENS, LICENCE LIGHT	1	1	1	1	1	
4	1A2-84714-41	.BULB (12V-21/5W)	1	1	1	1	1	
5	5VK-H4735-00	.CORD ASSY	1	1	1	1	1	
6	5SE-H4724-00	.SCREW, LENS FITTING	2	2	2	2	2	
7	90480-14329	GROMMET	2	2	2	2	2	
8	90387-065G0	COLLAR	2	2	2	2	2	
9	90201-06057	WASHER, PLATE	2	2	2	2	2	
10	95607-06200	NUT, SELF U-FLANGE	2	2	2	2	2	
11	3NC-H5130-00	REAR REFLECTOR ASSY	1	1	1	1	1	
12	95607-05200	NUT, U FLANGE	1	1	1	1	1	

 5VK1300-C410




5VK1300-C420

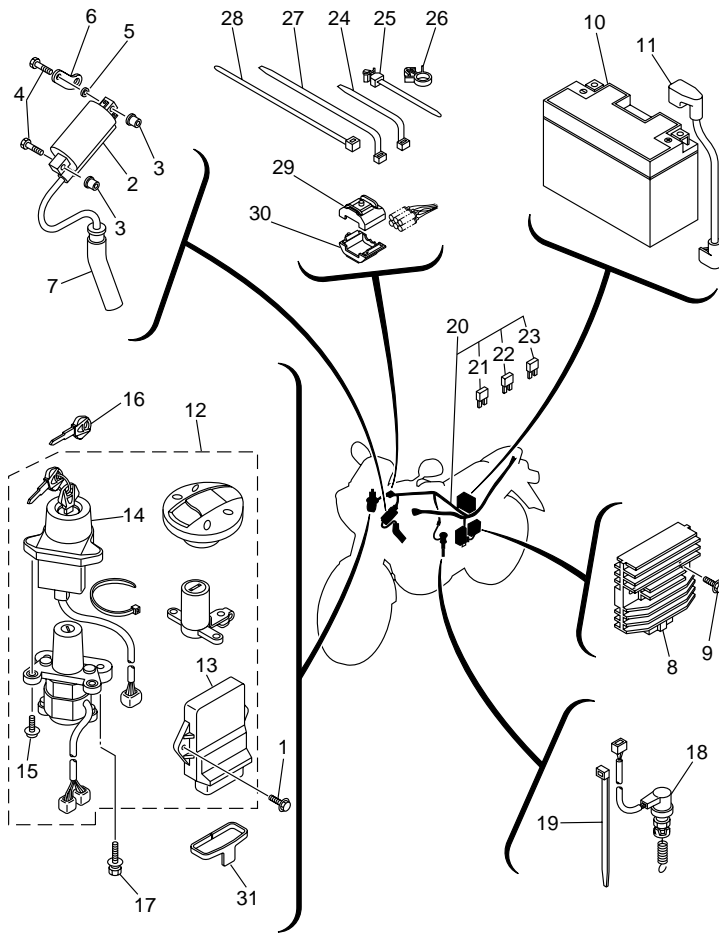
FIG 42 HANDLE SWITCH & LEVER

E15

Ref. NO.	Part NO.	DESCRIPTION	FRA	DEU	ZAF	OTH	GBR	REMARKS
1	1LN-82911-00	HOLDER, LEVER 1	1	1	1	1	1	
2	33G-82913-01	HOLDER, LEVER LOWER 1	1	1	1	1	1	
3	3FY-83912-01	LEVER 1	1	1	1	1	1	
4	90109-06799	BOLT	1	1	1	1	1	
5	95607-06100	NUT, U	1	1	1	1	1	
6	91317-05020	BOLT	2	2	2	2	2	
7	90123-08046	BOLT	1	1	1	1	1	
8	90179-08148	NUT	1	1	1	1	1	
9	5VK-82917-00	SWITCH	1	1	1	1	1	
10	5VK-83969-00	SWITCH, HANDLE 5	1	1	1	1	1	
11	98507-05030	.SCREW, PAN HEAD	1	1	1	1	1	
12	98507-05045	.SCREW, PAN HEAD	1	1	1	1	1	
13	5VK-83975-00	SWITCH, HANDLE 2	1	1	1	1	1	
14	98507-05055	.SCREW, PAN HEAD	1	1	1	1	1	
15	92907-05600	.WASHER, PLATE	1	1	1	1	1	
16	98507-05045	.SCREW, PAN HEAD	1	1	1	1	1	
17	98507-05020	.SCREW, PAN HEAD	1	1	1	1	1	
18	90464-25004	CLAMP	2	2	2	2	2	

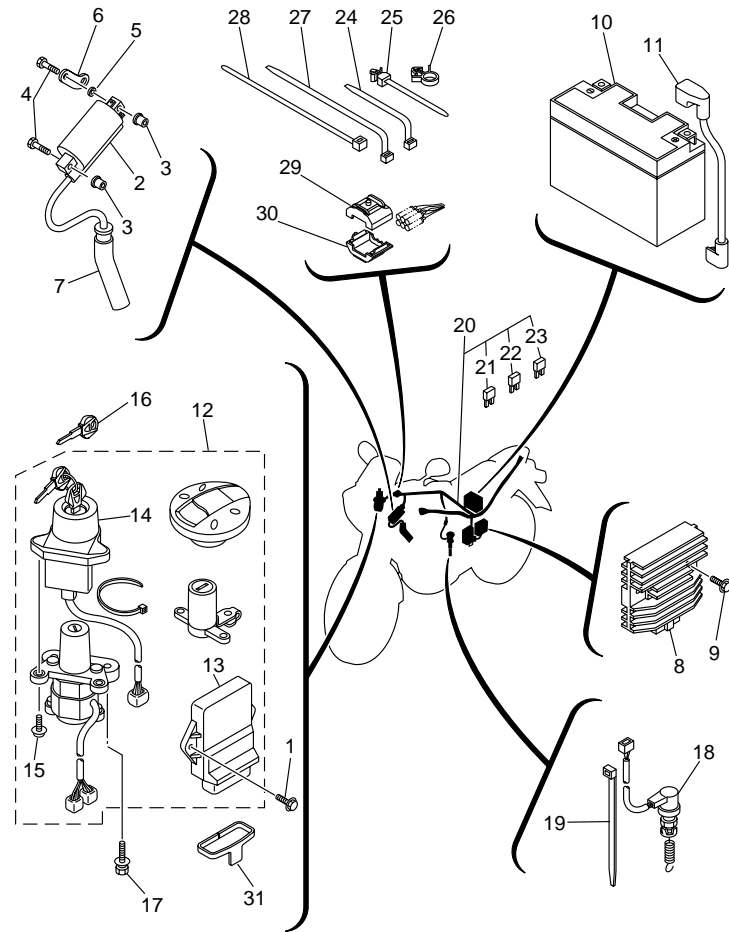
FIG 43 ELECTRICAL 1

F2




5VK1300-C430

Ref. NO.	Part NO.	DESCRIPTION	FRA	DEU	ZAF	OTH	GBR	REMARKS
1	90119-06192	BOLT, WITH WASHER	2	2	2	2	2	
2	4GV-82310-00	IGNITION COIL ASSY	1	1	1	1	1	
3	90179-05523	NUT	2	2	2	2	2	
4	97007-05025	BOLT	2	2	2	2	2	
5	90201-05556	WASHER, PLATE	1	1	1	1	1	
6	5VK-82312-00	HOLDER, COIL FITTING	1	1	1	1	1	
7	5VK-82370-00	PLUG CAP ASSY	1	1	1	1	1	
8	5SL-81960-00	RECTIFIER & REGULATOR ASSY	1	1	1	1	1	
9	95027-06020	BOLT, FLANGE	2	2	2	2	2	
10	5FL-82100-01	BATTERY ASSY (GT9B-4)	1	1	1	1	1	
11	5VK-H2115-00	WIRE, PLUS LEAD	1	1	1	1	1	
12	5VK-W8250-00	MAIN SW. IMMOBILIZER KIT	1	1	1	1	1	
13	5VK-8591A-00	.ENGINE CONTROL UNIT ASSY	1	1	1	1	1	
14	5VS-8255P-00	.IMMOBILIZER. UNIT COMP.	1	1	1	1	1	
15	5SL-82113-00	.SCREW	2	2	2	2	2	
16	5SL-82511-08	BLANK KEY	1	1	1	1	1	AP
17	90109-080G5	BOLT	2	2	2	2	2	
18	5VK-82530-00	STOP SWITCH ASSY	1	1	1	1	1	
19	90464-16061	CLAMP	2	2	2	2	2	
20	5VK-H2590-00	WIRE HARNESS ASSY	1	1	1	1	1	
21	5JJ-82151-00	.FUSE (7.5A-BL)	2	2	2	2	2	
22	5JJ-82151-30	.FUSE (10A-BL)	6	6	6	6	6	
23	5JJ-82151-20	.FUSE (20A-BL)	2	2	2	2	2	
24	90464-13077	CLAMP	4	4	4	4	4	
25	90464-12089	CLAMP	1	1	1	1	1	
26	90464-15157	CLAMP	1	1	1	1	1	
27	90464-15195	CLAMP	1	1	1	1	1	
28	1UA-82591-00	BAND	12	12	12	12	12	




5VK1300-C430

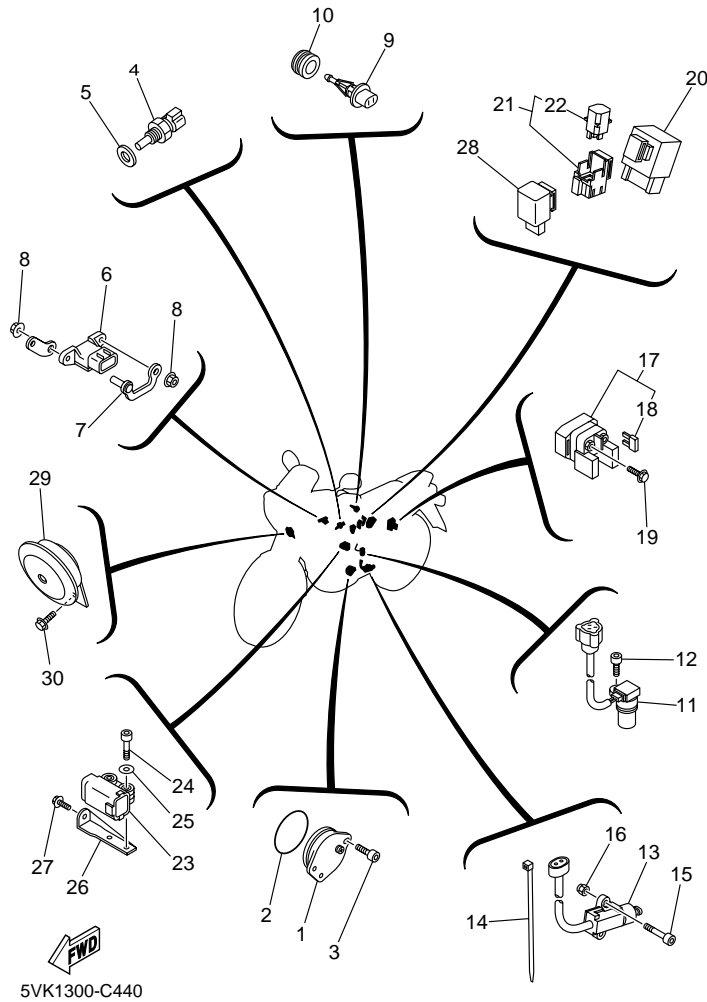
FIG 43 ELECTRICAL 1

F3

Ref. NO.	Part NO.	DESCRIPTION	FRA	DEU	ZAF	OTH	GBR	REMARKS
29	5VS-8258J-00	HOUSING, CONNECTEUR 1	1	0	0	0	1	
30	5VS-8259J-00	HOUSING, CONNECTEUR 2	1	0	0	0	1	
31	5WM-81614-00	PROTECTOR	1	0	0	0	1	

FIG 44 ELECTRICAL 2

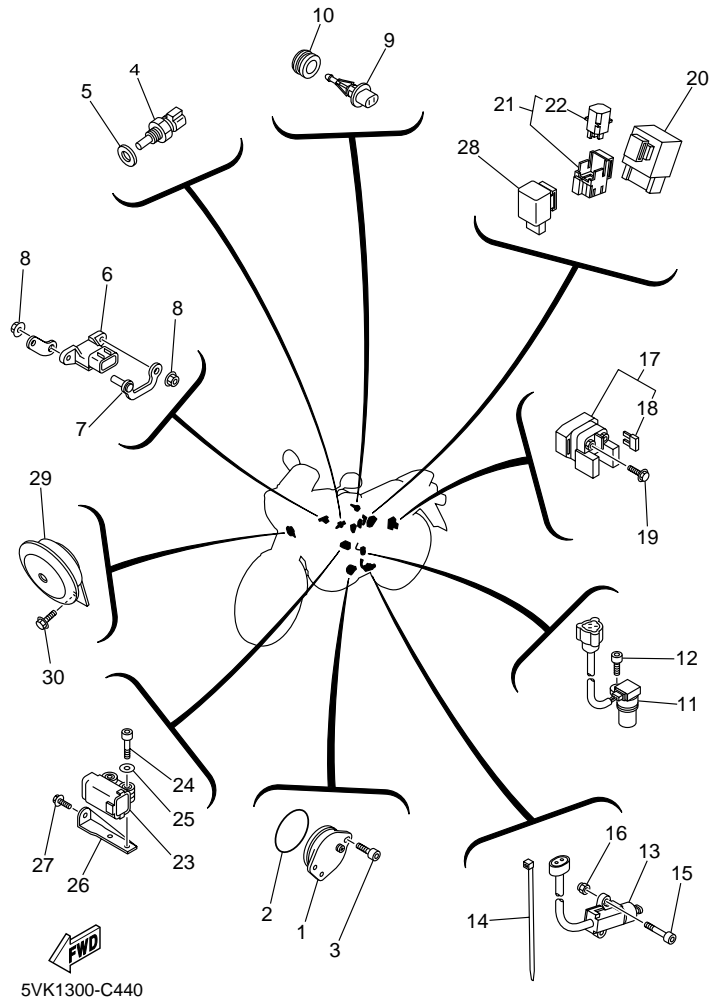
F4



Ref. NO.	Part NO.	DESCRIPTION	FRA	DEU	ZAF	OTH	GBR	REMARKS
1	1AE-82540-00	NEUTRAL SWITCH ASSY	1	1	1	1	1	
2	93210-29196	O-RING	1	1	1	1	1	
3	90110-06122	BOLT, HEXAGON SOCKET HEAD	2	2	2	2	2	
4	5PS-85790-00	THERMOSENSOR ASSY	1	1	1	1	1	
5	90430-12202	GASKET	1	1	1	1	1	
6	5PS-82380-00	SENSOR, PRESSURE	1	1	1	1	1	
7	5VK-82388-00	PLATE	1	1	1	1	1	
8	95707-06500	NUT, FLANGE	2	2	2	2	2	
9	5VU-85886-00	SENSOR, AIR TEMPRATURE	1	1	1	1	1	
10	5CA-14435-00	GROMMET	1	1	1	1	1	
11	5LP-83755-01	SENSOR, SPEED	1	1	1	1	1	
12	91317-06014	BOLT	1	1	1	1	1	
13	5RT-82566-50	SWITCH, SIDE STAND	1	1	1	1	1	
14	90464-16061	CLAMP	1	1	1	1	1	
15	91317-05035	BOLT	2	2	2	2	2	
16	95607-05100	NUT, U	2	2	2	2	2	
17	4SV-81940-10	STARTER RELAY ASSY	1	1	1	1	1	
18	1AE-82151-00	.FUSE (30A-BL)	2	2	2	2	2	
19	95027-06008	BOLT, FLANGE	2	2	2	2	2	
20	5VK-81950-40	RELAY ASSY	1	1	1	1	1	
21	5JJ-81950-20	RELAY ASSY	2	2	2	2	2	
22	5JJ-81952-00	.HOLDER, RELAY	1	1	1	1	1	
23	5PS-82576-01	EMERGENCY STOP SWITCH ASSY	1	1	1	1	1	
24	91317-04025	BOLT	2	2	2	2	2	
25	90201-047A2	WASHER, PLATE	2	2	2	2	2	
26	5VK-F1453-00	BRACKET, SWITCH	1	1	1	1	1	
27	95807-06016	BOLT, FLANGE	1	1	1	1	1	
28	4GY-83350-00	FLASHER RELAY ASSY	1	1	1	1	1	

FIG 44 ELECTRICAL 2

F5



Ref. NO.	Part NO.	DESCRIPTION	FRA	DEU	ZAF	OTH	GBR	REMARKS
29	5VK-H3371-00	HORN	1	1	1	1	1	
30	95027-06010	BOLT, FLANGE	1	1	1	1	1	

NUMERICAL INDEX

Part No.	Page No.	Part No.	Page No.	Part No.	Page No.	Part No.	Page No.	Part No.	Page No.	Part No.	Page No.
10V-22178-00	C12	3YF-23418-00	D5	5JH-F3158-00	D8	5VK-12459-00	B7	5VK-24731-00	D11	5VK-E4457-00	B11
10V-22184-00	C12	3YX-21376-00	C14	5JJ-25894-00	E7	5VK-12481-00	B7	5VK-24737-00	D11	5VK-E4611-00	B14
11H-12438-10	B7	4AA-22259-40	D4	5JJ-81950-20	F4	5VK-12577-00	B7	5VK-24747-00	D11	5VK-E4621-00	B14
11H-81844-00	C5	4BP-24780-00	D11	5JJ-81952-00	F4	5VK-12578-00	B8	5VK-25111-00	D12	5VK-E4711-00	B14
132-16346-00	C10	4CU-F1568-00	D10	5JJ-82151-00	F2	5VK-12579-00	B8	5VK-25117-00	D12	5VK-E4718-00	B14
136-25115-00	D12	4CU-F1568-10	D10	5JJ-82151-20	F2	5VK-13160-00	B13	5VK-25181-00	D12	5VK-E4721-00	B14
1A2-84714-41	E14	4CU-F1568-20	D10	5JJ-82151-30	F2	5VK-13161-00	B9	5VK-25311-00	D14	5VK-E4728-00	B14
1AE-82151-00	F4	4CU-F1568-30	D10	5JW-18140-00	C10	5VK-13171-00	B9	5VK-25366-00	D14	5VK-E4738-00	B14
1AE-82540-00	F4	4CU-F1568-40	D10	5JW-24486-00	D9	5VK-13181-00	B9	5VK-25410-00	D14	5VK-E4748-00	B14
1E6-26342-00	E3	4CU-F1568-50	D10	5JX-14725-00	B14	5VK-13327-00	B9	5VK-2583V-00	E7	5VK-E5100-00	C2
1FK-81847-00	C5	4CU-F1568-60	D10	5LP-13300-00	B9	5VK-13356-00	B9	5VK-25895-00	E7	5VK-E5118-00	C3
1FK-84527-00	B8	4CU-F1568-70	D10	5LP-13329-00	B9	5VK-13464-00	B10	5VK-27411-00	E5	5VK-E5371-00	B11
1LN-82911-00	E15	4CU-F1568-80	D10	5LP-83755-01	F4	5VK-13465-00	B10	5VK-27421-00	E5	5VK-E5383-00	C2
1T4-24741-00	C13	4CU-F3181-00	D8	5LW-E443E-00	B11	5VK-13542-00	B12	5VK-28345-00	D9	5VK-E5411-00	C3
1UA-82591-00	F2	4DA-23145-L0	D7	5PS-14147-00	B13	5VK-13586-00	B11	5VK-28345-00	D9	5VK-E5416-00	C3
1UF-25388-00	D14	4DA-23145-L0	D7	5PS-82380-00	F4	5VK-13750-00	B13	5VK-28371-00	D9	5VK-E5421-00	C3
1VJ-15511-00	C5	4DW-12213-00	B6	5PS-82576-01	F4	5VK-13761-00	B13	5VK-2837J-00	E9	5VK-E5431-00	C3
1VJ-22141-00	D3	4EL-14714-00	B14	5PS-85790-00	F4	5VK-13907-01	D10	5VK-2837K-00	E9	5VK-E5441-00	C3
1VJ-25377-00	D14	4EL-14714-00	B14	5PS-85885-00	B13	5VK-13971-00	B12	5VK-81410-00	E10	5VK-E5451-00	C3
1W1-23416-00	D5	4FU-14714-00	B14	5RT-82566-50	F4	5VK-14503-00	B13	5VK-81450-00	E10	5VK-E5453-00	C3
214-11198-01	B9	4G0-11133-11	B2	5SE-F3394-00	D8	5VK-14531-00	B13	5VK-81815-00	C5	5VK-E5462-00	C3
22U-16321-00	C6	4G0-12118-00	B5	5SE-F5824-00	D13	5VK-14803-00	B15	5VK-81950-40	F4	5VK-E5522-00	C5
22W-24181-00	B14	4G0-81871-00	C5	5SE-F5824-00	E2	5VK-14815-00	B15	5VK-82312-00	F2	5VK-E7121-00	C8
22W-24181-00	B14	4GV-82310-00	F2	5SE-H4724-00	E14	5VK-14871-00	B15	5VK-82370-00	F2	5VK-E7131-00	C8
26H-21828-00	C15	4GY-83350-00	F4	5SL-81960-00	F2	5VK-14881-00	B15	5VK-82388-00	F4	5VK-E7141-00	C8
2JN-16154-00	C6	4H7-23441-01-P5	D5	5SL-82113-00	F2	5VK-14882-00	B15	5VK-82530-00	F2	5VK-E7151-00	C8
2TV-W2470-00	D11	4HM-24728-00	D11	5SL-82511-08	F2	5VK-15199-01	C5	5VK-82917-00	E15	5VK-E7211-00	C8
2VN-25854-00	E7	4JH-26246-00	E3	5TA-16321-00	C6	5VK-15362-00	C11	5VK-83345-00	E11	5VK-E7221-00	C8
2VN-25855-00	E7	4ML-2582A-50	E7	5VK-1111F-00	B6	5VK-15455-00	C4	5VK-83359-00	E11	5VK-E7231-00	C8
2VN-25866-00	E7	4SS-27218-00	E7	5VK-11166-00	C2	5VK-15517-00	C5	5VK-83500-00	E12	5VK-E7241-00	C8
2WK-13447-00	B9	4SV-81940-10	F4	5VK-11181-00	B2	5VK-15560-00	C5	5VK-83500-10	E12	5VK-E7251-00	C8
2YK-27222-00	E7	4UN-18542-00	C10	5VK-11311-00	B3	5VK-15590-00	C5	5VK-83922-00	E4	5VK-E7401-00	C8
30X-22178-00	C12	4UN-18566-00	C10	5VK-11351-00	B3	5VK-16111-00	C6	5VK-83969-00	E15	5VK-E7402-00	C8
30X-2219X-00	D2	4V4-23188-L0	D7	5VK-11400-00	B4	5VK-16150-00	C6	5VK-83975-00	E15	5VK-E7460-00	C9
33G-82913-01	E15	4V4-23188-L0	D8	5VK-11401-09	B4	5VK-16331-00	C6	5VK-83980-00	E4	5VK-E7466-00	C3
3AJ-13325-00	B9	4X7-13440-01	B9	5VK-11422-00	B4	5VK-16340-00	C6	5VK-8591A-00	F2	5VK-E7471-00	C9
3AJ-25381-01	D14	4X7-16325-00	C6	5VK-11454-00	B4	5VK-16351-00	C6	5VK-E1101-00	B2	5VK-E8110-00	C11
3AJ-81801-00	C5	4XV-16356-01	C6	5VK-11531-00	B4	5VK-16371-00	C6	5VK-E1167-00	B11	5VK-E8113-00	C11
3AJ-81809-00	C5	4XV-21376-00	C14	5VK-11536-00	B4	5VK-18101-00	C11	5VK-E1185-00	B2	5VK-E8144-00	C10
3AJ-81850-00	C5	4XV-8182A-00	C5	5VK-11603-00	B4	5VK-18127-00	C10	5VK-E1186-00	B2	5VK-E8501-00	C10
3BN-W0042-50	E7	4YR-26240-02	E3	5VK-11631-00	B4	5VK-18540-00	C10	5VK-E2170-00	B6	5VK-E8502-00	C10
3FY-83912-01	E15	4YR-26241-02	E3	5VK-11633-00	B4	5VK-18699-00	C10	5VK-E2405-00	B8	5VK-E8503-00	C10
3GM-W2585-21	E4	55U-25854-00	E4	5VK-11651-00	B4	5VK-21445-00	C12	5VK-E2413-00	B8	5VK-F1110-10	C12
3HT-25398-00	D12	56A-25867-00	E4	5VK-11681-00	B4	5VK-21639-00	C13	5VK-E2437-00	B8	5VK-F117F-00	E7
3HT-25398-00	D14	583-13113-00	B10	5VK-12111-00	B5	5VK-21649-00	C14	5VK-E2437-10	B8	5VK-F117M-00	E7
3KW-27234-00	E7	5BP-12159-01	B5	5VK-12113-00	B5	5VK-21746-00	C12	5VK-E243A-10	B11	5VK-F1315-00	C12
3NC-H5130-00	E14	5CA-14435-00	F4	5VK-12121-00	B5	5VK-21875-00	C15	5VK-E2461-00	B8	5VK-F1316-00	C12
3SX-81890-00	C5	5CG-25715-00	E4	5VK-12146-00	B5	5VK-22123-00	D2	5VK-E2462-00	B8	5VK-F137W-00	D9
3TB-12210-00	B6	5CH-F7491-00	E2	5VK-12151-00	B5	5VK-22124-00	D2	5VK-E2469-00	B7	5VK-F137W-10	D9
3TB-24181-00	D9	5DM-28371-00	C13	5VK-12161-00	B5	5VK-22125-00	D2	5VK-E2498-00	B8	5VK-F137X-00	D9
3VL-F4741-10	D11	5DN-F415A-10	D10	5VK-12231-00	B6	5VK-22210-00	D4	5VK-E3415-00	B9	5VK-F137X-10	D9
3WW-H4347-00	E13	5DS-F5825-00	D13	5VK-12241-00	B6	5VK-23389-00	D5	5VK-E3545-00	B12	5VK-F137Y-00	D9
3XJ-23171-L0	D7	5DS-F5825-00	E2	5VK-12280-00	B6	5VK-23389-00	D5	5VK-E3591-00	B11	5VK-F1410-00	C12
3XJ-23171-L0	D7	5DS-F5917-00	D13	5VK-12284-00	B6	5VK-23430-00	D5	5VK-E4411-00	B11	5VK-F1453-00	F4
3XP-25852-50	E7	5DS-F5917-00	E2	5VK-12290-00	B6	5VK-2414H-00	D9	5VK-E441A-00	B11	5VK-F1511-00	C13
3XP-W0041-00	E4	5EB-16382-00	C6	5VK-12410-00	B8	5VK-2414H-00	D9	5VK-E441E-00	B11	5VK-F1511-10	C13
3Y6-23442-00-P1	D5	5FL-82100-01	F2	5VK-12421-00	B7	5VK-2414K-00	D9	5VK-E4437-00	B11	5VK-F153A-00	C14
3YF-12116-00	B5	5HO-12119-00	B5	5VK-12422-00	B7	5VK-2416F-00	D9	5VK-E443E-00	B11	5VK-F153A-10	C14
3YF-12117-01	B5	5JG-16383-00	C6	5VK-12428-00	B7	5VK-24182-00	D9	5VK-E4451-00	B11	5VK-F1556-00	C13
3YF-14613-01	B15	5JG-16384-00	C6	5VK-12436-00	B7	5VK-24183-00	D9	5VK-E4452-00	B11	5VK-F1587-00	C13
3YF-15515-00	C5	5JH-F3158-00	D7	5VK-12450-00	B7	5VK-24602-00	D9	5VK-E4453-00	B11	5VK-F160E-00	C13

NUMERICAL INDEX

Part No.	Page No.	Part No.	Page No.	Part No.	Page No.	Part No.	Page No.	Part No.	Page No.	Part No.	Page No.
5VK-F1611-00	C13	5VK-F474W-00	D11	5VK-H3333-00	E11	90109-085E2	B14	90201-06057	E14	90387-06023	B14
5VK-F1621-00	B11	5VK-F4770-00	D11	5VK-H3333-00	E11	90109-085G6	E7	90201-06060	E5	90387-06042	B8
5VK-F1651-00	C13	5VK-F478E-00	D11	5VK-H3333A-00	E11	90110-06122	F4	90201-06060	E6	90387-06066	D2
5VK-F1651-10	C13	5VK-F478X-00	D11	5VK-H3334-00	E11	90110-08096	E6	90201-064K6	B12	90387-06086	E5
5VK-F1685-00	C13	5VK-F4792-00	D11	5VK-H3334A-00	E11	90110-08232	D11	90201-06839	E13	90387-06086	E6
5VK-F1711-00	C15	5VK-F5104-00	D12	5VK-H3334-00	E11	90111-05011	D5	90201-08083	E7	90387-06088	E11
5VK-F1721-00	C15	5VK-F5183-00	D12	5VK-H3340-00	E11	90111-05011	D9	90201-08759	C5	90387-062M9	C15
5VK-F1781-00	D10	5VK-F5186-00	D12	5VK-H3371-00	F5	90111-05011	D9	90201-08X18	C5	90387-065G0	E13
5VK-F1781-10	D10	5VK-F5304-00	D14	5VK-H3519-00	E12	90111-06029	E2	90201-096J9	B2	90387-065G0	E14
5VK-F1782-00	D10	5VK-F580T-00	D13	5VK-H4118-00	E13	90111-08823	D13	90201-10141	D5	90387-065X7	C13
5VK-F1782-10	D10	5VK-F580W-00	E2	5VK-H4310-00	E13	90116-10485	D14	90201-101A4	B3	90387-06648	C13
5VK-F1788-00	D10	5VK-F581T-00	D13	5VK-H4310-10	E13	90119-05193	D5	90201-101J1	D2	90387-06852	E2
5VK-F1788-10	D10	5VK-F582W-00	E2	5VK-H4312-00	E13	90119-06044	E7	90201-101J1	E5	90387-07037	B12
5VK-F1871-00	C15	5VK-F5872-00	E4	5VK-H4314-00	E13	90119-06051	C13	90201-10430	E5	90387-075H4	B12
5VK-F2110-00	D2	5VK-F5873-00	E7	5VK-H4332-00	E13	90119-06096	C13	90201-10430	E6	90387-07717	C15
5VK-F2151-00	D2	5VK-F5875-00	E7	5VK-H4359-00	E13	90119-06105	C6	90201-10614	C7	90387-08024	C12
5VK-F2174-00	D14	5VK-F5919-00	D13	5VK-H4393-00	E13	90119-06118	C13	90201-10X03	E4	90387-087L0	C13
5VK-F217A-00	D2	5VK-F5919-10	E2	5VK-H4397-00	E13	90119-06192	F2	90201-10X03	E7	90387-10020	E5
5VK-F217F-00	D2	5VK-F5924-00	D13	5VK-H4710-00	E14	90119-06861	D3	90201-120K4	C10	90387-127W0	D2
5VK-F2243-00	D4	5VK-F5924-10	E2	5VK-H4721-00	E14	90119-06X05	B6	90201-12541	B7	90387-16011	D2
5VK-F2311-00	D3	5VK-F6110-00	E3	5VK-H4735-00	E14	90123-08046	E15	90201-12575	C10	90387-16012	D2
5VK-F3102-00	D7	5VK-F6280-00	E3	5VK-H4743-00	E14	90149-05110	B9	90201-13013	D2	90387-167R5	D2
5VK-F3103-00	D7	5VK-F6290-00	E3	5VK-W0045-00	D13	90149-05321	C10	90201-16013	B4	90387-17801	D14
5VK-F3110-00	D7	5VK-F6311-00	E3	5VK-W0046-00	E2	90149-06280	B14	90201-160F6	D2	90387-17802	D15
5VK-F3110-00	D7	5VK-F6312-00	E3	5VK-W2587-00	E4	90149-06280	B14	90201-160T2	D15	90387-21002	C8
5VK-F3111-00	D7	5VK-F6335-00	E3	5VK-W8250-00	F2	90149-06298	E8	90201-170T3	D15	90387-25802	C8
5VK-F3111-00	D8	5VK-F7211-00	E7	5VK-WE343-00	B9	90150-05023	E9	90201-177G4	C10	90401-08133	B9
5VK-F3125-00	D7	5VK-F7311-00	E5	5VK-WE544-00	C4	90159-05083	E9	90201-208G4	C8	90401-10096	B10
5VK-F3125-00	D7	5VK-F7412-00	E5	5VS-8255P-00	F2	90159-06078	C15	90201-220T0	D5	90401-10X03	E4
5VK-F3126-00	D7	5VK-F741L-00	E5	5VS-8258J-00	F3	90159-06078	C15	90201-30X00	B4	90401-10X03	E7
5VK-F3136-00	D7	5VK-F7422-00	E5	5VS-8259J-00	F3	90164-05014	E12	90201-30X01	C5	90430-05126	B9
5VK-F3141-00	D7	5VK-F742L-00	E5	5VU-85886-00	F4	90169-05801	B8	90202-26142	D5	90430-06014	B7
5VK-F3141-00	D8	5VK-F7431-00	E5	5WM-81614-00	F3	90169-05802	B8	90209-20012	C6	90430-08204	B9
5VK-F3144-00	D7	5VK-F7441-00	E5	5Y1-25364-00	D14	90170-06128	B5	90209-21351	C8	90430-09002	B13
5VK-F3144-00	D7	5VK-F8100-00	D11	8CC-14216-10	B13	90170-18003	B4	90209-21X00	C8	90430-10188	B10
5VK-F3146-00	D7	5VK-F8116-00	D11	90101-06815	E13	90170-20274	C6	90209-21X00	C8	90430-12202	F4
5VK-F3146-00	D7	5VK-F8199-D0	D11	90101-06X26	C9	90170-20327	C6	90209-22X00	C8	90445-08008	C15
5VK-F3149-00	D7	5VK-F8199-D0	D11	90101-08428	C12	90176-22081	D5	90209-26348	C8	90445-08020	C15
5VK-F3149-00	D8	5VK-F8199-E0	D11	90101-10659	D2	90179-05523	E9	90215-18X00	B4	90445-11033	B10
5VK-F3153-00	D7	5VK-F8199-F0	D11	90101-12742	D4	90179-05523	F2	90215-20X00	C6	90445-12004	B12
5VK-F3153-00	D7	5VK-F8199-G0	D11	90105-05361	D5	90179-06635	D11	90215-20X01	C6	90450-59001	B11
5VK-F3170-00	D7	5VK-F8199-H0	D11	90105-05361	D5	90179-08148	E15	90215-21X00	C9	90450-72001	B11
5VK-F3170-00	D7	5VK-F8199-P0	D11	90105-06X06	B2	90179-08442	B15	90240-08124	E7	90462-06012	C2
5VK-F3173-00	D7	5VK-F8199-S0	D11	90105-06X06	B8	90179-10658	C12	90240-10800	E5	90462-16X00	C3
5VK-F3173-00	D7	5VK-F8351-00	E9	90105-06X20	C4	90179-10658	C12	90240-10800	E5	90464-07259	C13
5VK-F317E-00	D5	5VK-F8351-10	E9	90105-07004	B6	90179-10658	C12	90269-06081	D9	90464-11008	C15
5VK-F317F-00	D5	5VK-F8381-00	E9	90105-09002	B2	90179-16448	B4	90269-08066	C13	90464-12001	D5
5VK-F317M-00	D5	5VK-H2115-00	F2	90105-09003	B2	90179-18003	C9	90269-08066	D3	90464-12001	E3
5VK-F3181-00	D7	5VK-H2116-00	C5	90105-09004	B2	90179-25615	D5	90280-05001	B4	90464-12089	E12
5VK-F3181-00	D8	5VK-H2121-00	B11	90105-10040	C12	90183-05061	D5	90282-05058	B4	90464-12089	F2
5VK-F3340-00	D8	5VK-H2122-00	B11	90105-10069	D13	90183-05061	E9	90282-07001	C6	90464-13077	F2
5VK-F334G-00	D8	5VK-H2590-00	F2	90105-10077	B3	90183-05808	E13	90338-06004	D5	90464-15157	F2
5VK-F334H-00	D8	5VK-H3310-00	E11	90105-10078	B3	90183-06023	C13	90338-08226	C13	90464-15195	F2
5VK-F3466-00	D6	5VK-H3311-00	E11	90105-10811	E5	90183-06023	C13	90338-08801	B11	90464-16006	C15
5VK-F3472-00	D5	5VK-H3311-00	E11	90105-10813	E5	90185-14002	D2	90338-28242	D3	90464-16061	E11
5VK-F4110-10-PO	D9	5VK-H3311-00	E11	90105-10814	E5	90201-047A2	F4	90340-14132	B9	90464-16061	E11
5VK-F413B-00	D9	5VK-H3311-00	E11	90109-06419	B9	90201-05015	B14	90340-14X00	C3	90464-16061	F2
5VK-F413B-00	D9	5VK-H3320-00	E11	90109-06577	E4	90201-05015	B14	90340-36X00	C3	90464-16061	F4
5VK-F4186-00	D9	5VK-H3330-00	E11	90109-06799	E15	90201-05556	F2	90380-22111	D2	90464-18004	E3
5VK-F4491-00	D9	5VK-H3333-00	E11	90109-06816	E2	90201-05X08	E10	90387-05803	C13	90464-25004	E15
5VK-F474A-00	D11	5VK-H3333-00	E11	90109-080G5	F2	90201-06026	E11	90387-06023	B14	90464-37257	B15

NUMERICAL INDEX

Part No.	Page No.	Part No.	Page No.	Part No.	Page No.	Part No.	Page No.	Part No.	Page No.
90465-12013	C2	91317-06012	B10	93102-35368	C8	*	D12	95827-06030	B12
90467-07138	B12	91317-06012	B7	93106-22019	D2	*	D14	95827-08040	C12
90467-08003	C15	91317-06012	C3	93106-23002	D12	*	D14	97007-05012	C13
90467-08003	C15	91317-06012	C3	93106-23002	D14	*	D12	97007-05025	F2
90467-10008	B10	91317-06014	F4	93106-30029	D14	*	D12	97007-06025	E4
90467-10008	C12	91317-06016	B10	93108-35004	D2	*	D14	97507-06525	B8
90467-11090	B12	91317-06016	C2	93109-17071	D2	*	D14	97707-60020	C13
90467-11108	B12	91317-06016	D6	93109-20076	D2	*	D12	9770M-50025	B11
90467-11108	B12	91317-06018	B2	93210-07X01	B9	*	D12	98507-05020	E15
90467-12085	E7	91317-06020	B7	93210-07X01	C2	*	D14	98507-05030	E15
90467-12800	B11	91317-06020	B9	93210-10197	B10	*	D14	98507-05045	E15
90467-13062	B11	91317-06020	C11	93210-11073	B9	94418-21800	D12	98507-05045	E15
90467-14015	C2	91317-06025	B10	93210-13X00	B9	94427-17800	D14	98507-05055	E15
90467-14015	C2	91317-06025	B6	93210-13X00	C3	94582-15110	D14	98507-06012	B13
90467-14800	B11	91317-06025	C3	93210-14X00	C3	94591-57126	B6	98706-04012	E4
90467-17089	B15	91317-06025	C3	93210-15171	B10	94701-00X09	B2	98980-06012	B14
90467-17089	B15	91317-06025	C4	93210-15620	E7	95024-08016	C12	98980-06012	B14
90467-170A0	B15	91317-06030	B2	93210-19123	C12	95024-08040	B14	99001-07600	C6
90467-170A2	B12	91317-06030	C2	93210-21X00	B7	95024-08040	B14	99001-10600	C10
90467-17800	C12	91317-06030	C3	93210-22164	C8	95027-06008	F4	99009-10400	C7
90467-17801	B11	91317-06035	C3	93210-29196	F4	95027-06010	F5	99009-11400	B9
90467-19160	B12	91317-06035	C4	93210-33X00	B7	95027-06012	B6	99009-12400	B7
90467-19800	C12	91317-06035	E11	93210-35X00	C3	95027-06012	E7	99009-17400	C10
90467-23800	B11	91317-06035	E3	93210-41042	B8	95027-06014	D11	99009-20400	C8
90467-27800	B8	91317-06040	B3	93210-61750	B7	95027-06020	F2	99530-10114	B10
90467-27800	B8	91317-06040	E5	93210-64297	B9	95027-06025	B7	99530-12016	C2
90467-29800	B7	91317-06040	E6	93210-78X00	B2	95027-08040	D5	99530-12016	C3
90467-29800	B8	91317-06045	C2	93210-96X00	B2	95307-08600	D14	99530-12016	C3
90467-29800	B8	91317-06050	B7	93306-00106	B7	95604-16200	D15	99530-12016	C3
90480-01141	D9	91317-06050	C3	93306-00304	C6	95606-06100	E4	99530-14016	C2
90480-01558	C15	91317-06050	C3	93306-00428	C9	95607-05100	F4		
90480-01558	C15	91317-06055	C2	93306-00445	C8	95607-05200	E14		
90480-12581	B14	91317-06060	C2	93306-072Y1	B6	95607-06100	E11		
90480-12581	B14	91317-06080	C2	93306-20348	D12	95607-06100	E15		
90480-13398	C5	91317-06090	C2	93306-20348	D14	95607-06100	E5		
90480-14329	E14	91317-06095	B9	93306-205XA	C8	95607-06100	E6		
90480-14555	E12	91317-08025	C5	93306-30437	D14	95607-06200	E14		
90480-15001	B12	91317-08030	D5	93306-30525	B4	95607-08100	C12		
90480-15058	E13	91317-08050	D11	93306-305X4	B4	95607-10200	D14		
90480-15316	E13	91380-06016	B15	93306-305X4	C8	95607-10200	D5		
90480-18276	B12	91401-16012	E7	93306-308Y0	B4	95607-14200	D3		
90480-18276	B8	91401-25020	E5	93310-530C7	C5	95614-10100	D2		
90480-20566	B11	91401-25020	E5	93310-84010	B4	95617-08618	B2		
90501-043E0	B10	91808-16X00	C2	93315-11206	C10	95617-10100	E5		
90501-06022	C10	91808-16X00	C4	93315-22251	D2	95617-12100	D4		
90501-10312	E4	91808-16X00	C4	93315-31502	C7	95704-06500	B12		
90501-260A1	C6	92017-06014	E11	93315-31759	D2	95707-06500	D11		
90504-18005	E5	92017-06014	E12	93315-32053	D2	95707-06500	F4		
90504-18005	E6	92017-06020	E13	93317-11020	C6	95807-06010	B8		
90506-20002	E5	92017-06030	E10	93332-00008	D5	95807-06012	C13		
90506-20369	E7	92017-06035	B9	93332-000Y6	D5	95807-06012	C15		
90508-16016	C6	92907-05600	E15	93440-10085	B2	95807-06014	C13		
90508-20801	E5	92907-06600	E4	93440-11024	C5	95807-06016	F4		
90508-20802	E5	92907-08200	C12	93440-25084	C8	95807-06020	D2		
90560-17306	D14	92907-08600	C6	93440-25084	C8	95814-08035	B14		
91317-04025	F4	92907-08600	D14	93440-28062	C8	95814-10070	C12		
91317-05008	B9	93101-12173	B7	93450-24824	B4	95814-10100	C12		
91317-05010	D9	93101-14164	C3	93503-08007	B10	95817-06035	C5		
91317-05014	E10	93101-25106	B4	93603-16219	B7	95827-06016	D9		
91317-05020	E15	93102-12106	C10	93612-16X00	B2	95827-06020	B12		
91317-05035	F4	93102-15212	C6	*	D12	95827-06025	B12		

CONTENTS

ENGINE

CYLINDER HEAD	B2	B2
CYLINDER	B3	B3
CRANKSHAFT & PISTON	B4	B4
VALVE	B5	B5
CAMSHAFT & CHAIN	B6	B6
WATER PUMP	B7	B7
RADIATOR & HOSE	B8	B8
OIL PUMP	B9	B9
INTAKE	B11	B11
INTAKE 2	B13	B13
EXHAUST	B14	B14
CRANKCASE	C2	C2
CRANKCASE COVER 1	C3	C3
STARTER CLUTCH	C5	C5
CLUTCH	C6	C6
TRANSMISSION	C8	C8
SHIFT CAM & FORK	C10	C10
SHIFT SHAFT	C11	C11

CHASSIS

FRAME	C12	C12
FENDER	C13	C13
SIDE COVER	C15	C15
REAR ARM	D2	D2
REAR SUSPENSION	D4	D4
STEERING	D5	D5
FRONT FORK	D7	D7
FUEL TANK	D9	D9
SEAT	D11	D11
FRONT WHEEL	D12	D12
FRONT BRAKE CALIPER	D13	D13
REAR WHEEL	D14	D14
REAR BRAKE CALIPER	E2	E2
STEERING HANDLE & CABLE	E3	E3
FRONT MASTER CYLINDER	E4	E4
STAND & FOOTREST	E5	E5
REAR MASTER CYLINDER	E7	E7
COWLING 1	E9	E9
GENERATOR	E10	E10
FLASHER LIGHT	E11	E11
METER	E12	E12
HEADLIGHT	E13	E13
TAILLIGHT	E14	E14
HANDLE SWITCH & LEVER	E15	E15
ELECTRICAL 1	F2	F2
ELECTRICAL 2	F4	F4